

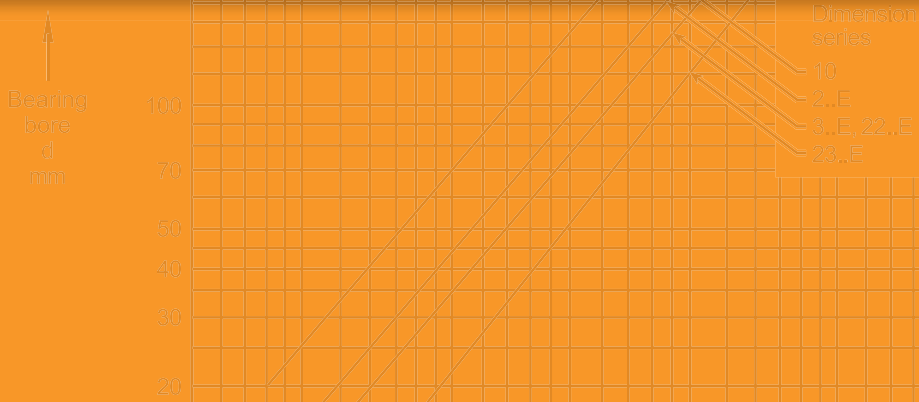


TIMKEN

Where You Turn



TIMKEN SPHERICAL ROLLER BEARING CATALOG



SPHERICAL ROLLER BEARING CATALOG INDEX

TIMKEN OVERVIEW	2
SHELF LIFE POLICY	6
INTRODUCTION	8
ENGINEERING	
Bearing Types and Cages	12
Metric System Tolerances	14
Mounting, Fitting, Setting and Installation Practices	17
Shaft and Housing Fits	25
Operating Temperatures	42
Heat Generation and Dissipation	45
Torque	46
Lubrication	47
SPHERICAL ROLLER BEARINGS	
Spherical Roller Bearings	59
Spherical Roller Bearing Pillow Blocks	89
Spherical Roller Bearing Inch and Metric Accessories	127



TIMKEN. WHERE YOU TURN.

Turn to Timken to move ahead of the competition and stand out as a leader in your industry.

When you turn to us, you receive more than high-quality products and services; you acquire a worldwide team of highly trained and experienced associates, eager to help you keep production rates high and downtime low.

Whether it is a wheel assembly for a family vehicle, bearings outfitted for a deep-sea oil drilling rig, repair services for rail bearings or steel for an aircraft engine shaft, we supply the products and services you need that help keep the world turning.

FRICITION MANAGEMENT SOLUTIONS – A TOTAL SYSTEMS APPROACH

Your industry is ever-changing, from the evolution of advanced motion-control systems to the demands from your customers. Turn to us to stay ahead of the curve.

We use our friction-management know-how to offer solutions that maximize performance, fuel-efficiency and equipment life. We also offer integrated services that extend well beyond bearings, including condition monitoring systems and services, encoders and sensors, seals, premium lubricants and lubricators.

Timken's wide range of friction management solutions can include evaluations of your entire system – not just individual components. This provides cost-effective solutions to help you reach specific application goals. Working together, we help you meet these demands and ensure all your systems run smoothly.



TECHNOLOGY THAT MOVES YOU

Innovation is one of our core values, and we're known for our ability to solve engineering challenges.

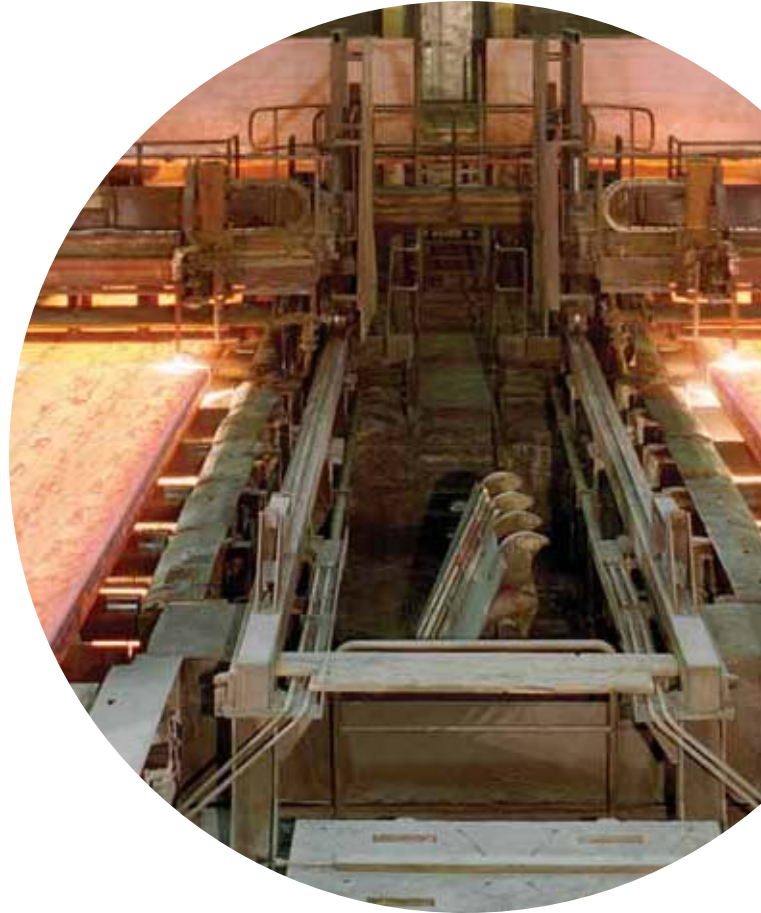
We focus on improving performance in the most difficult applications, and we're passionate about creating technical solutions and services that help your equipment perform faster, harder, smoother and more efficiently.

To do this, we invest in:

- **People**, attracting and hiring scholars, engineers and specialists from across the globe who are experts in mechanical power transmission, antifriction bearing design, tribology, metallurgy, clean steel production, precision manufacturing, metrology and engineered surfaces and coatings.
- **Tools**, including state-of-the-art laboratories, computers and manufacturing equipment.
- **The Future**, identifying new concepts that make you a standout in your industry for years to come. Our ongoing investment in research and development activities allows us to grow our capabilities, expand our product and service portfolio and deliver value over the long term.

We're committed to finding new avenues for system sustainability. In the area of power density, we're creating systems where we replace larger, more cumbersome components with smaller, more efficient bearings to help improve systems' performance.

We carry on this sustainable difference across the globe. Wherever you're located, you can count on us at technology centers in North America, Europe and Asia – as well as in our manufacturing facilities and field offices on six continents – to develop ideas and resources to transform your concepts into reality.





A BRAND YOU CAN TRUST

The Timken brand stands for quality, innovation and dependability.

We take pride in the quality of our work, and you gain the peace-of-mind of knowing that each box contains an industry-trusted product. As our founder Henry Timken said, "Don't set your name to anything you will ever have cause to be ashamed of."

We continue this mindset through the Timken Quality Management System (TQMS). With TQMS, we promote continuous quality improvements in our products and services to our global operations and supply chain networks. It helps us ensure that we're consistently applying quality management practices throughout the company. We also register each of our production facilities and distribution centers to the appropriate quality system standards for the industries they serve.

ABOUT THE TIMKEN COMPANY

The Timken Company keeps the world turning with innovative friction management and power transmission products and services that are critical to help hard-working machinery to perform efficiently and reliably. With sales of \$4.1 billion in 2010, and operations in 30 countries with approximately 20,000 people, Timken is Where You Turn® for better performance.

ABOUT THIS MANUAL

Timken offers an extensive range of bearings and accessories in both imperial and metric sizes. For your convenience, size ranges are indicated in millimeters and inches. Contact your Timken engineer to learn more about our complete line for the special needs of your application.

USING THIS MANUAL

We are committed to providing our customers with maximum service and quality. This publication contains dimensions, tolerances and load ratings as well as an engineering section describing fitting practices for shafts and housings, internal clearances, materials and other bearing features. It can provide valuable assistance in the initial consideration of the type and characteristics of the bearing that may best suit your particular needs.

Every reasonable effort has been made to ensure the accuracy of the information contained in this writing, but no liability is accepted for errors, omissions or for any other reason.

Timken products are sold subject to Timken's terms and conditions of sale, including its limited warranty and remedy. Please contact your Timken engineer with questions.

MANUAL FEATURES

ISO and ANSI/ABMA, as used in this publication, refer to the International Organization for Standardization and the American National Standards Institute/American Bearing Manufacturers Association.



NOTE

Product performance is affected by many factors beyond the control of Timken. Therefore, the suitability and feasibility of all designs and product selection should be validated by you. This catalog is provided solely to give you, a customer of Timken or its parent or affiliates, analysis tools and data to assist you in your design. No warranty, expressed or implied, including any warranty of fitness for a particular purpose, is made by Timken. Timken products and services are sold subject to a Limited Warranty.

You can see your Timken engineer for more information.

SHELF LIFE AND STORAGE OF GREASE-LUBRICATED BEARINGS AND COMPONENTS

Timken guidelines for the shelf life of grease-lubricated rolling bearings, components and assemblies are set forth below. Shelf life information is based on test data and experience. Shelf life should be distinguished from lubricated bearing/component design life as follows:

SHELF LIFE POLICY

Shelf life of the grease-lubricated bearing/component represents the period of time prior to use or installation. The shelf life is a portion of the anticipated aggregate design life. It is impossible to accurately predict design life due to variations in lubricant bleed rates, oil migration, operating conditions, installation conditions, temperature, humidity and extended storage.

Shelf life values, available from Timken, represent a maximum limit – and assume adherence to the Timken suggested storage and handling guidelines. Deviations from Timken’s storage and handling guidelines may reduce shelf life. Any specification or operating practice that defines a shorter shelf life should be used. Timken cannot anticipate the performance of the grease lubricant after the bearing or component is installed or placed in service.

TIMKEN IS NOT RESPONSIBLE FOR THE SHELF LIFE OF ANY BEARING/COMPONENT LUBRICATED BY ANOTHER PARTY.

STORAGE

Timken suggests the following storage guidelines for its finished products (bearings, components and assemblies, hereinafter referred to as “Products”):

- Unless directed otherwise by Timken, Products should be kept in their original packaging until they are ready to be placed into service.
- Do not remove or alter any labels or stencil markings on the packaging.
- Products should be stored in such a way that the packaging is not pierced, crushed or otherwise damaged.
- After a Product is removed from its packaging, it should be placed into service as soon as possible.
- When removing a Product that is not individually packaged from a bulk pack container, the container should be resealed immediately after the Product is removed.
- Do not use Product that has exceeded its shelf life as defined in Timken’s shelf life guidelines statement.
- The storage area temperature should be maintained between 0° C (32° F) and 40° C (104° F); temperature fluctuations should be minimized.
- The relative humidity should be maintained below 60 percent and the surfaces should be dry.
- The storage area should be kept free from airborne contaminants such as, but not limited to, dust, dirt, harmful vapors, etc.
- The storage area should be isolated from undue vibration.
- Extreme conditions of any kind should be avoided.

Inasmuch as Timken is not familiar with a customer’s particular storage conditions, these guidelines are strongly suggested. However, the customer may very well be required by circumstance or applicable government requirements to adhere to stricter storage requirements.

Most bearing types are typically shipped protected with a corrosion-preventive compound that is not a lubricant. Such bearings may be used in oil-lubricated applications without removal of the corrosion-preventive compound. When using some specialized grease lubrications, it is advisable to remove the corrosion-preventive compound before packing the bearings with suitable grease.

Some bearing types in this catalog are prepacked with general purpose grease suitable for their normal application. Frequent replenishment of the grease may be necessary for optimum performance. Care must be exercised in lubricant selection, however, since different lubricants are often incompatible.

When specified by the customer, other bearings may be ordered pre-lubricated.

Upon receipt of a bearing shipment, ensure that the bearings are not removed from their packaging until they are ready for mounting so that they do not become corroded or contaminated. Bearings should be stored in an appropriate atmosphere in order that they remain protected for the intended period.

Any questions concerning shelf life or storage should be directed to your local sales office.



⚠ WARNING

Failure to observe the following warnings could create a risk of death or serious injury.

Proper maintenance and handling practices are critical. Always follow installation instructions and maintain proper lubrication.

Never spin a bearing with compressed air. The rollers may be forcefully expelled.

TYPICAL APPLICATIONS

Timken high-quality bearings can be put to work in any application where spherical roller bearings can be specified. Some of these applications are:

Gearboxes

Casters

Aggregates, including shaker screens

Heavy stationary industrial conveyor systems

Industrial fans



TIMKEN® SPHERICAL ROLLER BEARINGS – OFFERING SELECTION AND SUPERIOR PERFORMANCE

Your success depends on the performance of your equipment, especially when it faces harsh environments and high radial loads. To help keep uptime high and downtime low, turn to Timken® spherical roller bearings. These bearings are your best choice when conditions include heavy loads, when you have difficulties in establishing or maintaining housing alignment, or when shaft deflection can be expected.

PRODUCT OFFERING

Our spherical roller bearing product line is one of the broadest in the industry. Timken spherical bearings are available in either stamped-steel window-type cages or precision-machined-brass cages with a wide variety of sizes and configurations to meet the requirements of demanding applications.

You can select product from the complete range of our spherical roller series as depicted in fig. 1. They are available in 10 dimensional series conforming to ISO and ANSI/ABMA standards. Our product line includes several designs developed to meet your applications' requirements. Sizes range from 25 mm (0.9842 in.) to 1500 mm bore (59.0551 in.).

Timken's offering includes pillow blocks equipped with spherical roller bearings. These pillow blocks are made of split construction for convenient assembly and disassembly.

A wide range of accessories is available to support installation and removal needs. Use of accessories is the safest and most effective way to mount and dismount a bearing assembly.

Updates are made periodically to this catalog. Visit www.timken.com for the most recent version of the Spherical Roller Bearing Catalog.

A QUANTUM LEAP

Timken has redesigned the spherical roller bearing line, giving you expanded options for meeting the toughest, most demanding applications – from heavy-gear and caster applications to the harshest aggregate and conveyor systems. With higher load and speed ratings than previous Timken spherical roller bearings, this next generation achieves higher performance levels with improved surface finishes and innovative features that are designed to help lower operating temperatures and increase load-carrying capabilities.

- New cage designs, including a nitrided, stamped steel slotted cage, help provide better purging of contaminants.
- Optimized internal geometries provide positive axial roller guidance and improved lubricant distribution.
- Circumferential roller guidance generates positive hydrodynamic contact, contributing to better roller/cage interaction.

The result of these innovations is an 18 percent increase in capacity for a 75 percent calculated design life improvement over our previous spherical roller bearing design.

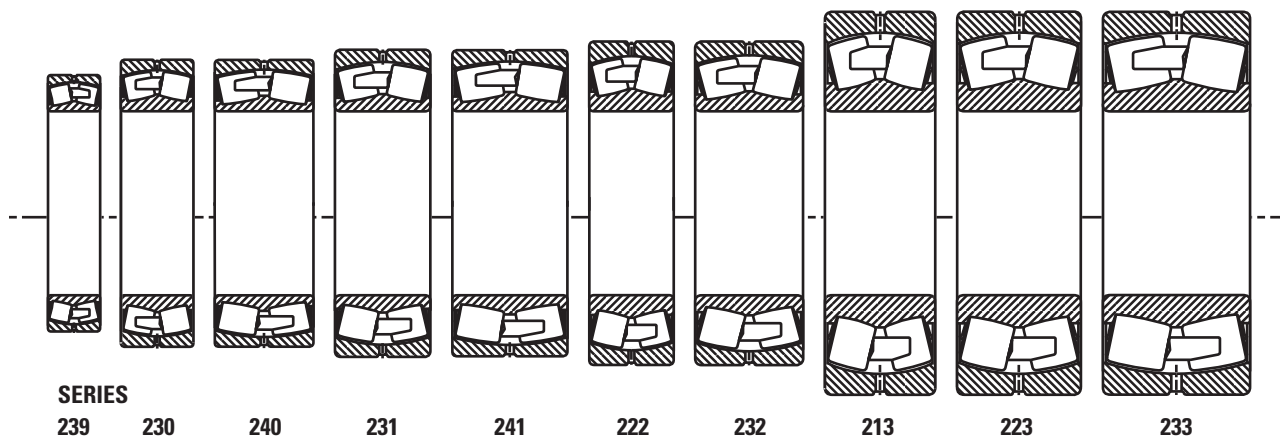


Fig. 1. Radial spherical roller bearing series.

TIMKEN® SPHERICAL ROLLER BEARINGS – OFFERING SELECTION AND SUPERIOR PERFORMANCE – *continued*

COOLER THAN THE COMPETITION

Lower operating temperatures increase bearing life by increasing lubricant life. A 5° C decrease in operating temperature can translate to 9 percent longer bearing life. In tests, Timken spherical roller bearings ran at consistently lower temperatures than same-size competitive bearings.

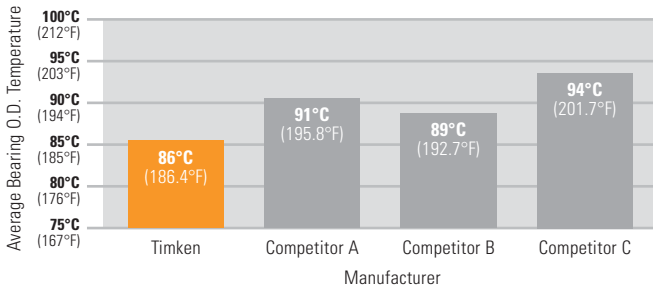


Fig. 2. Actual average bearing O.D. temperature comparison: 22322 spherical roller bearings

INDUSTRY-LEADING THERMAL SPEED RATINGS

The design of the next-generation Timken spherical roller bearing has placed its performance among the industry leaders with a 17 percent increase in average thermal speed rating over the previous Timken product.

QUALITY SOLUTIONS

As the only premium bearing manufacturer to also make super-clean, high-alloy bearing steels, we understand the critical quality link between materials and product performance.

We also strictly adhere to the Timken Quality Management System in every plant worldwide, so each bearing product meets the same high performance standards – no matter where in the world it is manufactured.

DEPENDABLE SERVICE

Every Timken spherical roller bearing is backed by the knowledge of our industry-leading experts. They stand ready to assist you with product design, application knowledge and 24/7 field engineering support – anything you need to help improve uptime and maximize equipment performance.

This catalog includes radial spherical roller bearings, housed units that use standard width spherical roller bearings and accessories. Timken’s complete catalog of housed units (order no. 10475) is available on www.timken.com.

ENGINEERING

The following topics are covered within this engineering section:

- Spherical roller bearing design types.
- Cage design types.
- Fitting practice and mounting recommendations.
- Lubrication recommendations.

This engineering section is not intended to be comprehensive, but does serve as a useful guide in spherical roller bearing selection.

To view the complete engineering catalog, please visit www.timken.com. To order the catalog, please contact your Timken engineer and request a copy of the Timken Engineering Manual, order number 10424.



RADIAL SPHERICAL ROLLER BEARING TYPES AND CAGES

The principle styles of radial spherical roller bearings that Timken offers are:

- ≤400 mm outer diameter: EJ, EM and EMB
- >400 mm outer diameter: YM, YMB, YMD and YP

Above suffixes correspond to different types of designs depending on a bearing size and geometry. Main differences are the cage type used in the assembly. Spherical roller bearings with an EJ cage suffix are fitted with a stamped-steel cage. YM/EM/YMB and YMD suffixes are used with brass cage designs. YP is a pin-type cage specific for large diameter bearings.

The newly redesigned Timken® EJ, EM and EMB bearings offer higher load ratings, increased thermal speed ratings and reduced operating temperatures compared to the previous offering.

In addition to these improvements, cage designs vary between the different styles as noted below. See the cage section for more details.

Style	Cage Design
EJ	Land-riding steel cage; one per row
EM/YM	Roller-riding one-piece brass cage
EMB/YMB	Land-riding one-piece brass cage
YMD	Land-riding two-piece brass cage
YP	Steel pin-type cage

Most Timken spherical roller bearings are available with a cylindrical bore as well as a tapered bore. Tapered bore bearing part numbers are designated with a K suffix.

A taper of 1:12 is standard except for 240, 241 and 242 series, which have a taper of 1:30.



Fig. 3. Radial spherical roller bearings.

OPTIONAL FEATURES AVAILABLE WITH TIMKEN SPHERICAL ROLLER BEARINGS

W33 lubrication groove and oil holes

A lubrication groove and three oil holes are provided in the bearing outer ring as standard. This is designated by the W33 suffix. It eliminates the expense of machining a channel in the housing bore for introducing lubricant to the bearing. This design feature allows the lubricant to flow between the roller paths, through a single lubrication fitting. The lubricant moves laterally outward from the center of the bearing, reaching all contact surfaces and flushing the bearing. To order, add the suffix W33 to the bearing number (e.g. 22216EMW33).

Bearings for vibratory applications

Timken offers specific spherical roller bearing designs for vibratory applications. They are designated by the W800 modification code and made to a C4 clearance. Specify W800 when ordering. This design provides:

- A lubrication groove on the outer ring with three lubrication holes to facilitate bearing lubrication.
- Extra-close running accuracy (P5) with high and low points marked on the bearing.
- Reduced bore and outside diameter tolerances.
- Radial internal clearance is made in upper two-thirds of C4 clearance range.

These bearings are available with either a cylindrical or tapered bore. Other optional features are available. See page 61, table 27 or consult with your Timken engineer.

CAGES

Cages (also referred to as rolling element retainers) serve several purposes in the proper operation of a rolling element bearing. Cages separate the rolling elements and prevent rolling element on rolling element contact and wear. Cages align the rolling elements on the inner ring to prevent rolling element sliding, skidding, and skewing to facilitate true rolling motion. For handling purposes, cages retain the rolling elements on the inner ring assembly to allow for bearing installation. In some instances, cages also improve flow of the lubricant to the bearing raceway or rib contacting surfaces.

The following sections discuss the common types of cages used for each major bearing design type (tapered, cylindrical, spherical, and ball bearing). The basic design geometry, material, and manufacture are discussed for each cage type.

STAMPED-STEEL CAGES

The redesigned Timken® EJ bearings incorporate a unique stamped-steel cage design.

The EJ design includes two independent cages, one for each row of rollers, which are assembled into an individual bearing. This feature serves to prevent cage bending when the operating environment is favorable for this to occur.

This cage is guided on the inner ring and runs above pitch. Each cage is surface hardened (nitrided) to provide improved wear resistance as well as additional strength to allow the bearing to operate in even the most severe environment. Face slots have been designed for improved lubrication flow. This can result in a lower operating temperature and longer bearing life.

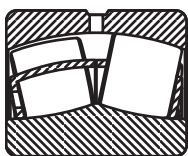


Fig. 4. EJ bearings.



Fig. 5. EJ cage.



Fig. 7. One-piece, machined-brass, roller-riding, finger-type cage.



Fig. 8. One-piece, machined-brass, land-riding, finger-type cage.



Fig. 9. Split, machined-brass, land-riding, finger-type cage.

MACHINED-BRASS CAGE

EM, EMB, YM, YMB and YMD bearing cages are precision-machined from brass as shown in figs. 7-9. Their rugged construction provides an advantage in more severe applications. The open-end, finger-type design permits lubricant to reach all surfaces easily, ensuring ample lubrication and a cooler running bearing.

EM, EMB, YM and YMB are all one-piece designs that are differentiated by their means of guidance within the bearing. With EM and YM designs, the cage mass is low and the rollers are used for guidance, while EMB and YMB cage designs typically have more mass and guide on the inner ring.

YMD cages are similar to YMB, except they have a two-piece design. Two independent cages, one for each row of rollers, are assembled into an individual bearing. This allows each row of rollers to rotate independently when required by the application, and prevents bending of the cage fingers.

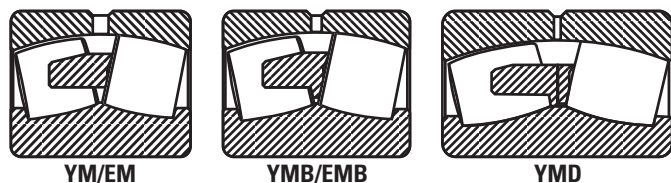


Fig. 6. Machined cages.

PIN-TYPE CAGES

Large diameter spherical roller bearings can be supplied with these cages. Pin-type cages, one for each row of rollers, consist of two rings and a series of pins running through the center of the rolling element. The design of pin-type cages permits an increased roller complement, giving the bearing enhanced load-carrying ability. Consult your Timken engineer for suggestions on the application of this cage.

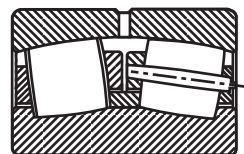


Fig. 10. Pin-type cage.

METRIC SYSTEM TOLERANCES **SPHERICAL ROLLER BEARINGS**

Spherical roller bearings are manufactured to a number of specifications, with each having classes that define tolerances on dimensions such as bore, O.D., width and runout. Metric bearings have been manufactured to corresponding standard negative tolerances.

The following table summarizes the different specifications and classes for spherical roller bearings and other available Timken bearing lines. For the purposes of this catalog, ISO specifications are shown for spherical roller bearings.

Boundary dimension tolerances for spherical roller bearing usage are listed in the following tables. These tolerances are provided for use in selecting bearings for general applications, in conjunction with the bearing mounting and fitting practices offered in later sections.

TABLE 1. BEARING SPECIFICATIONS AND CLASSES

System	Specification	Bearing Type	Standard Bearing Class		Precision Bearing Class			
Metric	ISO/DIN	All Bearing Types	P0	P6	P5	P4	P2	--
Imperial	ABMA	Spherical	RBEC 1	RBEC 3	RBEC 5	RBEC 7	RBEC 9	--

Standard Timken radial spherical roller bearings maintain normal tolerances according to ISO 492. Tables 2 and 3 list the critical tolerances for these bearing types. For applications where running tolerance is critical, P6 or P5 tolerances are recommended.

The term deviation is defined as the difference between a single ring dimension and the nominal dimension. For metric tolerances, the nominal dimension is at a +0 mm (0 in.) tolerance. The deviation is the tolerance range for the listed parameter. Variation is defined as the difference between the largest and smallest measurements of a given parameter for an individual ring.

TABLE 2. SPHERICAL ROLLER BEARING TOLERANCES – INNER RING (METRIC)⁽¹⁾

Bearing Bore		Bore Deviation ⁽²⁾ Δ_{dmp}			Width Variation V_{BS}			Radial Runout K_{ia}			Face Runout with Bore S_d	Axial Runout S_{ia}	Width Deviation Inner & Outer Rings ⁽²⁾ Δ_{Bs} and Δ_{Cs}	
Over	Incl.	P0	P6	P5	P0	P6	P5	P0	P6	P5	P5	P5	P0, P6	P5
mm	mm	mm	mm	mm	mm	mm	mm	mm	mm	mm	mm	mm	mm	mm
in.	in.	in.	in.	in.	in.	in.	in.	in.	in.	in.	in.	in.	in.	in.
2.5000 0.0984	10.000 0.3937	-0.008 -0.0003	-0.007 -0.0003	-0.005 -0.0002	0.015 0.0006	0.015 0.0006	0.005 0.0002	0.010 0.0004	0.006 0.0002	0.004 0.0002	0.007 0.0003	0.007 0.0003	-0.120 -0.0047	-0.040 -0.0157
10.000 0.3937	18.000 0.7087	-0.008 -0.0003	-0.007 -0.0003	-0.005 -0.0002	0.020 0.0008	0.020 0.0008	0.005 0.0002	0.010 0.0004	0.007 0.0003	0.004 0.0002	0.007 0.0003	0.007 0.0003	-0.120 -0.0047	-0.080 -0.0031
18.000 0.7087	30.000 1.1811	-0.010 -0.0004	-0.008 -0.0003	-0.006 -0.0002	0.020 0.0008	0.020 0.0008	0.005 0.0002	0.013 0.0005	0.008 0.0003	0.004 0.0002	0.008 0.0003	0.008 0.0003	-0.120 -0.0047	-0.120 -0.0047
30.000 1.1811	50.000 1.9685	-0.012 -0.0005	-0.010 -0.0004	-0.008 -0.0003	0.020 0.0008	0.020 0.0008	0.005 0.0002	0.015 0.0006	0.010 0.0004	0.005 0.0002	0.008 0.0003	0.008 0.0003	-0.120 -0.0047	-0.120 -0.0047
50.000 1.9685	80.000 3.1496	-0.015 -0.0006	-0.012 -0.0005	-0.009 -0.0004	0.025 0.0010	0.025 0.0010	0.006 0.0002	0.020 0.0008	0.010 0.0004	0.005 0.0002	0.008 0.0003	0.008 0.0003	-0.150 -0.0059	-0.150 -0.0059
80.000 3.1496	120.000 4.7244	-0.020 -0.0008	-0.015 -0.0006	-0.010 -0.0004	0.025 0.0010	0.025 0.0010	0.007 0.0003	0.025 0.0010	0.013 0.0005	0.006 0.0002	0.009 0.0004	0.009 0.0004	-0.200 -0.0079	-0.200 -0.0079
120.000 4.7244	150.000 5.9055	-0.025 -0.0010	-0.018 -0.0007	-0.013 -0.0005	0.030 0.0012	0.030 0.0012	0.008 0.0003	0.030 0.0012	0.018 0.0007	0.008 0.0003	0.010 0.0004	0.010 0.0004	-0.250 -0.0098	-0.250 -0.0098
150.000 5.9055	180.000 7.0866	-0.025 -0.0010	-0.018 -0.0007	-0.013 -0.0005	0.030 0.0012	0.030 0.0012	0.008 0.0003	0.030 0.0012	0.018 0.0007	0.008 0.0003	0.010 0.0004	0.010 0.0004	-0.250 -0.0098	-0.250 -0.0098
180.000 7.0866	250.000 9.8425	-0.030 -0.0012	-0.022 -0.0009	-0.015 -0.0006	0.030 0.0012	0.030 0.0012	0.010 0.0004	0.040 0.0016	0.020 0.0008	0.010 0.0004	0.011 0.0004	0.013 0.0005	-0.300 -0.0018	-0.300 -0.0018
250.000 9.8425	315.000 12.4016	-0.035 -0.0014	-0.025 -0.0010	-0.018 -0.0007	0.035 0.0014	0.035 0.0014	0.013 0.0005	0.050 0.0020	0.025 0.0010	0.013 0.0005	0.013 0.0005	0.015 0.0006	-0.350 -0.0138	-0.350 -0.0138
315.000 12.4016	400.000 15.7480	-0.040 -0.0016	-0.030 -0.0012	-0.023 -0.0009	0.040 0.0016	0.040 0.0016	0.015 0.0006	0.060 0.0024	0.030 0.0012	0.015 0.0006	0.015 0.0006	0.020 0.0008	-0.400 -0.0157	-0.400 -0.0157
400.000 15.7480	500.000 19.6850	-0.045 -0.0018	-0.035 -0.0014	– –	0.050 0.0020	0.045 0.0018	– –	0.065 0.0026	0.035 0.0014	– –	– –	– –	-0.450 -0.0177	– –
500.000 19.6850	630.000 24.8031	-0.050 -0.0020	-0.040 -0.0016	– –	0.060 0.0024	0.050 0.0020	– –	0.070 0.0028	0.040 0.0016	– –	– –	– –	-0.500 -0.0197	– –
630.000 24.8031	800.000 31.4961	-0.075 -0.0030	– –	– –	0.070 0.0028	– –	– –	0.080 0.0031	– –	– –	– –	– –	-0.750 -0.0295	– –

⁽¹⁾Symbol definitions are found on pages 32-33 of the Timken Engineering Manual (order number 10424).

⁽²⁾Tolerance range is from +0 to value listed.

TABLE 3. SPHERICAL ROLLER BEARING TOLERANCES – OUTER RING (METRIC)⁽¹⁾

Bearing O.D.		Outside Deviation ⁽²⁾ $\Delta_{D_{mp}}$			Width Variation V_{CS}		Radial Runout K_{ea}			Axial Runout S_{ea}	Outside Diameter Runout With Face S_D
Over	Incl.	P0	P6	P5	P0	P6	P0	P6	P5	P5	P5
mm	mm	mm	mm	mm	mm	mm	mm	mm	mm	mm	mm
in.	in.	in.	in.	in.	in.	in.	in.	in.	in.	in.	in.
0.000	18.000	-0.008	-0.007	-0.005	0.015	0.005	0.015	0.008	0.005	0.008	0.008
0.0000	0.7087	-0.0003	-0.0003	-0.0002	0.0006	0.0002	0.0006	0.0003	0.0002	0.0003	0.0003
18.000	30.000	-0.009	-0.008	-0.006	0.020	0.005	0.015	0.009	0.006	0.008	0.008
0.7087	1.1811	-0.0004	-0.0003	-0.00024	0.0008	0.0002	0.0006	0.0004	0.00024	0.0003	0.0003
30.000	50.000	-0.011	-0.009	-0.007	0.020	0.005	0.020	0.010	0.007	0.008	0.008
1.1811	1.9685	-0.0004	-0.0004	-0.0003	0.0008	0.0002	0.0008	0.0004	0.0003	0.0003	0.0003
50.000	80.000	-0.013	-0.011	-0.009	0.025	0.006	0.025	0.013	0.008	0.010	0.008
1.9685	3.1496	-0.0005	-0.0004	-0.0004	0.0010	0.00024	0.0010	0.0005	0.0003	0.0004	0.0003
80.000	120.000	-0.015	-0.013	-0.010	0.025	0.008	0.035	0.018	0.010	0.011	0.009
3.1496	4.7244	-0.0006	-0.0005	-0.0004	0.0010	0.0003	0.0014	0.0007	0.0004	0.0004	0.0004
120.000	150.000	-0.018	-0.015	-0.011	0.030	0.008	0.040	0.020	0.011	0.013	0.010
4.7244	5.9055	-0.0007	-0.0006	-0.0004	0.0012	0.0003	0.0016	0.0008	0.0004	0.0005	0.0004
150.000	180.000	-0.025	-0.018	-0.013	0.030	0.008	0.045	0.023	0.013	0.014	0.010
5.9055	7.0866	-0.0010	-0.0007	-0.0005	0.0012	0.0003	0.0018	0.0009	0.0005	0.0006	0.0004
180.000	250.000	-0.030	-0.020	-0.015	0.030	0.010	0.050	0.025	0.015	0.015	0.011
7.0866	9.8425	-0.0012	-0.0008	-0.0006	0.0012	0.0004	0.0020	0.0010	0.0006	0.0006	0.0004
250.000	315.000	-0.035	-0.025	-0.018	0.035	0.011	0.060	0.030	0.018	0.018	0.013
9.8425	12.4016	-0.0014	-0.0010	-0.0007	0.0014	0.0004	0.0024	0.0012	0.0007	0.0007	0.0005
315.000	400.000	-0.040	-0.028	-0.020	0.040	0.013	0.070	0.035	0.020	0.020	0.013
12.4016	15.7480	-0.0016	-0.0011	-0.0008	0.0016	0.0005	0.0028	0.0014	0.0008	0.0008	0.0005
400.000	500.000	-0.045	-0.033	-0.023	0.045	0.015	0.080	0.040	0.023	0.023	0.015
15.7480	19.6850	-0.0018	-0.0013	-0.0009	0.0018	0.0006	0.0031	0.0016	0.0009	0.0009	0.0006
500.000	630.000	-0.050	-0.038	-0.028	0.050	0.018	0.100	0.050	0.025	0.025	0.018
19.6850	24.8031	-0.0020	-0.0015	-0.0011	0.0020	0.0007	0.0039	0.0020	0.0010	0.0010	0.0007
630.000	800.000	-0.075	-0.045	-0.035	–	0.020	0.120	0.060	0.030	0.030	0.020
24.8031	31.4961	-0.0030	-0.0018	-0.0014	–	0.0008	0.0047	0.0024	0.0012	0.0012	0.0008
800.000	1000.000	-0.100	-0.060	–	–	–	0.140	0.075	–	–	–
31.4961	39.3701	-0.0040	-0.0024	–	–	–	0.0055	0.0030	–	–	–
1000.000	1250.000	-0.125	–	–	–	–	0.160	–	–	–	–
39.3701	49.2126	-0.0050	–	–	–	–	0.0063	–	–	–	–

⁽¹⁾Symbol definitions are found on pages 32-33 of the Timken Engineering Manual (order number 10424).

⁽²⁾Tolerance range is from +0 to value listed.

SPHERICAL ROLLER BEARING MOUNTING, FITTING, SETTING AND INSTALLATION

MOUNTING

Spherical roller bearings can be mounted individually, but most often are mounted in combination with another spherical roller bearing or a cylindrical roller bearing.

With spherical roller bearings, typically one bearing is fixed axially and the other is mounted with loose fits and axial space. This allows movement or float for environmental conditions such as uneven thermal growth between shaft and housing.

Fig. 11 shows a typical gearbox application using two spherical roller bearings where one bearing is free to float and the other bearing is fixed axially.

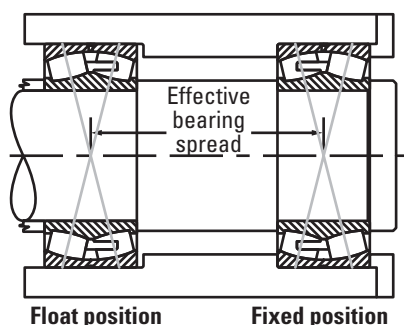


Fig. 11. Spherical roller bearing direct mounting.

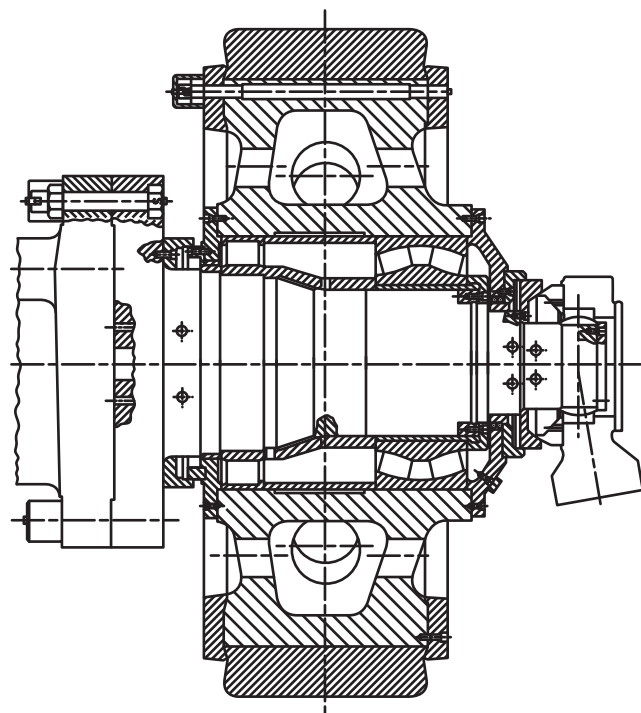


Fig. 12. Pulverizer wheel assembly.

Fig. 12 shows a pulverizer wheel assembly where a double-row spherical roller bearing is mounted in combination with a cylindrical roller bearing. In this application, the cylindrical roller bearing allows the shaft to float relative to the housing.

FITTING PRACTICE

Tables 6-12 on pages 25-41 list the recommended fitting practice for spherical roller bearings. The tables assume:

- The bearing is of normal precision.
- The housing is thick and made from steel or cast iron.
- The shaft is solid and made from steel.
- The bearing seats are ground or accurately turned to less than approximately 1.6 Ra finish.

The suggested fit symbols are in accordance with ISO 286. For help with recommended fitting practice, contact your Timken engineer.

As a general guideline, rotating inner rings should be applied with an interference fit. Loose fits may permit the inner rings to creep or turn, and wear the shaft and the backing shoulder. This wear may result in excessive bearing looseness and possible bearing and shaft damage. Additionally, abrasive metal particles resulting from creep or turning may enter into the bearing and cause damage and vibration.

Stationary inner-ring fitting practice depends on the loading of the application. The load conditions and bearing envelope dimensions should be used to select the suggested shaft fit from the tables.

Similarly, rotating outer-ring applications should use an interference fit between the outer ring and housing.

Stationary outer rings are generally mounted with loose fits to permit assembly and disassembly. The loose fit also permits axial movement when a spherical bearing is mounted in the float position.

Thin-walled housings, light-alloy housings, or hollow shafts must use press fits tighter than those required for thick-walled housings, steel, or cast iron housings or solid shafts. Tighter fits also are required when mounting the bearing on relatively rough, or unground surfaces.

WARNING

Failure to observe the following warnings could create a risk of death or serious injury.

Proper maintenance and handling practices are critical. Always follow installation instructions and maintain proper lubrication.

Never spin a bearing with compressed air. The rollers may be forcefully expelled.

TAPERED BORE DESIGNS

Typically, tapered bore bearings are selected to simplify shaft mounting and dismounting. Since the spherical roller bearing is not separable, mounting can be simplified by use of an adapter sleeve with a cylindrical bore and tapered O.D. A tapered bore roller bearing also can be mounted directly onto a tapered shaft.

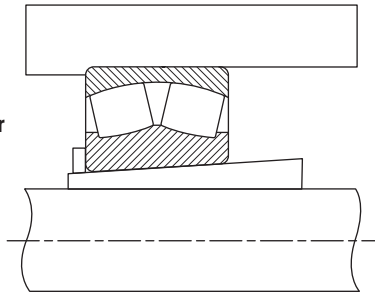


Fig. 13. Spherical roller bearing mounted with an adapter sleeve.

Bearings with a tapered bore typically require a tighter fit on the shaft than bearings with a cylindrical bore. A locknut is typically used to drive the inner ring up a tapered shaft sleeve. The locknut position is then secured by use of a lockwasher or lockplate. Timken offers a wide range of accessories to ease the assembly of spherical roller bearings with a tapered bore (see page 21). For approximating the clearance loss for axial drive-up, an 85 percent radial loss approximation can be used. That is, the radial clearance loss per axial drive-up can roughly be approximated as $71 \mu\text{m}/\text{mm}$ for a 1:12 tapered bore and $28 \mu\text{m}/\text{mm}$ for a 1:30 tapered bore. Table 5 on page 20 provides a direct relation between suggested RIC (radial internal clearance) reduction due to installation and the corresponding axial displacement of the inner ring.

SETTING

To achieve appropriate operation clearance, attention must be paid to the effects that fitting practice and thermal gradients have within the bearing.

FITTING PRACTICE

- An interference fit between the inner ring and a solid steel shaft will reduce the radial clearance within the bearing by approximately 80 percent of the fit.
- Interference fits between the outer ring and steel or cast iron housing will reduce radial clearance by approximately 60 percent.
- Spherical roller bearings with a tapered bore require a slightly greater interference fit on the shaft than a cylindrical bore bearing.

NOTE

It is critical to select the RIC that allows for this reduction.

THERMAL GRADIENTS

- Thermal gradients within the bearing are primarily a function of the bearing rotational speed. As speed increases, thermal gradients increase, thermal growth occurs and the radial clearance is reduced.
- As a rule of thumb, radial clearance should be increased for speeds in excess of 70 percent of the speed rating.

For help selecting the correct radial internal clearance for your application, consult with your Timken engineer.

Radial internal clearance tolerances are listed in tables 4 and 5 for spherical roller bearings.

Spherical roller bearings are ordered with a specified standard or non-standard radial internal clearance value. The standard radial internal clearances are designated as C2, C0 (normal), C3, C4 or C5 and are in accordance with ISO 5753. C2 represents the minimum clearance and C5 represents the maximum clearance. Non-standardized values also are available by special request.

The clearance required for a given application depends on the desired operating precision, the rotational speed of the bearing, and the fitting practice used. Most applications use a normal or C3 clearance. Typically, larger clearance reduces the operating load zone of the bearing, increases the maximum roller load, and reduces the bearing's expected life. However, a spherical roller bearing that has been put into a preload condition can experience premature bearing damage caused by excessive heat generation and/or material fatigue. As a general guideline, spherical roller bearings should not operate in a preloaded condition.

TABLE 4. RADIAL INTERNAL CLEARANCE LIMITS – SPHERICAL ROLLER BEARINGS – CYLINDRICAL BORE

Bore (Nominal)		Cylindrical Bore						Suggested Reduction of RIC Due to Installation		Suggested RIC After Installation
		Normal CO		C4		C5				
		Over	Incl.	Min.	Max.	Min.	Max.	Min.	Max.	Min.
mm	mm	mm	mm	mm	mm	mm	mm	mm	mm	
in.	in.	in.	in.	in.	in.	in.	in.	in.	in.	
20	30	0.015	0.025	0.04	0.055	0.075	0.095	0.015	0.02	0.015
0.9449	1.1811	0.0006	0.001	0.0016	0.0022	0.003	0.0037	0.0006	0.0008	0.0006
30	40	0.015	0.03	0.045	0.06	0.08	1	0.02	0.025	0.015
1.1811	1.5748	0.0006	0.0012	0.0018	0.0024	0.0031	0.0039	0.0008	0.001	0.0006
40	50	0.02	0.035	0.055	0.075	0.1	0.125	0.025	0.03	0.02
1.5748	1.9685	0.0008	0.0014	0.0022	0.003	0.0039	0.0049	0.001	0.0012	0.0008
50	65	0.02	0.04	0.065	0.09	0.12	0.15	0.03	0.038	0.025
1.9685	2.5591	0.0008	0.0016	0.0026	0.0035	0.0047	0.0059	0.0012	0.0015	0.001
65	80	0.03	0.05	0.08	0.11	0.145	0.18	0.038	0.051	0.025
2.5591	3.1496	0.0012	0.002	0.0031	0.0043	0.0057	0.0071	0.0015	0.002	0.001
80	100	0.035	0.06	0.1	0.135	0.18	0.225	0.046	0.064	0.036
3.1496	3.9370	0.0014	0.0024	0.0039	0.0053	0.0071	0.0089	0.0018	0.0025	0.0014
100	120	0.04	0.075	0.12	0.16	0.21	0.26	0.051	0.071	0.051
3.9370	4.7244	0.0016	0.003	0.0047	0.0063	0.0083	0.0102	0.002	0.0028	0.002
120	140	0.05	0.095	0.145	0.19	0.24	0.3	0.064	0.089	0.056
4.7244	5.5118	0.002	0.0037	0.0057	0.0075	0.0094	0.0118	0.0025	0.0035	0.0022
140	160	0.06	0.11	0.17	0.22	0.28	0.35	0.076	0.102	0.056
5.5118	6.2992	0.0024	0.0043	0.0067	0.0087	0.011	0.0138	0.003	0.004	0.0022
160	180	0.065	0.12	0.18	0.24	0.31	0.39	0.076	0.114	0.061
6.2992	7.0866	0.0026	0.0047	0.0071	0.0094	0.0122	0.0154	0.003	0.0045	0.0024
180	200	0.07	0.13	0.2	0.26	0.34	0.43	0.089	0.127	0.071
7.0866	7.8740	0.0028	0.0051	0.0079	0.0102	0.0134	0.0169	0.0035	0.005	0.0028
200	225	0.08	0.14	0.22	0.29	0.38	0.47	0.102	0.14	0.076
7.8740	8.8582	0.0031	0.0055	0.0087	0.0114	0.015	0.0185	0.004	0.0055	0.003
225	250	0.09	0.15	0.24	0.32	0.42	0.52	0.114	0.152	0.089
8.8582	9.8425	0.0035	0.0059	0.0094	0.0126	0.0165	0.0205	0.0045	0.006	0.0035
250	280	0.1	0.17	0.26	0.35	0.46	0.57	0.114	0.165	0.102
9.8425	11.0236	0.0039	0.0067	0.0102	0.0138	0.0181	0.0224	0.0045	0.0065	0.004
280	315	0.11	0.19	0.28	0.37	0.5	0.63	0.127	0.178	0.102
11.0236	12.4016	0.0043	0.0075	0.011	0.0146	0.0197	0.0248	0.005	0.007	0.004
315	355	0.12	0.2	0.31	0.41	0.55	0.69	0.14	0.19	0.114
12.4016	13.9764	0.0047	0.0079	0.0122	0.0161	0.0217	0.0272	0.0055	0.0075	0.0045
355	400	0.13	0.22	0.34	0.45	0.6	0.75	0.152	0.203	0.127
13.9764	15.7480	0.0051	0.0087	0.0134	0.0177	0.0236	0.0295	0.006	0.008	0.005
400	450	0.14	0.24	0.37	0.5	0.66	0.82	0.165	0.216	0.152
15.7480	17.7165	0.0055	0.0094	0.0146	0.0197	0.026	0.0323	0.0065	0.0085	0.006
450	500	0.14	0.26	0.41	0.55	0.72	0.9	0.178	0.229	0.165
17.7165	19.6850	0.0055	0.0102	0.0161	0.0217	0.0283	0.0354	0.007	0.009	0.0065
500	560	0.15	0.28	0.44	0.6	0.78	1	0.203	0.254	0.178
19.6850	22.0472	0.0059	0.011	0.0173	0.0236	0.0307	0.0394	0.008	0.01	0.007
560	630	0.17	0.31	0.48	0.65	0.85	1.1	0.229	0.279	0.203
22.0472	24.8031	0.0067	0.0122	0.0189	0.0256	0.0335	0.0433	0.009	0.011	0.008
630	710	0.19	0.35	0.53	0.7	0.92	1.19	0.254	0.305	0.203
24.8031	27.9528	0.0075	0.0138	0.0209	0.0276	0.0362	0.0469	0.01	0.012	0.008
710	800	0.21	0.39	0.58	0.77	1.01	1.3	0.279	0.356	0.229
27.9528	31.4961	0.0083	0.0154	0.0228	0.0303	0.0398	0.0512	0.011	0.014	0.009
800	900	0.23	0.43	0.65	0.86	1.12	1.44	0.305	0.381	0.252
31.4961	35.4331	0.0091	0.0169	0.0256	0.0339	0.0441	0.0567	0.012	0.015	0.01
900	1000	0.26	0.48	0.71	0.93	1.22	1.57	0.356	0.432	0.279
35.4331	39.3701	0.0102	0.0189	0.028	0.0366	0.048	0.0618	0.014	0.017	0.011

TABLE 5. RADIAL INTERNAL CLEARANCE LIMITS – SPHERICAL ROLLER BEARINGS – TAPERED BORE

Bore (Nominal)		Tapered Bore						Suggested Reduction of RIC Due to Installation		Axial Displacement of Inner Ring for RIC Reduction – Tapered Shaft ⁽¹⁾⁽²⁾				Suggested RIC After Installation ⁽¹⁾
		Normal CO		C4		C5				Taper 1:12		Taper 1:30		
		Min.	Max.	Min.	Max.	Min.	Max.			Min.	Max.	Min.	Max.	
Over	Incl.	Min.	Max.	Min.	Max.	Min.	Max.	Min.	Max.	Min.	Max.	Min.	Max.	Min.
mm	mm	mm	mm	mm	mm	mm	mm	mm	mm	mm	mm	mm	mm	mm
in.	in.	in.	in.	in.	in.	in.	in.	in.	in.	in.	in.	in.	in.	in.
20	30	0.02	0.03	0.04	0.055	0.075	0.095	0.015	0.02	0.23	0.30	–	–	0.015
0.9449	1.1811	0.0008	0.0012	0.0016	0.0022	0.003	0.0037	0.0006	0.0008	0.0091	0.0118	–	–	0.0006
30	40	0.025	0.035	0.05	0.065	0.085	0.105	0.02	0.025	0.30	0.38	–	–	0.015
1.1811	1.5748	0.001	0.0014	0.002	0.0026	0.0033	0.0041	0.0008	0.001	0.0118	0.0150	–	–	0.0006
40	50	0.03	0.045	0.06	0.08	0.1	0.13	0.025	0.03	0.38	0.46	–	–	0.02
1.5748	1.9685	0.0012	0.0018	0.0024	0.0031	0.0039	0.0051	0.001	0.0012	0.0150	0.0181	–	–	0.0008
50	65	0.04	0.055	0.075	0.095	0.12	0.16	0.03	0.038	0.46	0.56	–	–	0.025
1.9685	2.5591	0.0016	0.0022	0.003	0.0037	0.0047	0.0063	0.0012	0.0015	0.0181	0.0220	–	–	0.001
65	80	0.05	0.07	0.095	0.12	0.15	0.2	0.038	0.051	0.56	0.76	–	–	0.025
2.5591	3.1496	0.002	0.0028	0.0037	0.0047	0.0059	0.0079	0.0015	0.002	0.0220	0.0299	–	–	0.001
80	100	0.055	0.08	0.11	0.14	0.18	0.23	0.046	0.064	0.68	0.97	–	–	0.036
3.1496	3.9370	0.0022	0.003	0.0043	0.0055	0.0071	0.0091	0.0018	0.0025	0.0268	0.0382	–	–	0.0014
100	120	0.065	0.1	0.135	0.17	0.22	0.28	0.051	0.071	0.76	1.07	1.90	2.54	0.051
3.9370	4.7244	0.0026	0.0039	0.0053	0.0067	0.0087	0.011	0.002	0.0028	0.0299	0.0421	0.0748	0.1000	0.002
120	140	0.08	0.12	0.16	0.2	0.26	0.33	0.064	0.089	0.89	1.27	2.29	3.05	0.056
4.7244	5.5118	0.0031	0.0047	0.0063	0.0079	0.0102	0.013	0.0025	0.0035	0.0350	0.0500	0.0902	0.1201	0.0022
140	160	0.09	0.13	0.18	0.23	0.3	0.38	0.076	0.102	1.14	1.52	2.67	3.43	0.056
5.5118	6.2992	0.0035	0.0051	0.0071	0.0091	0.0118	0.015	0.003	0.004	0.0449	0.0598	0.1051	0.1350	0.0022
160	180	0.1	0.14	0.2	0.26	0.34	0.43	0.076	0.114	1.14	1.65	2.67	4.06	0.061
6.2992	7.0866	0.0039	0.0055	0.0079	0.0102	0.0134	0.0169	0.003	0.0045	0.0449	0.0650	0.1051	0.1598	0.0024
180	200	0.11	0.16	0.22	0.29	0.37	0.47	0.089	0.127	1.40	1.90	3.05	4.45	0.071
7.0866	7.8740	0.0043	0.0063	0.0087	0.0114	0.0146	0.0185	0.0035	0.005	0.0551	0.0748	0.1201	0.1752	0.0028
200	225	0.12	0.18	0.25	0.32	0.41	0.52	0.102	0.14	1.52	2.03	3.56	4.83	0.076
7.8740	8.8582	0.0047	0.0071	0.0098	0.0126	0.0161	0.0205	0.004	0.0055	0.0598	0.0799	0.1402	0.1902	0.003
225	250	0.14	0.2	0.27	0.35	0.45	0.57	0.114	0.152	1.78	2.29	4.06	5.33	0.089
8.8582	9.8425	0.0055	0.0079	0.0106	0.0138	0.0177	0.0224	0.0045	0.006	0.0701	0.0902	0.1598	0.2098	0.0035
250	280	0.15	0.22	0.3	0.39	0.49	0.62	0.114	0.165	1.78	2.54	4.06	5.84	0.102
9.8425	11.0236	0.0059	0.0087	0.0118	0.0154	0.0193	0.0244	0.0045	0.0065	0.0701	0.1000	0.1598	0.2299	0.004
280	315	0.17	0.24	0.33	0.43	0.54	0.68	0.127	0.178	1.90	2.67	4.45	6.22	0.102
11.0236	12.4016	0.0067	0.0094	0.013	0.0169	0.0213	0.0268	0.005	0.007	0.0748	0.1051	0.1752	0.2449	0.004
315	355	0.19	0.27	0.36	0.47	0.59	0.74	0.14	0.19	2.03	2.79	4.83	6.60	0.114
12.4016	13.9764	0.0075	0.0106	0.0142	0.0185	0.0232	0.0291	0.0055	0.0075	0.0799	0.1098	0.1902	0.2598	0.0045
355	400	0.21	0.3	0.4	0.52	0.65	0.82	0.152	0.203	2.29	3.05	5.33	7.11	0.127
13.9764	15.7480	0.0083	0.0118	0.0157	0.0205	0.0256	0.0323	0.006	0.008	0.0902	0.1201	0.2098	0.2799	0.005
400	450	0.23	0.33	0.44	0.57	0.72	0.91	0.165	0.216	2.54	3.3	5.84	7.62	0.152
15.7480	17.7165	0.0091	0.013	0.0173	0.0224	0.0283	0.0358	0.0065	0.0085	0.1000	0.1299	0.2299	0.3000	0.006
450	500	0.26	0.37	0.49	0.63	0.79	1	0.178	0.229	2.67	3.43	6.22	8.00	0.165
17.7165	19.6850	0.0102	0.0146	0.0193	0.0248	0.0311	0.0394	0.007	0.009	0.1051	0.1350	0.2449	0.3150	0.0065
500	560	0.29	0.41	0.54	0.68	0.87	1.1	0.203	0.254	3.05	3.81	7.11	8.89	0.178
19.6850	22.0472	0.0114	0.0161	0.0213	0.0268	0.0343	0.0433	0.008	0.01	0.1201	0.1500	0.2799	0.3500	0.007
560	630	0.32	0.46	0.6	0.76	0.98	1.23	0.229	0.279	3.43	4.19	8.00	9.78	0.203
22.0472	24.8031	0.0126	0.0181	0.0236	0.0299	0.0386	0.0484	0.009	0.011	0.1350	0.1650	0.3150	0.3850	0.008
630	710	0.35	0.51	0.67	0.85	1.09	1.36	0.254	0.305	3.81	4.57	8.89	10.67	0.203
24.8031	27.9528	0.0138	0.0201	0.0264	0.0335	0.0429	0.0535	0.01	0.012	0.1500	0.1799	0.3500	0.4201	0.008
710	800	0.39	0.57	0.75	0.96	1.22	1.5	0.279	0.356	4.19	5.33	9.78	12.45	0.229
27.9528	31.4961	0.0154	0.0224	0.0295	0.0378	0.048	0.0591	0.011	0.014	0.1650	0.2098	0.3850	0.4902	0.009
800	900	0.44	0.64	0.84	1.07	1.37	1.69	0.305	0.381	4.57	5.72	10.67	13.33	0.252
31.4961	35.4331	0.0173	0.0252	0.0331	0.0421	0.0539	0.0665	0.012	0.015	0.1799	0.2252	0.4201	0.5248	0.01
900	1000	0.49	0.71	0.93	1.19	1.52	1.86	0.356	0.432	5.33	6.48	12.45	15.11	0.279
35.4331	39.3701	0.0193	0.028	0.0366	0.0469	0.0598	0.0732	0.014	0.017	0.2100	0.2551	0.4902	0.5949	0.011

Note: Axial displacement values apply to solid steel shafts or hollow shafts with bore diameter less than half the shaft diameter. For shaft materials other than steel, or for thin-walled shafts, please consult your Timken engineer.

⁽¹⁾This displacement is valid for assembly of tapered bore bearings and is measured starting from a line-to-line fit of the bearing bore to the tapered shaft.

⁽²⁾1:12 Taper used for 222, 223, 230, 231, 232, 233, 239 series. 1:30 Taper used for 240, 241, 242 series. For sleeve mounting, multiply axial displacement values by 1.1 for 1:12 Taper or by 1.05 for 1:30 Taper. For questions on tapered shaft data, consult your Timken engineer.

EXAMPLE #1 –

Calculating RIC Reduction Using a Spherical Roller Bearing with Tapered Bore

Given bearing number 22328K C3 (140 mm bore with C3 clearance) is to be mounted on a tapered shaft. Using a set of feeler gages, RIC is measured at

$$RIC = 0.178 \text{ mm (0.007 in.)}$$

Suggested reduction of RIC due to installation = 0.064 to 0.089 mm (0.0025 in. to 0.0035 in.), found in table 5 on page 20.

Calculate the clearance after mounting –

$$0.178 \text{ mm} - 0.076 \text{ mm} = 0.102 \text{ mm } \textit{or}$$

$$(0.007 \text{ in.} - 0.003 \text{ in.} = 0.004 \text{ in.})$$

For this example, the value of 0.076 mm (0.003 in.) was obtained by taking the mid-range value of the upper and lower limits found in the tables on pages 19-20.



Fig. 14. Measure RIC before installation.



Fig. 15. During mounting, the RIC should be checked at the unloaded roller.

Therefore, the locknut should be tightened until RIC reaches 0.102 mm (0.004 in.).

It also should be noted that the value obtained by reading the suggested RIC after installation directly from the table is 0.056 mm (0.0022 in.). This differs from the value calculated in the above example. The value taken directly from the table is provided as a minimum value. It is not suggested to use a calculated value that falls below this minimum.

EXAMPLE #2 –

Calculating RIC Reduction Using a Spherical Roller Bearing with Cylindrical Bore

Observations:

- Bearing 22230EM, nominal 150 mm (5.0955 in.) bore and 270 mm (10.6299 in.) O.D., standard class, operating at 1200 RPM.
- Float bearing position so the stationary O.D. should be free to move in housing, or loose fit.

- With shaft/inner ring rotation and the moderate loading 0.09C, the bore should be tight fit.

We can use the nominal fit charts on page 25 (shaft fit) and 26 (housing fit) to help guide our ISO fit selection.

Shaft Fit (page 25) at 150 mm Bore: ISO p6

From the shaft fit chart at 150 mm nominal bore at p6 (page 32), the shaft tolerance is nominal +0.043 to +0.068 mm (+0.0017 to +0.0027 in.). Therefore we have the following bore range:

$$\text{max. shaft} = 150.068 \text{ mm (5.0955 in.)}$$

$$\text{min. shaft} = 150.043 \text{ mm (5.0945 in.)}$$

This yields a shaft fit:

$$\begin{aligned} \text{max. fit} &= \text{max. shaft} - \text{min. bore} \\ &= 150.068 - 149.075 \\ &= 0.093 \text{ mm (0.0037 in.) tight} \end{aligned}$$

$$\begin{aligned} \text{min. fit} &= \text{min. shaft} - \text{max. bore} \\ &= 150.043 - 150.000 \\ &= 0.043 \text{ mm (0.0017 in.) tight} \end{aligned}$$

Housing Fit (page 26) at 270 mm O.D.: ISO H8

From the housing fit chart at 270 mm nominal O.D. at H8 (table 11), the housing bore tolerance is nominal +0.000 to +0.081 mm (+0.0000 in., +0.0032 in.). Therefore, we have the following bore range:

$$\text{max. housing bore} = 270.081 \text{ mm (10.6331 in.)}$$

$$\text{min. housing bore} = 270.000 \text{ mm (10.6299 in.)}$$

This yields an O.D. fit:

$$\begin{aligned} \text{max. fit} &= \text{max. housing bore} - \text{min O.D.} \\ &= 270.081 - 269.965 \\ &= 0.116 \text{ mm (0.0046 in.) loose} \end{aligned}$$

$$\begin{aligned} \text{min. fit} &= \text{min. housing bore} - \text{max. O.D.} \\ &= 270.000 - 270.000 \\ &= 0.000 \text{ mm (0.0000 in.) loose} \end{aligned}$$

EXAMPLE #2 – *continued*

For the primary selection of RIC, the major parameters are the bearing speed and the fits. For our example, we know that the shaft fit is 0.043 mm (0.0017 in.) tight to 0.093 mm (0.0037 in.) tight. We know the housing fit is 0 mm to 0.116 mm (0.0046 in.) loose. We also know that the bearing speed is 1200 RPM or 60 percent of the speed rating.

As a general rule of thumb, we increase the clearance for operating speeds that exceed 70 percent of the speed rating, due to concerns over internal heat generation and thermal growth. In this case, we are at 60 percent of the speed rating, so normal clearance, ISO C₀ or C_r, can be selected.

Observing the RIC chart on page 19, we find for 150 mm nominal bore at C₀, the RIC will be 0.110 mm to 0.170 mm (0.0043 in. to 0.0067 in.). We also note that the minimum recommended RIC (installed) is 0.056 mm (0.0022 in.).

Also from page 19, we note that we get an approximate reduction of RIC that is 80 percent of interference fit on a solid shaft and 60 percent of the O.D. interference fit in a steel or cast iron housing. Since we have a loose housing fit, there will be no RIC reduction from that fit.

Shaft fit RIC reductions and clearance:

For a 150 mm nominal bore at C3, the RIC will be 0.115 to 0.165 mm (0.0045 to 0.0065 in.). Recalculating shaft fit RIC reduction and clearance:

$$\begin{aligned} \text{max. clearance} &= \text{max. RIC} - \text{min. fit reduction} \\ &= 0.165 - 0.034 = 0.131 \text{ mm (0.0052 in.)} \end{aligned}$$

$$\begin{aligned} \text{min. clearance} &= \text{min. RIC} - \text{max. fit reduction} \\ &= 0.115 - 0.074 = 0.041 \text{ mm (0.0016 in.)} \end{aligned}$$

Since the minimum mounted clearance is less than the minimum suggested RIC of 0.056 mm (0.0022 in.), the C3 RIC clearance limit needs to be reevaluated.

⚠ WARNING
Failure to observe the following warning could create a risk of serious injury.

Never spin a bearing with compressed air. The components may be forcefully expelled.

NOTE

Never use steam or hot water when cleaning the bearings because these methods can create rust or corrosion.

NOTE

Never expose any surface of a bearing to the flame of a torch.

NOTE

Do not heat bearing beyond 149° C (300° F).

⚠ CAUTION
Failure to follow this caution could create a risk of injury.

Remove oil or rust inhibitor from parts before heating, to avoid fire and fumes.

INSTALLATION

When using a tight fit inner ring, the method of assembly will depend on whether the bearing has a cylindrical or tapered bore.

CLEANLINESS

- Choose a clean environment, free from dust and moisture.
- The installer should make every effort to ensure cleanliness by use of protective screens and clean cloths.

PLAN THE WORK

- Know your plans in advance and have the necessary tools at hand. This reduces the amount of time for the job and decreases the chance for dirt to get into the bearing.

INSPECTION AND PREPARATION

- All component parts of the machine should be on hand and thoroughly cleaned before proceeding.
- Housings should be cleaned, including blowing out the oil holes.
- Do not use air hose on bearings.
- If blind holes are used, insert a magnetic rod to remove metal chips that might be lodged there during fabrication.
- Shaft shoulders and spacer rings contacting the bearing should be square with the shaft axis.
- The shaft fillet must be small enough to clear the radius of the bearing.
- On original installations, all component parts should be checked against the detail specification prints for dimensional accuracy. Shaft and housing should be carefully checked for size and form (roundness, etc.).

SHAFT AND HOUSING FINISH

- Shaft surfaces on which the bearing will be mounted must be clean and free from nicks and burrs.
- For applications with stationary housing and rotating shaft, it is suggested that the bearing seat on the shaft be ground to $1.6\ \mu\text{m}$ (65 $\mu\text{in.}$) Ra maximum.
- If it is impractical to use a ground finish, a machined finish of $3.2\ \mu\text{m}$ (125 $\mu\text{in.}$) Ra is acceptable in many cases, but the amount of interference fit should be slightly increased.
- Housing bores should be finished to $3.2\ \mu\text{m}$ (125 $\mu\text{in.}$) Ra maximum.

Note: Do not remove the bearing from its wrapping until you are ready to mount it.

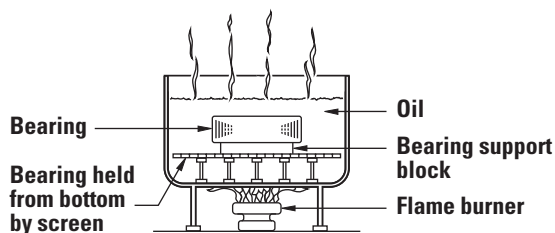


Fig. 16. Heat expansion method.

INSTALLING CYLINDRICAL BORE BEARINGS

Heat expansion method

- Most applications require a tight interference fit on the shaft.
- Mounting is simplified by heating the bearing to expand it sufficiently to slide easily onto the shaft.
- Two methods of heating are commonly used:
 - Tank of heated oil.
 - Induction heating.
- The first is accomplished by heating the bearing in a tank of oil that has a high flash point.
- The oil temperature should not be allowed to exceed 121°C (250°F). A temperature of 93°C (200°F) is sufficient for most applications.
- The bearing should be heated for 20 or 30 minutes, or until it is expanded sufficiently to slide onto the shaft easily.
- The induction heating process can be used for mounting bearings.
- Induction heating is rapid. Care must be taken to prevent bearing temperature from exceeding 93°C (200°F).
- Trial runs with the unit and bearing are usually necessary to obtain proper timing.
- Thermal crayons melted at predetermined temperatures can be used to check the bearing temperature.
- While the bearing is hot, it should be positioned squarely against the shoulder.
- Lockwashers and locknuts or clamping plates are then installed to hold the bearing against the shoulder of the shaft.
- As the bearing cools, the locknut or clamping plate should be tightened.
- In cases of outer ring rotation, where the outer ring is a tight fit in the housing, the housing member can be expanded by heating.
- The oil bath is shown in fig. 16. The bearing should not be in direct contact with the heat source.
- The usual arrangement is to have a screen several inches from the bottom of the tank. Small support blocks separate the bearing from the screen.
- It is important to keep the bearing away from any localized high-heat source that may raise its temperature excessively, resulting in ring hardness reduction.
- Flame-type burners are commonly used. An automatic device for temperature control is desirable.
- If safety regulations prevent the use of an open heated oil bath, a mixture of 15 percent soluble-oil water may be used. This mixture may be heated to a maximum of 93°C (200°F) without being flammable.

Arbor press method

- An alternate method of mounting, generally used only on smaller size bearings, is to press the bearing onto the shaft or into the housing. This can be done by using an arbor press and a mounting tube as shown in fig. 17.
- The tube should be made from soft steel with an inside diameter slightly larger than the shaft.
- The O.D. of the tube should not exceed the shaft backing diameter given in the Timken Spherical Roller Bearing Catalog (order no. 10446), found on www.timken.com.
- The tube should be faced square at both ends. It should be thoroughly clean inside and out, and long enough to clear the end of the shaft after the bearing is mounted.
- If the outer ring is being pressed into the housing, the O.D. of the mounting tube should be slightly smaller than the housing bore. The I.D. should not be less than the suggested housing backing diameter in the table of dimensions available in the Timken Spherical Roller Bearing Catalog (order no. 10446), found on www.timken.com.
- Coat the shaft with a light machine oil to reduce the force needed for a press fit.
- Carefully place the bearing on the shaft, making sure it is square with the shaft axis.
- Apply steady pressure from the arbor ram to drive the bearing firmly against the shoulder.

NOTE

Never attempt a press fit on a shaft by applying pressure to the outer ring or a press fit in a housing by applying pressure to the inner ring.

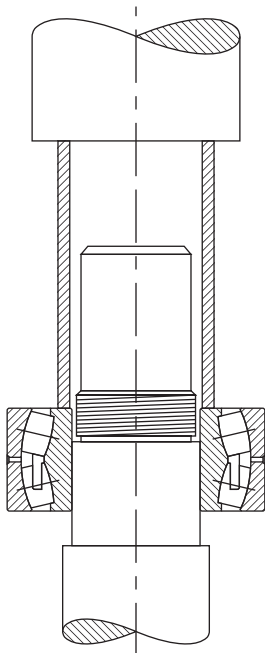


Fig. 17. Arbor press method.

Mounting tapered bore spherical roller bearings

- Use a feeler gage with the thinnest blade of 0.038 mm (0.0015 in.).
- Place the bearing in an upright position with the inner and outer ring faces parallel.
- Place thumbs on the inner ring bore and oscillate the inner ring the distance of two or three roller spacings.
- Position the individual roller assemblies so that a roller is at the top of the inner ring on both sides of the bearing.
- With the roller in the correct position, insert a thin blade of the feeler gage between the roller and the outer ring.
- Move the feeler gage carefully along the top roller between the roller and outer ring raceway. Repeat this procedure using thicker feeler gage blades until one is found that will not go through.
- The blade thickness that preceded the “no-go” blade is a measure of RIC before installation.
- Start the mounting procedure by lubricating the tapered shaft with a light coat of machine oil.
- Slide the bearing onto the shaft as far as it will go by hand.
- As the locknut is tightened, the interference fit builds up, resulting in expansion of the inner ring.
- Periodically measure to keep track of the reduction in RIC.
- Continue the procedure until the proper amount of reduction is obtained. Do not exceed suggested amount of reduction.
- As a final check, make sure the remaining RIC equals or exceeds the minimum mounted clearance shown in table 5.
- During mounting, the RIC should be checked at the unloaded roller. If this is at the bottom, make sure that the roller is raised to seat firmly at the inboard position of the inner ring.
- When the suggested amount of RIC reduction has been accomplished, the bearing is properly fitted.
- Complete the procedure by peening the lockwasher tang into the locknut slot or securing the lockplate.



Fig. 18. Measure RIC before installation.

SHAFT AND HOUSING FITS

SPHERICAL ROLLER BEARING SHAFT AND HOUSING FITS

This chart is a guideline for specifying shaft and housing fits related to particular operating conditions. Please contact your Timken engineer for more information.

TABLE 6. RADIAL SPHERICAL ROLLER BEARING SHAFT FITS

	Conditions	Examples	Shaft Diameter		Tolerance Symbol ⁽¹⁾	Remarks
			mm	in.		
Stationary inner ring load	The inner ring to be easily displaced on the shaft	Two-bearing shaft mechanism	See table 8 for shaft size.		s4	See table 8 for shaft size.
	The inner ring not to be easily displaced on the shaft	Wheel on non-rotating shaft	All diameters		g6	
Tension pulleys and rope sheaves		h6				
Rotating inner ring load or indeterminate load direction	Light and variable loads P ≤ 0.07C	Electrical apparatus, machine tools, pumps, ventilators, industrial trucks	over	incl.	k6	In very accurate applications, k5 and m5 are used instead of k6 and m6 respectively.
			18 0.7087	100 3.9370		
	100 3.9370	200 7.8740	m6			
	Normal and heavy loads P > 0.07C ≤ 0.25C	Applications in general, electrical motors, turbines, pumps, combustion engines, gear transmissions, woodworking machines	18 0.7087	65 2.5590	m5	
			65 2.5590	100 3.9370	m6	
			100 3.9370	140 5.5118	n6	
			140 5.5118	280 11.0236	p6	
			280 11.0236	500 19.6850	r6	
	500 19.6850	and up	r7			
	Very heavy loads and shock loads P > 0.25C	Journal boxes for locomotives and other heavy rail vehicles, traction motors	18 0.7087	65 2.5590	m6	
			65 2.5590	100 3.9370	n6	
			100 3.9370	140 5.5118	p6	
140 5.5118			200 7.8740	r6		
200 7.8740			500 19.6850	r7		
BEARINGS WITH TAPERED BORE AND ADAPTER SLEEVE						
	All loads	Applications in general	All diameters			See tables for Reduction of RIC on pages 19-20.

⁽¹⁾For solid steel shaft. See tables on pages 28-33 for tolerance value.

TABLE 7. SPHERICAL ROLLER BEARING HOUSING FITS

Conditions		Examples	Tolerance Symbol ⁽¹⁾	Remarks	
One-piece bearing housing	Rotating outer ring load	Variable load direction	Two-bearing eccentric shaft mechanism	P6	The outer ring is not displaceable axially.
		Heavy loads on bearings in thin-walled housings	Supporting wheels in cranes, wheel hubs, crank bearings	P7	
		Normal and heavy loads	Wheel hubs, crank bearings	N7	
		Light and variable loads	Conveyor rollers, rope sheaves, tension pulleys	M7	
Split or one-piece bearing housing	Indeterminate load direction	Heavy shock loads	Electrical traction motors	K7	The outer ring is, as a rule, not displaceable axially.
		Heavy and normal loads, axial displacement of the outer ring not required	Electrical motors, pumps, crankshaft main bearings		
		Normal and light loads, axial displacement of the outer ring is desirable	Electrical motors, pumps, crankshaft main bearings		
	Stationary outer ring load	Shock loads, temporarily complete unloading	Journal boxes for rail vehicles	H7	The outer ring is easily displaced axially.
		All loads	Bearing applications in general, journal boxes for rail vehicles		
		Normal and light loads, loads under simple operating conditions	Line shaftings		
Heat supplied through the shaft		Dryer cylinders	G7		
One-piece bearing housing	Applications requiring particular accuracy	Very accurate running and small deflections under variable loads	For main spindles O.D. less than 125 mm in machine tools O.D. 125 to 250 mm O.D. over 250 mm	M6 N6 P6	The outer ring is not displaceable axially.
		Very accurate running under light loads and indeterminate load direction	Held bearings in high-speed centrifugal force compressors	K6	The outer ring is, as a rule, not displaceable axially.
		Very accurate running, axial displacement of outer ring desirable	Floating bearings in high-speed centrifugal force compressors	J6	The outer ring is easily displaced axially.

⁽¹⁾Cast iron or steel housing. For tolerance values see tables on pages 34-41. For housings of light metal, tolerances generally are selected that give a slightly tighter fit than those given in the table.

s4 Fits

A centrifugal force load produces a rotating outer ring load and a stationary inner ring load, even though the inner ring rotates. This makes it desirable to fit the outer ring tight in the housing (using a P6 fit as shown in table 12), and the inner ring loose on the shaft using an s4 fit as listed in table 8. The standard W33 bearing with oil grooves and oil holes can be used.

The s4 fit designation as referenced on this page is a special fit tolerance developed by The Timken Company for centrifugal force load applications. It DOES NOT conform to ISO standards similarly published as s4 preferred shaft fits.

TABLE 8. s4 FITS

See Dimensional Tables for Nominal Bore.					
Bore		Variance From Nominal Bore			
Over	Incl.	Tolerance ⁽¹⁾	Shaft Diameter		Fit
mm in.	mm in.	mm in.	Max. mm in.	Min. mm in.	mm in.
50.000	80.000	-0.015	-0.025	-0.036	0.010L 0.036L
1.9685	3.1496	-0.0006	-0.0010	-0.0014	0.0004L 0.0014L
80.000	120.000	-0.020	-0.033	-0.043	0.013L 0.043L
3.4196	4.7244	-0.0008	-0.0013	-0.0017	0.0005L 0.0017L
120.000	180.000	-0.025	-0.041	-0.053	0.015L 0.053L
4.7244	7.0866	-0.0010	-0.0016	-0.0021	0.0006L 0.0021L
180.000	250.000	-0.030	-0.048	-0.064	0.018L 0.064L
7.0866	9.8425	-0.0012	-0.0019	-0.0025	0.0007L 0.0025L

⁽¹⁾Tolerance range is from +0 to value listed.

These charts are guidelines for specifying shaft and housing fits related to particular operating conditions found in table 6 on page 25.

SPHERICAL ROLLER BEARING SHAFT TOLERANCES

TABLE 9. SPHERICAL ROLLER BEARINGS – SHAFT TOLERANCES

Bearing Bore			g6			h6			h5			j5		
Nominal (Max.) Over Incl.		Tolerance ⁽¹⁾	Shaft Diameter Max. Min.		Fit	Shaft Diameter Max. Min.		Fit	Shaft Diameter Max. Min.		Fit	Shaft Diameter Max. Min.		Fit
mm in.	mm in.	mm in.	mm in.	mm in.	mm in.	mm in.	mm in.	mm in.	mm in.	mm in.	mm in.	mm in.	mm in.	mm in.
3.000 0.1181	6.000 0.2362	-0.008 -0.003	-0.004 -0.0002	-0.012 -0.0005	0.012L 0.004T 0.0005L 0.0001T	0.000 0.0000	-0.008 -0.003	0.008T 0.0003L 0.0003T	0.000 0.0000	-0.005 -0.0002	0.008T 0.0002L 0.0003T	+0.003 +0.0001	-0.002 -0.0001	0.011T 0.0001L 0.0004T
6.000 0.2362	10.000 0.3937	-0.008 -0.003	-0.005 -0.0002	-0.014 -0.0006	0.014L 0.003T 0.0006L 0.0001T	0.000 0.0000	-0.009 -0.0004	0.008T 0.0004L 0.0003T	0.000 0.0000	-0.006 -0.0002	0.008T 0.0002L 0.0003T	+0.004 +0.0002	-0.002 -0.0001	0.012T 0.0001L -0.0005T
10.000 0.3937	18.000 0.7087	-0.008 -0.003	-0.006 -0.0002	-0.017 -0.0007	0.017L 0.002T 0.0007L -0.0001T	0.000 0.0000	-0.011 -0.0004	0.008T 0.0004L 0.0003T	0.000 0.0000	-0.008 -0.0003	0.008T 0.0003L 0.0003T	+0.005 +0.0002	-0.003 -0.0001	0.013T 0.0001L 0.0005T
18.000 0.7087	30.000 1.1811	-0.010 -0.0004	-0.007 -0.0003	-0.020 -0.0008	0.020L 0.003T 0.0008L 0.0001T	0.000 0.0000	-0.013 -0.0005	0.010T 0.0005L 0.0004T	-	-	-	+0.005 +0.0002	-0.004 -0.0002	0.015T 0.0002L 0.0006T
30.000 1.1811	50.000 1.9685	-0.014 -0.0006	-0.009 -0.0004	-0.025 -0.0010	0.025L 0.003T 0.0010L 0.0001T	0.000 0.0000	-0.016 -0.0006	0.012T 0.0006L 0.0005T	-	-	-	+0.006 +0.0002	-0.005 -0.0002	0.018T 0.0002L 0.0007T
50.000 1.9685	80.000 3.1496	-0.015 -0.0006	-0.010 -0.0004	-0.029 -0.0011	0.029L 0.005T 0.0011L 0.0002T	0.000 0.0000	-0.019 -0.0007	0.015T 0.0007L 0.0006T	-	-	-	+0.006 +0.0002	-0.007 -0.0003	0.021T 0.0003L 0.0008T
80.000 3.1496	120.000 4.7244	-0.020 -0.0008	-0.012 -0.0005	-0.034 -0.0013	0.034L 0.008T 0.0013L 0.0003T	0.000 0.0000	-0.022 -0.0009	0.020T 0.0009L 0.0008T	-	-	-	+0.006 +0.0002	-0.009 -0.0004	0.026T 0.0004L 0.0010T
120.000 4.7244	180.000 7.0866	-0.025 -0.0010	-0.014 -0.0006	-0.039 -0.0015	0.039L 0.011T 0.0015L 0.0004T	0.000 0.0000	-0.025 -0.0010	0.025T 0.0010L 0.0010T	-	-	-	+0.007 +0.0003	-0.011 -0.0004	0.032T 0.0004L 0.0013T
180.000 7.0866	200.000 7.8740	-0.030 -0.0012	-0.015 -0.0006	-0.044 -0.0017	0.044T 0.015T 0.0017L 0.0006T	0.000 0.0000	-0.029 -0.0011	0.030T 0.0011L 0.0012T	-	-	-	+0.007 +0.0003	-0.013 -0.0005	0.037T 0.0005L 0.0015T
200.000 7.8740	225.000 8.8583	-0.030 -0.0012	-0.015 -0.0006	-0.044 -0.0017	0.044T 0.015T 0.0017L 0.0006T	0.000 0.0000	-0.029 -0.0011	0.030T 0.0011L 0.0012T	-	-	-	+0.007 +0.0003	-0.013 -0.0005	0.037T 0.0005L 0.0015T
225.000 8.8583	250.000 9.8425	-0.030 -0.0012	-0.015 -0.0006	-0.044 -0.0017	0.044T 0.015T 0.0017L 0.0006T	0.000 0.0000	-0.029 -0.0011	0.030T 0.0011L 0.0012T	-	-	-	+0.007 +0.0003	-0.013 -0.0005	0.037T 0.0005L 0.0015T
250.000 9.8425	280.000 11.0236	-0.035 -0.0014	-0.017 -0.0007	-0.049 -0.0019	0.049L 0.018T 0.0019L 0.0007T	0.000 0.0000	-0.032 -0.0013	0.035T 0.0013L 0.0014T	-	-	-	+0.007 +0.0003	-0.016 -0.0006	0.042T 0.0006L 0.0017T

NOTE: Tolerance and shaft diameters are shown in the table as variances from nominal bearing bore.

⁽¹⁾Tolerance range is from +0 to value listed.

These charts are guidelines for specifying shaft and housing fits related to particular operating conditions found in table 6 on page 25.

j6			k5			k6			m5		
Shaft Diameter		Fit	Shaft Diameter		Fit	Shaft Diameter		Fit	Shaft Diameter		Fit
Max.	Min.		Max.	Min.		Max.	Min.		Max.	Min.	
mm	mm	mm	mm	mm	mm	mm	mm	mm	mm	mm	mm
in.	in.	in.	in.	in.	in.	in.	in.	in.	in.	in.	in.
		0.002L			0.001T						0.004T
+0.006	-0.002	0.014T	+0.006	+0.001	0.014T				+0.009	+0.004	0.017T
+0.0002	-0.0001	0.0001L	+0.0002	+0.0000	0.0000T	-	-	-	+0.0004	+0.0002	0.0002T
		0.0005T			0.0005T						0.0007T
		0.002L			0.001T						0.006T
+0.007	-0.002	0.015T	+0.007	+0.001	0.015T				+0.012	+0.006	0.020T
+0.0003	-0.0001	0.0001L	+0.0003	+0.0000	0.0000T	-	-	-	+0.0005	+0.0002	0.0002T
		0.0006T			0.0006T						0.0008T
		0.003L			0.001T						0.007T
+0.008	-0.003	0.016T	+0.009	+0.001	0.017T				+0.015	+0.007	0.023T
+0.0003	-0.0001	0.0001L	+0.0004	+0.0000	0.0000T	-	-	-	+0.0006	+0.0003	0.0003T
		0.0006T			0.0007T						0.0009T
		0.004L			0.002T						0.008T
+0.009	-0.004	0.019T	+0.011	+0.002	0.021T				+0.017	+0.008	0.027T
+0.0004	-0.0002	0.0002L	+0.0004	+0.0001	0.0001T	-	-	-	+0.0007	+0.0003	0.0003T
		0.0008T			0.0008T						0.0011T
		0.005L			0.002T			0.002T			0.009T
+0.011	-0.005	0.023T	+0.013	+0.002	0.025T	+0.018	+0.002	0.030T	+0.020	+0.009	0.032T
+0.0004	-0.0002	0.0002L	+0.0005	+0.0001	0.0001T	+0.0007	+0.0001	0.0001T	+0.0008	+0.0004	0.0004T
		0.00085T			0.0010T			0.0012T			0.00125T
		0.007L			0.002T			0.002T			0.011T
+0.012	-0.007	0.027T	+0.015	+0.002	0.030T	+0.021	+0.002	0.036T	+0.024	+0.011	0.039T
+0.0005	-0.0003	0.0003L	+0.0006	+0.0001	0.0001T	+0.0008	+0.0001	0.0001T	+0.0009	+0.0004	0.0004T
		0.0011T			0.0012T			0.0014T			0.0015T
		0.009L			0.003T			0.003T			0.013T
+0.013	-0.009	0.033T	+0.018	+0.003	0.038T	+0.025	+0.003	0.045T	+0.028	+0.013	0.048T
+0.0005	-0.0004	0.0004L	+0.0007	+0.0001	0.0001T	+0.0010	+0.0001	0.0001T	+0.0011	+0.0005	0.0005T
		0.0013T			0.0015T			0.0018T			0.0019T
		0.011L			0.003T			0.003T			0.015T
+0.014	-0.011	0.039T	+0.021	+0.003	0.046T	+0.028	+0.003	0.053T	+0.033	+0.015	0.058T
+0.0006	-0.0004	0.0004L	+0.0008	+0.0001	0.0001T	+0.0011	+0.0001	0.0001T	+0.0013	+0.0006	0.0006T
		0.0016T			0.0018T			0.0021T			0.0023T
		0.013L			0.004T						0.017T
+0.016	-0.013	0.046T	+0.024	+0.004	0.054T				+0.037	+0.017	0.067T
+0.0006	-0.0005	0.0005L	+0.0009	+0.0002	0.0002T	-	-	-	+0.0015	+0.0007	0.0007T
		0.0018T			0.0021T						0.0027T
		0.013L			0.004T						0.017T
+0.016	-0.013	0.046T	+0.024	+0.004	0.054T				+0.037	+0.017	0.067T
+0.0006	-0.0005	0.0005L	+0.0009	+0.0002	0.0002T	-	-	-	+0.0015	+0.0007	0.0007T
		0.0018T			0.0021T						0.0027T
		0.013L			0.004T						0.017T
+0.016	-0.013	0.046T	+0.024	+0.004	0.054T				+0.037	+0.017	0.067T
+0.0006	-0.0005	0.0005L	+0.0009	+0.0002	0.0002T	-	-	-	+0.0015	+0.0007	0.0007T
		0.0018T			0.0021T						0.0027T
		0.016L			0.004T						0.020T
+0.016	-0.016	0.051T	+0.027	+0.004	0.062T				+0.043	+0.020	0.078T
+0.0006	-0.0006	0.0006L	+0.0011	+0.0002	0.0002T	-	-	-	+0.0017	+0.0008	0.0008T
		0.0020T			0.0025T						0.0031T

Continued on next page.

FITTING PRACTICE TABLES

These charts are guidelines for specifying shaft and housing fits related to particular operating conditions found in table 6 on page 25.

Continued from previous page.

Bearing Bore			g6			h6			h5			j5		
Nominal (Max.) Over Incl.		Tolerance ⁽¹⁾	Shaft Diameter Max. Min.		Fit	Shaft Diameter Max. Min.		Fit	Shaft Diameter Max. Min.		Fit	Shaft Diameter Max. Min.		Fit
mm in.	mm in.	mm in.	mm in.	mm in.	mm in.	mm in.	mm in.	mm in.	mm in.	mm in.	mm in.	mm in.	mm in.	mm in.
280.000 11.0236	315.000 12.4016	-0.035 -0.0014	-0.017 -0.0007	-0.049 -0.0019	0.049L 0.018T 0.0019L 0.0007T	0.000 0.0000	-0.032 -0.0013	0.035T 0.0013L 0.0014T	-	-	-	+0.007 +0.0003	-0.016 -0.0006	0.042T 0.0006L 0.0017T
315.000 12.4016	355.000 13.9764	-0.040 -0.0016	-0.018 -0.0007	-0.054 -0.0021	0.054L 0.022T 0.0021L 0.0009T	0.000 0.0000	-0.036 -0.0014	0.040T 0.0014L 0.0016T	-	-	-	+0.007 +0.0003	-0.018 -0.0007	0.047T 0.0007L 0.0019T
355.000 13.9764	400.000 15.7480	-0.040 -0.0016	-0.018 -0.0007	-0.054 -0.0021	0.054L 0.022T 0.0021L 0.0009T	0.000 0.0000	-0.036 -0.0014	0.040T 0.0014L 0.0016T	-	-	-	+0.007 +0.0003	-0.018 -0.0007	0.047T 0.0007L 0.0019T
400.000 15.7480	450.000 17.7165	-0.045 -0.0018	-0.020 -0.0008	-0.060 -0.0024	0.060L 0.025T 0.0024L 0.0010T	0.000 0.0000	-0.040 -0.0016	0.045T 0.0016L 0.0018T	-	-	-	+0.007 +0.0003	-0.020 -0.0008	0.052T 0.0008L 0.0021T
450.000 17.7165	500.000 19.6850	-0.045 -0.0018	-0.020 -0.0008	-0.060 -0.0024	0.060L 0.025T 0.0024L 0.0010T	0.000 0.0000	-0.040 -0.0016	0.045T 0.0016L 0.0018T	-	-	-	+0.007 +0.0003	-0.020 -0.0008	0.052T 0.0008L 0.0020T
500.000 19.6850	560.000 22.0472	-0.050 -0.0020	-0.022 -0.0009	-0.066 -0.0026	0.066L 0.028T 0.0026L 0.0011T	0.000 0.0000	-0.044 -0.0017	0.050T 0.0017L 0.0020T	-	-	-	+0.008 0.0003	-0.022 -0.0009	0.058T 0.0009L 0.0023T
560.000 22.0472	630.000 24.8032	-0.050 -0.0020	-0.022 -0.0009	-0.066 -0.0026	0.066L 0.028T 0.0026L 0.0011T	0.000 0.0000	-0.044 -0.0017	0.050T 0.0017L 0.0020T	-	-	-	+0.008 +0.0003	-0.022 -0.0009	0.058T 0.0009L 0.0023T
630.000 24.8032	710.000 27.9528	-0.075 -0.0030	-0.024 -0.0009	-0.074 -0.0029	0.074L 0.051T 0.0029L 0.0021T	0.000 0.0000	-0.050 -0.0020	0.075T 0.0020L 0.0030T	-	-	-	+0.010 +0.0004	-0.025 -0.0010	0.085T 0.0010L 0.0035T
710.000 27.9528	800.000 31.4961	-0.075 -0.0030	-0.024 -0.0009	-0.074 -0.0029	0.074L 0.051T 0.0029L 0.0021T	0.000 0.0000	-0.050 -0.0020	0.075T 0.0020L 0.0030T	-	-	-	+0.010 +0.0004	-0.025 -0.0010	0.085T 0.0010L 0.0035T
800.000 31.4961	900.000 35.4331	-0.100 -0.0039	-0.026 -0.0010	-0.082 0.0032	0.082L 0.074T 0.0032L 0.0029T	0.000 0.0000	-0.056 -0.0022	0.100T 0.0022L 0.0039T	-	-	-	+0.012 +0.0005	-0.028 -0.0011	0.112T 0.0011L 0.0044T
900.000 35.4331	1000.000 39.3701	-0.100 -0.0039	-0.026 -0.0010	-0.082 0.0032	0.082L 0.074T 0.0032L 0.0029T	0.000 0.0000	-0.056 -0.0022	0.100T 0.0022L 0.0039T	-	-	-	+0.012 +0.0005	-0.028 -0.0011	0.112T 0.0011L 0.0044T
1000.000 39.3701	1120.000 44.0945	-0.125 -0.0049	-0.028 -0.0011	-0.094 -0.0037	0.094L 0.097T 0.0037L 0.0038T	0.000 0.0000	-0.066 -0.0026	0.125T 0.0022L 0.0039T	-	-	-	+0.013 +0.0005	-0.033 -0.0013	0.138T 0.0013L 0.0054T
1120.000 44.0945	1250.000 49.2126	-0.125 -0.0049	-0.028 -0.0011	-0.094 -0.0037	0.094L 0.097T 0.0037L 0.0038T	0.000 0.0000	-0.066 -0.0026	0.125T 0.0022L 0.0039T	-	-	-	+0.013 +0.0005	-0.033 -0.0013	0.138T 0.0013L 0.0054T

NOTE: Tolerance and shaft diameters are shown in the table as variances from nominal bearing bore.

⁽¹⁾Tolerance range is from +0 to value listed.

These charts are guidelines for specifying shaft and housing fits related to particular operating conditions found in table 6 on page 25.

j6			k5			k6			m5		
Shaft Diameter		Fit	Shaft Diameter		Fit	Shaft Diameter		Fit	Shaft Diameter		Fit
Max.	Min.		Max.	Min.		Max.	Min.		Max.	Min.	
mm	mm	mm	mm	mm	mm	mm	mm	mm	mm	mm	mm
in.	in.	in.	in.	in.	in.	in.	in.	in.	in.	in.	in.
		0.016L			0.004T						0.020T
+0.016	-0.016	0.051T	+0.027	+0.004	0.062T				+0.043	+0.020	0.078T
+0.0006	-0.0006	0.0006L	+0.0011	+0.0002	0.0002T	-	-	-	+0.0017	+0.0008	0.0008T
		0.0020T			0.0025T						0.0031T
		0.018L			0.004T						0.021T
+0.018	-0.018	0.058T	+0.029	+0.046	0.069T				+0.046	+0.021	0.086T
+0.0007	-0.0007	0.0007L	+0.0011	+0.0002	0.0002T	-	-	-	+0.0018	+0.0008	0.0008T
		0.0023T			0.0027T						0.0034T
		0.018L			0.004T						0.021T
+0.018	-0.018	0.058T	+0.029	+0.004	0.069T				+0.046	+0.021	0.086T
+0.0007	-0.0007	0.0007L	+0.0011	+0.0002	0.0002T	-	-	-	+0.0018	+0.0008	0.0008T
		0.0023T			0.0027T						0.0034T
		0.020L			0.005T						0.023T
+0.020	-0.020	0.065T	+0.032	+0.005	0.077T				+0.050	+0.023	0.095T
+0.0008	-0.0008	0.0008L	+0.0013	+0.0002	0.0002T	-	-	-	+0.0020	+0.0009	0.0009T
		0.0026T			0.0031T						0.0037T
		0.020L			0.005T						0.023T
+0.020	-0.020	0.065T	+0.032	+0.005	0.077T				+0.050	+0.023	0.095T
+0.0008	-0.0008	0.0008L	+0.0013	+0.0002	0.0002T	-	-	-	+0.0020	+0.0009	0.0009T
		0.0026T			0.0031T						0.0037T
		0.022L			0.00T						0.026T
+0.022	-0.022	0.072T	+0.030	0.000	0.080T				+0.056	+0.026	0.106T
+0.0009	-0.0009	0.0009L	+0.0012	0.0000	0.0000T	-	-	-	+0.0022	+0.0010	0.0010T
		0.0029T			0.0032T						0.0042T
		0.022L			0.00T						0.026T
+0.022	-0.022	0.072T	+0.030	0.000	0.080T				+0.056	+0.026	0.106T
+0.0009	-0.0009	0.0009L	+0.0012	0.0000	0.0000T	-	-	-	+0.0022	+0.0010	0.0010T
		0.0029T			0.0032T						0.0042T
		0.025L			0.000T						0.030T
+0.025	-0.025	0.100T	+0.035	0.000	0.110T				+0.065	+0.030	0.140T
+0.0010	-0.0010	0.0010L	+0.0014	0.0000	0.0000T	-	-	-	+0.0026	+0.0012	0.0012T
		0.0040T			0.0044T						0.0056T
		0.025L			0.000T						0.030T
+0.025	-0.025	0.100T	+0.035	0.000	0.110T				+0.065	+0.030	0.140T
+0.0010	-0.0010	0.0010L	+0.0014	0.0000	0.0000T	-	-	-	+0.0026	+0.0012	0.0012T
		0.0040T			0.0044T						0.0056T
		0.028L			0.000T						0.034T
+0.025	-0.025	0.128T	+0.040	0.000	0.140T				+0.074	+0.030	0.174T
+0.0010	-0.0010	0.0011L	+0.0016	0.0000	0.0000T	-	-	-	+0.0029	+0.0012	0.0012T
		0.0050L			0.0055T						0.0056T
		0.028L			0.000T						0.034T
+0.028	-0.028	0.128T	+0.040	0.000	0.140T				+0.074	+0.034	0.174T
+0.0011	-0.0011	0.0011L	+0.0016	0.0000	0.0000T	-	-	-	+0.0029	+0.0013	0.0013T
		0.0050T			0.0055T						0.0068T
		0.033L			0.000T						0.040T
+0.028	-0.028	0.158T	+0.046	0.000	0.171T				+0.086	+0.040	0.211T
+0.0011	-0.0011	0.0013L	+0.0018	0.0000	0.0000T	-	-	-	+0.0034	+0.0016	0.0016T
		0.0062T			0.0067T						0.0083T
		0.033L			0.000T						0.040T
+0.033	-0.033	0.158T	+0.046	0.000	0.171T				+0.086	+0.040	0.211T
+0.0013	-0.0013	0.0013L	+0.0018	0.0000	0.0000T	-	-	-	+0.0034	+0.0016	0.0016T
		0.0062T			0.0067T						0.0083T

These charts are guidelines for specifying shaft and housing fits related to particular operating conditions found in table 6 on page 25.

TABLE 10. SPHERICAL ROLLER BEARINGS – SHAFT TOLERANCES

Bearing Bore			m6			n6			p6			r6			r7		
Nominal (Max.)		Tolerance ⁽¹⁾	Shaft Diameter			Shaft Diameter			Shaft Diameter			Shaft Diameter			Shaft Diameter		
Over	Incl.		Max.	Min.	Fit	Max.	Min.	Fit	Max.	Min.	Fit	Max.	Min.	Fit	Max.	Min.	Fit
mm	mm	mm	mm	mm	mm	mm	mm	mm	mm	mm	mm	mm	mm	mm	mm	mm	mm
in.	in.	in.	in.	in.	in.	in.	in.	in.	in.	in.	in.	in.	in.	in.	in.	in.	in.
3.000	6.000	-0.008	-	-	-	-	-	-	-	-	-	-	-	-	-	-	-
0.1181	0.2362	-0.0003															
6.000	10.000	-0.008	-	-	-	-	-	-	-	-	-	-	-	-	-	-	-
0.2362	0.3937	-0.0003															
10.000	18.000	-0.008	-	-	-	-	-	-	-	-	-	-	-	-	-	-	-
0.3937	0.7087	-0.0003															
18.000	30.000	-0.010	-	-	-	-	-	-	-	-	-	-	-	-	-	-	-
0.7087	1.1811	-0.0004															
30.000	50.000	-0.014	+0.025	+0.009	0.009T	-	-	-	-	-	-	-	-	-	-	-	-
1.1811	1.9685	-0.0006	+0.0010	+0.0004	0.0004T												
					0.0145T												
50.000	80.000	-0.015	+0.030	+0.011	0.011T	+0.039	+0.020	0.020T	-	-	-	-	-	-	-	-	-
1.9685	3.1496	-0.0006	+0.0012	+0.0004	0.0004T	+0.0015	+0.0008	0.0008T									
					0.0018T			0.0021T									
80.000	120.000	-0.020	+0.035	+0.013	0.013T	+0.045	+0.023	0.023T	+0.059	+0.037	0.037T	-	-	-	-	-	-
3.1496	4.7244	-0.0008	+0.0014	+0.0005	0.0005T	+0.0018	+0.0009	0.0009T	+0.0023	+0.0015	0.0015T						
					0.0022T			0.0026T			0.0031T						
120.000	180.000	-0.025	+0.040	+0.015	0.015T	+0.052	+0.027	0.027T	+0.068	+0.043	0.043T	+0.090	+0.065	0.065T	-	-	-
4.7244	7.0866	-0.0010	+0.0016	+0.0006	0.0006T	+0.0020	+0.0011	0.0011T	+0.0027	+0.0017	0.0017T	+0.0035	+0.0026	0.0026T			
					0.0026T			0.0030T			0.0037T			0.0045T			
180.000	200.000	-0.030	+0.046	+0.017	0.017T	+0.060	+0.031	0.031L	+0.079	+0.050	0.050T	+0.106	+0.077	0.077T	-	-	-
7.0866	7.8740	-0.0012	+0.0018	+0.0007	0.0007T	+0.0024	+0.0012	0.0012L	+0.0031	+0.0020	0.0020T	+0.0042	+0.0030	0.0030T			
					0.0030T			0.0036T			0.0043T			0.0054T			
200.000	225.000	-0.030	+0.046	+0.017	0.017T	+0.060	+0.031	0.031L	+0.079	+0.050	0.050T	+0.109	+0.080	0.080T	+0.126	+0.080	0.080T
7.8740	8.8583	-0.0012	+0.0018	+0.0007	0.0007T	+0.0024	+0.0012	0.0012L	+0.0031	+0.0020	0.0020T	+0.0043	+0.0031	0.0031T	+0.0050	+0.0031	0.0031T
					0.0030T			0.0036T			0.0043T			0.0055T			0.0062T
225.000	250.000	-0.030	+0.046	+0.017	0.017T	+0.060	+0.031	0.031L	+0.079	+0.050	0.050T	+0.113	+0.084	0.084T	+0.130	+0.084	0.084T
8.8583	9.8425	-0.0012	+0.0018	+0.0007	0.0007T	+0.0024	+0.0012	0.0012L	+0.0031	+0.0020	0.0020T	+0.0044	+0.0033	0.0033T	+0.0051	+0.0033	0.0033T
					0.0030T			0.0036T			0.0043T			0.0056T			0.0063T
250.000	280.000	-0.035	+0.052	+0.020	0.020T	+0.066	+0.034	0.034T	+0.088	+0.056	0.056T	+0.126	+0.094	0.094T	+0.146	+0.094	0.094T
9.8425	11.0236	-0.0014	+0.0020	+0.0008	0.0008T	+0.0026	+0.0013	0.0013T	+0.0035	+0.0022	0.0022T	+0.0050	+0.0037	0.0037T	+0.0057	+0.0037	0.0037T
					0.0034T			0.0040T			0.0049T			0.0064T			0.0071T
280.000	315.000	-0.035	+0.052	+0.020	0.020T	+0.066	+0.034	0.034T	+0.088	+0.056	0.056T	+0.130	+0.098	0.098T	+0.150	+0.098	0.098T
11.0236	12.4016	-0.0014	+0.0020	+0.0008	0.0008T	+0.0026	+0.0013	0.0013T	+0.0035	+0.0022	0.0022T	+0.0051	+0.0039	0.0039T	+0.0059	+0.0039	0.0039T
					0.0034T			0.0040T			0.0049T			0.0065T			0.0073T

NOTE: Tolerance and shaft diameters are shown in the table as variances from nominal bearing bore.

⁽¹⁾Tolerance range is from +0 to value listed.

Continued on next page.

These charts are guidelines for specifying shaft and housing fits related to particular operating conditions found in table 6 on page 25.

Continued from previous page.

Bearing Bore			m6			n6			p6			r6			r7		
Nominal (Max.)		Tolerance ⁽¹⁾	Shaft Diameter			Shaft Diameter			Shaft Diameter			Shaft Diameter			Shaft Diameter		
Over	Incl.		Max.	Min.	Fit	Max.	Min.	Fit	Max.	Min.	Fit	Max.	Min.	Fit	Max.	Min.	Fit
mm	mm	mm	mm	mm	mm	mm	mm	mm	mm	mm	mm	mm	mm	mm	mm	mm	mm
in.	in.	in.	in.	in.	in.	in.	in.	in.	in.	in.	in.	in.	in.	in.	in.	in.	in.
					0.021T			0.037T			0.062T			0.108T			0.108T
315.000	355.000	-0.040	+0.057	+0.021	0.097T	+0.073	+0.037	0.113T	+0.098	+0.062	0.138T	+0.144	+0.108	0.184T	+0.165	+0.108	0.205T
12.4016	13.9764	-0.0016	+0.0022	+0.0008	0.0008T	+0.0029	+0.0015	0.0015T	+0.0039	+0.0024	0.0024T	+0.0057	+0.0043	0.0043T	+0.0065	+0.0043	0.0043T
					0.0038T			0.0045T			0.0055T			0.0073T			0.0081T
								0.037T			0.062T			0.114T			0.114T
355.000	400.000	-0.040	-	-	-	+0.073	+0.037	0.113T	+0.098	+0.062	0.138T	+0.150	+0.114	0.190T	+0.171	+0.114	0.211T
13.9764	15.7480	-0.0016	-	-	-	+0.0029	+0.0015	0.0015T	+0.0039	+0.0024	0.0024T	+0.0059	+0.0045	0.0045T	+0.0067	+0.0045	0.0045T
								0.0045T			0.0055T			0.0075T			0.0083T
								0.040T			0.068T			0.126T			0.126T
400.000	450.000	-0.045	-	-	-	+0.080	+0.040	0.125T	+0.108	+0.068	0.153T	+0.166	+0.126	0.211T	+0.189	+0.126	0.234T
15.7480	17.7165	-0.0018	-	-	-	+0.0031	+0.0016	0.0016T	+0.0043	+0.0027	0.0027T	+0.0065	+0.0050	0.0050T	+0.0074	+0.0050	0.0050T
								0.0049T			0.0061T			0.0083T			0.0092T
								0.040T			0.068T			0.132T			0.132T
450.000	500.000	-0.045	-	-	-	+0.080	+0.040	0.125T	+0.108	+0.068	0.153T	+0.172	+0.132	0.217T	+0.195	+0.132	0.240T
17.7165	19.6850	-0.0018	-	-	-	+0.0031	+0.0016	0.0016T	+0.0043	+0.0027	0.0027T	+0.0068	+0.0052	0.0052T	+0.0077	+0.0052	0.0052T
								0.0049T			0.0061T			0.0086T			0.0095T
											0.078T			0.150T			0.150T
500.000	560.000	-0.050	-	-	-	-	-	-	+0.122	+0.078	0.172T	+0.194	+0.150	0.244T	+0.220	+0.150	0.270T
19.6850	22.0472	-0.0020	-	-	-	-	-	-	+0.0048	+0.0031	0.0031T	+0.0076	+0.0059	0.0059T	+0.0087	+0.0059	0.0059T
											0.0068T			0.0096T			0.0107T
											0.078T			0.155T			0.155T
560.000	630.000	-0.050	-	-	-	-	-	-	+0.122	+0.078	0.172T	+0.199	+0.155	0.249T	+0.225	+0.155	0.275T
22.0472	24.8032	-0.0020	-	-	-	-	-	-	+0.0048	+0.0031	0.0031T	+0.0078	+0.0061	0.0061T	+0.0089	+0.0061	0.0061T
											0.0068T			0.0098T			0.0109T
											0.088T			0.175T			0.175T
630.000	710.000	-0.075	-	-	-	-	-	-	+0.138	+0.088	0.213T	+0.225	+0.175	0.300T	+0.255	+0.175	0.330T
24.8032	27.9528	-0.0030	-	-	-	-	-	-	+0.0054	+0.0035	0.0035T	+0.0089	+0.0069	0.0069T	+0.0100	+0.0069	0.0069T
											0.0084T			0.0119T			0.0130T
											0.088T			0.185T			0.185T
710.000	800.000	-0.075	-	-	-	-	-	-	+0.138	+0.088	0.213T	+0.235	+0.185	0.310T	+0.265	+0.185	0.340T
27.9528	31.4961	-0.0030	-	-	-	-	-	-	+0.0054	+0.0035	0.0035T	+0.0093	+0.0073	0.0073T	+0.0104	+0.0073	0.0073T
											0.0084T			0.0123T			0.0134T
											0.100T			0.210T			0.210T
800.000	900.000	-0.100	-	-	-	-	-	-	+0.156	+0.100	0.256T	+0.266	+0.210	0.366T	+0.300	+0.210	0.400T
31.4961	35.4331	-0.0039	-	-	-	-	-	-	+0.0061	+0.0039	0.0039T	+0.0105	+0.0083	0.0083T	+0.0118	+0.0083	0.0083T
											0.0100T			0.0144T			0.0157T
											0.100T			0.220T			0.220T
900.000	1000.000	-0.100	-	-	-	-	-	-	+0.156	+0.100	0.256T	+0.276	+0.220	0.366T	+0.0310	+0.220	0.410T
35.4331	39.3701	-0.0039	-	-	-	-	-	-	+0.0061	+0.0039	0.0039T	+0.0109	+0.0087	0.0087T	+0.0122	+0.0087	0.0087T
											0.0100T			0.0148T			0.0161T
											0.120T			0.250T			0.250T
1000.000	1120.000	-0.125	-	-	-	-	-	-	+0.186	+0.120	0.311T	+0.316	+0.250	0.441T	+0.355	+0.250	0.480T
39.3701	44.0945	-0.0049	-	-	-	-	-	-	+0.0073	+0.0047	0.0047T	+0.0124	+0.0098	0.0098T	+0.0140	+0.0098	0.0098T
											0.0122T			0.0173T			0.0189T
											0.120T			0.260T			0.260T
1120.000	1250.000	-0.125	-	-	-	-	-	-	+0.186	+0.120	0.311T	+0.326	+0.260	0.451T	+0.365	+0.260	0.490T
44.0945	49.2126	-0.0049	-	-	-	-	-	-	+0.0073	+0.0047	0.0047T	+0.0128	+0.0102	0.0102T	+0.0144	+0.0102	0.0102T
											0.0122T			0.0177T			0.0193T

NOTE: Tolerance and shaft diameters are shown in the table as variances from nominal bearing bore.

⁽¹⁾Tolerance range is from +0 to value listed.

These charts are guidelines for specifying shaft and housing fits related to particular operating conditions found in table 6 on page 25.

SPHERICAL ROLLER BEARING HOUSING TOLERANCES

TABLE 11. SPHERICAL ROLLER BEARINGS – HOUSING TOLERANCES

Bearing O.D.			F7			G7			H6			H7		
Nominal (Max.)		Tolerance ⁽¹⁾	Housing Bore		Fit	Housing Bore		Fit	Housing Bore		Fit	Housing Bore		Fit
Over	Incl.		Max.	Min.		Max.	Min.		Max.	Min.		Max.	Min.	
mm	mm	mm	mm	mm	mm	mm	mm	mm	mm	mm	mm	mm	mm	mm
in.	in.	in.	in.	in.	in.	in.	in.	in.	in.	in.	in.	in.	in.	in.
10.000	18.000	-0.008	+0.034	+0.016	0.016L	+0.024	+0.002	0.032L	+0.011	0.000	0.019L	+0.018	0.000	0.026L
0.3937	0.7087	-0.0003	+0.0013	+0.0006	0.0006L	+0.0009	+0.0002	0.0002L	+0.0004	0.0000	0.0000L	+0.0007	0.0000	0.0000L
					0.0016L			0.0012L			0.0007L			0.0010L
					0.020L			0.007L			0.000L			0.000L
18.000	30.000	-0.009	+0.041	+0.020	0.050L	+0.028	+0.007	0.037L	+0.013	0.000	0.022L	+0.021	0.000	0.030L
0.7087	1.1811	-0.0035	+0.0016	+0.0008	0.0008L	+0.0011	+0.0003	0.0003L	+0.0005	0.0000	0.0000L	+0.0008	0.0000	0.0000L
					0.00195L			0.00145L			0.00085L			0.00125L
					0.025L			0.009L			0.000L			0.000L
30.000	50.000	-0.011	+0.050	+0.025	0.061L	+0.034	+0.009	0.045L	+0.016	0.000	0.027L	+0.025	0.000	0.036L
1.1811	1.9685	-0.00045	+0.0020	+0.0010	0.0010L	+0.0013	+0.0004	0.0004L	+0.0006	0.0000	0.0000L	+0.0010	0.0000	0.0000L
					0.00245L			0.00175L			0.00105L			0.00145L
					0.030L			0.010L			0.000L			0.000L
50.000	80.000	-0.013	+0.060	+0.030	0.073L	+0.040	+0.010	0.053L	+0.019	0.000	0.032L	+0.030	0.000	0.059L
1.9685	3.1496	-0.0005	+0.0024	+0.0012	0.0012L	+0.0016	+0.0004	0.0004L	+0.0007	0.0000	0.0000L	+0.0012	0.0000	0.0000L
					0.0029L			0.0021L			0.0012L			0.0017L
					0.036L			0.012L			0.000L			0.000L
80.000	120.000	-0.015	+0.071	+0.036	0.086L	+0.047	+0.012	0.062L	+0.022	0.000	0.037L	+0.035	0.000	0.050L
3.1496	4.7244	-0.0006	+0.0028	+0.0014	0.0014L	+0.0019	+0.0005	0.0005L	+0.0009	0.0000	0.0000L	+0.0014	0.0000	0.0000L
					0.0034L			0.0025L			0.0015L			0.0020L
					0.043L			0.014L			0.000L			0.000L
120.000	150.000	-0.018	+0.083	+0.043	0.101L	+0.054	+0.014	0.072L	+0.025	0.000	0.043L	+0.040	0.000	0.058L
4.7244	5.9055	-0.0007	+0.0033	+0.0017	0.0017L	+0.0021	+0.0006	0.0006L	+0.0010	0.0000	0.0000L	+0.0016	0.0000	0.0000L
					0.0040L			0.0028L			0.0017L			0.0023L
					0.043L			0.014L			0.000L			0.000L
150.000	180.000	-0.025	+0.083	+0.043	0.108L	+0.054	+0.014	0.079L	+0.025	0.000	0.050L	+0.040	0.000	0.065L
5.9055	7.0866	-0.0010	+0.0033	+0.0017	0.0017L	+0.0021	+0.0006	0.0006L	+0.0010	0.0000	0.0000L	+0.0016	0.0000	0.0000L
					0.0043L			0.0031L			0.0020L			0.0026L
					0.050L			0.015L			0.000L			0.000L
180.000	250.000	-0.030	+0.096	+0.050	0.126L	+0.061	+0.015	0.091L	+0.029	0.000	0.059L	+0.046	0.000	0.076L
7.0866	9.8425	-0.0012	+0.0038	+0.0020	0.0020L	+0.0024	+0.0006	0.0006L	+0.0011	0.0000	0.0000L	+0.0018	0.0000	0.0000L
					0.0050L			0.0036L			0.0023L			0.0030L
					0.056L			0.017L			0.000L			0.000L
250.000	315.000	-0.035	+0.108	+0.056	0.143L	+0.069	+0.017	0.104L	+0.032	0.000	0.067L	+0.052	0.000	0.087L
9.8425	12.4016	-0.0014	+0.0043	+0.0022	0.0022L	+0.0027	+0.0007	0.0007L	+0.0013	0.0000	0.0000L	+0.0020	0.0000	0.0000L
					0.0057L			0.0041L			0.0027L			0.0034L
					0.063L			0.018L			0.000L			0.000L
315.000	400.000	-0.040	+0.119	+0.062	0.159L	+0.075	+0.018	0.115L	+0.089	0.000	0.129L	+0.057	0.000	0.097L
12.4016	15.7480	-0.0016	+0.0047	+0.0024	0.0024L	+0.0030	+0.0007	0.0007L	+0.0014	0.0000	0.0000L	+0.0022	0.0000	0.0000L
					0.0063L			0.0046L			0.0030L			0.0038L
					0.068L			0.020L			0.000L			0.000L
400.000	500.000	-0.045	+0.131	+0.068	0.176L	+0.083	+0.020	0.128L	+0.097	0.000	0.142L	+0.063	0.000	0.108L
15.7480	19.6850	-0.0018	+0.0052	+0.0027	0.0027L	+0.0033	+0.0008	0.0008L	+0.0016	0.0000	0.0000L	+0.0025	0.0000	0.0000L
					0.0070L			0.0051L			0.0034L			0.0043L
					0.076L			0.022L			0.000L			0.000L
500.000	630.000	-0.050	+0.146	+0.076	0.196L	+0.092	+0.022	0.142L	+0.110	0.000	0.160L	+0.070	0.000	0.120L
19.6850	24.8032	-0.0020	+0.0057	+0.0030	0.0030L	+0.0036	+0.0009	0.0009L	+0.0017	0.0000	0.0000L	+0.0028	0.0000	0.0000L
					0.0077L			0.0056L			0.0037L			0.0048L

NOTE: Tolerance and shaft diameters are shown in the table as variances from nominal bearing O.D.

⁽¹⁾Tolerance range is from +0 to value listed.

These charts are guidelines for specifying shaft and housing fits related to particular operating conditions found in table 6 on page 25.

H8			J6			J7			K6			K7		
Housing Bore		Fit	Housing Bore		Fit	Housing Bore		Fit	Housing Bore		Fit	Housing Bore		Fit
Max.	Min.		Max.	Min.		Max.	Min.		Max.	Min.		Max.	Min.	
mm	mm	mm	mm	mm	mm	mm	mm	mm	mm	mm	mm	mm	mm	mm
in.	in.	in.	in.	in.	in.	in.	in.	in.	in.	in.	in.	in.	in.	in.
		0.000L			0.005T			0.008T			0.009T			0.012T
+0.027	0.000	0.035L	+0.006	-0.005	0.014L	+0.10	-0.008	0.018L	+0.002	-0.009	0.010L	+0.006	-0.012	0.014L
+0.0011	0.0000	0.0000L	+0.0002	-0.0002	0.0002T	+0.004	-0.0003	0.0003T	+0.0001	-0.0004	0.0004T	+0.0002	-0.0005	0.0005T
		0.0014L			0.0005L			0.0007L			0.0004L			0.0005L
		0.000L			0.005T			0.009T			0.011T			0.015T
+0.033	0.000	0.030L	+0.008	-0.005	0.017L	+0.012	-0.009	0.021L	+0.002	-0.011	0.011L	+0.006	-0.015	0.015L
+0.0013	0.0000	0.0000L	+0.0003	-0.0002	0.0002T	+0.0005	-0.0004	0.0004T	+0.0001	-0.0004	0.0004T	+0.0002	-0.0006	0.0006T
		0.00165L			0.00065L			0.00085L			0.00045L			0.00055L
		0.000L			0.006T			0.011T			0.013T			0.018T
+0.039	0.000	0.050L	+0.010	-0.006	0.021L	+0.014	-0.011	0.025L	+0.003	-0.014	0.014L	+0.007	-0.018	0.018L
+0.0015	0.0000	0.0000L	+0.0002	-0.0002	0.0002T	+0.0006	-0.0004	0.0004T	+0.0001	-0.0005	0.0005T	+0.0003	-0.0007	0.0007T
		0.00195L			0.00085L			0.00105L			0.00055L			0.00065L
		0.000L			0.006T			0.012T			0.015T			0.021T
+0.046	0.000	0.059L	+0.013	-0.006	0.026L	+0.018	-0.012	0.031L	+0.004	-0.015	0.017L	+0.009	-0.021	0.022L
+0.0018	0.0000	0.0000L	+0.0005	-0.0002	0.0002T	+0.0007	-0.0005	0.0005T	+0.0002	-0.0006	0.0006T	+0.0004	-0.0008	0.0008T
		0.0023L			0.0010L			0.0012L			0.0007L			0.0009L
		0.000L			0.006T			0.013T			0.018T			0.025T
+0.054	0.000	0.069L	+0.016	-0.006	0.031L	+0.022	-0.013	0.037L	+0.004	-0.018	0.019L	+0.010	-0.025	0.025L
+0.0021	0.0000	0.0000L	+0.0006	-0.0002	0.0002T	+0.0009	-0.0005	0.0005T	+0.0002	-0.0007	0.0007T	+0.0004	-0.0010	0.0010T
		0.0027L			0.0012L			0.0015L			0.0008L			0.0010L
		0.000L			0.007T			0.014T			0.021T			0.028T
+0.063	0.000	0.081L	+0.018	-0.007	0.036L	+0.026	-0.014	0.044L	+0.004	-0.021	0.022L	+0.012	-0.028	0.030L
+0.0025	0.0000	0.0000L	+0.0007	-0.0003	0.0003T	+0.0010	-0.0006	0.0006T	+0.0002	-0.0008	0.0008T	+0.0005	-0.0011	0.0011T
		0.0032L			0.0014L			0.0017L			0.0009L			0.0012L
		0.000L			0.007T			0.014T			0.021T			0.028T
+0.063	0.000	0.088L	+0.018	-0.007	0.043L	+0.026	-0.014	0.051L	+0.004	-0.021	0.029L	+0.012	-0.033	0.037L
+0.0025	0.0000	0.0000L	+0.0007	-0.0003	0.0003T	+0.0010	-0.0006	0.0006T	+0.0002	-0.0008	0.0008T	+0.0005	-0.0011	0.0011T
		0.0035L			0.0017L			0.0020L			0.0012L			0.0015L
		0.000L			0.007T			0.016T			0.024T			0.033T
+0.072	0.000	0.102L	+0.022	-0.007	0.052L	+0.030	-0.016	0.060L	+0.005	-0.024	0.035L	+0.013	-0.0011	0.043L
+0.0028	0.0000	0.0000L	+0.0007	-0.0003	0.0003T	+0.0012	-0.0006	0.0006T	+0.0002	-0.0009	0.0009T	+0.0005	-0.0013	0.0013T
		0.0040L			0.0021L			0.0024L			0.0014L			0.0017L
		0.000L			0.007T			0.016T			0.027T			0.036T
+0.081	0.000	0.116L	+0.025	-0.007	0.060L	+0.036	-0.016	0.071L	+0.005	-0.027	0.040L	+0.016	-0.036	0.051L
+0.0032	0.0000	0.0000L	+0.0010	-0.0003	0.0003T	+0.0014	-0.0006	0.0006T	+0.0002	-0.0011	0.0011T	+0.0006	-0.0014	0.0014T
		0.0046L			0.0024L			0.0028L			0.0016L			0.0020L
		0.000L			0.007T			0.018T			0.029T			0.040T
+0.036	0.000	0.076L	+0.029	-0.007	0.069L	+0.039	-0.018	0.079L	+0.007	-0.029	0.047L	+0.017	-0.040	0.057L
+0.0035	0.0000	0.0000L	+0.0011	-0.0003	0.0003T	+0.0015	-0.0007	0.0007T	+0.0003	-0.0011	0.0011T	+0.0007	-0.0016	0.0016T
		0.0051L			0.0027L			0.0031L			0.0019L			0.0023L
		0.000L			0.007T			0.020T			0.032T			0.045T
+0.040	0.000	0.085	+0.033	-0.007	0.078L	+0.043	-0.020	0.088L	+0.008	-0.032	0.053L	+0.018	-0.045	0.063L
+0.0038	0.0000	0.0000L	+0.0013	-0.0003	0.0003T	+0.0017	-0.0008	0.0008T	+0.0003	-0.0013	0.0013T	+0.0007	-0.0018	0.0018T
		0.0056L			0.0031L			0.0035L			0.0021L			0.0025L
		0.000L			0.022T			0.022T			0.044T			0.070T
+0.044	0.000	0.094L	+0.037	-0.007	0.098L	+0.048	-0.022	0.098L	0.000	-0.044	0.050L	0.000	-0.070	0.050L
+0.0043	0.0000	0.0000L	+0.0015	-0.0003	0.0003T	+0.0019	-0.0009	0.0009T	0.0000	-0.0017	0.0017T	0.0000	-0.0028	0.0028T
		0.0063L			0.0035L			0.0039L			0.0020L			0.0020L

Continued on next page.

FITTING PRACTICE TABLES

These charts are guidelines for specifying shaft and housing fits related to particular operating conditions found in table 6 on page 25.

Continued from previous page.

Bearing O.D.			F7			G7			H6			H7		
Nominal (Max.)		Tolerance ⁽¹⁾	Housing Bore		Fit	Housing Bore		Fit	Housing Bore		Fit	Housing Bore		Fit
Over	Incl.		Max.	Min.		Max.	Min.		Max.	Min.		Max.	Min.	
mm	mm	mm	mm	mm	mm	mm	mm	mm	mm	mm	mm	mm	mm	mm
in.	in.	in.	in.	in.	in.	in.	in.	in.	in.	in.	in.	in.	in.	in.
630.000	800.000	-0.075	+0.160	+0.080	0.080L	+0.104	+0.024	0.024L	+0.125	0.000	0.200L	+0.080	0.000	0.155L
24.8032	31.4961	-0.0030	+0.0063	+0.0031	0.0031L	+0.0041	+0.0009	0.0009L	+0.0020	0.0000	0.0000L	+0.0031	0.0000	0.0000L
					0.0093L			0.0071L			0.0030L			0.0061L
800.000	1000.000	-0.100	+0.179	+0.086	0.086L	+0.116	+0.026	0.026L	+0.140	0.000	0.240L	+0.090	0.000	0.190L
31.4961	39.3701	-0.0039	+0.0063	+0.0034	0.0034L	+0.0046	+0.0010	0.0010L	+0.0022	0.0000	0.0000L	+0.0035	0.0000	0.0000L
					0.0108L			0.0085L			0.0061L			0.0074L
1000.000	1250.000	-0.125	+0.203	+0.098	0.098L	+0.133	+0.028	0.028L	+0.165	0.000	0.290L	+0.105	0.000	0.230L
39.3701	49.2126	-0.0049	+0.0080	+0.0039	0.0039L	+0.0052	+0.0011	0.0011L	+0.0026	0.0000	0.0000L	+0.0041	0.0000	0.0000L
					0.0129L			0.0101L			0.0075L			0.0090L
1250.000	1600.000	-0.160	+0.155	+0.030	0.110L	+0.155	+0.030	0.030L	+0.195	0.000	0.355L	+0.125	0.000	0.355L
49.2126	62.9921	-0.0063	+0.0093	+0.0043	0.0043L	+0.0061	+0.0012	0.0012L	+0.0031	0.0000	0.0000L	+0.0049	0.0000	0.0000L
					0.0156L			0.0124L			0.0094L			0.0112L
1600.000	2000.000	-0.200	+0.270	+0.120	0.120L	+0.182	+0.032	0.032L	+0.230	0.000	0.430L	+0.150	0.000	0.350L
62.9921	78.7402	-0.0079	+0.0106	+0.0047	0.0047L	+0.0072	+0.0013	0.0013L	+0.0036	0.0000	0.0000L	+0.0059	0.0000	0.0000L
					0.0185L			0.0151L			0.0115L			0.0138L
2000.000	2500.000	-0.250	+0.305	+0.0130	0.130L	+0.209	+0.034	0.034L	+0.280	0.000	0.530L	+0.175	0.000	0.425L
78.7402	98.4252	-0.0098	0.0120	+0.0051	0.0051L	+0.0082	+0.0013	0.0013L	+0.043	0.0000	0.0000L	+0.0069	0.0000	0.0000L
					0.0218L			0.0180L			0.0141L			0.0167L

NOTE: Tolerance and shaft diameters are shown in the table as variances from nominal bearing O.D.

⁽¹⁾Tolerance range is from +0 to value listed.

These charts are guidelines for specifying shaft and housing fits related to particular operating conditions found in table 6 on page 25.

H8			J6			J7			K6			K7		
Housing Bore		Fit	Housing Bore		Fit	Housing Bore		Fit	Housing Bore		Fit	Housing Bore		Fit
Max.	Min.		Max.	Min.		Max.	Min.		Max.	Min.		Max.	Min.	
mm	mm	mm	mm	mm	mm	mm	mm	mm	mm	mm	mm	mm	mm	mm
in.	in.	in.	in.	in.	in.	in.	in.	in.	in.	in.	in.	in.	in.	in.
		0.000L			0.010T			0.024T			0.050T			0.080T
+0.050	0.000	0.125L	+0.040	-0.010	0.115L	+0.056	-0.024	0.131L	0.000	-0.050	0.075L	0.000	-0.080	0.075L
+0.0049	0.0000	0.0000L	+0.0016	-0.0004	0.0004T	+0.0022	-0.0009	0.0009T	0.0000	-0.0020	0.0020T	0.0000	-0.0031	0.0031T
		0.0079L			0.0046L			0.0052L			0.0030L			0.0030L
		0.000L			0.010T			0.026T			0.056T			0.090T
+0.056	0.000	0.156L	+0.046	-0.010	0.146L	+0.064	-0.026	0.164L	0.000	-0.056	0.100L	0.000	-0.090	0.100L
+0.0055	0.0000	0.0000L	+0.0018	-0.0004	0.0004T	+0.0025	-0.0010	0.0010T	0.0000	-0.0022	0.0022T	0.0000	-0.0035	0.0035T
		0.0094L			0.0057L			0.0064L			0.0039L			0.0039L
		0.000L			0.010T			0.028T			0.066T			0.105T
+0.066	0.000	0.191L	+0.056	-0.010	0.181L	+0.077	-0.028	0.202L	0.000	-0.066	0.125L	0.000	-0.105	0.125L
+0.0065	0.0000	0.0000L	+0.0022	-0.0004	0.0004T	+0.0030	-0.0011	0.0011T	0.0000	-0.0026	0.0026T	0.0000	-0.0041	0.0041T
		0.0114L			0.0071L			0.0079L			0.0049L			0.0049L
		0.000L			0.010T			0.030T			0.078T			0.125T
+0.078	0.000	0.238L	+0.068	-0.010	0.228L	+0.095	-0.030	0.255L	0.000	-0.078	0.160L	0.000	-0.125	0.160L
+0.0077	0.0000	0.0000L	+0.0027	-0.0004	0.0004T	+0.0037	-0.0012	0.0012T	0.0000	-0.0031	0.0031T	0.0000	-0.0049	0.0049T
		0.0104L			0.0090L			0.0100L			0.0063L			0.0063L
		0.000L			0.110T			0.032T			0.092T			0.150T
+0.092	0.000	0.292L	+0.082	-0.010	0.282L	+0.118	-0.032	0.318L	0.000	-0.092	0.200L	0.000	-0.150	0.200L
+0.0091	0.0000	0.0000L	+0.0032	-0.0004	0.0004T	+0.0046	-0.0013	0.0013T	0.0000	-0.0036	0.0036T	0.0000	-0.0059	0.0059T
		0.0170L			0.0111L			0.0125L			0.0079L			0.0079L
		0.000L			0.010T			0.034T			0.110T			0.175T
+0.110	0.000	0.360L	+0.100	-0.010	0.350L	+0.141	-0.034	0.391L	0.000	-0.110	0.250L	0.000	-0.175	0.250L
+0.0110	0.0000	0.0000L	+0.0039	-0.0004	0.0004T	+0.0056	-0.0013	0.0013T	0.0000	-0.0043	0.0043T	0.0000	-0.0069	0.0069T
		0.0208L			0.0137L			0.0154L			0.0098L			0.0098L

These charts are guidelines for specifying shaft and housing fits related to particular operating conditions found in table 6 on page 25.

TABLE 12. SPHERICAL ROLLER BEARINGS – HOUSING TOLERANCES

Bearing O.D.			M6			M7			N6		
Nominal (Max.)		Tolerance ⁽¹⁾	Housing Bore			Housing Bore			Housing Bore		
Over	Incl.		Max.	Min.	Fit	Max.	Min.	Fit	Max.	Min.	Fit
mm	mm	mm	mm	mm	mm	mm	mm	mm	mm	mm	mm
in.	in.	in.	in.	in.	in.	in.	in.	in.	in.	in.	in.
10.000	18.000	-0.008	-0.004	-0.015	0.015T	0.000	-0.018	0.018T	-0.009	-0.020	0.020T
0.3937	0.7087	-0.0003	-0.0002	-0.0006	0.004L	0.0000	-0.0007	0.008L	-0.0004	-0.0008	0.001T
					0.006T			0.007T			0.0008T
					0.001L			0.0003L			0.0001T
					0.017T			0.021T			0.024T
18.000	30.000	-0.009	-0.004	-0.017	0.005L	0.000	-0.021	0.009L	-0.007	-0.028	0.002T
0.7087	1.1811	-0.0035	-0.0002	-0.0007	0.0007T	0.0000	-0.0008	0.0008T	-0.0004	-0.0009	0.0009T
					0.00015L			0.0035L			0.00005T
					0.020T			0.025T			0.028T
30.000	50.000	-0.011	-0.004	-0.020	0.007L	0.000	-0.025	0.011L	-0.012	-0.028	0.001T
1.1811	1.9685	-0.0045	-0.0002	-0.0008	0.0008T	0.0000	-0.0010	0.0010T	-0.0005	-0.0011	0.0011T
					0.00025L			0.00045L			0.00005T
					0.024T			0.030T			0.033T
50.000	80.000	-0.013	-0.005	-0.024	0.008L	0.000	-0.030	0.013L	-0.014	-0.033	0.001T
1.9685	3.1496	-0.0005	-0.0002	-0.0009	0.0009T	0.0000	-0.0012	0.0012T	-0.0006	-0.0013	0.0013T
					0.0003L			0.0005L			0.0001T
					0.028T			0.035T			0.038T
80.000	120.000	-0.015	-0.006	-0.028	0.009L	0.000	-0.035	0.015L	-0.016	-0.038	0.001T
3.1496	4.7244	-0.0006	-0.0002	-0.0011	0.0011T	0.0000	-0.0014	0.0014T	-0.0006	-0.0015	0.0015T
					0.0004L			0.0006L			0.0000T
					0.033T			0.040T			0.045T
120.000	150.000	-0.018	-0.008	-0.033	0.010L	0.000	-0.040	0.018L	-0.020	-0.045	0.002T
4.7244	5.9055	-0.0007	-0.0003	-0.0013	0.0013T	0.0000	-0.0016	0.0016T	-0.0008	-0.0018	0.0018T
					0.0004L			0.0007L			0.0001T
					0.033T			0.040T			0.045T
150.000	180.000	-0.025	-0.008	-0.033	0.017L	0.000	-0.040	0.025L	-0.020	-0.045	0.005T
5.9055	7.0866	-0.0010	-0.0003	-0.0013	0.0013T	0.0000	-0.0016	0.0016T	-0.0008	-0.0018	0.0018T
					0.0007L			0.0010L			0.0002T
					0.037T			0.046T			0.051T
180.000	250.000	-0.030	-0.008	-0.037	0.022L	0.000	-0.046	0.030L	-0.022	-0.051	0.008T
7.0866	9.8425	-0.0012	-0.0003	-0.0015	0.0015T	0.0000	-0.0018	0.0018T	-0.0009	-0.0020	0.0020T
					0.0009L			0.0012L			0.0003T
					0.041T			0.052T			0.057T
250.000	315.000	-0.035	-0.009	-0.041	0.026L	0.000	-0.052	0.035L	-0.025	-0.057	0.010T
9.8425	12.4016	-0.0014	-0.0004	-0.0016	0.0016T	0.0000	-0.0020	0.0020T	-0.0010	-0.0022	0.0022T
					0.0010L			0.0014L			0.0004T
					0.046T			0.057T			0.062T
315.000	400.000	-0.040	-0.010	-0.046	0.030L	0.000	-0.057	0.040L	-0.026	-0.062	0.014T
12.4016	15.7480	-0.0016	-0.0004	-0.0018	0.0018T	0.0000	-0.0022	0.0022T	-0.0006	-0.0029	0.0024T
					0.0012L			0.0016L			0.0006T
					0.050T			0.063T			0.067T
400.000	500.000	-0.045	-0.010	-0.050	0.035L	0.000	-0.063	0.045L	-0.027	-0.067	0.018T
15.7480	19.6850	-0.0018	-0.0004	-0.0020	0.0020T	0.0000	-0.0025	0.0025T	-0.0011	-0.0026	0.0026T
					0.0014L			0.0018L			0.0007T
					0.070T			0.096T			0.088T
500.000	630.000	-0.050	-0.026	-0.070	0.024L	-0.026	-0.096	0.024L	-0.044	-0.088	0.006T
19.6850	24.8032	-0.0020	-0.0010	-0.0028	0.0028T	-0.0010	-0.0038	0.0038T	-0.0017	-0.0035	0.0035T
					0.0010L			0.0010L			0.0003T

NOTE: Tolerance and shaft diameters are shown in the table as variances from nominal bearing O.D.

⁽¹⁾Tolerance range is from +0 to value listed.

These charts are guidelines for specifying shaft and housing fits related to particular operating conditions found in table 6 on page 25.

N7			P6			P7		
Housing Bore		Fit	Housing Bore		Fit	Housing Bore		Fit
Max.	Min.		Max.	Min.		Max.	Min.	
mm	mm	mm	mm	mm	mm	mm	mm	mm
in.	in.	in.	in.	in.	in.	in.	in.	in.
		0.023T			0.026T			0.029T
-0.005	-0.023	0.003L	-0.015	-0.026	0.007T	-0.011	-0.029	0.003T
-0.0002	-0.0009	0.0009T	-0.0006	-0.0010	0.0010T	-0.0004	-0.0011	0.0011T
		0.0001L			0.0003T			0.0001T
		0.028T			0.031T			0.035T
-0.007	-0.028	0.002L	-0.018	-0.031	0.009T	-0.014	-0.035	0.005T
-0.0003	-0.0011	0.0011T	-0.0007	-0.0012	0.0012T	-0.0006	-0.0014	0.0014T
		0.00005L			0.00035T			0.0025T
		0.033T			0.037T			0.042T
-0.008	-0.033	0.003L	-0.021	-0.037	0.010T	-0.017	-0.042	0.006T
-0.0003	-0.0013	0.0013T	-0.0008	-0.0015	0.0015T	-0.0007	-0.0017	0.0017T
		0.00015L			0.00035T			0.0025T
		0.039T			0.045T			0.051T
-0.009	-0.039	0.004L	-0.026	-0.045	0.013T	-0.021	-0.051	0.008T
-0.0004	-0.0015	0.0015T	-0.0010	-0.0018	0.0018T	-0.0008	-0.0020	0.0020T
		0.0001L			0.0005T			0.0003T
		0.045T			0.052T			0.059T
-0.010	-0.045	0.005L	-0.030	-0.052	0.015T	-0.024	-0.059	0.009T
-0.0004	-0.0018	0.0018T	-0.0012	-0.0020	0.0020T	-0.0009	-0.0023	0.0023T
		0.0002L			0.0006T			0.0003T
		0.061T			0.061T			0.068T
-0.012	-0.052	0.018L	-0.036	-0.061	0.018T	-0.028	-0.068	0.010T
-0.0005	-0.0020	0.0020T	-0.0014	-0.0024	0.0024T	-0.0011	-0.0027	0.0027T
		0.0002L			0.0007T			0.0004T
		0.052T			0.061T			0.068T
-0.012	-0.052	0.013L	-0.036	-0.061	0.011T	-0.028	-0.068	0.003T
-0.0005	-0.0020	0.0020T	-0.0014	-0.0024	0.0024T	-0.0011	-0.0027	0.0027T
		0.0005L			0.0004T			0.0001T
		0.060T			0.070T			0.079T
-0.014	-0.060	0.016L	-0.041	-0.070	0.011T	-0.033	-0.079	0.003T
-0.0006	-0.0024	0.0024T	-0.0016	-0.0028	0.0028T	-0.0013	-0.0031	0.0031T
		0.0006L			0.0004T			0.0001T
		0.066T			0.079T			0.088T
-0.014	-0.066	0.021L	-0.047	-0.079	0.012T	-0.036	-0.088	0.001T
-0.0006	-0.0026	0.0025T	-0.0019	-0.0031	0.0031T	-0.0014	-0.0035	0.0035T
		0.0008L			0.0005T			0.0000T
		0.073T			0.087T			0.098T
-0.016	-0.073	0.024L	-0.051	-0.087	0.011T	-0.041	-0.098	0.001T
-0.0006	-0.0029	0.0029T	-0.0020	-0.0034	0.0034T	-0.0016	-0.0039	0.0039T
		0.0010L			0.0004T			0.0000T
		0.080T			0.095T			0.108T
-0.017	-0.080	0.028L	-0.055	-0.095	0.010T	-0.045	-0.108	0.000T
-0.0007	-0.0031	0.0031T	-0.0022	-0.0037	0.0037T	-0.0018	-0.0043	0.0043T
		0.0011L			0.0004T			0.0000T
		0.114T			0.122T			0.148T
-0.044	-0.114	0.006L	-0.078	-0.122	0.028T	-0.078	-0.148	0.028T
-0.0017	-0.0045	0.0045T	-0.0031	-0.0048	0.0048T	-0.0031	-0.0058	0.0058T
		0.0003L			0.0011T			0.0011T

Continued on next page.

FITTING PRACTICE TABLES

These charts are guidelines for specifying shaft and housing fits related to particular operating conditions found in table 6 on page 25.

Continued from previous page.

Bearing O.D.			M6			M7			N6		
Nominal (Max.)		Tolerance ⁽¹⁾	Housing Bore		Fit	Housing Bore		Fit	Housing Bore		Fit
Over	Incl.		Max.	Min.		Max.	Min.		Max.	Min.	
mm	mm	mm	mm	mm	mm	mm	mm	mm	mm	mm	mm
in.	in.	in.	in.	in.	in.	in.	in.	in.	in.	in.	in.
630.000	800.000	-0.075	-0.030	-0.080	0.080T			0.110T			0.100T
24.8032	31.4961	-0.0030	-0.0012	-0.0031	0.045L	-0.030	-0.110	0.045L	-0.050	-0.100	0.025T
					0.0031T	-0.0012	-0.0043	0.0043T	-0.0020	-0.0039	0.0039T
					0.0018L			0.0018L			0.0010T
					0.090T			0.124T			0.112T
800.000	1000.000	-0.100	-0.034	-0.090	0.066L	-0.034	-0.124	0.066L	-0.056	-0.112	0.044T
31.4961	39.3701	-0.0039	-0.0013	-0.0035	0.0035T	-0.0013	-0.0049	0.0049T	-0.0022	-0.0044	0.0044T
					0.0026L			0.0026L			0.0017T
					0.106T			0.145T			0.132T
1000.000	1250.000	-0.125	-0.040	-0.106	0.085L	-0.040	-0.145	0.085L	-0.066	-0.132	0.059T
39.3701	49.2126	-0.0049	-0.0016	-0.0042	0.0042T	-0.0016	-0.0057	0.0057T	-0.0026	-0.0052	0.0052T
					0.0033L			0.0033L			0.0023T
					0.126T			0.173T			0.156T
1250.000	1600.000	-0.160	-0.048	-0.126	0.112L	-0.048	-0.173	0.112L	-0.078	-0.156	0.082T
49.2126	62.9921	-0.0063	-0.0019	-0.0050	0.0050T	-0.0019	-0.0068	0.0068T	-0.0031	-0.0061	0.0061T
					0.0044L			0.0044L			0.0032T
					0.150T			0.208T			0.184T
1600.000	2000.000	-0.200	-0.058	-0.150	0.142L	-0.058	-0.208	0.142L	-0.092	-0.184	0.108T
62.9921	78.7402	-0.0079	-0.0023	-0.0059	0.0059T	-0.0023	-0.0082	0.0082T	-0.0036	-0.0072	0.0072T
					0.0056L			0.0056L			0.0043T
					0.178T			0.243			0.285T
2000.000	2500.000	-0.250	-0.068	-0.178	0.182L	-0.068	-0.243	0.182L	-0.110	-0.220	0.140T
78.7402	98.4252	-0.0098	-0.0027	-0.0070	0.0070T	-0.0027	-0.0096	0.0096T	-0.0043	-0.0087	0.112T
					0.0071L			0.0071L			0.055T

NOTE: Tolerance and shaft diameters are shown in the table as variances from nominal bearing O.D.

⁽¹⁾Tolerance range is from +0 to value listed.

These charts are guidelines for specifying shaft and housing fits related to particular operating conditions found in table 6 on page 25.

N7			P6			P7		
Housing Bore Max.	Min.	Fit	Housing Bore Max.	Min.	Fit	Housing Bore Max.	Min.	Fit
mm in.	mm in.	mm in.	mm in.	mm in.	mm in.	mm in.	mm in.	mm in.
		0.130T			0.138T			0.168T
-0.050	-0.130	0.025L	-0.088	-0.138	0.013T	-0.088	-0.168	0.013T
-0.0020	-0.0051	00051T	-0.0035	-0.0054	0.0054T	-0.0035	-0.0066	0.0066T
		0.0010L			0.0005T			0.0005T
		0.146T			0.156T			0.190T
-0.056	-0.146	0.044L	-0.100	-0.156	0.000T	-0.100	-0.190	0.000T
-0.0022	-0.0057	0.0057T	-0.0039	-0.0061	0.0061T	-0.0039	-0.0075	0.0075T
		0.0017L			0.0000T			0.0000T
		0.171T			0.186T			0.225T
-0.066	-0.171	0.059L	-0.120	-0.186	0.005L	-0.120	-0.225	0.005T
-0.0026	-0.0067	0.0067T	-0.0047	-0.0073	0.0073T	-0.0047	-0.0089	0.0089T
		0.0023L			0.0002L			0.0002T
		0.203T			0.218T			0.265T
-0.078	-0.203	0.082L	-0.140	-0.218	0.020L	-0.140	-0.265	0.020L
-0.0031	-0.0080	0.0080T	-0.0055	-0.0086	0.0086T	-0.0055	-0.0104	0.0104T
		0.0023L			0.0008L			0.0008L
		0.242T			0.262T			0.320T
-0.092	-0.242	0.108L	-0.170	-0.262	0.030L	-0.170	-0.320	0.030L
-0.0036	-0.0095	0.0095T	-0.0067	-0.0103	0.0103T	-0.0067	-0.0126	0.0126T
		0.0043L			0.0012L			0.0012L
		0.285T			0.305T			0.370T
-0.110	-0.285	0.140L	-0.195	-0.305	0.055L	-0.195	-0.370	0.055L
-0.0043	-0.0112	0.0112T	-0.0077	-0.0120	0.0120T	-0.0077	-0.0146	0.0146T
		0.0055L			0.0021L			0.0021L

OPERATING TEMPERATURES

Bearings operate in a wide range of applications and environments. In most cases, bearing operating temperature is not an issue. Some applications, however, operate at extreme speeds or in extreme temperature environments. In these cases, care must be taken not to exceed the temperature limits of the bearing. Minimum temperature limits are primarily based on lubricant capability. Maximum temperature limits are most often based on material and/or lubricant constraints, but also may be based on accuracy requirements of the equipment that the bearings are built into. These constraints/limitations are discussed below.

BEARING MATERIAL LIMITATIONS

Standard bearing steels with a standard heat treatment cannot maintain a minimum hardness of 58 HRC much above 120° C (250° F).

Dimensional stability of Timken bearings is managed through the proper selection of an appropriate heat-treat process. Standard Timken tapered roller and ball bearings are dimensionally stabilized from -54° C (-65° F) up to 120° C (250° F), while standard spherical roller bearings are dimensionally stabilized up to 200° C (392° F) and standard cylindrical roller bearings are stabilized up to 150° C (302° F). Upon request, these bearings can be ordered to higher levels of stability as listed below. These designations are in agreement with DIN Standard 623.

TABLE 13.

Stability Designation	Maximum Operating Temperature	
	°C	°F
S0	150	302
S1	200	392
S2	250	482
S3	300	572
S4	350	662

With dimensionally stabilized product, there still may be some changes in dimensions during service as a result of microstructural transformations. These transformations include the continued tempering of martensite and decomposition of retained austenite. The magnitude of change depends on the operating temperature, the time at temperature and the composition and heat-treatment of the steel.

Temperatures exceeding the limits shown in table 13 require special high-temperature steel. Consult your Timken engineer for availability of specific part numbers for non-standard heat stability or high-temperature steel grades.

Suggested materials for use in balls, rings and rollers at various operating temperatures are listed in table 14. Also listed are chemical composition recommendations, hardness

recommendations and dimensional stability information.

Operating temperature affects lubricant film thickness and setting, both of which directly influence bearing life. Extremely high temperatures can result in a reduced film thickness that can lead to asperity contact between contacting surfaces.

Operating temperature also can affect performance of cages, seals and shields, which in turn can affect bearing performance. Materials for these components and their operating temperature ranges are shown in table 15.

LUBRICATION LIMITATIONS

Starting torque in grease-lubricated applications typically increases significantly at cold temperatures. Starting torque is not primarily a function of the consistency or channel properties of the grease. Most often, it is a function of the rheological properties of the grease.

The high-temperature limit for greases is generally a function of the thermal and oxidation stability of the base oil in the grease and the effectiveness of the oxidation inhibitors.

See the Lubrication and Seals section on page 47 for more information on lubrication limitations.

EQUIPMENT REQUIREMENTS

The equipment designer must evaluate the effects of temperature on the performance of the equipment being designed. Precision machine tool spindles, for example, can be very sensitive to thermal expansions. For some spindles, it is important that the temperature rise over ambient be held to 20° C to 35° C (36° F to 45° F).

Most industrial equipment can operate at considerably higher temperatures. Thermal ratings on gear drives, for example, are based on 93° C (200° F). Equipment such as gas turbines operates continuously at temperatures above 100° C (212° F). Running at high temperatures for extended periods of time, however, may affect shaft and housing fits, if the shaft and housing are not machined and heat-treated properly.

Although bearings can operate satisfactorily up to 120° C (250° F), an upper temperature limit of 80° C to 95° C (176° F to 203° F) is more practical. Higher operating temperatures increase the risk of damage from transient temperature spikes. Prototype testing of the application can help define the operating temperature range and should be conducted, if possible. It is the responsibility of the equipment designer to weigh all relevant factors and make the final determination of satisfactory operating temperature.

Tables 14 and 15 provide standard operating temperatures for common bearing component materials. They should be used for reference purposes only. Other bearing component materials

are available on request. Contact your Timken engineer for more information.

TABLE 14. OPERATING TEMPERATURES FOR BEARING COMPONENT MATERIALS

Material	Approximate Chemical Analysis %	Temp. °F	Hardness HRC	-73° C -100° F	-54° C -65° F	-17° C 0° F	38° C 100° F	93° C 200° F	121° C 250° F	149° C 300° F	204° C 400° F	260° C 500° F	316° C 600° F	371° C 700° F	427° C 800° F
Low-alloy carbon-chromium bearing steels. 52100 and others per ASTM A295	1C 0.5–1.5Cr 0.35Mn	70	60	STANDARD DIMENSIONAL STABILIZATION <0.0001 in./in dimensional change in 2500 hours at 100° C (212° F). Good oxidation resistance.											
Low-alloy carbon-chromium bearing steels. 52100 and others per ASTM A295	1C 0.5–1.5Cr 0.35Mn	70 350 450	58 56 54	Heat stabilized per FS136, <0.0001 in./in dimensional change in 2500 hours at 149° C (300° F). When given a stabilizing heat treatment, A295 steel is suitable for many applications in the 177°-232° C (350-450° F) range; however, it is not as dimensionally stable as it is at temperatures below 177° C (350° F). If utmost stability is required, use materials in the 316° C (600° F) group below.											
Deep-hardening steels for heavy sections per ASTM A485	1C 1–1.8Cr 1–1.5Mn .06Si	70 450 600	58 55 52	As heat-treated and tempered, it is stabilized, <0.0001 in./in dimensional change in 2500 hours at 149° C (300° F).											
Carburizing steels per ASTM A534 a) low alloy 4118, 8X19, 5019, 8620 (Ni-Moly grades) b) high nickel 3310	Ni-Moly: 0.2C, 0.4-2.0Mn, 0.3-0.8Cr, 0-2.0Ni, 0-0.3Mo .01C, 1.5Cr, 0.4Mn, 3.5Ni	70	58	Nickel-Moly grades of steel frequently used to achieve extra ductility in inner rings for locking device bearings. 3311 and others used for extra-thick-section rings.											
Corrosion-resistant 440C stainless steel per ASTM A756	1C 18Cr	70	58	Excellent corrosion resistance.											
Corrosion-resistant 440C stainless steel per ASTM A756	1C 18Cr	70 450 600	58 55 52	As heat stabilized for maximum hardness at high temperatures (FS238). Good oxidation resistance at higher temperatures. Note load capacity drops off more rapidly at higher temperatures than M50 shown below, which should be considered if loads are high, <0.0001 in./in dimensional change in 1200 hours.											
M-50 medium high speed	4Cr 4Mo 1V 0.8C	70 450 600	60 59 57	Suggested where stable high hardness at elevated temperature is required, <0.0001 in./in dimensional change in 1200 hours at 316° C (600° F).											

Note: Dimensional stability data shown above is the permanent metallurgical growth and/or shrinkage only. Thermal expansion effects are not included. For operating temperatures above 427° C (800° F), consult your Timken engineer.

TABLE 15. OPERATING TEMPERATURES FOR CAGES, SHIELDS AND SEALS

	-54° C -65° F	-17° C 0° F	38° C 100° F	93° C 200° F	149° C 300° F	204° C 400° F	260° C 500° F	316° C 600° F	371° C 700° F	427° C 800° F
CAGES										
Molded 6/6 nylon (PRB)		■	■	■						
Molded 6/6 fiberglass reinforced nylon (PRC)	■	■	■	■	■					
Phenolic resin laminate	■	■	■	■						
Low-carbon pressed steel	■	■	■	■	■	■				
Pressed stainless steel	■	■	■	■	■	■	■			
Machined bronze	■	■	■	■	■	■				
Machined iron-silicon bronze	■	■	■	■	■	■	■			
Machined steel	■	■	■	■	■	■	■	■	■	■
SHIELDS										
Low-carbon steel	■	■	■	■	■	■				
Stainless steel	■	■	■	■	■	■	■	■	■	■
Nylon		■	■	■						
SEALS										
Buna N		■	■	■	■					
Polyacrylic		■	■	■						
Fluoroelastomer		■	■	■	■	■				
Stabilized TFE fluorocarbon ⁽¹⁾	■	■	■	■	■	■	■			
TFE fluorocarbon ⁽¹⁾ (with glass fabric)	■	■	■	■	■	■	■			

⁽¹⁾Limited life above these temperatures.

HEAT GENERATION AND DISSIPATION

Bearing operating temperature is dependent upon a number of factors, including heat generation of all contributing heat sources, heat flow rate between sources and the ability of the system to dissipate the heat. Heat sources include such things as bearings, seals, gears, clutches and oil supply. Heat dissipation is affected by many factors, including shaft and housing materials and designs, lubricant circulation and external environmental conditions. These and other factors are discussed in the following sections.

HEAT GENERATION

Under normal operating conditions, most of the torque and heat generated by the bearing is caused by the elasto-hydrodynamic losses at the roller/ring contacts.

Heat generation is the product of bearing torque and speed. The following equation is used to calculate the heat generated.

$$Q_{\text{gen}} = k_4 n M$$

If the bearing is a spherical roller bearing, the torque calculations are given in the subsequent sections.

HEAT DISSIPATION

The problem of determining the heat flow from a bearing in a specific application is rather complex. In general, it can be said that factors affecting the rate of heat dissipation include the following:

1. Temperature gradient from the bearing to the housing. This is affected by size configuration of the house and any external cooling such as fans, water cooling or fan action of the rotating components.
2. Temperature gradient from the bearing to the shaft. Any other heat sources, such as gears and additional bearings and their proximity to the bearing considered, will influence the temperature of the shaft.
3. The heat carried away by a circulating oil system.

To what extent nos. 1 and 2 can be controlled will depend on the application. The heat-dissipation modes include conduction through the system, convection along the inside and outside surfaces of the system, as well as radiation exchange to and from neighboring structures. In many applications, overall heat dissipation can be divided into two categories – heat removed by circulating oil and heat removed through the structure.

Heat dissipation by circulating oil

The amount of heat removed by the lubricant can be controlled more easily. In a splash lubrication system, cooling coils may be used to control the bulk oil temperature.

The amount of heat carried away in a circulating oil system by the lubricant can be approximated from the following equations.

$$Q_{\text{oil}} = k_6 C_p \rho f (\theta_o - \theta_i)$$

Where:

$$\begin{aligned} k_6 &= 1.67 \times 10^{-5} \text{ for } Q_{\text{oil}} \text{ in W} \\ &= 1.67 \times 10^{-2} \text{ for } Q_{\text{oil}} \text{ in Btu/min} \end{aligned}$$

If the circulating lubricant is petroleum oil, the heat removed is further approximated by the following:

$$Q_{\text{oil}} = k_5 f (\theta_o - \theta_i)$$

The following factors apply to the heat generation and dissipation equations listed on this page.

Where:

$$\begin{aligned} k_5 &= 28 \text{ for } Q_{\text{oil}} \text{ in W when } f \text{ in L/min and } \theta \text{ in } ^\circ\text{C} \\ &= 0.42 \text{ for } Q_{\text{oil}} \text{ in Btu/min when } f \text{ in U.S. pt/min} \\ &\text{and } \theta \text{ in } ^\circ\text{F} \end{aligned}$$

TORQUE

RUNNING TORQUE-M

The rotational resistance of a rolling bearing is dependent on load, speed, lubrication conditions and bearing internal characteristics.

The following formulas yield approximations to values of bearing running torque. The formulas apply to bearings lubricated by oil. For bearings lubricated by grease or oil mist, torque is usually lower, although for grease lubrication this depends on amount and consistency of the grease. The formulas also assume the bearing running torque has stabilized after an initial period referred to as "running-in."

TABLE 16. COEFFICIENTS FOR THE TORQUE EQUATION

Bearing Type	Dimension Series	f_0	f_1
Spherical roller bearings	30	4.5	0.00017
	39	4.5	0.00017
	40	6.5	0.00027
	31	5.5	0.00027
	41	7	0.00049
	22	4	0.00019
	32	6	0.00036
	03	3.5	0.00019
	23	4.5	0.00030

SPHERICAL ROLLER BEARINGS

The torque equations for spherical roller bearings are given as follows, where the coefficients are based on series and found in the following table:

$$M = \left\{ \begin{array}{l} f_1 F_g dm + 10^{-7} f_0 (v \times n)^{2/3} dm^3 \text{ if } (v \times n) \geq 2000 \\ f_1 F_g dm + 160 \times 10^{-7} f_0 dm^3 \text{ if } (v \times n) < 2000 \end{array} \right\}$$

Again, note that the viscosity is in units of centistokes. The load term (F_g) is dependent on bearing type as follows:

Radial spherical roller: $F_g = \max \left(\begin{array}{c} 0.8F_a \cot \alpha \\ \text{or} \\ F_r \end{array} \right)$

LUBRICATION

To help maintain a bearing's antifriction characteristics, lubrication is needed to:

- Minimize rolling resistance caused by deformation of the rolling elements and raceway under load by separating the mating surfaces.
- Minimize sliding friction occurring between rolling elements, raceways and cage.
- Transfer heat (with oil lubrication).
- Protect from corrosion and, with grease lubrication, from contaminant ingress.



LUBRICATION

The wide range of bearing types and operating conditions precludes any simple, all-inclusive statement or guideline allowing the selection of the proper lubricant. At the design level, the first consideration is whether oil or grease is best for the particular operation. The advantages of oil and grease are outlined in the table below. When heat must be carried away from the bearing, oil must be used. It is almost always preferred for very high-speed applications.

TABLE 17. ADVANTAGES OF OIL AND GREASE

Oil	Grease
Carries heat away from the bearings	Simplifies seal design and acts as a sealant
Carries away moisture and particulate matter	Permits prelubrication of sealed or shielded bearings
Easily controlled lubrication	Generally requires less frequent lubrication

European REACH compliance

Timken-branded lubricants, greases and similar products sold in stand-alone containers or delivery systems are subject to the European REACH (Registration, Evaluation, Authorization and Restriction of CHemicals) directive. For import into the European Union, Timken can sell and provide only those lubricants and greases that are registered with ECHA (European CHemical Agency). For further information, please contact your Timken engineer.

OIL LUBRICATION

Oils used for bearing lubrication should be high-quality mineral oils or synthetic oils with similar properties. Selection of the proper type of oils depends on bearing speed, load, operating temperature and lubrication method. Some features and advantages of oil lubrication, in addition to the above are:

- Oil is a better lubricant for high speeds or high temperatures. It can be cooled to help reduce bearing temperature.
- It is easier to handle and control the amount of lubricant reaching the bearing. It is harder to retain in the bearing. Lubricant losses may be higher than with grease.
- Oil can be introduced to the bearing in many ways, such as drip-feed, wick-feed, pressurized circulating systems, oil bath or air-oil mist. Each is suited for certain types of applications.
- Oil is easier to keep clean for recirculating systems.

Oil may be introduced to the bearing housing in many ways. The most common systems are:

- **Oil bath.** The housing is designed to provide a sump through which the rolling elements of the bearing will pass. Generally, the oil level should be no higher than the center point of the lowest rolling element. If speed is high, lower oil levels should be used to reduce churning. Gages or controlled elevation drains are used to achieve and maintain the proper oil level.
- **Circulating system.** This system has the advantages of:
 - An adequate supply of oil for both cooling and lubrication.
 - Metered control of the quantity of oil delivered to each bearing.
 - Removal of contaminants and moisture from the bearing by flushing action.
 - Suitability for multiple bearing installations.
 - Large reservoir, which reduces deterioration. Increased lubricant life provides economical efficiency.
 - Incorporation of oil-filtering devices.
 - Positive control to deliver the lubricant where needed.
 - A typical circulating oil system consists of an oil reservoir, pump, piping and filter. A heat exchange may be required.
- **Oil-mist lubrication.** Oil-mist lubrication systems are used in high-speed, continuous-operation applications. This system permits close control of the amount of lubricant reaching the bearings. The oil may be metered, atomized by compressed air and mixed with air, or it may be picked up from a reservoir using a venturi effect. In either case, the air is filtered and supplied under sufficient pressure to assure adequate lubrication of the bearings. Control of this type of lubrication system is accomplished by monitoring the operating temperatures of the bearings being lubricated. The continuous passage of the pressurized air and oil through the labyrinth seals used in the system prevents the entrance of contaminants from the atmosphere to the system.

The successful operation of this type of system is based upon the following factors:

- Proper location of the lubricant entry ports in relation to the bearings being lubricated.
- Avoidance of excessive pressure drops across void spaces within the system.
- Proper air pressure and oil quantity ratio to suit the particular application.
- Adequate exhaust of the air-oil mist after lubrication has been accomplished.

To ensure “wetting” of the bearings, and to prevent possible damage to the rolling elements and rings, it is imperative that the oil-mist system be turned on for several minutes before the equipment is started. The importance of “wetting” the bearing before starting cannot be overstated, and it also has particular significance for equipment that has been idled for extended periods of time.

Lubricating oils are commercially available in many forms for automotive, industrial, aircraft and other uses. Oils are classified as either petroleum types (refined from crude oil) or synthetic types (produced by chemical synthesis).

PETROLEUM OILS

Petroleum oils are made from a petroleum hydrocarbon derived from crude oil, with additives to improve certain properties. Petroleum oils are used for nearly all oil-lubricated applications of bearings.

SYNTHETIC OILS

Synthetic oils cover a broad range of categories and include polyalphaolefins, silicones, polyglycols and various esters. In general, synthetic oils are less prone to oxidation and can operate at extreme hot or cold temperatures. Physical properties, such as pressure-viscosity coefficients, tend to vary between oil types; use caution when making oil selections.

The polyalphaolefins (PAO) have a hydrocarbon chemistry that parallels petroleum oil both in chemical structures and pressure-viscosity coefficients. Therefore, PAO oil is mostly used in the oil-lubricated applications of bearings when severe temperature environments (hot and cold) are encountered or when extended lubricant life is required.

The silicone, ester and polyglycol oils have an oxygen-based chemistry that is structurally quite different from petroleum oils and PAO oils. This difference has a profound effect on its physical properties where pressure-viscosity coefficients can be lower compared to mineral and PAO oils. This means that these types of synthetic oils may actually generate a smaller elastohydrodynamic (EHD) film thickness than a mineral or PAO oil of equal viscosity at operating temperature. Reductions in bearing fatigue life and increases in bearing wear could result from this reduction of lubricant film thickness.

VISCOSITY

The selection of oil viscosity for any bearing application requires consideration of several factors: load, speed, bearing setting, type of oil and environmental factors. Since oil viscosity varies inversely with temperature, a viscosity value must always be stated with the temperature at which it was determined. High-viscosity oil is used for low-speed or high-ambient-temperature applications. Low-viscosity oil is used for high-speed or low-ambient-temperature applications.

There are several classifications of oils based on viscosity grades. The most familiar are the Society of Automotive Engineers (SAE) classifications for automotive engine and gear oils. The American Society for Testing and Materials (ASTM) and the International Organization for Standardization (ISO) have adopted standard viscosity grades for industrial fluids. Fig. 19 shows the viscosity comparisons of ISO/ASTM with SAE classification systems at 40° C (104° F).

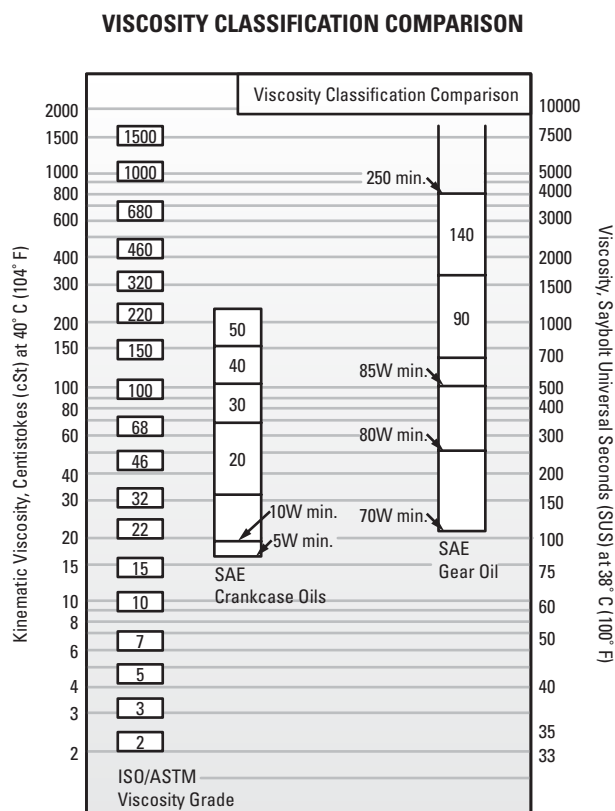


Fig. 19. Comparison between ISO/ASTM grades (ISO 3448/ASTM D2442) and SAE grades (SAE J 300-80 for crankcase oils, SAE J 306-81 for axle and manual transmission oils).

The ASTM/ISO viscosity grade system for industrial oils is depicted below.

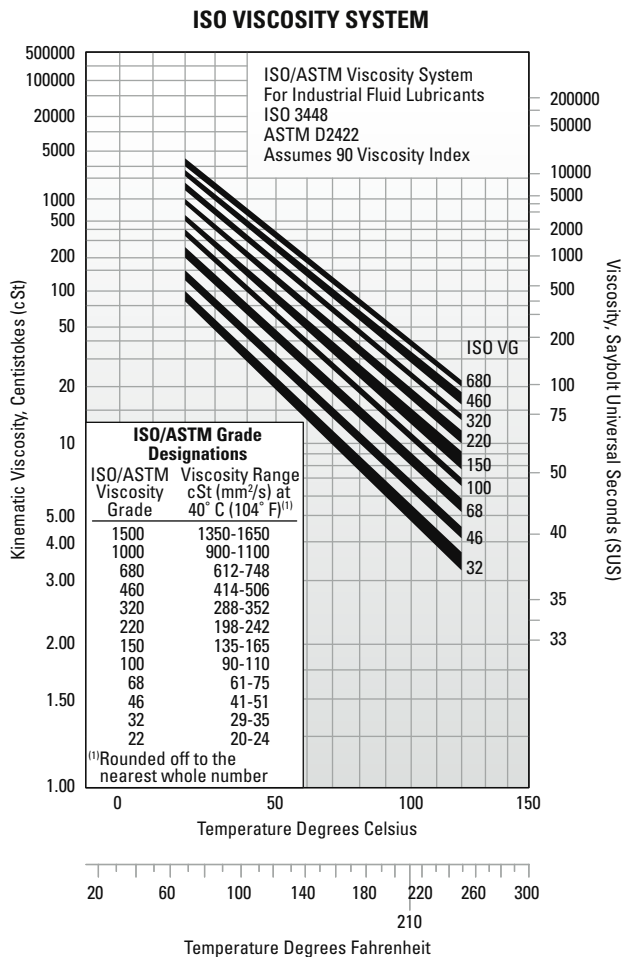


Fig. 20. Viscosity grade system for industrial oils.

TYPICAL BEARING LUBRICATION OILS

In this section, the properties and characteristics of lubricants for typical roller bearing applications are listed. These general characteristics are derived from successful performance in applications across all industries.

General-purpose rust and oxidation lubricating oil

General-purpose rust and oxidation (R&O) inhibited oils are the most common type of industrial lubricant. They are used to lubricate Timken® bearings in all types of industrial applications where conditions requiring special considerations do not exist.

TABLE 18. SUGGESTED GENERAL PURPOSE R&O LUBRICATING OIL PROPERTIES

Properties	
Base stock	Solvent-refined, high viscosity-index petroleum oil
Additives	Corrosion and oxidation inhibitors
Viscosity index	80 min.
Pour point	-10° C max. (14° F)
Viscosity grades	ISO/ASTM 32 through 220

Some low-speed and/or high-ambient-temperature applications require the higher viscosity grades. High-speed and/or low-temperature applications require the lower viscosity grades.

Industrial extreme-pressure (EP) gear oil

Extreme-pressure gear oils are used to lubricate Timken bearings in most types of heavily loaded industrial equipment. They should be capable of withstanding abnormal shock loads that are common in heavy-duty equipment.

TABLE 19. SUGGESTED INDUSTRIAL EP GEAR OIL PROPERTIES

Properties	
Base stock	Solvent-refined, high viscosity-index petroleum oil
Additives	Corrosion and oxidation inhibitors Extreme-pressure (EP) additive ⁽¹⁾ - 15.8 kg (35 lb.) min.
Viscosity index	80 min.
Pour point	-10° C max. (14° F)
Viscosity grades	ISO/ASTM 100, 150, 220, 320, 460

⁽¹⁾ASTM D 2782

Industrial EP gear oils should be composed of a highly refined petroleum oil-based stock plus appropriate inhibitors and additives. They should not contain materials that are corrosive or abrasive to bearings. The inhibitors should provide long-term protection from oxidation and protect the bearing from corrosion in the presence of moisture. The oils should resist foaming in service and have good water-separation properties. An EP additive protects against scoring under boundary-lubrication conditions. The viscosity grades suggested represent a wide range. High-temperature and/or slow-speed applications generally require the higher viscosity grades. Low temperatures and/or high speeds require the use of lower viscosity grades.

GREASE LUBRICATION

Grease lubrication is generally applicable to low-to-moderate speed applications that have operating temperatures within the limits of the grease. There is no universal antifriction bearing grease. Each grease has limiting properties and characteristics.

Greases consist of a base oil, a thickening agent and additives. Conventionally, bearing greases have consisted of petroleum base oils thickened to the desired consistency by some form of metallic soap. More recently synthetic base oils have been used with organic and inorganic thickeners. Table 20 summarizes the composition of typical lubricating greases.

TABLE 20. COMPOSITION OF GREASES

Base Oil	+	Thickening Agents	+	Additives	=	Lubricating Grease
Mineral oil		Soaps and complex soaps		Rust inhibitors		
Synthetic hydrocarbon		lithium, aluminum, barium, calcium		Dyes		
Esters		Non-Soap (inorganic)		Tactifiers		
Perflironiated oil		microgel (clay), carbon black, silica-gel, PTFE		Metal deactivates		
Silicone		Non-Soap (organic)		Oxidation inhibitors		
		Urea compounds		Anti-wear EP		

Calcium- and aluminum-based greases have excellent water resistance and are used in industrial applications where water ingress is an issue. Lithium-based greases are multi-purpose and are used in industrial applications and wheel bearings.

Synthetic base oils such as esters, organic esters and silicones used with conventional thickeners and additives typically have higher maximum operating temperatures than petroleum-based greases. Synthetic greases can be designed to operate in temperatures from -73° C (-100° F) to 288° C (550° F).

Below are the general characteristics of common thickeners used with petroleum base oils.

TABLE 21. GENERAL CHARACTERISTICS OF THICKENERS USED WITH PETROLEUM-BASED OILS

Thickener	Typical Dropping Point		Maximum Temperature		Typical Water Resistance
	°C	°F	°C	°F	
Lithium soap	193	380	121	250	Good
Lithium complex	260+	500+	149	300	Good
Aluminum complex	249	480	149	300	Excellent
Calcium sulfonate	299	570	177	350	Excellent
Polyurea	260	500	149	300	Good

Use of the thickeners in table 21 with synthetic hydrocarbon or ester base oils increases the maximum operating temperature by approximately 10° C (50° F).

Using polyurea as a thickener for lubricating fluids is one of the most significant lubrication developments in more than 30 years. Polyurea grease performance is outstanding in a wide range of bearing applications and, in a relatively short time, it has gained acceptance as a factory-packed lubricant for ball bearings.

LOW TEMPERATURES

Starting torque in a grease-lubricated bearing at low temperatures can be critical. Some greases may function adequately as long as the bearing is operating, but resistance to initial movement may be excessive. In certain smaller machines, starting may be impossible when very cold. Under such operating circumstances, greases containing low-temperature characteristic oils are generally required.

If the operating temperature range is wide, synthetic greases offer advantages. Synthetic greases are available to provide very low starting and running torque at temperatures as low as -73° C (-100° F). In certain instances, these greases perform better in this respect than oil.

An important point concerning lubricating greases is that the starting torque is not necessarily a function of the consistency or the channel properties of the grease. Starting torque is more a function of the individual rheological properties of a particular grease and is best evaluated by application experience.

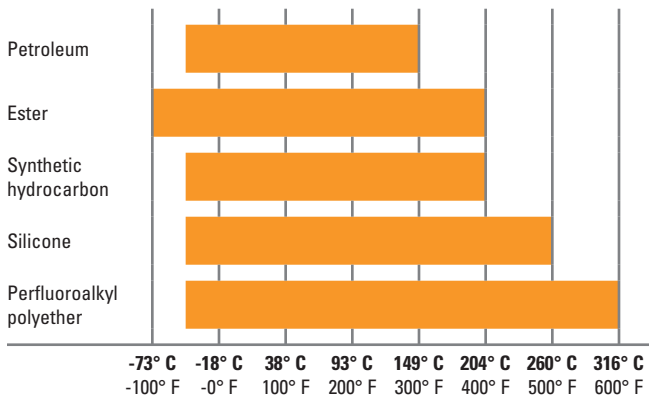
HIGH TEMPERATURES

The high temperature limit for lubricating greases is generally a function of the thermal and oxidation stability of the fluid and the effectiveness of the oxidation inhibitors. Grease temperature ranges are defined by both the dropping point of the grease thickener and composition of the base oil. Table 22 shows the temperature ranges of various base oils used in grease formulations.

A rule of thumb, developed from years of testing grease-lubricated bearings, indicates that grease life is halved for every 10° C (50° F) increase in temperature. For example, if a particular grease provides 2000 hours of life at 90° C (194° F), by raising the temperature to 100° C (212° F), reduction in life to approximately 1000 hours would result. On the other hand, 4000 hours could be expected by lowering the temperature to 80° C (176° F).

Thermal stability, oxidation resistance and temperature limitations must be considered when selecting greases for high-temperature applications. In non-relubricatable applications, highly refined mineral oils or chemically stable synthetic fluids are required as the oil component of greases for operation at temperatures above 121° C (250° F).

TABLE 22. TEMPERATURE RANGES FOR BASE OILS USED IN LUBRICATING GREASES



CONTAMINATION

Abrasive Particles

When roller bearings operate in a clean environment, the primary cause of damage is the eventual fatigue of the surfaces where rolling contact occurs. However, when particle contamination enters the bearing system, it is likely to cause damage such as bruising, which can shorten bearing life.

When dirt from the environment or metallic wear debris from some component in the application are allowed to contaminate the lubricant, wear can become the predominant cause of bearing damage. If bearing wear becomes significant, changes will occur to critical bearing dimensions that could adversely affect machine operation.

Bearings operating in a contaminated lubricant exhibit a higher initial rate of wear than those running in an uncontaminated lubricant. With no further contaminant ingress, this wear rate quickly diminishes. The contamination particles are reduced in size as they pass through the bearing contact area during normal operation.

Water

Water and moisture can be particularly conducive to bearing damage. Lubricating greases may provide a measure of protection from this contamination. Certain greases, such as calcium and aluminum-complex, are highly water-resistant.

Sodium-soap greases are water-soluble and should not be used in applications involving water.

Either dissolved or suspended water in lubricating oils can exert a detrimental influence on bearing fatigue life. Water can cause bearing etching that also can reduce bearing fatigue life. The exact mechanism by which water lowers fatigue life is not fully understood. It has been suggested that water enters micro-cracks in the bearing rings that are caused by repeated stress cycles. This leads to corrosion and hydrogen embrittlement in the micro-cracks, reducing the time required for these cracks to propagate to an unacceptable-sized spall.

Water-based fluids, such as water glycol and invert emulsions, also have shown a reduction in bearing fatigue life. Although water from these sources is not the same as contamination, the results support the previous discussion concerning water-contaminated lubricants.

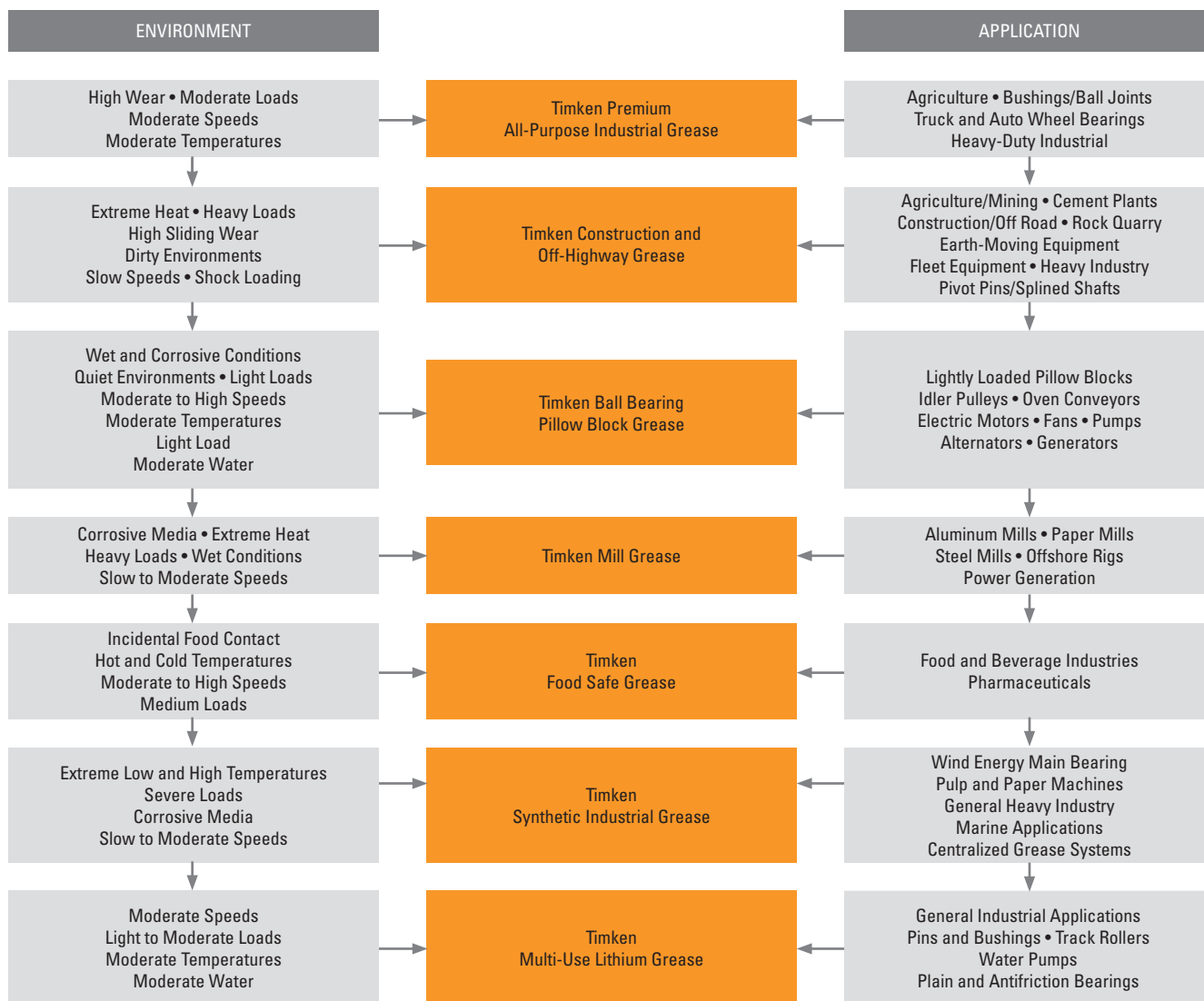
GREASE SELECTION

The successful use of bearing grease depends on the physical and chemical properties of the lubricant as well as application and environmental conditions. Because the choice of grease for a particular bearing under certain service conditions is often difficult to make, you should consult with your lubricant supplier or equipment maker for specific questions about lubrication requirements for your application. You also can contact your Timken engineer for general lubrication guidelines for any application.

Grease must be carefully selected with regard to its consistency at operating temperature. It should not exhibit thickening, separation of oil, acid formation or hardening to any marked degree. It should be smooth, non-fibrous and entirely free from chemically active ingredients. Its dropping point should be considerably higher than the operating temperature.

Timken® application-specific lubricants were developed by leveraging our knowledge of tribology and antifriction bearings, and how these two elements affect overall system performance. Timken lubricants help bearings and related components operate effectively in demanding industrial operations. High-temperature, anti-wear and water-resistant additives offer superior protection in challenging environments. Table 23 provides an overview of the Timken greases available for general applications. Contact your Timken engineer for a more detailed publication on Timken lubrication solutions.

TABLE 23. GREASE LUBRICATION SELECTION GUIDE



This selection guide is not intended to replace the specifications by the equipment builder, who is responsible for its performance.

Many bearing applications require lubricants with special properties or lubricants formulated specifically for certain environments, such as:

- Friction oxidation (fretting corrosion).
- Chemical and solvent resistance.
- Food handling.

For assistance with these or other areas requiring special lubricants, consult your Timken engineer.

GREASE USE GUIDELINES

It is important to use the proper amount of grease in the application. In typical industrial applications, the bearing cavity should be kept approximately one-third to one-half full. Less grease may result in the bearing being starved for lubrication. More grease may result in churning. Both conditions may result in excessive heat generation. As the grease temperature rises, viscosity decreases and the grease becomes thinner. This can reduce the lubricating effect and increase leakage of the grease from the bearing. It also may cause the grease components to separate, leading to a general breakdown of the lubricant properties. As the grease breaks down, bearing torque increases. In the case of excess grease resulting in churning, torque may also increase due to the resistance caused by the grease.

For best results, there should be ample space in the housing to allow room for excess grease to be thrown from the bearing. However, it is equally important that the grease be retained all around the bearing. If a large void exists between the bearings, grease closures should be used to prevent the grease from leaving the bearing area.

Only in low-speed applications may the housing be entirely filled with grease. This method of lubrication is a safeguard against the entry of foreign matter, where sealing provisions are inadequate for exclusion of contaminants or moisture.

During periods of non-operation, it is often wise to completely fill the housings with grease to protect the bearing surfaces. Prior to restarting operation, remove the excess grease and restore the proper level.

Applications utilizing grease lubrication should have a grease fitting and a vent at opposite ends of the housing near the top. A drain plug should be located near the bottom of the housing to allow the old grease to purge from the bearing.

Bearings should be relubricated at regular intervals to help prevent damage. Relubrication intervals are difficult to determine. If plant practice or experience with other applications is not available, consult your lubricant supplier.

Timken offers a range of lubricants to help bearings and related components operate effectively in demanding industrial operations. High-temperature, anti-wear and water-resistant additives offer greater protection in challenging environments. Timken also offers a line of single- and multi-point lubricators to simplify grease delivery.



Fig. 21. Grease can easily be packed by hand.



Fig. 22. Mechanical grease packer.

Grease application methods

Grease, in general, is easier to use than oil in industrial bearing lubrication applications. Most bearings that are initially packed with grease require periodic relubrication to operate efficiently.

Grease should be packed into the bearing so that it gets between the rolling elements – the rollers or balls. For tapered roller bearings, forcing grease through the bearing from the large end to the small end will ensure proper distribution.

Grease can be easily packed into small- and medium-size bearings by hand (fig. 21). In shops where bearings are frequently regreased, a mechanical grease packer that forces grease through the bearing under pressure may be appropriate (fig. 22). Regardless of the method, after packing the internal areas of the bearing, a small amount of grease also should be smeared on the outside of the rollers or balls.

The two primary considerations that determine the relubrication cycle are operating temperature and sealing efficiency. High-operating-temperature applications generally require more frequent regreasing. The less efficient the seals, the greater the grease loss and the more frequently grease must be added.

Grease should be added any time the amount in the bearing falls below the desired amount. The grease should be replaced when its lubrication properties have been reduced through contamination, high temperature, water, oxidation or any other factors. For additional information on appropriate regreasing cycles, consult with the equipment manufacturer or your Timken engineer.

CONSISTENCY

Greases may vary in consistency from semi-fluids that are hardly thicker than a viscous oil to solid grades almost as hard as a soft wood.

Consistency is measured by a penetrometer in which a standard weighted cone is dropped into the grease. The distance the cone penetrates (measured in tenths of a millimeter in a specific time) is the penetration number.

The National Lubricating Grease Institute (NLGI) classification of grease consistency is shown below:

TABLE 24. NLGI CLASSIFICATIONS

NLGI Grease Grades	Penetration Number
0	355-385
1	310-340
2	265-295
3	220-250
4	175-205
5	130-160
6	85-115

Grease consistency is not fixed; it normally becomes softer when sheared or “worked.” In the laboratory, this “working” is accomplished by forcing a perforated plate up and down through a closed container of grease. This “working” does not compare with the violent shearing action that takes place in a bearing and does not necessarily correlate with actual performance.

TABLE 25. GREASE COMPATIBILITY CHART

	Al Complex	Ba Complex	Ca Stearate	Ca 12 Hydroxy	Ca Complex	Ca Sulfonate	Non-Soap Clay	Li Stearate	Li 12 Hydroxy	Li Complex	Polyurea	Polyurea S S
Aluminum Complex	Best Choice	Incompatible	Incompatible	Compatible	Incompatible	Borderline	Incompatible	Incompatible	Incompatible	Compatible	Incompatible	Compatible
Timken Food Safe	Best Choice	Incompatible	Incompatible	Compatible	Incompatible	Borderline	Incompatible	Incompatible	Incompatible	Compatible	Incompatible	Compatible
Barium Complex	Incompatible	Best Choice	Incompatible	Compatible	Incompatible	Compatible	Incompatible	Incompatible	Incompatible	Incompatible	Incompatible	Borderline
Calcium Stearate	Incompatible	Incompatible	Best Choice	Compatible	Incompatible	Compatible	Compatible	Compatible	Borderline	Compatible	Incompatible	Compatible
Calcium 12 Hydroxy	Compatible	Compatible	Compatible	Best Choice	Borderline	Borderline	Compatible	Compatible	Compatible	Compatible	Incompatible	Compatible
Calcium Complex	Incompatible	Incompatible	Incompatible	Borderline	Best Choice	Incompatible	Incompatible	Incompatible	Incompatible	Compatible	Compatible	Compatible
Calcium Sulfonate	Borderline	Compatible	Compatible	Borderline	Incompatible	Best Choice	Incompatible	Borderline	Borderline	Compatible	Incompatible	Compatible
Timken Premium Mill Timken Heavy-Duty Moly	Borderline	Compatible	Compatible	Borderline	Incompatible	Best Choice	Incompatible	Borderline	Borderline	Compatible	Incompatible	Compatible
Clay Non-Soap	Incompatible	Incompatible	Compatible	Compatible	Incompatible	Incompatible	Best Choice	Incompatible	Incompatible	Incompatible	Incompatible	Borderline
Lithium Stearate	Incompatible	Incompatible	Compatible	Compatible	Incompatible	Borderline	Incompatible	Best Choice	Compatible	Compatible	Incompatible	Compatible
Lithium 12 Hydroxy	Incompatible	Incompatible	Borderline	Compatible	Incompatible	Borderline	Incompatible	Compatible	Best Choice	Compatible	Incompatible	Compatible
Lithium Complex	Compatible	Incompatible	Compatible	Compatible	Compatible	Compatible	Incompatible	Compatible	Compatible	Best Choice	Incompatible	Compatible
Polyurea Conventional	Incompatible	Incompatible	Incompatible	Incompatible	Compatible	Incompatible	Incompatible	Incompatible	Incompatible	Incompatible	Best Choice	Compatible
Polyurea Shear Stable	Compatible	Borderline	Compatible	Compatible	Compatible	Compatible	Borderline	Compatible	Compatible	Compatible	Compatible	Best Choice
Timken Multi-Use	Incompatible	Incompatible	Borderline	Compatible	Incompatible	Borderline	Incompatible	Compatible	Best Choice	Compatible	Incompatible	Compatible
Timken All -Purpose Timken Synthetic	Compatible	Incompatible	Compatible	Compatible	Compatible	Compatible	Incompatible	Compatible	Compatible	Best Choice	Incompatible	Compatible
Timken Pillow Block	Compatible	Borderline	Compatible	Compatible	Compatible	Compatible	Borderline	Compatible	Compatible	Compatible	Compatible	Best Choice

GREASE LUBRICATIONS FOR BEARING/HOUSING ASSEMBLIES

Polyurea and lithium-based greases are normally preferred for general-purpose bearing lubrication and are advantageous in high moisture applications. Both greases have good water-resistant characteristics. For temperature ranges of standard greases, see table 22.

The grease must be carefully selected with regard to its consistency at operating temperature. It should not exhibit thickening, separation of oil, acid formation or hardening to any marked degree. It should be smooth, non-fibrous and entirely free from chemically active ingredients. Its melting point should be considerably higher than the operating temperature. In cases of extreme load or very low operating speeds, extreme pressure additives (EP) that retard adhesive wear should be considered.

Frictional torque is influenced by the quantity and the quality of lubricant present. Excessive quantities of grease cause churning. The adverse effects of churn are accelerated with increases in operating speed. The churn results in excessive temperatures, separation of the grease components, and breakdown in lubrication values. In normal-speed applications, the housings should be kept approximately one-third to one-half full. Only in low-speed applications may the housing be entirely filled with grease. This method of lubrication is a safeguard against the entry of foreign matter, where sealing provisions are inadequate for exclusion of contaminants or moisture.

During periods of non-operation, it is often wise to completely fill the housings with grease to protect the bearing surfaces. Prior to subsequent operation, the excess grease should be removed and the proper level restored. Applications utilizing grease lubrication should have a grease fitting and a vent at opposite ends of the housing near the top. A drain plug should be located near the bottom of the housing to allow purging of the old grease from the bearing. Relubricate at regular intervals to prevent damage to the bearing. Relubrication intervals are difficult to determine. If plant practice or experience with other applications is not available, consult your lubricant supplier.

NOTE

Mixing greases can result in improper bearing lubrication. Always follow the specific lubrication instructions of your equipment supplier.

MULTI-PURPOSE INDUSTRIAL GREASE

These are typical of greases that can be used to lubricate many Timken bearing applications in all types of standard equipment.

Special consideration should be given to applications where speed, load, temperature or environmental conditions are extreme.

TABLE 26. SUGGESTED LITHIUM SOAP, LITHIUM COMPLEX AND CALCIUM SULFONATE GREASE PROPERTIES

Thickener type	Lithium Complex, or equivalent
Consistency	NLGI No.1 or No. 2
Additives	Anti-wear, corrosion and oxidation inhibitors
Base oil	Mineral oil or synthetic
Viscosity at 40° C	ISO VG 150-220
Viscosity index	80 min.
Pour point	-18° C max.

Lithium greases, lithium complex greases, or calcium sulfonate thickened grease are suitable for most centralized, single-point, or manually lubricated product. They should be a smooth, homogeneous and uniform, premium-quality product composed of mineral or synthetic oil, a thickener and appropriate inhibitors. They should not contain materials that are corrosive or abrasive to roller bearings. The grease should have excellent mechanical and chemical stability. The grease should contain inhibitors to provide long-term protection against oxidation in high-performance applications and protect the bearings from corrosion in the presence of moisture. The suggested base oil viscosity covers a fairly wide range. Lower viscosity products should be used in high-speed and/or lightly loaded applications to minimize heat generation and torque. Higher viscosity products should be used in moderate- to low-speed applications and under heavy loads to maximize lubricant film thickness. Speed ratings are listed for each size/class part number in the SPHERICAL ROLLER BEARING section (pages 59-88) of the catalog. When application speeds exceed 70 percent of grease speed rating, consider increasing RIC by one ISO clearance range (CNormal to C3). Never mix greases (type or manufacturer). Incompatibility can inhibit proper lubrication. Table 25 is provided as a reference for typical grease thickener compatibilities. Consult your lubricant supplier for further information for your specific requirement. For general industrial applications, consider a grease that is NLGI No. 1 or No. 2, with a ISO 150 to 220 viscosity grade.

APPLICATION CONSIDERATIONS

For higher-speed applications (operating at 75 percent of the grease speed rating or more), a grease with a lighter base oil viscosity (ISO 100-150) can be considered. Conversely, for lower-speed applications, a grease with a heavier base oil viscosity (ISO 320-460) can be considered. For lower-speed applications operating at colder start-up temperatures ($>-18^{\circ}\text{C}$ [0°F]), consider a softer grease (NLGI grade 1) with an approved EP additive. The lighter grade will allow more grease flow into the bearing contact area and the EP additive will reduce wear during start-up. An ISO 460 base oil viscosity also can be considered.

When lower-speed applications operate at higher temperatures ($>149^{\circ}\text{C}$ [300°F]), consult a local Timken engineer.

GREASE FILL

For normal industrial applications, fill the bearing void to 100 percent full and the housing void to 40-60 percent full. For high-speed applications, fill the bearing void to 100 percent full and the housing void to 30-40 percent full. The free volume of the bearing can be estimated by first calculating the "solid ring" volume of the bearing. Then, weigh the bearing and divide the weight by the density of steel. This "actual" volume can then be subtracted from the "solid ring" volume. The resultant value is an estimate of the free volume of the bearing available for grease fill. When the grease volume is determined for the application, multiplying this value by the density of the grease will yield the approximate weight of the grease fill. After weighing the grease required, apply approximately 75 percent of the amount into the cage and roller assembly. The remaining amount of grease should then be applied to both inner and outer rings in equal amounts. The preservatives applied to bearing components are compatible with nearly all industrial greases and should not be wiped or cleaned prior to packing the bearing. If in doubt, contact a local Timken engineer.

SPHERICAL ROLLER BEARINGS

Timken® spherical roller bearings feature all of the characteristics that have made Timken renowned – superior design, reliable performance and comprehensive technical support. Spherical roller bearings are designed to manage high radial loads and perform consistently, even when misalignment, marginal lubrication, contamination, extreme speeds and critical application stresses are present.



Nomenclature.....	60
Modification Codes.....	61
Spherical Roller Bearings.....	62



NOMENCLATURE

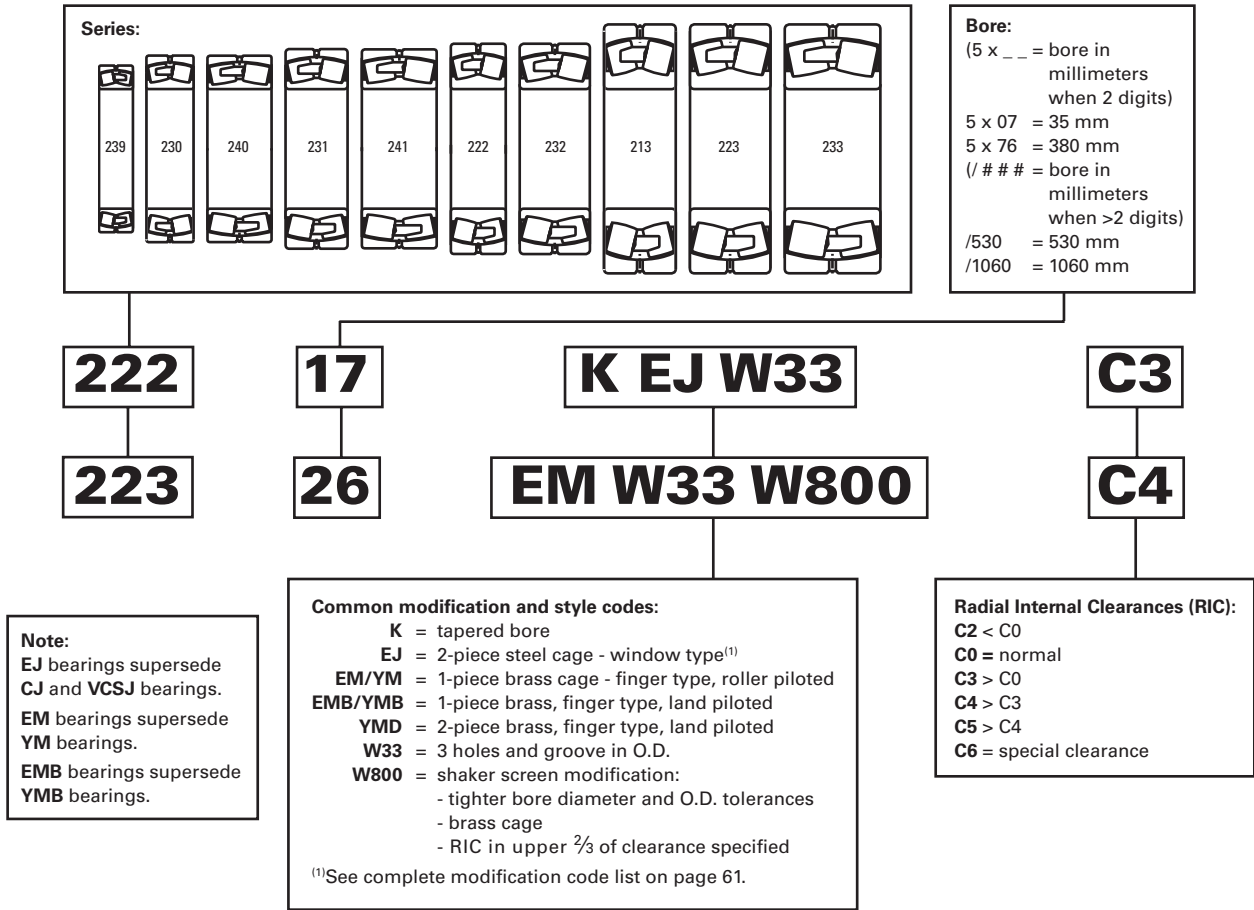


Fig. 23. Timken spherical roller bearing nomenclature.

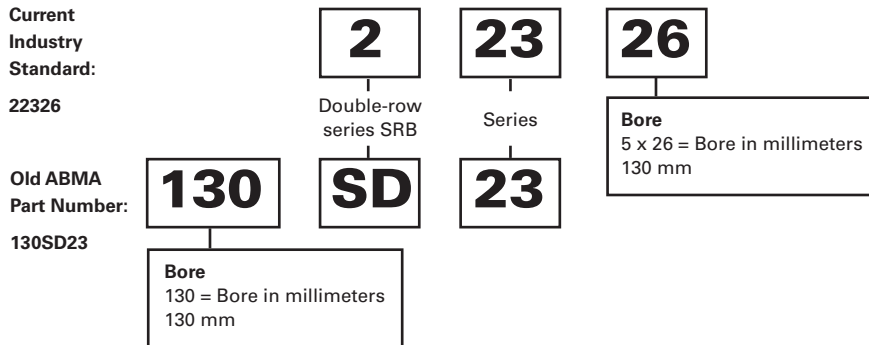


Fig. 24. Equivalence between current ISO and old ABMA part numbering.

TABLE 27. TIMKEN SPHERICAL ROLLER BEARING MODIFICATION CODES

TIMKEN ⁽¹⁾	SKF ⁽²⁾	FAG ⁽³⁾	NSK	Timken General Definition
EJ	E, EJA, C, CC, CCJA, EC, ECC	E1	EA	Stamped nitrided steel cage – high performance
EM	CA, CAC, CAF, ECA, ECAF, CCJA	M		One-piece, roller-riding, machined-brass cage – high performance
EMB	CAFA, CAMA	MB		One-piece, inner-ring-piloted, machined-brass cage – high performance
CJ	C, CC, CCJA, EC, ECC	J	Cag, C, CD	Stamped-steel cage – high performance
YM	CA, CAC, CAF, ECA, ECAF, CCJA	M	CA	One-piece, roller-riding, machined-brass cage
YMB	CAFA, CAMA	MB	CAM, AM	One-piece, inner-ring-piloted, machined-brass cage
YMD				Two-piece, inner-ring-piloted, machined-brass cage
C2	C2	C2	C2	Bearing radial internal clearance (RIC) smaller than normal
C3	C3	C3	C3	Bearing radial internal clearance (RIC) greater than normal
C4	C4	C4	C4	Bearing radial internal clearance (RIC) greater than C3
C5	C5	C5	C5	Bearing radial internal clearance (RIC) greater than C4
C6	C6	C6	CGxx, SLxx	Specific RIC designed to bearing size
S1 ⁽⁴⁾	S1	S1	S11	Bearing rings dimensionally stabilized for use at operating temperatures up to 200° C (392° F)
S2	S2	S2		Bearing rings dimensionally stabilized for use at operating temperatures up to 250° C (482° F)
S3	S3	S3		Bearing rings dimensionally stabilized for use at operating temperatures up to 300° C (572° F)
S4	S4	S4		Bearing rings dimensionally stabilized for use at operating temperatures up to 350° C (662° F)
C02	C02	T52BE	P5B, P53	Inner ring with P5 running accuracy, W4 (SKF does not include W4)
C04	C04	T52BN	P5C, P52	Outer ring with P5 running accuracy, W4 (SKF does not include W4)
C08	C08	T52BW	P55	P5 running accuracy (C02 + C04)
C08C3	C083	C3, T52BW	P55, C3	P5 running accuracy (C02 + C04), C3 RIC
C08C4	C084	C4, T52BW	P55, C4	P5 running accuracy (C02 + C04), C4 RIC
K	K	K	K	Tapered bore (1:12 on diameter 22, 23, 30, 31, 32, 33, 39 series)
K	K30	K30	K30	Tapered bore (1:30 on diameter 40, 41, 42 series)
W4	W4	J26A		Mark high and low points of eccentricity on face of rings
W6R				Engineered surface thin-film coating ES302 on roller contact surfaces
W20	W20	SY	E3	Outer ring with lubrication holes
W22	W22	T50H	S (a, b)	Special reduced O.D. tolerance on outer rings
W25	W73			Outer ring counter-drilled lubrication holes
W31	W31		U22	Bearing inspected to certain quality control requirements
W33	W33	S	E4	Standard lubrication holes and groove in outer ring
W40	ECD-	W209	g	Bearing made of carburizing-grade steel
W40I	HA3, ECB-	W209B	g3	Inner ring only made of carburizing-grade steel
W40R			g1	Roller only made of carburizing-grade steel
W40E			g2	Outer ring only made of carburizing-grade steel
W45A	VE 553			Tapped lifting holes in face of outer ring to facilitate lifting and handling
W47	VA414 (incl W800 & W47)	T41B (incl W22 & W47)		Inner ring with oversize bore
W84	W77	H44SA, H40	E42	Outer ring with standard lubrication holes plugged
W841	W	H40		Outer ring with no lubrication hole
W88				Special reduced bore tolerance on inner ring
W89				Inner ring with lubrication holes and lubrication groove
W94	W26	H40AB	E5	Inner-ring lubrication holes
W507	W507	J26A	E4U22, E4P53	W31 + W33 + W45A
W509	W509 (W26 + W31 + W33)	S.H40A	E7U22	W31 + W33 + W94 + W45A (where feasible)
W525	W525 (W31 + W77)	S.H44S		W31 + W33 + W84 + W45A (where feasible)
W800	VA405	T41A	U15, VS	Shaker screen modification (W22 + W88 + radial internal clearance in upper 2/3 of range specified range)
W906A	C083HA3	T52BW.W209B		C08 + W31 + W33 + W40I + W40R

⁽¹⁾Timken offers differentiated solutions for many applications. This is only a partial list of common modification codes.

⁽²⁾E suffix for SKF Explorer available in some sizes.

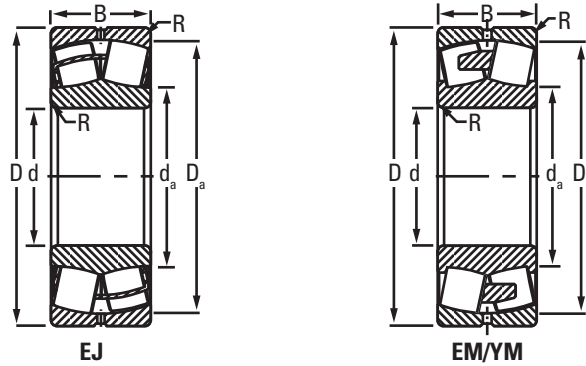
⁽³⁾E1 suffix for FAG X-life available in some sizes.

⁽⁴⁾Standard for all Timken spherical roller bearings.

Every reasonable effort has been made to ensure the accuracy of the information contained in this writing, but no liability is accepted for errors, omissions or for any other reason.

SPHERICAL ROLLER BEARINGS

- Shaft and housing fits, internal clearances, tolerances and other technical data for these bearings are found in the engineering section of this catalog and the Timken Engineering Manual (order no. 10424).
- Bearings are available with a tapered bore for adapter-type mounting. To order, add the suffix "K" to bearing number (e.g., 23120K).
- Consult your Timken engineer and www.timken.com for up-to-date information about the availability of the bearings you have selected.



Bearing Part Number	Bearing Dimensions			Load Ratings		Cage Type	Mounting Data			Equivalent Radial Load Factors ⁽²⁾				Geometry Factor ⁽³⁾ C _g	Thermal Speed Ratings ⁽⁴⁾		Weight
	Bore d	O.D. D	Width B	Dynamic C	Static C ₀		Fillet ⁽¹⁾ (Max.) R	Backing Diameter Shaft d _a	Housing D _a	Dynamic		Static In All Cases Y ₀	Oil		Grease		
										$\frac{F_a \leq e}{F_r}$ X = 1	$\frac{F_a > e}{F_r}$ X = 0.67					RPM	
	mm in.	mm in.	mm in.	kN lbf.	kN lbf.		mm in.	mm in.	mm in.	e	Y	Y	RPM		RPM		
22205	25 0.9843	52 2.0472	18 0.7087	50.6 11400	43.1 9690	EJ	1 0.04	30 1.2	47 1.9	0.34	2	2.98	1.96	0.032	12000	9200	0.2 0.4
21305	25 0.9843	62 2.4409	17 0.6693	55.5 12500	44.3 9970	EJ	1 0.04	35 1.4	55 2.1	0.27	2.48	3.7	2.43	0.037	10000	8100	0.3 0.7
22206	30 1.1811	62 2.4409	20 0.7874	67.4 15200	60.8 13700	EJ	1 0.04	38 1.5	56 2.2	0.31	2.15	3.2	2.1	0.037	9700	7800	0.3 0.7
22206	30 1.1811	62 2.4409	20 0.7874	64.3 14400	56.8 12800	EM	1 0.04	38 1.5	56 2.2	0.31	2.15	3.2	2.1	0.036	9900	7900	0.3 0.7
21306	30 1.1811	72 2.8346	19 0.748	70.3 15800	56.5 12700	EJ	1 0.04	41 1.6	64 2.5	0.26	2.6	3.87	2.54	0.041	8900	7200	0.4 0.9
22207	35 1.378	72 2.8346	23 0.9055	90.5 20300	88 19700	EJ	1 0.04	45 1.8	65 2.6	0.31	2.21	3.29	2.16	0.041	8600	6900	0.5 1.1
22207	35 1.378	72 2.8346	23 0.9055	86.5 19400	82 18500	EM	1 0.04	45 1.8	65 2.6	0.31	2.21	3.29	2.16	0.043	8700	7000	0.5 1.1
21307	35 1.378	80 3.1496	21 0.8268	90.2 20300	77.8 17500	EJ	1.5 0.06	47 1.9	71 2.8	0.26	2.56	3.81	2.5	0.044	7900	6400	0.5 1.1
22208	40 1.5748	80 3.1496	23 0.9055	104 23400	99.7 22400	EJ	1 0.04	50 2	73 2.9	0.27	2.47	3.67	2.41	0.044	7500	6000	0.6 1.3
22208	40 1.5748	80 3.1496	23 0.9055	99.6 22400	93.4 21000	EM	1 0.04	50 2	73 2.9	0.27	2.47	3.67	2.41	0.043	7600	6100	0.5 1.1
21308	40 1.5748	90 3.5433	23 0.9055	113 25400	102 22900	EJ	1.5 0.06	54 2.1	80 3.2	0.26	2.64	3.93	2.58	0.048	7100	5800	0.7 1.5
22308	40 1.5748	90 3.5433	33 1.2992	155 34900	147 33100	EJ	1.5 0.06	53 2.1	81 3.2	0.36	1.87	2.79	1.83	0.046	6700	5600	1.0 2.2
22308	40 1.5748	90 3.5433	33 1.2992	155 34900	147 33100	EM	1.5 0.06	53 2.1	81 3.2	0.36	1.87	2.79	1.83	0.046	6700	5600	1.0 2.2
22209	45 1.7717	85 3.3465	23 0.9055	109 24500	108 24200	EJ	1 0.04	55 2.2	77 3	0.26	2.64	3.93	2.58	0.046	6800	5500	0.6 1.3
22209	45 1.7717	85 3.3465	23 0.9055	104 23500	101 22800	EM	1 0.04	55 2.2	77 3	0.26	2.64	3.93	2.58	0.046	6900	5600	0.6 1.3
21309	45 1.7717	100 3.937	25 0.9843	138 31000	125 28200	EJ	1.5 0.06	60 2.4	90 3.5	0.25	2.75	4.09	2.69	0.052	6500	5300	1.0 2.2

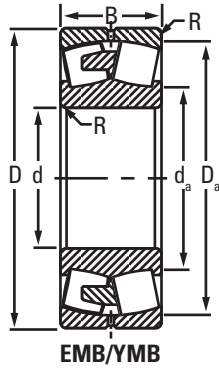
⁽¹⁾Maximum shaft or housing fillet radius that bearing corners will clear.

Continued on next page.

⁽²⁾These factors apply for both inch and metric calculations. See engineering section for instructions on use.

⁽³⁾Geometry constant for Lubrication Life Factor a₃ is found in the Bearing Ratings section of the Engineering Manual (order no. 10424).

⁽⁴⁾See thermal speed ratings in the Engineering Manual (order no. 10424).



Bearing Part Number	Bearing Dimensions			Load Ratings		Cage Type	Mounting Data			Equivalent Radial Load Factors ⁽²⁾				Geometry Factor ⁽³⁾ C _g	Thermal Speed Ratings ⁽⁴⁾		Weight
	Bore d	O.D. D	Width B	Dynamic C	Static C ₀		Fillet ⁽¹⁾ (Max.) R	Shaft d _a	Housing D _a	Dynamic		Static In All Cases Y ₀	Oil		Grease		
										e	F _a ≤ e F _r X = 1 Y					F _a > e F _r X = 0.67 Y	
	mm in.	mm in.	mm in.	kN lbf.	kN lbf.		mm in.	mm in.	mm in.				RPM		RPM	kg lbs.	
22309	45 1.7717	100 3.937	36 1.4173	190 42700	182 40800	EJ	1.5 0.06	58 2.3	90 3.5	0.36	1.9	2.83	1.86	0.049	6100	5100	1.3 2.9
22309	45 1.7717	100 3.937	36 1.4173	190 42700	182 40800	EM	1.5 0.06	58 2.3	90 3.5	0.36	1.9	2.83	1.86	0.049	6100	5100	1.3 2.9
22210	50 1.9685	90 3.5433	23 0.9055	117 26300	118 26600	EJ	1 0.04	59 2.3	82 3.2	0.24	2.84	4.23	2.78	0.049	6200	5000	0.6 1.3
22210	50 1.9685	90 3.5433	23 0.9055	112 25200	112 25100	EM	1 0.04	59 2.3	82 3.2	0.24	2.84	4.23	2.78	0.048	6300	5100	0.6 1.3
21310	50 1.9685	110 4.3307	27 1.063	163 36700	151 33800	EJ	2 0.08	67 2.6	99 3.9	0.24	2.83	4.21	2.76	0.055	5900	4900	1.2 2.6
22310	50 1.9685	110 4.3307	40 1.5748	238 53500	241 54200	EJ	2 0.08	65 2.6	98 3.9	0.36	1.89	2.81	1.85	0.055	5500	4600	1.9 4.2
22310	50 1.9685	110 4.3307	40 1.5748	238 53500	241 54200	EM	2 0.08	65 2.6	98 3.9	0.36	1.89	2.81	1.85	0.055	5500	4600	1.9 4.2
22211	55 2.1654	100 3.937	25 0.9843	140 31400	142 31900	EJ	1.5 0.06	66 2.6	91 3.6	0.23	2.95	4.4	2.89	0.052	5800	4700	0.9 2.0
22211	55 2.1654	100 3.937	25 0.9843	134 30100	134 30100	EM	1.5 0.06	66 2.6	91 3.6	0.23	2.95	4.4	2.89	0.051	5800	4700	0.8 1.8
21311	55 2.1654	120 4.7244	29 1.1417	188 42400	176 39500	EJ	2 0.08	73 2.9	108 4.2	0.24	2.81	4.18	2.75	0.058	5500	4500	1.6 3.5
22311	55 2.1654	120 4.7244	43 1.6929	279 62800	284 63800	EJ	2 0.08	69 2.7	106 4.2	0.36	1.89	2.81	1.84	0.057	5100	4300	2.4 5.3
22311	55 2.1654	120 4.7244	43 1.6929	266 59800	265 59500	EM	2 0.08	69 2.7	106 4.2	0.36	1.89	2.81	1.84	0.057	5200	4400	2.4 5.3
22212	60 2.3622	110 4.3307	28 1.1024	169 38100	174 39000	EJ	1.5 0.06	72 2.8	100 4	0.24	2.84	4.23	2.78	0.055	5500	4400	1.2 2.6
22212	60 2.3622	110 4.3307	28 1.1024	163 36600	164 36900	EM	1.5 0.06	72 2.8	100 4	0.24	2.84	4.23	2.78	0.055	5500	4500	1.2 2.6
21312	60 2.3622	130 5.1181	31 1.2205	225 50500	219 49200	EJ	2 0.08	80 3.2	116 4.6	0.23	2.91	4.33	2.84	0.062	5100	4200	2.0 4.4
22312	60 2.3622	130 5.1181	46 1.811	321 72200	329 73900	EJ	2 0.08	77 3	117 4.6	0.34	1.98	2.94	1.93	0.061	4700	4000	3.0 6.6

⁽¹⁾Maximum shaft or housing fillet radius that bearing corners will clear.

Continued on next page.

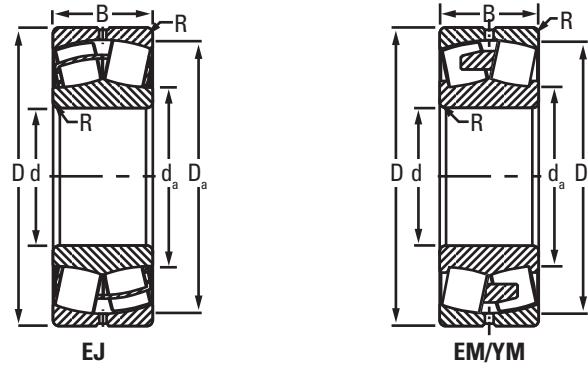
⁽²⁾These factors apply for both inch and metric calculations. See engineering section for instructions on use.

⁽³⁾Geometry constant for Lubrication Life Factor a₃ is found in the Bearing Ratings section of the Engineering Manual (order no. 10424).

⁽⁴⁾See thermal speed ratings in the Engineering Manual (order no. 10424).

SPHERICAL ROLLER BEARINGS – *continued*

- Shaft and housing fits, internal clearances, tolerances and other technical data for these bearings are found in the engineering section of this catalog and the Timken Engineering Manual (order no. 10424).
- Bearings are available with a tapered bore for adapter-type mounting. To order, add the suffix “K” to bearing number (e.g., 23120K).
- Consult your Timken engineer and www.timken.com for up-to-date information about the availability of the bearings you have selected.



Bearing Part Number	Bearing Dimensions			Load Ratings		Cage Type	Mounting Data			Equivalent Radial Load Factors ⁽²⁾				Geometry Factor ⁽³⁾ C _g	Thermal Speed Ratings ⁽⁴⁾		Weight
	Bore d	O.D. D	Width B	Dynamic C	Static C ₀		Fillet ⁽¹⁾ (Max.) R	Backing Diameter Shaft d _a	Housing D _a	Dynamic		Static In All Cases Y ₀	Oil		Grease		
										$\frac{F_a \leq e}{F_r} X = 1$	$\frac{F_a > e}{F_r} X = 0.67$					RPM	
22312	60 2.3622	130 5.1181	46 1.811	306 68800	307 69000	EM	2 0.08	77 3	117 4.6	0.34	1.98	2.94	1.93	0.061	4900	4100	3.0 6.6
22213	65 2.5591	120 4.7244	31 1.2205	206 46400	216 48600	EJ	1.5 0.06	78 3.1	109 4.3	0.24	2.79	4.15	2.73	0.058	5100	4200	1.6 3.5
22213	65 2.5591	120 4.7244	31 1.2205	198 44600	204 45900	EM	1.5 0.06	78 3.1	109 4.3	0.24	2.79	4.15	2.73	0.058	5200	4200	1.6 3.5
21313	65 2.5591	140 5.5118	33 1.2992	259 58200	254 57100	EJ	2 0.08	86 3.4	126 5	0.23	2.94	4.37	2.87	0.065	4800	3900	2.4 5.3
22313	65 2.5591	140 5.5118	48 1.8898	361 81300	371 83300	EJ	2 0.08	84 3.3	127 5	0.33	2.05	3.05	2	0.064	4400	3800	3.6 7.9
22313	65 2.5591	140 5.5118	48 1.8898	344 77400	346 77800	EM	2 0.08	84 3.3	127 5	0.33	2.05	3.05	2	0.064	4600	3900	3.6 7.9
22214	70 2.7559	125 4.9213	31 1.2205	213 47800	231 52000	EJ	1.5 0.06	84 3.3	114 4.5	0.23	2.9	4.32	2.84	0.063	4800	3900	1.6 3.5
22214	70 2.7559	125 4.9213	31 1.2205	205 46000	219 49200	EM	1.5 0.06	84 3.3	114 4.5	0.23	2.9	4.32	2.84	0.062	4900	4000	1.6 3.5
21314	70 2.7559	150 5.9055	35 1.378	292 65600	289 65000	EJ	2 0.08	93 3.7	135 5.3	0.23	2.97	4.42	2.9	0.068	4500	3700	3.0 6.6
22314	70 2.7559	150 5.9055	51 2.0079	395 88800	414 93100	EJ	2 0.08	91 3.6	135 5.3	0.33	2.07	3.08	2.02	0.067	4200	3600	4.4 9.7
22314	70 2.7559	150 5.9055	51 2.0079	395 88800	414 93100	EM	2 0.08	91 3.6	135 5.3	0.33	2.07	3.08	2.02	0.067	4200	3600	4.4 9.7
22215	75 2.9528	130 5.1181	31 1.2205	222 49900	240 54100	EJ	1.5 0.06	88 3.5	120 4.7	0.22	3.14	4.67	3.07	0.062	4600	3700	1.7 3.7
21315	75 2.9528	160 6.2992	37 1.4567	322 72400	321 72200	EJ	2 0.08	99 3.9	144 5.7	0.23	2.98	4.43	2.91	0.071	4300	3600	3.5 7.7
22315	75 2.9528	160 6.2992	55 2.1654	471 106000	510 115000	EJ	2 0.08	97 3.8	144 5.7	0.33	2.04	3.04	2	0.071	3900	3300	5.4 11.9
22315	75 2.9528	160 6.2992	55 2.1654	450 101000	478 107000	EM	2 0.08	97 3.8	144 5.7	0.33	2.04	3.04	2	0.07	4000	3400	5.4 11.9
22216	80 3.1496	140 5.5118	33 1.2992	254 57200	278 62500	EJ	2 0.08	95 3.7	129 5.1	0.22	3.14	4.67	3.07	0.065	4300	3500	2.2 4.8

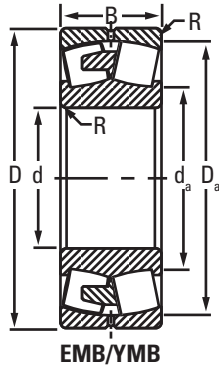
⁽¹⁾Maximum shaft or housing fillet radius that bearing corners will clear.

⁽²⁾These factors apply for both inch and metric calculations. See engineering section for instructions on use.

⁽³⁾Geometry constant for Lubrication Life Factor a₃ is found in the Bearing Ratings section of the Engineering Manual (order no. 10424).

⁽⁴⁾See thermal speed ratings in the Engineering Manual (order no. 10424).

Continued on next page.



Bearing Part Number	Bearing Dimensions			Load Ratings		Cage Type	Mounting Data			Equivalent Radial Load Factors ⁽²⁾				Geometry Factor ⁽³⁾ C _g	Thermal Speed Ratings ⁽⁴⁾		Weight
	Bore d	O.D. D	Width B	Dynamic C	Static C ₀		Fillet ⁽¹⁾ (Max.) R	Shaft d _a	Housing D _a	Dynamic		Static In All Cases Y ₀	Oil		Grease		
										e	$\frac{F_a \leq e}{F_r} X = 1$					$\frac{F_a > e}{F_r} X = 0.67$	
	mm in.	mm in.	mm in.	kN lbf.	kN lbf.		mm in.	mm in.	mm in.				RPM		RPM	kg lbs.	
22216	80 3.1496	140 5.5118	33 1.2992	245 55100	263 59200	EM	2 0.08	95 3.7	129 5.1	0.22	3.14 4.67	3.07	0.065	4400	3600	2.2 4.8	
21316	80 3.1496	170 6.6929	39 1.5354	363 81700	363 81700	EJ	2 0.08	105 4.1	153 6	0.22	3.01 4.47	2.94	0.073	4100	3400	4.2 9.2	
22316	80 3.1496	170 6.6929	58 2.2835	522 117000	570 128000	EJ	2 0.08	103 4.1	153 6	0.33	2.06 3.06	2.01	0.073	3700	3200	6.4 14.1	
22316	80 3.1496	170 6.6929	58 2.2835	499 112000	534 120000	EM	2 0.08	103 4.1	153 6	0.33	2.06 3.06	2.01	0.073	3800	3300	6.4 14.1	
22217	85 3.3465	150 5.9055	36 1.4173	297 66900	320 71900	EJ	2 0.08	101 4	139 5.5	0.22	3.07 4.57	3	0.068	4200	3400	2.7 5.9	
22217	85 3.3465	150 5.9055	36 1.4173	286 64200	302 67900	EM	2 0.08	101 4	139 5.5	0.22	3.07 4.57	3	0.067	4200	3400	2.7 5.9	
21317	85 3.3465	180 7.0866	41 1.6142	403 90600	407 91500	EJ	2.5 0.1	112 4.4	162 6.4	0.22	3.04 4.53	2.97	0.076	3900	3200	4.9 10.8	
22317	85 3.3465	180 7.0866	60 2.3622	569 128000	623 140000	EJ	2.5 0.1	110 4.3	162 6.4	0.32	2.11 3.14	2.06	0.076	3500	3000	7.5 16.5	
22317	85 3.3465	180 7.0866	60 2.3622	569 128000	623 140000	EM	2.5 0.1	110 4.3	162 6.4	0.32	2.11 3.14	2.06	0.076	3500	3000	7.5 16.5	
22218	90 3.5433	160 6.2992	40 1.5748	355 79700	388 87200	EJ	2 0.08	105 4.2	146 5.8	0.23	2.9 4.31	2.83	0.07	4000	3300	3.5 7.7	
22218	90 3.5433	160 6.2992	40 1.5748	355 79700	388 87200	EM	2 0.08	105 4.2	146 5.8	0.23	2.9 4.31	2.83	0.07	4000	3300	3.5 7.7	
23218	90 3.5433	160 6.2992	52.4 2.063	436 98000	521 117000	EJ	2 0.08	107 4.2	147 5.8	0.3	2.28 3.4	2.23	0.074	3000	2600	4.5 9.9	
23218	90 3.5433	160 6.2992	52.4 2.063	436 98000	521 117000	EM	2 0.08	107 4.2	147 5.8	0.3	2.28 3.4	2.23	0.074	3000	2600	4.5 9.9	
21318	90 3.5433	190 7.4803	43 1.6929	442 99400	449 101000	EJ	2.5 0.1	118 4.7	171 6.7	0.22	3.05 4.55	2.99	0.079	3700	3100	5.8 12.8	
22318	90 3.5433	190 7.4803	64 2.5197	634 143000	703 158000	EJ	2.5 0.1	116 4.6	171 6.7	0.32	2.09 3.11	2.04	0.079	3300	2800	8.8 19.4	
22318	90 3.5433	190 7.4803	64 2.5197	634 143000	703 158000	EM	2.5 0.1	116 4.6	171 6.7	0.32	2.09 3.11	2.04	0.079	3300	2800	8.8 19.4	

⁽¹⁾Maximum shaft or housing fillet radius that bearing corners will clear.

Continued on next page.

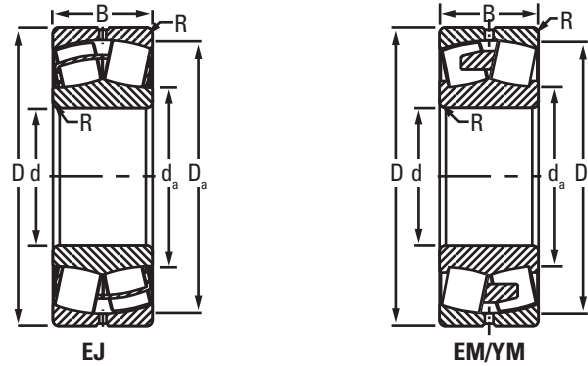
⁽²⁾These factors apply for both inch and metric calculations. See engineering section for instructions on use.

⁽³⁾Geometry constant for Lubrication Life Factor a₃ is found in the Bearing Ratings section of the Engineering Manual (order no. 10424).

⁽⁴⁾See thermal speed ratings in the Engineering Manual (order no. 10424).

SPHERICAL ROLLER BEARINGS – *continued*

- Shaft and housing fits, internal clearances, tolerances and other technical data for these bearings are found in the engineering section of this catalog and the Timken Engineering Manual (order no. 10424).
- Bearings are available with a tapered bore for adapter-type mounting. To order, add the suffix “K” to bearing number (e.g., 23120K).
- Consult your Timken engineer and www.timken.com for up-to-date information about the availability of the bearings you have selected.



Bearing Part Number	Bearing Dimensions			Load Ratings		Cage Type	Mounting Data			Equivalent Radial Load Factors ⁽²⁾				Geometry Factor ⁽³⁾ C _g	Thermal Speed Ratings ⁽⁴⁾		Weight
	Bore d	O.D. D	Width B	Dynamic C	Static C ₀		Fillet ⁽¹⁾ R (Max.)	Backing Diameter Shaft d _a	Backing Diameter Housing D _a	Dynamic		Static	In All Cases		Oil	Grease	
										F _r	F _a > e						
	mm in.	mm in.	mm in.	kN lbf.	kN lbf.		mm in.	mm in.	mm in.	e	F _a ≤ e F _r X = 1 Y	F _a > e F _r X = 0.67 Y			RPM	RPM	
23318	90 3.5433	190 7.4803	73 2.874	623 140000	672 151000	EM	2.5 0.1	110 4.3	167 6.6	0.4	1.7	2.52	1.66	0.076	2400	2100	9.8 21.6
22219	95 3.7402	170 6.6929	43 1.6929	385 86600	441 99000	EJ	2 0.08	114 4.5	155 6.1	0.23	2.88	4.29	2.82	0.076	3900	3200	4.2 9.2
22219	95 3.7402	170 6.6929	43 1.6929	385 86600	441 99000	EM	2 0.08	114 4.5	155 6.1	0.23	2.88	4.29	2.82	0.076	3900	3200	4.2 9.2
22319	95 3.7402	200 7.874	67 2.6378	694 156000	774 174000	EJ	2.5 0.1	122 4.8	180 7.1	0.32	2.1	3.13	2.05	0.082	3000	2600	10.2 22.4
22319	95 3.7402	200 7.874	67 2.6378	694 156000	774 174000	EM	2.5 0.1	122 4.8	180 7.1	0.32	2.1	3.13	2.05	0.082	3000	2600	10.2 22.4
24020	100 3.937	150 5.9055	50 1.9685	352 79100	506 114000	EJ	1.5 0.06	111 4.4	139 5.5	0.29	2.32	3.45	2.26	0.074	3200	2700	3.0 6.6
23120	100 3.937	165 6.4961	52 2.0472	446 100000	583 131000	EJ	2 0.08	114 4.5	150 6	0.28	2.35	3.5	2.3	0.077	3200	2700	4.4 9.7
23120	100 3.937	165 6.4961	52 2.0472	446 100000	583 131000	EM	2 0.08	114 4.5	150 6	0.28	2.35	3.5	2.3	0.077	3200	2700	4.4 9.7
22220	100 3.937	180 7.0866	46 1.811	435 97700	502 113000	EJ	2 0.08	120 4.7	163 6.4	0.24	2.85	4.24	2.78	0.079	3800	3100	5.0 11.0
22220	100 3.937	180 7.0866	46 1.811	435 97700	502 113000	EM	2 0.08	120 4.7	163 6.4	0.24	2.85	4.24	2.78	0.079	3800	3100	5.0 11.0
23220	100 3.937	180 7.0866	60.3 2.374	554 124000	678 152000	EJ	2 0.08	119 4.7	164 6.5	0.3	2.22	3.3	2.17	0.079	2700	2300	6.6 14.5
23220	100 3.937	180 7.0866	60.3 2.374	554 124000	678 152000	EM	2 0.08	119 4.7	164 6.5	0.3	2.22	3.3	2.17	0.079	2700	2300	6.6 14.5
22320	100 3.937	215 8.4646	73 2.874	815 183000	913 205000	EJ	2.5 0.1	130 5.1	193 7.6	0.33	2.06	3.07	2.02	0.072	2800	2400	12.8 28.2
22320	100 3.937	215 8.4646	73 2.874	779 175000	856 193000	EM	2.5 0.1	130 5.1	193 7.6	0.33	2.06	3.07	2.02	0.073	2900	2500	12.8 28.2
23022	110 4.3307	170 6.6929	45 1.7717	391 88000	534 120000	EJ	2 0.08	125 4.9	158 6.2	0.23	2.9	4.32	2.84	0.081	3600	2900	3.6 7.9
24022	110 4.3307	170 6.6929	60 2.3622	493 111000	706 159000	EJ	2 0.08	122 4.8	157 6.2	0.31	2.15	3.21	2.11	0.08	2900	2500	4.9 10.8

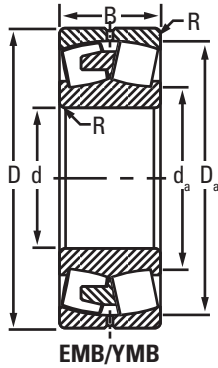
⁽¹⁾Maximum shaft or housing fillet radius that bearing corners will clear.

⁽²⁾These factors apply for both inch and metric calculations. See engineering section for instructions on use.

⁽³⁾Geometry constant for Lubrication Life Factor a₃ is found in the Bearing Ratings section of the Engineering Manual (order no. 10424).

⁽⁴⁾See thermal speed ratings in the Engineering Manual (order no. 10424).

Continued on next page.



Bearing Part Number	Bearing Dimensions			Load Ratings		Cage Type	Mounting Data			Equivalent Radial Load Factors ⁽²⁾				Geometry Factor ⁽³⁾ C _g	Thermal Speed Ratings ⁽⁴⁾		Weight
	Bore d	O.D. D	Width B	Dynamic C	Static C ₀		Fillet ⁽¹⁾ R	Shaft d _a	Housing D _a	Dynamic		Static In All Cases Y ₀	Oil		Grease		
										e	F _a ≤ e F _r X = 1 Y					F _a > e F _r X = 0.67 Y	
	mm in.	mm in.	mm in.	kN lbf.	kN lbf.		mm in.	mm in.	mm in.				RPM		RPM	kg lbs.	
23122	110 4.3307	180 7.0866	56 2.2047	518 116000	686 154000	EJ	2 0.08	126 5	166 6.5	0.28	2.4 3.58	2.35	0.081	2900	2500	5.6 12.3	
23122	110 4.3307	180 7.0866	56 2.2047	518 116000	686 154000	EM	2 0.08	126 5	166 6.5	0.28	2.4 3.58	2.35	0.081	2900	2500	5.6 12.3	
24122	110 4.3307	180 7.0866	69 2.7165	595 134000	811 182000	EJ	2 0.08	124 4.9	164 6.5	0.34	1.96 2.92	1.92	0.08	2100	1800	6.7 14.7	
22222	110 4.3307	200 7.874	53 2.0866	555 125000	653 147000	EJ	2 0.08	133 5.2	182 7.2	0.25	2.73 4.06	2.67	0.084	3500	2900	7.2 15.8	
22222	110 4.3307	200 7.874	53 2.0866	555 125000	653 147000	EM	2 0.08	133 5.2	182 7.2	0.25	2.73 4.06	2.67	0.084	3500	2900	7.2 15.8	
23222	110 4.3307	200 7.874	69.8 2.748	710 160000	887 199000	EJ	2 0.08	131 5.2	182 7.2	0.32	2.11 3.14	2.06	0.085	2300	2000	9.6 21.1	
23222	110 4.3307	200 7.874	69.8 2.748	710 160000	887 199000	EM	2 0.08	131 5.2	182 7.2	0.32	2.11 3.14	2.06	0.085	2300	2000	9.6 21.1	
22322	110 4.3307	240 9.4488	80 3.1496	949 213000	1050 236000	EJ	2.5 0.1	144 5.7	215 8.5	0.32	2.08 3.1	2.04	0.076	2500	2100	17.8 39.2	
22322	110 4.3307	240 9.4488	80 3.1496	949 213000	1050 236000	EM	2.5 0.1	144 5.7	215 8.5	0.32	2.08 3.1	2.04	0.076	2500	2100	17.8 39.2	
23322	110 4.3307	240 9.4488	92.1 3.626	979 220000	1080 243000	EM	2.5 0.1	136 5.4	209 8.2	0.4	1.67 2.49	1.63	0.074	1800	1600	20.4 44.9	
23024	120 4.7244	180 7.0866	46 1.811	408 91700	574 129000	EJ	2 0.08	134 5.3	167 6.6	0.22	3.02 4.49	2.95	0.084	3300	2700	4.0 8.8	
24024	120 4.7244	180 7.0866	60 2.3622	523 117000	762 171000	EJ	2 0.08	132 5.2	167 6.6	0.29	2.32 3.45	2.26	0.083	2700	2200	5.2 11.4	
23124	120 4.7244	200 7.874	62 2.4409	621 140000	816 183000	EJ	2 0.08	138 5.4	182 7.2	0.28	2.38 3.54	2.32	0.086	2600	2200	7.9 17.4	
23124	120 4.7244	200 7.874	62 2.4409	621 140000	816 183000	EM	2 0.08	138 5.4	182 7.2	0.28	2.38 3.54	2.32	0.086	2600	2200	7.9 17.4	
24124	120 4.7244	200 7.874	80 3.1496	778 175000	1080 242000	EJ	2 0.08	135 5.3	182 7.2	0.36	1.86 2.77	1.82	0.086	1700	1600	10.0 22.0	
22224	120 4.7244	215 8.4646	58 2.2835	647 145000	772 174000	EJ	2 0.08	143 5.6	196 7.7	0.25	2.7 4.02	2.64	0.081	3200	2600	9.0 19.8	

⁽¹⁾Maximum shaft or housing fillet radius that bearing corners will clear.

⁽²⁾These factors apply for both inch and metric calculations. See engineering section for instructions on use.

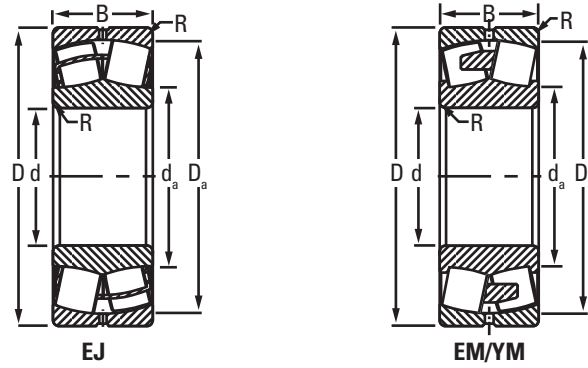
⁽³⁾Geometry constant for Lubrication Life Factor a₃ is found in the Bearing Ratings section of the Engineering Manual (order no. 10424).

⁽⁴⁾See thermal speed ratings in the Engineering Manual (order no. 10424).

Continued on next page.

SPHERICAL ROLLER BEARINGS – *continued*

- Shaft and housing fits, internal clearances, tolerances and other technical data for these bearings are found in the engineering section of this catalog and the Timken Engineering Manual (order no. 10424).
- Bearings are available with a tapered bore for adapter-type mounting. To order, add the suffix “K” to bearing number (e.g., 23120K).
- Consult your Timken engineer and www.timken.com for up-to-date information about the availability of the bearings you have selected.



Bearing Part Number	Bearing Dimensions			Load Ratings		Cage Type	Mounting Data			Equivalent Radial Load Factors ⁽²⁾				Geometry Factor ⁽³⁾ C _g	Thermal Speed Ratings ⁽⁴⁾		Weight
	Bore d	O.D. D	Width B	Dynamic C	Static C ₀		Fillet ⁽¹⁾ R	Shaft d _a	Housing D _a	Dynamic		Static In All Cases Y ₀	Oil		Grease		
										$\frac{F_a \leq e}{F_r}$ X = 1 Y	$\frac{F_a > e}{F_r}$ X = 0.67 Y						
	mm in.	mm in.	mm in.	kN lbf.	kN lbf.		mm in.	mm in.	mm in.	e			RPM		RPM	kg lbs.	
22224	120 4.7244	215 8.4646	58 2.2835	647 145000	772 174000	EM	2 0.08	143 5.6	196 7.7	0.25	2.7	4.02	2.64	0.081	3200	2600	9.0 19.8
23224	120 4.7244	215 8.4646	76 2.9921	824 185000	1040 234000	EJ	2 0.08	142 5.6	197 7.7	0.32	2.1	3.13	2.05	0.075	2100	1800	11.8 26.0
23224	120 4.7244	215 8.4646	76 2.9921	824 185000	1040 234000	EM	2 0.08	142 5.6	197 7.7	0.32	2.1	3.13	2.05	0.075	2100	1800	11.8 26.0
22324	120 4.7244	260 10.2362	86 3.3858	1130 255000	1290 290000	EJ	2.5 0.1	157 6.2	234 9.2	0.32	2.11	3.15	2.07	0.081	2100	1900	22.0 48.4
22324	120 4.7244	260 10.2362	86 3.3858	1080 244000	1210 272000	EM	2.5 0.1	157 6.2	234 9.2	0.32	2.11	3.15	2.07	0.083	2200	1900	22.3 49.1
23324	120 4.7244	260 10.2362	106 4.1732	1230 276000	1410 318000	EM	2.5 0.1	147 5.8	226 8.9	0.43	1.57	2.34	1.54	0.079	1500	1400	27.8 61.2
23926	130 5.1181	180 7.0866	37 1.4567	302 67900	453 102000	EM	1 0.04	142 5.6	169 6.7	0.18	3.83	5.7	3.75	0.086	3000	2400	2.8 6.2
23026	130 5.1181	200 7.874	52 2.0472	518 116000	723 162000	EJ	2 0.08	146 5.8	185 7.3	0.23	2.94	4.37	2.87	0.089	3100	2500	5.9 13.0
24026	130 5.1181	200 7.874	69 2.7165	664 149000	966 217000	EJ	2 0.08	144 5.7	185 7.3	0.31	2.21	3.29	2.16	0.088	2400	2000	7.8 17.2
23126	130 5.1181	210 8.2677	64 2.5197	679 153000	937 211000	EJ	2 0.08	149 5.9	193 7.6	0.27	2.48	3.69	2.43	0.083	2400	2000	8.6 18.9
23126	130 5.1181	210 8.2677	64 2.5197	679 153000	937 211000	EM	2 0.08	149 5.9	193 7.6	0.27	2.48	3.69	2.43	0.083	2400	2000	8.6 18.9
24126	130 5.1181	210 8.2677	80 3.1496	798 179000	1130 255000	EJ	2 0.08	146 5.7	192 7.6	0.34	1.99	2.96	1.94	0.082	1600	1500	10.5 23.1
22226	130 5.1181	230 9.0551	64 2.5197	757 170000	945 212000	EJ	2.5 0.1	155 6.1	210 8.3	0.26	2.62	3.9	2.56	0.079	2900	2400	11.3 24.9
22226	130 5.1181	230 9.0551	64 2.5197	757 170000	945 212000	EM	2.5 0.1	155 6.1	210 8.3	0.26	2.62	3.9	2.56	0.079	2900	2400	11.3 24.9
23226	130 5.1181	230 9.0551	80 3.1496	915 206000	1170 262000	EJ	2.5 0.1	153 6	211 8.3	0.32	2.14	3.19	2.09	0.079	1900	1700	14.0 30.8
23226	130 5.1181	230 9.0551	80 3.1496	915 206000	1170 262000	EM	2.5 0.1	153 6	211 8.3	0.32	2.14	3.19	2.09	0.079	1900	1700	14.0 30.8

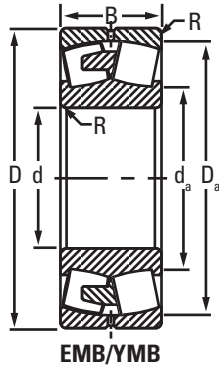
⁽¹⁾Maximum shaft or housing fillet radius that bearing corners will clear.

⁽²⁾These factors apply for both inch and metric calculations. See engineering section for instructions on use.

⁽³⁾Geometry constant for Lubrication Life Factor a₃ is found in the Bearing Ratings section of the Engineering Manual (order no. 10424).

⁽⁴⁾See thermal speed ratings in the Engineering Manual (order no. 10424).

Continued on next page.



Bearing Part Number	Bearing Dimensions			Load Ratings		Cage Type	Mounting Data			Equivalent Radial Load Factors ⁽²⁾				Geometry Factor ⁽³⁾ C _g	Thermal Speed Ratings ⁽⁴⁾		Weight
	Bore d	O.D. D	Width B	Dynamic C	Static C ₀		Fillet ⁽¹⁾ (Max.) R	Shaft d _a	Housing D _a	Dynamic		Static In All Cases Y ₀	Oil		Grease		
										e	F _a ≤ e F _r X = 1 Y					F _a > e F _r X = 0.67 Y	
	mm in.	mm in.	mm in.	kN lbf.	kN lbf.		mm in.	mm in.	mm in.				RPM		RPM	kg lbs.	
22326	130 5.1181	280 11.0236	93 3.6614	1310 294000	1510 339000	EJ	3 0.12	169 6.7	252 9.9	0.32	2.11	3.14	2.06	0.085	1900	1700	27.4 60.3
22326	130 5.1181	280 11.0236	93 3.6614	1250 281000	1410 318000	EM	3 0.12	169 6.7	252 9.9	0.32	2.11	3.14	2.06	0.086	2000	1800	27.8 61.2
23326	130 5.1181	280 11.0236	112 4.4094	1340 302000	1590 359000	EM	3 0.12	164 6.5	245 9.6	0.42	1.62	2.42	1.59	0.083	1400	1200	33.8 74.4
23928	140 5.5118	190 7.4803	37 1.4567	314 70500	477 107000	EM	1.5 0.06	152 6	180 7.1	0.16	4.1	6.1	4.01	0.09	2800	2200	2.9 6.4
23028	140 5.5118	210 8.2677	53 2.0866	551 124000	802 180000	EJ	2 0.08	158 6.2	196 7.7	0.22	3.1	4.61	3.03	0.085	2800	2300	6.2 13.6
24028	140 5.5118	210 8.2677	69 2.7165	702 158000	1060 238000	EJ	2 0.08	154 6.1	195 7.7	0.29	2.36	3.51	2.31	0.085	2100	1800	8.2 18.0
23128	140 5.5118	225 8.8583	68 2.6772	766 172000	1070 240000	EJ	2 0.08	160 6.3	208 8.2	0.27	2.5	3.72	2.45	0.087	2100	1800	10.4 22.9
23128	140 5.5118	225 8.8583	68 2.6772	766 172000	1070 240000	EM	2 0.08	160 6.3	208 8.2	0.27	2.5	3.72	2.45	0.087	2100	1800	10.4 22.9
24128	140 5.5118	225 8.8583	85 3.3465	894 201000	1290 289000	EJ	2 0.08	157 6.2	206 8.1	0.34	2.01	2.99	1.96	0.086	1500	1300	12.7 27.9
26228	140 5.5118	240 9.4488	80 3.1496	863 194000	1110 249000	EM	2.5 0.1	161 6.3	218 8.6	0.32	2.08	3.1	2.04	0.08	1500	1300	14.7 32.3
22228	140 5.5118	250 9.8425	68 2.6772	863 194000	1060 237000	EJ	2.5 0.1	167 6.6	228 9	0.25	2.67	3.98	2.61	0.082	2600	2200	14.2 31.2
22228	140 5.5118	250 9.8425	68 2.6772	863 194000	1060 237000	EM	2.5 0.1	167 6.6	228 9	0.25	2.67	3.98	2.61	0.082	2600	2200	14.2 31.2
23228	140 5.5118	250 9.8425	88 3.4646	1090 246000	1410 317000	EJ	2.5 0.1	165 6.5	229 9	0.32	2.11	3.13	2.06	0.083	1700	1500	18.5 40.7
23228	140 5.5118	250 9.8425	88 3.4646	1090 246000	1410 317000	EM	2.5 0.1	165 6.5	229 9	0.32	2.11	3.13	2.06	0.083	1700	1500	18.5 40.7
22328	140 5.5118	300 11.811	102 4.0157	1520 341000	1780 400000	EJ	3 0.12	182 7.1	270 10.6	0.33	2.06	3.06	2.01	0.089	1700	1500	34.5 75.9
22328	140 5.5118	300 11.811	102 4.0157	1450 326000	1670 375000	EM	3 0.12	182 7.1	270 10.6	0.33	2.06	3.06	2.01	0.091	1800	1600	35.0 77.0

⁽¹⁾Maximum shaft or housing fillet radius that bearing corners will clear.

⁽²⁾These factors apply for both inch and metric calculations. See engineering section for instructions on use.

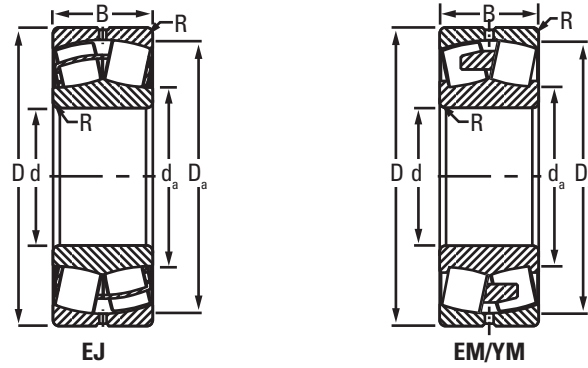
⁽³⁾Geometry constant for Lubrication Life Factor a₃ is found in the Bearing Ratings section of the Engineering Manual (order no. 10424).

⁽⁴⁾See thermal speed ratings in the Engineering Manual (order no. 10424).

Continued on next page.

SPHERICAL ROLLER BEARINGS – *continued*

- Shaft and housing fits, internal clearances, tolerances and other technical data for these bearings are found in the engineering section of this catalog and the Timken Engineering Manual (order no. 10424).
- Bearings are available with a tapered bore for adapter-type mounting. To order, add the suffix “K” to bearing number (e.g., 23120K).
- Consult your Timken engineer and www.timken.com for up-to-date information about the availability of the bearings you have selected.



Bearing Part Number	Bearing Dimensions			Load Ratings		Cage Type	Mounting Data			Equivalent Radial Load Factors ⁽²⁾				Geometry Factor C _g ⁽³⁾	Thermal Speed Ratings ⁽⁴⁾		Weight
	Bore d	O.D. D	Width B	Dynamic C	Static C ₀		Fillet ⁽¹⁾ R (Max.)	Backing Diameter Shaft d _a	Housing D _a	Dynamic		Static	In All Cases		Oil	Grease	
										F _a ≤ e	F _a > e						
	mm in.	mm in.	mm in.	kN lbf.	kN lbf.		mm in.	mm in.	mm in.	e	X = 1	X = 0.67	Y		RPM	RPM	
23328	140 5.5118	300 11.811	118 4.6457	1570 352000	1910 429000	EMB	3 0.12	175 6.9	261 10.3	0.41	1.65	2.45	1.61	0.087	1200	1100	41.7 91.7
23030	150 5.9055	225 8.8583	56 2.2047	621 140000	911 205000	EJ	2 0.08	169 6.7	210 8.3	0.21	3.14	4.68	3.07	0.089	2600	2100	7.7 16.9
23030	150 5.9055	225 8.8583	56 2.2047	621 140000	911 205000	EM	2 0.08	169 6.7	210 8.3	0.21	3.14	4.68	3.07	0.089	2600	2100	7.7 16.9
24030	150 5.9055	225 8.8583	75 2.9528	808 182000	1240 278000	EJ	2 0.08	165 6.5	209 8.2	0.29	2.32	3.46	2.27	0.088	2000	1700	10.2 22.4
23130	150 5.9055	250 9.8425	80 3.1496	1000 225000	1390 312000	EJ	2 0.08	173 6.8	229 9	0.29	2.32	3.45	2.26	0.085	1900	1600	16.0 35.2
23130	150 5.9055	250 9.8425	80 3.1496	1000 225000	1390 312000	EM	2 0.08	173 6.8	229 9	0.29	2.32	3.45	2.26	0.085	1900	1600	16.0 35.2
24130	150 5.9055	250 9.8425	100 3.937	1180 264000	1680 378000	EJ	2 0.08	169 6.7	227 8.9	0.36	1.86	2.77	1.82	0.084	1300	1200	19.4 42.7
22230	150 5.9055	270 10.6299	73 2.874	1000 225000	1230 276000	EJ	2.5 0.1	179 7	246 9.7	0.25	2.69	4	2.63	0.087	2400	2000	17.8 39.2
22230	150 5.9055	270 10.6299	73 2.874	1000 225000	1230 276000	EM	2.5 0.1	179 7	246 9.7	0.25	2.69	4	2.63	0.087	2400	2000	17.8 39.2
23230	150 5.9055	270 10.6299	96 3.7795	1270 286000	1660 372000	EJ	2.5 0.1	178 7	247 9.7	0.32	2.08	3.1	2.04	0.087	1500	1400	23.8 52.4
23230	150 5.9055	270 10.6299	96 3.7795	1270 286000	1660 372000	EM	2.5 0.1	178 7	247 9.7	0.32	2.08	3.1	2.04	0.087	1500	1400	23.8 52.4
22330	150 5.9055	320 12.5984	108 4.252	1700 382000	2010 452000	EJ	3 0.12	194 7.6	288 11.3	0.33	2.08	3.09	2.03	0.093	1600	1400	43.0 94.6
22330	150 5.9055	320 12.5984	108 4.252	1700 382000	2010 452000	EMB	3 0.12	194 7.6	288 11.3	0.33	2.08	3.09	2.03	0.093	1600	1400	43.0 94.6
23330	150 5.9055	320 12.5984	128 5.0394	1780 400000	2130 479000	EMB	3 0.12	185 7.3	280 11	0.41	1.64	2.44	1.6	0.09	1100	1000	50.4 110.9
23932	160 6.2992	220 8.6614	45 1.7717	421 94700	654 147000	EM	2 0.08	175 6.9	207 8.2	0.18	3.78	5.63	3.7	0.09	2500	2100	4.9 10.8
23032	160 6.2992	240 9.4488	60 2.3622	705 159000	1040 235000	EJ	2 0.08	180 7.1	224 8.8	0.22	3.12	4.65	3.05	0.093	2400	2000	9.4 20.7

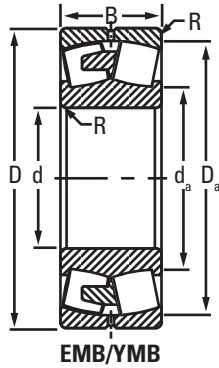
⁽¹⁾Maximum shaft or housing fillet radius that bearing corners will clear.

⁽²⁾These factors apply for both inch and metric calculations. See engineering section for instructions on use.

⁽³⁾Geometry constant for Lubrication Life Factor a₃ is found in the Bearing Ratings section of the Engineering Manual (order no. 10424).

⁽⁴⁾See thermal speed ratings in the Engineering Manual (order no. 10424).

Continued on next page.



Bearing Part Number	Bearing Dimensions			Load Ratings		Cage Type	Mounting Data			Equivalent Radial Load Factors ⁽²⁾				Geometry Factor ⁽³⁾ C _g	Thermal Speed Ratings ⁽⁴⁾		Weight
	Bore d	O.D. D	Width B	Dynamic C	Static C ₀		Fillet ⁽¹⁾ R	Shaft d _a	Housing D _a	Dynamic		Static	In All Cases		Oil	Grease	
										e	F _a ≤ e F _r X = 1 Y						
	mm in.	mm in.	mm in.	kN lbf.	kN lbf.		mm in.	mm in.	mm in.						RPM	RPM	
23032	160 6.2992	240 9.4488	60 2.3622	705 159000	1040 235000	EM	2 0.08	180 7.1	224 8.8	0.22	3.12	4.65	3.05	0.093	2400	2000	9.4 20.7
24032	160 6.2992	240 9.4488	80 3.1496	914 206000	1410 317000	EJ	2 0.08	176 6.9	223 8.8	0.29	2.32	3.45	2.27	0.092	1800	1500	12.5 27.5
23132	160 6.2992	270 10.6299	86 3.3858	1160 261000	1580 354000	EJ	2 0.08	185 7.3	248 9.8	0.29	2.33	3.46	2.27	0.088	1700	1500	20.2 44.4
23132	160 6.2992	270 10.6299	86 3.3858	1160 261000	1580 354000	EM	2 0.08	185 7.3	248 9.8	0.29	2.33	3.46	2.27	0.088	1700	1500	20.2 44.4
24132	160 6.2992	270 10.6299	109 4.2913	1390 313000	2000 449000	EJ	2 0.08	181 7.1	245 9.7	0.37	1.84	2.74	1.8	0.088	1100	1000	25.2 55.4
22232	160 6.2992	290 11.4173	80 3.1496	1170 263000	1450 326000	EJ	2.5 0.1	192 7.5	264 10.4	0.26	2.62	3.91	2.57	0.09	2200	1800	23.0 50.6
22232	160 6.2992	290 11.4173	80 3.1496	1170 263000	1450 326000	EM	2.5 0.1	192 7.5	264 10.4	0.26	2.62	3.91	2.57	0.09	2200	1800	23.0 50.6
23232	160 6.2992	290 11.4173	104 4.0945	1470 330000	1940 435000	EJ	2.5 0.1	190 7.5	264 10.4	0.33	2.06	3.06	2.01	0.091	1400	1200	30.0 66.0
23232	160 6.2992	290 11.4173	104 4.0945	1470 330000	1940 435000	EM	2.5 0.1	190 7.5	264 10.4	0.33	2.06	3.06	2.01	0.091	1400	1200	30.0 66.0
22332	160 6.2992	340 13.3858	114 4.4882	1890 424000	2250 507000	EJ	3 0.12	207 8.1	306 12	0.32	2.09	3.11	2.04	0.096	1500	1300	51.0 112.2
22332	160 6.2992	340 13.3858	114 4.4882	1890 424000	2250 507000	EMB	3 0.12	207 8.1	306 12	0.32	2.09	3.11	2.04	0.096	1500	1300	51.0 112.2
23332	160 6.2992	340 13.3858	136 5.3543	2000 449000	2530 568000	EMB	3 0.12	202 8	297 11.7	0.42	1.62	2.41	1.58	0.076	980	900	61.2 134.6
23934	170 6.6929	230 9.0551	45 1.7717	453 102000	716 161000	EM	2 0.08	184 7.2	217 8.6	0.17	4.07	6.05	3.97	0.093	2300	1900	5.2 11.4
23034	170 6.6929	260 10.2362	67 2.6378	858 193000	1250 282000	EJ	2 0.08	192 7.6	242 9.5	0.22	3.02	4.49	2.95	0.097	2200	1800	12.8 28.2
23034	170 6.6929	260 10.2362	67 2.6378	858 193000	1250 282000	EM	2 0.08	192 7.6	242 9.5	0.22	3.02	4.49	2.95	0.097	2200	1800	12.8 28.2
24034	170 6.6929	260 10.2362	90 3.5433	1110 248000	1730 388000	EJ	2 0.08	189 7.4	240 9.5	0.3	2.22	3.3	2.17	0.097	1600	1400	17.2 37.8

⁽¹⁾Maximum shaft or housing fillet radius that bearing corners will clear.

⁽²⁾These factors apply for both inch and metric calculations. See engineering section for instructions on use.

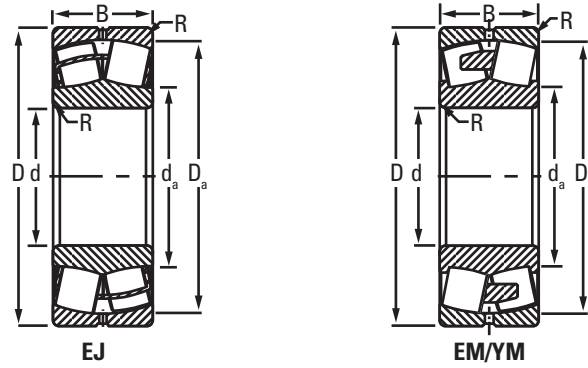
⁽³⁾Geometry constant for Lubrication Life Factor a₃ is found in the Bearing Ratings section of the Engineering Manual (order no. 10424).

⁽⁴⁾See thermal speed ratings in the Engineering Manual (order no. 10424).

Continued on next page.

SPHERICAL ROLLER BEARINGS – continued

- Shaft and housing fits, internal clearances, tolerances and other technical data for these bearings are found in the engineering section of this catalog and the Timken Engineering Manual (order no. 10424).
- Bearings are available with a tapered bore for adapter-type mounting. To order, add the suffix “K” to bearing number (e.g., 23120K).
- Consult your Timken engineer and www.timken.com for up-to-date information about the availability of the bearings you have selected.



Bearing Part Number	Bearing Dimensions			Load Ratings		Cage Type	Mounting Data			Equivalent Radial Load Factors ⁽²⁾				Geometry Factor ⁽³⁾ C _g	Thermal Speed Ratings ⁽⁴⁾		Weight
	Bore d	O.D. D	Width B	Dynamic C	Static C ₀		Fillet ⁽¹⁾ (Max.) R	Backing Diameter Shaft d _a	Housing D _a	Dynamic		Static	In All Cases Y ₀		Oil	Grease	
										$\frac{F_a \leq e}{F_r}$ X = 1 Y	$\frac{F_a > e}{F_r}$ X = 0.67 Y						
	mm in.	mm in.	mm in.	kN lbf.	kN lbf.		mm in.	mm in.	mm in.	e					RPM	RPM	
23134	170 6.6929	280 11.0236	88 3.4646	1220 274000	1710 384000	EJ	2 0.08	195 7.7	258 10.1	0.28	2.39	3.55	2.33	0.091	1600	1400	21.7 47.7
23134	170 6.6929	280 11.0236	88 3.4646	1220 274000	1710 384000	EM	2 0.08	195 7.7	258 10.1	0.28	2.39	3.55	2.33	0.091	1600	1400	21.7 47.7
24134	170 6.6929	280 11.0236	109 4.2913	1440 324000	2110 475000	EJ	2 0.08	192 7.5	255 10.1	0.35	1.93	2.87	1.88	0.091	1000	960	26.4 58.1
22234	170 6.6929	310 12.2047	86 3.3858	1340 301000	1680 379000	EJ	3 0.12	204 8	281 11.1	0.26	2.61	3.89	2.55	0.094	2000	1700	28.5 62.7
22234	170 6.6929	310 12.2047	86 3.3858	1340 301000	1680 379000	EM	3 0.12	204 8	281 11.1	0.26	2.61	3.89	2.55	0.094	2000	1700	28.5 62.7
23234	170 6.6929	310 12.2047	110 4.3307	1660 373000	2200 494000	EM	3 0.12	202 8	281 11.1	0.33	2.08	3.09	2.03	0.094	1200	1100	36.6 80.5
22334	170 6.6929	360 14.1732	120 4.7244	2100 471000	2510 565000	EJ	3 0.12	219 8.6	325 12.8	0.32	2.11	3.15	2.07	0.1	1300	1200	59.9 131.8
22334	170 6.6929	360 14.1732	120 4.7244	2100 471000	2510 565000	EMB	3 0.12	219 8.6	325 12.8	0.32	2.11	3.15	2.07	0.1	1300	1200	59.9 131.8
23334	170 6.6929	360 14.1732	140 5.5118	2180 490000	2620 589000	EMB	3 0.12	208 8.18	315 12.41	0.4	1.67	2.49	1.63	0.097	1100	1000	70.3 154.7
23936	180 7.0866	250 9.8425	52 2.0472	572 129000	907 204000	EJ	2 0.08	197 7.8	235 9.3	0.18	3.77	5.62	3.69	0.098	2200	1800	7.6 16.7
23936	180 7.0866	250 9.8425	52 2.0472	572 129000	907 204000	EM	2 0.08	197 7.8	235 9.3	0.18	3.77	5.62	3.69	0.098	2200	1800	7.6 16.7
23036	180 7.0866	280 11.0236	74 2.9134	1020 229000	1480 332000	EJ	2 0.08	204 8	260 10.2	0.23	2.91	4.34	2.85	0.093	2000	1700	16.8 37.0
23036	180 7.0866	280 11.0236	74 2.9134	1020 229000	1480 332000	EM	2 0.08	204 8	260 10.2	0.23	2.91	4.34	2.85	0.093	2000	1700	16.8 37.0
24036	180 7.0866	280 11.0236	100 3.937	1320 296000	2040 460000	EJ	2 0.08	200 7.9	258 10.2	0.32	2.13	3.17	2.08	0.093	1500	1300	22.6 49.7
23136	180 7.0866	300 11.811	96 3.7795	1410 317000	2000 449000	EJ	2.5 0.1	208 8.2	275 10.8	0.29	2.32	3.45	2.27	0.095	1500	1300	27.6 60.7
23136	180 7.0866	300 11.811	96 3.7795	1410 317000	2000 449000	EM	2.5 0.1	208 8.2	275 10.8	0.29	2.32	3.45	2.27	0.095	1500	1300	27.6 60.7

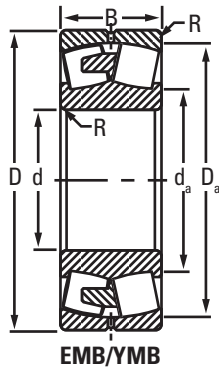
⁽¹⁾Maximum shaft or housing fillet radius that bearing corners will clear.

⁽²⁾These factors apply for both inch and metric calculations. See engineering section for instructions on use.

⁽³⁾Geometry constant for Lubrication Life Factor a₃ is found in the Bearing Ratings section of the Engineering Manual (order no. 10424).

⁽⁴⁾See thermal speed ratings in the Engineering Manual (order no. 10424).

Continued on next page.



Bearing Part Number	Bearing Dimensions			Load Ratings		Cage Type	Mounting Data			Equivalent Radial Load Factors ⁽²⁾				Geometry Factor ⁽³⁾ C _g	Thermal Speed Ratings ⁽⁴⁾		Weight
	Bore d	O.D. D	Width B	Dynamic C	Static C ₀		Fillet ⁽¹⁾ R	Shaft d _a	Housing D _a	Dynamic		Static	In All Cases		Oil	Grease	
										e	F _a ≤ e F _r X = 1 Y						
	mm in.	mm in.	mm in.	kN lbf.	kN lbf.		mm in.	mm in.	mm in.						RPM	RPM	
24136	180 7.0866	300 11.811	118 4.6457	1650 370000	2450 550000	EJ	2.5 0.1	204 8.1	273 10.7	0.36	1.9	2.82	1.85	0.095	950	870	33.4 73.5
22236	180 7.0866	320 12.5984	86 3.3858	1390 312000	1790 402000	EJ	3 0.12	215 8.5	292 11.5	0.25	2.72	4.05	2.66	0.097	1900	1600	29.1 64.0
22236	180 7.0866	320 12.5984	86 3.3858	1340 301000	1700 382000	EM	3 0.12	215 8.5	292 11.5	0.25	2.72	4.05	2.66	0.098	1900	1600	29.4 64.7
23236	180 7.0866	320 12.5984	112 4.4094	1720 387000	2290 515000	EMB	3 0.12	211 8.3	292 11.5	0.32	2.11	3.15	2.07	0.097	1200	1100	38.6 84.9
22336	180 7.0866	380 14.9606	126 4.9606	2290 514000	2770 623000	EJ	3 0.12	232 9.2	343 13.5	0.32	2.13	3.17	2.08	0.083	1200	1100	70.0 154.0
22336	180 7.0866	380 14.9606	126 4.9606	2290 514000	2770 623000	EMB	3 0.12	232 9.2	343 13.5	0.32	2.13	3.17	2.08	0.083	1200	1100	70.0 154.0
23938	190 7.4803	260 10.2362	52 2.0472	589 133000	964 217000	EM	2 0.08	207 8.2	245 9.6	0.17	4.01	5.97	3.92	0.101	2000	1700	8.0 17.6
23038	190 7.4803	290 11.4173	75 2.9528	1060 239000	1580 355000	EJ	2 0.08	214 8.4	270 10.6	0.23	3	4.47	2.93	0.096	1900	1600	17.8 39.2
23038	190 7.4803	290 11.4173	75 2.9528	1060 239000	1580 355000	EM	2 0.08	214 8.4	270 10.6	0.23	3	4.47	2.93	0.096	1900	1600	17.8 39.2
24038	190 7.4803	290 11.4173	100 3.937	1330 300000	2100 473000	EJ	2 0.08	210 8.3	268 10.6	0.31	2.2	3.27	2.15	0.096	1400	1200	23.5 51.7
24038	190 7.4803	290 11.4173	100 3.937	1330 300000	2100 473000	EM	2 0.08	210 8.3	268 10.6	0.31	2.2	3.27	2.15	0.096	1400	1200	23.5 51.7
23138	190 7.4803	320 12.5984	104 4.0945	1630 365000	2340 525000	EJ	2.5 0.1	221 8.7	293 11.5	0.3	2.26	3.36	2.21	0.099	1400	1200	34.7 76.3
23138	190 7.4803	320 12.5984	104 4.0945	1630 365000	2340 525000	EM	2.5 0.1	221 8.7	293 11.5	0.3	2.26	3.36	2.21	0.099	1400	1200	34.7 76.3
24138	190 7.4803	320 12.5984	128 5.0394	1870 421000	2760 619000	EJ	2.5 0.1	215 8.5	290 11.4	0.36	1.85	2.76	1.81	0.078	880	810	41.3 90.9
22238	190 7.4803	340 13.3858	92 3.622	1550 348000	1960 440000	EJ	3 0.12	226 8.9	310 12.2	0.25	2.67	3.98	2.62	0.1	1800	1500	36.1 79.4
22238	190 7.4803	340 13.3858	92 3.622	1550 348000	1960 440000	EMB	3 0.12	226 8.9	310 12.2	0.25	2.67	3.98	2.62	0.1	1800	1500	36.1 79.4

⁽¹⁾Maximum shaft or housing fillet radius that bearing corners will clear.

⁽²⁾These factors apply for both inch and metric calculations. See engineering section for instructions on use.

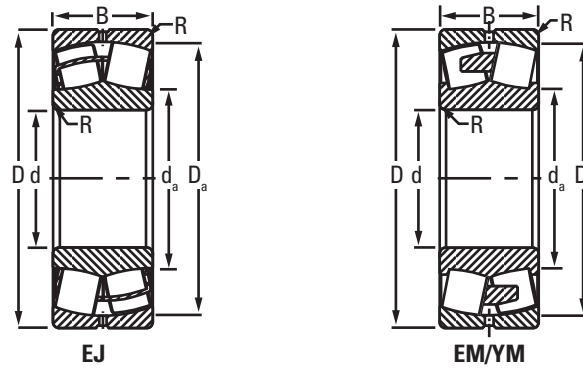
⁽³⁾Geometry constant for Lubrication Life Factor a₃ is found in the Bearing Ratings section of the Engineering Manual (order no. 10424).

⁽⁴⁾See thermal speed ratings in the Engineering Manual (order no. 10424).

Continued on next page.

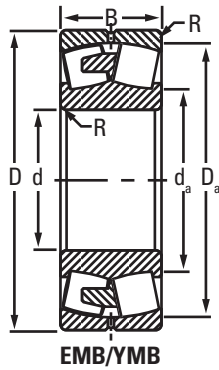
SPHERICAL ROLLER BEARINGS – *continued*

- Shaft and housing fits, internal clearances, tolerances and other technical data for these bearings are found in the engineering section of this catalog and the Timken Engineering Manual (order no. 10424).
- Bearings are available with a tapered bore for adapter-type mounting. To order, add the suffix “K” to bearing number (e.g., 23120K).
- Consult your Timken engineer and www.timken.com for up-to-date information about the availability of the bearings you have selected.



Bearing Part Number	Bearing Dimensions			Load Ratings		Cage Type	Mounting Data			Equivalent Radial Load Factors ⁽²⁾				Geometry Factor C _g ⁽³⁾	Thermal Speed Ratings ⁽⁴⁾		Weight
	Bore d	O.D. D	Width B	Dynamic C	Static C ₀		Fillet ⁽¹⁾ R	Backing Diameter Shaft d _a	Housing D _a	Dynamic		Static	In All Cases		Oil	Grease	
										$\frac{F_a \leq e}{F_r}$	$\frac{F_a > e}{F_r}$						
	mm in.	mm in.	mm in.	kN lbf.	kN lbf.		mm in.	mm in.	mm in.	e	X = 1	X = 0.67	RPM		RPM	kg lbs.	
23238	190 7.4803	340 13.3858	120 4.7244	1940 436000	2610 586000	EJ	3 0.12	225 8.9	311 12.2	0.32	2.1	3.12	2.05	0.1	1100	980	47.1 103.6
23238	190 7.4803	340 13.3858	120 4.7244	1940 436000	2610 586000	EMB	3 0.12	225 8.9	311 12.2	0.32	2.1	3.12	2.05	0.1	1100	980	47.1 103.6
22338	190 7.4803	400 15.748	132 5.1969	2490 559000	3010 678000	EJ	4 0.16	245 9.6	361 14.2	0.32	2.12	3.15	2.07	0.086	1200	1000	80.9 178.0
22338	190 7.4803	400 15.748	132 5.1969	2490 559000	3010 678000	EMB	4 0.16	245 9.6	361 14.2	0.32	2.12	3.15	2.07	0.086	1200	1000	80.9 178.0
23940	200 7.874	280 11.0236	60 2.3622	712 160000	1130 254000	EM	2 0.08	219 8.6	263 10.3	0.19	3.65	5.43	3.57	0.105	1900	1600	11.2 24.6
23040	200 7.874	310 12.2047	82 3.2283	1230 276000	1760 395000	EJ	2 0.08	225 8.9	289 11.4	0.23	2.95	4.4	2.89	0.095	1800	1500	22.6 49.7
23040	200 7.874	310 12.2047	82 3.2283	1230 276000	1760 395000	EM	2 0.08	225 8.9	289 11.4	0.23	2.95	4.4	2.89	0.095	1800	1500	22.6 49.7
24040	200 7.874	310 12.2047	109 4.2913	1560 351000	2460 552000	EJ	2 0.08	223 8.8	286 11.2	0.31	2.16	3.22	2.12	0.099	1300	1100	30.0 66.0
24040	200 7.874	310 12.2047	109 4.2913	1560 351000	2460 552000	EM	2 0.08	223 8.8	286 11.2	0.31	2.16	3.22	2.12	0.099	1300	1100	30.0 66.0
23140	200 7.874	340 13.3858	112 4.4094	1720 386000	2400 540000	EJ	2.5 0.1	230 9	308 12.1	0.31	2.15	3.2	2.1	0.101	1300	1200	41.1 90.4
23140	200 7.874	340 13.3858	112 4.4094	1660 373000	2290 514000	EMB	2.5 0.1	230 9	308 12.1	0.31	2.15	3.2	2.1	0.101	1300	1200	42.0 92.4
24140	200 7.874	340 13.3858	140 5.5118	2030 456000	2930 658000	EJ	2.5 0.1	226 8.9	308 12.1	0.39	1.74	2.59	1.7	0.081	850	790	51.7 113.7
24140	200 7.874	340 13.3858	140 5.5118	2030 456000	2930 658000	EMB	2.5 0.1	226 8.9	308 12.1	0.39	1.74	2.59	1.7	0.081	850	790	51.7 113.7
22240	200 7.874	360 14.1732	98 3.8583	1580 356000	2010 452000	EJ	3 0.12	236 9.3	323 12.7	0.27	2.5	3.72	2.44	0.103	1700	1500	43.6 95.9
22240	200 7.874	360 14.1732	98 3.8583	1580 356000	2010 452000	EMB	3 0.12	236 9.3	323 12.7	0.27	2.5	3.72	2.44	0.103	1700	1500	43.6 95.9
23240	200 7.874	360 14.1732	128 5.0394	2140 480000	2890 650000	EMB	3 0.12	237 9.3	329 12.9	0.33	2.06	3.06	2.01	0.104	1000	920	56.5 124.3

⁽¹⁾Maximum shaft or housing fillet radius that bearing corners will clear. *Continued on next page.*
⁽²⁾These factors apply for both inch and metric calculations. See engineering section for instructions on use.
⁽³⁾Geometry constant for Lubrication Life Factor a₃ is found in the Bearing Ratings section of the Engineering Manual (order no. 10424).
⁽⁴⁾See thermal speed ratings in the Engineering Manual (order no. 10424).



Bearing Part Number	Bearing Dimensions			Load Ratings		Cage Type	Mounting Data			Equivalent Radial Load Factors ⁽²⁾				Geometry Factor ⁽³⁾ C _g	Thermal Speed Ratings ⁽⁴⁾		Weight
	Bore d	O.D. D	Width B	Dynamic C	Static C ₀		Fillet ⁽¹⁾ R	Shaft d _a	Housing D _a	Dynamic		Static	In All Cases		Oil	Grease	
										e	F _a ≤ e F _r X = 1 Y						
	mm in.	mm in.	mm in.	kN lbf.	kN lbf.		mm in.	mm in.	mm in.						RPM	RPM	
26340	200 7.874	380 14.9606	126 4.9606	1900 427000	2690 605000	EMB	4 0.16	239.8 9.44	336.7 13.26	0.33	2.02	3.01	1.98	0.105	820	740	66.0 145.2
23340	200 7.874	420 16.535	165 6.496	2680 602000	3710 835000	YMB	4 0.16	246 9.7	366 14.4	0.41	1.66	2.47	1.62	0.077	710	650	112.6 247.7
22340	200 7.874	420 16.5354	138 5.4331	2260 507000	2910 655000	YMB	4 0.157	247 9.74	369 14.52	0.33	2.02	3.01	1.98	0.076	1100	970	93.0 204.6
23944	220 8.6614	300 11.811	60 2.3622	739 166000	1210 272000	EM	2 0.08	239 9.4	283 11.2	0.17	3.94	5.87	3.85	0.111	1700	1400	12.0 26.4
23044	220 8.6614	340 13.3858	90 3.5433	1340 300000	1970 443000	EJ	2.5 0.1	247 9.7	313 12.3	0.24	2.77	4.13	2.71	0.105	1700	1400	29.8 65.6
23044	220 8.6614	340 13.3858	90 3.5433	1340 300000	1970 443000	EM	2.5 0.1	247 9.7	313 12.3	0.24	2.77	4.13	2.71	0.105	1700	1400	29.8 65.6
24044	220 8.6614	340 13.3858	118 4.6457	1720 388000	2720 612000	EMB	2.5 0.1	245 9.6	313 12.3	0.32	2.14	3.18	2.09	0.105	1200	1000	39.3 86.5
23144	220 8.6614	370 14.5669	120 4.7244	1940 436000	2740 616000	EJ	3 0.12	252 9.9	336 13.2	0.31	2.17	3.24	2.12	0.107	1200	1000	52.8 116.2
23144	220 8.6614	370 14.5669	120 4.7244	1940 436000	2740 616000	EMB	3 0.12	252 9.9	336 13.2	0.31	2.17	3.24	2.12	0.107	1200	1000	52.8 116.2
24144	220 8.6614	370 14.5669	150 5.9055	2250 505000	3220 725000	EJ	3 0.12	248 9.8	337 13.3	0.36	1.86	2.77	1.82	0.085	780	720	64.0 140.8
24144	220 8.6614	370 14.5669	150 5.9055	2250 505000	3220 725000	EMB	3 0.12	248 9.8	337 13.3	0.36	1.86	2.77	1.82	0.085	780	720	64.0 140.8
22244	220 8.6614	400 15.748	108 4.252	1850 415000	2310 520000	EJ	3 0.12	261 10.3	359 14.1	0.27	2.51	3.73	2.45	0.11	1500	1300	59.4 130.7
22244	220 8.6614	400 15.748	108 4.252	1850 415000	2310 520000	EMB	3 0.12	261 10.3	359 14.1	0.27	2.51	3.73	2.45	0.11	1500	1300	59.4 130.7
23244	220 8.6614	400 15.748	144 5.6693	2490 559000	3350 754000	EMB	3 0.12	257 10.1	359 14.1	0.35	1.95	2.9	1.9	0.087	920	830	79.4 174.7
26344	220 8.661	420 16.535	138 5.433	2270 509000	3250 730000	YMB	4 0.16	265 10.42	372 14.63	0.33	2.04	3.03	1.99	0.081	680	610	88.2 194.0
22344	220 8.661	460 18.11	145 5.709	2610 586000	3440 773000	YMB	4 0.16	273 10.7	404 15.9	0.32	2.08	3.1	2.04	0.082	960	850	118.5 260.7

⁽¹⁾Maximum shaft or housing fillet radius that bearing corners will clear.

⁽²⁾These factors apply for both inch and metric calculations. See engineering section for instructions on use.

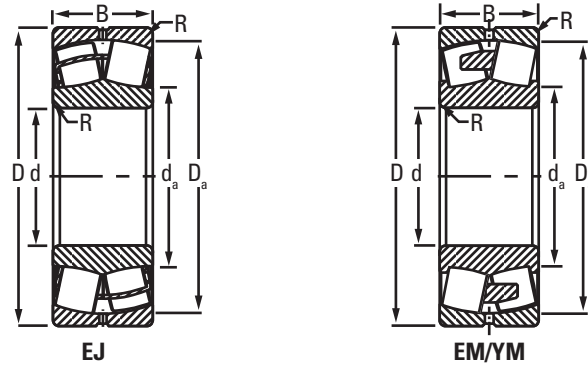
⁽³⁾Geometry constant for Lubrication Life Factor a₃ is found in the Bearing Ratings section of the Engineering Manual (order no. 10424).

⁽⁴⁾See thermal speed ratings in the Engineering Manual (order no. 10424).

Continued on next page.

SPHERICAL ROLLER BEARINGS – *continued*

- Shaft and housing fits, internal clearances, tolerances and other technical data for these bearings are found in the engineering section of this catalog and the Timken Engineering Manual (order no. 10424).
- Bearings are available with a tapered bore for adapter-type mounting. To order, add the suffix “K” to bearing number (e.g., 23120K).
- Consult your Timken engineer and www.timken.com for up-to-date information about the availability of the bearings you have selected.



Bearing Part Number	Bearing Dimensions			Load Ratings		Cage Type	Mounting Data			Equivalent Radial Load Factors ⁽²⁾				Geometry Factor ⁽³⁾ C _g	Thermal Speed Ratings ⁽⁴⁾		Weight
	Bore d	O.D. D	Width B	Dynamic C	Static C ₀		Fillet ⁽¹⁾ R	Backing Diameter Shaft d _a	Housing D _a	Dynamic		Static	In All Cases		Oil	Grease	
										$\frac{F_a \leq e}{F_r}$ X = 1 Y	$\frac{F_a > e}{F_r}$ X = 0.67 Y						
	mm in.	mm in.	mm in.	kN lbf.	kN lbf.		mm in.	mm in.	mm in.	e					RPM	RPM	
23948	240 9.4488	320 12.5984	60 2.3622	785 176000	1340 300000	EM	2 0.08	260 10.2	304 12	0.16	4.16	6.2	4.07	0.116	1600	1300	12.9 28.4
23048	240 9.4488	360 14.1732	92 3.622	1440 323000	2220 499000	EJ	2.5 0.1	267 10.5	334 13.1	0.23	2.91	4.34	2.85	0.111	1500	1300	31.9 70.2
23048	240 9.4488	360 14.1732	92 3.622	1400 315000	2140 480000	EM	2.5 0.1	267 10.5	334 13.1	0.23	2.91	4.34	2.85	0.11	1500	1300	32.2 70.8
24048	240 9.4488	360 14.1732	118 4.6457	1790 403000	2900 652000	EMB	2.5 0.1	265 10.4	334 13.1	0.29	2.31	3.44	2.26	0.11	1100	940	41.8 92.0
23148	240 9.4488	400 15.748	128 5.0394	2280 512000	3330 748000	EJ	3 0.12	276 10.9	364 14.3	0.3	2.28	3.4	2.23	0.073	1100	930	64.9 142.8
23148	240 9.4488	400 15.748	128 5.0394	2200 495000	3180 714000	EMB	3 0.12	276 10.9	364 14.3	0.3	2.28	3.4	2.23	0.114	1100	930	63.2 139.0
24148	240 9.4488	400 15.748	160 6.2992	2690 606000	4050 912000	EJ	3 0.12	270 10.7	364 14.3	0.37	1.8	2.68	1.76	0.09	650	610	80.5 177.1
24148	240 9.4488	400 15.748	160 6.2992	2690 606000	4050 912000	EMB	3 0.12	270 10.7	364 14.3	0.37	1.8	2.68	1.76	0.09	650	610	80.5 177.1
22248	240 9.449	440 17.323	120 4.724	2120 478000	2940 660000	YMB	3 0.12	284 11.2	395 15.6	0.27	2.46	3.67	2.41	0.082	1200	1000	81.1 178.4
23248	240 9.449	440 17.323	160 6.299	2780 625000	4150 932000	YMB	3 0.12	281 11.1	394 15.5	0.35	1.92	2.86	1.88	0.082	760	680	108.1 237.8
26348	240 9.449	460 18.11	147 5.787	2650 596000	3670 826000	YMB	4 0.16	286 11.27	410 16.15	0.32	2.08	3.1	2.04	0.085	610	550	113.0 248.6
22348	240 9.449	500 19.685	155 6.102	2970 669000	3930 885000	YMB	4 0.16	297 11.7	439 17.3	0.32	2.1	3.13	2.05	0.086	860	760	149.2 328.2
26250	250 9.8425	410 16.1417	128 5.0394	2190 492000	3150 709000	YM	3 0.12	284.5 11.2	373.9 14.72	0.3	2.28	3.39	2.23	0.081	650	590	64.0 140.8
23952	260 10.2362	360 14.1732	75 2.9528	1120 251000	1860 419000	EM	2 0.08	284 11.2	339 13.3	0.18	3.74	5.56	3.65	0.076	1400	1200	22.8 50.2
23052	260 10.2362	400 15.748	104 4.0945	1820 409000	2740 617000	EJ	3 0.12	291 11.5	369 14.5	0.24	2.85	4.24	2.78	0.078	1300	1100	47.6 104.7
23052	260 10.2362	400 15.748	104 4.0945	1820 409000	2740 617000	EMB	3 0.12	291 11.5	369 14.5	0.24	2.85	4.24	2.78	0.078	1300	1100	47.6 104.7

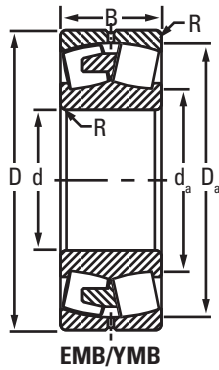
⁽¹⁾Maximum shaft or housing fillet radius that bearing corners will clear.

⁽²⁾These factors apply for both inch and metric calculations. See engineering section for instructions on use.

⁽³⁾Geometry constant for Lubrication Life Factor a₃ is found in the Bearing Ratings section of the Engineering Manual (order no. 10424).

⁽⁴⁾See thermal speed ratings in the Engineering Manual (order no. 10424).

Continued on next page.



Bearing Part Number	Bearing Dimensions			Load Ratings		Cage Type	Mounting Data			Equivalent Radial Load Factors ⁽²⁾				Geometry Factor ⁽³⁾ C _g	Thermal Speed Ratings ⁽⁴⁾		Weight
	Bore d	O.D. D	Width B	Dynamic C	Static C ₀		Fillet ⁽¹⁾ R	Shaft d _a	Housing D _a	Dynamic		Static	In All Cases		Oil	Grease	
										e	$\frac{F_a \leq e}{F_r} X = 1$						
	mm in.	mm in.	mm in.	kN lbf.	kN lbf.		mm in.	mm in.	mm in.						RPM	RPM	
24052	260 10.2362	400 15.748	140 5.5118	2380 535000	3840 864000	EJ	3 0.12	288 11.3	369 14.5	0.32	2.12	3.15	2.07	0.066	930	820	63.9 140.6
24052	260 10.2362	400 15.748	140 5.5118	2380 535000	3840 864000	EMB	3 0.12	288 11.3	369 14.5	0.32	2.12	3.15	2.07	0.066	930	820	63.9 140.6
23152	260 10.236	440 17.323	144 5.669	2440 549000	3910 879000	YMB	3 0.12	302 11.9	400 15.7	0.3	2.23	3.31	2.18	0.086	870	760	90.0 198.0
24152	260 10.236	440 17.323	180 7.087	2880 648000	4770 1070000	YMB	3 0.12	296 11.7	398 15.7	0.37	1.82	2.7	1.78	0.087	570	530	111.4 245.1
22252	260 10.236	480 18.898	130 5.118	2500 561000	3480 783000	YMB	4 0.16	309 12.2	430 16.9	0.27	2.46	3.66	2.41	0.087	1100	920	105.5 232.1
23252	260 10.236	480 18.898	174 6.85	3210 721000	4830 1090000	YMB	4 0.16	308 12.1	430 16.9	0.34	1.98	2.95	1.94	0.087	680	610	140.1 308.2
22352	260 10.236	540 21.26	165 6.496	3390 763000	4520 1020000	YMB	5 0.2	321 12.6	475 18.7	0.32	2.13	3.17	2.08	0.091	770	690	184.5 405.9
23352	260 10.236	540 21.26	206 8.11	4200 944000	5970 1340000	YM	5 0.2	318 12.5	473 18.6	0.39	1.71	2.54	1.67	0.09	490	450	227.0 499.4
23956	280 11.0236	380 14.9606	75 2.9528	1170 264000	1990 446000	EMB	2 0.08	304 12	360 14.2	0.17	3.95	5.88	3.86	0.079	1300	1100	24.3 53.5
23056	280 11.024	420 16.535	106 4.173	1660 373000	2790 627000	YMB	3 0.12	312 12.3	389 15.3	0.23	2.92	4.35	2.86	0.088	1100	930	51.0 112.2
24056	280 11.024	420 16.535	140 5.512	2210 497000	4080 917000	YMB	3 0.12	310 12.2	388 15.3	0.3	2.25	3.35	2.2	0.086	800	700	68.0 149.6
23156	280 11.024	460 18.11	146 5.748	2530 570000	4140 930000	YMB	4 0.16	320 12.6	419 16.5	0.3	2.26	3.36	2.21	0.09	800	710	94.5 207.9
24156	280 11.024	460 18.11	180 7.087	2930 659000	5030 1130000	YMB	4 0.16	319 12.6	419 16.5	0.36	1.86	2.77	1.82	0.089	540	490	118.0 259.6
22256	280 11.024	500 19.685	130 5.118	2550 574000	3730 839000	YMB	4 0.16	331 13	449 17.7	0.26	2.62	3.91	2.57	0.093	990	850	112.1 246.6
23256	280 11.024	500 19.685	176 6.929	3360 756000	5240 1180000	YMB	4 0.16	329 13	450 17.7	0.33	2.07	3.08	2.02	0.092	620	560	149.7 329.3
22356	280 11.024	580 22.835	175 6.89	3900 876000	5240 1180000	YMB	5 0.2	345 13.6	511 20.1	0.32	2.13	3.17	2.08	0.095	690	620	226.3 497.9

⁽¹⁾Maximum shaft or housing fillet radius that bearing corners will clear.

⁽²⁾These factors apply for both inch and metric calculations. See engineering section for instructions on use.

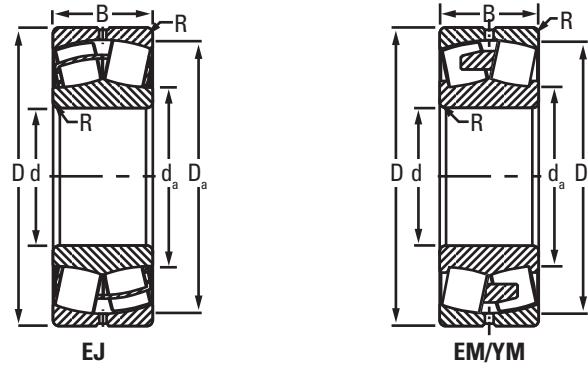
⁽³⁾Geometry constant for Lubrication Life Factor a₃ is found in the Bearing Ratings section of the Engineering Manual (order no. 10424).

⁽⁴⁾See thermal speed ratings in the Engineering Manual (order no. 10424).

Continued on next page.

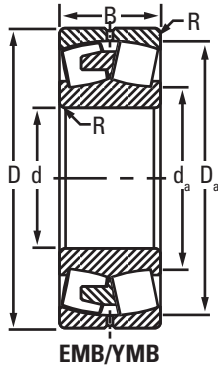
SPHERICAL ROLLER BEARINGS – *continued*

- Shaft and housing fits, internal clearances, tolerances and other technical data for these bearings are found in the engineering section of this catalog and the Timken Engineering Manual (order no. 10424).
- Bearings are available with a tapered bore for adapter-type mounting. To order, add the suffix “K” to bearing number (e.g., 23120K).
- Consult your Timken engineer and www.timken.com for up-to-date information about the availability of the bearings you have selected.



Bearing Part Number	Bearing Dimensions			Load Ratings		Cage Type	Mounting Data			Equivalent Radial Load Factors ⁽²⁾				Geometry Factor C _g ⁽³⁾	Thermal Speed Ratings ⁽⁴⁾		Weight
	Bore d	O.D. D	Width B	Dynamic C	Static C ₀		Fillet ⁽¹⁾ R (Max.)	Backing Diameter Shaft d _a	Backing Diameter Housing D _a	Dynamic		Static	In All Cases		Oil	Grease	
										e	F _a ≤ e F _r X = 1 Y						
mm in.	mm in.	mm in.	kN lbf.	kN lbf.	mm in.	mm in.	mm in.					RPM	RPM	kg lbs.			
23356	280 11.024	580 22.835	224 8.819	4870 1090000	7010 1580000	YMB	5 0.2	341 13.4	508 20	0.4	1.69	2.52	1.65	0.095	440	410	284.0 624.8
23960	300 11.811	420 16.535	90 3.543	1430 321000	2620 588000	YMB	2.5 0.1	328 12.9	394 15.5	0.19	3.59	5.34	3.51	0.089	1000	850	38.4 84.5
23060	300 11.811	460 18.11	118 4.646	2120 477000	3540 796000	YMB	3 0.12	336 13.2	425 16.8	0.24	2.87	4.27	2.8	0.093	980	830	71.0 156.2
24060	300 11.811	460 18.11	160 6.299	2800 629000	5160 1160000	YMB	3 0.12	334 13.1	423 16.7	0.32	2.11	3.13	2.06	0.091	710	620	97.4 214.3
23160	300 11.811	500 19.685	160 6.299	3070 691000	5110 1150000	YMB	4 0.16	345 13.6	453 17.8	0.3	2.25	3.35	2.2	0.093	710	630	128.7 283.1
24160	300 11.811	500 19.685	200 7.874	3710 834000	6260 1410000	YMB	4 0.16	338 13.3	455 17.9	0.37	1.82	2.71	1.78	0.092	460	430	157.1 345.6
22260	300 11.811	540 21.26	140 5.512	3000 675000	4380 984000	YMB	4 0.16	355 14	484 19.1	0.26	2.59	3.86	2.53	0.097	890	770	142.0 312.4
23260	300 11.811	540 21.26	192 7.559	3840 864000	6150 1380000	YMB	4 0.16	353 13.9	482 19	0.34	2	2.98	1.96	0.095	560	510	194.5 427.9
23964	320 12.598	440 17.323	90 3.543	1450 327000	2760 621000	YMB	2.5 0.1	349 13.8	414 16.3	0.18	3.79	5.65	3.71	0.093	940	790	40.6 89.3
23064	320 12.598	480 18.898	121 4.764	2200 494000	3850 867000	YMB	3 0.12	357 14.1	444 17.5	0.23	2.93	4.36	2.86	0.096	910	780	77.4 170.3
24064	320 12.598	480 18.898	160 6.299	2850 641000	5350 1200000	YMB	3 0.12	354 13.9	444 17.5	0.3	2.24	3.34	2.19	0.094	660	580	102.0 224.4
23164	320 12.598	540 21.26	176 6.929	3650 819000	5930 1330000	YMB	4 0.16	367 14.4	490 19.3	0.31	2.14	3.19	2.1	0.099	650	580	167.2 367.8
24164	320 12.598	540 21.26	218 8.583	4380 985000	7510 1690000	YMB	4 0.16	362 14.3	489 19.3	0.38	1.77	2.63	1.73	0.097	410	380	204.6 450.1
22264	320 12.598	580 22.835	150 5.906	3390 761000	4970 1120000	YMB	4 0.16	380 15	519 20.4	0.26	2.58	3.84	2.52	0.099	820	710	177.1 389.6
23264	320 12.598	580 22.835	208 8.189	4350 978000	7060 1590000	YMB	4 0.16	379 14.9	516 20.3	0.34	1.98	2.94	1.93	0.101	510	460	245.1 539.2
23968	340 13.386	460 18.11	90 3.543	1520 342000	2970 669000	YMB	2.5 0.1	369 14.5	435 17.1	0.17	3.98	5.93	3.89	0.096	870	730	43.0 94.6

⁽¹⁾Maximum shaft or housing fillet radius that bearing corners will clear. *Continued on next page.*
⁽²⁾These factors apply for both inch and metric calculations. See engineering section for instructions on use.
⁽³⁾Geometry constant for Lubrication Life Factor a₃ is found in the Bearing Ratings section of the Engineering Manual (order no. 10424).
⁽⁴⁾See thermal speed ratings in the Engineering Manual (order no. 10424).



Bearing Part Number	Bearing Dimensions			Load Ratings		Cage Type	Mounting Data			Equivalent Radial Load Factors ⁽²⁾				Geometry Factor ⁽³⁾ C _g	Thermal Speed Ratings ⁽⁴⁾		Weight
	Bore d	O.D. D	Width B	Dynamic C	Static C ₀		Fillet ⁽¹⁾ R	Shaft d _a	Housing D _a	Dynamic		Static	In All Cases		Oil	Grease	
										e	$\frac{F_a \leq e}{F_r} X = 1$						
	mm in.	mm in.	mm in.	kN lbf.	kN lbf.		mm in.	mm in.	mm in.						RPM	RPM	
23068	340 13.386	520 20.472	133 5.236	2640 593000	4620 1040000	YMB	4 0.16	384 15.1	481 18.9	0.23	2.96	4.4	2.89	0.101	830	710	102.7 225.9
24068	340 13.386	520 20.472	180 7.087	3480 783000	6500 1460000	YMB	4 0.16	377 14.9	479 18.9	0.32	2.14	3.18	2.09	0.098	600	530	139.0 305.8
23168	340 13.386	580 22.835	190 7.48	4110 924000	6830 1540000	YMB	4 0.16	397 15.6	526 20.7	0.3	2.22	3.3	2.17	0.103	590	530	210.3 462.7
24168	340 13.386	580 22.835	243 9.567	5190 1170000	8880 2000000	YMB	4 0.16	385 15.2	525 20.7	0.39	1.75	2.61	1.71	0.103	370	340	266.0 585.2
23268	340 13.386	620 24.409	224 8.819	5160 1160000	8200 1840000	YMB	5 0.2	399 15.7	554 21.8	0.35	1.91	2.84	1.86	0.103	460	420	301.5 663.3
23972	360 14.173	480 18.898	90 3.543	1560 351000	3120 703000	YMB	2.5 0.1	389 15.3	455 17.9	0.16	4.12	6.13	4.03	0.099	810	680	45.0 99.0
23072	360 14.173	540 21.26	134 5.276	2590 583000	4600 1030000	YMB	4 0.16	403 15.9	499 19.7	0.23	2.94	4.38	2.88	0.102	800	680	108.3 238.3
24072	360 14.173	540 21.26	180 7.087	3570 803000	6810 1530000	YMB	4 0.16	398 15.7	500 19.7	0.3	2.24	3.33	2.19	0.104	560	500	145.4 319.9
23172	360 14.173	600 23.622	192 7.559	4250 956000	7280 1640000	YMB	4 0.16	419 16.5	546 21.5	0.29	2.29	3.42	2.24	0.106	560	500	222.1 488.6
24172	360 14.173	600 23.622	243 9.567	5390 1210000	9520 2140000	YMB	4 0.16	406 16	545 21.4	0.38	1.79	2.67	1.75	0.104	340	320	279.5 614.9
22272	360 14.173	650 25.591	170 6.693	4210 946000	6280 1410000	YMB	5 0.2	427 16.83	583 22.94	0.25	2.66	3.95	2.6	0.106	710	620	245.0 539.0
23272	360 14.173	650 25.591	232 9.134	5530 1240000	8790 1980000	YMB	5 0.2	420 16.5	583 22.9	0.35	1.95	2.91	1.91	0.109	430	400	338.6 744.9
23976	380 14.961	520 20.472	106 4.173	1940 436000	3920 880000	YMB	3 0.12	416 16.4	488 19.2	0.18	3.8	5.66	3.72	0.103	760	640	67.1 147.6
23076	380 14.961	560 22.047	135 5.315	2800 630000	5090 1140000	YMB	4 0.16	422 16.6	520 20.5	0.22	3.08	4.58	3.01	0.105	740	630	114.2 251.2
24076	380 14.961	560 22.047	180 7.087	3670 825000	7060 1590000	YMB	4 0.16	418 16.4	520 20.5	0.29	2.32	3.45	2.27	0.104	530	470	151.2 332.6
23176	380 14.961	620 24.409	194 7.638	4490 1010000	7580 1700000	YMB	4 0.16	431 17	566 22.3	0.3	2.28	3.39	2.23	0.109	530	470	232.6 511.7

⁽¹⁾Maximum shaft or housing fillet radius that bearing corners will clear.

Continued on next page.

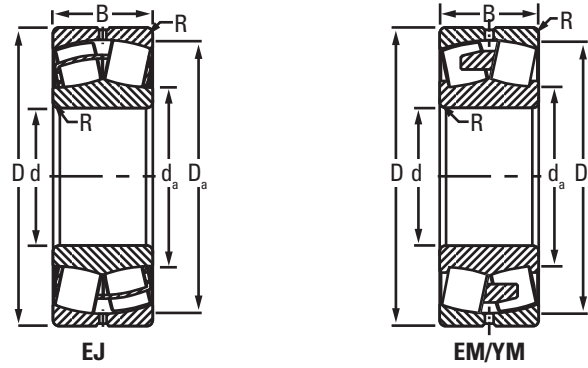
⁽²⁾These factors apply for both inch and metric calculations. See engineering section for instructions on use.

⁽³⁾Geometry constant for Lubrication Life Factor a₃ is found in the Bearing Ratings section of the Engineering Manual (order no. 10424).

⁽⁴⁾See thermal speed ratings in the Engineering Manual (order no. 10424).

SPHERICAL ROLLER BEARINGS – *continued*

- Shaft and housing fits, internal clearances, tolerances and other technical data for these bearings are found in the engineering section of this catalog and the Timken Engineering Manual (order no. 10424).
- Bearings are available with a tapered bore for adapter-type mounting. To order, add the suffix “K” to bearing number (e.g., 23120K).
- Consult your Timken engineer and www.timken.com for up-to-date information about the availability of the bearings you have selected.



Bearing Part Number	Bearing Dimensions			Load Ratings		Cage Type	Mounting Data			Equivalent Radial Load Factors ⁽²⁾				Geometry Factor ⁽³⁾ C _g	Thermal Speed Ratings ⁽⁴⁾		Weight
	Bore d	O.D. D	Width B	Dynamic C	Static C ₀		Fillet ⁽¹⁾ R	Backing Diameter		Dynamic		Static In All Cases Y ₀	Oil		Grease		
								Shaft d _a	Housing D _a	e	F _a ≤ e F _r X = 1 Y					F _a > e F _r X = 0.67 Y	
	mm in.	mm in.	mm in.	kN lbf.	kN lbf.		mm in.	mm in.	mm in.				RPM		RPM	kg lbs.	
24176	380 14.961	620 24.409	243 9.567	5580 1250000	10100 2260000	YMB	4 0.16	427 16.8	565 22.3	0.36	1.87	2.79	1.83	0.107	320	300	291.0 640.2
22276	380 14.961	680 26.772	175 6.89	4540 1020000	6780 1520000	YMB	5 0.2	449 17.67	611 24.07	0.25	2.71	4.03	2.65	0.11	670	580	274.0 602.8
23276	380 14.961	680 26.772	240 9.449	5970 1340000	9520 2140000	YMB	5 0.2	442 17.4	611 24.1	0.34	1.98	2.95	1.94	0.11	410	370	379.4 834.7
23980	400 15.748	540 21.26	106 4.173	1980 445000	3990 897000	YMB	3 0.12	436 17.2	511 20.1	0.17	3.99	5.94	3.9	0.109	720	600	69.2 152.2
23080	400 15.748	600 23.622	148 5.827	3310 744000	5950 1340000	YMB	4 0.16	447 17.6	555 21.9	0.23	2.98	4.44	2.92	0.111	690	590	148.7 327.1
24080	400 15.748	600 23.622	200 7.874	4380 984000	8470 1900000	YMB	4 0.16	442 17.4	555 21.9	0.3	2.24	3.33	2.19	0.108	490	430	200.0 440.0
23180	400 15.748	650 25.591	200 7.874	4770 1070000	8110 1820000	YMB	5 0.2	454 17.9	594 23.4	0.29	2.32	3.46	2.27	0.11	500	450	261.6 575.5
24180	400 15.748	650 25.591	250 9.843	5810 1310000	10400 2330000	YMB	5 0.2	449 17.7	594 23.4	0.35	1.91	2.84	1.87	0.11	310	290	322.3 709.1
22280	400 15.748	720 28.347	185 7.284	5040 1130000	7590 1710000	YMB	5 0.2	474 18.67	646 25.4	0.25	2.7	4.03	2.64	0.113	620	540	326.0 717.2
23280	400 15.748	720 28.347	256 10.079	6720 1510000	10800 2430000	YMB	5 0.2	466 18.4	646 25.4	0.34	1.96	2.93	1.92	0.116	370	340	457.5 1006.5
22380	400 15.748	820 32.284	243 9.567	7220 1620000	10100 2280000	YMB	6 0.24	496 19.5	729 28.7	0.3	2.28	3.4	2.23	0.119	430	390	618.7 1361.1
23984	420 16.535	560 22.047	106 4.173	2070 465000	4210 947000	YMB	3 0.12	454 17.9	531 20.9	0.16	4.14	6.17	4.05	0.109	680	570	71.9 158.2
23084	420 16.535	620 24.409	150 5.906	3450 774000	6360 1430000	YMB	4 0.16	467 18.4	576 22.7	0.22	3.05	4.54	2.98	0.114	650	560	156.0 343.2
24084	420 16.535	620 24.409	200 7.874	4390 987000	8630 1940000	YMB	4 0.16	463 18.2	575 22.7	0.29	2.37	3.52	2.31	0.111	470	410	206.7 454.7
23184	420 16.535	700 27.559	224 8.819	5720 1290000	9640 2170000	YMB	5 0.2	480 18.9	636 25.1	0.31	2.21	3.2	2.16	0.117	450	410	350.8 771.8
24184	420 16.535	700 27.559	280 11.024	6990 1570000	12400 2780000	YMB	5 0.2	474 18.7	636 25.1	0.37	1.81	2.7	1.77	0.114	280	260	432.6 951.7

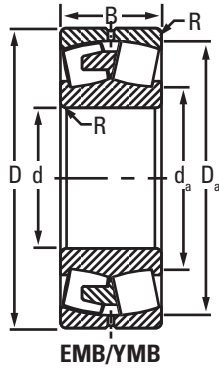
⁽¹⁾Maximum shaft or housing fillet radius that bearing corners will clear.

⁽²⁾These factors apply for both inch and metric calculations. See engineering section for instructions on use.

⁽³⁾Geometry constant for Lubrication Life Factor a₃ is found in the Bearing Ratings section of the Engineering Manual (order no. 10424).

⁽⁴⁾See thermal speed ratings in the Engineering Manual (order no. 10424).

Continued on next page.



Bearing Part Number	Bearing Dimensions			Load Ratings		Cage Type	Mounting Data			Equivalent Radial Load Factors ⁽²⁾				Geometry Factor ⁽³⁾ C _g	Thermal Speed Ratings ⁽⁴⁾		Weight
	Bore d	O.D. D	Width B	Dynamic C	Static C ₀		Fillet ⁽¹⁾ R	Shaft d _a	Housing D _a	Dynamic		Static	In All Cases		Oil	Grease	
										F _a ≤ e F _r X = 1 Y	F _a > e F _r X = 0.67 Y						
	mm in.	mm in.	mm in.	kN lbf.	kN lbf.		mm in.	mm in.	mm in.	e					RPM	RPM	
23284	420 16.535	760 29.921	272 10.709	7360 1650000	11800 2660000	YMB	6 0.24	490 19.3	681 26.8	0.35	1.9	2.83	1.86	0.119	350	320	525.0 1155.0
23988	440 17.323	600 23.622	118 4.646	2510 563000	5000 1120000	YMB	3 0.12	479 18.9	566 22.3	0.17	3.93	5.85	3.84	0.116	630	530	98.0 215.6
23088	440 17.323	650 25.591	157 6.181	3750 844000	6970 1570000	YMB	5 0.2	489 19.3	603 23.7	0.22	3.04	4.53	2.97	0.117	610	520	180.0 396.0
24088	440 17.323	650 25.591	212 8.347	4910 1100000	9770 2200000	YMB	5 0.2	485 19.1	603 23.7	0.29	2.31	3.44	2.26	0.115	430	390	241.8 532.0
23188	440 17.323	720 28.347	226 8.898	5970 1340000	10300 2310000	YMB	5 0.2	500 19.7	657 25.9	0.3	2.26	3.37	2.21	0.117	430	390	367.8 809.2
24188	440 17.323	720 28.347	280 11.024	7120 1600000	12900 2900000	YMB	5 0.2	495 19.5	656 25.8	0.36	1.88	2.79	1.84	0.117	260	250	449.1 988.0
23288	440 17.323	790 31.102	280 11.024	8090 1820000	13200 2970000	YMB	6 0.24	512 20.1	710 28	0.35	1.95	2.91	1.91	0.123	320	300	602.0 1324.4
23992	460 18.11	620 24.409	118 4.645	2520 567000	5100 1150000	YMB	3 0.12	499 19.7	586 23.1	0.16	4.14	6.17	4.05	0.116	600	510	100.8 221.8
23092	460 18.11	680 26.772	163 6.417	4060 913000	7570 1700000	YMB	5 0.2	512 20.1	631 24.9	0.22	3.06	4.56	2.99	0.118	580	500	205.0 451.0
24092	460 18.11	680 26.772	218 8.583	5210 1170000	10300 2330000	YMB	5 0.2	507 20	631 24.8	0.28	2.37	3.53	2.32	0.118	410	370	272.2 598.8
23192	460 18.11	760 29.921	240 9.449	6500 1460000	11100 2500000	YMB	6 0.24	524 20.6	692 27.2	0.3	2.24	3.33	2.19	0.123	410	370	436.9 961.2
24192	460 18.11	760 29.921	300 11.811	8200 1840000	14900 3350000	YMB	6 0.24	518 20.4	692 27.2	0.37	1.84	2.74	1.8	0.121	240	230	547.0 1203.4
23292	460 18.11	830 32.677	296 11.654	8680 1950000	14000 3150000	YMB	6 0.24	535 21.1	746 29.4	0.34	1.96	2.93	1.92	0.126	310	280	696.7 1532.7
23896	480 18.898	600 23.622	90 3.543	1740 391000	3930 883000	YMB	2.5 0.1	511 20.12	576 22.67	0.13	5.38	8.01	5.26	0.117	320	280	57.0 125.4
23996	480 18.898	650 25.591	128 5.039	2820 633000	5890 1320000	YMB	4 0.16	523 20.6	612 24.1	0.17	3.99	5.94	3.9	0.122	570	480	123.3 271.3
23096	480 18.898	700 27.559	165 6.496	4170 938000	7980 1790000	YMB	5 0.2	532 21	651 25.6	0.22	3.14	4.67	3.07	0.124	550	470	215.0 473.0

⁽¹⁾Maximum shaft or housing fillet radius that bearing corners will clear.

⁽²⁾These factors apply for both inch and metric calculations. See engineering section for instructions on use.

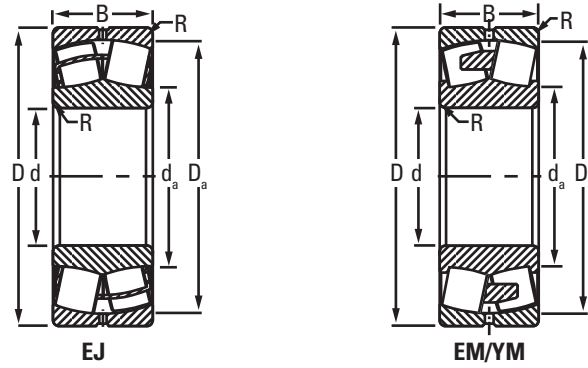
⁽³⁾Geometry constant for Lubrication Life Factor a₃ is found in the Bearing Ratings section of the Engineering Manual (order no. 10424).

⁽⁴⁾See thermal speed ratings in the Engineering Manual (order no. 10424).

Continued on next page.

SPHERICAL ROLLER BEARINGS – continued

- Shaft and housing fits, internal clearances, tolerances and other technical data for these bearings are found in the engineering section of this catalog and the Timken Engineering Manual (order no. 10424).
- Bearings are available with a tapered bore for adapter-type mounting. To order, add the suffix “K” to bearing number (e.g., 23120K).
- Consult your Timken engineer and www.timken.com for up-to-date information about the availability of the bearings you have selected.



Bearing Part Number	Bearing Dimensions			Load Ratings		Cage Type	Mounting Data			Equivalent Radial Load Factors ⁽²⁾				Geometry Factor C _g ⁽³⁾	Thermal Speed Ratings ⁽⁴⁾		Weight
	Bore d	O.D. D	Width B	Dynamic C	Static C ₀		Fillet ⁽¹⁾ R (Max.)	Backing Diameter Shaft d _a	Housing D _a	Dynamic		Static	In All Cases		Oil	Grease	
										e	F _a ≤ e F _r X = 1 Y						
	mm in.	mm in.	mm in.	kN lbf.	kN lbf.		mm in.	mm in.	mm in.						RPM	RPM	
24096	480 18.898	700 27.559	218 8.583	5450 1230000	10900 2450000	YMB	5 0.2	526 20.7	652 25.7	0.28	2.45	3.64	2.39	0.121	390	350	282.1 620.6
23196	480 18.898	790 31.102	248 9.764	7110 1600000	12400 2790000	YMB	6 0.24	547 21.5	719 28.3	0.3	2.26	3.36	2.21	0.124	380	340	490.4 1078.9
24196	480 18.898	790 31.102	308 12.126	8580 1930000	15900 3570000	YMB	6 0.24	542 21.3	718 28.3	0.37	1.85	2.75	1.81	0.125	220	210	605.3 1331.7
23296	480 18.898	870 34.252	310 12.205	9860 2220000	16400 3690000	YMB	6 0.24	561 22.1	779 30.7	0.35	1.92	2.85	1.87	0.131	270	250	821.2 1806.6
238/500	500 19.685	620 24.409	90 3.543	1750 393000	4010 902000	YMB	2.5 0.1	531 20.92	596 23.47	0.12	5.68	8.45	5.55	0.12	310	270	60.0 132.0
239/500	500 19.685	670 26.378	128 5.039	2910 653000	6060 1360000	YMB	4 0.16	542 21.4	634 25	0.16	4.13	6.15	4.04	0.125	540	460	125.7 276.5
230/500	500 19.685	720 28.347	167 6.575	4290 965000	8160 1840000	YMB	5 0.2	550 21.7	673 26.5	0.21	3.26	4.85	3.18	0.126	530	460	222.0 488.4
240/500	500 19.685	720 28.347	218 8.583	5510 1240000	11200 2510000	YMB	5 0.2	547 21.5	673 26.5	0.27	2.51	3.74	2.45	0.126	370	330	290.8 639.8
231/500	500 19.685	830 32.677	264 10.394	7880 1770000	13900 3130000	YMB	6 0.24	572 22.5	753 29.7	0.3	2.22	3.3	2.17	0.128	350	320	584.3 1285.5
241/500	500 19.685	830 32.677	325 12.795	9660 2170000	17600 3950000	YMB	6 0.24	563 22.1	755 29.7	0.37	1.81	2.69	1.77	0.127	210	200	700.0 1540.0
232/500	500 19.685	920 36.221	336 13.228	10900 2460000	17900 4010000	YMB	6 0.24	585 23	824 32.4	0.36	1.9	2.83	1.86	0.134	260	240	995.1 2189.2
239/530	530 20.866	710 27.953	136 5.354	3270 735000	6880 1550000	YMB	4 0.16	575 22.6	672 26.4	0.16	4.11	6.12	4.02	0.127	500	430	151.8 334.0
230/530	530 20.866	780 30.709	185 7.284	5150 1160000	9720 2190000	YMB	5 0.2	588 23.2	725 28.6	0.21	3.14	4.68	3.07	0.132	480	420	302.6 665.7
240/530	530 20.866	780 30.709	250 9.843	6770 1520000	13700 3080000	YMB	5 0.2	583 23	725 28.5	0.28	2.37	3.53	2.32	0.129	340	300	408.0 897.6
231/530	530 20.866	870 34.252	272 10.709	8530 1920000	15100 3400000	YMB	6 0.24	603 23.7	793 31.2	0.3	2.27	3.38	2.22	0.135	320	300	650.6 1431.3
241/530	530 20.866	870 34.252	335 13.189	10400 2340000	19200 4330000	YMB	6 0.24	596 23.5	794 31.3	0.36	1.9	2.83	1.86	0.132	190	180	790.0 1738.0

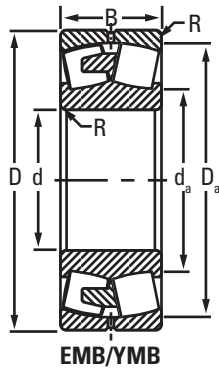
⁽¹⁾Maximum shaft or housing fillet radius that bearing corners will clear.

⁽²⁾These factors apply for both inch and metric calculations. See engineering section for instructions on use.

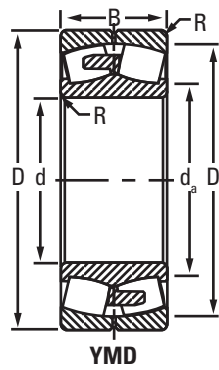
⁽³⁾Geometry constant for Lubrication Life Factor a₃ is found in the Bearing Ratings section of the Engineering Manual (order no. 10424).

⁽⁴⁾See thermal speed ratings in the Engineering Manual (order no. 10424).

Continued on next page.



EMB/YMB



YMD

Bearing Part Number	Bearing Dimensions			Load Ratings		Cage Type	Mounting Data			Equivalent Radial Load Factors ⁽²⁾				Geometry Factor ⁽³⁾ C _g	Thermal Speed Ratings ⁽⁴⁾		Weight
	Bore d	O.D. D	Width B	Dynamic C	Static C ₀		Fillet ⁽¹⁾ (Max.) R	Shaft d _a	Housing D _a	Dynamic		Static In All Cases Y ₀	Oil		Grease		
										e	$\frac{F_a \leq e}{F_r} X = 1$					$\frac{F_a > e}{F_r} X = 0.67$	
	mm in.	mm in.	mm in.	kN lbf.	kN lbf.		mm in.	mm in.	mm in.				RPM		RPM	kg lbs.	
232/530	530 20.866	980 38.583	355 13.976	12400 2780000	20200 4550000	YMB	7 0.28	621 24.4	878 34.6	0.35	1.91	2.85	1.87	0.14	240	220	1164.0 2560.8
239/560	560 22.047	750 29.528	140 5.512	3500 787000	7290 1640000	YMB	4 0.16	607 23.9	710 28	0.16	4.21	6.27	4.12	0.134	470	400	172.4 379.3
230/560	560 22.047	820 32.284	195 7.677	5690 1280000	10800 2430000	YMB	5 0.2	619 24.4	764 30.1	0.22	3.14	4.67	3.07	0.133	450	390	349.1 768.0
240/560	560 22.047	820 32.284	258 10.158	7140 1600000	14800 3330000	YMB	5 0.2	617 24.3	761 30	0.28	2.42	3.6	2.37	0.134	310	280	463.9 1020.6
231/560	560 22.047	920 36.221	280 11.024	9240 2080000	16400 3680000	YMB	6 0.24	638 25.1	838 33	0.29	2.33	3.47	2.28	0.14	300	270	751.0 1652.2
241/560	560 22.047	920 36.221	355 13.976	11700 2630000	21800 4900000	YMB	6 0.24	630 24.8	839 33	0.36	1.87	2.78	1.83	0.14	170	160	941.7 2071.7
241/560	560 22.047	920 36.221	355 13.976	11700 2630000	21800 4900000	YMD	6 0.24	630 24.8	839 33	0.36	1.87	2.78	1.83	0.14	170	160	941.7 2071.7
232/560	560 22.047	1030 40.551	365 14.37	13200 2960000	22300 5020000	YMB	7 0.28	661 26	918 36	0.35	1.96	2.91	1.91	0.145	220	200	1333.0 2932.6
238/600	600 23.622	730 28.74	98 3.858	2170 487000	5280 1190000	YMB	2.5 0.1	634 25	705 27.8	0.11	6.1	9.09	5.97	0.135	240	210	81.0 178.2
239/600	600 23.622	800 31.496	150 5.906	3970 892000	8600 1930000	YMB	4 0.16	650 25.6	757 29.8	0.16	4.2	6.25	4.11	0.14	430	370	209.6 461.1
230/600	600 23.622	870 34.252	200 7.874	6040 1360000	11700 2630000	YMB	5 0.2	664 26.1	811 31.9	0.21	3.27	4.87	3.2	0.141	420	360	390.0 858.0
230/600	600 23.622	870 34.252	200 7.874	6040 1360000	11700 2630000	YMD	5 0.2	664 26.1	811 31.9	0.21	3.27	4.87	3.2	0.141	420	360	390.0 858.0
240/600	600 23.622	870 34.252	272 10.709	8040 1810000	16800 3780000	YMB	5 0.2	658 25.9	811 31.9	0.28	2.44	3.64	2.39	0.139	280	260	538.9 1185.6
240/600	600 23.622	870 34.252	272 10.709	8040 1810000	16800 3780000	YMD	5 0.2	658 25.9	811 31.9	0.28	2.44	3.64	2.39	0.139	280	260	538.9 1185.6
231/600	600 23.622	980 38.583	300 11.811	10500 2360000	18800 4230000	YMB	6 0.24	681 26.8	895 35.2	0.29	2.32	3.46	2.27	0.146	270	250	905.0 1991.0
241/600	600 23.622	980 38.583	375 14.764	12800 2890000	23800 5360000	YMB	6 0.24	673 26.5	896 35.3	0.35	1.95	2.9	1.9	0.145	160	150	1088.0 2393.6

⁽¹⁾Maximum shaft or housing fillet radius that bearing corners will clear.

⁽²⁾These factors apply for both inch and metric calculations. See engineering section for instructions on use.

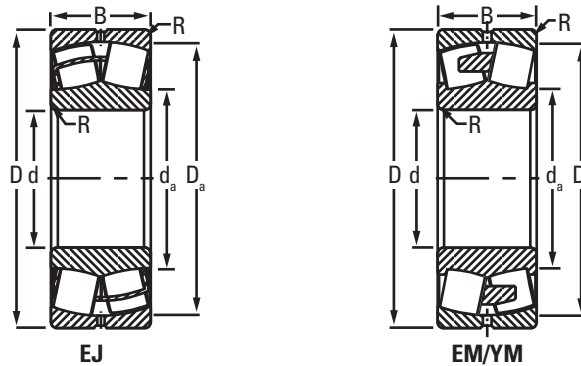
⁽³⁾Geometry constant for Lubrication Life Factor a₃ is found in the Bearing Ratings section of the Engineering Manual (order no. 10424).

⁽⁴⁾See thermal speed ratings in the Engineering Manual (order no. 10424).

Continued on next page.

SPHERICAL ROLLER BEARINGS – *continued*

- Shaft and housing fits, internal clearances, tolerances and other technical data for these bearings are found in the engineering section of this catalog and the Timken Engineering Manual (order no. 10424).
- Bearings are available with a tapered bore for adapter-type mounting. To order, add the suffix “K” to bearing number (e.g., 23120K).
- Consult your Timken engineer and www.timken.com for up-to-date information about the availability of the bearings you have selected.



Bearing Part Number	Bearing Dimensions			Load Ratings		Cage Type	Mounting Data			Equivalent Radial Load Factors ⁽²⁾				Geometry Factor C _g ⁽³⁾	Thermal Speed Ratings ⁽⁴⁾		Weight
	Bore d	O.D. D	Width B	Dynamic C	Static C ₀		Fillet ⁽¹⁾ R	Backing Diameter Shaft d _a	Housing D _a	Dynamic		Static	In All Cases		Oil	Grease	
										$\frac{F_a \leq e}{F_r} X = 1$	$\frac{F_a > e}{F_r} X = 0.67$						
mm in.	mm in.	mm in.	kN lbf.	kN lbf.	mm in.	mm in.	mm in.	e				RPM	RPM	kg lbs.			
241/600	600 23.622	980 38.583	375 14.764	12800 2890000	23800 5360000	YMD	6 0.24	673 26.5	896 35.3	0.35	1.95	2.9	1.9	0.145	160	150	1088.0 2393.6
232/600	600 23.622	1090 42.913	388 15.276	15000 3370000	25700 5770000	YMD	7 0.28	702.1 27.64	975.6 38.4	0.35	1.94	2.89	1.9	0.147	200	180	1565.1 3443.2
239/630	630 24.803	850 33.465	165 6.496	4740 1070000	10100 2260000	YMB	5 0.2	684 26.9	804 31.6	0.17	4.02	5.99	3.93	0.145	400	340	267.6 588.7
230/630	630 24.803	920 36.221	212 8.347	6940 1560000	13400 3010000	YMB	6 0.24	697 27.4	858 33.8	0.21	3.18	4.74	3.11	0.144	380	330	477.2 1049.8
240/630	630 24.803	920 36.221	290 11.417	9010 2030000	18700 4200000	YMB	6 0.24	691 27.2	857 33.7	0.28	2.41	3.59	2.36	0.143	270	240	647.8 1425.2
231/630	630 24.803	1030 40.551	315 12.402	11700 2630000	12100 4760000	YMB	6 0.24	715 28.2	940 37	0.29	2.3	3.42	2.25	0.15	250	230	1024.0 2252.8
241/630	630 24.803	1030 40.551	400 15.748	14300 3220000	27200 6120000	YMD	6 0.24	707 27.8	940 37	0.36	1.88	2.81	1.84	0.147	150	140	1297.0 2853.4
238/670	670 26.378	820 32.284	112 4.409	2800 630000	6870 1550000	YMB	3 0.12	709 27.9	790 31.1	0.11	5.96	8.88	5.83	0.148	200	180	125.5 276.1
239/670	670 26.378	900 35.433	170 6.693	5100 1150000	11000 2480000	YMB	5 0.2	727 28.6	851 33.5	0.16	4.15	6.18	4.06	0.148	370	320	306.7 674.7
230/670	670 26.378	980 38.583	230 9.055	7890 1770000	15800 3540000	YMB	6 0.24	744 29.3	911 35.9	0.22	3.12	4.65	3.05	0.153	350	310	611.0 1344.2
240/670	670 26.378	980 38.583	308 12.126	10200 2300000	21800 4910000	YMB	6 0.24	738 29	910 35.8	0.28	2.39	3.55	2.33	0.15	240	220	794.5 1747.9
231/670	670 26.378	1090 42.913	336 13.228	12800 2880000	23400 5270000	YMB	6 0.24	760 30	995 39.2	0.29	2.31	3.44	2.26	0.156	230	210	1208.0 2657.6
241/670	670 26.378	1090 42.913	412 16.221	15700 3520000	30000 6750000	YMD	6 0.24	751 29.6	996 39.2	0.36	1.9	2.82	1.85	0.156	130	130	1513.4 3329.5
232/670	670 26.378	1220 48.032	438 17.244	18800 4220000	31800 7140000	YMD	9 0.354	779.1 30.67	1097.3 43.2	0.35	1.95	2.91	1.91	0.161	170	160	2181.4 4799.1
239/710	710 27.953	950 37.402	180 7.087	5570 1250000	12400 2780000	YMB	5 0.2	771 30.4	898 35.3	0.16	4.13	6.15	4.04	0.153	340	300	360.6 793.3
230/710	710 27.953	1030 40.551	236 9.291	8370 1880000	16700 3750000	YMB	6 0.24	785 30.9	960 37.8	0.21	3.26	4.86	3.19	0.158	330	290	658.8 1449.4

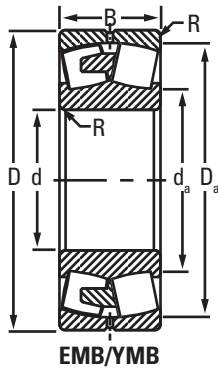
⁽¹⁾Maximum shaft or housing fillet radius that bearing corners will clear.

⁽²⁾These factors apply for both inch and metric calculations. See engineering section for instructions on use.

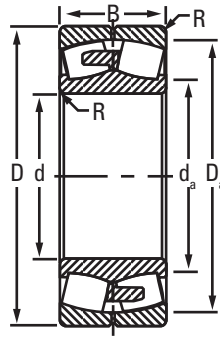
⁽³⁾Geometry constant for Lubrication Life Factor a₃ is found in the Bearing Ratings section of the Engineering Manual (order no. 10424).

⁽⁴⁾See thermal speed ratings in the Engineering Manual (order no. 10424).

Continued on next page.



EMB/YMB



YMD

Bearing Part Number	Bearing Dimensions			Load Ratings		Cage Type	Mounting Data			Equivalent Radial Load Factors ⁽²⁾				Geometry Factor ⁽³⁾ C _g	Thermal Speed Ratings ⁽⁴⁾		Weight
	Bore d	O.D. D	Width B	Dynamic C	Static C ₀		Fillet ⁽¹⁾ (Max.) R	Shaft d _a	Housing D _a	Dynamic		Static In All Cases Y ₀	Oil		Grease		
										e	$\frac{F_a \leq e}{F_r} X = 1$					$\frac{F_a > e}{F_r} X = 0.67$	
	mm in.	mm in.	mm in.	kN lbf.	kN lbf.		mm in.	mm in.	mm in.				RPM		RPM	kg lbs.	
240/710	710 27.953	1030 40.551	315 12.402	10900 2440000	23100 5200000	YMD	6 0.24	779 30.7	960 37.8	0.27	2.49 3.71	2.44	0.155	220	200	876.6 1928.5	
231/710	710 27.953	1150 45.276	345 13.583	13700 3090000	25800 5800000	YMB	7 0.28	809 31.8	1048 41.3	0.28	2.38 3.54	2.32	0.159	220	200	1390.0 3058.0	
241/710	710 27.953	1150 45.276	438 17.244	17400 3910000	33800 7590000	YMD	7 0.28	795 31.3	1051 41.4	0.36	1.89 2.81	1.84	0.158	120	120	1747.0 3843.4	
232/710	710 27.953	1280 50.394	450 17.717	20200 4550000	35300 7950000	YMD	9 0.354	827.4 32.57	1149 45.23	0.34	1.97 2.93	1.93	0.163	150	140	2485.6 5468.3	
238/750	750 29.528	920 36.221	128 5.039	3430 771000	8460 1900000	YMB	4 0.16	795 31.3	886 34.9	0.12	5.8 8.64	5.68	0.155	180	160	211.9 466.2	
239/750	750 29.528	1000 39.37	185 7.284	6010 1350000	13400 3000000	YMB	5 0.2	813 32	946 37.3	0.16	4.23 6.3	4.14	0.158	320	280	406.3 893.9	
230/750	750 29.528	1090 42.913	250 9.843	9330 2100000	18700 4210000	YMB	6 0.24	830 32.7	1016 40	0.21	3.26 4.85	3.18	0.164	300	270	786.0 1729.2	
240/750	750 29.528	1090 42.913	335 13.189	12200 2730000	26100 5870000	YMD	6 0.24	824 32.4	1015 40	0.27	2.48 3.69	2.42	0.164	200	190	1049.2 2308.2	
241/750	750 29.528	1220 48.032	475 18.701	19800 4450000	38700 8700000	YMD	7 0.28	839 33	1114 43.9	0.36	1.86 2.77	1.82	0.164	110	110	2150.0 4730.0	
239/800	800 31.496	1060 41.732	195 7.677	6600 1480000	15000 3380000	YMB	5 0.2	866 34.1	1004 39.5	0.16	4.27 6.36	4.17	0.168	290	260	474.2 1043.2	
249/800	800 31.496	1060 41.732	258 10.158	8080 1820000	19800 4450000	YMB	5 0.2	863 34	999 39.3	0.21	3.25 4.84	3.18	0.162	140	130	612.7 1347.9	
230/800	800 31.496	1150 45.276	258 10.158	9780 2200000	20100 4510000	YMB	6 0.24	888 35	1075 42.3	0.19	3.5 5.22	3.43	0.168	280	250	875.0 1925.0	
240/800	800 31.496	1150 45.276	345 13.583	13000 2920000	28600 6420000	YMD	6 0.24	877 34.5	1072 42.2	0.26	2.55 3.8	2.5	0.17	190	170	1181.1 2598.4	
231/800	800 31.496	1280 50.394	375 14.764	16600 3730000	31400 7060000	YMB	7 0.28	905 35.6	1172 46	0.28	2.45 3.65	2.4	0.17	180	170	1887.0 4151.4	
241/800	800 31.496	1280 50.394	475 18.701	20000 4490000	39200 8810000	YMD	7 0.28	894 35.2	1173 46.2	0.34	1.96 2.93	1.92	0.169	110	100	2294.0 5046.8	
232/800	800 31.496	1420 55.906	488 19.213	23900 5370000	43600 9800000	YMD	11 0.43	935 36.8	1272 50.1	0.33	2.04 3.03	1.99	0.18	130	120	3310.0 7282.0	

⁽¹⁾Maximum shaft or housing fillet radius that bearing corners will clear.

⁽²⁾These factors apply for both inch and metric calculations. See engineering section for instructions on use.

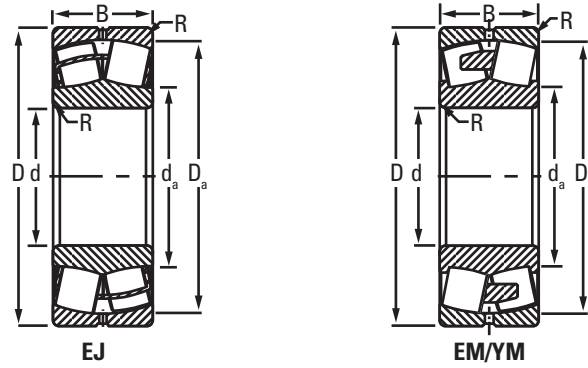
⁽³⁾Geometry constant for Lubrication Life Factor a₃ is found in the Bearing Ratings section of the Engineering Manual (order no. 10424).

⁽⁴⁾See thermal speed ratings in the Engineering Manual (order no. 10424).

Continued on next page.

SPHERICAL ROLLER BEARINGS – *continued*

- Shaft and housing fits, internal clearances, tolerances and other technical data for these bearings are found in the engineering section of this catalog and the Timken Engineering Manual (order no. 10424).
- Bearings are available with a tapered bore for adapter-type mounting. To order, add the suffix “K” to bearing number (e.g., 23120K).
- Consult your Timken engineer and www.timken.com for up-to-date information about the availability of the bearings you have selected.



Bearing Part Number	Bearing Dimensions			Load Ratings		Cage Type	Mounting Data			Equivalent Radial Load Factors ⁽²⁾				Geometry Factor C _g ⁽³⁾	Thermal Speed Ratings ⁽⁴⁾		Weight
	Bore d	O.D. D	Width B	Dynamic C	Static C ₀		Fillet ⁽¹⁾ R (Max.)	Backing Diameter Shaft d _a	Housing D _a	Dynamic		Static	In All Cases		Oil	Grease	
										$\frac{F_a \leq e}{F_r} X = 1$	$\frac{F_a > e}{F_r} X = 0.67$						
	mm in.	mm in.	mm in.	kN lbf.	kN lbf.		mm in.	mm in.	mm in.	e	Y	Y	Y ₀		RPM	RPM	
238/850	850 33.465	1030 40.551	136 5.354	3920 881000	10400 2330000	YMB	4 0.16	900 35.4	993 39.1	0.11	6.23	9.27	6.09	0.17	150	140	233.0 512.6
239/850	850 33.465	1120 44.095	200 7.874	7120 1600000	16200 3650000	YMB	5 0.2	918 36.1	1063 41.9	0.15	4.4	6.56	4.31	0.171	280	240	552.7 1215.9
249/850	850 33.465	1120 44.095	272 10.709	8950 2010000	22000 4950000	YMB	5 0.2	913 36	1057 41.6	0.21	3.24	4.82	3.16	0.168	130	120	708.0 1557.6
230/850	850 33.465	1220 48.032	295 11.614	11100 2500000	23000 5180000	YMB	6 0.24	938 36.9	1139 44.8	0.2	3.37	5.02	3.3	0.177	260	230	1048.0 2305.6
240/850	850 33.465	1220 48.032	365 14.37	14500 3260000	32200 7240000	YMD	6 0.24	931 36.7	1138 44.8	0.26	2.56	3.81	2.5	0.173	170	160	1401.9 3084.2
231/850	850 33.465	1360 53.543	400 15.748	18600 4190000	35700 8020000	YMB	9 0.35	962 37.9	1245 49	0.28	2.44	3.63	2.39	0.177	170	150	2219.0 4881.8
232/850	850 33.465	1500 59.055	515 20.276	26100 5880000	47900 10800000	YMD	11 0.43	990 39	1347 53.1	0.33	2.06	3.06	2.01	0.182	120	110	3950.8 8691.8
239/900	900 35.433	1180 46.457	206 8.11	7710 1730000	18100 4060000	YMB	5 0.2	965 38	1112 43.8	0.14	4.69	6.98	4.58	0.18	250	220	677.4 1490.3
249/900	900 35.433	1180 46.457	280 11.024	9480 2130000	23500 5290000	YMB	5 0.2	965 38	1113 43.8	0.2	3.33	4.96	3.25	0.174	120	110	811.6 1785.5
230/900	900 35.433	1280 50.394	280 11.024	12200 2740000	25500 5740000	YMB	6 0.24	989 39	1198 47.2	0.2	3.41	5.08	3.33	0.183	240	210	1322.0 2908.4
240/900	900 35.433	1280 50.394	375 14.764	15700 3530000	35200 7900000	YMD	6 0.24	983 38.7	1198 47.1	0.26	2.6	3.87	2.54	0.183	160	150	1557.0 3425.4
231/900	900 35.433	1420 55.906	412 16.221	19700 4420000	38900 8730000	YMB	9 0.35	1017 40	1301 51.2	0.27	2.49	3.71	2.43	0.183	150	140	2446.0 5381.2
241/900	900 35.433	1420 55.906	515 20.276	24100 5430000	50300 11300000	YMD	9 0.35	1007 39.7	1299 51.2	0.34	2	2.98	1.96	0.187	85	82	3056.0 6723.2
232/900	900 35.433	1580 62.205	515 20.276	27700 6230000	52300 11800000	YMD	11 0.43	1058 41.6	1417 55.8	0.31	2.16	3.22	2.12	0.19	110	100	4302.0 9464.4
239/950	950 37.402	1250 49.213	224 8.819	8690 1950000	20400 4580000	YMB	6 0.24	1026 40.4	1186 46.7	0.15	4.43	6.6	4.33	0.183	240	210	712.7 1567.9
230/950	950 37.402	1360 53.543	300 11.811	13600 3060000	28500 6410000	YMB	6 0.24	1047 41.2	1271 50	0.2	3.42	5.09	3.34	0.19	220	200	1530.0 3366.0

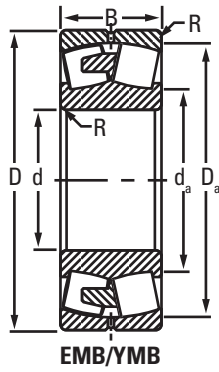
⁽¹⁾Maximum shaft or housing fillet radius that bearing corners will clear.

⁽²⁾These factors apply for both inch and metric calculations. See engineering section for instructions on use.

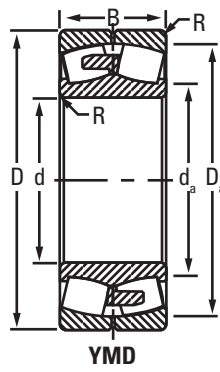
⁽³⁾Geometry constant for Lubrication Life Factor a₃ is found in the Bearing Ratings section of the Engineering Manual (order no. 10424).

⁽⁴⁾See thermal speed ratings in the Engineering Manual (order no. 10424).

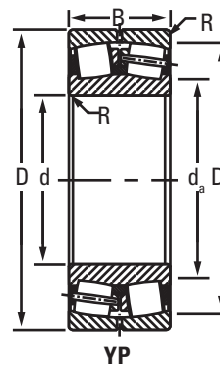
Continued on next page.



EMB/YMB



YMD



YP

Bearing Part Number	Bearing Dimensions			Load Ratings		Cage Type	Mounting Data			Equivalent Radial Load Factors ⁽²⁾				Geometry Factor ⁽³⁾ C _g	Thermal Speed Ratings ⁽⁴⁾		Weight
	Bore d	O.D. D	Width B	Dynamic C	Static C ₀		Fillet ⁽¹⁾ (Max.) R	Backing Diameter		Dynamic		Static	In All Cases		Oil	Grease	
								Shaft d _a	Housing D _a	e	F _a ≤ e F _r X = 1 Y						
	mm in.	mm in.	mm in.	kN lbf.	kN lbf.		mm in.	mm in.	mm in.						RPM	RPM	
240/950	950 37.402	1360 53.543	412 16.221	18100 4070000	40800 9180000	YMD	6 0.24	1039 40.9	1270 50	0.27	2.53	3.77	2.47	0.186	150	130	1921.0 4226.2
231/950	950 37.402	1500 59.055	438 17.244	22000 4950000	43900 9880000	YMB	9 0.35	1074 42.3	1373 54.1	0.27	2.47	3.68	2.42	0.19	140	130	2905.0 6391.0
241/950	950 37.402	1500 59.055	545 21.457	26800 6030000	56400 12700000	YMD	9 0.35	1064 41.9	1372 54	0.34	2	2.97	1.95	0.194	77	75	3615.0 7953.0
238/1000	1000 39.37	1220 48.032	165 6.496	5570 1250000	14200 3190000	YMB	5 0.2	1049 41.3	1169 46	0.12	5.83	8.67	5.7	0.189	120	110	407.0 895.4
239/1000	1000 39.37	1320 51.969	236 9.291	9770 2200000	22800 5120000	YMB	6 0.24	1080 42.5	1252 49.3	0.15	4.39	6.54	4.29	0.19	220	190	862.0 1896.4
230/1000	1000 39.37	1420 55.906	308 12.126	14600 3290000	31700 7120000	YMB	6 0.24	1101 43.4	1327 52.3	0.2	3.44	5.12	3.36	0.192	210	180	1541.0 3390.2
240/1000	1000 39.37	1420 55.906	412 16.221	18300 4110000	41300 9270000	YMD	6 0.24	1094 43.1	1330 52.4	0.25	2.69	4.01	2.63	0.195	140	130	2087.1 4591.6
231/1000	1000 39.37	1580 62.205	462 18.189	24400 5480000	49000 11000000	YMB	9 0.35	1131 44.5	1446 56.9	0.27	2.47	3.68	2.42	0.196	130	120	3403.0 7486.6
241/1000	1000 39.37	1580 62.205	580 22.835	29800 6700000	61400 13800000	YMD	9 0.35	1114 43.9	1451 57.1	0.33	2.02	3.01	1.98	0.195	70	70	4276.4 9408.1
238/1060	1060 41.732	1280 50.394	165 6.496	5340 1200000	14600 3290000	YMD	5 0.2	1122 44.2	1233 48.6	0.11	6.23	9.27	6.09	0.192	110	100	422.9 930.4
239/1060	1060 41.732	1400 55.118	250 9.843	10700 2410000	25800 5810000	YMB	6 0.24	1149 45.3	1324 52.1	0.15	4.43	6.6	4.33	0.2	200	180	1056.4 2324.1
230/1060	1060 41.732	1500 59.055	325 12.795	16200 3650000	35300 7930000	YMB	7 0.28	1165 45.86	1404 55.3	0.2	3.44	5.12	3.36	0.199	190	170	1802.0 3964.4
240/1060	1060 41.732	1500 59.055	438 17.244	20200 4550000	47300 10600000	YMD	7 0.28	1160 45.7	1401 55.2	0.26	2.63	3.91	2.57	0.198	130	120	2470.5 5435.1
231/1060	1060 41.732	1660 65.354	475 18.701	26300 5920000	53000 11900000	YMB	11 0.43	1193 47	1525 60	0.27	2.53	3.77	2.48	0.203	120	110	3815.0 8393.0
239/1120	1120 44.095	1460 57.48	250 9.843	11200 2530000	26700 6010000	YMB	6 0.24	1204 47.42	1390 54.73	0.15	4.62	6.87	4.51	0.203	190	170	1079.0 2373.8
230/1120	1120 44.095	1580 62.205	345 13.583	16200 3640000	35600 8000000	YP	9 0.35	1229 48.4	1474 58	0.19	3.53	5.25	3.45	0.206	190	170	2336.9 5141.2

⁽¹⁾Maximum shaft or housing fillet radius that bearing corners will clear.

⁽²⁾These factors apply for both inch and metric calculations. See engineering section for instructions on use.

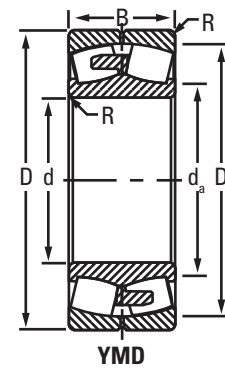
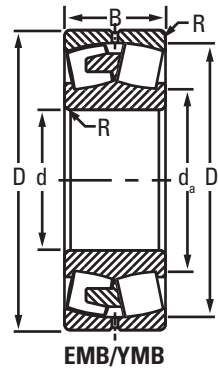
⁽³⁾Geometry constant for Lubrication Life Factor a₃ is found in the Bearing Ratings section of the Engineering Manual (order no. 10424).

⁽⁴⁾See thermal speed ratings in the Engineering Manual (order no. 10424).

Continued on next page.

SPHERICAL ROLLER BEARINGS – *continued*

- Shaft and housing fits, internal clearances, tolerances and other technical data for these bearings are found in the engineering section of this catalog and the Timken Engineering Manual (order no. 10424).
- Bearings are available with a tapered bore for adapter-type mounting. To order, add the suffix “K” to bearing number (e.g., 23120K).
- Consult your Timken engineer and www.timken.com for up-to-date information about the availability of the bearings you have selected.



Bearing Part Number	Bearing Dimensions			Load Ratings		Cage Type	Mounting Data			Equivalent Radial Load Factors ⁽²⁾				Geometry Factor ⁽³⁾ C _g	Thermal Speed Ratings ⁽⁴⁾		Weight
	Bore	O.D.	Width	Dynamic	Static		Fillet ⁽¹⁾ (Max.) R	Backing Diameter Shaft d _a	Housing D _a	Dynamic		Static In All Cases Y ₀	Oil		Grease		
	d	D	B	C	C ₀					e	F _a ≤ e F _r X = 1 Y					F _a > e F _r X = 0.67 Y	
	mm in.	mm in.	mm in.	kN lbf.	kN lbf.		mm in.	mm in.	mm in.				RPM		RPM	kg lbs.	
240/1120	1120 44.095	1580 62.205	462 18.189	23400 5260000	55000 12400000	YMB	7 0.28	1220 48	1480 58.3	0.26	2.62	3.9	2.56	0.206	110	110	2824.0 6212.8
231/1120	1120 44.095	1750 68.898	475 18.701	27700 6230000	55500 12500000	YMB	11 0.43	1261 49.7	1609 63.4	0.25	2.67	3.98	2.62	0.21	110	110	4227.0 9299.4
238/1180	1180 46.457	1420 55.906	180 7.087	7120 1600000	19600 4400000	YMB	5 0.2	1232 48.5	1361 53.6	0.11	6.1	9.09	5.97	0.21	90	83	561.0 1234.2
239/1180	1180 46.457	1540 60.63	288 11.339	12700 2860000	31000 6970000	YMD	6 0.24	1271 50	1464 57.6	0.15	4.51	6.71	4.41	0.215	180	160	1315.0 2893.0
230/1180	1180 46.457	1660 65.354	355 13.976	19500 4380000	42800 9630000	YMB	7 0.28	1293 50.89	1558 61.34	0.19	3.5	5.21	3.42	0.212	160	150	2382.0 5240.4
240/1180	1180 46.457	1660 65.354	475 18.701	23700 5320000	56000 12600000	YMD	7 0.28	1289 50.7	1553 61.1	0.25	2.69	4	2.63	0.211	110	100	3228.3 7102.3
231/1180	1180 46.457	1850 72.835	500 19.685	30600 6890000	61700 13900000	YMB	11 0.43	1332 52.4	1699 66.9	0.25	2.68	4	2.62	0.217	100	100	4996.0 10991.2
230/1250	1250 49.213	1750 68.898	375 14.764	21200 4770000	48100 10800000	YMB	7 0.28	1370 54	1641 64.6	0.19	3.5	5.21	3.42	0.22	150	140	2769.0 6091.8
240/1250	1250 49.213	1750 68.898	500 19.685	27200 6120000	65800 14800000	YMB	7 0.28	1362 53.6	1640 64.6	0.25	2.68	3.99	2.62	0.22	100	90	3691.0 8120.2
231/1250	1250 49.213	1950 76.772	530 20.866	34100 7660000	69300 15600000	YMB	11 0.43	1406 55.4	1795 70.7	0.25	2.67	3.98	2.62	0.225	100	90	5843.0 12854.6
249/1500	1500 59.055	1950 76.772	450 17.717	22700 5110000	61500 13800000	YMD	7 0.28	1611 63.4	1845 72.6	0.2	3.43	5.1	3.35	0.24	50	50	3407.0 7495.4

⁽¹⁾Maximum shaft or housing fillet radius that bearing corners will clear.

⁽²⁾These factors apply for both inch and metric calculations. See engineering section for instructions on use.

⁽³⁾Geometry constant for Lubrication Life Factor a₃ is found in the Bearing Ratings section of the Engineering Manual (order no. 10424).

⁽⁴⁾See thermal speed ratings in the Engineering Manual (order no. 10424).



SPHERICAL ROLLER BEARING PILLOW BLOCKS

Spherical roller bearing pillow blocks combine rugged cast-iron or steel housings with high-capacity bearings to meet the toughest demands of industry. Each pillow block contains an advanced-design spherical roller bearing with improved geometry and raceway finish for optimal load capacity and service life. Integrated housing and bearing features enhance unit lubrication characteristics. Multiple sealing options protect against contamination.



Nomenclature..... 90

Introduction..... 91

Design and Construction 92

Mounting 92

Lubrication 93

Seals..... 93

Load Ratings and Life 93

Inch SAF225, SAF226 Series Adapter Mounting..... 94

Inch SDAF225, SDAF226 Series Adapter Mounting..... 104

Inch SAF230K, SDAF230K Series Adapter Mounting..... 108

Inch SDAF231K, SDAF232K Series Adapter Mounting 112

Inch SAF222, SAF223 Series, Straight Bore Mounting 114

Inch SDAF222, SDAF223 Series, Straight Bore Mounting..... 116

Inch SDAF231, SDAF232 Series, Straight Bore Mounting..... 118

Inch Shaft Diameters..... 120

Inch TU Take-Up Units Series 121

Inch TTU Take-Up Units Series..... 122

Inch DUSTAC® Shaft Seals..... 124

Inch Sine Bar Gages..... 125

NOMENCLATURE

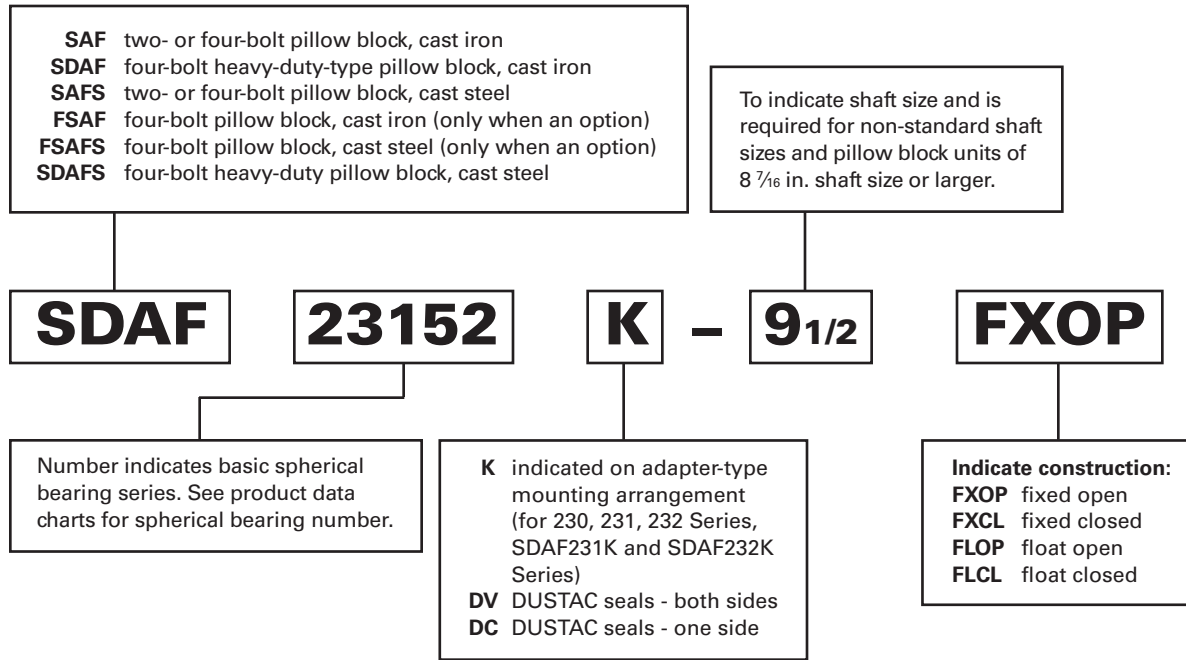


Fig. 25. Pillow blocks.



INTRODUCTION

Timken's capabilities in engineering and manufacturing heavy-duty pillow blocks provide important user benefits. In addition, Timken's worldwide sales organization is staffed with experienced engineers who are available for consultation on any pillow block or bearing application. Our expert engineering assistance also is available for applications involving shaft sizes 1016 mm (40 in.) and larger, such as BOF trunnions, bridge blocks and ball mills. If your design calls for shaft sizes or loads not listed in this catalog, contact your Timken engineer for information about availability of special units.

- **Sizes:** 35-300 mm shafts (1.37795-11.811 in.). Special shaft sizes up to 1000 mm (39.37 in.) and beyond.
- **Applications:** Conveyors, mining, cement, casters, rolling mills, heavy movable structures.
- **Features:** Split construction for convenient assembly and disassembly. These units include pry tool slots and the exclusive Pry-Lug fulcrum, which simplifies bearing inspection, service and replacement.
- **Benefits:** Caps can be removed easily and quickly without damage to the bearing or housing.

DESIGN AND CONSTRUCTION

Timken supplies pillow blocks equipped with either tapered bore bearings with adapters for mounting on straight shafts or cylindrical bore bearings for assembly on shouldered shafts. Timken offers a broader range of pillow blocks, including solid blocks, other than are shown in this catalog. Please reference the Timken Housed Unit Catalog (order no. 10475).

Timken spherical roller bearing pillow blocks are made of split construction for convenient assembly and disassembly. These units include pry-tool slots and the exclusive Pry-Lug fulcrum that simplify bearing inspection, service and replacement. Caps

can be removed easily and quickly without damage to the bearing or housing.

Timken uses a system of doweling caps and bases together at an early stage of manufacturing, so that they remain a single unit during machining. They are not interchangeable as separate parts and become precisely mated components, helping to ensure a precise fit. Timken manufactures pillow blocks in two styles: SAF and SDAF. The larger SDAF block is suggested for extreme-duty applications.

Standard caps and bases are made from high-grade, stress-relieved cast iron. They also are available in cast steel.

All Timken® split pillow blocks are designed for four-bolt mounting. Certain smaller sizes are normally furnished for two-bolt mounting. These assemblies are indicated in the following tables and can be ordered with optional four-bolt base.

Four cap bolts are used in most Timken pillow blocks in order to equalize the pressure between the cap and the base, helping to prevent lubricant loss.

The illustration below shows all parts of a pillow block assembly that are described throughout this section.

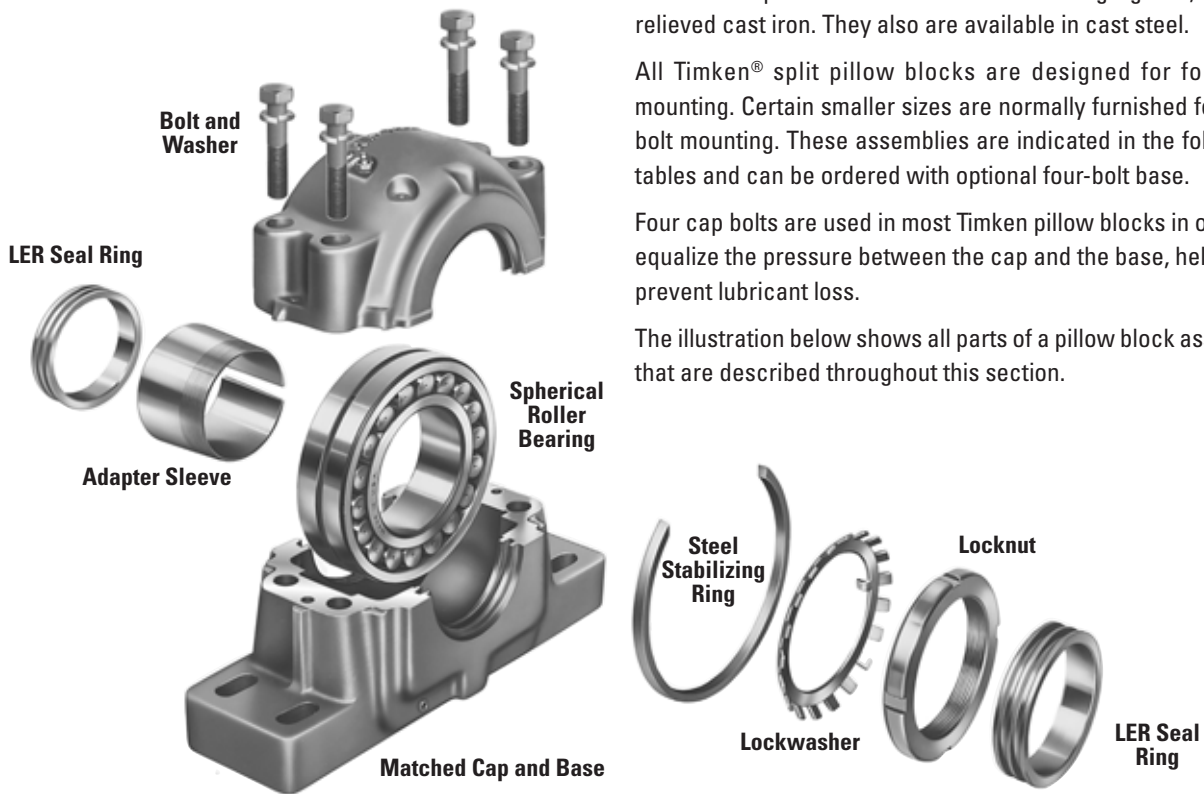


Fig. 26. Exploded view of a Timken spherical roller bearing pillow block, showing tapered bore spherical roller bearing, adapter sleeve, locknut and lockwasher, stabilizing ring and triple-labyrinth seals. Also shown are recesses in cap and base that form pry-tool slot, and integral fulcrum lugs in base and cap.

MOUNTING

ADAPTER VS. STRAIGHT BORE

Usually a spherical roller bearing pillow block assembly is mounted on a straight shaft using a tapered bore bearing and adapter assembly. Standard commercial shafting can be used without additional machining. (Suggested inch shaft diameters are shown in table 28 on page 120.) Adapter mount also permits maximum flexibility in the axial positioning of the bearing on the shaft and will accommodate light locational thrust loads. Timken

pillow blocks for tapered bore and adapter-mounted bearings are available in Series 225, 226, 230, 231K and 232K.

Adapter-mounted spherical roller bearings require the correct removal of diametral clearance from the bearing to prevent relative rotation between inner race and sleeve or shaft. For proper shaft mounting of adapter-type spherical roller bearings, see page 17.

NOTE

Failure to employ proper mounting procedures can cause heating and reduced bearing performance.

When application conditions produce heavy thrust loads, or a need exists for exact axial location or a positive shaft interference fit, a direct straight bore mounting may be the best option. This requires a shouldered shaft, machined for proper fit, and a straight bore bearing. Timken pillow block assemblies for straight bore applications are available in series 222, 223, 231 and 232.

Suggested fits for shafts in cylindrical bore spherical roller bearings are shown in the ENGINEERING section in table 4 on page 19. For applications involving heavy shock, vibration, unbalanced rotating loads or other non-standard conditions, consult your Timken engineer.

FIXED AND FLOAT PILLOW BLOCKS

Any style of Timken pillow blocks can be easily installed at either the float or fixed position on the shaft. For the fixed position, a stabilizing ring is added between the bearing outer-face ring and the housing shoulder to positively locate the shaft and prevent axial movement.

Some applications require centering of the bearing in its housing. To accomplish this, two special-width stabilizing rings can be ordered.

In the float position, the ring is not used, allowing the bearing to move axially (a maximum of $\frac{3}{8}$ in.) to compensate for thermal expansion or contraction of the shaft.

Pillow blocks ordered by the numbers in the dimension tables are fixed units. To order float units, specify by adding suffix "Float" or "FL" to the pillow block number.

CLOSED-END INSTALLATIONS

In some applications, the shaft end is designed to terminate inside the pillow block. For this design, positive fitting end-cap inserts are available to help seal out contaminants and retain lubricant. Timken heavy-duty end plugs include O-rings for positive sealing.

Designers and installers need to make sure the shaft end does not contact the closure. A minimum of $\frac{1}{8}$ in. clearance at maximum thermal expansion is suggested between the end of the shaft and the closure. Dimension "Y" in the tables defines the maximum permissible length of the shaft from the centerline of the pillow block housing. If end closure is desired, specify by adding "CL" (one end closed) to the pillow block assembly number.

LUBRICATION

Timken pillow block housings are designed for grease and oil-bath lubrication. They also can be modified easily to accommodate circulating oil- or oil/air-mist systems. Grease fittings or sight gages are available upon request.

A lubrication groove and oil holes are provided in the bearing outer ring. This feature, designated by adding suffix "W33" to the bearing number, should be specified whenever re-ordering bearings for pillow blocks. In most cases, the fresh lubricant is fed directly to the center of the bearing between the rows of rollers and distributed to the rest of the bearing. This helps ensure the used lubricant is purged from the bearing.

SEALS

Precision triple-ring labyrinth seals are supplied with all Timken pillow blocks to help exclude foreign matter and retain lubricants. The pillow block base includes extra-large oil return holes at the bottom of the seal grooves to help prevent leakage past the seals.

For extremely contaminated or abrasive environments, the DUSTAC® seal offers protection against concentrations of dust or abrasive material that a labyrinth seal cannot keep out. See page 124 for further information on DUSTAC.

LOAD RATINGS AND LIFE

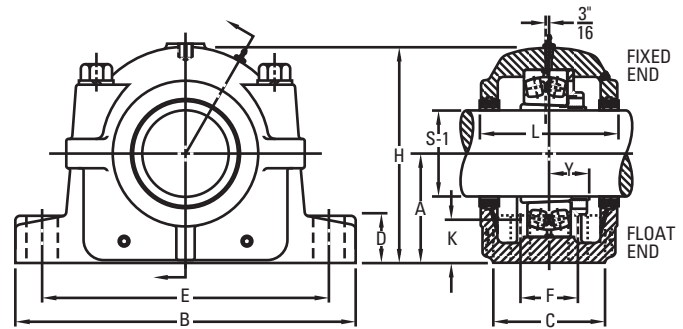
Load ratings for the spherical roller bearings that are used in pillow blocks are found in the dimension tables on pages 62-88. Life calculation formulas are found in the Engineering Manual (order no. 10424) available on www.timken.com.

In addition to individual bearing selection, the ability of the pillow block to carry the operating load should be considered.

It should be noted that the load rating figures supplied in this catalog are applicable only when the load direction is generally toward the base of the pillow block. If the pillow block must be mounted so the load can be applied in any other direction, consult your Timken engineer.

INCH TAPERED BORE MOUNTING SAF225 AND SAF226 SERIES

- The basic number for ordering complete pillow block assemblies is listed in the table below.
- Each assembly includes the housing cap and base, cap bolts, bearing, bearing adapter, locknut and lockwasher, stabilizing ring and triple-ring seals.
- If only the pillow block housing is desired, use the numbers listed in column headed "Housing Only." These units include cap, base, cap bolts, triple-ring seals and stabilizing ring.
- Assemblies and pillow blocks described on this page constitute a fixed unit. To order float units, specify the part number plus the suffix "Float" or "FL."



- Assemblies shown are furnished in cast iron. If cast steel is desired, add the letter "S" to the alpha prefix (e.g., SAFS 22515).
- Four-bolt bases are standard on all assemblies unless as noted.
- If one end closed assembly is required, specify "CL" in assembly number when ordering.

Pillow Block Assembly ⁽¹⁾	Standard Shaft ⁽²⁾ Diam S-1	A	B	C	D	E		F	H
						Max.	Min.		
	in.	in.	in.	in.	in.	in.	in.	in.	in.
SERIES SAF225									
SAF22509	1 3/8	2 1/4	8 1/4	2 3/8	13/16	7	6 1/4	—	4 3/8
	1 7/16								
SAF22510	1 1/2	2 1/2	8 1/4	2 3/8	15/16	7	6 1/2	—	4 3/4
	1 5/8								
SAF22511	1 7/8	2 3/4	9 5/8	2 3/4	15/16	7 7/8	7 3/8	—	5 11/32
	1 15/16								
SAF22513	2	3	11	3 1/8	1	9 1/2	8 1/8	—	5 25/32
	2 1/8								
SAF22515	2 3/8	3 1/4	11 1/4	3 1/8	1 1/8	9 5/8	8 5/8	—	6 3/8
	2 7/16								
FSAF22515	2 1/2	3 1/4	11 1/4	3 1/8	1 1/8	9 5/8	8 5/8	1 7/8	6 3/8
	2 3/8								
SAF22516	2 3/8	3 1/2	13	3 1/2	1 3/16	11	9 5/8	—	6 7/8
	2 7/16								
FSAF22516	2 1/2	3 1/2	13	3 1/2	1 3/16	11	9 5/8	2 1/8	6 7/8
	2 5/8								
SAF22517	2 13/16	3 3/4	13	3 1/2	1 1/4	11	9 7/8	—	7 1/4
	2 7/8								
FSAF22517	2 15/16	3 3/4	13	3 1/2	1 1/4	11	9 7/8	2 1/8	7 1/4
	2 13/16								
	3								

⁽¹⁾Bold shaft sizes are standard. When ordering non-standard pillow block assemblies specify the shaft size.

⁽²⁾See page 120, table 28 for suggested shaft diameter S-1 tolerances.

⁽³⁾Includes sleeve, locknut and lockwasher. Add shaft size to order.

⁽⁴⁾"Housing Only" includes cap, base, cap bolts, triple-ring seals and stabilizing ring as required. When ordering non-standard housing only, specify the shaft size.

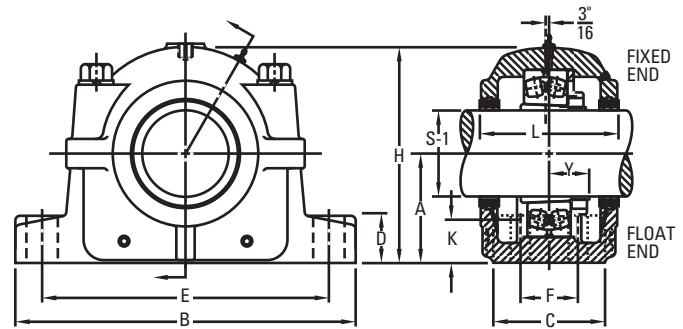
⁽⁵⁾Stabilizing ring used for fixed (FX) block; do not use for float (FL) mounting.

Oil Level K	L	Y	Base Bolts Required		Bearing Number	Adapter Assembly Number ⁽³⁾	Housing ⁽⁴⁾ Only	Stabilizing Ring ⁽⁵⁾ 1 Req'd	Triple Seal 2 Req'd	Assembly Weight
			No.	Size						
in.	in.	in.		in.						lbs.
$\frac{3}{32}$	3 $\frac{5}{8}$	1 $\frac{3}{32}$	2	$\frac{1}{2}$	22209K	SNW-09 x 1 $\frac{3}{8}$ SNW-09 x 1 $\frac{7}{16}$ SNW-09 x 1 $\frac{1}{2}$	SAF509	SR-9-9	LER 16 LER 17 LER 18	12
1 $\frac{3}{32}$	3 $\frac{5}{8}$	1 $\frac{3}{32}$	2	$\frac{1}{2}$	22210K	SNW-10 x 1 $\frac{5}{8}$ SNW-10 x 1 $\frac{11}{16}$ SNW-10 x 1 $\frac{3}{4}$	SAF510	SR-10-0	LER 19 LER 20 LER 21	13
1 $\frac{3}{16}$	3 $\frac{3}{4}$	1 $\frac{3}{16}$	2	$\frac{1}{2}$	22211K	SNW-11 x 1 $\frac{7}{8}$ SNW-11 x 1 $\frac{15}{16}$ SNW-11 x 2	SAF 511	SR-11-0	LER 23 LER 24 LER 25	16
1 $\frac{1}{8}$	4 $\frac{5}{16}$	1 $\frac{7}{32}$	2	$\frac{1}{2}$	22213K	SNW-13 x 2 $\frac{1}{8}$ SNW-13 x 2 $\frac{3}{16}$ SNW-13 x 2 $\frac{1}{4}$	SAF 513	SR-13-0	LER 28 LER 29 LER 30	19.5
1 $\frac{1}{4}$	4 $\frac{3}{4}$	1 $\frac{9}{32}$	2	$\frac{5}{8}$	22215K	SNW-15 x 2 $\frac{3}{8}$ SNW-15 x 2 $\frac{7}{16}$ SNW-15 x 2 $\frac{1}{2}$	SAF515	SR-15-0	LER 35 LER 37 LER 39	30
1 $\frac{1}{4}$	4 $\frac{3}{4}$	1 $\frac{9}{32}$	4	$\frac{1}{2}$	22215K	SNW-15 x 2 $\frac{3}{8}$ SNW-15 x 2 $\frac{7}{16}$ SNW-15 x 2 $\frac{1}{2}$	FSAF515	SR-15-0	LER 35 LER 37 LER 39	30
1 $\frac{11}{32}$	4 $\frac{7}{8}$	1 $\frac{21}{64}$	2	$\frac{3}{4}$	22216K	SNW-16 x 2 $\frac{5}{8}$ SNW-16 x 2 $\frac{11}{16}$ SNW-16 x 2 $\frac{3}{4}$	SAF516	SR-16-13	LER 41 LER 44 LER 45	37
1 $\frac{11}{32}$	4 $\frac{7}{8}$	1 $\frac{21}{64}$	4	$\frac{5}{8}$	22216K	SNW-16 x 2 $\frac{5}{8}$ SNW-16 x 2 $\frac{11}{16}$ SNW-16 x 2 $\frac{3}{4}$	FSAF516	SR-16-13	LER 41 LER 44 LER 45	37
1 $\frac{7}{16}$	4 $\frac{15}{16}$	1 $\frac{27}{64}$	2	$\frac{3}{4}$	22217K	SNW-17 x 2 $\frac{13}{16}$ SNW-17 x 2 $\frac{7}{8}$ SNW-17 x 2 $\frac{15}{16}$ SNW-17 x 3	SAF517	SR-17-14	LER 51 LER 52 LER 53 LER 54	40
1 $\frac{7}{16}$	4 $\frac{15}{16}$	1 $\frac{27}{64}$	4	$\frac{5}{8}$	22217K	SNW-17 x 2 $\frac{13}{16}$ SNW-17 x 2 $\frac{7}{8}$ SNW-17 x 2 $\frac{15}{16}$ SNW-17 x 3	FSAF517	SR-17-14	LER 51 LER 52 LER 53 LER 54	40

Continued on next page.

INCH TAPERED BORE MOUNTING SAF225 AND SAF226 SERIES – continued

- The basic number for ordering complete pillow block assemblies is listed in the table below.
- Each assembly includes the housing cap and base, cap bolts, bearing, bearing adapter, locknut and lockwasher, stabilizing ring and triple-ring seals.
- If only the pillow block housing is desired, use the numbers listed in column headed "Housing Only." These units include cap, base, cap bolts, triple-ring seals and stabilizing ring.
- Assemblies and pillow blocks described on this page constitute a fixed unit. To order float units, specify the part number plus the suffix "Float" or "FL."



- Assemblies shown are furnished in cast iron. If cast steel is desired, add the letter "S" to the alpha prefix (e.g., SAFS 22515).
- Four-bolt bases are standard on all assemblies unless as noted.
- If one end closed assembly is required, specify "CL" in assembly number when ordering.

Pillow Block Assembly ⁽¹⁾	Standard Shaft ⁽²⁾ Diam S-1	A	B	C	D	E		F	H
						Max.	Min.		
	in.	in.	in.	in.	in.	in.	in.	in.	in.
SAF22518	3 1/16	4	13 3/4	3 7/8	1 1/2	11 5/8	10 3/8	—	7 3/4
	3 1/8								
	3 1/4								
FSAF22518	3 1/16	4	13 3/4	3 7/8	1 1/2	11 5/8	10 3/8	2 1/8	7 3/4
	3 1/8								
	3 1/4								
SAF22520	3 3/8	4 1/2	15 1/4	4 3/8	1 3/4	13 1/8	11 5/8	—	8 11/16
	3 7/16								
	3 1/2								
FSAF22520	3 3/8	4 1/2	15 1/4	4 3/8	1 3/4	13 1/8	11 5/8	2 3/8	8 11/16
	3 7/16								
	3 1/2								
SAF22522	3 13/16	4 15/16	16 1/2	4 3/4	2	14 1/2	12 5/8	2 3/4	9 9/16
	3 7/8								
	4								
SAF22524	4 1/16	5 1/4	16 1/2	4 3/4	2 1/8	14 1/2	13 1/4	2 3/4	10 1/4
	4 1/8								
	4 3/16								
SAF22526	4 5/16	6	18 3/8	5 1/8	2 3/8	16	14 5/8	3 1/4	11 9/16
	4 3/8								
	4 7/16								
SAF22528	4 13/16	6	20 1/8	5 7/8	2 3/8	17 1/8	16	3 3/8	11 3/4
	4 7/8								
	5								
SAF22530	5 1/8	6 5/16	21 1/4	6 1/4	2 1/2	18 1/4	17	3 3/4	12 1/2
	5 3/16								
	5 1/4								

⁽¹⁾Bold shaft sizes are standard. When ordering non-standard pillow block assemblies specify the shaft size.

⁽²⁾See page 120, table 28 for suggested shaft diameter S-1 tolerances.

⁽³⁾Includes sleeve, locknut and lockwasher. Add shaft size to order.

⁽⁴⁾"Housing Only" includes cap, base, cap bolts, triple-ring seals and stabilizing ring as required. When ordering non-standard housing only, specify the shaft size.

⁽⁵⁾Stabilizing ring used for fixed (FX) block; do not use for float (FL) mounting.

Oil Level K	L	Y	Base Bolts Required		Bearing Number	Adapter Assembly Number ⁽³⁾	Housing ⁽⁴⁾ Only	Stabilizing Ring ⁽⁵⁾ 1 Req'd	Triple Seal 2 Req'd	Assembly Weight
			No.	Size						
in.	in.	in.		in.						lbs.
1 17/32	6 1/4	1 37/64	2	3/4	22218K	SNW-18 x 3 1/16 SNW-18 x 3 1/8 SNW-18 x 3 3/16 SNW-18 x 3 1/4	SAF518	SR-18-15	LER 67 LER 68 LER 69 LER 70	49
1 17/32	6 1/4	1 37/64	4	5/8	22218K	SNW-18 x 3 1/16 SNW-18 x 3 1/8 SNW-18 x 3 3/16 SNW-18 x 3 1/4	FSAF518	SR-18-15	LER 67 LER 68 LER 69 LER 70	49
1 3/4	6	1 49/64	2	7/8	22220K	SNW-20 x 3 3/8 SNW-20 x 3 7/16 SNW-20 x 3 1/2	SAF520	SR-20-17	LER 101 LER 102 LER 103	65
1 3/4	6	1 49/64	4	3/4	22220K	SNW-20 x 3 3/8 SNW-20 x 3 7/16 SNW-20 x 3 1/2	FSAF520	SR-20-17	LER 101 LER 102 LER 103	65
1 7/8	6 3/8	1 61/64	4	3/4	22222K	SNW-22 x 3 13/16 SNW-22 x 3 7/8 SNW-22 x 3 15/16 SNW-22 x 4	SAF522	SR-22-19	LER 107 LER 108 LER 109 LER 110	81
1 15/16	7 3/8	2 3/32	4	3/4	22224K	SNW-24 x 4 1/16 SNW-24 x 4 1/8 SNW-24 x 4 3/16 SNW-24 x 4 1/4	SAF524	SR-24-20	LER 111 LER 112 LER 113 LER 114	94
2 1/16	8	2 17/64	4	7/8	22226K	SNW-26 x 4 5/16 SNW-26 x 4 3/8 SNW-26 x 4 7/16 SNW-26 x 4 1/2	SAF526	SR-26-0	LER 115 LER 115 LER 117 LER 118	137
2 1/8	7 3/4	2 13/32	4	1	22228K	SNW-28 x 4 13/16 SNW-28 x 4 7/8 SNW-28 x 4 15/16 SNW-28 x 5	SAF528	SR-28-0	LER 120 LER 121 LER 122 LER 123	159
2 3/16	8 3/8	2 37/64	4	1	22230K	SNW-30 x 5 1/8 SNW-30 x 5 3/16 SNW-30 x 5 1/4	SAF530	SR-30-0	LER 124 LER 125 LER 126	189

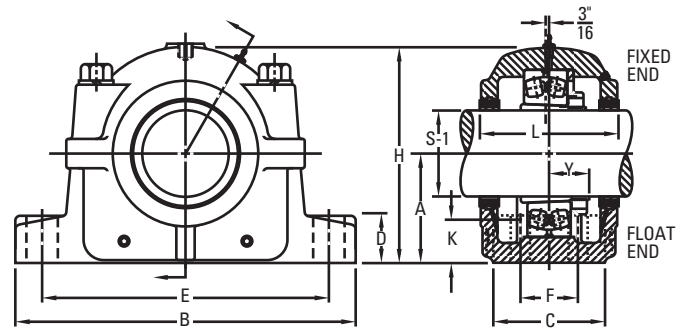
Continued on next page.

SPHERICAL ROLLER BEARING PILLOW BLOCKS

INCH TAPERED BORE MOUNTING

INCH TAPERED BORE MOUNTING SAF225 AND SAF226 SERIES – continued

- The basic number for ordering complete pillow block assemblies is listed in the table below.
- Each assembly includes the housing cap and base, cap bolts, bearing, bearing adapter, locknut and lockwasher, stabilizing ring and triple-ring seals.
- If only the pillow block housing is desired, use the numbers listed in column headed "Housing Only." These units include cap, base, cap bolts, triple-ring seals and stabilizing ring.
- Assemblies and pillow blocks described on this page constitute a fixed unit. To order float units, specify the part number plus the suffix "Float" or "FL."



- Assemblies shown are furnished in cast iron. If cast steel is desired, add the letter "S" to the alpha prefix (e.g., SAFS 22515).
- Four-bolt bases are standard on all assemblies unless as noted.
- If one end closed assembly is required, specify "CL" in assembly number when ordering.

Pillow Block Assembly ⁽¹⁾	Standard Shaft ⁽²⁾ Diam S-1	A	B	C	D	E		F	H
						Max.	Min.		
	in.	in.	in.	in.	in.	in.	in.	in.	in.
SAF22532	5 3/8	6 11/16	22	6 1/4	2 5/8	19 1/4	17 3/8	3 3/4	13 5/16
	5 7/16								
	5 1/2								
SAF22534	5 13/16	7 1/16	24 3/4	6 3/4	2 3/4	21 5/8	19 3/8	4 1/4	14 9/16
	5 7/8								
	5 15/16								
SAF22536	6 5/16	7 1/2	26 3/4	7 1/8	3	23 5/8	20 7/8	4 5/8	15 1/2
	6 3/8								
	6 7/16								
SAF22538	6 13/16	7 7/8	28	7 1/2	3 1/8	24 3/8	21 5/8	4 1/2	15 11/16
	6 7/8								
	6 15/16								
SAF22540	7 1/8	8 1/4	29 1/2	8	3 3/8	25	22 1/2	5	17 3/16
	7 3/16								
	7 1/4								
SAF22544	7 13/16	9 1/2	32 3/4	8 3/4	3 3/4	27 7/8	24 3/4	5 1/4	19 5/8
	7 7/8								
	7 15/16								
SERIES SAF226									
SAF22615	2 3/8	4	13 3/4	3 7/8	1 5/8	11 5/8	10 3/8	2 1/8	7 9/16
	2 7/16								
	2 1/2								
SAF22616	2 5/8	4 1/4	14 1/4	3 7/8	1 3/4	12 5/8	10 5/8	2 1/8	8 1/4
	2 11/16								
	2 3/4								

⁽¹⁾Bold shaft sizes are standard. When ordering non-standard pillow block assemblies specify the shaft size.

⁽²⁾See page 120, table 28 for suggested shaft diameter S-1 tolerances.

⁽³⁾Includes sleeve, locknut and lockwasher. Add shaft size to order.

⁽⁴⁾"Housing Only" includes cap, base, cap bolts, triple-ring seals and stabilizing ring as required. When ordering non-standard housing only, specify the shaft size.

⁽⁵⁾Stabilizing ring used for fixed (FX) block; do not use for float (FL) mounting.

Oil Level K	L	Y	Base Bolts Required		Bearing Number	Adapter Assembly Number ⁽³⁾	Housing ⁽⁴⁾ Only	Stabilizing Ring ⁽⁵⁾ 1 Req'd	Triple Seal 2 Req'd	Assembly Weight
			No.	Size						
in.	in.	in.		in.						lbs.
2 3/16	8 3/4	2 49/64	4	1	22232K	SNW-32 x 5 3/8 SNW-32 x 5 7/16 SNW-32 x 5 1/2	SAF532	SR-32-0	LER 129 LER 130 LER 131	225
2 5/16	9 3/8	2 59/64	4	1	22234K	SNW-34 x 5 13/16 SNW-34 x 5 7/8 SNW-34 x 5 15/16 SNW-34 x 6	SAF534	SR-34-0	LER 138 LER 139 LER 140 LER 141	300
2 9/16	9 11/16	2 61/64	4	1	22236K	SNW-36 x 6 5/16 SNW-36 x 6 3/8 SNW-36 x 6 7/16 SNW-36 x 6 1/2	SAF536	SR-36-30	LER 146 LER 147 LER 148 LER 149	330
2 5/8	10 3/4	3 7/64	4	1 1/4	22238K	SNW-38 x 6 13/16 SNW-38 x 6 7/8 SNW-38 x 6 15/16 SNW-38 x 7	SAF538	SR-38-32	LER 153 LER 154 LER 155 LER 156	375
2 11/16	10 13/16	3 9/32	4	1 1/4	22240K	SNW-40 x 7 1/8 SNW-40 x 7 3/16 SNW-40 x 7 1/4	SAF540	SR-40-34	LER 158 LER 159 LER 160	445
3 3/8	11 1/2	3 17/32	4	1 1/2	22244K	SNW-44 x 7 13/16 SNW-44 x 7 7/8 SNW-44 x 7 15/16 SNW-44 x 8	SAF544	SR-44-38	LER 165 LER 166 LER 167 LER 168	615
1 19/32	5 7/8	1 7/8	2, 4	3/4, 5/8	22315K	SNW-115 x 2 3/8 SNW-115 x 2 7/16 SNW-115 x 2 1/2	SAF 615	SR-18-15	LER 36 LER 37 LER 38	52
1 11/16	6 1/2	1 15/16	2, 4	3/4, 5/8	22316K	SNW-116 x 2 5/8 SNW-116 x 2 11/16 SNW-116 x 2 3/4	SAF 616	SR-19-16	LER 43 LER 44 LER 45	71

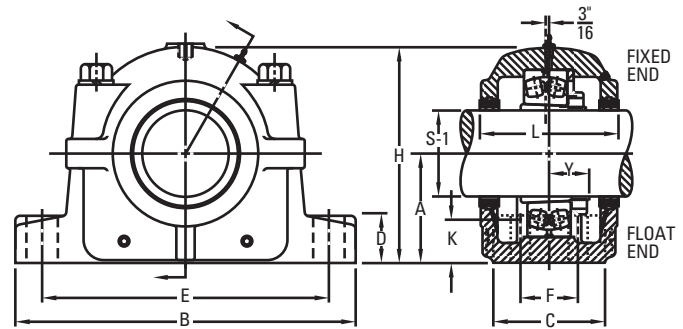
Continued on next page.

SPHERICAL ROLLER BEARING PILLOW BLOCKS

INCH TAPERED BORE MOUNTING

INCH TAPERED BORE MOUNTING SAF225 AND SAF226 SERIES – continued

- The basic number for ordering complete pillow block assemblies is listed in the table below.
- Each assembly includes the housing cap and base, cap bolts, bearing, bearing adapter, locknut and lockwasher, stabilizing ring and triple-ring seals.
- If only the pillow block housing is desired, use the numbers listed in column headed "Housing Only." These units include cap, base, cap bolts, triple-ring seals and stabilizing ring.
- Assemblies and pillow blocks described on this page constitute a fixed unit. To order float units, specify the part number plus the suffix "Float" or "FL."



- Assemblies shown are furnished in cast iron. If cast steel is desired, add the letter "S" to the alpha prefix (e.g., SAFS 22515).
- Four-bolt bases are standard on all assemblies unless as noted.
- If one end closed assembly is required, specify "CL" in assembly number when ordering.

Pillow Block Assembly ⁽¹⁾	Standard Shaft ⁽²⁾ Diam S-1	A	B	C	D	E		F	H
						Max.	Min.		
	in.	in.	in.	in.	in.	in.	in.	in.	in.
SAF22617	2 13/16	4 1/2	15 1/4	4 3/8	1 3/4	13 1/8	11 5/8	—	8 11/16
	2 7/8								
	2 15/16								
FSAF22617	2 13/16	4 1/2	15 1/4	4 3/8	1 3/4	13 1/8	11 5/8	2 3/8	8 11/16
	2 7/8								
	2 15/16								
SAF22618	3 1/16	4 3/4	15 1/2	4 3/8	2	13 1/2	12	2 1/4	9 3/16
	3 1/8								
	3 3/16								
SAF22620	3 5/16	5 1/4	16 1/2	4 3/4	2 1/8	14 1/2	13 1/4	2 3/4	10 1/4
	3 3/8								
	3 7/16								
SAF22622	3 13/16	6	18 3/8	5 1/8	2 3/8	16	14 5/8	3 1/4	11 9/16
	3 7/8								
	3 15/16								
SAF22624	4 1/16	6 5/16	21 1/4	6 1/4	2 1/2	18 1/4	17	3 3/4	12 1/2
	4 1/8								
	4 3/16								
SAF22626	4 5/16	6 11/16	22	6 1/4	2 5/8	19 1/4	17 3/8	3 3/4	13 5/16
	4 3/8								
	4 7/16								
SAF22628	4 13/16	7 1/16	24 3/4	6 3/4	2 3/4	21 5/8	19 3/8	4 1/4	14 9/16
	4 7/8								
	4 15/16								
	5								

⁽¹⁾Bold shaft sizes are standard. When ordering non-standard pillow block assemblies specify the shaft size.

⁽²⁾See page 120, table 28 for suggested shaft diameter S-1 tolerances.

⁽³⁾Includes sleeve, locknut and lockwasher. Add shaft size to order.

⁽⁴⁾"Housing Only" includes cap, base, cap bolts, triple-ring seals and stabilizing ring as required. When ordering non-standard housing only, specify the shaft size.

⁽⁵⁾Stabilizing ring used for fixed (FX) block; do not use for float (FL) mounting.

Oil Level K	L	Y	Base Bolts Required		Bearing Number	Adapter Assembly Number ⁽³⁾	Housing ⁽⁴⁾ Only	Stabilizing Ring ⁽⁵⁾ 1 Req'd	Triple Seal 2 Req'd	Assembly Weight
			No.	Size						
in.	in.	in.		in.						lbs.
1 13/16	6 5/8	1 57/64	2	7/8	22317K	SNW-117 x 2 13/16 SNW-117 x 2 7/8 SNW-117 x 2 15/16 SNW-117 x 3	SAF617	SR-20-17	LER 182 LER 183 LER 184 LER 185	81
1 13/16	6 5/8	1 57/64	4	3/4	22317K	SNW-117 x 2 13/16 SNW-117 x 2 7/8 SNW-117 x 2 15/16 SNW-117 x 3	FSAF617	SR-20-17	LER 182 LER 183 LER 184 LER 185	81
2	7	2 3/64	4	3/4	22318K	SNW-118 x 3 1/16 SNW-118 x 3 1/8 SNW-118 x 3 7/16 SNW-118 x 3 1/4	SAF618	SR-21-18	LER 186 LER 187 LER 188 LER 189	90
2 1/8	7 3/8	2 19/64	4	3/4	22320K	SNW-120 x 3 5/16 SNW-120 x 3 3/8 SNW-120 x 3 7/16 SNW-120 x 3 1/2	SAF620	SR-24-20	LER 100 LER 101 LER 102 LER 103	113
2 1/2	8	2 31/64	4	7/8	22322K	SNW-122 x 3 13/16 SNW-122 x 3 7/8 SNW-122 x 3 15/16 SNW-122 x 4	SAF622	SR-0-22	LER 107 LER 108 LER 109 LER 110	151
2 3/16	8 3/8	2 41/64	4	1	22324K	SNW-124 x 4 1/16 SNW-124 x 4 1/8 SNW-124 x 4 3/16 SNW-124 x 4 1/4	SAF624	SR-0-24	LER 111 LER 112 LER 113 LER 114	201
2 5/8	8 3/4	2 27/32	4	1	22326K	SNW-126 x 4 5/16 SNW-126 x 4 3/8 SNW-126 x 4 7/16 SNW-126 x 4 1/2	SAF626	SR-0-26	LER 115 LER 116 LER 117 LER 118	245
2 11/16	9 3/8	3 5/64	4	1	22328K	SNW-126 x 4 9/16 SNW-128 x 4 13/16 SNW-128 x 4 7/8 SNW-128 x 4 15/16	SAF628	SR-0-28	LER 120 LER 121 LER 122 LER 123	310

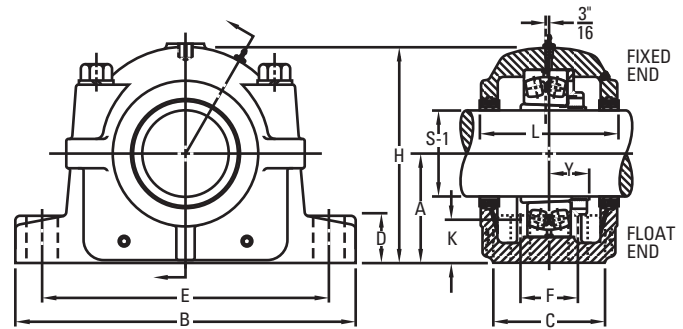
Continued on next page.

SPHERICAL ROLLER BEARING PILLOW BLOCKS

INCH TAPERED BORE MOUNTING

INCH TAPERED BORE MOUNTING SAF225 AND SAF226 SERIES – continued

- The basic number for ordering complete pillow block assemblies is listed in the table below.
- Each assembly includes the housing cap and base, cap bolts, bearing, bearing adapter, locknut and lockwasher, stabilizing ring and triple-ring seals.
- If only the pillow block housing is desired, use the numbers listed in column headed "Housing Only." These units include cap, base, cap bolts, triple-ring seals and stabilizing ring.
- Assemblies and pillow blocks described on this page constitute a fixed unit. To order float units, specify the part number plus the suffix "Float" or "FL."



- Assemblies shown are furnished in cast iron. If cast steel is desired, add the letter "S" to the alpha prefix (e.g., SAFS 22515).
- Four-bolt bases are standard on all assemblies unless as noted.
- If one end closed assembly is required, specify "CL" in assembly number when ordering.

Pillow Block Assembly ⁽¹⁾	Standard Shaft ⁽²⁾ Diam S-1	A	B	C	D	E		F	H
						Max.	Min.		
	in.	in.	in.	in.	in.	in.	in.	in.	in.
SAF22630	5 1/8 5 3/16 5 1/4	7 1/2	26 3/4	7 1/8	3	23 5/8	20 7/8	4 5/8	15 1/2
SAF22632	5 3/8 5 7/16 5 1/2	7 7/8	28	7 1/2	3 1/8	24 3/8	21 5/8	4 1/2	15 11/16
SAF22634	5 13/16 5 7/8 5 15/16 6	8 1/4	29 1/2	8	3 3/8	25	22 1/2	5	17 3/16
SAF22636	6 7/16	8 7/8	31 1/4	8 1/4	3 1/2	26 5/8	24	5 1/4	18 1/2
SAF22638	6 13/16 6 7/8 6 15/16 7	9 1/2	32 3/4	8 3/4	3 3/4	27 7/8	24 3/4	5 1/4	19 5/8
SAF22640	7 1/8 7 3/16 7 1/4	9 7/8	34 1/4	9	4	29 1/2	26 1/4	5 1/2	20 3/16

⁽¹⁾Bold shaft sizes are standard. When ordering non standard pillow block assemblies specify the shaft size.

⁽²⁾See page 120, table 28 for suggested shaft diameter S-1 tolerances.

⁽³⁾Includes sleeve, locknut and lockwasher. Add shaft size to order.

⁽⁴⁾"Housing Only" includes cap, base, cap bolts, triple-ring seals and stabilizing ring as required. When ordering non-standard housing only, specify the shaft size.

⁽⁵⁾Stabilizing ring used for fixed (FX) block; do not use for float (FL) mounting.

Oil Level K	L	Y	Base Bolts Required		Bearing Number	Adapter Assembly Number ⁽³⁾	Housing ⁽⁴⁾ Only	Stabilizing Ring ⁽⁵⁾ 1 Req'd	Triple Seal 2 Req'd	Assembly Weight
			No.	Size						
in.	in.	in.		in.						lbs.
2 7/8	9 11/16	3 17/64	4	1	22330K	SNW-130 x 5 1/8 SNW-130 x 5 3/16 SNW-130 x 5 1/4	SAF630	SR-36-30	LER 124 LER 125 LER 126	350
2 15/16	10 3/4	3 7/16	4	1 1/4	22332K	SNW-132 x 5 3/8 SNW-132 x 5 7/16 SNW-132 x 5 1/2	SAF632	SR-38-32	LER 129 LER 130 LER 131	420
3 1/16	10 13/16	3 19/32	4	1 1/4	22334K	SNW-134 x 5 13/16 SNW-134 x 5 7/8 SNW-134 x 5 15/16 SNW-134 x 6	SAF634	SR-40-34	LER 138 LER 139 LER 140 LER 141	485
3 3/8	11 1/4	3 47/64	4	1 1/4	22336K	SNW-136 x 6 7/16	SAF636	SR-0-36	LER 148	545
3 11/16	11 1/2	3 57/64	4	1 1/2	22338K	SNW-138 x 6 13/16 SNW-138 x 6 7/8 SNW-138 x 6 15/16 SNW-138 x 7	SAF638	SR-44-38	LER 153 LER 154 LER 155 LER 156	655
3 3/4	12 1/4	4 5/64	4	1 1/2	22340K	SNW-140 x 7 1/8 SNW-140 x 7 3/16 SNW-140 x 7 1/4	SAF640	SR-0-40	LER 158 LER 159 LER 160	725

INCH TAPERED BORE MOUNTING SDAF225 AND SDAF226 SERIES

- Each assembly includes the housing cap and base, cap bolts, bearing, bearing adapter, locknut and lockwasher, stabilizing ring and triple-ring seals.
- To order pillow block housing only, use the number listed in the "Housing Only" column. These units include cap, base, cap bolts, triple-ring seals and stabilizing ring.
- Assemblies and pillow blocks described on this page constitute fixed units.
- To order float units, specify the part number plus the suffix "Float" or "FL."
- Assemblies shown are furnished in cast iron. If cast steel is desired, add the letter "S" to the alpha prefix (e.g., SAFS 22515).

Pillow Block Assembly ⁽¹⁾	Diameter S-1 ⁽²⁾	A	B	C	D	E		F	H
						Max.	Min.		
	in.	in.	in.	in.	in.	in.	in.	in.	in.
SERIES SDAF225									
SDAF22520	3 3/8 3 7/16 3 1/2	4 1/2	15 1/4	6	1 7/8	13 1/8	11 5/8	3 3/8	8 15/16
SDAF22522	3 13/16 3 7/8 3 15/16 4	4 15/16	16 1/2	6 3/4	2 1/8	14 1/2	12 5/8	4	9 7/8
SDAF22524	4 1/16 4 1/8 4 3/16 4 1/4	5 1/4	16 1/2	6 7/8	2 1/4	14 1/2	13 1/4	4 1/8	10 1/2
SDAF22526	4 5/16 4 3/8 4 7/16 4 1/2	6	18 3/8	7 1/2	2 3/8	16	14 5/8	4 1/2	11 7/8
SDAF22528	4 13/16 4 7/8 4 15/16 5	6	20 1/8	7 1/2	2 3/8	17 1/8	16	4 1/2	12 1/16
SDAF22530	5 1/8 5 3/16 5 1/4	6 5/16	21 1/4	7 7/8	2 1/2	18 1/4	17	4 3/4	12 13/16
SDAF22532	5 3/8 5 7/16 5 1/2	6 11/16	22	8 1/4	2 1/2	19 1/4	17 3/8	5	13 11/16
SDAF22534	5 15/16	7 1/16	24 3/4	9	2 1/2	21 5/8	19 3/8	5 1/2	14 1/4
SDAF22536	6 5/16 6 3/8 6 7/16 6 1/2	7 1/2	26 3/4	9 3/8	2 3/4	23 5/8	20 7/8	5 7/8	15 3/16
SDAF22538	6 15/16	7 7/8	27 5/8	10	3	23 1/2	21 1/2	6 1/4	16 1/4
SDAF22540	7 3/16	8 1/4	28 3/4	10 1/2	3 1/4	25	23	6 3/4	17 1/8
SDAF22544	7 15/16	9 1/2	32	11 1/4	3 1/2	27 7/8	25 5/8	7 1/4	19 1/4

⁽¹⁾ Bold shaft sizes are standard. When ordering non-standard pillow block assemblies, specify the shaft size.

⁽²⁾ See page 120, table 28 for suggested shaft diameter S-1 tolerances.

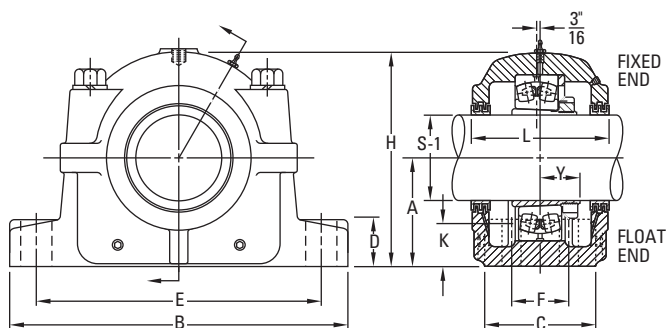
⁽³⁾ Includes sleeve, locknut and lockwasher. Add shaft size to order.

⁽⁴⁾ "Housing Only" includes cap, base, cap bolts, triple-ring seals and stabilizing ring as required. When ordering non-standard housing only specify the shaft size.

⁽⁵⁾ Stabilizing ring used for fixed (FX) block; do not use for float (FL) mounting.

SPHERICAL ROLLER BEARING PILLOW BLOCKS

INCH TAPERED BORE MOUNTING



Oil Level K	L	Y	Base Bolts Required		Bearing Number	Adapter Assembly Number ⁽³⁾	Housing Only ⁽⁴⁾	Stabilizing Ring ⁽⁵⁾ 1 Req'd	Triple Seal 2 Req'd	Assembly Weight
			No.	Size						
in.	in.	in.	in.							lbs.
1 3/4	6 3/4	1 49/64	4	3/4	22220K	SNW-20 x 3 3/8	SDAF520	SR-20-17	LER 74	81
						SNW-20 x 3 7/16			LER 75	
						SNW-20 x 3 1/2			LER 76	
1 7/8	7 1/4	1 61/64	4	7/8	22222K	SNW-22 x 3 13/16	SDAF522	SR-22-19	LER 91	94
						SNW-22 x 3 3/8			LER 92	
						SNW-22 x 3 15/16			LER 93	
						SNW-22 x 4			LER 94	
1 15/16	7 3/8	2 3/32	4	7/8	22224K	SNW-24 x 4 1/16	SDAF524	SR-24-20	LER 111	137
						SNW-24 x 4 1/8			LER 112	
						SNW-24 x 4 3/16			LER 113	
						SNW-24 x 4 1/4			LER 114	
2 7/16	8	2 17/64	4	1	22226K	SNW-26 x 4 5/16	SDAF526	SR-26-0	LER 115	159
						SNW-26 x 4 3/8			LER 116	
						SNW-26 x 4 7/16			LER 117	
						SNW-26 x 4 1/2			LER 118	
2 1/8	7 13/16	2 13/32	4	1 1/8	22228K	SNW-28 x 4 13/16	SDAF528	SR-28-0	LER 120	189
						SNW-28 x 4 7/8			LER 121	
						SNW-28 x 4 15/16			LER 122	
						SNW-28 x 5			LER 123	
2 3/16	8 3/8	2 37/64	4	1 1/8	22230K	SNW-30 x 5 1/8	SDAF530	SR-30-0	LER 124	225
						SNW-30 x 5 3/16			LER 125	
						SNW-30 x 5 1/4			LER 126	
2 3/16	8 3/4	2 49/64	4	1 1/8	22232K	SNW-32 x 5 3/8	SDAF532	SR-32-0	LER 129	300
						SNW-32 x 5 7/16			LER 130	
						SNW-32 x 5 1/2			LER 131	
2 5/16	9 5/8	2 59/64	4	1 1/4	22234K	SNW-34 x 5 15/16	SDAF534	SR-34-0	LER 140	310
2 9/16	10	2 61/64	4	1 1/4	22236K	SNW-36 x 6 5/16	SDAF536	SR-36-30	LER 146	350
						SNW-36 x 6 3/8			LER 147	
						SNW-36 x 6 7/16			LER 148	
						SNW-36 x 6 1/2			LER 149	
2 5/8	10 5/8	3 7/64	4	1 3/8	22238K	SNW-38 x 6 15/16	SDAF538	SR-38-32	LER 224	420
2 11/16	11 1/8	3 9/32	4	1 3/8	22240K	SNW-40 x 7 3/16	SDAF540	SR-40-34	LER 228	545
3 3/8	11 7/8	3 17/32	4	1 1/2 1/4	22244K	SNW-44 x 7 15/16	SDAF544	SR-44-38	LER 236	665

Continued on next page.

SPHERICAL ROLLER BEARING PILLOW BLOCKS

INCH TAPERED BORE MOUNTING

INCH TAPERED BORE MOUNTING SDAF225 AND SDAF226 SERIES – continued

- Each assembly includes the housing cap and base, cap bolts, bearing, bearing adapter, locknut and lockwasher, stabilizing ring and triple-ring seals.
- To order pillow block housing only, use the number listed in the “Housing Only” column. These units include cap, base, cap bolts, triple-ring seals and stabilizing ring.
- Assemblies and pillow blocks described on this page constitute fixed units.
- To order float units, specify the part number plus the suffix “Float” or “FL.”
- Assemblies shown are furnished in cast iron. If cast steel is desired, add the letter “S” to the alpha prefix (e.g., SAFS 22515).

Pillow Block Assembly ⁽¹⁾	Diameter S-1 ⁽²⁾	A	B	C	D	E		F	H
						Max.	Min.		
	in.	in.	in.	in.	in.	in.	in.	in.	in.
SERIES SDAF226									
SDAF22617	2 7/8 2 15/16 3	4 1/2	15 1/4	6	1 7/8	13 1/8	11 5/8	3 3/8	8 15/16
SDAF22618	3 1/16 3 1/8 3 3/16 3 1/4	4 3/4	15 1/2	6 1/8	2	13 1/2	12	3 5/8	9 7/16
SDAF22620	3 5/16 3 3/8 3 7/16 3 1/2	5 1/4	16 1/2	6 7/8	2 1/4	14 1/2	13 1/4	4 1/8	10 1/2
SDAF22622	3 13/16 3 7/8 3 15/16 4	6	18 3/8	7 1/2	2 3/8	16	14 5/8	4 1/2	11 7/8
SDAF22624	4 1/16 4 1/8 4 3/16 4 1/4	6 5/16	21 1/4	7 7/8	2 1/2	18 1/4	17	4 3/4	12 13/16
SDAF22626	4 5/16 4 3/8 4 7/16 4 1/2 4 9/16	6 11/16	22	8 1/4	2 1/2	19 1/4	17 3/8	5	13 11/16
SDAF22628	4 15/16 5 1/8 5 3/16 5 1/4 5 3/8 5 5/16	7 1/16	24 3/4	9	2 1/2	21 5/8	19 3/8	5 1/2	14 1/4
SDAF22630	5 1/8 5 3/16 5 1/4 5 3/8 5 5/16	7 1/2	26 3/4	9 3/8	2 3/4	23 5/8	20 7/8	5 7/8	15 3/16
SDAF22632	5 7/16	7 7/8	27 5/8	10	3	23 1/2	21 1/2	6 1/4	16 1/4
SDAF22634	5 15/16	8 1/4	28 3/4	10 1/2	3 1/4	25	23	6 3/4	17 1/8
SDAF22636	6 7/16	8 7/8	30 1/2	10 3/4	3 1/4	26 3/8	24 1/8	6 7/8	17 15/16
SDAF22638	6 15/16	9 1/2	32	11 1/4	3 1/2	27 7/8	25 5/8	7 1/4	19 1/4
SDAF22640	7 3/16	9 7/8	33 1/2	11 3/4	3 1/2	29 1/4	26 5/8	7 5/8	19 15/16

⁽¹⁾Bold shaft sizes are standard. When ordering non-standard pillow block assemblies, specify the shaft size.

⁽²⁾See page 120, table 28 for suggested shaft diameter S-1 tolerances.

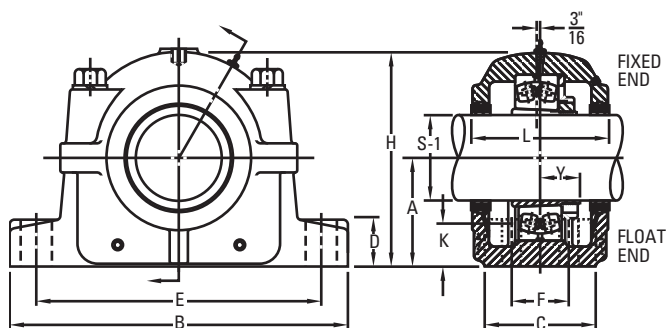
⁽³⁾Includes sleeve, locknut and lockwasher. Add shaft size to order.

⁽⁴⁾“Housing Only” includes cap, base, cap bolts, triple-ring seals and stabilizing ring as required. When ordering non-standard housing only specify the shaft size.

⁽⁵⁾Stabilizing ring used for fixed (FX) block; do not use for float (FL) mounting.

SPHERICAL ROLLER BEARING PILLOW BLOCKS

INCH TAPERED BORE MOUNTING



Oil Level K	L	Y	Base Bolts Required		Bearing Number	Adapter Assembly Number ⁽³⁾	Housing Only ⁽⁴⁾	Stabilizing Ring ⁽⁵⁾ 1 Req'd	Triple Seal 2 Req'd	Assembly Weight
			No.	Size						
in.	in.	in.	in.							lbs.
1 13/16	6 3/4	1 57/64	4	3/4	22317K	SNW-117 x 2 7/8	SDAF617	SR-20-17	LER 58	94
						SNW-117 x 2 15/16			LER 59	
						SNW-117 x 3			LER 60	
2	6 7/8	2 3/64	4	3/4	22318K	SNW-118 x 3 1/16	SDAF618	SR-21-18	LER 67	137
						SNW-118 x 3 1/8			LER 68	
						SNW-118 x 3 3/16			LER 69	
2 1/8	7 3/8	2 19/64	4	7/8	22320K	SNW-118 x 3 1/4	SDAF620	SR-24-20	LER 70	159
						SNW-120 x 3 5/16			LER 73	
						SNW-120 x 3 3/8			LER 74	
2 1/2	8	2 31/64	4	1	22322K	SNW-120 x 3 1/2	SDAF622	SR-0-22	LER 75	189
						SNW-122 x 3 13/16			LER 91	
						SNW-122 x 3 7/8			LER 92	
2 9/16	8 3/8	2 41/64	4	1 1/8	22324K	SNW-122 x 4	SDAF624	SR-0-24	LER 93	225
						SNW-124 x 4 1/16			LER 111	
						SNW-124 x 4 1/8			LER 112	
2 5/8	8 3/4	2 27/64	4	1 1/8	22326K	SNW-124 x 4 1/4	SDAF626	SR-0-26	LER 113	300
						SNW-126 x 4 5/16			LER 115	
						SNW-126 x 4 3/8			LER 116	
2 11/16	9 5/8	3 5/64	4	1 1/8	22328K	SNW-126 x 4 1/2	SDAF628	SR-0-28	LER 117	310
						SNW-126 x 4 9/16			LER 118	
						SNW-128 x 4 15/16			LER 119	
2 7/8	9 3/4	3 17/64	4	1 1/4	22330K	SNW-128 x 4 3/16	SDAF630	SR-36-30	LER 122	395
						SNW-130 x 5 1/8			LER 124	
						SNW-130 x 5 3/16			LER 125	
2 15/16	10 5/8	3 7/16	4	1 3/8	22332K	SNW-130 x 5 1/4	SDAF632	SR-38-32	LER 126	420
						SNW-130 x 5 5/16			LER 128	
						SNW-130 x 5 3/8			LER 127	
3 1/16	11 1/8	3 19/32	4	1 3/8	22334K	SNW-136 x 6 7/16	SDAF634	SR-40-34	LER 211	525
3 7/8	11 3/8	3 47/64	4	1 1/2	22336K	SNW-134 x 5 15/16	SDAF636	SR-0-36	LER 215	645
3 11/16	11 13/16	4 57/64	4	1 1/2	22338K	SNW-136 x 6 3/16	SDAF638	SR-44-38	LER 220	705
3 3/4	12 1/4	4 5/64	4	1 5/8	22340K	SNW-138 x 6 15/16	SDAF640	SR-0-40	LER 224	825

INCH TAPERED BORE MOUNTING SAF230K, SDAF230K SERIES

- Each assembly includes the housing cap and base, cap bolts, bearing, bearing adapter, locknut and lockwasher, stabilizing ring and triple-ring seals.
- If only the pillow block is desired, use the numbers listed in the "Housing Only" column. These units include cap and base, cap bolts, triple-ring seals and stabilizing ring.
- Assembly and pillow blocks described on this page constitute fixed units.
- To order float units, specify the part number plus the suffix "Float" or "FL."
- All assemblies shown are furnished in cast iron. If cast steel is desired, add the letter "S" to the alpha prefix (e.g., SAFS 23024).
- Please note that for applications SAF23048 and larger, the shaft size must be included in the part description when ordering (e.g., SAF23048-8^{15/16}).
- Two stabilizing rings are supplied with housings SAF048 through SAF056 and SDAF060K through SDAF076K. For fixed applications both rings must be used. Do not use stabilizing rings for float mounting.

Pillow Block Assembly ⁽¹⁾	Diameter S-1 ⁽²⁾	A	B	C	D	E		F	H	Oil Level K
						Max.	Min.			
	in.	in.	in.	in.	in.	in.	in.	in.	in.	in.
SERIES SAF230K										
SAF23024K	4 1/16	4 1/2	15 1/4	4 3/8	1 3/4	13 1/8	11 5/8	2 3/8	8 11/16	1 9/16
	4 1/8									
	4 3/16									
	4 1/4									
SAF23026K	4 3/16	4 15/16	16 1/2	4 3/4	2	14 1/2	12 5/8	2 3/4	9 9/16	1 11/16
	4 3/8									
	4 7/16									
	4 1/2									
SAF23028K	4 13/16	5 1/4	16 1/2	4 3/4	2 1/8	14 1/2	13 1/4	2 3/4	10 1/4	1 13/16
	4 7/8									
	4 15/16									
	5									
SAF23030K	5 1/8	6	18 3/8	5 1/8	2 3/8	16	14 5/8	3 1/4	11 9/16	2 5/16
	5 3/16									
	5 1/4									
	5 1/2									
SAF23032K	5 3/8	6	18 3/8	5 1/8	2 3/8	16	14 5/8	3 1/4	11 9/16	2 1/16
	5 7/16									
	5 1/2									
	5 13/16									
SAF23034K	5 7/8	6	20 1/8	5 7/8	2 3/8	17 1/8	16	3 3/8	11 3/4	1 3/4
	5 15/16									
	6									
	6 1/16									
SAF23036K	6 5/16	6 11/16	22	6 1/4	2 5/8	19 1/4	17 3/8	3 3/4	13 5/16	2 3/16
	6 3/8									
	6 7/16									
	6 1/2									
SAF23038K	6 13/16	6 11/16	22	6 1/4	2 5/8	19 1/4	17 3/8	3 3/4	13 5/16	1 15/16
	6 7/8									
	6 15/16									
	7									
SAF23040K	7 1/8	7 1/16	24 3/4	6 3/4	2 3/4	21 5/8	19 3/8	4 1/4	14 9/16	2 13/16
	7 3/16									
	7 1/4									
	7 13/16									
SAF23044K	7 7/8	7 7/8	28	7 1/2	3 1/8	24 3/8	21 5/8	4 1/2	15 11/16	2 3/8
	7 13/16									
	7 7/8									
	8									

⁽¹⁾Bold shaft sizes are standard. When ordering non-standard pillow block assemblies, specify shaft size.

⁽²⁾See page 120, table 28 for suggested shaft diameter S-1 tolerances.

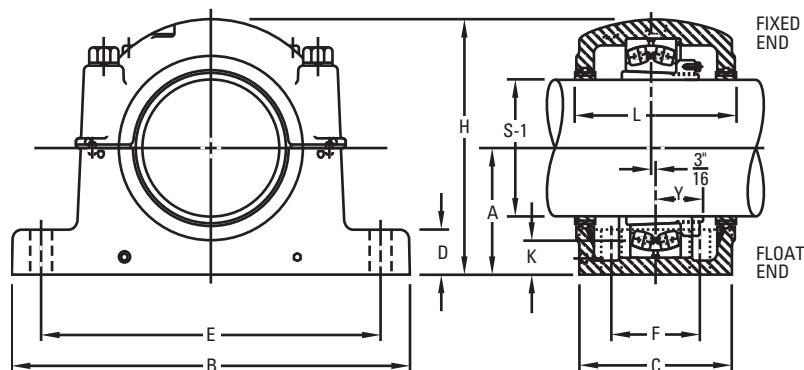
⁽³⁾Includes sleeve, locknut and lockwasher. Add shaft size to order.

⁽⁴⁾"Housing Only" includes cap, base, cap bolts, triple-ring seals and stabilizing ring as required. When ordering non-standard housing only specify the shaft size.

⁽⁵⁾Stabilizing ring used for fixed (FX) block; do not use for float (FL) mounting.

SPHERICAL ROLLER BEARING PILLOW BLOCKS

INCH TAPERED BORE MOUNTING



L	Y	Base Bolts 4 Req'd.	Bearing Number	Adapter Assembly Number ⁽³⁾	Housing Only ⁽⁴⁾	Stabilizing Ring ⁽⁵⁾ 1 Req'd	Triple Seal 2 Req'd	Assembly Weight
in.	in.	in.						lbs.
6	1 55/64	3/4	23024K	SNW-3024 x 4 1/16 SNW-3024 x 4 1/8 SNW-3024 x 4 3/16 SNW-3024 x 4 1/4	SAF024K	SR-20-17	LER 111 LER 112 LER 113 LER 114	60
6 3/8	2 1/32	3/4	23026K	SNW-3026 x 4 5/16 SNW-3026 x 4 3/8 SNW-3026 x 4 7/16 SNW-3026 x 4 1/2	SAF026K	SR-22-19	LER 115 LER 116 LER 117 LER 118	76
7 3/8	2 1/8	3/4	23028K	SNW-3028 x 4 13/16 SNW-3028 x 4 7/8 SNW-3028 x 4 15/16 SNW-3028 x 5	SAF028K	SR- 0-20	LER 120 LER 121 LER 122 LER 123	90
8	2 13/64	7/8	23030K	SNW-3030 x 5 1/8 SNW-3030 x 5 3/16 SNW-3030 x 5 1/4	SAF030K	SR- 0-21	LER 124 LER 125 LER 126	125
8	2 11/32	7/8	23032K	SNW-3032 x 5 3/8 SNW-3032 x 5 7/16 SNW-3032 x 5 1/2	SAF032K	SR- 0-22	LER 129 LER 130 LER 131	132
7 3/4	2 33/64	1	23034K	SNW-3034 x 5 13/16 SNW-3034 x 5 7/8 SNW-3034 x 5 15/16 SNW-3034 x 6	SAF034K	SR- 0-24	LER 138 LER 139 LER 140 LER 141	154
8 3/4	2 11/16	1	23036K	SNW-3036 x 6 5/16 SNW-3036 x 6 3/8 SNW-3036 x 6 7/16 SNW-3036 x 6 1/2	SAF036K	SR- 0-26	LER 146 LER 147 LER 148 LER 149	212
8 3/4	2 47/64	1	23038K	SNW-3038 x 6 13/16 SNW-3038 x 6 7/8 SNW-3038 x 6 15/16 SNW-3038 x 7	SAF038K	SR-32- 0	LER 153 LER 154 LER 155 LER 156	220
9 3/8	2 15/16	1	23040K	SNW-3040 x 7 1/8 SNW-3040 x 7 3/16 SNW-3040 x 7 1/4	SAF040K	SR-34- 0	LER 158 LER 159 LER 160	295
10 3/4	3 3/32	1 1/4	23044K	SNW-3044 x 7 13/16 SNW-3044 x 7 7/8 SNW-3044 x 7 15/16 SNW-3044 x 8	SAF044K	SR-38-32	LER 165 LER 166 LER 167 LER 168	370

Continued on next page.

SPHERICAL ROLLER BEARING PILLOW BLOCKS

INCH TAPERED BORE MOUNTING

INCH TAPERED BORE MOUNTING SAF230K, SDAF230K SERIES – continued

- Each assembly includes the housing cap and base, cap bolts, bearing, bearing adapter, locknut and lockwasher, stabilizing ring and triple-ring seals.
- If only the pillow block is desired, use the numbers listed in the "Housing Only" column. These units include cap and base, cap bolts, triple-ring seals and stabilizing ring.
- Assembly and pillow blocks described on this page constitute fixed units.
- To order float units, specify the part number plus the suffix "Float" or "FL."
- All assemblies shown are furnished in cast iron. If cast steel is desired, add the letter "S" to the alpha prefix (e.g., SAFS 23024).
- Please note that for applications SAF23048 and larger, the shaft size must be included in the part description when ordering (e.g., SAF23048-8^{15/16}).
- Two stabilizing rings are supplied with housings SAF048 through SAF056 and SDAF060K through SDAF076K. For fixed applications both rings must be used. Do not use stabilizing rings for float mounting.

Pillow Block Assembly ⁽¹⁾	Diameter S-1 ⁽²⁾	A	B	C	D	E		F	H	Oil Level K
						Max.	Min.			
	in.	in.	in.	in.	in.	in.	in.	in.	in.	in.
SAF23048K-8 7/16	8 7/16	8 1/4	29 1/2	8	3 3/8	25	22 1/2	5	17 3/16	2 1/4
SAF23048K-8 1/2	8 1/2	8 1/4	29 1/2	8	3 3/8	25	22 1/2	5	17 3/16	2 1/4
SAF23048K-8 15/16	8 15/16	8 1/4	29 1/2	8	3 3/8	25	22 1/2	5	17 3/16	2 1/4
SAF23048K-9	9	8 1/4	29 1/2	8	3 3/8	25	22 1/2	5	17 3/16	2 1/4
SAF23052K-9 7/16	9 7/16	9 1/2	32 3/4	8 3/4	3 3/4	27 7/8	24 3/4	5 1/4	19 7/16	2 15/16
SAF23052K-9 1/2	9 1/2	9 1/2	32 3/4	8 3/4	3 3/4	27 7/8	24 3/4	5 1/4	19 7/16	2 15/16
SAF23056K-9 15/16	9 15/16	9 7/8	34 1/4	9	4	29 1/2	26 1/4	5 1/2	20 3/16	2 15/16
SAF23056K-10	10	9 7/8	34 1/4	9	4	29 1/2	26 1/4	5 1/2	20 3/16	2 15/16
SAF23056K-10 7/16	10 7/16	9 7/8	34 1/4	9	4	29 1/2	26 1/4	5 1/2	20 3/16	2 15/16
SAF23056K-10 1/2	10 1/2	9 7/8	34 1/4	9	4	29 1/2	26 1/4	5 1/2	20 3/16	2 15/16
SERIES SDAF230K										
SDAF23060K-10 15/16	10 15/16	12	38 1/4	14 3/4	3 1/2	33 1/2	32 3/4	9	23 7/16	4 7/16
SDAF23060K-11	11	12	38 1/4	14 3/4	3 1/2	33 1/2	32 3/4	9	23 7/16	4 7/16
SDAF23064K-11 7/16	11 7/16	12	38 1/4	14 3/4	3 1/2	33 1/2	32 3/4	9	23 7/16	4 1/16
SDAF23064K-11 1/2	11 1/2	12	38 1/4	14 3/4	3 1/2	33 1/2	32 3/4	9	23 7/16	4 1/16
SDAF23064K-11 15/16	11 15/16	12	38 1/4	14 3/4	3 1/2	33 1/2	32 3/4	9	23 7/16	4 1/16
SDAF23064K-12	12	12	38 1/4	14 3/4	3 1/2	33 1/2	32 3/4	9	23 7/16	4 1/16
SDAF23068K-12 7/16	12 7/16	12	39	15 1/4	4 3/16	33 1/2	32	10	24	3 7/16
SDAF23068K-12 1/2	12 1/2	12	39	15 1/4	4 3/16	33 1/2	32	10	24	3 7/16
SDAF23072K-12 15/16	12 15/16	12 13/16	41 3/4	15 3/4	4 1/2	36 1/2	35	10 1/2	26	3 7/8
SDAF23072K-13	13	12 13/16	41 3/4	15 3/4	4 1/2	36 1/2	35	10 1/2	26	3 7/8
SDAF23072K-13 7/16	13 7/16	12 13/16	41 3/4	15 3/4	4 1/2	36 1/2	35	10 1/2	26	3 7/8
SDAF23072K-13 1/2	13 1/2	12 13/16	41 3/4	15 3/4	4 1/2	36 1/2	35	10 1/2	26	3 7/8
SDAF23076K-13 15/16	13 15/16	12 13/16	41 3/4	15 3/4	4 1/2	36 1/2	35	10 1/2	26	3 7/16
SDAF23076K-14	14	12 13/16	41 3/4	15 3/4	4 1/2	36 1/2	35	10 1/2	26	3 7/16
SDAF23080K-15	15	14 1/2	46	17 1/8	5 1/4	40 3/4	39 1/4	11	29	4 7/16
SDAF23084K-15 3/4	15 3/4	14 1/2	46	17 1/8	5 1/4	40 3/4	39 1/4	11	29	4 1/16
SDAF23088K-16 1/2	16 1/2	15 1/2	48 3/4	18 3/4	5 1/2	43 1/2	41 3/4	12 1/4	30 1/2	4 1/2
SDAF23092K-17	17	15 1/2	48 3/4	18 3/4	5 1/2	43 1/2	41 3/4	12 1/4	30 1/2	4
SDAF23096K-18	18	17	53	21	5 1/2	46 1/8	44 3/8	14 1/2	33 3/4	5 1/8
SDAF230/530K-18 1/2	18 1/2	17	53	21	5 1/2	46 1/8	44 3/8	14 1/2	33 3/4	4 3/4
SDAF230/530K-19 1/2	19 1/2	18	54 1/4	21 5/8	5 3/4	48 7/8	47 1/8	15	35 3/4	4 13/16

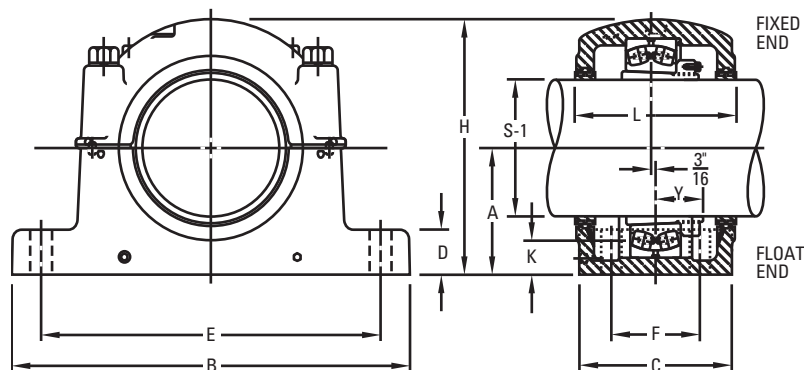
⁽¹⁾ Bold shaft sizes are standard. When ordering non-standard pillow block assemblies, specify shaft size.

⁽²⁾ See page 120, table 28 for suggested shaft diameter S-1 tolerances.

⁽³⁾ Includes sleeve, locknut and lockwasher. Add shaft size to order.

⁽⁴⁾ "Housing Only" includes cap, base, cap bolts, triple-ring seals and stabilizing ring as required. When ordering non-standard housing only specify the shaft size.

⁽⁵⁾ Stabilizing ring used for fixed (FX) block; do not use for float (FL) mounting.



L	Y	Base Bolts 4 Req'd.	Bearing Number	Adapter Assembly Number ⁽³⁾	Housing Only ⁽⁴⁾	Stabilizing Ring ⁽⁵⁾ 1 Req'd	Triple Seal 2 Req'd	Assembly Weight
in.	in.	in.						lbs.
11 1/8	3 17/32	1 1/4	23048K	SNP-3048 x 8 7/16	SAF048K-8 7/16	A8897	LER 526	430
11 1/8	3 17/32	1 1/4	23048K	SNP-3048 x 8 1/2	SAF048K-8 1/2	A8897	LER 527	428
11 1/8	3 17/32	1 1/4	23048K	SNP-3048 x 8 15/16	SAF048K-8 15/16	A8897	LER 529	422
11 1/8	3 17/32	1 1/4	23048K	SNP-3048 x 9	SAF048K-9	A8897	LER 530	420
11 7/8	3 53/64	1 1/2	23052K	SNP-3052 x 9 7/16	SAF052K-9 7/16	A8898	LER 178-1	587
11 7/8	3 53/64	1 1/2	23052K	SNP-3052 x 9 1/2	SAF052K-9 1/2	A8898	LER 178	585
12 1/16	3 81/64	1 1/2	23056K	SNP-3056 x 10	SAF056K-9 15/16	A8819	ER 751	640
12 1/16	3 81/64	1 1/2	23056K	SNP-3056 x 10 7/16	SAF056K-10	A8819	ER705	635
12 1/16	3 81/64	1 1/2	23056K	SNP-3056 x 10 1/2	SAF056K-10 7/16	A8819	ER 745	625
12 1/16	3 81/64	1 1/2	23056K	SNP-3056 x 9 15/16	SAF056K-10 1/2	A8819	ER 710	620
15 1/2	4 9/32	1 5/8	23060K	SNP-3060 x 10 15/16	SDAF060K-10 15/16	A8967	ER 858	1175
15 1/2	4 9/32	1 5/8	23060K	SNP-3060 x 11	SDAF060K-11	A8967	ER 825	1174
15 1/2	4 7/16	1 5/8	23064K	SNP-3064 x 11 7/16	SDAF064K-11 7/16	A8968	ER 861	1275
15 1/2	4 7/16	1 5/8	23064K	SNP-3064 x 11 1/2	SDAF064K-11 1/2	A8968	ER 832	1274
15 1/2	4 7/16	1 5/8	23064K	SNP-3064 x 11 15/16	SDAF064K-11 15/16	A8968	ER 859	1269
15 1/2	4 7/16	1 5/8	23064K	SNP-3064 x 12	SDAF064K-12	A8968	ER 818	1268
15 3/4	4 19/16	1 7/8	23068K	SNP-3068 x 12 7/16	SDAF068K-12 7/16	A8969	ER 865	1553
15 3/4	4 19/16	1 7/8	23068K	SNP-3068 x 12 1/2	SDAF068K-12 1/2	A8969	ER 866	1552
16 1/4	4 53/64	1 7/8	23072K	SNP-3072 x 12 15/16	SDAF072K-12 15/16	A8970	ER 869	1632
16 1/4	4 53/64	1 7/8	23072K	SNP-3072 x 13	SDAF072K-13	A8970	ER 846	1630
16 1/4	4 53/64	1 7/8	23072K	SNP-3072 x 13 7/16	SDAF072K-13 7/16	A8970	ER 872	1614
16 1/4	4 53/64	1 7/8	23072K	SNP-3072 x 13 1/2	SDAF072K-13 1/2	A8970	ER 823	1610
16 1/4	5 1/16	1 7/8	23076K	SNP-3076 x 13 15/16	SDAF076K-13 15/16	A8971	ER 875	1687
16 1/4	5 1/16	1 7/8	23076K	SNP-3076 x 14	SDAF076K-14	A8971	ER 876	1685
17 5/8	5 17/32	4, 2	23080K	SNP-3080 x 15	SDAF080K-15	A8974	ER 847	2300
17 5/8	5 9/16	4, 2	23087K	SNP-3084 x 15 3/4	SDAF084K-15 3/4	A8978	ER 885	2300
19 1/4	5 3/4	4, 2 1/4	230994K	SNP-3088 x 16 1/2	SDAF3088K-16 1/2	A8979	ER 958	2550
19 1/4	5 7/8	4, 2 1/4	23082K	SNP-3092 x 17	SDAF3092K-17	A8980	ER 838	2850
21 3/4	5 29/32	4, 2 1/4	23096K	SNP-3096 x 18	SDAF3096K-18	A8984	ER 888	4250
21 3/4	6 1/2	4, 2 1/4	230/500K	SNP-30-500 x 18 1/2	SDAF30-500K-18 1/2	A8976	ER 978	4350
22 1/4	6 7/32	4, 2 1/2	230/530/K	SNP-30-530 x 19 1/2	SDAF 30-530K-19 1/2		ER 926	5200

INCH TAPERED BORE MOUNTING SDAF231K AND SDAF232K SERIES

- Each assembly includes the housing cap and base, cap bolts, bearing, bearing adapter, locknut and lockwasher, stabilizing ring and triple-ring seals.
- To order pillow block housing only, use the numbers listed in the "Housing Only" column. These units include cap and base, cap bolts, triple-ring seals and stabilizing ring.
- Assembly and pillow blocks described on this page constitute fixed units.
- To order float units, specify part number plus suffix "Float" or "FL."
- All assemblies shown are furnished in cast iron. If cast steel is desired, add the letter "S" to the alpha prefix (e.g., SDAFS 23152K).

Pillow Block Assembly	Diameter S-1 ⁽¹⁾	A	B	C	D	E		F	H
						Max.	Min.		
	in.	in.	in.	in.	in.	in.	in.	in.	in.
SERIES SDAF231K									
SDAF23152K	9 ⁷ / ₁₆ 9 ¹ / ₂	10 ¹ / ₄	35	13 ¹ / ₈	3 ³ / ₄	30 ¹ / ₂	29	8 ³ / ₄	20 ⁷ / ₈
SDAF23156K	9 ¹⁵ / ₁₆ 10 10 ⁷ / ₁₆ 10 ¹ / ₂	12	38 ¹ / ₄	14 ³ / ₄	3 ³ / ₈	33 ¹ / ₂	32 ³ / ₄	9	23 ⁷ / ₁₆
SDAF23160K	10 ¹⁵ / ₁₆	12	38 ¹ / ₄	14 ³ / ₄	3 ³ / ₈	33 ¹ / ₂	32 ³ / ₄	9	23 ⁷ / ₁₆
SDAF23164K	11 11 ¹⁵ / ₁₆	12 ¹³ / ₁₆	41 ³ / ₄	15 ³ / ₄	4 ¹ / ₂	36 ¹ / ₂	35	10 ¹ / ₂	25 ³ / ₄
SDAF23168K	12 ⁷ / ₁₆	14	43 ³ / ₄	17 ³ / ₄	5	38 ¹ / ₄	36 ³ / ₄	10 ³ / ₄	27 ⁷ / ₈
SDAF23172K	13 ⁷ / ₁₆ 13 ¹ / ₂	14 ¹ / ₂	46	17 ¹ / ₈	5 ¹ / ₄	40 ³ / ₄	39 ¹ / ₄	11	28 ⁷ / ₈
SDAF23176K	13 ¹⁵ / ₁₆ 14	14 ¹ / ₂	46	17 ¹ / ₈	5 ¹ / ₄	40 ³ / ₄	39 ¹ / ₄	11	28 ⁷ / ₈
SDAF23180K	14 ¹⁵ / ₁₆ 15	15 ¹ / ₂	48 ³ / ₄	18 ³ / ₄	5 ¹ / ₂	43 ¹ / ₂	41 ³ / ₄	12 ¹ / ₄	30 ¹ / ₂
SDAF23184K	15 ³ / ₄	17	52	21	5 ¹ / ₂	46 ¹ / ₈	44 ³ / ₈	14 ¹ / ₂	33 ³ / ₄
SDAF23188K	16 ¹ / ₂	17	52	21	5 ¹ / ₂	46 ¹ / ₈	44 ³ / ₈	14 ¹ / ₂	33 ³ / ₄
SDAF23192K	17	18	54 ¹ / ₄	21 ⁵ / ₈	5 ³ / ₄	48 ⁷ / ₈	47 ¹ / ₈	15	35 ³ / ₄
SDAF23196K	18	18	54 ¹ / ₄	21 ⁵ / ₈	5 ³ / ₄	48 ⁷ / ₈	47 ¹ / ₈	15	35 ³ / ₄
SERIES SDAF232K									
SDAF23248K	8 ¹⁵ / ₁₆ 9	10 ¹ / ₄	35	13 ¹ / ₈	3 ³ / ₄	30 ¹ / ₂	29	8 ³ / ₄	20 ⁷ / ₈
SDAF23252K	9 ⁷ / ₁₆ 9 ¹ / ₂	12	38 ¹ / ₄	14 ³ / ₄	3 ³ / ₈	33 ¹ / ₂	32 ³ / ₄	9	23 ⁷ / ₁₆
SDAF23256K	10 ⁷ / ₁₆ 10 ¹ / ₂	12	38 ¹ / ₄	14 ³ / ₄	3 ³ / ₈	33 ¹ / ₂	32 ³ / ₄	9	23 ⁷ / ₁₆
SDAF23260K	10 ¹⁵ / ₁₆ 11	12 ¹³ / ₁₆	41 ³ / ₄	15 ³ / ₄	4 ¹ / ₂	36 ¹ / ₂	35	10 ¹ / ₂	25 ³ / ₄
SDAF23264K	11 ¹⁵ / ₁₆	14	43 ³ / ₄	17 ³ / ₄	5	38 ¹ / ₄	36 ³ / ₄	10 ³ / ₄	27 ⁷ / ₈
SDAF23268K	12 ⁷ / ₁₆	14 ¹ / ₂	46	17 ¹ / ₈	5 ¹ / ₄	40 ³ / ₄	39 ¹ / ₄	11	28 ⁷ / ₈
SDAF23272K	13 ⁷ / ₁₆	15 ¹ / ₂	48 ³ / ₄	18 ³ / ₄	5 ¹ / ₂	43 ¹ / ₂	41 ³ / ₄	12 ¹ / ₄	30 ¹ / ₂
SDAF23276K	13 ¹⁵ / ₁₆	15 ¹ / ₂	48 ³ / ₄	18 ³ / ₄	5 ¹ / ₂	43 ¹ / ₂	41 ³ / ₄	12 ¹ / ₄	30 ¹ / ₂
SDAF23280K	14 ¹⁵ / ₁₆	17	52	21	5 ¹ / ₂	46 ¹ / ₈	44 ³ / ₈	14 ¹ / ₂	33 ³ / ₄
SDAF23284K	15 ³ / ₄	18	54 ¹ / ₄	21 ⁵ / ₈	5 ³ / ₄	48 ⁷ / ₈	47 ¹ / ₈	15	35 ³ / ₄
SDAF23288K	16 ¹ / ₂	18	54 ¹ / ₄	21 ⁵ / ₈	5 ³ / ₄	48 ⁷ / ₈	47 ¹ / ₈	15	35 ³ / ₄

⁽¹⁾See page 120, table 28 for suggested shaft diameter S-1 tolerances.

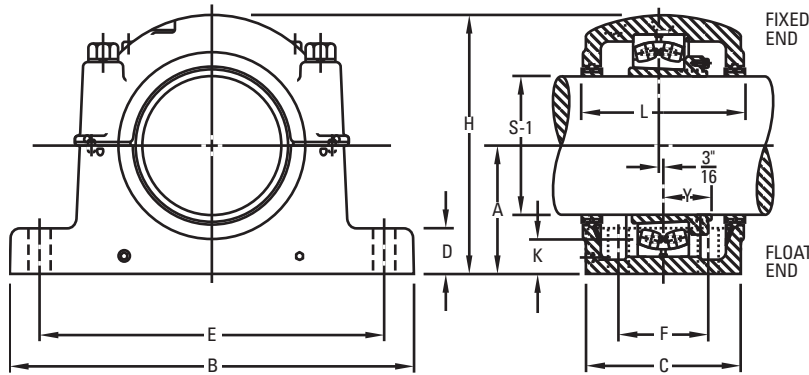
⁽²⁾Includes sleeve, locknut and lockwasher. Add shaft size to order.

⁽³⁾"Housing Only" includes cap, base, cap bolts, triple-ring seals and stabilizing ring as required. When ordering non-standard housing only specify the shaft size.

⁽⁴⁾Stabilizing ring used for fixed (FX) block; do not use for float (FL) mounting.

SPHERICAL ROLLER BEARING PILLOW BLOCKS

INCH TAPERED BORE MOUNTING



Oil Level K	L	Base Bolts 4 Req'd.	Bearing Number	Adapter Assembly Number ⁽²⁾	Housing Only ⁽³⁾	Stabilizing Ring ⁽⁴⁾ 1 Req'd	Triple Seal 2 Req'd	Assembly Weight
in.	in.	in.						lbs.
3 3/8	13 3/4	1 5/8	23152K	SNP-3152 x 9 7/16 SNP-3152 x 9 1/2	SDAF3152K	A5679	ER 891 ER 842	1050
4 3/4	15 3/8	1 5/8	23156K	SNP-3156 x 10 SNP-3156 x 10 7/16 SNP-3156 x 10 1/2 SNP-3156 x 9 15/16	SDAF3156K	A8967	ER 845 ER 820 ER 973 ER 840	1300
4 1/8	15 3/8	1 5/8	23160K	SNP-3160 x 10 15/16 SNP-3160 x 11	SDAF3160K	A8975	ER 858 ER 825	1350
4 3/8	16 1/4	1 7/8	23164K	SNP-3164 x 11 15/16	SDAF3164K	A8970	ER 900	1900
4 15/16	18 1/4	2	23168K	SNP-3168 x 12 7/16	SDAF3168K	A8977	ER 975	2550
5	17 3/4	2	23172K	SNP-3172 x 13 7/16 SNP-3172 x 13 1/2	SDAF3172K	A8974	ER 872 ER 823	2600
4 5/8	17 3/4	2	23176K	SNP-3176 x 13 15/16 SNP-3176 x 14	SDAF3176K	A8978	ER 875 ER 876 ER 976	2600
5 1/8	19 1/4	2 1/4	23180K	SNP-3180 x 14 15/16 SNP-3180 x 15	SDAF3180K	A8979	ER 847	3000
6	21 3/4	2 1/4	23184K	SNP-3184 x 15 3/4	SDAF3184K	A8984	ER 907	4400
5 9/16	21 3/4	2 1/4	23188K	SNP-3188 x 16 1/2	SDAF3188K	A8976	ER 958	4600
6	22 1/4	2 1/2	23192K	SNP-3192 x 17	SDAF3192K	A8990	ER 838	5100
5 1/2	22 1/4	2 1/2	23196K	SNP-3196 x 18	SDAF3196K	A8998	ER 888	5200
3 3/16	13 3/4	1 5/8	23248K	SNP-148 x 8 15/16 SNP-148 x 9	SDAF3248K	A5679	ER 914 ER 828	1100
4 3/4	15 3/8	1 5/8	23252K	SNP-152 x 9 7/16 SNP-152 x 9 1/2	SDAF3252K	A8968	ER 891 ER 842	1400
4 3/8	15 3/8	1 5/8	23256K	SNP-3256 x 10 7/16 SNP-3256 x 10 1/2	SDAF3256K	A8975	ER 973 ER 840	1400
4 1/2	16 1/4	1 7/8	23260K	SNP-3260 x 10 15/16 SNP-3260 x 11	SDAF3260K	A8970	ER 974 ER 974-1	1900
5 1/8	18 1/4	2	23264K	SNP-3264 x 11 15/16	SDAF3264K	A8977	ER 900	2600
5	17 3/4	2	23268K	SNP-3268 x 12 7/16	SDAF3268K	A8978	ER 975	2700
5 1/2	19 1/4	2 1/4	23272K	SNP-3272 x 13 7/16	SDAF3272K	A8979	ER 979	3050
4 3/8	19 1/4	2 1/4	23276K	SNP-3276 x 13 15/16	SDAF3276K	A8980	ER 875	3000
6	21 3/4	2 1/4	23280K	SNP-3280 x 14 15/16	SDAF3280K	A8976	ER976	4650
6 3/8	22 1/4	2 1/2	23284K	SNP-3284 x 15 3/4	SDAF3284K	A8990	ER 907	4900
5 7/8	22 1/4	2 1/2	23288K	SNP-3288 x 16 1/2	SDAF3288K	A8988	ER 907	5200

SPHERICAL ROLLER BEARING PILLOW BLOCKS

INCH STRAIGHT BORE MOUNTING

INCH STRAIGHT BORE MOUNTING SAF222 AND SAF223 SERIES

- Each assembly includes the housing cap and base, cap bolts, bearing, locknut and lockwasher, stabilizing ring and triple-ring seals.
- To order pillow block housing only, use the numbers listed in "Housing Only" column. These units include cap and base, cap bolts, triple-ring seals and stabilizing ring.
- Assembly and pillow blocks described on this page constitute fixed units.
- To order float units, specify part number plus suffix "Float" or "FL."
- All assemblies shown are furnished in cast iron. If cast steel is desired, add the letter "S" to the alpha prefix (e.g., SAFS 22217).
- Four-bolt bases are standard on all assemblies, unless noted.

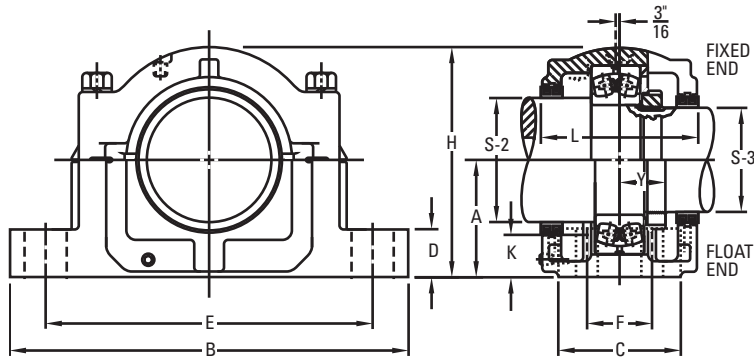
Pillow Block Assembly	Diameter ⁽¹⁾		A	B	C	D	E		F	H	Oil Level K	L	Y	Base Bolts Required	
	S-2	S-3					Max.	Min.						No.	Size
	in.	in.													
SERIES SAF222															
SAF22217	3 15/16	3 3/16	3 3/4	13	3 1/2	1 1/4	11	9 7/8	—	7 1/4	1 7/16	4 15/16	1 27/64	2	3/4
FSAF22217	3 15/16	3 3/16	3 3/4	13	3 1/2	1 1/4	11	9 7/8	2 1/8	7 1/4	1 7/16	4 15/16	1 27/64	4	5/8
SAF22218	4 1/8	3 3/8	4	13 3/4	3 7/8	1 1/2	11 5/8	10 3/8	—	7 3/4	1 17/32	6 1/4	1 37/64	2	3/4
FSAF22218	4 1/8	3 3/8	4	13 3/4	3 7/8	1 1/2	11 5/8	10 3/8	2 1/8	7 3/4	1 17/32	6 1/4	1 37/64	4	5/8
SAF22220	4 1/2	3 13/16	4 1/2	15 1/4	4 3/8	1 3/4	13 1/8	11 5/8	—	8 11/16	1 3/4	6	1 49/64	2	7/8
FSAF22220	4 1/2	3 13/16	4 1/2	15 1/4	4 3/8	1 3/4	13 1/8	11 5/8	2 3/8	8 11/16	1 3/4	6	1 49/64	4	3/4
SAF22222	4 7/8	4 3/16	4 15/16	16 1/2	4 3/4	2	14 1/2	12 3/8	2 3/4	9 9/16	1 7/8	6 3/8	1 61/64	4	3/4
SAF22224	5 5/16	4 9/16	5 1/4	16 1/2	4 3/4	2 1/8	14 1/2	13 1/4	2 3/4	10 1/4	1 15/16	7 3/8	2 3/32	4	3/4
SAF22226	5 7/8	4 15/16	6	18 3/8	5 1/8	2 3/8	16	14 5/8	3 1/4	11 9/16	2 7/16	8	2 17/64	4	7/8
SAF22228	6 1/4	5 5/16	6	20 1/8	5 7/8	2 3/8	17 1/8	16	3 3/8	11 3/4	2 1/8	7 3/4	2 13/32	4	1
SAF22230	6 5/8	5 3/4	6 5/16	21 1/4	6 1/4	2 1/2	18 1/4	17	3 3/4	12 1/2	2 3/16	8 3/8	2 37/64	4	1
SAF22232	7	6 1/16	6 11/16	22	6 1/4	2 5/8	19 1/4	17 3/8	3 3/4	13 3/16	2 3/16	8 3/4	2 49/64	4	1
SAF22234	7 7/16	6 7/16	7 1/16	24 3/4	6 3/4	2 3/4	21 5/8	19 3/8	4 1/4	14 9/16	2 5/16	9 3/8	2 59/64	4	1
SAF22236	7 13/16	6 7/8	7 1/2	26 3/4	7 1/8	3	23 5/8	20 7/8	4 5/8	15 1/2	2 9/16	9 11/16	2 61/64	4	1
SAF22238	8 3/8	7 1/4	7 7/8	28	7 1/2	3 1/8	24 3/8	21 5/8	4 1/2	15 11/16	2 5/8	10 3/4	3 7/64	4	1 1/4
SAF22240	8 3/4	7 5/8	8 1/4	29 1/2	8	3 3/8	25	22 1/2	5	17 3/16	2 11/16	10 13/16	3 9/32	4	1 1/4
SAF22244	9 9/16	8 5/16	9 1/2	32 3/4	8 3/4	3 3/4	27 7/8	24 3/4	5 1/4	19 3/8	3 3/8	11 1/2	3 17/32	4	1 1/2
SERIES SAF223															
SAF22317	3 15/16	3 3/16	4 1/2	15 1/4	4 3/8	1 3/4	13 1/8	11 5/8	—	8 11/16	1 13/16	6	1 57/64	2	7/8
FSAF22317	3 15/16	3 3/16	4 1/2	15 1/4	4 3/8	1 3/4	13 1/8	11 5/8	2 3/8	8 11/16	1 13/16	6	1 57/64	4	3/4
SAF22318	4 1/8	3 3/8	4 3/4	15 1/2	4 3/8	2	13 1/2	12	2 1/4	9 3/16	2	7	2 3/64	4	3/4
SAF22320	4 1/2	3 13/16	5 1/4	16 1/2	4 3/4	2 1/8	14 1/2	13 1/4	2 3/4	10 1/4	2 1/8	7 3/8	2 19/64	4	3/4
SAF22322	4 7/8	4 3/16	6	18 3/8	5 1/8	2 3/8	16	14 5/8	3 1/4	11 9/16	2 1/2	8	2 31/64	4	7/8
SAF22324	5 5/16	4 9/16	6 5/16	21 1/4	6 1/4	2 1/2	18 1/4	17	3 3/4	12 1/2	2 9/16	8 3/8	2 41/64	4	1
SAF22326	5 7/8	4 15/16	6 11/16	22	6 1/4	2 5/8	19 1/4	17 3/8	3 3/4	13 15/16	2 5/8	8 3/4	2 27/32	4	1
SAF22328	6 1/4	5 5/16	7 1/16	24 3/4	6 3/4	2 3/4	21 5/8	19 3/8	4 1/4	14 9/16	2 11/16	9 3/8	3 5/64	4	1
SAF22330	6 5/8	5 3/4	7 1/2	26 3/4	7 1/8	3	23 5/8	20 7/8	4 5/8	15 1/2	2 7/8	9 11/16	3 17/64	4	1
SAF22332	7	6 1/16	7 7/8	28	7 1/2	3 1/8	24 3/8	21 5/8	4 1/2	15 11/16	2 15/16	10 3/4	3 7/16	4	1 1/4
SAF22334	7 7/16	6 7/16	8 1/4	29 1/2	8	3 3/8	25	22 1/2	5	17 3/16	3 1/16	10 13/16	3 19/32	4	1 1/4
SAF22336	7 13/16	6 7/8	8 7/8	31 1/4	8 1/4	3 1/2	26 5/8	24	5 1/4	18 1/2	3 3/8	11 1/4	3 47/64	4	1 1/4
SAF22338	8 3/8	7 1/4	9 1/2	32 3/4	8 3/4	3 3/4	27 7/8	24 3/4	5 1/4	19 3/8	3 11/16	11 1/2	3 57/64	4	1 1/2
SAF22340	8 3/4	7 5/8	9 7/8	34 1/4	9	4	29 1/2	26 1/4	5 1/2	20 3/16	3 3/4	12 1/4	4 5/64	4	1 1/2

⁽¹⁾See page 120, table 28 for suggested shaft diameter S-2, S-3 tolerances.

⁽²⁾"Housing Only" includes cap, base, cap bolts, triple-ring seals and stabilizing rings as required.

⁽³⁾Stabilizing ring used for fixed (FX) block; do not use for float (FL) mounting.

⁽⁴⁾Triple-ring seals for other shaft diameters are available upon special order.



Bearing Number	Locknut	Lockwasher	Housing Only ⁽²⁾	Stabilizing Ring ⁽³⁾ 1 Req'd	Triple Seal 1 Req'd ⁽⁴⁾		Assembly Weight lbs.
					S-2	S-3	
22217	AN17	W17	SAF217	SR-17-14	LER89	LER63	43
22217	AN17	W17	FSAF217	SR-17-14	LER89	LER63	43
22218	AN18	W18	SAF218	SR-18-15	LER96	LER72	50
22218	AN18	W18	FSAF218	SR-18-15	LER96	LER72	50
22220	AN20	W20	SAF220	SR-20-17	LER118	LER106	71
22220	AN20	W20	FSAF220	SR-20-17	LER118	LER106	71
22222	AN22	W22	SAF222	SR-22-19	LER121	LER113	81
22224	AN24	W24	SAF224	SR-24-20	LER127	LER119	90
22226	AN26	W26	SAF226	SR-26-0	LER136	LER122	127
22228	AN28	W28	SAF228	SR-28-0	LER144	LER127	149
22230	AN30	W30	SAF230	SR-30-0	LER151	LER134	175
22232	AN32	W32	SAF232	SR-32-0	LER156	LER142	210
22234	AN34	W34	SAF234	SR-34-0	LER161	LER148	280
22236	AN36	W36	SAF236	SR-36-30	LER165	LER154	305
22238	AN38	W38	SAF238	SR-38-32	LER171	LER160	350
22240	AN40	W40	SAF240	SR-40-34	LER175	LER164	420
22244	N44	W44	SAF244	SR-44-38	LER179	LER170	590
22317	AN17	W17	SAF317	SR-20-17	LER109	LER188	80
22317	AN17	W17	FSAF317	SR-20-17	LER109	LER188	80
22318	AN18	W18	SAF318	SR-21-18	LER112	LER191	92
22320	AN20	W20	SAF320	SR-24-20	LER118	LER106	109
22322	AN22	W22	SAF322	SR-0-22	LER121	LER113	145
22324	AN24	W24	SAF324	SR-0-24	LER127	LER119	195
22326	AN26	W26	SAF326	SR-0-26	LER136	LER122	235
22328	AN28	W28	SAF328	SR-0-28	LER144	LER127	300
22330	AN30	W30	SAF330	SR-36-30	LER151	LER134	335
22332	AN32	W32	SAF332	SR-38-32	LER156	LER142	405
22334	AN34	W34	SAF334	SR-40-34	LER161	LER148	465
22336	AN36	W36	SAF336	SR-0-36	LER165	LER154	525
22338	AN38	W38	SAF338	SR-44-38	LER171	LER160	635
22340	AN40	W40	SAF340	SR-0-40	LER175	LER164	700

SPHERICAL ROLLER BEARING PILLOW BLOCKS

INCH STRAIGHT BORE MOUNTING

INCH STRAIGHT BORE MOUNTING SDAF222 AND SDAF223 SERIES

- Each assembly includes the housing cap and base, cap bolts, bearing, locknut and washer, stabilizing ring, and triple-ring seals.
- To order pillow block housing only, use the numbers listed in the "Housing Only" column. These units include cap and base, cap bolts, triple-ring seals and stabilizing ring.
- Assembly and pillow blocks described on this page constitute fixed units.
- To order float units, specify part number plus suffix "Float" or "FL."
- All assemblies shown are furnished in cast iron. If cast steel is desired, add the letter "S" to the alpha prefix (e.g., SDAS 22220).

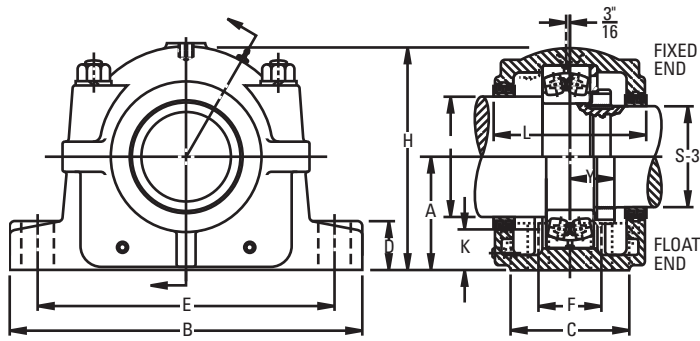
Pillow Block Assembly	Diameter ⁽¹⁾		A	B	C	D	E		F	H	Oil Level K	L	Y	Base Bolts Required	
	S-2	S-3					Max.	Min.						No.	Size
	in.	in.													
SERIES SDAF222															
SDAF22220	4 1/2	3 13/16	4 1/2	15 1/4	6	1 7/8	13 1/8	11 5/8	3 3/8	8 15/16	1 3/4	6 3/4	1 49/64	4	3/4
SDAF22222	4 7/8	4 3/16	4 15/16	16 1/2	6 3/4	2 1/8	14 1/2	12 5/8	4	9 7/8	1 7/8	7 1/4	1 81/64	4	7/8
SDAF22224	5 5/16	4 9/16	5 1/4	16 1/2	6 7/8	2 1/4	14 1/2	13 1/4	4 1/8	10 1/2	1 15/16	7 3/8	2 3/32	4	7/8
SDAF22226	5 7/8	4 15/16	6	18 3/8	7 1/2	2 3/8	16	14 3/8	4 1/2	11 7/8	2 7/16	8	2 17/64	4	1
SDAF22228	6 1/4	5 5/16	6	20 1/8	7 1/2	2 3/8	17 1/8	16	4 1/2	12 1/16	2 1/8	7 13/16	2 13/32	4	1
SDAF22230	6 5/8	5 3/4	6 5/16	21 1/4	7 7/8	2 1/2	18 1/4	17	4 3/4	12 13/16	2 3/16	8 3/8	2 37/64	4	1 1/8
SDAF22232	7	6 1/16	6 11/16	22	8 1/4	2 1/2	19 1/4	17 3/8	5	13 1/16	2 3/16	8 3/4	2 49/64	4	1 1/8
SDAF22234	7 7/16	6 7/16	7 1/16	24 3/4	9	2 1/2	21 5/8	19 3/8	5 1/2	14 1/4	2 5/16	9 3/8	2 59/64	4	1 1/4
SDAF22236	7 13/16	6 7/8	7 1/2	26 3/4	9 3/8	2 3/4	23 3/8	20 7/8	5 7/8	15 3/16	2 9/16	10	2 61/64	4	1 1/4
SDAF22238	8 3/8	7 1/4	7 7/8	27 5/8	10	3	23 1/2	21 1/2	6 1/4	16 1/4	2 5/8	10 5/8	3 7/64	4	1 3/8
SDAF22240	8 3/4	7 5/8	8 1/4	28 3/4	10 1/2	3 1/4	25	23	6 3/4	17 1/8	2 11/16	11 1/8	3 3/32	4	1 3/8
SDAF22244	9 9/16	8 5/16	9 1/2	32	11 1/4	3 1/2	27 7/8	25 5/8	7 1/4	19 1/4	3 3/8	11 7/8	3 17/32	4	1 1/2
SERIES SDAF223															
SDAF22317	3 15/16	3 3/16	4 1/2	15 1/4	6	1 7/8	13 1/8	11 5/8	3 3/8	8 15/16	1 3/16	6 3/4	1 57/64	4	3/4
SDAF22318	4 1/8	3 3/8	4 3/4	15 1/2	6 1/8	2	13 1/2	12	3 5/8	9 7/16	2	6 7/8	2 3/64	4	3/4
SDAF22320	4 1/2	3 13/16	5 1/4	16 1/2	6 7/8	2 1/4	14 1/2	13 1/4	4 1/8	10 1/2	2 1/8	7 3/8	2 19/64	4	7/8
SDAF22322	4 7/8	4 3/16	6	18 3/8	7 1/2	2 3/8	16	14 5/8	4 1/2	11 7/8	2 1/2	8	2 31/64	4	1
SDAF22324	5 5/16	4 9/16	6 5/16	21 1/4	7 7/8	2 1/2	18 1/4	17	4 3/4	12 13/16	2 9/16	8 3/8	2 41/64	4	1 1/8
SDAF22326	5 7/8	4 15/16	6 11/16	22	8 1/4	2 1/2	19 1/4	17 3/8	5	13 1/16	2 5/8	8 3/4	2 27/64	4	1 1/8
SDAF22328	6 1/4	5 5/16	7 1/16	24 3/4	9	2 1/2	21 5/8	19 3/8	5 1/2	14 1/4	2 11/16	9 5/8	3 5/64	4	1 1/4
SDAF22330	6 5/8	5 3/4	7 1/2	26 3/4	9 3/8	2 3/4	23 3/8	20 7/8	5 7/8	15 3/16	2 7/8	9 3/4	3 17/64	4	1 1/4
SDAF22332	7	6 1/16	7 7/8	27 5/8	10	3	23 1/2	21 1/2	6 1/4	16 1/4	2 15/16	10 5/8	3 7/16	4	1 3/8
SDAF22334	7 7/16	6 7/16	8 1/4	28 3/4	10 1/2	3 1/4	25	23	6 3/4	17 1/8	3 1/16	11 1/8	3 19/32	4	1 3/8
SDAF22336	7 13/16	6 7/8	8 3/8	30 1/2	10 3/4	3 1/4	26 3/8	24 1/8	6 7/8	17 15/16	3 3/8	11 3/8	3 47/64	4	1 1/2
SDAF22338	8 3/8	7 1/4	9 1/2	32	11 1/4	3 1/2	27 7/8	25 5/8	7 1/4	19 1/4	3 11/16	11 13/16	3 57/64	4	1 1/2
SDAF22340	8 3/4	7 5/8	9 7/8	33 1/2	11 3/4	3 1/2	29 1/4	26 5/8	7 5/8	19 15/16	3 3/4	12 1/4	4 5/64	4	1 5/8

⁽¹⁾See page 120, table 28 for suggested shaft diameter S-2, S-3 tolerances.

⁽²⁾"Housing Only" includes cap, base, cap bolts, triple-ring seals and stabilizing rings as required.

⁽³⁾Stabilizing ring used for fixed (FX) block; do not use for float (FL) mounting.

⁽⁴⁾Triple-ring seals for other shaft diameters are available upon special order.



Bearing Number	Locknut	Lockwasher	Housing Only ⁽²⁾	Stabilizing Ring ⁽³⁾ 1 Req'd	Triple Seal 1 Req'd ⁽⁴⁾		Assembly Weight lbs.
					S-2	S-3	
22220	AN20	W20	SDAF220	SR-20-17	LER118	LER106	81
22222	AN22	W22	SDAF222	SR-22-19	LER121	LER113	109
22224	AN24	W24	SDAF224	SR-24-20	LER127	LER119	113
22226	AN26	W26	SDAF226	SR-26-0	LER136	LER122	151
22228	AN28	W28	SDAF228	SR-28-0	LER144	LER127	175
22230	AN30	W30	SDAF230	SR-30-0	LER151	LER134	201
22232	AN32	W32	SDAF232	SR-32-0	LER156	LER142	245
22234	AN34	W34	SDAF234	SR-34-0	LER161	LER148	300
22236	AN36	W36	SDAF236	SR-36-30	LER165	LER154	335
22238	AN38	W38	SDAF238	SR-38-32	LER240	LER229	405
22240	AN40	W40	SDAF240	SR-40-34	LER244	LER233	465
22244	N44	W44	SDAF240	SR-44-38	LER248	LER239	650
22317	AN17	W17	SDAF317	SR-20-17	LER109	LER188	80
22318	AN18	W18	SDAF318	SR-21-18	LER112	LER191	92
22320	AN20	W20	SDAF320	SR-24-20	LER118	LER106	109
22322	AN22	W22	SDAF322	SR-0-22	LER121	LER113	145
22324	AN24	W24	SDAF324	SR-0-24	LER127	LER119	195
22326	AN26	W26	SDAF326	SR-0-26	LER136	LER122	280
22328	AN28	W28	SDAF328	SR-0-28	LER144	LER127	305
22330	AN30	W30	SDAF330	SR-36-30	LER151	LER134	375
22332	AN32	W32	SDAF332	SR-38-32	LER225	LER217	445
22334	AN34	W34	SDAF334	SR-40-34	LER230	LER220	525
22336	AN36	W36	SDAF336	SR-0-36	LER234	LER223	635
22338	AN38	W38	SDAF338	SR-44-38	LER240	LER229	700
22340	AN40	W40	SDAF340	SR-0-40	LER244	LER233	725

SPHERICAL ROLLER BEARING PILLOW BLOCKS

INCH STRAIGHT BORE MOUNTING

INCH STRAIGHT BORE MOUNTING SDAF231 AND SDAF232 SERIES

- Each assembly includes the housing cap and base, cap bolts, bearing, locknut and washer, stabilizing ring and triple-ring seals.
- To order pillow block housing only, use the numbers listed in the "Housing Only" column. These units include cap and base, cap bolts, triple-ring seals and stabilizing ring.
- Assembly and pillow blocks described on this page constitute fixed units.
- To order float units, specify part number plus suffix "Float" or "FL."
- All assemblies shown are furnished in cast iron. If cast steel is desired, add the letter "S" to the alpha prefix (e.g., SDAFS 23152).
- For fixed applications, both stabilizing rings must be used. Do not use stabilizing rings for "Float" mounting.

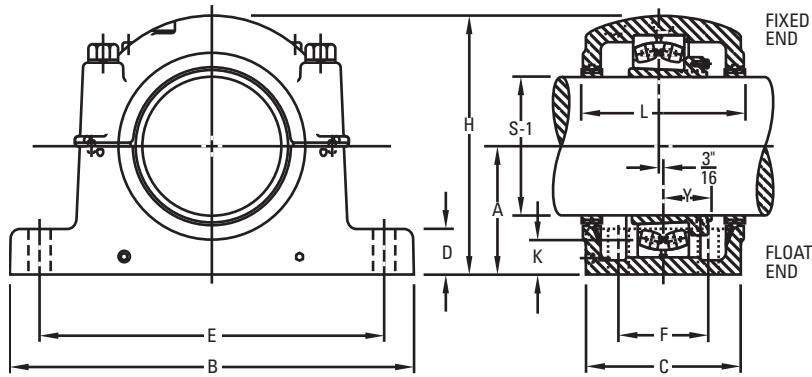
Pillow Block Assembly	Diameter ⁽¹⁾		A	B	C	D	E		F	H	Oil Level K	L
	S-2	S-3					Max.	Min.				
	in.	in.										
SERIES SDAF231												
SDAF23152	11 ½	9 ⅝	10 ¼	35	13 ⅞	3 ¾	30 ½	29	8 ¾	20 ⅞	3 ¾	14 ¼
SDAF23156	12 ½	10 ¾	12	38 ¼	14 ¾	3 ¾	33 ½	32 ¾	9	23 ⅞	4 ¾	15 ⅞
SDAF23160	13	11 ½	12	38 ¼	14 ¾	3 ¾	33 ½	32 ¾	9	23 ⅞	4 ¾	15 ⅞
SDAF23164	14	12 ¼	12 ⅜	41 ¾	15 ¾	4 ½	36 ½	35	10 ½	25 ¾	4 ¾	16 ¾
SDAF23168	15	13	14	43 ¾	17 ¾	5	38 ¼	36 ¾	10 ¾	27 ⅞	4 ⅝	18 ¾
SDAF23172	16	13 ¾	14 ½	46	17 ⅞	5 ¼	40 ¾	39 ¼	11	28 ⅞	5	18
SDAF23176	17	14 ½	14 ½	46	17 ⅞	5 ¼	40 ¾	39 ¼	11	28 ⅞	4 ¾	18
SDAF23180	17 ½	15 ¼	15 ½	48 ¾	18 ¾	5 ½	43 ½	41 ¾	12 ¼	30 ½	5 ⅞	19 ¾
SDAF23184	18 ½	15 ¾	17	52	21	5 ½	46 ⅞	44 ¾	14 ½	33 ¾	6	22 ¼
SDAF23188	19 ½	17	17	52	21	5 ½	46 ⅞	44 ¾	14 ½	33 ¾	5 ⅞	22 ¼
SDAF23192	20	17 ¾	18	54 ¼	21 ⅞	5 ¾	48 ⅞	47 ⅞	15	35 ¾	6	22 ¾
SERIES SDAF232												
SDAF23248	10 ½	9 ⅝	10 ¼	35	13 ⅞	3 ¾	30 ½	29	8 ¾	20 ⅞	3 ⅞	14 ¼
SDAF23252	11 ½	9 ⅝	12	38 ¼	14 ¾	3 ¾	33 ½	32 ¾	9	23 ⅞	4 ¾	15 ⅞
SDAF23256	12 ½	10 ¾	12	38 ¼	14 ¾	3 ¾	33 ½	32 ¾	9	23 ⅞	4 ¾	15 ⅞
SDAF23260	13	11 ½	12 ⅜	41 ¾	15 ¾	4 ½	36 ½	35	10 ½	25 ¾	4 ½	16 ¾
SDAF23264	14	12 ¼	14	43 ¾	17 ¾	5	38 ¼	36 ¾	10 ¾	27 ⅞	5 ⅞	18 ¾
SDAF23268	15	13	14 ½	46	17 ⅞	5 ¼	40 ¾	39 ¼	11	28 ⅞	5	18
SDAF23272	16	13 ¾	15 ½	48 ¾	18 ¾	5 ½	43 ½	41 ¾	12 ¼	30 ½	5 ½	19 ¾
SDAF23276	17	14 ½	15 ½	48 ¾	18 ¾	5 ½	43 ½	41 ¾	12 ¼	30 ½	4 ¾	19 ¾
SDAF23280	17 ½	15 ¼	17	52	21	5 ½	46 ⅞	44 ¾	14 ½	33 ¾	6	22 ¼
SDAF23284	18 ½	15 ¾	18	54 ¼	21 ⅞	5 ¾	48 ⅞	47 ⅞	15	35 ¾	6 ⅞	22 ¾
SDAF23288	19 ½	17	18	54 ¼	21 ⅞	5 ¾	48 ⅞	47 ⅞	15	35 ¾	5 ⅞	22 ¾

⁽¹⁾See page 120, table 28 for suggested shaft diameter S-2, S-3 tolerances.

⁽²⁾"Housing Only" includes cap, base, cap bolts, triple-ring seals and stabilizing rings as required.

⁽³⁾Stabilizing ring used for fixed (FX) block; do not use for float (FL) mounting.

⁽⁴⁾Triple-ring seals for other shaft diameters are available upon special order.



4 Base Bolts Req'd	Bearing Number	Locknut	Lockwasher	Housing Only ⁽²⁾	Stabilizing Ring ⁽³⁾ 1 Req'd	Triple Seal 1 Req'd ⁽⁴⁾		Assembly Weight
						S-2	S-3	
in.								lbs.
1 5/8	23152	N052	P52	SDAF3152	A5679	ER832	ER845	1050
1 5/8	23156	N056	P56	SDAF3156	A8967	ER866	ER826	1250
1 5/8	23160	N060	P60	SDAF3160	A8975	ER824	ER832	1350
1 7/8	23164	N064	P64	SDAF3164	A8970	ER876	ER983	1850
2	23168	N068	P68	SDAF3168	A8977	ER847	ER846	2450
2	23172	N072	P72	SDAF3172	A8974	ER809	ER874	2500
2	23176	N076	P76	SDAF3176	A8978	ER811	ER950	2500
2 1/4	23180	N080	P80	SDAF3180	A8979	ER967	ER895	2800
2 1/4	23184	N084	P84	SDAF3184	A8984	ER978	ER907	4300
2 1/4	23188	N088	P88	SDAF3188	A8976	ER926	ER838	4300
2 1/2	23192	N092	P92	SDAF3192	A8990	ER808	ER906	5000
1 5/8	23248	N048	P48	SDAF3248	A5679	ER840	ER923	1100
1 5/8	23252	N052	P52	SDAF3252	A8968	ER832	ER845	1350
1 5/8	23256	N056	P56	SDAF3256	A8975	ER866	ER826	1400
1 7/8	23260	N060	P60	SDAF3260	A8970	ER846	ER856	1900
2	23264	N064	P64	SDAF3264	A8977	ER876	ER983	2500
2	23268	N068	P68	SDAF3268	A8978	ER847	ER846	2650
2 1/4	23272	N072	P72	SDAF3272	A8979	ER965	ER981	2950
2 1/4	23276	N076	P76	SDAF3276	A8980	ER838	ER984	3050
2 1/4	23280	N080	P80	SDAF3280	A8976	ER967	ER895	4500
2 1/2	23284	N084	P84	SDAF3284	A8990	ER978	ER907	5000
2 1/2	23288	N088	P88	SDAF3288	A8988	ER926	ER838	5050

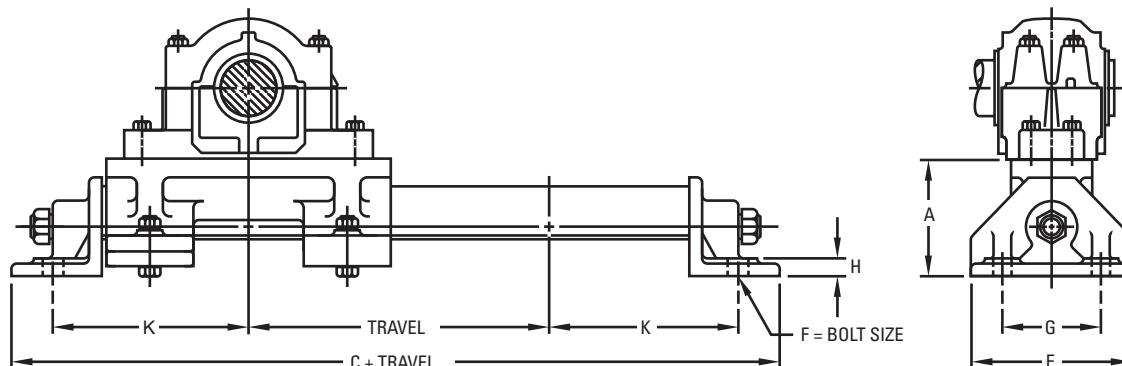
INCH SHAFT DIAMETERS

TABLE 28. SUGGESTED S-1, S-2, S-3 INCH SHAFT DIAMETERS

Diameter	Max.	Min.	Diameter	Max.	Min.
1 1/16	1.4375	1.4345	7 1/4	7.2500	7.2450
1 11/16	1.6875	1.6845	7 7/16	7.4375	7.4325
1 1/8	1.8750	1.8720	7 5/8	7.6250	7.6200
1 15/16	1.9375	1.9345	7 13/16	7.8125	7.8075
2 1/16	2.0625	2.0585	7 15/16	7.9375	7.9325
2 1/8	2.1250	2.1210	8 1/16	8.3125	8.3065
2 3/16	2.1875	2.1835	8 3/8	8.3750	8.3690
2 1/4	2.2500	2.2460	8 7/16	8.4375	8.4315
2 3/8	2.3750	2.3710	8 1/2	8.5000	8.4940
2 7/16	2.4375	2.4335	8 3/4	8.7500	8.7440
2 9/16	2.5625	2.5585	8 15/16	8.9375	8.9315
2 5/8	2.6250	2.6210	9	9.0000	8.9940
2 11/16	2.6875	2.6835	9 1/16	9.4375	9.4315
2 13/16	2.8125	2.8085	9 1/2	9.5000	9.4940
2 7/8	2.8750	2.8710	9 5/16	9.5625	9.5565
2 15/16	2.9375	2.9335	9 15/16	9.9375	9.9315
3	3.0000	2.9960	10	10.0000	9.9940
3 1/16	3.0625	3.0585	10 7/16	10.4375	10.4305
3 3/16	3.1875	3.1835	10 1/2	10.5000	10.4930
3 1/4	3.2500	3.2460	10 15/16	10.9375	10.9305
3 5/8	3.3750	3.3710	11	11.0000	10.9930
3 7/16	3.4375	3.4335	11 1/16	11.4375	11.4305
3 5/8	3.6250	3.6210	11 1/2	11.5000	11.4930
3 15/16	3.9375	3.9335	11 15/16	11.9375	11.9305
4 1/8	4.1250	4.1200	12	12.0000	11.9930
4 3/16	4.1875	4.1825	12 1/16	12.4375	12.4295
4 7/16	4.4375	4.4325	12 1/2	12.5000	12.4920
4 1/2	4.5000	4.4950	12 15/16	12.9375	12.9295
4 9/16	4.5625	4.5575	13	13.0000	12.9920
4 7/8	4.8750	4.8700	13 7/16	13.4375	13.4295
4 15/16	4.9375	4.9325	13 1/2	13.5000	13.4920
5 1/16	5.1875	5.1825	13 15/16	13.9375	13.9295
5 1/8	5.3125	5.3075	14	14.0000	13.9920
5 1/16	5.4375	5.4325	15	15.0000	14.9920
5 3/4	5.7500	5.7450	16	16.0000	15.9920
5 7/8	5.8750	5.8700	17	17.0000	16.9920
5 15/16	5.9375	5.9325	17 1/2	17.5000	17.4920
6 1/16	6.0625	6.0575	18 1/2	18.5000	18.4920
6 1/4	6.2500	6.2450	19 1/2	19.5000	19.4920
6 7/16	6.4375	6.4325	20	20.0000	19.9920
6 5/8	6.6250	6.6200			
6 7/8	6.8750	6.8700			
6 15/16	6.9375	6.9325			
7	7.0000	6.9950			
7 1/16	7.1875	7.1825			

INCH TU TAKE-UP UNITS

- The same care taken in the selection of stationary pillow blocks also must be applied to selecting the proper take-up unit.
- Load requirements should be carefully evaluated before specifying a particular Timken take-up assembly.
- The pedestal is made of stress-relieved cast iron. End bases are made of ductile iron. The guide rail and screw are steel.
- Units are available with travel lengths from 12 to 36 in., in 6-in. increments.
- Catalog numbers shown here are for the TU take-up unit only; pillow block assemblies must be ordered separately.
- Both two- and four-bolt pedestals are available and must be specified.



TU Take-Up Unit Catalog Number ⁽¹⁾	Pillow Block Housing Number (SAF or SDAF)			A	C	E	Bolt Size F	G	H	K
				in.	in.	in.	in.	in.	in.	in.
TU-3x	515L	—	—	4 7/8	20	6 1/2	5/8	4	3/4	8 1/4
TU-4x	516L	—	517L	5	21 3/4	6 1/2	3/4	4	3/4	9 1/8
TU-5x	518L	—	615L	5 1/4	23	7 1/2	3/4	5	3/4	9 3/4
TU-6x	520L	—	617L	5 1/2	24 3/4	7 1/2	3/4	5	7/8	10 3/4
TU-7x	522L	524L	620L	6	26	9	3/4	6 1/2	1	11 1/2
TU-8x	526L	—	622L	6	28	9	3/4	6 1/2	1	12 1/2
TU-8-1x	528L	—	—	6	29 1/2	9	3/4	6 1/2	1	13 1/4

⁽¹⁾Enter 12, 18, 24, 30 or 36 to indicate travel in inches.

INCH TTU TAKE-UP UNITS

- The same care taken in the selection of stationary pillow blocks also must be applied to selecting the proper take-up unit.
- Load requirements should be carefully evaluated before specifying a particular take-up assembly.
- Frame assembly and adjusting screw of TTU units are made of steel.
- The bearing housing is cast iron. Steel or ductile iron housings are additional options.
- Units include housing for adapter-mounted bearings only, for either fixed or float position (be sure to specify).
- One stabilizing ring is included for fixed-position assemblies.
- Sealing is triple-ring labyrinth or end closures.
- For extremely contaminated environments, the DUSTAC seal is suggested. See page 124 for more information.

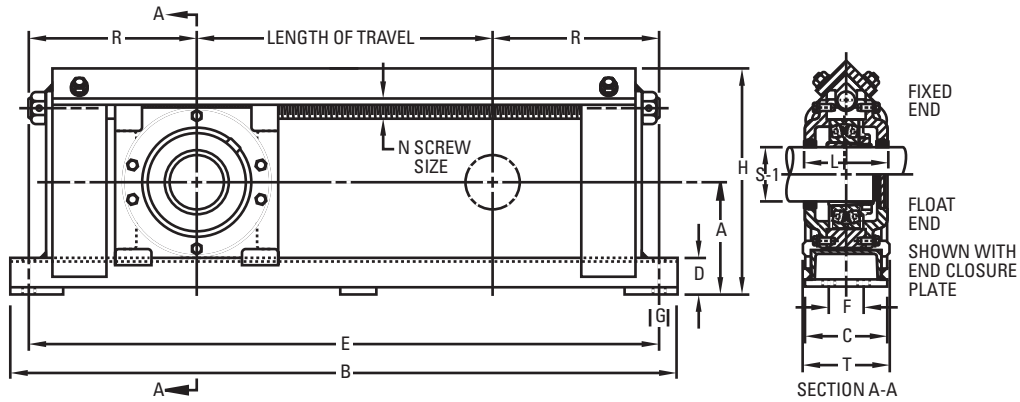
Take-Up Unit and Frame No. (Travel in Bold)	Diameter S-1 ⁽¹⁾	A	B	C	D	E	F	Bolt Size G	H	L	N	R	T
		in.	in.	in.	in.	in.	in.	in.	in.	in.	in.	in.	in.
TTU-55-12	1 15/16	4 5/8	28 1/2	3 1/2	1 3/4	26 1/2	—	5/8	9	4	3/4	7 1/4	4
TTU-55-18		4 5/8	34 1/2	3 1/2	1 3/4	32 1/2	—	5/8	9	4	3/4	7 1/4	4
TTU-55-24		4 5/8	40 1/2	3 1/2	1 3/4	38 1/2	—	5/8	9	4	3/4	7 1/4	4
TTU-65-12	2 3/16	5	29 1/2	3 1/2	1 3/4	27 1/2	—	5/8	10	4 1/2	3/4	7 3/4	4
TTU-65-18		5	35 1/2	3 1/2	1 3/4	33 1/2	—	5/8	10	4 1/2	3/4	7 3/4	4
TTU-65-24		5	41 1/2	3 1/2	1 3/4	39 1/2	—	5/8	10	4 1/2	3/4	7 3/4	4
TTU-75-6	2 7/16	5 3/16	24 1/2	3 1/2	1 3/4	22 1/2	—	3/4	10 1/2	4 1/2	7/8	8 1/4	4
TTU-75-12		5 3/16	30 1/2	3 1/2	1 3/4	28 1/2	—	3/4	10 1/2	4 1/2	7/8	8 1/4	4
TTU-75-18		5 3/16	36 1/2	3 1/2	1 3/4	34 1/2	—	3/4	10 1/2	4 1/2	7/8	8 1/4	4
TTU-75-24		5 3/16	42 1/2	3 1/2	1 3/4	40 1/2	—	3/4	10 1/2	4 1/2	7/8	8 1/4	4
TTU-75-30		5 3/16	48 1/2	3 1/2	1 3/4	46 1/2	—	3/4	10 1/2	4 1/2	7/8	8 1/4	4
TTU-85-6	2 15/16	6	26 1/2	4 5/8	2	24 1/2	2	5/8	12 1/4	4 3/4	1	9 1/4	5
TTU-85-12		6	32 1/2	4 5/8	2	30 1/2	2	5/8	12 1/4	4 3/4	1	9 1/4	5
TTU-85-18		6	38 1/2	4 5/8	2	36 1/2	2	5/8	12 1/4	4 3/4	1	9 1/4	5
TTU-85-24		6	44 1/2	4 5/8	2	42 1/2	2	5/8	12 1/4	4 3/4	1	9 1/4	5
TTU-85-30		6	50 1/2	4 5/8	2	48 1/2	2	5/8	12 1/4	4 3/4	1	9 1/4	5
TTU-100-12	3 7/16	6 5/8	34 1/4	4 5/8	2	32	2	3/4	13 7/8	6	1 1/8	10	5 1/2
TTU-100-18		6 5/8	40 1/4	4 5/8	2	38	2	3/4	13 7/8	6	1 1/8	10	5 1/2
TTU-100-24		6 5/8	46 1/4	4 5/8	2	44	2	3/4	13 7/8	6	1 1/8	10	5 1/2
TTU-100-30		6 5/8	52 1/4	4 5/8	2	50	2	3/4	13 7/8	6	1 1/8	10	5 1/2
TTU-110-12	3 15/16	7 3/4	38 1/2	5 5/8	2 1/4	36	2 1/2	3/4	16 1/4	6 1/2	1 1/4	12	7
TTU-110-18		7 3/4	44 1/2	5 5/8	2 1/4	42	2 1/2	3/4	16 1/4	6 1/2	1 1/4	12	7
TTU-110-24		7 3/4	50 1/2	5 5/8	2 1/4	48	2 1/2	3/4	16 1/4	6 1/2	1 1/4	12	7
TTU-110-30		7 3/4	56 1/2	5 5/8	2 1/4	54	2 1/2	3/4	16 1/4	6 1/2	1 1/4	12	7
TTU-110-36		7 3/4	62 1/2	5 5/8	2 1/4	60	2 1/2	3/4	16 1/4	6 1/2	1 1/4	12	7
TTU-130-12	4 7/16	8 5/8	45 3/4	8 3/4	2 3/4	40 3/4	5	1 1/8	18 7/8	7 1/4	2	14 3/8	10
TTU-130-18		8 5/8	51 3/4	8 3/4	2 3/4	46 3/4	5	1 1/8	18 7/8	7 1/4	2	14 3/8	10
TTU-130-24		8 5/8	57 3/4	8 3/4	2 3/4	52 3/4	5	1 1/8	18 7/8	7 1/4	2	14 3/8	10
TTU-130-30		8 5/8	63 3/4	8 3/4	2 3/4	58 3/4	5	1 1/8	18 7/8	7 1/4	2	14 3/8	10
TTU-140-12	4 15/16	9 1/2	49 1/2	9 3/4	3	44 1/2	5 1/2	1 1/4	20 3/8	7 1/2	2 1/4	16 1/4	11
TTU-140-18		9 1/2	55 1/2	9 3/4	3	50 1/2	5 1/2	1 1/4	20 3/8	7 1/2	2 1/4	16 1/4	11
TTU-140-24		9 1/2	61 1/2	9 3/4	3	56 1/2	5 1/2	1 1/4	20 3/8	7 1/2	2 1/4	16 1/4	11
TTU-140-30		9 1/2	67 1/2	9 3/4	3	62 1/2	5 1/2	1 1/4	20 3/8	7 1/2	2 1/4	16 1/4	11

⁽¹⁾See page 120, table 28 for suggested shaft diameter S-1 tolerances.

⁽²⁾Includes sleeve, locknut and lockwasher. Add shaft size to order.

⁽³⁾Stabilizing ring is used for fixed (FX) block; do not use for float (FL) mounting.

Note: Speed ratings are found in dimension tables on pages 62-88.



Bearing Number	Adapter Assembly Number ⁽²⁾	Stabilizing Ring ⁽³⁾ 1 Req'd	Triple Seal 2 Req'd	Approx. Weight
				lbs.
22211K	SNW-11	SR-11-0	LER24	55
22211K	SNW-11	SR-11-0	LER24	60
22211K	SNW-11	SR-11-0	LER24	65
22213K	SNW-13	SR-13-0	LER29	60
22213K	SNW-13	SR-13-0	LER29	65
22213K	SNW-13	SR-13-0	LER29	70
22215K	SNW-15	SR-15-0	LER37	65
22215K	SNW-15	SR-15-0	LER37	70
22215K	SNW-15	SR-15-0	LER37	75
22215K	SNW-15	SR-15-0	LER37	80
22215K	SNW-15	SR-15-0	LER37	85
22217K	SNW-17	SR-17-14	LER53	95
22217K	SNW-17	SR-17-14	LER53	100
22217K	SNW-17	SR-17-14	LER53	105
22217K	SNW-17	SR-17-14	LER53	110
22217K	SNW-17	SR-17-14	LER53	115
22220K	SNW-20	SR-20-17	LER102	140
22220K	SNW-20	SR-20-17	LER102	145
22220K	SNW-20	SR-20-17	LER102	150
22220K	SNW-20	SR-20-17	LER102	155
22222K	SNW-22	SR-22-19	LER109	200
22222K	SNW-22	SR-22-19	LER109	210
22222K	SNW-22	SR-22-19	LER109	220
22222K	SNW-22	SR-22-19	LER109	230
22222K	SNW-22	SR-22-19	LER109	240
22226K	SNW-26	SR-26-0	LER117	360
22226K	SNW-26	SR-26-0	LER117	380
22226K	SNW-26	SR-26-0	LER117	400
22226K	SNW-26	SR-26-0	LER117	420
22228K	SNW-28	SR-28-0	LER122	460
22228K	SNW-28	SR-28-0	LER122	480
22228K	SNW-28	SR-28-0	LER122	510
22228K	SNW-28	SR-28-0	LER122	530

INCH DUSTAC™ SHAFT SEAL

- Suggested for pillow blocks used in extremely contaminated environments, such as taconite mines.
- Provides protection against residual and airborne contaminants that are better than the triple-labyrinth shaft seal.
- Contributes significantly to extending service bearing life; reduces costs by helping prevent premature bearing damage.
- Because of its unique design, no special finish is required on the shaft. DUSTAC utilizes a V-shaped nitrile ring that rotates with the shaft and applies pressure to the cartridge face to help exclude contaminants.

TABLE 29.

Pillow Block Housing Number	Diameter S-1	Assembly Standout B	DUSTAC Seal Assembly	V-Ring Seal	O-Ring	End Plug
500 600						
515 615	2 7/16	59/64	DV-37	V-60-A	2-228	EPS-4
516 616	2 11/16	59/64	DV-44	V-65-A	2-231	EPS-5
517 -	2 15/16	1	DV-53	V-75-A	2-230	EPS-6
518 -	3 3/16	1	DV-69	V-80-A	2-235	EPS-9
520 620	3 7/16	1	DV-102	V-85-A	2-234	EPS-11
522 622	3 15/16	1	DV-109	V-100-A	2-239	EPS-13
524 624	4 3/16	1 1/16	DV-113	V-110-A	2-238	EPS-14
526 626	4 7/16	1 1/16	DV-117	V-110-A	2-242	EPS-15
528 628	4 15/16	1 1/16	DV-122	V-130-A	2-244	EPS-16
530 630	5 3/16	1 1/16	DV-125	V-130-A	2-247	EPS-17
532 632	5 7/16	1 1/16	DV-130	V-140-A	2-249	EPS-18
534 634	5 15/16	1 1/16	DV-140	V-150-A	2-253	EPS-20
536 636	6 7/16	1 3/64	DV-148	V-160-A	2-259	EPS-21
538 638	6 15/16	1 3/64	DV-155	V-180-A	2-259	EPS-22
540 640	7 3/16	1 3/64	DV-159	V-180-A	2-259	EPS-23
544 -	7 15/16	1 15/32	DV-167	V-200-A	2-262	EPS-25

ORDER INSTRUCTIONS

- Shaft seal may be ordered in place of the standard LER triple-ring seals supplied with the pillow blocks listed. They also are available to retrofit existing installations.
- To order any pillow block housings with DUSTAC shaft seal on both sides, add the suffix "DV" to the number (e.g., SAF2522DV).
- To order pillow block housings with DUSTAC shaft seal and one end closed, add the suffix "DC" to the number (e.g., SAF22522DC).
- Standard sizes of DUSTAC shaft seals are shown in the table. Other sizes are available upon request.

INSTALLATION PROCEDURE

1. Check shaft diameters to print specification. Remove any burrs or sharp edges. Be sure that the shaft surface is clean and dry beyond the area of seal location.
2. Expand the V-ring seal over the shaft to the approximate inboard position (reference dimension "B" in the tables). *Make sure the lip of the seal faces the bearing.*
3. Slide the seal cartridge onto the shaft until the V-ring fits into its cavity.
4. Mount the bearing, sleeve, lockwasher and locknut in a normal manner and adjust for internal clearance.
5. If both ends have seals, repeat steps 2 and 3 with the V-ring going on last with its lip facing the bearing.
6. Thoroughly clean the housing base and remove any paint or burrs from the mating surfaces of the housing cap.

7. Lower shaft, bearing and seals into the housing base, taking care to guide the seals into the seal grooves.
8. On each shaft, there must be only one fixed bearing. If the bearing is to be fixed, the stabilizing ring can be inserted between the bearing outer ring and the housing shoulder on the locknut side of the bearing. All other bearings on this shaft should be centered in the housing.
9. The upper half of the housing or cap should be thoroughly cleaned and checked for burrs. Place it over the bearing and seals. The dowel pins will align the cap to the base. **NOTE:** Housing caps and bases are not interchangeable.
10. After the cap bolts are tightened, it is most important to position the V-ring seal to its proper fitted width. This is accomplished by moving the seal until it is flush with the outside face of the cavity. This provides proper compression of the lip against the cartridge face.

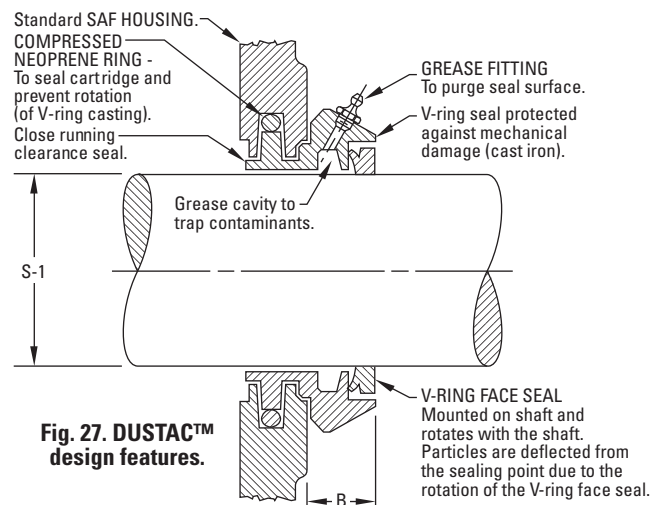


Fig. 27. DUSTAC™ design features.

INCH SINE BAR GAGES

- Tapered-bore, antifriction bearings are mounted either on adapter sleeves or on tapered shaft seats.
- In cases where tapered bore bearings are mounted directly on the shaft, the shaft must conform to the tapered bore of the bearing to ensure a proper fit. If a proper fit is not achieved, the results could be:
 - Turning of the bearing inner race on the shaft.
 - Uneven loading of the bearing.
 - Severe inner race hoop stress.
 - Insufficient support (back-up) of the inner race on the shaft.
- All of these conditions could lead to premature bearing wear. Therefore, the manufacture, maintenance and measurement of accurate shaft tapers is important.
- There are two accepted ways of measuring tapered shafts: ring gages and sine bar gages.
- Precision measurement of tapered shafts is difficult with ring gages and may be impossible in the case of large shafts where gages are large, cumbersome and heavy.
- Sine bar gages provide an accurate and easy method of measurement.
- Lightweight, and easy to handle and use, sine bar gages achieve precise gaging of the shaft size and taper.
- A complete set for measurement of 1:12 shaft tapers consists of 3 in., 4 in., 5½ in., 7 in., 10 in. and 14 in. sine bar

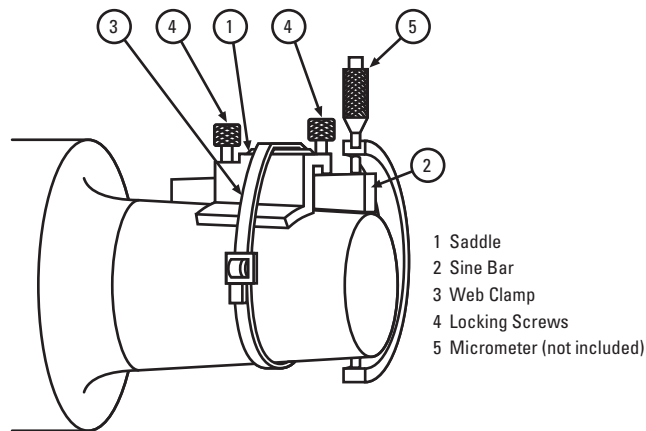


Fig. 28. Parts of a sine gage.

gages, sine bar saddle no. T-5491-C, web clamp no. T-5489-A and a wooden box no. T-5224-C. A complete set for 1:30 shaft tapers consists of 4 in., 6 in., 8 in. and 12 in. sine bar gages.

- Sine bars can be purchased individually or in any combination of sizes to meet your individual needs.
- All sine bars require a sine bar saddle and web clamp. A wooden box is optional.
- For information on the use of sine bars, prices and delivery, consult your Timken engineer.

TABLE 30.

Part Number	Size in.	For Bearings
T-3071-C	3.0000	22232K to 22240K
	3.0000	22322K to 22328K
	3.0000	23040K to 23048K
	3.0000	23130K to 23136K
	3.0000	23226K to 23230K
T-3072-C	4.0000	22248K to 22256K
	4.0000	22330K to 22340K
	4.0000	23052K to 23076K
	4.0000	23138K to 23148K
	4.0000	23232K to 23240K
T-3073-C	5.5000	22260K to 22264K
	5.5000	23080K to 230/500K
	5.5000	23152K to 23164K
	5.5000	23244K to 23256K
		239/600K to 239/710K

Note: All sine bars require a sine bar saddle, T-5491-C, and a web clamp, T-5489-A.

TABLE 31.

Part Number	Size in.	For Bearings
T-3074-C	7.0000	230/530K to 230/750K
	7.0000	23168K to 23196K
	7.0000	23260K to 23276K
		239/750K to 239/1120K
T-3075-C	10.0000	230/800K to 230/1180
	10.0000	231/500K to 231/710K
	10.0000	23280K to 232/530K
T-3076-C		230/1250 and up
	14.0000	231/750K and up
T-5476-C	4.0000	232/560K and up
	4.0000	239/118K and up
T-5477-C	4.0000	24040K to 24056K
	6.0000	24132K to 24144K
T-5478-C	6.0000	24060K to 24084K
	6.0000	24148K to 24160K
T-5479-C	8.0000	24089K to 240/630K
	8.0000	24164K to 24192K
T-5479-C	12.0000	240/670K and up
	12.0000	24196K and up

The table above represents the sine bar sizes developed for a full range of tapered bore bearings with a 1:12 and a 1:30 taper. Additional sizes are available to fit a variety of width-and-taper combinations. Consult your local Timken engineer for availability.

SPHERICAL ROLLER BEARING ACCESSORIES

Spherical roller bearing accessories are manufactured to the same quality standards as our bearings, ensuring a secure fit to straight and stepped shafts.

- **Sizes:** Accessories are available for metric and inch shaft sizes from 20 mm (0.78 in.) to 1000 mm (40 in.).
- **Features:** Extensive product range, including hydraulic assist, for integration into a full range of industrial applications.
- **Benefits:** Supports full range of installation and removal needs, minimizing the chance for damage to the bearing.



Nomenclature	128
Accessories Prefixes and Suffixes	129
INCH ACCESSORIES	
Inch Accessories - Pull-Type Sleeves	130
Inch Accessories - Push-Type Sleeves	140
Inch Accessories - Locknuts and Lockwashers	144
Inch Accessories - Locknuts and Lockplates	148
Inch H MVC Hydraulic Nuts	152
METRIC ACCESSORIES	
Metric Accessories Index	153
Metric H Adapter Sleeves	159
Metric HE Adapter Sleeves for Inch Shaft	163
Metric HA Adapter Sleeves for Inch Shaft	165
Metric OH Hydraulic Adapter Sleeves	167
Metric AH Withdrawal Sleeves	171
Metric AOH Hydraulic Withdrawal Sleeves	176
Metric H MV Hydraulic Nuts	181
Metric Locknuts	185
Metric Lockwashers	191
Metric Lockplates	193

NOMENCLATURE

Timken provides accessories for your every need. To complement our line of Timken® spherical roller bearings, we offer bearing sleeves and locking devices in a wide range of sizes. These accessories are manufactured to the same quality standards as our bearings, ensuring a secure fit to straight and stepped shafts. Available in sizes up to 1000 mm (39.3701 in.), bearing sleeves are available in two distinct designs: assembled adapter sleeves and adapter sleeve assemblies.

ADAPTER SLEEVES

Timken adapter sleeves are used in conjunction with a nut and locking device to mount a tapered bore bearing onto a straight shaft using a pull-type fit. Smaller size assemblies (20 mm [0.78 in.] - 200 mm [12 in.] shaft) commonly use simple nuts, whereas larger assemblies (sizes >200 mm [12 in.]) may use HMV hydraulic nuts to assist in mounting. Tables 32, 33 and 34 outline our part number nomenclature, which is consistent with world standards for adapter sleeves.

TABLE 32. METRIC ADAPTER SLEEVES (H, OH) FOR METRIC SHAFT SIZES ARE SUPPLIED WITH CORRESPONDING LOCKNUT AND LOCKING DEVICE

Sleeve	Locknut	Locking Device
H standard metric/ OH hydraulic assist	KM, KML, HM	MB, MBL, MS

TABLE 33. METRIC ADAPTER SLEEVES (HA, HE) FOR INCH SHAFT SIZES ARE SUPPLIED WITH CORRESPONDING LOCKNUT AND LOCKING DEVICE

Sleeve	Locknut	Locking Device
HE standard inch (English Standard) HA standard inch (American standard)	KM, KML	MB, MBL

TABLE 34. INCH ADAPTER SLEEVES (SNW, SNP) FOR INCH SHAFT SIZES ARE SUPPLIED WITH CORRESPONDING LOCKNUT AND LOCKING DEVICE

Assembly	Sleeve	Locknut	Locking Device
SNW	S	N, AN	W
SNP	S	N	P

SNW assembly consists of a sleeve, locknut and lockwasher.
SNP assembly consists of a sleeve, locknut and lockplate.

WITHDRAWAL SLEEVES

Withdrawal sleeves feature a push-type mounting arrangement and a locking device (i.e., locknut or lockplate) to secure a bearing to a shaft. This design is not as widely used as the adapter sleeve assembly, and it does require the use of a specially

designed dismantling nut. Timken's part number nomenclature for withdrawal sleeves also conforms to industry-accepted standards. Nuts are not supplied with the withdrawal sleeve and must be ordered separately. The dismantling of large assemblies can be eased by using a hydraulic nut (HMV).

TABLE 35. METRIC WITHDRAWAL SLEEVE FOR METRIC SHAFT SIZES

Sleeve	Dismounting Nut	Hydraulic Nut
AH standard metric/AOH hydraulic assist	KM, HM	HMV

TABLE 36. INCH WITHDRAWAL SLEEVE FOR INCH SHAFT SIZES

Sleeve	Locknut	Lockwasher/Plate	Dismounting Nut
SK	N, AN	W, P	AN, ARN, RN, N

LOCKING DEVICE

Timken offers a wide range of locknuts to locate bearing assemblies on application shafts. Sometimes referred to as shaft or withdrawal nuts, they are used to secure the assembly onto, and sometimes aid with the removal from the shaft.

LOCKWASHERS (MB, MBL AND W)

Locking washers are designed to secure the relative movement of a properly positioned locknut, so that a bearing and adapter sleeve remain tightly fitted to a shaft or a bearing remains secure against a shaft shoulder. The tab in the bore of the washer engages a keyway in the shaft or slot in the adapter sleeve. There are tabs on the O.D. of the washer that can be bent over into slots on the circumference of the locknut. Locking washers are used with locknuts in the KM and KML series as well as for the locknuts with inch dimensions in the N and AN series.

LOCKPLATES (MS AND P)

Lockplates are bolted onto the outboard face of the locknut and fit into a keyway machined in the shaft or a slot in the adapter sleeve.

- MS series are mounted on metric shafts sizes with HM locknuts.
- P series are mounted on metric shafts sizes with N locknuts.

To learn more about our spherical roller bearing accessories, contact your Timken engineer. Standard suffixes and prefixes are found on page 129.

ACCESSORIES PREFIXES AND SUFFIXES

Prefix	Suffix	Part Description	Full Description
AH		Withdrawal sleeve	Withdrawal sleeve
AHX		Withdrawal sleeve	Withdrawal sleeve – modified
AOH		Withdrawal sleeve – hydraulic	Withdrawal sleeve with oil hole on nut end
AOHX		Withdrawal sleeve – hydraulic	Withdrawal sleeve – modified with oil hole on nut end
H		Adapter sleeve – metric	Adapter sleeve
OH		Adapter sleeve – hydraulic	Adapter sleeve with oil hole on large end (opposite to the threaded end)
HA		Adapter sleeve metric – inch shaft	Metric adapter sleeves for shafts with inch dimensions (American standards)
HE		Adapter sleeve metric – inch shaft	Metric adapter sleeves for shafts with inch dimensions (English standards)
SNW		Adapter sleeve – inch	Adapter sleeves, locknut and lockwasher with inch dimensions
SNP		Adapter sleeve – inch	Adapter sleeves, locknut and lockplate with inch dimensions
KM		Locknut	Locknut
KML		Locknut	Locknut – light; smaller outside diameter
HM		Locknut	Locknut/removal nut
HML		Locknut	Locknut/removal nut – light
HME		Locknut	Locknut/removal nut – with locking screw
HM...T		Locknut	Locknut/removal nut
HML...T		Locknut	Locknut/removal nut – light
HMLL...T		Locknut	Locknut/removal nut – super light
MB		Lockwasher	Lockwasher
MBL		Lockwasher	Lockwasher – light
MS		Lock clip	Locking clip
	G	Sleeve	Thread pitch diameter changed to ISO standard
	H	Locknut	Additional threaded holes on locknut for locking screws (no screws)
	HS	Locknut	Additional threaded holes on locknut for locking screws and screws
OH..	H	Adapter sleeve – hydraulic	Adapter sleeve with oil hole on nut end – standard design
OH..	HB	Adapter sleeve – hydraulic	Adapter sleeve with grooves and oil hole or two holes for bigger sizes on nut end
OH..	B	Adapter sleeve – hydraulic	Adapter sleeve with grooves and oil hole or two holes for bigger sizes on large end (opposite to the threaded end)
OH..	S	Adapter sleeve – hydraulic	Adapter sleeve with oil hole on large end (opposite to the threaded end) plus nut with eight threaded holes
OH..	BS	Adapter sleeve – hydraulic	Adapter sleeve with grooves and oil hole or two holes for bigger sizes on large end (opposite to the threaded end) plus nut with eight threaded holes

INCH ACCESSORIES – PULL-TYPE SLEEVES

SNW/SNP – PULL-TYPE SLEEVE, LOCKNUT, LOCKWASHER/LOCKPLATE ASSEMBLIES

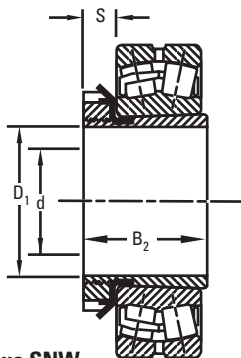
- The table below shows dimensions for adapter assemblies and components used in the mounting of tapered bore bearings on shafts.
- SNW assembly consists of a sleeve, locknut and lockwasher.
- SNP assembly consists of a sleeve, locknut and lockplate.

Bearing Number ⁽¹⁾	Accessory Numbers				Shaft Dimensions		Adapter Dimensions			SNW/SNP Assembly Weight
	Assembly	Sleeve	Locknut	Lockwasher Lockplate	Diameter d	Tolerance ⁽²⁾	B ₂	S	D ₁	
					in.	in.	in.	in.	in.	lbs.
SERIES 222K										
22207K	SNW-07 x 1 3/16	S-07	N-07	W-07	1 3/16	-0.003	1 29/64	29/64	2 1/16	0.32
22208K	SNW-08 x 1 5/16	S-08	N-08	W-08	1 5/16	-0.003	1 21/32	29/64	2 1/4	0.42
	SNW-09 x 1 3/8	S-09 x 1 3/8			1 3/8					
22209K	SNW-09 x 1 7/16	S-09	N-09	W-09	1 7/16	-0.003	1 37/64	1/2	2 17/32	0.6
	SNW-09 x 1 1/2	S-09 x 1 1/2			1 1/2					
22210K	SNW-10 x 1 5/8	S-10 x 1 5/8			1 5/8		1 49/64	9/16	2 11/16	0.7
	SNW-10 x 1 11/16	S-10	N-10	W-10	1 11/16	-0.003				
22211K	SNW-11 x 1 7/8	S-11 x 1 7/8			1 7/8		1 27/32	9/16	2 31/32	0.8
	SNW-11 x 1 15/16	S-11	N-11	W-11	1 15/16	-0.003				
22212K	SNW-11 x 2	S-11 x 2			2		1 63/64	19/32	3 5/32	1.1
	SNW-12 x 2 1/16	S-12	N-12	W-12	2 1/16	-0.004				
22213K	SNW-13 x 2 1/8	S-13 x 2 1/8			2 1/8		2 3/32	5/8	3 3/8	1.4
	SNW-13 x 2 3/16	S-13	N-13	W-13	2 3/16	-0.004				
22214K	SNW-13 x 2 1/4	S-13 x 2 1/4			2 1/4		2 11/64	5/8	3 5/8	1.8
	SNW-14 x 2 5/16	S-14	N-14	W-14	2 5/16	-0.004				
22215K	SNW-15 x 2 3/8	S-15 x 2 3/8			2 3/8		2 19/64	43/64	3 7/8	2
	SNW-15 x 2 7/16	S-15	AN-15	W-15	2 7/16	-0.004				
22216K	SNW-15 x 2 1/2	S-15 x 2 1/2			2 1/2		2 3/8	43/64	4 5/32	2.4
	SNW-16 x 2 5/8	S-16 x 2 5/8			2 5/8					
22217K	SNW-16 x 2 11/16	S-16	AN-16	W-16	2 11/16	-0.004	2 31/64	45/64	4 13/32	3.0
	SNW-16 x 2 3/4	S-16 x 2 3/4			2 3/4					
22218K	SNW-17 x 2 13/16	S-17 x 2 13/16			2 13/16		2 41/64	25/32	4 21/32	3.0
	SNW-17 x 2 7/8	S-17 x 2 7/8			2 7/8					
22219K	SNW-17 x 2 15/16	S-17	AN-17	W-17	2 15/16	-0.004	2 49/64	13/16	4 15/16	3.3
	SNW-17 x 3	S-17 x 3			3					
22218K	SNW-18 x 3 1/16	S-18 x 3 1/16			3 1/16		2 41/64	25/32	4 21/32	3.0
	SNW-18 x 3 1/8	S-18 x 3 1/8			3 1/8					
22218K	SNW-18 x 3 3/16	S-18	AN-18	W-18	3 3/16	-0.004	2 41/64	25/32	4 21/32	3.0
	SNW-18 x 3 1/4	S-18 x 3 1/4			3 1/4					
22219K	SNW-19 x 3 5/16	S-19	AN-19	W-19	3 5/16	-0.004	2 49/64	13/16	4 15/16	3.3
	SNW-20 x 3 3/8	S-20 x 3 3/8			3 3/8					

⁽¹⁾Bold shaft sizes are standard. When ordering non-standard accessories, specify shaft size.

⁽²⁾Tolerance range is from +0 to value listed.

Continued on next page.



Tapered bore bearing plus SNW.

Bearing Number ⁽¹⁾	Accessory Numbers				Shaft Dimensions		Adapter Dimensions			SNW/SNP Assembly Weight
	Assembly	Sleeve	Locknut	Lockwasher Lockplate	Diameter d	Tolerance ⁽²⁾	B ₂	S	D ₁	
					in.	in.	in.	in.	in.	lbs.
22220K	SNW-20 x 3 7/16	S-20	AN-20	W-20	3 7/16	-0.004	2 7/8	27/32	5 3/16	4.4
	SNW-20 x 3 1/2	S-20 x 3 1/2			3 1/2					
22222K	SNW-22 x 3 13/16	S-22 x 3 13/16			3 13/16					
	SNW-22 x 3 7/8	S-22 x 3 7/8			3 7/8					
	SNW-22 x 3 15/16	S-22	AN-22	W-22	3 15/16	-0.004	3 13/64	29/32	5 23/32	5.0
	SNW-22 x 4	S-22 x 4			4					
22224K	SNW-24 x 4 1/16	S-22 x 4 1/16			4 1/16					
	SNW-24 x 4 1/8	S-22 x 4 1/8			4 1/8					
	SNW-24 x 4 3/16	S-24	AN-24	W-24	4 3/16	-0.005	3 15/32	15/16	6 1/8	6.7
	SNW-24 x 4 1/4	S-24 x 4 1/4			4 1/4					
22226K	SNW-26 x 4 5/16	S-26 x 4 5/16			4 5/16					
	SNW-26 x 4 3/8	S-26 x 4 3/8			4 3/8					
	SNW-26 x 4 7/16	S-26	AN-26	W-26	4 7/16	-0.005	3 49/64	1	6 3/4	8.6
	SNW-26 x 4 1/2	S-26 x 4 1/2			4 1/2					
22228K	SNW-28 x 4 13/16	S-28 x 4 13/16			4 13/16					
	SNW-28 x 4 7/8	S-28 x 4 7/8			4 7/8					
	SNW-28 x 4 15/16	S-28	AN-28	W-28	4 15/16	-0.005	3 43/64	1 1/16	7 3/32	10.3
	SNW-28 x 5	S-28 x 5			5					
22230K	SNW-30 x 5 1/8	S-30 x 5 1/8			5 1/8					
	SNW-30 x 5 3/16	S-30	AN-30	W-30	5 3/16	-0.005	4 15/64	1 1/8	7 11/16	13.5
	SNW-30 x 5 1/4	S-30 x 5 1/4			5 1/4					
22232K	SNW-32 x 5 3/8	S-30 x 5 3/8			5 3/8					
	SNW-32 x 5 7/16	S-32	AN-32	W-32	5 7/16	-0.005	4 37/64	1 3/16	8 1/16	15.6
	SNW-32 x 5 1/2	S-32 x 5 1/2			5 1/2					
22234K	SNW-34 x 5 13/16	S-34 x 5 13/16			5 13/16					
	SNW-34 x 5 7/8	S-34 x 5 7/8			5 7/8					
	SNW-34 x 5 15/16	S-34	AN-34	W-34	5 15/16	-0.005	4 27/32	1 7/32	8 21/32	19.4
	SNW-34 x 6	S-34 x 6			6					
22236K	SNW-36 x 6 15/16	S-36 x 6 15/16			6 15/16					
	SNW-36 x 6 3/8	S-36 x 6 3/8			6 3/8					
	SNW-36 x 6 7/16	S-36	AN-36	W-36	6 7/16	-0.005	5 1/32	1 1/4	9 1/16	20.5
	SNW-36 x 6 1/2	S-36 x 6 1/2			6 1/2					

⁽¹⁾Bold shaft sizes are standard. When ordering non-standard accessories, specify shaft size.

Continued on next page.

⁽²⁾Tolerance range is from +0 to value listed.

INCH ACCESSORIES - PULL-TYPE SLEEVES – continued

SNW/SNP – PULL-TYPE SLEEVE, LOCKNUT, LOCKWASHER/LOCKPLATE ASSEMBLIES

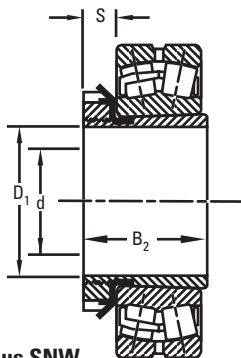
- The table below shows dimensions for adapter assemblies and components used in the mounting of tapered bore bearings on shafts.
- SNW assembly consists of a sleeve, locknut and lockwasher.
- SNP assembly consists of a sleeve, locknut and lockplate.

Bearing Number ⁽¹⁾	Accessory Numbers				Shaft Dimensions		Adapter Dimensions			SNW/SNP Assembly Weight
	Assembly	Sleeve	Locknut	Lockwasher Lockplate	Diameter d	Tolerance ⁽²⁾	B ₂	S	D ₁	
					in.	in.	in.	in.	in.	lbs.
22238K	SNW-38 x 6 ¹³ / ₁₆	S-38 x 6 ¹³ / ₁₆			6 ¹³ / ₁₆					23.4
	SNW-38 x 6 ⁷ / ₈	S-38 x 6 ⁷ / ₈			6 ⁷ / ₈					
	SNW-38 x 6 ¹⁵/₁₆	S-38	AN-38	W-38	6 ¹⁵/₁₆	-0.005	5 ¹⁷/₆₄	1 ⁹/₃₂	9 ¹⁵/₃₂	
	SNW-38 x 7	S-38 x 7			7					
22240K	SNW-40 x 7 ¹ / ₈	S-40 x 7 ¹ / ₈			7 ¹ / ₈					30.5
	SNW-40 x 7 ³/₁₆	S-40	AN-40	W-40	7 ³/₁₆	-0.005	5 ³¹/₆₄	1 ¹¹/₃₂	9 ²⁷/₃₂	
	SNW-40 x 7 ¹ / ₄	S-40 x 7 ¹ / ₄			7 ¹ / ₄					
22244K	SNW-44 x 7 ¹³ / ₁₆	S-44 x 7 ¹³ / ₁₆			7 ¹³ / ₁₆					33.0
	SNW-44 x 7 ⁷ / ₈	S-44 x 7 ⁷ / ₈			7 ⁷ / ₈					
	SNW-44 x 7 ¹⁵/₁₆	S-44	N-044	W-44	7 ¹⁵/₁₆	-0.005	5 ²⁹/₃₂	1 ³/₈	11	
22248K	SNP-48 x 8 ⁷/₁₆	S-48	N-048	P-48	8 ⁷/₁₆	-0.006	6 ⁵/₈	1 ²³/₆₄	11 ⁷/₁₆	37.5
	SNP-48 x 8 ¹⁵ / ₁₆	S-48 x 8 ¹⁵ / ₁₆			8 ¹⁵ / ₁₆					
22252K	SNP-52 x 9 ⁷/₁₆	S-52	N-052	P-52	9 ⁷/₁₆	-0.006	7 ³⁷/₆₄	1 ²⁷/₆₄	12 ³/₁₆	44.0
SERIES 230K										
23024K	SNW-3024 x 4 ¹ / ₁₆	S-3024 x 4 ¹ / ₁₆			4 ¹ / ₁₆					6.1
	SNW-3024 x 4 ¹ / ₈	S-3024 x 4 ¹ / ₈			4 ¹ / ₈					
	SNW-3024 x 4 ³/₁₆	S-3024	N-024	W-024	4 ³/₁₆	-0.005	2 ⁶¹/₆₄	¹³/₁₆	5 ¹¹/₁₆	
	SNW-3024 x 4 ¹ / ₄	S-3024 x 4 ¹ / ₄			4 ¹ / ₄					
23026K	SNW-3026 x 4 ⁵ / ₁₆	S-3024 x 4 ⁵ / ₁₆			4 ⁵ / ₁₆					7.5
	SNW-3026 x 4 ³ / ₈	S-3024 x 4 ³ / ₈			4 ³ / ₈					
	SNW-3026 x 4 ⁷/₁₆	S-3026	N-026	W-026	4 ⁷/₁₆	-0.005	3 ¹⁵/₆₄	⁷/₈	6 ¹/₈	
23028K	SNW-3028 x 4 ¹³ / ₁₆	S-3028 x 4 ¹³ / ₁₆			4 ¹³ / ₁₆					8.4
	SNW-3028 x 4 ⁷ / ₈	S-3028 x 4 ⁷ / ₈			4 ⁷ / ₈					
	SNW-3028 x 4 ¹⁵/₁₆	S-3028	N-028	W-028	4 ¹⁵/₁₆	-0.005	3 ¹¹/₃₂	¹⁵/₁₆	6 ¹/₂	
23030K	SNW-3030 x 5 ¹ / ₈	S-3030 x 5 ¹ / ₈			5 ¹ / ₈					9.8
	SNW-3030 x 5 ³/₁₆	S-3030	N-030	W-030	5 ³/₁₆	-0.005	3 ³¹/₆₄	³¹/₃₂	7 ¹/₈	
23032K	SNW-3032 x 5 ³ / ₈	S-3032 x 5 ³ / ₈			5 ³ / ₈					11.8
	SNW-3032 x 5 ⁷/₁₆	S-3032	N-032	W-032	5 ⁷/₁₆	-0.005	3 ²³/₃₂	1 ¹/₃₂	7 ¹/₂	
	SNW-3032 x 5 ¹ / ₂	S-3032 x 5 ¹ / ₂			5 ¹ / ₂					

⁽¹⁾Bold shaft sizes are standard. When ordering non-standard accessories, specify shaft size.

⁽²⁾Tolerance range is from +0 to value listed.

Continued on next page.



Tapered bore bearing plus SNW.

Bearing Number ⁽¹⁾	Accessory Numbers				Shaft Dimensions		Adapter Dimensions			SNW/SNP Assembly Weight
	Assembly	Sleeve	Locknut	Lockwasher Lockplate	Diameter d	Tolerance ⁽²⁾	B ₂	S	D ₁	
					in.	in.	in.	in.	in.	lbs.
23034K	SNW-3034 x 5 ¹³ / ₁₆	S-3034 x 5 ¹³ / ₁₆			5 ¹³ / ₁₆					
	SNW-3034 x 5 ⁷ / ₈	S-3034 x 5 ⁷ / ₈			5 ⁷ / ₈					
	SNW-3034 x 5 ¹⁵/₁₆	S-3034	N-034	W-034	5 ¹⁵/₁₆	-0.005	4 ¹/₆₄	1 ¹/₁₆	7 ⁷/₈	13.3
	SNW-3034 x 6	S-3034 x 6			6					
23036K	SNW-3036 x 6 ⁵ / ₁₆	S-3036 x 6 ⁵ / ₁₆			6 ⁵ / ₁₆					
	SNW-3036 x 6 ³ / ₈	S-3036 x 6 ³ / ₈			6 ³ / ₈					
	SNW-3036 x 6 ⁷/₁₆	S-3036	N-036	W-036	6 ⁷/₁₆	-0.005	4 ¹¹/₃₂	1 ³/₃₂	8 ¹/₄	15.2
	SNW-3036 x 6 ¹ / ₂	S-3036 x 6 ¹ / ₂			6 ¹ / ₂					
23038K	SNW-3038 x 6 ¹³ / ₁₆	S-3038 x 6 ¹³ / ₁₆			6 ¹³ / ₁₆					
	SNW-3038 x 6 ⁷ / ₈	S-3038 x 6 ⁷ / ₈			6 ⁷ / ₈					
	SNW-3038 x 6 ¹⁵/₁₆	S-3038	N-038	W-038	6 ¹⁵/₁₆	-0.005	4 ¹³/₃₂	1 ¹/₈	8 ¹¹/₁₆	16.7
	SNW-3038 x 7	S-3038 x 7			7					
23040K	SNW-3040 x 7 ¹ / ₈	S-3040 x 7 ¹ / ₈			7 ¹ / ₈					
	SNW-3040 x 7 ³/₁₆	S-3040	N-040	W-040	7 ³/₁₆	-0.005	4 ³/₄	1 ³/₁₆	9 ⁷/₁₆	19.7
	SNW-3040 x 7 ¹ / ₄	S-3040 x 7 ¹ / ₄			7 ¹ / ₄					
23044K	SNW-3044 x 7 ¹³ / ₁₆	S-3044 x 7 ¹³ / ₁₆			7 ¹³ / ₁₆					
	SNW-3044 x 7 ⁷ / ₈	S-3044 x 7 ⁷ / ₈			7 ⁷ / ₈					
	SNW-3044 x 7 ¹⁵/₁₆	S-3044	N-044	W-044	7 ¹⁵/₁₆	-0.005	5 ¹/₈	1 ¹/₄	10 ¹/₄	24.4
	SNW-3044 x 8	S-3044 x 8			8					
23048K	SNP-3048 x 8 ⁷ / ₁₆	S-3048 x 8 ⁷ / ₁₆			8 ⁷ / ₁₆					
	SNP-3048 x 8 ¹ / ₂	S-3048 x 8 ¹ / ₂			8 ¹ / ₂					
	SNP-3048 x 8 ¹⁵/₁₆	S-3048	N-048	P-48	8 ¹⁵/₁₆	-0.006	5 ⁷/₁₆	1 ¹¹/₃₂	11 ⁷/₁₆	32.2
	SNP-3048 x 9	S-3048 x 9			9					
23052K	SNP-3052 x 9 ⁷/₁₆	S-3052	N-052	P-52	9 ⁷/₁₆	-0.006	6 ¹/₆₄	1 ¹³/₃₂	12 ³/₁₆	41.1
	SNP-3052 x 9 ¹ / ₂	S-3052 x 9 ¹ / ₂			9 ¹ / ₂					
23056K	SNP-3056 x 9 ¹⁵ / ₁₆	S-3056 x 9 ¹⁵ / ₁₆			9 ¹⁵ / ₁₆					
	SNP-3056 x 10	S-3056 x 10			10					
	SNP-3056 x 10 ⁷/₁₆	S-3056	N-056	P-56	10 ⁷/₁₆	-0.007	6 ³/₁₆	1 ¹/₂	13	45.4
	SNP-3056 x 10 ¹ / ₂	S-3056 x 10 ¹ / ₂			10 ¹ / ₂					
23060K	SNP-3060 x 10 ¹⁵/₁₆	S-3060	N-060	P-60	10 ¹⁵/₁₆	-0.007	6 ⁴⁷/₆₄	1 ⁹/₁₆	14 ³/₁₆	58.9
	SNP-3060 x 11	S-3060 x 11			11					
23064K	SNP-3064 x 11 ⁷ / ₁₆	S-3060 x 11 ⁷ / ₁₆			11 ⁷ / ₁₆					
	SNP-3064 x 11 ¹ / ₂	S-3060 x 11 ¹ / ₂			11 ¹ / ₂					
	SNP-3064 x 11 ¹⁵/₁₆	S-3064	N-064	P-64	11 ¹⁵/₁₆	-0.007	6 ⁶¹/₆₄	1 ²¹/₃₂	15	65.7
	SNP-3064 x 12	S-3064 x 12			12					

⁽¹⁾ Bold shaft sizes are standard. When ordering non-standard accessories, specify shaft size.

⁽²⁾ Tolerance range is from +0 to value listed.

Continued on next page.

INCH ACCESSORIES - PULL-TYPE SLEEVES – continued

SNW/SNP – PULL-TYPE SLEEVE, LOCKNUT, LOCKWASHER/LOCKPLATE ASSEMBLIES

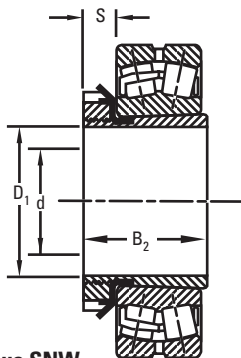
- The table below shows dimensions for adapter assemblies and components used in the mounting of tapered bore bearings on shafts.
- SNW assembly consists of a sleeve, locknut and lockwasher.
- SNP assembly consists of a sleeve, locknut and lockplate.

Bearing Number ⁽¹⁾	Accessory Numbers				Shaft Dimensions		Adapter Dimensions			SNW/SNP Assembly Weight
	Assembly	Sleeve	Locknut	Lockwasher Lockplate	Diameter d	Tolerance ⁽²⁾	B ₂	S	D ₁	
					in.	in.	in.	in.	in.	lbs.
23068K	SNP-3068 X 12 7/16	S-3068	N-068	P-68	12 7/16	-0.008	7 39/64	1 25/32	15 3/4	77.8
	SNP-3068 X 12 1/2	S-3068 x 12 1/2			12 1/2					
23072K	SNP-3072 X 12 15/16	S-3072 x 12 15/16			12 15/16					86.2
	SNP-3072 X 13	S-3072 x 13			13					
	SNP-3072 X 13 7/16	S-3072	N-072	P-72	13 7/16	-0.008	7 37/64	1 25/32	16 1/2	
	SNP-3072 X 13 1/2	S-3072 x 13 1/2			13 1/2					
23076K	SNP-3076 X 13 15/16	S-3076	N-076	P-76	13 15/16	-0.008	7 3/4	1 57/64	17 3/4	94.3
	SNP-3076 X 14	S-3076 x 14			14					
23080K	SNP-3080 x 15	S-3080	N-080	P-80	15	-0.008	8 13/32	2 1/16	18 1/2	100.0
23084K	SNP-3084 x 15 3/4	S-3084	N-084	P-84	15 3/4	-0.008	8 31/64	2 1/16	19 5/16	110.0
23088K	SNP-3088 x 16 1/2	S-3088	N-088	P-88	16 1/2	-0.008	9 7/64	2 3/8	20 1/2	144.0
23092K	SNP-3092 x 17	S-3092	N-092	P-92	17	-0.008	9 11/32	2 3/8	21 1/4	153.0
23096K	SNP-3096 x 18	S-3096	N-096	P-96	18	-0.008	9 29/64	2 3/8	22 1/16	162.0
230/500K	SNP-30/500 x 18 1/2	S-30/500	N-500	P-500	18 1/2	-0.008	9 27/32	2 45/64	22 13/16	180.0
230/530K	SNP-30/530 x 19 1/2	S-30/530	N-530	P-530	19 1/2	-0.008	10 37/64	2 45/64	24 13/16	221.0
230/560K	SNP-30/560 x 20 15/16	S-30/560	N-560	P-560	20 15/16	-0.008	11 7/32	2 61/64	25 9/16	243.0
230/600K	SNP-30/600 x 21 15/16	S-30/600	N-600	P-600	21 15/16	-0.008	11 29/64	2 61/64	27 9/16	322.0
230/630K	SNP-30/630 x 23 15/16	S-30/630	N-630	P-630	23 15/16	-0.008	11 59/64	2 61/64	28 3/4	350.0
230/670K	SNP-30/670 x 24 15/16	S-30/670	N-670	P-670	24 15/16	-0.008	12 27/32	3 9/64	30 11/16	421.0
230/710K	SNP-30/710 x 26 7/16	S-30/710	N-710	P-710	26 7/16	-0.008	13 1/2	3 37/64	32 11/16	492.0
230/750K	SNP-30/750 x 27 15/16	S-30/750	N-750	P-750	27 15/16	-0.008	14 3/32	3 37/64	34 1/4	536.0
230/800K	SNP-30/800 x 29 7/16	S-30/800	N-800	P-800	29 7/16	-0.008	14 13/32	3 37/64	36 1/4	662.0
230/850K	SNP-30/850 x 31 7/16	S-30/850	N-850	P-850	31 7/16	-0.008	15	3 37/64	38 9/16	747.0
230/900K	SNP-30/900 x 33 7/16	S-30/900	N-900	P-900	33 7/16	-0.008	15 11/16	3 61/64	40 9/16	853.0
230/950K	SNP-30/950 x 34 7/16	S-30/950	N-950	P-950	35 7/16	-0.008	16 1/2	3 61/64	43	935.0

⁽¹⁾ Bold shaft sizes are standard. When ordering non-standard accessories, specify shaft size.

⁽²⁾ Tolerance range is from +0 to value listed.

Continued on next page.



Tapered bore bearing plus SNW.

Bearing Number ⁽¹⁾	Accessory Numbers				Shaft Dimensions		Adapter Dimensions			SNW/SNP Assembly Weight
	Assembly	Sleeve	Locknut	Lockwasher Lockplate	Diameter d	Tolerance ⁽²⁾	B ₂	S	D ₁	
					in.	in.	in.	in.	in.	lbs.
SERIES 223K AND 232K										
22308K	SNW-108 x 1 5/16	S-108	N-08	W-08	1 5/16	-0.003	2 1/64	1/2	2 1/4	0.8
22309K	SNW-109 x 1 7/16	S-109	N-09	W-09	1 7/16	-0.003	2 9/64	1/2	2 17/32	0.8
22310K	SNW-110 x 1 11/16	S-110	N-10	W-10	1 11/16	-0.003	2 25/64	9/16	2 11/16	0.9
22311K	SNW-111 x 1 15/16	S-111	N-11	W-11	1 15/16	-0.003	2 33/64	9/16	2 31/32	0.9
22312K	SNW-112 x 2 1/16	S-112	N-12	W-12	2 1/16	-0.004	2 21/32	19/32	3 5/32	1.2
22313K	SNW-113 x 2 3/16	S-113	N-13	W-13	2 3/16	-0.004	2 49/64	5/8	3 3/8	1.7
22314K	SNW-114 x 2 5/16	S-114	N-14	W-14	2 5/16	-0.004	2 61/64	5/8	3 5/8	2.3
	SNW-115 x 2 3/8	S-115 x 2 3/8			2 3/8					
22315K	SNW-115 x 2 7/16	S-115	AN-15	W-15	2 7/16	-0.004	3 5/64	43/64	3 7/8	3.0
	SNW-115 x 2 1/2	S-115 x 2 1/2			2 1/2					
	SNW-116 x 2 5/8	S-116 x 2 5/8			2 5/8					
22316K	SNW-116 x 2 11/16	S-116	AN-16	W-16	2 11/16	-0.004	3 13/64	43/64	4 5/32	3.2
	SNW-116 x 2 3/4	S-116 x 3/4			2 3/4					
	SNW-117 x 2 13/16	S-117 x 2 13/16			2 13/16					
	SNW-117 x 2 7/8	S-117 x 2 7/8			2 7/8					
22317K	SNW-117 x 2 15/16	S-117	AN-17	W-17	2 15/16	-0.004	3 5/16	45/64	4 13/32	3.5
	SNW-117 x 3	S-117 x 3			3					
	SNW-118 x 3 1/16	S-118 x 3 1/16			3 1/16					
	SNW-118 x 3 1/8	S-118 x 3 1/8			3 1/8					
22318K	SNW-118 x 3 3/16	S-118	AN-18	W-18	3 3/16	-0.004	3 35/64	25/32	4 21/32	4.0
	SNW-118 x 3 1/4	S-118 x 3 1/4			3 1/4					
22319K	SNW-119 x 3 5/16	S-119	AN-19	W-19	3 5/16	-0.004	3 45/64	13/16	4 15/16	5.0
	SNW-120 x 3 9/16	S-120 x 3 9/16			3 9/16					
	SNW-120 x 3 3/8	S-120 x 3 3/8			3 3/8					
22320K 23220K	SNW-120 x 3 7/16	S-120	AN-20	W-20	3 7/16	-0.004	3 31/32	27/32	5 3/16	6.2
	SNW-120 x 3 1/2	S-120 x 3 1/2			3 1/2					
	SNW-122 x 3 13/16	S-122 x 3 13/16			3 13/16					
	SNW-122 x 3 3/8	S-122 x 3 3/8			3 3/8					
22322K 23222K	SNW-122 x 3 15/16	S-122	AN-22	W-22	3 15/16	-0.004	4 11/32	29/32	5 23/32	6.5
	SNW-122 x 4	S-122 x 4			4					

⁽¹⁾Bold shaft sizes are standard. When ordering non-standard accessories, specify shaft size.

⁽²⁾Tolerance range is from +0 to value listed.

Continued on next page.

INCH ACCESSORIES - PULL-TYPE SLEEVES – *continued*

SNW/SNP – PULL-TYPE SLEEVE, LOCKNUT, LOCKWASHER/LOCKPLATE ASSEMBLIES

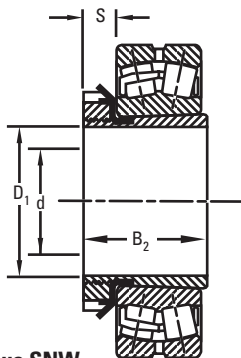
- The table below shows dimensions for adapter assemblies and components used in the mounting of tapered bore bearings on shafts.
- SNW assembly consists of a sleeve, locknut and lockwasher.
- SNP assembly consists of a sleeve, locknut and lockplate.

Bearing Number ⁽¹⁾	Accessory Numbers				Shaft Dimensions		Adapter Dimensions			SNW/SNP Assembly Weight
	Assembly	Sleeve	Locknut	Lockwasher Lockplate	Diameter d	Tolerance ⁽²⁾	B ₂	S	D ₁	
					in.	in.	in.	in.	in.	lbs.
22324K 23224K	SNW-124 x 4 1/16	S-124 x 4 1/16			4 1/16					8.0
	SNW-124 x 4 1/8	S-124 x 4 1/8			4 1/8					
	SNW-124 x 4 3/16	S-124	AN-24	W-24	4 3/16	-0.005	4 41/64	15/16	6 1/8	
	SNW-124 x 4 1/4	S-124 x 4 1/4			4 1/4					
22326K 23226K	SNW-126 x 4 5/16	S-126 x 4 5/16			4 5/16					12.4
	SNW-126 x 4 3/8	S-126 4 3/8			4 3/8					
	SNW-126 x 4 7/16	S-126	AN-26	W-26	4 7/16	-0.005	4 63/64	1	6 3/4	
	SNW-126 x 4 1/2	S-126 x 4 1/2			4 1/2					
	SNW-126 x 4 9/16	S-126 x 4 9/16			4 9/16					
22328K 23228K	SNW-128 x 4 13/16	S-128 x 4 13/16			4 13/16					13.0
	SNW-128 x 4 7/8	S-128 x 4 7/8			4 7/8					
	SNW-128 x 4 15/16	S-128	AN-28	W-28	4 15/16	-0.005	5 21/64	1 1/16	7 3/32	
	SNW-128 x 5	S-128 x 5			5					
22330K 23230K	SNW-130 x 5 1/8	S-130 x 5 1/8			5 1/8					17.6
	SNW-130 x 5 3/16	S-130	AN-30	W-30	5 3/16	-0.005	5 5/8	1 1/8	7 11/16	
	SNW-130 x 5 1/4	S-130 x 5 1/4			5 1/4					
	SNW-130 x 5 5/16	S-130 x 5 5/16			5 5/16					
	SNW-130 x 5 3/8	S-130 x 5 3/8			5 3/8					
22332K 23232K	SNW-132 x 5 3/8	S-132 x 5 3/8			5 3/8					18.5
	SNW-132 x 5 7/16	S-132	AN-32	W-32	5 7/16	-0.005	5 59/64	1 3/16	8 1/16	
	SNW-132 x 5 1/2	S-132 x 5 1/2			5 1/2					
22334K 23234K	SNW-134 x 5 13/16	S-134 x 5 13/16			5 13/16					21.0
	SNW-134 x 5 7/8	S-134 x 5 7/8			5 7/8					
	SNW-134 x 5 15/16	S-134	AN-34	W-34	5 15/16	-0.005	6 3/16	1 7/32	8 21/32	
	SNW-134 x 6	S-134 x 6			6					
22336K 23236K	SNW-136 x 6 7/16	S-136	AN-36	W-36	6 7/16	-0.005	6 29/64	1 1/4	9 1/16	22.5
22338K 23238K	SNW-138 x 6 13/16	S-138 x 6 13/16			6 13/16					28.0
	SNW-138 x 6 7/8	S-138 x 6 7/8			6 7/8					
	SNW-138 x 6 15/16	S-138	AN-38	W-38	6 15/16	-0.005	6 3/4	1 9/32	9 15/32	
	SNW-138 x 7	S-138 x 7			7					
22340K 23240K	SNW-140 x 7 1/8	S-140 x 7 1/8			7 1/8					36.0
	SNW-140 x 7 3/16	S-140	AN-40	W-40	7 3/16	-0.005	7 3/32	1 11/32	9 27/32	
	SNW-140 x 7 1/4	S-140 x 7 1/4			7 1/4					

⁽¹⁾Bold shaft sizes are standard. When ordering non-standard accessories, specify shaft size.

⁽²⁾Tolerance range is from +0 to value listed.

Continued on next page.



Tapered bore bearing plus SNW.

Bearing Number ⁽¹⁾	Accessory Numbers					Shaft Dimensions		Adapter Dimensions			SNW/SNP Assembly Weight
	Assembly	Sleeve	Locknut	Lockwasher	Lockplate	Diameter d	Tolerance ⁽²⁾	B ₂	S	D ₁	
						in.	in.	in.	in.	in.	lbs.
22344K 23244K	SNW-144 x 7 15/16	S-144	N-044	W-44		7 15/16	-0.005	7 9/32	1 3/8	11	47.0
22348K 23248K	SNP-148 x 8 15/16	S-148	N-048	P-48		8 15/16	-0.006	8 7/64	1 11/32	11 7/16	38.3
	SNP-148 x 9	S-148 x 9				9					
22352K 23252K	SNP-152 x 9 7/16	S-152	N-052	P-52		9 7/16	-0.006	8 49/64	1 13/32	12 13/16	53.4
	SNP-152 x 9 1/2	S-152 x 9 1/2				9 1/2					
22356K 23256K	SNP-3256 x 10 7/16	S-3256	N-056	P-56		10 7/16	-0.007	8 15/16	1 1/2	13	61.3
	SNP-3256 x 10 1/2	S-3256 x 10 1/2				10 1/2	-0.007				
23260K	SNP-3260 x 10 15/16	S-3260	N-060	P-60		10 15/16	-0.007	9 5/8	1 9/16	14 3/32	68.5
	SNP-3260 x 11	S-3260 x 11				11	-0.007				
23264K	SNP-3264 x 11 15/16	S-3264	N-064	P-64		11 15/16	-0.007	10 23/64	1 21/32	15	98.0
	SNP-3264 x 12	S-3264 x 12				12	-0.007				
	SNP-3268 x 12 1/2	S-3268 x 12 1/2				12 1/2	-0.007				
23268K	SNP-3268 x 12 7/8	S-3268	N-068	P-68		12 7/8	-0.007	11 1/8	1 25/32	15 3/4	105.0
23272K	SNP-3272 x 13 7/16	S-3272	N-072	P-72		13 7/16	-0.007	11 27/64	1 25/32	16 1/2	135.0
	SNP-3272 x 13 1/2	S-3272 x 13 1/2				13 1/2	-0.007				
23276K	SNP-3276 x 13 15/16	S-3276	N-076	P-76		13 15/16	-0.007	11 7/8	1 29/32	17 3/4	145.0
	SNP-3276 x 14	S-3276 x 14				14	-0.007				
23280K	SNP-3280 x 15	S-3280	N-080	P-80		15	-0.007	12 21/32	2 1/16	18 1/2	165.0
23284K	SNP-3284 x 15 3/4	S-3284	N-084	P-84		15 3/4	-0.007	13 19/64	2 1/16	19 5/16	170.0
23288K	SNP-3288 x 16 1/2	S-3288	N-088	P-88		16 1/2	-0.007	13 61/64	2 3/8	20 1/2	260.0
23292K	SNP-3292 x 16 15/16	S-3292	N-092	P-92		16 15/16	-0.007	18 1/16	2 3/8	21 1/4	291.0
23296K	SNP-3296 x 17 15/16	S-3296	N-096	P-96		17 15/16	-0.007	15 5/32	2 3/8	22 1/16	335.0
232/500K	SNP-32/500 x 18 7/16	S-32/500	N-500	P-500		18 7/16	-0.007	16 1/2	2 45/64	22 13/16	366.0
232/530K	SNP-32/530 x 18 15/16	S-32/530 x 18 15/16	N-530	P-530		18 15/16	-0.007	17 17/64	2 45/64	24 13/16	421.0
	SNP-32/530 x 19 7/16	S-32/530 x 19 7/16				19 7/16	-0.007				
232/560K	SNP-32/560 x 20 15/16	S-32/560	N-560	P-560		20 15/16	-0.007	17 59/64	2 61/64	25 9/16	478.0
232/600K	SNP-32/600 x 21 15/16	S-32/600	N-600	P-600		21 15/16	-0.007	18 55/64	2 61/64	27 9/16	613.0
232/630K	SNP-32/630 x 23 15/16	S-32/630	N-630	P-630		23 15/16	-0.007	19 51/64	2 61/64	28 3/4	657.0
232/670K	SNP-32/670 x 24 15/16	S-32/670	N-670	P-670		24 15/16	-0.007	21 1/32	3 9/64	30 11/16	891.0
232/710K	SNP-32/710 x 26 7/16	S-32/710	N-710	P-710		26 7/16	-0.007	21 15/16	3 37/64	32 11/16	979.0
232/750K	SNP-32/750 x 27 15/16	S-32/750	N-750	P-750		27 15/16	-0.007	22 63/64	3 37/64	34 1/4	1118.0

⁽¹⁾Bold shaft sizes are standard. When ordering non-standard accessories, specify shaft size.

⁽²⁾Tolerance range is from +0 to value listed.

Continued on next page.

INCH ACCESSORIES - PULL-TYPE SLEEVES – continued

SNW/SNP – PULL-TYPE SLEEVE, LOCKNUT, LOCKWASHER/LOCKPLATE ASSEMBLIES

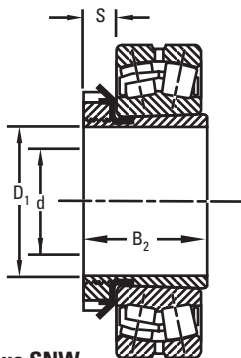
- The table below shows dimensions for adapter assemblies and components used in the mounting of tapered bore bearings on shafts.
- SNW assembly consists of a sleeve, locknut and lockwasher.
- SNP assembly consists of a sleeve, locknut and lockplate.

Bearing Number ⁽¹⁾	Accessory Numbers				Shaft Dimensions		Adapter Dimensions			SNW/SNP Assembly Weight
	Assembly	Sleeve	Locknut	Lockwasher Lockplate	Diameter d	Tolerance ⁽²⁾	B ₂	S	D ₁	
					in.	in.	in.	in.	in.	lbs.
SERIES 231K										
23122K	SNW-3122 x 3 15/16	S-22	N-022	W-022	3 15/16	-0.004	3 13/64	25/32	5 5/32	4.2
23124K	SNW-3124 x 4 3/16	S-24	N-024	W-024	4 3/16	-0.005	3 15/32	13/16	5 11/16	5.8
23126K	SNW-3126 x 4 7/16	S-26	N-026	W-026	4 7/16	-0.005	3 49/64	7/8	6 1/8	8.3
23128K	SNW-3128 x 4 15/16	S-28	N-028	W-028	4 15/16	-0.005	3 63/64	15/16	6 1/2	8.8
23130K	SNW-3130 x 5 3/16	S-30	N-030	W-030	5 3/16	-0.005	4 15/64	31/32	7 1/8	13.7
23132K	SNW-3132 x 5 7/16	S-32	N-032	W-032	5 7/16	-0.005	4 37/64	1 1/32	7 1/2	13.3
23134K	SNW-3134 x 5 15/16	S-34	N-034	W-034	5 15/16	-0.005	4 27/32	1 1/16	7 7/8	16.1
23136K	SNW-3136 x 6 7/16	S-36	N-036	W-036	6 7/16	-0.005	5 1/32	1 3/32	8 1/4	17.1
23138K	SNW-3138 x 6 15/16	S-38	N-038	W-038	6 15/16	-0.005	5 17/64	1 1/8	8 11/16	19.7
23140K	SNW-3140 x 7 3/16	S-40	N-040	W-040	7 3/16	-0.005	5 31/64	1 3/16	9 7/16	28.4
23144K	SNW-3144 x 7 15/16	S-44	N-044	W-044	7 15/16	-0.005	5 29/32	1 1/4	10 1/4	28.1
23148K	SNP-3148 x 8 15/16	S-48	N-048	P-48	8 15/16	-0.006	6 41/64	1 11/32	11 7/16	36.0
23152K	SNP-3152 x 9 7/16	S-52	N-052	P-52	9 7/16	-0.006	7 19/32	1 13/32	12 3/16	39.0
	SNP-3152 x 9 1/2	S-52 x 9 1/2			9 1/2					
	SNP-3156 x 9 15/16	S-3156 x 9 15/16			9 15/16					
	SNP-3156 x 10	S-3156 x 10			10					
23156K	SNP-3156 x 10 7/16	S-3156	N-056	P-56	10 7/16	-0.007	7 49/64	1 1/2	13	60.0
	SNP-3156 x 10 1/2	S-3156 x 10 1/2			10 1/2					
23160K	SNP-3160 x 10 15/16	S-3160	N-060	P-60	10 15/16	-0.007	8 3/8	1 9/16	14 3/16	65.0
	SNP-3160 x 11	S-3160 x 11			11					
23164K	SNP-3164 x 11 15/16	S-3164	N-064	P-64	11 15/16	-0.007	9 7/64	1 21/32	15	70.0
	SNP-3164 x 12	S-3164 x 12			12					
	SNP-3168 x 12 1/2	S-3168 x 12 1/2			12 1/2					
23168K	SNP-3168 x 12 7/8	S-3168	N-068	P-68	12 7/8	-0.007	9 25/32	1 25/32	15 3/4	93.5
23172K	SNP-3172 x 13 7/16	S-3172	N-072	P-72	13 7/16	-0.007	11 27/64	1 25/32	16 1/2	120.0
	SNP-3172 x 13 1/2	S-3172 x 13 1/2			13 1/2					
23176K	SNP-3176 x 13 15/16	S-3176	N-076	P-76	13 15/16	-0.007	11 7/8	1 29/32	17 3/4	125.0
	SNP-3176 x 14	S-3176 x 14			14					
	SNP-3180 x 14 15/16	S-3180 x 14 15/16			14 15/16					
23180K	SNP-3180 x 15	S-3180	N-080	P-80	15	-0.007	12 21/32	2 1/16	18 1/2	140.0

⁽¹⁾Bold shaft sizes are standard. When ordering non-standard accessories, specify shaft size.

⁽²⁾Tolerance range is from +0 to value listed.

Continued on next page.



Tapered bore bearing plus SNW.

Bearing Number ⁽¹⁾	Accessory Numbers				Shaft Dimensions		Adapter Dimensions			SNW/SNP Assembly Weight
	Assembly	Sleeve	Locknut	Lockwasher Lockplate	Diameter d	Tolerance ⁽²⁾	B ₂	S	D ₁	
					in.	in.	in.	in.	in.	lbs.
23184K	SNP-3184 x 15 3/4	S-3184	N-084	P-84	15 3/4	-0.007	13 19/64	2 1/16	19 5/16	145.0
23188K	SNP-3188 x 16 1/2	S-3188	N-088	P-88	16 1/2	-0.007	13 61/64	2 3/8	20 1/2	229.0
23192K	SNP-3192 x 17	S-3192	N-092	P-92	17	-0.007	18 1/16	2 3/8	21 1/4	255.0
23196K	SNP-3196 x 18	S-3196	N-096	P-96	18	-0.007	15 5/32	2 3/8	22 1/16	293.0
231/500K	SNP-31/500 x 18 7/16	S-31/500	N-500	P-500	18 7/16	-0.007	16 1/2	2 45/64	22 13/16	315.0
231/530K	SNP-31/530 x 18 15/16 SNP-31/530 x 19 7/16	S-31/500 x 18 15/16 S-31/530 x 19 7/16	N-530	P-530	18 15/16 19 7/16	-0.007	17 17/64	2 45/64	24 13/16	355.0
231/560K	SNP-31/560 x 20 15/16	S-31/560	N-560	P-560	20 15/16	-0.007	17 59/64	2 61/64	25 9/16	408.0
231/600K	SNP-31/600 x 21 15/16	S-31/600	N-600	P-600	21 15/16	-0.007	18 55/64	2 61/64	27 9/16	516.0
231/630K	SNP-31/630 x 23 15/16	S-31/630	N-630	P-630	23 15/16	-0.007	19 51/64	2 61/64	28 3/4	556.0
231/670K	SNP-31/670 x 24 15/16	S-31/670	N-670	P-670	24 15/16	-0.007	21 1/32	3 3/64	30 11/16	759.0
231/710K	SNP-31/710 x 26 7/16	S-31/710	N-710	P-710	26 7/16	-0.007	21 15/16	3 37/64	32 11/16	833.0
231/750K	SNP-31/750 x 27 15/16	S-31/750	N-750	P-750	27 15/16	-0.007	22 63/64	3 37/64	34 1/4	997.0
231/800K	SNP-31/800 x 29 7/16	S-31/800	N-800	P-800	29 7/16	-0.007	19 1/64	3 37/64	36 1/4	1136.0
231/850K	SNP31/850 x 31 7/16	S-31/850	N-850	P-850	31 7/16	-0.007	20 1/32	3 37/64	38 9/16	1303.0

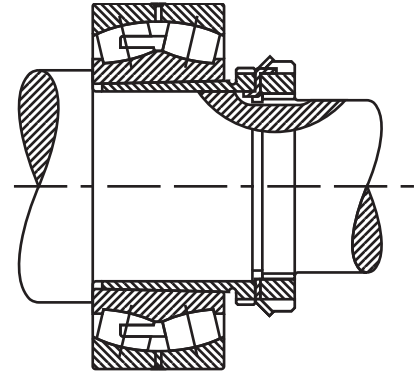
⁽¹⁾Bold shaft sizes are standard. When ordering non-standard accessories, specify shaft size.

⁽²⁾Tolerance range is from +0 to value listed.

INCH ACCESSORIES - PUSH-TYPE SLEEVES

PUSH-TYPE REMOVABLE SLEEVE, LOCKNUT AND LOCKWASHER

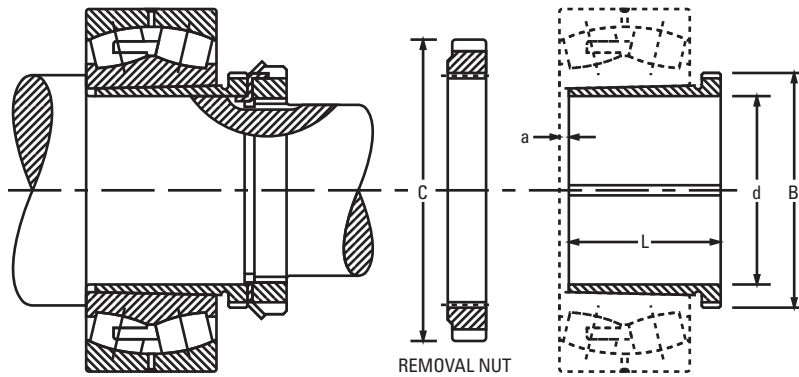
The chart below shows dimensions for adapter assemblies and components used in the tapered bore bearings on shafts.



Bearing Number	Accessory Numbers				Shaft Dimensions		Adapter Dimensions			Removal Nut O.D. C	Sleeve Weight
	Sleeve	Locknut	Lockwasher Lockplate	Removal Nut	Diameter d	Tolerance ⁽¹⁾	Pitch Diameter B	L	a		
					mm in.	mm in.	mm in.	mm in.	mm in.	mm in.	kg. lbs.
SERIES 222K											
22216K	SK-8022	N-14	W-14	AN-18	70 2.7559	-0.10 -0.004	88.19 3.472	50 1.969	3.50 0.138	118.39 4.661	0.5 1.2
22217K	SK-8522	AN-15	W-15	AN-19	75 2.9528	-0.10 -0.004	93.35 3.675	52 2.047	3.50 0.138	125.55 4.943	0.6 1.4
22218K	SK-9022	AN-16	W-16	AN-20	80 3.1496	-0.10 -0.004	98.12 3.863	53 2.087	3.50 0.138	131.90 5.193	0.6 1.5
22219K	SK-9522	AN-17	W-17	AN-21	85 3.3465	-0.10 -0.004	103.28 4.066	57 2.244	4.00 0.157	138.25 5.443	0.8 1.8
22220K	SK-10022	AN-18	W-18	AN-22	90 3.5433	-0.10 -0.004	109.12 4.269	59 2.323	4.00 0.157	145.39 5.724	0.9 2.0
22222K	SK-11022	AN-20	W-20	ARN-22	100 3.9370	-0.10 -0.004	119.94 4.722	65 2.559	4.00 0.157	158.75 6.250	1.1 2.4
22224K	SK-12022	AN-22	W-22	ARN-24	110 4.3307	-0.13 -0.005	130.28 5.129	72 2.835	4.00 0.157	174.63 6.875	1.4 3.1
22226K	SK-13022	AN-22	W-22	ARN-26	115 4.5276	-0.13 -0.005	141.38 5.566	78 3.071	4.00 0.157	184.15 7.250	2.2 5.0
22228K	SK-14022	AN-24	W-24	RN-28	125 4.9213	-0.13 -0.005	152.73 6.013	82 3.228	5.00 0.197	200.03 7.875	2.6 5.8
22230K	SK-15022	AN-26	W-26	RN-30	135 5.3150	-0.13 -0.005	163.04 6.419	88 3.465	5.00 0.197	209.55 8.250	3.0 6.8
22232K	SK-16022	AN-28	W-28	RN-32	140 5.5118	-0.13 -0.005	173.76 6.841	96 3.780	5.00 0.197	225.43 8.875	4.5 9.9

⁽¹⁾Tolerance range is from +0 to value listed.

Continued on next page.



Tapered bore bearing mounted with push-type removable sleeve.

Bearing Number	Accessory Numbers				Shaft Dimensions		Adapter Dimensions			Removal Nut O.D. C	Sleeve Weight
	Sleeve	Locknut	Lockwasher Lockplate	Removal Nut	Diameter d	Tolerance ⁽¹⁾	Pitch Diameter B	L	a		
					mm in.	mm in.	mm in.	mm in.	mm in.	mm in.	kg lbs.
22234K	SK-17022	AN-30	W-30	RN-34	150 5.9055	-0.13 -0.005	184.07 7.247	104 4.095	5.00 0.197	234.95 9.250	5.2 11.5
22236K	SK-18022	AN-32	W-32	RN-36	160 6.2992	-0.13 -0.005	194.79 7.669	104 4.095	5.00 0.197	247.65 9.750	5.6 12.5
22238K	SK-19022	AN-34	W-34	RN-38	170 6.6929	-0.13 -0.005	205.92 8.107	112 4.409	5.00 0.197	269.88 10.625	6.5 14.5
22240K	SK-20022	AN-36	W-36	N-044	180 7.0866	-0.13 -0.005	217.02 8.544	118 4.646	5.00 0.197	279.53 11.005	7.4 16.3
22244K	SK-22022	AN-40	W-40	N-048	200 7.8740	-0.13 -0.005	236.98 9.330	130 5.118	6.00 0.236	290.65 11.443	8.8 19.6
22248K	SK-24022	N-44	W-44	N-052	220 8.6614	-0.15 -0.006	256.03 10.080	144 5.669	6.00 0.236	309.70 12.193	11.0 24.3
22252K	SK-26022	N-048	P-48	N-056	240 9.4488	-0.15 -0.006	276.66 10.892	155 6.102	6.00 0.236	330.33 13.005	14.0 30.9
22256K	SK-28022	N-052	P-52	RN-56	260 10.2362	-0.15 -0.006	301.27 11.861	155 6.102	8.00 0.315	425.45 16.750	15.0 33.1
22260K	SK-30022	N-056	P-56	RN-60	280 11.0236	-0.15 -0.006	325.88 12.830	170 6.693	8.00 0.315	416.10 16.382	17.7 39.2
22264K	SK-32022	N-060	P-60	RN-64	300 11.8110	-0.15 -0.006	345.72 13.611	180 7.087	10.00 0.394	431.8 17.000	21.0 46.3

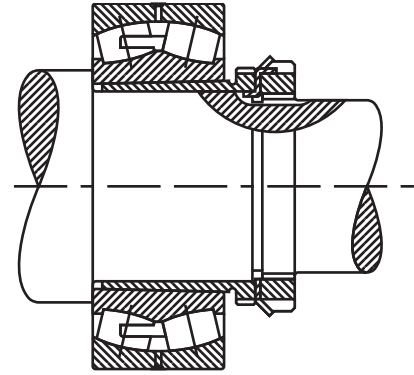
⁽¹⁾Tolerance range is from +0 to value listed.

Continued on next page.

INCH ACCESSORIES - PUSH-TYPE SLEEVES – continued

PUSH-TYPE REMOVABLE SLEEVE, LOCKNUT AND LOCKWASHER

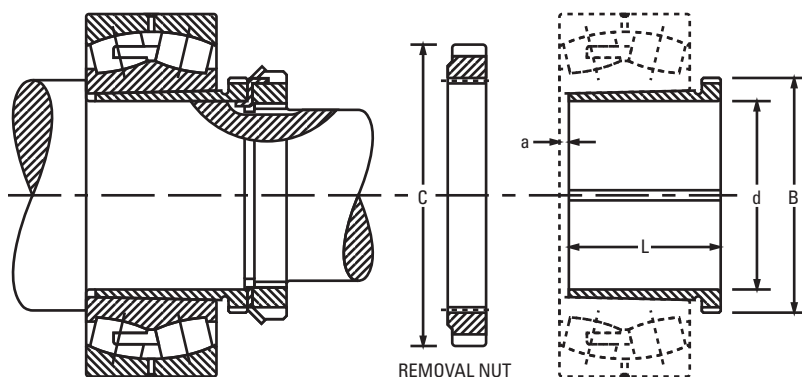
The chart below shows dimensions for adapter assemblies and components used in the tapered bore bearings on shafts.



Bearing Number	Accessory Numbers				Shaft Dimensions		Adapter Dimensions			Removal Nut O.D. C	Sleeve Weight
	Sleeve	Locknut	Lockwasher Lockplate	Removal Nut	Diameter d	Tolerance ⁽¹⁾	Pitch Diameter B	L	a		
					mm in.	mm in.	mm in.	mm in.	mm in.	mm in.	kg. lbs.
SERIES 223K											
22308K	SK-4023	N-07	W-07	N-09	35 1.3780	-0.08 -0.003	43.94 1.730	40 1.575	3.00 0.118	64.41 2.536	0.1 0.2
22309K	SK-4523	N-08	W-08	N-10	40 1.5748	-0.08 -0.003	49.02 1.930	44 1.732	3.00 0.118	68.40 2.693	0.1 0.3
22310K	SK-5023	N-09	W-09	RN-10	45 1.7717	-0.08 -0.003	55.04 2.167	50 1.969	3.00 0.118	76.20 3.000	0.2 0.4
22311K	SK-5523	N-10	W-10	RN-11	50 1.9685	-0.08 -0.003	60.20 2.370	54 2.126	3.00 0.118	81.76 3.219	0.2 0.5
22312K	SK-6023	N-11	W-11	RN-12	55 2.1654	-0.10 -0.004	65.76 2.589	57 2.244	3.50 0.138	87.33 3.438	0.3 0.6
22313K	SK-6523	N-12	W-12	AN-15	60 2.3622	-0.10 -0.004	73.10 2.878	61 2.402	3.50 0.138	98.55 3.880	0.3 0.8
22314K	SK-7023	N-12	W-12	AN-16	60 2.3622	-0.10 -0.004	78.28 3.082	65 2.559	3.50 0.138	105.69 4.161	0.6 1.5
22315K	SK-7523	N-13	W-13	AN-17	65 2.5591	-0.10 -0.004	83.44 3.285	69 2.717	3.50 0.138	112.04 4.411	0.8 1.7
22316K	SK-8023	N-14	W-14	AN-18	70 2.7559	-0.10 -0.004	88.19 3.472	72 2.835	3.50 0.138	118.39 4.661	0.9 2.0
22317K	SK-8523	AN-15	W-15	AN-19	75 2.9528	-0.10 -0.004	93.35 3.675	75 2.953	3.50 0.138	125.55 4.943	1.0 2.2
22318K	SK-9023	AN-16	W-16	AN-20	80 3.1496	-0.10 -0.004	98.12 3.863	80 3.150	3.50 0.138	131.90 5.193	1.1 2.5
22319K	SK-9523	AN-17	W-17	AN-21	85 3.3465	-0.10 -0.004	103.28 4.066	85 3.346	4.00 0.157	138.25 5.443	1.3 2.9
22320K	SK-10023	AN-18	W-18	AN-22	90 3.5433	-0.10 -0.004	109.12 4.269	90 3.543	4.00 0.157	145.39 5.724	1.5 3.3

⁽¹⁾Tolerance range is from +0 to value listed.

Continued on next page.



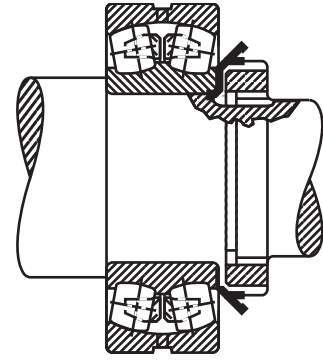
Tapered bore bearing mounted with push-type removable sleeve.

Bearing Number	Accessory Numbers				Shaft Dimensions		Adapter Dimensions			Removal Nut O.D. C	Sleeve Weight
	Sleeve	Locknut	Lockwasher Lockplate	Removal Nut	Diameter d	Tolerance ⁽¹⁾	Pitch Diameter B	L	a		
					mm in.	mm in.	mm in.	mm in.	mm in.	mm in.	kg. lbs.
22322K	SK-11023	AN-20	W-20	ARN-22	100 3.9370	-0.10 -0.004	119.94 4.722	98 3.858	4.00 0.157	158.75 6.250	1.9 4.2
22324K	SK-12023	AN-22	W-22	ARN-24	110 4.3307	-0.13 -0.005	130.28 5.129	105 4.134	4.00 0.157	174.63 6.875	2.2 5.0
22326K	SK-13023	AN-22	W-22	ARN-26	115 4.5276	-0.13 -0.005	141.38 5.566	115 4.528	4.00 0.157	184.15 7.250	3.6 8.0
22328K	SK-14023	AN-24	W-24	RN-28	125 4.9213	-0.13 -0.005	152.73 6.013	125 4.921	5.00 0.197	200.03 7.875	4.3 9.5
22330K	SK-15023	AN-26	W-26	RN-30	135 5.3150	-0.13 -0.005	163.04 6.419	135 5.315	5.00 0.197	209.55 8.250	5.1 11.4
22332K	SK-16023	AN-28	W-28	RN-32	140 5.5118	-0.13 -0.005	173.76 6.841	140 5.512	6.00 0.236	225.43 8.875	7.0 15.5
22334K	SK-17023	AN-30	W-30	RN-34	150 5.9055	-0.13 -0.005	184.07 7.247	146 5.748	6.00 0.236	234.95 9.250	7.8 17.2
22336K	SK-18023	AN-32	W-32	RN-36	160 6.2992	-0.13 -0.005	194.79 7.669	154 6.063	6.00 0.236	247.65 9.750	9.1 20.2
22338K	SK-19023	AN-34	W-34	RN-38	170 6.6929	-0.13 -0.005	205.92 8.107	160 6.299	7.00 0.276	269.88 10.625	10.0 22.1
22340K	SK-20023	AN-36	W-36	N-044	180 7.0866	-0.13 -0.005	217.02 8.544	170 6.693	7.00 0.276	279.53 11.005	11.4 25.2
22344K	SK-22023	AN-40	W-40	N-048	200 7.8740	-0.13 -0.005	236.98 9.330	181 7.126	8.00 0.315	290.65 11.443	13.3 29.5
22348K	SK-24023	N-44	W-44	N-052	220 8.6614	-0.15 -0.006	256.03 10.080	189 7.441	8.00 0.315	309.70 12.193	15.5 34.2
22352K	SK-26023	N-048	P-48	N-056	240 9.4488	-0.15 -0.006	276.66 10.892	200 7.874	8.00 0.315	330.33 13.005	18.2 40.2
22356K	SK-28023	N-052	P-52	RN-56	260 10.2362	-0.15 -0.006	301.27 11.861	210 8.268	10.00 0.394	425.45 16.75	22.0 48.5

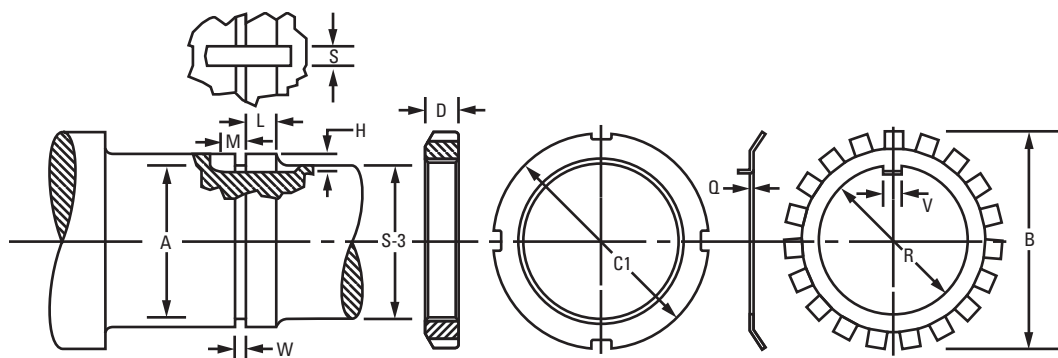
⁽¹⁾Tolerance range is from +0 to value listed.

INCH ACCESSORIES - LOCKNUTS AND LOCKWASHERS

- The chart below shows dimensions for locknuts and lockwashers used in the mounting of straight bore bearings on shafts.
- Other dimensions and tolerances related to shaft configurations are also shown.
- Dimensions are presented according to bearing bore size and are applicable to bearings in the various series (e.g., 222, 223, etc.).



Bearing Bore	Locknut	Lockwasher	Threads Per Inch	Threads					
				Major Diameter		Pitch Diameter		Minor Dia.	Relief Dia. A
				Max.	Min.	Max.	Min.		
mm				mm in.	mm in.	mm in.	mm in.	mm in.	
35	N 07	W 07	18	34.950 1.3760	34.740 1.3678	34.030 1.3399	33.930 1.3359	33.220 1.3078	32.820 1.2922
40	N 08	W 08	18	39.700 1.5630	39.490 1.5548	38.780 1.5269	38.670 1.5224	37.970 1.4948	37.570 1.4792
45	N 09	W 09	18	44.880 1.7670	44.670 1.7588	43.960 1.7309	43.850 1.7264	43.150 1.6988	42.750 1.6832
50	N 10	W 10	18	49.960 1.9670	49.750 1.9588	49.050 1.9309	48.930 1.9264	48.230 1.8988	47.830 1.8832
55	N 11	W 11	18	54.790 2.1570	54.580 2.1488	53.870 2.1209	53.740 2.1158	53.060 2.0888	52.660 2.0732
60	N 12	W 12	18	59.940 2.3600	59.740 2.3518	59.030 2.3239	58.900 2.3188	58.210 2.2918	57.820 2.2762
65	N 13	W 13	18	64.720 2.5480	64.510 2.5398	63.800 2.5119	63.670 2.5068	62.990 2.4798	62.590 2.4642
70	N 14	W 14	18	69.880 2.7510	69.670 2.7428	68.960 2.7149	68.830 2.7098	68.140 2.6828	67.750 2.6672
75	AN 15	W 15	12	74.500 2.9330	74.210 2.9218	73.120 2.8789	72.990 2.8735	71.900 2.8308	71.110 2.7995
80	AN 16	W 16	12	79.680 3.1370	79.400 3.1258	78.310 3.0829	78.160 3.0770	77.080 3.0348	76.290 3.0035
85	AN 17	W 17	12	84.840 3.3400	84.550 3.3288	83.460 3.2859	83.310 3.2800	82.240 3.2378	81.450 3.2065
90	AN 18	W 18	12	89.590 3.5270	89.300 3.5158	88.210 3.4729	88.020 3.4655	86.990 3.4248	86.200 3.3935
95	AN 19	W 19	12	94.740 3.7300	94.460 3.7188	93.370 3.6759	93.180 3.6685	92.150 3.6278	91.350 3.5965
100	AN 20	W 20	12	99.520 3.9180	99.230 3.9068	98.140 3.8639	97.960 3.8565	96.920 3.8158	96.130 3.7845
105	AN 21	W 21	12	104.700 4.1220	104.410 4.1108	103.320 4.0679	103.110 4.0596	102.100 4.0198	101.310 3.9885
110	AN 22	W 22	12	109.860 4.3250	109.570 4.3138	108.480 4.2709	108.270 4.2626	107.260 4.2228	106.460 4.1915
120	AN 24	W 24	12	119.790 4.7160	119.500 4.7048	118.410 4.6619	118.200 4.6536	117.190 4.6138	116.400 4.5825



Shaft						Locknut		Lockwasher			
S-3 ⁽¹⁾	W ⁽²⁾	L ⁽²⁾	H ⁽²⁾	S ⁽²⁾	M ⁽²⁾	C ₁	D	Q	R	B	V
mm in	mm in	mm in	mm in	mm in	mm in	mm in	mm in	mm in	mm in	mm in	mm in
31.750 1 ¼	2.4 ¾	12.7 ½	2.4 ¾	4.8 ¾	3.2 ⅛	52.39 2 ¼	11.40 0.448	1.30 0.050	36.00 1.416	57.20 2 ¼	4.50 0.176
36.510 1 ⅞	3.2 ⅛	13.5 ½	2.4 ¾	7.9 ⅝	3.2 ⅛	57.15 2 ¼	11.40 0.448	1.50 0.058	40.70 1.603	62.70 2 ½	7.40 0.290
42.860 1 11/16	3.2 ⅛	13.5 ½	2.4 ¾	7.9 ⅝	4.0 ⅝	64.30 2 11/16	11.40 0.448	1.50 0.058	46.20 1.817	69.50 2 ¾	7.40 0.290
47.630 1 7/8	3.2 ⅛	15.1 ⅝	2.4 ¾	7.9 ⅝	4.0 ⅝	68.30 2 11/16	13.00 0.510	1.50 0.058	51.20 2.017	74.20 2 59/64	7.40 0.290
52.390 2 1/16	3.2 ⅛	15.1 ⅝	3.2 ⅛	7.9 ⅝	4.0 ⅝	75.40 2 31/32	13.00 0.510	1.60 0.063	56.10 2.207	79.00 3 1/4	7.40 0.290
57.150 2 ¼	3.2 ⅛	15.9 ⅝	3.2 ⅛	7.9 ⅝	4.0 ⅝	80.20 3 1/8	13.70 0.541	1.60 0.063	61.60 2.425	85.00 3 11/32	7.40 0.290
61.910 2 7/16	3.2 ⅛	16.7 21/32	3.2 ⅛	7.9 ⅝	4.0 ⅝	85.70 3 3/8	14.60 0.573	1.60 0.063	66.40 2.613	90.90 3 37/64	7.40 0.290
66.680 2 5/8	3.2 ⅛	16.7 21/32	3.2 ⅛	7.9 ⅝	6.4 ¼	92.10 3 5/8	14.60 0.573	1.60 0.063	71.50 2.816	97.20 3 53/64	7.40 0.290
71.440 2 13/16	4.0 5/32	17.5 11/16	3.2 ⅛	7.9 ⅝	6.4 ¼	98.40 3 7/8	15.30 0.604	1.60 0.072	76.30 3.003	104.40 4 1/64	7.40 0.290
76.200 3	4.0 5/32	17.5 11/16	3.2 ⅛	9.5 3/8	6.4 ¼	105.60 4 1/2	15.30 0.604	1.80 0.072	81.50 3.207	111.10 4 3/8	9.00 0.353
80.960 3 1/16	4.0 5/32	16.7 21/32	3.2 ⅛	9.5 3/8	6.4 ¼	111.90 4 13/32	16.10 0.635	1.80 0.072	87.00 3.425	117.50 4 5/8	9.00 0.353
85.730 3 3/8	4.0 5/32	20.6 13/16	4.0 5/32	9.5 3/8	6.4 ¼	118.30 4 21/32	17.70 0.698	2.40 0.094	91.70 3.612	125.40 4 15/16	9.00 0.353
90.490 3 9/16	4.0 5/32	21.4 27/32	4.0 5/32	9.5 3/8	6.4 ¼	125.40 4 15/16	18.50 0.729	2.40 0.094	97.30 3.830	132.60 5 1/32	9.00 0.353
96.840 3 13/16	4.0 5/32	22.2 7/8	4.0 5/32	9.5 3/8	7.9 5/16	131.80 5 1/16	19.30 0.760	2.40 0.094	102.10 4.018	139.70 5 1/2	9.00 0.353
100.010 3 15/16	4.0 5/32	22.2 7/8	4.0 5/32	9.5 3/8	7.9 5/16	138.10 5 1/16	19.30 0.760	2.40 0.094	107.20 4.222	144.90 5 45/64	9.00 0.353
106.360 4 3/16	4.0 5/32	23 29/32	4.8 3/16	9.5 3/8	7.9 5/16	145.30 5 23/32	20.10 0.791	3.20 0.125	112.40 4.425	154.00 6 1/16	9.00 0.353
115.890 4 9/16	4.0 5/32	23.8 19/16	4.8 3/16	9.5 3/8	7.9 5/16	155.60 6 1/8	20.90 0.823	3.20 0.125	122.70 4.831	164.30 6 15/32	9.00 0.353

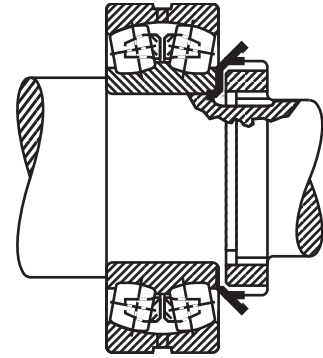
⁽¹⁾See page 120, table 28 for suggested S-3 shaft limits.

⁽²⁾For W, L, H, S and M, tolerance is -0 to +1/64 in., -0 to +0.4 mm.

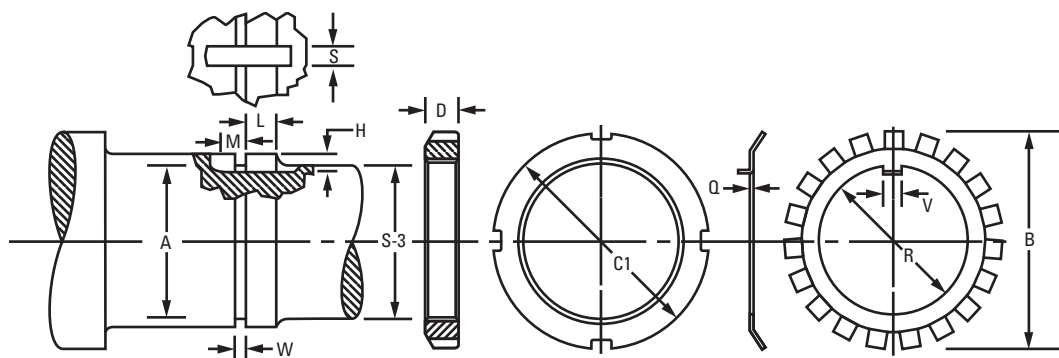
Continued on next page.

INCH ACCESSORIES - LOCKNUTS AND LOCKWASHERS – continued

- The chart below shows dimensions for locknuts and lockwashers used in the mounting of straight bore bearings on shafts.
- Other dimensions and tolerances related to shaft configurations are also shown.
- Dimensions are presented according to bearing bore size and are applicable to bearings in the various series (e.g., 222 and 223, etc.).



Bearing Bore	Locknut	Lockwasher	Threads Per Inch	Threads					
				Major Diameter		Pitch Diameter		Minor Dia.	Relief Dia. A
				Max.	Min.	Max.	Min.		
mm				mm in.	mm in.	mm in.	mm in.	mm in.	mm in.
130	AN 26	W 26	12	129.690 5.1060	129.410 5.0948	128.320 5.0519	128.110 5.0436	127.100 5.0038	126.300 4.9725
140	AN 28	W 28	12	139.620 5.4970	139.340 5.4858	138.250 5.4429	138.040 5.4346	137.030 5.3948	136.230 5.3635
150	AN 30	W 30	12	149.560 5.8880	149.270 5.8768	148.180 5.8339	147.970 5.8256	146.960 5.7858	146.160 5.7545
160	AN 32	W 32	8	159.610 6.2840	159.230 6.2688	157.550 6.2028	157.320 6.1937	155.720 6.1306	154.920 6.0993
170	AN 34	W 34	8	169.140 6.6590	168.750 6.6438	167.080 6.5778	166.850 6.5687	165.240 6.5056	164.450 6.4743
180	AN 36	W 36	8	179.480 7.0660	179.090 7.0508	177.410 6.9848	177.180 6.9757	175.580 6.9126	174.790 6.8813
190	AN 38	W 38	8	189.790 7.4720	189.400 7.4568	187.730 7.3908	187.500 7.3817	185.890 7.3186	185.100 7.2873
200	AN 40	W 40	8	199.310 7.8470	198.930 7.8318	197.250 7.7658	196.960 7.7544	195.420 7.6936	194.620 7.6623
220	N 044	W 44	8	219.150 8.6280	218.770 8.6128	217.090 8.5468	216.780 8.5347	215.250 8.4746	214.460 8.4433



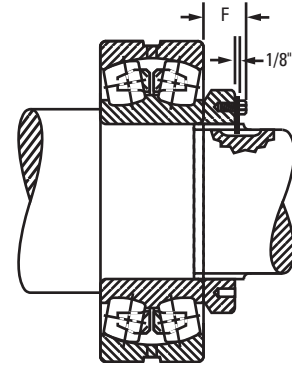
Shaft						Locknut		Lockwasher			
S-3 ⁽¹⁾	W ⁽²⁾	L ⁽²⁾	H ⁽²⁾	S ⁽²⁾	M ⁽²⁾	C ₁	D	Q	R	B	V
mm in	mm in	mm in	mm in	mm in	mm in	mm in	mm in	mm in	mm in	mm in	mm in
125.410 4 15/16	4.0 5/32	25.4 1	4.8 3/16	12.7 1/2	7.9 5/16	171.50 6 3/4	22.50 0.885	3.20 0.125	132.70 5.226	178.60 7 1/32	11.10 0.435
134.940 5 5/16	4.0 5/32	27 1 1/16	4.8 3/16	15.9 5/8	7.9 5/16	180.20 7 3/32	24.10 0.948	3.20 0.125	142.70 5.617	188.90 7 7/16	15.00 0.590
146.050 5 3/4	4.0 5/32	28.6 1 1/8	5.6 7/32	15.9 5/8	9.5 3/8	195.30 7 11/16	24.90 0.979	4.00 0.156	152.90 6.018	204.80 8 1/16	15.00 0.590
153.990 6 1/16	6.4 1/4	30.2 1 3/16	6.0 15/64	15.9 5/8	9.5 3/8	204.80 8 1/16	26.40 1.041	4.00 0.156	163.20 6.424	214.30 8 7/16	15.00 0.590
163.510 6 7/16	6.4 1/4	31 1 1/32	6.0 15/64	19.1 3/4	9.5 3/8	219.90 8 27/32	27.30 1.073	4.00 0.156	172.70 6.799	230.20 9 1/16	18.20 0.715
174.630 6 7/8	6.4 1/4	31.8 1 1/4	6.0 15/64	19.1 3/4	9.5 3/8	230.20 9 1/16	28.00 1.104	4.00 0.156	183.00 7.206	239.70 9 9/16	18.20 0.715
184.150 7 1/4	6.4 1/4	32.5 1 3/32	6.0 15/64	19.1 3/4	9.5 3/8	240.50 9 15/32	28.80 1.135	4.00 0.156	193.30 7.612	250.80 9 7/8	18.20 0.715
193.680 7 5/8	6.4 1/4	34.1 1 11/32	6.0 15/64	22.2 7/8	9.5 3/8	250.00 9 27/32	30.40 1.198	4.00 0.156	203.60 8.017	261.90 10 5/16	21.30 0.840
211.140 8 5/16	6.4 1/4	34.9 1 3/8	9.5 3/8	27.0 1 1/16	9.5 3/8	279.40 11	31.80 1.250	3.20 0.125	221.10 8.703	290.50 11 7/16	23.90 0.940

⁽¹⁾See page 120, table 28 for suggested S-3 shaft limits.

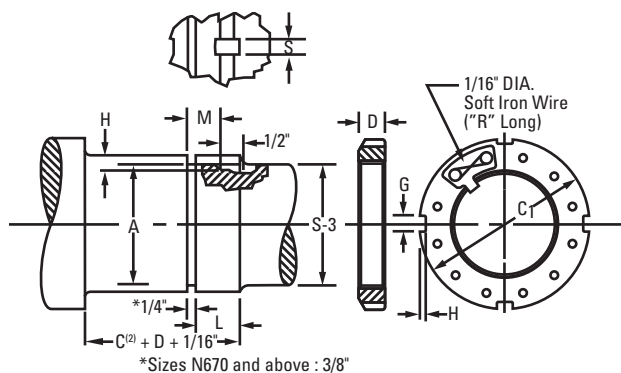
⁽²⁾For W, L, H, S and M, tolerance is -0 to +1/64 in., -0 to +0.4 mm.

INCH ACCESSORIES - LOCKNUTS AND LOCKPLATES

- The chart below shows dimensions for locknuts and lockplates used in the mounting of straight bore bearings on shafts.
- Other dimensions and tolerances related to shaft configurations are also shown.
- Dimensions are presented according to bearing bore size and are applicable to bearings in the various series (e.g., 222, 223, etc.).



Bearing Bore	Locknut	Lockplate	Threads Per Inch	Threads					
				Major Diameter		Pitch Diameter		Minor Dia.	Relief Dia. A
				Max.	Min.	Max.	Min.		
mm				mm in	mm in	mm in	mm in	mm in	mm in
240	N 048	P 48	6	239.83 9.442	239.31 9.4218	237.08 9.3337	236.76 9.3213	234.63 9.2374	233.44 9.1905
260	N 052	P 52	6	258.88 10.192	258.36 10.1718	256.13 10.0837	255.8 10.0707	253.68 9.9874	252.49 9.9405
280	N 056	P 56	6	279.50 11.004	278.99 10.9838	276.75 10.8957	276.42 10.8827	274.31 10.7994	273.11 10.7525
300	N 060	P 60	6	299.34 11.785	298.83 11.7648	296.59 11.6767	296.26 11.6637	294.14 11.5804	292.95 11.5335
320	N 064	P 64	6	319.08 12.562	318.56 12.5418	316.32 12.4537	315.98 12.4402	313.88 12.3574	312.69 12.3105
340	N 068	P 68	5	337.90 13.303	337.49 13.287	335.36 13.203	334.95 13.187	332.31 13.083	331.11 13.036
360	N 072	P 72	5	359.00 14.134	358.60 14.118	356.46 14.034	356.06 14.018	353.42 13.914	352.22 13.867
380	N 076	P 76	5	378.99 14.921	378.59 14.905	376.45 14.821	376.05 14.805	373.41 14.701	372.21 14.654
400	N 080	P 80	5	399.01 15.709	398.60 15.693	396.47 15.609	396.06 15.593	393.42 15.489	392.23 15.442
420	N 084	P 84	5	419.00 16.496	418.59 16.480	416.46 16.396	416.05 16.380	413.41 16.276	412.22 16.229
440	N 088	P 88	5	438.99 17.283	438.58 17.267	436.45 17.183	436.05 17.167	433.40 17.063	432.21 17.016
460	N 092	P 92	5	459.00 18.071	458.60 18.055	456.46 17.971	456.06 17.955	453.42 17.851	452.22 17.804
480	N 096	P 96	5	478.99 18.858	478.59 18.842	476.45 18.758	476.05 18.742	473.41 18.638	472.21 18.591



Shaft					Locknut/Lockplate					
S-3 ⁽¹⁾	L ⁽³⁾	H ⁽³⁾	S ⁽³⁾	M ⁽³⁾	C ₁	D	G	H ±0.25 mm ±0.010 in.	R	F
mm in	mm in	mm in	mm in	mm in	mm in	mm in	mm in	mm in	mm in	mm in
233.36 9 3/16	42.86 1 11/16	11.1 7/16	28.6 1 1/8	34.9 1 3/8	290.5 11 7/16	34.1 1 1/2	22.48 0.885	9.5 3/8	203.2 8	43.26 1 45/64
252.41 9 15/16	45.24 1 25/32	11.1 7/16	30.2 1 3/16	37.3 1 15/32	309.6 12 3/16	35.7 1 13/32	22.48 0.885	9.5 3/8	228.6 9	44.85 1 45/64
273.05 10 3/4	47.63 1 7/8	11.1 7/16	31.8 1 1/4	39.7 1 9/16	330.2 13	38.1 1 1/2	25.65 1.010	9.5 3/8	228.6 9	47.23 1 55/64
292.1 11 1/2	49.21 1 15/16	11.1 7/16	34.9 1 3/8	41.3 1 5/8	360.4 14 3/16	39.7 1 9/16	25.65 1.010	12.7 1/2	254.0 10	50.01 1 31/32
312.74 12 3/16	51.59 2 1/32	11.1 7/16	36.5 1 7/16	43.7 1 23/32	381.0 15	42.1 1 21/32	25.65 1.010	12.7 1/2	254.0 10	52.39 2 1/16
331.79 13 1/16	56.36 2 1/32	11.1 7/16	38.1 1 1/2	48.4 1 29/32	400.1 15 3/4	45.2 1 25/32	25.65 1.010	12.7 1/2	279.4 11	55.56 2 3/16
350.84 13 13/16	56.36 2 1/32	12.7 1/2	38.1 1 1/2	48.4 1 29/32	419.1 16 1/2	45.2 1 25/32	32.00 1.260	12.7 1/2	279.4 11	55.56 2 3/16
371.48 14 5/8	59.53 2 11/32	12.7 1/2	38.1 1 1/2	51.59 2 1/32	450.9 17 3/4	48.4 1 29/32	32.00 1.260	15.1 19/32	304.8 12	61.12 2 13/32
390.53 15 3/8	63.50 2 1/2	12.7 1/2	41.3 1 5/8	55.6 2 3/16	469.9 18 1/2	52.4 2 1/16	32.00 1.260	15.1 19/32	330.2 13	65.09 2 9/16
411.16 16 3/16	63.50 2 1/2	12.7 1/2	41.3 1 5/8	55.6 2 3/16	490.5 19 5/16	52.4 2 1/16	35.18 1.385	15.1 19/32	330.2 13	65.09 2 9/16
431.80 17	71.44 2 13/16	12.7 1/2	46.0 1 13/16	63.50 2 1/2	520.7 20 1/2	60.3 2 3/8	35.18 1.385	15.1 19/32	355.6 14	75.41 2 31/32
450.85 17 3/4	71.44 2 13/16	12.7 1/2	46.0 1 13/16	63.50 2 1/2	539.8 21 1/4	60.3 2 3/8	35.18 1.385	15.1 19/32	406.4 16	75.41 2 31/32
469.9 18 1/2	71.44 2 13/16	12.7 1/2	46.0 1 13/16	63.50 2 1/2	560.4 22 1/16	60.3 2 3/8	38.35 1.510	15.1 19/32	406.4 16	75.41 2 31/32

⁽¹⁾ See page 120, table 28 for suggested S-3 shaft limits.

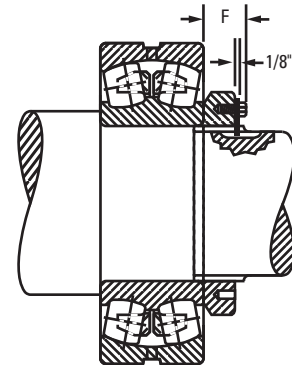
⁽²⁾ C is outer-ring width that may be obtained from bearing dimension tables.

⁽³⁾ For L, H, S and M, tolerance is -0 to +1/64 in., -0 to +0.4 mm.

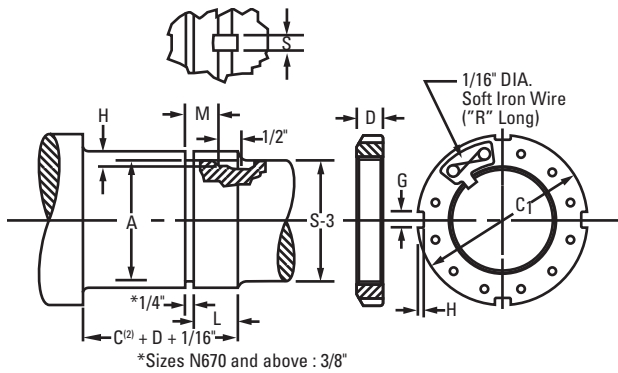
Continued on next page.

INCH ACCESSORIES - LOCKNUTS AND LOCKPLATES – continued

- The chart below shows dimensions for locknuts and lockplates used in the mounting of straight bore bearings on shafts.
- Other dimensions and tolerances related to shaft configurations are also shown.
- Dimensions are presented according to bearing bore size and are applicable to bearings in the various series (e.g., 222, 223, etc.).



Bearing Bore	Locknut	Lockplate	Threads Per Inch	Threads					
				Major Diameter		Pitch Diameter		Minor Dia.	Relief Dia. A
				Max.	Min.	Max.	Min.		
mm				mm in	mm in	mm in	mm in	mm in	mm in
500	N 500	P 500	5	499.01 19.646	498.60 19.630	496.47 19.546	496.06 19.530	493.42 19.426	492.23 19.379
530	N 530	P 530	4	529.01 20.827	528.50 20.807	525.83 20.702	525.32 20.682	522.15 20.557	520.55 20.494
560	N 560	P 560	4	559.00 22.008	558.50 21.988	555.83 21.883	555.32 21.863	552.15 21.738	550.55 21.675
600	N 600	P 600	4	599.01 23.583	598.50 23.563	595.83 23.458	595.33 23.438	592.15 23.313	590.55 23.250
630	N 630	P 630	4	629.01 24.764	628.50 24.744	625.83 24.639	625.32 24.619	622.15 24.494	520.55 24.431
670	N 670	P 670	4	669.01 26.339	668.50 26.319	665.84 26.214	665.33 26.194	662.15 26.069	660.55 26.006
710	N 710	P 710	3	709.02 27.914	708.33 27.887	704.77 27.747	704.09 27.720	700.02 27.56	698.42 27.497
750	N 750	P 750	3	749.02 29.489	748.34 29.462	744.78 29.322	744.09 29.295	740.03 29.135	738.43 29.072
800	N 800	P 800	3	799.01 31.457	798.32 31.430	794.77 31.290	794.08 31.263	790.02 31.103	788.42 31.040
850	N 850	P 850	3	849.02 33.426	848.34 33.399	844.78 33.259	844.09 33.232	840.03 33.072	838.43 33.009
900	N 900	P 900	3	899.01 35.394	898.32 35.367	894.77 35.227	894.08 35.200	890.02 35.040	888.42 34.977
950	N 950	P 950	3	949.02 37.363	948.33 37.336	944.78 37.196	944.09 37.169	940.03 37.009	938.43 36.946



Shaft					Locknut/Lockplate					
S-3 ⁽¹⁾	L ⁽³⁾	H ⁽³⁾	S ⁽³⁾	M ⁽³⁾	C ₁	D	G	H ±0.25 mm ±0.010 in.	R	F
mm in	mm in	mm in	mm in	mm in	mm in	mm in	mm in	mm in	mm in	mm in
489.0 19 1/4	79.4 3 1/8	12.7 1/2	46.0 1 13/16	71.4 2 13/16	579.4 22 13/16	68.3 2 11/16	38.35 1.510	15.1 19/32	406.4 16	83.3 3 3/32
517.5 20 3/8	79.4 3 1/8	12.7 1/2	46.0 1 13/16	71.4 2 13/16	630.2 24 13/16	68.3 2 11/16	41.53 1.635	20.6 13/16	425.5 16 3/4	83.3 3 3/32
549.3 21 5/8	85.7 3 3/8	12.7 1/2	46.0 1 13/16	77.8 3 1/16	649.3 25 5/16	74.6 2 15/16	41.53 1.635	20.6 13/16	476.3 18 3/4	89.7 3 1/32
587.4 23 1/8	85.7 3 3/8	12.7 1/2	46.0 1 13/16	77.8 3 1/16	700.1 27 5/16	74.6 2 15/16	41.53 1.635	20.6 13/16	508.0 20	89.7 3 1/32
619.1 24 3/8	85.7 3 3/8	12.7 1/2	50.8 2	77.8 3 1/16	730.3 28 3/4	74.6 2 15/16	47.88 1.885	20.6 13/16	520.7 20 1/2	92.1 3 5/8
657.2 25 7/8	90.5 3 5/8	12.7 1/2	50.8 2	82.6 3 1/4	779.5 30 11/16	79.4 3 1/8	47.88 1.885	20.6 13/16	546.1 21 1/2	96.8 3 13/16
695.3 27 3/8	101.6 4	15.9 5/8	50.8 2	93.7 3 11/16	830.3 32 11/16	90.5 3 5/8	51.30 2.020	25.4 1	571.5 22 1/2	108.0 4 1/4
736.6 29	101.6 4	15.9 5/8	50.8 2	93.7 3 11/16	870.0 34 1/4	90.5 3 5/8	57.66 2.270	25.4 1	584.2 23	108.0 4 1/4
787.4 31	101.6 4	15.9 5/8	50.8 2	93.7 3 11/16	920.8 36 1/4	90.5 3 5/8	57.66 2.270	25.4 1	616.0 24 1/4	108.0 4 1/4
835.0 32 7/8	101.6 4	15.9 5/8	50.8 2	93.7 3 11/16	979.5 38 5/16	90.5 3 5/8	64.01 2.520	25.4 1	647.7 25 1/2	108.0 4 1/4
885.8 34 7/8	111.1 4 3/8	15.9 5/8	50.8 2	103.2 4 1/16	1030.3 40 3/16	100.0 3 7/8	64.01 2.520	25.4 1	666.8 26 1/4	117.5 4 5/8
933.5 36 3/4	114.3 4 1/2	19.1 3/4	50.8 2	108 4 1/4	1092.2 43	100.0 3 15/16	64.01 2.520	25.4 1	692.2 27 1/4	117.5 4 5/8

⁽¹⁾See page 120, table 28 for suggested S-3 shaft limits.

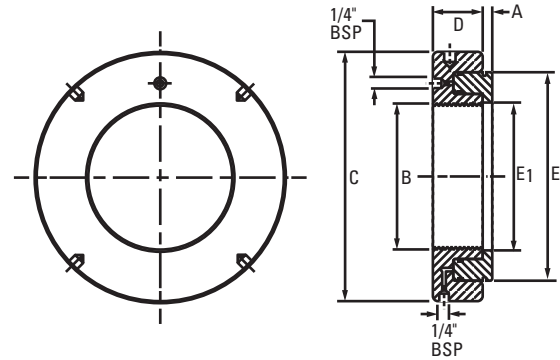
⁽²⁾C is outer-ring width that may be obtained from bearing dimension tables.

⁽³⁾For L, H, S and M, tolerance is -0 to +1/64 in., -0 to + 0.4 mm.

SPHERICAL ROLLER BEARING INCH AND METRIC ACCESSORIES

INCH HMVC HYDRAULIC NUTS

INCH HMVC HYDRAULIC NUTS



Part Number	Major Dia. B	Threads No. Per Inch	Dimensions					Piston Length of Travel	Piston Area	Assembly Weight
			C	D	E	E ₁	A			
			in.	in.	in.	in.	in.	in.	in. ²	lbs.
HMVC - 10	1.967	18	4.488	1.496	3.386	2.008	0.157	0.197	4.5	5.5
HMVC - 12	2.360	18	4.921	1.496	3.701	2.402	0.197	0.197	5.0	6.2
HMVC - 13	2.548	18	5.315	1.496	3.976	2.598	0.197	0.197	5.4	6.6
HMVC - 14	2.751	18	5.512	1.496	4.213	2.795	0.197	0.197	6.0	7.3
HMVC - 15	2.933	12	5.709	1.496	4.409	2.992	0.197	0.197	6.3	7.7
HMVC - 16	3.137	12	5.906	1.496	4.606	3.189	0.197	0.197	6.5	8.4
HMVC - 17	3.340	12	6.102	1.496	4.803	3.386	0.197	0.197	6.8	8.6
HMVC - 18	3.527	12	6.299	1.496	5.000	3.583	0.197	0.197	7.4	9.0
HMVC - 19	3.730	12	6.496	1.496	5.236	3.780	0.197	0.197	7.7	9.7
HMVC - 20	3.918	12	6.693	1.496	5.433	3.976	0.236	0.197	8.1	10.0
HMVC - 22	4.325	12	7.087	1.496	5.866	4.370	0.236	0.197	8.8	12.5
HMVC - 24	4.716	12	7.480	1.496	6.260	4.764	0.236	0.197	9.5	11.7
HMVC - 26	5.106	12	7.874	1.496	6.693	5.157	0.236	0.197	10.1	12.5
HMVC - 28	5.497	12	8.268	1.496	7.087	5.551	0.276	0.197	10.7	13.4
HMVC - 30	5.888	12	8.661	1.535	7.480	5.945	0.276	0.197	11.6	14.5
HMVC - 32	6.284	8	9.252	1.575	8.110	6.339	0.276	0.236	13.3	17.0
HMVC - 34	6.659	8	9.645	1.614	8.465	6.732	0.276	0.236	14.7	18.5
HMVC - 36	7.066	8	10.039	1.615	8.858	7.126	0.276	0.236	16.0	20.0
HMVC - 38	7.472	8	10.630	1.653	9.409	7.520	0.315	0.276	17.8	23.1
HMVC - 40	7.847	8	11.024	1.693	9.882	7.913	0.315	0.276	19.4	25.1
HMVC - 44	8.628	8	12.008	1.732	10.748	8.740	0.315	0.354	22.3	29.5
HMVC - 48	9.442	6	12.992	1.811	11.654	9.528	0.354	0.394	25.6	35.9
HMVC - 52	10.192	6	13.976	1.850	12.559	10.315	0.354	0.433	29.1	41.8
HMVC - 56	11.004	6	14.961	1.929	13.425	11.102	0.354	0.472	32.7	48.4
HMVC - 60	11.785	6	15.945	2.008	14.331	11.890	0.394	0.551	36.6	56.3
HMVC - 64	12.562	6	16.929	2.087	15.236	12.677	0.394	0.551	40.8	65.1
HMVC - 68	13.334	5	17.717	2.087	16.063	13.465	0.394	0.551	44.0	71.5
HMVC - 72	14.170	5	18.701	2.205	16.969	14.252	0.394	0.590	48.5	81.4
HMVC - 76	14.957	5	19.685	2.283	17.795	15.039	0.433	0.630	52.1	90.2
HMVC - 80	15.745	5	20.669	2.362	18.701	15.827	0.433	0.669	56.9	101.2
HMVC - 84	16.532	5	21.457	2.401	19.606	16.614	0.433	0.669	62.0	110.9
HMVC - 88	17.319	5	22.244	2.441	20.433	17.402	0.472	0.669	65.9	121.0
HMVC - 92	18.107	5	23.228	2.520	21.299	18.189	0.472	0.669	69.8	134.2
HMVC - 96	18.894	5	24.094	2.559	22.165	18.976	0.472	0.748	75.2	143.0
HMVC - 100	19.682	5	25.000	2.598	23.031	19.764	0.472	0.748	80.6	157.3
HMVC - 106	20.867	4	26.378	2.716	24.291	20.945	0.512	0.827	87.1	176.0
HMVC - 112	21.923	4	27.756	2.795	25.591	22.126	0.512	0.866	94.9	198.0
HMVC - 120	23.623	4	29.528	2.874	27.283	23.701	0.512	0.905	104.5	220.0
HMVC - 126	24.804	4	30.709	2.913	28.583	24.882	0.551	0.905	113.0	242.0
HMVC - 134	26.379	4	32.480	2.992	30.236	26.457	0.551	0.945	123.2	270.6
HMVC - 142	27.961	3	34.252	3.071	31.969	28.031	0.590	0.984	135.9	301.4
HMVC - 150	29.536	3	36.024	3.110	33.661	29.606	0.590	0.984	150.4	330.0
HMVC - 160	31.504	3	38.189	3.150	35.748	31.575	0.630	0.984	161.2	380.6
HMVC - 170	33.473	3	40.157	3.268	37.874	33.543	0.630	1.024	177.6	418.0
HMVC - 180	35.441	3	42.126	3.386	39.960	35.511	0.669	1.181	192.2	462.0
HMVC - 190	37.410	3	44.291	3.386	42.087	37.480	0.669	1.181	210.2	523.6

HMVC - 10 through HMVC - 64 have American National Threads Class 3.

HMVC - 68 through HMVC - 190 have Acme General Purpose Threads Class 3G.

METRIC ACCESSORIES INDEX

Bearing Bore mm	Bearing Part Number	Adapter Sleeve		Withdrawal Sleeve	
		Metric Shaft	Hydraulic Metric Shaft	Metric Shaft	Hydraulic Metric Shaft
25	22205K	H305			
30	22206K	H306			
35	22207K	H307			
40	21308K	H308		AH308	
40	22208K	H308		AH308	
40	22308K	H2308		AH2308	
45	21309K	H309		AH309	
45	22209K	H309		AH309	
45	22309K	H2309		AH2309	
50	21310K	H310		AHX310	
50	22210K	H310		AHX310	
50	22310K	H2310		AHX2310	
55	21311K	H311		AHX311	
55	22211K	H311		AHX311	
55	22311K	H2311		AHX2311	
60	21312K	H312		AHX312	
60	22212K	H312		AHX312	
60	22312K	H2312		AHX2312	
65	21313K	H313		AH313G	
65	22213K	H313		AH313G	
65	22313K	H2313		AH2313G	
70	21314K	H314		AH314G	
70	22214K	H314		AH314G	
70	22314K	H2314		AHX2314G	
75	21315K	H315		AH315G	
75	22215K	H315		AH315G	
75	22315K	H2315		AHX2315G	
80	21316K	H316		AH316	
80	22216K	H316		AH316	
80	22316K	H2316		AHX2316	
85	21317K	H317		AHX317	
85	22217K	H317		AHX317	
85	22317K	H2317		AHX2317	
90	21318K	H318		AHX318	
90	22218K	H318		AHX318	
90	22318K	H2318		AHX2318	
90	23218K	H2318		AHX3218	
95	22219K	H319		AHX319	
95	22319K	H2319		AHX2319	
100	22220K	H320		AHX320	
100	22320K	H2320		AHX2320	
100	23120K	H3120		AHX3120	
100	23220K	H2320		AHX3220	
105	23221K	H2321			
110	22222K	H322		AHX3122	
110	22322K	H2322		AHX2322G	
110	23022K	H322		AHX322	
110	23122K	H3122		AHX3122	
110	23222K	H2322		AHX3222G	
110	24122K			AH24122	

Continued on next page.

METRIC ACCESSORIES INDEX – continued

Bearing Bore mm	Bearing Part Number	Adapter Sleeve		Withdrawal Sleeve	
		Metric Shaft	Hydraulic Metric Shaft	Metric Shaft	Hydraulic Metric Shaft
120	22224K	H3124		AHX3124	
120	22324K	H2324		AHX2324G	
120	23024K	H3024		AHX3024	
120	23124K	H3124		AHX3124	
120	23224K	H2324		AHX3224G	
120	24024K			AH24024	
120	24124K			AH24124	
130	22226K	H3126		AHX3126	
130	22326K	H2326		AHX2326G	
130	23026K	H3026		AHX3026	
130	23126K	H3126		AHX3126	
130	23226K	H2326		AHX3226G	
130	23926K	H3926			
130	24026K			AH24026	
130	24126K			AH24126	
140	22228K	H3128		AHX3128	
140	22328K	H2328		AHX2328G	
140	23028K	H3028		AHX3028	
140	23128K	H3128		AHX3128	
140	23228K	H2328		AHX3228G	
140	23928K	H3928			
140	24028K			AH24028	
140	24128K			AH24128	
150	22230K	H3130		AHX3130G	
150	22330K	H2330		AHX2330G	
150	23030K	H3030		AHX3030	
150	23130K	H3130		AHX3130G	
150	23230K	H2330		AHX3230G	
150	23930K	H3930			
150	24030K			AH24030	
150	24130K			AH24130	
160	22232K	H3132	OH3132H	AH3132G	AOH3132G
160	22332K	H2332	OH2332H	AH2332G	AOH2332G
160	23032K	H3032	OH3032H	AH3032	
160	23132K	H3132	OH3132H	AH3132G	AOH3132G
160	23232K	H2332	OH2332H	AH3232G	AOH3232G
160	23932K	H3932	OH3932H		
160	24032K			AH24032	
160	24132K			AH24132	
170	22234K	H3134	OH3134H	AH3134G	AOH3134G
170	22334K	H2334	OH2334H	AH2334G	AOH2334G
170	23034K	H3034	OH3034H	AH3034	
170	23134K	H3134	OH3134H	AH3134G	AOH3134G
170	23234K	H2334	OH2334H	AH3234G	AOH3234G
170	23934K	H3934	OH3934H	AH3934	AOH3934
170	24034K			AH24034	
170	24134K			AH24134	
180	22236K	H3136	OH3136H	AH2236G	AOH2236G
180	22336K	H2336	OH2336H	AH2336G	AOH2336G
180	23036K	H3036	OH3036H	AH3036	AOH3036

Continued on next page.

Bearing Bore mm	Bearing Part Number	Adapter Sleeve		Withdrawal Sleeve	
		Metric Shaft	Hydraulic Metric Shaft	Metric Shaft	Hydraulic Metric Shaft
180	23136K	H3136	OH3136H	AH3136G	AOH3136G
180	23236K	H2336	OH2336H	AH3236G	AOH3236G
180	23936K	H3936	OH3936H	AH3936	AOH3936
180	24036K			AH24036	
180	24136K			AH24136	
190	22238K	H3138	OH3138H	AH2238G	AOH2238G
190	22338K	H2338	OH2338H	AH2338G	AOH2338G
190	23038K	H3038	OH3038H	AH3038G	AOH3038G
190	23138K	H3138	OH3138H	AH3138G	AOH3138G
190	23238K	H2338	OH2338H	AH3238G	AOH3238G
190	23938K	H3938	OH3938H	AH3938	AOH3938
190	24038K			AH24038	
190	24138K			AH24138	
200	22240K	H3140	OH3140H	AH2240	AOH2240
200	22340K	H2340	OH2340H	AH2340	AOH2340
200	23040K	H3040	OH3040H	AH3040G	AOH3040G
200	23140K	H3140	OH3140H	AH3140	AOH3140
200	23240K	H2340	OH2340H	AH3240	AOH3240
200	23940K	H3940	OH3940H	AH3940	AOH3940
200	24040K			AH24040	
200	24140K			AH24140	
220	22244K	H3144	OH3144H	AH2244	AOH2244
220	22344K	H2344	OH2344H	AH2344	AOH2344
220	23044K	H3044	OH3044H	AH3044G	AOH3044G
220	23144K	H3144	OH3144H	AH3144	AOH3144
220	23244K	H2344	OH2344H	AH2344	AOH2344
220	23944K	H3944	OH3944H	AH3944	AOH3944
220	24044K			AH24044	AOH24044
220	24144K			AH24144	AOH24144
240	22248K	H3148	OH3148H	AH2248	AOH2248
240	22348K	H2348	OH2348H	AH2348	AOH2348
240	23048K	H3048	OH3048H	AH3048	AOH3048
240	23148K	H3148	OH3148H	AH3148	AOH3148
240	23248K	H2348	OH2348H	AH2348	AOH2348
240	23948K	H3948	OH3948H	AH3948	AOH3948
240	24048K			AH24048	AOH24048
240	24148K			AH24148	AOH24148
260	22252K	H3152	OH3152H	AH2252G	AOH2252G
260	22352K	H2352	OH2352H	AH2352G	AOH2352G
260	23052K	H3052	OH3052H	AH3052	AOH3052
260	23152K	H3152	OH3152H	AH3152G	AOH3152G
260	23252K	H2352	OH2352H	AH2352G	AOH2352G
260	23952K	H3952	OH3952H	AH3952	AOH3952
260	24052K				AOH24052G
260	24152K			AH24152	AOH24152
280	22256K	H3156	OH3156H	AH2256G	AOH2256G
280	22356K	H2356	OH2356H	AH2356G	AOH2356G
280	23056K	H3056	OH3056H	AH3056	AOH3056
280	23156K	H3156	OH3156H	AH3156G	AOH3156G
280	23256K	H2356	OH2356H	AH2356G	AOH2356G

Continued on next page.

METRIC ACCESSORIES INDEX – continued

Bearing Bore mm	Bearing Part Number	Adapter Sleeve		Withdrawal Sleeve	
		Metric Shaft	Hydraulic Metric Shaft	Metric Shaft	Hydraulic Metric Shaft
280	23956K	H3956	OH3956H	AH3956	AOH3956
280	24056K				AOH24056G
280	24156K			AH24156	AOH24156
300	22260K	H3160	OH3160H	AH2260G	AOH2260G
300	23060K	H3060	OH3060H	AH3060	AOH3060
300	23160K	H3160	OH3160H	AH3160G	AOH3160G
300	23260K	H3260	OH3260H	AH3260G	AOH3260G
300	23960K	H3960	OH3960H	AH3960	AOH3960
300	24060K				AOH24060G
300	24160K			AH24160	AOH24160
320	22264K	H3164	OH3164H	AH2264G	AOH2264G
320	23064K	H3064	OH3064H	AH3064G	AOH3064G
320	23164K	H3164	OH3164H	AH3164G	AOH3164G
320	23264K	H3264	OH3264H	AH3264G	AOH3264G
320	23964K	H3964	OH3964H	AH3964	AOH3964
320	24064K				AOH24064G
320	24164K			AH24164	AOH24164
340	23068K	H3068	OH3068H	AH3068G	AOH3068G
340	23168K	H3168	OH3168H	AH3168G	AOH3168G
340	23268K	H3268	OH3268H	AH3268G	AOH3268G
340	23968K	H3968	OH3968H	AH3968	AOH3968
340	24068K			AH24068	AOH24068
340	24168K			AH24168	AOH24168
360	23072K	H3072	OH3072H	AH3072G	AOH3072G
360	23172K	H3172	OH3172H	AH3172G	AOH3172G
360	23272K	H3272	OH3272H	AH3272G	AOH3272G
360	23972K	H3972	OH3972H	AH3972	AOH3972
360	24072K			AH24072	AOH24072
360	24172K			AH24172	AOH24172
380	23076K	H3076	OH3076H	AH3076G	AOH3076G
380	23176K	H3176	OH3176H	AH3176G	AOH3176G
380	23276K	H3276	OH3276H	AH3276G	AOH3276G
380	23976K	H3976	OH3976H	AH3976	AOH3976
380	24076K			AH24076	AOH24076
380	24176K			AH24176	AOH24176
400	22380K	H3280	OH3280H	AH3280G	AOH3280G
400	23080K	H3080	OH3080H	AH3080G	AOH3080G
400	23180K	H3180	OH3180H	AH3180G	AOH3180G
400	23280K	H3280	OH3280H	AH3280G	AOH3280G
400	23980K	H3980	OH3980H	AH3980	AOH3980
400	24080K			AH24080	AOH24080
400	24180K			AH24180	AOH24180
420	23084K	H3084	OH3084H	AH3084G	AOH3084G
420	23184K	H3184	OH3184H	AH3184G	AOH3184G
420	23284K	H3284	OH3284H	AH3284G	AOH3284G
420	23984K	H3984	OH3984H	AH3984	AOH3984
420	24084K			AH24084	AOH24084
420	24184K			AH24184	AOH24184
440	23088K	H3088	OH3088H	AHX3088G	AOHX3088G
440	23188K	H3188	OH3188H	AHX3188G	AOHX3188G

Continued on next page.

Bearing Bore mm	Bearing Part Number	Adapter Sleeve		Withdrawal Sleeve	
		Metric Shaft	Hydraulic Metric Shaft	Metric Shaft	Hydraulic Metric Shaft
440	23288K	H3288	OH3288H	AHX3288G	AOHX3288G
440	23988K	H3988	OH3988H	AH3988	AOH3988
440	24088K			AH24088	AOH24088
440	24188K			AH24188	AOH24188
460	23092K		OH3092H	AHX3092G	AOHX3092G
460	23192K	H3192	OH3192H	AHX3192G	AOHX3192G
460	23292K	H3292	OH3292H	AHX3292G	AOHX3292G
460	23992K	H3992	OH3992H	AH3992	AOH3992
460	24092K			AH24092	AOH24092
460	24192K			AH24192	AOH24192
480	23096K		OH3096H		AOHX3096G
480	23196K		OH3196H		AOHX3196G
480	23296K	H3296	OH3296H	AHX3296G	AOHX3296G
480	23996K	H3996	OH3996H	AH3996	AOH3996
480	24096K			AH24096	AOH24096
480	24196K			AH24196	AOH24196
500	230/500K		OH30/500H		AOHX30/500G
500	231/500K		OH31/500H		AOHX31/500G
500	232/500K		OH32/500H		AOHX32/500G
500	239/500K		OH39/500H		AOH39/500
500	240/500K				AOH240/500
500	241/500K				AOH241/500
530	230/530K		OH30/530H		AOH30/530
530	231/530K		OH31/530H		AOH31/530
530	232/530K		OH32/530H		AOH32/530G
530	239/530K		OH39/530H		AOH39/530
530	240/530K				AOH240/530G
530	241/530K				AOH241/530G
560	230/560K		OH30/560H		AOH30/560
560	231/560K		OH31/560H		AOH31/560
560	232/560K		OH32/560H		AOH32/560
560	239/560K		OH39/560H		AOH39/560
560	240/560K				AOH240/560G
560	241/560K				AOH241/560G
600	230/600K		OH30/600H		AOH30/600
600	231/600K		OH31/600H		AOH31/600
600	232/600K		OH32/600H		AOH32/600G
600	239/600K		OH39/600H		AOH39/600
600	240/600K				AOH240/600
600	241/600K				AOH241/600
630	230/630K		OH30/630H		AOH30/630
630	231/630K		OH31/630H		AOH31/630
630	232/630K		OH32/630H		AOH32/630G
630	239/630K		OH39/630H		AOH39/630
630	240/630K				AOH240/630G
630	241/630K				AOH241/630G
670	230/670K		OH30/670H		AOH30/670
670	231/670K		OH31/670H		AOH31/670
670	232/670K		OH32/670H		AOH32/670G
670	239/670K		OH39/670H		AOH39/670

Continued on next page.

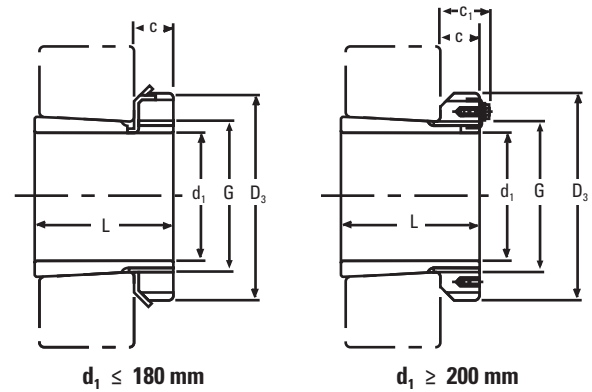
SPHERICAL ROLLER BEARING INCH AND METRIC ACCESSORIES

METRIC ACCESSORIES INDEX

Bearing Bore	Bearing Part Number	Adapter Sleeve		Withdrawal Sleeve	
		Metric Shaft	Hydraulic Metric Shaft	Metric Shaft	Hydraulic Metric Shaft
670	240/670K				AOH240/670G
670	241/670K				AOH241/670
710	230/710K		OH30/710H		AOH30/710
710	231/710K		OH31/710H		AOH31/710
710	232/710K		OH32/710H		AOH32/710G
710	239/710K		OH39/710H		AOH39/710
710	240/710K				AOH240/710G
710	241/710K				AOH241/710
750	230/750K		OH30/750H		AOH30/750
750	239/750K		OH39/750H		AOH39/750
750	240/750K				AOH240/750G
750	241/750K				AOH241/750G
800	230/800K		OH30/800H		AOH30/800
800	231/800K		OH31/800H		AOH31/800
800	232/800K		OH32/800H		AOH32/800G
800	239/800K		OH39/800H		AOH39/800
800	240/800K				AOH240/800G
800	241/800K				AOH241/800G
850	230/850K		OH30/850H		AOH30/850
850	231/850K		OH31/850H		AOH31/850
850	232/850K		OH32/850H		AOH32/850
850	239/850K		OH39/850H		AOH39/850
850	240/850K				AOH240/850G
900	230/900K		OH30/900H		AOH30/900
900	231/900K		OH31/900H		AOH31/900
900	232/900K		OH32/900H		AOH32/900
900	239/900K		OH39/900H		AOH39/900
900	240/900K				AOH240/900
900	241/900K				AOH241/900
950	230/950K		OH30/950H		AOH30/950
950	231/950K		OH31/950H		AOH31/950
950	232/950K		OH32/950H		AOH32/950
950	239/950K		OH39/950H		AOH39/950
950	240/950K				AOH240/950
950	241/950K				AOH241/950
1000	230/1000K		OH30/1000H		AOH30/1000
1000	231/1000K		OH31/1000H		AOH31/1000
1000	232/1000K		OH32/1000H		AOH32/1000
1000	239/1000K		OH39/1000H		AOH39/1000
1000	240/1000K				AOH240/1000
1000	241/1000K				AOH241/1000
1060	230/1060K		OH30/1060H		AOH30/1060
1060	231/1060K		OH31/1060H		AOH31/1060
1060	239/1060K		OH39/1060H		AOH39/1060
1060	240/1060K				AOH240/1060
1120	239/1120K		OH39/1120H		

METRIC H ADAPTER SLEEVES

- Effective tapered bore bearing assembly.
- Includes mounting sleeve, locknut and lockwasher or lockplate.
- Other dimensions may be available, consult your Timken engineer.



d_1	Sleeve Part Number ⁽¹⁾	L	C	Thread ⁽²⁾ G	D_3	C_1	Weight	Locknuts	Lockwasher and Lockplates	Appropriate Hydraulic Nut
mm		mm	mm	mm	mm	mm	kg			
20	H305	29	8	M 25x1.5	38	–	0.17	KM5	MB5	–
25	H306	31	8	M 30x1.5	45	–	0.24	KM6	MB6	–
30	H307	35	9	M 35x1.5	52	–	0.31	KM7	MB7	–
35	H308	36	10	M 40x1.5	58	–	0.42	KM8	MB8	–
35	H2308	46	10	M 40x1.5	58	–	0.22	KM8	MB8	–
40	H309	39	11	M 45x1.5	65	–	0.55	KM9	MB9	–
40	H2309	50	11	M 45x1.5	65	–	0.28	KM9	MB9	–
45	H310	42	12	M 50x1.5	70	–	0.67	KM10	MB10	HMV10
45	H2310	55	12	M 50x1.5	70	–	0.36	KM10	MB10	HMV10
50	H311	45	12	M 55x2	75	–	0.76	KM11	MB11	HMV11
50	H2311	59	12	M 55x2	75	–	0.42	KM11	MB11	HMV11
55	H312	47	13	M 60x2	80	–	0.87	KM12	MB12	HMV12
55	H2312	62	13	M 60x2	80	–	0.48	KM12	MB12	HMV12
60	H313	50	14	M 65x2	85	–	1.01	KM13	MB13	HMV13
60	H314	52	14	M 70x2	92	–	1.59	KM14	MB14	HMV14
60	H2313	65	14	M 65x2	85	–	0.56	KM13	MB13	HMV13
60	H2314	68	14	M 70x2	92	–	0.90	KM14	MB14	HMV14
65	H315	55	15	M 75x2	98	–	1.83	KM15	MB15	HMV15
65	H2315	73	15	M 75x2	98	–	1.05	KM15	MB15	HMV15
70	H316	59	17	M 80x2	105	–	2.27	KM16	MB16	HMV16
70	H2316	78	17	M 80x2	105	–	1.28	KM16	MB16	HMV16
75	H317	63	18	M 85x2	110	–	2.60	KM17	MB17	HMV17
75	H2317	82	18	M 85x2	110	–	1.45	KM17	MB17	HMV17
80	H318	65	18	M 90x2	120	–	3.02	KM18	MB18	HMV18
80	H2318	86	18	M 90x2	120	–	1.69	KM18	MB18	HMV18
85	H319	68	19	M 95x2	125	–	3.44	KM19	MB19	HMV19
85	H2319	90	19	M 95x2	125	–	1.92	KM19	MB19	HMV19
90	H320	71	20	M 100x2	130	–	3.73	KM20	MB20	HMV20
90	H3120	76	20	M 100x2	130	–	1.80	KM20	MB20	HMV20
90	H2320	97	20	M 100x2	130	–	2.15	KM20	MB20	HMV20

⁽¹⁾Adapter sleeves are supplied complete with locknuts and lockwasher or lockplates.

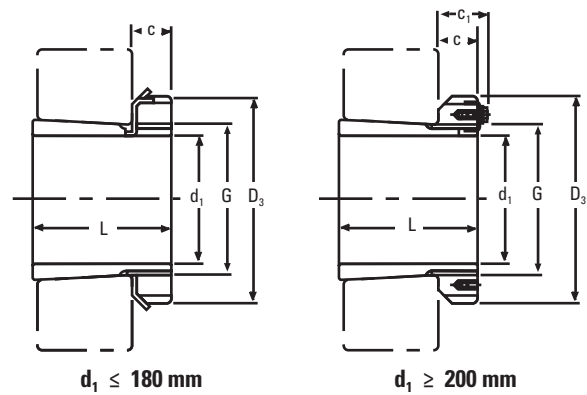
⁽²⁾M means metric thread and the digits are major diameter of thread and pitch.

NOTE: Sleeves are not sold separately.

Continued on next page.

METRIC H ADAPTER SLEEVES – continued

- Effective tapered bore bearing assembly.
- Includes mounting sleeve, locknut and lockwasher or lockplate.
- Other dimensions may be available, consult your Timken engineer.



d_1	Sleeve Part Number ⁽¹⁾	L	C	Thread ⁽²⁾ G	D_3	C_1	Weight	Locknuts	Lockwasher and Lockplates	Appropriate Hydraulic Nut
mm		mm	mm	mm	mm	mm	kg			
95	H321	74	20	M 105x2	140	–	4.30	KM 21	MB21	HMV21
95	H2321	101	20	M 105x2	140	–	2.46	KM21	MB21	HMV21
100	H322	77	21	M 110x2	145	–	4.81	KM22	MB22	HMV22
100	H3122	81	21	M 110x2	145	–	2.25	KM22	MB22	HMV22
100	H2322	105	21	M 110x2	145	–	2.74	KM22	MB22	HMV22
110	H3024	72	22	M 120x2	145	–	1.93	KML24	MBL24	HMV24
110	H3124	88	22	M 120x2	155	–	2.64	KM24	MB24	HMV24
110	H2324	112	22	M 120x2	155	–	3.19	KM24	MB24	HMV24
115	H3926	65	23	M 130x2	155	–	2.40	KML26	MBL26	HMV26
115	H3026	80	23	M 130x2	155	–	2.85	KML26	MBL26	HMV26
115	H3126	92	23	M 130x2	165	–	3.66	KM26	MB26	HMV26
115	H2326	121	23	M 130x2	165	–	4.60	KM26	MB26	HMV26
125	H3928	66	24	M 140x2	165	–	2.70	KML28	MBL28	HMV28
125	H3028	82	24	M 140x2	165	–	3.16	KML28	MBL28	HMV28
125	H3128	97	24	M 140x2	180	–	4.34	KM28	MB28	HMV28
125	H2328	131	24	M 140x2	180	–	5.55	KM28	MB28	HMV28
135	H3930	76	26	M 150x2	180	–	3.60	KML30	MBL30	HMV30
135	H3030	87	26	M 150x2	180	–	3.89	KML30	MBL30	HMV30
135	H3130	111	26	M 150x2	195	–	5.52	KM30	MB30	HMV30
135	H2330	139	26	M 150x2	195	–	6.63	KM30	MB30	HMV30
140	H3932	78	27.5	M 160x3	190	–	4.60	KML32	MBL32	HMV32
140	H3032	93	27.5	M 160x3	190	–	5.21	KML32	MBL32	HMV32
140	H3132	119	28	M 160x3	210	–	7.67	KM32	MB32	HMV32
140	H2332	147	28	M 160x3	210	–	9.14	KM32	MB32	HMV32
150	H3934	79	27.5	M 170x3	200	–	5.00	KML34	MBL34	HMV34
150	H3034	101	28.5	M 170x3	200	–	5.99	KML34	MBL34	HMV34
150	H3134	122	29	M 170x3	220	–	8.38	KM34	MB34	HMV34
150	H2334	154	29	M 170x3	220	–	10.20	KM34	MB34	HMV34

⁽¹⁾Adapter sleeves are supplied complete with locknuts and lockwasher or lockplates.

Continued on next page.

⁽²⁾M means metric thread and the digits are major diameter of thread and pitch.

NOTE: Sleeves are not sold separately.

d ₁	Sleeve Part Number ⁽¹⁾	L	C	Thread ⁽²⁾⁽³⁾ G	D ₃	C ₁	Weight	Locknuts	Lockwasher and Lockplates	Appropriate Hydraulic Nut
mm		mm	mm	mm	mm	mm	kg			
160	H3936	87	29.5	M 180x3	210	–	5.70	KML36	MBL36	HMV36
160	H3036	109	29.5	M 180x3	210	–	6.83	KML36	MBL36	HMV36
160	H3136	131	30	M 180x3	230	–	9.50	KM36	MB36	HMV36
160	H2336	161	30	M 180x3	230	–	11.30	KM36	MB36	HMV36
170	H3938	89	30.5	M 190x3	220	–	6.19	KML38	MBL38	HMV38
170	H3038	112	30.5	M 190x3	220	–	7.45	KML38	MBL38	HMV38
170	H3138	141	31	M 190x3	240	–	10.80	KM38	MB38	HMV38
170	H2338	169	31	M 190x3	240	–	12.60	KM38	MB38	HMV38
180	H3940	98	31.5	M 200x3	240	–	7.89	KML40	MBL40	HMV40
180	H3040	120	31.5	M 200x3	240	–	9.19	KML40	MBL40	HMV40
180	H3140	150	32	M 200x3	250	–	12.10	KM40	MB40	HMV40
180	H2340	176	32	M 200x3	250	–	13.90	KM40	MB40	HMV40
200	H3944	96	30	Tr 220x4	260	41	8.16	HM3044	MS3044	HMV44
200	H3044	126	30	Tr 220x4	260	41	10.30	HM3044	MS3044	HMV44
200	H3144	161	35	Tr 220x4	280	–	15.10	HM44T	MB44	HMV44
200	H2344	186	35	Tr 220x4	280	–	17.00	HM44T	MB44	HMV44
220	H3948	101	34	Tr 240x4	290	46	11.00	HM3048	MS3048	HMV48
220	H3048	133	34	Tr 240x4	290	46	13.20	HM3048	MS3048	HMV48
220	H3148	172	37	Tr 240x4	300	–	17.60	HM48T	MS48	HMV48
220	H2348	199	37	Tr 240x4	300	–	20.00	HM48T	MS48	HMV48
240	H3952	116	34	Tr 260x4	310	46	12.80	HM3052	MS3052	HMV52
240	H3052	145	34	Tr 260x4	310	46	15.30	HM3052	MS3052	HMV52
240	H3152	190	39	Tr 260x4	330	–	22.30	HM52T	MB52	HMV52
240	H2352	211	39	Tr 260x4	330	–	24.50	HM52T	MB52	HMV52
260	H3956	121	38	Tr 280x4	330	50	15.30	HM3056	MS3056	HMV56
260	H3056	152	38	Tr 280x4	330	50	17.70	HM3056	MS3056	HMV56
260	H3156	195	41	Tr 280x4	350	–	25.10	HM56T	MB56	HMV56
260	H2356	224	41	Tr 280x4	350	–	28.40	HM56T	MB56	HMV56
280	H3960	140	42	Tr 300x4	360	54	20.00	HM3060	MS3060	HMV60
280	H3060	168	42	Tr 300x4	360	54	22.80	HM3060	MS3060	HMV60
280	H3160	208	40	Tr 300x4	380	53	30.20	HM3160	MS3160	HMV60
280	H3260	240	40	Tr 300x4	380	53	34.10	HM3160	MS3160	HMV60
300	H3964	140	42	Tr 320x5	380	55	21.50	HM3064	MS3064	HMV64
300	H3064	171	42	Tr 320x5	380	55	24.60	HM3064	MS3064	HMV64
300	H3164	226	42	Tr 320x5	400	56	34.90	HM3164	MS3164	HMV64
300	H3264	258	42	Tr 320x5	400	56	39.30	HM3164	MS3164	HMV64

⁽¹⁾Adapter sleeves are supplied complete with locknuts and lockwasher or lockplates.

Continued on next page.

⁽²⁾M means metric thread and the digits are major diameter of thread and pitch.

⁽³⁾Tr means 30°. Trapezoid thread and the digits are outside diameter of thread and pitch.

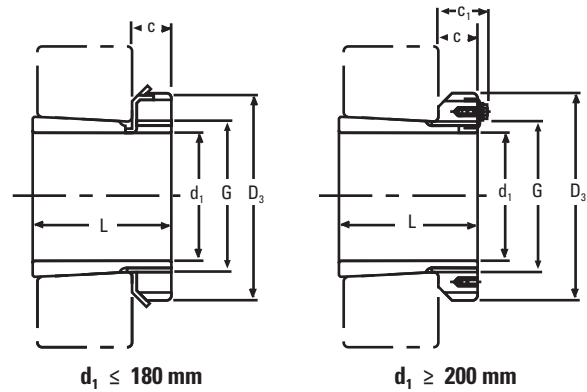
NOTE: Sleeves are not sold separately.

SPHERICAL ROLLER BEARING INCH AND METRIC ACCESSORIES

METRIC H ADAPTER SLEEVES

METRIC H ADAPTER SLEEVES – continued

- Effective tapered bore bearing assembly.
- Includes mounting sleeve, locknut and lockwasher or lockplate.
- Other dimensions may be available, consult your Timken engineer.



d_1	Sleeve Part Number ⁽¹⁾	L	C	Thread ⁽²⁾ G	D_3	C_1	Weight	Locknuts	Lockwasher and Lockplates	Appropriate Hydraulic Nut
mm		mm	mm	mm	mm	mm	kg			
320	H3968	144	45	Tr 340x5	400	58	24.50	HM3068	MS3068	HMV68
320	H3068	187	45	Tr 340x5	400	58	28.70	HM3068	MS3068	HMV68
320	H3168	254	55	Tr 340x5	440	72	50.00	HM3168	MS3168	HMV68
320	H3268	288	55	Tr 340x5	440	72	54.60	HM3168	MS3168	HMV68
340	H3972	144	45	Tr 360x5	420	58	25.20	HM3072	MS3072	HMV72
340	H3072	188	45	Tr 360x5	420	58	30.50	HM3072	MS3072	HMV72
340	H3172	259	58	Tr 360x5	460	75	56.00	HM3172	MS3172	HMV72
340	H3272	299	58	Tr 360x5	460	75	60.60	HM3172	MS3172	HMV72
360	H3976	164	48	Tr 380x5	450	62	31.50	HM3076	MS3076	HMV76
360	H3076	193	48	Tr 380x5	450	62	35.80	HM3076	MS3076	HMV76
360	H3176	264	60	Tr 380x5	490	77	61.70	HM3176	MS3176	HMV76
360	H3276	310	60	Tr 380x5	490	77	69.60	HM3176	MS3176	HMV76
380	H3980	168	52	Tr 400x5	470	66	35.00	HM3080	MS3080	HMV80
380	H3080	210	52	Tr 400x5	470	66	41.30	HM3080	MS3080	HMV80
380	H3180	272	62	Tr 400x5	520	82	73.00	HM3180	MS3180	HMV80
380	H3280	328	62	Tr 400x5	520	82	81.00	HM3180	MS3180	HMV80
400	H3984	168	52	Tr 420x5	490	66	36.60	HM3084	MS3084	HMV84
400	H3084	212	52	Tr 420x5	490	66	43.70	HM3084	MS3084	HMV84
400	H3184	304	70	Tr 420x5	540	90	84.20	HM3184	MS3184	HMV84
400	H3284	352	70	Tr 420x5	540	90	96.00	HM3184	MS3184	HMV84
410	H3988	189	60	Tr 440x5	520	77	58.00	HM3088	MS3088	HMV88
410	H3088	228	60	Tr 440x5	520	77	65.20	HM3088	MS3088	HMV88
410	H3188	307	70	Tr 440x5	560	90	104.00	HM3188	MS3188	HMV88
410	H3288	361	70	Tr 440x5	560	90	118.00	HM3188	MS3188	HMV88
430	H3992	189	60	Tr 460x5	540	77	60.00	HM3092	MS3092	HMV92
430	H3192	326	75	Tr 460x5	580	95	116.00	HM3192	MS3192	HMV92
430	H3292	382	75	Tr 460x5	580	95	134.00	HM3192	MS3192	HMC92
450	H3996	200	60	Tr 480x5	560	77	66.00	HM3096	MS3096	HMV96
450	H3296	397	75	Tr 480x5	620	95	153.00	HM3196	MS3196	HMV96

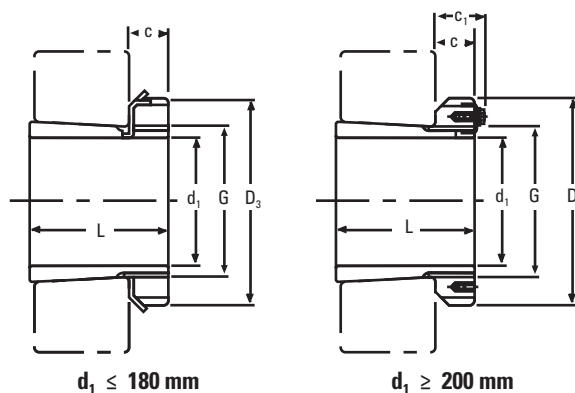
⁽¹⁾Adapter sleeves are supplied complete with locknuts and lockwasher or lockplates.

⁽²⁾Tr means 30°. Trapezoid thread and the digits are outside diameter of thread and pitch.

NOTE: Sleeves are not sold separately.

METRIC HE ADAPTER SLEEVES FOR INCH SHAFT

- Effective tapered bore bearing assembly.
- Includes mounting sleeve, locknut and lockwasher or lockplate.
- Other dimensions may be available, consult your Timken engineer.



d ₁		Part Number ⁽¹⁾	L	C	Thread ⁽²⁾ G	D ₃	C ₁	Weight	Locknuts	Lockwasher and Lockplate	Appropriate Hydraulic Nut
in.	mm										
¾	19.05	HE305	29	8.00	M 25x1.5	38.00	–	0.08	KM5	MB5	
1	25.40	HE306	31	8.00	M 30x1.5	45.00	–	0.10	KM6	MB6	
1 ¼	31.75	HE308	36	10.00	M 40x1.5	58.00	–	0.22	KM8	MB8	
1 ¼	31.75	HE2308	46	10.00	M 40x1.5	58.00	–	0.28	KM8	MB8	
1 ½	38.10	HE309	39	11.00	M 45x1.5	65.00	–	0.24	KM9	MB9	
1 ½	38.10	HE2309	50	11.00	M 45x1.5	65.00	–	0.31	KM9	MB9	
1 ¾	44.45	HE310	42	12.00	M 50x1.5	70.00	–	0.29	KM10	MB10	HMV10
1 ¾	44.45	HE2310	55	12.00	M 50x1.5	70.00	–	0.36	KM10	MB10	HMV10
2	50.80	HE311	45	12.00	M 55x2	75.00	–	0.35	KM11	MB11	HMV11
2	50.80	HE2311	59	12.00	M 55x2	75.00	–	0.42	KM11	MB11	HMV11
2 ¼	57.15	HE313	50	14.00	M 65x2	85.00	–	0.52	KM13	MB13	HMV13
2 ¼	57.15	HE2313	65	14.00	M 65x2	85.00	–	0.65	KM13	MB13	HMV13
2 ½	63.50	HE315	55	15.00	M 75x2	98.00	–	0.85	KM15	MB15	HMV15
2 ½	63.50	HE2315	73	15.00	M 75x2	98.00	–	1.09	KM15	MB15	HMV15
2 ¾	69.85	HE316	59	17.00	M 80x2	105.00	–	0.97	KM16	MB16	HMV16
2 ¾	69.85	HE2316	78	17.00	M 80x2	105.00	–	1.20	KM16	MB16	HMV16
3	76.20	HE317	63	18.00	M 85x2	110.00	–	1.00	KM17	MB17	HMV17
3	76.20	HE2317	82	18.00	M 85x2	110.00	–	1.30	KM17	MB17	HMV17
3 ¼	82.55	HE318	65	18.00	M 90x2	120.00	–	1.10	KM18	MB18	HMV18
3 ¼	82.55	HE319	68	19.00	M 95x2	125.00	–	1.60	KM19	MB19	HMV19
3 ¼	82.55	HE2318	86	18.00	M 90x2	120.00	–	1.40	KM18	MB18	HMV18
3 ¼	82.55	HE2319	90	19.00	M 95x2	125.00	–	2.00	KM19	MB19	HMV19
3 ½	88.90	HE320	71	20.00	M 100x2	130.00	–	1.75	KM20	MB20	HMV20
3 ½	88.90	HE3120	76	20.00	M 100x2	130.00	–	1.80	KM20	MB20	HMV20
3 ½	88.90	HE2320	97	20.00	M 100x2	130.00	–	2.20	KM20	MB20	HMV20
4	101.60	HE322	77	21.00	M 110x2	145.00	–	1.90	KM22	MB22	HMV22
4	101.60	HE3122	81	21.00	M 110x2	145.00	–	2.25	KM22	MB22	HMV22
4	101.60	HE2322	105	21.00	M 110x2	145.00	–	2.40	KM22	MB22	HMV22

⁽¹⁾Adapter sleeves are supplied complete with locknuts and lockwasher or lockplates.

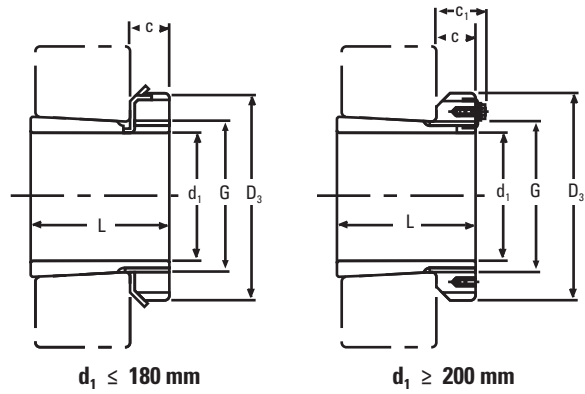
Continued on next page.

⁽²⁾M means metric thread and the digits are major diameter of thread and pitch.

NOTE: Sleeves are not sold separately.

METRIC HE ADAPTER SLEEVES FOR INCH SHAFT – continued

- Effective tapered bore bearing assembly.
- Includes mounting sleeve, locknut and lockwasher or lockplate.
- Other dimensions may be available, consult your Timken engineer.



$d_1 \leq 180 \text{ mm}$

$d_1 \geq 200 \text{ mm}$

d_1		Part Number ⁽¹⁾	L	C	Thread ^{d(2)(3)} G	D_3	C_1	Weight	Locknuts	Lockwasher and Lockplate	Appropriate Hydraulic Nut
in.	mm										
4 ¼	107.95	HE3024	72	22.00	M 120x2	145.00	–	2.00	KML24	MBL24	HMV24
4 ¼	107.95	HE3124	88	22.00	M 120x2	155.00	–	2.64	KM24	MB24	HMV24
4 ¼	107.95	HE2324	112	22.00	M 120x2	155.00	–	3.35	KM24	MB24	HMV24
4 ½	114.30	HE3026	80	23.00	M 130x2	155.00	–	2.90	KML26	MBL26	HMV26
4 ½	114.30	HE3126	92	23.00	M 130x2	165.00	–	3.66	KM26	MB26	HMV26
4 ½	114.30	HE2326	121	23.00	M 130x2	165.00	–	4.55	KM26	MB26	HMV26
5	127.00	HE3028	82	24.00	M 140x2	165.00	–	3.16	KML28	MBL28	HMV28
5	127.00	HE3128	97	24.00	M 140x2	180.00	–	3.80	KM28	MB28	HMV28
5	127.00	HE2328	131	24.00	M 140x2	180.00	–	5.00	KM28	MB28	HMV28
5 ¼	133.35	HE3030	87	26.00	M 150x2	180.00	–	4.00	KML30	MBL30	HMV30
5 ¼	133.35	HE3130	111	26.00	M 150x2	195.00	–	5.50	KM30	MB30	HMV30
5 ¼	133.35	HE2330	139	26.00	M 150x2	195.00	–	6.80	KM30	MB30	HMV30
5 ½	139.70	HE3032	93	27.50	M 160x3	190.00	–	5.10	KML32	MBL32	HMV32
5 ½	139.70	HE3132	119	28.00	M 160x3	210.00	–	7.30	KM32	MB32	HMV32
5 ½	139.70	HE2332	147	28.00	M 160x3	210.00	–	8.80	KM32	MB32	HMV32
6	152.40	HE3034	101	28.50	M 170x3	200.00	–	5.99	KML34	MBL34	HMV34
6	152.40	HE3134	122	29.00	M 170x3	220.00	–	7.55	KM34	MB34	HMV34
6	152.40	HE2334	154	29.00	M 170x3	220.00	–	10.20	KM34	MB34	HMV34
6 ½	165.10	HE3036	109	29.50	M 180x3	210.00	–	6.83	KML36	MBL36	HMV36
6 ½	165.10	HE3136	131	30.00	M 180x3	230.00	–	7.80	KM36	MB36	HMV36
6 ½	165.10	HE2336	161	30.00	M 180x3	230.00	–	9.35	KM36	MB36	HMV36
6 ¾	171.45	HE3038	112	30.50	M 190x3	220.00	–	7.20	KML38	MBL38	HMV38
6 ¾	171.45	HE3138	141	31.00	M 190x3	240.00	–	10.80	KM38	MB38	HMV38
6 ¾	171.45	HE2338	169	31.00	M 190x3	240.00	–	12.60	KM38	MB38	HMV38
7	177.80	HE3040	120	31.50	M 200x3	240.00	–	9.35	KML40	MBL40	HMV40
7	177.80	HE3140	150	32.00	M 200x3	250.00	–	12.30	KM40	MB40	HMV40
7	177.80	HE2340	176	32.00	M 200x3	250.00	–	14.20	KM40	MB40	HMV40
8	203.20	HE3044	126	30.00	Tr 220x4	260.00	41	10.30	HM 3044	MS3044	HMV44
8	203.20	HE3144	161	35.00	Tr 220x4	280.00	–	14.70	HM44T	MB44	HMV44
8	203.20	HE2344	186	35.00	Tr 220x4	280.00	–	16.70	HM44T	MB44	HMV44

⁽¹⁾Adapter sleeves are supplied complete with locknuts and lockwasher or lockplates.

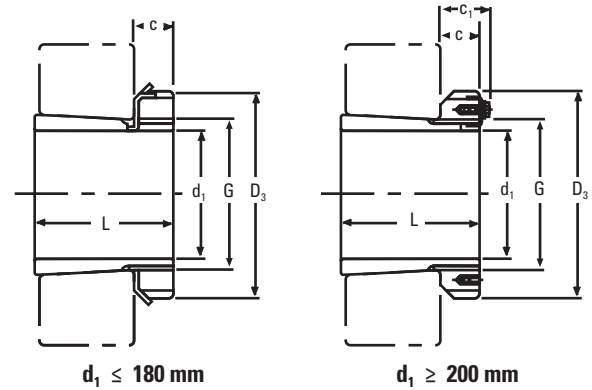
⁽²⁾M means metric thread and the digits are major diameter of thread and pitch.

⁽³⁾Tr means 30°. Trapezoid thread and the digits are outside diameter of thread and pitch.

NOTE: Sleeves are not sold separately.

METRIC HA ADAPTER SLEEVES FOR INCH SHAFT

- Effective tapered bore bearing assembly.
- Includes mounting sleeve, locknut and lockwasher or lockplate.
- Other dimensions may be available, consult your Timken engineer.



d ₁		Part Number ⁽¹⁾	L	C	Thread ⁽²⁾ G	D ₃	C ₁	Weight	Locknuts	Lockwasher and Lockplate	Appropriate Hydraulic Nut
in.	mm										
1 5/16	23.81	HA306	31	8	M 30x1.5	45	—	0.12	KM6	MB6	
1 3/16	30.16	HA307	35	9	M 35x1.5	52	—	0.14	KM7	MB7	
1 5/16	33.34	HA308	36	10	M 40x1.5	58	—	0.19	KM8	MB8	
1 5/16	33.34	HA2308	46	10	M 40x1.5	58	—	0.22	KM8	MB8	
1 7/16	36.51	HA309	39	11	M 45x1.5	65	—	0.29	KM9	MB9	
1 7/16	36.51	HA2309	50	11	M 45x1.5	65	—	0.35	KM9	MB9	
1 11/16	42.86	HA310	42	12	M 50x1.5	70	—	0.32	KM10	MB10	HMV10
1 11/16	42.86	HA2310	55	12	M 50x1.5	70	—	0.40	KM10	MB10	HMV10
1 15/16	49.21	HA311	45	12	M 55x2	75	—	0.34	KM11	MB11	HMV11
1 15/16	49.21	HA2311	59	12	M 55x2	75	—	0.42	KM11	MB11	HMV11
2 3/16	55.56	HA313	50	14	M 65x2	85	—	0.58	KM13	MB13	HMV13
2 3/16	55.56	HA2313	65	14	M 65x2	85	—	0.75	KM13	MB13	HMV13
2 7/16	61.91	HA315	55	15	M 75x2	98	—	0.91	KM15	MB15	HMV15
2 7/16	61.91	HA2315	73	15	M 75x2	98	—	1.15	KM15	MB15	HMV15
2 11/16	68.26	HA316	59	17	M 80x2	105	—	1.05	KM16	MB16	HMV16
2 11/16	68.26	HA2316	78	17	M 80x2	105	—	1.30	KM16	MB16	HMV16
2 15/16	74.61	HA317	63	18	M 85x2	110	—	1.10	KM17	MB17	HMV17
2 15/16	74.61	HA2317	82	18	M 85x2	110	—	1.40	KM17	MB17	HMV17
3 3/16	80.96	HA318	65	18	M 90x2	120	—	1.25	KM18	MB18	HMV18
3 3/16	80.96	HA2318	86	18	M 90x2	120	—	1.50	KM18	MB18	HMV18
3 7/16	87.31	HA320	71	20	M 100x2	130	—	1.80	KM20	MB20	HMV20
3 7/16	87.31	HA3120	76	20	M 100x2	130	—	1.80	KM20	MB20	HMV20
3 7/16	87.31	HA2320	97	20	M 100x2	130	—	2.35	KM20	MB20	HMV20
3 15/16	100.01	HA322	77	21	M 110x2	145	—	2.18	KM22	MB22	HMV22
3 15/16	100.01	HA3122	81	21	M 110x2	145	—	2.25	KM22	MB22	HMV22
3 15/16	100.01	HA2322	105	21	M 110x2	145	—	2.74	KM22	MB22	HMV22
4 3/16	106.36	HA3024	72	22	M 120x2	145	—	2.25	KML24	MBL24	HMV24
4 3/16	106.36	HA3124	88	22	M 120x2	155	—	2.90	KM24	MB24	HMV24
4 3/16	106.36	HA2324	112	22	M 120x2	155	—	3.19	KM24	MB24	HMV24
4 7/16	112.71	HA3026	80	23	M 130x2	155	—	3.05	KML26	MBL26	HMV26
4 7/16	112.71	HA3126	92	23	M 130x2	165	—	3.75	KM26	MB26	HMV26
4 7/16	112.71	HA2326	121	23	M 130x2	165	—	4.74	KM26	MB26	HMV26

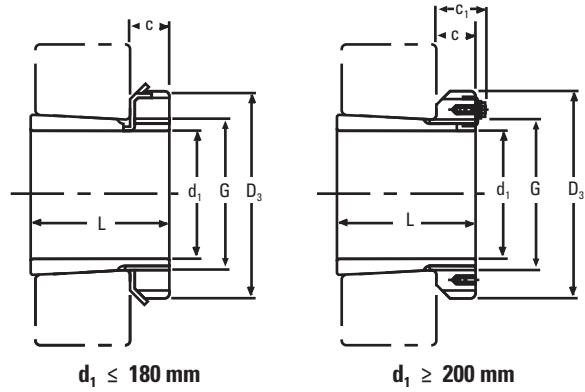
⁽¹⁾Adapter sleeves are supplied complete with locknuts and lockwasher or lockplates.

⁽²⁾M means metric thread and the digits are major diameter of thread and pitch.

Continued on next page.

METRIC HA ADAPTER SLEEVES FOR INCH SHAFT – continued

- Effective tapered bore bearing assembly.
- Includes mounting sleeve, locknut and lockwasher or lockplate.
- Other dimensions may be available, consult your Timken engineer.



d ₁		Part Number ⁽¹⁾	L	C	Thread ⁽²⁾⁽³⁾ G	D ₃	C ₁	Weight kg	Locknuts	Lockwasher and Lockplate	Appropriate Hydraulic Nut
in.	mm										
4 15/16	125.41	HA3028	82	24	M 140x2	165	–	3.00	KML28	MBL28	HMV28
4 15/16	125.41	HA3128	97	24	M 140x2	180	–	4.10	KM28	MB28	HMV28
4 15/16	125.41	HA2328	131	24	M 140x2	180	–	5.30	KM28	MB28	HMV28
5 3/16	131.76	HA3030	87	26	M 150x2	180	–	3.89	KML30	MBL30	HMV30
5 3/16	131.76	HA3130	111	26	M 150x2	195	–	5.80	KM30	MB30	HMV30
5 3/16	131.76	HA2330	139	26	M 150x2	195	–	6.63	KM30	MB30	HMV30
5 7/16	138.11	HA3032	93	28	M 160x3	190	–	5.21	KML32	MBL32	HMV32
5 7/16	138.11	HA3132	119	28	M 160x3	210	–	7.55	KM32	MB32	HMV32
5 7/16	138.11	HA2332	147	28	M 160x3	210	–	9.40	KM32	MB32	HMV32
5 15/16	150.81	HA3034	101	29	M 170x3	200	–	5.99	KML34	MBL34	HMV34
5 15/16	150.81	HA3134	122	29	M 170x3	220	–	7.80	KM34	MB34	HMV34
5 15/16	150.81	HA2334	154	29	M 170x3	220	–	9.60	KM34	MB34	HMV34
6 7/16	163.51	HA3036	109	30	M 180x3	210	–	6.00	KML36	MBL36	HMV36
6 7/16	163.51	HA3136	131	30	M 180x3	230	–	8.15	KM36	MB36	HMV36
6 7/16	163.51	HA2336	161	30	M 180x3	230	–	9.90	KM36	MB36	HMV36
6 15/16	176.21	HA3038	112	31	M 190x3	220	–	5.80	KML38	MBL38	HMV38
6 15/16	176.21	HA3138	141	31	M 190x3	240	–	8.50	KM38	MB38	HMV38
6 15/16	176.21	HA2338	169	31	M 190x3	240	–	12.60	KM38	MB38	HMV38
7 3/16	182.56	HA3040	120	32	M 200x3	240	–	8.25	KML40	MBL40	HMV40
7 3/16	182.56	HA3140	150	32	M 200x3	250	–	11.20	KM40	MB40	HMV40
7 3/16	182.56	HA2340	176	32	M 200x3	250	–	13.90	KM40	MB40	HMV40
7 15/16	201.61	HA3044	126	30	Tr 220x4	260	41	10.30	HM3044	MS3044	HMV44
7 15/16	201.61	HA3144	161	35	Tr 220x4	280	–	14.70	HM44T	MB44	HMV44
8 15/16	227.01	HA3048	133	34	Tr 240x4	290	46	13.20	HM3048	MS3048	HMV48
9 1/16	239.71	HA3052	145	34	Tr 260x4	310	46	15.30	HM3052	MS3052	HMV52
10 7/16	265.11	HA3056	152	38	Tr 280x4	330	50	17.70	HM3056	MS3056	HMV56
10 15/16	277.81	HA3060	168	42	Tr 300x4	360	54	22.80	HM3060	MS3060	HMV60
11 15/16	303.21	HA3064	171	42	Tr 320x5	380	55	24.60	HM3064	MS3064	HMV64
12 7/16	315.91	HA3068	187	45	Tr 340x5	400	58	28.70	HM3068	MS3068	HMV68
13 7/16	341.31	HA3072	188	45	Tr 360x5	420	58	30.50	HM3072	MS3072	HMV72
13 15/16	354.01	HA3076	193	48	Tr 380x5	450	62	35.80	HM3076	MS3076	HMV76

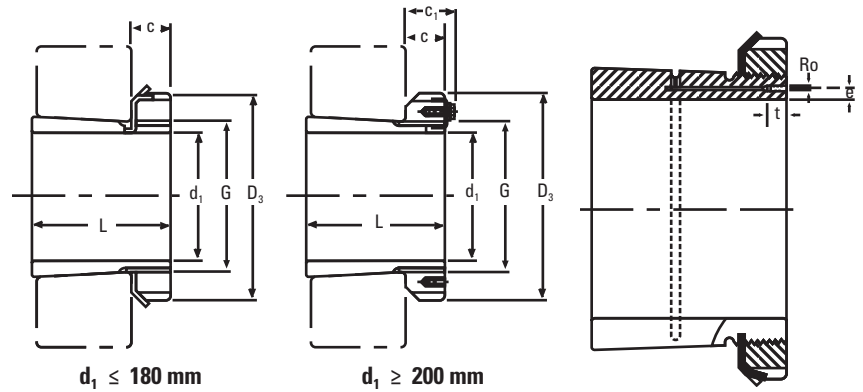
⁽¹⁾Adapter sleeves are supplied complete with locknuts and lockwasher or lockplates.

⁽²⁾M means metric thread and the digits are major diameter of thread and pitch.

⁽³⁾Tr means 30°. Trapezoid thread and the digits are outside diameter of thread and pitch.

METRIC OH HYDRAULIC ADAPTER SLEEVES

- Includes sleeve, hydraulic nut and lockwasher or lockplate.
- Hydraulic assistance facilitates mounting of large bearing. Oil pump required to inject pressurized oil.
- Other dimensions may be available, consult your Timken engineer.



$d_1 \leq 180 \text{ mm}$

$d_1 \geq 200 \text{ mm}$

d_1	Sleeve Part Number ⁽¹⁾	L	C	Thread ⁽²⁾⁽³⁾ G	D_3	C_1 ⁽⁴⁾	R_o	e	t	Weight	Locknuts	Lockwasher and Lockplate	Appropriate Hydraulic Nut
mm		mm	mm	mm	mm	mm		mm	mm	kg			
140	OH3032H	93	27.5	M 160x3	190	–		4	7	5.21	KML32	MBL32	HMV32
140	OH3132H	119	28	M 160x3	210	–		4	7	7.67	KM32	MB32	HMV32
150	OH3034H	101	28.5	M 170x3	200	–		4	7	5.99	KML34	MBL34	HMV34
150	OH3134H	122	29	M 170x3	220	–		4	7	8.38	KM34	MB34	HMV34
160	OH3936H	87	29.5	M 180x3	210	–		4	7	5.70	KML36	MBL36	HMV36
160	OH3036H	109	29.5	M 180x3	210	–		4	7	6.83	KML36	MBL36	HMV36
160	OH3136H	131	30	M 180x3	230	–		4	7	9.50	KM36	MB36	HMV36
170	OH3938H	89	30.5	M 190x3	220	–		4	7	6.19	KML38	MBL38	HMV38
170	OH3038H	112	30.5	M 190x3	220	–		4	7	7.45	KML38	MBL38	HMV38
170	OH3138H	141	31	M 190x3	240	–		4	7	10.80	KM38	MB38	HMV38
170	OH2338H	169	31	M 190x3	240	–		4	7	12.60	KM38	MB38	HMV38
180	OH3940H	98	31.5	M 200x3	240	–		4	7	7.89	KML40	MBL40	HMV40
180	OH3040H	120	31.5	M 200x3	240	–		4	7	9.19	KML40	MBL40	HMV40
180	OH3140H	150	32	M 200x3	250	–		4	7	12.10	KM40	MB40	HMV40
180	OH2340H	176	32	M 200x3	250	–		4	7	13.90	KM40	MB40	HMV40
200	OH3944H	96	30	Tr 220x4	260	41	M6	4	7	8.16	HM3044	MS3044	HMV44
200	OH3044H	126	30	Tr 220x4	260	41	M6	4	7	10.30	HM3044	MS3044	HMV44
200	OH3144H	161	35	Tr 220x4	280	–	M6	4	7	15.10	HM44T	MB44	HMV44
200	OH2344H	186	35	Tr 220x4	280	–	M6	4	7	17.00	HM44T	MB44	HMV44
220	OH3948H	101	34	Tr 240x4	290	46	M6	4	7	11.00	HM3048	MS3048	HMV48
220	OH3048H	133	34	Tr 240x4	290	46	M6	4	7	13.20	HM3048	MS3048	HMV48
220	OH3148H	172	37	Tr 240x4	300	–	M6	4	7	17.60	HM48T	MB48	HMV48
220	OH2348H	199	37	Tr 240x4	300	–	M6	4	7	20.00	HM48T	MB48	HMV48
240	OH3952H	116	34	Tr 260x4	310	46	M6	4	7	12.80	HM3052	MS3052	HMV52
240	OH3052H	145	34	Tr 260x4	310	46	M6	4	7	15.30	HM3052	MS3052	HMV52
240	OH3152H	190	39	Tr 260x4	330	–	M6	4	7	22.30	HM52T	MB52	HMV52
240	OH2352H	211	39	Tr 260x4	330	–	M6	4	7	24.50	HM52T	MB52	HMV52

⁽¹⁾Hydraulic adapter sleeves are supplied complete with locknuts and lockwasher or lockplates.

Continued on next page.

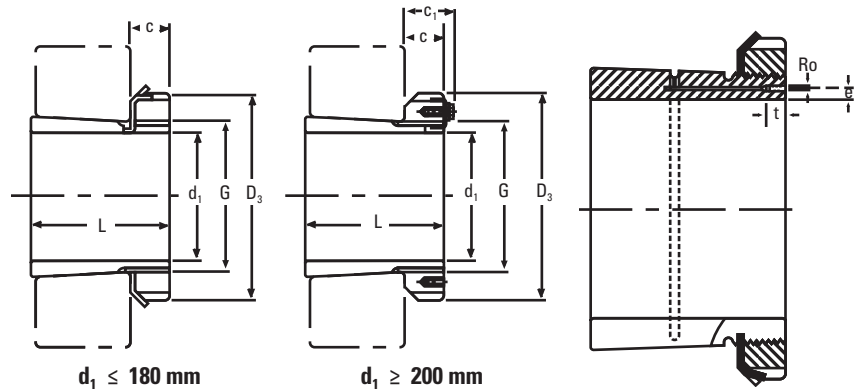
⁽²⁾M means metric thread and the digits are major diameter of thread and pitch.

⁽³⁾Tr means 30°. Trapezoid thread and the digits are outside diameter of thread and pitch.

⁽⁴⁾Adapters with dimensions C_1 having a locking device as shown in the illustration.

METRIC OH HYDRAULIC ADAPTER SLEEVES – continued

- Includes sleeve, hydraulic nut and lockwasher or lockplate.
- Hydraulic assistance facilitates mounting of large bearing. Oil pump required to inject pressurized oil.
- Other dimensions may be available, consult your Timken engineer.



d_1	Sleeve Part Number ⁽¹⁾	L	C	Thread ⁽²⁾ G	D_3	C_1 ⁽³⁾	R_o	e	t	Weight	Locknuts	Lockwasher and Lockplate	Appropriate Hydraulic Nut
mm		mm	mm	mm	mm	mm		mm	mm	kg			
260	OH3956H	121	38	Tr 280x4	330	50	M6	4	7	15.30	HM3056	MS3056	HMV56
260	OH3056H	152	38	Tr 280x4	330	50	M6	4	7	17.70	HM3056	MS3056	HMV56
260	OH3156H	195	41	Tr 280x4	350	—	M6	4	7	25.10	HM56T	MB56	HMV56
260	OH2356H	224	41	Tr 280x4	350	—	M6	4	7	28.40	HM56T	MB56	HMV56
280	OH3960H	140	42	Tr 300x4	360	54	M6	4	7	20.00	HM3060	MS3060	HMV60
280	OH3060H	168	42	Tr 300x4	360	54	M6	4	7	22.80	HM3060	MS3060	HMV60
280	OH3160H	208	40	Tr 300x4	380	53	M6	4	7	30.20	HM3160	MS3160	HMV60
280	OH3260H	240	40	Tr 300x4	380	53	M6	4	7	34.10	HM3160	MS3160	HMV60
300	OH3964H	140	42	Tr 320x5	380	55	M6	3.5	7	21.50	HM3064	MS3064	HMV64
300	OH3064H	171	42	Tr 320x5	380	55	M6	3.5	7	24.60	HM3064	MS3064	HMV64
300	OH3164H	226	42	Tr 320x5	400	56	M6	3.5	7	34.90	HM3164	MS3164	HMV64
300	OH3264H	258	42	Tr 320x5.4	400	56	M6	3.5	7	39.30	HM3164	MS3164	HMV64
320	OH3968H	144	45	Tr 340x5	400	58	M6	3.5	7	24.50	HM3068	MS3068	HMV68
320	OH3068H	187	45	Tr 340x5	400	58	M6	3.5	7	28.70	HM3068	MS3068	HMV68
320	OH3168H	254	55	Tr 340x5	440	72	M6	3.5	7	50.00	HM3168	MS3168	HMV68
320	OH3268H	288	55	Tr 340x5	440	72	M6	3.5	7	54.60	HM3168	MS3168	HMV68
340	OH3972H	144	45	Tr 360x5	420	58	M6	3.5	7	25.20	HM3072	MS3072	HMV72
340	OH3072H	188	45	Tr 360x5	420	58	M6	3.5	7	30.50	HM3072	MS3072	HMV72
340	OH3172H	259	58	Tr 360x5	460	75	M6	3.5	7	56.00	HM3172	MS3172	HMV72
340	OH3272H	299	58	Tr 360x5	460	75	M6	3.5	7	60.60	HM3172	MS3172	HMV72
360	OH3976H	164	48	Tr 380x5	450	62	M6	3.5	7	31.50	HM3076	MS3076	HMV76
360	OH3076H	193	48	Tr 380x5	450	62	M6	3.5	7	35.80	HM3076	MS3076	HMV76
360	OH3176H	264	60	Tr 380x5	490	77	M6	3.5	7	61.70	HM3176	MS3176	HMV76
360	OH3276H	310	60	Tr 380x5	490	77	M6	3.5	7	69.60	HM3176	MS3176	HMV76
380	OH3980H	168	52	Tr 400x5	470	66	M6	3.5	7	35.00	HM3080	MS3080	HMV80
380	OH3080H	210	52	Tr 400x5	470	66	M6	3.5	7	41.30	HM3080	MS3080	HMV80
380	OH3180H	272	62	Tr 400x5	520	82	M6	3.5	7	73.00	HM3180	MS3180	HMV80
380	OH3280H	328	62	Tr 400x5	520	82	M6	3.5	7	81.00	HM3180	MS3180	HMV80

⁽¹⁾Hydraulic adapter sleeves are supplied complete with locknuts and lockwasher or lockplates.

⁽²⁾Tr means 30°. Trapezoid thread and the digits are outside diameter of thread and pitch.

⁽³⁾Adapters with dimensions C_1 having a locking device as shown in the illustration.

Continued on next page.

d ₁	Sleeve Part Number ⁽¹⁾	L	C	Thread ⁽²⁾ G	D ₃	C ₁ ⁽³⁾	Ro	e	t	Weight	Locknuts	Lockwasher and Lockplate	Appropriate Hydraulic Nut
mm		mm	mm	mm	mm	mm		mm	mm	kg			
400	OH3984H	168	52	Tr 420x5	490	66	M6	3.5	7	36.60	HM3084	MS3084	HMV84
400	OH3084H	212	52	Tr 420x5	490	66	M6	3.5	7	43.70	HM3084	MS3084	HMV84
400	OH3184H	304	70	Tr 420x5	540	90	M6	3.5	7	84.20	HM3184	MS3184	HMV84
400	OH3284H	352	70	Tr 420x5	540	90	M6	3.5	7	96.00	HM3184	MS3184	HMV84
410	OH3988H	189	60	Tr 440x5	520	77	M8	6.5	12	58.00	HM3088	MS3088	HMV88
410	OH3088H	228	60	Tr 440x5	520	77	M8	6.5	12	65.20	HM3088	MS3088	HMV88
410	OH3188H	307	70	Tr 440x5	560	90	M8	6.5	12	104.00	HM3188	MS3188	HMV88
410	OH3288H	361	70	Tr 440x5	560	90	M8	6.5	12	118.00	HM3188	MS3188	HMV88
430	OH3992H	189	60	Tr 460x5	540	77	M8	6.5	12	60.00	HM3092	MS3092	HMV92
430	OH3092H	234	60	Tr 460x5	540	77	M8	6.5	12	71.00	HM3092	MS3092	HMV92
430	OH3192H	326	75	Tr 460x5	580	95	M8	6.5	12	116.00	HM3192	MS3192	HMV92
430	OH3292H	382	75	Tr 460x5	580	95	M8	6.5	12	134.00	HM3192	MS3192	HMV92
450	OH3996H	200	60	Tr 480x5	560	77	M8	6.5	12	66.00	HM3096	MS30/96	HMV96
450	OH3096H	237	60	Tr 480x5	560	77	M8	6.5	12	75.00	HM3096	MS30/96	HMV96
450	OH3196H	335	75	Tr 480x5	620	95	M8	6.5	12	135.00	HM3196	MS3196	HMV96
450	OH3296H	397	75	Tr 480x5	620	95	M8	6.5	12	153.00	HM3196	MS3196	HMV96
470	OH39/500H	208	68	Tr 500x5	580	85	M8	6.5	12	74.30	HM30/500	MS30/500	HMV100
470	OH31/500H	356	80	Tr 500x5	630	100	M8	6.5	12	145.00	HM31/500	MS31/500	HMV100
470	OH32/500H	428	80	Tr 500x5	630	100	M8	6.5	12	166.00	HM31/500	MS31/500	HMV100
500	OH39/530H	216	68	Tr 530x6	630	90	M8	6	12	87.90	HM30/530	MS30/530	HMV106
500	OH31/530H	364	80	Tr 530x6	670	105	M8	6	12	161.00	HM31/530	MS31/530	HMV106
500	OH32/530H	447	80	Tr 530x6	670	105	M8	6	12	192.00	HM31/530	MS31/530	HMV106
530	OH39/560H	227	75	Tr 560x6	650	97	M8	6	12	95.00	HM30/560	MS30/560	HMV112
530	OH31/560H	377	85	Tr 560x6	710	110	M8	6	12	185.00	HM31/560	MS31/560	HMV112
530	OH32/560H	462	85	Tr 560x6	710	110	M8	6	12	219.00	HM31/560	MS31/560	HMV112
560	OH39/600H	239	75	Tr 600x6	700	97	G1/8	8	13	127.00	HM30/600	MS30/600	HMV120
560	OH30/600H	289	75	Tr 600x6	700	97	G1/8	8	13	147.00	HM30/600	MS30/600	HMV120
560	OH31/600H	399	85	Tr 600x6	750	110	G1/8	8	13	234.00	HM31/600	MS31/600	HMV120
560	OH32/600H	487	85	Tr 600x6	750	110	G1/8	8	13	278.00	HM31/600	MS31/600	HMV120
600	OH39/630H	254	75	Tr 630x6	730	97	M8	6	12	124.00	HM30/630	MS30/630	HMV126
600	OH30/630H	301	75	Tr 630x6	730	97	M8	6	12	138.00	HM30/630	MS30/630	HMV126
600	OH31/630H	424	95	Tr 630x6	800	120	M8	6	12	254.00	HM31/630	MS31/630	HMV126
600	OH32/630H	521	95	Tr 630x6	800	120	M8	6	12	300.00	HM 31/630	MS31/630	HMV126

⁽¹⁾Hydraulic adapter sleeves are supplied complete with locknuts and lockwasher or lockplates.

⁽²⁾Tr means 30°. Trapezoid thread and the digits are outside diameter of thread and pitch.

⁽³⁾Adapters with dimensions C₁ having a locking device as shown in the illustration.

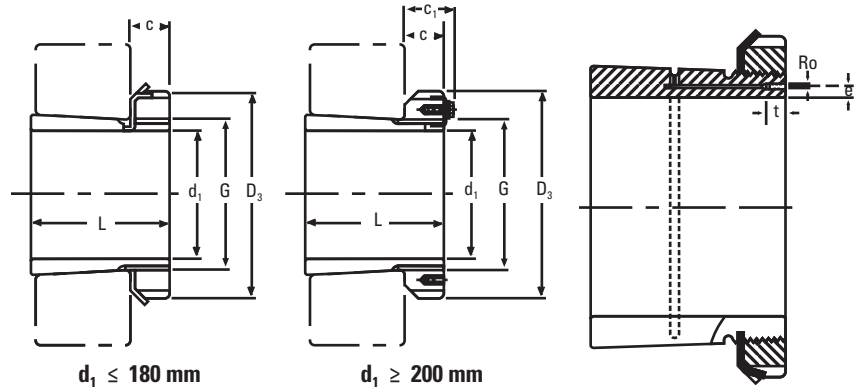
Continued on next page.

SPHERICAL ROLLER BEARING INCH AND METRIC ACCESSORIES

METRIC OH HYDRAULIC ADAPTER SLEEVES

METRIC OH HYDRAULIC ADAPTER SLEEVES – continued

- Includes sleeve, hydraulic nut and lockwasher or lockplate.
- Hydraulic assistance facilitates mounting of large bearing. Oil pump required to inject pressurized oil.
- Other dimensions may be available, consult your Timken engineer.



d_1	Sleeve Part Number ⁽¹⁾	L	C	Thread ⁽²⁾ G	D_3	C_1 ⁽³⁾	R_o	e	t	Weight	Locknuts	Lockwasher and Lockplate	Appropriate Hydraulic Nut
mm		mm	mm	mm	mm	mm		mm	mm	kg			
630	OH39/670H	264	80	Tr 670x6	780	102	G1/8	8	13	162.00	HM30/670	MS30/670	HMV134
630	OH30/670H	324	80	Tr 670x6	780	102	G1/8	8	13	190.00	HM30/670	MS30/670	HMV134
630	OH31/670H	456	106	Tr 670x6	850	131	G1/8	8	13	340.00	HM31/670	MS31/670	HMV134
630	OH32/670H	558	106	Tr 670x6	850	131	G1/8	8	13	401.00	HM31/670	MS31/670	HMV134
670	OH39/710H	286	90	Tr 710x7	830	112	G1/8	8	13	183.00	HM30/710	MS30/710	HMV142
670	OH30/710H	342	90	Tr 710x7	830	112	G1/8	8	13	228.00	HM30/710	MS30/710	HMV142
670	OH31/710H	467	106	Tr 710x7	900	135	G1/8	8	13	392.00	HM31/710	MS31/710	HMV142
670	OH32/710H	572	106	Tr 710x7	900	135	G1/8	8	13	459.00	HM31/710	MS31/710	HMV142
710	OH39/750H	291	90	Tr 750x7	870	112	G1/8	8	13	211.00	HM30/750	MS30/750	HMV150
710	OH30/750H	356	90	Tr 750x7	870	112	G1/8	8	13	246.00	HM30/750	MS30/750	HMV150
710	OH31/750H	493	112	Tr 750x7	950	141	G1/8	8	13	451.00	HM31/750	MS31/750	HMV150
710	OH32/750H	603	112	Tr 750x7	950	141	G1/8	8	13	526.00	HM31/750	MS31/750	HMV150
750	OH39/800H	303	90	Tr 800x7	920	112	G1/8	10	13	259.00	HM30/800	MS30/800	HMV160
750	OH31/800H	505	112	Tr 800x7	1000	141	G1/8	10	13	535.00	HM31/800	MS31/800	HMV160
750	OH32/800H	618	112	Tr 800x7	1000	141	G1/8	10	13	629.00	HM31/800	MS31/800	HMV160
800	OH39/850H	308	90	Tr 850x7	980	115	G1/8	10	13	288.00	HM30/850	MS30/850	HMV170
800	OH31/850H	536	118	Tr 850x7	1060	147	G1/8	10	13	616.00	HM31/850	MS31/850	HMV170
800	OH32/850H	651	118	Tr 850x7	1060	147	G1/8	10	13	722.00	HM31/850	MS31/850	HMV170
850	OH39/900H	326	100	Tr 900x7	1030	125	G1/8	10	13	330.00	HM30/900	MS30/900	HMV180
850	OH31/900H	557	125	Tr 900x7	1120	154	G1/8	10	13	677.00	HM31/900	MS31/900	HMV180
850	OH32/900H	660	125	Tr 900x7	1120	154	G1/8	10	13	776.00	HM31/900	MS31/900	HMV180
900	OH39/950H	344	100	Tr 950x8	1080	125	G1/8	10	13	362.00	HM30/950	MS30/950	HMV190
900	OH31/950H	583	125	Tr 950x8	1170	154	G1/8	10	13	738.00	HM31/950	MS31/950	HMV190
900	OH32/950H	675	125	Tr 950x8	1170	154	G1/8	10	13	834.00	HM31/950	MS31/950	HMV190
950	OH39/1000H	358	100	Tr 1000x8	1140	125	G1/8	10	13	407.00	HM30/1000	MS30/1000	HMV200
950	OH31/1000H	609	125	Tr 1000x8	1240	154	G1/8	10	13	842.00	HM31/1000	MS31/1000	HMV200
950	OH32/1000H	707	125	Tr 1000x8	1240	154	G1/8	10	13	952.00	HM31/1000	MS31/1000	HMV200
1000	OH39/1060H	372	100	Tr 1060x8	1200	125	G1/8	12	15	490.00	HM30/1060	MS30/1060	HMV212
1000	OH30/1060H	447	100	Tr 1060x8	1200	125	G1/8	12	15	571.00	HM30/1060	MS30/1060	HMV212
1000	OH31/1060H	622	125	Tr 1060x8	1300	154	G1/8	12	15	984.00	HM31/1060	MS31/1060	HMV212

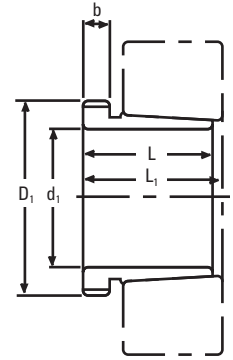
⁽¹⁾Hydraulic adapter sleeves are supplied complete with locknuts and lockwasher or lockplates.

⁽²⁾Tr means 30°. Trapezoid thread and the digits are outside diameter of thread and pitch.

⁽³⁾Adapters with dimensions C_1 having a locking device as shown in the illustration.

METRIC AH WITHDRAWAL SLEEVES

- Sleeves used in the dismounting of tapered bore bearing from shaft.
- Effective dismounting.
- Other dimensions may be available, consult your Timken engineer.



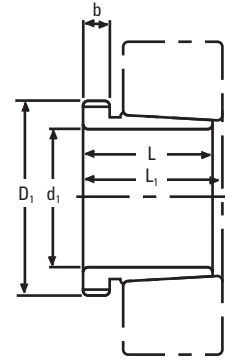
d ₁	Withdrawal Sleeve Part Number	L	L ₁ ⁽¹⁾	b	Thread D ₁	Weight	Appropriate Withdrawal Nut No.	Appropriate Hydraulic Nut
mm		mm	mm	mm	mm	kg		
35	AH308	29	32	6	M 45x1,5	0.09	KM9	
35	AH2308	40	43	7	M 45x1.5	0.13	KM9	
40	AH309	31	34	6	M 50x1,5	0.11	KM10	HMV10
40	AH2309	44	47	7	M 50x1.5	0.16	KM10	HMV10
45	AHX310	35	38	7	M 55x2	0.14	KM11	HMV11
45	AHX2310	50	53	9	M 55x2	0.21	KM11	HMV11
50	AHX311	37	40	7	M 60x2	0.16	KM12	HMV12
50	AHX2311	54	57	10	M 60x2	0.25	KM12	HMV12
55	AHX312	40	43	8	M 65x2	0.19	KM13	HMV13
55	AHX2312	58	61	11	M 65x2	0.30	KM13	HMV13
60	AH313G	42	45	8	M 70x2	0.35	KM14	HMV14
65	AH314G	43	47	8	M 75x2	0.24	KM15	HMV15
65	AHX2314G	64	68	12	M 75x2	0.42	KM15	HMV15
70	AH315G	45	49	8	M 80x2	0.29	KM16	HMV16
70	AHX2315G	68	72	12	M 80x2	0.48	KM16	HMV16
75	AH316	48	52	8	M 90x2	0.37	KM18	HMV18
75	AHX2316	71	75	12	M 90x2	0.60	KM18	HMV18
80	AHX317	52	56	9	M 95x2	0.43	KM19	HMV19
80	AHX2317	74	78	13	M 95x2	0.67	KM19	HMV19
85	AHX318	53	57	9	M 100x2	0.46	KM20	HMV20
85	AHX3218	63	67	10	M 100x2	0.58	KM20	HMV20
85	AHX2318	79	83	14	M 100x2	0.78	KM20	HMV20
90	AHX319	57	61	10	M 105x2	0.53	KM21	HMV21
90	AHX2319	85	89	16	M 105x2	0.89	KM21	HMV21
95	AHX320	59	63	10	M 110x2	0.60	KM22	HMV22
95	AHX3120	64	68	11	M 110x2	0.65	KM22	HMV22
95	AHX3220	73	77	11	M 110x2	0.77	KM22	HMV22
95	AHX2320	90	94	16	M 110x2	1.00	KM22	HMV22

⁽¹⁾Dimension L₁ decreases as the withdrawal sleeve is driven in during mounting.

Continued on next page.

METRIC AH WITHDRAWAL SLEEVES – continued

- Sleeves used in the dismantling of tapered bore bearing from shaft.
- Effective dismantling.
- Other dimensions may be available, consult your Timken engineer.



d ₁	Withdrawal Sleeve Part Number	L	L ₁ ⁽¹⁾	b	Thread ⁽²⁾ D ₁	Weight	Appropriate Withdrawal Nut No.	Appropriate Hydraulic Nut
mm		mm	mm	mm	mm	kg		
105	AHX322	63	67	12	M 120X2	0.66	KM24	HMV24
105	AHX3122	68	72	11	M 120X2	0.76	KM24	HMV24
105	AH24122	82	91	13	M 115x2	0.73	KM23	HMV23
105	AHX3222G	82	86	11	M 120X2	1.00	KM24	HMV24
105	AHX2322G	98	102	16	M 120X2	1.26	KM24	HMV24
115	AHX3024	60	64	13	M 130x2	0.75	KM26	HMV26
115	AH24024	73	82	13	M 125x2	0.65	KM25	HMV25
115	AHX3124	75	79	12	M 130x2	0.95	KM26	HMV26
115	AHX3224G	90	94	13	M 130x2	1.20	KM26	HMV26
115	AH24124	93	102	13	M 130x2	1.00	KM26	HMV26
115	AHX2324G	105	109	17	M 130x2	1.49	KM26	HMV26
125	AHX3026	67	71	14	M 140x2	0.93	KM28	HMV28
125	AHX3126	78	82	12	M 140x2	1.09	KM28	HMV28
125	AH24026	83	93	14	M 135x2	0.84	KM27	HMV27
125	AH24126	94	104	14	M 140x2	1.15	KM28	HMV28
125	AHX3226G	98	102	15	M 140x2	1.47	KM28	HMV28
125	AHX2326G	115	119	19	M 140x2	1.83	KM28	HMV28
135	AHX3028	68	73	14	M 150x2	1.01	KM30	HMV30
135	AH24028	83	93	14	M 145x2	0.91	KM29	HMV29
135	AHX3128	83	88	14	M 150x2	1.28	KM30	HMV30
135	AH24128	99	109	14	M 150x2	1.25	KM30	HMV30
135	AHX3228G	104	109	15	M 150x2	1.72	KM30	HMV30
135	AHX2328G	125	130	20	M 150x2	2.22	KM30	HMV30
145	AHX3030	72	77	15	M 160x3	1.15	KM32	HMV32
145	AHX3130G	96	101	15	M 160x3	1.64	KM32	HMV32
145	AHX3230G	114	119	17	M 160x3	2.07	KM32	HMV32
145	AH24130	115	126	15	M 160x3	1.60	KM32	HMV32
145	AHX2330G	135	140	24	M 160x3	2.60	KM32	HMV32

⁽¹⁾Dimension L₁ decreases as the withdrawal sleeve is driven in during mounting.

⁽²⁾M means metric thread and the digits are major diameter of thread and pitch.

Continued on next page.

d ₁	Withdrawal Sleeve Part Number	L	L ₁ ⁽¹⁾	b	Thread ⁽²⁾⁽³⁾ D ₁	Weight	Appropriate Withdrawal Nut No.	Appropriate Hydraulic Nut
mm		mm	mm	mm	mm	kg		
150	AH3032	77	82	16	M 170x3	2.06	KM34	HMV34
150	AH24032	95	106	15	M 170x3	2.27	KM34	HMV34
150	AH3132G	103	108	16	M 170x3	2.90	KM34	HMV34
150	AH24132	124	135	15	M 170x3	3.00	KM34	HMV34
150	AH3232G	124	130	20	M 170x3	3.63	KM34	HMV34
160	AH3034	85	90	17	M 180x3	2.43	KM36	HMV36
160	AH3134G	104	109	16	M 180x3	3.04	KM36	HMV36
160	AH24034	106	117	16	M 180x3	2.80	KM36	HMV36
160	AH24134	125	136	16	M 180x3	3.21	KM36	HMV36
160	AH3234G	134	140	24	M 180x3	4.35	KM36	HMV36
170	AH3136G	116	122	19	M 190x3	3.77	KM38	HMV38
170	AH3236G	140	146	24	M 190x3	4.77	KM38	HMV38
180	AH3038G	96	102	18	M 200x3	3.16	KM40	HMV40
180	AH24038	118	131	18	M 200x3	3.46	KM40	HMV40
180	AH3138G	125	131	20	M 200x3	4.38	KM40	HMV40
180	AH3238G	145	152	25	M 200x3	5.30	KM40	HMV40
180	AH24138	146	159	18	M 200x3	4.28	KM40	HMV40
190	AH3040G	102	108	19	Tr 210x4	3.57	HM42T	HMV42
190	AH24040	127	140	18	Tr 210x4	3.93	HM42T	HMV42
190	AH3140	134	140	21	Tr 220x4	5.55	HM3044	HMV44
190	AH3240	153	160	25	Tr 220x4	6.59	HM3044	HMV44
190	AH24140	158	171	18	Tr 210x4	5.10	HM42T	HMV42
200	AH3044G	111	117	20	Tr 230x4	7.10	HM46T	HMV46
200	AH24044	138	152	20	Tr 230x4	8.25	HM46T	HMV46
200	AH3144	145	151	23	Tr 240x4	10.40	HM48	HMV48
200	AH24144	170	184	20	Tr 230x4	10.20	HM46	HMV46
220	AH3948	77	83	16	Tr 250x4	5.29	HM50	HMV50
220	AH3048	116	123	21	Tr 260x4	8.75	HML52	HMV52
220	AH24048	138	153	20	Tr 250x4	9.00	HM50	HMV50
220	AH3148	154	161	25	Tr 260x4	12.00	HM52	HMV52
220	AH24148	180	195	20	Tr 260x4	12.50	HM52	HMV52
240	AH3952	94	100	18	Tr 270x4	7.06	HM54	HMV54
240	AH3052	128	135	23	Tr 280x4	10.70	HML56	HMV56
240	AH3152G	172	179	26	Tr 280x4	15.10	HM56T	HMV56
240	AH24152	202	218	22	Tr 280x4	15.40	HM56	HMV56

⁽¹⁾Dimension L₁ decreases as the withdrawal sleeve is driven in during mounting.

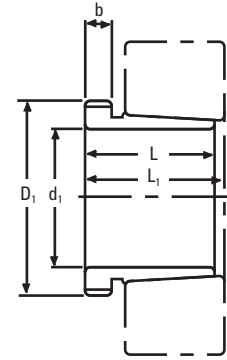
⁽²⁾M means metric thread and the digits are major diameter of thread and pitch.

⁽³⁾Tr means 30°. Trapezoid thread and the digits are outside diameter of thread and pitch.

Continued on next page.

METRIC AH WITHDRAWAL SLEEVES – continued

- Sleeves used in the dismantling of tapered bore bearing from shaft.
- Effective dismantling.
- Other dimensions may be available, consult your Timken engineer.



d ₁	Withdrawal Sleeve Part Number	L	L ₁ ⁽¹⁾	b	Thread ⁽²⁾ D ₁	Weight	Appropriate Withdrawal Nut No.	Appropriate Hydraulic Nut
mm		mm	mm	mm	mm	kg		
260	AH3956	94	100	18	Tr 290x4	7.70	HM58	HMV58
260	AH3056	131	139	24	Tr 300x4	12.00	MB52	HMV52
260	AH3156G	175	183	28	Tr 300x4	16.70	HM3160	HMV60
260	AH24156	202	219	22	Tr 300x4	16.30	HM60	HMV60
280	AH3960	112	119	21	Tr 310x5	10.10	HM62	HMV62
280	AH3060	145	153	26	Tr 320x5	14.40	HML64	HMV64
280	AH3160G	192	200	30	Tr 320x5	19.90	HM3164	HMV64
280	AH24160	224	242	24	Tr 320x5	19.50	HM64	HMV64
280	AH3260G	228	236	34	Tr 320x5	24.60	HM3164	HMV64
300	AH3964	112	119	21	Tr 330x5	10.80	HM66	HMV66
300	AH3064G	149	157	27	Tr 340x5	15.80	HM3068	HMV68
300	AH3164G	209	217	31	Tr 340x5	23.60	HM3168	HMV68
300	AH24164	242	260	24	Tr 340x5	21.40	HM68	HMV68
300	AH3264G	246	254	36	Tr 340x5	28.90	HM3168	HMV68
320	AH3968	112	119	21	Tr 360x5	12.40	HML72	HMV72
320	AH3068G	162	171	28	Tr 360x5	18.60	HM3072	HMV72
320	AH3168G	225	234	33	Tr 360x5	27.60	HM3172	HMV72
320	AH3268G	264	273	38	Tr 360x5	33.70	HM3172	HMV72
320	AH24168	269	288	26	Tr 360x5	27.10	HM72	HMV72
340	AH3972	112	119	21	Tr 380x5	13.10	HML76	HMV76
340	AH3072G	167	176	30	Tr 380x5	20.40	HM3076	HMV76
340	AH3172G	229	238	35	Tr 380x5	29.90	HM3176	HMV76
340	AH24172	269	289	26	Tr 380x5	29.60	HM76	HMV76
340	AH3272G	274	283	40	Tr 380x5	37.50	HM3176	HMV76

⁽¹⁾Dimension L₁ decreases as the withdrawal sleeve is driven in during mounting.

⁽²⁾Tr means 30°. Trapezoid thread and the digits are outside diameter of thread and pitch.

Continued on next page.

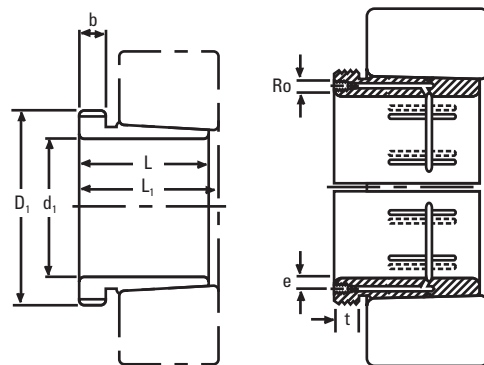
d ₁	Withdrawal Sleeve Part Number	L	L ₁ ⁽¹⁾	b	Thread ⁽²⁾ D ₁	Weight	Appropriate Withdrawal Nut No.	Appropriate Hydraulic Nut
mm		mm	mm	mm	mm	kg		
360	AH3976	130	138	22	Tr 400x5	15.90	HML80	HMV80
360	AH3076G	170	180	31	Tr 400x5	22.10	HM3080	HMV80
360	AH3176G	232	242	36	Tr 400x5	32.20	HM3180	HMV80
360	AH24176	271	291	28	Tr 400x5	31.30	HM80	HMV80
360	AH3276G	284	294	42	Tr 400x5	41.50	HM3180	HMV80
380	AH3980	130	138	22	Tr 420x5	17.20	HML84	HMV84
380	AH3080G	183	193	33	Tr 420x5	25.40	HM3084	HMV84
380	AH3280G	302	312	44	Tr 420x5	47.40	HM3184	HMV84
400	AH3984	130	138	22	Tr 440x5	18.10	HML88	HMV88
400	AH3084G	186	196	34	Tr 440x5	27.30	HM3088	HMV88
400	AH24084	230	252	30	Tr 440x5	29.00	HML88	HMV88
400	AH3184G	266	276	40	Tr 440x5	42.30	HM3188	HMV88
400	AH24184	310	332	30	Tr 440x5	40.30	HM88	HMV88
400	AH3284G	321	331	46	Tr 440x5	54.00	HM3188	HMV88
420	AH3988	145	153	25	Tr 460x5	21.50	HML92	HMV92
420	AHX3088G	194	205	35	Tr 460x5	30.10	HM3092	HMV92
420	AH24088	242	264	30	Tr 460x5	31.90	HML92	HMV92
420	AHX3188G	270	281	42	Tr 460x5	42.30	HM3192	HMV92
420	AH24188	310	332	30	Tr 460x5	42.30	HM92	HMV92
420	AHX3288	330	341	48	Tr 460x5	63.80	HM3192	HMV92
420	AHX3288G	330	341	48	Tr 460x5	58.80	HM3192	HMV92
440	AH3992	145	153	25	Tr 480x5	22.50	HML96	HMV96
440	AHX3092G	202	213	37	Tr 480x5	33.10	HM3096	HMV96
440	AH24092	250	273	32	Tr 480x5	34.70	HML96	HMV96
440	AHX3192G	285	296	43	Tr 480x5	50.80	HML3196	HMV96
440	AH24192	332	355	32	Tr 480x5	47.60	HM96	HMV96
440	AHX3292G	349	360	50	Tr 480x5	66.30	HM3196	HMV96
460	AH3996	158	167	28	Tr 500x5	26.00	HML100	HMV100
460	AH24096	250	273	32	Tr 500x5	36.60	HML100	HMV100
460	AHX3196G	295	307	45	Tr 500x5	55.50	HM31/500	HMV100
460	AH24196	340	363	32	Tr 500x5	52.70	HM100	HMV100
460	AHX3296G	364	376	52	Tr 500x5	73.40	HM31/500	HMV100
710	AH32/750	540	556	65	Tr 800x7	317.00	HM31/800	HMV160

⁽¹⁾Dimension L₁ decreases as the withdrawal sleeve is driven in during mounting.

⁽²⁾Tr means 30°. Trapezoid thread and the digits are outside diameter of thread and pitch.

METRIC AOH HYDRAULIC WITHDRAWAL SLEEVES

- Sleeves used in the dismounting of tapered bore bearing from shaft.
- Hydraulic assistance facilitates dismounting of large bearing. Oil pump required to inject pressurized oil.
- Other dimensions may be available, consult your Timken engineer.



d ₁	Withdrawal Sleeve Part Number	L	L ₁ ⁽¹⁾	b	Ro	e	t	Thread ⁽²⁾ D ₁	Weight	Appropriate Withdrawal Nut No.	Appropriate Hydraulic Nut
mm		mm	mm	mm		mm	mm	mm	kg		
200	AOH3044G	111	117	20	G ½	6.5	12	Tr 230x4	7.29	HM46T	HMV46
200	AOH2244	130	136	20	G ¼	9	15	Tr 240x4	9.1	HM3048	HMV48
200	AOH24044	138	152	20	G ½	6.5	12	Tr 230x4	8.25	HM46T	HMV46
200	AOH3144	145	151	23	G ¼	9	15	Tr 240x4	10.4	HM3048	HMV48
200	AOH24144	170	184	20	G ½	6.5	12	Tr 230x4	10.2	HM46T	HMV46
200	AOH2344	181	189	30	G ¼	9	15	Tr 240x4	13.5	HM3048	HMV48
220	AOH3948	77	83	16	M 8	7.5	12	Tr 250x4	5.29	HM50	HMV50
220	AOH3048	116	123	21	G ¼	9	15	Tr 260x4	8.75	HM3052	HMV52
220	AOH24048	138	153	20	G ½	6.5	12	Tr 250x4	9	HM50T	HMV50
220	AOH3148	154	161	25	G ¼	9	15	Tr 260x4	12	HM3052	HMV52
220	AOH24148	180	195	20	G ¼	9	15	Tr 260x4	12.5	HM3052	HMV52
220	AOH2348	189	197	30	G ¼	9	15	Tr 260x4	15.5	HM3052	HMV52
240	AOH3952	94	100	18	M 8	7.5	12	Tr 270x4	7.06	HM54	HMV54
240	AOH3052	128	135	23	G ¼	9	15	Tr 280x4	10.7	HM3056	HMV56
240	AOH2252G	155	161	23	G ¼	9	15	Tr 280x4	13	HM3056	HMV56
240	AOH24052G	162	178	22	G ½	6.5	12	Tr 280x4	12.3	HM3056	HMV56
240	AOH3152G	172	179	26	G ¼	9	15	Tr 280x4	15.5	HM3056	HMV56
240	AOH24152	202	218	22	G ¼	9	15	Tr 280x4	15.4	HM3056	HMV56
240	AOH2352G	205	213	30	G ¼	9	15	Tr 280x4	18.9	HM3056	HMV56
260	AOH3956	94	100	18	M 8	7.5	12	Tr 290x4	7.07	HM58	HMV58
260	AOH3056	131	139	24	G ¼	9	15	Tr 300x4	12	HM3060	HMV60
260	AOH2256G	155	163	24	G ¼	9	15	Tr 300x4	14.6	HM3160	HMV60
260	AOH24056G	162	179	22	G ½	6.5	12	Tr 300x4	13.4	HM3160	HMV60
260	AOH3156G	175	183	28	G ¼	9	15	Tr 300x4	17.1	HM3160	HMV60
260	AOH24156	202	219	22	G ¼	9	15	Tr 300x4	16.3	HM3160	HMV60
260	AOH2356G	212	220	30	G ¼	9	15	Tr 300x4	21.3	HM3160	HMV60

⁽¹⁾Dimension L₁ decreases as the hydraulic withdrawal sleeve is driven in during mounting.

⁽²⁾Tr means 30°. Trapezoid thread and the digits are outside diameter of thread and pitch.

Continued on next page.

d ₁	Withdrawal Sleeve Part Number	L	L ₁ ⁽¹⁾	b	Ro	e	t	Thread ⁽²⁾ D ₁	Weight	Appropriate Withdrawal Nut No.	Appropriate Hydraulic Nut
mm		mm	mm	mm		mm	mm	mm	kg		
280	AOH3960	112	119	21	M 8	7.5	12	Tr 310x5	10.1	HM62	HMV62
280	AOH3060	145	153	26	G ¼	9	15	Tr 320x5	14.4	HM3064	HMV64
280	AOH2260G	170	178	26	G ¼	9	15	Tr 320x5	17.5	HM3164	HMV64
280	AOH24060G	184	202	24	G ⅝	6.5	12	Tr 320x5	16.4	HM3164	HMV64
280	AOH3160G	192	200	30	G ¼	9	15	Tr 320x5	20.4	HM3164	HMV64
280	AOH24160	224	242	24	G ¼	9	15	Tr 320x5	20.2	HM3164	HMV64
280	AOH3260G	228	236	34	G ¼	9	15	Tr 320x5	23.4	HM3164	HMV64
300	AOH3964	112	119	21	M 8	7.5	12	Tr 330x5	10.8	HM66	HMV66
300	AOH3064G	149	157	27	G ¼	9	15	Tr 340x5	15.6	HM3068	HMV68
300	AOH2264G	180	190	27	G ¼	9	15	Tr 340x5	19.7	HM3168	HMV68
300	AOH24064G	184	202	24	G ⅝	6.5	12	Tr 340x5	17.5	HM3168	HMV68
300	AOH3164G	209	217	31	G ¼	9	15	Tr 340x5	23.6	HM3168	HMV68
300	AOH24164	242	260	24	G ¼	9	15	Tr 340x5	21.4	HM3168	HMV68
300	AOH3264G	246	254	36	G ¼	9	15	Tr 340x5	28.9	HM3168	HMV68
320	AOH3968	112	119	21	M 8	7.5	12	Tr 360x5	12.4	HML72	HMV72
320	AOH3068G	162	171	28	G ¼	9	15	Tr 360x5	18.6	HM3072	HMV72
320	AOH24068	206	225	26	G ¼	9	15	Tr 360x5	21.7	HM3172	HMV72
320	AOH3168G	225	234	33	G ¼	9	15	Tr 360x5	27.6	HM3172	HMV72
320	AOH3268G	264	273	38	G ¼	9	15	Tr 360x5	31.9	HM3172	HMV72
320	AOH24168	269	288	26	G ¼	9	15	Tr 360x5	27.1	HM3172	HMV72
340	AOH3972	112	119	21	M 8	7.5	12	Tr 380x5	13.1	HML76	HMV76
340	AOH3072G	167	176	30	G ¼	9	15	Tr 380x5	20.4	HM3076	HMV76
340	AOH24072	206	226	26	G ¼	9	15	Tr 380x5	22.7	HM3176	HMV76
340	AOH3172G	229	238	35	G ¼	9	15	Tr 380x5	30.6	HM3176	HMV76
340	AOH24172	269	289	26	G ¼	9	15	Tr 380x5	30.0	HM3176	HMV76
340	AOH3272G	274	283	40	G ¼	9	15	Tr 380x5	35.4	HM3176	HMV76
360	AOH3976	130	138	22	M 8	7.5	12	Tr 400x5	15.9	HML80	HMV80
360	AOH3076G	170	180	31	G ¼	9	15	Tr 400x5	22.7	HM3080	HMV80
360	AOH24076	208	228	28	G ¼	9	15	Tr 400x5	23.7	HM3180	HMV80
360	AOH3176G	232	242	36	G ¼	9	15	Tr 400x5	32.9	HM3180	HMV80
360	AOH24176	271	291	28	G ¼	9	15	Tr 400x5	31.3	HM3180	HMV80
360	AOH3276G	284	294	42	G ¼	9	15	Tr 400x5	42.1	HM3180	HMV80
380	AOH3980	130	138	22	M 8	7.5	12	Tr 420x5	17.2	HML84	HMV84

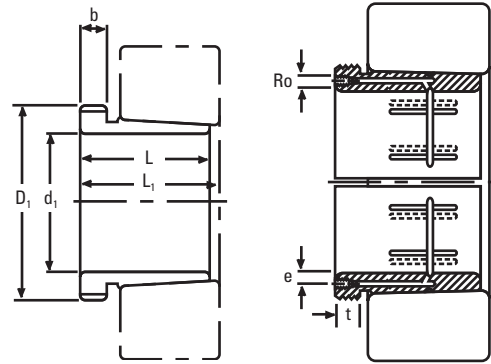
⁽¹⁾Dimension L₁ decreases as the hydraulic withdrawal sleeve is driven in during mounting.

⁽²⁾Tr means 30°. Trapezoid thread and the digits are outside diameter of thread and pitch.

Continued on next page.

METRIC AOH HYDRAULIC WITHDRAWAL SLEEVES – continued

- Sleeves used in the dismounting of tapered bore bearing from shaft.
- Hydraulic assistance facilitates dismounting of large bearing. Oil pump required to inject pressurized oil.
- Other dimensions may be available, consult your Timken engineer.



d ₁	Withdrawal Sleeve Part Number	L	L ₁ ⁽¹⁾	b	Ro	e	t	Thread ⁽²⁾ D ₁	Weight	Appropriate Withdrawal Nut No.	Appropriate Hydraulic Nut
mm		mm	mm	mm		mm	mm	mm	kg		
380	AOH3080G	183	193	33	G ¼	9	15	Tr 420x5	26.1	HM3084	HMV84
380	AOH24080	228	248	28	G ¼	9	15	Tr 420x5	27.1	HM3184	HMV84
380	AOH3180G	240	250	38	G ¼	9	15	Tr 420x5	36.1	HM3184	HMV84
380	AOH24180	278	298	28	G ¼	9	15	Tr 420x5	35.0	HM3184	HMV84
380	AOH3280G	302	312	44	G ¼	9	15	Tr 420x5	48.0	HM3184	HMV84
400	AOH3984	130	138	22	M 8	7.5	12	Tr 440x5	18.1	HML88	HMV88
400	AOH3084G	186	196	34	G ¼	9	15	Tr 440x5	27.3	HM3088	HMV88
400	AOH24084	230	252	30	G ¼	9	15	Tr 440x5	29.0	HM3188	HMV88
400	AOH3184G	266	276	40	G ¼	9	15	Tr 440x5	42.3	HM3188	HMV88
400	AOH24184	310	332	30	G ¼	9	15	Tr 440x5	40.3	HM3188	HMV88
400	AOH3284G	321	331	46	G ¼	9	15	Tr 440x5	54.0	HM3188	HMV88
420	AOH3988	145	153	25	Rc ½	8.5	14	Tr 460x5	21.5	HML92	HMV92
420	AOHX3088G	194	205	35	G ¼	9	15	Tr 460x5	31.0	HM3092	HMV92
420	AOHX3188G	270	281	42	G ¼	9	15	Tr 460x5	46.0	HM3192	HMV92
420	AOHX3288	330	341	48	G ¼	14.5	15	Tr 480x5	63.8	HM3196	HMV96
420	AOHX3288G	330	341	48	G ¼	9	15	Tr 460x5	64.5	HM3192	HMV92
440	AOH3992	145	153	25	Rc ½	8.5	14	Tr 480x5	22.5	HML96	HMV96
440	AOHX3092G	202	213	37	G ¼	9	15	Tr 480x5	34.0	HM3096	HMV96
440	AOH24092	250	273	32	G ¼	9	15	Tr 480x5	34.7	HM3196	HMV96
440	AOHX3192G	285	296	43	G ¼	9	15	Tr 480x5	51.5	HM3196	HMV96
440	AOH24192	332	355	32	G ¼	9	15	Tr 480x5	47.4	HM3196	HMV96
440	AOHX3292	349	360	50	G ¼	15	15	Tr 510x6	74.8	HM102T	HMV102
440	AOHX3292G	349	360	50	G ¼	9	15	Tr 480x5	80.0	HM3196	HMV96

⁽¹⁾Dimension L₁ decreases as the hydraulic withdrawal sleeve is driven in during mounting.

⁽²⁾Tr means 30°. Trapezoid thread and the digits are outside diameter of thread and pitch.

Continued on next page.

d ₁	Withdrawal Sleeve Part Number	L	L ₁ ⁽¹⁾	b	Ro	e	t	Thread ⁽²⁾ D ₁	Weight	Appropriate Withdrawal Nut No.	Appropriate Hydraulic Nut
mm		mm	mm	mm		mm	mm	mm	kg		
460	AOH3996	158	167	28	Rc 1/8	8.5	14	Tr 500x5	26.0	HML100	HMV100
460	AOHX3096G	205	217	38	G 1/4	9	15	Tr 500x5	34.0	HM30/500	HMV100
460	AOH24096	250	273	32	G 1/4	9	15	Tr 500x5	36.3	HM31/500	HMV100
460	AOHX3196G	295	307	45	G 1/4	9	15	Tr 500x5	63.0	HM31/500	HMV100
460	AOH24196	340	363	32	G 1/4	9	15	Tr 500x5	53.7	HM31/500	HMV100
460	AOHX3296	364	376	52	G 1/4	15.5	15	Tr 530x6	82.1	HM31/530	HMV106
460	AOHX3296G	364	376	52	G 1/4	9	15	Tr 500x5	81.0	HM31/500	HMV100
480	AOH39/500	162	172	32	Rc 1/8	8.5	14	Tr 530x6	30.1	HML106	HMV106
480	AOHX30/500G	209	221	40	G 1/4	9	15	Tr 530x6	41.0	HM30/530	HMV106
480	AOHX31/500G	313	325	47	G 1/4	9	15	Tr 530x6	66.5	HM31/530	HMV106
480	AOH241/500	360	383	35	G 1/4	9	15	Tr 530x6	59.6	HM31/530	HMV106
480	AOHX32/500	393	405	54	G 1/4	16.5	15	Tr 550x6	94.6	HM110T	HMV110
480	AOHX32/500G	393	405	54	G 1/4	9	15	Tr 530x6	89.5	HM31/530	HMV106
500	AOH30/530	230	242	45	G 1/4	10	15	Tr 560x6	63.5	HM30/560	HMV112
500	AOH240/530G	285	309	35	G 1/4	9	15	Tr 560x6	64.5	HM31/560	HMV112
500	AOH31/530	325	337	53	G 1/4	10	15	Tr 560x6	93.5	HM31/560	HMV112
500	AOH241/530G	370	394	35	G 1/4	9	15	Tr 560x6	92.0	HM31/560	HMV112
500	AOH32/530G	412	424	57	G 1/4	10	15	Tr 560x6	127.0	HM31/560	HMV113
530	AOH31/560	335	347	55	G 1/4	11	15	Tr 600x6	107.0	HM31/600	HMV120
530	AOH241/560G	393	417	38	G 1/4	9	15	Tr 600x6	107.0	HM31/600	HMV120
560	AOH30/600	245	259	45	G 1/4	11	15	Tr 630x6	77.0	HM30/630	HMV126
560	AOH31/600	355	369	55	G 1/4	11	15	Tr 630x6	120.0	HM31/630	HMV126
560	AOH241/600	413	439	38	G 1/4	9	15	Tr 630x6	120.0	HM31/630	HMV126
560	AOH32/600G	445	459	55	G 1/4	11	15	Tr 630x6	159.0	HM31/630	HMV126
600	AOH30/630	258	272	45	G 1/4	11	15	Tr 670x6	88.5	HM30/670	HMV134
600	AOH31/630	375	389	60	G 1/4	11	15	Tr 670x6	139.0	HM31/670	HMV134
600	AOH241/630G	440	466	40	G 1/4	9	15	Tr 670x6	139.0	HM31/670	HMV134
600	AOH32/630G	475	489	63	G 1/4	11	15	Tr 670x6	188.0	HM31/670	HMV134
630	AOH30/670	280	294	50	G 1/4	12	15	Tr 710x7	125.0	HM30/710	HMV142
630	AOH241/670	452	478	40	G 1/4	12	15	Tr 710x7	180.0	HM31/710	HMV142
630	AOH32/670G	500	514	62	G 1/4	12	15	Tr 710x7	252.0	HM31/710	HMV142
670	AOH32/710G	515	531	65	G 1/4	15	15	Tr 750x7	278.0	HM31/750	HMV150
710	AOH30/750	300	316	50	G 1/4	15	15	Tr 800x7	145.0	HM30/800	HMV160

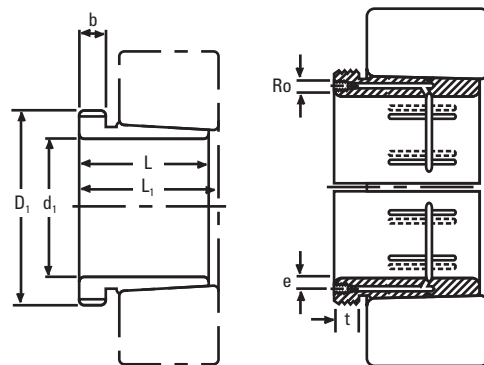
⁽¹⁾Dimension L₁ decreases as the hydraulic withdrawal sleeve is driven in during mounting.

⁽²⁾Tr means 30°. Trapezoid thread and the digits are outside diameter of thread and pitch.

Continued on next page.

METRIC AOH HYDRAULIC WITHDRAWAL SLEEVES – continued

- Sleeves used in the dismounting of tapered bore bearing from shaft.
- Hydraulic assistance facilitates dismounting of large bearing. Oil pump required to inject pressurized oil.
- Other dimensions may be available, consult your Timken engineer.



d ₁	Withdrawal Sleeve Part Number	L	L ₁ ⁽¹⁾	b	Ro	e	t	Thread ⁽²⁾ D ₁	Weight	Appropriate Withdrawal Nut No.	Appropriate Hydraulic Nut
mm		mm	mm	mm		mm	mm	mm	kg		
710	AOH31/750	425	441	60	G ¼	15	15	Tr 800x7	238.0	HM31/800	HMV160
710	AOH32/750	540	556	65	G ¼	15	15	Tr 800x7	320.0	HM31/800	HMV160
750	AOH30/800	308	326	50	G ¼	15	15	Tr 850x7	204.0	HM30/850	HMV170
750	AOH31/800	438	456	63	G ¼	15	15	Tr 850x7	305.0	HM31/850	HMV170
750	AOH32/800G	550	568	67	G ¼	15	15	Tr 850x7	401.0	HM31/850	HMV170
800	AOH30/850	325	343	53	G ¼	15	15	Tr 900x7	230.0	HM30/900	HMV180
800	AOH31/850	462	480	62	G ¼	15	15	Tr 900x7	345.0	HM31/900	HMV180
800	AOH32/850	585	603	70	G ¼	15	15	Tr 900x7	461.0	HM31/900	HMV180
850	AOH30/900	335	355	55	G ¼	15	15	Tr 950x8	250.0	HM30/950	HMV190
850	AOH240/900	430	475	55	G ¼	15	15	Tr 950x8	296.0	HM31/950	HMV190
850	AOH31/900	475	495	63	G ¼	15	15	Tr 950x8	379.0	HM31/950	HMV190
850	AOH32/900	585	605	70	G ¼	15	15	Tr 950x8	489.0	HM31/950	HMV190
900	AOH30/950	355	375	55	G ¼	15	15	Tr 1000x8	285.0	HM30/1000	HMV200
900	AOH31/950	500	520	62	G ¼	15	15	Tr 1000x8	426.0	HM31/1000	HMV200
900	AOH32/950	600	620	70	G ¼	15	15	Tr 1000x8	533.0	HM31/1000	HMV200
950	AOH30/1000	365	387	57	G ¼	15	15	Tr 1060x8	318.0	HM30/1060	HMV212
950	AOH31/1000	525	547	63	G ¼	15	15	Tr 1060x8	485.0	HM31/1060	HMV212
950	AOH32/1000	630	652	70	G ¼	15	15	Tr 1060x8	608.0	HM31/1060	HMV212
950	AOH241/1000	645	695	65	G ¼	15	15	Tr 1060x8	519.0	HM31/1060	HMV212
1000	AOH30/1060	385	407	60	G ¼	15	15	Tr 1120x8	406.0	HM30/1120	HMV224
1000	AOH31/1060	540	562	65	G ¼	15	15	Tr 1120x8	599.0	HM31/1120	HMV224
1000	AOH241/1060	665	715	65	G ¼	15	15	Tr 1120x8	652.0	HM31/1120	HMV224

⁽¹⁾Dimension L₁ decreases as the hydraulic withdrawal sleeve is driven in during mounting.

⁽²⁾Tr means 30°. Trapezoid thread and the digits are outside diameter of thread and pitch.

METRIC HMV HYDRAULIC NUTS

INTRODUCTION

- Designed to install and remove tapered bore bearings with minimal effort.
- Allow better control of the bearing internal clearance reduction without damaging the bearing or other components.
- Substantially reduces downtime during installation or removal of tapered bore bearings.

DESCRIPTION

- Consist of a female threaded ring and a male ring with two O-ring seals.
- All hydraulic nuts are supplied with:
 - Quick connection fittings (male 1/4 in. B.S.P. and female 3/8 in. N.P.T.).
 - Two pipe plugs 1/4 in. B.S.P.
 - One set of spare O-rings.

ORDERING COMPONENTS:

- To order spare components for the hydraulic nuts, order part numbers as listed below:
 - O-ring Seal Kits:
Use the hydraulic nut part number plus the number 132.
Example: HMVC 40/132
 - Pipe Plug 1/4 in. B.S.P.:
Use the hydraulic nut part number plus the number 647.
Example: HMVC 40/647
 - Quick Connection Fittings (male 1/4 in. B.S.P. and female 3/8 in. N.P.T.): Use the hydraulic nut part number plus the number 849.
Example: HMVC 40/849

ENGINEERING SERVICES

- Special applications should be referred to a Timken engineer for review.

INSTRUCTIONS

- When the hydraulic nut is used, the piston must be in the innermost position.
- For this operation, please ensure the valve of the hydraulic hose is disconnected from the nut so the nut is not under pressure.
- To contract the piston inside the female threaded ring, insert a rod or bar in one of the four drilled holes located on the outside diameter of the female threaded ring.
- Screw the hydraulic nut on the thread with the piston in contact with the surface, until the groove machined on the outside diameter of the piston near the outboard face is level with the face of the female threaded ring.
- One of the two threaded holes must be plugged with the 1/4" B.S.P. pipe plug before the hydraulic nut is pressurized.
- The maximum pressure permissible in the hydraulic nut is 14000 psi (110 Kpa).
- The oil viscosity suggested is 1400 SUS (300cSt) at operating temperature (SAE 90 oil).
- To avoid overextension of the piston, a second groove has been machined on the outside diameter of the piston inboard used to judge contraction.
- When this second groove is level with the face of the female threaded ring, the piston has reached its length of travel as shown in the illustration. If the second groove of the piston travels past the face of the female threaded ring, the hydraulic nut can be damaged.
- Should the oil start to leak from the piston area, it is certain that the O-ring seals are damaged or worn and need to be replaced.
- When the hydraulic nut is not in use, ensure that the threaded holes are plugged to prevent entry of contaminants in the piston cavity.
- To help prevent against corrosion during storage, apply a coat of light oil on the hydraulic nut surfaces.

Installation

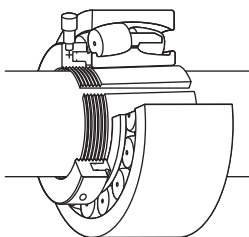


Fig. 29. Hydraulic nut used to mount the bearing on a pull-type sleeve.

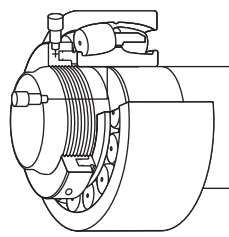


Fig. 30. Hydraulic nut used to mount the bearing on tapered journal.

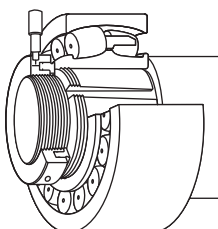


Fig. 31. Hydraulic nut used to mount the bearing on a push-type adapter sleeve.

Removal

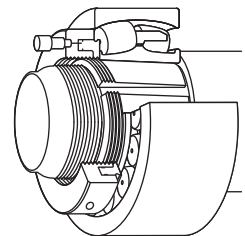
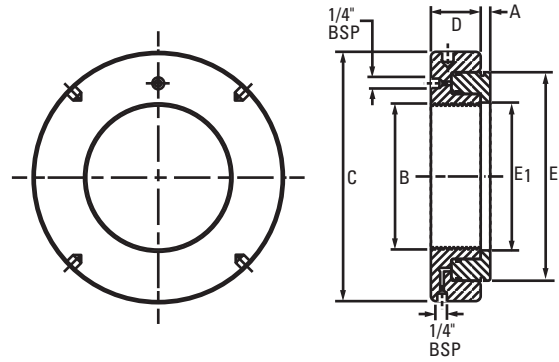


Fig. 32. Hydraulic nut used to withdraw a push-type adapter sleeve.

⚠ WARNING
Failure to observe the following warning could create a risk of death or serious injury.

Proper maintenance and handling practices are critical. Always follow installation instructions and maintain proper lubrication.

METRIC HMV HYDRAULIC NUTS



Part Number	Thread ⁽¹⁾ B	Dimensions					Piston Length of Travel	Piston Area	Assembly Weight
		C	D	E	E ₁	A			
	mm	mm	mm	mm	mm	mm	mm	mm ²	kg.
HMV10	M 50X1.5	114	38	86	51	4	5	2900	2.5
HMV12	M 60X2	125	38	94	61	5	5	3200	2.8
HMV13	M 65X2	135	38	101	66	5	5	3500	3.0
HMV14	M 70X2	140	38	107	71	5	5	3900	3.3
HMV15	M 75X2	145	38	112	76	5	5	4100	3.5
HMV16	M 80X2	150	38	117	81	5	5	4200	3.8
HMV17	M 85X2	155	38	122	86	5	5	4400	3.9
HMV18	M 90X2	160	38	127	91	5	5	4800	4.1
HMV19	M 95X2	165	38	133	96	5	5	5000	4.4
HMV20	M 100X2	170	38	138	101	6	5	5200	4.5
HMV21	M 105X2	175	38	143	106	6	5	5400	5.4
HMV22	M 110X2	180	38	149	111	6	5	5700	5.7
HMV23	M 115X2	185	38	154	116	6	5	5900	5.1
HMV24	M 120X2	190	38	159	121	6	5	6100	5.3
HMV25	M 125X2	195	38	164	126	6	5	6300	5.4
HMV26	M 130X2	200	38	170	131	6	5	6500	5.7
HMV27	M 135X2	205	38	175	136	6	5	6700	5.9
HMV28	M 140X2	210	38	180	141	7	5	6900	6.1
HMV29	M 145X2	215	39	186	146	7	5	7300	6.5
HMV30	M 150X2	220	39	190	151	7	5	7500	6.6
HMV31	M 155X3	225	39	198	156	7	5	8100	6.9
HMV32	M 160X3	235	40	206	161	7	6	8600	7.7
HMV33	M 165X3	240	40	209	166	7	6	9000	8.0
HMV34	M 170X3	245	41	215	171	7	6	9500	8.4
HMV36	M 180X3	255	41	227	181	7	6	10300	9.1

⁽¹⁾M means metric thread and the digits are major diameter of thread and pitch.
 HMV10 through HMV40 have a Metric ISO fine-thread profile.
 HMV41 through HMV236 have a Metric ISO trapezoidal thread.

Continued on next page.

Part Number	Thread ⁽¹⁾⁽²⁾ B	Dimensions					Piston Length of Travel	Piston Area	Assembly Weight
		C	D	E	E _i	A			
	mm	mm	mm	mm	mm	mm	mm	mm ²	kg.
HMV38	M 190X3	270	42	239	191	8	7	11500	10.8
HMV40	M 200X3	280	43	251	201	8	8	12500	11.4
HMV41	Tr 205X4	290	43	256	207	8	8	12900	12.2
HMV42	Tr 210X4	295	44	262	212	8	9	13500	12.5
HMV43	Tr 215X4	300	44	267	217	8	9	13800	13.0
HMV44	Tr 220X4	305	44	273	222	8	9	14400	13.4
HMV45	Tr 225X4	315	45	280	227	8	9	15200	14.6
HMV46	Tr 230X4	320	45	285	232	8	9	15600	14.8
HMV47	Tr 235X4	325	46	291	237	8	10	16200	16.0
HMV48	Tr 240X4	330	46	296	242	9	10	16500	16.3
HMV50	Tr 250X4	345	46	307	252	9	10	17800	17.6
HMV52	Tr 260X4	355	47	319	262	9	11	18800	19.0
HMV54	Tr 270X4	370	48	330	272	9	12	19700	20.4
HMV56	Tr 280X4	380	49	341	282	9	12	21100	22.0
HMV58	Tr 290X4	390	49	353	292	9	13	22600	22.5
HMV60	Tr 300X4	405	51	364	302	10	14	23600	25.6
HMV62	Tr 310X5	415	52	375	312	10	14	24900	27.0
HMV64	Tr 320X5	430	53	387	322	10	14	26300	29.6
HMV66	Tr 330X5	440	53	397	332	10	14	27000	31.0
HMV68	Tr 340X5	450	53	408	342	10	14	28400	32.5
HMV69	Tr 345X5	455	54	414	347	10	14	29400	33.6
HMV70	Tr 350X5	465	56	420	352	10	14	30000	35.0
HMV72	Tr 360X5	475	56	431	362	10	15	31300	37.0
HMV73	Tr 365X5	482	57	436	367	11	15	31700	38.5
HMV74	Tr 370X5	490	57	442	372	11	16	32800	39.2
HMV76	Tr 380X5	500	58	452	382	11	16	33600	41.0
HMV77	Tr 385X5	505	58	459	387	11	16	34700	42.0
HMV80	Tr 400X5	525	60	475	402	11	17	36700	46.0
HMV82	Tr 410X5	535	61	486	412	11	17	38300	48.2
HMV84	Tr 420X5	545	61	498	422	11	17	40000	50.4
HMV86	Tr 430X5	555	62	508	432	11	17	40800	53.0
HMV88	Tr 440X5	565	62	519	442	12	17	42500	55.0
HMV90	Tr 450X5	580	64	530	452	12	17	44100	58.2
HMV92	Tr 460X5	590	64	541	462	12	17	45000	61.0
HMV94	Tr 470X5	600	65	552	472	12	18	46900	63.7
HMV96	Tr 480X5	612	65	563	482	12	19	48500	65.0
HMV98	Tr 490X5	625	66	573	492	12	19	49800	69.0
HMV100	Tr 500X5	635	67	585	502	12	19	52000	71.5
HMV102	Tr 510X6	645	68	596	512	12	20	53300	75.0
HMV104	Tr 520X6	657	68	606	522	13	20	54200	77.0

⁽¹⁾M means metric thread and the digits are major diameter of thread and pitch.

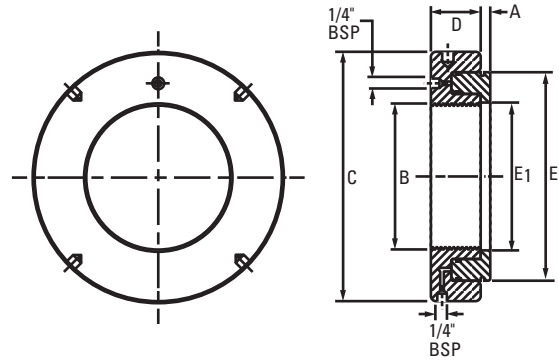
Continued on next page.

⁽²⁾Tr means 30°. Trapezoid thread and the digits are outside diameter of thread and pitch.

HMV10 through HMV40 have a Metric ISO fine-thread profile.

HMV41 through HMV236 have a Metric ISO trapezoidal thread.

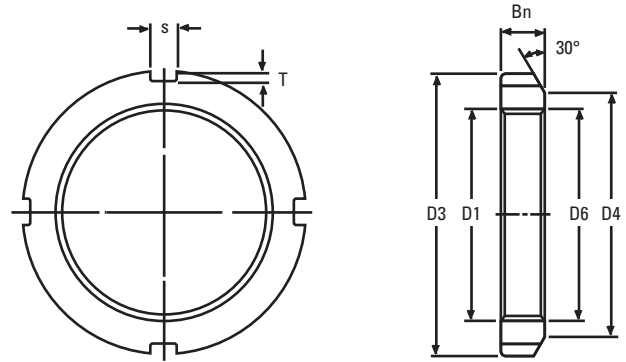
METRIC HMV HYDRAULIC NUTS – continued



Part Number	Thread ⁽¹⁾ B	Dimensions					Piston Length of Travel	Piston Area	Assembly Weight
		C	D	E	E ₁	A			
	mm	mm	mm	mm	mm	mm	mm	mm ²	kg.
HMV106	Tr 530X6	670	69	617	532	13	21	56200	80.0
HMV108	Tr 540X6	680	69	629	542	13	21	58200	83.0
HMV110	Tr 550X6	692	70	639	552	13	21	59200	86.0
HMV112	Tr 560X6	705	71	650	562	13	22	61200	90.0
HMV114	Tr 570X6	715	72	661	572	13	23	63200	93.0
HMV116	Tr 580X6	725	72	671	582	13	23	64200	96.0
HMV120	Tr 600X6	750	73	693	602	13	23	67400	100.0
HMV126	Tr 630X6	780	74	726	632	14	23	72900	110.0
HMV130	Tr 650X6	805	75	747	652	14	23	76200	116.0
HMV134	Tr 670X6	825	76	768	672	14	24	79500	123.0
HMV138	Tr 690X6	850	77	791	692	14	25	84200	130.0
HMV142	Tr 710X7	870	78	812	712	15	25	87700	137.0
HMV150	Tr 750X7	915	79	855	752	15	25	97000	150.0
HMV160	Tr 800X7	970	80	908	802	16	25	104000	173.0
HMV170	Tr 850X7	1020	83	962	852	16	26	114600	190.0
HMV180	Tr 900X7	1070	86	1015	902	17	30	124000	210.0
HMV190	Tr 950X8	1125	86	1069	952	17	30	135600	238.0
HMV200	Tr 1000X8	1180	88	1122	1002	17	34	145600	263.0
HMV212	Tr 1060X8	1255	95	1184	1063	18	34	161200	325.0
HMV216	Tr 1080X8	1280	100	1206	1083	18	34	167400	345.0
HMV224	Tr 1120X8	1340	106	1250	1123	19	36	178200	410.0
HMV236	Tr 1180X8	1420	115	1320	1183	22	40	189200	530.0

⁽¹⁾Tr means 30°. Trapezoid thread and the digits are outside diameter of thread and pitch.
 HMV10 through HMV40 have a Metric ISO fine-thread profile.
 HMV41 through HMV236 have a Metric ISO trapezoidal thread.

METRIC LOCKNUTS



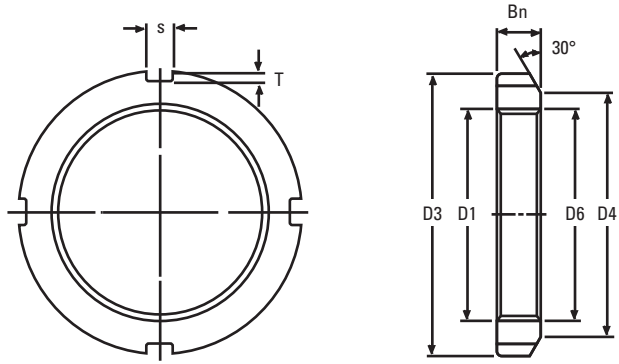
Locknut No. ⁽¹⁾	Thread ⁽²⁾ D ₁	D ₃	D ₄	B _n	s	T	D ₆	Weight	Lockwasher No.
	mm	mm	mm	mm	mm	mm	mm	kg	
KM0	M 10 X 0.75	18	13	4	3	2	10.5	0.01	MB00
KM1	M 12 X 1.0	22	17	4	3	2	12.5	0.01	MB01
KM2	M 15 X 1.0	25	21	5	4	2	15.5	0.01	MB02
KM3	M 17 X 1.0	28	24	5	4	2	17.5	0.01	MB03
KM4	M 20 X 1.0	32	26	6	4	2	20.5	0.02	MB04
KM5	M 25 X 1.5	38	32	7	5	2	25.8	0.03	MB05
KM6	M 30 X 1.5	45	38	7	5	2	30.8	0.04	MB06
KM7	M 35 X 1.5	52	44	8	5	2	35.8	0.05	MB07
KM8	M 40 X 1.5	58	50	9	6	2.5	40.8	0.09	MB08
KM9	M 45 X 1.5	65	56	10	6	2.5	45.8	0.12	MB09
KM10	M 50 X 1.5	70	61	11	6	2.5	50.8	0.15	MB10
KM11	M 55 X 2.0	75	67	11	7	3	56.0	0.16	MB11
KM12	M 60 X 2.0	80	73	11	7	3	61.0	0.17	MB12
KM13	M 65 X 2.0	85	79	12	7	3	66.0	0.20	MB13
KM14	M 70 X 2.0	92	85	12	8	3.5	71.0	0.24	MB14
KM15	M 75 X 2.0	98	90	13	8	3.5	76.0	0.29	MB15
KM16	M 80 X 2.0	105	95	15	8	3.5	81.0	0.40	MB16
KM17	M 85 X 2.0	110	102	16	8	3.5	86.0	0.45	MB17
KM18	M 90 X 2.0	120	108	16	10	4	91.0	0.56	MB18
KM19	M 95 X 2.0	125	113	17	10	4	96.0	0.66	MB19
KM20	M 100 X 2.0	130	120	18	10	4	101.0	0.70	MB20
KM21	M 105 X 2.0	140	126	18	12	5	106.0	0.85	MB21
KM22	M 110 X 2.0	145	133	19	12	5	111.0	0.97	MB22
KM23	M 115 X 2.0	150	137	19	12	5	116.0	1.01	MB23
KM24	M 120 X 2.0	160	148	21	12	5	126.0	1.80	MB24
KM25	M 125 X 2.0	160	148	21	12	5	126.0	1.19	MB25
KM26	M 130 X 2.0	165	149	21	12	5	131.0	1.25	MB26
KM27	M 135 X 2.0	175	160	22	14	6	136.0	1.55	MB27
KM28	M 140 X 2.0	180	160	22	14	6	141.0	1.56	MB28
KM29	M145 X 2.0	190	172	24	14	6	146.0	2.00	MB29

⁽¹⁾No. KM0-KM40 also available in 304 stainless steel.

⁽²⁾M means metric thread and the digits are major diameter of thread and pitch.

Continued on next page.

METRIC LOCKNUTS – continued



Locknut No. ⁽¹⁾	Thread ⁽²⁾ D ₁	D ₃	D ₄	B _n	s	T	D ₆	Weight	Lockwasher No.
	mm	mm	mm	mm	mm	mm	mm	kg	
KM30	M150 X 2.0	195	171	24	14	6	151.0	2.03	MB30
KM31	M155 X 3.0	200	182	25	16	7	156.5	2.21	MB31
KM32	M160 X 3.0	210	182	25	16	7	161.5	2.59	MB32
KM33	M165 X 3.0	210	193	26	16	7	166.5	2.43	MB33
KM34	M170 X 3.0	220	193	26	16	7	171.5	2.80	MB34
KM36	M180 X 3.0	230	203	27	18	8	181.5	3.07	MB36
KM38	M190 X 3.0	240	214	28	18	8	191.5	3.39	MB38
KM40	M200 X 3.0	250	226	29	18	8	201.5	3.69	MB40

⁽¹⁾No. KM0 - KM40 also available in 304 stainless steel.

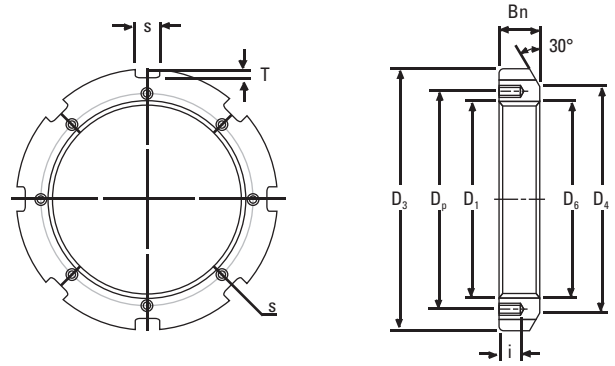
⁽²⁾M means metric thread and the digits are major diameter of thread and pitch.

Locknut No. ⁽¹⁾	Thread ⁽²⁾ D ₁	D ₃	D ₄	B _n	s	T	D ₆	Weight	Lockwasher No.
	mm	mm	mm	mm	mm	mm	mm	kg	
KML24	M120 x 2.0	145	133	20	12	5	121	0.78	MBL24
KML26	M130 x 2.0	155	143	21	12	5	131	0.88	MBL26
KML28	M140 x 2.0	165	151	22	14	6	141	0.99	MBL28
KML30	M150 x 2.0	180	164	24	14	6	151	1.38	MBL30
KML32	M160 x 3.0	190	174	25	16	7	161.5	1.56	MBL32
KML34	M170 x 3.0	200	184	26	16	7	171.5	1.72	MBL34
KML36	M180 x 3.0	210	192	27	18	8	181.5	1.95	MBL36
KML38	M190 x 3.0	220	202	28	18	8	191.5	2.08	MBL38
KML40	M200 x 3.0	240	218	29	18	8	201.5	2.98	MBL40

⁽¹⁾No. KML24 - KML40 also available in 304 stainless steel.

⁽²⁾M means metric thread and the digits are major diameter of thread and pitch.

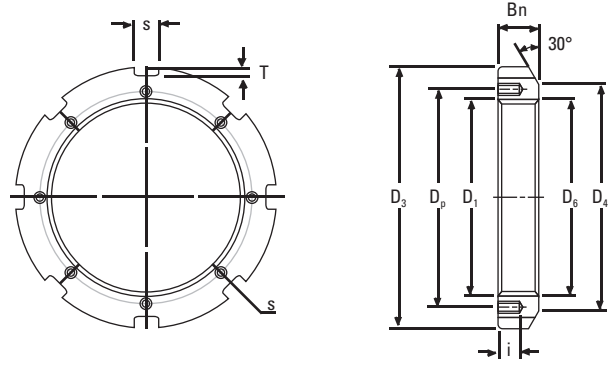
METRIC LOCKNUTS – continued



Locknut No.	Thread ⁽¹⁾ D ₁	D ₃	D ₄	s	T	D ₆	B _n	i	Tapped Hole Threads	D _p	Appropriate Lockplate No.	Weight
	mm	mm	mm	mm	mm	mm	mm	mm		mm		kg
HM3144	Tr 220 x 4	280	250	20	10	222	32	15	M 8 x 1.25	238	MS3144	5.20
HM3148	Tr 240 x 4	300	270	20	10	242	34	15	M 8 x 1.25	258	MS3148	5.95
HM3152	Tr 260 x 4	330	300	24	12	262	36	18	M 10 x 1.5	281	MS3152	8.05
HM3156	Tr 280 x 4	350	320	24	12	282	38	18	M 10 x 1.5	301	MS3156	9.05
HM3160	Tr 300 x 4	380	340	24	12	302	40	18	M 10 x 1.5	326	MS3160	11.80
HM3164	Tr 320 x 5	400	360	24	12	322.5	42	18	M 10 x 1.5	345	MS3164	13.10
HM3168	Tr 340 x 5	440	400	28	15	342.5	55	21	M 12 x 1.75	372	MS3168	23.10
HM3172	Tr 360 x 5	460	420	28	15	362.5	58	21	M 12 x 1.75	392	MS3172	25.10
HM3176	Tr 380 x 5	490	450	32	18	382.5	60	21	M 12 x 1.75	414	MS3176	30.90
HM3180	Tr 400 x 5	520	470	32	18	402.5	62	27	M 16 x 2	439	MS3180	36.90
HM3184	Tr 420 x 5	540	490	32	18	422.5	70	27	M 16 x 2	459	MS3184	43.50
HM3188	Tr 440 x 5	560	510	36	20	442.5	70	27	M 16 x 2	477	MS3188	45.30
HM3192	Tr 460 x 5	580	540	36	20	462.5	75	27	M 16 x 2	497	MS3192	50.40
HM3196	Tr 480 x 5	620	560	36	20	482.5	75	27	M 16 x 2	527	MS3196	62.20
HM31/500	Tr 500 x 5	630	580	40	23	502.5	80	27	M 16 x 2	539	MS31/500	63.30

⁽¹⁾Tr means 30°; trapezoid thread and the digits are major diameter of thread and pitch.

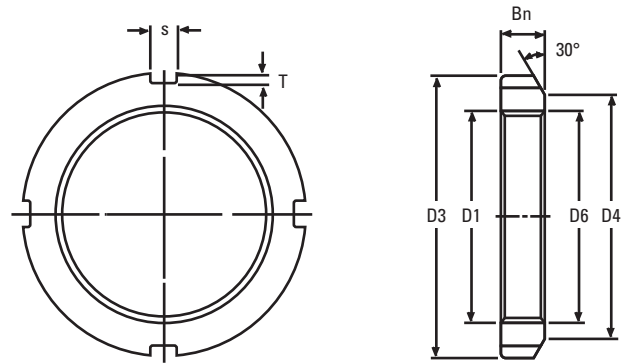
METRIC LOCKNUTS – continued



Locknut No.	Thread ⁽¹⁾ D ₁	D ₃	D ₄	s	T	D ₆	B _n	i	Tapped Hole Threads	D _p	Appropriate Lockplate No.	Weight
	mm	mm	mm	mm	mm	mm	mm	mm		mm		kg
HM3044	Tr 220 x 4	260	242	20	9	222	30	12	M 6 x 1	229	MS3044	3.09
HM3048	Tr 240 x 4	290	270	20	10	242	34	15	M 8 x 1.25	253	MS3048	5.16
HM3052	Tr 260 x 4	310	290	20	10	262	34	15	M 8 x 1.25	273	MS3052	5.67
HM3056	Tr 280 x 4	330	310	24	10	282	38	15	M 8 x 1.25	293	MS3056	6.78
HM3060	Tr 300 x 4	360	336	24	12	302	42	15	M 8 x 1.25	316	MS3060	9.62
HM3064	Tr 320 x 5	380	356	24	12	322.5	42	15	M 8 x 1.25	335	MS3064	9.94
HM3068	Tr 340 x 5	400	376	24	12	342.5	45	15	M 8 x 1.25	355	MS3068	11.70
HM3072	Tr 360 x 5	420	394	28	13	362.5	45	15	M 8 x 1.25	374	MS3072	12.00
HM3076	Tr 380 x 5	450	422	28	14	382.5	48	18	M 10 x 1.5	398	MS3076	14.90
HM3080	Tr 400 x 5	470	442	28	14	402.5	52	18	M 10 x 1.5	418	MS3080	16.90
HM3084	Tr 420 x 5	490	462	32	14	422.5	52	18	M 10 x 1.5	438	MS3084	17.40
HM3088	Tr 440 x 5	520	490	32	15	442.5	60	21	M 12 x 1.75	462	MS3088	26.20
HM3092	Tr 460 x 5	540	510	32	15	462.5	60	21	M 12 x 1.75	482	MS3092	29.60
HM3096	Tr 480 x 5	560	530	36	15	482.5	60	21	M 12 x 1.75	502	MS3096	28.30
HM30/500	Tr 500 x 5	580	550	36	15	502.5	68	21	M 12 x 1.75	522	MS30/500	33.60

⁽¹⁾Tr means 30°; trapezoid thread and the digits are major diameter of thread and pitch.

METRIC LOCKNUTS – continued



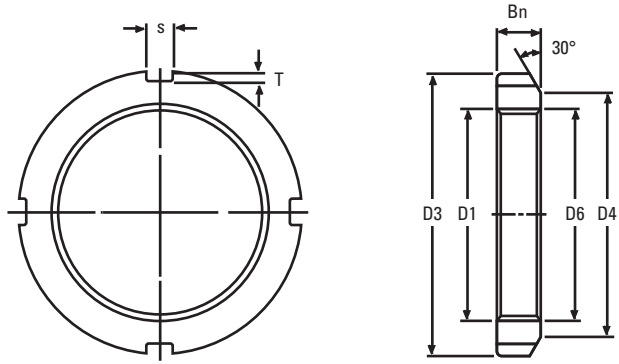
Locknut No.	Thread ⁽¹⁾ D ₁	D ₃	D ₄	B _n	s	T	D ₆	Weight
	mm	mm	mm	mm	mm	mm	mm	kg
HM42	Tr 210 x 4	270	238	30	20	10	212	4.75
HM44	Tr 220 x 4	280	250	32	20	10	222	5.35
HM46	Tr 230 x 4	290	260	34	20	10	232	5.80
HM48	Tr 240 x 4	300	270	34	20	10	242	6.20
HM50	Tr 250 x 4	320	290	36	20	10	252	7.00
HM52	Tr 260 x 4	330	300	36	24	12	262	8.55
HM54	Tr 270 x 4	340	310	38	24	12	272	9.20
HM56	Tr 280 x 4	350	320	38	24	12	282	10.00
HM58	Tr 290 x 4	370	330	40	24	12	292	11.80
HM60	Tr 300 x 4	380	340	40	24	12	302	12.00
HM62	Tr 310 x 5	390	350	42	24	12	312.5	13.40
HM64	Tr 320 x 5	400	360	42	24	12	322.5	13.50
HM66	Tr 330 x 5	420	380	52	28	15	332.5	20.40
HM68	Tr 340 x 5	440	400	55	28	15	342.5	24.50
HM70	Tr 350 x 5	450	410	55	28	15	352.5	25.20
HM72	Tr 360 x 5	460	420	58	28	15	362.5	27.50
HM74	Tr 370 x 5	470	430	58	28	15	372.5	28.20
HM76	Tr 380 x 5	490	450	60	32	18	382.5	33.50
HM80	Tr 400 x 5	520	470	62	32	18	402.5	40.00
HM84	Tr 420 x 5	540	490	70	32	18	422.5	46.90
HM88	Tr 440 x 5	560	510	70	36	20	442.5	48.50
HM92	Tr 460 x 5	580	540	75	36	20	462.5	55.00
HM96	Tr 480 x 5	620	560	75	36	20	482.5	67.00
HM100	Tr 500 x 5	630	590	80	40	23	502.5	69.00
HM102	Tr 510 x 6	650	590	80	40	23	513	75.00
HM106	Tr 530 x 6	670	610	80	40	23	533	78.00
HM110	Tr 550 x 6	700	640	80	40	23	553	92.50

⁽¹⁾Tr means 30°; trapezoid thread and the digits are major diameter of thread and pitch.

SPHERICAL ROLLER BEARING INCH AND METRIC ACCESSORIES

METRIC LOCKNUTS

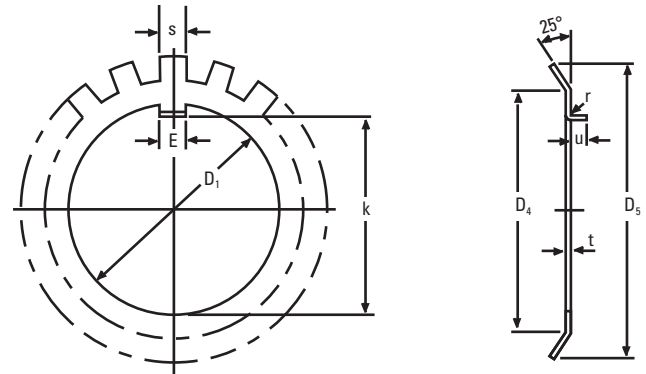
METRIC LOCKNUTS – continued



Locknut No.	Thread ⁽¹⁾ D ₁	D ₃	D ₄	B _n	s	T	D ₆	Weight
	mm	mm	mm	mm	mm	mm	mm	kg
HML41	Tr 205 x 4	250	232	30	18	8	207	3.43
HML43	Tr 215 x 4	260	242	30	20	9	217	3.72
HML47	Tr 235 x 4	280	262	34	20	9	237	4.60
HML52	Tr 260 x 4	310	290	34	20	10	262	5.80
HML56	Tr 280 x 4	330	310	38	24	10	282	6.72
HML60	Tr 300 x 4	360	336	42	24	12	302	9.60
HML64	Tr 320 x 5	380	356	42	24	12	322.5	10.30
HML69	Tr 345 x 5	410	384	45	28	13	347.5	11.50
HML72	Tr 360 x 5	420	394	45	28	13	362.5	12.10
HML73	Tr 365 x 5	430	404	48	28	13	367.5	14.20
HML76	Tr 380 x 5	450	422	48	28	14	382.5	16.00
HML77	Tr 385 x 5	450	422	48	28	14	387.5	15.00
HML80	Tr 400 x 5	470	442	52	28	14	402.5	18.50
HML82	Tr 410 x 5	480	452	52	32	14	412.5	19.00
HML84	Tr 420 x 5	490	462	52	32	14	422.5	19.40
HML86	Tr 430 x 5	500	472	52	32	14	432.5	19.80
HML88	Tr 440 x 5	520	490	60	32	15	442.5	27.00
HML90	Tr 450 x 5	520	490	60	32	15	452.5	23.80
HML92	Tr 460 x 5	540	510	60	32	15	462.5	28.00
HML94	Tr 470 x 5	540	510	60	32	15	472.5	25.00
HML96	Tr 480 x 5	560	530	60	36	15	482.5	29.50
HML98	Tr 490 x 5	580	550	60	36	15	492.5	34.00
HML100	Tr 500 x 5	580	550	68	36	15	502.5	35.00
HML104	Tr 520 x 6	600	570	68	36	15	523	37.00
HML106	Tr 530 x 6	630	590	68	40	20	533	47.00
HML108	Tr 540 x 6	630	590	68	40	20	543	43.50

⁽¹⁾Tr means 30°; trapezoid thread and the digits are major diameter of thread and pitch.

METRIC LOCKWASHERS



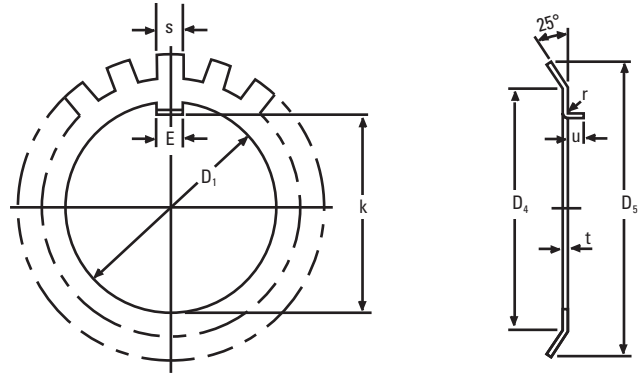
Lockwasher ⁽¹⁾ No.	Thread D ₁	k	E	t	S	D ₄	D ₅	r ⁽²⁾	u ⁽²⁾	Number of Tangs	Weight per 100 pieces	Locknut No.
	mm	mm	mm	mm	mm	mm	mm	mm	mm		kg	
MB0	10	8.5	3	1	3	13	21	0.5	2	9	0.13	KM00
MB1	12	10.5	3	1	3	17	25	0.5	2	9	0.19	KM01
MB2	15	13.5	4	1	4	21	28	1	2.5	13	0.25	KM02
MB3	17	15.5	4	1	4	24	32	1	2.5	13	0.31	KM03
MB4	20	18.5	4	1	4	26	36	1	2.5	13	0.35	KM04
MB5	25	23	5	1.2	5	32	42	1	2.5	13	0.64	KM05
MB6	30	27.5	5	1.2	5	38	49	1	2.5	13	0.78	KM06
MB7	35	32.5	6	1.2	5	44	57	1	2.5	15	1.04	KM07
MB8	40	37.5	6	1.2	6	50	62	1	2.5	15	1.23	KM08
MB9	45	42.5	6	1.2	6	56	69	1	2.5	17	1.52	KM09
MB10	50	47.5	6	1.2	6	61	74	1	2.5	17	1.60	KM10
MB11	55	52.5	8	1.2	7	67	81	1	4	17	1.96	KM11
MB12	60	57.5	8	1.5	7	73	86	1.2	4	17	2.53	KM12
MB13	65	62.5	8	1.5	7	79	92	1.2	4	19	2.90	KM13
MB14	70	66.5	8	1.5	8	85	98	1.2	4	19	3.34	KM14
MB15	75	71.5	8	1.5	8	90	104	1.2	4	19	3.56	KM15
MB16	80	76.5	10	1.8	8	95	112	1.2	4	19	4.64	KM16
MB17	85	81.5	10	1.8	8	102	119	1.2	4	19	5.24	KM17
MB18	90	86.5	10	1.8	10	108	126	1.2	4	19	6.23	KM18
MB19	95	91.5	10	1.8	10	113	133	1.2	4	19	6.70	KM19
MB20	100	96.5	12	1.8	10	120	142	1.2	6	19	7.65	KM20
MB21	105	100.5	12	1.8	12	126	145	1.2	6	19	8.26	KM21
MB22	110	105.5	12	1.8	12	133	154	1.2	6	19	9.40	KM22
MB23	115	110.5	12	2	12	137	159	1.5	6	19	10.80	KM23
MB24	120	115	14	2	12	138	164	1.5	6	19	10.50	KM24
MB25	125	120	14	2	12	148	170	1.5	6	19	11.80	KM25
MB26	130	125	14	2	12	149	175	1.5	6	19	11.30	KM26
MB27	135	130	14	2	14	160	185	1.5	6	19	14.40	KM27
MB28	140	135	16	2	14	160	192	1.5	8	19	14.20	KM28
MB29	145	140	16	2	14	171	202	1.5	8	19	16.80	KM29

⁽¹⁾No. MB0-MB40 also available in 304 stainless steel.

⁽²⁾Straight tangs when t ≥ 3 mm.

Continued on next page.

METRIC LOCKWASHERS – continued



Lockwasher ⁽¹⁾ No.	Thread D ₁	k	E	t	S	D ₄	D ₅	r ⁽²⁾	u ⁽²⁾	Number of Tangs	Weight per 100 pieces	Locknut No.
	mm	mm	mm	mm	mm	mm	mm	mm	mm		kg	
MB30	150	145	16	2	14	171	205	1.5	8	19	15.50	KM30
MB31	155	147.5	16	2.5	16	182	212	1.5	8	19	20.90	KM31
MB32	160	154	18	2.5	18	182	217	1.5	8	19	22.20	KM32
MB33	165	157.5	18	2.5	16	193	222	1.5	8	19	24.10	KM33
MB34	170	164	18	2.5	16	193	232	1.5	8	19	24.70	KM34
MB36	180	174	20	2.5	18	203	242	1.5	8	19	26.80	KM36
MB38	190	184	20	2.5	18	214	252	1.5	8	19	27.80	KM38
MB40	200	194	20	2.5	18	226	262	1.5	8	19	29.30	KM40
MB44	220	213	24	3.0	20	250	292	–	–	19	48.30	HM3144
MB48	240	233	24	3.0	20	270	312	–	–	19	50.20	HM3148
MB52	260	253	28	3.0	24	300	342	–	–	23	72.90	HM3152
MB56	280	273	28	3.0	24	320	362	–	–	23	75.90	HM3156

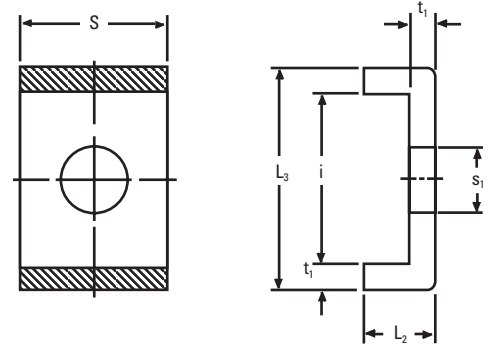
⁽¹⁾No. MB0-MB40 also available in 304 stainless steel.

⁽²⁾Straight tangs when t ≥ 3 mm.

Lockwasher ⁽¹⁾ No.	Thread D ₁	k	E	t	S	D ₄	D ₅	r	u	Number of Tangs	Weight per 100 pieces	Locknut No.
	mm	mm	mm	mm	mm	mm	mm	mm	mm		kg	
MBL24	120	115	14	2	12	133	155	1.5	6	19	7.70	KML24
MBL26	130	125	14	2	12	143	165	1.5	6	19	8.70	KML26
MBL28	140	135	16	2	14	151	175	1.5	8	19	10.90	KML28
MBL30	150	145	16	2	14	164	190	1.5	8	19	11.30	KML30
MBL32	160	154	18	2.5	16	174	200	1.5	8	19	16.20	KML32
MBL34	170	164	18	2.5	16	184	210	1.5	8	19	19.00	KML34
MBL36	180	174	20	2.5	18	192	220	1.5	8	19	18.00	KML36
MBL38	190	184	20	2.5	18	202	230	1.5	8	19	20.50	KML38
MBL40	200	194	20	2.5	18	218	240	1.5	8	19	21.40	KML40

⁽¹⁾No. MBL24-MBL40 also available in 304 stainless steel.

METRIC LOCKPLATES



Lockplate No.	t ₁	S	L ₂	S ₁	i	L ₃	Appropriate Locknut No.	Weight per 100 pieces
	mm	mm	mm	mm	mm	mm		kg
MS3144	4	20	12	9	22.5	30.5	HM3144	2.60
MS3148	4	20	12	9	22.5	30.5	HM3148	2.60
MS3152	4	24	12	12	25.5	33.5	HM3152	3.39
MS3156	4	24	12	12	25.5	33.5	HM3156	3.39
MS3160	4	24	12	12	30.5	38.5	HM3160	3.79
MS3164	5	24	15	12	31	41	HM3164	5.35
MS3168	5	28	15	14	38	48	HM3168	6.65
MS3172	5	28	15	14	38	48	HM3172	6.65
MS3176	5	32	15	14	40	50	HM3176	7.96
MS3180	5	32	15	18	45	55	HM3180	8.20
MS3184	5	32	15	18	45	55	HM3184	8.20
MS3188	5	36	15	18	43	53	HM3188	9.00
MS3192	5	36	15	18	43	53	HM3192	9.00
MS3196	5	36	15	18	53	63	HM3196	10.40
MS31/500	5	40	15	18	45	55	HM31/500	10.50
MS3044	4	20	12	7	13.5	21.5	HM3044	2.12
MS3048	4	20	12	9	17.5	25.5	HM3048	2.29
MS3052	4	20	12	9	17.5	25.5	HM3052	2.29
MS3056	4	24	12	9	17.5	25.5	HM3056	2.92
MS3060	4	24	12	9	20.5	28.5	HM3060	3.16
MS3064	5	24	15	9	21	31	HM3064	4.56
MS3068	5	24	15	9	21	31	HM3068	4.56
MS3072	5	28	15	9	20	30	HM3072	5.03
MS3076	5	28	15	12	24	34	HM3076	5.28
MS3080	5	28	15	12	24	34	HM3080	5.28
MS3084	5	32	15	12	24	34	HM3084	6.11
MS3088	5	32	15	14	28	38	HM3088	6.45
MS3092	5	32	15	14	28	38	HM3092	6.45
MS3096	5	36	15	14	28	38	HM3096	7.29
MS30/500	5	36	15	14	28	38	HM30/500	7.29

TIMKEN

Where You Turn

Bearings • Steel •
Power Transmission Systems •
Precision Components •
Gears • Seals • Lubrication •
Industrial Services •
Remanufacture and Repair

www.timken.com



30M 10-11: Order No. 10446

Price: USD \$75