



# MicroMetl

Economizer  
ECD-SRTCA-D2  
Install Guide



# MicroMetl

## Table of Contents

---

Topic	Page Number
General Install Instructions	1



# MicroMetl

Small Rooftop Units  
3 to 12.5 Tons (48/50LC 14 Not Included)  
Accessory Ultra Low Leak  
Vertical Economizer Accessory



## Installation Instructions

Part No: ECD-SRT12CA-D2\*H, ECD-SRT34CA-D2\*H and ECD-SRT05CA-D2\*H

### CONTENTS

- Safety Consideration. . . . .1
- General Descriptions. . . . .1
- Usage Chart, Package Contents, Sensors . . . . . 2
- Accessories and Compliance. . . . . 3
- Installation. . . . .3-7
- Economizer Performance Charts. . . . . 8
- Economizer Wiring Diagram (Non LC 07-12). . . . .9
- 48/50LC 07-12 Instructions and Diagram. . . . .10-12
- Enthalpy Accessory. . . . .13
- Differential Return Sensor Accessory. . . . .14
- Title 24 High Temp Limit, Demand Control  
Ventilation. . . . .14
- Remote Fault Detection & Diagnostics. . . . . 15
- Economizer Jade Controller. . . . .16
- Programming Jade W7220 Controller. . . . .17
- Controller Menu Structure. . . . .18-21
- Checkout Tests & Controller Terminals. . . . .21-22
- Start-Up and Operation. . . . .23
- Troubleshooting. . . . .24

### SAFETY CONSIDERATIONS

Installation of this accessory can be hazardous due to system pressures, electrical components and equipment, and equipment locations (such as a roof or elevated surface). Only trained qualified installers and service technicians should install, start-up, and service this equipment.

When installing this accessory, observe precautions in the literature and on any labels attached to the equipment and all other safety precautions may apply.

- Follow all safety codes.
- Wear safety glasses and work gloves.
- Use care in handling and installing the accessory.

It is important to recognize safety information. This is the safety-alert symbol . When you see this symbol on the unit and in instructions or manuals, be alert to the potential for personal injury.

Understand the signal words DANGER, WARNING, CAUTION, and NOTE. These words are used with the safety-alert symbol. DANGER identifies the most serious hazards which **will** result in severe personal injury or death. WARNING signifies hazards which **could** result in personal injury or death. CAUTION is used to identify unsafe practices, which **may** result in minor personal injury or product and property damage.

NOTE is used to highlight suggestions which **will** result in enhanced installation, reliability, or operation.

### WARNING

**ELECTRICAL SHOCK HAZARD**  
Failure to follow this warning could cause personal injury or death. Before performing service or maintenance operations on the unit, always turn off main power switch to unit and install lock(s) and lockout tag(s). Unit may have more than one power switch. Ensure electrical service to rooftop unit agrees with voltage and amperage listed on the unit rating plate.

### CAUTION

**CUT HAZARD**  
Failure to follow this caution may result in personal injury. Sheet metal parts may have sharp edges or burrs. Use care and wear appropriate protective clothing, safety glasses and gloves when handling parts and servicing roof top units.

### CAUTION

Failure to follow this caution may result in personal injury and damage to the unit. Cover the duct opening as a precaution so objects cannot fall into the return duct opening. Be sure to remove the cover when installation is complete.

### GENERAL

The Economizer system utilizes the latest technology available for integrating the use of free cooling with mechanical cooling for packaged rooftop units. The code compliant Jade W7220 control system optimizes energy consumption, zone comfort, and equipment cycling by operating the compressors when the outdoor-air is too humid, integrating the compressor with outdoor air when free cooling is available, and locking out the compressor when outdoor-air temperature is too cold. Demand control ventilation is supported.

This Economizer can be used with 1 or 2 speed indoor fan motor units.

The Economizer system utilizes gear-drive technology with a direct-mount spring return actuator that will close upon loss of power. The Economizer system comes standard with fault detection and diagnostics (FDD), an outdoor air sensor, and mixed air temperature sensor (also called supply air temperature sensor). Outdoor enthalpy, indoor (return) dry bulb or enthalpy, and CO2 sensors are available for field installation. See Table 5 for sensor usage.

Standard integrated barometric relief dampers provide natural building pressurization control. An optional power exhaust system is available for applications requiring even greater exhaust capabilities. The power exhaust set point is adjustable at the Economizer controller.

See Table 1-3 for package usage. See Table 4 for package contents.

See Table 5 for sensor usage.

**IMPORTANT:** These economizers meet all economizer damper requirements as specified in ASHRAE 90.1, IECC and California's Title 24. Economizer must be installed square to avoid damper leakage or damper binding. Squareness tolerance is ± 1/32 inch.

**IMPORTANT:** Read these instructions completely before attempting to install accessory economizer.



# MicroMetl

**Table 1 - Carrier Usage Chart**

CARRIER MODEL NUMBER	ECONOMIZER PART NUMBER
<b>Small Cabinet</b>	
48/50HC, LC 04-06 48/50TC 04-07 50TCQ 04-07 50HCQ 04-06 50KCQ04-06 48/50KC 04-06	Dry Bulb OA Sensor = ECD-SRT12CA-D2DH  Enthalpy OA Sensor = ECD-SRT12CA-D2EH
<b>Large Cabinet</b>	
48/050HC 07-12 48/50LC 07 48/50TC 08-14 50TCQ 08-12 50HCQ 07-09	Dry Bulb OA Sensor = ECD-SRT34CA-D2DH  Enthalpy OA Sensor = ECD-SRT34CA-D2EH
<b>Extra Large Cabinet</b>	
48/50HC 14 48/50LC 08-12 48/50TC 16 50TCQ 14 50HCQ 12	Dry Bulb OA Sensor = ECD-SRT05CA-D2DH  Enthalpy OA Sensor = ECD-SRT05CA-D2EH

**Table 2 - Bryant Usage Chart**

BRYANT MODEL NUMBER	ECONOMIZER PART NUMBER
<b>Small Cabinet</b>	
581J/551J 04-06 549J/547J/559J/582J 04-06 548J/580J/558J 04-07	Dry Bulb OA Sensor = ECD-SRT12CA-D2DH  Enthalpy OA Sensor = ECD-SRT12CA-D2EH
<b>Large Cabinet</b>	
581J/551J 07-12 580J/558J 08-14 548J 08-12 549J 07-09	Dry Bulb OA Sensor = ECD-SRT34CA-D2DH  Enthalpy OA Sensor = ECD-SRT34CA-D2EH
<b>Extra Large Cabinet</b>	
581J/551J 14 580J/558J 16 548J 14 549J 12	Dry Bulb OA Sensor = ECD-SRT05CA-D2DH  Enthalpy OA Sensor = ECD-SRT05CA-D2EH

**Table 3 - ICP Usage Chart**

ICP MODEL NUMBER	ECONOMIZER PART NUMBER
<b>Small Cabinet</b>	
RGH/RAH 036-060 RGS/RAS 036-072 RHS 036-072 RHX/RHH 036-060 RGX/RAX 036-060	Dry Bulb OA Sensor = ECD-SRT12CA-D2DH  Enthalpy OA Sensor = ECD-SRT12CA-D2EH
<b>Large Cabinet</b>	
RGH/RAH 072-120 RAS/RGS 090-150 RHH 072-102 RHS 090-120	Dry Bulb OA Sensor = ECD-SRT34CA-D2DH  Enthalpy OA Sensor = ECD-SRT34CA-D2EH
<b>Extra Large Cabinet</b>	
RGH/RAH 150 RAS/RGS 180 RHS 150 RHH 120	Dry Bulb OA Sensor = ECD-SRT05CA-D2DH  Enthalpy OA Sensor = ECD-SRT05CA-D2EH

**Table 4 - Package Contents**

ECONOMIZER PART NUMBER	QTY	CONTENTS
<b>ECD-SRT12CA-D2*H, ECD-SRT34CA-D2*H</b>	1	Economizer Damper Assembly with Actuator and Outside Air Sensor
	1	Jade 9901-2020 (HW: W7220) Controller with Attached Harness*
	1	9901-2021 (HW: C7250) Mixed Air Temp Sensor*
	1	9962-0407-SAOEXT 4-Wire Harness* ⚠
	1	Hood Assembly with Top and 2 Sides
	1	Hood Divider
	1	Aluminum Filter
	1	Hardware Bag*
<b>ECD-SRT05CA-D2*H</b>	1	Economizer Damper Assembly with Actuator and Outside Air Sensor
	1	Jade 9901-2020 (HW: W7220) Controller with Attached Harness*
	1	9901-2021 (HW: C7250) Mixed Air Temp Sensor*
	1	9962-0407-SAOEXT 4-Wire Harness* ⚠
	1	Hood Assembly with Top and 2 Sides
	1	Hood Divider
	1	Hood Filter Divider
	2	Aluminum Filter
1	Hardware Bag*	

\* Shipped in hardware kit for field installation

HW = Honeywell

⚠ On some models the 9962-0407-SAOEXT harness is built in to the standard harness attached to the controller.

**Table 5 - Economizer Sensor Usage**

APPLICATION	ECONOMIZER WITH OUTDOOR AIR SENSOR
	Accessories Required
Outdoor Air Dry Bulb	The 9901-2021 (C7250) outdoor air dry bulb sensor is factory installed on "D2DH" economizer.
Single Enthalpy	The 9901-2022 (C7400S) outdoor air enthalpy sensor is factory installed on "D2EH" economizers
Mixed Air Sensor	9901-2021 (C7250) provided with economizer and field installed in blower compartment.
Differential Dry Bulb or Enthalpy	9901-2022-DIFF JC2*

\* Includes 9901-2022 sensor and wiring harness.



# MicroMet

**ACCESSORIES LIST** - The Economizer system has several field-installed accessories available to optimize performance. Refer to Table 6 for authorized parts and power exhaust descriptions.

**Table 6 —Economizer Field-Installed Accessories**

DESCRIPTION	PART NUMBER
208/230v 1PH Prop Power Exhaust for Small Cabinet	PPD-SRT12CA-D-1V
460v 3PH Prop Power Exhaust for Small Cabinet	PPD-SRT12CA-D-4V
208/230v 1PH Prop Power Exhaust for Large Cabinet	PPD-SRT34CA-D-1V
460v 3PH Prop Power Exhaust for Large Cabinet	PPD-SRT34CA-D-4V
208/230v 1PH Prop Power Exhaust for Extra Large Cabinet	PPD-SRT05CA-D-1V
460v 3PH Prop Power Exhaust for Extra Large Cabinet	PPD-SRT05CA-D-4V
Enthalpy Sensor (OA)	9901-2022
Differential (Return) Sensor	9901-2022-DIFF JC2
Economizer Angle Seal Kit for use on unit's with Hinged Filter Door - for Small Cabinet	0640-0100-HDANGL
Economizer Angle Seal Kit for use on unit's with Hinged Filter Door - for Large Cabinet	0640-0200-HDANGL
Economizer Angle Seal Kit for use on unit's with Hinged Filter Door - for Extra Large Cabinet	0640-0300-HDANGL

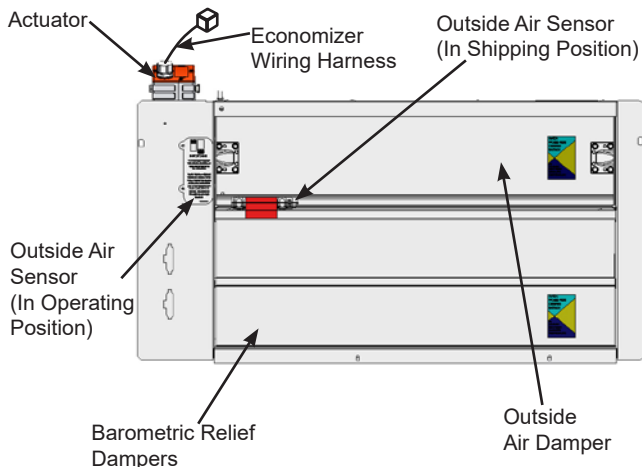
**Compliance** — Economizers meet California Energy Commission Title 24 prescriptive section 140.4 (damper leakage etc.), and mandatory section 120.2.i for Fault Detection and Diagnostic controls.

Economizers meet ASHRAE 90.1 damper leakage requirements and Fault Detection and Diagnostic requirements.

Economizers meet IECC damper leakage and Fault Detection and Diagnostic requirements.

**NOTE:** IECC requires differential return air sensor, which must be ordered separately. See Accessory 9901-2022-DIFF JC2.

Outside air, return air, and relief dampers are AMCA rated.



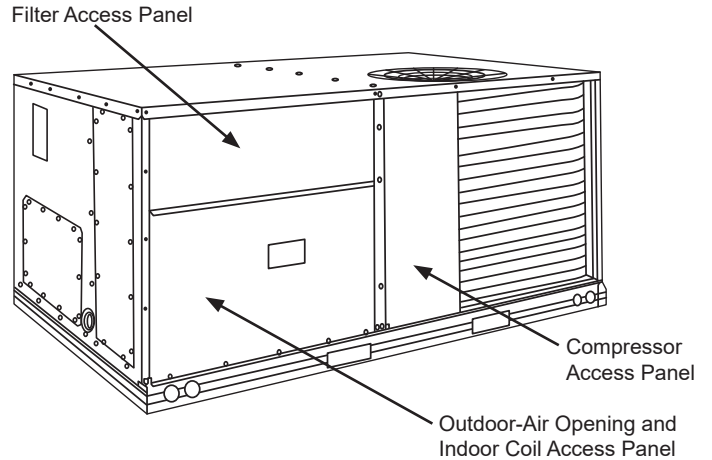
**Fig. 1 - Economizer Component Locations — (ECD-SRT12CA-D2\*H Shown)**

## INSTALLATION

**Note:** If installing economizer on 48/50LC 07-12 units, see special section beginning on page 10.

**Step 1:** Turn off power supply(s) and install lockout tag.

**Step 2:** Remove the existing unit filter access panel. Raise the panel and swing the bottom outward. The panel is now disengaged from the track and can be removed. See Figure 2. Set the filter door aside for re-installation later.

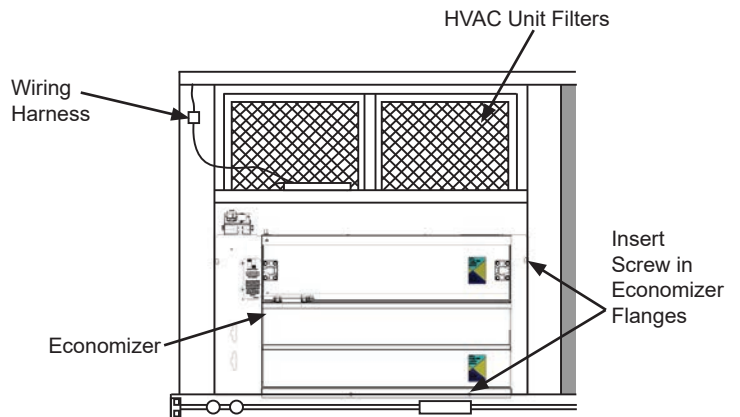


**Fig. 2 - Typical Access Panel Locations**

**Step 3:** Remove the indoor coil access panel and discard. See Figure 2.

**Step 4:** Slide the economizer assembly into the rooftop unit. See Figure 3.

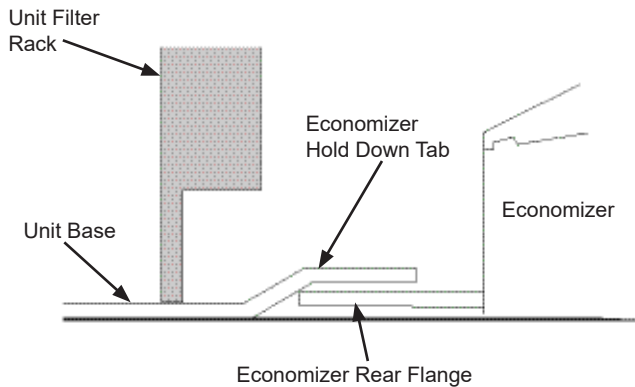
**Note:** on small and large cabinets be sure to engage the rear economizer flange under the tabs on the unit base in the return air chamber. See Figure 4.



**Fig. 3 - Economizer Installed on HVAC Unit (ECD-SRT12CA-D2\*H Shown)**



# MicroMetl

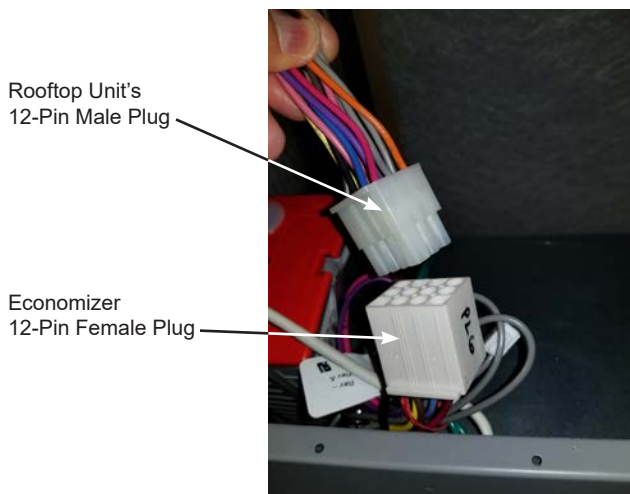


**Fig. 4 - Rear Economizer Flange Installation (ECD-SRT12CA-D2\*H and ECD-SRT34CA-D2\*H)**

**Step 5:** Ensure economizer is square (tolerance +/- 1/32"). Screw the economizer to the unit along both side flanges and bottom flange. See Figure 3.

**Step 6:** Remove the red tape securing the relief dampers for shipping purposes. Relocate the outside air sensor from its shipping location to its operating position, see Fig. 1

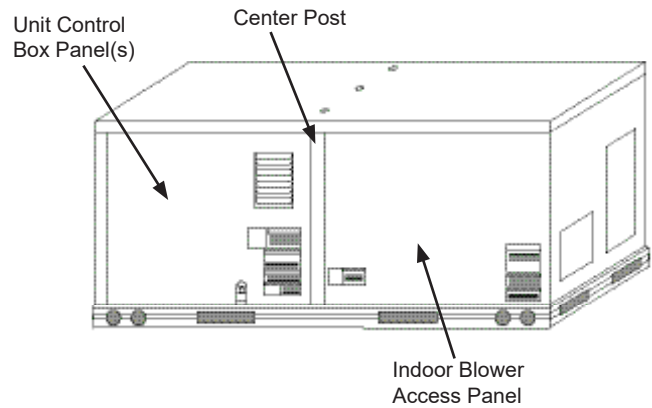
**Step 7:** If an economizer with a dry bulb sensor will be operating with an enthalpy outside air sensor, remove the factory installed 9901-2021 dry bulb sensor from the front face of the economizer (see Figure 1), and install the accessory enthalpy sensor 9901-2022 in the same location as the dry bulb sensor. Connect the (2) wire gray harness with plug from the economizer to the enthalpy sensor. See wiring diagram Figures 23 and 28. Refer to "9901-2022 Outside Air Enthalpy Sensor" section for more details on enthalpy settings



**Figure 5 – Connect Economizer Harness to Unit PL6 Economizer Harness**

**Step 8:** Remove and save the 12-pin jumper plug from the unit economizer harness – located in the upper left corner of the unit. Insert the economizer plug into the unit wiring harness. See Figure 5. *Note: the 12-pin jumper plug should be saved for future use, in the event that the economizer is ever removed. The jumper plug is not needed as long as the economizer is installed.*

**Step 9:** Remove the indoor blower access panel and the panel(s) covering the unit control box. See Figure 6.



**Fig. 6 - Typical Indoor Fan Motor Access Panel Locations**

**Step 10:** In the hardware kit provided with the economizer is the 9901-2020 Jade controller (Honeywell W7220). The controller is attached to a mounting bracket and the economizer harness is attached to the controller. Mount the controller assembly on the left side of the unit control box. Screw bracket to the control box through pre-punched holes in control box. See Figure 7.



**Figure 7 – Mount Controller Assembly in Unit Control Box**

(Some control box configurations may differ)

**Step 11:** Unplug the 10-pin female ECON plug currently connected to the Central Terminal Board (CTB). See Figure 8.

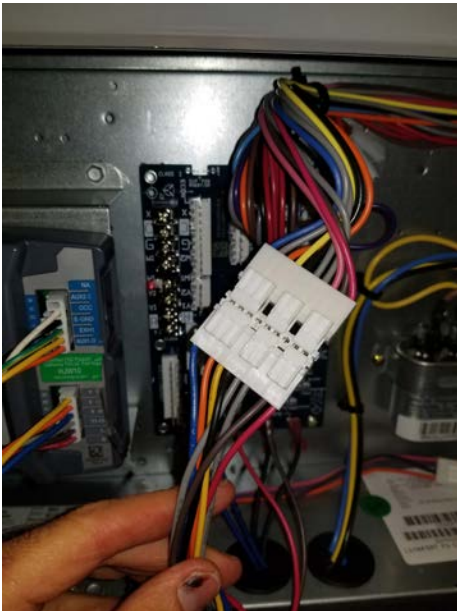


# MicroMetl



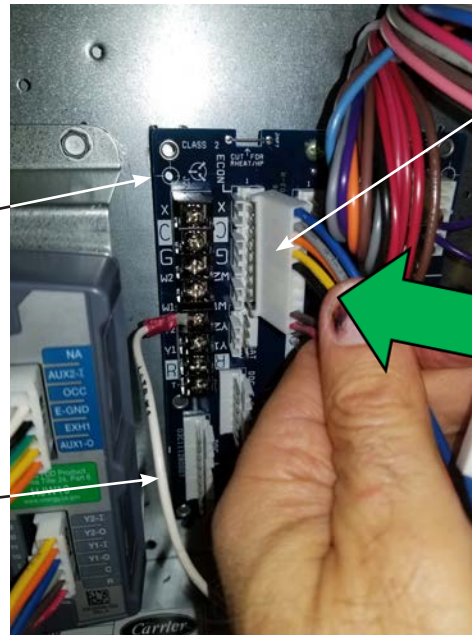
**Figure 8 – Unplug ECON plug from Central Terminal Board (CTB)**

**Step 12:** Connect the 10-pin female ECON plug removed from the CTB to the 10-pin male plug from the Jade controller harness. See Figures 9 and 23.



**Figure 9 – Connect 10-pin Plugs Together**

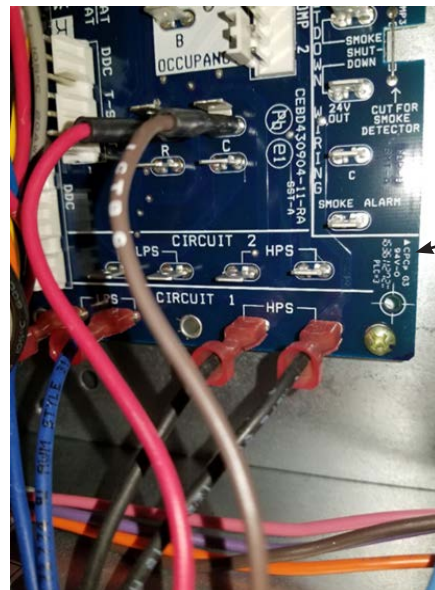
**Step 13:** Connect the 10-pin female plug from the Jade controller harness to ECON on the CTB. See Figures 10 and 23.



**Figure 10 – Connect 10-Pin Jade Plug to Central Terminal Board**

**Step 14:** Connect the White wire from the Jade controller harness to the W1 terminal on the CTB. See Figures 10 and 23.

**Step 15:** Connect the red and brown wires from the Jade controller harness to the CTB. See Figures 11 and 23. The red wire connects to "R" on the CTB, and the brown wire connects to "C".



**Figure 11 – Connect Red and Brown Wires to Central Terminal Board**

**Step 16:** Locate the green wire with yellow stripe from the Jade controller harness and screw it to the control box (ground). See Figure 12 below.



# MicroMetl



**Figure 12 – Connect Ground Wire From Controller**

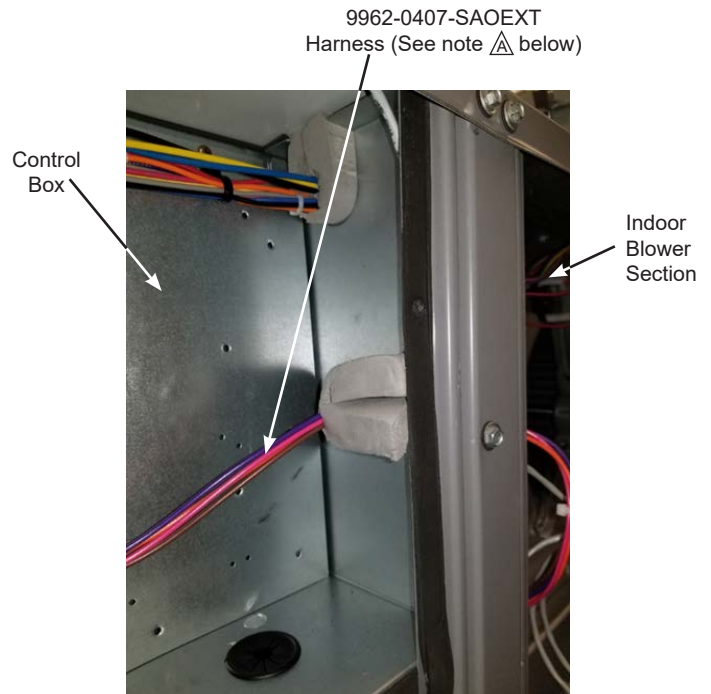
**Step 17:** Locate the 9962-0407-SAOEXT harness (with 4-pin female plug) provided in the economizer hardware kit. Connect the 9962-0407-SAOEXT harness to the 4-wire harness with a male plug from the Jade controller harness. See Figures 13 and 23. Important - See note below.



**Figure 13 – Connect 9962-0407-SAOEXT Harness to Harness from Controller (See note )**

**Step 18:** Route the 4-wire 9962-0407-SAOEXT harness through the divider between the control box and the indoor blower section. See Figure 14. Important - See note below.

**Note :**  
On some models the 9962-0407-SAOEXT is built in to and is a part of the standard harness attached to the Jade W7220 controller terminals "MAT" and "OAT".



**Figure 14 – Route 9962-0407-SAOEXT Harness to Indoor Blower Section (See note below)**  
(Some control box configurations may differ)

**Step 19:** Screw the 9901-2021 mixed air (MAT) sensor (Honeywell C7250) to the left side edge of indoor blower through pre-punched holes, see Figure 15. Confirm that the screws do not interfere with blower rotation. Connect the 2-pin plug from the 9962-0407-SAOEXT harness to the MAT sensor. See Figures 15 and 23. Important - See note below.



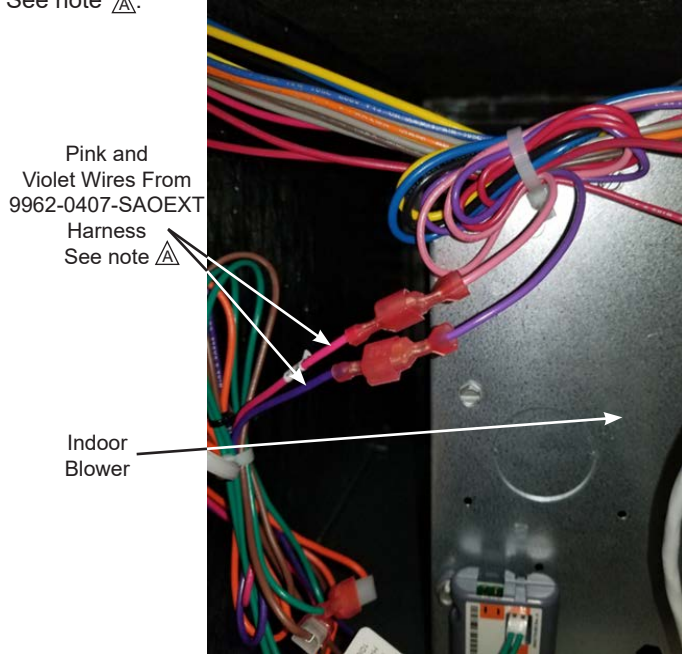
**Figure 15 – Mount and connect Mixed Air Sensor**





# MicroMetl

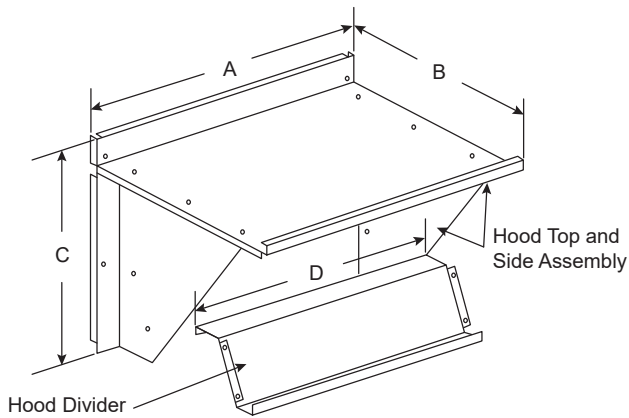
**Step 20:** Connect the pink and violet wires from the 4-wire 9962-0407-SAOEXT harness to the pink and violet terminals in the wire bundle in the indoor blower section. See Figures 16 and 23. See note ⚠.



**Figure 16 – Connect Pink and Violet Wires in Indoor Blower Section**

**Step 21:** If using differential return sensor or DCV sensor install it now. See installation details later in the instructions, and the wiring diagram for further information.

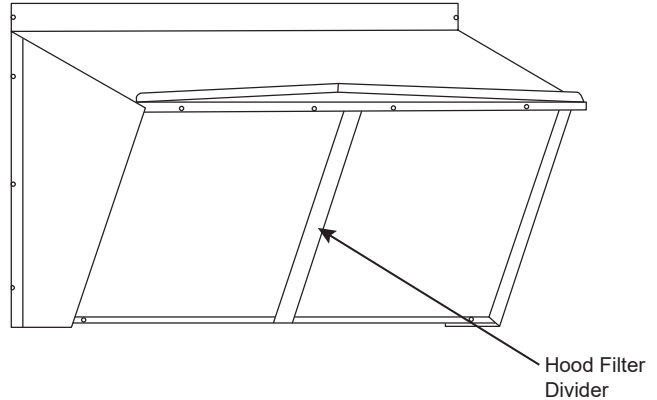
**Step 22:** Assemble the economizer hood by screwing the hood divider to the hood subassembly (top and sides). See Figure 17. Note on the ECD-SRT05CA-D2\*H there is also a center hood filter divider – screw in place. See Figure 18.



ECONOMIZER P/N	A	B	C	D	SHIP WT.
ECD-SRT12CA-D2*H	30.37"	17.43"	19.05"	29.5"	55 lb
ECD-SRT34CA-D2*H	40.37"	22.28"	24.48"	36.27"	80lb
ECD-SRT05CA-D2*H	52.92"	27.03"	33.41"	49.92"	98lb

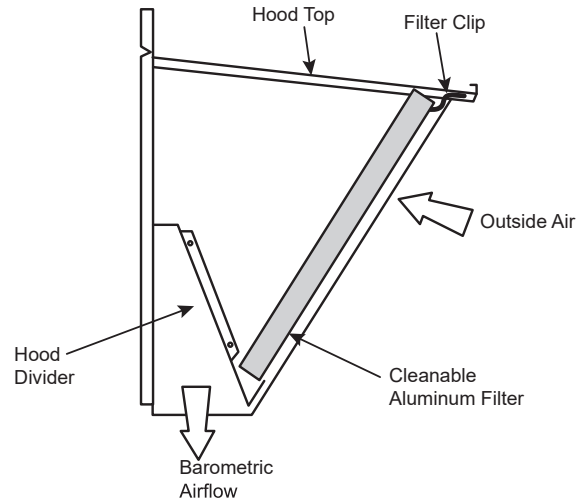
**NOTE:** The ECD-SRT05CA-D2\*H hood has 2 aluminum filters and a hood filter divider that installs between the filters.

**Figure 17 – Economizer Hood Assembly**



**Figure 18 – Filter Divider on ECD-SRT05CA-D2\*H Hood**

**Step 23:** Install aluminum filter(s) in economizer hood. Clips at top of hood will hold filters in place. See Figure 19.



**Figure 19 – Fully Assembled Hood**

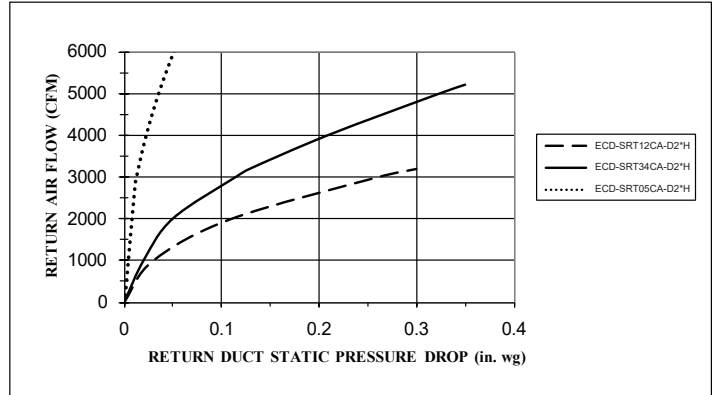
**Step 24:** Install economizer hood over economizer. Screw hood in place through pre-punched holes. Reinstall the unit's filter access door. See Figure 20. Re-install the Indoor blower access panel. See Figure 6.



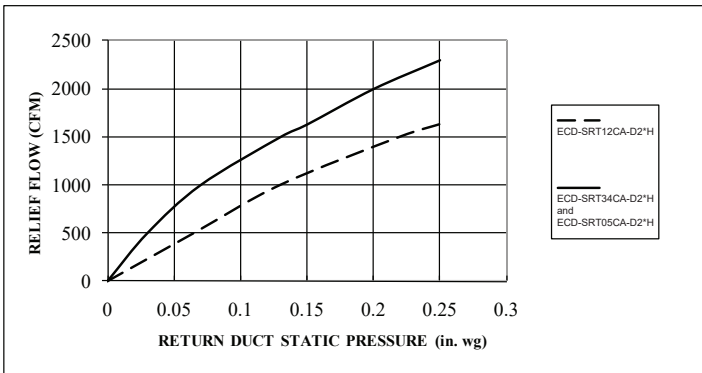
**Figure 20 – Install Economizer Hood and Unit Filter Access Door**

**Step 25:** After powering controller, program the Jade W7220 controller per the instructions to follow. See Table 8 for summarized controller set up instructions. After all settings have been made, re-install the unit control box panel. See Figure 6.

Economizer performance charts are below. See base unit installation manual to make adjustments to meet building ventilation requirements.



**Figure 22 – Return Air Pressure Drop**



**Figure 21 – Barometric Relief Flow Capacity**



# MicroMetl

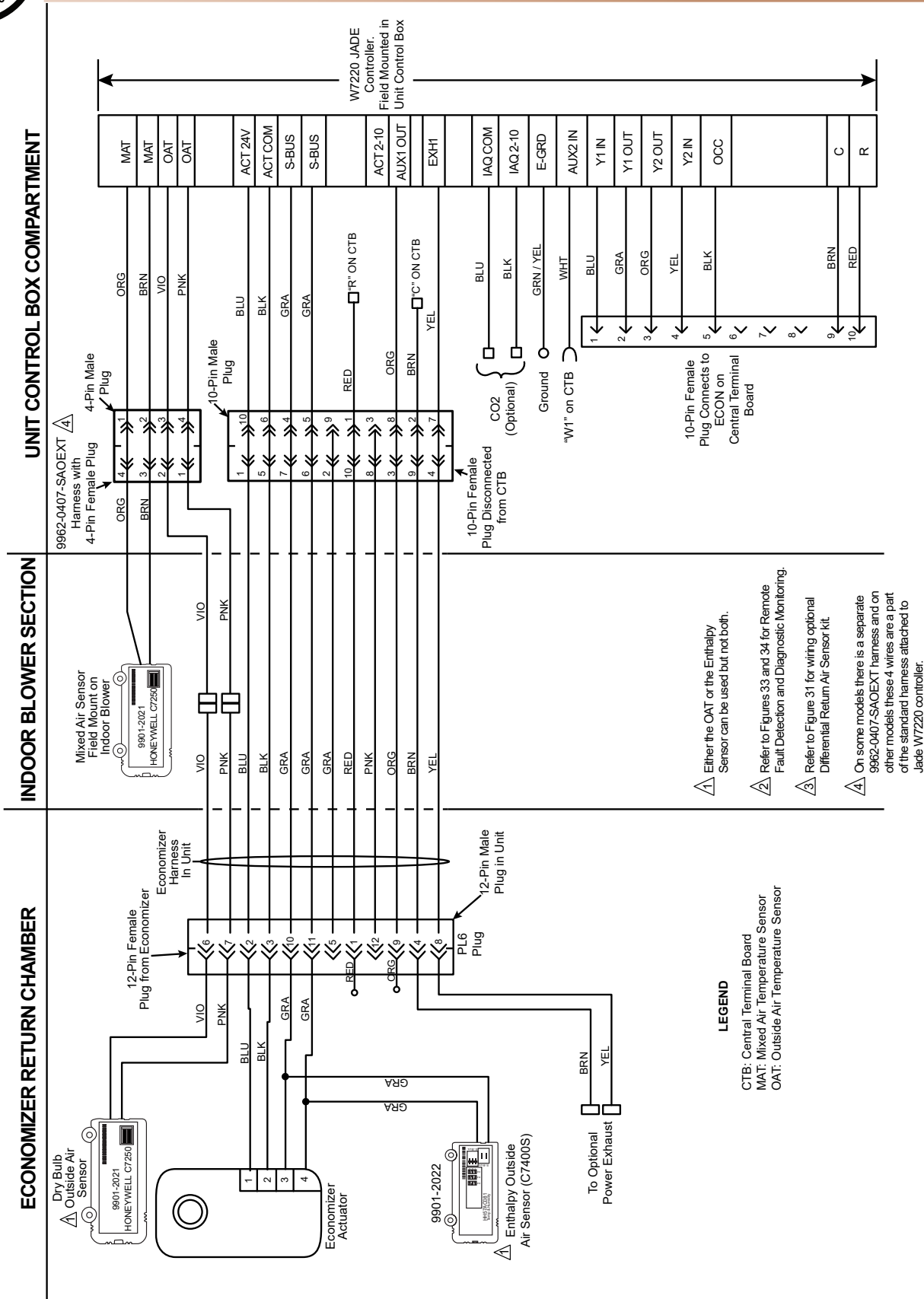


Figure 23 – Typical Economizer Wiring Diagram for 1 or 2 Speed Units  
 (Not for 48/50LC 07-12 Units)



# MicroMetl

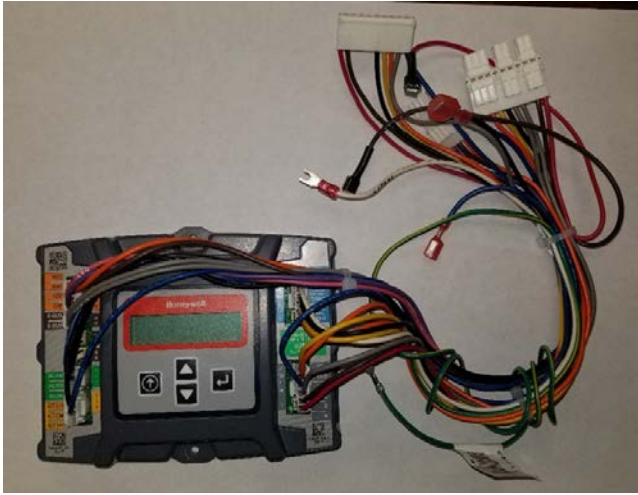
## Instructions for 48/50LC 07-12 Units Only

Important: This page is for economizer installation instructions on 48/50LC 07-12 units only.

**Step LC1.** Follow steps 1 through 10 earlier in these instructions.

**Step LC2.** The 48/50LC 07-12 units require different wiring than is factory-attached to the W7220 Jade controller. Disconnect the complete wiring harness factory-attached to the W7220 Jade controller, as shown below in Figure 24. Set this harness aside as a small section may be used for LC units, see Figure 27.

*Note: The complete 4-wire 9962-0407-SAOEXT harness provided with the economizer will also NOT be used on the 48/50LC07-12 units, see Figure 24A. However, a small section may be used for the MAT, see Figure 27.*

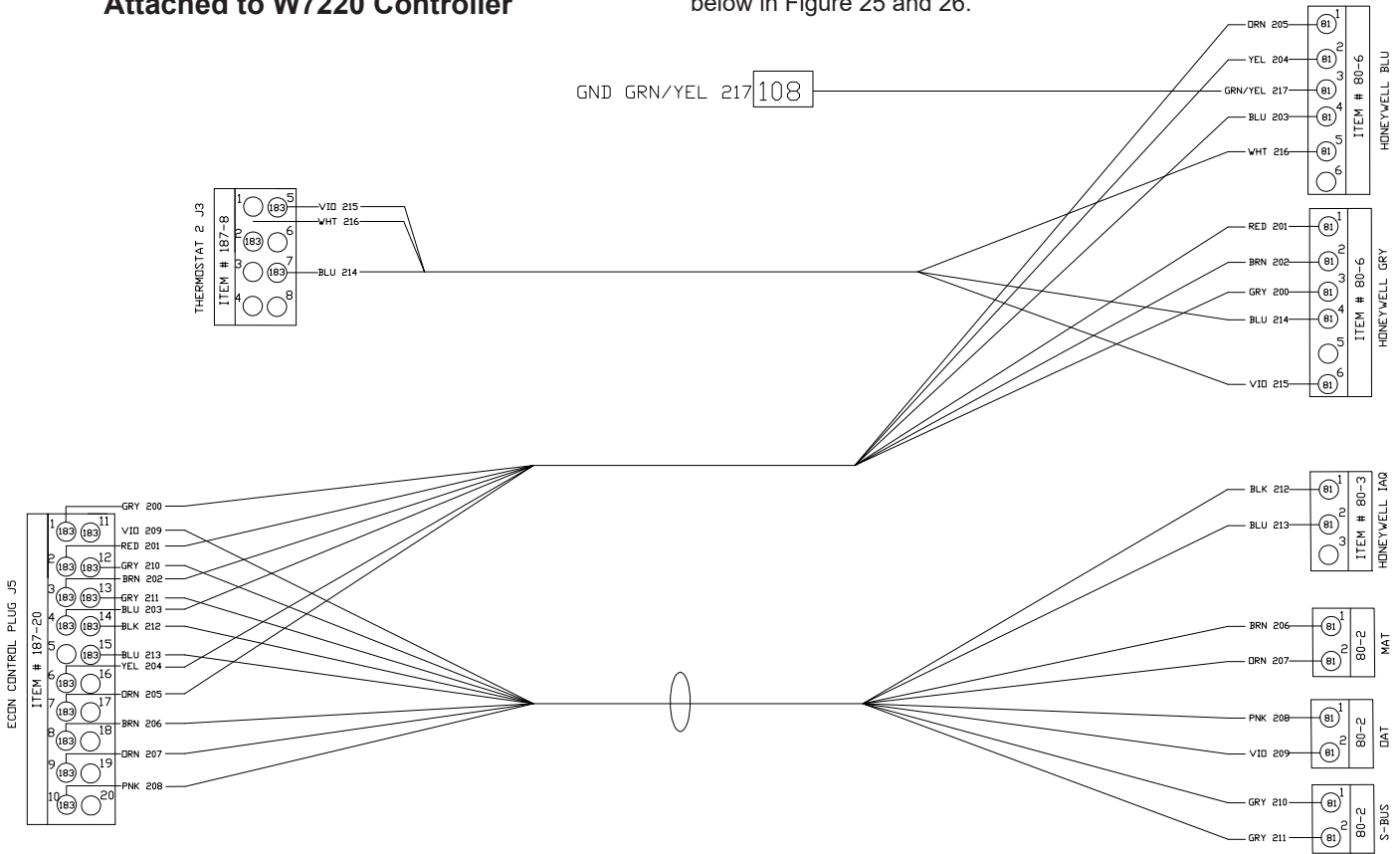


**Figure 24 – Remove Complete Harness Factory-Attached to W7220 Controller**



**Figure 24A – 9962-0407-SAOEXT Not Used on 48/50LC 07-12 Units**

**Step LC3.** The 48/50LC 07-12 units that do not have a factory-installed economizer will have a new Jade W7220 controller wiring harness shipped in the control box section of the HVAC unit. This harness, Carrier part number 48LCHSRADH--A00, is shown below in Figure 25 and 26.



**Figure 25 – 48LCHSRADH--A00 W7220 Controller Harness Shipped With 48/50LC 07-12 Units**



# MicroMetl

## Instructions for 48/50LC 07-12 Units Only

Important: This page is for economizer installation instructions on 48/50LC 07-12 units only.



**Figure 26 – Photo of 48LCHSRADH--A00 W7220 Controller Harness Shipped With 48/50LC 07-12 Units**

**Step LC4.** The connectors on the right side of Figure 25 on the 48LCHSRADH—A00 harness attach to the Jade W7220 controller installed in the unit control box. See Figures 25 and 28. 48LCHSRADH—A00 harness connectors are labeled to easily identify the plug-in location on the controller.

**Step LC5.** Locate the Compressor Staging Control (CSC) board in the HVAC unit. When a field-installed economizer is used the J5 jumper on the CSC must be removed. Remove the J5 jumper. See Figure 28

**Step LC6.** The connectors on the left side of Figure 25 on the 48LCHSRADH—A00 harness attach to the unit's CSC board. Connect J3 and J5 plugs to the CSC board.

**Step LC7.** Screw the green wire with yellow stripe in the 48LCHSRADH—A00 harness to the control box (ground). See Figures 12 and 28.

**Step LC8.** Mount the provided 9901-2021 mixed air temperature (MAT) sensor (C7250) to the indoor blower. Confirm that the screws do not interfere with blower rotation. See Figure 15.

### IMPORTANT:

The brown and orange wires in the indoor blower section for the mixed air sensor have spade terminals, and will not connect directly to the MAT sensor, which requires a 2-pin plug.

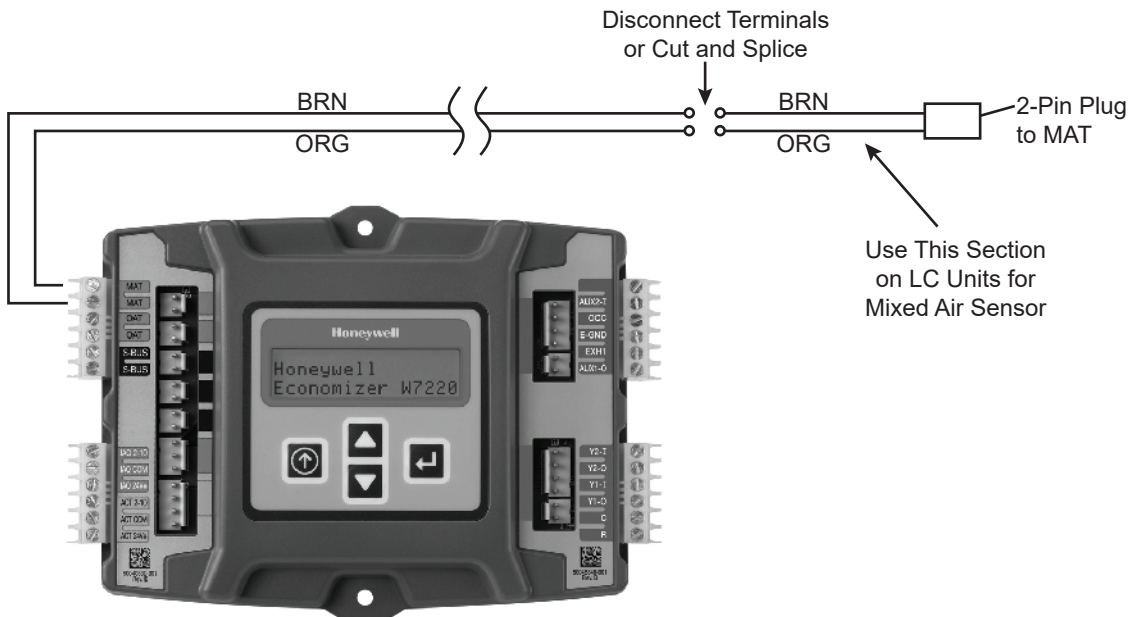
#### Some Economizer Models:

Locate brown and orange MAT wires on the 9962-0407-SAOEXT harness, see Figure 15. Cut the orange and brown leading to the 2-pin MAT plug. Splice these 2 wires to the brown and orange wires in the indoor blower section. Connect the 2-pin plug to the mixed air sensor, see Figures 27 and 28.

#### Other Economizer Models:

Locate the brown and orange wire on the original Jade harness, see Figure 27. Disconnect the terminals on the brown and orange MAT wires, see Figure 27. Connect these terminals to the brown and orange wires factory installed in the blower section. Connect the 2-pin plug to the mixed air sensor, see Figure 28.

**Step LC9.** Follow steps 21 through 25 earlier in instructions.



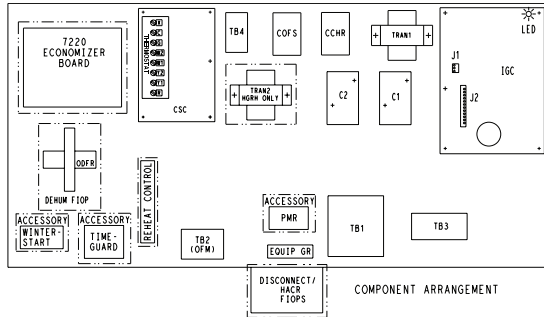
**Figure 27 - Use Part of 9962-0407-SAOEXT Harness for MAT Sensor on LC Units**



# MicroMetl

## Instructions for 48/50LC 07-12 Units Only

Important: This page is for economizer installation instructions on 48/50LC 07-12 units only.



NOTES:  
1. TERMINAL BOARD SCHEMATIC LAYOUT DOES NOT MATCH ACTUAL TERMINAL BOARD TO SIMPLIFY CIRCUIT TRACES.

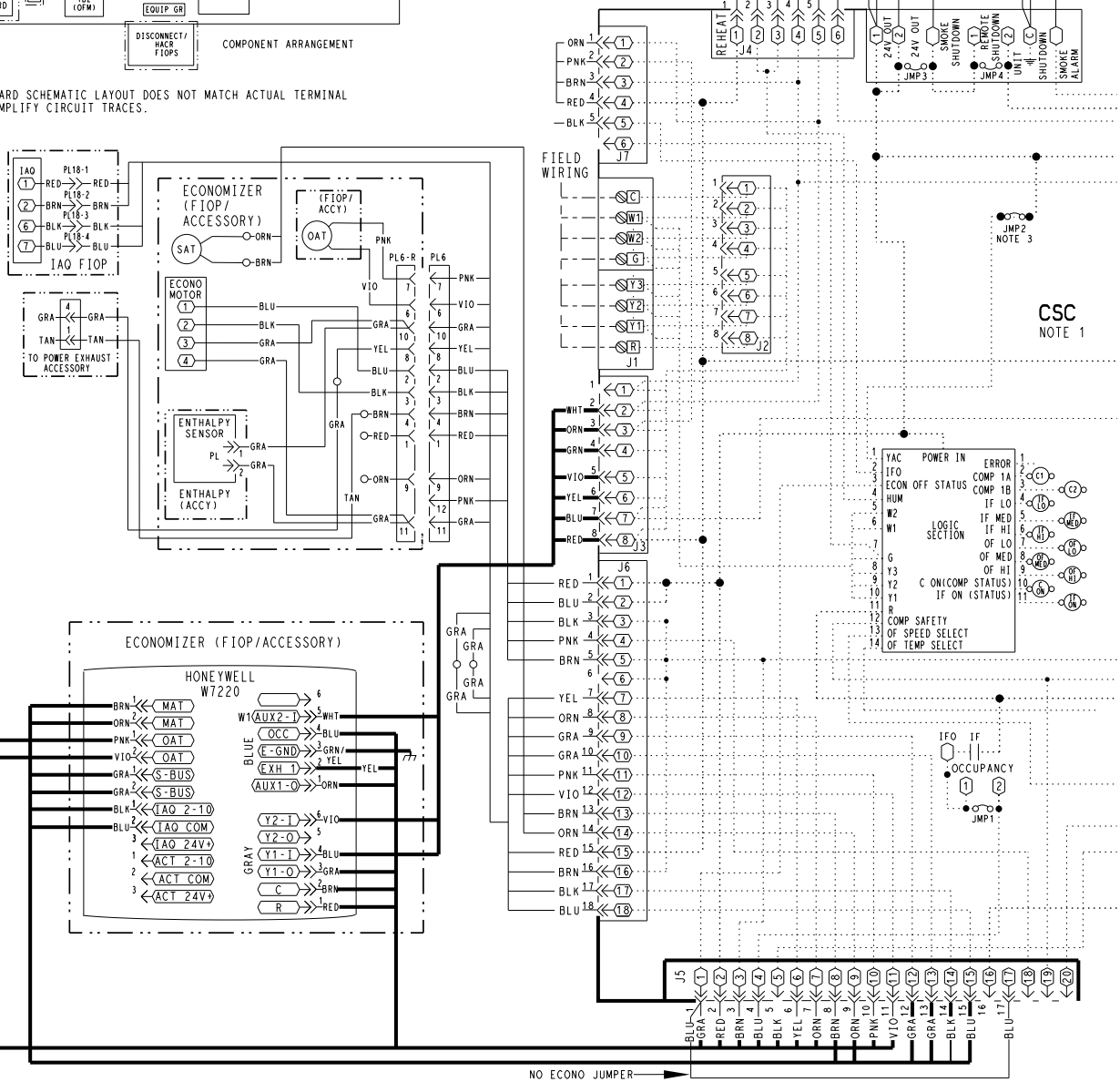


Figure 28 - Typical Wiring Diagram For 48/50LC 07-12 Units

**NOTES:**

1. Harness shown in bold is 48LCHSRADH--A00 harness, which is shipped in the control box of 48/50LC 07-12 units and must be field connected to the W7220 controller provided with the economizer.
2. Harness attached to the W7220 controller from the Carrier factory is removed and not used with 48/50LC 07-12 units



# MicroMetl

## 9901-2022 SINGLE OUTSIDE AIR ENTHALPY SENSOR

When using the 9901-2022 (Honeywell C7400S) enthalpy sensor (See Figure 30) for outside air changeover, the existing 9901-2021 (Honeywell C7250) dry bulb sensor must be removed if applicable. See Figure 1. When the enthalpy sensor's OA temperature, enthalpy and dew point are below the respective setpoints, the outside air can be used for free-cooling. When any of these is above the setpoint, free-cooling will not be available. Figure 29 shows the enthalpy boundaries in the W7220 Jade controller.

There are (5) enthalpy boundaries (setpoints ES1 thru ES5), which are defined by dry bulb temperature, enthalpy, and dew point. ES3 is the default setting. *Important: to use the 9901-2022 sensor for outside air sensor, the dipswitches on the sensor must be set to OFF-OFF-OFF. See Table 8.*

The (2) gray wires with a plug from the economizer harness in the return chamber plug directly into the 9901-2022 enthalpy sensor. See Figures 23 and 28 for wiring.

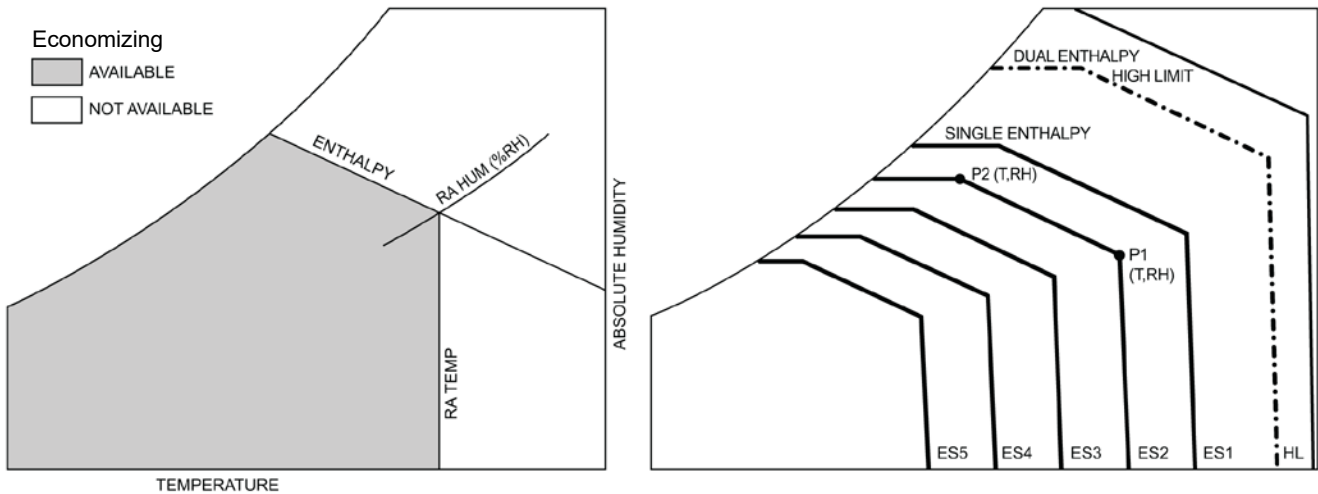


Figure 29 – Enthalpy Curve Boundaries

Table 7 – Single Enthalpy and Dual Enthalpy High Limit Curves

ENTHALPY CURVE	TEMP. DRY BULB (F)	TEMP. DEWPOINT (F)	ENTHALPY (btu/lb/da)	POINT P1		POINT P2	
				TEMP. (F)	HUMIDITY (%RH)	TEMP. (F)	HUMIDITY (%RH)
ES1	80	60	28.0	80	36.8	66.3	80.1
ES2	75	57	26.0	75	39.6	63.3	80.0
ES3	70	54	34.0	70	42.3	59.7	81.4
ES4	65	51	22.0	65	44.8	55.7	84.2
ES5	60	48	20.0	60	46.9	51.3	88.5
HL	86	66	32.4	86	38.9	72.4	80.3

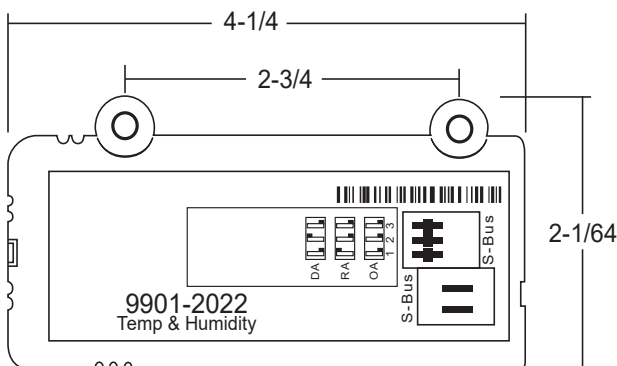


Figure 30 - 9901-2022 (C7400S) Dimensional, connection and switching information

Table 8 – 9901-2022 Sensor Dip Switch Settings

USE	DIP SWITCH POSITIONS FOR SWITCHES 1, 2, AND 3		
	1	2	3
DA	OFF	ON	OFF
RA	ON	OFF	OFF
OA	OFF	OFF	OFF

DA - Discharge Air (not used on economizer)

RA - Return Air

OA - Outside Air

Default Setting = OFF-OFF-OFF



# MicroMetl

## INSTALLING DIFFERENTIAL RETURN AIR SENSOR

The 9901-2022-DIFF JC2 differential return sensor kit must be field mounted in the system's return duct work. The kit includes a wiring harness, that connects the economizer harness in the return chamber of the unit, to the provided 9901-2022 sensor. Wire per Figure 31.

In addition to using the 9901-2022 (Honeywell C7400S) sensor (See Figure 30) for a single enthalpy sensor, it can also be used as a differential return enthalpy or dry bulb sensor. Figure 29 shows the dual enthalpy boundaries in the W7220 Jade controller. With dual enthalpy The HIGH LIMIT boundary is ES1 when there are no stages of mechanical cooling energized and HL (high limit) when a compressor stage is energized. Table 7 shows the High Limit Curves for each setting. *Important: to use the 9901-2022 sensor for differential return air, the dipswitches on the sensor must be set to ON-OFF-OFF. See Table 8.*

When using the 9901-2022-DIFF JC2 differential return enthalpy or dry bulb temperature option, see Table 9 for California Title 24 setting requirements by region.

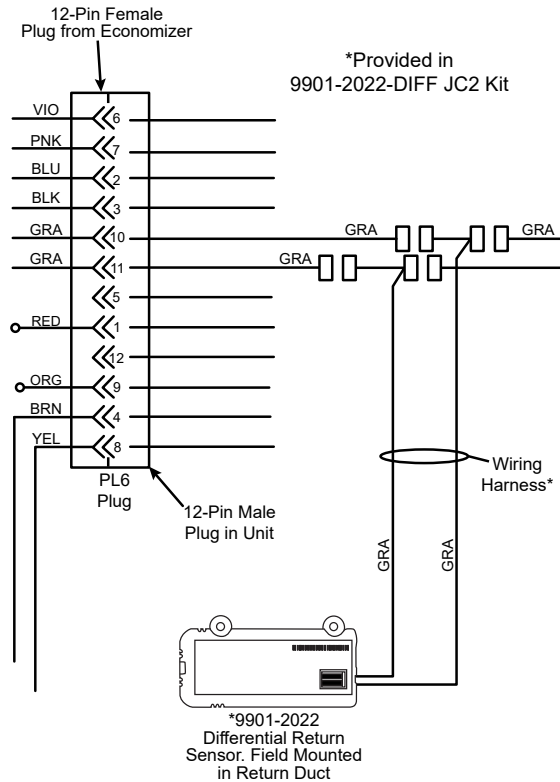


Figure 31 – Wiring Differential Return Air Sensor

## CALIFORNIA'S TITLE 24 HIGH TEMPERATURE LIMIT SETTINGS

California's Title 24 code requires a high temperature limit setting for all dry bulb outside air economizer change over. The temperatures vary by the region within California. See Table 9 for high limit settings.

Table 9 – California Title 24 Regional High Limit Dry Bulb Temperature Settings

DEVICE TYPE*	CLIMATE ZONES	REQUIRED HIGH LIMIT (ECONOMIZER OFF WHEN):
		DESCRIPTION
FIXED DRY BULB	1, 3, 5, 11-16	OAT exceeds 75°F
	2, 4, 10	OAT exceeds 73°F
	6, 8, 9	OAT exceeds 71°F
	7	OAT exceeds 69°F
DIFFERENTIAL DRY BULB	1, 3, 5, 11-16	OAT exceeds RA Temp.
	2, 4, 10	OAT exceeds -2°F
	6, 8, 9	OAT exceeds -4°F
7	OAT exceeds -4°F	
FIXED ENTHALPY† + FIXED DRY BULB	ALL	OAT exceeds 28 Btu/lb of dry air or OAT exceeds 75°F

\* Only the high limit control devices listed are allowed to be used and at the setpoints listed. Others such as Dew Point, Fixed Enthalpy, Electronic Enthalpy, and Differential Enthalpy Controls, may not be used in any climate zone for compliance with Section 140.4(e)1 unless approval for use is provided by the Energy Commission Executive Director.

† At altitudes substantially different than sea level, the Fixed Enthalpy limit value shall be set to the enthalpy value at 75°F and 50% relative humidity. As an example, at approximately 6,000 foot elevation, the fixed enthalpy limit is approximately 30.7 Btu/lb.

## DEMAND CONTROL VENTILATION

Refer to economizer wiring diagram Figures 23 and 28 and DCV instructions if demand control ventilation (CO2 sensor) is used. CO2 sensor will wire into the blue and black connections at the Jade controller as shown in Figures 23, 28 and 32. If a field installed CO2 sensor is connected to the economizer controller, a demand controlled ventilation strategy will operate automatically. As the CO2 level in the space increases above the setpoint (on the economizer controller), the minimum position of the dampers will be increased proportionally, until the Maximum Ventilation setting is reached. As the space CO2 level decreases because of the increase in fresh air, the outdoor damper will follow the higher demand condition from the DCV mode or from the free cooling mode.

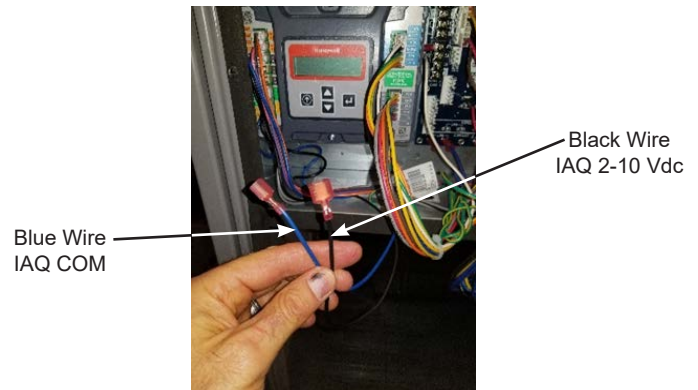


Figure 32 – CO2 wiring connections to Jade controller





# MicroMetl

## REMOTE (DOWNSTAIRS) MONITORING OF CONTROLLER'S FAULT DETECTION AND DIAGNOSTICS

Many codes including IECC, Title 24, and ASHRAE 90.1 require that the economizer's faults be accessible by operating or service personal, or annunciated locally on zone thermostat. To setup remote monitoring on the controller, under SYSTEM SETUP, AUX1-OUT must be set to SYS.

The latest versions of Honeywell's TH8321WF or TH8321R thermostats are options for meeting this requirement. Figure 33 shows an example of the thermostat wiring to the Jade controller.

Another option that is acceptable to some codes is an annunciator light visible by service personnel. See Figure 34 for typical wiring to the Jade controller. Refer to codes for proper labeling of light.

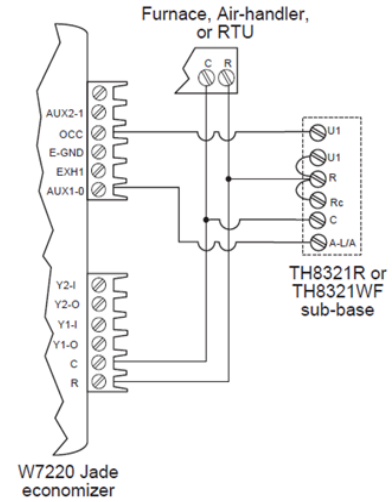
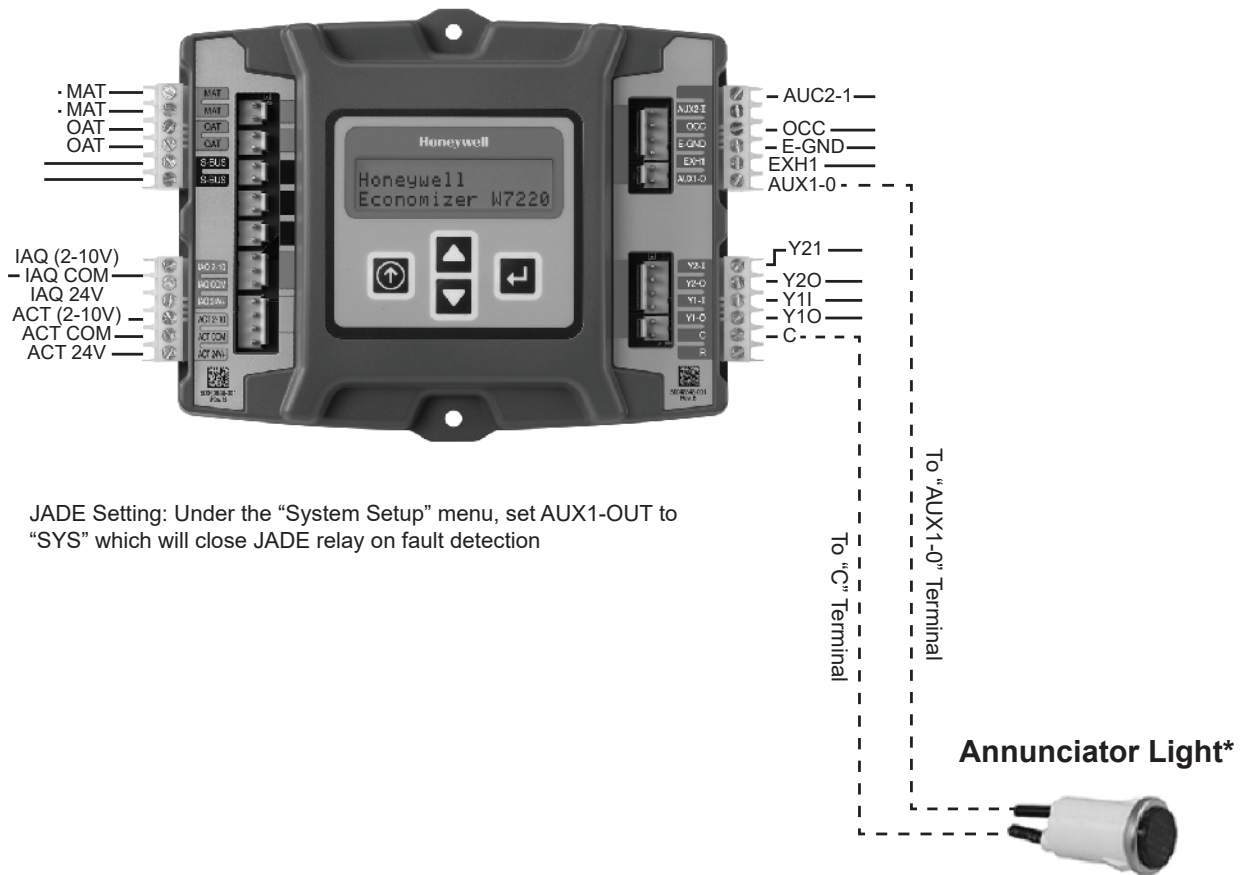


Figure 33 – Thermostat Wired For Remote FDD

### W7220 Economizer Controller Module



JADE Setting: Under the "System Setup" menu, set AUX1-OUT to "SYS" which will close JADE relay on fault detection

- Examples of annunciator lights would include these Grainger lights:
- Item #20C841
  - Item #20C846

Figure 34 – Annunciator Light Wired for Remote FDD



# MicroMetl

## General Jade W7220 Controller and Sensor Information

### W7220 ECONOMIZER

The economizer controller used on electro mechanical units is the Honeywell W7220 which is to be located in the RTU base unit's Control Box. See Fig 35 for button description of the W7220 controller. The W7220 controller provide the following:

- 2-line LCD interface screen for setup, configuration and troubleshooting.
- On-board fault detection and diagnostics
- Sensor failure loss of communications identification
- Automatic sensor detection
- Capabilities for use with multiple-speed indoor fan systems

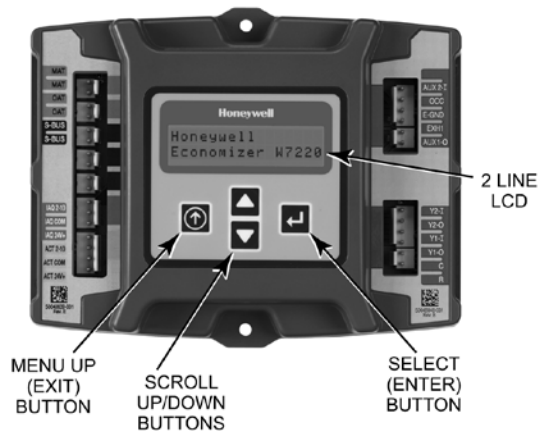


Fig. 35 - W7220 Controller

### User Interface

The user interface consists of a LCD display and a 4-button keypad on the front of the economizer controller.

### Keypad

The four navigation buttons (see Figure 35) are used to scroll through the menus and menu items, select menu items, and to change parameter and configuration settings.

### Using the Keypad with Menus

To use the keypad when working with menus:

- Press the ▲ (Up arrow) button to move to the previous menu.
- Press the ▼ (Down arrow) button to move to the next menu.
- Press the ↵ (Enter) button to display the first item in the currently displayed menu.
- Press the ⏪ (Menu Up/Exit) button to exit a menu's item and return to the list of menus.

### Using the Keypad with Settings and Parameters

To use the keypad when working with Setpoints, System Setup Advanced Settings, Checkout Tests and Alarms:

1. Navigate to the desired menu.
  2. Press the ↵ (Enter) button to display the first item in the currently displayed menu.
  3. Use the ▲ and ▼ buttons to scroll to the desired parameter.
  4. Press the ↵ (Enter) button to display the value of the currently displayed item.
  5. Press the ▲ button to increase (change) the displayed parameter value.
  6. Press the ▼ button to decrease (change) the displayed parameter value.
- NOTE:** When values are displayed, pressing and holding the ▲ or ▼ button causes the display to automatically increment.
7. Press the ↵ (Enter) button to accept the displayed value and store it in nonvolatile RAM.
  8. "CHANGE STORED" displays.
  9. Press the ↵ (Enter) button to return to the current menu parameter.
  10. Press the ⏪ (Menu Up/Exit) button to return to the previous menu.

### Menu Structure

Table 11 illustrates the complete hierarchy of menus and parameters for the economizer system.

The Menus in display order are:

- STATUS
- SETPOINTS
- SYSTEM SETUP
- ADVANCED SETUP
- CHECKOUT
- ALARMS

**IMPORTANT NOTE:** The default setting on the W7220 controller is for a "Fan Type" with 2 speed. If your unit is 1 speed, the setting under SYSTEM SETUP > FAN TYPE must be changed to 1 speed. *NOTE: Some models' default may vary.*



# MicroMetl

## PROGRAMMING THE JADE W7220 CONTROLLER

The next several pages detail the different status displays, setpoints, setup, and alarms available on the controller. This list below and Table 10 summarizes the inputs required for a standard application with a single outside air sensor. *NOTE: instead of setting the SETPOINTS you can use the defaults already set in the Jade controller – see default settings below.* See Table 10 for summarized standard settings or for more detail see Table 11 – Menu Structure.

### SETPOINTS

- MAT SET: this sets the mixed air temperature (MAT) setting. The controller has a default of 53 degrees, but the range is anywhere from 38 to 70 degrees F.
- LOW T LOCK: This setting locks out the compressor (or mechanical cooling) at a given temperature. The default is 32 degrees F, but the controller's range is from -45 to 80 degrees F.
- DRYBULB SET: if you have an economizer with a dry bulb outside air sensor you will see and set the DRYBULB SET. The default setting is 63 degrees F but the controller's range is 48 to 80 degrees F.
- ENTH CURVE: if you have a single enthalpy outside air sensor instead of a dry bulb, you will see and set the ENTH CURVE setting. There are 5 setting options: ES1 thru ES5. Check the economizer literature for the limits for each of these settings. ES3 is the default setting.

- MIN POS: The minimum position allows for ventilation even when not in the free-cooling mode. If you have a single speed unit there will be only one minimum position setting. The default is 2.8 volts, but the range is 2-10Vdc.
  - o MIN POS H and MIN POS L: If your unit is 2 speed, there will be 2 minimum position settings that show up on the menu. The first is MIN POS H (for high speed) which has a default of 2.8 volts. The second is MIN POS L (for low speed), which has a default of 3.2. *Note that MIN POS H and MIN POS L are only displayed if under SYSTEM SETUP: AUX2 IN is set to "W1", and FAN TYPE is set to 2 speed.*

### SYSTEM SETUP

- INSTALL: Allows you to set the current date. Use the keypad buttons to scroll to the correct date.
- EQUIPMENT: Always set to CONV even if the unit is a heat pump.
- AUX2 IN: Always set to W1.
- FAN TYPE: Set for either single or 2 speed. The default is 2 speed.
- AUX1 OUT: If remote Fault Detection and Diagnostic (FDD) monitoring is required select SYS.
- OCC: occupancy, always set to INPUT

**Table 10 - Standard Jade W7220 Controller Configuration**

		FOR SINGLE SPEED UNIT		FOR 2 SPEED UNITS		
Controller Menu Item		Default	Set To:	Default	Set To:	Note
SETPOINTS	MAT SET	53°F	38° to 70°F	53°F	38° to 70°F	
	LOW T LOCK	32°F	-45° to 80°F	32°F	-45° to 80°F	
	DRYBLB SET	63°F	48° to 80°F	63°F	48° to 80°F	Only displayed if using single DB OA sensor
	ENTH CURVE	ES3	ES1 to ES5	ES3	ES1 to ES5	Only displayed if using a single enthalpy OA sensor
	MIN POS	2.8 Vdc	2 to 10 Vdc	NA		Only displayed if set up for single speed unit
	MIN POS H	NA	NA	2.8 Vdc	2 to 10 Vdc	Only displayed if set up for 2 speed unit
	MIN POS L	NA	NA	3.2 Vdc	2 to 10 Vdc	Only displayed if set up for 2 speed unit
SYSTEM SETUP	INSTALL	1/1/2010	Current date	1/1/2010	Current date	
	EQUIPMENT	CONV	CONV	CONV	CONV	Always set to CONV, even on HP units
	AUX2 I	W1*	W1	W1*	W1	Always set to W1
	FAN TYPE	2 speed*	1 speed	2 speed*	2 speed	Default may vary on some models
	AUX1 OUT	NONE	SYS	NONE	SYS	Set to SYS for remote FDD monitoring
	OCC	INPUT	INPUT	INPUT	INPUT	Always set to INPUT

**Note 1:** For 2 speed unit, under SYSTEM SETUP: EQUIPMENT= CONV, AUX2 I = W1, and FAN TYPE = 2 SPEED

**Note 2:** More sophisticated controller setups, including for DCV or power exhaust, are available by referring to Table 11 options

NA = Not applicable

\*Available on Firmware 1.15 June 2018 and later



# MicroMetl

**Table 11 – Menu Structure\***

Menu	Parameter	Parameter Default Value	Parameter Range and Increment <sup>b</sup>	Notes
STATUS	ECON AVAIL	NO	YES/NO	ECONOMIZING AVAILABLE YES = economizing available; the system can use outside air for free cooling when required
	ECONOMIZING	NO	YES/NO	ECONOMIZING ACTIVE YES = Outside air being used for 1st stage cooling. NO = Economizing not active
	OCCUPIED	NO	YES/NO	OCCUPIED YES = OCC signal received from space thermostat or unitary controller. YES = 24 Vac on terminal OCC. NO = 0 Vac on terminal OCC
	HEAT PUMP	n/a <sup>c</sup>	COOL HEAT	HEAT PUMP MODE (Not available on 2-Speed configuration)
	COOL Y1-IN	OFF	ON/OFF	FIRST STAGE COOLING DEMAND (Y1---IN) Y1-I signal from space thermostat or unitary controller for Cooling Stage 1. ON = 24 Vac on terminal Y1-I OFF = 0 Vac on terminal Y1-I
	COOL Y1-OUT	OFF	ON/OFF	FIRST STAGE COOLING RELAY OUTPUT ON = 24 Vac on terminal Y1-O; Stage 1 mechanical cooling called on OFF = 0 Vac on terminal Y1-O; no mechanical cooling
	COOL Y2-IN	OFF	ON/OFF	SECOND STAGE COOLING DEMAND (Y2---IN) Y2-I signal from space thermostat or unitary controller for Cooling Stage 2. ON = 24 Vac on terminal Y2-I OFF = 0 Vac on terminal Y2-I
	COOL Y2-OUT	OFF	ON/OFF	SECOND STAGE COOLING RELAY OUTPUT ON = 24 Vac on terminal Y2-O; Stage 2 mechanical cooling called on OFF = 0 Vac on terminal Y2-O; no Stage 2 mechanical cooling
	MA TEMP	nn°F (or °C)	0 to 140°F ( -18 to 60°C)	MIXED AIR TEMPERATURE, Cooling Mode Displays value of measured mixed/cooled air from MAT sensor in fan section. Displays --- if not connected, short or out-of-range.
	DA TEMP	nn°F (or °C)	0 to 140°F ( -18 to 60°C)	DISCHARGE AIR TEMPERATURE, after Heating section (Accessory sensor required) Displays when Discharge Air sensor is connected and displays measured discharge temperature. Displays ----- if sensor sends invalid value, if not connected, short or out-of-range.
	OA TEMP	nn°F (or °C)	-40 to 140°F ( -40 to 60°C)	OUTSIDE AIR TEMPERATURE Displays measured value of outdoor air temperature. Displays ----- if sensor sends invalid value, if not connected, short or out-of-range.
	OA HUM	nn%	0 to 100%	OUTSIDE AIR RELATIVE HUMIDITY Displays measured value of outdoor humidity from accessory OA enthalpy sensor.
	RA TEMP	nn°F (or °C)	0 to 140°F ( -18 to 60°C)	RETURN AIR TEMPERATURE (Accessory sensor required) Displays measured value of return air temperature from return air sensor.
	RA HUM	nn%	0 to 100%	RETURN AIR RELATIVE HUMIDITY (Accessory enthalpy sensor required) Displays measured value of return air humidity from return air sensor.
	IN CO2	___ppm	0 to 2000 ppm	SPACE/RETURN AIR CO2 (CO2 sensor required, accessory or factory option) Displays value of measured CO2 from CO2 sensor. Invalid if not connected, short or out-of-range
	DCV STATUS	n/a	ON/OFF	DEMAND CONTROL VENTILATION STATUS (CO2 sensor required, accessory or factory option) Displays ON if IN CO2 value above setpoint DCV SET and OFF if below setpoint DCV SET.
	DAMPER OUT	2.0V	2.0 to 10.0V	Displays voltage output to the damper actuator. 0% = OA Damper fully closed 100% = OA Damper full open
	ACT POS	nn%	0 to 100%	Displays actual position of outdoor air damper actuator 2.0V = OA Damper fully-closed 10.0V = OA Damper full open
	ACT COUNT	n/a	1 to 65535	Displays number of times actuator has cycled. 1 Cycle equals accrued 180° of actuator movement in any direction
	ACTUATOR	n/a	OK/Alarm (on Alarm menu)	Displays Error if voltage or torque is below actuator range
EXH1 OUT	OFF	ON/OFF	EXHAUST STAGE 1 RELAY OUTPUT Output of EXH1 terminal: ON = relay closed OFF = relay open	

\* Table 11 illustrates the complete hierarchy. your menu parameters may be different depending on your configuration.



# MicroMetl

**Table 11 – Menu Structure (cont)\***

Menu	Parameter	Parameter Default Value	Parameter Range and Increment <sup>b</sup>	Notes
STATUS (cont)	EXH2 OUT	OFF	ON/OFF	EXHAUST STAGE 2 RELAY OUTPUT Output of AUX terminal; displays only if AUX = EXH2 ON = relay closed OFF = relay open
	ERV	OFF	ON/OFF	ENERGY RECOVERY UNIT RELAY OUTPUT Output of AUX terminal; displays only if AUX = ERV ON = relay closed OFF = relay open
	MECH COOL ON	0	0, 1, or 2	Displays stage of mechanical cooling that is active.
	FAN SPEED	n/a	LOW or HIGH	SUPPLY FAN SPEED Displays speed setting of fan on a 2-speed fan unit.
	W (HEAT ON)	n/a	ON/OFF	HEAT DEMAND STATUS Displays status of heat demand on a 2-speed fan unit.
SETPOINTS	MAT SET	53°F (12°C)	38° to 70°F; (3° to 18°C) increment by 1	MIXED AIR SETPOINT Setpoint determines where the economizer will modulate the OA damper to maintain the mixed air temperature.
	LOW T LOCK	32°F (0°C)	-45° to 80°F; (-43° to 27°C) increment by 1	COMPRESSOR LOW TEMPERATURE LOCKOUT Setpoint determines outdoor temperature when the mechanical cooling cannot be turned on.
	DRYBLB SET	63°F (17°C)	48° to 80°F (9° to 27°C) increment by 1	OA DRY BULB TEMPERATURE CHANGEOVER SETPOINT Setpoint determines where the economizer will assume outdoor air temperature is good for free cooling; e.g.: at 63°F (17°C), unit will economize at 62°F (16.7°C) and below and not economize at 64°F (17.8°C) and above. There is a 2°F (1.1°C) deadband. DRYBULB SET is only displayed if the economizer has a single dry bulb sensor
	DRYBLB DIF (Available firmware 1.15, June 2018 and later)	0°F	0 to 6°F Increment by 2	Drybulb Differential will only show if using dual drybulb, i.e., when an outdoor air temperature sensor C7250 is attached to OAT terminals, and a C7400S enthalpy sensor is wired to S-Bus and configured for RAT (return air). Free cooling will be assumed whenever OA temp is at or below RAT minus this drybulb differential setting.
	ENTH CURVE	ES3	ES1, ES2, ES3, ES4, or ES5	ENTHALPY CHANGEOVER CURVE (Requires enthalpy sensor option) Enthalpy boundary "curves" for economizing using single enthalpy.
	DCV SET	1100ppm	500 to 2000 ppm; increment by 100	DEMAND CONTROL VENTILATION SETPOINT Displays only if CO2 sensor is connected. Setpoint for Demand Control Ventilation of space. Above the setpoint, the OA dampers will modulate open to bring in additional OA to maintain a space ppm level below the setpoint.
	MIN POS	2.8 V	2 to 10 Vdc	VENTILATION MINIMUM POSITION. Only displayed if controller is set for single speed unit under FAN TYPE, and if DCV is NOT used.
	MIN POS L	3.2 V	2 to 10 Vdc	VENTILATION MINIMUM POSITION AT LOW SPEED Displays ONLY if used on 2 speed units and CO2 sensor is NOT used.
	MIN POS H	2.8 V	2 to 10 Vdc	VENTILATION MINIMUM POSITION AT HIGH SPEED Displays ONLY if used on 2 speed units and CO2 sensor is NOT used.
	VENTMAX L	2.8 V	2 to 10 Vdc	DCV MAXIMUM DAMPER POSITION AT LOW SPEED (Requires CO2 sensor connected)
	VENTMAX H	4.4 V	2 to 10 Vdc	DCV MAXIMUM DAMPER POSITION AT HIGH SPEED (Requires CO2 sensor connected)
	VENTMIN L	2.25 V	2 to 10 Vdc	DCV MINIMUM DAMPER POSITION AT LOW SPEED (Requires CO2 sensor connected)
	VENTMIN H	2.8 V	2 to 10 Vdc	DCV MINIMUM DAMPER POSITION AT HIGH SPEED (Requires CO2 sensor connected)
	ERV OAT SP	32°F (0°C)	0° to 50°F; (-18° to 10°C) increment by 1	ENERGY RECOVERY VENTILATION UNIT OUTDOOR AIR TEMPERATURE SETPOINT Only displayed when AUX1 O = ERV
	EXH1 SET	50%	0 to 100%	Exhaust fan set point for single speed units. Based on OA Damper position to activate power exhaust.
	EXH1 L SET	65%	0 to 100%; Increment by 1	EXHAUST FAN SETPOINT AT LOW SPEED (on 2 speed unit) Setpoint for OA damper position when exhaust fan is powered by the economizer
	EXH1 H SET	50%	0 to 100%; Increment by 1	EXHAUST FAN SETPOINT AT HIGH SPEED (on 2 speed unit) Setpoint for OA damper position when exhaust fan is powered by the economizer
	EXH2 L SET	80%	0 to 100%; Increment by 1	EXHAUST FAN STAGE 2 SETPOINT AT LOW SPEED Setpoint for OA damper position when exhaust fan 1 is powered by the economizer. Only used when AUX1-O is set to EHX2. Note: Standard power exhaust kits have only 1 speed, therefore EXH2 is not applicable
	EXH2 H SET	75%	0 to 100%; Increment by 1	EXHAUST FAN STAGE 2 SETPOINT AT HIGH SPEED Setpoint for OA damper position when exhaust fan 1 is powered by the economizer. Only used when AUX1-O is set to EHX2. Note: Standard power exhaust kits have only 1 speed, therefore EXH2 is not applicable

**Note:** MIN POS defaults may vary on some models.

\* Table 11 illustrates the complete hierarchy. your menu parameters may be different depending on your configuration.



# MicroMetl

**Table 11 – Menu Structure (cont)\***

Menu	Parameter	Parameter Default Value	Parameter Range and Increment <sup>b</sup>	Notes
<b>SYSTEM SETUP</b>	INSTALL	01/01/10		Display order = MM/DD/YY Setting order = DD, MM, then YY.
	UNITS DEG	°F	°F or °C	Sets economizer controller in degrees Fahrenheit or Celsius.
	EQUIPMENT	CONV	Conventional or HP	Always set to CONV even for heat pump
	AUX2 I	W1	Always set to W1	Always set to W1
	FAN TYPE	2 speed	1 speed / 2 speed	Sets the economizer controller for operation of 1 speed or 2 speed indoor fan system. Note: Default settings may vary.
	FAN CFM	5000cfm	100 to 15000 cfm; increment by 100	UNIT DESIGN AIRFLOW (CFM) Enter ONLY if using DCVCAL ENA = AUTO
	AUX1 OUT	NONE	NONE ERV EXH2 SYS	Select OUTPUT for AUX1 O relay NONE = not configured (output is not used) ERV = Energy Recovery Ventilator <sup>d</sup> EXH2 = second damper position relay closure for second exhaust fan SYS = use output as an FDD remote alarm signal
	OCC	INPUT	INPUT or ALWAYS	Always set to INPUT
	FACTORY DEFAULT	NO	NO or YES	Resets all set points to factory defaults when set to YES. LCD will briefly flash YES and change to NO but all parameters will change to factory default values.
<b>ADVANCED SETUP</b>	MA LO SET	45°F (7°C)	35° to 55°F; (2° to 12°C) Incremented by 1°	MIXED AIR TEMPERATURE LOW LIMIT Temperature to achieve Freeze Protection (close damper and alarm if temperature falls below setup value)
	FREEZE POS	CLO	CLO or MIN	FREEZE PROTECTION DAMPER POSITION Damper position when freeze protection is active CLO = closed MIN = MIN POS or VENTMIN
	CO2 ZERO	0ppm	0 to 500 ppm: Increment by 10	CO2 ppm level to match CO2 sensor start level.
	CO2 SPAN	2000ppm	1000 to 3000 ppm; Increment by 50	CO2 ppm span to match CO2 sensor.
	STG3 DLY	2.0h	0 min, 5 min, 15 min, then 15 min intervals. Up to 4 h or OFF	COOLING STAGE 3 DELAY Delay after stage 2 for cool has been active. Turns on 2nd stage of cooling when economizer is 1st stage and mechanical cooling is 2nd
	SD DMPR POS	CLO	CLO or OPEN	Function NOT AVAILABLE with 2-speed mode
	DCVCAL ENA	MAN	manual or auto	Turns on the DCV automatic control of the dampers. Resets ventilation. For single speed units only.
	MATTCAL	0.0°F (or C)	+/- ---2.5°F (+/- ---1.4°C)	MIXED AIR TEMPERATURE CALIBRATION Allows for the operator to adjust for an out of calibration mixed air temperature (MAT) sensor
	OAT CAL	0.0°F (or C)	+/- ---2.5°F (+/- ---1.4°C)	OUTSIDE AIR TEMPERATURE CALIBRATION Allows for the operator to adjust for an out of calibration outside air temperature (OAT) sensor
	OAH CAL	0% RH	+/- ---10% RH	OUTSIDE AIR HUMIDITY CALIBRATION Allows for the operator to adjust for an out of calibration outside air enthalpy sensor
	RAT CAL	0.0°F (or C)	+/- ---2.5°F (+/- ---1.4°C)	RETURN AIR TEMPERATURE CALIBRATION Allows for the operator to adjust for an out of calibration return air temperature (RA) sensor
	RAH CAL	0% RH	+/- ---10% RH	RETURN AIR HUMIDITY CALIBRATION Allows for the operator to adjust for an out of calibration return air enthalpy sensor
	DAT CAL	0.0°F (or C)	+/- ---2.5°F (+/- ---1.4°C)	DISCHARGE AIR TEMPERATURE CALIBRATION Allows for the operator to adjust for an out of calibration discharge air temperature (DAT) sensor
2SP FAN DELAY	5 Minutes	0 to 20 minutes in 1 minute increments	TIME DELAY ON 2nd STAGE ECONOMIZING While in the Economizing mode, this is the delay between thermostat Y2 call and Y1---O output to mechanical cooling stage, to allow high speed fan operation to attempt to cool space first.	

\* Table 11 illustrates the complete hierarchy. your menu parameters may be different depending on your configuration.



# MicroMetl

Table 11 – Menu Structure (cont)\*

Menu	Parameter	Parameter Default Value	Parameter Range and Increment	Notes
CHECKOUT	DAMPER VMIN .HS	n/a	n/a	Positions OA damper to VMIN High Speed position
	DAMPER VMAX .HS	n/a	n/a	Positions OA damper to VMAX High Speed position
	DAMPER OPEN	n/a	n/a	Positions OA damper to the full open position.
	DAMPER CLOSE	n/a	n/a	Positions damper to the fully closed position
	CONNECT Y1---O	n/a	n/a	Closes the Y1---O relay (Y1---O)
	CONNECT Y2---O	n/a	n/a	Closes the Y2---O relay (Y2---O)
	CONNECT AUX1O	n/a	n/a	Energizes the AUX1O output. If Aux setting is: <ul style="list-style-type: none"> <li>NONE --- not action taken</li> <li>ERV --- 24 Vac out. Turns on or signals an ERV that the conditions are not good for economizing but are good for ERV operation.<sup>d</sup></li> <li>SYS – 24 Vac out. Issues a system alarm</li> </ul>
ALARMS(_)				Alarms display only when they are active. The menu title "ALARMS(_)" includes the number of active alarms in parenthesis ( ).
	MA T SENS ERR	n/a	n/a	MIXED AIR TEMPERATURE SENSOR ERROR
	CO2 SENS ERR	n/a	n/a	CO2 SENSOR ERROR
	OA T SENS ERR	n/a	n/a	OUTSIDE AIR TEMPERATURE SENSOR ERROR OAT sensor connected at input terminals OAT
	OA SYLK SENS ERR	n/a	n/a	OUTSIDE AIR ENTHALPY SENSOR ERROR OAT sensor connected on S- bus
	DA T SENS ERR	n/a	n/a	DISCHARGE AIR TEMPERATURE SENSOR ERROR
	SYS ALARM	n/a	n/a	When AUX1-0 is set to SYS and there is any alarm (e.g., failed sensors, etc.), the AUX1-0 terminal provides 24 Vac out.
	ACT UNDER V	n/a	n/a	ACTUATOR VOLTAGE LOW Voltage received at actuator is below expected range
	ACT OVER V	n/a	n/a	ACTUATOR VOLTAGE HIGH Voltage received at actuator is above expected range
	ACT STALLED	n/a	n/a	ACTUATOR STALLED Actuator stopped before reaching commanded position

\*Table 11 illustrates the complete hierarchy. your menu parameters may be different depending on your configuration.

## CHECKOUT TESTS

Use the Checkout menu (see Table 11) to test the damper operation and any configured outputs. Only items that are configured are shown in the Checkout menu.

**NOTE:** See User Interface for information about menu navigation and use of the keypad.

To perform a Checkout test:

1. Scroll to the desired test in the Checkout menu using the ▲ and ▼ buttons.
2. Press the ↵ button to select the item.
3. RUN? appears.
4. Press the ↵ button to start the test.
5. The unit pauses and then displays IN PROGRESS.
6. When the test is complete, DONE appears.
7. When all desired parameters have been tested, press the ⬆ (Menu up) button to end the test.

Checkout test can be performed at any time during the operation of the system as a test that the system is operable.

## LEGEND

- LCD – Liquid Crystal Display
- MAT – Mixed Air Temperature
- OAT – Outdoor Air Temperature
- OCC – Occupied
- RAT – Return Air Temperature
- RTU – Rooftop Unit



## CAUTION

### EQUIPMENT DAMAGE HAZARD

Failure to follow this caution may result in damage to equipment. Be sure to allow enough time for compressor startup and shutdown between checkout tests so that you do not short-cycle the compressors.



# MicroMetl

## W7220 ECONOMIZER MODULE WIRING

Use tables 12 and 13 to locate the wiring terminals for the economizer module.

**Table 12 - Economizer Module - Left Hand Terminal Blocks**

Label	Type	Description
<b>Top Left Terminal Block</b>		
<b>MAT</b>	20k NTC and COM	Mixed Air Temperature Sensor (Polarity insensitive connections)
<b>OAT</b>	20k NTC and COM	Outdoor Air Temperature Sensor (Polarity insensitive connection)
<b>S-BUS</b>	S-BUS (Sylk Bus)	Enthalpy Control Sensor (Polarity insensitive connection)
<b>Bottom Left Terminal Block</b>		
<b>IAQ 2-10</b>	2-10 Vdc	Air Quality Sensor Input (e.g. CO <sub>2</sub> sensor)
<b>IAQ COM</b>	COM	Air Quality Sensor Common
<b>IAQ 24V</b>	24 Vac	Air Quality Sensor 24 Vac Source
<b>ACT 2-10</b>	2-10 Vdc	Damper Actuator Output (2-10 Vdc)
<b>ACT COM</b>	COM	Damper Actuator Output Common
<b>ACT 24V</b>	24 Vac	Damper Actuator 24 Vac Source

**Table 13 - Economizer Module - Right Hand Terminal Blocks**

Label	Type	Description
<b>Top Right Terminal Block</b>		
	n/a	The first terminal is not used
<b>AUX2 I</b>	24 Vac IN	Shut Down (SD) or Heat (W) Conventional only and Heat Pump Changeover (O/B) in Heat Pump mode.
<b>OCC</b>	24 Vac IN	Occupied / Unoccupied Input
<b>E - GND</b>	E-GND	Earth Ground - System Required
<b>EXH1</b>	24 Vac OUT	Exhaust Fan 1 Output
<b>AUX1 O</b>	24 Vac OUT	Programmable: Exhaust fan 2 output or ERV or System alarm output
<b>Bottom Right Terminal Block</b>		
<b>Y2-1</b>	24 Vac IN	Y2 in - Cooling Stage 2 Input from space thermostat
<b>Y2-O</b>	24 Vac OUT	Y2 out - Cooling Stage 2 Output to stage 2 mechanical cooling
<b>Y1-I</b>	24 Vac IN	Y1 in - Cooling Stage 2 Input from space thermostat
<b>Y1-O</b>	24 Vac OUT	Y1 out - Cooling Stage 2 Output to stage 2 mechanical cooling
<b>C</b>	COM	24 Vac Common
<b>R</b>	24 Vac	24 Vac Power (Hot)

### Time-out and Screen Saver

When no buttons have been pressed for 10 minutes, the LCD displays a screen saver, which cycles through the Status items. Each Status item displays in turn and cycles to the next item after 5 seconds.





# MicroMetl

## START-UP AND OPERATION

**Cooling with Economizer** — For Occupied mode operation of economizer, there must be a 24-v signal at terminals R and OCC (provided through PL6-3 from the unit's IFC coil). Removing the signal at OCC places the economizer control in Unoccupied mode. See Table 14 for Damper Position Control.

During Occupied mode operation, indoor fan operation will be accompanied by economizer dampers moving to Minimum Position setpoint for ventilation. If indoor fan is off, dampers will close. During Unoccupied mode operation, dampers will remain closed unless a Cooling (by free cooling) or DCV demand is received.

When free cooling using outside air is not available, the unit cooling sequence will be controlled directly by the space thermostat. Outside air damper position will be closed or Minimum Position as determined by Occupancy mode and fan signal.

When free cooling is available as determined by the appropriate changeover command (dry bulb, outdoor enthalpy, differential dry bulb or differential enthalpy), a call for cooling (Y1 closes at the thermostat) will cause the economizer control to modulate the dampers open and closed to maintain the unit mixed air temperature. Default mixed air temperature is 53°F, with a range of 38°F to 70°F. Compressor will not run.

Should 100% outside air not be capable of satisfying the space temperature, space temperature will rise until Y2 is called for. The economizer control will call for compressor operation. Dampers will modulate to maintain MAT at set point concurrent with Compressor 1 operation. The "Low T Lock" setting (default 32°F) will lock out compressor operation when outside air temperature is below setpoint.

When space temperature demand is satisfied (thermostat Y1 opens), the dampers will return to Minimum Damper position if indoor fan is running or fully closed if fan is off.

If accessory power exhaust is installed, the power exhaust fan motors will be energized by the economizer control as the dampers open above the EXH1 SET setpoint and will be de-energized as the dampers close below the EXH1 SET setpoint. (For single speed unit.)

Damper movement from full closed to full open (or vice versa) will take between 1 1/2 and 2 1/2 minutes.

**Heating with Economizer** — During Occupied mode operation, indoor fan operation will be accompanied by economizer dampers moving to Minimum Position setpoint for ventilation. If indoor fan is off, dampers will close. During Unoccupied mode operation, dampers will remain closed unless a DCV demand is received.

When the room temperature calls for heat (W1 closes), the heating controls are energized.

**Table 14 - Damper Position Control, 2-Speed Fan Motor, Economizer Cooling Not Available**

INPUT		VOLTAGE			
OCC	0 - V	24 - V	24 - V	24 - V	24 - V
Y1	0 - V	0 - V	24 - V	24 - V	0 - V
Y2	0 - V	0 - V	0 - V	24 - V	0 - V
W1	0 - V	0 - V	0 - V	0 - V	24 - V
SUPPLY FAN MOTOR SPEED					
SUPPLY FAN MOTOR SPEED	OFF	LOW	LOW	HIGH	HIGH
DAMPER POSITION		DAMPER POSITION			
NO CO2 SENSOR	CLOSED	MIN POS-L	MIN POS-L	MIN POS-H	MIN POS-H
W/ CO2 SENSOR	CLOSED	FROM VENTMIN L TO VENTMAX L	FROM VENTMIN L TO VENTMAX L	FROM VENTMIN H TO VENTMAX H	FROM VENTMIN H TO VENTMAX H



# MicroMetl

## TROUBLESHOOTING

For a list of common operating issues and concerns see Table 15.

**Power Loss (Outage or Brownout)** — All setpoints and advanced settings are restored after any power loss or interruption, as all settings are stored in the economizer controller's non-volatile flash memory.

**NOTE:** If power goes below 18 Vac, the W7220 module assumes a power loss and the 5-minute power up delay will become functional when power returns above 18 vac.

**Alarms** — The economizer module provides alarm messages that display on the 2-line LCD.


**NOTE:** Upon power up, the module waits several seconds before checking for alarms. This allows time for all the configured devices (e.g. sensors, actuator) to become operational.

If one or more alarms are present and there has been no keypad activity for at least 5 minutes, the Alarms menu displays and cycles through the active alarms.

The Alarms menus can be navigated at any time. See Table 11 for the Alarms menu.

**Clearing Alarms** — Once the alarm has been identified and the cause has been removed (e.g. replaced faulty sensor). They can be cleared from the display.

To clear an alarm, perform the following:

1. Navigate to the desired alarm.
2. Press the button.
3. ERASE? displays.
4. Press the button.
5. ALARM ERASED displays.
6. Press the  (Menu Up/Exit) button to complete the action and return to the previous menu.

**NOTE:** If the alarm still exists after you clear it, it is redisplayed within 5 seconds.

**Table 15 - Operating Issues and Concerns**

Issue or Concern	Possible Cause and Remedy
My outdoor temperature reading on the STATUS menu is not accurate	Check the sensor wiring: <ul style="list-style-type: none"> <li>• Enthalpy sensors are to be wired to the S-Bus terminals.</li> <li>• Temperature sensors are to be wired to the OAT and MAT terminals.</li> </ul>
If my enthalpy sensor drifts in accuracy over time, can I re-calibrate it?	The sensor is not able to be re-calibrated in the field. However there is a menu item under the ADVANCED menu where you are able to input a limited off set in temperature and humidity for each sensor you have connected to the economizer.
Can I go back to factory defaults and start over?	Under the SYSTEM SETUP menu you can change the setpoints to the factory defaults.
Will I be able to see the LCD screen when it is in the unit?	The LCD screen has a backlight that is always illuminated.
What is a good setpoint for the Mixed Air Temperature (MAT)?	The mixed air temperature is the temperature of air that you want to supply to the space. In a commercial building, this is between 50 to 55°F (10 to 13°C). The mixed air is the mixing of the return air and the outdoor air.
I am using enthalpy sensors. Why did the control ask me to input a dry bulb changeover temperature?	In the event the humidity sensor in the enthalpy sensors fails, the backup algorithm in the control is to default to the temperature sensor in the enthalpy sensor.
In checkout, the outdoor damper closes when I command it to open.	Check the actuator linkage or rotation. In the CHECKOUT mode, the outdoor damper should drive open or closed with the return air damper having the opposite effect.
How do I set my minimum position when using a CO2 sensor?	The minimum position is set using the VENTMIN and VENTMAX setup in the SETPOINTS menu. VENTMIN is the minimum ventilation required when using an occupancy sensor and VENTMAX is the minimum ventilation when not using an occupancy sensor for Demand Control Ventilation. The VENTMAX position is set the same as with the potentiometer on the analog economizers and is the output voltage to the damper actuator. The range is 2 Vdc closed OA damper and 10 Vdc open OA damper.
What if my damper does not go completely closed in the checkout operation?	Check the damper linkage or hub to make sure the damper is able to close completely.
Does the economizer save my program values if the unit loses power?	Yes, once the changes are stored in the controller they will be stored until they are changed by the operator.
If the unit is left in checkout, how long will the unit stay in checkout mode without input?	The unit will remain in checkout for 10 minutes, then return to normal operation.

MicroMetl Indianapolis  
3035 N. Shadeland Ave.,  
Suite 300 Indianapolis, IN 46226

MicroMetl Longview  
201 Kodak Blvd.  
Longview, Texas 75602

MicroMetl West  
905 Southern Way  
Sparks, Nevada 89431

Manufacturer reserves the right to discontinue, or change at any time, specifications, designs and prices without notice and without incurring obligations.

Copyright MicroMetl Corporation 2018 All rights reserved.