



## Features & Options

- Patented BAPI Enclosure Styles
- Humidity Only or Temp./Humidity Combo
- 2% RH Accuracy
- Optional Display, Temperature Setpoint, Override and Comm. Jack
- Full-range Temperature Compensation of RH Signal
- Five Year Warranty

The BAPI-Stat 4 Style room units are available as humidity only sensors or as combination temperature and humidity sensor.

They are available with optional display, temperature setpoint adjustment, occupant override and three styles of communications jack.



**BAPI-Stat 4  
Units with  
optional  
Setpoint and  
Override**

## Specifications

### Power:

10 to 35 VDC for 4 to 20 mA or 0 to 5 VDC Output  
15 to 35 VDC for 0 to 10 VDC Output  
12 to 24 VAC for 0 to 5 VDC Output  
15 to 28 VAC for 0 to 10 VDC Output  
(AC power requires a separate pair of shielded wires.)

### Power Consumption:

20 mA max. for 4 to 20 mA Output  
4 mA max. for 0 to 5 VDC and 0 to 10 VDC Output  
0.1 VA max. for 0 to 5 VDC and 0 to 10 VDC Output

### RH/Temp Sensor Construction:

Communicating Integrated Circuit

Humidity: Capacitive Polymer,  
±2%RH @ 25°C (77°F), 20 to 80%RH

Temp: Semi-conductor Band Gap,  
±0.3°C (±0.54°F) @ 20 to 40°C (68 to 104°F)

### Field Calibration Adjustment:

±5% in 0.1% increments (Factory Calibrated)

### Optional Passive Temperature Sensor Accuracy:

±0.36°F Thermistor, ±0.5°F RTD  
(Higher accuracy available)

**Wiring:** 2 to 6 pair of 16 to 22 AWG\*

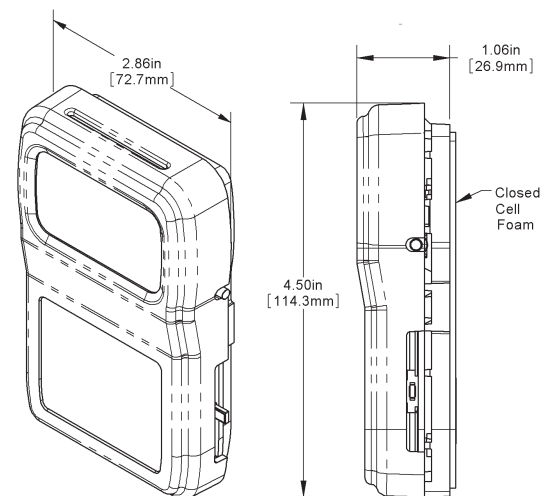
**Mounting:** Standard 2"x4" J-box or drywall mount  
- screws provided

### Environmental Operation Range:

Temperature: 32 to 122 °F (0 to 50 °C)  
Humidity: 0 to 95%, non-condensing

**Material & Rating:** ABS Plastic, UL 94, V-0

**Agency:** RoHS and CE



\*BAPI recommends that you do not run wiring for the room units in the same conduit as line voltage wiring or with wiring used to supply highly inductive loads such as motors, generators and coils.



# BAPI-Stat 4™ Style Humidity Sensor

## Humidity or Combination Temp/Humidity Sensors

C5

Submittal sheets without List Prices are available on our website at [www.bapihvac.com](http://www.bapihvac.com)

Use the Option Selection Guide below to create your custom part number. Replace the number and parenthesis with the designator for each selection. Skip the designator and dashes for optional selections that are not required in your configuration.

### BAPI-Stat 4 Humidity Sensor Option Selection Guide:

BA/ ( #1 ) - ( #2 ) - ( #3 ) - ( #4 ) ( #5 ) - ( #6 ) - ( #7 ) - ( #8 ) - ( #9 )

#### #1: Temperature Sensor (Optional)

1K[375] .....	1K Platinum RTD (375 curve) .....	\$25
1K .....	1K Platinum RTD (385 curve) .....	\$25
1.8K .....	1.8K Thermistor .....	\$18
3K .....	3K Thermistor .....	\$18
10K-2 .....	10K-2 Thermistor .....	\$18
10K-3 .....	10K-3 Thermistor .....	\$18
10K-3[11K].	10K-3[11K] Thermistor .....	\$18
20K .....	20K Thermistor .....	\$18

#### #2: Humidity Output (required)

H220 .....	4 to 20mA Output .....	\$260
H205 .....	0 to 5V Output .....	\$260
H210 .....	0 to 10V Output .....	\$260
H212 .....	2 to 10V Output .....	\$260

#### #3: Display and Indication (required)

B4DF .....	Temperature Displayed in °F .....	\$35
B4DC .....	Temperature Displayed in °C .....	\$35
B4X .....	No Display	

#### #4: Setpoint Display Range (optional)

A .....	-3 to +3
B .....	-5 to +5
C .....	50 to 90°F or 10 to 32°C
D .....	55 to 85°F or 13 to 30°C
E .....	60 to 80°F or 15 to 27°C
F .....	65 to 80°F or 18 to 27°C

#### #5: Setpoint Output Range (optional)

60 .....	0 to 10 KΩ .....	\$6
80 .....	0 to 20 KΩ .....	\$6
81 .....	4.75 K to 24.75 KΩ .....	\$6
82 .....	6.19 K to 26.19 KΩ .....	\$6
84 .....	10 K to 30 KΩ .....	\$6

#### #6: Setpoint Legend (required)

L6 .....	Cool/Warm
L0 .....	No Legend

#### #7: Occupant Override (required)

J .....	Override as a Separate Output .....	\$5
N .....	Override in Parallel with Sensor .....	\$5
P .....	Override in Parallel with Setpoint .....	\$5
Z .....	No Override	

#### #8: Communication Jack (optional)

C35L .....	3.5 mm Phono Style Jack .....	\$10
------------	-------------------------------	------

#### #9: Common Ground (required)

CG .....	Common Ground
----------	---------------

*Additional options are available for these units but not shown in this Selection Guide. Contact your BAPI representative for the complete list of options. Submittal sheets without List Prices can be downloaded from our website at [www.bapihvac.com](http://www.bapihvac.com)*

**Example Number:** BA/ (10K-2) - (H205) - (B4DF) - (E)(80) - (L6) - (N) - ( ) - (CG)

**Actual Number (with parenthesis removed):** BA/10K-2-H205-B4DF-E80-L6-N-CG

**Description:** 10K-2 Thermistor Temperature Sensor, 0 to 5V Humidity Output, BAPI-Stat 4 with °F Display, 60 to 80°F Setpoint Display Range, 0 to 20KΩ Setpoint Output Range, Cool/Warm Setpoint Legend, Override in Parallel with the Sensor, No Comm. Jack, Common Ground Configuration

**List Price:**

\$18 (Thermistor) + \$260 (Humidity) + \$35 (Display) + \$6 (Setpoint) + \$5 (Override) = \$324 List Price

**Your Number:** BA/

