

WALL MOUNT

for iPad 10.2-inch 7th Generation



Secure Wall Enclosure & Display iPad 10.2-inch

Securely mount an iPad 10.2-inch on any wall – with style. Heckler AV Wall Mount offers architectural-grade aesthetics, commercial-grade construction, and hidden assembly screws. Heckler AV Wall Mount is perfect for home automation, security camera monitoring, and music control. Pair with a PoE Splitter (sold separately) to keep your iPad powered throughout the day.

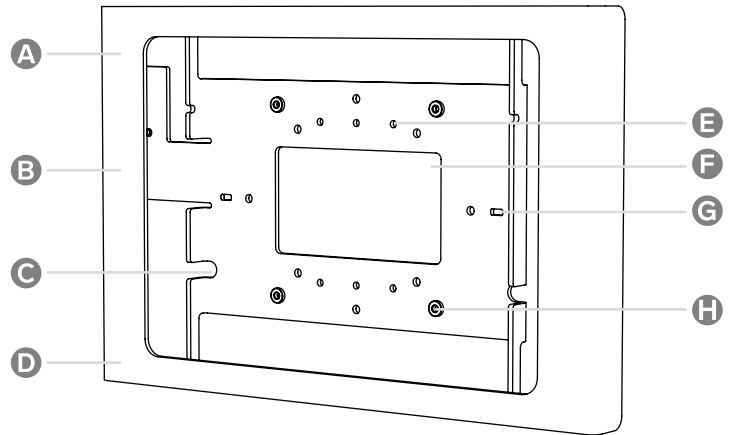
WALL MOUNT

H610

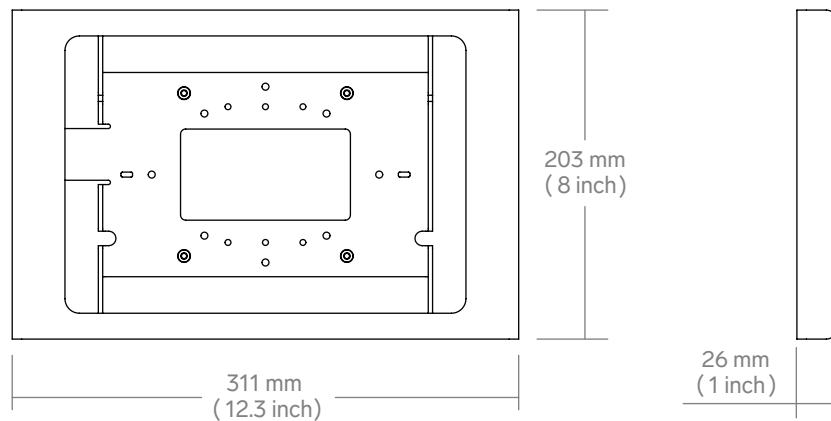
for iPad 10.2-inch 7th Generation

Features

- A Hidden assembly screws
- B Scratch & fingerprint-resistant powdercoat finish
- C Integrated cable management
- D Heavy steel construction
- E Gangbox compatible mounting
- F Open air back from natural cooling
- G Kensington security slots
- H VESA 75 & VESA 100 compatible mounting



Dimensions



WALL MOUNT

H610

for iPad 10.2-inch 7th Generation

Specifications

SKU	H610
Height	8 inches
Width	12.3 inches
Depth	1 inches
Weight	1.5 lbs
Warranty	2 years

Colors

Name	SKU
Black Grey	H610-BG
Grey White	H610-GW

Compatible Devices

iPad 10.2-inch 7th Generation

In the Box

Heckler AV Wall Mount
Drywall mounting hardware
Assembly tool

Accessories

T267 - Redpark Gigabit + PoE Adapter for iPad
T241 - PoE Splitter with Lightning Cable (Direct Install, Power)
T283 - PoE Splitter with Lightning Cable