

INTERNATIONAL CATALYTIC MUFFLERS

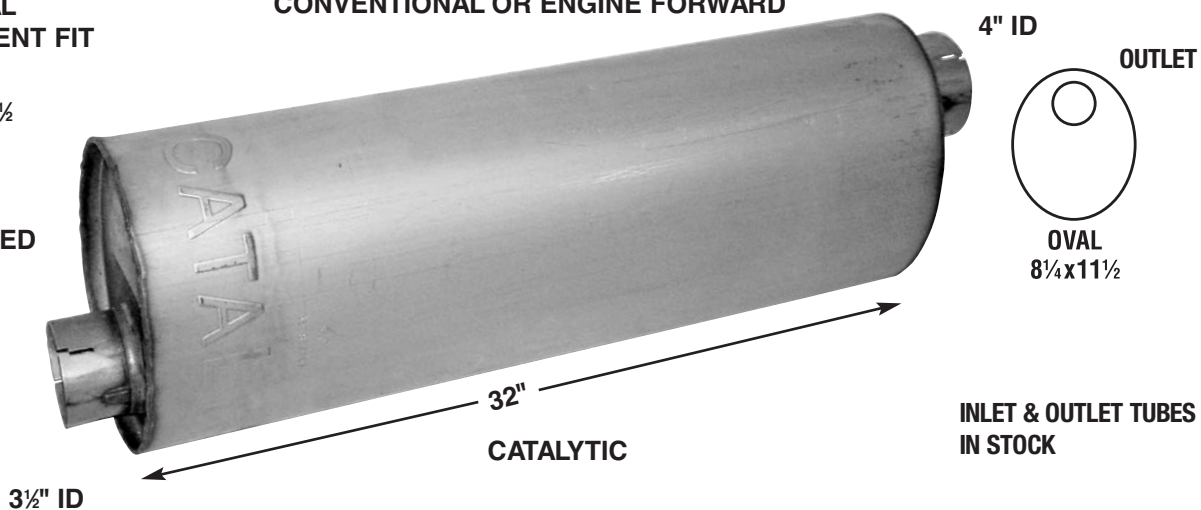
2005 & UP CE

ORIGINAL
EQUIPMENT FIT

CONVENTIONAL OR ENGINE FORWARD

8¼x11½
Oval

E.P.A.
APPROVED



AUTO-JET PART # 350400CAT

INTERNATIONAL CATALYTIC CONVERTERS



AUTO-JET PART # NAV714
O.E. # 2595714C91



AUTO-JET PART # NAV981R
O.E. # 2593981R91

NOTE: DUE TO LIMITED SUPPLY OF CATALYSTS, CATALYTIC MUFFLERS MAY BE SUBJECT TO LEAD TIME.

MATERIAL 409 STAINLESS STEEL

NOTE: CATALYTIC MUFFLERS ARE APPROVED FOR ENGINES = TO OR < 250 H.P.

AUTO-JET MUFFLER CORP. • UNITED MUFFLER CORP.

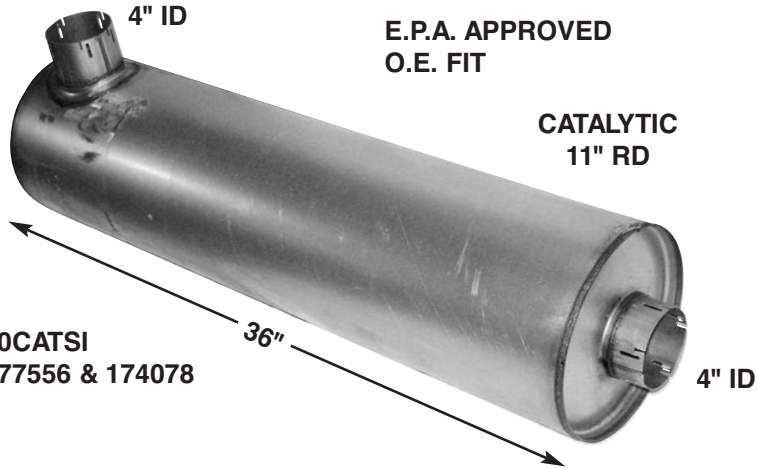
U.S. toll free 1-800-247-5391 • Fax 515-224-0727 • website: www.auto-jet.com
Canada toll free 1-866-229-3402 • Fax 519-455-1103 • website: www.unitedmuffler.com

CAT/MUF 1

BLUEBIRD EXHAUST SYSTEMS CATALYTIC MUFFLERS

ENGINE: CATERPILLAR

MODELS:
REAR ENGINE TC 2000 &
ALL AMERICAN WITH
SIDE INLET MUFFLER



E.P.A. APPROVED
O.E. FIT

CATALYTIC
11" RD

REQUIRES
400 EXT.
8" LONG

AUTO-JET PART # 400CATSI
OE# 1777556 & 174078

OE PART #'S ARE FOR CROSS REFERENCE PURPOSES ONLY

MATERIAL 409 STAINLESS STEEL

NOTE: CATALYTIC MUFFLERS ARE APPROVED FOR ENGINES = TO OR < 250 H.P.

HEAVIER DUTY HANGERS ARE IN STOCK!

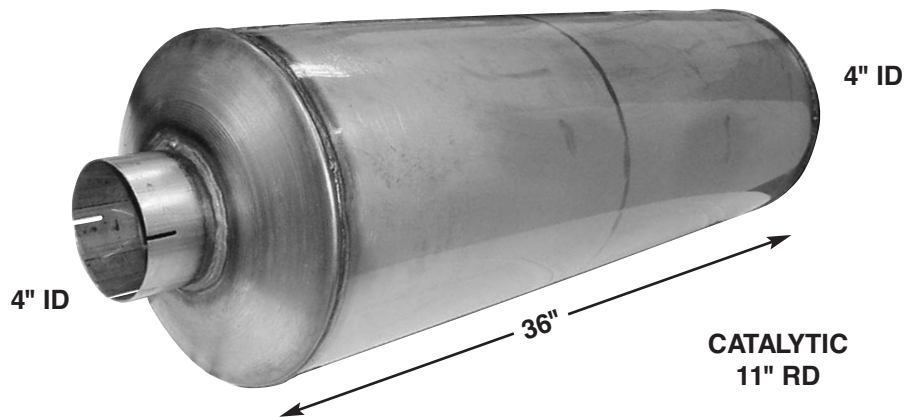
FORD CATALYTIC MUFFLERS

1996 & UP FORD

ENGINES:
B-SERIES CUMMINS

O.E. FIT
E.P.A. APPROVED

MUFFLER HANGER



AUTO-JET PART# 400CATCTR
OE# E7HZ5F25OYA

FORDCATMH
OE# E7HZ5A215B

OE #'S ARE FOR CROSS REFERENCE ONLY

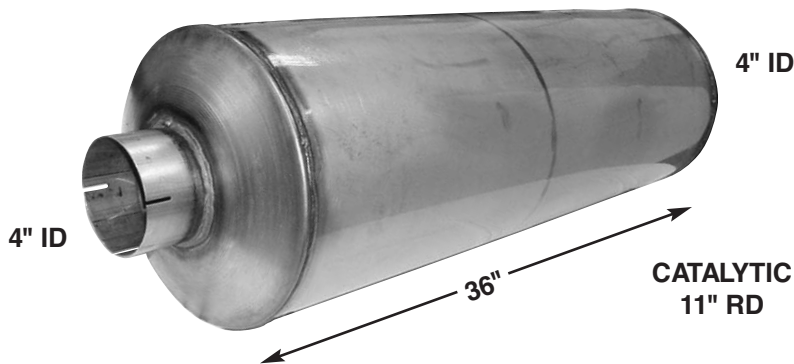
AUTO-JET MUFFLER CORP. • UNITED MUFFLER CORP.

U.S. toll free 1-800-247-5391 • Fax 515-224-0727 • website: www.auto-jet.com
Canada toll free 1-866-229-3402 • Fax 519-455-1103 • website: www.unitedmuffler.com

CAT/MUF 2

FREIGHTLINER CATALYTIC MUFFLERS

E.P.A. APPROVED
ORIGINAL EQUIPMENT FIT



AUTO-JET # FRLMH919
OE # A04-20919-000
OE PART #'S ARE FOR CROSS REF-
ERENCE PURPOSES ONLY

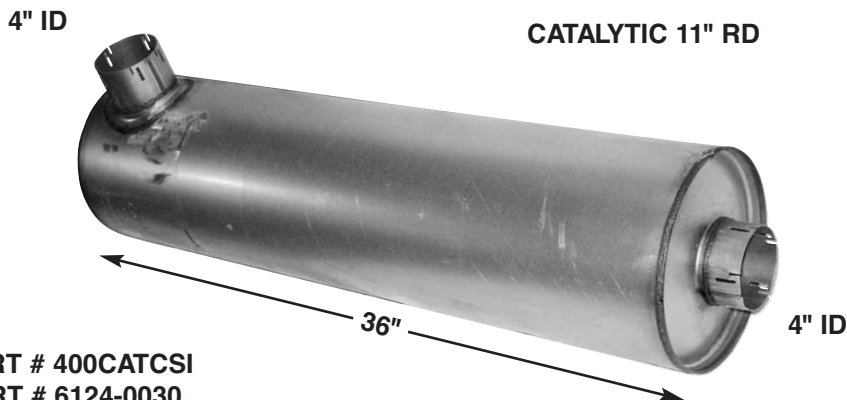
ENGINE APPLICATION: 3126 CAT. - MERCEDES
AUTO-JET PART # 400CATCTR

MATERIAL 409 STAINLESS STEEL

NOTE: CATALYTIC MUFFLERS ARE APPROVED FOR ENGINES = TO OR < 250 H.P.

THOMAS CATALYTIC MUFFLERS

ENGINE: CATERPILLAR



E.P.A. APPROVED

REQUIRES
400 EXT
8" LONG

MATERIAL
409 STAINLESS
STEEL

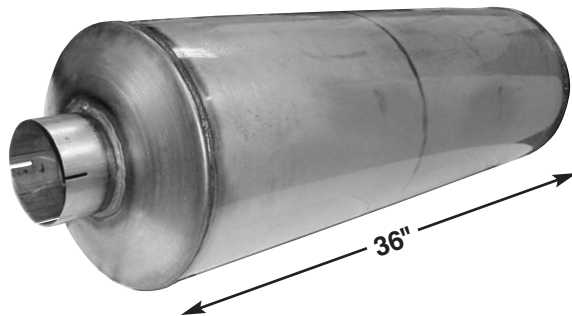
AUTO-JET PART # 400CATCSI
OE PART # 6124-0030

AUTO-JET MUFFLER CORP. • UNITED MUFFLER CORP.

U.S. toll free 1-800-247-5391 • Fax 515-224-0727 • website: www.auto-jet.com
Canada toll free 1-866-229-3402 • Fax 519-455-1103 • website: www.unitedmuffler.com

CAT/MUF 3

THOMAS CATALYTIC MUFFLERS



E.P.A. APPROVED

MUFFLER IS
6" LONGER
THAN OE

MATERIAL
409 STAINLESS
STEEL

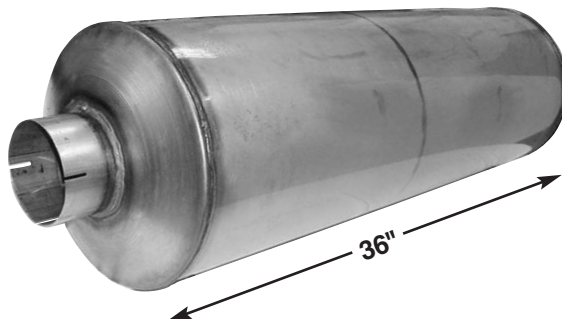
AUTO-JET PART # 400CATCTR
OE PART # 6124-0026

OE PART #'S ARE FOR CROSS REFERENCE PURPOSES ONLY

NOTE: CATALYTIC MUFFLERS ARE APPROVED FOR
ENGINES = TO OR < 250 H.P.

GMC - BLUE BIRD CATALYTIC MUFFLER

ENGINE 3126 CATERPILLAR



REQUIRES
(2) 11MH TORCA
MUFFLER HANGERS

E.P.A. APPROVED

MATERIAL
409 STAINLESS STEEL

AUTO-JET PART # 400CATCTR
OE PART # 15982889

OE PART #'S ARE FOR CROSS REFERENCE ONLY

NOTE: CATALYTIC MUFFLERS ARE APPROVED FOR
ENGINES = TO OR < 250 H.P.

AUTO-JET MUFFLER CORP. • UNITED MUFFLER CORP.

U.S. toll free 1-800-247-5391 • Fax 515-224-0727 • website: www.auto-jet.com
Canada toll free 1-866-229-3402 • Fax 519-455-1103 • website: www.unitedmuffler.com

CAT/MUF 4

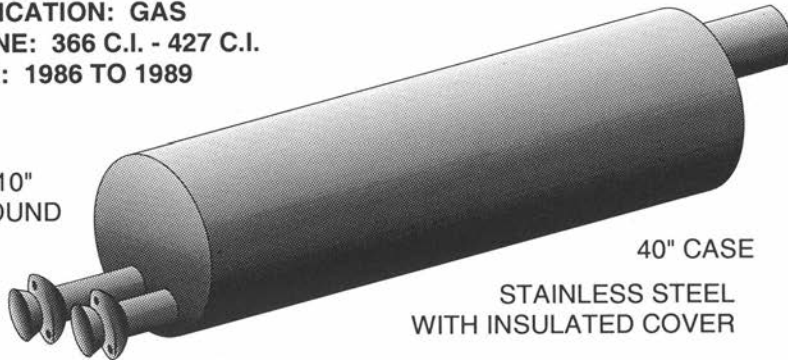
MUFFLERS

1986-89 CHEVROLET - GMC BUS MUFFLERS

AUTO-JET PART NO.: 2250400BS
 APPLICATION: GAS
 ENGINE: 366 C.I. - 427 C.I.
 YEAR: 1986 TO 1989

4" OFFSET OUTLET

10"
 ROUND



40" CASE

STAINLESS STEEL
 WITH INSULATED COVER

DUAL INLETS - 2-1/2" SOCKET CONNECTION

SHIELD
 HANGER



#GM10HS

MUFFLER
 HANGER

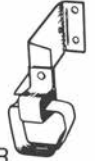


#GM10MH

FRAME BRACKETS



FRONT
 #GM10BRFT



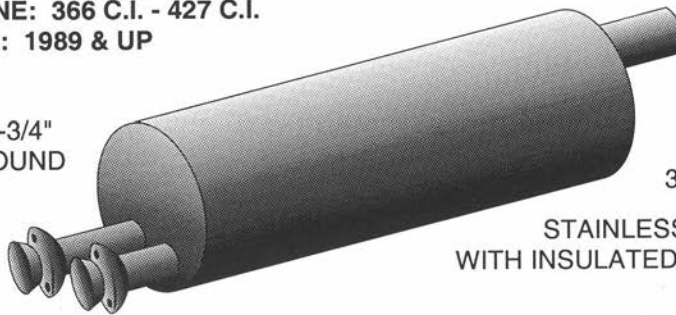
REAR
 #GM10BRRE

1989-UP CHEVROLET - GMC BUS MUFFLERS

AUTO-JET PART NO.: 2250300BS
 APPLICATION: GAS
 ENGINE: 366 C.I. - 427 C.I.
 YEAR: 1989 & UP

3" OUT TO CONVERTER

8-3/4"
 ROUND



30" CASE

STAINLESS STEEL
 WITH INSULATED COVER

DUAL INLETS - 2-1/2" SOCKET CONNECTION

MUFFLER HANGER

#GM875MH



BRACKETS



MUFFLER
 #GM875BR

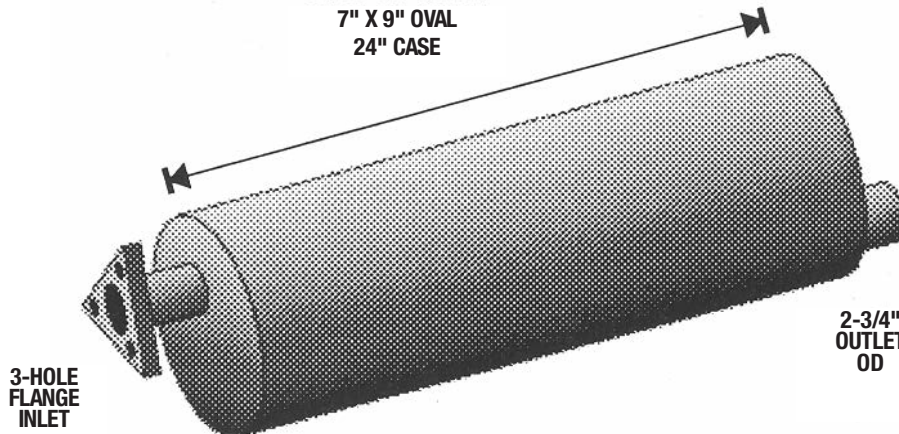


FRAME
 #GM875FRBR

CHEVROLET - GMC G-30 VAN

APPLICATION:
 G-30 VAN
 ENGINE:
 6.5 LITRE DIESEL
 YEAR:
 1998-UP
 PART NO.:
 65G600FL

7" X 9" OVAL
 24" CASE



3-HOLE
 FLANGE
 INLET

2-3/4"
 OUTLET
 OD

GM# 15739326

AUTO-JET MUFFLER CORP. • UNITED MUFFLER CORP.

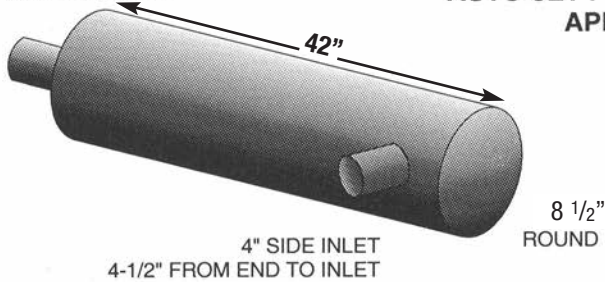
U.S. toll free 1-800-247-5391 • Fax 515-224-0727 • website: www.auto-jet.com
 Canada toll free 1-866-229-3402 • Fax 519-455-1103 • website: www.unitedmuffler.com

CAT/MUF 5

MUFFLERS

1992-UP CHEVROLET - GMC BUS MUFFLERS

4" CENTERED OUTLET



AUTO-JET PART NO.: CV400400
APPLICATION: DIESEL
ENGINE: 3116 CAT.
YEAR: 1992 & UP

MUFFLER HANGER

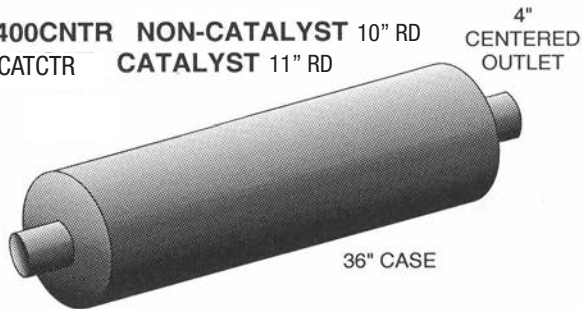


GM875MH

1992-UP CHEVROLET - GMC BUS MUFFLERS

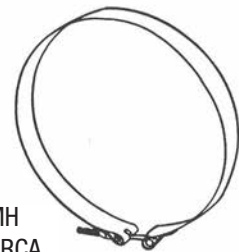
AUTO-JET PART NO.: CV400CNTR NON-CATALYST 10" RD
AUTO-JET PART NO.: 400CATCTR CATALYST 11" RD
APPLICATION: DIESEL
ENGINE: 3116 CAT.
YEAR: 1992-UP

4" CENTERED INLET



36" CASE

MUFFLER HANGER

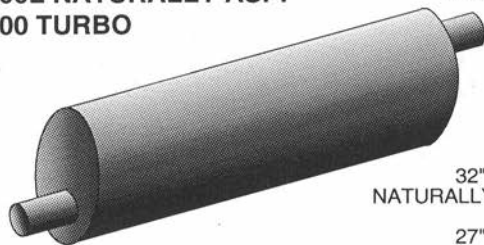


#GM10MH
11MHTORCA

1980-90 CHEVROLET - GMC BUS MUFFLERS

AUTO-JET PART NO.: 400400L NATURALLY ASP.
AUTO-JET PART NO.: 400400 TURBO
APPLICATION: DIESEL
ENGINE: 8.2 LITRE
YEAR: 1980 TO 1990

8-1/4 x 11-1/2"
OVAL



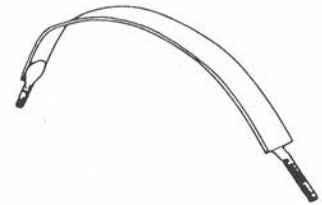
4" INLET

32" CASE
NATURALLY ASP.

27" CASE
TURBO

4" OUTLET

MUFFLER STRAP
DIESEL



#GMOVSTRAP

AUTO-JET MUFFLER CORP. • UNITED MUFFLER CORP.

U.S. toll free 1-800-247-5391 • Fax 515-224-0727 • website: www.auto-jet.com
Canada toll free 1-866-229-3402 • Fax 519-455-1103 • website: www.unitedmuffler.com

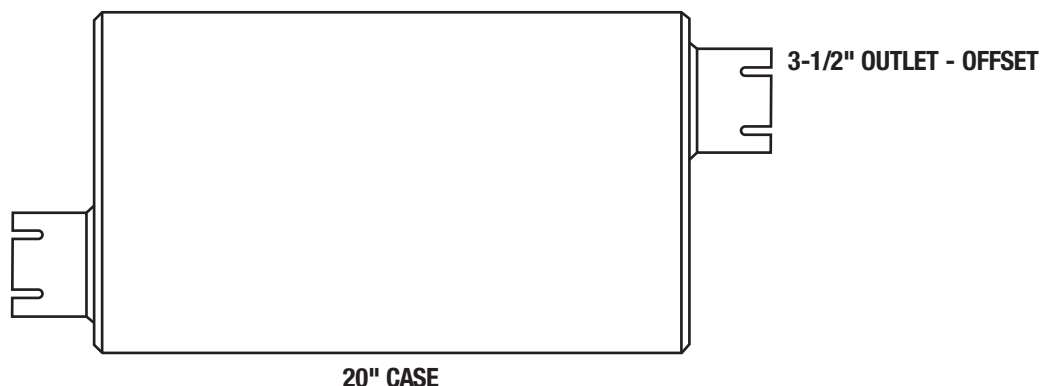
CAT/MUF 6

MUFFLERS

1999-UP FORD VAN MUFFLERS

AUTO-JET PART NO.: C-0045
APPLICATION: DIESEL
ENGINE: 7.3 LITRES
YEARS: 1999 & UP

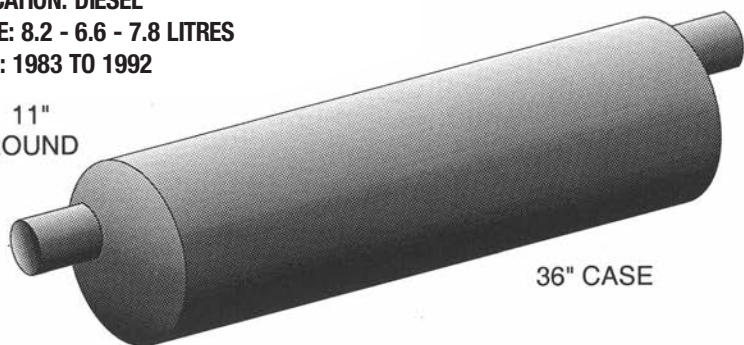
3-1/2" INLET - OFFSET



1983-92 FORD BUS MUFFLERS

AUTO-JET PART NO.: 11-0005 ALSO 40082FHDA
APPLICATION: DIESEL
ENGINE: 8.2 - 6.6 - 7.8 LITRES
YEARS: 1983 TO 1992

11"
ROUND



MUFFLER HANGER
11" ROUND

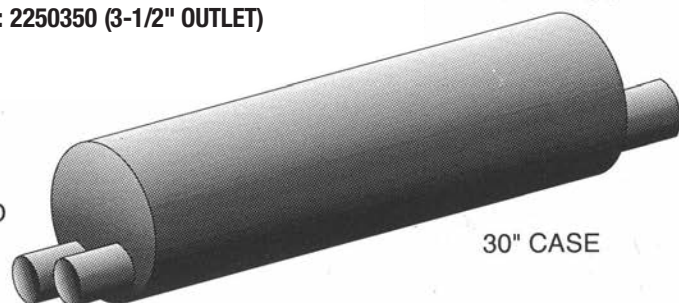


#FORD11MH

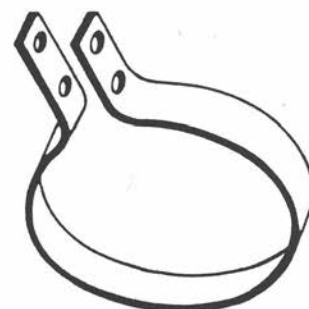
1992-UP FORD BUS MUFFLERS

AUTO-JET PART NO.: 2250275 (2-3/4" OUTLET)
APPLICATION: GAS 370 C.I. & 429 C.I.
YEARS: 1979 TO 1991
AUTO-JET PART NO.: 2250350 (3-1/2" OUTLET)
APPLICATION: SAME
YEARS: 1992 & UP

8-1/2"
ROUND



MUFFLER HANGER



#850MH

AUTO-JET MUFFLER CORP. • UNITED MUFFLER CORP.

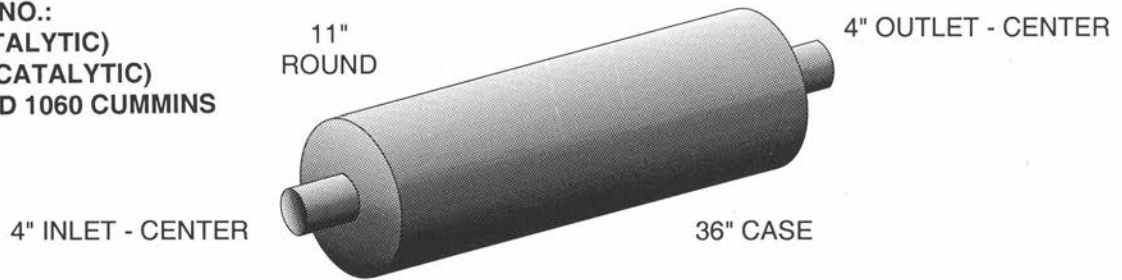
U.S. toll free 1-800-247-5391 • Fax 515-224-0727 • website: www.auto-jet.com
Canada toll free 1-866-229-3402 • Fax 519-455-1103 • website: www.unitedmuffler.com

CAT/MUF 7

MUFFLERS

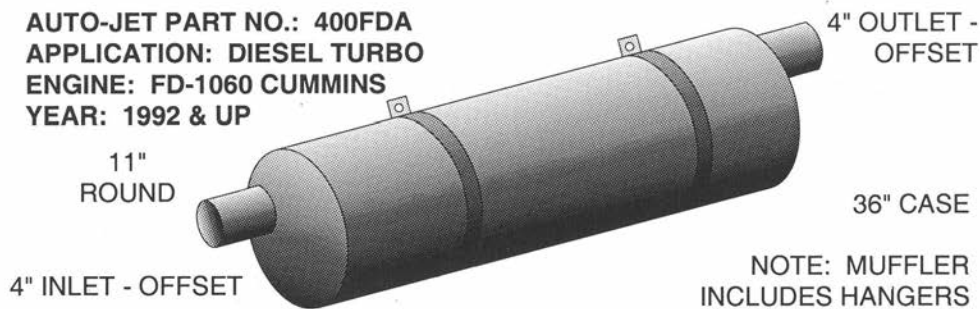
1996-UP FORD BUS MUFFLERS

AUTO-JET PART NO.:
400FDCAT (CATALYTIC)
S-106-97 (NON-CATALYTIC)
APPLICATION: FD 1060 CUMMINS
YEAR: 1996-UP



1992-UP FORD BUS MUFFLERS

AUTO-JET PART NO.: 400FDA
APPLICATION: DIESEL TURBO
ENGINE: FD-1060 CUMMINS
YEAR: 1992 & UP



MUFFLER HANGER

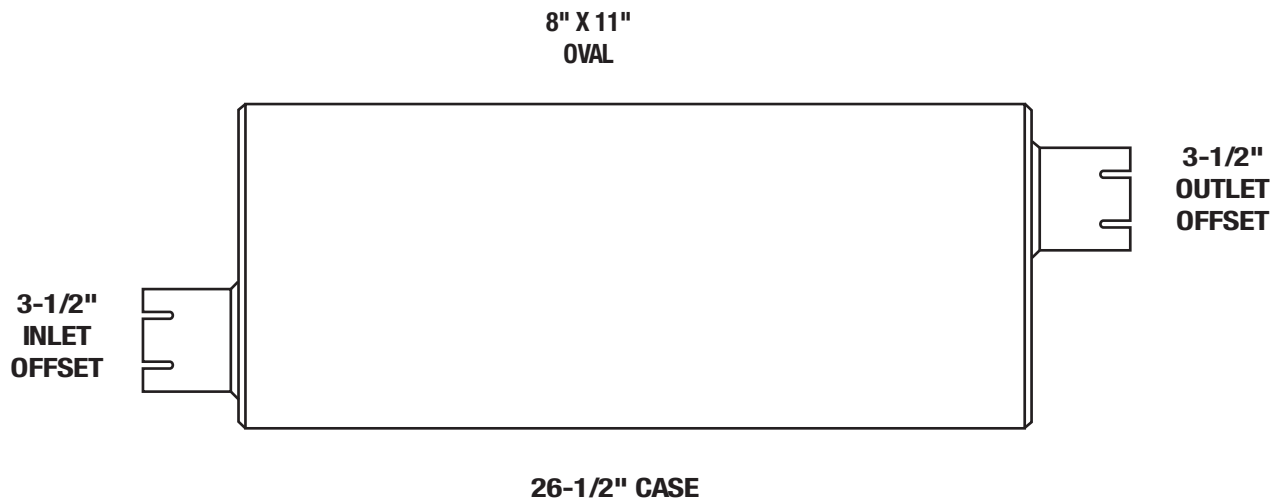


FOR HANGERS ONLY,
ORDER #400FDAMH

NOTE: MUFFLER
INCLUDES HANGERS

FORD VAN MUFFLERS

AUTO-JET PART NO.: C-0085
APPLICATION: DIESEL TURBO
ENGINE: 6.0 LITRE



AUTO-JET MUFFLER CORP. • UNITED MUFFLER CORP.

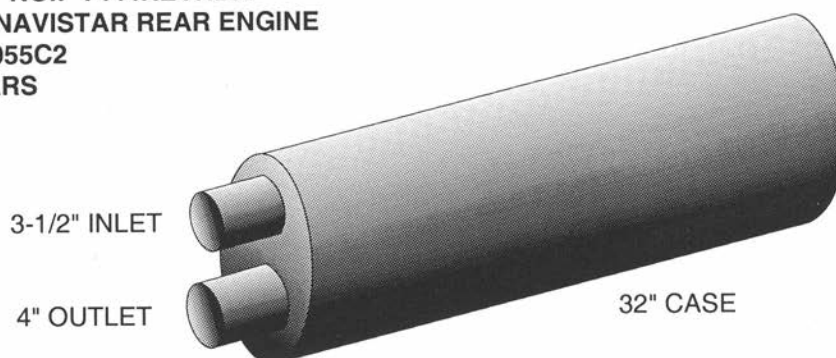
U.S. toll free 1-800-247-5391 • Fax 515-224-0727 • website: www.auto-jet.com
Canada toll free 1-866-229-3402 • Fax 519-455-1103 • website: www.unitedmuffler.com

CAT/MUF 8

MUFFLERS

NAVISTAR REAR ENGINE

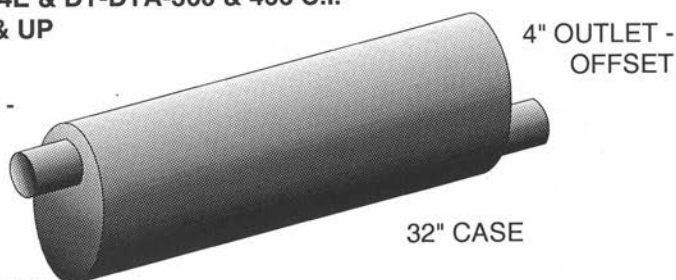
AUTO-JET PART NO.: T444REVDHA
APPLICATION: NAVISTAR REAR ENGINE
NAV OE#: 2008955C2
YEAR: ALL YEARS



1988-UP NAVISTAR MUFFLERS - CONVENTIONAL & GENESIS CHASSIS

AUTO-JET PART NO.: 350400L
APPLICATION: DIESEL
ENGINE: T444E & DT-DTA-360 & 466 C.I.
YEAR: 1988 & UP

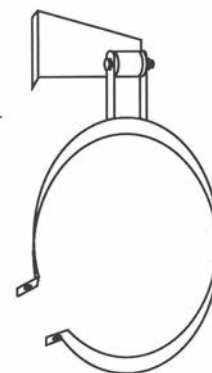
3-1/2" INLET -
OFFSET



8-1/4 X 11-1/2"
OVAL

MUFFLER HANGER

HUNG ON
STEEL AND
MOUNTED IN
RUBBER - WILL
NOT TEAR.

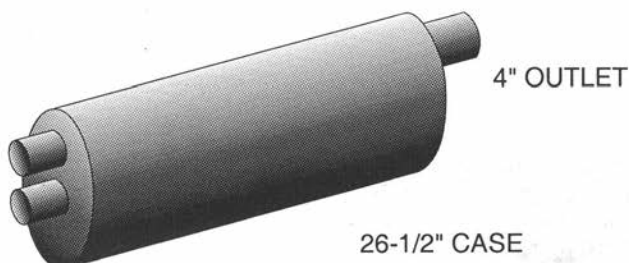


#OVMHIHDT

1980-UP NAVISTAR SCHOOL BUS MUFFLERS

AUTO-JET PART NO.: 2275400HDA
APPLICATION: DIESEL
ENGINE: 9.0 - 7.3 - 6.9 & 3208 CAT.
YEAR: 1980 & UP

DUAL
2-3/4"
INLETS



8-1/4 X 11-1/2"
OVAL

MUFFLER HANGERS

1980 TO 1987
9.0 & 6.9 LITRE
#OVMHIH



1988 & UP 7.3 LITRE
#OVMHIH73

HUNG ON STEEL AND
MOUNTED IN RUBBER -
WILL NOT TEAR.

AUTO-JET MUFFLER CORP. • UNITED MUFFLER CORP.

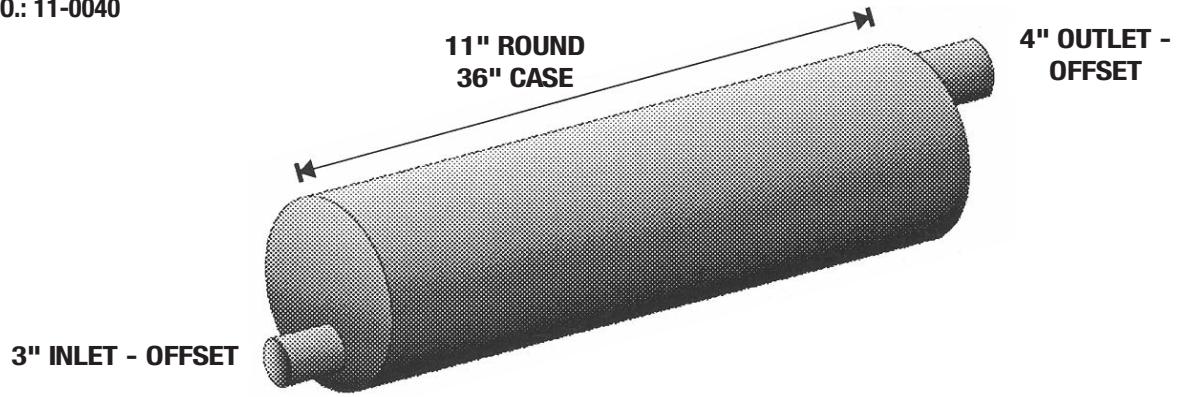
U.S. toll free 1-800-247-5391 • Fax 515-224-0727 • website: www.auto-jet.com
Canada toll free 1-866-229-3402 • Fax 519-455-1103 • website: www.unitedmuffler.com

CAT/MUF 9

MUFFLERS

FREIGHTLINER

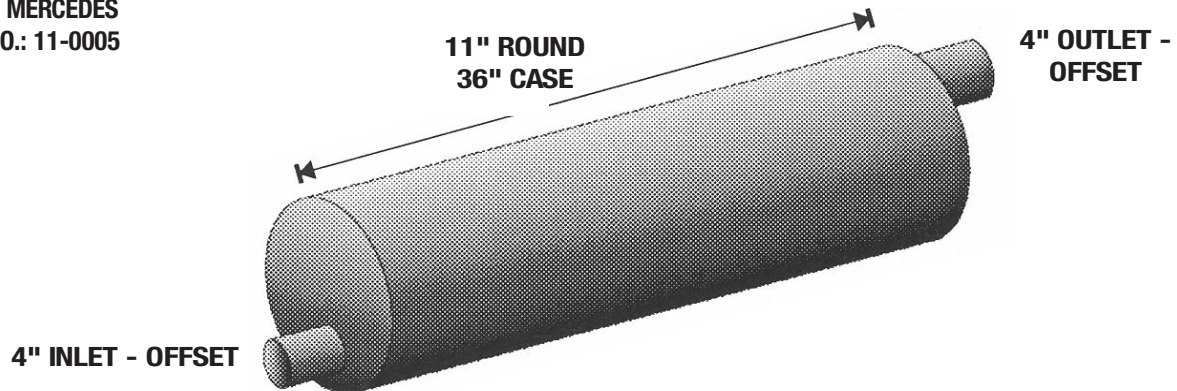
ENGINE: DIESEL B-SERIES CUMMINS MERCEDES 4 CYL
YEAR: 1998-UP
PART NO.: 11-0040



HEAVY DUTY ALUMINIZED WELDED STEEL

FREIGHTLINER

ENGINE: DIESEL 3126 CAT.
YEAR: 1998-UP
6 CYL MERCEDES
PART NO.: 11-0005



HEAVY DUTY ALUMINIZED WELDED STEEL

AUTO-JET MUFFLER CORP. • UNITED MUFFLER CORP.

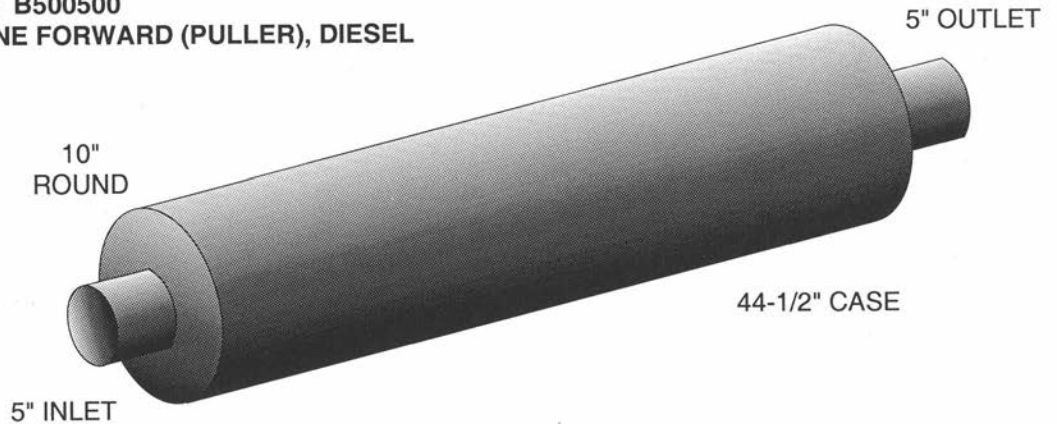
U.S. toll free 1-800-247-5391 • Fax 515-224-0727 • website: www.auto-jet.com
Canada toll free 1-866-229-3402 • Fax 519-455-1103 • website: www.unitedmuffler.com

CAT/MUF 10

MUFFLERS

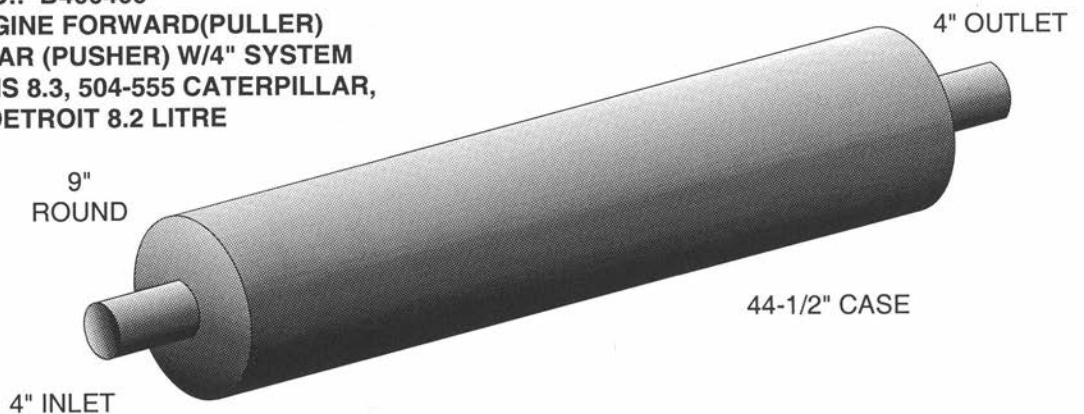
1992-UP BLUEBIRD ALL-AMERICAN BUS MUFFLERS

AUTO-JET PART NO.: B500500
APPLICATION: ENGINE FORWARD (PULLER), DIESEL
W/5" SYSTEM
YEAR: 1992 & UP



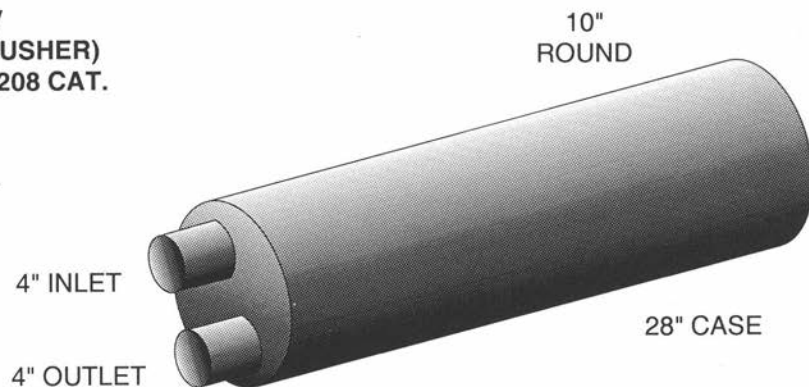
1980-UP BLUEBIRD ALL-AMERICAN BUS MUFFLERS

AUTO-JET PART NO.: B400400
APPLICATION: ENGINE FORWARD(PULLER)
& ENGINE REAR (PUSHER) W/4" SYSTEM
ENGINES: CUMMINS 8.3, 504-555 CATERPILLAR,
3208 & 3116 DETROIT 8.2 LITRE
YEAR: 1980 & UP



1988-UP BLUEBIRD ALL-AMERICAN BUS MUFFLERS

AUTO-JET PART NO.: BP400REV
APPLICATION: REAR ENGINE (PUSHER)
ENGINE: 8.3 CUMMINS, 3116 & 3208 CAT.
YEAR: 1988 & UP
NOTE: 8.3 MOUNTS WITH INLET
AND OUTLET HORIZONTAL



AUTO-JET MUFFLER CORP. • UNITED MUFFLER CORP.

U.S. toll free 1-800-247-5391 • Fax 515-224-0727 • website: www.auto-jet.com
Canada toll free 1-866-229-3402 • Fax 519-455-1103 • website: www.unitedmuffler.com

CAT/MUF 11

MUFFLERS

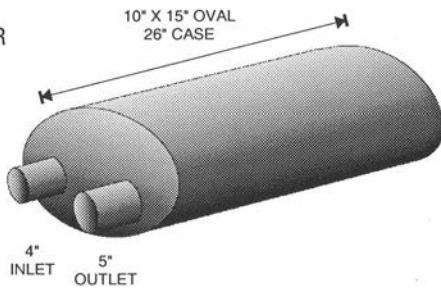
2005 & UP BLUEBIRD ALL-AMERICAN BUS MUFFLERS

AUTO-JET PART NO.: B400860
 APPLICATION: ENGINE FORWARD (PULLER), GAS
 O.E. PART # 00099860



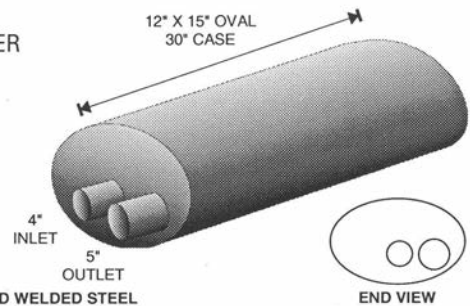
BLUEBIRD PUSHER

APPLICATION:
 BLUEBIRD PUSHER
 ENGINE:
 8.3 CUMMINS
 YEAR:
 1991-94
 PART NO.:
 BP400500RV
 O.E. #:
 1575836



BLUEBIRD PUSHER

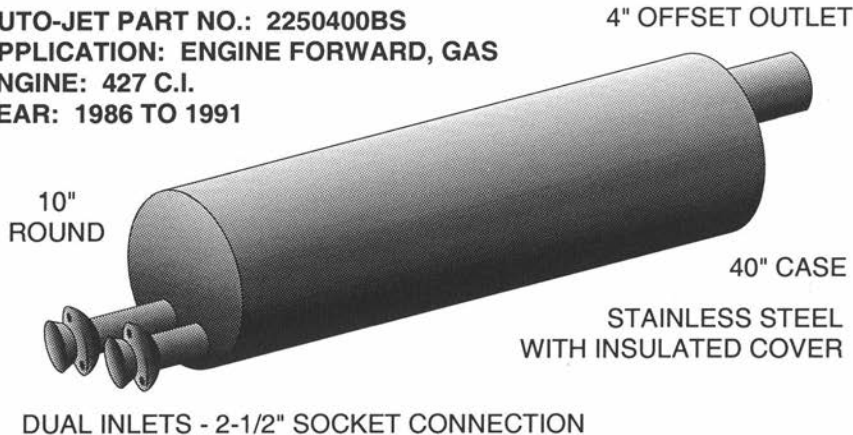
APPLICATION:
 BLUEBIRD PUSHER
 ENGINE:
 3126 CAT.
 8.3 CUMMINS
 YEAR:
 1999-UP
 PART NO.:
 BP400500RV99



HEAVY DUTY ALUMINIZED WELDED STEEL

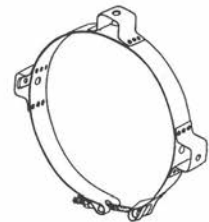
1986-91 BLUEBIRD ALL-AMERICAN BUS MUFFLERS

AUTO-JET PART NO.: 2250400BS
 APPLICATION: ENGINE FORWARD, GAS
 ENGINE: 427 C.I.
 YEAR: 1986 TO 1991



STAINLESS STEEL
 WITH INSULATED COVER

SHIELD
 HANGER
 #GM10HS



MUFFLER
 HANGER
 #GM10MH



AUTO-JET MUFFLER CORP. • UNITED MUFFLER CORP.

U.S. toll free 1-800-247-5391 • Fax 515-224-0727 • website: www.auto-jet.com
 Canada toll free 1-866-229-3402 • Fax 519-455-1103 • website: www.unitedmuffler.com

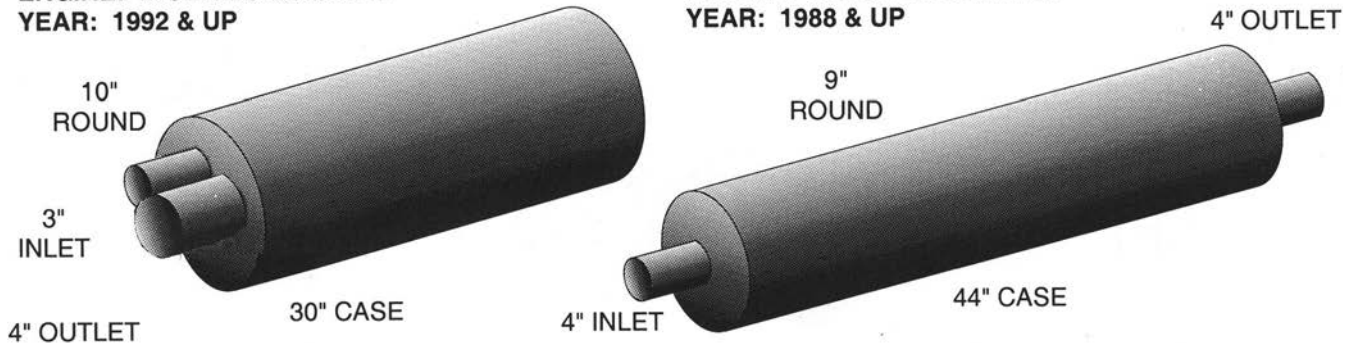
CAT/MUF 12

MUFFLERS

BLUEBIRD TC200 BUS MUFFLERS

AUTO-JET PART NO.: TC300400REV
APPLICATION: REAR ENGINE (PUSHER)
ENGINE: B-SERIES CUMMINS
YEAR: 1992 & UP

AUTO-JET PART NO.: TC400400
APPLICATION: ENGINE FORWARD (PULLER)
ENGINE: B-SERIES CUMMINS
YEAR: 1988 & UP

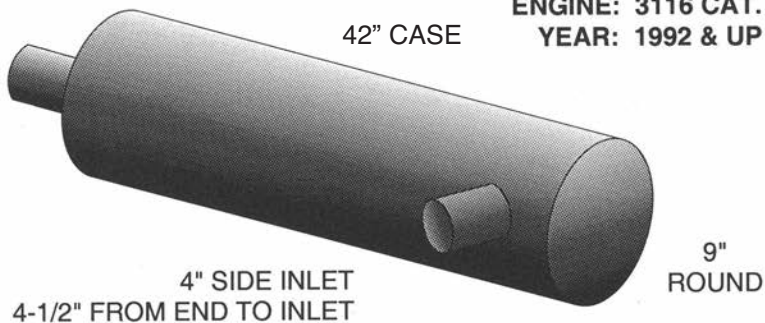


1992-UP BLUEBIRD CV200-GMB7 CONVENTIONAL CHASSIS MUFFLER

4" CENTERED OUTLET

AUTO-JET PART NO.: CV400400
APPLICATION: DIESEL
ENGINE: 3116 CAT.
YEAR: 1992 & UP

42" CASE



MUFFLER HANGER



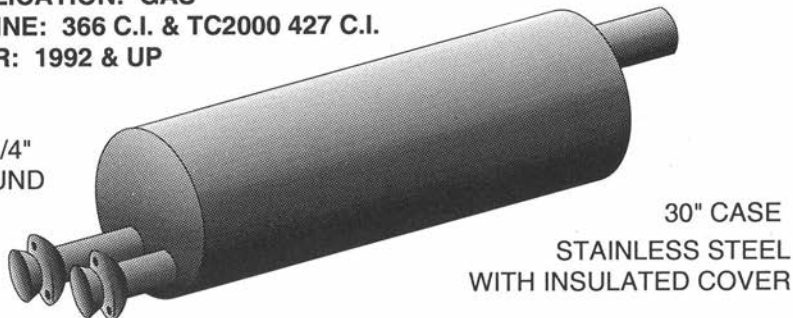
GM875MH

1992-UP BLUEBIRD CV200-GMB7 CONVENTIONAL CHASSIS MUFFLER

AUTO-JET PART NO.: 2-250300BS
APPLICATION: GAS
ENGINE: 366 C.I. & TC2000 427 C.I.
YEAR: 1992 & UP

3" OUT TO CONVERTER

8-3/4" ROUND



DUAL INLETS - 2-1/2" SOCKET CONNECTION

MUFFLER HANGER



#GM875MH

AUTO-JET MUFFLER CORP. • UNITED MUFFLER CORP.

U.S. toll free 1-800-247-5391 • Fax 515-224-0727 • website: www.auto-jet.com
 Canada toll free 1-866-229-3402 • Fax 519-455-1103 • website: www.unitedmuffler.com

CAT/MUF 13

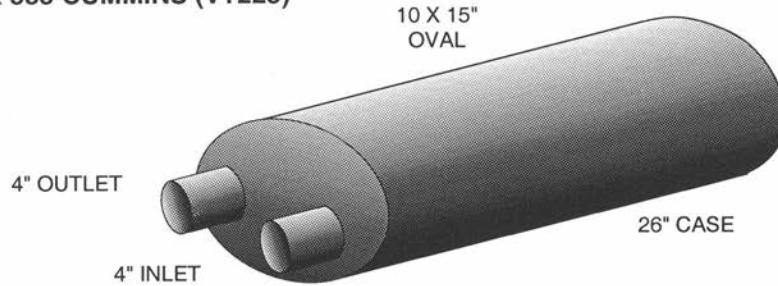
MUFFLERS

1987-UP THOMAS PUSHER MVP BUS MUFFLER

AUTO-JET PART NO.: TP400REV

APPLICATION: ENGINE REAR WITH STREET SIDE EXHAUST

ENGINE: 3208 CATERPILLAR & 555 CUMMINS (VT225)

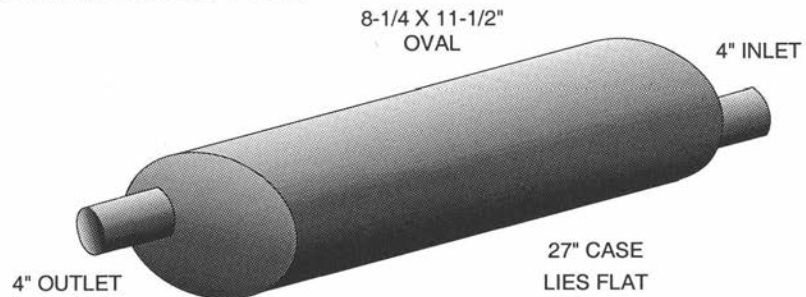


1985-89 THOMAS PUSHER MVP BUS MUFFLER

AUTO-JET PART NO.: 400400HDA

APPLICATION: ENGINE REAR, EXHAUST THROUGH BUMPER

ENGINE: 8.2 LITRE DETROIT TURBO & 3208 CATERPILLAR

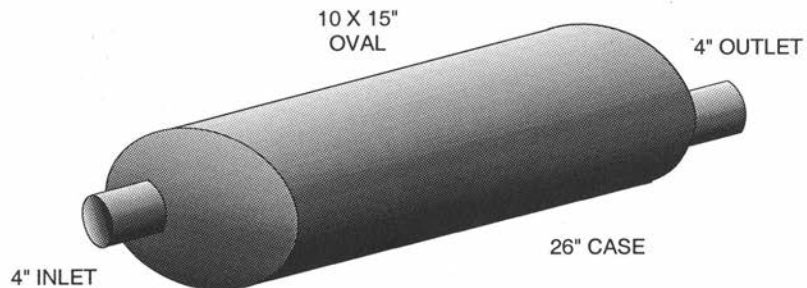


1992-UP THOMAS PUSHER MVP BUS MUFFLER

AUTO-JET PART NO.: TP4001015

APPLICATION: ENGINE REAR

ENGINE: 3116 CATERPILLAR, 6C-8.3 LITRE CUMMINS
6BTA B-SERIES CUMMINS



AUTO-JET MUFFLER CORP. • UNITED MUFFLER CORP.

U.S. toll free 1-800-247-5391 • Fax 515-224-0727 • website: www.auto-jet.com
Canada toll free 1-866-229-3402 • Fax 519-455-1103 • website: www.unitedmuffler.com

CAT/MUF 14

MUFFLERS

2003-UP THOMAS PUSHER

AUTO-JET PART NO.: 400400SI OR 11-0055

APPLICATION: THOMAS

ENGINES: CUMMINS MERCEDES



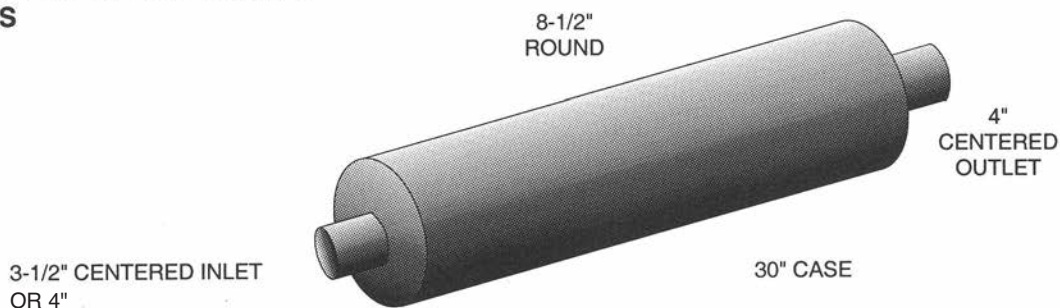
1995-UP THOMAS MVP E-F CUMMINS & CATERPILLAR ENGINE

AUTO-JET PART NO.: 85-0045 3½" INLET 85-0035 4" INLET

APPLICATION: THOMAS PULLER B-SERIES

ENGINES: CUMMINS

YEAR: 1995-UP



1994-UP THOMAS 8.3 CUMMINS ENGINE

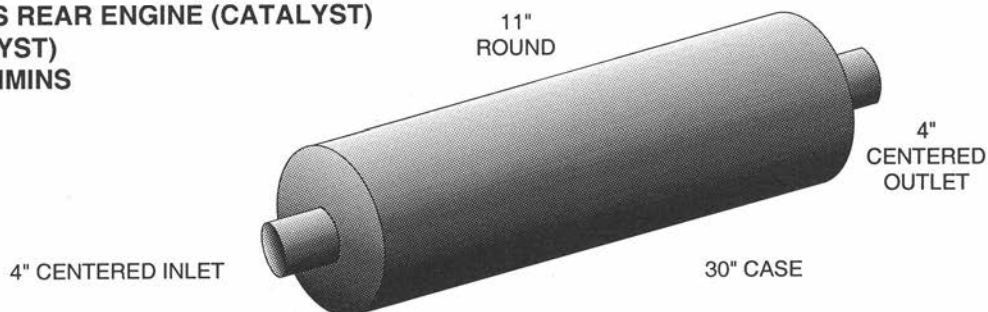
AUTO-JET PART NO.: 400CATCTR

APPLICATION: THOMAS REAR ENGINE (CATALYST)

11-0015 (NON-CATALYST)

ENGINE: 8.3 LITRE CUMMINS

YEAR: 1994 & UP



AUTO-JET MUFFLER CORP. • UNITED MUFFLER CORP.

U.S. toll free 1-800-247-5391 • Fax 515-224-0727 • website: www.auto-jet.com
Canada toll free 1-866-229-3402 • Fax 519-455-1103 • website: www.unitedmuffler.com

CAT/MUF 15

