



Auto-jet
MUFFLER CORP.

Manufacturing Truck & Bus Exhaust Systems Since 1959

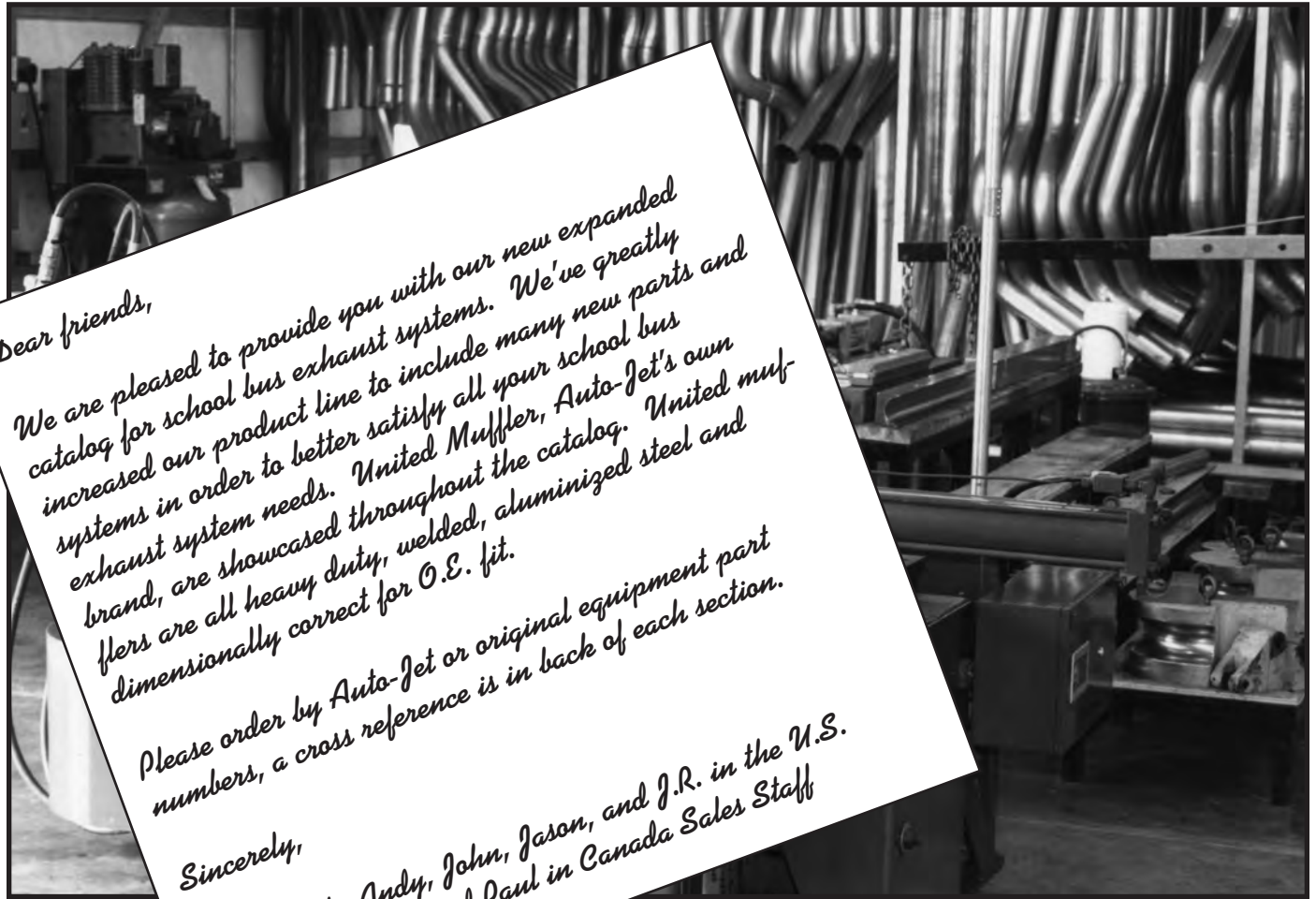
SCHOOL BUS EXHAUST SYSTEMS

Volume 10



SCHOOL BUS EXHAUST SYSTEMS

C A T A L O G



Dear friends,

We are pleased to provide you with our new expanded catalog for school bus exhaust systems. We've greatly increased our product line to include many new parts and systems in order to better satisfy all your school bus exhaust system needs. United Muffler, Auto-Jet's own brand, are showcased throughout the catalog. United mufflers are all heavy duty, welded, aluminized steel and dimensionally correct for O.E. fit.

Please order by Auto-Jet or original equipment part numbers, a cross reference is in back of each section.

Sincerely,
 Steve, Rich, Andy, John, Jason, and J.R. in the U.S.
 Tony, Carol, Joe and Paul in Canada Sales Staff



SECTION	TABLE OF CONTENTS	PAGES
ACCESSORIES		ACC 1 - ACC 9
NAVISTAR INTERNATIONAL EXHAUST SYSTEMS		NAV 1 - NAV 27
FORD EXHAUST SYSTEMS		FORD 1 - FORD 11
CHEVROLET / GMC EXHAUST SYSTEMS		GM 1 - GM 21
BLUEBIRD EXHAUST SYSTEMS		BB 1 - BB 61
THOMAS EXHAUST SYSTEMS		T 1 - T 38
FREIGHTLINER EXHAUST SYSTEMS		FRL 1 - FRL 34
CATALYTIC - MUFFLERS		CAT-MUFF 1 - CAT-MUFF 15

AUTO-JET MUFFLER CORP. • UNITED MUFFLER CORP.

U.S. toll free 1-800-247-5391 • Fax 515-224-0727 • website: www.auto-jet.com
 Canada toll free 1-866-229-3402 • Fax 519-455-1103 • website: www.unitedmuffler.com

Auto-jet Muffler's

NATIONWIDE SALES STAFF

Over 70 Years School Bus
Exhaust Experience

No Voice Mail,
No Button Pushing

Talk To A Real Person
**WHO KNOWS
YOUR BUSES'
EXHAUST PARTS!**



Kelle, Jason, Steve, Andy, Rich and John

NEW AT *Auto-jet*



2010 Update: Auto-Jet now has 4 CNC Mandrel Bending
Machines!

"STATE OF THE ART"
automatic tube bending
machine

Perfect Fit For
YOUR BUSES

BIOGRAPHY: Manufactured in
Schmallenberg, Germany

SIZE: 8' Wide x 25' Long x 5' High

WEIGHT: 16,000 LBS.

The computer stores 1 million parts

COST \$: "You Don't Even Want to
Know"

JUST ENJOY THE QUALITY!

HEAVY DUTY MUFFLER ANATOMY *AMERICAS BEST BUS MUFFLER!*

- ALL WELDED SEAMS
- WELDED INLET & OUTLET PIPES
- ORIGINAL EQUIPMENT FIT
- WELDED INTERNAL SUPPORTS "NO PRESS FIT"
- ALL ALUMINIZED STEEL CONSTRUCTION
- BIG HOLES FOR BAFFLING PREVENTS PLUGGING
- YOUR BUSES RUN BETTER!



**AUTO -JET
MANUFACTURES
EVERY
SCHOOL BUS
MUFFLER AT OUR
CANADIAN PLANT
UNITED MUFFLER!**

**Nationwide Toll Free
1-800-247-5391 • Fax 515-224-0727
visit our web site at: auto-jet.com**



**Our Sales Staff is also
available by e-mail!**

Rich – rich@auto-jet.com

Andy – andy@auto-jet.com

Steve – steve.krizer@auto-jet.com

Jason – jbrown@auto-jet.com

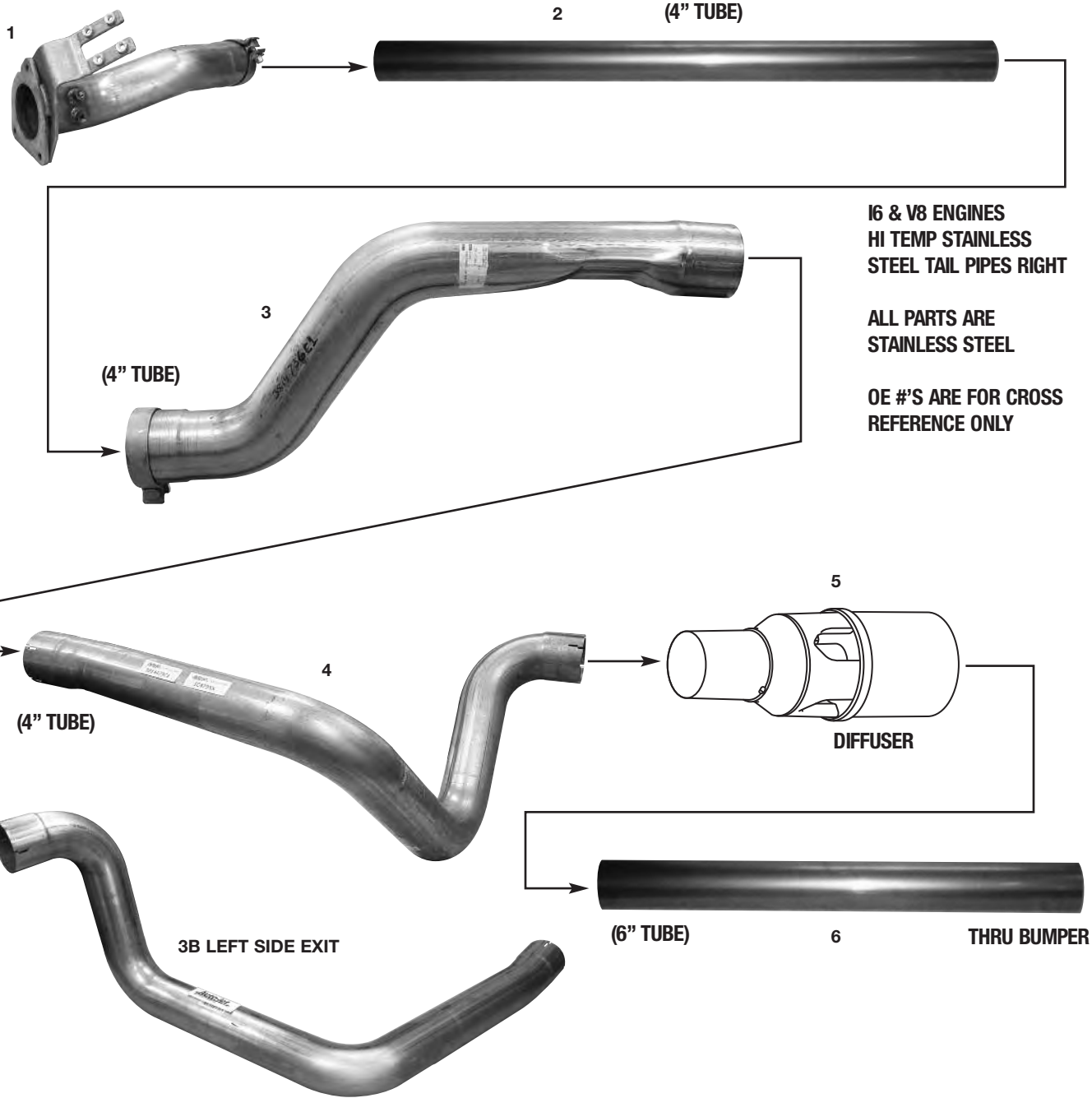
John – johnr@auto-jet.com

This catalog is available on disk!

NAVISTAR INTERNATIONAL EXHAUST SYSTEMS

2007-UP CE INTERNATIONAL STAINLESS STEEL TAILPIPES

CONVERTERS SEE PAGE NAV22



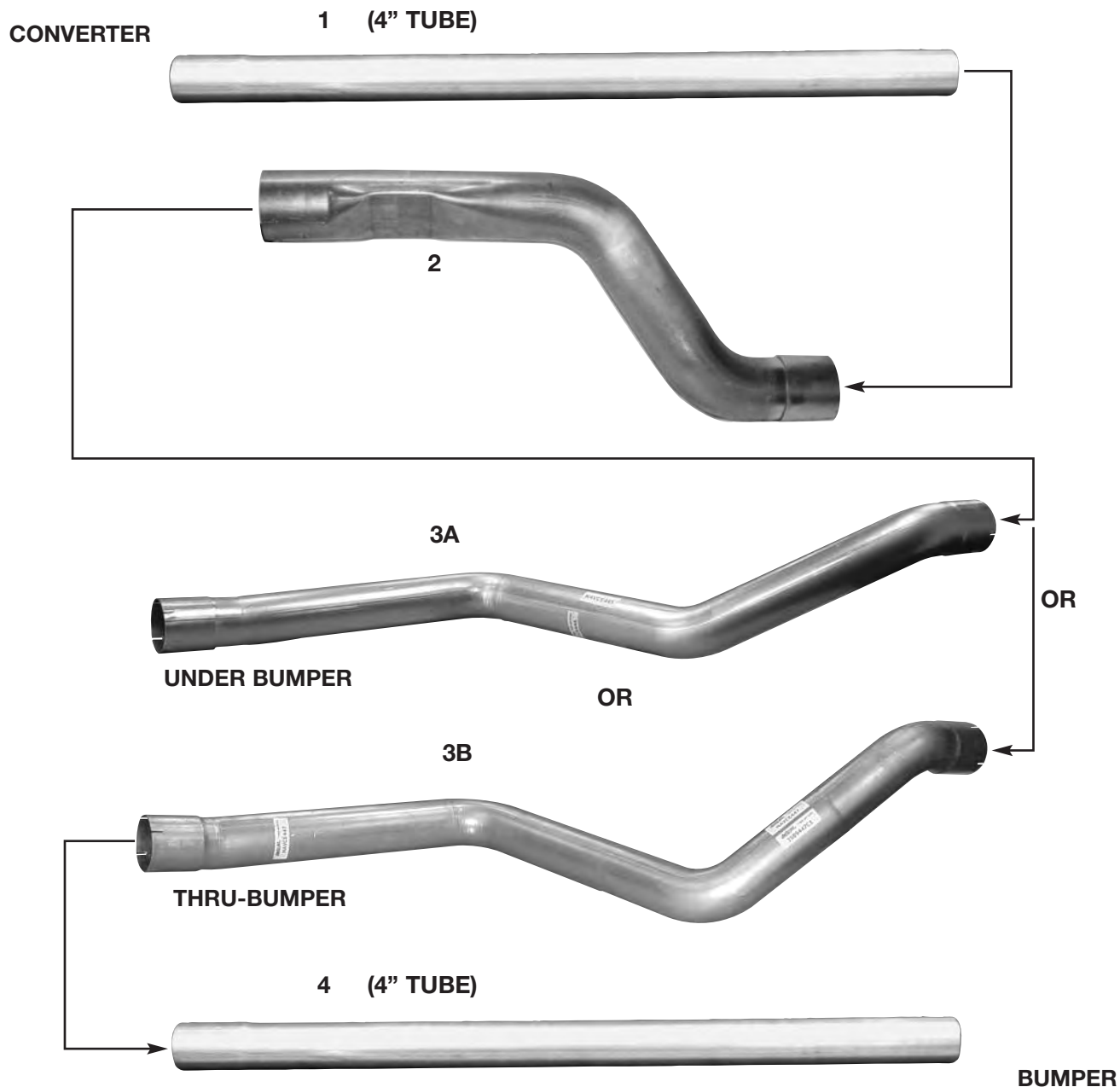
DESCRIPTION	1 FRONT PIPE	2 STRAIGHT PIPE	3 FRONT OVERAXLE PIPE	4 REAR OVERAXLE PIPE	5 DIFFUSER	6 TAILPIPE
AUTO-JET PART #	ICFP	400STP409	IC736SS	A RIGHT SIDE IC479SS B LEFT SIDE IC483SS	NAVDIFF1	600STP409
O.E. PART #	2596409C92	(MEASURE)	3814736C1	3814479C1 3814483C1	3817878C1	(MEASURE)

AUTO-JET MUFFLER CORP. • UNITED MUFFLER CORP.

U.S. toll free 1-800-247-5391 • Fax 515-224-0727 • website: www.auto-jet.com
 Canada toll free 1-866-229-3402 • Fax 519-455-1103 • website: www.unitedmuffler.com

INTERNATIONAL TAILPIPES

2005 & UP CE LEFT DRIVERS SIDE EXIT



DESCRIPTION	1	2	3A	3B	4
AUTO-JET #	400STP	NAVCE427	NAVCE445	NAVCE447	400STP
O.E. PART #	(MEASURE)	3562427C1	3589445C1	3589447C1	(MEASURE)

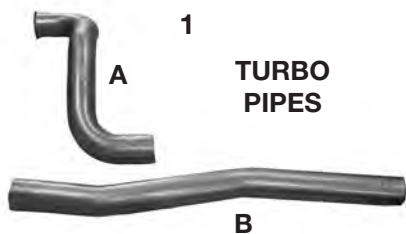
OE #'S ARE FOR CROSS REFERENCE ONLY

U.S. toll free 1-800-247-5391 • Fax 515-224-0727 • website: www.auto-jet.com
 Canada toll free 1-866-229-3402 • Fax 519-455-1103 • website: www.unitedmuffler.com

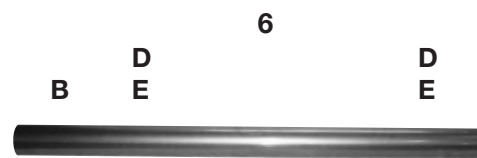
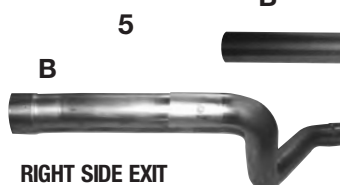
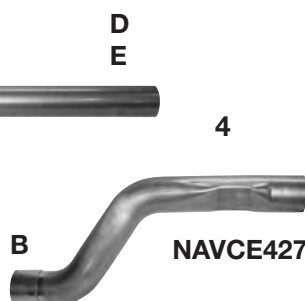
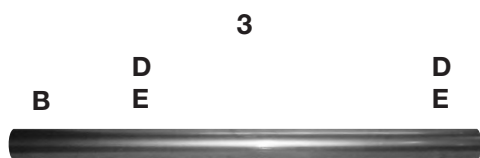
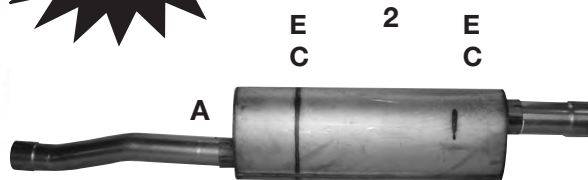
NAV 2

IC INTERNATIONAL EXHAUST SYSTEMS

2007-UP FE INTERNATIONAL DT-466 & ENGINE

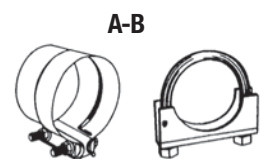


FORWARD CONTROL

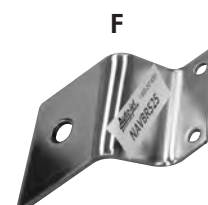


DESCRIPTION	1 TURBO PIPE	2 CATALYTIC MUFFLER	3 FRONT PIPE	4 FRONT OVERAXLE PIPE	5 REAR OVERAXLE PIPE	6 TAILPIPE
PART # DT466 MAX FORCE DT	A 466FC10 B 466FC09	PLEASE CALL FRONT PIPE NAVCE939 REAR PIPE NAVCE916	400STP	NAVCE427	NAVFC429	400STP

ACCESSORIES



Stainless Clamps
See page ACC 2 for more information



DESCRIPTION	CLAMPS	MUFFLER HANGERS C	PIPE HANGERS D	RUBBER HANGER E	BRACKET F
PART #	FLAT A-3-1/2" B-4"	OVMHCE	400PHCE	RUBHGRCE	NAVBR525
PART #	PRE-FORMED 350SC 400SC				
PART #	U-BOLT 350CPF 400CPF				
PART #	U-350 U-400				

OE #'S ARE FOR CROSS REFERENCE ONLY

AUTO-JET MUFFLER CORP. • UNITED MUFFLER CORP.

U.S. toll free 1-800-247-5391 • Fax 515-224-0727 • website: www.auto-jet.com
Canada toll free 1-866-229-3402 • Fax 519-455-1103 • website: www.unitedmuffler.com

NAVISTAR INTERNATIONAL EXHAUST SYSTEMS

2005-UP CE INTERNATIONAL CONVENTIONAL DT-466 & VT-365 ENGINES



V-CLAMP
DT360VCL
VT365VCL

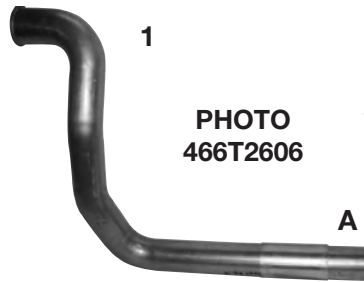
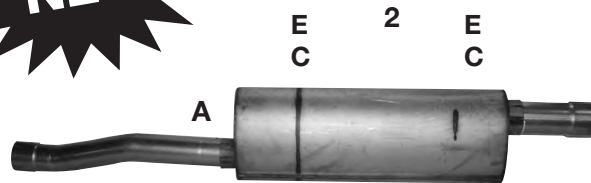


PHOTO
466T2606

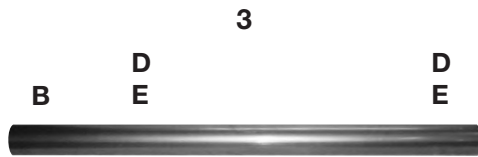


RIGHT SIDE
EXIT SYSTEM



E C 2 E C

3 PC.



3

B D E

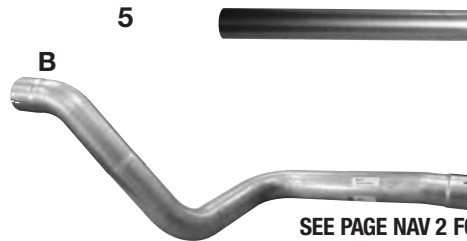
D E

4



B

NAVCE427



5

B

SEE PAGE NAV 2 FOR LEFT SIDE EXIT



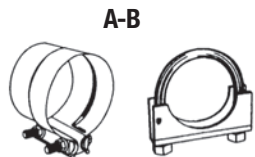
6

B D E

D E

DESCRIPTION	1 TURBO PIPE	2 CATALYTIC MUFFLER	3 FRONT PIPE	4 FRONT OVERAXLE PIPE	5 REAR OVERAXLE PIPE	6 TAILPIPE
PART # DT466	466T2606	PLEASE CALL	400STP	NAVCE427	NAVCE451 (UNDER BUMPER)	400STP
VT365 (2 OPTIONS)	365VT58 365VT58C3 (See Photo NAV 14)	FRONT PIPE: NAVCE939 REAR PIPE: NAVCE916			NAVCE453 (THRU BUMPER)	

ACCESSORIES



Stainless Clamps
See page ACC 2 for more information



DESCRIPTION	CLAMPS		MUFFLER HANGERS C	PIPE HANGERS D	RUBBER HANGER E	BRACKET F
	FLAT	PRE-FORMED				
PART #	A-3-1/2"	B-4"	OVMHCE	400PHCE	RUBHGRCE	NAVBR525
PART #	350SC	400SC				
PART #	350CPF	400CPF				
PART #	U-BOLT	U-350	U-400			

OE #'S ARE FOR CROSS REFERENCE ONLY

FOR OVERAXLE HANGER ASSEMBLIES SEE NAV20

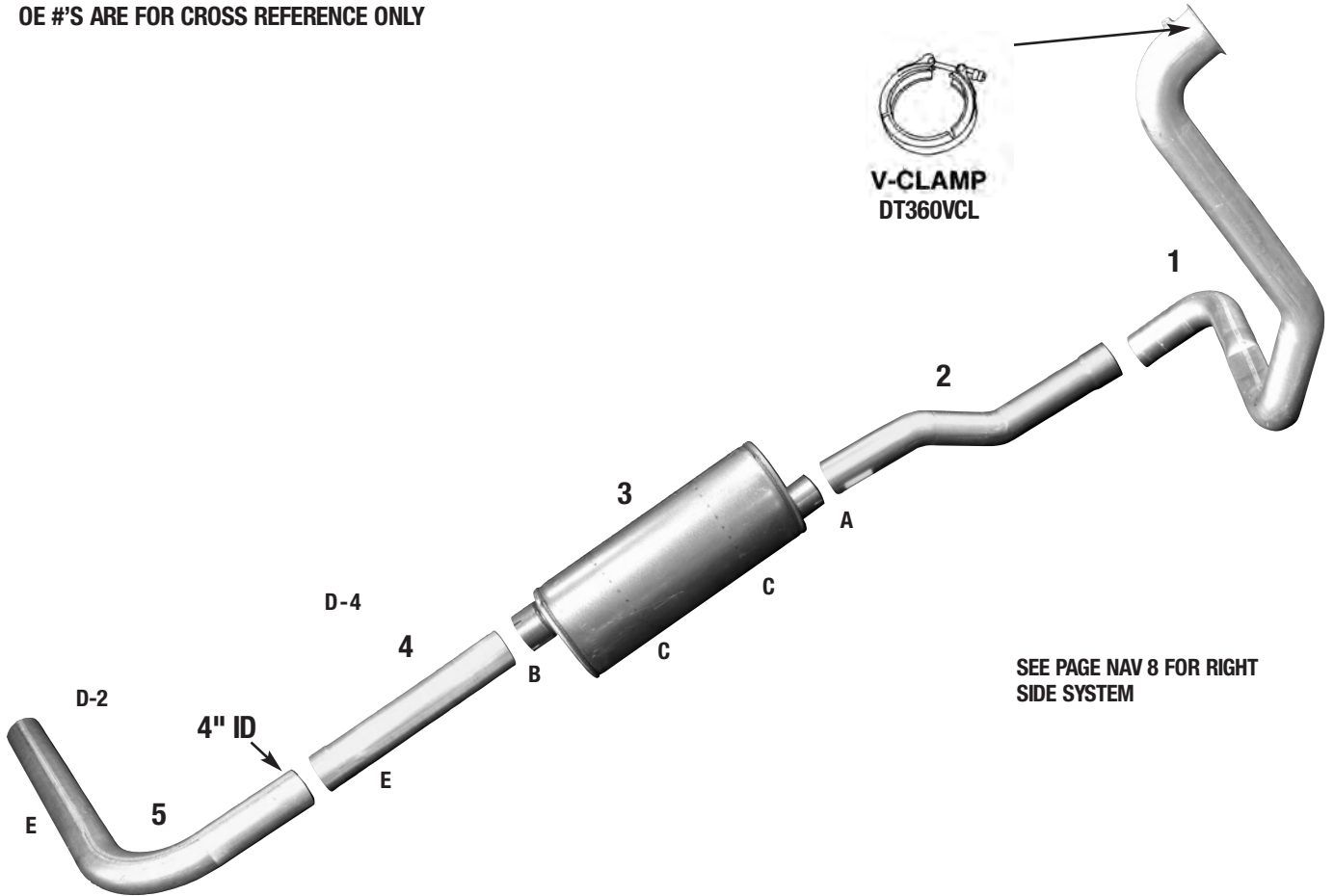
AUTO-JET MUFFLER CORP. • UNITED MUFFLER CORP.

U.S. toll free 1-800-247-5391 • Fax 515-224-0727 • website: www.auto-jet.com
Canada toll free 1-866-229-3402 • Fax 519-455-1103 • website: www.unitedmuffler.com

NAVISTAR INTERNATIONAL EXHAUST SYSTEMS

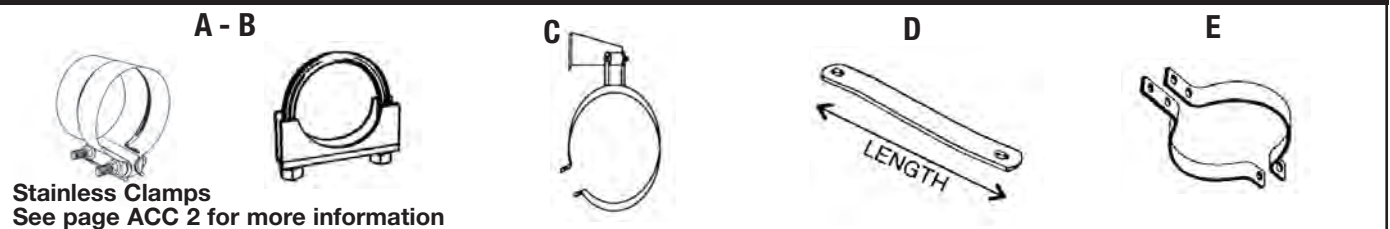
2000-UP INTERNATIONAL DT 466 ENGINE WITH LEFT SIDE EXHAUST SYSTEM

OE #'S ARE FOR CROSS REFERENCE ONLY



DESCRIPTION	1 TURBO PIPE	2 - TURBO PIPE EXTENSION	3 MUFFLER	4 FRONT PIPE	5 TAILPIPE	6 - TURN DOWN OPTIONAL
PART #	466DTLE20	NAVEXT20	350400L	400STP	SDI90	TD400ID

ACCESSORIES



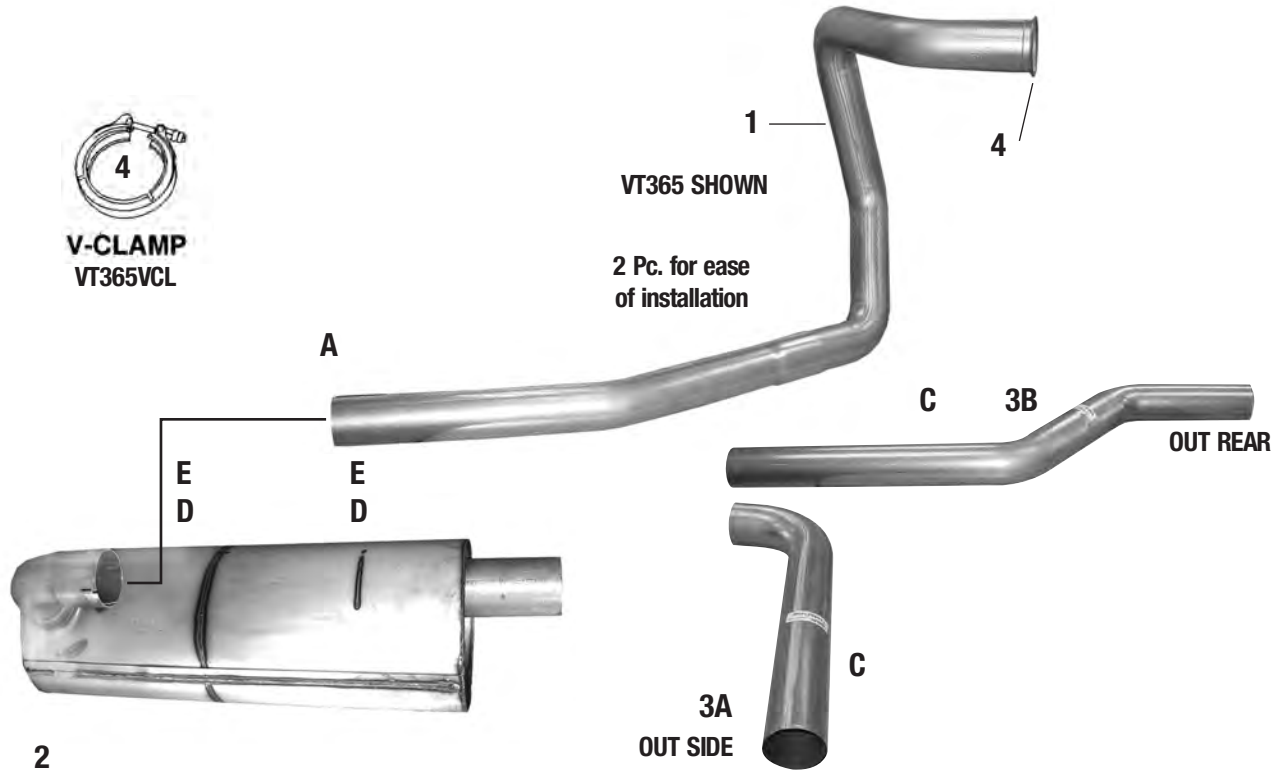
DESCRIPTION	CLAMPS		C MUFFLER HANGERS		D LINKS	E PIPE HANGERS
	A - 3-1/2"	B - 4"				
PART #	FLAT	350SC	400SC	OVMHIRE	D-1: LINK 1 5"	400PH2PC
	PRE-FORMED	350SCPF	400SCPF		D-2: LINK 2 5-3/4"	
	U-BOLT	U-350	U-400		D-3: LINK 3 6-3/4"	
					D-4: LINK 4 4"	

AUTO-JET MUFFLER CORP. • UNITED MUFFLER CORP.

U.S. toll free 1-800-247-5391 • Fax 515-224-0727 • website: www.auto-jet.com
 Canada toll free 1-866-229-3402 • Fax 519-455-1103 • website: www.unitedmuffler.com

NAVISTAR INTERNATIONAL EXHAUST SYSTEMS

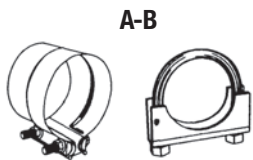
2004-UP IC REAR ENGINE VT-365



DESCRIPTION	1 TURBO PIPE	2 CATALYTIC MUFFLER	3 TAILPIPE		4 V-CLAMP
PART # VT365	T365RE	PLEASE CALL	A: ICRETPSD	3B: ICRETPOR	VT365VCL
OE#	3593687C1		3589631C1	3589872C1	3546068C2
PART # DT466	T46619RE	3584620C1	SIDE EXIT	REAR EXIT	
SEE NAV 13 & 14 FOR PHOTO					
OE#	3584619C2				

OE #'S ARE FOR CROSS REFERENCE ONLY

ACCESSORIES



Stainless Clamps
See page ACC 2 for more information



DESCRIPTION	CLAMPS			PIPE HANGERS C	MUFFLER HANGERS D	RUBBER HANGER E
	FLAT	A-3-1/2"	B-4"			
PART #	350SC	400SC		400PHCE	0VMHCE	RUBHGRCE
PART #	PRE-FORMED	350CPF	400CPF			
PART #	U-BOLT	U-350	U-400			

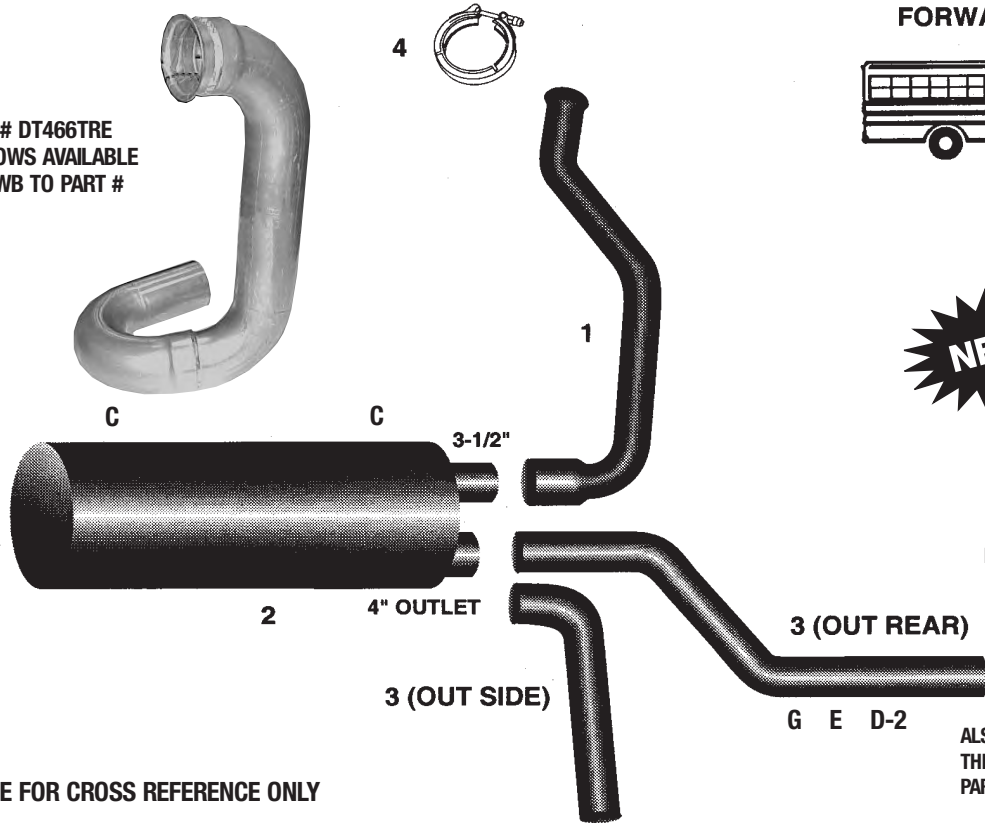
AUTO-JET MUFFLER CORP. • UNITED MUFFLER CORP.

U.S. toll free 1-800-247-5391 • Fax 515-224-0727 • website: www.auto-jet.com
Canada toll free 1-866-229-3402 • Fax 519-455-1103 • website: www.unitedmuffler.com

IC INTERNATIONAL EXHAUST SYSTEMS

AMTRAN - T444E - DT466 REAR ENGINE

PART # DT466TRE
BELLOWS AVAILABLE
ADD WB TO PART #

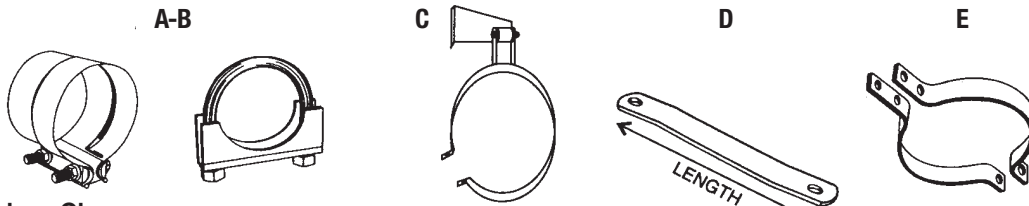


OE #'S ARE FOR CROSS REFERENCE ONLY

ALSO AVAILABLE:
THRU-BUMPER EXTENSION
PART # T444RETPB

DESCRIPTION	1 TURBO PIPES	TUBE SIZE	2 MUFFLER	3	4 V-CLAMP
PART #	T444TRE 3"	3"	T444REVHDA	T444RETP (OUT REAR)	STANDARD - T444VCL
PART #	T444T6521 (PRE HEATER)	3"	T444REVHDA	T444RETPSD (OUT SIDE)	WITH PRE-HEATER - T444VCLPH
PART #	T444TRE99	3-1/2"	T444REVHDA	T444RETPTB (THRU BUMPER EXTENSION)	DT360VCL
PART #	T444RE685	3-1/2"	T444REVHDA		NAVCL428
PART #	DT466TRE	3-1/2"	T444REVHDA		DT360VCL

ACCESSORIES



Stainless Clamps
See page ACC 2 for more information

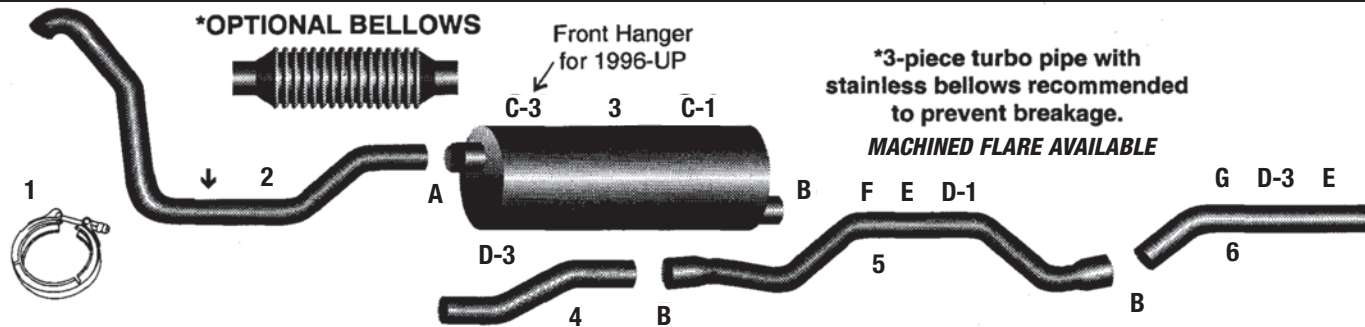
DESCRIPTOIN	CLAMPS			MUFFLER HANGERS C	LINKS D			PIPE HANGERS E
		A - 3-1/2"	B - 4"			D		
PART #	FLAT	350SC	400SC	OVMIHRE	D-1: LINK 1 5"		400PH2PC	
PART #	PRE-FORMED	350SCPF	400SCPF		D-2: LINK2 5-3/4"			
PART #	U-BOLT	U-350	U-400		D-3: LINK3 6-3/4"			

AUTO-JET MUFFLER CORP. • UNITED MUFFLER CORP.

U.S. toll free 1-800-247-5391 • Fax 515-224-0727 • website: www.auto-jet.com
Canada toll free 1-866-229-3402 • Fax 519-455-1103 • website: www.unitedmuffler.com

NAVISTAR INTERNATIONAL EXHAUST SYSTEMS

1994-UP T444E CONVENTIONAL

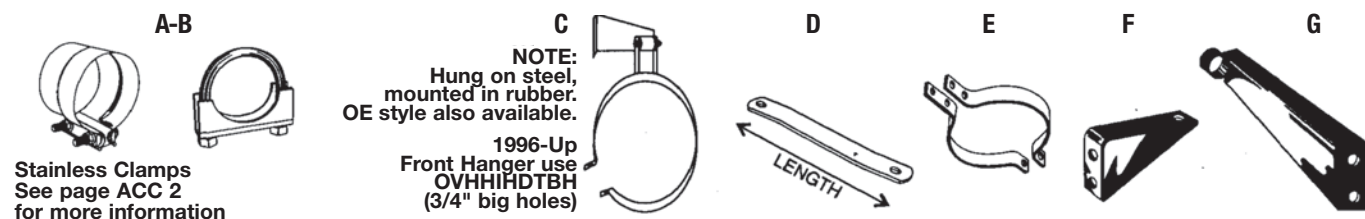


DESCRIPTION	1 V-CLAMPS T444VCL	2 TURBO PIPES T444TURBO (INCLUDES BELLOWS)	3 MUFFLER 350400L	4 FRONT PIPE DTFP	5 OVERAXLE PIPES (SPRING SUSPENSION)	6 TAILPIPES (SPRING SUSPENSION)
3" TURBO PIPE OE PART # 3521589C1	T444VCL	T444TURBOE*			IDOA	IDTP77-77PASS
1996-97 WITH 3-1/2" TURBO PIPE	DT360VCL	T444E35*	350400L	DTFP		
3" TURBO PIPE OE PART # 3526523C2	T444VCL7500	T444T6523*	350400L	DTFP	IDOAAS (AIR SUSPENSION)	IDTPAS (AIR SUSPENSION)
3-1/2" TURBO PIPE OE PART # 3544459C3	NAVCL428	T444TURB020*	350400L	DTFP	IDOAAS98 (1998-UP AIR SUSPENSION)	IDTPAS98 (1998-UP AIR SUSPENSION)
3-1/2" TURBO PIPE OE PART # 2036193C2	DT360VCL	T444TURB0643* 643 TRANS.	350400L	DTFP		

OE Part numbers are for cross reference only *TO ADD BELLOWS ADD WB TO PART #

FOR BUSES WITH MUFFLER ON (DRIVER SIDE) SEE NAV 12 • FOR AIR SUSPENSION DRAWINGS SEE PAGE NAV 16 AND NAV 17 (1998 & UP)

ACCESSORIES



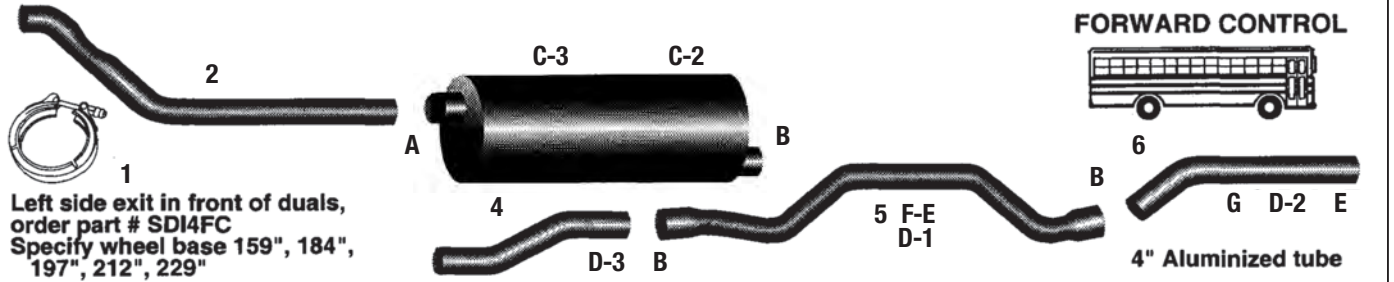
DESCRIPTION	CLAMPS		MUFFLER HANGERS		LINKS	PIPE HANGERS	BRACKETS		
	A - 3-1/2"	B - 4"	C		D	E	F	G	
PART #	FLAT	350SC	400SC	C-1: OVMHIHRE		D-1: LINK 1 5"	400PH2PC	BROANAV	BRTPNAV
PART #	PRE-FORMED	350SCPF	400SCPF	OE Style: OVMHIHDTOE		D-2: LINK2 5-3/4"		(OVERAXLE)	(TAILPIPE)
PART #	U-BOLT	U-350	U-400			D-3: LINK3 6-3/4"			
PART #				C-3: OVMHIHDTBH		D-4: LINK4 4"			

AUTO-JET MUFFLER CORP. • UNITED MUFFLER CORP.

U.S. toll free 1-800-247-5391 • Fax 515-224-0727 • website: www.auto-jet.com
Canada toll free 1-866-229-3402 • Fax 519-455-1103 • website: www.unitedmuffler.com

NAVISTAR INTERNATIONAL EXHAUST SYSTEMS

1992-UP NAVISTAR-GENESIS 3900FC & 3000FE



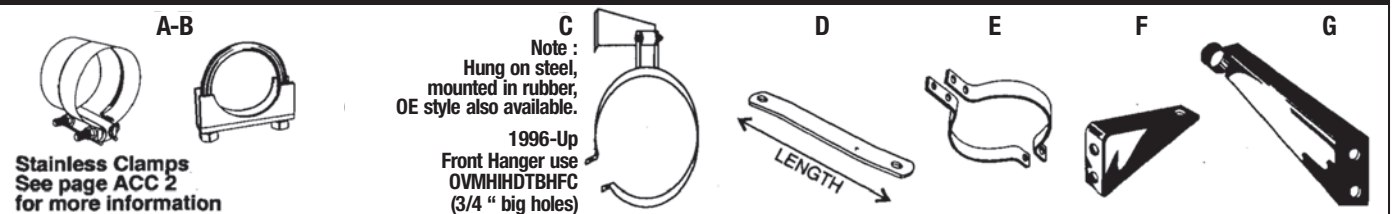
DESCRIPTION	1 V-CLAMP	2 TURBO PIPE	3 MUFFLER	4 FRONT PIPE	5 - OVERAXLE PIPE EXIT RIGHT EXIT LEFT	6 - TAILPIPE EXIT RIGHT EXIT LEFT
PART # - DT360	DT360VCL	360DTFC	350400L	NAVFPFC	IDOA IDOAL	IDTP
PART # - DT466	DT360VCL	466DTFC	350400L	NAVFPFC	IDOA IDOAL	IDTP
NEXT GENERATION DIESEL	DT360VCL	466DTFCNGD OE # 2004922CI	350400L	NAVFPFC	IDOAAAS IDOAAAS AIR SUSPENSION	IDTPFCRAS IDTPFCLAS AIR SUSPENSION

OE #'S ARE FOR CROSS REFERENCE ONLY

5 LENGTHS
AVAILABLE

FOR AIR SUSPENSION DRAWINGS SEE PAGE NAV 16 (1998 & UP)

ACCESSORIES



DESCRIPTION	CLAMPS		MUFFLER HANGERS C	LINKS D	PIPE HANGERS E	BRACKETS		
	A - 3-1/2"	B - 4"				F	G	
PART #	FLAT	350SC	400SC	C-1: OVMHIHDTAJ	D-1: LINK1 5"	400PH2PC	BROANAV (OVERAXLE)	BRTPNAV (TAILPIPE)
PART #	PRE-FORMED	350SCPF	400SCPF	OE Style: OVMHIHDTOE	D-2: LINK2 5-3/4"			
PART #	U-BOLT	U-350	U-400	C-2: OVMHIHFC	D-3: LINK3 6-3/4"			
PART #				C-3: OVMHIHDTBHFC	D-4: Link4 4"			

OE Part numbers are for cross reference only

NAVISTAR THRU-BUMPER TAILPIPE EXTENSION



FITS ALL MODELS CONVENTIONAL AND
FLATNOSE ELIMINATES CRUSHED TAILPIPES

PART # NAVTPEXT
OE # 598281C1

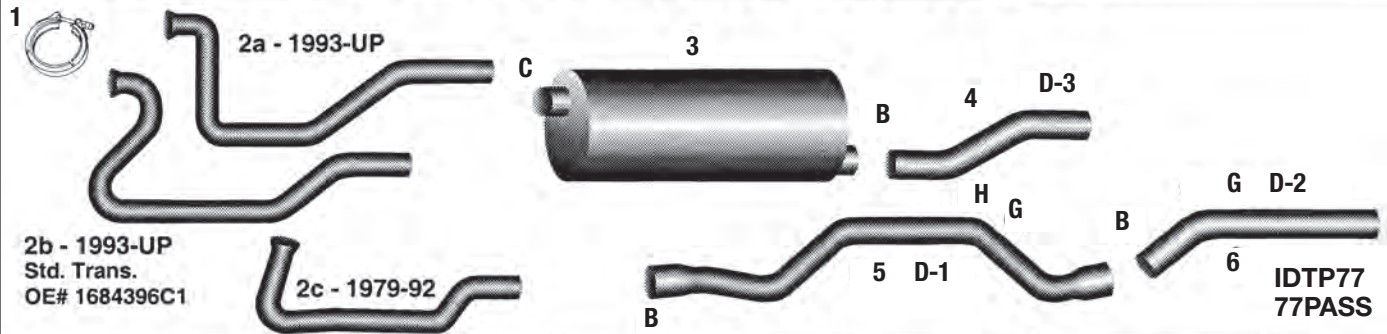
OE Part numbers are for cross reference only

AUTO-JET MUFFLER CORP. • UNITED MUFFLER CORP.

U.S. toll free 1-800-247-5391 • Fax 515-224-0727 • website: www.auto-jet.com
Canada toll free 1-866-229-3402 • Fax 519-455-1103 • website: www.unitedmuffler.com

NAVISTAR INTERNATIONAL EXHAUST SYSTEMS

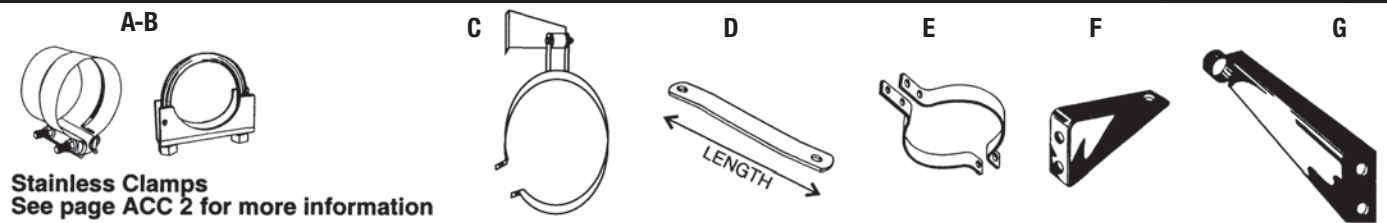
1979-UP INTERNATIONAL DT-466 ENGINE RD 408 & 530



DESCRIPTION	1 V-CLAMP	2 TURBO PIPE	3-MUFFLER		4 FRONT PIPE	5 OVERAXLE PIPE	6 TAIL PIPE
1993-UP PART #	DT360VCL	(2a) 466DTURB093	1988-UP	1979-87	DTFP	IDOA	IDTP
STD. TRANS. PART #	DT360VCL	(2b) 466DTURB093ST	350400L	350400	DTFP	IDOA	IDTP
1979-92 PART #	DT466VCL	(2c) 466DTURBO			DTFP	IDOA	IDTP
						IDOAAAS (AIR SUSPENSION)	IDTPAS (AIR SUSPENSION)
						IDOAA98 (1998-UP AIR SUSPENSION)	IDTPAS98 (1998-UP AIR SUSPENSION)

FOR 2000 & UP DT-466 WITH MUFFLER ON LEFT (DRIVER'S SIDE) SEE PAGE NAV 12
FOR AIR SUSPENSION DRAWINGS SEE PAGES NAV 16 AND NAV 17 (1998 & UP)

ACCESSORIES



DESCRIPTION	CLAMPS		MUFFLER HANGERS C	LINKS D	PIPE HANGERS E	BRACKETS F G	
PART #	FLAT	A - 3-1/2" 350SC B - 4" 400SC	OVMHIHDTAJ	D-1: LINK1 5"	400PH2PC	BROANAV (OVERAXLE)	BRTPNV (TAILPIPE)
PART #	PRE-FORMED	350SCPF 400SCPF	OE Style: OVMHIHDTOE	D-2: LINK2 5-3/4"			
PART #	U-BOLT	U-350 U-400		D-3: LINK3 6-3/4"			

OE #'S ARE FOR CROSS REFERENCE ONLY

AUTO-JET MUFFLER CORP. • UNITED MUFFLER CORP.

U.S. toll free 1-800-247-5391 • Fax 515-224-0727 • website: www.auto-jet.com
Canada toll free 1-866-229-3402 • Fax 519-455-1103 • website: www.unitedmuffler.com

NAVISTAR INTERNATIONAL EXHAUST SYSTEMS

1987-UP INTERNATIONAL DT360, DTA360

DESCRIPTION	1 V-CLAMP	2 TURBO PIPE	3 MUFFLER	4 FRONT PIPE	5 OVERAXLE PIPE	6 TAIL PIPE
PART #	DT360VCL	360DTURBO	350400L	DTFP	IDOA	IDTP
SEE PAGE NAV 16 FOR AIR SUSPENSION DRAWINGS (1986-UP) →						IDTP77 77PASS
					IDOAAS	IDTPAS

1990-UP NAVISTAR DT360 WITH FLEX IN TURBO PIPE

DESCRIPTION	1 V-CLAMP	2 TURBO PIPE	3 FLEX 3-1/2"	4 - FLEX TO MUFFLER PIPE	5 MUFFLER	6 FRONT PIPE	7 OVERAXLE PIPE	8 REAR TAIL PIPE
PART #	DT360VCL	360DT90	FLEX35018	360DT90EXT	350400L	DTFP	IDOA	IDTP
SEE PAGE NAV 17 FOR AIR SUSPENSION DRAWINGS →							IDOAAS	IDTPAS

ACCESSORIES

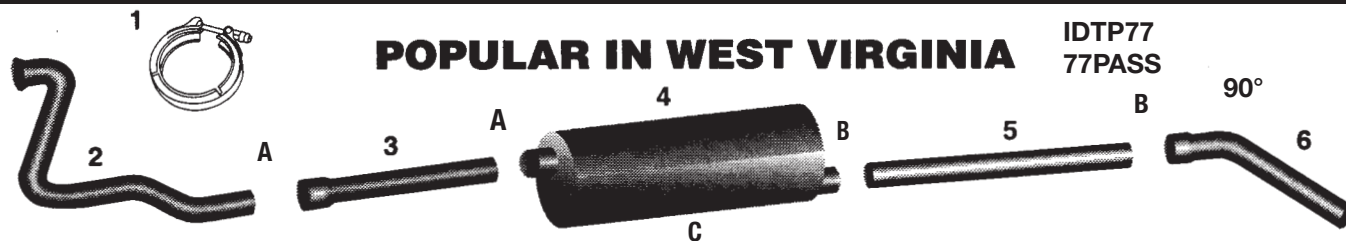
DESCRIPTION	CLAMPS		MUFFLER HANGERS	LINKS	PIPE HANGERS	BRACKETS		
	A - 3-1/2"	B - 4"	C	D	E	F	G	
PART #	FLAT	350SC	400SC	OVMHIHDTAJ	D-1: LINK1 5"	400PH2PC	BROANAV (OVERAXLE)	BRTPNAV (TAILPIPE)
PART #	PRE-FORMED	350SCPF	400SCPF	OE Style: OVMHIHDTOE	D-2: LINK2 5-3/4"			
PART #	U-BOLT	U-350	U-400		D-3: LINK3 6-3/4"			

AUTO-JET MUFFLER CORP. • UNITED MUFFLER CORP.

U.S. toll free 1-800-247-5391 • Fax 515-224-0727 • website: www.auto-jet.com
 Canada toll free 1-866-229-3402 • Fax 519-455-1103 • website: www.unitedmuffler.com

NAVISTAR INTERNATIONAL EXHAUST SYSTEMS

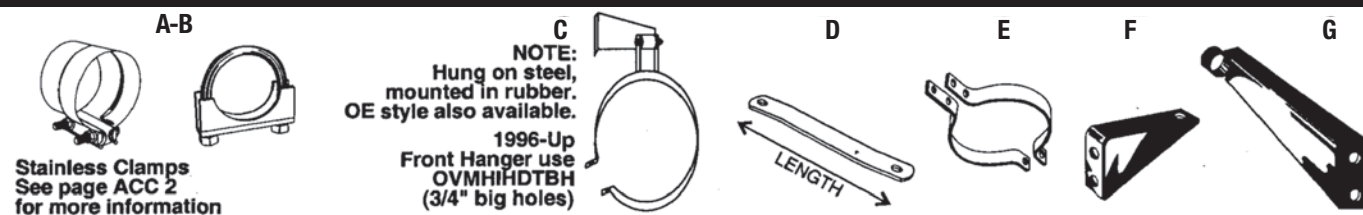
DT/DTA 360 & 466 & T444E ENGINE, MUFFLER ON LEFT SIDE



DESCRIPTION	1 V-CLAMP	2 TURBO PIPE	3 EXHAUST PIPE INTERMEDIATE	4 MUFFLER	5 STRAIGHT TUBING 4" O.D.	6 REAR TAIL PIPE
DT 360 PART #	DT360VCL	360DTLE	360DTLEXT	350400L	400STP	360DTLETP
DT466 PART#	DT360VCL	466DTLE OE# 1621340C1	360DTLEXT	350400L	400STP	BSD40090ID
DT466 PART#	DT360VCL	466DTLE94 OE#2005499C2	466DTLEXT	350400L	400STP	BSD40090ID
DT466 PART# WITH EXHAUST BRAKE	DT360VCL	466DTEBUP (UPPER) OE# 2009075C 466DTLEEB (LEFT SIDE LOWER) OE# 2009008C2 466TEB (RIGHT SIDE LOWER) OE# 2009076C2	466DTLEXT	350400L	400STP	BSD40090ID
DT466 PART#	DT360VCL	466DTLE20 OE#3554832C1 (2000 & UP)	NAVEXT20	350400L	400STP	BSD40090ID
T444E PART#	T444VCL	T444T3LE (3" TUBE SIZE) OE#2029203C3	300EXT (3" TUBE SIZE) 3 1/2 OD ON REAR	350400L	400STP	BSD40090ID
T444E PART#	DT360VCL	T444T35LE (3 1/2" TUBE SIZE) OE#3518575C1	350EXT 17.25 (3 1/2" TUBE SIZE)	350400L	400STP	BSD40090ID
T444E	DT360VCL	T444041 OE#3558041C2		350400L	400STP	BSD40090ID
T444E		T444T591 OE#3521591C1		350400L	400STP	BSD40090ID
DT466	DT360VCL	466LE357 OE#2200357C3		350400L	400STP	BSD40090ID

OE PART #'S ARE FOR CROSS REFERENCE PURPOSES ONLY

ACCESSORIES



DESCRIPTION	CLAMPS		MUFFLER HANGERS C	LINKS D	PIPE HANGERS E	BRACKETS		
	A - 3-1/2"	B - 4"				F	G	
PART #	FLAT	350SC	400SC	C-1: OVMHIHDTAJ	D-1: LINK1 5"	400PH2PC	BROANAV (OVERAXLE)	BRTPNV (TAILPIPE)
PART #	PRE-FORMED	350SCPF	400SCPF	OE Style: OVMHIHDTOE	D-2: LINK2 5-3/4"			
PART #	U-BOLT	U-350	U-400		D-3: LINK3 6-3/4"			
PART #				C-3: OVMHIHDTBH				

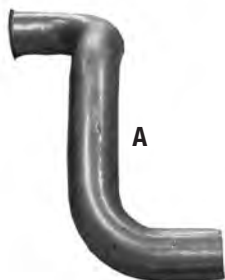
AUTO-JET MUFFLER CORP. • UNITED MUFFLER CORP.

U.S. toll free 1-800-247-5391 • Fax 515-224-0727 • website: www.auto-jet.com
 Canada toll free 1-866-229-3402 • Fax 519-455-1103 • website: www.unitedmuffler.com

INTERNATIONAL TURBO PIPES

2007-UP DT466 ENGINE

FORWARD CONTROL



A



B

A
TURBO PIPE

PART # 466FC10
OE # 4591910R1

B
EXTENSION

466FC09
4591909R1

2004 - UP REAR ENGINE VT365

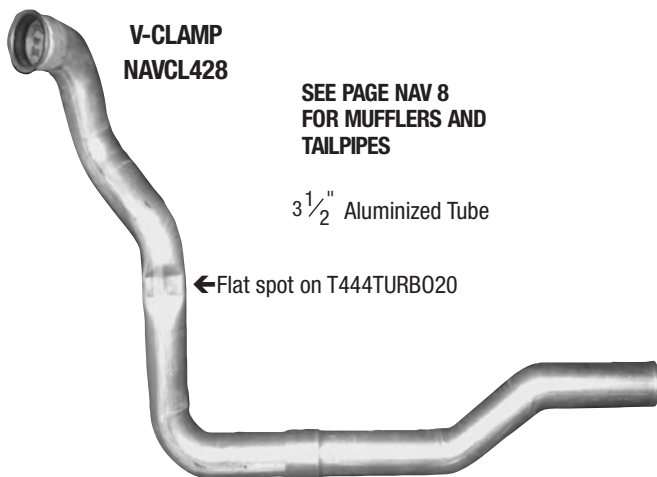
FORWARD CONTROL



2 PIECE

PART # T365RE
OE # 3593687C1

T444E 3-1/2" TURBO PIPE



V-CLAMP
NAVCL428

SEE PAGE NAV 8
FOR MUFFLERS AND
TAILPIPES

3 1/2" Aluminized Tube

← Flat spot on T444TURBO20

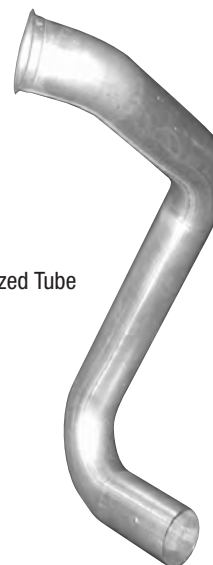
Shipped : 2-piece for ease of installation

1999-UP	PART #	T444TURBO20	3-1/2"
	OE #	3544459C3	

98 & UP ALLISON 643 TRANS.	PART #	T444TURBO643	3-1/2"
	OE #	2036193C2	

1999-UP AMTRAN REAR ENGINE T444E

V-CLAMP
DT360VCL



3 1/2" Aluminized Tube

SEE PAGE NAV 7
FOR MUFFLERS
AND TAILPIPES

PART # T444TRE99
OE # 3506665C1

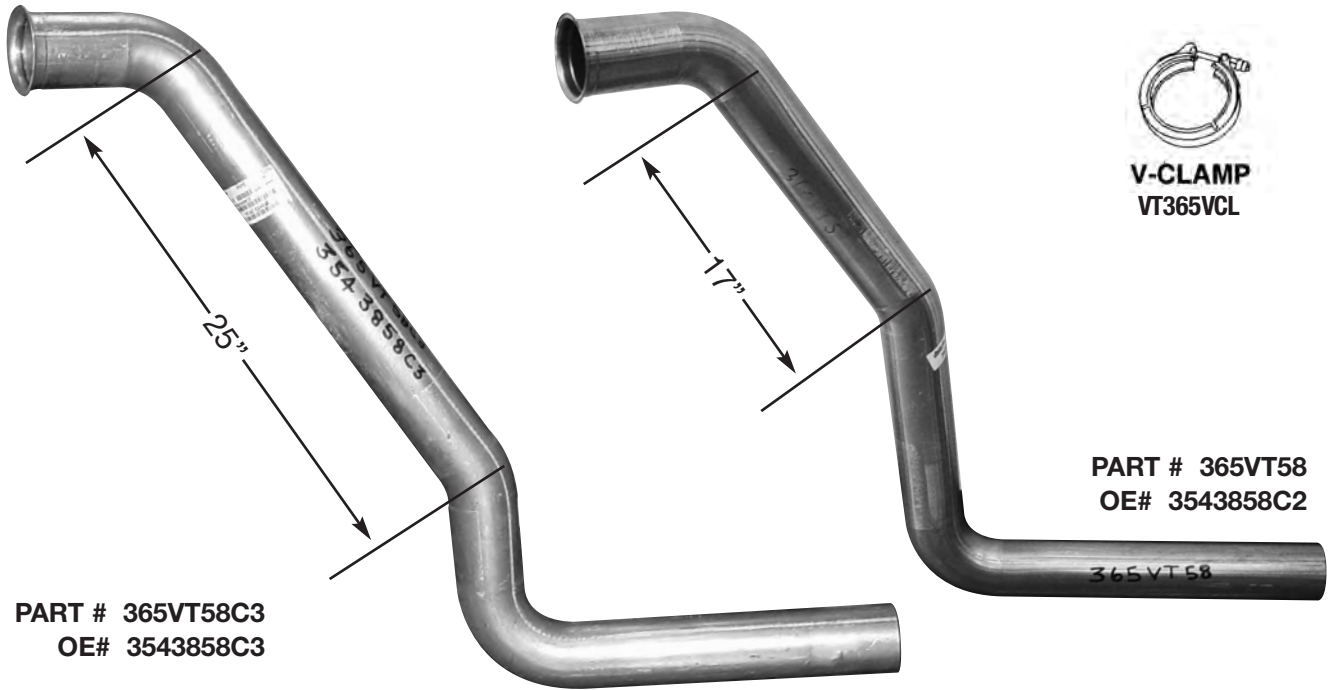
OE #'S ARE FOR CROSS REFERENCE ONLY

AUTO-JET MUFFLER CORP. • UNITED MUFFLER CORP.

U.S. toll free 1-800-247-5391 • Fax 515-224-0727 • website: www.auto-jet.com
Canada toll free 1-866-229-3402 • Fax 519-455-1103 • website: www.unitedmuffler.com

INTERNATIONAL TURBO PIPES

2005 & UP VT365 ENGINE



PART # 365VT58C3
OE# 3543858C3

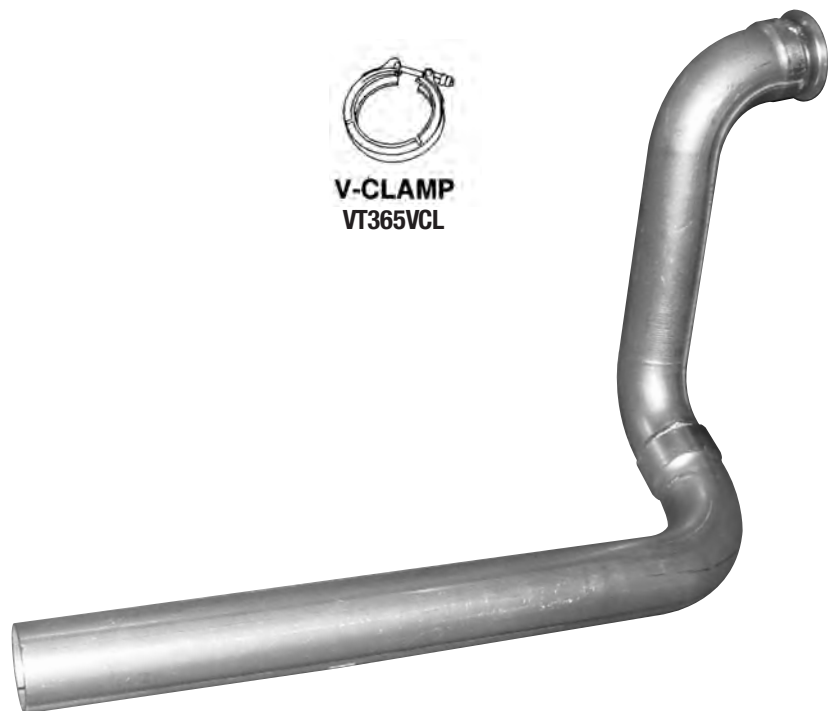
V-CLAMP
VT365VCL

PART # 365VT58
OE# 3543858C2

365VT58

2004 - UP REAR ENGINE DT466

OE #'S ARE FOR CROSS REFERENCE ONLY



V-CLAMP
VT365VCL

PART # T46619RE
OE# 3584619C2

AUTO-JET MUFFLER CORP. • UNITED MUFFLER CORP.

U.S. toll free 1-800-247-5391 • Fax 515-224-0727 • website: www.auto-jet.com
Canada toll free 1-866-229-3402 • Fax 519-455-1103 • website: www.unitedmuffler.com

NAV 14

NAVISTAR INTERNATIONAL TAILPIPES

BE SERIES OVERAXLES & TAILPIPE

2005 & UP INTERNATIONAL BE SERIES SHORT W.B. REAR OVER AXLE REAR SECTION

DRIVERS SIDE EXIT

PART# NAVBE033
OE# 3609033C1



2005 & UP INTERNATIONAL BE SERIES SHORT W.B. REAR OVER AXLE FRONT SECTION

PART# NAVBE028
OE# 3609028C1



BE SERIES OVER AXLE REAR SECTION SHORT W.B.

PASSANGER SIDE EXIT

OE #'S ARE FOR CROSS REFERENCE ONLY

PART# NAVBE029
OE# 3609029C1



BE SERIES OVER AXLE REAR SHORT W.B.

DRIVERS SIDE EXIT

PART# NAVBE035
OE# 360903C1



AUTO-JET MUFFLER CORP. • UNITED MUFFLER CORP.

U.S. toll free 1-800-247-5391 • Fax 515-224-0727 • website: www.auto-jet.com
Canada toll free 1-866-229-3402 • Fax 519-455-1103 • website: www.unitedmuffler.com

INTERNATIONAL OVERAXLES AND TAILPIPES

1998-UP OVERAXLES & TAILPIPES WITH AIR-RIDE SUSPENSION

RIGHT REAR BUMPER EXIT TAILPIPE

PART # IDTPAS98
 OE # 3543486C1
 PART # 3543488C1 66 PASS
 IDTPAS9877 77 PASS & 72 PASS
 OE # 3543496C1

Vertical Connection

OVERAXLE

PART # IDOAAS98
 OE # 3544141C1

LEFT REAR BUMPER EXIT TAILPIPE

PART # IDTPAS98L
 OE# 3543467C1
 PART # IDTPAS98L 65 TO 77 PASS
 OE# 3543464C1 & 3543465C1

OE #'S ARE FOR CROSS REFERENCE ONLY

CONVENTIONAL LEFT SIDE THRU BUMPER

SPRING
 SUSPENSION

PART # IDOAL880
 OE# 3543880C1

PART # IDTPL029
 OE# 3573029C1
 OE# 3573073C1

AUTO-JET MUFFLER CORP. • UNITED MUFFLER CORP.

U.S. toll free 1-800-247-5391 • Fax 515-224-0727 • website: www.auto-jet.com
 Canada toll free 1-866-229-3402 • Fax 519-455-1103 • website: www.unitedmuffler.com

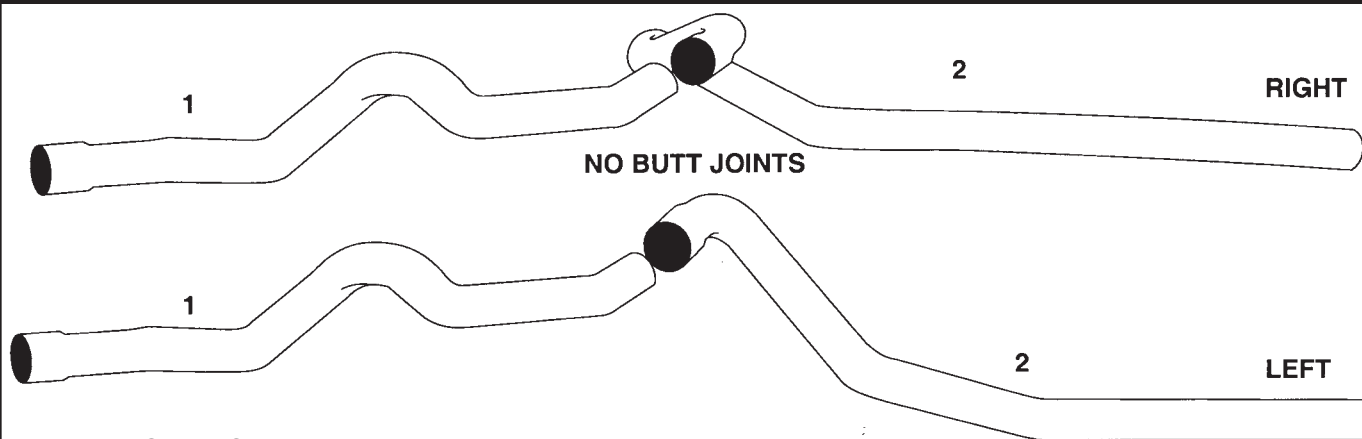
INTERNATIONAL OVERAXLES AND TAILPIPES

CONVENTIONAL RIGHT SIDE THRU BUMPER



OE Part numbers are for cross reference only

AIR SUSPENSION TAILPIPES



1998 & UP SEE PAGE NAV 14

DESCRIPTION	1-OVERAXLE		SPECIFY WHEEL BASE
	AUTO-JET #	OE#	2- TAILPIPE
CONVENTIONAL	IDOAAS	1610293C3	IDTPAS
FORWARD CONTROL LEFT SIDE EXIT	IDOAAS	1610293C3	IDTPFCLAS (Fits conventional also)
FORWARD CONTROL RIGHT SIDE EXIT	IDOAAS	1610293C3	IDTPFCRAS
CONVENTIONAL	IDOAASC4	1610293C4	IDTPAS

OE #'S ARE FOR CROSS REFERENCE ONLY

AUTO-JET MUFFLER CORP. • UNITED MUFFLER CORP.

U.S. toll free 1-800-247-5391 • Fax 515-224-0727 • website: www.auto-jet.com
 Canada toll free 1-866-229-3402 • Fax 519-455-1103 • website: www.unitedmuffler.com

NAVISTAR INTERNATIONAL SIDE DISCHARGE TAILPIPES

CONVENTIONAL BUSES

2006 & UP W / HANGER

PART #: SDI734
O.E. # 3590734C1



4" ID

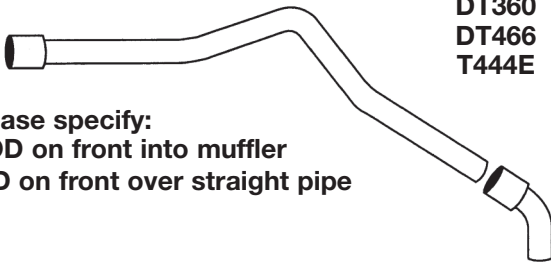
SKIRT

OE #'S ARE FOR CROSS REFERENCE ONLY

PART #: SDI14PL
Over Drive Shaft
4"

Application:
6.9-7.3 Litre
9.0 Litre
DT360
DT466
T444E

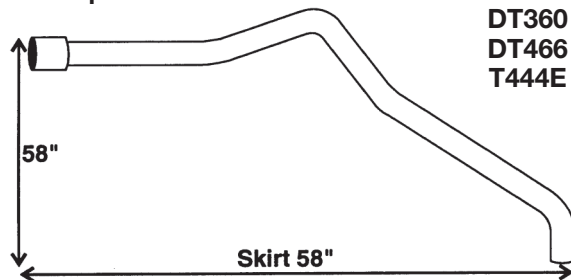
Please specify:
OD on front into muffler
ID on front over straight pipe



4" TURNDOWN
PART #: TD400ID

PART #: SDI14TD
Over Drive Shaft
4"

Application:
6.9-7.3 Litre
9.0 Litre
DT360
DT466
T444E



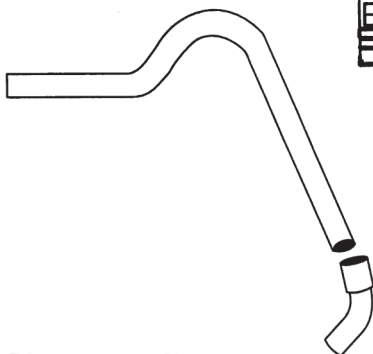
Please specify:
OD on front into muffler
ID on front over straight pipe

FORWARD CONTROL BUSES

PART #: SDI14FC



Application:
Genesis 3900FC
Genesis 3900FE



Please specify:
OD on front into muffler
ID on front over straight pipe

4" TURNDOWN
PART #: TD400ID

LEFT SIDE EXIT OVERAXLE

Special Rear Overaxle for states requiring exhaust out the rear but on the left side of the bus.

Application:
1980-up S-Model Diesels

PART #: IDOAL
Navistar International O.E. # 1608381C1

For tail pipe
use IDTP or
9' or 4" straight pipe



AUTO-JET MUFFLER CORP. • UNITED MUFFLER CORP.

U.S. toll free 1-800-247-5391 • Fax 515-224-0727 • website: www.auto-jet.com
Canada toll free 1-866-229-3402 • Fax 519-455-1103 • website: www.unitedmuffler.com

NAVISTAR INTERNATIONAL EXHAUST SYSTEMS

T444E TURBO TUBES

APPLICATION: NAVISTAR T444E ENGINE, used from manifold to turbo

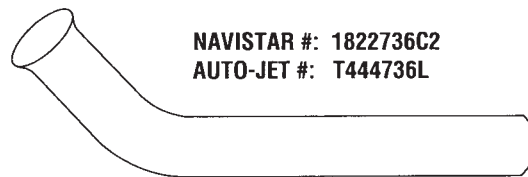
NOTE: Right and left are designated for conventional engine forward buses.
On rear engine buses they become the opposite.

RIGHT



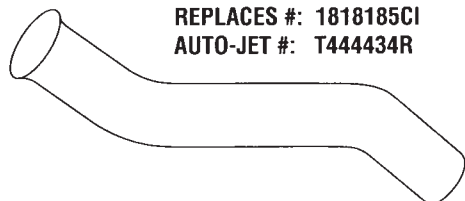
NAVISTAR #: 1822735C2
AUTO-JET #: T444735R

LEFT



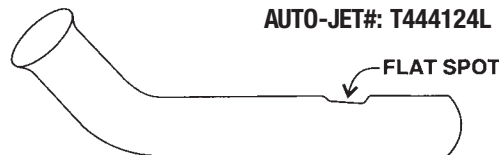
NAVISTAR #: 1822736C2
AUTO-JET #: T444736L

RIGHT 2-BEND



Navistar # 1827228C1
Auto-Jet # T444228R
NAVISTAR #: 1824434C1
REPLACES #: 1818185C1
AUTO-JET #: T444434R

LEFT



Navistar # 1827410C1
Auto-Jet # T444410L
NAVISTAR #: 1816124C1
AUTO-JET#: T444124L

FLAT SPOT
SEAL RING
PART # T444TUBER

AUTO-JET FEATURES: STOPS LEAKS!

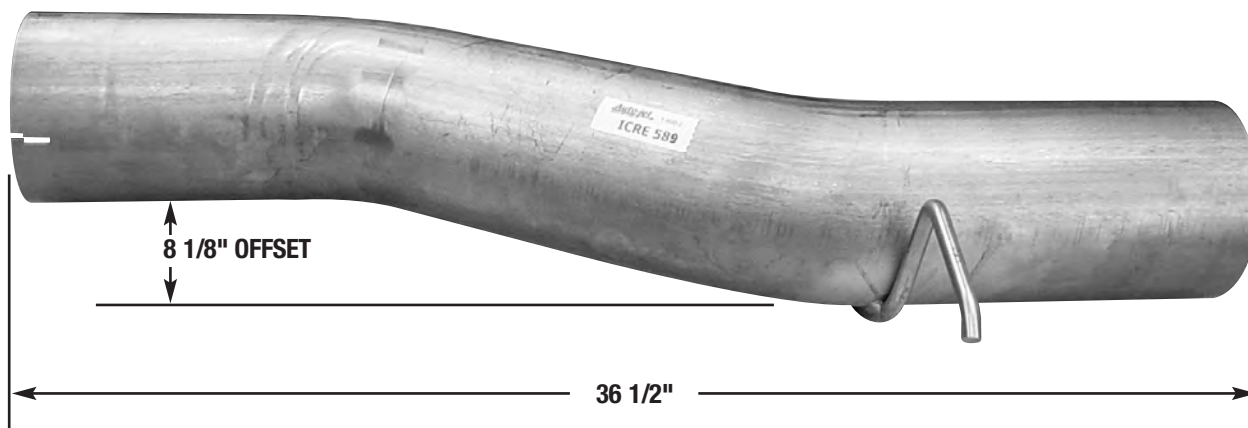
OE PART NUMBER IS FOR
CROSS REFERENCE ONLY

BETTER MATERIAL: 304 STAINLESS VS. 409
HARDER: 82 ROCKWELL VS. 73
HEAVIER DUTY: .065 WALL VS. .044

2007 & UP INTERNATIONAL REAR ENGINE 6" TAILPIPE

OE #'S ARE FOR CROSS REFERENCE ONLY

6" I.D.



AUTO-JET PART # ICRE589
O.E. PART # 3815589C1

6" STAINLESS STEEL TUBE

AUTO-JET MUFFLER CORP. • UNITED MUFFLER CORP.

U.S. toll free 1-800-247-5391 • Fax 515-224-0727 • website: www.auto-jet.com
Canada toll free 1-866-229-3402 • Fax 519-455-1103 • website: www.unitedmuffler.com

NAVISTAR INTERNATIONAL ACCESSORIES

2005 & UP INTERNATIONAL FRONT OVERAXLE HANGE ASSEMBLY

DIRECT FIT-BREAKAGE PROBLEMS SOLVED



OE #'S ARE FOR CROSS REFERENCE ONLY

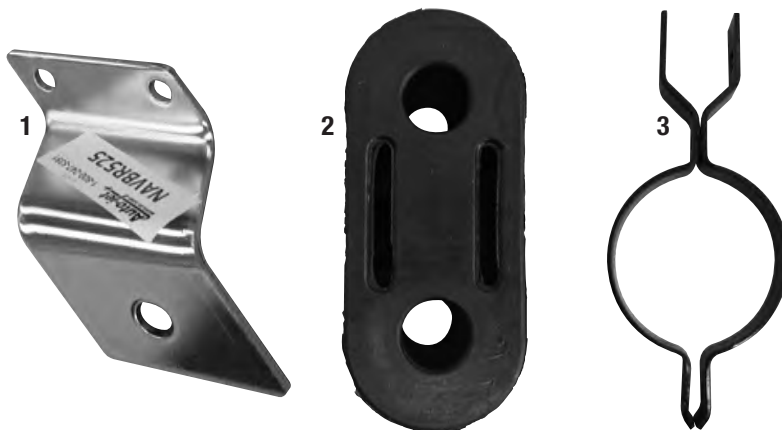
PART#	400PHOACE	LINKCE	BROACE60
OE#	3814815C1 & 21234-R1	482166C2	3562460C2

2005 & UP REAR OVER AXLE HANGER CLIP



PART#	NAVCLIP
OE#	1617480C2

2005 & UP TAILPIPE HANGERS



1	2	3	
PART#	NAVBR525	RUBHGRCE	400PHCE
OE#	3550525C1	3533072C1	3550527C1

AUTO-JET MUFFLER CORP. • UNITED MUFFLER CORP.

U.S. toll free 1-800-247-5391 • Fax 515-224-0727 • website: www.auto-jet.com
 Canada toll free 1-866-229-3402 • Fax 519-455-1103 • website: www.unitedmuffler.com

NAV 20

NAVISTAR INTERNATIONAL ACCESSORIES

2007 & UP INTERNATIONAL DIFFUSERS

DIFFUSER STRAIGHT ON REAR



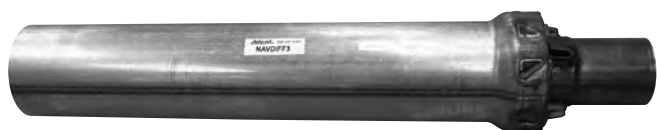
PART# NAVDIFF1 EXCHANGE
OE# 3817878C1

DIFFUSER WITH TURN DOWN FOR SIDE DISCHARGE TAILPIPES



PART# NAVDIFF2 EXCHANGE

2010 & UP INTERNATIONAL DIFFUSER



← 38.5" →
AVAILABLE SOON!

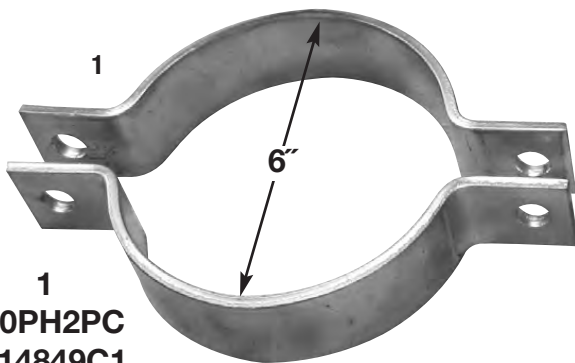
PART# NAVDIFF3
OE# 3881438C1

2007 & UP INTERNATIONAL CONVERTER OUTLET PIPE AND HANGER



PART# ICFP
OE# 2596409C92

2007 & UP 6" TAILPIPE HANGER



1
PART# 600PH2PC
OE# 3814849C1



2
RUBHGRCE
3533072C1

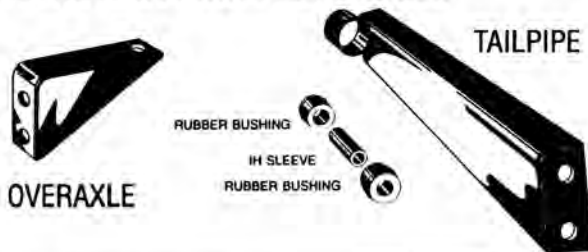
AUTO-JET MUFFLER CORP. • UNITED MUFFLER CORP.

U.S. toll free 1-800-247-5391 • Fax 515-224-0727 • website: www.auto-jet.com
Canada toll free 1-866-229-3402 • Fax 519-455-1103 • website: www.unitedmuffler.com

NAVISTAR INTERNATIONAL ACCESSORIES

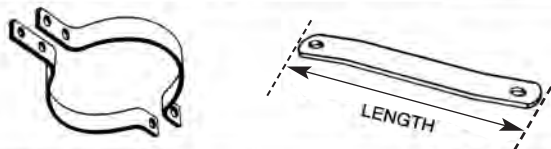
NAVISTAR BRACKETS

EXTRA HEAVY DUTY REINFORCED



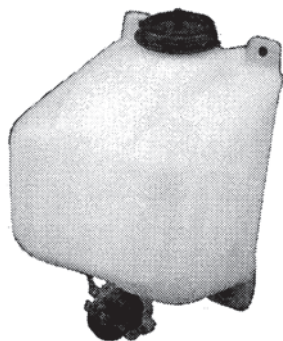
DESCRIPTION	PART #
OVERAXLE BRACKET (not included in complete set)	BROANAV
TAIL PIPE BRACKET	BRTPNAV
RUBBER BUSHINGS	NAVBUUSH
IH SLEEVE	NAVSLEEVE
COMPLETE SET (tailpipe bracket, bushings, IH sleeve)	NAVBRCOMP

INTERNATIONAL HANGERS

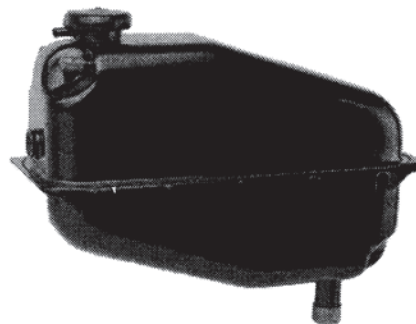


PIPE HANGERS		LINKS			
3"	4"	5"	5-3/4"	6-3/4"	4"
300PH2PC	400PH2PC	LINK1	LINK2	LINK3	LINK4
		A 1988 & UP		B PRIOR TO 1988	
		MUFFLER HANGER A DT360 - DT466 7.3 LITRE FORWARD CONTROL		MUFFLER HANGER B DT360 - DT466	
		OVMHIHDT	OVMHIH73	OVMHIHFC	OVALMHIH

INTERNATIONAL ACCESSORIES



SITE GLASS AVAILABLE
ALSO FITS FREIGHTLINER
PART # NAVSIGHT



RESERVOIR - 1/2 GAL. WITH PUMP & CAP	RADIATOR SURGE TANK
NAVWWRI	NAVSURGE
394120C91	1619114C5

NOTE: International reference numbers are for identification purposes only.

CONVERTERS



PART# NAV714
OE# 2595714C91



PART# NAV981R
OE# 2593981R91

AUTO-JET MUFFLER CORP. • UNITED MUFFLER CORP.

U.S. toll free 1-800-247-5391 • Fax 515-224-0727 • website: www.auto-jet.com
Canada toll free 1-866-229-3402 • Fax 519-455-1103 • website: www.unitedmuffler.com

INTERNATIONAL CROSS REFERENCE CHART

Please call if you do not find the OE part # you need. If it's on a school bus, we probably manufacture it. Auto-Jet manufactures new parts daily.

1608381C1	IDOAL
1610293C3	IDOAAS
1610293C4	IDOAASC4
1610299C3	IDTPAS
161215R1	LINK3
1614955C1	360TURBRH
1616314C1	360DTLE
1616315C1	360DTLEXT
161634C2	350DTLE
1617480C2	NAVCLIP
1618490C1	IDTPFCLAS
1619352C1	SD190
1619352C1	BSD40090ID
1621340C1	466DTLE
1647998C1	350400L
1653532C1	360DTURBO
1660539C91	OVMHIHDT
1660540C91	OVMHIHDTOE
1660542C91	OVMHIHRE
1660543C9	OVMHIH73
1660543C91	OVMHIHD73
1661881C96	OVMHIHDOT
1666966C2	7.3MPL
1668838C1	360DTURBO
1668846C2	DTFP
167713C1	NAVSIGHT
1678067C1	IDTPFCRAS
1678121C2	T444FM3MD
1680059C2	NAVFPFC
1680153C91	OVMHIHFC
1680285C1	SDI14FC
1684275C1	360DTFC
1684276C1	466DTFC
1684396C1	466DTURBO93ST
1684397C1	360DT90
1686802C1	360DT90EXT
1688108C1	IDTPFCLAS
1800708C2	73MANR
1805054C3	73MANL
181052R1	LINK2
181052R1	NAVTP
1816124C1	T444124L
18181815C1	T444434R
1822735C2	T444735R
1822736C2	T444736L
1824434C1	T444434R
1827228C1	T444228R
1827410C1	T444410L

OE PART NUMBER
IS FOR CROSS
REFERENCE ONLY

AUTO-JET MUFFLER CORP. • UNITED MUFFLER CORP.

U.S. toll free 1-800-247-5391 • Fax 515-224-0727 • website: www.auto-jet.com
Canada toll free 1-866-229-3402 • Fax 519-455-1103 • website: www.unitedmuffler.com

INTERNATIONAL CROSS REFERENCE CHART

Please call if you do not find the OE part # you need. If it's on a school bus, we probably manufacture it. Auto-Jet manufactures new parts daily.

2004504C1	466T93
2004557C1	466DTURBO93
2004922C1	466DTFCNGD
2005354C1	466TDOT93
2005499C2	466DTLE94
2006821C1	NAVEXT20
2008955C2	T444REVA
2009008C2	466DTLEEB
2009075C1	466DTEBUP
2009076C1	466DTLEEB
2009076C1	466TEB
2009076C2	466TEB
2013204C1	466DTURBO93L
2013206C91	OVMHIHDTBH
2015888C92	OVMHIHDTBHFC
2018471C1	350400L
202643OC1	IDTPAS
2027974C1	IDOAAS
2029203C3	T444T3LE
2029922C91	OVMHIHDT
2029954C2	T444TURBO
2031635C1	T444TRE
2031636C1	T444RETP
2033702C1	T444T35MD
2033703C1	T444FM35MD
2033978C1	T444VCLPH
2036193C2	T444TURBO643
212134R1	400PH2PC
212134R1	BROACE60
21234-R1	400PHOACE
216533R3	34592GS
2200357C3	466LE357
2507193C1	OVMHCE
255500C1	LINK4
2596409C92	ICFP
265066C1	LINK1
282400C1	400PH2PC
309222C1	392MAN
323518C1	345MAN
324888C93	345HR
3326523C2	T444T6523
338614C1	DT466VCL
3506665C1	T444TRE99
3507193C1	OVMHCE
3515957C1	DT466TRE
3515958C1	T444RETPSD
3518574C1	350EXT17.25
3518574C1	T444EXT8574

OE PART NUMBER
IS FOR CROSS
REFERENCE ONLY

AUTO-JET MUFFLER CORP. • UNITED MUFFLER CORP.

U.S. toll free 1-800-247-5391 • Fax 515-224-0727 • website: www.auto-jet.com
Canada toll free 1-866-229-3402 • Fax 519-455-1103 • website: www.unitedmuffler.com

INTERNATIONAL CROSS REFERENCE CHART

Please call if you do not find the OE part # you need. If it's on a school bus, we probably manufacture it. Auto-Jet manufactures new parts daily.

3518574C2	350EXT1725
3518575C1	T444T35LE
3521587C1	T444TREMFB
3521589C1	T444TURBO
3521591C1	T444T591
3526521C1	T444T6521
3526523C2	T444T6523
3527500C1	T444VCL7500
3530358C1	D-0080
3533072C1	RUBHGRCE
3538939C1	NAVCE939
353931C2	9.0MAN
3543464C1	IDTPAS98L
3543467C1	IDTPAS98L
3543486C1	IDTPAS98
3543488C1	IDTPAS98
3543491C1	IDTPAS98
3543496C1	IDTPAS9877
3543858C2	365VT58C3
3543858C3	365VT58C3
3543871C1	IDTP
3543879C1	IDOA79
3543880C1	IDOAL880
3543903C1	DTFP59
3543906C1	DTFP66
3544128C1	LINK2
3544141C1	IDOAAAS98
3544459C3	T444TURBO20
3545428C2	NAVCL428
3545685C4	T444RE685
3546068C2	VT365VCL
3549916C1	NAVCE916
3550525C1	NAVBR525
3550527C1	400PHCE
3554832C1	466DTLE20
3558041C2	T444041
3562427C1	NAVCE427
3562429C1	NAVFC429
3562431C1	NAVCE445
3562460C2	BROACE60
3562460C2	400PH2PC
3569826C1	IDTP826
3569826C1	IDTP826
3571968C2	NAV-1968
3572643C2	IDTP643
3573029C1	IDTPL029
3573073C1	IDTPL029
3582606C2	466T2606

OE PART NUMBER
IS FOR CROSS
REFERENCE ONLY

AUTO-JET MUFFLER CORP. • UNITED MUFFLER CORP.

U.S. toll free 1-800-247-5391 • Fax 515-224-0727 • website: www.auto-jet.com
Canada toll free 1-866-229-3402 • Fax 519-455-1103 • website: www.unitedmuffler.com

NAV 25

INTERNATIONAL CROSS REFERENCE CHART

Please call if you do not find the OE part # you need. If it's on a school bus, we probably manufacture it. Auto-Jet manufactures new parts daily.

3584619C2	T46619RE
3584620C1	ICRESICAT
3585872C1	350400CAT
3589192C1	350400CAT
3589445C1	NAVCE445
3589447C1	NAVCE447
3589451C1	NAVCE451
3589453C1	NAVCE453
3589453C1	NAVCE453
3589631C1	ICRETPSD
3589872C1	ICRETPOR
3590734C1	SDI734
3593687C1	T365RE
3609028C1	NAVBE028
3609029C1	NAVBE029
3609033C1	NAVBE033
3609035C1	NAVBE035
3609037C1	NAVBE037
3612841C3	I6T841
3790797C2	IC797T
3814479C1	IC479SS
3814483C1	IC483SS
3814734C1	400STP409
3814735C1	400STP409
3814736C1	IC736SS
3814737C1	IC736SS
3814779C1	600STP409
3814815C1	400PHOACE
3814849C1	600PH2PC
3815589C1	ICRE589
3815590C91	ICRETP590
3817878C1	NAVDIFF1
3881438C1	NAVDIFF3
425624R91	T444VCL
446843C1	404MAN
446940C1	404GS
4591909R1	466FC09
4591910R1	466FC10
468885C91	NAVWWR2
471302C93	NAVTSW
482165C2	BROANAV
482166C2	LINKCE
482168C1	IDOA
482168C4	IDOA
482168C4	IDOA
482173C1	BRTPNAV
482174C1	466DTURBO
482622C1	IDTP

OE PART NUMBER
IS FOR CROSS
REFERENCE ONLY

AUTO-JET MUFFLER CORP. • UNITED MUFFLER CORP.

U.S. toll free 1-800-247-5391 • Fax 515-224-0727 • website: www.auto-jet.com
Canada toll free 1-866-229-3402 • Fax 519-455-1103 • website: www.unitedmuffler.com

INTERNATIONAL CROSS REFERENCE CHART

Please call if you do not find the OE part # you need. If it's on a school bus, we probably manufacture it. Auto-Jet manufactures new parts daily.

482726C1	9.0RRMP
482728C1	9.0LMP
482730C1	9.0RMP
484887C1	BRTPNVAF
492565C1	OVALMHIH
499388C1	466DTURBST
524755C1	LOA4
537757C2	3208SL
577265C1	IDTP
578068C1	2275400HDA
591595C2	6.9MPR
598281C1	NAVTPEXT
72093R1	9.0ER
72696R1	NAVBUUSH
FNQ663994	NAVFC994

OE PART NUMBER
IS FOR CROSS
REFERENCE ONLY

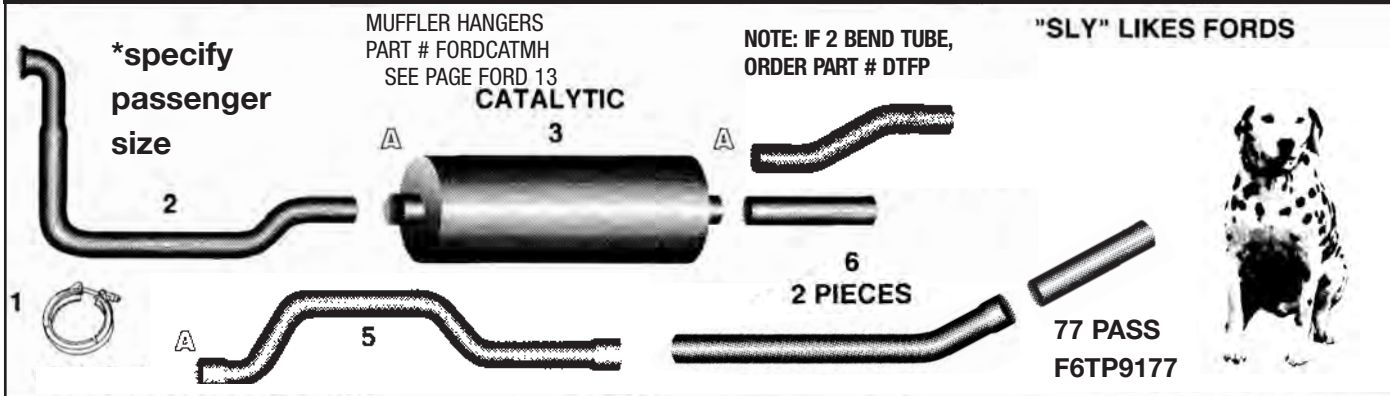
AUTO-JET MUFFLER CORP. • UNITED MUFFLER CORP.

U.S. toll free 1-800-247-5391 • Fax 515-224-0727 • website: www.auto-jet.com
Canada toll free 1-866-229-3402 • Fax 519-455-1103 • website: www.unitedmuffler.com

NAV 27

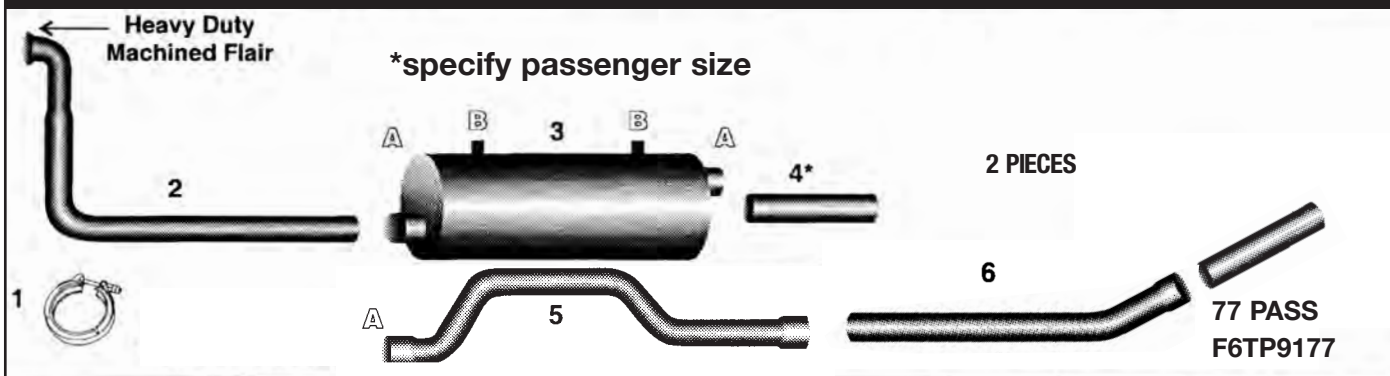
FORD EXHAUST SYSTEM

1996-UP FORD FD-1060 CUMMINS DIESEL 6BT 5.9 LITRE



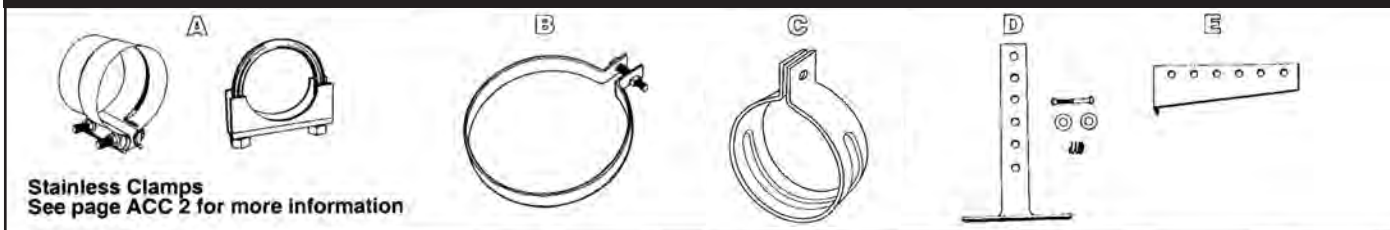
DESCRIPTION	1 V-CLAMP	2 TURBO PIPE	3 CATALYTIC MUFFLER	4* FRONT PIPE	5 OVERAXLE PIPE	6 TAIL PIPE
PART #	FDVCL96		400CATCTR	400STP (STRAIGHT)	F60A91	F6TP91
PART #		FD1060T96A (ALUMINIZED)	11-0025 NON-CAT.	DTFP (2 BEND)		

1992-95 FORD FD-1060 CUMMINS DIESEL 6BT 5.9 LITRE



DESCRIPTION	1 V-CLAMP	2 TURBO PIPE	3 MUFFLER	4* FRONT PIPE	5 OVERAXLE PIPE	6 TAIL PIPE
PART #	TCVCL	FD1060T	400FDA.	400STP	F60A91	F6TP91

ACCESSORIES



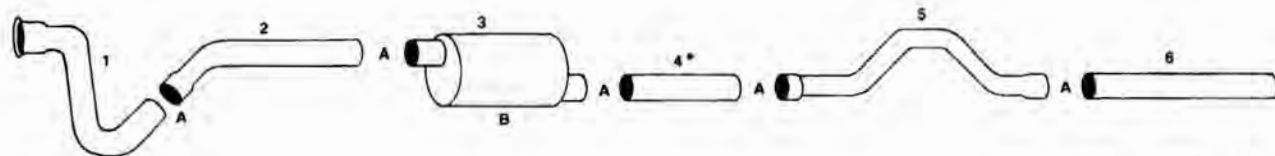
DESCRIPTION	AIR ELEMENTS			CLAMPS	MUFFLER HANGER	TAIL PIPE HANGERS		
	6.6 - 7.8	FD-1060	INNER	A - 4*	B	C	D	E
PART #	P52-0925	P52-9493	P52-9494	FLAT 400SC	400FDAMH	FORD400PH	THGR	HGRBR
PART #		P52-7484	P52-7680	PRE-FORMED 400SCPF				
				U-BOLT U-400				

AUTO-JET MUFFLER CORP. • UNITED MUFFLER CORP.

U.S. toll free 1-800-247-5391 • Fax 515-224-0727 • website: www.auto-jet.com
 Canada toll free 1-866-229-3402 • Fax 519-455-1103 • website: www.unitedmuffler.com

FORD EXHAUST SYSTEM

1987-UP FORD MODELS B-600 & B-700, 6.6 & 7.8 LITRE



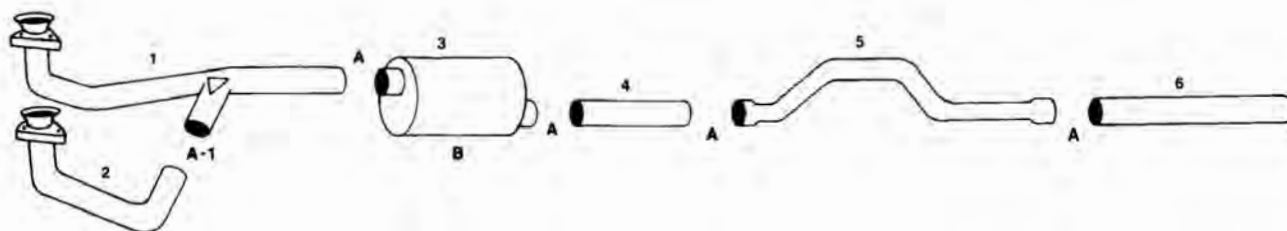
V-Clamp Part # 66FVCL

IN-LINE 6 CYL. TURBO
4" ALUMINIZED TUBE

*SPECIFY PASSENGER SIZE

DESCRIPTION	1 TURBO PIPE	2 - TURBO TO MUFFLER PIPE	3 MUFFLER	4* FRONT PIPE	5 OVERAXLE PIPE	6 TAIL PIPE
6.6 ENGINE PART #	66FTURBO	F6TMP	40082F	400STP	F60A (87 TO 90)	F6TP
7.8 ENGINE PART #	78FTURBO	F6TMP	40082F	400STP	F60A (87 TO 90) F60A91 (91-UP)	F6TP F6TP91

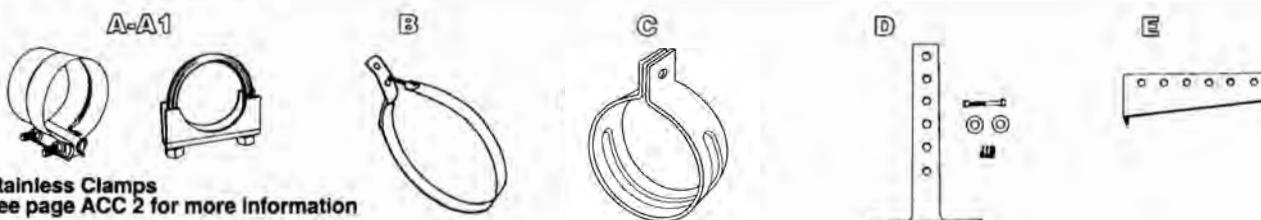
1983-UP FORD 3208CAT ENGINE, NATURALLY ASPIRATED



1983-UP ALUMINIZED 4" TUBE

DESCRIPTION	1 Y-PIPE	2 CROSSOVER	3 MUFFLER	4 - MUFFLER TO OVERAXLE PIPE	5 OVERAXLE PIPE	6 TAIL PIPE
1987 PART #	3208FY83	3208FC083	40082F	400STP	F820A87	3208TP4
1986 PART #	3208FY83	3208FC083	40082F	400STP	F820A86	3208TP4
1983-85 PART #	3208FY83	3208FC083	40082F	400STP	F820A83	3208TP4

ACCESSORIES



Stainless Clamps
See page ACC 2 for more information

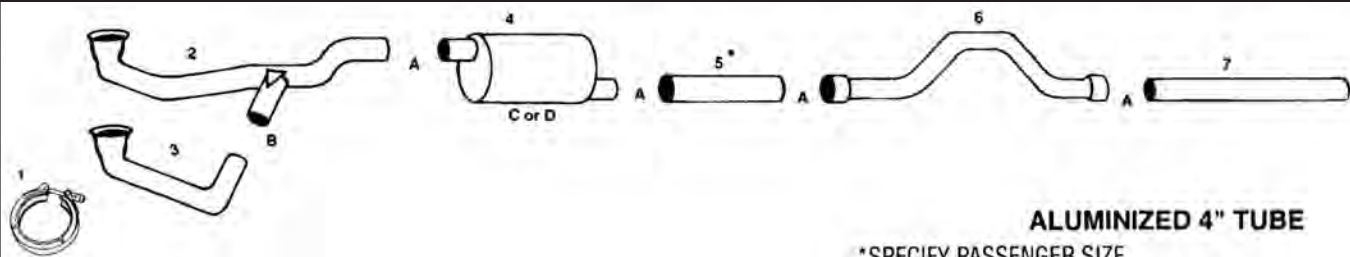
DESCRIPTION	AIR ELEMENTS			CLAMPS			MUFFLER HANGER B	TAIL PIPE HANGERS		
	6.6 - 7.8	FD-1060	INNER	FLAT	A	A1		C	D	E
PART #	P52-0925	P52-9493	P52-9494	FLAT	400SC	275SC	FORD 11MH	FORD400PH	THGR	HGRBR
PART #		P52-7484	P52-7680	PRE-FORMED	400SCPF	275SCPF				
PART #				U-BOLT	U-400	U-275				

AUTO-JET MUFFLER CORP. • UNITED MUFFLER CORP.

U.S. toll free 1-800-247-5391 • Fax 515-224-0727 • website: www.auto-jet.com
Canada toll free 1-866-229-3402 • Fax 519-455-1103 • website: www.unitedmuffler.com

FORD EXHAUST SYSTEM

1980-UP FORD 8.2 LITRE "FUEL PINCHER" DIESEL, NATURALLY ASPIRATED

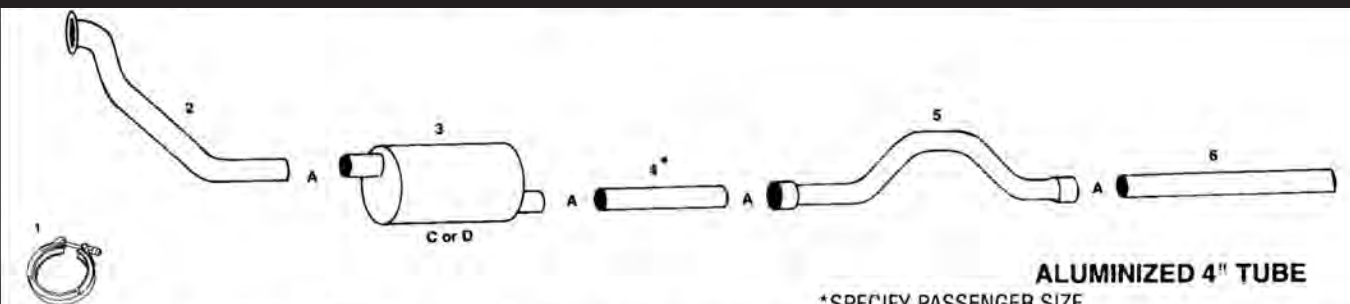


ALUMINIZED 4" TUBE

*SPECIFY PASSENGER SIZE

DESCRIPTION	1 V-CLAMP	2 Y-PIPE	3 CROSSOVER	4 MUFFLER	5* FRONT PIPE	6 - OVERAXLE PIPE	7 TAIL PIPE
1980 TO 2-1-83 PART #	82FVCLNA	82FY	82FCO	400400 (Oval)	400STP	F820A	F82TP
2-1-83 & UP PART #	82FVCLNA	82FY83	82FCO	40082F (Round)	400STP	F820A83	F82TP
1986 PART #	82FVCLNA	82FY83	82FCO	40082F (Round)	400STP	F820A86	F82TP
1987 PART #	82FVCLNA	82FY83	82FCO	40082F (Round)	400STP	F820A87	F82TP

1980-UP FORD 8.2 LITRE "FUEL PINCHER" DIESEL, TURBO

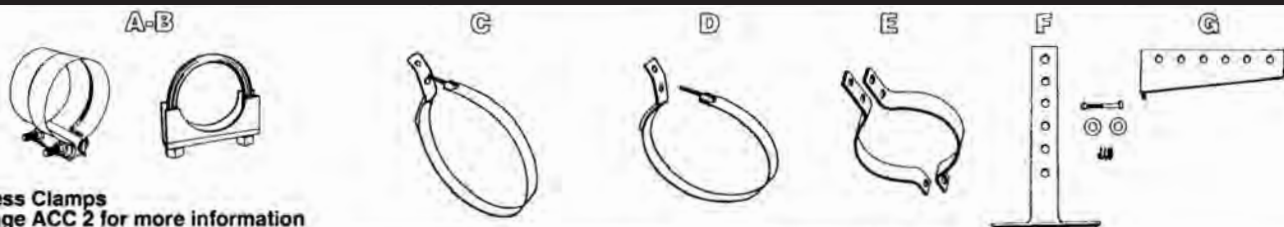


ALUMINIZED 4" TUBE

*SPECIFY PASSENGER SIZE

DESCRIPTION	1 - TURBO V-CLAMP	2 TURBO PIPE	3 MUFFLER	4* FRONT PIPE	5 OVERAXLE PIPE	6 TAIL PIPE
1980 TO 2-1-83 PART #	82FVCLT	82FTURBO	400400 (Oval)	400STP	F820A	F82TP
2-1-83 & UP PART #	82FVCLT	82FTURBO83	40082FT (Round)	400STP	F820A83	F82TP
1986 PART #	82FVCLT	82FTURBO83	40082FT (Round)	400STP	F820A86	F82TP
1987 PART #	82FVCLT	82FTURBO83	40082FT (Round)	400STP	F820A87	F82TP

ACCESSORIES



Stainless Clamps
See page ACC 2 for more information

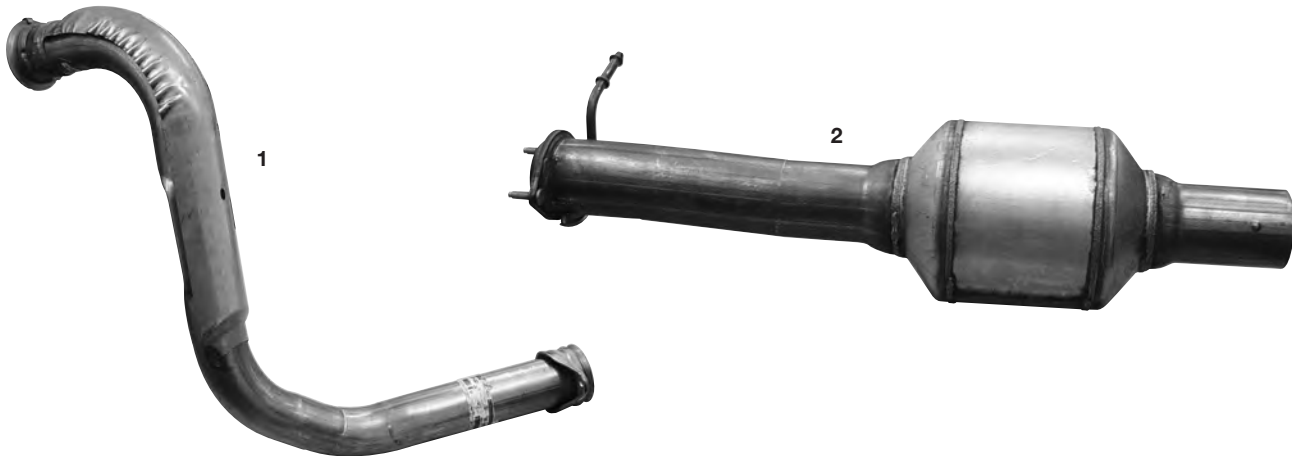
DESCRIPTION	CLAMPS		MUFFLER HANGERS		TAIL PIPE HANGERS				
	FLAT	PRE-FORMED	A (4")	B (2-3/4")	C	D	E	F	G
PART #	400SC	275SC							
PART #	400SCPF	275SCPF	FORD 11MH	FORD OVMH	400PH2PC	THGR	HGRBR		
PART #	U-400	U-275							

AUTO-JET MUFFLER CORP. • UNITED MUFFLER CORP.

U.S. toll free 1-800-247-5391 • Fax 515-224-0727 • website: www.auto-jet.com
Canada toll free 1-866-229-3402 • Fax 519-455-1103 • website: www.unitedmuffler.com

FORD EXHAUST SYSTEM

2004 - 2006 E-350 & E-450 VAN 6.0 LITRE



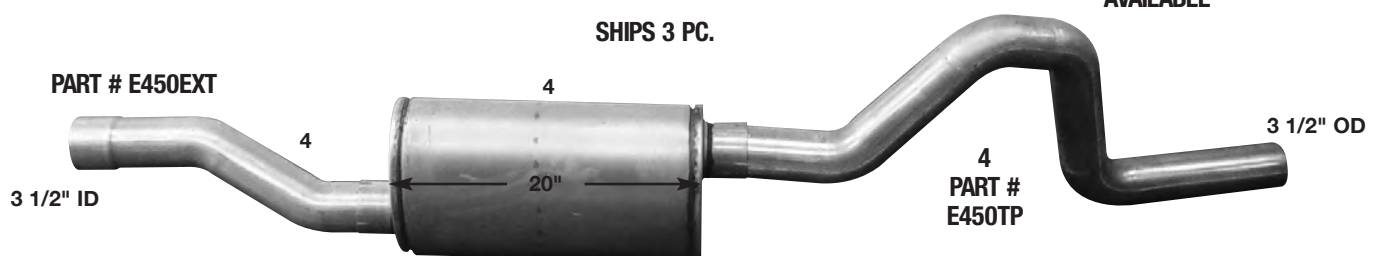
OE #'S ARE FOR
CROSS REFERENCE
ONLY

3 1/2" OD

FOR E-350 USE PART # E-350CMP

OFFSET
AVAILABLE

SHIPS 3 PC.



PART # C-0045
OR C-0085
26.5" CASE



E-450
PART # E450HGR2



E-350
PART # E350HGR2

DESCRIPTION	1 TURBO PIPE	2 CONVERTER	3 CONVERTER TO MUFFLER PIPE	4 MUFFLER & TAILPIPE
AUTO-JET PART #	E-4506.0T	FORD CONV 6	E-450CMP	E-450ASSY
O.E. PART #	4C2Z6N646BA	5C2Z5E212B	7C2Z-5A212-KA (NEED WHEELBASE 158" OR 176")	4C2Z5230GA INCLUDES HANGERS

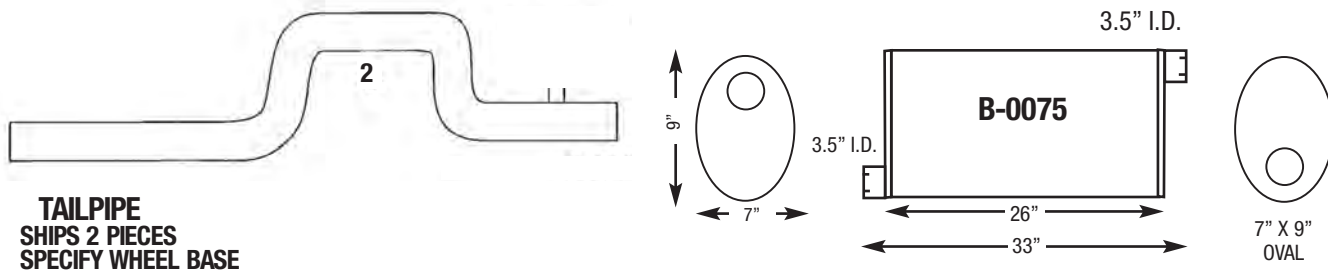
AUTO-JET MUFFLER CORP. • UNITED MUFFLER CORP.

U.S. toll free 1-800-247-5391 • Fax 515-224-0727 • website: www.auto-jet.com
Canada toll free 1-866-229-3402 • Fax 519-455-1103 • website: www.unitedmuffler.com

FORD 4

FORD EXHAUST SYSTEM

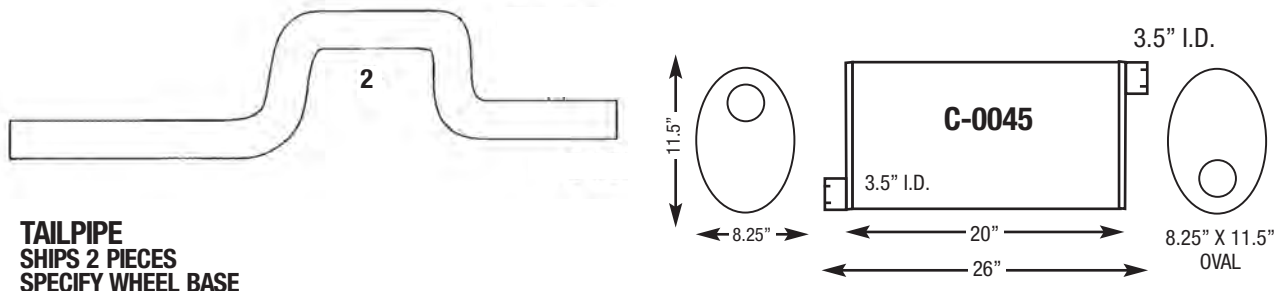
1999 & UP E-350 VAN 7.3 LITRE POWER STROKE DIESEL



TAILPIPE
SHIPS 2 PIECES
SPECIFY WHEEL BASE

DESCRIPTION	1 MUFFLER	2 TAILPIPE	3 STAINLESS CLAMPS
PART #	B-0075	FORD350TP (RIGHT SIDE EXIT) FORD350TPOR (EXIT OUT REAR)	3-1/2" -350SC (2 REQUIRED)

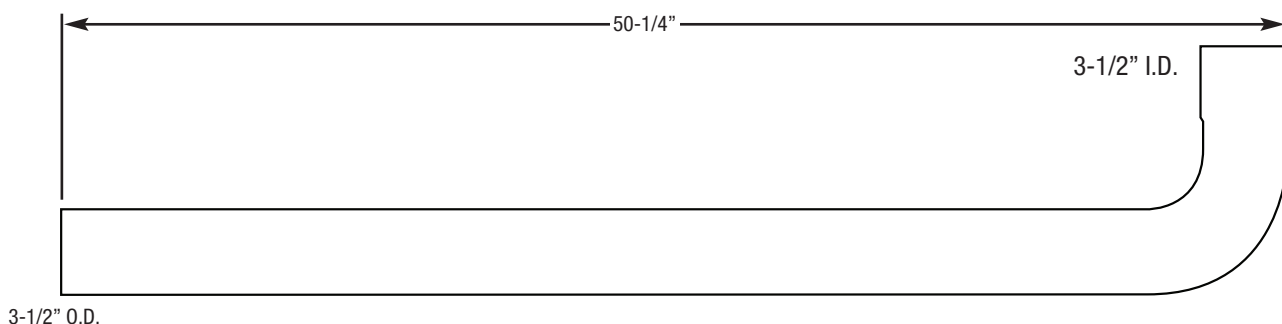
1999 & UP E-350 VAN 7.3 LITRE POWER STROKE DIESEL



TAILPIPE
SHIPS 2 PIECES
SPECIFY WHEEL BASE

DESCRIPTION	1 MUFFLER	2 TAILPIPE	3 STAINLESS CLAMPS
PART #	C-0045	FORD350TP (RIGHT SIDE EXIT) FORD350TPOR (EXIT OUT REAR)	3-1/2" -350SC (2 REQUIRED)

POPULAR FORD VAN TAILPIPE



3-1/2" O.D.

AUTO-JET PART# E450TP2

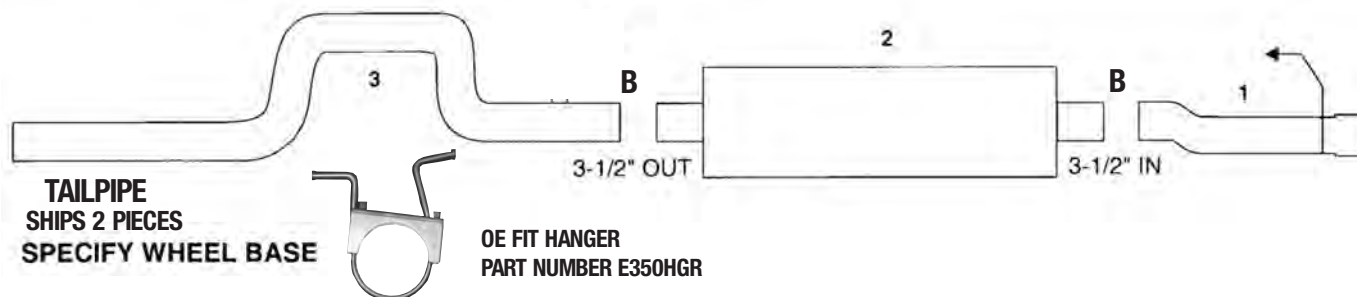
AUTO-JET MUFFLER CORP. • UNITED MUFFLER CORP.

U.S. toll free 1-800-247-5391 • Fax 515-224-0727 • website: www.auto-jet.com
Canada toll free 1-866-229-3402 • Fax 519-455-1103 • website: www.unitedmuffler.com

FORD 5

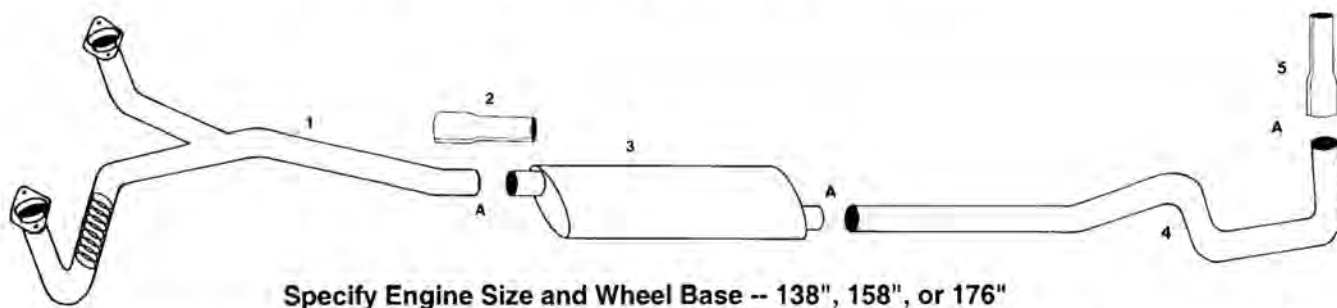
FORD EXHAUST SYSTEM

1995-98 FORD E-350 VAN 7.3 LITRE POWER STROKE DIESEL



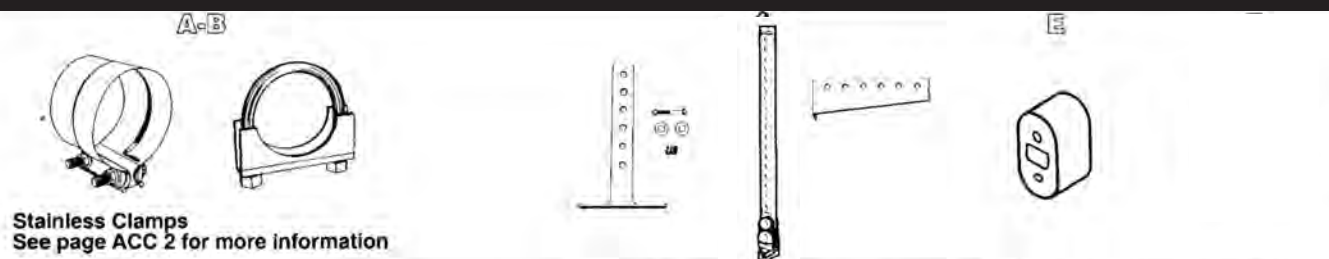
DESCRIPTION	1 EXTENSION PIPE	2 MUFFLER	3 TAILPIPE	4 STAINLESS CLAMPS
PART #	E35073EXT	7-0040	FORD350TP (RIGHT SIDE EXIT) FORD350TPOR (EXIT OUT REAR)	3-1/2" -350SC (2 REQUIRED)

1987-95 CUT AWAY VAN E-350 7.3 LITRE DIESEL



DESCRIPTION	1 MANIFOLD PIPE	2 - EXTENSION PIPE (WHEEL BASE)	3 MUFFLER	4 TAIL PIPE	5 - TAIL PIPE EXTENSION
PART #	73MANFE	138" EXT73FE138 158" EXT73FE158 176" EXT73FE176	A-0040	TP73FE	250EXT13

ACCESSORIES



DESCRIPTION	CLAMPS			PIPE HANGERS			RUBBER HANGER E
	FLAT	A (2-1/2") 250SC	B (3 1/2") 350SC	THGR	SWHGR	HGRBR	8196
PART #	PRE-FORMED	250SCPF	350SCPF				
PART #	U-BOLT	U-250	U-350				

AUTO-JET MUFFLER CORP. • UNITED MUFFLER CORP.

U.S. toll free 1-800-247-5391 • Fax 515-224-0727 • website: www.auto-jet.com
 Canada toll free 1-866-229-3402 • Fax 519-455-1103 • website: www.unitedmuffler.com

FORD EXHAUST SYSTEM

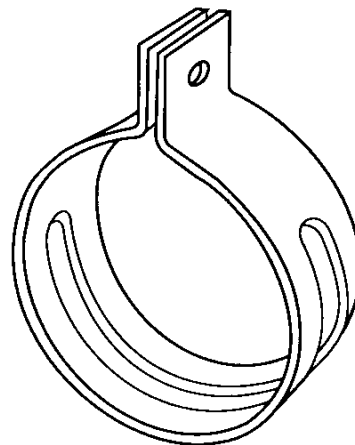
FORD MANIFOLDS

4" FOR DIESEL TAIL PIPE HANGER

370-429 C.I. WITH AIR TUBE HOLES
RIGHT OR LEFT HAS SAME PART #



OE # F2HZ94300E



OE # FORD400PH

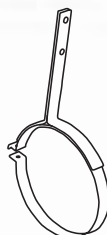
DESCRIPTION	PART #
MANIFOLD	370MAN
GASKET	370MANGS
AIR TUBE	370AT
ADAPTER	370AD

FORD MUFFLER HANGERS - ORIGINAL EQUIPMENT FIT

FITS ALL DIESEL MUFFLERS 1983-UP
11" ROUND



#FORD11MH



#FORDCATMH

FITS ALL DIESEL MUFFLERS 1979-82
OVAL



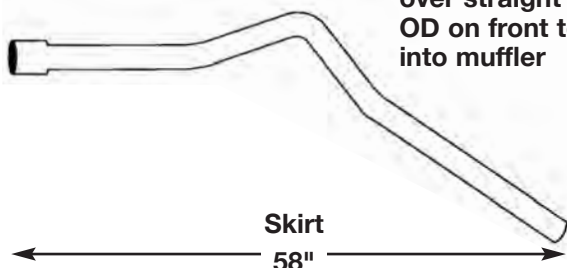
#FORDVMH

Cross Ref: OE# E7HZ5A215B

OVER DRIVE SHAFT TAIL PIPES 4"

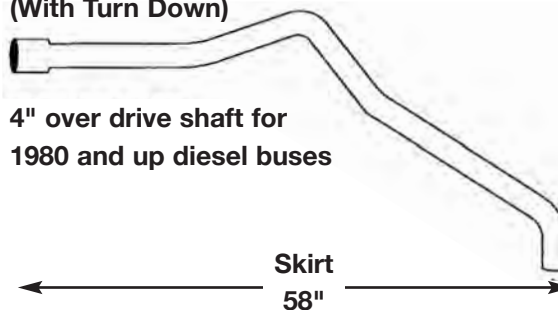
Part # SDFOD4PL
(No Turn Down) Plain

Please specify:
ID on front to go
over straight pipe
OD on front to go
into muffler



Part # SDFOD4TD
(With Turn Down)

4" over drive shaft for
1980 and up diesel buses



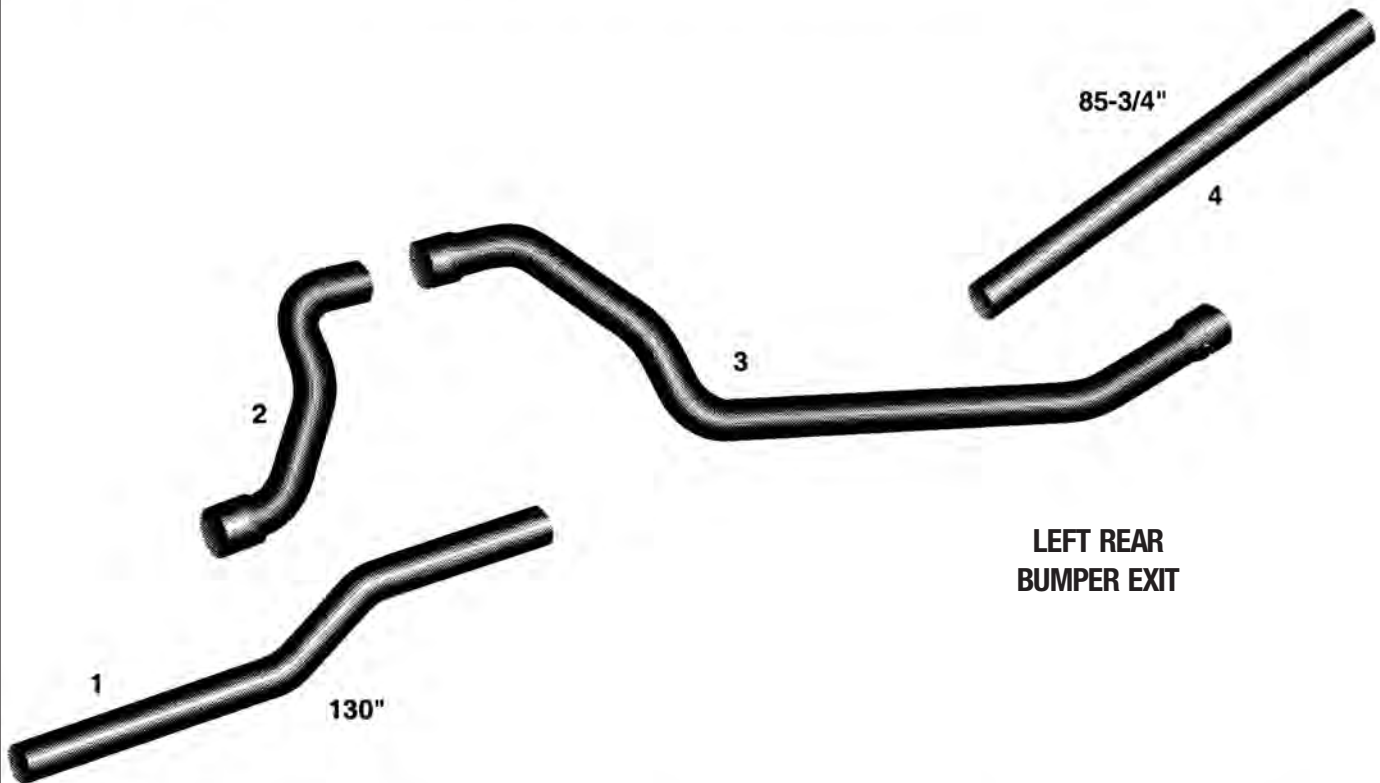
AUTO-JET MUFFLER CORP. • UNITED MUFFLER CORP.

U.S. toll free 1-800-247-5391 • Fax 515-224-0727 • website: www.auto-jet.com
Canada toll free 1-866-229-3402 • Fax 519-455-1103 • website: www.unitedmuffler.com

FORD 7

FORD EXHAUST SYSTEM

1992-UP FORD AIR SUSPENSION TAIL PIPES



OE #'S ARE FOR CROSS REFERENCE ONLY

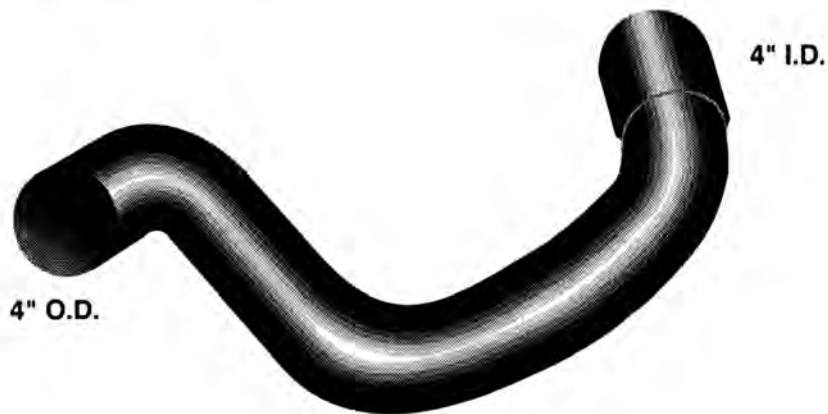
DESCRIPTION	1 - FRONT PIPE	2 - FRONT OVERAXLE	3 - REAR OVERAXLE	4 - TAIL PIPE
PART #	FORDFPAS	FORDOAAS	FORDROAAS	400STP86
OE PART #	F4HZ5255M	F2HS5C219BA	F2HS5C219DA	FOHS5263FA

FORD UNDER DRIVE SHAFT SIDE DISCHARGE TAIL PIPE

O.E. FORD #: FOHS5263KA

PART #: SDFUD4

ALL ALUMINIZED TUBE



AUTO-JET MUFFLER CORP. • UNITED MUFFLER CORP.

U.S. toll free 1-800-247-5391 • Fax 515-224-0727 • website: www.auto-jet.com
 Canada toll free 1-866-229-3402 • Fax 519-455-1103 • website: www.unitedmuffler.com

FORD 8

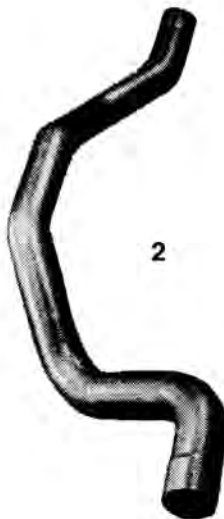
FORD EXHAUST SYSTEM

FORD DIESEL OVERAXLE PIPES

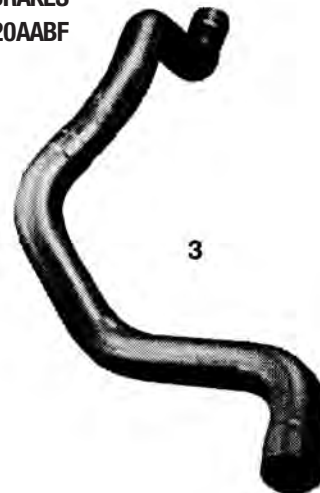
NOT PICTURED:
FORD DIESEL OVERAXLE, RIGHT REAR EXIT
WITH AIR-BRAKES
PART # F820AABF



1



2



3

DESCRIPTION	1	2	3
AUTO-JET PART #	F820A	F820A83	F820A86



4



5



6

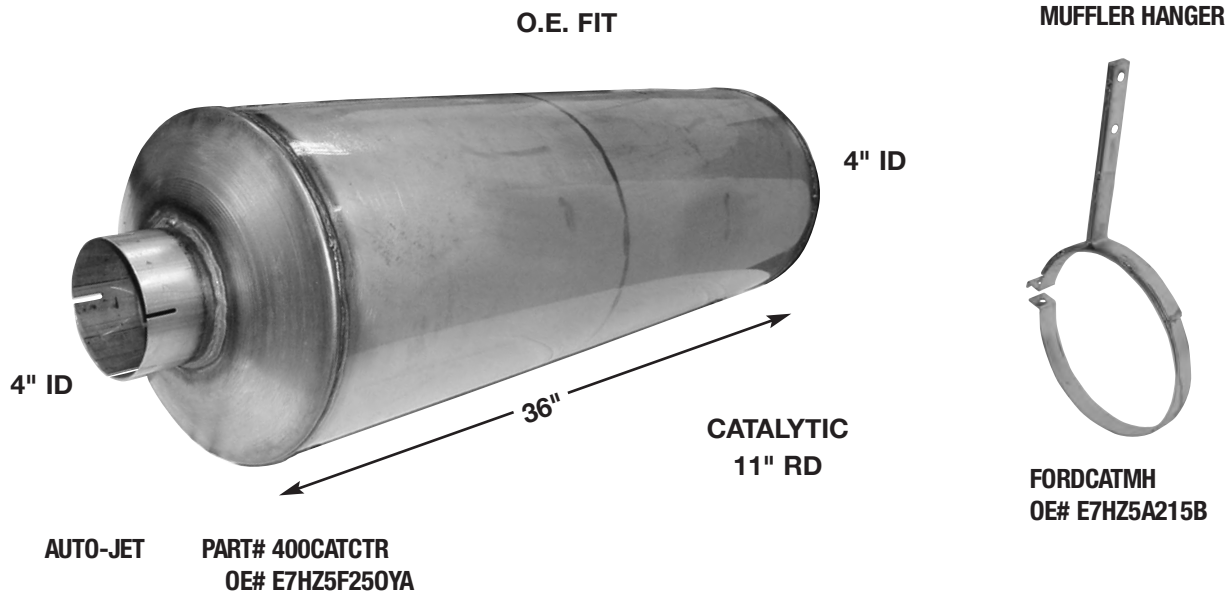
DESCRIPTION	4	5	6
AUTO-JET PART #	F820A87	F60A	F60A91

AUTO-JET MUFFLER CORP. • UNITED MUFFLER CORP.

U.S. toll free 1-800-247-5391 • Fax 515-224-0727 • website: www.auto-jet.com
Canada toll free 1-866-229-3402 • Fax 519-455-1103 • website: www.unitedmuffler.com

FORD EXHAUST SYSTEM

1996 & UP FORD RETRO FIT



OE #'S ARE FOR CROSS REFERENCE ONLY

1987 TO 1995 FORD RETRO FIT MUFFLER

ENGINES:
B-SERIES CUMMINS
6.6-7.8 LITRE

O.E. FIT
E.P.A. APPROVED

CATALYTIC 11" RD



OE #'S ARE FOR CROSS REFERENCE ONLY
MATERIAL 409 STAINLESS STEEL

NOTE: CATALYTIC MUFFLERS ARE APPROVED
FOR 250 H.P. OR LESS ENGINES

AUTO-JET MUFFLER CORP. • UNITED MUFFLER CORP.

U.S. toll free 1-800-247-5391 • Fax 515-224-0727 • website: www.auto-jet.com
Canada toll free 1-866-229-3402 • Fax 519-455-1103 • website: www.unitedmuffler.com

FORD 10

FORD CATALYTIC MUFFLERS

Please call if you do not find the OE part # you need. If it's on a school bus, we probably manufacture it. Auto-Jet manufactures new parts daily.

4C2Z6N646BA	E4506.0T
5C2Z5E212B	FORDCONV6
7C2Z5A212KA	E450CMP
D4VY9448A	370MANGS
D5HZ5A215B	FORDOVMH
D5TZ5246AS	3208FY75
D9HZ25246V	3208FCO79
D0HZ5A231H	FORD400PH
E0HZ5246K	82FTURBO
E2HZ5A215C	FORD11MH
E3HZ5246L	3208FC083
E3HZ5246N	3208FY83
E3HZ5246R	82FTURBO83
E3HZ5255N	F82OA83
E5H29G462D	370AD
E5HZ5246L	370R85SS
E5HZ5246M	370L85SS
E5HZ5A231B	370VCLHD
E5HZ9X445D	370AT
E6HZ5255A	F82OA86
E7HZ5246G	66FTURBO
E7HZ5246K	78FTURBO
E7HZ5246N	F6TMP
E7HZ5255A	F6OA
E7HZ5255B	F82OA87
E7HZ5A215B	FORDCATMH
E8TZ5E212A	CONVBM2
E9HZ5246CG	370L89
E9HZ5246D	370R89SS
E9HZ5A231B	370VCL89
E0HZ5246L	3208FY79
E0HZ5255V	F82OA
F0HS5263FA	400STP86
F0HS5263KA	SDFUD4
F2HS5C219BA	FORDOAAS
F2HS5C219DA	FORDROAAS
F2HZ9430E	370MAN
F3HZ5230B	400FDA
F3HZ5246N	FD1060T
F3HZ5255B	F6OA91
F3HZ5255C	F6TP91
F4HZ5246K	FD1060T96
F4HZ5255M	FORDFPAS
F4HZ5255N	DTFP72
F4HZ5A281A	FDVCL96

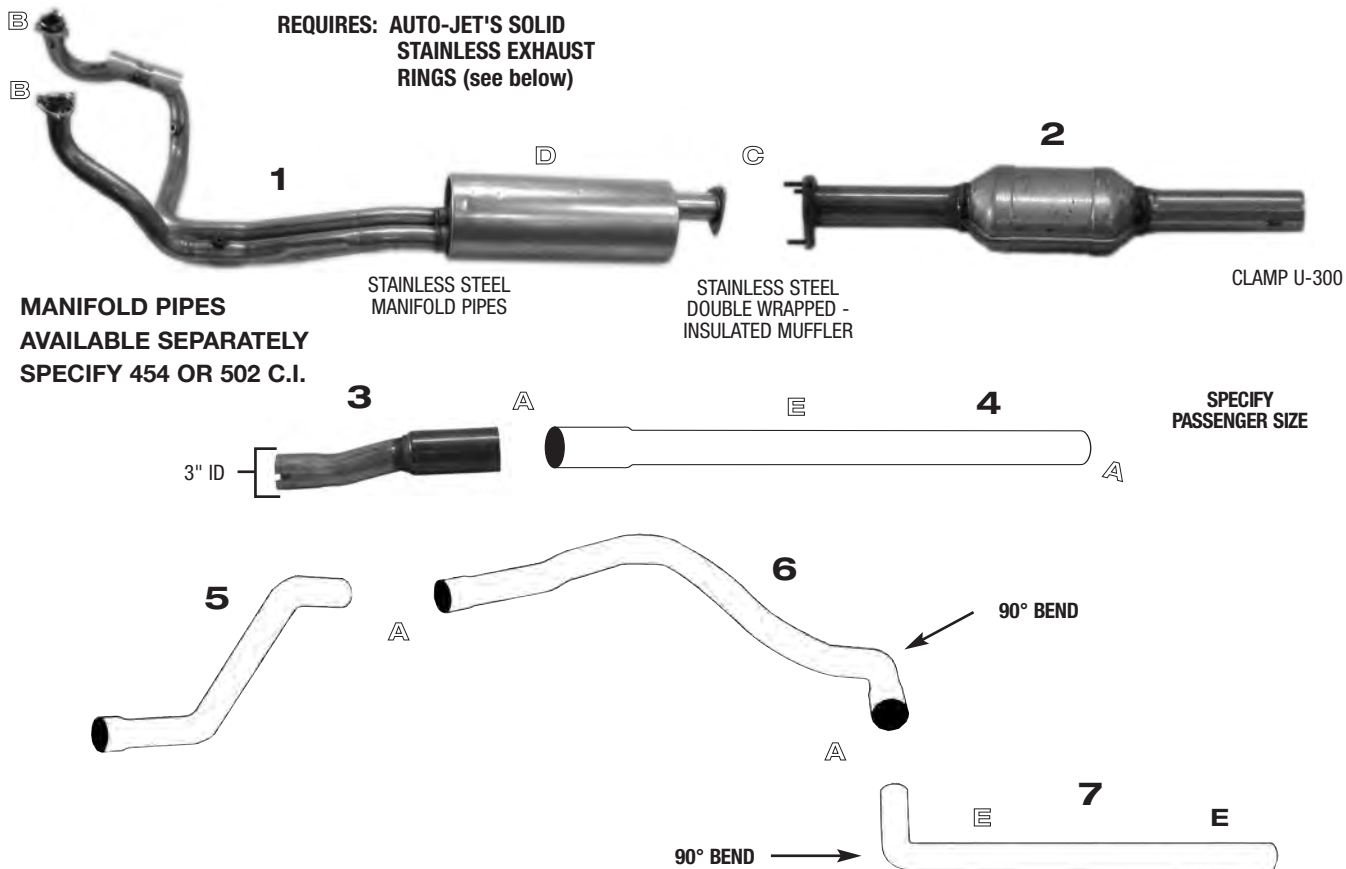
OE #'S ARE
FOR CROSS
REFERENCE ONLY

AUTO-JET MUFFLER CORP. • UNITED MUFFLER CORP.

U.S. toll free 1-800-247-5391 • Fax 515-224-0727 • website: www.auto-jet.com
Canada toll free 1-866-229-3402 • Fax 519-455-1103 • website: www.unitedmuffler.com

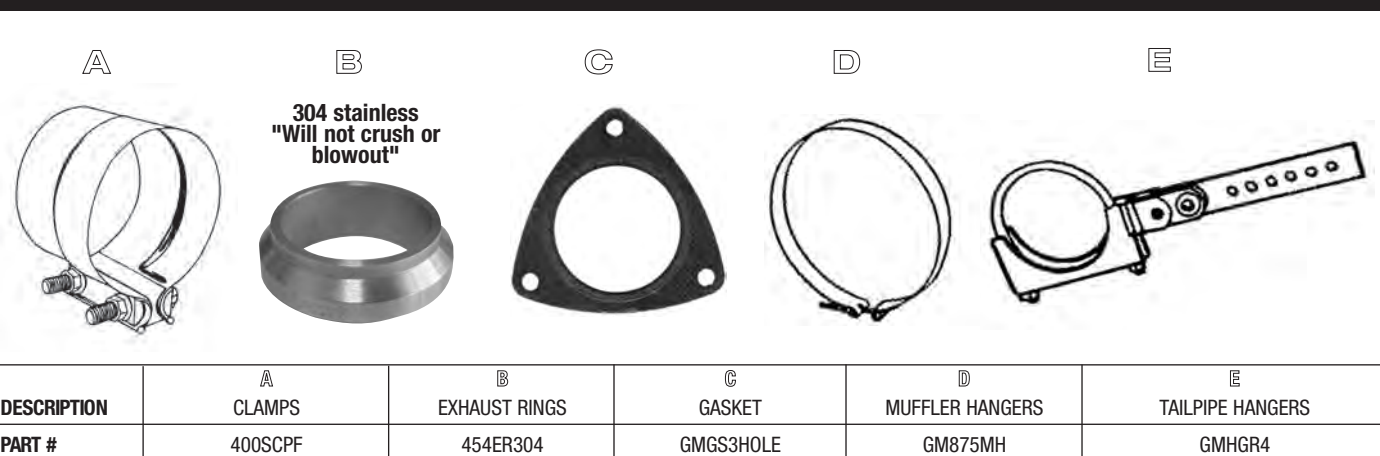
GMC - BLUEBIRD EXHAUST SYSTEMS

1998-UP 454-502 C.I. GAS BLUEBIRD CV200 GMC B7 CONVENTIONAL CHASSIS



DESCRIPTION	1 - MANIFOLD PIPES & MUFFLER ASSEMBLY	2 CONVERTER	3 FRONT PIPE	4 INT.PIPE	5 FRONT OVERAXLE	6 REAR OVERAXLE	7 TAIL PIPE
PART #	GM454ASSY	GMCONV454	GM454FP	CV400STPID	CVFOA97	CV0A94	CVTP94

ACCESSORIES



DESCRIPTION	A CLAMPS	B EXHAUST RINGS	C GASKET	D MUFFLER HANGERS	E TAILPIPE HANGERS
PART #	400SCPF	454ER304	GMGS3HOLE	GM875MH	GMHGR4

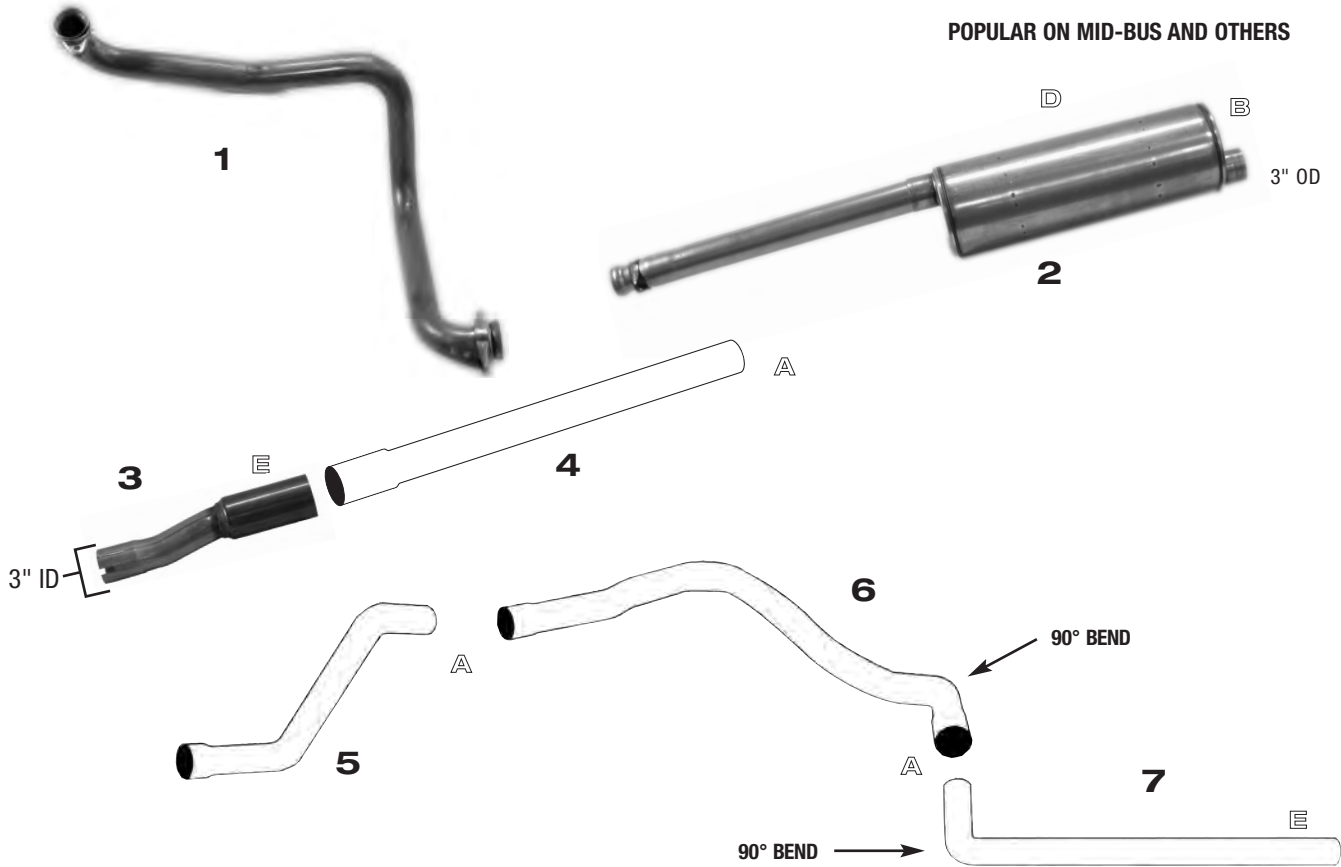
AUTO-JET MUFFLER CORP. • UNITED MUFFLER CORP.

U.S. toll free 1-800-247-5391 • Fax 515-224-0727 • website: www.auto-jet.com
 Canada toll free 1-866-229-3402 • Fax 519-455-1103 • website: www.unitedmuffler.com

GMC - CHEVROLET EXHAUST SYSTEMS

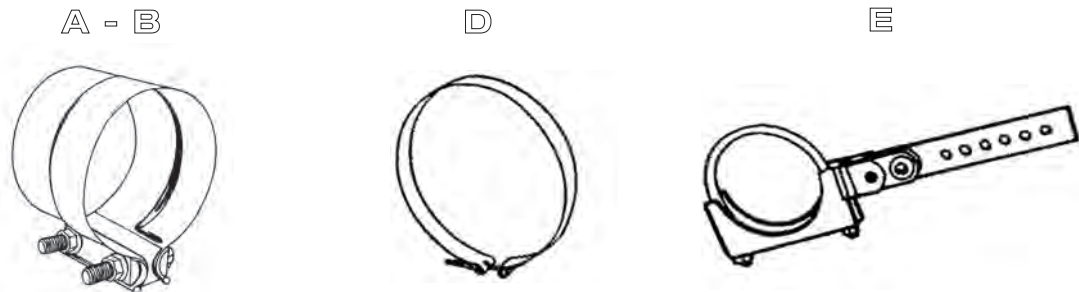
1997-UP GM B-7- KODIAK TOPKICK CHASSIS 6.5 LITRE TURBO DIESEL

POPULAR ON MID-BUS AND OTHERS



DESCRIPTION	1 TURBO PIPE	2 MUFFLER	3 FRONT PIPE	4 INT.PIPE	5 FRONT OVERAXLE	6 REAR OVERAXLE	7 TAIL PIPE
PART #	GMKOD65T	85-0016	GM454FP	CV400STPID	CVFOA97	CVOA94	CVTP94

ACCESSORIES



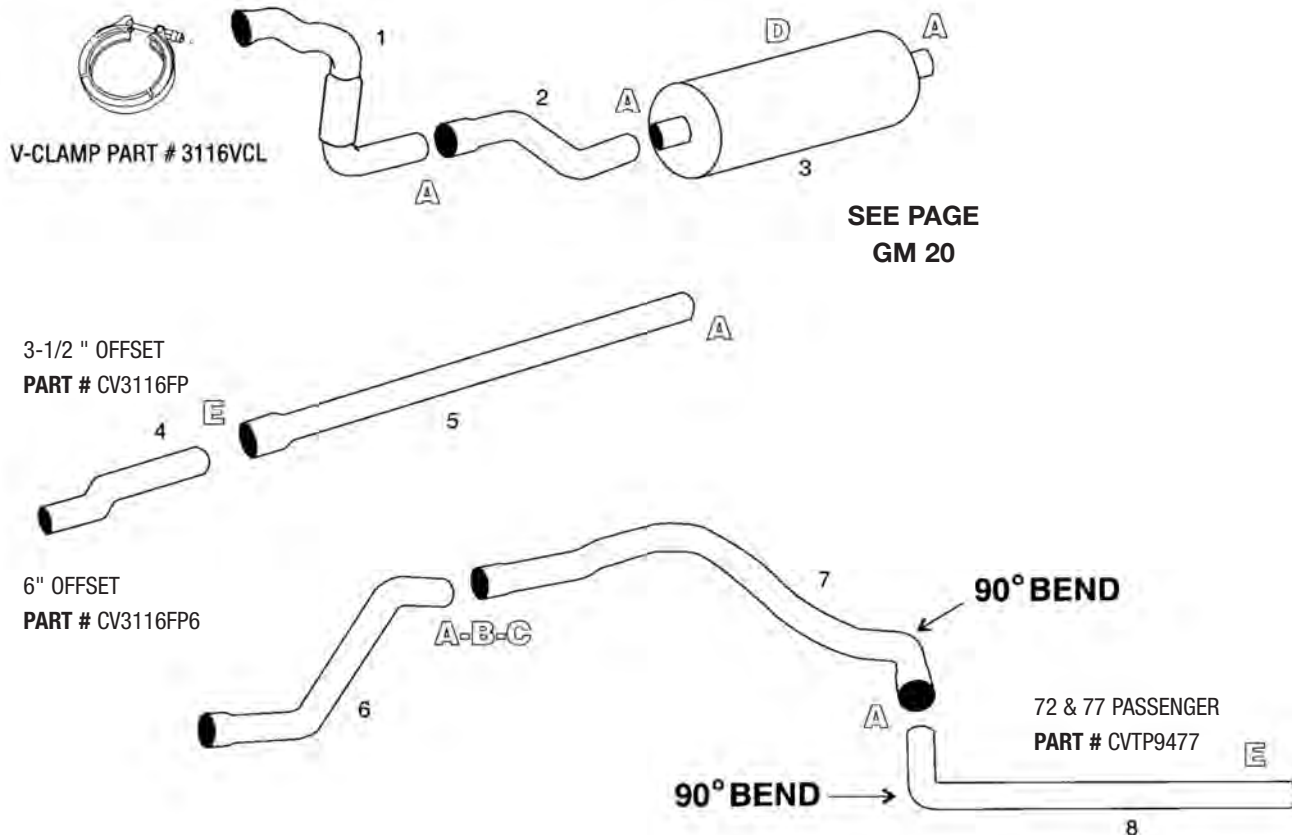
DESCRIPTION	OVERAXLE ACCESSORIES		D MUFFLER HANGERS	E TAILPIPE HANGERS
PART #	A 400SCPF	B 300SCPF	GM875MH	GMHGR4

AUTO-JET MUFFLER CORP. • UNITED MUFFLER CORP.

U.S. toll free 1-800-247-5391 • Fax 515-224-0727 • website: www.auto-jet.com
 Canada toll free 1-866-229-3402 • Fax 519-455-1103 • website: www.unitedmuffler.com

GMC - BLUEBIRD EXHAUST SYSTEMS

1998-UP 3126 CAT BLUEBIRD CV200 GMC B7 CONVENTIONAL CHASSIS



OE #'S ARE FOR CROSS REFERENCE ONLY

DESCRIPTION	1 - TURBO PIPE	2 OFFSET	3 MUFFLER	4 FRONT PIPE	5 INT. PIPE	6 - FRONT OVERAXLE	7 - REAR OVERAXLE	8 - TAIL PIPE
PART #	CV3126T OE# 15743053	CV3116OFF	400CATCTR (CATALYST) CV400CNTR (NON-CATALYST)	CV3116FP or CV3116FP6	CV400STPID	CVFOA97	CVOA94	CVTP94
66 Pass. & UP	CV3126T66 OE# 15743050							

ACCESSORIES

DESCRIPTION	OVERAXLE ACCESSORIES			MUFFLER HANGER	TAIL PIPE HANGERS
	A	B	C	D	E
PART #	400SCPF	GMHGROA	GMFRAMBR	GM10MH	GMHGR4

AUTO-JET MUFFLER CORP. • UNITED MUFFLER CORP.

U.S. toll free 1-800-247-5391 • Fax 515-224-0727 • website: www.auto-jet.com
 Canada toll free 1-866-229-3402 • Fax 519-455-1103 • website: www.unitedmuffler.com

GMC - BLUEBIRD EXHAUST SYSTEMS

1994-UP GMC-BUEBIRD 366-427 C.I. GAS ENGINE - CONVENTIONAL CHASSIS

NEW ITEM!

SOLID STAINLESS EXHAUST RINGS
SEE PAGE GM 9

OVERAXLE STOPS BEHIND LEFT REAR DUALS

TAILPIPE HAS 90° BEND

DESCRIPTION	1 - RIGHT MANIFOLD	2 - LEFT MANIFOLD	3 - MUFFLER	4 - CONVERTER	5 - FRONT PIPE	6 - INT. PIPE	7 - FRONT OVERAXLE PIPE	8 - REAR OVERAXLE PIPE	9 - TAIL PIPE
PART #	CV366R	CV366L	2250300BS	GMCONVF	CV366FP	CV400STPID	CVFOA	CVOA94	CVTP94

1992-93 GMC-BUEBIRD 366-427 C.I. GAS ENGINE - CONVENTIONAL CHASSIS

NEW ITEM!

SOLID STAINLESS EXHAUST RINGS
SEE PAGE GM 9

SHIPPED IN TWO PIECES

TAILPIPE STRAIGHT

DESCRIPTION	1 - RIGHT MANIFOLD	2 - LEFT MANIFOLD	3 - MUFFLER	4 - CONVERTER	5 - FRONT PIPE	6 - INT. PIPE	7 - FRONT OVERAXLE PIPE	8 - REAR OVERAXLE PIPE	9 - TAIL PIPE
PART #	CV366R	CV366L	2250300BS	GMCONVF	CV366FP	CV400STPID	CVFOA	CVOA93	CVTP93

ACCESSORIES

SEE BOTTOM OF PAGE GM 7 FOR STUDS, SPRINGS, AND EXHAUST RINGS

Stainless Clamps
See page ACC 2 for more information

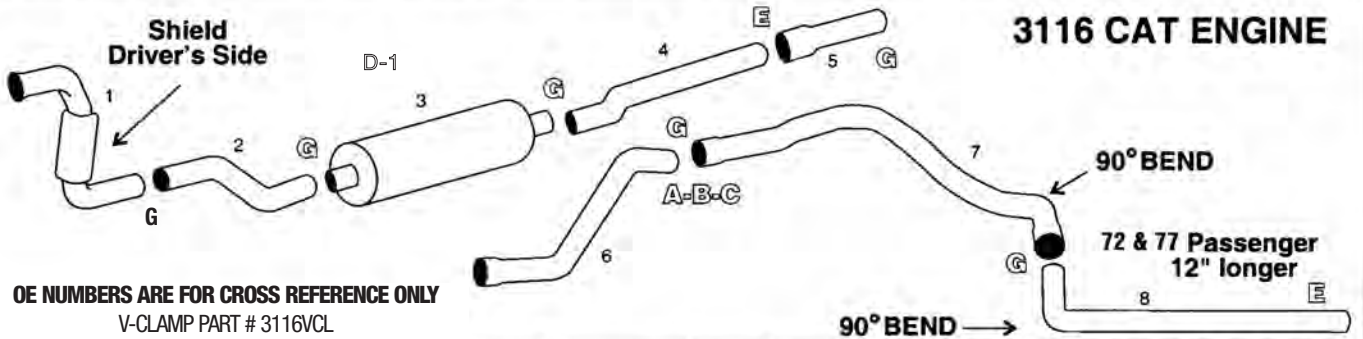
DESCRIPTION	OVERAXLE ACCESSORIES			MUFFLER HANGER	TAIL PIPE HANGERS	CLAMPS	
	A	B	C	D	E	F (3")	G (4")
PART #	400SCPF	GMHGROA	GMFRAMBR	GM875MH	GMHGR4	FLAT 300SC	400SC
						PRE-FORMED 300SCPF	400SCPF
						U-BOLT U-300	U-400

AUTO-JET MUFFLER CORP. • UNITED MUFFLER CORP.

U.S. toll free 1-800-247-5391 • Fax 515-224-0727 • website: www.auto-jet.com
 Canada toll free 1-866-229-3402 • Fax 519-455-1103 • website: www.unitedmuffler.com

GMC - BLUEBIRD EXHAUST SYSTEMS

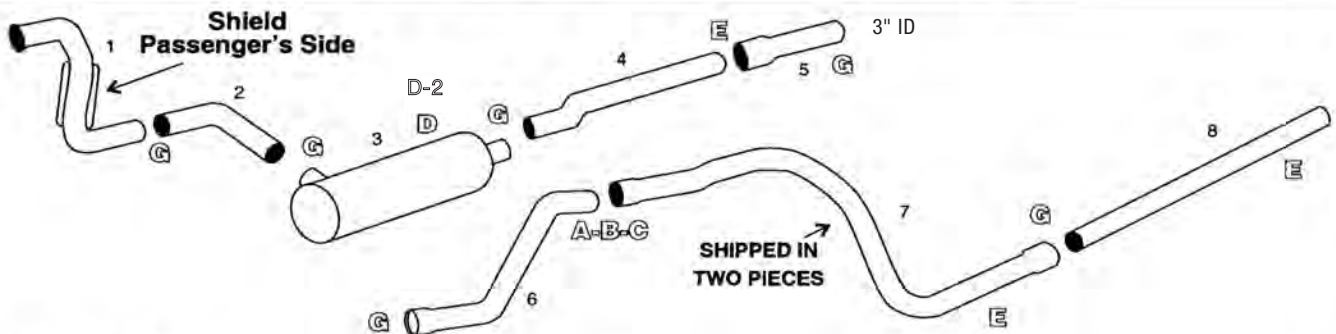
1994-UP BLUEBIRD CV200 GMC B7 CONVENTIONAL CHASSIS



OE NUMBERS ARE FOR CROSS REFERENCE ONLY
V-CLAMP PART # 3116VCL

DESCRIPTION	1 - TURBO PIPES	2 OFFSET	3 CATALYTIC MUFFLER	4 FRONT PIPE	5 INT. PIPE	6 - FRONT OVERAXLE	7 - REAR OVERAXLE	8 - TAIL PIPE
PART #	CV3116T94	CV3116OFF	400CATCTR	CV3116FP	CV400STPID	CVFOA	CV0A94	CVTP94
OE #	15981338		CV400CNTR	CV3116FP6		72 & 77 PASSENGER →		CVTP9477
OE #	CV3116T3392 15993392		(NON CATALYTIC)	(6" OFF SET)				

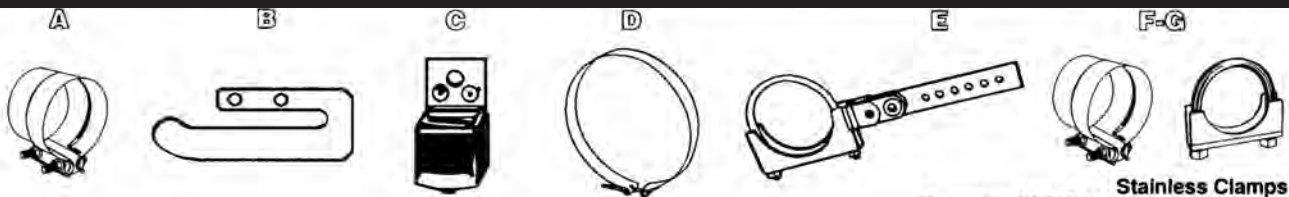
1992-95 GMC-BLUEBIRD 3116 CATERPILLAR ENGINE



V-CLAMP PART # 3116VCL

DESCRIPTION	1 - TURBO PIPE	2 ELBOW	3 MUFFLER	4 FRONT PIPE	5 INT. PIPE	6 - FRONT OVERAXLE	7 - REAR OVERAXLE	8 - TAIL PIPE
PART #	CV3116T	CV3116EL	CV400400	CV3116FP	CV400STPID	CVFOA	CV0A93	CVTP93

ACCESSORIES



DESCRIPTION	OVERAXLE ACCESSORIES			MUFFLER HANGER	TAIL PIPE HANGERS	CLAMPS		
	A	B	C	D	E	F (3")	G (4")	
PART #	400SCPF	GMHGROA	GMFRAMBR	D-1-GM10MH D-2-GM875MH	GMHGR4	FLAT	300SC	400SC
						PRE-FORMED	300SCPF	400SCPF
						U-BOLT	U-300	U-400

AUTO-JET MUFFLER CORP. • UNITED MUFFLER CORP.

U.S. toll free 1-800-247-5391 • Fax 515-224-0727 • website: www.auto-jet.com
Canada toll free 1-866-229-3402 • Fax 519-455-1103 • website: www.unitedmuffler.com

CHEVROLET - GMC EXHAUST SYSTEMS

1980-91 CHEVROLET-GMC 8.2 LITRE, NATURALLY ASPIRATED

82CNAT2 = O.E. # 2046392 **82CNAT1 = O.E. # 2088280**

V-Clamp

PART# 82FVCLNA *NOTE: 60 PASSENGER & SMALLER PIPES 6 & 7 ARE COMBINED #82CFPOA **4" ALUMINIZED TUBING**

DESCRIPTION	1A - RIGHT FLAIR	1 - MANIFOLD PIPE	2 - STAINLESS FLEX - 28"	3 ELBOW	4 OFFSET	5 MUFFLER	6 - FRONT PIPE*	7 - FRONT OVERAXLE	8 OVERAXLE	9 - TAIL PIPE
STYLE 1	82FLARE	82CNAT ¹	82CFLEX28	NOT REQD.	82COFF	400400L	82CFP	82CFOA	82COA	82CTP
STYLE 2	82FLARE	82CNAT ²	82CFLEX28	82CNAEL	82COFFID	400400L	82CFP	82CFOA	82COA	82CTP

1980-UP CHEVROLET-GMC 8.2 LITRE, TURBO

82TURBO2 STYLE 2 **82TURBO STYLE 1**

V-Clamp

Part # 82FVCLT *NOTE: 60 PASSENGER & SMALLER PIPES 6 & 7 ARE COMBINED #82CFPOA **4" ALUMINIZED TUBING**

DESCRIPTION	1 - TURBO MANIFOLD PIPE	2 - STAINLESS FLEX (28")	3 ELBOW	4 OFFSET	5 MUFFLER	6 - FRONT PIPE*	7 - FRONT OVERAXLE	8 OVERAXLE	9 - TAIL PIPE
STYLE 1	82TURBO	82CFLEX28	NOT REQD.	82COFF	400400 OVAL	82CFP	82CFOA	82COA	82CTP
STYLE 2	82TURBO2	82CFLEX28	82CNAEL	82COFFID	400400 OVAL	82CFP	82CFOA	82COA	82CTP

ACCESSORIES

A **B** **C** **D** **E-F**

Stainless Clamps
See page ACC 2 for more information

DESCRIPTION	MUFFLER HANGER A	TUBE HANGER	OVERAXLE HANGER ACCESSORIES B C D			CLAMPS	
						E (4")	F (3")
PART #	GMOVSTRAP	GMHGR4	GMHGROA	GMFRAMBR	400SCPF	400SC	300SC
						400SCPF	300SCPF
						U-400	U-300

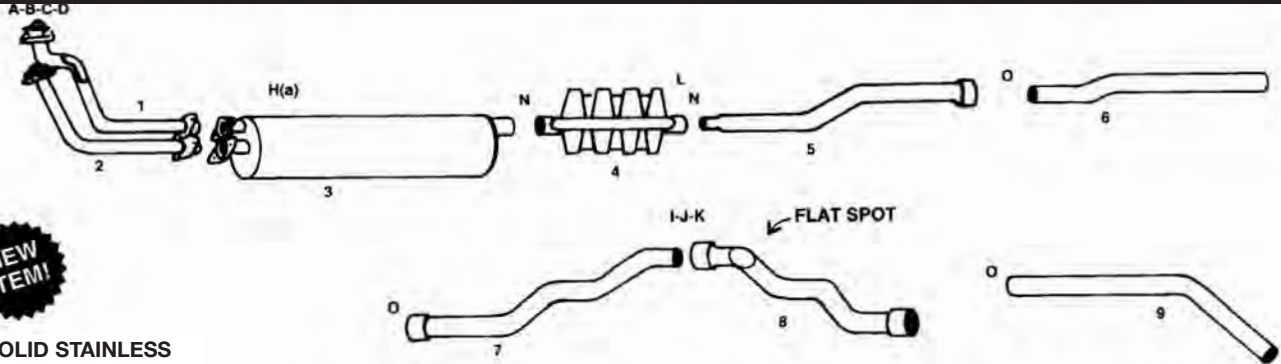
AUTO-JET MUFFLER CORP. • UNITED MUFFLER CORP.

U.S. toll free 1-800-247-5391 • Fax 515-224-0727 • website: www.auto-jet.com
Canada toll free 1-866-229-3402 • Fax 519-455-1103 • website: www.unitedmuffler.com

GM 6

CHEVROLET - GMC EXHAUST SYSTEMS

1989-91 366 T B.I., 6.0 LITRE, 366 C.I. FUEL INJECTED W/CONVERTER



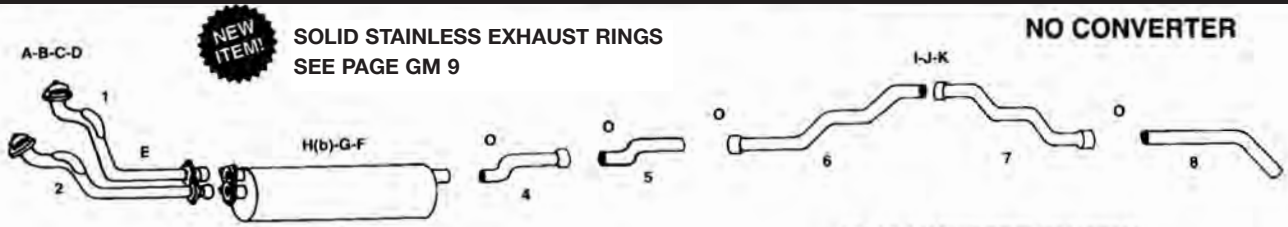
NEW ITEM!
SOLID STAINLESS
EXHAUST RINGS
SEE PAGE GM 9

*STAINLESS STEEL

4" ALUMINIZED TUBING

DESCRIPTION	1 - RIGHT MANIFOLD	2 - LEFT MANIFOLD	3 MUFFLER	4 CONVERTER	5 - CONVERTER TO FRONT PIPE	6 - FRONT PIPE	7 - FRONT OVERAXLE	8 - REAR OVERAXLE	9 TAIL PIPE
PART #	TBIRM*	TBILM*	2250300BS*	TBICONV	TBIFP	82CFP	TBICFOA	TBICOA	82CTP

1986-88 366 C.I. V-8 STAINLESS STEEL SYSTEM - 1 MUFFLER



NEW ITEM!

SOLID STAINLESS EXHAUST RINGS
SEE PAGE GM 9

NO CONVERTER

4" ALUMINIZED TUBING

Manifold pipes fit engines with headers.

*NOTE: 60 PASSENGER & SMALLER PIPES 5 & 6 ARE COMBINED #82CFPOA

DESCRIPTION	1 - RIGHT MANIFOLD	2 - LEFT MANIFOLD	3 MUFFLER	4 OFFSET	5 FRONT PIPE	6 - FRONT OVERAXLE	7 OVERAXLE	8 TAIL PIPE
PART #	366SSR6	366SSL6	2250400BS	CSOFF	82CFP*	82CFOA*	82COA	82CTP

ACCESSORIES



DESCRIPTION	A - STUD	B - SPRINGS	EXHAUST RINGS	FLANGE NUT	E	MUFFLER ACCESSORIES		
1989-UP PART #	STUDSSTBI	SPRINGSSSTBI	C	D	E	F	G	H
PART #	STUDSS	SPRINGSS	366ERSS	FLNUT	366MPSH	GM10SHLD	GM10HS	(a) GM875MH (b) GM10MH



Stainless Clamps
See page ACC 2
for more information

DESCRIPTION	OVERAXLE ACCESSORIES			CONVERTER	TAIL PIPE HANGER	CLAMPS	
	I	J	K	L	M	N (3")	O (4")
PART #	400SCPF	GMHGROA	GMFRAMBR	GMCONVBR	GMHGR4	FLAT 300SC	400SC
						PRE-FORMED 300SCPF	400SCPF
						U-BOLT U-300	U-400

AUTO-JET MUFFLER CORP. • UNITED MUFFLER CORP.

U.S. toll free 1-800-247-5391 • Fax 515-224-0727 • website: www.auto-jet.com
Canada toll free 1-866-229-3402 • Fax 519-455-1103 • website: www.unitedmuffler.com

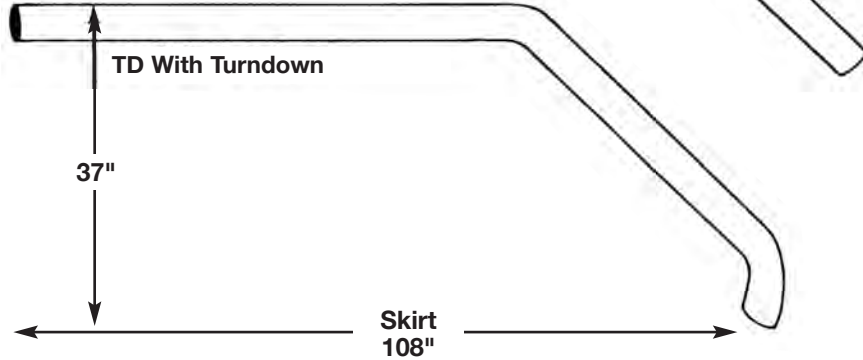
CHEVROLET - GMC ACCESSORIES

SIDE EXIT TAILPIPES

1980 & Up Diesel
1985 & Up Gas
4" Tubing

Part #
SDC4PL No Turndown
SDC4TD With Turndown
TD400 Turndown Only

PL Plain No Turndown



Please Specify
ID on front over straight pipe
OD on front into muffler

MANIFOLDS - 366 C.I., 427 C.I., 350 C.I.

1989-UP



366 T.B.I.



1975-84

366-427 C.I.

1975-90



350 C.I.

DESCRIPTION	RIGHT		LEFT		LEFT & RIGHT SAME
1975-84 PART #	366MANR	O.E. # 14045182	366MANL	O.E. #14045181	1984-BELOW 350MAN
1989-UP 366 T.B.I. PART #	366MANTBR	O.E. #12551387	366MANTBL	O.E. #12551385	1985-UP 350 MAN85
1998-UP 454 C.I.	454MANR		454MANL		

454-502 C.I. MANIFOLDS



1998 & UP

	PART #
RIGHT	454MANR
LEFT	454MANL

AUTO-JET MUFFLER CORP. • UNITED MUFFLER CORP.

U.S. toll free 1-800-247-5391 • Fax 515-224-0727 • website: www.auto-jet.com
Canada toll free 1-866-229-3402 • Fax 519-455-1103 • website: www.unitedmuffler.com

GM 8

CHEVROLET - GMC ACCESSORIES

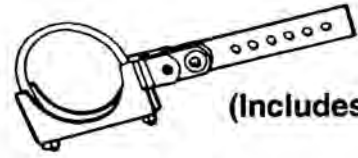
CHEV.-GMC MUFFLER STRAP

DIESEL



GMOVSTRAP

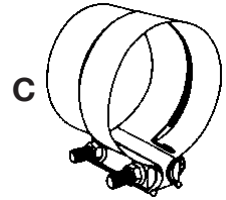
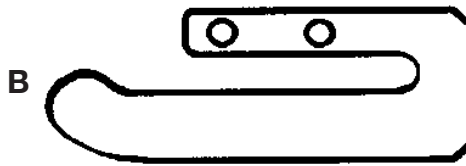
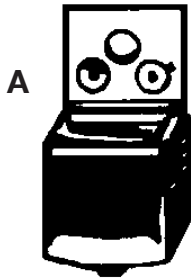
CHEV.-GMC TAILPIPE HANGERS



(Includes U-bolt)

TUBE SIZE	4" DIESEL & GAS	2-3/4" GAS
PART #	GMHGR4	GMHGR275

CHEV.-GMC OVERAXLE HANGER ASSEMBLY



DESCRIPTION	A - FRAME BRACKET	B- U-SHAPED HANGER	C - PRE-FORMED CLAMP
PART #	GMFRAMBR	GMHGROA	400SCPF

MANIFOLD PIPE ACCESSORIES

ALL THREE OF THE ITEMS SHOWN BELOW: #GMMANKIT
1985-UP, 366 & 427 C.I.



#STUDSS
'89 & UP - STUDSSTBI



#SPRINGSS
'89 & UP - SPRINGSSTBI



#FLNUT

1996 - UP 350-366 -454 CI SOLID 304 STAINLESS STEEL EXHAUST RINGS

1998 & UP 454 C.I.
SOLID 304 STAINLESS STEEL
PART # 454ER304



1985-UP 366 C.I., 427 C.I. ENGINES
SOLID 304 STAINLESS
PART #366ER304



1996 & UP 350 C.I.
SOLID 304 STAINLESS
PART# 350 ER304



FITS:G-P SERIES, S-10, ASTROS, T-SERIES O.E
PART#15093974

ELIMINATES LEAKS - WILL NOT BLOW OUT - WILL NOT CRUSH

AUTO-JET MUFFLER CORP. • UNITED MUFFLER CORP.

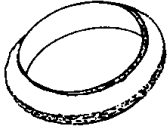
U.S. toll free 1-800-247-5391 • Fax 515-224-0727 • website: www.auto-jet.com
Canada toll free 1-866-229-3402 • Fax 519-455-1103 • website: www.unitedmuffler.com

GM 9

CHEVROLET - GMC ACCESSORIES

CHEVROLET - GMC FLANGES, SPLIT FLANGES & EXHAUST RINGS

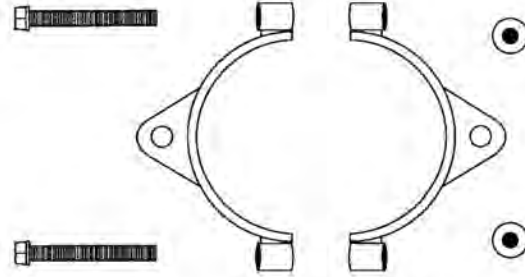
366ERSS



SPRINGSS



STUDSS



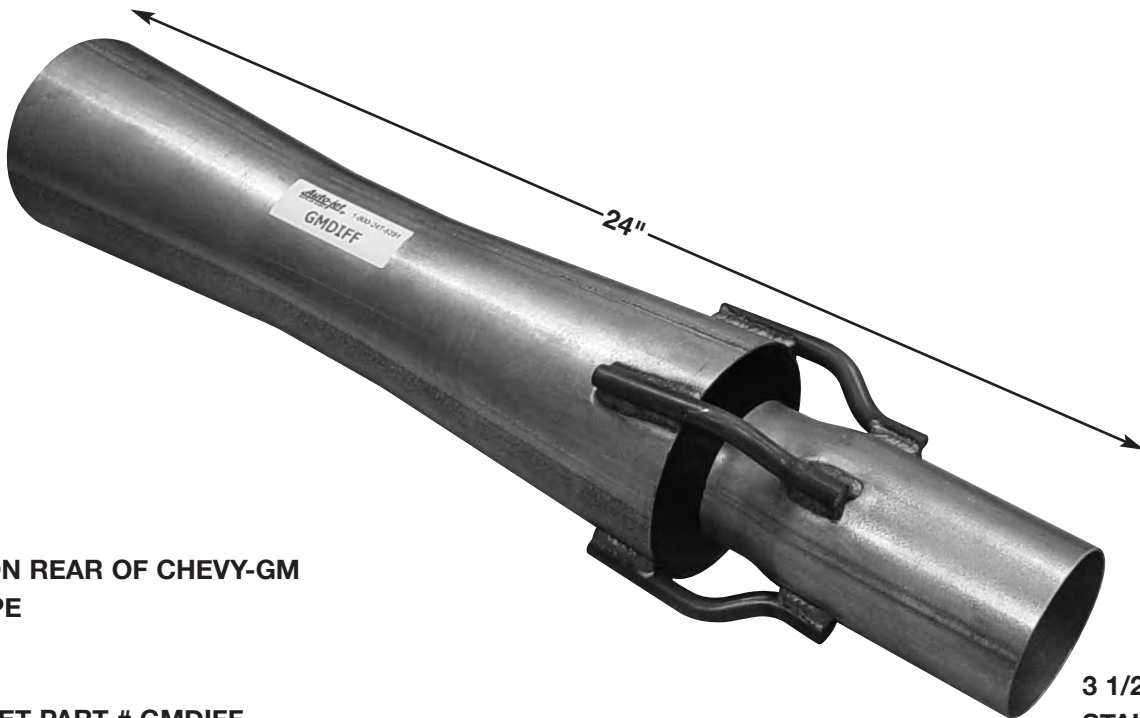
PART #
250SPLIT
275SPLIT

TUBE SIZE
2-1/2"
2-3/4"

DESCRIPTION	EXHAUST RING	A	B	HI-TEMP SPRING	STUD
350 C.I.	350ER	2.01	2.54		
366, 427 C.I.	366ER	2.53	3.04		
1985-88 366-427 C.I. HI-TEMP	366ERSS (SEE ABOVE)	2.25	2.87	SPRINGS	STUDS
1989-UP T.B.I. 366-427 C.I.	366ERSS (SEE ABOVE)	2.25	2.87	SPRINGSSTBI	STUDSSTBI

CHEVROLET - GMC DIFFUSER

2007 & UP VAN & LIGHT DUTY TRUCKS



GOES ON REAR OF CHEVY-GM
TAIL PIPE

AUTO-JET PART # GMDIFF
O.E. PART # 25996745

3 1/2" ID
STAINLESS
STEEL

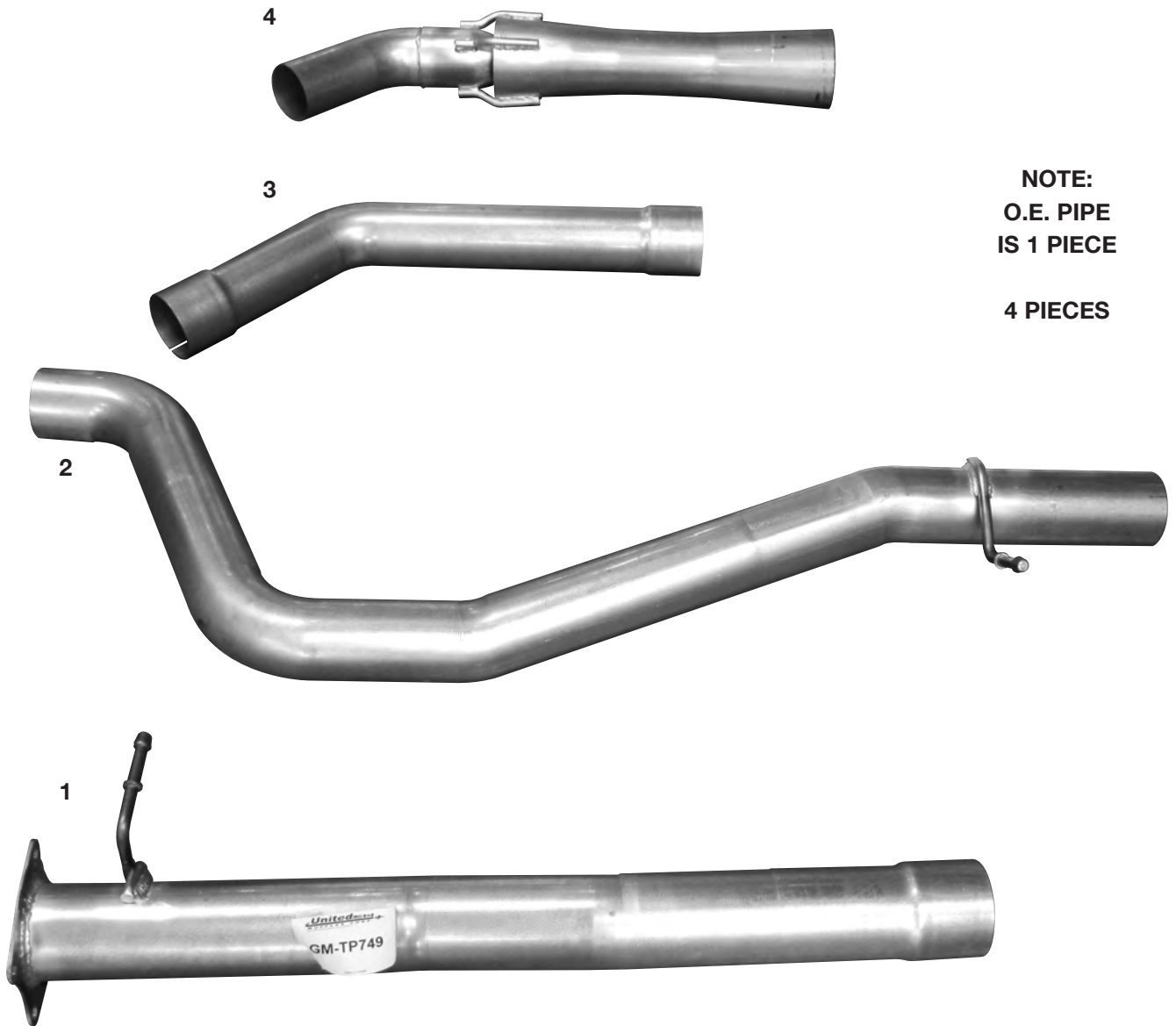
AUTO-JET MUFFLER CORP. • UNITED MUFFLER CORP.

U.S. toll free 1-800-247-5391 • Fax 515-224-0727 • website: www.auto-jet.com
Canada toll free 1-866-229-3402 • Fax 519-455-1103 • website: www.unitedmuffler.com

GM 10

CHEVROLET - GMC

2006 & UP CHEVROLET - GMC VAN TAILPIPE



NOTE:
O.E. PIPE
IS 1 PIECE

4 PIECES

	1	2	3	4
AUTO-JET PART #	GMTP7491	GMTP7492	GMTP7493	GMTP7494
O.E. PART #	25996749			

AUTO-JET MUFFLER CORP. • UNITED MUFFLER CORP.

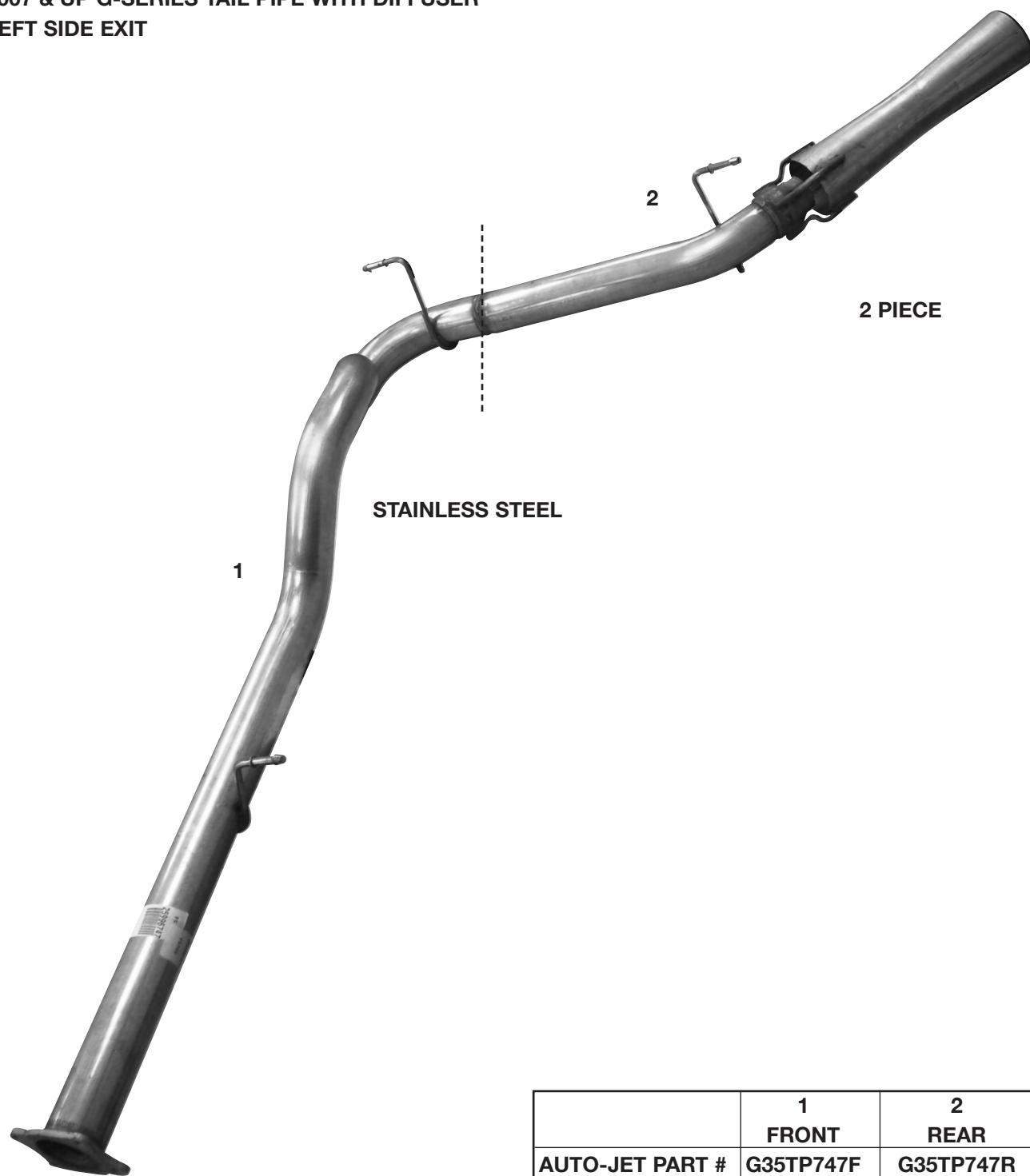
U.S. toll free 1-800-247-5391 • Fax 515-224-0727 • website: www.auto-jet.com
Canada toll free 1-866-229-3402 • Fax 519-455-1103 • website: www.unitedmuffler.com

GM 11

CHEVROLET - GMC ACCESSORIES

CHEVROLET - GMC SCHOOL VAN TAILPIPE

2007 & UP G-SERIES TAIL PIPE WITH DIFFUSER
LEFT SIDE EXIT



	1 FRONT	2 REAR
AUTO-JET PART #	G35TP747F	G35TP747R
O.E. PART #	25996747	

AUTO-JET MUFFLER CORP. • UNITED MUFFLER CORP.

U.S. toll free 1-800-247-5391 • Fax 515-224-0727 • website: www.auto-jet.com
Canada toll free 1-866-229-3402 • Fax 519-455-1103 • website: www.unitedmuffler.com

GM 12

GM VAN TAILPIPE EXTENSIONS

2006 & UP CHEVROLET - GMC VAN TAILPIPE

THOMAS MINOTOUR 6.0 LITRE GAS



PART # GMMINTP1

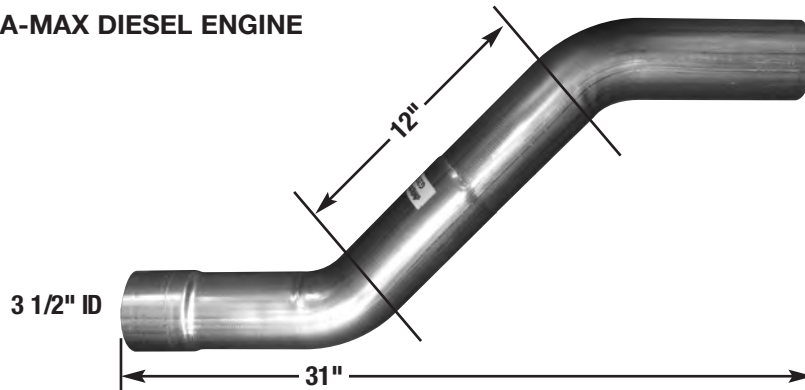
GM 3500 VAN DIESEL DIFFUSER



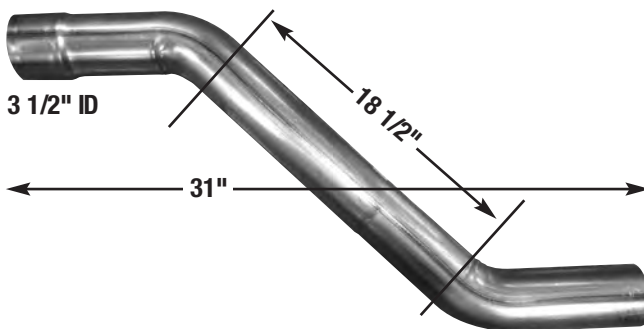
PART # GMDIFF

OE PART # 25996745

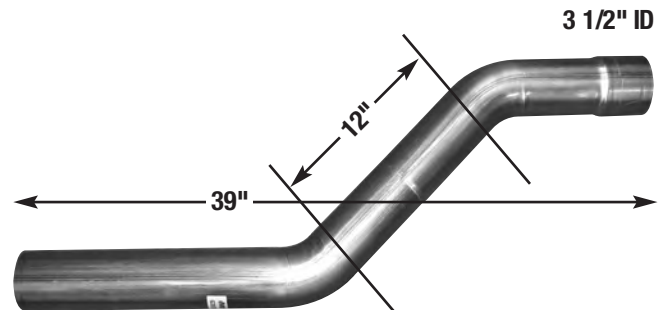
GM 3500 VAN DURA-MAX DIESEL ENGINE



PART # G35TP245



PART # GM35TP245 BERLIN



PART # GM35TP245 LACK

LEFT SIDE EXIT EXTENSION



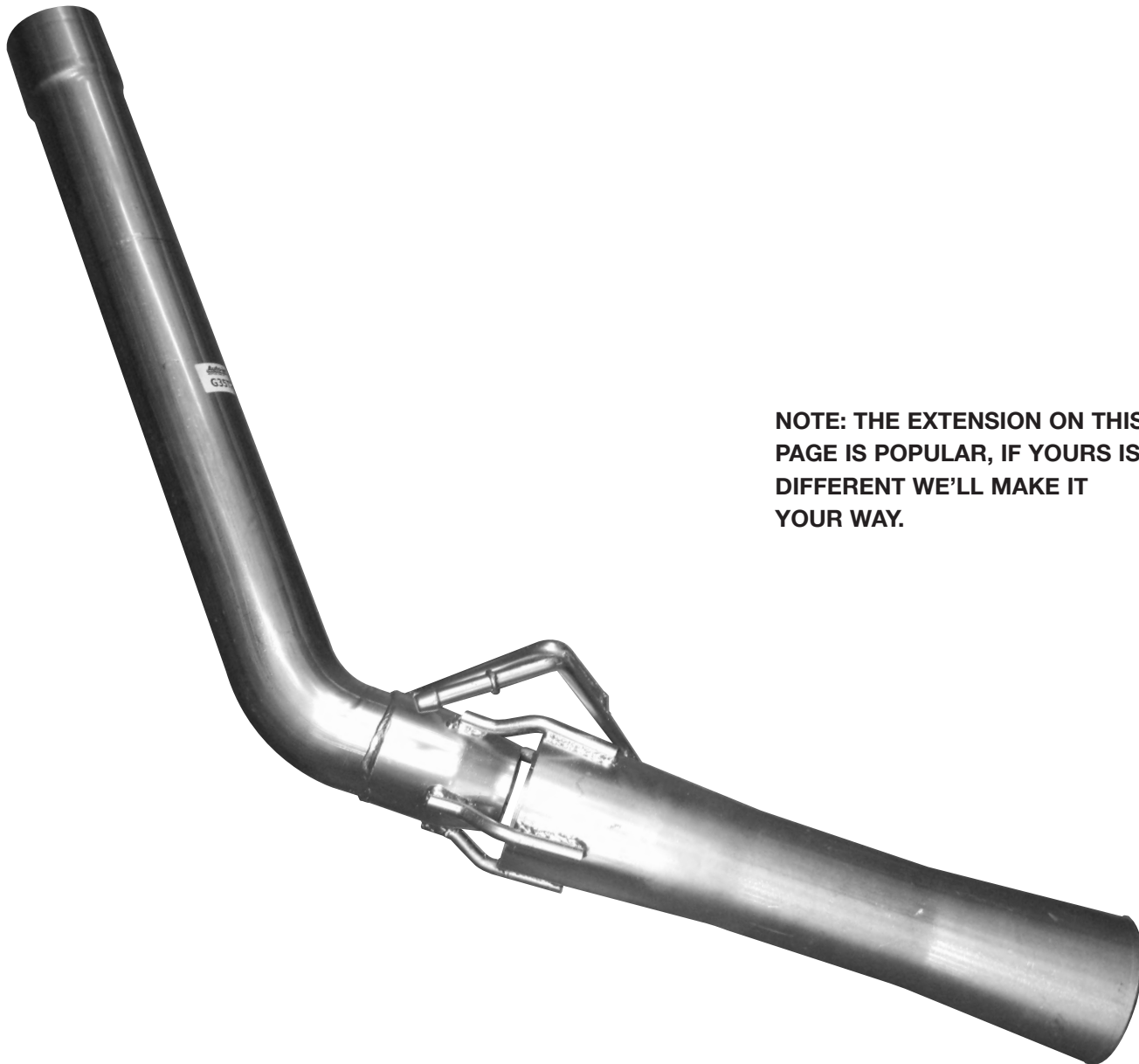
PART # G35TP245LTB

AUTO-JET MUFFLER CORP. • UNITED MUFFLER CORP.

U.S. toll free 1-800-247-5391 • Fax 515-224-0727 • website: www.auto-jet.com
 Canada toll free 1-866-229-3402 • Fax 519-455-1103 • website: www.unitedmuffler.com

GM VAN TAILPIPE EXTENSIONS

THOMAS MINOTOUR 6.0 LITRE GAS



NOTE: THE EXTENSION ON THIS PAGE IS POPULAR, IF YOURS IS DIFFERENT WE'LL MAKE IT YOUR WAY.

PART # G35TP989R

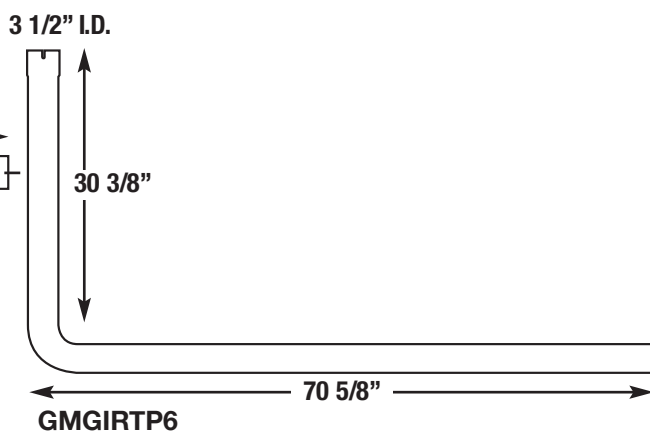
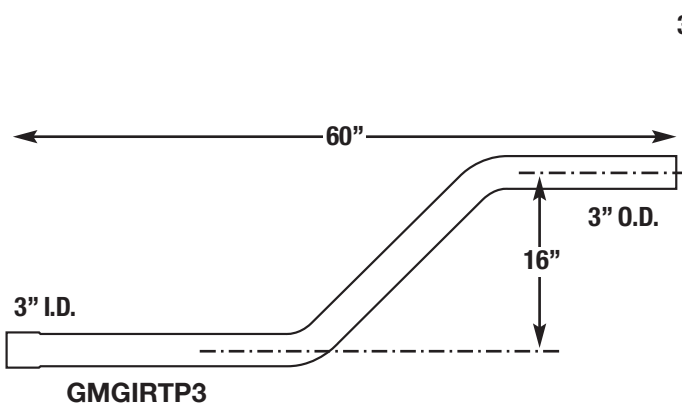
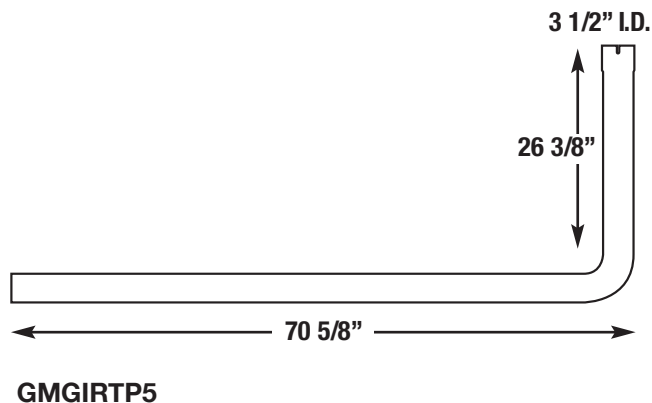
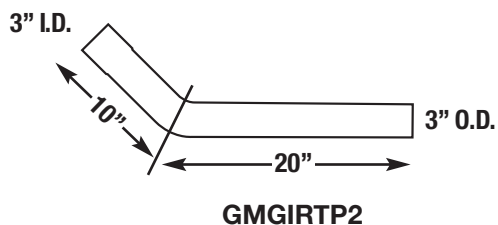
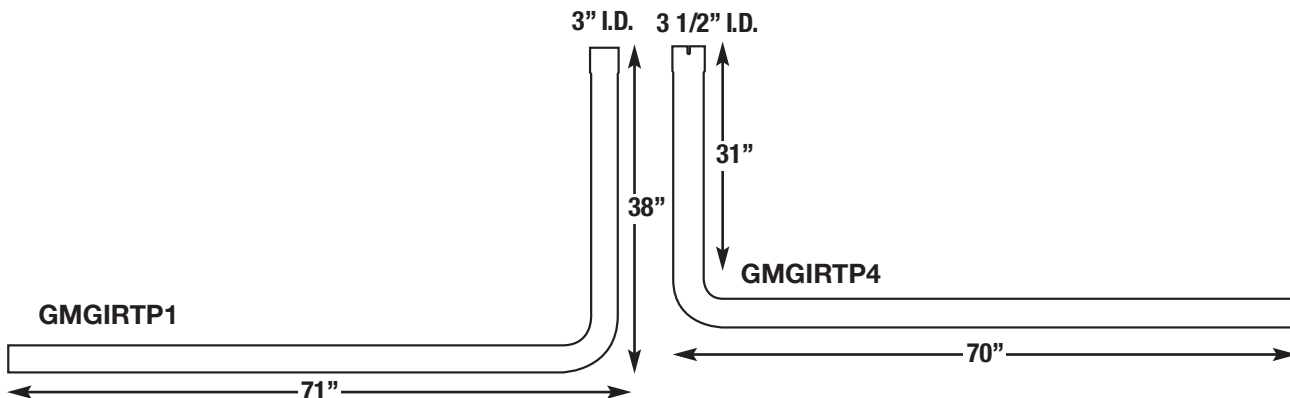
AUTO-JET MUFFLER CORP. • UNITED MUFFLER CORP.

U.S. toll free 1-800-247-5391 • Fax 515-224-0727 • website: www.auto-jet.com
Canada toll free 1-866-229-3402 • Fax 519-455-1103 • website: www.unitedmuffler.com

GM 14

POPULAR GM VAN TAILPIPE EXTENSIONS

NOTE: BODY MANUFACTURERS USE MANY DIFFERENT VAN EXTENSIONS IF YOU DO NOT FIND YOURS, WE'LL MAKE IT FOR YOU.



AUTO-JET PART # GMGIRTP1 GMGIRTP2 GMGIRTP3 GMGIRTP4 GMGIRTP5 GMGIRTP6

AUTO-JET MUFFLER CORP. • UNITED MUFFLER CORP.

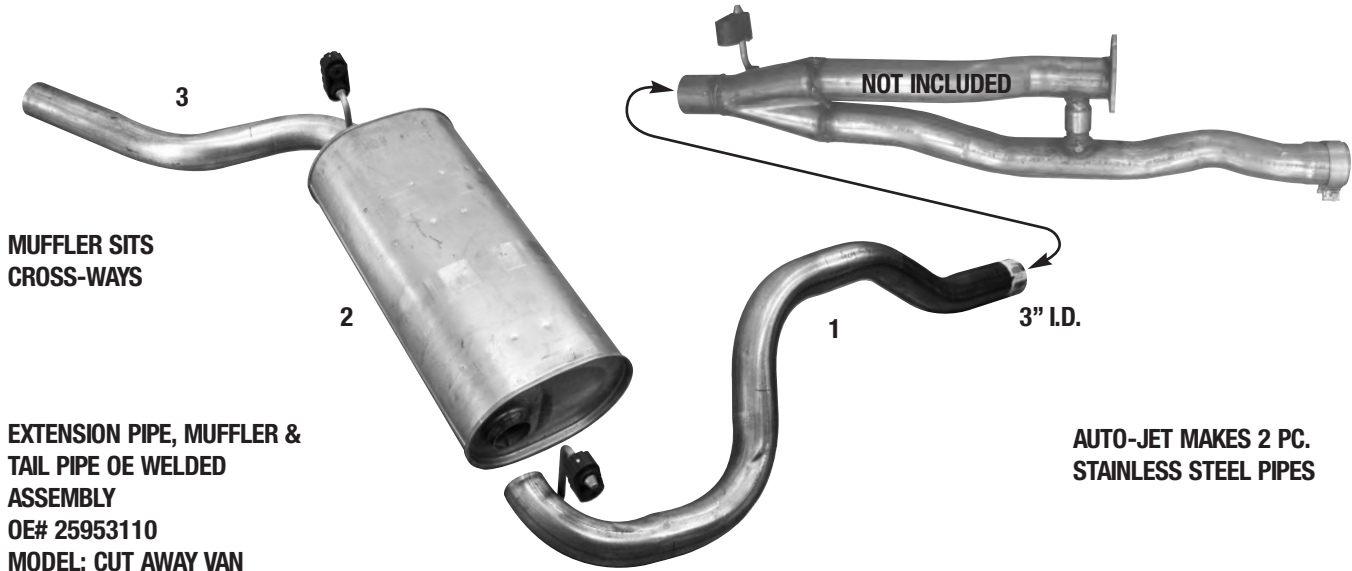
U.S. toll free 1-800-247-5391 • Fax 515-224-0727 • website: www.auto-jet.com
 Canada toll free 1-866-229-3402 • Fax 519-455-1103 • website: www.unitedmuffler.com

GM 15

CHEVROLET - GMC SCHOOL VAN EXHAUST SYSTEM

CHEVROLET - GMC SCHOOL VAN EXHAUST SYSTEMS

2003 & UP EXPRESS & SAVANNA SERIES VAN, 4.8 LITRE & 6.0 LITRE GAS ENGINE



MUFFLER SITS
CROSS-WAYS

EXTENSION PIPE, MUFFLER &
TAIL PIPE OE WELDED
ASSEMBLY
OE# 25953110
MODEL: CUT AWAY VAN

AUTO-JET MAKES 2 PC.
STAINLESS STEEL PIPES

	1	2	3
DESCRIPTION	EXTENSION PIPE	MUFFLER & TAIL PIPE	EXTENSION
PART#	GM110EXT	C-0120	OPTIONAL VARIES BY BODY MFR.
PART#	COMPLETE ASSEMBLY # GM110ASSY	\$575.15	

2005 & UP G.M. VANS DURA-MAX 6.6 LITRE DIESEL

AUTO-JET MANUFACTURES IN 3 PC.
O.E. IS 1 PC. WELDED ASSEMBLY
OE# 15296918
AUTO-JET PART# GM918ASSY

3-HOLE GASKET
PART# GMGS3HOLE

POPULAR EXTENSION



	1	2	3	4
DESCRIPTION	FRONT EXTENSION	MUFFLER	OVER AXLE	TAIL PIPE EXTENSION
PART#	G6.6EXT918	C-0066	G6.60A918	GTP918EXT

AUTO-JET MUFFLER CORP. • UNITED MUFFLER CORP.

U.S. toll free 1-800-247-5391 • Fax 515-224-0727 • website: www.auto-jet.com
Canada toll free 1-866-229-3402 • Fax 519-455-1103 • website: www.unitedmuffler.com

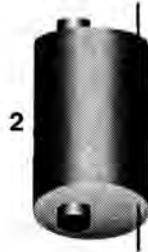
GMC - BLUE BIRD CATALYTIC MUFFLER

1998-UP G-30 & G-3500 SERIES VAN, 350 C.I.



GASKET PART #
GMGS3HOLE

MUFFLER SITS
CROSS-WAYS



EXTENSION PIPE, MUFFLER & TAIL PIPE
OE WELDED ASSEMBLY
OE # 15734043
MODEL: CUT AWAY VAN

OE #'S ARE FOR CROSS REFERENCE ONLY

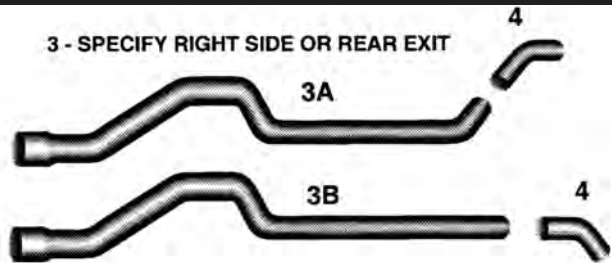
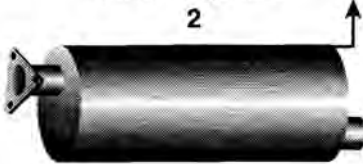
DESCRIPTION	1 EXTENSION PIPE	2 MUFFLER	3 TAIL PIPE	4 EXTENSION
PART #	G30SAVEXT	G30SAV300	G30SAVTP	G30SAVPEXT

1998-UP G-30 & G-3500 SERIES, 6.5 LITRE DIESEL



BELLOWS
OPTIONAL

NOTE: Muffler has
3-hole flange inlet.



3 - SPECIFY RIGHT SIDE OR REAR EXIT

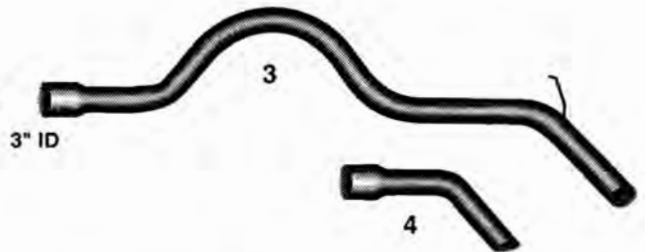
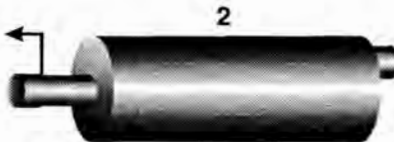
SPECIFY WHEEL BASE ON # 1 PIPE

SEE NEXT PAGE FOR TURBO PIPE

GASKET PART # GMGS3HOLE

DESCRIPTION	1 FRONT EXTENSION	2 MUFFLER	3 - TAIL PIPE		4 TURNOUT
PART #	136" W.B. 65GEXTFL 146" W.B. 65GEXTFL146	65G300FL	A - RIGHT SIDE EXIT (SHIPS 2 PC.) 65G275TPRH	B - REAR EXIT (SHIPS 2 PC.) 65G275TPOR	TD275ID

1994-UP G-30 & G-3500 SERIES, 6.5 LITRE DIESEL



SPECIFY WHEEL BASE 125" OR 146"
EXHAUSE RING: #GM62ER

DESCRIPTION	1 MANIFOLD PIPE	2 MUFFLER	3 TAIL PIPE	4 - WIDE BODY EXTENSION
PART #	65GYSS	GM65300G	GMGTP92	WBEXT92

AUTO-JET MUFFLER CORP. • UNITED MUFFLER CORP.

U.S. toll free 1-800-247-5391 • Fax 515-224-0727 • website: www.auto-jet.com
Canada toll free 1-866-229-3402 • Fax 519-455-1103 • website: www.unitedmuffler.com

CHEVROLET-GM CROSS REFERENCE CHART

1998-UP G-SERIES VAN, 6.5 LITRE DIESEL TURBO PIPE WITH CONVERTER



TO PREVENT BREAKAGE,
BELLOWS CAN BE ADDED HERE



SEE MIDDLE
DRAWING PAGE GM
13 FOR MUFFLER
AND TAILPIPES

PART # 65GCONVT
GASKET PART # GMGS3HOLE

GM 6.5 LITRE DIESEL TURBO TUBES

HEAVY DUTY
AUTO-JET STYLE

GM65TUBEST
OE#10239026



GM65TUBE90
OE#10239025



OE PART #'S ARE FOR CROSS REFERENCE ONLY

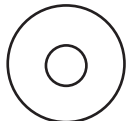
AUTO-JET MUFFLER CORP. • UNITED MUFFLER CORP.

U.S. toll free 1-800-247-5391 • Fax 515-224-0727 • website: www.auto-jet.com
Canada toll free 1-866-229-3402 • Fax 519-455-1103 • website: www.unitedmuffler.com

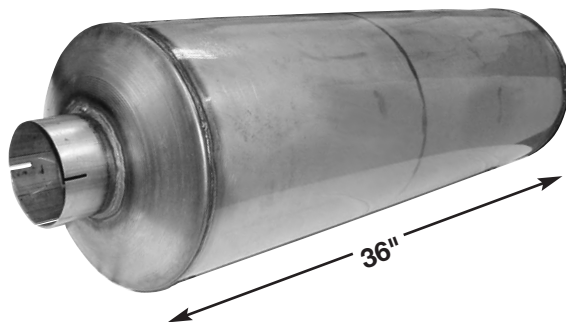
CHEVROLET-GM CROSS REFERENCE CHART

ENGINE 3126 CATERPILLAR

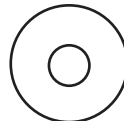
4" ID
INLET



11"
ROUND



4" ID
OUTLET



11"
ROUND

AUTO-JET PART # 400CATCTR

OE PART # 15982889

OE PART #'S ARE FOR CROSS REFERENCE ONLY

REQUIRES
(2) 11MH TORCA
MUFFLER HANGERS

E.P.A. APPROVED

MATERIAL
409 STAINLESS STEEL

NOTE: CATALYTIC
MUFFLER IS
APPROVED FOR
250 H.P. OR LESS
ENGINE

AUTO-JET MUFFLER CORP. • UNITED MUFFLER CORP.

U.S. toll free 1-800-247-5391 • Fax 515-224-0727 • website: www.auto-jet.com
Canada toll free 1-866-229-3402 • Fax 519-455-1103 • website: www.unitedmuffler.com

GM 19

GMC - CHEVROLET EXHAUST SYSTEMS

Please call if you do not find the OE part # you need. If it's on a school bus, we probably manufacture it. Auto-Jet manufactures new parts daily.

2046060	82CTP
2046392	82CNAT2
2055454	366LCOF
2055456	366LYF
2058726	82FVCLT
2069199	82CFP
2069773	82FVCLNA
2082228	82COFF
2088280	82CNAT1
2688704	GMCONVF
8920206	82TUBEVCL
8920280	82TUBE
10239025	GM65TUBE90
10239026	GM65TUBEST
11589264	454STUD
12551385	366MANTBL
12551387	366MANTBR
12551449	366HEADGS
12562999	454MANL
12563000	454MANR
14045050	P30RTPD
14045181	366MANL
14045182	366MANR
14088834	STUDSS
15022243	85-0016
15032922	GMCONV454
15053749	GMHGR4AJ
15093974	350ER304
15517651	GM7MH
15520303	CV366L
15520304	CV366R
15529165	366SSL5
15529166	366SSR5
15544288	275275BS
15544300	YOKESS
15549622	366SSL6
15549623	366SSR6
15549631	CSOFF
15555590	GM10MH
15555592	GM10HS
15555594	2250400BS
15555596	GM10BRRE
15555598	GM10BRFT
15556201	GMHGROA
15556202	GMFRAMBR
15556232	GM10SHLD
15556740	TBICFOA
15592451	366ER304

OE PART #'S
ARE FOR CROSS
REFERENCE ONLY

AUTO-JET MUFFLER CORP. • UNITED MUFFLER CORP.

U.S. toll free 1-800-247-5391 • Fax 515-224-0727 • website: www.auto-jet.com
Canada toll free 1-866-229-3402 • Fax 519-455-1103 • website: www.unitedmuffler.com

GM 20

GMC - BLUEBIRD EXHAUST SYSTEMS

Please call if you do not find the OE part # you need. If it's on a school bus, we probably manufacture it. Auto-Jet manufactures new parts daily.

15608069	TBICOA
15625872	TBIRM
15625873	TBILM
15632963	TBIFP
15642936	GM875MH
15651243	CVFOA
15660447	GMCONVBR
15670818	2250300BS
15676448	CV400400
15685647	GM65300G
15693182	65G30MAN
15693182	65GYSS
15694486	GM10MH
15694489	CV3116FP
15696020	CVOA93
15725934	GM875BR
15729713	65GCONVT
15733803	GMGS3HOLE
15734030	65GEXTFL
15734043	G30SAV300
15736780	GMKOD65T
15737613	GM454FP
15739326	65G300FL
15743050	CV3126T
15743053	CV3126T
15765622	454ER304
15958137	CV3116T
15958738	CV3116EL
15961592	CV3116OFF
15962786	SPRINGSSTBI
15962787	STUDSSTBI
15964688	CVOA94
15964689	CVTP94
15971158	P302250300
15977592	CVFOA97
15981338	CV3116T94
15982891	CV400CNTR
15986541	65PYSS
15993392	CV3116T3392
15997189	GMGS3HOLE
25103516	TBICONV
25996745	GMDIFF
88891750	454STUD

OE PART #'S
ARE FOR CROSS
REFERENCE ONLY

AUTO-JET MUFFLER CORP. • UNITED MUFFLER CORP.

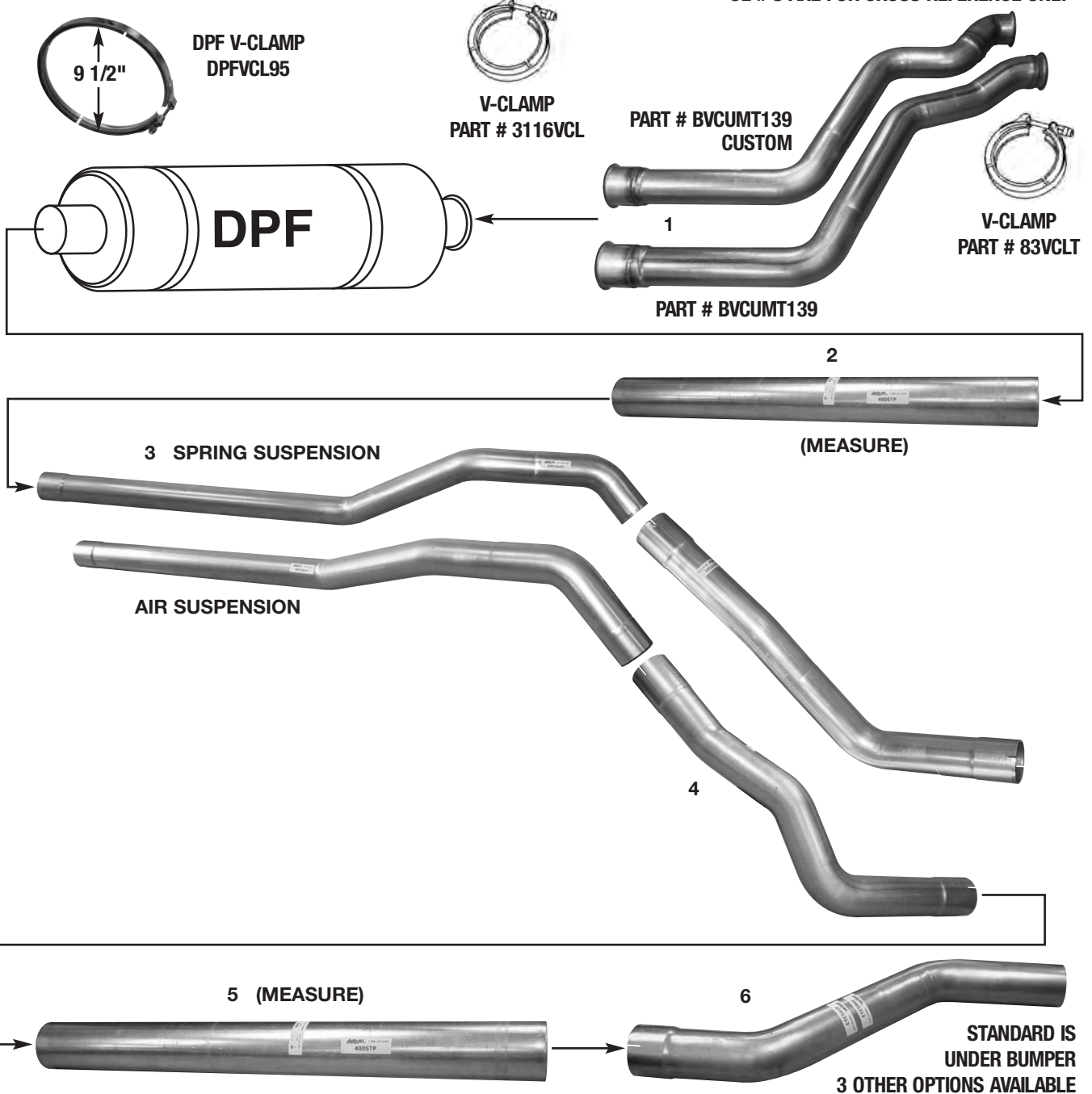
U.S. toll free 1-800-247-5391 • Fax 515-224-0727 • website: www.auto-jet.com
Canada toll free 1-866-229-3402 • Fax 519-455-1103 • website: www.unitedmuffler.com

GM 21

BLUEBIRD VISION EXHAUST SYSTEMS

2007 & UP VISION ISB07 CUMMINS ENGINE

OE #'S ARE FOR CROSS REFERENCE ONLY



DESCRIPTION	1 TURBO PIPE	2 STRAIGHT PIPE	3 REAR OVERAXLE FRONT PIPE SPRING SUSP. AIR SUSP.		4 REAR OVERAXLE REAR PIPE SPRING SUSP. AIR SUSP.		5 STRAIGHT PIPE	6 TAILPIPE
AUTO-JET PART#	BVCUMT139 OR BVCUMT139 CUSTOM	400STP (MEASURE)	BBFOA95	BBFOA94	BROA297	BBROA298	400STP (MEASURE)	BTP5313 (UNDER BUMPER)
O.E. PART #	00108139		00000095	00000094	00085297	00085298		00085313

AUTO-JET MUFFLER CORP. • UNITED MUFFLER CORP.

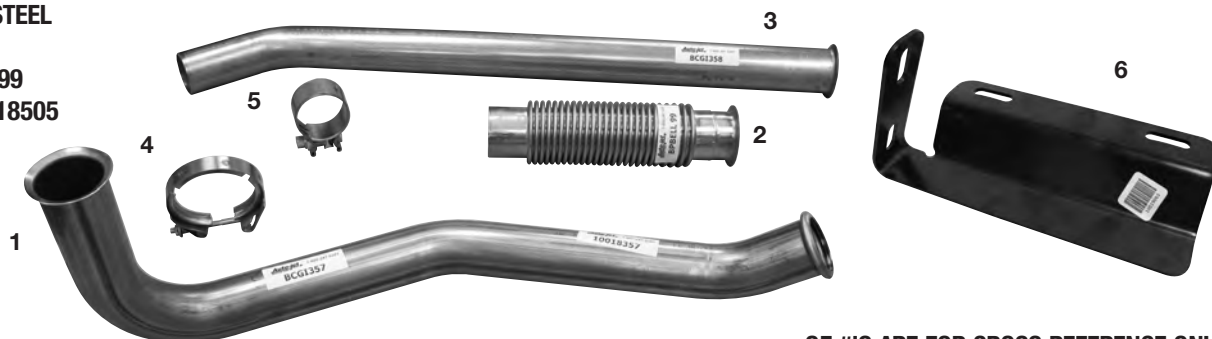
U.S. toll free 1-800-247-5391 • Fax 515-224-0727 • website: www.auto-jet.com
 Canada toll free 1-866-229-3402 • Fax 519-455-1103 • website: www.unitedmuffler.com

BLUEBIRD VISION EXHAUST SYSTEMS

2007-UP BLUEBIRD VISION ENGINE FORWARD W/C7 CATERPILLAR WITH DPF

C-7 EXHAUST C.G.I. UPGRADE

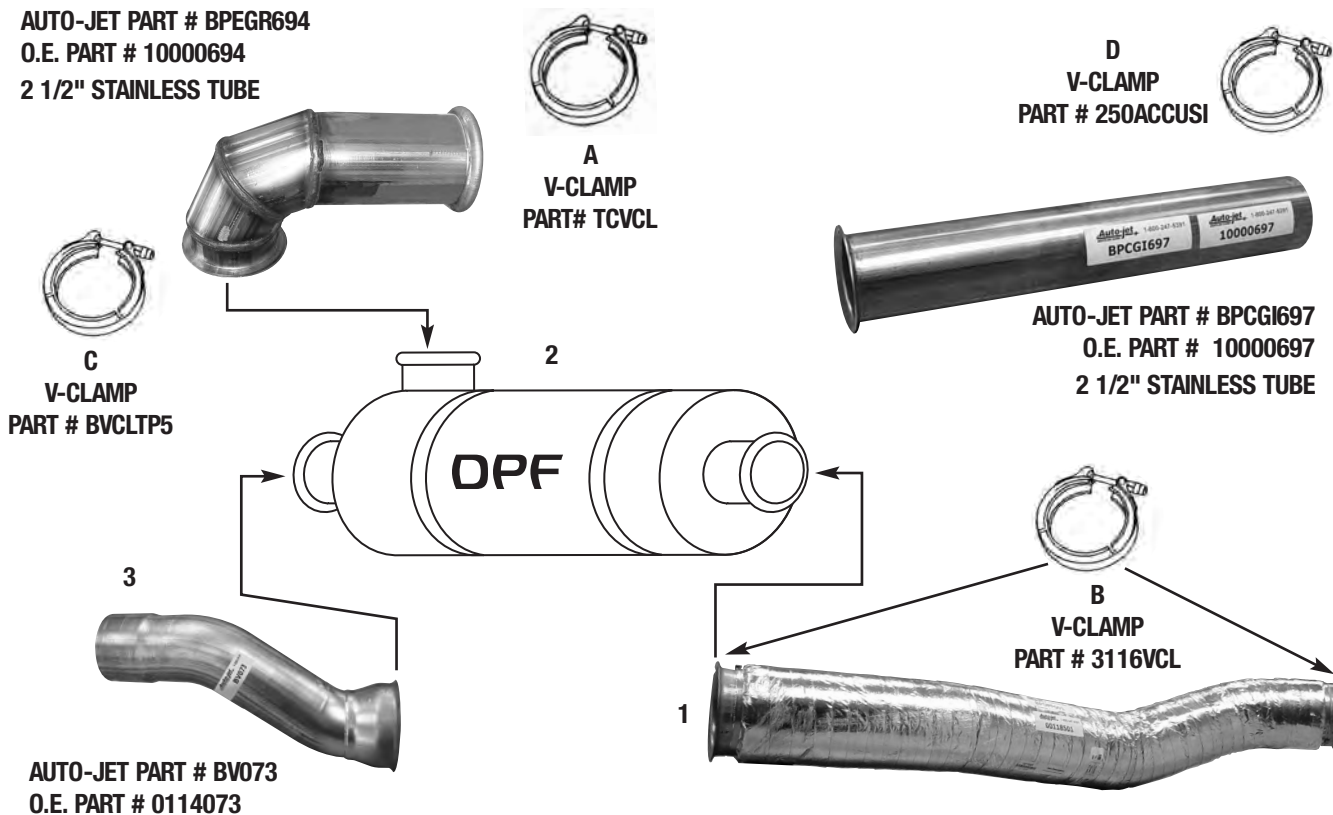
STAINLESS STEEL
REPLACES
OE# 10000699
OLD OE# 0118505



OE #'S ARE FOR CROSS REFERENCE ONLY

DESCRIPTION	1 FRONT PIPE	2 STAINLESS BELLOWS	3 REAR PIPE	4 V-CLAMP	5 CLAMP	6 BRACKET
AUTO-JET PART# OE PART#	BCGI357 10018357	BPBELL99 00118999	BCGI358 10018358	BCGVCL 00123506	250ACCUSI 00118667	BCGIBRAC 10019065

AUTO-JET PART # BPEGR694
O.E. PART # 10000694
2 1/2" STAINLESS TUBE



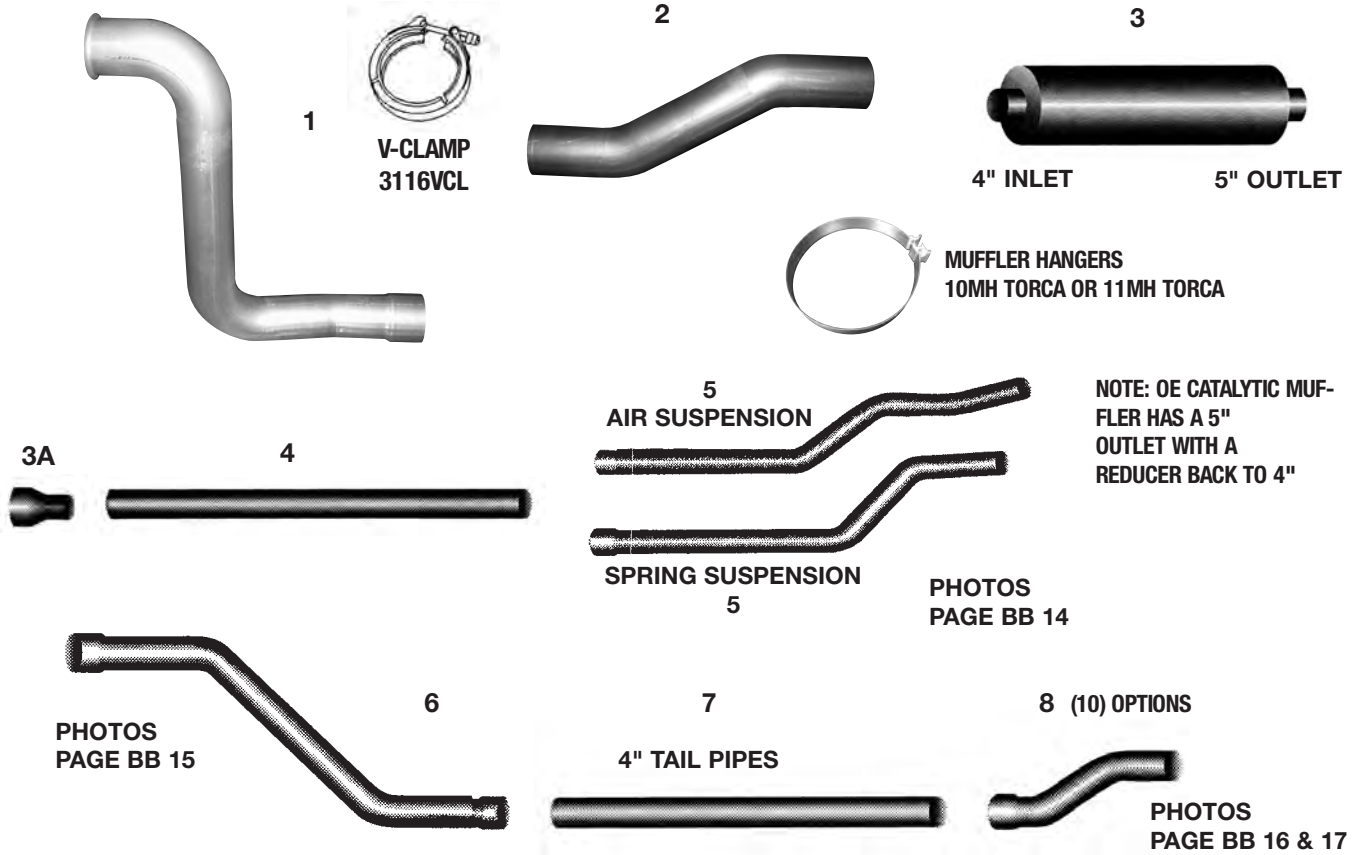
DESCRIPTION	1	2	3	V-CLAMPS			
	TURBO-PIPE	DPF	DPF OUTLET PIPE	A	B	C	D
AUTO-JET PART# O.E. PART #	BDPF501 0018501	N/A	BV073 0114073	TCVCL 0115041	3116VCL 1250646	BVCLTP5 0112913	250ACCUSI 0118667

AUTO-JET MUFFLER CORP. • UNITED MUFFLER CORP.

U.S. toll free 1-800-247-5391 • Fax 515-224-0727 • website: www.auto-jet.com
Canada toll free 1-866-229-3402 • Fax 519-455-1103 • website: www.unitedmuffler.com

BLUEBIRD VISION EXHAUST SYSTEM

2004-UP BLUEBIRD VISION 3126-C7 CATERPILLAR ENGINE



LEFT SIDE DISCHARGE TAIL PIPE: PART # BVSDTP PHOTO SEE PAGE BB36

DESCRIPTION	1 TURBO PIPE	2 TURBO TO MUFFLER PIPE	3 CATALYTIC MUFFLER	3A REDUCER	4 STRAIGHT PIPE
AUTO-JET PART #	BV3126T143 BVT143EB	BVTM626	10" RD - 400CAT44 OE# 0064103 11" RD - 400CATCTR	5-4 OD-ID NOT NEEDED	400STP (MEASURE LENGTH)

DESCRIPTION	5 REAR OVERAXLE FRONT PIPE		6 REAR OVERAXLE REAR PIPE	7 4" STRAIGHT PIPE	8 TAIL PIPES
	SPRING SUSPENSION	AIR SUSPENSION			
AUTO-JET PART #	BBFOA95	BBFOA94	BBROA675 OE# 0000675 BBROA818 OE# 0074818 BBROA298 OE# 0085298 BROA297 OE# 0085297	400STP8	BVTP2614 (THRU BUMPER) BBTP6440 (TURNED DOWN) 400 EXT (STRAIGHT) BVPTOW (MISSES TOW HOOK) BVTP910 BPTP310 BV308 BVTP907 BTP5313

OE PART #'S ARE FOR CROSS REFERENCE PURPOSES ONLY

AUTO-JET MUFFLER CORP. • UNITED MUFFLER CORP.

U.S. toll free 1-800-247-5391 • Fax 515-224-0727 • website: www.auto-jet.com
 Canada toll free 1-866-229-3402 • Fax 519-455-1103 • website: www.unitedmuffler.com

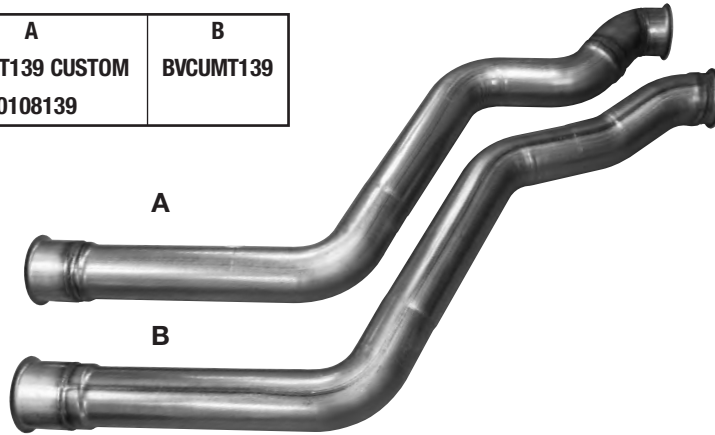
BLUEBIRD EXHAUST SYSTEMS

2007 & UP BLUEBIRD VISION 6.7 LITRE CUMMINS TURBO PIPE

	A	B
AUTO-JET PART #	BVCUMT139 CUSTOM	BVCUMT139
O.E. PART #	00108139	



V-CLAMP
3116VCL



V-CLAMP
83VCLT

GASKET
BDPFGS

TURBO-PIPE BLUEBIRD VISION CUMMINS ISB02



AUTO-JET PART #	BVB863
O.E. PART #	0099863

OE #'S ARE FOR CROSS REFERENCE ONLY

TURBO PIPE VISION B-SERIES CUMMINS W/WASTE GATE



V-CLAMP
TCVCL



AUTO-JET PART #	BV910WG
O.E. PART #	0105910

AUTO-JET MUFFLER CORP. • UNITED MUFFLER CORP.

U.S. toll free 1-800-247-5391 • Fax 515-224-0727 • website: www.auto-jet.com
 Canada toll free 1-866-229-3402 • Fax 519-455-1103 • website: www.unitedmuffler.com

BLUEBIRD VISION TURBO-PIPES

B SERIES CUMMINS

OE #'S ARE FOR CROSS REFERENCE ONLY



V-CLAMP
FDVCL96

AUTO-JET PART #	BVT911
O.E. PART #	00105911

2007 & UP BLUE BIRD VISION C7 CATERPILLAR TURBO PIPE

AUTO-JET PART #	BDPF501
O.E. PART #	10000698



V-CLAMP
3116VCL



AUTO-JET MUFFLER CORP. • UNITED MUFFLER CORP.

U.S. toll free 1-800-247-5391 • Fax 515-224-0727 • website: www.auto-jet.com
Canada toll free 1-866-229-3402 • Fax 519-455-1103 • website: www.unitedmuffler.com

BLUEBIRD VISION TURBO PIPES

3126 CATERPILLAR

AUTO-JET PART #	BV3126T143
O.E. PART #	00056143



V-CLAMP
3116VCL

OE #'S ARE FOR CROSS REFERENCE ONLY

CATERPILLAR C-7 WITH EXHAUST BRAKE

AUTO-JET PART #	BVT143EB
-----------------	----------



AUTO-JET PART #	BVC7PB
O.E. PART #	00081010



AUTO-JET MUFFLER CORP. • UNITED MUFFLER CORP.

U.S. toll free 1-800-247-5391 • Fax 515-224-0727 • website: www.auto-jet.com
 Canada toll free 1-866-229-3402 • Fax 519-455-1103 • website: www.unitedmuffler.com

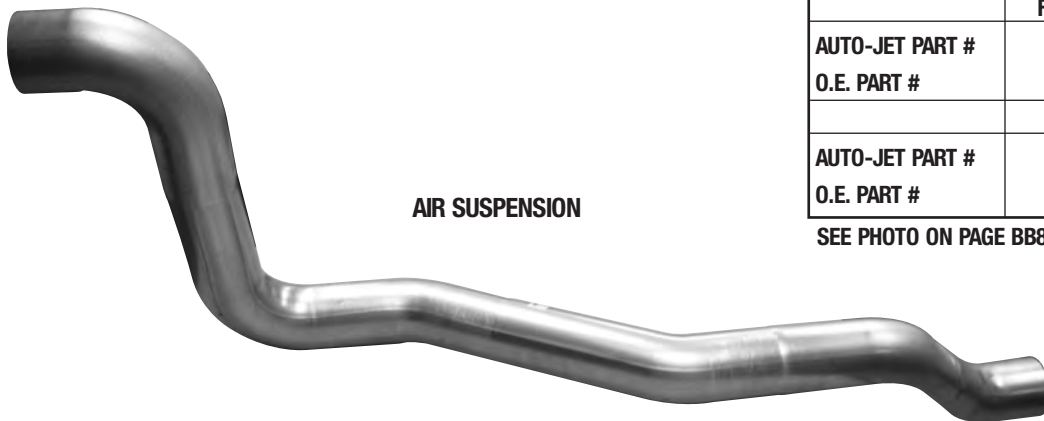
BLUEBIRD VISION

BLUEBIRD VISION OVER DRIVESHAFT SIDE DISCHARGE TAILPIPE



AUTO-JET PART #	BVSDTP
O.E. PART #	00114160

2010 & UP BLUEBIRD VISION 169" WB OVERAXLE FRONT SECTION



AIR SUSPENSION

	FRONT SECTION
AUTO-JET PART #	BVOA463
O.E. PART #	10011463
	REAR SECTION
AUTO-JET PART #	BROA487
O.E. PART #	10011487

SEE PHOTO ON PAGE BB8

VISION TAILPIPE EXTENSION



90° BENDS

AUTO-JET PART #	BVTP907
O.E. PART #	00074907

NOTE: 9 EXTENSIONS
AVAILABLE SEE
PAGE BB16 & 17

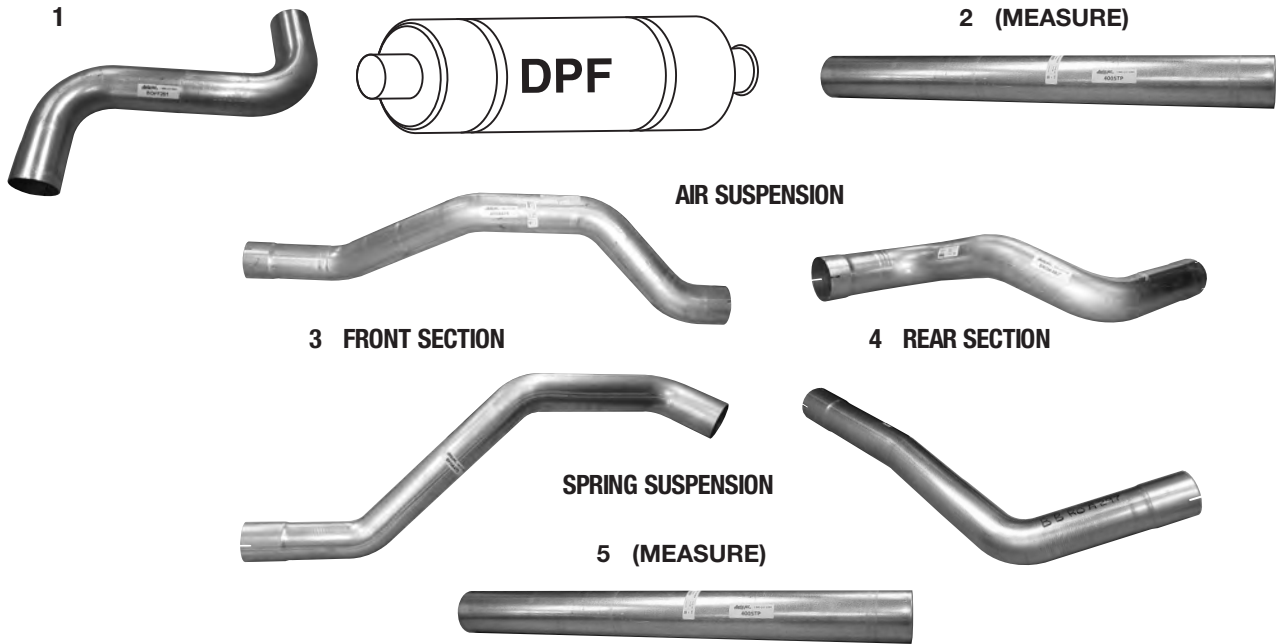
OE #'S ARE FOR CROSS REFERENCE ONLY

AUTO-JET MUFFLER CORP. • UNITED MUFFLER CORP.

U.S. toll free 1-800-247-5391 • Fax 515-224-0727 • website: www.auto-jet.com
Canada toll free 1-866-229-3402 • Fax 519-455-1103 • website: www.unitedmuffler.com

BLUEBIRD ALL-AMERICAN EXHAUST SYSTEM

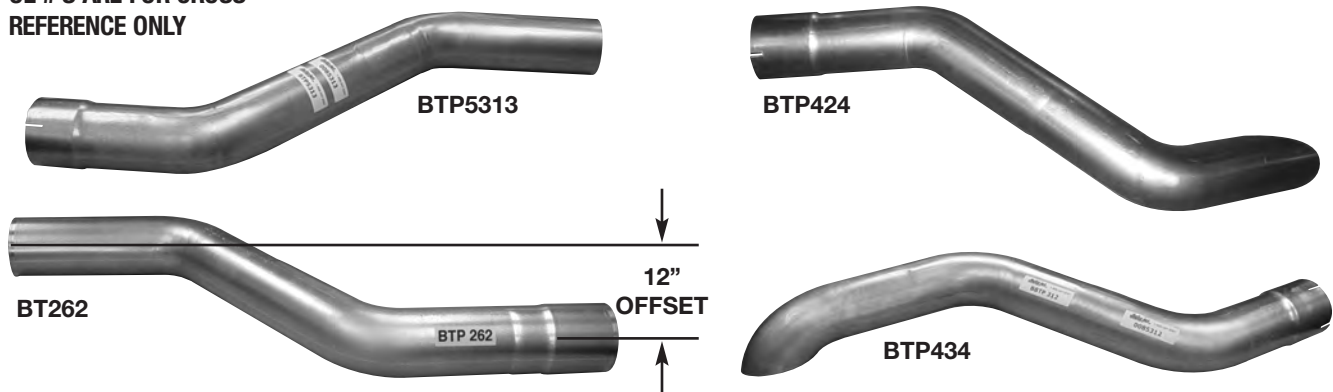
2010 & UP D-3 PIPES



	1 OFFSET	2 STRAIGHT PIPE	3 FRONT OVERAXLE	4 REAR SECTION	5 STRAIGHT PIPE
AUTO-JET PART #	BDOFF251	400STP	(AIR SUSP.) BFOA474	(AIR SUSP.) BROA487	400STP
O.E. PART #	10012251		10011474	10011487	
AUTO-JET PART #			(SPRING SUSP.) BFOA475	(SPRING SUSP.) BROA297	
O.E. PART #			10011475	000085297	

TAILPIPES

OE #'S ARE FOR CROSS
REFERENCE ONLY



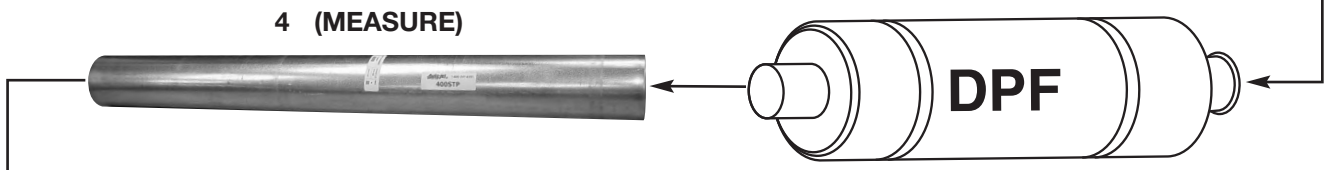
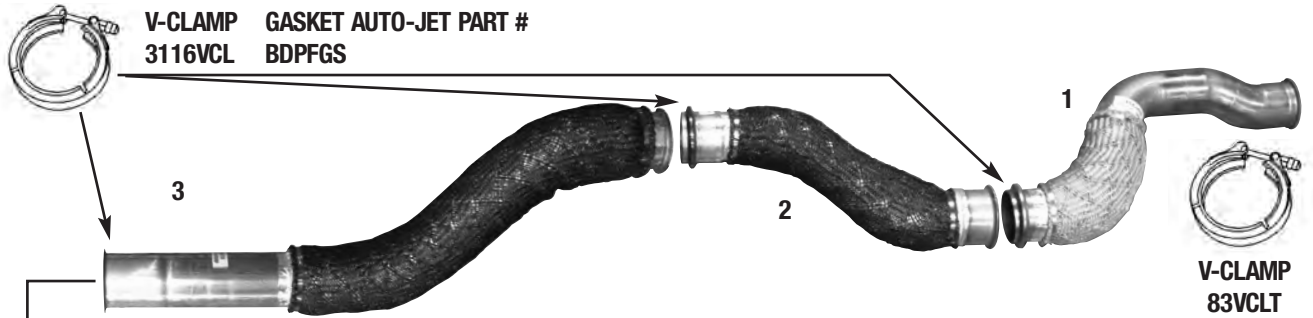
DESCRIPTION	UNDER BUMPER	THRU-BUMPER	TURND DOWN	90° TURND DOWN
AUTO-JET PART#	BTP5313	BTP262	BTP424	BTP434
O.E. PART #	0085313	0126262	0126424	0126434

AUTO-JET MUFFLER CORP. • UNITED MUFFLER CORP.

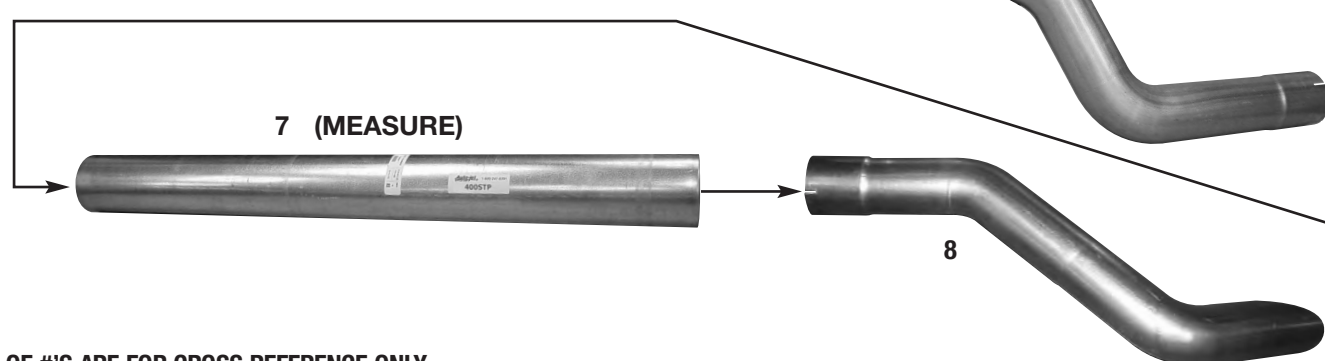
U.S. toll free 1-800-247-5391 • Fax 515-224-0727 • website: www.auto-jet.com
Canada toll free 1-866-229-3402 • Fax 519-455-1103 • website: www.unitedmuffler.com

BLUEBIRD ALL-AMERICAN SYSTEM

2007 & UP ENGINEM FORWARD CUMMINS ISB 6.7 LITRE



IMPORTANT NOTE:
CHECK YOUR OE NUMBERS ON LINE SHEET.
THERE ARE SEVERAL OPTIONS.
PARTS SHOWN ARE MOST POPULAR.



OE #'S ARE FOR CROSS REFERENCE ONLY

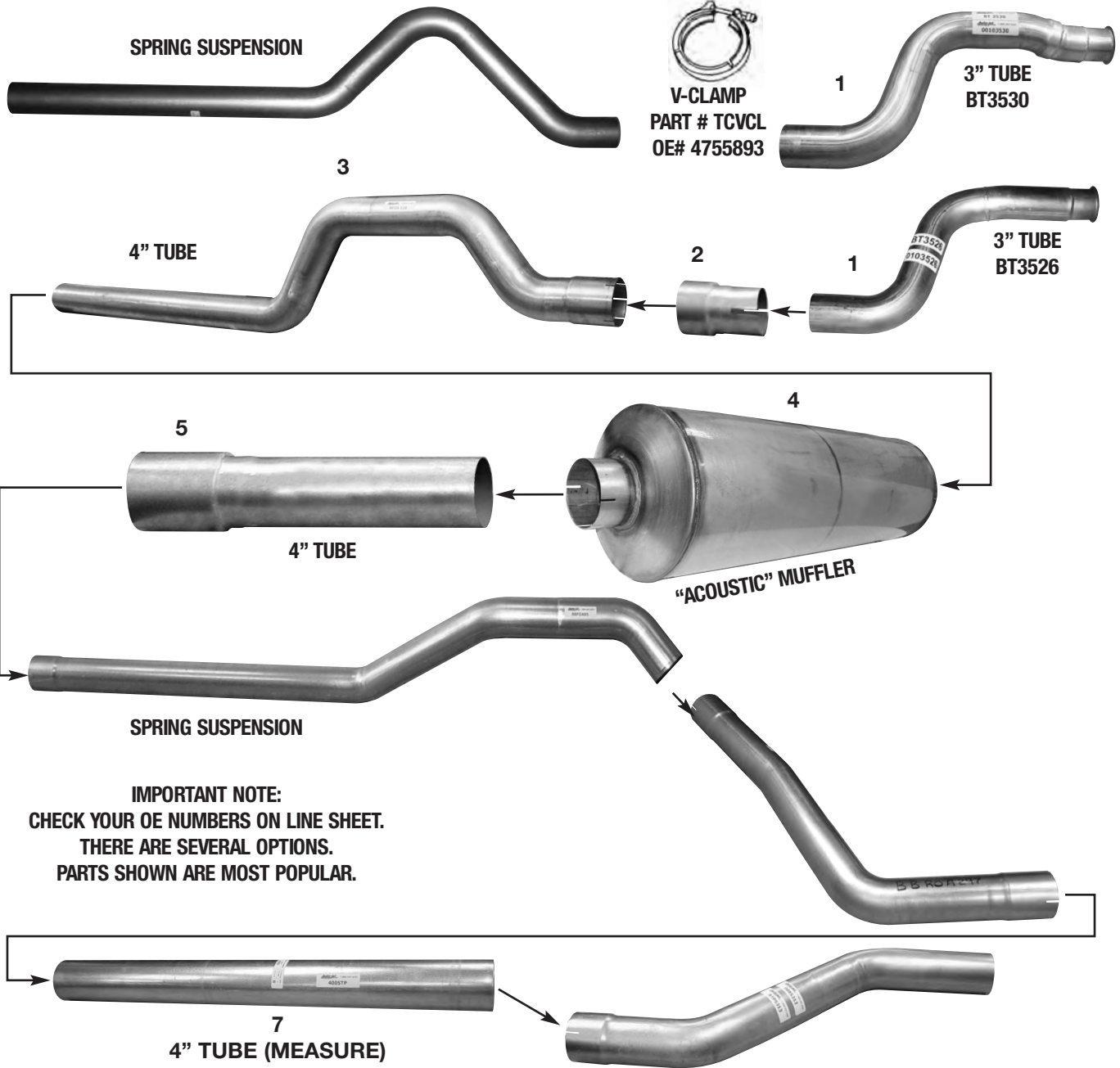
DESCRIPTION	AIR SUSPENSION							8 TAILPIPE
	1 TURBO-PIPE	2 FRONT OVERAXLE	3 FRONT OVERAXLE PIPE	4 TUBE TO DPF MUFFLER	5 REAR OVERAXLE	6 REAR OVERAXLE FRONT SECTION	7 TUBE REAR SECTION	
AUTO-JET PART#	BDPF454	BDPF455	BDPF419	400STP7	BBFOA94	BBROA298	400STP7	BPTP310
OE PART #	00118223	00118224	00108419	00109045	00000094	00109045		
ADD'L PART #	0115454							

AUTO-JET MUFFLER CORP. • UNITED MUFFLER CORP.

U.S. toll free 1-800-247-5391 • Fax 515-224-0727 • website: www.auto-jet.com
Canada toll free 1-866-229-3402 • Fax 519-455-1103 • website: www.unitedmuffler.com

BLUEBIRD VISION ALL-AMERICAN

2006 & UP ENGINE FORWARD BLUE BIRD ISB02



DESC.	1 TURBO PIPE	2 ADAPTER	3 FRONT OVER AXLE	4 MUFFLER	5 STRAIGHT TUBE	6 FRONT SECTION REAR OVER AXLE SPRING AIR	7 REAR SECTION REAR OVER AXLE SPRING AIR	8 STRAIGHT PIPE	9 TAIL PIPE
PART #	BT3530	4-3 OD-ID	BFOA99	B400860	400STP	BBFOA95	BROA297	400STP	BTP5313
O.E. #	00103530	0100144	00000708	00099860		00000095	00085297		00085313
PART #	BT3526		BFOA528						
O.E.#	00103526		00103528			SEE PAGES BB14 & 15	SEE PAGES BB14 & 15		

AUTO-JET MUFFLER CORP. • UNITED MUFFLER CORP.

U.S. toll free 1-800-247-5391 • Fax 515-224-0727 • website: www.auto-jet.com
Canada toll free 1-866-229-3402 • Fax 519-455-1103 • website: www.unitedmuffler.com

BLUEBIRD ALL-AMERICAN

2007 & UP ENGINE FORWARD ISB ENGINE TURBO TO DPF MUFFLER PIPES

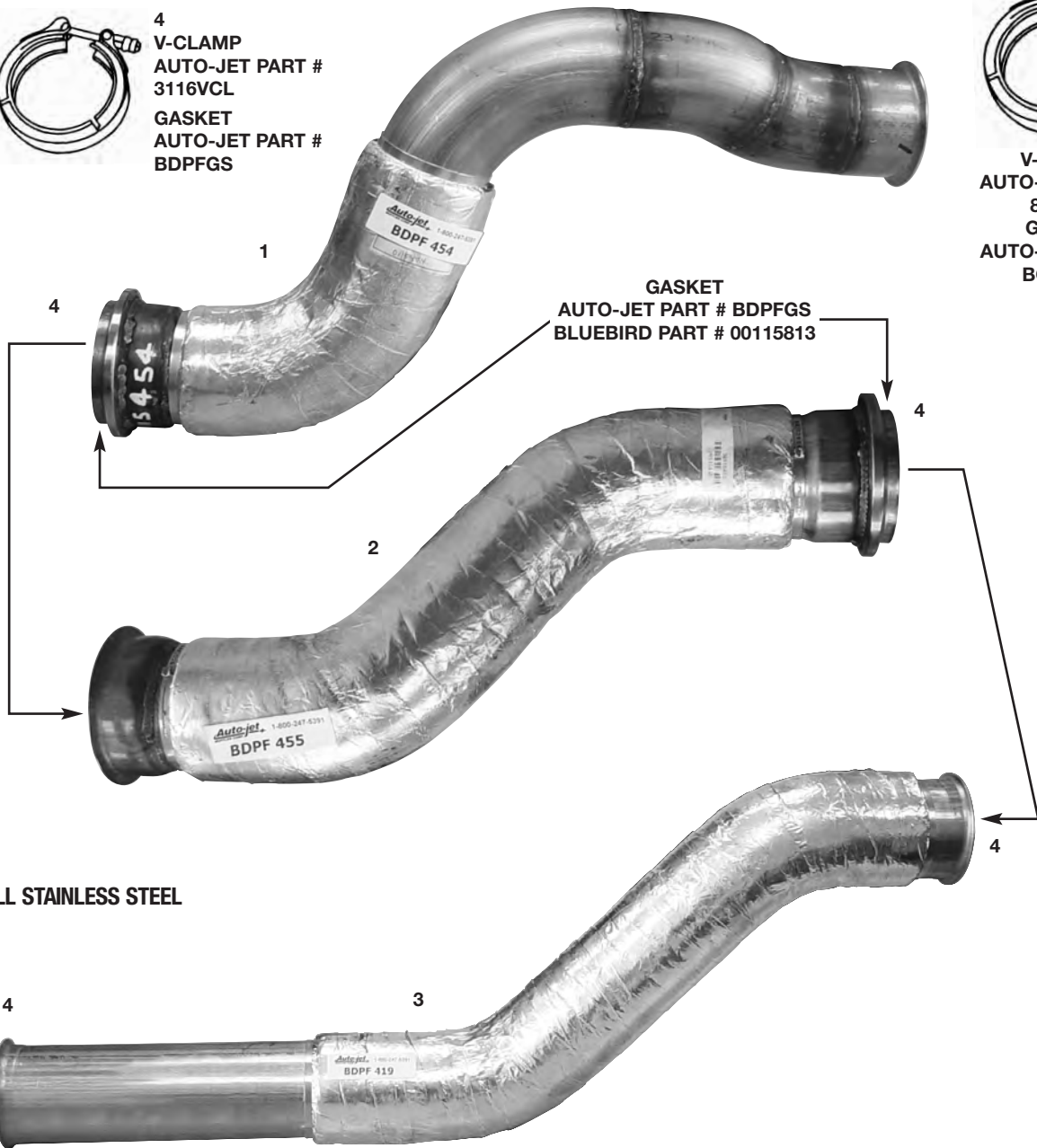
OE #'S ARE FOR CROSS REFERENCE ONLY



4
V-CLAMP
AUTO-JET PART #
3116VCL
GASKET
AUTO-JET PART #
BDPFGS



V-CLAMP
AUTO-JET PART #
83VCLT
GASKET
AUTO-JET PART #
BGST812



DESCRIPTION	1 TURBO-PIPE	2 FRONT OVERAXLE PIPE	3 FRONT OVERAXLE TO DPF MUFFLER	4 V-CLAMP & GASKET
AUTO-JET PART #	BDPF454	BDPF455	BDPF419	3116VCL
O.E. PART #	00118223	00118224	00108419	BDPFGS
ADD'L PART #	0115454	0115455		

AUTO-JET MUFFLER CORP. • UNITED MUFFLER CORP.

U.S. toll free 1-800-247-5391 • Fax 515-224-0727 • website: www.auto-jet.com
 Canada toll free 1-866-229-3402 • Fax 519-455-1103 • website: www.unitedmuffler.com

NEW BLUEBIRD ALL-AMERICAN TURBO-PIPES

BLUEBIRD ALL-AMERICAN C-7 CATERPILLAR W/DPF

AUTO-JET PART # BDPF693
O.E. # 10000693



AUTO-JET PART # BDPF068

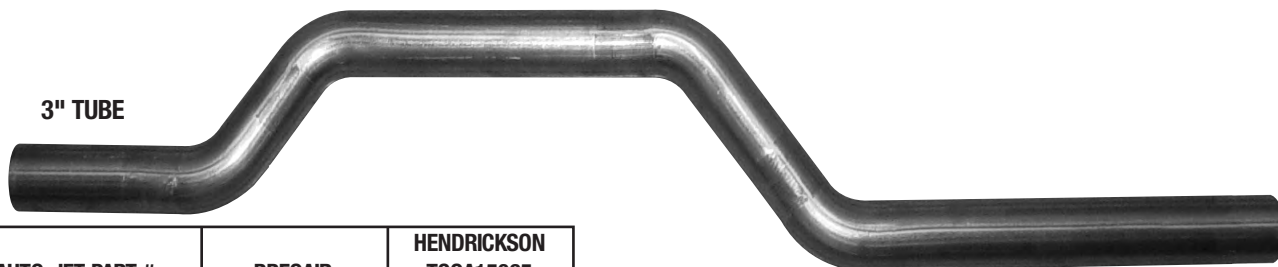


AUTO-JET MUFFLER CORP. • UNITED MUFFLER CORP.

U.S. toll free 1-800-247-5391 • Fax 515-224-0727 • website: www.auto-jet.com
Canada toll free 1-866-229-3402 • Fax 519-455-1103 • website: www.unitedmuffler.com

BLUEBIRD ALL-AMERICAN-TC2000 FRONT OVERAXLE PIPES

TC2000 AIR-RIDE

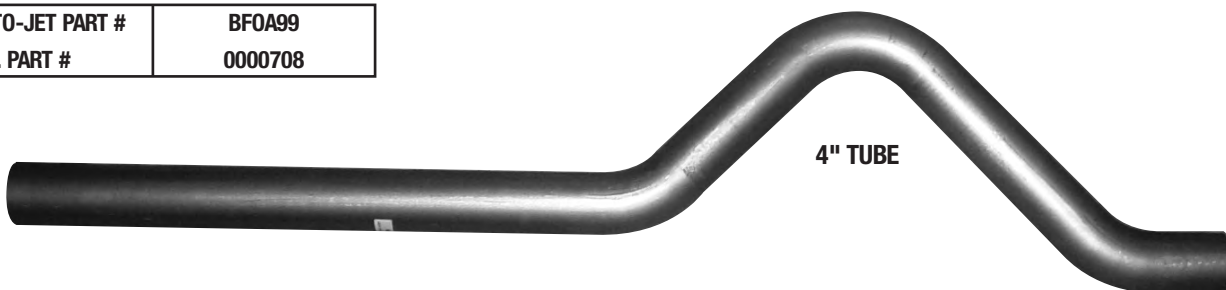


3" TUBE

AUTO-JET PART #	BBFOAIR	HENDRICKSON
O.E. PART #	0022169	TCOA15065
		00015065

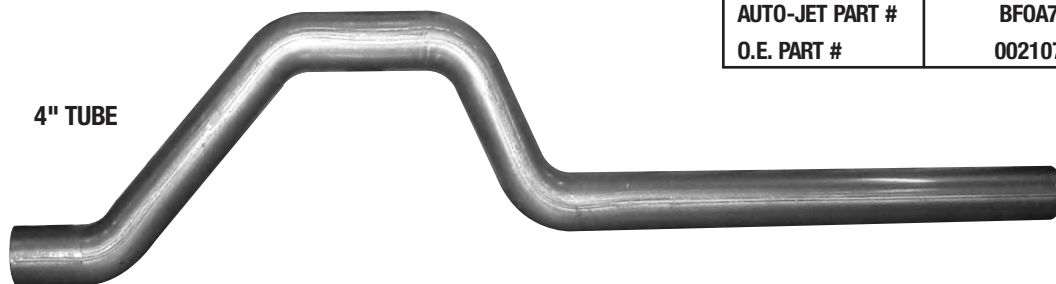
ALL-AMERICAN SPRING SUSPENSION

AUTO-JET PART #	BF0A99
O.E. PART #	0000708



4" TUBE

ALL-AMERICAN AIR SUSPENSION



4" TUBE

AUTO-JET PART #	BF0A71
O.E. PART #	0021071

2005 & UP FRONT OVERAXLE ENGINE FORWARD BLUE BIRD ALL-AMERICAN



4" TUBE

OE #'S ARE FOR
CROSS REFERENCE
ONLY

AUTO-JET PART #	BFOA528
O.E. PART #	0103528

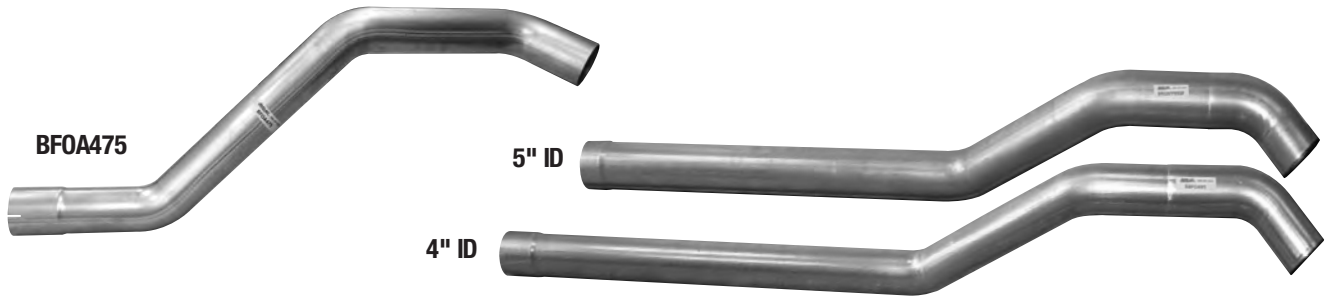
OE #'S ARE FOR CROSS REFERENCE ONLY

AUTO-JET MUFFLER CORP. • UNITED MUFFLER CORP.

U.S. toll free 1-800-247-5391 • Fax 515-224-0727 • website: www.auto-jet.com
 Canada toll free 1-866-229-3402 • Fax 519-455-1103 • website: www.unitedmuffler.com

BLUEBIRD ALL-AMERICAN REAR OVERAXLE FRONT PIPES

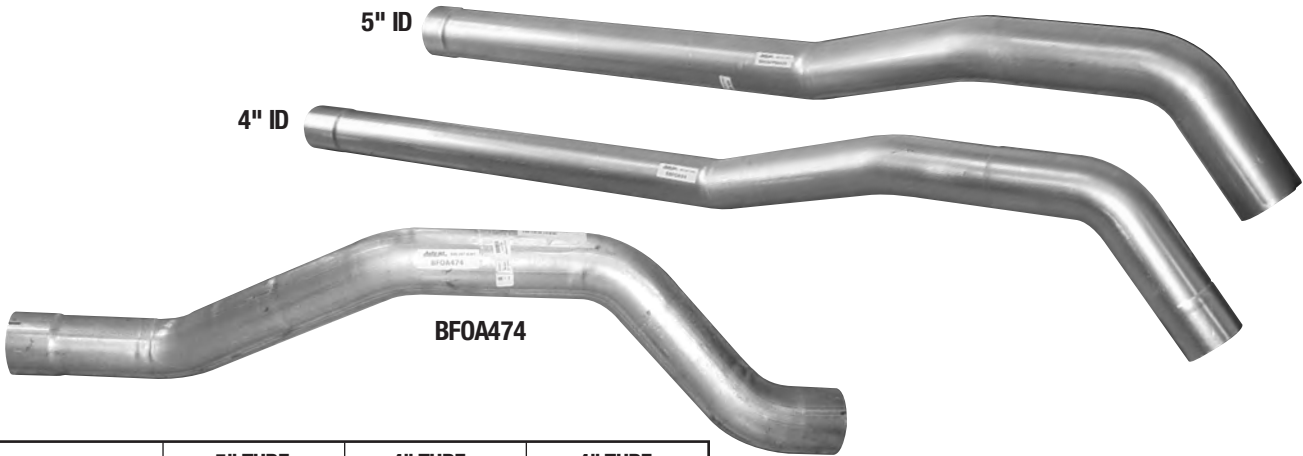
SPRING SUSPENSION 190" TO 232" W.B.



	5" TUBE	4" TUBE	4" TUBE
AUTO-JET PART #	BROAFP99SP	BBFOA95	BFOA475
O.E. PART #	0003167	0000095	10011475

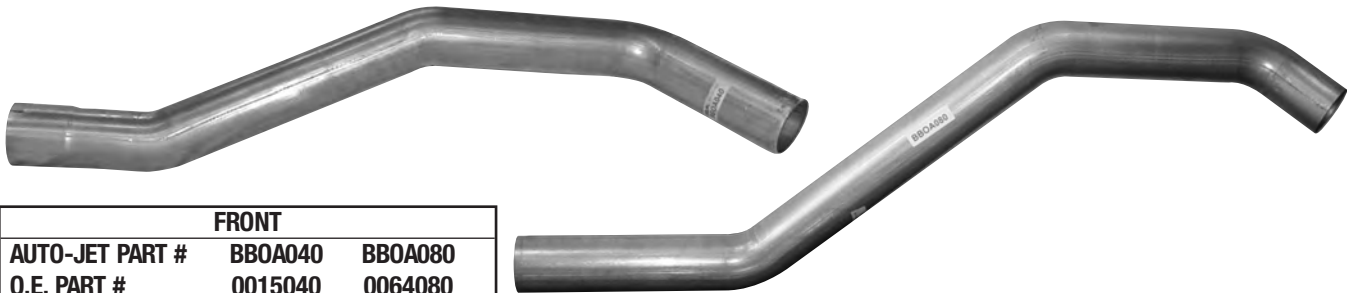
OE PART #'S ARE FOR CROSS REFERENCE PURPOSES ONLY

AIR-SUSPENSION 190" TO 232" W.B.



	5" TUBE	4" TUBE	4" TUBE
AUTO-JET PART #	BROAFP99AIR	BBFOA94	BFOA474
O.E. PART #	0003166	0000094	10011474

HENDRICKSON AIR-RIDE OVERAXLES



FRONT		
AUTO-JET PART #	BBOA040	BBOA080
O.E. PART #	0015040	0064080

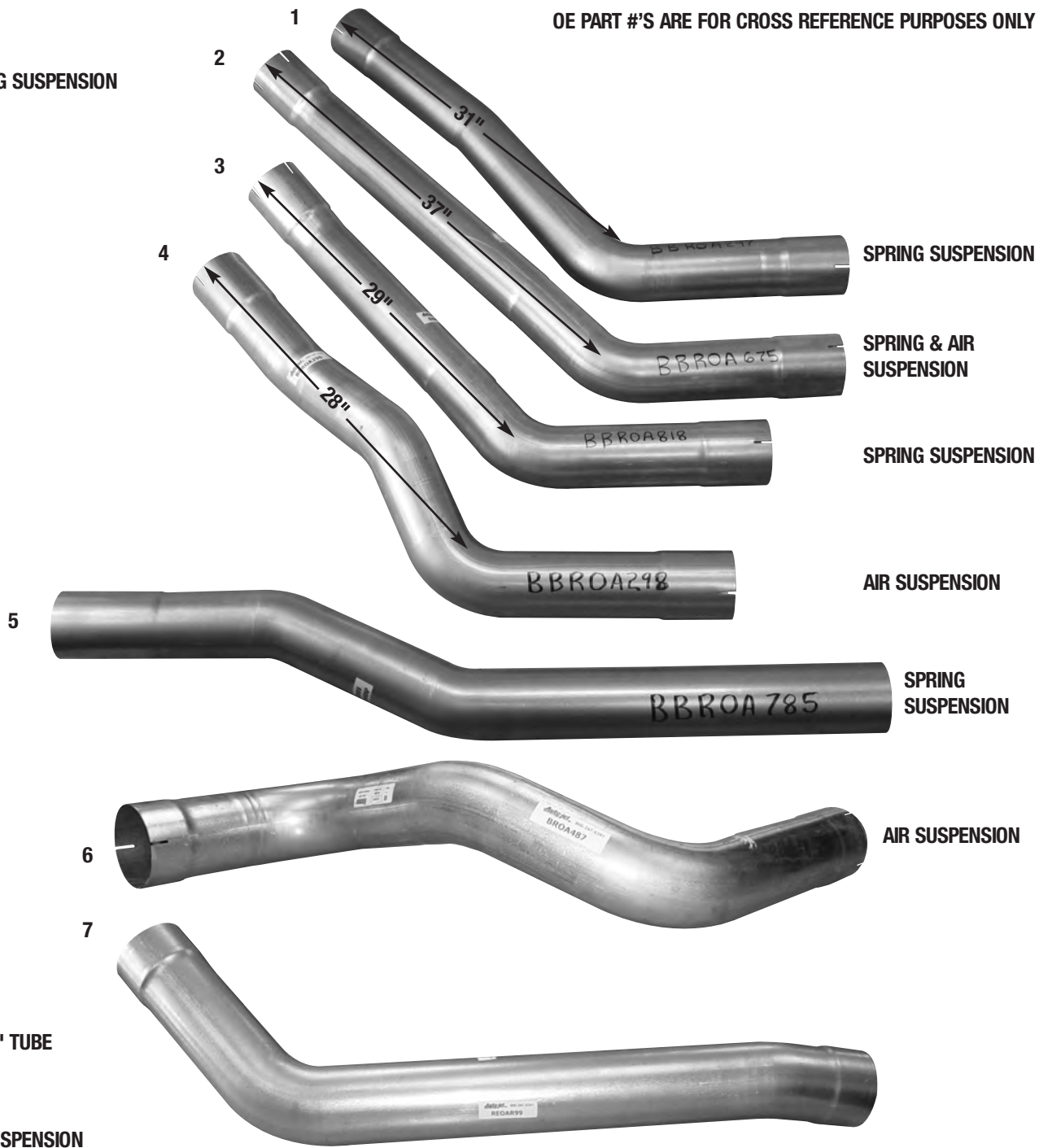
AUTO-JET MUFFLER CORP. • UNITED MUFFLER CORP.

U.S. toll free 1-800-247-5391 • Fax 515-224-0727 • website: www.auto-jet.com
 Canada toll free 1-866-229-3402 • Fax 519-455-1103 • website: www.unitedmuffler.com

VISION & ALL-AMERICAN REAR OVERAXLE PIPES

OE PART #'S ARE FOR CROSS REFERENCE PURPOSES ONLY

SPRING SUSPENSION



5" TUBE

AIR SUSPENSION

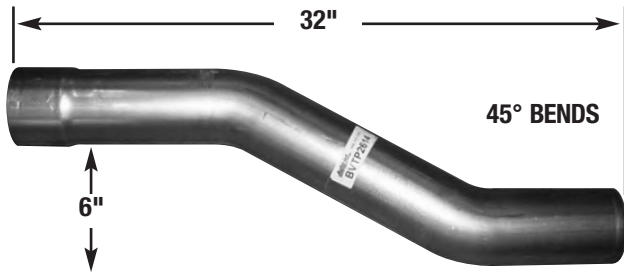
	1	2	3	4	5	6	7
AUTO-JET PART #	BBROA297	BBROA675	BBROA818	BBROA298	BBROA785	BROA487	REOARP99
O.E. PART #	0085297	00000675	00074818	00085298	00015785	10011487	00003168

AUTO-JET MUFFLER CORP. • UNITED MUFFLER CORP.

U.S. toll free 1-800-247-5391 • Fax 515-224-0727 • website: www.auto-jet.com
 Canada toll free 1-866-229-3402 • Fax 519-455-1103 • website: www.unitedmuffler.com

BLUEBIRD VISION ALL-AMERICAN TAILPIPES

THRU-BUMPER TO MISS TOW HOOK



TURNED DOWN



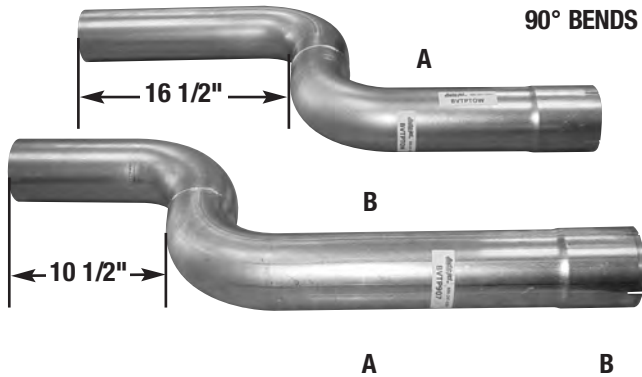
AUTO-JET PART #
O.E. PART #

BVTP2614
0002614

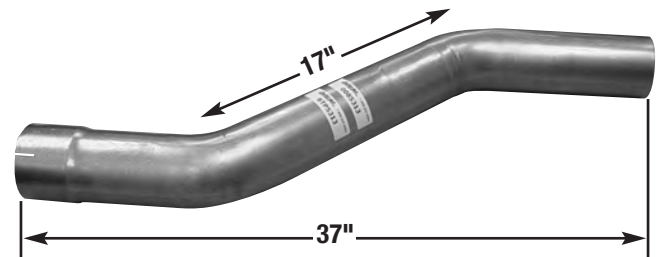
AUTO-JET PART #
O.E. PART #

BBTP6440
0026440

MISSES TOW HOOK



UNDER BUMPER



AUTO-JET PART #
O.E. PART #

BVPTOW
0074908

BVTP907
0074907

AUTO-JET PART #
O.E. PART #

BTP5313
0085313

TAILPIPE

OE #'S ARE FOR CROSS REFERENCE ONLY



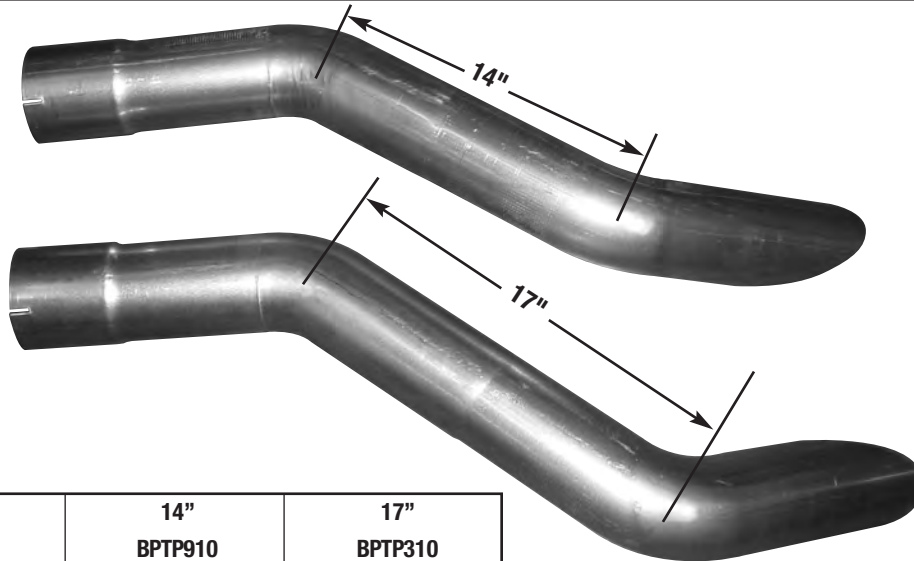
AUTO-JET PART #
O.E. PART #

BTP439
0026439

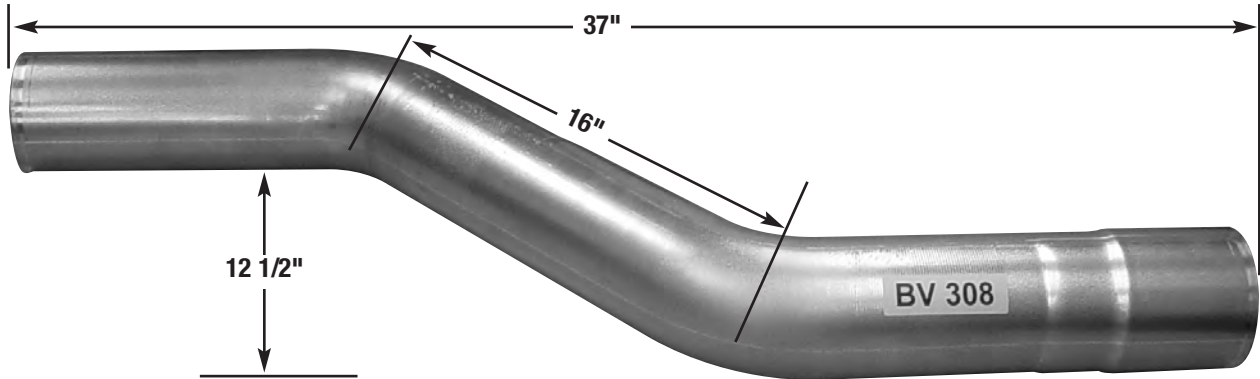
AUTO-JET MUFFLER CORP. • UNITED MUFFLER CORP.

U.S. toll free 1-800-247-5391 • Fax 515-224-0727 • website: www.auto-jet.com
Canada toll free 1-866-229-3402 • Fax 519-455-1103 • website: www.unitedmuffler.com

BLUEBIRD VISION ALL-AMERICAN TAILPIPES

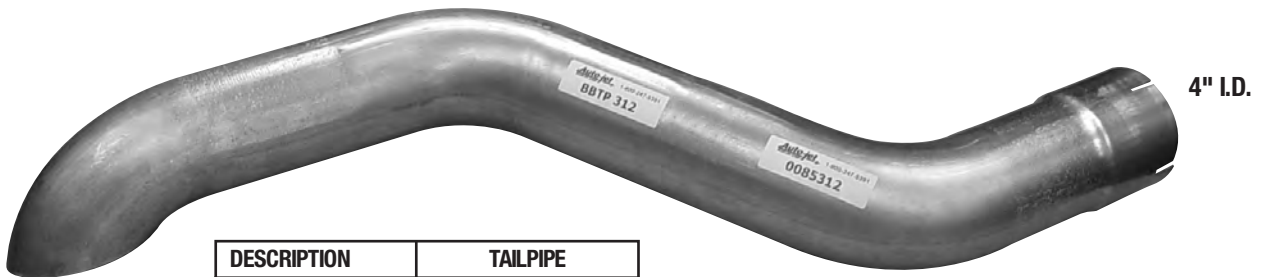


BETWEEN BENDS	14"	17"
AUTO-JET PART #	BPTP910	BPTP310
O.E. PART #	0074910	0085310



AUTO-JET PART #	BV308
O.E. PART #	0085308

BLUE BIRD TAILPIPE



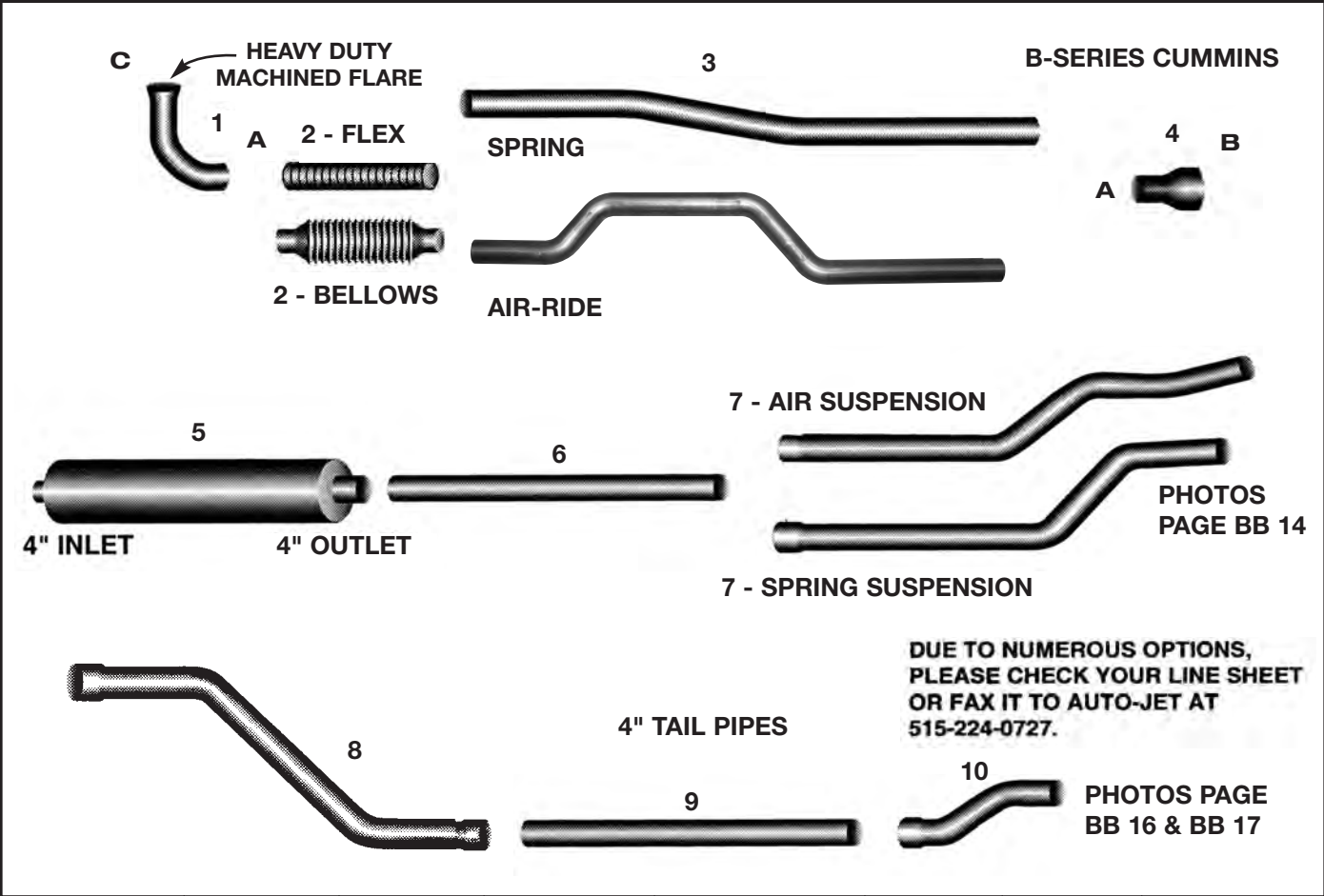
DESCRIPTION	TAILPIPE
AUTO-JET PART #	BBTP312
O.E. PART #	0085312

AUTO-JET MUFFLER CORP. • UNITED MUFFLER CORP.

U.S. toll free 1-800-247-5391 • Fax 515-224-0727 • website: www.auto-jet.com
 Canada toll free 1-866-229-3402 • Fax 519-455-1103 • website: www.unitedmuffler.com

BLUEBIRD EXHAUST SYSTEMS

1999-UP BLUEBIRD ALL-AMERICAN B-SERIES CUMMINS 4" SYSTEM



DESCRIPTION	1 TURBO PIPE	2 FLEX	2B - OPTIONAL BELLOWS	3 FRONT OVERAXLE	4 ADAPTER	5 MUFFLER	6 4" STRAIGHT PIPE
AUTO-JET #	TCMAN20	TCFLEX	SSB30012	TCFOA300EXT98 SPRING SUSP.	TCADAPT	B400400	400STP (MEASURE LENGTH)
AUTO-JET #	TCMAN94 (OPTIONAL STAINLESS)			BBFOAIR AIR SUSP.			

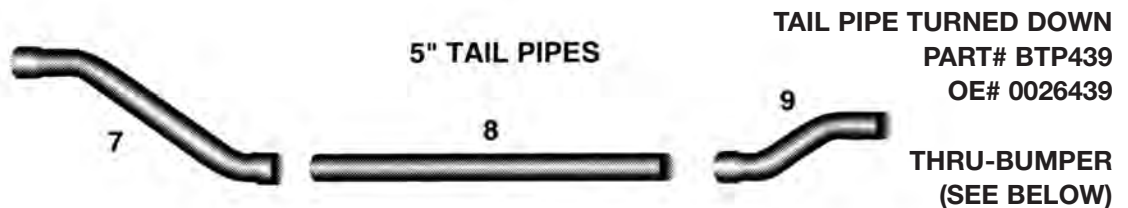
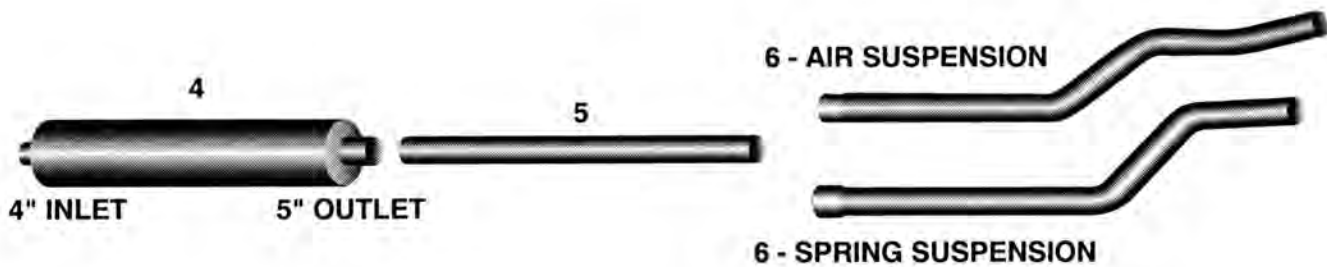
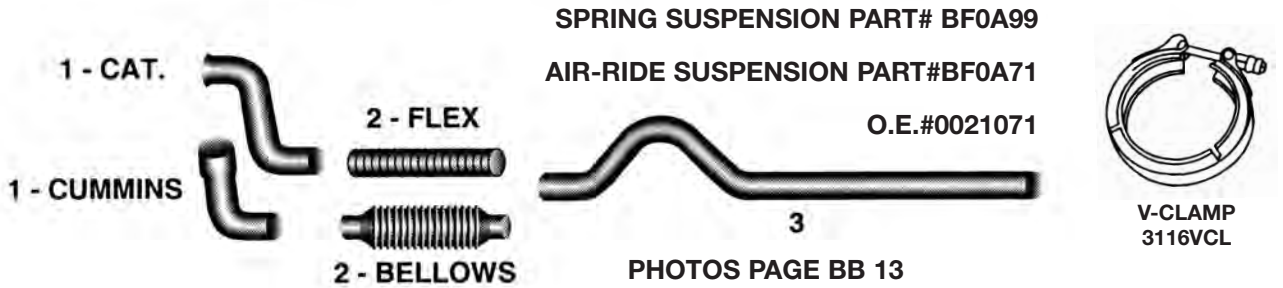
DESCRIPTION	7 REAR OVERAXLE FRONT PIPE	8 REAR OVERAXLE REAR PIPE	9 4" STRAIGHT PIPE	10 TAIL PIPES
AUTO-JET #	SPRING SUSPENSION BBFOA95 FOR HENDRICKSON AIR-RIDE, SEE PAGE BB14	AIR RIDE BBFOA94 PHOTO PAGE BB8	400STP7	BVTP2614 (THRU BUMPER) BBTP 6440 (TURNED DOWN) 400 EXT (STRAIGHT) BBTP310

AUTO-JET MUFFLER CORP. • UNITED MUFFLER CORP.

U.S. toll free 1-800-247-5391 • Fax 515-224-0727 • website: www.auto-jet.com
 Canada toll free 1-866-229-3402 • Fax 519-455-1103 • website: www.unitedmuffler.com

BLUEBIRD EXHAUST SYSTEMS

1998-UP BLUEBIRD ALL-AMERICAN PULLER, CAT. 3126 & CUMMINS 8.3 ISC ENGINES



DUE TO NUMEROUS OPTIONS,
PLEASE CHECK YOUR LINE SHEET
OR FAX IT TO AUTO-JET AT
515-224-0727.

FOR: SIDE DISCHARGE TAIL PIPE SEE PAGE BB 26

OE PART #'S ARE FOR CROSS REFERENCE PURPOSES ONLY

DESCRIPTION	1 TURBO PIPE		2 FLEXIBLE CONNECTOR		3 FRONT OVERAXLE SPRING	4 MUFFLER NON-CATALYST	5 STRAIGHT PIPE 5" SPECIFY WHEEL BASE		
	3126 CAT.	8.3 CUMMINS	FLEX TUBE	BELLOWS			190"	211"	232"
AUTO-JET PART #	B3126T99	B83ELT99	FLEX40012	SSB40012	BFOA99	B400500	500STP	500STP	500STP
O.E. PART #	0000707	1935239	1522416	1124767	0000708	1997964	0003564	0003565	0003576
DESCRIPTION	6 REAR OVERAXLE FRONT PIPE		7 REAR OVERAXLE REAR PIPE			8 5" STRAIGHT PIPE		9 TAIL PIPE THRU-BUMPER	
	SPRING SUSPENSION		AIR SUSPENSION						
AUTO-JET PART #	BROAFP99SP		BROAFP99AIR			REOARP99		500STP7	
O.E. PART #	0003167		0003166			0003168		0003577 TO 0003581	
									BTP995 0003175

AUTO-JET MUFFLER CORP. • UNITED MUFFLER CORP.

U.S. toll free 1-800-247-5391 • Fax 515-224-0727 • website: www.auto-jet.com
Canada toll free 1-866-229-3402 • Fax 519-455-1103 • website: www.unitedmuffler.com

BLUEBIRD EXHAUST SYSTEMS

2005-UP BLUEBIRD ALL-AMERICAN PULLER, CAT. 3126 & C7

1A
W/PAC BRAKE



AUTO-JET #BC7844
OE# 0081844



SPRING SUSPENSION PART# BF0A99



2 - FLEX
2 - BELLOWS



3

PHOTOS PAGE BB 13



V-CLAMP
3116VCL

4



4" INLET

4" OUTLET

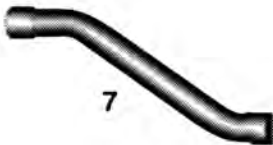


5



6 - SPRING SUSPENSION

4" TAIL PIPES



7



8



9

DUE TO NUMEROUS OPTIONS,
PLEASE CHECK YOUR LINE SHEET
OR FAX IT TO AUTO-JET AT
515-224-0727.

FOR: SIDE DISCHARGE TAIL PIPE SEE PAGE BB 26

OE PART #'S ARE FOR CROSS REFERENCE PURPOSES ONLY

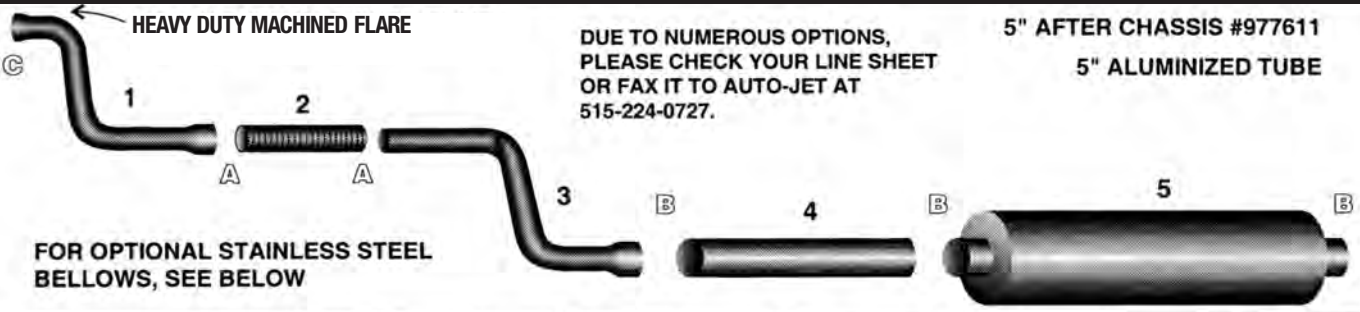
DESCRIPTION	1 TURBO PIPE 3126 CAT.	2 FLEXIBLE CONNECTOR FLEX TUBE BELLOWS		3 FRONT OVERAXLE	4 MUFFLER NON-CATALYST	5 STRAIGHT PIPE 4" 190" MEASURE LENGTH	
AUTO-JET #	B3126T99	FLEX40012	SSB40012	BF0A99	B400400	400STP	
OE #	0000707	1522416	1124767	0000708	1997964	0003564	
DESCRIPTION	6 REAR OVERAXLCE FRONT PIPE SPRING SUSPENSION		7 REAR OVERAXLE REAR PIPE		8 4" STRAIGHT PIPE		9 TAIL PIPE
AUTO-JET #	BBFOA95		BROA297		400STP		TD40024
OE #	000095		0085297				0064130

AUTO-JET MUFFLER CORP. • UNITED MUFFLER CORP.

U.S. toll free 1-800-247-5391 • Fax 515-224-0727 • website: www.auto-jet.com
Canada toll free 1-866-229-3402 • Fax 519-455-1103 • website: www.unitedmuffler.com

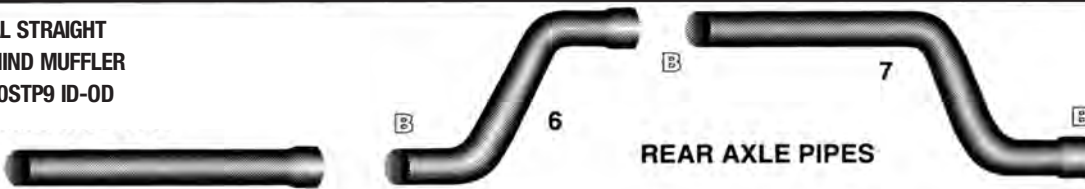
BLUEBIRD ALL AMERICAN

1992-97 BLUEBIRD ALL-AMERICAN 8.3 CUMMINS 5" SYSTEM



	1	2	3	4	5
DESCRIPTION	TURBO PIPE	FLEX PIPE	OVER DRIVSHAFT PIPE	STRAIGHT PIPE	MUFFLER
AUTO-JET PART #	B83T5	FLEX40024	BOD5	500STP5	B500500
O.E. PART #	1574227		STD. 1522549		1522291
BEGIN CHASSIS NO. 991136	B83T5SS	FLEX40024	BOD5SS	500STP3045	B500CUMCT - CATALYST
O.E. PART #	1671254 OR 1947936		1668490		1667401

OPTIONAL STRAIGHT PIPE BEHIND MUFFLER USE #500STP9 ID-OD

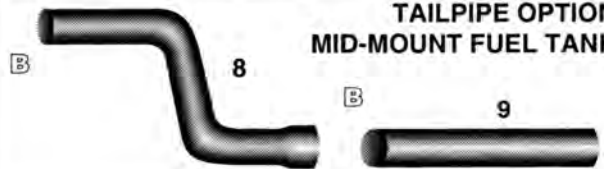


	6	7
DESCRIPTION	REAR AXLE FRONT PIPE	REAR AXLE REAR PIPE
AUTO-JET PART #	BDF0A5	BDR0A5
O.E. PART #	1522432	1517911

TAILPIPE OPTION SIDE-MOUNT FUEL TANK



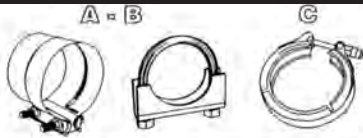
TAILPIPE OPTION MID-MOUNT FUEL TANK



	8	9	8	9
DESCRIPTION	TAIL PIPE	TAIL PIPE	TAIL PIPE	TAIL PIPE
AUTO-JET PART #	500STP	BDTP5SM	BDTP5MM	500STP
O.E. PART #		1517903	1573773	

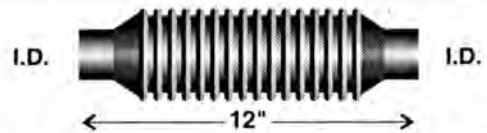
CLAMPS

Stainless Clamps See page ACC 2 for more information



	A	B	C
DESCRIPTION	CLAMPS 4"	CLAMPS 5"	V-CLAMP
AUTO-JET PART #	FLAT 400SC PRE-FORMED 400SCPF U-BOLT U-400	500SC 500SCPF U-500	83VCLT

STAINLESS STEEL BELLOWS



- One piece leak proof
- Designed for extreme heat
- Eliminates vibration
- Allows exhaust system flexibility

DESCRIPTION	DOUBLE WALL STAINLESS STEEL BELLOWS
AUTO-JET PART #	SSB40012

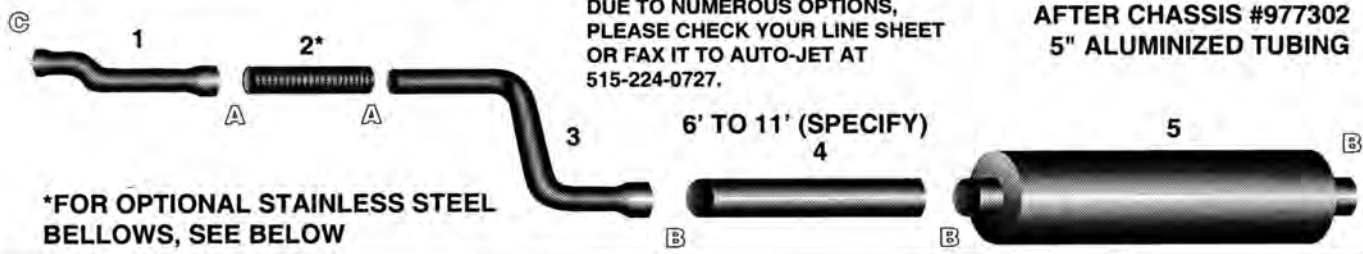
OE PART #'S ARE FOR CROSS REFERENCE PURPOSES ONLY

AUTO-JET MUFFLER CORP. • UNITED MUFFLER CORP.

U.S. toll free 1-800-247-5391 • Fax 515-224-0727 • website: www.auto-jet.com
 Canada toll free 1-866-229-3402 • Fax 519-455-1103 • website: www.unitedmuffler.com

BLUEBIRD EXHAUST SYSTEMS

1992-97 BLUEBIRD ALL-AMERICAN 3116 CATERPILLAR 5" SYSTEM

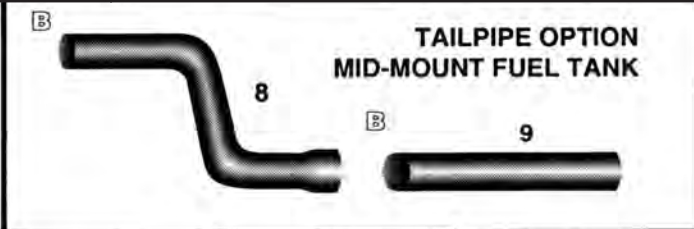
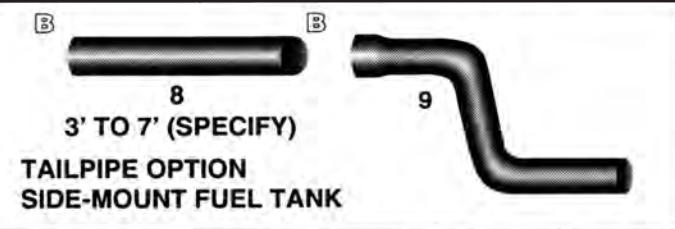


DESCRIPTION	1 TURBO PIPE	2 FLEX PIPE	3 OVER DRIVSHAFT PIPE	4 STRAIGHT PIPE	5 MUFFLER
AUTO-JET PART #	B3116T5	FLEX40024	BOD5	500STPA	B500500
O.E. PART #	1518588		1522549		1522291
BEGIN CHASSIS NO. 991136	B3116T5	FLEX40012	BOD5SS	500STP304	400CAT44 - CATALYST
O.E. PART #	1518588		1668490		1777564

OPTIONAL STRAIGHT PIPE BEHIND MUFFLER
USE #500STP9 ID-OD
5" SIDE-DISCHARGE TAIL PIPE,
SEE PAGE BB 26



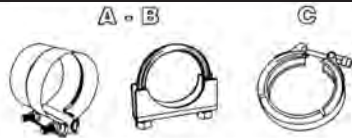
DESCRIPTION	6 REAR AXLE FRONT PIPE	7 REAR AXLE REAR PIPE
AUTO-JET PART #	BDFOA5	BDR0A5
O.E. PART #	1522432	1517911



DESCRIPTION	8 TAIL PIPE	9 TAIL PIPE	DESCRIPTION	8 TAIL PIPE	9 TAIL PIPE
AUTO-JET PART #	500STP	BDTP5SM	AUTO-JET PART #	BDTP5MM	500STP
O.E. PART #		1517903	O.E. PART #	1573773	

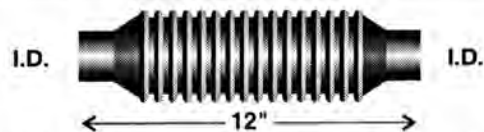
CLAMPS

Stainless Clamps
See page ACC 2
for more information



DESCRIPTION	CLAMPS	A 4"	B 5"	C V-CLAMP
AUTO-JET PART #	FLAT	400SC	500SC	
	PRE-FORMED	400SCPF	500SCPF	3116VCL
	U-BOLT	U-400	U-500	

STAINLESS STEEL BELLOWS



- One piece leak proof
- Designed for extreme heat
- Eliminates vibration
- Allows exhaust system flexibility

DESCRIPTION	DOUBLE WALL STAINLESS STEEL BELLOWS
AUTO-JET PART #	SSB40012

OE PART #'S ARE FOR CROSS REFERENCE PURPOSES ONLY

AUTO-JET MUFFLER CORP. • UNITED MUFFLER CORP.

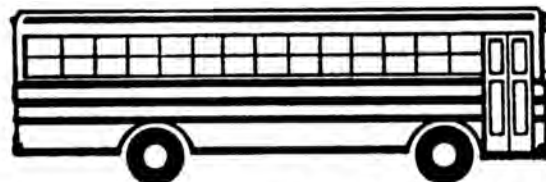
U.S. toll free 1-800-247-5391 • Fax 515-224-0727 • website: www.auto-jet.com
Canada toll free 1-866-229-3402 • Fax 519-455-1103 • website: www.unitedmuffler.com

BLUEBIRD EXHAUST SYSTEMS

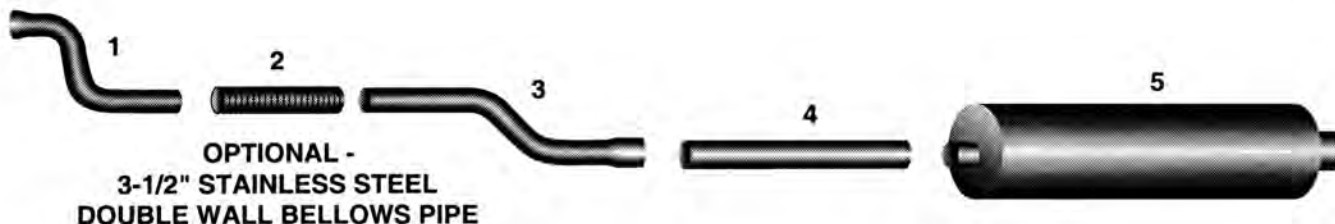
1987-91 ALL-AMERICAN 8.3 LITRE CUMMINS 4" SYSTEM

FORWARD CONTROL BUSES

TURBO-ENGINE FORWARD PULLERS



4" ALUMINIZED TUBE



OPTIONAL 4" SIDE
DISCHARGE TAIL PIPE,
SEE PAGE BB 35

SPECIFY WHEEL BASE

DESCRIPTION	1 TURBO PIPE	2 FLEX OR BELLOWS PIPE	3 - FRONT OVER AXLE PIPE	4 - 4" STRAIGHT PIPE	5 MUFFLER
8.3 CUMMINS PART #	BB83T	FLEX - FLEX35012 BELLOWS - SSB35012	B830A AIR RIDE - B830AIR	400STP	B400400
DESCRIPTION	6 - REAR OVERAXLE FRONT SECTION	7 - REAR OVERAXLE REAR SECTION	8 - 4" STRAIGHT PIPE	9 TAILPIPE	10 V-CLAMP
8.3 CUMMINS PART #	BDFOA	BDROA	400STP	BDOFFTP4 BDTP	83VCLT

AUTO-JET MUFFLER CORP. • UNITED MUFFLER CORP.

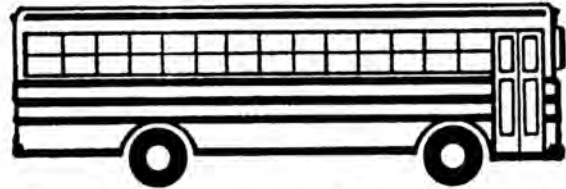
U.S. toll free 1-800-247-5391 • Fax 515-224-0727 • website: www.auto-jet.com
Canada toll free 1-866-229-3402 • Fax 519-455-1103 • website: www.unitedmuffler.com

BLUEBIRD EXHAUST SYSTEMS

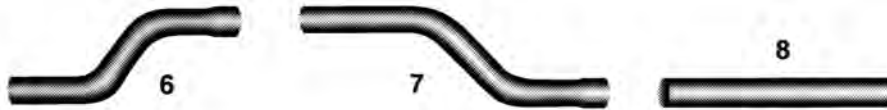
1987-91 ALL-AMERICAN 3116 CATERPILLAR 4" SYSTEM

FORWARD CONTROL BUSES

TURBO-ENGINE FORWARD PULLERS



PRIOR TO CHASSIS #977303
4" ALUMINIZED TUBE



OE#: 1044494

SPECIFY WHEEL BASE

DESCRIPTION	1 TURBO PIPE	2 BELLOWS PIPE	3 - FRONT OVER AXLE PIPE	4 - 4" STRAIGHT PIPE	5 MUFFLER
3116 CAT PART #	B3116T4	SSB40012	B31160A	400STP	B400400
DESCRIPTION	6 - REAR OVERAXLE FRONT SECTION	7 - REAR OVERAXLE REAR SECTION	8 - 4" STRAIGHT PIPE	9 TAILPIPE	10 V-CLAMP
3116 CAT PART #	BDFOA	BDROA	400STP	9A BDTP	3116VCL

AUTO-JET MUFFLER CORP. • UNITED MUFFLER CORP.

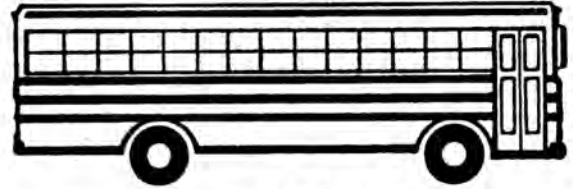
U.S. toll free 1-800-247-5391 • Fax 515-224-0727 • website: www.auto-jet.com
Canada toll free 1-866-229-3402 • Fax 519-455-1103 • website: www.unitedmuffler.com

BLUEBIRD ALL-AMERICAN

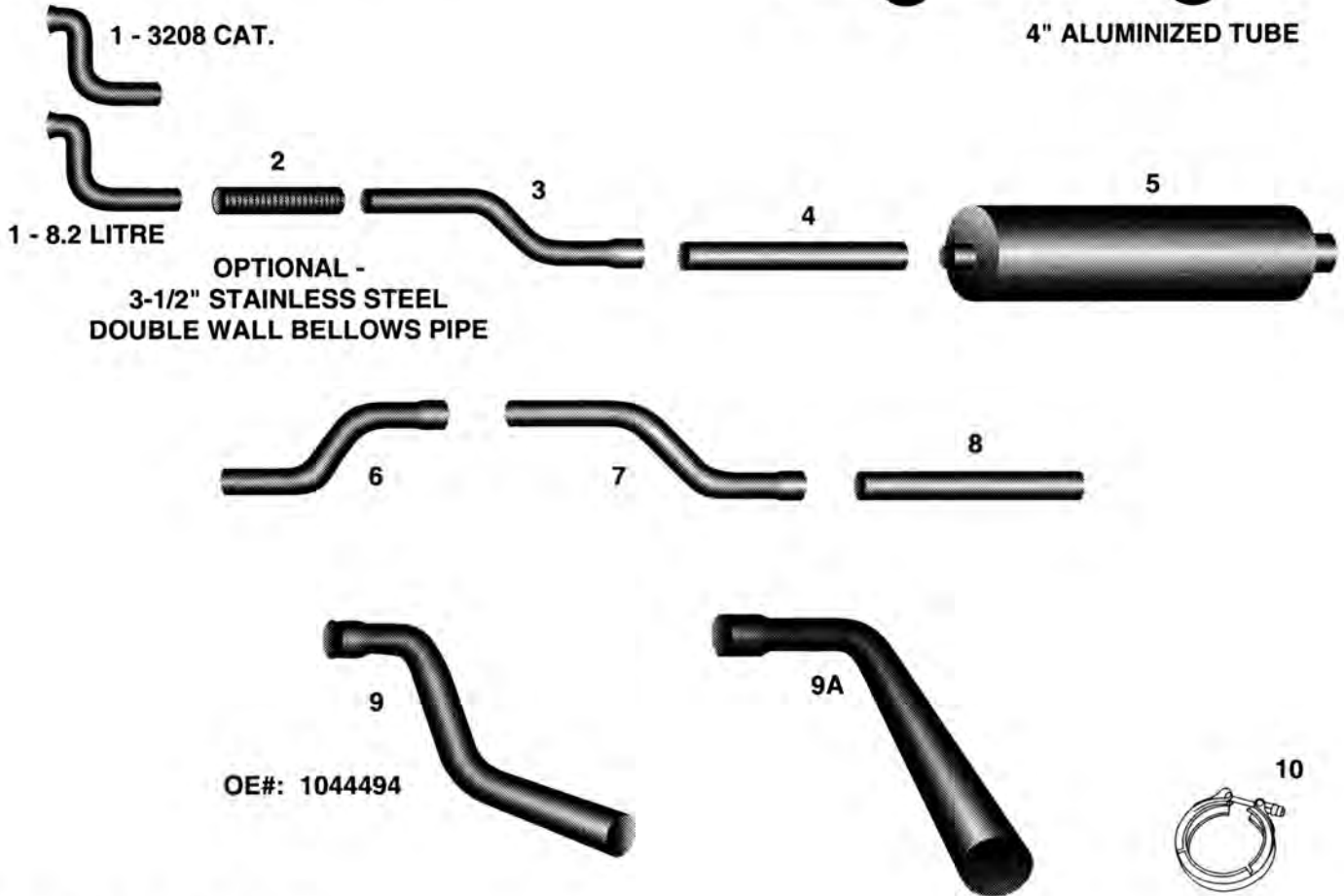
1980-92 ALL-AMERICAN 8.2 LITRE DETROIT & 3208 CATERPILLAR

FORWARD CONTROL BUSES

TURBO-ENGINE FORWARD PULLERS



4" ALUMINIZED TUBE



SPECIFY WHEEL BASE

BELLOWS PIPE (#SSB350) IS MADE ESPECIALLY FOR STATES WHERE FLEX IS UNLAWFUL.

DESCRIPTION	1 TURBO PIPE	2 - FLEX OR BELLOWS PIPE FLEX	BELLOWS	3 - FRONT OVER AXLE PIPE	4 - 4" STRAIGHT PIPE	5 MUFFLER
8.2 LITRE PART #	BB82T	FLEX35012	SSB35012	B820A	400STP	B400400
AFTER CHASSIS SERVICE #967391	BB82TL			B820AL		
3208 CAT PART #	BB3208T	FLEX35012	SSB35012	B820A	400STP	B400400
DESCRIPTION	6 - REAR OVERAXLE FRONT SECTION	7 - REAR OVERAXLE REAR SECTION	8 - 4" STRAIGHT PIPE	TAIL PIPE		10 V-CLAMP
8.2 LITRE PART #	BDFOA	BDROA	400STP	9	9	82VCLT
3208 CAT PART #	BDFOA	BDROA	400STP	BDOFFTP4	BDTP	3208VCLT

AUTO-JET MUFFLER CORP. • UNITED MUFFLER CORP.

U.S. toll free 1-800-247-5391 • Fax 515-224-0727 • website: www.auto-jet.com
 Canada toll free 1-866-229-3402 • Fax 519-455-1103 • website: www.unitedmuffler.com

BLUEBIRD SIDE DISCHARGE TAIL PIPES

2010 & UP BLUEBIRD ALL-AMERICAN

PART # BSD169TP
OE# 10012226

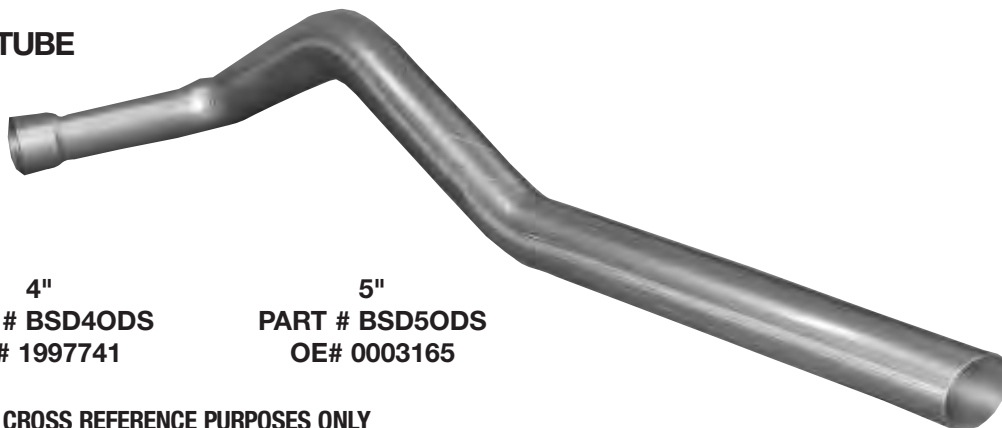
4" OD



1998-UP BLUEBIRD ALL-AMERICAN 4 & 5" OVER DRIVE SHAFT

LEFT SIDE-DISCHARGE TAILPIPE

ALUMINIZED TUBE



4"
PART # BSD40DS
OE# 1997741

5"
PART # BSD50DS
OE# 0003165

SKIRT

OE PART #'S ARE FOR CROSS REFERENCE PURPOSES ONLY

BLUEBIRD VISION 4" OVER DRIVE SHAFT

PART # BVSDTP
OE# 0068269

LEFT SIDE-DISCHARGE TAILPIPE



PART # BBRAC90
OE# 1948090

BRACKET AT SKIRT

PART # BBHGR5.62



AUTO-JET MUFFLER CORP. • UNITED MUFFLER CORP.

U.S. toll free 1-800-247-5391 • Fax 515-224-0727 • website: www.auto-jet.com
Canada toll free 1-866-229-3402 • Fax 519-455-1103 • website: www.unitedmuffler.com

BLUEBIRD REAR ENGINE

2007 & UP REAR ENGINE CUMMINS I.S.B.



V-CLAMP
83VCLT

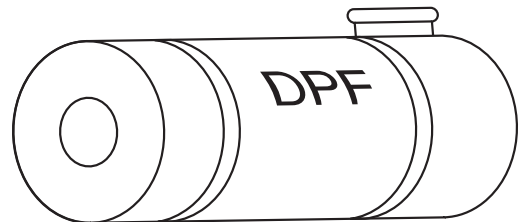


400ACCUSI



V-CLAMP
3116VCLT

PASSENGER SIDE TAILPIPE SHOWN
DRIVERS SIDE TAILPIPE AVAILABLE SOON!



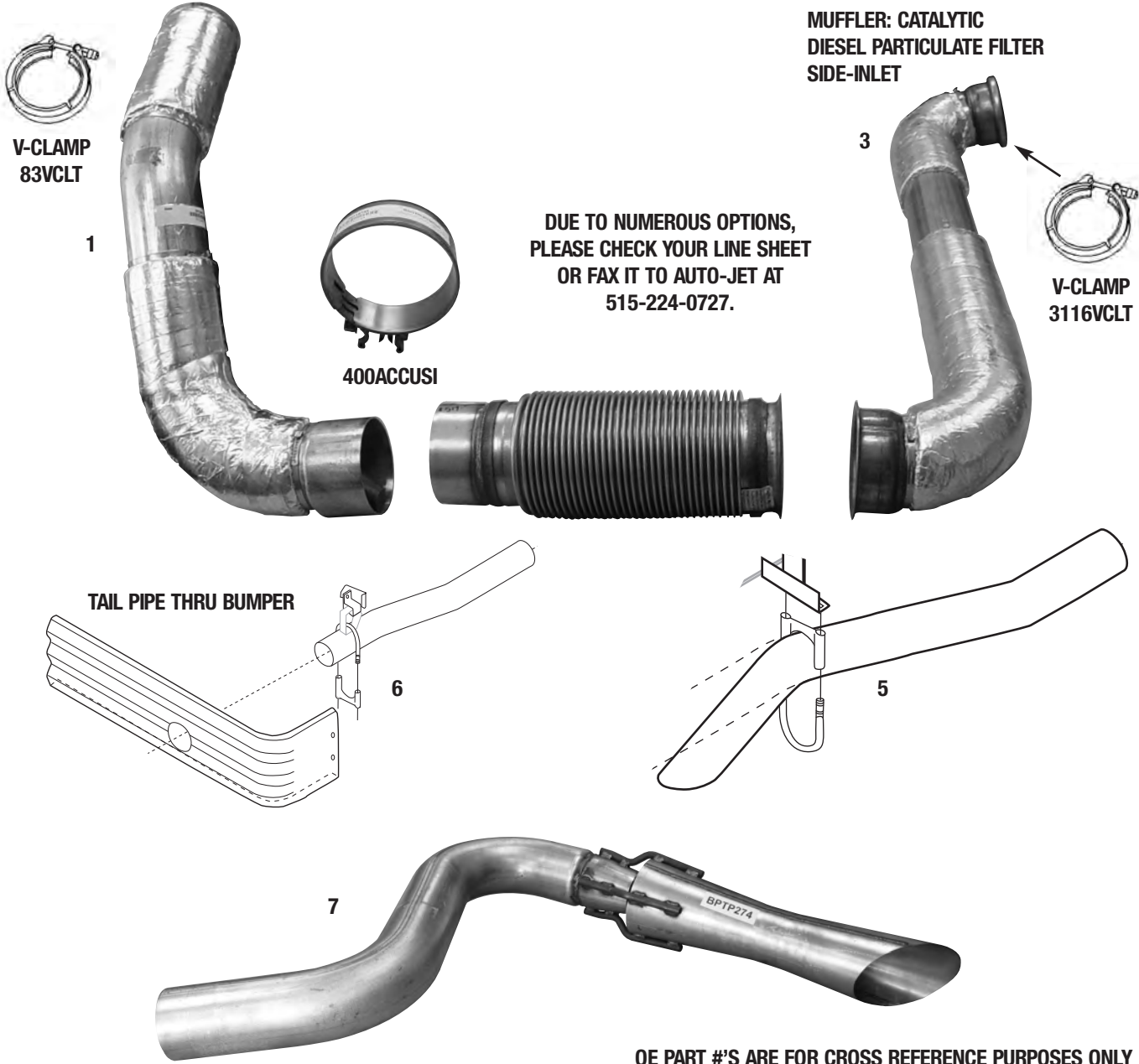
	1	2	3	3
DESCRIPTION	TURBO PIPE	BELLOWS PIPE	TAILPIPE	TAILPIPE
AUTO-JET PART #	BP205T	BPBELL	BPTP409	BPTP907
O.E. PART #	00109205	0109851	00109409	00166907

AUTO-JET MUFFLER CORP. • UNITED MUFFLER CORP.

U.S. toll free 1-800-247-5391 • Fax 515-224-0727 • website: www.auto-jet.com
 Canada toll free 1-866-229-3402 • Fax 519-455-1103 • website: www.unitedmuffler.com

BLUEBIRD EXHAUST SYSTEMS

2004-UP BLUEBIRD ALL-AM. CUMMINS ISC PUSHER



OE PART #'S ARE FOR CROSS REFERENCE PURPOSES ONLY

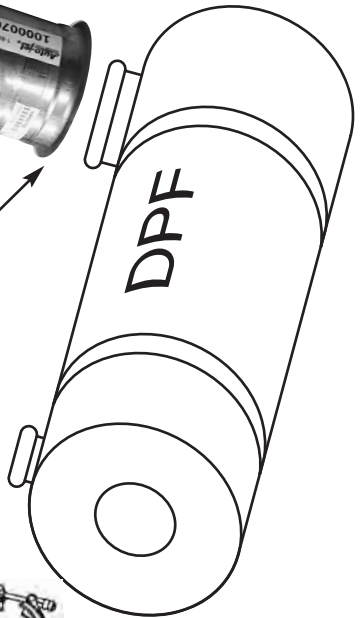
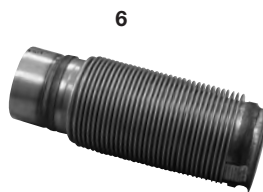
	1	2	3	4	5	6	7
DESCRIPTION	TURBO PIPE	BELLOWS PIPE	MUFFLER INLET PIPE	MUFFLER	TAILPIPE UNDER BUMPER	TAILPIPE THRU-BUMPER	DIFFUSER
AUTO-JET#	BP457T	BPBELL	BPMIN458	AVAIL.	BPTP439	BPTP094	BPTP274
BLUEBIRD #	0120457	0109851	0120458	SOON	0109439	0117094	10000274
OLD STYLE	0190837	BP837T	0118228	BPMIN228			

AUTO-JET MUFFLER CORP. • UNITED MUFFLER CORP.

U.S. toll free 1-800-247-5391 • Fax 515-224-0727 • website: www.auto-jet.com
 Canada toll free 1-866-229-3402 • Fax 519-455-1103 • website: www.unitedmuffler.com

BLUEBIRD EXHAUST SYSTEMS

2007 & UP ALL-AMERICAN C7 CATERPILLAR WITH DPF



OE #'S ARE FOR CROSS REFERENCE ONLY

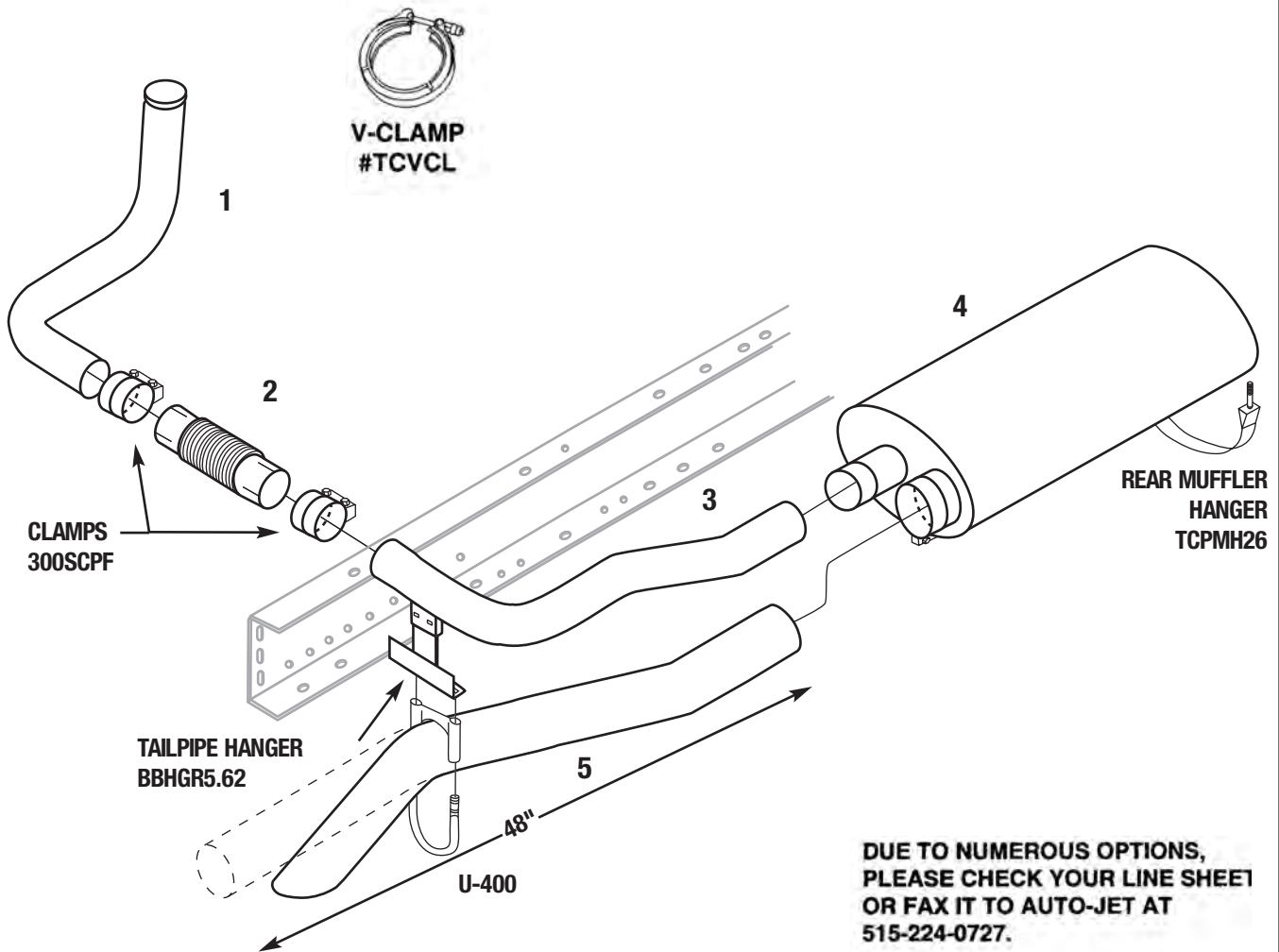
DESCRIPTION	1 TURBO-PIPE	2 BELLOWS	3 BELLOWS TO DPF	4 TAILPIPE UNDER BUMPER	5 C.G.I. PIPE	6 BELLOWS 2 1/2"
AUTO-JET PART #	BPTDPF907	BPBELL	BPDPF702	BPTP094	BPCGI786	BPBELL99
O.E. PART #	00115907	0109851	10000702	0117094	0118786	0118999

AUTO-JET MUFFLER CORP. • UNITED MUFFLER CORP.

U.S. toll free 1-800-247-5391 • Fax 515-224-0727 • website: www.auto-jet.com
 Canada toll free 1-866-229-3402 • Fax 519-455-1103 • website: www.unitedmuffler.com

BLUEBIRD VISION TURBO-PIPES

2000-UP BLUEBIRD B-SERIES ALL-AMERICAN PUSHER 5.9 ISB REAR ENGINE



DESCRIPTION	1 TURBO PIPE	2 BELLOWS PIPE	3 - MUFFLER INLET PIPE	4 MUFFLER	5 - TAIL PIPE THRU - BUMPER
PART #	BP59T	SSB30012	BP59MIN	TC300400RV94	BP59TPST
END CSN 10034454	(OE # 1935550)				
PART #	TCPT98	Same	Same	Same	UNDER - BUMPER
BEGIN CSN 10034455	(OE # 0004518)				BP59TPTD

OE PART #'S ARE FOR CROSS REFERENCE PURPOSES ONLY

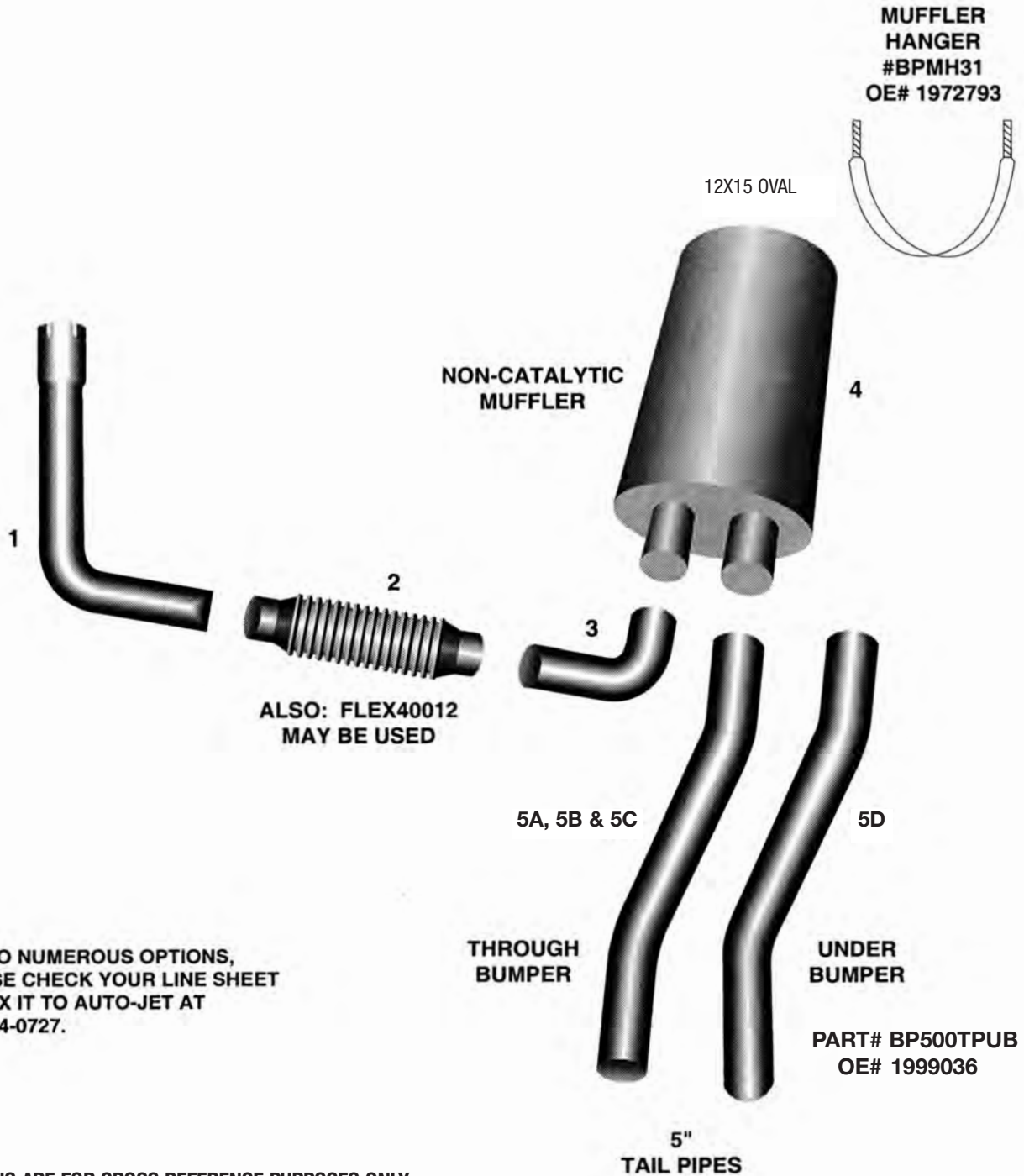
AUTO-JET MUFFLER CORP. • UNITED MUFFLER CORP.

U.S. toll free 1-800-247-5391 • Fax 515-224-0727 • website: www.auto-jet.com
 Canada toll free 1-866-229-3402 • Fax 519-455-1103 • website: www.unitedmuffler.com

BB 30

BLUEBIRD EXHAUST SYSTEMS

1999-UP ALL-AMERICAN & 8.3 CUMMINS ISC



OE PART #'S ARE FOR CROSS REFERENCE PURPOSES ONLY

DESCRIPTION	1	2	3	4	5 - TAILPIPES THROUGH BUMPER		
	TURBO PIPE	BELLOWS PIPE	MUFFLER INLET PIPE	MUFFLER	A	B	C
AUTO-JET#	BP83T99	SSB40012	BP83MIN99	BP400500RV99	BP500TPTB	BP500TP07	BP500TP98
BLUEBIRD #	1935758	1124767	1851468	1759182	1997212	0065007	1809714

AUTO-JET MUFFLER CORP. • UNITED MUFFLER CORP.

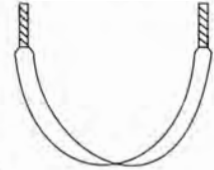
U.S. toll free 1-800-247-5391 • Fax 515-224-0727 • website: www.auto-jet.com
Canada toll free 1-866-229-3402 • Fax 519-455-1103 • website: www.unitedmuffler.com

BLUEBIRD EXHAUST SYSTEMS

1999-UP ALL-AMERICAN & 8.3 CUMMINS ISC

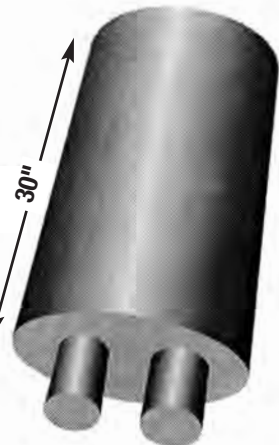
WITH LEFT-HAND 4" TAIL PIPE

MUFFLER
HANGER
#BPMH31
12X15 OVAL



12X15 OVAL

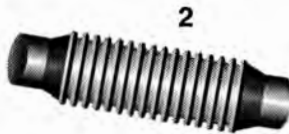
NON-CATALYTIC
MUFFLER



4



1



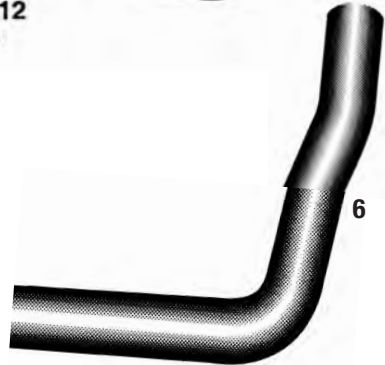
2

ALSO: FLEX40012
MAY BE USED



3

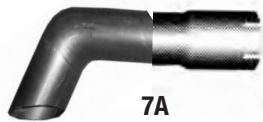
5



6



7B
THRU
BUMPER



7A
UNDER BUMPER

DUE TO NUMEROUS OPTIONS,
PLEASE CHECK YOUR LINE SHEET
OR FAX IT TO AUTO-JET AT 515-
224-0727.

OE PART #'S ARE FOR CROSS REFERENCE PURPOSES ONLY

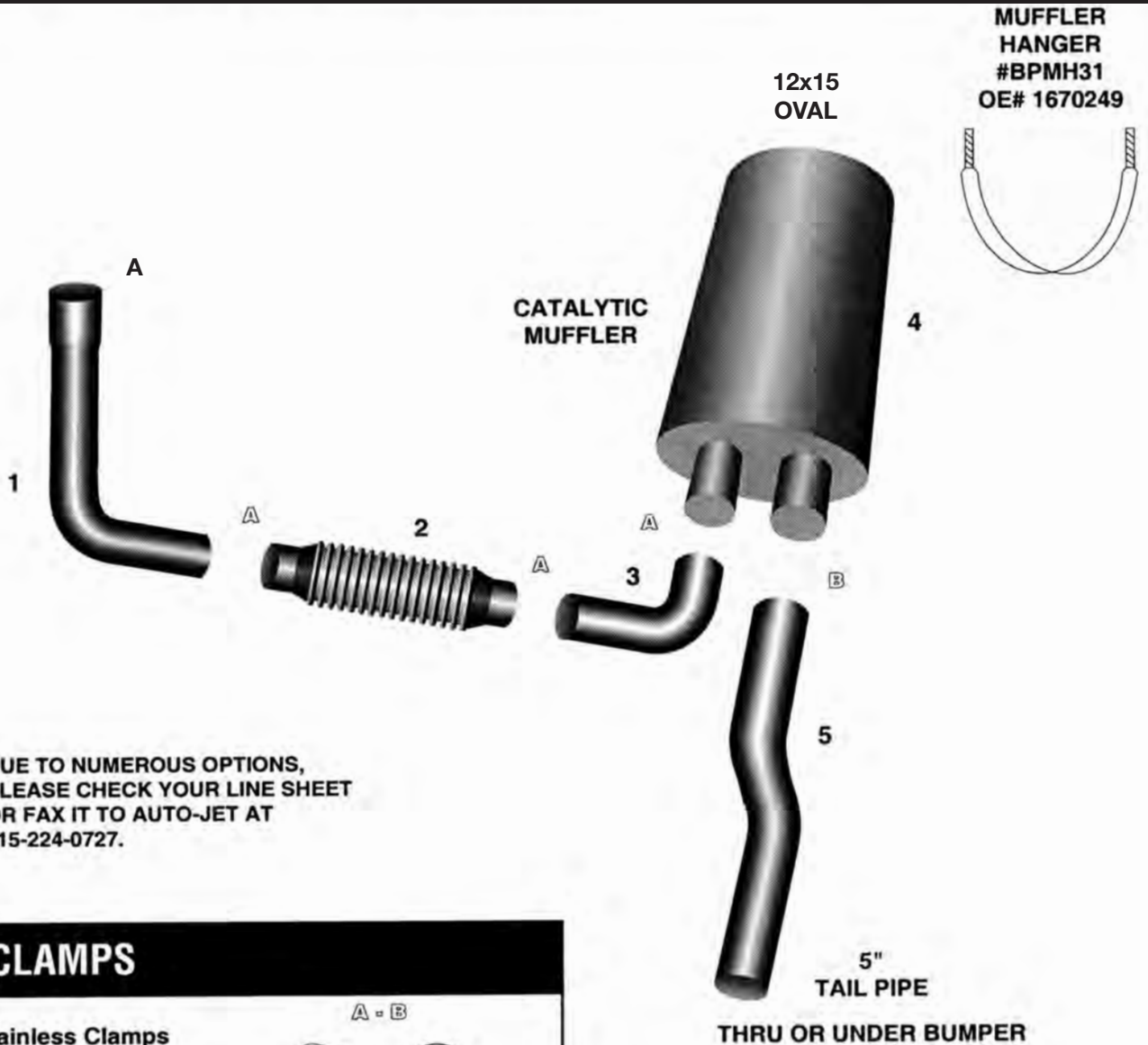
DESCRIPTION	1 TURBO PIPE	2 BELLOWS PIPE	3 MUFFLER INLET PIPE	4 MUFFLER	5 REDUCER	6 TAIL PIPE	7 TAIL PIPE END
AUTO-JET#	BP83T99	SSB40012	BP83MIN99	BP400500RV99	5-40D-ID	BPTP695	7A: BPTP705
BLUEBIRD #	1935758	1124767	1851468	1759182	0041122	0050695	0050705
							7B: BPTP643
							0062643

AUTO-JET MUFFLER CORP. • UNITED MUFFLER CORP.

U.S. toll free 1-800-247-5391 • Fax 515-224-0727 • website: www.auto-jet.com
Canada toll free 1-866-229-3402 • Fax 519-455-1103 • website: www.unitedmuffler.com

BLUEBIRD EXHAUST SYSTEMS

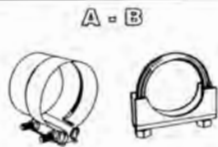
ALL- AMERICAN 8.3 CUMMINS REAR ENGINE BEGIN CSN 991136



DUE TO NUMEROUS OPTIONS,
PLEASE CHECK YOUR LINE SHEET
OR FAX IT TO AUTO-JET AT
515-224-0727.

CLAMPS

Stainless Clamps
See page ACC 2
for more information



DESCRIPTION	CLAMPS	A - B	
		A - 4"	B - 5"
PART #	FLAT	400SC	500SC
PART #	PRE-FORMED	400SCPF	500SCPF
PART #	U-BOLT	U-400	U-500

OE PART #'S ARE FOR CROSS
REFERENCE PURPOSES ONLY

DESCRIPTION	1 TURBO CONNECTION PIPE	2 BELLOWS PIPE	3 MUFFLER INLET PIPE	4 MUFFLER	5 TAIL PIPE
AUTO-JET #	BP83T4S	SSB40012	BP83MIN4S	TCP400500RVCT	BPMO5
BLUEBIRD #	1728054	1124767	1725696	1705599	1728062

AUTO-JET MUFFLER CORP. • UNITED MUFFLER CORP.

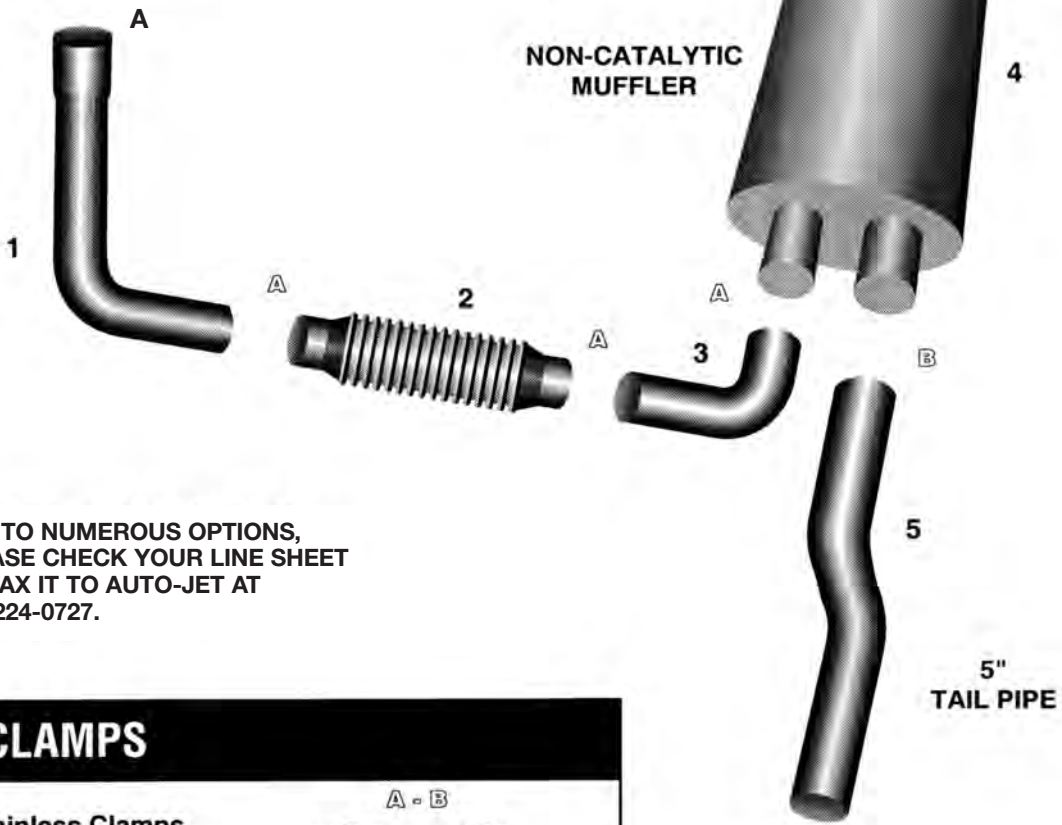
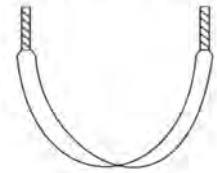
U.S. toll free 1-800-247-5391 • Fax 515-224-0727 • website: www.auto-jet.com
Canada toll free 1-866-229-3402 • Fax 519-455-1103 • website: www.unitedmuffler.com

BLUEBIRD EXHAUST SYSTEMS

ALL-AMERICAN 8.3 CUMMINS REAR ENGINE ENDING CSN 991135

10 X 15 OVAL

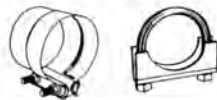
MUFFLER
HANGER
#BPMH29
OE# 1692458



DUE TO NUMEROUS OPTIONS,
PLEASE CHECK YOUR LINE SHEET
OR FAX IT TO AUTO-JET AT
515-224-0727.

CLAMPS

Stainless Clamps
See page ACC 2
for more information



DESCRIPTION	CLAMPS	A - B	
		A - 4"	B - 5"
PART #	FLAT	400SC	500SC
PART #	PRE-FORMED	400SCPF	500SCPF
PART #	U-BOLT	U-400	U-500

OE PART #'S ARE FOR CROSS
REFERENCE PURPOSES ONLY

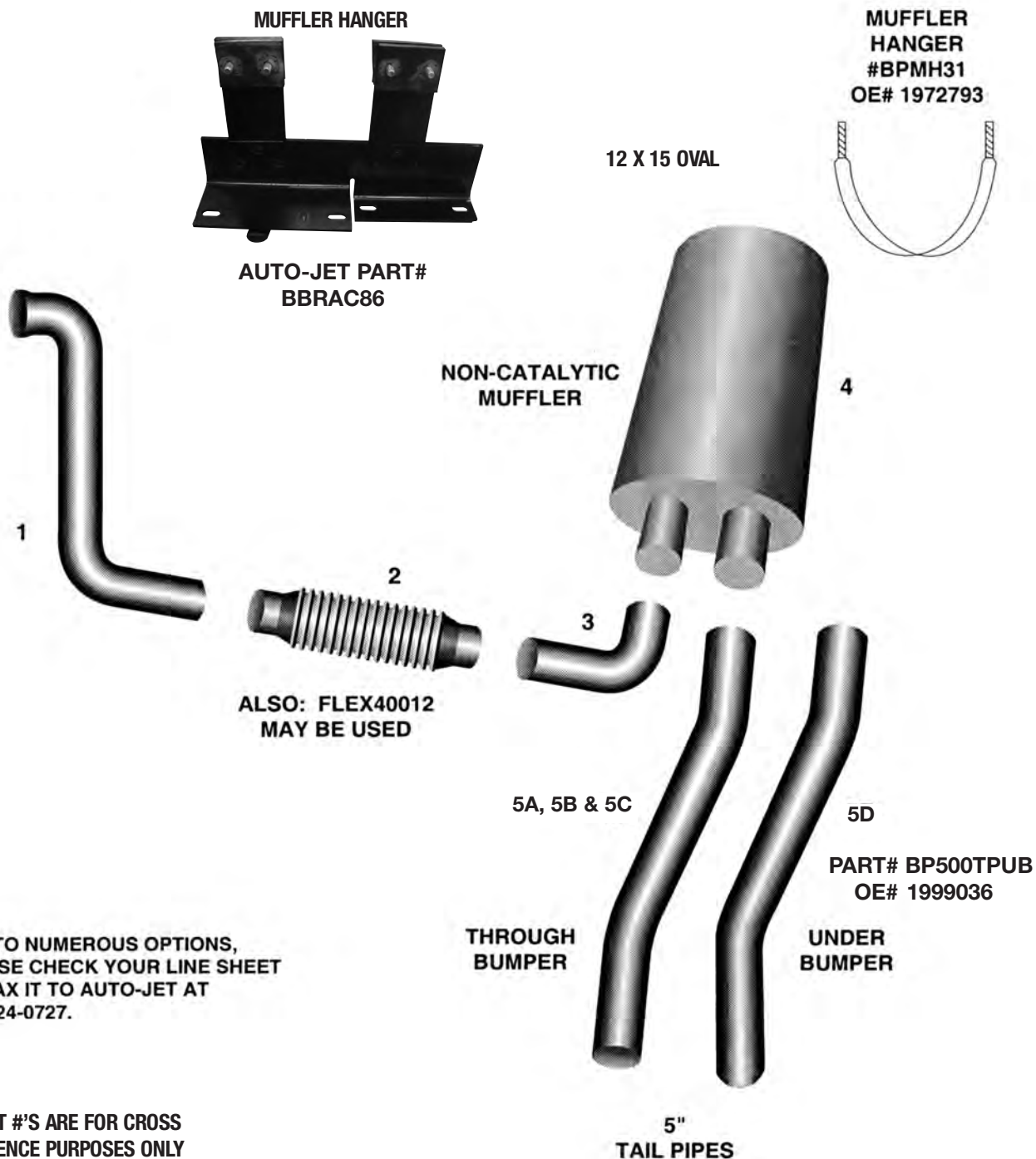
DESCRIPTION	1 TURBO CONNECTION PIPE	2 BELLOWS PIPE	3 MUFFLER INLET PIPE	4 MUFFLER	5 TAIL PIPE
AUTO-JET #	BP83T4	SSB40012	BP83MIN4	BP400500RV	BPMOU5NC
BLUEBIRD #	1532225	1124767	1532258	1575836	1532217

AUTO-JET MUFFLER CORP. • UNITED MUFFLER CORP.

U.S. toll free 1-800-247-5391 • Fax 515-224-0727 • website: www.auto-jet.com
Canada toll free 1-866-229-3402 • Fax 519-455-1103 • website: www.unitedmuffler.com

BLUEBIRD EXHAUST SYSTEMS

1999-UP BLUEBIRD ALL-AMERICAN 3126 CATERPILLAR PUSHER



DESCRIPTION	1	2	3	4	5 - TAILPIPES THRU BUMPER		
	TURBO PIPE	BELLOWS PIPE	MUFFLER INLET PIPE	MUFFLER	A	B	C
AUTO-JET#	BP3126T	SSB40012	BP3126MIN	BP400500RV99	BP500TPTB	BP500TP07	BP500TP98
BLUEBIRD #	0003429	1124767	0003428	1759182	1997212	0065007	1809714

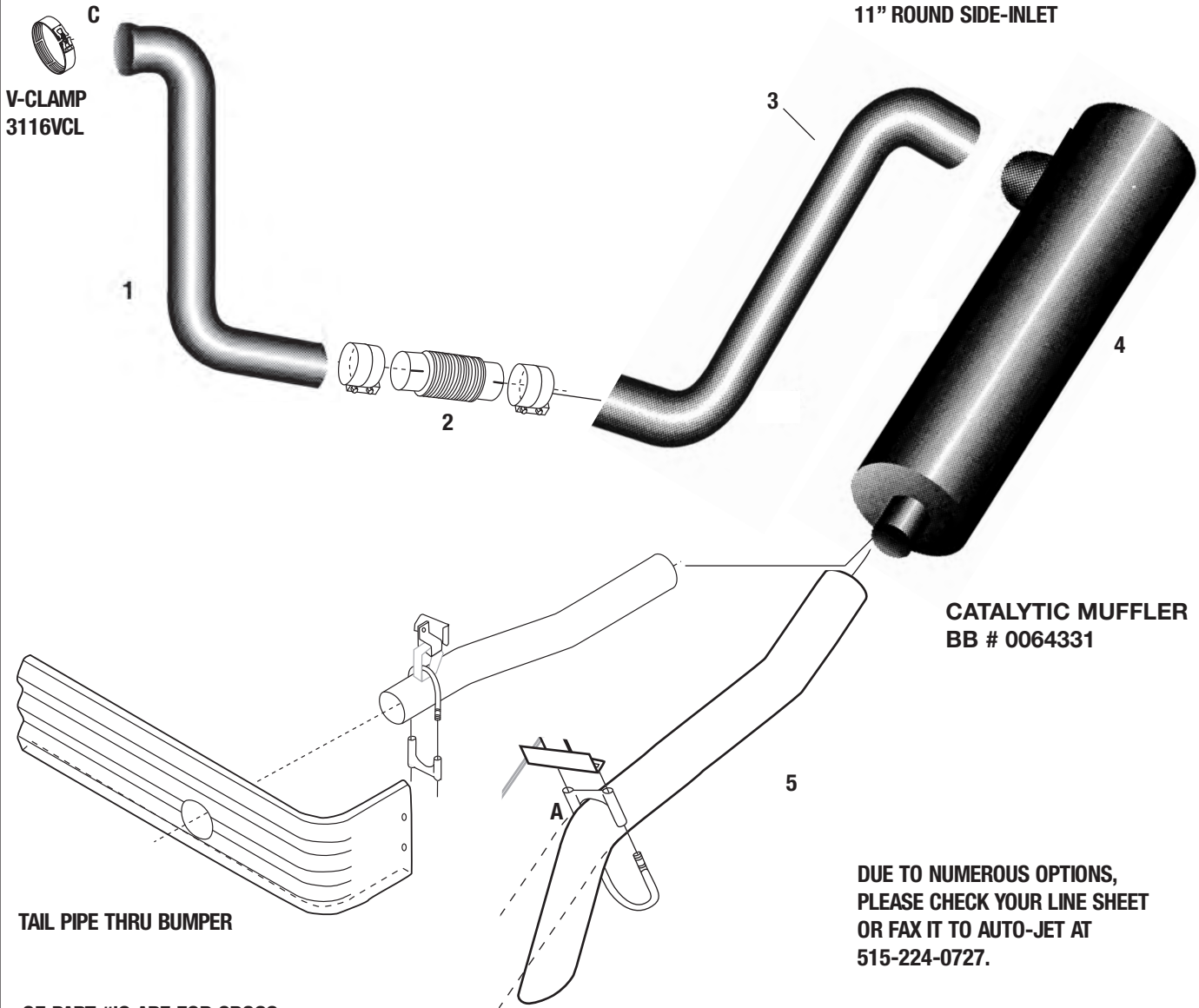
AUTO-JET MUFFLER CORP. • UNITED MUFFLER CORP.

U.S. toll free 1-800-247-5391 • Fax 515-224-0727 • website: www.auto-jet.com
 Canada toll free 1-866-229-3402 • Fax 519-455-1103 • website: www.unitedmuffler.com

BLUEBIRD EXHAUST SYSTEMS

2004-UP BLUEBIRD ALL-AM. 3126 & C-7 CATERPILLAR PUSHER

MUFFLER: CATALYTIC
11" ROUND SIDE-INLET



OE PART #'S ARE FOR CROSS
REFERENCE PURPOSES ONLY

DESCRIPTION	A HANGERS	B MUFFLER HANGERS	C V-CLAMP
AUTO-JET#	BBHGR5.62	11MHTORCA	3116VCL

DESCRIPTION	1 TURBO PIPE	2 BELLOWS PIPE	3 MUFFLER INLET PIPE	4 MUFFLER	5 TAILPIPE UNDER BUMPER	6 TAILPIPE THRU-BUMPER
AUTO-JET#	BP3126T	SSB40010	BTP9191	400CAT S.I.	BPTP5004	BP500TP07
BLUEBIRD #	0003429	1749886	0049191	4-5 OD-ID	0065004	0065007
				NON-CAT 11-0055		

AUTO-JET MUFFLER CORP. • UNITED MUFFLER CORP.

U.S. toll free 1-800-247-5391 • Fax 515-224-0727 • website: www.auto-jet.com
Canada toll free 1-866-229-3402 • Fax 519-455-1103 • website: www.unitedmuffler.com

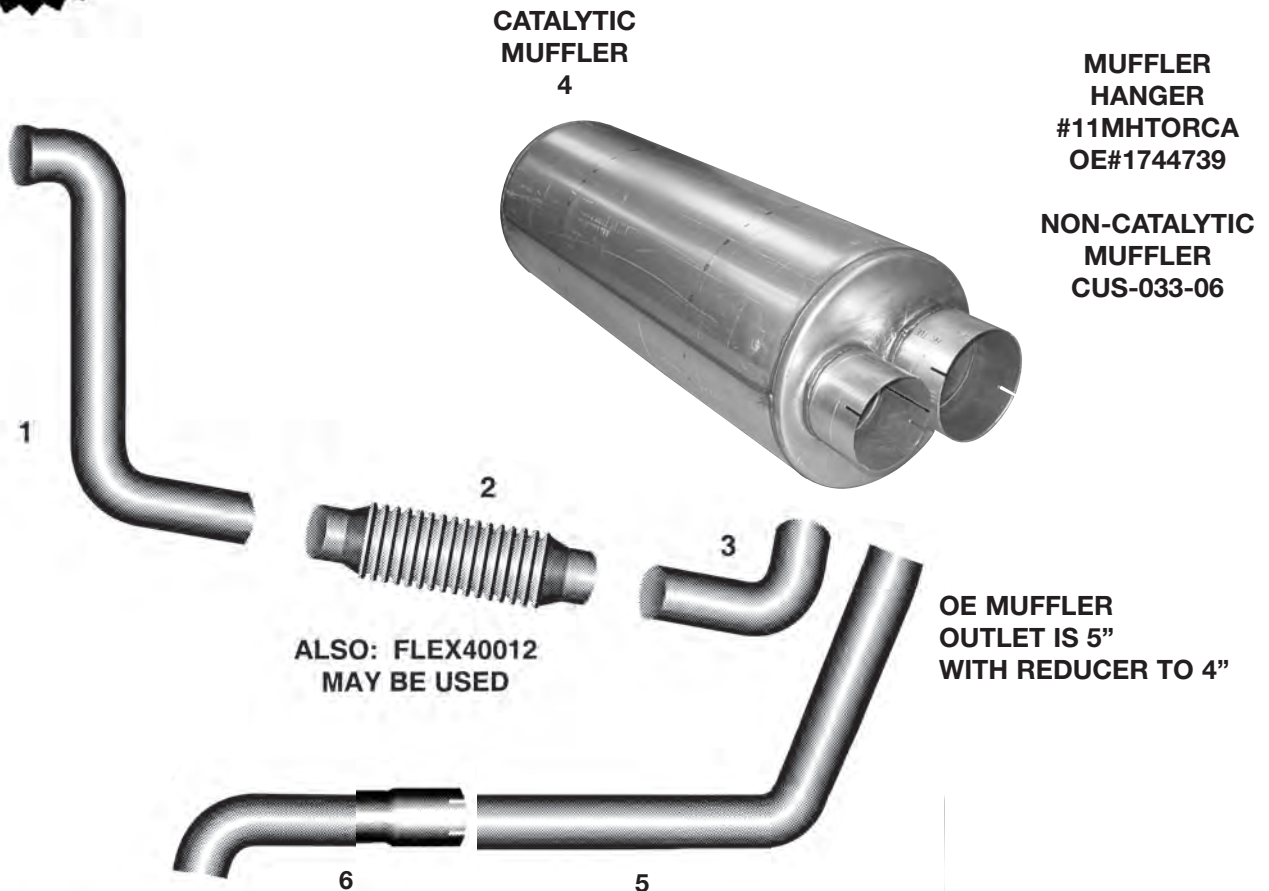
BB 36

BLUEBIRD EXHAUST SYSTEMS

2002-UP BLUEBIRD ALL-AMERICAN 3126 CATERPILLAR PUSHER

NEW SYSTEM!

11" ROUND



CATALYTIC
MUFFLER
4

MUFFLER
HANGER
#11MHTORCA
OE#1744739

NON-CATALYTIC
MUFFLER
CUS-033-06

1

2

3

ALSO: FLEX40012
MAY BE USED

OE MUFFLER
OUTLET IS 5"
WITH REDUCER TO 4"

6

5

THRU - BUMPER
TAILPIPE

DUE TO NUMEROUS OPTIONS,
PLEASE CHECK YOUR LINE SHEET
OR FAX IT TO AUTO-JET AT
515-224-0727.

OE PART #'S ARE FOR CROSS
REFERENCE PURPOSES ONLY

FOR 5" TAILPIPE
AUTO-JET PART # BP500TPUB
OE # 1999036

DESCRIPTION	1 TURBO PIPE	2 BELLOWS PIPE	3 MUFFLER INLET PIPE	4 CATALYTIC MUFFLER	5 TAILPIPE	6 TAILPIPE THRU-BUMPER
AUTO-JET#	BP3126T	SSB40012	BP3126MIN	400CATREV	BPTP197	BPTP198
BLUEBIRD #	0003429	1749886	0003428	0036277	0053197	0053198

AUTO-JET MUFFLER CORP. • UNITED MUFFLER CORP.

U.S. toll free 1-800-247-5391 • Fax 515-224-0727 • website: www.auto-jet.com
Canada toll free 1-866-229-3402 • Fax 519-455-1103 • website: www.unitedmuffler.com

BB 37

BLUEBIRD EXHAUST SYSTEMS

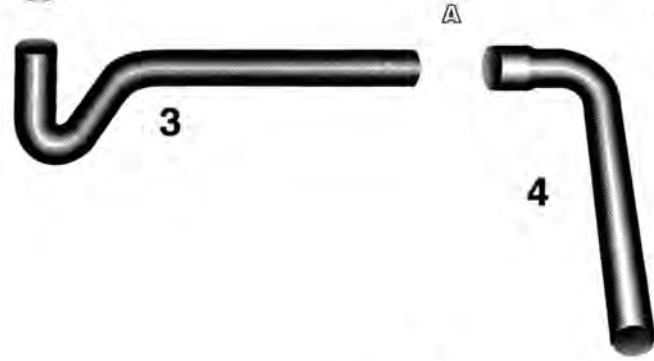
1994-UP BLUEBIRD ALL AMERICAN REAR ENGINE 3116 CAT.

CLAMPS

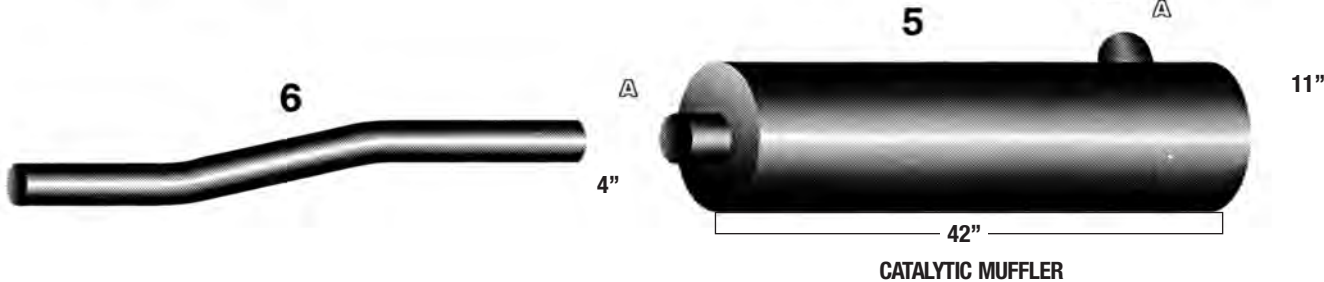
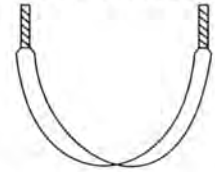
Stainless Clamps
See page ACC 2
for more information



DESCRIPTION	CLAMPS	4"	V-CLAMP B
PART #	FLAT	400SC	3116VCL
PART #	PRE-FORMED	400SCPF	
PART #	U-BOLT	U-400	



MUFFLER
HANGER
#TCPMH27
OE# 1117993



DUE TO NUMEROUS OPTIONS,
PLEASE CHECK YOUR LINE SHEET
OR FAX IT TO AUTO-JET AT
515-224-0727.

DESCRIPTION	1 TURBO PIPE	2 STAINLESS BELLOWS PIPE	3 BELLOWS TO ELBOW PIPE	4 ELBOW	5 CATALYST MUFFLER	6 TAIL PIPE
PART #	TCP3116T94	SSB40012	BP3116EXT194	BPEL94	400CATSI NON-CATALYTIC BP400SI99	BPTP94

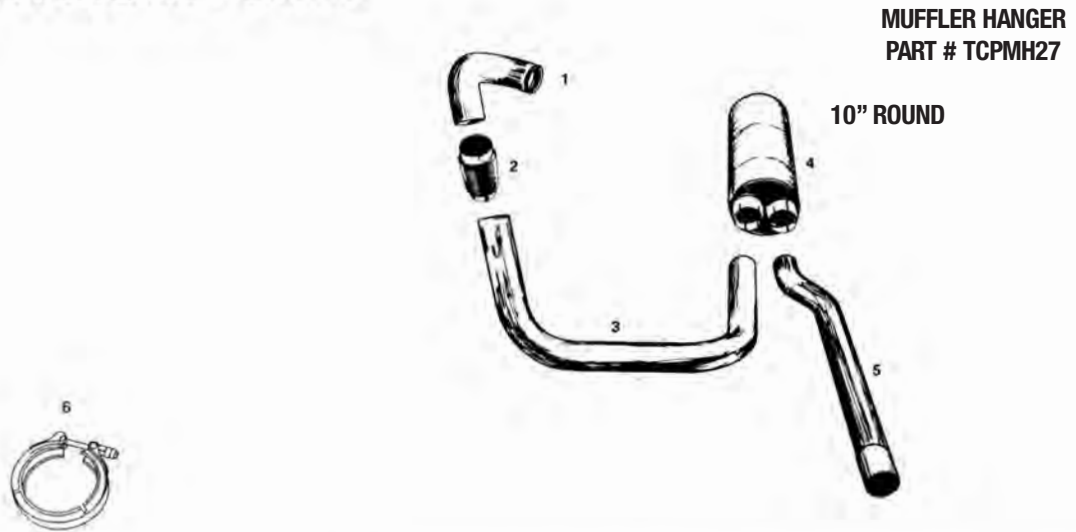
AUTO-JET MUFFLER CORP. • UNITED MUFFLER CORP.

U.S. toll free 1-800-247-5391 • Fax 515-224-0727 • website: www.auto-jet.com
Canada toll free 1-866-229-3402 • Fax 519-455-1103 • website: www.unitedmuffler.com

BLUEBIRD EXHAUST SYSTEMS

ALL-AMERICAN 8.3 CUMMINS

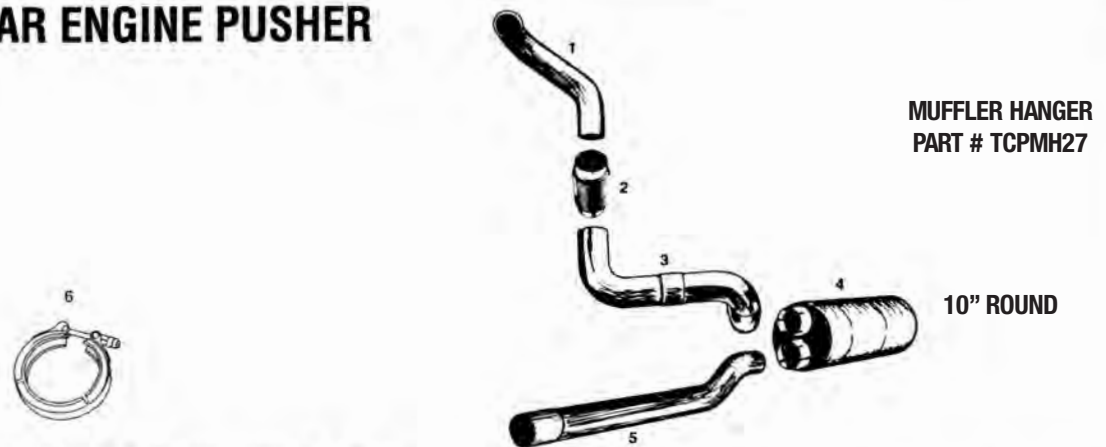
TURBO REAR ENGINE PUSHER



DESCRIPTION	1 TURBO PIPE	2 BELLOWS TUBE	3 EXTENSION PIPE	4 MUFFLER	5 TAIL PIPE	6 V-CLAMP
PART #	B83TRE	SSB40012	B83EPRE	BP400REV	BBTPRE	83VCLT

ALL-AMERICAN 3208-3116 CATERPILLAR

TURBO REAR ENGINE PUSHER



Especially on BLUEBIRDS, please specify year, engine size, body #, chassis #, and type of transmission.

OE PART #'S ARE FOR CROSS REFERENCE PURPOSES ONLY

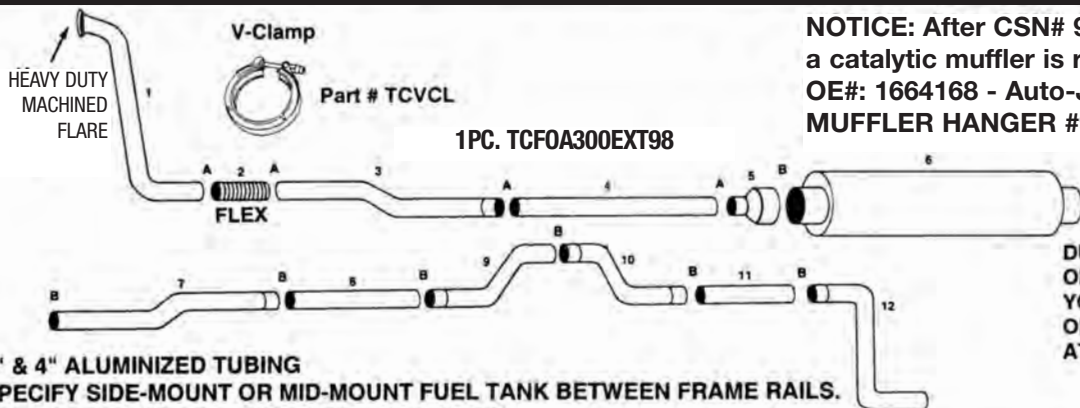
DESCRIPTION	1 TURBO PIPE	2 BELLOWS TUBE	3 EXTENSION PIPE	4 MUFFLER	5 TAIL PIPE	6 V-CLAMP
3208 PART #	B3208TRE	FLEX35014	B3208EPRE	BP400REV	BBTPRE	3208VCLT
3116 PART #	B3116TRE ¹ (OE NUMBER 1437490) B3116TRE ² (OE NUMBER 1538164)	SSB40012	B3116EPRE	BP400REV	BBTPRE	3116VCLT

AUTO-JET MUFFLER CORP. • UNITED MUFFLER CORP.

U.S. toll free 1-800-247-5391 • Fax 515-224-0727 • website: www.auto-jet.com
 Canada toll free 1-866-229-3402 • Fax 519-455-1103 • website: www.unitedmuffler.com

TC2000 EXHAUST SYSTEMS

1988-UP CUMMINS 6BT5.9 & 6BTA5.9, BLUEBIRD TC2000



NOTICE: After CSN# 990898 a catalytic muffler is required.
 OE#: 1664168 - Auto-Jet# 400CAT44
 MUFFLER HANGER #9MHTORCA

DUE TO NUMEROUS OPTIONS, PLEASE CHECK YOUR LINE SHEET OR FAX IT TO AUTO-JET AT 515-224-0727.

SEE PAGE BB3 FOR MID MOUNT FUEL TANK

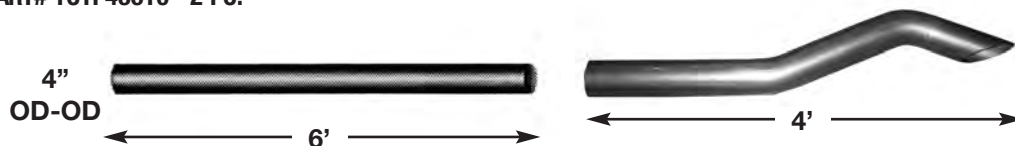
3" & 4" ALUMINIZED TUBING
 SPECIFY SIDE-MOUNT OR MID-MOUNT FUEL TANK BETWEEN FRAME RAILS.
 SEE PAGE BB 49 FOR TURBO PIPE DRAWINGS.

DESCRIPTION	1988-1990	1 - TURBO PIPES 1991-1993	1994-UP	2 - FLEX STAINLESS	3 - FRONT OVERAXLE	4 - FRONT EXTENSION	5 ADAPTER
PART #	TCMAN	TCMAN91	TCMAN94	TCFLEX	TCFOA	TC300EXT	TCADAPT
	WITH CATALYTIC MUFFLER (MEASURE LENGTH)			TCFOASS	NOT REQUIRED	TCADAPTSS	
	SIDE MOUNT FUEL TANK						
DESCRIPTION	6 MUFFLER	7 OFFSET	8 EXTENSION	9 - REAR OVERAXLE FRONT SECTION	10 REAR SECTION	11 EXTENSION	12 TAIL PIPE
PART #	400CAT44 (CATALYTIC)	TCREOFF	400STP	TCREFOA	TCREROA	400STP	TCRETP
PART #	TC400400 (NON-CATALYTIC)			(THRU-BUMPER TAILPIPE)			TCPTB

OPTIONAL TAIL PIPE SPRING SUSPENSION

PART# TCTP436 1 PC.
 OE# 0026436
 PART# TCTP43610 2 PC.

SEE PAGE BB 51 FOR MORE
 TC2000 SIDE DISCHARGE TAIL PIPES

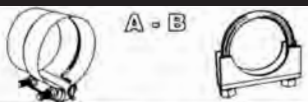


FOR MID-MOUNT FUEL TANK SEE NEXT PAGE

OE #'S ARE FOR CROSS REFERENCE ONLY

CLAMPS

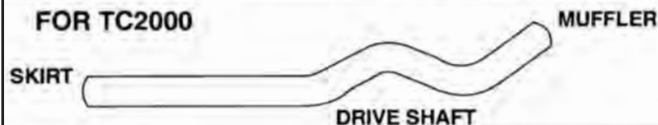
Stainless Clamps
 See page ACC 2
 for more information



DESCRIPTION	CLAMPS	A - 3"	B - 4"
PART #	FLAT	300SC	400SC
	PRE-FORMED	300SCPF	400SCPF
	U-BOLT	U-300	U-400

4" SIDE DISCHARGE TAIL PIPE

FOR TC2000



DESCRIPTION	SIDE DISCHARGE TAIL PIPE
PART #	TCSDTP4
W/LEFT SIDE EMERGENCY DOOR	TCSDTP4LED

AUTO-JET MUFFLER CORP. • UNITED MUFFLER CORP.

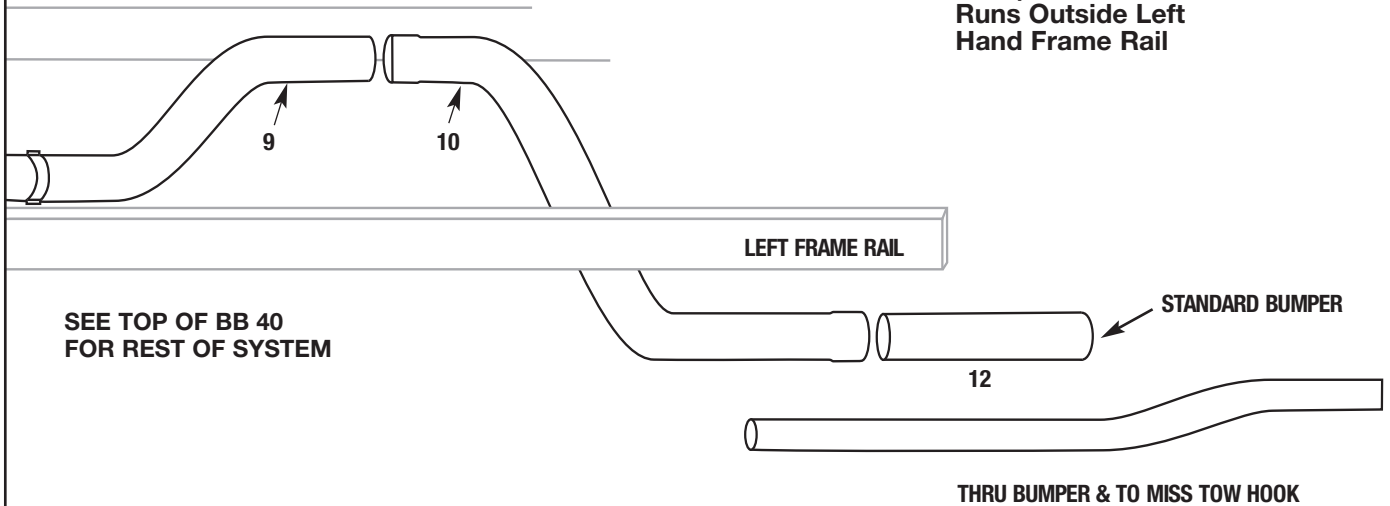
U.S. toll free 1-800-247-5391 • Fax 515-224-0727 • website: www.auto-jet.com
 Canada toll free 1-866-229-3402 • Fax 519-455-1103 • website: www.unitedmuffler.com

TC2000 EXHAUST SYSTEMS

BLUEBIRD TC 2000 MID MOUNT FUEL TANK OVER REARAXLE & TAILPIPES

SPRING SUSPENSION

Mid-Mount Fuel Tank (Behind Rear Axle, Between Frame Rails) Exhaust Runs Outside Left Hand Frame Rail



DESCRIPTION	9- REAR OVERAXLE FRONT PIPE	10- REAR OVERAXLE REAR PIPE	12-TAIL PIPES SPECIFY 9' OR 12' LONG	
			STANDARD BUMPER STRAIGHT	THRU-BUMPER 2 BEND PIPE
PART #	TCREFOA	TCREROAMM	174" to 215" W.B. TCTPMM9	TCTPTBMM9
			237" W.B. TCTPMM12	TCTPTBMM12

AUTO-JET MUFFLER CORP. • UNITED MUFFLER CORP.

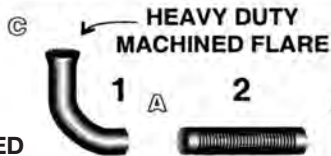
U.S. toll free 1-800-247-5391 • Fax 515-224-0727 • website: www.auto-jet.com
 Canada toll free 1-866-229-3402 • Fax 519-455-1103 • website: www.unitedmuffler.com

BB 41

TC2000 BLUEBIRD EXHAUST SYSTEMS

1994-UP BLUEBIRD TC2000 WITH AIR RIDE SUSPENSION

TCMAN94
STAINLESS
1994-1999
TCMAN20
2000-UP ALUMINIZED



B-SERIES CUMMINS

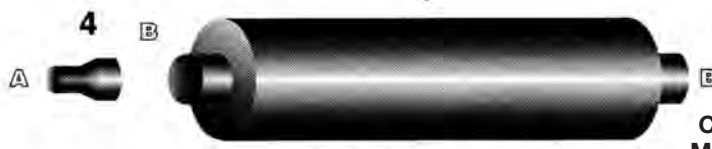
SPECIFY:
SIDE-MOUNT FUEL TANK OR
MID-MOUNT BETWEEN FRAME RAILS

3 & 4 COMBINED ARE OE# 1668383 MUFFLER HANGER
10MH TORCA
or
9MH TORCA

MID-MOUNT FUEL TANK TAKES
EXHAUST TO LEFT SIDE.

DUE TO NUMEROUS OPTIONS,
PLEASE CHECK YOUR LINE SHEET
OR FAX IT TO AUTO-JET AT
515-224-0727.

OE #'S ARE FOR
CROSS REFERENCE ONLY

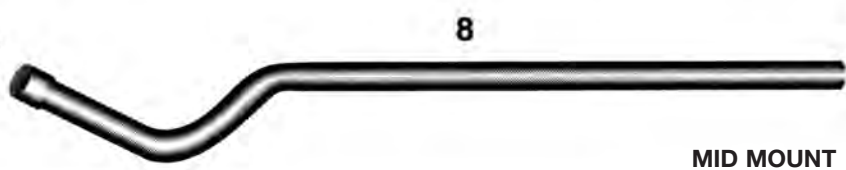


CATALYTIC MUFFLER

CENTER
MUFFLER
BRACKET
BBHGR3048
SEE PAGE BB52



FOR HENDRICKSON OVERAXLES
SEE PREVIOUS PAGE



MID MOUNT
FUEL TANK

SIDE MOUNT
FUEL TANK
9



TCROARASMM
OE# 1746676

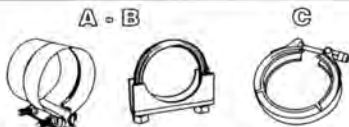


MID MOUNT FUEL TANK

TCTPMAS
OE# 1874635 (CAN BE STRAIGHT PIPE)

CLAMPS

Stainless Clamps
See page ACC 2
for more information



DESCRIPTION	CLAMPS	A - B		V-CLAMP C
		A - 3"	B - 4"	
PART #	FLAT	300SC	400SC	TCVCL
PART #	PRE-FORMED	300SCPF	400SCPF	
PART #	U-BOLT	U-300	U-400	

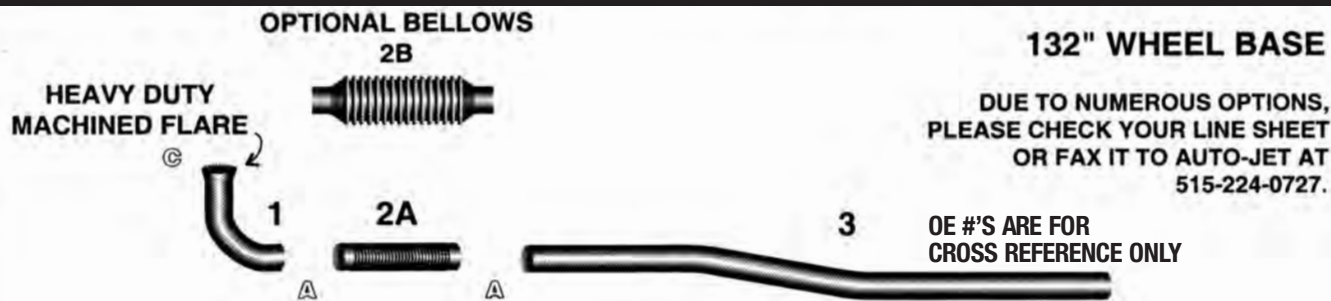
DESCRIPTION	1	2	3	4	5 - MUFFLER	6 - 4" STRAIGHT TUBE	
	TURBO PIPE	FLEX	FRONT OVERAXLE	ADAPTER	(CATALYTIC)	174-216" W.B.	237" W.B.
AUTO-JET #	TCMAN94	TCFLEX	TCFOASS	TCADAPTSS	400CAT44	400STP51	400STP72
	TCMAN20	1338128	1668326	1668359	1664168	1679497	1679505
DESCRIPTION	7 - AIR SUSPENSION		8 - AIR SUSPENSION REAR SECTION REAR OVERAXLE		9 - TAIL PIPE		
	FRONT SECTION	REAR OVERAXLE	SIDE-MOUNT FUEL TANK	MID-MOUNT FUEL TANK	3-BEND	2-BEND	
AUTO-JET #	TCROAFSAS		TCROARSAS	TCROARSASMM	TCTPTB (THRU BUMPER)	TCRETP	
OE #	1746684		1805241	1746676	1864677 (NEW)	1481050 (OLD)	1357367

AUTO-JET MUFFLER CORP. • UNITED MUFFLER CORP.

U.S. toll free 1-800-247-5391 • Fax 515-224-0727 • website: www.auto-jet.com
Canada toll free 1-866-229-3402 • Fax 519-455-1103 • website: www.unitedmuffler.com

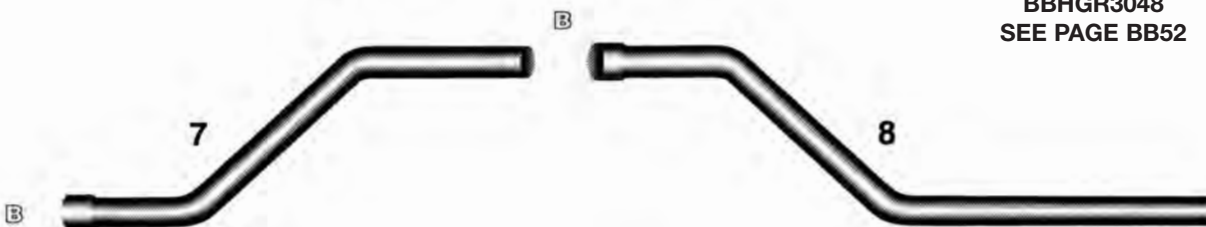
TC2000 BLUEBIRD EXHAUST SYSTEMS

1997-UP TC 1000 B-SERIES CUMMINS ENGINE



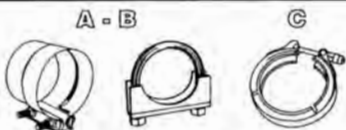
CATALYTIC MUFFLER

CENTER MUFFLER BRACKET
BBHGR3048
SEE PAGE BB52



CLAMPS

Stainless Clamps
See page ACC 2
for more information



DESCRIPTION	CLAMPS	A - 3"	B - 4"	V-CLAMP C
PART #	FLAT	300SC	400SC	TCVCL
PART #	PRE-FORMED	300SCPF	400SCPF	
PART #	U-BOLT	U-300	U-400	



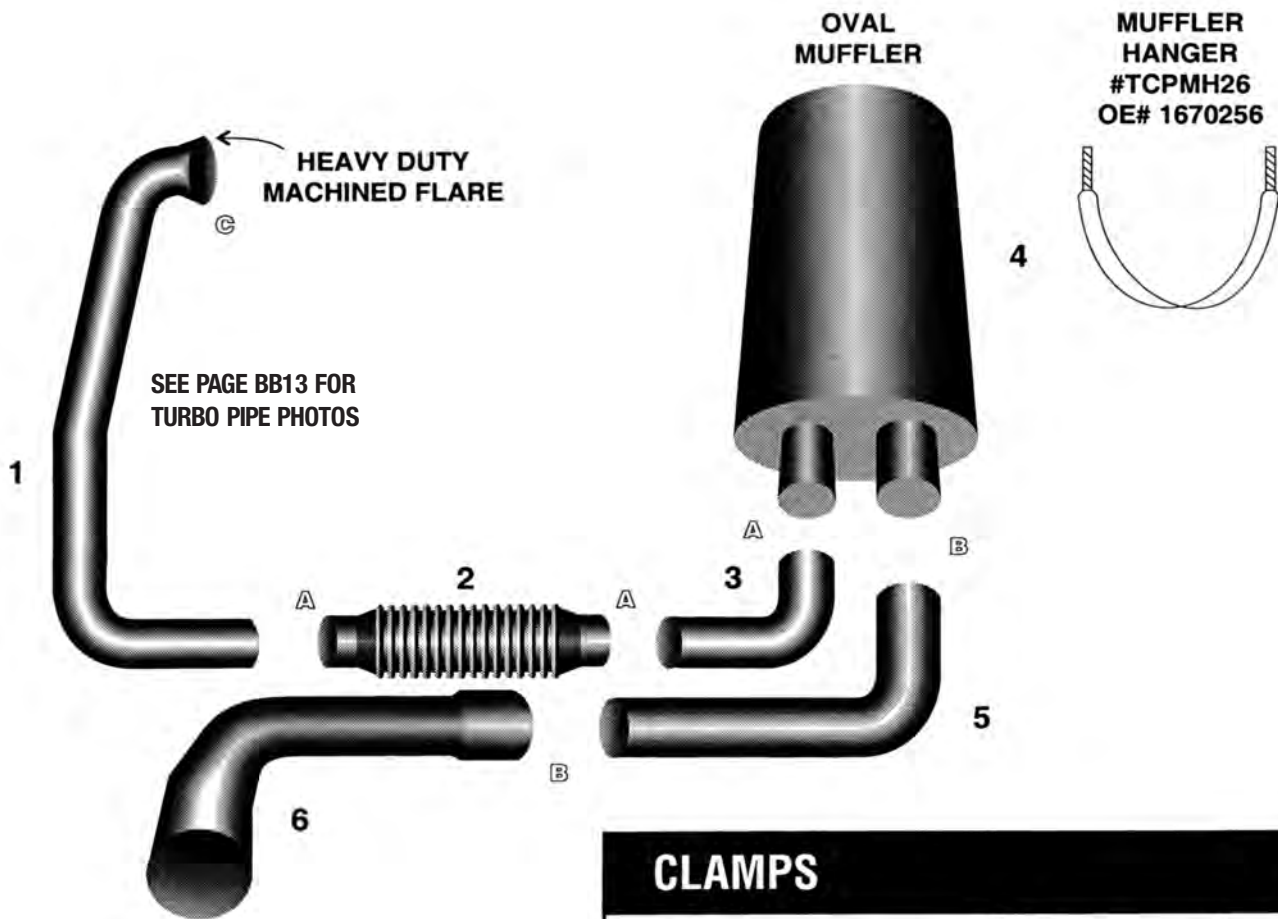
DESCRIPTION	1 TURBO PIPE	2A FLEX	2B - OPTIONAL BELLOWS	3 FRONT OVERAXLE	4 ADAPTER	5 MUFFLER	6 STRAIGHT PIPE
AUTO-JET #	TCMAN94	TCFLEX	SSB30012	TCFOASS132	TCADAPTSS	400CAT44	400STP18
OE #	1721885	1338128		1668391 Also: 1622471	1668359	1664168	
DESCRIPTION	7 FRONT SECTION REAR OVERAXLE		8 REAR SECTION REAR OVERAXLE		9 - TAIL PIPE THROUGH BUMPER EXTENDED BUMPER		
AUTO-JET #	TCROAFS		TCROARS		TCTPTB	TCTPEB	
OE #	1477538		1873447		1864677	1864685	

AUTO-JET MUFFLER CORP. • UNITED MUFFLER CORP.

U.S. toll free 1-800-247-5391 • Fax 515-224-0727 • website: www.auto-jet.com
Canada toll free 1-866-229-3402 • Fax 519-455-1103 • website: www.unitedmuffler.com

TC2000 BLUEBIRD EXHAUST SYSTEMS

TC2000 PUSHER B-SERIES CUMMINS BEGIN CSN 991136

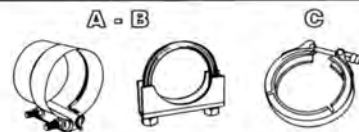


DUE TO NUMEROUS OPTIONS,
PLEASE CHECK YOUR LINE SHEET
OR FAX IT TO AUTO-JET AT
515-224-0727.

OE PART #'S ARE FOR CROSS
REFERENCE PURPOSES ONLY

CLAMPS

Stainless Clamps
See page ACC 2
for more information



DESCRIPTION	CLAMPS	A - 3"	B - 4"	V-CLAMP C
PART #	FLAT	300SC	400SC	TCVCL
PART #	PRE-FORMED	300SCPF	400SCPF	
PART #	U-BOLT	U-300	U-400	

DESCRIPTION	1 TURBO PIPE	2 - STAINLESS BELLOWS	3 - MUFFLER INLET PIPE	4 MUFFLER	5 - MUFFLER OUTLET PIPE	6 TAIL PIPE
AUTO-JET#	TCPBT94	SSB30012	MT643 TRANS: TCPBMIN643	CATALYTIC: TC300400RVCT	TCPBMOUT	STANDARD: TCTPRE2
OE #	1722271	1417179	1718188	1705482	1718170	1718162
AUTO-JET#	TCPT98		AT545 TRANS: TCPBMIN545	NON-CATALYTIC: TC300400RV94		THRU BUMPER: TCPBTP94TB
OE #	0004518 1963867		1718196	1458093		1721935

AUTO-JET MUFFLER CORP. • UNITED MUFFLER CORP.

U.S. toll free 1-800-247-5391 • Fax 515-224-0727 • website: www.auto-jet.com
Canada toll free 1-866-229-3402 • Fax 519-455-1103 • website: www.unitedmuffler.com

BLUEBIRD TC2000 REAR ENGINE

1999-UP & TC2000 8.3 CUMMINS ISC

MUFFLER
HANGER
#BPMH31
OE# 1972793



12X15 OVAL

NON-CATALYTIC
MUFFLER

4



1



2

ALSO: FLEX40012
MAY BE USED



3

5A & 5C



5B

THROUGH
BUMPER

UNDER
BUMPER

DUE TO NUMEROUS OPTIONS,
PLEASE CHECK YOUR LINE SHEET
OR FAX IT TO AUTO-JET AT
515-224-0727.

5"
TAIL PIPES

OE PART #'S ARE FOR CROSS REFERENCE PURPOSES ONLY

DESCRIPTION	1	2	3	4	5 - TAILPIPES		
	TURBO PIPE	BELLOWS PIPE	MUFFLER INLET PIPE	MUFFLER	A	B	C
AUTO-JET#	BP83T99	SSB40012	BP83MIN99	BP400500RV99	BP500TPTB	BP500TPUB	BP500TP98
BLUEBIRD #	1935758	1124767	1851468	1759182	1997212	1999036	1809714

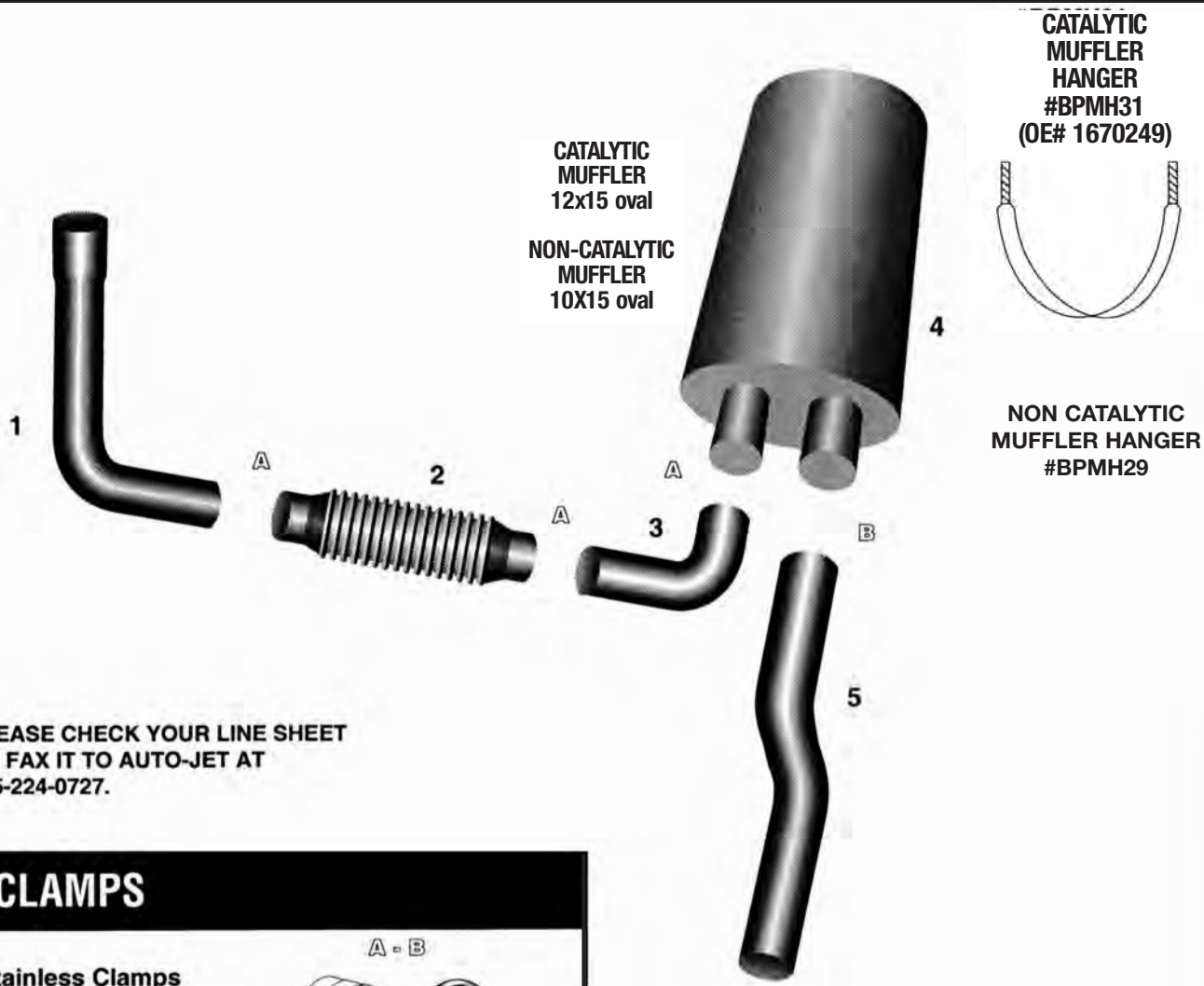
AUTO-JET MUFFLER CORP. • UNITED MUFFLER CORP.

U.S. toll free 1-800-247-5391 • Fax 515-224-0727 • website: www.auto-jet.com
Canada toll free 1-866-229-3402 • Fax 519-455-1103 • website: www.unitedmuffler.com

BB 45

BLUEBIRD TC2000 REAR ENGINE

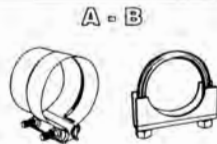
8.3 CUMMINS TC2000 REAR ENGINE CATALYTIC MUFFLER BEGIN CSN 991275



PLEASE CHECK YOUR LINE SHEET
OR FAX IT TO AUTO-JET AT
515-224-0727.

CLAMPS

Stainless Clamps
See page ACC 2
for more information



DESCRIPTION	CLAMPS	A - 4"	B - 5"
PART #	FLAT	400SC	500SC
PART #	PRE-FORMED	400SCPF	500SCPF
PART #	U-BOLT	U-400	U-500

OE PART #'S ARE FOR CROSS
REFERENCE PURPOSES ONLY

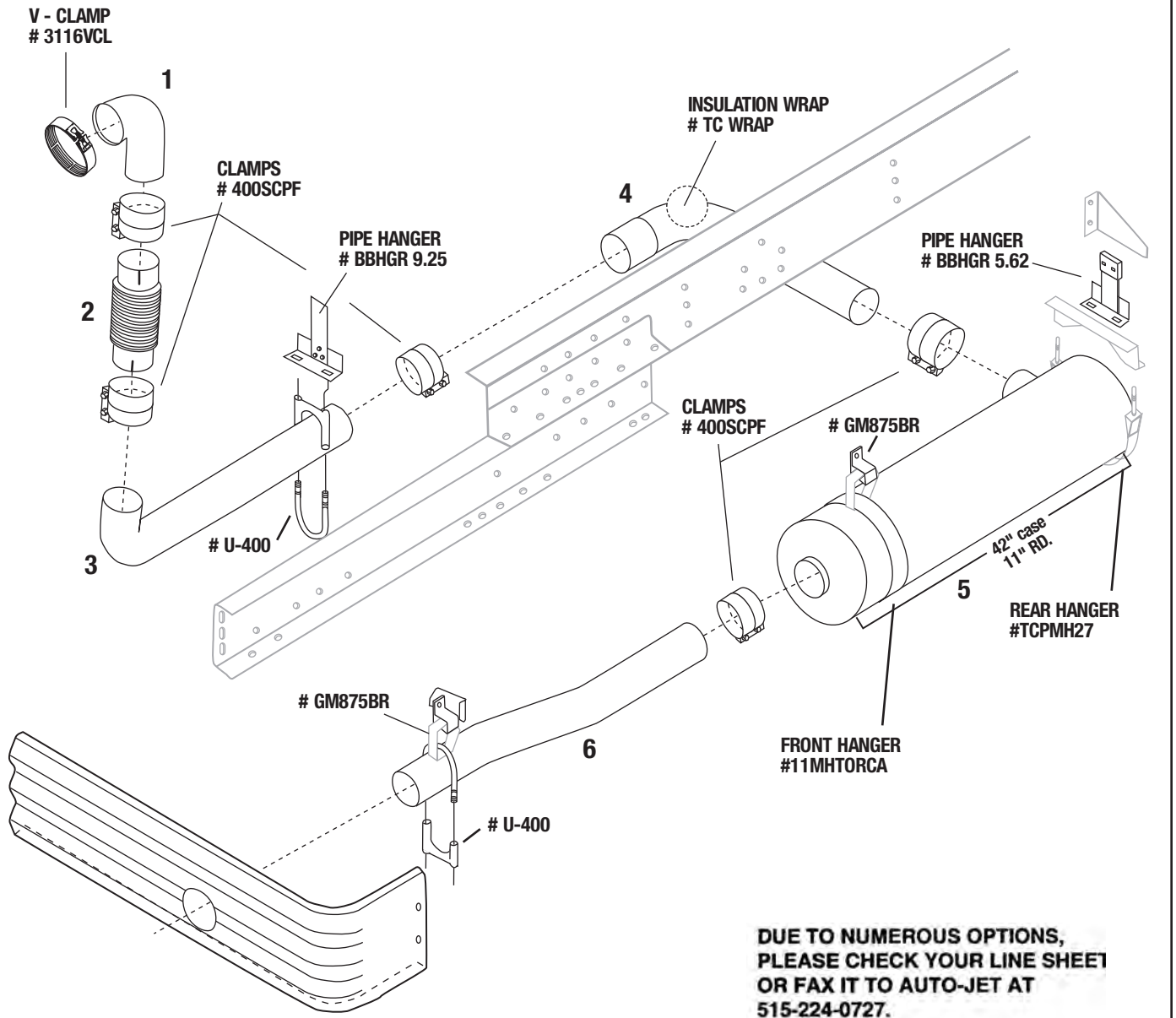
DESCRIPTION	1 TURBO CONNECTION PIPE	2 BELLOWS PIPE	3 MUFFLER INLET PIPE	4 MUFFLER	5 TAIL PIPE
AUTO-JET #	TCP83T4S	SSB40012	TCP83MIN4S	TCP400500RVCT	TCPMOU5
BLUEBIRD #	1710342	1124767	1728211	1705599	1710359
PRIOR TO CSN991275	TCP83T4A	SAME	TCP83MIN4A	BP400500RV	AND
BLUEBIRD #	1657618		1657600	1575836 NON-CAT	1657626

AUTO-JET MUFFLER CORP. • UNITED MUFFLER CORP.

U.S. toll free 1-800-247-5391 • Fax 515-224-0727 • website: www.auto-jet.com
Canada toll free 1-866-229-3402 • Fax 519-455-1103 • website: www.unitedmuffler.com

BLUEBIRD TC2000 REAR ENGINE

1999-UP TC2000 PUSHER 3126 CATERPILLAR



DESCRIPTION	1 TURBO PIPE	2 BELLOWS	3 EXTENSION PIPE	4 - MUFFLER INLET PIPE	5 MUFFLER	6 - THRU & UNDER BUMPER TAILPIPE
PART #	TCP3126T	SSB40012	TCP3126EXT	TCPMIN3126	BP400SI99	TCPTP94

AUTO-JET MUFFLER CORP. • UNITED MUFFLER CORP.

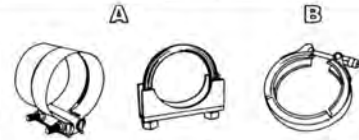
U.S. toll free 1-800-247-5391 • Fax 515-224-0727 • website: www.auto-jet.com
 Canada toll free 1-866-229-3402 • Fax 519-455-1103 • website: www.unitedmuffler.com

BLUEBIRD TC2000 REAR ENGINE

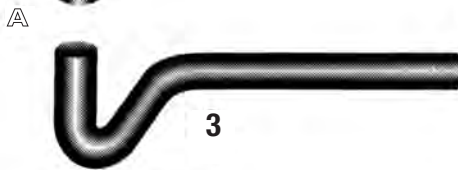
1994-UP BLUEBIRD TC2000 REAR ENGINE 3116 CAT

CLAMPS

Stainless Clamps
See page ACC 2
for more information



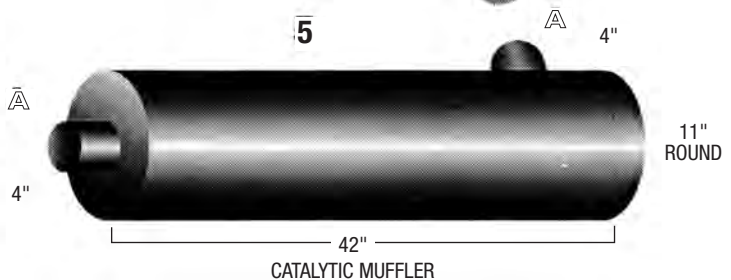
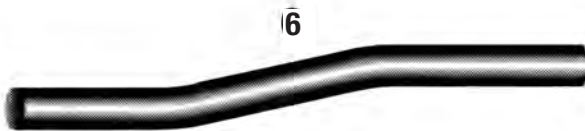
DESCRIPTION	CLAMPS	4"	V-CLAMP B
PART #	FLAT	400SC	3116VCL
PART #	PRE-FORMED	400SCPF	
PART #	U-BOLT	U-400	



MUFFLER
HANGER
#TCPMH27
OE# 1117993



DUE TO NUMEROUS OPTIONS,
PLEASE CHECK YOUR LINE SHEET
OR FAX IT TO AUTO-JET AT
515-224-0727.



OE PART #'S ARE FOR CROSS REFERENCE PURPOSES ONLY

DESCRIPTION	1 TURBO PIPE	2 STAINLESS BELLOWS PIPE	3 BELLOWS TO ELBOW PIPE	4 ELBOW	5 CATALYST MUFFLER	6 TAIL PIPE
PART #	TCP3116T94	SSB40012	TCPEXT194	TCPEL94	400CATSI	TCPTP94
BLUEBIRD	1749894	1749886	1753177	1753185	1777556 Begin chassis service #991136	1740778 Begin chassis service #991135 1777531

AUTO-JET MUFFLER CORP. • UNITED MUFFLER CORP.

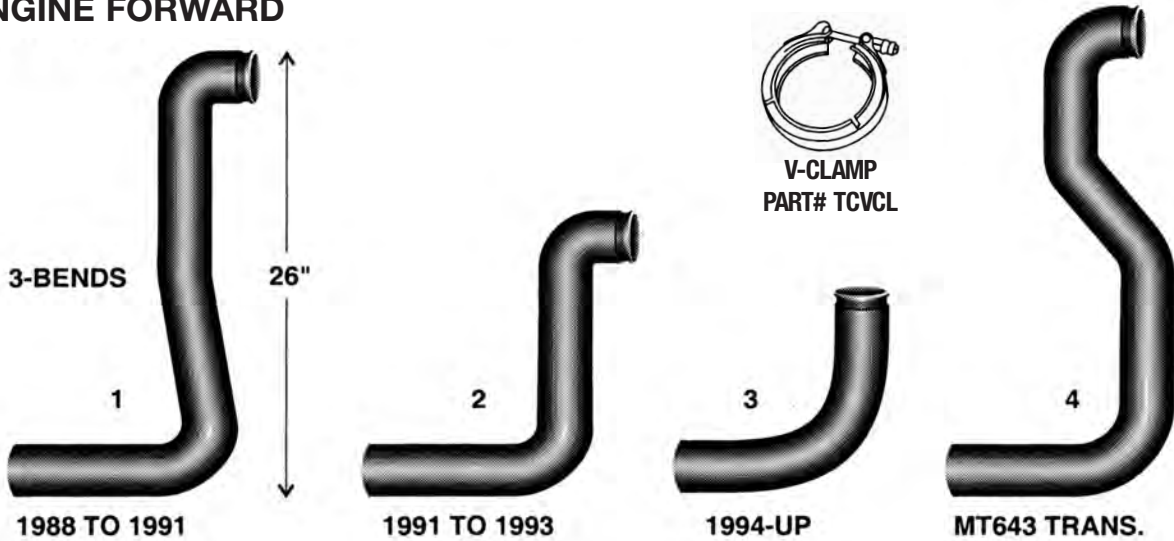
U.S. toll free 1-800-247-5391 • Fax 515-224-0727 • website: www.auto-jet.com
Canada toll free 1-866-229-3402 • Fax 519-455-1103 • website: www.unitedmuffler.com

BB 48

TC2000 REAR ENGINES

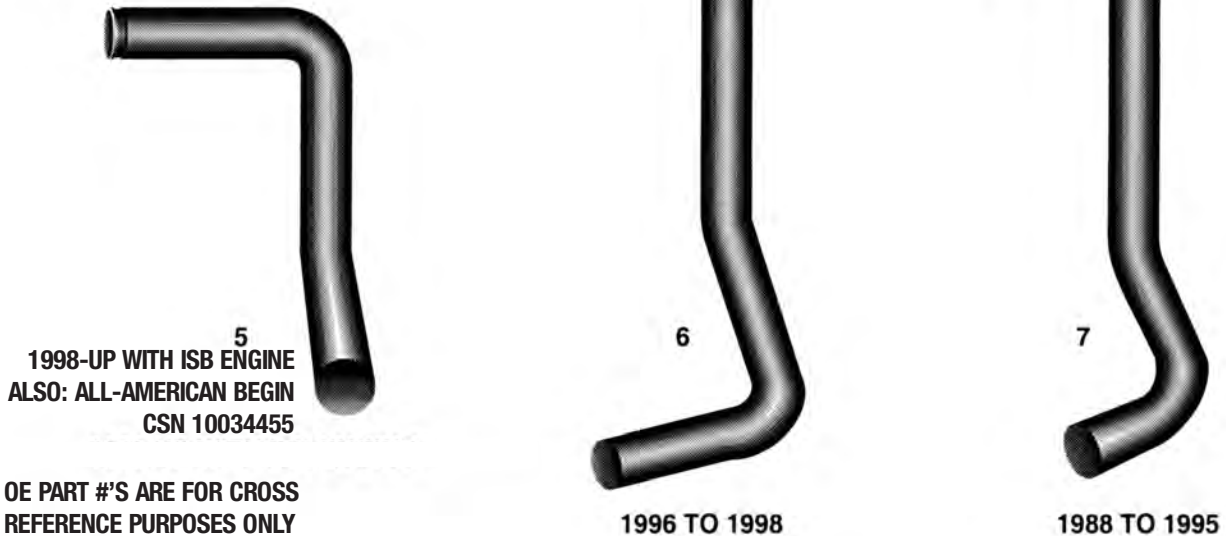
TC2000 B-SERIES CUMMINS TURBO PIPES

WITH AUTO-JET HEAVY DUTY MACHINED FLARE
ENGINE FORWARD



DESCRIPTION	1	2	3	2000 & UP	4
AUTO-JET PART#	TCMAN	TCMAN91	TCMAN94	TCMAN20	TCMAN643
O.E. PART#	1338110	1622562 OR 1502996	1721885	0004659	1543586

WITH AUTO-JET HEAVY DUTY
MACHINED FLARE
REAR ENGINE



DESCRIPTION	5	6	7
	TCPT98	TCPBT94	TCMANRE
OE PART #	0004518 (ISB ENGINE)	1722271	1517473

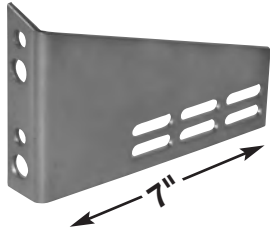
AUTO-JET MUFFLER CORP. • UNITED MUFFLER CORP.

U.S. toll free 1-800-247-5391 • Fax 515-224-0727 • website: www.auto-jet.com
Canada toll free 1-866-229-3402 • Fax 519-455-1103 • website: www.unitedmuffler.com

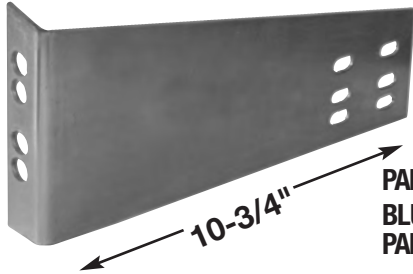
BLUEBIRD EXHAUST SYSTEMS

EXHAUST FRAME BRACKETS

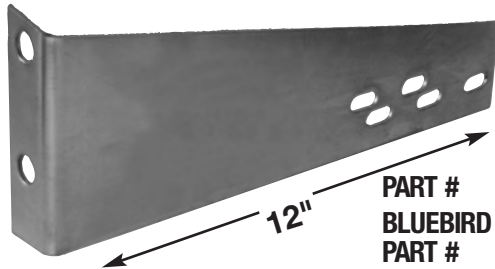
ZINC PLATED



PART # TCBRACKMU
BLUEBIRD PART # 1330158



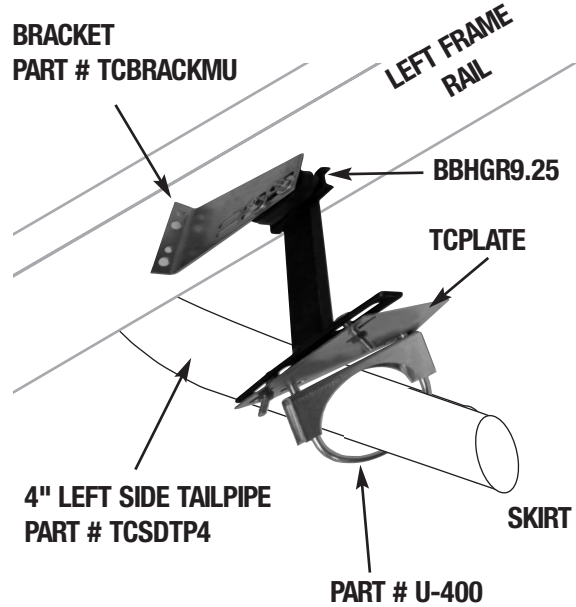
PART # TCBRACKOA
BLUEBIRD PART # 1390343



PART # TCBRACKTP
BLUEBIRD PART # 1477546

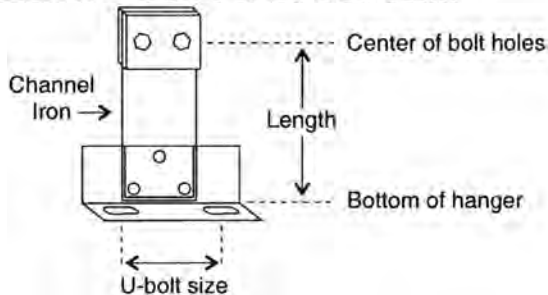
TAILPIPE HANGER ASSEMBLY

TC2000 SIDE DISCHARGE



BLUEBIRD EXHAUST HANGERS

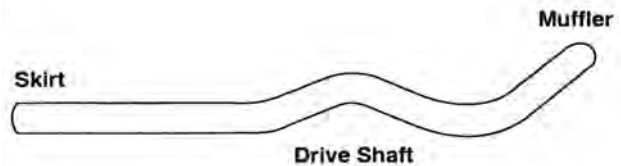
HEAVY DUTY TAIL PIPE MUFFLER HANGERS
O.E. FIT - "WON'T BREAK OR TEAR"



U-BOLT SIZES	5" & 4"	5" & 4"
LENGTH	5-5/8"	9-1/4"
AUTO-JET #	BBHGR5.62	BBHGR9.25
REPLACES BLUEBIRD #	1977131 1620566 1340934 1530963 1949411	1522325 1340926

BLUEBIRD TC2000

SIDE-DISCHARGE TAIL PIPE



SEE ABOVE HANGER ASSEMBLY

PHOTO SEE PAGE BB54

DESCRIPTION	TC 2000
PART#	TCSDTP4
LEFT SIDE EMERGENCY DOOR	TCSDTP4LED

OE PART #'S ARE FOR CROSS REFERENCE PURPOSES ONLY

AUTO-JET MUFFLER CORP. • UNITED MUFFLER CORP.

U.S. toll free 1-800-247-5391 • Fax 515-224-0727 • website: www.auto-jet.com
Canada toll free 1-866-229-3402 • Fax 519-455-1103 • website: www.unitedmuffler.com

TC 2000 SIDE DISCHARGE TAILPIPES

TAILPIPES

1999 & UP



4" OD

MUFFLER



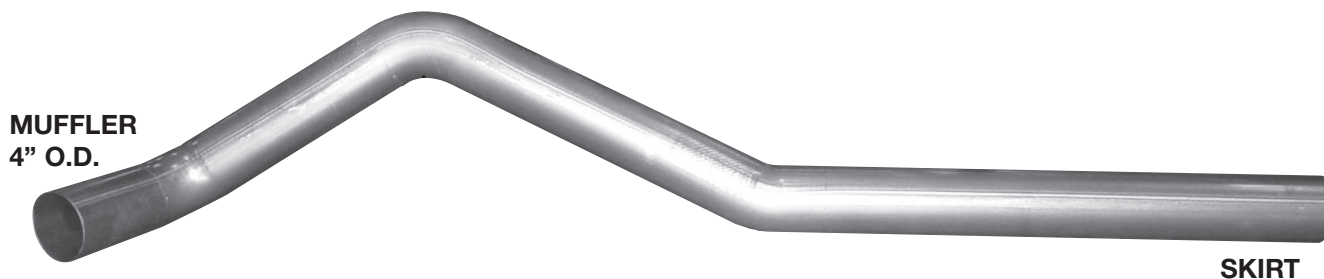
NEW

ANGLE CUT
AT SKIRT

AUTO-JET PART #	OE #	WHEEL BASE
TCODS65	1537844	< 174"
	1587823	174"
	1535665	237"

OE PART #'S ARE FOR CROSS REFERENCE PURPOSES ONLY

1999 & BELOW



MUFFLER

4" O.D.

SKIRT

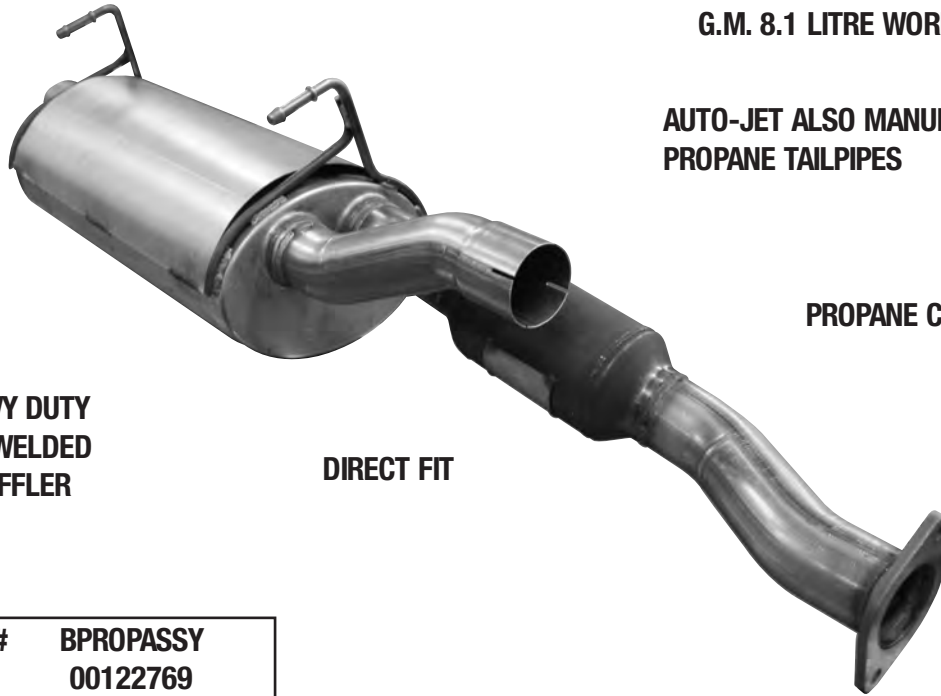
PART # TCSDTP4
OE # 1537481

AUTO-JET MUFFLER CORP. • UNITED MUFFLER CORP.

U.S. toll free 1-800-247-5391 • Fax 515-224-0727 • website: www.auto-jet.com
Canada toll free 1-866-229-3402 • Fax 519-455-1103 • website: www.unitedmuffler.com

BB 51

BLUEBIRD PROPANE MUFFLER ASSEMBLY



G.M. 8.1 LITRE WORKHORSE ENGINE

AUTO-JET ALSO MANUFACTURES
PROPANE TAILPIPES

PROPANE CONVERTER

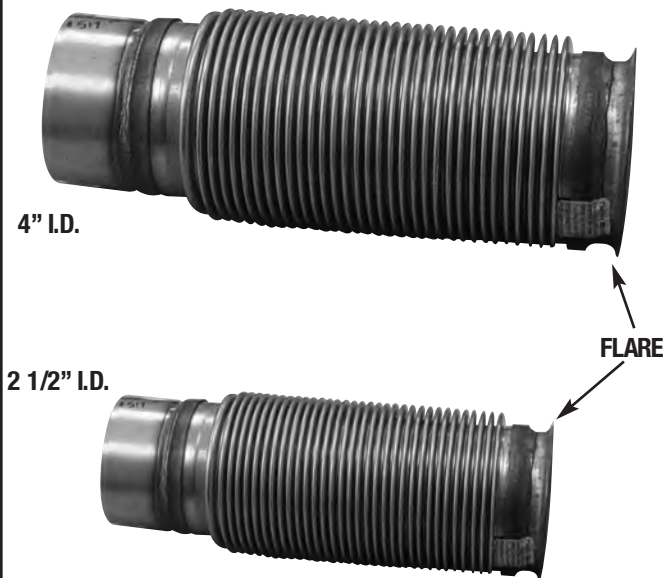
HEAVY DUTY
ALL WELDED
MUFFLER

DIRECT FIT

AUTO-JET PART #	#	BPROPASSY
O.E. PART #		00122769

BLUEBIRD STAINLESS BELLOWS

BLUEBIRD PUSHER MUFFLER HANGER



4" I.D.

2 1/2" I.D.

FLARE



AUTO-JET PART #	1	2
O.E. PART #	BPBELL 0109851	BPBELL99 0118999

AUTO-JET PART#	BBAC86
OE PART#	0001786

AUTO-JET MUFFLER CORP. • UNITED MUFFLER CORP.

U.S. toll free 1-800-247-5391 • Fax 515-224-0727 • website: www.auto-jet.com
 Canada toll free 1-866-229-3402 • Fax 519-455-1103 • website: www.unitedmuffler.com

BLUEBIRD VISION TURBO-PIPES

BLUEBIRD ALL-AMERICAN WITH DROP



AVAILABLE IN 4" AND 5"

DESCRIPTION	SIDE EXIT TAIL PIPE WITH DROP	
	4"	5"
AUTO-JET PART #	BSD4DROP	BSD5DROP
OE #	0960914	1522465

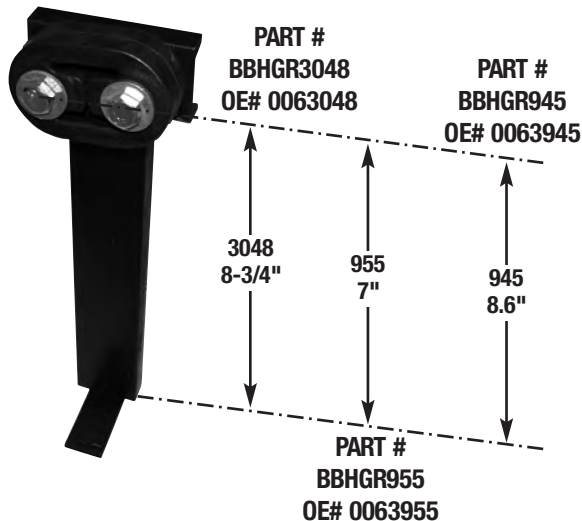
BLUEBIRD EXHAUST HANGERS

HEAVY DUTY TAIL PIPE MUFFLER HANGERS
O.E. FIT - "WON'T BREAK OR TEAR"



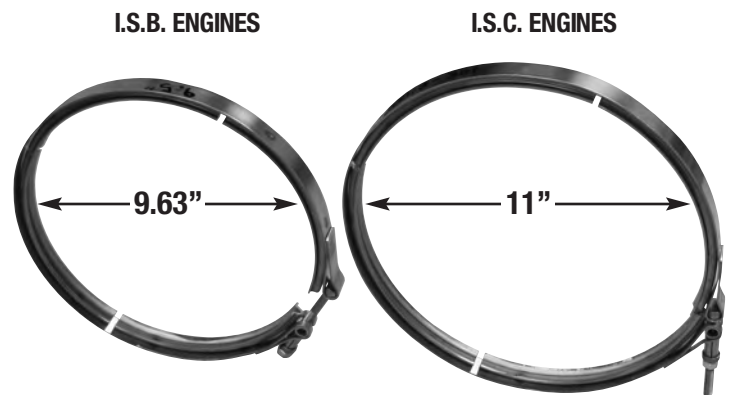
U-BOLT SIZES	5" & 4"	5" & 4"
LENGTH	5-5/8"	9-1/4"
AUTO-JET #	BBHGR5.62	BBHGR9.25
REPLACES BLUEBIRD #	1977131 1620566 1340934 1530963 1949411	1522325 1340926

HEAVY DUTY CENTER MUFFLER HANGER BRACKET



OE PART #'S ARE FOR CROSS REFERENCE PURPOSES ONLY

CUMMINS DIESEL PARTICULATE FILTER V-CLAMPS



PART#	DPFVCL95	DPFVCL11
SIZE	9 1/2"	11"
CUMMINS O.E.#	2871861	2871862
SUPERSEDED#	4965096	4965097

AUTO-JET MUFFLER CORP. • UNITED MUFFLER CORP.

U.S. toll free 1-800-247-5391 • Fax 515-224-0727 • website: www.auto-jet.com
Canada toll free 1-866-229-3402 • Fax 519-455-1103 • website: www.unitedmuffler.com

BLUEBIRD CROSS REFERENCE CHART

Please call if you do not find the OE part # you need. If it's on a school bus, we probably manufacture it. Auto-Jet manufactures new parts daily.

0000095	BBFOA95
0000675	BBROA675
0000707	B3126T99
0000708	BFOA99
0001786	BBRAC86
0002250	TCOA15065
0002614	BVTP2614
0003166	BROAFP99AIR
0003167	BROAFP99SP
0003168	REOARP99
0003175	BTP995
0003428	BP3126MIN
0003429	BP3126T
0003499	BROA297
0003564	500STP190
0003565	500STP211
0003576	500STP232
0003577	500STP7
0003578	500STP7
0003579	500STP7
0003580	500STP7
0003581	500STP7
0003581	500STP5
0003583	500STP5
0004018	BVANTP18
0004518	TCPTP98
0004658	TCMAN94
0004659	TCMAN20
0008417	BBTP417
0013582	3116VCL
0015032	TCOA15065
0015040	BBOA040
0015065	TCOA15065
0015785	BBROA785
0020861	TCFOA61
0021071	BBFOA71
0022169	BBFOAIR
0026439	BTP439-5
0026440	BBTP6440
00036277	400CATREV
00038407	B83T407
00041122	5-4 OD/ID
00049191	BTP9191
00050695	BPTP695
00050705	BPTP705
00053197	BRTP197
00053198	BPTP198
00056143	BV3126T143

OE #'S ARE FOR
CROSS
REFERENCE ONLY

AUTO-JET MUFFLER CORP. • UNITED MUFFLER CORP.

U.S. toll free 1-800-247-5391 • Fax 515-224-0727 • website: www.auto-jet.com
Canada toll free 1-866-229-3402 • Fax 519-455-1103 • website: www.unitedmuffler.com

BLUEBIRD CROSS REFERENCE CHART

Please call if you do not find the OE part # you need. If it's on a school bus, we probably manufacture it. Auto-Jet manufactures new parts daily.

00056626	BVTM626
00062643	BPTP643
00063945	BBHGR945
00063955	BBHGR955
00064073	BBOA073
00064080	BBOA080
00064130	TD40024
00065004	BPTP5004
00065007	BP500TP07
00068269	BVSDTP
00074818	BBROA818
00074907	BVTP907
00074908	BVTPTOW
00074910	BPTP910
00080417	BBTP417
00081010	BVC7PB
00081844	BC7844
00085297	BROA297
00085298	BBROA298
00085306	BBRACK306
00085308	BV308
00085310	BPTP310
00085312	BBTP312
00085313	BTP5313
00085372	BVTP5372
00085372	BVTP5372
00099860	B400860
00099863	BVB863
00100144	4-3 OD/ID
00100881	BVCL881
00102457	BP457T
00103526	BT3526
00103528	BFOA528
00103530	BT3530
00105910	BV910WG
00108139	BVCUMT139
00108139	BVCUMT139 CUSTOM
00108419	BDPF419
00109205	BP205T
00109409	BPTP409
00109409	BPTP409
00109439	BPTP439
00109542	BBFOA94
00109851	BPBELL
00112913	BVCLTP5
00114068	BDPF068
00114069	BDPF069
00114073	BV073

OE #'S ARE FOR
CROSS
REFERENCE ONLY

AUTO-JET MUFFLER CORP. • UNITED MUFFLER CORP.

U.S. toll free 1-800-247-5391 • Fax 515-224-0727 • website: www.auto-jet.com
Canada toll free 1-866-229-3402 • Fax 519-455-1103 • website: www.unitedmuffler.com

BLUEBIRD CROSS REFERENCE CHART

Please call if you do not find the OE part # you need. If it's on a school bus, we probably manufacture it. Auto-Jet manufactures new parts daily.

00114160	BVSDTP
00115041	TCVCL
00115237	BCGIHGR
00115812	BGST812
00115813	BDPFGS
00115845	83VCLT
00115907	BPTDPF907
00116142	BBROA142
00116144	400ACCUSI
00117094	BPTP094
00118223	BDPF454
00118224	BDPF455
00118224	BDPF455
00118225	BDPF693
00118228	BPMIN228
00118499	BPCGI697
00118501	BPDPF501
00118505	BDPF699
00118667	250ACCUSI
00118786	BPCGI786
00118999	BPBELL99
00119596	400STP×107"
00120457	BP457T
00120458	BPMIN458
00120458	BPMIN458
00126262	BTP262
00126424	BTP424
00126434	BTP434
00191439	BPTP439
00377424	B350350
00815613	B400400
00960914	BSD4DROP
00995548	B3208LM
00995563	B3208RM
00997791	82VCLT
00998098	B82OA
00998098	B82OAL
01005321	BDOA
01005339	B4278
01005420	BDTP
01005446	BDCO
01005453	BDROA
01005461	BDFOA
01005479	B4279
01044494	BBOFFTP4
01054758	BDY
01055623	B3208VCLT
01117993	TCPMH27

OE #'S ARE FOR
CROSS
REFERENCE ONLY

AUTO-JET MUFFLER CORP. • UNITED MUFFLER CORP.

U.S. toll free 1-800-247-5391 • Fax 515-224-0727 • website: www.auto-jet.com
Canada toll free 1-866-229-3402 • Fax 519-455-1103 • website: www.unitedmuffler.com

BLUEBIRD CROSS REFERENCE CHART

Please call if you do not find the OE part # you need. If it's on a school bus, we probably manufacture it. Auto-Jet manufactures new parts daily.

01124767	SSB40012
01159264	454STUD
01250646	3116VCL
01270123	FLEX35012
01300722	B83OA
01315712	TCSDTP4
01332477	B3208EPRE
01332477	B83EPRE
01334226	TCVCL
01338110	TCMAN
01338128	FLEX30014
01338128	TCFLEX
01338136	TCPLATE
01340926	BBHGR9.25
01340934	BBHGR5.62
01342021	TC300EXT
01357334	TCREOFF
01357342	TCREFOA
01357359	TCREROA
01357367	TCRETP
01365600	BB82T
01365600	BB82TL
01365618	BB3208T
01369891	B83TRE
01369909	B3208TRE
01417179	SSB30012
01426105	BB83T
01435996	CV400CAT
01437490	B3116TRE1
01438431	B3116T4
01438464	B3116OA
01444009	TCWRAP
01460716	TCADAPT
01468029	B400400
01468089	B400400
01468099	TC400400
01469931	TCREROAMM
01477454	TCFOA
01477462	TCFOA3EXT89
01477470	TCFOA
01477470	TCFOA3EXT110
01477504	TCREOFF
01477504	TCOFF504
01477538	TCROAFS
01481050	TCTPTB
01487008	TC300400REV
01493378	TCTPMM9
01493378	TCTPTBMM9

OE #'S ARE FOR
CROSS
REFERENCE ONLY

AUTO-JET MUFFLER CORP. • UNITED MUFFLER CORP.

U.S. toll free 1-800-247-5391 • Fax 515-224-0727 • website: www.auto-jet.com
Canada toll free 1-866-229-3402 • Fax 519-455-1103 • website: www.unitedmuffler.com

BLUEBIRD CROSS REFERENCE CHART

Please call if you do not find the OE part # you need. If it's on a school bus, we probably manufacture it. Auto-Jet manufactures new parts daily.

01493659	TCTPMM12
01493667	TCTPMM12
01493667	TCTPTBMM12
01493675	TCTPMM12
01500669	B830AIR
01502996	TCMAN91
01517457	TCEXTRE
01517473	TCMANRE
01517481	TCTPRE1
01517507	TCTPRE2
01517903	BDTP5SM
01517911	BDROA5
01517960	BDFOA5
01518588	B3116T5
01522291	B500500
01522325	BBHGR9.25
01522416	FLEX40012
01522432	BDFOA5
01522465	BSD5DROP
01522549	BOD5
01530963	BBHGR5.62
01532217	BPMOU5NC
01532225	BP83T4
01532258	BP83MIN4
01535665	TCODS65
01535665	TCSDTP65
01537481	TCSDTP4
01537481	TCSDTP44
01537844	TCODS65
01538149	B3116EPRE
01538156	BBTPRE
01538164	B3116TRE2
01543586	TCMAN643
01564689	CVTP93
01568069	TBICOA
01571108	TC427LM2
01573773	BDTP5MM
01574227	B83T5
01575836	BP400500RV
01587195	TC2250300SS
01587823	TCODS65
01600154	TC427RM
01602952	TC427LM1
01620566	BBHGR5.62
01622471	TCFOASS132
01622513	TCFOA1PIECE
01622562	TCMAN91
01657600	TCP83MIN4A

OE #'S ARE FOR
CROSS
REFERENCE
ONLY

AUTO-JET MUFFLER CORP. • UNITED MUFFLER CORP.

U.S. toll free 1-800-247-5391 • Fax 515-224-0727 • website: www.auto-jet.com
Canada toll free 1-866-229-3402 • Fax 519-455-1103 • website: www.unitedmuffler.com

BLUEBIRD CROSS REFERENCE CHART

Please call if you do not find the OE part # you need. If it's on a school bus, we probably manufacture it. Auto-Jet manufactures new parts daily.

01657618	TCP83T4A
01657626	TCPMOU5
01664168	TC400400CAT
01667401	B500CUMCT
01668326	TCFOASS
01668359	TCADAPTSS
01668383	TCFOASS
01668391	TCFOASS132
01668490	BOD5SS
01670249	BBSTRAP249
01670249	BPMH31
01670256	TCPMH26
01671254	B83T5SS
01679497	400STP51
01679505	400STP72
01692458	BPMH29
01705482	TC300400RVCT
01705599	TCP400500RVCT
01710342	TCP83T4S
01710359	TCPMOU5
01718162	TCPBTP94
01718170	TCPBMOUT
01718188	TCPBMIN643
01718196	TCPBMIN545
01721885	TCMAN94
01721935	TCPBTP94TB
01722271	TCPBT94
01723048	BBHGR3048
01725696	BP83MIN4S
01728054	BP83T4S
01728062	BPMOU5
01728211	TCP83MIN4S
01744739	11MHTORCA
01746676	TCROARSASMM
01746684	TCROAFSAS
01747963	9MHTORCA
01749886	SSB40012
01749894	TCP3116T94
01753151	BPTP94
01753177	TCPEXT194
01753185	TCPEL94
01758093	TC300400RV94
01759182	BP400500RV99
01759299	BPEL94
01759307	BP3116EXT194
01777531	TCPTP94
01777556	TCP400SICAT
01805241	TCROARSAS

OE #'S ARE FOR
CROSS
REFERENCE
ONLY

AUTO-JET MUFFLER CORP. • UNITED MUFFLER CORP.

U.S. toll free 1-800-247-5391 • Fax 515-224-0727 • website: www.auto-jet.com
Canada toll free 1-866-229-3402 • Fax 519-455-1103 • website: www.unitedmuffler.com

BLUEBIRD CROSS REFERENCE CHART

Please call if you do not find the OE part # you need. If it's on a school bus, we probably manufacture it. Auto-Jet manufactures new parts daily.

01809714	BP500TP98
01831700	BP400SI99
01851468	BP83MIN99
01864677	TCTPTB
01864685	TCTPEB
01873439	TCREROA
01873447	TCREROA
01873447	TCROARS
01873454	TCREROA
01873462	TCREROA
01873470	TCREROA
01873488	TCREROA
01873496	TCREROA
01873504	TCREROA
01873512	TCREROA
01873520	TCREROA
01873538	TCREROA
01874635	TCTPMMAS
01885896	TCP3126EXT
01885904	TCPMIN3126
01903707	TCP3126T
01935238	B83ELT99
01935550	BP59T
01935675	BP59MIN
01935691	BP59TPTD
01935758	BP83T99
01939669	BP59TPSTD
01947936	B83T5SS
01948090	BBRAC90
01949411	BBHGR5.62
01963867	TCPT98
01972793	BPMH31
01977131	BBHGR5.62
01997212	BP500TPTB
01997741	BSD4ODS
01997964	B400500
01999036	BP500TPUB
10000693	BDPF693
10000694	BPEGR694
10000696	BPDPF696
10000697	BPCGI697
10000698	BPDPF501
10000699	BDPF699
10000702	BPDPF702
10000870	BVTP0870
10011463	BVOA463
10011475	BFOA475
10012251	BOFF251

OE #'S ARE FOR
CROSS
REFERENCE
ONLY

AUTO-JET MUFFLER CORP. • UNITED MUFFLER CORP.

U.S. toll free 1-800-247-5391 • Fax 515-224-0727 • website: www.auto-jet.com
Canada toll free 1-866-229-3402 • Fax 519-455-1103 • website: www.unitedmuffler.com

BB 60

BLUEBIRD VISION TURBO-PIPES

Please call if you do not find the OE part # you need. If it's on a school bus, we probably manufacture it. Auto-Jet manufactures new parts daily.

OE #'S ARE FOR
CROSS
REFERENCE
ONLY

10018357	BCGI357
10018358	BCGI358
10030777	B400860
10030777	B400860
16225521	TCFOA
88968527	GMCONVF
00000094	BBFOA94

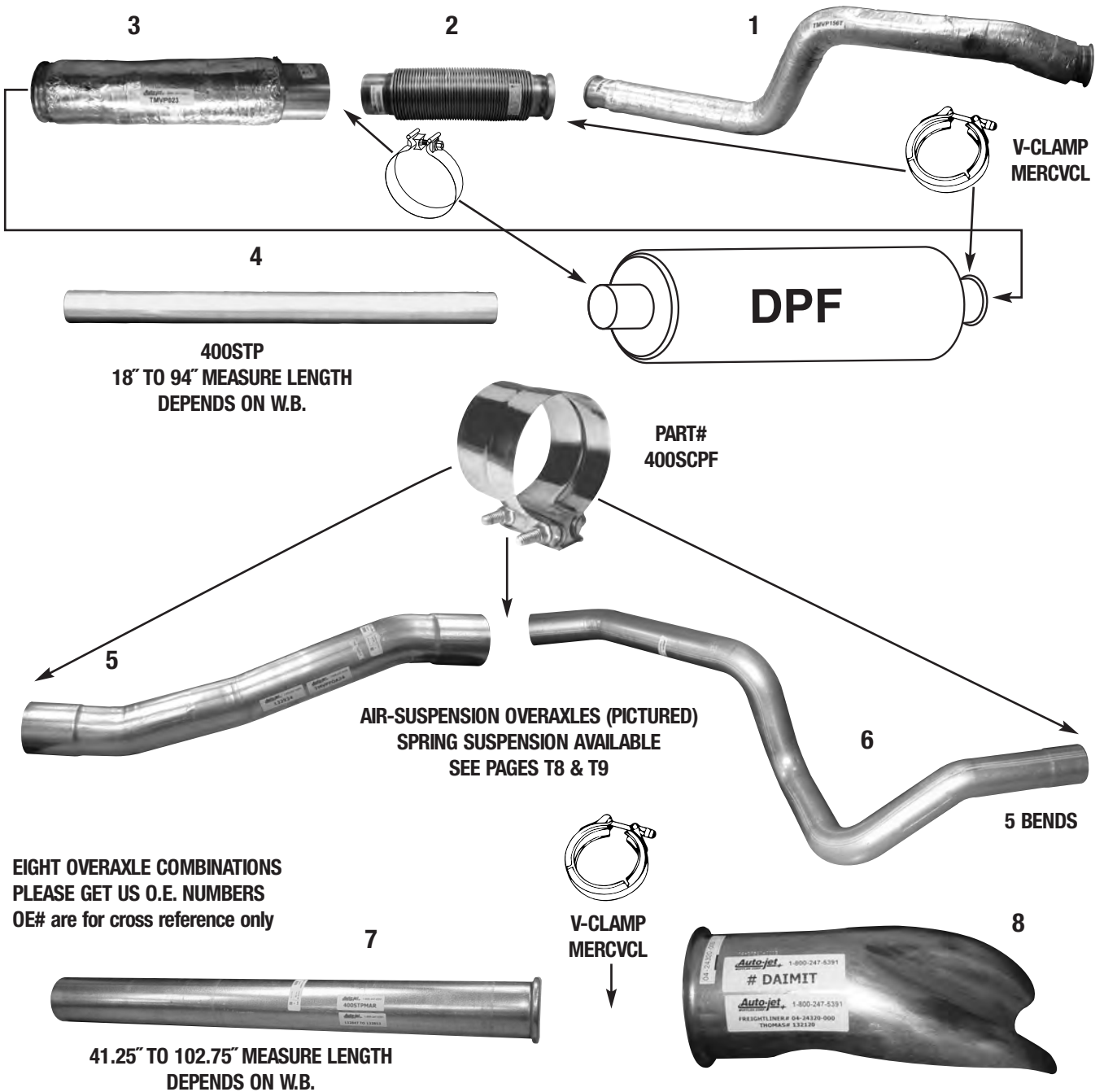
AUTO-JET MUFFLER CORP. • UNITED MUFFLER CORP.

U.S. toll free 1-800-247-5391 • Fax 515-224-0727 • website: www.auto-jet.com
Canada toll free 1-866-229-3402 • Fax 519-455-1103 • website: www.unitedmuffler.com

BB 61

THOMAS FRONT ENGINE

2007 & UP THOMAS FRONT ENGINE CUMMINS ISB07



	1	2	3	4	5	6	7	8
	TURBO-PIPE	BELLOWS	EXTENSION	STRAIGHT PIPE	FRONT OVERAXLE	REAR OVERAXLE	TAILPIPE	MITIGATOR
PART#	TMVP156T	TPBELL869	TMVP023	400STP	TMVPFOA24	TMVP1227	400STPMAR	DAIMIT
O.E.#	126156	130869	126023	126026 TO 126030	132924	6224-1227	132847 TO 132853	132120

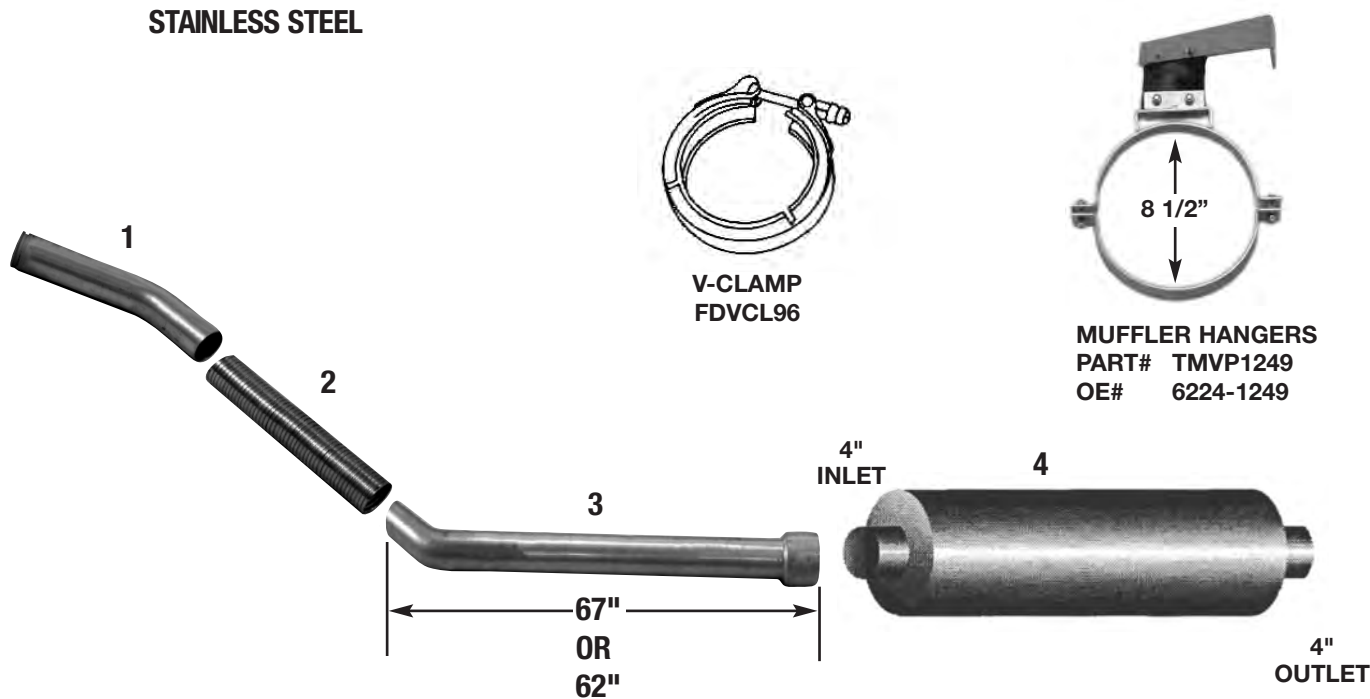
AUTO-JET MUFFLER CORP. • UNITED MUFFLER CORP.

U.S. toll free 1-800-247-5391 • Fax 515-224-0727 • website: www.auto-jet.com
 Canada toll free 1-866-229-3402 • Fax 519-455-1103 • website: www.unitedmuffler.com

THOMAS EXHAUST SYSTEMS

2004-UP THOMAS MVP E-F, B-SERIES CUMMINS ENGINE FORWARD

STAINLESS STEEL



DESCRIPTION	1 TURBO PIPE	2 FLEX	2 BELLOWS OPTION	3 FLEX TO MUFFLER	LENGTH	4 MUFFLER
PART #	TMVPBT229	FLEX30012	SSB30012	TMVP1253	67"	85-0035
OE #	6224-1229	6224-0582	6124-0919	6224-1253		6124-0015
PART #	TMVPBT209			TMVP1214	62"	
OE #	6224-1209			6224-1214 ALZ.		
				TMVP252		
				6224-1252		

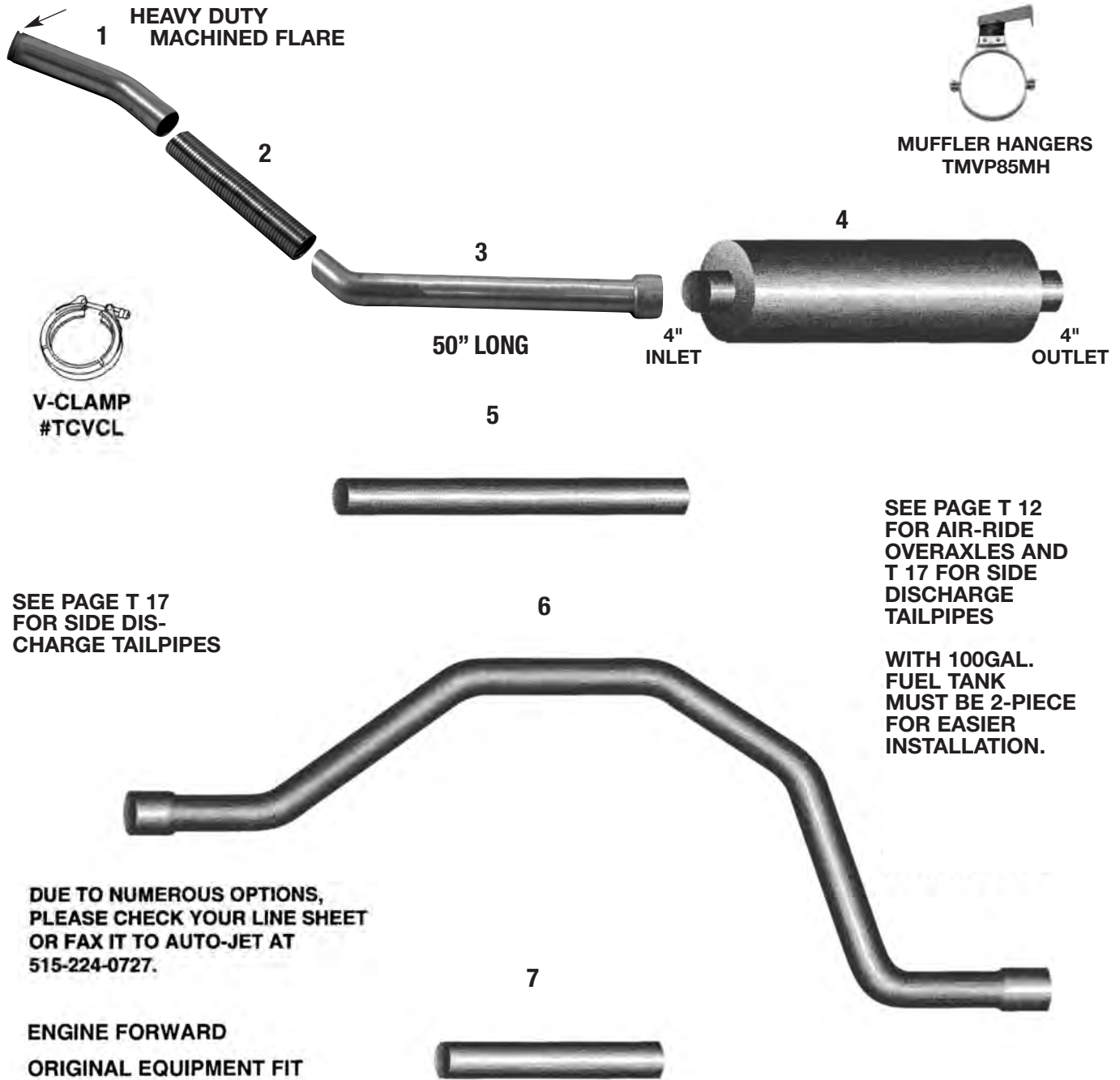
OE PART #'S ARE FOR CROSS REFERENCE PURPOSES ONLY

AUTO-JET MUFFLER CORP. • UNITED MUFFLER CORP.

U.S. toll free 1-800-247-5391 • Fax 515-224-0727 • website: www.auto-jet.com
 Canada toll free 1-866-229-3402 • Fax 519-455-1103 • website: www.unitedmuffler.com

THOMAS FRONT ENGINE

1998-UP THOMAS MVP E-F, B-SERIES CUMMINS ENGINE FORWARD



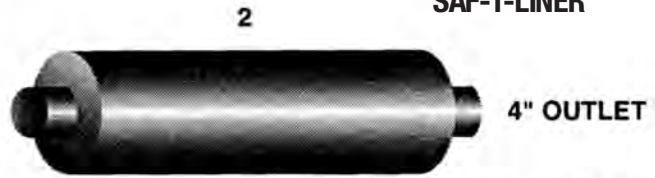
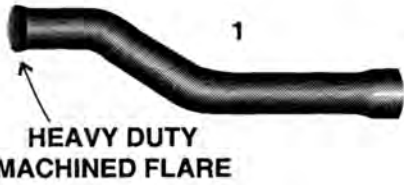
DESCRIPTION	1 TURBO PIPE	2 FLEX	3 - FLEX TO MUFFLER	4 MUFFLER	5 STRAIGHT PIPE	6 - OVERAXLES SPRING SUSPENSION	7 STRAIGHT PIPE
PART #	TMVPBT01A 6224-0937	FLEX30012	TMVPBT01B 6224-0938	85-0035 6124-0015	400STP MEASURE LENGTH	TMVPOA 6224-0464	400STP MEASURE LENGTH

AUTO-JET MUFFLER CORP. • UNITED MUFFLER CORP.

U.S. toll free 1-800-247-5391 • Fax 515-224-0727 • website: www.auto-jet.com
 Canada toll free 1-866-229-3402 • Fax 519-455-1103 • website: www.unitedmuffler.com

THOMAS FRONT ENGINE

1994-UP THOMAS MVP E-F, B-SERIES CUMMINS



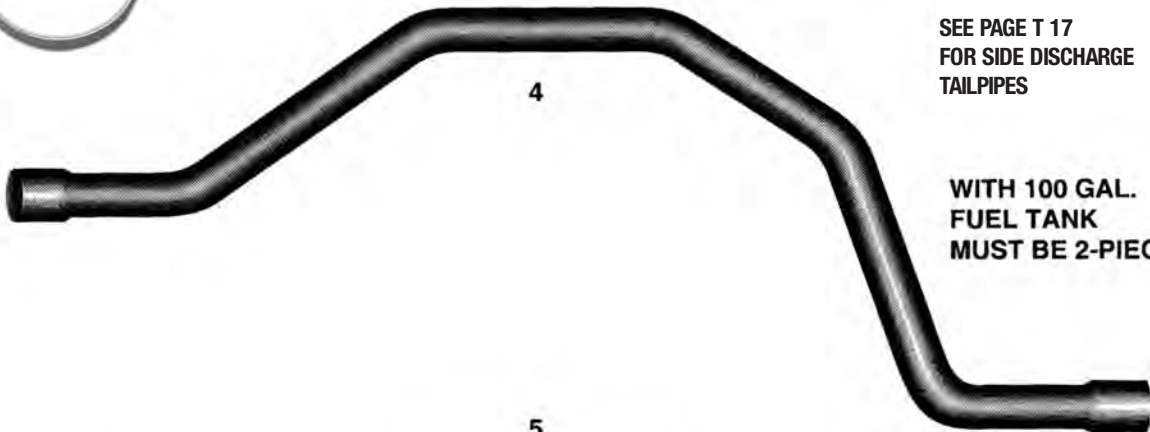
NON-CATALYTIC MUFFLER
ENDS WITH CHASSIS #15625.
CATALYTIC MUFFLER STARTS
WITH CHASSIS #15626.

MUFFLER HANGER
TMVP85MH



SEE PAGE T 12
FOR AIR-RIDE
OVERAXLES.

SEE PAGE T 17
FOR SIDE DISCHARGE
TAILPIPES



WITH 100 GAL.
FUEL TANK
MUST BE 2-PIECE.

ENGINE FORWARD
ORIGINAL EQUIPMENT FIT

OE PART #'S ARE FOR CROSS REFERENCE PURPOSES ONLY

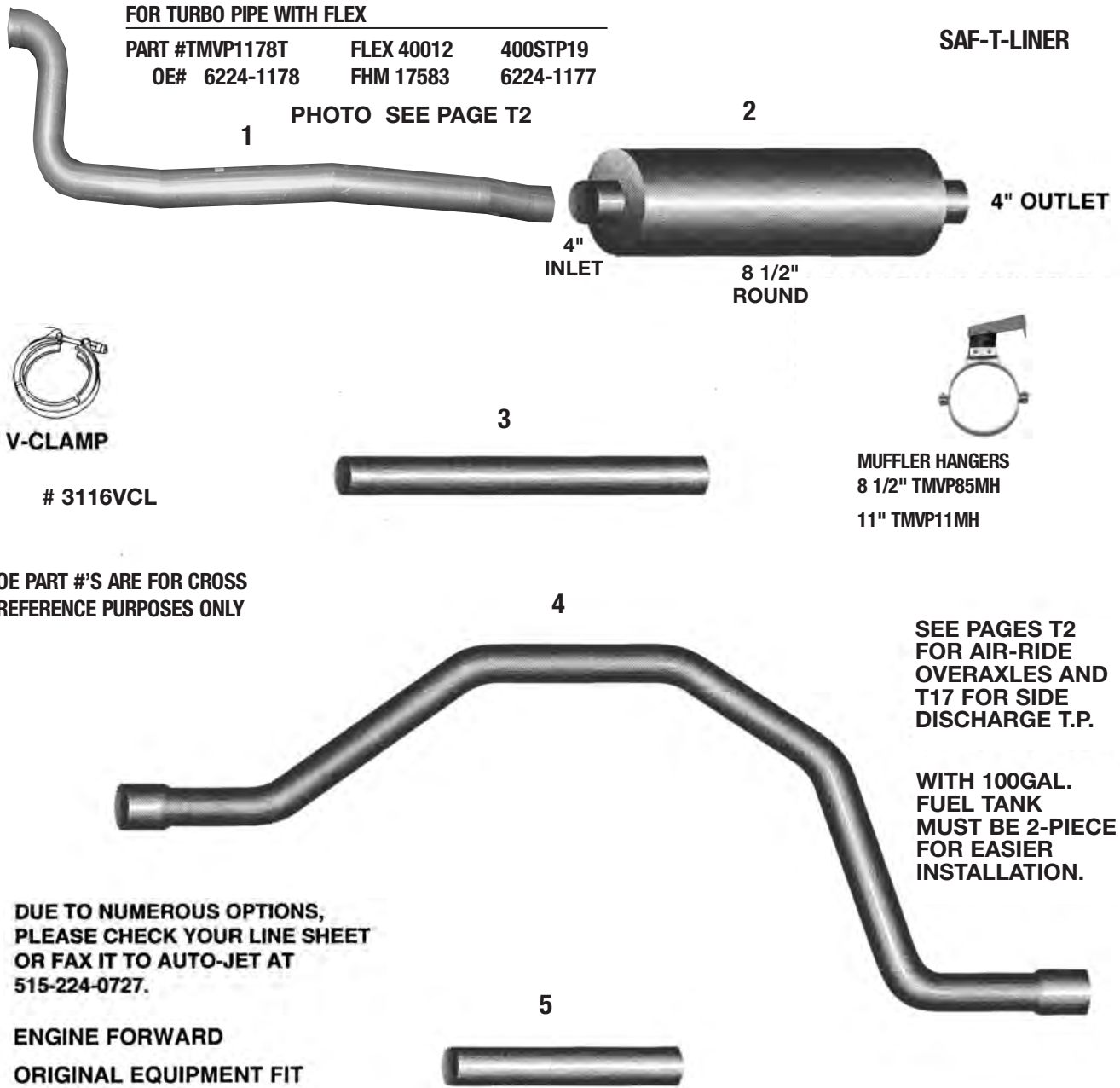
DESCRIPTION	1	2 - MUFFLER		3	4	5
	TURBO PIPE	NON-CATALYTIC	CATALYTIC	STRAIGHT PIPE	OVERAXLE	TAILPIPE
PART #	TMVPBT	85-0045	TMVP400CAT	400STP	TMVPOA	400STP
OE #	62240587	3 1/2" INLET			62240464	
98-UP ISB PART #	TMVPBT99	85-0035	NA	400STP	TMVPOA	400STP
OE #	62240895 & 62240727	4" INLET				

AUTO-JET MUFFLER CORP. • UNITED MUFFLER CORP.

U.S. toll free 1-800-247-5391 • Fax 515-224-0727 • website: www.auto-jet.com
Canada toll free 1-866-229-3402 • Fax 519-455-1103 • website: www.unitedmuffler.com

THOMAS FRONT ENGINE

1997-UP THOMAS MVP E-F, 3126 CATERPILLAR ENGINE FORWARD



FOR TURBO PIPE WITH FLEX

PART #TMVP1178T FLEX 40012 400STP19
 OE# 6224-1178 FHM 17583 6224-1177

SAF-T-LINER

PHOTO SEE PAGE T2



V-CLAMP

3116VCL



MUFFLER HANGERS
 8 1/2" TMVP85MH
 11" TMVP11MH

OE PART #'S ARE FOR CROSS
 REFERENCE PURPOSES ONLY

SEE PAGES T2
 FOR AIR-RIDE
 OVERAXLES AND
 T17 FOR SIDE
 DISCHARGE T.P.

WITH 100GAL.
 FUEL TANK
 MUST BE 2-PIECE
 FOR EASIER
 INSTALLATION.

DUE TO NUMEROUS OPTIONS,
 PLEASE CHECK YOUR LINE SHEET
 OR FAX IT TO AUTO-JET AT
 515-224-0727.

ENGINE FORWARD
 ORIGINAL EQUIPMENT FIT

DESCRIPTION	1 TURBO PIPES	2- MUFFLER NON-CATALYTIC	3 STRAIGHT PIPE	4 OVERAXLE	5 TAIL PIPE
PART #	TMVP3126T 6224-0607	8 1/2" (ROUND) 85-0035	400STP	TMVPOA SPRING SUSPENSION	400STP
PART #	TMVP312632 6224-1132		MEASURE LENGTH	6224-0464	MEASURE LENGTH

PHOTO SEE PAGE T2

AUTO-JET MUFFLER CORP. • UNITED MUFFLER CORP.

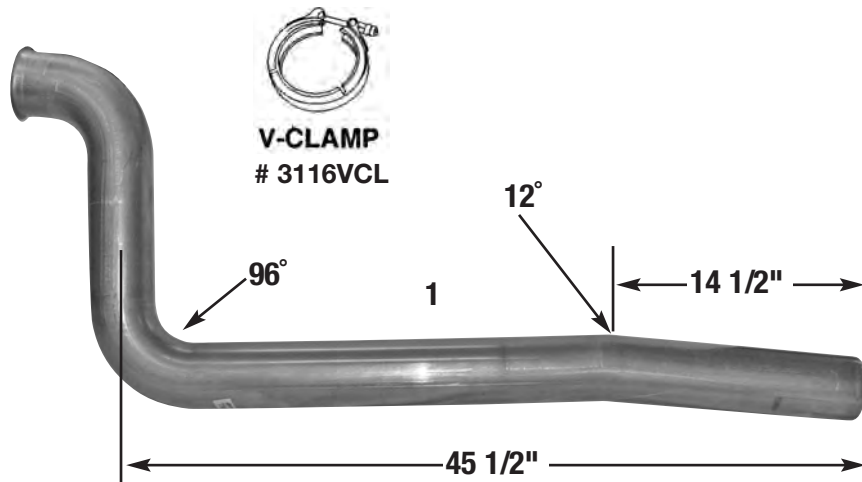
U.S. toll free 1-800-247-5391 • Fax 515-224-0727 • website: www.auto-jet.com
 Canada toll free 1-866-229-3402 • Fax 519-455-1103 • website: www.unitedmuffler.com

THOMAS FRONT ENGINE TURBO PIPES

3126 CATERPILLAR - C7 TURBO PIPES - ENGINE FORWARD

DUE TO NUMERIOUS OPTIONS,
PLEASE CHECK YOUR LINE SHEET
OR FAX IT TO AUTO-JET AT 515-
224-0727.

OE PART #'S ARE FOR CROSS REF-
ERENCE PUPOSES ONLY



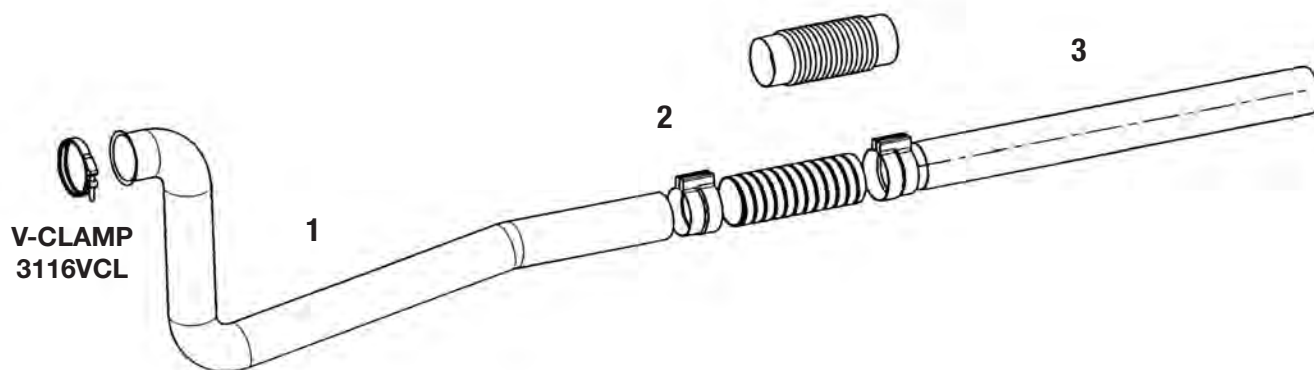
2



3

	1	2	3
PART #	TMVP192T	FLEX 40012	400STP19
OE #	6224-1192	FHM 17583	6224-1177
Optional Bellows SSB40012			

3126 CATERPILLAR WITH CATALYST MUFFLER



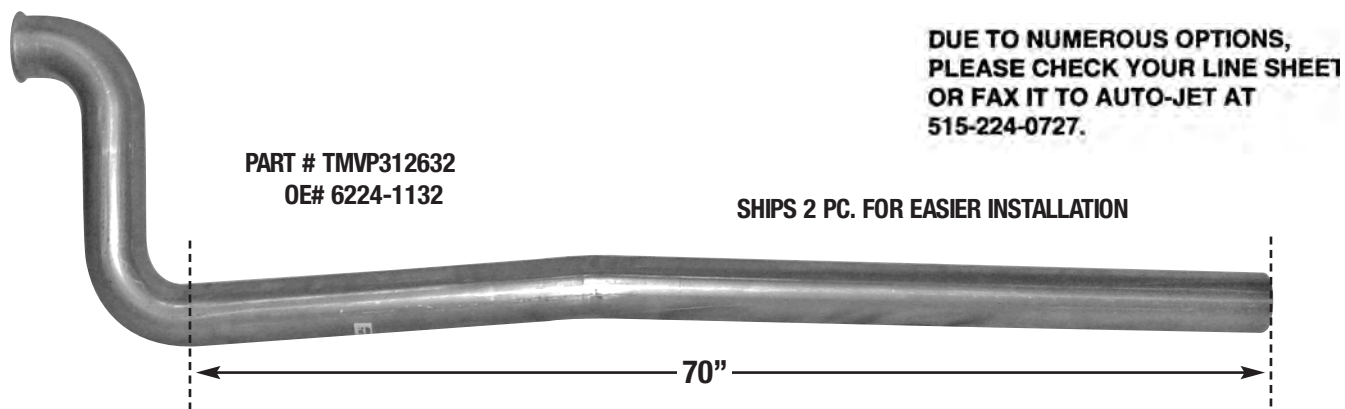
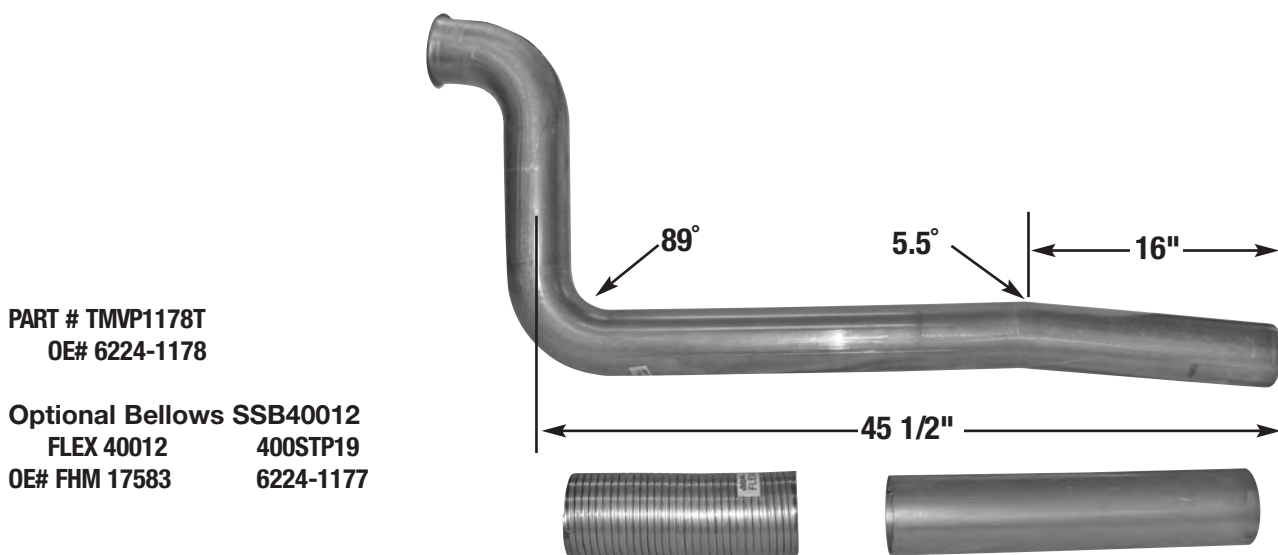
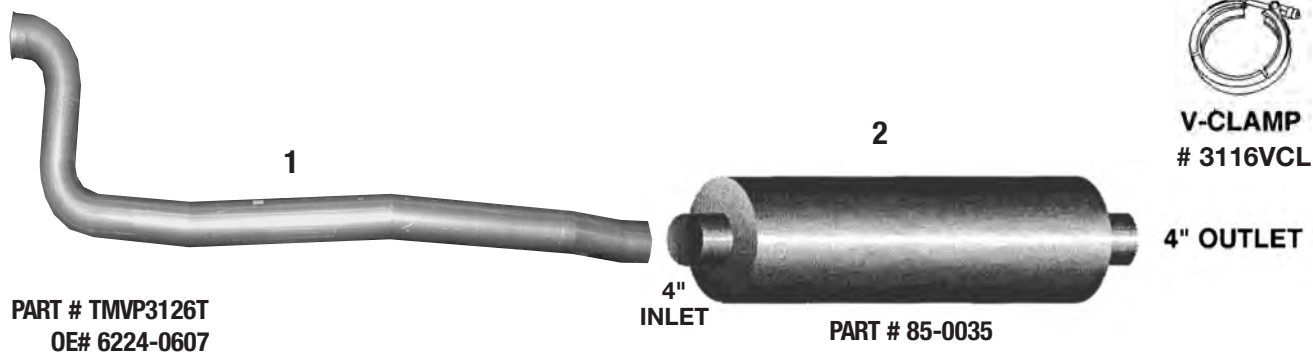
		1	2		3
		TURBO PIPE	BELLOWS OR FLEX		BELLOWS TO MUFFLER
STAINLESS (RECOMMENDED)	PART#	TMVPT287	SSB40012	FLEX40012	400STP38.25 (SS)
	OE #	6224-1287	6124-0916	6124-0182	6224-1288
ALUMINIZED	PART#	TMVPT254	SAME		400STP38.25
	OE #	6224-1254			

AUTO-JET MUFFLER CORP. • UNITED MUFFLER CORP.

U.S. toll free 1-800-247-5391 • Fax 515-224-0727 • website: www.auto-jet.com
Canada toll free 1-866-229-3402 • Fax 519-455-1103 • website: www.unitedmuffler.com

1997-UP THOMAS FRONT ENGINE TURBO PIPES

3126 CATERPILLAR TURBO PIPES



OE PART #'S ARE FOR CROSS REFERENCE PURPOSES ONLY

AUTO-JET MUFFLER CORP. • UNITED MUFFLER CORP.

U.S. toll free 1-800-247-5391 • Fax 515-224-0727 • website: www.auto-jet.com
Canada toll free 1-866-229-3402 • Fax 519-455-1103 • website: www.unitedmuffler.com

1997-UP THOMAS MVP E-F

2007 & UP SPRING SUSPENSION OVERAXLE TAILPIPE

FRONT SECTION



PART # TMVPFOA17
OE# 126017



PART # TMVPFOA17
OE# 126017

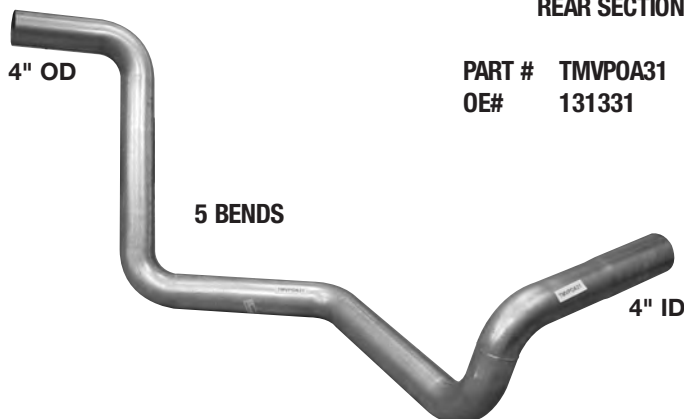


PART # TMVPFOA17
OE# 126017

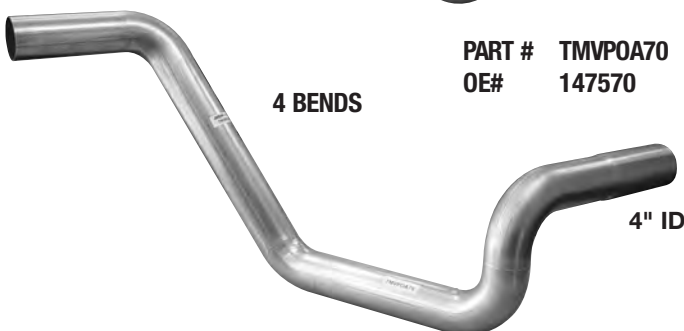


PART # TMVPFOA46
OE# 168946

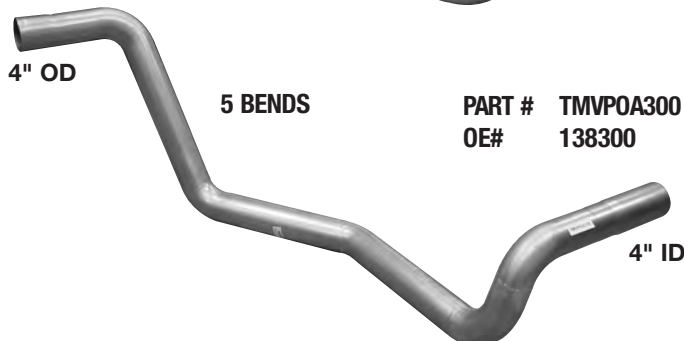
REAR SECTION



PART # TMVPOA31
OE# 131331



PART # TMVPOA70
OE# 147570



PART # TMVPOA300
OE# 138300



PART # TMVPOA47
OE# 168947

OE PART #'S ARE FOR CROSS REFERENCE PURPOSES ONLY

AUTO-JET MUFFLER CORP. • UNITED MUFFLER CORP.

U.S. toll free 1-800-247-5391 • Fax 515-224-0727 • website: www.auto-jet.com
Canada toll free 1-866-229-3402 • Fax 519-455-1103 • website: www.unitedmuffler.com

THOMAS FRONT ENGINE

2007 & UP SPRING SUSPENSION OVERAXLE PIPES



PART # TMVPFOA79
OE# 155979



PART # TMVPOA70
OE#

2007 & UNDER SPRING SUSPENSION



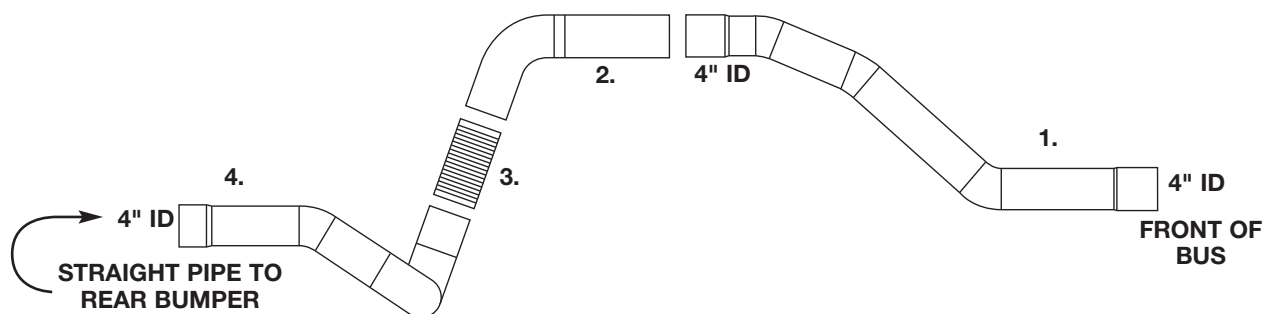
WITH 100 GAL. FUEL TANK
MUST BE 2-PIECE FOR
EASIER INSTALLATION

DUE TO NUMEROUS OPTIONS,
PLEASE CHECK YOUR LINE SHEET
OR FAX IT TO AUTO-JET AT
515-224-0727.

DESCRIPTION PART #	THOMAS MVP 4" TAIL PIPE TMVPOA	OE# 6224-0464
-----------------------	-----------------------------------	---------------

OE PART #'S ARE FOR CROSS REFERENCE PURPOSES ONLY

THOMAS ENGINE FORWARD REAR OVERAXLE W/FLEX



	1	2	3	4
PART #	TMVP246	TMVP973		TMVP974
OE#	6224-1246	6224-0973	FLEX 40012	6224-0974

AUTO-JET MUFFLER CORP. • UNITED MUFFLER CORP.

U.S. toll free 1-800-247-5391 • Fax 515-224-0727 • website: www.auto-jet.com
Canada toll free 1-866-229-3402 • Fax 519-455-1103 • website: www.unitedmuffler.com

THOMAS FRONT ENGINE

2007 & UP AIR RIDE SUSPENSION PIPES



PART # TMVPFOA80
OE# 155980



PART # TMVPOA69
OE# 147569



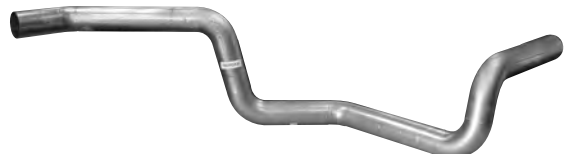
PART # TMVPFOA24
OE# 139924



PART # TMVPOA69
OE# 147569



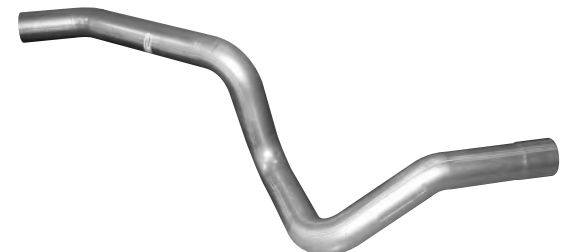
PART # TMVPFOA24
OE# 139924



PART # TMVPOA32
OE# 131332



PART # TMVPFOA24
OE# 139924



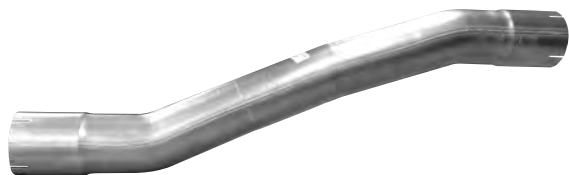
PART # TMVP1227
OE# 6224-1227

AUTO-JET MUFFLER CORP. • UNITED MUFFLER CORP.

U.S. toll free 1-800-247-5391 • Fax 515-224-0727 • website: www.auto-jet.com
Canada toll free 1-866-229-3402 • Fax 519-455-1103 • website: www.unitedmuffler.com

THOMAS ENGINE FORWARD

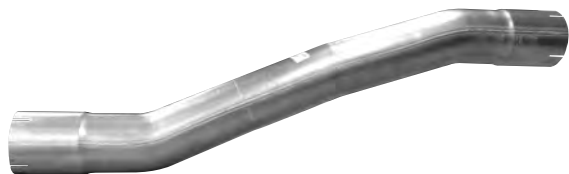
2001 & UP AIR RIDE SUSPENSION PIPES



PART # TMVP1247
OE# 6224-1247



PART # TMVPOA91
OE# 6224-1191



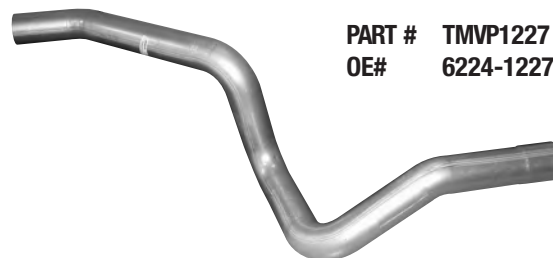
PART # TMVP1247
OE# 6224-1247



PART # TMVP1227
OE# 6224-1227

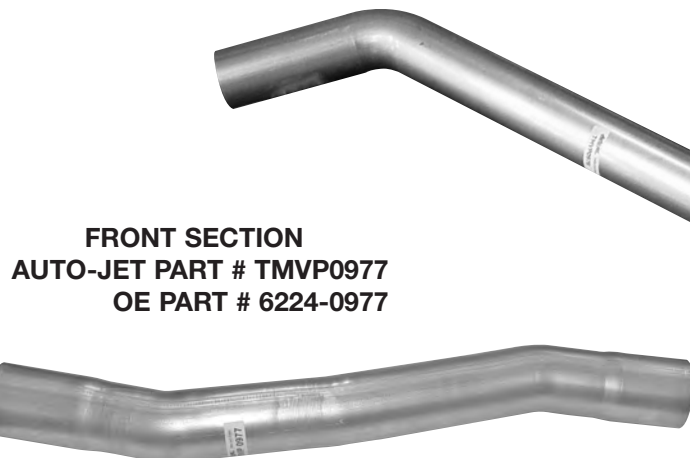


PART # TMVP0977
OE# 6224-0977



PART # TMVP1227
OE# 6224-1227

THOMAS PULLER OVERAXLE PIPES SPRING & AIR SUSPENSION



FRONT SECTION
AUTO-JET PART # TMVP0977
OE PART # 6224-0977

REAR SECTION
AUTO-JET PART # TMVP0978
OE PART # 6224-0978

4 BENDS

OE PART #'S ARE FOR CROSS REFERENCE PUPOSES ONLY.

AUTO-JET MUFFLER CORP. • UNITED MUFFLER CORP.

U.S. toll free 1-800-247-5391 • Fax 515-224-0727 • website: www.auto-jet.com
Canada toll free 1-866-229-3402 • Fax 519-455-1103 • website: www.unitedmuffler.com

THOMAS FRONT ENGINE FORWARD

THOMAS AIR RIDE SUSPENSION RIGHT SIDE EXIT UNDER BUMPER



AUTO-JET PART # TMVPOA91
O.E. PART # 6224-1191

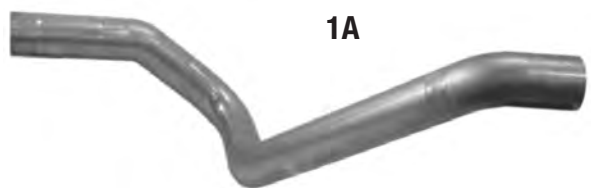


FRONT OF BUS

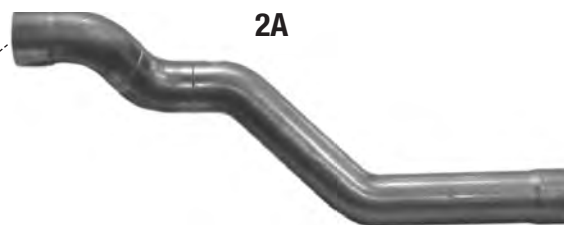
AUTO-JET PART # TMVP0977
O.E. PART # 6224-0977

THOMAS PULLER OVERAXLE PIPES

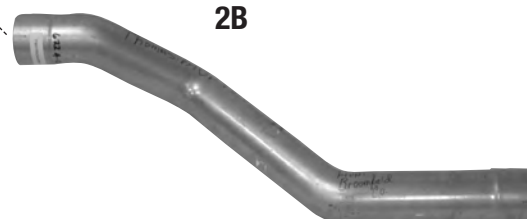
OE PART #'S ARE FOR CROSS REFERENCE PURPOSES ONLY



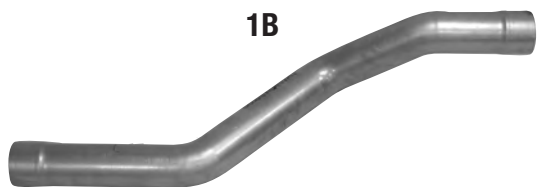
1A



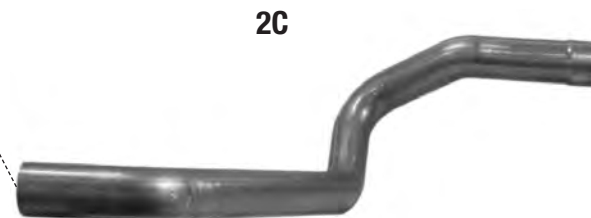
2A



2B



1B



2C

MUST check your line sheet to get the correct pipes and fit, all are slightly different.

DESCRIPTION	1A FRONT OVERAXLE PIPE	1B	2A	2B REAR OVERAXLE PIPE	2C
PART #	TMVPFOAAS	TMVPFOAD200	TMVPROAAS	TMVPROAS99	TMVPROA0771
OE PART #	6224-0589	6224-0752	6224-0590	6224-0599	6224-0771

AUTO-JET MUFFLER CORP. • UNITED MUFFLER CORP.

U.S. toll free 1-800-247-5391 • Fax 515-224-0727 • website: www.auto-jet.com
Canada toll free 1-866-229-3402 • Fax 519-455-1103 • website: www.unitedmuffler.com

THOMAS MVP TAILPIPES

2010 & UP THOMAS PULLER



DIFFUSER - FRLDIFF
TURN TO PAGE T 15 (BOTTOM)

WHEELBASE	155" — 193"	212" — 231"
AUTO-JET PART #	TMVTP950	TMVTP950-L
O.E. PART #	168950 — 168952	168953 — 168954
DESCRIPTION	2PC TP W/24" STP ID/OD	2PC TP W/48" STP ID/OD

AUTO-JET MUFFLER CORP. • UNITED MUFFLER CORP.

U.S. toll free 1-800-247-5391 • Fax 515-224-0727 • website: www.auto-jet.com
Canada toll free 1-866-229-3402 • Fax 519-455-1103 • website: www.unitedmuffler.com

THOMAS MVP TAILPIPES

2006 & UP THOMAS PULLER TAILPIPES W/MARMON FLANGE



V-CLAMP
MERCVL

AUTO-JET PART #	400STPMARS (4.5' LONG)	400STPMAR (7' LONG)	400STPMAR (9' LONG)
O.E. PART #	132847 & 132848	123849, 132850 & 132851	132852 & 132853
WHEELBASE	136" TO 155"	174" TO 193"	212" & 231"

2007 & UP THOMAS PULLER OFFSET TAILPIPE W/MARMON FLANGE



V-CLAMP
MERCVL



DESCRIPTION	< 193" W.B.	193" & UP W.B.
AUTO-JET PART #	TMVTPMAR	TMVTPMARL
O.E. PART #	147572 TO 147575	147576 & 147577 & 147615
WHEEL BASE	136" TO 193"	193" & 231"

DIFFUSER WITH MARMON FLANGE



V-CLAMP
MERCVL

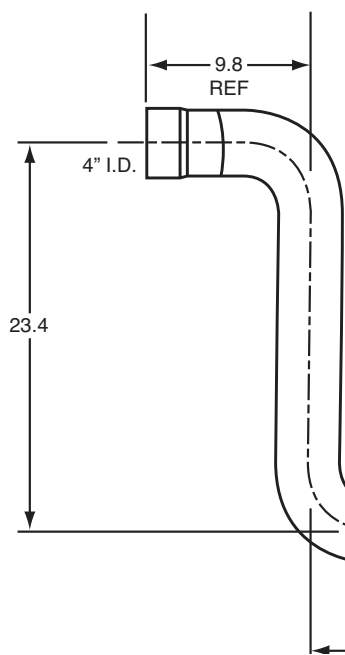
AUTO-JET PART #	DAIMIT
O.E. PART #	132120

AUTO-JET MUFFLER CORP. • UNITED MUFFLER CORP.

U.S. toll free 1-800-247-5391 • Fax 515-224-0727 • website: www.auto-jet.com
 Canada toll free 1-866-229-3402 • Fax 519-455-1103 • website: www.unitedmuffler.com

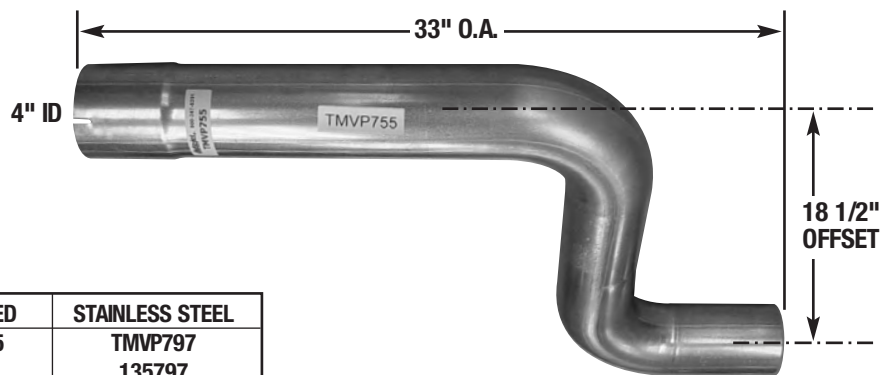
THOMAS MVP TAILPIPES

OFFSET TAILPIPES



ALUMINIZED STEEL			409 STAINLESS STEEL		
AUTO-JET PART #	O.E. PART #	DIM "A"	AUTO-JET PART #	O.E. PART #	DIM "A"
TMVP998	114998	37.1	TMVP802	135802	25.6
TMVP001	115001	47.1	TMVP803	135803	35.6
TMVP002	115002	57.1	TMVP804	135804	45.6
TMVP003	115003	67.1	TMVP805	135805	55.6
TMVP004	115004	76.5	TMVP806	135806	65.0
TMVP005	115005	87.1	TMVP807	135807	75.6
TMVP006	115006	95.1	TMVP808	135808	85.6
TMVP007	115007	107.1	TMVP338	131338	57.5
TMVP008	115008	117.1	TMVP339	131339	67.1
TMVP009	115009	127.1	TMVP340	131340	76.5
			TMVP341	131341	87.1

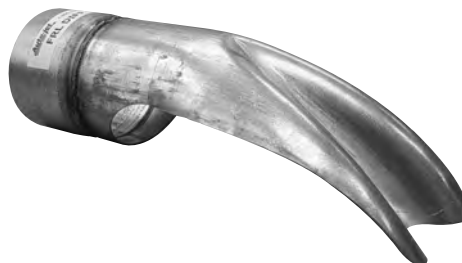
THRU-BUMPER TAILPIPE EXTENSION



	ALUMINIZED	STAINLESS STEEL
AUTO-JET PART #	TMVP755	TMVP797
O.E. PART #	115755	135797

DIFFUSER

OE PART #'S ARE FOR CROSS REFERENCE PURPOSES ONLY



AUTO-JET PART #	FRLDIFF
O.E. PART #	135779

AUTO-JET MUFFLER CORP. • UNITED MUFFLER CORP.

U.S. toll free 1-800-247-5391 • Fax 515-224-0727 • website: www.auto-jet.com
 Canada toll free 1-866-229-3402 • Fax 519-455-1103 • website: www.unitedmuffler.com

2001 & UP THOMAS ENGINE FORWARD TAILPIPES

THOMAS PULLER THRU BUMPER TAIL PIPE

PART # TMVP1153 <193" WB
PART # TMVP1155 193" WB & UP



OE PART #'S 6224-1150 TO 6224-1156

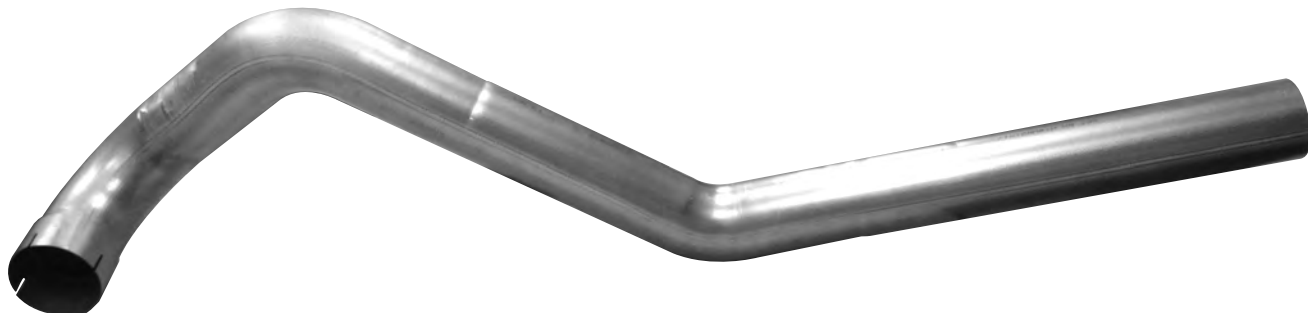


OE PART #'S ARE FOR CROSS REFERENCE PUPOSES ONLY.

AUTO-JET MUFFLER CORP. • UNITED MUFFLER CORP.

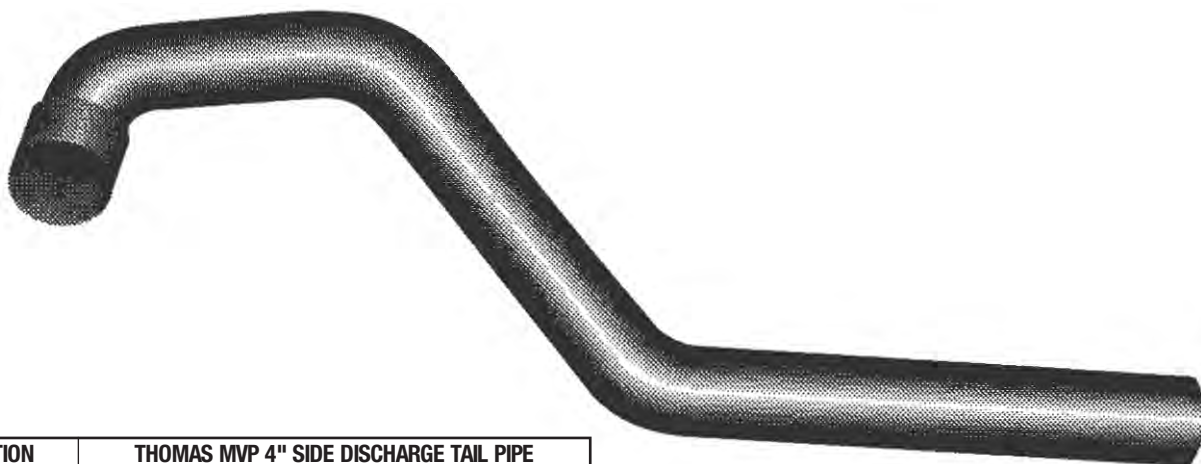
U.S. toll free 1-800-247-5391 • Fax 515-224-0727 • website: www.auto-jet.com
Canada toll free 1-866-229-3402 • Fax 519-455-1103 • website: www.unitedmuffler.com

THOMAS MVP LEFT SIDE DISCHARGE TAILPIPES

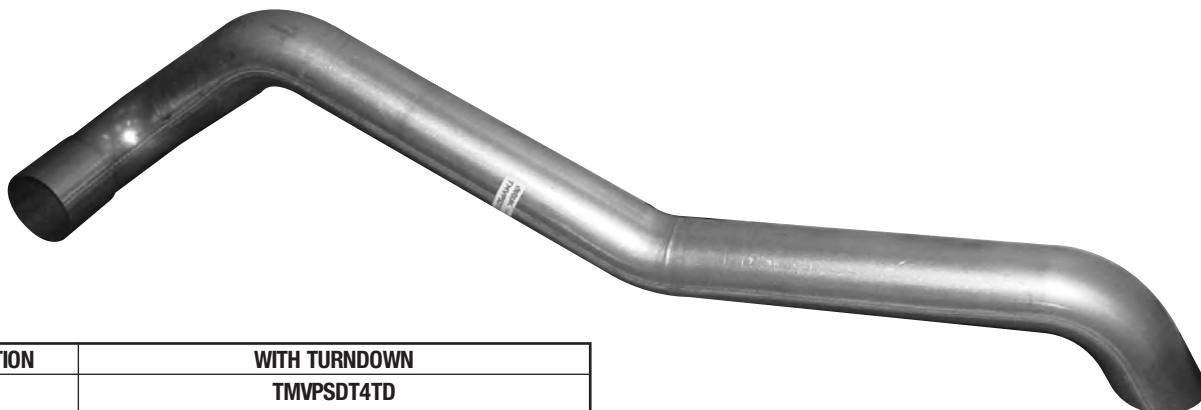


AUTO-JET PART # TMVPSD263
O.E. PART # 6224-1263

THOMAS MVP 4" SIDE DISCHARGE TAIL PIPE



DESCRIPTION	THOMAS MVP 4" SIDE DISCHARGE TAIL PIPE
PART #	TMVPSDT4
OE PART #	6224-0498



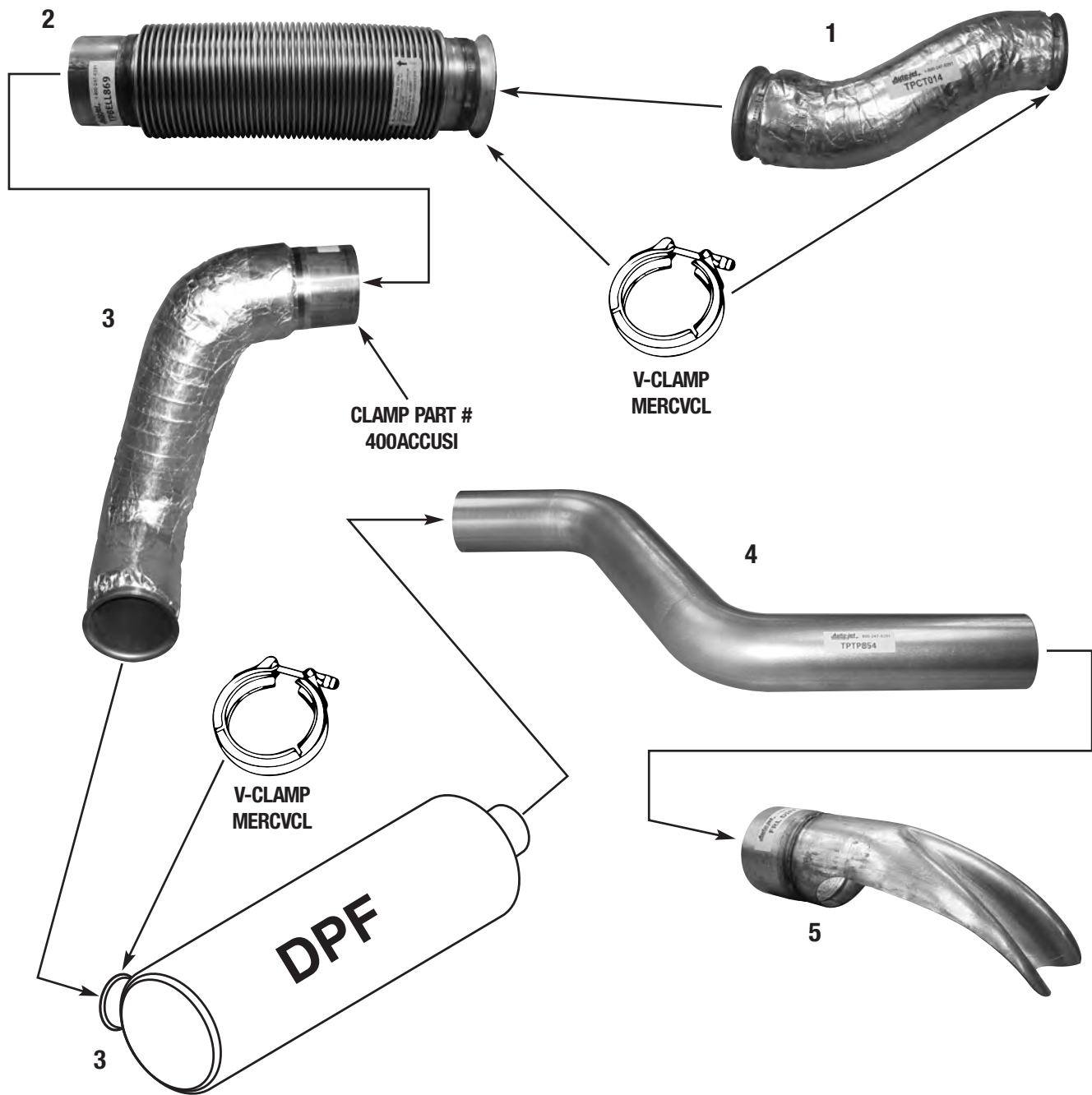
DESCRIPTION	WITH TURNDOWN
PART #	TMVPSDT4TD
OE PART #	6224-0660 & 6224-1264

AUTO-JET MUFFLER CORP. • UNITED MUFFLER CORP.

U.S. toll free 1-800-247-5391 • Fax 515-224-0727 • website: www.auto-jet.com
Canada toll free 1-866-229-3402 • Fax 519-455-1103 • website: www.unitedmuffler.com

THOMAS REAR ENGINE

2007 & UP THOMAS REAR ENGINE WITH CUMMINS ISC ENGINE



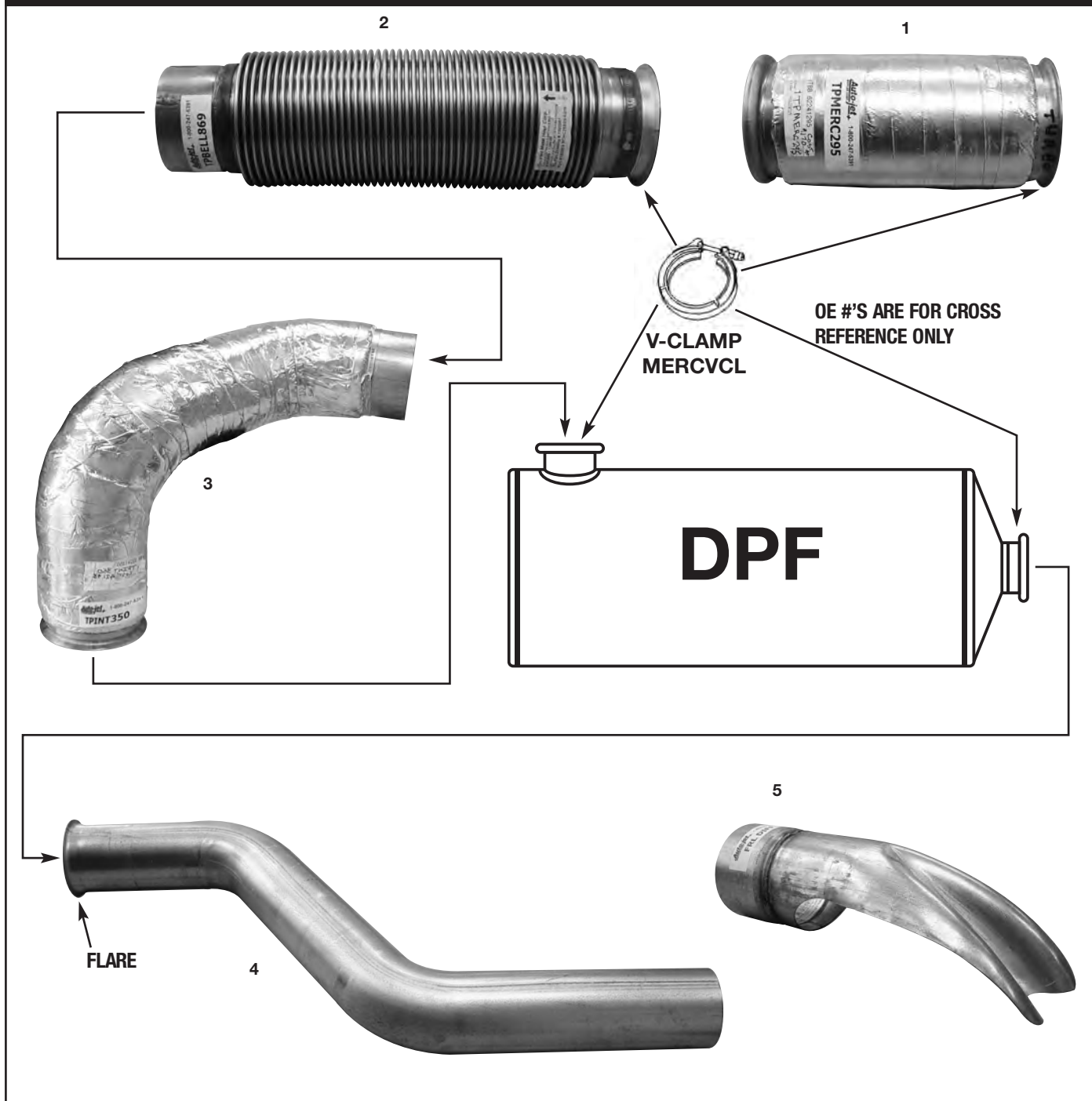
DESCRIPTION	1 TURBO-PIPE	2 BELLOWS	3 BELLOWS TO DPF	4 TAIL PIPE	5 DIFFUSER
PART#	TPCT014	TPBELL869	TPINT999	TPTP854	FRLDIFF
PART#	130014	130869	129999	133854	135779

AUTO-JET MUFFLER CORP. • UNITED MUFFLER CORP.

U.S. toll free 1-800-247-5391 • Fax 515-224-0727 • website: www.auto-jet.com
 Canada toll free 1-866-229-3402 • Fax 519-455-1103 • website: www.unitedmuffler.com

THOMAS REAR ENGINE

2007 & UP THOMAS REAR MERCEDES MBE 07 ENGINE WITH DIESEL PARTICULATE FILTER



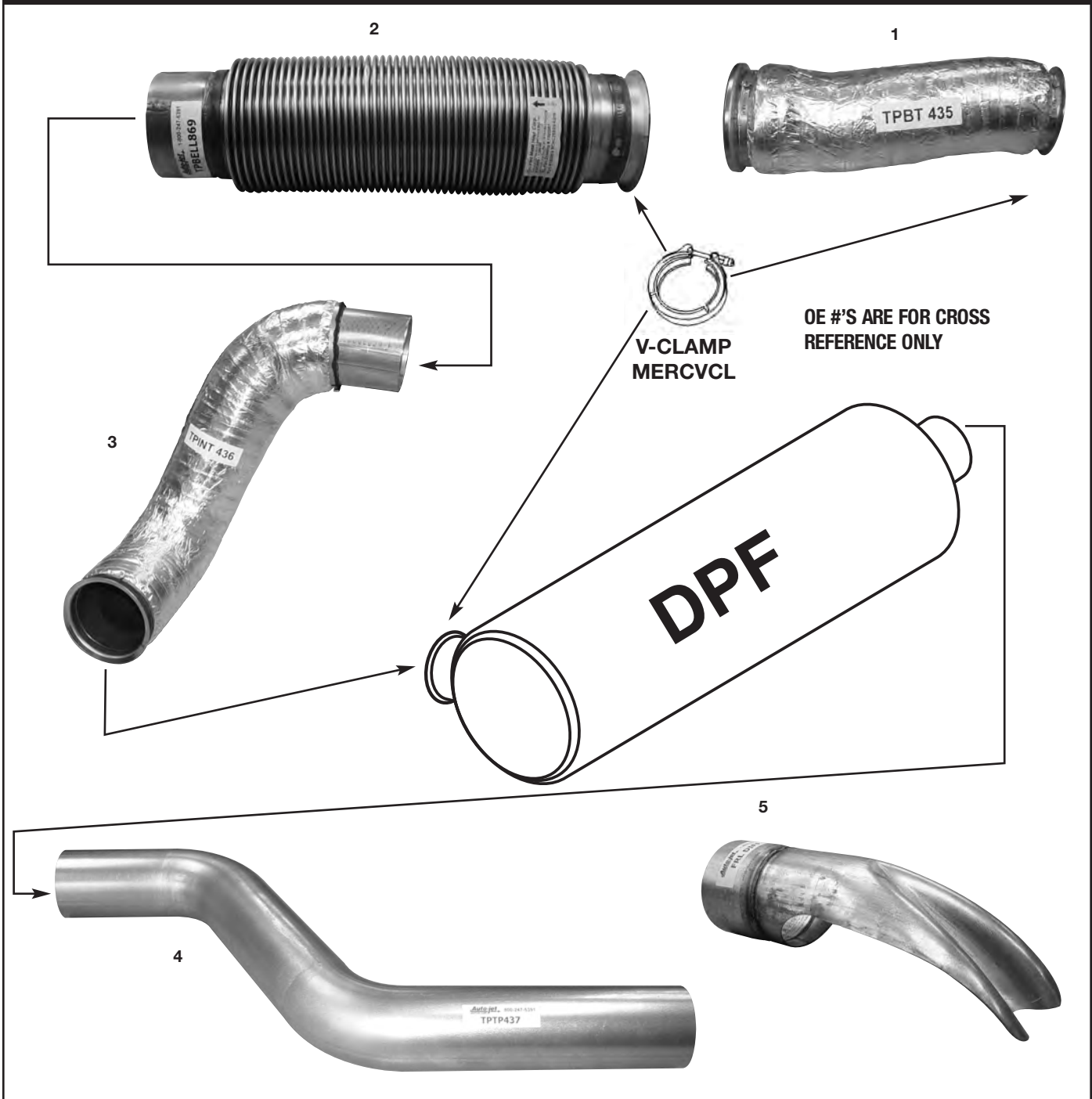
DESCRIPTION	1 TURBO-PIPE	2 BELLOWS	3 BELLOWS TO DPF PIPE	4 TAILPIPE	5 DIFFUSER
AUTO-JET PART #	TPMERC295	TPBELL869	TPINT350	TPTP782	FRLDIFF
O.E. PART #	6224-1295	130869	6224-1350	135782	135779

AUTO-JET MUFFLER CORP. • UNITED MUFFLER CORP.

U.S. toll free 1-800-247-5391 • Fax 515-224-0727 • website: www.auto-jet.com
 Canada toll free 1-866-229-3402 • Fax 519-455-1103 • website: www.unitedmuffler.com

THOMAS REAR ENGINE

2007 & UP THOMAS REAR CUMMINS ISB07 ENGINE WITH DIESEL PARTICULATE FILTER



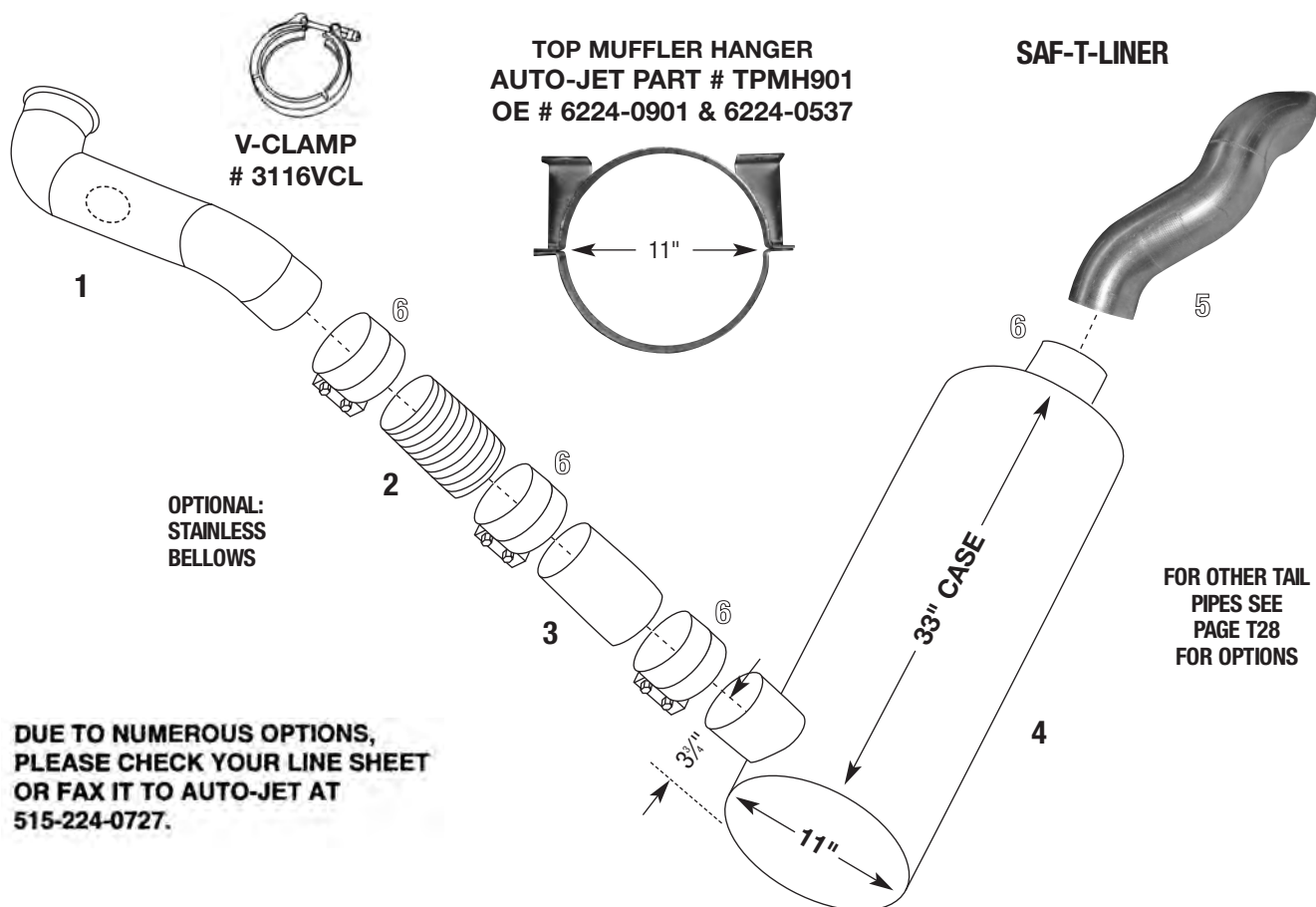
DESCRIPTION	1 TURBO-PIPE	2 BELLOWS	3 BELLOWS TO DPF PIPE	4 TAILPIPE	5 DIFFUSER
AUTO-JET PART #	TPBT435	TPBELL869	TPINT436	TPTP437	FRLDIFF
O.E. PART #	126435	130869	126436	126437	135779

AUTO-JET MUFFLER CORP. • UNITED MUFFLER CORP.

U.S. toll free 1-800-247-5391 • Fax 515-224-0727 • website: www.auto-jet.com
 Canada toll free 1-866-229-3402 • Fax 519-455-1103 • website: www.unitedmuffler.com

THOMAS REAR ENGINE

2003 & UP MERCEDES



OE PART #'S ARE FOR CROSS REFERENCE PURPOSES ONLY

DESCRIPTION	1- TURBO PIPE MERCEDES	2 FLEX PIPE	3 CONNECTOR PIPE	4 MUFFLER	5 TAILPIPE	6 CLAMPS
AUTO-JET PART #	TPMERC161	FLEX40012 6124-0916	400STP6"	TP400400SI OR (11-0055)	TPTP664	400SCPF
OE #	6224-1161	OPTIONAL BELLOWS SSB40012	6124-0682	6124-0011	6224-0664	

AUTO-JET MUFFLER CORP. • UNITED MUFFLER CORP.

U.S. toll free 1-800-247-5391 • Fax 515-224-0727 • website: www.auto-jet.com
Canada toll free 1-866-229-3402 • Fax 519-455-1103 • website: www.unitedmuffler.com

THOMAS MVP REAR ENGINE

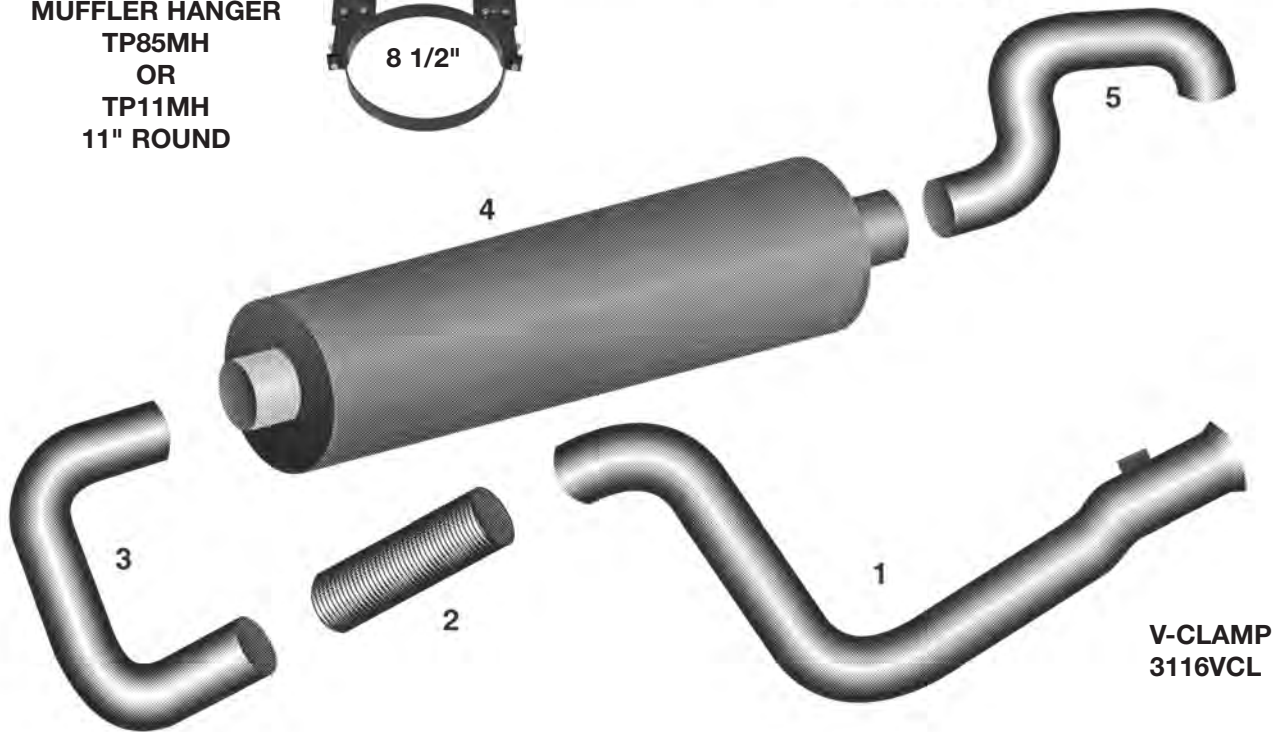
1998-UP THOMAS PUSHER 3126 CAT ENGINE

5
RIGHT HAND UNDER-BUMPER TAIL PIPE SHOWN.
FOR OTHER PIPE OPTIONS
SEE PAGE T28

MUFFLER HANGER
TP85MH
OR
TP11MH
11" ROUND



8 1/2"



V-CLAMP
3116VCL

TURBO PIPE WITHOUT
PYROMETER FITTING
PART # TP3126T2
OE # 6224-0944

DUE TO NUMEROUS OPTIONS,
PLEASE CHECK YOUR LINE SHEET
OR FAX IT TO AUTO-JET AT
515-224-0727.

OE PART #'S ARE FOR CROSS
REFERENCE PURPOSES ONLY

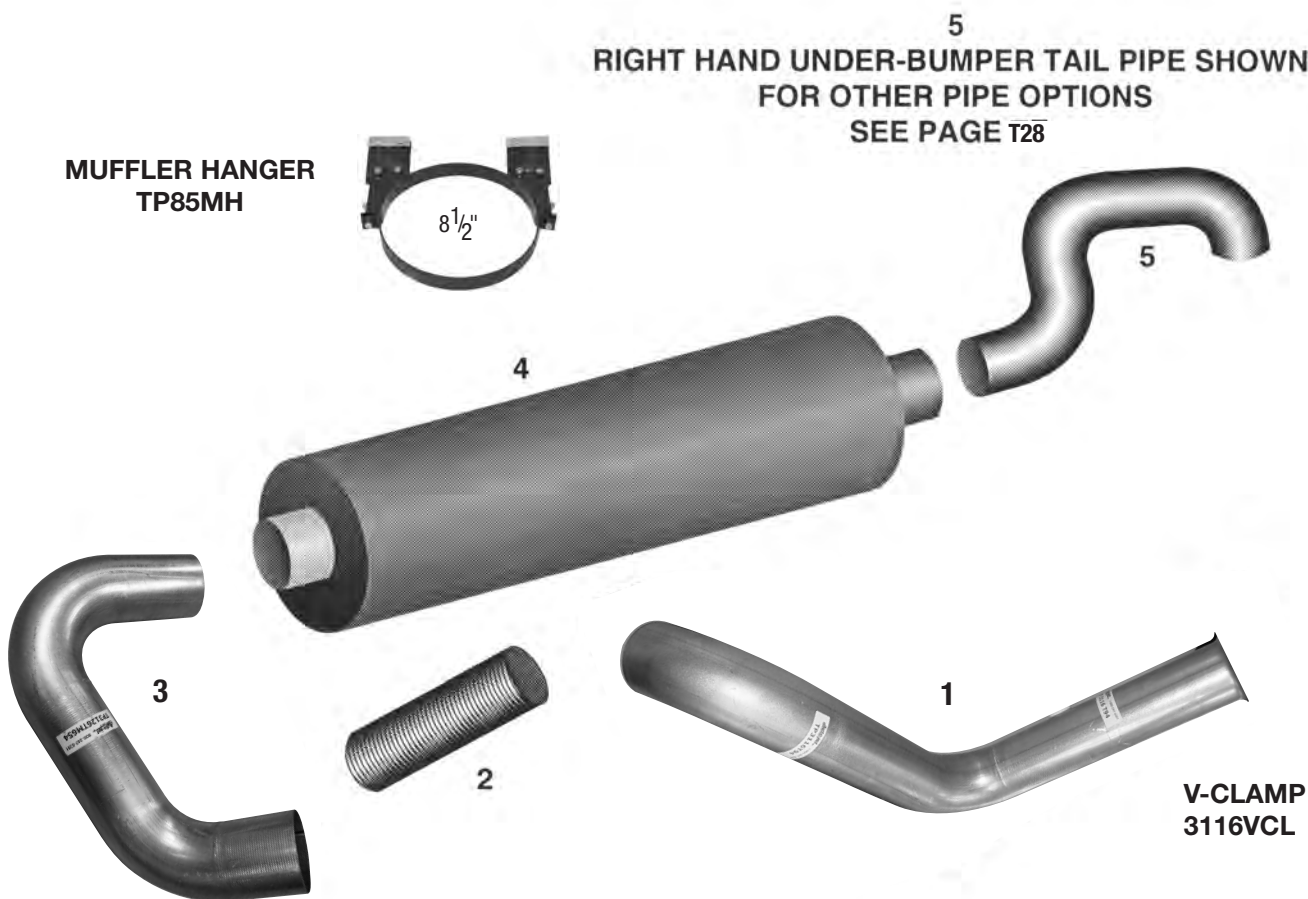
	1	2	3	4	5
DESCRIPTION	TURBO PIPE	FLEX PIPE	MUFFLER INLET PIPE	MUFFLER	TAILPIPE
AUTO-JET #	TP3126T	FLEX40012	TP83MIN96	8 1/2" 85-0035 11" 11-0025	TPTP94UBRH
O.E. #	6224-0808	6224-0380	6224-0610	6124-0015	6224-0565

AUTO-JET MUFFLER CORP. • UNITED MUFFLER CORP.

U.S. toll free 1-800-247-5391 • Fax 515-224-0727 • website: www.auto-jet.com
Canada toll free 1-866-229-3402 • Fax 519-455-1103 • website: www.unitedmuffler.com

THOMAS MVP REAR ENGINE

THOMAS PUSHER CATERPILLAR ENGINE



DUE TO NUMEROUS OPTIONS,
PLEASE CHECK YOUR LINE SHEET
OR FAX IT TO AUTO-JET AT
515-224-0727.

TURBO PIPE WITH
PYROMETER FITTING
PART # TP3116T94PY
OE # 6224-0594

NOTE:
WILL NEED OLD PIPE FOR
PYROMETER FITTING PLACEMENT

OE PART #'S ARE FOR CROSS
REFERENCE PURPOSES ONLY

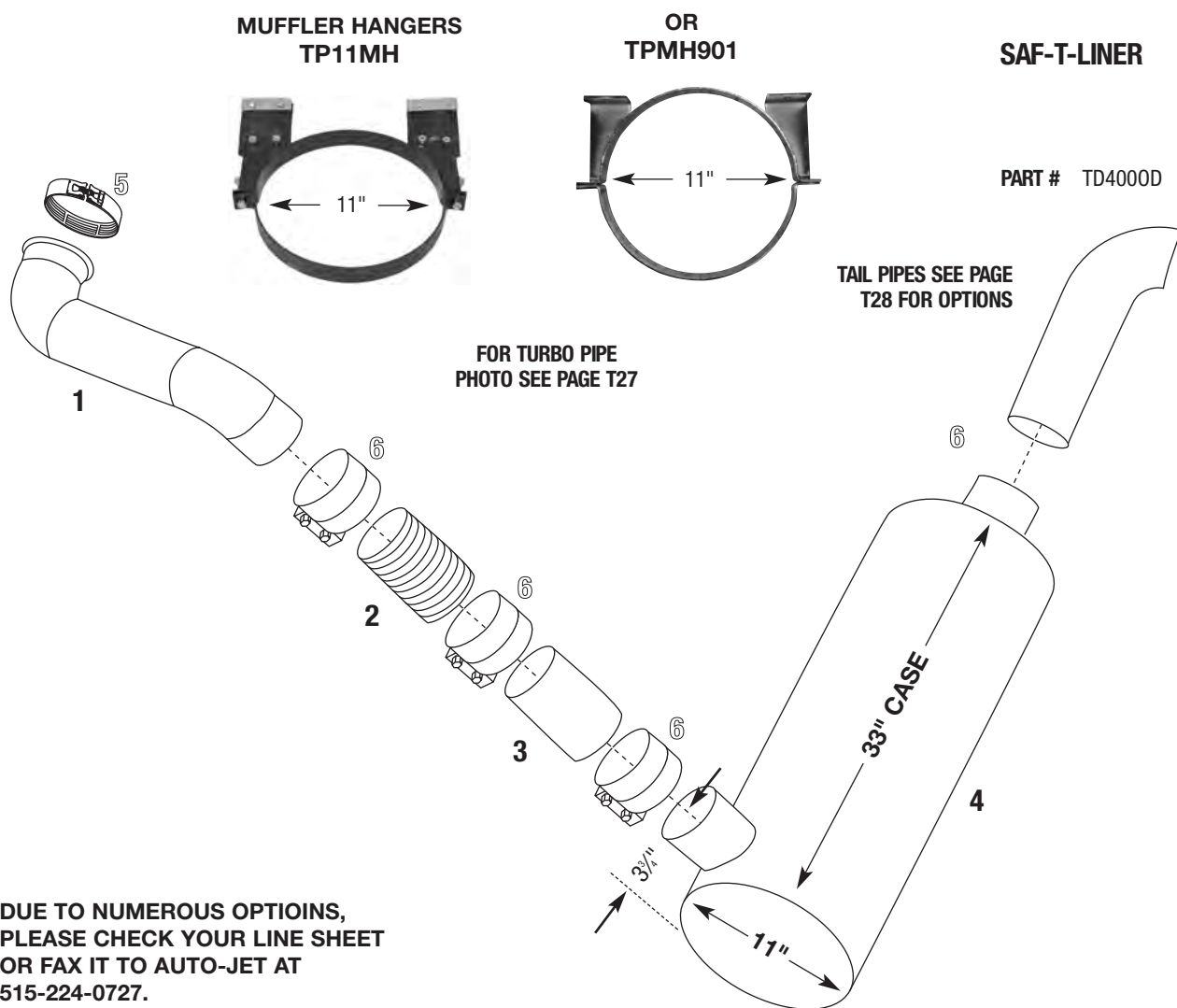
	1	2	3	4	5
DESCRIPTION	TURBO PIPE	FLEX PIPE	MUFFLER INLET PIPE	MUFFLER	TAILPIPE
AUTO-JET #	TP3116T94	FLEX4006	TP3126TM654	85-0035	TPTP94UBRH
O.E. #	6224-0559	6224-0633	6224-0654	6124-0015	6224-0565

AUTO-JET MUFFLER CORP. • UNITED MUFFLER CORP.

U.S. toll free 1-800-247-5391 • Fax 515-224-0727 • website: www.auto-jet.com
Canada toll free 1-866-229-3402 • Fax 519-455-1103 • website: www.unitedmuffler.com

THOMAS REAR ENGINE

1998-UP 3126 CATERPILLAR - 8.3 LITRE CUMMINS



PHOTOS NEXT PAGE

DESCRIPTION	1- TURBO PIPE		2 FLEX PIPE	3 CONNECTOR PIPE	4 MUFFLER	5 8.3 CUMMINS	V-CLAMP 3126CAT	CLAMPS
	8.3 CUMMINS	3126CAT						
PART #	TP83T98	TP3126T98	FLEX40012	400STP6"	TP400400SI	83VCLT	3116VCL	400SCPF
OE #	6224-0806	6224-0683			6124-0011			
AUTO-JET PART #		TP3126T774 6224-0774 HAS PYROMETER FITTING	FLM17583 OR 6224-0380		CATALYTIC MUFFLER			
AUTO-JET PART # C-7		TP3126T190 6224-1190			400CATSI 6124-0910 or 6124-0911			

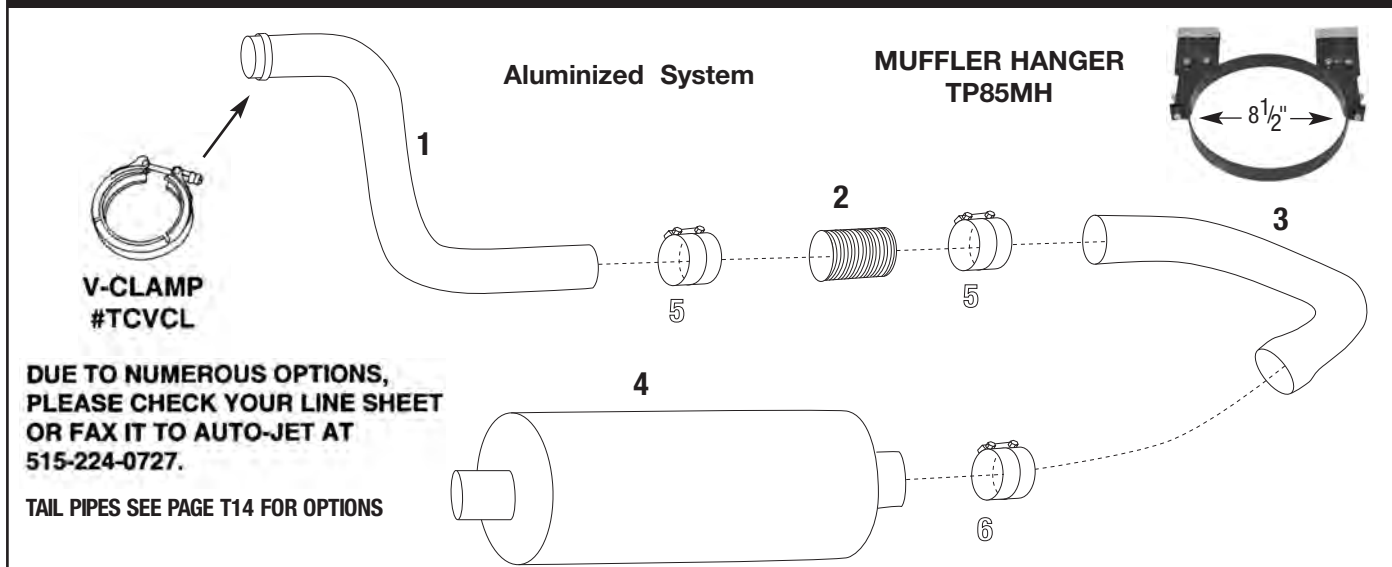
OE PART #'S ARE FOR CROSS REFERENCE PURPOSES ONLY

AUTO-JET MUFFLER CORP. • UNITED MUFFLER CORP.

U.S. toll free 1-800-247-5391 • Fax 515-224-0727 • website: www.auto-jet.com
 Canada toll free 1-866-229-3402 • Fax 519-455-1103 • website: www.unitedmuffler.com

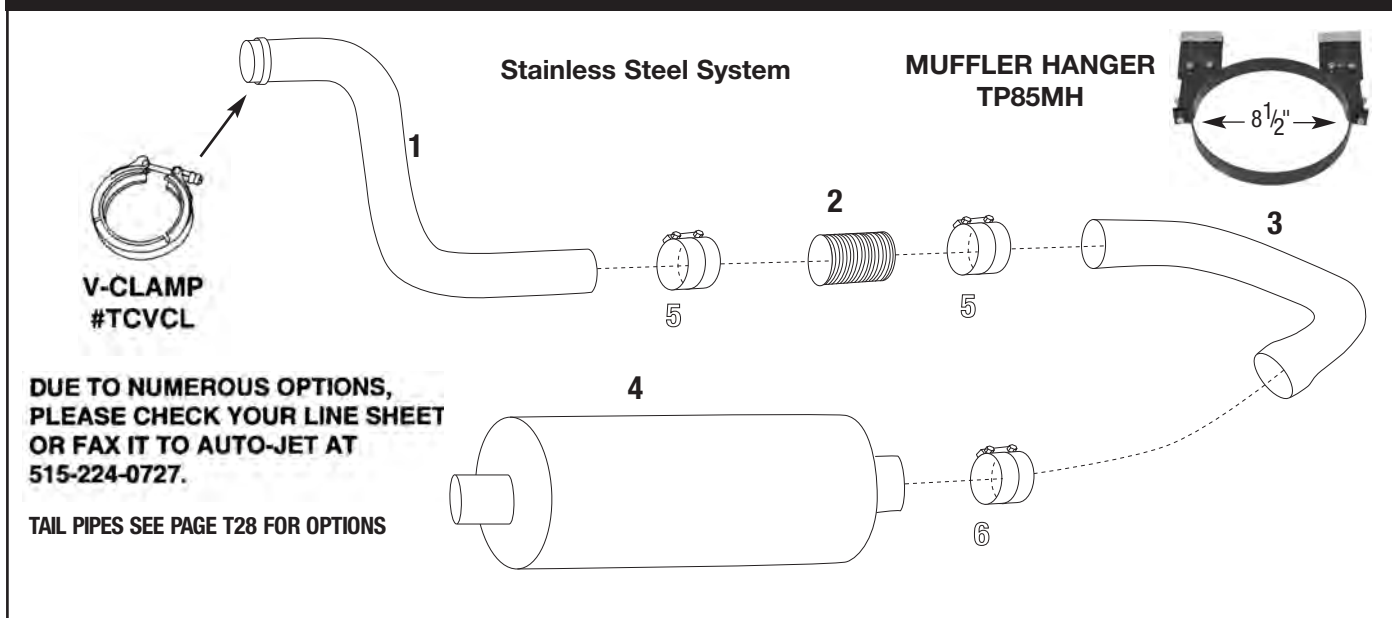
THOMAS REAR ENGINE

1996-UP B-SERIES CUMMINS WITH STANDARD MUFFLER



DESCRIPTION	1 TURBO PIPE	2 FLEX	3 FLEX TO MUFFLER	4 MUFFLER	5 CLAMP-3"	6 CLAMP-31/2"
PART #	TP6BT97 6224-0766	FLEX30012	TP6BFM97	85-0045	300SCPF	350SCPF
PART #	TP6BTPY (WITH PYROMETER) 6224-0834	6224-0582	6224-0766	6124-0027		

1996-UP B-SERIES CUMMINS WITH CATALYTIC MUFFLER & STAINLESS STEEL EXHAUST PIPES



DESCRIPTION	1 TURBO PIPE	2 FLEX	3 FLEX TO MUFFLER	4 MUFFLER	5 CLAMP-3"	6 CLAMP-31/2"
PART #	TP6BT97SS 6224-0568	FLEX30012 6224-0582	TP6BFM97SS 6224-0569	TMVP400CAT 6124-0025	300SCPF	350SCPF

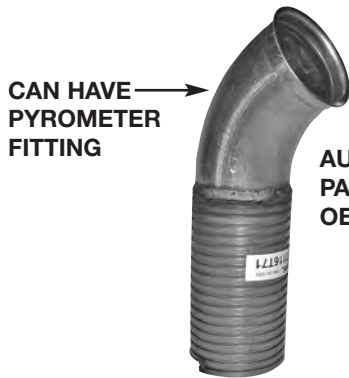
AUTO-JET MUFFLER CORP. • UNITED MUFFLER CORP.

**U.S. toll free 1-800-247-5391 • Fax 515-224-0727 • website: www.auto-jet.com
Canada toll free 1-866-229-3402 • Fax 519-455-1103 • website: www.unitedmuffler.com**

THOMAS REAR ENGINE

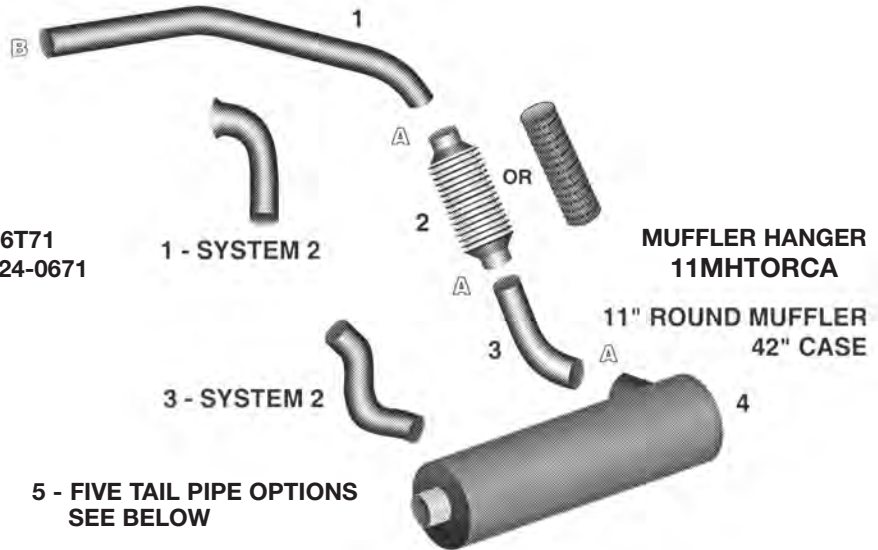
1994-UP THOMAS PUSHER 3116 CAT. WITH CATALYST MUFFLER

3RD TURBO PIPE OPTION



CAN HAVE
PYROMETER
FITTING

AUTO-JET
PART # TP3116T71
OE PART # 6224-0671

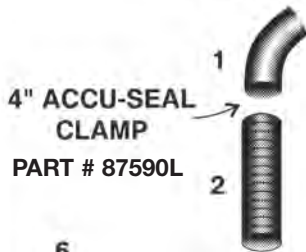


DUE TO NUMEROUS OPTIONS,
PLEASE CHECK YOUR LINE SHEET
OR FAX IT TO AUTO-JET AT
515-224-0727.

5 - FIVE TAIL PIPE OPTIONS
SEE BELOW

DESCRIPTION	1 - TURBO PIPE		2 - STAINLESS BELLOWS		3 - MUFFLER INLET PIPE	4 MUFFLER	5 TAILPIPE
	STANDARD	WITH PYROMETER	WITH LINER	(OPTIONAL FLEX PIPE)			
AUTO-JET #	TP3116T94	TP311694TPY	TPBELL	FLEX40012	TP3116MIN94	400CATSI	SEE BOTTOM OF THIS PAGE FOR OPTIONS
O.E. #	62240559	62240594	61240193	61240184	62240560	61240030	
SYSTEM 2 #	TP3116T91	NA	SAME AS ABOVE	SAME AS ABOVE	TP3116MIN2	SAME AS ABOVE	
O.E. #	62240413				62240421	NON-CATALYTIC BP400SI99	

1990-95 THOMAS REAR ENGINE (PUSHER)



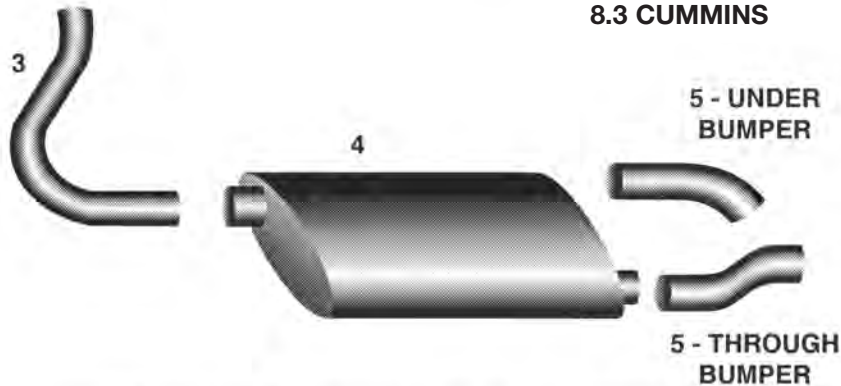
4" ACCU-SEAL
CLAMP
PART # 87590L



6

MUFFLER HANGER
PART # TPSTRAP90

3116 CATERPILLAR
B-SERIES CUMMINS
8.3 CUMMINS



DESCRIPTION	1	2	3 - FLEX TO	4	5 - TAIL PIPE		6
	TURBO PIPE	FLEX TUBE	MUFFLER	MUFFLER	THROUGH BUMPER	UNDER BUMPER	V-CLAMP
1990 3116 CAT. PART #	TP3116T (OE# 62240391)	FLEX40012	TP3116FM	TP4001015	TPTP90TB	TPTP90UB	3116VCLT
1991-UP 3116 CAT. PART #	TP3116T91 (OE# 62240413)	FLEX40012	TP3116FM	TP4001015	TPTP90TB	TPTP90UB	3116VCLT
6BTA CUMMINS PART #	TP6BT	FLEX40012	TP6BFM	TP4001015	TPTP90TB	TPTP90UB	TCVCL
8.3 CUMMINS PART #	TP83T	FLEX40012	TP83FM	TP4001015	TPTP90TB	TPTP90UB	83VCLT

AUTO-JET MUFFLER CORP. • UNITED MUFFLER CORP.

U.S. toll free 1-800-247-5391 • Fax 515-224-0727 • website: www.auto-jet.com
Canada toll free 1-866-229-3402 • Fax 519-455-1103 • website: www.unitedmuffler.com

THOMAS EXHAUST SYSTEMS

THOMAS REAR ENGINE CATERPILLAR TURBO PIPES



AUTO-JET PART #
OE PART #

TPC7277
6224-1277

TP3126T98
6224-0683

TP3126T774
6224-0774

TP3126T190
6224-1190

CUMMINS TURBO PIPE

JOHN DEERE NATURAL GAS TURBO-PIPE



AUTO-JET PART # TP83T98
OE PART # 6224-0806

AUTO-JET PART # TJGNG971
OE PART # 6224-0971

AUTO-JET MUFFLER CORP. • UNITED MUFFLER CORP.

U.S. toll free 1-800-247-5391 • Fax 515-224-0727 • website: www.auto-jet.com
Canada toll free 1-866-229-3402 • Fax 519-455-1103 • website: www.unitedmuffler.com

THOMAS REAR ENGINE TAILPIPES

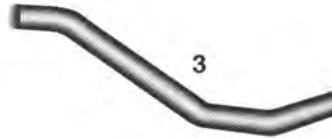
THOMAS-MVP PUSHER - FIVE TAIL PIPE OPTIONS

LEFT SIDE

5 - UNDER BUMPER



4 - THROUGH BUMPER



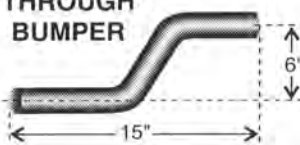
3



SEE PAGE T13 FOR TAILPIPE
OE PART # 6224-0664

RIGHT SIDE

6 - OPTIONAL
THROUGH
BUMPER



6" CENTER TO CENTER

2 - THROUGH BUMPER



1 - UNDER BUMPER

ALSO:



#TD400 OD
OE PART # 6124-0385

DESCRIPTION	1 - RIGHT SIDE UNDER BUMPER TAIL PIPE	2 - RIGHT SIDE THROUGH BUMPER TAIL PIPE	3 - LEFT SIDE MUFFLER OUTLET PIPE	4 - LEFT SIDE THROUGH BUMPER TAIL PIPE	5 - LEFT SIDE UNDER BUMPER TAIL PIPE	6 THROUGH BUMPER TAIL PIPE
AUTO-JET #	TPTP94UBRH	TPTP94TBRH	TPMOU94LH	TPTP94TBLH	TPTP94UBLH	TPTP96TB
O.E. #	62240565	62240579	62240553	62240554	62240558	62240788 & 62240516

THOMAS MVP PUSHER TAIL PIPES

OE PART #'S ARE FOR CROSS REFERENCE PURPOSES ONLY



AUTO-JET #	TPTP0961
OE #	6224-0961

DUE TO NUMEROUS
OPTIONS, PLEASE
CHECK YOUR LINE
SHEET OR FAX IT
TO AUTO-JET AT
515-224-0727.



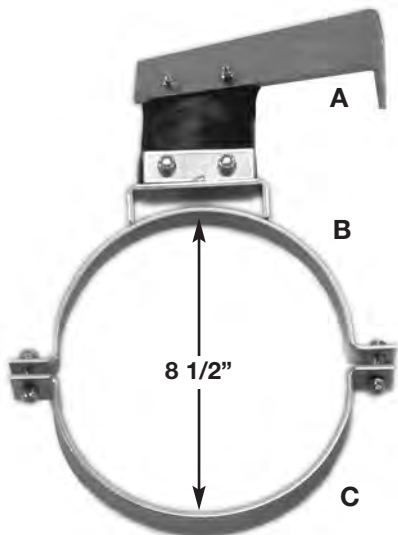
AUTO-JET #	TPTP0962
OE #	6224-0962

AUTO-JET MUFFLER CORP. • UNITED MUFFLER CORP.

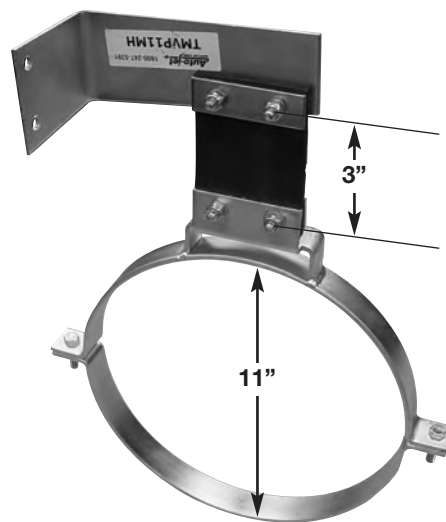
U.S. toll free 1-800-247-5391 • Fax 515-224-0727 • website: www.auto-jet.com
Canada toll free 1-866-229-3402 • Fax 519-455-1103 • website: www.unitedmuffler.com

THOMAS EXHAUST SYSTEMS

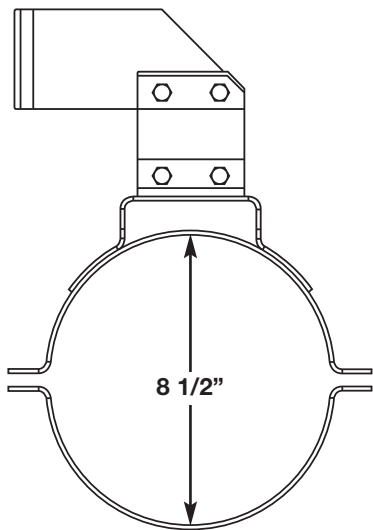
ENGINE FORWARD MUFFLER HANGERS



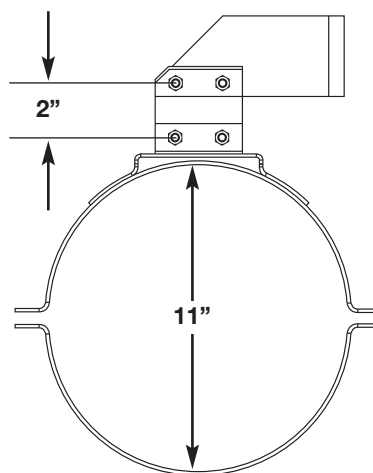
AUTO-JET PART# TMVP85MH
OE# A 6224-0469
 B 6224-0550
 C 6224-0523



AUTO-JET PART# TMVP11MH



CATALYTIC MUFFLER
AUTO-JET PART# TMVP1249
OE# 6224-1249



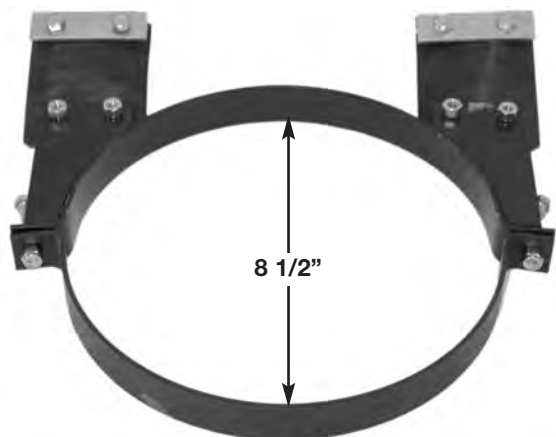
CATALYTIC MUFFLER
AUTO-JET PART# TMVP1250
OE# 6224-1250

AUTO-JET MUFFLER CORP. • UNITED MUFFLER CORP.

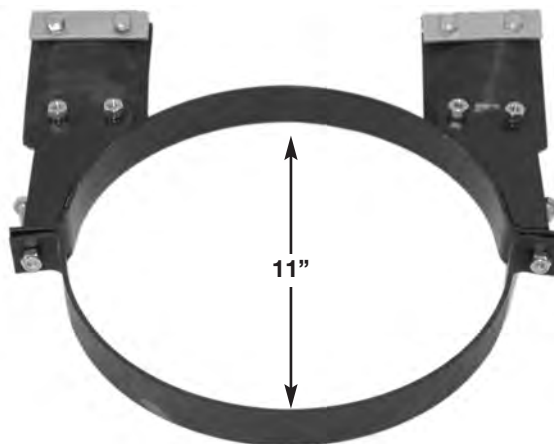
U.S. toll free 1-800-247-5391 • Fax 515-224-0727 • website: www.auto-jet.com
 Canada toll free 1-866-229-3402 • Fax 519-455-1103 • website: www.unitedmuffler.com

THOMAS EXHAUST SYSTEMS

REAR ENGINE

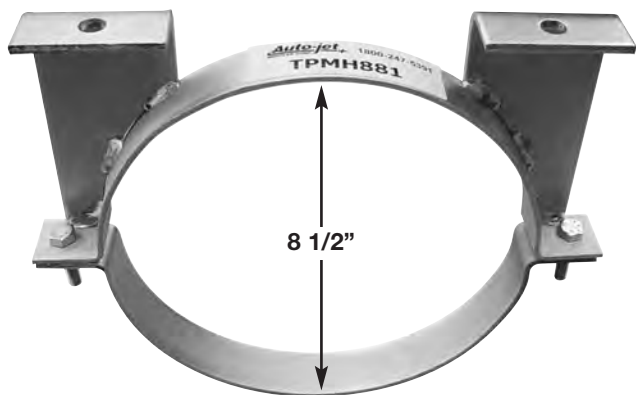


MUFFLER HANGER
AUTO-JET PART# TP85MH
OE# 6224-0514
6224-0523



MUFFLER HANGER
AUTO-JET PART# TP11MH
OE# 6224-0538
6224-0537 (BOTTOM)

ALL HANGERS SHIP COMPLETE



MUFFLER HANGER
AUTO-JET PART# TPMH881
OE# 6224-0881
6224-0523



MUFFLER HANGER
AUTO-JET PART# TPMH901
OE# 6224-0901
6224-0537 (BOTTOM)

AUTO-JET MUFFLER CORP. • UNITED MUFFLER CORP.

U.S. toll free 1-800-247-5391 • Fax 515-224-0727 • website: www.auto-jet.com
Canada toll free 1-866-229-3402 • Fax 519-455-1103 • website: www.unitedmuffler.com

THOMAS HANGERS

THOMAS HANGERS

OE PART #'S ARE FOR CROSS
REFERENCE PURPOSES ONLY



PART# TMVP66PH
OE# 147566



PART# TMVP67PH
OE# 147567

THOMAS PUSHER HANGERS



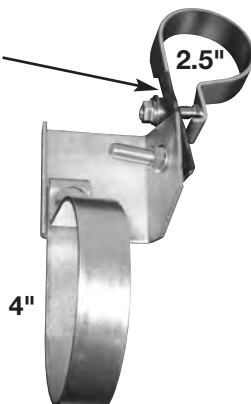
PART# TP812PH4
OE# 135812 & 6123-0632



PART# TP158PH
OE# 135158 & 6224-0474

THOMAS & FREIGHTLINER HANGER

HEAVY DUTY
3/4" STRAP



PART# FRLPH921
OE# 147921



PART# TMVP61PH
THOMAS# 150561
FREIGHTLINER# 04-25752-000

AUTO-JET MUFFLER CORP. • UNITED MUFFLER CORP.

U.S. toll free 1-800-247-5391 • Fax 515-224-0727 • website: www.auto-jet.com
Canada toll free 1-866-229-3402 • Fax 519-455-1103 • website: www.unitedmuffler.com

THOMAS COOLANT TUBES

THOMAS REAR ENGINE I.S.C. CUMMINS

OE PART #'S ARE FOR CROSS REFERENCE PURPOSES ONLY



LOWER COOLANT TUBE

PART# CT633
OE# 138633

THOMAS REAR ENGINE I.S.C. CUMMINS



LOWER COOLANT TUBE

PART# CT427
OE# 164427

THOMAS ENGINE FORWARD I.S.B. CUMMINS



LOWER COOLANT TUBE

PART# CT834
OE# 151834

ALL THOMAS COOLANT TUBES AVAILABLE

O.E. #	AUTO-JET PART #	O.E. #	AUTO-JET PART #	O.E. #	AUTO-JET PART #	O.E. #	AUTO-JET PART #
6219-0755	CT755	6219-1396	CT396	6219-2145	CT145	6219-2379	CT379
6219-0761	CT761	6219-1549	CT549	6219-2146	CT146	138633	CT633
6219-1078	CT078	6219-1551	CT551	6219-2208	CT208	151834	CT834
6219-1231	CT231	6219-1769	CT769	6219-2375	CT375	164427	CT427

AUTO-JET MUFFLER CORP. • UNITED MUFFLER CORP.

U.S. toll free 1-800-247-5391 • Fax 515-224-0727 • website: www.auto-jet.com
Canada toll free 1-866-229-3402 • Fax 519-455-1103 • website: www.unitedmuffler.com

THOMAS CROSS REFERENCE CHART

Please call if you do not find the OE part # you need. If it's on a school bus, we probably manufacture it. Auto-Jet manufactures new parts daily.

100286	MERCVCL
115001	TMVP001
115002	TMVP002
115003	TMVP003
115004	TMVP004
115005	TMPV005
115005	FRLT2581
115006	TMVP006
115007	TMVP007
115008	TMVP008
115009	TMVP009
115755	TMVP755
124270	TMVP270
124271	TMVP271
124272	TMVP272
126017	TMVPFOA17
126023	TMVP023
126026	400STP18
126027	400STP37
126028	400STP56
126029	400STP75
126030	400STP94
126156	TMVP156T
126435	TPBT435
126436	TPINT436
126437	TPTP437
129999	TPINT999
130014	TPCT014
130869	TPBELL869
131331	TMVPOA31
131332	TMVPOA32
131338	TMVP338
131339	TMVP339
131340	TMVP340
131341	TMVP341
132120	DAIMIT
132847	400STPMAR
132848	400STPMAR
132849	400STPMAR
132850	400STPMAR
132851	400STPMAR
132852	400STPMAR
132853	400STPMAR
132924	TMVPFOA24
133854	TPTP854
135779	FRLDIFF
135782	TPTP782
135797	TMVP797

OE PART #'S ARE
FOR CROSS
REFERENCE
PURPOSES ONLY

AUTO-JET MUFFLER CORP. • UNITED MUFFLER CORP.

U.S. toll free 1-800-247-5391 • Fax 515-224-0727 • website: www.auto-jet.com
Canada toll free 1-866-229-3402 • Fax 519-455-1103 • website: www.unitedmuffler.com

THOMAS CROSS REFERENCE CHART

Please call if you do not find the OE part # you need. If it's on a school bus, we probably manufacture it. Auto-Jet manufactures new parts daily.

135797	TMVP797
135802	TMVP802
135803	TMVP803
135804	TMVP804
135805	TMVP805
135806	TMVP806
135807	TMVP807
135808	TMVP808
135812	TPBRAC812
137490	B3116TRE1
138300	TMVPOA300
139026	TPBTNG26
147562	FLEX40018
147569	TMVPOA69
147570	TMVPOA70
147572	TMVTPMAR
147573	TMVTPMAR
147574	TMVTPMAR
147575	TMVTPMAR
147576	TMVTPMAR
147577	TMVTPMAR
147615	TMVTPMAR-L
150561	TMVP61PH
154349	FLEX4009
155464	TPTJD464
155979	TMVPFOA79
155979	TMVPFOA79
155980	TMVPFOA80
163969	TPTP969
168946	TMVPOA46
168946	TMVPOA46
61240193	TPBELL
86480989	TASSDTPEXT3
86481026	TASSDTPEXT4
86481043	TAS300SDTP
86481044	TAS400SDTP
114998	TMVP998
4200-1276	MINOTP76
4200-1277	MINOTP77
6123-0632	TPPH632
6124-0008	TP4001015
6124-0011	TP400400SI
6124-0015	85-0035
6124-0015	T85171
6124-0025	TMVP400CAT
6124-0026	TP400400CT
6124-0027	85-0045
6124-0030	TP400400CTSI

OE PART #'S ARE
FOR CROSS
REFERENCE
PURPOSES ONLY

AUTO-JET MUFFLER CORP. • UNITED MUFFLER CORP.

U.S. toll free 1-800-247-5391 • Fax 515-224-0727 • website: www.auto-jet.com
Canada toll free 1-866-229-3402 • Fax 519-455-1103 • website: www.unitedmuffler.com

THOMAS CROSS REFERENCE CHART

Please call if you do not find the OE part # you need. If it's on a school bus, we probably manufacture it. Auto-Jet manufactures new parts daily.

6124-0047	83VCLT
6124-0184	FLEX40012
6124-0193	TPBELL
6124-0208	3116VCLT
6124-0385	TD400OD
6124-0557	TPSTRAP90
6124-0916	SSB40012
6124-0920	85-0035
6224 0318	TP3208CO
6224 0608	TP83T96
6224-0188	"4" x 38.25 SS"
6224-0304	TP9090
6224-0309	TP3208Y
6224-0324	TP82T
6224-0380	FLEX4008
6224-0387	TPTP90TB
6224-0391	TP3116T
6224-0392	TP3116FM
6224-0398	TP6BFM
6224-0405	TP6BT05
6224-0413	TP3116T91
6224-0418	TP3116T
6224-0420	TPTP96TB
6224-0421	TP3116MIN2
6224-0464	TMVPOA
6224-0498	TMVPSDT4
6224-0516	TPTP96TB
6224-0523	TPMH881
6224-0527	TPB0527
6224-0528	TPB0528
6224-0530	TP83MIN94
6224-0531	TP83T94
6224-0537	TPMH901
6224-0553	TPMOU94LH
6224-0554	TPTP94TBLH
6224-0558	TPTP94UBLH
6224-0559	TP3116T94
6224-0560	TP3116MIN94
6224-0565	TPTP94UBRH
6224-0568	TP6BT97SS
6224-0569	TP6BFM97SS
6224-0572	400STP77
6224-0573	400STP86.75
6224-0574	400STP96.5
6224-0575	400STP106.25
6224-0576	400STP116
6224-0577	400STP125.75
6224-0578	400STP135.5

OE PART #'S ARE
FOR CROSS
REFERENCE
PURPOSES ONLY

AUTO-JET MUFFLER CORP. • UNITED MUFFLER CORP.

**U.S. toll free 1-800-247-5391 • Fax 515-224-0727 • website: www.auto-jet.com
Canada toll free 1-866-229-3402 • Fax 519-455-1103 • website: www.unitedmuffler.com**

THOMAS CROSS REFERENCE CHART

Please call if you do not find the OE part # you need. If it's on a school bus, we probably manufacture it. Auto-Jet manufactures new parts daily.

6224-0579	TPTP94TBRH
6224-0582	FLEX30012
6224-0587	TMVPBT
6224-0588	TD40024ID
6224-0589	TMVPFOAAS
6224-0590	TMVPROAAS
6224-0591	400STP57
6224-0594	TP311694TPY
6224-0599	TMVPROAS99
6224-0607	TMVP3126T
6224-0608	TP83T96
6224-0609	TP83TB96
6224-0610	TP83MIN96
6224-0654	TP3126TM654
6224-0660	TMVPSDT4TD
6224-0664	TPTP664
6224-0671	TP3116T71
6224-0682	400STP6"
6224-0683	TP3126T98
6224-0705	400STP76.5
6224-0706	400STP86.25
6224-0707	400STP96.5
6224-0708	400STP105.75
6224-0709	400STP115.5
6224-0727	TMVPBT99
6224-0752	TMVPFOAD200
6224-0756	400STP37.5
6224-0757	400STP47.25
6224-0766	TP6BT97
6224-0767	TP6BFM97
6224-0771	TMVPROA0771
6224-0774	TP3126T774
6224-0775	TP3126T75
6224-0788	TPTP96TB
6224-0806	TP83T98
6224-0808	TP3126T
6224-0818	TP83T818
6224-0834	TP6BTPY
6224-0866	TP866T
6224-0867	TP867MIN
6224-0871	TP871TF
6224-0881	TPMH881
6224-0895	TMVPBT99
6224-0901	TPMH901
6224-0937	TMVPBT01A
6224-0938	TMVPBT01B
6224-0944	TP3126T2
6224-0951	TMVP951

OE PART #'S ARE
FOR CROSS
REFERENCE
PURPOSES ONLY

AUTO-JET MUFFLER CORP. • UNITED MUFFLER CORP.

U.S. toll free 1-800-247-5391 • Fax 515-224-0727 • website: www.auto-jet.com
Canada toll free 1-866-229-3402 • Fax 519-455-1103 • website: www.unitedmuffler.com

THOMAS CROSS REFERENCE CHART

Please call if you do not find the OE part # you need. If it's on a school bus, we probably manufacture it. Auto-Jet manufactures new parts daily.

6224-0952	TMVP952
6224-0953	TMVP953
6224-0954	TMVP954
6224-0961	TPTP0961
6224-0962	TPTP0962
6224-0973	TMVP973
6224-0974	TMVP974
6224-0977	TMVP0977
6224-0978	TMVP0978
6224-1131	TP1131
6224-1132	TMVP312632
6224-1150	TMVP1153
6224-1151	TMVP1153
6224-1152	TMVP1153
6224-1153	TMVP1153
6224-1154	TMVP1155
6224-1155	TMVP1155
6224-1156	TMVP1155
6224-1161	TPMERC161
6224-1177	400STP19
6224-1178	TMVP1178T
6224-1190	TP3126T190
6224-1191	TMVPOA91
6224-1192	TMVP192T
6224-1209	TMVPT209
6224-1212	400STP38.25
6224-1214	TMVP1214
6224-1227	TMVP1227
6224-1229	TMVPBT229
6224-1246	TMVP246
6224-1247	TMVP1247
6224-1247	TMVP1247
6224-1249	TMVP1249
6224-1250	TMVP1250
6224-1252	TMVP252
6224-1253	TMVP1253
6224-1254	TMVPT254
6224-1255	TMVPT254
6224-1263	TMVPSD263
6224-1264	TMVPSDT4TD
6224-1277	TPC7277
6224-1284	TMVPT287
6224-1295	TPMERC295
6224-1350	TPINT350
8648 0328	TAS300300
8648 1019	TAS300400
8648-0403	TASTURBO
8648-0981	TASFOA3

OE PART #'S ARE
FOR CROSS
REFERENCE
PURPOSES ONLY

AUTO-JET MUFFLER CORP. • UNITED MUFFLER CORP.

**U.S. toll free 1-800-247-5391 • Fax 515-224-0727 • website: www.auto-jet.com
Canada toll free 1-866-229-3402 • Fax 519-455-1103 • website: www.unitedmuffler.com**

THOMAS CROSS REFERENCE CHART

Please call if you do not find the OE part # you need. If it's on a school bus, we probably manufacture it. Auto-Jet manufactures new parts daily.

8648-1001	TASTURBO
COOLANT TUBES	
138633	CT633
151834	CT834
164-427	CT427
6219-0755	CT755
6219-0761	CT761
6219-1078	CT078
6219-1231	CT231
6219-1396	CT396
6219-1549	CT549
6219-1551	CT551
6219-1769	CT769
6219-2145	CT145
6219-2146	CT146
6219-2208	CT208
6219-2375	CT375
6219-2379	CT379
138633	CT633
151837	CT834
164427	CT427
6219-1769	CT769
6219-2569	MERCAC69

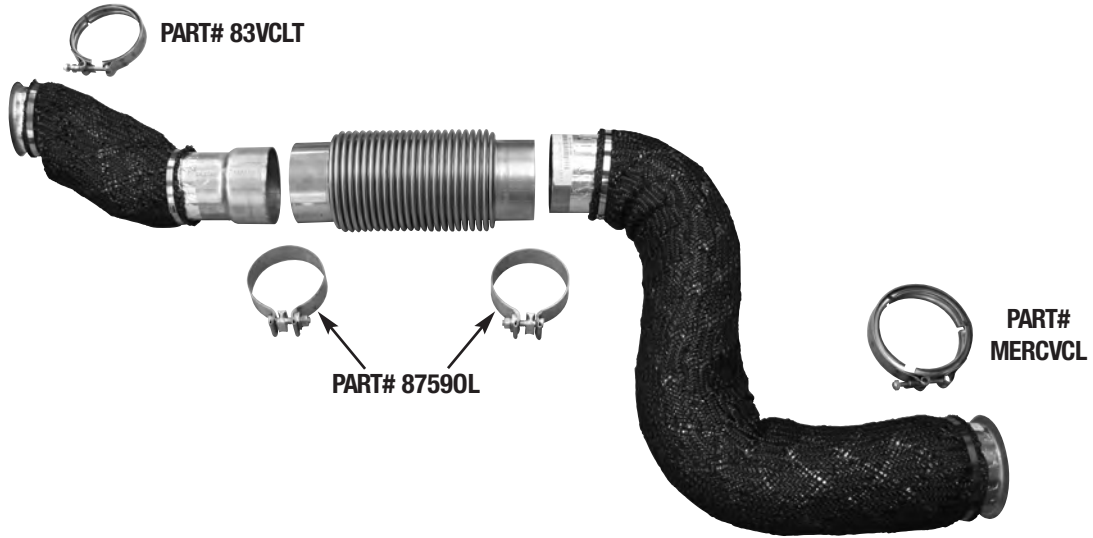
OE PART #'S ARE FOR
CROSS
REFERENCE
PURPOSES ONLY

AUTO-JET MUFFLER CORP. • UNITED MUFFLER CORP.

U.S. toll free 1-800-247-5391 • Fax 515-224-0727 • website: www.auto-jet.com
Canada toll free 1-866-229-3402 • Fax 519-455-1103 • website: www.unitedmuffler.com

FREIGHTLINER TURBO PIPES

TURBO TO DPF PIPES CUMMINS ISB ENGINE



PLEASE MEASURE LENGTH

4" ID



400STP409

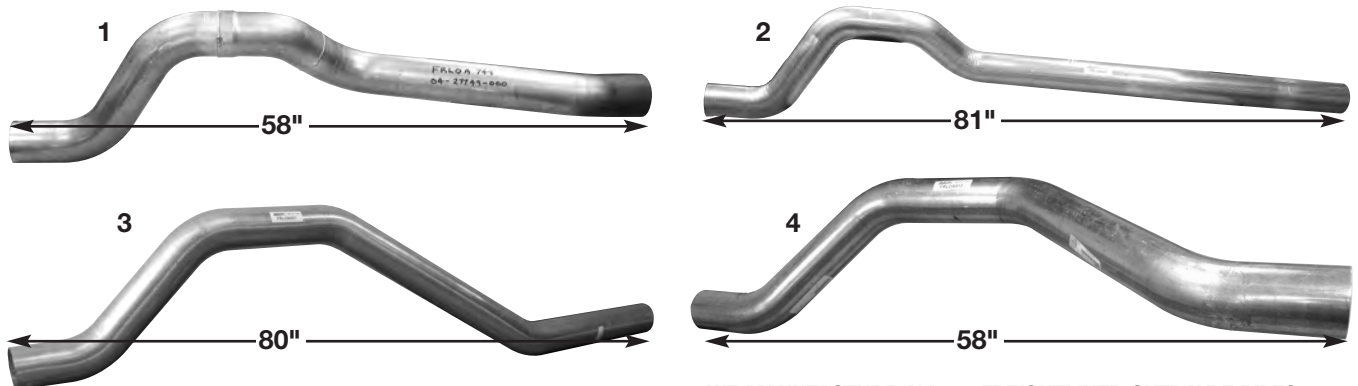


DPF

DESCRIPTION	1 TURBO-PIPE	2 BELLOWS	3 DPF INLET PIPE
PART#	FRLT8460	FRLBELL	FRLDPF85
OE#	A04-28460-000	A04-26374-012	A04-27685-000

OE #'S ARE FOR CROSS REFERENCE ONLY

POPULAR FREIGHTLINER OVERAXLE PIPES



WE MANUFACTURE ALL 18 FREIGHTLINER OVERAXLE PIPES
CHECK YOUR LINE SHEET

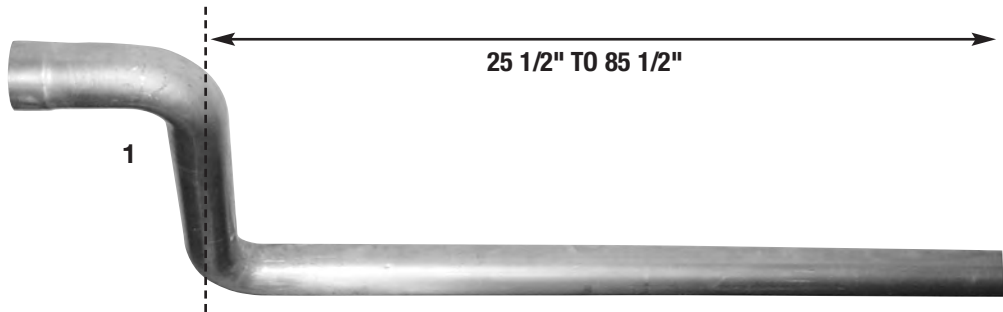
	AIR-RIDE		SPRING SUSPENSION	
	1	2	3	4
PART#	FRLOA749	FRLOA435	FRLOA937	FRLOA813
OE#	04-27749-000	04-26435-000	04-24937-000	04-27813-000
	5 BENDS	5 BENDS	4 BENDS	4 BENDS

AUTO-JET MUFFLER CORP. • UNITED MUFFLER CORP.

U.S. toll free 1-800-247-5391 • Fax 515-224-0727 • website: www.auto-jet.com
Canada toll free 1-866-229-3402 • Fax 519-455-1103 • website: www.unitedmuffler.com

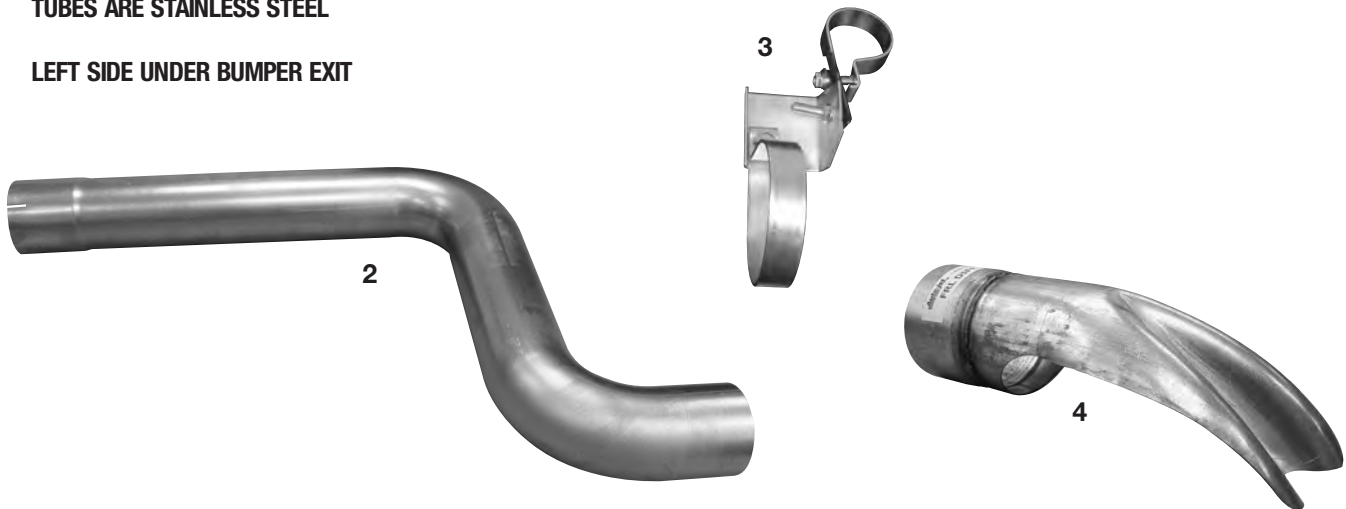
FREIGHTLINER TAILPIPES

CONTINUED FROM PREVIOUS PAGE



TUBES ARE STAINLESS STEEL

LEFT SIDE UNDER BUMPER EXIT



	1	2	3	4
PART#	FRLTP02SS	TMVP797	FRLPH921	FRLDIFF
O.E.#	135802 TO 135808 DEPENDS ON PASS SIZE	135797	147921	04-24971-000

AUTO-JET MUFFLER CORP. • UNITED MUFFLER CORP.

U.S. toll free 1-800-247-5391 • Fax 515-224-0727 • website: www.auto-jet.com
 Canada toll free 1-866-229-3402 • Fax 519-455-1103 • website: www.unitedmuffler.com

FRL 2

FREIGHTLINER TURBO & OVER AXLE PIPES

2007 & UP CUMMINS I.S.B.07 TURBO PIPE INSULATED WITH CERAMIC SLEEVE

NOTE: ALL PARTS ON THIS PAGE ARE STAINLESS STEEL



PART#
8.3VCLT



TURBO-PIPE
PART# FRLT108
OE# 04-26053-001
04-25111-000
04-25108-001

NOTE: THESE
TURBO-PIPES ARE
VERY SIMILAR
CHECK LINE
SHEET



PART# MERCVCL
OE# 681-4920040



DPF

STRAIGHT PIPE WITH FLARE
DPF TO OVER AXLE PIPE

PART# FRL4ID 120 65 PASS
FRL4ID 139 72 & 77 PASS
OE# 04-26106-005

SMALLER PASSENGER SIZES MEASURE



4" ID
REAR
19" TO 139" LONG (PLEASE MEASURE)

POPULAR OVERAXLE PIPES
CHECK LINE SHEET

SPRING SUSPENSION OVER AXLE PIPE

PART# FRLOA937
OE# 04-24937-000



AIR SUSPENSION

PART# FRLOA938
OE# 04-24938-000



AUTO-JET MANUFACTURES ALL 19 FREIGHTLINER OVERAXLES PIPES

AUTO-JET MUFFLER CORP. • UNITED MUFFLER CORP.

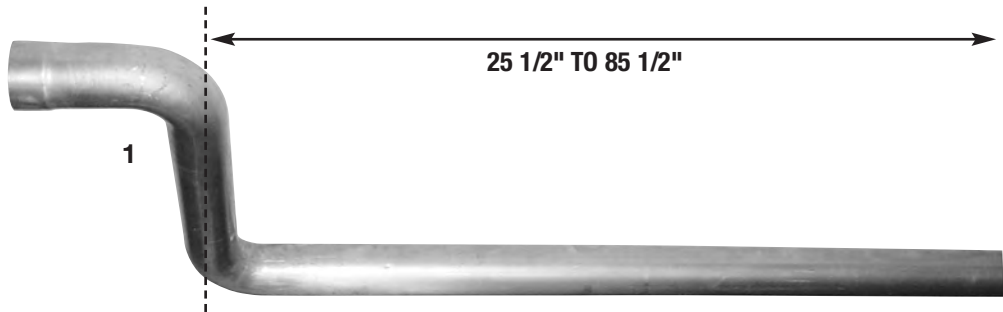
U.S. toll free 1-800-247-5391 • Fax 515-224-0727 • website: www.auto-jet.com
Canada toll free 1-866-229-3402 • Fax 519-455-1103 • website: www.unitedmuffler.com

FRL 3

FREIGHTLINER TAILPIPES

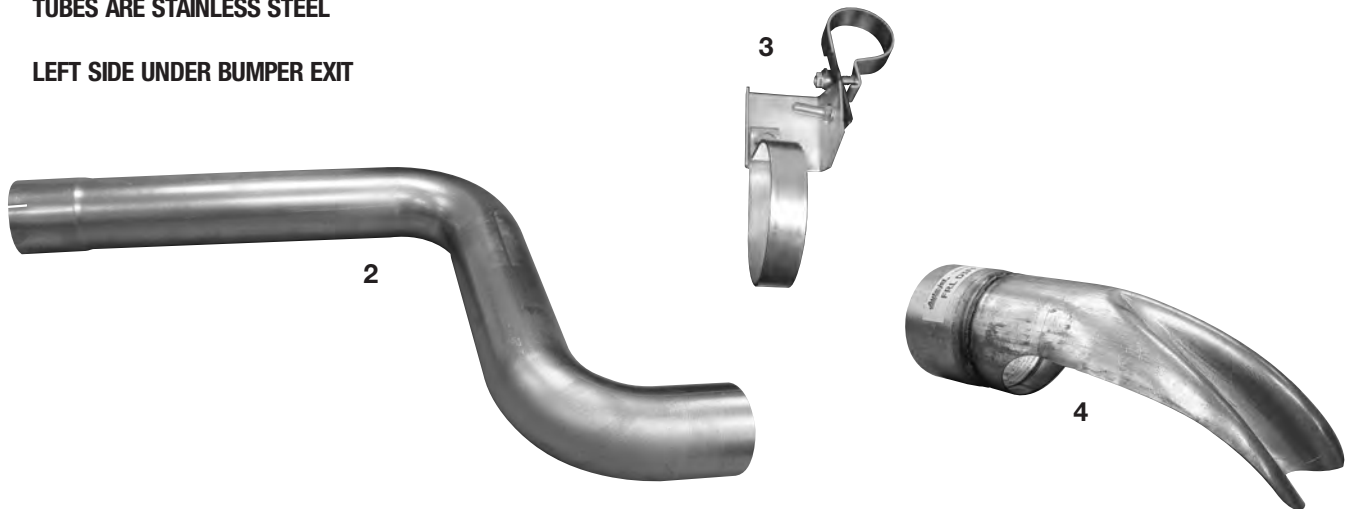
TAILPIPES

CONTINUED FROM PREVIOUS PAGE



TUBES ARE STAINLESS STEEL

LEFT SIDE UNDER BUMPER EXIT



	1	2	3	4
PART#	FRLTP02SS	TMVP797	FRLPH921	FRLDIFF
O.E.#	135802 TO 135808 DEPENDS ON PASS SIZE	135797	147921	04-24971-000

AUTO-JET MUFFLER CORP. • UNITED MUFFLER CORP.

U.S. toll free 1-800-247-5391 • Fax 515-224-0727 • website: www.auto-jet.com
 Canada toll free 1-866-229-3402 • Fax 519-455-1103 • website: www.unitedmuffler.com

FRL 4

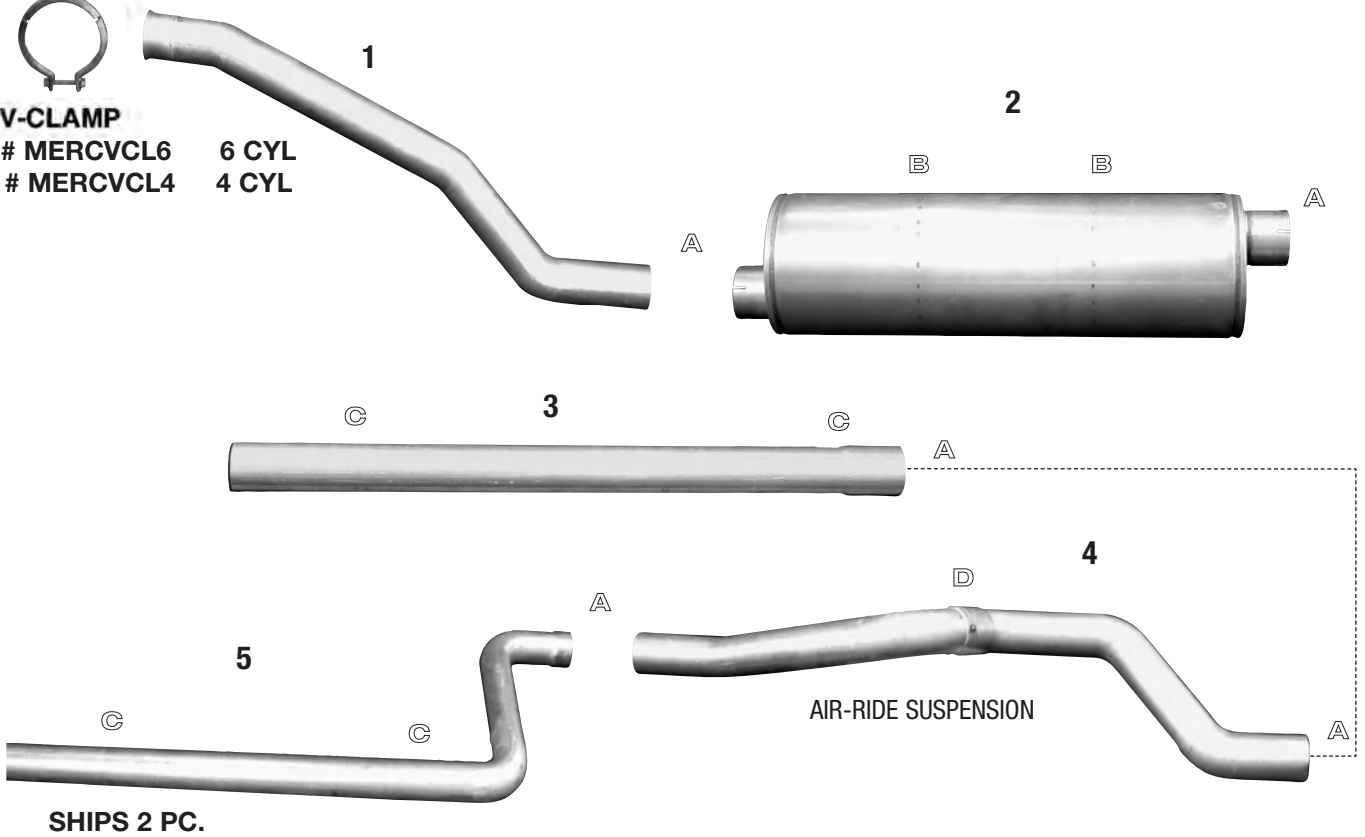
FREIGHTLINER EXHAUST SYSTEMS

2002-UP FREIGHTLINER MERCEDES 4 & 6 CYL. ENGINE



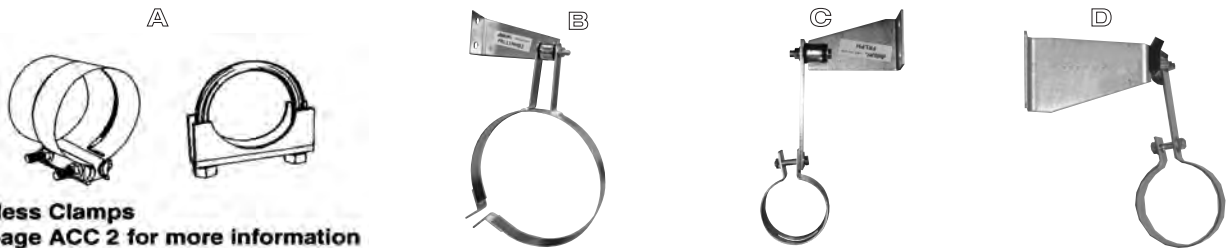
V-CLAMP

MERCVCL6 6 CYL
MERCVCL4 4 CYL



DESCRIPTION	1 TURBO PIPE	2 MUFFLERS	3 - MUFFLER TO OVERAXLE PIPE	4 - OVERAXLE AIR-RIDE SUSPENSION	5 TAIL PIPE
PART # 6 CYL	FRLMERCT	11-0005	FRL400STP	FRLOAAS02	FRLTP02
PART # 4 CYL	FRLMERCYL4	11-0040 11-0025	FRL400STP12 (72 & 77 PASSENGER)	SAME	SAME

ACCESSORIES



Stainless Clamps
See page ACC 2 for more information

DESCRIPTION	CLAMPS		PART #	B MUFFLER HANGERS	C HANGERS	D -OVERAXLE PIPE HANGER AIR RIDE
PART #	FLAT	A -4"	400SC	FRL11MH02	FRLPH	FRLPH0AR02
PART #	PRE-FORMED		400SCPF			
PART #	U-BOLT		U-400			

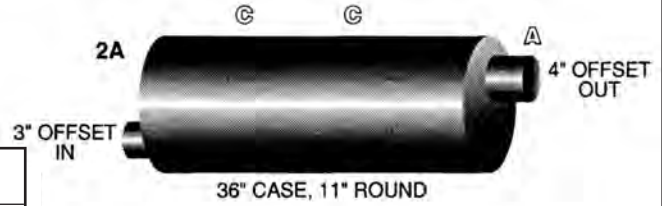
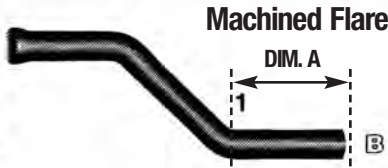
AUTO-JET MUFFLER CORP. • UNITED MUFFLER CORP.

U.S. toll free 1-800-247-5391 • Fax 515-224-0727 • website: www.auto-jet.com
Canada toll free 1-866-229-3402 • Fax 519-455-1103 • website: www.unitedmuffler.com

FRL 5

FREIGHTLINER TURBO PIPES

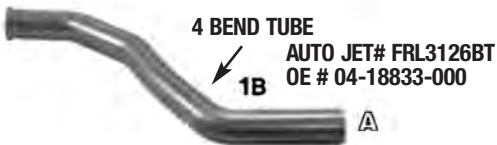
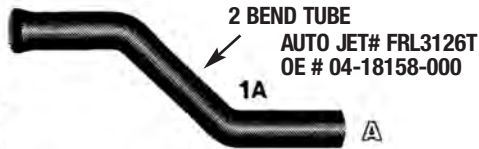
1998-UP FREIGHTLINER B-SERIES CUMMINS ENGINE



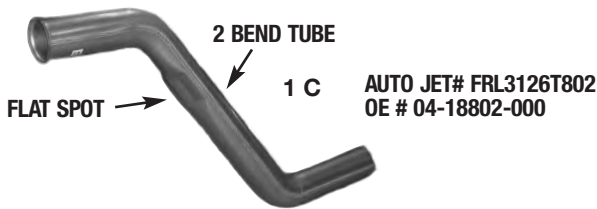
DESCRIPTION	1-TURBO PIPE B-SERIES CUMMINS	DIM. A	2 MUFFLER
1998-UP ISB ELECTRONIC ENGINE	FRLISBT 04-18556-000	11"	11-0040
# PRIOR TO ISB ENGINE	FRLISBTL 04-21079-000	26"	11-0040

For Tail Pipes See FRL 7

1998-UP FREIGHTLINER 3126 CATERPILLAR ENGINE



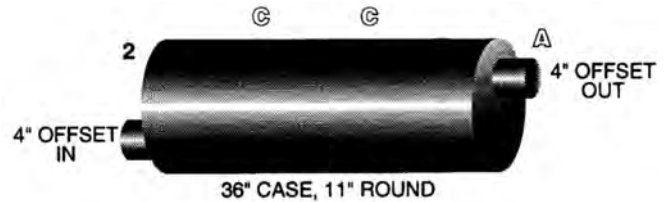
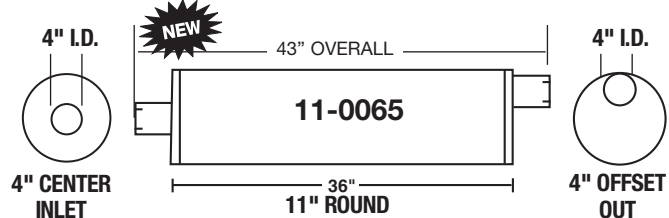
3126 CATERPILLAR B ENGINE



SEE PAGES FRL 13 THRU 16
FOR MORE TURBO PIPES

WITH EXHAUST BRAKE
AUTO JET# FRL3126TEB

OE PART #'S ARE FOR CROSS REFERENCE PURPOSES ONLY



MUFFLER PART # 11-0005

MUFFLER HANGERS



MUFFLER HANGERS

C

FRL11MH

AUTO-JET MUFFLER CORP. • UNITED MUFFLER CORP.

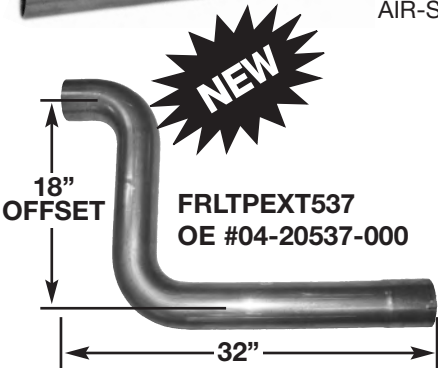
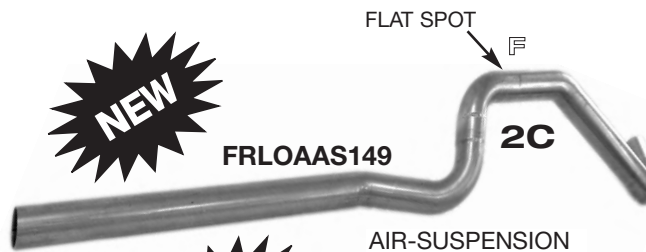
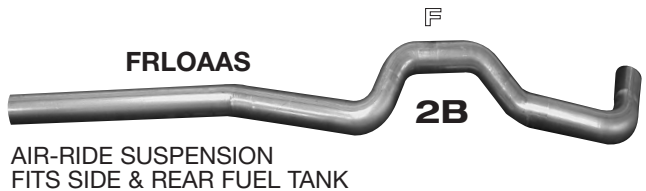
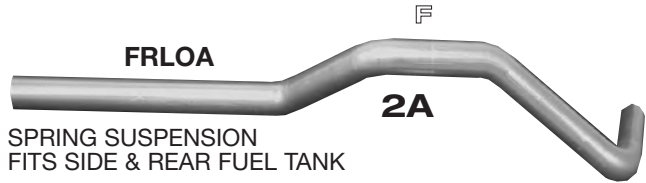
U.S. toll free 1-800-247-5391 • Fax 515-224-0727 • website: www.auto-jet.com
Canada toll free 1-866-229-3402 • Fax 519-455-1103 • website: www.unitedmuffler.com

FREIGHTLINER EXHAUST

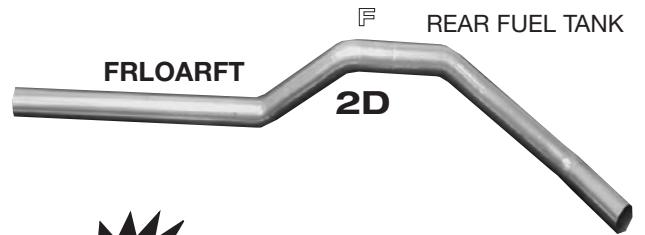
1998-UP OVERAXLES & TAILPIPES



RIGHT SIDE BUMPER EXIT OVERAXLES



LEFT SIDE BUMPER EXIT OVERAXLES



TAILPIPE EXTENSION



FOR HANGERS SEE PAGES FRL 26-27 & 28

OE PART #'S ARE FOR CROSS REFERENCE PURPOSES ONLY

DESCRIPTION	1 - MUFFLER TO OVERAXLE PIPE	2 - OVERAXLE	3 - TAIL PIPE	3 - TAIL PIPE 72 & 77 PASSENGER
PART #	FRL400STP	2A - FRLOA (Spring Suspension)	FRLTP	FRLTP77
PART #	FRL400STP	2B - FRLOAAS (Rear Fuel Tank) (Air-Ride Suspension)	FRLTP	FRLTP77
PART #	FRL400STP	2C - FRLOAAS149	FRLTP	FRLTP77
PART #	FRL400STP	2D - FRLOARFT (Rear Fuel Tank)	FRLTP	FRLTP77
PART #	FRL400STP	2E - FRLOARFTAS (Rear Fuel Tank) (Air-Ride Suspension)	FRLTP	FRLTP77

AUTO-JET MUFFLER CORP. • UNITED MUFFLER CORP.

U.S. toll free 1-800-247-5391 • Fax 515-224-0727 • website: www.auto-jet.com
 Canada toll free 1-866-229-3402 • Fax 519-455-1103 • website: www.unitedmuffler.com

FREIGHTLINER TURBO PIPES

TURBO-PIPE MERCEDES MB926 ENGINE



AUTO-JET PART # FRL125T
O.E. PART # 04-24125-000



PART #
MERCVCL



AUTO-JET PART # FRL111T
O.E. PART # 04-24111-000

OE #'S ARE FOR CROSS REFERENCE ONLY

AUTO-JET MUFFLER CORP. • UNITED MUFFLER CORP.

U.S. toll free 1-800-247-5391 • Fax 515-224-0727 • website: www.auto-jet.com
Canada toll free 1-866-229-3402 • Fax 519-455-1103 • website: www.unitedmuffler.com

FRL 8

FREIGHTLINER TURBO PIPES

2006-UP MERCEDES ENGINE 6 CYL.



FRLT2581



FRLT1015



V-CLAMP
PART # MERCVCL
OE# A04-19184-000

DESCRIPTION	1	2
AUTO-JET PART #	FRLT1015	FRLT2581
OE #	04-21015-012-014	04-22581-000

OE PART #'S ARE FOR CROSS REFERENCE PURPOSES ONLY

MERCEDES ENGINE TURBO PIPE

MD 3060 TRANS. MB906 ENGINE

OE #'S ARE FOR CROSS REFERENCE ONLY



AUTO-JET PART # FRLMERC566
O.E. PART # 04-25566-000
04-21412-000



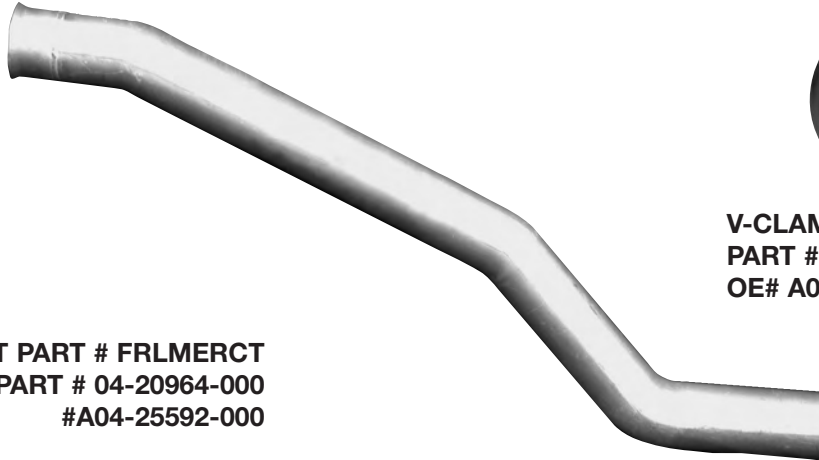
V-CLAMP
PART # MERCVCL6
OE# A04-19184-000

AUTO-JET MUFFLER CORP. • UNITED MUFFLER CORP.

U.S. toll free 1-800-247-5391 • Fax 515-224-0727 • website: www.auto-jet.com
Canada toll free 1-866-229-3402 • Fax 519-455-1103 • website: www.unitedmuffler.com

FREIGHTLINER TURBO PIPES

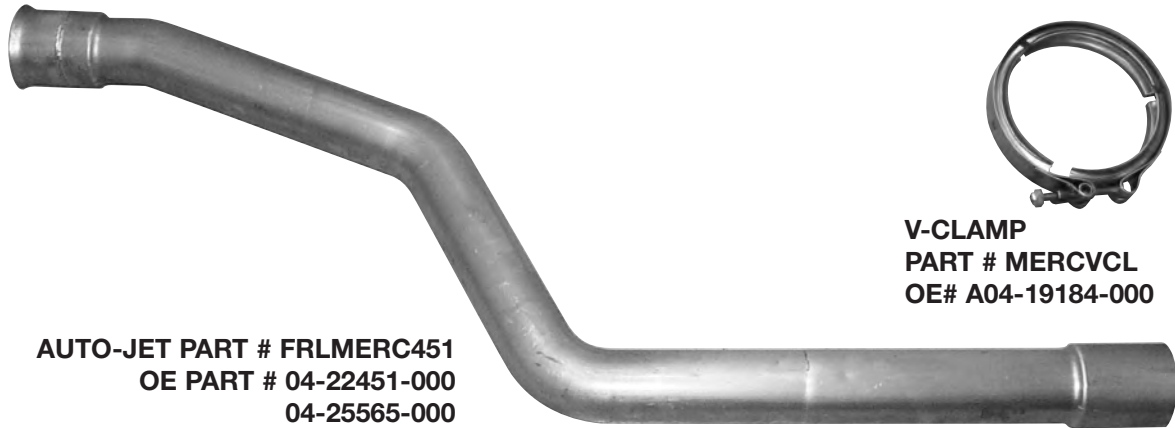
MERCEDES ENGINE 6 CYL.



AUTO-JET PART # FRLMERC
OE PART # 04-20964-000
#A04-25592-000



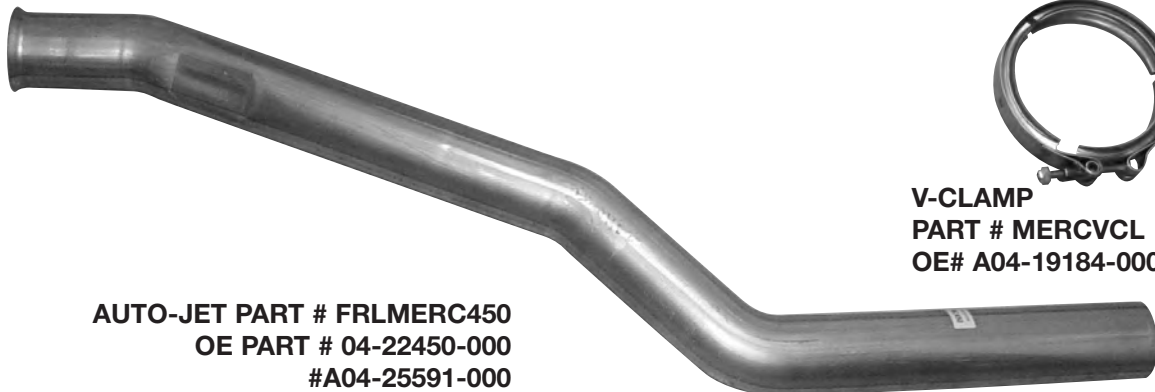
V-CLAMP
PART # MERCVCL6
OE# A04-19184-000



AUTO-JET PART # FRLMERC451
OE PART # 04-22451-000
04-25565-000



V-CLAMP
PART # MERCVCL
OE# A04-19184-000



AUTO-JET PART # FRLMERC450
OE PART # 04-22450-000
#A04-25591-000



V-CLAMP
PART # MERCVCL
OE# A04-19184-000

OE PART #'S ARE FOR CROSS REFERENCE PURPOSES ONLY

AUTO-JET MUFFLER CORP. • UNITED MUFFLER CORP.

U.S. toll free 1-800-247-5391 • Fax 515-224-0727 • website: www.auto-jet.com
Canada toll free 1-866-229-3402 • Fax 519-455-1103 • website: www.unitedmuffler.com

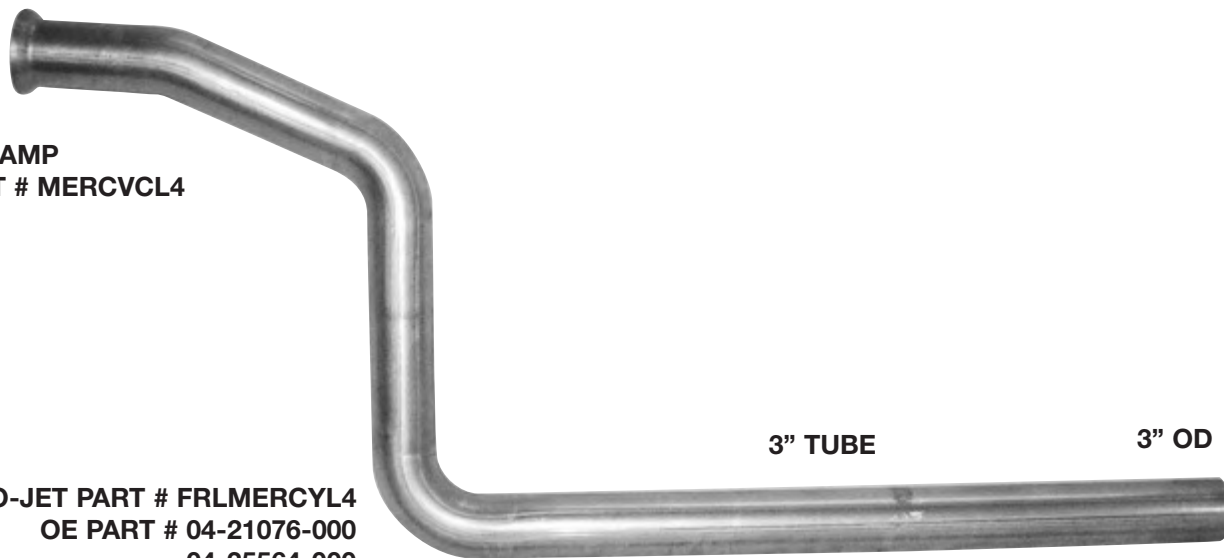
FRL 10

FREIGHTLINER TURBO PIPES

MERCEDES ENGINE 4 CYL.

V-CLAMP
PART # MERCVCL4

AUTO-JET PART # FRLMERCYL4
OE PART # 04-21076-000
04-25564-000



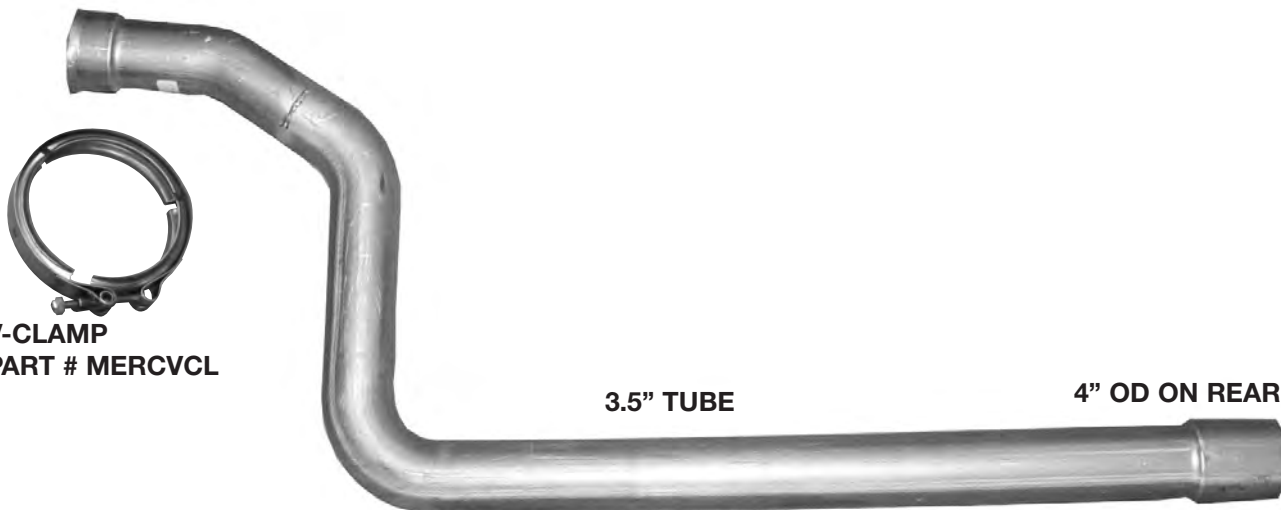
3" TUBE

3" OD

MERCEDES ENGINE 4 CYL.

V-CLAMP
PART # MERCVCL

AUTO-JET PART # FRLMERC748
OE PART # 04-22748-000
04-25601-000



3.5" TUBE

4" OD ON REAR

OE PART #'S ARE FOR CROSS REFERENCE PURPOSES ONLY

AUTO-JET MUFFLER CORP. • UNITED MUFFLER CORP.

U.S. toll free 1-800-247-5391 • Fax 515-224-0727 • website: www.auto-jet.com
Canada toll free 1-866-229-3402 • Fax 519-455-1103 • website: www.unitedmuffler.com

FRL 11

FREIGHTLINER TURBO PIPES

MERCEDES ENGINE 4 CYL.



V-CLAMP
MERCVCL4

3.5" TUBE

4" OD ON REAR

AUTO-JET PART # FRLMERC454
OE PART # 04-25563-000
04-22454-000



FRLT2581

FRLT2591



V-CLAMP
PART # MERCVCL
OE# A04-19184-000

DESCRIPTION	1	2
AUTO-JET PART #	FRLT2591	FRLT2581
OE #	04-22591-002	04-22581-000

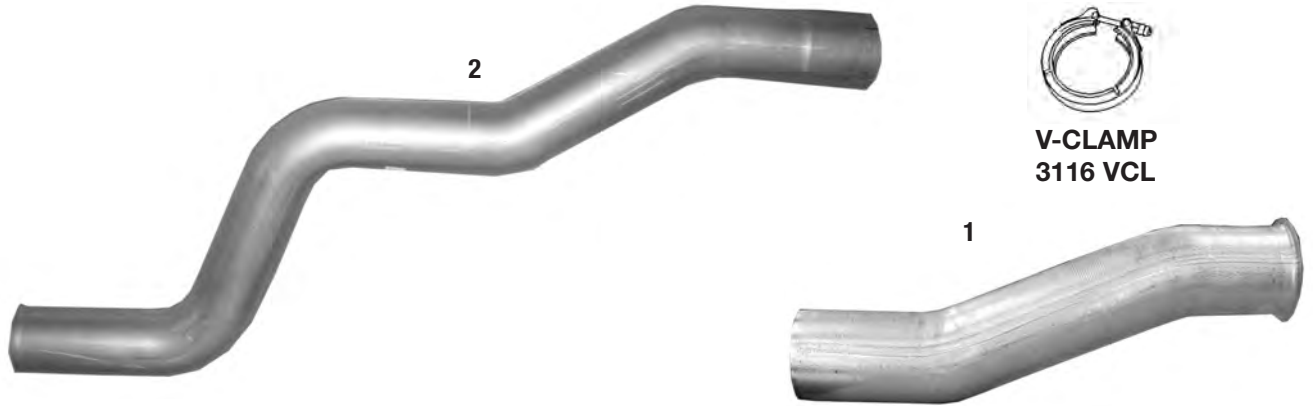
OE PART #'S ARE FOR CROSS REFERENCE PURPOSES ONLY

AUTO-JET MUFFLER CORP. • UNITED MUFFLER CORP.

U.S. toll free 1-800-247-5391 • Fax 515-224-0727 • website: www.auto-jet.com
Canada toll free 1-866-229-3402 • Fax 519-455-1103 • website: www.unitedmuffler.com

FREIGHTLINER TURBO PIPES

3126 CATERPILLER 2 PC



V-CLAMP
3116 VCL

DESCRIPTION	1	2
AUTO-JET #	FRLT000	FRLT2581
OE #	04-21015-0000	04-22581-000
AUTO-JET #	FRLT5002 W/EXHAUST BRAKE	
OE #	04-21015-002	

3126 CATERPILLAR



V-CLAMP
3116 VCL

AUTO-JET PART # FRLT1077
OE PART # 04-21077-000

DUE TO NUMEROUS OPTIONS,
PLEASE CHECK YOUR LINE SHEET
OR FAX IT TO AUTO-JET AT
515-224-0727.

31"

OE PART #'S ARE FOR CROSS REFERENCE PURPOSES ONLY

AUTO-JET MUFFLER CORP. • UNITED MUFFLER CORP.

U.S. toll free 1-800-247-5391 • Fax 515-224-0727 • website: www.auto-jet.com
Canada toll free 1-866-229-3402 • Fax 519-455-1103 • website: www.unitedmuffler.com

FRL 13

FREIGHTLINER TURBO PIPES

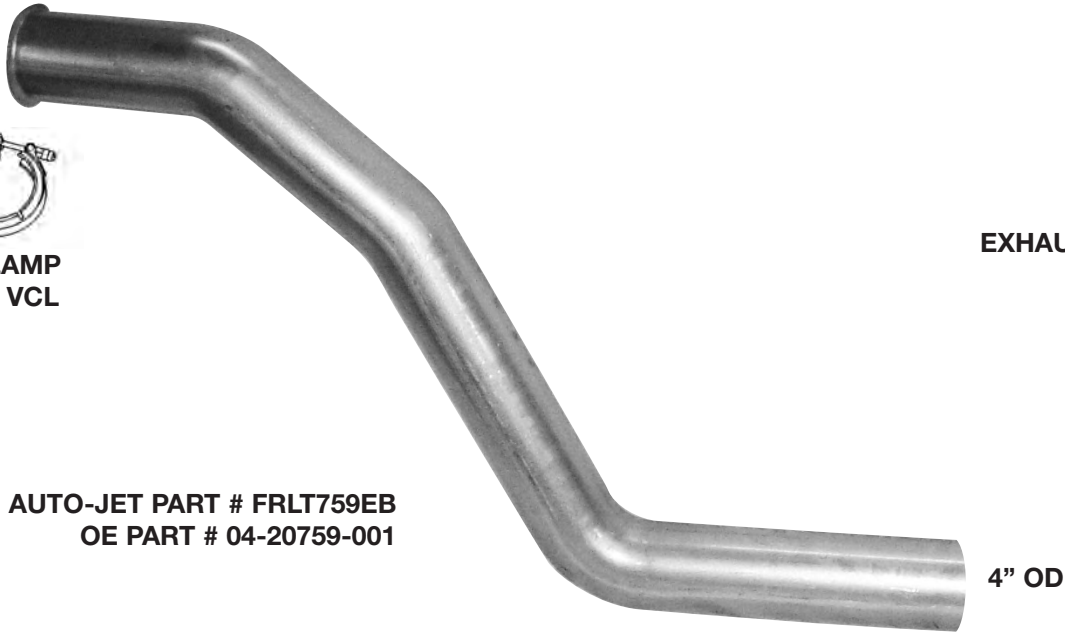
3126 CATERPILLAR WITH EXHAUST BRAKE



V-CLAMP
3116 VCL

AUTO-JET PART # FRLT759EB
OE PART # 04-20759-001

EXHAUST BRAKE



3126 CATERPILLAR STANDARD TRANSMISSION



V-CLAMP
3116 VCL

AUTO-JET PART # FRLT1077 STD
OE PART # 04-21077-001

FLAT SPOT

DUE TO NUMEROUS OPTIONS,
PLEASE CHECK YOUR LINE SHEET
OR FAX IT TO AUTO-JET AT
515-224-0727.

31"

OE PART #'S ARE FOR CROSS REFERENCE PURPOSES ONLY

AUTO-JET MUFFLER CORP. • UNITED MUFFLER CORP.

U.S. toll free 1-800-247-5391 • Fax 515-224-0727 • website: www.auto-jet.com
Canada toll free 1-866-229-3402 • Fax 519-455-1103 • website: www.unitedmuffler.com

FREIGHTLINER TURBO PIPES

3126 CATERPILLER WITH EXHAUST BRAKE

OE PART #'S ARE FOR CROSS REFERENCE PURPOSES ONLY

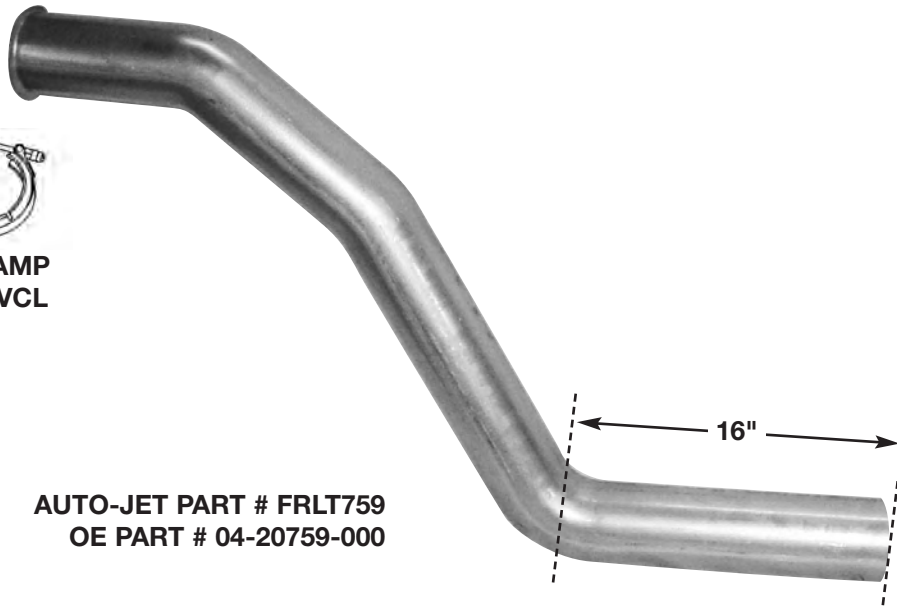


AUTO-JET PART # FRL550T
OE PART # 04-19550-000

3126 CATERPILLAR



V-CLAMP
3116 VCL



AUTO-JET PART # FRLT759
OE PART # 04-20759-000

CENTER INLET
MUFFLER
15 $\frac{3}{4}$ " SHORTER THAN
FRLT1077

AUTO-JET MUFFLER CORP. • UNITED MUFFLER CORP.

U.S. toll free 1-800-247-5391 • Fax 515-224-0727 • website: www.auto-jet.com
Canada toll free 1-866-229-3402 • Fax 519-455-1103 • website: www.unitedmuffler.com

FRL 15

FREIGHTLINER TURBO PIPES

3126 CATERPILLAR

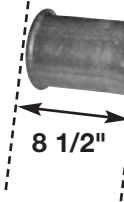


V-CLAMP
3116 VCL

AUTO-JET PART # FRLT2446
OE PART # 04-22446-001

WORLD
TRANSMISSION

38"



V-CLAMP
3116 VCL

AUTO-JET PART # FRLT4460
OE PART # 04-22446-000

WORLD
TRANSMISSION

3" LONGER ON FRONT
THAN FRLT2446

36"

OE PART #'S ARE FOR CROSS REFERENCE PURPOSES ONLY

DUE TO NUMEROUS OPTIONS,
PLEASE CHECK YOUR LINE SHEET
OR FAX IT TO AUTO-JET AT
515-224-0727.

SEE PAGE FRL 6 FOR
MORE 3126 TURBO PIPES

12 DIFFERENT OPTIONS
FOR FREIGHTLINER
3126 CATERPILLAR TURBO PIPES!
MUST HAVE LINE SHEET.
AUTO-JET HAS THEM ALL!

AUTO-JET MUFFLER CORP. • UNITED MUFFLER CORP.

U.S. toll free 1-800-247-5391 • Fax 515-224-0727 • website: www.auto-jet.com
Canada toll free 1-866-229-3402 • Fax 519-455-1103 • website: www.unitedmuffler.com

FREIGHTLINER TURBO PIPES

2007 & UP I.S.B.07 ENGINE



V-CLAMP
83VCLT



AUTO-JET PART # FRLT108
OE PART # 04-25108-000
04-25111-000
04-26053-001

FREIGHTLINER TURBO PIPE I.S.B.07 CUMMINS ENGINE

OE PART #'S ARE FOR CROSS REFERENCE PURPOSES ONLY

STAINLESS STEEL
3" OD



AUTO-JET PART # FRLISBT078
OE PART # 04-21078-000

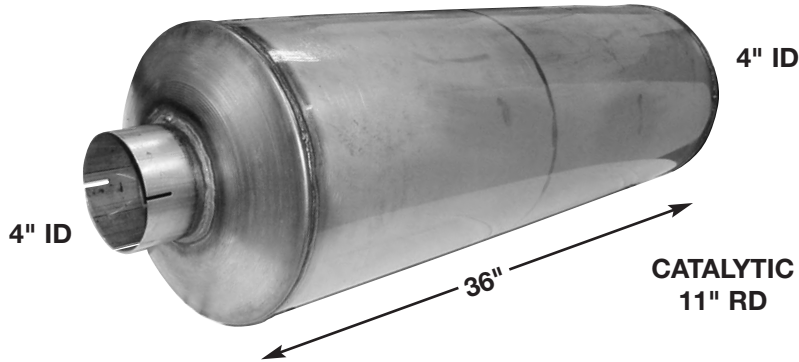
MORE B-SERIES CUMMINS
TURBO PIPES ON PAGE FRL6

AUTO-JET MUFFLER CORP. • UNITED MUFFLER CORP.

U.S. toll free 1-800-247-5391 • Fax 515-224-0727 • website: www.auto-jet.com
Canada toll free 1-866-229-3402 • Fax 519-455-1103 • website: www.unitedmuffler.com

FREIGHTLINER CATALYTIC MUFFLERS

E.P.A. APPROVED
ORIGINAL EQUIPMENT FIT

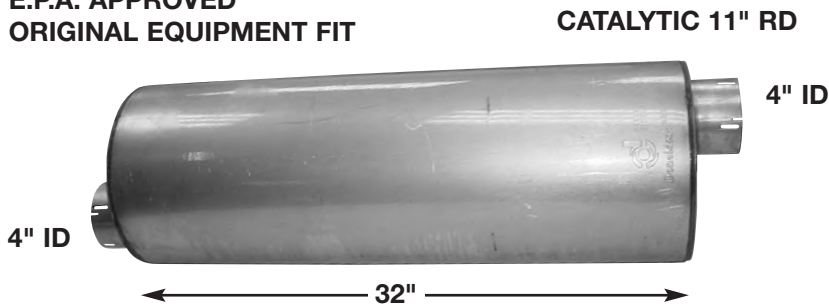


AUTO-JET # FRLMH919
OE # A04-20919-000

OE PART #'S ARE FOR CROSS REFERENCE PURPOSES ONLY

ENGINE APPLICATION: 3126 CAT. - MERCEDES
AUTO-JET PART # 400CATCTR

E.P.A. APPROVED
ORIGINAL EQUIPMENT FIT

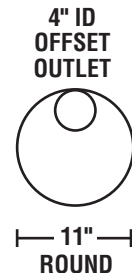
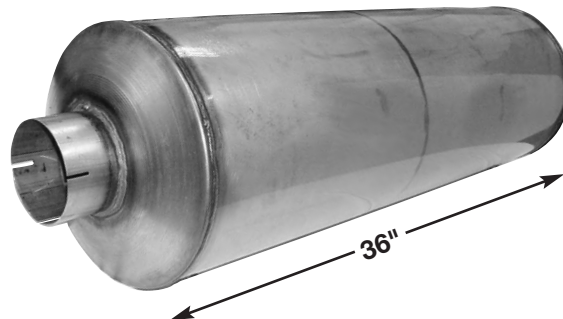
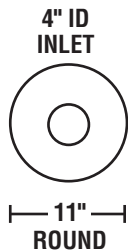


RETRO-FIT ONLY
B-SERIES CUMMINS
REQUIRES 4-3 OD-ID REDUCER

ENGINE APPLICATION: B-SERIES CUMMINS
3116 & 3126 CAT. - MERCEDES
AUTO-JET PART # 400CATOFF

ENGINE 3126 CATERPILLAR

REPLACEMENT MUFFLER FOR CENTER INLET - OFFSET OUTLET



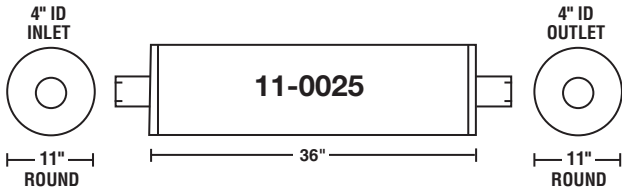
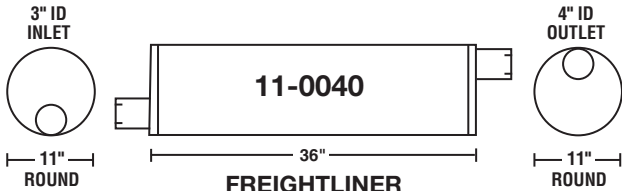
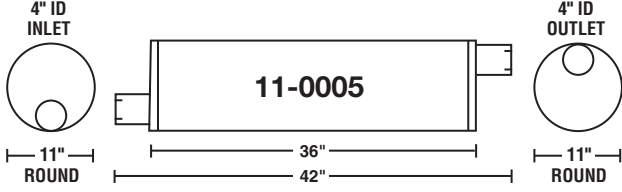
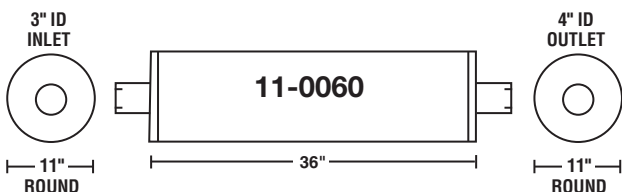
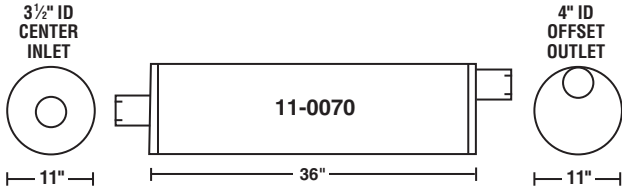
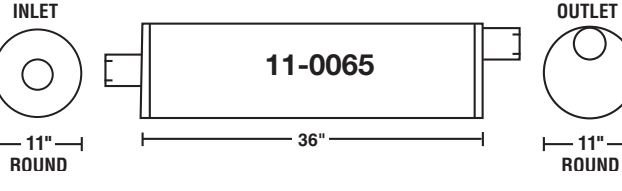
AUTO-JET PART # 400CATFRL
OE PART # 04-20831-000

OE PART #'S ARE FOR CROSS REFERENCE ONLY

AUTO-JET MUFFLER CORP. • UNITED MUFFLER CORP.

U.S. toll free 1-800-247-5391 • Fax 515-224-0727 • website: www.auto-jet.com
Canada toll free 1-866-229-3402 • Fax 519-455-1103 • website: www.unitedmuffler.com

FREIGHTLINER MUFFLERS

 <p>11-0025</p> <p>AUTO-JET PART # 11-0025 OE # 04-19936-001</p>	 <p>11-0040 FREIGHTLINER</p> <p>AUTO-JET PART # 11-0040</p>
 <p>11-0005</p> <p>AUTO-JET PART # 11-0005 OE # 04-19936-004</p>	 <p>11-0060</p> <p>AUTO-JET PART # 11-0060</p>
 <p>11-0070</p> <p>3 1/2" INLET AUTO-JET PART # 11-0070</p>	 <p>11-0065</p> <p>4" INLET AUTO-JET PART # 11-0065 OE # 04-20831-000</p>

2004 & UP MUFFLER HANGER & RUBBER MOUNT

 <p>AUTO-JET # FRLMH919 OE # A04-20919-000</p>	 <p>AUTO-JET # FRLMHRUB OE # 04-19919</p>
---	---

OE PART #'S ARE FOR CROSS REFERENCE PURPOSES ONLY

AUTO-JET MUFFLER CORP. • UNITED MUFFLER CORP.

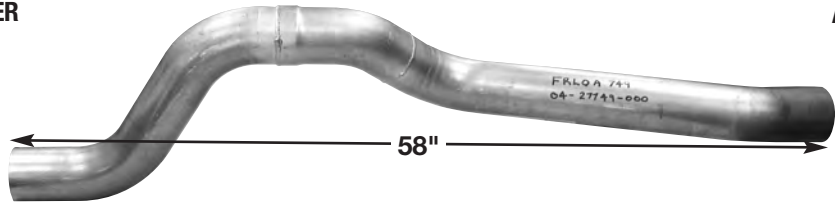
U.S. toll free 1-800-247-5391 • Fax 515-224-0727 • website: www.auto-jet.com
Canada toll free 1-866-229-3402 • Fax 519-455-1103 • website: www.unitedmuffler.com

FREIGHTLINER OVERAXLES PIPES

NEW FREIGHTLINER OVERAXLE PIPES

WE MANUFACTURE ALL 18 FREIGHTLINER
OVERAXLE PIPES

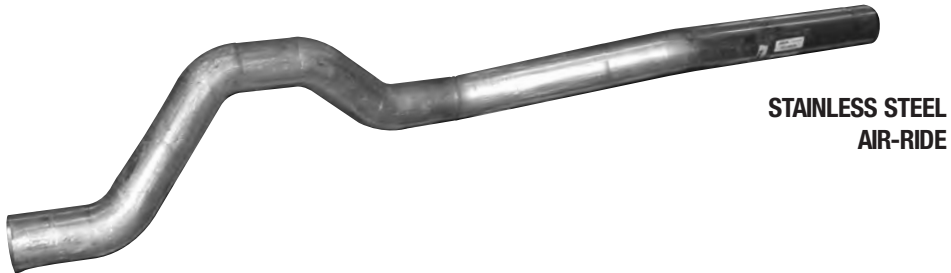
PART# FRLOA749
OE# 04-27749-000
5 BENDS



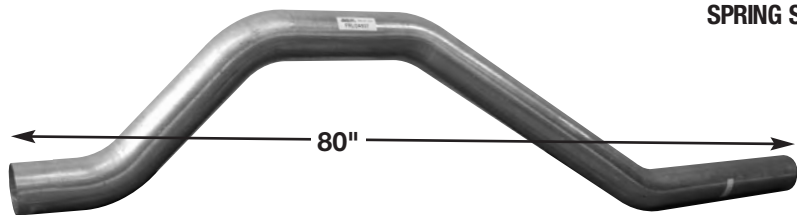
PART# FRLOA435
OE# 04-26435-000
5 BENDS



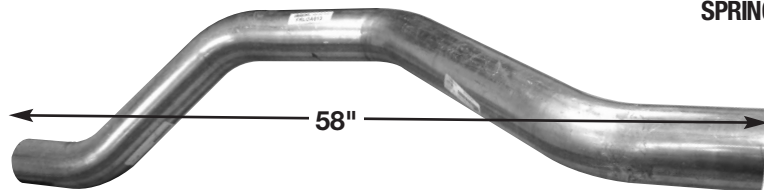
PART # FRLOA938
OE# 04-24938-000
5 BENDS



PART# FRLOA937
OE# 04-24937-000
4 BENDS



PART# FRLOA813
OE# 04-27813-000
4 BENDS

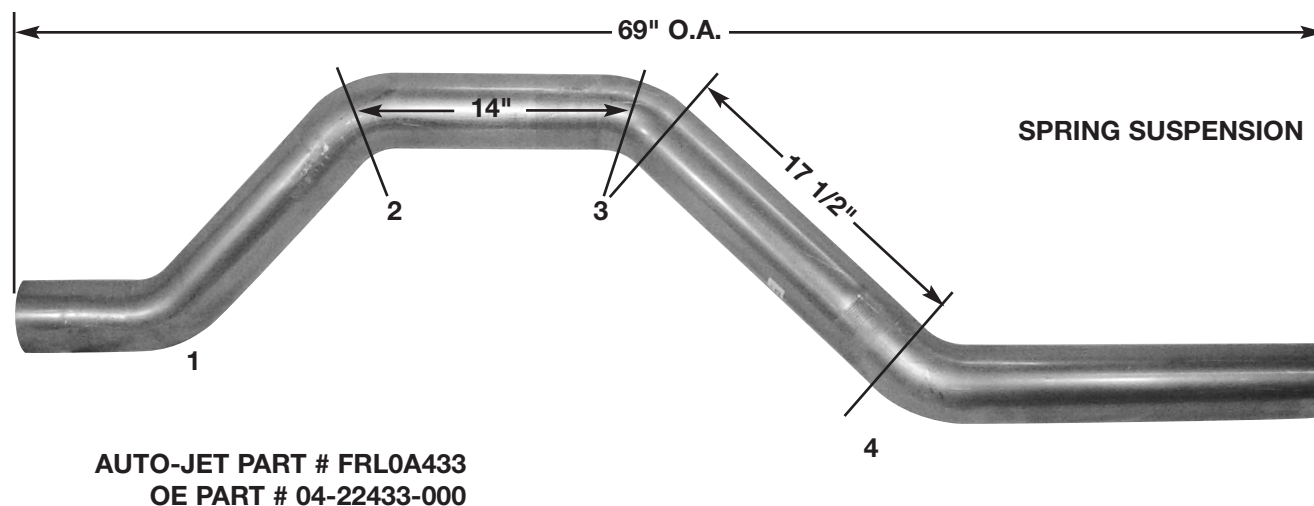
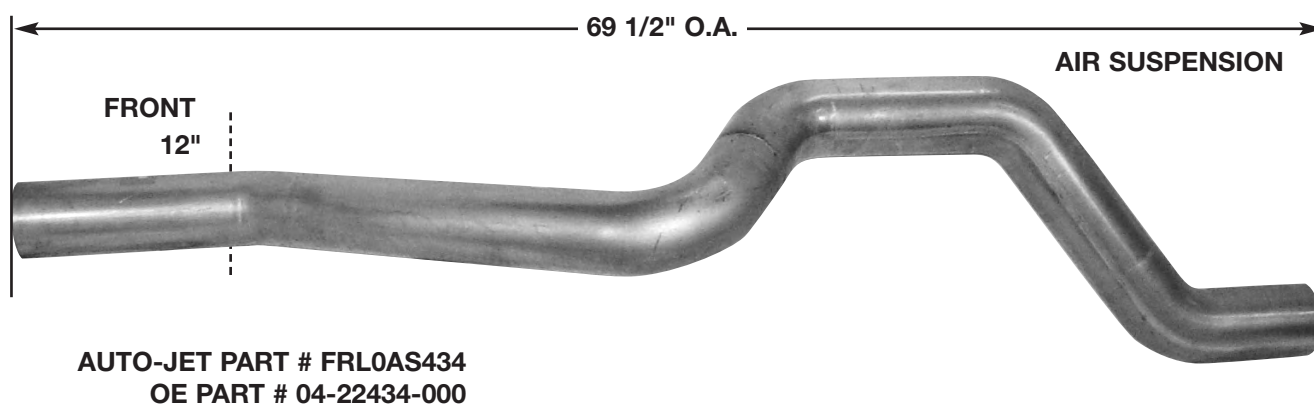
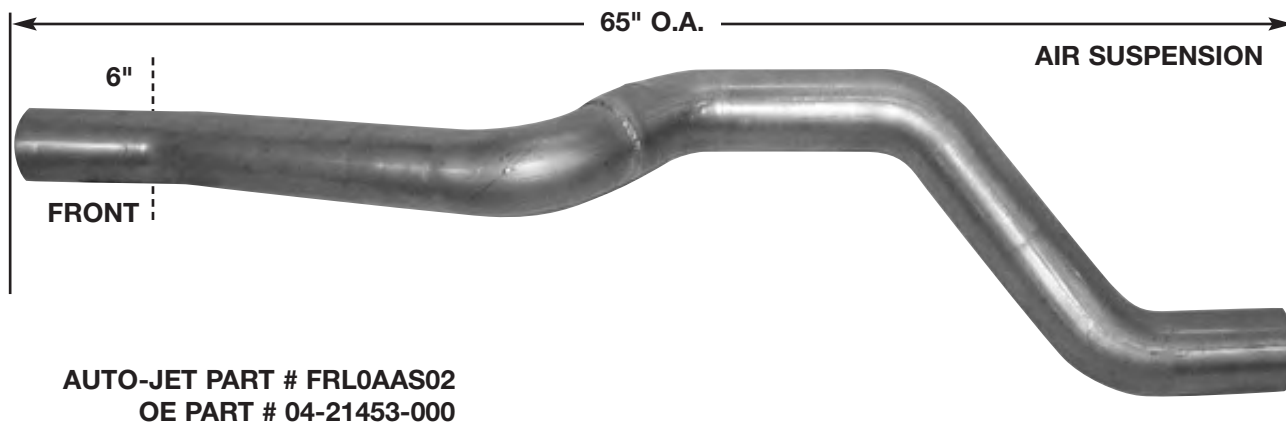


AUTO-JET MUFFLER CORP. • UNITED MUFFLER CORP.

U.S. toll free 1-800-247-5391 • Fax 515-224-0727 • website: www.auto-jet.com
Canada toll free 1-866-229-3402 • Fax 519-455-1103 • website: www.unitedmuffler.com

FREIGHTLINER OVERAXLES

2002 & UP FREIGHTLINER OVERAXLES



OE PART #'S ARE FOR CROSS REFERENCE PURPOSES ONLY

AUTO-JET MUFFLER CORP. • UNITED MUFFLER CORP.

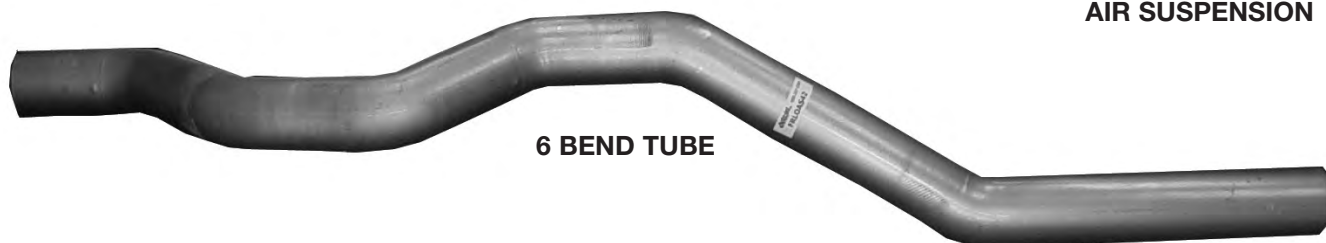
U.S. toll free 1-800-247-5391 • Fax 515-224-0727 • website: www.auto-jet.com
Canada toll free 1-866-229-3402 • Fax 519-455-1103 • website: www.unitedmuffler.com

FRL 21

FREIGHTLINER OVERAXLES

2002 & UP FREIGHTLINER OVERAXLES

AIR SUSPENSION

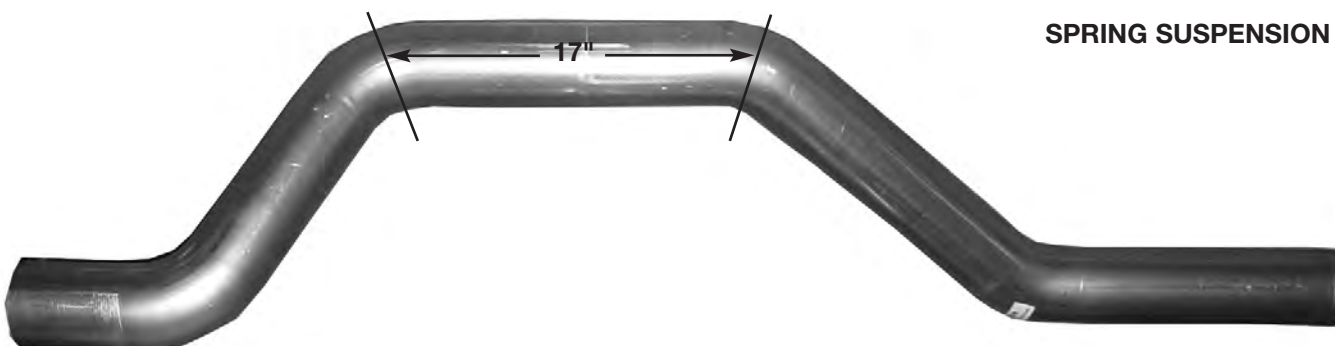


6 BEND TUBE

AUTO-JET PART # FRL0AS42
OE PART # 04-22842-000

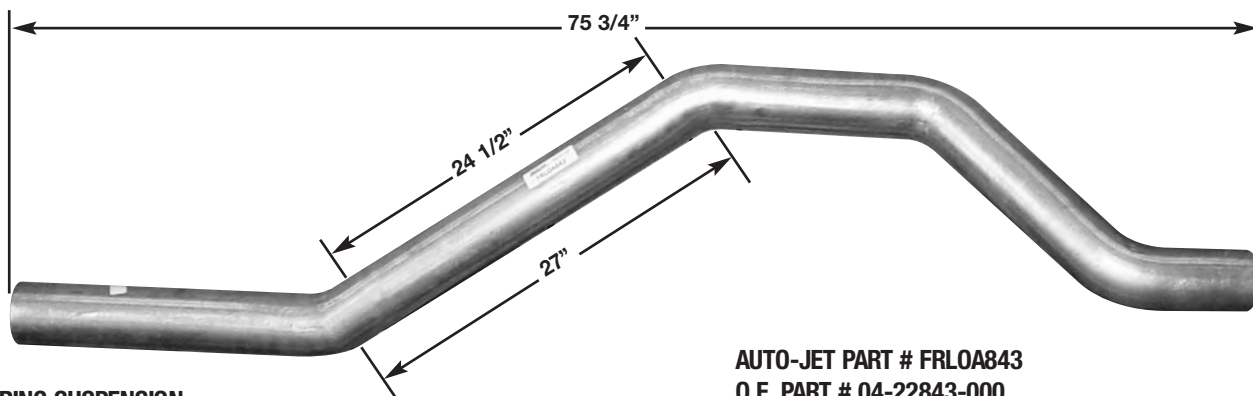
NOTE: TAILPIPE CAN BE STRAIGHT

SPRING SUSPENSION



AUTO-JET PART # FRL0A454
OE PART # 04-21454-000

FREIGHTLINER REAR OVERAXLE



SPRING SUSPENSION

AUTO-JET PART # FRL0A843
O.E. PART # 04-22843-000

OE PART #'S ARE FOR CROSS REFERENCE PURPOSES ONLY

AUTO-JET MUFFLER CORP. • UNITED MUFFLER CORP.

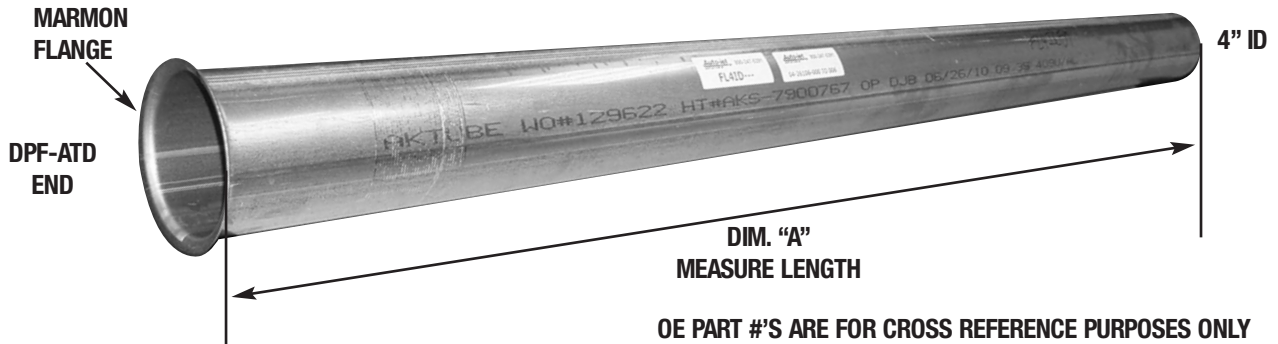
U.S. toll free 1-800-247-5391 • Fax 515-224-0727 • website: www.auto-jet.com
Canada toll free 1-866-229-3402 • Fax 519-455-1103 • website: www.unitedmuffler.com

FRL 22

FREIGHTLINER DPF-ATD-MUFFLER TO OVERAXLE TAIL PIPES

TUBE WITH MARMON FLANGE & ID

409 STAINLESS STEEL ALUMINIZED



AUTO-JET PART #	O.E.	DIM. "A"	AUTO-JET PART #	O.E.	DIM. "A"
FL4ID139	04-26106-006	139"	FL4ID59	04-26106-002	59"
FL4ID120	04-26106-005	120"	FL4ID39.5	04-26106-001	39.5"
FL4ID98.5	04-26160-004	98.5"	FL4ID18.7	04-26106-000	18.75"
FL4ID78.7	04-26106-003	78.75"			

NOTE: O.E. PART#S 04-24939-000 TO 006 ARE THE SAME OR SIMILAR

TUBE ALUMINIZED & 409 ALUMINIZED ID-OD

ALUMINIZED & 409 STAINLESS STEEL ALUMINIZED



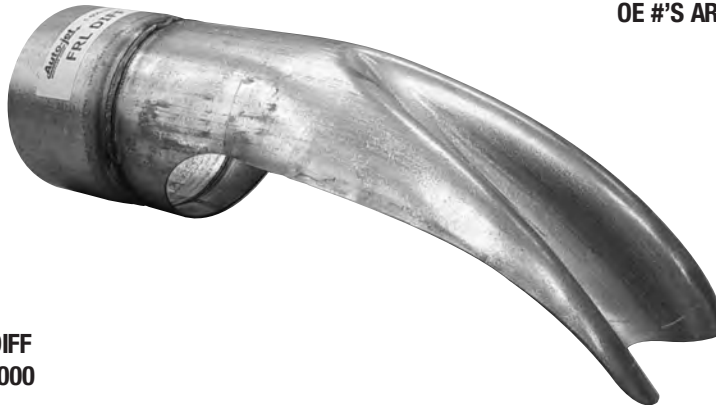
AUTO-JET PART#	AUTO-JET PART#
400STPID + DIM. "A" TO 1/4"	400STP409ID + DIM. "A" TO 1/4"
OE PART# 04-24170-000 TO 04-24170-007	OE PART# 04-22438-025 TO 04-22438-038
DIM. "A" RANGE 10 1/4" TO 140"	DIM. "A" RANGE 18 3/4" TO 138 3/4"
OE PART# 04-22438-000 TO 04-22438-024	
DIM. "A" RANGE 9 1/4" TO 128 1/2"	

AUTO-JET MUFFLER CORP. • UNITED MUFFLER CORP.

U.S. toll free 1-800-247-5391 • Fax 515-224-0727 • website: www.auto-jet.com
 Canada toll free 1-866-229-3402 • Fax 519-455-1103 • website: www.unitedmuffler.com

FREIGHTLINER DIFFUSERS & TURN DOWNS

TAILPIPE DIFFUSER



OE #'S ARE FOR CROSS REFERENCE ONLY

AUTO-JET PART # FRLDIFF
O.E. PART # 04-24971-000

TAILPIPE TURN DOWN



OE #'S ARE FOR CROSS REFERENCE ONLY

4" I.D.

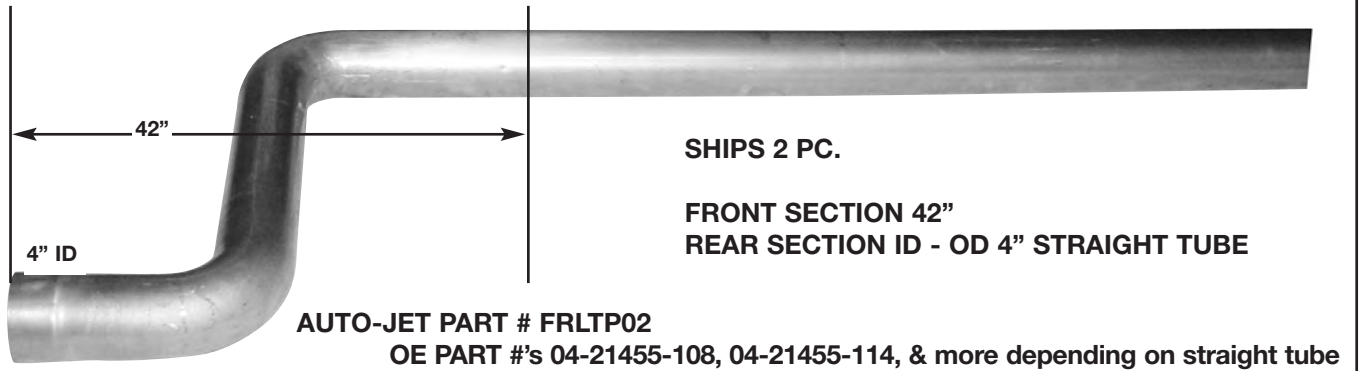
AUTO-JET PART # FRLTD434
O.E. PART # 04-20434-000

AUTO-JET MUFFLER CORP. • UNITED MUFFLER CORP.

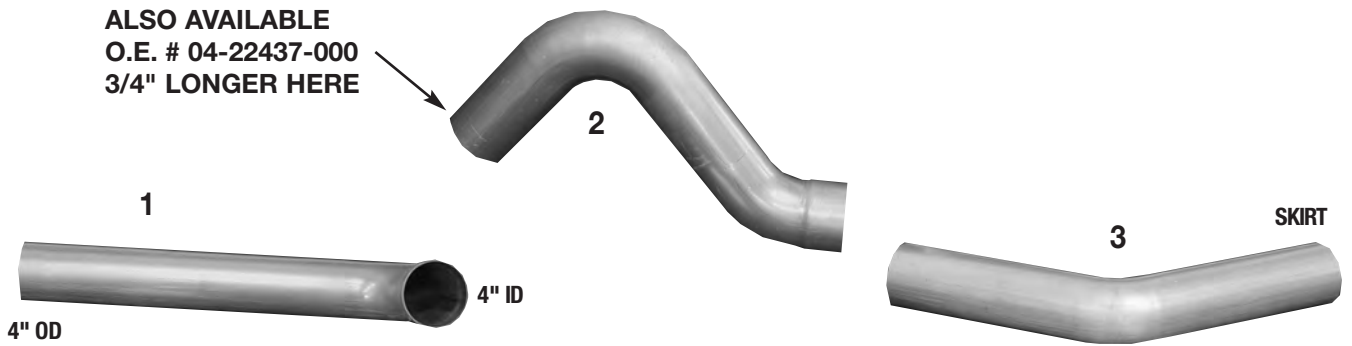
U.S. toll free 1-800-247-5391 • Fax 515-224-0727 • website: www.auto-jet.com
Canada toll free 1-866-229-3402 • Fax 519-455-1103 • website: www.unitedmuffler.com

2002 TO 2007 FREIGHTLINER TAIL PIPES

2002 & UP FREIGHTLINER TAIL PIPES

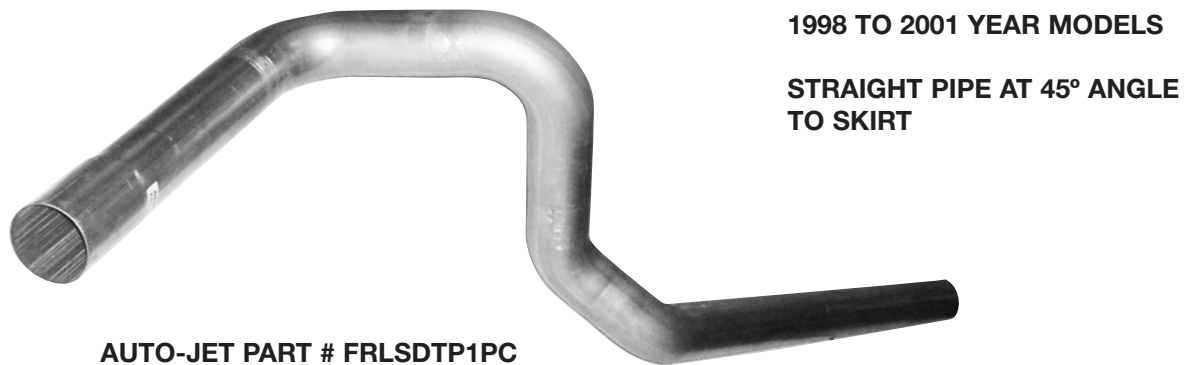


FREIGHTLINER SIDE DISCHARGE TAILPIPE



DESCRIPTION	1	2	3
		OVER DRIVE SHAFT PIPE	PIPE TO SKIRT
PART #	FRLSDTP1 04-17055-231	FRLSDTP2 04-17933-000	FRLSDTP3 04-17838-282

FREIGHTLINER SIDE DISCHARGE TAIL PIPE 1 PIECE

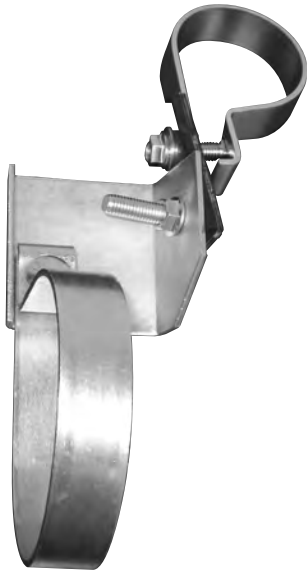


AUTO-JET MUFFLER CORP. • UNITED MUFFLER CORP.

U.S. toll free 1-800-247-5391 • Fax 515-224-0727 • website: www.auto-jet.com
Canada toll free 1-866-229-3402 • Fax 519-455-1103 • website: www.unitedmuffler.com

FREIGHTLINER TAILPIPE HANGERS

THOMAS - FREIGHTLINER TAIL PIPE HANGERS



AUTO-JET PART # FRLPH921
O.E. PART # 147921



AUTO-JET PART # TMVP61PH
THOMAS PART # 150561
FREIGHTLINER PART # 04-25752-000



AUTO-JET PART # FRLPH684
REPLACES O.E. PART # A04-22684-000
A04-25375-000
A04-25752-000






AUTO-JET PART # FRLPH84RUB
O.E. PART # A04-22684-000
STAINLESS STEEL O.E. # A04-22684-001




AUTO-JET MUFFLER CORP. • UNITED MUFFLER CORP.

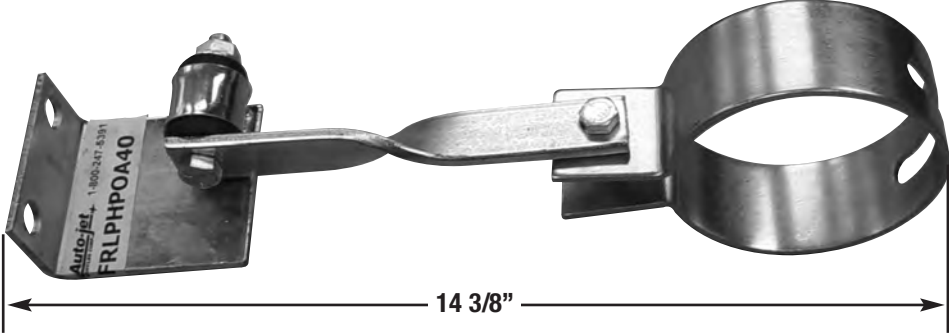
U.S. toll free 1-800-247-5391 • Fax 515-224-0727 • website: www.auto-jet.com
Canada toll free 1-866-229-3402 • Fax 519-455-1103 • website: www.unitedmuffler.com

FREIGHTLINER MUFFLER HANGERS

					
PART #	FRL11MH	PART #	FRL11MH02	PART #	FRLMH919
OE #	A04-17988-001	OE #	A04-19205-001	OE #	A04-20919-000

FREIGHTLINER OVERAXLE HANGERS

<p>TAILPIPE HANGER</p> 	<p>3/4" BOLT HOLES</p> 		
PART #	FRLPH	AIR-RIDE SUSPENSION	AIR-RIDE SUSPENSION
OE #'S	A04-18007-000 A04-21485-000	PART #	FRLPHOAR
		OE #	A04-18364-000
		PART #	FRLPHOAR02
		OE #	A04-21484-000

<p>OVER AXLE HANGER</p> <p>FRAME BOLT HOLES HORIZONTAL</p>  <p style="text-align: center;">14 3/8"</p>	
PART #	FRLPHOA40
OE #	A04-22840-000

OE PART #'S ARE FOR CROSS REFERENCE PURPOSES ONLY

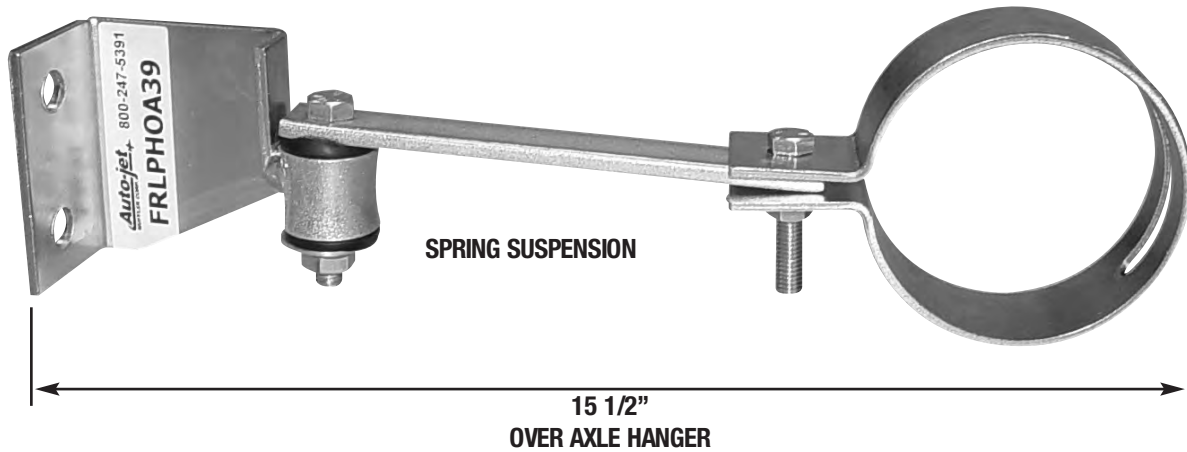
AUTO-JET MUFFLER CORP. • UNITED MUFFLER CORP.

U.S. toll free 1-800-247-5391 • Fax 515-224-0727 • website: www.auto-jet.com
Canada toll free 1-866-229-3402 • Fax 519-455-1103 • website: www.unitedmuffler.com

FREIGHTLINER TURBO PIPES

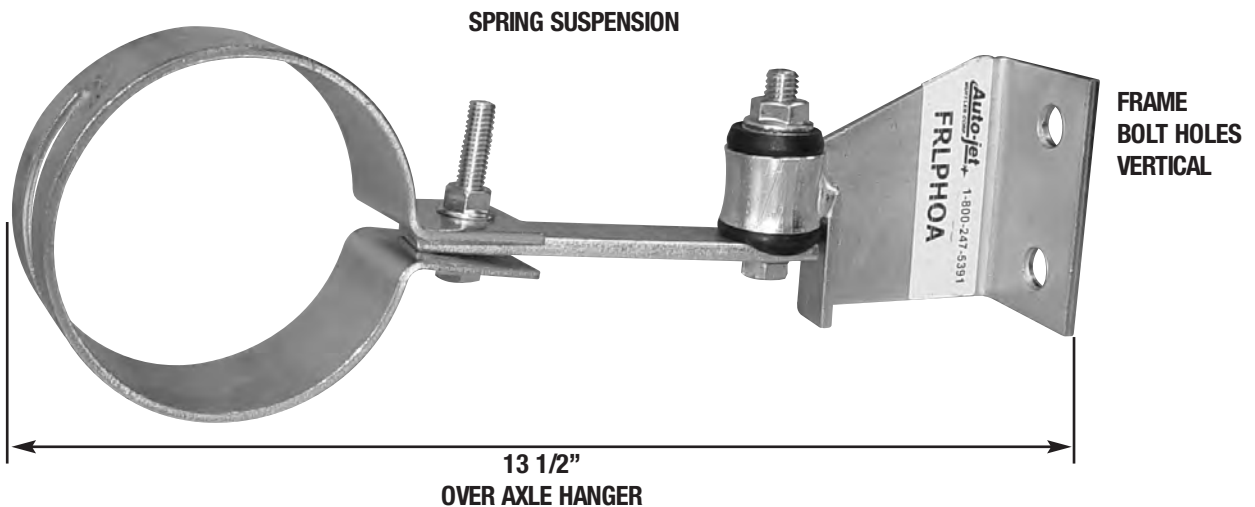
SPRING SUSPENSION

FRAME
BOLT HOLES
VERTICAL



AUTO-JET PART # FRLPHOA39
A04-22039-000 STAINLESS STEEL

SPRING SUSPENSION



AUTO-JET PART # FRLPHOA
A04-18007-001

AUTO-JET MUFFLER CORP. • UNITED MUFFLER CORP.

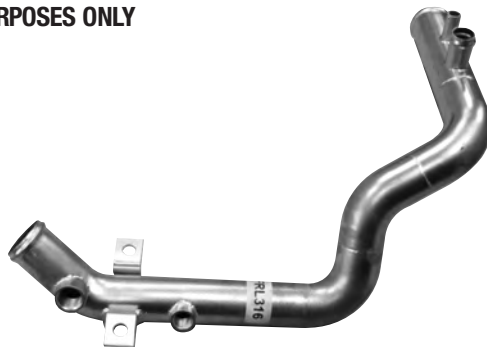
U.S. toll free 1-800-247-5391 • Fax 515-224-0727 • website: www.auto-jet.com
Canada toll free 1-866-229-3402 • Fax 519-455-1103 • website: www.unitedmuffler.com

FREIGHTLINER COOLANT & C.A.C. TUBES

FREIGHTLINER - MERCEDES ENGINE

OE PART #'S ARE FOR CROSS REFERENCE PURPOSES ONLY

MANY MORE
TUBES
AVAILABLE
CALL FOR MORE
INFORMATION!



AUTO-JET PART # CTFRL316
O.E. # A05-22316-000

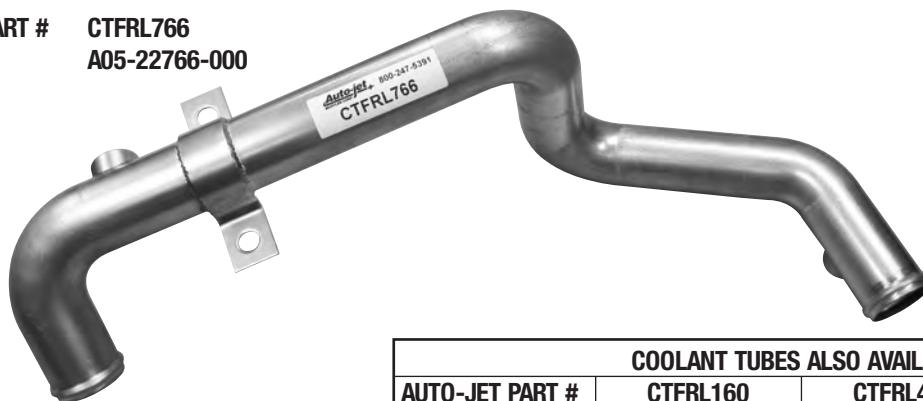
FREIGHTLINER - CATERPILLAR ENGINE

DESCRIPTION C-7 CATERPILLAR
AUTO-JET PART # CTFRL144
O.E. # A05-22316-000



FREIGHTLINER

AUTO-JET PART # CTFRL766
O.E. # A05-22766-000



COOLANT TUBES ALSO AVAILABLE

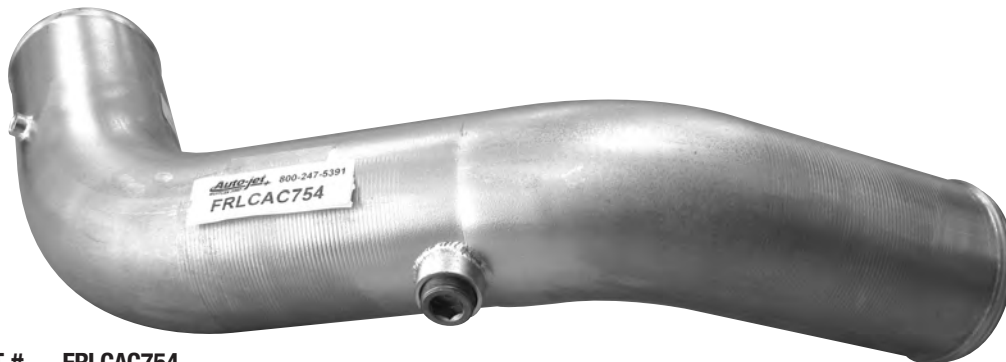
AUTO-JET PART #	CTFRL160	CTFRL405	CTFRL405-0
O.E. #	A05-25160-000	A05-22405-001	A05-22405-000

AUTO-JET MUFFLER CORP. • UNITED MUFFLER CORP.

U.S. toll free 1-800-247-5391 • Fax 515-224-0727 • website: www.auto-jet.com
Canada toll free 1-866-229-3402 • Fax 519-455-1103 • website: www.unitedmuffler.com

FREIGHTLINER COOLANT & C.A.C. TUBES

FREIGHTLINER CHARGE AIR-COOLER TUBE



AUTO-JET PART # FRLCAC754
O.E. # A03-30754-002

FREIGHTLINER CHARGE AIR-COOLER TUBE



AUTO-JET PART # FRLCAC366
O.E. # 01-27366-000

OE PART #'S ARE FOR CROSS REFERENCE PURPOSES ONLY

AUTO-JET MUFFLER CORP. • UNITED MUFFLER CORP.

U.S. toll free 1-800-247-5391 • Fax 515-224-0727 • website: www.auto-jet.com
Canada toll free 1-866-229-3402 • Fax 519-455-1103 • website: www.unitedmuffler.com

FRL 30

FREIGHTLINER CROSS REFERENCE CHART

Please call if you do not find the OE part # you need. If it's on a school bus, we probably manufacture it. Auto-Jet manufactures new parts daily.

01-14596-004	83VCLT
01-27366-000	FRLCAC366
04-17055-231	FRLSTDP1
04-17815-001	CUS-009-05
04-17838-282	FRLSDTP3
04-17925-000 TO 010	FRL400STP (Measure Length)
04-17926-000	FRLOARFT
04-17926-001	FRLOA
04-17926-002	FRLOARFT
04-17926-003	FRLOA
04-17926-004	FRLOARFT
04-17926-005	FRLOA
04-17926-006	FRLOARFT
04-17926-007	FRLOA
04-17927-008	FRLTP
04-17927-032	FRLTP77
04-17933-000	FRLSDTP2
04-17954-000	FORD400PH
04-18157-000	FRLISBTSS
04-18158-000	FRL3126T
04-18363-000	FRLOARFTAS
04-18363-001	FRLOAAS
04-18381-000	FRLTPUB
04-18556-000	FRLISBT
04-18701-000	FRLOAAS149
04-18802-000	FRL3126T802
04-18814-007	11-0085
04-18833-000	FRL3126BT
04-19131-005	CUS-005-05
04-19206-000	FRLISBTL
04-19550-000	FRL550T
04-19569-000	STER569
04-19730-000	STER300T
04-19732-000	STER3126T
04-19919-000	FRLMHRUB
04-19936-001	11-0025
04-19936-004	11-0005
04-20378-016	FRLTP
04-20378-020	FRLTP77
04-20378-037	FRLTP77
04-20378-040	FRLTP77
04-20434-000	FRLTD434
04-20537-000	FRLTPEXT537
04-20759-000	FRLT759
04-20759-001	FRLT759EB
04-20920-000	FRLMH919
04-20964-000	FRLMERCCT

OE PART #'S
ARE FOR CROSS
REFERENCE
PURPOSES ONLY

AUTO-JET MUFFLER CORP. • UNITED MUFFLER CORP.

U.S. toll free 1-800-247-5391 • Fax 515-224-0727 • website: www.auto-jet.com
Canada toll free 1-866-229-3402 • Fax 519-455-1103 • website: www.unitedmuffler.com

FREIGHTLINER CROSS REFERENCE CHART

Please call if you do not find the OE part # you need. If it's on a school bus, we probably manufacture it. Auto-Jet manufactures new parts daily.

04-21015-000	FRLT0000
04-21015-002	FRLT5002
04-21015-012	FRLT1015
04-21015-014	FRLT1015
04-21076-000	MECVCL4
04-21076-000	FRLMERCYL4
04-21077-000	FRLT1077
04-21077-001	FRLT1077STD
04-21078-000	FRLISBT078
04-21079-000	FRLISBTL
04-21412-000	FRLMERC566
04-21453-000	FRLOAAS02
04-21454-000	FRLOA454
04-21455	FRLTP02
04-21455-108	FRLTP02
04-21455-114	FRLTP02
04-21470-000 TO 007	FRL400STP (Measure Length)
04-21472-000	FORD400PH
04-22433-000	FRLOA433
04-22434-000	FRLOAS434
04-22437-000	FRLSDTP2
04-22438	FRL400STP
04-22438-004	400STP
04-22438-004	FRL400STP
04-22446-000	FRLT4460
04-22446-000	FRLT4460
04-22446-001	FRLT2446
04-22450-000	FRLMERC450
04-22451-000	FRLMERC451
04-22454-000	FRLMERC454
04-22484-000	FRLPHOAR02
04-22581-000	FRLT2581
04-22591-002	FRLT2591
04-22748-000	FRLMERC748
04-22842-000	FRLOAS42
04-22843-000	FRLOA843
04-23939-000	FRL4ID18.7
04-24111-000	FRL111T
04-24125-000	FRL125T
04-24937-000	FRLOA937
04-24938-000	FRLOA938
04-24938-000	FRLOA938
04-24939-001	FL4ID39.4
04-24939-002	FL4ID59
04-24939-003	FL4ID78.7
04-24939-004	FL4ID98.4
04-24939-005	FL4ID120

OE PART #'S
ARE FOR CROSS
REFERENCE
PURPOSES ONLY

AUTO-JET MUFFLER CORP. • UNITED MUFFLER CORP.

U.S. toll free 1-800-247-5391 • Fax 515-224-0727 • website: www.auto-jet.com
Canada toll free 1-866-229-3402 • Fax 519-455-1103 • website: www.unitedmuffler.com

FREIGHTLINER CROSS REFERENCE CHART

Please call if you do not find the OE part # you need. If it's on a school bus, we probably manufacture it. Auto-Jet manufactures new parts daily.

04-24939-006	FL4ID139
04-24971-000	FRLDIFF
04-25106-006	FL4ID139
04-25108-000	FRLT108
04-25111-000	FRLT5111
04-25563-000	FRLMERC454
04-25566-000	FRLMERC566
04-25601-000	FRLMERC748
04-26053-000	FRLT511
04-26054-000	FRLTINS
04-26106-000	FRL4ID18.7
04-26106-001	FRL4ID39.4
04-26106-002	FRL4ID59
04-26106-003	FRL4ID78.7
04-26106-004	FRL4ID98.4
04-26106-005	FRL4ID120
04-26374-012	FRLBELL
04-26435-000	FRLOA435
04-27685-000	FRLDPF85
04-27749-000	FRLOA749
04-27813-000	FRLOA813
04-28460-000	FRLT4460
17-17055-231	FRLSDTP1
214-4855	11-0005
228-4860	11-0065
681-492-00-40	MERCVCCL
A01-27366-000	FRLCAC366
A03-30754-002	FRLCAC754
A04-17997-000	FRL8MH
A04-17998-001	FRL11MH
A04-18007-000	FRLPH
A04-18007-001	FRLPHOA
A04-18364-000	FRLPHOAR
A04-19184-000	MERCVCCL6
A04-19184-001	MERCVCCL4
A04-19205-001	FRL11MH02
A04-20919-000	FRLMH919
A04-20920-000	FRLMH919
A04-21484-000	FRLPHOAR02
A04-21485-000	FRLPH
A04-21559-000	FRLMH559
A04-22039-000	FRLPHOA39
A04-22684-000	FRLPH84 RUB
A04-22684-001	FRLPH684 (STAINLESS)
A04-22840-000	FRLPHOA40
A04-25564-000	FRLMERCYL4
A04-25565-000	FRLMERC451
A04-25591-000	FRLMERC450

OE PART #'S
ARE FOR CROSS
REFERENCE
PURPOSES ONLY

AUTO-JET MUFFLER CORP. • UNITED MUFFLER CORP.

U.S. toll free 1-800-247-5391 • Fax 515-224-0727 • website: www.auto-jet.com
Canada toll free 1-866-229-3402 • Fax 519-455-1103 • website: www.unitedmuffler.com

FREIGHTLINER CROSS REFERENCE CHART

Please call if you do not find the OE part # you need. If it's on a school bus, we probably manufacture it. Auto-Jet manufactures new parts daily.

OE PART #'S
ARE FOR CROSS
REFERENCE
PURPOSES ONLY

A04-25592-000	FRLMERCT
A04-25752-000	FRLPH684
A04-25752-000	TMVP61PH
A04-56053-000	FRLT511
A0417997-000	FRL8MH
A0417998-001	FRL11MH
A0418007-000	FRLPH
A0418007-001	FRLPHOA
A0418364-000	FRLPHOAR
A05-22144-000	CTFRL144
A05-22316-000	CTFRL316
A05-22405-001	CTFRL405

AUTO-JET MUFFLER CORP. • UNITED MUFFLER CORP.

U.S. toll free 1-800-247-5391 • Fax 515-224-0727 • website: www.auto-jet.com
Canada toll free 1-866-229-3402 • Fax 519-455-1103 • website: www.unitedmuffler.com

ACCESSORIES

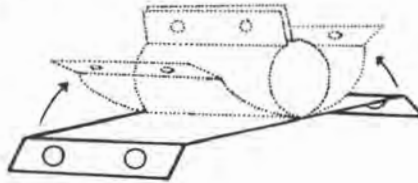
AUTO-JET SEAL CLAMPS - STAINLESS STEEL

Nationally Famous Donaldson Brand Seal Clamp® Registered Trademark
Pre-Formed Torc-Tite® Registered Trademark

Flat Donaldson Seal Clamp®

Pre-Formed Torc-Tite®

EASY SEAL CLAMPS (2 SIZES AVAILABLE)
3 1/2" 350SCEZ
4" 400SCEZ



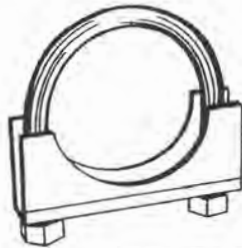
SIZE	2"	2-1/4"	2-1/2"	2-3/4"	3"	3-1/2"	4"	5"
SEAL CLAMP SINGLE PART #	200SC	225SC	250SC	275SC	300SC	350SC	400SC	500SC
SEAL CLAMP CASE OF 10	200SC10	225SC10	250SC10	275SC10	300SC10	350SC10	400SC10	500SC10
PRE-FORMED BOXED SINGLY	200SCPF	225SCPF	250SCPF	275SCPF	300SCPF	350SCPF	400SCPF	500SCPF
PRE-FORMED WITH GASKET					300SCPFWG	350SCPFWG	400SCPFWG	500SCPFWG

U-BOLT CLAMPS

ACCU-SEAL

ALL HEAVY DUTY 3/8"
3" THRU 5"
3" THRU 5"
ZINC PLATED
AVAILABLE IN 304
STAINLESS

ALUMINIZED



10 GA. SADDLE
3/8" BOLT

PREMIUM QUALITY
AT REGULAR PRICES

SIZE	2"	2-1/4"	2-1/2"	2-3/4"	3"	3-1/2"	4"	5"
U BOLT PART #	U200	U225	U250	U275	U300	U350	U400	U500
ACCUSEAL CLAMPS					87390L	87490L	87590L	87790L
STAINLESS STEEL U-BOLT					U300SS	U350SS	U400SS	U500SS

V-CLAMPS

STAINLESS STEEL
ORIGINAL EQUIPMENT



DESCRIPTION	ENGINE	PART #	DESCRIPTION	ENGINE	PART #
			MERCEDES	6 CYL	MERCVCL
				6 CYL	MERCVCL6
			FREIGHTLINER	4 CYL	MERCVCL4
			FORD	370-429 C.I.	370VCLHD
				8.2 LITRE NAT. ASP.	82FVCLNA
				8.2 LITRE TURBO	82VCLT
				6.6-7.3 LITRE	66FVCL
			CATERPILLAR	3116 & 3126	3116VCLT
				3208 TURBO	3208VCLT
NAVISTAR	DT360	DT360VCL			
	DT466	DT466VCL			
	T444	T444VCL & T444VCLPH			
CUMMINS	8.3 C-SERIES	83VCLT			
	6BT 5.9 B-SERIES	TCVCL			
	WITH WASTEGATE	FDVCL96			

AUTO-JET MUFFLER CORP. • UNITED MUFFLER CORP.

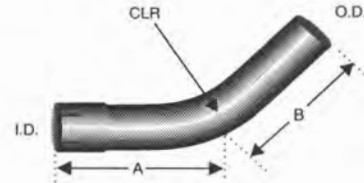
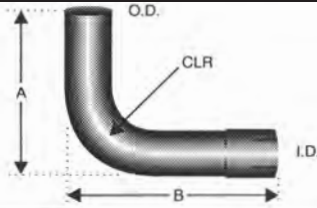
U.S. toll free 1-800-247-5391 • Fax 515-224-0727 • website: www.auto-jet.com
Canada toll free 1-866-229-3402 • Fax 519-455-1103 • website: www.unitedmuffler.com

ACCESSORIES

ELBOWS

STANDARD IS I.D.-O.D.
O.D.-O.D. ON REQUEST
TR DESIGNATES TIGHT RADIUS
A & B LENGTHS $\pm 1/4"$

ALUMINIZED
MANDREL BENT



SIZE	90° MANDREL BENT ALUMINIZED				45° MANDREL BENT ALUMINIZED			
	A	B	CLR	PART NUMBER	A	B	CLR	PART NUMBER
2-1/2"	10-1/2	10-1/2	3	25090E	8-3/4	8-3/4	3	25045E
2-3/4"	11-3/4	11-3/4	4	27590E	8-1/2	8-1/2	4	27545E
2-3/4"	12	12	2-3/4	27590ETR				
3"	12-1/4	12-1/4	4-1/2	30090E	9	9	4-1/2	30045E
3"	12	12	3-1/2	30090ETR				
3"	10-1/2	10-1/2	3	30090ETR3	9-1/4	9-1/4	6	35045E
3-1/2"	12-1/4	12-1/4	4	35090ETR				
4"	14-1/2	14-1/2	6	40090E6	10	10	6	40045E
4"	14-3/8	14-3/8	4-1/2	40090ETR	10-1/4	10-1/4		40045ETR
5"	19-1/2	19-1/2	8	50090E	14-1/4	14-1/4	8	40045E
5"	19-1/4	19-1/4	6	50090ETR	14-1/4	14-1/4	6	50045ETR
6"	23	23	10	60090E	18	18	10	60045E

TURN DOWNS

ALUMINIZED
MANDREL BENT



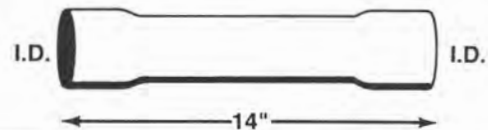
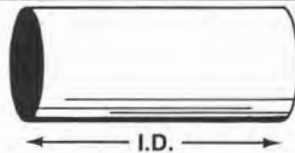
O.D. AVAILABLE

SIZE	OVERALL LENGTH	I.D. PART NO.
2-3/4"	14"	TD275ID
3"	14"	TD300ID
3-1/2"	14"	TD350ID
4"	14"	TD400ID
5"	20"	TD500ID
6"	20"	TD600ID

SLEEVES

CONNECTORS

INSIDE DIAMETER
COMPLETE LENGTH
SLEEVES I.D.
COMPLETE SLEEVE
MAXIMUM 7" LENGTH



SIZE	2-1/4"	2-1/2"	2-3/4"	3"	3-1/2"	4"	5"
PART # SLEEVES	225S	250S	275S	300S	350S	400S	500S
PART # CONNECTORS	225CON	250CON	275CON	300CON	350CON	400CON	500CON

AUTO-JET MUFFLER CORP. • UNITED MUFFLER CORP.

U.S. toll free 1-800-247-5391 • Fax 515-224-0727 • website: www.auto-jet.com
Canada toll free 1-866-229-3402 • Fax 519-455-1103 • website: www.unitedmuffler.com

TUBING PRODUCTS - STOCK ITEMS

STRAIGHT TUBING

ANY LENGTH AVAILABLE (20' MAXIMUM)

STANDARD IS OD-OD ENDS

EXPANSIONS ARE AVAILABLE



304 STAINLESS STEEL

HEAVY DUTY ALUMINIZED STRAIGHT TUBING STANDARD LENGTH 10'	
OD SIZE	PART NUMBER
2"	200STPA
2-1/4"	225STPA
2-1/2"	250STPA
2-3/4"	275STPA
3"	300STPA
3-1/2"	350STPA
4"	400STPA
4-1/2"	450STPA
5"	500STPA
6"	600STPA
7"	700STPA
8"	800STPA

HEAVY DUTY 304 STAINLESS STEEL STRAIGHT TUBING STANDARD LENGTH 10'	
OD SIZE	304 PART NUMBER
2"	200STP304
2-1/2"	250STP304
3"	300STP304
3-1/2"	350STP304*
4"	400STP304*
5"	500STP304
6"	600STP304

** ALSO AVAILABLE IN 409 STAINLESS STEEL*

FLEX TUBING (STAINLESS STEEL)

ANY LENGTH AVAILABLE

STAINLESS STEEL FLEX TUBING STANDARD LENGTH 10'	
ID SIZE	PART NUMBER
1-1/4"	FLEX125SS
1-1/2"	FLEX150SS
1-3/4"	FLEX175SS
2"	FLEX200SS
2-1/2"	FLEX250SS
3"	FLEX300SS
3-1/2"	FLEX350SS
4"	FLEX400SS
5"	FLEX500SS
6"	FLEX600SS



STAINLESS STEEL FLEX TUBING CUT LENGTHS				
ID SIZE	12"	18"	24"	36"
2-3/4"	FLEX27512	FLEX27518	FLEX27524	FLEX27536
3"	FLEX30012	FLEX30018	FLEX30024	FLEX30036
3-1/2"	FLEX35012	FLEX35018	FLEX35024	FLEX35036
4"	FLEX40012	FLEX40018	FLEX40024	FLEX40036
5"	FLEX50012	FLEX50018	FLEX50024	FLEX50036
6"	FLEX60012	FLEX60018	FLEX60024	FLEX60036

AUTO-JET MUFFLER CORP. • UNITED MUFFLER CORP.

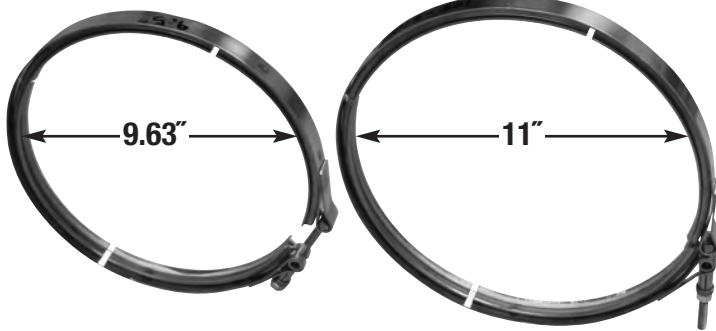
U.S. toll free 1-800-247-5391 • Fax 515-224-0727 • website: www.auto-jet.com
 Canada toll free 1-866-229-3402 • Fax 519-455-1103 • website: www.unitedmuffler.com

ACCESSORIES

CUMMINS DIESEL PARTICULATE FILTER V-CLAMPS

I.S.B. ENGINES

I.S.C. ENGINES



PART#	DPFVCL95	DPFVCL11
SIZE	9 1/2"	11"
CUMMINS O.E.#	2871861	2871862
SUPERSEDED#	4965096	4965097

STAINLESS STEEL BELLOWS ASSEMBLY

FEATURES:

- ONE PIECE LEAK PROOF
- ELIMINATES VIBRATION
- DESIGNED FOR EXTREME HEAT
- ALLOWS EXHAUST SYSTEM FLEXIBILITY
- ID BOTH ENDS
- 304 STAINLESS STEEL
- DOUBLE WALL

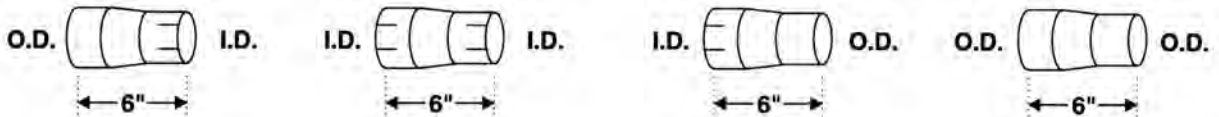
LENGTH	PART NUMBER	LENGTH	PART NUMBER
10"	SSB30010	12	SSB30012
10"	SSB35010	12	SSB36012
10"	SSB40010	12	SSB40012
10"	SSB500	N/A	N/A



OTHER SIZES & LENGTHS AVAILABLE

REDUCERS - 16 GAUGE ALUMINIZED STEEL

SMALLER SIZES
ALSO AVAILABLE



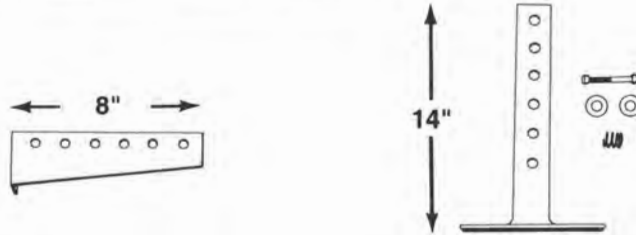
SIZE	OD-ID PART NUMBER	ID-ID PART NUMBER	ID-OD PART NUMBER	OD-OD PART NUMBER
3 X 2-1/2"	3-250 OD-ID	3-250 ID-ID	3-250 ID-OD	3-250 OD-OD
3 X 2-3/4"	3-275 OD-ID	3-275 ID-ID	3-275 ID-OD	3-275 OD-OD
3-1/2 X 3"	350-3 OD-ID	350-3 ID-ID	350-3 ID-OD	350-3 OD-OD
4 X 3"	4-3 OD-ID	4-3 ID-ID	4-3 ID-OD	4-3 OD-OD
4 X 3-1/2"	4-350 OD-ID	4-350 ID-ID	4-350 ID-OD	4-350 OD-OD
4-1/2 X 4"	450-4 OD-ID	450-4 ID-ID	450-4 ID-OD	450-4 OD-OD
5 X 4"	5-4 OD-ID	5-4 ID-ID	5-4 ID-OD	5-4 OD-OD
5 X 4-1/2"	5-450 OD-ID	5-450 ID-ID	5-450 ID-OD	5-450 OD-OD
5-1/2 X 4"			550-4 ID-OD	
6 X 4"			6-4 ID-OD	
6 X 5"	6-5 OD-ID	6-5 ID-ID	6-5 ID-OD	6-5 OD-OD

AUTO-JET MUFFLER CORP. • UNITED MUFFLER CORP.

U.S. toll free 1-800-247-5391 • Fax 515-224-0727 • website: www.auto-jet.com
 Canada toll free 1-866-229-3402 • Fax 519-455-1103 • website: www.unitedmuffler.com

ACCESSORIES

HEAVY - DUTY T - HANGER & BRACKET



Extra heavy duty construction includes bolt, spring, washers and locknut

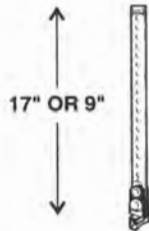
"Spring Loaded"
Fits 2-1/2" - 5" Bolts

DESCRIPTION	BRACKET	T-HANGER
PART #	HGRBR	THGR

SWIVEL HANGER

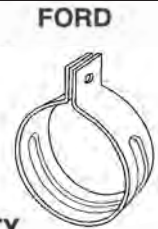
Designed for commercial use

HUNG ON STEEL
MOUNTED IN RUBBER



DESCRIPTION	SWIVEL HANGER	
PART #	17" - SWHGR	9" - SWHGR9

OE STYLE HANGERS

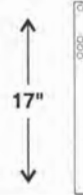
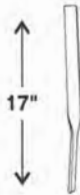


EXTRA HEAVY DUTY

DESCRIPTION	NAVISTAR 2-PIECE TAIL PIPE HANGER 3" & 2-3/4"	FORD 1-PIECE 4"
PART #	300PH2PC	400PH2PC
		FORD400PH

STRAIGHT & QUARTER BEND HANGERS

1/4" COLD STEEL



DESCRIPTION	QUARTERBEND HANGER	STRAIGHT HANGER	HD PIPE HANGER
PART #	QTRHGR	STHGR	RUBHGR

MUFFLER HANGERS

AUTO-JET "HAND-FITTED" HANGERS
PERFECT FOR OUR HEAVY-DUTY MUFFLERS

ROUND



OVAL



SIZE	6"	7"	8"	8-1/2"	10"	11"	SIZE	8-1/4" X 11-1/2"	10" X 15"
PART #	600MH	700MH	800MH	850MH	1000MH	1100MH	PART #	OVALMH1	OVALMH2

AUTO-JET MUFFLER CORP. • UNITED MUFFLER CORP.

U.S. toll free 1-800-247-5391 • Fax 515-224-0727 • website: www.auto-jet.com
Canada toll free 1-866-229-3402 • Fax 519-455-1103 • website: www.unitedmuffler.com

ACCESSORIES TOOLS OF THE TRADE

AUTO - JET LARGE PIPE SHAPER



PART # 400SHAPER

- Designed especially for late model gas or diesel trucks and buses.
- For use on all 2-3/4" through 4" pipe.
- An essential tool for all garages.
- Heavy duty construction with removable handle.

AUTO - JET TUBING EXPANDER

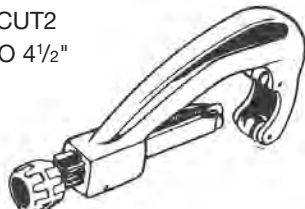


3-# EXPANDER350
4" PART # EXPANDER4
5" PART # EXPANDER5

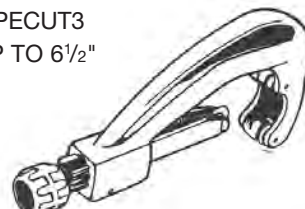
- Designed especially for buses and trucks with 3-1/2", 4", and 5" exhaust systems.
- Rounds muffler and tubing ends to original size and shape with ease.
- Removes U-bolt crimps.
- Not designed to swage tubing.
- Saves exhaust installation time.
- Operates with impact wrench.
- Replacement parts in stock.

PIPE CUTTERS

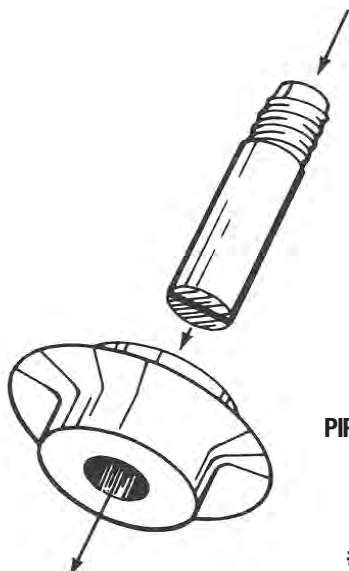
PIPECUT2
UP TO 4 1/2"



PIPECUT3
UP TO 6 1/2"



MISCELLANEOUS ITEMS



PIPE CUTTER
PINS &
PIN1
PIN2
#WHEEL



MUFFLER
CEMENT
CEMENT

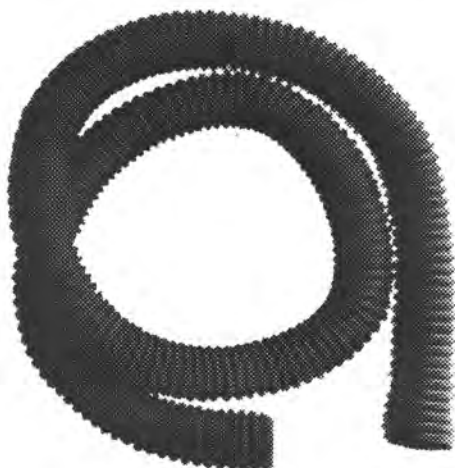
AUTO-JET MUFFLER CORP. • UNITED MUFFLER CORP.

U.S. toll free 1-800-247-5391 • Fax 515-224-0727 • website: www.auto-jet.com
Canada toll free 1-866-229-3402 • Fax 519-455-1103 • website: www.unitedmuffler.com

ACCESSORIES

GARAGE EXHAUST HOSE

CRUSH PROOF RUBBER
CAN BE JOINED
AVAILABLE IN 11' LENGTHS

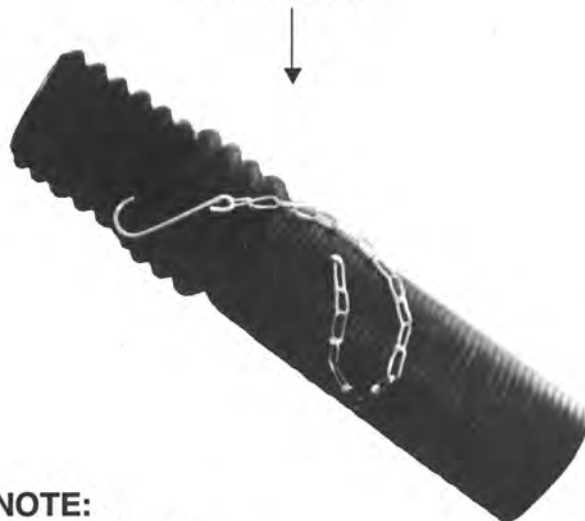


DOOR PORTS AVAILABLE

SIZE	PART NUMBER
3"	RH300
4"	RH400
5"	RH500
6"	RH600

RUBBER TAIL PIPE ADAPTER

WITH CHAIN



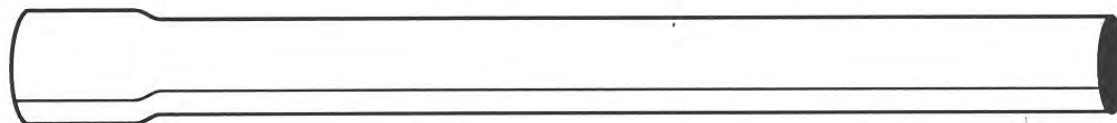
NOTE:
DOOR PORTS
AVAILABLE.
4" PART # 400PORT

SIZE	PART NUMBER
3"	RAD300
4"	RAD400
5"	RAD500

TAIL PIPE EXTENSIONS

ALUMINIZED
STANDARD LENGTH IS 24"
ANY LENGTH AVAILABLE

I.D.



DESCRIPTION	2-1/2"	2-3/4"	3"	3-1/2"	4"	5"
PART #	250EXT	275EXT	300EXT	350EXT	400EXT	500EXT

AUTO-JET MUFFLER CORP. • UNITED MUFFLER CORP.

U.S. toll free 1-800-247-5391 • Fax 515-224-0727 • website: www.auto-jet.com
Canada toll free 1-866-229-3402 • Fax 519-455-1103 • website: www.unitedmuffler.com

ACCESSORIES

CAT'S EYE TIRE PRESSURE MAINTENANCE SYSTEM

KEEP AN EYE ON YOUR TIRES!

Cat's Eye works hard in two ways. It equalizes the air pressure between the dual tires and it signals underinflation.



**INTERNAL CHECK VALVE
PREVENTS BOTH TIRES
FROM GOING FLAT IN
CASE OF A BLOWOUT!**

COST SAVINGS

- **Increased Tire Life** - Underinflation dramatically impacts the life of the tire.
- **Better Fuel Mileage** - Underinflation increases the footprint, increasing drag.
- **Equalizes Pressure** - Allows the dual to carry the load equally.

SAFETY

- **Detects Potential Tire Problems** - Before they become dangerous.
- **Decreases Emergency Situations** - The heat generated from underinflation leads to blowouts.

LABOR SAVINGS

- **Easy-to-Read Gauge** - Tires can quickly be checked with a glance.
- **User Friendly** - Cat's Eye eliminates the dirty work of checking the inside dual.
- **Central Airing Point** - Air both tires at one time for easy access.



SEE NEXT PAGE FOR MORE
INFORMATION ON CAT'S EYE...

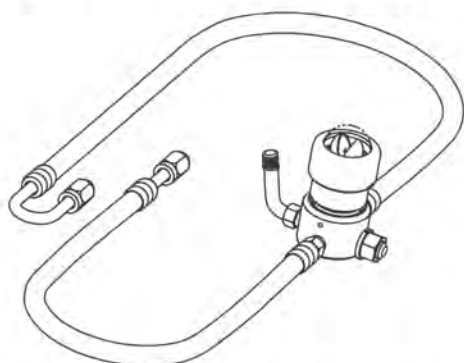
AUTO-JET MUFFLER CORP. • UNITED MUFFLER CORP.

U.S. toll free 1-800-247-5391 • Fax 515-224-0727 • website: www.auto-jet.com
Canada toll free 1-866-229-3402 • Fax 519-455-1103 • website: www.unitedmuffler.com

ACCESSORIES

CAT'S EYE TIRE PRESSURE MAINTENANCE SYSTEM

2 CAT'S EYE UNITS AND MOUNTING BRACKETS COMPLETE 1 AXLE (BOTH SETS OF DUALS)



- Shipped in two-unit bubble-pack sets.
- Standard 14" hose is made of reinforced rubber
- Stainless steel hoses available
- Fleet-proven: references on request.
- For use on school buses, trucks, truck tractors, trailers, vans and all dual wheel vehicles.
- All replacement parts in stock.

90-DAY GUARANTEE

We want you to be happy!

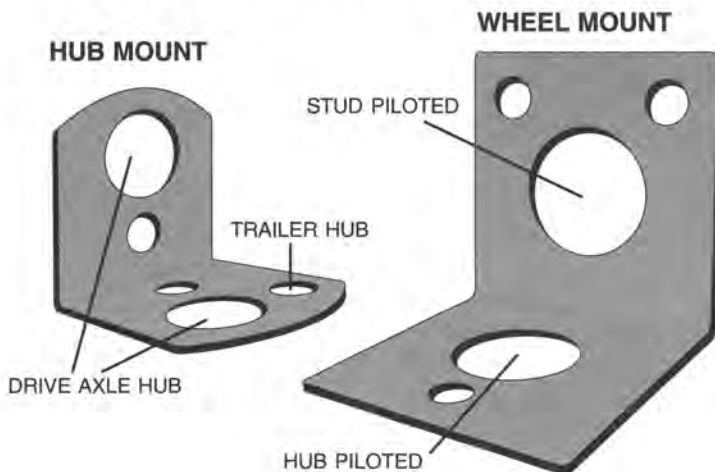
Auto Jet offers a 90-day "no risk to you" program designed to let you see for yourself the value of the Cat's Eye: the easy installation, dependability, and increased savings on your tires. If not completely satisfied, return for a full refund!

John Rapp, PRESIDENT

CAT'S EYE PART NUMBERS

POUNDS PER SQUARE INCH	AUTO-JET PART NUMBER
60	6060-AE00
65	6065-AE00
70	6070-AE00
75	6075-AE00
80	6080-AE00
85	6085-AE00
90	6090-AE00
95	6095-AE00
100	6100-AE00
105	6105-AE00
110	6110-AE00
115	6115-AE00
120	6120-AE00
125	6125-AE00

UNIVERSAL MOUNTING BRACKETS SHIPPED WITH EVERY PACKAGE!



BRACKET TYPE	AUTO-JET PART NUMBER
HUB MOUNT	6000-3010
WHEEL MOUNT	6000-3009

AUTO-JET MUFFLER CORP. • UNITED MUFFLER CORP.

U.S. toll free 1-800-247-5391 • Fax 515-224-0727 • website: www.auto-jet.com
 Canada toll free 1-866-229-3402 • Fax 519-455-1103 • website: www.unitedmuffler.com

INTERNATIONAL CATALYTIC MUFFLERS

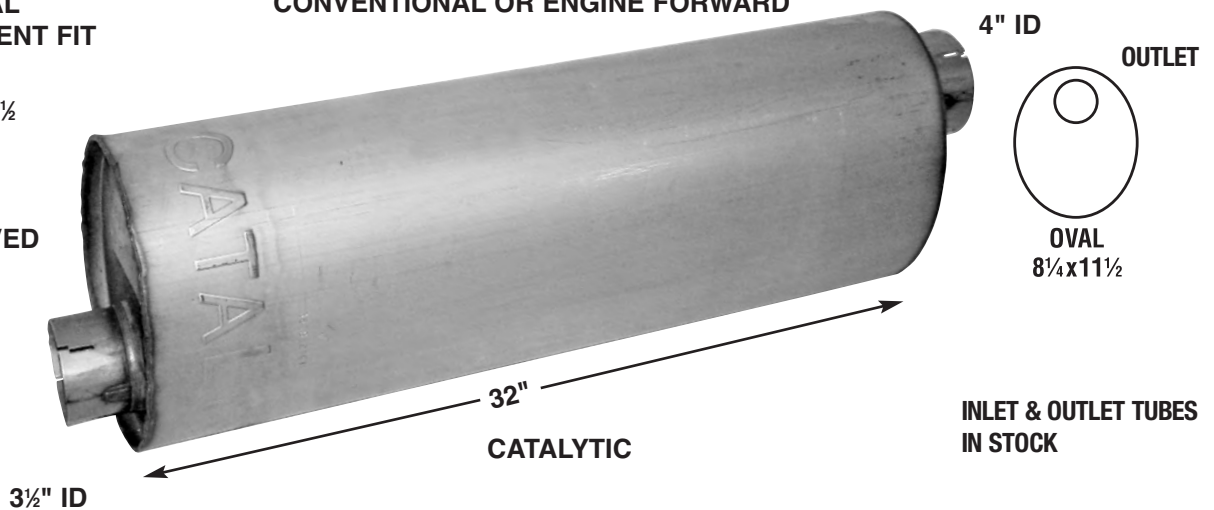
2005 & UP CE

ORIGINAL
EQUIPMENT FIT

8¼x11½
Oval

E.P.A.
APPROVED

CONVENTIONAL OR ENGINE FORWARD



AUTO-JET PART # 350400CAT

INTERNATIONAL CATALYTIC CONVERTERS



AUTO-JET PART # NAV714
O.E. # 2595714C91



AUTO-JET PART # NAV981R
O.E. # 2593981R91

NOTE: DUE TO LIMITED SUPPLY OF CATALYSTS, CATALYTIC MUFFLERS MAY BE SUBJECT TO LEAD TIME.

MATERIAL 409 STAINLESS STEEL

NOTE: CATALYTIC MUFFLERS ARE APPROVED FOR ENGINES = TO OR < 250 H.P.

AUTO-JET MUFFLER CORP. • UNITED MUFFLER CORP.

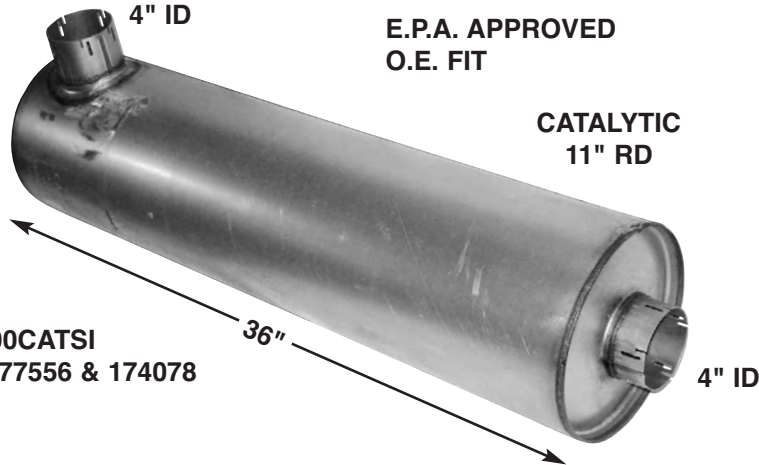
U.S. toll free 1-800-247-5391 • Fax 515-224-0727 • website: www.auto-jet.com
Canada toll free 1-866-229-3402 • Fax 519-455-1103 • website: www.unitedmuffler.com

CAT/MUF 1

BLUEBIRD EXHAUST SYSTEMS CATALYTIC MUFFLERS

ENGINE: CATERPILLAR

MODELS:
REAR ENGINE TC 2000 &
ALL AMERICAN WITH
SIDE INLET MUFFLER



E.P.A. APPROVED
O.E. FIT

REQUIRES
400 EXT.
8" LONG

AUTO-JET PART # 400CATSI
OE# 1777556 & 174078

OE PART #'S ARE FOR CROSS REFERENCE PURPOSES ONLY

MATERIAL 409 STAINLESS STEEL

NOTE: CATALYTIC MUFFLERS ARE APPROVED FOR ENGINES = TO OR < 250 H.P.

HEAVIER DUTY HANGERS ARE IN STOCK!

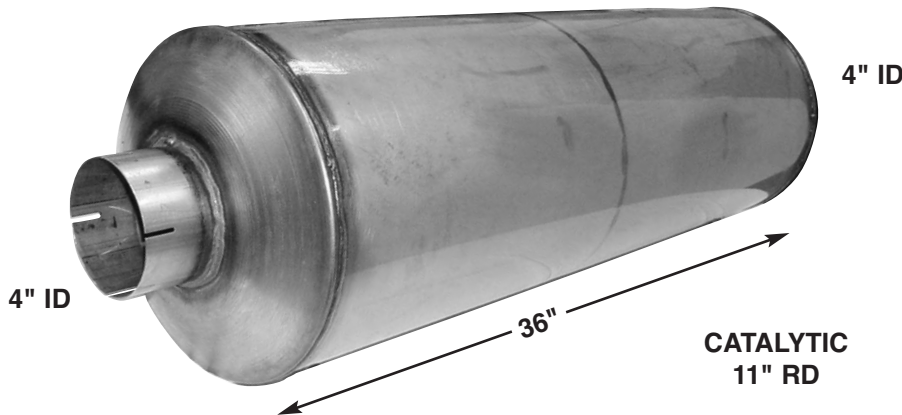
FORD CATALYTIC MUFFLERS

1996 & UP FORD

ENGINES:
B-SERIES CUMMINS

O.E. FIT
E.P.A. APPROVED

MUFFLER HANGER



FORDCATMH
OE# E7HZ5A215B

AUTO-JET PART# 400CATCTR
OE# E7HZ5F25OYA

OE #'S ARE FOR CROSS REFERENCE ONLY

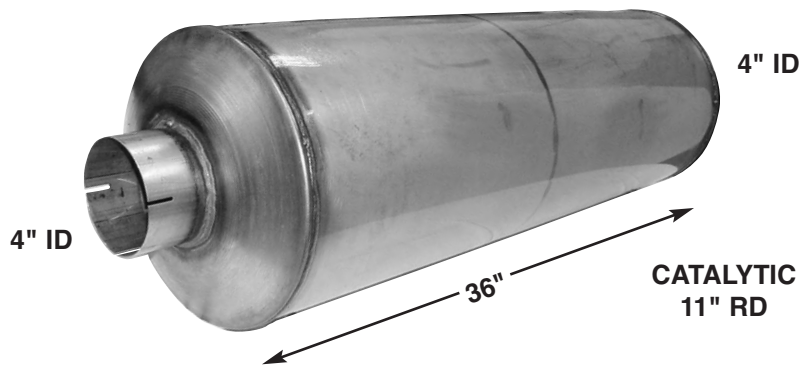
AUTO-JET MUFFLER CORP. • UNITED MUFFLER CORP.

U.S. toll free 1-800-247-5391 • Fax 515-224-0727 • website: www.auto-jet.com
Canada toll free 1-866-229-3402 • Fax 519-455-1103 • website: www.unitedmuffler.com

CAT/MUF 2

FREIGHTLINER CATALYTIC MUFFLERS

E.P.A. APPROVED
ORIGINAL EQUIPMENT FIT



AUTO-JET # FRLMH919
OE # A04-20919-000
OE PART #'S ARE FOR CROSS REF-
ERENCE PURPOSES ONLY

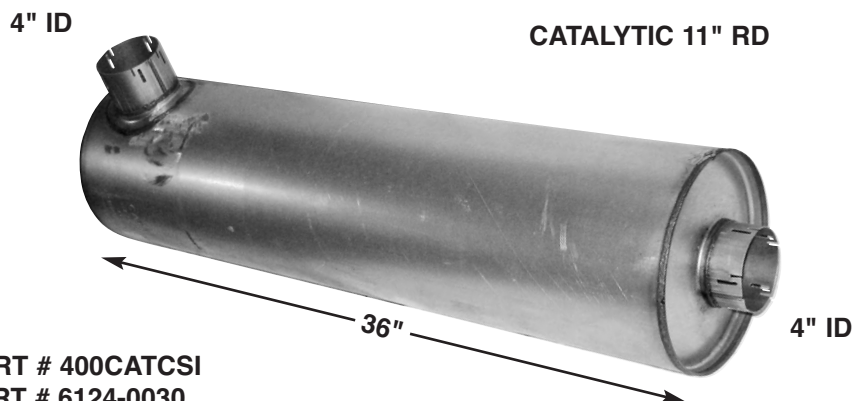
ENGINE APPLICATION: 3126 CAT. - MERCEDES
AUTO-JET PART # 400CATCTR

MATERIAL 409 STAINLESS STEEL

NOTE: CATALYTIC MUFFLERS ARE APPROVED FOR ENGINES = TO OR < 250 H.P.

THOMAS CATALYTIC MUFFLERS

ENGINE: CATERPILLAR



E.P.A. APPROVED

REQUIRES
400 EXT
8" LONG

MATERIAL
409 STAINLESS
STEEL

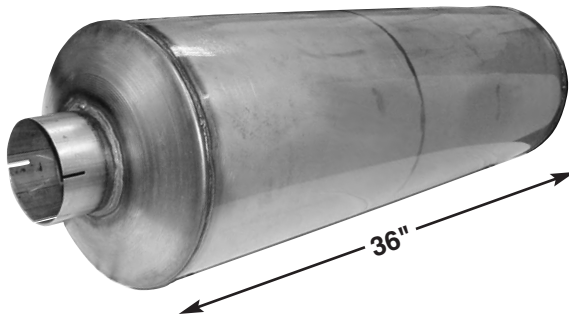
AUTO-JET PART # 400CATCSI
OE PART # 6124-0030

AUTO-JET MUFFLER CORP. • UNITED MUFFLER CORP.

U.S. toll free 1-800-247-5391 • Fax 515-224-0727 • website: www.auto-jet.com
Canada toll free 1-866-229-3402 • Fax 519-455-1103 • website: www.unitedmuffler.com

CAT/MUF 3

THOMAS CATALYTIC MUFFLERS



E.P.A. APPROVED

MUFFLER IS
6" LONGER
THAN OE

MATERIAL
409 STAINLESS
STEEL

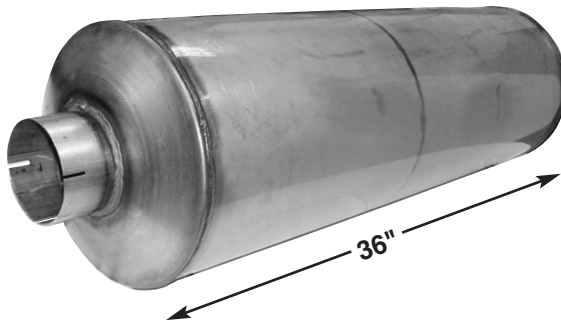
AUTO-JET PART # 400CATCTR
OE PART # 6124-0026

OE PART #'S ARE FOR CROSS REFERENCE PURPOSES ONLY

NOTE: CATALYTIC MUFFLERS ARE APPROVED FOR
ENGINES = TO OR < 250 H.P.

GMC - BLUE BIRD CATALYTIC MUFFLER

ENGINE 3126 CATERPILLAR



REQUIRES
(2) 11MH TORCA
MUFFLER HANGERS

E.P.A. APPROVED

MATERIAL
409 STAINLESS STEEL

AUTO-JET PART # 400CATCTR
OE PART # 15982889

OE PART #'S ARE FOR CROSS REFERENCE ONLY

NOTE: CATALYTIC MUFFLERS ARE APPROVED FOR
ENGINES = TO OR < 250 H.P.

AUTO-JET MUFFLER CORP. • UNITED MUFFLER CORP.

U.S. toll free 1-800-247-5391 • Fax 515-224-0727 • website: www.auto-jet.com
Canada toll free 1-866-229-3402 • Fax 519-455-1103 • website: www.unitedmuffler.com

CAT/MUF 4

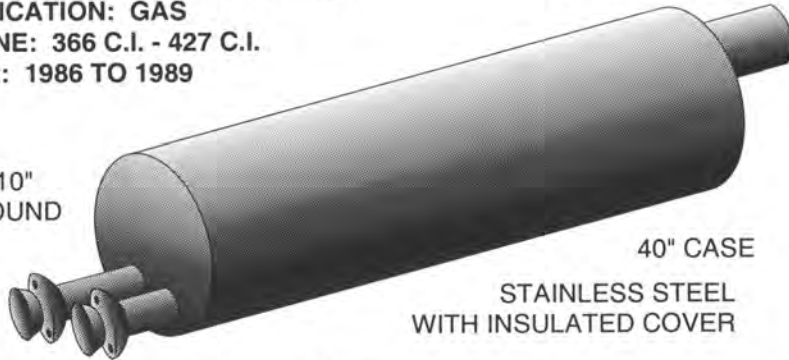
MUFFLERS

1986-89 CHEVROLET - GMC BUS MUFFLERS

AUTO-JET PART NO.: 2250400BS
 APPLICATION: GAS
 ENGINE: 366 C.I. - 427 C.I.
 YEAR: 1986 TO 1989

4" OFFSET OUTLET

10"
 ROUND



40" CASE

STAINLESS STEEL
 WITH INSULATED COVER

DUAL INLETS - 2-1/2" SOCKET CONNECTION

SHIELD
 HANGER



#GM10HS

MUFFLER
 HANGER



#GM10MH

FRAME BRACKETS



FRONT
 #GM10BRFT



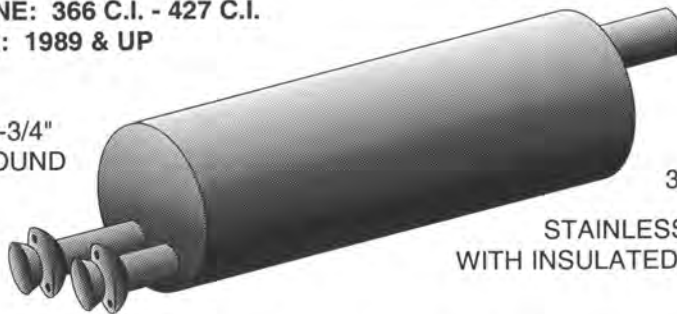
REAR
 #GM10BRRE

1989-UP CHEVROLET - GMC BUS MUFFLERS

AUTO-JET PART NO.: 2250300BS
 APPLICATION: GAS
 ENGINE: 366 C.I. - 427 C.I.
 YEAR: 1989 & UP

3" OUT TO CONVERTER

8-3/4"
 ROUND



30" CASE

STAINLESS STEEL
 WITH INSULATED COVER

DUAL INLETS - 2-1/2" SOCKET CONNECTION

MUFFLER HANGER

#GM875MH



BRACKETS



MUFFLER
 #GM875BR

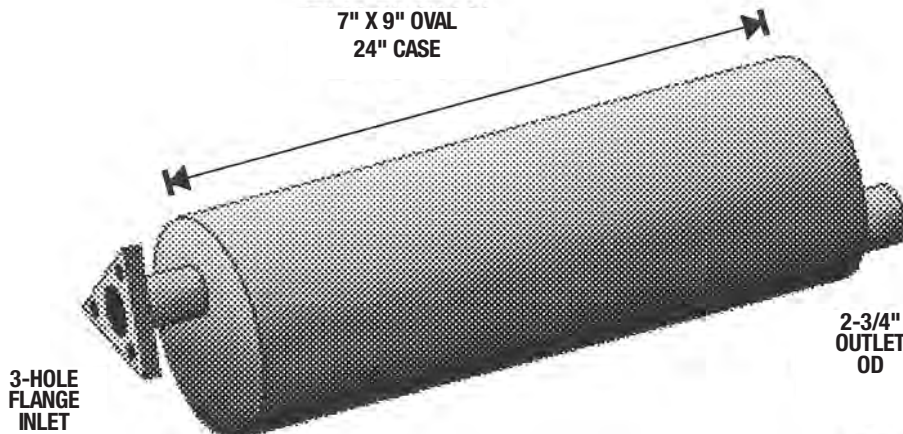


FRAME
 #GM875FRBR

CHEVROLET - GMC G-30 VAN

APPLICATION:
 G-30 VAN
 ENGINE:
 6.5 LITRE DIESEL
 YEAR:
 1998-UP
 PART NO.:
 65G600FL

7" X 9" OVAL
 24" CASE



3-HOLE
 FLANGE
 INLET

2-3/4"
 OUTLET
 OD

GM# 15739326

AUTO-JET MUFFLER CORP. • UNITED MUFFLER CORP.

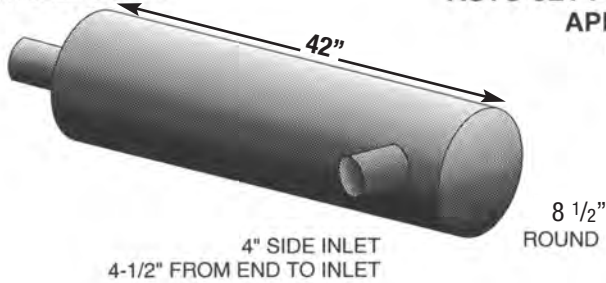
U.S. toll free 1-800-247-5391 • Fax 515-224-0727 • website: www.auto-jet.com
 Canada toll free 1-866-229-3402 • Fax 519-455-1103 • website: www.unitedmuffler.com

CAT/MUF 5

MUFFLERS

1992-UP CHEVROLET - GMC BUS MUFFLERS

4" CENTERED OUTLET



AUTO-JET PART NO.: CV400400
APPLICATION: DIESEL
ENGINE: 3116 CAT.
YEAR: 1992 & UP

MUFFLER HANGER

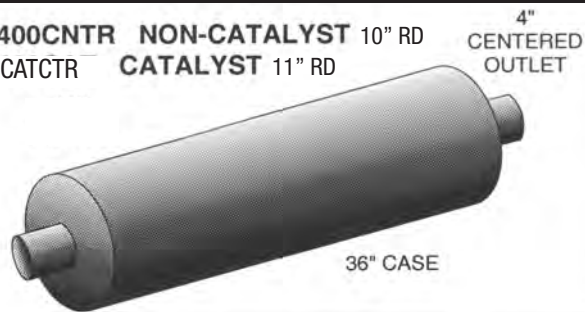


GM875MH

1992-UP CHEVROLET - GMC BUS MUFFLERS

AUTO-JET PART NO.: CV400CNTR NON-CATALYST 10" RD
AUTO-JET PART NO.: 400CATCTR CATALYST 11" RD
APPLICATION: DIESEL
ENGINE: 3116 CAT.
YEAR: 1992-UP

4" CENTERED INLET



MUFFLER HANGER

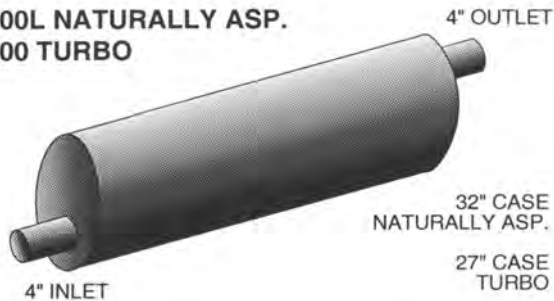


#GM10MH
11MHTORCA

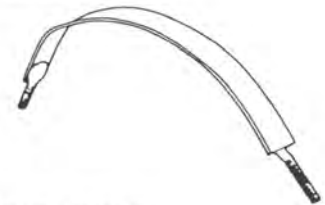
1980-90 CHEVROLET - GMC BUS MUFFLERS

AUTO-JET PART NO.: 400400L NATURALLY ASP.
AUTO-JET PART NO.: 400400 TURBO
APPLICATION: DIESEL
ENGINE: 8.2 LITRE
YEAR: 1980 TO 1990

8-1/4 x 11-1/2"
OVAL



MUFFLER STRAP
DIESEL



#GMOVSTRAP

AUTO-JET MUFFLER CORP. • UNITED MUFFLER CORP.

U.S. toll free 1-800-247-5391 • Fax 515-224-0727 • website: www.auto-jet.com
Canada toll free 1-866-229-3402 • Fax 519-455-1103 • website: www.unitedmuffler.com

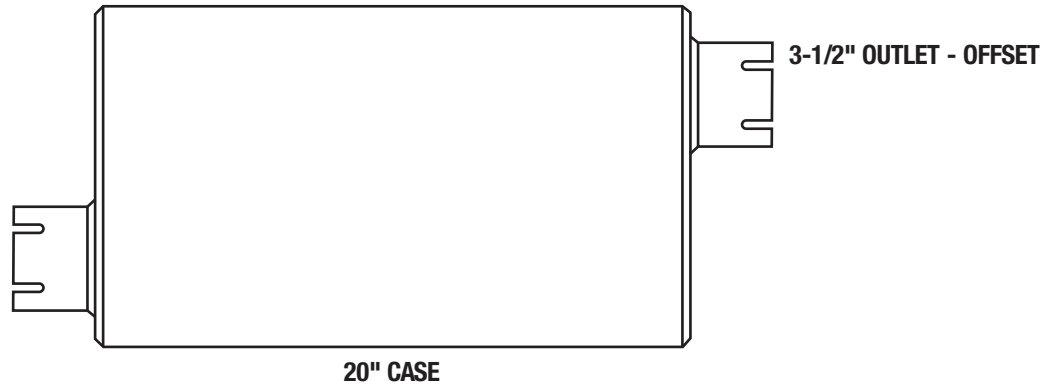
CAT/MUF 6

MUFFLERS

1999-UP FORD VAN MUFFLERS

AUTO-JET PART NO.: C-0045
APPLICATION: DIESEL
ENGINE: 7.3 LITRES
YEARS: 1999 & UP

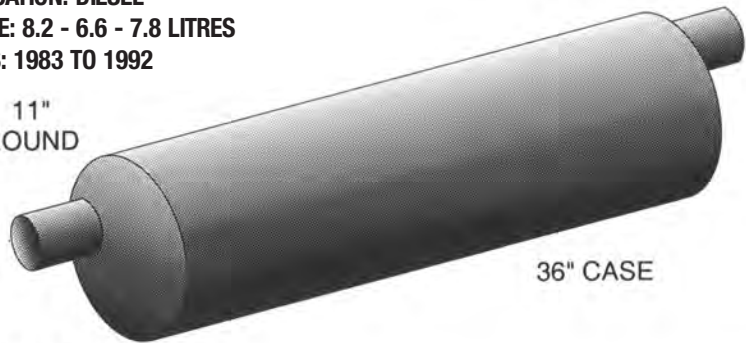
3-1/2" INLET - OFFSET



1983-92 FORD BUS MUFFLERS

AUTO-JET PART NO.: 11-0005 ALSO 40082FHDA
APPLICATION: DIESEL
ENGINE: 8.2 - 6.6 - 7.8 LITRES
YEARS: 1983 TO 1992

11" ROUND



MUFFLER HANGER
11" ROUND

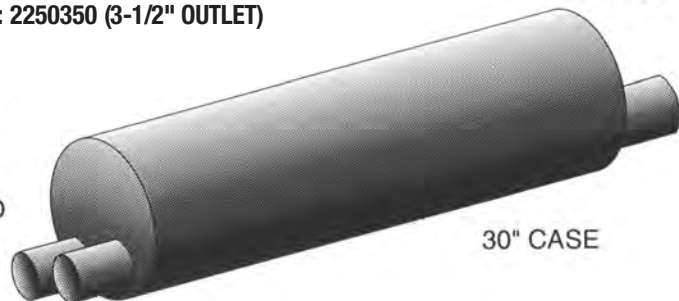


#FORD11MH

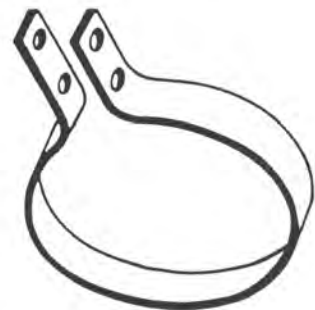
1992-UP FORD BUS MUFFLERS

AUTO-JET PART NO.: 2250275 (2-3/4" OUTLET)
APPLICATION: GAS 370 C.I. & 429 C.I.
YEARS: 1979 TO 1991
AUTO-JET PART NO.: 2250350 (3-1/2" OUTLET)
APPLICATION: SAME
YEARS: 1992 & UP

8-1/2" ROUND



MUFFLER HANGER



#850MH

AUTO-JET MUFFLER CORP. • UNITED MUFFLER CORP.

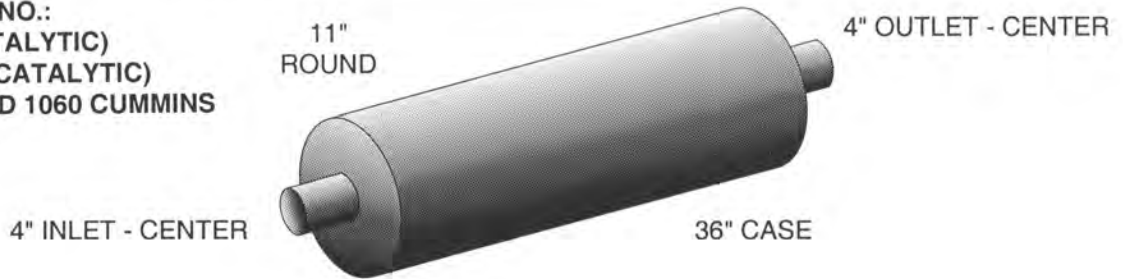
U.S. toll free 1-800-247-5391 • Fax 515-224-0727 • website: www.auto-jet.com
Canada toll free 1-866-229-3402 • Fax 519-455-1103 • website: www.unitedmuffler.com

CAT/MUF 7

MUFFLERS

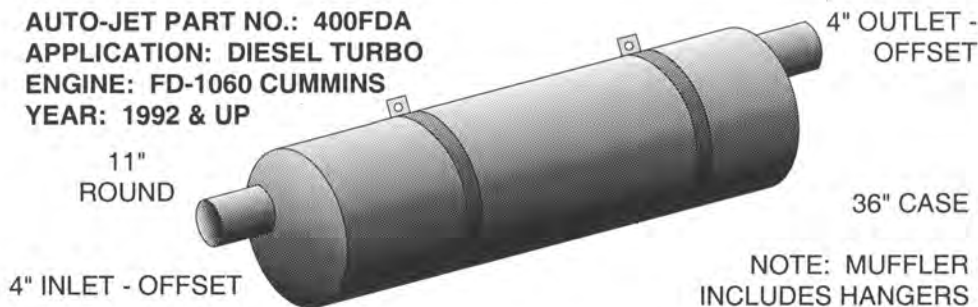
1996-UP FORD BUS MUFFLERS

AUTO-JET PART NO.:
400FDCAT (CATALYTIC)
S-106-97 (NON-CATALYTIC)
APPLICATION: FD 1060 CUMMINS
YEAR: 1996-UP



1992-UP FORD BUS MUFFLERS

AUTO-JET PART NO.: 400FDA
APPLICATION: DIESEL TURBO
ENGINE: FD-1060 CUMMINS
YEAR: 1992 & UP



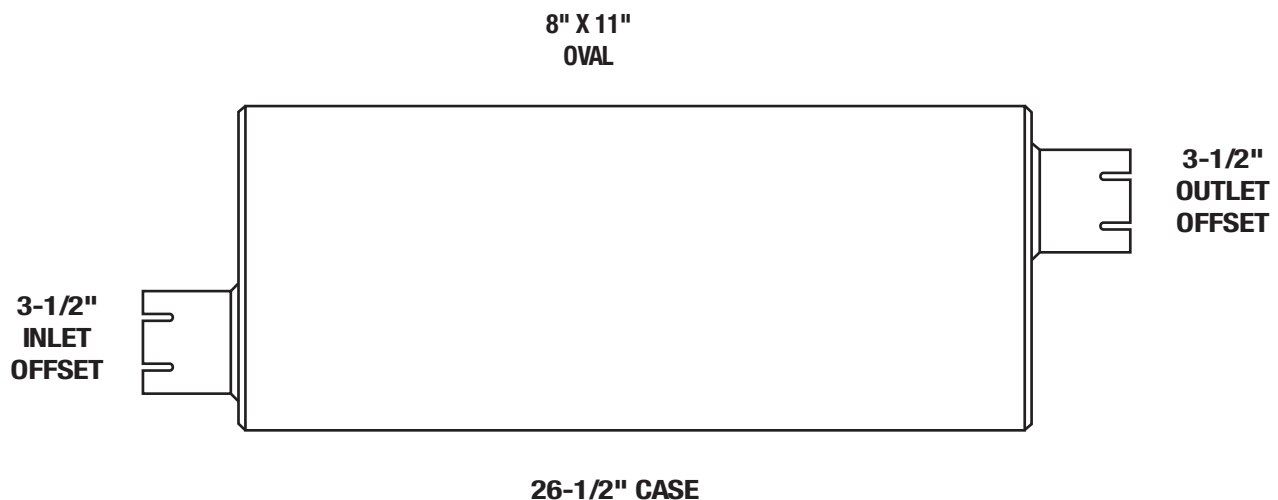
MUFFLER HANGER



FOR HANGERS ONLY,
ORDER #400FDAMH

FORD VAN MUFFLERS

AUTO-JET PART NO.: C-0085
APPLICATION: DIESEL TURBO
ENGINE: 6.0 LITRE



AUTO-JET MUFFLER CORP. • UNITED MUFFLER CORP.

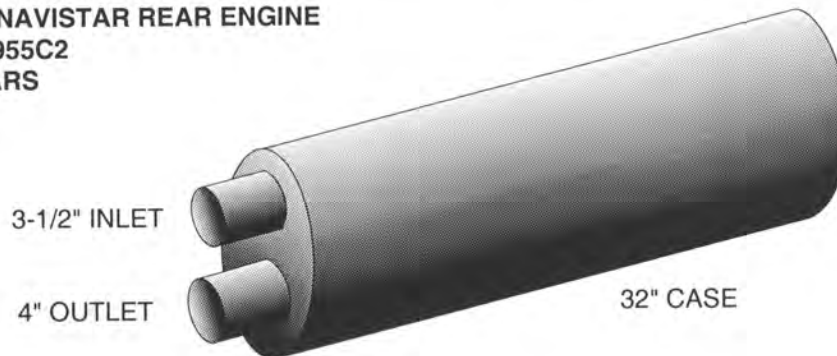
U.S. toll free 1-800-247-5391 • Fax 515-224-0727 • website: www.auto-jet.com
Canada toll free 1-866-229-3402 • Fax 519-455-1103 • website: www.unitedmuffler.com

CAT/MUF 8

MUFFLERS

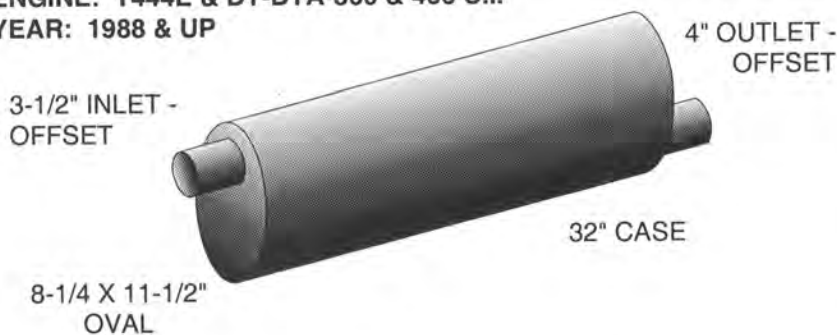
NAVISTAR REAR ENGINE

AUTO-JET PART NO.: T444REVHDA
APPLICATION: NAVISTAR REAR ENGINE
NAV OE#: 2008955C2
YEAR: ALL YEARS



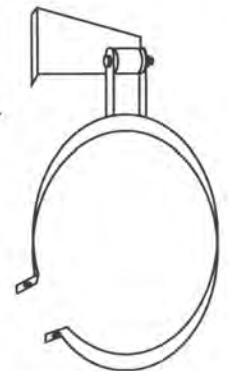
1988-UP NAVISTAR MUFFLERS - CONVENTIONAL & GENESIS CHASSIS

AUTO-JET PART NO.: 350400L
APPLICATION: DIESEL
ENGINE: T444E & DT-DTA-360 & 466 C.I.
YEAR: 1988 & UP



MUFFLER HANGER

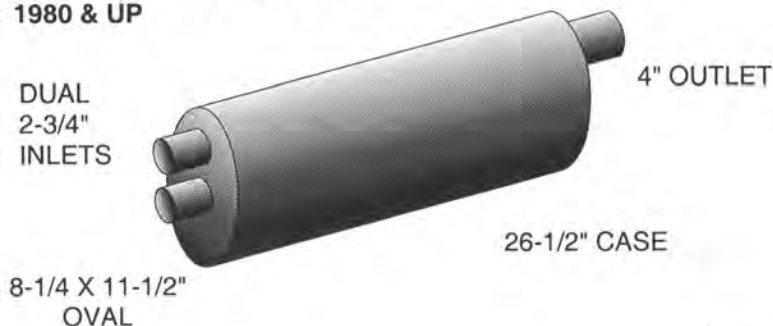
HUNG ON STEEL AND MOUNTED IN RUBBER - WILL NOT TEAR.



#OVMHIHDT

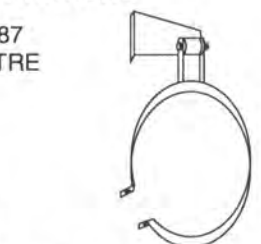
1980-UP NAVISTAR SCHOOL BUS MUFFLERS

AUTO-JET PART NO.: 2275400HDA
APPLICATION: DIESEL
ENGINE: 9.0 - 7.3 - 6.9 & 3208 CAT.
YEAR: 1980 & UP



MUFFLER HANGERS

1980 TO 1987
9.0 & 6.9 LITRE
#OVMHIH



1988 & UP 7.3 LITRE
#OVMHIH73

HUNG ON STEEL AND MOUNTED IN RUBBER - WILL NOT TEAR.

AUTO-JET MUFFLER CORP. • UNITED MUFFLER CORP.

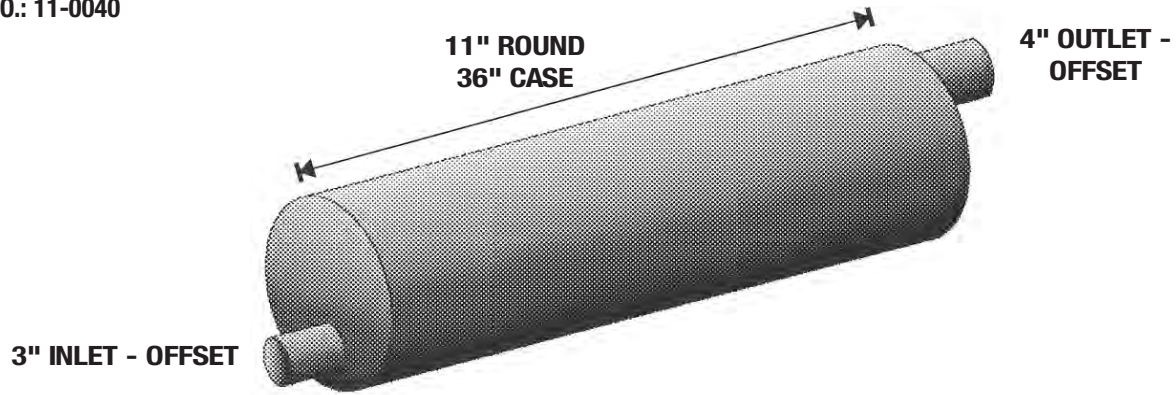
U.S. toll free 1-800-247-5391 • Fax 515-224-0727 • website: www.auto-jet.com
Canada toll free 1-866-229-3402 • Fax 519-455-1103 • website: www.unitedmuffler.com

CAT/MUF 9

MUFFLERS

FREIGHTLINER

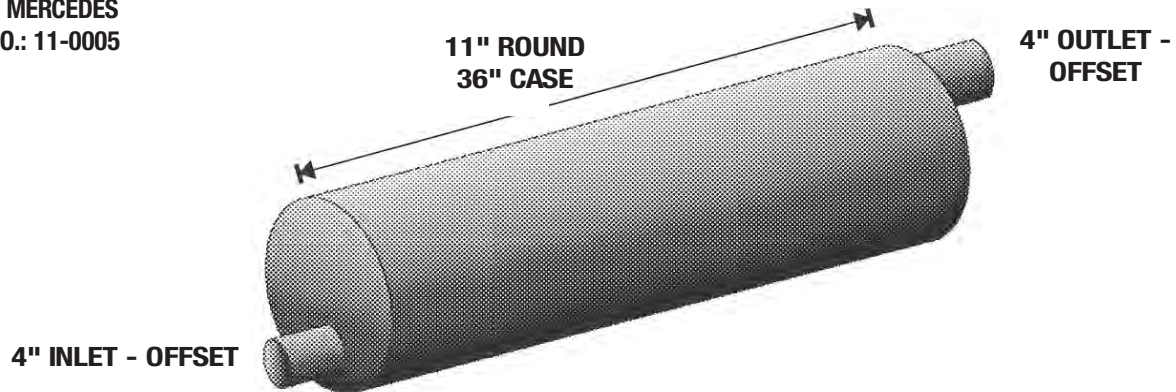
ENGINE: DIESEL B-SERIES CUMMINS MERCEDES 4 CYL
YEAR: 1998-UP
PART NO.: 11-0040



HEAVY DUTY ALUMINIZED WELDED STEEL

FREIGHTLINER

ENGINE: DIESEL 3126 CAT.
YEAR: 1998-UP
6 CYL MERCEDES
PART NO.: 11-0005



HEAVY DUTY ALUMINIZED WELDED STEEL

AUTO-JET MUFFLER CORP. • UNITED MUFFLER CORP.

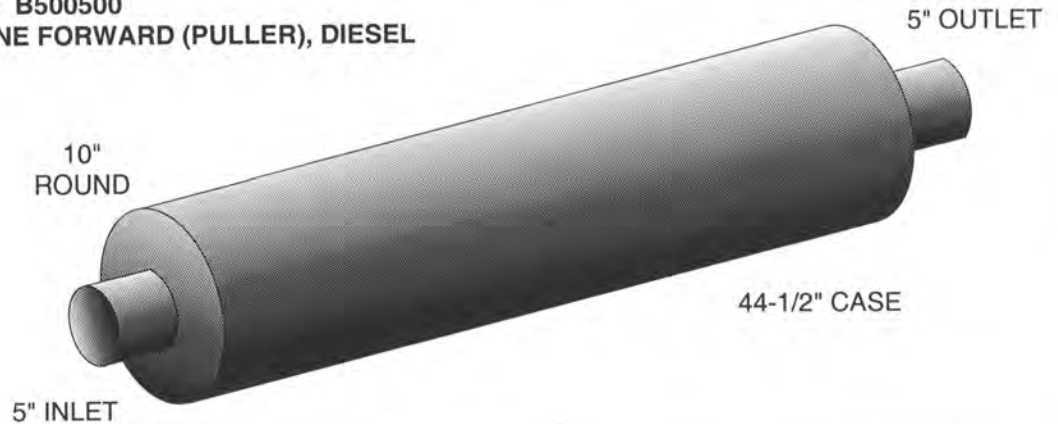
U.S. toll free 1-800-247-5391 • Fax 515-224-0727 • website: www.auto-jet.com
Canada toll free 1-866-229-3402 • Fax 519-455-1103 • website: www.unitedmuffler.com

CAT/MUF 10

MUFFLERS

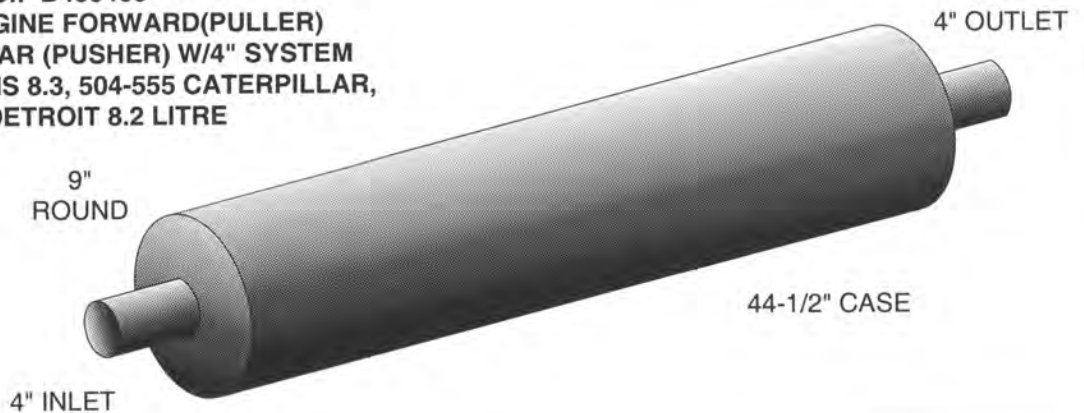
1992-UP BLUEBIRD ALL-AMERICAN BUS MUFFLERS

AUTO-JET PART NO.: B500500
APPLICATION: ENGINE FORWARD (PULLER), DIESEL
W/5" SYSTEM
YEAR: 1992 & UP



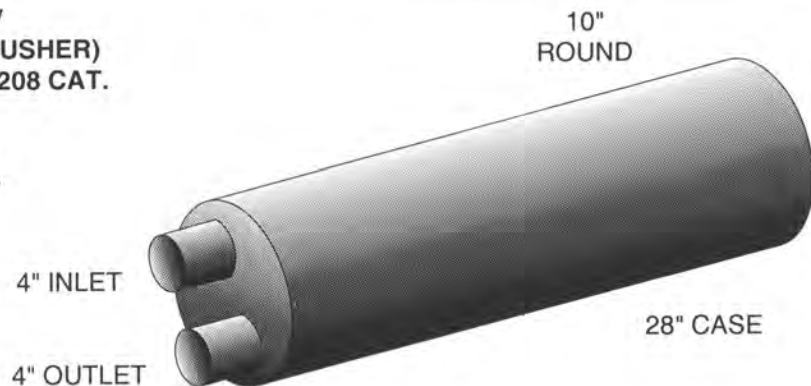
1980-UP BLUEBIRD ALL-AMERICAN BUS MUFFLERS

AUTO-JET PART NO.: B400400
APPLICATION: ENGINE FORWARD (PULLER)
& ENGINE REAR (PUSHER) W/4" SYSTEM
ENGINES: CUMMINS 8.3, 504-555 CATERPILLAR,
3208 & 3116 DETROIT 8.2 LITRE
YEAR: 1980 & UP



1988-UP BLUEBIRD ALL-AMERICAN BUS MUFFLERS

AUTO-JET PART NO.: BP400REV
APPLICATION: REAR ENGINE (PUSHER)
ENGINE: 8.3 CUMMINS, 3116 & 3208 CAT.
YEAR: 1988 & UP
NOTE: 8.3 MOUNTS WITH INLET
AND OUTLET HORIZONTAL



AUTO-JET MUFFLER CORP. • UNITED MUFFLER CORP.

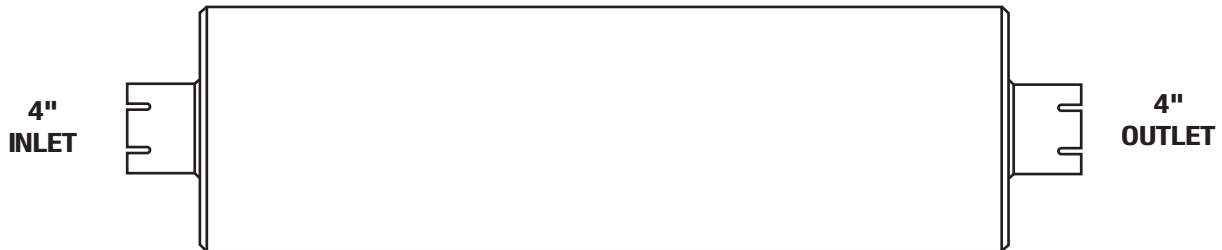
U.S. toll free 1-800-247-5391 • Fax 515-224-0727 • website: www.auto-jet.com
Canada toll free 1-866-229-3402 • Fax 519-455-1103 • website: www.unitedmuffler.com

CAT/MUF 11

MUFFLERS

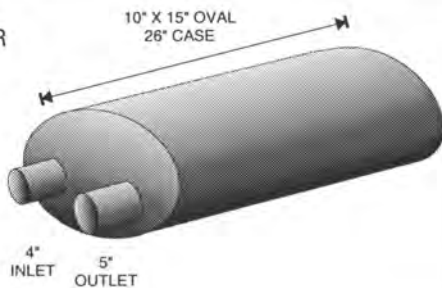
2005 & UP BLUEBIRD ALL-AMERICAN BUS MUFFLERS

AUTO-JET PART NO.: B400860
 APPLICATION: ENGINE FORWARD (PULLER), GAS
 O.E. PART # 00099860



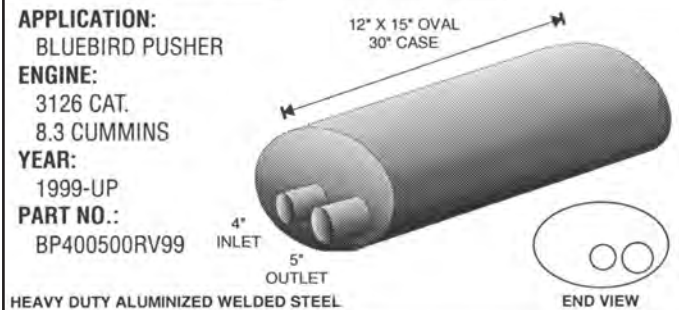
BLUEBIRD PUSHER

APPLICATION:
 BLUEBIRD PUSHER
 ENGINE:
 8.3 CUMMINS
 YEAR:
 1991-94
 PART NO.:
 BP400500RV
 O.E. #:
 1575836



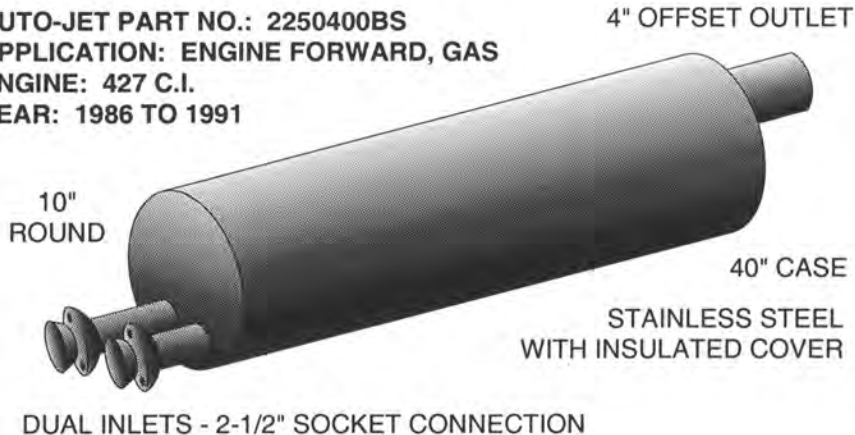
BLUEBIRD PUSHER

APPLICATION:
 BLUEBIRD PUSHER
 ENGINE:
 3126 CAT.
 8.3 CUMMINS
 YEAR:
 1999-UP
 PART NO.:
 BP400500RV99

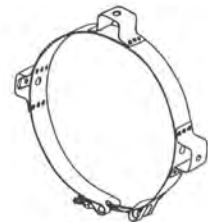


1986-91 BLUEBIRD ALL-AMERICAN BUS MUFFLERS

AUTO-JET PART NO.: 2250400BS
 APPLICATION: ENGINE FORWARD, GAS
 ENGINE: 427 C.I.
 YEAR: 1986 TO 1991



SHIELD
 HANGER
 #GM10HS



MUFFLER
 HANGER
 #GM10MH



AUTO-JET MUFFLER CORP. • UNITED MUFFLER CORP.

U.S. toll free 1-800-247-5391 • Fax 515-224-0727 • website: www.auto-jet.com
 Canada toll free 1-866-229-3402 • Fax 519-455-1103 • website: www.unitedmuffler.com

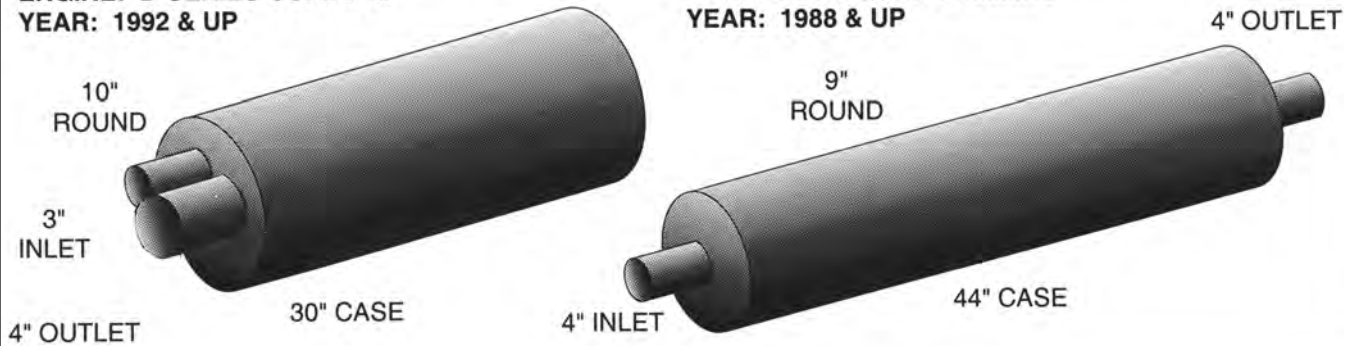
CAT/MUF 12

MUFFLERS

BLUEBIRD TC200 BUS MUFFLERS

AUTO-JET PART NO.: TC300400REV
 APPLICATION: REAR ENGINE (PUSHER)
 ENGINE: B-SERIES CUMMINS
 YEAR: 1992 & UP

AUTO-JET PART NO.: TC400400
 APPLICATION: ENGINE FORWARD (PULLER)
 ENGINE: B-SERIES CUMMINS
 YEAR: 1988 & UP

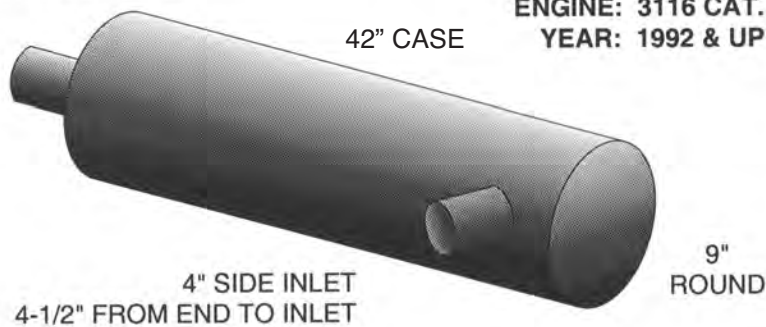


1992-UP BLUEBIRD CV200-GMB7 CONVENTIONAL CHASSIS MUFFLER

4" CENTERED OUTLET

AUTO-JET PART NO.: CV400400
 APPLICATION: DIESEL
 ENGINE: 3116 CAT.
 YEAR: 1992 & UP

MUFFLER HANGER



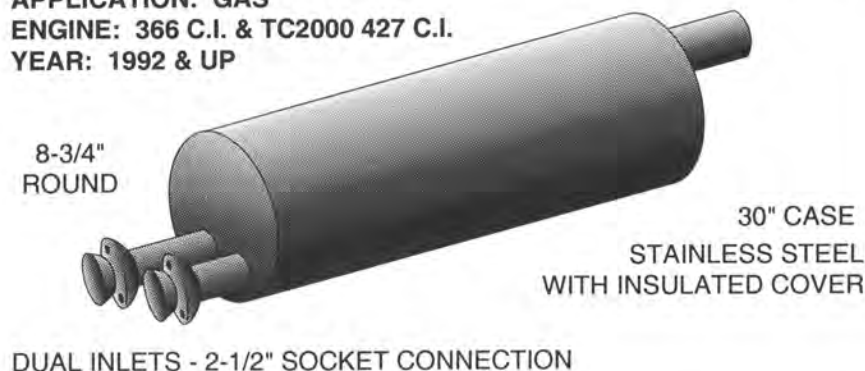
GM875MH

1992-UP BLUEBIRD CV200-GMB7 CONVENTIONAL CHASSIS MUFFLER

AUTO-JET PART NO.: 2-250300BS
 APPLICATION: GAS
 ENGINE: 366 C.I. & TC2000 427 C.I.
 YEAR: 1992 & UP

3" OUT TO CONVERTER

MUFFLER HANGER



#GM875MH

AUTO-JET MUFFLER CORP. • UNITED MUFFLER CORP.

U.S. toll free 1-800-247-5391 • Fax 515-224-0727 • website: www.auto-jet.com
 Canada toll free 1-866-229-3402 • Fax 519-455-1103 • website: www.unitedmuffler.com

CAT/MUF 13

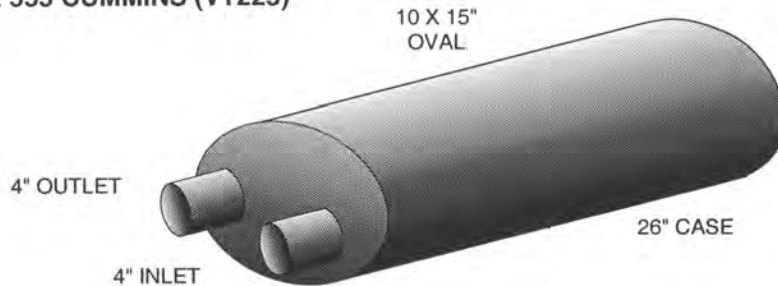
MUFFLERS

1987-UP THOMAS PUSHER MVP BUS MUFFLER

AUTO-JET PART NO.: TP400REV

APPLICATION: ENGINE REAR WITH STREET SIDE EXHAUST

ENGINE: 3208 CATERPILLAR & 555 CUMMINS (VT225)

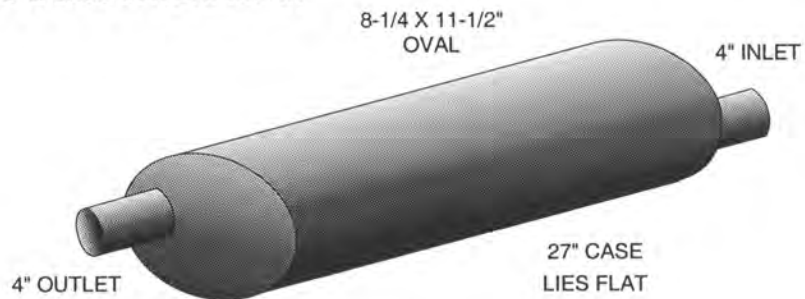


1985-89 THOMAS PUSHER MVP BUS MUFFLER

AUTO-JET PART NO.: 400400HDA

APPLICATION: ENGINE REAR, EXHAUST THROUGH BUMPER

ENGINE: 8.2 LITRE DETROIT TURBO & 3208 CATERPILLAR

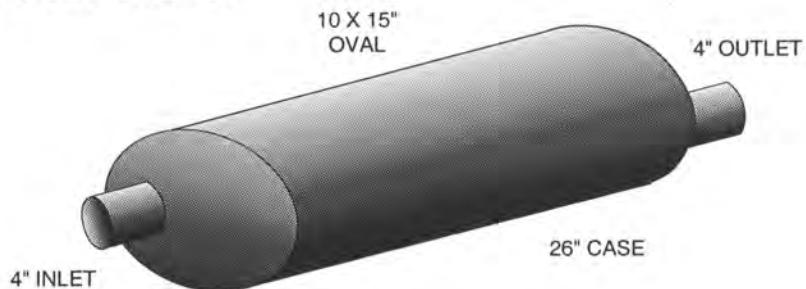


1992-UP THOMAS PUSHER MVP BUS MUFFLER

AUTO-JET PART NO.: TP4001015

APPLICATION: ENGINE REAR

ENGINE: 3116 CATERPILLAR, 6C-8.3 LITRE CUMMINS
6BTA B-SERIES CUMMINS



AUTO-JET MUFFLER CORP. • UNITED MUFFLER CORP.

U.S. toll free 1-800-247-5391 • Fax 515-224-0727 • website: www.auto-jet.com
Canada toll free 1-866-229-3402 • Fax 519-455-1103 • website: www.unitedmuffler.com

CAT/MUF 14

MUFFLERS

2003-UP THOMAS PUSHER

AUTO-JET PART NO.: 400400SI OR 11-0055

APPLICATION: THOMAS

ENGINES: CUMMINS MERCEDES



1995-UP THOMAS MVP E-F CUMMINS & CATERPILLAR ENGINE

AUTO-JET PART NO.: 85-0045 3½" INLET 85-0035 4" INLET

APPLICATION: THOMAS PULLER B-SERIES

ENGINES: CUMMINS

YEAR: 1995-UP



1994-UP THOMAS 8.3 CUMMINS ENGINE

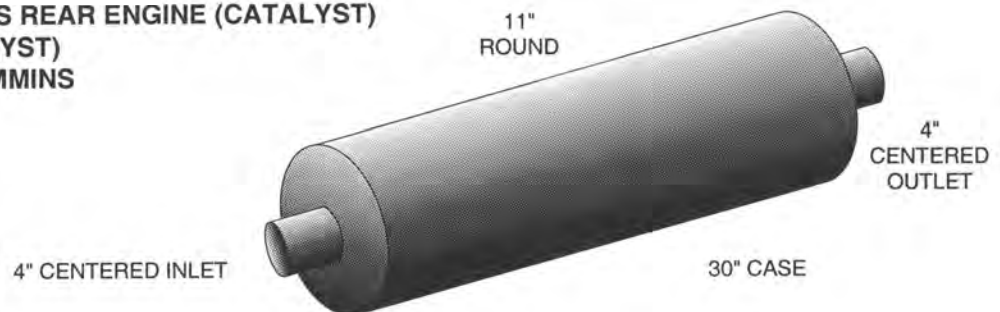
AUTO-JET PART NO.: 400CATCTR

APPLICATION: THOMAS REAR ENGINE (CATALYST)

11-0015 (NON-CATALYST)

ENGINE: 8.3 LITRE CUMMINS

YEAR: 1994 & UP



AUTO-JET MUFFLER CORP. • UNITED MUFFLER CORP.

U.S. toll free 1-800-247-5391 • Fax 515-224-0727 • website: www.auto-jet.com
Canada toll free 1-866-229-3402 • Fax 519-455-1103 • website: www.unitedmuffler.com

CAT/MUF 15



Manufacturing Truck-Bus Exhaust Systems Since 1959

We appreciate your business!

1-800-247-5391