



## Stable, versatile structures

---

Profile overview ..... p. 24

Profiles ..... p. 28

Connection techniques ..... p. 47

Slot stones / screws and  
accessories ..... p. 85

Profile covers ..... p. 97

Panels and accessories ..... p. 105

Feet / castors and accessories ... p. 122

Fittings ..... p. 138

Conveying elements ..... p. 158

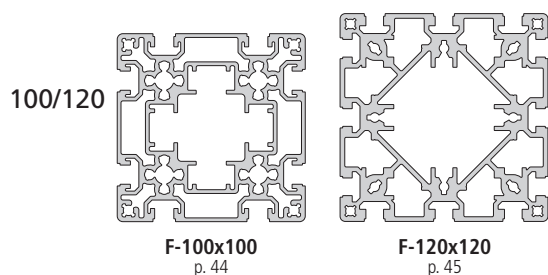
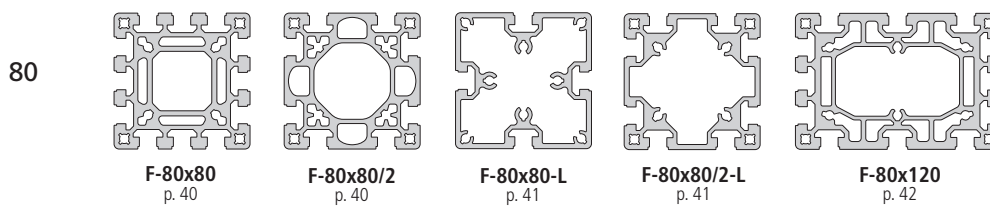
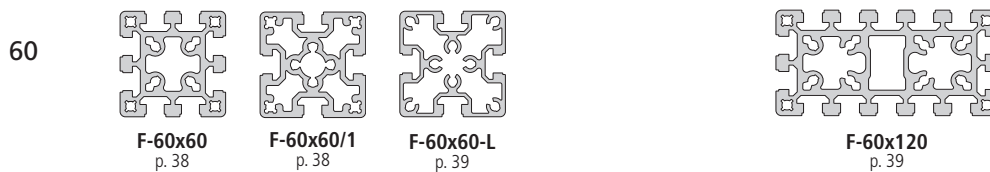
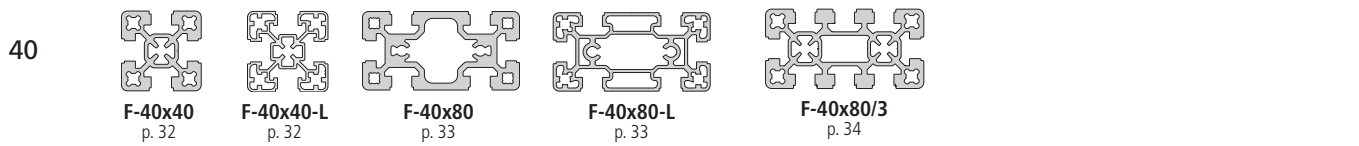
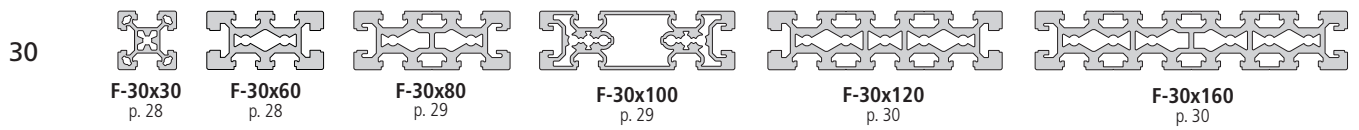
Pneumatics ..... p. 163

Cable channel system ..... p. 164

# *Structural profiles*

# Structural profile overview

## Sizes

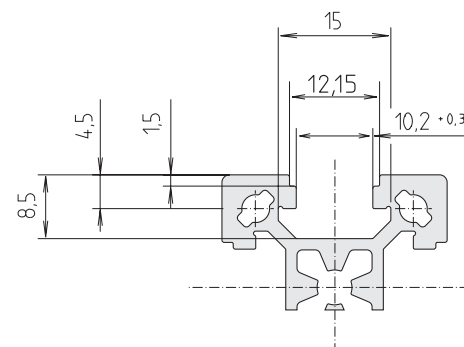
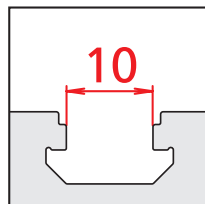




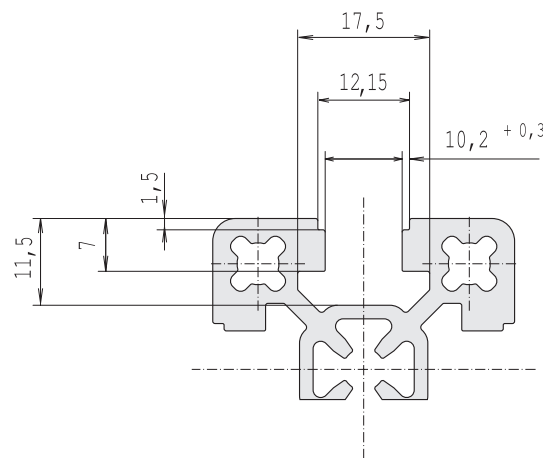
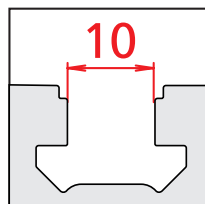
<b>Profiles</b>	<ul style="list-style-type: none"><li>■ Overview ..... p. 24</li><li>■ Slot geometry ..... p. 26</li><li>■ Load data ..... p. 27</li><li>■ Size 30–120 ..... p. 28</li></ul>
<b>Connection techniques</b>	<ul style="list-style-type: none"><li>■ Right-angle connections..... p. 54</li><li>■ Cross connections..... p. 66</li><li>■ Angle connections ..... p. 70</li><li>■ Face-to-face and parallel connections ..... p. 78</li></ul>
<b>Accessories</b>	<ul style="list-style-type: none"><li>■ Slot stones, screws ..... p. 84</li><li>■ Profile covers ..... p. 96</li><li>■ Panels..... p. 104</li><li>■ Feet, castors..... p. 122</li><li>■ Fittings ..... p. 138</li><li>■ Conveying elements ..... p. 158</li><li>■ Pneumatics ..... p. 162</li><li>■ Cable channel system ..... p. 164</li></ul>
<b>Applications</b>	<ul style="list-style-type: none"><li>■ Frames and structures..... p.170</li></ul>

## Slot geometry

- 30 slot geometry
- For all profiles up to size 30
- Exception: F-30x60, F-30x80, F-30x100, F-30x120, F-30x160
- with 40 slot geometry on the long side



- 40 slot geometry
- Geometry for all profiles as of size 40



## Load data

Moment of inertia:  $I$  [cm<sup>4</sup>]

Moment of resistance:  $w$  [cm<sup>3</sup>]

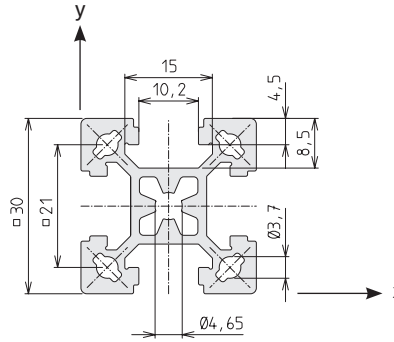
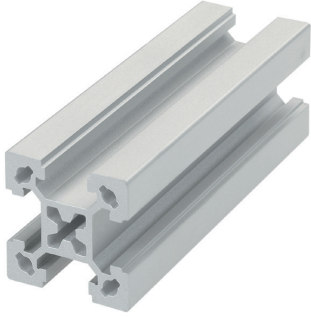
Profiles	Area	$I_x$ [cm <sup>4</sup> ]	$I_y$ [cm <sup>4</sup> ]	$I_t$ [cm <sup>4</sup> ]	$W_x$ [cm <sup>3</sup> ]	$W_y$ [cm <sup>3</sup> ]	Weight	Page
F-30x30	363	3,3	3,3	0,5	2,2	2,2	979	28
F-30x60	874	7,9	29,6	2,5	5,3	9,9	2350	28
F-30x80	1151	10,6	67,4	7,0	7,0	16,9	3100	29
F-30x100	1023	9,8	101,0	7,9	6,5	20,0	2762	29
F-30x120	1174	15,3	219,6	14,0	10,2	36,6	4780	30
F-30x160	2309	20,0	513,0	21,5	13,3	64,1	6230	30
F-40x40	705	11,2	11,2	1,7	5,58	5,58	1903	32
F-40x40-L	475	7,1	7,1	1,0	3,6	3,6	1281	32
F-40x80	1332	22,7	88,9	13,2	11,3	22,2	3397	33
F-40x80-L	933	14,9	62,8	8,4	7,4	15,7	2518	33
F-40x80/3	1274	20,0	79,0	5,4	10,0	19,8	3440	34
F-40x120	1738	29,8	253,8	20,7	14,7	42,2	4694	34
F-40x160	2350	39,8	579,6	30,8	19,9	72,4	6344	35
F-50x50	1227	29,1	29,1	9,0	11,6	11,6	3314	36
F-50x50-L	866	22,5	22,5	6,1	9,0	9,0	2339	36
F-50x100	1743	43,9	180,8	32,9	17,6	36,1	4707	37
F-50x200	3024	80,3	1223,6	98,9	32,1	122,4	8165	37
F-60x60	1504	51,2	51,2	14,9	17,1	17,1	4065	38
F-60x60/1	1542	54,6	54,6	23,9	18,1	18,1	4161	38
F-60x60-L	1095	42,2	42,2	18,0	14,1	14,1	2960	39
F-60x120	2777	94,7	372,3	57,9	62,0	31,5	7500	39
F-80x80	2480	155,3	155,3	64,5	38,8	38,8	6696	40
F-80x80/2	2218	153,8	153,8	82,4	38,4	38,4	5990	40
F-80x80-L	1498	115,1	115,1	72,7	28,8	28,8	4045	41
F-80x80/2-L	1862	144,5	144,5	65,5	36,1	36,1	5027	41
F-80x120	3267	242,5	500,7	177,5	60,6	83,5	8822	42
F-80x160	4723	314,6	1126,9	254,5	77,4	140,9	12753	43
F-80x160-L	3714	291,3	1024,6	250,4	72,8	128,1	10028	43
F-100x100	2890	304,1	304,1	156,9	60,8	60,8	7804	44
F-120x120	4259	665,1	665,1	349,3	110,8	110,8	11500	45

# Profiles / size 30

## Order instruction: flange bracket

- Purchase only in lot sizes and a multiple of that see product table below

### F-30x30



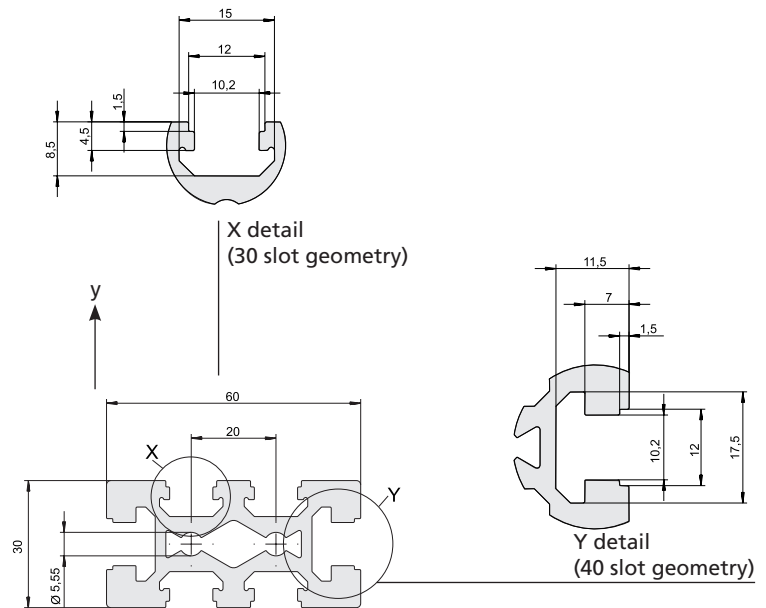
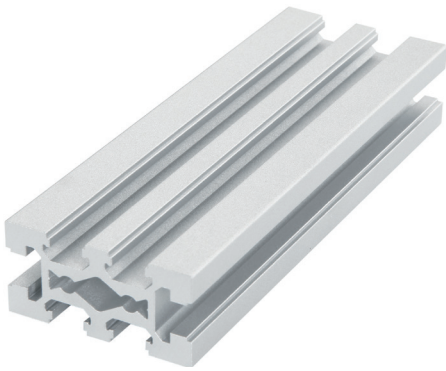
Area	363	mm <sup>2</sup>
$I_x$	3.3	cm <sup>4</sup>
$I_y$	3.3	cm <sup>4</sup>
$I_t$	0.5	cm <sup>4</sup>
$W_x$	2.2	cm <sup>3</sup>
$W_y$	2.2	cm <sup>3</sup>
Weight	979	g/m

Code No. F-30x30 profile			Anodised
4575000	Cut to size	max. 6000 mm	Clear
4575001	Bar	6000 mm	Clear

Connection	Connection to slot geometry	lot sizes	Code No.
long.	30	10, 20, 30... pcs	4306709
+ transverse	40	10, 20, 30... pcs	4306710

For description of slot geometry, please see page 26

### F-30x60



Code No. F-30x60 profile			Anodised
4305000	Cut to size	max. 6000 mm	Clear
4305001	Bar	6000 mm	Clear

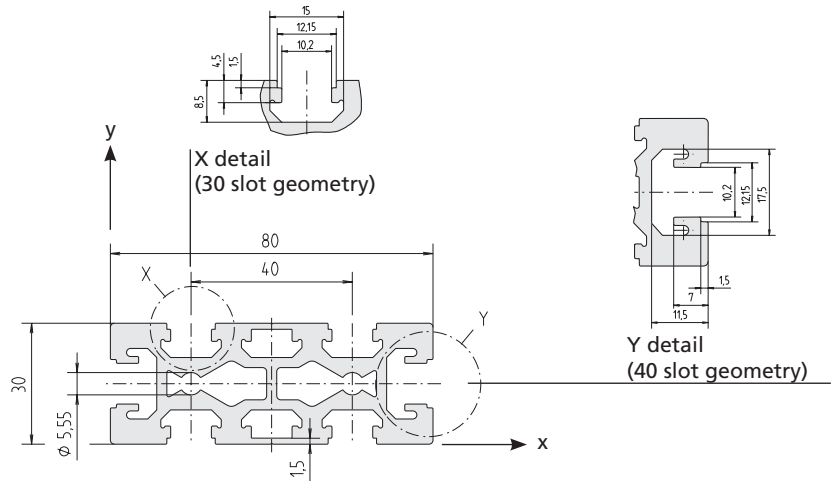
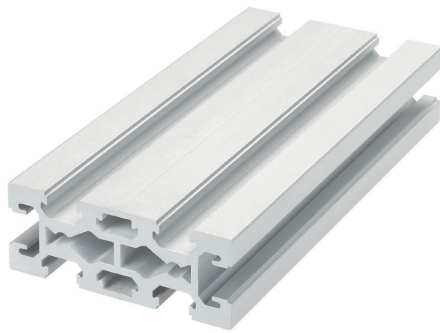
Area	874	mm <sup>2</sup>
$I_x$	7.9	cm <sup>4</sup>
$I_y$	29.6	cm <sup>4</sup>
$I_t$	2.5	cm <sup>4</sup>
$W_x$	5.3	cm <sup>3</sup>
$W_y$	9.9	cm <sup>3</sup>
Weight	2350	g/m

Connection	Connection to slot geometry	lot sizes	Code No.
long.	30	10, 20, 30... pcs	4226706
	40	10, 20, 30... pcs	4226702
transverse	30	10, 20, 30... pcs	4176704
	40	10, 20, 30... pcs	4176705

For description of slot geometry, please see page 26



### F-30x80



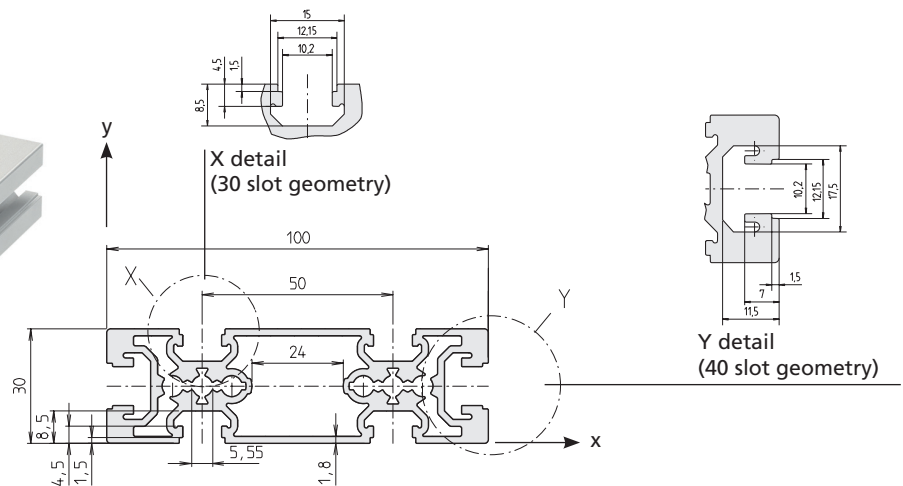
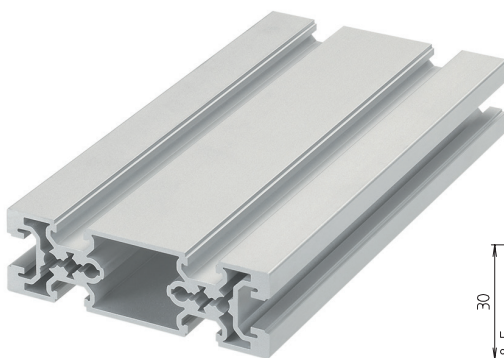
Code No. F-30x80 profile			Anodised
4315000	Cut to size	max. 6000 mm	Clear
4315001	Bar	6000 mm	Clear

Area	1151	mm <sup>2</sup>
$I_x$	10.6	cm <sup>4</sup>
$I_y$	67.4	cm <sup>4</sup>
$I_t$	7.0	cm <sup>4</sup>
$W_x$	7.0	cm <sup>3</sup>
$W_y$	16.9	cm <sup>3</sup>
Weight	3100	g/m

Connection	Connection to slot geometry	lot sizes	Code No.
long.	30	10, 20, 30... pcs	4316706
	40	10, 20, 30... pcs	4246702
transverse	30	10, 20, 30... pcs	4176704
	40	10, 20, 30... pcs	4176705

For description of slot geometry, please see page 26

### F-30x100



Code No. F-30x100 profile			Anodised
4295000	Cut to size	max. 6000 mm	Clear
4295001	Bar	6000 mm	Clear

Area	1023	mm <sup>2</sup>
$I_x$	9.8	cm <sup>4</sup>
$I_y$	101.0	cm <sup>4</sup>
$I_t$	7.9	cm <sup>4</sup>
$W_x$	6.5	cm <sup>3</sup>
$W_y$	20.0	cm <sup>3</sup>
Weight	2762	g/m

Connection	Connection to slot geometry	lot sizes	Code No.
long.	30	10, 20, 30... pcs	4086706
	40	10, 20, 30... pcs	4086702
transverse	30	10, 20, 30... pcs	4176704
	40	10, 20, 30... pcs	4176705

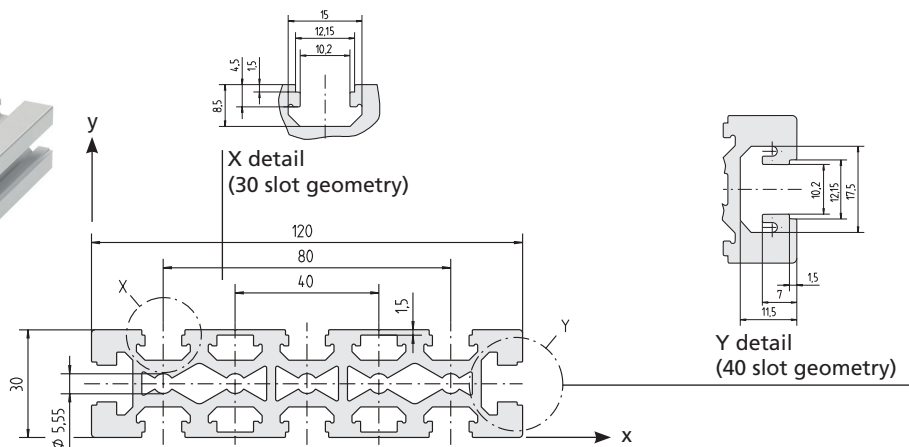
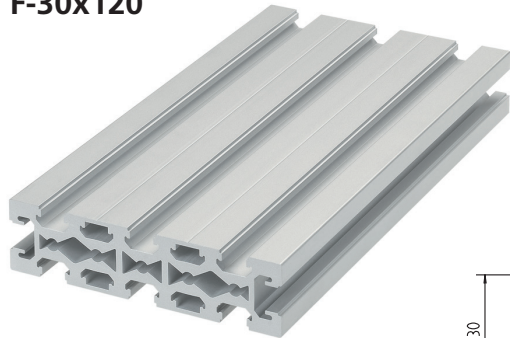
For description of slot geometry, please see page 26

# Profiles / size 30

## Order instruction: flange bracket

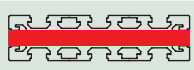
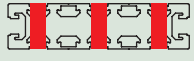
- Purchase only in lot sizes and a multiple of that see product table below

### F-30x120



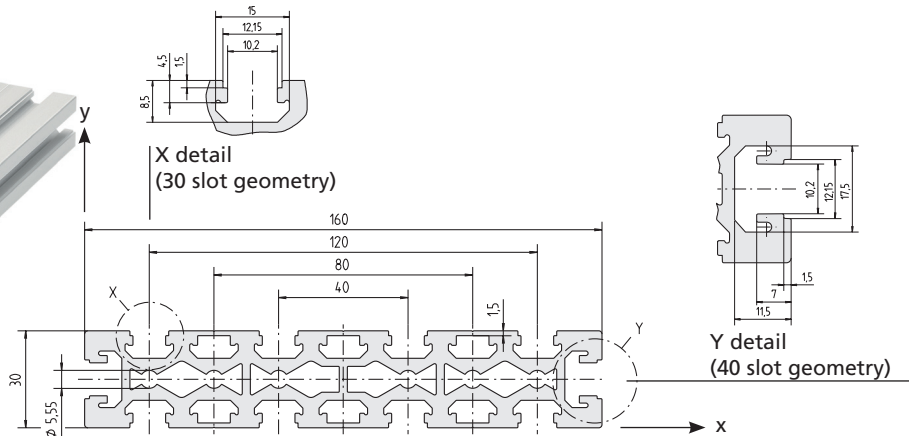
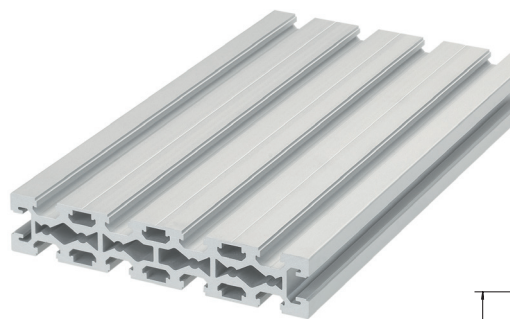
Code No. F-30x120 profile			Anodised
4325000	Cut to size	max. 6000 mm	Clear
4325001	Bar	6000 mm	Clear

Area	1174	mm <sup>2</sup>
I <sub>x</sub>	15.3	cm <sup>4</sup>
I <sub>y</sub>	219.6	cm <sup>4</sup>
I <sub>t</sub>	14.0	cm <sup>4</sup>
W <sub>x</sub>	10.0	cm <sup>3</sup>
W <sub>y</sub>	36.6	cm <sup>3</sup>
Weight	4780	g/m

Connection	Connection to slot geometry	lot sizes	Code No.
 long.	30	–	4326706
	40	–	4326702
 transverse	30	10, 20, 30... pcs	4176704
	40	10, 20, 30... pcs	4176705

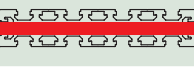

For description of slot geometry, please see page 26

### F-30x160



Code No. F-30x160 profile			Anodised
4335000	Cut to size	max. 6000 mm	Clear
4335001	Bar	6000 mm	Clear

Area	2309	mm <sup>2</sup>
I <sub>x</sub>	20.0	cm <sup>4</sup>
I <sub>y</sub>	513.0	cm <sup>4</sup>
I <sub>t</sub>	21.3	cm <sup>4</sup>
W <sub>x</sub>	13.3	cm <sup>3</sup>
W <sub>y</sub>	64.1	cm <sup>3</sup>
Weight	6230	g/m

Connection	Connection to slot geometry	lot sizes	Code No.
 long.	30	–	4336706
	40	–	4336702
 transverse	30	10, 20, 30... pcs	4176704
	40	10, 20, 30... pcs	4176705

For description of slot geometry, please see page 26





# Profiles / size 40

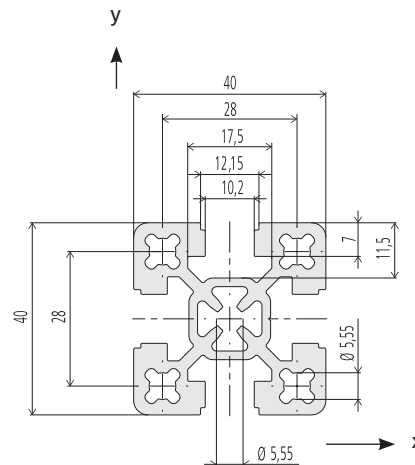
## Order instruction: flange bracket

- Purchase only in lot sizes and a multiple of that see product table below

### F-40x40



Area	705	mm <sup>2</sup>
I <sub>x</sub>	11.2	cm <sup>4</sup>
I <sub>y</sub>	11.2	cm <sup>4</sup>
I <sub>t</sub>	1.7	cm <sup>4</sup>
W <sub>x</sub>	5.58	cm <sup>3</sup>
W <sub>y</sub>	5.58	cm <sup>3</sup>
Weight	1903	g/m

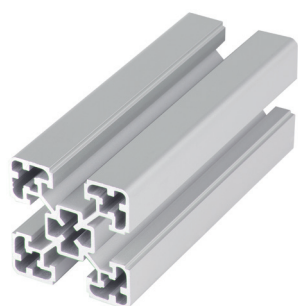


Code No. F-40x40 profile			Anodised
4D35000	Cut to size	max. 6000 mm	Clear
4D35001	Bar	6000 mm	Clear

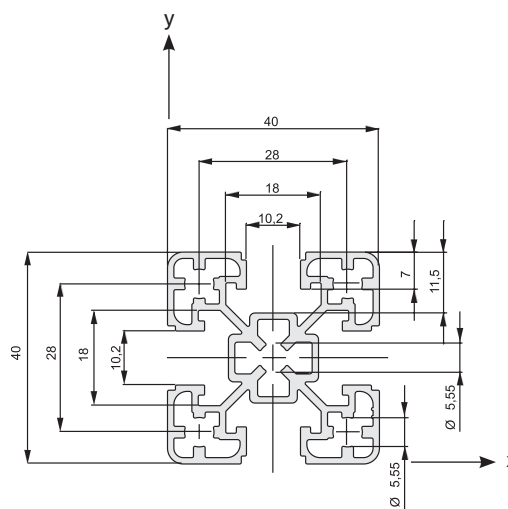
Connection	Connection to slot geometry	lot sizes	Code No.
long. + transverse	30	10, 20, 30... pcs	4816703
	40	10, 20, 30... pcs	4816702

For description of slot geometry, please see page 26

### F-40x40-L



Area	475	mm <sup>2</sup>
I <sub>x</sub>	7.1	cm <sup>4</sup>
I <sub>y</sub>	7.1	cm <sup>4</sup>
I <sub>t</sub>	1.0	cm <sup>4</sup>
W <sub>x</sub>	3.6	cm <sup>3</sup>
W <sub>y</sub>	3.6	cm <sup>3</sup>
Weight	1281	g/m



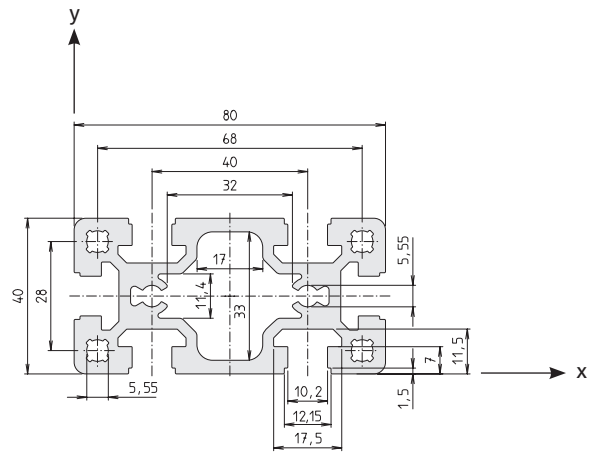
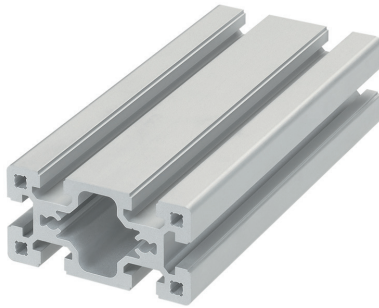
Code No. F-40x40-L profile			Anodised
4815000	Cut to size	max. 6000 mm	Clear
4815001	Bar	6000 mm	Clear
4815010	Cut to size	max. 6000 mm	Black
4815011	Bar	6000 mm	Black

Connection	Connection to slot geometry	lot sizes	Code No.
long. + transverse	30	10, 20, 30... pcs	4816703
	40	10, 20, 30... pcs	4816702

For description of slot geometry, please see page 26



F-40x80



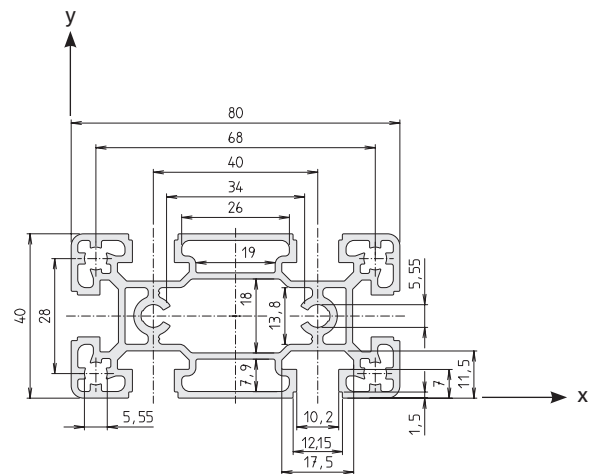
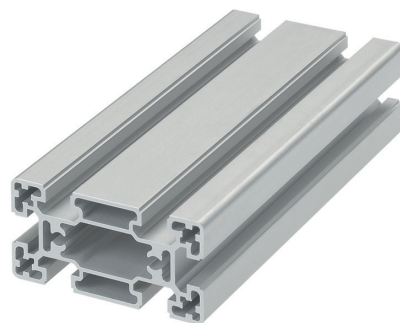
Code No. F-40x80 profile			Anodised
4395000	Cut to size	max. 6000 mm	Clear
4395001	Bar	6000 mm	Clear

Area	1332	mm <sup>2</sup>
I <sub>x</sub>	22.7	cm <sup>4</sup>
I <sub>y</sub>	88.9	cm <sup>4</sup>
I <sub>t</sub>	13.2	cm <sup>4</sup>
W <sub>x</sub>	11.3	cm <sup>3</sup>
W <sub>y</sub>	22.3	cm <sup>3</sup>
Weight	3397	g/m

Connection	Connection to slot geometry	lot sizes	Code No.
long.	30	10, 20, 30... pcs	4316706
	40	10, 20, 30... pcs	4246702
transverse	30	10, 20, 30... pcs	4816703
	40	10, 20, 30... pcs	4816702

For description of slot geometry, please see page 26

F-40x80-L



Code No. F-40x80-L profile			Anodised
4285000	Cut to size	max. 6000 mm	Clear
4285001	Bar	6000 mm	Clear

Area	933	mm <sup>2</sup>
I <sub>x</sub>	14.9	cm <sup>4</sup>
I <sub>y</sub>	62.8	cm <sup>4</sup>
I <sub>t</sub>	8.4	cm <sup>4</sup>
W <sub>x</sub>	7.4	cm <sup>3</sup>
W <sub>y</sub>	15.7	cm <sup>3</sup>
Weight	2518	g/m

Connection	Connection to slot geometry	lot sizes	Code No.
long.	30	10, 20, 30... pcs	4316706
	40	10, 20, 30... pcs	4246702
transverse	30	10, 20, 30... pcs	4816703
	40	10, 20, 30... pcs	4816702

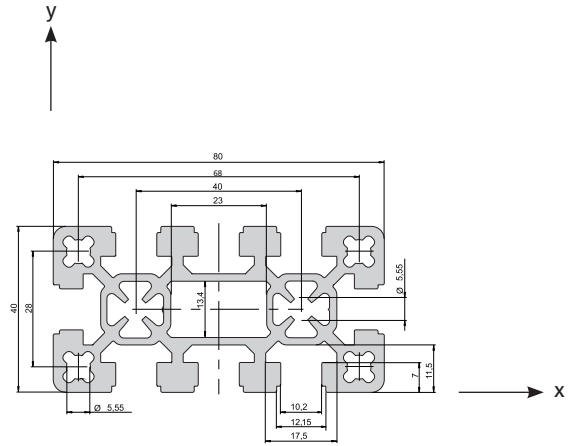
For description of slot geometry, please see page 26

# Profiles / size 40

## Order instruction: flange bracket

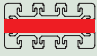

- Purchase only in lot sizes and a multiple of that see product table below

### F-40x80/3



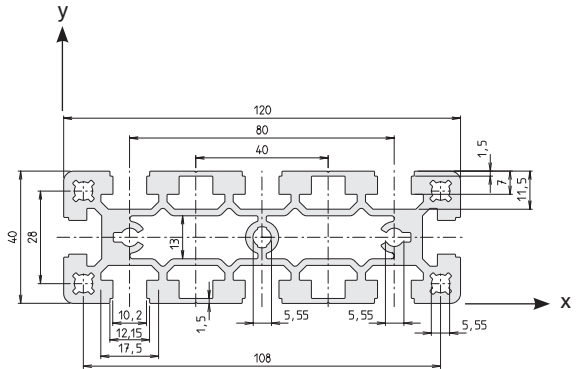
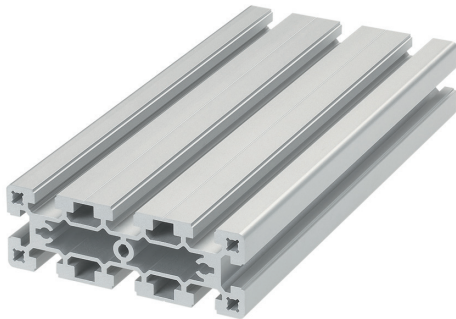
Area	1274	mm <sup>2</sup>
$I_x$	20.0	cm <sup>4</sup>
$I_y$	79.0	cm <sup>4</sup>
$I_t$	5.4	cm <sup>4</sup>
$W_x$	10.0	cm <sup>3</sup>
$W_y$	19.8	cm <sup>3</sup>
Weight	3440	g/m

Code No. F-40x80/3 profile			Anodised
4D45000	Cut to size	max. 6000 mm	Clear
4D45001	Bar	6000 mm	Clear

Connection	Connection to slot geometry	lot sizes	Code No.
 long.	30	10, 20, 30... pcs	4316706
	40	10, 20, 30... pcs	4246702
 transverse	30	10, 20, 30... pcs	4816703
	40	10, 20, 30... pcs	4816702



For description of slot geometry, please see page 26

### F-40x120



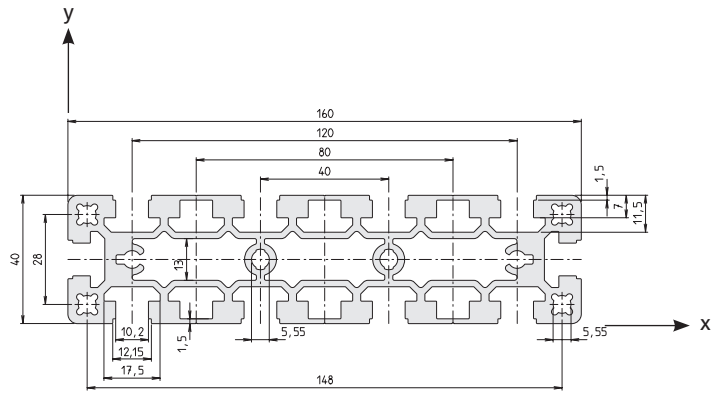
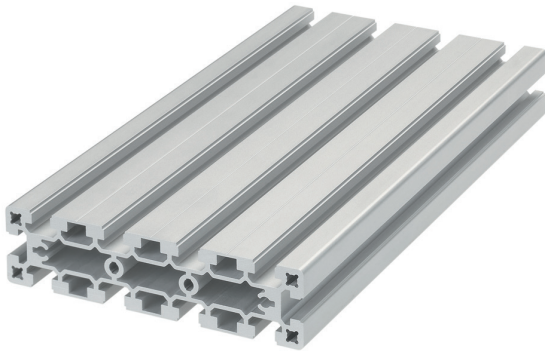
Area	1738	mm <sup>2</sup>
$I_x$	29.8	cm <sup>4</sup>
$I_y$	253.7	cm <sup>4</sup>
$I_t$	20.7	cm <sup>4</sup>
$W_x$	14.7	cm <sup>3</sup>
$W_y$	42.2	cm <sup>3</sup>
Weight	4694	g/m

Code No. F-40x120 profile			Anodised
4645000	Cut to size	max. 6000 mm	Clear
4645001	Bar	6000 mm	Clear

Connection	Connection to slot geometry	lot sizes	Code No.
 long.	30	–	4326706
	40	–	4326702
 transverse	30	10, 20, 30... pcs	4816703
	40	10, 20, 30... pcs	4816702

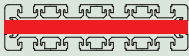

For description of slot geometry, please see page 26

## F-40x160



Code No. F-40x160 profile			Anodised
4655000	Cut to size	max. 6000 mm	Clear
4655001	Bar	6000 mm	Clear

Area	2350	mm <sup>2</sup>
$I_x$	39.8	cm <sup>4</sup>
$I_y$	579.6	cm <sup>4</sup>
$I_t$	30.8	cm <sup>4</sup>
$W_x$	19.9	cm <sup>3</sup>
$W_y$	72.4	cm <sup>3</sup>
Weight	6344	g/m

Connection	Connection to slot geometry	lot sizes	Code No.
 long.	30	–	4336706
	40	–	4336702
 transverse	30	10, 20, 30... pcs	4816703
	40	10, 20, 30... pcs	4816702

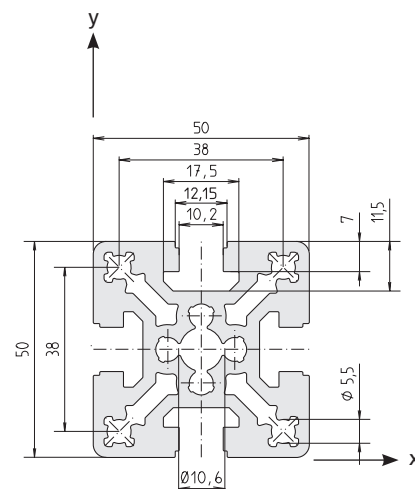
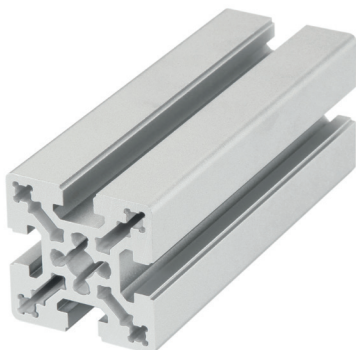
For description of slot geometry, please see page 26

# Profiles / size 50

## Order instruction: flange bracket



- Purchase only in lot sizes and a multiple of that see product table below

### F-50x50



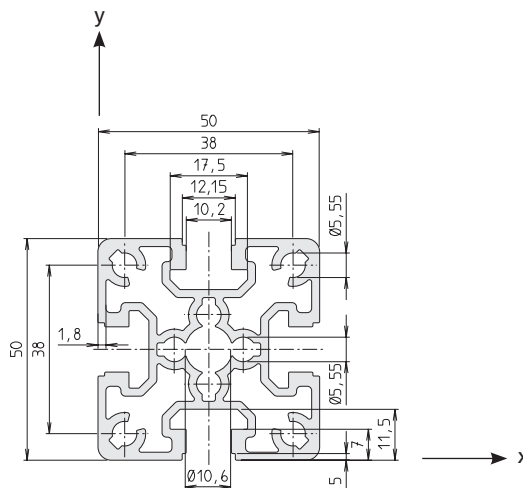
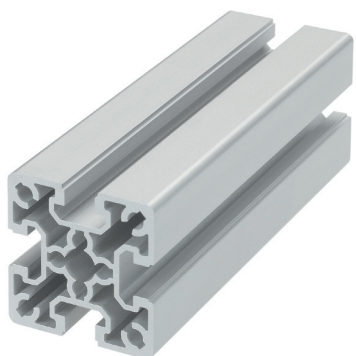
Code No. F-50x50 profile			Anodised
4085000	Cut to size	max. 6000 mm	Clear
4085001	Bar	6000 mm	Clear

Area	1227	mm <sup>2</sup>
I <sub>x</sub>	29.1	cm <sup>4</sup>
I <sub>y</sub>	29.1	cm <sup>4</sup>
I <sub>t</sub>	9.0	cm <sup>4</sup>
W <sub>x</sub>	11.6	cm <sup>3</sup>
W <sub>y</sub>	11.6	cm <sup>3</sup>
Weight	3314	g/m

Connection	Connection to slot geometry	lot sizes	Code No.
  long. + transverse	30	10, 20, 30... pcs	4086706
	40	10, 20, 30... pcs	4086702


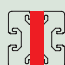
For description of slot geometry, please see page 26

### F-50x50-L



Code No. F-50x50-L profile			Anodised
4275000	Cut to size	max. 6000 mm	Clear
4275001	Bar	6000 mm	Clear

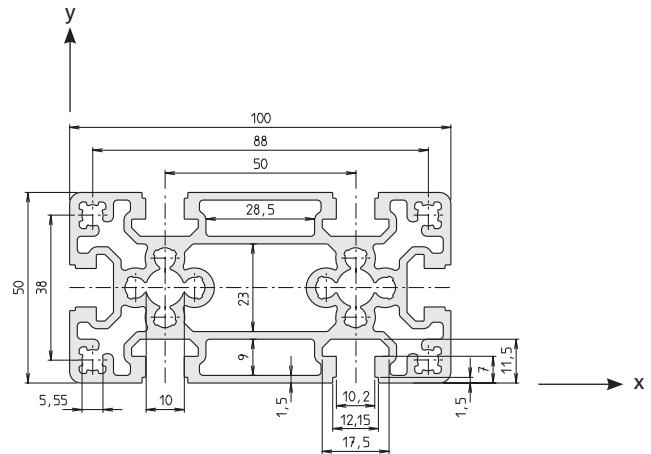
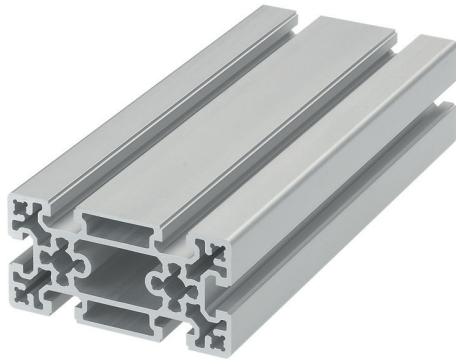
Area	866	mm <sup>2</sup>
I <sub>x</sub>	22.5	cm <sup>4</sup>
I <sub>y</sub>	22.5	cm <sup>4</sup>
I <sub>t</sub>	6.1	cm <sup>4</sup>
W <sub>x</sub>	9.0	cm <sup>3</sup>
W <sub>y</sub>	9.0	cm <sup>3</sup>
Weight	2339	g/m

Connection	Connection to slot geometry	lot sizes	Code No.
  long. + transverse	30	10, 20, 30... pcs	4086706
	40	10, 20, 30... pcs	4086702

For description of slot geometry, please see page 26



**F-50x100**



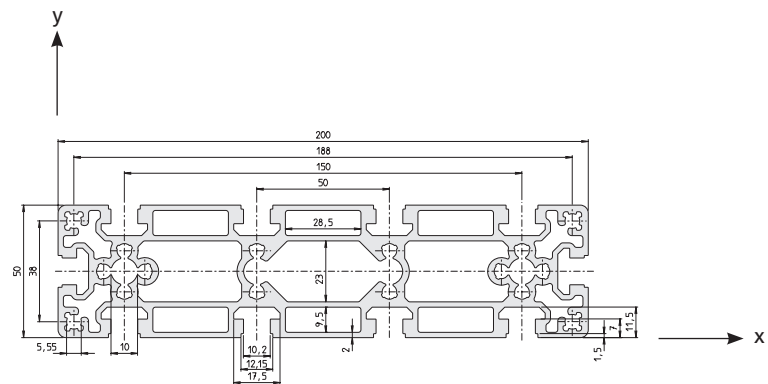
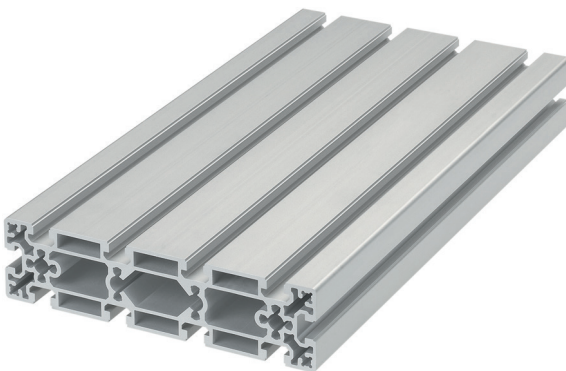
Code No. Profile F-50x100			Anodised
4665000	Cut to size	max. 6000 mm	Clear
4665001	Bar	6000 mm	Clear

Area	1743	mm <sup>2</sup>
I <sub>x</sub>	43.9	cm <sup>4</sup>
I <sub>y</sub>	180.8	cm <sup>4</sup>
I <sub>t</sub>	32.9	cm <sup>4</sup>
W <sub>x</sub>	17.6	cm <sup>3</sup>
W <sub>y</sub>	36.1	cm <sup>3</sup>
Weight	4707	g/m

Connection	Connection to slot geometry	lot sizes	Code No.
 long. + transverse	30	10, 20, 30... pcs	4086706
	40	10, 20, 30... pcs	4086702

For description of slot geometry, please see page 26

**F-50x200**



Code No. F-50x200 profile			Anodised
4675000	Cut to size	max. 6000 mm	Clear
4675001	Bar	6000 mm	Clear

Area	3024	mm <sup>2</sup>
I <sub>x</sub>	80.3	cm <sup>4</sup>
I <sub>y</sub>	1223.6	cm <sup>4</sup>
I <sub>t</sub>	98.9	cm <sup>4</sup>
W <sub>x</sub>	32.1	cm <sup>3</sup>
W <sub>y</sub>	122.4	cm <sup>3</sup>
Weight	8165	g/m

Connection	Connection to slot geometry	lot sizes	Code No.
 long.	30	10, 20, 30... pcs	4086706
	40	10, 20, 30... pcs	4086702
 transverse	30	10, 20, 30... pcs	4086706
	40	10, 20, 30... pcs	4086702

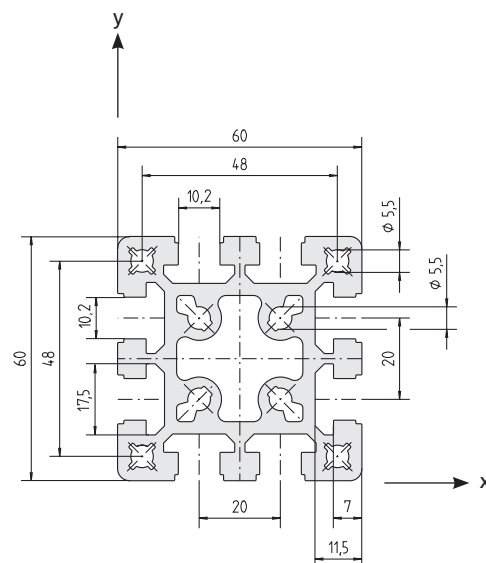
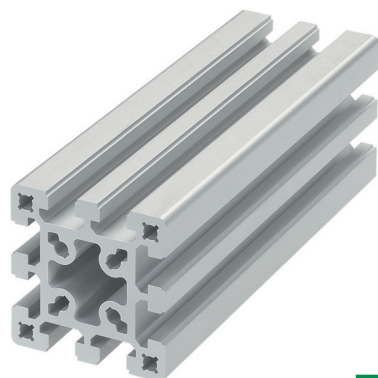
For description of slot geometry, please see page 26

# Profiles / size 60

## Order instruction: flange bracket

- Purchase only in lot sizes and a multiple of that see product table below

### F-60x60



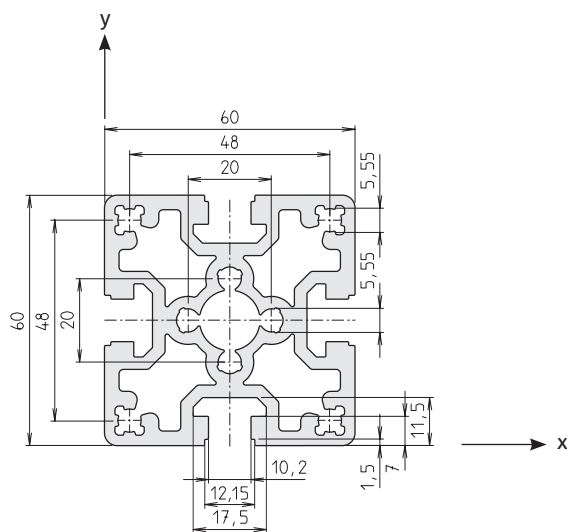
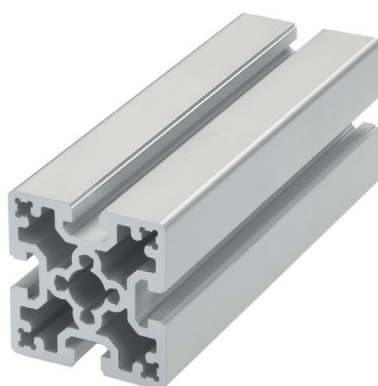
Area	1504	mm <sup>2</sup>
I <sub>x</sub>	51.2	cm <sup>4</sup>
I <sub>y</sub>	51.2	cm <sup>4</sup>
I <sub>t</sub>	14.9	cm <sup>4</sup>
W <sub>x</sub>	17.1	cm <sup>3</sup>
W <sub>y</sub>	17.1	cm <sup>3</sup>
Weight	4065	g/m

Code No. F-60x60 profile			Anodised
4125000	Cut to size	max. 6000 mm	Clear
4125001	Bar	6000 mm	Clear

Connection	Connection to slot geometry	lot sizes	Code No.
long. + transverse	30	10, 20, 30... pcs	4226706
	40	10, 20, 30... pcs	4226702

For description of slot geometry, please see page 26

### F-60x60/1



Area	1542	mm <sup>2</sup>
I <sub>x</sub>	54.6	cm <sup>4</sup>
I <sub>y</sub>	54.6	cm <sup>4</sup>
I <sub>t</sub>	23.9	cm <sup>4</sup>
W <sub>x</sub>	18.1	cm <sup>3</sup>
W <sub>y</sub>	18.1	cm <sup>3</sup>
Weight	4161	g/m

Code No. F-60x60/1 profile			Anodised
4135000	Cut to size	max. 6000 mm	Clear
4135001	Bar	6000 mm	Clear

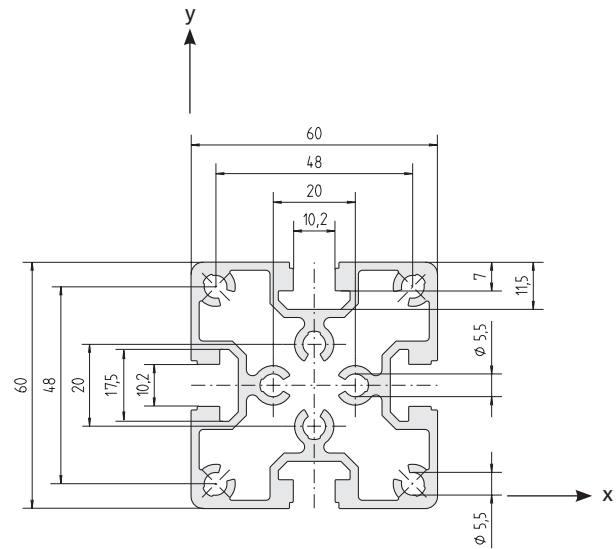
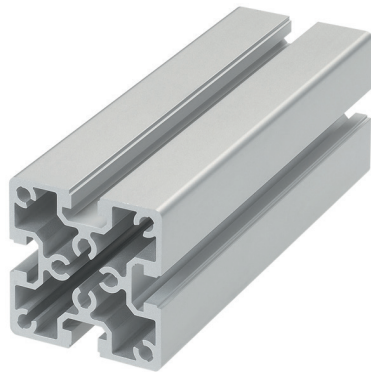
Connection	Connection to slot geometry	lot sizes	Code No.
long. + transverse	30	10, 20, 30... pcs	4226706
	40	10, 20, 30... pcs	4226702

For description of slot geometry, please see page 26





F-60x60-L



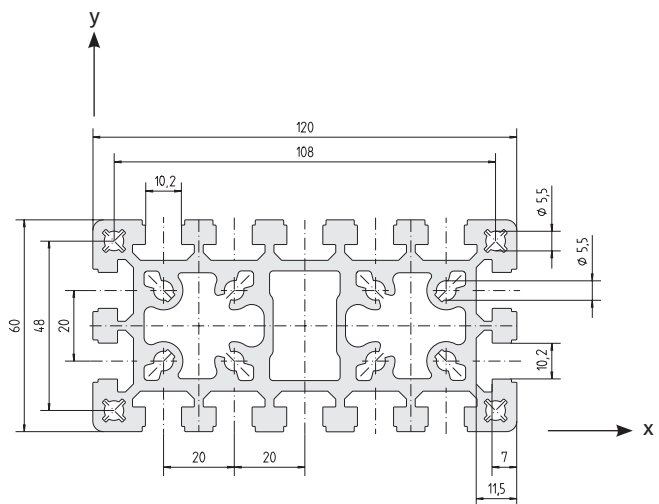
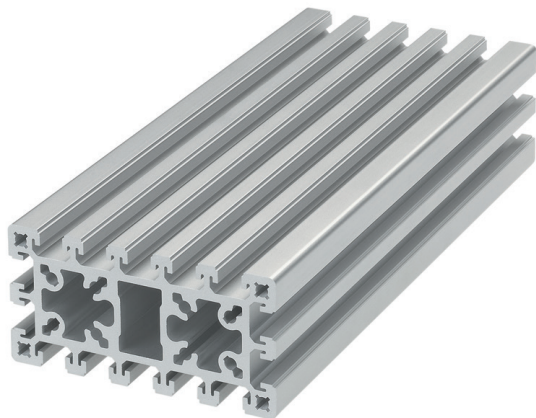
Area	1095	mm <sup>2</sup>
$I_x$	42.2	cm <sup>4</sup>
$I_y$	42.2	cm <sup>4</sup>
$I_t$	18.0	cm <sup>4</sup>
$W_x$	14.1	cm <sup>3</sup>
$W_y$	14.1	cm <sup>3</sup>
Weight	2960	g/m

Code No. F-60x60-L profile			Anodised
4225000	Cut to size	max. 6000 mm	Clear
4225001	Bar	6000 mm	Clear

Connection	Connection to slot geometry	lot sizes	Code No.
 long. + transverse	30	10, 20, 30... pcs	4226706
	40	10, 20, 30... pcs	4226702

For description of slot geometry, please see page 26

F-60x120



Area	2777	mm <sup>2</sup>
$I_x$	94.7	cm <sup>4</sup>
$I_y$	372.3	cm <sup>4</sup>
$I_t$	57.5	cm <sup>4</sup>
$W_x$	31.5	cm <sup>3</sup>
$W_y$	62.0	cm <sup>3</sup>
Weight	7500	g/m

Code No. Profile F-60x120			Anodised
4065000	Cut to size	max. 6000 mm	Clear
4065001	Bar	6000 mm	Clear

Connection	Connection to slot geometry	lot sizes	Code No.
 long.	30	–	4326706
	40	–	4326702
 transverse	30	10, 20, 30... pcs	4226706
	40	10, 20, 30... pcs	4226702

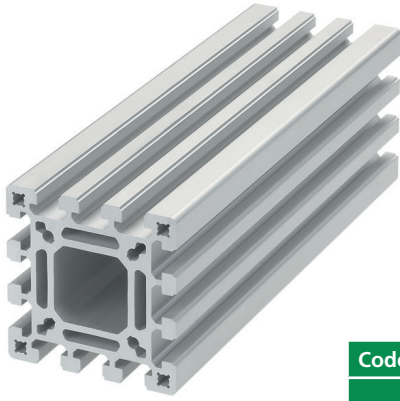
For description of slot geometry, please see page 26

# Profiles / size 80

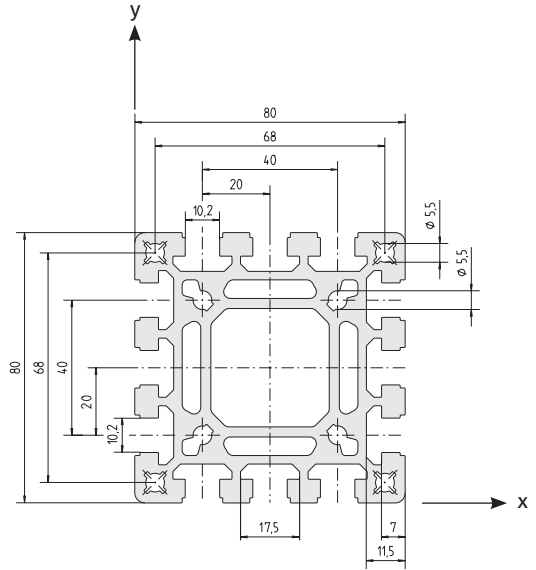
## Order instruction: flange bracket

- Purchase only in lot sizes and a multiple of that see product table below

### F-80x80



Area	2480	mm <sup>2</sup>
I <sub>x</sub>	155.3	cm <sup>4</sup>
I <sub>y</sub>	155.3	cm <sup>4</sup>
I <sub>t</sub>	64.5	cm <sup>4</sup>
W <sub>x</sub>	38.8	cm <sup>3</sup>
W <sub>y</sub>	38.8	cm <sup>3</sup>
Weight	6696	g/m

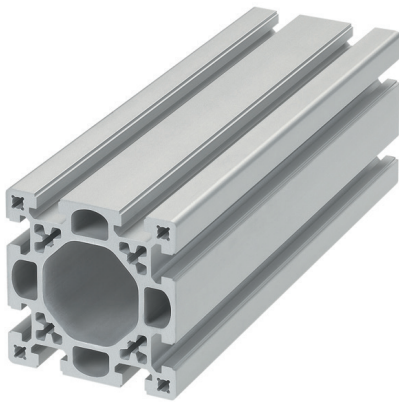


Code No. F-80x80 profile			Anodised
4145000	Cut to size	max. 6000 mm	Clear
4145001	Bar	6000 mm	Clear
4145010	Cut to size	max. 6000 mm	Black
4145011	Bar	6000 mm	Black

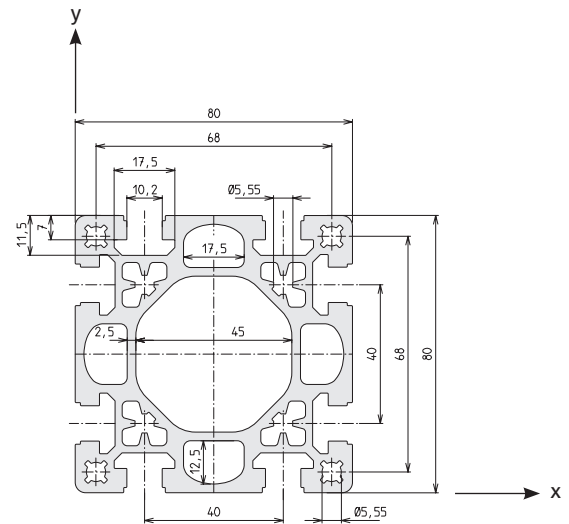
Connection	Connection to slot geometry	lot sizes	Code No.
 long. + transverse	30	10, 20, 30... pcs	4316706
	40	10, 20, 30... pcs	4246702

For description of slot geometry, please see page 26

### F-80x80/2



Area	2218	mm <sup>2</sup>
I <sub>x</sub>	153.8	cm <sup>4</sup>
I <sub>y</sub>	153.8	cm <sup>4</sup>
I <sub>t</sub>	82.4	cm <sup>4</sup>
W <sub>x</sub>	38.4	cm <sup>3</sup>
W <sub>y</sub>	38.4	cm <sup>3</sup>
Weight	5990	g/m



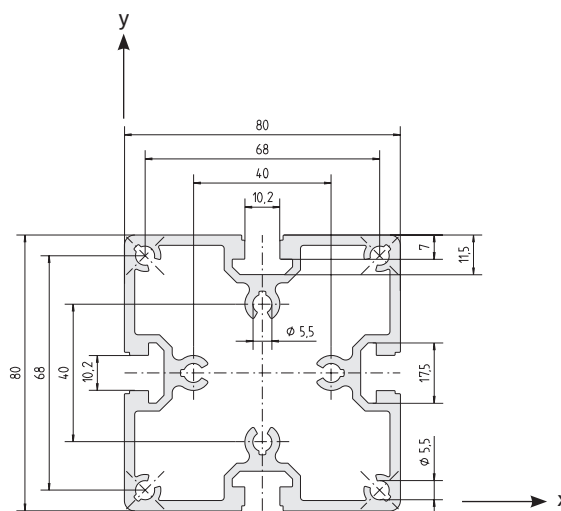
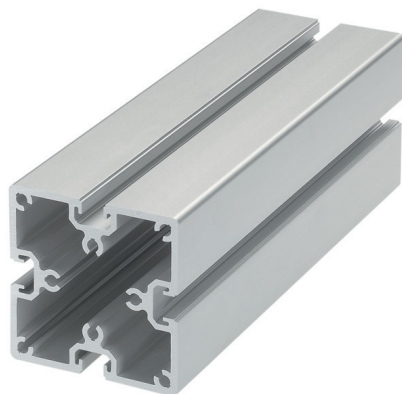
Code No. F-80x80/2 profile			Anodised
4805000	Cut to size	max. 6000 mm	Clear
4805001	Bar	6000 mm	Clear

Connection	Connection to slot geometry	lot sizes	Code No.
 long. + transverse	30	10, 20, 30... pcs	4316706
	40	10, 20, 30... pcs	4246702

For description of slot geometry, please see page 26



### F-80x80-L



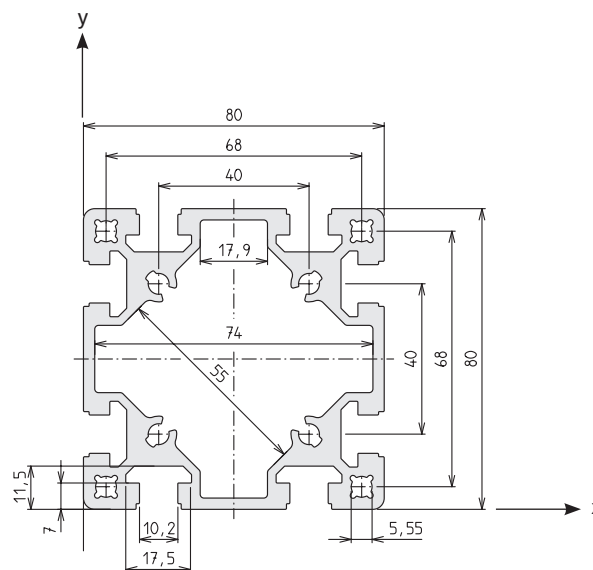
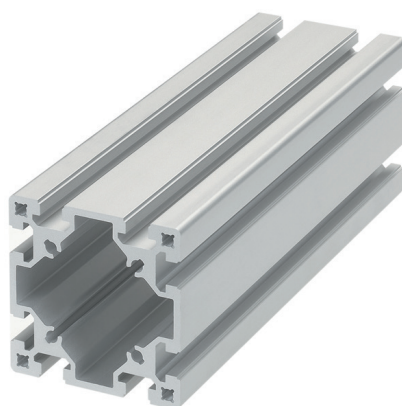
Area	1498	mm <sup>2</sup>
I <sub>x</sub>	115.1	cm <sup>4</sup>
I <sub>y</sub>	115.1	cm <sup>4</sup>
I <sub>t</sub>	72.7	cm <sup>4</sup>
W <sub>x</sub>	28.8	cm <sup>3</sup>
W <sub>y</sub>	28.8	cm <sup>3</sup>
Weight	4045	g/m

Code No. F-80x80-L profile			Anodised
4245000	Cut to size	max. 6000 mm	Clear
4245001	Bar	6000 mm	Clear

Connection	Connection to slot geometry	lot sizes	Code No.
long. + transverse	30	10, 20, 30... pcs	4316706
	40	10, 20, 30... pcs	4246702

For description of slot geometry, please see page 26

### F-80x80/2-L



Area	1862	mm <sup>2</sup>
I <sub>x</sub>	144.5	cm <sup>4</sup>
I <sub>y</sub>	144.5	cm <sup>4</sup>
I <sub>t</sub>	65.5	cm <sup>4</sup>
W <sub>x</sub>	36.1	cm <sup>3</sup>
W <sub>y</sub>	36.1	cm <sup>3</sup>
Weight	5027	g/m

Code No. F-80x80/2-L profile			Anodised
4885000	Cut to size	max. 6000 mm	Clear
4885001	Bar	6000 mm	Clear
Connection	Connection to slot geometry	lot sizes	Code No.
long. + transverse	30	10, 20, 30... pcs	4316706
	40	10, 20, 30... pcs	4246702

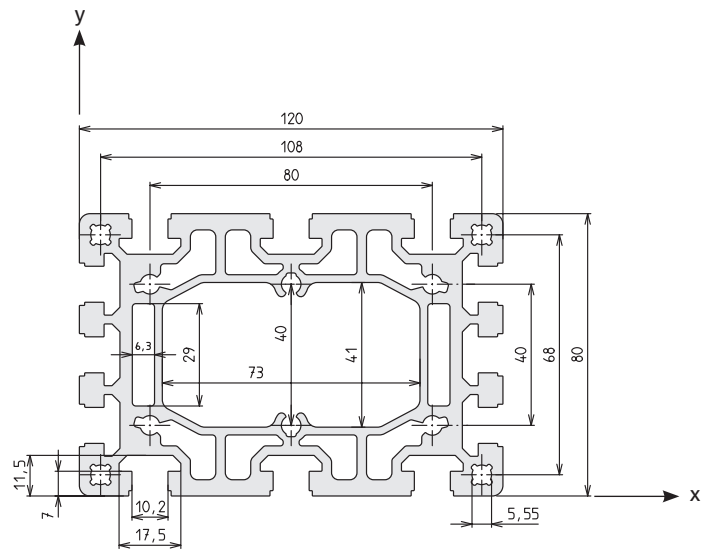
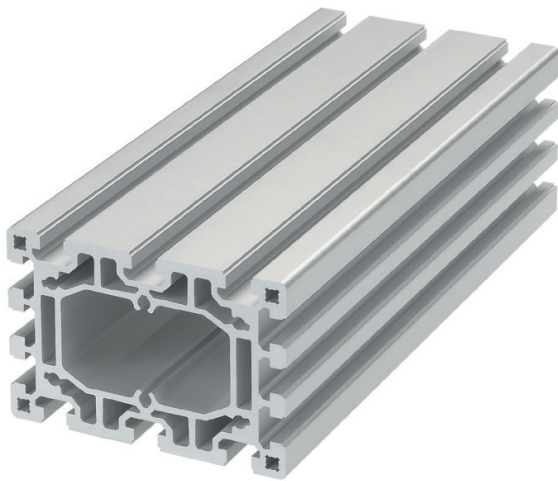
For description of slot geometry, please see page 26

# Profiles / size 80

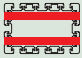

## Order instruction: flange bracket

- Purchase only in lot sizes and a multiple of that see product table below

### F-80x120



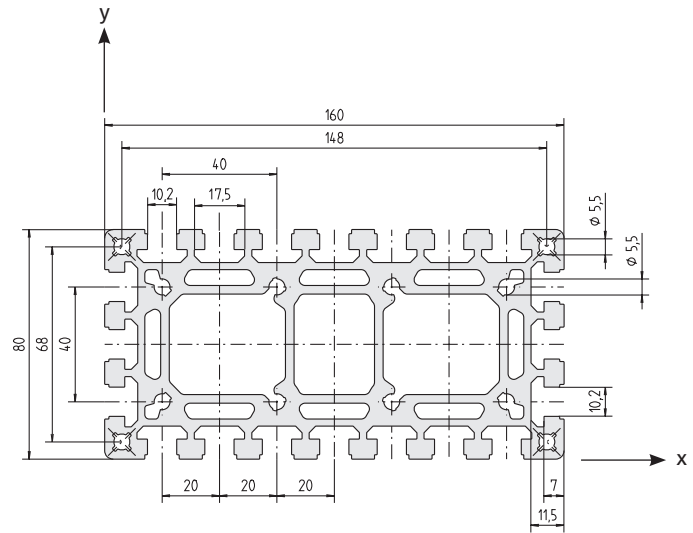
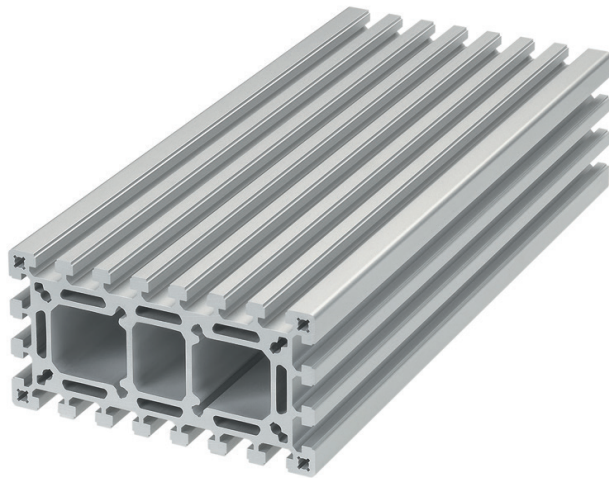
Area	3267	mm <sup>2</sup>
$I_x$	242.5	cm <sup>4</sup>
$I_y$	500.7	cm <sup>4</sup>
$I_t$	177.5	cm <sup>4</sup>
$W_x$	60.6	cm <sup>3</sup>
$W_y$	83.5	cm <sup>3</sup>
Weight	8822	g/m

Code No. F-80x120 profile			Anodised
4685000	Cut to size	max. 6000 mm	Clear
4685001	Bar	6000 mm	Clear
Connection	Connection to slot geometry	lot sizes	Code No.
 long.	30	–	4326706
	40	–	4326702
 transverse	30	10, 20, 30... pcs	4316706
	40	10, 20, 30... pcs	4246702

For description of slot geometry, please see page 26



### F-80x160



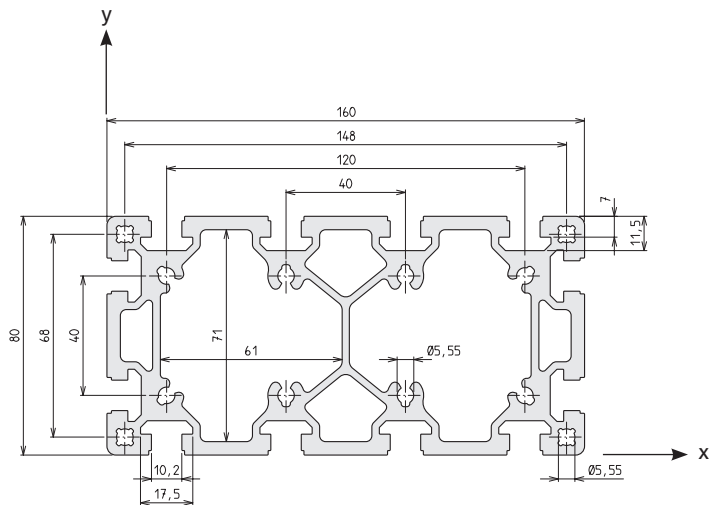
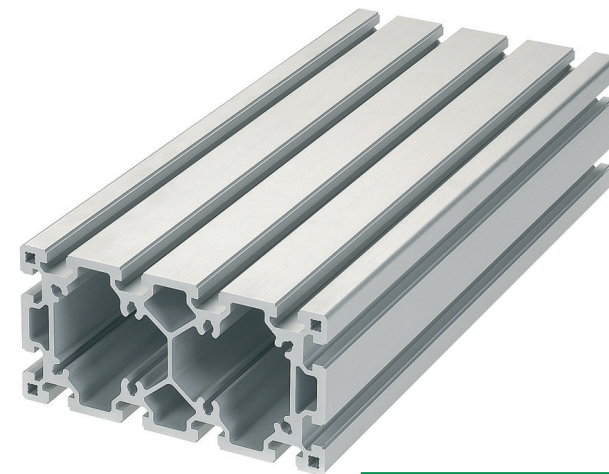
Code No. Profile F-80x160			Anodised
4075000	Cut to size	max. 6000 mm	Clear
4075001	Bar	6000 mm	Clear

Area 4723 mm<sup>2</sup>  
 $I_x$  314.6 cm<sup>4</sup>  
 $I_y$  1126.9 cm<sup>4</sup>  
 $I_t$  254.5 cm<sup>4</sup>  
 $W_x$  77.4 cm<sup>3</sup>  
 $W_y$  140.9 cm<sup>3</sup>  
 Weight 12753 g/m

Connection	Connection to slot geometry	lot sizes	Code No.
 long.	30	–	4336706
	40	–	4336702
 transverse	30	10, 20, 30... pcs	4316706
	40	10, 20, 30... pcs	4246702

For description of slot geometry, please see page 26

### F-80x160-L



Code No. F-80x160-L profile			Anodised
4925000	Cut to size	max. 6000 mm	Clear
4925001	Bar	6000 mm	Clear

Area 3714 mm<sup>2</sup>  
 $I_x$  291.3 cm<sup>4</sup>  
 $I_y$  1024.6 cm<sup>4</sup>  
 $I_t$  250.4 cm<sup>4</sup>  
 $W_x$  72.8 cm<sup>3</sup>  
 $W_y$  128.1 cm<sup>3</sup>  
 Weight 10028 g/m

Connection	Connection to slot geometry	lot sizes	Code No.
 long.	30	–	4336706
	40	–	4336702
 transverse	30	10, 20, 30... pcs	4316706
	40	10, 20, 30... pcs	4246702

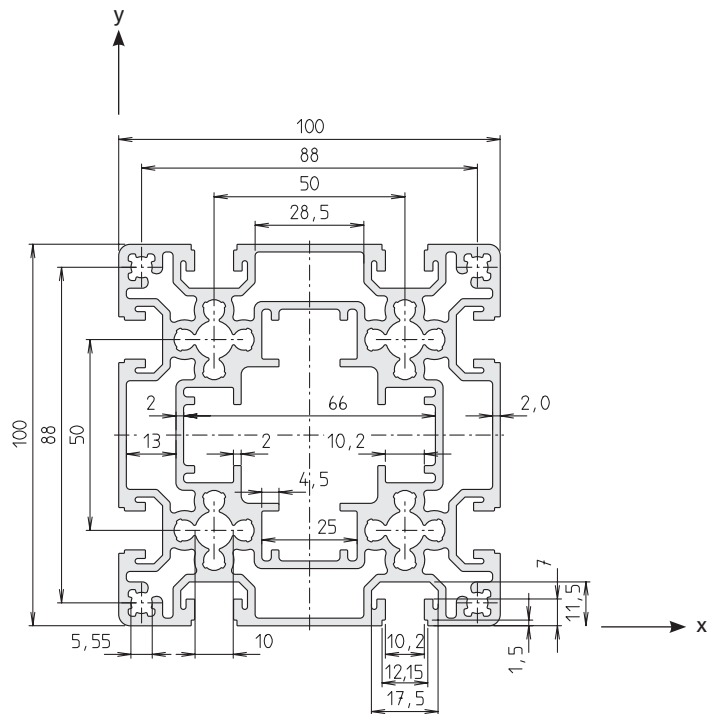
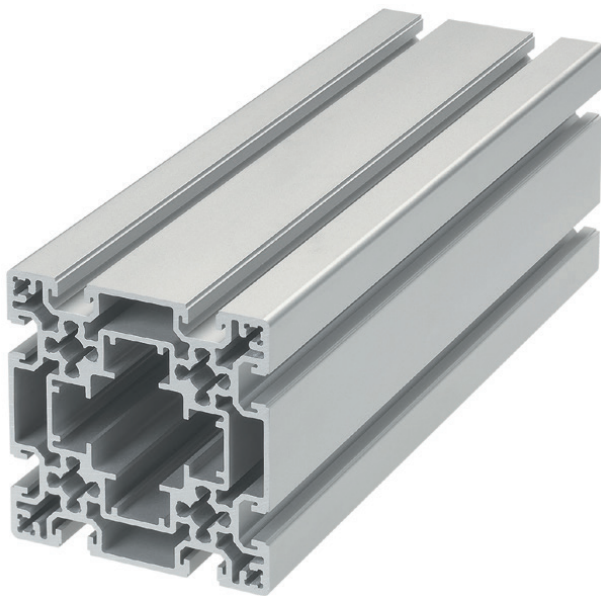
For description of slot geometry, please see page 26

# Profiles / size 100/120

## Order instruction: flange bracket

- Purchase only in lot sizes and a multiple of that see product table below

### F-100x100

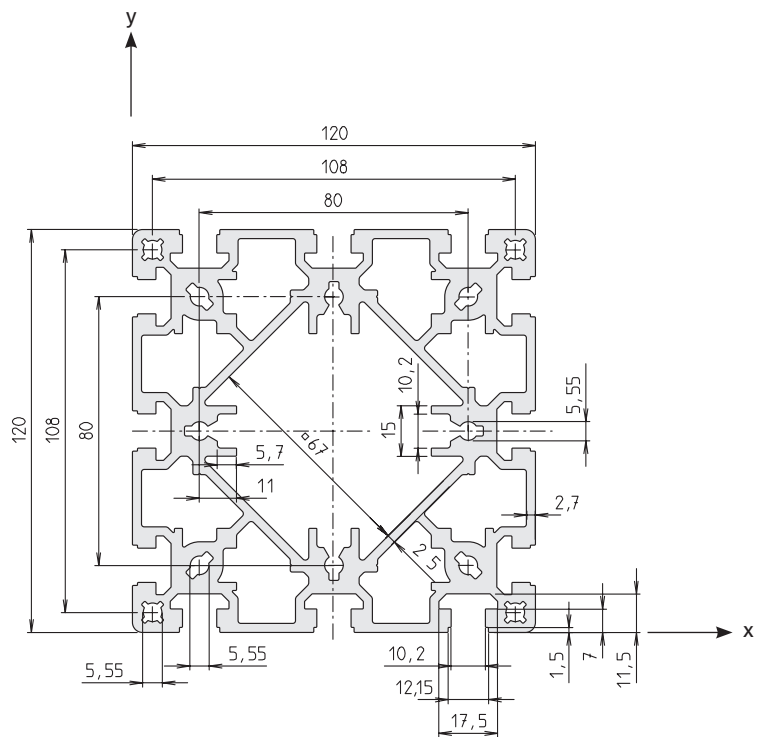
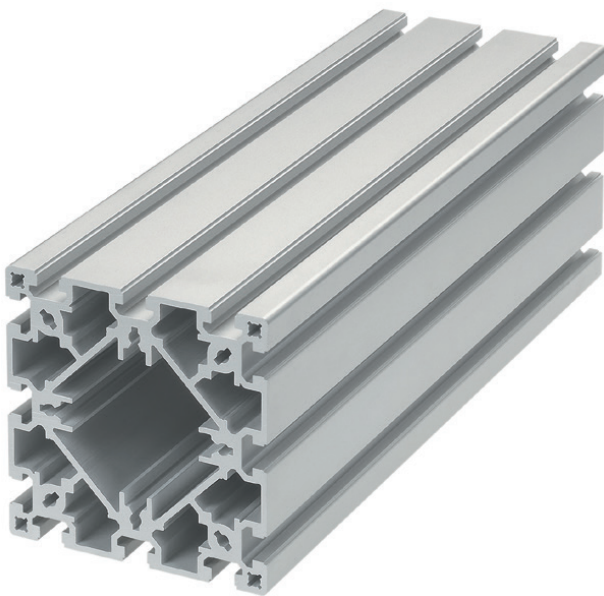


Area	2890	mm <sup>2</sup>
$I_x$	304.1	cm <sup>4</sup>
$I_y$	304.1	cm <sup>4</sup>
$I_t$	156.9	cm <sup>4</sup>
$W_x$	60.8	cm <sup>3</sup>
$W_y$	60.8	cm <sup>3</sup>
Weight	7804	g/m

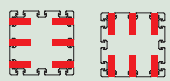
Code No. F-100x100 profile			Anodised
4695000	Cut to size	max. 6000 mm	Clear
4695001	Bar	6000 mm	Clear
Connection	Connection to slot geometry	lot sizes	Code No.
 long. + transverse	30	10, 20, 30... pcs	4086706
	40	10, 20, 30... pcs	4086702

For description of slot geometry, please see page 26

## F-120x120



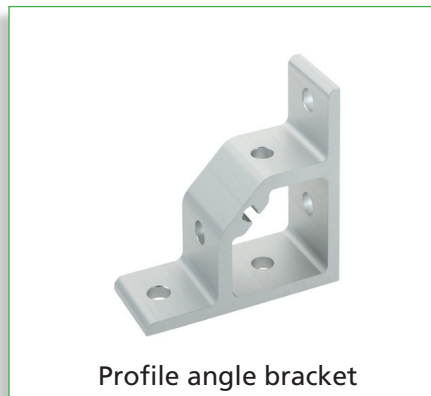
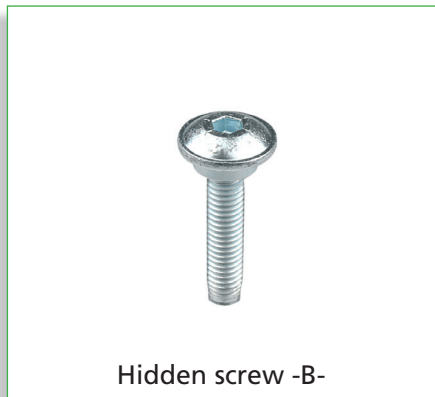
Area	4259	mm <sup>2</sup>
$I_x$	665.1	cm <sup>4</sup>
$I_y$	665.1	cm <sup>4</sup>
$I_t$	349.3	cm <sup>4</sup>
$W_x$	110.8	cm <sup>3</sup>
$W_y$	110.8	cm <sup>3</sup>
Weight	11500	g/m

Code No. F-120x120 profile			Anodised
4165000	Cut to size	max. 6000 mm	Clear
4165001	Bar	6000 mm	Clear
Connection	Connection to slot geometry	lot sizes	Code No.
 long. + transverse	30	10, 20, 30... pcs	4816703
	40	10, 20, 30... pcs	4816702

For description of slot geometry, please see page 26

# Right-angle connections

## Versions





## Table of contents

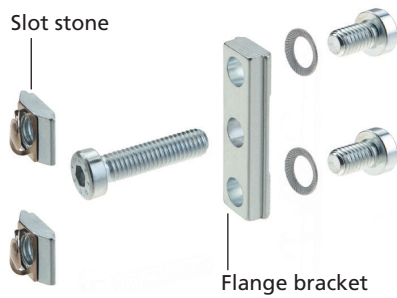
### Connection techniques

#### Right-angle connections

- Flange bracket connection ..... p. 48
- Slot stone -L/E- II..... p. 52
- Hidden screw -B- ..... p. 52
- Compatibility connector ..... p. 53
- Bracing plate ..... p. 54
- Connecting plate..... p. 56
- Profile angle bracket ..... p. 58
- Angle brackets -cast-..... p.60
- Angle brackets -sheet steel- ..... p. 64
- Corner clamp WV ..... p. 65

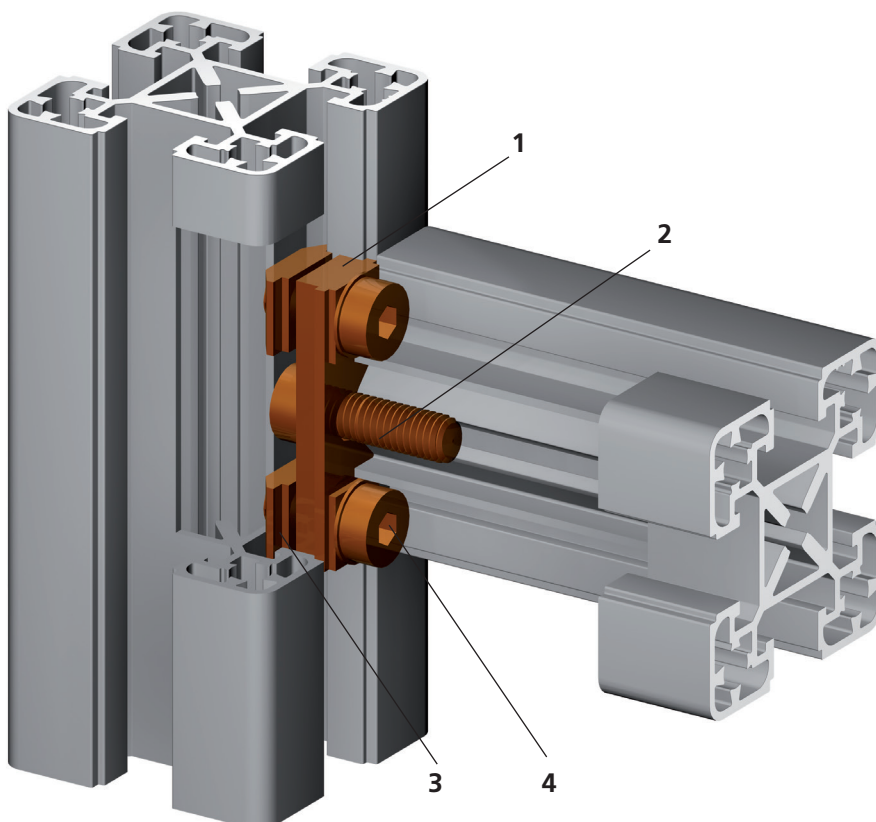
# Right-angle connections

## Flange bracket connection



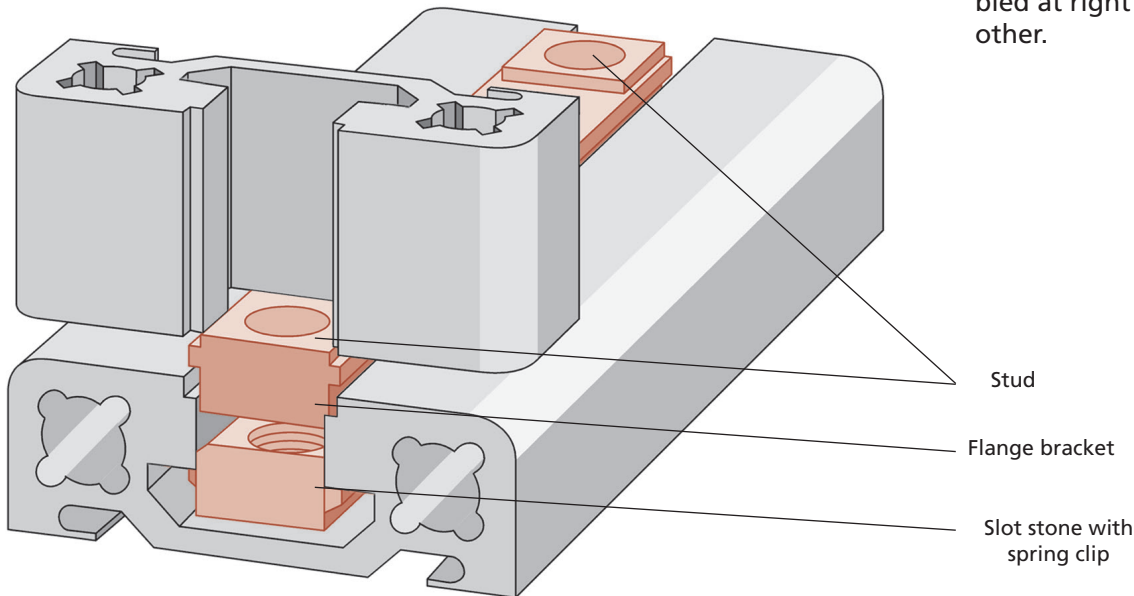
■ The flange bracket (1) is the simplest and most cost-efficient method of connecting profiles.

- No additional machining necessary
- Direct fixing in the profile screw channels
- Direct insertion of RK expansion screws or standard DIN socket head cap screws (2)
- Very stable
- Only a list of profile cut lengths is required
- Minimal effort required in construction
- Can be disconnected at any time

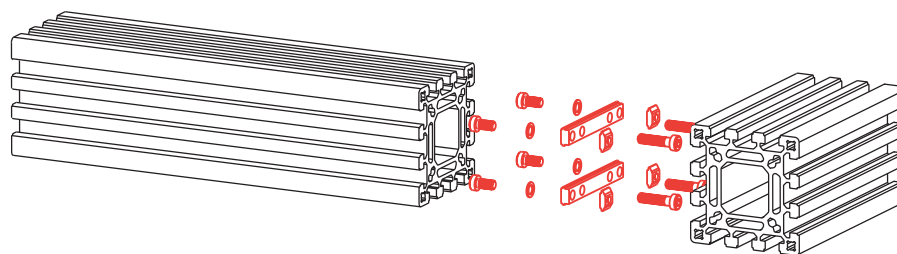


1. Flange bracket
2. Socket head cap screw/RK expansion screw
3. Slot stone with spring clip
4. Socket head cap screw

## Position diagram



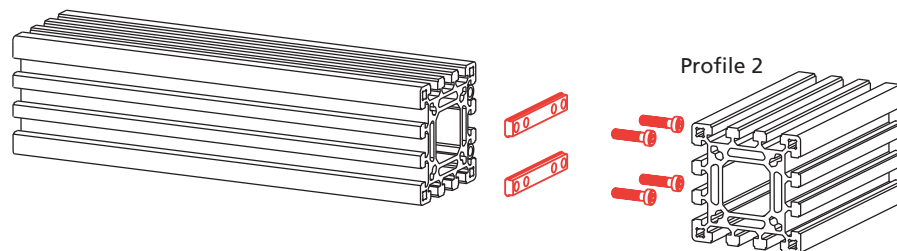
- The studs (see figure) centre the profiles in relation to one another, thus preventing torsion. This centring effect also allows the profiles to be assembled at right angles to each other.



### Step 1

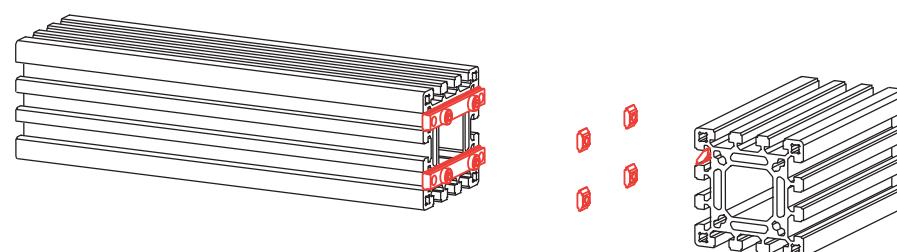
Insert flange bracket (studs engage in profile slots) into profile 1 and tighten with hexagon socket keys, self-centred by studs – Gutting oil and using a drill make it easier to insert the screws.

Profile 1



### Step 2

Slide/insert edge-first the slot stones with spring clip into profile 2 and slide them into the correct position.



### Step 3

Put together profile 1 and profile 2 and connect the flange bracket to the slot stones with spring clip using fixing screws.

# Right-angle connections

## Order instruction: flange bracket

- Purchase only in lot sizes and a multiple of that see product table below
- Each Code No. includes one flange bracket and fastenings.

Material: Galvanised steel

## Flange brackets

- For static loads  
(For standard DIN screw, please see page 95)



Code No.	Type	lot sizes	To slot geom.	For profile (quantity required per connection)
4306709	30	10, 20, 30... pcs	30	F-30x30 (1x)
4306710	30	10, 20, 30... pcs	40	F-30x30 (1x)
4176704	30	10, 20, 30... pcs	30	F-30x60 (2x), F-30x80 (2x), F-30x100 (2x), F-30x120 (3x), F-30x160 (4x)
4176705	30	10, 20, 30... pcs	40	F-30x60 (2x), F-30x80 (2x), F-30x100 (2x), F-30x120 (3x), F-30x160 (4x)
4816703	40	10, 20, 30... pcs	30	F-40x40 (1x), F-40x40-L (1x), F-40x80 (2x), F-40x80-L (2x), F-40x80/3 (2x), F-40x120 (3x), F-40x160 (4x)
4816702	40	10, 20, 30... pcs	40	F-40x40 (1x), F-40x40-L (1x), F-40x80 (2x), F-40x80-L (2x), F-40x80/3 (2x), F-40x120 (3x), F-40x160 (4x)
4086706	50	10, 20, 30... pcs	30	F-50x50 (1x), F-50x50-L (1x), F-50x100 (2x), F-50x200 (2/4x), F-30x100 (2x), F-100x100 (4x)
4086702	50	10, 20, 30... pcs	40	F-50x50 (1x), F-50x50-L (1x), F-50x100 (2x), F-50x200 (2/4x), F-30x100 (2x), F-100x100 (4x)
4226706	60	10, 20, 30... pcs	30	F-30x60 (1x), F-60x60 (2x), F-60x60/1 (1x), F-60x60-L (1x), F-60x120 (4x)
4226702	60	10, 20, 30... pcs	40	F-30x60 (1x), F-60x60 (2x), F-60x60/1 (1x), F-60x60-L (1x), F-60x120 (4x)
4316706	80	10, 20, 30... pcs	30	F-30x80 (1x), F-40x80 (1x), F-40x80-L (1x), F-40x80/3 (1x), F-80x80 (2x), F-80x80/2 (2x), F-80x80/2-L (2x), F-80x80-L (1x), F-80x120 (3x), F-80x160 (4x), F-80x160 (4x)
4246702	80	10, 20, 30... pcs	40	F-30x80 (1x), F-40x80 (1x), F-40x80-L (1x), F-40x80/3 (1x), F-80x80 (2x), F-80x80/2 (2x), F-80x80/2-L (2x), F-80x80-L (1x), F-80x120 (3x), F-80x160 (4x), F-80x160-L (4x)

Code No.	Type	lot sizes	To slot geom.	For profile (quantity required per connection)
4326706	120	–	30	F-30x120 (1x), F-40x120 (1x), F-60x120 (2x), F-80x120 (2x)
4326702	120	–	40	F-30x120 (1x), F-40x120 (1x), F-60x120 (2x), F-80x120 (2x)
4336706	160	–	30	F-30x160 (1x), F-40x160 (1x), F-80x160 (2x), F-80x160-L (2x)
4336702	160	–	40	F-30x160 (1x), F-40x160 (1x), F-80x160 (2x), F-80x160-L (2x)

Required number of flange brackets to fully assemble two profiles.

## Flange brackets

- For low dynamic loads  
(For RK expansion screw, please see page 95)



Code No.	Type	lot sizes	To slot geom.	For profile (quantity required per connection)
4816700	40	10, 20, 30... pcs	40	F-40x40 (1x), F-40x40-L (1x)
4086700	50	10, 20, 30... pcs	40	F-50x50 (1x), F-50x50-L (1x), F-50x100 (2x), F-50x200 (4x)
4226700	60	10, 20, 30... pcs	40	F-60x60 (2x), F-60x60/1 (1x), F-60x60-L (1x), F-60x120 (4x)
4246700	80	10, 20, 30... pcs	40	F-80x80 (2x), F-80x80/2 (2x), F-80x80/2-L (2x), F-80x80-L (1x), F-80x120 (3x), F-80x160 (4x), F-80x160-L (4x)
4326700	120	–	40	F-30x120 (1x), F-40x120 (1x), F-60x120 (2x), F-80x120 (2x)
4336700	160	–	40	F-30x160 (1x), F-40x160 (1x), F-80x160 (2x), F-80x160-L (2x)

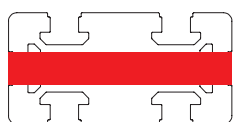
Required number of flange brackets to fully assemble two profiles.

## Flange brackets

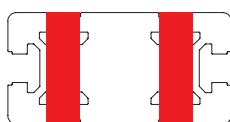
- With equipotential bonding
- The -PA- slot stones have an equipotential bonding effect by destroying the anodised layer.



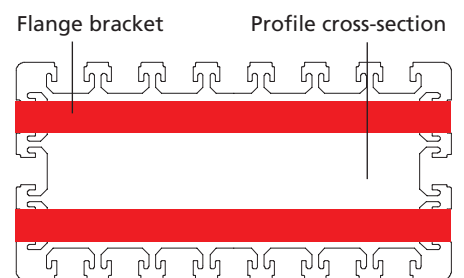
Code No.	Type	lot sizes	To slot geom.	For profile (quantity required per connection)
4306c09	30	10, 20, 30... pcs	30	F-30x30 (1x)
4816c02	40	10, 20, 30... pcs	40	F-40x40 (1x), F-40x40-L (1x), F-40x80 (2x), F-40x80-L (2x), F-40x80/3 (2x), F-40x120 (3x), F-40x160 (4x)
4086c02	50	10, 20, 30... pcs	40	F-50x50 (1x), F-50x50-L (1x), F-50x100 (2x), F-50x200 (2/4x), F-30x100 (2x), F-100x100 (4x)
4226c02	60	10, 20, 30... pcs	40	F-30x60 (1x), F-60x60 (2x), F-60x60/1 (1x), F-60x60-L (1x), F-60x120 (4x)
4246c02	80	10, 20, 30... pcs	40	F-30x80 (1x), F-40x80 (1x), F-40x80-L (1x), F-40x80/3 (1x) F-80x80 (2x), F-80x80/2 (2x), F-80x80/2-L (2x), F-80x80-L (1x), F-80x120 (3x), F-80x160 (4x), F-80x160-L (4x)



F-40x80 profile  
Connection -longitudinal-  
(to 40 slot geometry) 1x  
Code No. 4246702



F-40x80 profile  
Connection -transverse-  
(to 40 slot geometry) 2x  
Code No. 4816702



F-80x160 profile  
For longitudinal connection  
(to 40 slot geometry) 2x  
Code No. 4336702

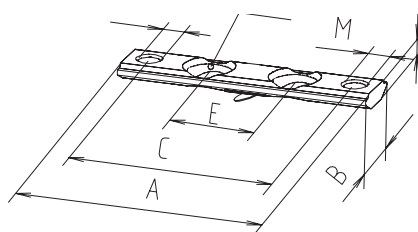
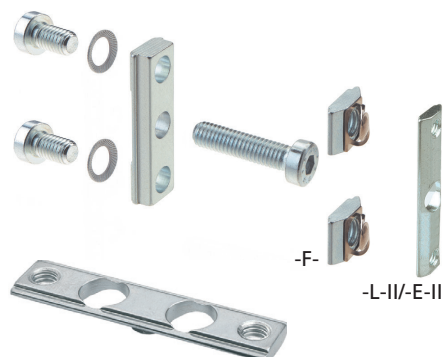
# Right-angle connections

## Order instruction: flange bracket

- Purchase only in lot sizes and a multiple of that see product table below

### Slot stone -L/E- II

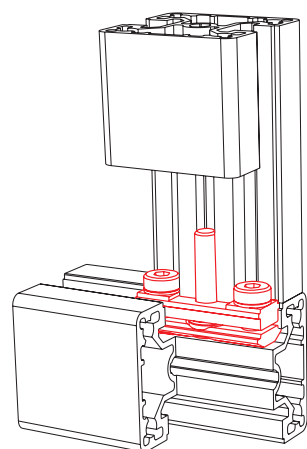
(with hole)



- In the flange bracket sets, the standard -F- slot stones can be replaced by -L/E- slot stones with hole.
- The greater supporting surface reduces the surface pressure

**Material:** Galvanised steel

Only have one hole:  
Slot stones -L- II types M5 / 29, M6 / 38  
Slot stone -E- II type M6 / 38 [mm]

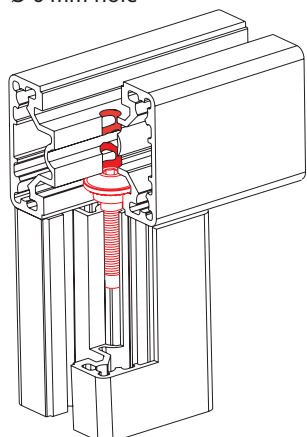


Code No.	Type	lot sizes	To slot geom.	A	B	C	D	E	F	M
<b>Slot stone -L- II</b>										
4006207	M5 / 29	10, 20, 30... pcs	30	29	12	21.5	4	0	8.5	M5
4016206	M6 / 38	10, 20, 30... pcs	40	38	14	28	4	0	10.2	M6
4016207	M6 / 48	10, 20, 30... pcs	40	48	14	38	4	15.5	10.2	M6
4016208	M6 / 58	10, 20, 30... pcs	40	58	14	48	4	20	10.2	M6
4046206	M6 / 78	10, 20, 30... pcs	40	78	14	68	4	40	10.2	M6
<b>Slot stone -E- II (slide-in)</b>										
4006224	M6 / 38	10, 20, 30... pcs	40	38	16.5	28	3.8	0	10.2	M6
4006239	M6 / 58	10, 20, 30... pcs	40	58	16.5	48	3.8	15.5	10.2	M6
4006240	M6 / 78	10, 20, 30... pcs	40	78	16.5	68	3.8	40	10.2	M6

### Hidden screw -B-



Ø 6 mm hole



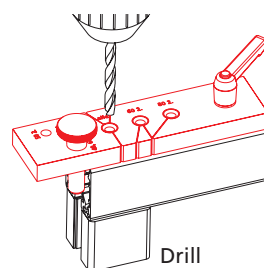
- Cost-effective connection technique for profiles with 30 and 40 slot geometry

- Self-tapping – Threading not required

**Material:** Galvanised steel

#### Assembly:

1. Drill a 6 mm hole (e.g. with RK drilling fixture) at the required position in the crossing profile
2. Insert the hidden screw into the profile slot as far as the hole
3. Insert T-handle key through the hole and into the shoulder screw and screw the two profiles to one another



Code No.	Type	lot sizes	Type
4576510	F-30x30	10, 20, 30... pcs	Hidden screw -B- M5x25
4816510	F-40x40	10, 20, 30... pcs	Hidden screw -B- M6x30
4016516	-	-	Drilling fixture for hidden screw -B-

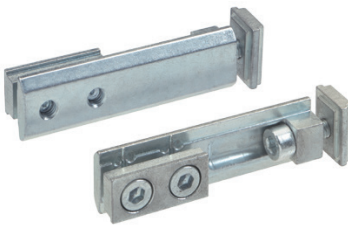
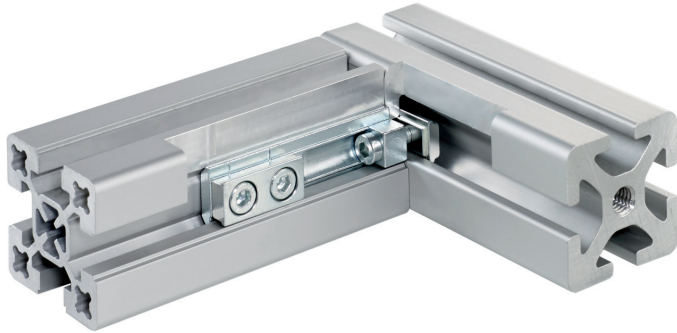


### Compatibility connector 40

■ The compatibility connector allows BLOCAN® profiles to be connected to aluminium profiles of other manufacturers.

**Material:** Galvanised steel

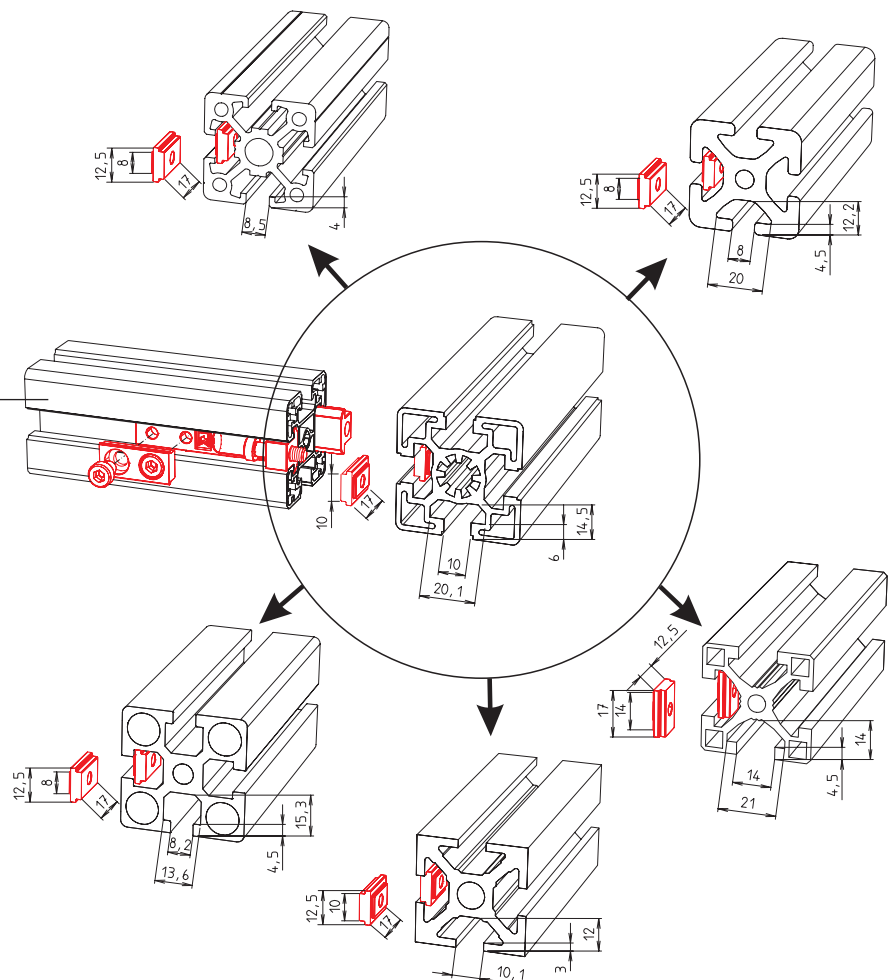
**Includes:** 2 connectors with fastenings



Code No.	Type	Suitable for slot widths
4016581	Compatibility connector 40	8, 10, 14 mm

### Position diagram

RK profile, 40 slot geometry



# Right-angle connections

## Bracing plates

### Features:

- Superficial bracing of the three most important junctions L, T, X

Panels and wire mesh do not need to be notched, as is usually the case with angle brackets.

### Material:

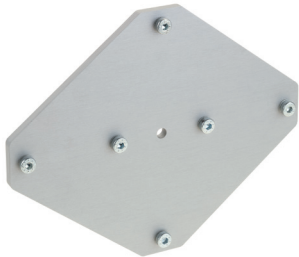
black powder-coated steel or grey powder-coated steel

### Fixing material

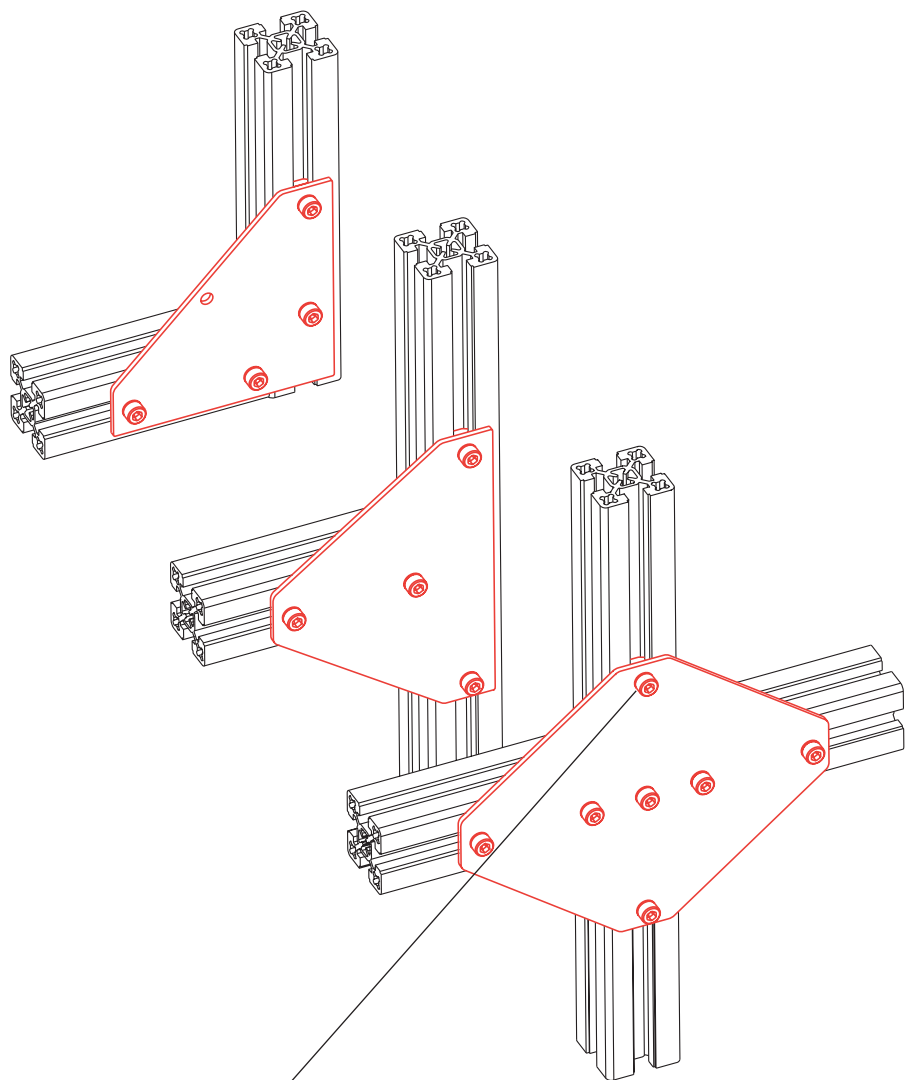
galvanised fastenings

**Includes:** Bracing plate complete with fixing sets

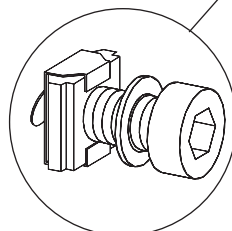
grey RAL 9006



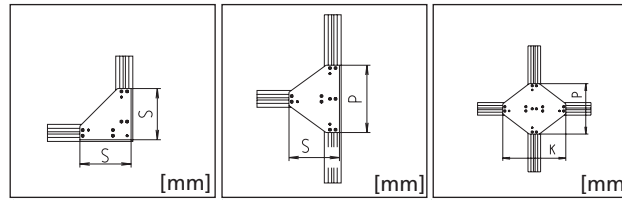
black RAL 9005



Fixing set





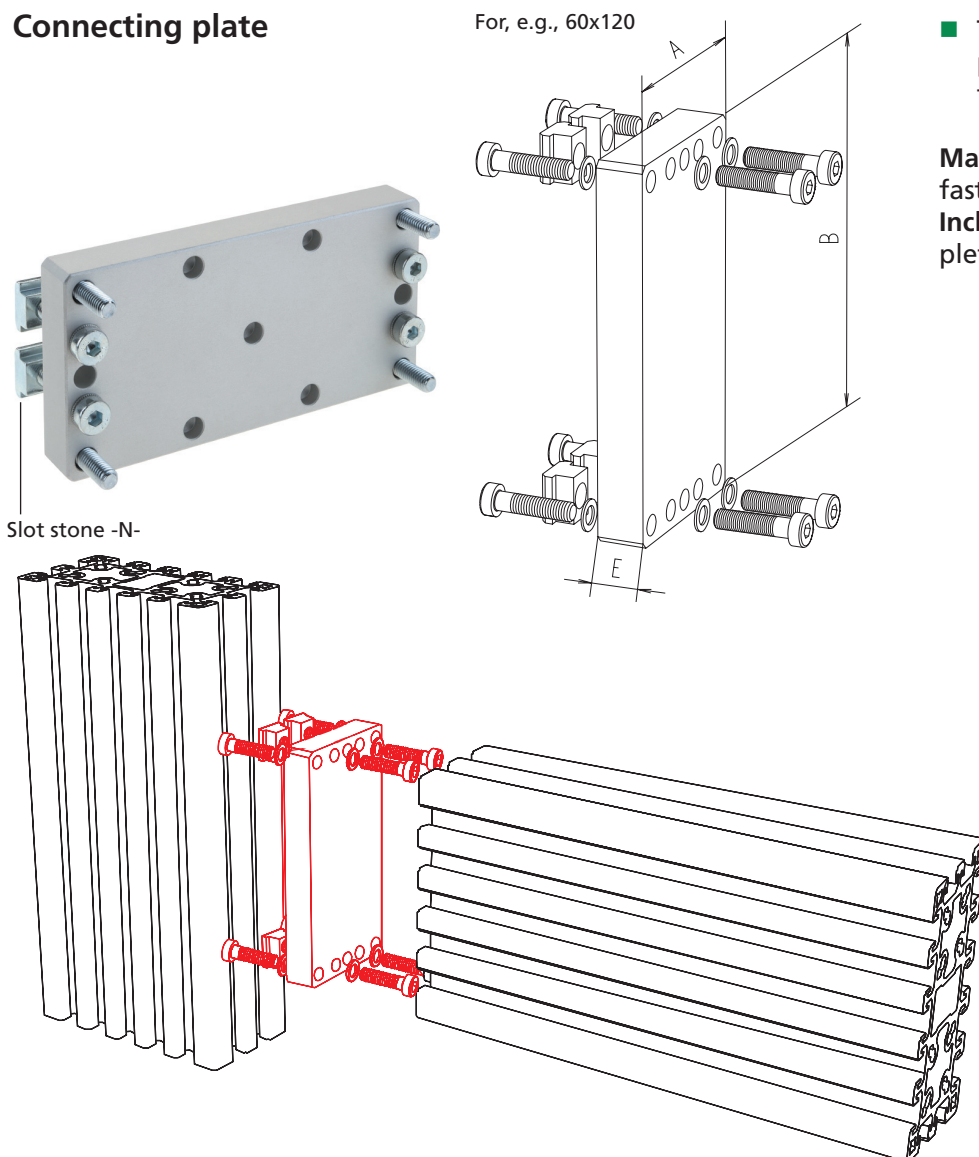


Code No.	Type	Wall thickness	Type L	Type T	Type X	colour
4002113	30x30	3 mm	S = 90			grey
4002183	30x30	3 mm		S = 90 / P = 120		grey
4002111	30x30	3 mm	S = 90			black
4002181	30x30	3 mm		S = 90 / P = 120		black
4002191	30x30	3 mm			P = 120 / K = 150	black
4012113	40x40	3 mm	S = 120			grey
4012183	40x40, 40x40-L	3 mm		S = 120 / P = 160		grey
4012111	40x40, 40x40-L	3 mm	S = 120			black
4012181	40x40, 40x40-L	3 mm		S = 120 / P = 160		black
4012191	40x40, 40x40-L	3 mm			P = 160 / K = 200	black
4082113	F-50x50, F-50x50-L	4 mm	S = 150			grey
4082183	F-50x50, F-50x50-L	4 mm		S = 150 / P = 200		grey
4082111	F-50x50, F-50x50-L	4 mm	S = 150			black
4082181	F-50x50, F-50x50-L	4 mm		S = 150 / P = 200		black
4082191	F-50x50, F-50x50-L	4 mm			P = 200 / K = 250	black
4122113	F-60x60	4 mm	S = 180			grey
4122183	F-60x60	4 mm		S = 180 / P = 240		grey
4122111	F-60x60	4 mm	S = 180			black
4122181	F-60x60	4 mm		S = 180 / P = 240		black
4122191	F-60x60	4 mm			P = 240 / K = 300	black
4222113	F-60x60-L, F-60x60/1	4 mm	S = 180			grey
4222183	F-60x60-L, F-60x60/1	4 mm		S = 180 / P = 240		grey
4222111	F-60x60-L, F-60x60/1	4 mm	S = 180			black
4222181	F-60x60-L, F-60x60/1	4 mm		S = 180 / P = 240		black
4222191	F-60x60-L, F-60x60/1	4 mm			P = 240 / K = 300	black
4242113	F-80x80-L	4 mm	S = 240			grey
4242183	F-80x80-L	4 mm		S = 240 / P = 320		grey
4242111	F-80x80-L	4 mm	S = 240			black
4242181	F-80x80-L	4 mm		S = 240 / P = 320		black
4242191	F-80x80-L	4 mm			P = 320 / K = 400	black
4042113	80x80, F-80x80/2-L, F-80x80/2	4 mm	S = 240			grey
4042183	80x80, F-80x80/2-L, F-80x80/2	4 mm		S = 240 / P = 320		grey
4042111	80x80, F-80x80/2-L, F-80x80/2	4 mm	S = 240			black
4042181	80x80, F-80x80/2-L, F-80x80/2	4 mm		S = 240 / P = 320		black
4042191	80x80, F-80x80/2-L, F-80x80/2	4 mm			P = 320 / K = 400	black

bracing plates 60x120 and 80x160 (black) type L, T, X on request.  
bracing plates type L, T, X aluminium on request.

# Right-angle connections

## Connecting plate



■ The connecting plates allow profiles to be fixed in the profile slots at the sides.

**Material:** Aluminium, galvanised fastenings

**Includes:** Connecting plate complete with accessories

[mm]

Code No.	Type	A	B	E
<b>Connecting plate connection – face-to-slot</b>				
4005412	30x30	30	30	15
4015412	40x40, 40x40-L	40	40	15
4645411	F-40x120	40	120	15
4655411	F-40x160	40	160	15
4085412	F-50x50, F-50x50-L	50	50	15
4665411	F-50x100	50	100	15
4675411	F-50x200	50	200	15
4225412	F-60x60-L, F-60x60/1	60	60	15
4125412	60x60	60	60	15
4065411	F-60x120	60	120	15
4035412	40x80	40	80	15
4045412	80x80	80	80	15
4245412	F-80x80-L	80	80	15
4685411	F-80x120	80	120	15
4075411	F-80x160	80	160	15
4695411	F-100x100	100	100	15



# Right-angle connections

## Profile angle bracket Bar material

- Made from aluminium extruded profiles.
- With integrated screw channel for fastening panels.

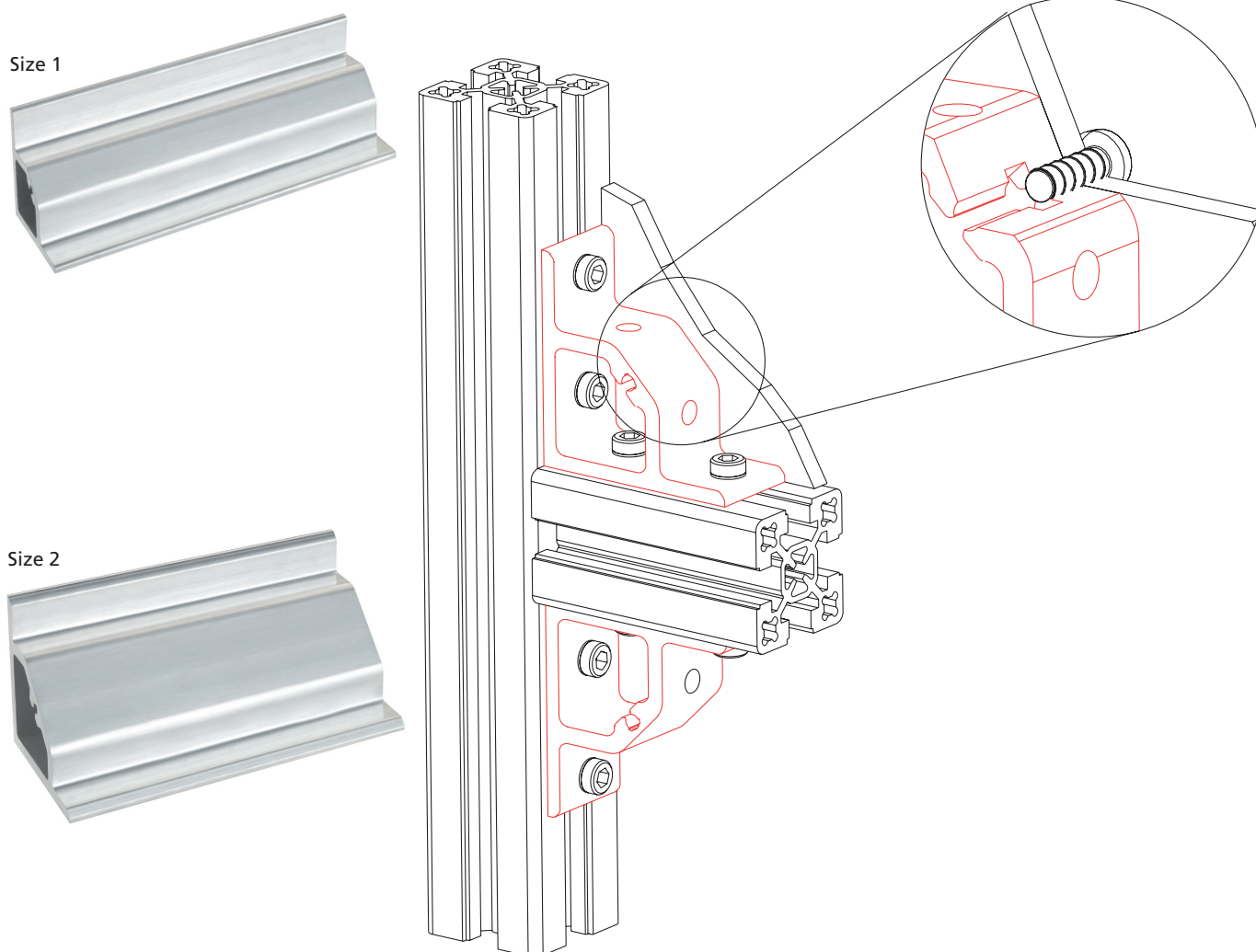
**Material:** Aluminium, clear anodised profile angle bracket  
Non-anodised bar  
Angle tolerance  $90^{\circ} \pm 5'$ .

**Fixing sets:**

The angle brackets can be screwed to the profile with the fixing sets. Further slot stone types can be found on page 67.

**Includes:**

1 screw with washer and slot stone.



For dimension table, please see opposite page

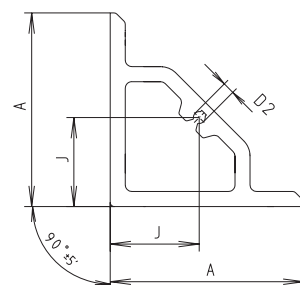
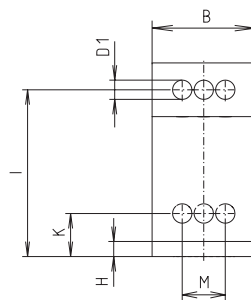
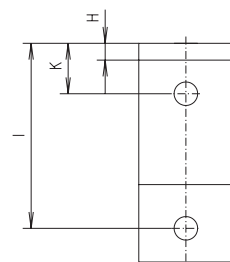
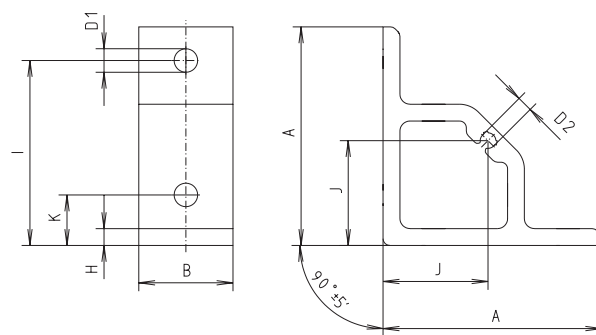
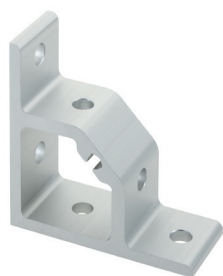
Code No.	Version			
4010102	Size 1	Cut to size	max. 3000 mm	Non-anodised
4010103		Bar	3000 mm	Non-anodised
4030102	Size 2	Cut to size	max. 3000 mm	Non-anodised
4030103		Bar	3000 mm	Non-anodised



**Order instruction:**

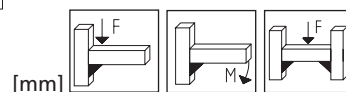
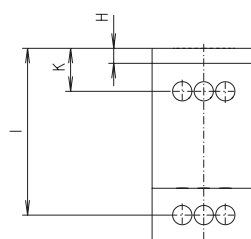
- Purchase only in lot sizes and a multiple of that see product table below

**Profile angle bracket, size 1**



**Profile angle bracket, size 2**

Figure shows type 40



Code No.	Type	Version	A	B	D1	D2	H	I	J	K	M	F [N]	M [Nm]	F [N]
4015101	40	Size 1	64.15	28	7	4.65	4.15	55	30.3	20	–	2500	25	5200
4085101	50	Size 1	64.15	38	7	4.65	4.15	55	30.3	15	–	2500	25	5200
4035101	40	Size 2	89.3	28	9	5.55	6.3	77.5	40.65	20	–	2500	25	5200
4125101	60	Size 2	89.3	48	9	5.55	6.3	77.5	40.65	20	20	5670	150	11550
4145101	80	Size 2	89.3	68	9	5.55	6.3	77.5	40.65	20	40	5670	150	11550

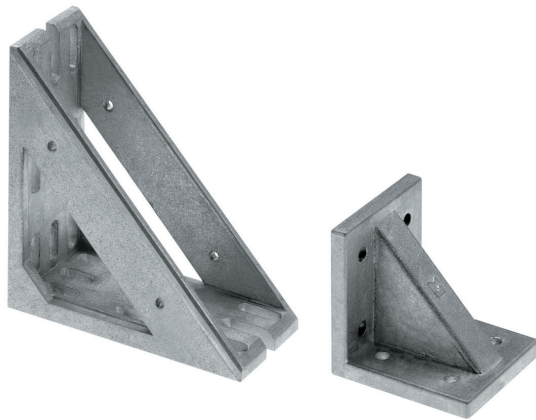
Code No.	Size	Version	lot sizes
Fixing sets (1 slot stone with screw, washer)			
4015105	1	M6x16, slot stone -N-	10, 20, 30... pcs
4035110	2	M8x18, slot stone -N-	10, 20, 30... pcs
4015106	1	M6x16, slot stone -K-	10, 20, 30... pcs
4035111	2	M8x18, slot stone -K-	10, 20, 30... pcs
4015107	1	M6x16, slot stone -R-	10, 20, 30... pcs
4035112	2	M8x18, slot stone -R-	10, 20, 30... pcs

# Right-angle connections

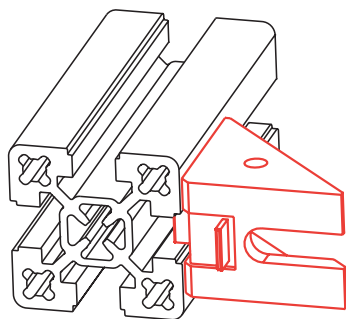
## Angle brackets -cast-

- A centring rib simplifies assembly and prevents angle bracket torsion. If necessary, this rib can be bent with a pliers.
- Angle tolerance  $90^\circ \pm 5'$

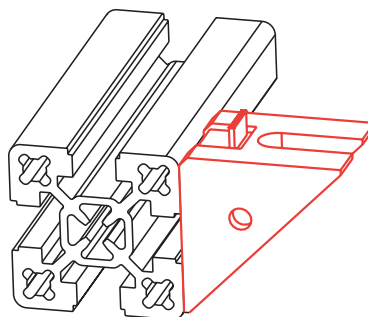
**Material:**  
Gravity die-cast aluminium



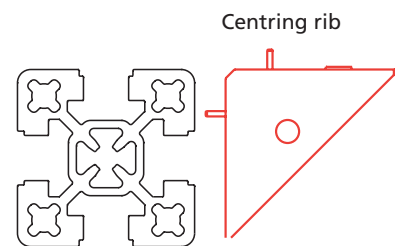
**Material:**  
Die-cast zinc



**Angle bracket along the profile:**  
Angle bracket is centred in the profile slot and prevents torsion.

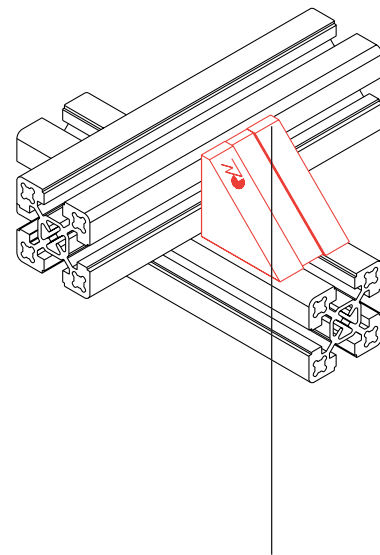
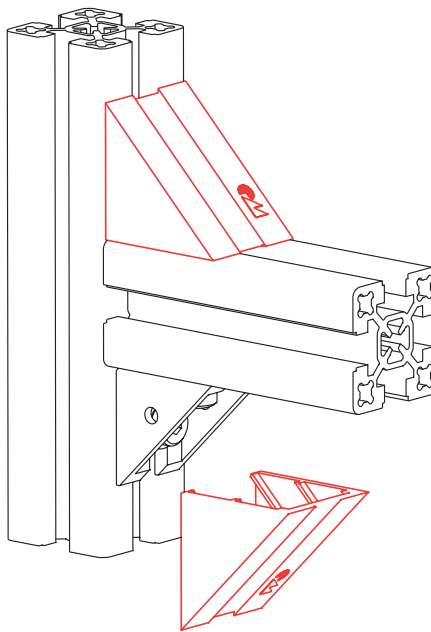


**Angle bracket perpendicular to the profile:**  
Centring rib must be bent.



## Plastic cover for angle brackets

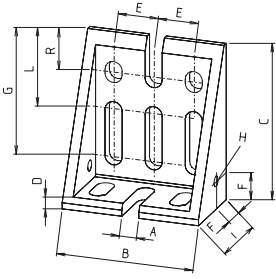
- For aesthetic effect or to protect against soiling, plastic covers may be placed on the angle brackets.  
**Material:** Black polyamide plastic



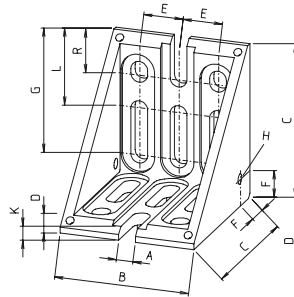
One side with chamfer for crossing connection with one angle bracket 40x40-2

Code No.	Type	lot sizes
4008101	For angle bracket 30x30 (2 braces)	10, 20, 30... pcs
4018102	For angle bracket 40x40 (2 braces)	10, 20, 30... pcs
4018103	For angle bracket 40x40 (2 braces) with chamfer for crossing connection	10, 20, 30... pcs
4028101	For angle bracket 50/60	10, 20, 30... pcs

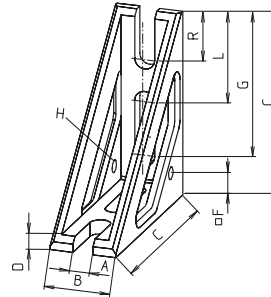
# Right-angle connections



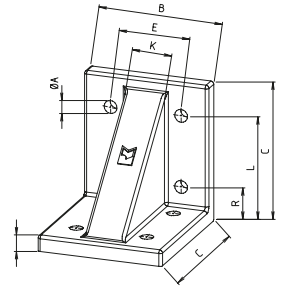
Angle bracket 80x40x80  
Gravity die-cast aluminium



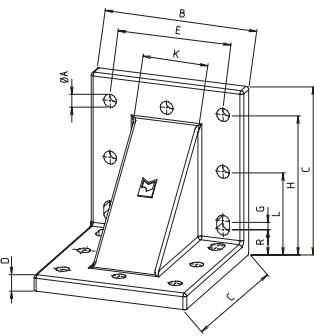
Angle bracket 80  
Die-cast zinc



Angle bracket 40x80  
Gravity die-cast aluminium



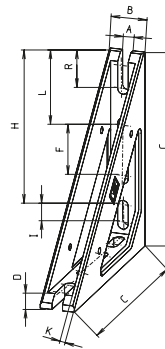
Angle bracket 100  
Gravity die-cast aluminium



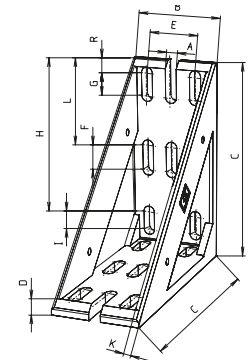
Angle brackets 120 + 160  
Gravity die-cast aluminium



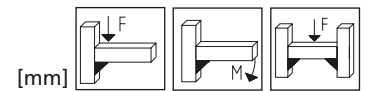
Angle bracket 40x80x160  
Gravity die-cast aluminium



Angle bracket 40x160  
Gravity die-cast aluminium



Angle bracket 80x160  
Gravity die-cast aluminium



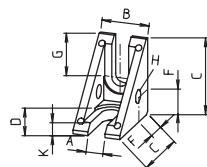
Code No.	Type	Version	A	B	C	D	E	F	G	H	I	O	L	R	F [N]	M [Nm]	F [N]
<b>Cast angle bracket</b>																	
4044102	80x40x80	2 braces	8.5	68	78	6	20	14	61	5.2	38	–	38	19	3000/4300	180/200	4000/14700
4044101	80	2 braces	8.5	68	78	8	20	14	61	5.2	–	6	38	20	9200	550	14700
4034100	40x80	2 braces	8.5	28	78	6	–	14	61	5.2	–	–	38	20	1300	180	4600
4695100	100	–	9	88	98	11	50	–	–	–	–	28	75	25	8800	700	13200
4165100	120	–	9	108	118	11	80	–	5	100	–	46	60	20	14500	1200	21750
4014100	40x80x160	2 braces	8.5	28	158	6	78	45	–	123	15	4	56	28	1600/2500	180	–
4654100	40x160	2 braces	8.5	28	158	11	–	45	–	123	15	5.5	56	28	2500	250	–
4444100	160	–	9	148	158	11	120	–	5	140	–	78	80	20	16800	1700	25200
4074100	80x160	2 braces	9	68	158	11	40	20	18	95	15	5.5	70	12	12800	1500	19200



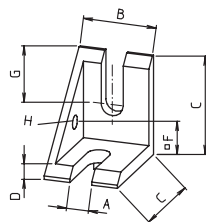


**Order instruction:**

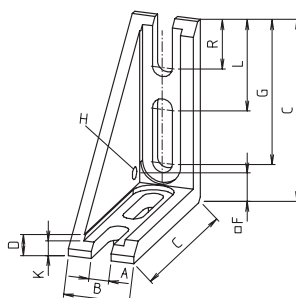
- Purchase only in lot sizes and a multiple of that see product table below



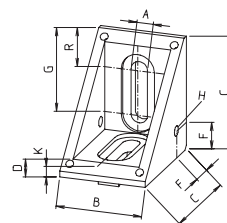
Angle brackets 30 + 40  
Die-cast zinc



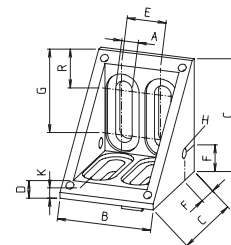
Angle bracket 40-1  
Die-cast zinc



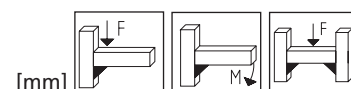
Angle bracket 40x80-1  
Die-cast zinc



Angle bracket 50/60  
Die-cast zinc



Angle bracket F-60x60  
Die-cast zinc



Code No.	Type	lot sizes	Version	A	B	C	D	E	F	G	H	I	O	L	R	F [N]	M [Nm]	F [N]
<b>Cast angle bracket</b>																		
4004101	30	10, 20, 30... pcs	2 braces	6.5	18	29	5	-	10	15	5.2	-	4	-	-	1100	20	2600
4014101	40-1	10, 20, 30... pcs	1 brace	8.4	28	38	5	-	14	19	5.2	-	-	-	-	2200	45	4000
4014102	40	10, 20, 30... pcs	2 braces	8.4	28	38	5	-	14	19	5.2	-	-	-	-	2200	60	4000
4034101	40x80-1	10, 20, 30... pcs	1 brace	8.5	28	78	8	-	14	61	5.2	-	6	38	20	3700	180	6500
4024101	50/60	10, 20, 30... pcs	2 braces	8.5	44	58	8	-	14	41	5.2	-	6	-	18	4500	280	8000
4124101	F-60x60	10, 20, 30... pcs	2 braces	8.5	48	58	8	20	14	40	5.2	-	6	-	17	4500	280	8000

**Fixing sets**



Fixing set with slot stone -N- (slot stone is slid into the slot from the side)

**Fixing sets:**

The angle brackets can be screwed to the profile with the fixing sets.

**Material:** Galvanised steel



Fixing set with slot stone -K- (slot stone can be inserted edge-first into the slot retrospectively)

Further slot stone types can be found on page 67 - 93



Fixing set with slot stone -R- (slot stone can be inserted into the slot retrospectively and twisted into position)

Code No.	Type	lot sizes	Version
<b>Fixing sets</b>			
4004110	30	10, 20, 30... pcs	M6x12, slot stone -N-
4026208	40	10, 20, 30... pcs	M8x16, slot stone -N-
4026202	50-80 + 40x80x160	10, 20, 30... pcs	M8x18, slot stone -N-
4694110	100-160 (except 40x80x160)	10, 20, 30... pcs	M8x22, slot stone -N-
4004111	30	10, 20, 30... pcs	M6x12, slot stone -K-
4014111	40	10, 20, 30... pcs	M8x16, slot stone -K-
4024111	50-80 + 40x80x160	10, 20, 30... pcs	M8x18, slot stone -K-
4694111	100-160 (except 40x80x160)	10, 20, 30... pcs	M8x22, slot stone -K-
4004112	30	10, 20, 30... pcs	M6x12, slot stone -R-
4026209	40	10, 20, 30... pcs	M8x16, slot stone -R-
4026210	50-80 + 40x80x160	10, 20, 30... pcs	M8x18, slot stone -R-
4694112	100-160 (except 40x80x160)	10, 20, 30... pcs	M8x22, slot stone -R-

# Right-angle connections

## Angle bracket -sheet steel-

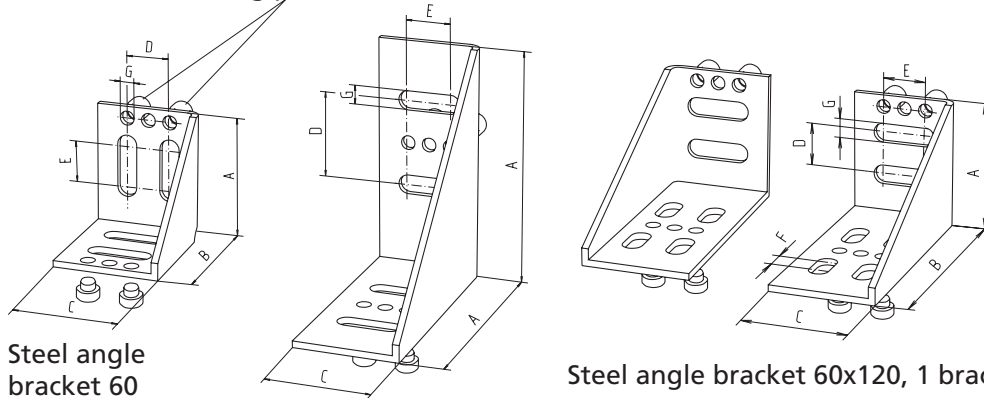


**Steel angle bracket: St 37, 3 mm thick**

**Material:**  
Powder-coated steel

**Includes:**  
Complete with slot centring pins

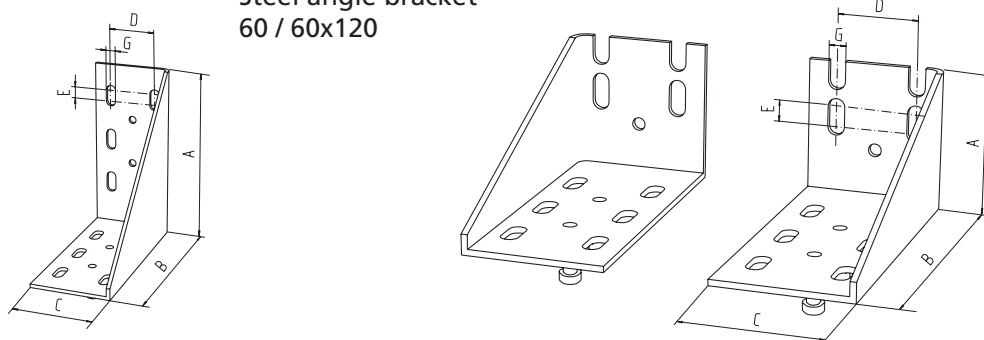
Slot centring pins



Steel angle bracket 60

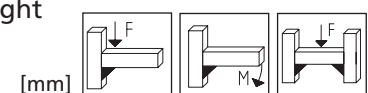
Steel angle bracket 60x120, 1 brace left or right

Steel angle bracket 60 / 60x120



Steel angle bracket 80 / 80x160

Steel angle bracket 60x160, 1 brace left or right



[mm]

Code No.	Type	Version	A	B	C	D	E	F	G	H	R	F [N]	M [Nm]	F [N]
<b>Steel angle bracket -3 mm sheet steel-</b>														
4120101	60	1 brace	58	58	48	20	20	-	9	-	-	2100	100	-
4060101	60/60x120	1 brace	108	108	48	20	20	-	9	-	-	2600	210	-
4060102	60x120	1 brace right	58	108	48	40	20	10	9	-	-	2600	130	-
4060103	60x120	1 brace left	58	108	48	40	20	10	9	-	-	2600	130	-
4070101	80/80x160	1 brace	148	148	68	40	10	-	9	-	-	8320	450	-
4070102	80x160	1 brace right	68	148	68	40	10	-	9	-	-	4200	250	-
4070103	80x160	1 brace left	68	148	68	40	10	-	9	-	-	4200	250	-



**Order instruction:**  
■ Purchase only in lot sizes and a multiple of that see product table below

### Fixing sets

#### Fixing sets:

The angle brackets can be screwed to the profile with the fixing sets.

Further slot stone types can be found on page 67 - 93

**Material:** Galvanised steel

**Includes:** 1 screw with washer and slot stone.



Fixing set with slot stone -N- (slot stone is slid into the slot from the side)



Fixing set with slot stone -K- (slot stone can be inserted edge-first into the slot retrospectively)

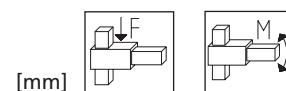
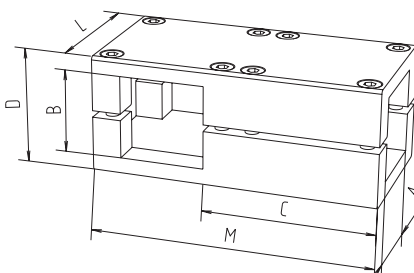
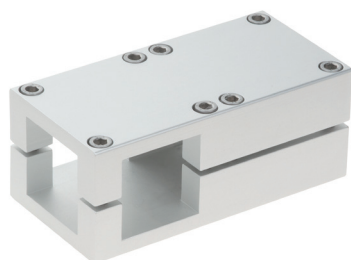


Fixing set with slot stone -R- (slot stone can be inserted into the slot retrospectively and twisted into position)

Code No.	Type	lot sizes	Version
<b>Fixing sets</b>			
4120110	All	10, 20, 30... pcs	M8x14, slot stone -N-
4120111	All	10, 20, 30... pcs	M8x14, slot stone -K-
4120112	All	10, 20, 30... pcs	M8x14, slot stone -R-

### Corner clamp WV

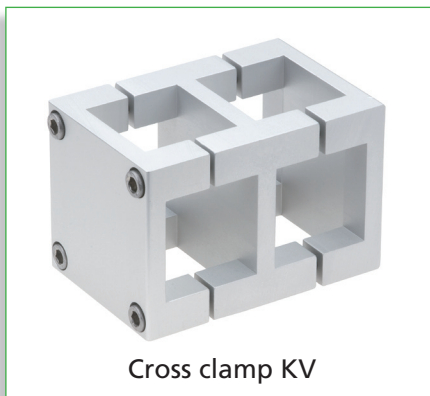
**Material:** Aluminium, stainless steel fixing.  
For further clamping elements, please refer to the catalogue "Connecting Technology"



Code No.	Type	Version	A	B	C	D	L	M	F [N]	M [Nm]
513000050300	WV 30	30.2	30.2	30.2	69	42	56	112	2500	330
514000050300	WV 40	40.3	40.3	40.3	82	56	68	136	3200	980
515000050300	WV 50	50.4	50.4	50.4	102	70	85	170	-	-
516000050300	WV 60	60.4	60.4	60.4	127	79	105	210	-	-

# Cross connections

## Versions



## Table of contents

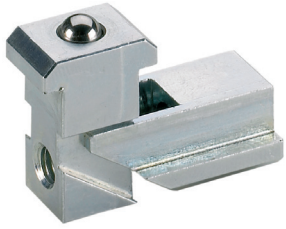
### Connection techniques

#### Cross connections

- Keyed clamp connector -Q- ..... p. 68
- Mitre joint -transversal- ..... p. 68
- Cross connector -swiveling- ..... p. 69
- Cross clamp KV ..... p. 69

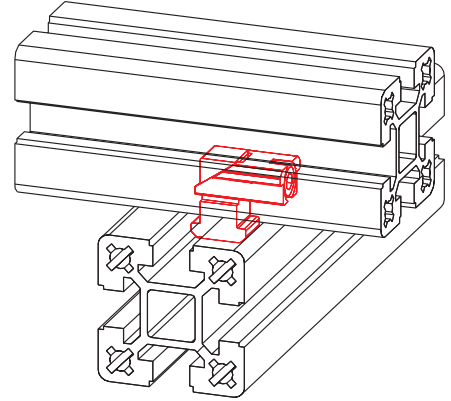
# Cross connections

## Keyed clamp connector -Q-



- Simple realisation of cross connections by bracing the profiles
- No profile machining necessary

**Material:** Galvanised steel  
**Includes:** Complete fixing set for one connection



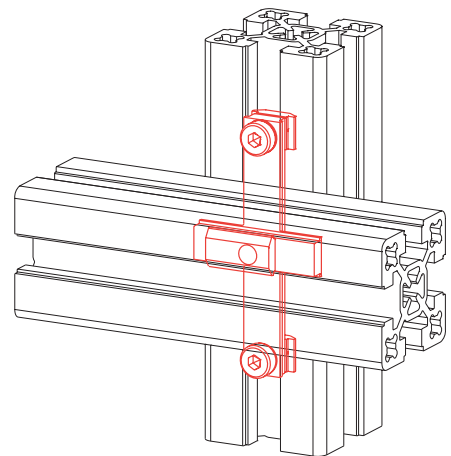
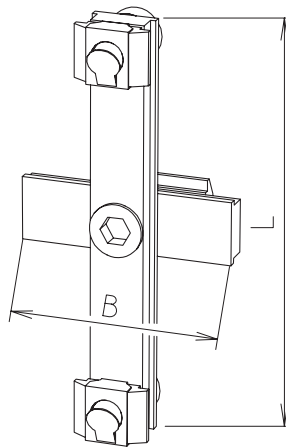
Code No.	Type
4016521	40 slot geometry

## Mitre joint -transversal-

- For connecting crossing profiles
- For retrofitting in structures
- Profile alignment not necessary

**Includes:** Complete fixing set for one connection

**Material:** Galvanised steel



Code No.	Type	B	L	Version
4026502	60/80	40	102	With slot stone -F-
4026512	60/80	40	102	With slot stone -L-
4016502	40/50	40	78	With slot stone -F-
4016512	40/50	40	78	With slot stone -L-

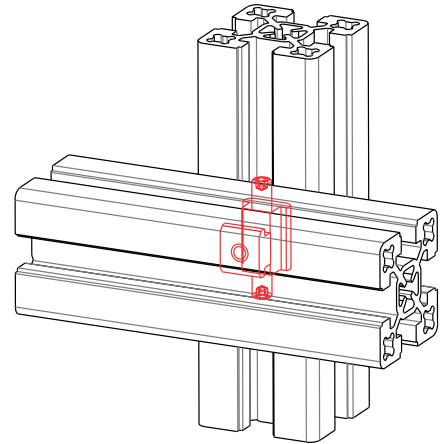


### Cross connector -swiveling-



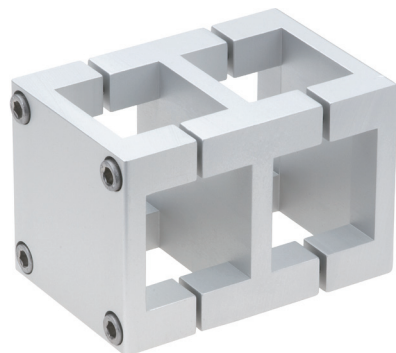
- For connection of crossing profiles
- 360° swiveling
- Fixation in all positions

**Material:** Galvanised steel  
**Includes:** Complete fixing set for 1/10 connections

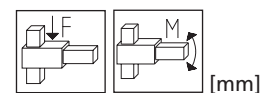
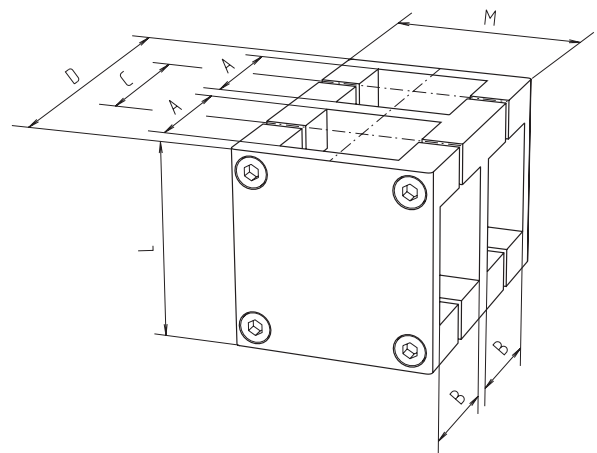


Code No.	Type
4016584	40 slot geometry

### Cross clamp KV



**Material:** Aluminium.  
 Stainless steel fixing  
 For further clamping elements, please refer to the catalogue "Connecting Technology"



Code No.	Type	A	B	C	D	L	M	F [N]	M [Nm]
503000050300	KV 30	30.2	30.2	36	78	56	56	2800	280
504000050300	KV 40	40.3	40.3	48	104	68	68	2800	680
505000050300	KV 50	50.4	50.4	60	130	85	85	-	-
506000050300	KV 60	60.4	60.4	72	169	105	105	-	-

# Angle connections

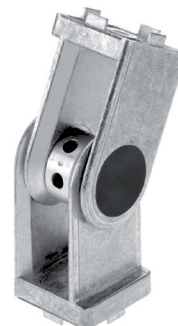
## Versions



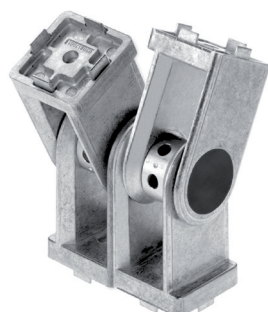
Frame joint 2x40



Frame joint 3x40



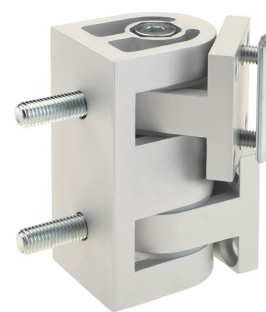
Profile hinge -E-



Double profile joint -E-



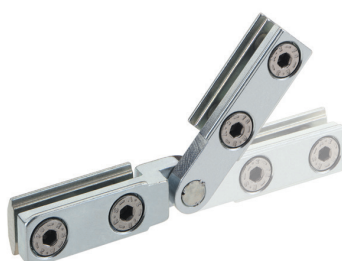
Profile hinge



Double profile joint



Mitre joint -W1-



Mitre joint -W2-



Steel swivel



## Table of contents

### Connection techniques

#### Angle connections

- Frame joint 2x40 ..... p. 72
- Frame joint 3x40 ..... p. 72
- Profile hinge -E- ..... p. 73
- Double profile joint -E- ..... p. 73
- Profile hinge ..... p. 74
- Double profile joint ..... p. 74
- Mitre joint -W1- ..... p. 75
- Mitre joint -W2- ..... p. 75
- Steel swivel ..... p. 76

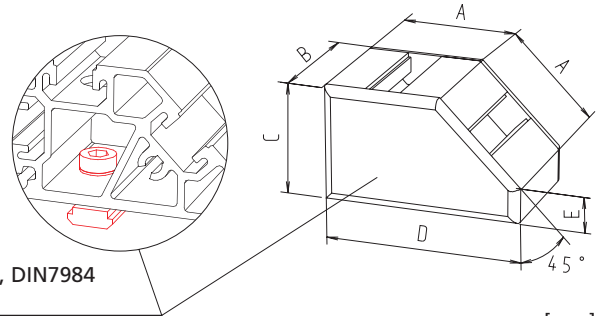
# Angle connections

## Frame joint 2x40



- Frame joint with 2 connecting options 40x40 and/or 40x80, each set at 45°.
- Complete with fixing set.

**Material:** Aluminium.  
Plastic cover plates  
Cut to required length.



Fixing set:  
Socket head cap screw, M6x12, DIN7984  
Lock washer, slot stone -N-

[mm]

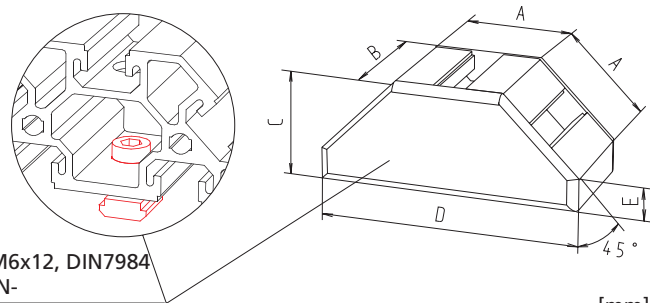
Code No.	Type	A	B	C	D	E
4155650	40	40	40	40	68	11.8
4155651	40x80	40	80	40	68	11.8

## Frame joint 3x40



- Frame joint with 3 connecting options 40x40 and/or 40x80, each set at 45°.
- Complete with fixing set.

**Material:** Aluminium.  
Plastic cover plates  
Cut to required length.



Fixing set:  
Socket head cap screw, M6x12, DIN7984  
Lock washer, slot stone -N-

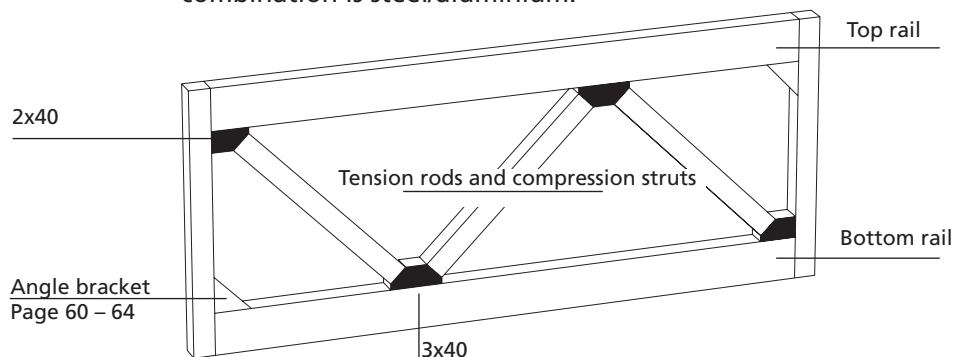
[mm]

Code No.	Type	A	B	C	D	E
4255650	40	40	40	40	96.6	11.8
4255651	40x80	40	80	40	96.6	11.8

## Position diagram

- With unsupported lengths and dynamic alternating stresses, bracing elements should be added because the material combination is steel/aluminium.

- Such elements may be angle brackets, bracing plates and cross strut profiles as are typically used in framework.

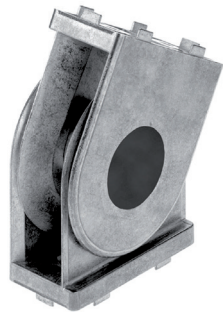




### Profile hinge -E-

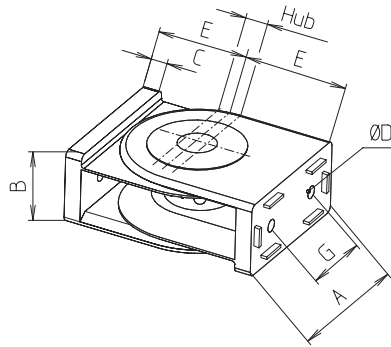


30x30 / 40x40



30x60 / 40x80

- These die-cast hinges feature eccentric height compensation.

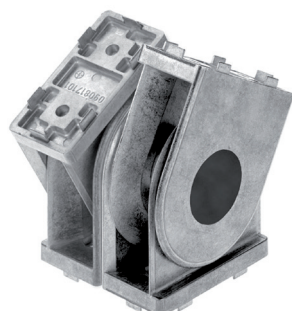


**Material:** Die-cast zinc hinge, galvanised steel eccentric bolt and fastenings  
**Includes:** Does not include fixing set (see table)

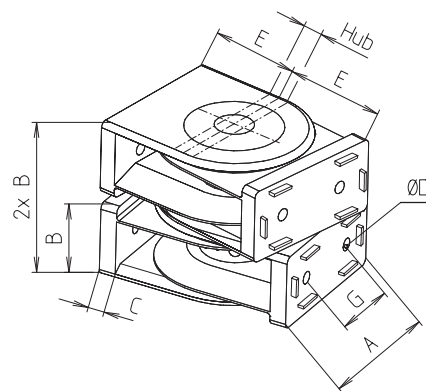
Code No.	Type	Pivoting range	Travel	A	B	C	D	E	G
4032550	Hinge 30x30	250°	4	30	30	8	6.1	42	0
4032570	Hinge 30x60	180°	4	60	30	8	6.1	42	20
4000530	Fixing set to 30 slot geometry								
4010530	Fixing set to 40 slot geometry								
4030530	Face-to-face fixing set to profile F-30x60								
4012520	Hinge 40x40	250°	4	40	40	9	6.6	52	0
4032540	Hinge 40x80	180°	4	80	40	9	6.6	52	40
4000521	Fixing set to 30 slot geometry								
4010521	Fixing set to 40 slot geometry								
4810520	Face-to-face fixing set to type 40								

Note: A fixing set contains material for connecting one profile. Thus, for joints, 2 fixing sets are required each side.

### Double profile joint -E-



40x80



**Material:** Die-cast zinc hinge, galvanised steel eccentric bolt and fastenings  
**Includes:** Does not include fixing set (see table)

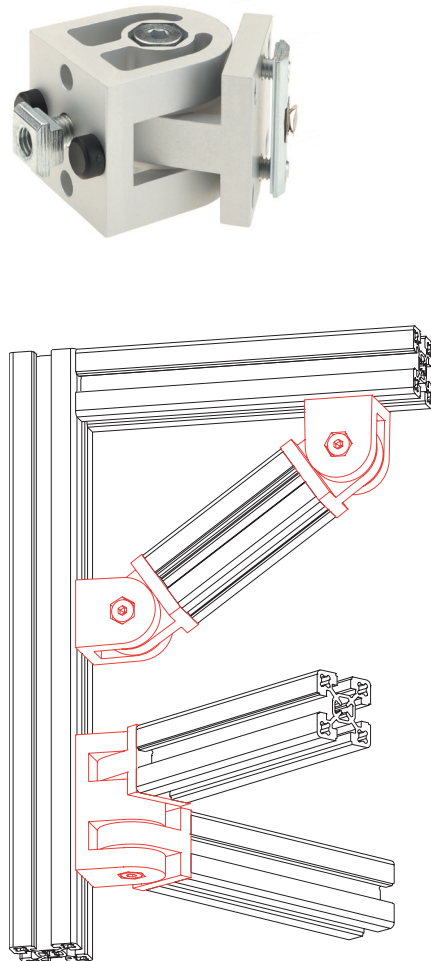
Code No.	Type	Pivoting range	Travel	A	B	C	D	E	G
4042520	Double joint 40x80	180°	4	80	40	9	6.6	52	40
4000521	Fixing set to 30 slot geometry								
4010521	Fixing set to 40 slot geometry								
4810520	Face-to-face fixing set to type 40 profile F-40x40/F-40x40-L								

Note: A fixing set contains material for connecting one profile. Thus, for double joints, 4 fixing sets are required each side.

# Angle connections

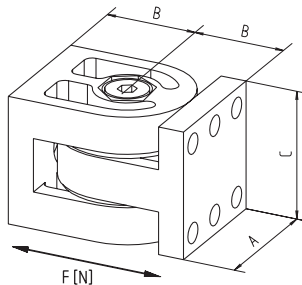
## Profile hinge

F-40, figure with slot-to-slot fixing set



- Depending on the fixing set, the profile hinge can be used with the profiles given below
- The hinge can be infinitely adjusted through 180°.

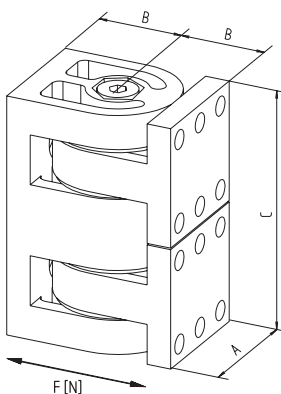
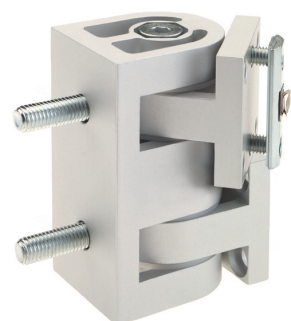
**Material:** Aluminium  
Galvanised fastenings  
**Includes:**  
Complete with fixing set (see table)



							[mm]
Code No.	Type	Fixing set	A	B	C	F [N]	
4015550	Profile hinge F-40	without fixing set	40	28	40	1500	
4015551		Face-to-face	40	28	40	1500	
4015552		Slot-to-slot	40	28	40	1500	
4015553		Face-to-slot	40	28	40	1500	
4035550	Profile hinge F-40x80	without fixing set	40	28	80	3000	
4035551		Face-to-face	40	28	80	3000	
4035552		Slot-to-slot	40	28	80	3000	
4035553		Face-to-slot	40	28	80	3000	
4016665	Lever for hand adjustment 40						
4019666	Lever for hand adjustment 40x80						

## Double profile joint

F-40x80-2, figure with face-to-slot fixing set



**Material:** Aluminium,  
galvanised fastenings  
**Includes:**  
Complete with fixing set (see table)

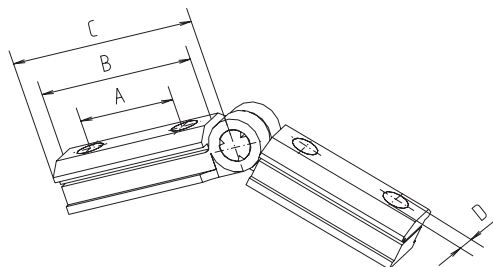
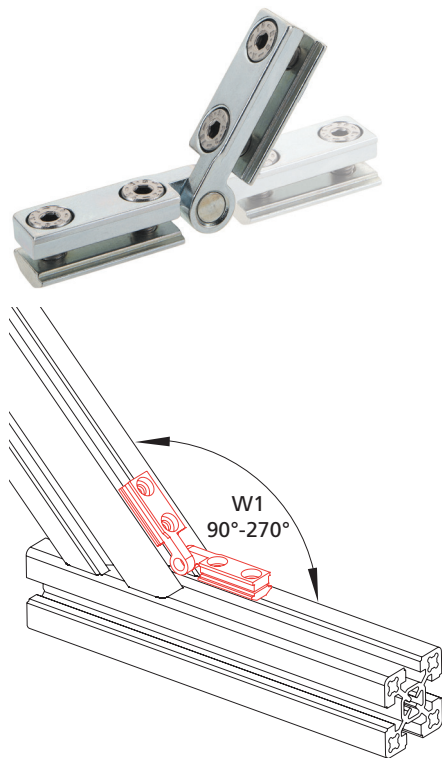
							[mm]
Code No.	Type	Fixing set	A	B	C	F [N]	
4035555	Double profile joint F-40x80-2	without fixing set	40	28	80	2000	
4035556		Face-to-face	40	28	80	2000	
4035557		Slot-to-slot	40	28	80	2000	
4035558		Face-to-slot	40	28	80	2000	
4019666	Lever for hand adjustment 40x80						



### Mitre joint -W1-

- Connects profiles at any angle
- No alignment necessary

**Material:** Galvanised steel  
**Includes:** Complete fixing set for one mitre joint -W-

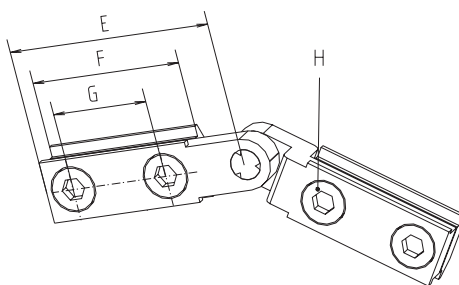
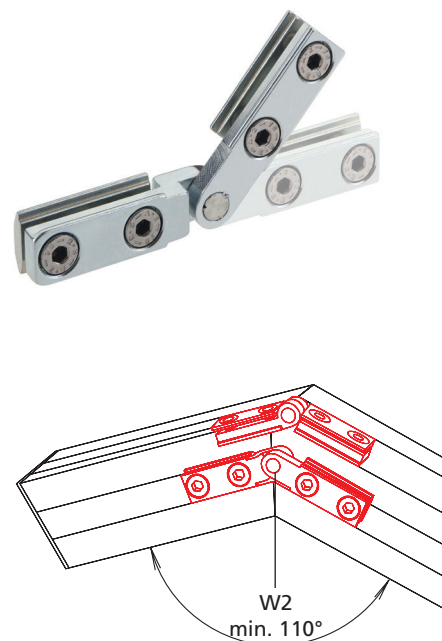


Code No.	Type	Slot geometry	A	B	C	D
4016506	W-1	30	19	30	41	M4
4016504	W-1	40	19	30	41	M5

[mm]

### Mitre joint -W2-

**Material:** Galvanised steel  
**Includes:** Complete fixing set for one mitre joint -W-



Code No.	Type	Slot geometry	E	F	G	H
4016507	W-2	30	41	30	19	M4
4016505	W-2	40	41	30	19	M5

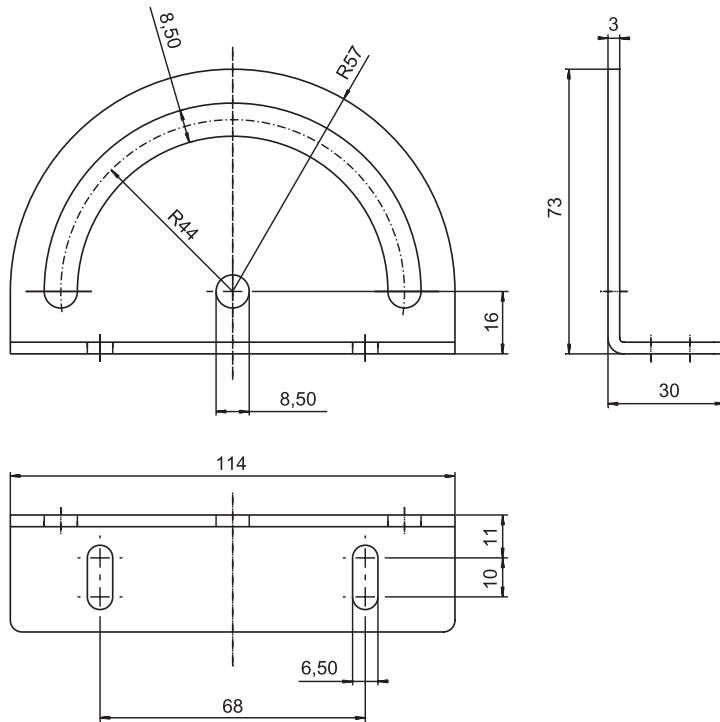
[mm]

# Angle connections

## Steel swivel

- Using steel swivels enables Structural profiles to be adjusted to any angle

**Material:** Galvanised steel  
**Includes:** 1 steel swivel with one complete fixing set for one profile connection.  
 A clamping level can be ordered as an optional extra



[mm]

Code No.	Type	Slot geometry
WAC042000144	Steel swivel with screw	40
WAC042000145	Clamping lever	40

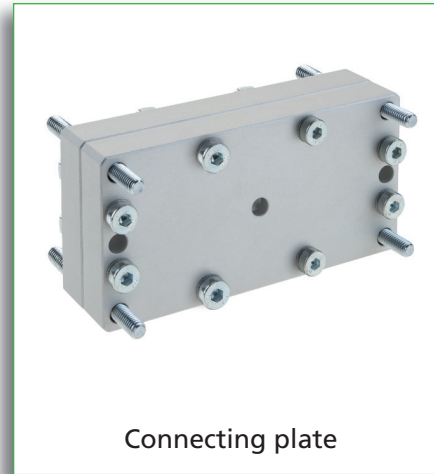


# Face-to-face and parallel connections

## Versions



Mitre joint -L-



Connecting plate



Keyed clamp connector -P-



Connection element -plastic-



Connection element -aluminium-



Connection element -S-



## Table of contents

### Connection techniques

#### Face-to-face and parallel connections

- Mitre joint -L- ..... p. 80
- Keyed clamp connector -P- ..... p. 80
- Connecting plate ..... p. 81
- Connection element -plastic- ..... p. 82
- Connection element -aluminium- ..... p. 82
- Connection element -S- ..... p. 83

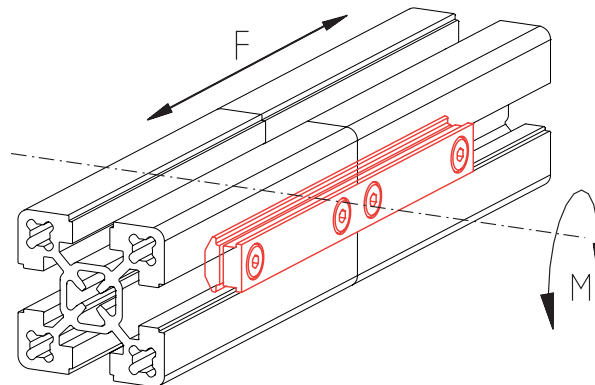
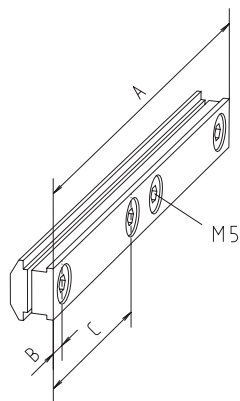
# Face-to-face and parallel connections

## Mitre joint -L-

- For face-to-face connections and for extending profiles
- Flush profile finish
- Automatic centring

**Material:** Galvanised steel

**Includes:** Complete fixing set for one connection



Code No.	Type	To slot geometry	A	B	C	F [N]	M [Nm]
4006503	L30	30	120	7	52	1200	60
4016503	L40	40	120	7	52	1200	90

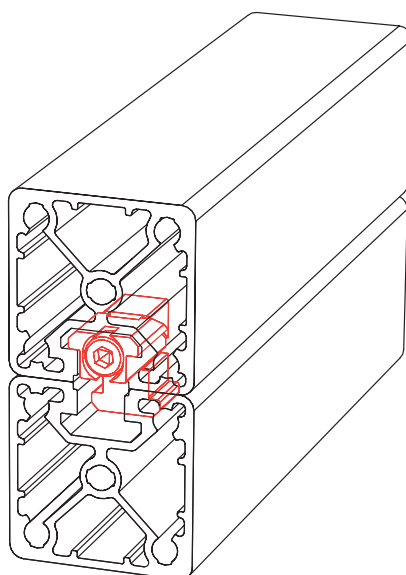
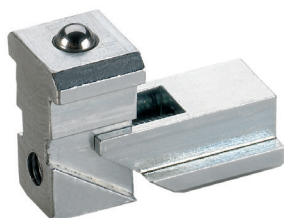
[mm]

## Keyed clamp connector -P-

- For parallel flange mounting of profiles
- No mechanical machining necessary.

**Material:** Galvanised steel

**Includes:** Complete fixing set for one connection



Code No.	Type
4016522	40 slot geometry

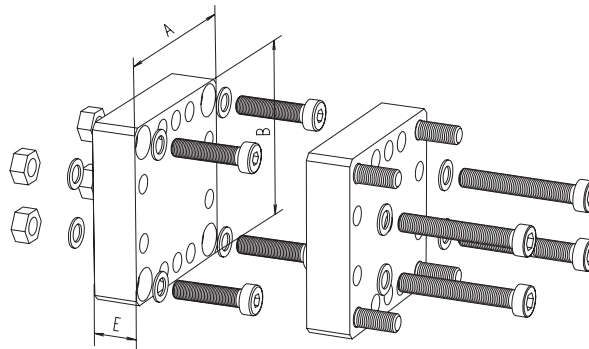
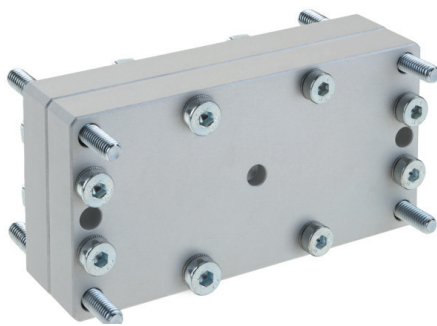
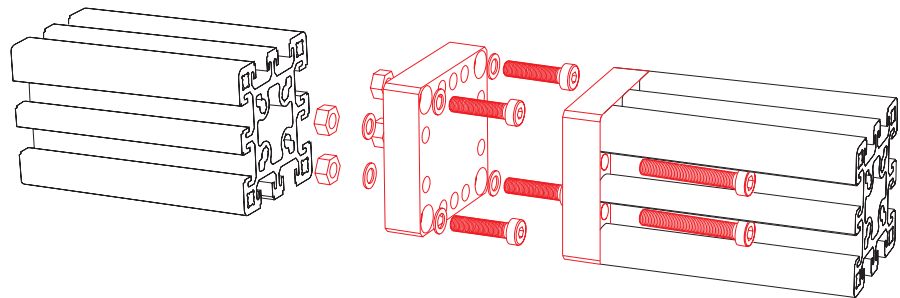


### Connecting plate

■ For extending profiles

**Material:** Aluminium, galvanised fastenings

**Includes:** Complete fixing set for one connection

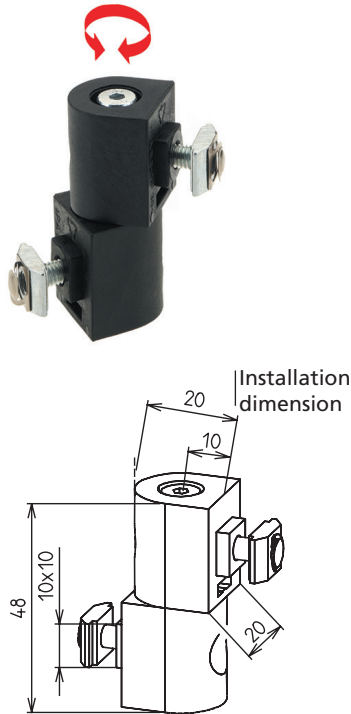


[mm]

Code No.	Type	A	B	E
4005452	30x30	30	30	15
4015452	40x40, 40x40-L	40	40	15
4305451	F-30x60	30	60	15
4315451	F-30x80	30	80	15
4295451	F-30x100	30	100	15
4325451	F-30x120	30	120	15
4335451	F-30x160	30	160	15
4035452	40x80, F-40x80-L, F-40x80/3	40	80	15
4645451	F-40x120	40	120	15
4655451	F-40x160	40	160	15
4085452	F-50x50, F-50x50-L	50	50	15
4665451	F-50x100	50	100	15
4675451	F-50x200	50	200	15
4025452	F-60x60, F-60x60-L, F-60x60/1	60	60	15
4065451	F-60x120	60	120	15
4045452	80x80, F-80x80-L	80	80	15
4685451	F-80x120	80	120	15
4075451	F-80x160, F-80x160-L	80	160	15
4695451	F-100x100	100	100	15
4165451	F-120x120	120	120	15

# Face-to-face and parallel connections

## Connection element with angle compensation -plastic-

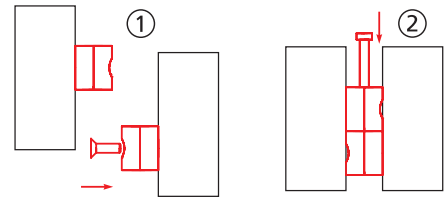


- The plastic element allows profiles to be connected in parallel. The profiles may be twisted axially.

**Material:** Black plastic  
**Includes:** Complete fixing set for one connection.  
 Galvanised fastenings.

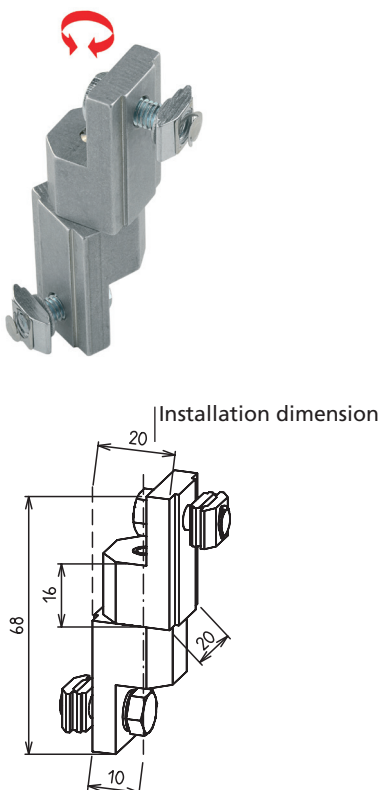
**Assembly:**

- The individual halves are positioned on the profiles and fastened.
- Then the two halves of the element are connected with a socket head cap screw.



Code No.	Slot geometry
4008657	30
4018657	40
4008658	30 to 40

## Connection element with angle compensation -aluminium-

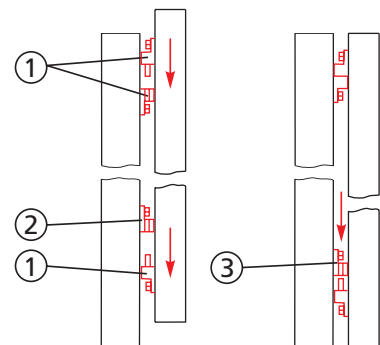


- The advantages over the above plastic version are resistance and easier assembly. In addition, the elements can be height adjusted retrospectively without disassembling the mounted profile frame.

**Material:** Vibration finished aluminium,  
**Includes:** Complete fixing set for one connection.  
 Galvanised fastenings.

**Assembly:**

- First the individual halves of the connection element (no. 1) are assembled. The elements with pin face each other in the centre of the profile. The lower element with hole (no. 2) is slightly tightened so that it can still be moved in the slot.
- The profiles/frames to be connected are now mounted in the connection element.
- The element still loose in the slot (no.3) is pushed onto the pin and fixed.



Code No.	Slot geometry
4005657	30
4015657	40
4005658	30 to 40



### Connection element -S- (Click & Safe)

- Operation complies with EU Machinery Directive 2006/42/EC
- Extremely quick and simple assembly without tools and without fastenings
- Angle compensation  $\pm 5$  degrees between post and frame

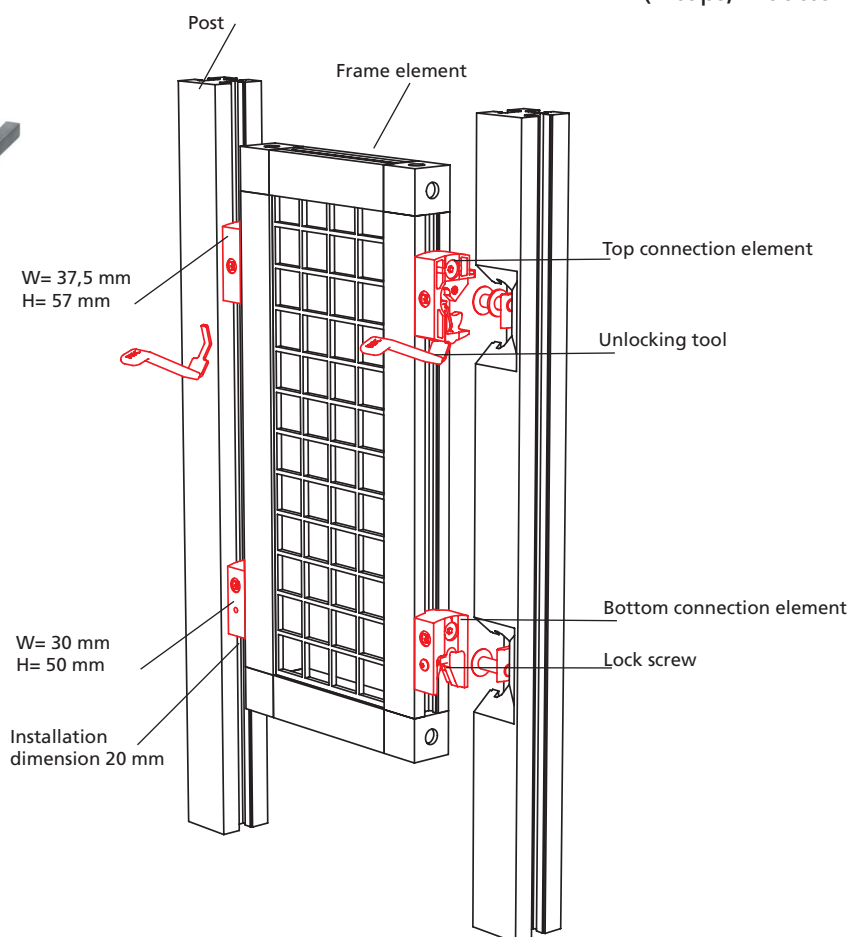
- Disassembly only possible with a special unlocking tool according to the machinery directive

**Material:** Plastic  
**Galvanised fastenings**  
**Includes:** Connection elements to take one profile frame (2 tops, 2 bottoms, fastenings)

Connection element



Unlocking tool

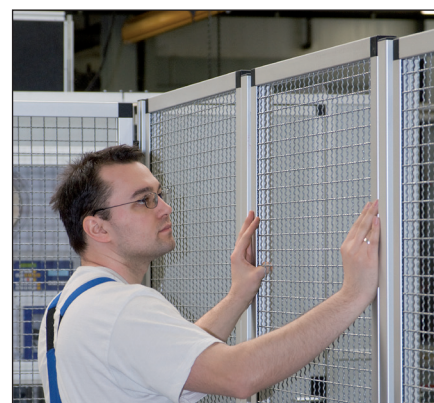


Code No.	Type	Slot geometry
4000657	Connection element 30	30
4010657	Connection element 40	40
4000658	Connection element 30-40	30 - 40
4016697	Unlocking tool, set of 2	

#### Assembly:

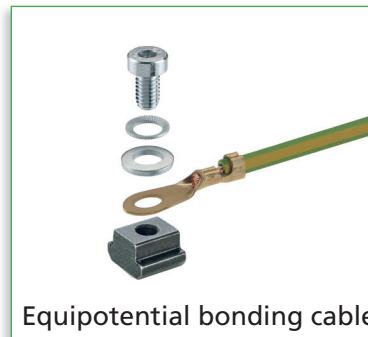
1. Insert frame into the lower holder.
2. Press frame into the holder at the top. The safety guard element automatically engages and locks.

A safety guard element is disassembled with a special unlocking tool according to the machinery directive.



# Slot stones and screws

## Versions



## Table of contents

### Accessories

#### Slot stones and screws

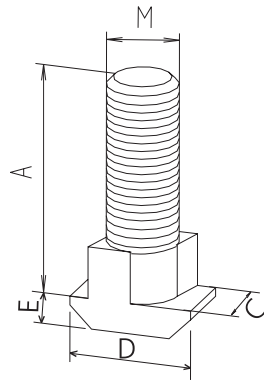
- T-head bolt ..... p. 86
- Slot stone -F-..... p. 86
- Slot stone -N-, -NF- ..... p. 87
- Slot stone -R-, -RF- ..... p. 88
- Slot stone -L-II..... p. 89
- Slot stone -E-/E-II ..... p. 89
- Slot stone -K- ..... p. 90
- Slot stone -P- version K  
(equipotential bonding) ..... p. 90
- Slot stone -PA- (equipotential bonding)..... p. 90
- Equipotential bonding cable..... p. 92
- Bar material slot stone -N-..... p. 92
- Suspended sliding block ..... p. 94
- Screws ..... p. 95

# Slot stones and screws

## Order instruction:

- Purchase only in lot sizes and a multiple of that see product table below

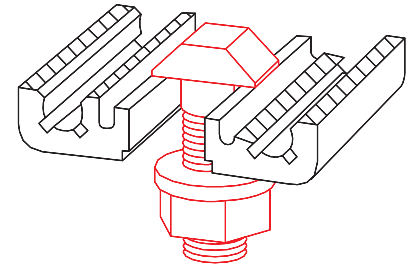
## T-head bolt



**Material:** Galvanised steel

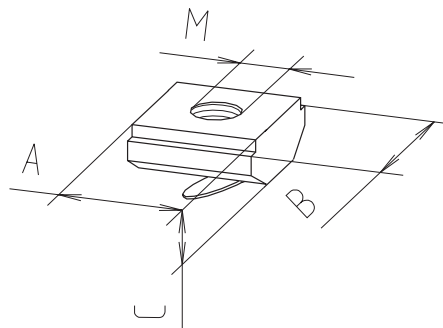
**Includes:** Complete with nut and washer

- For fixing mitre joints and angle brackets
- Can be inserted into any position in the profile slot
- The action of tightening turns it into the final clamping position



Code No.	Type	lot sizes	Slot geometry	A	C	D	E	M
4016201	M8x25	10, 20, 30... pcs	40	25	9.8	15.5	4	M8

## Slot stone -F-



**Material:** Galvanised steel

- Simply slid/inserted edge-first into the profile slot
- Fixed in the desired position by the spring clip

Code No.	Type	lot sizes	Slot geometry	A	B	C	M
4006710	M3	10, 20, 30... pcs	30	10	12	4	M3
4006716	M4	10, 20, 30... pcs	30	10	12	4	M4
4006711	M5	10, 20, 30... pcs	30	10	12	4	M5
4006712	M6	10, 20, 30... pcs	30	10	12	4	M6
4006715	M4	10, 20, 30... pcs	40	10	14	4	M4
4006713	M5	10, 20, 30... pcs	40	10	14	4	M5
4006714	M6	10, 20, 30... pcs	40	10	14	4	M6

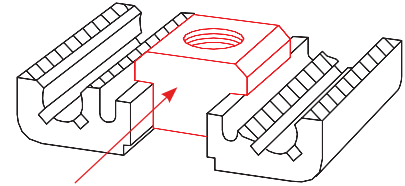
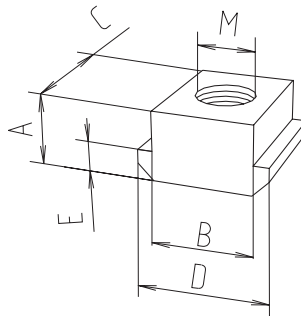
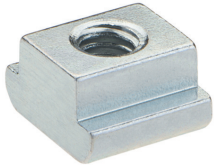




### Slot stone -N-

- This slot stone slides into the end of the profile slot

Material: Galvanised steel



[mm]

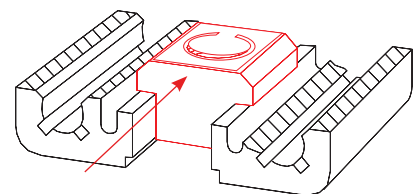
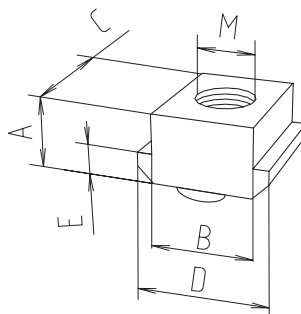
Code No.	Type	lot sizes	Slot geometry	A	B	C	D	E	M
4006201	M5	10, 20, 30... pcs	30	5	10	13	13	3	M5
4006203	M6	10, 20, 30... pcs	30	5	10	13	13	3	M6
4006202	M8	10, 20, 30... pcs	30	5	10	13	13	3	M8
4026207	M5	10, 20, 30... pcs	40	8	10	13	15	4	M5
4026203	M6	10, 20, 30... pcs	40	8	10	13	15	4	M6
40092021	M8*	10, 20, 30... pcs	30	5	10	13	13	3	M8
4026206	M8	10, 20, 30... pcs	40	8	10	13	15	4	M8
4029206	M8*	10, 20, 30... pcs	40	8	10	13	15	4	M8
4026214	M8	10, 20, 30... pcs	40	8	10	28	15	4	M8
4026208	M8	10, 20, 30... pcs	40, with screw M8x16	8	10	13	15	4	M8
4026202	M8	10, 20, 30... pcs	40, with screw M8x18	8	10	13	15	4	M8

\* Stainless steel

### Slot stone -NF-

- This slot stone slides into the end of the profile slot
- The spring clip guarantees fixation in any position/installation position

Material: Galvanised steel



[mm]

Code No.	Type	lot sizes	Slot geometry	A	B	C	D	E	M
4016241	M5	10, 20, 30... pcs	40	8	10	13	15	4	M5
4016242	M6	10, 20, 30... pcs	40	8	10	13	15	4	M6
4016243	M8	10, 20, 30... pcs	40	8	10	13	15	4	M8

# Slot stones and screws

## Order instruction:

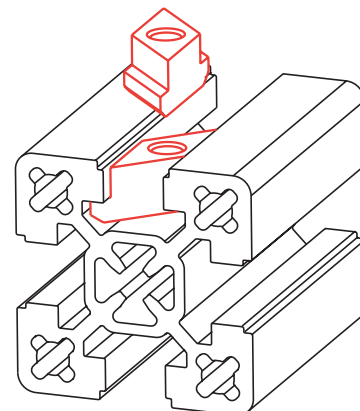
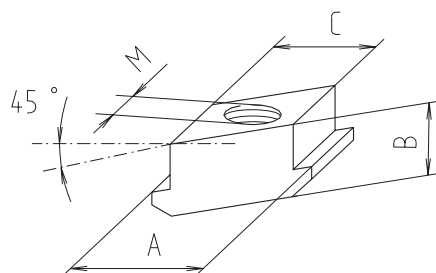
- Purchase only in lot sizes and a multiple of that see product table below

### Slot stone -R-



- Insert anywhere in the slot
- The action of tightening turns it into the final clamping position

Material: Galvanised steel



Code No.	Type	lot sizes	Slot geom.	A	B	C	M
4006222	M5	10, 20, 30... pcs	30	13	5	10	M5
4006221	M6	10, 20, 30... pcs	30	13	5	10	M6
4006223	M8	10, 20, 30... pcs	30	13	5	10	M8
4026221	M6	10, 20, 30... pcs	40	15	8	10	M6
4026222	M8	10, 20, 30... pcs	40	15	9	10	M8

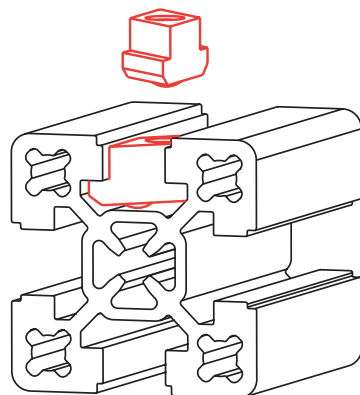
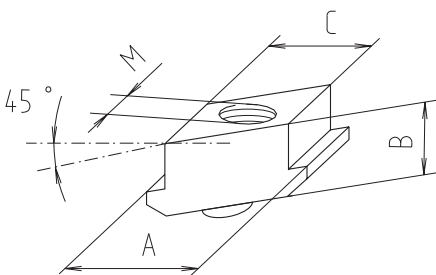
[mm]

### Slot stone -RF-



- Rhombic slot stones -RF- can be inserted and twisted into any position in the profile slot
- The spring clip guarantees fixation in any position/installation position

Material: Galvanised steel



Code No.	Type	lot sizes	Slot geom.	A	B	C	M
4006241	M5	10, 20, 30... pcs	30	13	5	10	M5
4006242	M6	10, 20, 30... pcs	30	13	5	10	M6
4006243	M8	10, 20, 30... pcs	30	13	5	10	M8
4016245	M8	10, 20, 30... pcs	40	15	9	10	M8
4016244	M6	10, 20, 30... pcs	40	15	8	10	M6

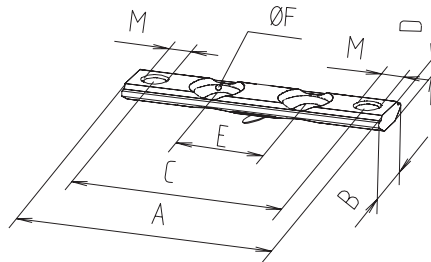
[mm]



### Slot stone -L- II



Version -L- II



- For fixing flange brackets. The slot stone can be slid/inserted edge-first into the profile slot and fixed in any position with a spring clip.

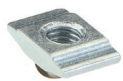
**Material:** Galvanised steel

Code No.	Type	Version	lot sizes	Slot geom.	A	B	C	D	E	F	M
4006207	M5	-L- II	10, 20, 30... pcs	30	29	12	21.5	4	0*	8.5	M5
4016206	M6	-L- II	10, 20, 30... pcs	40	38	14	28	4	0*	10.2	M6
4016207	M6	-L- II	10, 20, 30... pcs	40	48	14	38	4	15.5	10.2	M6
4016208	M6	-L- II	10, 20, 30... pcs	40	58	14	48	4	20	10.2	M6
4046206	M6	-L- II	10, 20, 30... pcs	40	78	14	68	4	40	10.2	M6

[mm]

\* Only have one hole

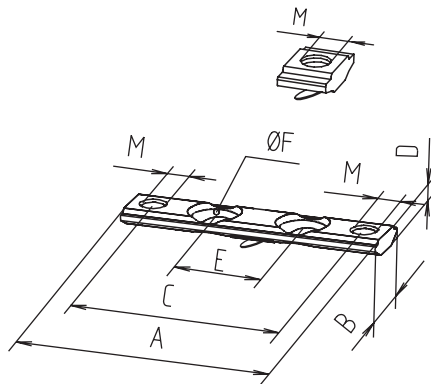
### Slot stone -E- / E-II



Version -E-



Version -E- II



- Slid into the slot from the side
- High load capacity due to large supporting surface
- Fixed in the desired position by the spring clip

**Material:** Galvanised steel

Code No.	Type	Version	lot sizes	Slot geom.	A	B	C	D	E	F	M
4006208	M5	-E-	10, 20, 30... pcs	40	10	16.5	-	4	0*	-	M5
4006209	M6	-E-	10, 20, 30... pcs	40	10	16.5	-	4	0*	-	M6
4006224	M6	-E- II	10, 20, 30... pcs	40	38	16.5	28	3.8	20	10.2	M6
4006239	M6	-E- II	10, 20, 30... pcs	40	58	16.5	48	3.8	20	10.2	M6
4006240	M6	-E- II	10, 20, 30... pcs	40	78	16.5	68	3.8	40	10.2	M6

[mm]

\* Only have one hole

# Slot stones and screws

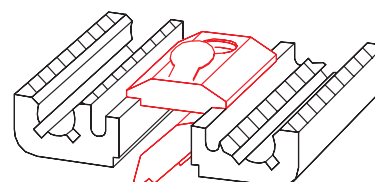
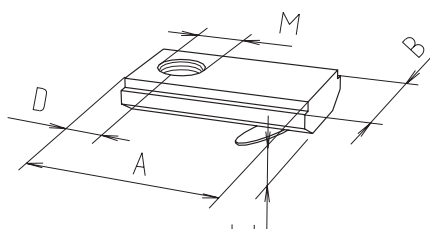
## Order instruction:

- Purchase only in lot sizes and a multiple of that see product table below

- Simply slid/inserted edge-first into the profile slot

**Material:** Galvanised steel

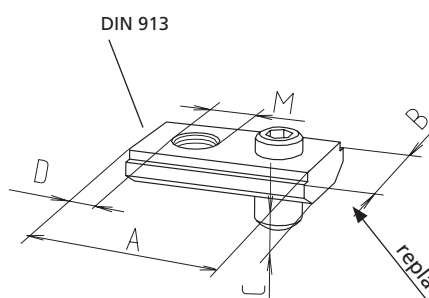
## Slot stone -K-



[mm]

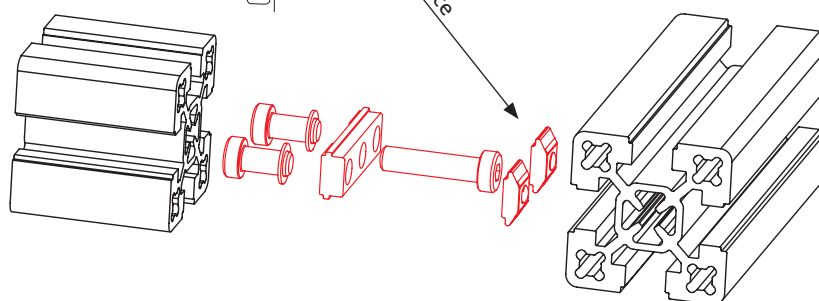
Code No.	Type	lot sizes	Slot geom.	A	B	C	D	M
4006211	M5	10, 20, 30... pcs	30	21	12	4	7	M5
4006212	M6	10, 20, 30... pcs	30	21	12	4	7	M6
4006213	M8	10, 20, 30... pcs	30	21	12	4	7	M8
4016212	M6	10, 20, 30... pcs	40	21	14	4	7	M6
4016213	M8	10, 20, 30... pcs	40	21	14	4	7	M8

## Slot stone -P- version K



- Creates equipotential bonding between two profiles by damaging the anodised layer

**Material:**  
Galvanised steel/stainless steel



[mm]

Code No.	Type	lot sizes	Material	Slot geom.	A	B	C	D	M
4006214	M5	10, 20, 30... pcs	Galvanised steel	All	20	12	4	7	M5
4009214	M5	10, 20, 30... pcs	Stainless steel	All	20	12	4	7	M5
4006216	M6	10, 20, 30... pcs	Galvanised steel	All	20	12	4	7	M6
4009216	M6	10, 20, 30... pcs	Stainless steel	All	20	12	4	7	M6
4006215	M6	10, 20, 30... pcs	Galvanised steel	40	20	14	4	7	M6



**Slot stone -PA-**



Version PA -N-



Version PA -R-



Version PA -F-



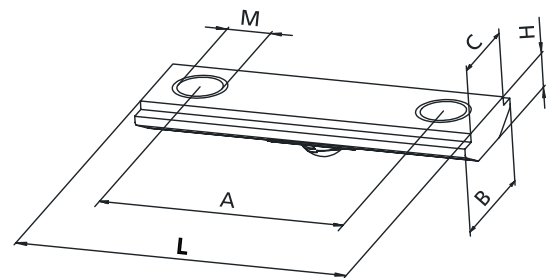
Version PA -K-



Version PA -L-

■ The -PA- slot stones have an equipotential bonding effect by destroying the anodised layer. The slot stones can be used in an assembly kit or be interconnected with bridge pieces.

**Material:** Black galvanised steel



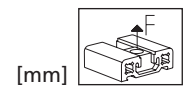
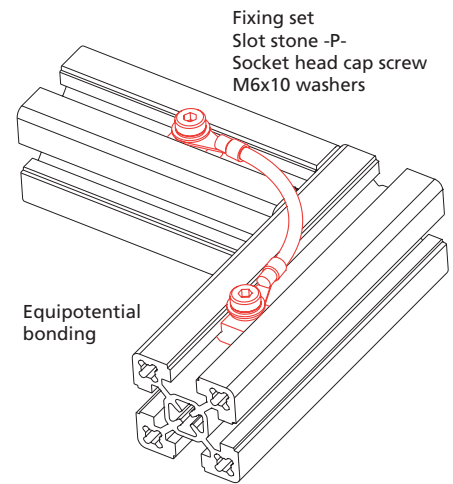
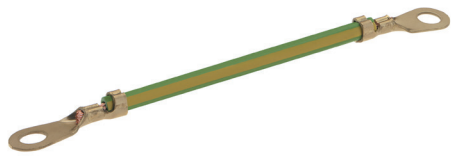
Code No.	Type	lot sizes	Slot geom.	A	B	C	H	L	M
[mm]									
<b>Slot stone PA -N-</b>									
4006E01	M5	10, 20, 30... pcs	30	–	13	10	5	13	M5
4006E03	M6	10, 20, 30... pcs	30	–	13	10	5	13	M6
4006E02	M8	10, 20, 30... pcs	30	–	13	10	5	13	M8
4026E07	M5	10, 20, 30... pcs	40	–	15	10	8	13	M5
4026E03	M6	10, 20, 30... pcs	40	–	15	10	8	13	M6
4026E06	M8	10, 20, 30... pcs	40	–	15	10	8	13	M8
<b>Slot stone PA -R-</b>									
4006E22	M5	10, 20, 30... pcs	30	–	13	10	5	29	M5
4006E21	M6	10, 20, 30... pcs	30	–	13	10	5	29	M6
4006E23	M8	10, 20, 30... pcs	30	–	13	10	5	29	M8
4026E21	M6	10, 20, 30... pcs	40	–	15	10	8	31	M6
4026E22	M8	10, 20, 30... pcs	40	–	15	10	9	31	M8
<b>Slot stone PA -F-</b>									
4006E10	M3	10, 20, 30... pcs	30	–	12	10	4	10	M3
4006E16	M4	10, 20, 30... pcs	30	–	12	10	4	10	M4
4006E11	M5	10, 20, 30... pcs	30	–	12	10	4	10	M5
4006E12	M6	10, 20, 30... pcs	30	–	12	10	4	10	M6
4006E15	M4	10, 20, 30... pcs	40	–	14	10	4	10	M4
4006E13	M5	10, 20, 30... pcs	40	–	14	10	4	10	M5
4006E14	M6	10, 20, 30... pcs	40	–	14	10	4	10	M6
<b>Slot stone PA -K-</b>									
4006F11	M5	10, 20, 30... pcs	30	–	12	10	4	21	M5
4006F12	M6	10, 20, 30... pcs	30	–	12	10	4	21	M6
4006F13	M8	10, 20, 30... pcs	30	–	12	10	4	21	M8
4016E12	M6	10, 20, 30... pcs	40	–	14	10	4	21	M6
4016E13	M8	10, 20, 30... pcs	40	–	14	10	4	21	M8
<b>Slot stone PA -L-</b>									
4006E04	M5	10, 20, 30... pcs	30	21.5	12	10	4	29	M5
4016E04	M6	10, 20, 30... pcs	40	28	14	10	4	38	M6
4026E04	M6	10, 20, 30... pcs	40	48	14	10	4	58	M6
4046E04	M6	10, 20, 30... pcs	40	68	14	10	4	78	M6

# Slot stones and screws

## Equipotential bonding cable

- Equipotential bonding cable 6 mm<sup>2</sup> with cable lug, length 120 mm

## Fixing set Galvanised steel

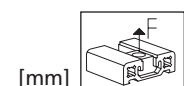
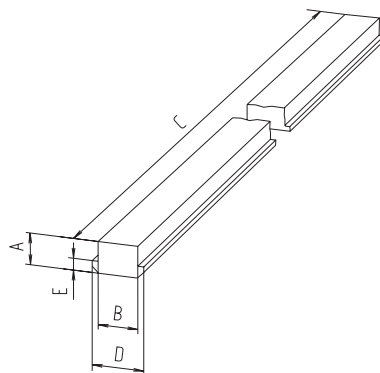
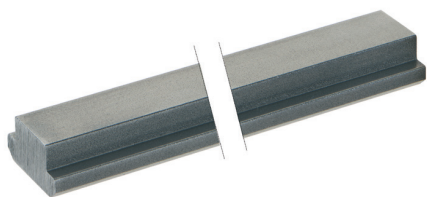


Code No.	Type	Slot geometry
4012590	Equipotential bonding (cable)	40
4012591	Complete fixing set	40

## Bar material

- The bar material allows thread to be cut to length and positioned to suit the application.
- Manufacturing tolerances (dimension C) must be observed
- Machining to customer specification available on request.

**Material:** steel / stainless steel  
Base profile for slot stone -N-



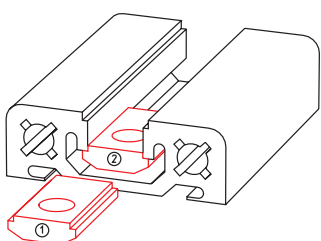
Code No.	Material	Slot geometry	A	B	C	D	E
4006200 3010	Steel	30	5	10	2800 - 3000	13	3
4026200 3010		40	8	10	2800 - 3000	15	4
4009200 5600	Stainless steel	30	4	10	5600 - 6000	14	3
4029200 5600		40	8	10	5600 - 6000	15	4

**Order instruction:**

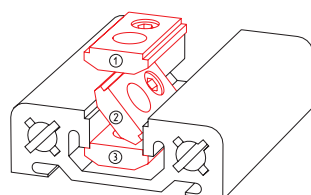
- Purchase only in lot sizes and a multiple of that see product table below

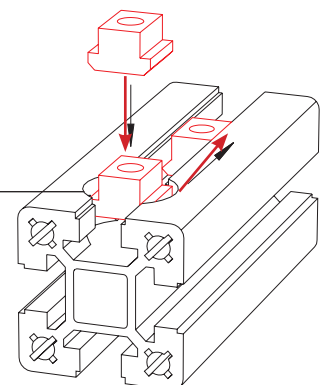
**Use of slot stones (slot stone with spring clip -F- / slot stones -K-, -E- and -L- II)**

Code No.	See page	lot sizes	30 slot geometry		40 slot geometry	
			slide into slot	insert edge-first into slot	slide into slot	insert edge-first into slot
<b>Slot stone -F-</b>						
4006710	86	10, 20, 30... pcs	x	x	x	x
4006716	86	10, 20, 30... pcs	x	x	x	x
4006711	86	10, 20, 30... pcs	x	x	x	x
4006712	86	10, 20, 30... pcs	x	x	x	x
4006715	86	10, 20, 30... pcs	x		x	x
4006713	86	10, 20, 30... pcs	x		x	x
4006714	86	10, 20, 30... pcs	x		x	x
<b>Slot stone -L- II</b>						
4006207	89	10, 20, 30... pcs	x	x	x	x
4016206	89	10, 20, 30... pcs	x		x	x
4016207	89	10, 20, 30... pcs	x		x	x
4016208	89	10, 20, 30... pcs	x		x	x
4046206	89	10, 20, 30... pcs	x		x	x
<b>Slot stone -E- / E-II</b>						
4006208	89	10, 20, 30... pcs			x	
4006209	89	10, 20, 30... pcs			x	
4006224	89	10, 20, 30... pcs			x	
4006239	89	10, 20, 30... pcs			x	
4006240	89	10, 20, 30... pcs			x	
<b>Slot stone -K-</b>						
4006211	90	10, 20, 30... pcs	x	x	x	x
4006212	90	10, 20, 30... pcs	x	x	x	x
4006213	90	10, 20, 30... pcs	x	x	x	x
4016212	90	10, 20, 30... pcs	x		x	x
4016213	90	10, 20, 30... pcs	x		x	x
4006214	90	10, 20, 30... pcs	x	x	x	x
4006215	90	10, 20, 30... pcs	x	x	x	x
4006216	90	10, 20, 30... pcs	x		x	x

**Slide slot stone into slot**


Numbers = Installation sequence

**Insert slot stone edge-first into slot**

 Example of retrospective insertion of an N slot stone in a profile.  
 You will find a suitable drilling fixture on page 482

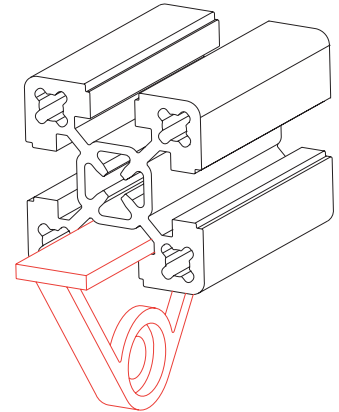
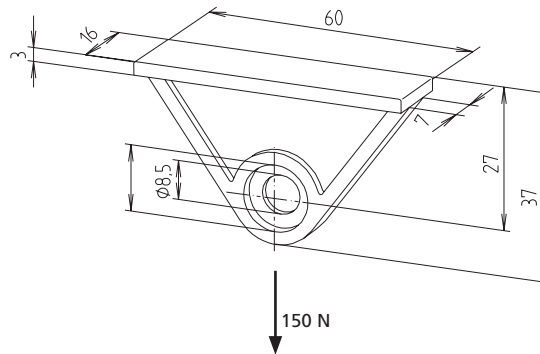
**Hole**  
 Diameter: 20 mm  
 Depth: 11.5 mm


# Slot stones and screws

## Suspended sliding block

- To take tools and curtain guards
- Slid into the profile slot from the side.

**Material:** Black plastic



Code No.	Slot geometry
4018200	40





**Order instruction:**

- Purchase only in lot sizes and a multiple of that see product table below

**Material:** Galvanised steel  
**Includes:** 1 unit complete with lock washer

**Screws - DIN 7984**



Code No.	Type	lot sizes	Suitable for
4006234	M5x14	100, 200, 300... pcs	Connecting plate 30
4006235	M5x16	100, 200, 300... pcs	Hidden screw 30
4006238	M5x35	100, 200, 300... pcs	Corner joint clamping profiles 30
4016234	M6x16	100, 200, 300... pcs	Connecting plates as of size 40
4016235	M6x20	100, 200, 300... pcs	Hidden screw size 40
4016240	M6x45	100, 200, 300... pcs	Corner joint clamping profiles 40
4016236	M8x12	100, 200, 300... pcs	Universal
4016238	M8x18	100, 200, 300... pcs	Universal
4016237	M8x30	100, 200, 300... pcs	Universal

**RK expansion screws**

- Used for low dynamic loads
- Tightening torque 10 Nm

**Material:** Galvanised steel  
 Head to DIN 7984



Code No.	Type	lot sizes	Suitable for
4126230	M6x35	10, 20, 30... pcs	40x40 to 80x160 F-profiles

# Profile covers

## Versions



## Table of contents

<b>Profile covers</b>	<ul style="list-style-type: none"> <li>■ Cap ..... p. 98</li> <li>■ End plate ..... p. 100</li> <li>■ Cover profile -plastic- ..... p. 101</li> <li>■ Cover profile -aluminium- ..... p. 101</li> <li>■ Rim ..... p. 102</li> <li>■ Door gap seal ..... p. 102</li> </ul>
-----------------------	---

# Profile covers

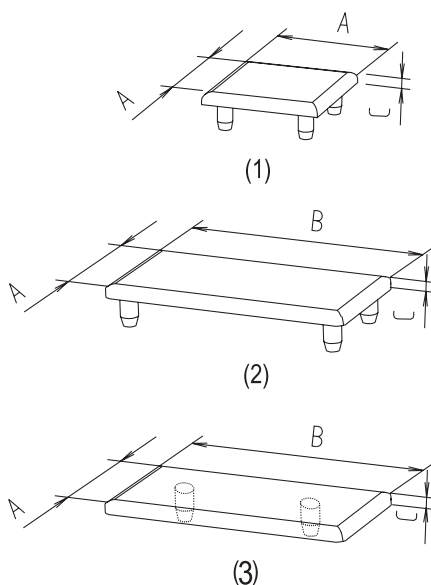
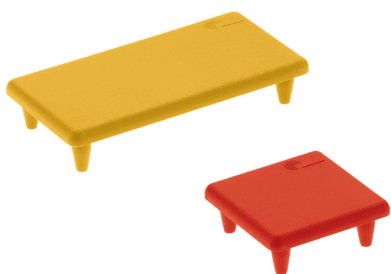
## Order instruction:

- Purchase only in lot sizes and a multiple of that see product table below

- In addition to the standard black version (see next page), it is possible to order other types in various RAL colours. Other profile types and RAL colours available on request.

- Please note that, for typographical reasons, the colour illustrated here is only an approximation of the RAL colour.

## Caps -plastic-



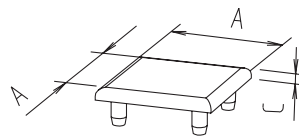
- White RAL 9006
- Grey RAL 7035
- Yellow RAL 1021
- Red RAL 3020
- Blue RAL 5005

Code No.	Type	lot sizes	See figure	A	B	C	D	R	[mm]
<b>Colour plastic cap</b>									
400042_	30x30	10, 20, 30... pcs	1	30	-	3	-	-	
430842_	F-30x60	10, 20, 30... pcs	2	30	60	4	-	-	
401042_	40x40, F-40x40-L	10, 20, 30... pcs	1	40	-	4	-	-	
403042_	40x80, F-40x80-L, F-40x80/3	10, 20, 30... pcs	2	40	80	4	-	-	
408842_	F-50x50, F-50x50-L	10, 20, 30... pcs	1	50	-	4	-	-	
412142_	60x60, F-60x60-L, F-60x60/1	10, 20, 30... pcs	1	60	-	4	-	-	
404042_	80x80, F-80x80-L, F-80x80/2, F-80x80/2-L	10, 20, 30... pcs	1	80	-	4	-	-	

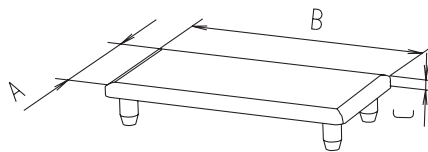
- 2 = RAL 9006
- 3 = RAL 7035
- 4 = RAL 1021
- 5 = RAL 3020
- 6 = RAL 5005

## Black caps

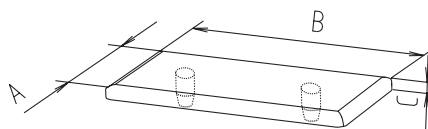
-plastic-



(1)



(2)



(3)

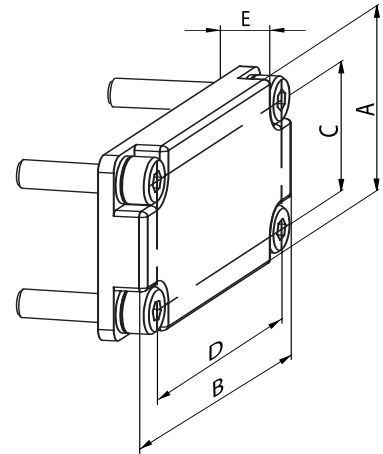
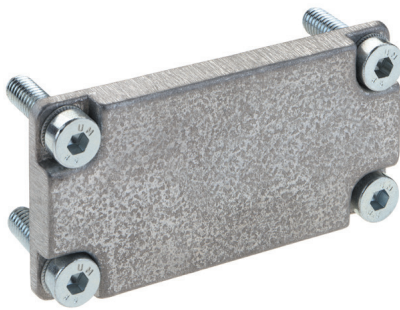
 Black RAL 9005

Code No.	Type	lot sizes	See figure	A	B	C	D	R
[mm]								
<b>Black plastic cap</b>								
4000421	30x30	10, 20, 30... pcs	1	30	–	3	–	–
4308421	F-30x60	10, 20, 30... pcs	2	30	60	4	–	–
4318421	F-30x80	10, 20, 30... pcs	2	30	80	4	–	–
4298421	F-30x100	10, 20, 30... pcs	2	30	100	4	–	–
4328421	F-30x120	10, 20, 30... pcs	2	30	120	4	–	–
4338421	F-30x160	10, 20, 30... pcs	2	30	160	4	–	–
4010421	F-40x40-L, 40x40	10, 20, 30... pcs	1	40	–	4	–	–
4030421	40x80, F-40x80-L, F-40x80/3	10, 20, 30... pcs	2	40	80	4	–	–
4648421	F-40x120	10, 20, 30... pcs	2	40	120	4	–	–
4658421	F-40x160	10, 20, 30... pcs	2	40	160	4	–	–
4088421	F-50x50, F-50x50-L	10, 20, 30... pcs	1	50	–	4	–	–
4668421	F-50x100	10, 20, 30... pcs	2	50	100	4	–	–
4678421	F-50x200	10, 20, 30... pcs	2	50	200	4	–	–
4121421	60x60, F-60x60/1, F-60x60-L	10, 20, 30... pcs	1	60	–	4	–	–
4068421	F-60x120	10, 20, 30... pcs	2	60	–	4	–	–
4040421	80x80, F-80x80-L, F-80x80/2, F-80x80/2-L	10, 20, 30... pcs	1	80	–	4	–	–
4688421	F-80x120	10, 20, 30... pcs	2	80	120	4	–	–
4078421	F-80x160, F-80x160-L	10, 20, 30... pcs	2	80	–	4	–	–
4698421	F-100x100	10, 20, 30... pcs	1	100	–	4	–	–
4168421	F-120x120	10, 20, 30... pcs	1	120	–	4	–	–

# Profile covers

## End plate

**Includes:** End plate complete with fixing set



							[mm]
Code No.	Type	A	B	C	D	E	
<b>End plate connection - face to slot</b>							
<b>Die-cast aluminium</b>							
4034451	40x40, F-40x80-L, F-40x80/3	40	80	68	68	8	
4084401	F-50x50, F-50x50-L	50	50	38	38	7	
4224401	60x60, F-60x60/1, F-60x60-L	60	60	43	43	7	
<b>Aluminium</b>							
4304401	F-30x60	30	60	–	20	15	
4314401	F-30x80	30	80	–	40	15	
4294401	F-30x100	30	100	–	65,5	15	
4324401	F-30x120	30	120	–	80	15	
4334401	F-30x160	30	160	–	120	15	
4644401	F-40x120	40	120	–	80	15	
4654401	F-40x160	40	160	–	120	15	
4664401	F-50x100	50	100	–	65,5	15	
4674401	F-50x200	50	200	–	165,5	15	
4064401	F-60x120	60	120	48	108	15	
4044401	80x80, F-80x80-L, F-80x80/2, F-80x80/2-L,	80	80	68	68	8	
4684401	F-80x120	80	120	40	80	15	
4074401	F-80x160	80	160	68	148	15	
4694401	F-100x100	100	100	50	65,5	15	
4164401	F-120x120	120	120	80	80	15	









### Cover profile -plastic-

- For the flush covering of longitudinal slots. Two versions are available.

- Due to the geometry of type 1, it is possible to route leads in the slot. Type 2, on the other hand, is easier to take out of the profile slot (without leaving residues).

**Material:** Plastic  
Please note that, for typographical reasons, the colour illustrated here is only an approximation of the RAL colour.  
Further special colours available on request.

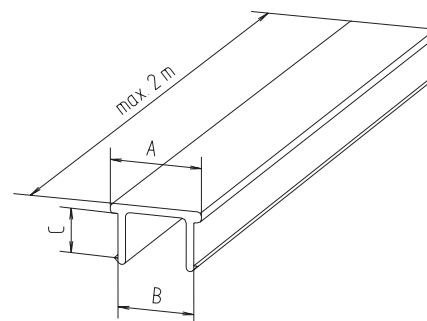
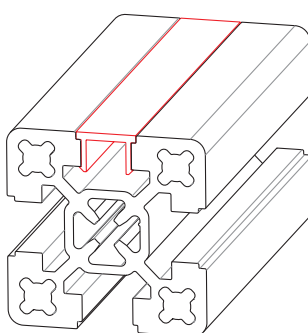


-  Black RAL 9005
-  White RAL 9006
-  Grey RAL 7035
-  Yellow RAL 1021
-  Red RAL 3020
-  Blue RAL 5005

Code No.	Type	Version	Colour	A	B	C
4000570	2	2 m bar	Black	12	11.2	6.4
4000575	2	2 m bar	Grey	12	11.2	6.4
4000577	2	2 m bar	White	12	11.2	6.4
4000579	2	2 m bar	Yellow	12	11.2	6.4
4000581	2	2 m bar	Red	12	11.2	6.4
4000583	2	2 m bar	Blue	12	11.2	6.4
4008570	1	2 m bar	Black	12	11.2	6.4
4000585	1	2 m bar	Yellow	12	11.2	6.4
4000586	1	2 m bar	Transparent	12	11.2	6.4

### Cover profile -aluminium-

**Material:** Aluminium



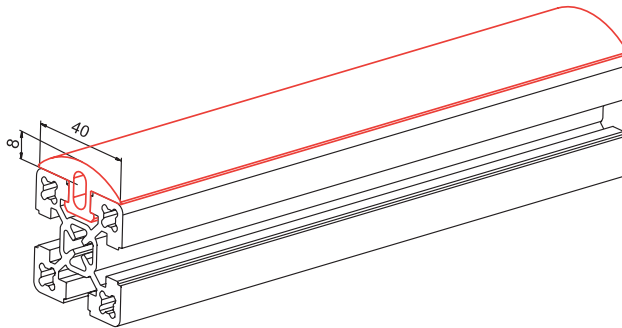
Code No.	Type	Slot geometry	A	B	C
4005572	Cut to size	30	12	10	2.7
4005570	1	30	12	10	2.7
4015572	Cut to size	40	12	10	5.2
4015570	1	40	12	10	5.2

# Profile covers

## Rim

- Protects the structure from damage
- Simply pressed into the profile slot

**Material:**  
Synthetic EPDM rubber, black  
**Shore hardness:** 70 Shore

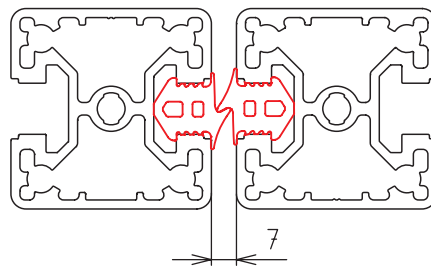


Code No.	Type	Slot geometry
4018594	Rim, 30 m roll	40
401859910000	Rim, 10 m roll	40

## Door gap seal

- Can absorb gap width tolerances
- Acts as a door stop

**Material:** NBR rubber, black  
**Shore hardness:** 55 Shore



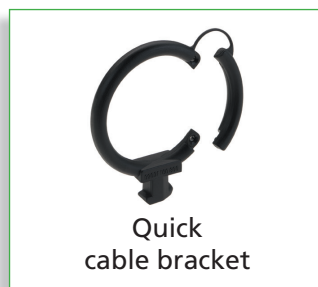
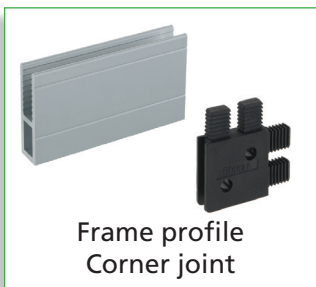
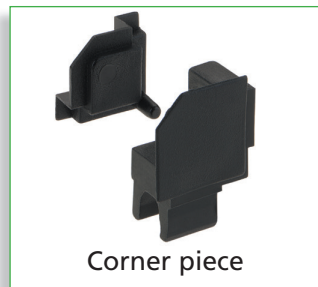
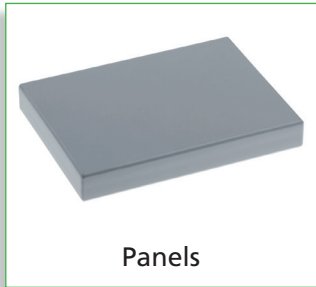
Code No.	Type	Slot geometry
401851810000	Door gap seal, 10 m roll	40
401851850000	Door gap seal, 50 m roll	40
4018518100000	Door gap seal, 100 m roll	40





# Panels and accessories

## Versions



## Table of contents

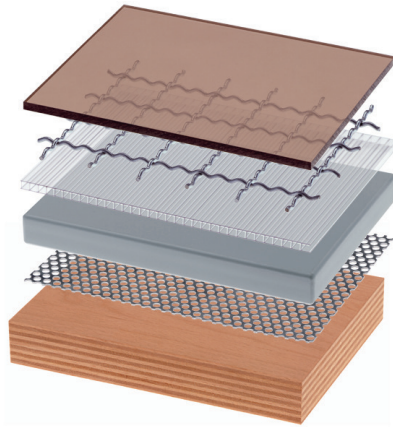
### Panels and accessories

- Panels ..... p. 106
- 2-piece plastic framing profile ..... p. 108
- Corner piece .....p. 108 + p. 110
- 2-piece framing profile ..... p. 110
- Embedding U-profile ..... p. 111
- Frame profile/corner joint ..... p. 112
- Profile seals..... p. 113
- Block joint -L- ..... p. 114
- Block joint -G-..... p. 115
- Block joint -K-..... p. 115
- Vario-Quick holding block R..... p. 116
- Vario-Quick holding block S..... p. 116
- Vario-Quick holding block L..... p. 117
- Vario-Quick holding block K/KK..... p. 119
- Vario-Quick cable bracket ..... p. 119
- Tube clamp ..... p. 118
- Sliding door profile..... p. 120

# Panels and accessories

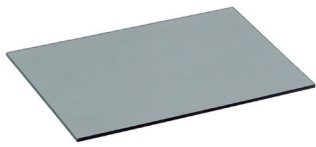
## Panels

- For doors, cladding, safety and table tops. Cut to specification!

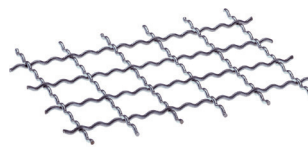


Code No.	Type	Thickness	Version	Max. size [mm]	Weight [kg/m <sup>2</sup> ]
4018584	Makrolon	2 mm	Clear	3.050 x 2.050	2.40
4018586	Makrolon	4 mm	Clear	3.050 x 2.050	4.80
4018576	Makrolon	6 mm	Clear	3.050 x 2.050	8.00
4018579	Makrolon	6 mm	Tinted	3.050 x 2.050	8.00
4018578	Makrolon	10 mm	Clear	3.050 x 2.050	13.00
4018582	Acrylic glass	4 mm	Clear	3.050 x 2.050	4.80
4018595	Acrylic glass	5 mm	Clear	3.050 x 2.050	6.00
4018563	Acrylic glass	5 mm	Blue, transparent	3.050 x 2.030	6.00
4018575	Acrylic glass	6 mm	Clear	3.050 x 2.050	7.20
4018577	Acrylic glass	10 mm	Clear	3.050 x 2.050	13.00
4012576	Trespa	6 mm	Brown	2.050 x 2.130	8.40
4012586	Trespa	6 mm	Silver-grey	3.050 x 1.530	8.40
4012587	Trespa	10 mm	Silver-grey	3.050 x 1.530	13.00
4018570	Koematex	6 mm	White	3.050 x 2.030	4.20
4018571	Koematex	8 mm	White	3.050 x 2.030	5.60
4018572	Koematex	10 mm	White	3.050 x 2.030	6.00
4012579	Multiplex	30 mm	Untreated	2.500 x 1.500	27.00
4015573	Aluminium	2 mm	Clear anodised	2.000 x 1.000	5.40
4012582	Table top	19 mm	Grey plastic-coated, glued edges	2.000 x 2.075	14.70
4012577	Composite	6 mm	Clear anodised	3.050 x 1.500	7.30
4012511	MDF panel	6 mm	Untreated	2.000 x 2.075	8.20
4012512	MDF panel	8 mm	Untreated	2.000 x 2.075	9.20
4016576	Perforated plate	1 mm	Round holes in staggered rows, galvanised steel	1.000 x 2.000	4.30
4016577	Wire mesh 20x20	2.5 mm	Galvanised steel	2.000 x 1.000	2.40
4016578	Wire mesh 30x30	3 mm	Galvanised steel	2.000 x 3.000	3.70
4016579	Wire mesh 40x40	4 mm	Galvanised steel	2.000 x 3.000	4.70

Further versions available on request. For material descriptions, please see next page.



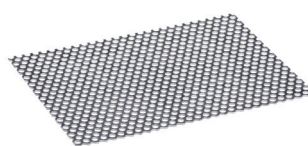
**Makrolon**  
Unbreakable, impact-resistant, weather-resistant, good chemical resistance



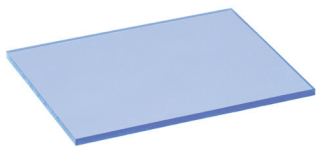
**Wire mesh**  
Galvanised steel, cost-effective panel for safety devices



**Acrylic glass**  
Highly transparent, low thickness tolerances, weather-resistant, unbreakable, easy to work with



**Perforated plate**  
Galvanised sheet steel, 5 mm round hole in staggered rows



**Acrylic glass**  
Highly transparent blue, low thickness tolerances, weather-resistant, unbreakable, easy to work with



**Table top**  
Decorative, plastic-coated, glued edges



**Trespa**  
Colourfast, weather-resistant, decorative, impact-, shock- and scratch-resistant, very easy to work with



**Composite**  
Low-weight, high flexural strength, weather-resistant, very good flatness and smooth surface



**Koematex**  
Flame-retardant, thermoformable, low static charging, very easy to work with



**MDF panel**  
Easy to work with, cost-effective



**Multiplex panel**  
High load-bearing strength and flexural strength, easy to work with

# Panels and accessories

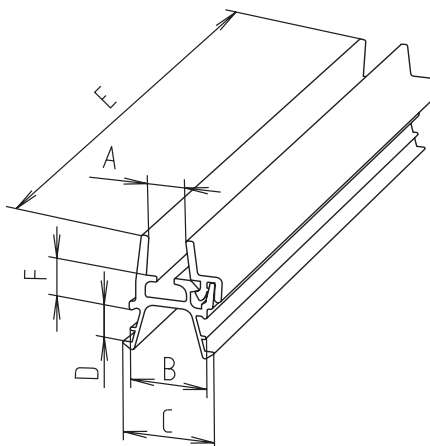
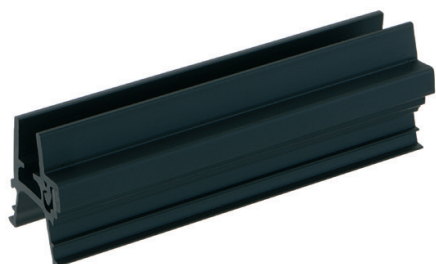
## 2-piece framing profile

■ Used for retrofitting panels

**Material:** Black plastic. For a description of assembly, please see page 109

**Profile cut length:** Frame internal dimension -33 mm (if corner pieces are used)

**Panel cut length:** Frame internal dimension -5.5 mm all-round



Note: Note there is another framing profile version on page 110.

[mm]

Code No.	Type	Slot geometry	A	B	C	D	E	F
4018556	Bar	30 + 40	4	11.8	14.2	5	2000	4
4018558	Bar	30 + 40	5	11.8	14.2	5	2000	4
4018560	Bar	30 + 40	6	11.8	14.2	5	2000	4

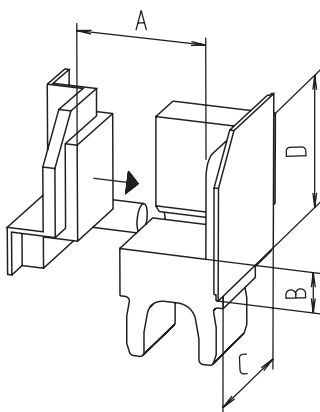
### Order instruction:

■ Purchase only in lot sizes and a multiple of that see product table below

**Material:** Black plastic

**Assembly description:**  
See page 109

## Corner piece



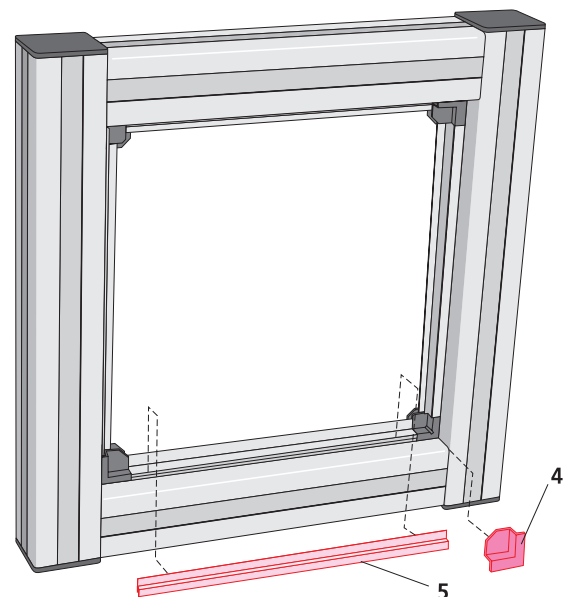
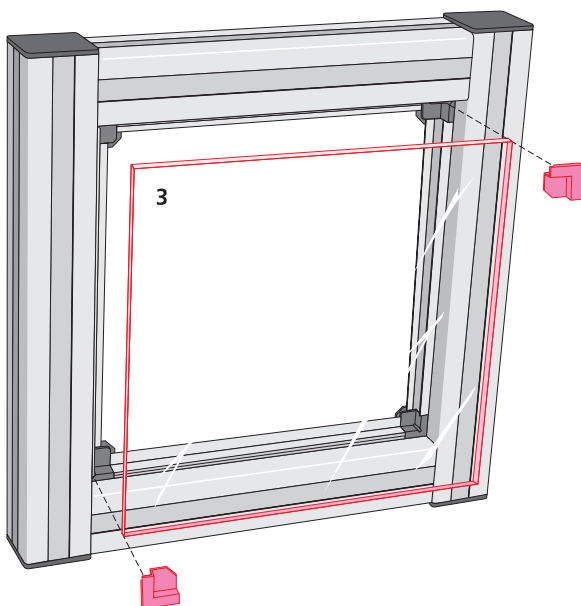
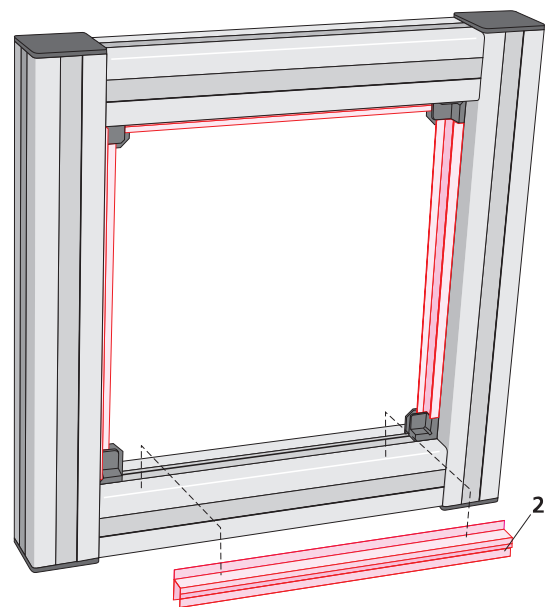
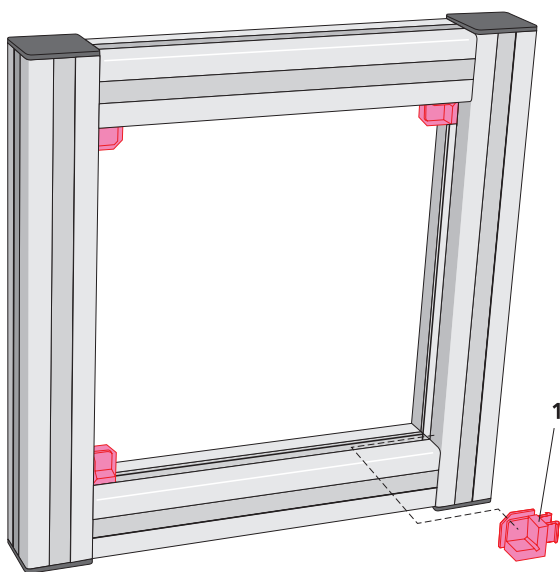
[mm]

Code No.	lot sizes	A	B	C	D
40185651	4, 8, 12... pcs	4 - 6	4	17	17



**Assembly description:**

1. Insert the corner piece base unit (1) into each corner.
  2. Cut framing profile (2) and press it into the profile slots.
  3. Insert panel (3) and fix with 2 corner piece covers (4) in diagonally opposite corners.
  4. Press in the cover strip of the framing profiles.
  5. Press in the remaining corner piece covers.
- All components can be undone if necessary, so that damaged panels or panes can be replaced without difficulty.



# Panels and accessories

## 2-piece framing profile Used for retrofitting panels

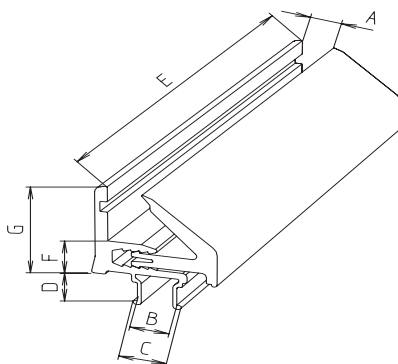
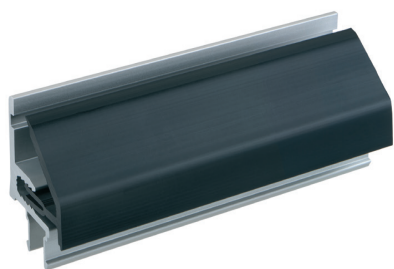
- Used for retrofitting panels
- The aluminium bottom is designed to take panel thicknesses of 4, 6, 8 or 10 mm. A plastic top serves as a sealing strip and protects against dust and splashes.

**Material:** Aluminium profile bottom, black plastic profile top (with soft PVC on the sealing strips)

**Profile cut length:**  
Frame internal dimension -56 mm (if corner pieces are used)

**Panel cut length:**  
Frame internal dimension -11.5 mm all-round

**Assembly description:**  
See page 109



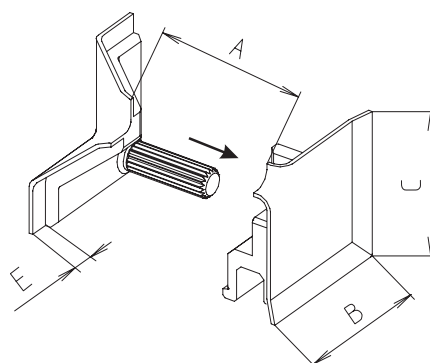
[mm]									
Code No.	Type	Slot geometry	A	B	C	D	E <sub>Max</sub>	F	G
4010571	Cut to size	40	4,6,8,10	9.2	11.4	6.8	2000	10	26
4010572	Bar	40	4,6,8,10	9.2	11.4	6.8	2000	10	26

### Order instruction:

- Purchase only in lot sizes and a multiple of that see product table below

**Material:** Black plastic  
**Assembly description:**  
See page 109

## Corner piece



[mm]						
Code No.	lot sizes	Slot geometry	A	B	C	E
40185661	4, 8, 12... pcs	40	4-10	31	31	5

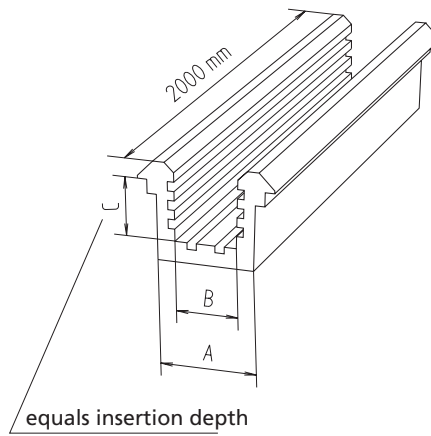
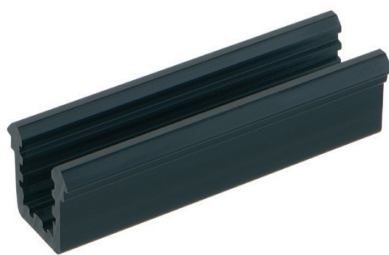




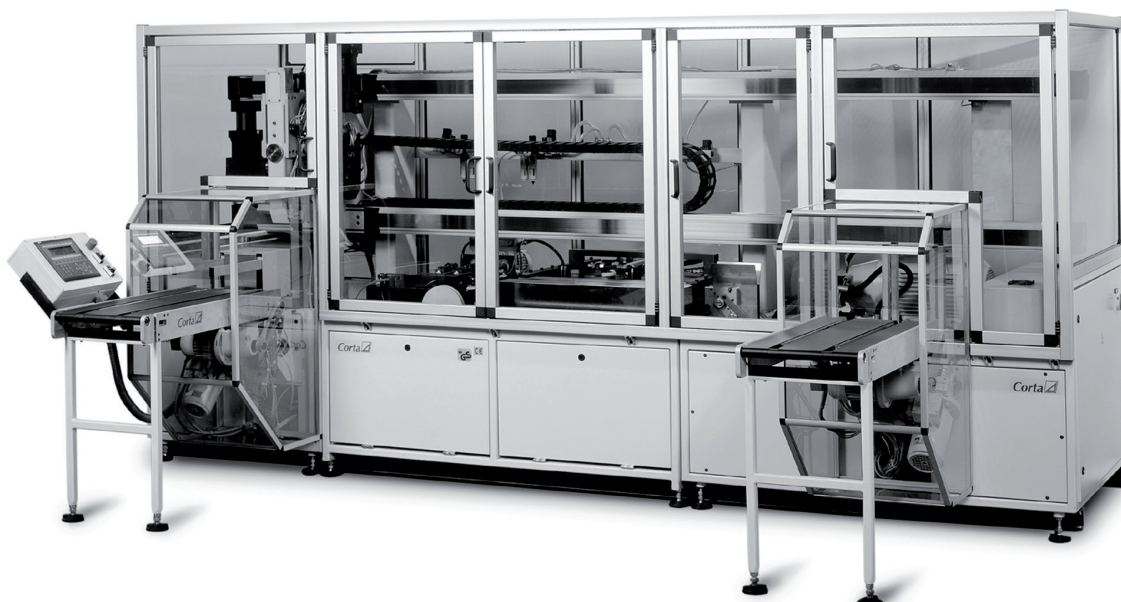
### Embedding U-profile

- Panels with a thickness of 6 mm can be embedded in the slots with the plastic profile
- The embedding U-profiles are slid into the slot before assembly

**Material:** Black plastic  
**Panel cut length:**  
 Frame internal dimension +6 mm all-round.



Code No.	Type	Slot geometry	[mm]		
			A	B	C
4010575	Bar	30 + 40	10	6	6



# Panels and accessories

## Frame profile

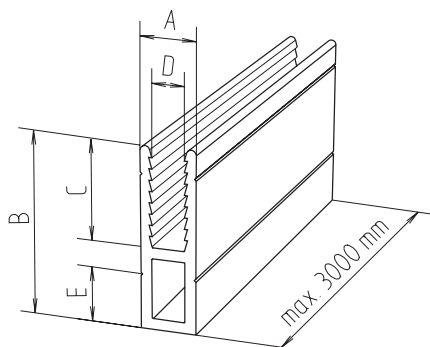


- Takes wire meshes (up to 30x30x3) and panels

**Material:** Aluminium

**Panel cut length:**

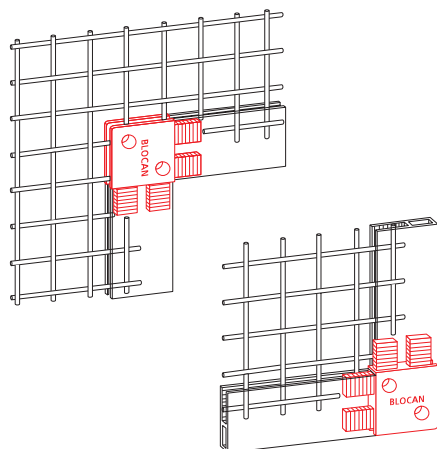
Frame internal dimension -7 mm with 30 slot geometry -10 mm, (page 26) all-round, for fixing in the slot.



Code No.	Type	A	B	C	D	E
4015562	Cut to size	10	33	18	5.8	10
4015560	3 m bar	10	33	18	5.8	10

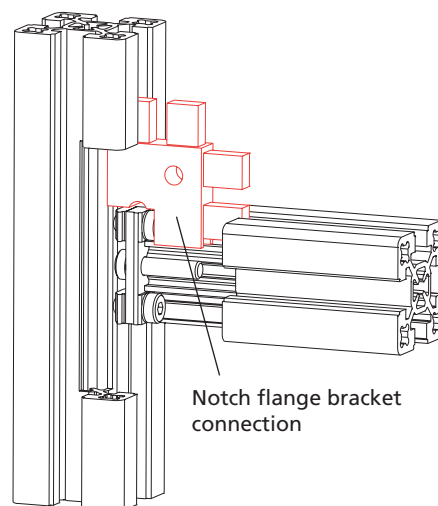
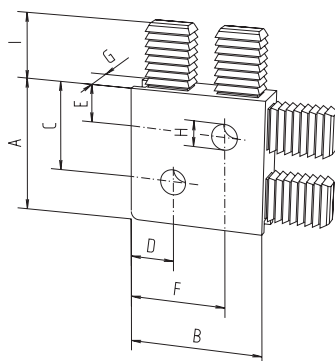
[mm]

## Frame corner joint



- Connection element for the frame profile

**Material:** Black plastic



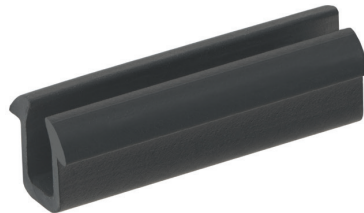
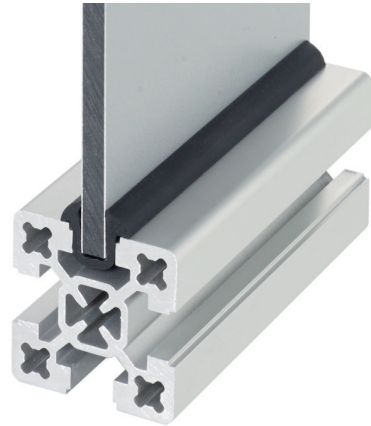
Code No.	lot sizes	A	B	C	D	E	F	G	H	I
4010565	4, 8, 12... pcs	34	34	23	11	10	24	10	6.5	15
4000566	-	With notch for 30 slot geometry (see diagram above)								
4010566	-	With notch for 40 slot geometry (see diagram above)								

[mm]



### Profile seal

#### Version for 2-sided sealing



**Assembly:** Ideally, the seal is first laid around the panel and then placed into the profile slot.

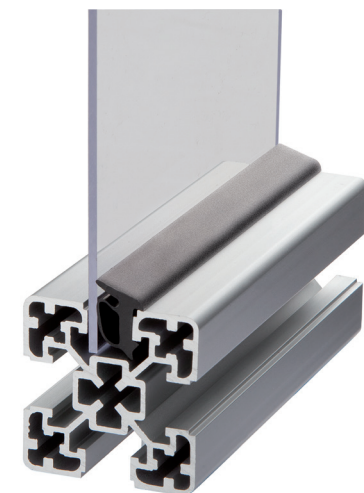
**Material:** SBR, 60 Sh, black

**Panel cut length:**

Frame internal dimension +6 mm all-round.

Code No.	Sealing	For panel thickness	Slot geometry	Length
401851510000	2-sided	6 mm	40	10 m
401851560000				60 m

#### Version for 1-sided sealing



**Assembly:** Insert the panel into the profile slot. Then press the profile seal into the slot by hand or using a blunt object.

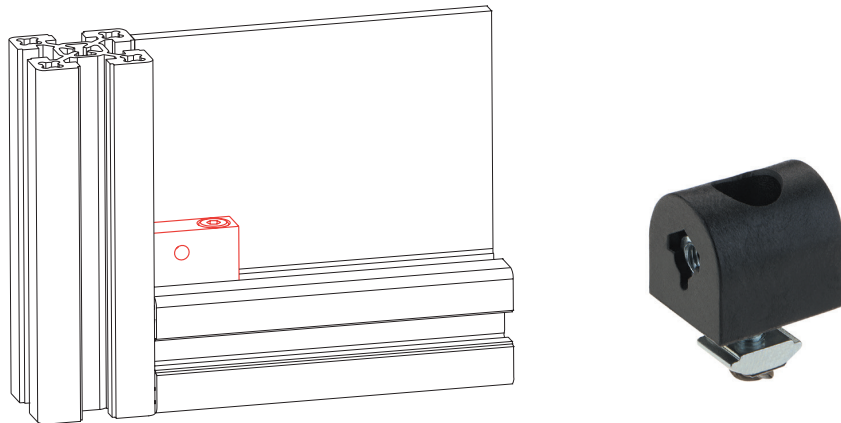
**Material:** Black EPDM

Code No.	Sealing	For panel thickness	Slot geometry	Length
4018513010000	1-sided	2 - 4 mm	40	10 m
4018513050000				50 m
4018513150000				150 m
401851410000		6 mm		10 m
401851450000				50 m
4018514100000				100 m

# Panels and accessories

## Block joint

■ For fixing panels to profiles



### Order instruction:

■ Purchase only in lot sizes and a multiple of that see product table below

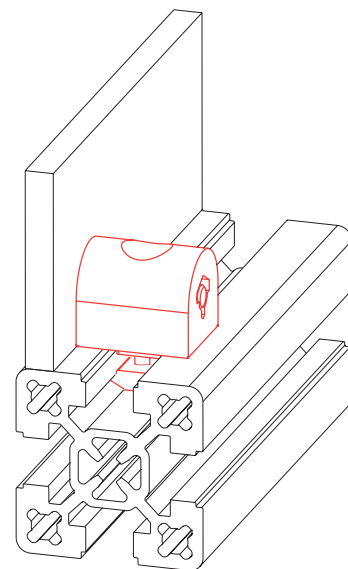
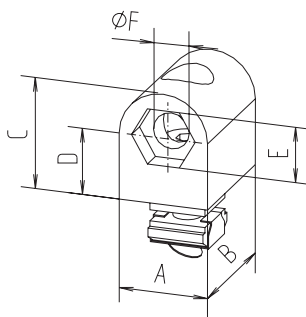
### Material:

Black plastic, galvanised steel parts

### Includes:

Complete fixing set for profile assembly.

## Block joint -L-



Code No.	Type	lot sizes	Slot geometry	A	B	C	D	E	F
4008122	Block joint -L-	-	30	20	24	20	10	8	5.5
4018122	Block joint -L-	-	40	20	24	20	10	8	5.5
4004131	Fixing screw for panel	10, 20, 30... pcs	Wall thickness 2-8 mm	Socket head button screw M5x30 ISO 7380					

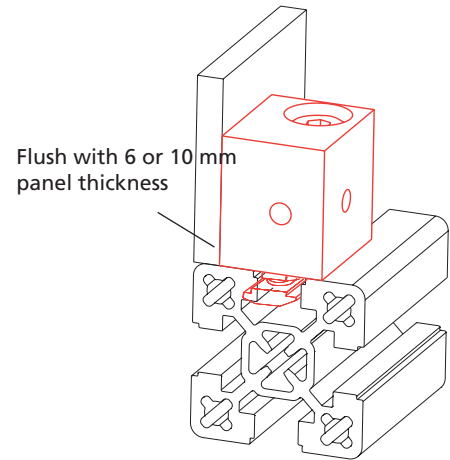
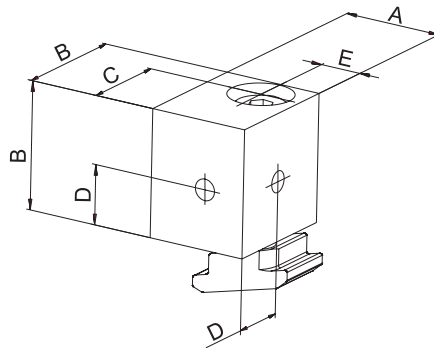
[mm]



**Block joint -G-**

**Material:**  
Vibration finished aluminium,  
galvanised steel parts

**Includes:**  
Complete fixing set for  
profile assembly.



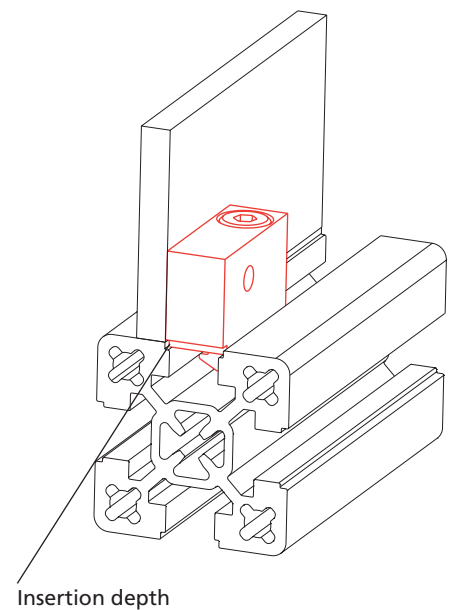
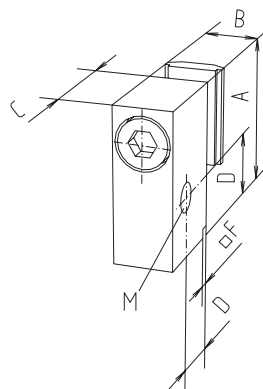
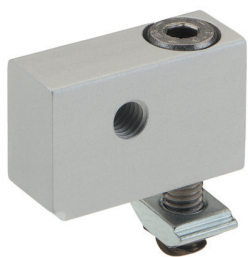
Code No.	Type	Slot geometry	A	B	C	D	E
4015121	M6	40	24	30	22	14	10
4025122	M8	40	24	30	22	14	10
4085121	M6 for profile 50	40	34	30	22	14	15
4085122	M8 for profile 50	40	34	30	22	14	15

**Block joint -K-**

**Material:**  
Vibration finished aluminium,  
galvanised steel parts

**Includes:**  
Complete fixing set for  
profile assembly.

The insertion depth in the profile  
is 1.5 mm.



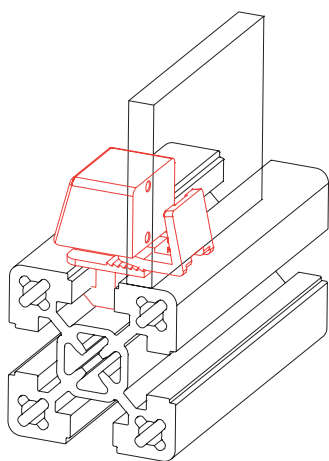
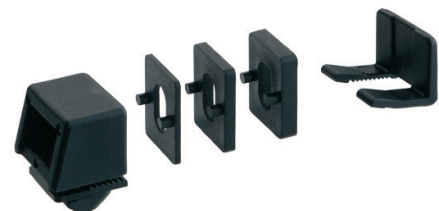
Code No.	Type	Slot geometry	A	B	C	D	F	M
4005123	M6	30	32	12	20	12.5	2	M6
4015123	M6	40	32	12	20	12.5	2	M6

# Panels and accessories

## Order instruction:

- Purchase only in lot sizes and a multiple of that see product table below

### Vario-Quick holding block R



- For retrofitting a wide variety of panels without screws in an existing profile structure
- Fixation by means of toothed snap-in clips. Spacers allow for

different distances from the profile edge

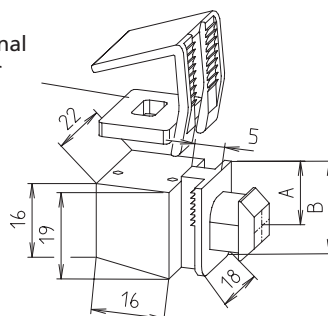
**Clamping range for panels:** 1-10 mm.

**Panel cut length:**

Frame internal dimension -6 mm all-round.

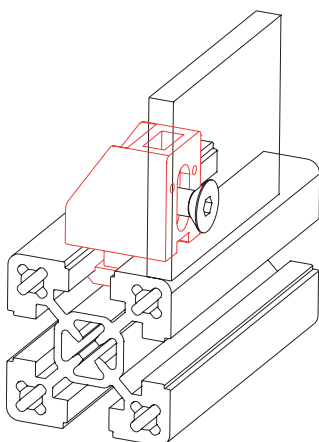
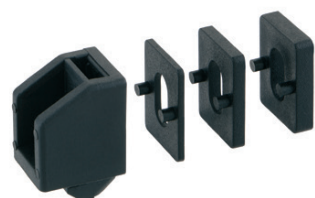
**Material:** Black plastic

Optional spacer



Code No.	Type	lot sizes	Version	[mm]	
				A	B
40081231	Holding block R	10, 20, 30... pcs	30 slot geometry	5.5	20
40181231	Holding block R	10, 20, 30... pcs	40 slot geometry	8.5	20
40081321	Spacer R	10, 20, 30... pcs	2 mm	-	-
40081331	Spacer R	10, 20, 30... pcs	3 mm	-	-
40081351	Spacer R	10, 20, 30... pcs	5 mm	-	-

### Vario-Quick holding block S

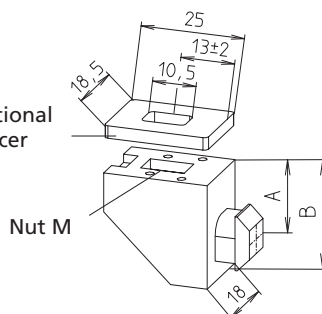


- For retrofitting a wide variety of panels in an existing profile structure
- The panel is screwed to the holding block.

■ Spacers allow for different distances from the profile edge

**Material:** Black plastic, galvanised nut

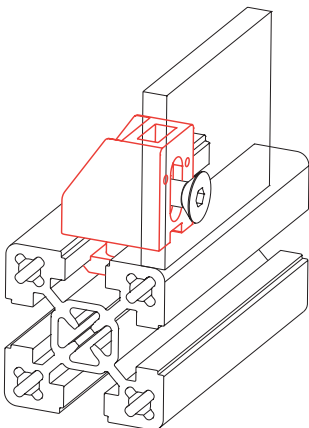
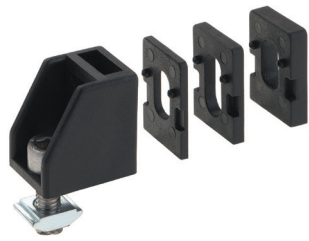
Optional spacer



Code No.	Type	lot sizes	Version	[mm]		
				A	B	M
40081641	Holding block S	10, 20, 30... pcs	30 slot geometry	5	18	M4
40181641	Holding block S	10, 20, 30... pcs	40 slot geometry	10	25	M4
40081241	Holding block S	10, 20, 30... pcs	30 slot geometry	5	18	M6
40181241	Holding block S	10, 20, 30... pcs	40 slot geometry	10	25	M6
40181321	Spacer S/L	10, 20, 30... pcs	2 mm	-	-	-
40181331	Spacer S/L	10, 20, 30... pcs	3 mm	-	-	-
40181351	Spacer S/L	10, 20, 30... pcs	5 mm	-	-	-



## Vario-Quick holding block L



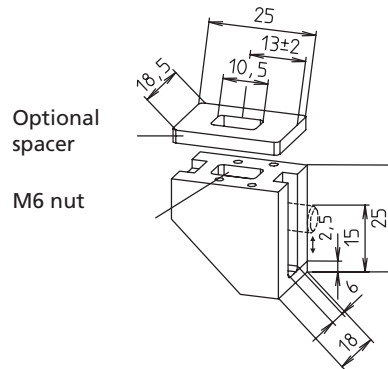
- For fixing various panels in an profile structure.
- The panel is screwed to the holding block.
- One fixing set connects one profile. The slot allows differ-

ent panel thicknesses to be fixed without spacers.

**Material:** Black plastic, galvanised nut

**Includes:**

The Order No. includes one complete fixing set (socket head cap screw, slot stone -F-) for mounting on profile

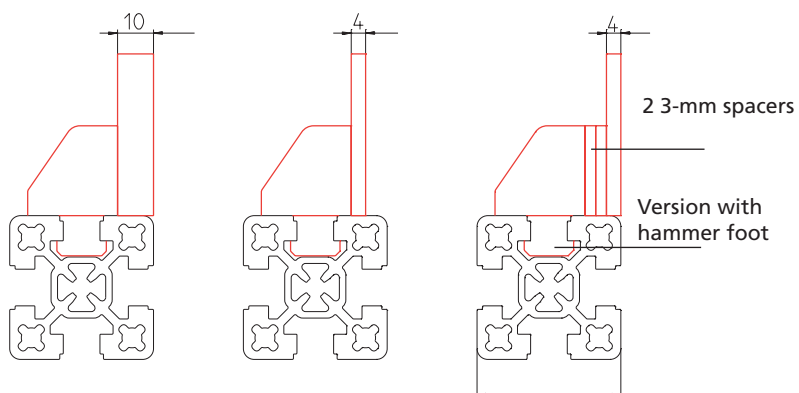


Code No.	Type	lot sizes	Version
40081261	Holding block L	10, 20, 30... pcs	30 slot geometry
40181261	Holding block L	10, 20, 30... pcs	40 slot geometry
40181321	Spacer S/L	10, 20, 30... pcs	2 mm
40181331	Spacer S/L	10, 20, 30... pcs	3 mm
40181351	Spacer S/L	10, 20, 30... pcs	5 mm

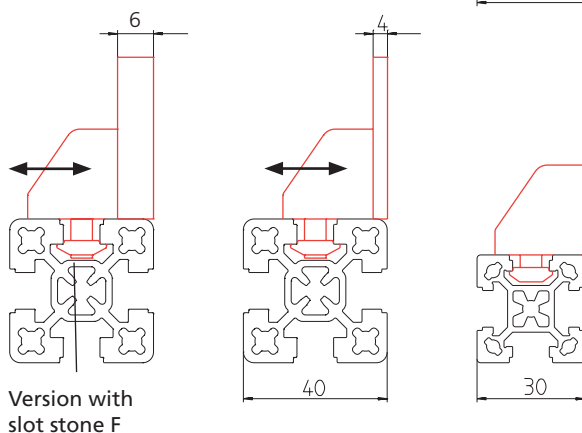
[mm]

## Application examples:

- **Vario-Quick holding block R/S**  
Profile 40 combined with panel thickness 4 and 10 mm. Compensation using spacers (choice of 2, 3 or 5 mm)



- **Vario-Quick holding block L:**  
Profile 40 combined with panel thickness 4 and 6 mm. Compensation using slot – if necessary, using spacers (choice of 2, 3 or 5 mm)



# Panels and accessories

## Order instruction:

- Purchase only in lot sizes and a multiple of that see product table below

- For fixing cables and hoses
- It is possible to insert it into the profile slot retrospectively

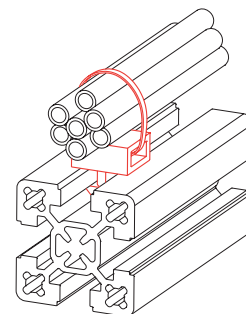
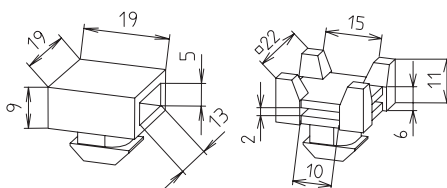
**Material:** Black plastic

## Vario-Quick holding block K/KK

Type K



Type KK

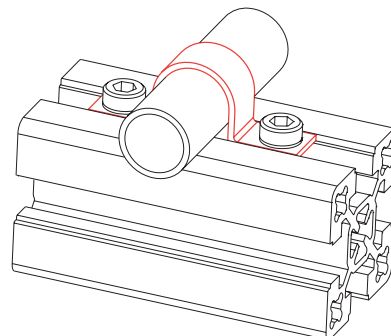
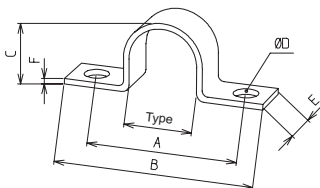


Code No.	Type	lot sizes	Version
40081251	Holding block K	10, 20, 30... pcs	30 slot geometry
40181251	Holding block K	10, 20, 30... pcs	40 slot geometry
40181271	Holding block KK	10, 20, 30... pcs	40 slot geometry

## Tube clamp

- For fixing tubes, hoses and cables

**Material:** Stainless steel, galvanised fixing set



[mm]

Code No.	Type	lot sizes	A	B	C	D	E	F
40105401	Ø6	10, 20, 30... pcs	28	41.5	6.8	6.5	12	1
40105411	Ø8	10, 20, 30... pcs	28	41.5	8.5	6.5	12	1
40105421	Ø10	10, 20, 30... pcs	33	46	10.5	6.5	12	1
40105431	Ø12	10, 20, 30... pcs	33	46	13	6.5	12	1
40105441	Ø14	10, 20, 30... pcs	35	48	15	6.5	12	1
40105451	Ø18	10, 20, 30... pcs	40	53	19.5	6.5	12	1.5
40105461	Ø20	10, 20, 30... pcs	40	53	21.2	6.5	12	1.5
40105471	Ø21.3	10, 20, 30... pcs	40	53	22.5	6.5	12	1.5
40105481	Ø27	10, 20, 30... pcs	47	60	28	6.5	12	1.5
<b>Fixing set (for 10 tube clamps)</b>								
40005491	30 slot geometry	10, 20, 30... pcs	-	-	-	-	-	-
40105491	40 slot geometry	10, 20, 30... pcs	-	-	-	-	-	-

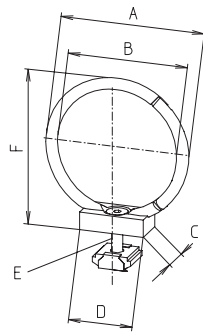




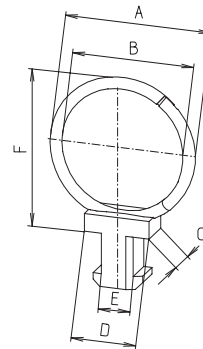
## Vario-Quick cable bracket

- For routing cables and hoses
- Simply screwed into the slot
- Can be opened and reused without any problem

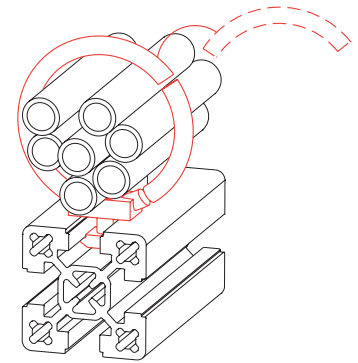
**Material:** Black plastic



Slot stone (N) version



Hammer foot (HF) version



[mm]

Code No.	Type	lot sizes	Slot geometry	A	B	C	D	E	F
40081401	15 HF	10, 20, 30... pcs	30	28.5	17	10	19	9.5	28.5
40181401	15 HF	10, 20, 30... pcs	40	28.5	17	10	19	9.5	28.5
40081441	15 N	10, 20, 30... pcs	30	28.5	17	12	20	M 5	28.5
40181521	15 N	10, 20, 30... pcs	40	28.5	17	12	20	M 5	28.5
40081411	25 HF	10, 20, 30... pcs	30	36.5	25	10	19	9.5	36.5
40181411	25 HF	10, 20, 30... pcs	40	36.5	25	10	19	9.5	36.5
40081451	25 N	10, 20, 30... pcs	30	36.5	25	12	20	M 5	36.5
40181531	25 N	10, 20, 30... pcs	40	36.5	25	12	20	M 5	36.5
40081421	35 HF	10, 20, 30... pcs	30	47.5	35	10	19	9.5	47.5
40181421	35 HF	10, 20, 30... pcs	40	47.5	35	10	19	9.5	47.5
40081461	35 N	10, 20, 30... pcs	30	47.5	35	12	20	M 5	47.5
40181541	35 N	10, 20, 30... pcs	40	47.5	35	12	20	M 5	47.5
40081431	45 HF	10, 20, 30... pcs	30	56.5	45	10	19	9.5	56.5
40181431	45 HF	10, 20, 30... pcs	40	56.5	45	10	19	9.5	56.5
40081471	45 N	10, 20, 30... pcs	30	56.5	45	12	20	M 5	56.5
40181551	45 N	10, 20, 30... pcs	40	56.5	45	12	20	M 5	56.5

# Panels and accessories

## Sliding door profile

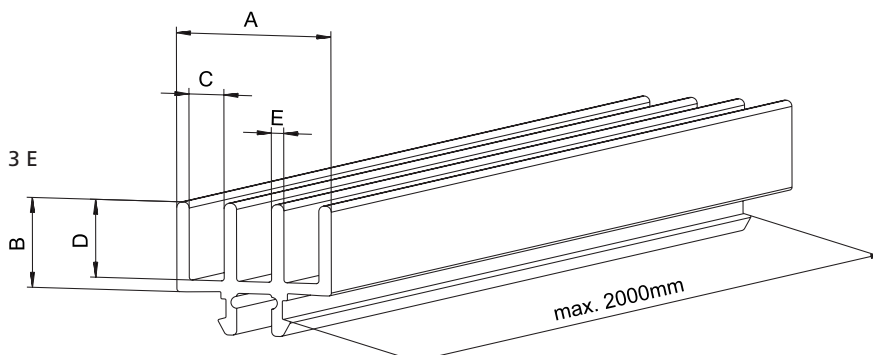
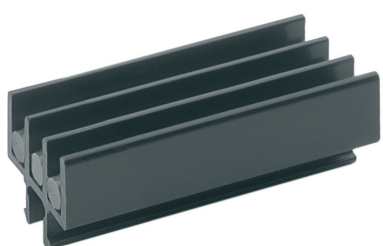
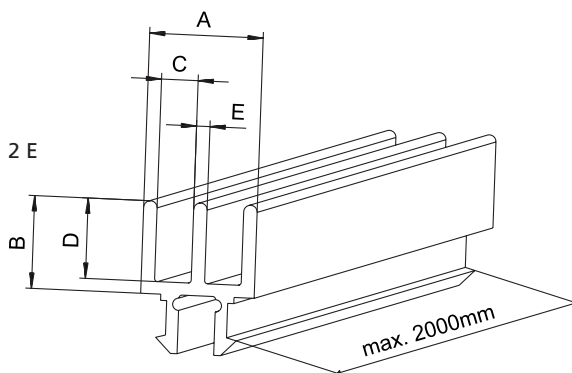
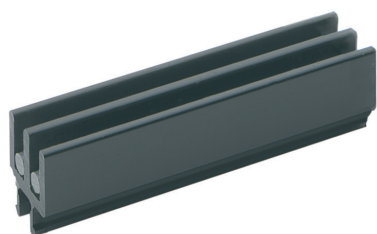
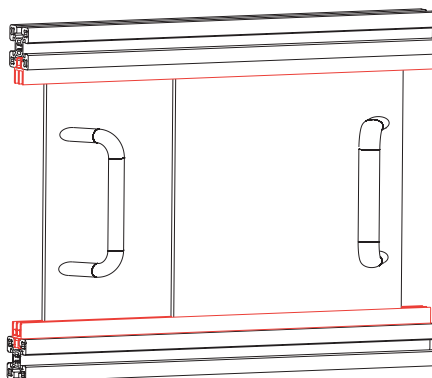
■ The sliding door profile is inserted into the longitudinal slot of the BLOCAN® profile. Then the bead moulding is placed in the bottom sliding door profile. As illustrated in the diagram, the panels can now be inserted.

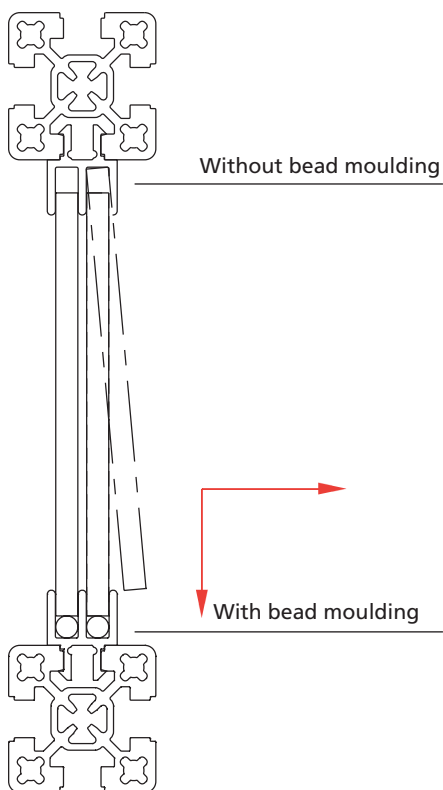
**Material:** Black plastic

**Panel cut length:**

Frame internal height -17 mm for 6 mm panels and -22 mm for 8 mm panels.

For sliding doors with a profile frame, the sliding piece on page 110 or the roller module in the safety guard section on page 456 must be used.





								[mm]
Code No.	Type	Slot geometry	A	B	C	D	E	
<b>Without bead moulding</b>								
4000553	2E, cut to size	30	19	15	6,2	12,6	2	
4000551	2E, bar							
4000593	3E, cut to size	30	27,4	15	6,2	13	2,2	
4000591	3E, bar							
4010555	2E, cut to size	40	18,6	15	6	13	2,2	
4010551	2E, bar							
4010557	2E, cut to size	40	28	17,5	8,3	15	6	
4010556	2E, bar							
On request	3E, cut to size	40	27,4	15	6,2	13	2,2	
On request	3E, bar							
<b>With bead moulding</b>								
4000552	2E, cut to size	30	19	15	6,2	12,6	2,2	
4000550	2E, bar							
4000592	3E, cut to size	30	27,4	15	6,2	13	2,2	
4000590	3E, bar							
4010552	2E, cut to size	40	18,6	15	6	13	2,2	
4010550	2E, bar							
4010554	2E, cut to size	40	28	17,5	8,3	15	6	
4010553	2E, bar							
On request	3E, cut to size	40	27,4	15	6,2	13	2,2	
On request	3E, bar							

# Feet, castors and accessories

## Versions



Foot -plastic-



Levelling foot



Eye bolt



Connecting plate  
for foot



Base angle -steel-



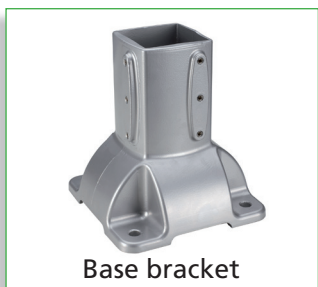
Base angle -aluminium-



Base plate



Clamp FKV / FV



Base bracket



Base clamp FVV



Steering roller



Fixed castor



Foot rest FSH

## Table of contents

### Feet, castors and accessories

- Foot -plastic- ..... p. 124
- Levelling foot ..... p. 125
- Eye bolt..... p. 125
- Connecting plate for foot ..... p. 126
- Base angle -steel- ..... p. 128
- Base angle -aluminium- ..... p. 129
- Base plate ..... p. 130
- Clamp FKV / FV ..... p. 131
- Base bracket ..... p. 131
- Base clamp FVV ..... p. 132
- Steering roller ..... p. 134
- Fixed castor..... p. 135
- Foot rest FSH ..... p. 136

# Feet, castors and accessories

## Foot

- Visually attractive
- Alternative to conventional levelling feet
- Height adjustment without tools

**Material:** Black plastic

**Includes:**

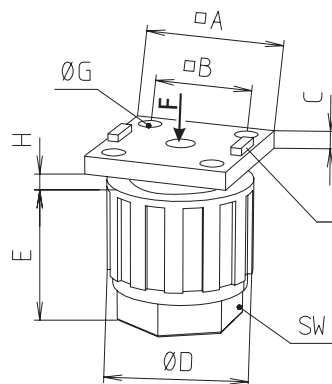
Complete foot with fastenings (galvanised) for connection to one profile.



Fixing in the slot



Fixing to the face



H = height adjustment

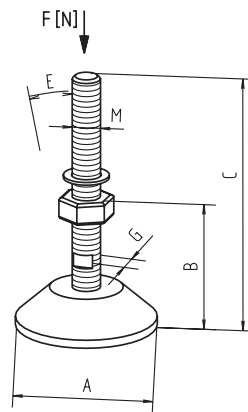
Centring pin (if necessary, can be removed with a pliers)

Code No.	Slot geometry	A	B	C	D	E	G*	Max. H	Wrench size	F [N]
Fixing in the slot and to the face of the profile										
4008301	30	30	20.5	5	30	29.5	4.5	15	22	1000
4018301	40	40	28	5	40	39.5	6.6	23	30	1200
Fixing to the face of the profile (with connecting plate t = 15 mm)										
4300301	For F-30x60	30	20.5	5	30	29.5	4.5	15	22	1000
4310301	For F-30x80	30	20.5	5	30	29.5	4.5	15	22	1000
4290301	For F-30x100	30	20.5	5	30	29.5	4.5	15	22	1000
4320301	For F-30x120	30	20.5	5	30	29.5	4.5	15	22	1000
4330301	For F-30x160	30	20.5	5	30	29.5	4.5	15	22	1000

[mm]



**Levelling foot**

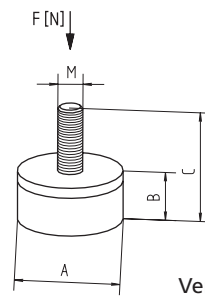
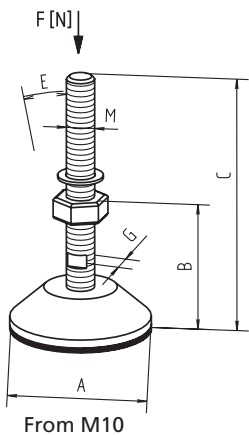


**Material:**

Galvanised steel parts, black plastic pivot plate. Fixation with foot connecting plates.  
See page 126

Code No.	Type	Version	A	B	C	M	E	G	F [N]
4006304	M8		47	20	52	M8	15°	12	1500
4016302	M10		50	25	93	M10	15°	12	3000
4016303	M12		80	24	117	M12	15°	12	7000
4026301	M16	Corrosion-resist.	80	29	156	M16	15°	13	10000
4046301	M20		60	39	185	M20	15°	16	10000
4696301	M20		100	39	185	M20	15°	16	10000
4696302	M20		123	61	207	M20	15°	16	20000

**Levelling foot with vibration absorber**

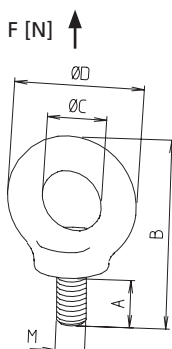


Version: M6, M8

**Material:** Galvanised steel parts  
Black plastic pivot plate.  
Fixation with foot connecting plates.  
See page 126.

Code No.	Type	Version	A	B	C	M	E	G	F [N]
4006311	M6		25	12	28	M6	-	-	520
4016311	M8		30	15	33	M8	-	12	760
4016312	M10		50	25	94	M10	15°	12	3000
4016313	M12		80	40	119	M12	15°	12	7000
4026311	M16	Corrosion-resist.	80	32	159	M16	15°	13	10000
4046311	M20		60	42	188	M20	15°	16	10000
4696311	M20		100	39	188	M20	15°	16	10000
4046312	M20		123	70	215	M20	15°	16	10000

**Eye bolt**



**Material:**

Galvanised steel  
Fixation with foot connecting plates.  
See page 126

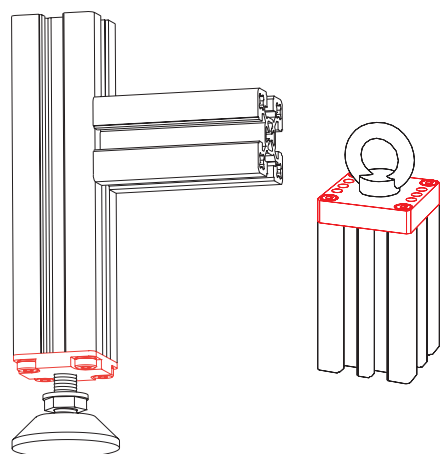
Code No.	Type	Version	A	B	C	D	M
4000300	M6	DIN 580	12	39	13,5	28	M6
4000301	M8	DIN 580	13	49	20	36	M8
4000302	M10	DIN 580	17	62	25	45	M10
4000303	M12	DIN 580	20,5	73,5	30	54	M12

# Feet, castors and accessories

## Connecting plate for levelling feet

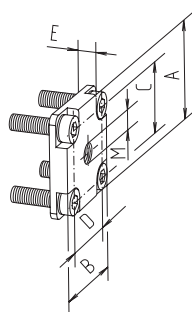
- Connecting plate with tapped hole for feet.
- Also suitable for taking eye bolts.

**Includes:**  
Connecting plate incl. fastenings

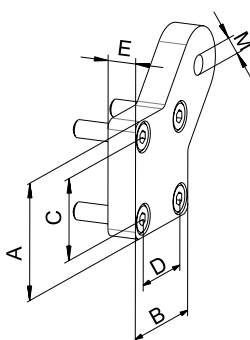


For feet and eye bolts, please see page 125

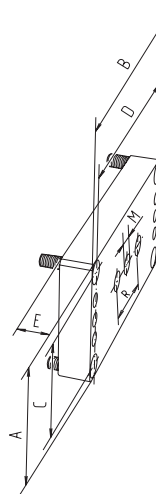
(1) Die-cast aluminium



(3) Die-cast zinc



(2) Aluminium



[mm]

Code No.	Type	Connec- tion	See figure	A	B	C	D	E	M	R
4574401	30x30	M8	3	30	30	21	21	10	M8	–
4305402	F-30x60	M6	2	30	60	21.5	48	15	M6	–
4305403	F-30x60	M8	2	30	60	21.5	48	15	M8	–
4295402	F-30x100	M6	2	30	100	21.5	88	15	M6	–
4295403	F-30x100	M8	2	30	100	21.5	88	15	M8	–
4295404	F-30x100	M10	2	30	100	21.5	88	15	M10	–
4295405	F-30x100	M12	2	30	100	21.5	88	15	M12	–
4D34400	40x40, F-40x40-L	M8	3	40	40	28	28	10	M8	–
4D34401	40x40, F-40x40-L	M10	3	40	40	28	28	10	M10	–
4D34402	40x40, F-40x40-L	M12	3	40	40	28	28	10	M12	–
4034404	40x80, F-40x80-L, F-40x80/3	M8	2	40	80	28	68	7	M8	–
4034402	40x80, F-40x80-L F-40x80/3	M10	2	40	80	28	68	7	M10	–
4034403	40x80, F-40x80-L, F-40x80/3	M12	2	40	80	28	68	7	M12	–
4655402	F-40x160	M8	2	40	160	28	148	15	M8	–
4655403	F-40x160	M10	2	40	160	28	148	15	M10	–
4655404	F-40x160	M12	2	40	160	28	148	15	M12	–
4655405	F-40x160	M16	2	40	160	28	148	15	M16	–



Code No.	Type	Connec- tion	See figure	A	B	C	D	E	M	R	[mm]
4085401	F-50x50, F-50x50-L	M8	1	50	50	38	38	7	M8	–	
4085402	F-50x50, F-50x50-L	M10	1	50	50	38	38	7	M10	–	
4665402	F-50x100	M8	2	50	100	38	88	15	M8	–	
4665403	F-50x100	M10	2	50	100	38	88	15	M10	–	
4665404	F-50x100	M12	2	50	100	38	88	15	M12	–	
4665405	F-50x100	M16	2	50	100	38	88	15	M16	–	
4675402	F-50x200	M8	2	50	200	–	165.5	15	M8	–	
4675403	F-50x200	M10	2	50	200	–	165.5	15	M10	–	
4675404	F-50x200	M12	2	50	200	–	165.5	15	M12	–	
4675405	F-50x200	M16	2	50	200	–	165.5	15	M16	–	
4024405	60x60	M8	1	60	60	43/48	43/48	7	M8	–	
4024402	60x60	M10	1	60	60	43/48	43/48	7	M10	–	
4024403	60x60	M12	1	60	60	43/48	43/48	7	M12	–	
4224402	F-60/1, F-60x60-L	M8	1	60	60	43/48	43/48	6.5	M8	–	
4224403	F-60/1, F-60x60-L	M10	1	60	60	43/48	43/48	6.5	M10	–	
4065402	F-60x120	M10	2	120	60	108	48	15	M10	–	
4065403	F-60x120	M12	2	120	60	108	48	15	M12	–	
4065404	F-60x120	M16	2	120	60	108	48	15	M16	–	
4044404	80x80, F-80/2, F-80-L, F-80x80/2-L	M10	1	80	80	68	68	8	M10	–	
4044405	80x80, F-80/2, F-80-L, F-80x80/2-L	M12	1	80	80	68	68	8	M12	–	
4044402	80x80, F-80/2, F-80-L, F-80x80/2-L	M16	1	80	80	68	68	8	M16	–	
4044403	80x80, F-80/2, F-80-L, F-80x80/2-L	M20	1	80	80	68	68	8	M20	–	
4685402	F-80x120	M10	2	80	120	68	108	15	M10	–	
4685403	F-80x120	M12	2	80	120	68	108	15	M12	–	
4685404	F-80x120	M16	2	80	120	68	108	15	M16	–	
4685405	F-80x120	M20	2	80	120	68	108	15	M20	–	
4075403	F-80x160, F-80x160-L	M12	2	160	80	148	68	15	M12	44	
4075404	F-80x160, F-80x160-L	M16	2	160	80	148	68	15	M16	44	
4075405	F-80x160, F-80x160-L	M20	2	160	80	148	68	15	M20	44	
4695402	F-100x100	M10	1	100	100	65.5	50	15	M10	–	
4695403	F-100x100	M12	1	100	100	65.5	50	15	M12	–	
4695404	F-100x100	M16	1	100	100	65.5	50	15	M16	–	
4695405	F-100x100	M20	1	100	100	65.5	50	15	M20	–	
4164402	F-120x120	M10	1	120	120	80	80	15	M10	–	
4164403	F-120x120	M12	1	120	120	80	80	15	M12	–	
4164404	F-120x120	M16	1	120	120	80	80	15	M16	–	
4164405	F-120x120	M20	1	120	120	80	80	15	M20	–	

# Feet, castors and accessories

## Order instruction:

- Purchase only in lot sizes and a multiple of that see product table below

## Base angle -sheet steel-

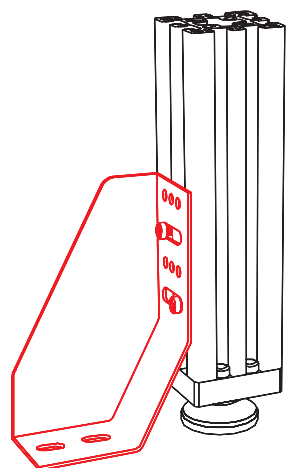
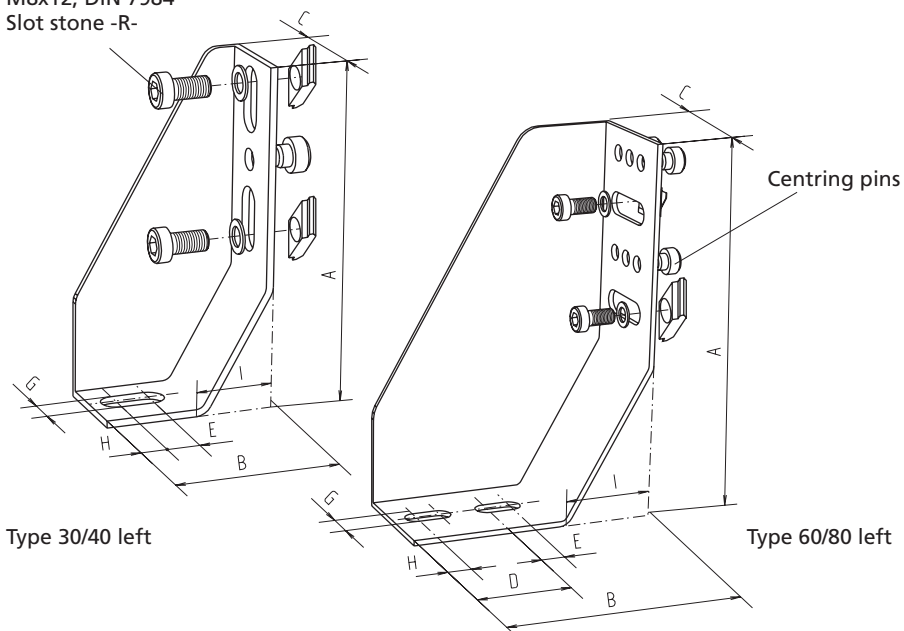
- For fixing frames, work tables and machines
- Complete set including fastenings
- Angle can be retrospectively fixed to the profile with slot stone -R-  
See page 88

## Material:

Powder-coated sheet steel St 37, 3 mm thick, black textured paint.



Socket head cap screw  
M8x12, DIN 7984  
Slot stone -R-



Code No.	Type	lot sizes
4016605	Floor fixing M8x60	4, 8, 12... pcs

Code No.	Type	A	B	C	D	E	G	H	I
4001300	30/40 left	100	50	28	-	10	9	-	18
4001301	30/40 right	100	50	28	-	10	9	-	18
4021300	60/80 left	150	100	48	40	10	9	10	32
4021301	60/80 right	150	100	48	40	10	9	10	32

[mm]



**Order instruction:**

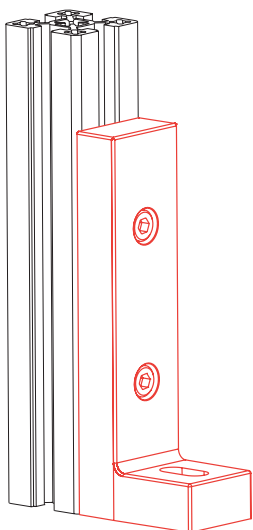
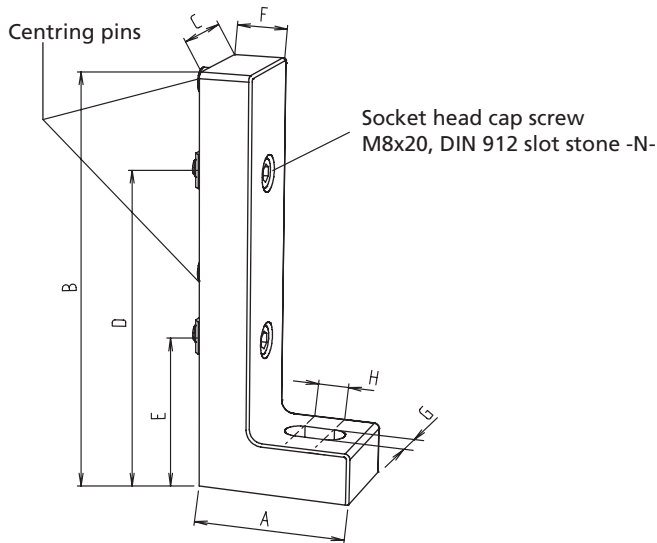
- Purchase only in lot sizes and a multiple of that see product table below

**Base angle  
–aluminium–**

- For fixing frames, work tables and machines
- Complete set including fastenings
- Angle is fixed to the profile with slot stones -N-. See page 87

**Material:**

Black powder-coated gravity die-cast aluminium



Code No.	Type	lot sizes
4016604	Floor fixing M8x115	4, 8, 12... pcs

Code No.	Type	A	B	C	D	E	F	G	H
4011302	40 slot geometry	60	160	40	120	55	20	11	12

[mm]

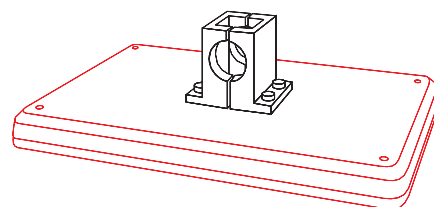
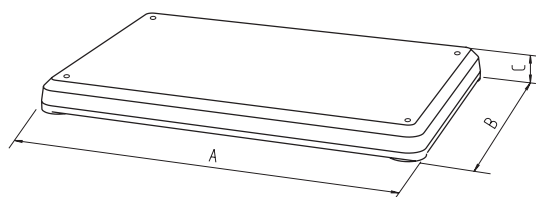
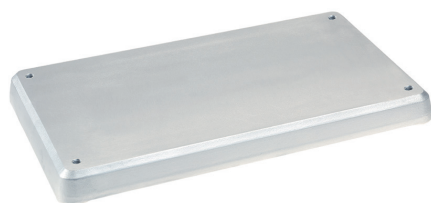
# Feet, castors and accessories

## Base plate

- Optionally available with hole, rubber foot, foot or steering roller
- Optional filling (steel plate) available to raise the overturning moment

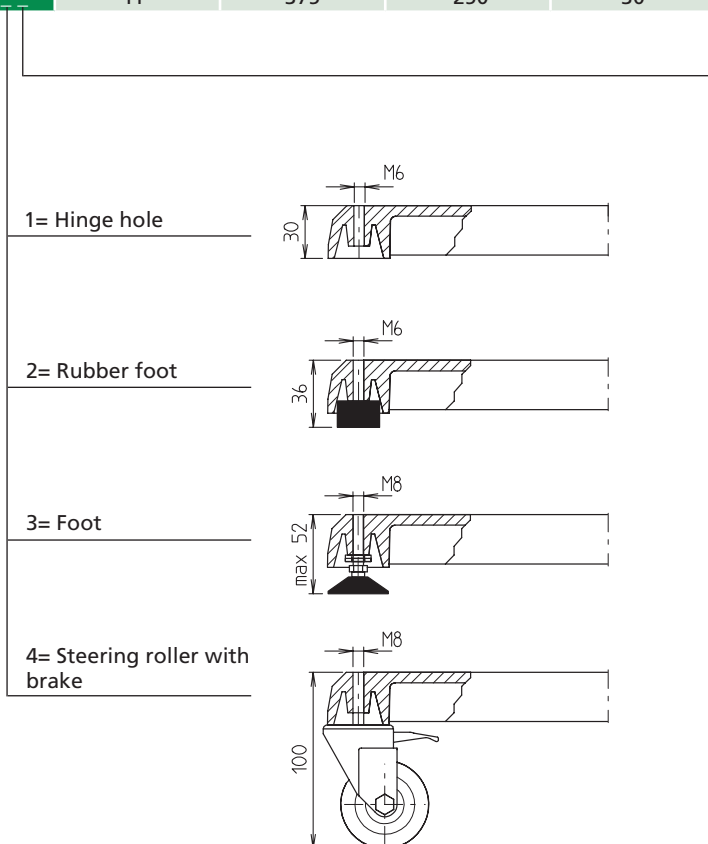
### Material:

Vibration finished gravity die-cast aluminium  
(powder-coating on request)

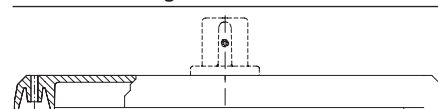


[mm]

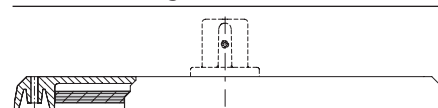
Code No.	Type	A	B	C
230 000 100 20	FP	375	250	30



\_ = Without filling,  
overturning moment 3 Nm

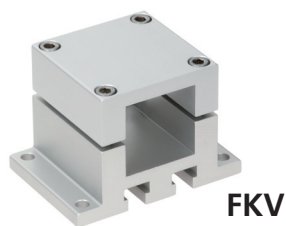


Y = Cavity with steel plate (m= 4.6 kg),  
Overturning moment 6 Nm

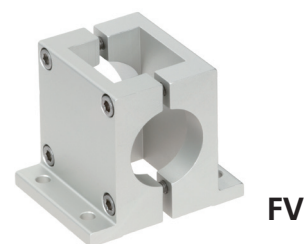




**Clamp**

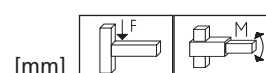
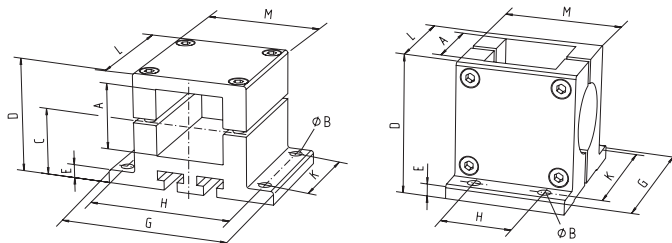


**FKV**



**FV**

**Material:** Aluminium.  
Stainless steel fixing  
For further clamping elements,  
please refer to the catalogue  
"Connecting Technology"

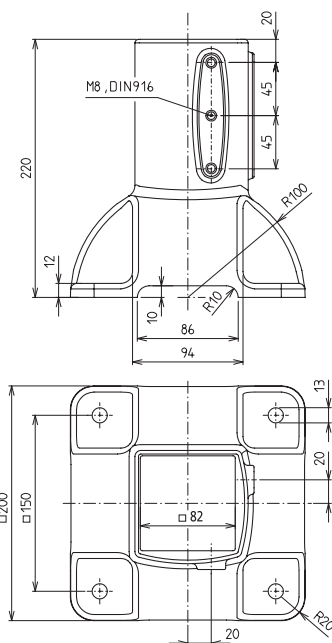


Code No.	Type	A	Ø B	C	D	E	G	H	K	L	M	F [N]	M [Nm]
52300005030	FKV 30	30.2	7	30	51	6	84	70	40	56	56	2700	310
52400005030	FKV 40	40.3	7	40	68	8	97	83	54	68	68	2700	770
52500005030	FKV 50	50.4	9	50	85	10	125	105	65	85	85	-	-
52600005030	FKV 60	60.3	9	62.5	111	12	145	120	80	105	105	-	-
52800005030	FKV 80	80.4	11	80	136	16	170	148	80	126	126	-	-
53300005030	FV 30	30.2	7	-	58	6	70	28	56	42	56	3100	300
53400005030	FV 40	40.3	7	-	74	8	85	40	70	56	68	3500	980
53500005030	FV 50	50.4	9	-	92	10	110	50	90	70	84	-	-
53600005030	FV 60	60.4	9	-	112.5	12	137	80	120	97	105	-	-
53800005030	FV 80	80.4	11	-	142	16	156	80	135	112	126	-	-

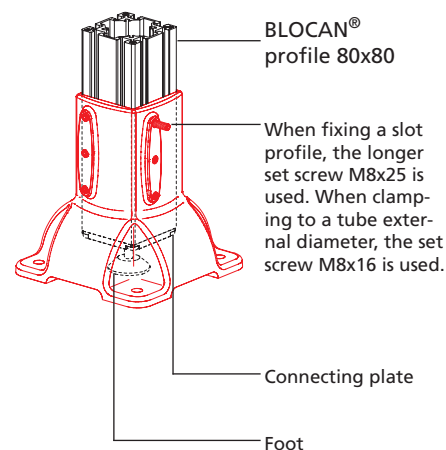
**Order instruction:**

- Purchase only in lot sizes and a multiple of that see product table below

**Base bracket BAK-80**



**Material:** Silver powder-coated gravity die-cast aluminium, stainless steel fixing



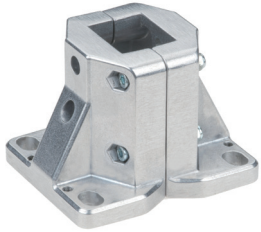
Code No.	Type	lot sizes	Version
4040501	Base bracket BAK-80	-	with set screw M8x25 DIN916-A
4016302	Levelling foot M10	-	Length 93 mm, plate Ø 50 mm
4019302	Levelling foot M10, corrosion-resistant	-	Length 93 mm, plate Ø 50 mm
4044404	Connecting plate for levelling foot	-	for BLOCAN profile S/F-80

Code No.	Type	lot sizes
4016605	Fixing bolt	4, 8, 12... pcs
40495001	Set screws M8x16 DIN916-A	6, 12, 18... pcs

# Feet, castors and accessories

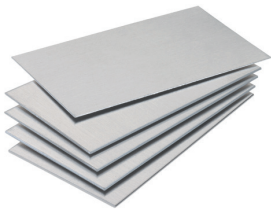
## Base clamp FVV



- Base clamp to take size 40 BLO-CAN® profiles or size 40 square tubes.
- Set screws can be used to compensate for unevenness. Supporting shims, placed under the foot, prevent the set screws from digging into the floor.

**Material:** ground finished die-cast aluminium, zinc plated fixing

## Supporting/Levelling shims

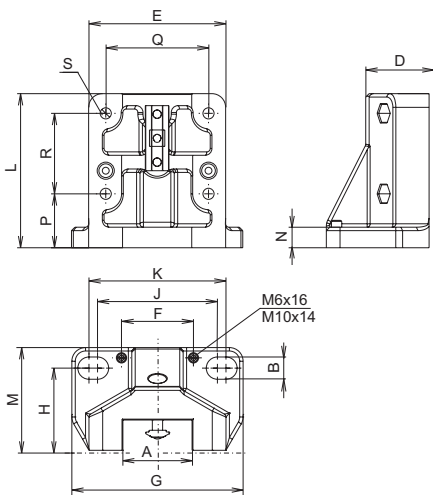


- The levelling shims give the foot clamp a full contact surface on uneven ground.

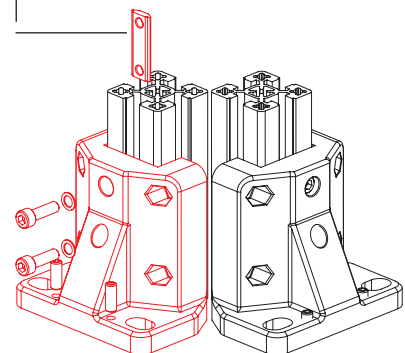
**Material:** zinc plated steel

Code No.	Type	Includes
40143011	Levelling shims for FVV 40	4 1-mm shims, 1 0.5-mm shim

## FVV-NH

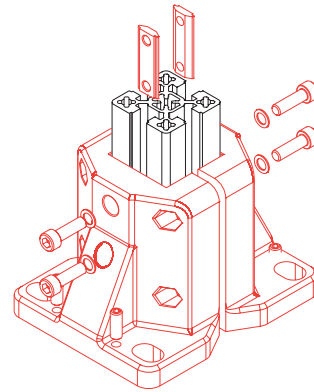
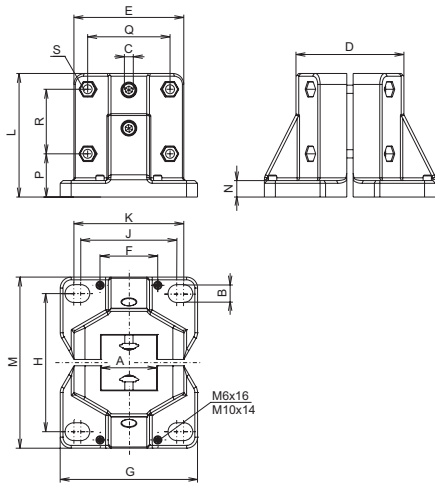


Clamping using slot stone -L-



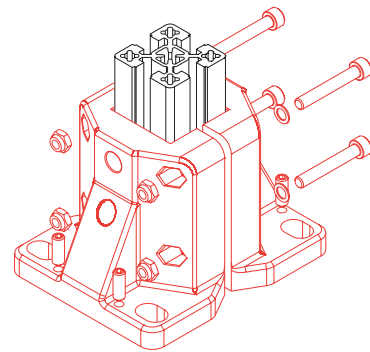
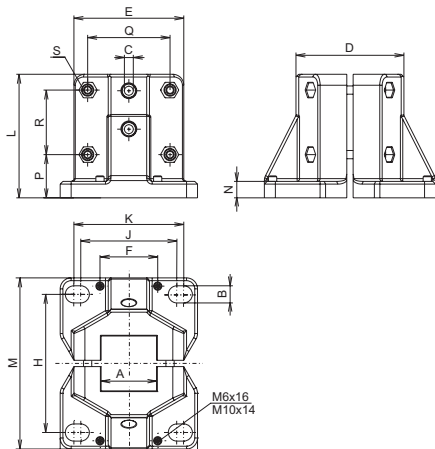
Code No.	Type	A	C	D	E	F	G	H	J	K	L	M	N	P	Q	R	S	Weight
4014310	FVV-NH 40	40.4	12.5	39.5	80	42	100	50	70	80	90	62.5	12	31.5	60	47	Ø6.5	399 g

### FVV-N



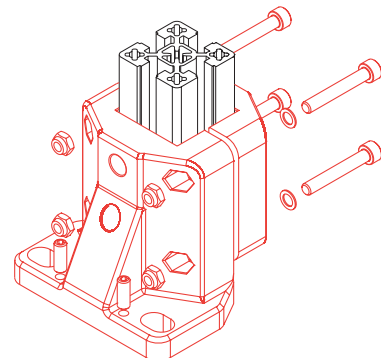
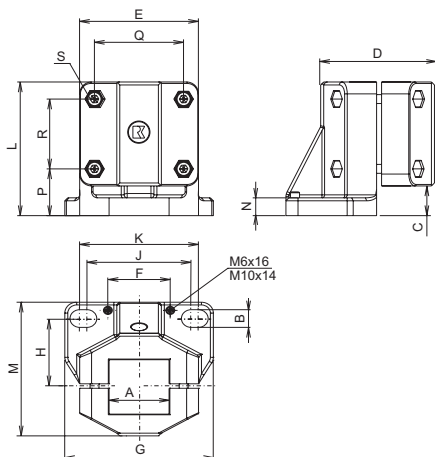
Code No.	Type	A	B	C	D	E	F	G	H	J	K	L	M	N	P	Q	R	S	Weight
4014311	FVV-N 40	40.4	12.5	6.5	79	80	42	100	100	70	80	90	125	12	31.5	60	47	M6x45	797 g

### FVV-S



Code No.	Type	A	B	C	D	E	F	G	H	J	K	L	M	N	P	Q	R	S	Weight
4014312	FVV-S 40	40.4	12.5	6.5	79	80	42	100	100	70	80	90	125	12	31.5	60	47	M6x45	805 g

### FVV-D



Code No.	Type	A	B	C	D	E	F	G	H	J	K	L	M	N	P	Q	R	S	Weight
4014313	FVV-D 40	40.4	12.5	20	75	80	42	100	50	70	80	90	98	12	31.5	60	47	M6x45	633 g

# Feet, castors and accessories

## Lockable steering roller

■ The steering roller mobilises frames, tables and superstructures. It is available with a 1-hole fixing or with fixing plate. In addition, each version has a combined roller and swivel locking device.

■ Both the roller and the swivel head have ball bearings, which ensures that they run smoothly even under load. The rollers are not electrically conductive.

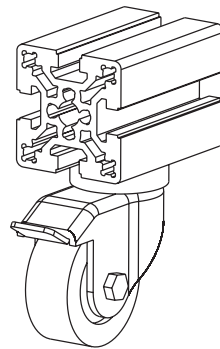
**Material:** Galvanised steel

**Includes:** Depending on the version, with connecting plate or slot stone.

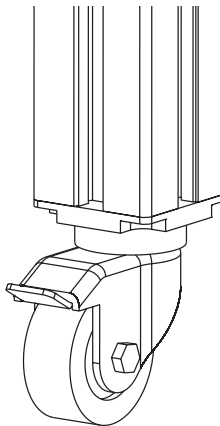
With slot stone



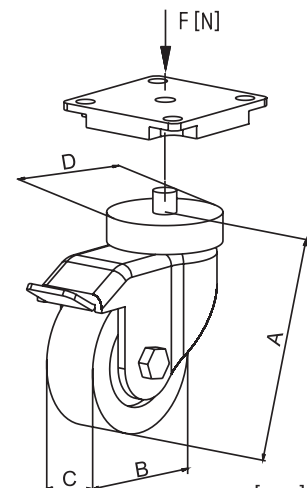
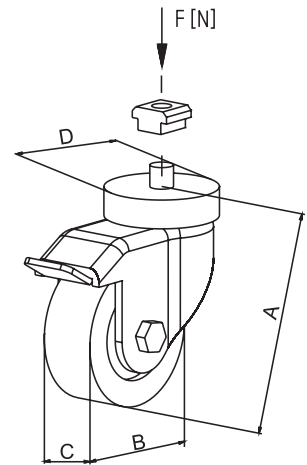
With connecting plate



1



2



[mm]

Code No.	Type	Suitable for:	A	B	C	D	Resist. F [N]
4016646	With slot stone	30 geometry (1)	70	50	20	39	400
4016648	With slot stone	40 geometry (1)	70	50	20	39	400
4006654	30x30	F-30x30 (2)	70	50	20	39	400
4016654	40x40, F-40x40-L	F-profiles 40 (2)	70	50	20	39	400
4016674	40x40, 40x40-L	F-profiles 40 (2)	98	75	25	43	600
4306644	F-30x60	F-profiles 30x60 (2)	70	50	20	39	400
4296644	F-30x100	F-profiles 30x100 (2)	100	75	25	39	600
4656644	F-40x160	F-profiles 40x160 (2)	100	75	25	39	600
4086644	F-50x50, F-50x50-L	F-profiles 50 (2)	70	50	20	39	400
4666644	F-50x100	F-profiles 50x100 (2)	100	75	25	39	600
4676644	F-50x200	F-profiles 50x200 (2)	100	75	25	39	600
4026644	60x60	F-profiles 60 (2)	100	75	25	39	600
4026648	60x60	F-profiles 60 (2)	133	100	32	53	900
4226644	F-60x60-L, F-60x60/1	F-profiles 60-L (2)	100	75	25	39	600
4066648	F-60x120	F-profiles 60x120 (2)	133	100	32	53	900
4036644	40x80, F-40x80-L, F-40x80/3	F-profiles 40x80 (2)	70	50	20	39	400
4046644	80x80, F-80x80-L	F-profiles 80 (2)	100	75	25	39	600
4046648	80x80, F-80x80-L	F-profiles 80 (2)	133	100	32	53	900
4686644	F-80x120	F-profile 80x120 (2)	133	100	32	53	900
4076644	F-80x160, F-80x160-L	F-profiles 80x160 (2)	100	75	25	39	600
4076648	F-80x160, F-80x160-L	F-profiles 80x160 (2)	133	100	32	53	900
4696644	F-100x100	F-profiles 100x100 (2)	133	100	32	53	900
4166644	F-120x120	F-profiles 120x120 (2)	182	150	32	53	1100





### Fixed castor

■ The fixed castor is the ideal complement to the steering roller. Combining 2 fixed castors with steering rollers makes it easier to manoeuvre the superstructure.

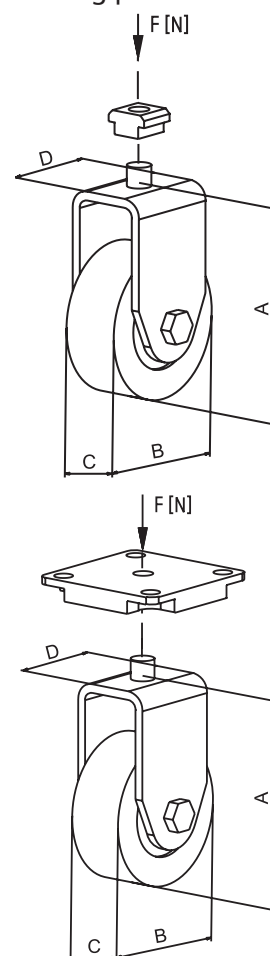
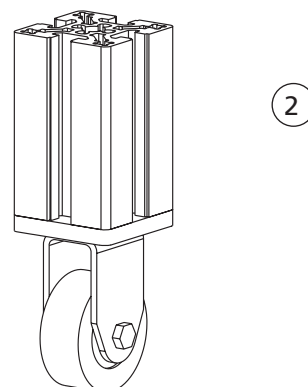
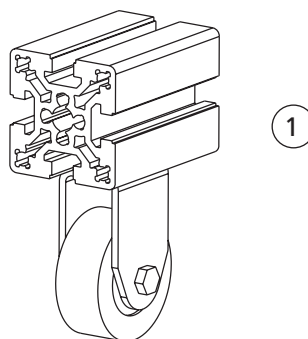
■ Fixed castors should be mounted on the front end. The rollers are not electrically conductive.

**Material:** Galvanised steel  
**Includes:** Depending on the version, with connecting plate or slot stone.

With slot stone



With connecting plate



[mm]

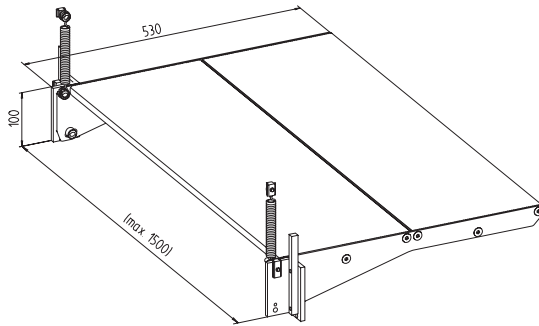
Code No.	Type	Suitable for:	A	B	C	D	Resist. F [N]
4006647	With slot stone	30 geometry (1)	70	50	20	34	400
4016647	With slot stone	40 geometry (1)	70	50	20	34	400
4006655	30x30	F-30x30 (2)	70	50	20	34	400
4016655	40x40, F-40x40-L	F-profiles 40 (2)	70	50	20	34	400
4016675	40x40, 40x40-L	F-profiles 40 (2)	98	75	25	43	600
4306645	F-30x60	F-profiles 30x60 (2)	70	50	20	34	400
4296645	F-30x100	F-profiles 30x100 (2)	100	75	25	34	600
4656645	F-40x160	F-profiles 40x160 (2)	100	75	25	34	600
4086645	F-50x50, F-50x50-L	F-profiles 50 (2)	70	50	20	34	400
4666645	F-50x100	F-profiles 50x100 (2)	100	75	25	34	600
4676645	F-50x200	F-profiles 50x200 (2)	100	75	25	34	600
4026645	60x60	F-profiles 60 (2)	100	75	25	34	600
4026649	60x60	F-profiles 60 (2)	133	100	32	53	900
4226645	F-60x60-L, F-60x60/1	F-profiles 60-L (2)	100	75	25	34	600
4066645	F-60x120	F-profiles 60x120 (2)	100	75	25	34	600
4066649	F-60x120	F-profiles 60x120 (2)	133	100	32	53	900
4036645	40x80, F-40x80-L, F-40x80/3	F-profiles 40x80 (2)	70	50	20	34	400
4046645	80x80	F-profiles 80 (2)	100	75	25	34	600
4046649	80x80	F-profiles 80 (2)	133	100	32	53	900
4686645	F-80x120	F-profile 80x120 (2)	133	100	32	53	900
4076645	F-80x160, F-80x160-L	F-profiles 80x160 (2)	100	75	25	34	600
4076649	F-80x160, F-80x160-L	F-profiles 80x160 (2)	133	100	32	53	900
4696645	F-100x100	F-profiles 100x100 (2)	133	100	32	53	900
4166645	F-120x120	F-profiles 120x120 (2)	182	150	32	53	1100

# Feet, castors and accessories

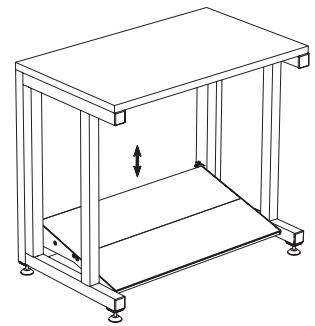
## Foot rest FSH

- Individual, infinitely variable adjustment to different persons
- Height adjustment without time-consuming assembling by means of spring adjustment

**Material:** Clear anodised extruded aluminium profile tread, polyamide plastic sliding pieces, galvanised steel parts

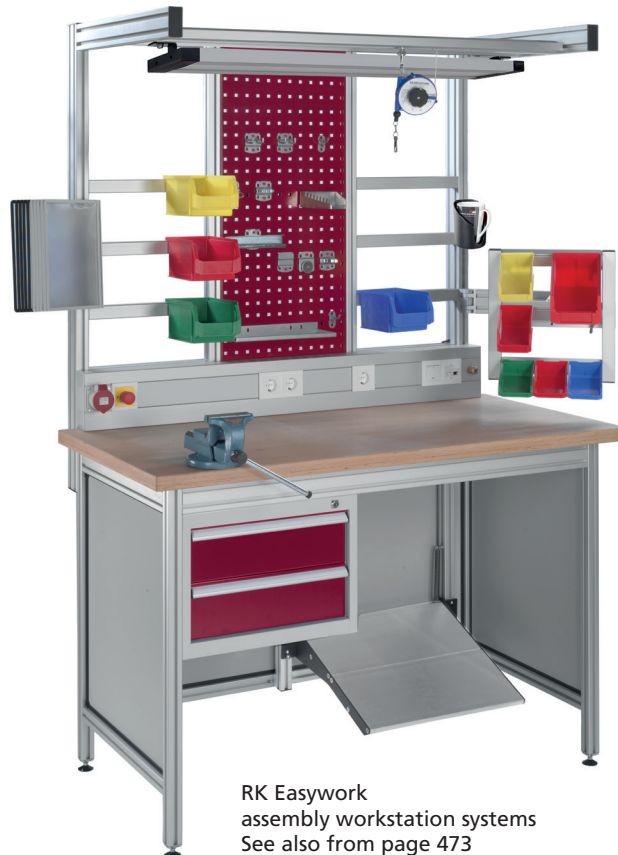


Application example



Code No.	Suitable for profile
4010642	All as of 40 slot geometry (except F-50 and L-profiles)

Width  
[mm]



RK Easywork  
assembly workstation systems  
See also from page 473



# Fittings

## Versions



Butt hinge -aluminium-



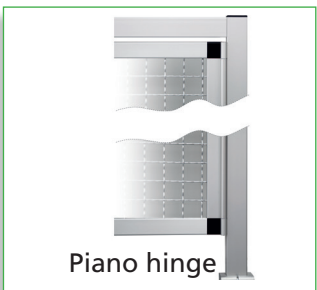
Butt hinge -plastic-



Lift off hinge -aluminium-



Lift off hinge -plastic-



Piano hinge



Lever cylinder lock



Ball catch



Magnetic lock



Magnetic lock universal



Ball catch universal



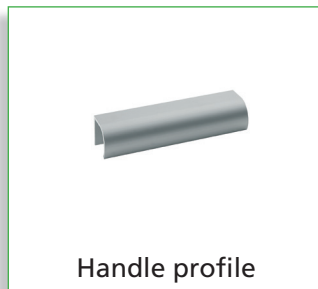
Slam Latch



Door stopper



Handle



Handle profile



Handle/Handrail



Safety switch AZ



Safety switch AZM

## Table of contents

<b>Fittings</b>	<ul style="list-style-type: none"> <li>■ Butt hinge -aluminium- ..... p. 140</li> <li>■ Butt hinge -plastic-..... p. 141</li> <li>■ Lift off hinge -aluminium- ..... p. 142</li> <li>■ Lift off hinge -plastic- ..... p. 143</li> <li>■ Piano hinge ..... p. 144</li> <li>■ Lever cylinder lock ..... p. 146</li> <li>■ Ball catch ..... p. 146</li> <li>■ Magnetic lock..... p. 147</li> <li>■ Magnet lock universal ..... p. 148</li> <li>■ Ball catch universal ..... p. 149</li> <li>■ Slam Latch ..... p. 150</li> <li>■ Door stopper ..... p. 152</li> <li>■ Handle ..... p. 152</li> <li>■ Handle profile ..... p. 153</li> <li>■ Handle/Handrail ..... p. 153</li> </ul>
<b>Electrical accessories</b>	<ul style="list-style-type: none"> <li>■ Safety switch AZ..... p. 154</li> <li>■ Safety switch AZM ..... p. 156</li> </ul>

# Fittings

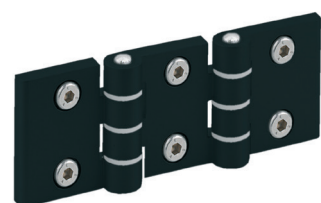
## Butt hinge



Version 1



Version 2

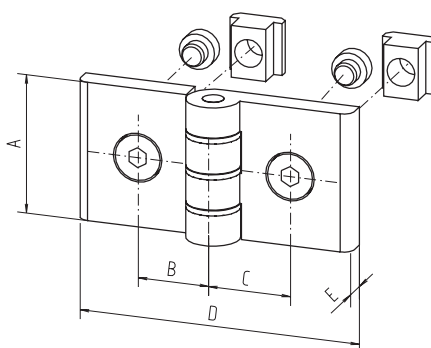
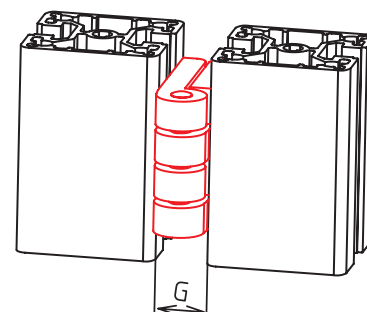
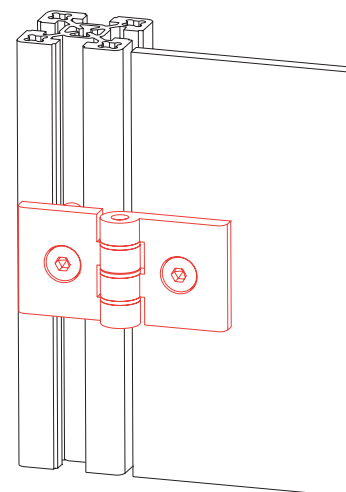


Version 3

- Can be installed on all struts and panels. The exact position of the hinge is determined by fixing pins, which can be replaced depending on the purpose.

**Material:**  
Black anodised aluminium, galvanised steel.

Complete with fixing set (for profile assembly).



[mm]

Code No.	Type	Version	A	B	C	D	E	G
<b>Butt hinge 2-part</b>								
4005525	30x30	1	50	17	17	56	7	13
4005526	30x30 to 40x40	1	50	17	17	56	7	13
4015525	40x40	2	40	22	22	79	7	15
4045526	40x40 to 60x60	2	40	22	32	79	7	15
4085525	F-50x50	2	40	27	27	79	7	15
4025525	60x60 (except F-60x60)	2	40	32	32	79	7	15
<b>Butt hinge 3-part</b>								
4015517	40	3	45	22	22	123	7	-

## Hinge assembly variants:





**Order instruction:**

- Purchase only in lot sizes and a multiple of that see product table below

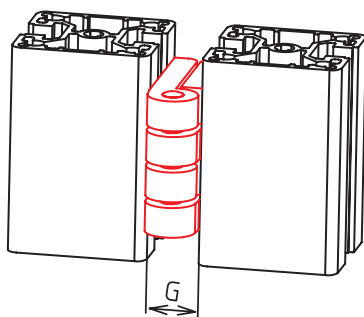
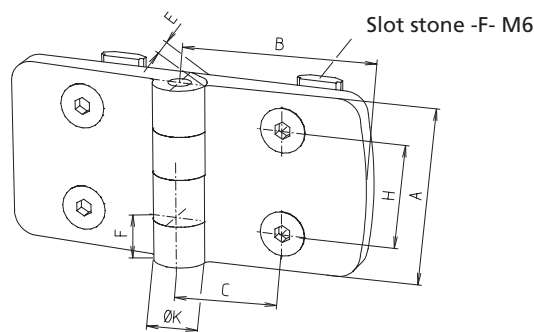
**Butt hinge**



- For mounting on all struts and panels
- The exact position of the hinge is determined by fixing pins – these can be bent with a pliers if required

**Material:**  
Black plastic, galvanised steel

**Fixing set:**  
The fixing set is not included in the Order No. and must be ordered separately.



Type	A	B	C	E	F	G	H	K
30	48	29.5	17.5	9	12	18	28	14
40	48	38.5	22.5	9	12	18	28	14
50	48	48.5	27.5	9	12	18	28	14
60	48	57.5	32.5	9	12	18	28	14

[mm]

Post	Code No. Butt hinge			
	Door profile 30	Door profile 40	Door profile 50	Door profile 60
Profile 30	4008510	–	–	–
Profile 40	4008511	4008514	–	–
Profile 50	4008512	4008515	4008517	–
Profile 60	4008513	4008516	4008518	4008519

**Fixing set**

Code No. for one hinge half	lot sizes	Slot geometry
4006520	10, 20, 30... pcs	30 (slot stone -F-)
4016520	10, 20, 30... pcs	40 (slot stone -F-)

# Fittings

## Lift off hinge



Version 1

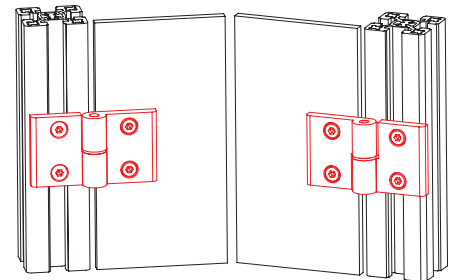
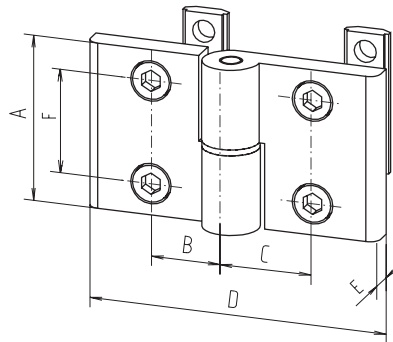


Version 2

- The narrow lift off hinges are generally mounted between two profiles to save space.
- Flaps or doors can be dismantled simply by lifting them off

**Material:**  
Black anodised aluminium, galvanised steel

Complete with fixing set (for profile assembly).



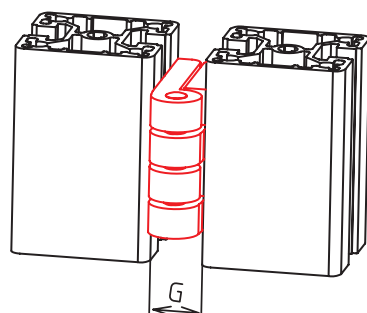
[mm]

Code No.	Slot geometry	Version	A	B	C	D	E	F	G
<b>Lift off hinge 2-part</b>									
4015520	40	1, left	45	22	22	79	7	28	15
4015521	40	1, right	45	22	22	79	7	28	15
4045521	40	1, left	45	22	32	79	7	28	15
4045522	40	1, right	45	22	32	79	7	28	15
<b>Lift off hinge 3-part</b>									
4015515	40	2	45	22	22	123	7	28	-

## Lift off hinge (narrow version)



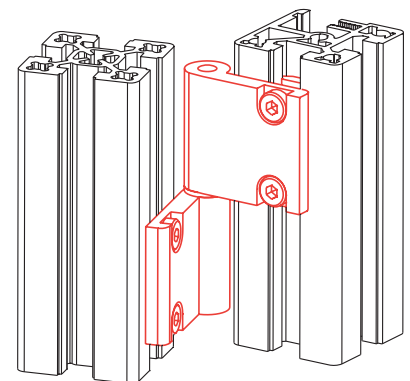
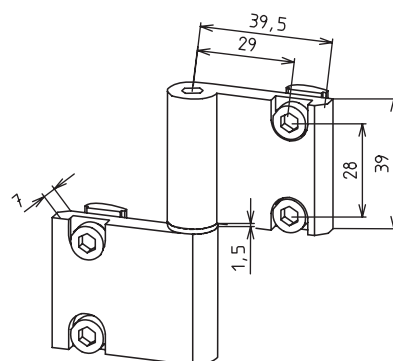
Right version



- Can be mounted on all struts and panels. Flaps or doors can be dismantled simply by lifting them off.

**Material:**  
Black anodised aluminium, galvanised steel

Complete with fixing set (for profile assembly).



[mm]

Code No.	Slot geometry	Version	G
4015527	30	Left	7.5
4015526	30	Right	7.5
4015523	40	Left	7.5
4015522	40	Right	7.5





**Order instruction:**

- Purchase only in lot sizes and a multiple of that see product table below

**Lift off hinge**



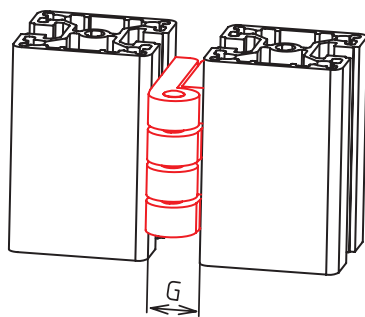
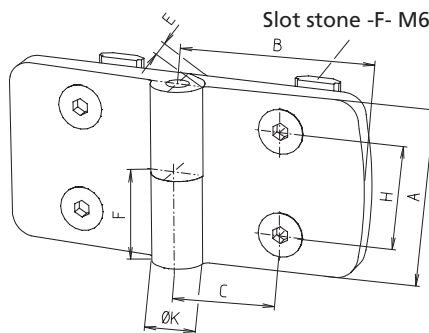
- Can be installed on all struts and panels.
- Flaps or doors can be dismantled simply by lifting them off.
- The exact position of the hinge is determined by fixing pins, which can be bent with a pliers if required.
- The sizes can be combined with each other.

**Material:**

Black plastic, galvanised steel

**Fixing set:**

The fixing set is not included in the Order No. and must be ordered separately.



Type	A	B	C	E	F	G	H	K
30	48	29.5	17.5	9	24	18	28	14
40	48	38.5	22.5	9	24	18	28	14
50	48	48.5	27.5	9	24	18	28	14
60	48	57.5	32.5	9	24	18	28	14

Version	Post	Code No. Butt hinge			
		Door profile 30	Door profile 40	Door profile 50	Door profile 60
Right	Profile 30	4008530	–	–	–
	Profile 40	4008532	4008540	–	–
	Profile 50	4008534	4008542	4008550	–
	Profile 60	4008536	4008544	4008552	4008560
Links	Profile 30	4008531	–	–	–
	Profile 40	4008533	4008541	–	–
	Profile 50	4008535	4008543	4008551	–
	Profile 60	4008537	4008545	4008553	4008561

**Fixing set**

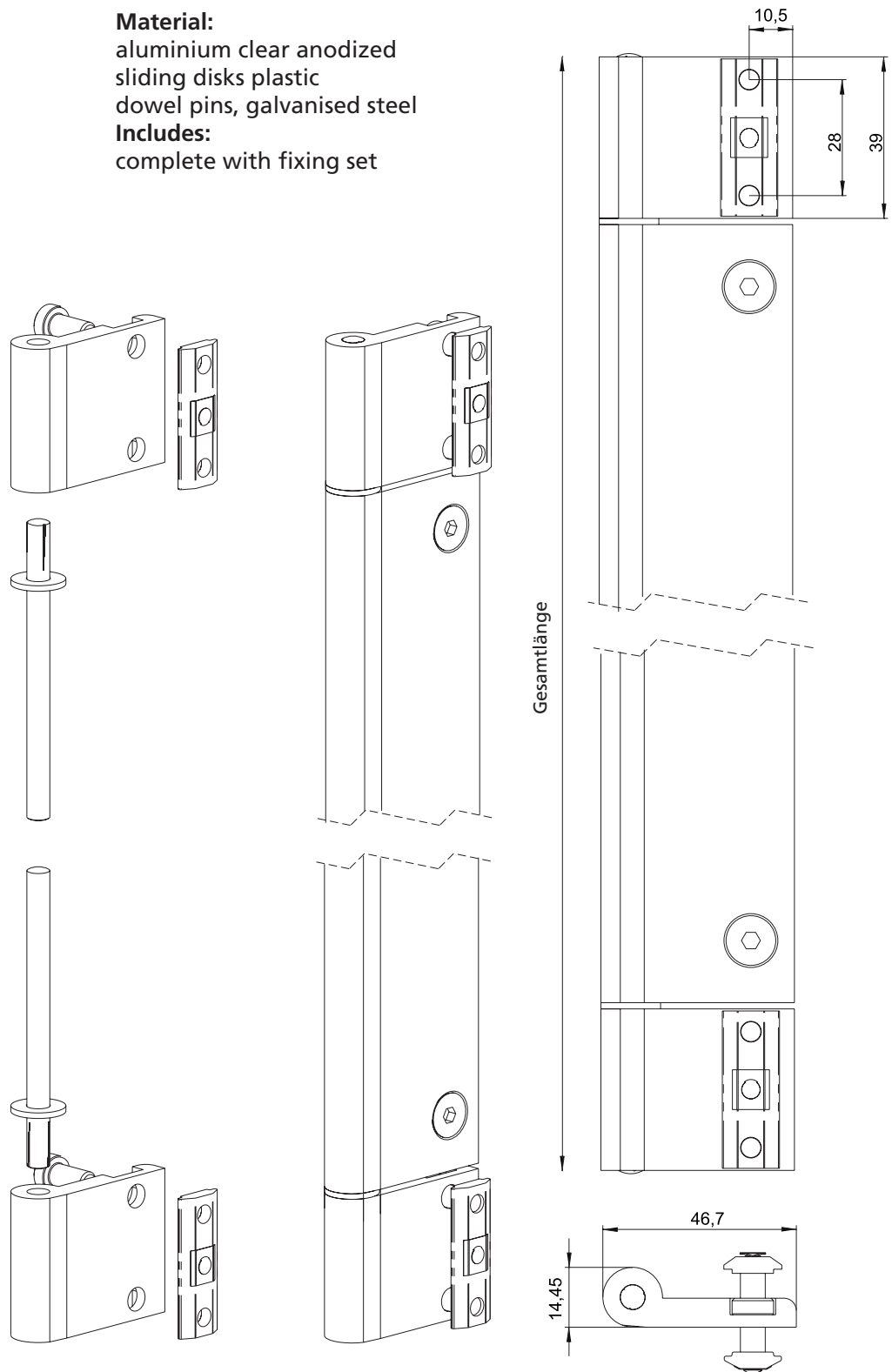
Code No. for one hinge half	lot sizes	Slot geometry
4006520	10, 20, 30... pcs	30 (slot stone -F-)
4016520	10, 20, 30... pcs	40 (slot stone -F-)

## Piano hinge

- Variable in length
- Taylor-made orderable

**Material:**  
aluminium clear anodized  
sliding disks plastic  
dowel pins, galvanised steel

**Includes:**  
complete with fixing set



Code No.	Type	length	Max. length	Slot geometry
4010627 _ _ _ _	Band hinge complete	200	2500	40

Gesamtlänge [mm]

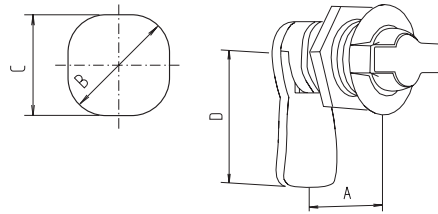


# Fittings

## Lever cylinder lock

■ Complete with 2 keys. For locking lightweight doors and flaps

**Material:** Plastic, galvanised steel.

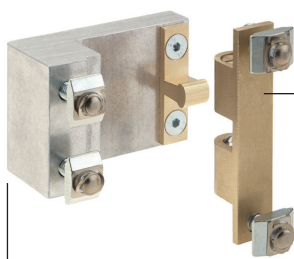


Code No.	Type	A	B	C	D
4016600	15	15	22.5	21	45
4026600	25	25	22.5	21	45

[mm]

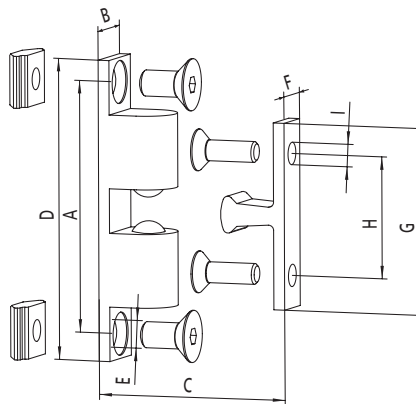
## Ball catch

**Material:** Aluminium, brass  
**Fixing set:** Galvanised steel



Material:  
Brass

Door stop



Code No.	Type	A	B	C <sub>min</sub>	D	E	F	G	H	I
4010606	Without door stop	48.5	11.8	15.8	58	5.3	8.6	36	23.5	4.3
4000608	With door stop for fixing profile 30 to 30									
4010607	With door stop for fixing profile 30 to 40									
4010608	With door stop for fixing profile 40 to 40									
4000609	With door stop for fixing profile 50 to 30									
4010609	With door stop for fixing profile 50 to 40									

[mm]

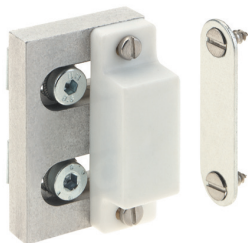


### Magnetic lock

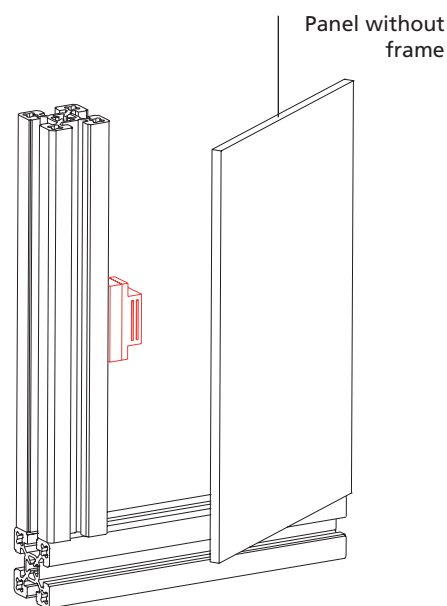
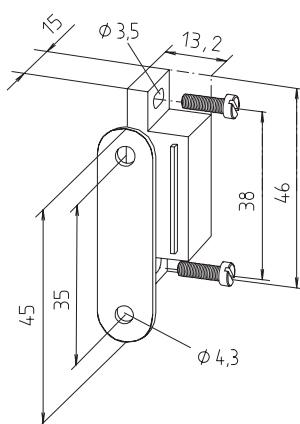
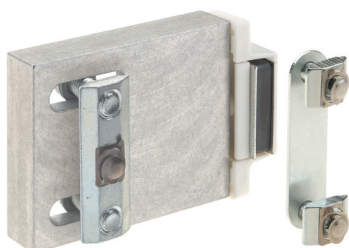
- Suitable from profile size 40
- Complete with fixing set

**Material:**  
Aluminium, plastic, galvanised steel

Magnetic lock with striker – Installed in panel *without* frame



Magnetic lock with striker – Installed in panel *with* frame



Code No.	Profile assembly	Installation	Sim. to fig.
4010605	All, except 30	Without frame	1
4010604	All, except 30	Profiles centr.	2
4000610	30 to 30	Profiles centr.	2
4010611	40 to 30	Profiles centr.	2
4010612	40 to 30	Profiles flush	3
4080603	50 to 30	Profiles flush	3
4080606	50 to 40	Profiles centr.	2
4080604	50 to 40	Profiles flush	3

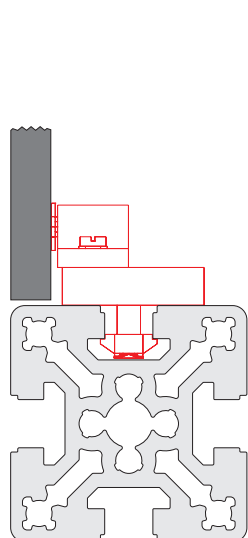


Fig. 1

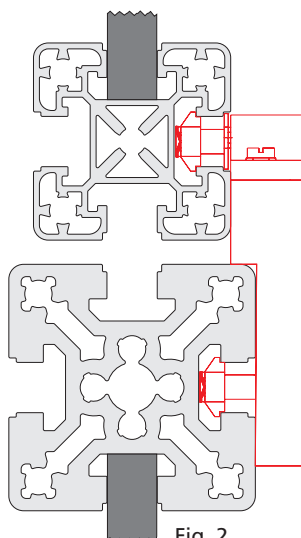


Fig. 2

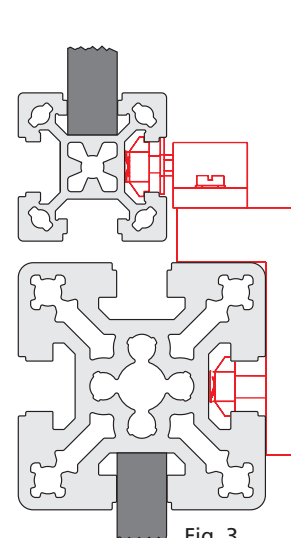


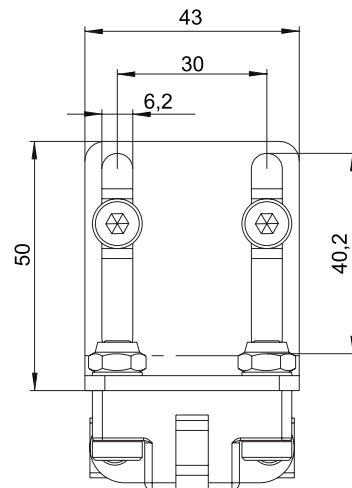
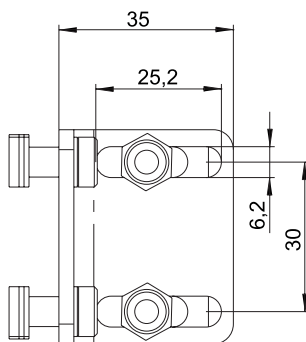
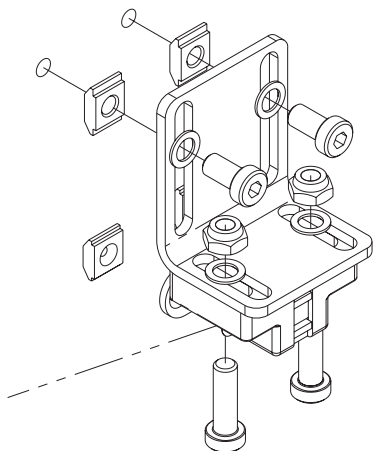
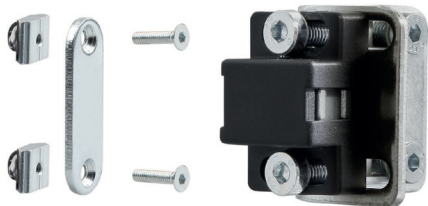
Fig. 3

# Fittings

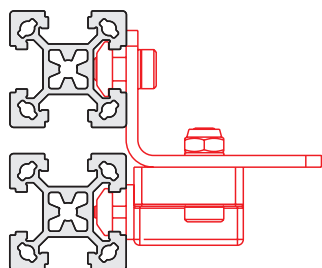
## Magnetic lock universal

- Suitable from profile size 30 for all assembly versions
- Holding force 10/20 N depends on mounting direction

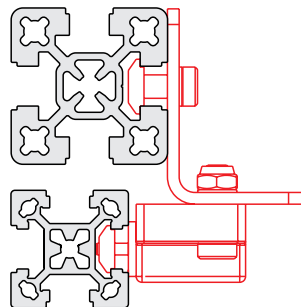
**Material:**  
polyamide glasfibre reinforced  
steel parts zincplated



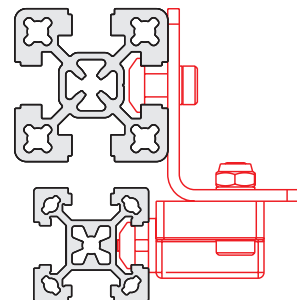
### ■ Assembly versions



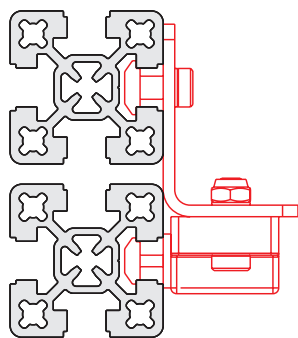
30 to 30 - Profile



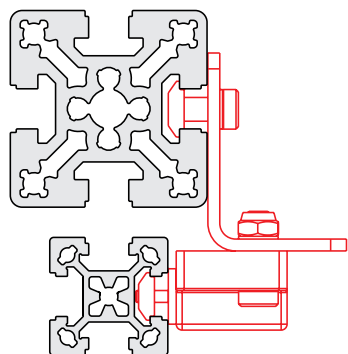
30 to 40 - Profile flush



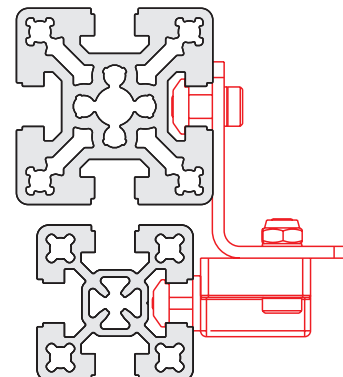
30 to 40 - Profile centred



40 to 40 - Profile



30 to 50 - Profile centred



40 to 50 - Profile centred

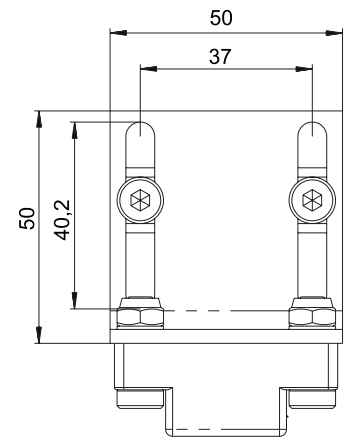
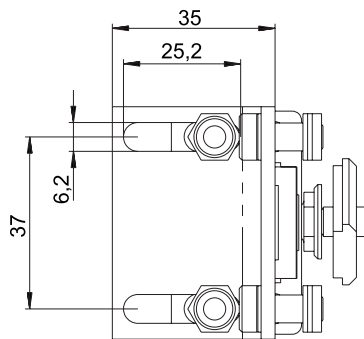
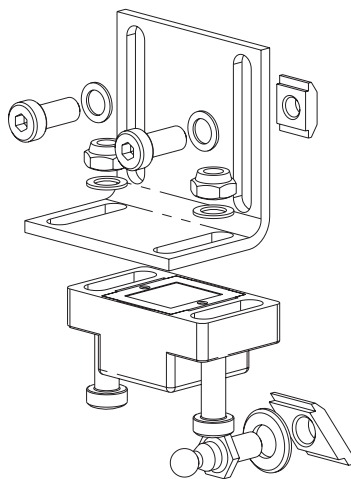
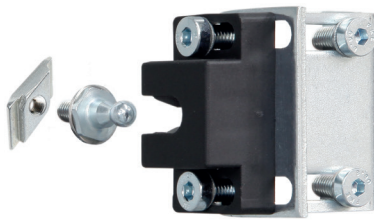
Code No.	Type	Slot geom.
4010625	Magnetic lock universal with fixing set	30/40
4010626	Magnetic lock universal without fixing set	—



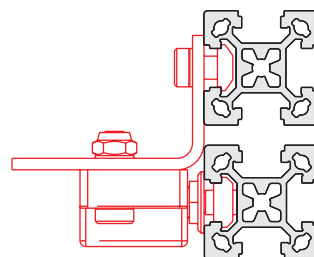
### Ball catch universal

- Suitable from profile size 30 for all assembly versions
- Holding force 50 N

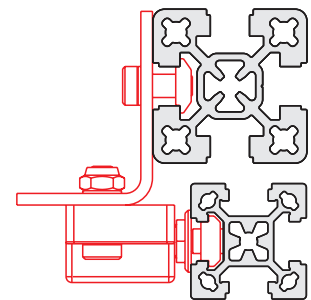
**Material:**  
polyamide glasfibre reinforced  
steel parts zinclated



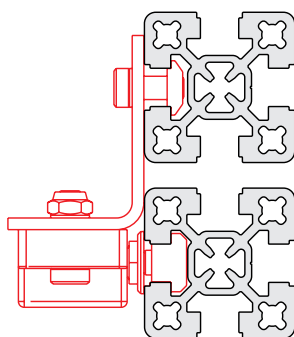
### ■ Assembly versions



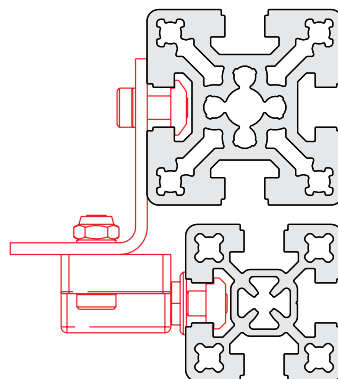
30 to 30 - Profile



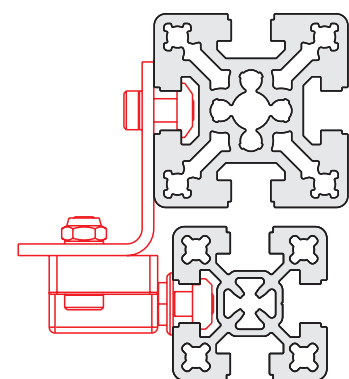
30 to 40 - Profile flush



40 to 40 - Profile



40 to 50 - Profile flush



40 to 50 - Profile centred

Code No.	Type	Slot geom.
4010630	Ball catch universal with fixing set	30/40
4010631	Ball catch universal without fixing set	—

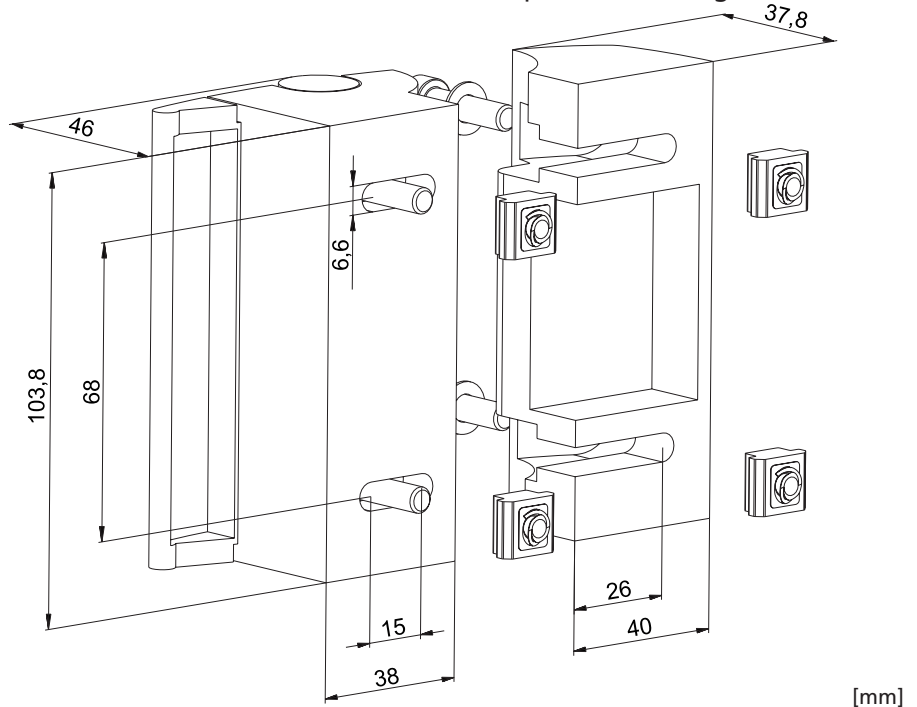
# Fittings

## Slam Latch PRO



**Material:** die-cast aluminium  
black powder-coated

**Includes:**  
complete with fixing set.



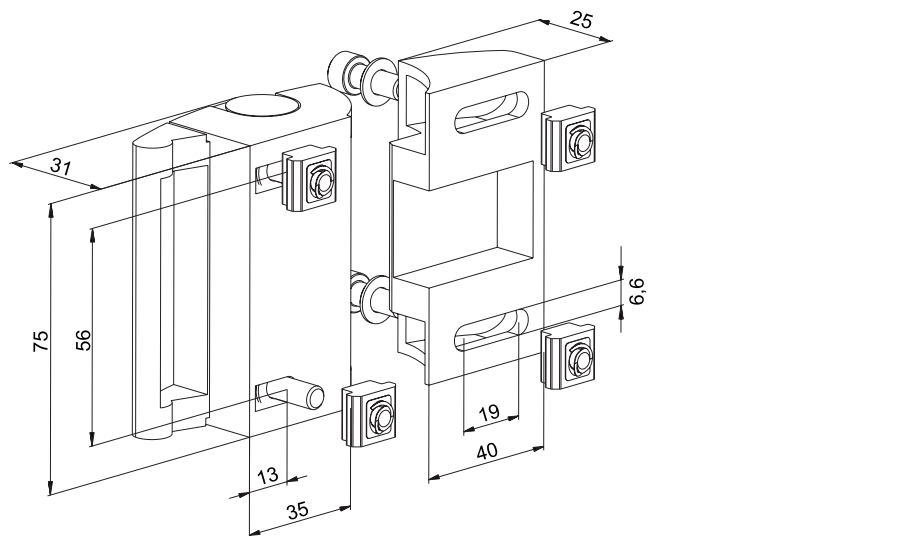
Code No.	Slot geometry
401A530	40

## Slam Latch Compact



**Material:** die-cast aluminium  
black powder-coated

**Includes:**  
complete with fixing set.



Code No.	Slot geometry
401A531	40

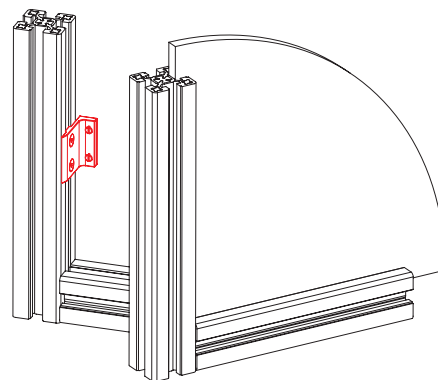
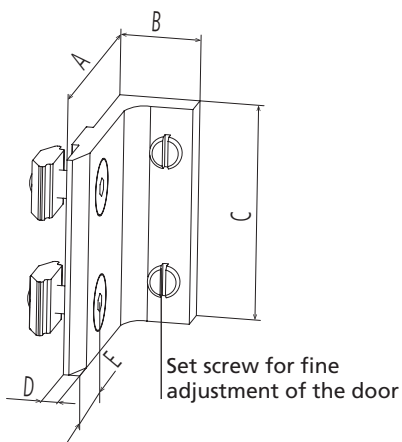




# Fittings

## Door stopper

**Material:** Black plastic, galvanised steel  
Complete with fixing set:



Code No.	Slot geometry	A	B	C	D	E
4008650	30	34	14.7	40	3	11
4018650	40	44	14.7	40	3	16

## Handle

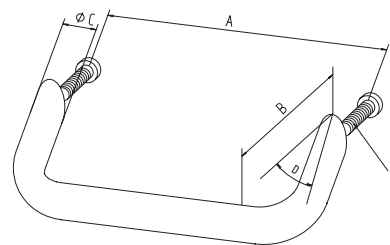
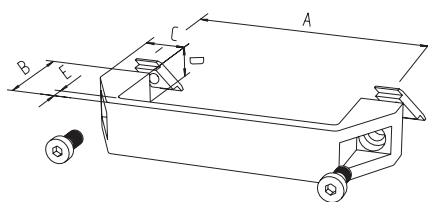
**Material size 150 and 197:**  
PP plastic  
**Material size 152:**  
Black anodised aluminium  
Complete with fixing set:  
Aluminium  
Other handles available on request.



Size 150 and 197



Size 152

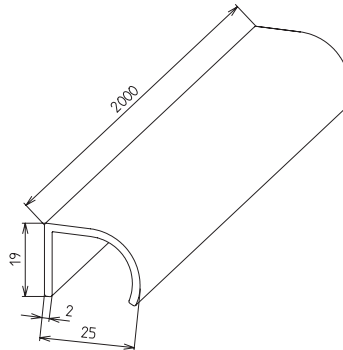
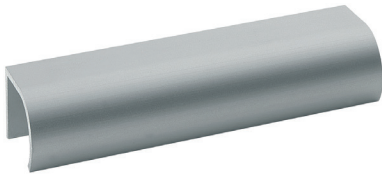


Code No.	Size	Slot geometry	A	B	C	D	E
4005596	152	Drill	128	50	20	35°	M6x30
4015598	152	Drill	128	50	20	35°	M6x40
4008596	150	30	132	44	22	27	7
4015596	150	40	132	44	22	27	7
4015597	197	40	179	50	22	28	8

## Handle profile

- The elegant handle profile is supplied as bar material and can be cut to length as required. The customer must drill the fixing holes.

**Material:** Aluminium

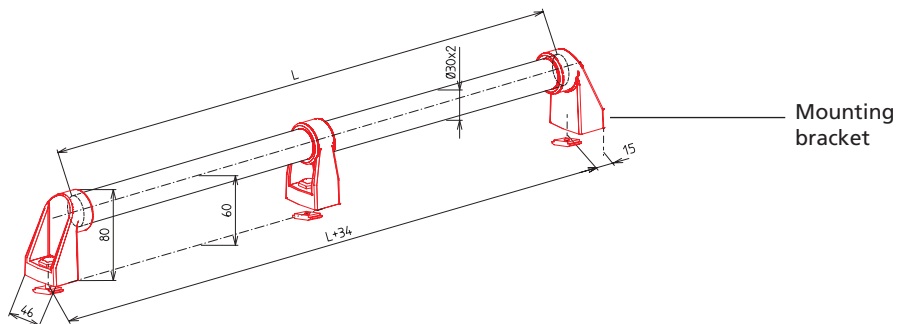


Code No.	Type
4015595	Handle profile, 2000 mm bar

## Handle/Handrail

- This handle/handrail can be retroactively fixed to the profile slot using slot stone -R-. An anodised aluminium tube, available to cut to length or as bars, serves as the grip surface. For tube lengths above 1000 mm, a central mounting bracket is recommended.

**Material:** Black plastic mounting brackets, galvanised fastenings. Aluminium tube



Central mounting bracket recommended as of  $L > 1000$  mm

Code No.	To slot geometry	Type
4018501	40	2x mounting brackets, $L < 1000$ mm
4018502	40	2x mounting brackets, 1x central mounting bracket, $L > 1000$ mm

Code No.	Type
823020 2 0500	Aluminium tube, $\text{Ø}30 \times 2$ L=500 mm
823020 2 1000	Aluminium tube, $\text{Ø}30 \times 2$ L=1000 mm
823020 2 2000	Aluminium tube, $\text{Ø}30 \times 2$ L=2000 mm
823020 2	Cut to length aluminium tube $\text{Ø}30 \times 2$ , $L_{\text{max}} = 6000$ mm

Length [mm]

# Fittings

## Safety switch AZ 15zvr

- For safely switching off circuits
- Suitable for hinged, flap, sliding and lifting doors

**Technical data:** Self-extinguishing, fibreglass reinforced thermoplastic

### Actuator key:

Stainless spring steel

### Degree of protection:

IP67 to IEC 529/EN 60529/DIN VDE 0470-1

**Contact material:** Fine silver

**Contact type:** One-pin, double-breaking, positively driven NC to VDE 001

**Pivot radius:**  $R_{\min}$  450 mm

**Rated isolation voltage:**

VI 500 V approx. 25-60 Hz.

**Constant current:** 10 A

Rated operating current Iu AC 11h

4 A (230V), 2.5 A (380 V),

1A (500 W)

### Short circuit resistance:

10 A (slow) 16 A (fast).

Contact gap 2 x 3 mm.

### Positive opening travel/force:

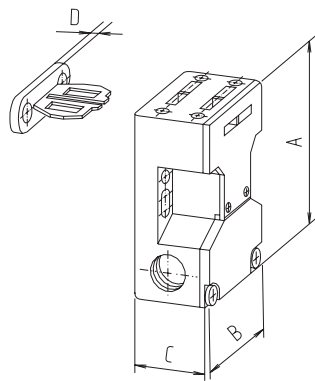
8 mm / approx. 30 N

### Mech. lifetime:

10x10<sup>6</sup> switching cycles

### Operating temperature:

-30 to +80°C.



Code No.	Type	A	B	C	D
4010610	AZ 15 zvr for sliding door / lifting door	72	52	30	5
4010613	AZ 15 zvr for sliding door	72	52	30	5
4010614	AZ 15 zvr for flap door	72	52	30	5
4015610	Fixing set for sliding door, hinged door	Fig. 1, 2, 3		40 slot geometry	
4015602	Fixing set for lifting door	Fig. 4			

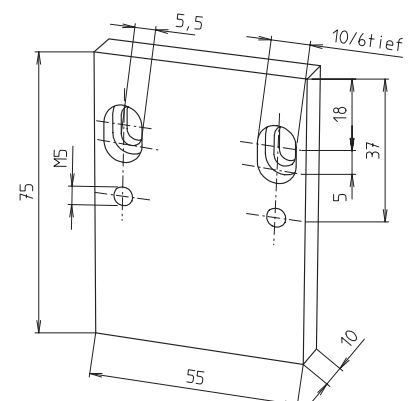
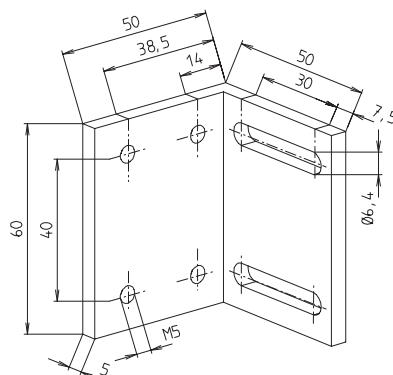
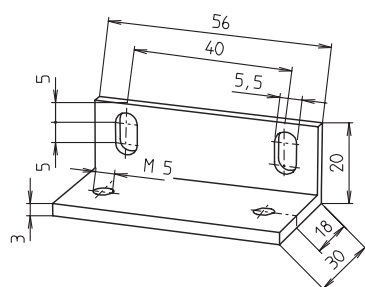
Further fixing sets available on request

Fixing set for sliding and hinged door. Vibration finished aluminium.

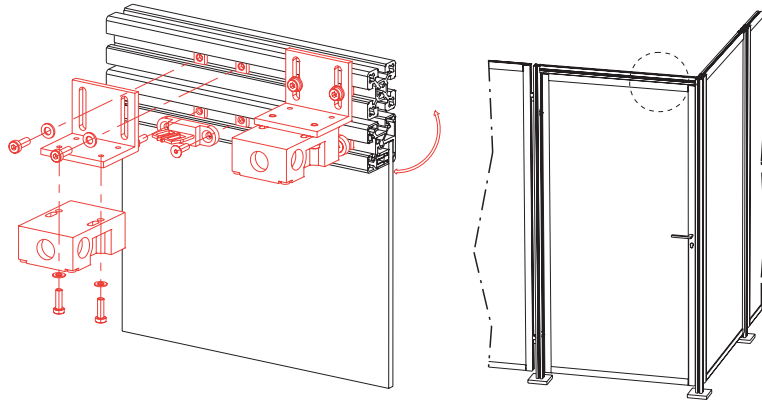
See fig. 1-3 on the next page.

Fixing set for lifting door

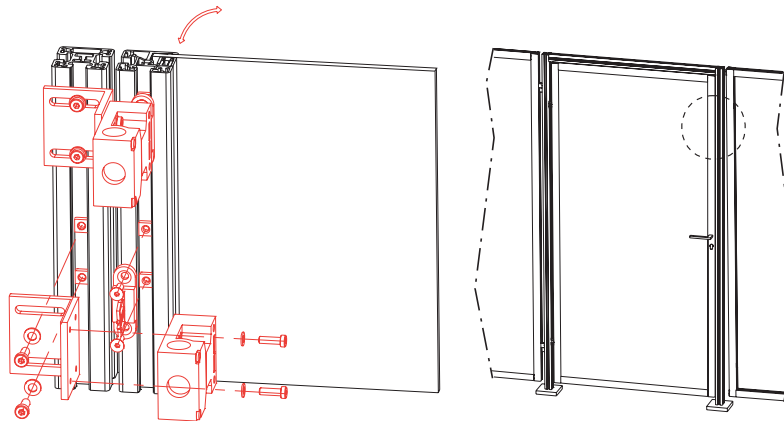
See fig. 4 on the next page.



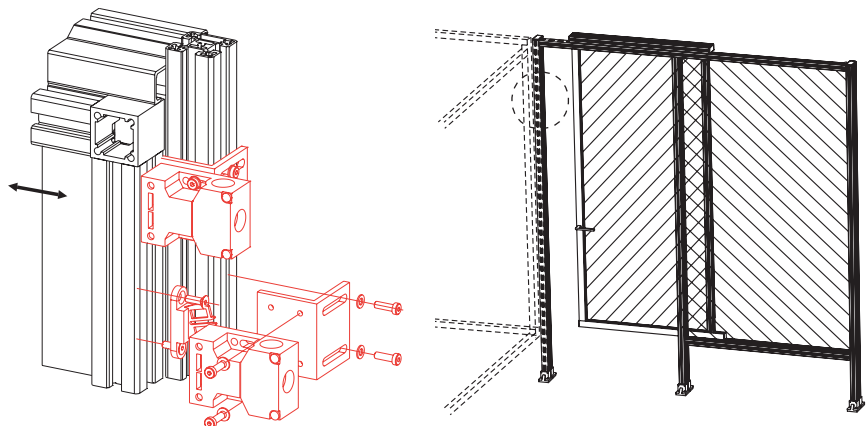
**Fig. 1: Hinged door**  
Fixing AZ 15 zvr to the top strut  
(40-40)



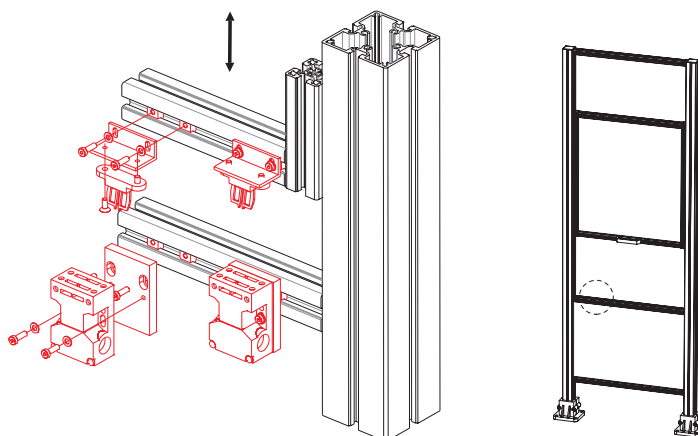
**Fig. 2: Hinged door**  
Fixing AZ 15 zvr to the side strut  
(40-40)



**Fig. 3: Sliding door**  
Fixing AZ 15 zvr to the side strut  
(50-40)



**Fig. 4: Lifting door**  
Fixing AZ 15 zvr to the cross strut  
(40-40)



# Fittings

## Safety switch AZM 161

- For safely switching off circuits. Suitable for hinged, sliding and lifting doors.

### Technical data:

Self-extinguishing fibreglass-reinforced thermoplastic.

**Degree of protection:** IP67 to IEC 529/EN 60529/DIN VDE 0470-1

**Contact type:** One-pin, double-breaking, positively driven NC to VDE 001, additional contacts for signal purposes

**Pivot radius:**  $R_{min}$  900 mm

**Constant current:** 10 A Rated operating current Iu AC 11h 2 A (230 V)

### Short circuit resistance:

6 A (slow) as positively driven NC position switch

**Contact type:** One-pin, double-breaking, positively driven NC to VDE 001, additional contacts for signal purposes

**Pivot radius:**  $R_{min}$  900 mm

**Constant current:** 10 A Rated operating current Iu AC 11h 2 A (230 V)

### Short circuit resistance:

6 A (slow) as positively driven NC position switch

**Positive opening travel/force:**

8.8 mm / 10 N

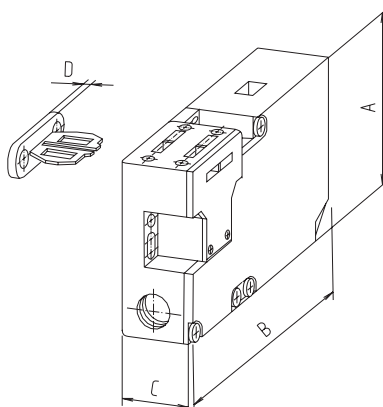
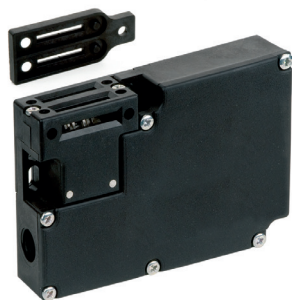
**Locking force  $F_{max}$ :** 2000 N

**Mech. lifetime:**

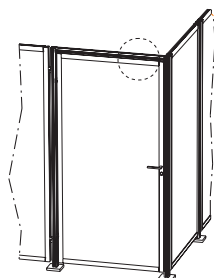
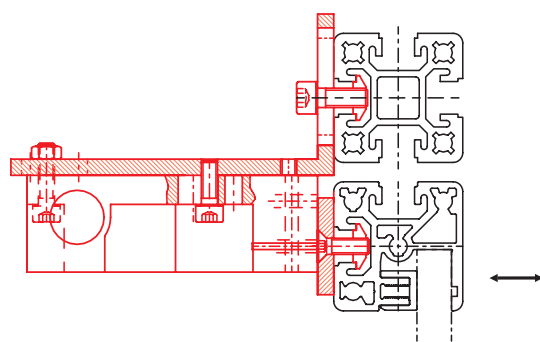
>10x10<sup>6</sup> switching cycles

**Operating temperature:**

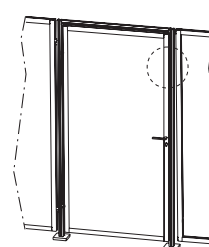
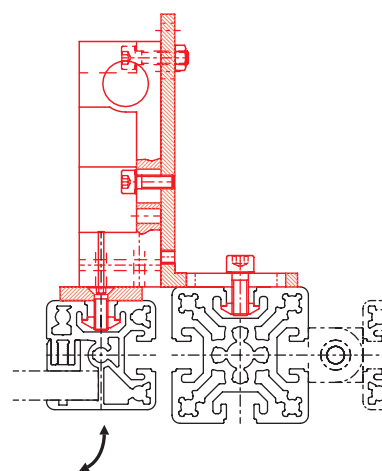
-25 to +60°C.



Code No.	Type	A	B	C	D
4010615	Switch AZM 161, for sliding door/lifting door/hinged door	90	130	30	5

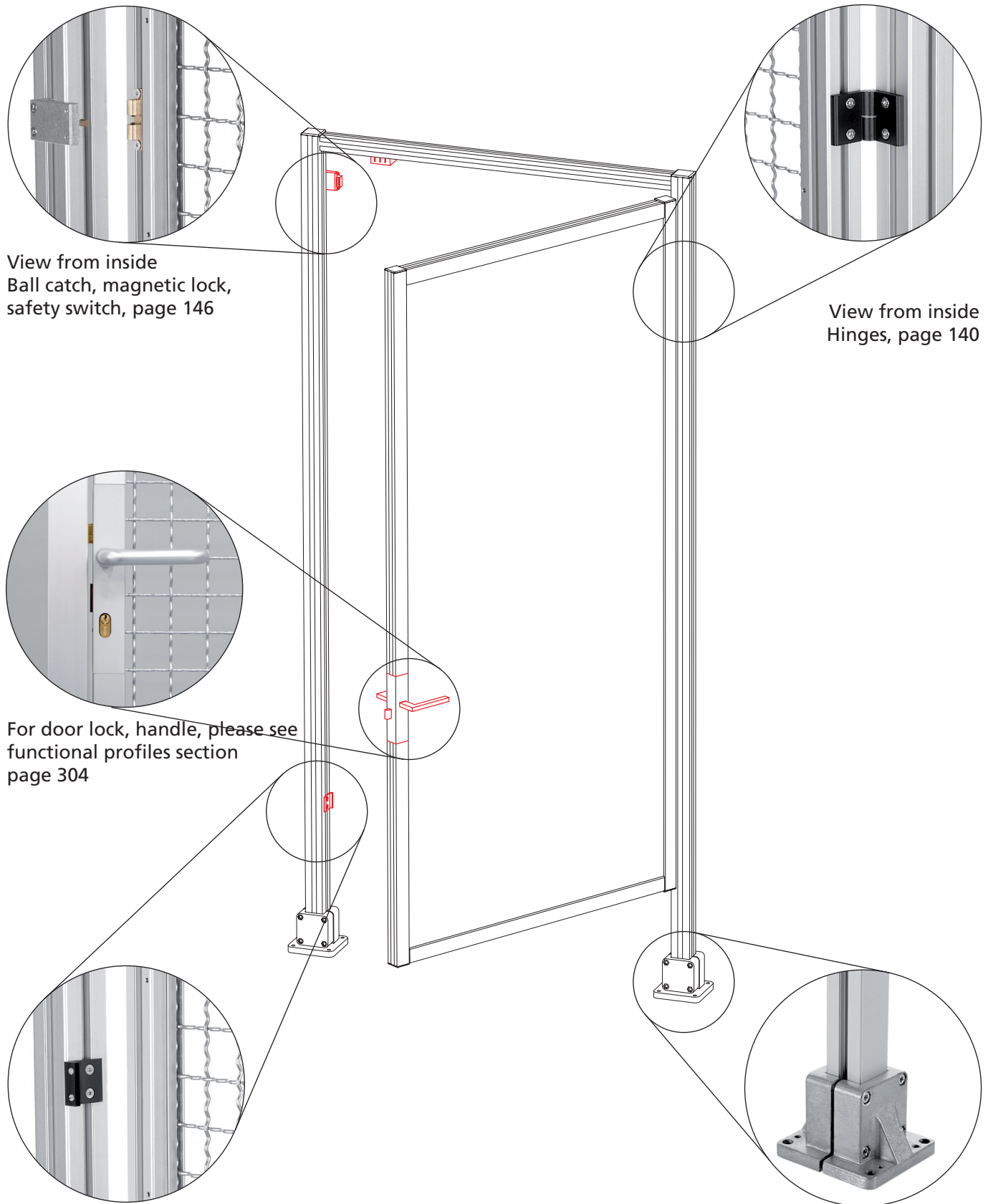


**Fig. 1: Hinged door**  
Fixing AZM 161 to the top strut (40-40)



**Fig. 2: Hinged door**  
Fixing AZM 161 to the side strut (40-50)

## Fittings



View from inside  
Ball catch, magnetic lock,  
safety switch, page 146

View from inside  
Hinges, page 140

For door lock, handle, please see  
functional profiles section  
page 304

View from inside  
Door stopper, page 152

Base clamp,  
page 132

# Conveying elements and pneumatics

## Versions

### Conveying elements



### Pneumatics





## Table of contents

<p><b>Conveying elements</b></p>	<ul style="list-style-type: none"> <li>■ Conveyor rollers ..... p. 160</li> <li>■ Conveyor drums ..... p. 160</li> <li>■ Sliding piece ..... p. 161</li> </ul>
<p><b>Pneumatics</b></p>	<ul style="list-style-type: none"> <li>■ Pneumatic connection ..... p. 162</li> <li>■ Pneumatic connecting plate..... p. 163</li> </ul>

# Conveying elements

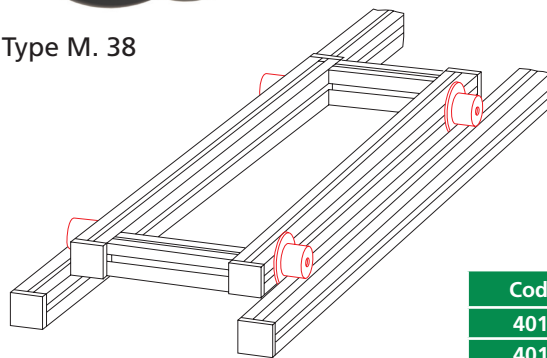
## Conveyor rollers



Type O. 38



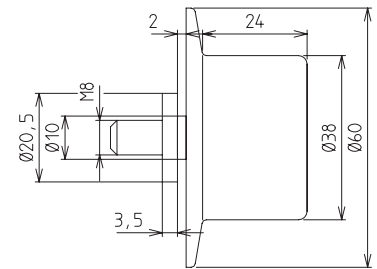
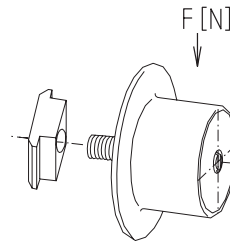
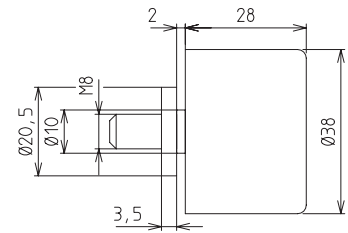
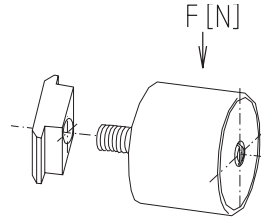
Type M. 38



- Version with or without flange. The rollers can be fixed to the longitudinal profile slots without any difficulty. For assembling carriages or conveyor belts.

**Material:** Plastic with ball bearing.

**Includes:** Complete with fixing set.



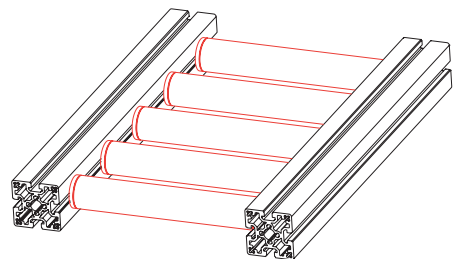
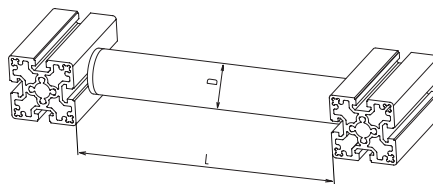
Code No.	Type	Slot geometry	F [N]
4010640	O. 38	40	100
4010641	M. 38	40	100

## Conveyor drums

- Standard length 500 mm. Other lengths available on request.

**Material:** Plastic with plastic ball bearings.

**Includes:** Complete with fixing set.



Code No.	Type	D	L	Slot geometry	F [N] in relation to 500 mm
4018641	40	40	500	40	100
4018640	50	50	500	40	150

[mm]



## Sliding piece

- For easy, low-wear moving of parts in a profile frame (sliding doors, lifting doors).
- A "centred" and an "off-centred" version are available. The sliding piece is available ready to install including set screws and as bars.

**Material:** Black plastic

**Includes:**  
See table/version

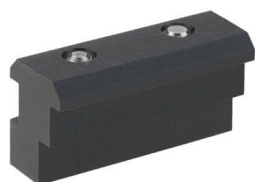


Fig. 1

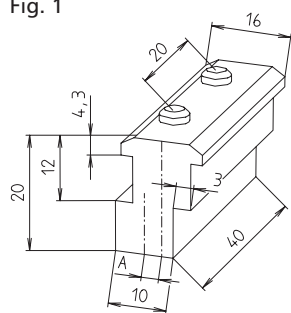
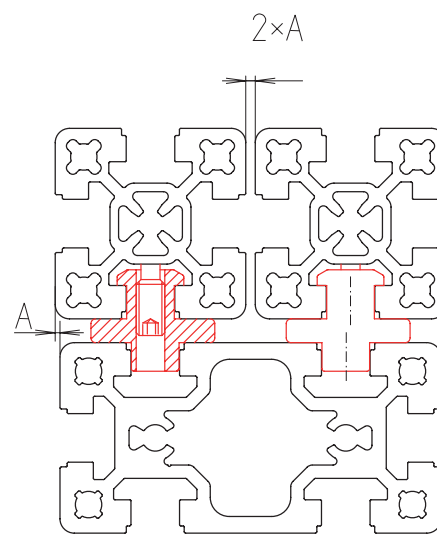
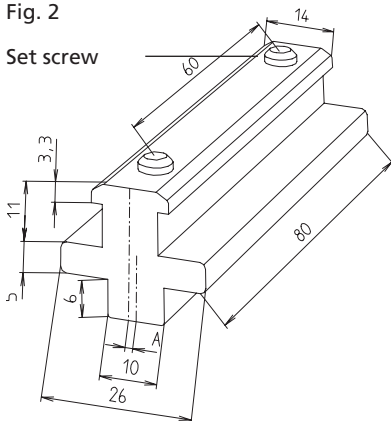


Fig. 2

Set screw



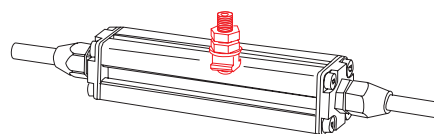
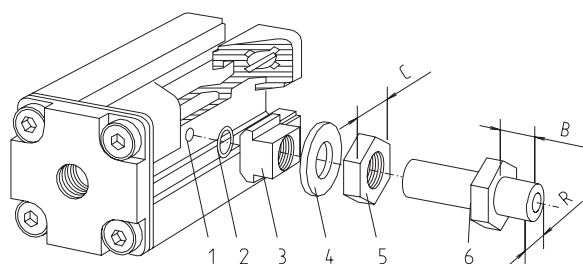
Code No.	Type	Version	Fig.	A [mm]
4018644	Centred sliding piece	Complete, 40 slot geometry	2	0
4018645	Centred sliding piece	2000 mm bar	2	0
4018646	Off-centred 1 mm sliding piece	Complete, 40 slot geometry	1	1
4018647	Off-centred 1 mm sliding piece profile	2000 mm bar	1	1
4018648	Off-centred 3 mm sliding piece	Complete, 40 slot geometry	1	3
4019236	Set screw M6x18 DIN 913	Corrosion-resistant		

## Pneumatic connection



**Assembly:** Mark the desired position with the aid of the template (see page 480) and drill a hole with a 4 mm drill (1). Place the O ring (2) on the bore hole (6) and then push the slot stone (3) in the slot from the side, directly onto the bore hole. Then hand-tighten the screw in the slot stone (3) and lock it with the nut (5) and washer (4).

**Material:**  
Galvanised steel slot stone, brass screw connection.  
Connecting option in the slot of coupling sockets, plugs or screw connections.



Code No.	Connection	R	B	C
4010415	R1/8"	R1/8"	12	17
4010416	With hose coupling - automatic stop			

[mm]



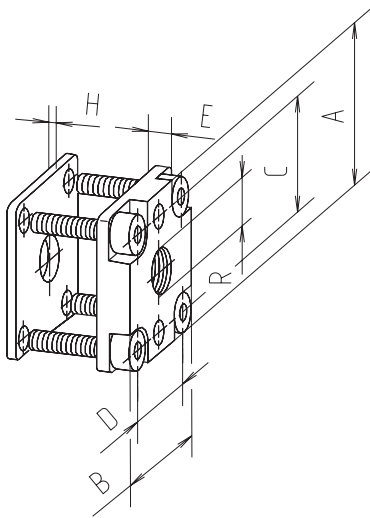
### Pneumatic connecting plate

- Connection to the front profile surfaces, for compressed air supply or consumer systems.

**Material:** Die-cast aluminium

**Includes:** Complete with seal and screws.

**Fixing:** Galvanised steel

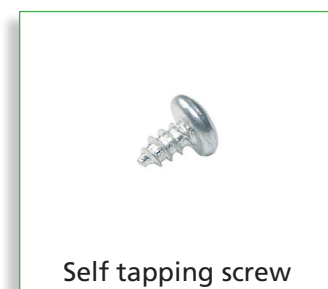
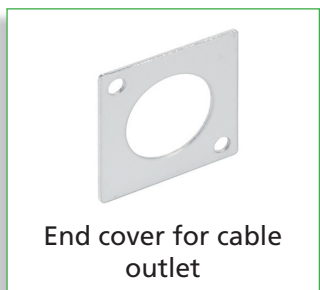


[mm]

Code No.	Type	Connection	A	B	C	D	E	R	H
4044411	80x80, F-80x80-L	R1/4"	80	80	68	68	8	R1/4"	2
4044412	80x80, F-80x80-L	R1/2"	80	80	68	68	8	R1/2"	2

# Cable channel system

## Versions



## Table of contents

<b>Cable channel system</b>	<ul style="list-style-type: none"> <li>■ Funktionalität/Assembly/Routing ..... p. 166</li> <li>■ Profiles ..... p. 167</li> <li>■ Spring strips ..... p. 168</li> <li>■ Channel assembly clip ..... p. 168</li> <li>■ Cover plate ..... p. 168</li> <li>■ End cover for cable outlet ..... p. 168</li> <li>■ Grommet for cable outlet ..... p. 168</li> <li>■ Membrane grommet for cable outlet ..... p. 168</li> <li>■ Cable zie base..... p. 169</li> <li>■ Separating strip ..... p. 169</li> <li>■ Assembly strip ..... p. 169</li> <li>■ Edge protection ..... p. 169</li> <li>■ Equipotential bonding ..... p. 169</li> <li>■ Self tapping screws ..... p. 169</li> </ul>
-----------------------------	---

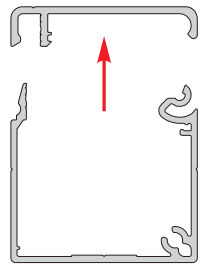
# Cable channel system

## Channel functionality

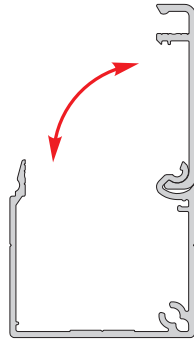
■ Aluminium cable channel in sizes 40x40, 40x80 and 80x40

■ Smooth and scratch-resistant easy to clean anodised surface

Easy to open / excellent accessibility

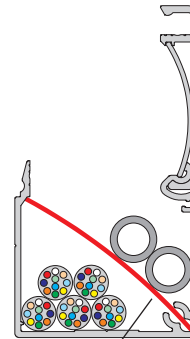


Lift cover to open



or pivot open

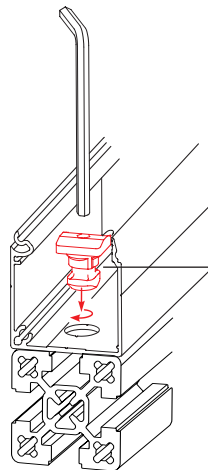
Arrangement in channel with optional separating strips



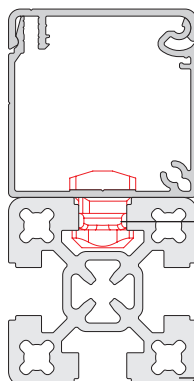
Separating strip

## Assembling the channel

Easy assembly (without machining) with BLOCAN profiles



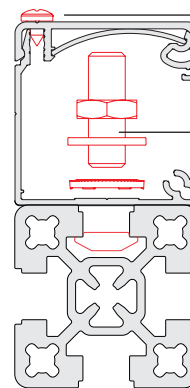
As required  $\varnothing 12$  pre-punched (approx. every 200 mm)



Assembly clip

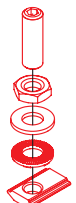
BLOCAN profile

Equipotential bonding



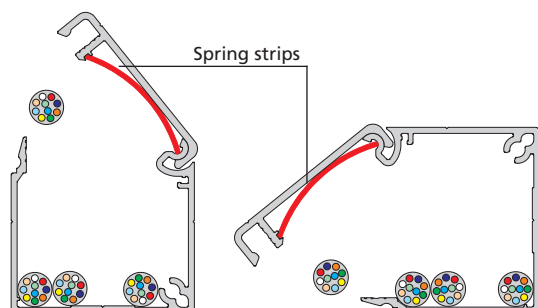
Creation of an electrically conducting connection using a self-tapping screw is possible.

Equipotential bonding kit available as an accessory



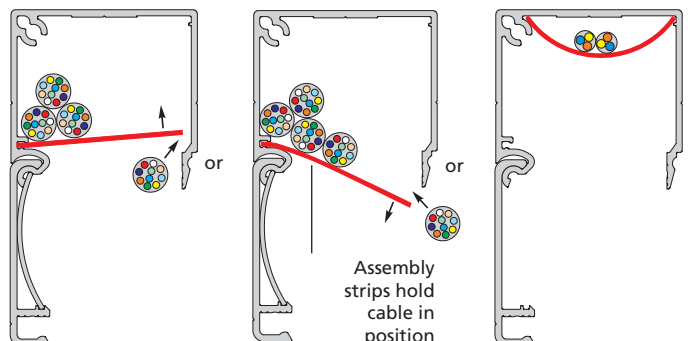
## Cable arrangement

Insertable spring strips hold the cover in position



Spring strips

Assembly strips facilitate overhead assembly

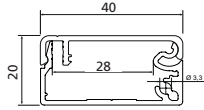


Assembly strips hold cable in position



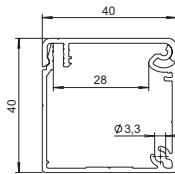
## Cable channel profiles

### Profil KK-40x20



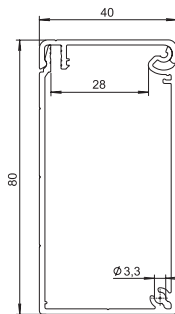
Code No.	Profile	Type	Weight
4F55A01	KK-40x20, 6 m bar	With fixing holes	0,609 kg/m
4F55A00	KK-40x20, cut to size		
4F55001	KK-40x20, 6 m bar	Without fixing holes	0,611 kg/m
4F55000	KK-40x20, cut to size		

### Profile KK-40x40



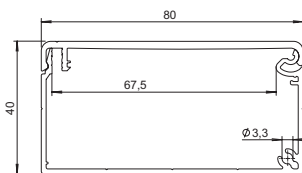
Code No.	Profile	Type	Weight
4E15A01	KK-40x40, 6 m bar	With fixing holes	0.745 kg/m
4E15A00	KK-40x40, cut to size		
4E15001	KK-40x40, 6 m bar	Without fixing holes	0.747 kg/m
4E15000	KK-40x40 cut to size		

### Profile KK-40x80



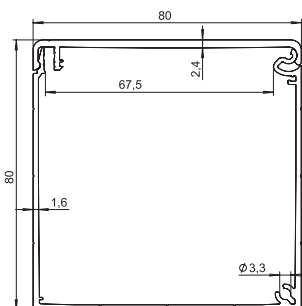
Code No.	Profile	Type	Weight
4E35A01	KK-40x80, 6 m bar	With fixing holes	1.152 kg/m
4E35A00	KK-40x80, cut to size		
4E35001	KK-40x80, 6 m bar	Without fixing holes	1.155 kg/m
4E35000	KK-40x80 cut to size		

### Profile KK-80x40



Code No.	Profile	Type	Weight
4E25A01	KK-80x40, 6 m bar	With fixing holes	1.290 kg/m
4E25A00	KK-80x40, cut to size		
4E25001	KK-80x40, 6 m bar	Without fixing holes	1.292 kg/m
4E25000	KK-80x40 cut to size		

### Profile KK-80x80



Code No.	Profile	Type	Weight
4F15A01	KK-80x80, 6 m bar	With fixing holes	1.690 kg/m
4F15A00	KK-80x80, cut to size		
4F15001	KK-80x80, 6 m bar	Without fixing holes	1.693 kg/m
4F15000	KK-80x80 cut to size		

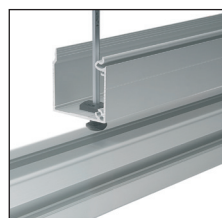
# Cable channel system

## Order instruction:

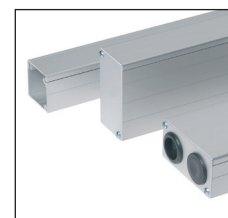
- Purchase only in lot sizes and a multiple of that see product table below



Spring strips hold the cover open in any position



Quick and easy assembly with a fixing clip



Cover plates and outlets as required

## Spring strips for cover



Code No.	Type	lot sizes	Material
4E185041	KK 40x20, KK 40x40 KK 40x80	10, 20, 30... pcs	Plastic
4E285011	KK 80x40 KK 80x80	10, 20, 30... pcs	Plastic

## Cable assembly clip



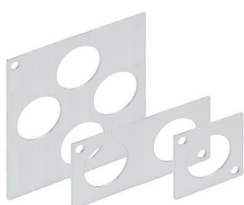
Code No.	Type	lot sizes	Material
4E185031	all	10, 20, 30... pcs	Plastic

## Cover plate



Code No.	Type	lot sizes	Material
4F555011	KK 40x20	6, 12, 18... pcs	Aluminium
4E155011	KK 40x40	6, 12, 18... pcs	
4E255011	KK 40x80, KK 80x40	6, 12, 18... pcs	
4F155011	KK 80x80	6, 12, 18... pcs	

## End cover for cable outlet



Code No.	Type	lot sizes	Material
4E155021	KK 40x40	6, 12, 18... pcs	Aluminium
4E255021	KK 40x80, KK 80x40	6, 12, 18... pcs	
4F155021	KK 80x80	6, 12, 18... pcs	

## Grommet for cable outlet

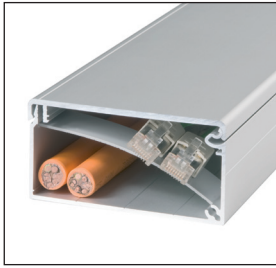


Code No.	Type	lot sizes	Material
4E185051	Outlet Ø 22mm	6, 12, 18... pcs	Z-PVC

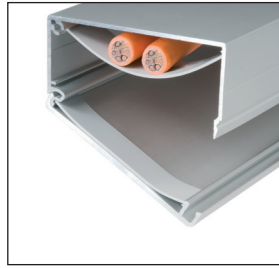
## Membrane grommet for cable outlet



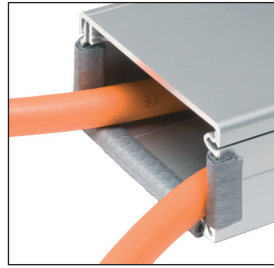
Code No.	Type	lot sizes	Material
4E185021	40x40, 40x80, 80x40, 80x80	6, 12, 18... pcs	Plastic



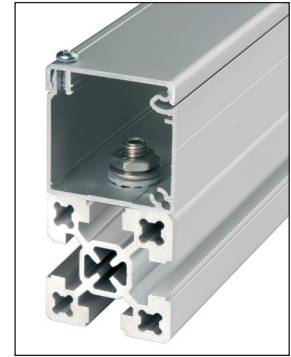
Leads can be separated with press-fit separating strips...



...or make overhead work easier.



Edge protection for inlets or outlets



Standard components make equipotential bonding easy

### Cable tie base \*



Code No.	Type	lot sizes	Material
4F185021	all	10, 20, 30... pcs	Plastic

\* May be used with channel assembly clip.

### Separating strip



Code No.	Type	lot sizes	Material
4E185061	KK 40x40	10, 20, 30... pcs	Plastic
4E285021	KK 40x80, KK 80x40	10, 20, 30... pcs	
4F185011	KK 80x80	10, 20, 30... pcs	

### Assembly strip



Code No.	Type	lot sizes	Material
4E185071	KK 40x20, KK 40x40, KK 40x80	10, 20, 30... pcs	Plastic
4E285031	KK 80x40	10, 20, 30... pcs	

### Edge protection



Code No.	Type	Material
4E18501	1 unit per 1 m	Plastic

### Equipotential bonding



Code No.	Type	lot sizes
4E16502	screw, slot stone, washers	-
4E165031	contact washer	100, 200, 300... pcs

### Self tapping screw



Code No.	Type	lot sizes
4E165011	ISO 7049 St. 3.5 x 9.5, Form f	10, 20, 30... pcs

# Application examples



