



CATALOG NUMBER:	
JOB NAME:	
CUSTOMER NAME:	
NOTES:	TYPE:
	DATE:

**FEATURES AND SPECIFICATIONS**

**FLUORESCENT INDUSTRIAL LIGHTING**

**IFW SERIES**

**4' 4 LAMP WET LOCATION INDUSTRIAL**

**Construction:**

- Durable Composite Housing
- Water-Tight 1/2" Entry Points on Both Ends
- Hinged Ballast Tray for Easy Ballast Access

**Optics:**

- Durable & Flexible Injection Molded Lens
- Stainless Steel Latches
- Available with Optional Miro-4 Reflector

**Electrical:**

- UL Listed for Wet Locations
- T5 or T8 Offerings
- Min. Ballast Starting Temp: -30°C
- IP67 Rated Standard
- NSF/ANSI Standard 2 Food Equipment Enclosure for Splash Zone Applications

**Mounting:**

- Options Include: Chain or Cable Mounting
- V-Hook Mounting Brackets Included

**Specifications:**

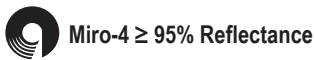
- Overall height: 6.25" (15.875 cm)
- Width: 14.375" (36.512 cm)
- Length: 51.5" (130.81 cm)
- Weight: 24 lbs (10 kg)

**Warranty:**

Atlas Lighting Products provides a 3 year limited warranty for this product. A full warranty can be found at [www.alpinc.com](http://www.alpinc.com)

**Fixture Efficiency >90%**

**High Pressure Tested to 1500 PSI**



**NEMA 4X**



**ACCESSORIES**

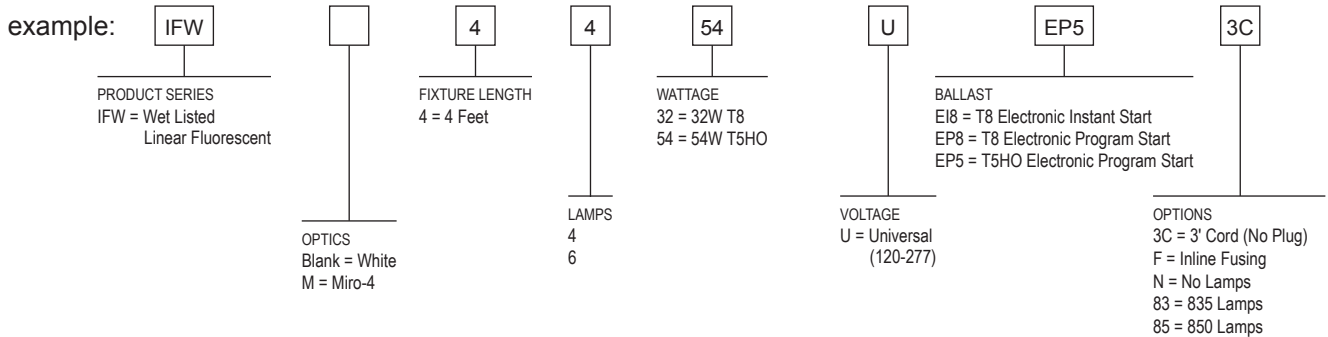
- |                  |   |
|------------------|---|
| <b>CH36-O</b>    | 36" Chain Set Only                          |
| <b>CH36HFC-O</b> | 36" Chain Set w/ Hammer-On Flange Clip Only |
| <b>CA36-O</b>    | 36" Cable Set Only                          |
| <b>80-271CMB</b> | Ceiling Mount Brackets                      |
| <b>MS360WL</b>   | Wet Location 360° Motion Sensor             |

**IP RATING**

	DESCRIPTION	DEFINITION
6	Dust-tight	No ingress of dust
7	Protected against the effects of immersion	Ingress of water in a harmful quantity shall not be possible when the enclosure is immersed in water under defined conditions of pressure & time

**ORDERING INFORMATION**

Order accessories as separate catalog numbers (shipped separately).



Actual performance can vary depending on operating conditions. Specifications are subject to change without notice.

**ATLAS LIGHTING PRODUCTS, INC.**

PO BOX 2348 | BURLINGTON, NC 27216

800-849-8485 | FAX: 336-227-0110 | [www.atlaslightingproducts.com](http://www.atlaslightingproducts.com)

# Atlas

## Lighting Products

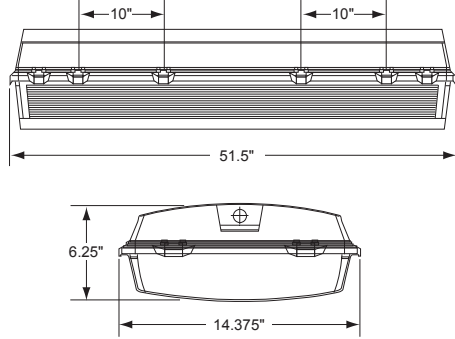
### FLUORESCENT INDUSTRIAL LIGHTING

#### IFW SERIES

#### 4' 4 LAMP WET LOCATION INDUSTRIAL

#### DIMENSIONS

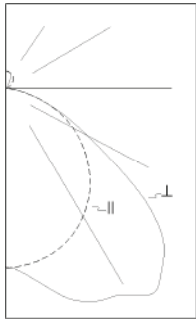
Overall height: 6.25" (15.875 cm) Width: 14.375" (36.512 cm) Length: 51.5" (130.81 cm)



#### IFW AMBIENT TEMPERATURES

4' WIDE BODY WET LOCATION	INCREASED AMBIENT
DESCRIPTION	12" CHAIN MOUNT
<b>T5</b>	
4 ft., 4 Lamp, 54w T5HO	104°F/40°C
4 ft., 6 Lamp, 54w T5HO	86°F/30°C
<b>T8</b>	
4 ft., 4 Lamp, 32w T8	104°F/40°C
4 ft., 6 Lamp, 32w T8	95°F/35°C

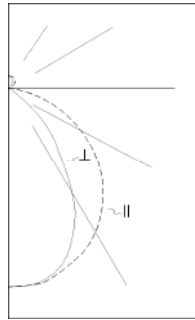
#### PHOTOMETRICS



**IFW4432**  
 (1) Electronic Ballasts  
 (3) F32T8/741 32W lamps  
 2800 lumens  
 Spacing Criteria:  
 (0 - 180) 1.24  
 (90 - 270) 1.38  
 (Diagonal) 1.46  
 Efficiency 57.7%  
 Test Report:  
 IFW4332.IES  
 LER = 50  
 Yearly Cost of 1000 lumens, 3000 hrs at .08 KWH = \$2.90

#### Candela

Angle	Along II	45°	Across ⊥
0	1463	1463	1463
5	1451	1434	1435
10	1426	1446	1425
15	1413	1411	1435
20	1363	1392	1410
25	1300	1347	1385
30	1243	1293	1351
35	1172	1240	1292
40	1090	1163	1229
45	992	1076	1151
50	901	986	1075
55	797	886	972
60	673	780	868
65	548	659	784
70	430	568	691
75	311	472	568
80	228	346	438
85	132	232	304
90	0	0	0



**IFW4454**  
 (1) Electronic Ballasts  
 (2) F54T5/841HO  
 54W T5 lamps  
 4500 lumens  
 Spacing Criteria:  
 (0 - 180) 1.24  
 (90 - 270) 1.48  
 (Diagonal) 1.54  
 Efficiency 83.5%  
 Test Report:  
 IFW4254.IES  
 LER = 77  
 Yearly Cost of 1000 lumens, 3000 hrs at .08 KWH = \$3.54

#### Candela

Angle	Along II	45°	Across ⊥
0	2200	2200	2200
5	2184	2175	2182
10	2164	2156	2181
15	2129	2162	2191
20	2046	2115	2177
25	1993	2049	2143
30	1873	2007	2147
35	1780	1946	2124
40	1660	1883	2112
45	1544	1795	2039
50	1408	1710	1927
55	1284	1591	1844
60	1138	1432	1777
65	968	1304	1701
70	792	1192	1546
75	620	1034	1353
80	475	808	955
85	289	432	513
90	0	0	0

#### Coefficients of Utilization

rc	Effective Floor Cavity Reflectance 0.20																	
	80%			70%			50%			30%			10%		0%			
rw	70	50	30	10	70	50	30	10	50	30	10	50	30	10	50	30	10	0
RCR																		
0	69	69	69	69	67	67	67	67	64	64	64	61	61	61	59	59	59	58
1	62	59	56	53	60	57	55	52	55	53	51	52	51	49	50	49	48	46
2	56	50	46	43	54	49	45	42	47	44	41	45	43	40	44	41	39	38
3	51	44	39	35	49	43	38	35	41	37	34	40	36	33	38	35	33	31
4	46	39	33	29	45	38	33	29	36	32	29	35	31	28	34	30	28	26
5	42	34	29	25	41	34	29	25	33	28	25	31	27	24	30	27	24	23
6	39	31	26	22	38	30	25	22	29	25	21	28	24	21	27	24	21	20
7	36	28	23	19	35	27	22	19	27	22	19	26	22	19	25	21	18	17
8	34	25	20	17	33	25	20	17	24	20	19	24	20	17	23	19	16	15
9	31	23	18	15	31	23	18	15	22	18	15	22	18	15	21	17	15	14
10	29	22	17	14	29	21	17	14	21	16	14	20	16	14	20	16	13	12

#### Zonal Lumen Summary

Zone	Lumens	%Lamp	%Fixture
0-30	1158.25	13.8	23.9
0-40	1926.27	22.9	39.8
0-60	3527.48	42	72.8
0-90	4844.13	57.7	100
0-180	4844.13	57.7	100

#### Coefficients of Utilization

rc	Effective Floor Cavity Reflectance 0.20																	
	80%			70%			50%			30%			10%		0%			
rw	70	50	30	10	70	50	30	10	50	30	10	50	30	10	50	30	10	0
CR																		
0	99	99	99	99	97	97	97	97	93	93	93	89	89	89	85	85	85	84
1	89	84	80	76	86	82	78	74	78	75	72	75	72	70	72	70	68	66
2	80	72	65	59	77	70	64	59	67	62	57	64	60	56	61	58	55	53
3	72	62	54	48	70	61	53	48	58	52	47	56	50	46	53	49	45	43
4	65	54	46	40	63	53	45	40	51	44	39	49	43	38	47	42	38	36
5	60	48	40	34	58	47	39	34	45	38	33	43	37	33	42	37	32	30
6	55	43	35	29	53	42	34	29	41	34	29	39	33	28	38	32	28	26
7	51	39	31	25	49	38	31	25	37	30	25	35	29	25	34	29	25	23
8	47	35	28	22	46	35	27	22	33	27	22	32	26	22	31	26	22	20
9	44	32	25	20	43	32	25	20	31	24	20	30	24	20	29	24	20	18
10	41	30	23	18	40	29	23	18	28	22	18	28	22	18	27	22	18	16

#### Zonal Lumen Summary

Zone	Lumens	%Lamp	%Fixture
0-30	1766.76	17.7	21.2
0-40	2979.21	29.8	35.7
0-60	5705.34	57.1	68.3
0-90	8352.24	83.5	100
0-180	8352.24	83.5	100

Actual performance can vary depending on operating conditions. Specifications are subject to change without notice.