



## ***UP165 HD***

Longterm durability pump  
for highly abrasive and  
corrosive media

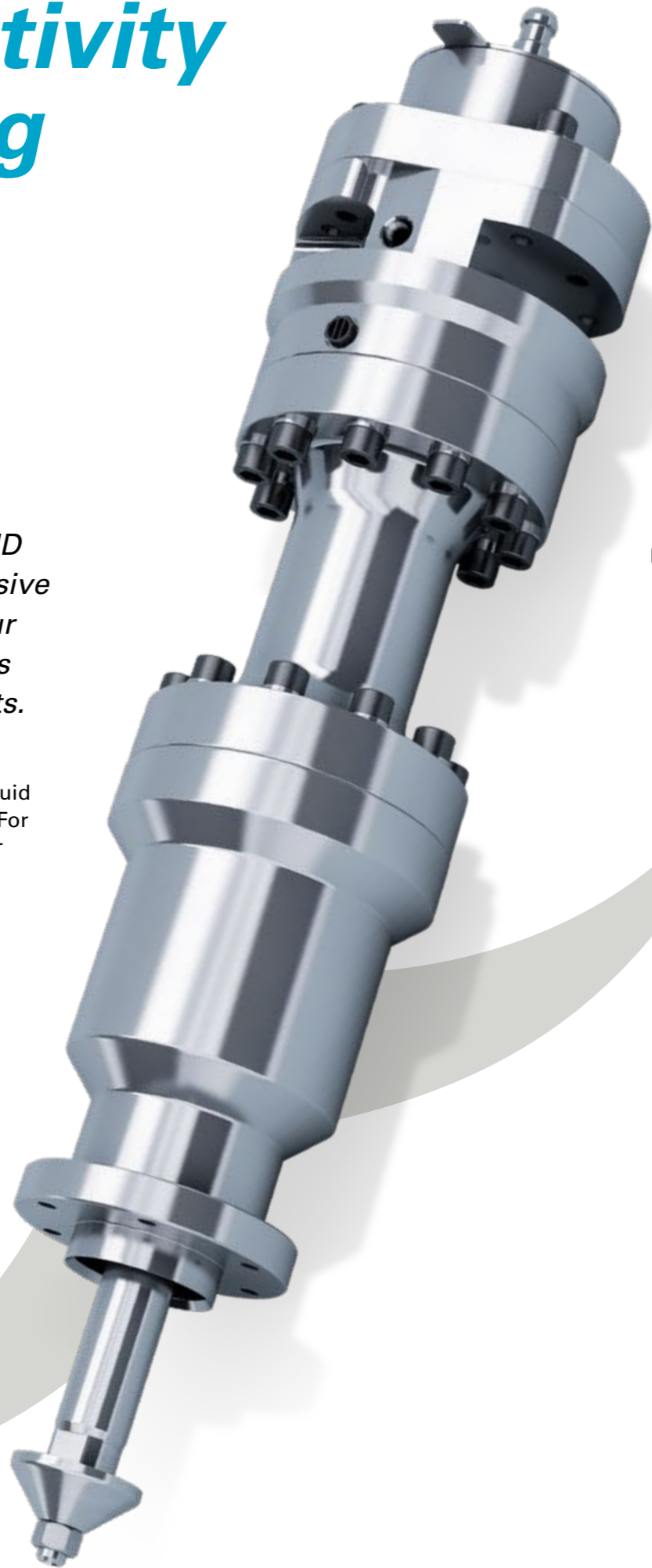
*Atlas Copco*

# High productivity in dispensing challenging materials

With the high durability of the UP165 HD you no longer need to stress over abrasive and corrosive material wearing out your equipment. This pump effectively drives uptime and reduces maintenance efforts.

With the increasing applicability of adhesives across many industries and manufacturing processes, new liquid materials are constantly being developed and refined. For many applications, these liquids are enriched with filler particles – non-soluble particles which enhance certain properties of the joint, sealing, thermal conduction or dampening layer.

However, many of these additives are challenging to pump and dispense as they are often abrasive and sometimes also corrosive.



## Applications

### 1. Battery assembly process

Liquids designed for high thermal conductivity are typically used in electronics and battery assembly for electric vehicles to ensure that the components operate under ideal temperatures. This ensures a good product performance and long lifetimes.

#### Material properties

- High viscosity adhesives
- $Al_2O_3$  and  $AlN$  filler particles

### 2. Liquid applied sound dampening process

To enhance the acoustic driving environment in the car, specific areas are stiffened with a layer of sound dampening material. This adhesive reduces the noise caused by vibrations and by the drivetrain when driving. However, the materials required for this process are demanding and the process relies on stainless steel components for the right flow rate.

#### Material properties

- Corrosive water based acrylates
- Quartz based filler particles

**1 to 1**  
Replaceable with UP165

**3x**  
Longer lifetime compared to standard pumps

## Features

- Easy to upgrade existing systems from standard UP165
- Heavy duty seal sets
- Carbide hardened valve seats
- Flow optimized inner geometries
- Patented combination of ball and shuffle pump

## Benefits

- Long term durability increased up to factor 3 (compared to standard UP165)
- Reduced maintenance effort
- Eliminates common pains such as
  - Early loss in performance
  - Unpredicted downtime



A sound and long lasting investment

Make the most of your IAS investment with our wide range of service offers and global 24/7 programs.

Contact us at  
ias.service-solutions@atlascopco.com

## Ordering numbers and specifications

Product	Body Construction	Volume per double stroke	Max. working pressure	Max. heating temperature	Rec. material supply rate	Ordering no.
UP165 HD	Stainless Steel	165 cm <sup>3</sup>	330 bar	80°	up to 2l/min	TBD

*Committed to sustainable productivity*

[www.atlascopco.com](http://www.atlascopco.com)

*Atlas Copco*