



Adapter Sleeve Catalogue

STANDARD SERIES



Adapter Sleeve Catalogue

Table of Content

1. Adapter Sleeves

1.1 Design and Variants

1.2 Mounting and Dismounting

1.3 Reduction of Internal Clearance

1.4 Designation System

1. Adapter Sleeves

ABS adapter sleeves are made of steel, which means they have a tensile strength at least of 430 N/mm², they are easy to install with no requirement of additional location on the shaft. They are used for locating bearings with a tapered bore placed onto a cylindrical seat. They can be used on plain shafts and stepped shafts as well.

Dimension standards for inch series are ANSI/ABMA Std. 8.2. For metric series ISO 2982-1, except for the bore diameter of sleeves shaft in inches.

The radial runout of the Shafts is according to IT5/2 – ISO 1101, and the tolerance for the shafts is h9. The tolerances are for bore type dimension as JS9 and for shafts type dimension as h15 for both series.

The Thread Standards in accordance with ISO 965-3 for metric thread and being for the Bore Diameter < 200 mm. For Bore Diameter ≥ 200 mm being as metric trapezoidal thread in accordance with ISO 2903.

For inch series and Bore diameter ≤ 12 in. according to Unified Special Form ANSI/ASME B1.1. For Bore Diameter ≥ 12 7/16 in. in accordance with ACME thread class 3G.

The Bore tolerances before sleeves splitting is JS9 at a 1:12 taper and JS7 at 1:30 taper.

1.1 Designs and Variants

Adapter Sleeves

Adapters are made up of adapter sleeves, nuts, and washers or claps. These adapters are used to mount tapered bore bearings easily on specific positions of shafts.



Withdrawal Sleeves

Withdrawal sleeves are used to mount tapered bore bearings on shafts. Withdrawal sleeve nuts are used when removing bearing from shafts.



Locknuts, Nuts

Locknuts are used with adapters, withdrawal sleeves and shafts. Nuts are used with withdrawal sleeves and shafts.

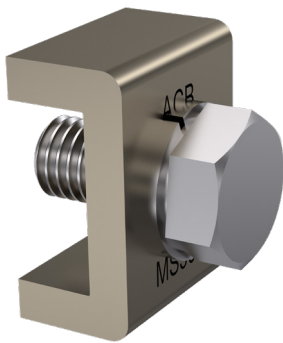


1.1 Designs and Variants

1. Adapter Sleeves

Lock Plates

Lockplates are placed to stop large nuts from rotating.



Precision Nuts

Precision Nuts are used in bearings fixation in machinery and equipment that require high precision. They have shaft tightened and angularly distributed three brass pins around its circumference.



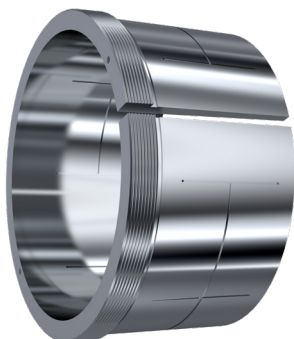
Hydraulic Adapters

Hydraulic adapters feature an oil inlet and oil groove in the sleeve, which make installation to and removal from the shaft easier, particularly with large bearing.



Hydraulic Withdrawal

Hydraulic withdrawal sleeves feature an oil inlet and oil groove in the sleeve, which make mounting to the shaft and disassembly easier, particularly with large bearings.



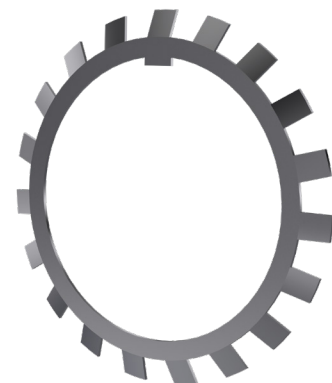
Hydraulic Nuts

Mounting & Dismounting Tools for Rolling Bearings)
Using hydraulic nuts for mounting and dismounting bearings prevents excessive force being applied, so as to avoid damage to shafts and bearings. The force applied is also uniform for more efficient work.



Lock Washers

Lockwashers are placed to stop nuts from rotating.



1.2 Mounting and Dismounting

Usually, the bearing slides over the tapered shaft without any lubrication.

At the time of assembling having an adapter sleeve, a lubrication method can be used between the contact surfaces of the sleeve and the inner bearing ring, also between the sleeve and shaft to minimize the installation required forces. This is applicable at the time of dismounting the parts as well.

Tapered-bore bearings are mounted directly on the shaft or journal, or also by an adapter sleeve or withdrawal sleeve on the cylindrical shaft.

Internal clearance is established either by measuring axial displacement using a dial indicator, or by conventional methods using a thickness gauge.

1.3 Reduction of Radial Internal Clearance

When the bearing is forced on installation on the tapered seat, there is a radial internal reduction due to the expansion taking place in the inner ring.

The radial internal clearance reduction can be used as an indicator of the tight fit of the bearing. These measurements are done by a thickness gauge.

Tables 1 to 3 show data for the reduction of the radial internal clearance on different roller bearings designed with clearance values according to DIN 620

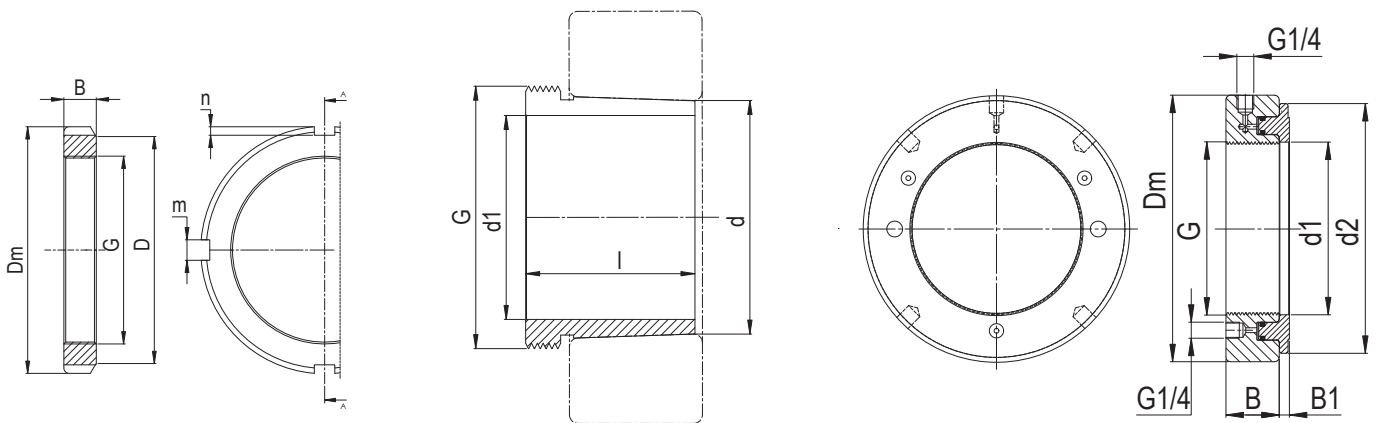


Table 1.

Reduction in radial internal clearance of spherical rolling bearings with tapered bore.

Nominal bearing bore diameter d mm		Radial internal clearance before mounting Internal clearance group						Reduction in radial internal clearance ¹⁾ mm		Axial Displacement on								Control value for radial internal clearance after fitting ²⁾ mm							
		CN mm		C3 mm		C4 mm				Tapered 1:12 ¹⁾				Tapered 1:30 ¹⁾											
		min.	max.	min.	max.	min.	max.			Shaft mm		Sleeve mm		Shaft mm		Sleeve mm					min.	max.	min.		
over	up to							min.	max.	min.	max.	min.	max.	min.	max.	min.	max.	min.	max.	min.	max.	min.	max.	min.	max.
24	30	0,03	0,04	0,04	0,055	0,055	0,075	0,015	0,02	0,3	0,35	0,3	0,4	—	—	—	—	0,015	0,02	0,035					
30	40	0,035	0,05	0,05	0,065	0,065	0,085	0,02	0,025	0,35	0,4	0,35	0,45	—	—	—	—	0,015	0,025	0,04					
40	50	0,045	0,06	0,06	0,08	0,08	0,1	0,025	0,03	0,4	0,45	0,45	0,5	—	—	—	—	0,02	0,03	0,05					
50	65	0,055	0,075	0,075	0,095	0,095	0,12	0,03	0,04	0,45	0,6	0,5	0,7	—	—	—	—	0,025	0,035	0,055					
65	80	0,07	0,095	0,095	0,12	0,12	0,15	0,04	0,05	0,6	0,75	0,7	0,85	—	—	—	—	0,025	0,04	0,07					
80	100	0,08	0,11	0,11	0,14	0,14	0,18	0,045	0,06	0,7	0,9	0,75	1	1,7	2,2	1,8	2,4	0,035	0,05	0,08					
100	120	0,1	0,135	0,135	0,17	0,17	0,22	0,05	0,07	0,7	1,1	0,8	1,2	1,9	2,7	2	2,8	0,05	0,065	0,1					
120	140	0,12	0,16	0,16	0,2	0,2	0,26	0,065	0,09	1,1	1,4	1,2	1,5	2,7	3,5	2,8	3,6	0,055	0,08	0,11					
140	160	0,13	0,18	0,18	0,23	0,23	0,3	0,075	0,1	1,2	1,6	1,3	1,7	3	4	3,1	4,2	0,055	0,09	0,13					
160	180	0,14	0,2	0,2	0,26	0,26	0,34	0,08	0,11	1,3	1,7	1,4	1,9	3,2	4,2	3,3	4,6	0,06	0,1	0,15					
180	200	0,16	0,22	0,22	0,29	0,29	0,37	0,09	0,13	1,4	2	1,5	2,2	3,5	4,5	3,6	5	0,07	0,1	0,16					
200	225	0,18	0,25	0,25	0,32	0,32	0,41	0,1	0,14	1,6	2,2	1,7	2,4	4	5,5	4,2	5,7	0,08	0,12	0,18					
225	250	0,2	0,27	0,27	0,35	0,35	0,45	0,11	0,15	1,7	2,4	1,8	2,6	4,2	6	4,6	6,2	0,09	0,13	0,2					
250	280	0,22	0,3	0,3	0,39	0,39	0,49	0,12	0,17	1,9	2,6	2	2,9	4,7	6,7	4,8	6,9	0,1	0,14	0,22					
280	315	0,24	0,33	0,33	0,43	0,43	0,54	0,13	0,19	2	3	2,2	3,2	5	7,5	5,2	7,7	0,11	0,15	0,24					
315	355	0,27	0,36	0,36	0,47	0,47	0,59	0,15	0,21	2,4	3,4	2,6	3,6	6	8,2	6,2	8,4	0,12	0,17	0,26					
355	400	0,3	0,4	0,4	0,52	0,52	0,65	0,17	0,23	2,6	3,6	2,9	3,9	6,5	9	5,8	9,2	0,13	0,19	0,29					
400	450	0,33	0,44	0,44	0,57	0,57	0,72	0,2	0,26	3,1	4,1	3,4	4,4	7,7	10	8	10,4	0,13	0,2	0,31					
450	500	0,37	0,49	0,49	0,63	0,63	0,79	0,21	0,28	3,3	4,4	3,6	4,8	8,2	11	8,4	11,2	0,16	0,23	0,35					
500	560	0,41	0,54	0,54	0,68	0,68	0,87	0,24	0,32	3,7	5	4,1	5,4	9,2	12,5	9,6	12,8	0,17	0,25	0,36					
560	630	0,46	0,6	0,6	0,76	0,76	0,98	0,26	0,35	4	5,4	4,4	5,9	10	13,5	10,4	14	0,2	0,29	0,41					
630	710	0,51	0,67	0,67	0,85	0,85	1,09	0,3	0,4	4,6	6,2	5,1	6,8	11,5	15,5	12	16	0,21	0,31	0,45					
710	800	0,57	0,75	0,75	0,96	0,96	1,22	0,34	0,45	5,3	7	5,8	7,6	13,3	17,5	13,6	18	0,23	0,35	0,51					
800	900	0,64	0,84	0,84	1,07	1,07	1,37	0,37	0,5	5,7	7,8	6,3	8,5	14,3	19,5	14,8	20	0,27	0,39	0,57					
900	1 000	0,71	0,93	0,93	1,19	1,19	1,52	0,41	0,55	6,3	8,5	7	9,4	15,8	21	16,4	22	0,3	0,43	0,64					
1 000	1 120	0,78	1,02	1,02	1,3	1,3	1,65	0,45	0,6	6,8	9	7,6	10,2	17	23	18	24	0,32	0,48	0,7					
1 120	1 250	0,86	1,12	1,12	1,42	1,42	1,8	0,49	0,65	7,4	9,8	8,3	11	18,5	25	19,6	26	0,34	0,54	0,77					
1 250	1 400	0,94	1,22	1,22	1,55	1,55	1,96	0,55	0,72	8,3	10,8	9,3	12,1	21	27	22,2	28,3	0,36	0,59	0,84					

1) Applies only to solid steel shafts and hollow shafts with a bore no larger than half the shaft diameter.

Note: Bearings with a radial internal clearance before fitting in the upper half of the tolerance range are fitted using the larger value for the reduction in radial internal clearance or the axial displacement distance, while bearings in the lower half of the tolerance range are fitted using the smaller value for the reduction in radial internal clearance or the axial displacement distance.

2) The actual value of the radial internal clearance must not be smaller than the control value. In the case of bearings with a small diameter, this may be difficult to determine.

Table 2.

Reduction in radial internal clearance of cylindrical rolling bearings with tapered bore.

Nominal bearing bore diameter d mm		Radial internal clearance before mounting Internal clearance group						Reduction in radial internal clearance ¹⁾ mm		Axial Displacement on taper 1:12 ¹⁾				Control value for radial internal clearance after fitting ²⁾		
		CN mm		C3 mm		C4 mm				Shaft mm		Sleeve mm		CN mm min.	C3 mm min.	C4 mm min.
over	up to	min.	max.	min.	max.	min.	max.	min.	max.	min.	max.	min.	min.	min.		
24	30	0,035	0,06	0,045	0,07	0,055	0,08	0,015	0,02	0,3	0,35	0,3	0,4	0,02	0,025	0,035
30	40	0,04	0,065	0,055	0,08	0,07	0,095	0,02	0,025	0,35	0,4	0,35	0,45	0,02	0,025	0,04
40	50	0,045	0,075	0,06	0,09	0,075	0,105	0,025	0,03	0,4	0,45	0,45	0,5	0,02	0,03	0,045
50	65	0,05	0,08	0,07	0,1	0,09	0,12	0,03	0,035	0,45	0,55	0,5	0,65	0,02	0,035	0,05
65	80	0,06	0,095	0,085	0,12	0,11	0,145	0,035	0,04	0,55	0,6	0,65	0,7	0,025	0,04	0,07
80	100	0,07	0,105	0,095	0,13	0,12	0,155	0,04	0,045	0,6	0,7	0,65	0,8	0,03	0,05	0,075
100	120	0,09	0,13	0,115	0,155	0,14	0,18	0,045	0,055	0,7	0,85	0,8	0,95	0,045	0,065	0,085
120	140	0,1	0,145	0,13	0,175	0,16	0,205	0,055	0,065	0,85	1	0,95	1,1	0,045	0,07	0,095
140	160	0,11	0,16	0,145	0,195	0,18	0,23	0,06	0,075	0,9	1,2	1,1	1,3	0,05	0,075	0,105
160	180	0,125	0,175	0,16	0,21	0,195	0,245	0,065	0,085	1	1,3	1,3	1,5	0,06	0,08	0,11
180	200	0,14	0,195	0,18	0,235	0,22	0,275	0,075	0,095	1,2	1,5	1,4	1,7	0,065	0,09	0,125
200	225	0,155	0,215	0,2	0,26	0,245	0,305	0,085	0,105	1,3	1,6	1,6	1,8	0,07	0,1	0,14
225	250	0,17	0,235	0,22	0,285	0,27	0,335	0,095	0,115	1,5	1,8	1,7	2	0,075	0,105	0,155
250	280	0,185	0,255	0,24	0,31	0,295	0,365	0,105	0,125	1,6	2	1,9	2,3	0,08	0,125	0,17
280	315	0,205	0,28	0,265	0,34	0,325	0,4	0,115	0,14	1,8	2,2	2,2	2,4	0,09	0,13	0,185
315	355	0,225	0,305	0,29	0,37	0,355	0,435	0,13	0,16	2	2,5	2,5	2,7	0,095	0,14	0,195
355	400	0,255	0,345	0,33	0,42	0,405	0,495	0,14	0,17	2,2	2,6	2,6	2,9	0,115	0,165	0,235
400	450	0,285	0,385	0,37	0,47	0,455	0,555	0,15	0,185	2,3	2,8	2,8	3,1	0,135	0,19	0,27
450	500	0,315	0,425	0,41	0,52	0,505	0,615	0,16	0,195	2,5	3	3,1	3,4	0,155	0,215	0,31
500	560	0,35	0,47	0,455	0,575	0,56	0,68	0,17	0,215	2,7	3,4	3,5	3,8	0,18	0,24	0,345
560	630	0,38	0,5	0,5	0,62	0,62	0,74	0,185	0,24	2,9	3,7	3,6	4,2	0,195	0,26	0,38
630	710	0,435	0,575	0,565	0,705	0,695	0,835	0,2	0,26	3,1	4,1	3,9	4,7	0,235	0,305	0,435
710	800	0,485	0,645	0,63	0,79	0,775	0,935	0,22	0,28	3,4	4,4	4,3	5,3	0,26	0,35	0,495
800	900	0,54	0,71	0,7	0,87	0,86	1,03	0,24	0,31	3,7	4,8	4,8	5,5	0,3	0,39	0,55
900	1000	0,6	0,79	0,78	0,97	0,96	1,15	0,26	0,34	4,1	5,3	5,2	6,2	0,34	0,44	0,62
1000	1120	0,665	0,875	0,865	1,075	1,065	1,275	0,28	0,37	4,4	5,8	5,7	7	0,385	0,5	0,7
1120	1250	0,73	0,97	0,96	1,2	1,2	1,44	0,31	0,41	4,8	6,4	6,3	7,6	0,42	0,55	0,79
1250	1400	0,81	1,07	1,07	1,33	1,33	1,59	0,34	0,45	5,3	7	0,3	8,3	0,47	0,62	0,85

1) Applies only to solid steel shafts and hollow shafts with a bore no larger than half the shaft diameter.

Note: Bearings with a radial internal clearance before fitting in the upper half of the tolerance range are fitted using the larger value for the reduction in radial internal clearance or the axial displacement distance, while bearings in the lower half of the tolerance range are fitted using the smaller value for the reduction in radial internal clearance or the axial displacement distance.

2) The actual value of the radial internal clearance must not be smaller than the control value. In the case of bearings with a small diameter, this may be difficult to determine.

Table 3.

Reduction in radial internal clearance of toroidal rolling bearings with tapered bore.

Nominal bearing bore diameter d mm		Radial internal clearance before mounting Internal clearance group						Reduction in radial internal clearance ¹⁾ mm	Axial Displacement on				Control value for radial internal clearance after fitting ²⁾			
		CN		C3		C4			Tapered 1:12 ¹⁾		Tapered 1:30 ¹⁾		CN	C3	C4	
		mm	mm	mm	mm	mm	mm		mm	mm	mm	mm	mm	mm	mm	mm
over	up to	min.	max.	min.	max.	min.	max.	min.	max.	min.	max.	min.	max.	min.	max.	min.
24	30	0,035	0,055	0,05	0,065	0,065	0,085	0,01	0,017	0,24	0,29	0,61	0,72	0,025	0,035	0,048
30	40	0,045	0,065	0,06	0,08	0,08	0,1	0,014	0,021	0,3	0,34	0,76	0,84	0,031	0,041	0,059
40	50	0,05	0,075	0,07	0,095	0,09	0,12	0,018	0,028	0,37	0,42	0,91	1,04	0,033	0,046	0,062
50	65	0,06	0,09	0,085	0,115	0,11	0,15	0,024	0,035	0,46	0,5	1,14	1,24	0,036	0,054	0,075
65	80	0,075	0,11	0,105	0,14	0,135	0,18	0,03	0,046	0,55	0,61	1,37	1,53	0,045	0,065	0,09
80	100	0,095	0,135	0,13	0,175	0,17	0,22	0,04	0,056	0,67	0,73	1,68	1,83	0,056	0,08	0,114
100	120	0,115	0,155	0,155	0,205	0,2	0,255	0,049	0,069	0,79	0,89	1,98	2,23	0,066	0,093	0,131
120	140	0,135	0,18	0,18	0,235	0,23	0,295	0,06	0,083	0,91	1,05	2,29	2,62	0,075	0,105	0,147
140	160	0,155	0,215	0,21	0,27	0,265	0,34	0,072	0,095	1,04	1,21	2,59	3,02	0,083	0,123	0,17
160	180	0,17	0,24	0,235	0,305	0,3	0,385	0,081	0,107	1,16	1,36	2,9	3,41	0,089	0,137	0,193
180	200	0,19	0,26	0,26	0,33	0,325	0,42	0,09	0,121	1,28	1,52	3,2	3,81	0,1	0,15	0,204
200	225	0,21	0,29	0,285	0,365	0,36	0,46	0,101	0,134	1,43	1,68	3,58	4,2	0,109	0,162	0,226
225	250	0,235	0,315	0,315	0,405	0,4	0,515	0,113	0,151	1,59	1,88	3,96	4,69	0,123	0,177	0,249
250	280	0,255	0,345	0,34	0,445	0,44	0,56	0,126	0,168	1,77	2,08	4,42	5,19	0,129	0,186	0,273
280	315	0,28	0,38	0,375	0,485	0,48	0,62	0,142	0,188	1,98	2,31	4,95	5,78	0,138	0,203	0,292
315	355	0,315	0,42	0,415	0,545	0,54	0,68	0,16	0,211	2,23	2,59	5,56	6,47	0,155	0,221	0,329
355	400	0,35	0,475	0,47	0,6	0,595	0,755	0,18	0,238	2,5	2,9	6,25	7,26	0,17	0,251	0,357
400	450	0,38	0,525	0,525	0,655	0,65	0,835	0,203	0,268	2,81	3,26	7,01	8,15	0,178	0,279	0,382
450	500	0,435	0,575	0,575	0,735	0,73	0,915	0,225	0,3	3,11	3,66	7,78	9,14	0,21	0,3	0,43
500	560	0,47	0,64	0,63	0,81	0,8	1,01	0,25	0,335	3,48	4,05	8,69	10,13	0,22	0,325	0,465
560	630	0,53	0,71	0,7	0,89	0,88	1,11	0,285	0,375	3,9	4,52	9,76	11,31	0,245	0,355	0,505
630	710	0,59	0,78	0,77	0,99	0,98	1,23	0,32	0,42	4,39	5,08	10,98	12,69	0,27	0,38	0,56
710	800	0,67	0,86	0,86	1,1	1,1	1,38	0,36	0,475	4,94	5,71	12,35	14,27	0,31	0,425	0,625
800	900	0,73	0,96	0,95	1,22	1,21	1,53	0,405	0,535	5,55	6,42	13,88	16,05	0,325	0,46	0,675
900	1000	0,81	1,04	1,04	1,34	1,34	1,67	0,45	0,605	6,16	7,21	15,4	18,03	0,36	0,49	0,735
1000	1120	0,89	1,17	1,16	1,5	1,49	1,88	0,505	0,67	6,89	8	17,23	20	0,385	0,545	0,82
1120	1250	0,97	1,28	1,27	1,64	1,63	2,06	0,565	0,75	7,69	8,95	19,21	22,37	0,41	0,58	0,88
1250	1400	1,08	1,41	1,41	1,79	1,78	2,25	0,63	0,84	8,6	9,98	21,5	24,94	0,45	0,64	0,94
1400	1600	1,2	1,55	1,55	1,99	1,99	2,5	0,72	0,94	9,82	11,16	24,55	27,9	0,48	0,685	1,05
1600	1800	1,32	1,69	1,69	2,18	2,18	2,73	0,81	1,07	11,04	12,74	27,6	31,85	0,51	0,705	1,11

1) Applies only to solid steel shafts and hollow shafts with a bore no larger than half the shaft diameter.

Note: Bearings with a radial internal clearance before fitting in the upper half of the tolerance range are fitted using the larger value for the reduction in radial internal clearance or the axial displacement distance, while bearings in the lower half of the tolerance range are fitted using the smaller value for the reduction in radial internal clearance or the axial displacement distance.

2) The actual value of the radial internal clearance must not be smaller than the control value. In the case of bearings with a small diameter, this may be difficult to determine.

1.4 Designation System

The designation system is built by three parts:

1- Product type

H	Adapter sleeve, dimensions as ISO standard, basic design
HA	Adapter sleeve, dimensions as ISO standard, except the bore, in 1/16 in
HE	Adapter sleeve, dimensions as ISO standard, except the bore, in 1/4 in
HS	Adapter sleeve, dimensions as ISO standard, except the bore, in 1/8 in
OH	Adapter sleeve, dimensions as ISO standard, prepared for oil injection
OSNP	Adapter sleeve, dimensions as ISO standard, prepared for oil injection, with a locking plate
OSNW	Adapter sleeve, dimensions as ANSI standard, prepared for oil injection
SNP	Adapter sleeve, dimensions as ANSI standard, with a locking plate
SNW	Adapter sleeve, dimensions as ANSI standard, with a lock washer
KH	Unthreaded sleeve, basic design
KOH	Unthreaded sleeve prepared for oil injection.

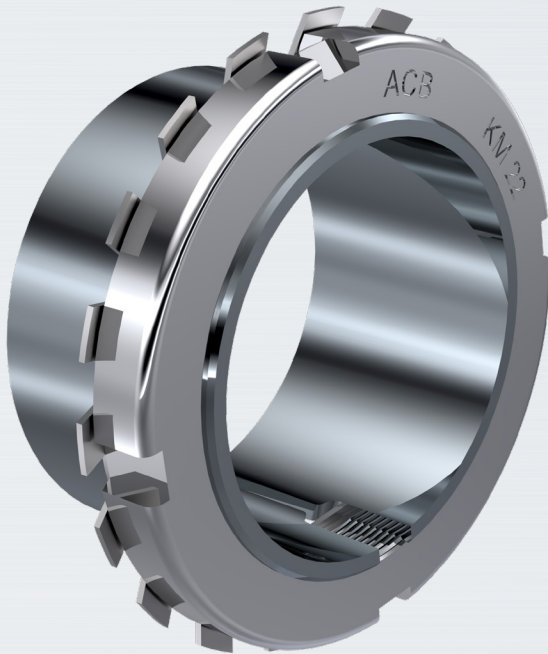
2- Size Identification

This part is where the numerical digits are placed, to inform the size of the Adapter Sleeve.

3- Suffixes

B	For adapter sleeves for oil injection: One or two oil supply ducts at the end opposite the threaded section
D	Sleeve split in two halves
E	Adapter sleeve without key slot, with a KMFE lock nut or standard adapter sleeve with an HME lock nut. This option is recommended for CARB toroidal roller bearings and for sealed bearings
EH	Adapter sleeve without key slot, with a KMFE H lock nut. This option is recommended sealed bearings
EL	Adapter sleeve without key slot, with a KMFE L lock nut. This option is recommended sealed bearings
G	Thread diameter changed according to revised ISO standard
H	One oil supply duct at the threaded end
HB	One or two oil supply ducts at the threaded end
L	Adapter sleeve with a lock nut with lower cross-sectional height. This option is recommended for CARB toroidal roller bearings and for sealed bearings
TL	Same as L, but with key slot positions for a locking clip. This option is recommended for CARB toroidal roller bearings and for sealed bearings.

2. Product Tables

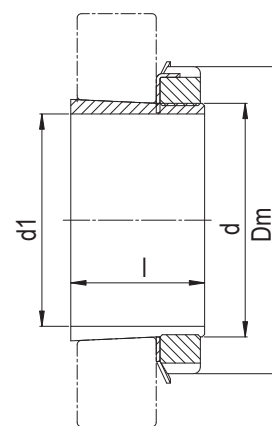


ACB
ATLANTIC CUSTOM BEARINGS

Adapter Sleeves

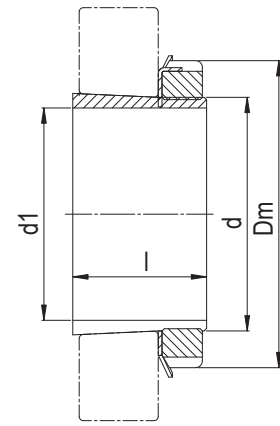
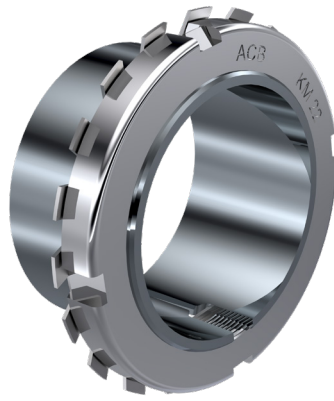
Code	d1	d mm	G mm	l mm	Dm mm	Locknut + Locking Device	Bearings
H 204	17 mm	20	M 20x1	24	32	KM 4 + MB 4	1204K
H 205	20 mm	25	M 25x1,5	26	38	KM 5 + MB 5	1205K, 20205K
H 206	25 mm	30	M 30x1,5	27	45	KM 6 + MB 6	1206K, 20206K
H 207	30 mm	35	M 35x1,5	29	52	KM 7 + MB 7	1207K, 20207K
H 208	35 mm	40	M 40x1,5	31	58	KM 8 + MB 8	1208K, 20208K
H 209	40 mm	45	M 45x1,5	33	65	KM 9 + MB 9	1209K, 20209K
H 210	45 mm	50	M 50x1,5	35	70	KM 10 + MB 10	1210K, 20210K
H 211	50 mm	55	M 55x2	37	75	KM 11 + MB 11	1211K, 20211K
H 212	55 mm	60	M 60x2	38	80	KM 12 + MB 12	1212K, 20212K
H 213	60 mm	65	M 65x2	40	85	KM 13 + MB 13	1213K, 20213K
H 214	60 mm	70	M 70x2	41	92	KM 14 + MB 14	1214K, 20214K
H 215	65 mm	75	M 75x2	43	98	KM 15 + MB 15	1215K, 20215K
H 216	70 mm	80	M 80x2	46	105	KM 16 + MB 16	1216K, 20216K
H 217	75 mm	85	M 85x2	50	110	KM 17 + MB 17	1217K, 20217K
H 218	80 mm	90	M 90x2	52	120	KM 18 + MB 18	1218K, 20218K
H 219	85 mm	95	M 95x2	55	125	KM 19 + MB 19	1219K, 20219K
H 220	90 mm	100	M 100x2	58	130	KM 20 + MB 20	1220K, 20220K
H 221	95 mm	105	M 105x2	60	140	KM 21 + MB 21	1221K, 20221K
H 222	100 mm	110	M 110x2	63	145	KM 22 + MB 22	1222K, 20222K

Adapter Sleeves



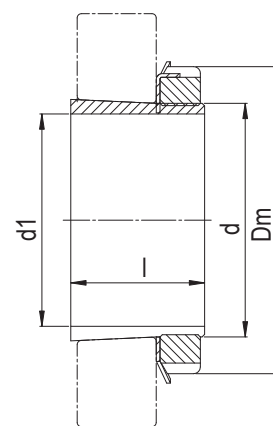
Code	d1	d mm	G mm	l mm	Dm mm	Locknut + Locking Device	Bearings
H 2316	70 mm	80	M 80x2	78	105	KM 16 + MB 16	2316K, 22316K, C 2316K, UK 216, UK 316
H 2317	75 mm	85	M 85x2	82	110	KM 17 + MB 17	2317K, 22317K, C 2317K, UK 217, UK 317
H 2318	80 mm	90	M 90x2	86	120	KM 18 + MB 18	2318K, 22318K, 23218K, C 2318K, UK 218, UK 318
H 2319	85 mm	95	M 95x2	90	125	KM 19 + MB 19	2319K, 22319K, C 2319K, UK 319
H 2320	90 mm	100	M 100x2	97	130	KM 20 + MB 20	2320K, 22320K, 23220K, C 2320K, UK 320
H 2321	95 mm	105	M 105x2	101	140	KM 21 + MB 21	23221K
H 2322	100 mm	110	M 110x2	105	145	KM 22 + MB 22	22322K, 23222K, UK 322
H 2324	110 mm	120	M 120x2	112	155	KM 24 + MB 24	22324K, 23224K, UK 324
H 2326	115 mm	130	M 130x2	121	165	KM 26 + MB 26	22326K, 23226K, C 2326K, UK 326
H 2328	125 mm	140	M 140x2	131	180	KM 28 + MB 28	22328K, 23228K, UK 328
H 2330	135 mm	150	M 150x2	139	195	KM 30 + MB 30	22330K, 23230K
H 2332	140 mm	160	M 160x3	147	210	KM 32 + MB 32	22332K, 23232K
H 2334	150 mm	170	M 170x3	154	220	KM 34 + MB 34	22334K, 23234K
H 2336	160 mm	180	M 180x3	161	230	KM 36 + MB 36	22336K, 23236K, C 3236K
H 2338	170 mm	190	M 190x3	169	240	KM 38 + MB 38	22338K, 23238K
H 2340	180 mm	200	M 200x3	176	250	KM 40 + MB 40	22340K, 23240K
H 2344	200 mm	220	Tr 220x4	186	280	HM 3144 + MS 3144-MS 3148	22344K, 23244K
H 2348	220 mm	240	Tr 240x4	199	300	HM 3148 + MS 3144-MS 3148	22348K, 23248K
H 2352	240 mm	260	Tr 260x4	211	330	HM 3152 + MS 3152-MS 3156	22352K, 23252K
H 2356	260 mm	280	Tr 280x4	224	350	HM 3156 + MS 3152-MS 3156	22356K, 23256K
H 3024	110 mm	120	M 120x2	72	145	KML 24 + MBL 24	1224K, 20224K, 23024K, C 3024KV
H 3026	115 mm	130	M 130x2	80	155	KML 26 + MBL 26	20226K, 23026K, C 3026K
H 3028	125 mm	140	M 140x2	82	165	KML 28 + MBL 28	20228K, 23028K, C 3028K
H 3030	135 mm	150	M 150x2	87	180	KML 30 + MBL 30	20230K, 23030K, C 3030KV
H 3032	140 mm	160	M 160x3	93	190	KML 32 + MBL 32	20232K, 23032K, C 3032K
H 3034	150 mm	170	M 170x3	101	200	KML 34 + MBL 34	20234K, 23034K, C 3034K
H 3036	160 mm	180	M 180x3	109	210	KML 36 + MBL 36	20236K, 20336K, 23036K, C 3036K
H 3038	170 mm	190	M 190x3	112	220	KML 38 + MBL 38	20238K, 20338K, 23038K, C 3038K
H 3040	180 mm	200	M 200x3	120	240	KML 40 + MBL 40	20240K, 20340K, 23040K, C 3040K
H 3044	200 mm	220	Tr 220x4	126	260	HM 3044 + MS 3044	20244K, 20344K, 23044K, C 3044K
H 3048	220 mm	240	Tr 240x4	133	290	HM 3048 + MS 3048-MS 3052	20248K, 20348K, 23048K, C 3048K

Adapter Sleeves



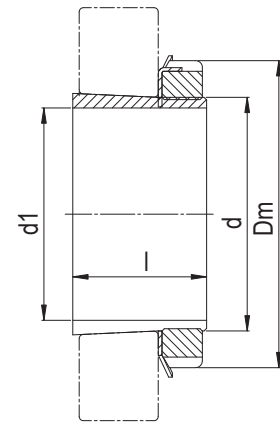
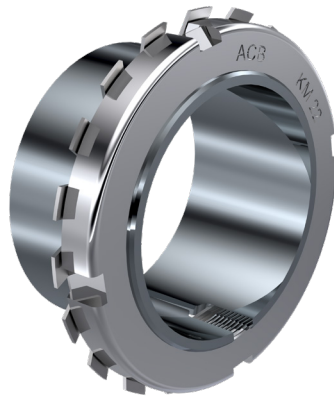
Code	d1	d mm	G mm	l mm	Dm mm	Locknut + Locking Device	Bearings
H 304	70 mm	80	M 80x2	78	105	KM 16 + MB 16	2316K, 22316K, C 2316K, UK 216, UK 316
H 305	75 mm	85	M 85x2	82	110	KM 17 + MB 17	2317K, 22317K, C 2317K, UK 217, UK 317
H 306	80 mm	90	M 90x2	86	120	KM 18 + MB 18	2318K, 22318K, 23218K, C 2318K, UK 218, UK 318
H 307	85 mm	95	M 95x2	90	125	KM 19 + MB 19	2319K, 22319K, C 2319K, UK 319
H 308	90 mm	100	M 100x2	97	130	KM 20 + MB 20	2320K, 22320K, 23220K, C 2320K, UK 320
H 309	95 mm	105	M 105x2	101	140	KM 21 + MB 21	23221K
H 310	100 mm	110	M 110x2	105	145	KM 22 + MB 22	22322K, 23222K, UK 322
H 311	110 mm	120	M 120x2	112	155	KM 24 + MB 24	22324K, 23224K, UK 324
H 312	115 mm	130	M 130x2	121	165	KM 26 + MB 26	22326K, 23226K, C 2326K, UK 326
H 313	125 mm	140	M 140x2	131	180	KM 28 + MB 28	22328K, 23228K, UK 328
H 314	135 mm	150	M 150x2	139	195	KM 30 + MB 30	22330K, 23230K
H 315	140 mm	160	M 160x3	147	210	KM 32 + MB 32	22332K, 23232K
H 316	150 mm	170	M 170x3	154	220	KM 34 + MB 34	22334K, 23234K
H 317	160 mm	180	M 180x3	161	230	KM 36 + MB 36	22336K, 23236K, C 3236K
H 318	170 mm	190	M 190x3	169	240	KM 38 + MB 38	22338K, 23238K
H 319	180 mm	200	M 200x3	176	250	KM 40 + MB 40	22340K, 23240K
H 320	200 mm	220	Tr 220x4	186	280	HM 3144 + MS 3144-MS 3148	22344K, 23244K
H 321	220 mm	240	Tr 240x4	199	300	HM 3148 + MS 3144-MS 3148	22348K, 23248K
H 322	240 mm	260	Tr 260x4	211	330	HM 3152 + MS 3152-MS 3156	22352K, 23252K
H 2304	260 mm	280	Tr 280x4	224	350	HM 3156 + MS 3152-MS 3156	22356K, 23256K
H 2305	110 mm	120	M 120x2	72	145	KML 24 + MBL 24	1224K, 20224K, 23024K, C 3024KV
H 2306	115 mm	130	M 130x2	80	155	KML 26 + MBL 26	20226K, 23026K, C 3026K
H 2307	125 mm	140	M 140x2	82	165	KML 28 + MBL 28	20228K, 23028K, C 3028K
H 2308	135 mm	150	M 150x2	87	180	KML 30 + MBL 30	20230K, 23030K, C 3030KV
H 2309	140 mm	160	M 160x3	93	190	KML 32 + MBL 32	20232K, 23032K, C 3032K
H 2310	150 mm	170	M 170x3	101	200	KML 34 + MBL 34	20234K, 23034K, C 3034K
H 2311	160 mm	180	M 180x3	109	210	KML 36 + MBL 36	20236K, 20336K, 23036K, C 3036K
H 2312	170 mm	190	M 190x3	112	220	KML 38 + MBL 38	20238K, 20338K, 23038K, C 3038K
H 2313	180 mm	200	M 200x3	120	240	KML 40 + MBL 40	20240K, 20340K, 23040K, C 3040K
H 2314	200 mm	220	Tr 220x4	126	260	HM 3044 + MS 3044	20244K, 20344K, 23044K, C 3044K
H 2315	220 mm	240	Tr 240x4	133	290	HM 3048 + MS 3048-MS 3052	20248K, 20348K, 23048K, C 3048K

Adapter Sleeves



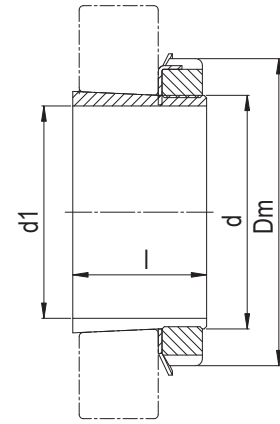
Code	d1	d mm	G mm	l mm	Dm mm	Locknut + Locking Device	Bearings
H 3052	240 mm	260	Tr 260x4	145	310	HM 3052 + MS 3048-MS 3052	20252K, 23052K, C 3052K
H 3056	260 mm	280	Tr 280x4	152	330	HM 3056 + MS 3056	20256K, 23056K, C 3056K
H 3060	280 mm	300	Tr 300x4	168	360	HM 3060 + MS 3060	23060K, C 3060K
H 3064	300 mm	320	Tr 320x5	171	380	HM 3064 + MS 3064-MS 3068	23064K, C 3064K
H 3068	320 mm	340	Tr 340x5	187	400	HM 3068 + MS 3064-MS 3068	23068K, C 3068K
H 3072	340 mm	360	Tr 360x5	188	420	HM 3072 + MS 3072	23072K, C 3072K
H 3076	360 mm	380	Tr 380x5	193	450	HM 3076 + MS 3076-MS 3080	23076K, C 3076K
H 3080	380 mm	400	Tr 400x5	210	470	HM 3080 + MS 3076-MS 3080	23080K, C 3080K
H 3084	400 mm	420	Tr 420x5	212	490	HM 3084 + MS 3084	23084K, C 3084K
H 3088	410 mm	440	Tr 440x5	228	520	HM 3088 + MS 3088-MS 3092	23088K
H 3092	430 mm	460	Tr 460x5	234	540	HM 3092 + MS 3088-MS 3092	23092K, C 3092K
H 3096	450 mm	480	Tr 480x5	237	560	HM 3096 + MS 3096-30/500	23096K, C 3096K
H 30/500	470 mm	500	Tr 500x5	247	580	HM 30/500 + MS 3096-30/500	230/500K, C 30/500K
H 30/530	500 mm	530	Tr 530x6	265	630	HM 30/530 + MS 30/530-600	230/530K, C 30/530K
H 30/560	530 mm	560	Tr 560x6	282	650	HM 30/560 + MS 30/560	230/560K, C 30/560K
H 30/600	560 mm	600	Tr 600x6	289	700	HM 30/600 + MS 30/530-600	230/600K, C 30/600K
H 30/630	600 mm	630	Tr 630x6	301	730	HM 30/630 + MS 30/630	230/630K, C 30/630K
H 30/670	630 mm	670	Tr 670x6	324	780	HM 30/670 + MS 30/670	230/670K, C 30/670K
H 30/710	670 mm	710	Tr 710x7	342	830	HM 30/710 + MS 30/710	230/710K, C 30/710K
H 30/750	710 mm	750	Tr 750x7	356	870	HM 30/750 + MS 30/750-800	230/750K
H 30/800	750 mm	800	Tr 800x7	366	920	HM 30/800 + MS 30/750-800	230/800K
H 30/850	800 mm	850	Tr 850x7	380	980	HM 30/850 + MS 30/850-900	230/850K
H 30/900	850 mm	900	Tr 900x7	400	1030	HM 30/900 + MS 30/850-900	230/900K, C 30/900K
H 30/950	900 mm	950	Tr 950x8	420	1080	HM 30/950 + MS 30/950	230/950K
H 30/1000	950 mm	1000	Tr 1000x8	430	1140	HM 30/1000 + MS 30/1000	230/1000K
H 30/1060	1000 mm	1060	Tr 1060x8	447	1200	HM 30/1060 + MS 30/1000	230/1060K
H 3120	90 mm	100	M 100x2	76	130	KM 20 + MB 20	23120K, C 3120KV
H 3122	100 mm	110	M 110x2	81	145	KM 22 + MB 22	23122K
H 3124	110 mm	120	M 120x2	88	155	KM 24 + MB 24	20324K, 22224K, 23124K
H 3126	115 mm	130	M 130x2	92	165	KM 26 + MB 26	20326K, 22226K, 23126K
H 3128	125 mm	140	M 140x2	97	180	KM 28 + MB 28	20328K, 22228K, 23128K

Adapter Sleeves



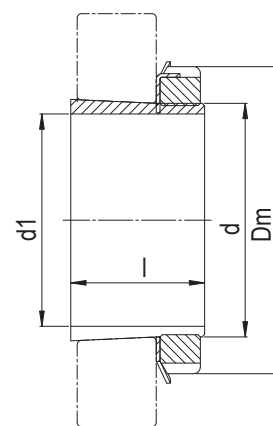
Code	d1	d mm	G mm	l mm	Dm mm	Locknut + Locking Device	Bearings
H 3130	135 mm	150	M 150x2	111	195	KM 30 + MB 30	20330K, 22230K, 23130K
H 3132	140 mm	160	M 160x3	119	210	KM 32 + MB 32	20332K, 22232K, 23132K
H 3134	150 mm	170	M 170x3	122	220	KM 34 + MB 34	20334K, 22234K, 23134K
H 3136	160 mm	180	M 180x3	131	230	KM 36 + MB 36	22236K, 23136K
H 3138	170 mm	190	M 190x3	141	240	KM 38 + MB 38	22238K, 23138K, C 2238K
H 3140	180 mm	200	M 200x3	150	250	KM 40 + MB 40	22240K, 23140K, C 3140K
H 3144	200 mm	220	Tr 220x4	161	280	HM 3144 + MS 3144-MS 3148	22244K, 23144K, C 2244K
H 3148	220 mm	240	Tr 240x4	172	300	HM 3148 + MS 3144-MS 3148	22248K, 23148K
H 3152	240 mm	260	Tr 260x4	190	330	HM 3152 + MS 3152-MS 3156	22252K, 23152K
H 3156	260 mm	280	Tr 280x4	195	350	HM 3156 + MS 3152-MS 3156	22256K, 23156K
H 3160	280 mm	300	Tr 300x4	208	380	HM 3160 + MS 3160	22260K, 23160K, C 3160K
H 3164	300 mm	320	Tr 320x5	226	400	HM 3164 + MS 3164	22264K, 23164K, C 3164K
H 3168	320 mm	340	Tr 340x5	254	440	HM 3168 + MS 3168-MS 3172	23168K, C 3168K
H 3172	340 mm	360	Tr 360x5	259	460	HM 3172 + MS 3168-MS 3172	23172K, C 3172K
H 3176	360 mm	380	Tr 380x5	264	490	HM 3176 + MS 3176	23176K
H 3180	380 mm	400	Tr 400x5	272	520	HM 3180 + MS 3180-MS 3184	23180K, C 3180K
H 3184	400 mm	420	Tr 420x5	304	540	HM 3184 + MS 3180-MS 3184	23184K, C 3184K
H 3188	410 mm	440	Tr 440x5	307	560	HM 3188 + MS 3188-MS 3192	23188K
H 3192	430 mm	460	Tr 460x5	326	580	HM 3192 + MS 3188-MS 3192	23192K, C 3192K
H 3196	450 mm	480	Tr 480x5	335	620	HM 3196 + MS 3196	23196K
H 31/500	470 mm	500	Tr 500x5	356	630	HM 31/500 + MS 31/500	231/500K, C 31/500K
H 31/530	500 mm	530	Tr 530x6	364	670	HM 31/530 + MS 31/530	222/530K, 231/530K, C 31/530K
H 31/560	530 mm	560	Tr 560x6	377	710	HM 31/560 + MS 31/560-600	222/560K, 231/560K
H 31/600	560 mm	600	Tr 600x6	399	750	HM 31/600 + MS 31/560-600	222/600K, 231/600K
H 31/630	600 mm	630	Tr 630x6	424	800	HM 31/630 + MS 31/630	222/630K, 231/630K
H 31/670	630 mm	670	Tr 670x6	456	850	HM 31/670 + MS 31/670	222/670K, 231/670K
H 31/710	670 mm	710	Tr 710x7	467	900	HM 31/710 + MS 31/710	222/710K, 231/710K
H 31/750	710 mm	750	Tr 750x7	493	950	HM 31/750 + MS 31/750-800	222/750K, 231/750K
H 31/800	750 mm	800	Tr 800x7	505	1000	HM 31/800 + MS 31/750-800	222/800K, 231/800K
H 31/850	800 mm	850	Tr 850x7	536	1060	HM 31/850 + MS 31/850	222/850K, 231/850K
H 31/900	850 mm	900	Tr 900x7	557	1120	HM 31/900 + MS 31/900	222/900K, 231/900K

Adapter Sleeves



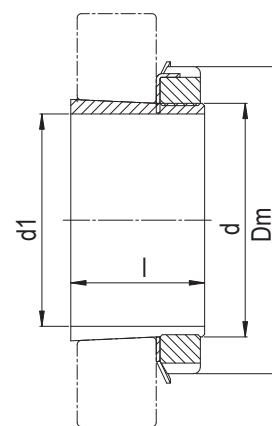
Code	d1	d mm	G mm	l mm	Dm mm	Locknut + Locking Device	Bearings
H 31/950	900 mm	950	Tr 950x8	583	1170	HM 31/950 + MS 31/950	222/950K, 231/950K
H 31/1000	950 mm	1000	Tr 1000x8	609	1240	HM 31/1000 + MS 31/1000	222/1000K, 231/1000K
H 31/1060	1000 mm	1060	Tr 1060x8	622	1300	HM 31/1060 + MS 31/1000	222/1060K, 231/1060K
H 3260	280 mm	300	Tr 300x4	240	380	HM 3160 + MS 3160	22360K, 23260K
H 3264	300 mm	320	Tr 320x5	258	400	HM 3164 + MS 3164	22364K, 23264K
H 3268	320 mm	340	Tr 340x5	288	440	HM 3168 + MS 3168-MS 3172	22368K, 23268K
H 3272	340 mm	360	Tr 360x5	299	460	HM 3172 + MS 3168-MS 3172	22372K, 23272K
H 3276	360 mm	380	Tr 380x5	310	490	HM 3176 + MS 3176	22376K, 23276K
H 3280	380 mm	400	Tr 400x5	328	520	HM 3180 + MS 3180-MS 3184	22380K, 23280K
H 3284	400 mm	420	Tr 420x5	352	540	HM 3184 + MS 3180-MS 3184	22384K, 23284K
H 3288	410 mm	440	Tr 440x5	361	560	HM 3188 + MS 3188-MS 3192	22388K, 23288K
H 3292	430 mm	460	Tr 460x5	382	580	HM 3192 + MS 3188-MS 3192	22392K, 23292K
H 3296	450 mm	480	Tr 480x5	397	620	HM 3196 + MS 3196	22396K, 23296K
H 32/500	470 mm	500	Tr 500x5	428	630	HM 31/500 + MS 31/500	223/500K, 232/500K
H 32/530	500 mm	530	Tr 530x6	447	670	HM 31/530 + MS 31/530	223/530K, 232/530K
H 32/560	530 mm	560	Tr 560x6	462	710	HM 31/560 + MS 31/560-600	223/560K, 232/560K
H 32/600	560 mm	600	Tr 600x6	487	750	HM 31/600 + MS 31/560-600	223/600K, 232/600K
H 32/630	600 mm	630	Tr 630x6	521	800	HM 31/630 + MS 31/630	223/630K, 232/630K
H 32/670	630 mm	670	Tr 670x6	558	850	HM 31/670 + MS 31/670	223/670K, 232/670K
H 32/710	670 mm	710	Tr 710x7	572	900	HM 31/710 + MS 31/710	223/710K, 232/710K
H 32/750	710 mm	750	Tr 750x7	603	950	HM 31/750 + MS 31/750-800	223/750K, 232/750K
H 32/800	750 mm	800	Tr 800x7	618	1000	HM 31/800 + MS 31/750-800	232/800K
H 32/850	800 mm	850	Tr 850x7	651	1060	HM 31/850 + MS 31/850	232/850K
H 32/900	850 mm	900	Tr 900x7	660	1120	HM 31/900 + MS 31/900	232/900K
H 32/950	900 mm	950	Tr 950x8	675	1170	HM 31/950 + MS 31/950	232/950K
H 32/1000	950 mm	1000	Tr 1000x8	707	1240	HM 31/1000 + MS 31/1000	232/1000K
H 3924	110 mm	120	M 120x2	60	145	KML 24 + MBL 24	23924K
H 3926	115 mm	130	M 130x2	65	155	KML 26 + MBL 26	23926K
H 3928	125 mm	140	M 140x2	66	165	KML 28 + MBL 28	23928K
H 3930	135 mm	150	M 150x2	76	180	KML 30 + MBL 30	23930K
H 3932	140 mm	160	M 160x3	78	190	KML 32 + MBL 32	23932K

Adapter Sleeves



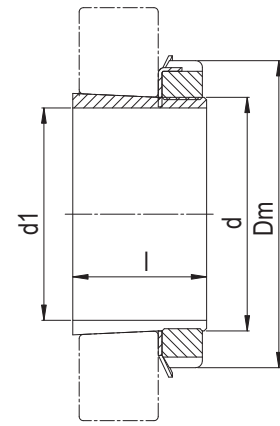
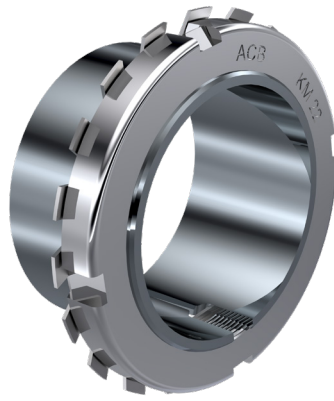
Code	d1	d mm	G mm	l mm	Dm mm	Locknut + Locking Device	Bearings
H 3934	150 mm	170	M 170x3	79	200	KML 34 + MBL 34	23934K
H 3936	160 mm	180	M 180x3	87	210	KML 36 + MBL 36	23936K
H 3938	170 mm	190	M 190x3	89	220	KML 38 + MBL 38	23938K
H 3940	180 mm	200	M 200x3	98	240	KML 40 + MBL 40	23940K
H 3944	200 mm	220	Tr 220x4	96	260	HM 3044 + MS 3044	23944K
H 3948	220 mm	240	Tr 240x4	101	290	HM 3048 + MS 3048-MS 3052	23948K
H 3952	240 mm	260	Tr 260x4	116	310	HM 3052 + MS 3048-MS 3052	23952K
H 3956	260 mm	280	Tr 280x4	121	330	HM 3056 + MS 3056	23956K
H 3960	280 mm	300	Tr 300x4	140	360	HM 3060 + MS 3060	23960K
H 3964	300 mm	320	Tr 320x5	140	380	HM 3064 + MS 3064-MS 3068	23964K
H 3968	320 mm	340	Tr 340x5	144	400	HM 3068 + MS 3064-MS 3068	23968K
H 3972	340 mm	360	Tr 360x5	144	420	HM 3072 + MS 3072	23972K
H 3976	360 mm	380	Tr 380x5	164	450	HM 3076 + MS 3076-MS 3080	23976K, C 3976K
H 3980	380 mm	400	Tr 400x5	168	470	HM 3080 + MS 3076-MS 3080	23980K
H 3984	400 mm	420	Tr 420x5	168	490	HM 3084 + MS 3084	23984K
H 3988	410 mm	440	Tr 440x5	189	520	HM 3088 + MS 3088-MS 3092	23988K
H 3992	430 mm	460	Tr 460x5	189	540	HM 3092 + MS 3088-MS 3092	23992K
H 3996	450 mm	480	Tr 480x5	200	560	HM 3096 + MS 3096-30/500	23996K, C 3996K
H 39/500	470 mm	500	Tr 500x5	208	580	HM 30/500 + MS 3096-30/500	239/500K
H 39/530	500 mm	530	Tr 530x6	216	630	HM 30/530 + MS 30/530-600	239/530K
H 39/560	530 mm	560	Tr 560x6	227	650	HM 30/560 + MS 30/560	239/560K
H 39/600	560 mm	600	Tr 600x6	239	700	HM 30/600 + MS 30/530-600	239/600K
H 39/630	600 mm	630	Tr 630x6	254	730	HM 30/630 + MS 30/630	239/630K
H 39/670	630 mm	670	Tr 670x6	264	780	HM 30/670 + MS 30/670	239/670K, C 39/670K
H 39/710	670 mm	710	Tr 710x7	286	830	HM 30/710 + MS 30/710	239/710K
H 39/750	710 mm	750	Tr 750x7	291	870	HM 30/750 + MS 30/750-800	239/750K
H 39/800	750 mm	800	Tr 800x7	303	920	HM 30/800 + MS 30/750-800	239/800K
H 39/850	800 mm	850	Tr 850x7	308	980	HM 30/850 + MS 30/850-900	239/850K
H 39/900	850 mm	900	Tr 900x7	326	1030	HM 30/900 + MS 30/850-900	239/900K
H 39/950	900 mm	950	Tr 950x8	344	1080	HM 30/950 + MS 30/950	239/950K
H 39/1000	950 mm	1000	Tr 1000x8	358	1140	HM 30/1000 + MS 30/1000	239/1000K

Adapter Sleeves



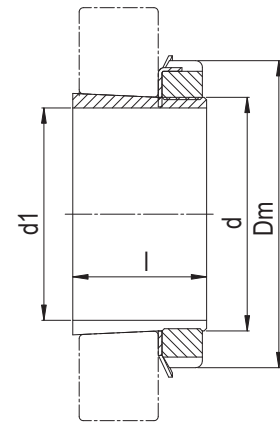
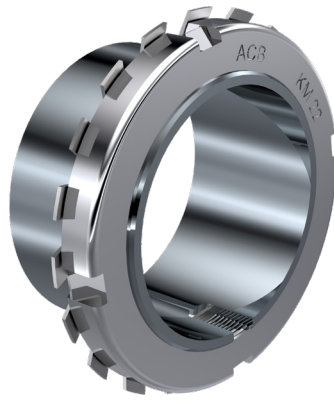
Code	d1	d mm	G mm	l mm	Dm mm	Locknut + Locking Device	Bearings
H 39/1060	1000 mm	1060	Tr 1060x8	372	1200	HM 30/1060 + MS 30/1000	239/1060K
H 39/1120	1060 mm	1120	Tr 1120x8	372	1260	HM 30/1120 + MS 30/1000	239/1120K
HA 204	11/16"	20	M 20x1	24	32	KM 4 + MB 4	1204K
HA 206	15/16"	30	M 30x1,5	27	45	KM 6 + MB 6	1206K, 20206K
HA 207	1.3/16"	35	M 35x1,5	29	52	KM 7 + MB 7	1207K, 20207K
HA 208	1.5/16"	40	M 40x1,5	31	58	KM 8 + MB 8	1208K, 20208K
HA 209	1.7/16"	45	M 45x1,5	33	65	KM 9 + MB 9	1209K, 20209K
HA 210	1.11/16"	50	M 50x1,5	35	70	KM 10 + MB 10	1210K, 20210K
HA 211	1.15/16"	55	M 55x2	37	75	KM 11 + MB 11	1211K, 20211K
HA 212	2.3/16"	60	M 60x2	38	80	KM 12 + MB 12	1212K, 20212K
HA 213	2.3/16"	65	M 65x2	40	85	KM 13 + MB 13	1213K, 20213K
HA 215	2.7/16"	75	M 75x2	43	98	KM 15 + MB 15	1215K, 20215K
HA 216	2.11/16"	80	M 80x2	46	105	KM 16 + MB 16	1216K, 20216K
HA 217	2.15/16"	85	M 85x2	50	110	KM 17 + MB 17	1217K, 20217K
HA 218	3.3/16"	90	M 90x2	52	120	KM 18 + MB 18	1218K, 20218K
HA 219	3.5/16"	95	M 95x2	55	125	KM 19 + MB 19	1219K, 20219K
HA 220	3.7/16"	100	M 100x2	58	130	KM 20 + MB 20	1220K, 20220K
HA 221	3.11/16"	105	M 105x2	60	140	KM 21 + MB 21	1221K, 20221K
HA 222	3.15/16"	110	M 110x2	63	145	KM 22 + MB 22	1222K, 20222K
HA 304	11/16"	20	M 20x1	28	32	KM 4 + MB 4	1304K, 2204K
HA 306	15/16"	30	M 30x1,5	31	45	KM 6 + MB 6	1306K, 2206K, 20306K, 22206K
HA 307	1.3/16"	35	M 35x1,5	35	52	KM 7 + MB 7	1307K, 2207K, 20307K, 22207K
HA 308	1.5/16"	40	M 40x1,5	36	58	KM 8 + MB 8	1308K, 2208K, 20308K, 21308K, 22208K, C 2208KV
HA 309	1.7/16"	45	M 45x1,5	39	65	KM 9 + MB 9	1309K, 2209K, 20309K, 21309K, 22209K
HA 310	1.11/16"	50	M 50x1,5	42	70	KM 10 + MB 10	1310K, 2210K, 20310K, 21310K, 22210K
HA 311	1.15/16"	55	M 55x2	45	75	KM 11 + MB 11	1311K, 2211K, 20311K, 21311K, 22211K
HA 312	2.3/16"	60	M 60x2	47	80	KM 12 + MB 12	1312K, 2212K, 20312K, 21312K, 22212K, C 2212KV
HA 313	2.3/16"	65	M 65x2	50	85	KM 13 + MB 13	1313K, 2213K, 20313K, 21313K, 22213K, C 2213KV
HA 315	2.7/16"	75	M 75x2	55	98	KM 15 + MB 15	1315K, 2215K, 20315K, 21315K, 22215K, C 2215KV
HA 316	2.11/16"	80	M 80x2	59	105	KM 16 + MB 16	1316K, 2216K, 20316K, 21316K, 22216K, C 2216KV
HA 317	2.15/16"	85	M 85x2	63	110	KM 17 + MB 17	1317K, 2217K, 20317K, 21317K, 22217K, C 2217KV

Adapter Sleeves



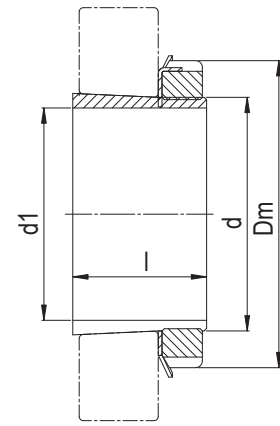
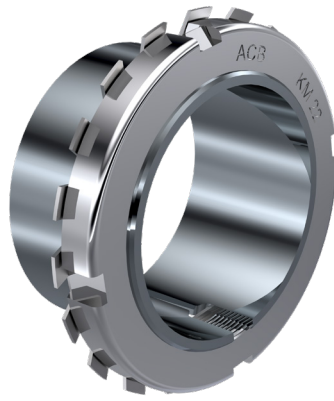
Code	d1	d mm	G mm	l mm	Dm mm	Locknut + Locking Device	Bearings
HA 318	3.3/16"	90	M 90x2	65	120	KM 18 + MB 18	1318K, 2218K, 20318K, 21318K, 22218K
HA 319	3.5/16"	95	M 95x2	68	125	KM 19 + MB 19	1319K, 2219K, 20319K, 21319K, 22219K
HA 320	3.7/16"	100	M 100x2	71	130	KM 20 + MB 20	1320K, 2220K, 20320K, 21320K, 22220K
HA 321	3.11/16"	105	M 105x2	74	140	KM 21 + MB 21	2221K, 20321K, 21321K
HA 322	3.15/16"	110	M 110x2	77	145	KM 22 + MB 22	1322K, 2222K, 20322K, 21322K, 22222K, 23022K
HA 2304	11/16"	20	M 20x1	31	32	KM 4 + MB 4	2304K
HA 2306	15/16"	30	M 30x1,5	38	45	KM 6 + MB 6	2306K, UK 206, UK 306, YSA 206-2FK
HA 2307	1.3/16"	35	M 35x1,5	43	52	KM 7 + MB 7	2307K, UK 207, UK 307, YSA 207-2FK
HA 2308	1.5/16"	40	M 40x1,5	46	58	KM 8 + MB 8	2308K, 22308K, UK 208, UK 308, YSA 208-2FK
HA 2309	1.7/16"	45	M 45x1,5	50	65	KM 9 + MB 9	2309K, 22309K, UK 209, UK 309, YSA 209-2FK
HA 2310	1.11/16"	50	M 50x1,5	55	70	KM 10 + MB 10	2310K, 22310K, UK 210, UK 310, YSA 210-2FK
HA 2311	1.15/16"	55	M 55x2	59	75	KM 11 + MB 11	2311K, 22311K, UK 211, UK 311, YSA 211-2FK
HA 2312	2.3/16"	60	M 60x2	62	80	KM 12 + MB 12	2312K, 22312K, UK 212, UK 312, YSA 212-2FK
HA 2313	2.3/16"	65	M 65x2	65	85	KM 13 + MB 13	2313K, 22313K, UK 213, UK 313, YSA 213-2FK
HA 2315	2.7/16"	75	M 75x2	73	98	KM 15 + MB 15	2315K, 22315K, C 2315K, UK 215, UK 315
HA 2316	2.11/16"	80	M 80x2	78	105	KM 16 + MB 16	2316K, 22316K, C 2316K, UK 216, UK 316
HA 2317	2.15/16"	85	M 85x2	82	110	KM 17 + MB 17	2317K, 22317K, C 2317K, UK 217, UK 317
HA 2318	3.3/16"	90	M 90x2	86	120	KM 18 + MB 18	2318K, 22318K, 23218K, C 2318K, UK 218, UK 318
HA 2319	3.5/16"	95	M 95x2	90	125	KM 19 + MB 19	2319K, 22319K, C 2319K, UK 319
HA 2320	3.7/16"	100	M 100x2	97	130	KM 20 + MB 20	2320K, 22320K, 23220K, C 2320K, UK 320
HA 2321	3.11/16"	105	M 105x2	101	140	KM 21 + MB 21	23221K
HA 2322	3.15/16"	110	M 110x2	105	145	KM 22 + MB 22	22322K, 23222K, UK 322
HA 2324	4.3/16"	120	M 120x2	112	155	KM 24 + MB 24	22324K, 23224K, UK 324
HA 2326	4.7/16"	130	M 130x2	121	165	KM 26 + MB 26	22326K, 23226K, C 2326K, UK 326
HA 2328	4.15/16"	140	M 140x2	131	180	KM 28 + MB 28	22328K, 23228K, UK 328
HA 2330	5.3/16"	150	M 150x2	139	195	KM 30 + MB 30	22330K, 23230K
HA 2332	5.7/16"	160	M 160x3	147	210	KM 32 + MB 32	22332K, 23232K
HA 2334	5.15/16"	170	M 170x3	154	220	KM 34 + MB 34	22334K, 23234K
HA 2336	6.7/16"	180	M 180x3	161	230	KM 36 + MB 36	22336K, 23236K, C 3236K
HA 2338	6.15/16"	190	M 190x3	169	240	KM 38 + MB 38	22338K, 23238K
HA 2340	7.3/16"	200	M 200x3	176	250	KM 40 + MB 40	22340K, 23240K

Adapter Sleeves



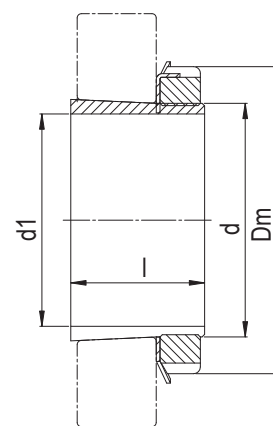
Code	d1	d mm	G mm	l mm	Dm mm	Locknut + Locking Device	Bearings
HA 3140	7.3/16"	200	M 200x3	150	250	KM 40 + MB 40	22240K, 23140K, C 3140K
HA 3144	7.15/16"	220	Tr 220x4	161	280	HM 3144 + MS 3144-MS 3148	22244K, 23144K, C 2244K
HA 3148	8.7/16"	240	Tr 240x4	172	300	HM 3148 + MS 3144-MS 3148	22248K, 23148K
HA 3152	9.7/16"	260	Tr 260x4	190	330	HM 3152 + MS 3152-MS 3156	22252K, 23152K
HA 3156	10.7/16"	280	Tr 280x4	195	350	HM 3156 + MS 3152-MS 3156	22256K, 23156K
HA 3160	10.15/16"	300	Tr 300x4	208	380	HM 3160 + MS 3160	22260K, 23160K, C 3160K
HA 3164	11.15/16"	320	Tr 320x5	226	400	HM 3164 + MS 3164	22264K, 23164K, C 3164K
HA 3168	12.7/16"	340	Tr 340x5	254	440	HM 3168 + MS 3168-MS 3172	23168K, C 3168K
HA 3172	13.7/16"	360	Tr 360x5	259	460	HM 3172 + MS 3168-MS 3172	23172K, C 3172K
HA 3176	13.15/16"	380	Tr 380x5	264	490	HM 3176 + MS 3176	23176K
HA 3260	10.15/16"	300	Tr 300x4	240	380	HM 3160 + MS 3160	22360K, 23260K
HA 3268	12.7/16"	340	Tr 340x5	288	440	HM 3168 + MS 3168-MS 3172	22368K, 23268K
HA 3272	13.7/16"	360	Tr 360x5	299	460	HM 3172 + MS 3168-MS 3172	22372K, 23272K
HA 3276	13.15/16"	380	Tr 380x5	310	490	HM 3176 + MS 3176	22376K, 23276K
HE/HS 204	5/8"	20	M 20x1	24	32	KM 4 + MB 4	1204K
HE 205	3/4"	25	M 25x1,5	26	38	KM 5 + MB 5	1205K, 20205K
HE 206	1"	30	M 30x1,5	27	45	KM 6 + MB 6	1206K, 20206K
HE/HS 207	1.1/8"	35	M 35x1,5	29	52	KM 7 + MB 7	1207K, 20207K
HE 208	1.1/4"	40	M 40x1,5	31	58	KM 8 + MB 8	1208K, 20208K
HE 209	1.1/2"	45	M 45x1,5	33	65	KM 9 + MB 9	1209K, 20209K
HE 210	1.3/4"	50	M 50x1,5	35	70	KM 10 + MB 10	1210K, 20210K
HE 211	2"	55	M 55x2	37	75	KM 11 + MB 11	1211K, 20211K
HE/HS 212	2.1/8"	60	M 60x2	38	80	KM 12 + MB 12	1212K, 20212K
HE 213	2.1/4"	65	M 65x2	40	85	KM 13 + MB 13	1213K, 20213K
HE 214	2.1/4"	70	M 70x2	41	92	KM 14 + MB 14	1214K, 20214K
HE 215	2.1/2"	75	M 75x2	43	98	KM 15 + MB 15	1215K, 20215K
HE 216	2.3/4"	80	M 80x2	46	105	KM 16 + MB 16	1216K, 20216K
HE 217	3"	85	M 85x2	50	110	KM 17 + MB 17	1217K, 20217K
HE 218	3.1/4"	90	M 90x2	52	120	KM 18 + MB 18	1218K, 20218K

Adapter Sleeves



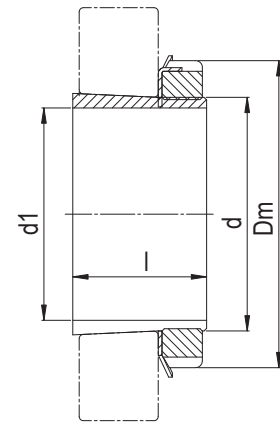
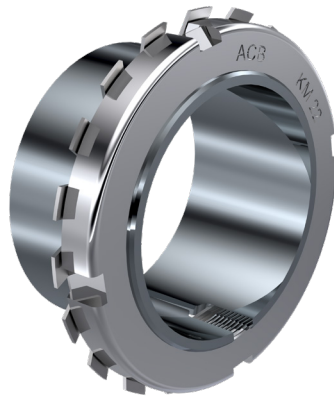
Code	d1	d mm	G mm	l mm	Dm mm	Locknut + Locking Device	Bearings
HE 219	3.1/4"	95	M 95x2	55	125	KM 19 + MB 19	1219K, 20219K
HE 220	3.1/2"	100	M 100x2	58	130	KM 20 + MB 20	1220K, 20220K
HE 221	3.3/4"	105	M 105x2	60	140	KM 21 + MB 21	1221K, 20221K
HE 222	4"	110	M 110x2	63	145	KM 22 + MB 22	1222K, 20222K
HE/HS 304	5/8"	20	M 20x1	28	32	KM 4 + MB 4	1304K, 2204K
HE 305	3/4"	25	M 25x1,5	29	38	KM 5 + MB 5	1305K, 2205K, 20305K, 22205K
HE 306	1"	30	M 30x1,5	31	45	KM 6 + MB 6	1306K, 2206K, 20306K, 22206K
HE/HS 307	1.1/8"	35	M 35x1,5	35	52	KM 7 + MB 7	1307K, 2207K, 20307K, 22207K
HE 308	1.1/4"	40	M 40x1,5	36	58	KM 8 + MB 8	1308K, 2208K, 20308K, 21308K, 22208K, C 2208KV
HE 309	1.1/2"	45	M 45x1,5	39	65	KM 9 + MB 9	1309K, 2209K, 20309K, 21309K, 22209K
HE 310	1.3/4"	50	M 50x1,5	42	70	KM 10 + MB 10	1310K, 2210K, 20310K, 21310K, 22210K
HE 311	2"	55	M 55x2	45	75	KM 11 + MB 11	1311K, 2211K, 20311K, 21311K, 22211K
HE/HS 312	2.1/8"	60	M 60x2	47	80	KM 12 + MB 12	1312K, 2212K, 20312K, 21312K, 22212K, C 2212KV
HE 313	2.1/4"	65	M 65x2	50	85	KM 13 + MB 13	1313K, 2213K, 20313K, 21313K, 22213K, C 2213KV
HE 314	2.1/4"	70	M 70x2	52	92	KM 14 + MB 14	1314K, 2214K, 20314K, 21314K, 22214K, C 2214KV
HE 315	2.1/2"	75	M 75x2	55	98	KM 15 + MB 15	1315K, 2215K, 20315K, 21315K, 22215K, C 2215KV
HE 316	2.3/4"	80	M 80x2	59	105	KM 16 + MB 16	1316K, 2216K, 20316K, 21316K, 22216K, C 2216KV
HE 317	3"	85	M 85x2	63	110	KM 17 + MB 17	1317K, 2217K, 20317K, 21317K, 22217K, C 2217KV
HE 318	3.1/4"	90	M 90x2	65	120	KM 18 + MB 18	1318K, 2218K, 20318K, 21318K, 22218K
HE 319	3.1/4"	95	M 95x2	68	125	KM 19 + MB 19	1319K, 2219K, 20319K, 21319K, 22219K
HE 320	3.1/2"	100	M 100x2	71	130	KM 20 + MB 20	1320K, 2220K, 20320K, 21320K, 22220K
HE 321	3.3/4"	105	M 105x2	74	140	KM 21 + MB 21	2221K, 20321K, 21321K
HE 322	4"	110	M 110x2	77	145	KM 22 + MB 22	1322K, 2222K, 20322K, 21322K, 22222K, 23022K
HE/HS 2304	5/8"	20	M 20x1	31	32	KM 4 + MB 4	2304K
HE 2305	3/4"	25	M 25x1,5	35	38	KM 5 + MB 5	2305K, UK 205, UK 305, YSA 205-2FK
HE 2306	1"	30	M 30x1,5	38	45	KM 6 + MB 6	2306K, UK 206, UK 306, YSA 206-2FK
HE/HS 2307	1.1/8"	35	M 35x1,5	43	52	KM 7 + MB 7	2307K, UK 207, UK 307, YSA 207-2FK
HE 2308	1.1/4"	40	M 40x1,5	46	58	KM 8 + MB 8	2308K, 22308K, UK 208, UK 308, YSA 208-2FK
HE 2309	1.1/2"	45	M 45x1,5	50	65	KM 9 + MB 9	2309K, 22309K, UK 209, UK 309, YSA 209-2FK
HE 2310	1.3/4"	50	M 50x1,5	55	70	KM 10 + MB 10	2310K, 22310K, UK 210, UK 310, YSA 210-2FK
HE 2311	2"	55	M 55x2	59	75	KM 11 + MB 11	2311K, 22311K, UK 211, UK 311, YSA 211-2FK

Adapter Sleeves



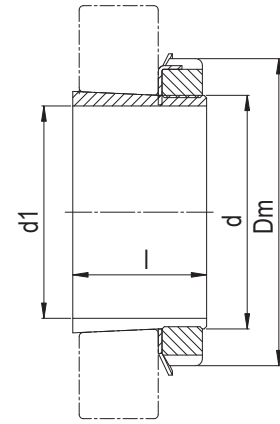
Code	d1	d mm	G mm	l mm	Dm mm	Locknut + Locking Device	Bearings
HS 219	3.3/8"	95	M 95x2	55	125	KM 19 + MB 19	1219K, 20219K
HS 220	3.5/8"	100	M 100x2	58	130	KM 20 + MB 20	1220K, 20220K
HS 222	3.7/8"	110	M 110x2	63	145	KM 22 + MB 22	1222K, 20222K
HS 306	7/8"	30	M 30x1,5	31	45	KM 6 + MB 6	1306K, 2206K, 20306K, 22206K
HS 308	1.3/8"	40	M 40x1,5	36	58	KM 8 + MB 8	1308K, 2208K, 20308K, 21308K, 22208K, C 2208KV
HS 310	1.5/8"	50	M 50x1,5	42	70	KM 10 + MB 10	1310K, 2210K, 20310K, 21310K, 22210K
HS 311	1.7/8"	55	M 55x2	45	75	KM 11 + MB 11	1311K, 2211K, 20311K, 21311K, 22211K
HS 313	2.3/8"	65	M 65x2	50	85	KM 13 + MB 13	1313K, 2213K, 20313K, 21313K, 22213K, C 2213KV
HS 315	2.5/8"	75	M 75x2	55	98	KM 15 + MB 15	1315K, 2215K, 20315K, 21315K, 22215K, C 2215KV
HS 317	2.7/8"	85	M 85x2	63	110	KM 17 + MB 17	1317K, 2217K, 20317K, 21317K, 22217K, C 2217KV
HS 318	3.1/8"	90	M 90x2	65	120	KM 18 + MB 18	1318K, 2218K, 20318K, 21318K, 22218K
HS 319	3.3/8"	95	M 95x2	68	125	KM 19 + MB 19	1319K, 2219K, 20319K, 21319K, 22219K
HS 320	3.5/8"	100	M 100x2	71	130	KM 20 + MB 20	1320K, 2220K, 20320K, 21320K, 22220K
HS 322	3.7/8"	110	M 110x2	77	145	KM 22 + MB 22	1322K, 2222K, 20322K, 21322K, 22222K, 23022K
HS 2306	7/8"	30	M 30x1,5	38	45	KM 6 + MB 6	2306K, UK 206, UK 306, YSA 206-2FK
HS 2308	1.3/8"	40	M 40x1,5	46	58	KM 8 + MB 8	2308K, 22308K, UK 208, UK 308, YSA 208-2FK
HS 2310	1.5/8"	50	M 50x1,5	55	70	KM 10 + MB 10	2310K, 22310K, UK 210, UK 310, YSA 210-2FK
HS 2311	1.7/8"	55	M 55x2	59	75	KM 11 + MB 11	2311K, 22311K, UK 211, UK 311, YSA 211-2FK
HS 2313	2.3/8"	65	M 65x2	65	85	KM 13 + MB 13	2313K, 22313K, UK 213, UK 313, YSA 213-2FK
HS 2315	2.5/8"	75	M 75x2	73	98	KM 15 + MB 15	2315K, 22315K, C 2315K, UK 215, UK 315
HS 2317	2.7/8"	85	M 85x2	82	110	KM 17 + MB 17	2317K, 22317K, C 2317K, UK 217, UK 317
HS 2318	3.1/8"	90	M 90x2	86	120	KM 18 + MB 18	2318K, 22318K, 23218K, C 2318K, UK 218, UK 318
HS 2319	3.3/8"	95	M 95x2	90	125	KM 19 + MB 19	2319K, 22319K, C 2319K, UK 319
HS 2320	3.5/8"	100	M 100x2	97	130	KM 20 + MB 20	2320K, 22320K, 23220K, C 2320K, UK 320
HS 2322	3.7/8"	110	M 110x2	105	145	KM 22 + MB 22	22322K, 23222K, UK 322
HS 2324	4.3/8"	120	M 120x2	112	155	KM 24 + MB 24	22324K, 23224K, UK 324
HS 2328	4.7/8"	140	M 140x2	131	180	KM 28 + MB 28	22328K, 23228K, UK 328

Adapter Sleeves



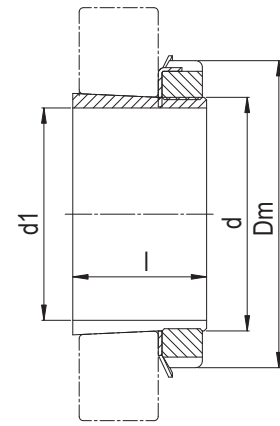
Code	d1	d mm	G mm	l mm	Dm mm	Locknut + Locking Device	Bearings
HE/HS 2312	2.1/8"	60	M 60x2	62	80	KM 12 + MB 12	2312K, 22312K, UK 212, UK 312, YSA 212-2FK
HE 2313	2.1/4"	65	M 65x2	65	85	KM 13 + MB 13	2313K, 22313K, UK 213, UK 313, YSA 213-2FK
HE 2314	2.1/4"	70	M 70x2	68	92	KM 14 + MB 14	2314K, 22314K, C 2314K
HE 2315	2.1/2"	75	M 75x2	73	98	KM 15 + MB 15	2315K, 22315K, C 2315K, UK 215, UK 315
HE 2316	2.3/4"	80	M 80x2	78	105	KM 16 + MB 16	2316K, 22316K, C 2316K, UK 216, UK 316
HE 2317	3"	85	M 85x2	82	110	KM 17 + MB 17	2317K, 22317K, C 2317K, UK 217, UK 317
HE 2318	3.1/4"	90	M 90x2	86	120	KM 18 + MB 18	2318K, 22318K, 23218K, C 2318K, UK 218, UK 318
HE 2319	3.1/4"	95	M 95x2	90	125	KM 19 + MB 19	2319K, 22319K, C 2319K, UK 319
HE 2320	3.1/2"	100	M 100x2	97	130	KM 20 + MB 20	2320K, 22320K, 23220K, C 2320K, UK 320
HE 2321	3.3/4"	105	M 105x2	101	140	KM 21 + MB 21	23221K
HE 2322	4"	110	M 110x2	105	145	KM 22 + MB 22	22322K, 23222K, UK 322
HE 2324	4.1/4"	120	M 120x2	112	155	KM 24 + MB 24	22324K, 23224K, UK 324
HE 2326	4.1/2"	130	M 130x2	121	165	KM 26 + MB 26	22326K, 23226K, C 2326K, UK 326
HE 2328	5"	140	M 140x2	131	180	KM 28 + MB 28	22328K, 23228K, UK 328
HE 2330	5.1/4"	150	M 150x2	139	195	KM 30 + MB 30	22330K, 23230K
HE 2332	5.1/2"	160	M 160x3	147	210	KM 32 + MB 32	22332K, 23232K
HE 2334	6"	170	M 170x3	154	220	KM 34 + MB 34	22334K, 23234K
HE 2336	6.1/2"	180	M 180x3	161	230	KM 36 + MB 36	22336K, 23236K, C 3236K
HE 2338	6.3/4"	190	M 190x3	169	240	KM 38 + MB 38	22338K, 23238K
HE 2340	7"	200	M 200x3	176	250	KM 40 + MB 40	22340K, 23240K
HE 2344	8"	220	Tr 220x4	186	280	HM 3144 + MS 3144-MS 3148	22344K, 23244K
HE 2348	8.1/2"	240	Tr 240x4	199	300	HM 3148 + MS 3144-MS 3148	22348K, 23248K
HE 2352	9.1/2"	260	Tr 260x4	211	330	HM 3152 + MS 3152-MS 3156	22352K, 23252K
HE 2356	10"	280	Tr 280x4	224	350	HM 3156 + MS 3152-MS 3156	22356K, 23256K
HE 3024	4.1/4"	120	M 120x2	72	145	KML 24 + MBL 24	1224K, 20224K, 23024K, C 3024KV
HE 3026	4.1/2"	130	M 130x2	80	155	KML 26 + MBL 26	20226K, 23026K, C 3026K
HE 3028	5"	140	M 140x2	82	165	KML 28 + MBL 28	20228K, 23028K, C 3028K
HE 3030	5.1/4"	150	M 150x2	87	180	KML 30 + MBL 30	20230K, 23030K, C 3030KV
HE 3032	5.1/2"	160	M 160x3	93	190	KML 32 + MBL 32	20232K, 23032K, C 3032K
HE 3034	6"	170	M 170x3	101	200	KML 34 + MBL 34	20234K, 23034K, C 3034K
HE 3036	6.1/2"	180	M 180x3	109	210	KML 36 + MBL 36	20236K, 20336K, 23036K, C 3036K

Adapter Sleeves



Code	d1	d mm	G mm	l mm	Dm mm	Locknut + Locking Device	Bearings
HE 3038	6.3/4"	190	M 190x3	112	220	KML 38 + MBL 38	20238K, 20338K, 23038K, C 3038K
HE 3040	7"	200	M 200x3	120	240	KML 40 + MBL 40	20240K, 20340K, 23040K, C 3040K
HE 3044	8"	220	Tr 220x4	126	260	HM 3044 + MS 3044	20244K, 20344K, 23044K, C 3044K
HE 3048	8.1/2"	240	Tr 240x4	133	290	HM 3048 + MS 3048-MS 3052	20248K, 20348K, 23048K, C 3048K
HE 3052	9.1/2"	260	Tr 260x4	145	310	HM 3052 + MS 3048-MS 3052	20252K, 23052K, C 3052K
HE 3056	10"	280	Tr 280x4	152	330	HM 3056 + MS 3056	20256K, 23056K, C 3056K
HE 3060	11"	300	Tr 300x4	168	360	HM 3060 + MS 3060	23060K, C 3060K
HE 3064	11.1/2"	320	Tr 320x5	171	380	HM 3064 + MS 3064-MS 3068	23064K, C 3064K
HE 3068	12"	340	Tr 340x5	187	400	HM 3068 + MS 3064-MS 3068	23068K, C 3068K
HE 3072	13"	360	Tr 360x5	188	420	HM 3072 + MS 3072	23072K, C 3072K
HE 3076	14"	380	Tr 380x5	193	450	HM 3076 + MS 3076-MS 3080	23076K, C 3076K
HE 3080	15"	400	Tr 400x5	210	470	HM 3080 + MS 3076-MS 3080	23080K, C 3080K
HE 3084	15.3/4"	420	Tr 420x5	212	490	HM 3084 + MS 3084	23084K, C 3084K
HE 3088	16"	440	Tr 440x5	228	520	HM 3088 + MS 3088-MS 3092	23088K
HE 3092	17"	460	Tr 460x5	234	540	HM 3092 + MS 3088-MS 3092	23092K, C 3092K
HE 3096	18"	480	Tr 480x5	237	560	HM 3096 + MS 3096-30/500	23096K, C 3096K
HE 30/500	18.1/2"	500	Tr 500x5	247	580	HM 30/500 + MS 3096-30/500	230/500K, C 30/500K
HE 3120	3.1/2"	100	M 100x2	76	130	KM 20 + MB 20	23120K, C 3120KV
HE 3122	4"	110	M 110x2	81	145	KM 22 + MB 22	23122K
HE 3124	4.1/4"	120	M 120x2	88	155	KM 24 + MB 24	20324K, 22224K, 23124K
HE 3126	4.1/2"	130	M 130x2	92	165	KM 26 + MB 26	20326K, 22226K, 23126K
HE 3128	5"	140	M 140x2	97	180	KM 28 + MB 28	20328K, 22228K, 23128K
HE 3130	5.1/4"	150	M 150x2	111	195	KM 30 + MB 30	20330K, 22230K, 23130K
HE 3132	5.1/2"	160	M 160x3	119	210	KM 32 + MB 32	20332K, 22232K, 23132K
HE 3134	6"	170	M 170x3	122	220	KM 34 + MB 34	20334K, 22234K, 23134K
HE 3136	6.1/2"	180	M 180x3	131	230	KM 36 + MB 36	22236K, 23136K
HE 3138	6.3/4"	190	M 190x3	141	240	KM 38 + MB 38	22238K, 23138K, C 2238K
HE 3140	7"	200	M 200x3	150	250	KM 40 + MB 40	22240K, 23140K, C 3140K
HE 3144	8"	220	Tr 220x4	161	280	HM 3144 + MS 3144-MS 3148	22244K, 23144K, C 2244K
HE 3148	8.1/2"	240	Tr 240x4	172	300	HM 3148 + MS 3144-MS 3148	22248K, 23148K
HE 3152	9.1/2"	260	Tr 260x4	190	330	HM 3152 + MS 3152-MS 3156	22252K, 23152K

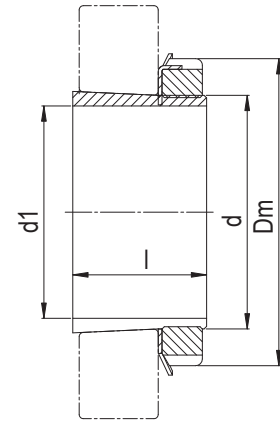
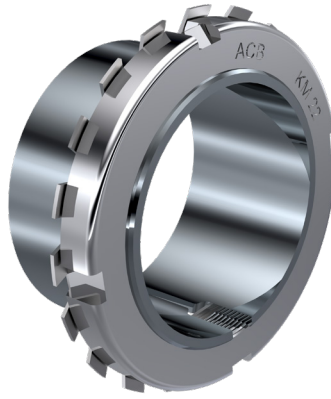
Adapter Sleeves



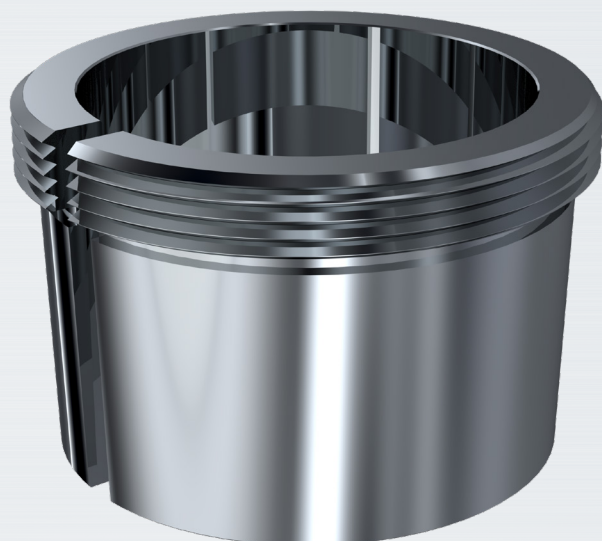
Code	d1	d mm	G mm	l mm	Dm mm	Locknut + Locking Device	Bearings
HS 2330	5.3/8"	150	M 150x2	139	195	KM 30 + MB 30	22330K, 23230K
HS 2334	5.7/8"	170	M 170x3	154	220	KM 34 + MB 34	22334K, 23234K
HS 2336	6.3/8"	180	M 180x3	161	230	KM 36 + MB 36	22336K, 23236K, C 3236K
HS 2338	6.5/8"	190	M 190x3	169	240	KM 38 + MB 38	22338K, 23238K
HS 2340	7.1/8"	200	M 200x3	176	250	KM 40 + MB 40	22340K, 23240K
HS 3024	4.3/8"	120	M 120x2	72	145	KML 24 + MBL 24	1224K, 20224K, 23024K, C 3024KV
HS 3028	4.7/8"	140	M 140x2	82	165	KML 28 + MBL 28	20228K, 23028K, C 3028K
HS 3030	5.3/8"	150	M 150x2	87	180	KML 30 + MBL 30	20230K, 23030K, C 3030KV
HS 3034	5.7/8"	170	M 170x3	101	200	KML 34 + MBL 34	20234K, 23034K, C 3034K
HS 3036	6.3/8"	180	M 180x3	109	210	KML 36 + MBL 36	20236K, 20336K, 23036K, C 3036K
HS 3038	6.5/8"	190	M 190x3	112	220	KML 38 + MBL 38	20238K, 20338K, 23038K, C 3038K
HS 3040	7.1/8"	200	M 200x3	120	240	KML 40 + MBL 40	20240K, 20340K, 23040K, C 3040K
HS 3120	3.5/8"	100	M 100x2	76	130	KM 20 + MB 20	23120K, C 3120KV
HS 3122	3.7/8"	110	M 110x2	81	145	KM 22 + MB 22	23122K
HS 3124	4.3/8"	120	M 120x2	88	155	KM 24 + MB 24	20324K, 22224K, 23124K
HS 3128	4.7/8"	140	M 140x2	97	180	KM 28 + MB 28	20328K, 22228K, 23128K
HS 3130	5.3/8"	150	M 150x2	111	195	KM 30 + MB 30	20330K, 22230K, 23130K
HS 3134	5.7/8"	170	M 170x3	122	220	KM 34 + MB 34	20334K, 22234K, 23134K
HS 3136	6.3/8"	180	M 180x3	131	230	KM 36 + MB 36	22236K, 23136K
HS 3138	6.5/8"	190	M 190x3	141	240	KM 38 + MB 38	22238K, 23138K, C 2238K
HS 3140	7.1/8"	200	M 200x3	150	250	KM 40 + MB 40	22240K, 23140K, C 3140K

Adapter Sleeves

Inch Series



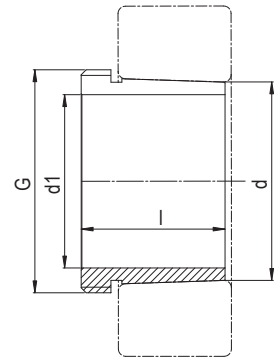
Code	Thread G in	d1 in	d mm	Dm in	l in
SNP3064x12	12.562	12	320	15.005	6.936
SNW10x1.11/16	1.967	1 11/16	50	2.693	1.755
SNW111x1.15/16	2.157	1 15/16	55	2.974	2.506
SNW111x2	2.157	2	55	2.974	2.506
SNW11x1.15/16	2.157	1 15/16	55	2.974	1.835
SNW11x2	2.157	2	55	2.974	1.835
SNW122x3.15/16	4.325	3 15/16	110	5.724	4.338
SNW126x4.7/16	5.106	4 7/16	130	6.755	4.972
SNW128x4.15/16	5.497	4 15/16	140	7.099	5.313
SNW134x5.15/16	6.659	4 15/16	140	7.099	5.313
SNW13x2.3/16	2.548	2 3/16	65	3.38	2.09
SNW15x2.7/16	2.933	2 7/16	75	3.88	2.286
SNW16x2.11/16	3.137	2 11/16	80	4.161	2.366
SNW17x2.15/16	3.34	2 15/16	85	4.411	2.476
SNW17x3	3.34	3	85	4.411	2.476
SNW18x3.3/16	3.527	3 3/16	90	4.661	2.636
SNW20x3.1/2	3.918	3 1/2	100	5.193	2.859
SNW20x3.7/16	3.918	3 7/16	100	5.193	2.859
SNW22x3.15/16	4.325	3 15/16	110	5.724	3.196
SNW24x4.3/16	4.716	4 3/16	120	6.13	3.456
SNW26x4.1/2	5.106	4 1/2	130	6.755	3.752
SNW26x4.7/16	5.106	4 7/16	130	6.755	3.752
SNW28x4.15/16	5.497	4 15/16	140	7.099	3.971
SNW28x5	5.497	5	140	7.099	3.971
SNW3036x6.7/16	7.066	6 7/16	180	8.255	4.327
SNW3040x7.3/16	7.847	7 3/16	200	9.443	4.74
SNW3136x6.7/16	7.066	6 7/16	180	8.255	5.028
SNW32x5.7/16	6.284	5 7/16	160	8.068	4.568
SNW34x5.15/16	6.659	5 15/16	170	8.661	4.837
SNW36x6.7/16	7.066	6 7/16	180	9.068	5.028
SNW38x6.15/16	7.472	6 15/16	190	9.474	5.251
SNW44x7.15/16	8.628	7 15/16	220	11.005	5.891
SNW44x8	8.628	8	220	11.005	5.891
SNW9x1.7/16	1.767	1 7/16	45	2.536	1.574



Withdrawal Sleeves

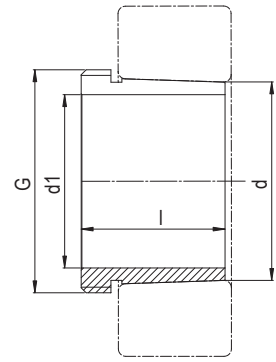
Code	$\frac{d1}{mm}$	$\frac{d}{mm}$	$\frac{l}{mm}$	$\frac{G}{mm}$	Bearings
AH 308	35	40	29	M 45x1,5	1308K, 2208K, 21308K, 22208K, C 2208K, C 2208KV
AH 309	40	45	31	M 50x1,5	1309K, 2209K, 21309K, 22209K, C 2209K, C 2209KV
AHX 310	45	50	35	M 55x2	1310K, 2210K, 21310K, 22210K, C 2210K, C 2210KV
AHX 311	50	55	37	M 60x2	1311K, 2211K, 21311K, 22211K, C 2211K, C 2211KV
AHX 312	55	60	40	M 65x2	1312K, 2212K, 21312K, 22212K, C 2212K, C 2212KV
AH 313	60	65	42	M 75x2	1313K, 2213K, 21313K, 22213K
AH 314	65	70	43	M 80x2	1314K, 2214K, 21314K, 22214K
AH 315	70	75	45	M 85x2	1315K, 2215K, 21315K, 22215K
AH 316	75	80	48	M 90x2	1316K, 2216K, 21316K, 22216K, C 2216K, C 2216KV
AHX 317	80	85	52	M 95x2	1317K, 2217K, 21317K, 22217K, C 2217K, C 2217KV
AHX 318	85	90	53	M 100x2	1318K, 2218K, 21318K, 22218K, C 2218K
AHX 319	90	95	57	M 105x2	1319K, 2219K, 21319K, 22219K, C 2219K
AHX 320	95	100	59	M 110x2	1320K, 2220K, 21320K, 22220K, C 2220K
AHX 322	105	110	63	M 120x2	21322K, 23022K
AH 2236	170	180	105	M 200x3	22236K
AH 2238	180	190	112	Tr 210x4	22238K
AH 2240	190	200	118	Tr 220x4	22240K
AH 2244	200	220	130	Tr 240x4	22244K, C 2244K
AH 2248	220	240	144	Tr 260x4	22248K
AH 2252	240	260	155	Tr 290x4	22252K
AH 2256	260	280	155	Tr 310x5	22256K
AH 2260	280	300	170	Tr 330x5	22260K

Withdrawal Sleeves



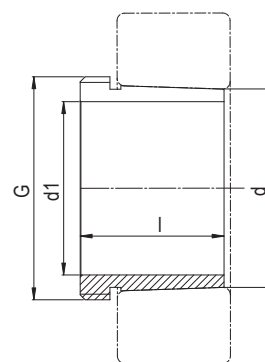
Code	$\frac{d1}{mm}$	$\frac{d}{mm}$	$\frac{l}{mm}$	$\frac{G}{mm}$	Bearings
AH 2264	300	320	180	Tr 350x5	22264K
AH 2308	35	40	40	M 45x1,5	2308K, 22308K
AH 2309	40	45	44	M 50x1,5	2309K, 22309K
AHX 2310	45	50	50	M 55x2	2310K, 22310K
AHX 2311	50	55	54	M 60x2	2311K, 22311K
AHX 2312	55	60	58	M 65x2	2312K, 22312K
AH 2313	60	65	61	M 75x2	2313K, 22313K
AHX 2314	65	70	64	M 80x2	2314K, 22314K
AHX 2315	70	75	68	M 85x2	2315K, 22315K
AHX 2316	75	80	71	M 90x2	2316K, 22316K, C 2316K
AHX 2317	80	85	74	M 95x2	2317K, 22317K, C 2317K
AHX 2318	85	90	79	M 100x2	2318K, 22318K, C 2318K
AHX 2319	90	95	85	M 105x2	2319K, 22319K, C 2319K
AHX 2320	95	100	90	M 110x2	2320K, 22320K, C 2320K
AHX 2322	105	110	98	M 125x2	22322K
AHX 2324	115	120	105	M 135x2	22324K
AHX 2326	125	130	115	M 145x2	22326K
AHX 2328	135	140	125	M 155x3	22328K
AHX 2330	145	150	135	M 165x3	22330K
AH 2332	150	160	140	M 180x3	22332K

Withdrawal Sleeves



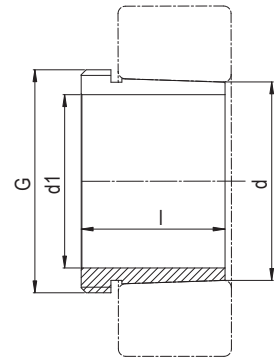
Code	$\frac{d1}{mm}$	$\frac{d}{mm}$	$\frac{l}{mm}$	$\frac{G}{mm}$	Bearings
AH 2334	160	170	146	M 190x3	22334K
AH 2336	170	180	154	M 200x3	22336K
AH 2338	180	190	160	Tr 210x4	22338K
AH 2340	190	200	170	Tr 220x4	22340K
AH 2344	200	220	181	Tr 240x4	22344K, 23244K
AH 2348	220	240	189	Tr 260x4	22348K, 23248K
AH 2352	240	260	205	Tr 290x4	22352K, 23252K
AH 2356	260	280	212	Tr 310x5	22356K, 23256K
AHX 3024	115	120	60	M 130x2	23024K, C 3024K, C 3024KV
AHX 3026	125	130	67	M 140x2	23026K, C 3026K
AHX 3028	135	140	68	M 150x2	23028K, C 3028K
AHX 3030	145	150	72	M 160x3	23030K, C 3030K, C 3030KV
AH 3032	150	160	77	M 170x3	23032K, C 3032K
AH 3034	160	170	85	M 180x3	23034K, C 3034K
AH 3036	170	180	92	M 190x3	23036K, C 3036K
AH 3038	180	190	96	Tr 205x4	23038K
AH 3040	190	200	102	Tr 215x4	23040K
AH 3044	200	220	111	Tr 235x4	23044K
AH 3048	220	240	116	Tr 260x4	23048K, C 3048K
AH 3052	240	260	128	Tr 280x4	23052K, C 3052K
AH 3056	260	280	131	Tr 300x4	23056K, C 3056K
AH 3060	280	300	145	Tr 320x5	23060K, C 3060K

Withdrawal Sleeves



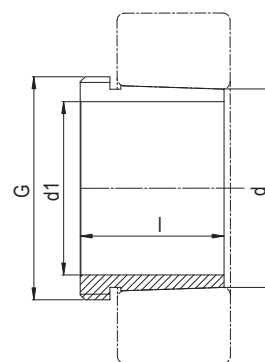
Code	$\frac{d1}{mm}$	$\frac{d}{mm}$	$\frac{l}{mm}$	$\frac{G}{mm}$	Bearings
AH 3064	300	320	149	Tr 345x5	23064K
AH 3068	320	340	162	Tr 365x5	23068K
AH 3072	340	360	167	Tr 385x5	23072K
AH 3076	360	380	170	Tr 410x5	23076K
AH 3080	380	400	183	Tr 430x5	23080K
AH 3084	400	420	186	Tr 450x5	23084K
AHX 3088	420	440	194	Tr 470x5	23088K
AHX 3092	440	460	202	Tr 490x5	23092K
AHX 3096	460	480	205	Tr 520x6	23096K
AHX 30/500	480	500	209	Tr 540x6	230/500K
AH 30/530	500	530	230	Tr 560x6	230/530K, C 30/530K
AH 30/560	530	560	240	Tr 590x6	230/560K
AHX 30/560	530	560	240	Tr 600x6	C 30/560K
AH 30/600	560	600	245	Tr 630x6	230/600K
AHX 30/600	570	600	245	Tr 630x6	230/600K, C 30/600K
AH 30/630	600	630	258	Tr 670x6	230/630K, C 30/630K
AH 30/670	630	670	280	Tr 710x7	230/670K, C 30/670K
AH 30/710	670	710	286	Tr 750x7	230/710K
AHX 30/710	670	710	286	Tr 750x7	C 30/710K
AH 30/750	710	750	300	Tr 800x7	230/750K, C 30/750K

Withdrawal Sleeves



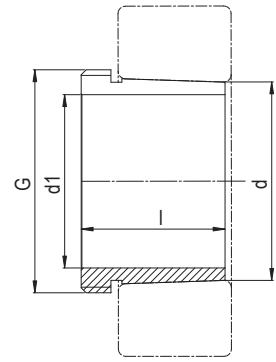
Code	$\frac{d1}{mm}$	$\frac{d}{mm}$	$\frac{l}{mm}$	$\frac{G}{mm}$	Bearings
AH 30/800	750	800	308	Tr 850x7	230/800K, C 30/800K
AH 30/850	800	850	325	Tr 900x7	230/850K, C 30/850K
AH 30/900	850	900	335	Tr 950x8	230/900K, C 30/900K
AH 30/950	900	950	355	Tr 1000x8	230/950K, C 30/950K
AH 30/1000	950	1000	365	Tr 1060x8	230/1000K, C 30/1000K
AH 30/1060	1000	1060	385	Tr 1120x8	230/1060K
AHX 3120	95	100	64	M 110x2	23120K, C 3120KV
AHX 3122	105	110	68	M 120x2	22222K, 23122K, C 2222K, C 3022K
AHX 3124	115	120	75	M 130x2	22224K, 23124K, C 2224K
AHX 3126	125	130	78	M 140x2	22226K, 23126K, C 2226K
AHX 3128	135	140	83	M 150x2	22228K, 23128K, C 2228K
AHX 3130	145	150	96	M 165x3	22230K, 23130K
AH 3132	150	160	103	M 180x3	22232K, 23132K
AH 3134	160	170	104	M 190x3	22234K, 23134K
AH 3136	170	180	116	M 200x3	23136K
AH 3138	180	190	125	Tr 210x4	23138K
AH 3140	190	200	134	Tr 220x4	23140K, C 3140K
AH 3144	200	220	145	Tr 240x4	23144K, C 3144K
AH 3148	220	240	154	Tr 260x4	23148K, C 3148K
AH 3152	240	260	172	Tr 290x4	23152K
AH 3156	260	280	175	Tr 310x5	23156K
AH 3160	280	300	192	Tr 330x5	23160K

Withdrawal Sleeves



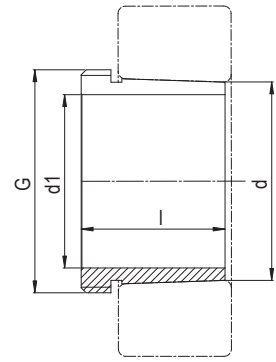
Code	$\frac{d1}{mm}$	$\frac{d}{mm}$	$\frac{l}{mm}$	$\frac{G}{mm}$	Bearings
AH 3164	300	320	209	Tr 350x5	23164K
AH 3168	320	340	225	Tr 370x5	23168K
AH 3172	340	360	229	Tr 400x5	23172K
AH 3176	360	380	232	Tr 420x5	23176K
AH 3180	380	400	240	Tr 440x5	23180K
AH 3184	400	420	266	Tr 460x5	23184K
AH 3184 G	400	420	266	Tr 440x5	23184K, C 3184K
AHX 3188	420	440	270	Tr 480x5	23188K
AHX 3192	440	460	285	Tr 510x6	23192K
AHX 3196	460	480	295	Tr 530x6	23196K
AHX 31/500	480	500	313	Tr 550x6	231/500K
AH 31/530	500	530	325	Tr 560x6	222/530K, 231/530K, C 31/530K
AH 31/560	530	560	335	Tr 590x6	222/560K, 231/560K, C 31/560K
AH 31/600	560	600	355	Tr 630x6	222/600K, 231/600K, C 31/600K
AH 31/630	600	630	375	Tr 670x6	222/630K, 231/630K, C 31/630K
AH 31/670	630	670	395	Tr 710x7	222/670K, 231/670K
AHX 31/670	630	670	395	Tr 710x7	C 31/670K
AH 31/710	670	710	405	Tr 750x7	222/710K, 231/710K
AHX 31/710	670	710	405	Tr 750x7	C 31/710K
AH 31/750	710	750	425	Tr 800x7	222/750K, 231/750K, C 31/750K
AH 31/800	750	800	438	Tr 850x7	222/800K, 231/800K, C 31/800K

Withdrawal Sleeves



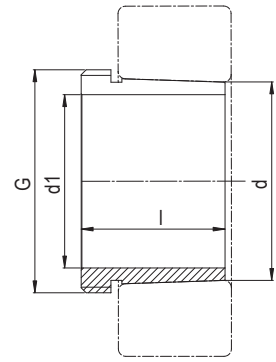
Code	$\frac{d1}{mm}$	$\frac{d}{mm}$	$\frac{l}{mm}$	$\frac{G}{mm}$	Bearings
AH 31/850	800	850	462	Tr 900x7	222/850K, 231/850K, C 31/850K
AH 31/900	850	900	475	Tr 950x8	222/900K, 231/900K
AH 31/950	900	950	500	Tr 1000x8	222/950K, 231/950K
AH 31/1000	950	1000	525	Tr 1060x8	222/1000K, 231/1000K, C 31/1000K
AH 31/1060	1000	1060	540	Tr 1120x8	222/1060K, 231/1060K
AHX 3218	85	90	63	M 100x2	23218K
AHX 3219	90	95	67	M 105x2	23219K
AHX 3220	95	100	73	M 110x2	23220K
AHX 3222	105	110	82	M 125x2	23222K
AHX 3224	115	120	90	M 135x2	23224K
AHX 3226	125	130	98	M 145x2	23226K
AHX 3228	135	140	104	M 155x3	23228K
AHX 3230	145	150	114	M 165x3	23230K
AH 3232	150	160	124	M 180x3	23232K
AH 3234	160	170	134	M 190x3	23234K
AH 3236	170	180	140	M 200x3	23236K
AH 3238	180	190	145	Tr 210x4	23238K
AH 3240	190	200	153	Tr 220x4	23240K
AH 3260	280	300	228	Tr 330x5	22360K, 23260K
AH 3264	300	320	246	Tr 350x5	22364K, 23264K

Withdrawal Sleeves



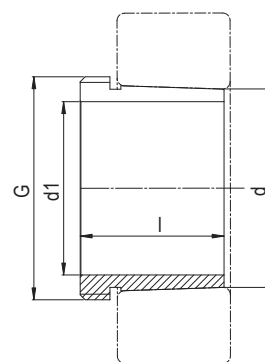
Code	$\frac{d1}{mm}$	$\frac{d}{mm}$	$\frac{l}{mm}$	$\frac{G}{mm}$	Bearings
AH 3268	320	340	264	Tr 370x5	22368K
AH 3272	340	360	274	Tr 400x5	22372K
AH 3276	360	380	284	Tr 420x5	22376K
AH 3280	380	400	302	Tr 440x5	22380K
AH 3284	400	420	321	Tr 460x5	22384K
AHX 3288	420	440	330	Tr 480x5	22388K
AHX 3292	440	460	349	Tr 510x6	22392K
AHX 3296	460	480	364	Tr 530x6	22396K
AHX 32/500	480	500	393	Tr 550x6	223/500K
AH 32/530	500	530	412	Tr 580x6	223/530K, 232/530K
AH 32/560	530	560	422	Tr 610x6	223/560K, 232/560K
AH 32/600	560	600	445	Tr 650x6	223/600K, 232/600K
AH 32/630	600	630	475	Tr 680x6	223/630K, 232/630K
AH 32/670	630	670	500	Tr 720x7	223/670K, 232/670K
AH 32/710	670	710	515	Tr 760x7	223/710K, 232/710K

Withdrawal Sleeves



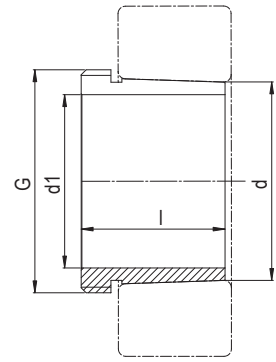
Code	d1 mm	d mm	l mm	G mm	Bearings
AH 32/750	710	750	540	Tr 800x7	223/750K, 232/750K
AH 32/800	750	800	550	Tr 850x7	232/800K
AH 32/850	800	850	585	Tr 900x7	232/850K
AH 32/900	850	900	585	Tr 950x8	232/900K
AH 32/950	900	950	600	Tr 1000x8	232/950K
AH 32/1000	950	1000	630	Tr 1060x8	232/1000K
AH 3934	160	170	59	M 180x3	23934K
AH 3936	170	180	66	M 190x3	23936K
AH 3938	180	190	66	M 200x3	23938K
AH 3940	190	200	77	Tr 210x4	23940K
AH 3944	200	220	77	Tr 230x4	23944K
AH 3948	220	240	77	Tr 250x4	23948K
AH 3952	240	260	94	Tr 275x4	23952K
AH 3956	260	280	94	Tr 295x4	23956K
AH 3960	280	300	112	Tr 315x5	23960K
AH 3964	300	320	112	Tr 335x5	23964K
AH 3968	320	340	112	Tr 355x5	23968K
AH 3972	340	360	112	Tr 375x5	23972K
AH 3976	360	380	130	Tr 395x5	23976K
AH 3980	380	400	130	Tr 415x5	23980K
AH 3984	400	420	130	Tr 435x5	23984K
AH 3988	420	440	145	Tr 460x5	23988K
AH 3992	440	460	145	Tr 480x5	23992K
AH 3996	460	480	158	Tr 500x5	23996K
AH 39/500	480	500	162	Tr 520x6	239/500K
AH 39/530	500	530	175	Tr 550x6	239/530K
AH 39/560	530	560	180	Tr 580x6	239/560K
AH 39/600	560	600	192	Tr 625x6	239/600K
AH 39/630	600	630	210	Tr 655x6	239/630K

Withdrawal Sleeves



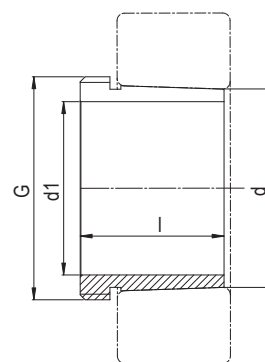
Code	$\frac{d1}{mm}$	$\frac{d}{mm}$	$\frac{l}{mm}$	$\frac{G}{mm}$	Bearings
AH 39/670	630	670	216	Tr 695x6	239/670K
AH 39/710	670	710	228	Tr 740x7	239/710K
AH 39/750	710	750	234	Tr 780x7	239/750K
AH 39/800	750	800	245	Tr 830x7	239/800K
AH 39/850	800	850	258	Tr 880x7	239/850K
AH 39/900	850	900	265	Tr 930x8	239/900K
AH 39/950	900	950	282	Tr 980x8	239/950K
AH 39/1000	950	1000	296	Tr 1035x8	239/1000K
AH 39/1060	1010	1060	310	Tr 1095x8	239/1060K
AH 24024	115	120	73	M 125x2	24024K30, C 4024K30V
AH 24026	125	130	83	M 135x2	24026K30, C 4026K30, C 4026K30V
AH 24028	135	140	83	M 145x2	24028K30, C 4028K30V
AH 24030	145	150	90	M 155x3	24030K30, C 4030K30V
AH 24032	150	160	95	M 170x3	24032K30, C 4032K30, C 4032K30V
AH 24034	160	170	106	M 180x3	24034K30, C 4034K30V
AH 24036	170	180	116	M 190x3	24036K30, C 4036K30V
AH 24038	180	190	118	M 200x3	24038K30, C 4038K30V
AH 24040	190	200	127	Tr 210x4	24040K30, C 4040K30V
AH 24044	200	220	138	Tr 230x4	24044K30, C 4044K30V
AH 24048	220	240	138	Tr 250x4	24048K30
AH 24052	240	260	162	Tr 270x4	24052K30
AH 24056	260	280	162	Tr 290x4	24056K30
AH 24060	280	300	184	Tr 310x5	24060K30
AH 24064	300	320	184	Tr 330x5	24064K30
AH 24068	320	340	206	Tr 360x5	24068K30
AH 24072	340	360	206	Tr 380x5	24072K30

Withdrawal Sleeves



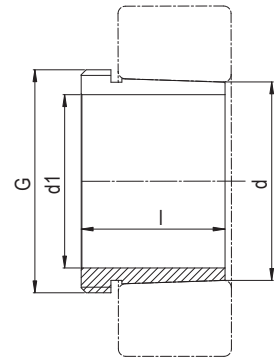
Code	$\frac{d1}{mm}$	$\frac{d}{mm}$	$\frac{l}{mm}$	$\frac{G}{mm}$	Bearings
AH 24076	360	380	208	Tr 400x5	24076K30
AH 24080	380	400	228	Tr 420x5	24080K30
AH 24084	400	420	230	Tr 440x5	24084K30
AH 24088	420	440	242	Tr 460x5	24088K30
AH 24092	440	460	250	Tr 480x5	24092K30
AH 24096	460	480	250	Tr 500x5	24096K30
AH 240/500	480	500	253	Tr 520x6	240/500K30
AH 240/530	500	530	290	Tr 550x6	240/530K30
AH 240/560	530	560	298	Tr 580x6	240/560K30
AH 240/600	560	600	317	Tr 625x6	240/600K30
AH 240/630	600	630	335	Tr 655x6	240/630K30
AH 240/670	630	670	358	Tr 695x6	240/670K30
AH 240/710	670	710	365	Tr 740x7	240/710K30
AH 240/750	710	750	380	Tr 780x7	240/750K30
AH 240/800	750	800	395	Tr 830x7	240/800K30
AH 240/850	800	850	418	Tr 880x7	240/850K30
AH 240/900	850	900	430	Tr 930x8	240/900K30
AH 240/950	900	950	467	Tr 980x8	240/950K30
AH 240/1000	950	1000	469	Tr 1035x8	240/1000K30
AH 240/1060	1000	1060	498	Tr 1095x8	240/1060K30
AH 24122	105	110	82	M 115x2	24122K30, C 4122K30V
AH 24124	115	120	93	M 130x2	24124K30, C 4124K30V

Withdrawal Sleeves



Code	d1 mm	d mm	l mm	G mm	Bearings
AH 24126	125	130	94	M 140x2	24126K30, C 4126K30V
AH 24128	135	140	99	M 150x2	24128K30, C 4128K30V
AH 24130	145	150	115	M 160x3	24130K30, C 4130K30V
AH 24132	150	160	124	M 170x3	24132K30, C 4132K30V
AH 24134	160	170	125	M 180x3	24134K30, C 4134K30V
AH 24136	170	180	134	M 190x3	24136K30, C 4136K30V
AH 24138	180	190	146	M 200x3	24138K30, C 4138K30V
AH 24140	190	200	158	Tr 210x4	24140K30, C 4140K30V
AH 24144	200	220	170	Tr 230x4	24144K30
AH 24148	220	240	180	Tr 260x4	24148K30
AH 24152	240	260	202	Tr 280x4	24152K30
AH 24156	260	280	202	Tr 300x4	24156K30
AH 24160	280	300	224	Tr 320x5	24160K30, C 4160K30
AH 24164	300	320	242	Tr 340x5	24164K30
AH 24168	320	340	269	Tr 360x5	24168K30
AH 24172	340	360	269	Tr 380x5	24172K30
AH 24176	360	380	271	Tr 400x5	24176K30
AH 24180	380	400	278	Tr 420x5	24180K30
AH 24184	400	420	310	Tr 440x5	24184K30
AH 24188	420	440	310	Tr 460x5	24188K30, C 4188K30
AH 24192	440	460	332	Tr 480x5	24192K30, C 4192K30
AH 24196	460	480	343	Tr 500x5	24196K30
AH 241/500	480	500	362	Tr 530x6	241/500K30, C 41/500K30
AH 241/530	500	530	375	Tr 550x6	241/530K30
AH 241/560	530	560	400	Tr 580x6	241/560K30
AH 241/600	560	600	425	Tr 625x6	241/600K30
AHX 241/600	570	600	413	Tr 630x6	C 41/600K30
AH 241/630	600	630	450	Tr 655x6	241/630K30

Withdrawal Sleeves



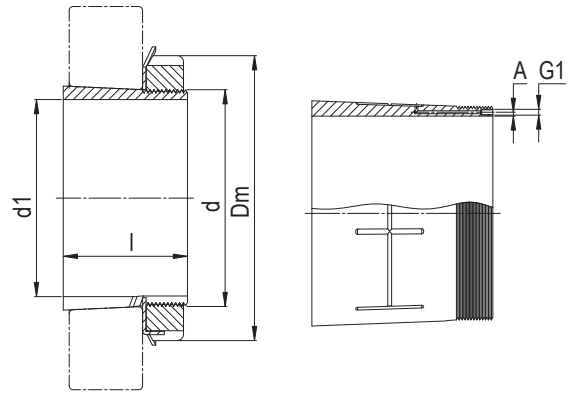
Code	$\frac{d1}{mm}$	$\frac{d}{mm}$	$\frac{l}{mm}$	$\frac{G}{mm}$	Bearings
AH 241/670	630	670	467	Tr 695x6	241/670K30
AH 241/710	670	710	493	Tr 740x7	241/710K30
AH 241/750	710	750	520	Tr 780x7	241/750K30
AH 241/800	750	800	525	Tr 830x7	241/800K30
AH 241/850	800	850	560	Tr 880x7	241/850K30
AH 241/900	850	900	575	Tr 930x8	241/900K30
AH 241/950	900	950	605	Tr 980x8	241/950K30
AH 241/1000	950	1000	645	Tr 1035x8	241/1000K30
AH 241/1060	1000	1060	665	Tr 1095x8	241/1060K30



Hydraulic Adapter Sleeves

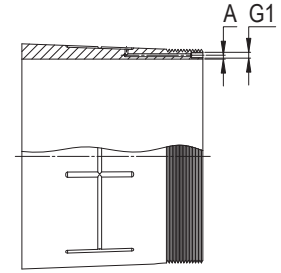
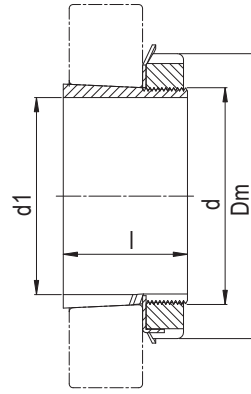
Code	d1	d mm	G mm	l mm	Dm mm	G1	Locknut + Locking Device	Bearings
OH 2332H	140 mm	160	M 160x3	147	210	M6x1	KM 32 + MB 32	22332K, 23232K
OH 2332HL	140 mm	160	M 160x3	147	190	M6x1	KML 32 + MBL 32	C 3232K
OH 2334H	150 mm	170	M 170x3	154	220	M6x1	KM 34 + MB 34	22334K, 23234K
OH 2336H	160 mm	180	M 180x3	161	230	M6x1	KM 36 + MB 36	22336K, 23236K, C 3236K
OH 2338H	170 mm	190	M 190x3	169	240	M6x1	KM 38 + MB 38	22338K, 23238K
OH 2340H	180 mm	200	M 200x3	176	250	M6x1	KM 40 + MB 40	22340K, 23240K
OH 2344H	200 mm	220	Tr 220x4	186	280	M6x1	HM 3144 + MS 3144-MS 3148	22344K, 23244K
OH 2344XH	200 mm	220	Tr 220x4	186	280	M6x1	HM 44T + MB 44	22344K, 23244K
OH 2348H	220 mm	240	Tr 240x4	199	300	M6x1	HM 3148 + MS 3144-MS 3148	22348K, 23248K
OH 2348XH	220 mm	240	Tr 240x4	199	300	M6x1	HM 48T + MB 48	22348K, 23248K
OH 2352H	240 mm	260	Tr 260x4	211	330	M6x1	HM 3152 + MS 3152-MS 3156	22352K, 23252K
OH 2352XH	240 mm	260	Tr 260x4	211	330	M6x1	HM 52T + MB 52	22352K, 23252K
OH 2356H	260 mm	280	Tr 280x4	224	350	M6x1	HM 3156 + MS 3152-MS 3156	22356K, 23256K
OH 2356XH	260 mm	280	Tr 280x4	224	350	M6x1	HM 56T + MB 56	22356K, 23256K
OH 3032H	140 mm	160	M 160x3	93	190	M6x1	KML 32 + MBL 32	20232K, 23032K, C 3032K
OH 3034H	150 mm	170	M 170x3	101	200	M6x1	KML 34 + MBL 34	20234K, 23034K, C 3034K
OH 3036H	160 mm	180	M 180x3	109	210	M6x1	KML 36 + MBL 36	20236K, 20336K, 23036K, C 3036K
OH 3038H	170 mm	190	M 190x3	112	220	M6x1	KML 38 + MBL 38	20238K, 20338K, 23038K, C 3038K
OH 3040H	180 mm	200	M 200x3	120	240	M6x1	KML 40 + MBL 40	20240K, 20340K, 23040K, C 3040K
OH 3044H	200 mm	220	Tr 220x4	126	260	M6x1	HM 3044 + MS 3044	20244K, 20344K, 23044K, C 3044K
OH 3048H	220 mm	240	Tr 240x4	133	290	M6x1	HM 3048 + MS 3048-MS 3052	20248K, 20348K, 23048K, C 3048K
OH 3052H	240 mm	260	Tr 260x4	145	310	M6x1	HM 3052 + MS 3048-MS 3052	20252K, 23052K, C 3052K
OH 3056H	260 mm	280	Tr 280x4	152	330	M6x1	HM 3056 + MS 3056	20256K, 23056K, C 3056K
OH 3060H	280 mm	300	Tr 300x4	168	360	M6x1	HM 3060 + MS 3060	23060K, C 3060K
OH 3064H	300 mm	320	Tr 320x5	171	380	M6x1	HM 3064 + MS 3064-MS 3068	23064K, C 3064K
OH 3068H	320 mm	340	Tr 340x5	187	400	M6x1	HM 3068 + MS 3064-MS 3068	23068K, C 3068K
OH 3072H	340 mm	360	Tr 360x5	188	420	M6x1	HM 3072 + MS 3072	23072K, C 3072K
OH 3076H	360 mm	380	Tr 380x5	193	450	M6x1	HM 3076 + MS 3076-MS 3080	23076K, C 3076K
OH 3080H	380 mm	400	Tr 400x5	210	470	M6x1	HM 3080 + MS 3076-MS 3080	23080K, C 3080K
OH 3084H	400 mm	420	Tr 420x5	212	490	M6x1	HM 3084 + MS 3084	23084K, C 3084K

Hydraulic Adapter Sleeves



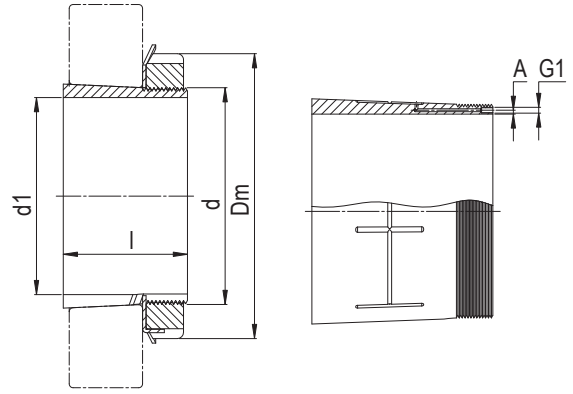
Code	d1	d mm	G mm	l mm	Dm mm	G1	Locknut + Locking Device	Bearings
OH 3088H	140 mm	440	Tr 440x5	228	520	M8x1,25	HM 3088 + MS 3088-MS 3092	23088K
OH 3088HE	140 mm	440	Tr 440x5	228	520	M8x1,25	HME 3088 + MS 3088-MS 3092	C 3088K
OH 3092H	150 mm	460	Tr 460x5	234	540	M8x1,25	HM 3092 + MS 3088-MS 3092	23092K, C 3092K
OH 3096H	160 mm	480	Tr 480x5	237	560	M8x1,25	HM 3096 + MS 3096-30/500	23096K, C 3096K
OH 30/500H	170 mm	500	Tr 500x5	247	580	M8x1,25	HM 30/500 + MS 3096-30/500	230/500K, C 30/500K
OH 30/530H	180 mm	530	Tr 530x6	265	630	M8x1,25	HM 30/530 + MS 30/530-600	230/530K, C 30/530K
OH 30/560H	200 mm	560	Tr 560x6	282	650	M8x1,25	HM 30/560 + MS 30/560	230/560K, C 30/560K
OH 30/600H	200 mm	600	Tr 600x6	289	700	G1/8"x28FPP	HM 30/600 + MS 30/530-600	230/600K, C 30/600K
OH 30/630H	220 mm	630	Tr 630x6	301	730	M8x1,25	HM 30/630 + MS 30/630	230/630K, C 30/630K
OH 30/670H	220 mm	670	Tr 670x6	324	780	G1/8"x28FPP	HM 30/670 + MS 30/670	230/670K, C 30/670K
OH 30/710H	240 mm	710	Tr 710x7	342	830	G1/8"x28FPP	HM 30/710 + MS 30/710	230/710K, C 30/710K
OH 30/750H	240 mm	750	Tr 750x7	356	870	G1/8"x28FPP	HM 30/750 + MS 30/750-800	230/750K
OH 30/750HE	260 mm	750	Tr 750x7	356	870	G1/8"x28FPP	HME 30/750 + MS 30/750-800	C 30/750K
OH 30/800H	260 mm	800	Tr 800x7	366	920	G1/8"x28FPP	HM 30/800 + MS 30/750-800	230/800K
OH 30/800HE	140 mm	800	Tr 800x7	366	920	G1/8"x28FPP	HME 30/800 + MS 30/750-800	C 30/800K
OH 30/850H	150 mm	850	Tr 850x7	380	980	G1/8"x28FPP	HM 30/850 + MS 30/850-900	230/850K
OH 30/850HE	160 mm	850	Tr 850x7	380	980	G1/8"x28FPP	HME 30/850 + MS 30/850-900	C 30/850K
OH 30/900H	170 mm	900	Tr 900x7	400	1030	G1/8"x28FPP	HM 30/900 + MS 30/850-900	230/900K, C 30/900K
OH 30/900HE	180 mm	900	Tr 900x7	400	1030	G1/8"x28FPP	HM 30/900 + MS 30/850-900	C 30/900K
OH 30/950H	200 mm	950	Tr 950x8	420	1080	G1/8"x28FPP	HM 30/950 + MS 30/950	230/950K
OH 30/950HE	220 mm	950	Tr 950x8	420	1080	G1/8"x28FPP	HME 30/950 + MS 30/950	C 30/950K
OH 30/1000H	240 mm	1000	Tr 1000x8	430	1140	G1/8"x28FPP	HM 30/1000 + MS 30/1000	230/1000K
OH 30/1000HE	260 mm	1000	Tr 1000x8	430	1140	G1/8"x28FPP	HME 30/1000 + MS 30/1000	C 30/1000K
OH 30/1060H	280 mm	1060	Tr 1060x8	447	1200	G1/4"x19FPP	HM 30/1060 + MS 30/1000	230/1060K
OH 3132H	300 mm	160	M 160x3	119	210	M6x1	KM 32 + MB 32	20332K, 22232K, 23132K
OH 3132HE	320 mm	160	M 160x3	119	210	M6x1	KMFE 32	C 3132K
OH 3132HL	340 mm	160	M 160x3	119	190	M6x1	KML 32 + MBL 32	20332K, 22232K, 23132K
OH 3134H	360 mm	170	M 170x3	122	220	M6x1	KM 34 + MB 34	20334K, 22234K, 23134K
OH 3134HL	380 mm	170	M 170x3	122	200	M6x1	KML 34 + MBL 34	C 2234K, C 3134K
OH 3136H	400 mm	180	M 180x3	131	230	M6x1	KM 36 + MB 36	22236K, 23136K

Hydraulic Adapter Sleeves



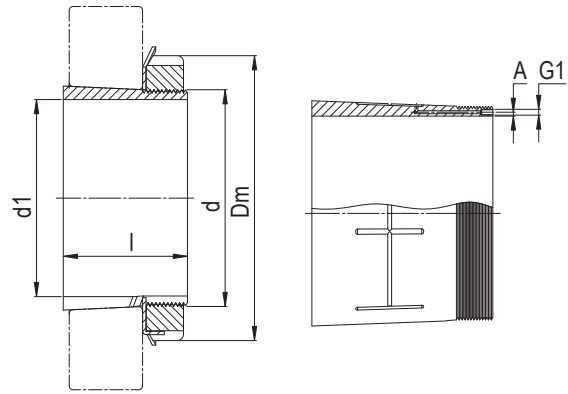
Code	d1	d mm	G mm	l mm	Dm mm	G1	Locknut + Locking Device	Bearings
OH 3136HL	160 mm	180	M 180x3	131	210	M6x1	KML 36 + MBL 36	C 3136K
OH 3138H	170 mm	190	M 190x3	141	240	M6x1	KM 38 + MB 38	22238K, 23138K, C 2238K
OH 3138HL	170 mm	190	M 190x3	141	220	M6x1	KML 38 + MBL 38	C 3138K
OH 3140H	180 mm	200	M 200x3	150	250	M6x1	KM 40 + MB 40	22240K, 23140K, C 3140K
OH 3140HL	180 mm	200	M 200x3	150	240	M6x1	KML 40 + MBL 40	22240K, 23140K, C 3140K
OH 3144H	200 mm	220	Tr 220x4	161	280	M6x1	HM 3144 + MS 3144-MS 3148	22244K, 23144K, C 2244K
OH 3144HTL	200 mm	220	Tr 220x4	156	260	M6x1	HM 3044 + MS 3044	C 3144K
OH 3144XH	200 mm	220	Tr 220x4	161	280	M6x1	HM 44T + MB 44	22244K, 23144K
OH 3148H	220 mm	240	Tr 240x4	172	300	M6x1	HM 3148 + MS 3144-MS 3148	22248K, 23148K
OH 3148HTL	220 mm	240	Tr 240x4	169	290	M6x1	HM 3048 + MS 3048-MS 3052	C 3148K
OH 3148XH	220 mm	240	Tr 240x4	172	300	M6x1	HM 48T + MB 48	22248K, 23148K
OH 3152H	240 mm	260	Tr 260x4	190	330	M6x1	HM 3152 + MS 3152-MS 3156	22252K, 23152K
OH 3152HTL	240 mm	260	Tr 260x4	185	310	M6x1	HM 3052 + MS 3048-MS 3052	C 3152K
OH 3152XH	240 mm	260	Tr 260x4	190	330	M6x1	HM 52T + MB 52	22252K, 23152K
OH 3156H	260 mm	280	Tr 280x4	195	350	M6x1	HM 3156 + MS 3152-MS 3156	22256K, 23156K
OH 3156HTL	260 mm	280	Tr 280x4	192	330	M6x1	HM 3056 + MS 3056	C 3156K
OH 3156XH	260 mm	280	Tr 280x4	195	350	M6x1	HM 56T + MB 56	22256K, 23156K
OH 3160H	280 mm	300	Tr 300x4	208	380	M6x1	HM 3160 + MS 3160	22260K, 23160K, C 3160K
OH 3160HTL	280 mm	300	Tr 300x4	208	360	M6x1	HM 3060 + MS 3060	22260K, 23160K, C 3160K
OH 3164H	300 mm	320	Tr 320x5	226	400	M6x1	HM 3164 + MS 3164	22264K, 23164K, C 3164K
OH 3164HTL	300 mm	320	Tr 320x5	226	380	M6x1	HM 3064 + MS 3064-MS 3068	22264K, 23164K, C 3164K
OH 3168H	320 mm	340	Tr 340x5	254	440	M6x1	HM 3168 + MS 3168-MS 3172	23168K, C 3168K
OH 3168HTL	320 mm	340	Tr 340x5	244	400	M6x1	HM 3068 + MS 3064-MS 3068	23168K, C 3168K
OH 3172H	340 mm	360	Tr 360x5	259	460	M6x1	HM 3172 + MS 3168-MS 3172	23172K, C 3172K
OH 3172HTL	340 mm	360	Tr 360x5	246	420	M6x1	HM 3072 + MS 3072	23172K, C 3172K
OH 3172HE	340 mm	360	Tr 360x5	259	460	M6x1	HME 3172 + MS 3168-MS 3172	23172K, C 3172K
OH 3176H	360 mm	380	Tr 380x5	264	490	M6x1	HM 3176 + MS 3176	23176K
OH 3176HTL	360 mm	380	Tr 380x5	252	450	M6x1	HM 3076 + MS 3076-MS 3080	23176K
OH 3176HE	360 mm	380	Tr 380x5	264	490	M6x1	HME 3176 + MS 3176	C 3176K
OH 3180H	380 mm	400	Tr 400x5	272	520	M6x1	HM 3180 + MS 3180-MS 3184	23180K, C 3180K

Hydraulic Adapter Sleeves



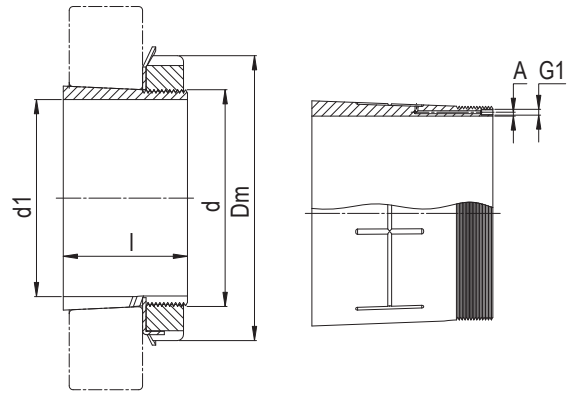
Code	d1	d mm	G mm	l mm	Dm mm	G1	Locknut + Locking Device	Bearings
OH 3180HTL	380 mm	400	Tr 400x5	262	470	M6x1	HM 3080 + MS 3076-MS 3080	23180K, C 3180K
OH 3180HE	380 mm	400	Tr 400x5	272	520	M6x1	HME 3180 + MS 3180-MS 3184	C 3180K
OH 3184H	400 mm	420	Tr 420x5	304	540	M6x1	HM 3184 + MS 3180-MS 3184	23184K, C 3184K
OH 3184HTL	400 mm	420	Tr 420x5	286	490	M6x1	HM 3084 + MS 3084	23184K, C 3184K
OH 3188H	410 mm	440	Tr 440x5	307	560	M8x1,25	HM 3188 + MS 3188-MS 3192	23188K
OH 3188HTL	410 mm	440	Tr 440x5	297	520	M8x1,25	HM 3088 + MS 3088-MS 3092	23188K
OH 3188HE	410 mm	440	Tr 440x5	307	560	M8x1,25	HME 3188 + MS 3188-MS 3192	C 3188K
OH 3192H	430 mm	460	Tr 460x5	326	580	M8x1,25	HM 3192 + MS 3188-MS 3192	23192K, C 3192K
OH 3192HTL	430 mm	460	Tr 460x5	311	540	M8x1,25	HM 3092 + MS 3088-MS 3092	23192K, C 3192K
OH 3196H	450 mm	480	Tr 480x5	335	620	M8x1,25	HM 3196 + MS 3196	23196K
OH 3196HTL	450 mm	480	Tr 480x5	320	560	M8x1,25	HM 3096 + MS 3096-30/500	23196K
OH 3196HE	450 mm	480	Tr 480x5	335	620	M8x1,25	HME 3196 + MS 3196	C 3196K
OH 31/500H	470 mm	500	Tr 500x5	356	630	M8x1,25	HM 31/500 + MS 31/500	231/500K, C 31/500K
OH 31/500HTL	470 mm	500	Tr 500x5	344	580	M8x1,25	HM 30/500 + MS 3096-30/500	231/500K, C 31/500K
OH 31/530H	500 mm	530	Tr 530x6	364	670	M8x1,25	HM 31/530 + MS 31/530	222/530K, 231/530K, C 31/530K
OH 31/530HTL	500 mm	530	Tr 530x6	352	630	M8x1,25	HM 30/530 + MS 30/530-600	222/530K, 231/530K, C 31/530K
OH 31/560H	530 mm	560	Tr 560x6	377	710	M8x1,25	HM 31/560 + MS 31/560-600	222/560K, 231/560K
OH 31/560HTL	530 mm	560	Tr 560x6	368	650	M8x1,25	HM 30/560 + MS 30/560	222/560K, 231/560K
OH 31/560HE	530 mm	560	Tr 560x6	377	710	M8x1,25	HME 31/560 + MS 31/560-600	C 31/560K
OH 31/600H	560 mm	600	Tr 600x6	399	750	G1/8"x28FPP	HM 31/600 + MS 31/560-600	222/600K, 231/600K
OH 31/600HTL	560 mm	600	Tr 600x6	389	700	G1/8"x28FPP	HM 30/600 + MS 30/530-600	222/600K, 231/600K
OH 31/600HE	560 mm	600	Tr 600x6	399	750	G1/8"x28FPP	HME 31/600 + MS 31/560-600	C 31/600K
OH 31/630H	600 mm	630	Tr 630x6	424	800	M8x1,25	HM 31/630 + MS 31/630	222/630K, 231/630K
OH 31/630HTL	600 mm	630	Tr 630x6	424	730	M8x1,25	HM 30/630 + MS 30/630	222/630K, 231/630K
OH 31/630HE	600 mm	630	Tr 630x6	424	800	M8x1,25	HME 31/630 + MS 31/630	C 31/630K
OH 31/670H	630 mm	670	Tr 670x6	456	850	G1/8"x28FPP	HM 31/670 + MS 31/670	222/670K, 231/670K
OH 31/670HTL	630 mm	670	Tr 670x6	456	780	G1/8"x28FPP	HM 30/670 + MS 30/670	222/670K, 231/670K
OH 31/670HE	630 mm	670	Tr 670x6	456	850	G1/8"x28FPP	HME 31/670 + MS 31/670	C 31/670K
OH 31/710H	670 mm	710	Tr 710x7	467	900	G1/8"x28FPP	HM 31/710 + MS 31/710	222/710K, 231/710K
OH 31/710HTL	670 mm	710	Tr 710x7	467	830	G1/8"x28FPP	HM 30/710 + MS 30/710	222/710K, 231/710K

Hydraulic Adapter Sleeves



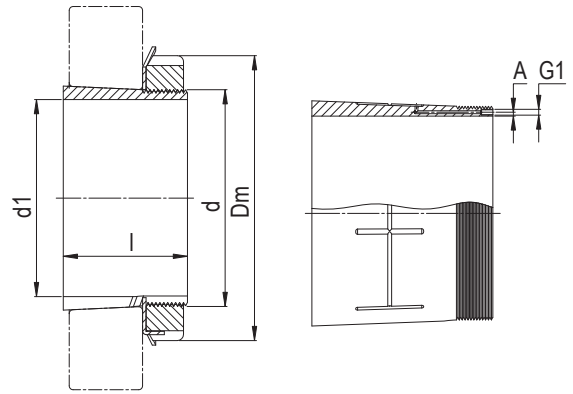
Code	d1	d mm	G mm	l mm	Dm mm	G1	Locknut + Locking Device	Bearings
OH 31/710HE	670 mm	710	Tr 710x7	467	900	G1/8"x28FPP	HM 31/710 + MS 31/710	C 31/710K
OH 31/750H	710 mm	750	Tr 750x7	493	950	G1/8"x28FPP	HM 31/750 + MS 31/750-800	222/750K, 231/750K
OH 31/750HTL	710 mm	750	Tr 750x7	493	870	G1/8"x28FPP	HM 30/750 + MS 30/750-800	222/750K, 231/750K
OH 31/750HE	710 mm	750	Tr 750x7	493	950	G1/8"x28FPP	HME 31/750 + MS 31/750-800	C 31/750K
OH 31/800H	750 mm	800	Tr 800x7	505	1000	G1/8"x28FPP	HM 31/800 + MS 31/750-800	222/800K, 231/800K
OH 31/800HTL	750 mm	800	Tr 800x7	505	920	G1/8"x28FPP	HM 30/800 + MS 30/750-800	222/800K, 231/800K
OH 31/800HE	750 mm	800	Tr 800x7	505	1000	G1/8"x28FPP	HME 31/800 + MS 31/750-800	C 31/800K
OH 31/850H	800 mm	850	Tr 850x7	536	1060	G1/8"x28FPP	HM 31/850 + MS 31/850	222/850K, 231/850K
OH 31/850HTL	800 mm	850	Tr 850x7	536	980	G1/8"x28FPP	HM 30/850 + MS 30/850-900	222/850K, 231/850K
OH 31/850HE	800 mm	850	Tr 850x7	536	1060	G1/8"x28FPP	HME 31/850 + MS 31/850	C 31/850K
OH 31/900H	850 mm	900	Tr 900x7	557	1120	G1/8"x28FPP	HM 31/900 + MS 31/900	222/900K, 231/900K
OH 31/900HTL	850 mm	900	Tr 900x7	557	1030	G1/8"x28FPP	HM 30/900 + MS 30/850-900	222/900K, 231/900K
OH 31/950H	900 mm	950	Tr 950x8	583	1170	G1/8"x28FPP	HM 31/950 + MS 31/950	222/950K, 231/950K
OH 31/950HTL	900 mm	950	Tr 950x8	583	1080	G1/8"x28FPP	HM 30/950 + MS 30/950	222/950K, 231/950K
OH 31/1000H	950 mm	1000	Tr 1000x8	609	1240	G1/8"x28FPP	HM 31/1000 + MS 31/1000	222/1000K, 231/1000K
OH 31/1000HTL	950 mm	1000	Tr 1000x8	609	1140	G1/8"x28FPP	HM 30/1000 + MS 30/1000	222/1000K, 231/1000K
OH 31/1000HE	950 mm	1000	Tr 1000x8	609	1240	G1/8"x28FPP	HME 31/1000 + MS 31/1000	C 31/1000K
OH 31/1060H	1000 mm	1060	Tr 1060x8	622	1300	G1/8"x28FPP	HM 31/1060 + MS 31/1000	222/1060K, 231/1060K
OH 31/1060HTL	1000 mm	1060	Tr 1060x8	622	1200	G1/8"x28FPP	HM 30/1060 + MS 30/1000	222/1060K, 231/1060K
OH 3260H	280 mm	300	Tr 300x4	240	380	M6x1	HM 3160 + MS 3160	22360K, 23260K
OH 3264H	300 mm	320	Tr 320x5	258	400	M6x1	HM 3164 + MS 3164	22364K, 23264K
OH 3268H	320 mm	340	Tr 340x5	288	440	M6x1	HM 3168 + MS 3168-MS 3172	22368K, 23268K
OH 3272H	340 mm	360	Tr 360x5	299	460	M6x1	HM 3172 + MS 3168-MS 3172	22372K, 23272K
OH 3276H	360 mm	380	Tr 380x5	310	490	M6x1	HM 3176 + MS 3176	22376K, 23276K
OH 3280H	380 mm	400	Tr 400x5	328	520	M6x1	HM 3180 + MS 3180-MS 3184	22380K, 23280K
OH 3284H	400 mm	420	Tr 420x5	352	540	M6x1	HM 3184 + MS 3180-MS 3184	22384K, 23284K
OH 3288H	410 mm	440	Tr 440x5	361	560	M8x1,25	HM 3188 + MS 3188-MS 3192	22388K, 23288K
OH 3292H	430 mm	460	Tr 460x5	382	580	M8x1,25	HM 3192 + MS 3188-MS 3192	22392K, 23292K
OH 3296H	450 mm	480	Tr 480x5	397	620	M8x1,25	HM 3196 + MS 3196	22396K, 23296K
OH 32/500H	470 mm	500	Tr 500x5	428	630	M8x1,25	HM 31/500 + MS 31/500	223/500K, 232/500K

Hydraulic Adapter Sleeves



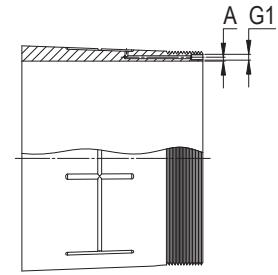
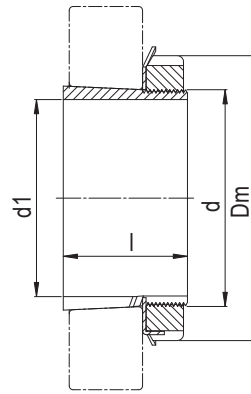
Code	d1	d mm	G mm	l mm	Dm mm	G1	Locknut + Locking Device	Bearings
OH 32/530H	500 mm	530	Tr 530x6	447	670	M8x1,25	HM 31/530 + MS 31/530	223/530K, 232/530K
OH 32/560H	530 mm	560	Tr 560x6	462	710	M8x1,25	HM 31/560 + MS 31/560-600	223/560K, 232/560K
OH 32/600H	560 mm	600	Tr 600x6	487	750	G1/8"x28FPP	HM 31/600 + MS 31/560-600	223/600K, 232/600K
OH 32/630H	600 mm	630	Tr 630x6	521	800	M8x1,25	HM 31/630 + MS 31/630	223/630K, 232/630K
OH 32/670H	630 mm	670	Tr 670x6	558	850	G1/8"x28FPP	HM 31/670 + MS 31/670	223/670K, 232/670K
OH 32/710H	670 mm	710	Tr 710x7	572	900	G1/8"x28FPP	HM 31/710 + MS 31/710	223/710K, 232/710K
OH 32/750H	710 mm	750	Tr 750x7	603	950	G1/8"x28FPP	HM 31/750 + MS 31/750-800	223/750K, 232/750K
OH 32/800H	750 mm	800	Tr 800x7	618	1000	G1/8"x28FPP	HM 31/800 + MS 31/750-800	232/800K
OH 32/850H	800 mm	850	Tr 850x7	651	1060	G1/8"x28FPP	HM 31/850 + MS 31/850	232/850K
OH 32/900H	850 mm	900	Tr 900x7	660	1120	G1/8"x28FPP	HM 31/900 + MS 31/900	232/900K
OH 32/950H	900 mm	950	Tr 950x8	675	1170	G1/8"x28FPP	HM 31/950 + MS 31/950	232/950K
OH 32/1000H	950 mm	1000	Tr 1000x8	707	1240	G1/8"x28FPP	HM 31/1000 + MS 31/1000	232/1000K
OH 3932H	140 mm	160	M 160x3	78	190	M6x1	KML 32 + MBL 32	23932K
OH 3934H	150 mm	170	M 170x3	79	200	M6x1	KML 34 + MBL 34	23934K
OH 3936H	160 mm	180	M 180x3	87	210	M6x1	KML 36 + MBL 36	23936K
OH 3938H	170 mm	190	M 190x3	89	220	M6x1	KML 38 + MBL 38	23938K
OH 3940H	180 mm	200	M 200x3	98	240	M6x1	KML 40 + MBL 40	23940K
OH 3944H	200 mm	220	Tr 220x4	96	260	M6x1	HM 3044 + MS 3044	23944K
OH 3948H	220 mm	240	Tr 240x4	101	290	M6x1	HM 3048 + MS 3048-MS 3052	23948K
OH 3952H	240 mm	260	Tr 260x4	116	310	M6x1	HM 3052 + MS 3048-MS 3052	23952K
OH 3956H	260 mm	280	Tr 280x4	121	330	M6x1	HM 3056 + MS 3056	23956K
OH 3960H	280 mm	300	Tr 300x4	140	360	M6x1	HM 3060 + MS 3060	23960K
OH 3964H	300 mm	320	Tr 320x5	140	380	M6x1	HM 3064 + MS 3064-MS 3068	23964K
OH 3968H	320 mm	340	Tr 340x5	144	400	M6x1	HM 3068 + MS 3064-MS 3068	23968K
OH 3972H	340 mm	360	Tr 360x5	144	420	M6x1	HM 3072 + MS 3072	23972K
OH 3972HE	340 mm	360	Tr 360x5	144	420	M6x1	HME 3072 + MS 3072	C 3972K
OH 3976H	360 mm	380	Tr 380x5	164	450	M6x1	HM 3076 + MS 3076-MS 3080	23976K, C 3976K
OH 3976HE	360 mm	380	Tr 380x5	164	450	M6x1	HME 3076 + MS 3076-MS 3080	C 3976K
OH 3980H	380 mm	400	Tr 400x5	168	470	M6x1	HM 3080 + MS 3076-MS 3080	23980K
OH 3980HE	380 mm	400	Tr 400x5	168	470	M6x1	HME 3080 + MS 3076-MS 3080	C 3980K

Hydraulic Adapter Sleeves



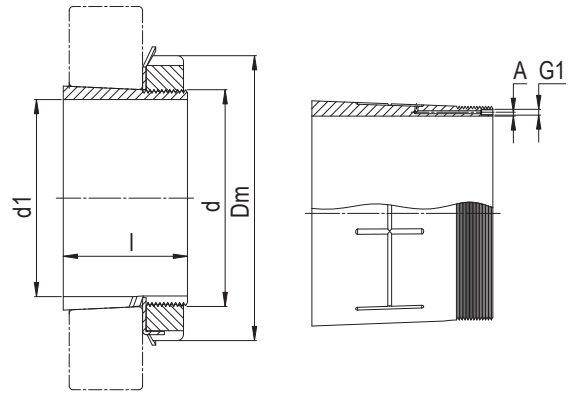
Code	d1	d mm	G mm	l mm	Dm mm	G1	Locknut + Locking Device	Bearings
OH 3984H	400 mm	420	Tr 420x5	168	490	M6x1	HM 3084 + MS 3084	23984K
OH 3984HE	400 mm	420	Tr 420x5	168	490	M6x1	HME 3084 + MS 3084	C 3984K
OH 3988H	410 mm	440	Tr 440x5	189	520	M8x1,25	HM 3088 + MS 3088-MS 3092	23988K
OH 3988HE	410 mm	440	Tr 440x5	189	520	M8x1,25	HME 3088 + MS 3088-MS 3092	C 3988K
OH 3992H	430 mm	460	Tr 460x5	189	540	M8x1,25	HM 3092 + MS 3088-MS 3092	23992K
OH 3992HE	430 mm	460	Tr 460x5	189	540	M8x1,25	HME 3092 + MS 3088-MS 3092	C 3992K
OH 3996H	450 mm	480	Tr 480x5	200	560	M8x1,25	HM 3096 + MS 3096-30/500	23996K, C 3996K
OH 3996HE	450 mm	480	Tr 480x5	200	560	M8x1,25	HME 3096 + MS 3096-30/500	23996K, C 3996K
OH 39/500H	470 mm	500	Tr 500x5	208	580	M8x1,25	HM 30/500 + MS 3096-30/500	239/500K
OH 39/500HE	470 mm	500	Tr 500x5	208	580	M8x1,25	HME 30/500 + MS 3096-30/500	C 39/500K
OH 39/530H	500 mm	530	Tr 530x6	216	630	M8x1,25	HM 30/530 + MS 30/530-600	239/530K
OH 39/530HE	500 mm	530	Tr 530x6	216	630	M8x1,25	HME 30/530 + MS 30/530-600	C 39/530K
OH 39/560H	530 mm	560	Tr 560x6	227	650	M8x1,25	HM 30/560 + MS 30/560	239/560K
OH 39/560HE	530 mm	560	Tr 560x6	227	650	M8x1,25	HME 30/560 + MS 30/560	C 39/560K
OH 39/600H	560 mm	600	Tr 600x6	239	700	G1/8"x28FPP	HM 30/600 + MS 30/530-600	239/600K
OH 39/600HE	560 mm	600	Tr 600x6	239	700	G1/8"x28FPP	HME 30/600 + MS 30/530-600	C 39/600K
OH 39/630H	600 mm	630	Tr 630x6	254	730	M8x1,25	HM 30/630 + MS 30/630	239/630K
OH 39/630HE	600 mm	630	Tr 630x6	254	730	M8x1,25	HME 30/630 + MS 30/630	C 39/630K
OH 39/670H	630 mm	670	Tr 670x6	264	780	G1/8"x28FPP	HM 30/670 + MS 30/670	239/670K, C 39/670K
OH 39/670HE	630 mm	670	Tr 670x6	264	780	G1/8"x28FPP	HM 30/670 + MS 30/670	C 39/670K
OH 39/710H	670 mm	710	Tr 710x7	286	830	G1/8"x28FPP	HM 30/710 + MS 30/710	239/710K
OH 39/710HE	670 mm	710	Tr 710x7	286	830	G1/8"x28FPP	HME 30/710 + MS 30/710	C 39/710K
OH 39/750H	710 mm	750	Tr 750x7	291	870	G1/8"x28FPP	HM 30/750 + MS 30/750-800	239/750K
OH 39/750HE	710 mm	750	Tr 750x7	291	870	G1/8"x28FPP	HME 30/750 + MS 30/750-800	C 39/750K
OH 39/800H	750 mm	800	Tr 800x7	303	920	G1/8"x28FPP	HM 30/800 + MS 30/750-800	239/800K
OH 39/800HE	750 mm	800	Tr 800x7	303	920	G1/8"x28FPP	HME 30/800 + MS 30/750-800	C 39/800K
OH 39/850H	800 mm	850	Tr 850x7	308	980	G1/8"x28FPP	HM 30/850 + MS 30/850-900	239/850K
OH 39/850HE	800 mm	850	Tr 850x7	308	980	G1/8"x28FPP	HME 30/850 + MS 30/850-900	C 39/850K
OH 39/900H	850 mm	900	Tr 900x7	326	1030	G1/8"x28FPP	HM 30/900 + MS 30/850-900	239/900K
OH 39/900HE	850 mm	900	Tr 900x7	326	1030	G1/8"x28FPP	HME 30/900 + MS 30/850-900	C 39/900K

Hydraulic Adapter Sleeves



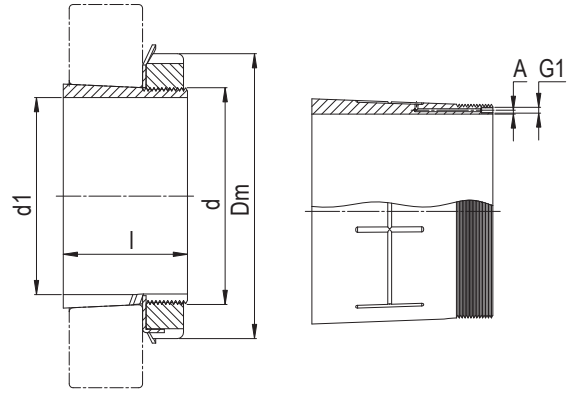
Code	d1	d mm	G mm	l mm	Dm mm	G1	Locknut + Locking Device	Bearings
OH 39/950H	900 mm	950	Tr 950x8	344	1080	G1/8"x28FPP	HM 30/950 + MS 30/950	239/950K
OH 39/950HE	900 mm	950	Tr 950x8	344	1080	G1/8"x28FPP	HME 30/950 + MS 30/950	C 39/950K
OH 39/1000H	950 mm	1000	Tr 1000x8	358	1140	G1/8"x28FPP	HM 30/1000 + MS 30/1000	239/1000K
OH 39/1060H	1000 mm	1060	Tr 1060x8	372	1200	G1/4"x19FPP	HM 30/1060 + MS 30/1000	239/1060K
OH 39/1060HE	1000 mm	1060	Tr 1060x8	372	1200	G1/4"x19FPP	HME 30/1060 + MS 30/1000	C 39/1060K
OH 39/1120H	1060 mm	1120	Tr 1120x8	372	1260	G1/4"x19FPP	HM 30/1120 + MS 30/1000	239/1120K
OHA 2332H	5.7/16"	160	M 160x3	147	210	M6x1	KM 32 + MB 32	22332K, 23232K
OHA 2334H	5.15/16"	170	M 170x3	154	220	M6x1	KM 34 + MB 34	22334K, 23234K
OHA 2336H	6.7/16"	180	M 180x3	161	230	M4x0,7	KM 36 + MB 36	22336K, 23236K, C 3236K
OHA 2338H	6.15/16"	190	M 190x3	169	240	M4x0,7	KM 38 + MB 38	22338K, 23238K
OHA 2340H	7.3/16"	200	M 200x3	176	250	M4x0,7	KM 40 + MB 40	22340K, 23240K
OHA 2344H	7.15/16"	220	Tr 220x4	186	280	M4x0,7	HM 3144 + MS 3144-MS 3148	22344K, 23244K
OHA 2344XH	7.15/16"	220	Tr 220x4	186	280	M4x0,7	HM 44T + MB 44	22344K, 23244K
OHA 2348H	8.7/16"	240	Tr 240x4	199	300	M6x1	HM 3148 + MS 3144-MS 3148	22348K, 23248K
OHA 2352H	9.7/16"	260	Tr 260x4	211	330	M6x1	HM 3152 + MS 3152-MS 3156	22352K, 23252K
OHA 2356H	10.7/16"	280	Tr 280x4	224	350	M4x0,7	HM 3156 + MS 3152-MS 3156	22356K, 23256K
OHA 2356XH	10.7/16"	280	Tr 280x4	224	350	M4x0,7	HM 56T + MB 56	22356K, 23256K
OHA 3032H	5.7/16"	160	M 160x3	93	190	M6x1	KML 32 + MBL 32	20232K, 23032K, C 3032K
OHA 3034H	5.15/16"	170	M 170x3	101	200	M6x1	KML 34 + MBL 34	20234K, 23034K, C 3034K
OHA 3036H	6.7/16"	180	M 180x3	109	210	M4x0,7	KML 36 + MBL 36	20236K, 20336K, 23036K, C 3036K
OHA 3038H	6.15/16"	190	M 190x3	112	220	M4x0,7	KML 38 + MBL 38	20238K, 20338K, 23038K, C 3038K
OHA 3040H	7.3/16"	200	M 200x3	120	240	M4x0,7	KML 40 + MBL 40	20240K, 20340K, 23040K, C 3040K
OHA 3044H	7.15/16"	220	Tr 220x4	126	260	M4x0,7	HM 3044 + MS 3044	20244K, 20344K, 23044K, C 3044K
OHA 3048H	8.7/16"	240	Tr 240x4	133	290	M6x1	HM 3048 + MS 3048-MS 3052	20248K, 20348K, 23048K, C 3048K
OHA 3052H	9.7/16"	260	Tr 260x4	145	310	M6x1	HM 3052 + MS 3048-MS 3052	20252K, 23052K, C 3052K
OHA 3056H	10.7/16"	280	Tr 280x4	152	330	M4x0,7	HM 3056 + MS 3056	20256K, 23056K, C 3056K
OHA 3060H	10.15/16"	300	Tr 300x4	168	360	M6x1	HM 3060 + MS 3060	23060K, C 3060K
OHA 3068H	12.7/16"	340	Tr 340x5	187	400	M6x1	HM 3068 + MS 3064-MS 3068	23068K, C 3068K
OHA 3072H	13.7/16"	360	Tr 360x5	188	420	M4x0,7	HM 3072 + MS 3072	23072K, C 3072K
OHA 3076H	13.15/16"	380	Tr 380x5	193	450	M6x1	HM 3076 + MS 3076-MS 3080	23076K, C 3076K

Hydraulic Adapter Sleeves



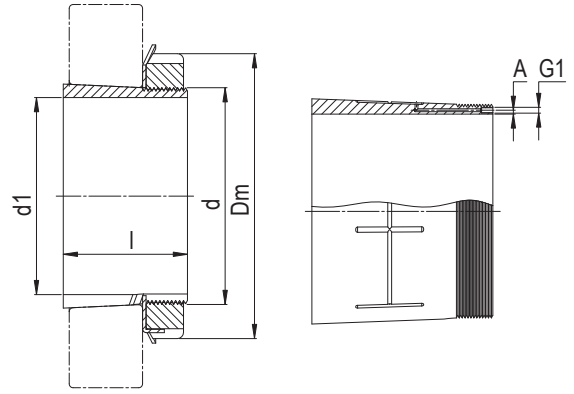
Code	d1	d mm	G mm	l mm	Dm mm	G1	Locknut + Locking Device	Bearings
OHE 3080H	15"	400	Tr 400x5	210	470	M4x0,7	HM 3080 + MS 3076-MS 3080	23080K, C 3080K
OHE 3084H	15.3/4"	420	Tr 420x5	212	490	M6x1	HM 3084 + MS 3084	23084K, C 3084K
OHE 3088H	16"	440	Tr 440x5	228	520	M8x1,25	HM 3088 + MS 3088-MS 3092	23088K
OHE 3092H	17"	460	Tr 460x5	234	540	M8x1,25	HM 3092 + MS 3088-MS 3092	23092K, C 3092K
OHE 3096H	18"	480	Tr 480x5	237	560	M6x1	HM 3096 + MS 3096-30/500	23096K, C 3096K
OHE 30/500H	18.1/2"	500	Tr 500x5	247	580	M8x1,25	HM 30/500 + MS 3096-30/500	230/500K, C 30/500K
OHE 3132H	5.1/2"	160	M 160x3	119	210	M6x1	KM 32 + MB 32	20332K, 22232K, 23132K
OHE 3132HL	5.1/2"	160	M 160x3	119	190	M6x1	KML 32 + MBL 32	20332K, 22232K, 23132K
OHE 3134H	6"	170	M 170x3	122	220	M4x0,7	KM 34 + MB 34	20334K, 22234K, 23134K
OHE 3134HL	6"	170	M 170x3	122	200	M4x0,7	KML 34 + MBL 34	C 2234K, C 3134K
OHE 3136H	6.1/2"	180	M 180x3	131	230	M4x0,7	KM 36 + MB 36	22236K, 23136K
OHE 3136HL	6.1/2"	180	M 180x3	131	210	M4x0,7	KML 36 + MBL 36	C 3136K
OHE 3138H	6.3/4"	190	M 190x3	141	240	M6x1	KM 38 + MB 38	22238K, 23138K, C 2238K
OHE 3140H	7"	200	M 200x3	150	250	M6x1	KM 40 + MB 40	22240K, 23140K, C 3140K
OHE 3144H	8"	220	Tr 220x4	161	280	M4x0,7	HM 3144 + MS 3144-MS 3148	22244K, 23144K, C 2244K
OHE 3144HTL	8"	220	Tr 220x4	156	260	M4x0,7	HM 3044 + MS 3044	C 3144K
OHE 3144XH	8"	220	Tr 220x4	161	280	M4x0,7	HM 44T + MB 44	22244K, 23144K
OHE 3148H	8.1/2"	240	Tr 240x4	172	300	M6x1	HM 3148 + MS 3144-MS 3148	22248K, 23148K
OHE 3148HTL	8.1/2"	240	Tr 240x4	169	290	M6x1	HM 3048 + MS 3048-MS 3052	C 3148K
OHE 3148XH	8.1/2"	240	Tr 240x4	172	300	M6x1	HM 48T + MB 48	22248K, 23148K
OHE 3152H	9.1/2"	260	Tr 260x4	190	330	M4x0,7	HM 3152 + MS 3152-MS 3156	22252K, 23152K
OHE 3152HTL	9.1/2"	260	Tr 260x4	185	310	M4x0,7	HM 3052 + MS 3048-MS 3052	C 3152K
OHE 3152XH	9.1/2"	260	Tr 260x4	190	330	M4x0,7	HM 52T + MB 52	22252K, 23152K
OHE 3156H	10"	280	Tr 280x4	195	350	M6x1	HM 3156 + MS 3152-MS 3156	22256K, 23156K
OHE 3156HTL	10"	280	Tr 280x4	192	330	M6x1	HM 3056 + MS 3056	C 3156K
OHE 3156XH	10"	280	Tr 280x4	195	350	M6x1	HM 56T + MB 56	22256K, 23156K
OHE 3160H	11"	300	Tr 300x4	208	380	M6x1	HM 3160 + MS 3160	22260K, 23160K, C 3160K
OHE 3160HTL	11"	300	Tr 300x4	208	360	M6x1	HM 3060 + MS 3060	22260K, 23160K, C 3160K
OHE 3164H	11.1/2"	320	Tr 320x5	226	400	M6x1	HM 3164 + MS 3164	22264K, 23164K, C 3164K
OHE 3164HTL	11.1/2"	320	Tr 320x5	226	380	M6x1	HM 3064 + MS 3064-MS 3068	22264K, 23164K, C 3164K

Hydraulic Adapter Sleeves

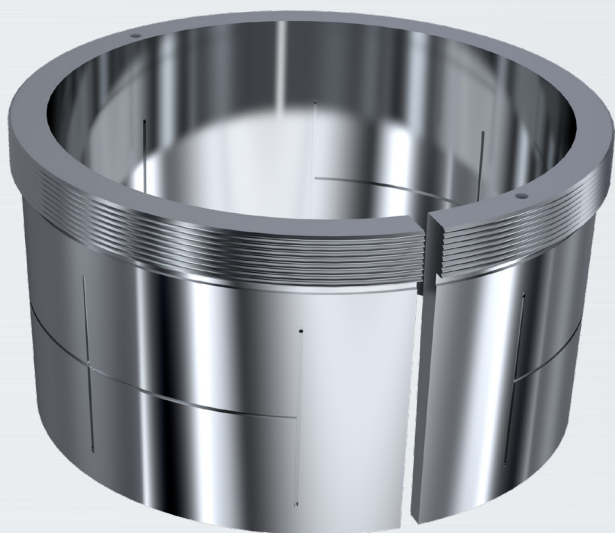


Code	d1	d mm	G mm	l mm	Dm mm	G1	Locknut + Locking Device	Bearings
OHE 3168H	12"	340	Tr 340x5	254	440	M6x1	HM 3168 + MS 3168-MS 3172	23168K, C 3168K
OHE 3168HTL	12"	340	Tr 340x5	244	400	M6x1	HM 3068 + MS 3064-MS 3068	23168K, C 3168K
OHE 3172H	13"	360	Tr 360x5	259	460	M6x1	HM 3172 + MS 3168-MS 3172	23172K, C 3172K
OHE 3172HTL	13"	360	Tr 360x5	246	420	M6x1	HM 3072 + MS 3072	23172K, C 3172K
OHE 3176H	14"	380	Tr 380x5	264	490	M6x1	HM 3176 + MS 3176	23176K
OHE 3176HTL	14"	380	Tr 380x5	252	450	M6x1	HM 3076 + MS 3076-MS 3080	23176K
OHE 3180H	15"	400	Tr 400x5	272	520	M4x0,7	HM 3180 + MS 3180-MS 3184	23180K, C 3180K
OHE 3180HTL	15"	400	Tr 400x5	262	470	M4x0,7	HM 3080 + MS 3076-MS 3080	23180K, C 3180K
OHE 3184H	15.3/4"	420	Tr 420x5	304	540	M6x1	HM 3184 + MS 3180-MS 3184	23184K, C 3184K
OHE 3184HTL	15.3/4"	420	Tr 420x5	286	490	M6x1	HM 3084 + MS 3084	23184K, C 3184K
OHE 3188H	16"	440	Tr 440x5	307	560	M8x1,25	HM 3188 + MS 3188-MS 3192	23188K
OHE 3188HTL	16"	440	Tr 440x5	297	520	M8x1,25	HM 3088 + MS 3088-MS 3092	23188K
OHE 3192H	17"	460	Tr 460x5	326	580	M8x1,25	HM 3192 + MS 3188-MS 3192	23192K, C 3192K
OHE 3192HTL	17"	460	Tr 460x5	311	540	M8x1,25	HM 3092 + MS 3088-MS 3092	23192K, C 3192K
OHE 3196H	18"	480	Tr 480x5	335	620	M6x1	HM 3196 + MS 3196	23196K
OHE 3196HTL	18"	480	Tr 480x5	320	560	M6x1	HM 3096 + MS 3096-30/500	23196K
OHE 31/500H	18.1/2"	500	Tr 500x5	356	630	M8x1,25	HM 31/500 + MS 31/500	231/500K, C 31/500K
OHE 31/500HTL	18.1/2"	500	Tr 500x5	344	580	M8x1,25	HM 30/500 + MS 3096-30/500	231/500K, C 31/500K
OHE 3260H	11"	300	Tr 300x4	240	380	M6x1	HM 3160 + MS 3160	22360K, 23260K
OHE 3264H	11.1/2"	320	Tr 320x5	258	400	M6x1	HM 3164 + MS 3164	22364K, 23264K
OHE 3268H	12"	340	Tr 340x5	288	440	M6x1	HM 3168 + MS 3168-MS 3172	22368K, 23268K
OHE 3272H	13"	360	Tr 360x5	299	460	M6x1	HM 3172 + MS 3168-MS 3172	22372K, 23272K
OHE 3276H	14"	380	Tr 380x5	310	490	M6x1	HM 3176 + MS 3176	22376K, 23276K
OHE 3280H	15"	400	Tr 400x5	328	520	M4x0,7	HM 3180 + MS 3180-MS 3184	22380K, 23280K
OHE 3284H	15.3/4"	420	Tr 420x5	352	540	M6x1	HM 3184 + MS 3180-MS 3184	22384K, 23284K
OHE 3288H	16"	440	Tr 440x5	361	560	M8x1,25	HM 3188 + MS 3188-MS 3192	22388K, 23288K
OHE 3292H	17"	460	Tr 460x5	382	580	M8x1,25	HM 3192 + MS 3188-MS 3192	22392K, 23292K
OHE 3296H	18"	480	Tr 480x5	397	620	M6x1	HM 3196 + MS 3196	22396K, 23296K
OHE 32/500H	18.1/2"	500	Tr 500x5	428	630	M8x1,25	HM 31/500 + MS 31/500	223/500K, 232/500K
OHS 2334H	5.7/8"	170	M 170x3	154	220	M6x1	KM 34 + MB 34	22334K, 23234K

Hydraulic Adapter Sleeves



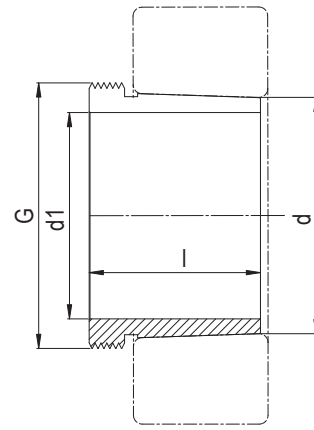
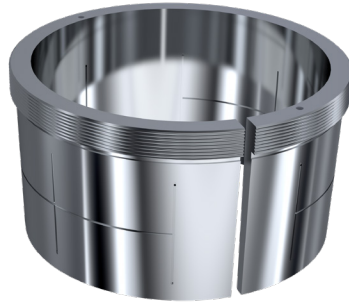
Code	d1	d mm	G mm	l mm	Dm mm	G1	Locknut + Locking Device	Bearings
OHS 2336H	6.3/8"	180	M 180x3	161	230	M6x1	KM 36 + MB 36	22336K, 23236K, C 3236K
OHS 2338H	6.5/8"	190	M 190x3	169	240	M6x1	KM 38 + MB 38	22338K, 23238K
OHS 2340H	7.1/8"	200	M 200x3	176	250	M6x1	KM 40 + MB 40	22340K, 23240K
OHS 3034H	5.7/8"	170	M 170x3	101	200	M6x1	KML 34 + MBL 34	20234K, 23034K, C 3034K
OHS 3036H	6.3/8"	180	M 180x3	109	210	M6x1	KML 36 + MBL 36	20236K, 20336K, 23036K, C 3036K
OHS 3038H	6.5/8"	190	M 190x3	112	220	M6x1	KML 38 + MBL 38	20238K, 20338K, 23038K, C 3038K
OHS 3040H	7.1/8"	200	M 200x3	120	240	M6x1	KML 40 + MBL 40	20240K, 20340K, 23040K, C 3040K
OHS 3134H	5.7/8"	170	M 170x3	122	220	M6x1	KM 34 + MB 34	20334K, 22234K, 23134K
OHS 3136H	6.3/8"	180	M 180x3	131	230	M6x1	KM 36 + MB 36	22236K, 23136K
OHS 3138H	6.5/8"	190	M 190x3	141	240	M6x1	KM 38 + MB 38	22238K, 23138K, C 2238K
OHS 3140H	7.1/8"	200	M 200x3	150	250	M6x1	KM 40 + MB 40	22240K, 23140K, C 3140K



Hydraulic Withdrawal Sleeves

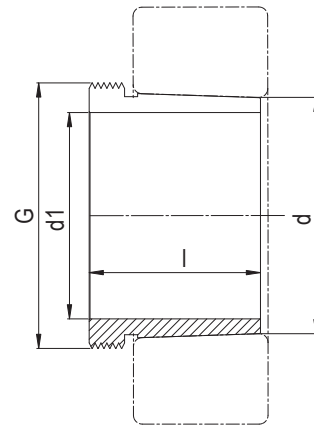
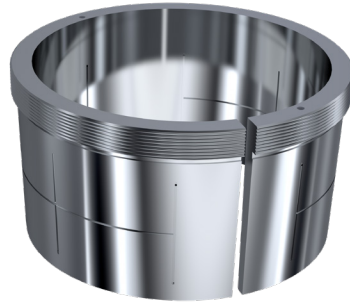
Code	d1 mm	d mm	l mm	G	G1	Bearings
AOH 2236	170	180	105	M 200x3	M6x1	22236K
AOH 2238	180	190	112	Tr 210x4	M6x1	22238K
AOH 2240	190	200	118	Tr 220x4	M6x1	22240K
AOH 2244	200	220	130	Tr 240x4	G1/8"x28FPP	22244K, C 2244K
AOH 2248	220	240	144	Tr 260x4	G1/8"x28FPP	22248K
AOH 2252	240	260	155	Tr 290x4	G1/8"x28FPP	22252K
AOH 2256	260	280	155	Tr 310x5	G1/8"x28FPP	22256K
AOH 2260	280	300	170	Tr 330x5	G1/8"x28FPP	22260K
AOH 2264	300	320	180	Tr 350x5	G1/8"x28FPP	22264K
AOH 2332	150	160	140	M 180x3	M6x1	22332K
AOH 2334	160	170	146	M 190x3	M6x1	22334K
AOH 2336	170	180	154	M 200x3	M6x1	22336K
AOH 2338	180	190	160	Tr 210x4	M6x1	22338K
AOH 2340	190	200	170	Tr 220x4	M6x1	22340K
AOH 2344	200	220	181	Tr 240x4	G1/8"x28FPP	22344K, 23244K
AOH 2348	220	240	189	Tr 260x4	G1/8"x28FPP	22348K, 23248K
AOH 2352	240	260	205	Tr 290x4	G1/8"x28FPP	22352K, 23252K
AOH 2356	260	280	212	Tr 310x5	G1/8"x28FPP	22356K, 23256K

Hydraulic Withdrawal Sleeves



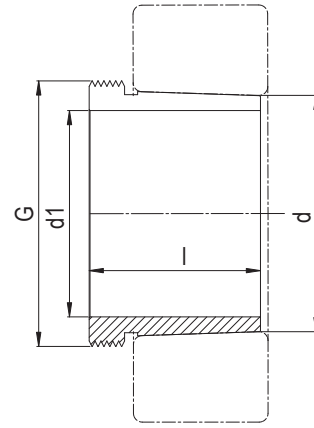
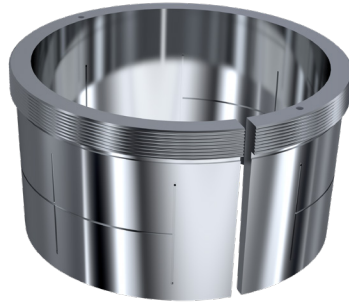
Code	$\frac{d1}{mm}$	$\frac{d}{mm}$	$\frac{l}{mm}$	G	G1	Bearings
AOH 3032	150	160	77	M 170x3	M6x1	23032K, C 3032K
AOH 3034	160	170	85	M 180x3	M6x1	23034K, C 3034K
AOH 3036	170	180	92	M 190x3	M6x1	23036K, C 3036K
AOH 3038	180	190	96	Tr 205x4	M6x1	23038K
AOH 3040	190	200	102	Tr 215x4	M6x1	23040K
AOH 3044	200	220	111	Tr 235x4	G1/8"x28FPP	23044K
AOH 3048	220	240	116	Tr 260x4	G1/8"x28FPP	23048K, C 3048K
AOH 3052	240	260	128	Tr 280x4	G1/8"x28FPP	23052K, C 3052K
AOH 3056	260	280	131	Tr 300x4	G1/8"x28FPP	23056K, C 3056K
AOH 3060	280	300	145	Tr 320x5	G1/8"x28FPP	23060K, C 3060K
AOH 3064	300	320	149	Tr 345x5	G1/8"x28FPP	23064K
AOH 3068	320	340	162	Tr 365x5	G1/8"x28FPP	23068K
AOH 3072	340	360	167	Tr 385x5	G1/8"x28FPP	23072K
AOH 3076	360	380	170	Tr 410x5	G1/8"x28FPP	23076K
AOH 3080	380	400	183	Tr 430x5	G1/8"x28FPP	23080K
AOH 3084	400	420	186	Tr 450x5	G1/8"x28FPP	23084K
AOHX 3088	420	440	194	Tr 470x5	G1/8"x28FPP	23088K
AOHX 3092	440	460	202	Tr 490x5	G1/8"x28FPP	23092K
AOHX 3096	460	480	205	Tr 520x6	G1/8"x28FPP	23096K

Hydraulic Withdrawal Sleeves



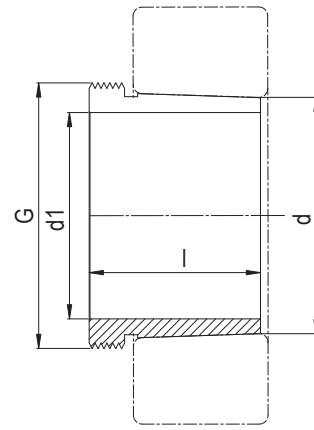
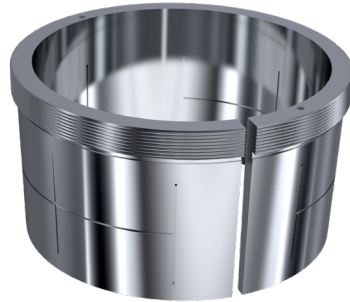
Code	d1 mm	d mm	l mm	G	G1	Bearings
AOHX 30/500	480	500	209	Tr 540x6	G1/8"x28FPP	230/500K
AOH 30/530	500	530	230	Tr 560x6	G1/4"x19FPP	230/530K, C 30/530K
AOH 30/560	530	560	240	Tr 590x6	G1/4"x19FPP	230/560K
AOHX 30/560	530	560	240	Tr 600x6	G1/4"x19FPP	C 30/560K
AOH 30/600	560	600	245	Tr 630x6	G1/4"x19FPP	230/600K
AOHX 30/600	570	600	245	Tr 630x6	G1/4"x19FPP	230/600K, C 30/600K
AOH 30/630	600	630	258	Tr 670x6	G1/4"x19FPP	230/630K, C 30/630K
AOH 30/670	630	670	280	Tr 710x7	G1/4"x19FPP	230/670K, C 30/670K
AOH 30/710	670	710	286	Tr 750x7	G1/4"x19FPP	230/710K
AOHX 30/710	670	710	286	Tr 750x7	G1/4"x19FPP	C 30/710K
AOH 30/750	710	750	300	Tr 800x7	G1/4"x19FPP	230/750K, C 30/750K
AOH 30/800	750	800	308	Tr 850x7	G1/4"x19FPP	230/800K, C 30/800K
AOH 30/850	800	850	325	Tr 900x7	G1/4"x19FPP	230/850K, C 30/850K
AOH 30/900	850	900	335	Tr 950x8	G1/4"x19FPP	230/900K, C 30/900K
AOH 30/950	900	950	355	Tr 1000x8	G1/4"x19FPP	230/950K, C 30/950K
AOH 30/1000	950	1000	365	Tr 1060x8	G1/4"x19FPP	230/1000K, C 30/1000K
AOH 30/1060	1000	1060	385	Tr 1120x8	G1/4"x19FPP	230/1060K
AOH 3132	150	160	103	M 180x3	M6x1	22232K, 23132K
AOH 3134	160	170	104	M 190x3	M6x1	22234K, 23134K
AOH 3136	170	180	116	M 200x3	M6x1	23136K
AOH 3138	180	190	125	Tr 210x4	M6x1	23138K
AOH 3140	190	200	134	Tr 220x4	M6x1	23140K, C 3140K
AOH 3144	200	220	145	Tr 240x4	G1/8"x28FPP	23144K, C 3144K
AOH 3148	220	240	154	Tr 260x4	G1/8"x28FPP	23148K, C 3148K

Hydraulic Withdrawal Sleeves



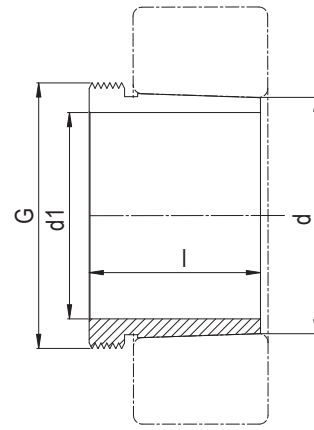
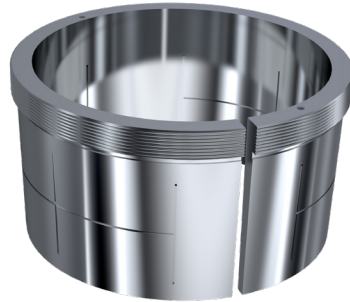
Code	$\frac{d1}{mm}$	$\frac{d}{mm}$	$\frac{l}{mm}$	G	G1	Bearings
AOH 3152	240	260	172	Tr 290x4	G1/8"x28FPP	23152K
AOH 3156	260	280	175	Tr 310x5	G1/8"x28FPP	23156K
AOH 3160	280	300	192	Tr 330x5	G1/8"x28FPP	23160K
AOH 3164	300	320	209	Tr 350x5	G1/8"x28FPP	23164K
AOH 3168	320	340	225	Tr 370x5	G1/8"x28FPP	23168K
AOH 3172	340	360	229	Tr 400x5	G1/8"x28FPP	23172K
AOH 3176	360	380	232	Tr 420x5	G1/8"x28FPP	23176K
AOH 3180	380	400	240	Tr 440x5	G1/8"x28FPP	23180K
AOH 3184	400	420	266	Tr 460x5	G1/8"x28FPP	23184K
AOHX 3188	420	440	270	Tr 480x5	G1/8"x28FPP	23188K
AOHX 3192	440	460	285	Tr 510x6	G1/8"x28FPP	23192K
AOHX 3196	460	480	295	Tr 530x6	G1/8"x28FPP	23196K
AOHX 31/500	480	500	313	Tr 550x6	G1/8"x28FPP	231/500K
AOH 31/530	500	530	325	Tr 560x6	G1/4"x19FPP	222/530K, 231/530K, C 31/530K
AOH 31/560	530	560	335	Tr 590x6	G1/4"x19FPP	222/560K, 231/560K, C 31/560K
AOH 31/600	560	600	355	Tr 630x6	G1/4"x19FPP	222/600K, 231/600K, C 31/600K
AOH 31/630	600	630	375	Tr 670x6	G1/4"x19FPP	222/630K, 231/630K, C 31/630K

Hydraulic Withdrawal Sleeves



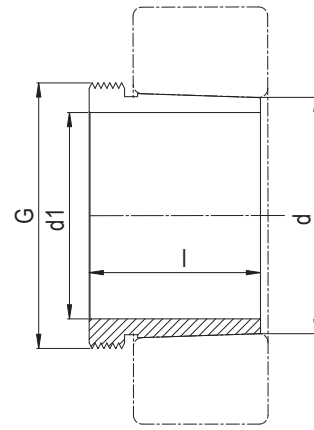
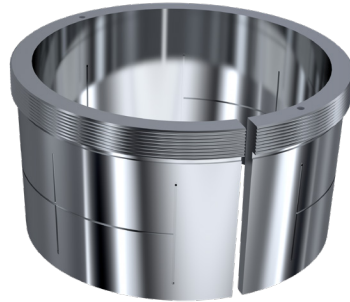
Code	$\frac{d1}{mm}$	$\frac{d}{mm}$	$\frac{l}{mm}$	G	G1	Bearings
AOH 31/670	630	670	395	Tr 710x7	G1/4"x19FPP	222/670K, 231/670K
AOHX 31/670	630	670	395	Tr 710x7	G1/4"x19FPP	C 31/670K
AOH 31/710	670	710	405	Tr 750x7	G1/4"x19FPP	222/710K, 231/710K
AOHX 31/710	670	710	405	Tr 750x7	G1/4"x19FPP	C 31/710K
AOH 31/750	710	750	425	Tr 800x7	G1/4"x19FPP	222/750K, 231/750K, C 31/750K
AOH 31/800	750	800	438	Tr 850x7	G1/4"x19FPP	222/800K, 231/800K, C 31/800K
AOH 31/850	800	850	462	Tr 900x7	G1/4"x19FPP	222/850K, 231/850K, C 31/850K
AOH 31/900	850	900	475	Tr 950x8	G1/4"x19FPP	222/900K, 231/900K
AOH 31/950	900	950	500	Tr 1000x8	G1/4"x19FPP	222/950K, 231/950K
AOH 31/1000	950	1000	525	Tr 1060x8	G1/4"x19FPP	222/1000K, 231/1000K, C 31/1000K
AOH 31/1060	1000	1060	540	Tr 1120x8	G1/4"x19FPP	222/1060K, 231/1060K
AOH 3232	150	160	124	M 180x3	M6x1	23232K
AOH 3234	160	170	134	M 190x3	M6x1	23234K
AOH 3236	170	180	140	M 200x3	M6x1	23236K
AOH 3238	180	190	145	Tr 210x4	M6x1	23238K
AOH 3240	190	200	153	Tr 220x4	M6x1	23240K
AOH 3260	280	300	228	Tr 330x5	G1/8"x28FPP	22360K, 23260K
AOH 3264	300	320	246	Tr 350x5	G1/8"x28FPP	22364K, 23264K
AOH 3268	320	340	264	Tr 370x5	G1/8"x28FPP	22368K
AOH 3272	340	360	274	Tr 400x5	G1/8"x28FPP	22372K
AOH 3276	360	380	284	Tr 420x5	G1/8"x28FPP	22376K

Hydraulic Withdrawal Sleeves



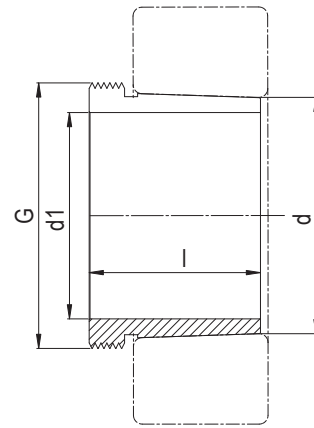
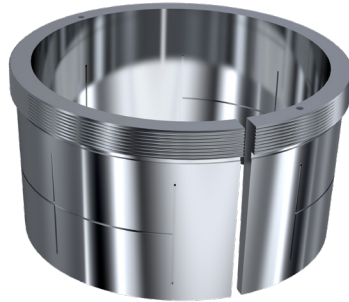
Code	$\frac{d1}{mm}$	$\frac{d}{mm}$	$\frac{l}{mm}$	G	G1	Bearings
AOH 3280	380	400	302	Tr 440x5	G1/8"x28FPP	22380K
AOH 3284	400	420	321	Tr 460x5	G1/8"x28FPP	22384K
AOHX 3288	420	440	330	Tr 480x5	G1/8"x28FPP	22388K
AOHX 3292	440	460	349	Tr 510x6	G1/8"x28FPP	22392K
AOHX 3296	460	480	364	Tr 530x6	G1/8"x28FPP	22396K
AOHX 32/500	480	500	393	Tr 550x6	G1/8"x28FPP	223/500K
AOH 32/530	500	530	412	Tr 580x6	G1/4"x19FPP	223/530K, 232/530K
AOH 32/560	530	560	422	Tr 610x6	G1/4"x19FPP	223/560K, 232/560K
AOH 32/600	560	600	445	Tr 650x6	G1/4"x19FPP	223/600K, 232/600K
AOH 32/630	600	630	475	Tr 680x6	G1/4"x19FPP	223/630K, 232/630K
AOH 32/670	630	670	500	Tr 720x7	G1/4"x19FPP	223/670K, 232/670K
AOH 32/710	670	710	515	Tr 760x7	G1/4"x19FPP	223/710K, 232/710K
AOH 32/750	710	750	540	Tr 800x7	G1/4"x19FPP	223/750K, 232/750K
AOH 32/800	750	800	550	Tr 850x7	G1/4"x19FPP	232/800K
AOH 32/850	800	850	585	Tr 900x7	G1/4"x19FPP	232/850K
AOH 32/900	850	900	585	Tr 950x8	G1/4"x19FPP	232/900K
AOH 32/950	900	950	600	Tr 1000x8	G1/4"x19FPP	232/950K
AOH 32/1000	950	1000	630	Tr 1060x8	G1/4"x19FPP	232/1000K

Hydraulic Withdrawal Sleeves



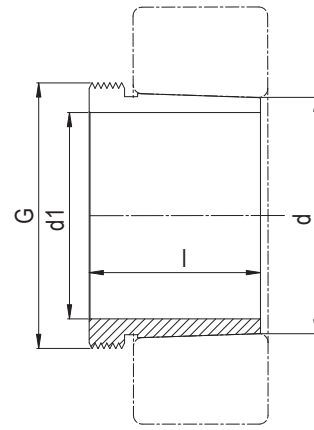
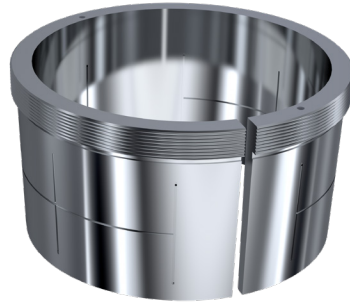
Code	d1 mm	d mm	l mm	G	G1	Bearings
AOH 3934	160	170	59	M 180x3	M6x1	23934K
AOH 3936	170	180	66	M 190x3	M6x1	23936K
AOH 3938	180	190	66	M 200x3	M6x1	23938K
AOH 3940	190	200	77	Tr 210x4	M6x1	23940K
AOH 3944	200	220	77	Tr 230x4	M8x1,25	23944K
AOH 3948	220	240	77	Tr 250x4	M8x1,25	23948K
AOH 3952	240	260	94	Tr 275x4	M8x1,25	23952K
AOH 3956	260	280	94	Tr 295x4	M8x1,25	23956K
AOH 3960	280	300	112	Tr 315x5	M8x1,25	23960K
AOH 3964	300	320	112	Tr 335x5	M8x1,25	23964K
AOH 3968	320	340	112	Tr 355x5	M8x1,25	23968K
AOH 3972	340	360	112	Tr 375x5	M8x1,25	23972K
AOH 3976	360	380	130	Tr 395x5	M8x1,25	23976K
AOH 3980	380	400	130	Tr 415x5	M8x1,25	23980K
AOH 3984	400	420	130	Tr 435x5	M8x1,25	23984K
AOH 3988	420	440	145	Tr 460x5	G1/8"x28FPP	23988K
AOH 3992	440	460	145	Tr 480x5	G1/8"x28FPP	23992K
AOH 3996	460	480	158	Tr 500x5	G1/8"x28FPP	23996K
AOH 39/500	480	500	162	Tr 520x6	G1/8"x28FPP	239/500K
AOH 39/530	500	530	175	Tr 550x6	G1/4"x19FPP	239/530K
AOH 39/560	530	560	180	Tr 580x6	G1/4"x19FPP	239/560K
AOH 39/600	560	600	192	Tr 625x6	G1/4"x19FPP	239/600K
AOH 39/630	600	630	210	Tr 655x6	G1/4"x19FPP	239/630K
AOH 39/670	630	670	216	Tr 695x6	G1/4"x19FPP	239/670K
AOH 39/710	670	710	228	Tr 740x7	G1/4"x19FPP	239/710K
AOH 39/750	710	750	234	Tr 780x7	G1/4"x19FPP	239/750K
AOH 39/800	750	800	245	Tr 830x7	G1/4"x19FPP	239/800K
AOH 39/850	800	850	258	Tr 880x7	G1/4"x19FPP	239/850K
AOH 39/900	850	900	265	Tr 930x8	G1/4"x19FPP	239/900K
AOH 39/950	900	950	282	Tr 980x8	G1/4"x19FPP	239/950K

Hydraulic Withdrawal Sleeves



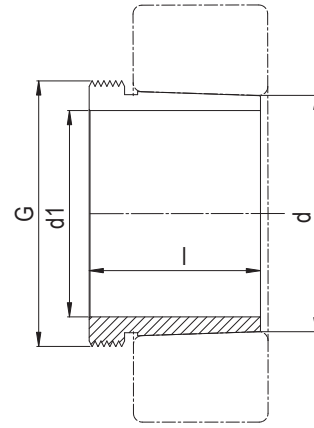
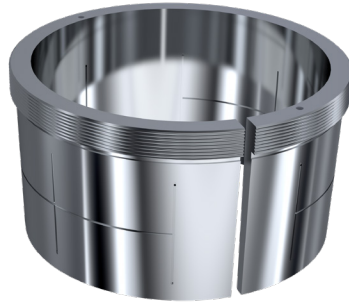
Code	$\frac{d1}{mm}$	$\frac{d}{mm}$	$\frac{l}{mm}$	G	G1	Bearings
AOH 39/1000	950	1000	296	Tr 1035x8	G1/4"x19FPP	239/1000K
AOH 39/1060	1010	1060	310	Tr 1095x8	G1/4"x19FPP	239/1060K
AOH 24044	200	220	138	Tr 230x4	M6x1	24044K30, C 4044K30V
AOH 24048	220	240	138	Tr 250x4	M6x1	24048K30
AOH 24052	240	260	162	Tr 270x4	M6x1	24052K30
AOH 24056	260	280	162	Tr 290x4	M6x1	24056K30
AOH 24060	280	300	184	Tr 310x5	M6x1	24060K30
AOH 24064	300	320	184	Tr 330x5	M6x1	24064K30
AOH 24068	320	340	206	Tr 360x5	G1/8"x28FPP	24068K30
AOH 24072	340	360	206	Tr 380x5	G1/8"x28FPP	24072K30
AOH 24076	360	380	208	Tr 400x5	G1/8"x28FPP	24076K30
AOH 24080	380	400	228	Tr 420x5	G1/8"x28FPP	24080K30
AOH 24084	400	420	230	Tr 440x5	G1/8"x28FPP	24084K30
AOH 24088	420	440	242	Tr 460x5	G1/8"x28FPP	24088K30
AOH 24092	440	460	250	Tr 480x5	G1/8"x28FPP	24092K30
AOH 24096	460	480	250	Tr 500x5	G1/8"x28FPP	24096K30
AOH 240/500	480	500	253	Tr 520x6	G1/8"x28FPP	240/500K30
AOH 240/530	500	530	290	Tr 550x6	G1/4"x19FPP	240/530K30
AOH 240/560	530	560	298	Tr 580x6	G1/4"x19FPP	240/560K30
AOH 240/600	560	600	317	Tr 625x6	G1/4"x19FPP	240/600K30
AOH 240/630	600	630	335	Tr 655x6	G1/4"x19FPP	240/630K30
AOH 240/670	630	670	358	Tr 695x6	G1/4"x19FPP	240/670K30

Hydraulic Withdrawal Sleeves



Code	$\frac{d1}{mm}$	$\frac{d}{mm}$	$\frac{l}{mm}$	G	G1	Bearings
AOH 240/710	670	710	365	Tr 740x7	G1/4"x19FPP	240/710K30
AOH 240/750	710	750	380	Tr 780x7	G1/4"x19FPP	240/750K30
AOH 240/800	750	800	395	Tr 830x7	G1/4"x19FPP	240/800K30
AOH 240/850	800	850	418	Tr 880x7	G1/4"x19FPP	240/850K30
AOH 240/900	850	900	430	Tr 930x8	G1/4"x19FPP	240/900K30
AOH 240/950	900	950	467	Tr 980x8	G1/4"x19FPP	240/950K30
AOH 240/1000	950	1000	469	Tr 1035x8	G1/4"x19FPP	240/1000K30
AOH 240/1060	1000	1060	498	Tr 1095x8	G1/4"x19FPP	240/1060K30
AOH 24144	200	220	170	Tr 230x4	G1/8"x28FPP	24144K30
AOH 24148	220	240	180	Tr 260x4	G1/8"x28FPP	24148K30
AOH 24152	240	260	202	Tr 280x4	G1/8"x28FPP	24152K30
AOH 24156	260	280	202	Tr 300x4	G1/8"x28FPP	24156K30
AOH 24160	280	300	224	Tr 320x5	G1/8"x28FPP	24160K30, C 4160K30
AOH 24164	300	320	242	Tr 340x5	G1/8"x28FPP	24164K30
AOH 24168	320	340	269	Tr 360x5	G1/8"x28FPP	24168K30
AOH 24172	340	360	269	Tr 380x5	G1/8"x28FPP	24172K30
AOH 24176	360	380	271	Tr 400x5	G1/8"x28FPP	24176K30
AOH 24180	380	400	278	Tr 420x5	G1/8"x28FPP	24180K30
AOH 24184	400	420	310	Tr 440x5	G1/8"x28FPP	24184K30
AOH 24188	420	440	310	Tr 460x5	G1/8"x28FPP	24188K30, C 4188K30
AOH 24192	440	460	332	Tr 480x5	G1/8"x28FPP	24192K30, C 4192K30
AOH 24196	460	480	343	Tr 500x5	G1/8"x28FPP	24196K30
AOH 241/500	480	500	362	Tr 530x6	G1/8"x28FPP	241/500K30, C 41/500K30
AOH 241/530	500	530	375	Tr 550x6	G1/4"x19FPP	241/530K30
AOH 241/560	530	560	400	Tr 580x6	G1/4"x19FPP	241/560K30

Hydraulic Withdrawal Sleeves



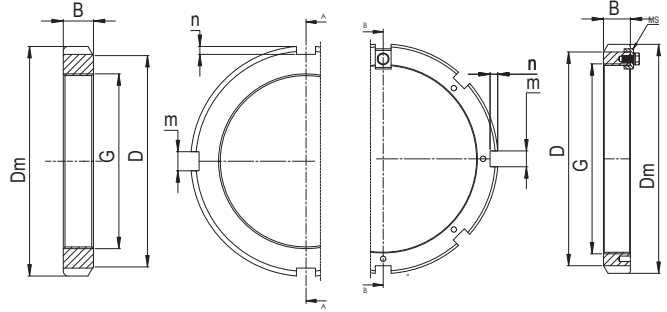
Code	$\frac{d1}{mm}$	$\frac{d}{mm}$	$\frac{l}{mm}$	G	G1	Bearings
AOH 241/600	560	600	425	Tr 625x6	G1/4"x19FPP	241/600K30
AOHX 241/600	570	600	413	Tr 630x6	G1/4"x19FPP	C 41/600K30
AOH 241/630	600	630	450	Tr 655x6	G1/4"x19FPP	241/630K30
AOH 241/670	630	670	467	Tr 695x6	G1/4"x19FPP	241/670K30
AOH 241/710	670	710	493	Tr 740x7	G1/4"x19FPP	241/710K30
AOH 241/750	710	750	520	Tr 780x7	G1/4"x19FPP	241/750K30
AOH 241/800	750	800	525	Tr 830x7	G1/4"x19FPP	241/800K30
AOH 241/850	800	850	560	Tr 880x7	G1/4"x19FPP	241/850K30
AOH 241/900	850	900	575	Tr 930x8	G1/4"x19FPP	241/900K30
AOH 241/950	900	950	605	Tr 980x8	G1/4"x19FPP	241/950K30
AOH 241/1000	950	1000	645	Tr 1035x8	G1/4"x19FPP	241/1000K30
AOH 241/1060	1000	1060	665	Tr 1095x8	G1/4"x19FPP	241/1060K30



Lock Nuts

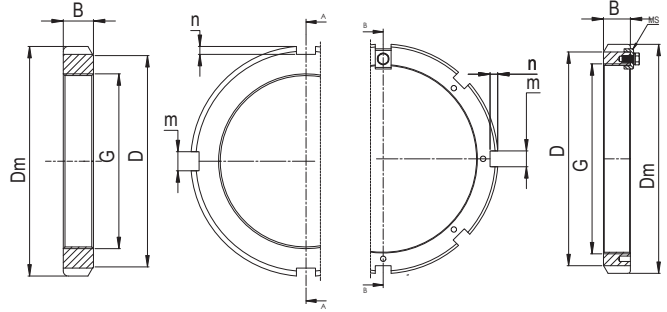
Code	G	$\frac{Dm}{mm}$	$\frac{B}{mm}$	$\frac{D}{mm}$	$\frac{m}{mm}$	$\frac{n}{mm}$
KM 0	M 10x0,75	18	4	13.5	3	2
KM 1	M 12x1	22	4	17	3	2
KM 2	M 15x1	25	5	21	4	2
KM 3	M 17x1	28	5	24	4	2
KM 4	M 20x1	32	6	26	4	2
KM 5	M 25x1,5	38	7	32	5	2
KM 6	M 30x1,5	45	7	38	5	2
KM 7	M 35x1,5	52	8	44	5	2
KM 8	M 40x1,5	58	9	50	6	2.5
KM 9	M 45x1,5	65	10	56	6	2.5
KM 10	M 50x1,5	70	11	61	6	2.5
KM 11	M 55x2	75	11	67	7	3
KM 11x1.5	M 55x1,5	75	11	67	7	3
KM 12	M 60x2	80	11	73	7	3
KM 12x1.5	M 60x1,5	80	11	73	7	3
KM 13	M 65x2	85	12	79	7	3
KM 13x1.5	M 65x1,5	85	12	79	7	3
KM 14	M 70x2	92	12	85	8	3.5

Lock Nuts



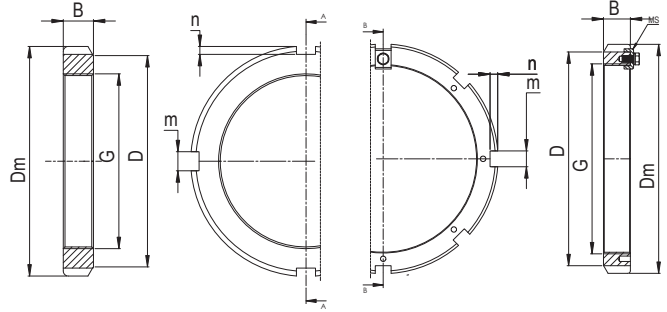
Code	G	Dm mm	B mm	D mm	m mm	n mm
KM 15	M 75x2	98	13	90	8	3.5
KM 16	M 80x2	105	15	95	8	3.5
KM 17	M 85x2	110	16	102	8	3.5
KM 18	M 90x2	120	16	108	10	4
KM 19	M 95x2	125	17	113	10	4
KM 20	M 100x2	130	18	120	10	4
KM 21	M 105x2	140	18	126	12	5
KM 22	M 110x2	145	19	133	12	5
KM 23	M 115x2	150	19	137	12	5
KM 24	M 120x2	155	20	138	12	5
KM 25	M 125x2	160	21	148	12	5
KM 26	M 130x2	165	21	149	12	5
KM 27	M 135x2	175	22	160	14	6
KM 28	M 140x2	180	22	160	14	6
KM 29	M 145x2	190	24	171	14	6
KM 30	M 150x2	195	24	171	14	6
KM 31	M 155x3	200	25	182	16	7
KM 32	M 160x3	210	25	182	16	7
KM 33	M 165x3	210	26	193	16	7
KM 34	M 170x3	220	26	193	16	7
KM 36	M 180x3	230	27	203	18	8
KM 38	M 190x3	240	28	214	18	8
KM 40	M 200x3	250	29	226	18	8
HM 3044	Tr 220x4	260	30	242	20	9

Lock Nuts



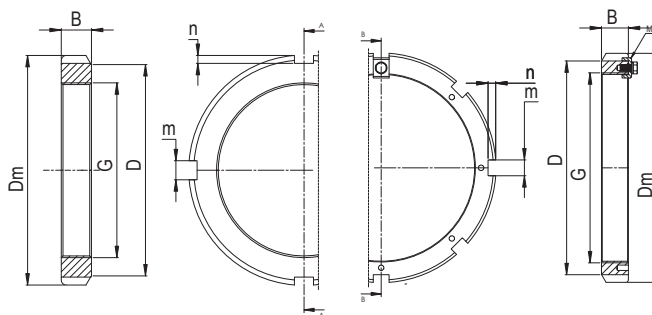
Code	G	Dm mm	B mm	D mm	m mm	n mm
HM 3048	Tr 240x4	290	34	270	20	10
HM 3052	Tr 260x4	310	34	290	20	10
HM 3056	Tr 280x4	330	38	310	24	10
HM 3060	Tr 300x4	360	42	336	24	12
HM 3064	Tr 320x5	380	42	356	24	12
HM 3068	Tr 340x5	400	45	376	24	12
HM 3072	Tr 360x5	420	45	394	28	13
HM 3076	Tr 380x5	450	48	422	28	14
HM 3080	Tr 400x5	470	52	442	28	14
HM 3084	Tr 420x5	490	52	462	32	14
HM 3088	Tr 440x5	520	60	490	32	15
HM 3092	Tr 460x5	540	60	510	32	15
HM 3096	Tr 480x5	560	60	530	36	15
HM 30/500	Tr 500x5	580	68	550	36	15
HM 30/530	Tr 530x6	630	68	590	40	20
HM 30/560	Tr 560x6	650	75	610	40	20
HM 30/600	Tr 600x6	700	75	660	40	20
HM 30/630	Tr 630x6	730	75	690	45	20
HM 30/670	Tr 670x6	780	80	740	45	20
HM 30/710	Tr 710x7	830	90	780	50	25
HM 30/750	Tr 750x7	870	90	820	55	25
HM 30/800	Tr 800x7	920	90	870	55	25
HM 30/850	Tr 850x7	980	90	925	60	25
HM 30/900	Tr 900x7	1030	100	975	60	25
HM 30/950	Tr 950x8	1080	100	1024	60	25
HM 30/1000	Tr 1000x8	1140	100	1085	60	25
HM 30/1060	Tr 1060x8	1200	100	1145	60	25
HM 30/1120	Tr 1120x8	1260	100	1205	60	25
HM 30/1180	Tr 1180x8	1320	100	1265	60	25
HM 3060 6F	11.785"x6F	370	36	340	24	12

Lock Nuts



Code	G	Dm mm	B mm	D mm	m mm	n mm
HM 3064 6F	12.562"x6F	400	40	370	24	12
HM 3144	Tr 220x4	280	32	250	20	10
HM 3148	Tr 240x4	300	34	270	20	10
HM 3152	Tr 260x4	330	36	300	24	12
HM 3156	Tr 280x4	350	38	320	24	12
HM 3160	Tr 300x4	380	40	340	24	12
HM 3164	Tr 320x5	400	42	360	24	12
HM 3168	Tr 340x5	440	55	400	28	15
HM 3172	Tr 360x5	460	58	420	28	15
HM 3176	Tr 380x5	490	60	440	32	18
HM 3180	Tr 400x5	520	62	460	32	18
HM 3184	Tr 420x5	540	70	490	32	18
HM 3188	Tr 440x5	560	70	510	36	20
HM 3192	Tr 460x5	580	75	540	36	20
HM 3196	Tr 480x5	620	75	560	36	20
HM 31/500	Tr 500x5	630	80	580	40	23
HM 31/530	Tr 530x6	670	80	610	40	23
HM 31/560	Tr 560x6	710	85	650	45	25
HM 31/600	Tr 600x6	750	85	690	45	25
HM 31/630	Tr 630x6	800	95	730	50	28
HM 31/670	Tr 670x6	850	106	775	50	28
HM 31/710	Tr 710x7	900	106	825	55	30
HM 31/750	Tr 750x7	950	112	875	60	34
HM 31/800	Tr 800x7	1000	112	925	60	34
HM 31/850	Tr 850x7	1060	118	975	70	38
HM 31/900	Tr 900x7	1120	125	1030	70	38
HM 31/950	Tr 950x8	1170	125	1080	70	38
HM 31/1000	Tr 1000x8	1240	125	1140	70	38
HM 31/1060	Tr 1060x8	1300	125	1210	70	38
HML 41T	Tr 205x4	250	30	232	18	8

Lock Nuts



Code	G	Dm mm	B mm	D mm	m mm	n mm
HML 43T	Tr 215x4	260	30	242	20	9
HML 47T	Tr 235x4	280	34	262	20	9
HML 52T	Tr 260x4	310	34	290	20	10
HML 56T	Tr 280x4	330	30	310	24	10
HML 60T	Tr 300x4	360	31	336	24	12
HML 64T	Tr 320x5	380	42	356	24	12
HML 69T	Tr 345x5	410	45	384	28	13
HML 72T	Tr 360x5	420	35	394	28	13
HML 73T	Tr 365x5	430	48	404	28	13
HML 76T	Tr 380x5	445	37	417	28	14
HML 77T	Tr 385x5	450	48	422	28	14
HML 82T	Tr 410x5	480	52	452	32	14
HML 86T	Tr 430x5	500	52	472	32	14
HML 90T	Tr 450x5	520	60	490	32	15
HML 94T	Tr 470x5	540	43	510	32	15
HML 98T	Tr 490x5	580	60	550	36	15
HML 104T	Tr 520x6	600	68	570	36	15
HML 108T	Tr 540x6	620	49	590	40	20
HML 112T	Tr 560x6	650	60	610	40	20
HML 118T	Tr 590x6	690	63	650	40	20
HML 126T	Tr 630x6	730	65	690	45	20
HML 134T	Tr 670x6	770	70	730	45	20
HML 142T	Tr 710x7	830	70	780	50	25
HML 150T	Tr 750x7	870	70	820	55	25
HML 160T	Tr 800x7	920	70	865	55	25
HML 170T	Tr 850x7	970	74	915	60	25
HML 180T	Tr 900x7	1020	74	965	60	25
HML 190T	Tr 950x8	1070	76	1015	60	25
HML 212T	Tr 1060x8	1180	78	1125	60	25
HML 224T	Tr 1120x8	1240	79	1185	60	25

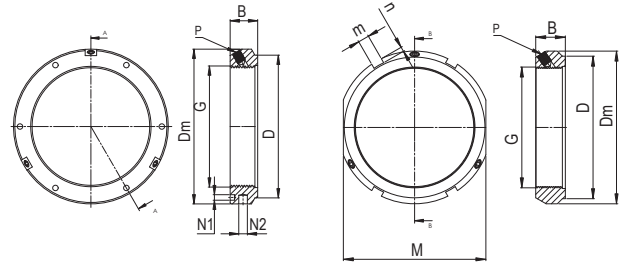
Precision Nuts

They are used in bearings fixation in machinery and equipment that require high precision. They have shaft tightened and angularly distributed three brass pins around its circumference. Precision Nuts are not subject to axial loads or deformation given that the pins are machined to match the shaft thread and its inclination is equal to the nut thread angle, giving it an exact locking position. These nuts can be used in motors, spindle, lathes, grinders, milling machines, shut-off valves, and ball screws.

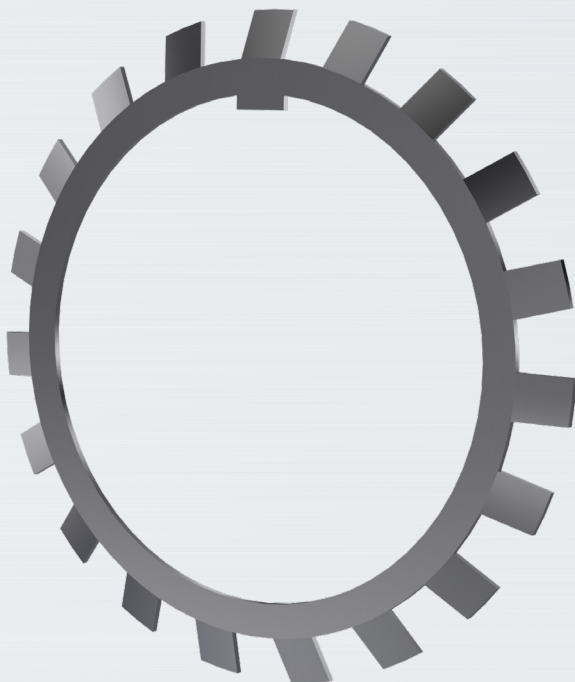


Code	G mm	Dm mm	D mm	B mm	m mm	n mm	M mm	N1 mm	N2 mm	P	Nm
KMT 0	M 10x0,75	28	23	14	4	2	24			M 5	4.5
KMT 1	M 12x1	30	25	14	4	2	27			M 5	4.5
KMT 2	M 15x1	33	28	16	4	2	30			M 5	4.5
KMT 3	M 17x1	37	33	18	5	2	34			M 6	8
KMT 4	M 20x1	40	35	18	5	2	36			M 6	8
KMT 5	M 25x1,5	44	39	20	5	2	41			M 6	8
KMT 6	M 30x1,5	49	44	20	5	2	46			M 6	8
KMT 7	M 35x1,5	54	49	22	5	2	50			M 6	8
KMT 8	M 40x1,5	65	59	22	6	2.5	60			M 6	8
KMT 9	M 45x1,5	70	64	22	6	2.5	65			M 6	8
KMT 10	M 50x1,5	75	68	25	7	3	70			M 6	8
KMT 11	M 55x2	85	78	25	7	3	80			M 8	18
KMT 12	M 60x2	90	82	26	8	3.5	85			M 8	18
KMT 13	M 65x2	95	87	28	8	3.5	90			M 8	18
KMT 14	M 70x2	100	92	28	8	3.5	95			M 8	18
KMT 15	M 75x2	105	97	28	8	3.5	100			M 8	18
KMT 16	M 80x2	110	100	32	8	3.5				M 8	18
KMT 17	M 85x2	120	110	32	10	4				M 10	35
KMT 18	M 90x2	125	115	32	10	4				M 10	35
KMT 19	M 95x2	130	120	32	10	4				M 10	35
KMT 20	M 100x2	135	125	32	10	4				M 10	35
KMT 22	M 110x2	145	134	32	10	4				M 10	35
KMT 24	M 120x2	155	144	32	10	4				M 10	35
KMT 26	M 130x2	165	154	32	12	5				M 10	35
KMT 28	M 140x2	175	164	32	14	6				M 10	35
KMT 30	M 150x2	185	174	32	14	6				M 10	35
KMT 32	M 160x3	195	184	32	14	6				M 10	35
KMT 34	M 170x3	205	194	32	14	6				M 10	35
KMT 36	M 180x3	215	204	32	16	7				M 10	35
KMT 38	M 190x3	225	214	32	16	7				M 10	35

Precision Nuts



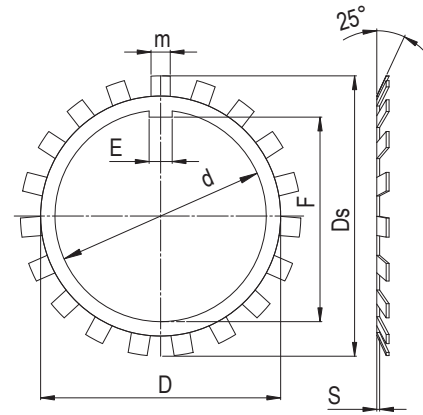
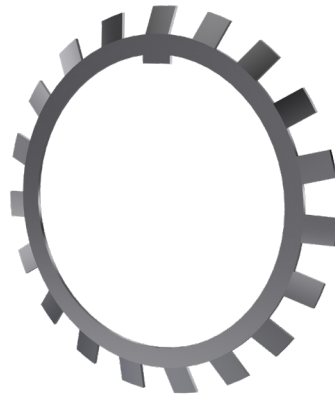
Code	G mm	Dm mm	D mm	B mm	m mm	n mm	M mm	N1 mm	N2 mm	P	Nm
KMT 40	M 200x3	235	224	32	18	8				M 10	35
KMT 44	Tr 220x4	265	254	36	20	10				M 10	35
KMT 48	Tr 240x4	290	279	38	20	10				M 12	60
KMT 52	Tr 260x4	310	299	38	20	10				M 12	60
KMT 56	Tr 280x4	330	319	40	24	12				M 12	60
KMT 60	Tr 300x4	360	349	42	24	12				M 12	60
KMT 64	Tr 320x5	390	379	45	24	12				M 12	60
KMT 68	Tr 340x5	410	399	48	24	12				M 12	60
KMTA 5	M 25x1,5	42	35	20	24	12		4.3	4	M 6	8
KMTA 6	M 30x1,5	48	40	20				4.3	5	M 6	8
KMTA 7	M 35x1,5	53	47	20				4.3	5	M 6	8
KMTA 8	M 40x1,5	58	52	22				4.3	5	M 6	8
KMTA 9	M 45x1,5	68	58	22				4.3	6	M 6	8
KMTA 10	M 50x1,5	70	63	24				4.3	6	M 6	8
KMTA 11	M 55x1,5	75	70	24				4.3	6	M 6	8
KMTA 12	M 60x1,5	84	75	24				5.3	6	M 6	8
KMTA 13	M 65x1,5	88	80	25				5.3	6	M 6	8
KMTA 14	M 70x1,5	95	86	26				5.3	8	M 8	18
KMTA 15	M 75x1,5	100	91	26				6.4	8	M 8	18
KMTA 16	M 80x2	110	97	30				6.4	8	M 8	18
KMTA 17	M 85x2	115	102	32				6.4	8	M 10	35
KMTA 18	M 90x2	120	110	32				6.4	8	M 10	35
KMTA 19	M 95x2	125	114	32				6.4	8	M 10	35
KMTA 20	M 100x2	130	120	32				6.4	8	M 10	35
KMTA 22	M 110x2	140	132	32				6.4	8	M 10	35
KMTA 24	M 120x2	155	142	32				6.4	8	M 10	35
KMTA 26	M 130x3	165	156	32				6.4	8	M 10	35
KMTA 28	M 140x3	180	166	32				6.4	10	M 10	35
KMTA 30	M 150x3	190	180	32				6.4	10	M 10	35
KMTA 32	M 160x3	205	190	32				8.4	10	M 10	35
KMTA 34	M 170x3	215	205	32				8.4	10	M 10	35
KMTA 36	M 180x3	230	215	32				8.4	10	M 10	35
KMTA 38	M 190x3	240	225	32				8.4	10	M 10	35
KMTA 40	M 200x3	245	237	32				8.4	10	M 10	35



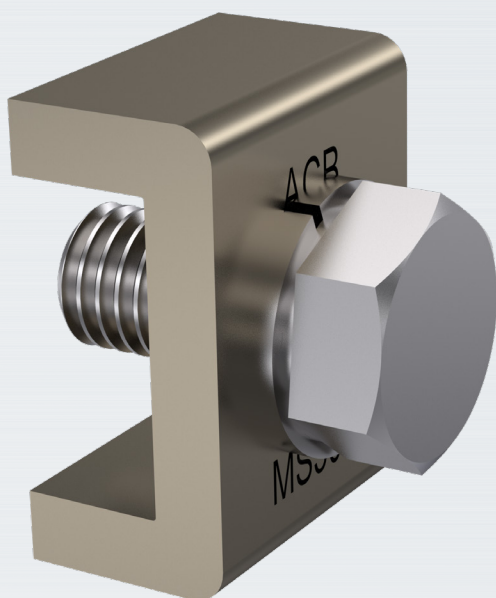
Lock Washers

Code	$\frac{d}{mm}$	$\frac{Ds}{mm}$	$\frac{D}{mm}$	$\frac{S}{mm}$	$\frac{E}{mm}$	$\frac{F}{mm}$	$\frac{m}{mm}$
MB 0	10	21	13.5	1	3	8.5	3
MB 1	12	25	17	1	3	10.5	3
MB 2	15	28	21	1	4	13.5	4
MB 3	17	32	24	1	4	15.5	4
MB 4	20	36	26	1	4	18.5	4
MB 5	25	42	32	1.2	5	23	5
MB 6	30	49	38	1.2	5	27.5	5
MB 7	35	57	44	1.2	6	32.5	5
MB 8	40	62	50	1.2	6	37.5	6
MB 9	45	69	56	1.2	6	42.5	6
MB 10	50	74	61	1.2	6	47.5	6
MB 11	55	81	67	1.5	8	52.5	7
MB 12	60	86	73	1.5	8	57.5	7
MB 13	65	92	79	1.5	8	62.5	7
MB 14	70	98	85	1.5	8	66.5	8
MB 15	75	104	90	1.5	8	71.5	8
MB 16	80	112	95	1.75	10	76.5	8
MB 17	85	119	102	1.75	10	81.5	8
MB 18	90	126	108	1.75	10	86.5	10

Lock Washers



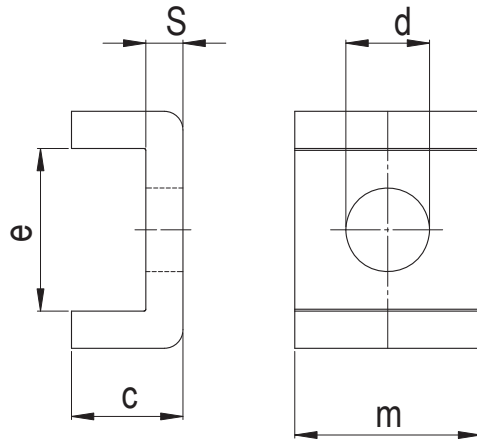
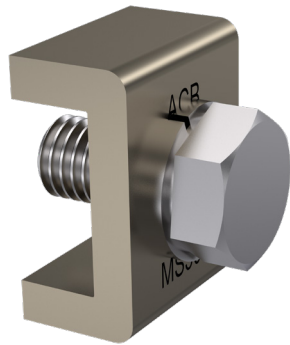
Code	$\frac{d}{\text{mm}}$	$\frac{Ds}{\text{mm}}$	$\frac{D}{\text{mm}}$	$\frac{S}{\text{mm}}$	$\frac{E}{\text{mm}}$	$\frac{F}{\text{mm}}$	$\frac{m}{\text{mm}}$
MB 19	95	133	113	1.75	10	91.5	10
MB 20	100	142	120	1.75	12	96.5	10
MB 21	105	145	126	1.75	12	100.5	12
MB 22	110	154	133	1.75	12	105.5	12
MB 23	115	159	137	2	12	110.5	12
MB 24	120	164	138	2	14	115	12
MB 25	125	170	148	2	14	120	12
MB 26	130	175	149	2	14	125	12
MB 27	135	191	160	2	14	130	14
MB 28	140	192	160	2	16	135	14
MB 29	145	202	171	2	16	140	14
MB 30	150	202	171	2	16	145	14
MB 31	155	216	182	2.5	16	147.5	16
MB 32	160	217	182	2.5	18	154	16
MB 33	165	227	193	2.5	18	157.5	16
MB 34	170	227	193	2.5	18	164	16
MB 36	180	242	203	2.5	20	174	18
MB 38	190	252	214	2.5	20	184	18
MB 40	200	262	226	2.5	20	194	18
MB 44	220	292	250	3	24	213	20
MB 48	240	312	270	3	24	233	20
MB 52	260	342	300	3	28	253	24
MB 56	280	362	320	3	28	273	24
MBL 24	120	148	135	2	14	115	12
MBL 26	130	158	145	2	14	125	12
MBL 28	140	170	155	2	16	135	12
MBL 30	150	186	170	2	16	145	14
MBL 32	160	197	180	2.5	18	154	14
MBL 34	170	209	190	2.5	18	164	16
MBL 36	180	215	200	2.5	20	174	16
MBL 38	190	228	210	2.5	20	184	16
MBL 40	200	248	222	2.5	20	194	18



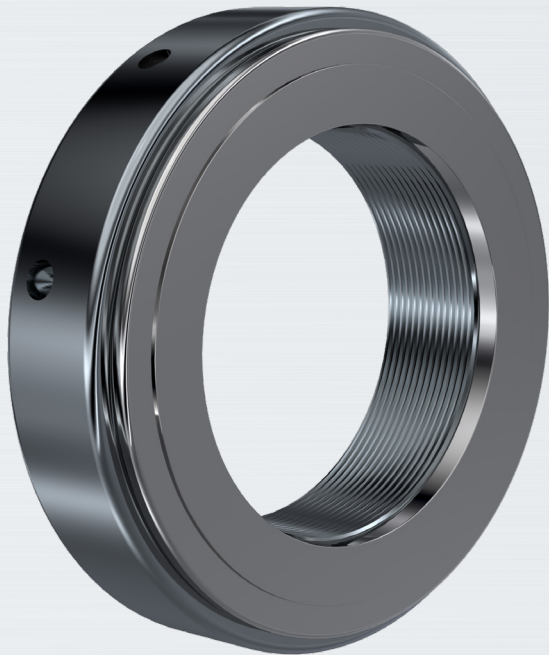
MS Locking Devices

Code	$\frac{m}{mm}$	$\frac{S}{mm}$	$\frac{c}{mm}$	$\frac{d}{mm}$	e	Screw
MS 3044	20	4	12	7	13.5	M6x12
MS 3048-MS 3052	20	4	12	9	17.5	M8x16
MS 3056	24	4	12	9	17.5	M8x16
MS 3060	24	4	12	9	20.5	M8x16
MS 3064-MS 3068	24	5	15	9	21	M8x16
MS 3072	28	5	15	9	20	M8x16
MS 3076-MS 3080	28	5	15	12	24	M10x20
MS 3084	32	5	15	12	24	M10x20
MS 3088-MS 3092	32	5	15	14	28	M12x25
MS 3096-30/500	36	5	15	14	28	M12x25
MS 30/530-600	40	7	21	18	34	M16x30
MS 30/560	40	7	21	18	29	M16x30
MS 30/630	45	7	21	18	34	M16x30
MS 30/670	45	7	21	18	39	M16x30
MS 30/710	50	7	21	18	39	M16x30

MS Locking Devices



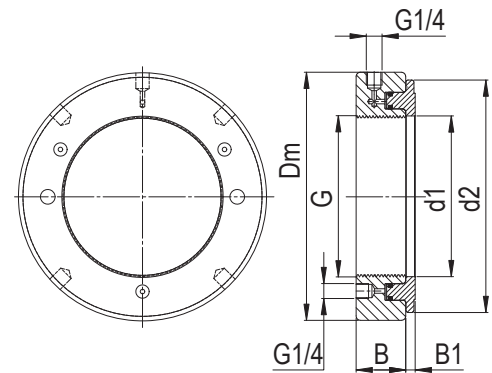
Code	$\frac{m}{\text{mm}}$	$\frac{S}{\text{mm}}$	$\frac{c}{\text{mm}}$	$\frac{d}{\text{mm}}$	e	Screw
MS 30/750-800	55	7	21	18	39	M16x30
MS 30/850-900	60	7	21	22	44	M20x40
MS 30/950	60	7	21	22	46	M20x40
MS 30/1000	60	7	21	22	51	M20x40
MS 3144-MS 3148	20	4	12	9	22.5	M8x16
MS 3152-MS 3156	24	4	12	12	25.5	M8x16
MS 3160	24	4	12	12	30.5	M10x20
MS 3164	24	5	15	12	31	M10x20
MS 3168-MS 3172	28	5	15	14	38	M12x25
MS 3176	32	5	15	14	40	M12x25
MS 3180-MS 3184	32	5	15	18	45	M16x30
MS 3188-MS 3192	36	5	15	18	43	M16x30
MS 3196	36	5	15	18	53	M16x30
MS 31/500	40	5	15	18	45	M16x30
MS 31/530	40	7	21	22	51	M20x40
MS 31/560-600	45	7	21	22	54	M20x40
MS 31/630	50	7	21	22	61	M20x40
MS 31/670	50	7	21	22	66	M20x40
MS 31/710	55	7	21	26	69	M20x40
MS 31/750-800	60	7	21	26	70	M24x50
MS 31/850	70	7	21	26	71	M24x50
MS 31/900	70	7	21	26	76	M24x50
MS 31/950	70	7	21	26	78	M24x50
MS 31/1000	70	7	21	26	88	M24x50



Hydraulic Nuts

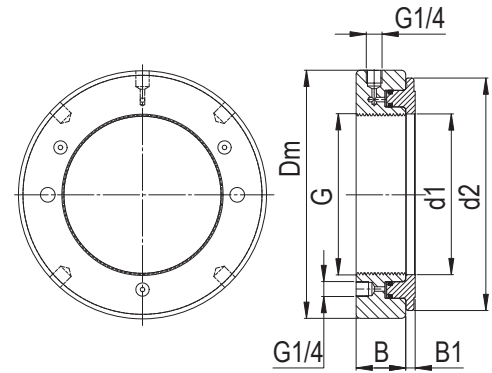
Code	G mm	d1 mm	d2 mm	Dm mm	B mm	B1 mm	Max. Axial Displacement mm	Injection Hole Thread BSP
HMV 10E	M 50x1,5	50.5	104	114	38	4	5	G1/4"
HMV 11E	M 55x2	55.5	109	120	38	4	5	G1/4"
HMV 11x1.5E	M 55x1,5	55.5	109	120	38	4	5	G1/4"
HMV 12E	M 60x2	60.5	115	125	38	5	5	G1/4"
HMV 12x1.5E	M 60x1,5	60.5	115	125	38	5	5	G1/4"
HMV 13E	M 65x2	65.5	121	130	38	5	5	G1/4"
HMV 13x1.5E	M 65x1,5	65.5	121	130	38	5	5	G1/4"
HMV 14E	M 70x2	70.5	127	135	38	5	5	G1/4"
HMV 15E	M 75x2	75.5	132	140	38	5	5	G1/4"
HMV 16E	M 80x2	80.5	137	146	38	5	5	G1/4"
HMV 17E	M 85x2	85.5	142	150	38	5	5	G1/4"
HMV 18E	M 90x2	90.5	147	156	38	5	5	G1/4"
HMV 19E	M 95x2	95.5	153	162	38	5	5	G1/4"
HMV 20E	M 100x2	100.5	158	166	38	6	5	G1/4"
HMV 21E	M 105x2	105.5	163	172	38	6	5	G1/4"
HMV 22E	M 110x2	110.5	169	178	38	6	5	G1/4"
HMV 23E	M 115x2	115.5	174	182	38	6	5	G1/4"
HMV 24E	M 120x2	120.5	179	188	38	6	5	G1/4"
HMV 25E	M 125x2	125.5	184	192	38	6	5	G1/4"
HMV 26E	M 130x2	130.5	190	198	38	6	5	G1/4"
HMV 27E	M 135x2	135.5	195	204	38	6	5	G1/4"
HMV 28E	M 140x2	140.5	200	208	38	7	5	G1/4"
HMV 29E	M 145x2	145.5	206	214	39	7	5	G1/4"
HMV 30E	M 150x2	150.5	211	220	39	7	5	G1/4"
HMV 31E	M 150x2	155.5	218	226	39	7	5	G1/4"

Hydraulic Nuts



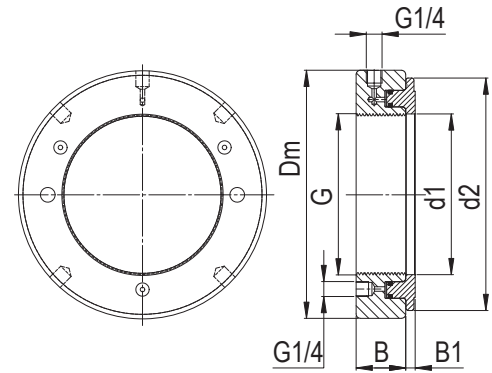
Code	G mm	d1 mm	d2 mm	Dm mm	B mm	B1 mm	Max. Axial Displacement mm	Injection Hole Thread BSP
HMV 32E	M 160x3	160.5	224	232	40	7	6	G1/4"
HMV 33E	M 165x3	165.5	229	238	40	7	6	G1/4"
HMV 34E	M 170x3	170.5	235	244	41	7	6	G1/4"
HMV 36E	M 180x3	180.5	247	256	41	7	6	G1/4"
HMV 38E	M 190x3	191	259	270	42	8	7	G1/4"
HMV 40E	M 200x3	201	271	282	43	8	8	G1/4"
HMV 41E	Tr 205x4	207	276	288	43	8	8	G1/4"
HMV 42E	Tr 210x4	212	282	294	43	8	9	G1/4"
HMV 43E	Tr 215x4	217	287	300	43	8	9	G1/4"
HMV 44E	Tr 220x4	222	293	306	43	8	9	G1/4"
HMV 45E	Tr 225x4	227	300	312	45	8	9	G1/4"
HMV 46E	Tr 230x4	232	305	318	45	8	9	G1/4"
HMV 47E	Tr 235x4	237	311	326	46	8	10	G1/4"
HMV 48E	Tr 240x4	242	316	330	46	9	10	G1/4"
HMV 50E	Tr 250x4	252	329	342	46	9	10	G1/4"
HMV 52E	Tr 260x4	262	341	356	47	9	11	G1/4"
HMV 54E	Tr 270x4	272	352	368	48	9	12	G1/4"
HMV 56E	Tr 280x4	282	363	380	49	9	12	G1/4"
HMV 58E	Tr 290x4	292	375	390	49	9	13	G1/4"
HMV 60E	Tr 300x4	302	386	404	50	10	14	G1/4"
HMV 62E	Tr 310x5	312	397	416	52	10	14	G1/4"
HMV 64E	Tr 320x5	322	409	428	53	10	14	G1/4"
HMV 66E	Tr 330x5	332	419	438	53	10	14	G1/4"
HMV 68E	Tr 340x5	342	430	450	54	10	14	G1/4"
HMV 69E	Tr 345x5	347	436	456	54	10	14	G1/4"
HMV 70E	Tr 350x5	352	442	464	56	10	14	G1/4"
HMV 72E	Tr 360x5	362	455	472	56	10	15	G1/4"
HMV 73E	Tr 365x5	367	460	482	56	11	15	G1/4"
HMV 74E	Tr 370x5	372	466	486	56	11	16	G1/4"
HMV 76E	Tr 380x5	382	476	498	58	11	16	G1/4"
HMV 77E	Tr 385x5	387	483	504	58	11	16	G1/4"
HMV 80E	Tr 400x5	402	499	522	60	11	17	G1/4"
HMV 82E	Tr 410x5	412	510	534	61	11	17	G1/4"
HMV 84E	Tr 420x5	422	522	546	61	11	17	G1/4"
HMV 86E	Tr 430x5	432	532	556	62	11	17	G1/4"

Hydraulic Nuts



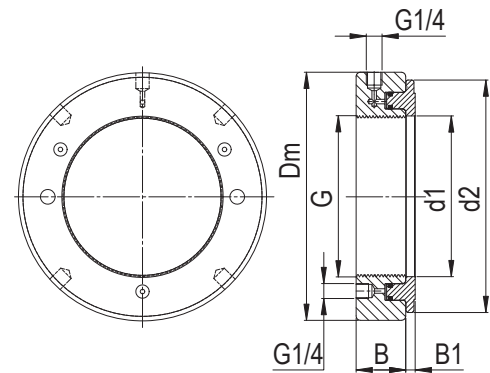
Code	G	d1	d2	Dm	B	B1	Max. Axial Displacement	Injection Hole Thread
							mm	BSP
HMV 88E	Tr 440x5	442	543	566	62	12	17	G1/4"
HMV 90E	Tr 450x5	452	554	580	64	12	17	G1/4"
HMV 92E	Tr 460x5	462	565	590	64	12	17	G1/4"
HMV 94E	Tr 470x5	472	576	602	65	12	18	G1/4"
HMV 96E	Tr 480x5	482	587	612	65	12	19	G1/4"
HMV 98E	Tr 490x5	492	597	624	66	12	19	G1/4"
HMV 100E	Tr 500x5	502	609	636	67	12	19	G1/4"
HMV 102E	Tr 510x6	512	624	648	68	12	20	G1/4"
HMV 104E	Tr 520x6	522	634	658	68	13	20	G1/4"
HMV 106E	Tr 530x6	532	645	670	69	13	21	G1/4"
HMV 108E	Tr 540x6	542	657	682	69	13	21	G1/4"
HMV 110E	Tr 550x6	552	667	693	70	13	21	G1/4"
HMV 112E	Tr 560x6	562	678	704	71	13	22	G1/4"
HMV 114E	Tr 570x6	572	689	716	72	13	23	G1/4"
HMV 116E	Tr 580x6	582	699	726	72	13	23	G1/4"
HMV 120E	Tr 600x6	602	721	748	73	13	23	G1/4"
HMV 125E	Tr 625x6	628	750	775	74	14	23	G1/4"
HMV 126E	Tr 630x6	632	754	782	74	14	23	G1/4"
HMV 130E	Tr 650x6	652	775	804	75	14	23	G1/4"
HMV 134E	Tr 670x6	672	796	826	75	14	24	G1/4"
HMV 138E	Tr 690x6	692	819	848	77	14	25	G1/4"
HMV 142E	Tr 710x7	712	840	870	78	15	25	G1/4"
HMV 150E	Tr 750x7	752	883	912	79	15	25	G1/4"
HMV 155E	Tr 775x7	777	936	965	80	16	25	G1/4"
HMV 160E	Tr 800x7	802	936	965	80	16	25	G1/4"
HMV 170E	Tr 850x7	852	990	1020	83	16	26	G1/4"
HMV 180E	Tr 900x7	902	1043	1075	86	17	30	G1/4"
HMV 190E	Tr 950x8	952	1097	1126	86	17	30	G1/4"
HMV 200E	Tr 1000x8	1002	1150	1180	88	17	34	G1/4"
HMV 212E	Tr 1060x8	1063	1220	1255	97	18	35	G1/4"

Hydraulic Nuts



Code	G	d1	d2	Dm	B	B1	Max. Axial Displacement	Injection Hole Thread
							mm	BSP
HMVC 10E	1.967"x18F	50.5	104	114	38	4	5	G1/4"
HMVC 11E	2.157"x18F	55.5	109	120	38	4	5	G1/4"
HMVC 12E	2.360"x18F	60.5	115	125	38	5	5	G1/4"
HMVC 13E	2.548"x18F	65.5	121	130	38	5	5	G1/4"
HMVC 14E	2.751"x18F	70.5	127	135	38	5	5	G1/4"
HMVC 15E	2.933"x12F	75.5	132	140	38	5	5	G1/4"
HMVC 16E	3.137"x12F	80.5	137	146	38	5	5	G1/4"
HMVC 17E	3.340"x12F	85.5	142	150	38	5	5	G1/4"
HMVC 18E	3.527"x12F	90.5	147	156	38	5	5	G1/4"
HMVC 19E	3.730"x12F	95.5	153	162	38	5	5	G1/4"
HMVC 20E	3.918"x12F	100.5	158	166	38	6	5	G1/4"
HMVC 21E	4.122"x12F	105.5	163	172	38	6	5	G1/4"
HMVC 22E	4.325"x12F	110.5	169	178	38	6	5	G1/4"
HMVC 24E	4.716"x12F	120.5	179	188	38	6	5	G1/4"
HMVC 26E	5.106"x12F	130.5	190	198	38	6	5	G1/4"
HMVC 28E	5.497"x12F	140.5	200	208	38	7	5	G1/4"
HMVC 30E	5.888"x12F	150.5	211	220	39	7	5	G1/4"
HMVC 32E	6.284"x8F	160.5	224	232	40	7	6	G1/4"
HMVC 34E	6.659"x8F	170.5	235	244	41	7	6	G1/4"
HMVC 36E	7.066"x8F	180.5	247	256	41	7	6	G1/4"
HMVC 38E	7.472"x8F	191	259	270	42	8	7	G1/4"
HMVC 40E	7.847"x8F	201	271	282	43	8	8	G1/4"
HMVC 44E	8.628"x8F	222	293	306	43	8	9	G1/4"
HMVC 48E	9.442"x6F	242	316	330	46	9	10	G1/4"
HMVC 52E	10.192"x6F	262	341	356	47	9	11	G1/4"
HMVC 56E	11.004"x6F	282	363	380	49	9	12	G1/4"
HMVC 60E	11.785"x6F	302	386	404	50	10	14	G1/4"
HMVC 64E	12.562"x6F	322	409	428	53	10	14	G1/4"

Hydraulic Nuts



Code	G	d1	d2	Dm	B	B1	Max. Axial Displacement	Injection Hole Thread
							mm	BSP
HMVC 68E	13.339"x5F	342	430	450	54	10	14	G1/4"
HMVC 72E	14.170"x5F	362	455	472	56	10	15	G1/4"
HMVC 76E	14.957"x5F	382	476	498	58	11	16	G1/4"
HMVC 80E	15.745"x5F	402	499	522	60	11	17	G1/4"
HMVC 84E	16.532"x5F	422	522	546	61	11	17	G1/4"
HMVC 88E	17.319"x5F	442	543	566	62	12	17	G1/4"
HMVC 92E	18.107"x5F	462	565	590	64	12	17	G1/4"
HMVC 96E	18.894"x5F	482	587	612	65	12	19	G1/4"
HMVC 100E	19.682"x5F	502	609	636	67	12	19	G1/4"
HMVC 106E	20.867"x4F	532	645	670	69	13	21	G1/4"
HMVC 112E	22.048"x4F	562	678	704	71	13	22	G1/4"
HMVC 120E	23.623"x4F	602	721	748	73	13	23	G1/4"
HMVC 126E	24.804"x4F	632	754	782	74	14	23	G1/4"
HMVC 134E	26.379"x4F	672	796	826	75	14	24	G1/4"
HMVC 142E	27.961"x3F	712	840	870	78	15	25	G1/4"
HMVC 150E	29.536"x3F	752	883	912	79	15	25	G1/4"
HMVC 160E	31.504"x3F	802	936	965	80	16	25	G1/4"
HMVC 170E	33.473"x3F	852	990	1020	83	16	26	G1/4"
HMVC 180E	35.441"x3F	902	1043	1075	86	17	30	G1/4"
HMVC 190E	37.410"x3F	952	1097	1126	86	17	30	G1/4"



ACB

ATLANTIC CUSTOM BEARINGS

Atlantic Bearing Services, LLC

8208 NW 30th Terrace
Miami Florida, 33122 USA
+1 305 592 4404 office
+1 305 592 4540 fax

www.atlantic-bearing.com