

Arista Software License Framework

Arista licensing for software offerings span across physical devices, virtual software platforms, on-prem and cloud based management offerings via EOS, CloudEOS, CloudVision (on-prem and as-a-Service), CloudVision CUE/Wi-Fi, Converged Cloud Fabric, DANZ Monitoring Fabric MOS software, Arista Network Detection & Response, and Arista Edge Threat Management. The licensing model is designed to provide flexibility and consistency, both in the choice of the appropriate feature functionality and in the software consumption model.

This document serves as a guide to the license consumption models (perpetual and subscription) as well as a mapping of Arista license SKUs to the products on which they operate and the features they include.

Arista EOS software licenses are perpetual, unless a term is mentioned in the SKUs. Perpetual licenses are not transferable among products without written authorization from Arista.

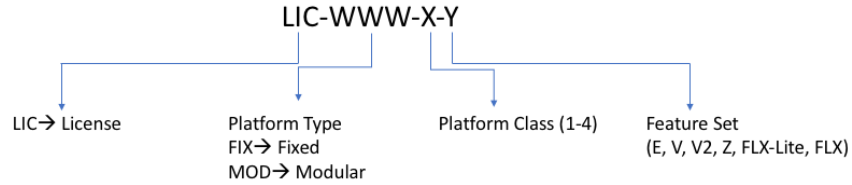
Arista subscription licenses are denoted with a 'SS-' SKU prefix and are available on a term-basis.

Contents:

- EOS Licensing
- EOS Encryption
- CloudVision
- CloudVision Wi-Fi
- CloudVision Cognitive Unified Edge
- Edge Threat Management
- WAN Routing System
- CloudEOS
- MOS
- Converged Cloud Fabric / DANZ Monitoring Fabric
- Awake Products

EOS Software Licenses for Arista Fixed and Modular portfolio

EOS license SKUs provide the right to use advanced features on Arista switching and routing platforms and cover a variety of use cases in data center, routing, campus etc. These licenses are perpetual and applied on a per-device basis. These generally have the following format - LIC-WWW-X-Y, which translate as follows:



Licenses are first divided into fixed and modular platforms categories and then further divided into tiers based on the platform capacity, bandwidth, scalability etc of the platforms, then finally divided by the feature set included in the license. This subdivision is explained as follows:

Fixed Switching Platforms (FIX-X)

The perpetual license on Arista fixed configuration switches are subdivided into platform classes 1, 2, 3, 4, FIX-5, G or CG based on the various attributes such as chip capacity, system features, port speeds, etc.

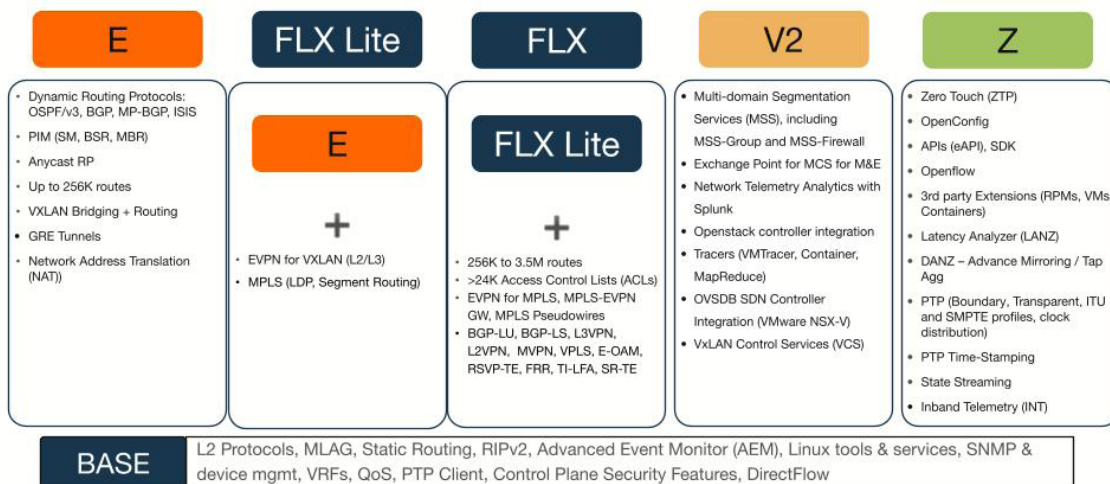
Modular Switching Platforms (MOD-X)

EOS perpetual licenses for modular switches are based on the total number of line card slots. Each of the licenses are subdivided into the following platform classes:

- X=1: modular switches with 4 line card slots
- X=2: modular switches with 8 line card slots
- X=3: modular switches with 12 line card slots
- X=4: modular switches with 16 line card slots
- X=G: modular switches with 1G/mG line card slots

Feature Sets (-Y)

Arista EOS offers a broad range of advanced features as mapped to the feature sets in the table below.



Note: a 'V' license is a feature license maintained for historical purchases and allows the right to use the following functions—VMTracer and VXLAN (without VXLAN Control Service (VCS)).

Specific mapping of the license classes to platforms are shown in the tables below. These include fixed platforms supporting 10G and higher speeds, fixed platforms supporting 1G/ mG and lower speeds as well as modular platforms.

Table 1. The table below identifies the specific mapping of the fixed license classes to the Arista fixed switch models with 10G and higher speed front panel ports.

This table does not reflect the current status of the lifecycle of the platform. Please refer to www.arista.com support website for product lifecycle status

LIC-FIX-1-Y*	LIC-FIX-2-Y*	LIC-FIX-3-Y*	LIC-FIX-4-Y*	LIC-FIX-5-Y*
7150S-24	7050QX-32S	7050DX4-32S	7280CR2M-30	7280DR3A-54
7150SC-24-CLD	7050QX2-32S	7050PX4-32S	7280CR-48	7280DR3AM-54
7020SR-24C2	7050SX-64	7358X4	7280CR2-60	7280DR3AK-54
7020SRG-24C2	7050SX2-72Q	7260CX3-64	7280CR2A-60	7280DR3A-36
7020SR-32C2	7050SX2-128	7260CX3-64E	7280CR2K-60	7280DR3AM-36
7050TX-48	7050SX3-48YC12	7060PX4-32	7280PR3-24	7280DR3AK-36
7050SX3-48C8	7050SX3-48YC8	7060DX4-32	7280PR3K-24	7289R3A
7050T-36	7050SX3-96YC8	7280CR3MK-32D4A-S	7280DR3-24	7289R3AM
	7050TX-64	7060DX5-32	7280DR3K-24	7289R3AK
	7050TX-72Q	7050CX4-24D8	7280CR3-96	
	7050TX2-128	7050SPX4-48D8	7280CR3K-96	
	7050TX3-48C8	7050SDX4-48D8	7130LBR-48S6QD	
	7050CX3-32S	7050DX4M-32S		
	7050CX3-32C	7368X4		
	7050SX3-48YC8C	7280QR-C72		
	7050SX3-48C8C	7280CR2A-30		
	7050CX3-32C	7280CR2K-30		
	7050SX3-48C8C	7280CR3-32P4		
	7060CX-32C	7280CR3K-32P4		
	7050SX3-48YC8C	7280CR3-32D4		
	7280SR3K-48YC8A	7280CR3K-32D4		
	7280SR3M-48YC8	7280CR3MK-32P4S		
	7280SR3MK-48YC8A	7280CR3MK-32D4S		
	7280SRA-48C6	7280CR3-36S		
	7060SX2-48YC6	7280CR3K-36S		
	7060CX-32S	7130-96LBS		
	7060CX2-32S	7130-96LB		
	7280QR-C36	7170-64C		
	7280TR-48C6	7170B-64C		
	7280SR-48C6	7260CX-64		
	7280SR2-48YC6	7280CR3E-36S		
	7280SR2A-48YC6	7280CR3K-36A		
	7280SR2K-48YC6	7280CR3K-32D4A		
	7280SRAM-48C6	7280CR3K-32P4A		
	7280SR3-48YC8			
	7280SR3K-48YC8			
	7280SR3-40YC6			
	7280SR3E-40YC6			
	7130-48LBS			
	7130-48LB			
	7170-32C			
	7170-32CD			
	7050SX-72			
	7050SX-72Q			
	7050TX-96			
	7050TX-128			
	7250QX-64			
	7260QX-64			
	7280SE-64			
	7280SRA-48C6			
	7280SRM-40CX2			
	7280TRA-48C6			
	7280QRA-C36S			
	7160-32CQ			

*Where "Y" can be FLX, FLX-L, E, V, V2, or Z.

Contd. Table 1. The table below identifies the specific mapping of the fixed license classes to the Arista fixed switch models with 10G and higher speed front panel ports.

This table does not reflect the current status of the lifecycle of the platform. Please refer to www.arista.com support website for product lifecycle status

LIC-FIX-1-Y*	LIC-FIX-2-Y*	LIC-FIX-3-Y*	LIC-FIX-4-Y*
	7160-48YC6 7160-48TC6 7150SC-64-CLD 7050QX-32 7150S-52 7150S-64		

*Where "Y" can be FLX, FLX-L, E, V, V2, or Z.

Table 2: The table below shows the mapping of the license product number to the Arista 1G/mG Gigabit switches.

LIC-FIX-G-X*	LIC-FIX-G-E	LIC-7048-V**	LIC-FIX-G-V2
7020TR-48	7020TR-48	7020TR-48	7020TR-48
7020TRA-48	7020TRA-48	7020TRA-48	7010T
CCS-720	7010T	7010T	7010TX
	7010TX	7010TX	CCS-720
	CCS-720	CCS-720	720XP-96ZC2
	720XP-96ZC2	720XP-96ZC2	

* Where X can be FLX or FLX-L; Z license is included with platform for 1G/mG switches

**LIC-7048-V is no longer available for purchase

Note: the Z license features are included with base EOS for 1G/mG switches.

Table 3. The table below shows the mapping of the license product number to the Arista class of Compact 1G (CG) switches

LIC-FIX-CG-FLX-L
CCS-710

* Where Y can be FLX, FLX-L, E, V, V2, or Z.

Table 4: The table below shows the mapping of the modular license classes to the Arista modular switches.

LIC-MOD-1-Y*	LIC-MOD-2-Y*	LIC-MOD-3-Y*	LIC-MOD-4-Y*
7504E	7508E	7512R	7516R
7504R	7508R	7812R3	7816R3
7804R3	7808R3		
7304X	7308X		
7304X3	7308X3		
7324X	7328X		

Notes: *Where Y can be FLX, FLX-L, E, V, V2, or Z.

Table 5: The table below shows the mapping of the modular license classes to the Arista 1G/mG modular switch models.

LIC-MOD-G-Y*
CCS-750

Notes: *Where Y can be FLX-L, E, or V2; Z license is included with platform for 1G/mG switches

Licenses to Enable Encryption

Additional perpetual licenses are required on platforms offering encryption services, such as MACSEC and IPSec. The MACSEC encryption capability is offered on both fixed and modular platforms via the licensing scheme described below.

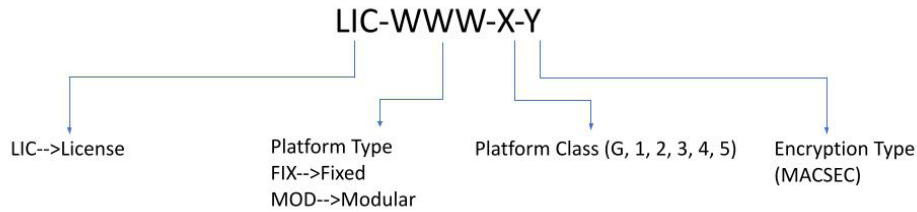
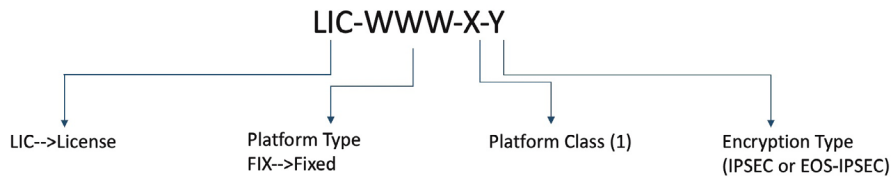


Table 6: The table below shows the mapping of the license product number to the Arista switches capable of offering MACSEC encryption.

LIC-FIX-X*-MACSEC	LIC-MOD-X*-MACSEC
DCS-7280CR2M-30	DCS-7504
DCS-7280SRM-40CX2	DCS-7508
DCS-7280SRAM-48C6	DCS-7512
DCS-7050CX3M-32S	DCS-7516

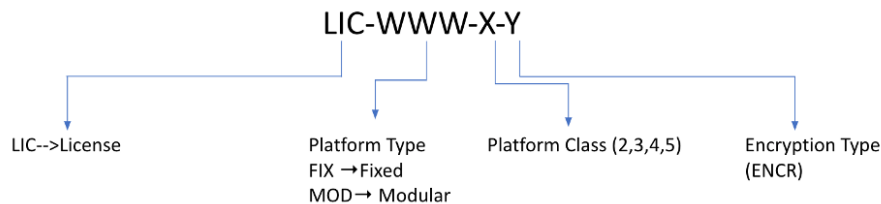
MACSEC capability on modular platforms is delivered via the following line cards: DCS-7500R2AM-36CQ-LC, DCS-7500R2M-36CQ-LC, DCS-7500RM-36CQ-LC. The license is tied to the chassis only.

The IPSec solution is offered for fixed form factor platforms. The license is perpetual and the scheme is as follows.

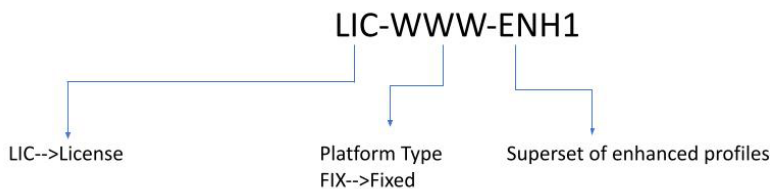


IPSec Encryption is licensed with the form Y=IPSEC (hardware-based) or EOS-IPSEC (encryption via software).

Encryption license is available for new R3 series platforms which support both MACSEC and IPSec capabilities along with encapsulation of tunneled traffic such as VxLAN frames. The license is perpetual and the scheme is as follows:

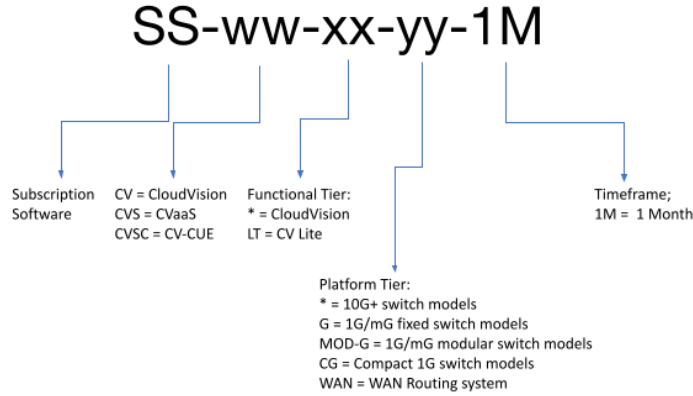


A special license is offered for 7170 platforms, which offers deep programmability enabling specific enhanced functions such as load balancing or MAP-T etc. The license is perpetual and the scheme is as follows:



Arista CloudVision (on-prem or as-a-Service)

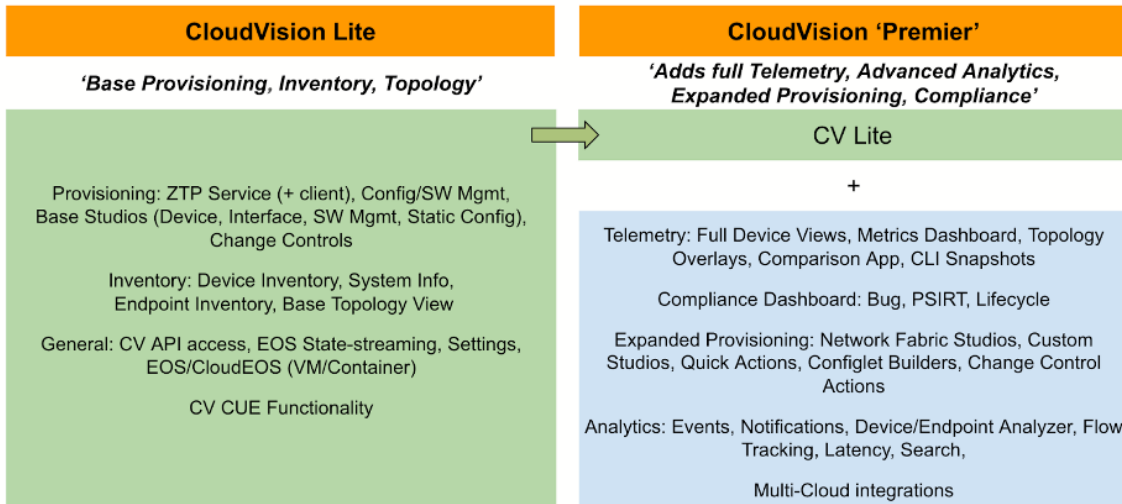
CloudVision is licensed as a subscription that includes software and support for managing a particular device or instance under management over a given term. There is no license for the cloudvision server software itself. CloudVision licenses are structured based on platform tier (10G+, 1G, Modular 1G, or compact), functional tier (CV or CV lite), deployment model (on-prem or cloud service, aka 'CVaaS'), and device/volume tier (based on # of devices). The CloudVision SKUs generally have the following format:



The general CloudVision provides the complete feature set, including full analytics, telemetry, and provisioning. CloudVision Lite is a subset of the premier capabilities, providing a functional graphical user interface (GUI) for base visibility and network management. The feature sets for these licenses are defined below and are the same for on-prem and the cloud service.

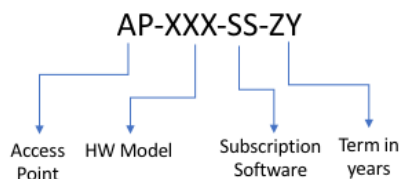
CloudVision Functional Tiering

Updated Jan 1, 2024



CloudVision Cognitive Unified Edge (CV-CUE) - Wi-Fi SKUs

Arista CloudVision Wi-Fi License is a software subscription that includes the software and support for managing a particular access point for a given term. The software is available via a cloud service delivery model as well as via an on-premises offering. The SKUs generally have the following formats – AP-XXX-SS-ZY, for access point hardware with a bundled CloudVisionWi-Fi Subscription, or SS-XXXM-ZM[-WWW], which has the following format:



In both cases, the license is for the configuration and monitoring for one access point by the associated CloudVision Wi-Fi system for the duration specified. There are currently no tiers or optional features requiring additional licenses.

Arista Cognitive Unified Edge (CUE)

Arista CUETM is composed of Arista’s CloudVision management platform with a focused set of compact switches and wireless access points designed for commercial network scope, as well as edge threat management components for securing the edge. Arista CUE offerings are licensed under the following SKU format:

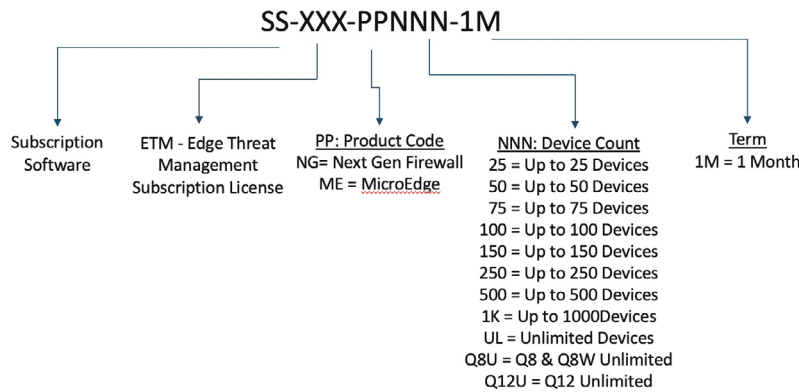
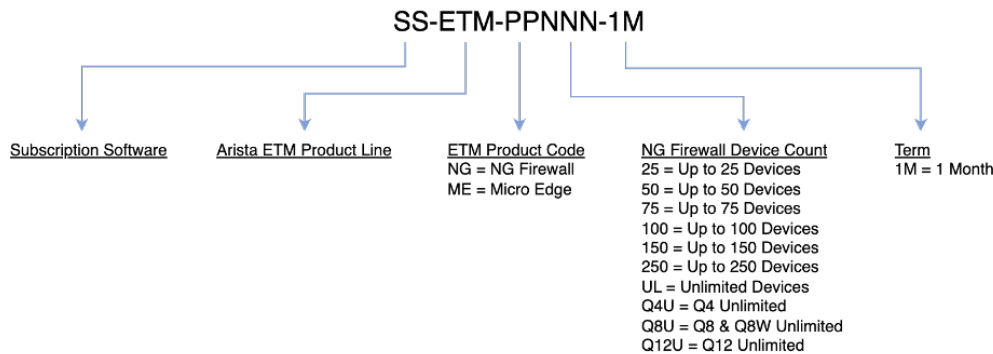
SS-CVSC-CG-SWITCH-1M	CloudVision CUE as-a-Service Subscription Lic for 1-Month for 1 Switch. 1G/mG Compact Platforms
LIC-FIX-CG-FLX-L	Arista Compact Switch License. FLX-Lite License for Arista Fixed 1G/mG Compact Switches - Dynamic Routing, EVPN, VXLAN (Includes -E Features)
SS-COGWi-Fi-1M	Arista Wi-Fi - Cognitive Cloud SW Subscription License for 1-Month for 1 x Wireless Access Point

The following format is used for Arista Edge Threat Management (ETM) Subscription Software SKUs:

Arista Edge Threat Management (ETM)

Arista ETM license SKUs provide the right to use advanced features on Arista ETM virtual and physical appliances running the Micro Edge and NG Firewall software platform. Licenses are provided in the form of a monthly subscription that is typically purchased in bulk quantities to accommodate multiple years.

The following format is used for Arista Edge Threat Management (ETM) Subscription Software SKUs:



Micro Edge is a single license that does not have restrictions on features or device count. When no license is applied, advanced features are disabled.

NG Firewall device counts determine the maximum number of simultaneous local (non-WAN) devices that may use licensed features. Based on the configured policy, devices in excess of the license count may be blocked or permitted network access without licensed features

Licensing Bands and Throughput Tiers: Arista CUE Subscription Software and any accompanying services which are, or may be made, available, may be licensed according to either licensing bands or total data throughput. Licensing Bands refer to the number of unique devices on any given day. Specifically, the licensing band refers to the number of unique IP addresses on any non-WAN (i.e., local) interface including VPN users seen from midnight to midnight of the next day. If the number of unique IP addresses is below the upper bound of the Quantitative Limit for that server, that license is compliant. Licensing Throughput Tiers refer to the maximum amount of data that can pass through an Arista CUE licensed Subscription Software product at any given time. Subscription Software products that are licensed by Throughput Tiers do not have any limit on how many unique devices are on the non-WAN interfaces.

*Note: Purchases of SS-ETM-; SS-CVSC-; and SS-COGWIFI- SKUs are non-cancelable and non-refundable.

Arista WAN Routing System

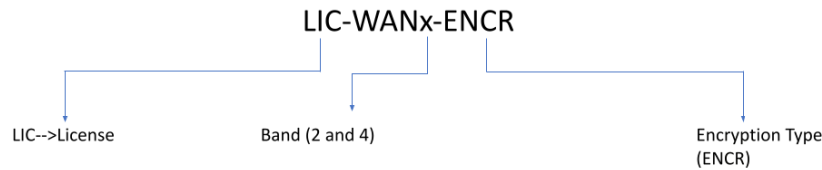
The Arista WAN routing platforms are subdivided into bands based on the various attributes such as form factor, throughput, port density, etc.

The following table maps the platforms to the various bands:

WAN Licensing Band	WAN2	WAN4
Platforms	AWE-5310	AWE-5510

Arista WAN Routing System Encryption License

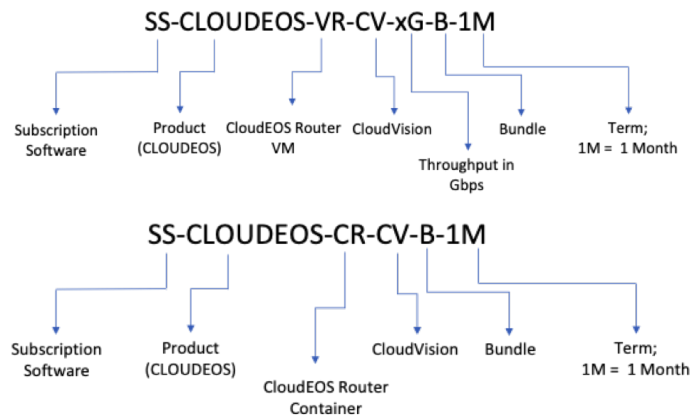
A special license is offered for encryption capability on Arista’s WAN Routing System platforms (AWE 5000 series). The license is perpetual and the scheme is as follows:



Arista CloudEOS Router

CloudEOS Router VM/ Container license SKUs provide a bundled software subscription that includes CloudEOS software for VM and Container as well as CloudVision software and support in a term-based SKU. The product SKUs generally have the following format: SS-CLOUDEOS-VR-CV-XX-B-1M, which translate as follows:

Note: vEOS Router license SKU (SS-VEOSR-IPSEC-XXXM-1M) is end of sale and is no longer available for purchase



Arista EOS as a Subscription (EaaS)

To provide flexibility for managing Capex and Opex spend, Arista EOS software is available as a subscription for a limited number of platforms. EOS software is licensed as a monthly subscription, when procured in conjunction with the platform from the select list. EOS subscription software cannot be used to run on any other Arista models, or on platforms procured via third party without Arista consent. EOS subscription software cannot be used to run on platforms procured in the grey market. The following license SKUs are available for EaaS.

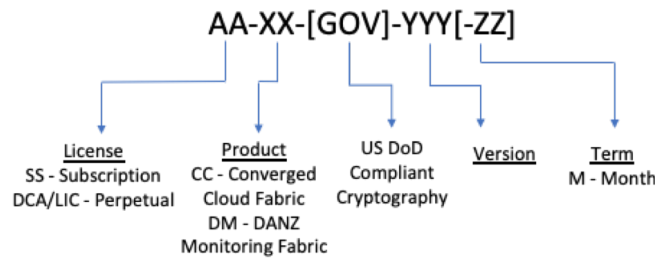
SS-EOS-Enh-FIX1-1M	EOS Subscription for 1-Month includes EOS E/V/Z/FLX-LITE Licenses and ACare support for 1RU systems
SS-EOS-Enh-FIX2-1M	EOS Subscription for 1-Month includes EOS E/V/Z/FLX-LITE Licenses and ACare support for 2RU systems

Arista MOS Software

The Arista 7130 Series products include license to Arista MOS, which provides system monitoring, FPGA image management, and other critical resources to allow developers to concentrate on their core application value. There are no separate SKUs.

Arista Converged Cloud Fabric and DANZ Monitoring Fabric

Arista Converged Cloud Fabric and DANZ Monitoring Fabric offerings are the latest addition to Arista’s software suite. These licenses are available in a perpetual license either included with purchased hardware (DCA SKUs) or as a separate license SKU (LIC) or in a subscription license (SS) format.* Perpetual license SKUs require a separate support purchase (A-Care), while subscription software SKUs include support.



Product (XX). The SKUs relate to either Arista’s Converged Cloud Fabric (CC) or DANZ Monitoring Fabric (DM).

GOV. The optional GOV segment indicates whether or not the software supports US Department of Defense compliant cryptography.

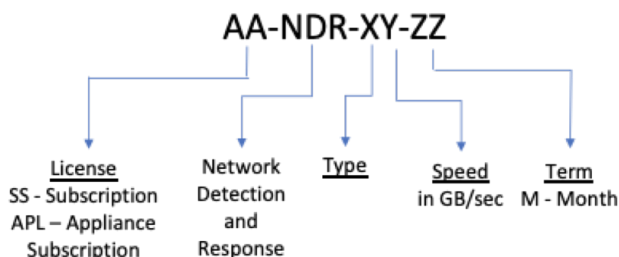
Version (YYY digits). The Converged Cloud Fabric and DANZ Monitoring Fabric software offerings vary according to use case and often have different tiers available as set forth in the table below.

**Note: Purchases of SS-DM- and SS-CC- SKUs are non-cancelable and non-refundable.*

S1G	1 Switch Operating System (OS) up to 100G bandwidth
SBP	1 Switch OS up to 600G (base performance)
SSP	1 Switch OS up to 2000G (standard performance)
SXP	1 Switch OS up to 3200G (extra performance)
SXP2	1 Switch OS up to 6400G (extra performance 2)
VS	Virtual Switch
CY[YY]	C=Controller, for hardware (digits after "C" not relevant)
CVMM	C=Controller, VMM=Virtual Machine (up to 12 racks)
CVMS	C=Controller, VMS=Virtual Machine (up to 4 racks)
CVM	C=Controller, Virtual Machine
SY[Y]	S=Service Node, (digit(s) after "S" not relevant)
RA3	R=Recorder Node, HWA3
AA2	A=Analytics Node, OSA2
RISLN	R=Recorder Node, managed Isilon license (upto 500TB storage)

Awake Network Detection and Response (NDR) Products and Services

Arista offers a network monitoring and security platform through its subsidiary, Awake Security. The A.I.-based software platform operates on a physical appliance or set of physical appliances. The hardware can be purchased with a SKU having the DCA- prefix and a format of DCA-NDR-XY, where X is A (All-in-One), NB (Nucleus), or S (Sensor) and Y is a number indicating a maximum Gb/s rate (currently 1, 5, or 10). The software is licensed under the following SKU format:



Licenses for the NDR software are available in software only subscription (SS).

The type field refers to the following:

Arista’s A-Care support is included with all SS and APL licenses.

A	An All-In-One Subscription License
N / NB	A Nucleus Subscription License
S	A Sensor Subscription License
SCA	A Virtual AWS Sensor Subscription License
SCG	A Virtual GCP Sensor Subscription License
SVV	A Virtual ESXI Sensor Subscription License

Arista’s A-Care support is included with all SS.

*Note: Purchases of SS-NDR- SKUs are non-cancelable and non-refundable.

Santa Clara—Corporate Headquarters

5453 Great America Parkway,
Santa Clara, CA 95054

Phone: +1-408-547-5500

Fax: +1-408-538-8920

Email: info@arista.com

Ireland—International Headquarters

3130 Atlantic Avenue
Westpark Business Campus
Shannon, Co. Clare
Ireland

Vancouver—R&D Office

9200 Glenlyon Pkwy, Unit 300
Burnaby, British Columbia
Canada V5J 5J8

San Francisco—R&D and Sales Office 1390

Market Street, Suite 800
San Francisco, CA 94102

India—R&D Office

Global Tech Park, Tower A, 11th Floor
Marathahalli Outer Ring Road
Devarabeesanahalli Village, Varthur Hobli
Bangalore, India 560103

Singapore—APAC Administrative Office

9 Temasek Boulevard
#29-01, Suntec Tower Two
Singapore 038989

Nashua—R&D Office

10 Tara Boulevard
Nashua, NH 03062



Copyright © 2024 Arista Networks, Inc. All rights reserved. CloudVision, and EOS are registered trademarks and Arista Networks is a trademark of Arista Networks, Inc. All other company names are trademarks of their respective holders. Information in this document is subject to change without notice. Certain features may not yet be available. Arista Networks, Inc. assumes no responsibility for any errors that may appear in this document. January 15, 2024