

# ARISTA



## Quick Start Guide

### 7500 Series Modular Data Center Switches

DCS-7508 / 7508E  
DCS-7504 / 7504E

**Arista Networks**

[www.arista.com](http://www.arista.com)

PDOC-00015-07

<b>Headquarters</b>	<b>Support</b>	<b>Sales</b>
5453 Great America Parkway Santa Clara, CA 95054 USA		
408 547-5500	408 547-5502 866 476-0000	408 547-5501 866 497-0000
<a href="http://www.arista.com">www.arista.com</a>	<a href="mailto:support@arista.com">support@arista.com</a>	<a href="mailto:sales@arista.com">sales@arista.com</a>

© Copyright 2015 Arista Networks, Inc. The information contained herein is subject to change without notice. Arista Networks and the Arista logo are trademarks of Arista Networks, Inc in the United States and other countries. Other product or service names may be trademarks or service marks of others.

# Chapter 1 Overview

## 1.1 Scope

This guide is intended for properly trained service personnel and technicians who need to install the following Arista Networks Data Center Switches:

- DCS-7504 / 7504E
- DCS-7508 / 7508E

---

**Important!** Only qualified personnel should install, service, or replace this equipment.

---

## 1.2 Receiving and Inspecting the Equipment

Upon receiving the switch, inspect the shipping boxes and record any external damage. Retain packing materials if you suspect that part of the shipment is damaged; the carrier may need to inspect them.

If the boxes were not damaged in transit, unpack them carefully. Ensure that you do not discard any accessories that may be packaged in the same box as the main unit.

Inspect the packing list and confirm that you received all listed items. Compare the packing list with your purchase order. [Appendix B](#) provides a list of components included with the switch.

## 1.3 Installation Process

The following tasks are required to install and use the switch:

- Step 1** Select and prepare the installation site ([Section 2.1](#)).
- Step 2** Assemble the installation tools listed in [Section 2.2](#).
- Step 3** Attach the mounting brackets and install the switch in an equipment rack ([Chapter 3](#)).
- Step 4** Connect the switch to the power source and network devices ([Chapter 4](#)).
- Step 5** Configure the switch ([Chapter 5](#)).

---

**Important!** Class 1 Laser Product: This product has provisions to install Class 1 laser transceivers that provides optical coupling to the communication network. Once a Class 1 laser product is installed, the equipment is a Class 1 Laser Product (Appareil à Laser de Classe 1). The customer is responsible for selecting and installing the Class 1 laser transceiver and for insuring that the Class 1 AEL (Allowable Emission Limit) per EN/IEC 6-825, CSA E60825-1, and Code of Federal Regulations 21 CFR 1040 is not exceeded after the laser transceiver have been installed. Do not install laser products whose class rating is greater than 1. Refer to all safety instructions that accompanied the transceiver prior to installation. Only Class 1 laser devices certified for use in the country of installation by the cognizant agency are to be utilized in this product.

---

---

**Important!** Ultimate disposal of this product should be handled in accordance with all national laws and regulations.

---

## 1.4 Safety Information

Refer to the Arista Networks document Safety Information and Translated Safety Warnings available at:

<http://www.arista.com/support/docs/eos>

## 1.5 Obtaining Technical Assistance

Any customer, partner, reseller or distributor holding a valid Arista Service Contract can obtain technical support in any of the following ways:

- **Email:** support@arista.com. This is the easiest way to create a new service request.  
Include a detailed description of the problem and the output of “show tech-support”.
- **Web:** [www.arista.com/support](http://www.arista.com/support).  
A support case may be created through the support portal on our website. You may also download the most current software and documentation, as well as view FAQs, Knowledge Base articles, Security Advisories, and Field Notices.
- **Phone:** 866-476-0000 or 408-547-5502.

---

**Important!** No user serviceable parts inside. Refer all servicing to qualified service personnel.

---

## 1.6 Specifications

Table 1 lists the specifications of Arista Data Center modular switches covered by this guide.

**Table 1: Modular Switch Specifications**

	DCS-7508 / DCS-7508E	DCS-7504 / DCS-7504E
<b>Height</b>	11U: 485 mm (19.1inches)	7 U: 312 mm (12.25 inches)
<b>Width</b>	483 mm (19 inches)	483 mm (19 inches)
<b>Depth</b>	762 mm (30 inches)	762 mm (30 inches)
<b>Weight</b>	136 kg (300 pounds)	95 kg (210 pounds)
<b>Input Power (per circuit)</b>	200/240 VAC, 50 or 60 hz, 20 A	200/240 VAC, 50 or 60 hz, 20 A
<b>Input Power Circuits</b>	2 to 4 circuits	1 to 4 circuits
<b>Ambient Temperature</b>	0° to 40° C (32° to 104° F)	0° to 40° C (32° to 104° F)
<b>Storage Temperature</b>	-40° to 70° C (-40° to 158° F)	-40° to 70° C (-40° to 158° F)
<b>Relative Humidity</b>	5 to 90%	5 to 90%
<b>Altitude</b>	0 to 3,000 meters (0 to 10,000 feet)	0 to 3,000 meters (0 to 10,000 feet)
<b>Cooling</b>	6600 W maximum	3300 W maximum

Table 2 lists power specifications of modular switch components.

**Table 2: 7500 Series Power Specifications**

Module Type	Part Number	Power Draw (Typical / Maximum)
<b>Supervisor Modules</b>	DCS-7500E-SUP	180 W / 105 W
<b>Linecard Modules</b>	DCS-7500E-36Q-LC	450 W / 556 W
	DCS-7500E-72S-LC	212 W / 305 W
	DCS-7500E-48S-LC	197 W / 285 W
	DCS-7500E-12CM-LC	408 W / 495 W
	DCS-7500E-6C2-LC	300 W / 320 W
	DCS-7500E-12CQ-LC	414 W / 486 W
<b>Fabric Modules</b>	DCS-7504E-FM	80 W / 105 W
	DCS-7508E-FM	155 W / 195 W
<b>7500 Series System</b>	DCS-7504 with DCS-7548S-LC	2124 W / 2778 W
	DCS-7508 with DCS-7548S-LC	3806 W / 4520 W

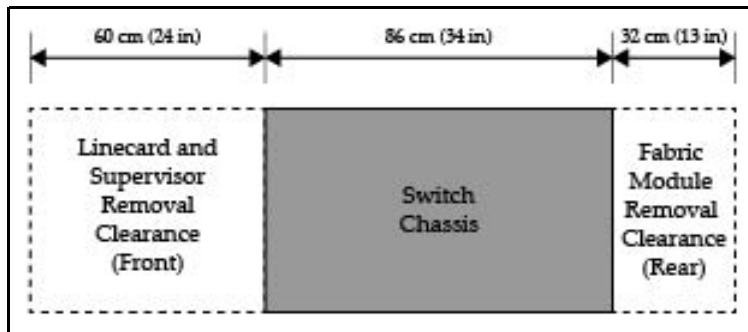


## Chapter 2 Preparation

### 2.1 Site Selection

The following criteria should be considered when selecting a site to install the switch:

- **Floor Space:** Install the switch in an area that provides adequate clearance for removing front and rear components. [Figure 1](#) displays switch clearance requirements.



**Figure 1: Switch Component Removal Footprint**

- **Temperature and Ventilation:** For proper ventilation, install the switch where there is ample airflow to the front and back of the switch. The temperature should not go below 0° or exceed 40° C.

---

**Important!** To prevent the switch from overheating, do not operate it in an area where the ambient temperature exceeds 40°C (104°F).

---

- **Airflow Orientation:** The fans direct air from the front panel to the rear panel. Orient the front panel toward the cool aisle.
- **Rack Space:** Install the switch in a 19" rack or cabinet. The switch height is 11 RU (7508 / 7508E) or 7 RU (7504 / 7504E). The accessory kit provides mounting brackets for two-post and four-post racks.  
When mounting the switch in a partially filled rack, load the rack from bottom to top, with the heaviest equipment at the bottom. Load the switch at the bottom if it is the only item in the rack.
- **Power Requirements:** The 7508 / 7508E switch requires two 200-240 VAC, 50 or 60 Hz, 20 A circuits. The 7504 / 7504E switches require one 200-240 VAC, 50 or 60 Hz, 20 A circuit.

Four circuits provide redundancy protection. The switch uses power cables that comply with IEC-320 and have a C19 plug. The accessory kit provides four IEC-320 C19 to C20 power cables, each two meters long.

---

**Important!** All power input plug-socket combinations must be accessible at all times; they provide the primary method of disconnecting power from the system.

---

- **Other Requirements:** Select a site where liquids or objects cannot fall onto the equipment and foreign objects are not drawn into the ventilation holes. Verify these guidelines are met:
  - Clearance areas to the front and rear panels allow for unrestricted cabling.
  - All front and rear panel indicators can be easily read.
  - AC power cords can reach from the AC power outlet to the connectors on the front panel.

---

**Important!** Disconnecting power to all input sockets is required to completely power off the unit.

---

## 2.2 Tools Required for Installation

The following tools are required to install a modular switch:

- Mechanical device capable of lifting chassis being installed (Table 1).
- Adjustable wrench (provided)
- Phillips #2 screwdriver
- Phillips #3 screwdriver

### Two-post rack mounts:

- Eight equipment rack screws (all two-post rack mounts).
- Eight equipment rack nuts (two-post rack mount with unthreaded rack post holes).

### Four-port rack mounts:

- Eight equipment rack screws (four-post rack mount with threaded rack post holes).

Accessory kit provides rack screws for four-post rack mount with unthreaded rack post holes.

The accessory kit includes screws that fit many common equipment racks.

## 2.3 Electrostatic Discharge (ESD) Precautions

Observe these guidelines to avoid ESD damage when installing or servicing the switch.

- Assemble or disassemble equipment only in a static-free work area.
- Use a conductive work surfaces (such as an antistatic mat) to dissipate static charge.
- Wear an ESD wrist strap to dissipate static charge accumulation.
- Minimize handling of assemblies and components.
- Keep replacement parts in their original static-free packaging.
- Remove all plastic, foam, vinyl, paper, and other static-generating materials from the work area.
- Use tools that do not create ESD.

## Chapter 3 Rack Mounting the Switch

The accessory kit provides components for installing the switch in two-post and four-post racks.

- [Section 3.1](#) provides instructions for mounting the switch in a two-post rack.
- [Section 3.2](#) provides instructions for mounting the switch in a four-post rack.

The rack mounting procedure is identical for all modular switches. Illustrations in this chapter depict the mounting of an unpopulated DCS-7508 chassis.

After completing the instructions for your rack type, proceed to [Chapter 4](#).

### 3.1 Two-Post Rack Mount

To mount the switch to a two-post rack, assemble mounting brackets to the middle of the chassis, then attach the brackets to the rack. The switch does not support a front or rear mount into a two-post rack.

The accessory kit includes the following two-post mounting parts:

- 2 center-mount brackets
- 20 M4x8 panhead Phillips screws

[Figure 23](#) displays the two-post mounting parts.

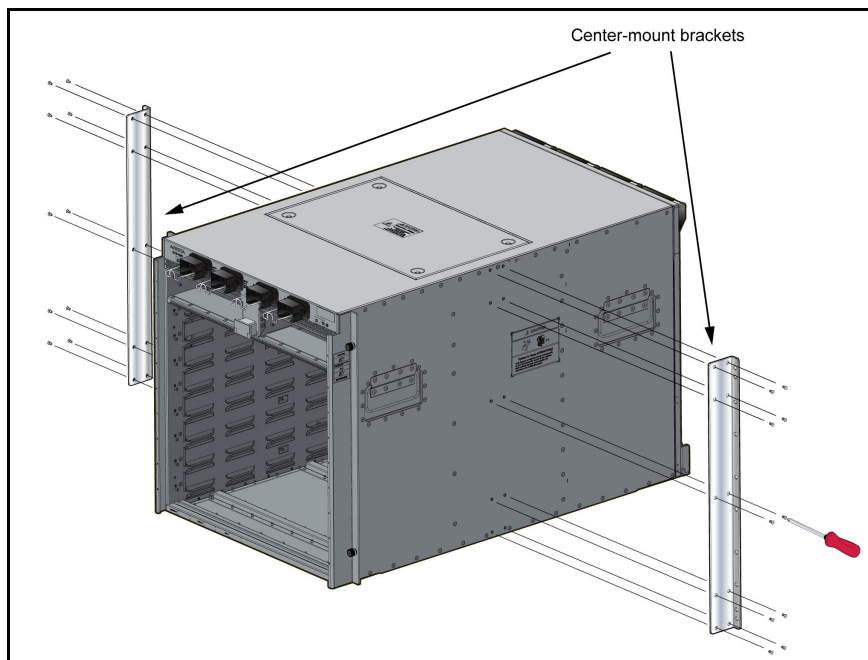
#### 3.1.1 Attaching Mounting Brackets to the Chassis

**Step 1** Orient the switch chassis and the two center-mount brackets ([Figure 2](#)).

Position the flanges that attach to the rack posts toward the rear of the chassis.

**Step 2** Attach both center-mount brackets to the chassis.

Each bracket requires ten M4x8 panhead Phillips screws.



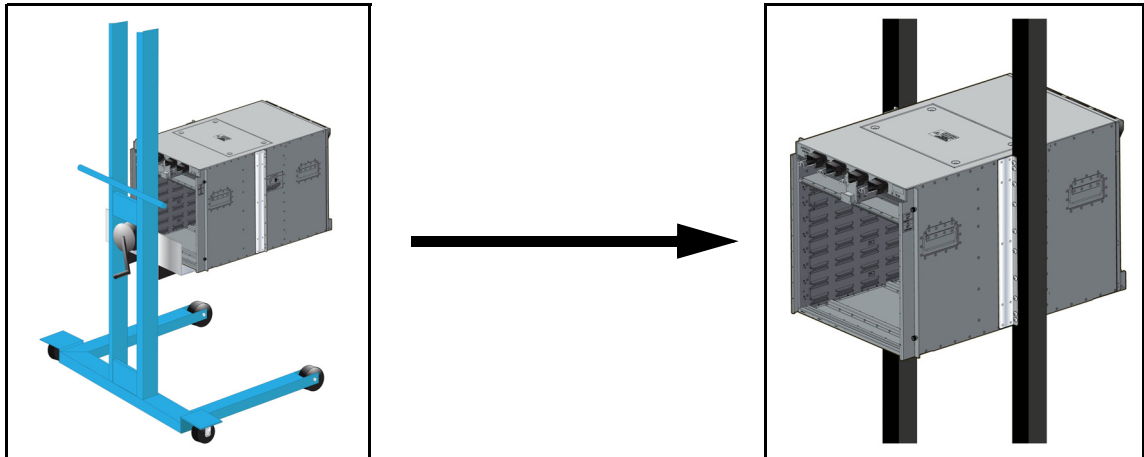
**Figure 2: Attaching the Center-mount Brackets**

### 3.1.2 Inserting the Switch into the Rack

**Step 1** Move the chassis to the rack using a mechanical lift ([Figure 3](#)).

If modules are inserted in the chassis, use the lift carefully to avoid damaging any components.

**Step 2** Lift the chassis into the rack. Position the flanges against the rack posts ([Figure 3](#)).

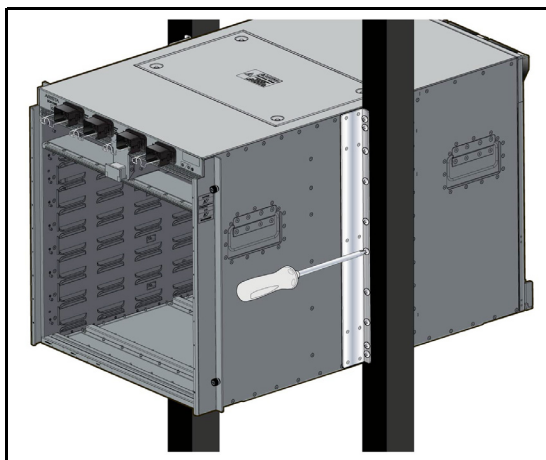


**Figure 3: Lifting the Switch Chassis into the Two Post Rack**

**Step 3** Select mounting screws that fit your equipment rack.

A minimum of four screws is required on each side of the chassis. The accessory kit provides screws that fit many common equipment racks. When installing the switch into a rack with unthreaded post holes, nuts are also required to secure the switch to the rack posts.

**Step 4** Attach the bracket flanges to the rack posts ([Figure 4](#)). Space the screws evenly along the flange.



**Figure 4: Attaching Flanges to the Rack Post**

After completing the two-post installation, proceed to [Chapter 4](#).

## 3.2 Four-Post Rack Mount

The switch is mounted onto a four-post rack by assembling a shelf into the rack, then placing the switch on the shelf.

The accessory kit provides the following four-post mounting parts:

- 2 front brackets
- 4 shelf supports
- 2 back brackets (not needed for racks with threaded holes)
- left shelf
- right shelf

Figure 24 displays the four-post mounting parts.

### 3.2.1 Assembling the Shelf

**Step 1** Attach the front bracket and shelf support to the left front rack post, as shown in Figure 5. An up arrow is printed on the shelf support to indicate its proper orientation.

**Unthreaded rack holes:** Use the M6 screws and cage nuts supplied in the accessory kit.

**Threaded rack holes:** Attach the front bracket to the post with screws that can be threaded through the rack post. Secure the shelf support to the post with nuts that fit the screws threaded through the post.

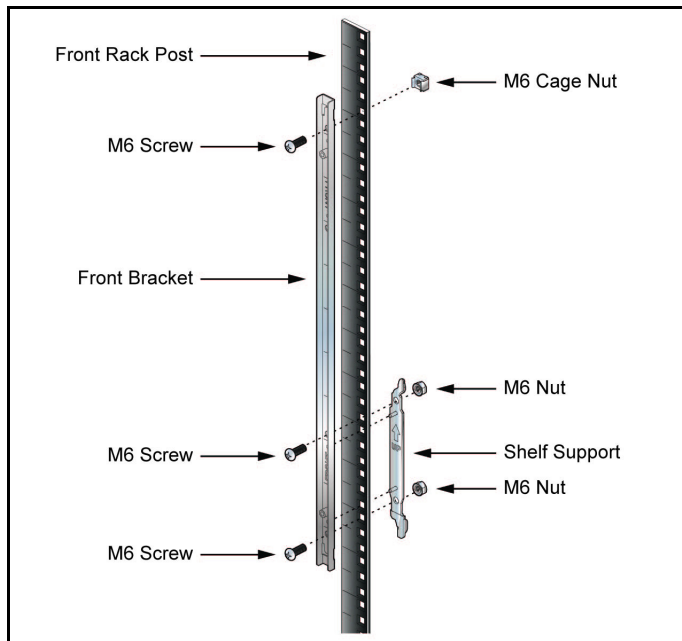


Figure 5: Left Front Post Assembly: Four Post Rack Mount

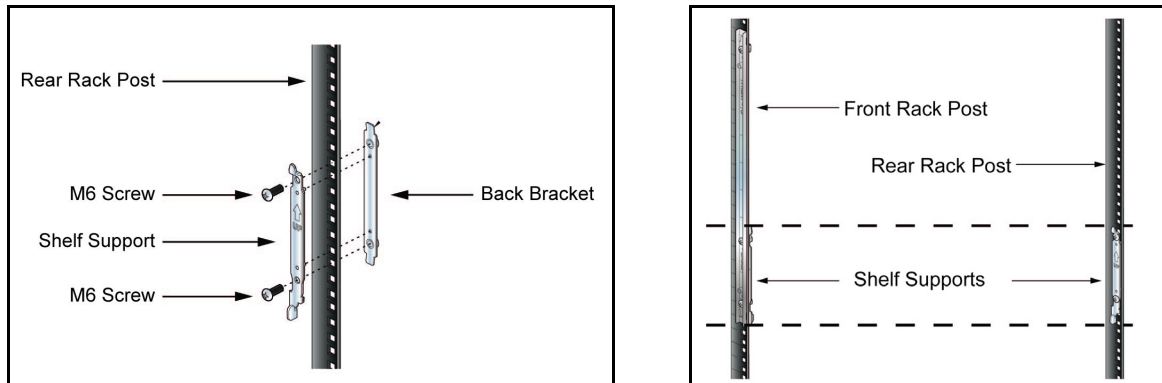
**Step 2** Repeat step 1 on the right front rack post, assembling the parts at the same vertical level as those on the left rack post.

**Step 3** Attach the shelf support and back bracket to the left rear post (Figure 6-left). The shelf support must be assembled at the same vertical level on the front and rear posts (Figure 6-right). An up arrow is printed on the shelf support to indicate its proper orientation.

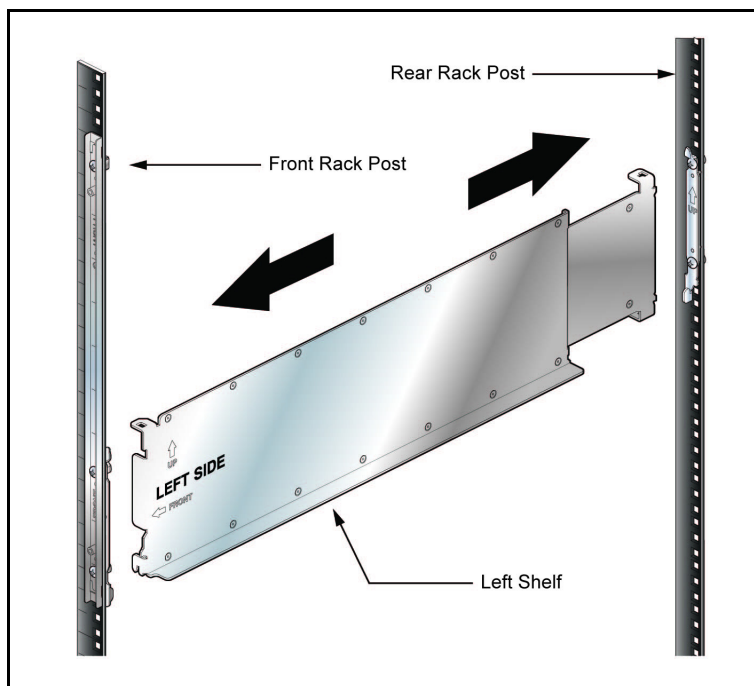
**Unthreaded rack holes:** Attach the parts as displayed in Figure 6-left.

**Threaded rack holes:** Attach the shelf support to the post with screws that thread into the rack post. The back bracket is not required on threaded racks.

**Step 4** Adjust the left shelf by sliding its components to fit between the front left and front rear rack posts, as shown in Figure 7.



**Figure 6: Left Rear Post Assembly and Shelf Support Orientation: Four Post Rack Mount**



**Figure 7: Adjusting the Left Shelf**

- Step 5** Lift the left shelf above the shelf supports installed on the left front and left rear rack posts (step 1 and step 3). Align the holes (Inset A) and hook (Inset B) with the stubs on the brackets. Lower the shelf such that the bracket stubs are inserted into the shelf holes and hook. Press down firmly on the shelf to ensure it is seated securely on the rack posts..
- Step 6** Install the right shelf on the right front and right rear rack posts by repeating step 4 and step 5 to obtain the rack configuration shown in [Figure 9](#).

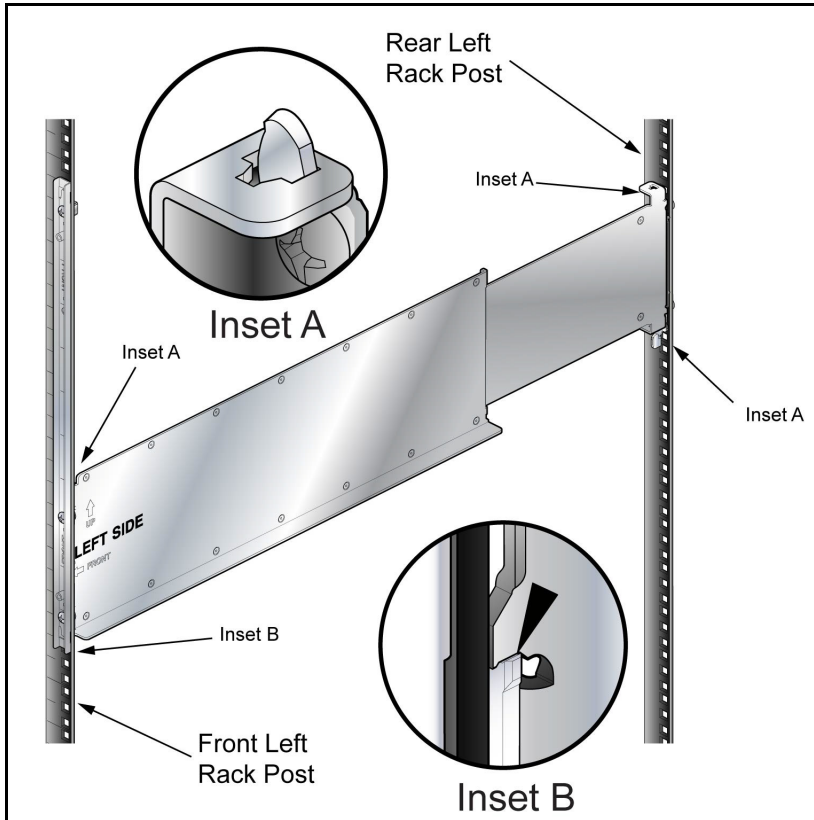


Figure 8: Seating the Left Shelf

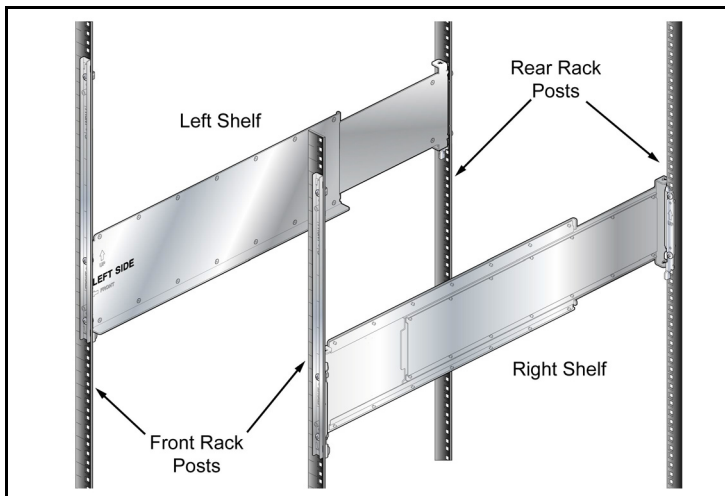
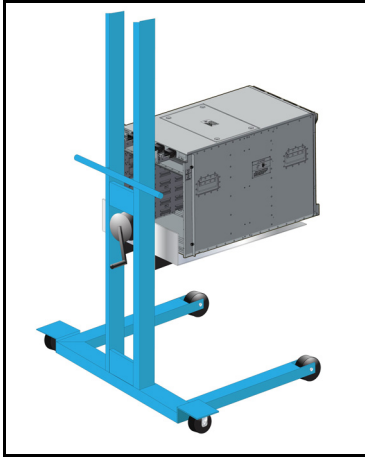


Figure 9: Both Switch Shelves Installed

### 3.2.2 Inserting the Switch into the Rack

**Step 1** Move the chassis to the rack using a mechanical lift ([Figure 10](#)).

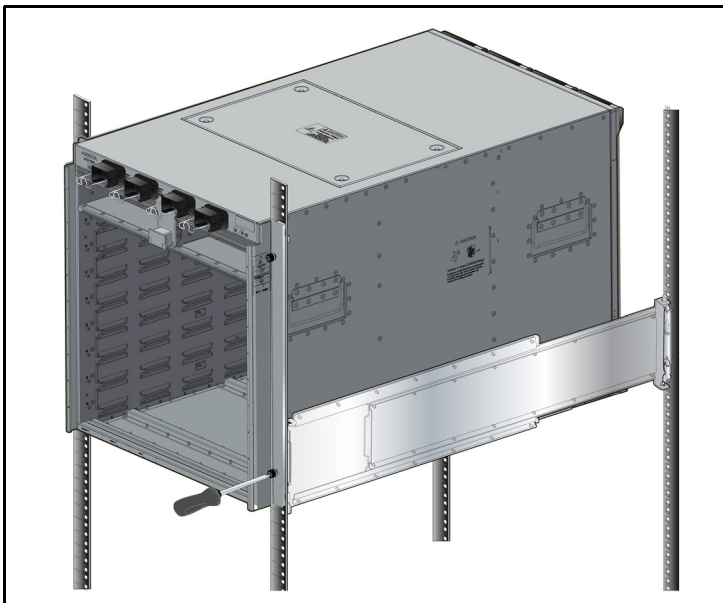
If modules are inserted in the chassis, use the lift carefully to avoid damaging any components.



**Figure 10: Lifting the Switch Chassis**

**Step 2** Lift the chassis into the rack.

**Step 3** Secure the chassis by tightening the four thumbscrews on the front flanges into the rack posts ([Figure 11](#)).



**Figure 11: Inserting the Switch onto the Rack Shelf**

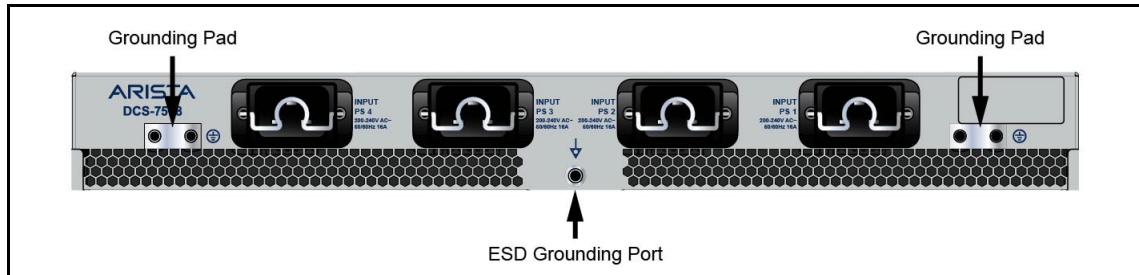
After completing the Four-Post Installation, proceed to [Chapter 4](#).



## Chapter 4 Cabling the Modular Switch

### 4.1 Grounding the Switch

After mounting the switch into the rack, connect the switch to the data center ground. [Figure 12](#) displays the location of the grounding pads located on both sides of the power input sockets.



**Figure 12: Grounding Pad and ESD Grounding Port Sockets**

After the switch is grounded, ESD wrist straps can be grounded by connecting them to one of the ESD grounding ports located between the power input sockets, ([Figure 12](#)) or the rear panel ([Figure 13](#)) depicts the location on the 7504. Receptacles are available in similar locations on other switch models).



**Figure 13: ESD Grounding Port – Rear Panel**

### 4.2 Connecting Power Cables

**Important!** Installation of this equipment must comply with local and national electrical codes. If necessary, consult with the appropriate regulatory agencies and inspection authorities to ensure compliance.

The switch operates with four power supplies, each of which connects to circuits that provide 200-240 VAC, 50 or 60 Hz, and 20 A.

- DCS-7508 / 7508E requires the connection of at least two power supplies to active circuits.
- DCS-7504 / 7504E requires the connection of one power supply to an active live circuit.

Connecting power to all four power supplies protects against up to two failed power supplies and can provide grid-level redundancy. Energizing any power supply causes all power supply fans to function.

Figure 14 displays the power input sockets. Appendix C displays the front panel location of the sockets.

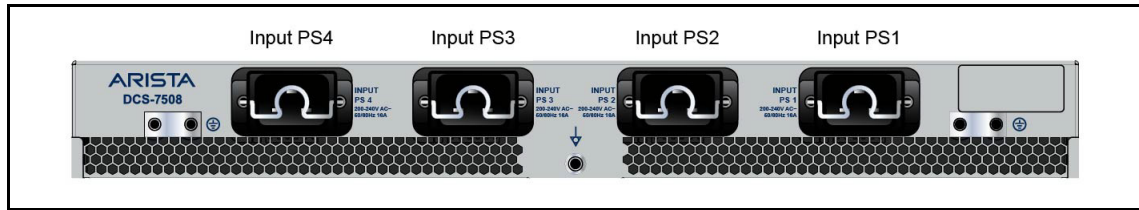


Figure 14: Power Input Sockets

**Important!** Read all installation instructions before connecting the system to the power source.

- **Non-Redundant Configuration:** Provide power to any two of the four power inputs.
- **Redundant Power Supply Configuration:** Provide power to all four power inputs.
- **Power down the Switch:** Remove all power cords from the power input sockets.

Each power supply includes a fan that maintains proper power supply temperature and cools the supervisor modules located below the power input sockets. The power supply fans are in addition to the fan modules located behind the power supplies. These appendices display the location of the following component on all switches described in this guide.

- [Appendix C](#) displays the front panel location of the power input sockets and supervisor modules.
- [Appendix D](#) displays the rear panel location of power supplies and fan modules.

The switch uses power cables that comply with IEC-320 and have a C19 plug. The accessory kit provides four IEC-320 C19 to C20 power cables, each two meters long.

To insert a power cable:

- Step 1** Lift the retaining clip on each power input socket.
- Step 2** Plug the power cables into the sockets.
- Step 3** Adjust the retaining clips if needed for your power cords.
- Step 4** Push the retaining clip back down over the cable.

**Important!** This equipment must be grounded. Never defeat the ground conductor.

**Important!** This unit requires overcurrent protection.

### 4.3 Connecting Supervisor Cables

Supervisor modules contain console, management, and USB ports. Figure 15 displays port locations on supervisors provided with 7508 / 7504 switches.

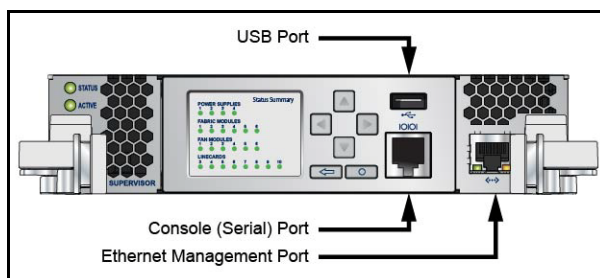


Figure 15: Supervisor Ports: 7508 / 7504 Switches

Figure 16 displays port locations on supervisors provided with 7508E / 7504E switches.

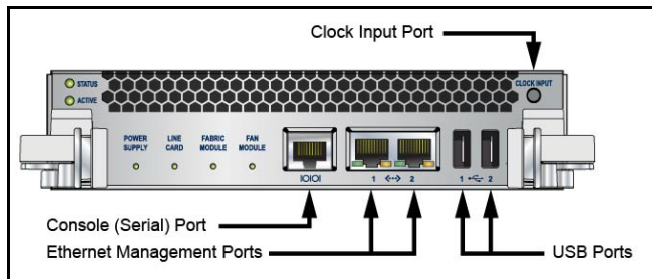


Figure 16: Supervisor Ports: 7508E / 7504E Switches

- **Console (Serial) Port:** Connect to a PC with RJ-45 to DB-9 serial adapter cable. Default switch settings include:
  - 9600 baud
  - No parity bits
  - No flow control
  - 8 data bits
  - 1 stop bit
- **Ethernet management port:** Connect to 10/100/1000 management network with RJ-45 cable.
- **USB Port:** May be used for software or configuration updates.

## 4.4 Connecting Linecard Modules and Cables

Install required SFP, SFP+, and QSFP+ optic modules in linecard module ports (Figure 17).

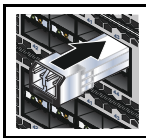


Figure 17: SFP or SFP+ ports

Connect cables as required to linecard module ports or fixed MPO ports. Supervisor and linecard module ejectors on the front of the chassis assist with cable management.

---

**Caution** Excessive bending can damage interface cables, especially optical cables.

---

## Chapter 5 Configuring the Modular Switch

Arista switches ship from the factory in Zero Touch Provisioning (ZTP) mode. ZTP configures the switch without user intervention by downloading a startup configuration file or a boot script from a location specified by a DHCP server. To manually configure a switch, ZTP is bypassed. The initial configuration provides one username (*admin*) accessible only through the console port because it has no password.

When bypassing ZTP, initial switch access requires logging in as *admin*, with no password, through the console port. Then you can configure an *admin* password and other password protected usernames.

This manual configuration procedure cancels ZTP mode, logs into the switch, assigns a password to *admin*, assigns an IP address to the management port, and defines a default route to a network gateway.

**Step 1** Provide power to the switch (Section 4.2).

**Step 2** Connect the console port to a PC (Section 4.3).

As the switch boots without a *startup-config* file, it displays this message through the console:

```
The device is in Zero Touch Provisioning mode and is attempting to
download the startup-config from a remote system. The device will not
be fully functional until either a valid startup-config is downloaded
from a remote system or Zero Touch Provisioning is cancelled. To cancel
Zero Touch Provisioning, login as admin and type 'zerotouch cancel'
at the CLI.
```

```
localhost login:
```

**Step 3** Log into the switch by typing *admin* at the login prompt.

```
localhost login:admin
```

**Step 4** Cancel ZTP mode by typing *zerotouch cancel*. *IMPORTANT: This step initiates a switch reboot.*

```
localhost>zerotouch cancel
```

**Step 5** After the switch boots, log into the switch again by typing *admin* at the login prompt.

```
Arista EOS
localhost login:admin
Last login: Fri Mar 15 13:17:13 on console
```

**Step 6** Enter global configuration mode.

```
localhost>enable
localhost#config
```

**Step 7** Assign a password to the *admin* username with the *username secret* command.

```
localhost (config) #username admin secret pxq123
```

**Step 8** Configure a default route to the network gateway.

```
localhost (config) #ip route 0.0.0.0/0 192.0.2.1
```

**Step 9** Assign an IP address (*192.0.2.8/24* in this example) to an Ethernet management port.

```
localhost (config) #interface management 1/1
localhost (config-if-Ma1/1) #ip address 192.0.2.8/24
```

**Step 10** Save the configuration by typing *write memory* or *copy running-config startup-config*.

```
localhost#copy running-config startup-config
```

When the management port IP address is configured, use this command to access the switch from a host, using the address configured in step 9:

```
ssh admin@192.0.2.8
```

Refer to the **Arista Networks User Manual** for complete switch configuration information.

# Appendix A Status Indicators

## A.1 Supervisor Module

While the front panel of each switch can house two supervisors, switch operations require only one. Supervisors display switch component status and contain Ethernet management and console ports. [Appendix C](#) displays the supervisor location on each switch.

The supervisor style depends on the switch model. These sections describe both supervisor styles.

### A.1.1 Supervisor Indicators: 7508/7504

The 7508/7504 supervisor provides a serial console port, an Ethernet management port, and a USB port. Supervisor activity is reported by LEDs in the upper left quadrant. The Status Summary Screen in the center reports status for other components. [Figure 18](#) depicts the 7508/7504 Supervisor Module.

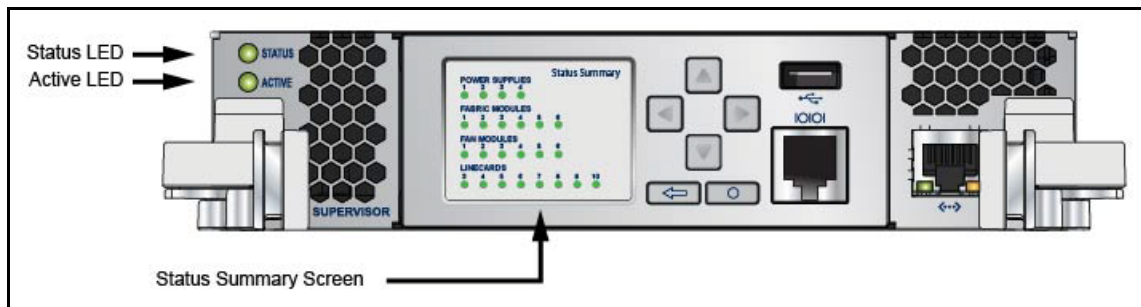


Figure 18: Supervisor Module: 7508 / 7504

### Supervisor Activity Status

The Status and Active LEDs report supervisor activity status. [Table 3](#) interprets the states of both LEDs.

Table 3: Supervisor Activity LED States: 7508 / 7504

LED Name	LED State	Supervisor State
Status LED	Off	Module failed or is improperly inserted.
Status LED	Green	Supervisor operating normally.
Status LED	Red	Module failed.
Active LED	Off	Supervisor is not active.
Active LED	Green	Supervisor is active and controlling the switch.

### Component Activity Status

The Supervisor Status Summary Screen displays indicators for the power supplies, fabric module, fan modules and linecards. [Table 4](#) interprets the states of the indicators that the screen displays.

Table 4: Supervisor Status Summary Screen LED States: 7508 / 7504

LED State	Status
Gray	Module not present or improperly inserted.
Green	Module operating normally.
Red	Module has failed.

### A.1.2 Supervisor Indicators: 7508E / 7504E

The 7508E/7504E supervisor provides one serial console port, two Ethernet management ports, two USB ports, and one clock input port. Supervisor activity is reported by LEDs in the upper left corner. Four LEDs located left of the input ports report status of other switch components. Figure 19 displays the 7508E/7504E Supervisor Module.

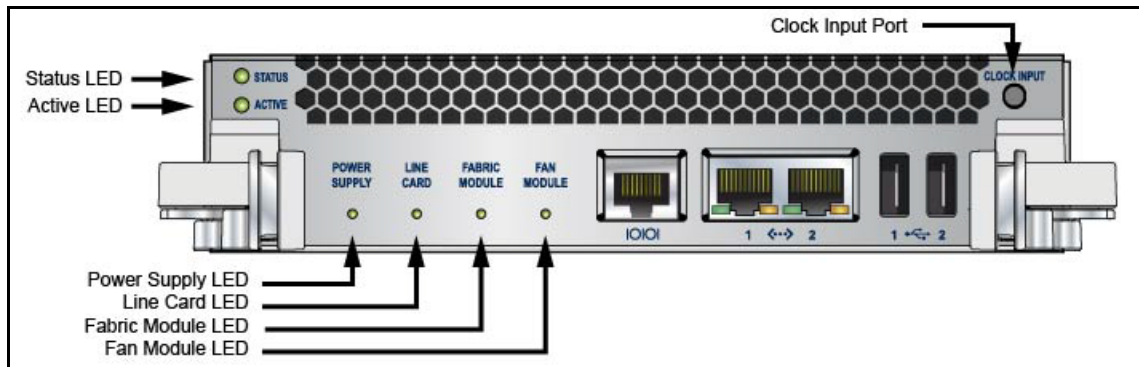


Figure 19: Supervisor Module: 7508E / 7504E

#### Supervisor Activity Status LEDs

The Status and Active LEDs are located on the left side of the Supervisor Module. Table 5 interprets the states of these two LEDs.

Table 5: Supervisor Activity LED States: 7508E / 7504E

LED Name	LED State	Supervisor State
Status	Off	Module failed or is improperly inserted.
	Green	Supervisor operating normally.
	Red	Module failed.
Active	Off	Supervisor is not active.
	Green	Supervisor is active and controlling the switch.

#### Component Activity Status LEDs

LEDs located below the vents and left of the input ports display summary indicators for power supplies, fabric modules, fan modules, and linecards. Table 6 interprets the states of these indicators. When error conditions are indicated, refer to LEDs on the specified modules to determine the condition's source.

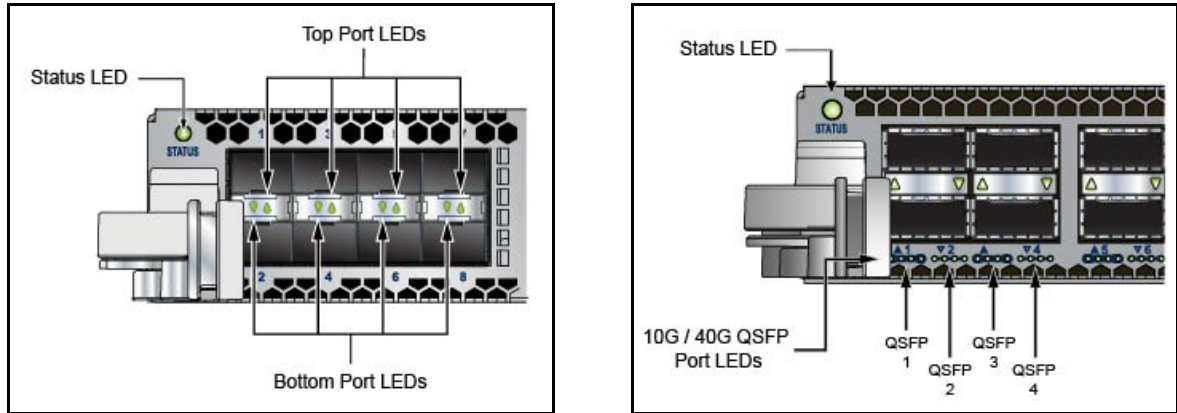
Table 6: Component Activity LED States: 7508E / 7504E

LED Name	LED State	Module State
Power Supply, Line Card Fabric Module	Off	No modules are present or powered.
	Green	All powered modules are operating normally.
	Red	At least one module has failed.
Fan Modules	Amber	At least one fan is missing or has failed.
	Green	All modules are operating normally.
	Red	There are insufficient functional fans installed in the switch.



## A.2 Linecard Module Indicators

Each linecard module provides one status LED plus LEDs for each port on the card. The figures in [Appendix E](#) indicate the location of the LEDs on each linecard. [Figure 20-left](#) displays the status LED and Port LEDs on the left side of the DC-7548S-LC linecard. [Figure 20-right](#) displays the status LED and Port LEDs on the left side of the DCS-7500E-36Q-LC linecard.



**Figure 20: Linecard Status LED**

The Linecard Status LED is in the top left corner of the DC-7548S-LC linecard. [Table 7](#) interprets the states of the Status LED.

**Table 7: Linecard Status LED States**

LED State	Status
Off	Linecard not inserted.
Green	Linecard operating normally.
Yellow	Linecard administratively shut down.
Red	Module has failed.

The linecard provides LEDs for each port module socket:

- [Figure 20-left](#) displays SFP module LEDs. Each LED corresponds to a module.
- [Figure 20-right](#) displays QSFP module LEDs. A set of four LEDs correspond to each module. When the module is programmed as a 40G port, the first LED in the set reports status. When the module is programmed as four 10G ports, each port is assigned to an LED within the set.

[Table 8](#) interprets the port LED states.

**Table 8: Linecard Port LED States**

LED State	Status
Off	Port link is down.
Green	Port link is up.
Yellow	Port is disabled in software.

### A.3 Fan and Fabric Status Indicators

Fan and Fabric Status LEDs are on fan modules (DCS-7508) or fan-fabric modules (DCS-7504, DCS-7508E, and DCS-7504E). [Appendix D](#) displays the position of these LEDs on the rear of each switch. [Figure 21](#) displays Fan Status and Fabric Status LEDs on the DCS-7508 and DCS-7504 switches.

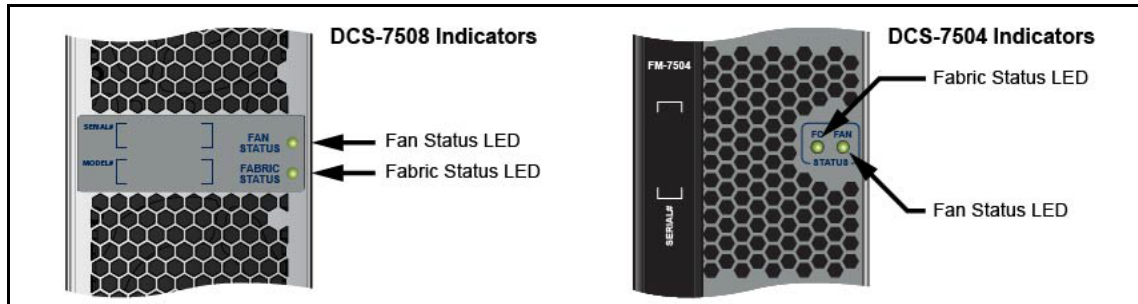


Figure 21: Fan Status and Fabric Status LEDs

[Table 9](#) interprets the states of the Fan and Fabric Status LED.

Table 9: Fan Status and Fabric Status LEDs on Rear Panel

LED State	Status
Off	Module inserted, but status is unknown.
Green	Module operating normally
Red	Module failed

### A.4 Power Supply Status Indicators

Power Supply LEDs are on power supply modules. [Appendix D](#) displays the position of these LEDs on the rear of each switch. [Figure 22](#) display a power supply module.

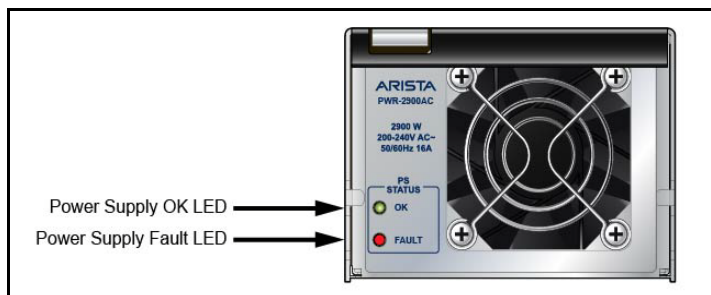


Figure 22: Power Supply

[Table 10](#) interprets the states of the Power Supply Status LED.

Table 10: Power Supply Status

OK LED	Fault LED	Status
Green	Off	Power Supply operating normally.
Off	Yellow	No AC power on this supply.
Off	Red	Module has failed.
Off	Off	No AC power on any supply.



# Appendix B Parts List

Each switch provides an accessory kit that contains parts that are required to install the switch. The following sections list the installation parts provided by the accessory kit.

## B.1 Two-Post Rack Mount Parts

Table 11: Two-Post Rack Mount Parts

Quantity	Description
2	Center-mount brackets.
20	M4x8 panhead Phillips screws.

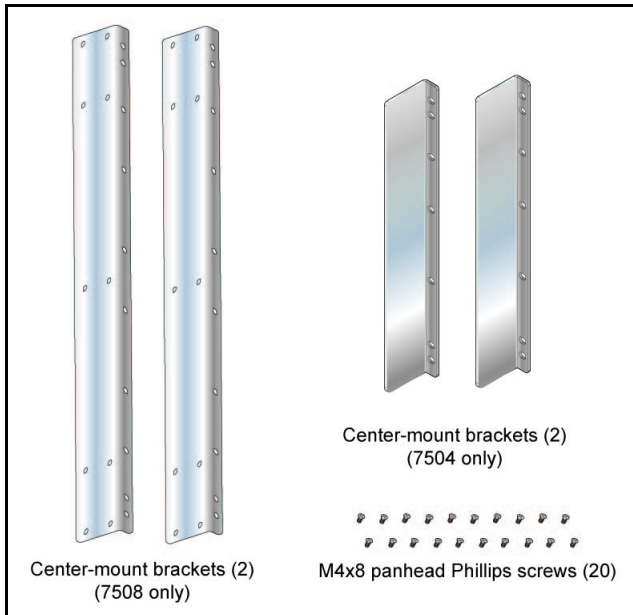


Figure 23: Two-Post Rack Mount Parts

## B.2 Four-Post Rack Mount Parts

Table 12: Four-Post Rack Mount Parts

Quantity	Description
2	Front brackets.
4	Shelf supports.
2	Back brackets.
1	Left shelf.
1	Right shelf.
10	M6X16 panhead Phillips screws.
4	M6 Cage Hex Nuts.
2	M6 Cage Nut Square Hole Racks.

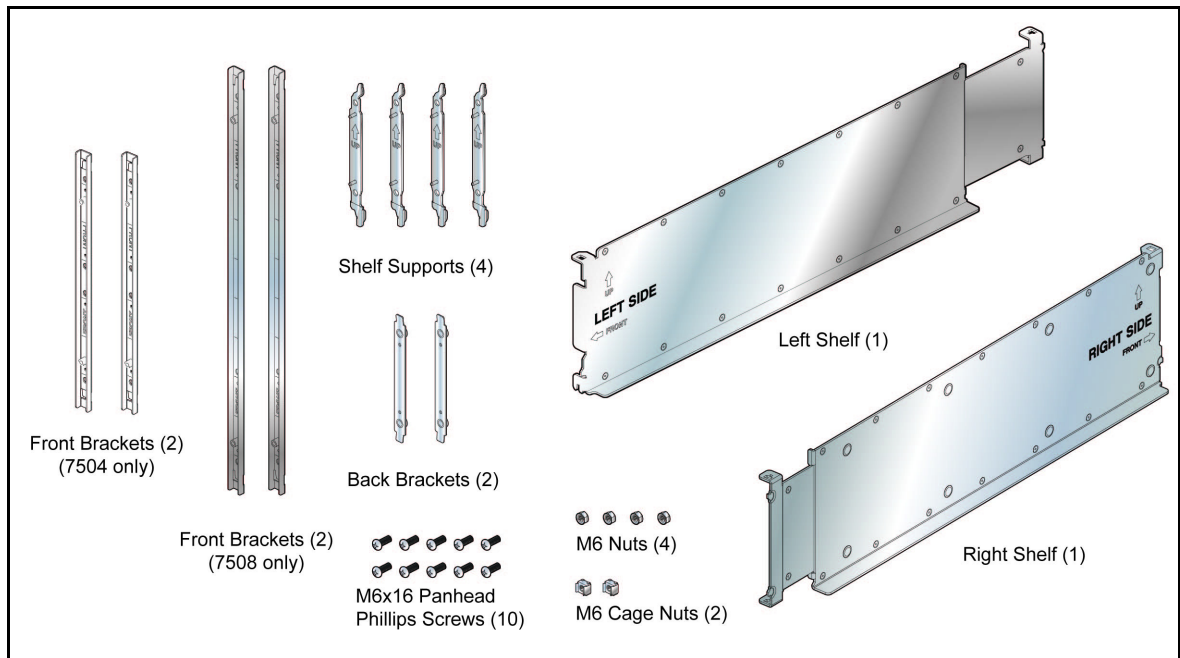


Figure 24: Four-Post Rack Mount Parts

## B.3 Parts Used in All Rack Mount Configurations

### B.3.1 Cables

**Table 13: Cables Provided in Accessory Kit**

Quantity	Description
4	power cables: 14 AWG, C19-C20, 2 meters.
2	RJ-45 Patch Panel Cables, 2 meters.
2	RJ-45 to DB9 Adapter Cable, 2 meters.

**Warning!** All provided power cables are for use only with Arista products.

**警告**

すべての電源コードは提供する製品で使用するためだけを目的としている。

**電源コードの他の製品での使用の禁止**

Arista が提供するすべての電源コードは、Arista の製品でのみ使用してください。

### B.3.2 Equipment

**Table 14: Installation Equipment Provided in Accessory Kit**

Quantity	Description
1	Adjustable Wrench.

### B.3.3 Rack Mount Alternate Parts

These parts are supplied for threaded racks that do not use M6 screws.

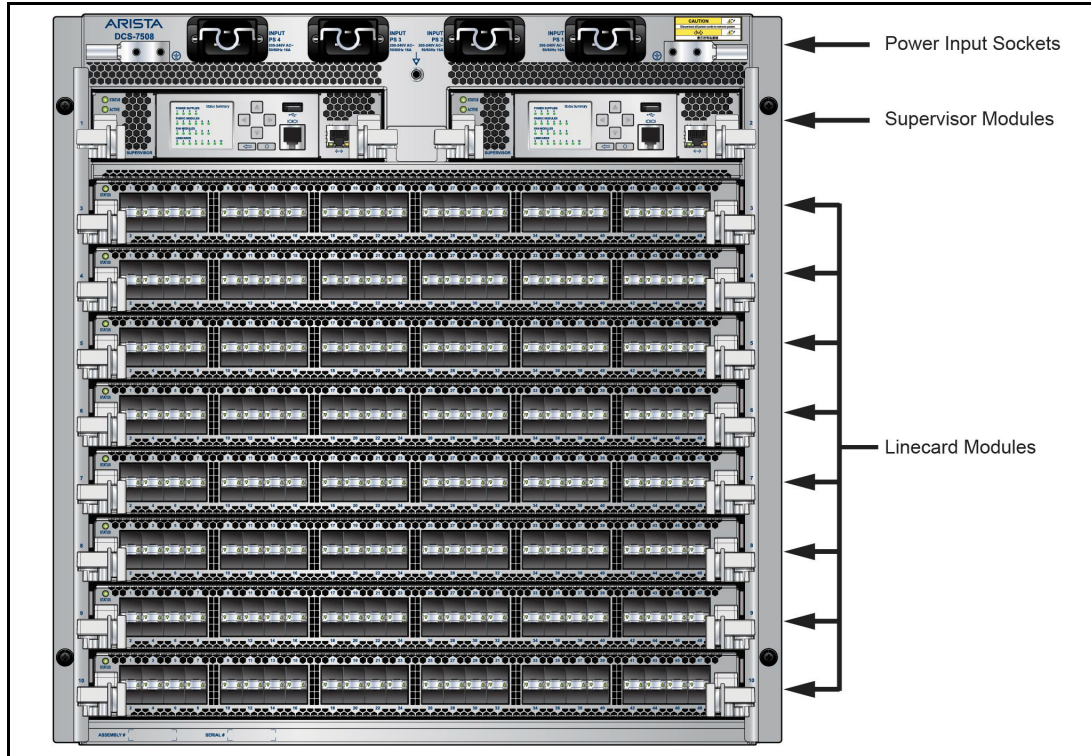
**Table 15: Threaded Rack Post Parts**

Quantity	Description
5	M5 hex nuts.
11	M5X16 panhead Phillips screws.
5	12-24 hex nuts.
11	12-24X5/8 panhead Phillips screws.
5	10-32 hex nuts.
11	10-32X5/8 panhead Phillips screws.
3	M6 cage nuts.

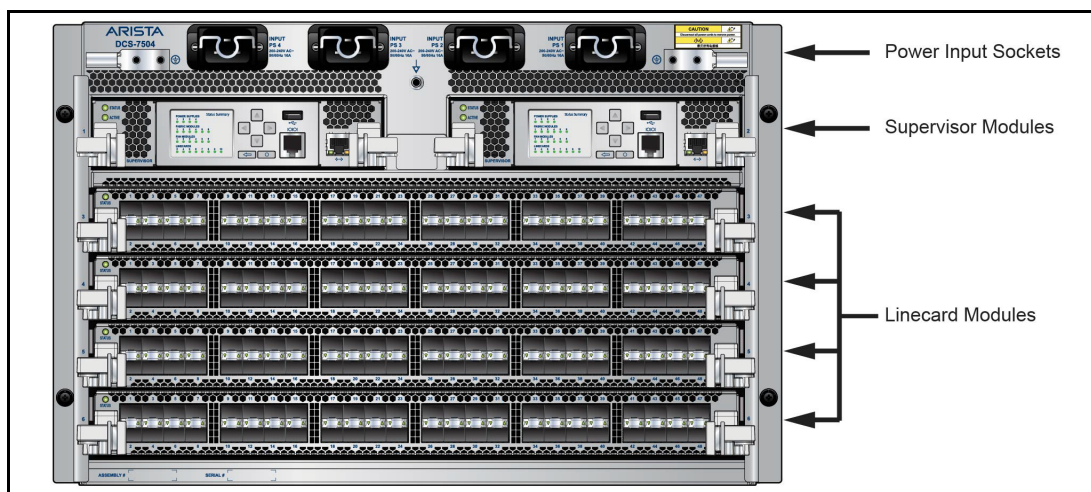
# Appendix C Front Panels

This appendix displays the front panel of all switches covered by this guide.

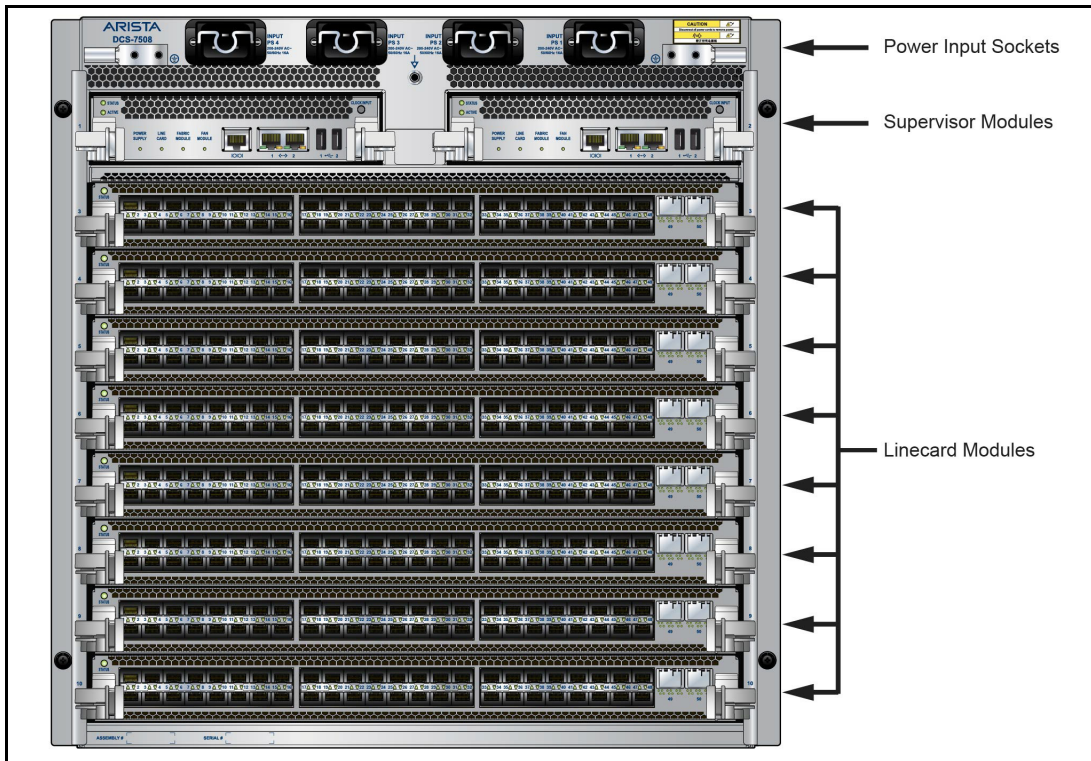
## DCS-7508 Front Panel (fully populated)



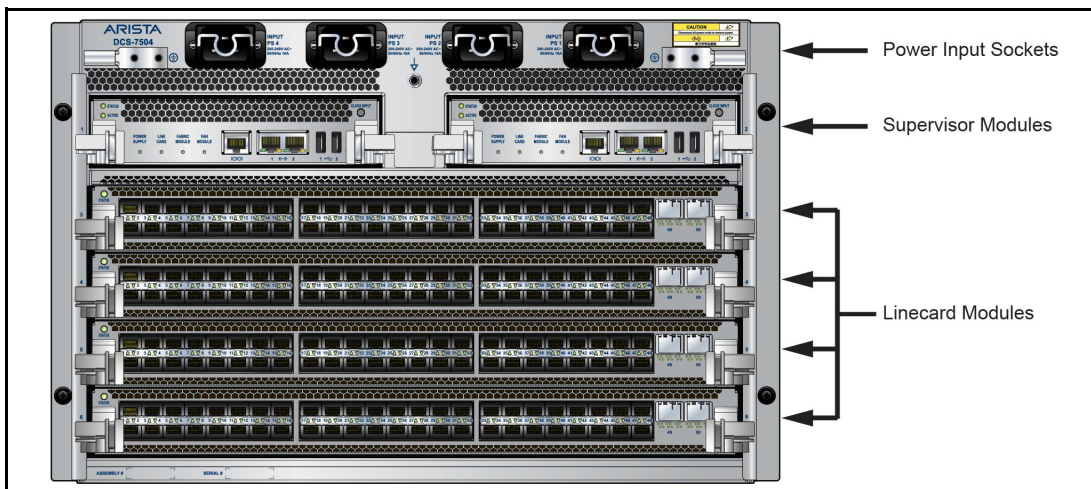
## DCS-7504 Front Panel (fully populated)



DCS-7508E Front Panel (fully populated)



DCS-7504E Front Panel (fully populated)

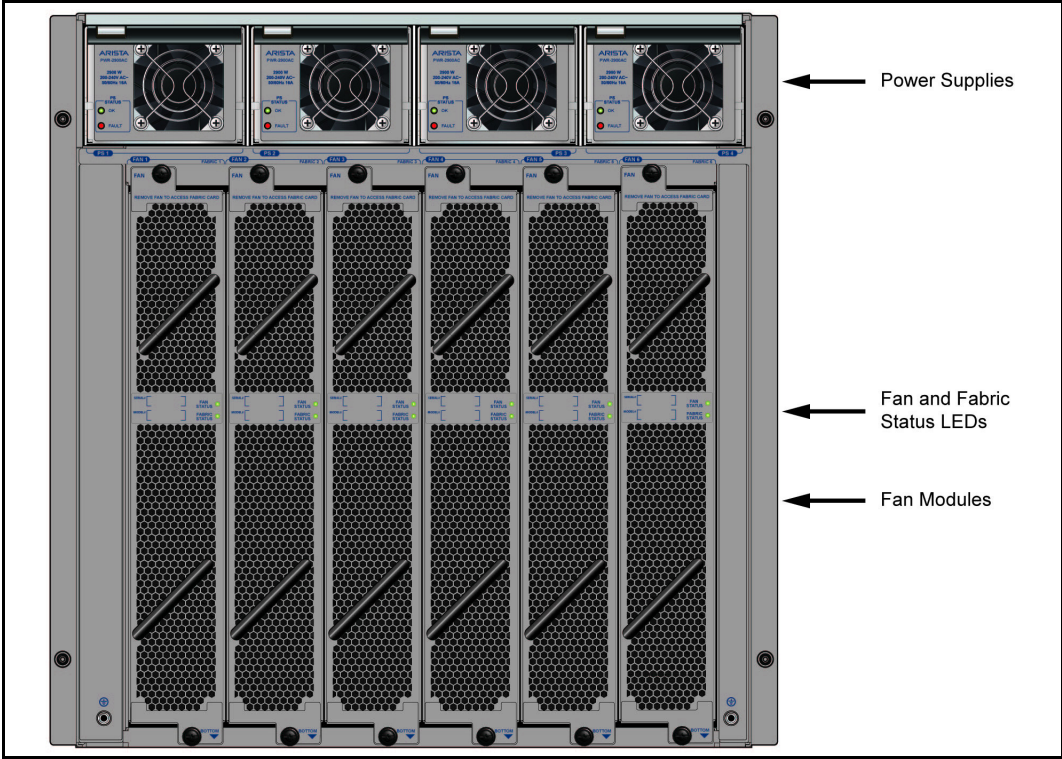




# Appendix D Rear Panel

This appendix displays the rear panel of all switches covered by this guide.

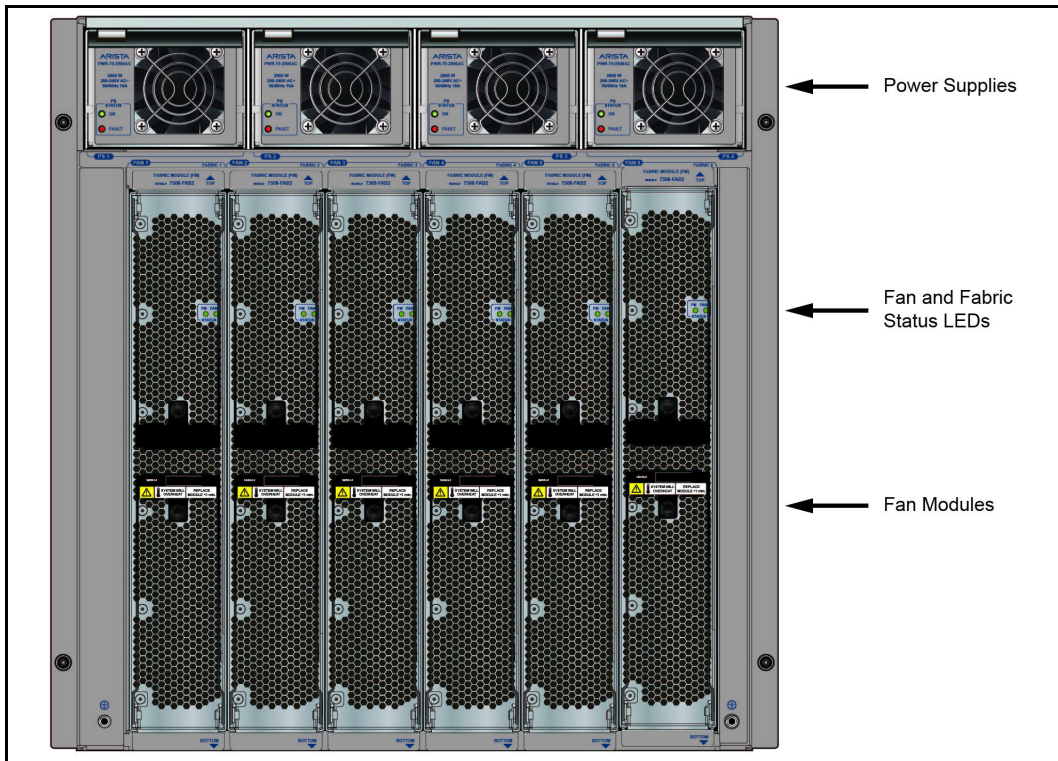
## DCS-7508 Rear Panel



## DCS-7504 Rear Panel



DCS-7508E Rear Panel



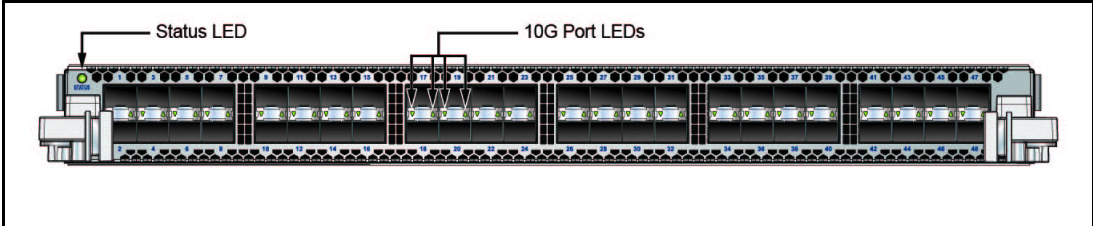
DCS-7504E Rear Panel



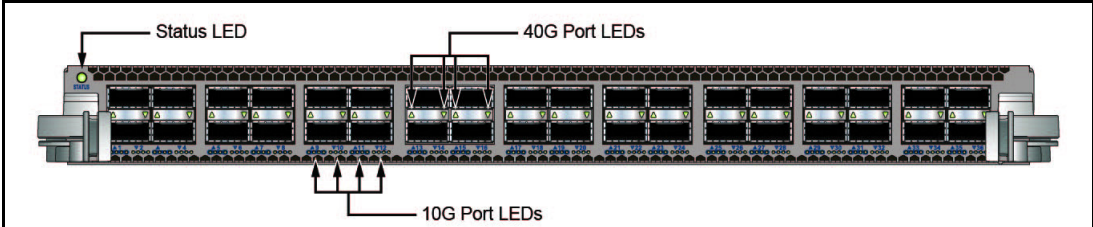
# Appendix E Linecards

This appendix displays the linecards supported by modular switches covered by this guide.

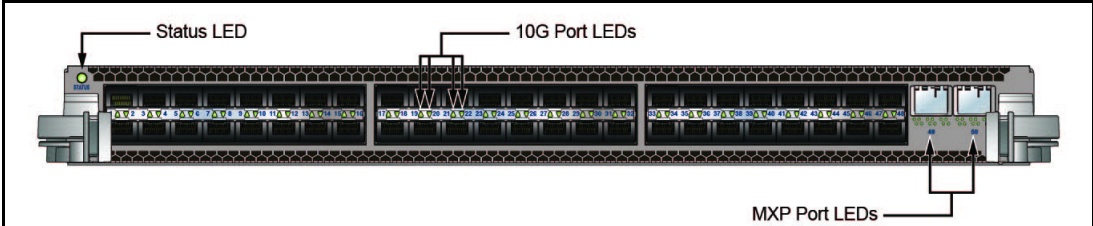
## DCS-7548S-LC



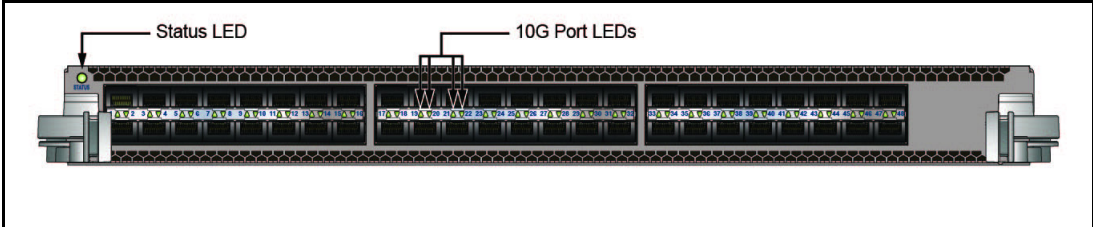
## DCS-7500E-36Q-LC



## DCS-7500E-72S-LC

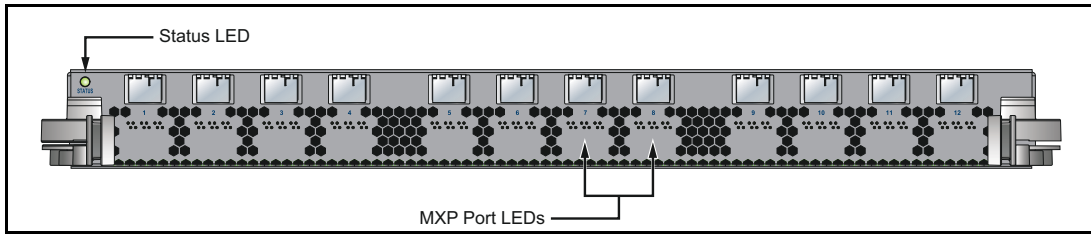


## DCS-7500E-48S-LC

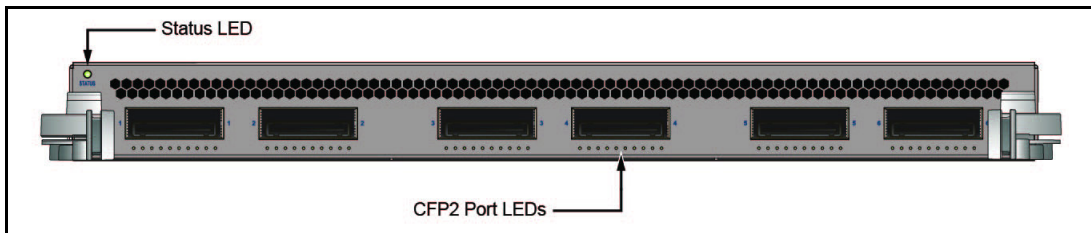




**DCS-7500E-12CM-LC**



**DCS-7500E-6C2-LC**



**DCS-7500E-12CQ-LC**

