

ARISTA

Quick Start Guide

7000 Series 2 RU Data Center Switches

DCS-7050SX-128

DCS-7250QX-64

DCS-7050TX-128

DCS-7260QX-64

DCS-7260CX-64

DCS-7050SX2-128

DCS-7050TX2-128

DCS-7280CR-48

Arista Networks

www.arista.com

PDOC-00039-09

Headquarters	Support	Sales
5453 Great America Parkway Santa Clara, CA 95054 USA		
408 547-5500	408 547-5502 866 476-0000	408 547-5501 866 497-0000
www.arista.com	support@arista.com	sales@arista.com

© Copyright 2016 Arista Networks, Inc. The information contained herein is subject to change without notice. Arista Networks and the Arista logo are trademarks of Arista Networks, Inc in the United States and other countries. Other product or service names may be trademarks or service marks of others.

Table of Contents

Chapter 1 Overview	1
1.1 Scope	1
1.2 Receiving and Inspecting the Equipment.....	1
1.3 Installation Process.....	1
1.4 Safety Information.....	2
1.5 Obtaining Technical Assistance	2
1.6 Specifications	3
Chapter 2 Preparation.....	5
2.1 Site Selection.....	5
2.2 Tools and Parts Required for Installation.....	7
2.3 Electrostatic Discharge (ESD) Precautions.....	7
Chapter 3 Rack Mounting the Switch.....	9
3.1 Two-Post Rack Mount	9
3.1.1 Attaching Mounting Brackets to the Chassis.....	10
3.1.2 Inserting the Switch into the Rack	10
3.2 Four-Post Rack Mount	11
3.2.1 Extracting the Brackets and the Rails	12
3.2.2 Attaching Mounting Brackets to the Chassis.....	13
3.2.3 Expanding the Rails	14
3.2.4 Assembling the Rails onto the Equipment Rack	14
3.2.5 Attaching the Switch to the Rack	15
Chapter 4 Cabling the Switch	17
4.1 Connecting Power Cables	17
4.1.1 AC Power Supplies	18
4.1.2 DC Power Supplies.....	18
4.2 Connecting Serial and Management Cables.....	21
Chapter 5 Configuring the Switch.....	23

Appendix A	Status Indicators	25
A.1	Front Indicators	25
A.1.1	Switch Indicators	25
A.1.2	Port Indicators.....	26
A.2	Rear Status Indicators.....	27
Appendix B	Parts List.....	29
B.1	Rack Mount Parts	29
B.1.1	Four-Post Rack Mount Parts.....	29
B.1.2	Two-Post Rack Mount Parts	29
B.2	Cables.....	30
Appendix C	Front Panel	31
Appendix D	Rear Panel	37

Chapter 1

Overview

1.1 Scope

This guide is intended for properly trained service personnel and technicians who need to install the following Arista Networks Data Center Switches:

- DCS-7050SX-128
- DCS-7050TX-128
- DCS-7260CX-64
- DCS-7050TX2-128
- DCS-7250QX-64
- DCS-7260QX-64
- DCS-7050SX2-128
- DCS-7280CR-48

Important! Only qualified personnel should install, service, or replace this equipment.

Seul le personnel qualifié doit installer, service, ou remplacer cet équipement.

1.2 Receiving and Inspecting the Equipment

Upon receiving the switch, inspect the shipping boxes and record any external damage. Retain packing materials if you suspect that part of the shipment is damaged; the carrier may need to inspect them.

If the boxes were not damaged in transit, unpack them carefully. Ensure that you do not discard any accessories that may be packaged in the same box as the main unit.

Inspect the packing list and confirm that you received all listed items. Compare the packing list with your purchase order. [Appendix B](#) provides a list of components included with the switch.

1.3 Installation Process

The following tasks are required to install and use the switch:

- Step 1** Select and prepare the installation site ([Section 2.1](#)).
- Step 2** Assemble the installation tools listed in [Section 2.2](#).
- Step 3** Attach the mounting brackets and install the switch in an equipment rack ([Chapter 3](#)).
- Step 4** Connect the switch to the power source and network devices ([Chapter 4](#)).
- Step 5** Configure the switch ([Chapter 5](#)).

Important! Class 1 Laser Product: This product has provisions to install Class 1 laser transceivers which provide optical coupling to the communication network. Once a Class 1 laser product is installed, the equipment is a Class 1 Laser Product (Appareil à Laser de Classe 1). The customer is responsible for selecting and installing the Class 1 laser transceiver and for insuring that the Class 1 AEL (Allowable Emission Limit) per EN/IEC 60825, CSA E60825-1, and Code of Federal Regulations 21 CFR 1040 is not exceeded after the laser transceiver have been installed. Do not install laser products whose class rating is greater than 1. Refer to all safety instructions that accompanied the transceiver prior to installation. Only Class 1 laser devices, certified for use in the country of installation by the cognizant agency are to be utilized in this product.

Appareil à laser de classe 1 Cet appareil comporte des dispositions permettant d'installer des émetteurs-récepteurs fournissant un couplage optique au réseau de communication. Une fois l'appareil à laser de classe 1 installé, l'équipement devient un appareil à laser de classe 1. Le client est responsable du choix et de l'installation de l'émetteur-récepteur à laser de classe 1 et il doit s'assurer que les limites d'émission admissibles pour la classe 1 régularisées par les normes EN/IEC 60825 et CAN/CSA E60825-1 et par le Code of Federal Regulations 21 CFR 1040 ne soient pas dépassées après l'installation de l'émetteur-récepteur à laser. N'installez pas d'appareils à laser dont la classification est supérieure à 1. Avant l'installation, lisez attentivement les instructions de sécurité fournies avec l'émetteur-récepteur. Seuls les appareils à laser de classe 1 qui ont été certifiés par l'autorité agréée pour une utilisation dans le pays d'installation peuvent être utilisés dans ce produit.

Important! Ultimate disposal of this product should be in accordance with all applicable laws and regulations.

Élimination définitive de ce produit devrait être en conformité avec toutes les lois et règlements applicables.

1.4 Safety Information

Refer to the Arista Networks document Safety Information and Translated Safety Warnings available at:

www.arista.com/support/docs/eos

1.5 Obtaining Technical Assistance

Any customer, partner, reseller or distributor holding a valid Arista Service Contract can obtain technical support in any of the following ways:

- **Email:** support@arista.com. This is the easiest way to create a new service request. Include a detailed description of the problem and the output of “show tech-support”.

- **Web:** www.arista.com/support.

A support case may be created through the support portal on our website. You may also download the most current software and documentation, as well as view FAQs, Knowledge Base articles, Security Advisories, and Field Notices.

- **Phone:** 866-476-0000 or 408-547-5502.

Important! No user serviceable parts inside. Refer all servicing to qualified service personnel.

Aucune pièce réparable par l'utilisateur à l'intérieur. Confiez toute réparation à un technicien qualifié.

1.6 Specifications

Table 1-1 lists the specifications of Arista Data Center switches covered by this guide.

Table 1-1 Switch Specifications

Size (W x H x D)	DCS-7050SX-128 DCS-7050TX-128 DCS-7250QX-64 DCS-7260QX-64 DCS-7260CX-64 DCS-7050SX2-128 DCS-7050TX2-128 DCS-7280CR-48	48.3 x 8.8 x 45.9 cm (19 x 3.5 x 18.1 inches) 48.3 x 8.8 x 45.9 cm (19 x 3.5 x 18.1 inches) 44.5 x 8.8 x 55.3 cm (19 x 3.5 x 21.8 inches) 44.5 x 8.8 x 45.7 cm (19 x 3.5 x 18 inches) 44.5 x 8.8 x 45.7 cm (19 x 3.5 x 18 inches) 48.3 x 8.8 x 45.9 cm (19 x 3.5 x 18.1 inches) 48.3 x 8.8 x 45.9 cm (19 x 3.5 x 18.1 inches) 44.5 x 8.9 x 56.3 cm (17.32 x 3.5 x 22.2 inches)
Weight	DCS-7050SX-128 DCS-7050TX-128 DCS-7250QX-64 DCS-7260QX-64 DCS-7260CX-64 DCS-7050SX2-128 DCS-7050TX2-128 DCS-7280CR-48	15.1 kg (33 pounds) 15.6 kg (34 pounds) 19.2 kg (42 pounds) 16.1 kg (35.5 pounds) 21.3 kg (47 pounds) 15.1 kg (33 pounds) 15.6 kg (34 pounds) 21.2 kg (45 pounds)
Operating Temperature Storage Temperature Operating Altitude Relative Humidity	all all all all	0° to 40° C (32° to 104° F) -25° to 70° C (-13° to 158° F) 0 to 3,000 meters (0 to 10,000 feet) 5 to 90%
Power Input (AC Power)	DCS-7050SX-128 / PWR-500AC DCS-7050SX-128 / PWR-750AC DCS-7050TX-128 / PWR-745AC DCS-7250QX-64 / PWR-1100AC DCS-7260QX-64 / PWR-1100AC DCS-7260CX-64 / PWR-1900AC DCS-7050SX2-128 / PWR-500AC DCS-7050TX2-128 / PWR-745AC DCS-7280CR-48 / PWR-1900AC	100 - 240 VAC, 5.7-2.4 A, 50/60 Hz 100 - 240 VAC, 5.7-2.4 A, 50/60 Hz 100 - 240 VAC, 10-5 A, 50/60 Hz 200 - 240 VAC, 6.5 A, 50/60 Hz 200 - 240 VAC, 6.5 A, 50/60 Hz 200 - 240 VAC, 11.5 A, 50/60 Hz 100 - 240 VAC, 5.7-2.4 A, 50/60 Hz 100 - 240 VAC, 10-5 A, 50/60 Hz 200 - 240 VAC, 11.5 A, 50/60 Hz
Power Input (DC Power)	DCS-7050SX-128 / PWR-500DC DCS-7050TX-128 / PWR-1900DC DCS-7250QX-64 / PWR-1900DC DCS-7260CX-64 / PWR-1900DC	-48 - 60VDC, 15 A -48 - 60VDC, 32 A -48 - 60VDC, 32 A -48 - 60VDC, 46 A
Power Draw (Typical / Maximum)	DCS-7050SX-128 DCS-7050TX-128 DCS-7250QX-64 DCS-7260QX-64 DCS-7260CX-64 DCS-7050SX2-128 DCS-7050TX2-128 DCS-7280CR-48	235 W / 415 W 570 W / 740 W 622 W / 946 W 315 W / 850 W 1672 W / 2090 W 220 W / 395 W 430 W / 580 W 1363 W / 1710 W

Preparation

2.1 Site Selection

The following criteria should be considered when selecting a site to install the switch:

- **Temperature and Ventilation:** For proper ventilation, install the switch where there is ample airflow to the front and back of the switch. The ambient temperature should not go below 0° or exceed 40° C.

Important! To prevent the switch from overheating, do not operate it in an area where the ambient temperature exceeds 40°C (104°F).

Pour empêcher l'interrupteur de surchauffe, ne pas utiliser il dans une zone où la température ambiante est supérieure à 40° C (104° F).

- **Airflow Orientation:** Determine airflow direction of the four fan modules and two power supply modules on the rear panel. Fan and power supply module handles indicate airflow direction:
 - **Blue Handle:** Air Inlet module.
 - **Red Handle:** Air Exit module.

[Figure 2-1 on page 6](#) displays fan and power supply module locations on the rear panel. Their red handles indicate that they are air exit modules. Verify that each module has the same airflow direction. Base the switch orientation on the airflow direction of the modules to assure the air inlet is always oriented toward the cool aisle:

- **Air Exit modules:** orient the rear panel toward the hot aisle.
- **Air Inlet modules:** orient the rear panel toward the cool aisle.

If the airflow direction is not compatible with the installation site, contact your sales representative to obtain modules that circulate air in the opposite direction.

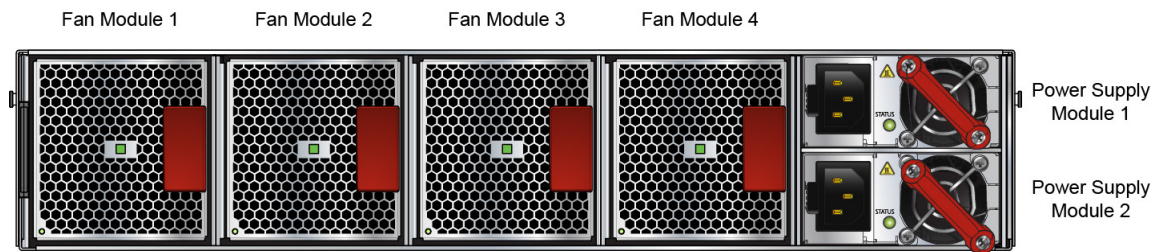


Figure 2-1: Fan and Power Supply (Air Exit) Modules

- Rack Space:** Install the switch in a 19" rack or cabinet. The switch height is 2 RU. The accessory kit provides mounting brackets for four-post racks. Contact your sales representative to obtain two-post mounting racks.
 When mounting the switch in a partially filled rack, load the rack from bottom to top, with the heaviest equipment at the bottom. Load the switch at the bottom if it is the only item in the rack.
- Power Requirements:** Power requirements vary by switch and power supply model. Refer to [Table 1-1](#) for information regarding your specific system.
 Two circuits provide redundancy protection. [Section 4.1](#) describes power cable requirements.

Important! The power input plug-socket combination must be accessible at all times; it provides the primary method of disconnecting power from the system.

La combinaison de la puissance-prise d'entrée doit être accessible en tout temps ; Il fournit le principal moyen de coupure d'alimentation du système.

- Other Requirements:** Select a site where liquids or objects cannot fall onto the equipment and foreign objects are not drawn into the ventilation holes. Verify these guidelines are met:
 - Clearance areas to the front and rear panels allow for unrestricted cabling.
 - All front and rear panel indicators can be easily read.
 - Power cords can reach from the power outlet to the connector on the rear panel.

Important! All power connections must be removed to de-energize the unit.

Toutes les connexions d'alimentation doivent être enlevées pour hors tension l'appareil.

Important! This unit is intended for installation in restricted access areas.

Cet appareil est prévu pour une installation dans les zones d'accès restreintes.

2.2 Tools and Parts Required for Installation

The following tools and equipment are required to install the switch:

Two-Post Rack

- Screws or rack mounting nuts and bolts.
- Screwdriver

Four-Post Rack (Toolless)

No additional equipment required.

Accessory kit does not include screws for attaching the switch to the equipment rack. When installing the switch into an equipment rack with unthreaded post holes, nuts are also required to secure the switch to the rack posts.

2.3 Electrostatic Discharge (ESD) Precautions

Observe these guidelines to avoid ESD damage when installing or servicing the switch.

- Assemble or disassemble equipment only in a static-free work area.
- Use a conductive work surface (such as an anti-static mat) to dissipate static charge.
- Wear a conductive wrist strap to dissipate static charge accumulation.
- Minimize handling of assemblies and components.
- Keep replacement parts in their original static-free packaging.
- Remove all plastic, foam, vinyl, paper, and other static-generating materials from the work area.
- Use tools that do not create ESD.

Rack Mounting the Switch

Important! The rack mounting procedure is identical for all switches covered by this guide. Illustrations in this chapter depict the mounting of a DCS-7050SX-128 switch.

Les procédure de montage du bâti est identique pour tous les commutateurs visés par ce guide. Illustrations dans ce chapitre montrent le montage d'un interrupteur de DCS-7050SX-128.

- [Section 3.1](#) provides instructions for mounting the switch in a two-post rack.
- [Section 3.2](#) provides instructions for mounting the switch in a four-post rack.

After completing the instructions for your rack type, proceed to [Chapter 4](#).

3.1 Two-Post Rack Mount

To mount the switch onto a two-post rack, assemble the mounting brackets to the chassis, then attach the brackets to the rack posts. Two-post accessory kits includes 2 three-hole mounting brackets.

Each chassis side has attachment pins that align with bracket holes; the number of pins (six or seven) varies by switch model. Pin orientation is symmetric and equidistant, supporting bracket placement where the flange is either flush with the front and rear panels, or not flush with the panels. Each bracket hole includes a key-opening for placing the bracket flush with the chassis and then locking it into place.

Important! Attachment pins must engage all three upper bracket holes.

Goupilles de fixation doivent s'engager tous les trois trous de la bride supérieure..

[Figure 3-1](#) displays proper bracket mount configuration examples. [Figure 3-2 on page 10](#) displays improper bracket mount configuration examples.

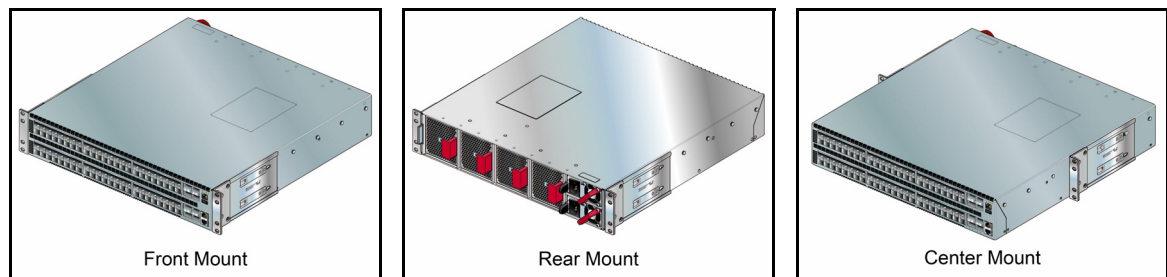


Figure 3-1: Bracket Mount Examples for Two-Post Rack Mount

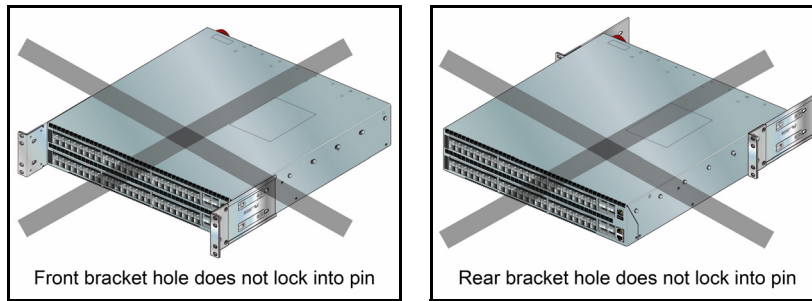


Figure 3-2: Improper Bracket Mount Examples for Two-Post Rack Mount

3.1.1 Attaching Mounting Brackets to the Chassis

This procedure attaches mounting brackets to the switch chassis (Figure 3-3).

- Step 1** Align the mounting brackets with the attachment pins to obtain the desired mounting position.
- Step 2** Place the bracket flush on the chassis with attachment pins protruding through key-openings.
- Step 3** Slide the bracket toward the front flange until the bracket clip locks with an audible click.

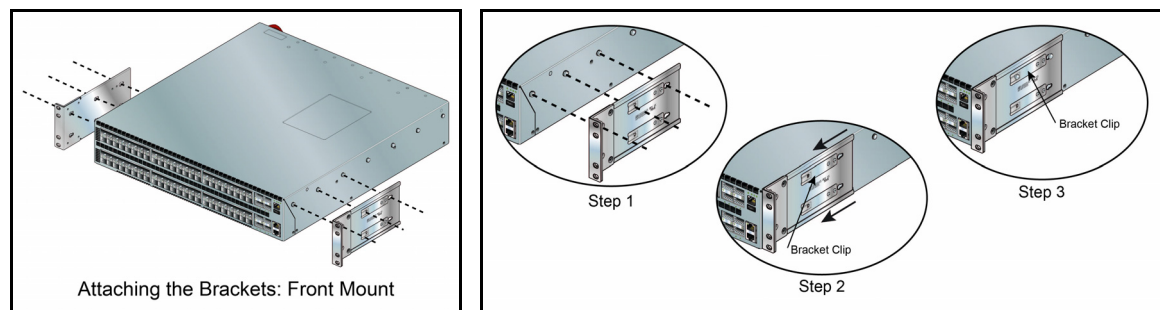


Figure 3-3: Attaching the Mounting Brackets to the Switch Chassis

To remove the mounting bracket from the chassis, lift the front edge of the mounting bracket clip with a flathead screwdriver and slide the bracket away from the front flange (opposite from the installation direction).

3.1.2 Inserting the Switch into the Rack

This procedure attaches the switch to the rack (Figure 3-4 on page 11).

- Step 1** Lift the chassis into the rack. Position the flanges against the rack posts.



Figure 3-4: Inserting the Switch into the Rack

Step 2 Select mounting screws that fit your equipment rack.

Step 3 Attach the bracket flanges to the rack posts.

After completing the two-post rack mount, proceed to [Chapter 4](#).

3.2 Four-Post Rack Mount

The switch is mounted onto a four-post rack by assembling two rails onto the rear posts, sliding the switch onto the rails, then securing the switch to the front posts.

The installation kit provides two bracket-rail assemblies. The following four-post mounting parts are extracted from each assembly:

- Six-hole mounting bracket
- Rail

Each chassis side has attachment pins that align with bracket holes; the number of pins (six or seven) varies by switch model. Pin orientation is symmetric and equidistant, supporting bracket placement where the flange is either flush with the front and rear panels, or not flush with the panels. Each bracket hole includes a key-opening for placing the bracket flush with the chassis and then locking it into place.

Important! Attachment pins must engage all six bracket holes.

Goupilles de fixation doivent s'engager tous les trous de support six.

[Figure 3-5 on page 12](#) displays proper bracket mount configuration examples. [Figure 3-6 on page 12](#) displays an improper bracket mount configuration examples.

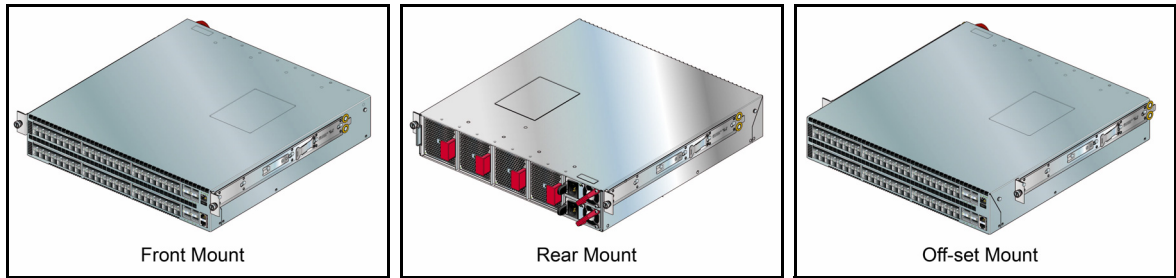


Figure 3-5: Bracket Mount Examples for Four-Post Rack Mount

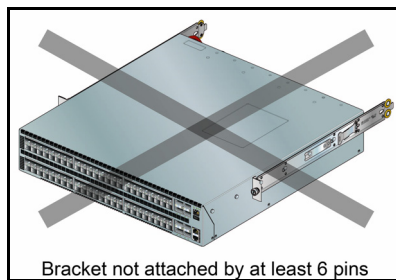


Figure 3-6: Improper Bracket Mount Example for Four-Post Rack Mount

Off-set mount is always an improper bracket mount configuration on switches that have six attachment pins on each side.

3.2.1 Extracting the Brackets and the Rails

Figure 3-7 displays a bracket-rail assembly and the component pieces (bracket and rail) that are extracted from the assembly. Each assembly must be separated into its component pieces before mounting the switch into a four-post rack. The two assemblies supplied with the switch are identical.

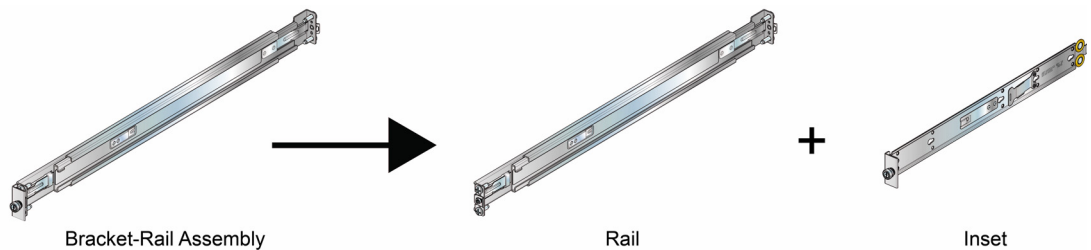


Figure 3-7: Bracket-Rail Assembly – Before and After Extraction

This procedure separates a bracket-rail assembly into its component pieces.

Step 1 Grip the rail with your right hand, as shown in Figure 3-8-left. Pull the bracket flange away from the rail flange with your left hand until the bracket clip catches on the rail (Figure 3-8-Right).

If the bracket flange resists initially, verify the thumb screw on the bracket flange is not attached to the rail flange.

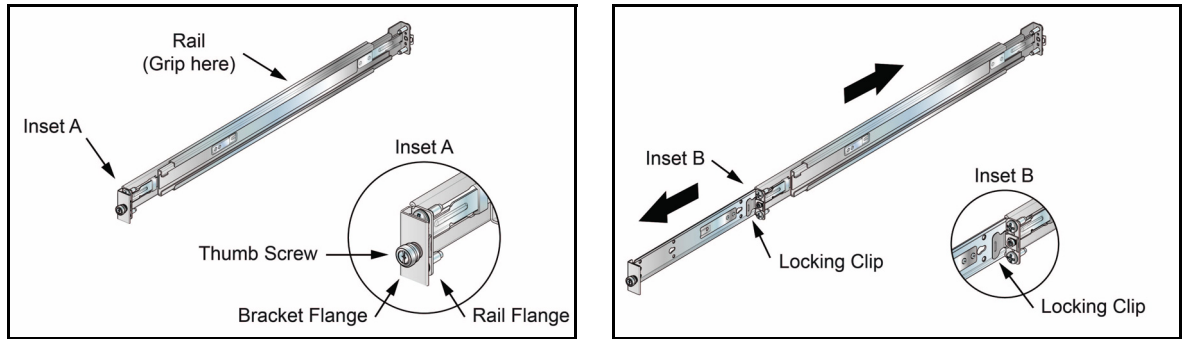


Figure 3-8: Extracting the Bracket-Rail Assembly

- Step 2** While pressing the locking clip on the bracket ([Figure 3-8-Right](#)), resume pulling the bracket from the rail until the separation is complete.
- Step 3** Repeat the procedure for the other assembly.

3.2.2 Attaching Mounting Brackets to the Chassis

[Figure 3-9](#) displays the front bracket alignment for mounting the switch into a four-post rack.

This procedure attaches mounting brackets to the switch chassis as depicted by [Figure 3-10 on page 14](#).

- Step 1** Align the mounting brackets with the attachment pins to obtain the desired mounting position.
- Step 2** Place the bracket flush on the chassis with attachment pins protruding through key-openings.
- Step 3** Slide the bracket toward the front flange until the bracket clip locks with an audible click.

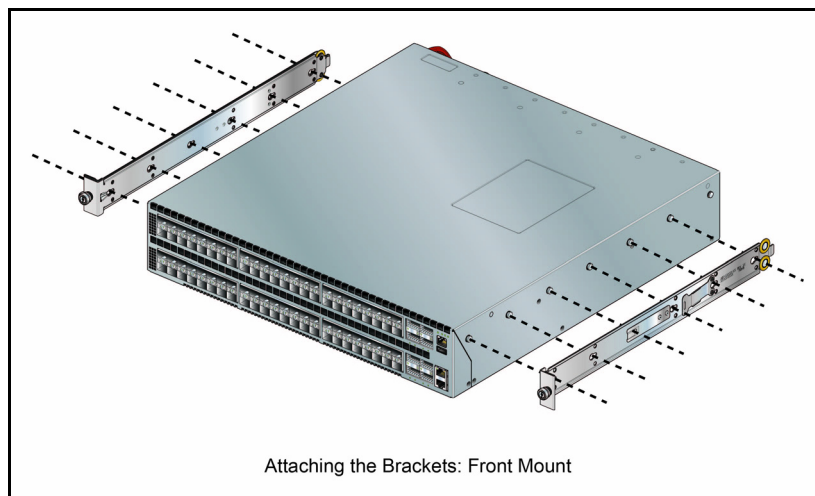


Figure 3-9: Front Bracket Alignment

To remove the mounting bracket from the chassis, lift the front edge of the mounting bracket clip with a flathead screwdriver and slide the bracket away from the front flange (opposite from the installation direction).

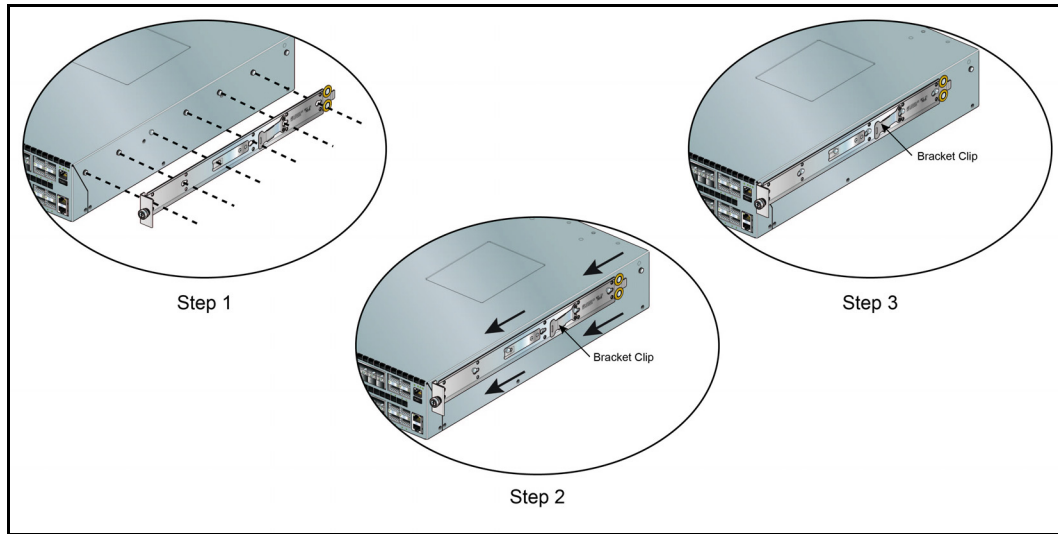


Figure 3-10: Attaching the Mounting Brackets to the Switch Chassis

3.2.3 Expanding the Rails

The rail is a two-piece mechanism. The rail length is adjusted by sliding the rail-rod inside the rail-slide. The rail clip prevents extension of the rail beyond the maximum supported distance between front and rear rack posts. When the rail is contracted, the rail clip is closest to the slide end.

The rail is initially contracted and must be expanded to attach onto the rack. This procedure expands the rails from their contracted state:

Step 1 Grip the slide end with your left hand the rod end with your right hand ([Figure 3-11-left](#)).

Step 2 Pull the ends apart until the rail-clip makes an audible click ([Figure 3-11-right](#)).

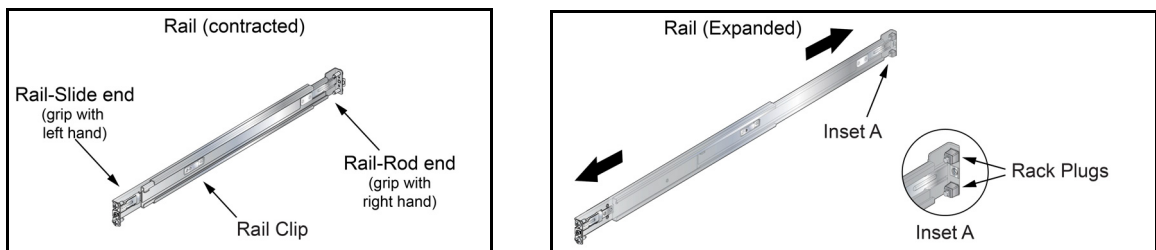


Figure 3-11: Expanding the Rails

3.2.4 Assembling the Rails onto the Equipment Rack

A rail connects a front post to a rear post. Each end has two rack plugs ([Figure 3-11-Right, Inset A](#)). Rails are installed into a rack by inserting the plugs into rack slots. To install rails into posts with threaded or rounded holes, remove all plugs on both sides of the rails, then install the rails with bolts that fit the rack. This procedure attaches the rails to a four-post rack:

Step 1 Attach rail to the right rear rack post by inserting rod-end rack plugs into post slots ([Figure 3-12-Right, Inset A](#)). The slide assembly must be inside the right posts, relative to the left rack posts.

If the rack plugs were previously removed, use bolts to attach the rail to the rack.

Step 2 Attach the slide end of the rail to the front post by extending the rail end past the post, then contracting the rail while guiding the rack plugs into the post ([Figure 3-12, Inset B](#)).

Step 3 Repeat step 1 through step 2 for the left posts. Ensure the rails are on the same horizontal level.

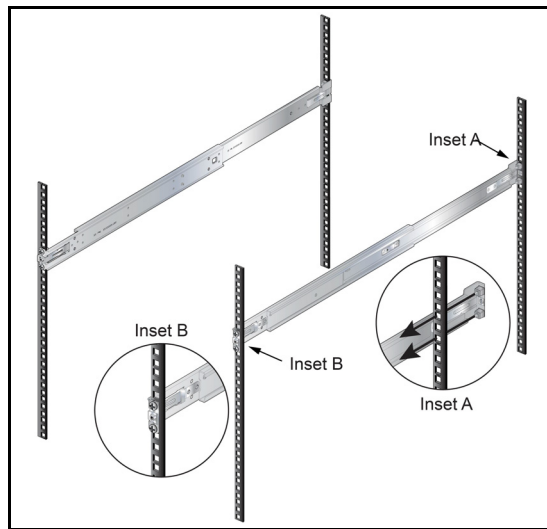


Figure 3-12: Attaching the Rails

3.2.5 Attaching the Switch to the Rack

After the rails are installed, the switch slides on the rails into the rack. Each bracket includes a thumb screw that attaches the switch to the rail.

Step 1 Lift the switch into the rack and insert the mounting brackets into the slide rails.

Step 2 Slide the switch on the rails, toward the rear posts, until the mounting bracket flanges are flush with the rail flanges attached to the rack posts.

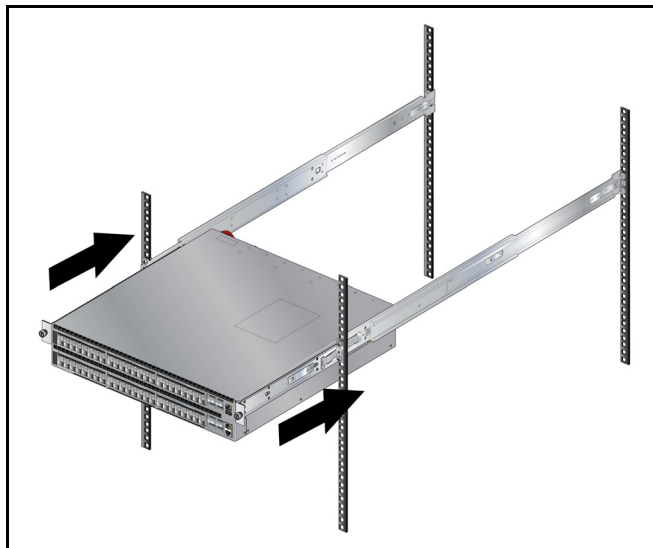


Figure 3-13: Inserting the Switch onto the Rails

Step 3 Attach the bracket flanges to the rack post using the quick-release thumb screws supplied with the brackets.

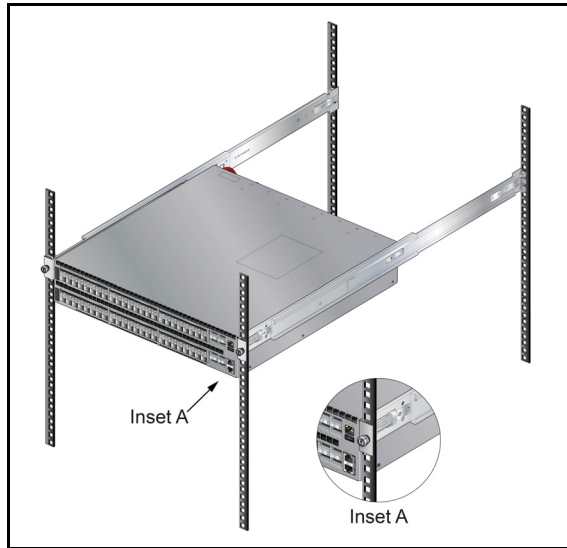


Figure 3-14: Attaching the Switch to the Rack Posts

After completing the four-post rack mount, proceed to [Chapter 4](#).

Cabling the Switch

4.1 Connecting Power Cables

Important! Installation of this equipment must comply with local and national electrical codes. If necessary, consult with the appropriate regulatory agencies and inspection authorities to ensure compliance.

Installation de cet équipement doit être conformes aux codes électriques locaux et nationaux. Si nécessaire, consulter les organismes de réglementation appropriés et des autorités de contrôle pour assurer la conformité.

The switch operates with two installed power supplies. At least one power supply must connect to a power source. Two circuits provide redundancy protection.

[Appendix D](#) displays the location of the power supplies on the rear panel of the switch.

Important! Read all installation instructions before connecting the system to the power source.

Lire toutes les instructions d'installation avant de brancher le système à la source d'alimentation.

- **Non-Redundant Configuration:** Connect power to either of the two power supplies.
- **Redundant Power Supply Configuration:** Connect power to both power supplies.
- **Power down the Switch:** Remove all power cords and wires from the power supplies.

Important! This equipment must be grounded. Never defeat the ground conductor.

Cet équipement doit être mis à la terre. Ne jamais modifier le conducteur de terre.

Important! This unit requires overcurrent protection.

Cet appareil requiert une protection contre les surintensités.

4.1.1 AC Power Supplies

Four power supply models (in each air flow direction) are available for 7000 Series 2 RU switches. The power supply model number is located on the module between the power socket and the fan (Figure 4-1). Model number of available power supplies include:

- PWR-500AC
- PWR-750AC
- PWR-745AC
- PWR-1100AC

Power requirements vary by switch. Refer to Table 1-1 for information regarding your specific system. The AC power supply connects to a circuit that provides the required power.

Figure 4-1 displays an AC power supply, including the power socket on the left side of the module.

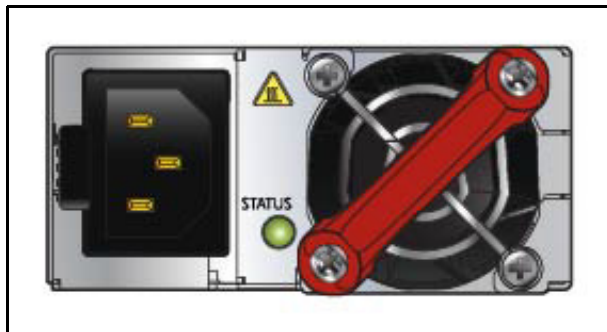


Figure 4-1: AC Power Supply

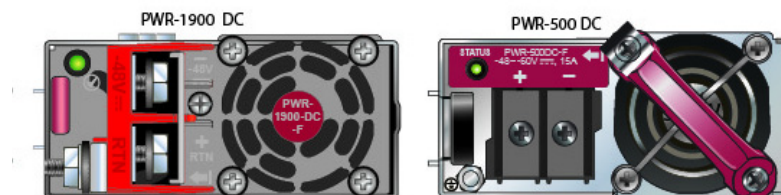
The accessory kit provides two IEC-320 C13 to C14 power cables, each two meters long for 500W/ 750W/ 1100W power supplies. Systems with 1900W power supplies come with C19 to C20 power cables.

4.1.2 DC Power Supplies

The following two power supplies are supported.

- PWR-1900DC
- PWR-500DC

Figure 4-2: Supported DC power supplies



Important! A disconnect device must be provided as part of the installation .

Un dispositif de sectionnement doit être fourni dans le cadre de l'installation.

Important! Ensure power is removed from DC circuits before performing any installation actions. Locate the disconnect device, circuit breakers or fuses on DC power lines servicing the circuits. Turn off the power line circuits or remove the fuses.

Pouvoir assurer qu'il est retiré de circuits DC avant d'effectuer des actions d'installation . Localiser les disjoncteurs ou des fusibles sur les lignes de courant continu desservant les circuits. Coupez les circuits de lignes d'alimentation ou retirer les fusibles.

Important! Wire size must comply with local and national requirements and electrical codes. Use only copper wire.

Le calibre du fil doit être conforme aux exigences locales et nationales et les codes électriques. Utiliser du fil de cuivre.

Important! Apply ground connection to the switch first during installation and remove last when removing power.

Appliquer connexion à la terre à l'interrupteur premier lors de l'installation et de supprimer la dernière alimentation lors du débranchement.

4.1.2.1 Wire and Lug Preparation

Before performing any installation actions, ensure power is removed from DC circuits by turning off the power line servicing the circuits. Prepare the stranded wiring before you begin a DC power installation.

Step 1 Attach an ESD grounding strap.

Step 2 Stranded copper wiring is required.

- Commercially available 2 to 4 AWG wire is recommended for installations in the U.S.
- Wire size should meet local and national installation requirements.
- Grounding wires and grounding lugs are not supplied.
- Strip the wires to the appropriate length for the lugs.

The wires connecting the DC power supply to the power source must meet the following requirements:

- DC Input Wire Size: 2 – 4 AWG (26.7 mm² to 21.2 mm²).
- Tightening Torque: 2.7 N-m (24 in. lbs.)
- Primary Ground Wire Size: 2 – 4 AWG (26.7 mm² to 21.2 mm²) per power supply.
- The conductors are copper.

Step 3 Use agency-approved compression (pressure) lugs for wiring terminations.

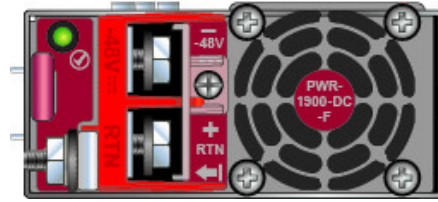
Step 4 Slip on heat-shrink tubing on the wire ends before assembling the lugs on to the wire.

- The lugs must be crimped with the proper tool.
- The tubing should extend over the lugs barrel and the wire's insulator.

Step 5 Shrink the tubing with a heat gun.

4.1.2.2 1900W DC Power Supply

Figure 4-3: 1900W DC power supply



To connect a DC power supply to power source:

- Step 1** Prepare the stranded wiring, see [Section 4.1.2.1, Wire and Lug Preparation, on page 19](#).
- Step 2** Attach the appropriate lugs to the source DC wires.
- Step 3** Use DC cables with either insulated crimp-on spade lugs or insulated crimp-on ring connectors.
- Step 4** Connect the DC-input wires:
- Ground wire to the Protective Earth (PE ⊕) terminal.
 - Negative source DC cable to the negative (- / -48V) terminal.
 - Positive (+) source DC cable to the positive (+ / Rtn) terminal.

4.1.2.3 PWR-500DC Power Supply

The 500W DC power supply connects to a circuit that provides -48V to -60V and 15A. [Figure 4-4](#) displays the DC power supply.

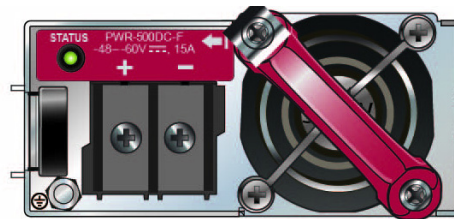
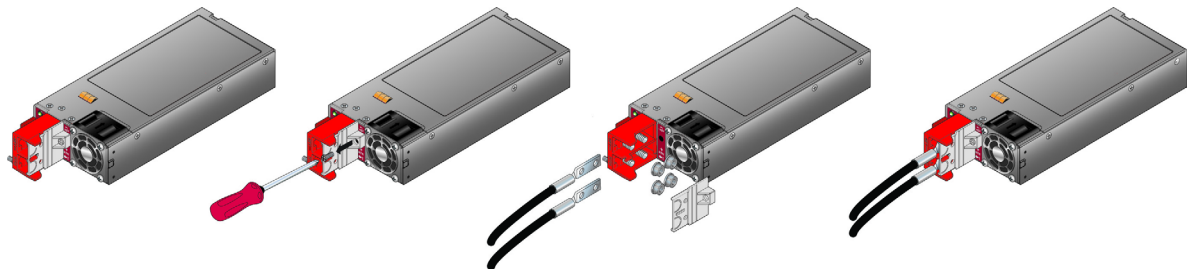


Figure 4-4: 500W DC Power Supply

- Step 1** Prepare the stranded wiring, see [Section 4.1.2.1, Wire and Lug Preparation, on page 19](#).
- Figure 4-5:**



- Step 2** Attach the appropriate lugs to the source DC wires.
- Step 3** Use DC cables with either insulated crimp-on spade lugs or insulated crimp-on ring connectors.
- Step 4** Connect the DC-input wires to the terminal block in this order:

- Ground wire to the Protective Earth (PE Ⓧ) terminal.
- Negative source DC cable to the negative (- / -48V) terminal.
- Positive (+) source DC cable to the positive (+ / RTN) terminal.

4.2 Connecting Serial and Management Cables

The accessory kit includes the following cables:

- RJ-45 to DB-9 serial adapter cable.
- RJ-45 Ethernet cable.

Table 4-1 lists the pin connections of the RJ-45 to DB-9 adapter cable.

Table 4-1 RJ-45 to DB-9 Connections

RJ-45		DB-9		RJ-45		DB-9	
RTS	1	8	CTS	GND	5	5	GND
DTR	2	6	DSR	RXD	6	3	TXD
TXD	3	2	RXD	DSR	7	4	DTR
GND	4	5	GND	CTS	8	7	RTS

The front panel contains the console, management, and USB ports. Figure 4-6 displays the ports on the DCS-7050SX-128 switch. Appendix C displays the front panel of all switches covered by this guide.

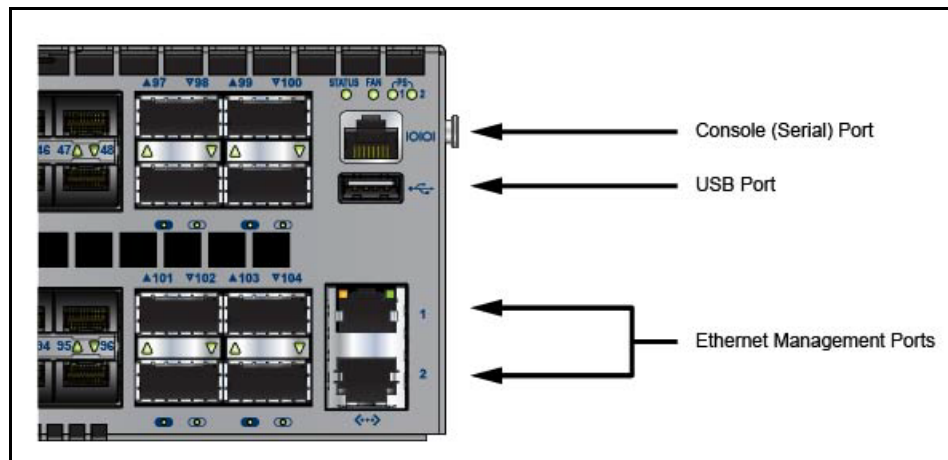


Figure 4-6: Front Panel Ports

Connect the front panel ports as follows:

- **Console (Serial) Port:** Connect to a PC with the RJ-45 to DB-9 serial adapter cable. The switch uses the following default settings:
 - 9600 baud
 - No flow control
 - 1 stop bit
 - No parity bits
 - 8 data bits
- **Ethernet Management Port:** Connect to 10/100/1000 management network with RJ-45 Ethernet cable.
- **USB Port:** The USB port may be used for software or configuration updates.

Caution Excessive bending can damage interface cables, especially optical cables.

Flexion excessive peut endommager les câbles d'interface, notamment des câbles optiques.

Configuring the Switch

Arista switches ship from the factory in Zero Touch Provisioning (ZTP) mode. ZTP configures the switch without user intervention by downloading a startup configuration file or a boot script from a location specified by a DHCP server. To manually configure a switch, ZTP is bypassed. The initial configuration provides one username (*admin*) accessible only through the console port because it has no password.

When bypassing ZTP, initial switch access requires logging in as *admin*, with no password, through the console port. Then you can configure an *admin* password and other password protected usernames.

This manual configuration procedure cancels ZTP mode, logs into the switch, assigns a password to *admin*, assigns an IP address to the management port, and defines a default route to a network gateway.

Step 1 Provide power to the switch (Section 4.1).

Step 2 Connect the console port to a PC (Section 4.2).

As the switch boots without a *startup-config* file, it displays the following through the console:

```
The device is in Zero Touch Provisioning mode and is attempting to
download the startup-config from a remote system. The device will not
be fully functional until either a valid startup-config is downloaded
from a remote system or Zero Touch Provisioning is cancelled. To cancel
Zero Touch Provisioning, login as admin and type 'zerotouch cancel'
at the CLI.
```

```
localhost login:
```

Step 3 Log into the switch by typing **admin** at the login prompt.

```
localhost login:admin
```

Step 4 Cancel ZTP mode by typing **zerotouch cancel**. *IMPORTANT: This step initiates a switch reboot.*

```
localhost>zerotouch cancel
```

Step 5 After the switch boots, log into the switch again by typing **admin** at the login prompt.

```
Arista EOS
localhost login:admin
Last login: Fri Mar 15 13:17:13 on console
```

Step 6 Enter global configuration mode.

```
localhost>enable
localhost#config
```

Step 7 Assign a password to the *admin* username with the **username secret** command.

```
localhost(config)#username admin secret pxq123
```

Step 8 Configure a default route to the network gateway.

```
localhost(config)#ip route 0.0.0.0/0 192.0.2.1
```

Step 9 Assign an IP address (**192.0.2.8/24** in this example) to an Ethernet management port.

```
localhost(config)#interface management 1
localhost(config-if-Ma1/1)#ip address 192.0.2.8/24
```

Step 10 Save the configuration by typing **write memory** or **copy running-config startup-config**.

```
localhost#copy running-config startup-config
```

When the management port IP address is configured, use this command to access the switch from a host, using the address configured in step 9:

```
ssh admin@192.0.2.8
```

Refer to the **Arista Networks User Manual** for complete switch configuration information.

Appendix A

Status Indicators

A.1 Front Indicators

A.1.1 Switch Indicators

Front panel LEDs are located on the right side of the chassis and display system, fan, and power supply status. [Appendix C](#) displays the front panels of all switches covered by this guide.

[Figure A-1](#) displays the DCS-7050SX-128 front panel LEDs.

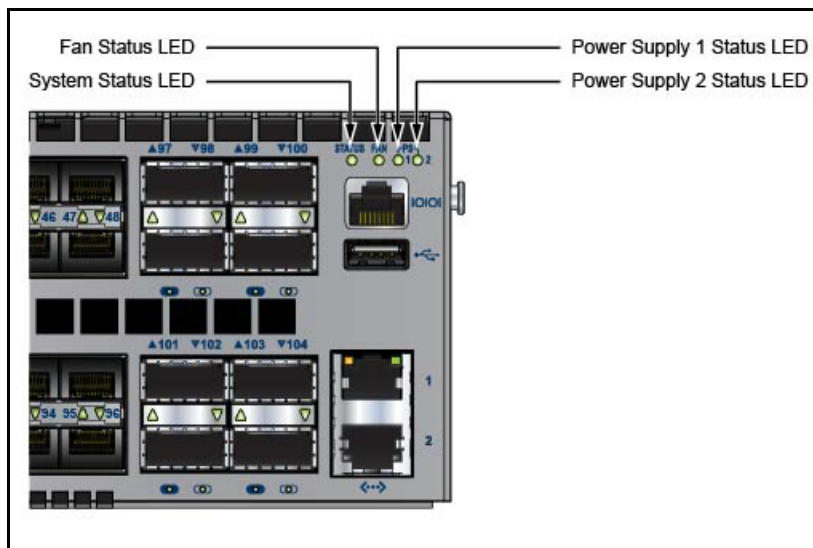


Figure A-1: System Status Indicators

Table A-1 Switch Indicators LED States

LED Name	LED State	Device Status
System Status	Blinking Green	System powering up.
	Green	All power supplies and fans are operating normally.
	Blue	The locator function is active.
	Red	A power supply or fan is missing or in a failed state.
Fan Status	Green	All fans are operating normally.
	Red	One or more fans are not inserted or have failed.
Power Supply 1 Status	Off	Power supply is not inserted or is not powered.
Power Supply 2 Status	Green	Power supply operating normally.
	Red	Power supply has failed.

A.1.2 Port Indicators

Port LEDs, located in the vicinity of their corresponding ports, provide link and operational status. [Figure A-2](#) displays the Port LED location on the DCS-7050SX-128 switch. [Appendix C](#) displays the port LED locations of all switches covered by this guide.

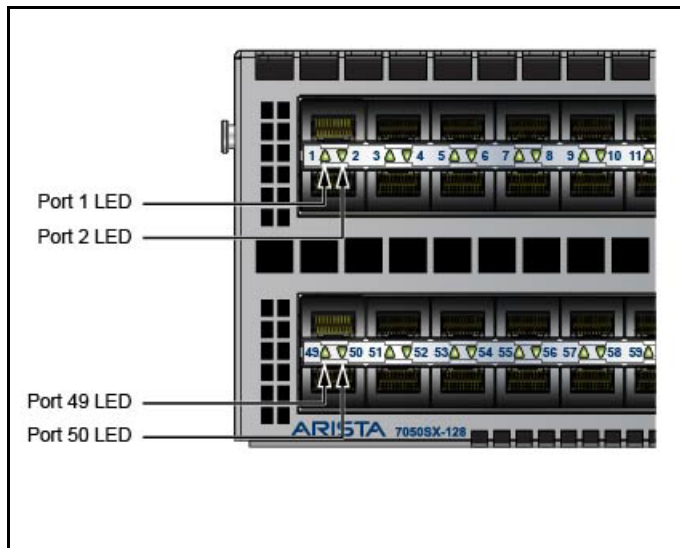


Figure A-2: Port LEDs

[Table A-2](#) provides status conditions that correspond to port LED states. Port LED behavior for QSFP+ and SFP+ ports is consistent.

Table A-2 Port LED States

LED State	Status
Off	Port link is down.
Green	Port link is up.
Yellow	Port is software disabled.
Flashing Yellow	Port failed diagnostics.

A.2 Rear Status Indicators

Fan and power supply modules are accessed from the rear panel. Each fan and power supply module contains an LED that reports the module status. [Appendix D](#) displays the rear panel of all switches covered by this guide.

Fan Status LEDs are on the fan modules, as displayed in [Figure A-3](#).

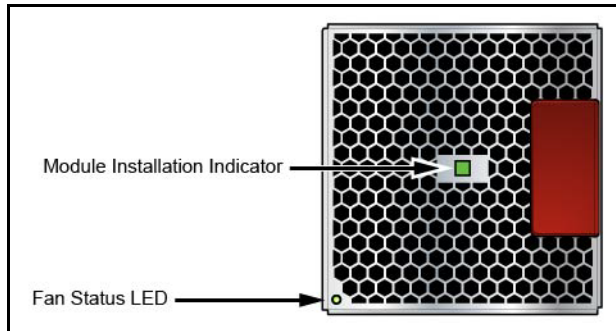


Figure A-3: Fan Status LED

The module installation indicator is green when the fan module is properly installed or red when the module is not fully installed. [Table A-3](#) provides status conditions that correspond to fan status LED states.

Table A-3 Fan Status LED States

LED State	Status
Off	The fan module is inserted but not receiving power – it may not be properly seated.
Green	The fan is operating normally.
Red	The fan has failed.

The Power Supply Status LEDs are on the power supply modules, as displayed in [Figure A-4](#).

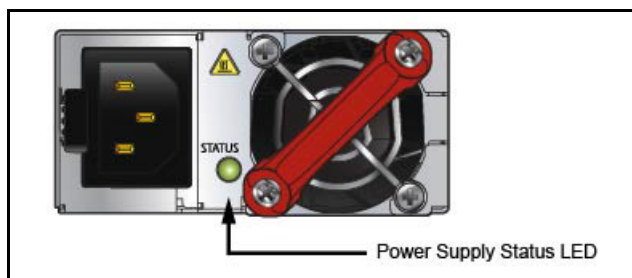


Figure A-4: Power Supply Status LED

[Table A-4](#) provides status conditions that correspond to power supply status LED states.

Table A-4 Power Supply Status LED States

LED State	Status
Off	Power supply not connected to AC power or not inserted fully.
Green	Power supply operating normally.
Amber	Power supply has overheated or failed.

Appendix B

Parts List

Each switch provides an accessory kit that contains parts that are required to install the switch. This appendix lists the installation parts contained in the switch accessory kit.

B.1 Rack Mount Parts

Four-post rack mount parts are provided in the accessory kit. Two-post rack mount parts are available through your sales representative.

B.1.1 Four-Post Rack Mount Parts

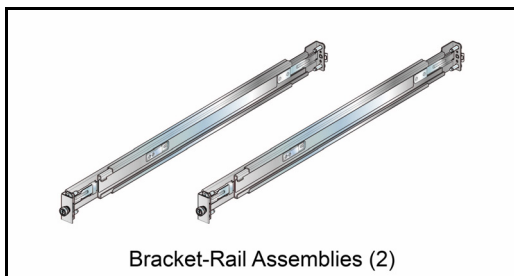


Figure B-1: Four-Post Rack Mount Parts

B.1.2 Two-Post Rack Mount Parts

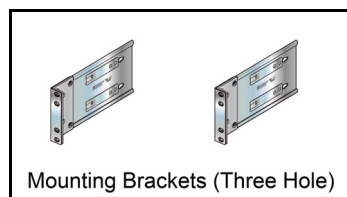


Figure B-2: Two-Post Rack Mount Parts

B.2 Cables

Quantity	Description
2	Power cables: IEC-320/C13-C14, 13 A, 250 V, 2 meter
1	RJ-45 Patch Panel Cable, 2 meter
1	RJ-45 to DB9 Adapter Cable, 2 meter

Warning All provided power cables are for use only with Arista products.

警告

すべての電源コードは提供する製品で使用するためだけを目的としている。

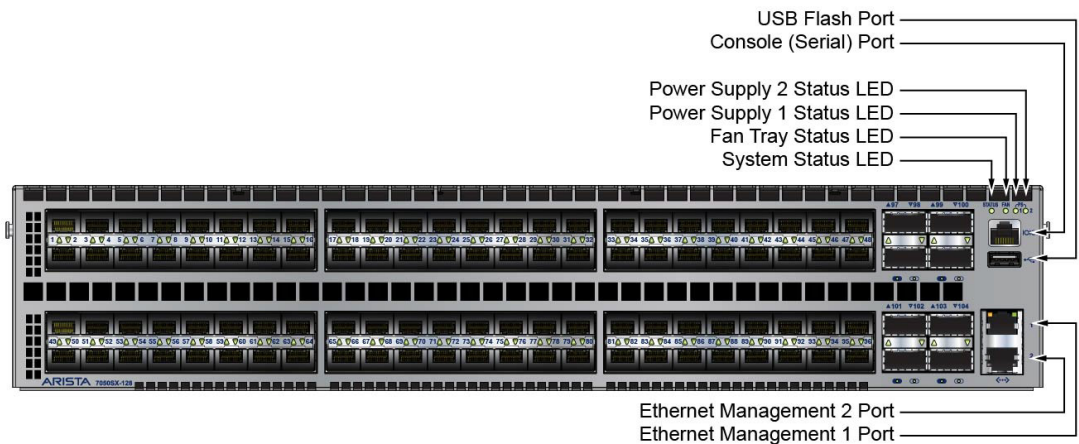
電源コードの他の製品での使用の禁止

Arista が提供するすべての電源コードは、Arista の製品でのみ使用してください。

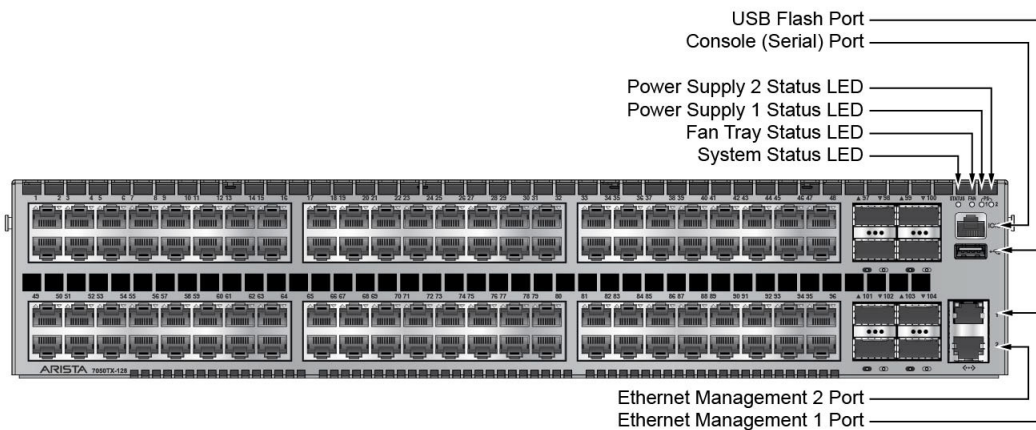
Front Panel

This appendix displays the front panel of all switches covered by this guide.

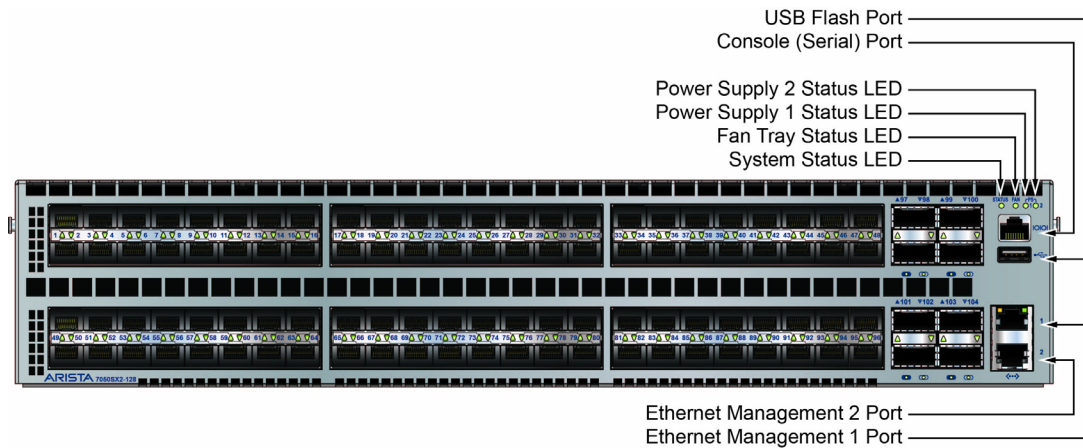
DCS-7050SX-128



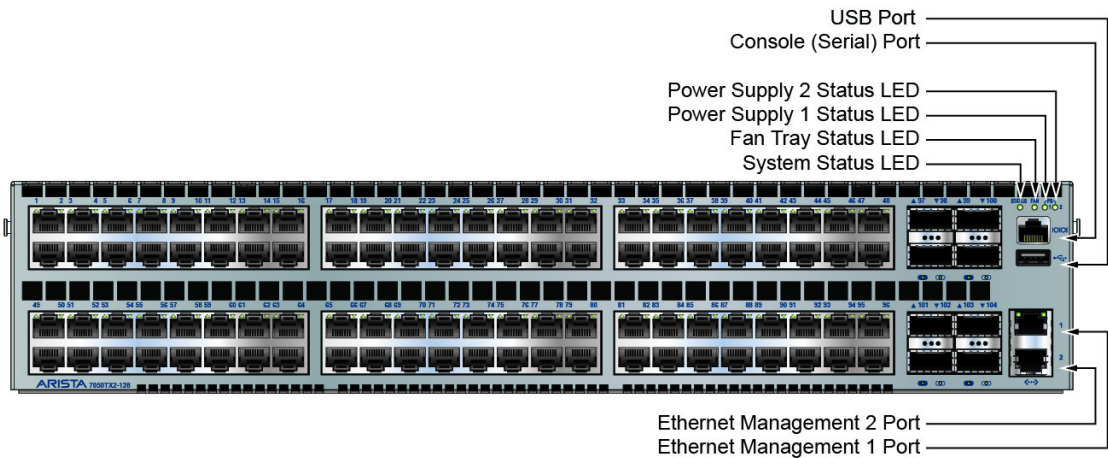
DCS-7050TX-128



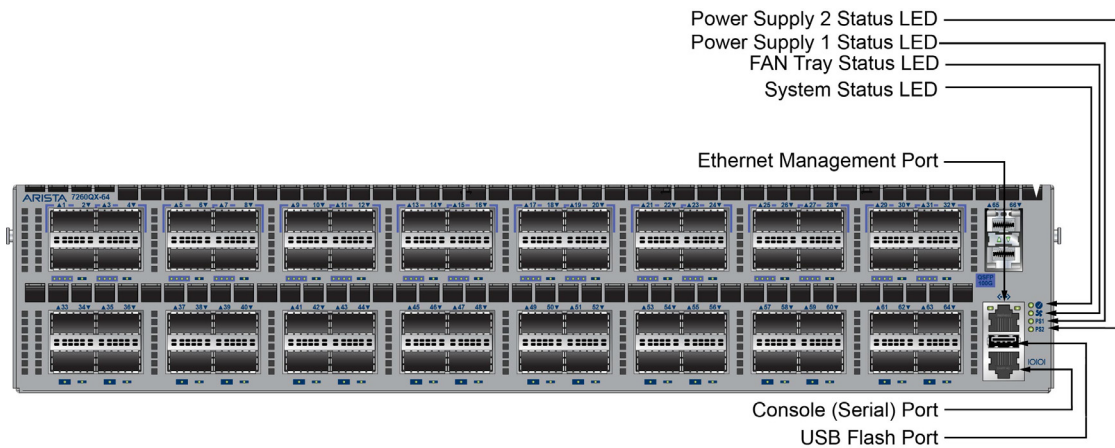
DCS-7050SX2-128



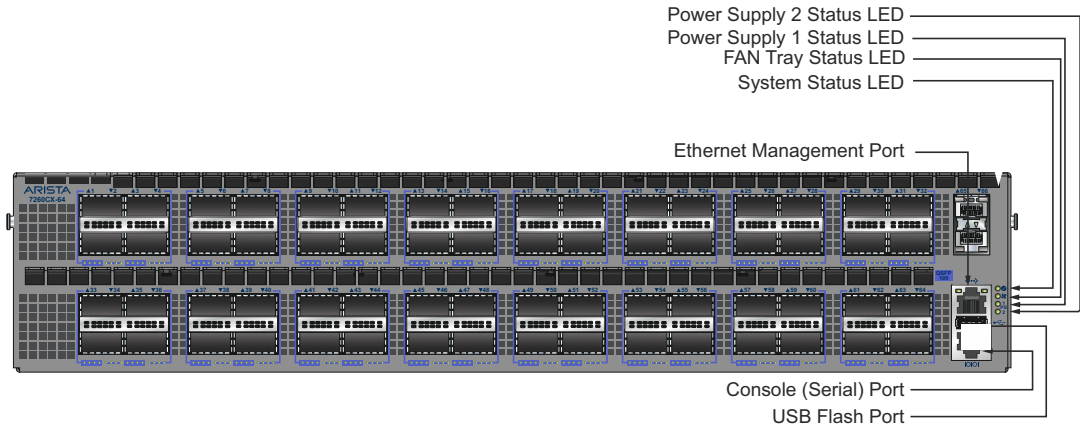
DCS-7050TX2-128



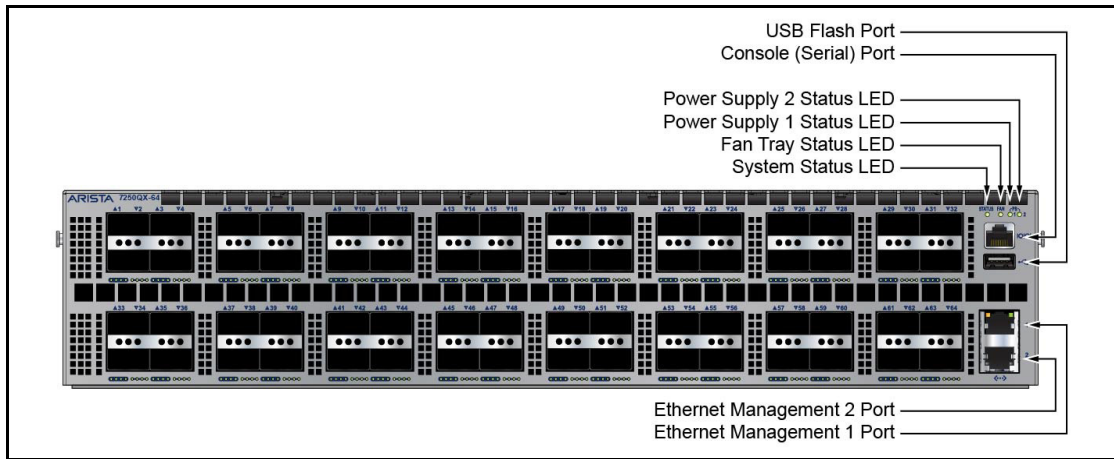
DCS-7260QX-64



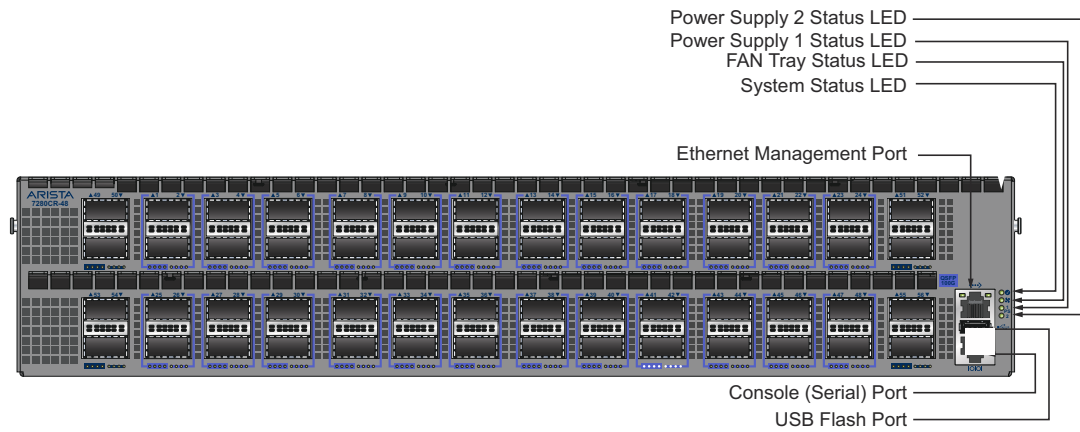
DCS-7260CX-64



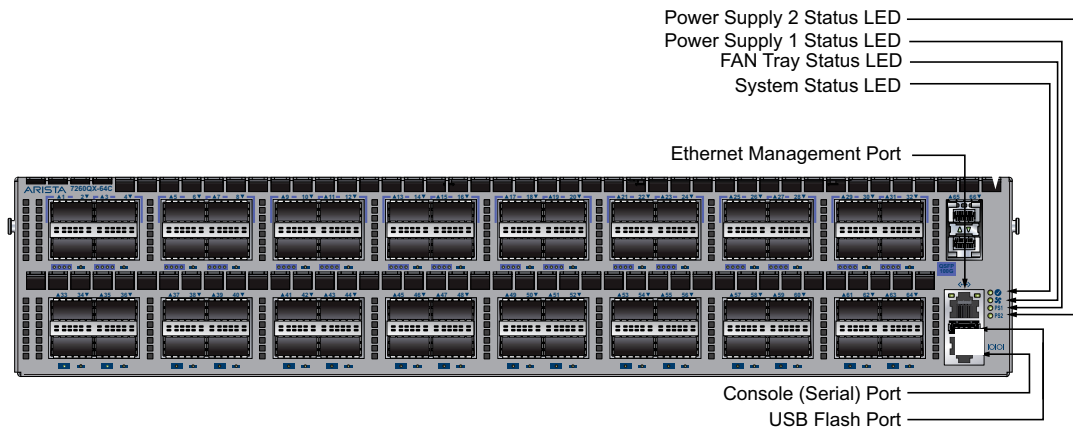
DCS-7250QX-64



DCS-7280CR-48



DCS-7260QX-64C



Appendix D

Rear Panel

This appendix displays the rear panel of all switches covered by this guide. Depending on the power supply modules installed, the rear panel on your switch may appear slightly different.

All Models

