

COUPLER UNI ARDEN

UA 13

UA 23

UA 33

UA 43

UA 53

UA 63

UA 73



UNI ARDEN COUPLERS, THE VERSATILITY BY ARDEN EQUIPMENT

The **UA 13, UA 23, UA 33, UA 43, UA 53, UA 63** and **UA 73** are available for work with excavators from 2,6 to 53 tons.

This coupler accepts **original buckets with pins to the machine measurements, as well as MAX buckets** (with pins embedded in the beam to maintain the digging force) **or different brands of bucket** (subject to compatibility).

Its **oversized V-shaped hooks** can fit **buckets with different spacing and pin diameters**.

Furthermore, these V-shaped hooks, combined with the constant cylinder pressure provide **automatic and permanent gap compensation**.

MECHANICAL RATCHET SECURITY PATENTED SYSTEM

SECURITY

ADAPTED EQUIPMENT

ROBUST CONSTRUCTION

FEATURES :

- Adaptable for excavators from 2,6 to 53 tons.
- Compatible EN 13031:2016.
- Hydraulic version.
- Versatility.
- It can be used to work with buckets in standard or front loading configuration.
- Use of different pins and spacings.

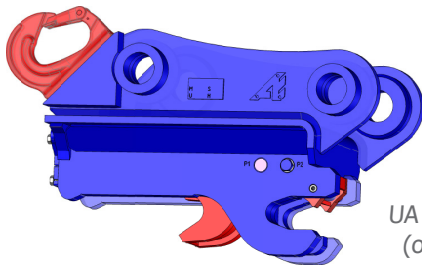
OPTIONS (Depending of models) :

- Hydraulic kit
- Removable original machine pin kit
- Welded pin on original buckets and on Max buckets kit
- Removable pin for coupler kit
- **ARDEN TILT**
- **ARDEN TILTROTATOR**

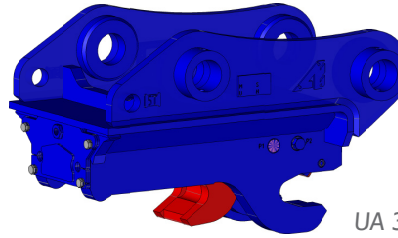


TECHNICALS DIAGRAMS

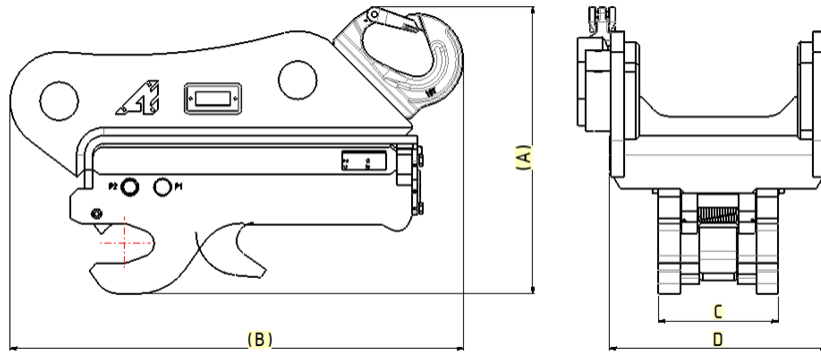
The couplers **UA 13, UA 23, UA 33, UA 43, UA 53, UA 63** and **UA 73**



UA 3 Hook
(option)



UA 3 hole of handling
standard



THECHNICALS CHARACTERISTICS

The couplers **UA 13, UA 23, UA 33, UA 43, UA 53, UA 63** and **UA 73**

Carrier Weight	Model reference	A	B	C	D	Tool Weight
<i>t</i>	<i>Ref.</i>	<i>mm</i>	<i>mm</i>	<i>mm</i>	<i>mm</i>	<i>kg</i>
2.6 - 6	UA13-1	383	190	120	220	50
	UA13-2	428	201.5	120	220	50
7 - 11	UA23-1	506	228	160	300	60
12 - 15	UA33	643	289	220	440	287
16 - 19	UA43	643	289	220	400	287
20 - 26	UA53	726	327	280	470	333
27 - 37	UA63	375	817	320	570	460

Possibilities of hanging according to models and axis diameters

Model reference	Pin Ø 35mm		Pin Ø 40mm		Pin Ø 45mm		Pin Ø 50mm	
	<i>min spacing</i>	<i>max spacing</i>	<i>min spacing</i>	<i>max spacing</i>	<i>min spacing</i>	<i>max spacing</i>	<i>min spacing</i>	<i>max spacing</i>
UA13-1	165	220	175	235	-	-	-	-
UA13-2	-	-	-	-	218	270	228	285
UA23-1	-	-	-	-	263	309	275	325

Model reference	Pin Ø 55mm		Pin Ø 60mm		Pin Ø 65mm		Pin Ø 70mm		Pin Ø 80mm		Pin Ø 90mm	
	<i>min spacing</i>	<i>max spacing</i>	<i>min spacing</i>	<i>max spacing</i>	<i>min spacing</i>	<i>max spacing</i>	<i>min spacing</i>	<i>max spacing</i>	<i>min spacing</i>	<i>max spacing</i>	<i>min spacing</i>	<i>max spacing</i>
UA23-2	285	340	290	355	-	-	-	-	-	-	-	-
UA33-1	-	-	345	410	354	426	363	441	-	-	-	-
UA33-2	-	-	285	350	294	366	303	381	-	-	-	-
UA43-1	-	-	345	410	354	426	363	441	-	-	-	-
UA43-2	-	-	285	350	294	366	303	381	-	-	-	-
UA43-3	-	-	-	-	-	-	-	-	363	458	-	-
UA53	-	-	-	-	-	-	-	-	391	500	411	531
UA73	-	-	-	-	-	-	-	-	-	-	450	554