

# Table of Contents

Sheet 1A	Table of Contents
Sheet 1B	Space Duel™ Upright Wiring Diagram (037937-01 A)
Sheet 2A	Space Duel Cocktail Wiring Diagram (038027-01 A)
Sheet 2B	Color X-Y Power Supply Wiring Diagram (037394-01 B) Regulator/Audio II Schematic Diagram (035435-04 B)
Sheet 3A	Fluorescent Light and Speaker Wiring Diagram (035833-01 A) Coin Door Wiring Diagram (037542-01 A) Utility Panel Wiring Diagram (038004-01 A)
Sheet 3B	Guide to Game PCB Schematic (036837-01, or -02 B) Sheets 4A-8A
Sheet 4A	Power Input, Clock, Power-on Reset, Watchdog
Sheet 4B	Test Connector, Microprocessor, Address Decoder
Sheet 5A	Read-Only Memory, Random-Access Memory, High-Score Table
Sheet 5B	Coin Door and Control Panel Input, Option Switch Input and Audio Output, Coin Door and Control Panel Output
Sheet 6A	Vector Address Decoder, Vector Read-Only Memory, Vector Random-Access Memory, Vector Memory Data Buffer, Vector Address Selector
Sheet 6B	Vector Data Shifters, OP Code and Intensity Latches
Sheet 7A	State Machine, State Machine Clock, State Machine Clock Logic, Decoder Disable, Address Controller
Sheet 7B	Normalization Flag, Center Flag, Vector Flag, Halt Flag, Go Flag, Vector Scaling, Vector Timer
Sheet 8A	Z Intensity and Blanking, R-G-B Output
Sheet 8B	DAC Reference and Bipolar Current Sources, X-Axis Output, Y-Axis Output
Sheet 9A	Color X-Y Display Schematic Diagram (92-053 A)
Sheet 9B	<i>Troubleshooting with the CAT Box:</i> Memory Map, Troubleshooting with Read/Write Controller A. CAT Box Preliminary Set-up B. Address and Data Lines C. RAM D. Option Switch Inputs E. Custom Audio I/O Chips
Sheet 10A	F. Player and Option Switch P10/11 Inputs G. Analog Vector-Generator H. LED, Coin Counter, and Invert Outputs
Sheet 10B	Troubleshooting with Signature Analysis A. Signature Analysis Set-up B. Address Lines C. Address Decoder D. ROM and Data Lines Watchdog

NOTE  
This staple temporarily holds the  
schematic package together. Re-  
move the staple before using the  
schematics.

## Schematic Package Supplement to

# SPACE DUEL™

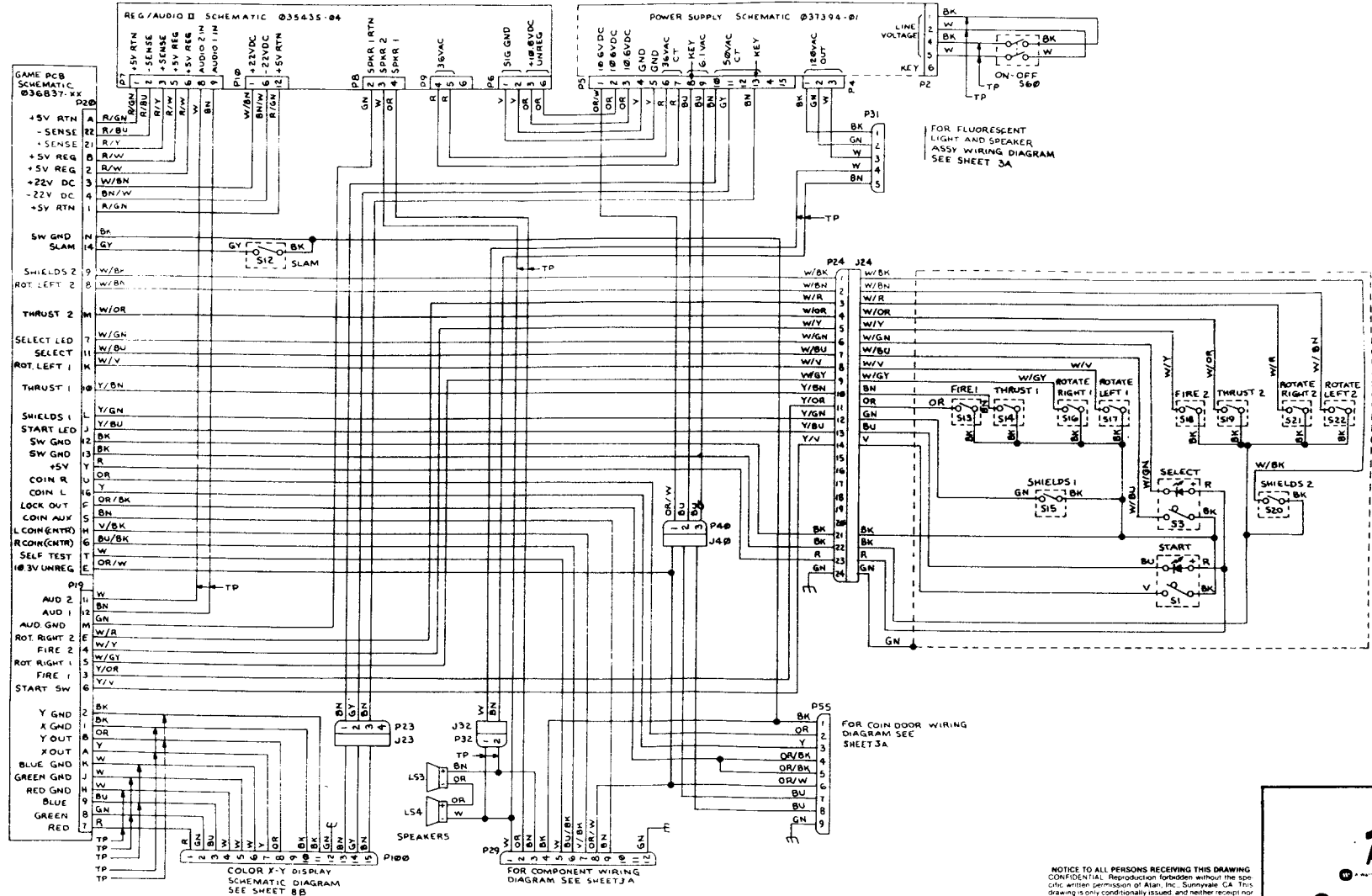
## Operation, Maintenance and Service Manual



A Warner Communications Company

ATARI INC. 1982

# Space Duel™ Upright Wiring Diagram



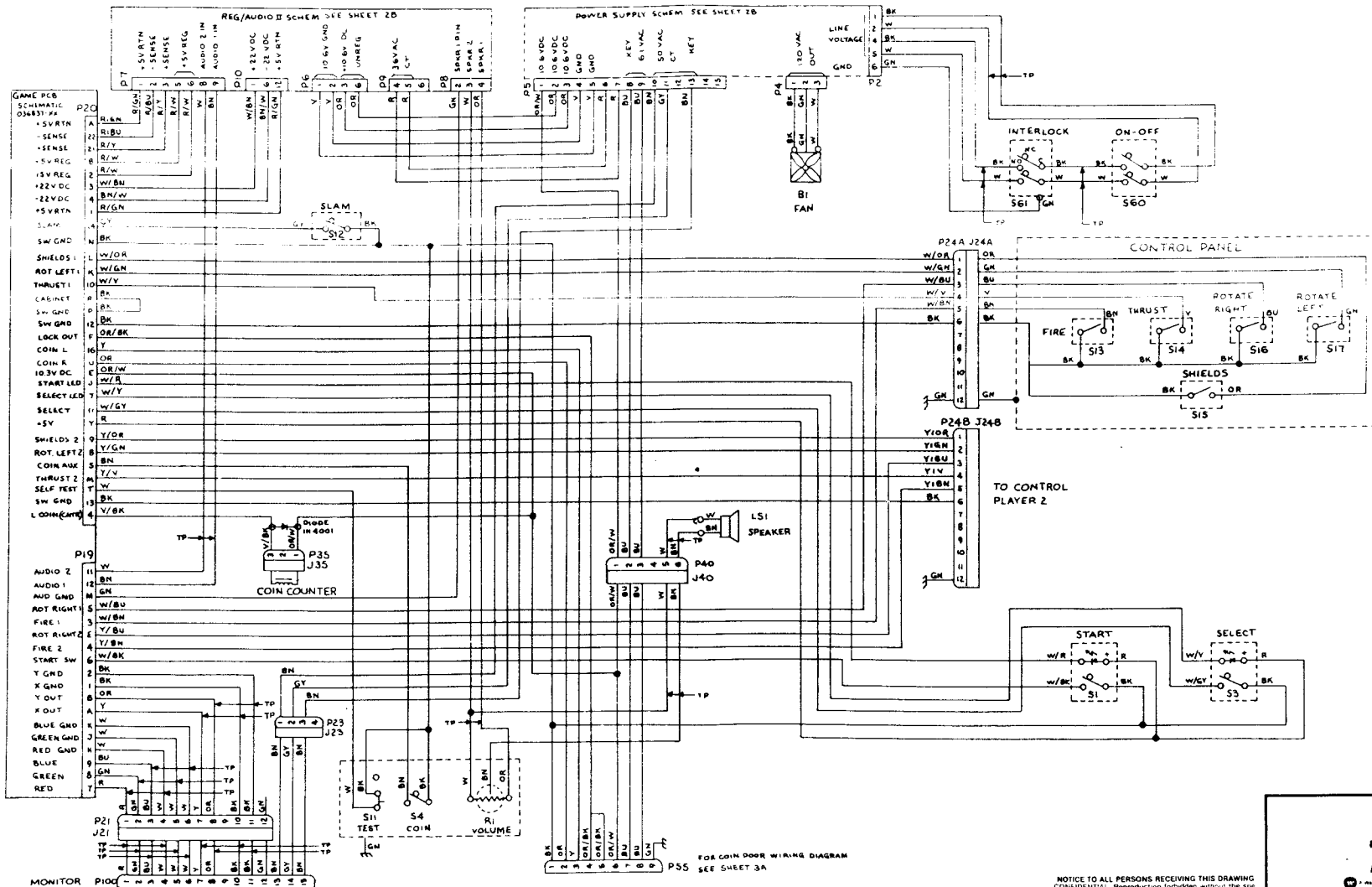
NOTICE TO ALL PERSONS RECEIVING THIS DRAWING  
 CONFIDENTIAL: Reproduction forbidden without the specific written permission of Atari, Inc., Sunnyvale, CA. This drawing is only conditionally issued and neither receipt nor possession thereof confers or transfers any right-in, or it seems to ask, the subject matter of the drawing or any design or technical information shown thereon nor any right to reproduce this drawing or any part thereof. Except for manufacture by vendors of Atari, Inc. and for manufacture under the applicable written license, no right is granted to reproduce this drawing or the subject matter thereof, in any form without agreement with the written permission from the copyright.



Space Duel™

ATARI INC. 148

# Space Duel™ Cocktail Wiring Diagram



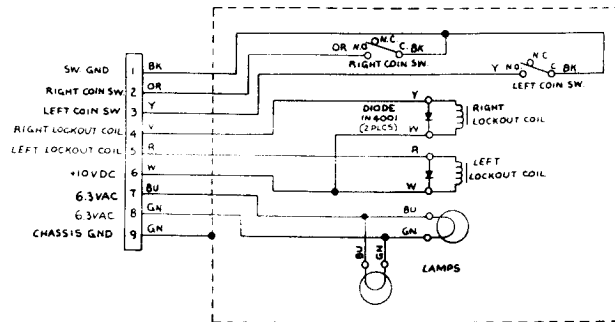
NOTICE TO ALL PERSONS RECEIVING THIS DRAWING  
 CONFIDENTIAL. Reproduction forbidden without the spe-  
 cific written permission of Atari, Inc., Sunnyvale, CA. This  
 drawing is only conditionally issued, and neither recipient  
 possession thereof, nor its use, nor any right in, or li-  
 cense to use, the subject matter of the drawing or any di-  
 sign or technical information shown thereon, nor any right  
 to reproduce this drawing or any part thereof, except for  
 manufacture by vendors of Atari, Inc., and for manufacture  
 under the corporation's written license, nor right to be granted  
 to reproduce this drawing or the subject matter thereof, un-  
 less by written agreement with or written permission from  
 the corporation.



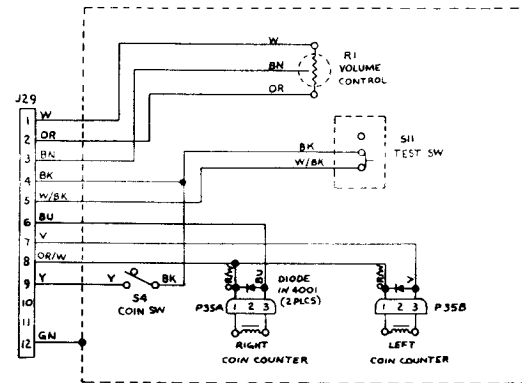
Space Duel™



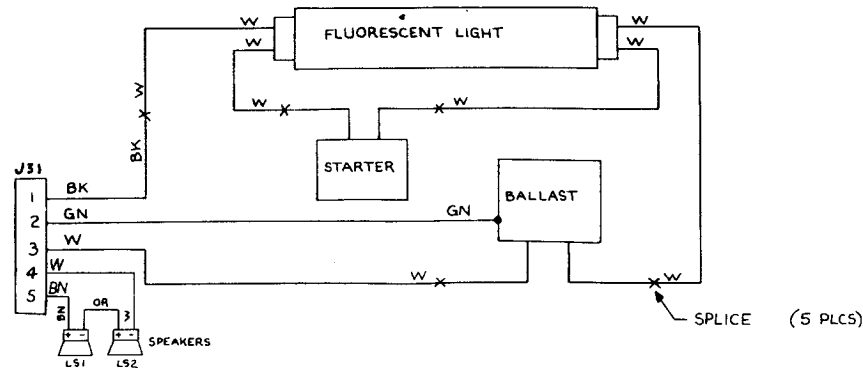
### Coin Door Wiring Diagram



### Utility Panel Wiring Diagram



### Fluorescent Light And Speaker Wiring Diagram



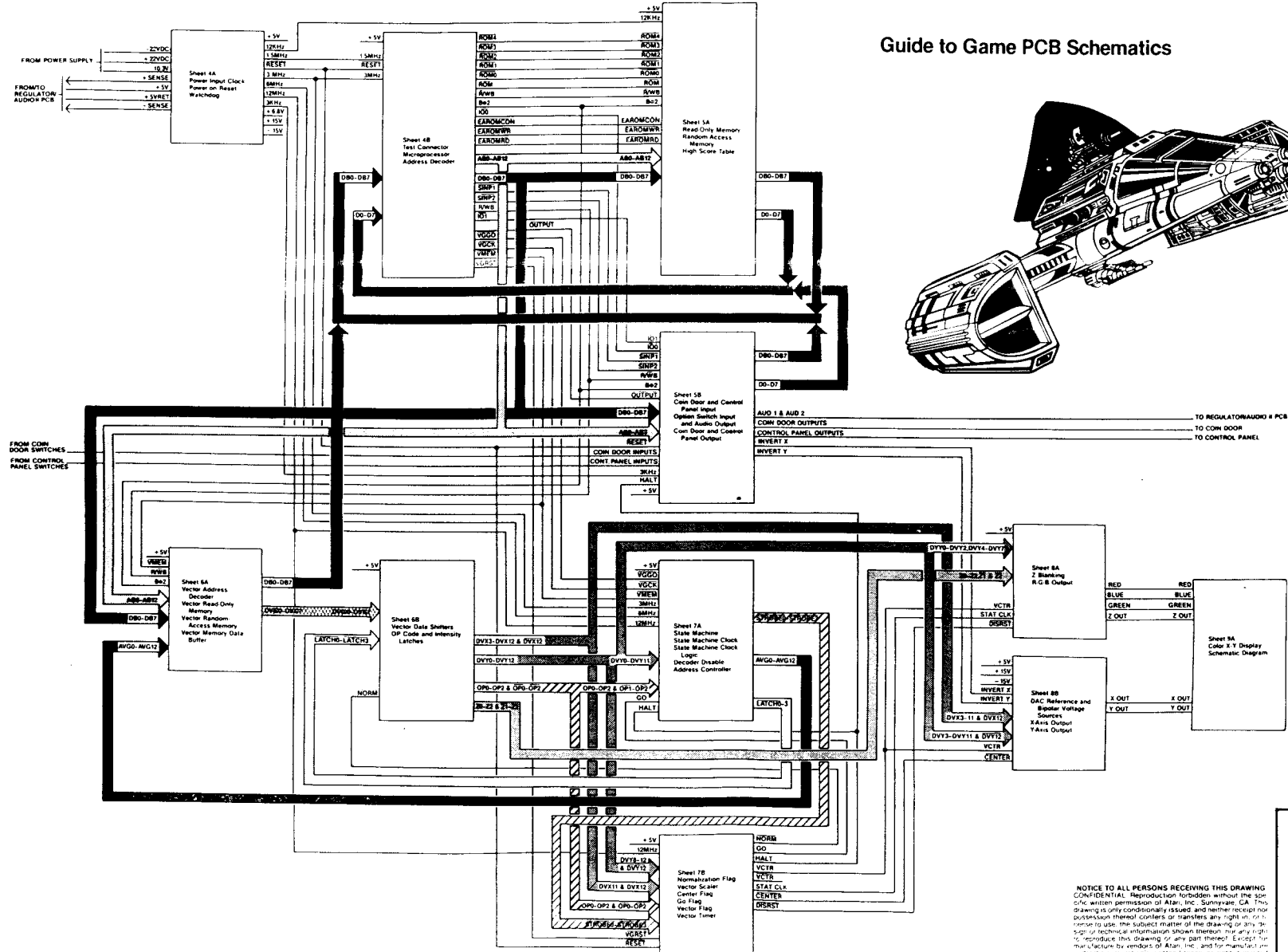
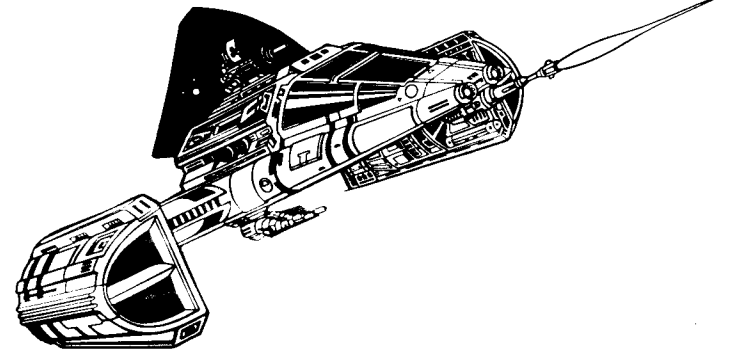
NOTICE TO ALL PERSONS RECEIVING THIS DRAWING  
 CONFIDENTIAL: Reproduction forbidden without the specific written permission of Atari, Inc., Sunnyvale, CA. This drawing is only conditionally issued, and neither receipt nor possession thereof confers or transfers any right in or to, or license to use, the subject matter of the drawing or any design or technical information shown thereon, nor any right to reproduce this drawing or any part thereof. Except for manufacture by, vendors of, or for manufacture under the corporation's written license, no right is granted to reproduce this drawing or the subject matter thereof, in whole or in part, without the written agreement with or written permission from the corporation.

**ATARI**  
 A Warner Communications Company  
**Space Duel™**

SP-181 Sheet 3A  
 2nd printing 3L

412-91-110-1140

# Guide to Game PCB Schematics



NOTICE TO ALL PERSONS RECEIVING THIS DRAWING  
 CONFIDENTIAL. Reproduction forbidden without the  
 written permission of Atari, Inc., Sunnyvale, CA. This  
 drawing is only conditionally issued, and neither receipt nor  
 possession thereof confers or transfers any right in or to  
 the subject matter of the drawing or any right to  
 copy or technical information shown therein, nor any right  
 to reproduce this drawing or any part thereof. Except for  
 the manufacture by vendors of Atari, Inc. and for materials  
 under the manufacturer's license, no right is granted to  
 reproduce this drawing or the subject matter therein, in  
 whole or in part, without the prior written permission of  
 Atari, Inc.



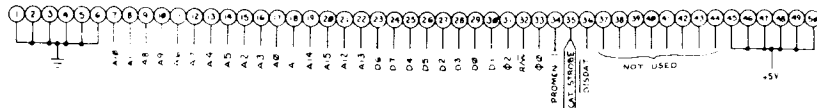
Space Duel™

ATARI, INC. 1981

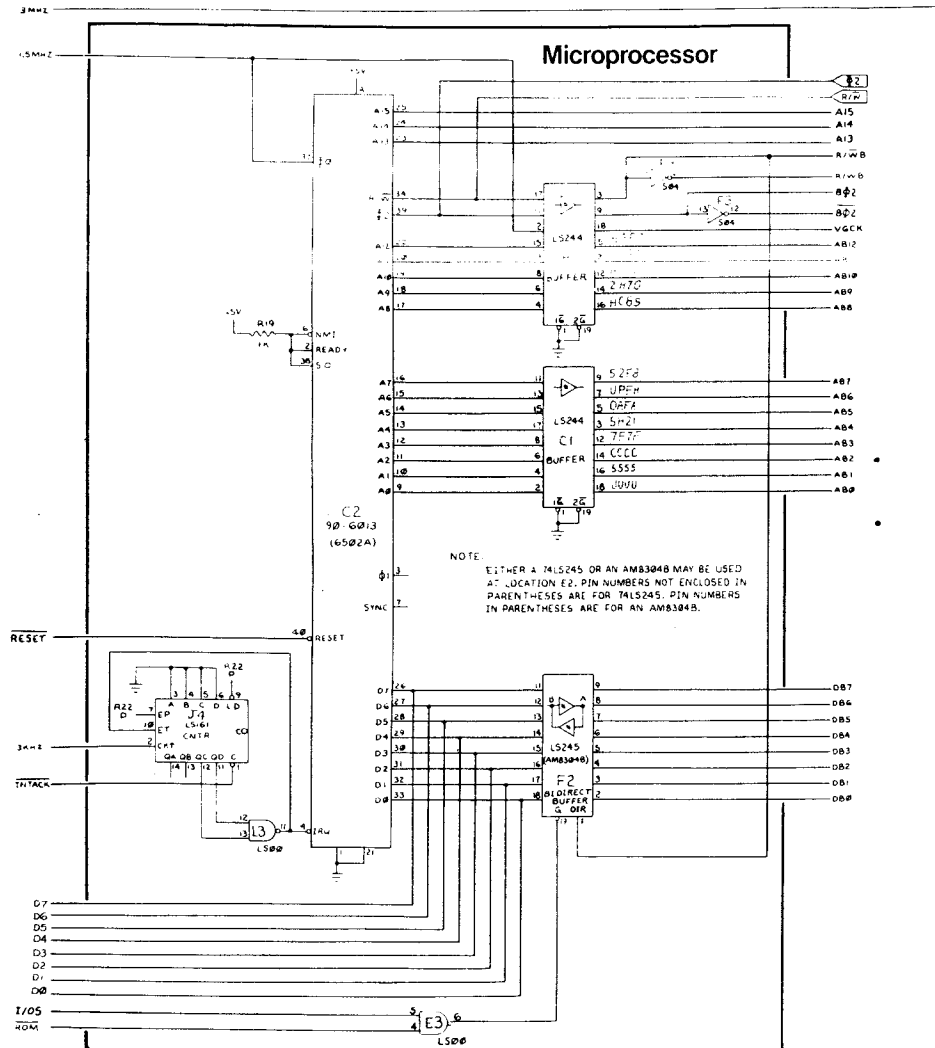
SP-181 Sheet 3B  
 2nd printing 3L



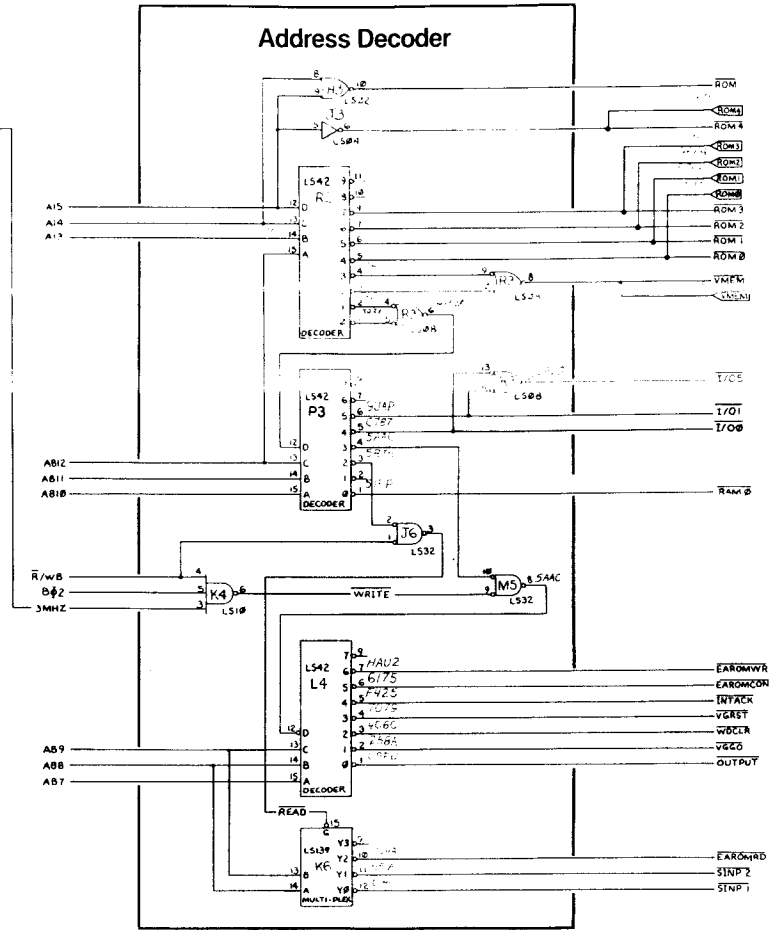
### Test Connector



### Microprocessor



### Address Decoder

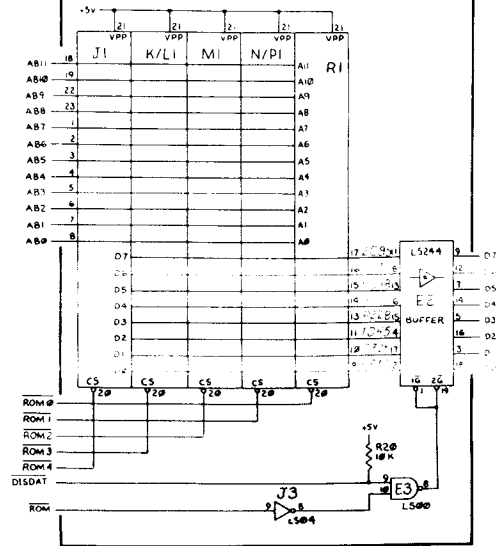


Space Duel™

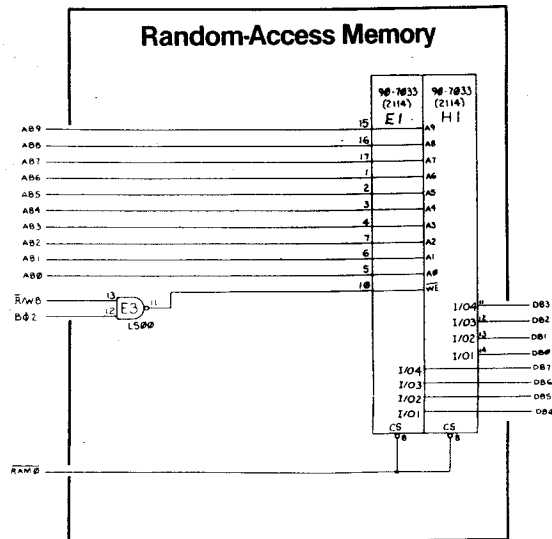
NOTICE TO ALL PERSONS RECEIVING THIS DRAWING  
 CONFIDENTIAL. Reproduction forbidden without the specific written permission of Atari, Inc., Sunnyvale, CA. This drawing is only conditionally issued, and neither receipt nor possession thereof confers or transfers any right in, or license to use, the subject matter of the drawing or any design or technical information shown thereon. No warranty is made by the corporation's written license, no right is granted to reproduce this drawing or the subject matter thereof, unless by written agreement with or written permission from the corporation.



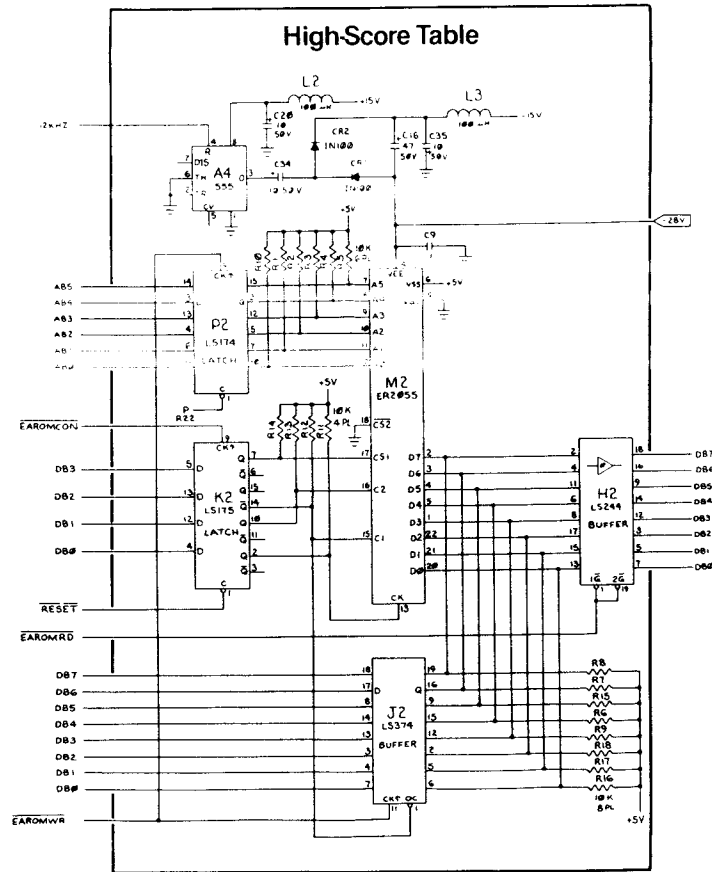
### Read-Only Memory



### Random-Access Memory



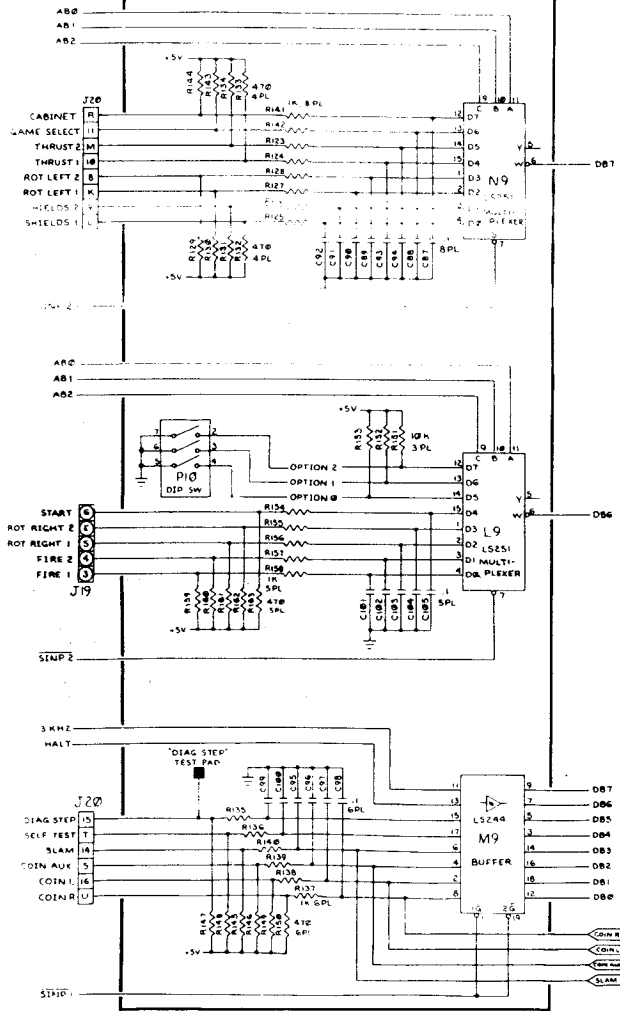
### High-Score Table

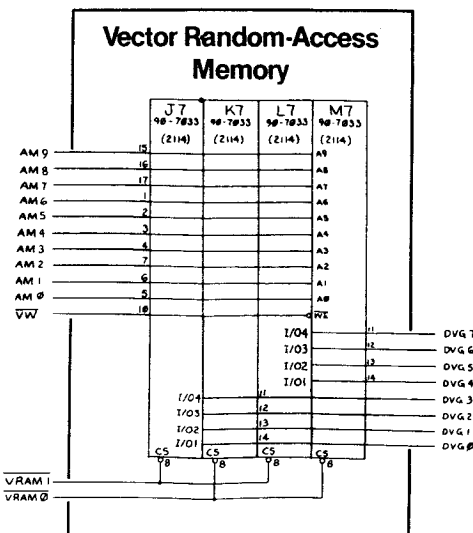
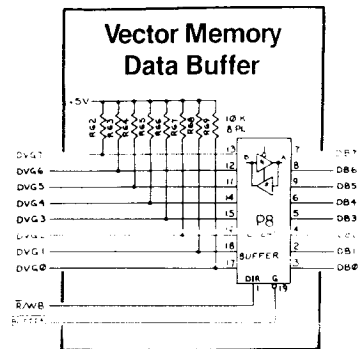
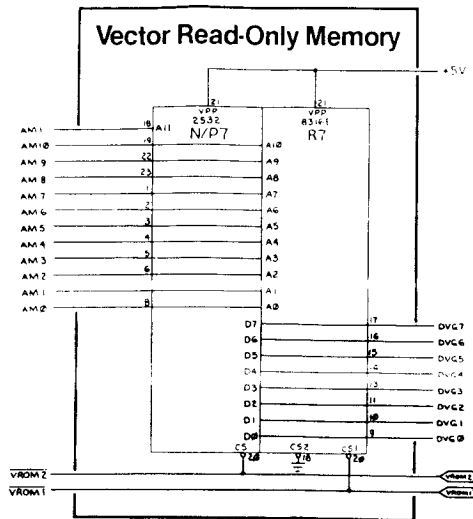
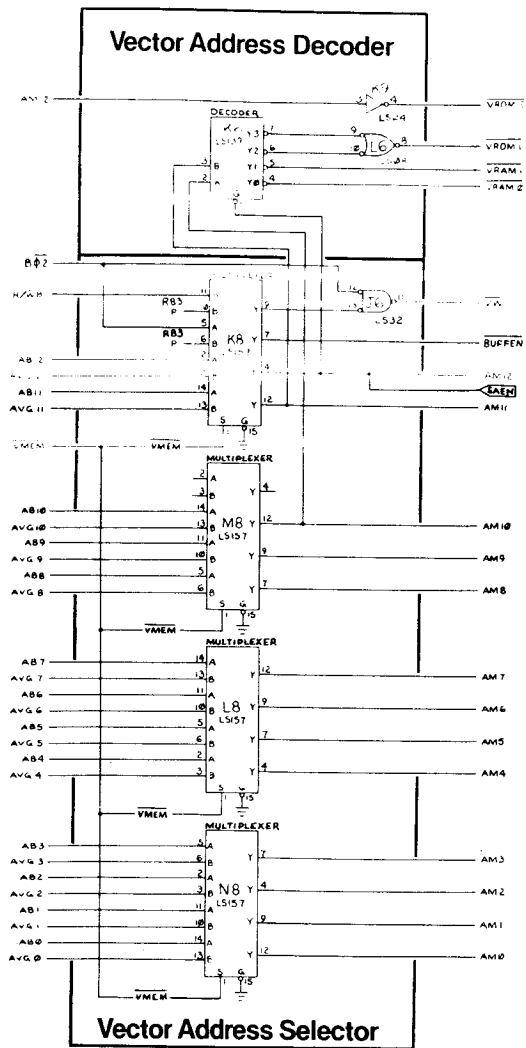


**NOTICE TO ALL PERSONS RECEIVING THIS DRAWING**  
 CONFIDENTIAL. Reproduction forbidden without the specific written permission of Atari, Inc., Sunnyvale, CA. This drawing is only conditionally issued, and neither receipt nor possession thereof confers or transfers any right in, or license to use, the subject matter of the drawing or any design or technical information shown thereon, nor any right to reproduce this drawing or any part thereof. Except for manufacture by vendors of Atari, Inc., and for manufacture under the corporation's written license, no right is granted to reproduce this drawing or the subject matter thereof, unless by written agreement with or written permission from the corporation.



### Coin Door And Control Panel Input





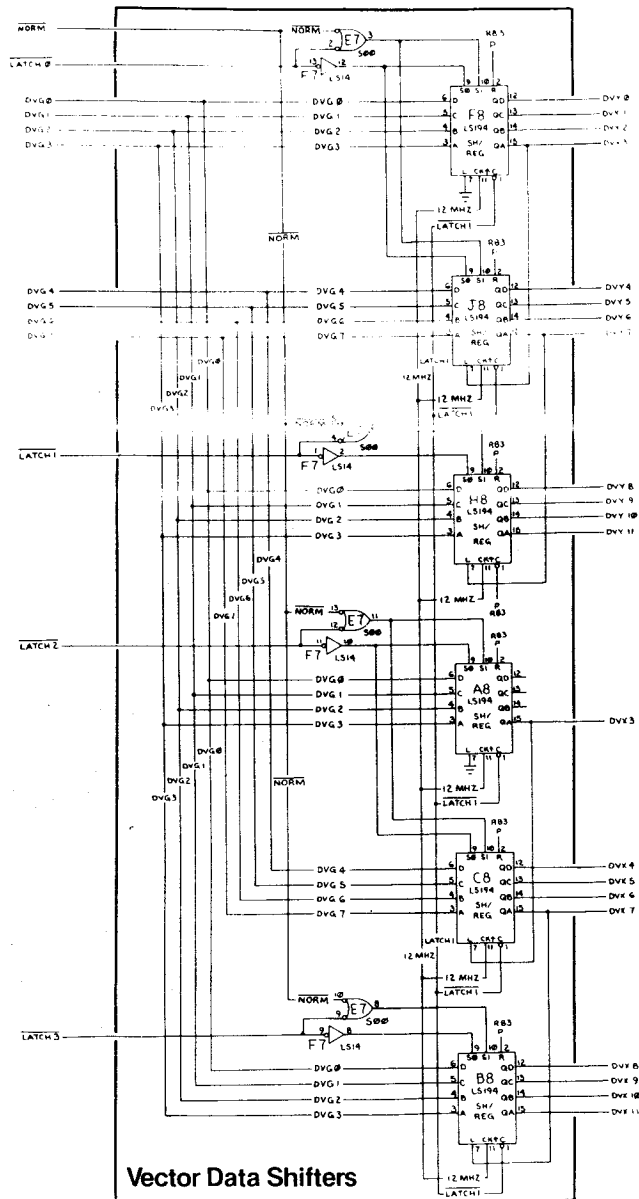
NOTICE TO ALL PERSONS RECEIVING THIS DRAWING  
 CONFIDENTIAL. Reproduction forbidden without the specific written permission of Atari, Inc., Sunnyvale, CA. This drawing is only conditionally issued, and neither receipt nor possession thereof conveys or transfers any right in, or is license to use, the subject matter of the drawing or any design or technical information shown thereon, nor any right to reproduce this drawing or any part thereof. Except for manufacture by vendors of Atari, Inc., and for manufacture under the corporation's written license, no right is granted to reproduce this drawing or the subject matter thereof, in whole or in part, without the written agreement or written permission from the corporation.

ATARI  
 Atari Games Corporation

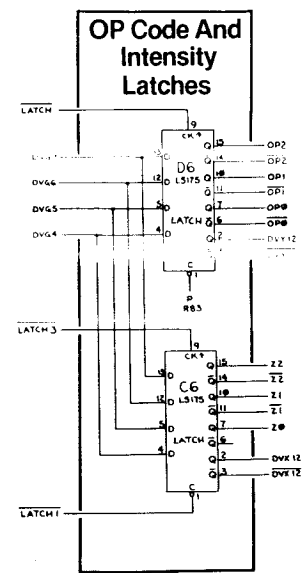
## Space Duel™

ATARI INC. 1982

SP-181 Sheet 6A  
 2nd printing 3L



Vector Data Shifters

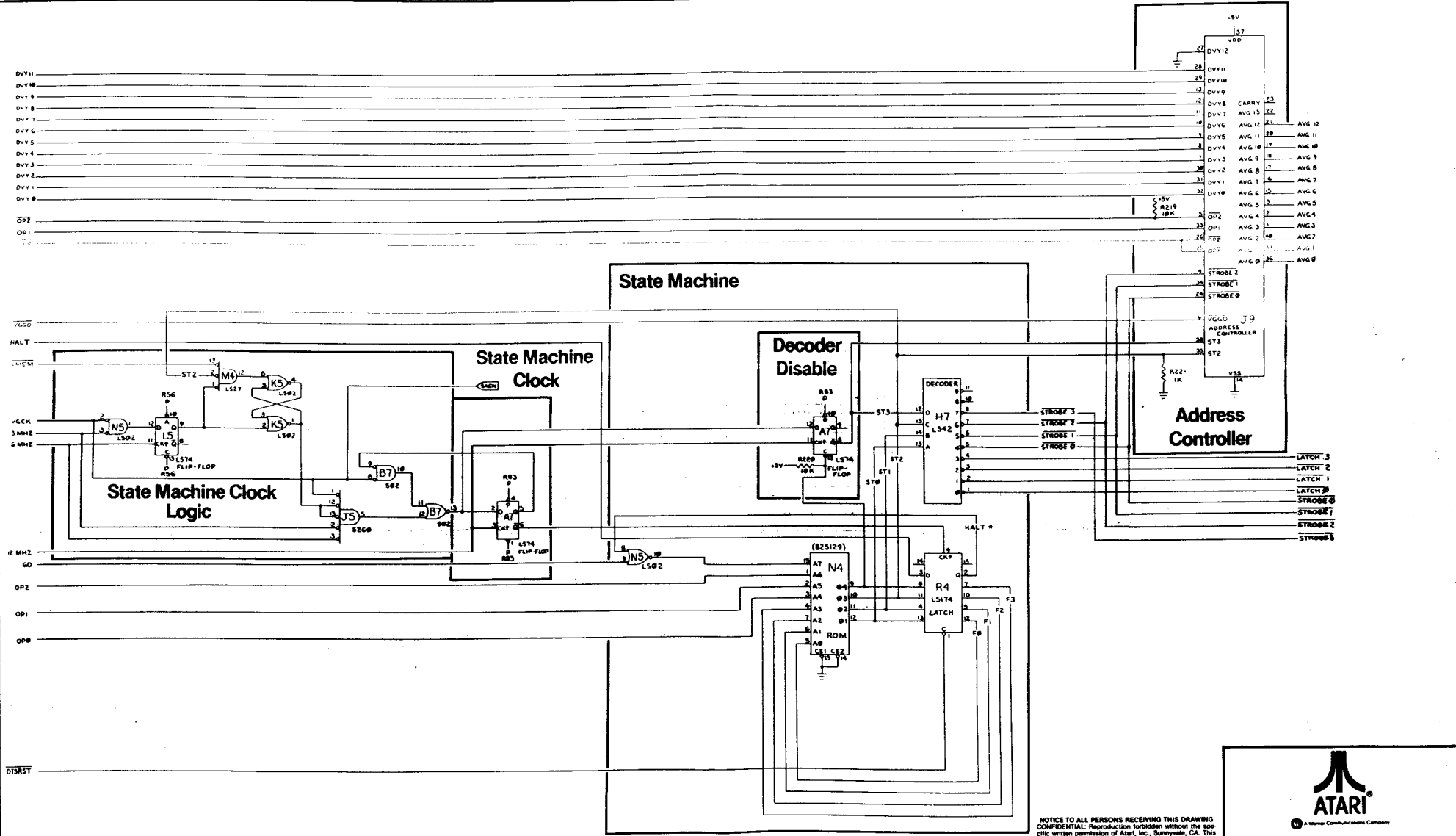


OP Code And Intensity Latches

NOTICE TO ALL PERSONS RECEIVING THIS DRAWING  
 CONFIDENTIAL. Reproduction forbidden without the specific written permission of Atari, Inc., Sunnyvale, CA. This drawing is only conditionally issued and neither receipt nor possession thereof confers or transfers any right in, or license to use, the subject matter of the drawing or any design or technical information shown thereon, nor any right to reproduce this drawing or any part thereof. Except for manufacture by vendors of Atari, Inc. and for manufacture under the corporation's written license, no right is granted to reproduce this drawing or the subject matter thereof unless by written agreement with or written permission from the corporation.

ATARI  
 A Home Entertainment Company  
**Space Duel™**

SP-181 Sheet 6B  
 2nd printing 3L



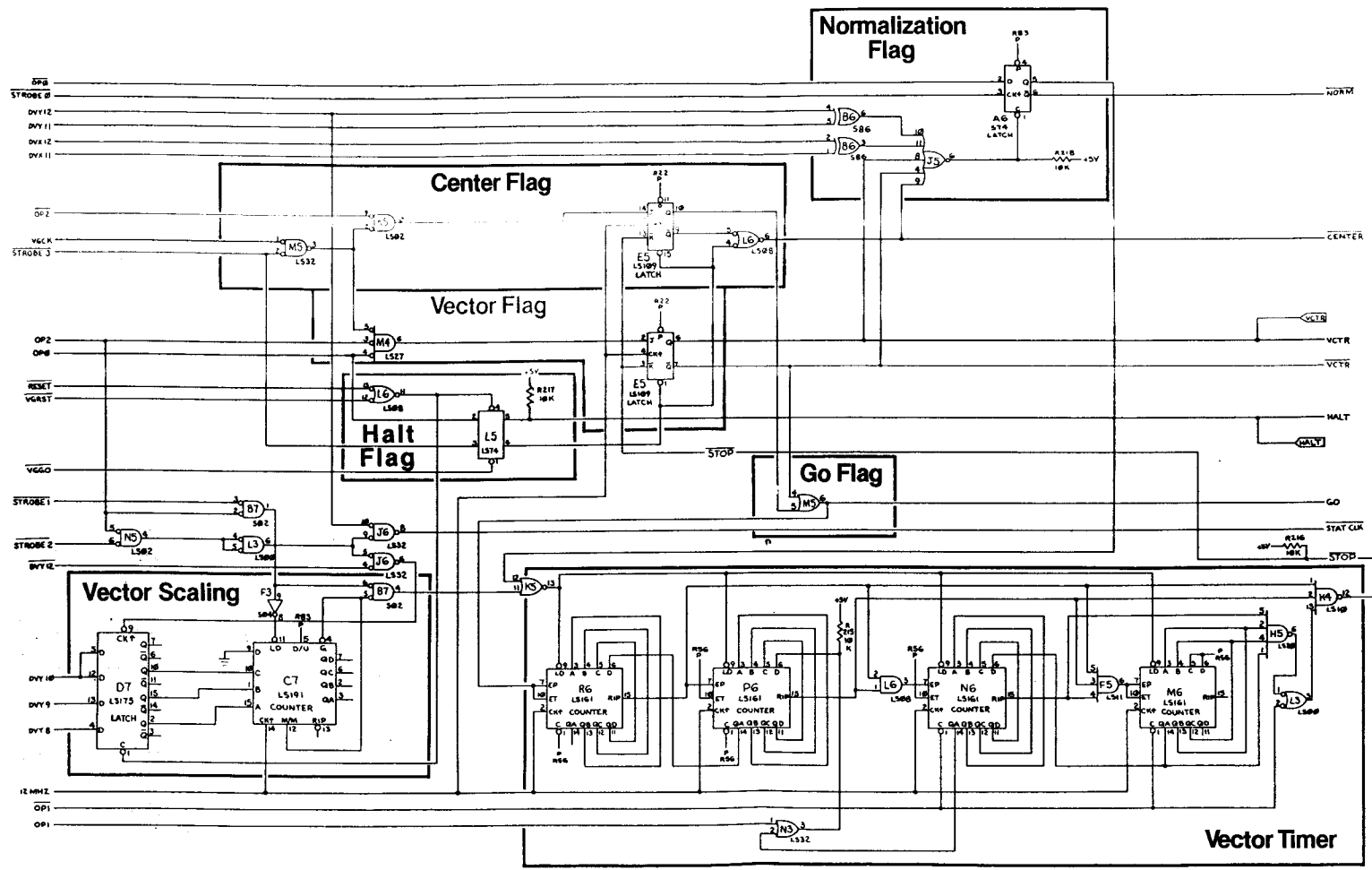

NOTICE TO ALL PERSONS RECEIVING THIS DRAWING  
 CONFIDENTIAL: Reproduction forbidden without the specific written permission of Atari, Inc., Sunnyvale, CA. This drawing is only conditionally issued, and neither recites nor possesses thereof contents or transfers any right in, or license to use, the subject matter of the drawing or any design or technical information shown thereon; nor any right to reproduce this drawing or any part thereof. Except for manufacture by vendors of Atari, Inc., and for manufacture under the corporation's written license, no right is granted to reproduce this drawing or the subject matter thereof, unless by written agreement with or written permission from the corporation.

**ATARI**  
 Atari Home Communications Company

# Space Duel™

SP-151 Sheet 7A  
 2nd printing 3L

© ATARI INC 1982

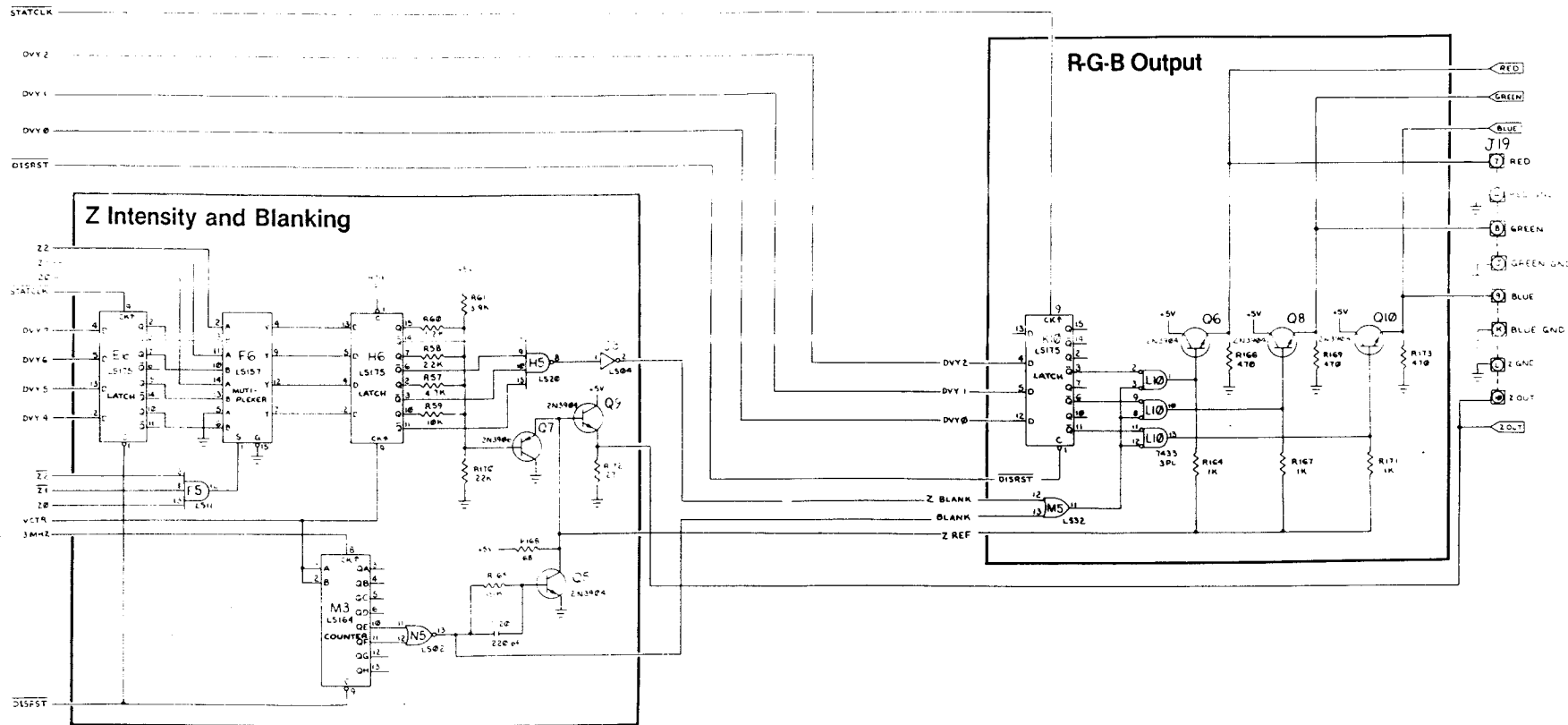
ATARI  
Home Communications Company

# Space Duel™

ATARI INC. 1982

SP-181 Sheet 7B  
2nd printing 3L

NOTICE TO ALL PERSONS RECEIVING THIS DRAWING  
 CONFIDENTIAL. Reproduction forbidden without the specific written permission of Atari, Inc., Sunnyvale, CA. This drawing is only conditionally issued, and neither rental nor possession thereof confers or transfers any right in, or license to use, the subject matter of the drawing or any design or technical information shown thereon, nor any right to reproduce this drawing or any part thereof. Except for manufacture by vendors of Atari, Inc., and for manufacture under the corporation's written license, no right is granted to reproduce this drawing or the subject matter thereon, in text by written agreement with or without prior issue from the corporation.



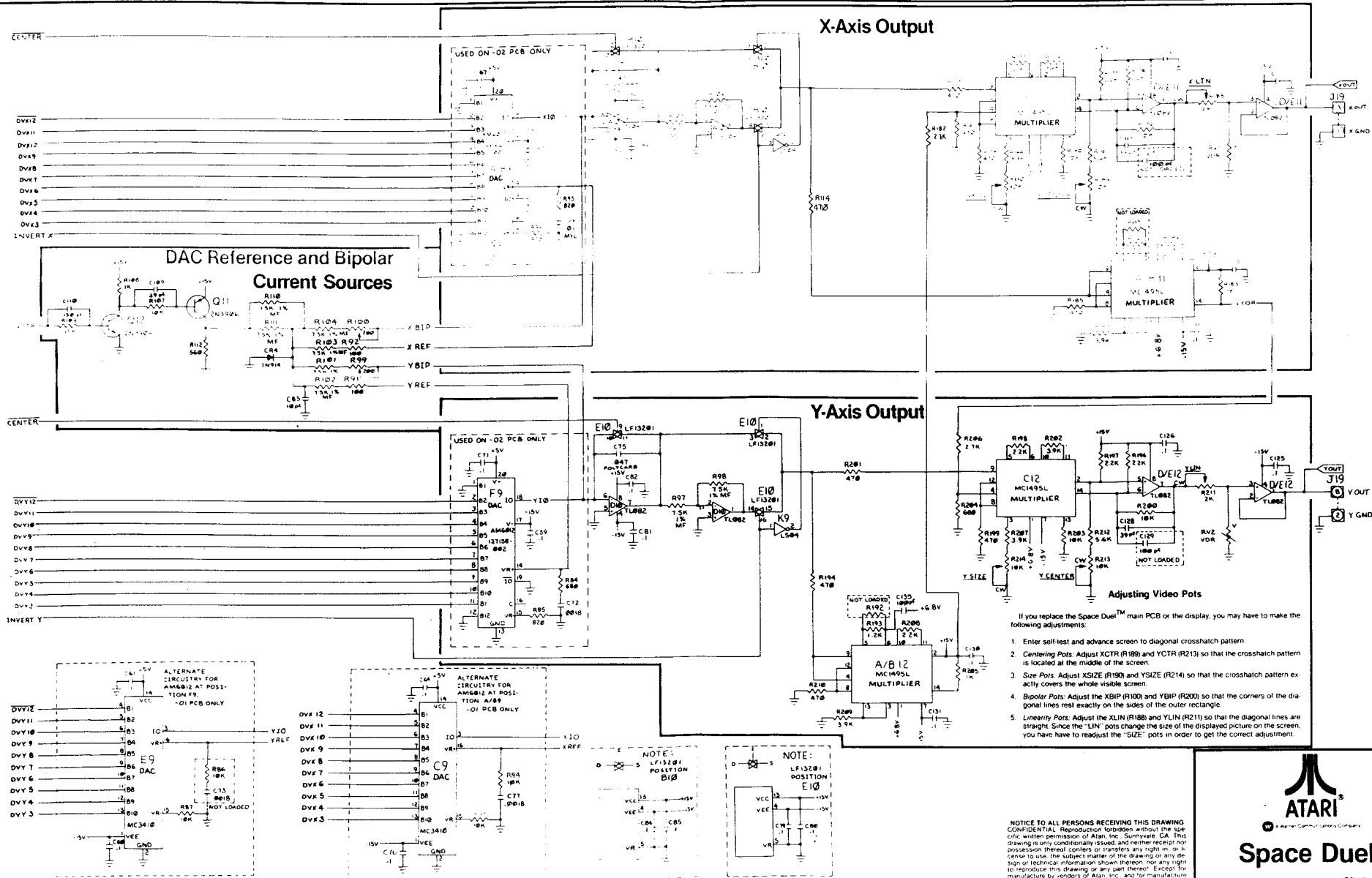
NOTICE TO ALL PERSONS RECEIVING THIS DRAWING  
 CONFIDENTIAL. Reproduction forbidden without the specific written permission of Atari, Inc., Sunnyvale, CA. This drawing is only conditionally issued, and neither receipt nor possession thereof confers or transfers any right in, or license to use, the subject matter of the drawing or any design or technical information shown thereon. Not any right to reproduce this drawing or any part thereof. Except for manufacture by vendors of Atari, Inc. and for manufacture under the corporation's written license, no right is granted to reproduce this drawing or the subject matter thereof, in any form, without the prior written agreement with or written permission from the corporation.

ATARI  
 An Atari Communications Company

**Space Duel™**

ATARI, INC. 1982

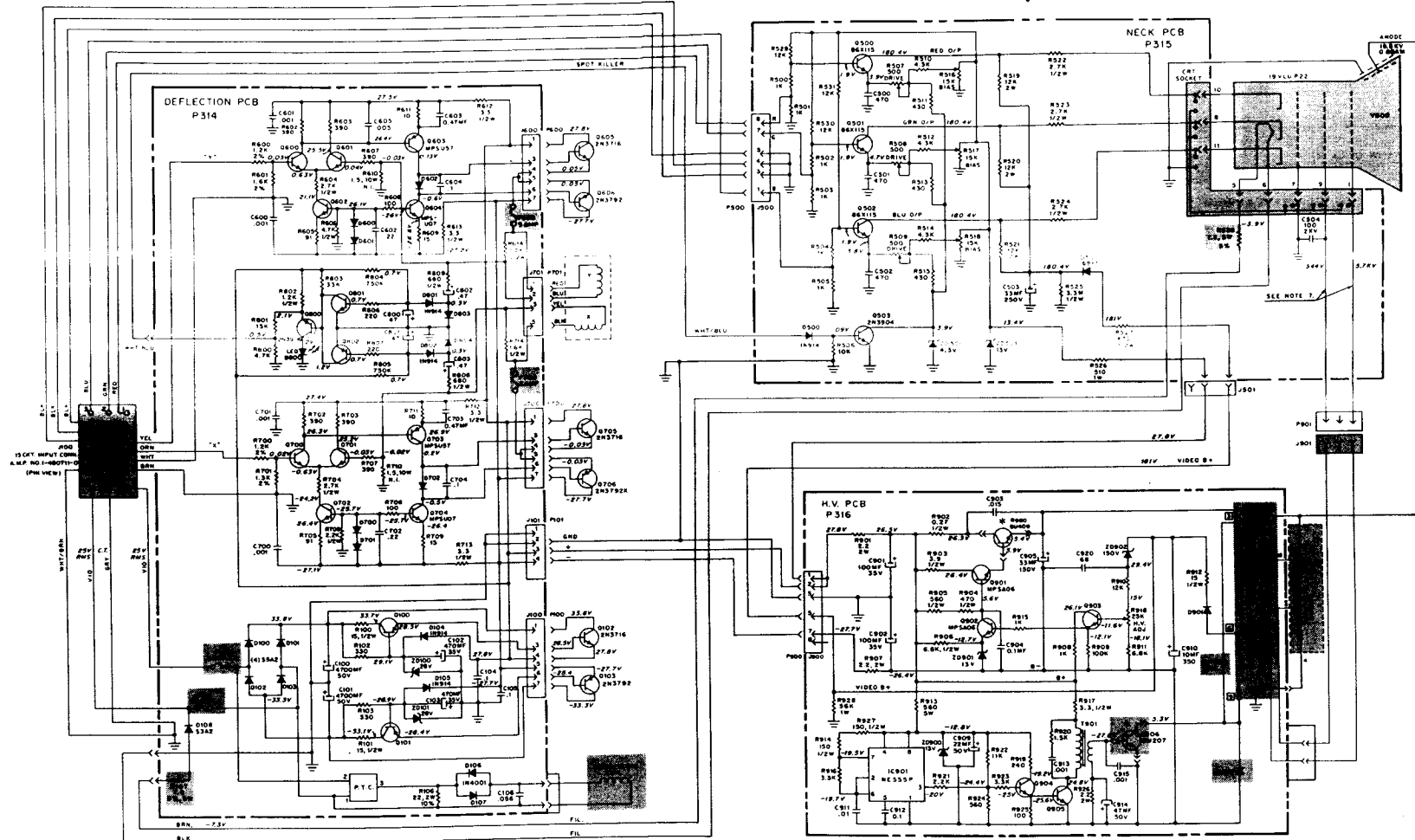
SP-181 Sheet 8A  
 2nd printing 3L



- If you replace the Space Duel™ main PCB or the display, you may have to make the following adjustments:
1. Enter self-test and advance screen to diagonal crosshatch pattern.
  2. **Centering Pots:** Adjust XCTR (R189) and YCTR (R213) so that the crosshatch pattern is located at the middle of the screen.
  3. **Size Pots:** Adjust XSIZE (R199) and YSIZE (R214) so that the crosshatch pattern exactly covers the whole visible screen.
  4. **Bipolar Pots:** Adjust the YBIP (R100) and YBIP (R200) so that the corners of the diagonal lines meet exactly on the sides of the outer rectangle.
  5. **Linearity Pots:** Adjust the XLIN (R188) and YLIN (R211) so that the diagonal lines are straight. Since the "LIN" pots change the size of the displayed picture on the screen, you have to readjust the "SIZE" pots in order to get the correct adjustment.



# Color X-Y Display Schematic Diagram



## GENERAL NOTES

1. Resistance values in ohms,  $\frac{1}{2}$  watt,  $\pm 5\%$ , unless otherwise noted. K = 1,000, M = 1,000,000
2. Capacitance value of 1 or less is in microfarads, above 1 in picofarads, unless otherwise noted.
3. \*Q900 and Q906 are not in High-Voltage PCB.
4. All D.C. voltages are  $\pm 10\%$  measured from point indicated to ground, using a high-impedance meter. Voltages are measured with no signal input and controls are in a normal operating position.
5. Circled numbers indicate location of waveform reading.
6. ZD100-101 uses (66X0040-007) zener diode in series with (340X2331-934) 330-ohm resistor in early production models.
7. Use a 1,000-1 probe when measuring G2 (screen) or focus voltage.

## WARNING

Components identified by shading have special characteristics important to safety and should be replaced only with identical types.

NOTICE TO ALL PERSONS RECEIVING THIS DRAWING  
 CONFIDENTIAL: Reproduction forbidden without the specific written permission of Atari, Inc., Sunnyvale, CA. This drawing is only conditionally issued and neither requires nor conveys any patent rights or other intellectual property rights. No part of this drawing or any part thereof may be reproduced or transmitted in any form or by any means, electronic, mechanical, photocopying, recording, or by any information storage and retrieval system, without the prior written permission of Atari, Inc. Under the corporation's written license, no right is granted to reproduce this drawing of the "Subject Matter" therein, in whole or in part, without the prior written permission of the corporation.

**ATARI**  
 Space Duel™

# Troubleshooting with the CAT Box

## Memory Map

HEXA DECIMAL ADDRESS	R/W	D7	D6	D5	DATA			D2	D1	D0	FUNCTION
0000-03FF		D	D	D	D	D	D	D	D	D	1K Program RAM0
0900	R	0									3 KHz Input HALT (1 = Halted) DIAG STEP Input (0 = On) Self-Test Input (0 = On) SLAM Input (0 = On) Upright Coin Input (0 = On) Left Coin Input (0 = On) Right Coin Input (0 = On)
0900	R	0	D								
0901	R		D	D							SHIELDS1 Input (1 = On) FIRE1 Input (1 = On) SHIELDS2 Input (1 = On) FIRE2 Input (1 = On) ROTATE LEFT1 (1 = On) ROTATE RIGHT1 (1 = On) ROTATE LEFT2 (1 = On) ROTATE RIGHT2 (1 = On) THRUST1 Input (1 = On) START Input (1 = On) THRUST2 Input (1 = On) Option Input (1 = On)
0902	R	D	D								
0903	R	D	D								
0904	R	D	D								
0905	R	D	D								
0906	R	D	D								
0907	R	D	D								
0908	R	D	D								
0909	R	D	D								
0A00	R	D	D	D	D	D	D	D	D	D	EAP0MRD INVERT Y (1 = Invert) INVERT X (1 = Invert) START LED (0 = On) SELECT LED (0 = On) Coin Lockout Output (0 = On) Left Coin Counter Right Coin Counter
0C00	W	D	D	D	D	D	D	D	D	D	
0D00	W	D	D	D	D	D	D	D	D	D	
0E00	W	D	D	D	D	D	D	D	D	D	VGG0 WDCLR VGRST INTACK
0E80	W			D							EAROM Con-CS1 EAROM Con-C1 (Inverted) EAROM Con-C2 EAROM Con-CK
0F00-0F3F	W	D	D	D	D	D	D	D	D	D	EAP0MWR
1000-100F	D	D	D	D	D	D	D	D	D	D	Custom I/O 0 (Unfiltered)
1400-140F	D	D	D	D	D	D	D	D	D	D	Custom I/O 1 (Filtered)
2000-27FF	D	D	D	D	D	D	D	D	D	D	2K VRAM0-VRAM1
2800-3FFF	R	D	D	D	D	D	D	D	D	D	6K VR0M1-VR0M2
4000-87FF	R	D	D	D	D	D	D	D	D	D	20K Program ROM0-ROM4

## Troubleshooting with the Read/Write Controller

### A. CAT Box Preliminary Set-up

#### 1. Remove:

- The electrical power from the game.
- The wiring harness from the game PCB.
- The game PCB from the game cabinet.
- The microprocessor chip C2 from the game PCB.

#### 2. Connect:

- The harness from the game to the game board. (Use extender cables if available.)
- $\Phi 0$  and  $\Phi 2$  test points together with the shortest possible jumper.
- WDDIS test point to ground.
- The CAT Box flex cable to the game PCB test edge connector.

#### 3. Power Up:

- The game.
- The CAT Box.

#### 4. Set CAT Box Switches:

- TESTER SELF-TEST: (OFF)
- TESTER MODE: R/W
- Press TESTER RESET

### B. Address and Data Lines

1. Perform the CAT Box preliminary set-up.
2. Connect the DATA PROBE to the CAT Box and the game ground test point.
3. TESTER MODE: R/W
4. BYTES: 1
5. PULSE MODE: UNLATCHED
6. R/W MODE: (OFF)
7. R/W: WRITE
8. Key in address pattern on the keyboard (use AAAA to start)
9. Push DATA SET
10. Key in data pattern on the keyboard (use AA to start)
11. R/W MODE: STATIC
12. Probe the IC-pin with the data probe and check for the 1 or 0 LED as indicated in Table 2-2. Repeat this step for each address and data line.
13. Repeat steps 6-12 using 5555 in step 7 and 55 in step 9.

Table 2-2 Address and Data Lines

When writing AAAA pattern	Address and data lines	When writing 5555 pattern
Logic State	IC-Pin	Logic State
1	R2-12	0
0	R2-13	1
1	R2-14	0
0	R2-15	1
1	B1-7	0
0	B1-12	1
1	B1-14	0
0	B1-16	1
1	C1-9	0
0	C1-7	1
1	C1-5	0
0	C1-3	1
1	C1-12	0
0	C1-14	1
1	C1-16	0
0	C1-18	1
1	F2-9	0
0	F2-8	1
1	F2-7	0
0	F2-6	1
1	F2-5	0
0	F2-4	1
1	F2-3	0
0	F2-2	1

### C. RAM

1. Perform the CAT Box preliminary set-up.
2. Set the CAT Box switches as follows:
  - a. Press TESTER RESET
  - b. DBUS SOURCE: ADDR
  - c. BYTES: 1024
  - d. R/W MODE: (OFF)
  - e. R/W: WRITE
  - f. Enter 0000 on the keypad
  - g. Toggle R/W MODE to PULSE and back to (OFF)
  - h. R/W: READ
  - i. Toggle R/W MODE to PULSE and back to (OFF)
3. If the CAT Box reads an address that doesn't compare, the COMPARE ERROR LED lights up, the ADDRESS/SIGNATURE display shows the failing address location, and the ERROR DATA DISPLAY switch is enabled. Using this switch, determine if the error is in the high-or low-order RAM.
4. Repeat the test with DBUS SOURCE set to ADDR.
5. Repeat steps 2-4, entering 2000 on the keypad (step f).
6. Repeat steps 2-4, entering 2400 on the keypad (step f).

### D. Option Switch Inputs

1. Perform the CAT Box preliminary set-up.
2. BYTES: 1
3. R/W: WRITE
4. R/W MODE: (OFF)
5. Key in 100F
6. Push DATA SET
7. Key in 00
8. R/W: READ
9. R/W MODE: (OFF)
10. Key in 100B
11. R/W MODE: STATIC, then to (OFF)
12. R/W: READ
13. Key in 1008
14. R/W MODE: STATIC
15. Activate each option switch toggle at location D4 while monitoring the DATA display. The DATA display will change if the switches are operating properly.
16. Repeat steps 3-15, entering 140B in step 5 and 1408 in step 10, and activate switches at location B4.

### E. Custom Audio I/O Chips

#### NOTE

Space Duel™ has two custom audio I/O chips. Each must be tested separately. There are several ways to test the chips:

- Perform the self-test.
- Substitute good part for defective part.
- Use the procedure that follows.

1. Perform the CAT Box preliminary set-up.
2. BYTES: 1
3. R/W: WRITE
4. R/W MODE: (OFF)
5. Enter address from Table 2-3
6. Press DATA SET
7. Enter the data from Table 2-3
8. R/W MODE to PULSE and back to (OFF)
9. Repeat steps 5-8 for each address and data, and note the test results.



Space Duel™

NOTICE TO ALL PERSONS RECEIVING THIS DRAWING  
CONFIDENTIAL. Reproduction forbidden without the spe-  
cific written permission of Atari, Inc., Sunnyvale, CA. This  
drawing is only conditionally issued, and neither receipt nor  
possession thereof conveys or transfers any right in, or li-  
cense to use, the subject matter of the drawing or any por-  
tion or technical information shown thereon, nor any right  
to reproduce this drawing or any part thereof. Except for  
manufacture by vendors of Atari, Inc., and for manufacture  
under the specifications written herein, no right is granted  
to reproduce this drawing or the subject matter thereof, un-  
less by written agreement with or written permission from  
the originator.

2504-100-1-80

Table 2-3 Custom Audio I/O Chips

ADDRESS	DATA	TEST RESULTS
100F	00	
100F	03	
1000	55	
1001	AF	Custom Audio I/O Chip #1 channel 1 produces pure tone.
1001	00	Custom Audio I/O Chip #1 channel 1 off.
1002	55	
1003	AF	Custom Audio I/O Chip #1 channel 2 produces pure tone.
1003	00	Custom Audio I/O Chip #1 channel 2 off.
1004	55	
1005	AF	Custom Audio I/O Chip #1 channel 3 produces pure tone.
1005	00	Custom Audio I/O Chip #1 channel 3 off.
1006	55	
1007	AF	Custom Audio I/O Chip #1 channel 4 produces pure tone.
1007	00	Custom Audio I/O Chip #1 channel 4 off.
140F	00	
140F	03	
1400	55	
1401	AF	Custom Audio I/O Chip #0 channel 1 produces pure tone.
1401	00	Custom Audio I/O Chip #0 channel 1 off.
1402	55	
1403	AF	Custom Audio I/O Chip #0 channel 2 produces pure tone.
1403	00	Custom Audio I/O Chip #0 channel 2 off.
1404	55	
1405	AF	Custom Audio I/O Chip #0 channel 3 produces pure tone.
1405	00	Custom Audio I/O Chip #0 channel 3 off.
1406	55	
1407	AF	Custom Audio I/O Chip #0 channel 4 produces pure tone.
1407	00	Custom Audio I/O Chip #0 channel 4 off.

## F. Player and Option Switch P10/11 Inputs

1. Perform the CAT Box preliminary set-up.
2. BYTES: 1
3. R/W: READ
4. For each address of Table 2-4, do the following:  
R/W MODE: (OFF)  
Enter address  
R/W MODE: STATIC  
Activate input switch for address.

Table 2-4 Player and DIP Switch Inputs

ADDRESS	INPUT SWITCH	TEST RESULTS
0800	Right coin switch Left coin switch Self-test switch Slam switch	Lower nybble (right digit) of DATA display changes when right or left coin, or self-test switches are activated. Upper nybble of DATA display is unstable, but has noticeable change when slam switch is activated.
0900	SHIELDS, Player 1 FIRE, Player 1	Upper nybble of DATA display changes when each input switch is activated.
0901	SHIELDS, Player 2 FIRE, Player 2	Upper nybble of DATA display changes when each input switch is activated.
0902	ROTATE LEFT, Player 1 ROTATE RIGHT, Player 1	Upper nybble of DATA display changes when each input switch is activated.
0903	ROTATE LEFT, Player 2 ROTATE RIGHT, Player 2	Upper nybble of DATA display changes when each input switch is activated.
0904	THRUST, Player 1 START	Upper nybble of DATA display changes when each input switch is activated.
0905	THRUST, Player 2 DIP switch at location P10/11, toggle 4	Upper nybble of DATA display changes when each input switch is activated.
0906	GAME SELECT DIP switch at location P10/11, toggle 3	Upper nybble of DATA display changes when each input switch is activated.
0907	Connector J20, pin R DIP switch at location P10/11, toggle 2	Upper nybble of DATA display changes when J20-R is grounded and ungrounded, or when DIP switch P10/11 toggle 2 is set to on and off.

## G. Analog Vector-Generator

### 1. Test

1. Perform the CAT Box preliminary set-up.
2. DATA SOURCE: DATA
3. R/W: WRITE
4. R/W MODE: (OFF)
5. Key in address from Table 2-5 or press ADDRESS INCR.
6. Press DATA SET
7. Key in data from Table 2-5
8. Set R/W MODE to PULSE and then to (OFF)
9. Repeat steps 5-8 for each address in Table 2-5

### CAUTION

You may damage the circuitry of the X-Y display if you key in the VGGO signal without first checking all the addresses and data. Check the data by reading each address location using steps 10-14:

10. R/W: READ
11. R/W MODE: (OFF)
12. Key in address or press ADDRESS INCR.
13. R/W MODE: PULSE
14. Check the data in the DATA display against the data in Table 2-5.

If you are sure the data is correct, proceed to steps 15-19:

15. R/W MODE: WRITE
16. R/W: (OFF)
17. Key in VGGO address 0C80
18. R/W to PULSE and then back to (OFF)
19. After writing to the VGGO address, the screen should show a large plus sign. Failure of the horizontal or vertical circuits shows up as a single line drawn on the screen. If the screen does not display a large plus sign, contact Atari Field Service.

Table 2-5 Analog Vector-Generator Data

ADDRESS	DATA	ADDRESS	DATA
2000	00	200C	00
2001	70	200D	21
2002	40	200E	80
2003	80	200F	1F
2004	77	2010	80
2005	64	2011	1F
2006	00	2012	00
2007	00	2013	01
2008	80	2014	00
2009	1F	2015	20
200A	00	2016	00
200B	00	2017	EO

## H. LED, Coin Counter and Invert Outputs

1. Perform the CAT Box preliminary set-up.
2. DBUS SOURCE: DATA
3. BYTES: 1
4. R/W: WRITE
5. R/W MODE: (OFF)
6. Enter address 0C00

### CAUTION

If you write ON data to activate a solenoid, deactivate the solenoid immediately by writing the OFF data. If you leave a solenoid activated for more than 10 seconds, you may have to replace the solenoid and/or its driver, due to overheating.

7. For each DATA output of Table 2-6, do the following:

- a. To activate output:
  - Press DATA SET
  - Enter ON-DATA for desired output
  - R/W MODE: STATIC, then (OFF)
- b. To deactivate output:
  - Press DATA SET
  - Enter OFF-DATA of activated output
  - R/W MODE: STATIC, then (OFF)

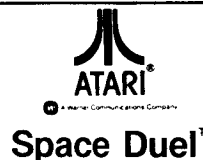
Table 2-6 LED and Coin Counter Outputs

Key in address 0C00 for the seven outputs below.

ON-DATA	OFF-DATA	OUTPUT DEVICE
39	38	Right Coin Counter
3A	38	Left Coin Counter
30	38	Coin Door Lockout
28	38	GAME SELECT LED
18	38	START LED
78	38	INVERTX*
88	38	INVERTY**

\* When INVERTX is activated, check for logic 1 on pin 16 of IC B10.

\*\* When INVERTY is activated, check for logic 1 on pin 16 of IC E10.



NOTICE TO ALL PERSONS RECEIVING THIS DRAWING: CONFIDENTIAL. Reproduction forbidden without the specific written permission of Atari, Inc., Sunnyvale, CA. This drawing is only conditionally issued, and neither received nor possession thereof confers or transfers any right in or to the design or use of the subject matter of the drawing or any design or technical information shown thereon, nor any right to reproduce this drawing or any part thereof. Except for manufacture by vendors of Atari, Inc. and for manufacture under the corporation's written license, no right is granted to reproduce this drawing or the subject matter thereof, unless by written agreement with or written permission from the corporation.

# Troubleshooting with Signature Analysis

## A. Signature Analysis Set-up

1. Perform the CAT Box preliminary set-up.
2. Connect the three BNC to E-Z clip cables (supplied with the CAT Box) to the SIGNATURE ANALYSIS CONTROL START, STOP and CLOCK jacks on the CAT Box.
3. Attach the three black E-Z clips to a ground loop on the Space Duel™ game PCB.
4. Attach the CAT Box data probe to the DATA jack on the CAT Box.
5. The colored E-Z clips on the cables will be moved about for each group of signatures to be taken.
6. Set the CAT Box switches as follows:
  - TESTER MODE: SIG
  - TESTER SELF-TEST: OFF
  - PULSE MODE: LATCHED
  - START: As indicated
  - STOP: As indicated
  - CLOCK: As indicated
7. Power up the game board and the CAT Box.

## B. Address Lines

### 1. CAT Box Settings for Address Bus Test

Probe	Trigger	IC-Pin	Test Pt.
Start	⌋	R2-12	
Stop	⌋	R2-12	
Clock	⌋	C2-39	Φ2

Verify CAT Box settings and connections as follows:

- probe GND test point = 0000 signature
- probe +5V test point = 0001 signature

### 2. Signatures

Logic Probe on IC-Pin	Signal Name	Signature Should Be
C1-18	AB0	UUUU
C1-16	AB1	5555
C1-14	AB2	CCCC
C1-12	AB3	7F7F
C1-3	AB4	5H21
C1-5	AB5	0AFA
C1-7	AB6	UPFH
C1-9	AB7	52F8
B1-16	AB8	HC89
B1-14	AB9	2H70
B1-12	AB10	HPP0
B1-7	AB11	1293
B1-5	AB12	HAP7
R2-14	A13	3C96
R2-13	A14	3827
R2-12	A15	755U

## C. Address Decoder

### CAUTION

While testing decoders and ROMs, it may be necessary to add 270 pF capacitor to ADDR 12, 13, 14 and 15 to eliminate unstable signatures.

### 1. CAT Box Settings for Address Decoder Test

Probe	Trigger	IC-Pin	Test Pt.
Start	⌋	R2-12	
Stop	⌋	R2-12	
Clock	⌋		Φ2

### 2. Signatures

Verify CAT Box settings and connections as follows:

- probe GND test point = 0000 signature
- probe +5V test point = 0001 signature

Logic Probe on IC-Pin	Logic Probe on Test Pt.	Signal Name	Signature Should Be
R2-2			7631
R2-1			383A
R3-6			4F0A
R2-4			04UH
R2-3			160U
	VMEM	VMEM	12U3
	ROM0	ROM0	CFHH
	ROM1	ROM1	57HH
	ROM2	ROM2	96F8
	ROM3	ROM3	546U
	ROM4	ROM4	755P
H3-10		ROM	5FU9

Jumper  $\overline{RW}$  test point to +5V test point.

Logic Probe on IC-Pin	Signal Name	Signature Should Be
K6-12	SINP1	U14U
K6-11	SINP2	HF1A
K6-10	EAROMRD	1'0HA
P3-1	RAM0	51FP
P3-2	RAM1	6C23
P3-3		937H
P3-4		5AAC
P3-5	$\overline{IO0}$	C787
P3-6	$\overline{IO1}$	9UAP
R3-11	$\overline{IOS}$	2828

Remove jumper between  $\overline{RW}$  test point and +5V test point.

### NOTE

If you are taking signatures on a PCB connected to a game, disconnect the connector to the coin counter(s). The coin counter will energize while K4-6 is connected to ground.

Jumper  $\overline{WRITE}$ , K4-6, to GND test point.

Logic Probe on IC-Pin	Signal Name	Signature Should Be
M5-8		5AAC
L4-1	OUTPUT	C9FU
L4-2	VGGO	258A
L4-3	WDCLR	4C6C
L4-4	VGRST	7079
L4-5	INTACK	F425
L4-6	EAROMCON	6175
L4-7	EAROMWR	HAU2

## D. ROM and Data Lines

We are providing only the signatures for ROM4. This ROM contains the self-test procedure that tests all the other ROMs and displays a number representing a ROM failure.

### NOTE

When taking signatures of ROM4, install 270 pF capacitors between IC R2, pin 12 and ground and IC R2, pin 14 and ground.

### 1. CAT Box Settings for ROM4 Test (I.C. J1 for ROM part no. 136006-201)

Probe	Trigger	Test Pt.
Start	⌋	ROM4
Stop	⌋	ROM4
Clock	⌋	Φ2

Verify CAT Box settings and connections as follows:

- probe GND test point = 0000 signature
- probe +5V test point = 755U signature

### 2. Signatures

Logic Probe on IC-Pin	Signal Name	Signature Should Be
J1-9	D0	46A2
J1-10	D1	0325
J1-11	D2	10H5
J1-13	D3	P228
J1-14	D4	9FP1
J1-15	D5	5U58
J1-16	D6	C57C
J1-17	D7	2C95

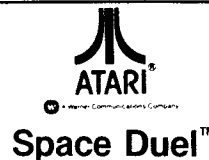
## Watchdog

The Watchdog circuit will send continuous reset pulses to the microprocessor if a problem exists within the microprocessor circuit. If the self-test fails to run, it is a good practice to check the reset line.

$\overline{RESET}$  is a microprocessor input (pin 40). In a properly operating game, reset should occur during power-up or when the reset pushbutton is activated. A pulsing  $\overline{RESET}$  line indicates that something is causing the microprocessor to lose its place within its program. Typical causes are:

1. Open or shorted address or data bus lines
2. Bad microprocessor chip
3. Bad bus buffers
4. Bad ROM
5. Bad RAM
6. Any bad input or output that causes an address or data line to be held in a constant high or low state

A pulsing  $\overline{RESET}$  signal indicates a problem exists somewhere within the microprocessor circuitry rather than within the Analog Vector-Generator.



NOTICE TO ALL PERSONS RECEIVING THIS DRAWING: CONFIDENTIAL. Reproduction forbidden without the specific written permission of Atari, Inc., Sunnyvale, CA. This drawing is only conditionally issued, and neither receipt nor possession thereof confers or transfers any right in, or license to use, the subject matter of the drawing or any design or technical information shown thereon, nor any right to reproduce this drawing or any part thereof. Except for manufacture by vendors of Atari, Inc. and for manufacture under the Corporation's written license, no right is granted to reproduce this drawing or the subject matter thereof, in any form, without agreement with or written permission from the Corporation.

ATARI, INC. 1984

SP-181 Sheet 10B  
2nd printing 3/84