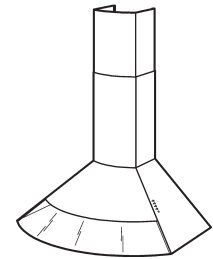


# RM65000 SERIES (RANGEMASTER®) by Broan-NuTone RANGE HOOD



A wall-mounted chimney hood with a hand-drafted design that blends curved and angular surfaces to form a stunning union of stainless steel and glass.

### FEATURES

- Professional style design
- 202 Stainless Steel construction
- Wall mount installation
- Seamless corners for easy cleaning
- Ducted telescopic flue - fits 8 ft. to 9 ft. ceilings
- 6" round duct connector/backdraft damper
- 450 cfm centrifugal blower
- Advanced multi-speed electronic push-button control with 10-minute delay shut-off
- Two-level halogen lighting and a low nighttime setting (2 x 20 Watt, Type MR16 - bulbs included)
- Dishwasher-safe aluminum filter features a quick-release latch and professional style appearance
- Time to clean filter indicator
- Available sizes: 35-7/16" (90cm)
- Heat Sentry™ - automatically turns blower to high speed when excess cooking heat is detected

### OPTIONS

- Replacement grease filters available
- Flue Extension for 10 ft. ceiling (Model RFX6504) (32¼" Long)

### SPECIFICATIONS

VOLTS	AMPS	CFM	SONES	DUCT
120	3.13	450	9.0	6" round



### TYPICAL SPECIFICATION

Range hood shall be Broan Model RM65000.

Motor to be permanently lubricated.

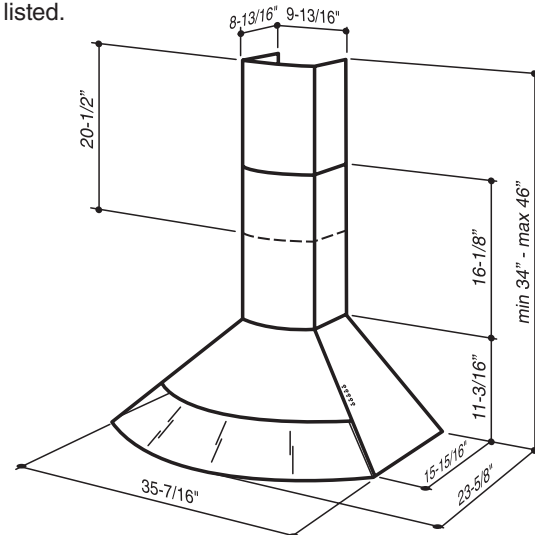
Unit shall have four-speed fan switch with delay shut-off and separate light switch.

Unit shall have a flashing control light to indicate when it's time to clean the washable aluminum filter.

Sides shall be mitered and bottom edge hemmed - with no sharp edges.

Air delivery shall be no less than 450 CFM.

Unit shall be U.L. and cUL listed.

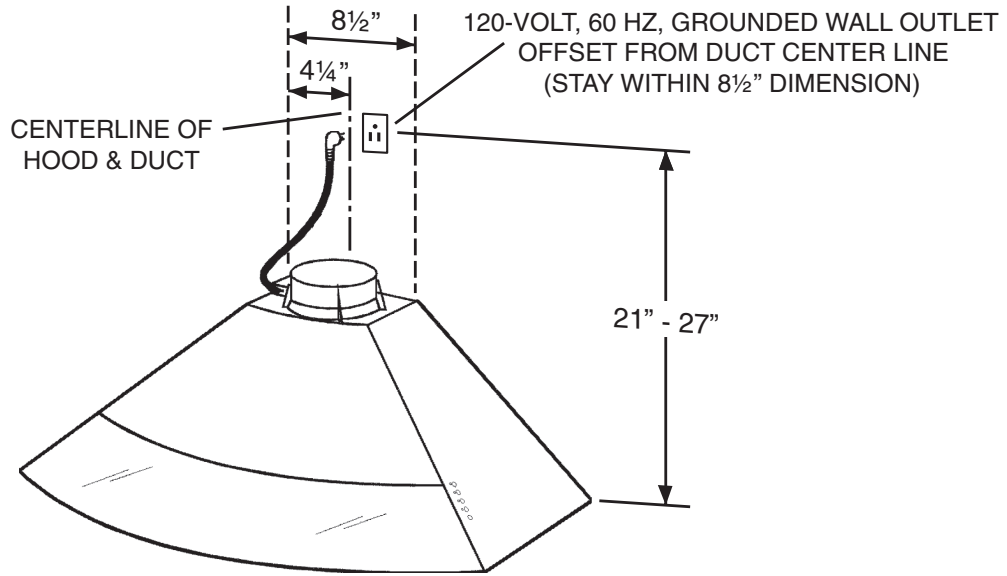


HVI-2100 CERTIFIED RATINGS comply with new testing technologies and procedures prescribed by the Home Ventilating Institute, for off-the-shelf products, as they are available to consumers. Product performance is rated at 0.1 in. static pressure, based on tests conducted in a state-of-the-art test laboratory. Sones are a measure of humanly-perceived loudness, based on laboratory measurements.

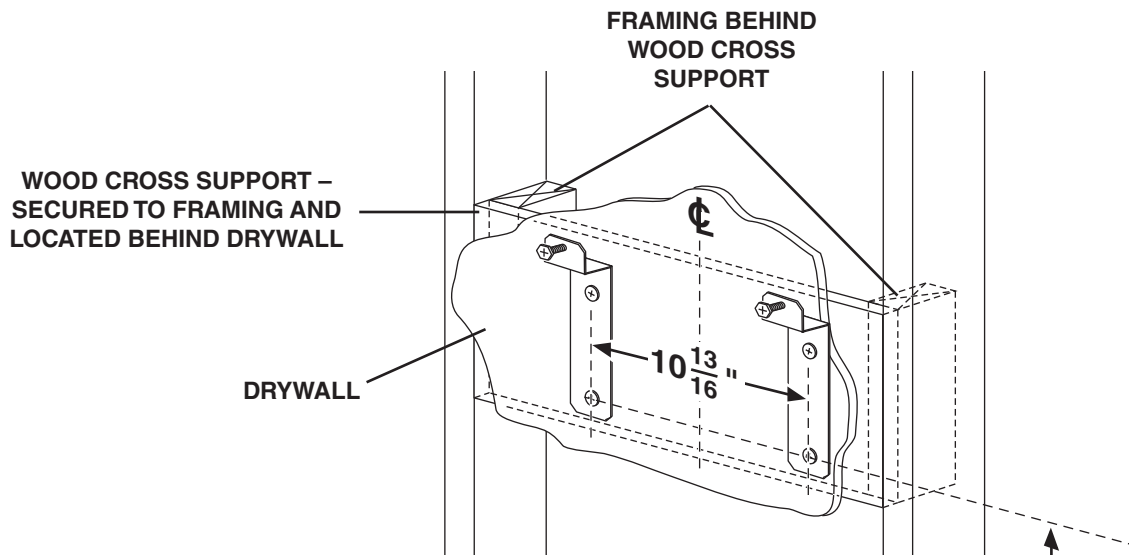
Broan-NuTone LLC Hartford, Wisconsin www.broan.com 800-558-1711  
Broan-NuTone Canada Mississauga, Ontario www.broan.ca 877-896-1119

REFERENCE	QTY.	REMARKS	Project
			Location
			Architect
			Engineer
			Contractor
			Submitted by Date

# RM65000 SERIES WIRING



# RM65000 SERIES MOUNTING



CEILING HEIGHT	HOOD DISTANCE ABOVE 36" HIGH COOKTOP (SEE NOTE)						
	24"	25"	26"	27"	28"	29"	30"
	MOUNTING BRACKET LOCATION ABOVE 36" HIGH COOKTOP						
8 FEET	27-5/8"	28-5/8"	29-5/8"				
9 FEET			29-5/8"	30-5/8"	31-5/8"	32-5/8"	33-5/8"
10 FEET			29-5/8"	30-5/8"	31-5/8"	32-5/8"	33-5/8"

**MOUNTING BRACKET LOCATION (ABOVE 36" HIGH COOKTOP)**

**NOTE:** Minimum hood distance above cooktop must not be less than 24".

A maximum of 30" above the cooktop is highly recommended for best capture of cooking impurities.

Distances over 30" above the cooktop are at the installer's and user's discretion - providing that ceiling height and flue length permit.

**BROAN** *Elite*

**(RANGEMASTER)**  
by Broan-NuTone

Broan-NuTone LLC Hartford, Wisconsin www.broan.com 800-558-1711  
Broan-NuTone Canada Mississauga, Ontario www.broan.ca 877-896-1119