

UC-MX70-U

Crestron Flex Advanced Tabletop Large Room Video Conference System



- *Tabletop audio and video conferencing solution*
- *Present, call, conference, and collaborate using your own UC conference software (BYOD)*
- *Complete kit contains the Crestron Flex tabletop conference device (CCS-UC-1-X), HD-RX-USB-2000-C HDMI® over CATx Receiver, AVer® CAM520 PRO enterprise-grade camera, mic pod, cables, and power supply*
- *Easy to specify and install — no custom design, programming, or software installation required*
- *Network management and provisioning and system alerts through the XiO Cloud® service*
- *Enterprise-grade security - connects and communicates securely over any enterprise or SMB network*

The UC-MX70-U provides a complete video conference room solution for open-platform UC applications. It supports a single display¹, and features the Crestron Flex tabletop conference device (CCS-UC-1-X), HDMI® over CATx Receiver (HD-RX-USB-2000-C), AVer® CAM520 PRO enterprise-grade camera (UC-CAM-HD-520), mic pod (CCS-UCA-MIC), cables, and power supply.

Intuitive User Interface with Impressive Audio

The Crestron Flex Tabletop Conference device (CCS-UC-1-X) provides a superior conferencing and collaboration experience with its large 7 in. HD display, integrated 360° quad microphone array, and an AEC-enabled USB speakerphone that supports full-duplex wideband audio performance.

High-Definition Video Conferencing

The included AVer CAM520 PRO enterprise-grade camera (UC-CAM-HD-520) features a wide-angle 82° diagonal field of view to capture an entire conference room in Full HD 1080p video resolution. High precision aspherical optics, super low light 2M pixel sensor, and advanced video processing ensure a clear video image free from light or noise artifacts.

Voice Calling & Audio Conferencing

The CCS-UC-1-X provides full-duplex conferencing speakerphone capabilities and is compatible with major SIP-compliant phone systems. Dialing and answering calls is easy and intuitive using the large HD color touch screen. Corporate directory access (LDAP) enables one-touch dialing from the customer's centrally-managed directory. Native Skype® for Business VoIP support enables one-touch join capability for scheduled Skype meetings (audio only), or you can place a Skype call using the directory or dial pad.

The CCS-UC-1-X can pair with a mobile phone using Bluetooth® connectivity to make or join phone calls, or to use as a speaker and/or microphone for an application running on a smartphone. When used for calls, controls for the Bluetooth-enabled phone appear on the touch screen, enabling instant connectivity with the press of a button.

The CCS-UC-1-X functions like any USB Audio Class device, allowing you to connect a laptop computer via USB to improve audio performance for any softphone, multimedia, or audio conferencing application running on the laptop.

BYOD Multimedia Presentation

Connect a display device to the HD-RX-USB-2000-C's HDMI output port to enable high-definition video presentation from all types of BYOD sources.

Connect an AV source to the CCS-UC-1-X's HDMI input port to present full-motion HD video content on the room display. Sources with DisplayPort™ or USB Type-C® outputs can also be connected using an optional Crestron video cable system ([CBL-MULTI-6](#) or [CBL-MULTI-12](#), sold separately).

Use the built-in AirMedia® technology for wireless presentation of content from a laptop, smartphone, or tablet device via the room's Wi-Fi® wireless network.

Visit www.crestron.com/airmedia for more information.²

Video conferencing & Web Collaboration

Videoconferencing is enabled by connecting a laptop running a web conferencing or UC application such as Microsoft Teams®, Rooms, Skype for Business, Cisco Webex®, GotoMeeting®, Slack®, BlueJeans, or Zoom Rooms™. All participants are provided with enhanced bidirectional audio along with a high-definition view of the whole room.

Connect the laptop's HDMI output to allow the whole room to view far-end content and camera images on the main room display. Laptops with DisplayPort or USB Type-C outputs can also be connected using an optional Crestron video cable system ([CBL-MULTI-6](#) or [CBL-MULTI-12](#), sold separately).

HDMI over CATx Receiver

The HDMI over CATx Receiver (HD-RX-USB-2000-C) receives uncompressed HDMI, CEC, RS-232, Ethernet, and IR signals sent from a Crestron Flex tabletop conference device (CCS-UC-1-X) through a single CAT type³ cable. Signals are

UC-MX70-U

Crestron Flex Advanced Tabletop Large Room Video Conference System

broken out to relevant output ports for connection to the front-of-room display.

Enterprise-Grade Security

Crestron Flex is an enterprise-grade solution that is ideally equipped for mass deployment throughout any sized corporate, university, medical, military, or government facility. Its advanced security features ensure privacy, reliability, and compliance with your organization's IT policies.

Easy Provisioning and Device Management

The XiO Cloud service⁴ is an IoT cloud-based provisioning service that enables installers and IT managers to easily deploy and manage thousands of devices. The XiO Cloud service allows for system alerts, network management and provisioning.

Visit www.crestron.com/xiocloud for additional information.

Specifications

Included Components

CCS-UC-1-X	Crestron Flex tabletop conferencing device; <ul style="list-style-type: none">PW-2420RU Universal power supply and power cordCable, CAT5e, RJ-45-to-RJ-45, 12 ft (3.66 m);Cable management hardware
CCS-UCA-MIC	Extension microphone pod
UC-CAM-HD-520	AVer® CAM520 PRO enterprise-grade camera
HD-RX-USB-2000-C	HDMI over CATx Receiver
CBL-HD-THIN-HS-6	HDMI Cable, Thin, Type A Male-to-Male, 6 ft (1.8 m)
CBL-HD-6	HDMI Interface Cable, 6 ft (1.8 m)
CBL-USB-A-BMICRO-6	USB Cable, USB Type A Male to Micro-B Male cable, 6 ft (1.8 m)
DM-CBL-ULTRA-PC-20	Ethernet LAN cable for touch screen, CAT6a, RJ-45-to-RJ-45, blue, 20 ft (6 m)
STIRP	IR Emitter Probe w/3.5 mm Mini Phone Plug

Crestron Flex tabletop conferencing device

Touch Screen	7 in. (178 mm) diagonal capacitive multi-touch TFT active matrix color LCD, 1280 x 800 pixels
Mic Mute Symbol & Light Bar	Capacitive buttons with bi-color LEDs, either button toggles between mute and unmute

AEC	Limes Audio TrueVoice® acoustic echo cancellation, automatic mic mixing, automatic gain control, and dynamic noise reduction; Full-duplex IEEE 1329 Type 1 compliant
Speaker	Full range speaker; Amplifier power: 11 W; 95 dB SPL at 0.5 m maximum output; Frequency response: 90 Hz to 22 kHz
Microphones	360° quad mic array; Pickup range (typical): 20 ft (6 m)
Extension Microphones	One extension microphone pod (CCS-UCA-MIC) included
Occupancy Sensor	6 ft (1.83 m) PIR range in front of touch screen;
Ethernet	100 Mbps, enterprise-grade security and management including IEEE 802.1X, Active Directory® authentication, LDAP, Kerberos, SSL, TLS, SSH, SFTP (SSH File Transfer Protocol), SRTP, digest access authentication, password login, HTTPS secure provisioning, XiO Cloud service
USB	USB 2.0 micro Type B device port; Supports UAC for audio interface
Power	24 VDC via external 100-240 VAC, 50/60 Hz power pack, model PW-2420RU (included)
NOTE: The CCS-UC-1-X cannot be powered by Power over Ethernet or PoE+.	
Dimensions	Height: 4.11 in. (105 mm) Width: 8.92 in. (227 mm) Depth: 12.74 in. (324 mm)
Weight	5.50 lb (2.5 kg)
Microphone Pod	
Model	CCS-UCA-MIC
Communications	A2B bus protocol, slave, synchronous data, multichannel I2S/TDM to I2S/TDM
Microphone	Triple mic array with (3) cardioid electret elements
Pickup Range	20 ft (6 m) typical, 360°
Mic Mute	(1) Capacitive button with bi-color LED, toggles between mute and unmute (affects all system mics)
Connectors	(2) RJ9 4P4C connector, female
Power	Powered via the CCS-UC-1-X through the A2B bus

UC-MX70-U

Crestron Flex Advanced Tabletop Large Room Video Conference System

Camera

Model	AVer® CAM520 PRO
Wide Field of View	82°
Connectivity	USB Type-C® connector
Power	12 VDC power adapter
Resolution/FPS	HD 1080p @ 30 fps
Dimensions	Height: 7.17 in. (182 mm) Width: 6.02 in. (153 mm) Depth: 5.63 in. (143 mm)

HDMI over CATx Receiver

Video Output Signal Types	HDMI (DVI-compatible ⁵)
Audio Output Signal Types	HDMI, analog stereo
Communications	Ethernet: 100 Mbps pass-through; USB: USB 2.0 pass-through for camera; RS-232: 2-way serial pass-through up to 115.2k baud (Transmit Data/Receive Data only); IR: IR signal pass-through up to 60 kHz; HDMI: HDCP 2.2, EDID, CEC pass-through HDMI over CATx ³ : HDCP 2.2, EDID, Ethernet, CEC/IR/RS-232
Power Pack (included)	Input: 0.8 A (maximum) @ 100-240 VAC, 50/60 Hz; Output: 1.25 A @ 24 VDC; Model: PW-2412WU
Dimensions	Height: 4.47 in. (114 mm) Width: 9.61 in. (244 mm) Depth: 0.99 in. (25 mm)
Weight	1.71 lb (776 g)

Model

UC-MX70-U

Crestron Flex Advanced Tabletop Large Room Video Conference System

Available Accessories

AM-USB-WIFI

AirMedia® USB Adapter with Wi-Fi® Connectivity

AM-USB-WIFI-I

AirMedia® USB Adapter with Wi-Fi® Connectivity, International

CBL-MULTI-6

Crestron Mercury® HD Video Cable System, with 6 ft (1.83 m) cables

CBL-MULTI-12

Crestron Mercury® HD Video Cable System, with 12 ft (3.6 m) cables

CCS-UCA-MIC KIT

Microphone Pods, Set of 2

CCS-UCA-SMK

Swivel Mount Kit

SW-FUSION-C-3

Crestron Fusion® Cloud; 250 rooms; 3-year service, support, and updates

SW-FUSION-P-L

Crestron Fusion® On-premises; Unlimited rooms; lifetime service, support, and updates

SW-XIOC-API

XiO Cloud® Provisioning and Management Service, REST API License

SW-XIOC-EM

XiO Cloud® Provisioning and Management Service, Endpoint Management License

SW-XIOC-S

XiO Cloud® Provisioning and Management Service, Support License

UC-MX70-U

Crestron Flex Advanced Tabletop Large Room Video Conference System

Notes:

1. Display must support "Wake on Sync" and "Sleep on No Sync" functionality. Consult the display manufacturer's specifications or internal settings of the specific display.
2. AirMedia wireless presentation requires a wired network connection between the Crestron Mercury console and an external Wi-Fi wireless access point (not included). Laptops may alternately connect to AirMedia using a wired Ethernet connection. Full-motion video performance is dependent upon the performance of the network and the sending device. Computer client software and mobile device apps are available for download at www.crestron.com/airmedia.
3. CAT5e or better.
4. The XiO Cloud service is a room based subscription service available separately.
5. Requires [CBL-HD-DVI](#) interface cable (sold separately).

This product may be purchased from select authorized Crestron dealers and distributors. To find a dealer or distributor, please contact the Crestron sales representative for your area. A list of sales representatives is available online at www.crestron.com/How-To-Buy/Find-a-Representative or by calling 855-263-8754.

This product is covered under the Crestron standard limited warranty. Refer to www.crestron.com/warranty for full details.

The specific patents that cover Crestron products are listed online at patents.crestron.com.

Certain Crestron products contain open source software. For specific information, please visit www.crestron.com/opensource.

Crestron, the Crestron logo, AirMedia, Crestron AirBoard, Crestron Fusion, Crestron Mercury, and XiO Cloud are either trademarks or registered trademarks of Crestron Electronics, Inc. in the United States and/or other countries. Aver is either a trademark or a registered trademark of Aver Information Inc. in the United States and/or other countries. Bluetooth is either a trademark or registered trademark of Bluetooth SIG, Inc. in the United States and/or other countries. Cisco Webex is either a trademark or registered trademark of Cisco Technology, Inc. in the United States and/or other countries. GotoMeeting is either a trademark or registered trademark of Citrix Online, LLC in the United States and/or other countries. TrueVoice is either a trademark or registered trademark of Google Inc. in the United States and/or other countries. HDMI is either a trademark or registered trademark of HDMI Licensing LLC in the United States and/or other countries. Active Directory, Microsoft Teams, and Skype are either trademarks or registered trademarks of Microsoft Corporation in the United States and/or other countries. Slack is either a trademark or registered trademark of Slack Technologies, Inc. in the United States and/or other countries. USB Type-C is either a trademark or registered trademark of USB Implementers Forum, Inc. in the United States and/or other countries. DisplayPort is either a trademark or registered trademark of Video Electronics Standards Association in the United States and/or other countries. Wi-Fi is either a trademark or registered trademark of Wi-Fi Alliance in the United States and/or other countries. Zoom Rooms is either a trademark or registered trademark of Zoom Video Communications, Inc. in the United States and/or other countries. Other trademarks, registered trademarks, and trade names may be used in this document to refer to either the entities claiming the marks and names or their products. Crestron disclaims any proprietary interest in the marks and names of others. Crestron is not responsible for errors in typography or photography.

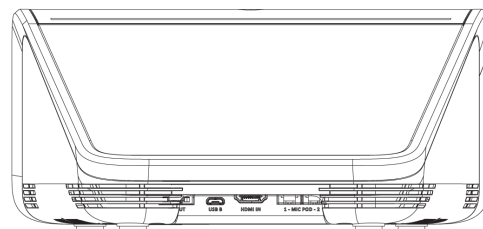
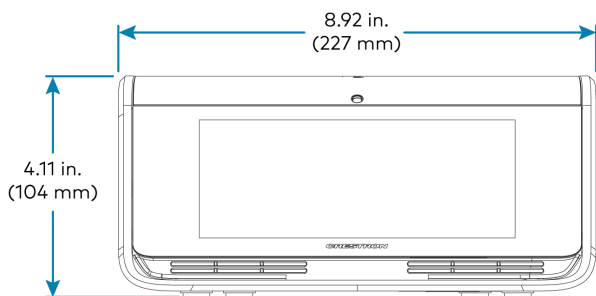
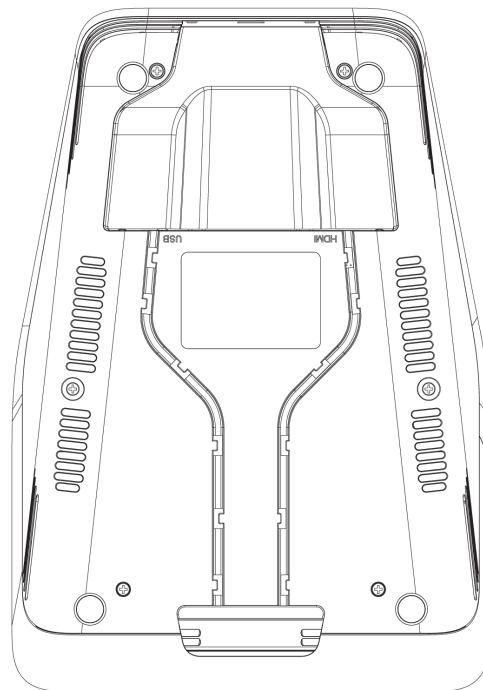
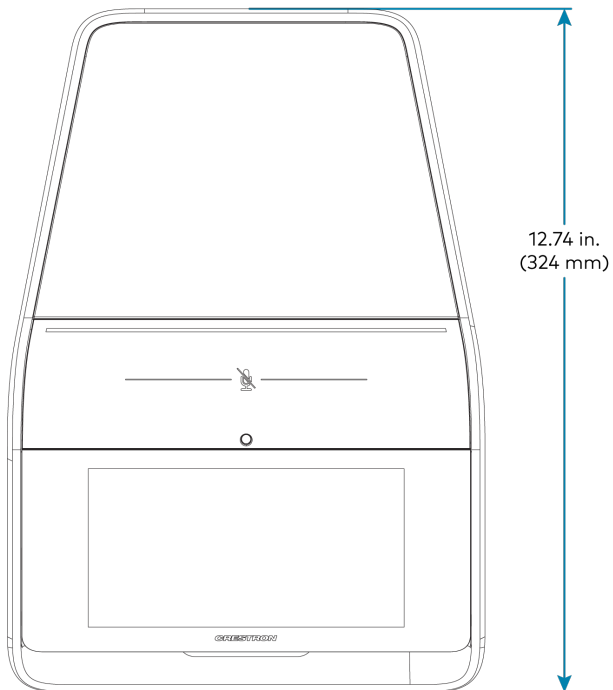
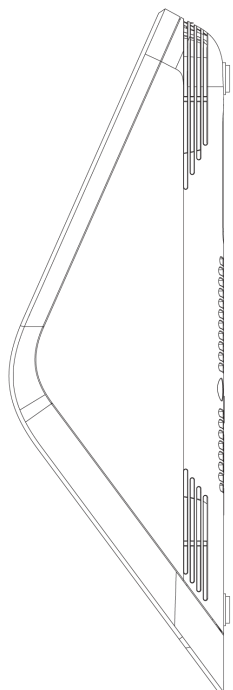
Specifications are subject to change without notice.

©2020 Crestron Electronics, Inc.
Rev 09/10/20

UC-MX70-U

Crestron Flex Advanced Tabletop Large Room Video Conference System

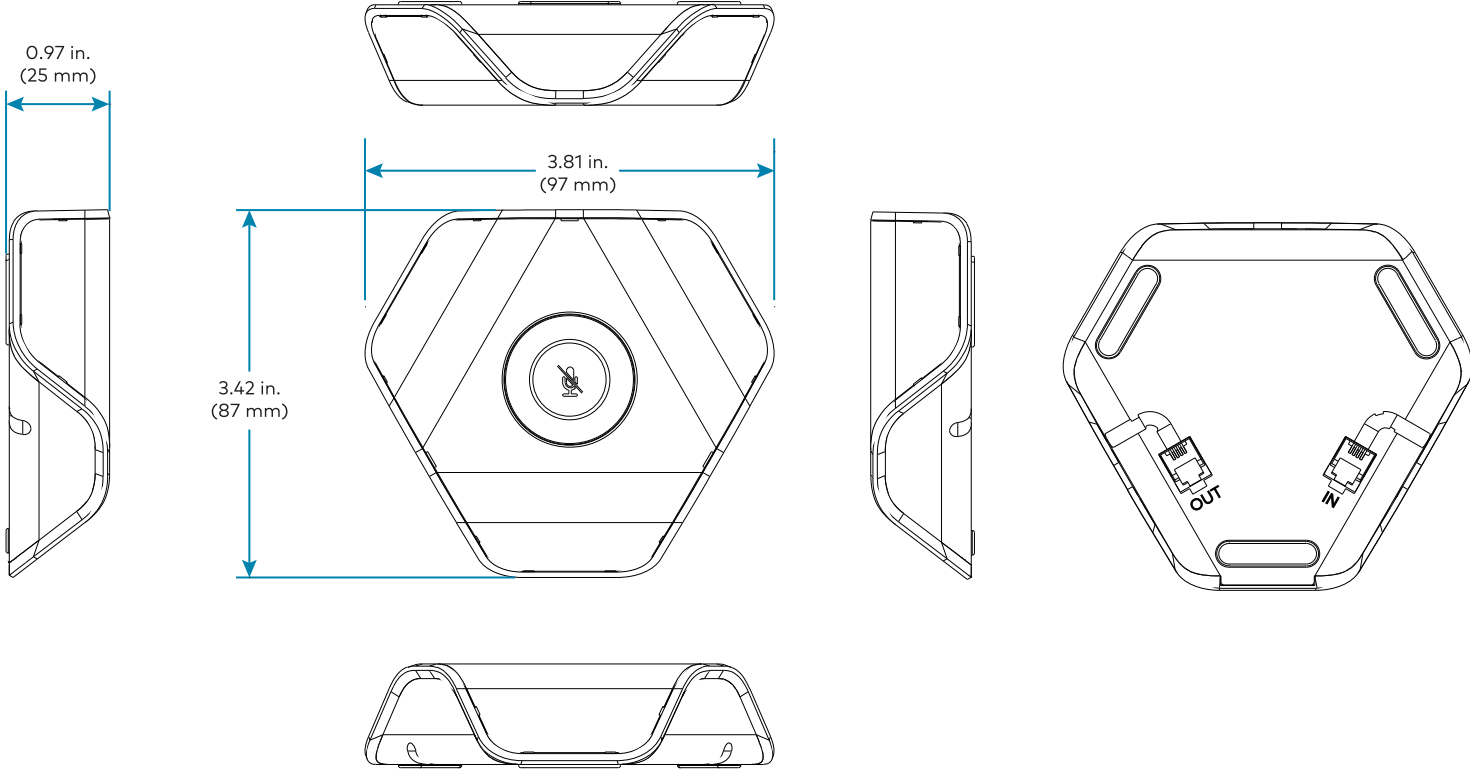
CCS-UC-1-X



UC-MX70-U

Crestron Flex Advanced Tabletop Large Room Video Conference System

CCS-UCA-MIC



UC-MX70-U

Crestron Flex Advanced Tabletop Large Room Video Conference System

HD-RX-USB-2000-C

