

Molded Polyethylene Handholes for Telecommunications, Utility, Broadband Cable and Municipality Placements

The Amphenol HDPE Below Grade Enclosures (HBGE) are lightweight, molded polyethylene handholes. Designed for light duty placements (parkway/greenway applications), these sturdy below grade enclosures serve a variety of purposes in telecommunications, wireless, utility, Broadband CATV and municipality networks.

Constructed from high-density polyethylene (HDPE), the Amphenol Below Grade Enclosures are built to provide years of maintenance-free service and superior shelter for buried network components. HBGE allow technicians easy handhole access to splice cases, fiber optic terminals, slack cable, and other equipment at network junctions. Molded-in or applied nameplates offer convenient identification.



Applications

HBGE are designed to meet or exceed ANSI/SCTE ratings for light duty, pedestrian-only (greenway applications), including:

- Fiber optic and coax slack cable coiling and storage
- Access to sealed fiber splice cases
- Fiber optic terminal blocks/taps
- Ground rods

Product Features

- Structurally rugged, non-metallic molded polyethylene material composition produces enclosures that are durable, lightweight, easy to install, and resistant to chemicals and water
- Tapered sides create maximum usable interior space, and allow both rectangular and round enclosures to be nested for compact shipping and storage
- Deep well bottom edges provide long-term stability in below grade placements
- Variety of drop-in or molded-in nameplates are available, with custom nameplates available via special order
- Skid resistant covers improve safety
- Stainless steel bolts
- Integrated Electronic Marking System (EMS) detection available
- Made in the USA

P100010



Mousehole
Option
Available

Appx. Dimensions:
10"W x 00"L x 10"D

**Cover Weight
(Overlapping Cover):**

1 lb.

Box Weight:

3 lbs.

Assembly Weight:

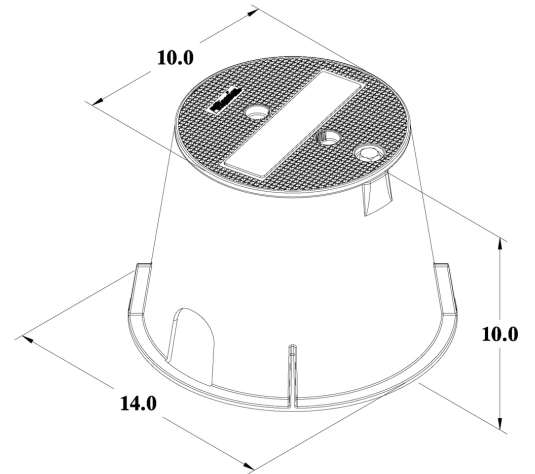
4 lbs.

Pallet Quantity:

100

Loaded Pallet Weight:

450 lbs.



P141912



Mousehole
Option
Available

Appx. Dimensions:
14"W x 19"L x 12"D

**Cover Weight
(Overlapping Cover):**

2 lbs.

Box Weight:

6 lbs.

Assembly Weight:

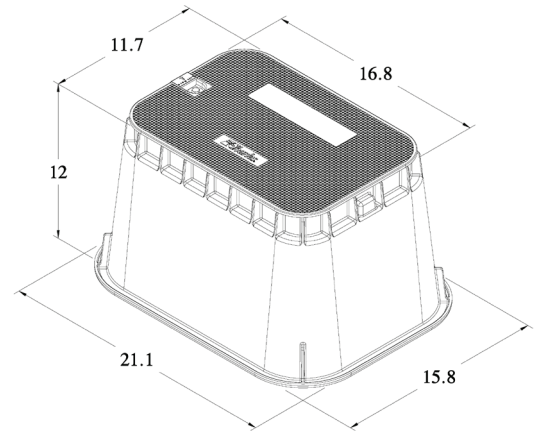
8 lbs.

Pallet Quantity:

78

Loaded Pallet Weight:

635 lbs.



P173018



Appx. Dimensions:
17"W x 30"L x 18"D

**Cover Weight
(Overlapping Cover):**

11 lbs.

Box Weight:

21 lbs.

Assembly Weight:

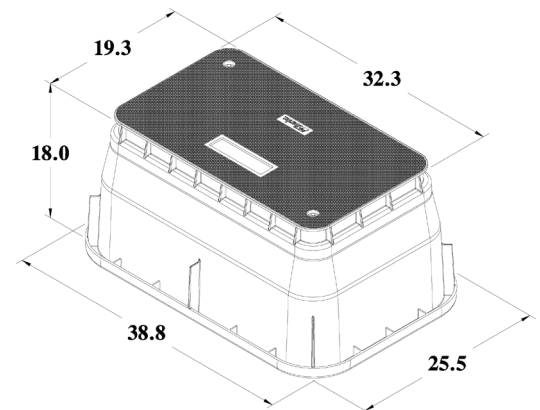
32 lbs.

Pallet Quantity:

10

Loaded Pallet Weight:

370 lbs.



Ordering Information

ABS Part Number	Description	EMS Marker	Nameplate
P100010ABGTHXXX	10" DIAMETER ROUND x 10" D POLYETHYLENE ASSEMBLY, BLACK BASE, GREEN OVER-LAPPING COVER, HEX-HEAD BOLT, BLANK NAMEPLATE	NO	BLANK
P100010ABGTHTXX	10" DIAMETER ROUND x 10" D POLYETHYLENE ASSEMBLY, BLACK BASE, GREEN OVER-LAPPING COVER, HEX-HEAD BOLT, TELEPHONE EMS, BLANK NAMEPLATE	YES	BLANK
P100010ABGTHXCA	10" DIAMETER ROUND x 10" D POLYETHYLENE ASSEMBLY, BLACK BASE, GREEN OVER-LAPPING COVER, HEX-HEAD BOLT, CATV NAMEPLATE	NO	CATV
P100010ABGTHTCA	10" DIAMETER ROUND x 10" D POLYETHYLENE ASSEMBLY, BLACK BASE, GREEN OVER-LAPPING COVER, HEX-HEAD BOLT, TELEPHONE EMS, CATV NAMEPLATE	YES	CATV
P100010ABGTHXFO	10" DIAMETER ROUND x 10" D POLYETHYLENE ASSEMBLY, BLACK BASE, GREEN OVER-LAPPING COVER, HEX-HEAD BOLT, FIBER OPTIC NAMEPLATE	NO	FIBER OPTIC
P100010ABGTHTFO	10" DIAMETER ROUND x 10" D POLYETHYLENE ASSEMBLY, BLACK BASE, GREEN OVER-LAPPING COVER, HEX-HEAD BOLT, TELEPHONE EMS, FIBER OPTIC NAMEPLATE	YES	FIBER OPTIC
P141912ABGTHXXX	14"W x 19"L x 12"D POLYETHYLENE ASSEMBLY, BLACK BASE WITH GREEN OVER-LAPPING COVER, HEX-HEAD BOLT, BLANK NAMEPLATE	NO	BLANK
P141912ABGTHTXX	14"W x 19"L x 12"D POLYETHYLENE ASSEMBLY, BLACK BASE WITH GREEN OVER-LAPPING COVER, HEX-HEAD BOLT, TELEPHONE EMS, BLANK NAMEPLATE	YES	BLANK
P141912ABGTHXCA	14"W x 19"L x 12"D POLYETHYLENE ASSEMBLY, BLACK BASE WITH GREEN OVER-LAPPING COVER, HEX-HEAD BOLT, CATV NAMEPLATE	NO	CATV
P141912ABGTHTCA	14"W x 19"L x 12"D POLYETHYLENE ASSEMBLY, BLACK BASE WITH GREEN OVER-LAPPING COVER, HEX-HEAD BOLT, TELEPHONE EMS, CATV NAMEPLATE	YES	CATV
P141912ABGTHXFO	14"W x 19"L x 12"D POLYETHYLENE ASSEMBLY, BLACK BASE WITH GREEN OVER-LAPPING COVER, HEX-HEAD BOLT, FIBER OPTIC NAMEPLATE	NO	FIBER OPTIC
P141912ABGTHTFO	14"W x 19"L x 12"D POLYETHYLENE ASSEMBLY, BLACK BASE WITH GREEN OVER-LAPPING COVER, HEX-HEAD BOLT, TELEPHONE EMS, BLANK NAMEPLATE	YES	FIBER OPTIC
P173018ABGTHXXX	17"W x 30"L x 18"D POLYETHYLENE ASSEMBLY, BLACK BASE WITH GREEN OVER-LAPPING COVER, HEX-HEAD BOLTS, BLANK NAMEPLATE	NO	BLANK
P173018ABGTHTXX	17"W x 30"L x 18"D POLYETHYLENE ASSEMBLY, BLACK BASE WITH GREEN OVER-LAPPING COVER, HEX-HEAD BOLTS, TELEPHONE EMS, BLANK NAMEPLATE	YES	BLANK
P173018ABGTHXCA	17"W x 30"L x 18"D POLYETHYLENE ASSEMBLY, BLACK BASE WITH GREEN OVER-LAPPING COVER, HEX-HEAD BOLTS, CATV NAMEPLATE	NO	CATV
P173018ABGTHTCA	17"W x 30"L x 18"D POLYETHYLENE ASSEMBLY, BLACK BASE WITH GREEN OVER-LAPPING COVER, HEX-HEAD BOLTS, TELEPHONE EMS, CATV NAMEPLATE	YES	CATV
P173018ABGTHXFO	17"W x 30"L x 18"D POLYETHYLENE ASSEMBLY, BLACK BASE WITH GREEN OVER-LAPPING COVER, HEX-HEAD BOLTS, FIBER OPTIC NAMEPLATE	NO	FIBER OPTIC
P173018ABGTHTFO	17"W x 30"L x 18"D POLYETHYLENE ASSEMBLY, BLACK BASE WITH GREEN OVER-LAPPING COVER, HEX-HEAD BOLTS, TELEPHONE EMS, FIBER OPTIC NAMEPLATE	YES	FIBER OPTIC

Amphenol HBGE are for light duty applications in walkways, parkways and grassy areas. Dimensions may vary marginally.

Please call your sales representative or 800-677-2288 for sales assistance and additional product information, including availability of custom options.

