

25HNB6
Infinity™ 16 2-Stage Heat Pump
with Puron® Refrigerant
2 to 5 Nominal Tons



Product Data

INDUSTRY LEADING FEATURES / BENEFITS



INFINITY™ SYSTEM

Carrier's heat pumps with Puron® refrigerant provide a collection of features unmatched by any other family of equipment. The 25HNB6 has been designed utilizing Carrier's Puron refrigerant. The environmentally sound refrigerant allows consumers to make a responsible decision in the protection of the earth's ozone layer.

This product has been designed and manufactured to meet Energy Star® criteria for energy efficiency when matched with appropriate coil components. Refer to the combination ratings in the Product Data for system combinations that meet Energy Star® guidelines.

NOTE: Ratings contained in this document are subject to change at any time. Always refer to the AHRI directory (www.ahridirectory.org) for the most up-to-date ratings information.

Energy Efficiency

- 13.5 - 17.2 SEER/11.0 - 13.5 EER/8.0 - 9.6 HSPF
- Microtube Technology™ refrigeration system
- Indoor air quality accessories available

Sound

- Sound level as low as 67 dBA
- Quiet mount split post compressor grommets
- Forward-swept condenser fan blade
- Compressor sound hood
- Laminated steel compressor mounting plate
- 8 pole PSC ball bearing outdoor condenser fan motor

Comfort

- System supports Infinity Control™ or standard 2-stage thermostat controls

Reliability

- Puron® refrigerant - environmentally sound, won't deplete the ozone layer and low lifetime service cost.
- Front-seating service valves
- 2-stage scroll compressor
- Internal pressure relief valve
- Internal thermal overload
- High pressure switch
- Loss of charge switch
- Filter drier
- Balanced refrigeration system for maximum reliability
- Crankcase heater standard

Durability

WeatherArmor™ protection package:

- Solid, Durable sheet metal construction
- Steel louver coil guard
- Baked-on, complete outer coverage, powder paint

Controls and Diagnostics

- Infinity™ Control or Thermostat
- Utility Interface Connection
- Up to 83 point diagnostic capability with Infinity™ Control

Applications

- Long-line - up to 250 feet (76.2 m) total equivalent length, up to 200 feet (60.96 m) condenser above evaporator, or up to 80 ft. (24.38 m) evaporator above condenser (See Longline Guide for more information.)

MODEL NUMBER NOMENCLATURE

1	2	3	4	5	6	7	8	9	10	11	12	13
N	N	A	A	A/N	N	N	N	A/N	A/N	A/N	N	N
2	5	H	N	B	6	3	6	A	0	0	3	0
Product Series	Product Family	Tier	Major Series	SEER	Cooling Capacity	Variations	Open	Open	Voltage	Minor Series		
25 = HP	H = RES HP	N = Infinity Series	B = Puron	6 = 16 SEER	1,000 Btuh (nominal)	A = Standard	0 = Not Defined	0 = Not Defined	3 = 208/230-1	0, 1, 2...		



Use of the AHRI Certified TM Mark indicates a manufacturer's participation in the program. For verification of certification for individual products, go to www.ahridirectory.org.



ISO 9001
QMI-SAI Global



This product has been designed and manufactured to meet Energy Star® criteria for energy efficiency when matched with appropriate coil components. However, proper refrigerant charge and proper air flow are critical to achieve rated capacity and efficiency. Installation of this product should follow all manufacturing refrigerant charging and air flow instructions. Failure to confirm proper charge and air flow may reduce energy efficiency and shorten equipment life.



STANDARD FEATURES

FEATURES	Unit Size – Voltage, Series			
	24–30	36–30	48–30	60–30
Puron Refrigerant	X	X	X	X
Maximum SEER Rating*	16.5	17.2	16.4	15.8
2–Stage Scroll Compressor	X	X	X	X
Louvered Coil Guard	X	X	X	X
Field Installed Filter Drier	X	X	X	X
Front Seating Service Valves	X	X	X	X
Internal Pressure Relief Valve	X	X	X	X
Long Line capability	X	X	X	X
Loss of Charge Switch	X	X	X	X
High Pressure Switch	X	X	X	X
Crankcase Heater	X	X	X	X
Low ambient cooling down to 0°F capability with Infinity Control	X	X	X	X
Utility Interface Connections	X	X	X	X
Enhanced Diagnostics with Infinity Control	X	X	X	X
Sound Blanket	X	X	X	X

X = Standard

* With approved combinations

PHYSICAL DATA

UNIT SIZE SERIES	24-30	36-30	48-30	60-30
Operating Weight lb (kg)	314 (142)	316 (143)	316 (143)	372 (169)
Shipping Weight lb (kg)	358 (162)	360 (163)	360 (163)	417 (189)
Compressor Type	Ultratech® Scroll			
REFRIGERANT	Puron® (R-410A)			
Control	TXV (Puron® Hard Shutoff)			
Charge lb (kg)	14.0 (6.35)	14.10 (6.40)	14.25 (6.46)	15.45 (7.01)
Outdoor Htg Piston #	46	57	61	67
COND FAN	Forward Swept Propeller Type, Direct Drive			
Air Discharge	Vertical			
Air Qty (CFM)	3200	3900	4350	5000
Motor HP	1/12	1/8	1/4	1/4
Motor RPM	800	800	800	800
COND COIL				
Face Area (Sq ft)	25.15	25.15	25.15	30.18
Fins per In.	20	20	20	20
Rows	2	2	2	2
Circuits	8	8	8	10
VALVE CONNECT. (In. ID)				
Vapor	3/4	7/8	7/8	7/8
Liquid	3/8			
REFRIGERANT TUBES (In. OD)				
Rated Vapor*	3/4	7/8	1-1/8	1-1/8
Max Liquid Line	3/8			

* Units are rated with 25 ft (7.6 m) of lineset length. See Vapor Line Sizing and Cooling Capacity Loss table when using other sizes and lengths of lineset.

Note: See unit Installation Instruction for proper installation.

25HNB6

VAPOR LINE SIZING AND COOLING CAPACITY LOSS

Acceptable vapor line diameters provide adequate oil return to the compressor while avoiding excessive capacity loss. The suction line diameters shown in the chart below are acceptable for AC systems with Puron refrigerant:

Unit Nominal Size (Btuh)	Maximum Liquid Line Diameters (In. OD)	Vapor Line Diameters (In. OD)	Cooling Capacity Loss (%) Total Equivalent Line Length ft. (m)								
			Standard Application		Long Line Application Requires Accessories						
			26-50 (7.9-15.2)	51-80 (15.5-24.4)	81-100 (24.7-30.5)	101-125 (30.8-38.1)	126-150 (38.4-45.7)	151-175 (46.0-50.3)	176-200 (53.6-60.0)	201-225 (61.3-68.6)	226-250 (68.9-76.2)
24,000 2-Stage HP with Puron	3/8	5/8	0	1	1	2	3	3	4	4	5
		3/4	0	1	1	1	1	1	1	1	1
36,000 2-Stage HP with Puron	3/8	5/8	1	2	4	5	6	7	9	10	11
		3/4	0	0	1	1	2	2	3	3	4
		7/8	0	0	—	—	—	—	—	—	—
48,000 2-Stage HP with Puron	3/8	3/4	1	2	2	3	4	5	6	7	7
		7/8	0	1	1	2	2	2	3	3	4
		1-1/8	0	0	—	—	—	—	—	—	—
60,000 2-Stage HP with Puron	3/8	3/4	1	2	4	5	6	8	9	10	11
		7/8	0	1	2	2	3	4	4	5	5
		1-1/8	0	0	—	—	—	—	—	—	—

Standard Length = 80 ft. (24.4 m) or less total equivalent length

Applications in this area are long line. Accessories are required as shown recommended on Long Line Application Guidelines

Applications in this area may have height restrictions that limit allowable total equivalent length, when outdoor unit is below indoor unit.

— Applications in this area are not recommended due to insufficient oil return.

REFRIGERANT PIPING LENGTH LIMITATIONS

Maximum Line Lengths:

The maximum allowable total equivalent length for heat pumps varies depending on the vertical separation. See the tables below for allowable lengths depending on whether the outdoor unit is on the same level, above or below the indoor unit.

Maximum Line Lengths for Heat Pump Applications

	MAXIMUM ACTUAL LENGTH ft (m)	MAXIMUM EQUIVALENT LENGTH† ft (m)	MAXIMUM VERTICAL SEPARATION ft (m)
Units on equal level	200 (61)	250 (76.2)	N/A
Outdoor unit ABOVE indoor unit	200 (61)	250 (76.2)	200 (61)
Outdoor unit BELOW indoor unit	See Table 'Maximum Total Equivalent Length: Outdoor Unit BELOW Indoor Unit'		

† Total equivalent length accounts for losses due to elbows or fitting. See the Long Line Guideline for details.

Maximum Total Equivalent Length† - Outdoor Unit BELOW Indoor Unit

Size	Liquid Line Diameter w/ TXV	HP with Puron® Refrigerant – Maximum Total Equivalent Length† Vertical Separation ft (m) Outdoor unit BELOW indoor unit;						
		0–20 (0 – 6.1)	21–30 (6.4 – 9.1)	31–40 (9.4 – 12.2)	41–50 (12.5 – 15.2)	51–60 (15.5 – 18.3)	61–70 (18.6 – 21.3)	71–80 (21.6 – 24.4)
024 HP with Puron	3/8	250*	250*	250*	250*	250*	250*	250*
036 HP with Puron	3//8	250*	250*	250*	250*	250*	250*	250*
048 HP with Puron	3/8	250*	250*	250*	250*	230	160	--
060 HP with Puron	3/8	250*	225*	190	150	110	--	--

* Maximum actual length not to exceed 200 ft (61 m)

† Total equivalent length accounts for losses due to elbows or fitting. See the Long Line Guideline for details.

-- = outside acceptable range

LONG LINE APPLICATIONS

An application is considered Long Line when the refrigerant level in the system requires the use of accessories to maintain acceptable refrigerant management for systems reliability. Defining a system as long line depends on the liquid line diameter, actual length of the tubing, and vertical separation between the indoor and outdoor units.

For Heat Pump systems, the chart below shows when an application is considered Long Line. Beyond these lengths, long line accessories are required:

HP WITH PURON® REFRIGERANT LONG LINE DESCRIPTION ft (m) Beyond these lengths, long line accessories are required

Liquid Line Size	Units On Same Level	Outdoor Below Indoor	Outdoor Above Indoor
3/8	80 (24.4)	20 (6.1) vertical or 80 (24.4) total	80 (24.4)

Note: See Long Line Guideline for details

ACCESSORIES

KIT NUMBER	KIT NAME	24 – 30	36 – 30	48 – 30	60 – 30
KHALS0401LLS	SOLENOID VALVE	X	X	X	X
KHASS0606MPK*	SNOW STAND	X	X	X	X
KSAHS2301AAA	HARD START KIT	X			
KSAHS2401AAA	HARD START KIT		X		
KSAHS2501AAA	HARD START KIT			X	
KSAHS2601AAA	HARD START KIT				X
KSASF0101AAA	SUPPORT FEET	X	X	X	X
KSATX0201PUR	TXV	X			
KSATX0301PUR	TXV		X		
KSATX0401PUR	TXV			X	
KSATX0501PUR	TXV				X

x = Accessory S = Standard * Available from RCD

ACCESSORY CONTROLS

PART NO.	DESCRIPTION
SYSTXCCUID01-V	Infinity Control Deluxe 7-Day Programmable (Wall-mounted system control.)
SYSTXCCUIZ01-V	Infinity Control Deluxe Zoning 7-Day Programmable (Wall-mounted control for a multi-zone system.)
SYSTXCC4ZC01	Infinity 4-Zone Damper Control Module (Wall-mounted control for a four-zone system.)
SYSTXCCSMS01	Infinity Smart Sensor (Optional wall control used to monitor temperature and/or fan control in an individual zone.)
SYSTXCCRRS01	Infinity Remote Room Sensor (Monitors temperature in an individual zone.)
SYSTXCCRCT01 or SYSTXCCRWF01	Infinity System Access Module (Hardware for wireless access and control via internet.)
SYSTXCCNIM01	Infinity Network Interface Module (Connects Heat Recovery and Energy Recovery Ventilators on Non-zoning applications.)
SYSTXXXBPU01	Decorative Back Plate for Infinity Control (Decorative wall plate.)

25HNB6

ACCESSORY USAGE GUIDELINE

ACCESSORY	REQUIRED FOR LOW-AMBIENT COOLING APPLICATIONS (Below 55°F/12.8°C)	REQUIRED FOR LONG LINE APPLICATIONS* (Over 80 ft/24.38 m)	REQUIRED FOR SEA COAST APPLICATIONS (Within 2 miles/3.22 km)
Crankcase Heater	Standard	Standard	Standard
Evaporator Freeze Protection	Standard with Infinity™ Control (Low Ambient not allowed with non-communicating thermostat)	No	No
Liquid-Line Solenoid Valve	No	Yes	No
Low-Ambient Control	Standard with Infinity Control (Low ambient not allowed with non-communicating thermostat)	No	No
Puron Refrigerant Balance Port Hard-ShutOff TXV	Yes†	Yes†	Yes†
Support Feet	Recommended	No	Recommended
Winter Start Control	Standard with Infinity Control (Low Ambient not allowed with non-communicating thermostat)	No	No

* For tubing set lengths between 80 and 200 ft. (24.38 and 60.96 m) horizontal or 20 ft. (6.10 m) vertical differential (total equivalent length), refer to the Long Line Guideline—Air Conditioners and Heat Pumps using Puron® Refrigerant.

† Required on all indoor units. Standard on all new Puron refrigerant fan coils and furnace coils.

Accessory Description and Usage (Listed Alphabetically)

1. Compressor Start Assist - Capacitor and Relay

Start capacitor and relay gives a “hard” boost to compressor motor at each start up.

Usage Guideline:

Available if required by local codes.

2. Crankcase Heater

An electric resistance heater which mounts to the base of the compressor to keep the lubricant warm during off cycles. Improves compressor lubrication on restart and minimizes the chance of liquid slugging.

Usage Guideline:

Required in low ambient cooling applications.

Required in long line applications.

Suggested in all commercial applications.

3. Liquid-Line Solenoid Valve (LLS)

An electrically operated shutoff valve which stops and starts refrigerant liquid flow in response to compressor operation. It is to be installed at the outdoor unit to control refrigerant off cycle migration in the heating mode.

Usage Guideline:

An LLS is required in all long line heat pump applications to control refrigerant off cycle migration in the heating mode. See Long Line Guideline.

Suggested for all commercial applications.

4. Outdoor Air Temperature Sensor

Designed for use with Carrier Thermostats listed in this publication. This device enables the thermostat to display the outdoor temperature. This device also is required to enable special thermostat features such as auxiliary heat lock out.

Usage Guideline:

Suggested for all Carrier thermostats listed in this publication.

5. Snow Stand

Coated wire rack which supports unit 18 in. (457.2 mm) above mounting pad to allow for drainage from unit base.

Usage Guideline:

Suggested in the following applications:

Heat pump installations in heavy snowfall areas.

Heat pump installations in snow drift locations.

Heat pump installations in areas of prolonged subfreezing temperatures.

All commercial installations.

6. Thermostatic Expansion Valve (TXV) Bi-Flow

A modulating flow-control valve which meters refrigerant liquid flow rate into the evaporator in response to the superheat of the refrigerant gas leaving the evaporator.

Usage Guideline:

Accessory required to meet ARI rating and system reliability, where indoor not equipped.

Required in all heat pump applications designed with Puron refrigerant.

ELECTRICAL DATA

UNIT SIZE – VOLTAGE, SERIES	V/PH	OPER VOLTS*		COMPR		FAN	MCA	MIN WIRE SIZE†	MIN WIRE SIZE†	MAX LENGTH ft (m)‡	MAX LENGTH ft (m)‡	MAX FUSE** or CKT BRK AMPS
		MAX	MIN	LRA	RLA	FLA		60°C	75°C	60°C	75°C	
24–30	208/230/1	253	197	52.0	12.7	0.6	16.5	14	14	48 (14.6)	45 (13.7)	25
36–30				82.0	16.7	0.9	21.8	12	12	57 (17.4)	55 (16.8)	35
48–30				96.0	26.9	1.3	34.9	8	10	89 (27.1)	54 (16.5)	50
60–30				118.0	23.0	1.4	30.2	8	10	103 (31.4)	63 (19.2)	50

* Permissible limits of the voltage range at which the unit will operate satisfactorily

† If wire is applied at ambient greater than 30°C, consult table 310–16 of the NEC (NFPA 70). The ampacity of non–metallic–sheathed cable (NM), trade name ROMEX, shall be that of 60°C conditions, per the NEC (NFPA 70) Article 336–26. If other than uncoated (no–plated), 60 or 75°C insulation, copper wire (solid wire for 10 AWG or smaller, stranded wire for larger than 10 AWG) is used, consult applicable tables of the NEC (NFPA 70).

‡ Length shown is as measured 1 way along wire path between unit and service panel for voltage drop not to exceed 2%.

** Time–Delay fuse.

FLA – Full Load Amps

LRA – Locked Rotor Amps

MCA – Minimum Circuit Amps

RLA – Rated Load Amps

NOTE: Control circuit is 24–V on all units and requires external power source. Copper wire must be used from service disconnect to unit.

All motors/compressors contain internal overload protection.

Complies with 2010 requirements of ASHRAE Standards 90.1

SOUND POWER LEVEL (dBA)

Unit Size – Voltage, Series	Standard Rating dBA	TYPICAL OCTAVE BAND SPECTRUM (dBA, without tone adjustment)						
		125	250	500	1000	2000	4000	8000
24	68 – High Stage	53.0	55.0	59.0	62.0	59.5	58.0	53.5
	67 – Low Stage	52.0	56.0	59.5	60.5	61.0	58.0	49.0
36	71 – High Stage	53.0	59.0	62.0	64.0	60.0	58.5	50.5
	71 – Low Stage	53.4	60.0	63.0	65.5	61.5	58.0	49.0
48	70 – High Stage	54.5	61.5	63.5	64.5	61.0	57.5	52.0
	70 – Low Stage	55.5	61.0	64.5	64.0	61.0	57.0	49.5
60	72 – High Stage	53.5	62.0	66.0	66.5	61.5	58.0	52.0
	72 – Low Stage	54.0	62.0	66.5	67.0	60.5	57.5	51.0

NOTE: Tested in compliance with ARI 270–2008 but not listed with AHRI.

CHARGING SUBCOOLING (TXV-TYPE EXPANSION DEVICE)

UNIT SIZE – VOLTAGE, SERIES	REQUIRED SUBCOOLING °F (°C)
24–30	9.0 (5.0)
36–30	12.0 (6.7)
48–30	12.0 (6.7)
60–30	11.0 (6.1)

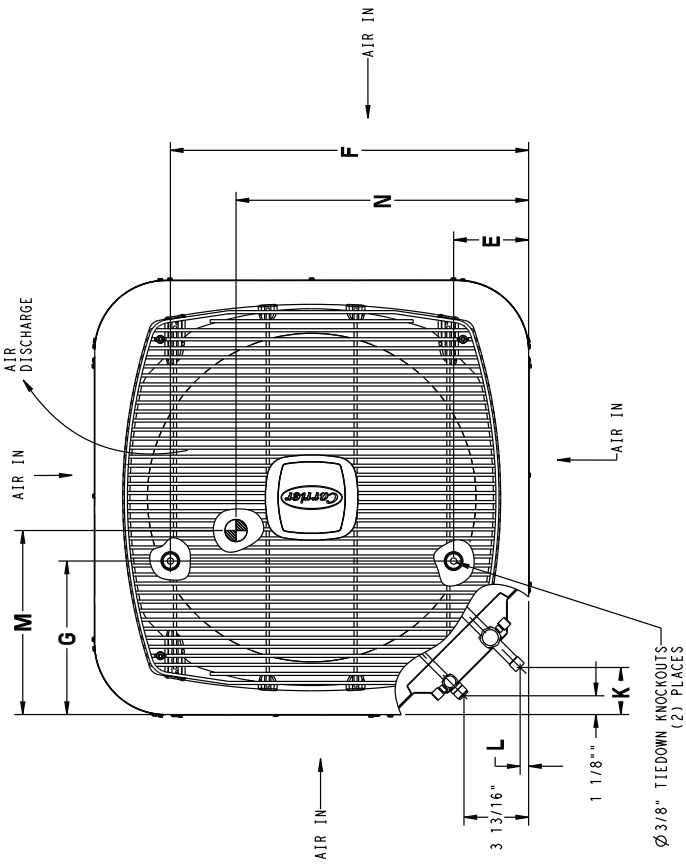
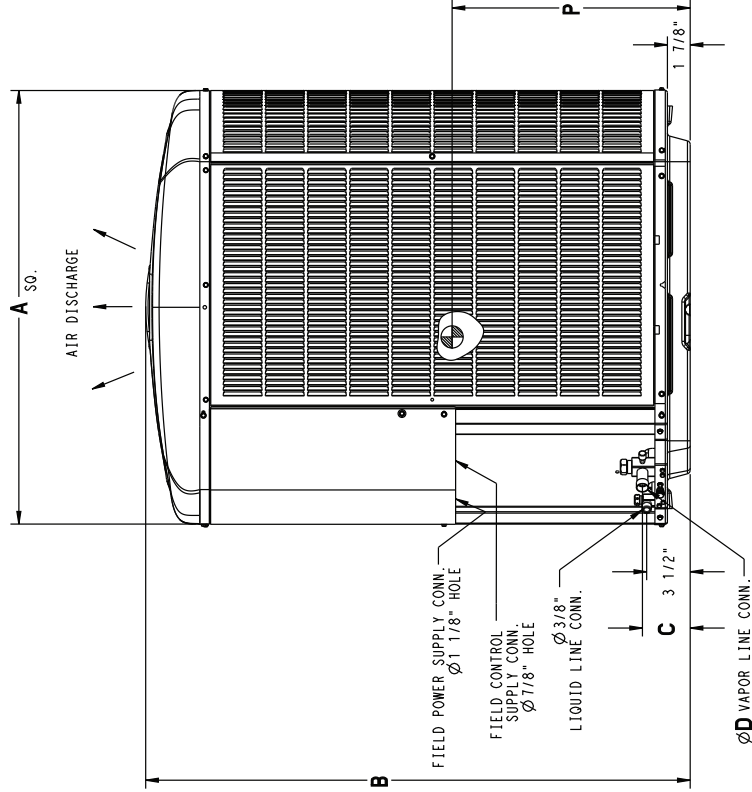
25HNB6

DIMENSIONS - ENGLISH

UNIT	SERIES	ELECTRICAL CHARACTERISTICS	A	B	C	D	E	F	G	K	L	M	N	P	OPERATING WEIGHT (lbs)	SHIPPING WEIGHT (lbs)	SHIPPING DIMENSIONS (L x W x H)
25HNB624	0	X 0 0 0	35"	40 5/8"	3 3/4"	3/4"	6 9/16"	28 7/16"	9 1/8"	2 13/16"	1/2"	17 1/2"	18 1/4"	18 1/2"	314	358	36 1/8" X 39 1/4" X 46 1/8"
25HNB636	0	X 0 0 0	35"	40 5/8"	3 7/8"	7/8"	6 9/16"	28 7/16"	9 1/8"	2 15/16"	5/8"	16 3/4"	17"	19"	316	360	36 1/8" X 39 1/4" X 46 1/8"
25HNB648	0	X 0 0 0	35"	40 5/8"	3 7/8"	7/8"	6 9/16"	28 7/16"	9 1/8"	2 15/16"	5/8"	18 3/4"	17 1/2"	20"	316	360	36 1/8" X 39 1/4" X 46 1/8"
25HNB660	0	X 0 0 0	35"	47 7/16"	3 7/8"	7/8"	6 9/16"	28 7/16"	9 1/8"	2 15/16"	5/8"	16 3/4"	17 3/4"	21"	372	417	36 1/8" X 39 1/4" X 51 13/16"

208-230-160	230-160	208/230-360	460-360
-------------	---------	-------------	---------

X = YES
O = NO



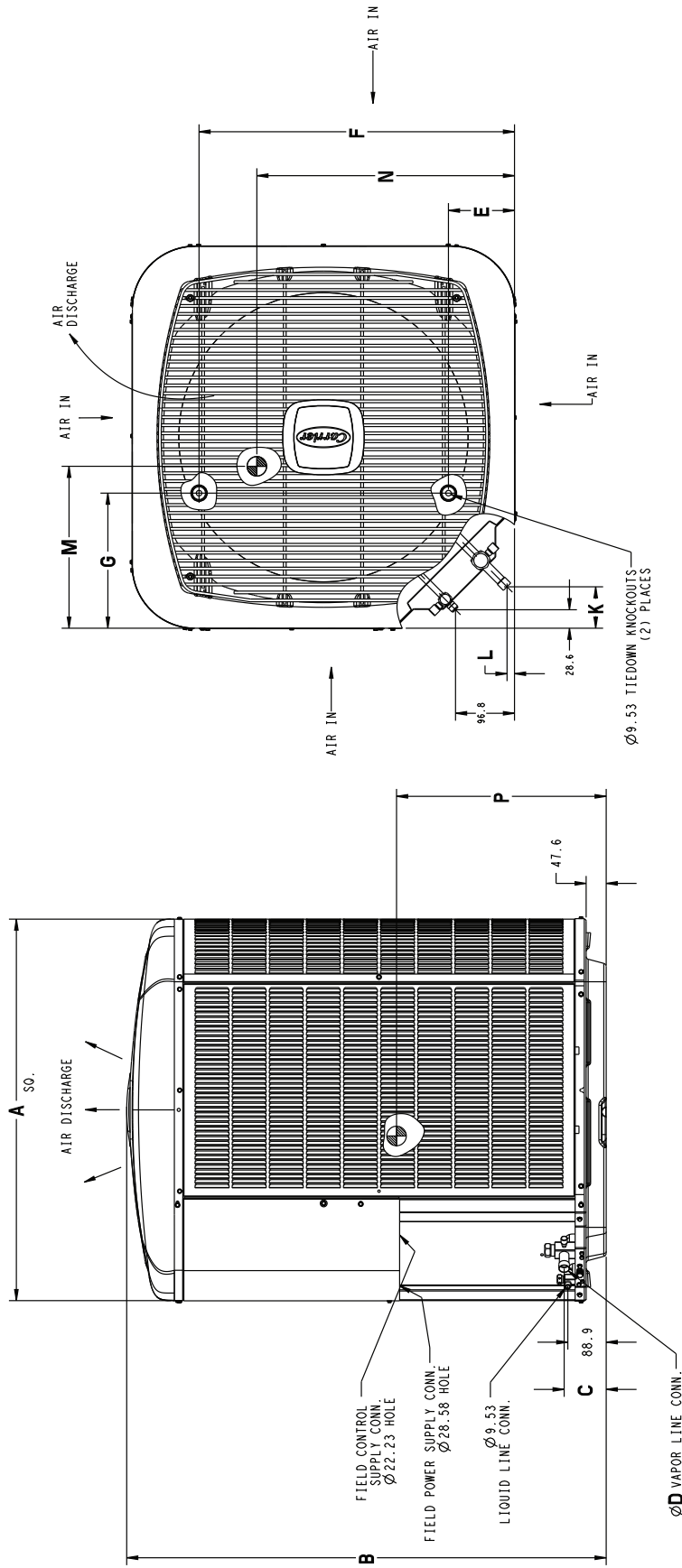
UNIT SIZE	MINIMUM MOUNTING PAD DIMENSIONS
-	31 1/2" X 31 1/2"
24, 36, 48, 60	35" X 35"

DIMENSIONS - SI

UNIT	SERIES	ELECTRICAL CHARACTERISTICS	A	B	C	D	E	F	G	K	L	M	N	P	OPERATING WEIGHT (Kgs)	SHIPPING WEIGHT (Kgs)	SHIPPING DIMENSIONS (L x W x H)
25HNB24	0	X 0 0 0	889.0	1032.6	95.6	19.1	166.1	722.8	231.3	70.9	12.8	444.5	463.6	469.9	142	162	917.7 X 997.7 X 1172.2
25HNB36	0	X 0 0 0	889.0	1032.6	97.9	22.2	166.1	722.8	231.3	74.5	16.3	425.5	431.8	482.6	143	163	917.7 X 997.7 X 1172.2
25HNB48	0	X 0 0 0	889.0	1032.6	97.9	22.2	166.1	722.8	231.3	74.5	16.3	476.3	444.5	508.0	143	163	917.7 X 997.7 X 1172.2
25HNB60	0	X 0 0 0	889.0	1205.4	97.9	22.2	166.1	722.8	231.3	74.5	16.3	425.5	450.9	533.4	169	189	917.7 X 997.7 X 1315.7

208-230-160	230-160	208/230-3-60	460-3-60
-------------	---------	--------------	----------

X = YES
O = NO

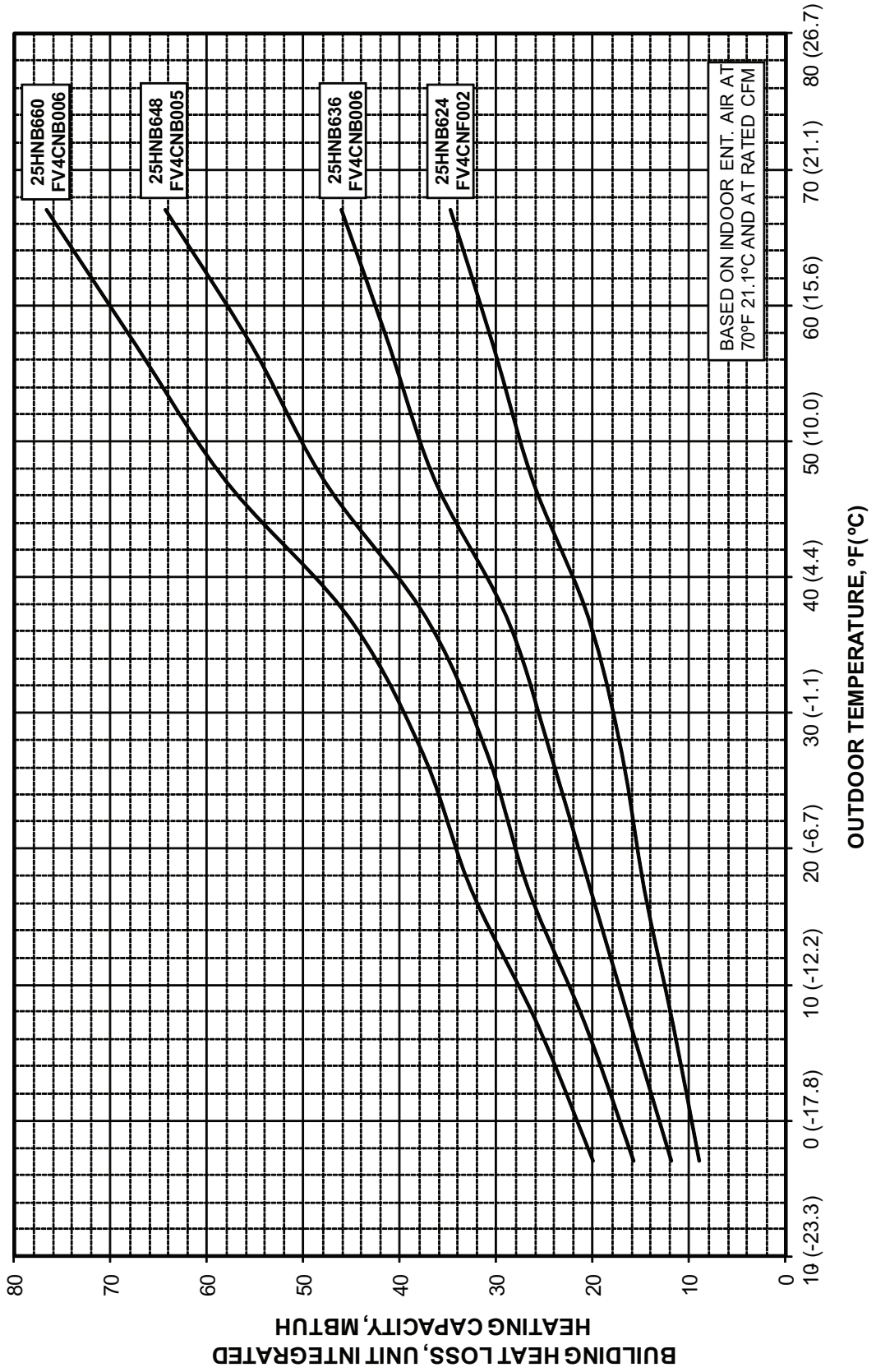


UNIT SIZE	MINIMUM MOUNTING PAD DIMENSIONS
-	800.1 X 800.1
24, 36, 48, 60	889.0 X 889.0

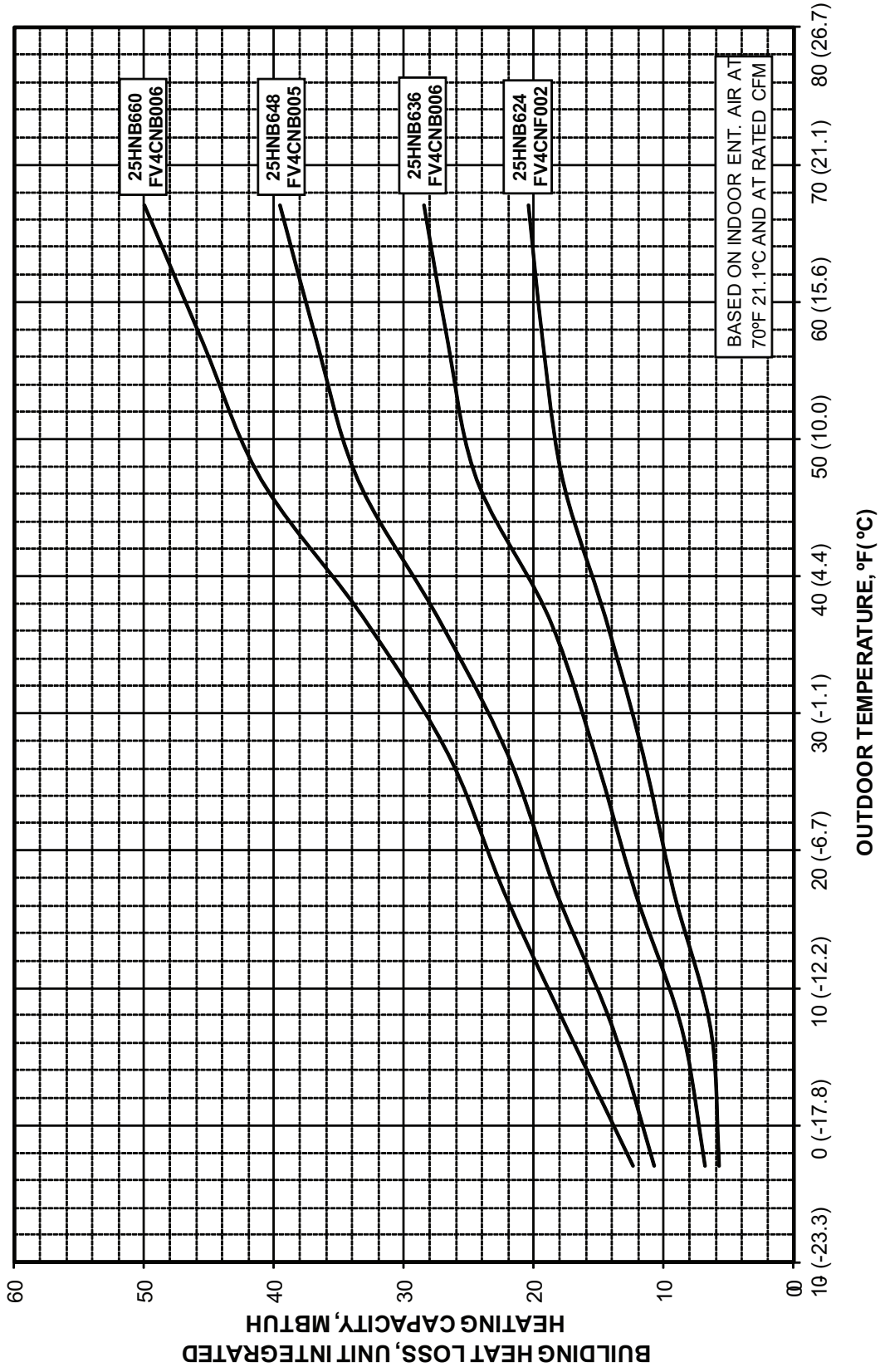
25HNB6

25HNB6

25HNB6 BALANCE POINT WORKSHEET - HIGH STAGE



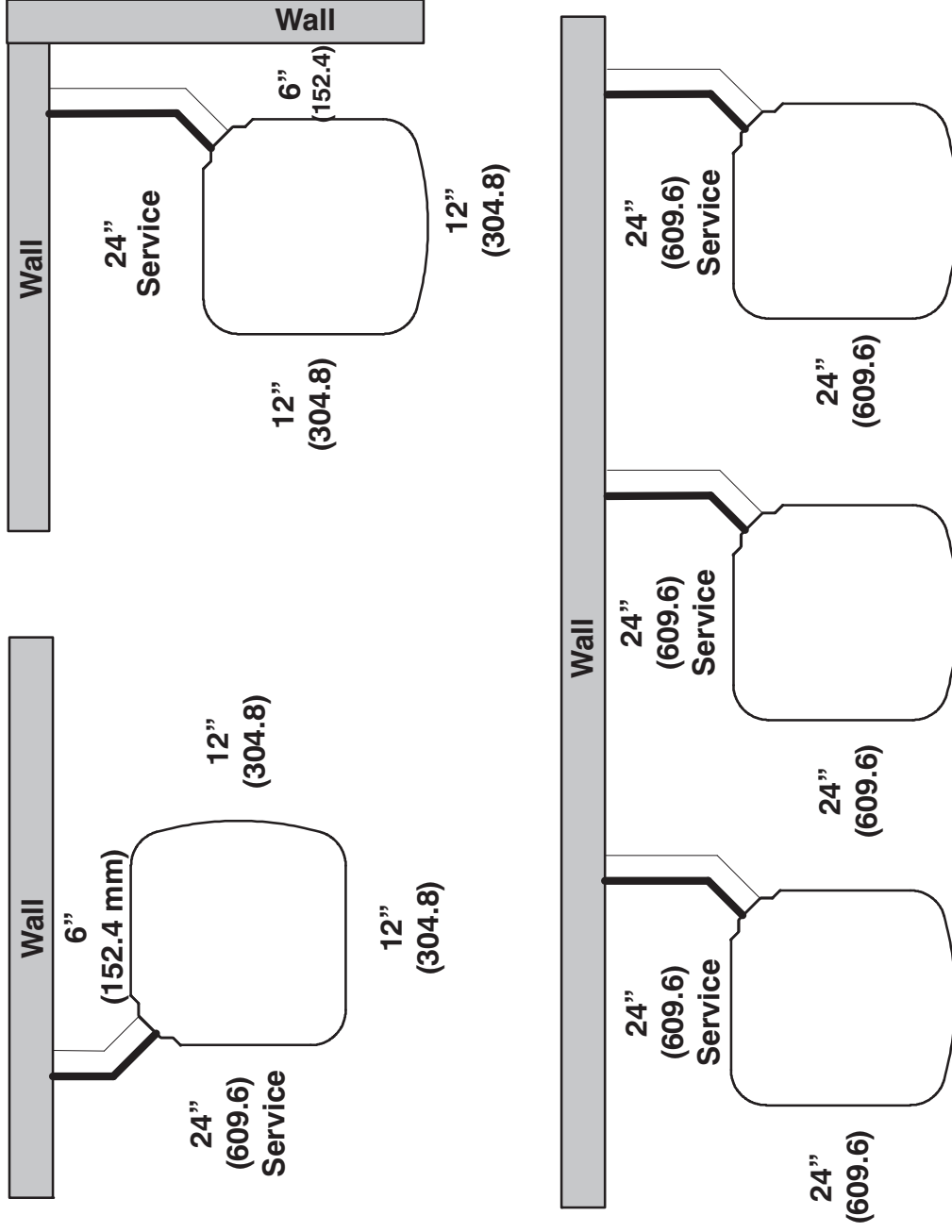
25HNB6 BALANCE POINT WORKSHEET - LOW STAGE



25HNB6

CLEARANCES

Clearances (various examples)



Note: Numbers in () = mm

IMPORTANT: When installing multiple units in an alcove, roof well, or partially enclosed area, ensure there is adequate ventilation to prevent re-circulation of discharge air.

COMBINATION RATINGS

AHRI Ref. No.	Model Number	Coil Model Number	Furnace Model Number	Cooling Capacity	Cooling				AHRI Standard Ratings			
					SEER	ID CFM		High Temp		HSPF	Low Temp	
						High	Low	E Capacity	H Capacity		E COP	H COP
4639245	25HNB24A**30	†FV4CNF002		23,800	12.7	16.5	700	560	25,400	9.0	15,300	2.72
4639269	25HNB24A**30	CAP**2414A**	58PH*045-08	23,600	12.5	15.5	710	580	25,400	8.7	15,400	2.68
4791061	25HNB24A**30	CAP**2414A**	59*P5A040E14**10	23,600	11.5	15.2	775	525	26,200	8.2	16,000	2.58
4639246	25HNB24A**30	CAP**2414A**+TDR		23,200	11.5	13.5	700	560	25,800	8.2	15,300	2.52
4639429	25HNB24A**30	CAP**2414A**+UI	58CV(A.X)070-12	23,600	12.5	16.0	700	560	25,200	8.5	15,900	2.72
4639271	25HNB24A**30	CAP**2417A**	58MEB040-12	24,000	12.7	16.5	765	655	25,600	9.0	15,400	2.76
4639272	25HNB24A**30	CAP**2417A**	58MEC060-12	24,200	12.7	16.5	780	620	25,600	9.0	15,500	2.76
4639270	25HNB24A**30	CAP**2417A**	58UVB060-14	23,800	12.5	16.0	725	500	25,400	8.5	15,300	2.72
4639274	25HNB24A**30	CAP**2417A**	58VLR105-12	23,800	12.5	16.0	715	470	25,400	8.5	15,300	2.72
4639273	25HNB24A**30	CAP**2417A**	58VMR105-12	24,200	12.5	15.7	800	485	25,800	8.5	15,600	2.74
4791062	25HNB24A**30	CAP**2417A**	59*P5A040E14**10	24,000	11.8	15.5	785	530	25,600	8.6	16,000	2.62
4791063	25HNB24A**30	CAP**2417A**	59*P5A060E17**14	24,200	12.6	16.3	905	705	25,600	9.0	15,900	2.70
4639276	25HNB24A**30	CAP**2417A**	OVLAA036098	23,800	12.5	15.5	720	460	25,400	8.2	15,400	2.70
4639275	25HNB24A**30	CAP**2417A**	OVMAB036098	23,800	12.5	16.0	725	550	25,400	8.5	15,400	2.68
4639277	25HNB24A**30	CAP**2417A**	OVMAB042112	23,800	12.5	16.0	690	580	25,200	8.7	15,300	2.70
4639247	25HNB24A**30	CAP**2417A**+TDR		23,200	11.5	13.5	700	560	25,800	8.2	15,900	2.52
4639431	25HNB24A**30	CAP**2417A**+UI	58CV(A.X)090-16	23,800	12.7	16.2	700	560	25,200	8.5	15,200	2.74
4639430	25HNB24A**30	CAP**2417A**+UI	58MV(B.C)060-14	23,600	12.5	16.0	700	560	25,200	8.8	15,300	2.72
4791088	25HNB24A**30	CAP**2417A**+UI	59*N*A060V17**14	23,600	12.5	16.0	700	560	25,200	8.8	15,400	2.68
4791089	25HNB24A**30	CAP**2417A**+UI	59*N*A080V17**14	23,600	12.5	16.0	700	560	25,400	8.5	15,300	2.70
4639278	25HNB24A**30	CAP**3014A**	58PH*045-08	23,800	12.5	15.5	720	585	26,200	8.8	15,500	2.72
4791064	25HNB24A**30	CAP**3014A**	59*P5A040E14**10	23,800	11.5	15.2	780	530	26,200	8.5	16,000	2.60
4639248	25HNB24A**30	CAP**3014A**+TDR		23,200	11.5	13.5	700	560	25,800	8.2	15,900	2.54
4639432	25HNB24A**30	CAP**3014A**+UI	58CV(A.X)070-12	23,600	12.5	16.0	700	560	25,400	9.0	15,300	2.74
4639280	25HNB24A**30	CAP**3017A**	58MEB040-12	24,200	13.0	16.5	785	680	25,600	9.2	15,500	2.80
4639281	25HNB24A**30	CAP**3017A**	58MEC060-12	24,200	13.0	16.5	795	650	25,600	9.2	15,500	2.80
4639279	25HNB24A**30	CAP**3017A**	58UVB060-14	23,800	12.7	16.0	725	500	25,400	8.5	15,400	2.76
4639283	25HNB24A**30	CAP**3017A**	58VLR105-12	23,800	12.7	16.0	715	470	25,400	8.5	15,300	2.74
4639282	25HNB24A**30	CAP**3017A**	58VMR105-12	24,200	12.5	15.7	800	485	25,800	8.5	15,600	2.78
4639285	25HNB24A**30	CAP**3017A**	OVLAA036098	23,800	12.5	15.7	720	460	25,400	8.5	15,400	2.74
4639284	25HNB24A**30	CAP**3017A**	OVMAB036098	23,800	12.5	15.7	725	550	25,600	9.0	15,500	2.72
4639286	25HNB24A**30	CAP**3017A**	OVMAB042112	23,600	12.5	16.0	690	580	25,200	9.0	15,300	2.74
4639249	25HNB24A**30	CAP**3017A**+TDR		23,200	11.5	13.5	700	560	25,800	8.2	15,900	2.54
4639434	25HNB24A**30	CAP**3017A**+UI	58CV(A.X)090-16	23,800	12.7	16.2	700	560	25,200	8.8	15,200	2.76
4639433	25HNB24A**30	CAP**3017A**+UI	58MV(B.C)060-14	23,800	12.6	16.0	700	560	25,200	9.0	15,300	2.74
4791090	25HNB24A**30	CAP**3017A**+UI	59*N*A060V17**14	23,800	12.6	16.0	700	560	25,200	8.9	15,400	2.70
4791091	25HNB24A**30	CAP**3017A**+UI	59*N*A080V17**14	23,600	12.7	16.0	700	560	25,400	8.8	15,400	2.72
4639287	25HNB24A**30	CAP**3614A**	58PH*045-08	23,800	12.5	16.0	725	590	25,600	9.0	15,500	2.72
4791065	25HNB24A**30	CAP**3614A**	59*P5A040E14**10	23,800	11.7	15.2	785	535	26,200	8.5	16,000	2.62
4639250	25HNB24A**30	CAP**3614A**+TDR		23,200	11.5	13.5	700	560	25,000	8.2	15,900	2.54
4639435	25HNB24A**30	CAP**3614A**+UI	58CV(A.X)070-12	23,800	12.5	16.2	700	560	25,000	8.8	15,300	2.74
4639289	25HNB24A**30	CAP**3617A**	58MEB040-12	24,200	13.0	16.5	790	695	25,800	9.2	15,900	2.80
4639290	25HNB24A**30	CAP**3617A**	58MEC060-12	24,400	13.0	16.5	805	660	25,800	9.0	15,500	2.82
4639288	25HNB24A**30	CAP**3617A**	58UVB060-14	23,800	12.7	16.0	725	500	25,400	8.5	15,400	2.76
4639292	25HNB24A**30	CAP**3617A**	58VLR105-12	23,800	12.7	16.0	715	470	25,400	8.5	15,300	2.76
4639291	25HNB24A**30	CAP**3617A**	58VMR105-12	24,200	12.7	16.0	800	485	25,800	8.7	15,600	2.78
4791066	25HNB24A**30	CAP**3617A**	59*P5A040E14**10	24,200	11.9	15.6	800	460	25,800	8.8	16,000	2.62
4639294	25HNB24A**30	CAP**3617A**	OVLAA036098	23,800	12.5	15.7	720	460	25,400	8.5	15,400	2.74
4639293	25HNB24A**30	CAP**3617A**	OVMAB036098	23,800	12.5	15.7	725	550	25,600	8.8	15,500	2.72
4639295	25HNB24A**30	CAP**3617A**	OVMAB042112	23,600	12.5	16.2	690	580	25,200	9.0	15,300	2.74
4639251	25HNB24A**30	CAP**3617A**+TDR		23,200	11.5	13.5	700	560	25,000	8.2	15,900	2.54
4639437	25HNB24A**30	CAP**3617A**+UI	58CV(A.X)090-16	23,800	13.0	16.2	700	560	25,000	8.7	15,300	2.76
4639436	25HNB24A**30	CAP**3617A**+UI	58MV(B.C)060-14	23,800	12.7	16.0	700	560	25,000	9.0	15,300	2.76

See notes on pg. 43



25HNB6

COMBINATION RATINGS CONTINUED

AHRI Ref. No.	Model Number	Coil Model Number	Furnace Model Number	Cooling Capacity	Cooling				AHRI Standard Ratings			
					SEER	ID CFM		High Temp		HSPF	Low Temp	
						High	Low	E Capacity	H Capacity		E COP	H COP
4791092	25HNB24A**30	CAP**3617A**+UI	59*N*A060V17**14	23,800	12.7	16.0	700	560	25,000	9.0	15,400	2.72
4791093	25HNB24A**30	CAP**3617A**+UI	59*N*A060V17**14	23,800	12.7	16.0	700	560	25,000	9.0	15,400	2.72
4639298	25HNB24A**30	CAP**3619A**	58HDV040--12	24,000	12.5	15.5	765	595	25,800	9.0	15,600	2.72
4639299	25HNB24A**30	CAP**3619A**	58HDV060--12	24,200	12.5	16.0	820	640	26,000	9.0	15,700	2.74
4791068	25HNB24A**30	CAP**3619A**	59*P5A060E17**14	25,000	12.5	16.2	925	725	26,400	9.0	16,000	2.76
4639253	25HNB24A**30	CAP**3619A**+TDR		23,200	11.5	13.5	700	560	25,000	8.2	15,900	2.54
4791097	25HNB24A**30	CAP**3619A**+UI	59*N*A060V17**14	23,800	12.5	16.0	700	560	25,400	9.0	15,400	2.72
4791098	25HNB24A**30	CAP**3619A**+UI	59*N*A060V17**14	23,800	12.7	16.0	700	560	25,400	9.0	15,400	2.72
4791099	25HNB24A**30	CAP**3619A**+UI	59*N*A100V21**20	23,800	12.7	16.2	700	680	25,400	9.0	15,400	2.72
4639296	25HNB24A**30	CAP**3621A**	58UVB080--14	23,400	12.5	16.0	660	490	25,200	8.5	15,200	2.72
4639297	25HNB24A**30	CAP**3621A**	58UVB100--20	24,200	12.7	16.0	800	665	25,800	9.0	16,000	2.78
4791067	25HNB24A**30	CAP**3621A**	59*P5A060E17**14	25,200	12.5	16.2	945	745	26,400	9.0	16,000	2.78
4639252	25HNB24A**30	CAP**3621A**+TDR		23,200	11.5	13.5	700	560	25,000	8.2	15,900	2.54
4639441	25HNB24A**30	CAP**3621A**+UI	58CV(A,X)110--20	23,800	13.0	16.5	705	705	25,000	9.0	15,300	2.78
4639438	25HNB24A**30	CAP**3621A**+UI	58MV(B,C)080--14	23,800	12.5	16.0	700	560	25,000	8.8	15,300	2.74
4639439	25HNB24A**30	CAP**3621A**+UI	58MV(B,C)080--20	23,800	12.5	16.0	700	665	25,000	8.8	15,300	2.74
4639440	25HNB24A**30	CAP**3621A**+UI	58MV(B,C)100--20	23,800	12.7	16.0	700	680	25,000	8.8	15,300	2.76
4791094	25HNB24A**30	CAP**3621A**+UI	59*N*A060V17**14	23,800	12.7	16.0	700	560	25,400	9.0	15,300	2.72
4791095	25HNB24A**30	CAP**3621A**+UI	59*N*A060V17**14	23,800	12.5	16.0	700	560	25,000	9.0	15,300	2.72
4791096	25HNB24A**30	CAP**3621A**+UI	59*N*A100V21**20	23,800	12.7	16.0	700	680	25,000	9.0	15,300	2.74
4639349	25HNB24A**30	CNP**2417A**	58HDV040--12	23,600	12.0	15.5	715	550	25,800	8.5	15,600	2.64
4639350	25HNB24A**30	CNP**2417A**	58HDV060--12	23,800	12.2	15.5	750	585	26,000	8.5	15,600	2.66
4639351	25HNB24A**30	CNP**2417A**	58HDV080--20	24,200	12.5	15.7	825	650	26,200	9.0	15,700	2.72
4639352	25HNB24A**30	CNP**2417A**	58HDV100--20	24,000	12.5	15.7	775	600	26,000	9.0	15,600	2.72
4639346	25HNB24A**30	CNP**2417A**	58MEB040--12	23,800	12.7	16.2	725	610	25,600	9.0	15,400	2.72
4639347	25HNB24A**30	CNP**2417A**	58MEC080--12	24,000	12.7	16.0	735	575	25,600	9.0	15,400	2.72
4639348	25HNB24A**30	CNP**2417A**	58MEC080--12	24,800	12.7	16.2	865	725	26,200	9.0	15,800	2.76
4639345	25HNB24A**30	CNP**2417A**	58HLR105--08	23,600	12.5	15.7	695	565	25,600	8.5	15,400	2.68
4639354	25HNB24A**30	CNP**2417A**	58VMR105--12	23,800	12.5	15.7	715	470	25,600	8.5	15,400	2.70
4639353	25HNB24A**30	CNP**2417A**	59*P5A040E14**10	24,200	12.5	15.7	800	485	26,000	8.8	15,700	2.70
4791078	25HNB24A**30	CNP**2417A**	59*P5A060E17**14	23,800	11.8	15.4	765	515	25,600	8.6	16,000	2.58
4791079	25HNB24A**30	CNP**2417A**	59*P5A060E17**14	24,000	12.5	16.0	865	670	25,600	8.8	15,900	2.70
4639356	25HNB24A**30	CNP**2417A**	OVLAA036098	23,800	12.2	15.0	720	460	25,600	8.5	15,500	2.68
4639355	25HNB24A**30	CNP**2417A**	OVMAA036098	23,800	12.2	15.7	725	550	25,800	8.5	15,500	2.68
4639357	25HNB24A**30	CNP**2417A**	OVMAB042112	23,600	12.5	16.0	690	580	25,400	8.7	15,300	2.70
4639262	25HNB24A**30	CNP**2417A**+TDR		23,200	11.5	14.0	700	560	26,000	8.2	15,900	2.52
4639464	25HNB24A**30	CNP**2417A**+UI	58CV(A,X)070--12	23,800	12.5	16.0	700	560	25,400	8.7	15,300	2.72
4639465	25HNB24A**30	CNP**2417A**+UI	58CV(A,X)090--16	23,800	12.7	16.2	700	560	25,400	8.7	15,300	2.72
4639466	25HNB24A**30	CNP**2417A**+UI	58CV(A,X)110--20	23,800	12.5	16.2	705	705	25,600	9.0	15,400	2.70
4639467	25HNB24A**30	CNP**2417A**+UI	58CV(A,X)135--22	23,800	12.7	16.2	700	680	25,400	9.0	15,300	2.72
4639468	25HNB24A**30	CNP**2417A**+UI	58CV(A,X)155--22	23,800	12.7	16.2	700	680	25,400	9.0	15,300	2.72
4639459	25HNB24A**30	CNP**2417A**+UI	58MV(B,C)060--14	23,800	12.5	15.5	700	560	25,400	8.5	15,300	2.72
4639460	25HNB24A**30	CNP**2417A**+UI	58MV(B,C)080--14	23,600	12.5	15.5	700	560	25,600	8.5	15,400	2.70
4639461	25HNB24A**30	CNP**2417A**+UI	58MV(B,C)080--20	23,600	12.5	16.0	700	665	25,600	8.5	15,400	2.70
4639462	25HNB24A**30	CNP**2417A**+UI	58MV(B,C)100--20	23,800	12.5	16.0	700	680	25,400	8.7	15,400	2.70
4639463	25HNB24A**30	CNP**2417A**+UI	58MV(B,C)120--20	23,800	12.5	16.0	700	680	25,400	8.7	15,300	2.70
4639458	25HNB24A**30	CNP**2417A**+UI	58MV(B,C)140--14	23,800	12.5	16.0	700	560	25,400	8.5	15,400	2.70
4791113	25HNB24A**30	CNP**2417A**+UI	59*N*A060V17**14	23,800	12.5	15.5	700	560	25,400	8.8	15,400	2.66
4791114	25HNB24A**30	CNP**2417A**+UI	59*N*A060V17**14	23,600	12.5	16.0	700	560	25,600	8.8	15,400	2.68
4791115	25HNB24A**30	CNP**2417A**+UI	59*N*A100V21**20	23,800	12.5	16.0	700	680	25,400	8.7	15,400	2.68
4791116	25HNB24A**30	CNP**2417A**+UI	59*N*A120V24**22	23,800	12.5	16.0	700	680	25,400	8.7	15,400	2.68
4639361	25HNB24A**30	CNP**3017A**	58HDV040--12	23,800	12.5	15.5	750	585	25,800	9.0	15,600	2.70
4639362	25HNB24A**30	CNP**3017A**	58HDV060--12	24,200	12.5	16.0	805	630	26,000	9.0	15,700	2.74

COMBINATION RATINGS CONTINUED

AHRI Ref. No.	Model Number	Coil Model Number	Furnace Model Number	Cooling Capacity	Cooling				AHRI Standard Ratings			
					SEER	ID CFM		High Temp		HSPF	Low Temp	
						High	Low	E Capacity	H Capacity		E COP	H COP
4639363	25HNB24A**30	CNPH*3017A**	58HDV100--20	24,400	12.7	845	660	26,000	3.94	9.0	15,700	2.80
4639364	25HNB24A**30	CNPH*3017A**	58MEB040--12	24,200	13.0	775	675	25,600	3.92	9.2	15,500	2.80
4639365	25HNB24A**30	CNPH*3017A**	58MEC080--12	24,200	13.0	790	645	25,800	3.92	9.0	15,500	2.80
4639366	25HNB24A**30	CNPH*3017A**	58PH*045--08	23,800	12.5	730	595	25,600	3.80	8.7	15,500	2.74
4639367	25HNB24A**30	CNPH*3017A**	58VLR105--12	23,800	12.7	715	470	25,400	3.80	8.5	15,400	2.74
4639368	25HNB24A**30	CNPH*3017A**	58VMR105--12	24,200	12.5	800	485	25,800	3.88	8.7	15,600	2.78
4639369	25HNB24A**30	CNPH*3017A**	59*PSA040E14**10	24,200	11.9	790	540	25,600	3.68	8.8	16,000	2.62
4639370	25HNB24A**30	CNPH*3017A**	OVLAAB036098	23,800	12.5	720	460	25,400	3.80	8.8	15,400	2.72
4639371	25HNB24A**30	CNPH*3017A**	OVMAAB036098	23,800	12.5	725	550	25,200	3.78	8.8	15,500	2.72
4639372	25HNB24A**30	CNPH*3017A**	OVMAAB042112	23,800	12.5	690	580	25,200	3.78	9.0	15,300	2.74
4639373	25HNB24A**30	CNPH*3017A**	58CV(A,X)070--12	23,800	11.5	700	560	26,000	3.54	8.2	15,900	2.54
4639374	25HNB24A**30	CNPH*3017A**	58CV(A,X)110--20	23,800	12.7	700	560	26,000	3.80	8.7	15,300	2.74
4639375	25HNB24A**30	CNPH*3017A**	58CV(A,X)135--22	23,800	13.0	705	705	25,200	3.82	9.0	15,300	2.76
4639376	25HNB24A**30	CNPH*3017A**	58CV(A,X)155--22	23,800	13.0	700	680	25,200	3.82	9.0	15,300	2.76
4639377	25HNB24A**30	CNPH*3017A**	58MV(B,C)060--14	23,800	12.5	700	560	25,400	3.80	8.5	15,300	2.74
4639378	25HNB24A**30	CNPH*3017A**	58MV(B,C)080--14	23,800	12.5	700	560	25,400	3.78	8.5	15,300	2.74
4639379	25HNB24A**30	CNPH*3017A**	58MV(B,C)100--20	23,800	12.5	700	665	25,400	3.78	8.7	15,300	2.74
4639380	25HNB24A**30	CNPH*3017A**	58MV(B,C)120--20	23,800	12.5	700	680	25,400	3.80	8.7	15,300	2.74
4639381	25HNB24A**30	CNPH*3017A**	58MV(B,C)140--14	23,800	12.5	700	680	25,400	3.80	8.7	15,300	2.74
4639382	25HNB24A**30	CNPH*3017A**	58MV(B,C)160--14	23,800	12.5	700	680	25,400	3.80	8.7	15,300	2.74
4639383	25HNB24A**30	CNPH*3017A**	58MV(B,C)180--14	23,800	12.5	700	680	25,400	3.80	8.7	15,300	2.74
4639384	25HNB24A**30	CNPH*3017A**	58MV(B,C)200--20	23,800	12.5	700	680	25,400	3.80	8.7	15,300	2.74
4639385	25HNB24A**30	CNPH*3017A**	58MV(B,C)220--20	23,800	12.5	700	680	25,400	3.80	8.7	15,300	2.74
4639386	25HNB24A**30	CNPH*3017A**	58MV(B,C)240--14	23,800	12.5	700	680	25,400	3.80	8.7	15,300	2.74
4639387	25HNB24A**30	CNPH*3017A**	59*N*A080V17**14	23,800	12.7	700	560	25,000	3.90	9.0	15,500	2.74
4639388	25HNB24A**30	CNPH*3017A**	59*N*A100V21**20	23,800	12.5	700	560	25,000	3.92	9.0	15,400	2.76
4639389	25HNB24A**30	CNPH*3017A**	59*N*A120V24**22	23,800	12.5	700	560	25,000	3.94	9.0	15,300	2.74
4639390	25HNB24A**30	CNPH*3017A**	58HDV040--12	24,000	12.5	760	595	25,000	3.94	9.0	15,700	2.74
4639391	25HNB24A**30	CNPH*3017A**	58HDV060--12	24,400	12.5	815	640	25,000	4.00	9.0	15,800	2.78
4639392	25HNB24A**30	CNPH*3017A**	58HDV100--20	24,800	12.7	860	670	25,000	4.12	9.0	15,800	2.86
4639393	25HNB24A**30	CNPH*3017A**	58MEB040--12	24,400	13.0	790	690	25,000	4.08	9.5	15,600	2.84
4639394	25HNB24A**30	CNPH*3017A**	58MEC080--12	24,400	13.0	800	660	25,000	4.10	9.2	15,600	2.84
4639395	25HNB24A**30	CNPH*3017A**	58PH*045--08	24,000	12.7	740	600	25,000	3.96	9.0	15,600	2.76
4639396	25HNB24A**30	CNPH*3017A**	58VLR105--12	24,000	12.7	715	470	25,000	3.96	8.5	15,400	2.78
4639397	25HNB24A**30	CNPH*3017A**	58VMR105--12	24,400	12.7	800	485	25,000	4.06	8.5	15,600	2.82
4639398	25HNB24A**30	CNPH*3017A**	59*PSA040E14**10	24,400	12.0	800	545	25,000	3.82	8.9	16,100	2.66
4639399	25HNB24A**30	CNPH*3017A**	OVLAAB036098	24,000	12.5	720	460	25,000	3.94	8.5	15,500	2.76
4639400	25HNB24A**30	CNPH*3017A**	OVMAAB036098	24,000	12.5	725	550	25,000	3.92	9.0	15,500	2.76
4639401	25HNB24A**30	CNPH*3017A**	OVMAAB042112	23,800	12.5	690	580	25,000	3.92	9.0	15,300	2.78
4639402	25HNB24A**30	CNPH*3017A**	58CV(A,X)070--12	23,400	11.5	700	560	25,000	3.66	8.2	16,000	2.56
4639403	25HNB24A**30	CNPH*3017A**	58CV(A,X)090--16	24,000	13.0	700	560	25,000	3.64	9.0	15,300	2.78
4639404	25HNB24A**30	CNPH*3017A**	58CV(A,X)110--20	24,000	13.0	705	560	25,000	3.96	9.0	15,300	2.80
4639405	25HNB24A**30	CNPH*3017A**	58CV(A,X)135--22	24,000	13.0	705	560	25,000	3.96	9.2	15,300	2.80
4639406	25HNB24A**30	CNPH*3017A**	58CV(A,X)155--22	24,000	13.0	700	680	25,000	3.96	9.3	15,300	2.80
4639407	25HNB24A**30	CNPH*3017A**	58MV(B,C)060--14	23,800	12.7	700	560	25,000	3.98	9.3	15,300	2.80
4639408	25HNB24A**30	CNPH*3017A**	58MV(B,C)080--14	23,800	12.7	700	560	25,000	3.94	8.7	15,300	2.78
4639409	25HNB24A**30	CNPH*3017A**	58MV(B,C)100--14	23,800	12.5	700	560	25,000	3.94	8.7	15,400	2.78
4639410	25HNB24A**30	CNPH*3017A**	58MV(B,C)120--20	23,800	12.5	700	665	25,000	3.94	9.0	15,400	2.78
4639411	25HNB24A**30	CNPH*3017A**	58MV(B,C)140--14	23,800	12.5	700	680	25,000	3.94	9.0	15,400	2.78
4639412	25HNB24A**30	CNPH*3017A**	58MV(B,C)160--14	23,800	12.5	700	680	25,000	3.94	9.0	15,400	2.78
4639413	25HNB24A**30	CNPH*3017A**	58MV(B,C)180--14	23,800	12.5	700	680	25,000	3.94	9.0	15,400	2.78
4639414	25HNB24A**30	CNPH*3017A**	58MV(B,C)200--20	23,800	12.5	700	680	25,000	3.94	9.0	15,400	2.78
4639415	25HNB24A**30	CNPH*3017A**	58MV(B,C)220--20	23,800	12.5	700	680	25,000	3.94	9.0	15,400	2.78
4639416	25HNB24A**30	CNPH*3017A**	58MV(B,C)240--14	23,800	12.5	700	680	25,000	3.94	9.0	15,400	2.78
4639417	25HNB24A**30	CNPH*3017A**	59*N*A080V17**14	23,800	12.7	700	560	25,000	3.90	9.0	15,500	2.74
4639418	25HNB24A**30	CNPH*3017A**	59*N*A100V21**20	23,800	12.5	700	560	25,000	3.92	9.0	15,400	2.76
4639419	25HNB24A**30	CNPH*3017A**	59*N*A120V24**22	23,800	12.5	700	560	25,000	3.90	9.0	15,400	2.76

See notes on pg. 43



25HNB6

COMBINATION RATINGS CONTINUED

AHRI Ref. No.	Model Number	Coil Model Number	Furnace Model Number	Cooling Capacity	Cooling				AHRI Standard Ratings				
					SEER	ID CFM		High Temp		HSPF	Low Temp		
						High	Low	E Capacity	H Capacity		E COP	H COP	
4791124	25HNB24A**30	CNPH*3171A**+UI	59*N*A120V24**22	24,000	12.5	16.0	700	680	25,000	3.92	9.0	15,400	2.76
4639383	25HNB24A**30	CNPH*3617A**	58HDV040--12	23,800	12.5	15.5	750	585	25,000	3.78	9.0	15,600	2.70
4639384	25HNB24A**30	CNPH*3617A**	58HDV060--12	24,200	12.5	16.0	805	630	25,000	3.84	9.0	15,700	2.74
4639385	25HNB24A**30	CNPH*3617A**	58HDV080--20	24,400	12.5	16.0	895	710	25,000	3.96	9.0	15,800	2.80
4639386	25HNB24A**30	CNPH*3617A**	58HDV100--20	24,600	12.5	16.2	845	660	25,000	3.94	9.0	15,700	2.80
4639381	25HNB24A**30	CNPH*3617A**	58MEB040-12	24,200	13.0	16.5	775	675	25,000	3.90	9.2	15,500	2.80
4639382	25HNB24A**30	CNPH*3617A**	58MEC060-12	24,200	13.0	16.2	790	645	25,000	3.92	9.2	15,500	2.80
4639380	25HNB24A**30	CNPH*3617A**	58PH*045-08	23,800	12.5	16.0	730	595	25,000	3.80	8.7	15,500	2.72
4639388	25HNB24A**30	CNPH*3617A**	58VLR105-12	23,800	12.7	15.7	715	470	25,000	3.80	8.5	15,400	2.74
4639387	25HNB24A**30	CNPH*3617A**	58VMR105-12	24,200	12.7	15.7	800	485	25,000	3.88	8.7	15,600	2.78
4791082	25HNB24A**30	CNPH*3617A**	59*P5A040E14**10	23,800	11.9	15.6	790	540	25,000	3.68	8.8	16,000	2.62
4639390	25HNB24A**30	CNPH*3617A**	OVLAA036098	23,800	12.5	15.7	720	460	25,000	3.80	8.5	15,400	2.72
4639389	25HNB24A**30	CNPH*3617A**	OVMAA036098	23,800	12.5	15.7	725	550	25,000	3.78	8.8	15,500	2.72
4639391	25HNB24A**30	CNPH*3617A**	OVMAA042112	23,600	12.5	16.0	690	580	25,000	3.78	9.0	15,300	2.74
4639265	25HNB24A**30	CNPH*3617A**+TDR		23,200	11.5	13.5	700	560	25,000	3.54	8.2	15,900	2.54
4639497	25HNB24A**30	CNPH*3617A**+UI	58CV(A,X)070-12	23,800	12.7	16.0	700	560	25,000	3.80	8.7	15,300	2.74
4639498	25HNB24A**30	CNPH*3617A**+UI	58CV(A,X)090-16	23,800	12.7	16.0	700	560	25,000	3.82	8.7	15,300	2.76
4639499	25HNB24A**30	CNPH*3617A**+UI	58CV(A,X)110-20	23,800	13.0	16.2	705	705	25,000	3.82	9.0	15,300	2.76
4639500	25HNB24A**30	CNPH*3617A**+UI	58CV(A,X)135-22	23,800	13.0	16.5	700	680	25,000	3.82	9.0	15,300	2.76
4639501	25HNB24A**30	CNPH*3617A**+UI	58CV(A,X)155-22	23,800	13.0	16.5	700	680	25,000	3.82	9.1	15,300	2.76
4639492	25HNB24A**30	CNPH*3617A**+UI	58MV(B,C)060-14	23,800	12.5	15.7	700	560	25,000	3.80	8.5	15,300	2.74
4639493	25HNB24A**30	CNPH*3617A**+UI	58MV(B,C)080-14	23,800	12.5	15.7	700	560	25,000	3.78	8.5	15,300	2.74
4639494	25HNB24A**30	CNPH*3617A**+UI	58MV(B,C)080-20	23,800	12.5	15.7	700	665	25,000	3.78	8.7	15,300	2.74
4639495	25HNB24A**30	CNPH*3617A**+UI	58MV(B,C)100-20	23,800	12.5	16.0	700	680	25,000	3.80	8.7	15,300	2.74
4639496	25HNB24A**30	CNPH*3617A**+UI	58MV(B,C)120-20	23,800	12.5	16.0	700	680	25,000	3.80	8.7	15,300	2.74
4639491	25HNB24A**30	CNPH*3617A**+UI	58MV(B040-14	23,800	12.5	15.5	700	560	25,000	3.80	8.5	15,300	2.74
4791125	25HNB24A**30	CNPH*3617A**+UI	59*N*A060V17**14	23,800	12.5	16.0	700	560	25,000	3.74	8.8	15,400	2.70
4791126	25HNB24A**30	CNPH*3617A**+UI	59*N*A060V17**14	23,600	12.5	16.0	700	560	25,000	3.78	8.8	15,400	2.72
4791127	25HNB24A**30	CNPH*3617A**+UI	59*N*A100V21**20	23,800	12.5	16.0	700	680	25,000	3.76	9.0	15,400	2.72
4791128	25HNB24A**30	CNPH*3617A**+UI	59*N*A120V24**22	23,800	12.5	16.0	700	680	25,000	3.78	9.0	15,300	2.72
4639300	25HNB24A**30	CNPV*2414A**	58PH*045-08	23,600	12.5	15.5	695	565	25,600	3.76	8.5	15,400	2.68
4791069	25HNB24A**30	CNPV*2414A**	59*P5A040E14**10	23,600	11.5	15.2	765	515	26,200	3.68	8.2	16,000	2.58
4639254	25HNB24A**30	CNPV*2414A**+TDR		23,200	11.5	14.0	700	560	26,000	3.56	8.2	15,900	2.52
4639442	25HNB24A**30	CNPV*2414A**+UI	58CV(A,X)070-12	23,800	12.5	16.2	700	560	25,400	3.82	8.8	15,300	2.72
4639302	25HNB24A**30	CNPV*2417A**	58MEB040-12	23,800	12.7	16.0	725	610	25,600	3.84	9.0	15,400	2.72
4639303	25HNB24A**30	CNPV*2417A**	58MEC060-12	24,000	12.7	16.0	735	575	25,600	3.86	8.8	15,400	2.72
4639301	25HNB24A**30	CNPV*2417A**	58V060-14	23,800	12.5	16.0	725	500	25,600	3.84	8.5	15,400	2.70
4639305	25HNB24A**30	CNPV*2417A**	58VLR105-12	23,800	12.5	15.7	715	470	25,600	3.82	8.5	15,400	2.70
4639304	25HNB24A**30	CNPV*2417A**	58VMR105-12	24,200	12.5	15.7	800	485	26,000	3.88	8.5	15,700	2.70
4791070	25HNB24A**30	CNPV*2417A**	59*P5A040E14**10	23,800	11.8	15.4	765	515	25,600	3.68	8.6	16,000	2.58
4791071	25HNB24A**30	CNPV*2417A**	59*P5A060E17**14	24,000	12.5	16.0	865	670	25,600	3.88	8.8	15,900	2.70
4639307	25HNB24A**30	CNPV*2417A**	OVLAA036098	23,800	12.5	15.5	720	460	25,600	3.80	8.2	15,500	2.68
4639306	25HNB24A**30	CNPV*2417A**	OVMAA036098	23,800	12.5	15.5	725	550	25,800	3.78	8.5	15,500	2.68
4639308	25HNB24A**30	CNPV*2417A**	OVMAA042112	23,600	12.5	16.0	690	580	25,400	3.78	8.8	15,300	2.70
4639255	25HNB24A**30	CNPV*2417A**+TDR		23,200	11.5	14.0	700	560	26,000	3.56	8.2	15,900	2.52
4639444	25HNB24A**30	CNPV*2417A**+UI	58CV(A,X)090-16	23,800	12.7	16.2	700	560	25,400	3.84	8.7	15,300	2.72
4639443	25HNB24A**30	CNPV*2417A**+UI	58MV(B,C)060-14	23,800	12.5	16.0	700	560	25,400	3.82	8.8	15,300	2.72
4791100	25HNB24A**30	CNPV*2417A**+UI	59*N*A060V17**14	23,800	12.5	16.0	700	560	25,400	3.76	8.8	15,400	2.66
4791101	25HNB24A**30	CNPV*2417A**+UI	59*N*A060V17**14	23,600	12.5	16.0	700	560	25,600	3.78	8.8	15,400	2.68
4639309	25HNB24A**30	CNPV*3014A**	58PH*045-08	23,600	12.5	15.5	705	580	25,400	3.74	8.5	15,400	2.70
4791072	25HNB24A**30	CNPV*3014A**	59*P5A040E14**10	23,600	11.5	15.2	770	530	26,200	3.64	8.5	16,000	2.60
4639256	25HNB24A**30	CNPV*3014A**+TDR		23,200	11.5	13.5	700	560	26,000	3.54	8.2	15,900	2.54
4639445	25HNB24A**30	CNPV*3014A**+UI	58CV(A,X)070-12	23,800	12.5	16.0	700	560	25,400	3.78	8.7	15,300	2.74

See notes on pg. 43

COMBINATION RATINGS CONTINUED

AHRI Ref. No.	Model Number	Coil Model Number	Furnace Model Number	Cooling Capacity	Cooling				AHRI Standard Ratings			
					SEER	ID CFM		High Temp E Capacity	HSPF	High Temp E COP	Low Temp H Capacity	H COP
						High	Low					
4699311	25HNB24A**30	CNPV*3017A**	58MEB040-12	24,200	13.0	775	675	25,600	9.0	15,500	2.80	
4699312	25HNB24A**30	CNPV*3017A**	58MEC060-12	24,200	13.0	790	645	25,800	9.0	15,500	2.80	
4699310	25HNB24A**30	CNPV*3017A**	58UVB060-14	23,800	12.6	725	500	25,400	8.5	15,400	2.76	
4699314	25HNB24A**30	CNPV*3017A**	58VLR105-12	23,800	12.5	715	470	25,400	8.5	15,400	2.74	
4699313	25HNB24A**30	CNPV*3017A**	58VMR105-12	24,200	12.5	700	485	25,800	8.5	15,600	2.78	
4791073	25HNB24A**30	CNPV*3017A**	59*P5A040E14**10	24,200	11.9	790	540	25,600	8.8	16,000	2.82	
4699316	25HNB24A**30	CNPV*3017A**	OVLAA036098	23,800	12.5	720	460	25,400	8.5	15,400	2.72	
4699315	25HNB24A**30	CNPV*3017A**	OVMAA036098	23,800	12.5	725	550	25,600	8.8	15,500	2.72	
4699317	25HNB24A**30	CNPV*3017A**	OVMAA042112	23,600	12.5	690	580	25,000	9.0	15,300	2.74	
4699325	25HNB24A**30	CNPV*3017A**+TDR	OVMAA042112	23,200	11.5	700	560	26,000	8.2	15,900	2.54	
4699447	25HNB24A**30	CNPV*3017A**+U1	58CV(A,X)090-16	23,800	12.7	700	560	26,000	8.2	15,900	2.76	
4699446	25HNB24A**30	CNPV*3017A**+U1	58MV(B,C)060-14	23,800	12.7	700	560	25,400	8.0	15,300	2.74	
4791102	25HNB24A**30	CNPV*3017A**+U1	59*N*A060V17**14	23,800	12.7	700	560	25,400	8.9	15,400	2.70	
4791103	25HNB24A**30	CNPV*3017A**+U1	59*N*A080V17**14	23,600	12.7	700	560	25,400	8.8	15,400	2.72	
4699319	25HNB24A**30	CNPV*3117A**	58MEB040-12	24,400	13.0	785	685	25,000	9.5	15,500	2.84	
4699320	25HNB24A**30	CNPV*3117A**	58MEC060-12	24,400	13.0	800	655	25,000	9.5	15,600	2.84	
4699318	25HNB24A**30	CNPV*3117A**	58UVB060-14	24,000	12.7	725	500	25,000	8.7	15,400	2.80	
4699322	25HNB24A**30	CNPV*3117A**	58VLR105-12	24,000	12.7	715	470	25,000	8.5	15,400	2.78	
4699321	25HNB24A**30	CNPV*3117A**	58VMR105-12	24,400	12.7	800	485	25,000	8.5	15,700	2.82	
4791074	25HNB24A**30	CNPV*3117A**	59*P5A040E14**10	24,400	12.0	795	540	25,000	8.2	16,100	2.66	
4699324	25HNB24A**30	CNPV*3117A**	OVLAA036098	24,000	12.5	720	460	25,000	8.5	15,500	2.76	
4699323	25HNB24A**30	CNPV*3117A**	OVMAA036098	24,000	12.5	725	550	25,000	9.0	15,500	2.76	
4699325	25HNB24A**30	CNPV*3117A**	OVMAA042112	23,800	12.5	690	580	25,000	9.0	15,300	2.78	
4699258	25HNB24A**30	CNPV*3117A**+TDR	OVMAA042112	23,400	11.5	700	560	25,000	8.5	16,000	2.56	
4699449	25HNB24A**30	CNPV*3117A**+U1	58CV(A,X)090-16	24,000	13.0	700	560	25,000	9.0	15,300	2.80	
4699448	25HNB24A**30	CNPV*3117A**+U1	58MV(B,C)060-14	23,800	12.7	700	560	25,000	9.1	15,300	2.78	
4791104	25HNB24A**30	CNPV*3117A**+U1	59*N*A080V17**14	23,800	12.7	700	560	25,000	9.1	15,500	2.74	
4791105	25HNB24A**30	CNPV*3117A**+U1	59*N*A060V17**14	23,800	12.7	700	560	25,000	9.0	15,400	2.76	
4699327	25HNB24A**30	CNPV*3617A**	58MEB040-12	24,200	13.0	775	675	25,000	9.2	15,500	2.80	
4699328	25HNB24A**30	CNPV*3617A**	58MEC060-12	24,200	13.0	790	645	25,000	9.0	15,500	2.80	
4699326	25HNB24A**30	CNPV*3617A**	58UVB060-14	23,800	12.6	725	500	25,000	8.5	15,400	2.76	
4699330	25HNB24A**30	CNPV*3617A**	58VLR105-12	23,800	12.7	715	470	25,000	8.5	15,400	2.74	
4699329	25HNB24A**30	CNPV*3617A**	58VMR105-12	24,200	12.5	800	485	25,000	8.8	15,600	2.78	
4791075	25HNB24A**30	CNPV*3617A**	59*P5A040E14**10	24,200	11.9	790	540	25,000	8.8	16,000	2.62	
4699332	25HNB24A**30	CNPV*3617A**	OVLAA036098	23,800	12.5	720	460	25,000	8.5	15,400	2.72	
4699331	25HNB24A**30	CNPV*3617A**	OVMAA036098	23,800	12.5	725	550	25,000	8.8	15,500	2.72	
4699333	25HNB24A**30	CNPV*3617A**	OVMAA042112	23,600	12.5	690	580	25,000	9.0	15,300	2.74	
4699259	25HNB24A**30	CNPV*3617A**+TDR	OVMAA042112	23,200	11.5	700	560	25,000	8.2	15,900	2.54	
4699451	25HNB24A**30	CNPV*3617A**+U1	58CV(A,X)090-16	23,800	12.7	700	560	25,000	8.8	15,300	2.76	
4699450	25HNB24A**30	CNPV*3617A**+U1	58MV(B,C)060-14	23,800	12.7	700	560	25,000	9.0	15,300	2.74	
4791106	25HNB24A**30	CNPV*3617A**+U1	59*N*A060V17**14	23,800	12.7	700	560	25,000	8.9	15,400	2.70	
4791107	25HNB24A**30	CNPV*3617A**+U1	59*N*A080V17**14	23,600	12.7	700	560	25,400	9.0	15,400	2.72	
4699334	25HNB24A**30	CNPV*3621A**	58UVB060-14	24,200	12.5	820	660	25,000	9.0	15,700	2.78	
4699335	25HNB24A**30	CNPV*3621A**	58VLR105-12	24,400	12.5	840	630	25,000	9.0	15,700	2.78	
4699336	25HNB24A**30	CNPV*3621A**	58VMR105-12	24,200	12.5	800	665	25,000	9.0	15,600	2.76	
4791076	25HNB24A**30	CNPV*3621A**	59*P5A060E17**14	24,600	12.5	915	715	26,400	9.0	16,000	2.76	
4699260	25HNB24A**30	CNPV*3621A**+TDR	OVMAA042112	23,200	11.5	700	560	25,000	8.2	15,900	2.54	
4699455	25HNB24A**30	CNPV*3621A**+U1	58CV(A,X)110-20	23,800	13.0	705	705	25,000	9.0	15,300	2.76	
4699452	25HNB24A**30	CNPV*3621A**+U1	58MV(B,C)080-14	23,600	12.5	700	560	25,000	8.5	15,300	2.74	
4699453	25HNB24A**30	CNPV*3621A**+U1	58MV(B,C)060-14	23,600	12.5	700	665	25,000	8.7	15,300	2.74	
4699454	25HNB24A**30	CNPV*3621A**+U1	58MV(B,C)100-20	23,800	12.5	700	680	25,000	8.7	15,300	2.74	
4791108	25HNB24A**30	CNPV*3621A**+U1	59*N*A060V17**14	23,600	12.5	700	560	25,400	9.0	15,400	2.70	
4791109	25HNB24A**30	CNPV*3621A**+U1	59*N*A080V17**14	23,600	12.5	700	560	25,000	8.8	15,400	2.72	

See notes on pg. 43

COMBINATION RATINGS CONTINUED

AHRI Ref. No.	Model Number	Coil Model Number	Furnace Model Number	Cooling Capacity	Cooling			AHRI Standard Ratings					
					SEER	ID CFM		E COP	HSPF	High Temp		Low Temp	
						High	Low			E Capacity	H Capacity	H COP	H COP
4639413	25HNB24A**30	CSPH*3012A**	58VLR105-12	23,800	12.7	15.7	715	470	3.86	8.5	25,600	15,400	2.74
4639412	25HNB24A**30	CSPH*3012A**	58VLR105-12	24,200	12.5	15.5	800	485	3.94	8.6	26,000	15,700	2.76
4791085	25HNB24A**30	CSPH*3012A**	59*P5A040E14**10	24,200	11.9	15.5	780	530	3.72	8.7	25,800	16,000	2.62
4791086	25HNB24A**30	CSPH*3012A**	59*P5A080E17**14	24,200	12.7	16.0	895	695	3.94	9.0	25,800	16,000	2.74
4639415	25HNB24A**30	CSPH*3012A**	OVLAA036098	23,800	12.5	15.7	720	460	3.86	8.5	25,600	15,500	2.72
4639414	25HNB24A**30	CSPH*3012A**	OVLAA036098	23,800	12.5	15.7	725	550	3.82	8.8	25,800	15,500	2.70
4639416	25HNB24A**30	CSPH*3012A**	OVLAA042112	23,800	12.5	16.0	690	580	3.82	9.0	25,400	15,300	2.72
4639267	25HNB24A**30	CSPH*3012A**+TDR		23,200	11.5	14.0	700	560	3.58	8.2	26,000	15,900	2.54
4639519	25HNB24A**30	CSPH*3012A**+UI	58CV(A.X)070-12	23,800	12.7	16.2	700	560	3.84	8.7	25,400	15,300	2.74
4639520	25HNB24A**30	CSPH*3012A**+UI	58CV(A.X)090-16	23,800	12.7	16.2	700	560	3.86	8.8	25,400	15,300	2.76
4639521	25HNB24A**30	CSPH*3012A**+UI	58CV(A.X)110-20	23,800	12.7	16.2	705	705	3.86	9.0	25,400	15,300	2.74
4639522	25HNB24A**30	CSPH*3012A**+UI	58CV(A.X)135-22	23,800	13.0	16.5	700	680	3.86	9.0	25,400	15,300	2.76
4639523	25HNB24A**30	CSPH*3012A**+UI	58CV(A.X)155-22	23,800	13.0	16.5	700	680	3.86	9.0	25,400	15,300	2.76
4639514	25HNB24A**30	CSPH*3012A**+UI	58MV(B.C)060-14	23,800	12.5	16.0	700	560	3.84	9.0	25,400	15,300	2.74
4639515	25HNB24A**30	CSPH*3012A**+UI	58MV(B.C)080-14	23,800	12.5	16.0	700	560	3.82	8.7	25,600	15,400	2.72
4639516	25HNB24A**30	CSPH*3012A**+UI	58MV(B.C)080-20	23,800	12.5	16.0	700	665	3.82	9.0	25,600	15,400	2.72
4639517	25HNB24A**30	CSPH*3012A**+UI	58MV(B.C)100-20	23,800	12.5	16.0	700	680	3.84	8.8	25,400	15,400	2.74
4639518	25HNB24A**30	CSPH*3012A**+UI	58MV(B.C)120-20	23,800	12.5	16.0	700	680	3.84	8.7	25,400	15,300	2.74
4639513	25HNB24A**30	CSPH*3012A**+UI	58MV(B.C)40-14	23,800	12.5	15.5	700	560	3.84	8.7	25,400	15,300	2.74
4791133	25HNB24A**30	CSPH*3012A**+UI	59*N*A080V17**14	23,800	12.5	16.0	700	560	3.78	8.9	25,400	15,400	2.70
4791134	25HNB24A**30	CSPH*3012A**+UI	59*N*A080V17**14	23,800	12.5	16.0	700	560	3.80	8.7	25,600	15,400	2.72
4791135	25HNB24A**30	CSPH*3012A**+UI	59*N*A100V21**22	23,800	12.5	16.0	700	680	3.80	9.0	25,400	15,400	2.70
4791136	25HNB24A**30	CSPH*3012A**+UI	59*N*A120V24**22	23,800	12.5	16.0	700	680	3.82	9.0	25,400	15,400	2.72
4639420	25HNB24A**30	CSPH*3612A**	58HDV060-12	24,000	12.5	15.7	755	580	3.88	8.7	25,000	15,700	2.74
4639421	25HNB24A**30	CSPH*3612A**	58HDV060-12	24,400	12.5	16.0	815	625	3.96	9.0	25,000	15,800	2.76
4639422	25HNB24A**30	CSPH*3612A**	58HDV100-20	24,400	12.7	16.2	860	655	4.08	9.0	25,000	15,700	2.84
4639418	25HNB24A**30	CSPH*3612A**	58MEB040-12	24,400	13.0	16.5	780	675	4.02	9.5	25,000	15,500	2.82
4639419	25HNB24A**30	CSPH*3612A**	58MEC080-12	24,400	13.0	16.5	795	640	4.04	9.3	25,000	15,600	2.84
4639417	25HNB24A**30	CSPH*3612A**	58PH*045-08	24,000	12.7	16.0	735	590	3.90	9.0	25,000	15,500	2.76
4639424	25HNB24A**30	CSPH*3612A**	58VLR105-12	23,800	12.7	15.7	715	470	3.90	8.5	25,000	15,400	2.76
4639423	25HNB24A**30	CSPH*3612A**	58VLR105-12	24,400	12.7	15.7	800	485	4.00	8.8	25,000	15,600	2.80
4791087	25HNB24A**30	CSPH*3612A**	59*P5A040E14**10	24,200	11.9	15.5	795	535	3.78	8.8	25,000	16,100	2.64
4639426	25HNB24A**30	CSPH*3612A**	OVLAA036098	23,800	12.5	15.7	720	460	3.88	8.5	25,000	15,500	2.76
4639425	25HNB24A**30	CSPH*3612A**	OVLAA036098	23,800	12.5	15.7	725	550	3.88	9.0	25,000	15,500	2.74
4639427	25HNB24A**30	CSPH*3612A**	OVLAA042112	23,800	12.5	16.0	690	580	3.88	9.0	25,000	15,300	2.76
4639268	25HNB24A**30	CSPH*3612A**+TDR		23,200	11.5	14.0	700	560	3.62	8.2	25,000	15,900	2.56
4639530	25HNB24A**30	CSPH*3612A**+UI	58CV(A.X)070-12	23,800	12.7	16.2	700	560	3.90	8.8	25,000	15,300	2.78
4639531	25HNB24A**30	CSPH*3612A**+UI	58CV(A.X)090-16	23,800	13.0	16.2	700	560	3.92	8.8	25,000	15,300	2.78
4639532	25HNB24A**30	CSPH*3612A**+UI	58CV(A.X)110-20	23,800	13.0	16.2	705	705	3.90	9.0	25,000	15,300	2.78
4639533	25HNB24A**30	CSPH*3612A**+UI	58CV(A.X)135-22	23,800	13.0	16.2	700	680	3.92	9.3	25,000	15,300	2.78
4639534	25HNB24A**30	CSPH*3612A**+UI	58CV(A.X)155-22	23,800	13.0	16.2	700	680	3.92	9.2	25,000	15,300	2.80
4639525	25HNB24A**30	CSPH*3612A**+UI	58MV(B.C)060-14	23,800	12.7	16.0	700	560	3.90	9.0	25,000	15,300	2.76
4639526	25HNB24A**30	CSPH*3612A**+UI	58MV(B.C)080-14	23,800	12.5	16.0	700	560	3.88	8.8	25,000	15,400	2.76
4639527	25HNB24A**30	CSPH*3612A**+UI	58MV(B.C)080-20	23,800	12.5	15.5	700	665	3.88	8.7	25,000	15,400	2.76
4639528	25HNB24A**30	CSPH*3612A**+UI	58MV(B.C)100-20	23,800	12.5	16.0	700	680	3.88	8.8	25,000	15,400	2.76
4639529	25HNB24A**30	CSPH*3612A**+UI	58MV(B.C)120-20	23,800	12.5	16.0	700	680	3.90	8.8	25,000	15,300	2.76
4639524	25HNB24A**30	CSPH*3612A**+UI	58MV(B.C)40-14	23,800	12.5	15.5	700	560	3.90	8.8	25,000	15,300	2.76
4791137	25HNB24A**30	CSPH*3612A**+UI	59*N*A080V17**14	23,800	12.7	16.0	700	560	3.84	9.0	25,000	15,400	2.72
4791138	25HNB24A**30	CSPH*3612A**+UI	59*N*A080V17**14	23,800	12.5	16.0	700	560	3.86	8.8	25,000	15,400	2.74
4791139	25HNB24A**30	CSPH*3612A**+UI	59*N*A100V21**22	23,800	12.5	16.0	700	680	3.86	9.0	25,000	15,400	2.74
4791140	25HNB24A**30	CSPH*3612A**+UI	59*N*A120V24**22	23,800	12.5	16.0	700	680	3.88	9.0	25,000	15,400	2.76
4639536	25HNB24A**30	FE4AN(F)003+UI		24,000	13.0	16.5	700	560	3.82	9.0	25,200	15,200	2.76
4639535	25HNB24A**30	FE4AN(F)002+UI		23,800	12.7	16.5	700	560	3.82	9.0	25,400	15,300	2.74

See notes on pg. 43



25HNB6

COMBINATION RATINGS CONTINUED

AHRI Ref. No.	Model Number	Coil Model Number	Furnace Model Number	Cooling				AHRI Standard Ratings							
				Cooling Capacity	SEER	ID CFM		High Temp E Capacity	E COP	HSPF	Low Temp				
						High	Low				H Capacity	H COP			
4639878	25HNB836A**30	CAP**3621A**	58MEB040-12	34,800	12.5	16.0	1085	815	35,600	3.74	9.0	22,400	2.78		
4639889	25HNB836A**30	CAP**3621A**	58MEC080-12	34,800	12.3	16.0	1110	830	35,600	3.74	9.0	22,400	2.78		
4639900	25HNB836A**30	CAP**3621A**	58MEC080-12	34,800	12.5	16.0	1080	795	35,600	3.72	8.8	22,400	2.78		
4639901	25HNB836A**30	CAP**3621A**	58MEC080-16	34,800	12.0	15.5	1070	1000	35,600	3.66	9.0	22,600	2.72		
4639942	25HNB836A**30	CAP**3621A**	58PH*090-16	34,800	12.5	16.0	1085	955	35,600	3.74	9.0	22,200	2.80		
4639944	25HNB836A**30	CAP**3621A**	58PH*090-16	34,800	12.2	16.0	1055	870	35,600	3.70	9.0	22,200	2.76		
4639829	25HNB836A**30	CAP**3621A**	58UVB060-14	34,400	12.1	15.5	1030	820	35,600	3.66	9.0	22,200	2.74		
4639830	25HNB836A**30	CAP**3621A**	58UVB080-14	34,400	12.2	15.5	1010	840	35,600	3.66	8.8	22,200	2.74		
4639831	25HNB836A**30	CAP**3621A**	58UVB080-20	34,800	12.3	15.5	1040	800	35,600	3.68	9.0	22,200	2.76		
4639832	25HNB836A**30	CAP**3621A**	58UVB100-20	34,800	12.2	15.5	1065	610	35,600	3.68	8.6	22,400	2.78		
4639956	25HNB836A**30	CAP**3621A**	58VLR105-12	34,400	12.5	15.5	1005	595	35,200	3.70	8.6	22,000	2.78		
4639958	25HNB836A**30	CAP**3621A**	58VLR120-20	34,400	12.1	15.0	975	550	35,200	3.62	8.4	22,000	2.72		
4639955	25HNB836A**30	CAP**3621A**	58VLR105-12	34,000	12.2	15.0	1000	575	35,200	3.66	8.5	22,000	2.74		
4639957	25HNB836A**30	CAP**3621A**	58VLR120-20	34,200	11.7	15.0	1065	735	35,800	3.64	8.9	22,600	2.72		
4791142	25HNB836A**30	CAP**3621A**	59*P5A080E17**14	34,800	12.1	15.9	1050	985	35,800	3.60	9.0	22,400	2.74		
4791143	25HNB836A**30	CAP**3621A**	59*P5A080E17**16	34,800	12.3	15.7	1015	600	35,600	3.60	8.2	22,400	2.70		
4640031	25HNB836A**30	CAP**3621A**	OVLAA036098	34,200	11.7	15.2	1015	880	35,800	3.68	9.0	22,400	2.74		
4640033	25HNB836A**30	CAP**3621A**	OVLAA048112	34,600	11.7	15.7	1085	880	35,800	3.68	9.0	22,400	2.74		
4640030	25HNB836A**30	CAP**3621A**	OVMAB036098	34,200	11.7	15.7	1040	685	35,800	3.60	8.5	22,600	2.70		
4640032	25HNB836A**30	CAP**3621A**	OVMAB042112	34,400	11.7	16.0	1035	825	35,600	3.66	9.0	22,200	2.74		
4639540	25HNB836A**30	CAP**3621A** + TDR	OVMAB042112	34,000	11.4	14.0	1050	840	36,200	3.52	8.5	22,800	2.64		
4639566	25HNB836A**30	CAP**3621A** + UI	58C(V)A.X090-16	34,800	12.5	16.0	1050	840	35,400	3.72	9.0	22,200	2.78		
4639567	25HNB836A**30	CAP**3621A** + UI	58C(V)A.X110-20	34,800	12.5	16.0	1050	840	35,400	3.72	9.0	22,200	2.80		
4639734	25HNB836A**30	CAP**3621A** + UI	58M(V)B.C060-14	34,800	12.5	16.2	1050	840	35,400	3.72	9.0	22,200	2.78		
4639735	25HNB836A**30	CAP**3621A** + UI	58M(V)B.C080-14	34,400	12.1	15.5	1050	840	35,600	3.68	9.0	22,400	2.76		
4639736	25HNB836A**30	CAP**3621A** + UI	58M(V)B.C090-20	34,600	12.2	15.7	1050	840	35,600	3.70	9.0	22,200	2.78		
4639737	25HNB836A**30	CAP**3621A** + UI	58M(V)B.C100-20	34,800	12.5	16.0	1050	840	35,400	3.70	9.0	22,200	2.76		
4639641	25HNB836A**30	CAP**3621A** + UI	58PH*070-16	34,400	12.0	15.5	1070	940	35,800	3.66	9.0	22,600	2.72		
4639643	25HNB836A**30	CAP**3621A** + UI	58PH*090-16	34,800	12.5	16.0	1085	955	35,600	3.74	9.0	22,200	2.80		
4791181	25HNB836A**30	CAP**3621A** + UI	59*N*A080V17**14	34,400	12.1	15.8	975	780	35,400	3.62	9.0	22,600	2.70		
4791182	25HNB836A**30	CAP**3621A** + UI	59*N*A080V17**14	34,400	12.1	16.0	975	780	35,600	3.66	9.0	22,400	2.74		
4791183	25HNB836A**30	CAP**3621A** + UI	59*N*A100V21**20	34,600	12.4	16.0	975	780	35,400	3.68	9.0	22,400	2.76		
4640111	25HNB836A**30	CAP**4221A**	58HDV040-12	34,400	11.5	15.0	1075	830	36,200	3.62	8.7	23,000	2.68		
4640112	25HNB836A**30	CAP**4221A**	58HDV060-12	34,800	11.7	15.7	1120	800	36,200	3.70	8.7	22,800	2.74		
4639879	25HNB836A**30	CAP**4221A**	58MEB040-12	35,000	12.5	16.0	1085	815	35,800	3.78	9.0	22,400	2.80		
4639902	25HNB836A**30	CAP**4221A**	58MEC080-12	35,000	12.5	16.0	1105	825	35,800	3.78	9.0	22,400	2.80		
4639903	25HNB836A**30	CAP**4221A**	58MEC080-12	35,000	12.5	16.0	1075	790	35,800	3.76	9.0	22,400	2.80		
4639904	25HNB836A**30	CAP**4221A**	58MEC080-16	35,000	12.5	16.0	1100	1000	35,800	3.78	9.0	22,400	2.80		
4639946	25HNB836A**30	CAP**4221A**	58PH*070-16	34,800	12.1	15.5	1070	940	36,000	3.70	9.0	22,600	2.74		
4639648	25HNB836A**30	CAP**4221A**	58PH*090-16	35,000	12.5	16.0	1085	950	35,800	3.80	9.0	22,400	2.82		
4639833	25HNB836A**30	CAP**4221A**	58UVB060-14	34,800	12.5	15.5	1055	870	35,600	3.74	9.0	22,400	2.78		
4639834	25HNB836A**30	CAP**4221A**	58UVB080-14	34,800	12.2	15.5	1030	820	35,600	3.70	9.0	22,400	2.76		
4639835	25HNB836A**30	CAP**4221A**	58UVB080-20	34,800	12.5	15.5	1010	840	35,400	3.70	9.0	22,200	2.76		
4639836	25HNB836A**30	CAP**4221A**	58UVB100-20	34,800	12.5	15.5	1040	800	35,600	3.74	9.0	22,200	2.78		
4639960	25HNB836A**30	CAP**4221A**	58VLR105-12	34,800	12.2	15.5	1065	610	35,800	3.72	8.7	22,400	2.78		
4639962	25HNB836A**30	CAP**4221A**	58VLR120-20	34,800	12.5	15.5	1005	595	35,400	3.74	8.7	22,000	2.80		
4639959	25HNB836A**30	CAP**4221A**	58VLR105-12	34,400	12.2	15.0	975	550	35,400	3.66	8.4	22,200	2.74		
4639961	25HNB836A**30	CAP**4221A**	58VLR120-20	34,800	12.3	15.0	1000	575	35,400	3.70	8.5	22,200	2.76		
4791144	25HNB836A**30	CAP**4221A**	59*P5A080E17**14	35,000	12.2	16.0	1080	735	35,800	3.68	9.0	22,600	2.74		
4791145	25HNB836A**30	CAP**4221A**	59*P5A080E17**16	35,000	12.4	15.8	1050	980	35,800	3.70	9.0	22,400	2.76		
4640035	25HNB836A**30	CAP**4221A**	OVLAA036098	34,400	11.7	15.5	1015	600	35,800	3.64	8.2	22,400	2.72		
4640037	25HNB836A**30	CAP**4221A**	OVLAA048112	34,800	12.0	15.7	1085	880	36,000	3.72	9.0	22,600	2.76		
4640034	25HNB836A**30	CAP**4221A**	OVMAB036098	34,800	11.7	15.7	1040	685	35,800	3.66	8.7	22,600	2.72		

See notes on pg. 43

COMBINATION RATINGS CONTINUED

AHRI Ref. No.	Model Number	Coil Model Number	Furnace Model Number	Cooling Capacity	Cooling				AHRI Standard Ratings			
					SEER	ID CFM		High Temp		HSPF	Low Temp	
						High	Low	E Capacity	H Capacity		E COP	H COP
4640036	25HNB636A**30	CAP**4221A**	OVMAAB042112	34,800	12.0	1035	825	35,600	9.0	22,400	2.76	
4639541	25HNB636A**30	CAP**4221A** + TDR		34,200	11.4	14.0	840	36,200	8.5	23,000	2.64	
4639568	25HNB636A**30	CAP**4221A** + UI	58CV(A)X090-16	35,000	12.5	1050	840	35,600	9.0	22,200	2.80	
4639569	25HNB636A**30	CAP**4221A** + UI	58CV(A)X110-20	35,000	12.5	1050	840	35,600	9.0	22,200	2.80	
4639738	25HNB636A**30	CAP**4221A** + UI	58MV(B)C060-14	34,800	12.5	1050	840	35,600	9.0	22,200	2.80	
4639739	25HNB636A**30	CAP**4221A** + UI	58MV(B)C080-14	34,800	12.2	16.0	840	35,800	9.0	22,400	2.78	
4639740	25HNB636A**30	CAP**4221A** + UI	58MV(B)C080-20	34,800	12.5	16.0	840	35,600	9.0	22,400	2.78	
4639741	25HNB636A**30	CAP**4221A** + UI	58MV(B)C100-20	34,800	12.5	16.0	840	35,600	9.0	22,400	2.78	
4639845	25HNB636A**30	CAP**4221A** + UI	58PH*070-16	34,800	12.1	15.0	940	36,000	9.0	22,600	2.74	
4639847	25HNB636A**30	CAP**4221A** + UI	58PH*090-16	35,000	12.5	16.0	1085	35,800	9.0	22,400	2.82	
4791184	25HNB636A**30	CAP**4221A** + UI	59*N*A060V17**14	34,800	12.2	15.9	780	35,600	9.0	22,600	2.72	
4791185	25HNB636A**30	CAP**4221A** + UI	59*N*A080V17**14	34,800	12.2	16.0	975	35,800	9.0	22,400	2.74	
4791186	25HNB636A**30	CAP**4221A** + UI	59*N*A100V21**20	34,800	12.5	16.0	975	35,600	9.0	22,400	2.78	
4640113	25HNB636A**30	CAP**4224A**	58HDV080-20	35,400	12.2	16.2	1220	36,400	9.2	22,800	2.82	
4640114	25HNB636A**30	CAP**4224A**	58HDV100-20	35,200	12.5	16.2	1140	36,000	9.2	22,600	2.82	
4639850	25HNB636A**30	CAP**4224A**	58PH*090-16	35,200	12.5	16.0	1090	35,800	9.0	22,400	2.82	
4639837	25HNB636A**30	CAP**4224A**	58UVB080-14	34,800	12.5	16.0	1030	35,600	9.0	22,400	2.76	
4639838	25HNB636A**30	CAP**4224A**	58UVB080-20	34,800	12.5	16.0	1010	35,400	9.0	22,200	2.76	
4639839	25HNB636A**30	CAP**4224A**	58UVB100-20	34,800	12.5	16.0	1040	35,600	9.0	22,200	2.78	
4639840	25HNB636A**30	CAP**4224A**	58UVB120-20	34,800	12.5	16.0	1010	35,400	9.0	22,000	2.78	
4639964	25HNB636A**30	CAP**4224A**	58VMR120-20	34,600	12.5	15.5	1005	35,400	8.7	22,000	2.80	
4639963	25HNB636A**30	CAP**4224A**	58VMR120-20	34,600	12.3	15.0	1000	35,400	8.5	22,000	2.76	
4640038	25HNB636A**30	CAP**4224A**	58VMR120-20	34,800	12.0	16.0	1085	35,800	9.0	22,600	2.78	
4639542	25HNB636A**30	CAP**4224A** + TDR	OVLAAB048112	34,200	11.4	14.0	1050	36,200	8.5	23,000	2.64	
4639570	25HNB636A**30	CAP**4224A** + UI	58CV(A)X110-20	35,000	12.5	16.5	1050	35,600	9.0	22,200	2.82	
4639571	25HNB636A**30	CAP**4224A** + UI	58CV(A)X135-22	35,000	12.6	16.5	1050	35,400	9.0	22,000	2.82	
4639572	25HNB636A**30	CAP**4224A** + UI	58CV(A)X155-22	35,000	12.7	16.5	1050	35,400	9.0	22,000	2.84	
4639743	25HNB636A**30	CAP**4224A** + UI	58MV(B)C080-14	34,800	12.2	16.0	1050	35,600	9.0	22,400	2.78	
4639744	25HNB636A**30	CAP**4224A** + UI	58MV(B)C080-20	34,800	12.5	16.2	1050	35,600	9.0	22,400	2.78	
4639745	25HNB636A**30	CAP**4224A** + UI	58MV(B)C100-20	34,800	12.5	16.2	1050	35,600	9.0	22,200	2.80	
4639746	25HNB636A**30	CAP**4224A** + UI	58MV(B)C120-20	35,000	12.5	16.0	1050	35,600	9.0	22,200	2.80	
4639747	25HNB636A**30	CAP**4224A** + UI	58MV(B)C040-14	34,800	12.5	16.0	1050	35,600	9.0	22,400	2.82	
4639649	25HNB636A**30	CAP**4224A** + UI	58PH*090-16	35,200	12.5	16.0	1090	35,800	9.0	22,400	2.82	
4791187	25HNB636A**30	CAP**4224A** + UI	59*N*A100V21**20	34,800	12.5	16.2	975	35,600	9.0	22,400	2.78	
4791188	25HNB636A**30	CAP**4224A** + UI	59*N*A120V24**22	34,800	12.5	16.0	975	36,000	9.0	22,200	2.80	
4639880	25HNB636A**30	CAP**4817A**	58MEB040-12	35,800	12.6	16.6	1070	36,200	9.0	22,600	2.86	
4639905	25HNB636A**30	CAP**4817A**	58MEC080-12	35,800	12.6	16.5	1085	36,400	9.0	22,600	2.86	
4639906	25HNB636A**30	CAP**4817A**	58MEC080-12	35,600	12.6	16.5	1060	36,200	9.0	22,600	2.84	
4639907	25HNB636A**30	CAP**4817A**	58MEC080-16	35,800	12.6	16.2	1085	36,400	9.1	22,600	2.86	
4639652	25HNB636A**30	CAP**4817A**	58PH*045-08	35,400	11.9	16.0	1075	36,600	9.0	23,200	2.76	
4639654	25HNB636A**30	CAP**4817A**	58PH*070-16	35,400	12.3	16.0	1055	36,400	9.0	22,800	2.80	
4639641	25HNB636A**30	CAP**4817A**	58UVB080-14	35,600	12.5	16.5	1050	36,200	9.0	22,800	2.84	
4639666	25HNB636A**30	CAP**4817A**	58VMR105-12	35,600	12.5	15.5	1065	36,400	8.9	22,800	2.82	
4639665	25HNB636A**30	CAP**4817A**	58VMR105-12	35,000	12.4	15.5	975	35,800	8.6	22,400	2.80	
4791146	25HNB636A**30	CAP**4817A**	59*P5A080E17**14	35,800	12.4	16.3	1050	36,400	9.0	22,800	2.78	
4791147	25HNB636A**30	CAP**4817A**	59*P5A080E17**16	35,800	12.6	16.2	1040	36,400	9.3	22,600	2.80	
4640040	25HNB636A**30	CAP**4817A**	OVLAAB036098	35,200	12.0	15.7	1015	36,200	8.5	22,800	2.76	
4640039	25HNB636A**30	CAP**4817A**	OVMAAB036088	35,200	12.0	16.2	1040	36,400	8.7	22,800	2.76	
4640041	25HNB636A**30	CAP**4817A**	OVMAAB042112	35,400	12.5	16.2	1035	36,200	9.0	22,600	2.82	
4639543	25HNB636A**30	CAP**4817A** + TDR		35,000	11.7	14.5	1050	36,800	8.7	23,200	2.70	
4639573	25HNB636A**30	CAP**4817A** + UI	58CV(A)X070-12	35,600	12.5	16.5	1050	36,200	9.0	22,600	2.82	
4639574	25HNB636A**30	CAP**4817A** + UI	58CV(A)X090-16	35,800	12.6	16.5	1050	36,000	9.0	22,400	2.86	
4639747	25HNB636A**30	CAP**4817A** + UI	58MV(B)C060-14	35,600	12.7	16.5	1050	36,200	9.2	22,600	2.86	

See notes on pg. 43

COMBINATION RATINGS CONTINUED

AHRI Ref. No.	Model Number	Coil Model Number	Furnace Model Number	Cooling Capacity	Cooling				AHRI Standard Ratings			
					SEER	ID CFM		High Temp		HSPF	Low Temp	
						EER	High	Low	E Capacity		H Capacity	H COP
4639851	25HNB636A**30	CAP**4817A**+UI	58PH*045-08	35,400	11.9	1075	755	36,600	3.78	9.0	23,200	2.76
4639853	25HNB636A**30	CAP**4817A**+UI	58PH*070-16	35,400	12.3	1055	925	36,400	3.84	9.0	22,800	2.80
4791189	25HNB636A**30	CAP**4817A**+UI	59*N*A080V17**14	35,400	12.4	1075	780	36,200	3.80	9.2	23,000	2.76
4640115	25HNB636A**30	CAP**4821A**	58HDV040--12	35,000	11.7	1070	825	36,600	3.72	8.7	23,000	2.72
4640116	25HNB636A**30	CAP**4821A**	58HDV060--12	35,400	12.0	1115	795	36,600	3.80	9.0	23,000	2.78
4639881	25HNB636A**30	CAP**4821A**	58MEC040-12	35,600	12.6	1080	810	36,000	3.88	9.0	22,600	2.84
4639882	25HNB636A**30	CAP**4821A**	58MEC080-12	35,600	12.5	1100	825	36,200	3.88	9.0	22,600	2.84
4639909	25HNB636A**30	CAP**4821A**	58MEC090-12	35,400	12.5	1070	785	36,000	3.86	9.0	22,600	2.84
4639910	25HNB636A**30	CAP**4821A**	58MEC080-16	35,600	12.6	1095	995	36,200	3.88	9.1	22,600	2.84
4639856	25HNB636A**30	CAP**4821A**	58PH*070-16	35,200	12.2	1065	935	36,200	3.80	9.0	22,800	2.78
4639858	25HNB636A**30	CAP**4821A**	58PH*090-16	35,600	12.7	1075	945	36,000	3.90	9.0	22,400	2.86
4639842	25HNB636A**30	CAP**4821A**	58UB080-14	35,400	12.5	1055	870	36,000	3.84	9.0	22,600	2.82
4639843	25HNB636A**30	CAP**4821A**	58UB080-14	35,200	12.5	1030	820	36,000	3.80	9.0	22,600	2.80
4639844	25HNB636A**30	CAP**4821A**	58UB080-20	35,000	12.5	1010	840	35,800	3.80	9.0	22,400	2.80
4639845	25HNB636A**30	CAP**4821A**	58UB100-20	35,200	12.5	1040	800	36,000	3.84	9.0	22,400	2.82
4639868	25HNB636A**30	CAP**4821A**	58VLR105-12	35,400	12.4	1065	610	36,200	3.82	8.8	22,600	2.80
4639870	25HNB636A**30	CAP**4821A**	58VLR120-20	35,200	12.6	1005	595	35,600	3.84	8.8	22,200	2.84
4639867	25HNB636A**30	CAP**4821A**	58VNR105-12	34,800	12.3	975	550	35,600	3.76	8.5	22,200	2.78
4639869	25HNB636A**30	CAP**4821A**	58VNR120-20	35,000	12.5	1000	575	35,800	3.80	8.6	22,400	2.80
4791148	25HNB636A**30	CAP**4821A**	59*P5A080E17**14	35,600	12.3	1055	730	36,200	3.78	9.0	22,800	2.78
4791149	25HNB636A**30	CAP**4821A**	59*P5A080E17**16	35,600	12.5	1045	975	36,200	3.80	9.2	22,600	2.78
4640043	25HNB636A**30	CAP**4821A**	OVLAA8036098	34,800	12.0	1015	600	36,000	3.74	8.5	22,600	2.74
4640045	25HNB636A**30	CAP**4821A**	OVLAA8048112	35,400	12.0	1085	880	36,200	3.82	9.0	22,800	2.80
4640042	25HNB636A**30	CAP**4821A**	OVMAA8036098	35,000	12.0	1040	685	36,200	3.74	8.7	22,800	2.76
4640044	25HNB636A**30	CAP**4821A**	OVMAA8042112	35,200	12.5	1035	825	36,000	3.80	9.0	22,600	2.80
4639844	25HNB636A**30	CAP**4821A**+TDR	58V(A,X)090--16	34,800	11.6	1050	840	36,600	3.66	8.7	23,000	2.68
4639875	25HNB636A**30	CAP**4821A**+UI	58CV(A,X)110--20	35,400	12.5	1050	840	35,800	3.88	9.0	22,400	2.84
4639876	25HNB636A**30	CAP**4821A**+UI	58CV(A,X)110--14	35,400	12.5	1050	840	35,800	3.88	9.0	22,400	2.84
4639748	25HNB636A**30	CAP**4821A**+UI	58MV(B,C)060--14	35,400	12.5	1050	840	36,000	3.86	9.0	22,400	2.84
4639749	25HNB636A**30	CAP**4821A**+UI	58MV(B,C)080--14	35,200	12.5	1050	840	36,000	3.82	9.0	22,600	2.80
4639750	25HNB636A**30	CAP**4821A**+UI	58MV(B,C)080--20	35,400	12.5	1050	840	36,000	3.84	9.0	22,600	2.82
4639751	25HNB636A**30	CAP**4821A**+UI	58MV(B,C)100--20	35,400	12.5	1050	840	36,000	3.84	9.0	22,400	2.82
4639855	25HNB636A**30	CAP**4821A**+UI	58PH*070--16	35,200	12.2	1065	935	36,200	3.80	9.0	22,800	2.78
4639857	25HNB636A**30	CAP**4821A**+UI	58PH*090--16	35,600	12.7	1075	945	36,000	3.90	9.0	22,400	2.86
4791191	25HNB636A**30	CAP**4821A**+UI	59*N*A080V17**14	35,200	12.4	1075	780	36,000	3.76	9.2	22,800	2.76
4791192	25HNB636A**30	CAP**4821A**+UI	59*N*A080V17**14	35,200	12.5	975	780	36,000	3.80	9.0	22,600	2.78
4791193	25HNB636A**30	CAP**4821A**+UI	59*N*A100V21**20	35,200	12.5	975	780	36,000	3.82	9.0	22,600	2.80
4640120	25HNB636A**30	CAP**4823A**	58HDV040--12	35,000	11.8	1070	825	36,600	3.72	8.7	23,000	2.72
4640121	25HNB636A**30	CAP**4823A**	58HDV060--12	35,400	12.1	1115	795	36,600	3.80	9.0	23,000	2.78
4640122	25HNB636A**30	CAP**4823A**	58HDV080--20	36,000	12.5	1200	935	36,600	3.92	9.0	23,000	2.84
4639864	25HNB636A**30	CAP**4823A**	58PH*090--16	35,600	12.7	1075	945	36,000	3.90	9.2	22,400	2.86
4639851	25HNB636A**30	CAP**4823A**	58UB080-14	35,200	12.5	1030	820	36,000	3.80	9.0	22,600	2.80
4639852	25HNB636A**30	CAP**4823A**	58UB080-20	35,000	12.5	1010	840	35,800	3.80	9.0	22,400	2.80
4639853	25HNB636A**30	CAP**4823A**	58UB100-20	35,200	12.5	1040	800	36,000	3.84	9.0	22,400	2.82
4639876	25HNB636A**30	CAP**4823A**	58VLR120-20	35,200	12.5	1005	595	35,600	3.84	8.5	22,200	2.84
4639875	25HNB636A**30	CAP**4823A**	58VNR120-20	35,000	12.5	1000	575	35,800	3.80	8.2	22,400	2.80
4640050	25HNB636A**30	CAP**4823A**	OVLAA8048112	35,400	12.0	1085	880	36,200	3.82	9.0	23,000	2.80
4639847	25HNB636A**30	CAP**4823A**+TDR	58CV(A,X)110--20	34,800	11.7	1050	840	36,600	3.66	8.7	23,000	2.68
4639881	25HNB636A**30	CAP**4823A**+UI	58CV(A,X)110--20	35,400	12.6	1050	840	35,800	3.88	9.2	22,400	2.84
4639758	25HNB636A**30	CAP**4823A**+UI	58MV(B,C)080--14	35,200	12.5	1050	840	36,000	3.82	9.0	22,600	2.80
4639759	25HNB636A**30	CAP**4823A**+UI	58MV(B,C)080--20	35,400	12.5	1050	840	36,000	3.84	9.2	22,600	2.82
4639760	25HNB636A**30	CAP**4823A**+UI	58MV(B,C)100--20	35,400	12.5	1050	840	36,000	3.84	9.2	22,400	2.82

See notes on pg. 43

25HNB6

COMBINATION RATINGS CONTINUED

AHRI Ref. No.	Model Number	Coil Model Number	Furnace Model Number	Cooling Capacity	Cooling				AHRI Standard Ratings				
					SEER	ID CFM		E COP	HSPF	High Temp		Low Temp	
						High	Low			E Capacity	H Capacity	H COP	
4639863	25HNB3636A**30	CAP**4823A**+UI	58PH*090-16	35,600	12.7	16.2	1075	945	3.90	9.2	22,400	2.86	
4791199	25HNB3636A**30	CAP**4823A**+UI	59*N*A100V21**20	35,200	12.5	16.2	1075	780	3.90	9.2	22,600	2.80	
4791200	25HNB3636A**30	CAP**4823A**+UI	59*N*A120V24**22	35,000	12.5	16.2	975	780	3.86	9.0	22,400	2.84	
4640168	25HNB3636A**30	CAP**4824A**	58HDV080-20	36,000	12.5	16.2	1215	950	3.94	9.2	23,000	2.86	
4640117	25HNB3636A**30	CAP**4824A**	58HDV100-20	35,800	12.5	16.5	1140	900	3.92	9.2	22,800	2.86	
4639860	25HNB3636A**30	CAP**4824A**	58PH*090-16	35,800	12.7	16.2	1090	955	3.92	9.1	22,400	2.86	
4639846	25HNB3636A**30	CAP**4824A**	58UVB080-14	35,200	12.2	16.2	1030	820	3.80	9.0	22,400	2.80	
4639847	25HNB3636A**30	CAP**4824A**	58UVB080-20	35,200	12.5	16.0	1010	840	3.80	9.0	22,400	2.80	
4639848	25HNB3636A**30	CAP**4824A**	58UVB100-20	35,400	12.5	16.0	1040	800	3.84	9.2	22,400	2.82	
4639849	25HNB3636A**30	CAP**4824A**	58UVB120-20	35,200	12.6	16.0	1010	845	3.84	9.0	22,200	2.82	
4639972	25HNB3636A**30	CAP**4824A**	58VLR120-20	35,200	12.7	15.5	1005	595	3.84	8.8	25,200	2.84	
4639971	25HNB3636A**30	CAP**4824A**	58VMR120-20	35,000	12.5	15.5	1000	575	3.80	8.6	22,200	2.80	
4640046	25HNB3636A**30	CAP**4824A**	OVLAA048112	35,400	12.5	16.0	1085	880	3.84	9.0	22,800	2.80	
4639545	25HNB3636A**30	CAP**4824A**+TDR	58V(A,X)110-20	34,800	11.6	14.5	1050	840	3.66	8.7	23,000	2.68	
4639577	25HNB3636A**30	CAP**4824A**+UI	58C(A,X)110-20	35,400	12.6	16.5	1050	840	3.88	9.0	22,200	2.86	
4639578	25HNB3636A**30	CAP**4824A**+UI	58C(A,X)135-22	35,600	12.7	16.5	1050	950	3.92	9.0	22,200	2.86	
4639579	25HNB3636A**30	CAP**4824A**+UI	58C(A,X)155-22	35,800	12.8	16.5	1050	840	3.92	9.0	22,200	2.86	
4639753	25HNB3636A**30	CAP**4824A**+UI	58MVB(C)080-14	35,400	12.5	16.2	1050	840	3.84	9.2	22,600	2.82	
4639754	25HNB3636A**30	CAP**4824A**+UI	58MV(B,C)080-20	35,400	12.5	16.2	1050	840	3.84	9.2	22,400	2.82	
4639755	25HNB3636A**30	CAP**4824A**+UI	58MV(B,C)100-20	35,400	12.5	16.0	1050	840	3.86	9.2	22,400	2.84	
4639756	25HNB3636A**30	CAP**4824A**+UI	58MV(B,C)120-20	35,400	12.6	16.5	1050	840	3.88	9.0	22,400	2.84	
4639752	25HNB3636A**30	CAP**4824A**+UI	58MV(B)040-14	35,400	12.5	16.0	1050	840	3.84	9.0	22,400	2.82	
4639859	25HNB3636A**30	CAP**4824A**+UI	58PH*090-16	35,800	12.7	16.0	1090	955	3.92	9.1	22,400	2.86	
4791194	25HNB3636A**30	CAP**4824A**+UI	59*N*A100V21**20	35,400	12.5	16.0	975	780	3.84	9.2	22,600	2.82	
4791195	25HNB3636A**30	CAP**4824A**+UI	59*N*A120V24**22	35,400	12.6	16.5	975	780	3.86	9.0	22,400	2.84	
4640133	25HNB3636A**30	CNP**3617A**	58HDV040-12	34,000	11.4	15.0	1040	805	3.52	8.7	22,800	2.64	
4640134	25HNB3636A**30	CNP**3617A**	58HDV060-12	34,200	11.7	15.5	1075	765	3.60	8.8	22,800	2.68	
4640135	25HNB3636A**30	CNP**3617A**	58HDV080-20	34,800	11.7	15.7	1155	900	3.70	9.0	22,800	2.74	
4640136	25HNB3636A**30	CNP**3617A**	58HDV100-20	34,800	12.0	15.7	1075	850	3.68	8.7	22,400	2.74	
4639889	25HNB3636A**30	CNP**3617A**	58MEB040-12	34,400	12.2	16.0	1045	785	3.66	8.7	25,200	2.76	
4639932	25HNB3636A**30	CNP**3617A**	58MEC080-12	34,400	12.1	16.0	1055	795	3.66	8.7	22,400	2.74	
4639933	25HNB3636A**30	CNP**3617A**	58MEC080-12	34,400	12.2	15.7	1035	765	3.66	8.6	22,200	2.74	
4639934	25HNB3636A**30	CNP**3617A**	58MEC080-16	34,400	12.2	15.5	1055	965	3.66	9.0	22,400	2.74	
4639892	25HNB3636A**30	CNP**3617A**	58PH*045-08	34,000	11.5	15.2	1055	740	3.56	8.5	22,800	2.66	
4639894	25HNB3636A**30	CNP**3617A**	58PH*070-16	34,200	11.9	15.2	1030	905	3.60	8.5	22,400	2.70	
4639896	25HNB3636A**30	CNP**3617A**	58PH*090-16	34,400	12.2	15.7	1035	905	3.68	9.0	22,200	2.76	
4640000	25HNB3636A**30	CNP**3617A**	58VLR105-12	34,400	11.7	15.5	1085	610	3.64	8.2	22,600	2.72	
4640002	25HNB3636A**30	CNP**3617A**	58VLR120-20	34,200	12.2	15.5	1005	595	3.66	8.2	22,000	2.76	
4639899	25HNB3636A**30	CNP**3617A**	58VMR105-12	34,000	11.9	15.2	975	550	3.56	8.3	22,200	2.70	
4640001	25HNB3636A**30	CNP**3617A**	58VMR120-20	34,200	12.0	15.2	1000	575	3.60	8.4	22,200	2.72	
4791164	25HNB3636A**30	CNP**3617A**	59*P5A080E17**14	34,400	12.0	15.7	1030	710	3.58	8.7	22,400	2.70	
4791165	25HNB3636A**30	CNP**3617A**	59*P5A080E17**16	34,400	12.1	15.5	1020	950	3.60	9.0	22,400	2.70	
4640075	25HNB3636A**30	CNP**3617A**	OVLAA036098	34,000	11.5	15.2	1015	600	3.56	8.2	22,600	2.66	
4640077	25HNB3636A**30	CNP**3617A**	OVLAA048112	34,400	11.7	15.5	1085	880	3.62	8.8	22,600	2.70	
4640078	25HNB3636A**30	CNP**3617A**	OVLAA060154	35,200	11.7	16.0	1250	1020	3.78	9.0	23,000	2.80	
4640074	25HNB3636A**30	CNP**3617A**	OVMAA036098	34,000	11.5	15.5	1040	685	3.56	8.5	22,600	2.68	
4640076	25HNB3636A**30	CNP**3617A**	OVMAA042112	34,200	11.7	15.7	1035	825	3.60	8.8	22,400	2.72	
4639556	25HNB3636A**30	CNP**3617A**+TDR	58C(A,X)070-12	34,000	11.4	14.0	1050	840	3.52	8.2	22,800	2.62	
4639800	25HNB3636A**30	CNP**3617A**+UI	58C(A,X)090-16	34,400	11.9	15.5	1050	840	3.64	8.8	22,400	2.72	
4639801	25HNB3636A**30	CNP**3617A**+UI	58C(A,X)110-20	34,600	12.1	16.0	1050	840	3.68	9.0	22,200	2.76	
4639802	25HNB3636A**30	CNP**3617A**+UI	58C(A,X)135-22	34,800	12.1	16.0	1050	840	3.68	9.0	22,200	2.76	
4639803	25HNB3636A**30	CNP**3617A**+UI	58C(A,X)155-22	34,600	12.5	16.0	1050	840	3.70	9.0	22,200	2.78	
4639804	25HNB3636A**30	CNP**3617A**+UI	58C(A,X)155-22	34,800	12.5	16.0	1050	840	3.72	9.0	22,000	2.78	

COMBINATION RATINGS CONTINUED

AHRI Ref. No.	Model Number	Coil Model Number	Furnace Model Number	Cooling Capacity	Cooling				AHRI Standard Ratings			
					SEER	ID CFM	High Temp E COP	HSPF	High Temp E Capacity	Low Temp H Capacity	H COP	
4640012	25HNB366A**30	CNPH*4821A**	58VLR105-12	35,400	12.5	1065	3.84	8.5	36,000	22,600	2.84	
4640014	25HNB366A**30	CNPH*4821A**	58VLR120-20	35,400	12.7	1005	3.86	8.5	35,600	22,200	2.84	
4640011	25HNB366A**30	CNPH*4821A**	58VNR105-12	35,000	12.5	975	3.78	8.2	35,600	22,200	2.80	
4640013	25HNB366A**30	CNPH*4821A**	58VNR120-20	35,200	12.5	1000	3.82	8.7	35,800	22,400	2.82	
4791170	25HNB366A**30	CNPH*4821A**	59*P5A080E17**14	35,800	12.4	1070	3.80	9.0	36,200	22,800	2.80	
4791171	25HNB366A**30	CNPH*4821A**	59*P5A080E17**16	35,800	12.5	1055	3.82	9.2	36,200	22,600	2.80	
4640090	25HNB366A**30	CNPH*4821A**	OVLAAB036098	35,000	12.0	1015	3.76	8.5	36,000	22,600	2.76	
4640092	25HNB366A**30	CNPH*4821A**	OVLAAB048112	35,600	12.5	1085	3.84	9.0	36,200	22,800	2.82	
4640093	25HNB366A**30	CNPH*4821A**	OVLAAB060154	36,400	12.5	1250	4.02	9.0	36,600	23,000	2.90	
4640089	25HNB366A**30	CNPH*4821A**	OVMAAB036098	35,200	12.0	1040	3.76	8.7	36,200	22,800	2.78	
4640091	25HNB366A**30	CNPH*4821A**	OVMAAB042112	35,400	12.5	1035	3.82	9.0	36,000	23,200	2.82	
4639559	25HNB366A**30	CNPH*4821A**+TDR	OVMAAB042112	35,000	11.7	1045	3.68	8.5	36,600	23,200	2.70	
4639615	25HNB366A**30	CNPH*4821A**+UI	58CV(A,X)070-12	35,400	12.5	1050	3.84	9.2	36,000	22,600	2.82	
4639616	25HNB366A**30	CNPH*4821A**+UI	58CV(A,X)090-16	35,600	12.6	1050	3.90	9.3	35,800	22,400	2.86	
4639617	25HNB366A**30	CNPH*4821A**+UI	58CV(A,X)110-20	35,800	12.6	1050	3.90	9.3	35,800	22,400	2.86	
4639618	25HNB366A**30	CNPH*4821A**+UI	58CV(A,X)135-22	35,600	12.7	1050	3.92	9.3	35,800	22,200	2.88	
4639619	25HNB366A**30	CNPH*4821A**+UI	58CV(A,X)155-22	35,800	12.9	1050	3.94	9.3	35,800	22,200	2.90	
4639805	25HNB366A**30	CNPH*4821A**+UI	58MV(B,C)060-14	35,600	12.6	1050	3.88	9.0	36,000	22,400	2.86	
4639906	25HNB366A**30	CNPH*4821A**+UI	58MV(B,C)080-14	35,400	12.5	1050	3.84	9.0	36,000	22,600	2.82	
4639807	25HNB366A**30	CNPH*4821A**+UI	58MV(B,C)100-20	35,400	12.5	1050	3.86	9.2	36,000	22,400	2.84	
4639808	25HNB366A**30	CNPH*4821A**+UI	58MV(B,C)120-20	35,400	12.6	1050	3.86	9.3	36,000	22,400	2.84	
4639809	25HNB366A**30	CNPH*4821A**+UI	58MV(B,C)140-20	35,600	12.7	1050	3.88	9.3	35,800	22,400	2.86	
4639904	25HNB366A**30	CNPH*4821A**+UI	58MV(B,C)160-20	35,400	12.5	1050	3.86	9.2	36,000	22,400	2.84	
4639709	25HNB366A**30	CNPH*4821A**+UI	58PH*045-08	35,400	11.9	1100	3.78	8.7	36,600	23,000	2.76	
4639711	25HNB366A**30	CNPH*4821A**+UI	58PH*070-16	35,400	12.5	1080	3.82	9.0	36,200	22,800	2.80	
4639713	25HNB366A**30	CNPH*4821A**+UI	58PH*090-16	35,800	12.8	1090	3.92	9.1	36,000	22,600	2.88	
4791232	25HNB366A**30	CNPH*4821A**+UI	59*N*A080V17**14	35,200	12.4	975	3.78	9.2	36,000	22,800	2.78	
4791233	25HNB366A**30	CNPH*4821A**+UI	59*N*A080V17**14	35,400	12.5	975	3.82	9.2	36,000	22,600	2.80	
4791234	25HNB366A**30	CNPH*4821A**+UI	59*N*A100V21**20	35,400	12.6	975	3.84	9.3	36,000	22,600	2.82	
4791235	25HNB366A**30	CNPH*4821A**+UI	59*N*A120V24**22	35,400	12.7	975	3.88	9.3	35,800	22,400	2.84	
4639883	25HNB366A**30	CNPV*3617A**	58MEC040-12	34,400	12.2	1045	3.66	8.7	35,400	22,200	2.76	
4639914	25HNB366A**30	CNPV*3617A**	58MEC060-12	34,400	12.1	1055	3.66	8.8	35,600	22,400	2.74	
4639915	25HNB366A**30	CNPV*3617A**	58MEC080-12	34,400	12.2	1035	3.66	8.6	35,400	22,200	2.74	
4639916	25HNB366A**30	CNPV*3617A**	58MEC080-16	34,400	12.2	1055	3.66	9.0	35,600	22,400	2.74	
4639966	25HNB366A**30	CNPV*3617A**	58PH*045-08	34,000	11.5	1055	3.56	8.5	36,000	22,800	2.66	
4639668	25HNB366A**30	CNPV*3617A**	58PH*070-16	34,200	11.9	1030	3.60	8.7	35,600	22,400	2.70	
4639854	25HNB366A**30	CNPV*3617A**	58VNB060-14	34,400	12.1	1055	3.66	9.0	35,600	22,400	2.74	
4639978	25HNB366A**30	CNPV*3617A**	58VLR105-12	34,400	11.9	1065	3.64	8.6	35,800	22,600	2.72	
4639977	25HNB366A**30	CNPV*3617A**	58VNR105-12	34,000	11.9	975	3.56	8.3	35,400	22,200	2.70	
4791152	25HNB366A**30	CNPV*3617A**	59*P5A080E17**14	34,400	12.0	1030	3.58	8.8	35,600	22,400	2.70	
4791153	25HNB366A**30	CNPV*3617A**	59*P5A080E17**16	34,400	12.1	1020	3.60	9.0	35,600	22,400	2.70	
4640052	25HNB366A**30	CNPV*3617A**	OVLAAB036098	34,000	11.5	1015	3.56	8.2	35,600	22,600	2.66	
4640051	25HNB366A**30	CNPV*3617A**	OVMAAB036098	34,000	11.5	1040	3.56	8.5	35,800	22,600	2.68	
4640053	25HNB366A**30	CNPV*3617A**	OVMAAB042112	34,200	11.7	1035	3.62	8.8	35,600	22,400	2.72	
4639548	25HNB366A**30	CNPV*3617A**+TDR	OVMAAB042112	34,000	11.3	1050	3.52	8.5	36,000	22,800	2.62	
4639582	25HNB366A**30	CNPV*3617A**+UI	58CV(A,X)070-12	34,400	12.0	1050	3.64	8.8	35,600	22,400	2.72	
4639583	25HNB366A**30	CNPV*3617A**+UI	58CV(A,X)090-16	34,600	12.2	1050	3.68	9.0	35,400	22,200	2.76	
4639761	25HNB366A**30	CNPV*3617A**+UI	58MV(B,C)060-14	34,400	12.1	1050	3.68	9.0	35,600	22,800	2.76	
4639685	25HNB366A**30	CNPV*3617A**+UI	58PH*045-08	34,000	11.5	1055	3.56	8.5	36,000	22,800	2.68	
4639667	25HNB366A**30	CNPV*3617A**+UI	58PH*070-16	34,200	11.9	1030	3.60	8.7	35,600	22,400	2.70	
4791201	25HNB366A**30	CNPV*3617A**+UI	59*N*A080V17**14	34,200	12.0	975	3.56	9.0	35,600	22,600	2.68	
4791202	25HNB366A**30	CNPV*3617A**+UI	59*N*A080V17**14	34,000	12.0	975	3.60	9.0	35,800	22,600	2.70	
4640123	25HNB366A**30	CNPV*3621A**	58HDV040-12	34,000	11.5	1045	3.54	8.7	36,000	22,800	2.64	

See notes on pg. 43



COMBINATION RATINGS CONTINUED

AHRI Ref. No.	Model Number	Coil Model Number	Furnace Model Number	Cooling Capacity	Cooling			AHRI Standard Ratings						
					SEER	ID CFM		High Temp		HSPF	Low Temp			
						EER	High	Low	E Capacity		H Capacity	E COP	H COP	
4640124	25HNB636A**30	CNPV*3621A**	58HDV060-12	34,400	11.7	15.5	1085	770	36,000	8.8	22,800	2.70		
4639984	25HNB636A**30	CNPV*3621A**	58MEB040-12	34,400	12.2	16.0	1050	785	35,600	8.8	22,200	2.76		
4639917	25HNB636A**30	CNPV*3621A**	58MEC080-12	34,600	12.2	16.0	1065	800	35,600	8.7	22,400	2.76		
4639918	25HNB636A**30	CNPV*3621A**	58MEC080-12	34,400	12.2	15.7	1040	765	35,400	8.7	22,200	2.74		
4639919	25HNB636A**30	CNPV*3621A**	58MEC080-12	34,600	12.2	15.0	1045	790	35,600	9.0	22,400	2.76		
4639670	25HNB636A**30	CNPV*3621A**	58PH*070-16	34,200	11.9	15.2	1035	905	35,600	8.7	22,400	2.70		
4639672	25HNB636A**30	CNPV*3621A**	58PH*090-16	34,600	12.2	15.7	1045	910	35,400	9.0	22,200	2.76		
4639855	25HNB636A**30	CNPV*3621A**	58UVB060-14	34,400	12.1	15.5	1055	870	35,600	9.0	22,400	2.74		
4639856	25HNB636A**30	CNPV*3621A**	58UVB080-14	34,200	12.0	15.5	1030	820	35,600	8.8	22,400	2.72		
4639857	25HNB636A**30	CNPV*3621A**	58UVB080-20	34,200	12.0	15.5	1010	840	35,400	8.8	22,200	2.72		
4639858	25HNB636A**30	CNPV*3621A**	58UVB100-20	34,400	12.1	15.5	1040	800	35,600	9.0	22,400	2.74		
4639980	25HNB636A**30	CNPV*3621A**	58VLR105-12	34,400	12.0	15.0	1065	610	35,800	8.6	22,400	2.72		
4639982	25HNB636A**30	CNPV*3621A**	58VLR120-20	34,200	12.3	15.5	1005	595	35,200	8.6	22,000	2.76		
4639979	25HNB636A**30	CNPV*3621A**	58VNR105-12	34,000	12.0	15.0	975	550	35,200	8.3	22,200	2.70		
4639981	25HNB636A**30	CNPV*3621A**	58VNR120-20	34,200	12.1	15.0	1000	575	35,400	8.4	22,200	2.72		
4791154	25HNB636A**30	CNPV*3621A**	59*P5A080E17**14	34,600	12.0	15.7	1035	710	35,600	8.7	22,400	2.70		
4791155	25HNB636A**30	CNPV*3621A**	59*P5A080E17**16	34,600	12.2	15.0	1025	955	35,600	9.0	22,400	2.70		
4640055	25HNB636A**30	CNPV*3621A**	OVLAAB036098	34,000	11.5	15.2	1015	600	35,600	8.2	22,600	2.68		
4640057	25HNB636A**30	CNPV*3621A**	OVLAAB048112	34,400	11.7	15.5	1085	880	35,800	8.8	22,600	2.72		
4640054	25HNB636A**30	CNPV*3621A**	OVMAAB036098	34,000	11.5	15.5	1040	685	35,800	8.5	22,600	2.68		
4640056	25HNB636A**30	CNPV*3621A**	OVMAAB042112	34,200	11.7	15.7	1035	825	35,600	8.8	22,400	2.72		
4639549	25HNB636A**30	CNPV*3621A**+TDR	58VNR120-20	34,000	11.3	14.0	1050	840	36,000	8.5	22,800	2.62		
4639584	25HNB636A**30	CNPV*3621A**+UI	58CV(A,X)D90-16	34,600	12.2	16.0	1050	840	35,400	9.0	22,200	2.76		
4639585	25HNB636A**30	CNPV*3621A**+UI	58CV(A,X)I110-20	34,600	12.1	16.0	1050	840	35,400	9.1	22,200	2.76		
4639762	25HNB636A**30	CNPV*3621A**+UI	58MV(B,C)D80-14	34,400	12.1	15.7	1050	840	35,400	9.0	22,200	2.76		
4639763	25HNB636A**30	CNPV*3621A**+UI	58MV(B,C)D80-14	34,400	12.0	15.5	1050	840	35,600	8.8	22,400	2.72		
4639764	25HNB636A**30	CNPV*3621A**+UI	58MV(B,C)D80-20	34,400	12.0	15.5	1050	840	35,600	8.8	22,400	2.74		
4639765	25HNB636A**30	CNPV*3621A**+UI	58MV(B,C)D80-20	34,400	12.1	15.5	1050	840	35,600	9.0	22,400	2.74		
4639669	25HNB636A**30	CNPV*3621A**+UI	58PH*070-16	34,200	11.9	15.5	1035	905	35,600	8.7	22,400	2.70		
4639671	25HNB636A**30	CNPV*3621A**+UI	58PH*090-16	34,600	12.2	15.5	1045	910	35,400	9.0	22,200	2.76		
4791203	25HNB636A**30	CNPV*3621A**+UI	59*N*A060V17**14	34,200	12.0	15.6	975	780	35,400	9.0	22,600	2.68		
4791204	25HNB636A**30	CNPV*3621A**+UI	59*N*A080V17**14	34,400	12.0	15.5	975	780	35,600	9.0	22,600	2.70		
4791205	25HNB636A**30	CNPV*3621A**+UI	59*N*A100V21**20	34,400	12.1	15.5	975	780	35,600	9.0	22,600	2.72		
4639885	25HNB636A**30	CNPV*3717A**	58MEB040-12	36,000	12.8	16.6	1070	805	36,400	9.0	22,600	2.88		
4639920	25HNB636A**30	CNPV*3717A**	58MEC080-12	36,200	12.7	16.5	1090	820	36,400	9.0	22,800	2.88		
4639921	25HNB636A**30	CNPV*3717A**	58MEC080-16	36,000	12.7	16.5	1060	785	36,200	9.0	22,600	2.86		
4639922	25HNB636A**30	CNPV*3717A**	58MEC080-16	36,200	12.7	16.5	1085	990	36,400	9.2	22,800	2.86		
4639674	25HNB636A**30	CNPV*3717A**	58PH*045-08	35,600	12.0	16.2	1080	755	36,800	9.0	23,200	2.78		
4639676	25HNB636A**30	CNPV*3717A**	58PH*070-16	35,800	12.5	16.0	1055	925	36,400	9.0	22,800	2.82		
4639859	25HNB636A**30	CNPV*3717A**	58UVB060-14	36,000	12.6	16.5	1050	870	36,200	9.1	22,600	2.86		
4639984	25HNB636A**30	CNPV*3717A**	58VLR105-12	35,800	12.5	15.5	1065	610	36,400	8.9	22,800	2.84		
4639983	25HNB636A**30	CNPV*3717A**	58VNR105-12	35,400	12.5	15.5	975	550	36,000	8.7	22,400	2.82		
4791156	25HNB636A**30	CNPV*3717A**	59*P5A080E17**14	36,000	12.5	16.5	1050	730	36,400	9.2	22,800	2.80		
4791157	25HNB636A**30	CNPV*3717A**	59*P5A080E17**16	36,200	12.7	16.3	1040	970	36,400	9.2	22,800	2.82		
4640059	25HNB636A**30	CNPV*3717A**	OVLAAB036098	35,400	12.0	15.7	1015	600	36,400	8.5	22,800	2.78		
4640058	25HNB636A**30	CNPV*3717A**	OVMAAB036098	35,600	12.2	16.2	1040	685	36,400	8.7	22,800	2.78		
4640060	25HNB636A**30	CNPV*3717A**	OVMAAB042112	35,800	12.5	16.5	1035	825	36,200	9.0	22,600	2.84		
4639550	25HNB636A**30	CNPV*3717A**+TDR	58VNR105-12	35,400	11.8	14.5	1050	840	36,800	8.5	23,200	2.72		
4639586	25HNB636A**30	CNPV*3717A**+UI	58CV(A,X)D70-12	35,800	12.5	16.5	1050	840	36,400	9.0	22,600	2.84		
4639587	25HNB636A**30	CNPV*3717A**+UI	58CV(A,X)D90-16	36,000	12.7	16.7	1050	840	36,200	9.1	22,600	2.88		
4639766	25HNB636A**30	CNPV*3717A**+UI	58MV(B,C)D60-14	36,000	12.6	16.0	1050	840	36,200	9.1	22,600	2.88		
4639673	25HNB636A**30	CNPV*3717A**+UI	58PH*045-08	35,600	12.0	16.0	1080	755	36,800	9.0	23,200	2.78		
4639675	25HNB636A**30	CNPV*3717A**+UI	58PH*070-16	35,800	12.5	16.0	1055	925	36,400	9.0	22,800	2.82		

COMBINATION RATINGS CONTINUED

AHRI Ref. No.	Model Number	Coil Model Number	Furnace Model Number	Cooling Capacity	Cooling				AHRI Standard Ratings					
					EER	SEER	ID CFM		High Temp		HSPF		Low Temp	
							High	Low	E Capacity	H Capacity	E COP	H COP		
4791206	25HNB636A**30	CNPV*3717A**+UI	59*N*A080V17**14	35,600	12.5	16.0	975	780	36,200	9.2	23,000	2.82		
4791207	25HNB636A**30	CNPV*3717A**+UI	59*N*A080V17**14	35,400	12.5	16.2	975	780	36,400	9.2	22,800	2.82		
4639886	25HNB636A**30	CNPV*4217A**	58MEB040-12	35,200	12.5	16.2	1060	795	36,000	9.0	22,400	2.82		
4639923	25HNB636A**30	CNPV*4217A**	58MEC080-12	35,200	12.5	16.2	1075	810	36,000	9.0	22,400	2.82		
4639924	25HNB636A**30	CNPV*4217A**	58MEC080-12	35,200	12.5	16.2	1050	775	35,800	9.0	22,400	2.82		
4639925	25HNB636A**30	CNPV*4217A**	58MEC080-16	35,200	12.5	16.0	1075	980	36,000	9.0	22,600	2.82		
4639678	25HNB636A**30	CNPV*4217A**	58PH*045-08	34,800	11.8	15.7	1070	750	36,400	8.6	23,000	2.72		
4639680	25HNB636A**30	CNPV*4217A**	58PH*070-11	35,000	12.1	15.7	1045	915	36,000	9.0	22,600	2.76		
4639960	25HNB636A**30	CNPV*4217A**	58VUB060-14	35,200	12.5	16.0	1050	870	36,000	9.0	22,600	2.80		
4639986	25HNB636A**30	CNPV*4217A**	58VLR105-12	35,200	12.3	15.5	1065	610	36,000	8.8	22,600	2.78		
4639985	25HNB636A**30	CNPV*4217A**	58VMR105-12	34,800	12.2	15.5	975	550	35,600	8.5	22,400	2.76		
4791158	25HNB636A**30	CNPV*4217A**	59*P5A060E17**14	35,200	12.2	16.1	1040	715	36,000	9.0	22,600	2.76		
4791159	25HNB636A**30	CNPV*4217A**	59*P5A080E17**16	35,200	12.4	15.9	1030	965	36,000	9.0	22,600	2.76		
4640062	25HNB636A**30	CNPV*4217A**	OVLAA036098	34,800	11.7	15.5	1015	600	36,000	8.5	22,600	2.72		
4640061	25HNB636A**30	CNPV*4217A**	OVMAA036098	34,800	11.7	16.0	1040	685	36,200	8.7	22,800	2.74		
4640063	25HNB636A**30	CNPV*4217A**	OVMAA042112	35,000	12.0	16.0	1035	825	36,000	9.0	22,600	2.78		
4639551	25HNB636A**30	CNPV*4217A**+TDR		34,800	11.6	14.2	1050	840	36,400	8.5	23,200	2.68		
4639568	25HNB636A**30	CNPV*4217A**+UI	58CV(A,X)070-12	35,200	12.5	16.2	1050	840	36,000	9.0	22,600	2.82		
4639589	25HNB636A**30	CNPV*4217A**+UI	58CV(A,X)090-16	35,200	12.5	16.5	1050	840	35,800	9.0	22,400	2.82		
4639767	25HNB636A**30	CNPV*4217A**+UI	58MV(B,C)060-14	35,200	12.5	16.0	1050	840	35,800	9.0	22,400	2.82		
4639679	25HNB636A**30	CNPV*4217A**+UI	58PH*045-08	34,800	11.8	15.5	1070	750	36,400	8.6	23,000	2.72		
4791208	25HNB636A**30	CNPV*4217A**+UI	58PH*070-11	35,000	12.1	15.5	1045	915	36,000	9.0	22,600	2.76		
4791209	25HNB636A**30	CNPV*4217A**+UI	59*N*A080V17**14	35,000	12.2	16.0	975	780	35,800	9.0	22,800	2.74		
4640125	25HNB636A**30	CNPV*4217A**+UI	59*N*A080V17**14	34,800	12.2	16.0	975	780	36,000	9.0	22,600	2.76		
4640126	25HNB636A**30	CNPV*4217A**	58HDV040-12	34,400	11.6	15.0	1055	815	36,200	8.8	23,000	2.68		
4639887	25HNB636A**30	CNPV*4221A**	58HDV060--12	34,800	11.8	15.5	1095	775	36,200	8.8	22,800	2.72		
4639926	25HNB636A**30	CNPV*4221A**	58MEB040-12	35,000	12.5	16.2	1065	795	35,800	9.0	22,400	2.80		
4639927	25HNB636A**30	CNPV*4221A**	58MEC080-12	35,000	12.5	16.0	1080	805	35,800	9.0	22,400	2.80		
4639928	25HNB636A**30	CNPV*4221A**	58MEC080-16	35,000	12.5	16.0	1055	770	35,800	9.0	22,400	2.78		
4639882	25HNB636A**30	CNPV*4221A**	58MEC080-16	35,000	12.5	16.0	1075	980	35,800	9.0	22,400	2.78		
4639861	25HNB636A**30	CNPV*4221A**	58PH*090-16	35,000	12.5	16.0	1055	925	35,600	9.0	22,400	2.80		
4639862	25HNB636A**30	CNPV*4221A**	58VUB060-14	34,800	12.3	15.5	1055	870	35,800	9.0	22,400	2.78		
4639863	25HNB636A**30	CNPV*4221A**	58VUB080-14	34,800	12.1	15.5	1030	820	35,800	9.0	22,400	2.74		
4639864	25HNB636A**30	CNPV*4221A**	58VUB080-20	34,800	12.2	15.5	1010	840	35,600	9.0	22,400	2.76		
4639868	25HNB636A**30	CNPV*4221A**	58VBR100-20	34,800	12.2	15.5	1040	800	35,800	9.0	22,400	2.76		
4639890	25HNB636A**30	CNPV*4221A**	58VLR105-12	34,800	12.2	15.0	1065	610	35,800	8.7	22,600	2.76		
4639967	25HNB636A**30	CNPV*4221A**	58VLR120-20	34,800	12.5	15.5	1005	595	35,400	8.7	22,200	2.78		
4639989	25HNB636A**30	CNPV*4221A**	58VMR105-12	34,400	12.1	15.0	975	550	35,400	8.4	22,200	2.74		
4791160	25HNB636A**30	CNPV*4221A**	58VMR120-20	34,800	12.2	15.0	1000	575	35,600	8.5	22,200	2.76		
4791161	25HNB636A**30	CNPV*4221A**	59*P5A080E17**14	35,000	12.1	15.9	1045	715	35,800	8.9	22,600	2.74		
4640065	25HNB636A**30	CNPV*4221A**	59*P5A080E17**16	35,000	12.3	15.8	1030	965	35,800	9.0	22,400	2.74		
4640067	25HNB636A**30	CNPV*4221A**	OVLAA036098	34,400	11.7	15.5	1015	600	35,800	8.5	22,600	2.70		
4640064	25HNB636A**30	CNPV*4221A**	OVLAA048112	34,800	11.7	15.7	1085	880	36,000	9.0	22,600	2.76		
4640066	25HNB636A**30	CNPV*4221A**	OVMAA036098	34,800	11.7	15.7	1040	685	36,000	8.7	22,600	2.72		
4639552	25HNB636A**30	CNPV*4221A**+TDR		34,800	11.7	16.0	1035	825	35,800	9.0	22,400	2.76		
4639590	25HNB636A**30	CNPV*4221A**+UI	58CV(A,X)090-16	34,400	11.5	14.2	1050	840	36,200	8.5	23,000	2.66		
4639591	25HNB636A**30	CNPV*4221A**+UI	58CV(A,X)110-20	35,000	12.5	16.2	1050	840	35,600	9.0	22,200	2.80		
4639768	25HNB636A**30	CNPV*4221A**+UI	58MV(B,C)060-14	35,000	12.5	15.5	1050	840	35,600	9.0	22,400	2.80		
4639769	25HNB636A**30	CNPV*4221A**+UI	58MV(B,C)080-14	34,800	12.1	15.0	1050	840	35,600	9.0	22,400	2.76		
4639770	25HNB636A**30	CNPV*4221A**+UI	58MV(B,C)080-20	34,800	12.2	15.5	1050	840	35,800	9.0	22,400	2.78		
4639771	25HNB636A**30	CNPV*4221A**+UI	58MV(B,C)100-20	34,800	12.5	15.5	1050	840	35,800	9.0	22,400	2.78		
4639881	25HNB636A**30	CNPV*4221A**+UI	58PH*090-16	35,000	12.5	16.0	1055	925	35,600	9.0	22,400	2.80		

See notes on pg. 43



25HNB6

COMBINATION RATINGS CONTINUED

AHRI Ref. No.	Model Number	Coil Model Number	Furnace Model Number	Cooling Capacity	Cooling				AHRI Standard Ratings			
					SEER	ID CFM		High Temp		HSPF	Low Temp	
						High	Low	E Capacity	H Capacity		E COP	H COP
4791210	25HNB366A**30	CNPV*4221A**+UI	59*N*A080V17**14	34,800	12.1	15.5	975	780	35,600	9.0	22,800	2.72
4791211	25HNB366A**30	CNPV*4221A**+UI	59*N*A080V17**14	34,800	12.1	16.0	975	780	35,800	9.0	22,600	2.74
4791212	25HNB366A**30	CNPV*4221A**+UI	59*N*A100V21**20	34,800	12.4	16.0	975	780	35,800	9.0	22,400	2.76
4640127	25HNB366A**30	CNPV*4324A**	58HDV080--20	36,800	12.7	16.0	1230	965	37,000	9.5	23,200	2.90
4640128	25HNB366A**30	CNPV*4324A**	58HDV100--20	36,600	12.8	16.0	1155	920	36,600	9.5	22,800	2.90
4639884	25HNB366A**30	CNPV*4324A**	58PH*090-16	36,400	13.0	16.7	1105	975	36,400	9.5	22,600	2.92
4639865	25HNB366A**30	CNPV*4324A**	58UVB080-14	35,800	12.7	16.7	1030	820	36,200	9.2	22,600	2.84
4639866	25HNB366A**30	CNPV*4324A**	58UVB080-20	35,800	12.7	16.7	1010	840	36,000	9.2	22,400	2.86
4639867	25HNB366A**30	CNPV*4324A**	58UVB100-20	36,000	12.7	16.7	1040	800	36,200	9.2	22,600	2.88
4639868	25HNB366A**30	CNPV*4324A**	58UVB120-20	35,800	12.7	16.7	1010	845	36,000	9.2	22,400	2.88
4639892	25HNB366A**30	CNPV*4324A**	58VLR120-20	35,800	12.7	16.2	1005	595	35,800	8.7	22,200	2.86
4639891	25HNB366A**30	CNPV*4324A**	58VMR120-20	35,800	12.7	16.0	1000	575	36,000	8.5	22,400	2.86
4640068	25HNB366A**30	CNPV*4324A**	OVLAAB048112	36,000	12.5	16.5	1085	880	36,400	9.0	22,800	2.86
4639553	25HNB366A**30	CNPV*4324A**+TDR	58VLR120-20	35,400	11.7	14.5	1050	840	36,800	8.7	23,200	2.72
4639592	25HNB366A**30	CNPV*4324A**+UI	58CV(A,X)110-20	36,000	13.0	17.0	1050	840	36,000	9.2	22,400	2.90
4639593	25HNB366A**30	CNPV*4324A**+UI	58CV(A,X)135-22	36,200	13.0	17.2	1050	840	36,000	9.2	22,400	2.92
4639594	25HNB366A**30	CNPV*4324A**+UI	58CV(A,X)155-22	36,200	13.2	17.2	1050	840	36,000	9.5	22,400	2.94
4639773	25HNB366A**30	CNPV*4324A**+UI	58MV(B,C)080-14	36,000	12.7	16.7	1050	840	36,200	9.2	22,600	2.86
4639774	25HNB366A**30	CNPV*4324A**+UI	58MV(B,C)080-20	36,000	12.7	16.7	1050	840	36,200	9.2	22,600	2.88
4639775	25HNB366A**30	CNPV*4324A**+UI	58MV(B,C)100-20	36,000	12.7	16.7	1050	840	36,200	9.2	22,600	2.88
4639776	25HNB366A**30	CNPV*4324A**+UI	58MV(B,C)120-20	36,000	12.7	16.7	1050	840	36,200	9.2	22,400	2.90
4639772	25HNB366A**30	CNPV*4324A**+UI	58MV(B,C)140-14	36,000	12.7	16.7	1050	840	36,200	9.2	22,600	2.88
4639883	25HNB366A**30	CNPV*4324A**+UI	58PH*090-16	36,400	13.0	16.5	1105	975	36,400	9.5	22,600	2.92
4791213	25HNB366A**30	CNPV*4324A**+UI	59*N*A100V21**20	35,800	12.7	16.7	975	780	36,200	9.2	22,600	2.86
4791214	25HNB366A**30	CNPV*4324A**+UI	59*N*A120V24**22	36,000	12.7	16.7	975	780	36,200	9.2	22,600	2.88
4640129	25HNB366A**30	CNPV*4821A**	58HDV040--12	35,200	11.9	15.5	1080	835	36,200	9.0	23,000	2.74
4640130	25HNB366A**30	CNPV*4821A**	58HDV060--12	35,800	12.1	15.5	1130	810	36,600	9.0	23,000	2.80
4639888	25HNB366A**30	CNPV*4821A**	58MEC040-12	35,800	12.5	16.5	1090	820	36,200	9.0	22,600	2.86
4639829	25HNB366A**30	CNPV*4821A**	58MEC060-12	35,800	12.6	16.5	1115	835	36,200	9.0	22,600	2.86
4639830	25HNB366A**30	CNPV*4821A**	58MEC080-12	35,800	12.6	16.5	1085	795	36,000	9.0	22,600	2.86
4639931	25HNB366A**30	CNPV*4821A**	58MEC080-16	35,800	12.5	16.2	1110	1010	36,200	9.2	22,600	2.86
4639886	25HNB366A**30	CNPV*4821A**	58PH*070-16	35,400	12.5	16.0	1080	945	36,200	9.0	22,800	2.80
4639888	25HNB366A**30	CNPV*4821A**	58PH*090-16	35,800	12.8	16.2	1090	960	36,000	9.0	22,600	2.88
4639869	25HNB366A**30	CNPV*4821A**	58UVB060-14	35,800	12.6	16.0	1055	870	36,000	9.1	22,400	2.84
4639870	25HNB366A**30	CNPV*4821A**	58UVB080-14	35,200	12.5	16.0	1030	820	36,000	9.3	22,600	2.82
4639871	25HNB366A**30	CNPV*4821A**	58UVB080-20	35,200	12.5	16.0	1010	840	35,800	9.1	22,400	2.82
4639872	25HNB366A**30	CNPV*4821A**	58UVB100-20	35,400	12.5	16.0	1040	800	36,000	9.1	22,400	2.84
4639994	25HNB366A**30	CNPV*4821A**	58VLR105-12	35,400	12.5	15.5	1065	610	36,000	8.8	22,600	2.82
4639996	25HNB366A**30	CNPV*4821A**	58VLR120-20	35,400	12.7	16.0	1005	595	35,600	8.8	22,200	2.84
4639993	25HNB366A**30	CNPV*4821A**	58VMR105-12	35,000	12.5	15.5	975	550	35,600	8.6	22,200	2.80
4639995	25HNB366A**30	CNPV*4821A**	58VMR120-20	35,200	12.5	15.5	1000	575	35,800	8.7	22,400	2.82
4791162	25HNB366A**30	CNPV*4821A**	59*PsA080E17**14	35,800	12.4	16.3	1070	740	36,200	9.0	22,800	2.80
4791163	25HNB366A**30	CNPV*4821A**	59*PsA080E17**16	35,800	12.5	16.2	1050	990	36,200	9.2	22,600	2.80
4640070	25HNB366A**30	CNPV*4821A**	OVLAAB036098	35,000	12.0	15.7	1015	600	36,000	8.5	22,600	2.76
4640072	25HNB366A**30	CNPV*4821A**	OVLAAB048112	35,600	12.5	16.2	1085	880	36,200	9.0	22,800	2.82
4640069	25HNB366A**30	CNPV*4821A**	OVMAAB036098	35,200	12.0	16.0	1040	685	36,200	8.7	22,800	2.78
4640071	25HNB366A**30	CNPV*4821A**	OVMAAB042112	35,400	12.5	16.5	1035	825	36,000	9.0	22,600	2.82
4639554	25HNB366A**30	CNPV*4821A**+TDR	58CV(A,X)090-16	35,000	11.7	14.5	1050	840	36,600	8.5	23,200	2.70
4639595	25HNB366A**30	CNPV*4821A**+UI	58CV(A,X)110-20	35,800	12.6	16.5	1050	840	35,800	9.1	22,400	2.86
4639596	25HNB366A**30	CNPV*4821A**+UI	58CV(A,X)110-20	35,600	12.6	16.5	1050	840	35,800	9.1	22,400	2.86
4639777	25HNB366A**30	CNPV*4821A**+UI	58MV(B,C)060-14	35,600	12.6	16.0	1050	840	36,000	9.1	22,400	2.86
4639778	25HNB366A**30	CNPV*4821A**+UI	58MV(B,C)080-14	35,400	12.5	16.0	1050	840	36,000	9.3	22,600	2.82
4639779	25HNB366A**30	CNPV*4821A**+UI	58MV(B,C)080-20	35,400	12.5	16.0	1050	840	36,000	9.1	22,400	2.84

COMBINATION RATINGS CONTINUED

AHRI Ref. No.	Model Number	Coil Model Number	Furnace Model Number	Cooling Capacity	Cooling				AHRI Standard Ratings				
					SEER	ID CFM		High Temp		HSPF	Low Temp		
						High	Low	E Capacity	H Capacity		E COP	H COP	
4639780	25HNB636A**30	CNPV*4821A**+UI	58MV(B,C)100-20	35,400	12.5	16.0	1050	840	36,000	3.86	9.1	22,400	2.84
4639885	25HNB636A**30	CNPV*4821A**+UI	58PH*070-16	35,400	12.5	16.0	1080	945	36,200	3.86	9.0	22,800	2.80
4639887	25HNB636A**30	CNPV*4821A**+UI	58PH*090-16	35,800	12.8	16.5	1090	960	36,000	3.92	9.0	22,600	2.88
4791215	25HNB636A**30	CNPV*4821A**+UI	59*N*A080V17**14	35,200	12.4	16.0	975	780	36,000	3.78	9.2	22,800	2.78
4791216	25HNB636A**30	CNPV*4821A**+UI	59*N*A080V17**14	35,400	12.5	16.0	975	780	36,000	3.82	9.3	22,600	2.80
4791217	25HNB636A**30	CNPV*4821A**+UI	59*N*A100V21**20	35,400	12.5	16.0	975	780	36,000	3.84	9.1	22,600	2.82
4640131	25HNB636A**30	CNPV*4824A**	58HDV080-20	36,200	12.5	16.0	1220	950	36,800	3.94	9.0	23,000	2.86
4640132	25HNB636A**30	CNPV*4824A**	58HDV100-20	36,000	12.6	16.0	1140	905	36,400	3.92	9.3	22,800	2.86
4639990	25HNB636A**30	CNPV*4824A**	58PH*090-16	35,800	12.8	16.2	1090	960	36,000	3.92	9.0	22,600	2.88
4639873	25HNB636A**30	CNPV*4824A**	58UVB080-14	35,200	12.4	16.0	1030	820	36,000	3.82	9.0	22,600	2.82
4639874	25HNB636A**30	CNPV*4824A**	58UVB080-20	35,200	12.5	16.0	1010	840	35,800	3.82	9.0	22,400	2.82
4639875	25HNB636A**30	CNPV*4824A**	58UVB100-20	35,400	12.5	16.0	1040	800	36,000	3.86	9.1	22,400	2.84
4639876	25HNB636A**30	CNPV*4824A**	58UVB120-20	35,400	12.6	16.0	1010	845	35,800	3.84	9.1	22,200	2.84
4639998	25HNB636A**30	CNPV*4824A**	58VLR120-20	35,400	12.7	15.5	1005	595	35,600	3.86	8.8	22,200	2.84
4639997	25HNB636A**30	CNPV*4824A**	58VLR120-20	35,200	12.5	15.5	1000	575	35,800	3.82	8.7	22,400	2.82
4640073	25HNB636A**30	CNPV*4824A**	OVLAAB048112	35,600	12.5	16.2	1085	880	36,200	3.84	9.0	22,800	2.82
4639555	25HNB636A**30	CNPV*4824A**+TDR		35,000	11.7	14.5	1050	840	36,600	3.68	8.5	23,200	2.70
4639597	25HNB636A**30	CNPV*4824A**+UI	58CV(A,X)110-20	35,800	12.6	16.5	1050	840	35,800	3.90	9.1	22,400	2.86
4639598	25HNB636A**30	CNPV*4824A**+UI	58CV(A,X)135-22	35,600	12.7	16.5	1050	840	35,800	3.92	9.1	22,200	2.88
4639599	25HNB636A**30	CNPV*4824A**+UI	58CV(A,X)155-22	35,800	12.8	17.0	1050	840	35,800	3.94	9.1	22,200	2.90
4639782	25HNB636A**30	CNPV*4824A**+UI	58MV(B,C)080-14	35,400	12.5	16.0	1050	840	36,000	3.84	9.0	22,600	2.82
4639783	25HNB636A**30	CNPV*4824A**+UI	58MV(B,C)100-20	35,400	12.5	16.0	1050	840	36,000	3.86	9.0	22,400	2.84
4639784	25HNB636A**30	CNPV*4824A**+UI	58MV(B,C)120-20	35,400	12.5	16.0	1050	840	36,000	3.86	9.1	22,400	2.84
4639785	25HNB636A**30	CNPV*4824A**+UI	58MV(B,C)120-20	35,600	12.6	16.0	1050	840	35,800	3.88	9.1	22,400	2.86
4639781	25HNB636A**30	CNPV*4824A**+UI	58MV(B,C)120-20	35,400	12.5	16.0	1050	840	36,000	3.86	9.2	22,400	2.84
4639889	25HNB636A**30	CNPV*4824A**+UI	58MV(B,C)040-14	35,800	12.8	16.5	1090	960	36,000	3.92	9.0	22,600	2.88
4791218	25HNB636A**30	CNPV*4824A**+UI	59*N*A100V21**20	35,400	12.5	16.0	975	780	36,000	3.84	9.1	22,600	2.82
4791219	25HNB636A**30	CNPV*4824A**+UI	59*N*A120V24**22	35,400	12.6	16.0	975	780	35,800	3.88	9.0	22,400	2.84
4640149	25HNB636A**30	CSPH*3612A**	58HDV040-12	35,000	11.7	15.5	1055	810	36,400	3.68	8.7	23,000	2.70
4640150	25HNB636A**30	CSPH*3612A**	58HDV060-12	35,400	12.0	15.7	1100	775	36,400	3.76	8.7	23,000	2.76
4640151	25HNB636A**30	CSPH*3612A**	58HDV080-20	35,800	12.5	16.2	1185	915	36,600	3.88	9.2	23,000	2.82
4640152	25HNB636A**30	CSPH*3612A**	58HDV100-20	35,600	12.5	16.2	1100	865	36,200	3.84	9.2	22,600	2.82
4639893	25HNB636A**30	CSPH*3612A**	58MEB040-12	35,400	12.5	16.2	1065	790	36,000	3.84	9.0	22,600	2.82
4639944	25HNB636A**30	CSPH*3612A**	58MEC080-12	35,600	12.5	16.2	1080	805	36,000	3.84	9.0	22,600	2.82
4639945	25HNB636A**30	CSPH*3612A**	58MEC080-12	35,400	12.5	16.2	1055	770	36,000	3.82	9.0	22,400	2.82
4639946	25HNB636A**30	CSPH*3612A**	58MEC080-16	35,600	12.5	16.0	1080	980	36,000	3.84	9.0	22,600	2.82
4639716	25HNB636A**30	CSPH*3612A**	58PH*045-08	35,200	11.9	15.7	1075	745	36,400	3.72	8.5	23,000	2.72
4639718	25HNB636A**30	CSPH*3612A**	58PH*070-16	35,200	12.2	15.7	1045	915	36,200	3.74	9.0	22,600	2.76
4639720	25HNB636A**30	CSPH*3612A**	58PH*090-16	35,400	12.6	16.2	1060	925	36,000	3.84	9.0	22,400	2.84
4640016	25HNB636A**30	CSPH*3612A**	58VLR105-12	35,400	12.2	15.7	1065	610	36,000	3.80	8.5	22,600	2.80
4640018	25HNB636A**30	CSPH*3612A**	58VLR120-20	35,200	12.5	15.7	1005	595	35,600	3.80	8.5	22,200	2.82
4640015	25HNB636A**30	CSPH*3612A**	58VLR105-12	34,800	12.3	15.5	975	550	35,600	3.72	8.5	22,400	2.78
4640017	25HNB636A**30	CSPH*3612A**	58VLR120-20	35,000	12.5	15.5	1050	575	35,800	3.76	8.6	22,400	2.78
4791172	25HNB636A**30	CSPH*3612A**	59*P5A080E17**14	35,600	12.3	16.1	1045	710	36,000	3.74	9.0	22,800	2.76
4791173	25HNB636A**30	CSPH*3612A**	59*P5A080E17**16	35,600	12.5	16.0	1035	965	36,000	3.76	9.0	22,600	2.78
4640095	25HNB636A**30	CSPH*3612A**	OVLAAB036098	34,800	11.7	15.5	1015	600	36,000	3.70	8.5	22,600	2.74
4640097	25HNB636A**30	CSPH*3612A**	OVLAAB048112	34,800	12.0	16.0	1085	880	36,200	3.78	9.0	22,800	2.78
4640098	25HNB636A**30	CSPH*3612A**	OVLAAB060154	36,200	12.5	16.5	1250	1020	36,600	3.96	9.0	23,000	2.86
4640094	25HNB636A**30	CSPH*3612A**	OVMAAB036098	35,000	12.0	16.0	1040	685	36,200	3.72	8.7	22,800	2.74
4640096	25HNB636A**30	CSPH*3612A**	OVMAAB042112	35,200	12.5	16.2	1035	825	36,000	3.76	9.0	22,600	2.78
4639560	25HNB636A**30	CSPH*3612A**+TDR		34,800	11.6	14.5	1050	840	36,400	3.64	8.5	23,000	2.68
4639820	25HNB636A**30	CSPH*3612A**+UI	58CV(A,X)070-12	35,400	12.5	16.0	1050	840	36,000	3.80	9.1	22,600	2.80
4639821	25HNB636A**30	CSPH*3612A**+UI	58CV(A,X)090-16	35,400	12.5	16.5	1050	840	35,800	3.84	9.1	22,400	2.84

See notes on pg. 43



COMBINATION RATINGS CONTINUED

AHRI Ref. No.	Model Number	Coil Model Number	Furnace Model Number	Cooling Capacity	Cooling				AHRI Standard Ratings			
					SEER	ID CFM		High Temp		HSPF	Low Temp	
						High	Low	E Capacity	H Capacity		E COP	H COP
4639822	25HNB636A**30	CSPH*3612A**+UI	58CV(A.X)110-20	35,400	12.5	16.5	1050	840	35,800	9.1	22,400	2.84
4639823	25HNB636A**30	CSPH*3612A**+UI	58CV(A.X)135-22	35,600	12.6	16.5	1050	840	35,800	9.1	22,200	2.84
4639824	25HNB636A**30	CSPH*3612A**+UI	58CV(A.X)155-22	35,600	12.7	16.5	1050	840	35,800	9.2	22,200	2.86
4639812	25HNB636A**30	CSPH*3612A**+UI	58MV(B.C)060-14	35,400	12.5	16.0	1050	840	35,800	9.1	22,400	2.82
4639812	25HNB636A**30	CSPH*3612A**+UI	58MV(B.C)080-14	35,200	12.3	16.0	1050	840	36,000	9.1	22,600	2.80
4639813	25HNB636A**30	CSPH*3612A**+UI	58MV(B.C)080-20	35,400	12.5	16.0	1050	840	36,000	9.1	22,600	2.80
4639814	25HNB636A**30	CSPH*3612A**+UI	58MV(B.C)100-20	35,400	12.5	16.0	1050	840	36,000	9.3	22,400	2.82
4639815	25HNB636A**30	CSPH*3612A**+UI	58MV(B.C)120-20	35,400	12.5	16.0	1050	840	35,800	9.2	22,400	2.82
4639810	25HNB636A**30	CSPH*3612A**+UI	58MV(B.C)040-14	35,400	12.2	16.2	1050	840	36,000	9.0	22,600	2.80
4639715	25HNB636A**30	CSPH*3612A**+UI	58PH*045-08	35,200	11.9	15.7	1075	745	36,400	8.5	23,000	2.72
4639717	25HNB636A**30	CSPH*3612A**+UI	58PH*070-16	35,200	12.2	16.0	1045	915	36,200	9.0	22,600	2.76
4639719	25HNB636A**30	CSPH*3612A**+UI	58PH*090-16	35,400	12.6	16.0	1060	925	36,000	9.0	22,400	2.84
4791236	25HNB636A**30	CSPH*3612A**+UI	59*N*A060V17**14	35,200	12.3	16.0	975	780	35,800	9.1	22,800	2.74
4791237	25HNB636A**30	CSPH*3612A**+UI	59*N*A080V17**14	35,200	12.3	16.0	975	780	36,000	9.1	22,600	2.78
4791238	25HNB636A**30	CSPH*3612A**+UI	59*N*A100V21**20	35,400	12.5	16.0	975	780	36,000	9.3	22,600	2.80
4791239	25HNB636A**30	CSPH*3612A**+UI	59*N*A120V24**22	35,400	12.5	16.0	975	780	35,800	9.2	22,400	2.82
4640153	25HNB636A**30	CSPH*4212A**	58HDV040-12	35,200	11.7	15.7	1065	820	36,600	8.7	23,000	2.72
4640154	25HNB636A**30	CSPH*4212A**	58HDV060-12	35,600	12.0	16.0	1110	785	36,600	9.0	23,000	2.78
4640156	25HNB636A**30	CSPH*4212A**	58HDV100-20	36,000	12.5	16.5	1115	880	36,400	9.2	22,800	2.84
4639894	25HNB636A**30	CSPH*4212A**	58MEB040-12	35,800	12.7	16.5	1075	800	36,000	9.0	22,600	2.84
4639947	25HNB636A**30	CSPH*4212A**	58MEC060-12	35,800	12.5	16.5	1095	815	36,200	9.2	22,600	2.84
4639948	25HNB636A**30	CSPH*4212A**	58MEC080-12	35,800	12.5	16.5	1095	780	36,000	9.0	22,600	2.84
4639949	25HNB636A**30	CSPH*4212A**	58MEC080-16	35,800	12.5	16.2	1090	990	36,200	9.2	22,600	2.84
4639722	25HNB636A**30	CSPH*4212A**	58PH*045-08	35,400	11.9	16.0	1080	750	36,600	8.6	23,000	2.74
4639724	25HNB636A**30	CSPH*4212A**	58PH*070-16	35,400	12.5	15.7	1060	925	36,200	9.0	22,800	2.78
4639726	25HNB636A**30	CSPH*4212A**	58PH*090-16	35,800	12.7	16.2	1070	935	36,000	9.0	22,400	2.86
4640020	25HNB636A**30	CSPH*4212A**	58VLR105-12	35,600	12.5	15.7	1065	610	36,200	8.5	22,600	2.82
4640022	25HNB636A**30	CSPH*4212A**	58VLR120-20	35,400	12.7	16.0	1005	595	35,600	8.4	22,200	2.84
4640019	25HNB636A**30	CSPH*4212A**	58VMR105-12	35,000	12.5	15.5	975	550	35,800	8.5	22,400	2.78
4640021	25HNB636A**30	CSPH*4212A**	58VMR120-20	35,200	12.5	15.5	1000	575	35,800	8.6	22,400	2.80
4791174	25HNB636A**30	CSPH*4212A**	59*P5A060E17**14	35,800	12.4	16.3	1055	720	36,200	9.1	22,800	2.78
4791175	25HNB636A**30	CSPH*4212A**	59*P5A080E17**14	35,800	12.5	16.2	1040	920	36,200	9.2	22,600	2.80
4640100	25HNB636A**30	CSPH*4212A**	OVLAAB036088	35,200	12.0	15.7	1015	600	36,200	8.5	22,800	2.76
4640102	25HNB636A**30	CSPH*4212A**	OVLAAB048112	35,600	12.5	16.0	1085	880	36,400	9.0	22,800	2.80
4640103	25HNB636A**30	CSPH*4212A**	OVLAAB060154	36,600	12.5	16.5	1250	1020	36,800	9.0	23,000	2.90
4640099	25HNB636A**30	CSPH*4212A**	OVMAAB036088	35,200	12.0	16.0	1040	685	36,200	8.7	22,800	2.76
4640101	25HNB636A**30	CSPH*4212A**	OVMAAB042112	35,400	12.5	16.2	1035	825	36,000	9.0	22,600	2.80
4639861	25HNB636A**30	CSPH*4212A**+TDR		35,000	11.7	14.5	1050	840	36,600	8.6	23,200	2.70
4639825	25HNB636A**30	CSPH*4212A**+UI	58CV(A.X)070-12	35,600	12.5	16.5	1050	840	36,200	9.1	22,600	2.82
4639826	25HNB636A**30	CSPH*4212A**+UI	58CV(A.X)090-16	35,600	12.6	16.5	1050	840	36,000	9.2	22,400	2.86
4639827	25HNB636A**30	CSPH*4212A**+UI	58CV(A.X)110-20	35,800	12.7	16.5	1050	840	36,000	9.3	22,400	2.86
4639828	25HNB636A**30	CSPH*4212A**+UI	58CV(A.X)135-22	35,800	12.6	16.5	1050	840	35,800	9.2	22,400	2.88
4639829	25HNB636A**30	CSPH*4212A**+UI	58CV(A.X)155-22	35,800	12.8	16.5	1050	840	35,800	9.2	22,200	2.88
4639817	25HNB636A**30	CSPH*4212A**+UI	58MV(B.C)060-14	35,600	12.6	16.0	1050	840	36,000	9.2	22,400	2.84
4639818	25HNB636A**30	CSPH*4212A**+UI	58MV(B.C)080-14	35,600	12.5	16.0	1050	840	36,200	9.1	22,600	2.82
4639819	25HNB636A**30	CSPH*4212A**+UI	58MV(B.C)080-20	35,600	12.5	16.0	1050	840	36,000	9.2	22,600	2.82
4639820	25HNB636A**30	CSPH*4212A**+UI	58MV(B.C)100-20	35,600	12.5	16.0	1050	840	36,000	9.2	22,600	2.84
4639821	25HNB636A**30	CSPH*4212A**+UI	58MV(B.C)120-20	35,600	12.6	16.0	1050	840	36,000	9.2	22,400	2.84
4639816	25HNB636A**30	CSPH*4212A**+UI	58MV(B.C)040-14	35,600	12.5	16.5	1050	840	36,000	9.2	22,600	2.82
4639721	25HNB636A**30	CSPH*4212A**+UI	58PH*045-08	35,400	11.9	16.0	1080	750	36,600	8.6	23,000	2.74
4639723	25HNB636A**30	CSPH*4212A**+UI	58PH*070-16	35,400	12.5	16.0	1060	925	36,200	9.0	22,800	2.78
4639725	25HNB636A**30	CSPH*4212A**+UI	58PH*090-16	35,800	12.7	16.0	1070	935	36,000	9.0	22,400	2.86

See notes on pg. 43

COMBINATION RATINGS CONTINUED

AHRI Ref. No.	Model Number	Coil Model Number	Furnace Model Number	Cooling Capacity	Cooling				AHRI Standard Ratings				
					EER	SEER	ID CFM		High Temp		HSPF	Low Temp	
							High	Low	E Capacity	H Capacity		E COP	H COP
4791240	25HN/B366A**30	CSPH*4212A**+UI	59*N*A080V17**14	35,400	12.4	16.0	975	780	36,000	3.76	9.2	22,800	2.76
4791241	25HN/B366A**30	CSPH*4212A**+UI	59*N*A080V17**14	35,400	12.5	16.0	975	780	36,200	3.80	9.1	22,600	2.80
4791242	25HN/B366A**30	CSPH*4212A**+UI	59*N*A100V21**20	35,600	12.5	16.0	975	780	36,000	3.84	9.2	22,600	2.82
4791243	25HN/B366A**30	CSPH*4212A**+UI	59*N*A120V24**22	35,600	12.6	16.0	975	780	36,000	3.86	9.2	22,400	2.84
4640157	25HN/B366A**30	CSPH*4812A**	58HDV040--12	35,400	11.7	15.7	1065	825	36,600	3.74	9.0	23,200	2.74
4640158	25HN/B366A**30	CSPH*4812A**	58HDV060--12	35,800	12.2	16.0	1110	790	36,600	3.84	9.0	23,000	2.78
4640159	25HN/B366A**30	CSPH*4812A**	58HDV080--20	36,400	12.5	16.5	1195	930	36,800	3.96	9.2	23,200	2.86
4640160	25HN/B366A**30	CSPH*4812A**	58HDV100--20	36,000	12.5	16.5	1115	880	36,400	3.94	9.2	22,800	2.86
4639895	25HN/B366A**30	CSPH*4812A**	58MEB040-12	35,800	12.7	16.5	1075	805	36,200	3.92	9.2	22,600	2.86
4639950	25HN/B366A**30	CSPH*4812A**	58MEC060-12	36,000	12.7	16.7	1095	820	36,200	3.92	9.2	22,600	2.86
4639951	25HN/B366A**30	CSPH*4812A**	58MEC080-12	35,800	12.7	16.5	1095	785	36,200	3.90	9.2	22,600	2.86
4639952	25HN/B366A**30	CSPH*4812A**	58MEC080-16	36,000	12.7	16.2	1090	990	36,200	3.92	9.2	22,600	2.86
4639728	25HN/B366A**30	CSPH*4812A**	58PH*045-08	35,600	12.0	16.0	1080	755	36,600	3.78	9.0	23,000	2.76
4639730	25HN/B366A**30	CSPH*4812A**	58PH*070-16	35,600	12.2	16.0	1060	930	36,400	3.82	9.2	22,800	2.80
4639732	25HN/B366A**30	CSPH*4812A**	58PH*090-16	36,000	12.7	16.5	1070	940	36,200	3.92	9.2	22,600	2.86
4640024	25HN/B366A**30	CSPH*4812A**	58VLR105-12	35,600	12.5	16.0	1065	610	36,200	3.86	8.5	22,600	2.82
4640026	25HN/B366A**30	CSPH*4812A**	58VLR120-20	35,800	12.7	16.0	1005	595	35,800	3.88	8.5	22,200	2.84
4640023	25HN/B366A**30	CSPH*4812A**	58VMR105-12	35,200	12.5	15.5	975	550	35,800	3.78	8.6	22,400	2.80
4640025	25HN/B366A**30	CSPH*4812A**	58VMR120-20	35,400	12.5	15.7	1000	575	35,800	3.82	8.5	22,400	2.82
4791176	25HN/B366A**30	CSPH*4812A**	59*P5A080E17**14	36,000	12.5	16.4	1055	730	36,200	3.82	9.1	22,800	2.80
4791177	25HN/B366A**30	CSPH*4812A**	59*P5A080E17**16	36,000	12.6	16.2	1040	975	36,200	3.82	9.2	22,600	2.80
4640105	25HN/B366A**30	CSPH*4812A**	OVLAAB036098	35,200	12.0	15.7	1015	600	36,200	3.76	8.5	22,800	2.76
4640107	25HN/B366A**30	CSPH*4812A**	OVLAAB048112	35,800	12.5	16.2	1085	880	36,400	3.86	9.0	22,800	2.82
4640108	25HN/B366A**30	CSPH*4812A**	OVLAAB060154	36,600	12.5	16.5	1250	1020	36,800	4.04	9.0	23,000	2.90
4640104	25HN/B366A**30	CSPH*4812A**	OVMAAB036098	35,400	12.0	16.2	1040	685	36,400	3.78	8.7	22,800	2.78
4640106	25HN/B366A**30	CSPH*4812A**	OVMAAB042112	35,600	12.5	16.5	1035	825	36,200	3.84	9.0	22,600	2.82
4639862	25HN/B366A**30	CSPH*4812A**+TDR	58CV(A,X)070-12	35,200	11.7	14.5	1050	840	36,600	3.70	8.5	23,200	2.70
4639830	25HN/B366A**30	CSPH*4812A**+UI	58CV(A,X)090-16	35,600	12.5	16.5	1050	840	36,200	3.86	9.1	22,600	2.82
4639831	25HN/B366A**30	CSPH*4812A**+UI	58CV(A,X)110-20	35,800	12.7	16.5	1050	840	36,000	3.92	9.3	22,400	2.86
4639832	25HN/B366A**30	CSPH*4812A**+UI	58CV(A,X)135-22	35,800	12.7	16.5	1050	840	36,000	3.92	9.3	22,400	2.86
4639833	25HN/B366A**30	CSPH*4812A**+UI	58CV(A,X)155-22	35,800	12.7	16.5	1050	840	36,000	3.94	9.3	22,400	2.88
4639834	25HN/B366A**30	CSPH*4812A**+UI	58CV(A,X)155-22	36,000	12.9	17.0	1050	840	36,000	3.94	9.3	22,400	2.90
4639823	25HN/B366A**30	CSPH*4812A**+UI	58MV(B,C)060-14	35,800	12.6	16.0	1050	840	36,000	3.90	9.3	22,400	2.86
4639824	25HN/B366A**30	CSPH*4812A**+UI	58MV(B,C)080-14	35,800	12.5	16.0	1050	840	36,200	3.86	9.3	22,600	2.82
4639825	25HN/B366A**30	CSPH*4812A**+UI	58MV(B,C)080-20	35,800	12.6	16.0	1050	840	36,200	3.88	9.1	22,600	2.84
4639826	25HN/B366A**30	CSPH*4812A**+UI	58MV(B,C)100-20	35,800	12.6	16.0	1050	840	36,000	3.88	9.3	22,600	2.84
4639827	25HN/B366A**30	CSPH*4812A**+UI	58MV(B,C)120-20	35,800	12.7	16.0	1050	840	36,000	3.90	9.3	22,400	2.86
4639822	25HN/B366A**30	CSPH*4812A**+UI	58MV(B)040-14	35,800	12.5	16.5	1050	840	36,200	3.88	9.2	22,600	2.84
4639727	25HN/B366A**30	CSPH*4812A**+UI	58PH*045-08	35,800	12.0	16.0	1080	755	36,600	3.78	9.0	23,000	2.76
4639729	25HN/B366A**30	CSPH*4812A**+UI	58PH*070-16	35,600	12.2	16.0	1060	930	36,400	3.82	9.2	22,800	2.80
4639731	25HN/B366A**30	CSPH*4812A**+UI	58PH*090-16	36,000	12.7	16.5	1070	940	36,200	3.92	9.2	22,600	2.86
4791244	25HN/B366A**30	CSPH*4812A**+UI	59*N*A080V17**14	35,600	12.5	16.0	975	780	36,000	3.78	9.2	22,800	2.78
4791245	25HN/B366A**30	CSPH*4812A**+UI	59*N*A080V17**14	35,600	12.5	16.0	975	780	36,200	3.82	9.3	22,800	2.80
4791246	25HN/B366A**30	CSPH*4812A**+UI	59*N*A100V21**20	35,600	12.6	16.0	975	780	36,000	3.86	9.3	22,600	2.82
4791247	25HN/B366A**30	CSPH*4812A**+UI	59*N*A120V24**22	35,800	12.7	16.0	975	780	36,000	3.88	9.3	22,600	2.84
4640162	25HN/B366A**30	FE4AN(B,F)003+UI	FE4AN(B,F)003+UI	34,800	12.5	16.0	1050	840	35,400	3.74	9.1	22,000	2.78
4640163	25HN/B366A**30	FE4AN(B,F)005+UI	FE4AN(B,F)005+UI	36,000	13.0	16.5	1050	840	35,800	3.94	9.5	22,200	2.90
4640164	25HN/B366A**30	FE4ANB006+UI	FE4ANB006+UI	36,400	13.3	17.0	1050	840	36,000	4.04	9.6	22,400	2.94
4640161	25HN/B366A**30	FE4ANF002+UI	FE4ANF002+UI	34,800	11.9	15.5	1050	840	35,600	3.74	9.0	22,000	2.74
4640166	25HN/B366A**30	FV4CN(B,F)003	FV4CN(B,F)003	34,800	12.5	15.5	1050	840	35,400	3.74	9.0	22,000	2.78
4640167	25HN/B366A**30	FV4CN(B,F)005	FV4CN(B,F)005	36,000	13.0	16.0	1050	840	35,800	3.94	9.3	22,200	2.90
4640165	25HN/B366A**30	FV4CNF002	FV4CNF002	34,400	12.1	15.5	1050	840	35,800	3.72	9.0	22,400	2.74

See notes on pg. 43

COMBINATION RATINGS CONTINUED

AHRI Ref. No.	Model Number	Coil Model Number	Furnace Model Number	Cooling Capacity	Cooling				AHRI Standard Ratings				
					SEER	ID CFM		High Temp		HSPF	Low Temp		
						High	Low	E Capacity	H Capacity		E COP	H COP	
4640169	25HNB648A**30	+FV4CN(B,F)005		47,000	12.5	15.0	1400	1120	47,000	3.60	9.0	29,400	2.78
4640247	25HNB648A**30	CAP**4817A**	58MEC080-16	46,000	11.8	15.0	1415	1095	47,500	3.54	9.0	29,600	2.68
4640248	25HNB648A**30	CAP**4817A**	58MEC100-20	46,000	12.0	15.5	1365	1040	47,000	3.58	8.7	29,000	2.70
4640260	25HNB648A**30	CAP**4817A**	58VLR120-20	45,500	11.7	15.0	1350	1170	47,000	3.54	8.7	29,000	2.68
4640259	25HNB648A**30	CAP**4817A**	58VMR120-20	45,500	11.7	15.0	1355	1155	47,500	3.52	8.7	29,200	2.66
4791248	25HNB648A**30	CAP**4817A**	59*P5A080E17**16	46,000	11.6	15.0	1350	1045	47,500	3.46	8.9	30,000	2.66
4640170	25HNB648A**30	CAP**4817A**+TDR		45,500	11.6	14.0	1120	1040	47,500	3.48	8.7	29,600	2.64
4640346	25HNB648A**30	CAP**4817A**+UI	58CV(A,X)090-16	45,500	11.7	15.2	1300	1040	47,500	3.56	8.7	29,800	2.72
4640249	25HNB648A**30	CAP**4821A**	58MEC080-16	45,500	11.8	15.0	1430	1155	47,500	3.58	8.8	29,400	2.66
4640250	25HNB648A**30	CAP**4821A**	58MEC100-20	45,500	11.7	15.2	1385	1050	47,000	3.54	8.7	28,800	2.70
4640251	25HNB648A**30	CAP**4821A**	58MEC120-20	45,500	12.0	15.2	1400	1240	47,000	3.56	8.7	28,800	2.70
4640320	25HNB648A**30	CAP**4821A**	58VUB080-20	45,000	11.8	14.7	1310	1200	47,000	3.44	8.8	29,000	2.64
4640321	25HNB648A**30	CAP**4821A**	58VUB100-20	45,500	11.7	14.9	1395	1145	47,500	3.48	8.9	29,400	2.64
4640262	25HNB648A**30	CAP**4821A**	58VLR120-20	45,500	12.0	15.0	1350	1170	47,000	3.50	8.9	28,800	2.66
4640261	25HNB648A**30	CAP**4821A**	58VMR120-20	45,000	11.8	15.0	1355	1155	47,000	3.48	8.8	28,000	2.64
4791249	25HNB648A**30	CAP**4821A**	59*P5A080E17**16	45,500	11.5	14.9	1365	1055	47,500	3.42	8.8	30,000	2.64
4791250	25HNB648A**30	CAP**4821A**	59*P5A100E21**16	44,500	11.5	14.5	1360	1180	47,000	3.46	8.8	29,800	2.68
4640294	25HNB648A**30	CAP**4821A**	OVLAA8048112	45,000	11.0	14.7	1450	1170	48,000	3.42	8.8	28,800	2.60
4640349	25HNB648A**30	CAP**4821A**+UI	58CV(A,X)090-16	45,000	11.5	13.9	1300	1040	47,500	3.44	8.5	29,400	2.62
4640350	25HNB648A**30	CAP**4821A**+UI	58CV(A,X)110-20	45,000	12.0	15.5	1300	1040	47,000	3.52	9.0	29,600	2.72
4640347	25HNB648A**30	CAP**4821A**+UI	58MV(B,C)080-20	45,000	11.8	15.2	1300	1040	47,500	3.48	9.0	29,800	2.68
4640348	25HNB648A**30	CAP**4821A**+UI	58MV(B,C)100-20	45,000	11.8	15.3	1300	1040	47,000	3.48	9.0	29,800	2.68
4791284	25HNB648A**30	CAP**4821A**+UI	59*N*A100V21**20	45,000	11.8	15.1	1300	1040	47,000	3.46	8.9	29,800	2.68
4640243	25HNB648A**30	CAP**4823A**	58HDV080--20	45,500	11.7	15.0	1470	1160	47,500	3.50	8.9	29,600	2.66
4640244	25HNB648A**30	CAP**4823A**	58HDV100--20	45,500	11.5	15.0	1405	1105	47,000	3.50	8.7	29,200	2.66
4640330	25HNB648A**30	CAP**4823A**	58VUB080-20	45,000	11.5	14.5	1310	1200	47,000	3.44	8.5	29,000	2.64
4640331	25HNB648A**30	CAP**4823A**	58VUB100-20	45,500	11.5	14.7	1395	1145	47,500	3.48	8.7	29,400	2.64
4791257	25HNB648A**30	CAP**4823A**	59*P5A100E21**16	44,500	11.5	14.5	1360	1180	47,000	3.46	8.7	29,800	2.68
4791258	25HNB648A**30	CAP**4823A**	59*P5A120E24**22	45,000	11.7	15.0	1385	1260	47,000	3.52	9.0	28,600	2.72
4640300	25HNB648A**30	CAP**4823A**	OVLAA8048112	45,000	11.2	14.7	1450	1170	48,000	3.42	8.8	29,800	2.60
4640175	25HNB648A**30	CAP**4823A**+TDR		45,000	11.5	13.9	1400	1120	47,500	3.44	8.5	29,400	2.62
4640370	25HNB648A**30	CAP**4823A**+UI	58CV(A,X)110-20	45,000	12.0	15.5	1300	1040	47,000	3.54	8.7	29,600	2.72
4640371	25HNB648A**30	CAP**4823A**+UI	58CV(A,X)135-22	45,000	12.0	15.5	1300	1040	47,000	3.56	8.7	29,400	2.76
4640372	25HNB648A**30	CAP**4823A**+UI	58CV(A,X)155-22	45,500	12.2	15.5	1300	1040	47,000	3.58	8.7	29,200	2.76
4640367	25HNB648A**30	CAP**4823A**+UI	58MV(B,C)080-20	45,000	11.7	15.2	1300	1040	47,500	3.48	8.7	29,800	2.68
4640368	25HNB648A**30	CAP**4823A**+UI	58MV(B,C)100-20	45,000	11.7	15.3	1300	1040	47,000	3.48	8.7	29,800	2.68
4640369	25HNB648A**30	CAP**4823A**+UI	58MV(B,C)120-20	45,000	11.7	15.2	1300	1040	47,000	3.52	8.7	29,600	2.72
4791290	25HNB648A**30	CAP**4823A**+UI	59*N*A100V21**20	45,000	11.7	15.1	1300	1040	47,000	3.46	8.7	29,800	2.68
4791291	25HNB648A**30	CAP**4823A**+UI	59*N*A120V24**22	45,000	11.7	15.2	1300	1040	47,000	3.50	9.0	29,600	2.70
4640252	25HNB648A**30	CAP**4824A**	58MEC100-20	45,500	12.0	15.5	1410	1070	47,000	3.56	8.7	28,800	2.70
4640253	25HNB648A**30	CAP**4824A**	58MEC120-20	45,000	12.0	15.2	1425	1260	47,000	3.58	8.7	28,800	2.72
4640322	25HNB648A**30	CAP**4824A**	58VUB080-20	45,000	11.9	14.8	1310	1200	47,000	3.46	8.9	28,800	2.64
4640323	25HNB648A**30	CAP**4824A**	58VUB100-20	45,500	11.8	15.0	1395	1145	47,000	3.48	8.9	29,200	2.66
4640324	25HNB648A**30	CAP**4824A**	58VUB120-20	45,500	12.0	15.2	1360	1175	47,000	3.50	9.0	29,000	2.68
4640264	25HNB648A**30	CAP**4824A**	58VLR120-20	45,500	12.1	15.0	1350	1170	47,000	3.52	9.0	28,600	2.68
4640263	25HNB648A**30	CAP**4824A**	58VMR120-20	45,000	11.9	15.0	1355	1155	47,000	3.50	8.9	28,800	2.66
4791251	25HNB648A**30	CAP**4824A**	59*P5A100E21**16	44,500	11.5	14.5	1380	1195	47,000	3.46	9.0	29,800	2.68
4791252	25HNB648A**30	CAP**4824A**	59*P5A120E24**22	46,000	12.0	15.1	1410	1285	47,000	3.54	9.0	28,600	2.72
4640295	25HNB648A**30	CAP**4824A**	OVLAA8048112	45,500	11.2	14.7	1450	1170	47,500	3.44	8.8	29,600	2.62
4640296	25HNB648A**30	CAP**4824A**	OVLAA8060154	46,500	11.5	15.2	1670	1330	48,000	3.56	9.0	30,400	2.72
4640172	25HNB648A**30	CAP**4824A**+TDR		45,000	11.5	13.9	1400	1120	47,500	3.44	8.5	29,400	2.62
4640354	25HNB648A**30	CAP**4824A**+UI	58CV(A,X)110-20	45,000	12.1	15.6	1300	1040	47,000	3.56	9.1	29,400	2.74

COMBINATION RATINGS CONTINUED

AHRI Ref. No.	Model Number	Coil Model Number	Furnace Model Number	Cooling Capacity	Cooling				AHRI Standard Ratings			
					SEER	ID CFM		High Temp		HSPF	Low Temp	
						High	Low	E Capacity	H Capacity		E COP	H COP
4640377	25HNB48A**30	CAP**6025A**+UI	58CV(A.X)135--22	46,500	12.2	15.7	1300	1040	47,000	9.0	29,400	2.82
4640378	25HNB48A**30	CAP**6025A**+UI	58CV(A.X)155--22	46,500	12.5	15.7	1300	1040	47,000	9.0	29,400	2.82
4640373	25HNB48A**30	CAP**6025A**+UI	58MV(B.C)080--20	46,000	12.0	15.4	1300	1040	47,500	8.7	29,800	2.72
4640374	25HNB48A**30	CAP**6025A**+UI	58MV(B.C)100--20	46,000	12.0	15.5	1300	1040	47,500	8.7	29,800	2.74
4640375	25HNB48A**30	CAP**6025A**+UI	58MV(B.C)120--20	46,000	12.2	15.5	1300	1040	47,000	9.0	29,600	2.76
4791292	25HNB48A**30	CAP**6025A**+UI	59*N*A100E21**16	46,000	12.0	15.3	1300	1040	47,500	9.0	30,000	2.72
4791293	25HNB48A**30	CAP**6025A**+UI	59*N*A120E24**22	46,000	12.2	15.5	1300	1040	47,000	9.2	29,600	2.76
4640288	25HNB48A**30	CNPH*4821A**	58HDV080--20	46,500	11.8	15.2	1495	1180	47,500	9.0	29,800	2.68
4640289	25HNB48A**30	CNPH*4821A**	58HDV100--20	45,000	11.9	15.4	1430	1120	47,500	9.0	29,200	2.68
4640202	25HNB48A**30	CNPH*4821A**	58MEC080--16	46,000	11.8	15.4	1450	1020	47,500	8.9	29,400	2.68
4640203	25HNB48A**30	CNPH*4821A**	58MEC100--20	46,000	12.0	15.5	1410	1070	47,000	8.7	29,000	2.70
4640210	25HNB48A**30	CNPH*4821A**	58MEC120--20	46,000	12.0	15.2	1425	1260	47,000	8.7	28,800	2.72
4640198	25HNB48A**30	CNPH*4821A**	58PH*070--16	45,500	11.2	14.5	1455	1095	48,000	8.8	30,000	2.58
4640199	25HNB48A**30	CNPH*4821A**	58PH*090--16	46,000	12.1	15.5	1420	1105	47,000	9.0	29,000	2.70
4640200	25HNB48A**30	CNPH*4821A**	58PH*110--20	46,000	12.3	15.5	1380	1130	47,000	9.0	28,600	2.72
4640201	25HNB48A**30	CNPH*4821A**	58PH*135--20	46,000	12.2	15.0	1400	1235	47,000	9.1	29,000	2.70
4640277	25HNB48A**30	CNPH*4821A**	58VMR120--20	45,500	12.0	15.0	1355	1155	47,000	8.8	28,800	2.66
4791289	25HNB48A**30	CNPH*4821A**	59*P5A080E17**16	45,500	11.6	15.0	1380	1085	47,500	8.9	30,000	2.66
4791270	25HNB48A**30	CNPH*4821A**	59*P5A100E21**16	45,500	11.5	14.5	1385	1085	47,000	9.0	29,800	2.68
4791271	25HNB48A**30	CNPH*4821A**	59*P5A120E24**22	45,500	11.7	15.0	1415	1290	47,000	9.0	29,600	2.72
4640310	25HNB48A**30	CNPH*4821A**	OVLAAB048112	45,500	11.2	14.7	1450	1170	47,500	8.8	29,800	2.62
4640311	25HNB48A**30	CNPH*4821A**	OVLAAB060154	46,500	11.5	15.2	1670	1330	48,000	9.0	30,400	2.72
4640208	25HNB48A**30	CNPH*4821A**+TDR	58CV(A.X)090--16	45,500	11.6	14.8	1400	1120	47,500	8.8	29,400	2.62
4640404	25HNB48A**30	CNPH*4821A**+UI	58CV(A.X)110--20	45,500	12.1	15.6	1300	1040	47,000	9.1	29,600	2.72
4640405	25HNB48A**30	CNPH*4821A**+UI	58CV(A.X)135--20	45,500	12.2	15.6	1300	1040	47,000	9.1	29,400	2.74
4640406	25HNB48A**30	CNPH*4821A**+UI	58CV(A.X)155--22	45,500	12.3	15.8	1300	1040	47,000	9.2	29,200	2.76
4640407	25HNB48A**30	CNPH*4821A**+UI	58CV(A.X)155--22	45,500	12.4	15.9	1300	1040	46,500	9.2	29,200	2.78
4640401	25HNB48A**30	CNPH*4821A**+UI	58MV(B.C)080--20	45,000	12.0	15.3	1300	1040	47,000	9.0	29,800	2.70
4640402	25HNB48A**30	CNPH*4821A**+UI	58MV(B.C)100--20	45,000	11.9	15.4	1300	1040	47,000	9.0	29,600	2.70
4640403	25HNB48A**30	CNPH*4821A**+UI	58MV(B.C)120--20	45,000	12.1	15.5	1300	1040	47,000	9.1	29,600	2.72
4791301	25HNB48A**30	CNPH*4821A**+UI	59*N*A100E21**20	45,000	11.9	15.2	1300	1040	47,000	9.0	29,800	2.68
4791302	25HNB48A**30	CNPH*4821A**+UI	59*N*A120E24**22	45,500	12.1	15.5	1300	1040	47,000	9.1	29,600	2.72
4640290	25HNB48A**30	CNPH*6024A**	58HDV080--20	46,500	12.0	15.5	1505	1195	47,500	9.0	30,200	2.74
4640291	25HNB48A**30	CNPH*6024A**	58HDV100--20	46,500	12.1	15.5	1440	1135	47,500	9.0	29,800	2.74
4640219	25HNB48A**30	CNPH*6024A**	58MEC080--16	46,500	12.0	15.5	1455	1035	47,500	9.0	29,800	2.72
4640220	25HNB48A**30	CNPH*6024A**	58MEC100--20	46,500	12.2	15.0	1425	1420	47,000	9.0	29,200	2.76
4640221	25HNB48A**30	CNPH*6024A**	58MEC120--20	47,000	12.2	15.7	1440	1275	47,000	9.0	29,200	2.78
4640215	25HNB48A**30	CNPH*6024A**	58PH*070--16	46,000	11.4	15.0	1465	1100	48,000	9.0	30,600	2.64
4640216	25HNB48A**30	CNPH*6024A**	58PH*090--16	46,500	12.3	15.8	1430	1115	47,500	9.1	29,400	2.74
4640217	25HNB48A**30	CNPH*6024A**	58PH*110--20	46,500	12.5	15.5	1395	1390	47,000	9.2	29,000	2.76
4640218	25HNB48A**30	CNPH*6024A**	58PH*135--20	46,500	12.4	15.5	1420	1255	47,000	9.2	29,400	2.76
4640278	25HNB48A**30	CNPH*6024A**	58VMR120--20	46,000	12.2	15.3	1355	1155	47,000	9.0	29,000	2.70
4791272	25HNB48A**30	CNPH*6024A**	59*P5A080E17**16	46,500	11.8	15.2	1390	1075	47,500	9.0	30,000	2.68
4791273	25HNB48A**30	CNPH*6024A**	59*P5A100E21**16	45,500	11.7	15.0	1395	1205	47,500	9.0	29,800	2.72
4791274	25HNB48A**30	CNPH*6024A**	59*P5A120E24**22	47,000	12.2	15.4	1425	1305	47,000	9.0	29,600	2.76
4640312	25HNB48A**30	CNPH*6024A**	OVLAAB048112	46,500	11.5	15.0	1450	1170	48,000	9.0	30,000	2.68
4640313	25HNB48A**30	CNPH*6024A**	OVLAAB060154	47,500	11.7	15.5	1670	1330	48,000	9.0	30,400	2.76
4640209	25HNB48A**30	CNPH*6024A**+TDR	58CV(A.X)090--16	46,000	11.7	15.3	1400	1120	47,500	9.0	29,800	2.66
4640411	25HNB48A**30	CNPH*6024A**+UI	58CV(A.X)110--20	46,000	12.3	15.8	1300	1040	47,000	9.2	29,600	2.78
4640412	25HNB48A**30	CNPH*6024A**+UI	58CV(A.X)135--22	46,000	12.4	15.9	1300	1040	47,000	9.2	29,400	2.78
4640413	25HNB48A**30	CNPH*6024A**+UI	58CV(A.X)155--22	46,000	12.5	16.0	1300	1040	47,000	9.2	29,400	2.80
4640414	25HNB48A**30	CNPH*6024A**+UI	58CV(A.X)155--22	46,500	12.7	16.0	1300	1040	47,000	9.2	29,200	2.82
4640408	25HNB48A**30	CNPH*6024A**+UI	58MV(B.C)080--20	46,000	12.2	15.5	1300	1040	47,500	9.1	29,800	2.72

COMBINATION RATINGS CONTINUED

AHRI Ref. No.	Model Number	Coil Model Number	Furnace Model Number	Cooling Capacity	Cooling				AHRI Standard Ratings				
					EER	SEER	ID CFM		High Temp		HSPF	Low Temp	
							High	Low	E Capacity	H Capacity		H COP	H COP
4640409	25HNB48A**30	CNPH*6024A**+UI	58MV(B,C)100-20	46,000	12.1	15.6	1300	1040	47,500	9.2	29,800	2.74	
4640410	25HNB48A**30	CNPH*6024A**+UI	58MV(B,C)120-20	46,000	12.3	15.8	1300	1040	47,000	9.2	29,800	2.76	
4791303	25HNB48A**30	CNPH*6024A**+UI	59*N*A100V21**20	46,000	12.1	15.4	1300	1040	47,500	9.0	29,800	2.72	
4791304	25HNB48A**30	CNPH*6024A**+UI	59*N*A120V24**22	46,000	12.3	15.7	1300	1040	47,000	9.2	29,800	2.76	
4640292	25HNB48A**30	CNPH*6124A**	58HDV080--20	47,000	12.0	15.5	1485	1170	48,000	9.2	30,200	2.74	
4640293	25HNB48A**30	CNPH*6124A**	58HDV100--20	46,500	12.1	15.5	1420	1110	47,500	9.0	29,600	2.74	
4640226	25HNB48A**30	CNPH*6124A**	58MEC080-16	47,000	12.1	15.5	1445	1010	48,000	9.1	30,000	2.74	
4640227	25HNB48A**30	CNPH*6124A**	58MEC100-20	47,000	12.2	15.0	1400	1395	47,500	9.0	29,400	2.78	
4640228	25HNB48A**30	CNPH*6124A**	58MEC120-20	47,000	12.2	15.7	1420	1250	47,500	9.2	29,600	2.80	
4640222	25HNB48A**30	CNPH*6124A**	58PH*070-16	46,500	11.4	15.0	1445	1080	48,500	9.0	30,400	2.64	
4640223	25HNB48A**30	CNPH*6124A**	58PH*090-16	47,000	12.3	15.8	1410	1095	47,500	9.1	29,400	2.74	
4640224	25HNB48A**30	CNPH*6124A**	58PH*110-20	46,500	12.5	15.5	1370	1370	47,000	9.2	29,000	2.76	
4640225	25HNB48A**30	CNPH*6124A**	58PH*135-20	46,500	12.4	15.5	1390	1220	47,500	9.2	29,200	2.76	
4640279	25HNB48A**30	CNPH*6124A**	58VMR120-20	46,500	12.2	15.5	1355	1155	47,500	9.1	29,200	2.72	
4791275	25HNB48A**30	CNPH*6124A**	59*P5A080E17**16	46,500	11.8	15.2	1375	1060	48,000	9.0	30,200	2.70	
4791276	25HNB48A**30	CNPH*6124A**	59*P5A100E21**16	46,000	11.7	15.0	1375	1185	47,500	9.0	30,000	2.72	
4791277	25HNB48A**30	CNPH*6124A**	59*P5A120E24**22	47,000	12.2	15.4	1400	1275	47,500	9.2	29,800	2.76	
4640314	25HNB48A**30	CNPH*6124A**	OVLAA048112	46,500	11.5	15.0	1450	1170	48,000	9.0	30,200	2.68	
4640315	25HNB48A**30	CNPH*6124A**	OVLAA060154	47,500	11.7	15.5	1670	1330	48,500	9.0	30,600	2.76	
4640211	25HNB48A**30	CNPH*6124A**+TDR	58CV(A,X)090-16	47,500	11.7	14.0	1680	1120	49,000	8.8	30,800	2.72	
4640418	25HNB48A**30	CNPH*6124A**+UI	58CV(A,X)110-20	46,500	12.3	15.5	1300	1040	47,500	9.0	29,800	2.76	
4640419	25HNB48A**30	CNPH*6124A**+UI	58CV(A,X)135-22	46,500	12.3	15.5	1300	1040	47,500	9.1	29,600	2.78	
4640420	25HNB48A**30	CNPH*6124A**+UI	58CV(A,X)155-22	46,500	12.5	15.5	1300	1040	47,000	9.2	29,600	2.80	
4640421	25HNB48A**30	CNPH*6124A**+UI	58CV(A,X)155-22	46,500	12.6	15.5	1300	1040	47,000	9.2	29,400	2.82	
4640415	25HNB48A**30	CNPH*6124A**+UI	58MV(B,C)080-20	46,000	12.1	15.5	1300	1040	47,500	9.0	30,000	2.74	
4640416	25HNB48A**30	CNPH*6124A**+UI	58MV(B,C)100-20	46,000	12.1	15.5	1300	1040	47,500	9.2	29,800	2.74	
4640417	25HNB48A**30	CNPH*6124A**+UI	58MV(B,C)120-20	46,500	12.3	15.8	1300	1040	47,500	9.1	29,800	2.76	
4791305	25HNB48A**30	CNPH*6124A**+UI	59*N*A100V21**20	46,000	12.1	15.4	1300	1040	47,500	9.0	30,000	2.72	
4791306	25HNB48A**30	CNPH*6124A**+UI	59*N*A120V24**22	46,500	12.3	15.6	1300	1040	47,500	9.2	29,800	2.76	
4640180	25HNB48A**30	CNPV*4821A**	58MEC080-16	46,000	11.8	15.0	1450	1120	47,500	9.0	29,400	2.68	
4640181	25HNB48A**30	CNPV*4821A**	58MEC100-20	46,000	12.0	15.5	1410	1070	47,000	8.7	29,000	2.70	
4640182	25HNB48A**30	CNPV*4821A**	58MEC120-20	46,000	12.0	15.2	1425	1265	47,000	9.0	28,800	2.72	
4640176	25HNB48A**30	CNPV*4821A**	58PH*070-16	45,500	11.2	14.5	1455	1095	48,000	8.8	30,000	2.58	
4640177	25HNB48A**30	CNPV*4821A**	58PH*090-16	46,000	12.1	15.5	1420	1105	47,000	9.0	29,000	2.70	
4640178	25HNB48A**30	CNPV*4821A**	58PH*110-20	46,000	12.3	15.5	1380	1130	47,000	9.0	28,600	2.72	
4640179	25HNB48A**30	CNPV*4821A**	58PH*135-20	46,000	12.0	15.2	1400	1235	47,000	8.7	29,000	2.70	
4640335	25HNB48A**30	CNPV*4821A**	58VUB080-20	45,000	11.9	14.9	1310	1200	47,000	8.9	29,000	2.66	
4640336	25HNB48A**30	CNPV*4821A**	58VUB100-20	45,500	11.8	15.1	1395	1145	47,000	8.9	29,200	2.66	
4640270	25HNB48A**30	CNPV*4821A**	58VLR120-20	45,500	12.2	15.0	1350	1170	46,500	9.0	28,600	2.68	
4640269	25HNB48A**30	CNPV*4821A**	58VMR120-20	45,500	12.0	15.0	1355	1150	47,000	8.9	28,800	2.66	
4791261	25HNB48A**30	CNPV*4821A**	59*P5A080E17**16	45,500	11.6	15.0	1380	1065	47,500	8.9	30,000	2.66	
4791262	25HNB48A**30	CNPV*4821A**	59*P5A100E21**16	45,000	11.5	14.5	1385	1195	47,500	8.8	29,800	2.68	
4640303	25HNB48A**30	CNPV*4821A**	OVLAA048112	45,500	11.2	14.7	1450	1170	47,500	8.8	29,800	2.62	
4640204	25HNB48A**30	CNPV*4821A**+TDR	58CV(A,X)090-16	45,500	11.6	14.8	1400	1120	47,500	8.8	29,400	2.62	
4640381	25HNB48A**30	CNPV*4821A**+UI	58CV(A,X)110-20	45,500	12.1	15.6	1300	1040	47,000	9.1	29,600	2.72	
4640382	25HNB48A**30	CNPV*4821A**+UI	58CV(A,X)120-20	45,500	12.2	15.6	1300	1040	47,000	9.1	29,400	2.74	
4640379	25HNB48A**30	CNPV*4821A**+UI	58CV(A,X)135-22	45,500	12.0	15.3	1300	1040	47,000	9.0	29,800	2.70	
4640380	25HNB48A**30	CNPV*4821A**+UI	58MV(B,C)100-20	45,000	11.9	15.4	1300	1040	47,000	9.0	29,600	2.70	
4791294	25HNB48A**30	CNPV*4821A**+UI	59*N*A100V21**20	45,000	11.9	15.2	1300	1040	47,000	9.0	29,800	2.68	
4640282	25HNB48A**30	CNPV*4821A**	58HDV080--20	46,000	11.8	15.0	1495	1180	47,500	9.0	29,800	2.68	
4640283	25HNB48A**30	CNPV*4821A**	58HDV100--20	45,500	11.9	15.4	1430	1125	47,500	9.0	29,200	2.68	
4640186	25HNB48A**30	CNPV*4821A**	58MEC100-20	46,000	12.0	15.5	1410	1070	47,000	8.7	29,000	2.70	
4640187	25HNB48A**30	CNPV*4821A**	58MEC120-20	46,000	12.0	15.2	1425	1265	47,000	9.0	28,800	2.72	

See notes on pg. 43

25HNB6

COMBINATION RATINGS CONTINUED

AHRI Ref. No.	Model Number	Coil Model Number	Furnace Model Number	Cooling Capacity	Cooling				AHRI Standard Ratings			
					SEER	ID CFM		High Temp		HSPF	Low Temp	
						High	Low	E Capacity	H Capacity		E COP	H COP
4640183	25HNB648A**30	CNPV*4824A**	58PH*090-16	46,000	12.1	15.5	1420	1105	47,000	9.0	29,000	2.70
4640184	25HNB648A**30	CNPV*4824A**	58PH*110-20	46,000	12.3	15.5	1380	1130	47,000	9.0	28,600	2.72
4640185	25HNB648A**30	CNPV*4824A**	58PH*135-20	46,000	12.2	15.0	1400	1235	47,000	9.1	29,000	2.70
4640337	25HNB648A**30	CNPV*4824A**	58VB080-20	45,500	11.9	14.9	1310	1200	47,000	8.9	29,000	2.66
4640338	25HNB648A**30	CNPV*4824A**	58VB100-20	45,500	11.8	15.1	1395	1145	47,000	8.9	29,200	2.66
4640339	25HNB648A**30	CNPV*4824A**	58VB120-20	45,500	12.0	15.3	1380	1175	47,000	9.0	29,000	2.68
4640271	25HNB648A**30	CNPV*4824A**	58VLR120-20	45,500	12.2	15.0	1350	1170	46,500	9.0	28,600	2.68
4640272	25HNB648A**30	CNPV*4824A**	58VLR120-20	45,500	12.0	15.0	1355	1155	47,000	8.8	28,800	2.66
4791263	25HNB648A**30	CNPV*4824A**	59*P5A100E21**16	45,000	11.5	14.5	1385	1195	47,000	8.8	29,800	2.66
4791264	25HNB648A**30	CNPV*4824A**	59*P5A120E24**22	46,000	12.0	15.2	1415	1290	47,000	9.0	29,600	2.72
4640304	25HNB648A**30	CNPV*4824A**	OVLAA8048112	46,500	11.2	14.7	1450	1170	47,500	8.8	29,800	2.62
4640305	25HNB648A**30	CNPV*4824A**	OVLAA8060154	46,500	11.5	15.2	1670	1330	48,000	9.0	30,400	2.72
4640205	25HNB648A**30	CNPV*4824A**+TDR	58CV(A,X)110-20	45,500	11.6	15.0	1400	1120	47,500	8.8	29,400	2.62
4640386	25HNB648A**30	CNPV*4824A**+UI	58CV(A,X)110-20	45,500	12.2	15.6	1300	1040	47,000	9.1	29,400	2.74
4640387	25HNB648A**30	CNPV*4824A**+UI	58CV(A,X)135-22	45,500	12.3	15.8	1300	1040	47,000	9.2	29,200	2.76
4640388	25HNB648A**30	CNPV*4824A**+UI	58CV(A,X)155-22	45,500	12.4	15.9	1300	1040	46,500	9.2	29,200	2.78
4640383	25HNB648A**30	CNPV*4824A**+UI	58MV(B,C)080-20	45,000	12.0	15.3	1300	1040	47,000	9.0	29,800	2.70
4640384	25HNB648A**30	CNPV*4824A**+UI	58MV(B,C)100-20	45,000	11.9	15.4	1300	1040	47,000	9.0	29,600	2.70
4640385	25HNB648A**30	CNPV*4824A**+UI	58MV(B,C)120-20	45,500	12.1	15.5	1300	1040	47,000	9.1	29,600	2.72
4791295	25HNB648A**30	CNPV*4824A**+UI	59*N*A100V21**20	45,000	11.9	15.2	1300	1040	47,000	9.0	29,800	2.68
4791296	25HNB648A**30	CNPV*4824A**+UI	59*N*A120V24**22	45,500	12.1	15.5	1300	1040	47,000	9.1	29,600	2.72
4640284	25HNB648A**30	CNPV*6024A**	58HDV080-20	46,500	12.0	15.5	1505	1195	47,500	9.0	30,200	2.74
4640285	25HNB648A**30	CNPV*6024A**	58HDV100-20	46,500	12.1	15.5	1440	1135	47,500	9.2	29,800	2.74
4640191	25HNB648A**30	CNPV*6024A**	58MEC100-20	46,500	12.2	15.7	1425	1085	47,000	9.0	29,200	2.76
4640192	25HNB648A**30	CNPV*6024A**	58MEC120-20	47,000	12.2	15.7	1440	1275	47,000	9.2	29,600	2.80
4640188	25HNB648A**30	CNPV*6024A**	58PH*090-16	46,500	12.3	15.5	1430	1115	47,500	9.2	29,600	2.76
4640189	25HNB648A**30	CNPV*6024A**	58PH*110-20	46,500	12.6	15.9	1395	1145	47,000	9.2	29,000	2.76
4640190	25HNB648A**30	CNPV*6024A**	58PH*135-20	46,500	12.4	15.5	1420	1255	47,000	9.2	29,200	2.76
4640340	25HNB648A**30	CNPV*6024A**	58VB080-20	46,000	12.1	15.3	1310	1200	47,000	9.0	29,000	2.68
4640341	25HNB648A**30	CNPV*6024A**	58VB100-20	46,000	12.0	15.3	1395	1145	47,500	9.1	29,800	2.72
4640342	25HNB648A**30	CNPV*6024A**	58VB120-20	46,500	12.2	15.6	1360	1175	47,000	9.1	29,000	2.72
4640274	25HNB648A**30	CNPV*6024A**	58VLR120-20	46,500	12.4	15.5	1350	1170	47,000	9.0	29,800	2.72
4640273	25HNB648A**30	CNPV*6024A**	58VLR120-20	46,000	12.2	15.5	1355	1155	47,000	9.0	29,000	2.70
4791265	25HNB648A**30	CNPV*6024A**	59*P5A100E21**16	45,500	11.7	15.0	1395	1205	47,500	9.0	29,800	2.72
4791266	25HNB648A**30	CNPV*6024A**	59*P5A120E24**22	47,000	12.2	15.4	1425	1305	48,000	9.2	29,600	2.76
4640306	25HNB648A**30	CNPV*6024A**	OVLAA8048112	46,500	11.5	15.0	1450	1170	48,000	9.0	30,000	2.68
4640307	25HNB648A**30	CNPV*6024A**	OVLAA8060154	47,500	11.7	15.5	1670	1330	48,000	9.0	30,400	2.76
4640206	25HNB648A**30	CNPV*6024A**+TDR	58CV(A,X)110-20	46,000	11.7	15.3	1400	1120	47,500	9.0	29,800	2.66
4640392	25HNB648A**30	CNPV*6024A**+UI	58CV(A,X)110-20	46,000	12.4	15.9	1300	1040	47,000	9.2	29,400	2.78
4640393	25HNB648A**30	CNPV*6024A**+UI	58CV(A,X)135-22	46,000	12.5	16.0	1300	1040	47,000	9.3	29,400	2.80
4640394	25HNB648A**30	CNPV*6024A**+UI	58CV(A,X)155-22	46,500	12.7	16.1	1300	1040	47,000	9.3	29,200	2.82
4640389	25HNB648A**30	CNPV*6024A**+UI	58MV(B,C)080-20	46,000	12.1	15.5	1300	1040	47,500	9.1	29,800	2.72
4640390	25HNB648A**30	CNPV*6024A**+UI	58MV(B,C)100-20	46,000	12.0	15.6	1300	1040	47,500	9.2	29,800	2.74
4640391	25HNB648A**30	CNPV*6024A**+UI	58MV(B,C)120-20	46,000	12.3	15.8	1300	1040	47,000	9.2	29,600	2.76
4791297	25HNB648A**30	CNPV*6024A**+UI	59*N*A100V21**20	46,000	12.1	15.4	1300	1040	47,500	9.0	29,800	2.72
4791298	25HNB648A**30	CNPV*6024A**+UI	59*N*A120V24**22	46,000	12.3	15.7	1300	1040	47,000	9.2	29,600	2.76
4640286	25HNB648A**30	CNPV*6124A**	58HDV080-20	47,500	12.1	15.7	1510	1205	48,000	9.4	30,200	2.76
4640287	25HNB648A**30	CNPV*6124A**	58HDV100-20	47,000	12.3	15.8	1445	1145	48,000	9.3	30,000	2.78
4640196	25HNB648A**30	CNPV*6124A**	58MEC100-20	47,500	12.5	16.0	1430	1095	47,500	9.2	29,600	2.82
4640197	25HNB648A**30	CNPV*6124A**	58MEC120-20	47,500	12.5	15.7	1445	1285	47,500	9.2	29,600	2.84
4640193	25HNB648A**30	CNPV*6124A**	58PH*090-16	47,500	12.4	16.0	1435	1125	47,500	9.4	29,800	2.80
4640194	25HNB648A**30	CNPV*6124A**	58PH*110-20	47,500	12.7	16.0	1400	1160	47,500	9.4	29,400	2.82
4640195	25HNB648A**30	CNPV*6124A**	58PH*135-20	47,500	12.5	15.9	1425	1265	47,500	9.4	29,600	2.82

COMBINATION RATINGS CONTINUED

AHRI Ref. No.	Model Number	Coil Model Number	Furnace Model Number	Cooling Capacity	Cooling				AHRI Standard Ratings				
					EER	SEER	ID CFM		High Temp		HSPF	Low Temp	
							High	Low	E Capacity	H Capacity		H COP	H COP
4640343	25HNB48A**30	CNPV*6124A**	58UVB080-20	46,500	12.3	15.4	1310	1200	47,000	3.58	9.1	29,200	2.72
4640344	25HNB48A**30	CNPV*6124A**	58UVB100-20	47,000	12.2	15.6	1395	1145	47,500	3.60	9.3	29,800	2.76
4640345	25HNB48A**30	CNPV*6124A**	58UVB120-20	47,000	12.4	15.8	1360	1175	47,500	3.62	9.3	29,600	2.78
4640276	25HNB48A**30	CNPV*6124A**	58VLR120-20	47,000	12.6	16.0	1350	1170	47,000	3.64	9.3	29,400	2.80
4640275	25HNB48A**30	CNPV*6124A**	58VMR120-20	47,000	12.4	15.5	1355	1155	47,500	3.62	9.2	29,600	2.78
4791287	25HNB48A**30	CNPV*6124A**	59*P5A100E21**16	46,500	11.7	15.0	1400	1215	47,500	3.58	9.2	30,000	2.74
4791268	25HNB48A**30	CNPV*6124A**	59*P5A120E24**22	47,500	12.4	15.6	1435	1315	47,500	3.66	9.3	29,800	2.80
4640308	25HNB48A**30	CNPV*6124A**	OVLAAB048112	47,000	11.7	15.2	1450	1170	48,000	3.56	9.0	30,400	2.72
4640309	25HNB48A**30	CNPV*6124A**	OVLAAB060154	48,000	12.0	15.7	1670	1330	48,500	3.66	9.0	30,400	2.72
4640207	25HNB48A**30	CNPV*6124A**+TDR		46,500	11.9	15.5	1400	1120	48,000	3.54	9.2	30,200	2.70
4640398	25HNB48A**30	CNPV*6124A**+UI	58CV(A,X)110-20	47,000	12.6	16.2	1300	1040	47,500	3.68	9.4	29,600	2.82
4640399	25HNB48A**30	CNPV*6124A**+UI	58CV(A,X)135-22	47,000	12.7	16.3	1300	1040	47,000	3.70	9.4	29,400	2.84
4640400	25HNB48A**30	CNPV*6124A**+UI	58CV(A,X)155-22	47,000	12.8	16.4	1300	1040	47,000	3.72	9.5	29,400	2.86
4640395	25HNB48A**30	CNPV*6124A**+UI	58MV(B,C)080-20	46,500	12.4	15.8	1300	1040	47,500	3.60	9.3	30,000	2.76
4640396	25HNB48A**30	CNPV*6124A**+UI	58MV(B,C)100-20	46,500	12.3	15.9	1300	1040	47,500	3.62	9.3	29,800	2.76
4640397	25HNB48A**30	CNPV*6124A**+UI	58MV(B,C)120-20	46,500	12.5	16.0	1300	1040	47,500	3.66	9.3	29,600	2.80
4791289	25HNB48A**30	CNPV*6124A**+UI	59*N*A100V21**20	46,500	12.3	15.7	1300	1040	47,500	3.60	9.2	30,000	2.76
4791300	25HNB48A**30	CNPV*6124A**+UI	59*N*A120V24**22	46,500	12.5	16.0	1300	1040	47,500	3.66	9.3	29,600	2.80
4640233	25HNB48A**30	CSPH*4812A**	58MEC080-16	46,000	11.9	15.5	1425	1000	47,500	3.52	8.9	29,600	2.68
4640234	25HNB48A**30	CSPH*4812A**	58MEC100-20	46,000	12.0	14.7	1380	1375	47,000	3.58	8.7	29,000	2.72
4640235	25HNB48A**30	CSPH*4812A**	58MEC120-20	46,000	12.0	15.5	1395	1230	47,000	3.60	9.0	29,000	2.74
4640229	25HNB48A**30	CSPH*4812A**	58PH*070-16	45,500	11.3	14.9	1425	1070	48,000	3.42	8.8	30,200	2.60
4640230	25HNB48A**30	CSPH*4812A**	58PH*090-16	46,000	12.1	15.5	1390	1080	47,000	3.56	9.0	29,200	2.70
4640231	25HNB48A**30	CSPH*4812A**	58PH*110-20	46,000	12.3	15.2	1340	1345	47,000	3.58	9.1	28,800	2.72
4640232	25HNB48A**30	CSPH*4812A**	58PH*135-20	46,000	12.2	15.4	1360	1200	47,000	3.56	9.0	29,200	2.70
4640280	25HNB48A**30	CSPH*4812A**	58VMR120-20	46,000	12.0	15.0	1355	1155	47,000	3.52	9.0	29,000	2.66
4791278	25HNB48A**30	CSPH*4812A**	59*P5A080E17**16	46,000	11.6	15.0	1360	1050	47,500	3.46	8.9	30,000	2.66
4791279	25HNB48A**30	CSPH*4812A**	59*P5A100E21**16	45,000	11.5	14.7	1355	1175	47,500	3.48	9.0	29,800	2.68
4791280	25HNB48A**30	CSPH*4812A**	59*P5A120E24**22	46,000	12.0	15.2	1375	1255	47,000	3.54	9.0	29,600	2.72
4640316	25HNB48A**30	CSPH*4812A**	OVLAAB048112	46,000	11.2	14.7	1450	1170	48,000	3.46	8.8	30,400	2.64
4640317	25HNB48A**30	CSPH*4812A**	OVLAAB060154	47,000	11.5	15.2	1670	1330	48,500	3.58	9.0	30,600	2.72
4640212	25HNB48A**30	CSPH*4812A**+TDR		46,500	11.6	14.0	1600	1120	48,500	3.52	8.7	30,600	2.68
4640425	25HNB48A**30	CSPH*4812A**+UI	58CV(A,X)090-16	45,500	12.1	15.5	1300	1040	47,500	3.56	8.9	29,800	2.72
4640426	25HNB48A**30	CSPH*4812A**+UI	58CV(A,X)110-20	45,500	12.1	15.5	1300	1040	47,000	3.58	8.9	29,600	2.74
4640427	25HNB48A**30	CSPH*4812A**+UI	58CV(A,X)135-22	46,000	12.3	15.5	1300	1040	47,000	3.60	9.0	29,400	2.76
4640428	25HNB48A**30	CSPH*4812A**+UI	58CV(A,X)155-22	46,000	12.4	15.5	1300	1040	47,000	3.62	9.0	29,400	2.78
4640422	25HNB48A**30	CSPH*4812A**+UI	58MV(B,C)080-20	45,500	12.0	15.2	1300	1040	47,500	3.50	8.8	30,000	2.70
4640423	25HNB48A**30	CSPH*4812A**+UI	58MV(B,C)100-20	45,500	11.9	15.4	1300	1040	47,500	3.52	9.1	29,800	2.70
4640424	25HNB48A**30	CSPH*4812A**+UI	58MV(B,C)120-20	45,500	12.1	15.5	1300	1040	47,500	3.56	8.9	29,600	2.74
4791307	25HNB48A**30	CSPH*4812A**+UI	59*N*A100V21**20	45,500	11.9	15.2	1300	1040	47,500	3.50	9.0	30,000	2.68
4791308	25HNB48A**30	CSPH*4812A**+UI	59*N*A120V24**22	45,500	12.1	15.5	1300	1040	47,500	3.54	9.0	29,800	2.72
4640240	25HNB48A**30	CSPH*6012A**	58MEC080-16	47,000	12.1	15.8	1460	1020	47,500	3.58	9.1	30,000	2.74
4640241	25HNB48A**30	CSPH*6012A**	58MEC100-20	47,000	12.2	15.2	1425	1420	47,500	3.64	9.0	29,600	2.80
4640242	25HNB48A**30	CSPH*6012A**	58MEC120-20	47,000	12.5	15.7	1440	1270	47,500	3.66	9.2	29,600	2.82
4640236	25HNB48A**30	CSPH*6012A**	58PH*070-16	46,500	11.5	15.0	1465	1095	48,500	3.48	9.0	30,600	2.66
4640237	25HNB48A**30	CSPH*6012A**	58PH*090-16	47,000	12.3	15.9	1430	1105	47,500	3.62	9.2	29,800	2.78
4640238	25HNB48A**30	CSPH*6012A**	58PH*110-20	47,000	12.6	15.5	1395	1390	47,000	3.64	9.3	29,400	2.80
4640239	25HNB48A**30	CSPH*6012A**	58PH*135-20	47,000	12.4	15.8	1420	1250	47,500	3.64	9.3	29,600	2.78
4640281	25HNB48A**30	CSPH*6012A**	58VMR120-20	46,500	12.3	15.5	1355	1155	47,000	3.58	9.0	29,200	2.72
4791281	25HNB48A**30	CSPH*6012A**	59*P5A080E17**16	47,912	11.8	15.3	1390	1070	47,500	3.50	9.0	30,200	2.70
4791282	25HNB48A**30	CSPH*6012A**	59*P5A100E21**16	46,000	11.7	15.0	1395	1205	47,500	3.54	9.0	30,000	2.72
4791283	25HNB48A**30	CSPH*6012A**	59*P5A120E24**22	47,000	12.3	15.5	1430	1300	47,500	3.62	9.2	29,800	2.78
4640318	25HNB48A**30	CSPH*6012A**	OVLAAB048112	46,500	11.5	15.2	1450	1170	48,000	3.52	9.0	30,200	2.70

See notes on pg. 43



COMBINATION RATINGS CONTINUED

Table with columns: AHRI Ref. No., Model Number, Coil Model Number, Furnace Model Number, Cooling Capacity, SEER, EER, ID CFM (High/Low), High Temp (E Capacity), H COP, HSPF, Low Temp (H Capacity), H COP. Rows list various HVAC model combinations and their performance metrics.

See notes on pg. 43

COMBINATION RATINGS CONTINUED

AHRI Ref. No.	Model Number	Coil Model Number	Furnace Model Number	Cooling Capacity	Cooling				AHRI Standard Ratings			
					SEER	ID CFM		High Temp		HSPF	Low Temp	
						High	Low	E Capacity	H Capacity		E COP	H COP
4640478	25HNB660A**30	CAP**6025A**	58HDV080--20	55,000	11.4	14.5	1845	1445	59,000	8.9	38,000	2.62
4640479	25HNB660A**30	CAP**6025A**	58HDV100--20	55,000	11.6	14.5	1775	1415	59,000	9.0	37,600	2.64
4640488	25HNB660A**30	CAP**6025A**	58HVB080--20	54,500	11.0	14.2	1730	1310	59,000	8.7	37,800	2.60
4640489	25HNB660A**30	CAP**6025A**	58HVB100--20	54,500	11.2	14.2	1660	1395	58,500	8.7	37,400	2.62
4640500	25HNB660A**30	CAP**6025A**	58HVB120--20	54,500	11.5	14.5	1680	1360	58,500	8.7	37,200	2.66
4791312	25HNB660A**30	CAP**6025A**	59*P5A120E24**22	54,000	11.7	15.0	1640	1310	58,000	9.0	36,800	2.68
4640338	25HNB660A**30	CAP**6025A**	OVLAAB060154	54,500	11.7	15.0	1670	1330	58,000	8.7	36,800	2.70
4640442	25HNB660A**30	CAP**6025A**+TDR		55,000	11.8	13.9	1750	1400	58,500	8.7	37,200	2.68
4640459	25HNB660A**30	CAP**6025A**+UI	58CV(A)X110--20	54,500	11.7	15.0	1625	1300	58,500	8.7	37,000	2.68
4640520	25HNB660A**30	CAP**6025A**+UI	58CV(A)X135--22	55,000	12.0	15.2	1625	1300	58,000	9.0	37,000	2.72
4640521	25HNB660A**30	CAP**6025A**+UI	58CV(A)X155--22	55,000	12.5	15.5	1625	1300	58,000	9.0	36,800	2.74
4640516	25HNB660A**30	CAP**6025A**+UI	58MV(B)C080--20	54,500	11.5	14.5	1625	1300	59,000	8.7	37,800	2.60
4640517	25HNB660A**30	CAP**6025A**+UI	58MV(B)C100--20	54,500	11.5	14.5	1625	1300	59,000	8.7	37,800	2.62
4640518	25HNB660A**30	CAP**6025A**+UI	58MV(B)C120--20	54,500	11.7	14.7	1625	1300	58,500	8.7	37,400	2.66
4791321	25HNB660A**30	CAP**6025A**+UI	59*N*A100V21**20	54,500	11.5	14.5	1625	1300	59,000	8.7	37,800	2.60
4791322	25HNB660A**30	CAP**6025A**+UI	59*N*A120V24**22	54,500	11.7	15.0	1625	1300	58,500	9.0	37,400	2.66
4640560	25HNB660A**30	CNP**6024A**	58HDV080--20	55,000	11.4	14.5	1860	1455	59,000	9.0	37,800	2.62
4640561	25HNB660A**30	CNP**6024A**	58HDV100--20	54,500	11.6	14.5	1785	1425	58,500	9.0	37,600	2.64
4640466	25HNB660A**30	CNP**6024A**	58MEC080-16	54,000	11.8	15.0	1600	1135	58,000	8.7	36,800	2.64
4640467	25HNB660A**30	CNP**6024A**	58MEC100--20	54,500	12.1	14.9	1645	1440	57,500	9.0	36,600	2.70
4640468	25HNB660A**30	CNP**6024A**	58MEC120--20	55,000	12.3	15.4	1655	1290	57,500	9.0	36,600	2.72
4640464	25HNB660A**30	CNP**6024A**	58PH*110--20	55,000	12.2	15.0	1700	1425	58,000	9.0	36,800	2.72
4640465	25HNB660A**30	CNP**6024A**	58PH*135--22	55,000	12.1	15.2	1670	1280	58,000	9.0	36,800	2.70
4640489	25HNB660A**30	CNP**6024A**	58VMR120--20	54,500	11.5	14.5	1740	1355	58,500	8.8	37,600	2.62
4791315	25HNB660A**30	CNP**6024A**	59*P5A120E24**22	55,000	12.0	15.0	1655	1325	57,500	9.0	36,800	2.68
4642340	25HNB660A**30	CNP**6024A**	OVLAAB060154	54,500	11.7	15.0	1670	1330	57,500	8.7	36,800	2.70
4640446	25HNB660A**30	CNP**6024A**+TDR		55,000	11.8	13.9	1750	1400	58,500	8.6	37,200	2.66
4640537	25HNB660A**30	CNP**6024A**+UI	58CV(A)X110--20	54,500	12.0	15.2	1625	1300	58,000	8.8	37,000	2.68
4640538	25HNB660A**30	CNP**6024A**+UI	58CV(A)X135--22	55,000	12.3	15.4	1625	1300	58,000	8.8	36,800	2.72
4640539	25HNB660A**30	CNP**6024A**+UI	58CV(A)X155--22	55,000	12.5	15.6	1625	1300	58,000	8.8	36,800	2.74
4640534	25HNB660A**30	CNP**6024A**+UI	58MV(B)C080--20	54,000	11.4	14.7	1625	1300	59,000	8.5	37,600	2.60
4640535	25HNB660A**30	CNP**6024A**+UI	58MV(B)C100--20	54,000	11.6	14.8	1625	1300	58,500	8.5	37,600	2.62
4640536	25HNB660A**30	CNP**6024A**+UI	58MV(B)C120--20	54,500	11.9	15.1	1625	1300	58,500	8.7	37,400	2.66
4791327	25HNB660A**30	CNP**6024A**+UI	59*N*A100V21**20	54,000	11.6	14.7	1625	1300	58,500	8.5	37,800	2.60
4791328	25HNB660A**30	CNP**6024A**+UI	59*N*A120V24**22	54,500	11.9	15.0	1625	1300	58,500	9.0	37,200	2.66
4640562	25HNB660A**30	CNP**6124A**	58HDV080--20	55,000	11.5	14.5	1840	1440	59,500	9.0	38,000	2.64
4640563	25HNB660A**30	CNP**6124A**	58HDV100--20	55,000	11.6	14.5	1765	1410	59,000	9.0	37,600	2.66
4640471	25HNB660A**30	CNP**6124A**	58MEC080-16	54,500	11.9	15.0	1585	1125	58,000	8.7	37,000	2.66
4640472	25HNB660A**30	CNP**6124A**	58MEC100--20	55,000	12.2	15.0	1625	1420	58,000	9.0	36,800	2.72
4640473	25HNB660A**30	CNP**6124A**	58MEC120--20	55,000	12.3	15.4	1630	1270	58,000	9.0	36,600	2.70
4640469	25HNB660A**30	CNP**6124A**	58PH*110--20	55,500	12.2	15.0	1675	1400	58,000	9.1	36,800	2.72
4640470	25HNB660A**30	CNP**6124A**	58PH*135--22	55,000	12.1	15.2	1640	1245	58,000	8.8	36,800	2.70
4640490	25HNB660A**30	CNP**6124A**	58VMR120--20	55,000	11.5	14.5	1740	1355	59,000	8.8	37,800	2.64
4791316	25HNB660A**30	CNP**6124A**	59*P5A120E24**22	55,000	12.0	15.1	1630	1300	58,000	9.0	37,000	2.70
4642341	25HNB660A**30	CNP**6124A**	OVLAAB060154	54,500	12.0	15.0	1670	1330	58,000	8.7	36,800	2.72
4640447	25HNB660A**30	CNP**6124A**+TDR		55,500	11.9	14.0	1750	1400	59,000	8.7	37,400	2.68
4640543	25HNB660A**30	CNP**6124A**+UI	58CV(A)X110--20	55,000	12.0	15.2	1625	1300	58,500	9.0	37,400	2.70
4640544	25HNB660A**30	CNP**6124A**+UI	58CV(A)X135--22	55,000	12.3	15.4	1625	1300	58,500	9.0	37,000	2.72
4640545	25HNB660A**30	CNP**6124A**+UI	58CV(A)X155--22	55,500	12.5	15.6	1625	1300	58,500	9.0	37,000	2.74
4640540	25HNB660A**30	CNP**6124A**+UI	58MV(B)C080--20	54,500	11.4	14.7	1625	1300	59,500	8.6	37,800	2.62
4640541	25HNB660A**30	CNP**6124A**+UI	58MV(B)C100--20	54,500	11.6	14.8	1625	1300	59,000	8.5	37,800	2.62
4640542	25HNB660A**30	CNP**6124A**+UI	58MV(B)C120--20	55,000	11.9	15.0	1625	1300	59,000	8.7	37,600	2.66
4791329	25HNB660A**30	CNP**6124A**+UI	59*N*A100V21**20	54,500	11.6	14.6	1625	1300	59,000	8.5	38,000	2.60

See notes on pg. 43

COMBINATION RATINGS CONTINUED

AHRI Ref. No.	Model Number	Coil Model Number	Furnace Model Number	Cooling Capacity	Cooling				AHRI Standard Ratings					
					SEER	ID CFM		High Temp		HSPF	Low Temp			
						EER	High	Low	E Capacity		E COP	H Capacity	H COP	
4791317	25HNB660A**30	CSPH*6012A**	59*P5A120E24**22	55,500	12.1	1665	1325	58,000	3.64	9.0	36,800	2.70		
4642342	25HNB660A**30	CSPH*6012A**	OVLAA8060154	54,500	12.0	1670	1330	58,000	3.68	8.7	36,800	2.72		
4640448	25HNB660A**30	CSPH*6012A**+TDR		55,500	11.9	1750	1400	58,500	3.64	8.7	37,400	2.68		
4640549	25HNB660A**30	CSPH*6012A**+UI	58CV(A,X)110-20	55,000	12.1	1625	1300	58,500	3.66	9.0	37,200	2.70		
4640550	25HNB660A**30	CSPH*6012A**+UI	58CV(A,X)135-22	55,000	12.5	1625	1300	58,000	3.70	9.0	36,800	2.74		
4640551	25HNB660A**30	CSPH*6012A**+UI	58CV(A,X)155-22	55,500	12.5	1625	1300	58,000	3.74	9.0	36,800	2.76		
4640546	25HNB660A**30	CSPH*6012A**+UI	58MV(B,C)080-20	54,500	11.5	1625	1300	59,000	3.56	8.6	37,800	2.62		
4640547	25HNB660A**30	CSPH*6012A**+UI	58MV(B,C)100-20	54,500	11.6	1625	1300	59,000	3.58	8.5	37,600	2.64		
4640548	25HNB660A**30	CSPH*6012A**+UI	58MV(B,C)120-20	55,000	12.0	1625	1300	56,500	3.62	8.7	37,400	2.68		
4791331	25HNB660A**30	CSPH*6012A**+UI	59*N*A100V21**20	54,500	11.6	1625	1300	59,000	3.56	8.5	37,800	2.62		
4791332	25HNB660A**30	CSPH*6012A**+UI	59*N*A120V24**22	55,000	12.0	1625	1300	58,500	3.64	9.0	37,200	2.68		
4640552	25HNB660A**30	FE4ANB006+UI		55,500	12.5	1625	1300	58,000	3.78	9.3	36,600	2.78		

* Ratings are net values reflecting the effects of circulating fan heat. Supplemental electric heat is not included. Ratings are based on:

† Combination ratings with +UI for 25HNB660 had heating run at 1750 CFM high stage and 1400 CFM low stage which is different than CFM for cooling.

Cooling Standard: 80°F (27°C) db 67°F (19°C) wb indoor entering air temperature and 95°F (35°C) db air entering outdoor unit.

High - Temp Heating Standard: 70°F (21°C) db indoor entering air temperature and 47°F (8°C) db 43°F (6°C) wb air entering outdoor unit.

Low - Temp Heating Standard: 70°F (21°C) db indoor entering air temperature and 17°F (-8°C) db 15°F (-9°C) wb air entering outdoor unit.

SEER — Seasonal Energy Efficiency Ratio

EER — Coefficient of Performance

TDR — Time-Delay Relay

HSPF — Heating Seasonal Performance Factor

EER — Energy Efficiency Ratio

UI — User Interface.

NOTE: Ratings contained in this document are subject to change at any time. Always refer to the AHRI directory (www.ahrirdirectory.org) for the most up-to-date ratings information.

DETAILED COOLING CAPACITIES# CONTINUED

25HNB624A**30 Outdoor Section With FV4CNF002 Indoor Section

Cooling Indoor Model	Furnace Model	Power	Low Speed Cap.	High Speed Cap.	Cooling Indoor Model	Furnace Model	Power	Low Speed Cap.	High Speed Cap.
CNPH*3617A**	59*N*A080V17**14	1.01	0.99	1.03	CNPH*3017A**	59*P5A060E17**14	1.06	1.04	1.06
CNPV*2417A**	59*N*A080V17**14	1.02	0.99	1.03	CNPH*3117A**	59*P5A060E17**14	1.06	1.05	1.06
CNPV*3017A**	59*N*A080V17**14	1.01	0.99	1.02	CNPH*3617A**	59*P5A060E17**14	1.06	1.04	1.06
CNPV*3117A**	59*N*A080V17**14	1.00	0.99	1.01	CNPV*2417A**	59*P5A060E17**14	1.06	1.03	1.06
CNPV*3617A**	59*N*A080V17**14	1.01	0.99	1.01	CNPV*3017A**	59*P5A060E17**14	1.06	1.04	1.06
CNPV*3717A**	59*N*A080V17**14	1.00	0.99	1.00	CNPV*3117A**	59*P5A060E17**14	1.06	1.05	1.06
CSPH*2412A**	59*N*A080V17**14	1.03	0.99	1.03	CNPV*3617A**	59*P5A060E17**14	1.06	1.04	1.06
CSPH*3012A**	59*N*A080V17**14	1.01	0.99	1.03	CNPV*3717A**	59*P5A060E17**14	1.06	1.04	1.06
CSPH*3612A**	59*N*A080V17**14	1.01	0.99	1.03	CNPV*3817A**	59*P5A060E17**14	1.07	1.06	1.07
CSPH*2412A**	59*N*A100V21**20	1.03	1.03	1.03	CSPH*2412A**	59*P5A060E17**14	1.07	1.03	1.07
CSPH*3012A**	59*N*A100V21**20	1.00	1.00	1.02	CSPH*3012A**	59*P5A060E17**14	1.06	1.04	1.06
CSPH*3612A**	59*N*A100V21**20	1.02	1.03	1.04	CSPH*3612A**	59*P5A060E17**14	1.06	1.04	1.06
CSPH*2417A**	59*N*A120V24**22	1.02	1.03	1.07	CSPH*3812A**	59*P5A060E17**14	1.06	1.04	1.06
CSPH*3017A**	59*N*A120V24**22	1.00	1.03	1.05					
CSPH*3117A**	59*N*A120V24**22	1.01	1.04	1.04					
CSPH*3617A**	59*N*A120V24**22	1.00	1.03	1.05					
CSPH*2412A**	59*N*A120V24**22	1.00	1.03	1.07					
CSPH*3012A**	59*N*A120V24**22	1.00	1.04	1.06					
CSPH*3612A**	59*N*A120V24**22	1.00	1.03	1.04					
CAP*2414A**	59*P5A040E14**10	1.09	0.98	1.05					
CAP*3014A**	59*P5A040E14**10	1.01	0.97	1.04					
CAP*3614A**	59*P5A040E14**10	1.02	0.97	1.03					
CAP*3714A**	59*P5A040E14**10	1.00	0.97	1.03					
CAP*3814A**	59*P5A040E14**10	1.02	0.98	1.04					
CNPV*2417A**	59*P5A040E14**10	1.09	0.98	1.05					
CNPV*3017A**	59*P5A040E14**10	1.00	0.97	1.04					
CNPV*3117A**	59*P5A040E14**10	1.02	0.98	1.03					
CNPV*3617A**	59*P5A040E14**10	1.03	0.97	1.03					
CNPV*3717A**	59*P5A040E14**10	1.00	0.98	1.03					
CNPV*3817A**	59*P5A040E14**10	1.00	0.97	1.03					
CSPH*2412A**	59*P5A040E14**10	1.02	0.97	1.03					
CSPH*3012A**	59*P5A040E14**10	1.02	0.97	1.03					
CSPH*3612A**	59*P5A040E14**10	1.02	0.97	1.03					
CSPH*2417A**	59*P5A040E14**10	1.03	0.98	1.04					
CSPH*3017A**	59*P5A040E14**10	1.00	0.97	1.03					
CSPH*3117A**	59*P5A040E14**10	1.02	0.98	1.04					
CSPH*3617A**	59*P5A040E14**10	1.03	0.97	1.03					
CSPH*3717A**	59*P5A040E14**10	1.00	0.98	1.03					
CSPH*3817A**	59*P5A040E14**10	1.00	0.97	1.03					
CAP*2414A**	59*P5A060E17**14	1.09	0.98	1.05					
CAP*3014A**	59*P5A060E17**14	1.01	0.97	1.04					
CAP*3614A**	59*P5A060E17**14	1.02	0.97	1.03					
CAP*3714A**	59*P5A060E17**14	1.00	0.97	1.03					
CAP*3814A**	59*P5A060E17**14	1.00	0.97	1.03					

See notes on pg. 60

DETAILED COOLING CAPACITIES# CONTINUED

25HNB636A**30 Outdoor Section With FV4CNB006 Indoor Section

Table with 10 columns: Cooling Indoor Model, High Speed Cap., Power, Low Speed Cap., Power, Furnace Model. Rows include models like CSPH*3612A**, CSPH*4212A**, CAP**4821A**, etc.

Table with 10 columns: Cooling Indoor Model, High Speed Cap., Power, Low Speed Cap., Power, Furnace Model. Rows include models like CAP**3619A**, CAP**3621A**, CAP**4221A**, etc.

Table with 10 columns: Cooling Indoor Model, High Speed Cap., Power, Low Speed Cap., Power, Furnace Model. Rows include models like CNPV*4324A**, CNPV*4821A**, CNPV*4824A**, etc.

DETAILED COOLING CAPACITIES# CONTINUED

25HNB636A**30 Outdoor Section With FV4CNB006 Indoor Section

Cooling Indoor Model	High Speed Cap.	Power	Low Speed Cap.	Power	Furnace Model
CSPH*4212A**	0.98	1.05	1.01	1.11	59*P5A080E17**16
CSPH*4812A**	0.99	1.04	1.01	1.11	59*P5A080E17**16

See notes on pg. 60

Cooling Indoor Model	High Speed Cap.	Power	Low Speed Cap.	Power	Furnace Model
CNPV*4824A**	0.97	1.03	0.97	1.04	59*N*A100V21**20
CSPH*3612A**	0.97	1.03	0.97	1.05	59*N*A100V21**20
CSPH*4212A**	0.98	1.04	0.97	1.05	59*N*A100V21**20
CSPH*4812A**	0.98	1.03	0.97	1.04	59*N*A100V21**20
CAP**4224A**	0.96	1.02	0.95	1.03	59*N*A120V24**22
CAP**4823A**	0.96	1.02	0.97	1.03	59*N*A120V24**22
CAP**4824A**	0.97	1.03	0.97	1.03	59*N*A120V24**22
CNPV*3617A**	0.95	1.04	0.95	1.05	59*N*A120V24**22
CNPV*4221A**	0.96	1.02	0.95	1.04	59*N*A120V24**22
CNPV*4321A**	0.99	1.04	0.98	1.03	59*N*A120V24**22
CNPV*4821A**	0.97	1.02	0.97	1.03	59*N*A120V24**22
CNPV*4324A**	0.99	1.04	0.98	1.02	59*N*A120V24**22
CNPV*4824A**	0.97	1.03	0.97	1.03	59*N*A120V24**22
CSPH*3612A**	0.97	1.03	0.97	1.04	59*N*A120V24**22
CSPH*4212A**	0.98	1.03	0.97	1.04	59*N*A120V24**22
CSPH*4812A**	0.98	1.03	0.98	1.04	59*N*A120V24**22
CAP**3617A**	0.95	1.05	0.93	1.04	59*P5A060E17**14
CAP**3619A**	0.95	1.05	0.93	1.04	59*P5A060E17**14
CAP**3621A**	0.96	1.05	0.93	1.03	59*P5A060E17**14
CAP**4221A**	0.96	1.05	0.94	1.03	59*P5A060E17**14
CAP**4817A**	0.98	1.06	0.96	1.03	59*P5A060E17**14
CAP**4821A**	0.98	1.06	0.95	1.03	59*P5A060E17**14
CNPV*3617A**	0.95	1.05	0.93	1.04	59*P5A060E17**14
CNPV*3617A**	0.95	1.05	0.93	1.04	59*P5A060E17**14
CNPV*4221A**	0.96	1.06	0.94	1.04	59*P5A060E17**14
CNPV*4217A**	0.97	1.05	0.95	1.04	59*P5A060E17**14
CNPV*4221A**	0.96	1.06	0.94	1.04	59*P5A060E17**14
CNPV*4821A**	0.98	1.05	0.96	1.03	59*P5A060E17**14
CSPH*3612A**	0.98	1.06	0.95	1.03	59*P5A060E17**14
CSPH*4212A**	0.98	1.05	0.95	1.03	59*P5A060E17**14
CSPH*4812A**	0.99	1.05	0.96	1.03	59*P5A060E17**14
CAP**3617A**	0.95	1.04	0.97	1.11	59*P5A080E17**16
CAP**3619A**	0.95	1.04	0.97	1.11	59*P5A080E17**16
CAP**3621A**	0.96	1.03	0.98	1.11	59*P5A080E17**16
CAP**4221A**	0.96	1.03	0.98	1.11	59*P5A080E17**16
CAP**4817A**	0.98	1.04	1.01	1.11	59*P5A080E17**16
CAP**4821A**	0.98	1.04	1.00	1.11	59*P5A080E17**16
CNPV*3617A**	0.95	1.04	0.97	1.12	59*P5A080E17**16
CNPV*4221A**	0.96	1.04	0.99	1.12	59*P5A080E17**16
CNPV*4321A**	0.99	1.04	1.02	1.11	59*P5A080E17**16
CNPV*4821A**	0.96	1.05	1.01	1.11	59*P5A080E17**16
CNPV*3617A**	0.95	1.04	0.97	1.12	59*P5A080E17**16
CNPV*3621A**	0.95	1.04	0.97	1.12	59*P5A080E17**16
CNPV*3717A**	0.99	1.04	1.01	1.11	59*P5A080E17**16
CNPV*4217A**	0.97	1.04	0.99	1.11	59*P5A080E17**16
CNPV*4221A**	0.96	1.04	0.99	1.12	59*P5A080E17**16
CNPV*4821A**	0.98	1.05	1.01	1.11	59*P5A080E17**16
CSPH*3612A**	0.98	1.04	1.00	1.12	59*P5A080E17**16

25HNB6

DETAILED COOLING CAPACITIES# CONTINUED

EVAPORATOR AIR		CONDENSER ENTERING AIR TEMPERATURES ° F (° C)																	
		75 (23.9)			85 (29.4)			95 (35)			105 (40.6)			115 (46.1)			125 (51.7)		
CFM	EWB ° F (° C)	Capacity MBtuHt		Total System KW**	Capacity MBtuHt		Total System KW**	Capacity MBtuHt		Total System KW**	Capacity MBtuHt		Total System KW**	Capacity MBtuHt		Total System KW**			
		Total	Sens†		Total	Sens†		Total	Sens†		Total	Sens†		Total	Sens†				
25HNB648A**30 Outdoor Section With FV4CNB005 Indoor Section – HI																			
1200	57 (13.9)	42.47	42.47	3.00	41.08	41.08	3.30	39.57	39.57	3.64	37.92	37.92	4.01	36.11	36.11	4.42	34.11	34.11	4.89
	62 (16.7)	45.12	39.14	3.02	43.27	38.27	3.32	41.27	37.33	3.66	39.11	36.31	4.02	36.79	35.21	4.43	34.32	33.95	4.89
	63 (17.2)††	46.10	32.28	3.03	44.20	31.41	3.33	42.14	30.47	3.66	39.91	29.48	4.03	37.50	28.41	4.44	34.88	27.27	4.90
	67 (19.4)	50.00	33.59	3.06	47.96	33.77	3.37	45.75	31.79	3.70	43.37	30.80	4.07	40.79	29.74	4.48	37.98	28.59	4.94
	72 (22.2)	55.43	27.93	3.11	53.18	27.05	3.42	50.78	26.12	3.75	48.18	25.13	4.12	45.36	24.06	4.54	42.30	22.93	5.00
1300	57 (13.9)	43.73	43.73	3.03	42.28	42.28	3.34	40.70	40.70	3.67	38.96	38.96	4.04	37.07	37.07	4.46	35.00	35.00	4.92
	62 (16.7)	45.91	40.86	3.05	43.99	39.97	3.35	41.93	39.00	3.69	39.73	37.95	4.05	37.39	36.76	4.46	35.06	35.06	4.92
	63 (17.2)††	46.86	33.48	3.06	44.90	32.59	3.36	42.77	31.64	3.69	40.47	30.63	4.06	38.00	29.55	4.47	35.30	28.38	4.93
	67 (19.4)	50.82	34.88	3.09	48.70	33.99	3.40	46.43	33.05	3.73	43.97	32.04	4.10	41.31	30.96	4.51	38.42	29.80	4.97
	72 (22.2)	56.31	28.75	3.14	54.00	27.86	3.45	51.51	26.91	3.78	48.83	25.90	4.16	45.93	24.83	4.57	42.78	23.68	5.03
1400	57 (13.9)	44.88	44.88	3.06	43.36	43.36	3.37	41.71	41.71	3.71	39.91	39.91	4.08	37.96	37.96	4.49	35.80	35.80	4.96
	62 (16.7)	46.59	42.52	3.08	44.63	41.60	3.38	42.54	40.59	3.71	40.30	39.47	4.09	38.02	38.02	4.49	35.85	35.85	4.96
	63 (17.2)††	47.52	34.64	3.08	45.50	33.74	3.39	43.31	32.78	3.72	40.95	31.75	4.09	38.42	30.66	4.49	35.66	29.47	4.95
	67 (19.4)	51.52	36.12	3.12	49.35	35.22	3.43	47.00	34.26	3.76	44.47	33.24	4.13	41.76	32.16	4.54	38.80	30.97	5.00
	72 (22.2)	57.08	29.54	3.17	54.69	28.64	3.48	52.13	27.68	3.81	49.39	26.66	4.18	46.41	25.57	4.60	43.19	24.42	5.06
1600	57 (13.9)	46.88	46.88	3.12	45.26	45.26	3.43	43.49	43.49	3.77	41.57	41.57	4.14	39.48	39.48	4.56	37.17	37.17	5.02
	62 (16.7)	47.78	45.64	3.13	45.76	44.62	3.44	43.66	43.42	3.77	41.63	41.63	4.14	39.53	39.53	4.56	37.22	37.22	5.02
	63 (17.2)††	48.60	36.86	3.14	46.47	35.93	3.44	44.19	34.95	3.78	41.73	33.90	4.14	39.09	32.78	4.55	36.24	31.56	5.01
	67 (19.4)	52.67	38.50	3.17	50.37	37.58	3.48	47.92	36.60	3.82	45.30	35.57	4.18	42.46	34.45	4.60	39.42	33.24	5.05
	72 (22.2)	58.32	31.04	3.23	55.81	30.11	3.53	53.14	29.14	3.87	50.27	28.10	4.24	47.18	26.99	4.65	43.85	25.82	5.12
25HNB648A**30 Outdoor Section With FV4CNB005 Indoor Section – LOW																			
960	57 (13.9)	32.99	32.99	2.01	29.78	29.78	2.34	26.62	26.62	2.71	23.54	23.54	3.13	20.55	20.55	3.63	17.66	17.66	4.21
	62 (16.7)	34.40	31.28	2.01	30.74	28.59	2.33	27.19	25.94	2.70	23.77	23.33	3.13	20.59	20.59	3.63	17.69	17.69	4.21
	63 (17.2)††	35.17	25.57	2.00	31.40	23.25	2.33	27.74	20.99	2.70	24.20	18.78	3.12	20.78	16.65	3.62	17.53	14.58	4.22
	67 (19.4)	38.47	26.80	2.00	34.37	24.39	2.31	30.40	22.05	2.67	26.54	19.77	3.09	22.82	17.55	3.58	19.28	15.41	4.17
	72 (22.2)	43.00	22.18	1.99	38.44	20.07	2.29	34.01	18.01	2.65	29.73	16.02	3.08	25.61	14.10	3.54	21.68	12.26	4.11
1040	57 (13.9)	34.03	34.03	2.02	30.70	30.70	2.34	27.43	27.43	2.71	24.24	24.24	3.13	21.14	21.14	3.63	18.14	18.14	4.21
	62 (16.7)	35.04	32.76	2.02	31.31	29.94	2.34	27.70	27.16	2.71	24.28	24.28	3.13	21.18	21.18	3.63	18.17	18.17	4.21
	63 (17.2)††	35.77	26.61	2.01	31.92	24.21	2.34	28.18	21.87	2.70	24.55	19.59	3.13	21.08	17.38	3.63	17.75	15.24	4.22
	67 (19.4)	39.13	27.92	2.01	34.92	25.43	2.32	30.85	23.00	2.68	26.91	20.63	3.10	23.12	18.33	3.59	19.51	16.12	4.18
	72 (22.2)	43.70	22.90	1.99	39.03	20.73	2.30	34.51	18.62	2.65	30.14	16.58	3.06	25.94	14.60	3.55	21.94	12.71	4.12
1120	57 (13.9)	34.98	34.98	2.03	31.53	31.53	2.35	28.16	28.16	2.72	24.87	24.87	3.14	21.67	21.67	3.63	18.58	18.58	4.21
	62 (16.7)	35.63	34.18	2.03	31.84	31.22	2.35	28.21	28.21	2.71	24.91	24.91	3.13	21.70	21.70	3.63	18.61	18.61	4.21
	63 (17.2)††	36.29	27.62	2.02	32.37	25.15	2.35	28.55	22.73	2.71	24.86	20.38	3.14	21.33	18.09	3.64	17.95	15.88	4.23
	67 (19.4)	39.68	29.00	2.02	35.39	26.43	2.33	31.24	23.92	2.69	27.22	21.47	3.11	23.38	19.10	3.60	19.71	16.80	4.18
	72 (22.2)	44.30	23.59	2.01	39.55	21.37	2.31	34.93	19.20	2.66	30.49	17.11	3.07	26.22	15.09	3.56	22.14	13.15	4.13
1280	57 (13.9)	36.65	36.65	2.05	33.00	33.00	2.37	29.43	29.43	2.73	25.86	25.86	3.15	22.59	22.59	3.64	19.35	19.35	4.22
	62 (16.7)	36.73	36.73	2.05	33.05	33.05	2.37	29.48	29.48	2.73	26.00	26.00	3.15	22.63	22.63	3.64	19.37	19.37	4.22
	63 (17.2)††	37.16	29.57	2.05	33.10	26.94	2.37	29.17	24.39	2.73	25.37	21.88	3.15	21.74	19.45	3.65	18.29	17.09	4.25
	67 (19.4)	40.58	31.08	2.04	36.15	28.35	2.35	31.87	25.69	2.71	27.75	23.10	3.12	23.80	20.57	3.62	20.05	18.12	4.20
	72 (22.2)	45.30	24.92	2.03	40.38	22.59	2.33	35.62	20.33	2.68	31.05	18.13	3.09	26.66	16.02	3.57	22.48	13.99	4.15

See notes on pg. 60

DETAILED COOLING CAPACITIES# CONTINUED

25HNB648A**30 Outdoor Section With FV4CNB005 Indoor Section

Cooling Indoor Model	High Speed Cap.	Power	Low Speed Cap.	Power	Furnace Model
CNPV*6124A**	0.99	0.99	0.99	0.99	59*N*A120V24**22
CSPH*4812A**	0.97	1.00	0.97	1.01	59*N*A120V24**22
CSPH*6012A**	0.99	1.00	0.99	1.01	59*N*A120V24**22
CAP**4817A**	0.98	1.05	0.97	1.05	59*P5A080E17**16
CAP**4821A**	0.97	1.05	0.98	1.06	59*P5A080E17**16
CAP**6021A**	0.99	1.06	0.97	1.04	59*P5A080E17**16
CNPH*4821A**	0.97	1.04	0.98	1.06	59*P5A080E17**16
CNPH*6024A**	0.99	1.05	0.99	1.05	59*P5A080E17**16
CNPH*6124A**	0.99	1.05	0.99	1.05	59*P5A080E17**16
CNPV*4821A**	0.97	1.04	0.98	1.06	59*P5A080E17**16
CSPH*4812A**	0.98	1.05	0.97	1.05	59*P5A080E17**16
CSPH*6012A**	1.00	1.06	0.99	1.04	59*P5A080E17**16
CAP**4821A**	0.95	1.03	0.99	1.09	59*P5A100E21**16
CAP**4823A**	0.95	1.03	0.99	1.09	59*P5A100E21**16
CAP**4824A**	0.95	1.03	0.99	1.08	59*P5A100E21**16
CAP**6021A**	0.97	1.03	1.00	1.08	59*P5A100E21**16
CAP**6024A**	0.97	1.03	1.00	1.08	59*P5A100E21**16
CAP**6025A**	0.97	1.03	1.00	1.08	59*P5A100E21**16
CNPH*4821A**	0.96	1.04	0.99	1.08	59*P5A100E21**16
CNPH*6024A**	0.97	1.03	1.00	1.08	59*P5A100E21**16
CNPH*6124A**	0.98	1.05	1.00	1.08	59*P5A100E21**16
CNPV*6124A**	0.96	1.04	0.99	1.08	59*P5A100E21**16
CNPV*4821A**	0.98	1.04	0.99	1.08	59*P5A100E21**16
CNPV*4824A**	0.96	1.04	0.99	1.08	59*P5A100E21**16
CNPV*6024A**	0.97	1.03	1.00	1.08	59*P5A100E21**16
CNPV*6124A**	0.99	1.06	1.01	1.08	59*P5A100E21**16
CSPH*4812A**	0.96	1.04	0.99	1.08	59*P5A100E21**16
CSPH*6012A**	0.98	1.05	1.01	1.08	59*P5A100E21**16
CAP**4823A**	0.96	1.02	1.00	1.08	59*P5A120E24**22
CAP**4824A**	0.98	1.02	1.00	1.08	59*P5A120E24**22
CAP**6024A**	1.00	1.02	1.01	1.08	59*P5A120E24**22
CAP**6025A**	0.98	1.02	1.01	1.08	59*P5A120E24**22
CNPH*4821A**	0.97	1.03	1.00	1.07	59*P5A120E24**22
CNPH*6024A**	1.00	1.02	1.01	1.07	59*P5A120E24**22
CNPH*6124A**	1.00	1.02	1.01	1.07	59*P5A120E24**22
CNPV*4824A**	0.98	1.02	1.00	1.07	59*P5A120E24**22
CNPV*6024A**	1.00	1.02	1.01	1.07	59*P5A120E24**22
CNPV*6124A**	1.01	1.02	1.03	1.07	59*P5A120E24**22
CSPH*4812A**	0.98	1.02	1.00	1.07	59*P5A120E24**22
CSPH*6012A**	1.00	1.02	1.03	1.07	59*P5A120E24**22

See notes on pg. 60

DETAILED COOLING CAPACITIES# CONTINUED

EVAPORATOR AIR		CONDENSER ENTERING AIR TEMPERATURES ° F (° C)																							
CFM	EWB ° F (° C)	75 (23.9)				85 (29.4)				95 (35)				105 (40.6)				115 (46.1)				125 (51.7)			
		Capacity MBtuHt		Total System KW**	Capacity MBtuHt	Capacity MBtuHt		Total System KW**	Capacity MBtuHt		Total System KW**	Capacity MBtuHt		Total System KW**	Capacity MBtuHt		Total System KW**	Capacity MBtuHt		Total System KW**	Capacity MBtuHt		Total System KW**		
		Total	Sens†			Total	Sens†		Total	Sens†		Total	Sens†		Total	Sens†		Total	Sens†		Total	Sens†		Total	Sens†
25HNB60A**30 Outdoor Section With FV4CNB006 Indoor Section – HI																									
1500	57 (13.9)	51.82	51.82	3.54	50.23	50.23	3.92	48.45	48.45	4.33	46.47	46.47	4.77	44.25	44.25	5.27	42.78	42.78	5.81	41.76	41.76	5.81			
	62 (16.7)	54.87	48.02	3.57	52.51	47.08	3.95	50.14	46.04	4.35	47.58	44.89	4.79	44.76	43.59	5.28	41.82	41.82	5.82	41.82	41.82	5.82			
	63 (17.2)††	55.83	39.43	3.58	53.60	38.48	3.96	51.18	37.41	4.36	48.50	36.26	4.80	45.56	35.02	5.28	42.31	33.66	5.82	42.31	33.66	5.82			
	67 (19.4)	60.36	40.97	3.63	57.94	40.00	4.00	55.31	38.94	4.41	52.40	37.79	4.85	49.21	36.54	5.34	45.69	35.18	5.88	45.69	35.18	5.88			
	72 (22.2)	66.80	33.75	3.70	63.93	32.73	4.07	61.00	31.64	4.48	57.78	30.45	4.92	54.25	29.16	5.41	50.35	27.77	5.95	50.35	27.77	5.95			
	57 (13.9)	53.29	53.29	3.59	51.61	51.61	3.97	49.73	49.73	4.38	47.66	47.66	4.82	45.34	45.34	5.32	42.72	42.72	5.86	42.72	42.72	5.86			
	62 (16.7)	55.54	50.13	3.61	53.30	49.15	3.99	50.89	48.08	4.39	48.25	46.86	4.83	45.43	45.43	5.32	42.78	42.78	5.86	42.78	42.78	5.86			
	63 (17.2)††	56.67	40.88	3.62	54.38	39.90	4.00	51.86	38.84	4.40	49.10	37.68	4.84	46.07	36.42	5.33	42.73	35.03	5.86	42.73	35.03	5.86			
	67 (19.4)	61.24	42.52	3.67	58.75	41.54	4.05	56.01	40.47	4.45	53.01	39.30	4.89	49.73	38.04	5.38	46.11	36.66	5.92	46.11	36.66	5.92			
	72 (22.2)	67.55	34.72	3.74	64.78	33.69	4.12	61.74	32.58	4.52	58.44	31.38	4.96	54.79	30.08	5.45	50.80	28.67	5.99	50.80	28.67	5.99			
1750	57 (13.9)	54.61	54.61	3.64	52.85	52.85	4.02	50.91	50.91	4.42	48.73	48.73	4.87	46.29	46.29	5.36	43.57	43.57	5.91	43.57	43.57	5.91			
	62 (16.7)	56.30	52.15	3.65	54.02	51.15	4.03	51.55	50.01	4.43	48.82	48.63	4.87	46.36	46.36	5.37	43.63	43.63	5.91	43.63	43.63	5.91			
	63 (17.2)††	57.41	42.30	3.66	55.03	41.30	4.04	52.43	40.22	4.44	49.60	39.05	4.88	46.49	37.77	5.36	43.69	36.37	5.90	43.69	36.37	5.90			
	67 (19.4)	62.00	44.03	3.71	59.43	43.04	4.09	56.60	41.95	4.49	53.53	40.78	4.93	50.15	39.50	5.42	46.46	38.10	5.95	46.46	38.10	5.95			
	72 (22.2)	68.36	35.66	3.78	65.49	34.62	4.16	62.37	33.49	4.56	58.98	32.28	5.00	55.23	30.96	5.49	51.16	29.55	6.03	51.16	29.55	6.03			
	57 (13.9)	56.91	56.91	3.73	55.00	55.00	4.11	52.90	52.90	4.52	50.55	50.55	4.96	47.93	47.93	5.45	45.01	45.01	6.00	45.01	45.01	6.00			
	62 (16.7)	57.63	55.91	3.74	55.30	54.73	4.11	52.97	52.97	4.52	50.62	50.62	4.96	47.99	47.99	5.46	45.06	45.06	6.00	45.06	45.06	6.00			
	63 (17.2)††	58.55	44.99	3.74	56.06	43.98	4.12	53.35	42.88	4.52	50.38	41.67	4.96	47.16	40.36	5.44	43.64	38.91	5.98	43.64	38.91	5.98			
	67 (19.4)	63.20	46.93	3.80	60.49	45.91	4.17	57.54	44.82	4.57	54.32	43.61	5.01	50.83	42.30	5.50	47.01	40.86	6.03	47.01	40.86	6.03			
	72 (22.2)	69.63	37.44	3.87	66.64	36.38	4.24	63.37	35.24	4.64	59.81	34.01	5.08	55.94	32.67	5.57	51.70	31.23	6.10	51.70	31.23	6.10			
25HNB60A**30 Outdoor Section With FV4CNB006 Indoor Section – LOW																									
1200	57 (13.9)	40.01	40.01	2.43	36.38	36.38	2.79	32.77	32.77	3.18	29.22	29.22	3.64	25.76	25.76	4.16	22.38	22.38	4.78	22.38	22.38	4.78			
	62 (16.7)	41.26	38.34	2.43	37.15	35.93	2.78	33.14	32.34	3.18	29.28	29.28	3.64	25.80	25.80	4.16	22.41	22.41	4.78	22.41	22.41	4.78			
	63 (17.2)††	42.12	31.15	2.42	37.91	28.57	2.78	33.76	26.02	3.18	29.70	29.53	3.63	25.78	21.12	4.16	22.02	18.77	4.79	22.02	18.77	4.79			
	67 (19.4)	45.74	45.74	2.41	41.16	29.86	2.76	36.67	27.24	3.15	32.27	24.67	3.59	28.02	22.17	4.12	23.94	19.74	4.73	23.94	19.74	4.73			
	72 (22.2)	50.79	28.57	2.40	45.73	24.24	2.73	40.74	21.94	3.11	35.87	19.71	3.55	31.17	17.54	4.06	26.63	15.45	4.66	26.63	15.45	4.66			
	57 (13.9)	41.17	41.17	2.44	37.40	37.40	2.80	33.66	33.66	3.19	29.99	29.99	3.64	26.40	26.40	4.16	22.91	22.91	4.78	22.91	22.91	4.78			
	62 (16.7)	41.93	40.12	2.44	37.77	36.97	2.79	33.72	33.72	3.19	30.04	30.04	3.64	26.44	26.44	4.16	22.95	22.95	4.78	22.95	22.95	4.78			
	63 (17.2)††	42.75	32.41	2.44	38.44	29.74	2.79	34.19	27.11	3.19	30.07	24.54	3.64	26.07	22.04	4.17	22.25	19.61	4.80	22.25	19.61	4.80			
	67 (19.4)	46.40	33.87	2.43	41.72	31.12	2.77	37.13	28.40	3.16	32.85	25.75	3.60	28.33	23.16	4.13	24.18	20.65	4.74	24.18	20.65	4.74			
	72 (22.2)	51.50	27.43	2.41	46.32	25.03	2.75	41.23	22.68	3.13	36.28	20.39	3.56	31.48	18.16	4.07	26.86	16.02	4.67	26.86	16.02	4.67			
1400	57 (13.9)	42.21	42.21	2.46	38.32	38.32	2.81	34.47	34.47	3.20	30.68	30.68	3.65	26.98	26.98	4.17	23.39	23.39	4.78	23.39	23.39	4.78			
	62 (16.7)	42.78	41.56	2.46	38.39	38.39	2.81	34.52	34.52	3.20	30.73	30.73	3.65	27.02	27.02	4.17	23.42	23.42	4.78	23.42	23.42	4.78			
	63 (17.2)††	43.28	33.63	2.45	38.89	30.88	2.81	34.58	28.17	3.20	30.38	25.52	3.65	26.32	22.94	4.19	22.45	20.43	4.81	22.45	20.43	4.81			
	67 (19.4)	46.97	35.19	2.44	42.20	32.34	2.79	37.52	29.54	3.17	32.98	26.81	3.62	28.58	24.13	4.14	24.38	21.53	4.75	24.38	21.53	4.75			
	72 (22.2)	52.11	28.25	2.43	46.83	25.80	2.76	41.65	23.39	3.14	36.62	21.04	3.57	31.74	18.77	4.08	27.06	16.57	4.68	27.06	16.57	4.68			
	57 (13.9)	44.02	44.02	2.48	39.92	39.92	2.83	35.85	35.85	3.22	31.87	31.87	3.66	27.98	27.98	4.18	24.20	24.20	4.79	24.20	24.20	4.79			
	62 (16.7)	44.09	44.09	2.48	39.98	39.98	2.83	35.91	35.91	3.22	31.91	31.91	3.66	28.02	28.02	4.18	24.23	24.23	4.79	24.23	24.23	4.79			
	63 (17.2)††	44.15	35.99	2.48	39.64	33.08	2.83	35.19	30.21	3.23	30.88	27.40	3.68	26.74	24.85	4.21	22.79	21.95	4.83	22.79	21.95	4.83			
	67 (19.4)	47.87	37.73	2.47	42.96	34.71	2.82	38.17	31.75	3.20	33.50	28.84	3.64	29.00	26.00	4.16	24.72	23.21	4.77	24.72	23.21	4.77			
	72 (22.2)	53.07	29.84	2.46	47.65	27.28	2.79	42.31	24.76	3.17	37.14	22.31	3.60	32.15	19.83	4.11	27.35	17.64	4.71	27.35	17.64	4.71			

See notes on pg. 60

DETAILED COOLING CAPACITIES# CONTINUED

* Tested combination.

† Total and sensible capacities are net capacities. Blower motor heat has been subtracted.

‡ Sensible capacities shown are based on 80°F (27°C) entering air at the indoor coil. For sensible capacities at other than 80°F (27°C), deduct 835 Btuh (245 kW) per 1000 CFM (480 L/S) of indoor coil air for each degree below 80°F (27°C), or add 835 Btuh (245 kW) per 1000 CFM (480 L/S) of indoor coil air per degree above 80°F (27°C).

** System kw is total of indoor and outdoor unit kilowatts.

†† At TVA rating indoor condition (75°F edb/63°F ewb). All other indoor air temperatures are at 80°F edb.

Detailed cooling capacities are based on indoor and outdoor unit at the same elevation per AHRI standard 210/240-08. If additional tubing length and/or indoor unit is located above outdoor unit, a slight variation in capacity may occur.

NOTE: When the required data falls between the published data, interpolation may be performed. Extrapolation is not an acceptable practice.

EWB — Entering Wet Bulb

HEAT PUMP HEATING PERFORMANCE

INDOOR AIR		OUTDOOR COIL ENTERING AIR TEMPERATURES ° F (° C)																							
EDB ° F (° C)	CFM	-3 (-19.4)		7 (-13.9)		17 (-8.3)		27 (-2.8)		37 (2.8)		47 (9.3)		57 (13.9)		67 (19.4)									
		Capacity MBtuh Total	Integ*	Total Sys. KWt	Capacity MBtuh Total	Integ*	Total Sys. KWt	Capacity MBtuh Total	Integ*	Total Sys. KWt	Capacity MBtuh Total	Integ*	Total Sys. KWt	Capacity MBtuh Total	Integ*	Total Sys. KWt	Capacity MBtuh Total	Integ*	Total Sys. KWt						
65 (18.3)	600	10.00	9.20	1.25	12.95	11.90	1.43	16.20	14.77	1.63	19.22	17.07	1.85	22.54	20.51	2.09	26.19	26.19	2.37	30.23	30.23	2.71	34.57	34.57	3.13
	650	10.11	9.30	1.25	13.14	12.08	1.42	16.34	14.90	1.62	19.40	17.23	1.82	22.77	20.72	2.05	26.49	26.49	2.33	30.59	30.59	2.65	35.01	35.01	3.05
	700	10.19	9.38	1.24	13.54	12.44	1.42	16.47	15.01	1.60	19.55	17.37	1.80	22.97	20.90	2.02	26.75	26.75	2.29	30.91	30.91	2.61	35.38	35.38	3.00
70 (21.1)	600	10.35	9.52	1.24	13.76	12.64	1.41	16.66	15.19	1.58	19.82	17.60	1.76	23.31	21.21	1.98	27.17	27.17	2.23	31.43	31.43	2.54	35.96	35.96	2.92
	650	9.56	8.80	1.32	12.45	11.44	1.51	15.85	14.45	1.72	18.81	16.70	1.94	22.07	20.08	2.19	25.66	25.66	2.48	29.65	29.65	2.83	33.94	33.94	3.26
	700	9.76	8.98	1.31	12.59	11.57	1.50	15.99	14.58	1.70	18.99	16.87	1.91	22.30	20.29	2.15	25.95	25.95	2.44	30.00	30.00	2.77	34.37	34.37	3.18
75 (23.9)	600	9.93	9.14	1.31	12.94	11.89	1.48	16.31	14.87	1.66	19.41	17.23	1.86	22.83	20.78	2.08	26.62	26.62	2.34	30.81	30.81	2.65	35.30	35.30	3.04
	650	9.07	8.35	1.39	11.93	10.97	1.58	15.44	14.08	1.81	18.41	16.35	2.03	21.61	19.67	2.29	25.15	25.15	2.59	29.07	29.07	2.95	33.31	33.31	3.39
	700	9.28	8.54	1.38	12.21	11.22	1.56	15.72	14.34	1.77	18.72	16.63	1.98	22.02	20.04	2.23	25.66	25.66	2.51	29.72	29.72	2.84	34.08	34.08	3.25
480	680	9.45	8.69	1.38	12.43	11.42	1.55	15.95	14.54	1.75	18.98	16.86	1.95	22.35	20.34	2.18	26.07	26.07	2.45	30.21	30.21	2.77	34.65	34.65	3.17
	520	6.80	6.26	1.15	7.43	6.83	1.15	10.48	9.56	1.21	13.30	11.81	1.27	16.03	14.58	1.33	17.81	17.81	1.37	19.25	19.25	1.41	20.27	20.27	1.46
	560	6.88	6.33	1.15	7.53	6.92	1.14	10.63	9.69	1.20	13.50	11.99	1.25	16.22	14.76	1.30	18.02	18.02	1.34	19.50	19.50	1.37	20.57	20.57	1.42
65 (18.3)	640	7.72	7.10	1.16	7.64	7.02	1.14	10.74	9.79	1.19	13.63	12.11	1.23	17.73	16.13	1.35	18.22	18.22	1.31	19.73	19.73	1.34	20.83	20.83	1.38
	680	6.86	6.31	1.15	7.81	7.18	1.14	11.00	10.03	1.18	14.02	12.45	1.22	16.66	15.16	1.25	18.55	18.55	1.27	20.13	20.13	1.29	21.28	21.28	1.32
	720	7.33	6.75	1.26	6.78	6.23	1.23	9.93	9.05	1.29	12.74	11.31	1.35	15.62	14.21	1.41	17.40	17.40	1.45	18.85	18.85	1.50	22.18	22.18	1.90
70 (21.1)	520	6.25	5.75	1.23	6.93	6.37	1.22	10.07	9.18	1.28	12.93	11.48	1.33	15.81	14.39	1.39	17.61	17.61	1.42	19.09	19.09	1.45	20.16	20.16	1.49
	560	6.32	5.81	1.23	7.03	6.46	1.22	10.20	9.30	1.27	13.10	11.64	1.31	15.97	14.53	1.36	17.80	17.80	1.39	19.31	19.31	1.42	20.41	20.41	1.45
	640	6.46	5.94	1.24	7.21	6.63	1.23	10.44	9.51	1.27	13.40	11.90	1.30	16.26	14.80	1.33	18.13	18.13	1.35	19.69	19.69	1.37	20.84	20.84	1.40
75 (23.9)	480	5.75	5.29	1.32	6.16	5.66	1.31	9.33	8.51	1.37	12.16	10.80	1.43	15.04	13.69	1.49	17.01	17.01	1.54	18.45	18.45	1.58	19.48	19.48	1.63
	520	5.80	5.33	1.31	6.26	5.75	1.31	9.47	8.64	1.36	12.32	10.94	1.41	15.36	13.98	1.47	17.22	17.22	1.50	18.68	18.68	1.54	19.75	19.75	1.57
	560	5.88	5.41	1.31	6.36	5.84	1.31	9.62	8.77	1.36	12.49	11.10	1.40	15.53	14.14	1.45	17.39	17.39	1.48	18.89	18.89	1.50	19.99	19.99	1.53
640	6.10	5.62	1.31	6.70	6.15	1.29	10.09	9.20	1.32	13.13	11.66	1.33	16.16	14.71	1.35	18.10	18.10	1.36	19.74	19.74	1.36	20.41	20.41	1.47	

See notes on pg. 75

HEAT PUMP HEATING PERFORMANCE CONTINUED

25HNB624A**30 Outdoor Section With FV4CNF002 Indoor Section

Heating Indoor Model	High Speed Cap.	Power	Low Speed Cap.	Power	Furnace Model
CSPH*3012A**	1.00	1.00	1.03	0.97	59*N*A120V24**22
CSPH*3612A**	0.98	0.97	1.03	0.96	59*N*A120V24**22
CAP**2414A**	1.03	1.09	0.99	1.06	59*P5A040E14**10
CAP**2417A**	1.01	1.06	0.99	1.05	59*P5A040E14**10
CAP**3014A**	1.03	1.08	1.00	1.04	59*P5A040E14**10
CAP**3017A**	1.01	1.05	1.00	1.04	59*P5A040E14**10
CAP**3614A**	1.03	1.07	1.00	1.04	59*P5A040E14**10
CAP**3617A**	1.02	1.05	1.00	1.03	59*P5A040E14**10
CNPH*2417A**	1.01	1.05	0.99	1.06	59*P5A040E14**10
CNPH*3017A**	1.01	1.05	1.00	1.03	59*P5A040E14**10
CNPH*3117A**	0.98	0.98	1.01	1.01	59*P5A040E14**10
CNPH*3617A**	0.98	1.02	1.00	1.03	59*P5A040E14**10
CNPV*2414A**	1.03	1.07	0.99	1.06	59*P5A040E14**10
CNPV*2417A**	1.01	1.05	0.99	1.06	59*P5A040E14**10
CNPV*3014A**	1.03	1.08	1.00	1.04	59*P5A040E14**10
CNPV*3017A**	1.01	1.05	1.00	1.03	59*P5A040E14**10
CNPV*3117A**	0.98	0.98	1.01	1.02	59*P5A040E14**10
CNPV*3617A**	0.98	1.02	1.00	1.03	59*P5A040E14**10
CNPV*3717A**	0.98	0.94	1.01	1.01	59*P5A040E14**10
CSPH*2412A**	1.01	1.05	0.99	1.07	59*P5A040E14**10
CSPH*3012A**	1.02	1.04	1.00	1.04	59*P5A040E14**10
CSPH*3612A**	0.98	0.99	1.00	1.03	59*P5A040E14**10
CAP**2417A**	1.01	1.00	1.03	0.98	59*P5A060E17**14
CAP**3017A**	1.02	0.99	1.03	0.96	59*P5A060E17**14
CAP**3617A**	1.02	0.98	1.04	0.96	59*P5A060E17**14
CAP**3621A**	1.04	1.01	1.04	0.96	59*P5A060E17**14
CNPH*2417A**	1.01	0.99	1.03	0.99	59*P5A060E17**14
CNPH*3017A**	1.02	0.99	1.03	0.96	59*P5A060E17**14
CNPH*3117A**	0.98	0.92	1.05	0.95	59*P5A060E17**14
CNPH*3617A**	0.98	0.96	1.03	0.96	59*P5A060E17**14
CNPV*2417A**	1.01	0.99	1.03	0.99	59*P5A060E17**14
CNPV*3017A**	1.02	0.99	1.03	0.96	59*P5A060E17**14
CNPV*3117A**	0.98	0.92	1.05	0.95	59*P5A060E17**14
CNPV*3617A**	0.98	0.96	1.03	0.96	59*P5A060E17**14
CNPV*3717A**	0.96	0.88	1.05	0.94	59*P5A060E17**14
CSPH*2412A**	1.01	0.99	1.03	0.99	59*P5A060E17**14
CSPH*3012A**	1.02	0.98	1.03	0.97	59*P5A060E17**14
CSPH*3612A**	0.98	0.93	1.04	0.95	59*P5A060E17**14

See notes on pg. 75

HEAT PUMP HEATING PERFORMANCE

INDOOR AIR		OUTDOOR COIL ENTERING AIR TEMPERATURES ° F (° C)																							
EDB ° F (° C)	CFM	-3 (-19.4)		7 (-13.9)		17 (-8.3)		27 (-2.8)		37 (2.8)		47 (8.3)		57 (13.9)		67 (19.4)									
		Capacity MBtuh	Total Sys. Kwft	Capacity MBtuh	Total Sys. Kwft	Capacity MBtuh	Total Sys. Kwft	Capacity MBtuh	Total Sys. Kwft	Capacity MBtuh	Total Sys. Kwft	Capacity MBtuh	Total Sys. Kwft	Capacity MBtuh	Total Sys. Kwft	Capacity MBtuh	Total Sys. Kwft								
		Total	Integ*	Total	Integ*	Total	Integ*	Total	Integ*	Total	Integ*	Total	Integ*	Total	Integ*	Total	Integ*								
65 (18.3)	900	13.45	12.37	1.89	17.97	16.52	2.02	20.60	2.14	27.67	24.58	2.29	31.93	29.06	2.43	36.40	36.40	2.60	41.08	41.08	2.80	45.98	45.98	3.05	
	975	13.60	12.51	1.89	18.16	16.69	2.01	22.86	2.12	27.89	24.77	2.26	32.21	29.31	2.40	36.77	36.77	2.55	41.53	41.53	2.74	46.50	46.50	2.97	
	1050	13.73	12.63	1.89	18.33	16.84	2.00	23.08	2.11	28.09	24.95	2.24	32.46	29.54	2.36	37.09	37.09	2.51	41.93	41.93	2.69	47.02	47.02	2.92	
	1200	13.96	12.85	1.88	18.58	17.08	1.98	23.44	2.13	28.43	25.25	2.20	32.90	29.94	2.32	37.64	37.64	2.45	42.58	42.58	2.62	47.84	47.84	2.83	
70 (21.1)	900	12.69	11.68	1.99	17.24	15.84	2.12	21.86	19.93	2.25	27.15	24.11	2.41	31.33	28.51	2.55	35.74	35.74	2.72	40.35	40.35	2.92	45.15	45.15	3.17
	975	12.85	11.82	1.99	17.43	16.01	2.11	22.09	20.14	2.23	27.38	24.32	2.38	31.61	28.77	2.51	36.09	36.09	2.67	40.79	40.79	2.86	45.65	45.65	3.10
	1050	12.98	11.94	1.98	17.59	16.16	2.10	22.30	20.33	2.21	27.55	24.47	2.35	31.86	28.99	2.48	36.40	36.40	2.63	41.17	41.17	2.82	46.13	46.13	3.04
	1200	13.22	12.16	1.98	17.88	16.43	2.09	22.67	20.67	2.19	27.89	24.77	2.32	32.27	29.37	2.43	36.92	36.92	2.57	41.80	41.80	2.74	46.93	46.93	2.96
75 (23.9)	900	11.89	10.94	2.09	16.44	15.11	2.22	21.06	19.20	2.35	26.56	23.59	2.52	30.73	27.97	2.67	35.08	35.08	2.85	39.63	39.63	3.05	44.37	44.37	3.31
	975	12.04	11.07	2.08	16.63	15.28	2.21	21.30	19.42	2.34	26.80	23.80	2.49	31.02	28.22	2.63	35.42	35.42	2.80	40.05	40.05	2.99	44.87	44.87	3.23
	1050	12.17	11.20	2.08	16.80	15.44	2.20	21.51	19.61	2.32	27.01	23.99	2.47	31.24	28.43	2.60	35.72	35.72	2.76	40.42	40.42	2.94	45.30	45.30	3.17
	1200	12.40	11.41	2.09	17.09	15.70	2.19	21.86	19.94	2.30	27.34	24.28	2.43	31.65	28.80	2.55	36.22	36.22	2.70	41.03	41.03	2.87	46.10	46.10	3.08
25HNB36A**30 Outdoor Section With FV4CNB06 Indoor Section - HI																									
65 (18.3)	720	7.66	7.04	1.57	9.98	9.17	1.57	13.89	12.67	1.61	17.59	15.62	1.64	20.99	19.10	1.68	24.47	24.47	1.74	26.60	26.60	1.78	28.35	28.35	1.83
	780	7.39	6.80	1.56	10.11	9.29	1.57	14.08	12.84	1.59	17.83	15.83	1.62	21.30	19.38	1.66	24.74	24.74	1.70	26.94	26.94	1.74	28.76	28.76	1.79
	840	7.47	6.88	1.56	10.24	9.41	1.56	14.27	13.01	1.59	18.03	16.01	1.61	21.53	19.59	1.64	24.99	24.99	1.68	27.25	27.25	1.71	29.13	29.13	1.75
	960	7.62	7.01	1.56	10.44	9.59	1.56	14.55	13.26	1.57	18.38	16.33	1.59	22.04	20.06	1.61	25.41	25.41	1.64	27.77	27.77	1.66	29.76	29.76	1.70
70 (21.1)	720	7.24	6.66	1.67	9.13	8.39	1.66	13.06	11.91	1.69	16.77	14.90	1.72	20.18	18.36	1.76	23.86	23.86	1.82	25.98	25.98	1.86	27.71	27.71	1.92
	780	7.33	6.75	1.66	9.25	8.50	1.65	13.24	12.07	1.68	17.01	15.10	1.71	20.47	18.63	1.74	24.15	24.15	1.79	26.32	26.32	1.83	28.10	28.10	1.87
	840	7.41	6.82	1.66	9.37	8.61	1.65	13.40	12.22	1.67	17.21	15.29	1.69	20.73	18.86	1.72	24.40	24.40	1.77	26.61	26.61	1.79	28.45	28.45	1.83
	960	7.56	6.95	1.66	9.57	8.79	1.65	13.67	12.46	1.66	17.56	15.59	1.67	21.17	19.26	1.69	24.79	24.79	1.72	27.10	27.10	1.74	29.05	29.05	1.78
75 (23.9)	720	7.17	6.60	1.77	8.21	7.54	1.74	12.17	11.10	1.77	15.92	14.14	1.81	19.35	17.61	1.84	22.69	22.69	1.90	25.39	25.39	1.95	27.08	27.08	2.01
	780	7.26	6.68	1.77	8.33	7.66	1.74	12.35	11.26	1.77	16.15	14.34	1.79	19.63	17.87	1.82	23.22	23.22	1.87	25.68	25.68	1.91	27.46	27.46	1.96
	840	7.34	6.76	1.77	8.44	7.76	1.74	12.50	11.40	1.76	16.35	14.52	1.78	19.88	18.09	1.80	23.74	23.74	1.85	25.96	25.96	1.88	27.79	27.79	1.92
	960	7.50	6.90	1.77	8.63	7.93	1.74	12.77	11.64	1.75	16.69	14.83	1.76	20.31	18.48	1.77	24.17	24.17	1.81	26.45	26.45	1.83	28.35	28.35	1.86
25HNB36A**30 Outdoor Section With FV4CNB06 Indoor Section - LOW																									

See notes on pg. 75



HEAT PUMP HEATING PERFORMANCE CONTINUED

25HNB6S6A**30 Outdoor Section With FV4CHNB006 Indoor Section

Table with columns: Heating Indoor Model, High Speed Cap., Power, Low Speed Cap., Power, Furnace Model, FV4CHNB006 Indoor Section

Table with columns: Heating Indoor Model, High Speed Cap., Power, Low Speed Cap., Power, Furnace Model, 25HNB6 Outdoor Section

HEAT PUMP HEATING PERFORMANCE CONTINUED

25HNB636A**30 Outdoor Section With FV4CNB006 Indoor Section

Heating Indoor Model	High Speed Cap.	Power	Low Speed Cap.	Power	High Speed Cap.	Power	Furnace Model
CSPH*3612A**	1.00	1.04	1.00	1.08	1.00	1.07	59*P5A080E17**16
CSPH*4212A**	1.00	1.06	1.00	1.04	1.01	1.07	59*P5A080E17**16
CSPH*4812A**	1.00	1.07	1.00	1.06	1.01	1.07	59*P5A080E17**16

See notes on pg. 75

Heating Indoor Model	High Speed Cap.	Power	Low Speed Cap.	Power	Furnace Model
CNPV*4324A**	1.01	1.04	1.01	1.03	59*N*A100V21**20
CNPV*4821A**	1.00	1.06	1.00	1.04	59*N*A100V21**20
CNPV*4824A**	1.00	1.06	1.00	1.04	59*N*A100V21**20
CSPH*3612A**	1.00	1.07	1.00	1.06	59*N*A100V21**20
CSPH*4212A**	1.00	1.05	1.00	1.05	59*N*A100V21**20
CSPH*4812A**	1.00	1.06	1.00	1.05	59*N*A100V21**20
CAP**4224A**	0.99	1.07	0.99	1.05	59*N*A120V24**22
CAP**4823A**	1.00	1.05	1.00	1.04	59*N*A120V24**22
CAP**4824A**	0.99	1.05	1.00	1.04	59*N*A120V24**22
CNPH*3617A**	0.98	1.09	0.99	1.07	59*N*A120V24**22
CNPH*4221A**	0.99	1.07	0.99	1.05	59*N*A120V24**22
CNPH*4321A**	1.01	1.03	1.01	1.03	59*N*A120V24**22
CNPH*4821A**	0.99	1.04	1.00	1.04	59*N*A120V24**22
CNPV*4324A**	1.01	1.03	1.00	1.02	59*N*A120V24**22
CNPV*4824A**	0.99	1.04	1.00	1.04	59*N*A120V24**22
CSPH*3612A**	0.99	1.06	1.00	1.05	59*N*A120V24**22
CSPH*4212A**	1.00	1.05	1.00	1.04	59*N*A120V24**22
CSPH*4812A**	1.00	1.05	1.00	1.04	59*N*A120V24**22
CAP**3617A**	0.99	1.11	0.97	1.09	59*P5A060E17**14
CAP**3619A**	0.99	1.11	0.97	1.09	59*P5A060E17**14
CAP**3621A**	0.99	1.11	0.97	1.08	59*P5A060E17**14
CAP**4221A**	0.99	1.10	0.98	1.08	59*P5A060E17**14
CAP**4817A**	1.01	1.07	0.98	1.07	59*P5A060E17**14
CAP**4821A**	1.01	1.08	0.98	1.06	59*P5A060E17**14
CNPH*3617A**	0.99	1.12	0.97	1.10	59*P5A060E17**14
CNPH*4221A**	0.99	1.10	0.97	1.08	59*P5A060E17**14
CNPH*4321A**	1.01	1.06	0.98	1.05	59*P5A060E17**14
CNPH*4821A**	1.01	1.07	0.98	1.06	59*P5A060E17**14
CNPV*3617A**	0.99	1.12	0.97	1.10	59*P5A060E17**14
CNPV*3621A**	0.99	1.12	0.97	1.10	59*P5A060E17**14
CNPV*3717A**	1.01	1.06	0.98	1.06	59*P5A060E17**14
CNPV*4217A**	1.00	1.09	0.98	1.08	59*P5A060E17**14
CNPV*4221A**	0.99	1.10	0.97	1.08	59*P5A060E17**14
CNPV*4821A**	1.01	1.07	0.98	1.06	59*P5A060E17**14
CSPH*3612A**	1.00	1.09	0.98	1.08	59*P5A060E17**14
CSPH*4212A**	1.01	1.07	0.98	1.07	59*P5A060E17**14
CSPH*4812A**	1.01	1.07	0.98	1.07	59*P5A060E17**14
CAP**3617A**	0.99	1.10	1.02	1.08	59*P5A080E17**16
CAP**3619A**	0.99	1.10	1.02	1.08	59*P5A080E17**16
CAP**3621A**	0.99	1.10	1.02	1.07	59*P5A080E17**16
CAP**4221A**	0.99	1.09	1.03	1.08	59*P5A080E17**16
CAP**4817A**	1.01	1.07	1.03	1.06	59*P5A080E17**16
CAP**4821A**	1.01	1.07	1.03	1.06	59*P5A080E17**16
CNPH*3617A**	0.99	1.12	1.02	1.09	59*P5A080E17**16
CNPH*4221A**	0.99	1.10	1.03	1.08	59*P5A080E17**16
CNPH*4321A**	1.01	1.05	1.03	1.04	59*P5A080E17**16
CNPH*4821A**	1.01	1.07	1.03	1.06	59*P5A080E17**16
CNPV*3617A**	0.99	1.12	1.02	1.09	59*P5A080E17**16
CNPV*3621A**	0.99	1.12	1.02	1.09	59*P5A080E17**16
CNPV*3717A**	1.01	1.06	1.03	1.05	59*P5A080E17**16
CNPV*4217A**	1.00	1.09	1.03	1.07	59*P5A080E17**16
CNPV*4221A**	0.99	1.10	1.03	1.08	59*P5A080E17**16
CNPV*4821A**	1.01	1.07	1.03	1.06	59*P5A080E17**16

HEAT PUMP HEATING PERFORMANCE

INDOOR AIR		OUTDOOR COIL ENTERING AIR TEMPERATURES ° F (° C)																		
EDB ° F (° C)	CFM	-3 (-19.4)		7 (-13.9)		17 (-8.3)		27 (-2.8)		37 (2.8)		47 (8.3)		57 (13.9)		67 (19.4)				
		Capacity MBtuh Total	Total Sys. KWt Integ*	Capacity MBtuh Total	Total Sys. KWt Integ*	Capacity MBtuh Total	Total Sys. KWt Integ*	Capacity MBtuh Total	Total Sys. KWt Integ*	Capacity MBtuh Total	Total Sys. KWt Integ*	Capacity MBtuh Total	Total Sys. KWt Integ*	Capacity MBtuh Total	Total Sys. KWt Integ*	Capacity MBtuh Total	Total Sys. KWt Integ*			
		25HNB48A**30 Outdoor Section With FV4CNB05 Indoor Section - HI																		
65 (18.3)	1200	17.52	16.12	2.48	21.04	2.70	29.42	2.96	34.93	31.03	3.21	41.05	37.95	3.49	47.79	47.79	4.20	64.14	64.14	4.64
	1300	17.68	16.27	2.48	21.24	2.70	29.65	2.95	35.19	31.25	3.19	41.38	37.66	3.46	48.23	48.23	4.15	64.85	64.85	4.56
	1400	17.84	16.41	2.49	23.30	2.70	29.84	2.94	35.42	31.46	3.17	41.67	37.92	3.44	48.61	48.61	4.12	65.33	65.33	4.50
	1600	18.17	16.72	2.51	23.65	2.71	30.16	2.94	35.82	31.82	3.16	42.17	38.38	3.41	49.23	49.23	4.07	65.82	65.82	4.42
70 (21.1)	1200	16.82	15.48	2.59	20.39	2.82	28.14	2.96	34.38	30.54	3.34	40.37	36.74	3.63	47.00	47.00	4.36	63.00	63.00	4.82
	1300	17.01	15.85	2.59	22.41	2.82	29.06	2.97	34.65	30.78	3.32	40.70	37.04	3.60	47.42	47.42	4.31	63.75	63.75	4.73
	1400	17.17	15.80	2.60	22.61	2.82	29.30	2.97	34.88	30.98	3.31	41.00	37.31	3.58	47.80	47.80	4.27	64.30	64.30	4.66
	1600	17.48	16.08	2.62	22.97	2.83	29.66	2.97	35.27	31.32	3.29	41.51	37.77	3.55	48.44	48.44	4.22	64.90	64.90	4.58
75 (23.9)	1200	16.06	14.77	2.69	21.44	19.70	27.23	24.83	33.81	30.03	3.48	39.70	36.13	3.77	46.22	46.22	4.12	61.83	61.83	5.00
	1300	16.24	14.94	2.70	21.66	19.91	27.52	25.09	34.09	30.28	3.46	40.01	36.41	3.74	46.62	46.62	4.07	62.60	62.60	4.91
	1400	16.41	15.10	2.71	21.86	20.09	27.77	25.32	34.31	30.48	3.45	40.31	36.68	3.72	46.99	46.99	4.04	63.22	63.22	4.83
	1600	16.72	15.38	2.73	22.22	20.42	28.25	25.76	34.70	30.82	3.43	40.81	37.14	3.70	47.62	47.62	4.37	63.94	63.94	4.74
		25HNB48A**30 Outdoor Section With FV4CNB05 Indoor Section - LOW																		
65 (18.3)	960	10.73	9.87	2.08	15.74	14.46	20.58	18.76	22.32	25.18	22.36	30.30	27.58	2.44	33.65	33.65	2.66	39.46	39.46	2.81
	1040	10.86	9.99	2.08	15.90	14.61	20.78	18.95	22.52	25.43	22.59	30.54	27.79	2.41	33.94	33.94	2.60	39.91	39.91	2.74
	1120	10.97	10.10	2.09	16.06	14.76	20.94	19.09	22.77	25.63	22.77	30.75	27.98	2.38	34.19	34.19	2.56	40.30	40.30	2.69
	1280	11.19	10.29	2.10	16.32	15.00	21.28	19.40	23.13	26.04	23.13	31.08	28.28	2.34	34.62	34.62	2.50	40.95	40.95	2.62
70 (21.1)	960	11.50	10.58	2.23	14.89	13.69	19.79	18.04	23.35	24.41	21.68	29.14	26.52	2.55	33.08	33.08	2.79	38.77	38.77	2.94
	1040	11.63	10.70	2.23	15.06	13.84	19.96	18.20	23.44	24.66	21.91	29.70	27.03	2.53	33.35	33.35	2.63	39.20	39.20	2.87
	1120	11.75	10.81	2.24	15.21	13.98	20.15	18.37	23.63	24.86	22.08	30.19	27.47	2.51	33.60	33.60	2.59	39.58	39.58	2.82
	1280	11.96	11.00	2.25	15.49	14.23	20.50	18.69	23.92	25.27	22.44	30.55	27.80	2.47	34.03	34.03	2.63	40.21	40.21	2.74
75 (23.9)	960	10.67	9.82	2.35	14.00	12.86	18.91	17.24	24.48	23.60	20.96	28.06	25.53	2.67	32.51	32.51	2.81	38.08	38.08	3.08
	1040	11.60	10.67	2.37	14.16	13.01	19.11	17.42	24.71	23.85	21.19	28.39	25.83	2.64	32.78	32.78	2.77	38.50	38.50	3.01
	1120	10.92	10.05	2.36	14.32	13.16	19.30	17.60	24.62	23.75	21.36	28.75	26.10	2.62	33.03	33.03	2.83	38.87	38.87	2.96
	1280	11.12	10.23	2.37	14.57	13.39	19.62	17.89	24.45	24.05	21.72	29.46	26.80	2.59	33.43	33.43	2.68	39.48	39.48	2.88

See notes on pg. 75

HEAT PUMP HEATING PERFORMANCE CONTINUED

25HNB6-8A**30 Outdoor Section With FV4CNB005 Indoor Section

Table with 11 columns: Heating Indoor Model, High Speed Cap., Power, Low Speed Cap., Power, Furnace Model, Heating Indoor Model, High Speed Cap., Power, Low Speed Cap., Power, Furnace Model. Rows include models like *FV4CN(B)005, FE4AN(B)005, FV4CN(B)006, FV4CN(B)007, CAP**4817A**.

Table with 11 columns: Heating Indoor Model, High Speed Cap., Power, Low Speed Cap., Power, Furnace Model, Heating Indoor Model, High Speed Cap., Power, Low Speed Cap., Power, Furnace Model. Rows include models like CAP**6025A**, CNPH*4821A**, CNPH*6024A**.

Table with 11 columns: Heating Indoor Model, High Speed Cap., Power, Low Speed Cap., Power, Furnace Model, Heating Indoor Model, High Speed Cap., Power, Low Speed Cap., Power, Furnace Model. Rows include models like CNPV*6124A**, CSPH*4812A**, CSPH*4812A**.

HEAT PUMP HEATING PERFORMANCE CONTINUED

25HNB648A**30 Outdoor Section With FV4CNB005 Indoor Section

Heating Indoor Model	High Speed Cap.	Power	Low Speed Cap.	Power	Furnace Model
CNPH*6124A**	1.01	1.01	1.01	1.01	59*N*A120V24**22
CNPV*4824A**	1.00	1.02	1.01	1.03	59*N*A120V24**22
CNPV*6024A**	1.00	1.01	1.01	1.01	59*N*A120V24**22
CNPV*6124A**	1.01	0.99	1.01	1.00	59*N*A120V24**22
CSPH*4812A**	1.01	1.03	1.01	1.02	59*N*A120V24**22
CSPH*6012A**	1.01	1.01	1.01	1.01	59*N*A120V24**22
CAP**4817A**	1.01	1.05	1.01	1.05	59*P5A080E17**16
CAP**4821A**	1.01	1.06	1.00	1.06	59*P5A080E17**16
CAP**6021A**	1.01	1.05	1.01	1.04	59*P5A080E17**16
CNPH*4821A**	1.01	1.06	1.00	1.05	59*P5A080E17**16
CNPH*6024A**	1.01	1.05	1.01	1.03	59*P5A080E17**16
CNPH*6124A**	1.02	1.04	1.02	1.06	59*P5A100E21**16
CAP**4823A**	1.00	1.04	1.02	1.06	59*P5A100E21**16
CAP**4824A**	1.00	1.04	1.02	1.05	59*P5A100E21**16
CAP**6021A**	1.01	1.04	1.02	1.04	59*P5A100E21**16
CAP**6024A**	1.01	1.04	1.02	1.04	59*P5A100E21**16
CAP**6025A**	1.01	1.04	1.02	1.04	59*P5A100E21**16
CNPH*4821A**	1.00	1.03	1.02	1.05	59*P5A100E21**16
CNPH*6024A**	1.01	1.04	1.02	1.04	59*P5A100E21**16
CNPH*6124A**	1.01	1.03	1.02	1.03	59*P5A100E21**16
CNPV*4821A**	1.00	1.03	1.02	1.05	59*P5A100E21**16
CNPV*4824A**	1.00	1.03	1.02	1.05	59*P5A100E21**16
CNPV*6024A**	1.01	1.04	1.02	1.04	59*P5A100E21**16
CNPV*6124A**	1.01	1.02	1.03	1.02	59*P5A100E21**16
CSPH*4812A**	1.01	1.05	1.02	1.05	59*P5A100E21**16
CSPH*6012A**	1.01	1.03	1.02	1.03	59*P5A100E21**16
CSPH*6124A**	1.01	1.03	1.02	1.03	59*P5A100E21**16
CAP**4823A**	1.00	1.02	1.02	1.04	59*P5A120E24**22
CAP**4824A**	1.00	1.02	1.02	1.03	59*P5A120E24**22
CAP**6024A**	1.00	1.02	1.02	1.03	59*P5A120E24**22
CAP**6025A**	1.01	1.02	1.03	1.02	59*P5A120E24**22
CNPH*4821A**	1.00	1.02	1.02	1.03	59*P5A120E24**22
CNPH*6024A**	1.00	1.01	1.03	1.02	59*P5A120E24**22
CNPH*6124A**	1.01	1.01	1.03	1.02	59*P5A120E24**22
CNPV*4824A**	1.00	1.02	1.02	1.03	59*P5A120E24**22
CNPV*6024A**	1.00	1.01	1.03	1.02	59*P5A120E24**22
CNPV*6124A**	1.01	0.99	1.03	1.00	59*P5A120E24**22
CSPH*4812A**	1.00	1.02	1.02	1.03	59*P5A120E24**22
CSPH*6012A**	1.01	1.01	1.03	1.01	59*P5A120E24**22

See notes on pg. 75

HEAT PUMP HEATING PERFORMANCE

INDOOR AIR		OUTDOOR COIL ENTERING AIR TEMPERATURES ° F (° C)																							
		-3 (-19.4)			7 (-13.9)			17 (-8.3)			27 (-2.8)			37 (2.8)			47 (8.3)			57 (13.9)			67 (19.4)		
		Capacity MBtuh	Total Sys. KWt	Integ*	Capacity MBtuh	Total Sys. KWt	Integ*	Capacity MBtuh	Total Sys. KWt	Integ*	Capacity MBtuh	Total Sys. KWt	Integ*	Capacity MBtuh	Total Sys. KWt	Integ*	Capacity MBtuh	Total Sys. KWt	Integ*	Capacity MBtuh	Total Sys. KWt	Integ*	Capacity MBtuh	Total Sys. KWt	Integ*
65 (18.3)	1500	22.04	20.28	3.16	28.22	25.93	3.37	35.84	32.68	3.61	42.38	37.64	3.83	49.77	45.29	4.08	57.96	57.96	4.36	67.43	67.43	4.63	77.16	77.16	4.99
	1625	22.22	20.44	3.17	28.45	26.14	3.37	36.06	32.88	3.60	42.66	37.89	3.80	50.13	45.62	4.04	58.42	58.42	4.31	67.85	67.85	4.56	77.42	77.42	4.90
	1750	22.42	20.63	3.18	28.68	26.35	3.39	36.26	33.06	3.59	42.93	38.13	3.79	50.46	45.92	4.01	58.83	58.83	4.28	68.17	68.17	4.51	77.49	77.49	4.83
	2000	22.79	20.96	3.22	29.10	26.74	3.39	36.65	33.42	3.59	43.40	38.55	3.78	51.03	46.44	3.99	59.60	59.60	4.20	68.54	68.54	4.45	76.31	76.31	4.70
	1500	21.29	19.59	3.33	27.49	25.26	3.54	35.31	32.19	3.79	41.81	37.14	4.01	49.07	44.66	4.26	57.15	57.15	4.56	66.47	66.47	4.84	76.15	76.15	5.20
	1625	21.52	19.80	3.34	27.74	25.49	3.54	35.56	32.42	3.78	42.10	37.39	3.99	49.45	45.00	4.23	57.61	57.61	4.51	66.94	66.94	4.76	76.45	76.45	5.11
70 (21.1)	1750	21.73	19.99	3.35	27.99	25.72	3.54	35.80	32.64	3.77	42.37	37.63	3.97	49.78	45.30	4.20	58.00	58.00	4.47	67.31	67.31	4.71	76.60	76.60	5.04
	2000	22.12	20.35	3.38	28.42	26.11	3.56	36.21	33.01	3.78	42.85	38.05	3.96	50.35	45.82	4.18	58.76	58.76	4.41	67.72	67.72	4.65	76.40	76.40	4.93
	1500	20.48	18.84	3.49	26.70	24.54	3.71	33.53	30.57	3.94	41.27	36.66	4.21	48.39	44.03	4.46	56.34	56.34	4.76	65.47	65.47	5.05	75.13	75.13	5.41
	1625	20.71	19.05	3.50	26.96	24.78	3.71	33.86	30.87	3.93	41.53	36.89	4.18	48.75	44.36	4.43	56.79	56.79	4.71	66.01	66.01	4.97	75.46	75.46	5.32
	1750	20.93	19.26	3.51	27.20	25.00	3.72	34.20	31.18	3.93	41.79	37.12	4.16	49.08	44.66	4.40	57.18	57.18	4.67	66.39	66.39	4.92	75.63	75.63	5.25
	2000	21.31	19.61	3.55	27.64	25.40	3.74	35.60	32.46	3.96	42.29	37.56	4.15	49.64	45.18	4.37	57.88	57.88	4.63	66.90	66.90	4.85	75.58	75.58	5.14
25HNB60A**30 Outdoor Section With FV4CNE006 Indoor Section - HHI																									
25HNB60A**30 Outdoor Section With FV4CNE006 Indoor Section - LOW																									
65 (18.3)	1200	14.07	12.94	2.61	19.50	17.92	2.68	24.89	22.70	2.75	30.27	26.88	2.83	36.55	33.26	2.95	41.02	41.02	3.03	45.47	45.47	3.14	49.91	49.91	3.24
	1300	14.19	13.05	2.61	19.64	18.05	2.67	25.08	22.87	2.74	30.51	27.10	2.80	36.82	33.50	2.91	41.33	41.33	2.99	45.86	45.86	3.08	50.37	50.37	3.17
	1400	14.32	13.17	2.62	19.81	18.20	2.67	25.28	23.05	2.73	30.75	27.31	2.79	37.04	33.71	2.88	41.61	41.61	2.95	46.22	46.22	3.04	50.74	50.74	3.11
	1600	14.58	13.41	2.63	20.09	18.47	2.68	25.63	23.37	2.72	31.18	27.69	2.76	37.41	34.04	2.84	42.08	42.08	2.90	46.85	46.85	2.96	51.28	51.28	3.03
	1200	13.21	12.15	2.76	18.64	17.13	2.83	24.06	21.94	2.90	29.44	26.14	2.98	35.06	31.90	3.07	40.41	40.41	3.20	44.75	44.75	3.30	49.16	49.16	3.40
	1300	13.32	12.26	2.76	18.83	17.30	2.83	24.30	22.15	2.89	29.71	26.39	2.96	36.20	32.95	3.07	40.71	40.71	3.15	45.14	45.14	3.24	49.63	49.63	3.33
70 (21.1)	1400	13.46	12.39	2.77	19.01	17.47	2.83	24.50	22.34	2.88	29.96	26.61	2.94	36.45	33.17	3.04	41.00	41.00	3.11	45.49	45.49	3.20	49.98	49.98	3.27
	1600	13.72	12.62	2.79	19.31	17.74	2.83	24.86	22.67	2.88	30.38	26.98	2.92	36.86	33.54	3.00	41.45	41.45	3.06	46.06	46.06	3.13	50.53	50.53	3.19
	1200	12.25	11.27	2.91	17.71	16.27	2.98	23.16	21.12	3.06	28.56	25.36	3.14	33.97	30.91	3.23	39.79	39.79	3.37	44.03	44.03	3.47	48.34	48.34	3.58
	1300	12.36	11.37	2.92	17.90	16.45	2.98	23.41	21.35	3.05	28.84	25.61	3.12	34.34	31.25	3.20	40.09	40.09	3.32	44.41	44.41	3.41	48.86	48.86	3.50
	1400	12.50	11.50	2.93	18.07	16.61	2.98	23.62	21.54	3.04	29.08	25.83	3.10	34.65	31.53	3.17	40.37	40.37	3.28	44.75	44.75	3.36	49.23	49.23	3.43
	1600	12.75	11.73	2.95	18.38	16.89	2.99	23.98	21.87	3.04	29.52	26.08	3.08	35.36	32.18	3.14	40.82	40.82	3.22	45.32	45.32	3.29	49.80	49.80	3.35

See notes on pg. 75

25HNB6

HEAT PUMP HEATING PERFORMANCE CONTINUED

25HNB650A**30 Outdoor Section With FV4CNB06 Indoor Section

Heating Indoor Model	High Speed Cap.	Power	Low Speed Cap.	Power	Furnace Model
CAP**6021A**	0.99	1.04	0.99	1.02	58MEC120--20
CAP**6024A**	0.99	1.03	0.99	1.02	58MEC120--20
CNPH**6024A**	0.99	1.04	0.99	1.02	58MEC120--20
CNPH*6124A**	1.00	1.03	0.99	1.02	58MEC120--20
CNPH**6024A**	0.99	1.04	0.99	1.02	58MEC120--20
CAP**6021A**	1.00	1.01	0.99	1.00	58MEC120--20
CAP**6024A**	1.00	1.02	0.99	1.01	58MEC120--20
CNPH**6021A**	1.02	1.10	1.01	1.07	58MV(B,C)080--20
CNPH**6024A**	1.02	1.10	1.01	1.07	58MV(B,C)080--20
CAP**6025A**	1.02	1.10	1.01	1.07	58MV(B,C)080--20
CNPH**6021A**	1.02	1.09	1.01	1.06	58MV(B,C)080--20
CNPH**6024A**	1.02	1.09	1.01	1.06	58MV(B,C)080--20
CAP**6025A**	1.02	1.09	1.01	1.06	58MV(B,C)080--20
CNPH**6021A**	1.02	1.08	1.01	1.06	58MV(B,C)100--20
CNPH**6024A**	1.02	1.08	1.01	1.06	58MV(B,C)100--20
CAP**6025A**	1.02	1.08	1.01	1.06	58MV(B,C)100--20
CNPH**6021A**	1.02	1.07	1.01	1.06	58MV(B,C)100--20
CNPH**6024A**	1.02	1.07	1.01	1.06	58MV(B,C)100--20
CAP**6025A**	1.02	1.07	1.01	1.06	58MV(B,C)100--20
CNPH**6021A**	1.01	1.08	1.01	1.05	58MV(B,C)100--20
CNPH**6024A**	1.01	1.08	1.01	1.05	58MV(B,C)100--20
CAP**6025A**	1.01	1.08	1.01	1.05	58MV(B,C)100--20
CNPH**6021A**	1.02	1.06	1.00	1.04	58MV(B,C)120--20
CNPH**6024A**	1.02	1.06	1.00	1.04	58MV(B,C)120--20
CAP**6025A**	1.02	1.06	1.00	1.04	58MV(B,C)120--20
CNPH**6021A**	1.02	1.07	1.00	1.04	58MV(B,C)120--20
CNPH**6024A**	1.02	1.05	1.01	1.03	58MV(B,C)120--20
CAP**6025A**	1.01	1.06	1.00	1.04	58MV(B,C)120--20
CNPH**6021A**	1.01	1.07	1.00	1.04	58MV(B,C)120--20
CNPH**6024A**	1.02	1.06	1.01	1.04	58MV(B,C)120--20
CAP**6025A**	1.02	1.06	1.01	1.04	58MV(B,C)120--20
CNPH**6021A**	1.01	1.04	1.00	1.03	58PH**110--20
CNPH**6024A**	1.01	1.04	1.00	1.03	58PH**110--20
CAP**6025A**	1.01	1.04	1.00	1.03	58PH**110--20
CNPH**6021A**	1.01	1.03	1.00	1.02	58PH**110--20
CNPH**6024A**	1.01	1.04	1.00	1.03	58PH**110--20
CAP**6025A**	1.01	1.05	1.00	1.02	58PH**110--20
CNPH**6021A**	1.00	1.02	1.00	1.02	58PH**110--20
CNPH**6024A**	1.00	1.05	0.99	1.04	58PH**135--20
CAP**6025A**	1.00	1.05	0.99	1.04	58PH**135--20
CNPH**6021A**	1.02	1.07	1.00	1.04	58PH**135--20
CNPH**6024A**	1.02	1.07	1.00	1.04	58PH**135--20
CAP**6025A**	1.01	1.09	1.01	1.07	58UVB080--20
CNPH**6021A**	1.01	1.03	0.99	1.01	58PH**135--20
CNPH**6024A**	1.00	1.03	0.99	1.02	58PH**135--20
CAP**6025A**	1.02	1.10	1.00	1.06	58UVB080--20
CNPH**6021A**	1.02	1.10	1.00	1.06	58UVB080--20
CNPH**6024A**	1.02	1.10	1.00	1.06	58UVB080--20
CAP**6025A**	1.02	1.10	1.00	1.06	58UVB080--20
CNPH**6021A**	1.01	1.09	1.01	1.07	58UVB100--20
CNPH**6024A**	1.01	1.09	1.01	1.07	58UVB100--20
CAP**6025A**	1.01	1.09	1.01	1.07	58UVB100--20
CNPH**6021A**	1.02	1.07	1.01	1.04	58UVB100--20
CNPH**6024A**	1.01	1.07	1.00	1.05	58UVB120--20
CAP**6025A**	1.01	1.07	1.00	1.05	58UVB120--20
CNPH**6021A**	1.00	1.06	1.00	1.05	58UVB120--20
CNPH**6024A**	1.01	1.04	1.00	1.03	58UVB120--20

Heating Indoor Model	High Speed Cap.	Power	Low Speed Cap.	Power	Furnace Model
*FV4CNB006	1.00	1.00	1.00	1.00	
FE4ANB006	1.00	1.00	1.00	1.00	
CAP**6021A**	1.01	1.06	1.01	1.09	
CAP**6024A**	1.01	1.06	1.01	1.09	
CAP**6025A**	1.01	1.06	1.01	1.09	
CNPH**6021A**	1.01	1.06	1.01	1.09	
CNPH**6024A**	1.02	1.05	1.02	1.10	
CNPH**6021A**	1.01	1.06	1.04	1.18	
CNPH**6024A**	1.02	1.04	1.02	1.09	
CAP**6021A**	1.01	1.05	1.02	1.10	
CAP**6024A**	1.01	1.06	1.00	1.03	58CV(A,X)110--20
CAP**6025A**	1.01	1.06	1.00	1.03	58CV(A,X)110--20
CNPH**6021A**	1.00	1.05	1.00	1.03	58CV(A,X)110--20
CNPH**6024A**	1.01	1.04	1.00	1.02	58CV(A,X)110--20
CNPH**6021A**	1.00	1.05	1.00	1.03	58CV(A,X)110--20
CNPH**6024A**	1.01	1.03	1.00	1.01	58CV(A,X)110--20
CNPH**6021A**	1.01	1.04	1.00	1.02	58CV(A,X)115--22
CNPH**6024A**	1.00	1.03	1.00	1.02	58CV(A,X)135--22
CAP**6021A**	1.00	1.03	1.00	1.02	58CV(A,X)135--22
CNPH**6021A**	1.01	1.04	1.00	1.02	58CV(A,X)135--22
CNPH**6024A**	1.00	1.04	1.00	1.02	58CV(A,X)135--22
CAP**6021A**	1.00	1.04	1.00	1.02	58CV(A,X)135--22
CAP**6024A**	1.00	1.03	1.00	1.01	58CV(A,X)135--22
CAP**6025A**	1.00	1.03	1.00	1.02	58CV(A,X)155--22
CNPH**6021A**	1.00	1.03	1.00	1.02	58CV(A,X)155--22
CNPH**6024A**	1.01	1.02	1.00	1.01	58CV(A,X)155--22
CAP**6021A**	1.01	1.03	1.00	1.02	58CV(A,X)155--22
CNPH**6021A**	1.01	1.01	1.00	1.01	58CV(A,X)155--22
CNPH**6024A**	1.02	1.09	1.01	1.06	58HDV080--20
CAP**6021A**	1.02	1.09	1.01	1.06	58HDV080--20
CNPH**6021A**	1.02	1.09	1.01	1.06	58HDV080--20
CNPH**6024A**	1.03	1.07	1.01	1.05	58HDV080--20
CNPH**6021A**	1.02	1.09	1.01	1.06	58HDV080--20
CNPH**6024A**	1.03	1.07	1.01	1.05	58HDV080--20
CAP**6021A**	1.02	1.08	1.01	1.06	58HDV100--20
CNPH**6021A**	1.02	1.08	1.01	1.06	58HDV100--20
CNPH**6024A**	1.01	1.07	1.00	1.04	58HDV100--20
CNPH**6021A**	1.02	1.06	1.01	1.04	58HDV100--20
CNPH**6024A**	1.01	1.07	1.00	1.04	58HDV100--20
CNPH**6021A**	1.02	1.05	1.01	1.03	58HDV100--20
CNPH**6024A**	1.02	1.06	1.01	1.04	58HDV100--20
CAP**6021A**	1.02	1.08	1.01	1.06	58MEC080--16
CNPH**6021A**	1.00	1.06	0.98	1.05	58MEC080--16
CNPH**6024A**	0.99	1.04	1.00	1.02	58MEC100--20
CAP**6021A**	0.99	1.04	1.00	1.02	58MEC100--20
CNPH**6021A**	0.99	1.04	1.00	1.03	58MEC100--20
CNPH**6024A**	1.00	1.04	1.01	1.04	58MEC100--20
CNPH**6021A**	0.99	1.04	1.01	1.04	58MEC100--20
CNPH**6024A**	1.00	1.04	1.00	1.03	58MEC100--20
CNPH**6021A**	1.00	1.02	1.01	1.02	58MEC100--20
CNPH**6024A**	1.00	1.03	1.01	1.03	58MEC100--20

Heating Indoor Model	High Speed Cap.	Power	Low Speed Cap.	Power	Furnace Model
CAP**6021A**	1.01	1.06	1.00	1.04	58VLR120--20
CAP**6024A**	1.01	1.06	1.00	1.04	58VLR120--20
CNPH**6024A**	1.00	1.06	1.00	1.04	58VLR120--20
CNPH*6124A**	1.01	1.04	1.00	1.02	58VLR120--20
CAP**6021A**	1.02	1.09	1.00	1.05	58VLR120--20
CAP**6024A**	1.02	1.08	1.00	1.05	58VLR120--20
CNPH**6024A**	1.02	1.08	1.00	1.05	58VLR120--20
CNPH**6021A**	1.01	1.08	1.00	1.05	58VLR120--20
CNPH**6124A**	1.02	1.07	1.00	1.04	58VLR120--20
CNPH*6124A**	1.02	1.07	1.00	1.04	58VLR120--20
CNPH**6021A**	1.02	1.07	1.00	1.04	58VLR120--20
CNPH**6024A**	1.04	1.11	1.02	1.05	OVLAAB060154
CNPH**6021A**	1.03	1.10	1.02	1.05	OVLAAB060154
CNPH**6124A**	1.04	1.09	1.04	1.06	OVLAAB060154
CNPH**6024A**	1.03	1.10	1.02	1.05	OVLAAB060154
CNPH**6124A**	1.04	1.08	1.04	1.06	OVLAAB060154
CNPH*6124A**	1.04	1.08	1.04	1.06	OVLAAB060154
CSPH**6012A**	1.04	1.10	1.02	1.04	OVLAAB060154
CAP**6021A**	1.02	1.10	1.01	1.07	59*N*A 100V21**20
CAP**6024A**	1.02	1.10	1.01	1.07	59*N*A 100V21**20
CNPH**6021A**	1.02	1.10	1.01	1.07	59*N*A 100V21**20
CNPH**6024A**	1.02	1.08	1.01	1.06	59*N*A 100V21**20
CAP**6021A**	1.02	1.07	1.01	1.04	59*N*A 100V21**20
CAP**6024A**	1.02	1.07	1.01	1.04	59*N*A 100V21**20
CNPH**6021A**	1.02	1.06	1.00	1.04	59*N*A 100V21**20
CNPH**6024A**	1.01	1.06	1.00	1.04	59*N*A 100V21**20
CAP**6021A**	1.01	1.06	1.00	1.04	59*N*A 100V21**20
CAP**6024A**	1.01	1.06	1.00	1.04	59*N*A 100V21**20
CNPH**6021A**	1.02	1.06	1.00	1.04	59*N*A 120V24**22
CNPH**6024A**	1.02	1.06	1.00	1.04	59*N*A 120V24**22
CAP**6021A**	1.01	1.06	1.00	1.04	59*N*A 120V24**22
CAP**6024A**	1.01	1.06	1.00	1.04	59*N*A 120V24**22
CNPH**6021A**	1.01	1.06	1.00	1.04	59*P5A1 20E24**22
CNPH**6024A**	0.99	1.05	1.00	1.04	59*P5A1 20E24**22
CAP**6021A**	1.00	1.06	1.00	1.04	59*P5A1 20E24**22
CAP**6024A**	0.99	1.05	0.99	1.03	59*P5A1 20E24**22
CNPH**6021A**	1.00	1.04	1.00	1.04	59*P5A1 20E24**22
CNPH**6024A**	0.99	1.05	0.99	1.03	59*P5A1 20E24**22
CAP**6021A**	1.00	1.03	1.00	1.03	59*P5A1 20E24**22
CAP**6024A**	1.00	1.03	1.00	1.03	59*P5A1 20E24**22
CNPH**6021A**	1.00	1.03	1.00	1.03	59*P5A1 20E24**22
CNPH**6024A**	1.00	1.03	1.00	1.03	59*P5A1 20E24**22
CAP**6021A**	1.00	1.03	1.00	1.03	59*P5A1 20E24**22
CAP**6024A**	1.00	1.03	1.00	1.03	59*P5A1 20E24**22
CNPH**6021A**	1.00	1.03	1.00	1.03	59*P5A1 20E24**22
CNPH**6024A**	1.00	1.03	1.00	1.03	59*P5A1 20E24**22
CAP**6021A**	1.00	1.03	1.00	1.03	59*P5A1 20E24**22
CAP**6024A**	1.00	1.03	1.00	1.03	59*P5A1 20E24**22
CNPH**6021A**	1.00	1.03	1.00	1.03	59*P5A1 20E24**22
CNPH**6024A**	1.00	1.03	1.00	1.03	59*P5A1 20E24**22

See notes on pg. 75

HEAT PUMP HEATING PERFORMANCE CONTINUED

NOTE: When the required data falls between the published data, interpolation may be performed. Extrapolation is not an acceptable practice.

* Tested Combination

‡ The Btuh heating capacity values shown are net integrated values from which the defrost effect has been subtracted. The Btuh heating from supplement heaters should be added to those values to obtain total system capacity.

† The kW values include the compressor, outdoor fan motor, and indoor blower motor. The kW from supplement heaters should be added to these values to obtain total system kilowatts.

EDB — Entering Dry Bulb

GUIDE SPECIFICATIONS

GENERAL

System Description

Outdoor-mounted, air-cooled, split-system heat pump unit suitable for ground or rooftop installation. Unit consists of a hermetic compressor, an air-cooled coil, forward-swept blade propeller-type condenser fan, and a control box. Unit will discharge supply air upward as shown on contract drawings. Unit will be used in a refrigeration circuit to match up to a packaged fan coil or coil unit.

Quality Assurance

- Unit will be rated in accordance with the latest edition of AHRI Standard 240.
- Unit will be certified for capacity and efficiency, and listed in the latest ARI directory.
- Unit construction will comply with latest edition of ASHRAE and with NEC.
- Unit will be constructed in accordance with UL standards and will carry the UL label of approval. Unit will have C-UL approval.
- Unit cabinet will be capable of withstanding Federal Test Method Standard No. 141 (Method 6061) 500-hr salt spray test.
- Air-cooled condenser coils are pressure tested and the outdoor units are leak tested.
- Unit constructed in ISO9001 approved facility.

Delivery, Storage, and Handling

- Unit will be shipped as single package only and is stored and handled per unit manufacturer's recommendations.

Warranty (for inclusion by specifying engineer)

- U.S. and Canada only.

PRODUCTS

Equipment

- Factory-assembled, single-piece, air-cooled heat pump unit. Contained within the unit enclosure is all factory wiring, piping, controls, compressor, refrigerant charge Puron® (R-410A) refrigerant, and special features required prior to field start-up.

Unit Cabinet

- Unit cabinet will be constructed of galvanized steel, bonderized, and coated with a powder coat paint.

Fans

- Condenser fan will be direct-drive propeller type, forward swept blade, discharging air upward.

AIR-COOLED, SPLIT-SYSTEM HEAT PUMP

25HNB6

2 TO 5 NOMINAL TONS

- Condenser fan motors will be totally enclosed, 1-phase type with class B insulation and permanently lubricated.
- Shafts will be corrosion resistant.
- Fan blades will be statically and dynamically balanced.
- Condenser fan openings will be equipped with coated steel wire safety guards.

Compressor

- Compressor will be hermetically sealed.
- Compressor will be mounted on rubber vibration isolators.
- Compressor will be covered with a sound absorbing blanket.

Condenser Coil

- Condenser coil will be air cooled.
- Coil will be constructed of aluminum fins mechanically bonded to copper tubes which are then cleaned, dehydrated, and sealed.

Refrigeration Components

- Refrigeration circuit components will include liquid-line back-seating shutoff valve with sweat connections, vapor-line back-seating shutoff valve with sweat connections, system charge of Puron® (R-410A) refrigerant, POE compressor oil, accumulator, and reversing valve.
- Unit will be equipped with high-pressure switch, loss-of-charge switch, and filter drier for Puron® refrigerant.

Operating Characteristics

- The capacity of the unit will meet or exceed _____ Btuh at a suction temperature of _____ °F (°C). The power consumption at full load will not exceed _____ kW.
- Combination of the unit and the evaporator or fan coil unit will have a total net cooling capacity of _____ Btuh or greater at conditions of _____ CFM entering air temperature at the evaporator at _____ °F (°C) wet bulb and _____ °F (°C) dry bulb, and air entering the unit at _____ °F (°C).
- The system will have a SEER of _____ Btuh/watt or greater at DOE conditions.

Electrical Requirements

- Nominal unit electrical characteristics will be _____ v, single phase, 60 hz. The unit will be capable of satisfactory operation within voltage limits of _____ v to _____ v.
- Unit electrical power will be single point connection.
- Control circuit will be 24v.

Special Features

- Refer to section of this literature identifying accessories and descriptions for specific features and available enhancements.

SYSTEM DESIGN SUMMARY

1. Intended for outdoor installation with free air inlet and outlet. Outdoor fan external static pressure available is less than 0.01-in. wc.
2. This product is qualified for low ambient cooling operation (below 55°F / 12.8°C) with an Infinity User Interface **ONLY**.
3. The maximum outdoor operating ambient in cooling mode is 125°F (51.67°C).
4. Minimum outdoor operating air temperature for heating mode is -30°F (-34.4°C).
5. Maximum outdoor operating air temperature for heating mode is 66°F (18.9°C).
6. For reliable operation, unit should be level in all horizontal planes.
7. For interconnecting refrigerant tube lengths greater than 80 ft (23.4 m) and/or elevation differences between indoor and outdoor units greater than 20 ft (6.1 m), consult Residential Piping and Longline Guideline and Service Manual available from equipment distributor.
8. If any refrigerant tubing is buried, provide a 6 in. (152.4 mm) vertical rise to the valve connections at the unit. Refrigerant tubing lengths up to 36 in. (914.4 mm) may be buried without further consideration. Do not bury refrigerant lines longer than 36 in. (914.4 mm).
9. Use only copper wire for electric connection at unit. Aluminum and clad aluminum are not acceptable for the type of connector provided.
10. Do not apply capillary tube indoor coils to these units.
11. Factory-supplied filter drier must be installed.

