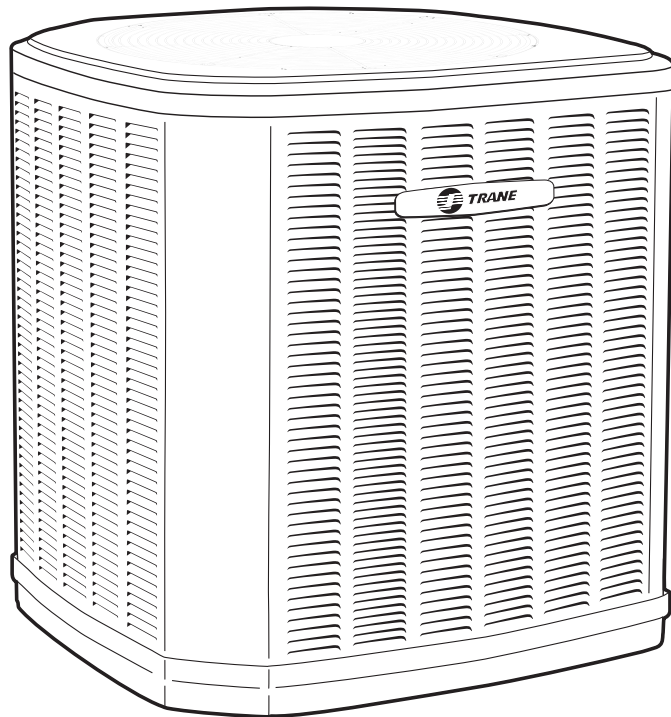




Split System Heat Pump Product Data

XR 13
4TWR3018-060

1½ – 5 Tons



PUB. NO. 22-1795-10



Features and Benefits

- **Climatuff**® compressor
- All aluminum **Spine Fin**™ coil
- **Quick-Sess**™ cabinet, service access and refrigerant connections with full coil protection
- **DuraTuff**™ base, fast complete drain, weather proof
- Glossy corrosion resistant finish
- Internal compressor high/low pressure and temperature protection
- 018, 024, 030 ship with Start Kit
- Liquid line filter-drier
- Polyslate gray cabinet
- Low Pressure Switch (042, 048, 060)
- Demand Defrost Control
- High Pressure Switch
- R-410A refrigerant
- 100% line run test
- Low ambient cooling to 55°F as shipped
- Low ambient cooling to 30°F with EDC accessory AY28X084 and TXV
- **Extended warranties available**

Contents

Features and Benefits	2
General Data	4
Product Specifications	4
A-weighted Sound Power Level [dB(A)]	4
Accessory Description and Usage	5
AHRI Standard Capacity Rating Conditions	5
Model Nomenclature	6
Electrical Data	7
Dimensions	10
Mechanical Specification Options	11



General Data

Product Specifications

Model No. ①	4TWR3018C1	4TWR3024C1	4TWR3030C1	4TWR3036B1
Electrical Data V/Ph/Hz ②	208/230/1/60	208/230/1/60	208/230/1/60	208/230/1/60
Min Cir Ampacity	9	12	15	18
Max Fuse Size (Amps)	15	20	25	30
Compressor	CLIMATUFF®	CLIMATUFF®	CLIMATUFF®	CLIMATUFF®
RL Amps - LR Amps	6.4 - 40	8.9 - 48.5	11.5 - 63.5	13.2 - 63
Outdoor Fan FL Amps	0.74	0.74	0.74	1.00
Fan HP	1/8	1/8	1/8	1/5
Fan Dia (inches)	23.0	23.0	23.0	27.5
Coil	Spine Fin™	Spine Fin™	Spine Fin™	Spine Fin™
Refrigerant R-410A	5/9-LB/OZ	5/12-LB/OZ	6/05-LB/OZ	7/06-LB/OZ
Line Size - (in.) O.D. Gas ③	5/8	5/8	3/4	3/4
Line Size - (in.) O.D. Liquid ③	3/8	3/8	3/8	3/8
Charge Spec. Subcooling	10°F	10°F	8°F	8°F
Dimensions H x W x D (Crated)	34 x 30.1 x 33	34 x 30.1 x 33	38 x 30.1 x 33	38.4 x 35.1 x 38.7
Weight - Shipping	189	191	221	261
Weight - Net	161	163	193	227
Start Components	YES	YES	YES	YES
Sound Enclosure	YES	YES	NO	YES
Compressor Sump Heat	NO	NO	NO	NO
Optional Accessories: ④				
Anti-short Cycle Timer	TAYASCT501A	TAYASCT501A	TAYASCT501A	TAYASCT501A
Evaporator Defrost Control	AY28X084	AY28X084	AY28X084	AY28X084
Rubber Isolator Kit	BAYISLT101	BAYISLT101	BAYISLT101	BAYISLT101
Snow Leg-Base & Cap 4" High	BAYLEGS002	BAYLEGS002	BAYLEGS002	BAYLEGS002
Snow Leg-4" Extension	BAYLEGS003	BAYLEGS003	BAYLEGS003	BAYLEGS003
Extreme Condition Mounting Kit	BAYECMT023	BAYECMT023	BAYECMT023	BAYECMT004
Start Kit				
Crankcase Heater Kit	BAYCCHT300	BAYCCHT300	BAYCCHT300	BAYCCHT300
Seacoast Kit	BAYSEAC001	BAYSEAC001	BAYSEAC001	BAYSEAC001
Low Ambient Kit	BAYLOAM103	BAYLOAM103	BAYLOAM103	BAYLOAM103
Refrigerant Lineset ⑤	TAYREFLN9*	TAYREFLN9*	TAYREFLN7*	TAYREFLN7*

① Certified in accordance with the Air-Source Unitary Heat Pump equipment certification program which is based on AHRI Standard 210/240.

② Calculated in accordance with N.E.C. Only use HACR circuit breakers or fuses.

③ Standard line lengths - 60'. Standard lift - 60' Suction and Liquid line.

For Greater lengths and lifts refer to refrigerant piping software Pub# 32-3312-01. (*denotes latest revision)

④ For accessory description and usage, see page 5.

⑤ * = 15, 20, 25, 30, 40 and 50 foot lineset available.

A-weighted Sound Power Level [dB(A)]

MODEL	SOUND POWER LEVEL [dB(A)]	A-WEIGHTED FULL OCTAVE SOUND POWER LEVEL dB - [dB(A)] High Stage							
		63	125	250	500	1000	2000	4000	8000
4TWR3018C	76	77.8	68.4	69	68.5	68.3	73.1	62.6	56.3
4TWR3024C	75	76.4	65.4	61.6	64.6	65.6	67.5	60.7	55.2
4TWR3030C	76	80	72.1	61.4	64.4	70.4	69.6	60.7	56.4
4TWR3036B	75	84.2	76.4	73.5	71.3	69.6	65.1	64.3	59.5
4TWR3042B	75	82.8	74.1	67.3	70.5	67.9	63.2	58.7	54.7
4TWR3048B	75	83.1	71.9	67.2	69.7	68.8	65.4	59.4	55.9
4TWR3060B	75	78	71.2	68.1	69.3	67.7	65.9	62.5	61.5

Note: Rated in accordance with AHRI Standard 270-2008.



General Data

Product Specifications

Model No. ①	4TWR3042B1	4TWR3048B1	4TWR3060B1
Electrical Data V/Ph/Hz ②	208/230/1/60	208/230/1/60	208/230/1/60
Min Cir Ampacity	26	28	34
Max Fuse Size (Amps)	45	50	60
Compressor	CLIMATUFF® - SCROLL	CLIMATUFF® - SCROLL	CLIMATUFF® - SCROLL
RL Amps - LR Amps	19.9 - 109	21.8 - 117	26.3 - 134
Outdoor Fan FL Amps	0.97	1.01	0.94
Fan HP	1/5	1/5	1/5
Fan Dia (inches)	27.6	27.5	27.5
Coil	Spine Fin™	Spine Fin™	Spine Fin™
Refrigerant R-410A	7/07-LB/OZ	8/09-LB/OZ	8/14-LB/OZ
Line Size - (in.) O.D. Gas ③	3/4	7/8	7/8
Line Size - (in.) O.D. Liquid ③	3/8	3/8	3/8
Charge Spec. Subcooling	8°F	8°F	8°F
Dimensions H x W x D (Crated)	38.4 x 35.1 x 38.7	42.4 x 35.1 x 38.7	46.4 x 35.1 x 38.7
Weight - Shipping	253	269	284
Weight - Net	219	234	248
Start Components	NO	NO	NO
Sound Enclosure	NO	NO	NO
Compressor Sump Heat	NO	NO	NO
Optional Accessories: ④			
Anti-short Cycle Timer	TAYASCT501A	TAYASCT501A	TAYASCT501A
Evaporator Defrost Control	AY28X084	AY28X084	AY28X084
Rubber Isolator Kit	BAYISLT101	BAYISLT101	BAYISLT101
Snow Leg-Base & Cap 4" High	BAYLEGS002	BAYLEGS002	BAYLEGS002
Snow Leg-4" Extension	BAYLEGS003	BAYLEGS003	BAYLEGS003
Extreme Condition Mounting Kit	BAYECMT004	BAYECMT004	BAYECMT004
Start Kit	BAYKSKT263	BAYKSKT263	
Crankcase Heater Kit	BAYCCHT301	BAYCCHT301	BAYCCHT301
Seacoast Kit	BAYSEAC001	BAYSEAC001	BAYSEAC001
Low Ambient Kit	BAYLOAM103	BAYLOAM103	BAYLOAM103
Refrigerant Lineset ⑤	TAYREFLN7*	TAYREFLN3*	TAYREFLN3*

Accessory Description and Usage

Anti-Short Cycle Timer — Solid state timing device that prevents compressor recycling until five (5) minutes have elapsed after satisfying call or power interruptions. Use in area with questionable power delivery, commercial applications, long lineset, etc.

Evaporator Defrost Control — SPST Temperature actuated switch that cycles the condenser off as indoor coil reaches freeze-up conditions. Used for low ambient cooling to 30°F with TXV.

Rubber Isolators — Five (5) large rubber donuts to isolate condensing unit from transmitting energy into mounting frame or pad. Use on any application where sound transmission needs to be minimized.

Hard Start kit — Start capacitor and relay to assist compressor motor startup. Use in areas with marginal power supply, on long linesets, low ambient conditions, etc.

Extreme Condition Mount Kit — Bracket kits to securely mount condensing unit to a frame or pad without removing any panels. Use in areas with high winds, or on commercial roof tops, etc.

AHRI Standard Capacity Rating Conditions

AHRI STANDARD 210/240 RATING CONDITIONS —

- (A) Cooling 80°F DB, 67°F WB air entering indoor coil, 95°F DB air entering outdoor coil.
- (B) High Temperature Heating 47°F DB, 43°F WB air entering outdoor coil, 70°F DB air entering indoor coil.
- (C) Low Temperature Heating 17°F DB, 15°F WB air entering outdoor coil, 70°F DB air entering indoor coil.
- (D) Rated indoor airflow for heating is the same as for cooling.

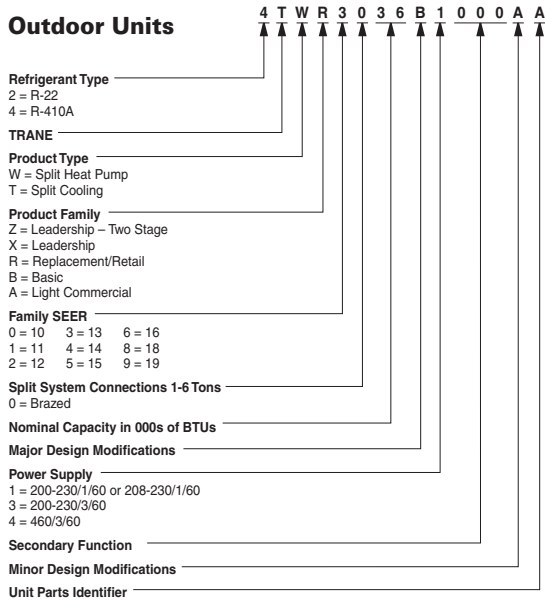
AHRI STANDARD 270 RATING CONDITIONS — (Noise rating numbers are determined with the unit in cooling operation.) Standard Noise Rating number is at 95°F outdoor air.



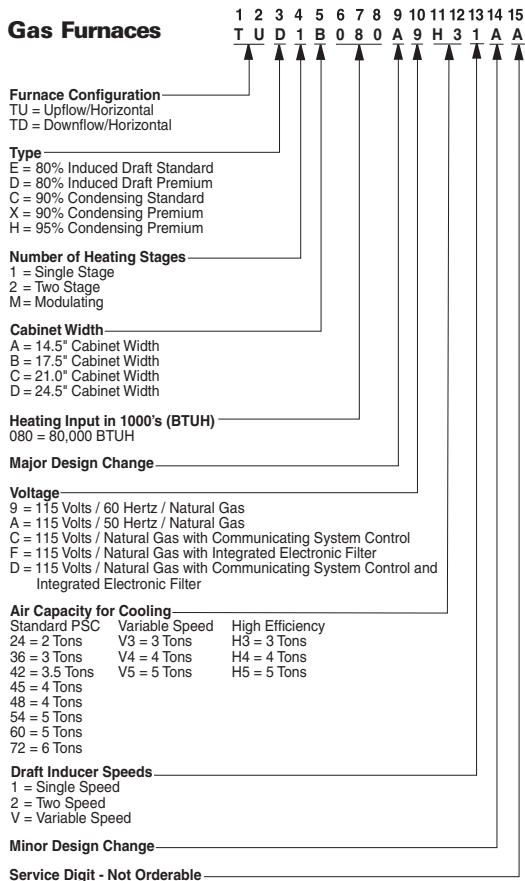


Model Nomenclature

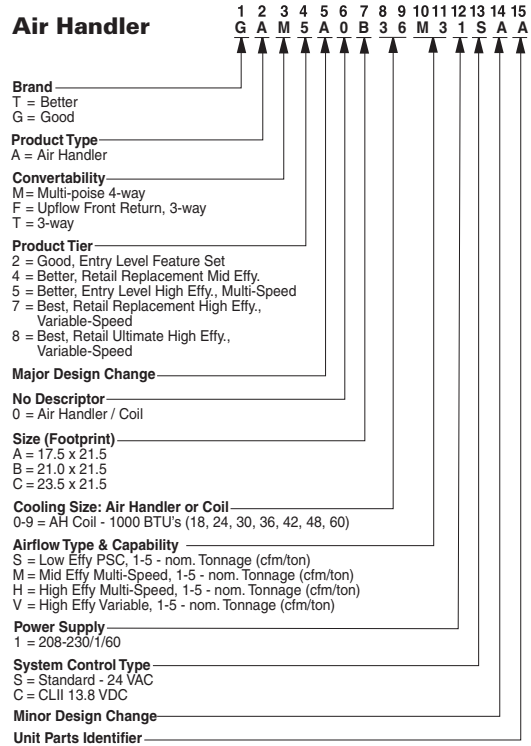
Outdoor Units



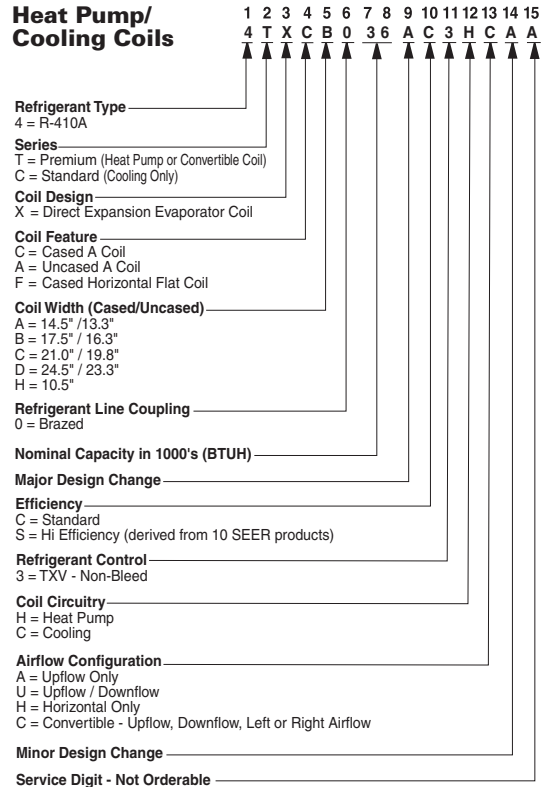
Gas Furnaces



Air Handler



Heat Pump/ Cooling Coils

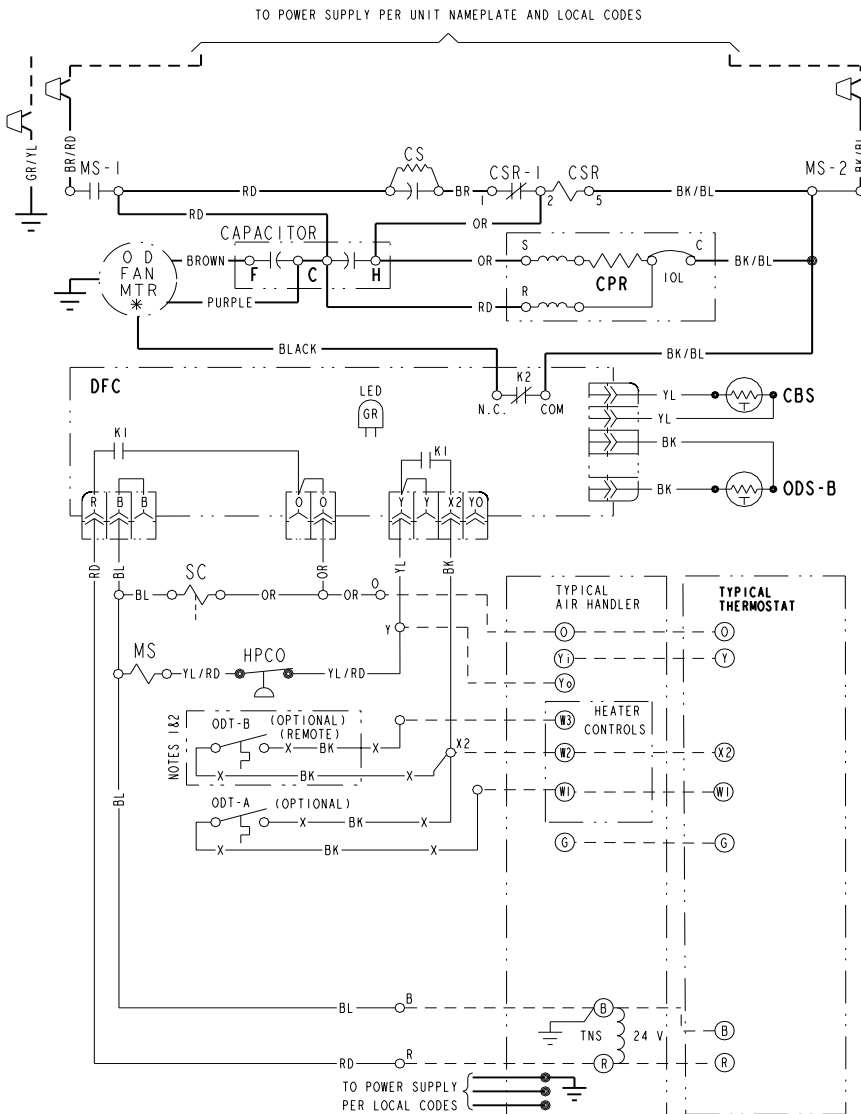


Electrical Data

SCHEMATIC DIAGRAMS

(SEE LEGEND)

4TWR3018C1,024C1,030C1,036B1



- CA COOLING ANTICIPATOR
- CBS COIL BOTTOM SENSOR
- CF FAN CAPACITOR
- CN WIRE CONNECTOR
- CPR COMPRESSOR
- CR RUN CAPACITOR
- CS STARTING CAPACITOR
- CSR CAPACITOR SWITCHING RELAY
- DFC DEFROST CONTROL
- F INDOOR FAN RELAY
- HA HEATING ANTICIPATOR
- HPCO HIGH PRESSURE CUTOFF SW.
- IOL INTERNAL OVERLOAD PROTECTOR
- LPCO LOW PRESSURE CUTOFF SW.
- MS COMPRESSOR MOTOR CONTACTOR
- ODA OUTDOOR ANTICIPATOR
- OFT OUTDOOR FAN THERMOSTAT
- ODS OUTDOOR TEMPERATURE SENSOR
- ODT OUTDOOR THERMOSTAT
- RHS RESISTANCE HEAT SWITCH
- SC SWITCHOVER VALVE SOLENOID
- SM SYSTEM "ON-OFF" SWITCH
- TDL DISCHARGE LINE THERMOSTAT
- TNS TRANSFORMER
- TS HEATING-COOLING THERMOSTAT
- TSH HEATING THERMOSTAT

- BK/BL COLOR OF WIRE
 BLACK WIRE WITH BLUE MARKER
 COLOR OF MARKER
 BK BLACK OR ORANGE YL YELLOW
 BL BLUE RD RED GR GREEN
 BR BROWN WH WHITE PR PURPLE

<p>⚠ WARNING HAZARDOUS VOLTAGE! DISCONNECT ALL ELECTRIC POWER INCLUDING REMOTE DISCONNECTS BEFORE SERVICING. FAILURE TO DISCONNECT POWER BEFORE SERVICING CAN CAUSE SEVERE PERSONAL INJURY OR DEATH!</p>	<p>⚠ CAUTION USE COPPER CONDUCTORS ONLY! UNIT TERMINALS ARE NOT DESIGNED TO ACCEPT OTHER TYPES OF CONDUCTORS. FAILURE TO DO SO MAY CAUSE DAMAGE TO THE EQUIPMENT!</p>
--	---

NOTES:

1. IF ODT-B IS NOT USED, ADD JUMPER BETWEEN W2 & W3 AT AIR HANDLER.
 IF USED, ODT-B MUST BE MOUNTED REMOTE OF CONTROL BOX IN AN APPROVED WEATHER PROOF ENCLOSURE.
2. IF ODT-A IS NOT USED, ADD JUMPER BETWEEN W1 & W2 AT AIR HANDLER.
3. LOW VOLTAGE (24 V.) FIELD WIRING MUST BE 18 AWG MIN.

**FOR CANADIAN INSTALLATIONS
 POUR INSTALLATIONS CANADIENNES**

**CAUTION: NOT SUITABLE FOR USE ON SYSTEMS EXCEEDING 150V-TO-GROUND.
 ATTENTION: NE CONVIENT PAS AUX INSTALLATIONS DE PLUS DE 150 V A LA TERRE.**

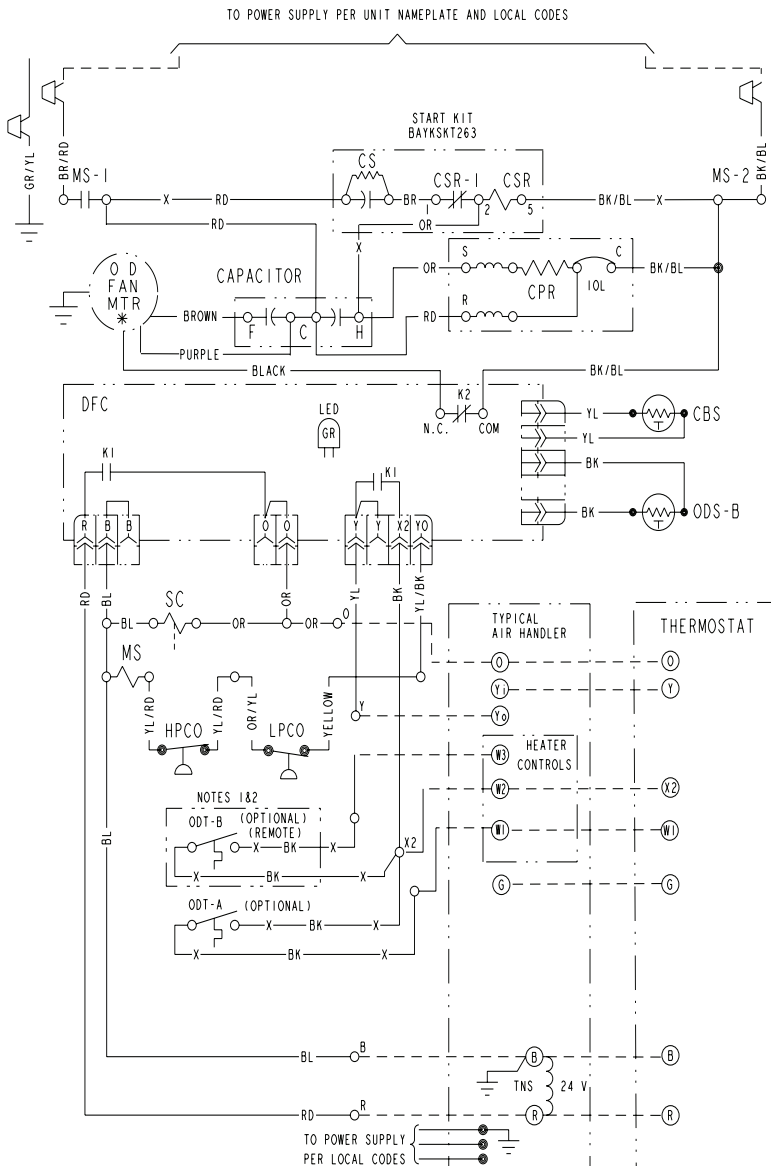
PRINTED FROM D157099P01



Electrical Data

SCHEMATIC DIAGRAMS

4TWR042B



CA COOLING ANTICIPATOR	LPCCO LOW PRESSURE CUTOUT SW.
CBS COIL BOTTOM SENSOR	MS COMPRESSOR MOTOR CONTACTOR
CF FAN CAPACITOR	ODA OUTDOOR ANTICIPATOR
CN WIRE CONNECTOR	OFT OUTDOOR FAN THERMOSTAT
CPR COMPRESSOR	ODS OUTDOOR TEMPERATURE SENSOR
CR RUN CAPACITOR	ODT OUTDOOR THERMOSTAT
CS STARTING CAPACITOR	RHS RESISTANCE HEAT SWITCH
CSR CAPACITOR SWITCHING RELAY	SC SWITCHOVER VALVE SOLENOID
DFC DEFROST CONTROL	SM SYSTEM "ON-OFF" SWITCH
F INDOOR FAN RELAY	TDL DISCHARGE LINE THERMOSTAT
HA HEATING ANTICIPATOR	TNS TRANSFORMER
HPCO HIGH PRESSURE CUTOUT SW.	TS HEATING-COOLING THERMOSTAT
IOL INTERNAL OVERLOAD PROTECTOR	TSH HEATING THERMOSTAT

<p>⚠ WARNING HAZARDOUS VOLTAGE! DISCONNECT ALL ELECTRIC POWER INCLUDING REMOTE DISCONNECTS BEFORE SERVICING. FAILURE TO DISCONNECT POWER BEFORE SERVICING CAN CAUSE SEVERE PERSONAL INJURY OR DEATH!</p>	<p>⚠ CAUTION USE COPPER CONDUCTORS ONLY! UNIT TERMINALS ARE NOT DESIGNED TO ACCEPT OTHER TYPES OF CONDUCTORS. FAILURE TO DO SO MAY CAUSE DAMAGE TO THE EQUIPMENT!</p>
---	--

COLOR OF WIRE

BK/BL BLACK WIRE WITH BLUE MARKER

COLOR OF MARKER

BK BLACK	OR ORANGE	YL YELLOW
BL BLUE	RD RED	GR GREEN
BR BROWN	WH WHITE	PR PURPLE

NOTES:

- IF ODT-B IS NOT USED, ADD JUMPER BETWEEN W2 & W3 AT AIR HANDLER. IF USED, ODT-B MUST BE MOUNTED REMOTE OF CONTROL BOX IN AN APPROVED WEATHER PROOF ENCLOSURE.
- IF ODT-A IS NOT USED, ADD JUMPER BETWEEN W1 & W2 AT AIR HANDLER.
- LOW VOLTAGE (24 V.) FIELD WIRING MUST BE 18 AWG MIN.

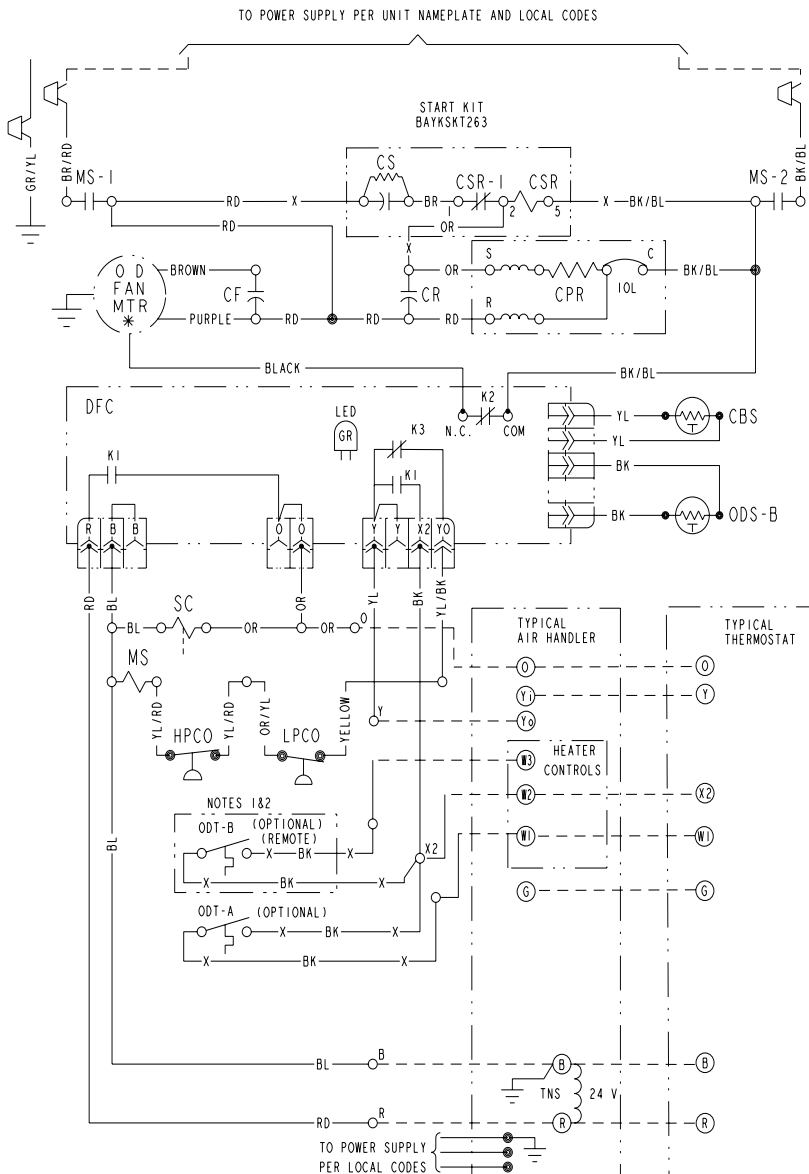
FOR CANADIAN INSTALLATIONS
POUR INSTALLATIONS CANADIENNES

CAUTION: NOT SUITABLE FOR USE ON SYSTEMS EXCEEDING 150V-TO-GROUND.
ATTENTION: NE CONVIENT PAS AUX INSTALLATIONS DE PLUS DE 150 V A LA TERRE.

Electrical Data

SCHEMATIC DIAGRAMS

4TWR3048-060B



CA	COOLING ANTICIPATOR	LPCO	LOW PRESSURE CUTOFF SW.
CBS	COIL BOTTOM SENSOR	MS	COMPRESSOR MOTOR CONTACTOR
CF	FAN CAPACITOR	ODA	OUTDOOR ANTICIPATOR
CN	WIRE CONNECTOR	OFT	OUTDOOR FAN THERMOSTAT
CPR	COMPRESSOR	ODS	OUTDOOR TEMPERATURE SENSOR
CR	RUN CAPACITOR	ODT	OUTDOOR THERMOSTAT
CS	STARTING CAPACITOR	RHS	RESISTANCE HEAT SWITCH
CSR	CAPACITOR SWITCHING RELAY	SC	SWITCHOVER VALVE SOLENOID
DFC	DEFROST CONTROL	SM	SYSTEM "ON-OFF" SWITCH
F	INDOOR FAN RELAY	TDL	DISCHARGE LINE THERMOSTAT
HA	HEATING ANTICIPATOR	TNS	TRANSFORMER
HPCO	HIGH PRESSURE CUTOFF SW.	TS	HEATING-COOLING THERMOSTAT
IOL	INTERNAL OVERLOAD PROTECTOR	TSH	HEATING THERMOSTAT

<p>⚠ WARNING HAZARDOUS VOLTAGE! DISCONNECT ALL ELECTRIC POWER INCLUDING REMOTE DISCONNECTS BEFORE SERVICING. FAILURE TO DISCONNECT POWER BEFORE SERVICING CAN CAUSE SEVERE PERSONAL INJURY OR DEATH!</p>	<p>⚠ CAUTION USE COPPER CONDUCTORS ONLY! UNIT TERMINALS ARE NOT DESIGNED TO ACCEPT OTHER TYPES OF CONDUCTORS. FAILURE TO DO SO MAY CAUSE DAMAGE TO THE EQUIPMENT!</p>
---	--

COLOR OF WIRE					
BK/BL	BLACK WIRE WITH BLUE MARKER				
COLOR OF MARKER					
BK	BLACK	OR	ORANGE	YL	YELLOW
BL	BLUE	RD	RED	GR	GREEN
BR	BROWN	WH	WHITE	PR	PURPLE

- NOTES:
- IF ODT-B IS NOT USED, ADD JUMPER BETWEEN W2 & W3 AT AIR HANDLER.
IF USED, ODT-B MUST BE MOUNTED REMOTE OF CONTROL BOX IN AN APPROVED WEATHER PROOF ENCLOSURE.
 - IF ODT-A IS NOT USED, ADD JUMPER BETWEEN W1 & W2 AT AIR HANDLER.
 - LOW VOLTAGE (24 V.) FIELD WIRING MUST BE 18 AWG MIN.

FOR CANADIAN INSTALLATIONS
POUR INSTALLATIONS CANADIENNES

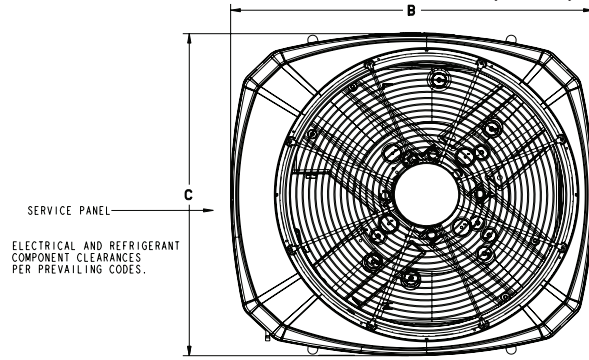
CAUTION: NOT SUITABLE FOR USE ON SYSTEMS EXCEEDING 150V-TO-GROUND.
ATTENTION: NE CONVIENT PAS AUX INSTALLATIONS DE PLUS DE 150 V A LA TERRE.



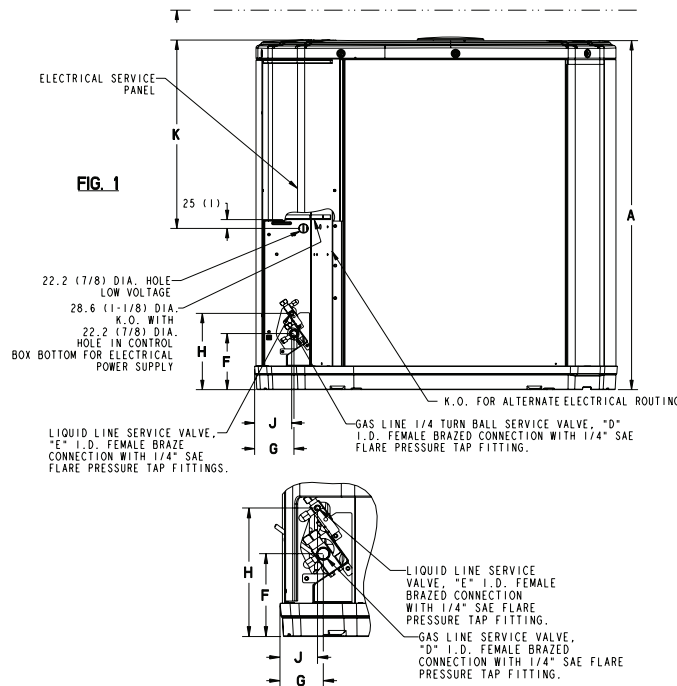
Dimensions

4TWR3 OUTLINE DRAWING

NOTE: ALL DIMENSIONS ARE IN MM (INCHES)



TOP DISCHARGE AREA SHOULD BE UNRESTRICTED FOR AT LEAST 1524 (5 FEET) ABOVE UNIT. UNIT SHOULD BE PLACED SO ROOF RUN-OFF WATER DOES NOT POUR DIRECTLY ON UNIT, AND SHOULD BE AT LEAST 305 (12") FROM WALL AND ALL SURROUNDING SHRUBBERY ON TWO SIDES. OTHER TWO SIDES UNRESTRICTED.



MODELS	BASE	FIG.	A	B	C	D	E	F	G	H	J	K
4TWR3018C	3	1	730 (28-3/4)	829 (32-5/8)	756 (29-3/4)	5/8	3/8	143 (5-5/8)	92 (3-5/8)	210 (8-1/4)	79 (3-1/8)	508 (20)
4TWR3024C	3	1	730 (28-3/4)	829 (32-5/8)	756 (29-3/4)	5/8	3/8	143 (5-5/8)	92 (3-5/8)	210 (8-1/4)	79 (3-1/8)	508 (20)
4TWR3030C	3	1	832 (32-3/4)	829 (32-5/8)	756 (29-3/4)	3/4	3/8	143 (5-5/8)	92 (3-5/8)	210 (8-1/4)	79 (3-1/8)	508 (20)
4TWR3036B	4	1	841 (33-1/8)	946 (37-1/4)	870 (34-1/4)	3/4	3/8	152 (6)	98 (3-7/8)	219 (8-5/8)	86 (3-3/8)	508 (20)
4TWR3042B	4	1	841 (33-1/8)	946 (37-1/4)	870 (34-1/4)	3/4	3/8	152 (6)	98 (3-7/8)	219 (8-5/8)	86 (3-3/8)	508 (20)
4TWR3048B	4	1	943 (37-1/8)	946 (37-1/4)	870 (34-1/4)	7/8	3/8	152 (6)	98 (3-7/8)	219 (8-5/8)	86 (3-3/8)	508 (20)
4TWR3060B	4	1	1045 (41-1/8)	946 (37-1/4)	870 (34-1/4)	7/8	3/8	152 (6)	98 (3-7/8)	219 (8-5/8)	86 (3-3/8)	508 (20)



Mechanical Specification Options

General

The 4TWR3 is fully charged from the factory for up to 15 feet of piping. This unit is designed to operate at outdoor ambient temperatures as high as 115°F. Cooling capacities are matched with a wide selection of air handlers and furnace coils that are AHRI certified. The unit is UL listed. Exterior is designed for outdoor application.

Casing

Unit casing is constructed of heavy gauge, G90 galvanized steel and painted with a weather-resistant powder paint on all louvers, panels, prepaint on all other panels. Corrosion and weather-proof CMBP-G30 DuraTuff™ base.

Refrigerant Controls

Refrigeration system controls include condenser fan, compressor contactor and high pressure switch. High and low pressure controls are inherent to the compressor. A factory installed liquid line drier is standard.

Compressor

The Climatuff® compressor features internal over temperature and pressure protection and total dipped hermetic motor. Other features include: Centrifugal oil pump and low vibration and noise.

Condenser Coil

The outdoor coil provides low airflow resistance and efficient heat transfer. The coil is protected on all four sides by louvered panels.

Low Ambient Cooling

As manufactured, this unit has a cooling capability to 55°F. The addition of an evaporator defrost control permits operation to 40°F. The addition of an evaporator defrost control with TXV permits low ambient cooling to 30°F.

Accessories

Thermostats — Cooling only and heat/cooling (manual and automatic change-over). Sub-base to match thermostat and locking thermostat cover.

Evaporator Defrost Control — See Low Ambient Cooling.

LEGEND

COLOR OF WIRE		COLOR OF MARKER	
BK/BL	BLACK WIRE WITH BLUE MARKER		
BK	BLACK	OR	ORANGE
BL	BLUE	RD	RED
BR	BROWN	WH	WHITE
		YL	YELLOW
		GR	GREEN
		PR	PURPLE

SYMBOLS

	24 V. LINE V. } FACTORY WIRING
	24 V. LINE V. } FIELD WIRING
	FIELD INSTALLED FACTORY WIRING
	GROUND
	JUNCTION
	WIRE NUT OR CONNECTOR
	COIL
	CAPACITOR
	RELAY CONTACT (N.O.)
	RELAY CONTACT (N.C.)
	THERMISTOR
	INTERNAL OVERLOAD PROTECTOR
	PRESSURE ACTUATED SWITCH
	TEMP. ACTUATED SWITCH
	POL. PLUG FEMALE HOUSING (MALE TERM.)
	POL. PLUG MALE HOUSING (FEMALE TERM.)
	RESISTOR OR HEATING ELEMENT
	MOTOR WINDING
	TERMINAL

CA	COOLING ANTICIPATOR	LPCO	LOW PRESSURE CUTOUT SW.
CBS	COIL BOTTOM SENSOR	MS	COMPRESSOR MOTOR CONTACTOR
CF	FAN CAPACITOR	ODA	OUTDOOR ANTICIPATOR
CN	WIRE CONNECTOR	OFT	OUTDOOR FAN THERMOSTAT
CPR	COMPRESSOR	ODS	OUTDOOR TEMPERATURE SENSOR
CR	RUN CAPACITOR	ODT	OUTDOOR THERMOSTAT
CS	STARTING CAPACITOR	RHS	RESISTANCE HEAT SWITCH
CSR	CAPACITOR SWITCHING RELAY	SC	SWITCHOVER VALVE SOLENOID
DFC	DEFROST CONTROL	SM	SYSTEM "ON-OFF" SWITCH
F	INDOOR FAN RELAY	TDL	DISCHARGE LINE THERMOSTAT
HA	HEATING ANTICIPATOR	TNS	TRANSFORMER
HPCO	HIGH PRESSURE CUTOUT SW.	TS	HEATING-COOLING THERMOSTAT
IOL	INTERNAL OVERLOAD PROTECTOR	TSH	HEATING THERMOSTAT



04/12



Trane
www.trane.com

Trane has a policy of continuous product and product data improvement and it reserves the right to change design and specifications without notice.