

2911GP Series

PCI-Express Dual Port PoE+ Adapters

Allied Telesis 2911GP Series PoE+ Network Adapters enable a PC to power a VoIP phone or other traditional copper Powered Device (PD) over a secure fiber network.



VoIP/PoE flexibility

The 2911GP Series are two-port adapters with a 1G SFP fiber port and a 10/100/1000T copper port capable of supporting Class 4 PoE+ devices.

The 2911GP Series is unique because it allows copper devices, such as VoIP phones, Wi-Fi access points and cameras, to communicate through a secured fiber network—without the additional expense of media converters or a separate network to segment the traffic, thus saving installation and maintenance costs.

AT-MUX

A small Windows-based application, AT-MUX, bridges data between the copper port, the computer, and the fiber port, allowing each interface to be prioritized and separated into a private VLAN for transportation over the fiber link.

Advanced manageability

The priority queuing offered by the 2911GP Series helps users set up the network based on their own needs. The comprehensive diagnostics and configuration software suite provides system administrators and engineers with a powerful tool to analyze the interface card and check specific data.

More bandwidth with PCI-Express Interface (PCIe x1)

The 2911GP Series PCI-Express (PCIe x1) design offers the maximum possible bandwidth and bus efficiency while providing the benefits of low power consumption.

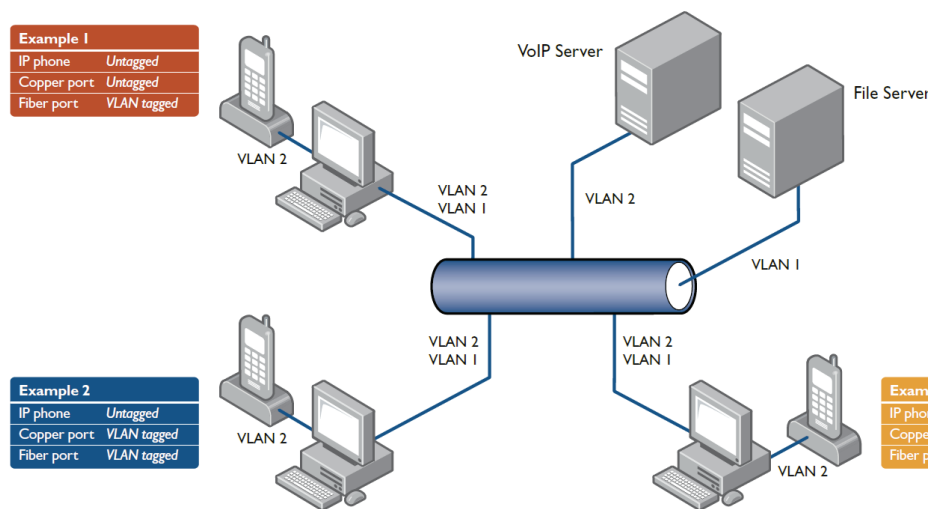
Key Features

Management Software

- ▶ VLAN support
- ▶ Link aggregation
- ▶ Failover

Advanced Properties

- ▶ PCIe 2.0
- ▶ Secured transmissions
- ▶ Advanced installation utility
- ▶ Advanced diagnostics
- ▶ Remote boot (PXE 2.1)
- ▶ TCP/IP checksum off-loading
- ▶ Priority queueing
- ▶ Driver support for popular operating systems
- ▶ Available with SFP connectors
- ▶ Compliant with the Trade Agreement Act
- ▶ Microsoft-certified drivers
- ▶ RoHS compliant
- ▶ Low-profile and standard height brackets included (low-profile attached)
- ▶ IPv6



Specifications

Management Features

WMI
ACPI 1.1
PXE 2.1 boot ROM
SNMP

Bus Type

PCIe x1

Ethernet

IEEE 802.1p	Quality of Service
IEEE 802.1Q	VLANs
IEEE 802.2	LLC
IEEE 802.3ac	MAC
IEEE 802.3ab	1000T over twisted pair
IEEE 802.3x	Flow control auto-negotiation
IEEE 802.3z	1000 Base-X
IEEE 802.3af	Class 3 PoE
IEEE 802.3at	Class 4 PoE (PoE+)

Power over Ethernet

Mode A power
Power budget 536MA @ 56V, 30 Watts

Drivers

Windows 7
Windows 10
Windows Server 2019
Windows Server 2016
Linux

Network Type

10/100/1000T with PoE+

Network Speed

Copper	Auto-negotiation
	100 full-duplex
	100 half-duplex
	10 full-duplex
	10 half-duplex

Network Controller

Broadcom BCM5718

Connectors

RJ-45
SATA - Serial ATA used to draw power for PoE

Status Indicators

LED per port
On: link up
Off: link down
Blink: activity

Power

Power consumption	2.5 Watts (avg) without PoE
Signaling voltage	3.3V

Environmental Specifications

Operating temperature	0°C to 40°C (32°F to 104°F)
Relative humidity	5% to 90% (non-condensing)
Storage temperature	-25°C to 70°C (-13°F to 158°F)

Physical Characteristics

Dimensions (W x H)	14.09 cm x 5.6 cm (5.5 in x 2.2 in)
Weight	68 g (4. oz)

Compliance

RoHS
China RoHS
UL
FCC/EN55022 Class A
TUV
EN55024
CE
C-TICK
VCCI

* Supported by AT-Mux bridging software

Ordering Information

AT-2911GP/SFP-xxx
1G SFP + 10/100/1000T PoE+ PCIe x1 Network Adapter with SFP connector

Where xxx = 001 for single pack
901 for single pack, Federal and Government

Ships with low-profile bracket attached to network adapter.
Standard bracket is included in packaging.