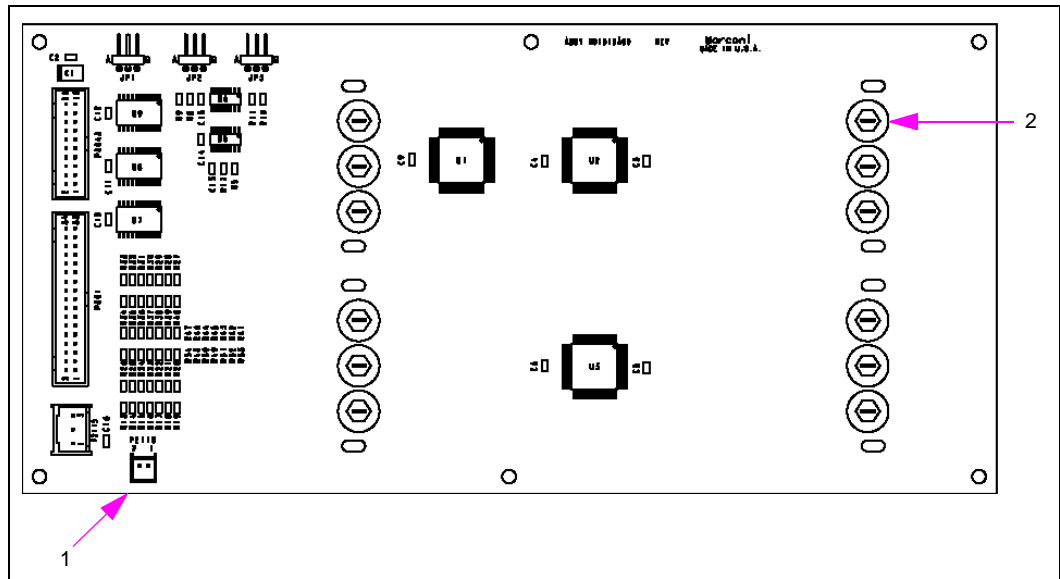


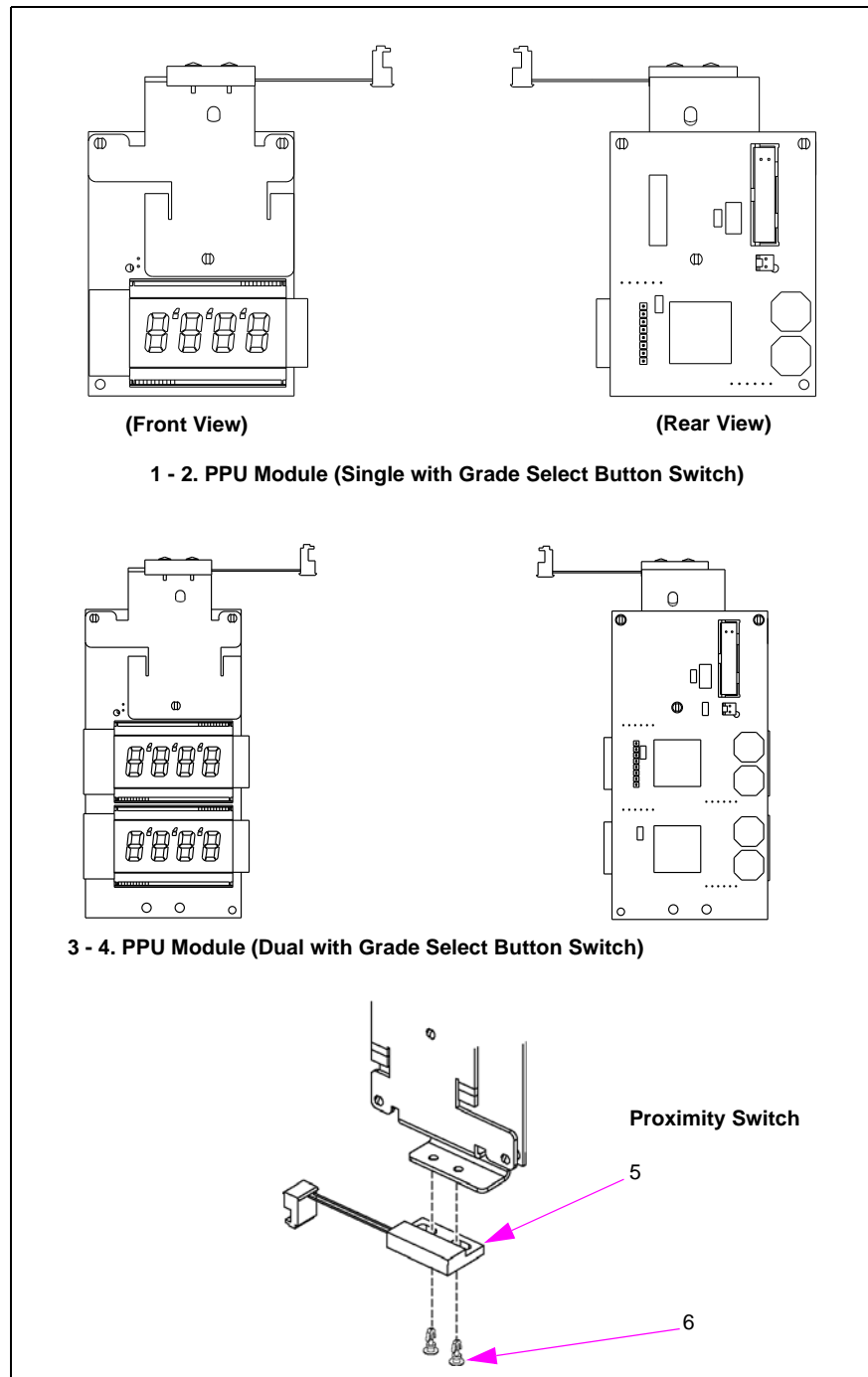
8 – Door Module Electronics

Main Display PCA (Encore 300/Ultra-Hi)



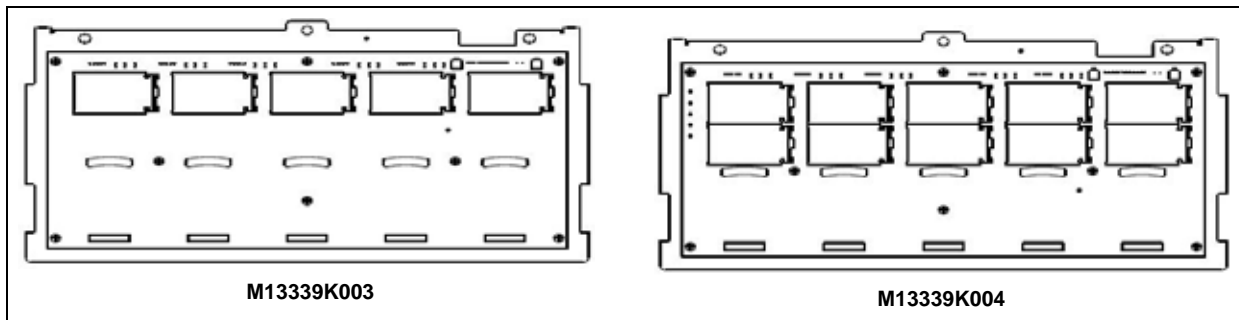
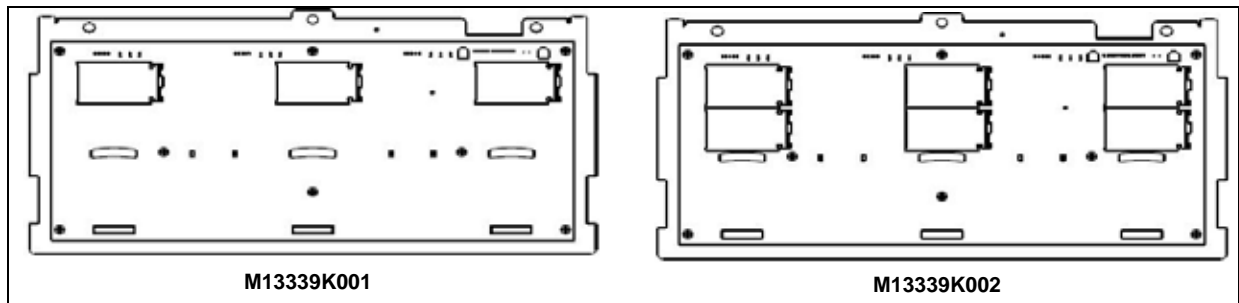
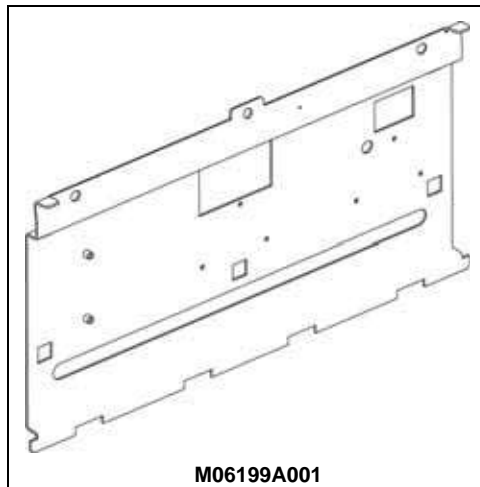
Item #	Part Description	Current Part	Previous Part	Quantity
1	PCA Main Display	M01515A001	-	1
2	Lamp	Q12448-04	-	12
Not Shown				
-	• Screw, Self-tapping Hexagonal-head, 6-20X	-	-	4

PPU Display Module Assemblies (Encore 300 Only)



Item #	Part Description	Current Part	Previous Part	Quantity
1	PPU Display Module Assembly (Single with Switch) (see note 1)	M02652A012	M02652A003 M00350A010 M00350A003	1
2	PPU Display Module Assembly (Single with Switch)	M02652A012	M02652A004 M00350A004	1
3	PPU Display Module Assembly (Dual with Switch)	M02652A013	M02652A007 M00350A012 M00350A007	1
4	PPU Display Module Assembly (Dual with Switch)	M02652A013	M02652A007 M02652A008	1
5	Proximity Switch, Magnetic (see note 2)	Q12514-10	Q12514-08	1
6	• Support, Snap Lock Pin with Arrowhead	-	-	2
Not Shown				
-	• PCA, Single PPU (see note 3)	M13717A001	M01522A001	1
-	• PCA, Dual PPU (see note 4)	M13748A001	M01525A001	1
<i>Notes:</i> 1. PPU Display Module Assembly M02652A012 is the substitute part number for M02652A003. 2. Proximity switch is used on both Encore 300 and 500 series. 3. Use M13717A001 PCA with single PPU display assembly. M13717A001 is sold as M02652A012. 4. Use M13748A001 PCA with dual PPU display assembly.				

PPU Display Module Assemblies (Encore S Series)



Item #	Part Description	Current Part	Previous Part	Quantity
1	PPU Mounting Plate Ultra-Hi Satellite on Indicator	M06199A001	-	1
2	Three Grade Single PPU with Door Node Kit (see note 1)	M13339K001	M06194A001	1
3	Three Grade Dual PPU with Door Node Kit (see note 1)	M13339K002	M06194A002	1
4	Five Grade Single PPU with Door Node Kit (see note 2)	M13339K003	M06194A003	1
5	Five Grade Dual PPU with Door Node Kit (see note 2)	M13339K004	M06194A004	1

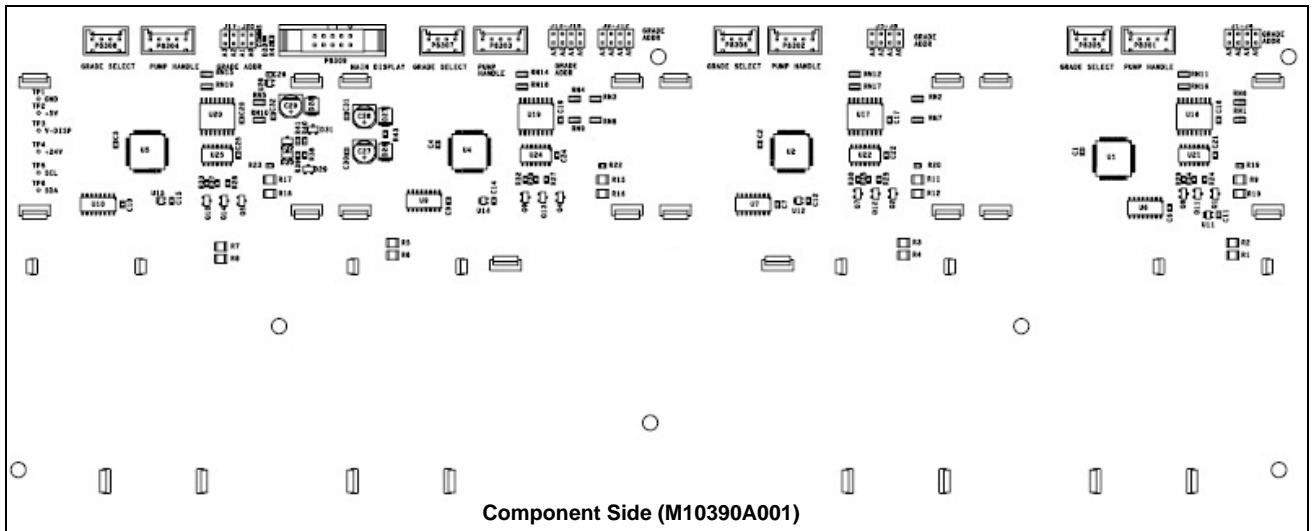
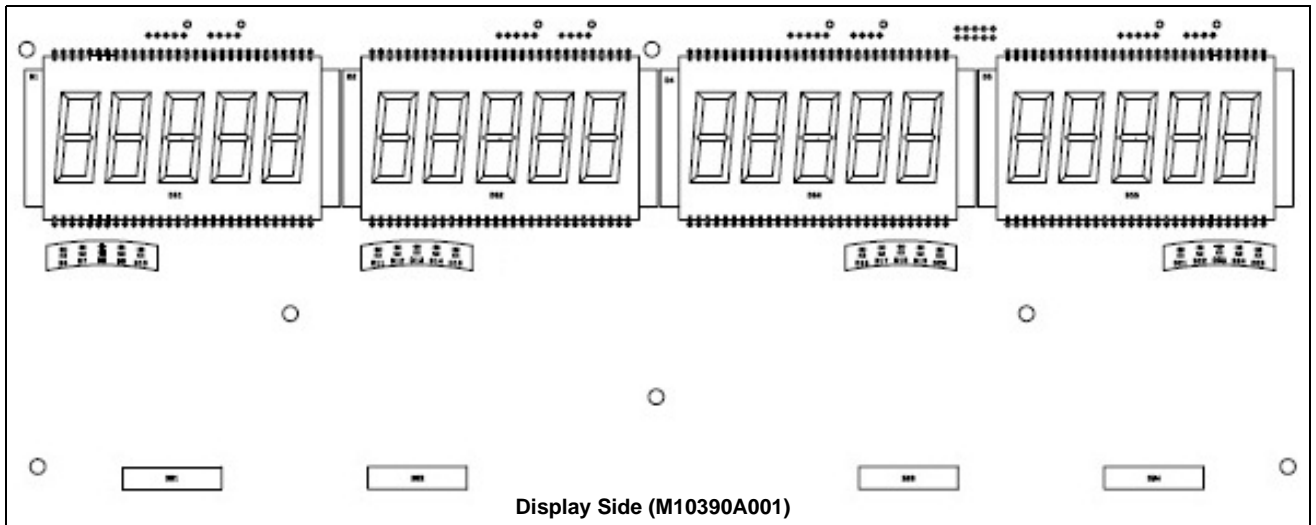
Not Shown

-	Proximity Switch, Magnetic	Q12514-11	-	(see note 3)
---	----------------------------	-----------	---	--------------

Notes:

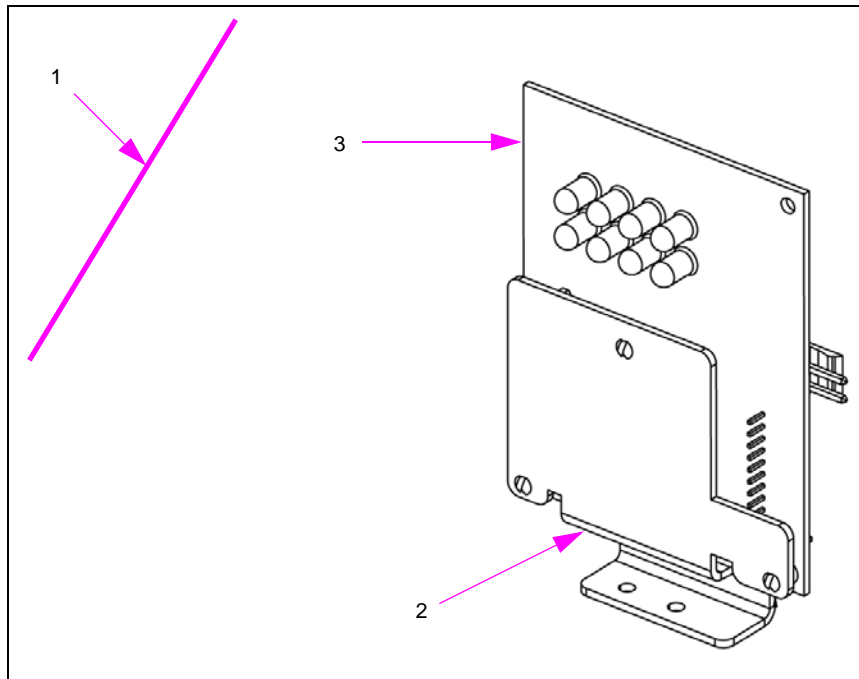
1. For M06194A001 spare parts use M13339K001. For M06194A002 spare parts use M13339K002.
2. For M06194A003 spare parts use M13339K003. For M06194A004 spare parts use M13339K004.
3. Q12514 is an order-entry item.

Single Level, 4-grade, 5-digit PPU Assembly



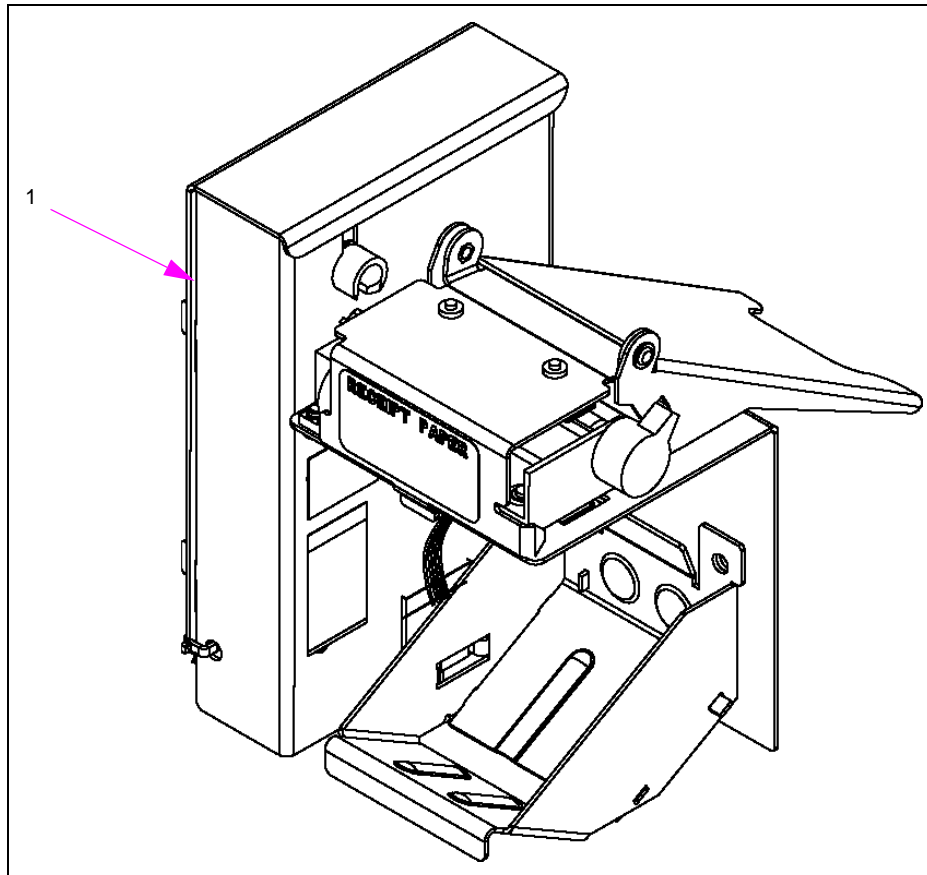
Item #	Part Description	Current Part	Quantity
1	Single Level, 4-grade, 5-digit PPU Assembly	M10390A001	1

Satellite In-use Indicator (Encore 300 Ultra-Hi Only)



Item #	Part Description	Current Part	Previous Part	Quantity
1	Satellite In-use Indicator	M02652A011	M02652A009 M02652A010	1
2	PPU Module Bracket	M00351B002	-	1
3	PCA, Satellite Indicator with Valve Control	M04570A001	M04202A001	1
	• Screw, Pan-head, Phillips Head	-	-	3
	• Nut, Hexagonal with External Lockwasher 4-40 Thread	-	-	3
	• Spacer, Hexagonal 4-40 X 1.000 X 4-40	-	-	3

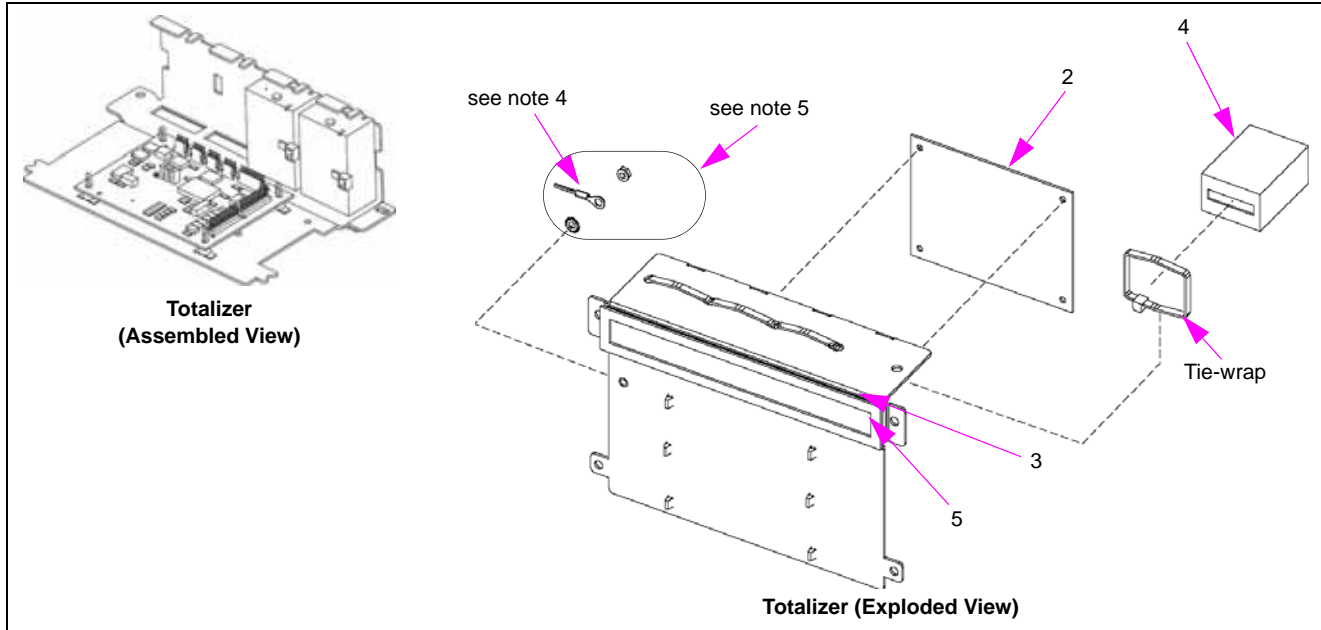
Printer Module Assembly



Item #	Part Description	Current Part	Previous Part	Quantity
1	Printer Module Assembly	M00317A003	-	1
	Printer Paper, High Speed Thermal (see note)	M04809B016	Q12475-02	1
<i>Note: Recommend to use high speed thermal paper supplied by Fujitsu, NCR, and/or Wallace. For more information, refer to PT-1798 Consumables Parts List.</i>				

Totalizer Assembly

Encore 300/500/550

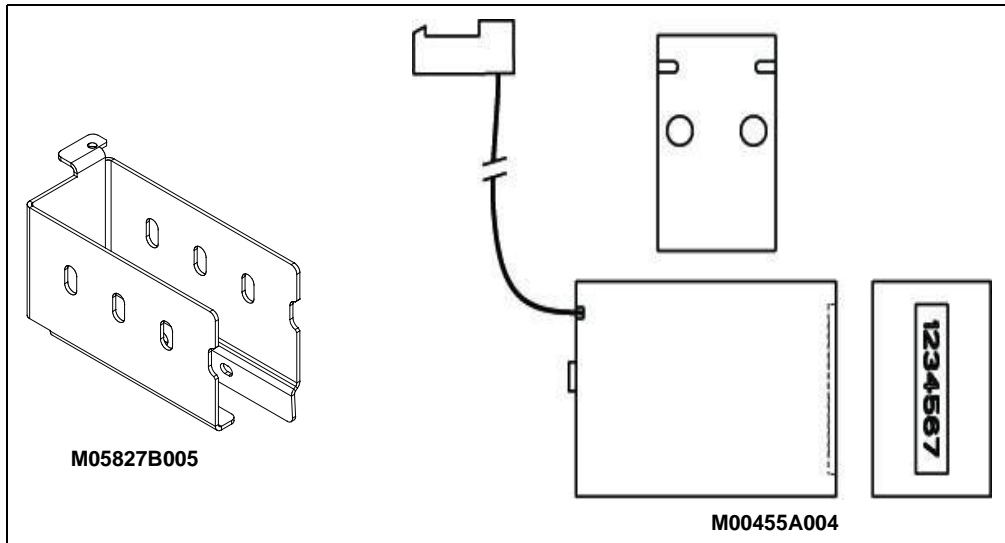


Item #	Part Description	Current Part	Previous Part	Quantity
1	Electro-mechanical Totalizer (see note 1)	M00346A005	-	1
	Electro-mechanical Totalizer	M00346A006	-	1
	Totalizer Assembly (Without Totalizer Node PCA) (see note 2)	M00346A202	M00346A102	1
2	PCA Totalizer	M01621A001	-	1
3	Totalizer Lens	M00359A001	-	1
4	Totalizer Electro-mechanical (see note 3)	M00515A004	M00515A002	2-3
5	Gasket, Totalizer	M00343B001	-	1

Notes:

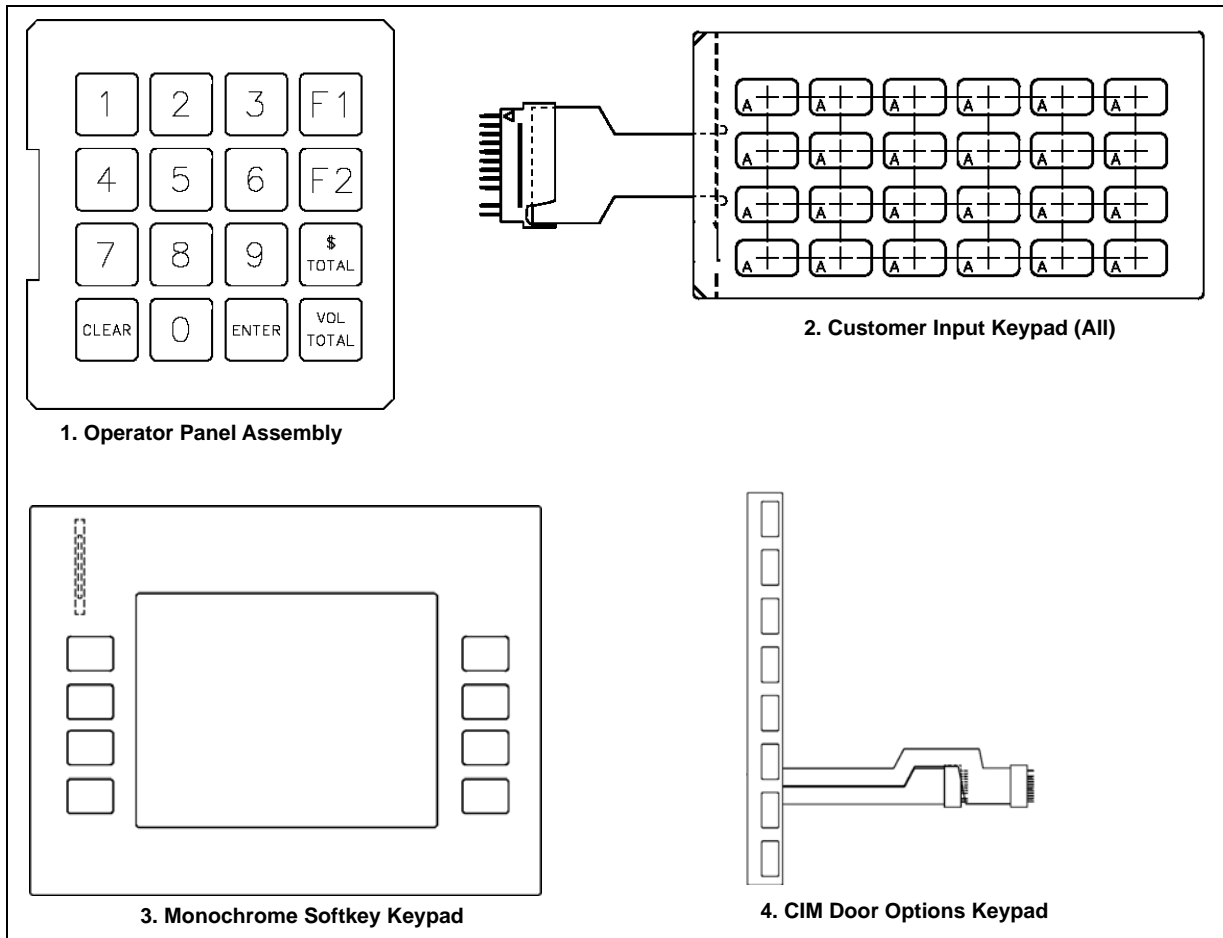
1. Used on Encore 300 and Ultra-Hi units.
2. Totalizer Assembly (M00346A202) comes without item # 2 - PCA totalizer and stand-off (not shown).
3. Quantities will vary per assembly.
4. For more information, refer to "Cable Assemblies (Encore 300/300 Ultra-Hi)" on page 9-1.
5. Ground wire, washer, ring term, and nut are not used on new totalizers.

Encore S Series



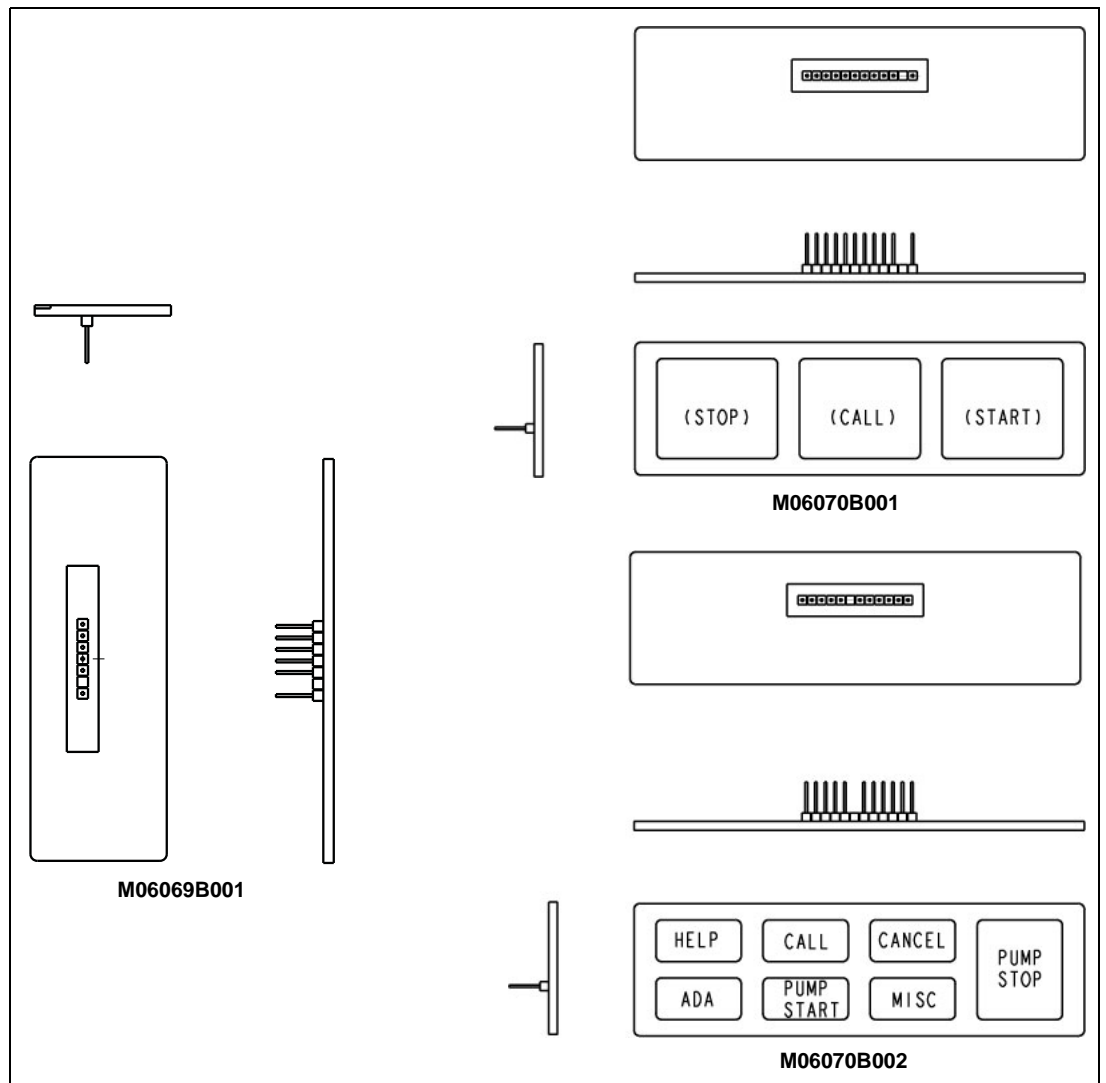
Item #	Part Description	Current Part	Previous Part	Quantity
1	Totalizer Bracket	M05827B005	M05827B004 M05827B003 M05827B002	1
2	Electro-Mechanical Totalizer (see note 1)	M00455A004		2-3
Not Shown				
-	PCA, Totalizer	M01621A001		1
-	Totalizer Lens	M00359A001		1
-	Gasket, Totalizer	M00343B001		1
<i>Notes:</i> 1. Quantities will vary per assembly. 2. For more information, refer to "Cable Assemblies (Encore 500/550/S/Ultra-Hi)" on page 6-1.				

Keypad Assemblies



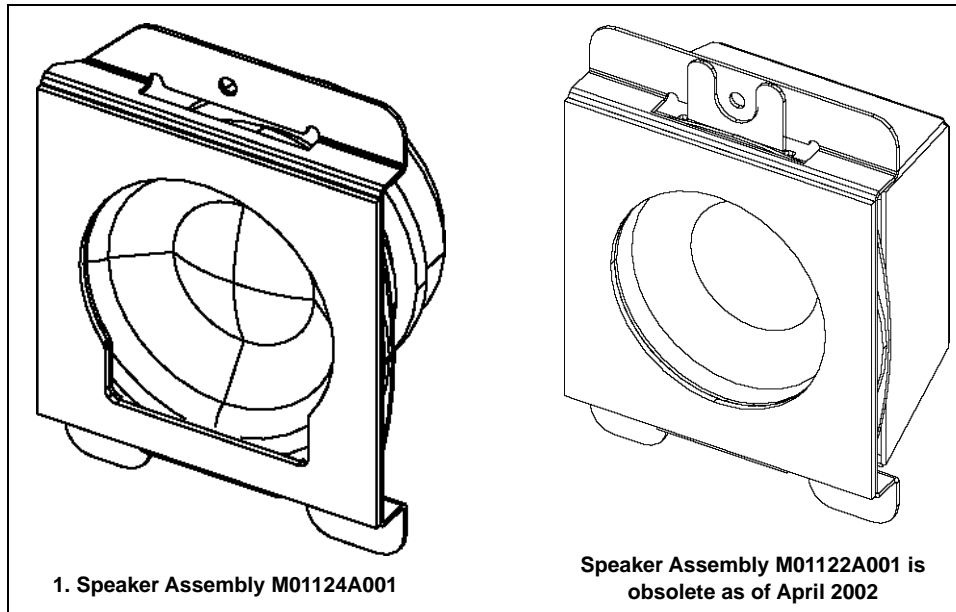
Item #	Part Description	Current Part	Previous Part	Quantity
1	Operator Panel Assembly	T17549-G1	-	1
2	Customer Input Keypad	M00141B002	M00141A001	1
3	Monochrome Softkey Keypad	M01254B003	M01254B002	1
4	CIM Door Options Keypad (Canada only)	M01109B003	M01109B001	1

Keypad Assemblies (Encore S Series)



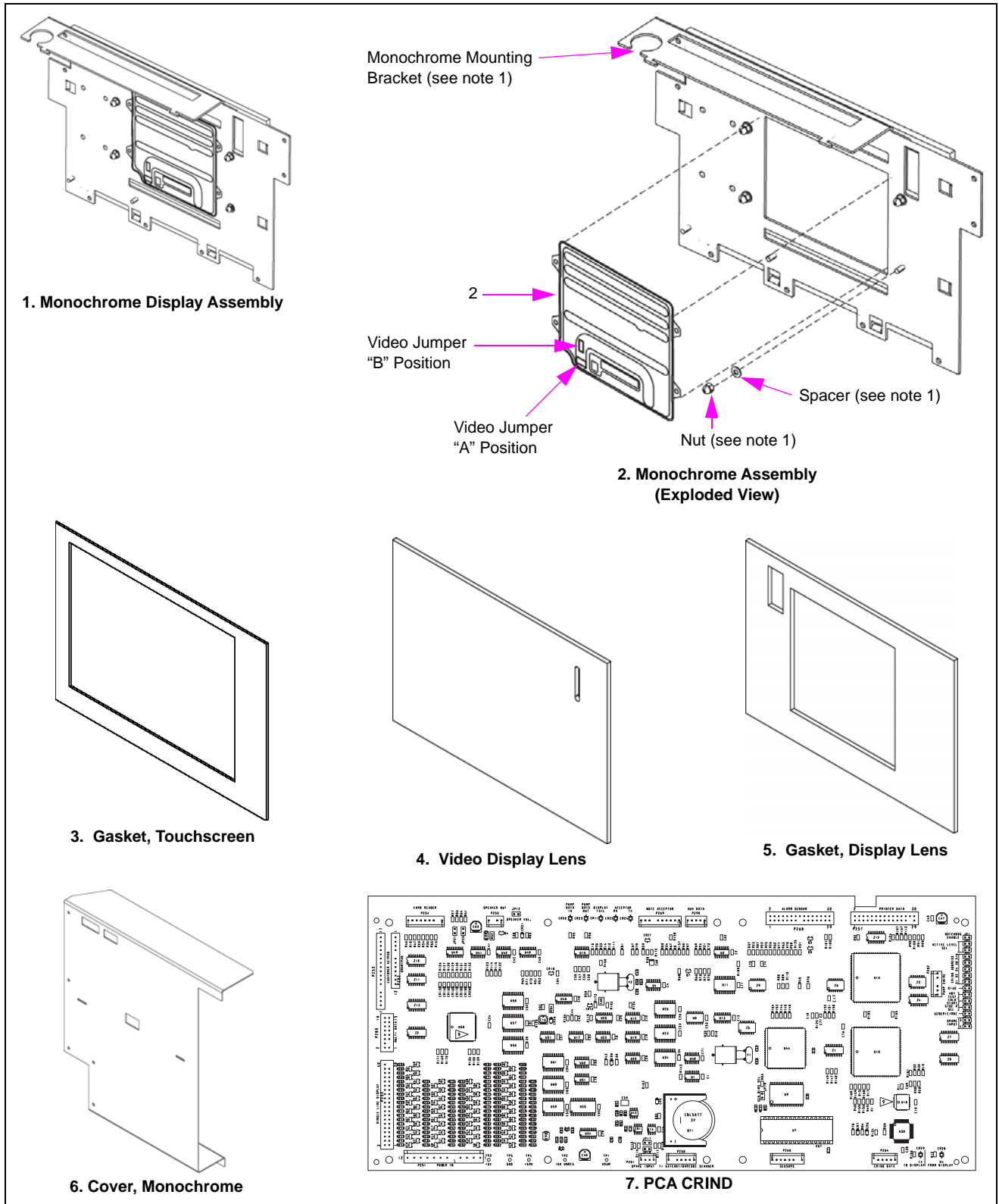
Item #	Part Description	Current Part	Quantity
1	Keypad, Softkey	M06069B001	1
2	Keypad, Start/Call/Stop, 3-button Keypad	M06070B001	1
3	Keypad, Start/Call/Stop, 7-button Keypad	M06070B002	1

Speaker Assembly



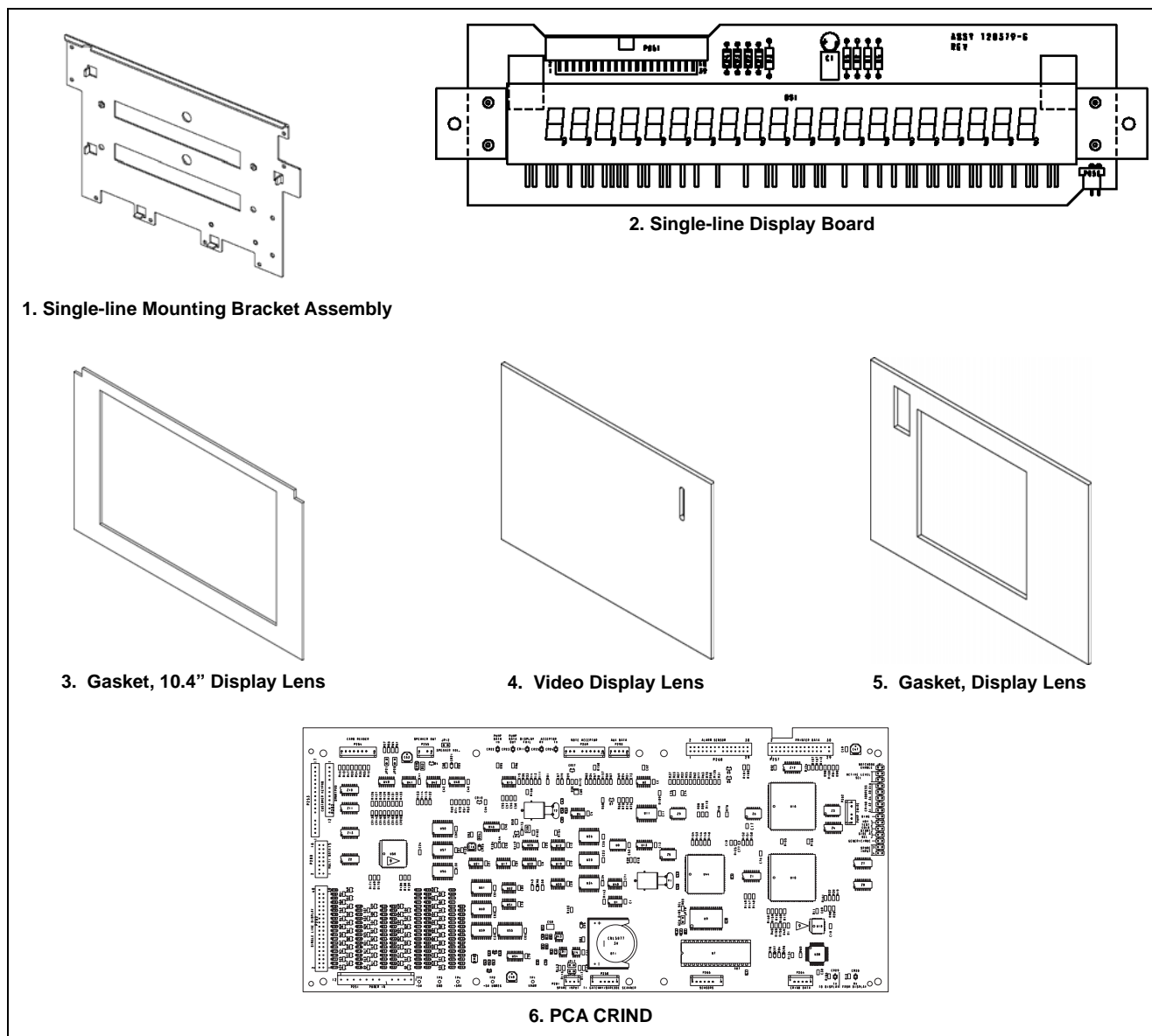
Item #	Part Description	Current Part	Previous Part	Quantity
1	Speaker Assembly	M01124A001	M01122A001	1

CRIND Monochrome Display Assembly



Item #	Part Description	Current Part	Previous Part	Quantity
1	CRIND Monochrome Display Assembly (see note 1)	M01653A001	-	1
2	Monochrome Display [see notes 2, 3, and 4 (Backlight Always ON)]	M02636A001	<i>Note: See previous parts below</i>	1
	Monochrome Display (Interchangeable, Backlight Always ON)	M02636A001	Q13908-06	1
	Monochrome Display (Interchangeable, Backlight Always ON)	M02636A001	Q13908-05	1
	Monochrome Display (Interchangeable, Backlight Always ON)	K96663-02	Q13908-03	(see notes 5 and 6)
	Monochrome Display (Interchangeable, Backlight Always ON)	K96663-02	Q13908-02	(see notes 5 and 6)
	Monochrome Display (Backlight Ambient Sensitive, OFF in Day Light, ON at Night)	M02636A001	Q13908-01	(see note 5)
3	Gasket, Touchscreen	R20682-01	-	1
4	Monochrome Display Lens (see note 5)	M01255B001	-	1
5	Gasket, Display Lens (see note 5)	M01360B001	-	1
6	Cover, Monochrome	M01649B001	-	1
7	PCA CRIND Z180 Logic Board	M03651A002	T17764-G4	1
Not Shown				
-	Monochrome Single Side Heater Kit (for more information, refer to <i>MDE-4177 Monochrome Display Heater Retrofit Kits M03063K00X Installation Manual</i>)	M03063K001	-	1
-	Monochrome Dual Side Heater Kit (for more information, refer to <i>MDE-4177 Monochrome Display Heater Retrofit Kits M03063K00X Installation Manual</i>)	M03063K002	-	1
<p>Notes:</p> <ol style="list-style-type: none"> 1. Monochrome mounting bracket, nuts, and spacers, along with item # 2 - monochrome display and item # 5 - gasket display lens are a part of item # 1 - monochrome display assembly. 2. Do not remove plastic piece off monochrome display. This piece is used for rain shield. See attached sticker on display for warning. 3. Monochrome Display (M02636A001) is currently in production. This display is compatible to all and replaces all. Note: Backlight is always ON. 4. The jumper for video source on Encore 500 is in position "A" and for The Advantage and Encore 300, it is in position "B". 5. Item # 4 - monochrome display lens must be used together with item # 5 - gasket display lens. 6. K96663-02 contains Monochrome Display (M02636A001) and brackets. 				

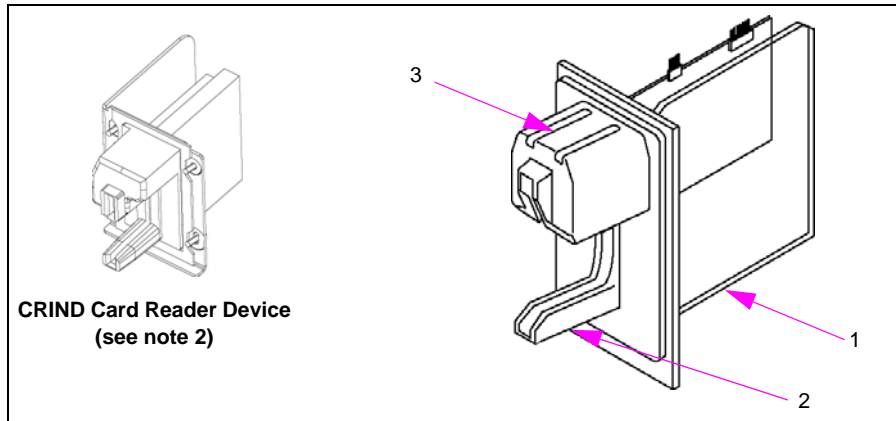
CRIND Single-line Assembly



Item #	Part Description	Current Part	Previous Part	Quantity
1	Single-line Mounting Bracket Assembly (Reference only)	M02704A001	-	1
2	Single-line Display Board	T20379-G4	T20379-G3	1
3	Gasket, 10.4" Display Lens			
	Encore 500	M02539B001	-	1
	Encore 500 S	M06878B001	-	1
4	Video Display Lens [Encore 500 (see note)]	M01255B002	-	1
5	Gasket, Display Lens (see note)	M01360B001	-	1
6	PCA CRIND Z180 Logic Board	M03651A001	T17764-G3	1

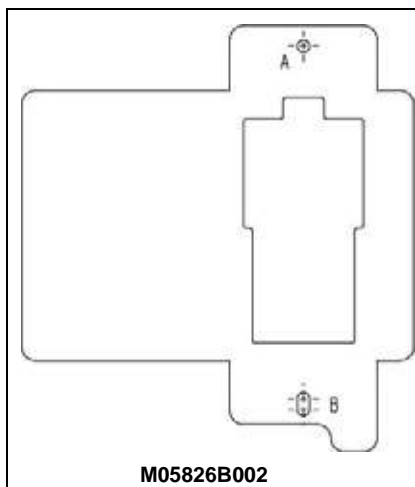
Note: Use item # 4 - video display lens in conjunction with item # 5 - gasket display lens.

Dual Head Card Reader



Item #	Part Description	Current Part	Previous Part	Quantity
	Card Reader, Dual Head (see note 1)	M02136B001	Q11489-06 (see note 2)	1
1	Card Reader, Gasket [Vertical (see note 1)]	M13127B006	M13127B005 M13127B002 N23505-02	1
2	Card Reader, Bracket (see note 1)	M07574B001	M01180B003	1
3	Card Reader, Gasket (see note 1)	M13127B006	M13127B005 M13127B001 M00682B001	1
Not Shown				
4	Cable, ESD Ground Card (see note 1)	(see note 3)	-	1
-	Cleaning Card [Card Reader]	Q13400	-	1
<p><i>Notes:</i></p> <p>1. Dual Head Card Reader Kit (M02139K001) include items 1 through 4.</p> <p>2. Single Head Card Reader was discontinued in production January 2002. Use the M02139K001 Kit to replace old CRIND Card Reader (Q11489-06). For more information, refer to MDE-4080 Dual Head Card Reader Kits M02139K00X Installation Instructions Instructions.</p> <p>3. For more information, refer to "Cable Assemblies (Encore 300/300 Ultra-Hi)" on page 9-1.</p> <p>4. For ordering information, refer to PT-1798 Consumables Parts List.</p>				

Dual Head Card Reader Bracket (Encore S Series)



Item #	Part Description	Current Part	Previous Part	Quantity
1	Card Reader, Bracket	M05826B002	M05826B001	1

CRIND Option (Encore 500/500 S/550)

PPP Overlay

Item #	Part Description	Current Part	Previous Part	Quantity
-	PPP Overlay (customer-specific) (see note)	EU03001GXXX	-	2
-	CRIND Keypad Overlay (customer-specific)	EU03004GXXX	-	2

Note: Available for Encore 500/500 S units only.