

2 – Door Assemblies

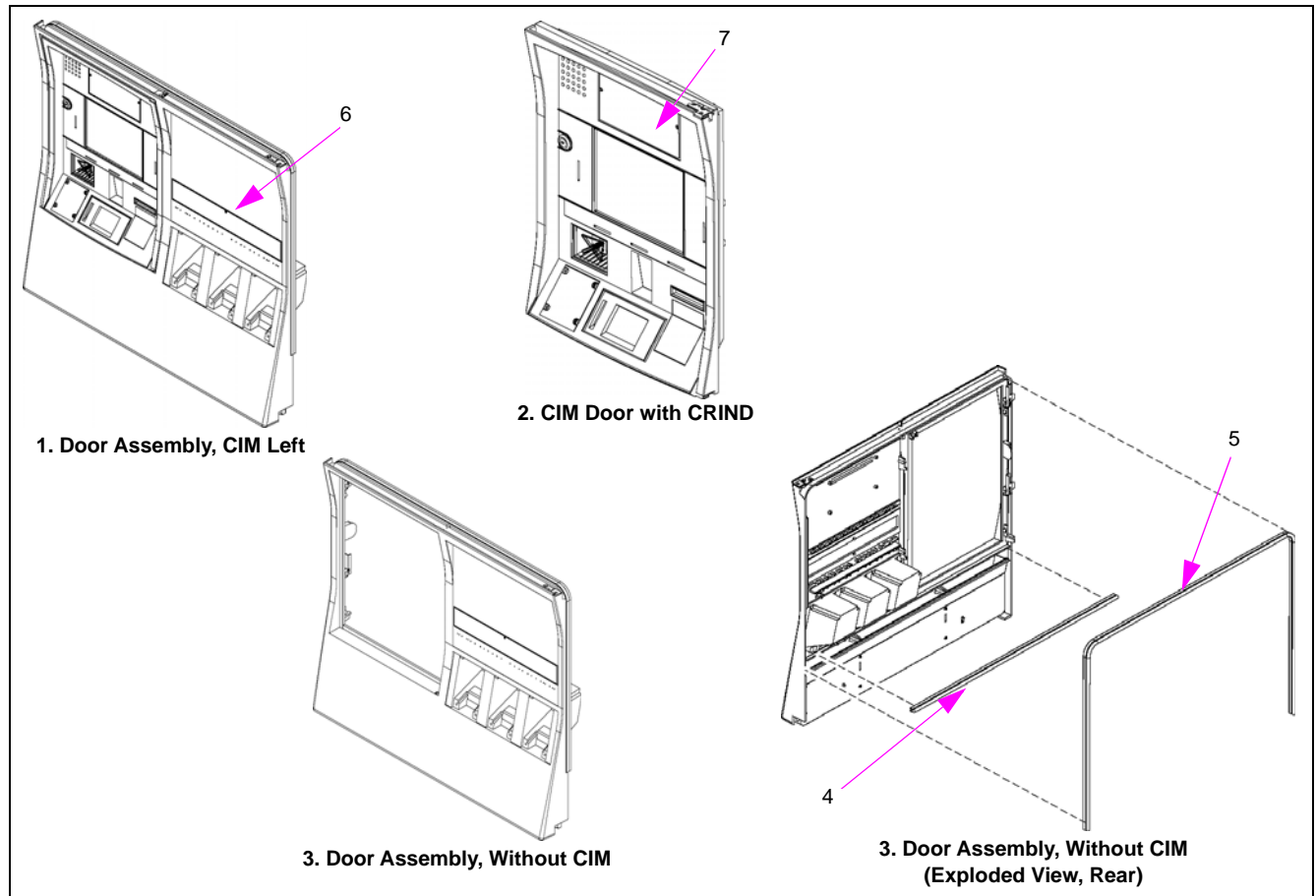
Naming Convention for Encore 300/500/550/700 Doors

Item #	Part Number	Description	Comments
1	M01208AXXX	Assembly, CIM Door with CRIND	All
2	M01209AXXX	Assembly, CIM Door No CRIND	All
3	M01210AXXX	Assembly, Door Left No CIM	All
4	M01211AXXX	Assembly, Door Offset No CIM	All
5	M01212AXXX	Assembly, Door Center No CIM	All
6	M01219AXXX	Assembly, Door CIM Left	All
7	M01220AXXX	Assembly, Door CIM Offset	All
8	M01221AXXX	Assembly, Door CIM Center	All
9	M01533AXXX	Assembly, Door Left Dual Price per Unit (PPU) No CIM	All
10	M01534AXXX	Assembly, Door Offset Dual PPU No CIM	All
11	M01535AXXX	Assembly, Door Center Dual PPU No CIM	All
12	M01536AXXX	Assembly, Door CIM Left Dual PPU	All
13	M01537AXXX	Assembly, Door CIM Offset Dual PPU	All
14	M01538AXXX	Assembly, Door CIM Center Dual PPU	All
15	M01311AXXX	Assembly, Scanner Cover	All
16	M00369B001	Plug, Scanner	Color 03 only
17	M00889B001	Plug, Totalizer	Color 03 only
18	M01154B001	Blanking Panel, Note Acceptor	Color 03 only
19	M01155B001	Blanking Panel, TRIND	Color 03 only
20	M00603AXXX	Cover, Scanner	All
21	M13415AXXX	Door Assembly, 10.4" Color Display	All
22	M13416AXXX	Door Assembly, 5.7" Color Display	All
<p><i>Note: The last two digits of the part number represent the color for painted parts only. For example, M01208A2XX; for black, if the end number is 1681, the part number is M01208A202; and for blue, if the end number is 2773, the part number is M01208A207. For a complete set of the color codes, refer to "Color Chart for Encore 300/500/550 Doors" on page 2-2.</i></p>			

Color Chart for Encore 300/500/550 Doors

Color Code	Color	End Number	Comments
01	Gray	1804	Equivalent to End 2600
02	Black	1681	-
03	White	2485	-
04	Red	2738	-
05	Gray	2733	-
07	Blue	2773	-
08	Stepping Stone	2832	-
09	Pearl	2837	-
10	Orange	2843	-
11	Warm Gray	2849	-
12	Blue	2864	-
13	Blue	4280/2688	-
14	Metallic Silver	2949	-
15	Yellow	2138	-
16	Coarse Metallic Silver	2890	-
17	Cool Gray	2957	-
18	Red	2695	-
19	Green	2594	-
20	Blue	2969	-
21	Red	2866	-
22	Reflex Blue	2935	For Delta Sonic
23	Red and White	2866 and 2485	Two-tone Door for Pertamina
24	Blue	2986	-
25	Beige	2993	-

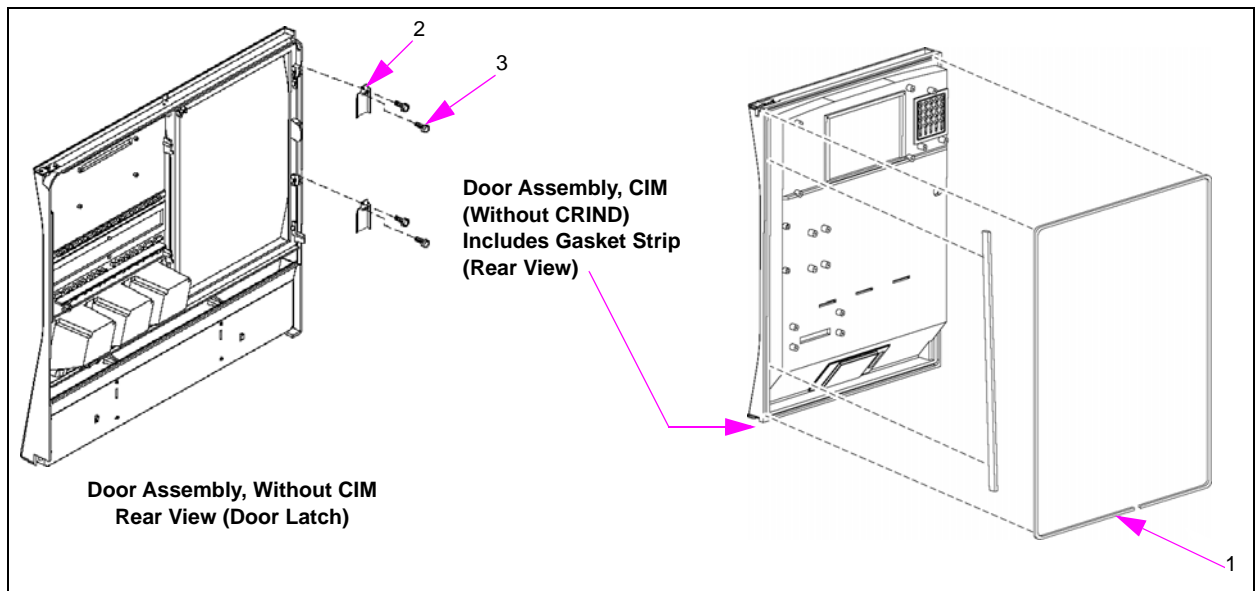
Encore 300/500/550 Door Assembly, CIM Left



Item #	Part Description	Current Part	Previous Part	Quantity
1	Door Assembly, CIM Left (see note 1)	M01219AXXX	M01219A001	1
2	CIM Door with CRIND	M01208A001	-	1
3	Door Assembly, Left Without CIM (see note 1)	M01210AXXX	M01210A001	1
Additional Door Assemblies, Left Without CIM [Color Scheme (refer to table on page 2-10)]				
4	Gasket, Flexible, Permanent (Bottom)	Q12406-13	-	1
5	Gasket, Flexible, Permanent (U-shape)	Q12406-14	-	1
6	Assembly, PPU Lens, Left CIM	M00347A001	-	1
7	Main Window Display Assembly (see note 2)	M00371K003	M00371B003 M00371A003	1

Item #	Part Description	Current Part	Previous Part	Quantity
Not Shown				
	• Lock Assembly (see notes 3 and 4)	Q12542-08	-	1
	• Hinge CIM Retainer Assembly	-	-	(see note 3)
	• Lower CIM Pin	-	-	(see note 3)
	• Screw, M5 X 10	-	-	(see note 3)
	• Screw, M3 X 8 (see note 2)	M00419B101	-	32
<p>Notes:</p> <ol style="list-style-type: none"> Doors come in various colors. When placing an order, specify color. Door graphics are order-entry items and must be ordered individually. For more color information, refer to "Door Assembly Table with Color Schemes" on page 2-10. Main Window Display Assembly is not sold individually. It is sold as part of kit (M00371K003). Main Display Kit (M00371K003) includes main display window quantity of 8, screw quantity of 32 and adhesive. Door Assembly (M01219A001) includes item # 2 - door assembly CIM, item # 3 - door assembly without CIM, items 4 and 5 gaskets, lock assembly, hinge CIM assembly, and lower CIM pin and screws. Lock Assembly (Q12542-08) is purchased <u>only</u> as an assembly. 				

Encore 300/500/550 Door Assembly, Left Doors (Rear View)

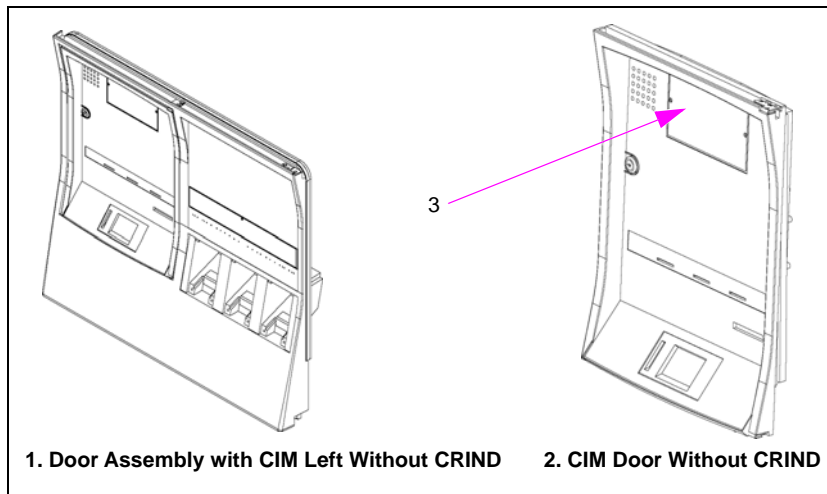


Item #	Part Description	Current Part	Previous Part	Quantity
1	Gasket, CIM Door (see notes 1, 2, and 3)	M01046B002	M00368B001	2
2	Door Latch	M01978B001	M00807B001	2
3	Screw, M5 X 10	M00419B025	-	2 per Latch

Notes:

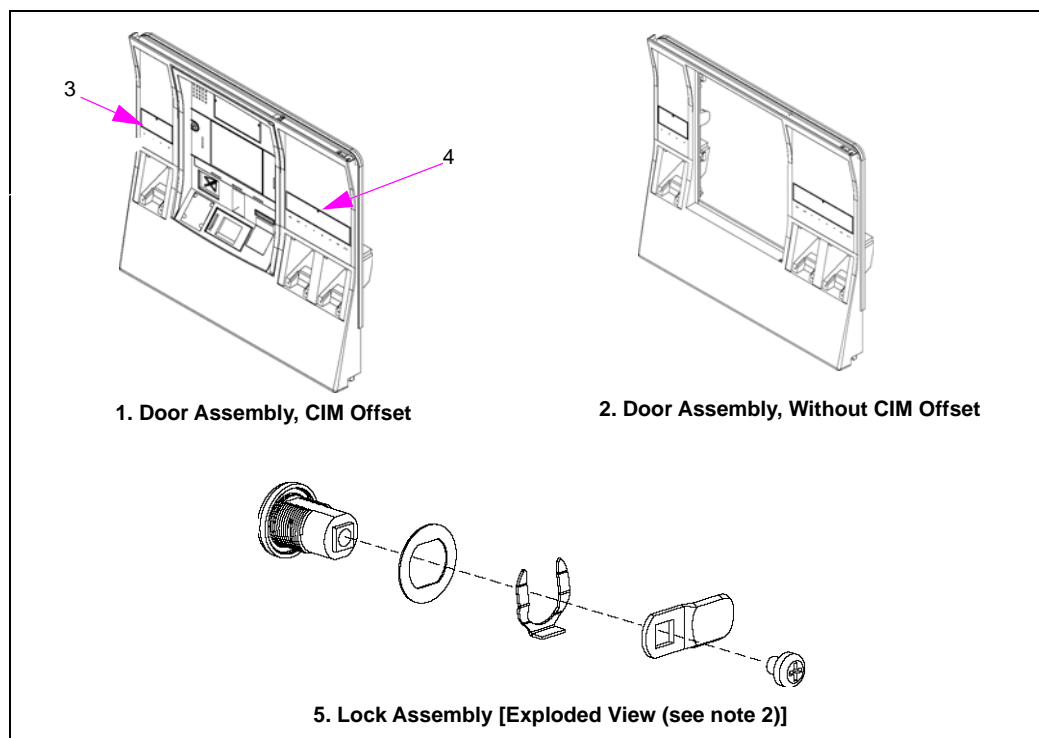
1. Doors come in various colors. When placing an order, specify color. Door graphics are order-entry items and must be ordered individually. For more color information, refer to ["Door Assembly Table with Color Schemes"](#) on page 2-10.
2. Bond in position with Loctite®-401 adhesive.
3. CIM Door Gasket (M01046B002) is not sold as spare part.

Encore 300/500/550 Door Assembly, Left (No CRIND)



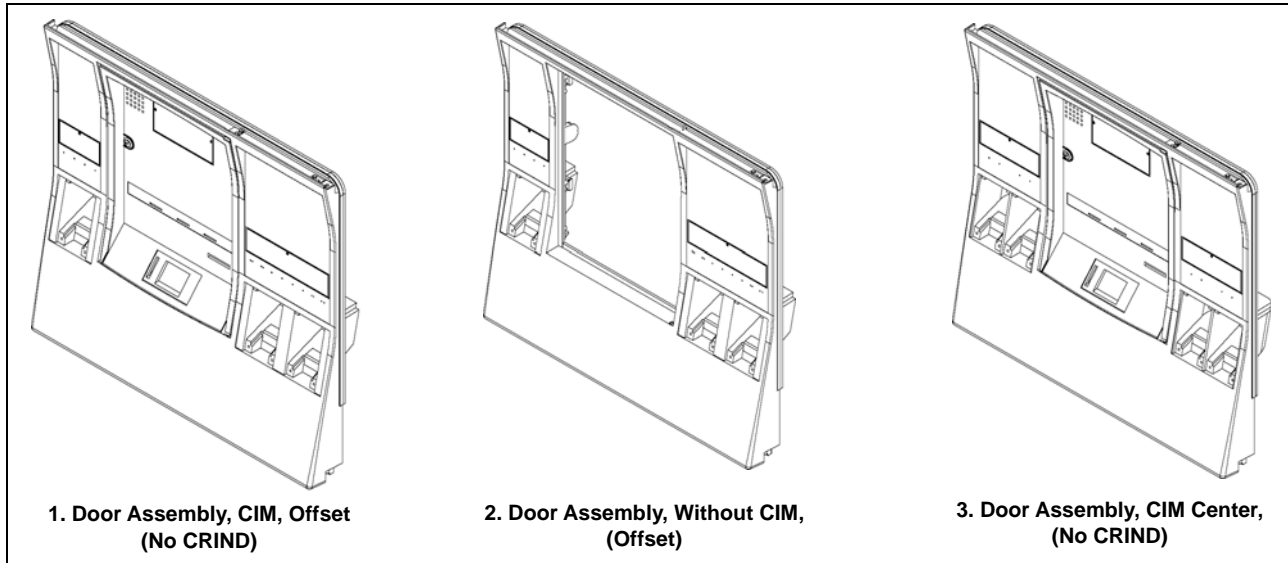
Item #	Part Description	Current Part	Previous Part	Quantity
1	Door Assembly with CIM Left Without CRIND (see note 1)	M01219AXXX	M01219A101	1
2	CIM Door Without CRIND (see note 1)	M01209AXXX	M01209A001	1
Additional Door Assemblies, Left with CIM without CRIND [Color Scheme (refer to table on page 2-10)]				
3	Main Window Display Assembly (see note 2)	M00371K003	M00371B003 M00371A003	1
Not Shown				
	• Lock Assembly (see notes 3 and 4)	Q12542-08	-	1
	• Lower CIM Pin	-	-	(see note 3)
	• Screw, M5 X 10	-	-	(see note 3)
	• Door Assembly, Without CIM Door Left [see page 2-3 to view door]	M01210A001	-	1
Notes: 1. Doors come in various colors. When placing an order, specify color. Door graphics are order-entry items and must be ordered individually. For more color information, refer to "Door Assembly Table with Color Schemes" on page 2-10 . 2. Main Window Display Assembly is not sold individually. It is sold as part of kit (M00371K003). Main Display Kit (M00371K003) includes main display window quantity of 8, screw quantity of 32 and adhesive. Kit contains parts to service four dispensers (2-sided units). 3. Door Assembly (M01219A101) includes item # 2 - door assembly, hinge CIM assembly, lock assembly, lower CIM pin, screws, and door assembly without CIM left. 4. Lock Assembly (Q12542-08) is purchased <u>only</u> as an assembly.				

Encore 300/500/550 Door Assembly, CIM Offset



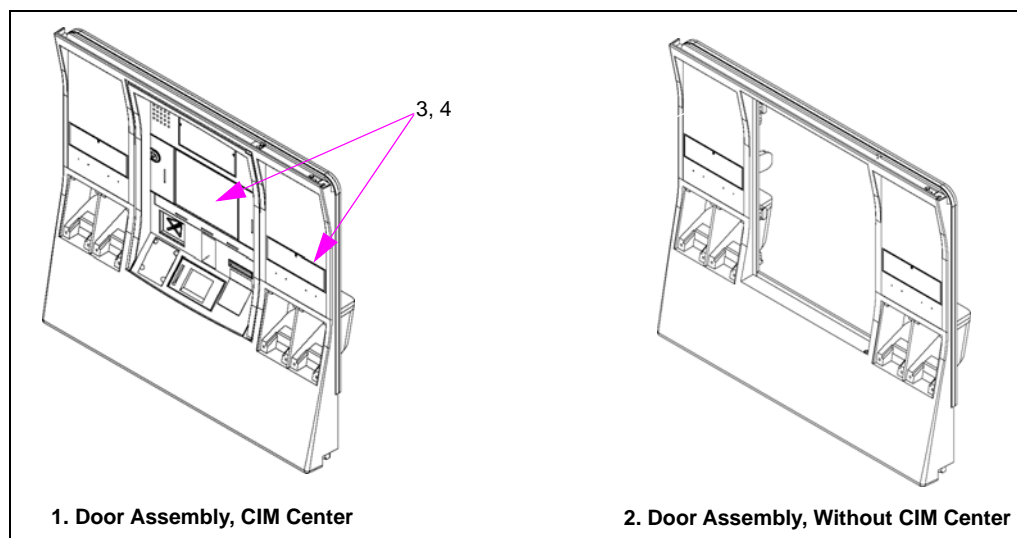
Item #	Part Description	Current Part	Previous Part	Quantity
1	Door Assembly, with CIM Offset (see note 1)	M01220AXXX	M01220A001	1
2	Door Assembly, without CIM Offset (see note 1)	M01211AXXX	M01211A001	1
3	Assembly, PPU Lens Offset CIM, Left	M00347A002	-	1
4	Assembly, PPU Lens Offset CIM, Right	M00347A003	-	1
Additional Door Assemblies, with CIM Offset [Color Scheme (refer to table on page 2-10)]				
5	Lock Assembly (see notes 2 and 3)	Q12542-08	-	1
Not Shown				
	• Hinge CIM Retainer Assembly	-	-	(see note 2)
	• Lower CIM Pin	-	-	(see note 2)
	• Screw, M5 X 10	-	-	(see note 2)
	• CIM Door with CRIND [see page 2-3 to view door] (see note 1)	M01208A00XX	-	1
	• CIM Door, Encrypted PIN Pad (EPP) (see note 1)	M01208A5	M01208A5XX	1
Notes:				
1. Doors come in various colors. When placing an order, specify color. For more color information, refer to "Door Assembly Table with Color Schemes" on page 2-10 .				
2. Door Assembly (M01220A001) includes item # 2 - door assembly without CIM, item # 3 - lock assembly, door assembly without CIM left, hinge CIM assembly, and lower CIM pin and screws.				
3. Lock Assembly (Q12542-08) is purchased <u>only</u> as an assembly. Door graphics are order-entry items and must be ordered individually.				

Encore 300/500/550 Door Assembly CIM, Offset, and Center (No CRIND)



Item #	Part Description	Current Part	Previous Part	Quantity
1	Door Assembly, CIM without CRIND Offset (see note 1)	M01220AXXX	M01220A101	1
2	Door Assembly, Without CIM Offset (see note 2)	M01211AXXX	M01211A001	1
Not Shown				
-	<ul style="list-style-type: none"> • CIM Door Without CRIND [see page 2-6 to view illustration (see note 2)] 	M01209A001	-	1
	<ul style="list-style-type: none"> • Hinge CIM Retainer Assembly 	-	-	(see note 2)
	<ul style="list-style-type: none"> • Lower CIM Pin 	-	-	(see note 2)
	<ul style="list-style-type: none"> • Screw, M5 X 10 	-	-	(see note 2)
3	Door Assembly, CIM Without CRIND Center (see note 1)	M01221A101	-	1
Not Shown				
	<ul style="list-style-type: none"> • CIM Door Without CRIND [see page 2-6 to view illustration (see note 3)] 	M01209A001	-	1
	<ul style="list-style-type: none"> • Door Assembly, Without CIM Center [see page 2-9 to view (see note 3)] 	M01212A001	-	1
	<ul style="list-style-type: none"> • Lock Assembly (see note 4) 	Q12542-08	-	1
	<ul style="list-style-type: none"> • Hinge CIM Retainer Assembly 	-	-	(see note 3)
	<ul style="list-style-type: none"> • Lower CIM Pin 	-	-	(see note 3)
	<ul style="list-style-type: none"> • Screw, M5 X 10 	-	-	(see note 3)
Notes:				
1. Doors come in various colors. When placing an order, specify color. Door graphics are order-entry items and must be ordered individually. For more color information, refer to “ Door Assembly Table with Color Schemes ” on page 2-10 .				
2. Door Assembly (M01220A101) includes item # 2 - door assembly without CIM, door assembly without CRIND, hinge CIM assembly, and lower CIM pin and screws.				
3. Door assembly includes door assembly without CRIND, door assembly without CIM, hinge CIM assembly, and lower CIM pin and screws.				
4. Lock Assembly (Q12542-08) is purchased <u>only</u> as an assembly.				

Encore 300/500/550 Door Assembly CIM, Center



Item #	Part Description	Current Part	Previous Part	Quantity
1	Door Assembly, CIM Center (see note 1)	M01221AXXX	M01221A001	1
2	Door Assembly, without CIM Center	M01212AXXX	M01212A001	1
	CIM Door with CRIND (see page 2-3 to view door)	M01208A001	-	1
Additional Door Assemblies, Without CIM Center [Color Scheme (refer to table on page 2-10)]				
3	Main Window Display Assembly	M00371K003	M00371B003 M00371A003	1
Not Shown				
	• Lock Assembly (see note 2)	Q12542-08	-	1
	• Hinge CIM Retainer Assembly	-	-	(see note 3)
	• Lower CIM Pin	-	-	(see note 3)
	• Screw, M5 X 10	-	-	(see note 3)
4	Assembly, PPU Lens CIM Center	M00347A004	-	1

Notes:

- Doors come in various colors. When placing an order, specify color. Door graphics are order-entry items and must be ordered individually. For more color information, refer to "Door Assembly Table with Color Schemes" on [page 2-10](#).
- Lock Assembly (Q12542-08) is purchased only as an assembly.
- Door Assembly (M01219A001) includes item # 2 - door assembly without CIM, door assembly with CRIND, hinge CIM assembly, and lower CIM pin and screws.

Door Assembly Table with Color Schemes

CIM Door with CRIND (with Options)	
Door Part Number	Color
M01208A001	Gray 1804
M01208A002	Black 1681
M01208A003	White 2485
M01208A004	Red 2738
M01208A005	Gray 2733
M01208A007	Blue 2773
M01208A008	Step Stone SW2832
M01208A009	Pearl 2837
M01208A010	Orange 2843
M01208A011	Warm Gray 2849
M01208A012	Blue 2864
M01208A013	Blue 4280/2688
M01208A014	Silver 2949
M01208A015	Yellow 2138
M01208A016	Silver 2980
M01208A017	Gray 2957
M01208A018	Red 2695
M01208A019	Green 2594
M01208A020	Blue 2969
M01208A021	Red 2866
M01208A022	Blue 2935
M01208A023	2866/2485
M01208A024	Blue 2986
M01208A025	Beige 2993
CIM Door with CRIND/TRIND	
Door Part Number	Color
M01208A201	Gray 1804
M01208A202	Black 1681
M01208A207	Blue 2773
M01208A211	Warm Gray 2849
M01208A213	Blue 4280/2688
M01208A214	Silver 2949
M01208A215	Yellow 2138
M01208A216	Silver 2980
M01208A217	Gray 2957
M01208A218	Red 2695
M01208A219	Green 2594
M01208A220	Blue 2969
M01208A221	Red 2866
M01208A222	Blue 2935

CIM Door with CRIND/TRIND	
Door Part Number	Color
M01208A223	2866/2485
M01208A224	Blue 2986
M01208A225	Beige 2993
CIM Door with CRIND (No Options)	
Door Part Number	Color
M01208A401	Gray 1804
M01208A402	Black 1681
M01208A403	White 2485
M01208A404	Red 2738
M01208A405	Gray 2733
M01208A407	Blue 2773
M01208A408	Step Stone SW2832
M01208A409	Pearl 2837
M01208A410	Orange 2843
M01208A411	Warm Gray 2849
M01208A412	Blue 2864
M01208A413	Blue 4280/2688
M01208A414	Silver 2949
M01208A415	Yellow 2138
M01208A416	Silver 2980
M01208A417	Gray 2957
M01208A418	Red 2695
M01208A419	Green 2594
M01208A420	Blue 2969
M01208A421	Red 2866
M01208A422	Blue 2935
M01208A423	2866/2485
M01208A424	Blue 2986
M01208A425	Beige 2993
Left Door with CIM Door Without CRIND	
Door Part Number	Color
M01209A001	Gray 1804
M01209A002	Black 1681
M01209A003	White 2485
M01209A004	Red 2738
M01209A005	Gray 2733
M01209A007	Blue 2773
M01209A008	Stepping Stone SW2832
M01209A009	Pearl 2837
M01209A011	Warm Gray 2849

Left Door with CIM Door Without CRIND	
Door Part Number	Color
M01209A012	Blue 2864
M01209A013	Blue 4280/2688
M01209A014	Silver 2949
M01209A015	Yellow 2138
M01209A016	Silver 2980
M01209A017	Cool Gray 2957
M01209A018	Red End 2695
M01209A019	Green End 2594
M01209A020	Blue End 2969
M01209A021	Red End 2866
M01209A022	Blue End 2935
M01209A023	End 2866/End 2485
M01209A024	Blue End 2986
M01209A025	Beige 2993
M01209A102	Black 1681
M01209A108	Stepping Stone SW2832
M01209A109	Pearl 2837
M01209A110	Orange 2843
M01209A111	Warm Gray 2849
M01209A112	Blue 2864
M01209A113	Blue 4280/2688
M01209A114	Silver 2949
M01209A115	Yellow 2138
M01209A116	Silver 2980
M01209A117	Cool Gray 2957
M01209A118	Red End 2695
M01209A119	Green End 2594
M01209A120	Blue End 2969
M01209A121	Red End 2866
M01209A122	Blue End 2935
M01209A123	End 2866/End 2485
M01209A124	Blue End 2986
M01209A125	Beige 2993
Left Door Without CIM	
Door Part Number	Color
M01210A001	Gray1804
M01210A002	Black 1681
M01210A003	White 2485
M01210A004	Red 2738
M01211A023	End 2866/End 2485
M01210A005	Gray 2733
M01210A007	Blue 2773

Left Door Without CIM	
Door Part Number	Color
M01210A008	Stepping Stone SW2832
M01210A009	Pearl 2837
M01210A010	Orange 2843
M01210A013	Blue 4280/2688
M01210A014	Silver 2949
M01210A015	Yellow 2138
M01210A016	Silver 2980
M01210A017	Cool Gray 2957
M01210A018	Red End 2695
M01210A019	Green End 2594
M01210A020	Blue End 2969
M01210A021	Red End 2866
M01210A022	Blue End 2935
M01210A023	End 2866/End 2485
M01210A024	Blue End 2986
M01210A025	Beige 2993
Door Offset Without CIM	
Door Part Number	Color
M01211A001	Gray 1804
M01211A002	Black 1681
M01211A003	White 2485
M01211A004	Red 2738
M01211A005	Gray 2733
M01211A007	Blue 2773
M01211A008	Stepping Stone SW2832
M01211A009	Pearl 2837
M01211A010	Orange 2843
M01211A011	Warm Gray/2849
M01211A012	Blue End/2864
M01211A013	Blue 4280/2688
M01211A014	Silver 2949
M01211A015	Yellow 2138
M01211A016	Silver 2980
M01211A017	Cool Gray 2957
M01211A018	Red End 2695
M01211A019	Green End 2594
M01211A020	Blue End 2969
M01211A021	Red End 2866
M01211A022	Blue End 2935
M01211A024	Blue End 2986
M01211A025	Beige 2993

Center Door Without CIM	
Door Part Number	Color
M01212A001	Gray1804
M01212A002	Black 1681
M01212A003	White 2485
M01212A004	Red 2738
M01212A005	Gray 2733
M01212A007	Blue 2773
M01212A008	Stepping Stone SW2832
M01212A009	Pearl 2837
M01212A010	Orange 2843
M01212A011	Warm Gray 2849
M01212A012	Blue End/2864
M01212A013	Blue 4280/2688
M01212A014	Silver 2949
M01212A015	Yellow 2138
M01212A016	Silver 2980
M01212A017	Cool Gray 2957
M01212A018	Red End 2695
M01212A019	Green End 2594
M01212A020	Blue End 2969
M01212A021	Red End 2866
M01212A022	Blue End 2935
M01212A023	End 2866/End 2485
M01212A024	Blue End 2986
M01212A025	Beige 2993

Naming Convention for Encore S E-CIM Doors

Bezel List (5.7-inch Monochrome Display) - After E-CIM Change Over

Bezel No.	Description	5.7-inch Monochrome with Membrane Keypad										5.7-inch Monochrome with EPP or Next Generation Payment (NGP) (E700 S)						
		Non-CRIND 6-6-4 with Printer Door	No Cash No Scanner	No Cash with Scanner	With Cash (ADA) No Scanner	With Cash (ADA) with Scanner	With Cash (non-ADA) No Scanner	With Cash (non-ADA) with Scanner	No Cash with Scanner	With Cash (ADA) No Scanner	With Cash (ADA) with Scanner	With Cash (non-ADA) No Scanner	With Cash (non-ADA) with Scanner	No Cash with Scanner	With Cash (ADA) No Scanner	With Cash (ADA) with Scanner	With Cash (non-ADA) No Scanner	With Cash (non-ADA) with Scanner
0	No Boots	M10444A000	M07996A500	M07996A510	NA	NA	NA	NA	NA	NA	NA	NA	NA	NA	NA	NA	NA	NA
1	With Flapper, One Boot Right	M10444A101	M07996A601	M07996A611	M07996A641	M07996A651	NA	NA	NA	NA	NA	NA	M08486A601	M08486A611	M08486A641	M08486A651	NA	NA
2	With Flapper, One Boot Left	M10444A102	NA	NA	NA	NA	NA	NA	NA	NA	NA	NA	NA	NA	NA	NA	NA	NA
3	With Flapper, Two Boot Split	M10444A103	M07996A603	M07996A613	M07996A643	M07996A653	NA	NA	NA	NA	NA	NA	M08486A603	M08486A613	M08486A643	M08486A653	NA	NA
4	With Flapper, Two Boot Right	M10627A104	M10546A604	M10546A614	NA	NA	NA	NA	NA	NA	NA	NA	M10549A604	M10549A614	NA	NA	NA	NA
5	With Flapper, Three Boot	M10627A105	M10546A605	M10546A615	NA	NA	NA	NA	NA	NA	NA	NA	M10549A605	M10549A615	NA	NA	NA	NA
6	With Flapper, Four Boot	M10627A106	M10546A606	M10546A616	NA	NA	NA	NA	NA	NA	NA	NA	M10549A606	M10549A616	NA	NA	NA	NA
7	With Flapper, Three Boot (Mirrored)	M10627A107	M10546A607	M10546A617	NA	NA	NA	NA	NA	NA	NA	NA	M10549A607	M10549A617	NA	NA	NA	NA
8	With Lever, One Boot Right	M10444A201	M07996A701	M07996A711	M07996A741	M07996A751	NA	NA	NA	NA	NA	NA	M08486A701	M08486A711	M08486A751	M08486A251	NA	NA
9	With Lever, One Boot Left	M10444A202	M07996A702	M07996A712	M07996A742	M07996A752	NA	NA	NA	NA	NA	NA	M08486A702	M08486A712	M08486A752	NA	NA	NA
10	With Lever, Two Boot Split	M10444A203	M07996A703	M07996A713	M07996A743	M07996A753	NA	NA	NA	NA	NA	NA	M08486A703	M08486A713	M08486A753	M08486A253	NA	NA
11	With Lever, Two Boot Right	M10627A204	M10546A704	M10546A714	NA	NA	NA	NA	NA	NA	NA	NA	M10549A704	M10549A714	NA	NA	NA	NA
12	With Lever, Three Boot	M10627A205	M10546A705	M10546A715	NA	NA	NA	NA	NA	NA	NA	NA	M10549A705	M10549A715	NA	NA	NA	NA
13	With Lever, Four Boot	M10627A206	M10546A706	M10546A716	NA	NA	NA	NA	NA	NA	NA	NA	M10549A706	M10549A716	NA	NA	NA	NA

Naming Convention for Encore S E-CIM Doors

5.7-inch Monochrome with Membrane Keypad												5.7-inch Monochrome with EPP or Next Generation Payment (NGP) (E700 S)					
Bezel No.	Description	Non-CRIND 6-6-4 with Printer Door	No Cash No Scanner	No Cash with Scanner	With Cash (ADA) No Scanner	With Cash (ADA) with Scanner	With Cash (non-ADA) No Scanner	With Cash (non-ADA) with Scanner	No Cash No Scanner	No Cash with Scanner	With Cash (ADA) No Scanner	With Cash (ADA) with Scanner	With Cash (non-ADA) No Scanner	With Cash (non-ADA) with Scanner			
14	With Lever, Three Boot (Mirrored)	M10627A207	M10546A707	M10546A717	NA	NA	NA	NA	M10549A707	M10549A717	NA	NA	NA	NA			
15	CNG ANGI (Boots installed at ANGI)	M12679A019	M10546A509	M10546A519	NA	NA	NA	NA	M10549A509	M10549A519	NA	NA	NA	NA			

Bezel List (10.4-inch Color Display) - After E-CIM Change Over

Bezel No.	Description	10.4-inch Color with Membrane Keypad				10.4-inch Color with EPP or NGP (E700 S)							
		No Cash No Scanner	No Cash with Scanner	With Cash (ADA) No Scanner	With Cash (ADA) with Scanner	No Cash No Scanner	No Cash with Scanner	With Cash (ADA) No Scanner	With Cash (ADA) with Scanner	With Cash (non-ADA) No Scanner	With Cash (non-ADA) with Scanner		
0	No Boots	M07995A500	M07995A510	NA	NA	NA	NA	M08485A500	M08485A510	NA	NA	NA	NA
1	With Flapper, One Boot Right	M07995A601	M07995A611	M07995A641	M07995A651	NA	NA	M08485A601	M08485A611	M08485A641	M08485A651	NA	NA
2	With Flapper, One Boot Left	NA	NA	NA	NA	NA	NA	NA	NA	NA	NA	NA	NA
3	With Flapper, Two Boot Split	M07995A603	M07995A613	M07995A643	M07995A653	NA	NA	M08485A103	M08485A613	M08485A643	M08485A653	NA	NA
4	With Flapper, Two Boot Right	M10545A604	M10545A614	NA	NA	NA	NA	M10548A104	M10548A614	NA	NA	NA	NA
5	With Flapper, Three Boot	M10545A605	M10545A615	NA	NA	NA	NA	M10548A105	M10548A615	NA	NA	NA	NA
6	With Flapper, Four Boot	M10545A606	M10545A616	NA	NA	NA	NA	M10548A106	M10548A616	NA	NA	NA	NA
7	With Flapper, Three Boot (Mirrored)	M10545A607	M10545A617	NA	NA	NA	NA	M10548A107	M10548A617	NA	NA	NA	NA
8	With Lever, One Boot Right	M07995A701	M07995A711	M07995A741	M07995A751	NA	NA	M08485A201	M08485A711	M08485A741	M08485A751	NA	NA
9	With Lever, One Boot Left	M07995A702	M07995A712	M07995A742	M07995A752	NA	NA	NA	M08485A712	M08485A742	M08485A752	NA	NA
10	With Lever, Two Boot Split	M07995A703	M07995A713	M07995A43	M07995A753	NA	NA	M08485A203	M08485A713	M08485A743	M08485A753	NA	NA
11	With Lever, Two Boot Right	M10545A704	M10545A714	NA	NA	NA	NA	M10548A204	M10548A714	NA	NA	NA	NA
12	With Lever, Three Boot	M10545A705	M10545A715	NA	NA	NA	NA	M10548A205	M10548A715	NA	NA	NA	NA
13	With Lever, Four Boot	M10545A706	M10545A716	NA	NA	NA	NA	M10548A206	M10548A716	NA	NA	NA	NA
14	With Lever, Three Boot (Mirrored)	M10545A707	M10545A717	NA	NA	NA	NA	M10548A207	M10548A717	NA	NA	NA	NA
15	CNG ANGI (Boots installed at ANGI)	M10545A509	M10545A519	NA	NA	NA	NA	M10548A509	M10548A519	NA	NA	NA	NA

Europay, MasterCard, and Visa (EMV) - Before and After E-CIM Change Over

Bezel no.	Description	Bezel List - After E-CIM Change Over						Bezel List - Before E-CIM Change Over					
		No Cash No Scanner	No Cash with Scanner	With Cash (ADA) No Scanner	With Cash (ADA) with Scanner	With Cash (non-ADA) No Scanner	With Cash (non-ADA) with Scanner	No Cash No Scanner	No Cash with Scanner	With Cash (ADA) No Scanner	With Cash (ADA) with Scanner	With Cash (non-ADA) No Scanner	With Cash (non-ADA) with Scanner
0	No Boots	M07997A000	M07997A010	NA	NA	NA	NA	NA	NA	NA	NA	NA	NA
1	With Flapper, One Boot Right	M07997A101	M07997A111	NA	NA	M07997A181	NA	NA	NA	NA	NA	NA	NA
2	With Flapper, One Boot Left	NA	NA	NA	NA	NA	NA	NA	NA	NA	NA	NA	NA
3	With Flapper, Two Boot Split	M07997A103	M07997A113	NA	NA	M07997A183	NA	NA	NA	NA	NA	NA	NA
4	With Flapper, Two Boot Right	M10547A104	M10547A114	NA	NA	M10547A184	M10547A194	NA	NA	NA	NA	NA	NA
5	With Flapper, Three Boot	M10547A105	M10547A115	NA	NA	M10547A185	M10547A195	NA	NA	NA	NA	NA	NA
6	With Flapper, Four Boot	M10547A106	M10547A116	NA	NA	M10547A186	M10547A196	NA	NA	NA	NA	NA	NA
7	With Flapper, Three Boot (Mirrored)	M10547A107	M10547A117	NA	NA	M10547A187	M10547A197	NA	NA	NA	NA	NA	NA
8	With Lever, One Boot Right	M07997A201	M07997A211	NA	NA	M07997A281	NA	NA	NA	NA	NA	NA	NA
9	With Lever, One Boot Left	M07997A202	M07997A212	NA	NA	NA	NA	NA	NA	NA	NA	NA	NA
10	With Lever, Two Boot Split	M07997A203	M07997A213	NA	NA	M07997A283	NA	NA	NA	NA	NA	NA	NA
11	With Lever, Two Boot Right	M10547A204	M10547A214	NA	NA	M10547A284	M10547A294	NA	NA	NA	NA	NA	NA
12	With Lever, Three Boot	M10547A205	M10547A215	NA	NA	M10547A285	M10547A295	NA	NA	NA	NA	NA	NA
13	With Lever, Four Boot	M10547A206	M10547A216	NA	NA	M10547A286	M10547A296	NA	NA	NA	NA	NA	NA
14	With Lever, Three Boot (Mirrored)	M10547A207	M10547A217	NA	NA	M10547A287	M10547A297	NA	NA	NA	NA	NA	NA
15	CNG ANGI (Boots installed at ANGI)	M10547A509	M10547A519	NA	NA	NA	NA	NA	NA	NA	NA	NA	NA

Naming Convention for Encore S E-CIM Doors

The Encore S E-CIM door part numbers break down as:

Part Number		Description		
M07995		Color Door		
M07996		Monochrome Door		
M07997		EMV Door		
A	X	X	X	XXX
	0 = No Boots	0 = No Options	0 = No Boots	Color (refer to "Color Chart for Encore S/S E-CIM Doors")
	1 = Push-to-start	1 = Scanner	1 = Right	
	2 = Lift-to-start	4 = Cash Acceptor	2 = Left	
		5 = Cash & Scanner	3 = Both Boots	

For example, a number M07996A101002 = Monochrome door, no cash or scanner, 1 boot right in the 002 color of black.

Color Chart for Encore S/S E-CIM Doors

Master Color Code	Left Side	Center CIM	Right Side	Solid Door
001	White 2485	Black 2332	White 2485	-
002	-	-	-	Black 2332
003	Ming Blue 2948	Silver 2949	Ming Blue 2948	-
004	-	-	-	Blue 2773
005	-	-	-	White 2485
006	-	-	-	BP Pearl 2837
007	-	-	-	Gray 2600
008	-	-	-	Gray 2957
009	-	-	-	Gray 2733
010	Black 2332	Gray 2957	Black 2332	-
011	-	-	-	Blue 2864
012	Black 2332	Silver 2949	Black 2332	-
013	Red 2695	Silver 2949	Red 2695	-
014	Black 2332	Silver 2949	Black 2332	-
015	-	-	-	Silver 2949
016	Blue 2773	Silver 2949	Blue 2773	-
017	Silver 2949	Blue 2969	Silver 2949	-
018	Gray 2957	Black 2332	Gray 2957	-
019	Blue 2935	Silver 2949	Blue 2935	-
020	Blue 2986	Silver 2949	Blue 2986	-
021	-	-	-	Beige 2993
022	White 2485	Blue 2986	White 2485	-
023	Green 2594	Gray 2957	Green 2594	-

Master Color Code	Left Side	Center CIM	Right Side	Solid Door
024	Orange 3008	Silver 2949	Orange 3008	-
025	Blue 2969	Gray 2957	Blue 2969	-
026	-	-	-	Red 2695
027	Blue 3013	Gray 2957	Blue 3013	-
028	-	-	-	Red 2866
029	Silver 2949	Red 2695	Silver 2949	-

E-CIM Insert Chart for Encore S E-CIM Doors

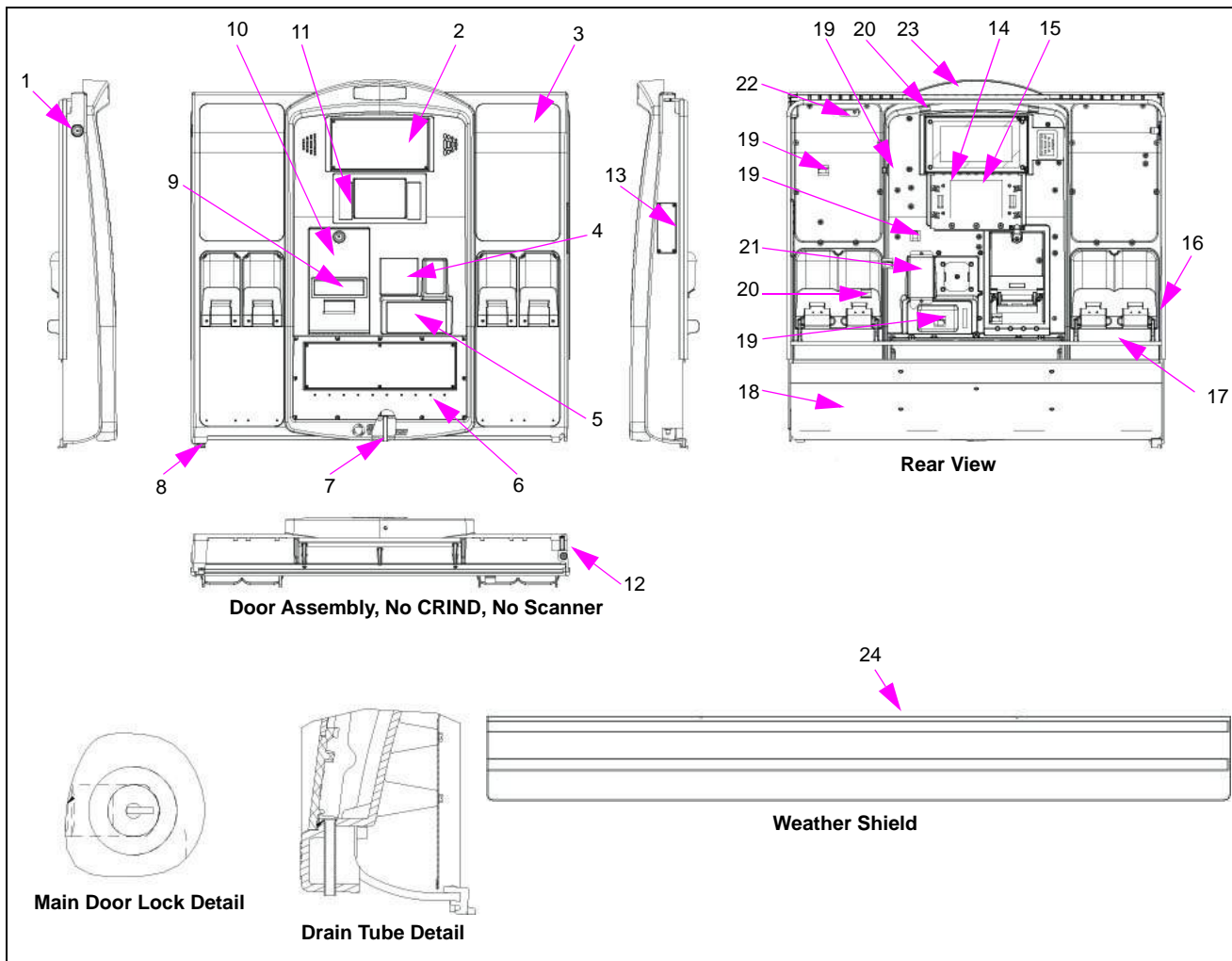
Item #	Door Assembly Part Number	Description	E-CIM Part Number
1	M07996A000XXX- M07996A2XXXXX	Non-EPP, Non-ADA 5.7" Mono	M08054A901XXX
2	M07995A1XXXXX- M07995A2XXXXX	Non-EPP, Non-ADA - 10.4"	M08055A901XXX
3	M07997A1XXXXX- M07997A2XXXXX	EMV	M08057A901XXX
4	M07996A6XXXXX- M07996A7XXXXX	Non-EPP with ADA 5.7" Mono	M08054A902XXX
5	M07995A6XXXXX- M07995A7XXXXX	Non-EPP with ADA	M08055A902XXX
6	M08486A000XXX- M08486A2XXXXX	EPP-Non ADA	M08484A901XXX
7	M08485A1XXXXX- M08485A2XXXXX	EPP-Non ADA	M08483A901XXX
8	M08486A6XXXXX- M08486A7XXXXX	EPP with ADA	M08484A902XXX
9	M08485A6XXXXX- M08485A7XXXXX	EPP with ADA	M08483A902XXX

Conversion Chart for Encore S Bezel Doors

Item#	Part Description	Part Number	Replaced by	Comments
1	Encore Door, Non-CRIND, No Boots	M07379A000	M06239A000	M06239A000 is no longer available <ul style="list-style-type: none"> • Use M10444A000 Encore Door with Printer. • Use M12654A000 Encore Door without Printer.
2	Encore Main Assembly (Image Door)	M06084A001	None	-
3	Encore Main Assembly (Image Door)	M06084A002	see Comments	Must order next assembly level up M06247AXXXXXX, Encore S series Bezel Door.
4	Encore Main Assembly (Image Door)	M06084A003	None	-
5	Encore Main Door Assembly, Color	M06914A001	None	-
6	Encore Main Door Assembly, Monochrome with Cash	M06914A002	None	-
7	Encore Main Door Assembly, Color with Cash	M06914A003	None	-
8	Encore Door with CRIND and Scanner	M06248A201	see Comments	M06248A201 is no longer available <ul style="list-style-type: none"> • Use M07996A711 and M14061K003 for Door with Membrane Keypad. • Use M08486A711 and M14061K004 for Door with EPP Keypad.
9	Encore Door with CRIND and Scanner	M06248A101	see Comments	M06248A101 is no longer available <ul style="list-style-type: none"> • Use M07996A611 and M14061K003 for Door with Membrane Keypad. • Use M08486A611 and M14061K004 for Door with EPP Keypad.
10	Encore Door with CRIND	M06247A201	see Comments	M06247A201 is no longer available <ul style="list-style-type: none"> • Use M07996A701 and M14061K001 for Door with Membrane Keypad. • Use M07996A701 and M14061K002 for Door with EPP Keypad.
11	Encore Door, Color with Boot	M07033A101	see Comments	M07033A101 is no longer available <ul style="list-style-type: none"> • Use M07995A601 and M14061K005 for Door with Membrane Keypad. • Use M08485A601 and M14061K006 for Door with EPP Keypad.

Encore S Weather Shield Door Assembly, No CRIND/Scanner

Note: This door is no longer available. (Reference only)

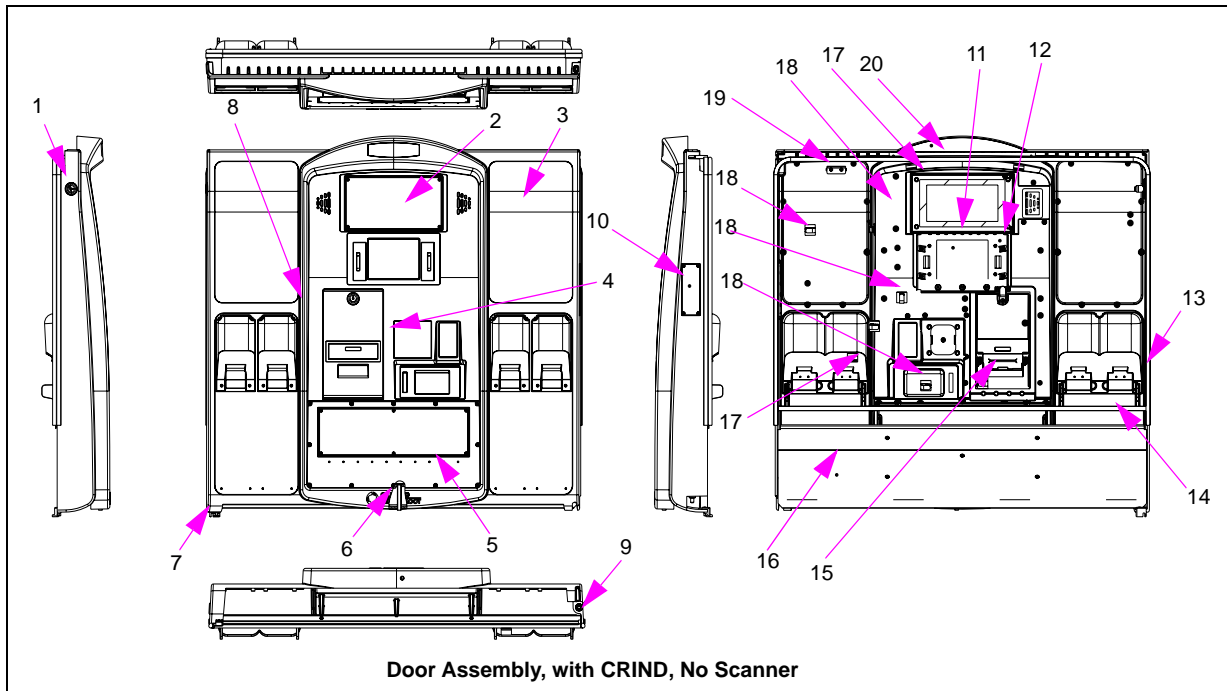


Item #	Part Description	Current Part	Previous Part	Quantity
1	Main Door Lock	Q12542-03	-	1
2	Main Display Lens (see note 1)	M05985K001	M05985B001	1
3	Encore Main Door (obsolete, see note 2)	-	M05691B001	1
4	TRIND Gasket	M06216B001	-	1
5	Blank CRIND Keypad	M01284A001	-	1
6	Assembly, PPU Lens and Panel	M07757A001	M06193A001	1
7	Drain Tube	M12542B001	M06534B001	1
8	Latch Support	M05736B002	-	1
9	Blanking Plate Softkey	M06048A001	-	1
10	Printer Door Assembly (see note 3)	M06071A002	-	1
11	Blanking Plate Monochrome Cabling Assembly	M06373A001	-	2
12	Pin, Lower Hinge	R19176-01	-	1
13	Totalizer Lens	M05986B001	-	1

Item #	Part Description	Current Part	Previous Part	Quantity
14	Monochrome Bracket	M05961A001	-	1
15	Monochrome Display Lens	M02650B001	-	1
16	Gasket, Flex with Bulb Encore Doors	Q12406-14	-	1
17	Gasket, Flex with Bulb Encore Doors	Q12406-13	-	1
18	Air Gap, Main Door Panel	M00328B003	-	1
19	Cable Mount, Adhesive Releasable	Q13558-04	-	5
20	Clamp, Adhesive Backed Flat Cable Mount	M01102B002	-	3
21	Card Reader Bracket	M00682B002	-	1
22	Door Prop Bracket	M06147B001	-	1
23	Plug, Bezel Hood	M06039B001	-	1
24	Weather Shield, Encore S Series	M06833A001	-	1
<p>Notes:</p> <ol style="list-style-type: none"> 1. M05985B001 Main Display Lens is sold as part of M05985K001 Encore S Main Display Kit [includes 8 lenses, 32 screws, and one adhesive, tube]. 2. No replacement. 3. M06071A00XXXX requires color codes and must be specified during order-entry. 4. Doors come in various colors. When placing the order, specify the color. Door graphics are order-entry items and must be ordered individually. For more color information, refer to "Door Assembly Table with Color Schemes" on page 2-10. 5. Not all parts listed are available as spare parts. 				

Encore S Door Assembly, with CRIND, No Scanner

Note: This door is no longer available. (Reference only)

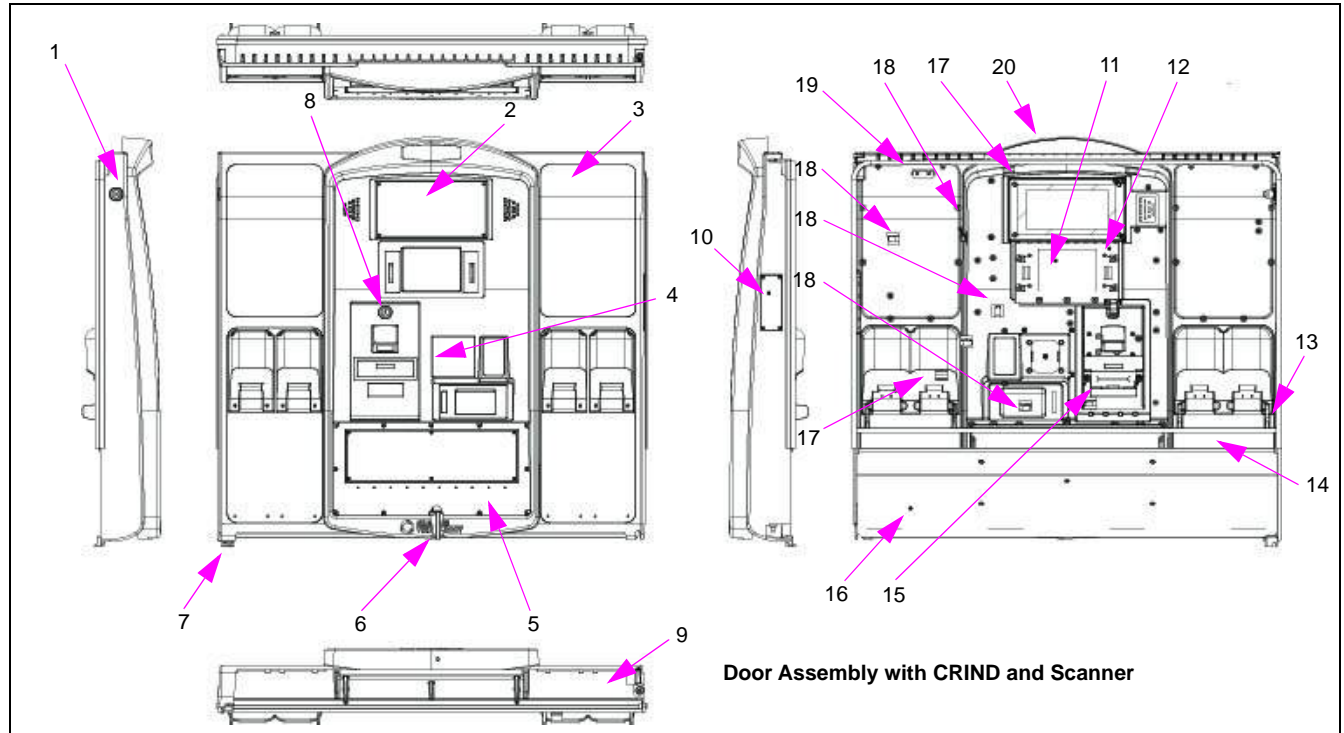


Item #	Part Description	Current Part	Previous Part	Quantity
1	Main Door Lock	Q12542-03	-	1
2	Main Display Lens	M05985B001	-	1
3	Encore Main Door	-	M05691B001	1
4	TRIND Gasket	M06216B001	-	1
5	Assembly, PPU Lens and Panel	M07757A001	M06193A001	1
6	Drain Tube	M06534B001	-	1
7	Latch Support	M05736B002	-	1
8	Printer Door Assembly	M06071A002	-	1
9	Pin, Lower Hinge	R19176-01	-	1
10	Totalizer Lens	M05986B001	-	1
11	Monochrome Display Lens	M02650B001	-	1
12	Monochrome Bracket	M05961A001	-	1
13	Gasket, Flex with Bulb Encore Doors	Q12406-14	-	1
14	Gasket, Flex with Bulb Encore Doors	Q12406-13	-	1
15	Gasket, Printer Chute	M06691B001	-	1
16	Air Gap, Main Door Panel	M00328B003	-	1
17	Clamp, Adhesive Backed Flat Cable Mount	M01102B002	-	3
18	Cable Mount, Adhesive Releasable	Q13558-04	-	5
19	Door Prop Bracket	M06147B001	-	1
20	Plug, Bezel Hood	M06039B001	-	1

Note: Doors come in various colors. When placing the order, specify the color. Door graphics are order-entry items and must be ordered individually. For more color information, refer to "Door Assembly Table with Color Schemes" on page 2-10.

Encore S Door Assembly, with CRIND and Scanner

Note: This door is no longer available. (Reference only)

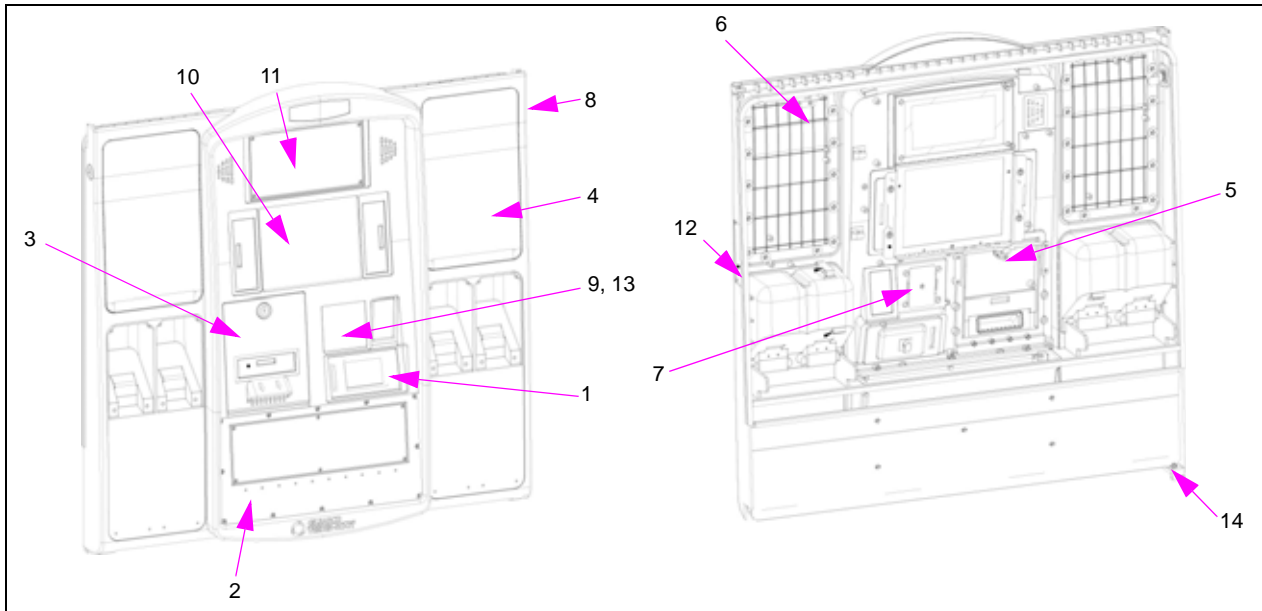


Item #	Part Description	Current Part	Previous Part	Quantity
1	Main Door Lock	Q12542-03	-	1
2	Main Display Lens	M05985B001	-	1
3	Encore Main Door	-	M05691B001	1
4	TRIND Gasket	M06216B001	-	1
5	Assembly, PPU Lens and Panel	M07757A001	M06193A001	1
6	Drain Tube	M06534B001	-	1
7	Latch Support	M05736B002	-	1
8	Printer Door Assembly	M06071A002	-	1
9	Pin, Lower Hinge	R19176-01	-	1
10	Totalizer Lens	M05986B001	-	1
11	Monochrome Display Lens	M02650B001	-	1
12	Monochrome Bracket	M05961A001	-	1
13	Gasket, Flex with Bulb Encore Doors	Q12406-14	-	1
14	Gasket, Flex with Bulb Encore Doors	Q12406-13	-	1
15	Gasket, Printer Chute	M06691B001	-	1
16	Air Gap Main Door Panel	M00328B003	-	1
17	Clamp, Adhesive Backed Flat Cable Mount	M01102B002	-	3
18	Cable Mount, Adhesive Releasable	Q13558-04	-	5
19	Door Prop Bracket	M06147B001	-	1
20	Plug, Bezel Hood	M06039B001	-	1

Note: Doors come in various colors. When placing the order, specify the color. Door graphics are order-entry items and must be ordered individually. For more color information, refer to "Door Assembly Table with Color Schemes" on page 2-10.

Encore S Door Assembly, with Color Monitor

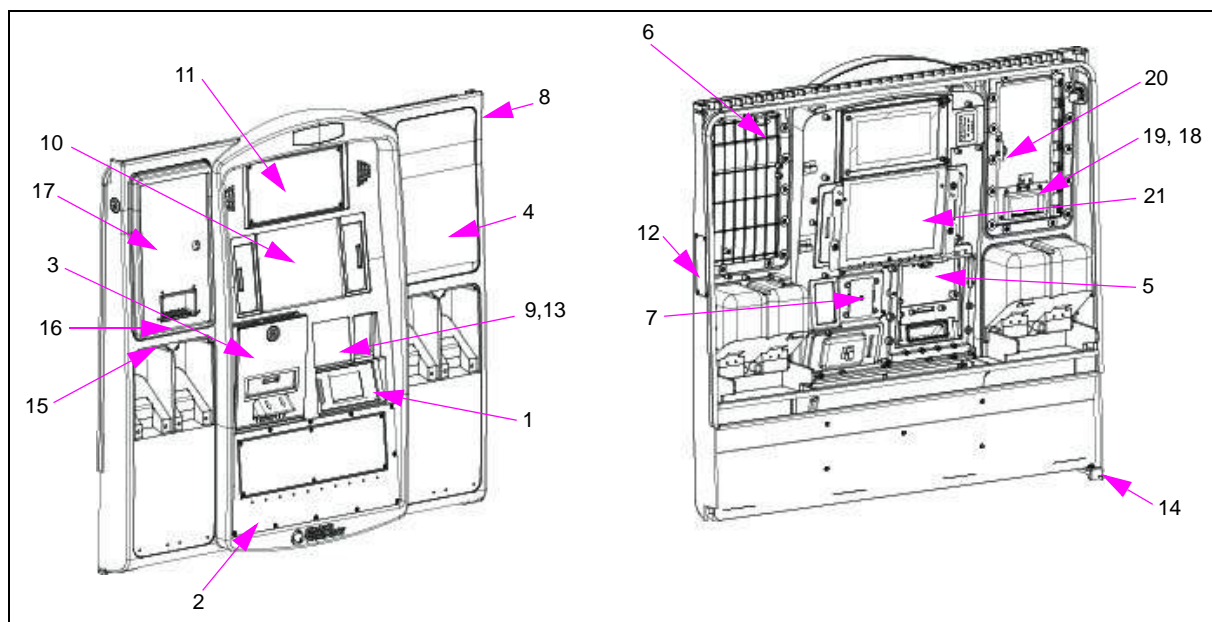
Note: This door is no longer available. (Reference only)



Item #	Part Description	Current Part	Previous Part	Quantity
1	Adhesive, Encore Keypad	M06966B001	-	1
2	Assembly, PPU Lens and Panel	M07757A001	M06193A001	1
3	Assembly, Printer Door Encore	M06974A001	-	1
4	Blanking Plate	M06850B001	-	2
5	Bracket, Lock Cam Guide	M06965B001	-	1
6	Bracket, Door Prop	M06147B002	-	1
7	Bracket, TRIND Plug Security	M06730B001	-	1
8	Door Main, Encore Color	-	M06815B001	1
9	Gasket, TRIND	M06010B002	-	1
10	Lens, Color 10.4"	M06870B001	-	1
11	Lens, Main Display	M05985B001	-	1
12	Lens, Totalizer	M05986B001	-	1
13	Plug, TRIND Opening	M06216B001	-	1
14	Support, Latch	M05736B002	-	1

Encore S Door Assembly, with Monochrome with Cash

Note: This door is no longer available. (Reference only)

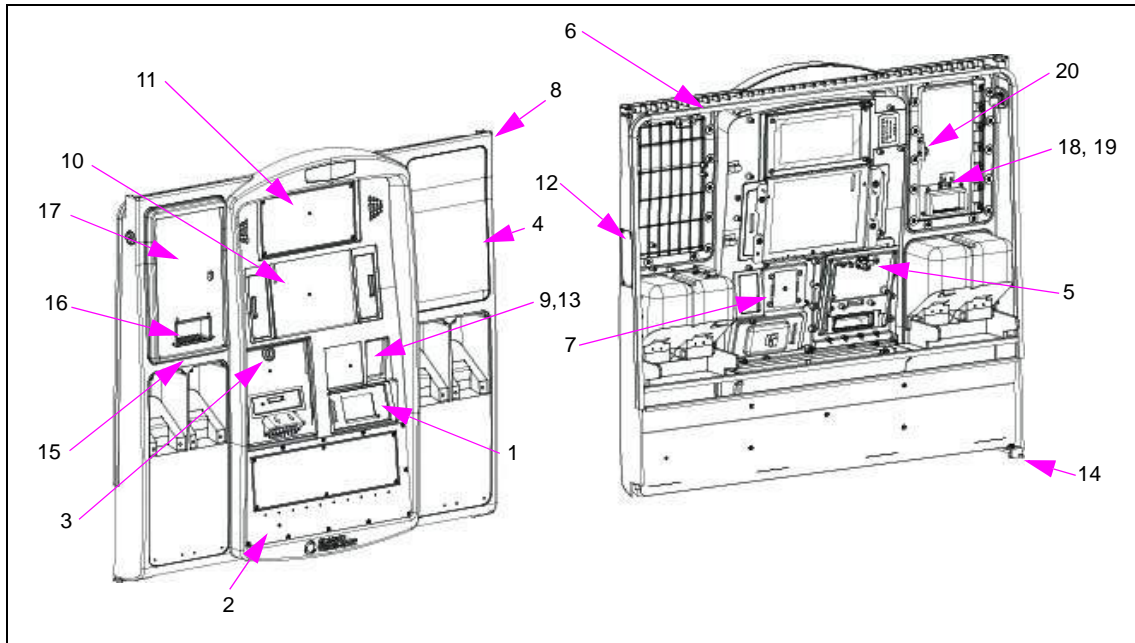


Item #	Part Description	Current Part	Previous Part	Quantity
1	Adhesive, Encore Keypad	M06966B001	-	1
2	Assembly, PPU Lens and Panel	M07757A001	M06193A001	1
3	Assembly, Printer Door Encore	M06974A001	-	1
4	Blanking Plate	M06850B001	-	2
5	Bracket, Lock Cam Guide	M06965B001	-	1
6	Bracket, Door Prop	M06147B002	-	1
7	Bracket, TRIND Plug Security	M06730B001	-	1
8	Door Main Encore Color (obsolete, see note)	-	M06815B001	1
9	Gasket, TRIND	M06010B002	-	1
10	Lens, Monochrome	M06870B002	-	1
11	Lens, Main Display	M05985B001	-	1
12	Lens, Totalizer	M05986B001	-	1
13	Plug, TRIND Opening	M06216B001	-	1
14	Support, Latch	M05736B002	-	1
15	Frame Door Note Acceptor (Machined)	M07443B010	-	1
16	Housing Note Receiver Entry Chute	M07446B010	-	1
17	Assembly, Door Security Note Acceptor	M07445A001	-	1
18	Bracket, Actuator Switch Mounting	M07616B001	-	1
19	Switch, Magnetic Reed	Q12514-02	-	1
20	Bracket, Lock Cam Guide	M07618B001	-	1
21	Monochrome Mounting Bracket	M07111A001	-	1

Note: No replacement.

Encore S Door Assembly, with Color with Cash

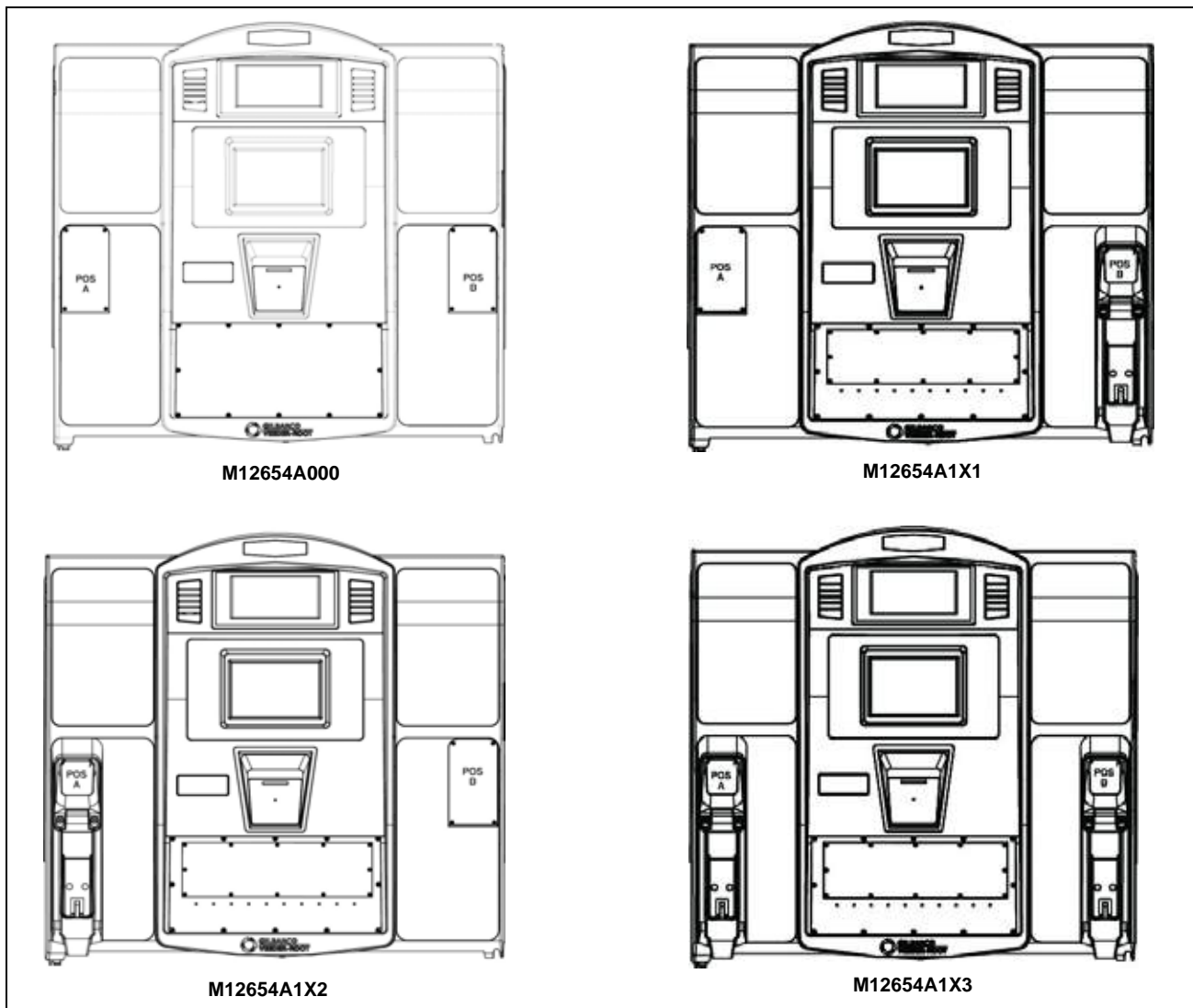
Note: This door is no longer available. (Reference only)



Item #	Part Description	Current Part	Previous Part	Quantity
1	Adhesive, Encore Keypad	M06966B001	-	1
2	Assembly, PPU Lens and Panel	M07757A001	M06193A001	1
3	Assembly, Printer Door, Encore	M06974A001	-	1
4	Blanking Plate	M06850B001	-	2
5	Bracket, Lock Cam Guide	M06965B001	-	1
6	Bracket, Door Prop	M06147B002	-	1
7	Bracket, TRIND Plug Security	M06730B001	-	1
8	Door Main Encore Color (obsolete, see note)	-	M06815B001	1
9	Gasket, TRIND	M06010B002	-	1
10	Lens, Color 10.4"	M06870B001	-	1
11	Lens, Main Display	M05985B001	-	1
12	Lens, Totalizer	M05986B001	-	1
13	Plug, TRIND Opening	M06216B001	-	1
14	Support, Latch	M05736B002	-	1
15	Frame Door Note Acceptor (Machined)	M07443B010	-	1
16	Housing, Note Receiver Entry Chute	M07446B010	-	1
17	Assembly, Door Security Note Acceptor	M07445A001	-	1
18	Bracket, Actuator Switch Mounting	M07616B001	-	1
19	Switch, Magnetic Reed	Q12514-02	-	1
20	Bracket, Lock Cam Guide	M07618B001	-	1

Note: No replacement.

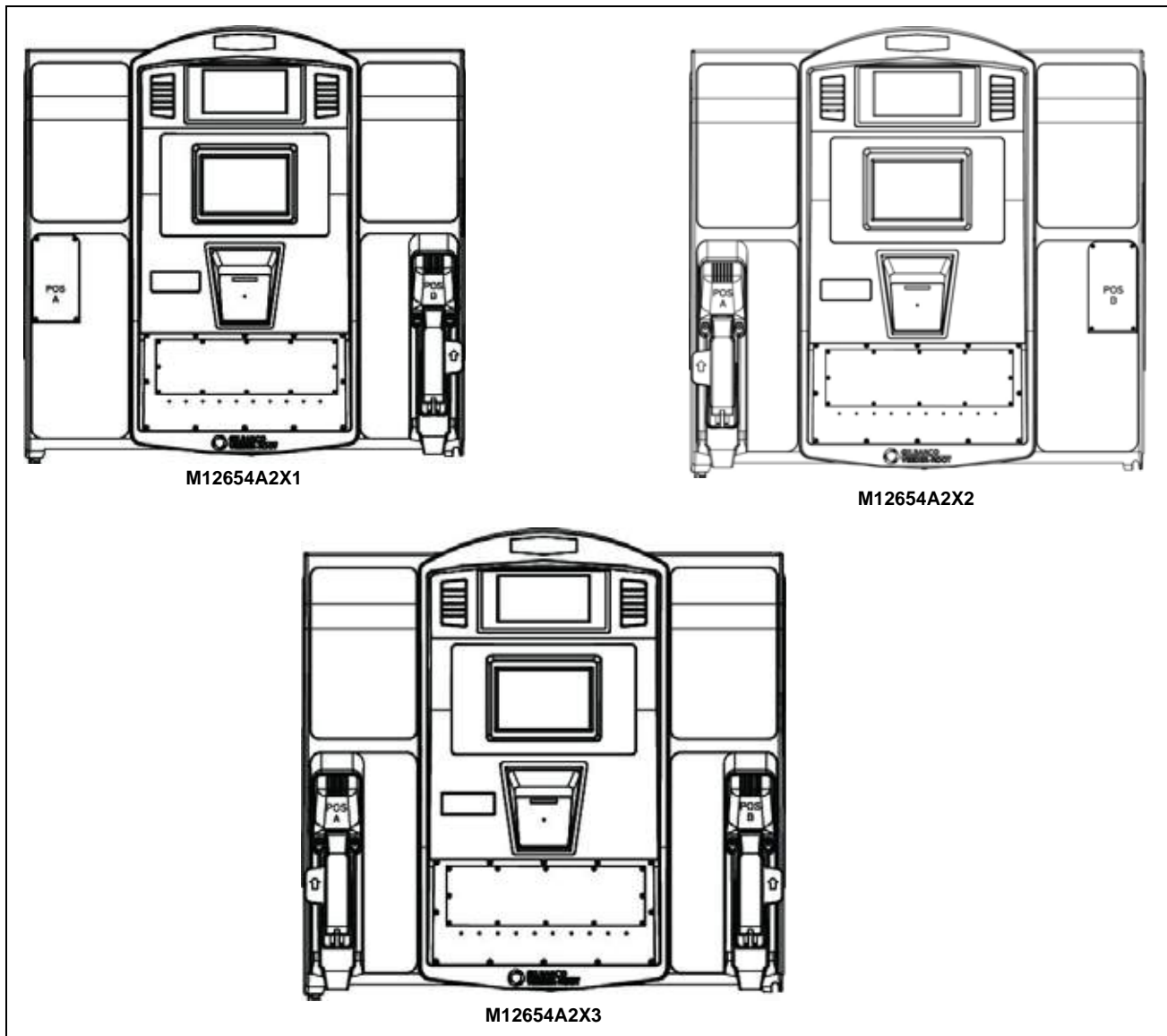
Encore E-CIM Bezel Door, Non-CRIND with Boots, Flapper Activated



Item #	Part Number	Nozzle Boot/ Position	Mounting Hardware/ Quantity	Blanking Plate/ Position	Mounting Hardware/ Quantity	Description
		M05912A001	M01118B004	M10339B001	M00419B313	
1	M12654A000	-	-	A and B	8	No Boot
2	M12654A1X1	B	2	A	4	Flapper Activated, One Boot Right
3	M12654A1X2	A	2	B	4	Flapper Activated, One Boot Left
4	M12654A1X3	A and B	4	-	-	Flapper Activated, Two Boots Split

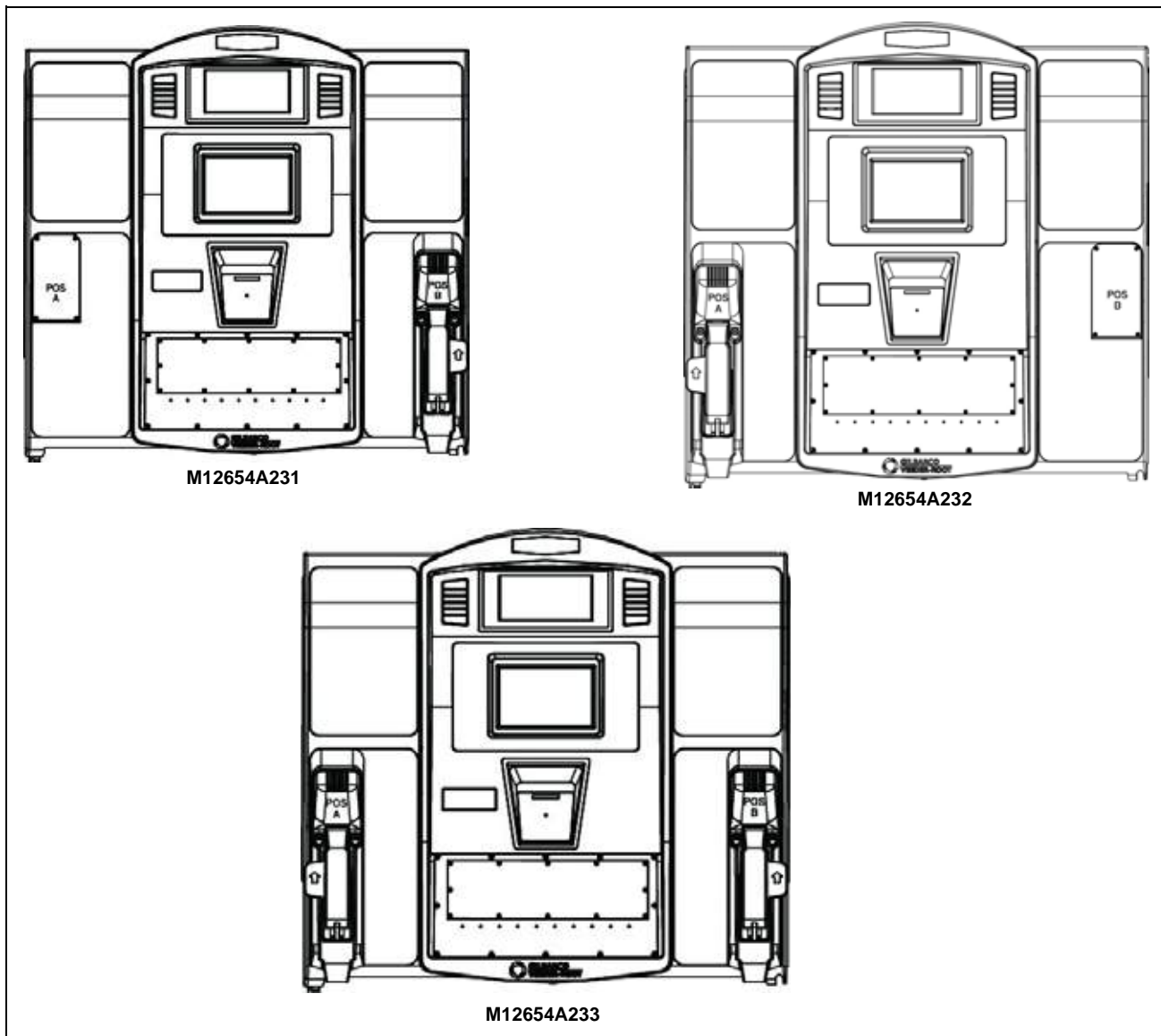
Note: For more information on blank door kits, refer to MDE-5215 Encore S/700 S Bezel Door Blank Kits (M13719K0XX) Installation Instructions.

Encore E-CIM Bezel Door, Non-CRIND with Boots, Lever Activated



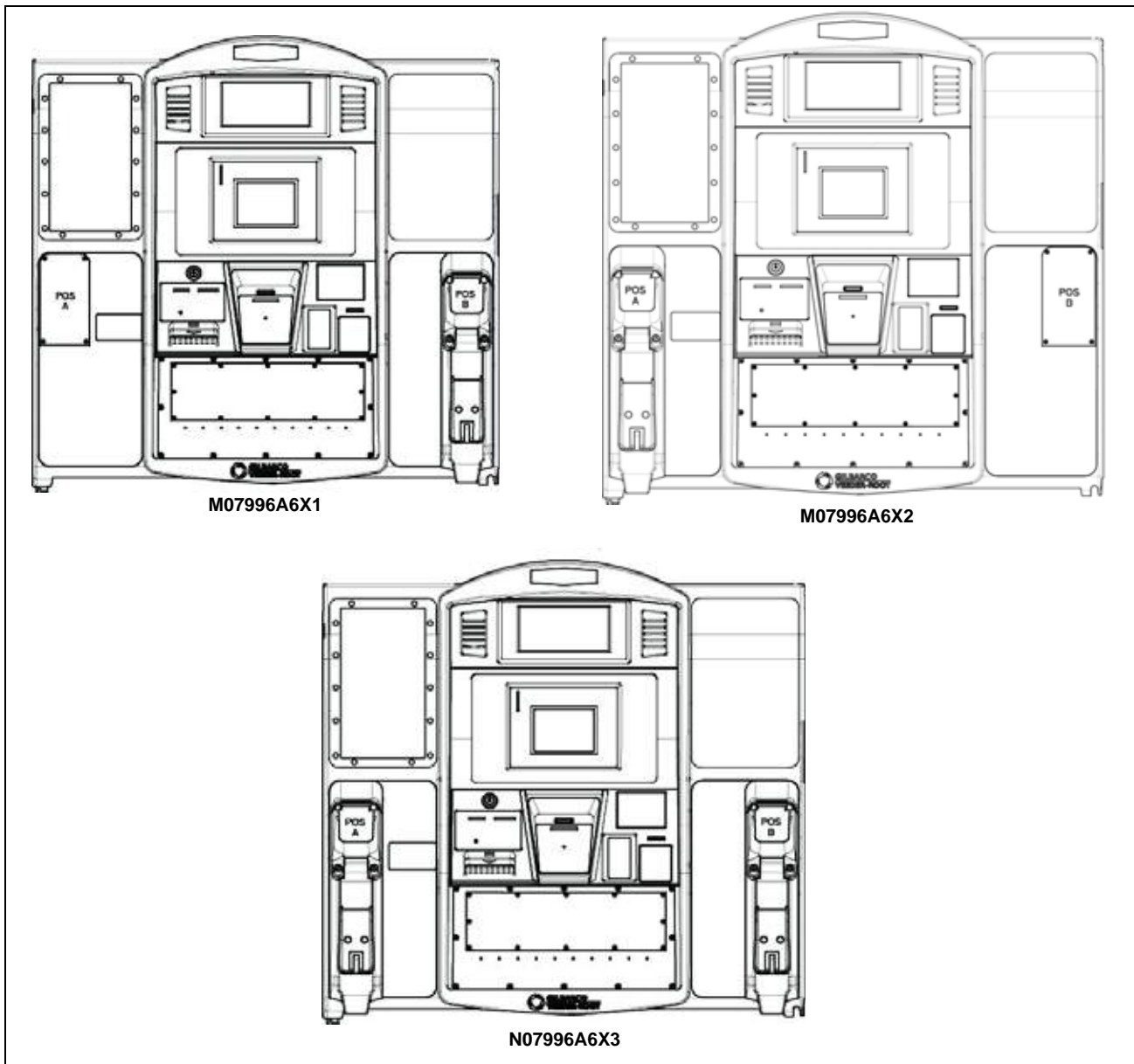
Item #	Part Number	Nozzle Boot/Position		Mounting Hardware/Quantity	Blanking Plate/Position	Mounting Hardware/Quantity	Description
		M05912A002	M05912A003				
1	M12654A2X1	B	-	2	A	4	Lever Activated, One Boot Right
2	M12654A2X2	-	A	2	B	4	Lever Activated, One Boot Left
3	M12654A2X3	B	A	4	-	-	Lever Activated, Two Boots Split

Encore E-CIM Blank, Non-CRIND with Boots, Lever Activated



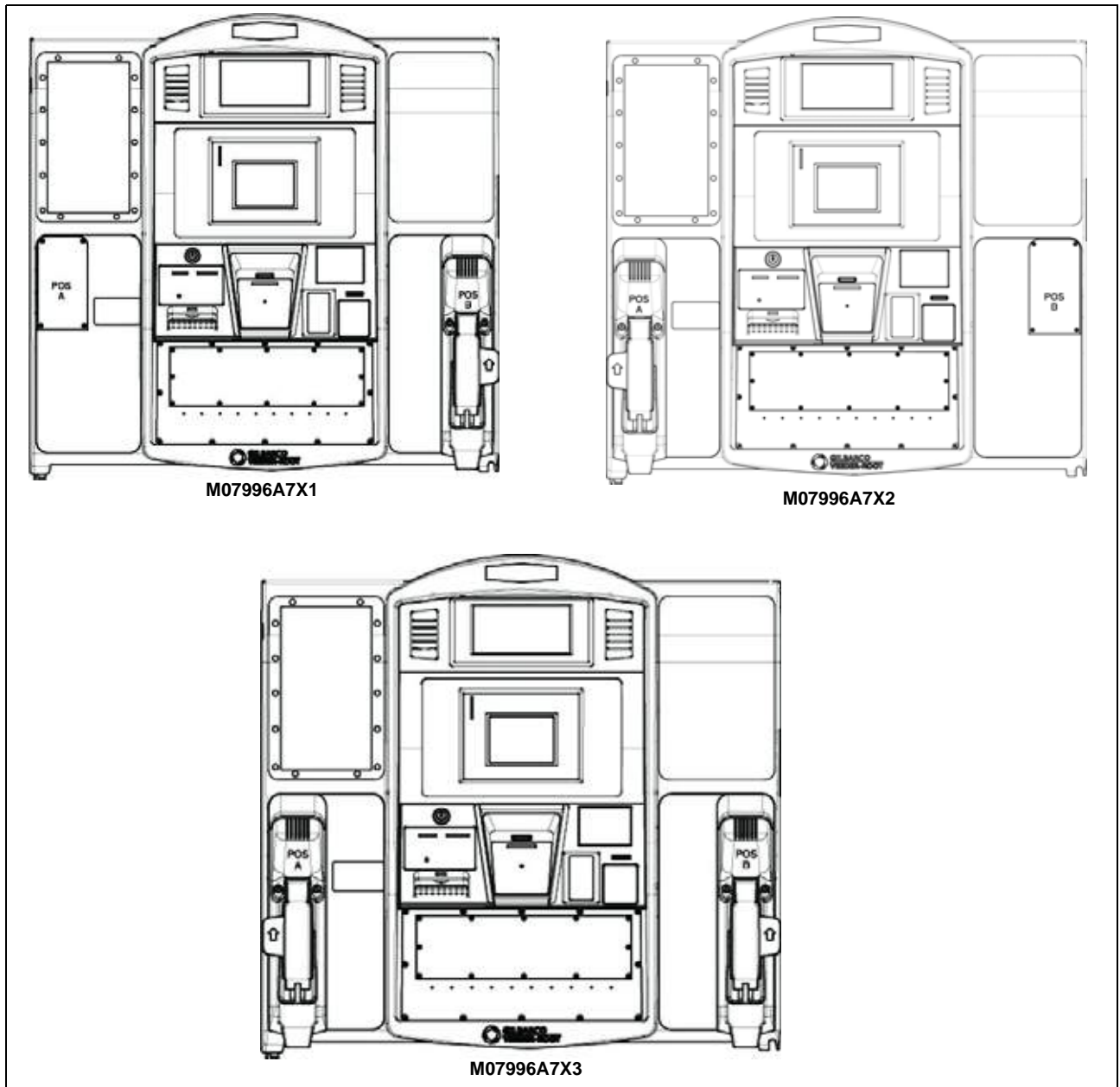
Item #	Part Number	Nozzle Boot/Position		Mounting Hardware/Quantity	Blanking Plate/Position	Mounting Hardware/Quantity	Description
		M05912A002	M05912A003				
1	M12654A231	B	-	2	A	4	Lever Activated, One Boot Right
2	M12654A232	-	A	2	B	4	Lever Activated, One Boot Left
3	M12654A233	B	A	4	-	-	Lever Activated, Two Boots Split

Encore E-CIM Door, with Boots, Flapper Activated



Item #	Part Number	Description	Nozzle Boot/ Position	Mounting Hardware/ Quantity	Blanking Plate/ Position	Mounting Hardware/ Quantity
			M05912A001	M01118B004	M10339B001	M00419B313
1	M07996A6X1	Flapper Activated, One Boot Right	B	2	A	4
2	M07996A6X2	Flapper Activated, One Boot Left	A	2	B	4
3	M07996A6X3	Flapper Activated, Two Boots Split	A and B	4	-	-
Not Shown						
-	M07996A5X0	No Boot	-	-	A and B	8

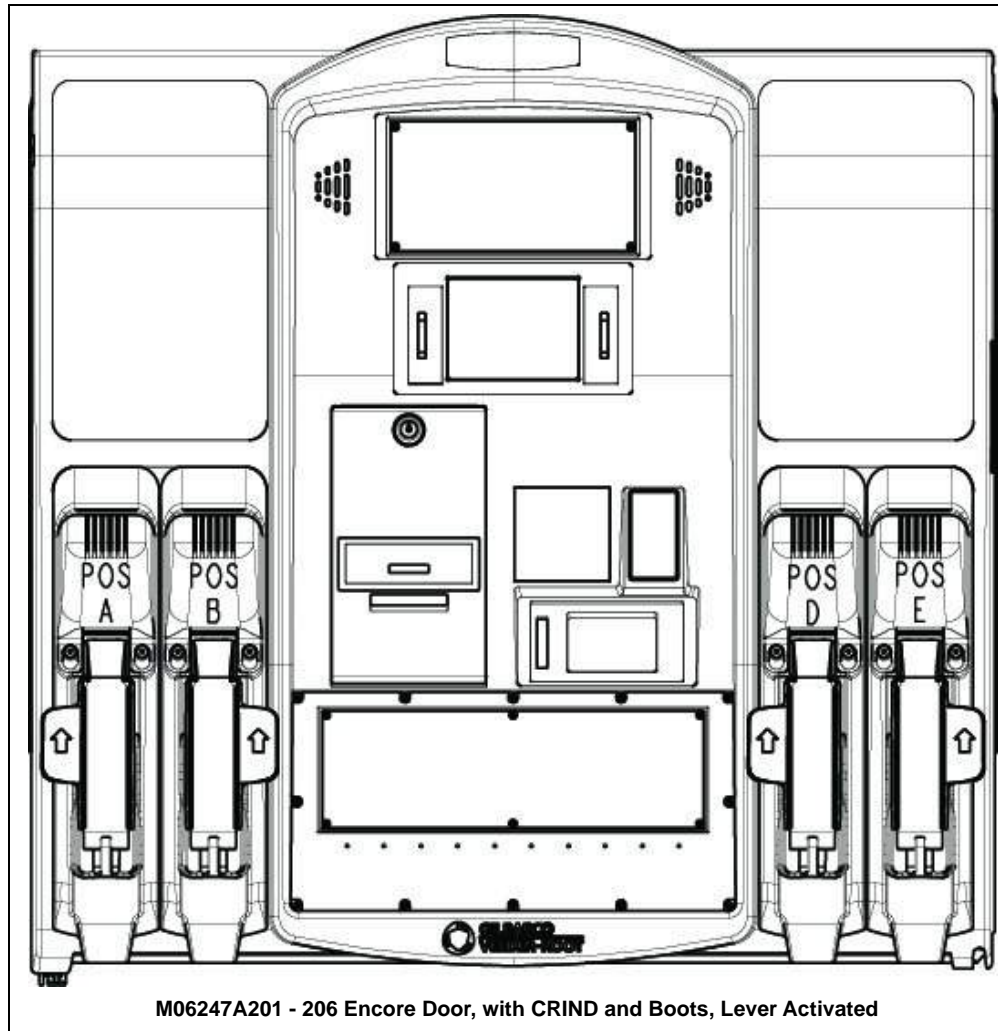
Encore E-CIM Door, with Boots, Lever Activated



Item #	Part Number	Description	Nozzle Boot/ Position		Mounting Hardware/ Quantity	Blanking Plate/ Position	Mounting Hardware/ Quantity
			M05912A001	M05912A002			
1	M07996A7X1	Lever Activated, One Boot Right	B	-	2	A	4
2	M07996A7X2	Lever Activated, One Boot Left	-	A	2	B	4
3	M07996A7X3	Lever Activated, Two Boots Split	B	A	4	-	-

Encore S Door with CRIND and Boots, Lever Activated

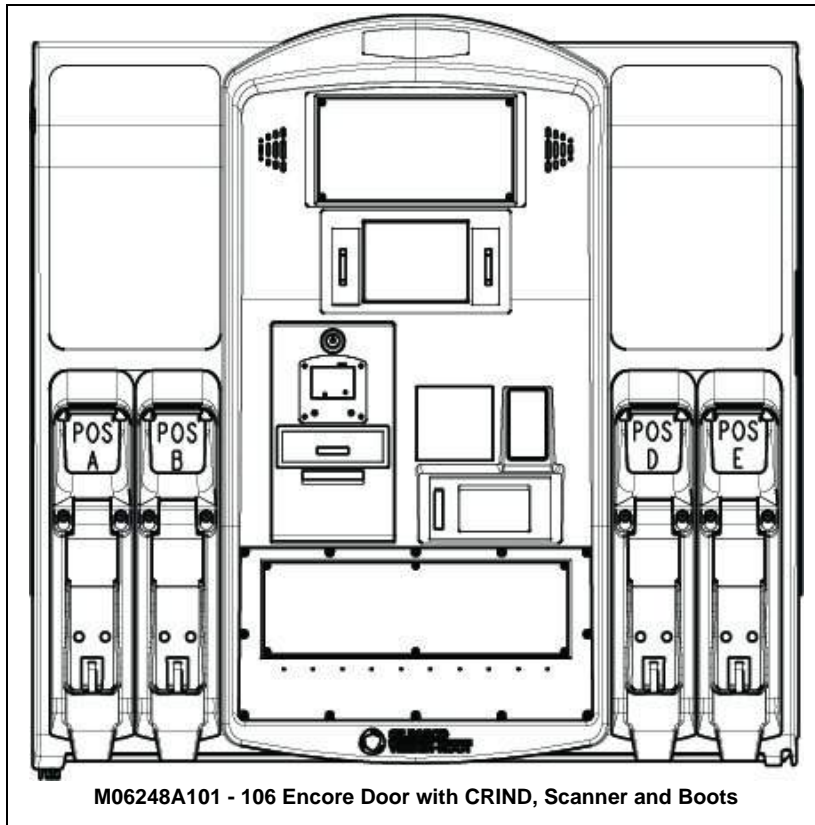
Note: M06247A201 - 206 doors are no longer available. (Reference only)



Item #	Part Number	Description	Nozzle Boot Position		Blanking Plate Position		
			M05912A002	M05912A003	M06322A001	M06322A002	M06324A001
1	M06247A201	Lever Activated, One Boot Right	E	-	D	-	AB
2	M06247A202	Lever Activated, One Boot Left	-	A	-	B	DE
3	M06247A203	Lever Activated, Two Boot Split	E	A	D	B	
4	M06247A204	Flapper Activated, Two Boot Split	E	D	-	-	AB
5	M06247A205	Flapper Activated, Two Boot Split	E	A and D	-	B	-
6	M06247A206	Lever Activated, Four Boot	B and E	A and D	-	-	-

Encore S Door with CRIND/Scanner and Boots, Flapper Activated

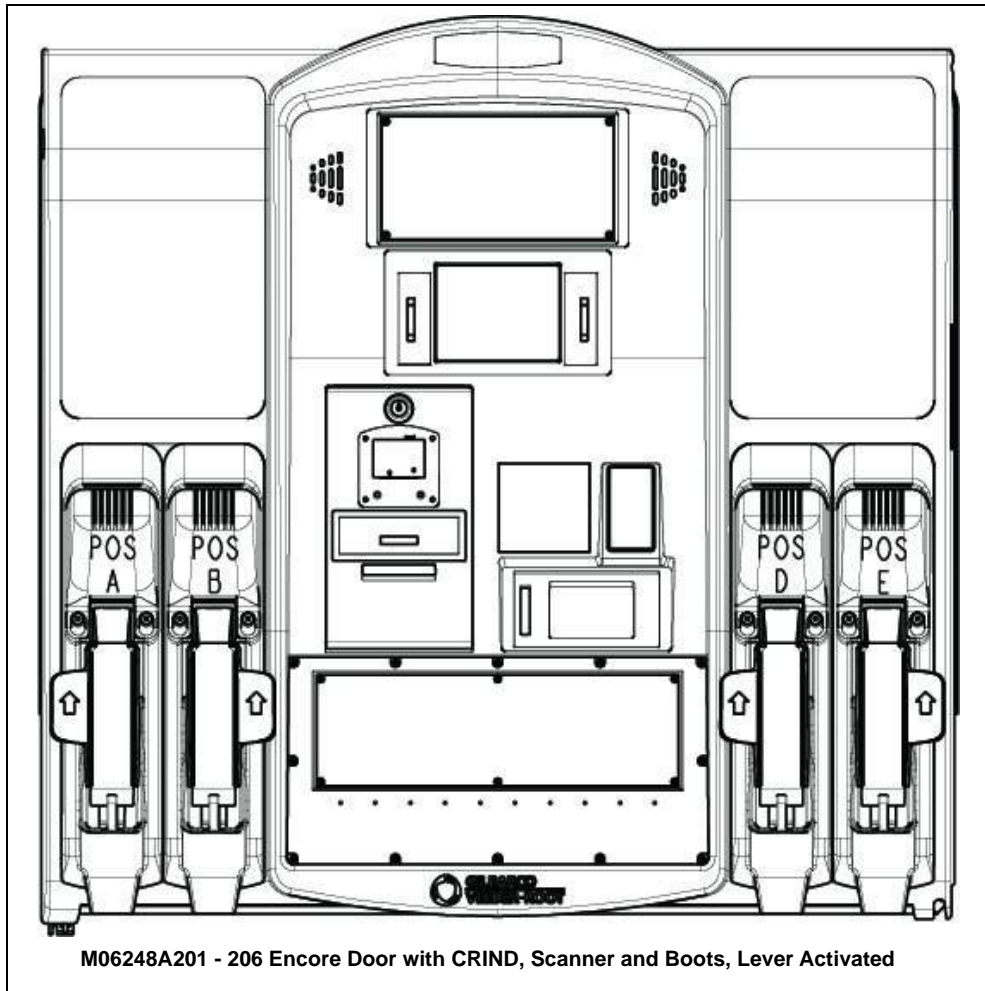
Note: M06248A101 - 106 doors are no longer available. (Reference only)



Item #	Part Number	Description	Nozzle Boot Position	Blanking Plate Position		
			M05912A001	M06322A001	M06322A002	M06324A001
1	M06248A101	Flapper Activated, One Boot Right	E	D	-	AB
2	M06248A102	Flapper Activated, One Boot Left	A	-	B	DE
3	M06248A103	Flapper Activated, Two Boot Split	A and E	D	B	-
4	M06248A104	Flapper Activated, Two Boot Right	D and E	-	-	AB
5	M06248A105	Flapper Activated, Three Boot	A, D, and E	-	B	-
6	M06248A106	Flapper Activated, Four Boot	A, B, D, and E	-	-	-

Encore S Door with CRIND/Scanner and Boots, Lever Activated

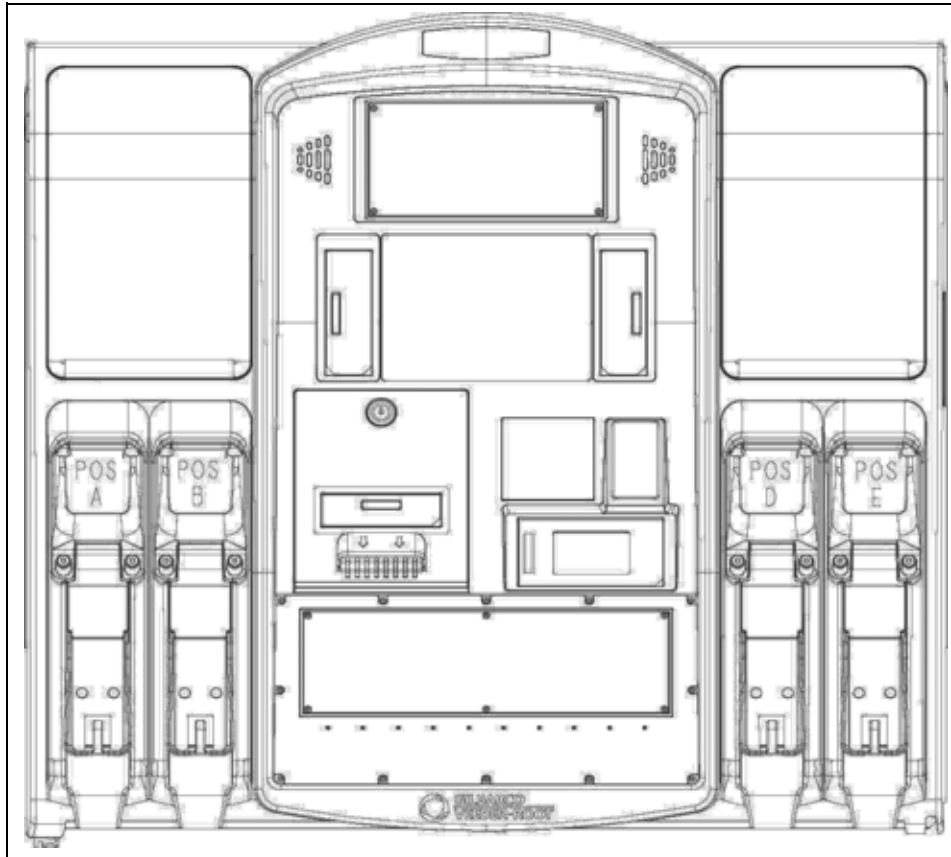
Note: M06248A201 - 206 doors are no longer available. (Reference only)



Item #	Part Number	Description	Nozzle Boot Position		Blanking Plate Position		
			M05912A002	M05912A003	M06322A001	M06322A002	M06324A001
1	M06248A201	Lever Activated, One Boot Right	E	-	D	-	AB
2	M06248A202	Lever Activated, One Boot Left	-	A	-	B	DE
3	M06248A203	Lever Activated, Two Boot Split	E	A	D	B	
4	M06248A204	Lever Activated, Two Boot Right	E	D	-	-	AB
5	M06248A205	Lever Activated, Three Boot	E	A and D	-	B	-
6	M06239A206	Lever Activated, Four Boot	B and E	A and D	-	-	-

Encore S Door with Color Monitor and Boots

Note: M07033AXXX doors are no longer available. (Reference only)



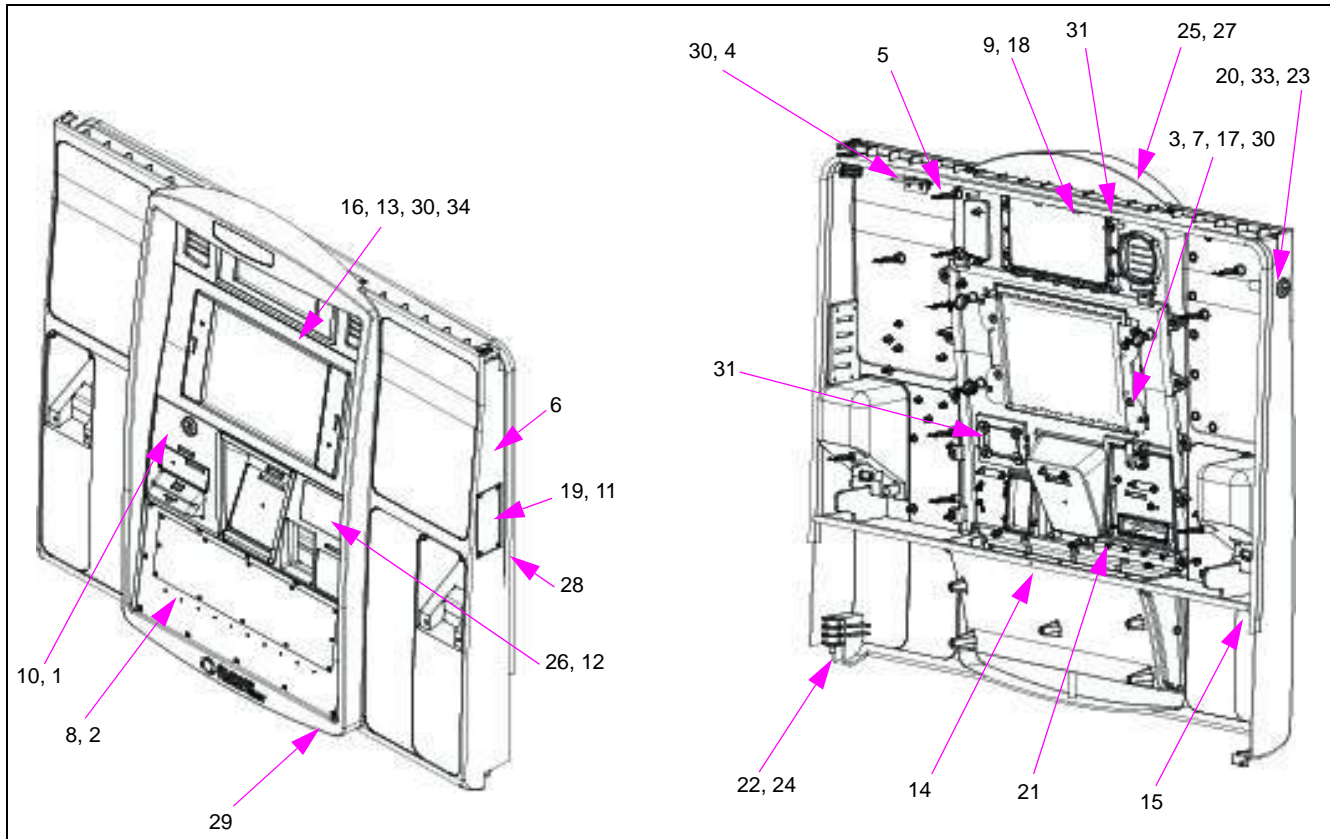
Part Number	Description	Nozzle Boot Position			Mounting Hardware/Quantity	Blanking Plate Position			Mounting Hardware/Quantity	
		M05912A001	M05912A002	M05912A003	M01118B002	M06322A001	M06322A002	M06324A001	M00419B311	M01118B001
M07033A101	Flapper Activated, One Boot Right	E	-	-	2	D	-	AB	4	4
M07033A501	Flapper Activated, One Boot Right	E	-	-	2	D	-	AB	4	4
M07033A701	Lever Activated, One Boot Right	-	E	-	2	D	-	AB	4	4
M07033A102	Flapper Activated, One Boot Left	A	-	-	2	-	B	DE	4	4
M07033A502	Flapper Activated, One Boot Left	A	-	-	2	-	B	DE	4	4
M07033A702	Lever Activated, One Boot Left	-	-	A	2	-	B	DE	4	4
M07033A103	Flapper Activated, Two Boot Split	A and E	-	-	4	D	B	-	4	4
M07033A503	Flapper Activated, Two Boot Split	-	E	A	4	D	B	-	4	4

Door Assemblies

Part Number	Description	Nozzle Boot Position			Mounting Hardware/ Quantity	Blanking Plate Position			Mounting Hardware/ Quantity	
		M05912A001	M05912 A002	M05912 A003	M01118 B002	M06322 A001	M06322 A002	M06324 A001	M00419 B311	M01118 B001
M07033A703	Lever Activated, Two Boot Split	-	E	A	4	D	B	-	4	4
M07033A104	Flapper Activated, Two Boot Right	D and E	-	-	4	-	-	AB	2	2
M07033A504	Flapper Activated, Two Boot Right	D and E	-	-	4	-	-	AB	2	2
M07033A704	Lever Activated, Two Boot Right	-	E	D	4	-	-	AB	2	2
M07033A105	Flapper Activated, Three Boot	A, D, and E	-	-	6	-	B	-	2	2
M07033A505	Flapper Activated, Three Boot	A, D, and E	-	-	6	-	B	-	2	2
M07033A705	Lever Activated, Three Boot	-	E	A and D	6	-	B	-	2	2
M07033A106	Flapper Activated, Four Boot	A, B, D, and E	-	-	8	-	-	-	-	-
M07033A506	Flapper Activated, Four Boot	A, B, D, and E	-	-	8	-	-	-	-	-
M07033A706	Lever Activated, Four Boot	-	B and E	A and D	8	-	-	-	-	-
M07033A107	Flapper Activated, Three Boot	A, B, and E	-	-	6	D	-	-	2	2
M07033A507	Flapper Activated, Three Boot	A, B, and E	-	-	6	D	-	-	2	2
M07033A707	Lever Activated, Three Boot	-	B and E	A	6	D	-	-	2	2

Part Number	Description	Nozzle Boot Position		Mounting Hardware /Quantity	Blanking Plate Position			Mounting Hardware/ Quantity	
		M05912 A002	M05912 A003	M01118 B002	M06322 A001	M06322 A002	M06324 A001	M00419 B311	M01118 B001
M07033A201	Lever Activated, One Boot Right	E	-	2	D	-	AB	4	4
M07033A601	Lever Activated, One Boot Right	E	-	2	D	-	AB	4	4
M07033A801	Lever Activated, One Boot Right	E	-	2	D	-	AB	4	4
M07033A202	Lever Activated, One Boot Left	-	A	2	-	B	DE	4	4
M07033A602	Lever Activated, One Boot Left	-	A	2	-	B	DE	4	4
M07033A802	Lever Activated, One Boot Left	-	A	2	-	B	DE	4	4
M07033A203	Lever Activated, Two Boot Split	E	A	4	D	B	-	4	4
M07033A603	Lever Activated, Two Boot Split	E	A	4	D	B	-	4	4
M07033A803	Lever Activated, Two Boot Split	E	A	4	D	B	-	4	4
M07033A204	Lever Activated, Two Boot Right	E	D	4	-	-	AB	2	2
M07033A604	Lever Activated, Two Boot Right	E	D	4	-	-	AB	2	2
M07033A804	Lever Activated, Two Boot Right	E	D	4	-	-	AB	2	2
M07033A205	Lever Activated, Three Boot	E	A and D	6	-	B	-	2	2
M07033A605	Lever Activated, Three Boot	E	A and D	6	-	B	-	2	2
M07033A805	Lever Activated, Three Boot	E	A and D	6	-	B	-	2	2
M07033A206	Lever Activated, Four Boot	B and E	A and D	8	-	-	-	-	-
M07033A606	Lever Activated, Four Boot	B and E	A and D	8	-	-	-	-	-
M07033A806	Lever Activated, Four Boot	B and E	A and D	8	-	-	-	-	-
M07033A207	Lever Activated, Three Boot	B and E	A	6	D	-	-	2	2
M07033A607	Lever Activated, Three Boot	B and E	A	6	D	-	-	2	2
M07033A807	Lever Activated, Three Boot	B and E	A	6	D	-	-	2	2

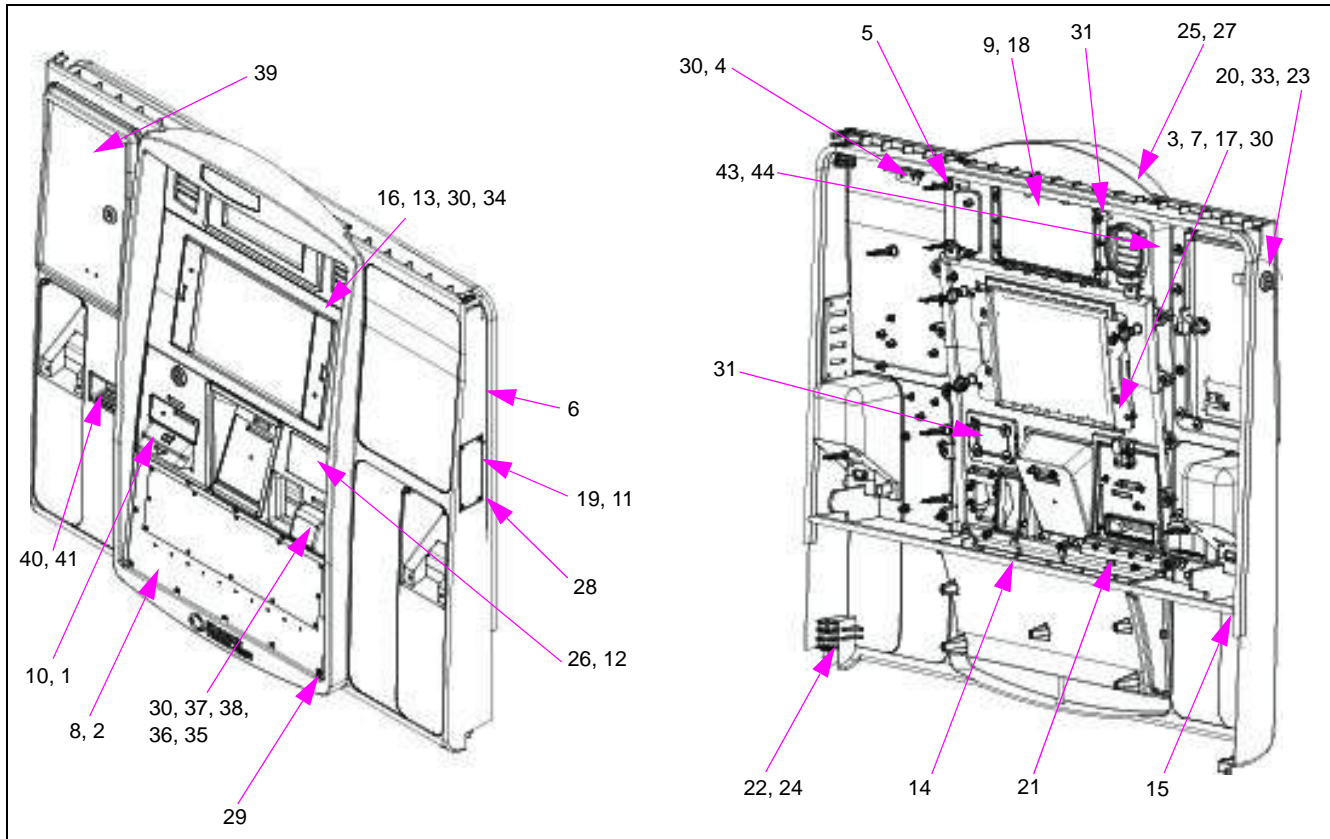
Encore S E-CIM Door Assembly, with 10.4-inch Display, No Cash and No Scanner



Item #	Part Description	Current Part	Quantity
1	Assembly, Printer Door for 3- or 7-button Keypad	M07991A001	1
	Assembly, Printer Door for Americans with Disabilities Act (ADA) Keypad	M07991A003	1
2	Assembly, PPU Lens and Panel	M07757A001	1
3	Assembly, Retainer Lens 10.4" Color	M06817A002	1
4	Bracket, Door Prop	M06147B002	1
5	Clip, Cable Push-in	M07914B001	13
6	Door, Main Encore S E-CIM	M07447B001	1
7	Gasket, Color Display, 12.1"	M07668B001	1
8	Gasket, PPU Panel	M05954B001	1
9	Gasket, Price, Volume Display	M07667B001	1
10	Gasket, Printer Door	M07652B001	1
11	Gasket, Totalizer	M07655B001	1
12	Gasket, TRIND Lens	M07715B001	1
13	Gasket, Cord	M08000B001	1
14	Gasket, Flex with Bulb Encore Doors	Q12406-18	1

Item #	Part Description	Current Part	Quantity
15	Gasket, Flex with Bulb Encore Doors	Q12406-19	1
16	Insert Main Door E-CIM	M07450B002	1
17	Lens, 12.1" Screen	M07656B001	1
18	Lens, Main Display	M07697B001	1
19	Lens, Totalizer	M05986B001	1
20	Lock, Cylinder Face Sealing	Q12542-22	1
21	Nut, Metric, Hexagonal with External M3 Blue	Q12885-03	4
22	O-ring 0.114 X 0.070	Q10066-06	1
23	O-ring 0.801 X 0.070	Q10066-19	1
24	Pin, Lower Hinge	R19176-01	1
25	Plug, Hood Blanking	M07717B001	1
26	Plug, TRIND Encore S E-CIM	M07907B001	1
27	Screw, Flat-head Phillips®, M3 X 8	M00419B311	2
28	Screw, Oval-head Phillips, M3 X 8	M00419B101	4
29	Screw, Oval-head Phillips with Washer, M3 X 10	M00419B202	12
30	Screw, Hexagonal Washer Head Thread Forming	Q11677-24	14
31	Screw, Special, #6-20 X 3/8 Thread Forming	M08070B001	12
32	Tube, Drain	M06534B001	1
33	Washer, Double D	Q12587-01	1
34	Gasket, Closed Cell Neoprene	027065	A/R

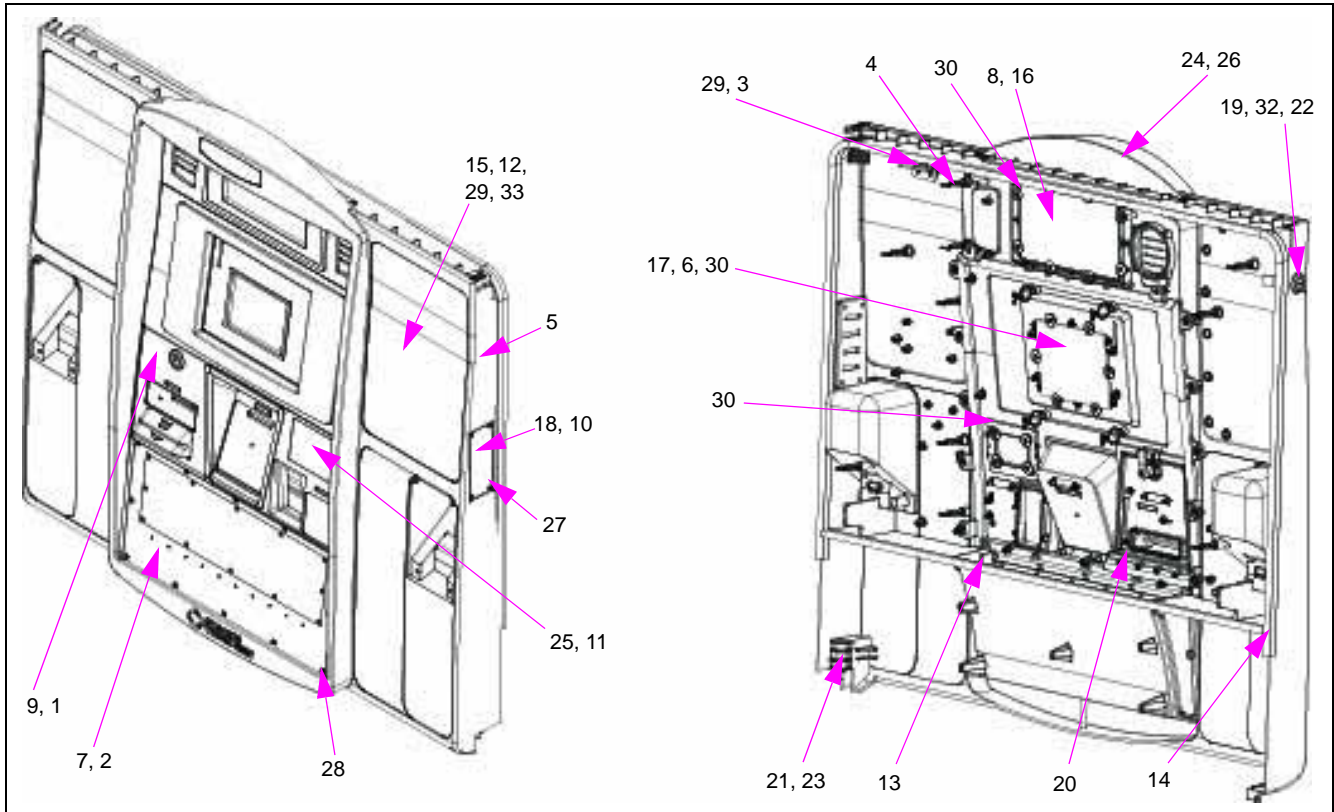
Encore S E-CIM Door Assembly, with 10.4-inch Display, with Cash and Scanner



Item #	Part Description	Current Part	Previous Part	Quantity
1	Assembly, Printer Door for 3- or 7-button Keypad	M07991A002	-	1
	Assembly, Printer Door for ADA Keypad	M07991A003	-	1
2	Assembly, PPU Lens and Panel	M07757A001	-	1
3	Assembly, Retainer Lens 10.4" Color	M06817A002	-	1
4	Bracket, Door Prop	M06147B002	-	1
5	Clip, Cable Push-in	M07914B001	-	11
6	Door, Main Encore S E-CIM	M07447B002	-	1
7	Gasket, Color Display, 12.1"	M07668B001	-	1
8	Gasket, PPU Panel	M05954B001	-	1
9	Gasket, Price, Volume Display	M07667B001	-	1
10	Gasket, Printer Door	M07652B001	-	1
11	Gasket, Totalizer	M07655B001	-	1
12	Gasket, TRIND Lens	M07715B001	-	1
13	Gasket, Cord	M08000B001	-	1
14	Gasket, Flex with Bulb Encore Doors	Q12406-18	-	1
15	Gasket, Flex with Bulb Encore Doors	Q12406-19	-	1

Item #	Part Description	Current Part	Previous Part	Quantity
16	Insert Main Door E-CIM (obsolete, see note)	-	M07450B032	1
17	Lens, 12.1" Screen	M07656B001	-	1
18	Lens, Main Display	M07697B001	-	1
19	Lens, Totalizer	M05986B001	-	1
20	Lock, Cylinder Face Sealing	Q12542-22	-	1
21	Nut, Metric, Hexagonal with External M3 Blue	Q12885-03	-	4
22	O-ring 0.114 X 0.070	Q10066-06	-	1
23	O-ring 0.801 X 0.070	Q10066-19	-	1
24	Pin, Lower Hinge	R19176-01	-	1
25	Plug, Hood Blanking	M07717B001	-	1
26	Plug, TRIND Encore S E-CIM	M07907B001	-	1
27	Screw, Flat-head Phillips, M3 X 8	M00419B311	-	2
28	Screw, Oval-head Phillips, M3 X 8	M00419B101	-	4
29	Screw, Oval-head Phillips with Washer, M3 X 10	M00419B202	-	12
30	Screw, Hexagonal Washer Head Thread Forming	Q11677-24	-	18
31	Screw, Special, #6-20 X 3/8 Thread Forming	M08070B001	-	16
32	Tube, Drain	M06534B001	-	1
33	Washer Double D	Q12587-01	-	1
34	Gasket, Closed Cell Neoprene	027065	-	A/R
35	Scanner Cover, Molded	M07663B001	-	1
36	Gasket, Scanner Hood	M07718B001	-	1
37	Lens, Scanner	M06696B001	-	1
38	Gasket, Scanner Lens	M06697B001	-	1
39	Assembly, Note Acceptor Access Door	M07721A002	-	1
40	Gasket, Note Acceptor	M08050B001	-	1
41	Housing, Note Receiver Entry Chute	M08051B001	-	1
42	Lock, Cylinder Face Sealing	Q12542-24	-	1
43	Screw, Metric Pan-head SEMS M3.0 X 8	Q12845-34	-	14
44	Washer, Flat	N16599-60	-	14
<i>Note: No replacement.</i>				

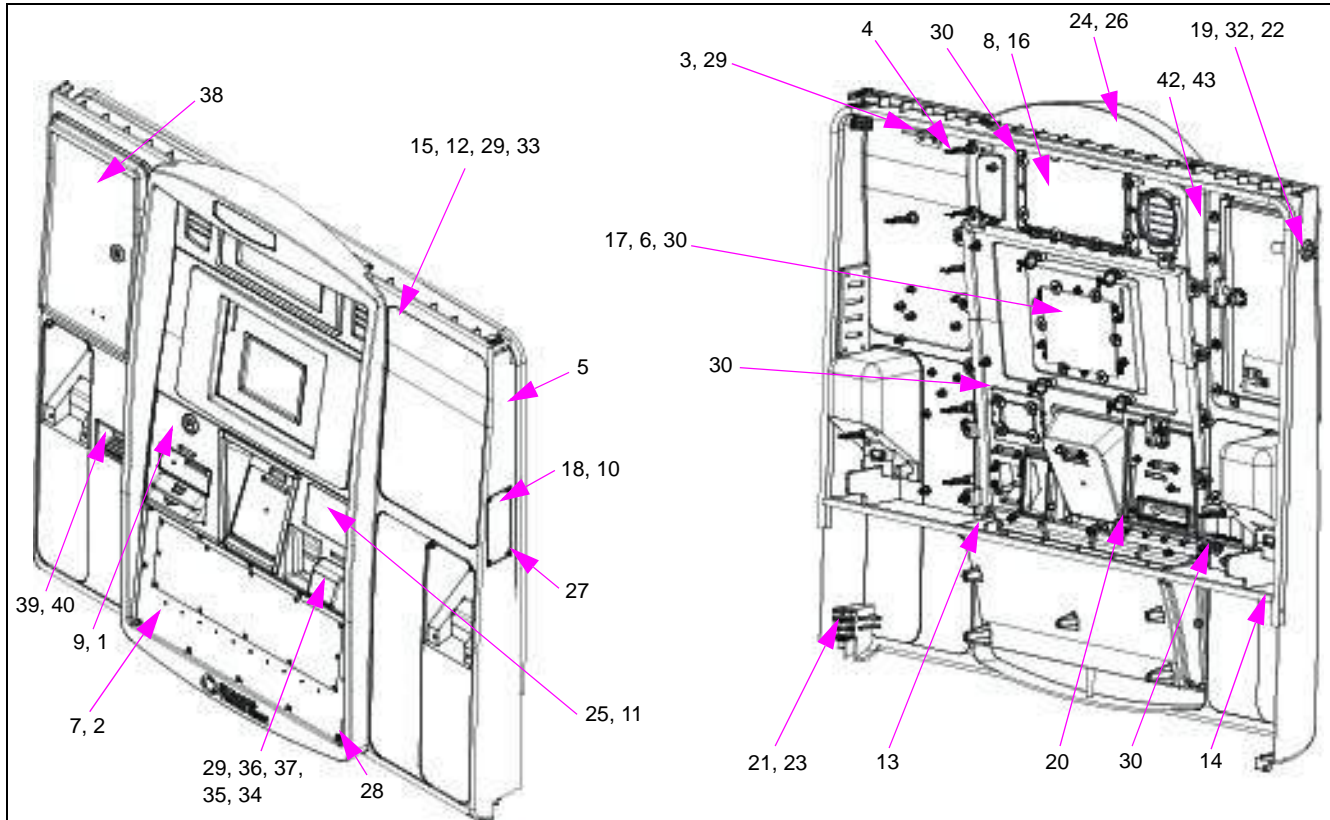
Encore S E-CIM Door Assembly, with Monochrome, No Cash and No Scanner



Item #	Part Description	Current Part	Quantity
1	Assembly, Printer Door for 3- or 7-button Keypad	M07991A001	1
	Assembly, Printer Door for ADA Keypad	M07991A003	1
2	Assembly, PPU Lens and Panel	M07757A001	1
3	Bracket, Door Prop	M06147B002	1
4	Clip, Cable Push-in	M07914B001	14
5	Door, Main Encore S E-CIM	M07447B001	1
6	Gasket, Monochrome Lens	M07669B001	1
7	Gasket, PPU Panel	M05954B001	1
8	Gasket, Price, Vol Display	M07667B001	1
9	Gasket, Printer Door	M07652B001	1
10	Gasket, Totalizer	M07655B001	1
11	Gasket, TRIND Lens	M07715B001	1
12	Gasket, Cord	M08000B001	1
13	Gasket, Flex with Bulb Encore Doors	Q12406-18	1
14	Gasket, Flex with Bulb Encore Doors	Q12406-19	1
15	Insert Main Door E-CIM	M07450B003	1
16	Lens, Main Display	M07697B001	1

Item #	Part Description	Current Part	Quantity
17	Lens, Monochrome Display	M02650B001	1
18	Lens, Totalizer	M05986B001	1
19	Lock, Cylinder Face Sealing	Q12542-22	1
20	Nut, Metric, Hexagonal with External M3 Blue	Q12885-03	4
21	O-ring 0.114 X 0.070	Q10066-06	1
22	O-ring 0.801 X 0.070	Q10066-19	1
23	Pin, Lower Hinge	R19176-01	1
24	Plug, Hood Blanking	M07717B001	1
25	Plug, TRIND Encore S E-CIM	M07907B001	1
26	Screw, Flat-head Phillips, M3 X 8	M00419B311	2
27	Screw, Oval-head Phillips, M3 X 8	M00419B101	4
28	Screw, Oval-head Phillips with Washer, M3 X 10	M00419B202	12
29	Screw, Hexagonal Washer Head Thread Forming	Q11677-24	10
30	Screw, Special, #6-20 X 3/8 Thread Forming	M08070B001	18
31	Tube, Drain	M06534B001	1
32	Washer, Double D	Q12587-01	1
33	Gasket, Closed Cell Neoprene	027065	(see note)
<i>Note: Quantity as required per part or assembly.</i>			

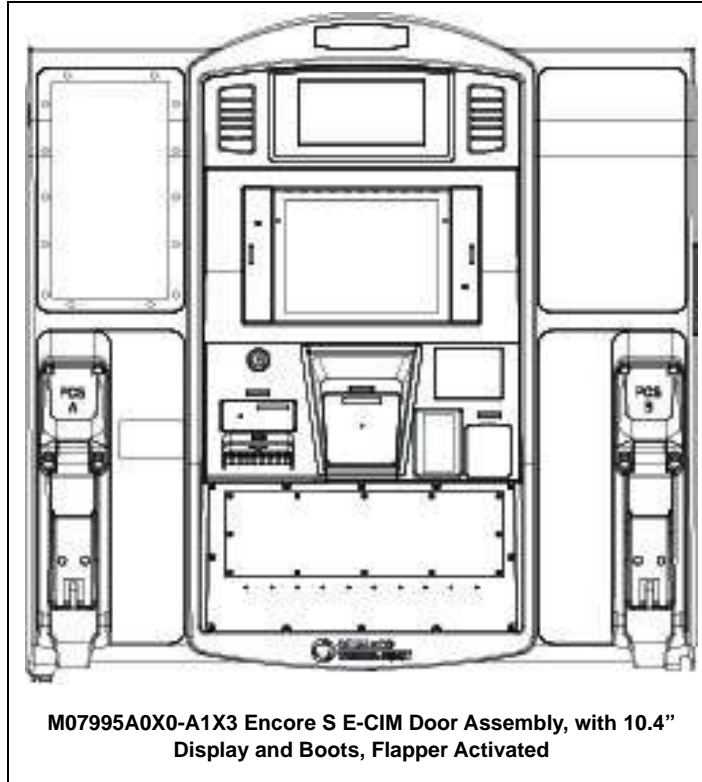
Encore S E-CIM Door Assembly, with Monochrome, with Cash and Scanner



Item #	Part Description	Current Part	Previous Part	Quantity
1	Assembly, Printer Door for 3- or 7-button Keypad	M07991A002	-	1
	Assembly, Printer Door for ADA Keypad	M07991A003	-	1
2	Assembly, PPU Lens and Panel	M07757A001	-	1
3	Bracket, Door Prop	M06147B002	-	1
4	Clip, Cable Push-in	M07914B001	-	12
5	Door, Main Encore S E-CIM	M07447B002	-	1
6	Gasket, Monochrome Lens	M07669B001	-	1
7	Gasket, PPU Panel	M05954B001	-	1
8	Gasket, Price, Volume Display	M07667B001	-	1
9	Gasket, Printer Door	M07652B001	-	1
10	Gasket, Totalizer	M07655B001	-	1
11	Gasket, TRIND Lens	M07715B001	-	1
12	Gasket, Cord	M08000B001	-	1
13	Gasket, Flex with Bulb Encore Doors	Q12406-18	-	1
14	Gasket, Flex with Bulb Encore Doors	Q12406-19	-	1
15	Insert Main Door E-CIM (obsolete, see note)	-	M07450B033	1

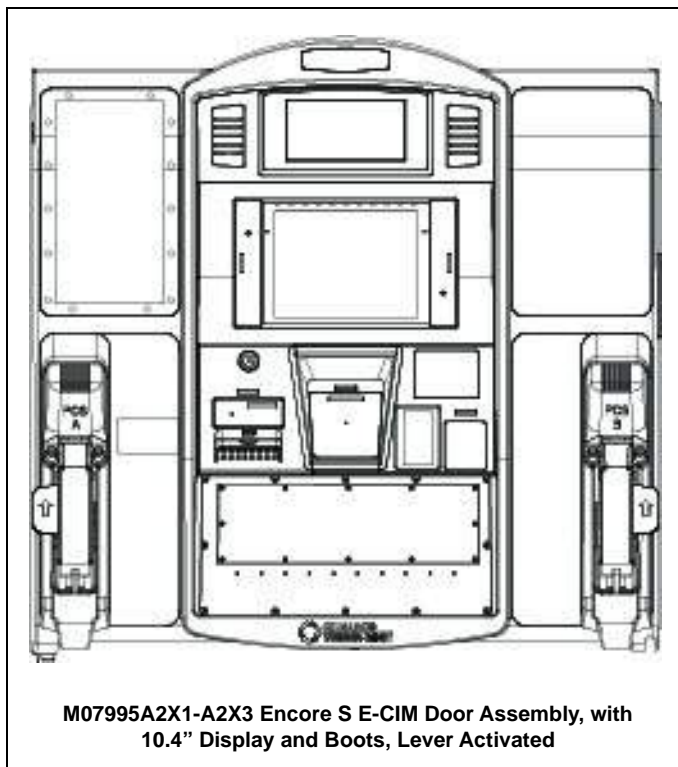
Item #	Part Description	Current Part	Previous Part	Quantity
16	Lens, Main Display	M07697B001	-	1
17	Lens, Monochrome Display	M02650B001	-	1
18	Lens, Totalizer	M05986B001	-	1
19	Lock, Cylinder Face Sealing	Q12542-22	-	1
20	Nut, Metric, Hexagonal with External M3 Blue	Q12885-03	-	4
21	O-ring 0.114 X 0.070	Q10066-06	-	1
22	O-ring 0.801 X 0.070	Q10066-19	-	1
23	Pin, Lower Hinge	R19176-01	-	1
24	Plug, Hood Blanking	M07717B001	-	1
25	Plug, TRIND Encore S E-CIM	M07907B001	-	1
26	Screw, Flat-head Phillips, M3 X 8	M00419B311	-	2
27	Screw, Oval-head Phillips, M3 X 8	M00419B101	-	4
28	Screw, Oval-head Phillips with Washer, M3 X 10	M00419B202	-	12
29	Screw, Slotted with Lockwasher, 6-20 X 3/8	Q11677-24	-	14
30	Screw, Special, #6-20 X 3/8 Thread Forming	M08070B001	-	22
31	Tube, Drain	M06534B001	-	1
32	Washer, Double D	Q12587-01	-	1
33	Gasket, Encore S E-CIM SCE-41, 1/4 X 1/2	027065	-	A/R
34	Scanner Cover, Molded	M07663B001	-	1
35	Gasket, Scanner Hood	M07718B001	-	1
36	Lens, Scanner	M06696B001	-	1
37	Gasket, Scanner Lens	M06697B001	-	1
38	Assembly, Note Acceptor Access Door	M07721A002	-	1
39	Gasket, Note Acceptor	M08050B001	-	1
40	Housing, Note Receiver Entry Chute	M08051B001	-	1
41	Lock, Cylinder Face Sealing	Q12542-24	-	1
42	Screw, Metric Pan-head Sem M3 X 8	Q12845-34	-	14
43	Washer, Flat	N16599-60	-	14
<i>Note: No replacement.</i>				

Encore S E-CIM Door Assembly, with 10.4-inch Display and Boots, Flapper Activated



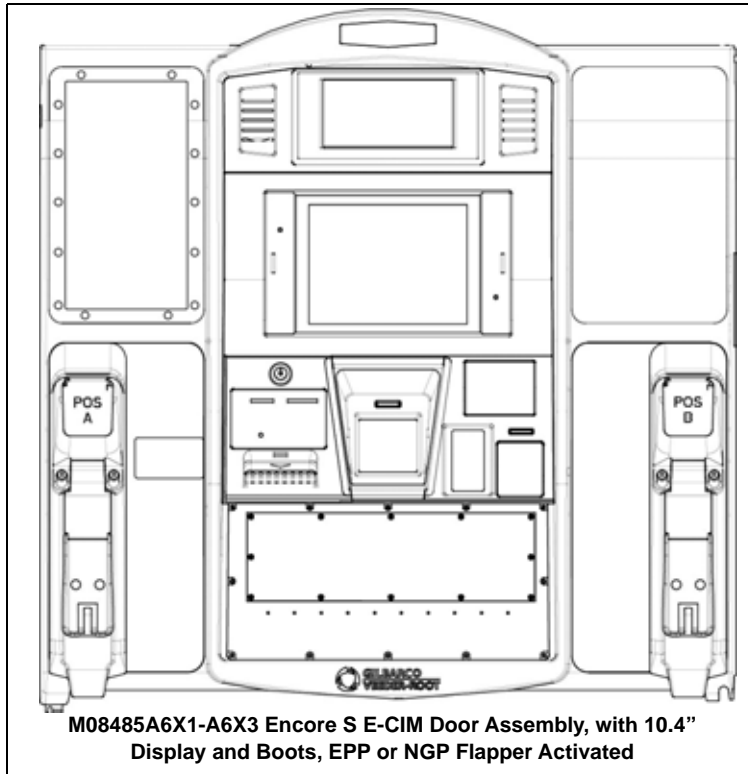
Item #	Part Number	Description	Nozzle Boot/ Position	Mounting Hardware/ Quantity	Blanking Plate/ Position	Mounting Hardware/ Quantity
			M05912A001	M01118B004	M10339B001	M00419B313
1	M07995A0X0	No Boot	-	-	A and B	4
2	M07995A1X1	Flapper Activated, One Boot Right	B	2	A	2
3	M07995A1X2	Flapper Activated, One Boot Left	A	2	B	2
4	M07995A1X3	Flapper Activated, Two Boots Split	A and B	4	-	-

Encore S E-CIM Door Assembly, with 10.4-inch Display and Boots, Lever Activated



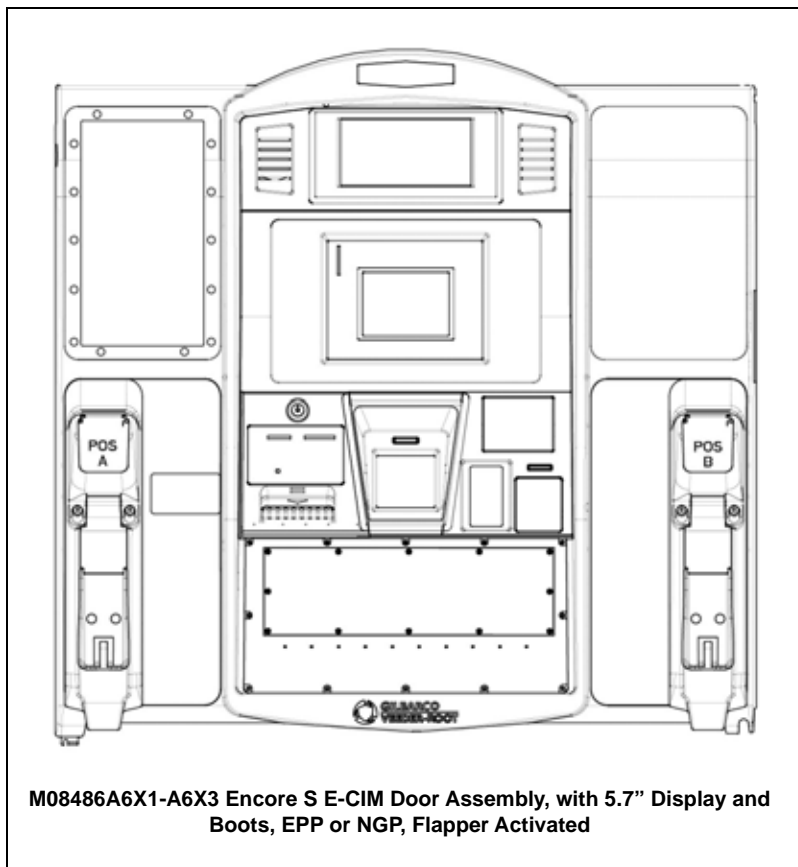
Item #	Part Number	Description	Nozzle Boot/ Position		Mounting Hardware/ Quantity	Blanking Plate/ Position	Mounting Hardware/ Quantity
			M05912A002	M05912A003			
1	M07995A2X1	Lever Activated, One Boot Right	B	-	2	A	4
2	M07995A2X2	Lever Activated, One Boot Left	-	A	2	B	4
3	M07995A2X3	Lever Activated, Two Boots Split	B	A	4	-	-

Encore S E-CIM Door Assembly, 10.4-inch Display and Boots, EPP or NGP, Flapper Activated



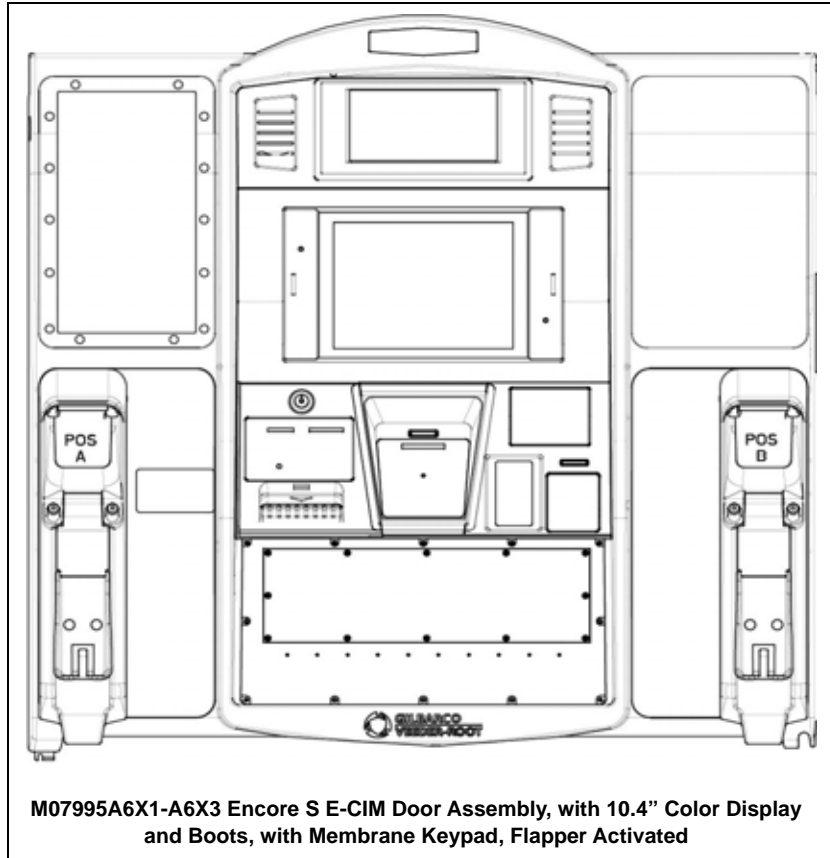
Item #	Part Number	Description	Nozzle Boot/ Position	Mounting Hardware/ Quantity	Blanking Plate/ Position	Mounting Hardware/ Quantity
			M05912A001	M01118B004	M10339B001	M00419B313
1	M08485A6X1	Flapper Activated, One Boot Right	B	2	A	4
2	M08485A6X2	Flapper Activated, One Boot Left	A	2	B	4
3	M08485A6X3	Flapper Activated, Two Boots Split	A and B	4	-	-

Encore S E-CIM Door Assembly, 5.7-inch Mono Display and Boots, EPP or NGP, Flapper Activated



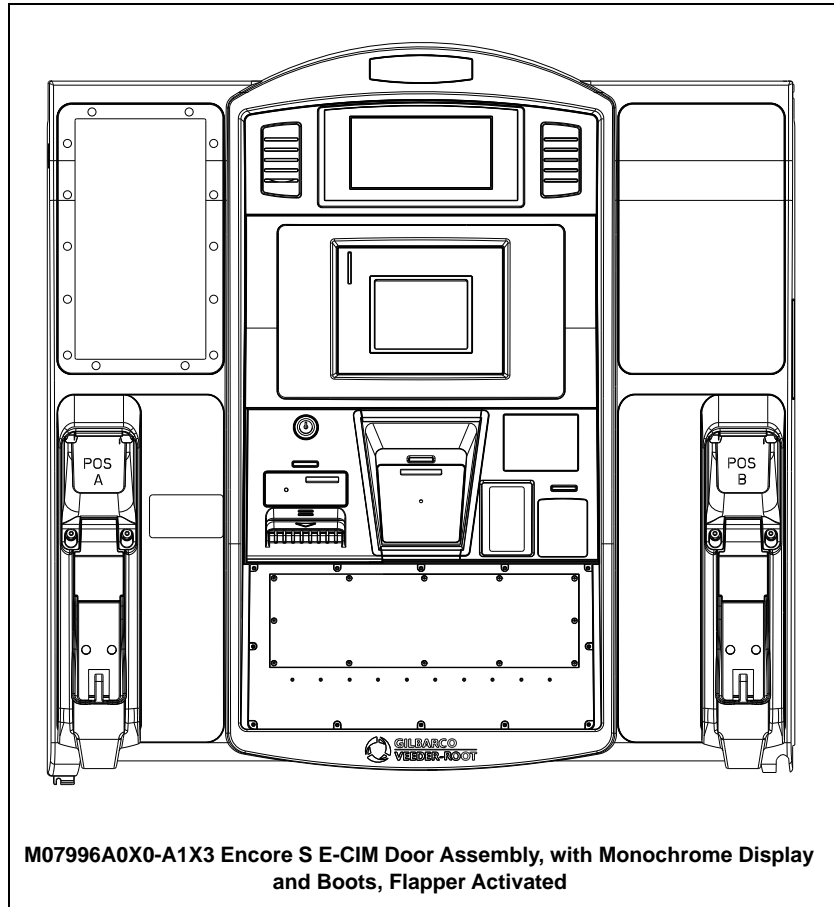
Item #	Part Number	Description	Nozzle Boot/ Position	Mounting Hardware/ Quantity	Blanking Plate/ Position	Mounting Hardware/ Quantity
			M05912A001	M01118B004	M10339B001	M00419B313
1	M08486A6X1	Flapper Activated, One Boot Right	B	2	A	4
2	M08486A6X2	Flapper Activated, One Boot Left	A	2	B	4
3	M08486A6X3	Flapper Activated, Two Boots Split	A and B	4	-	-

Encore S E-CIM Door Assembly, 10.4-inch Color Display with Boots, with Membrane Keypad, Flapper Activated



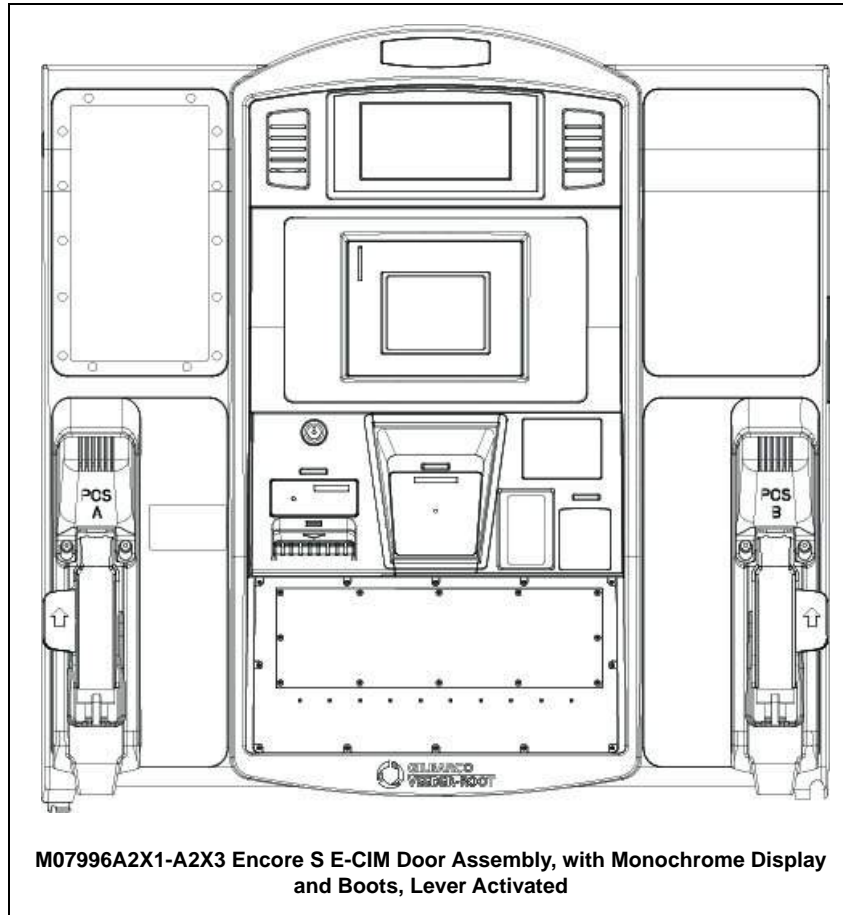
Item #	Part Number	Description	Nozzle Boot/ Position	Mounting Hardware/ Quantity	Blanking Plate/ Position	Mounting Hardware/ Quantity
			M05912A001	M01118B004	M10339B001	M00419B313
1	M07995A6X1	Flapper Activated, One Boot Right	B	2	A	4
2	M07995A6X2	Flapper Activated, One Boot Left	A	2	B	4
3	M07995A6X3	Flapper Activated, Two Boots Split	A and B	4	-	-

Encore S E-CIM Door Assembly, with Monochrome Display and Boots, Flapper Activated



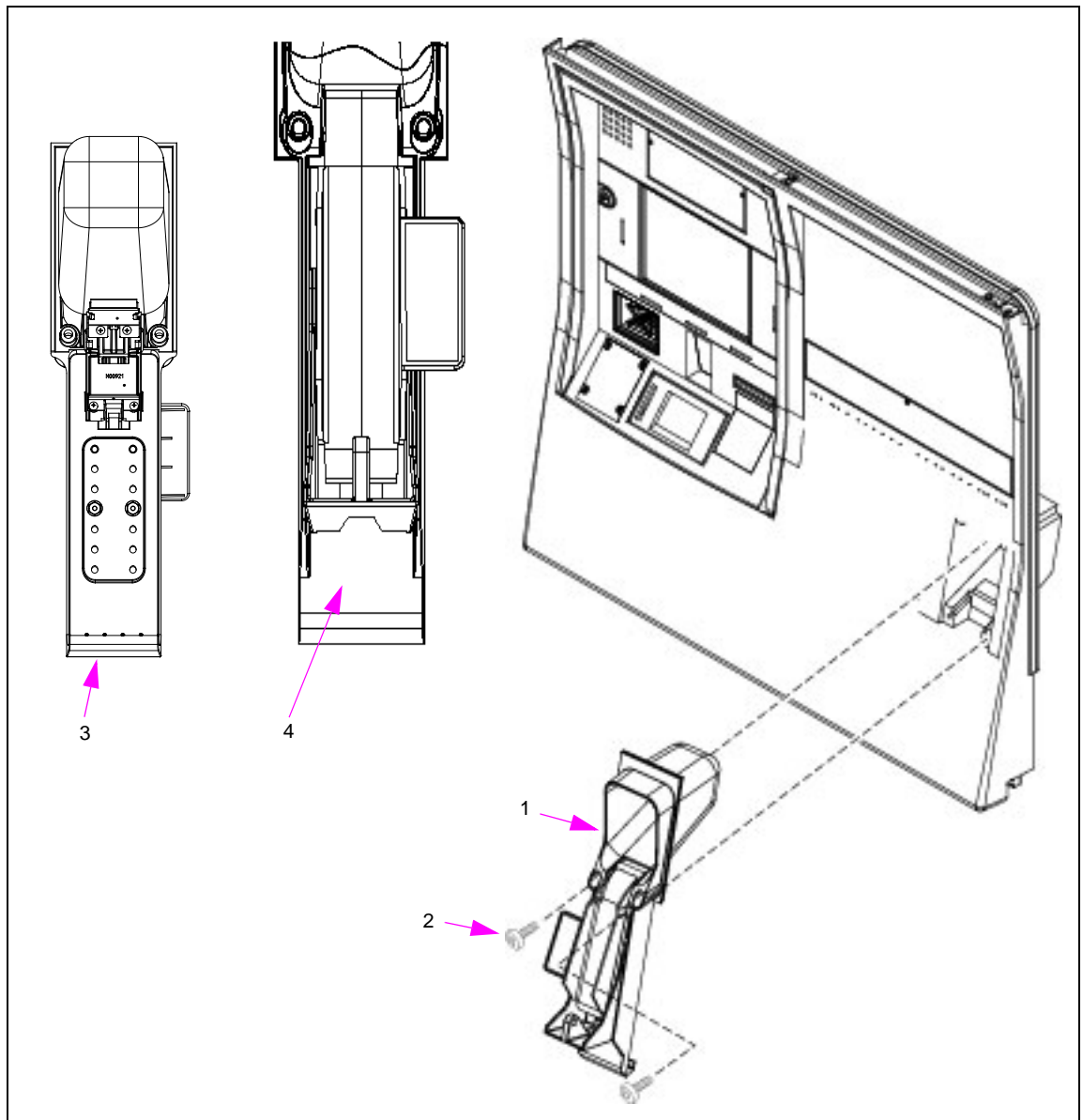
Item #	Part Number	Description	Nozzle Boot/ Position	Mounting Hardware/ Quantity	Blanking Plate/ Position	Mounting Hardware/ Quantity
			M05912A001	M01118B004	M10339B001	M00419B313
1	M07996A0X0	No Boot	-	-	A and B	8
2	M07996A1X1	Flapper Activated, One Boot Right	B	2	A	4
3	M07996A1X2	Flapper Activated, One Boot Left	A	2	B	4
4	M07996A1X3	Flapper Activated, Two Boots Split	A and B	4	-	-

Encore S E-CIM Door Assembly, with Monochrome Display and Boots, Lever Activated



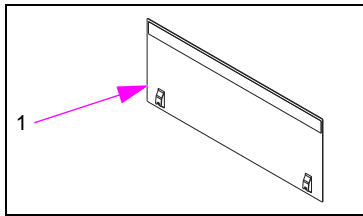
Item #	Part Number	Description	Nozzle Boot/Position		Mounting Hardware/Quantity	Blanking Plate/Position	Mounting Hardware/Quantity
			M05912A002	M05912A003			
1	M07996A2X1	Lever Activated, One Boot Right	B	-	2	A	2
2	M07996A2X2	Lever Activated, One Boot Left	-	A	2	B	2
3	M07996A2X3	Lever Activated, Two Boots Split	B	A	4	-	-

Nozzle Boot (Encore 300/500/550)



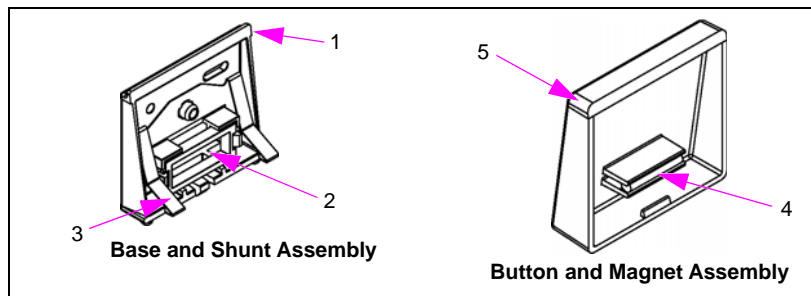
Item #	Part Description	Current Part	Previous Part	Quantity
	Nozzle Boot Assembly (Lift-to-start Flap) <i>Note: Nozzle boot is not sold individually. It is sold as assemblies only.</i>	M05912A001 M05912A002 M05912A003	M01047A005	1
1	Nozzle Boot, Lift-to-start Lever (Left Side)	M01047A006	M01047A002	1
2	Screw, Pan-head, Square Drive, Type A 1/4 - 10 X 1 1/2 (see note)	-	-	2
3	Nozzle Boot, Lift-to-start Lever (see Item 1 for Latest Illustration)	M01047A006	M01047A008 M01047A004	1
4	Nozzle Boot, Lift-to-start Lever (Right Side)	M01047A007	M01047A003	1
<i>Note: Refer to K9662001 Kit to replace screws.</i>				

Nozzle Boot Blanking Plates



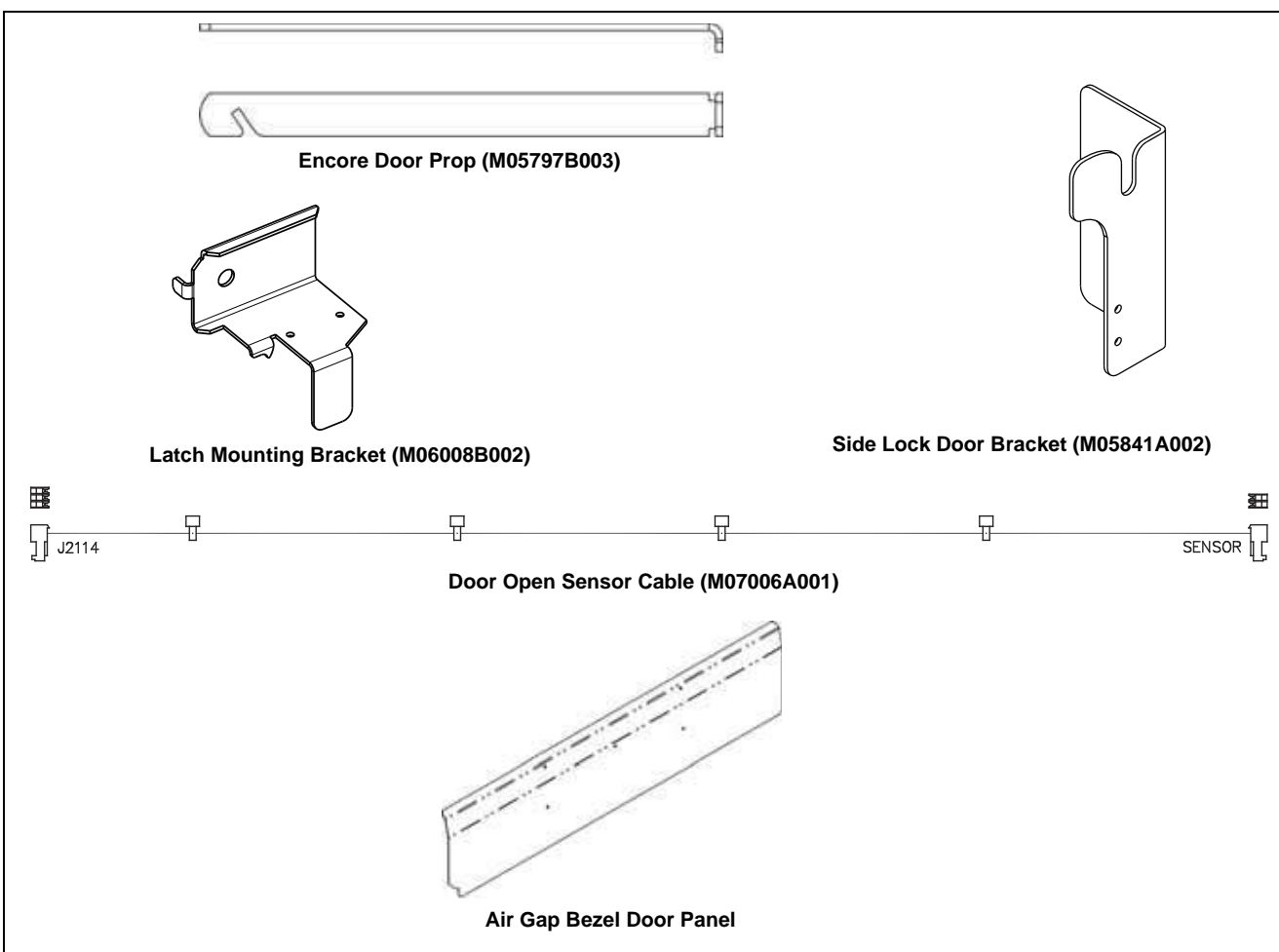
Item #	Part Number	Description with Bezel	When Used
1	M00329A001	Boot Cavity Assembly, Blank, Left CIM	When no nozzle boots are used
Not Shown			
-	M00329A002	Boot Cavity Assembly, Blank, Left CIM	When one nozzle boot is used
-	M00329A003	Boot Cavity Assembly, Blank, Left CIM	When two nozzle boots are used
-	M00329A005	Boot Cavity Assembly, Blank, Offset CIM	When no nozzle boots are used on right side of bezel
-	M00329A006	Boot Cavity Assembly, Blank, Offset CIM	When one nozzle boot is used on right side of bezel
-	M00329A007	Boot Cavity Assembly, Blank, Center CIM	When no nozzle boots are used on left or right side of bezel
-	M00329A008	Boot Cavity Assembly, Blank, Center CIM	When one nozzle boot is used on left or right side of bezel
-	M00329A009	Boot Cavity Assembly, Blank, Offset CIM	When no nozzle boots are used on left side of bezel

Grade Select (Encore 300/500/550)



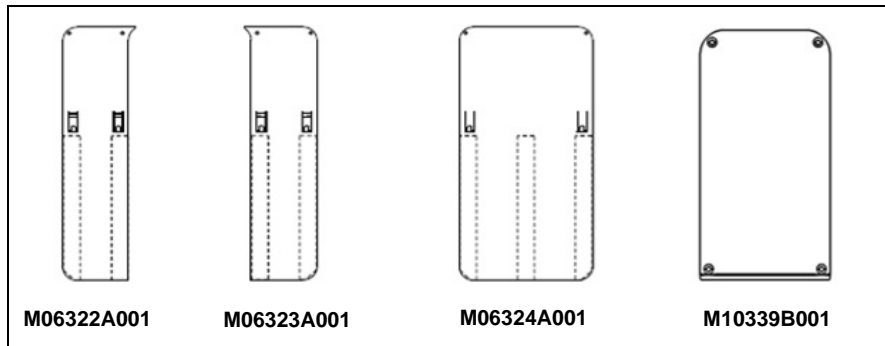
Item #	Part Description	Current Part	Previous Part	Quantity
Base and Shunt Assembly (Reference only) (see note 1)		M00911A001	-	1
1	Spring, Grade Select	(see note 2)	-	1
2	Shunt, Grade Select	(see note 2)	-	1
3	Base, Grade Select	(see note 2)	-	1
Button and Magnet Assembly (see notes 2 and 3)		M00910A001	-	1
4	Magnet, Grade Select	M00856B001	-	1
5	Button, Grade Select	M00903B001	-	1
Not Shown				
-	• Screw, Self-tapping, Hexagonal-head, 6-20"	-	-	2
Notes: 1. Base and Shunt Assembly (M00911A001) include items 1 through 3. Parts cannot be ordered individually. 2. Button and Magnet Assembly (M00910A001) include items 4 through 5. 3. Both Base and Shunt Assembly (M00911A001), and Button and Magnet Assembly (M00910A001) are sold as Grade Select Button Assembly (M03533A001).				

Encore S/S E-CIM - Door Prop and Mounting Bracket



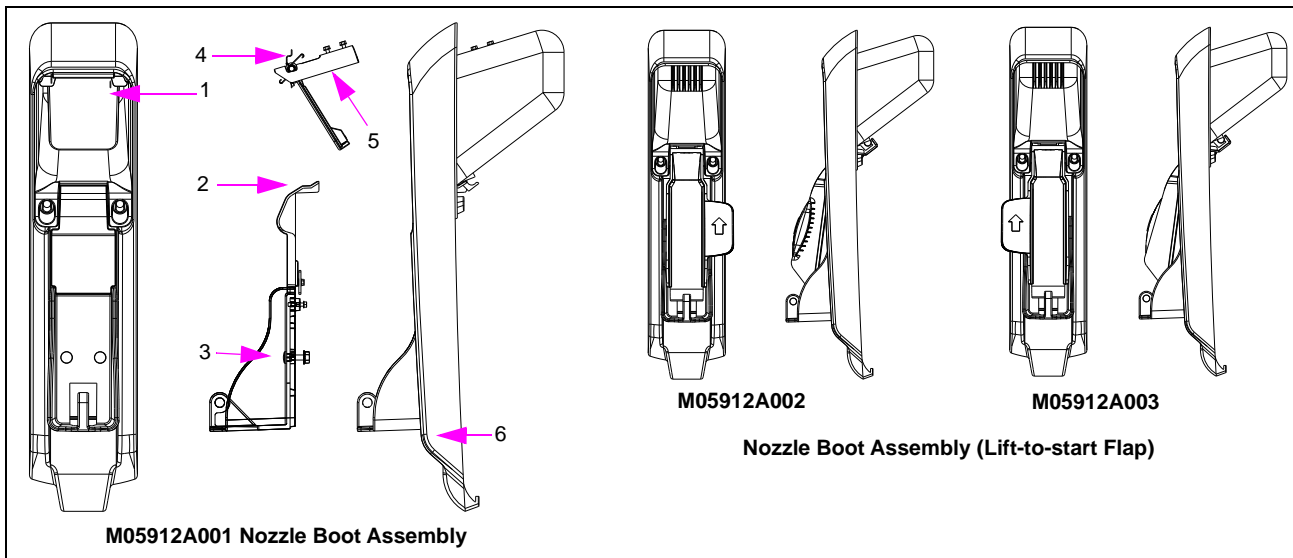
Item #	Part Description	Current Part	Previous Part	Quantity
1	Encore Door Prop	M05797B003	-	1
2	Latch Mounting Bracket	M06008B002	M06008B001	1
3	Side Lock Door Bracket	M05841A002 M05841B002	-	1
4	Cable, Door Open Sensor	M07006A001	-	1 per Door
5	Air Gap Bezel Door Panel	M07900B001	-	1
Not Shown				
-	Door Sensor Switch	Q12514-06	-	1
-	Magnet	Q12514-02	-	1
-	Screw, SEMS Pan-head Phillips M4X	Q12845-58	-	1
-	Cable, PPU/Customer/Card	M06115A002	-	1
-	Screw, Hexagonal Washer Head Thread Forming	Q11677-24	-	2
-	Strip, Grommet 9"	Q10315-08	-	1

Nozzle Boot Blanking Plates (Encore S Series)



Item #	Part Number	Description	When Used
1	M06322A001	Nozzle Boot Blanking Plate, Right	Only one nozzle boot is used on the right.
2	M06323A001	Nozzle Boot Blanking Plate, Left	Only one nozzle boot is used on the left.
3	M06324A001	Nozzle Boot Blanking Plate, Full	When no nozzle boots are used on the left or right.
4	M10339B001	Nozzle Boot Blanking Plate	When no nozzle boots are used on the left or right

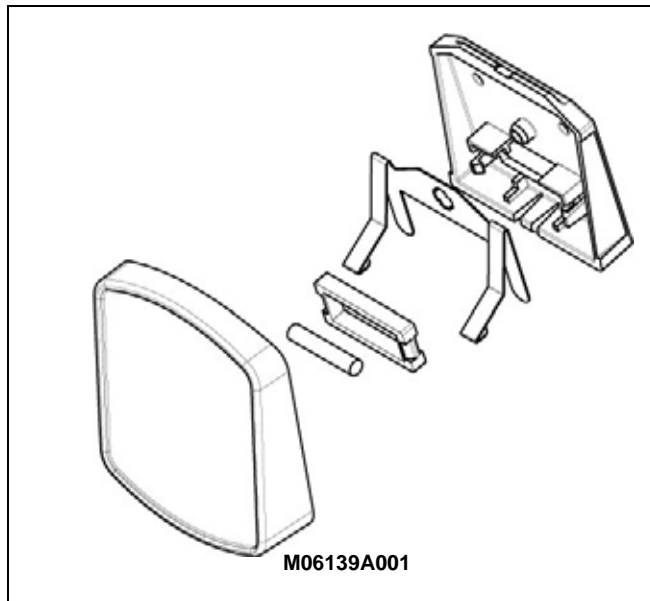
Nozzle Boot Assembly (Encore S/S E-CIM)



Item#	Part Description	Current Part	Previous Part	Quantity
1	Nozzle Flap	M01241B001	-	1
2	Nozzle Boot Plug	M01242B001	-	1
3	Nozzle Cradle	M05753B001	-	1
4	Hinge Rod	N23661-01	-	1
5	Nozzle Flap Mount	M01240B001	-	1
6	Nozzle Boot	M05752B001	M05752B002	1

Note: The parts listed in this table are sold as part of Upper Assembly (M05912A00X). These parts are not sold individually.

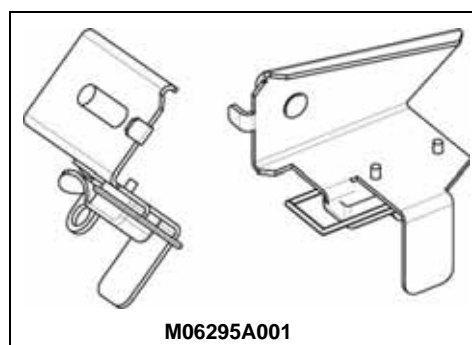
Grade Select (Encore S/S E-CIM)



Item #	Part Description	Current Part	Quantity
1	Grade Select Button Assembly	M06139A001	-

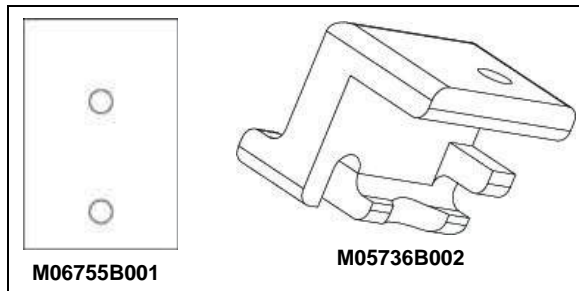
Note: Grade Select Button Assembly is ordered only as an assembly.

Security Latch and Bracket Assembly (Encore S/S E-CIM)



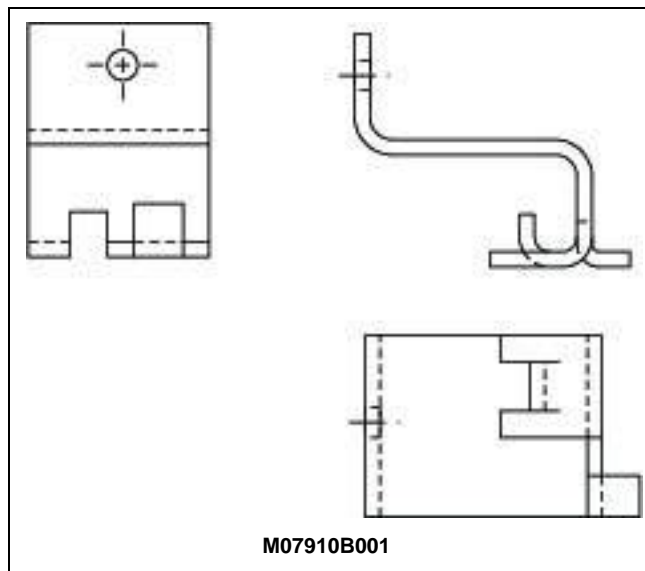
Item #	Part Description	Current Part	Quantity
1	Latch and Bracket Assembly	M06295A001	-

Lower Ski-boot Latch Support Kit (Encore S Series)



Item #	Part Description	Part Number	Quantity
1	Kit, Lower Ski-boot Latch Support	M06756K001	1

Door Latch Bracket (Encore S E-CIM)

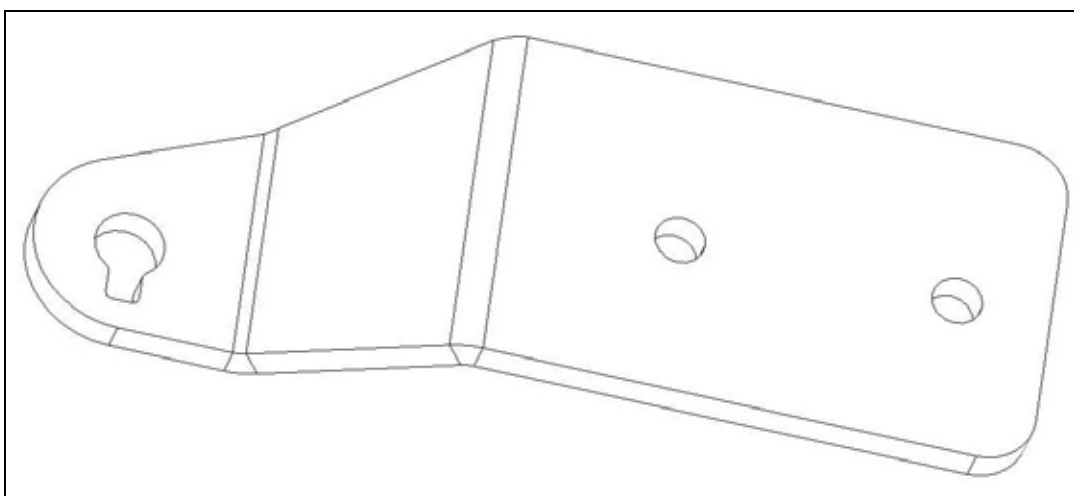


Item #	Part Description	Part Number	Quantity
1	Bracket, Door Latch, Encore S E-CIM	M07910B001	1

Security Door Option

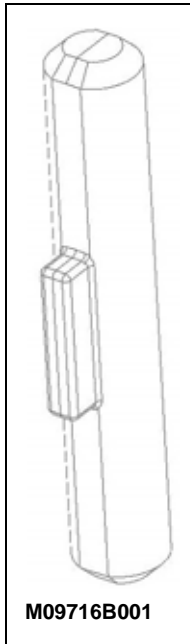
Item #	Part Description	Part Number	Quantity
1	Upper Door Plunger Switch	M15415B001	1
2	Assembly, Printer Door Alarm Bracket and Switch	M14793A001	1
3	Side Sheathing Switch, Micro, 1 A 250 V	M15576B001	1
4	Lower Door Switch, Micro SPDT 1 A 125 VAC	Q12170-03	1
5	Assembly, Intrinsic Safety (I.S.) Barrier Box	M15405A001	1
6	Bracket, Door Printer Alarm	M15754A001	1
7	Assembly, Printer Door Alarm Bracket and Switch	M16054A001	1
Cables			
1	Cable, Encore Diesel Exhaust Fluid (DEF) Lower Door Alarm	M10059A004	1
2	Cable, Encore Lower Door Alarm	M10059A005	1
3	Cable, Encore Dispenser Security Valve Sense Adapter	M05164A002	1
4	Cable, Door Open Sensor Print Support	M07006A008	2
5	Cable, Door Open Sensor Print Support Mini Door Node	M07006A007	1
6	Cable, Encore Door Entry Detection	M15561A001	1

Upper Hinge Bracket (Encore S E-CIM)



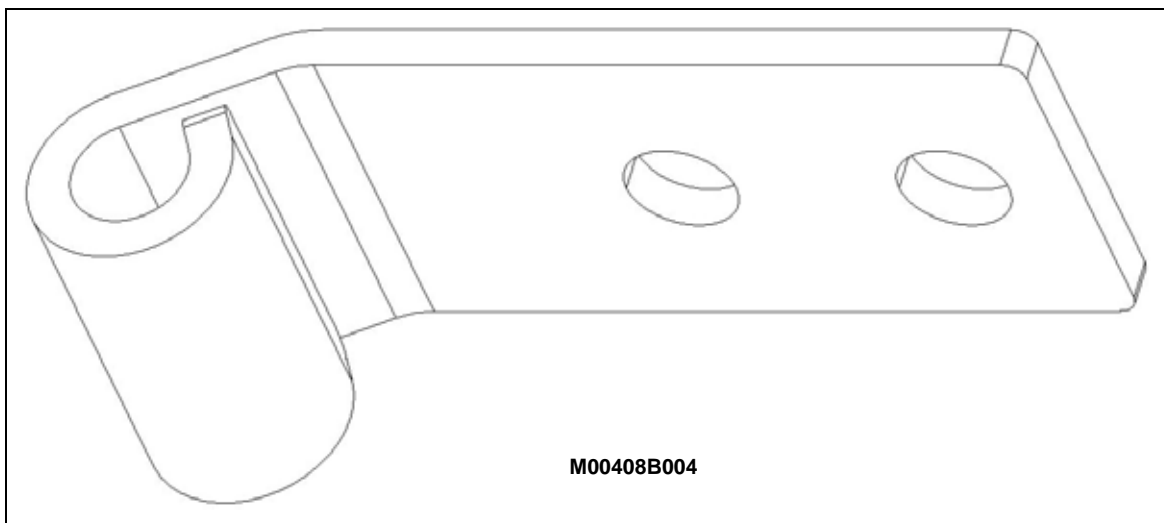
Item #	Part Description	Part Number	Quantity
1	Bracket, Upper Hinge, Encore S E-CIM	M09748A001	1

Hinge Pin



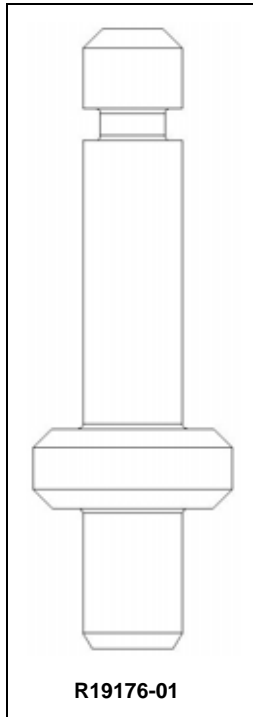
Item #	Part Description	Part Number	Quantity
1	Pin, Hinge	M09716B001	1

Hinge



Item #	Part Description	Part Number	Quantity
1	Hinge	M00408B004	1

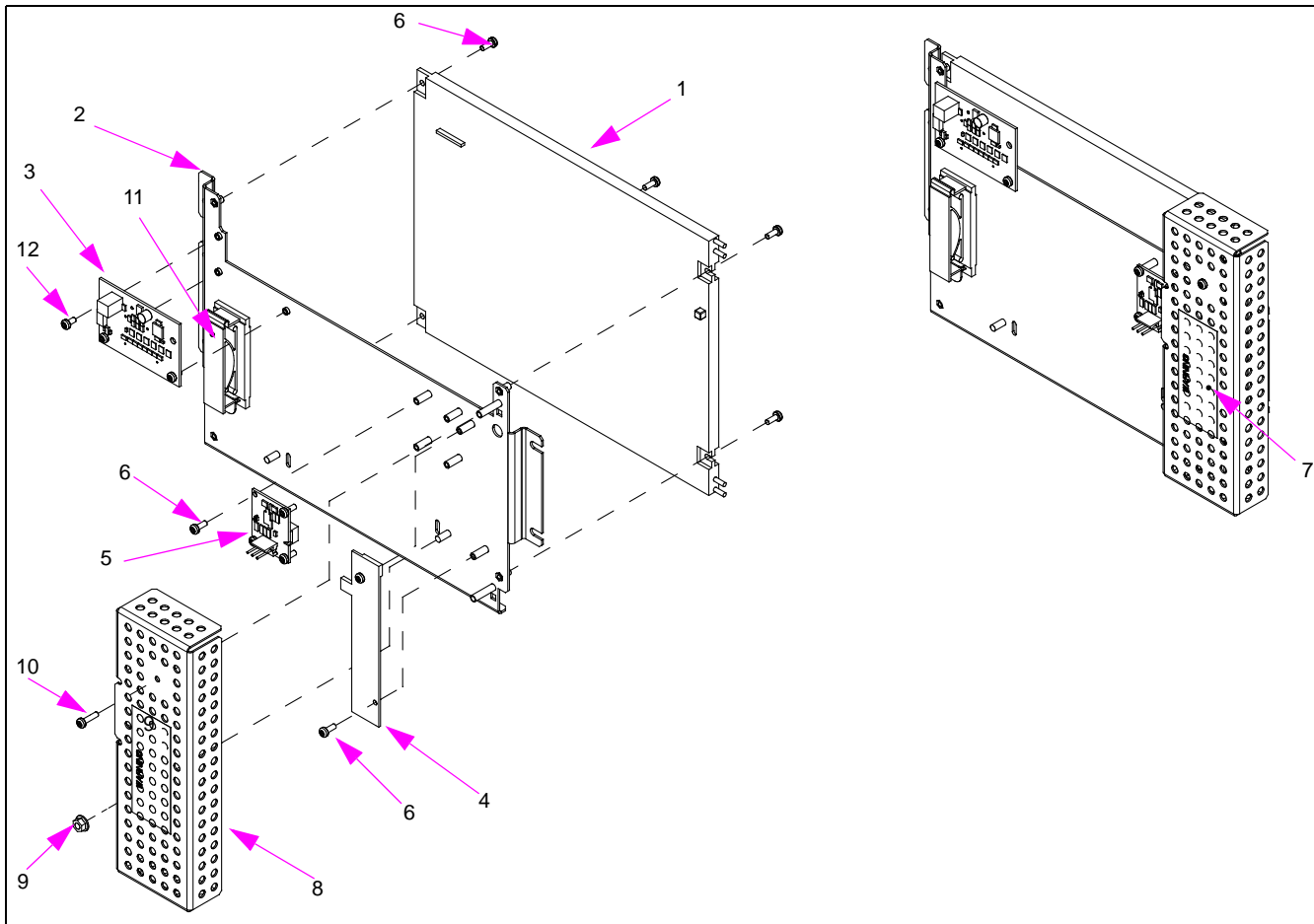
Lower Hinge Pin



Item #	Part Description	Part Number	Quantity
1	Pin, Lower Hinge	R19176-01	1

10.4-inch Color Display Assembly

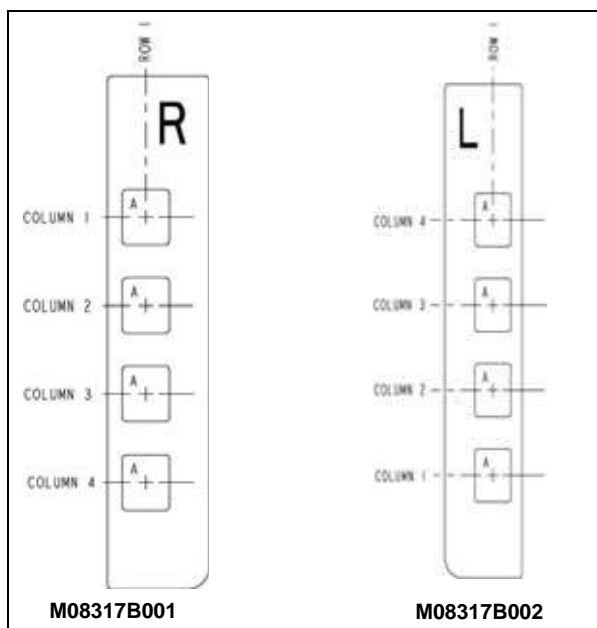
Note: No longer available, replaced by Flexpay™ II EPK, NPGM, E-CIM or 500 S.



Item#	Part Description	Part Number	Quantity
10.4" Color Display Assembly (see note)		M07331A001	1
1	Color Display LCD 10.4" Monitor	M06917A001	1
2	Assembly, Bracket, Color Display 10.4"	M06841A001	1
3	Printed Circuit Assembly (PCA), Low-voltage Differential Signaling (LVDS)	M06605A001	1
4	Inverter DC to AC Module	M06940A001	1
5	PCA, E2 Display Controller	M06838A001	1
6	Screw, Metric Pan-head SEMS, M3 X 8	Q12845-34	10
7	Decal, High Voltage Warning	M05097B001	1
8	Cover Inverter, Color Display	M06955B002	1
9	Nut, Metric, Hexagonal Serrated Flange	M00414B005	1
10	Screw, Phillips Pan-head SEMS Metric, M3 X 12	Q12845-36	1
11	Clamp, Releasable Flat Cable Mounting	Q13459-01	1
12	Screw, Phillips Pan-head SEMS Metric, M3 X 6	Q12845-33	3
<i>Note: M06917A001 Display Color LCD 10.4" Monitor is not sold individually. It is sold as part of M07331A001 10.4" Display Assembly.</i>			

Softkey Keypad

Item #	Graphic Part Prefix	Keypad Switch #	Description
1	EU03007G	M06975K001	Kit, Alpha Numeric Keypad and Adhesive
2	EU01003G	M01254B003	Keypad, Monochrome Softkey Display
3	ENE0301G	M01254B003	Keypad, Monochrome Softkey Display
4	EN06008G	M08412B001	Keypad Misc Options EPP E300/500
5	ENE1702G	M07763B002	Keypad, Customer Input Alpha-numeric
6	EN06006G	M01109B003	Keypad, Start/Call/Stop [Four Point of Sale (POS) Keypad]
7	ENE0605G	M08430B002	Keypad Options EPP/E-CIM
8	ENS0604G	M06070B001	Keypad Stop/Call/Start [Three POS Keypad]
9	ENS0604G	M06070B002	Keypad, Seven POS, Stop/Call
10	ENE1701G	M07689B002	Keypad, Customer Input ADA CRIND, E-CIM
11	EU03004G	M00141B002	Keypad, Customer Input (ADA CRIND)
12	ENS1701G	M08418B001	Keypad EPP Auxiliary
13	ENS0301G	M06069B001	Keypad, Softkey - CRIND Mono - Four POS
14	ENE0401G	M08317B002	Keypad, Softkey Color (R) E-CIM 10.4"
15	ENE0501G	M08317B001	Keypad, Softkey Color (L) E-CIM 10.4"
16	ENE0601G	M07754B001	Keypad, 3-key Option
17	EN06002G	M01109B003	Keypad, Misc Options
18	ENE0616G	M12287B001	Keypad, ADA

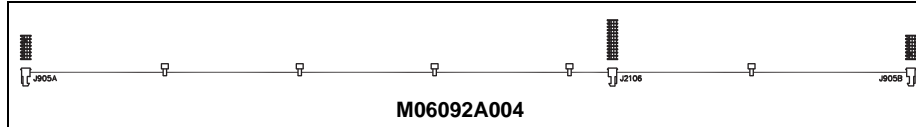


Item #	Part Description	Part Number	Quantity
1	E-CIM Door Keypad, Softkey Color (Right)	M08317B001	1
2	E-CIM Door Keypad, Softkey Color (Left)	M08317B002	1

Keypad Overlay

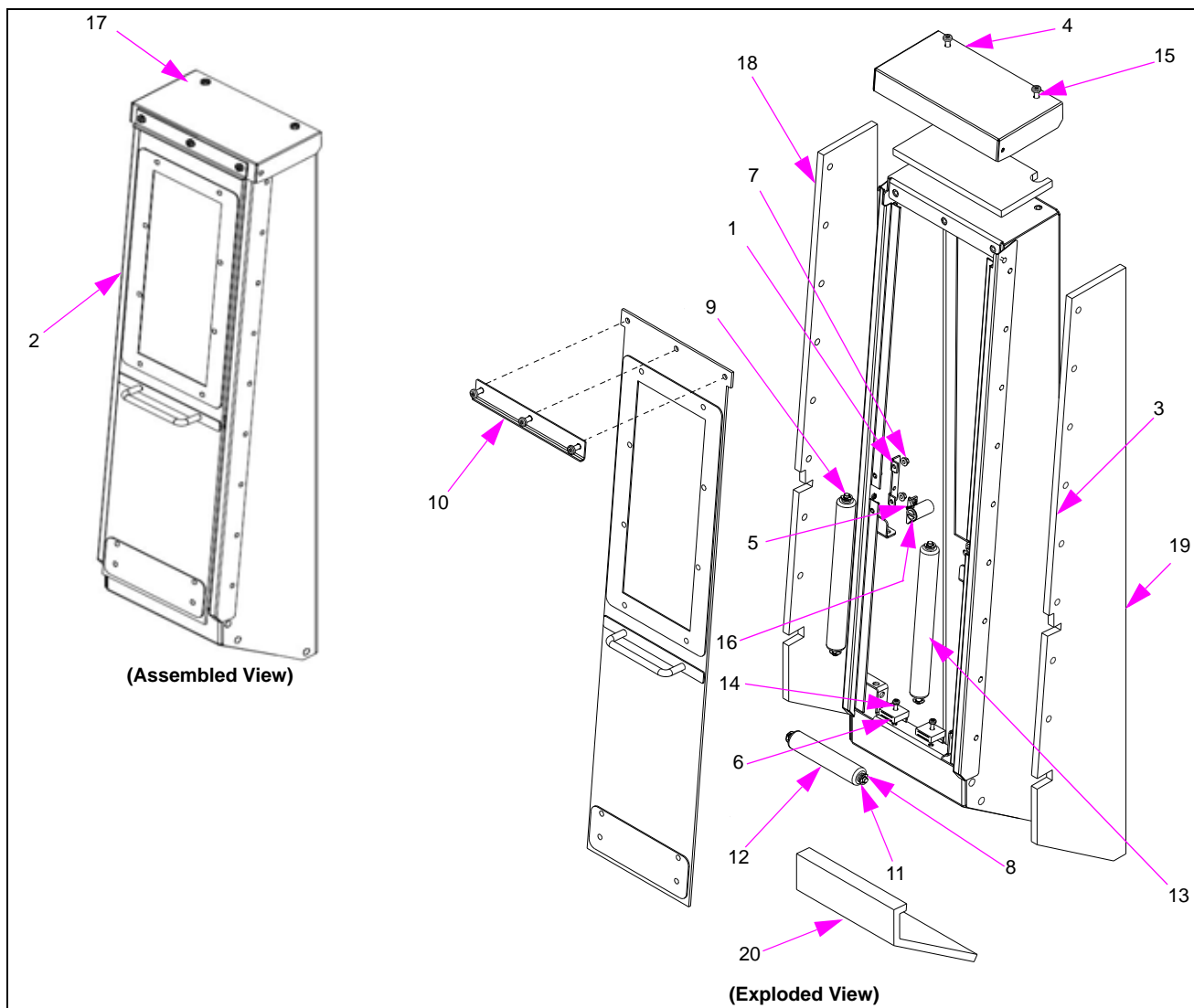
Item #	Part Description	Part Number	Quantity
1	Keypad Overlay (for Encore 300/500 with Tilt Screen)	EU01003GXXX	1

Cable, CRIND Softkeys



Item #	Part Description	Part Number	Quantity
1	Cable, CRIND Softkeys	M06092A004	1

Diesel Exhaust Fluid (DEF) Door Assembly



Item#	Part Description	Part Number	Quantity
	Assembly, DEF Flap Door Kit	M10008A005	1
1	Assembly, Bracket Magnet DEF	M12188A001	2
2	Assembly, Flap Door DEF	M13855A001	1
3	Assembly, Boot Frame DEF	M13694A001	1
4	Assembly, Top Cover, DEF Nozzle Boot	M13541A001	1
5	Magnet, Type 2, DEF Atlas®	M12168B001	2
6	Magnet, Type 5, DEF Atlas	M12211B001	2
7	Nut, Metric Hex Serrated Flange (M4)	M00414B005	4
8	Pin, Clevis	M11078B013	1
9	Pin, Clevis	M11078B014	2
10	Plate, DEF Atlas	M11999B001	1
11	Retaining Ring, Type E	K82468-32	6

Item#	Part Description	Part Number	Quantity
12	Roller, Hose Protector	M12435B001	1
13	Roller, Hose Protector	M12435B002	2
14	Screw, Metric Pan Head SEMS, M4 X16	Q12845-60	2
15	Screw, Metric Socket Button Head, SSTL, M6 X 12	M01257B101	5
16	Screw, Phillips Pan Head, M3 X 8	M00590B106	4
17	Nozzle Boot Insulation	M14045B001	1
18	Insulation DEF	M14045B002	1
19	Insulation DEF	M14045B003	1
20	Insulation DEF	M14045B004	1
Not Shown			
-	DEF Flap Door Kit (see note)	M10008K004	1
<p><i>Note: DEF Flap Door Kit (M10008K004) includes DEF Flap Door Assembly (M10008A005) quantity of 1 and screw (M00415B016) quantity of 8. For more information, refer to MDE-5036 DEF Nozzle Flap Door Installation Instructions Manual.</i></p>			