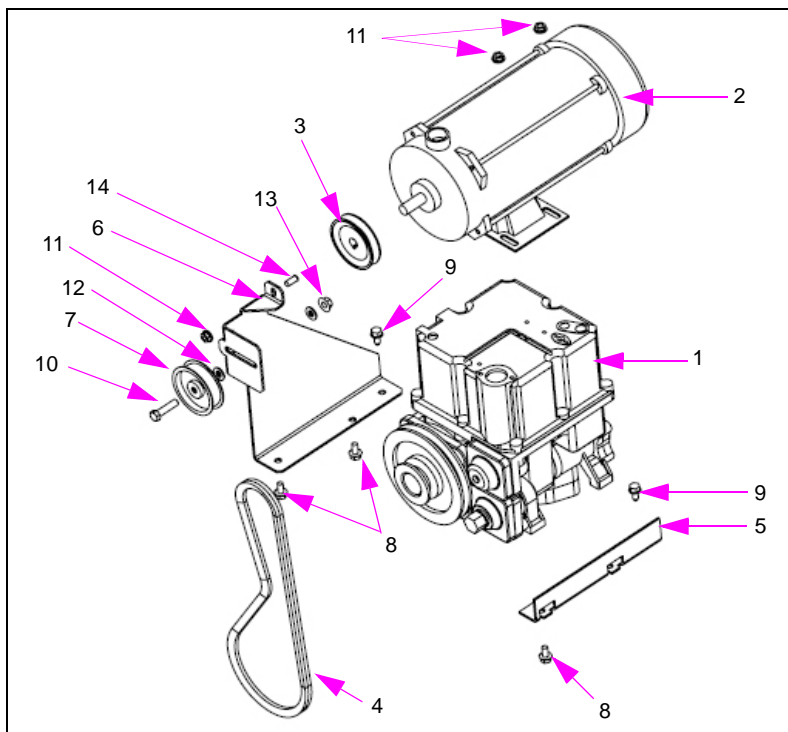


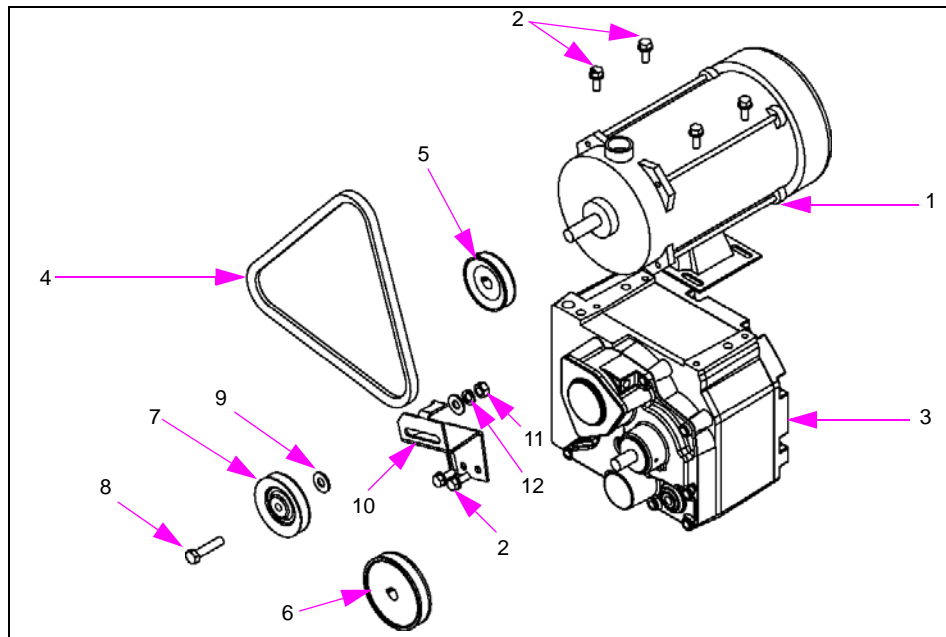
14 – Self-contained Pumps

Global Pumping Unit (GPU) and Motor Assembly



Item #	Description	Current Part	Previous Part	Quantity
1	GPU Pump	M04920B003	M04920B002	1
2	Motor, Single-phase, 3/4HP 110/220-230 V 50/60 Hz (Top Hub Orientation)	M01068B102	-	1
	Motor, Single-phase, 3/4HP 110/220-230 V 50/60 Hz (Side Hub Orientation)	M01068B103	-	1
	Motor, Three-phase, 3/4HP 220/380 V 50/60 Hz (Top Hub Orientation)	M01068B301	-	1
	Motor, Three-phase, 3/4HP 220/380 V 50/60 Hz (Side Hub Orientation)	M01068B302	-	1
3	Pulley, 60 Hz	R18900-27	-	1
	Pulley, 50 Hz	R18900-32	-	
4	Belt, 39"	R06711-59	-	1
	Belt, 40"	R06711-61	-	
5	Pump Mounting Bracket	M05332B001	-	1
6	Pump and Idler Mounting Bracket	M05332B002	-	1
7	Idler Pulley	047009	-	1
8	Screw, M8 X16 mm	-	-	3
9	Screw, M8 X18 mm Thread Forming	-	-	2
10	Bolt, Hexagonal with External Lockwasher 3/8-16	-	-	1
11	Nut, M8	-	-	3
12	Washer, 3/8" Standard	-	-	2
13	Nut, Hexagonal with External Lockwasher 3/8-16	-	-	1
14	Stud, Self Clinching 8 X18 mm	-	-	1

Pumping and Motor Assembly (Before April 2006)



Item #	Description	Current Part	Previous Part	Quantity (see note 1)
	Pumping Module Assembly, Three-phase 60 Hz (see note 2), (obsolete, see note 3)	-	M01069A105	-
	Pumping Module Assembly, Three-phase 50 Hz (see note 2), (obsolete, see note 3)	-	M01069A106	-
	Pumping Module Assembly, Single-phase 60 Hz (see note 2), (obsolete, see note 3)	-	M01069A107	-
	Pumping Module Assembly, Single-phase 50 Hz (see note 1), (obsolete, see note 3)	-	M01069A108	-
1	Electric Motor, Single-phase, 3/4HP 220/380 V 50/60 Hz (see note 4)	M01068B101	-	1
	Electric Motor, Three-phase, 3/4HP 110/220-230 V 50/60 Hz (see note 4)	M01068B301	-	1
2	Screw, M8 X 20	-	-	6
3	Pumping Unit, 90 lpm 30 psi, Standard	M00955B207	-	1
4	Belt, 32"	R06711-39	-	1
5	Pulley, A Belt 2.60 PD	R18900-28	-	1
6	Pulley, 4L Belt 3.00 PD for 50 Hz (see note 2)	R18900-32	-	1
	Pulley, 4L Belt 3.50 PD for 60 Hz (see note 2)	R18900-39	-	1
7	Pulley, Idler M10 Bore	M01151B001	-	1
8	Bolt, Hexagonal-head M10 X 45	-	-	1
9	• Washer, Standard 3/8	-	-	2
10	Bracket, Idler (obsolete, see note 3)	-	M01067B001	1
11	• Nut, Metric M10 X 1.5	-	-	1
12	• Lockwasher, Metric, M10	-	-	1

Notes:

1. All quantities shown are per GPU. Self-contained units may include one to four pumps.
2. Pumping module assembly is no longer available. Individual parts (pumps and motors) can be ordered.
3. No replacement.
4. Pump pulley selection depends on electrical power requirements. For example, single or three-phase, 50 or 60 Hz.