

alfanar TERASAKI

Air Circuit Breaker



Technical Catalogue



World Class Air

alfanar Terasaki s
TemPower2 A.C.B is
the result of an inten-
sive market research
program which took
into account the
requirements of
switchboard builders,
consultants and end
users. *TemPower2* Air
Circuit Breaker is one
of the smallest in the
market with a 1
second rating (Icw).

Innovations

- The product range of the world's smallest ACBs, *TemPower2* broadens with new 5000A and 6300A models.
- A *TemPower2* model with a frame size of 4000A is downsized.



★Based Standards

JIS C 8201-2-1 Ann.1 Ann.2.....
IEC60947-2
EN60947-2
AS 3947-2.....
NEMA PUB NO.SG3
ANSI C37.13.....

★Certification and Authorization

ASTA, UK.....
NK, Japan
LR, UK
ABS, USA
GL, Germany
BV, France

Circuit Breakers



Contents

1. Features	2
2. Appearance and Internal Construction ..	13
3. Ratings	14
4. Specifications	16
1 Types of Mounting	17
2 Accessories for Draw-out Type	18
3 Spring Charged Operation	20
4 Accessories for Spring Charged Operation	21
5 Trip Devices	22
6 Over-current Releases	24
7 Other Accessories	36
8 Operation Environments	43
5. Outline Dimensions	44
6. Connection	58
7. Circuit Diagram	64
8. Technical and Application Data	70
9. Order Forms	76

..... Japanese Industrial Standard
 International Electrotechnical Commission
 European Standard
 Australian Standard
 National Electrical Manufacturers Association
 American National Standard Institute

..... ASTA Certification Services
 Nippon Kaiji Kyokai
 Lloyd's Register of Shipping
 American Bureau of Shipping
 Germanischer Lloyd
 Bureau Veritas

1

Features

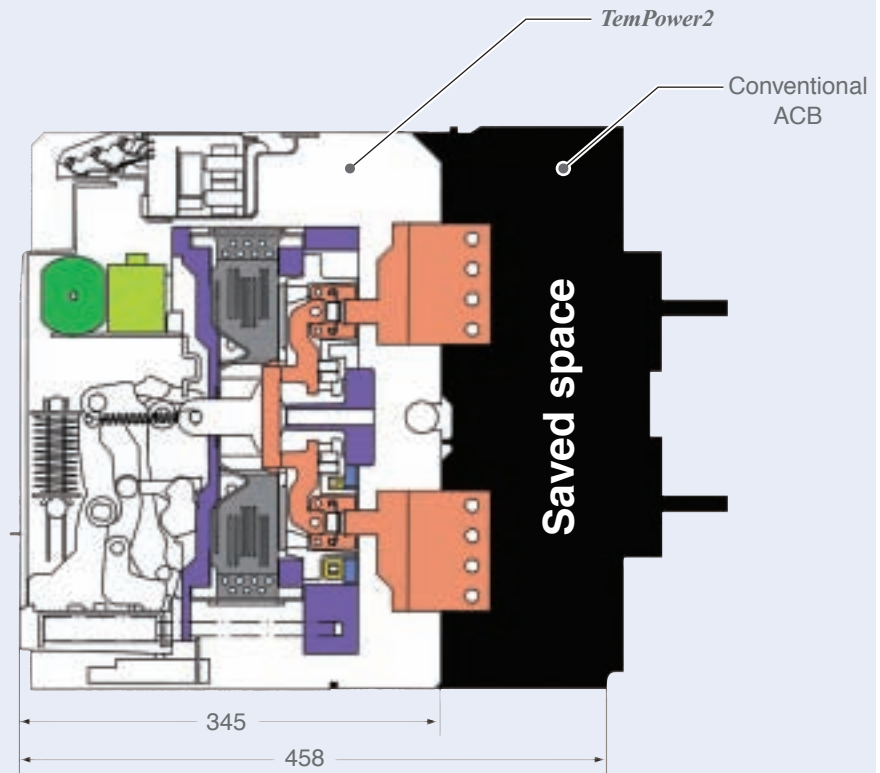
The ultimate in compactness and operational capability



$I_{CW, 1s} = I_{CS}$ for all *TemPower2* ACBs.

TemPower2 is the world's first **Double Break** ACB, having two breaking contacts per phase. The unique pole structure means that the short time withstand rating ($I_{CW, 1s}$) is equal to the service short-circuit breaking capacity (I_{CS}) for all models. Full selectivity is guaranteed up to the full system fault level. *TemPower2* ACBs have the world's smallest depth resulting in space saving in panel.

More than twenty design patents have been registered for the *TemPower2* ACB.

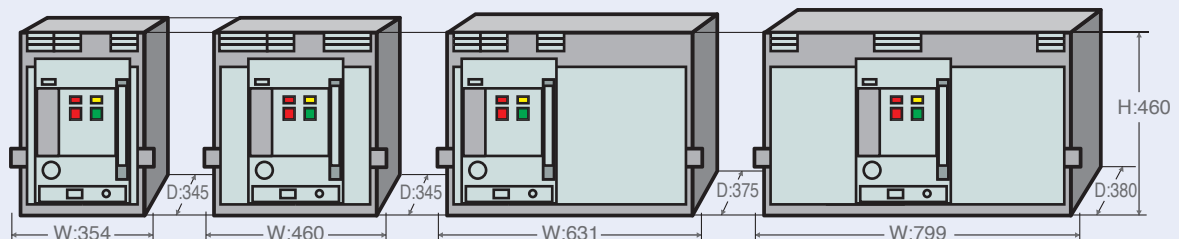


Terasaki's core business belief is commitment to our customers and the progressive innovation of the *TemPower2* AR ACB. With this in mind we are introducing our new **AR440SB (Compact) 4000A ACB** and new **AR6 - 5000A and 6300A ACB**. With the introduction of these new ACBs there will be a solution from 800A to 6300A all with the same front cover dimension and standardized accessories throughout the range.

Maximum power from minimum volume was central to the design specification. With a depth of 290mm for the fixed type and 345mm for draw-out, it is one of the smallest ACBs in the world.

ACBs with front connections are available off-the-shelf.

Front connections are especially suitable for smaller-depth panel.



Standard series	800□2000A	2500□4000A	4000A	5000-6300A
High fault series	1250□2000A	1600□3200A	4000A	6300A

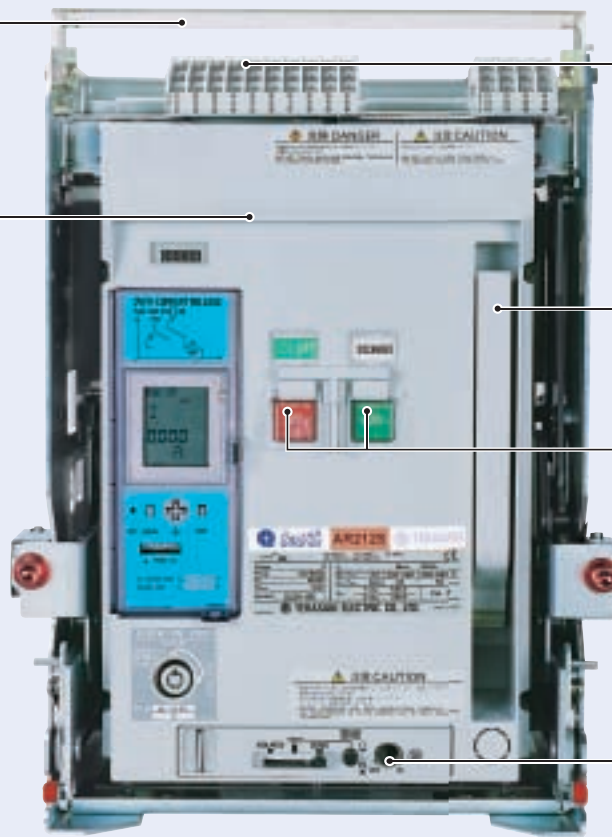


Increased accessibility from the front

It enhances ease of installation, operation, and maintenance.

Connection to the main circuit
(for front connections)

Accessory fitting
(Removing the front cover enables replacement of internal parts.)



Connection to the control circuit

Manual operation

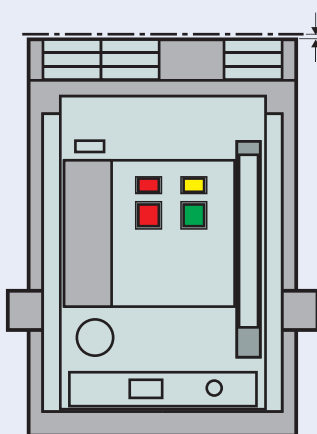
Breaker fixing bolts
(optional)

Draw-out operation

The double insulated design ensures that most accessories can be safely and easily installed by the user. Control, auxiliary and position switch terminals are mounted at the front on the ACB body for easy access. Horizontal, vertical and front terminal connections, can also be changed by the user for any last minute alterations. Due to the increased level of harmonics within the distribution network, the neutral phase is fully rated as standard.



No extra arc space required, vertical stacking permitted



No extra arc space required

The *TemPower2* ACB dissipates all arc energy within its unique *“DoubleBreak”* arc chamber. The internal energy dissipation within the ACB allows the clearance distance of the ACB to nearby earthed metal to be zero. This will assist in minimizing switchboard height and costs.



Replacement of the main contacts*

The fixed and moving main contacts can easily be replaced in the field, thus prolonging the life on the circuit breaker. Changing each pole takes around 15 minutes.



*: Not possible on AR6

1

Features

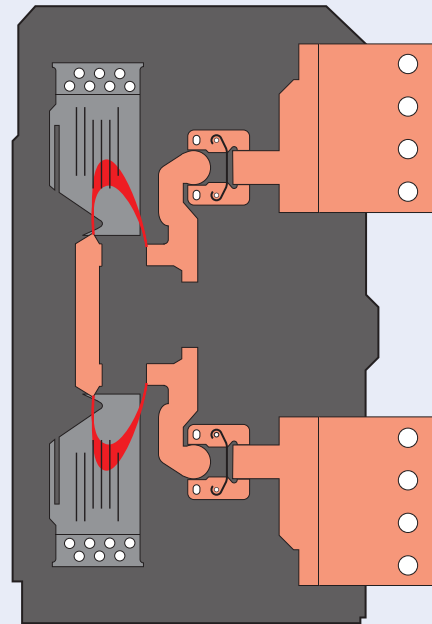
A high performance and reliability



Very fast interruption by “DoubleBreak” system*

The unique “*DoubleBreak*” main contact system ensures extremely fast interruption of short circuit currents and substantially reduces main contact wear. The internally symmetrical “*DoubleBreak*” structure means the moving contact is isolated from the supply voltage even when the ACB is reverse connected. The neutral pole of all *TemPower2* ACBs are of early make/late break design. This eliminates the risk of abnormal line to neutral voltages, which may damage sensitive electronic equipment.

DoubleBreak contacts increase service life - Electrical and mechanical endurance ratings are the best available, and exceed the requirements of IEC 60947-2.



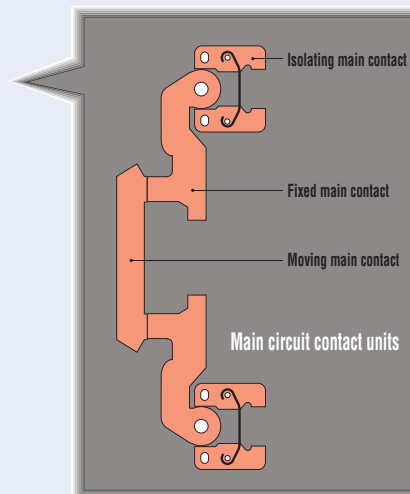
※: Except AR6



No clamp screws used for the main circuit contact units*

There are no clamp screws or flexible leads in the main circuit contact units.

This substantially enhances the durability of the main circuit contact units and improves the reliability in ON-OFF operation.



※: Except AR6



Easy Maintenance

The unique design of *TemPower2* incorporates its isolating clusters and main contacts on the ACB body. Allowing for quick easy maintenance of the main electrical contact points and for maintenance to be completed without having to isolate the switchboard.





Enhanced selectivity

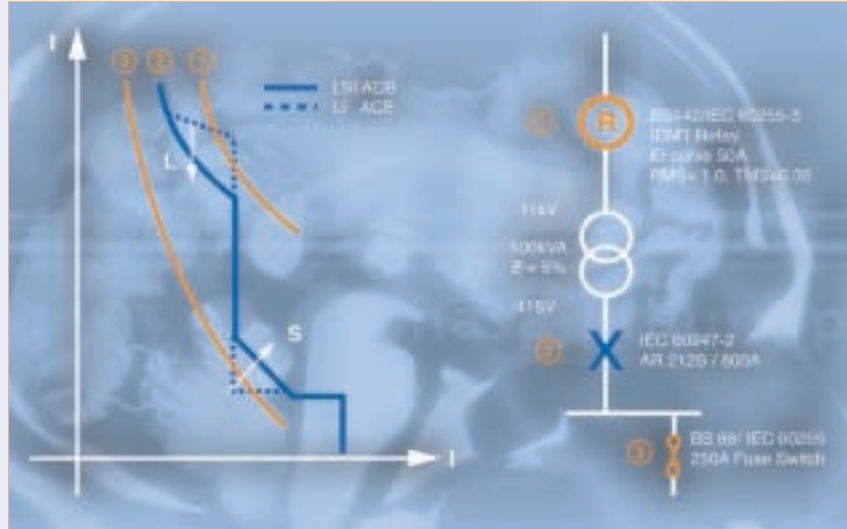
- L Long time delay
- S Short time delay
- I Instantaneous

At Terasaki our protection relays have LSI characteristics as standard.

This provides an adjustable time delay on overload (L) and also the I²t ramp characteristic (S).

As shown, these are essential to provide selectivity when grading with other protective devices such as downstream fuses and up-stream relays.

The standard LSI curve provides more than five million combinations of unique time current characteristics. Zone selective interlocking is available to provide zero time delay selectivity.



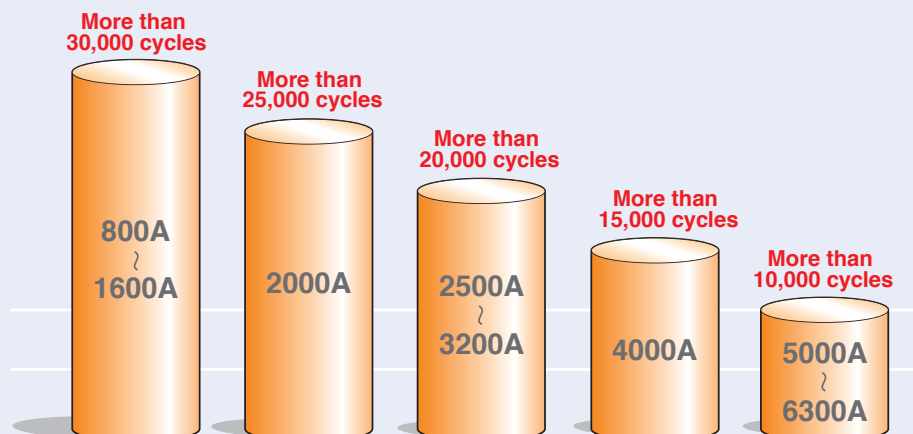
As the rated breaking capacity is identical to the rated short-time withstand current full selectivity can be achieved.

Type and rated current	AR208S 800A AR212S 1250A AR216S 1600A AR220S 2000A	AR212H 1250A AR216H 1600A AR220H 2000A	AR325S 2500A AR332S 3200A	AR316H 1600A AR320H 2000A AR325H 2500A AR332H 3200A	AR440SB 4000A AR440S 4000A	AR650S 5000A AR663S 6300A	AR663H 5000A 6300A	
Performance								
Rated breaking current (at AC440V)	With INST trip function	65kA	80kA	85kA	100kA	100kA	120kA	135kA
	With ST delay trip function (Without INST trip functions)							
Rated short-time withstand current (for 1 sec.)								



A substantial improvement in life cycles

The *TemPower2* series has achieved very high life cycles compared with our competitors.



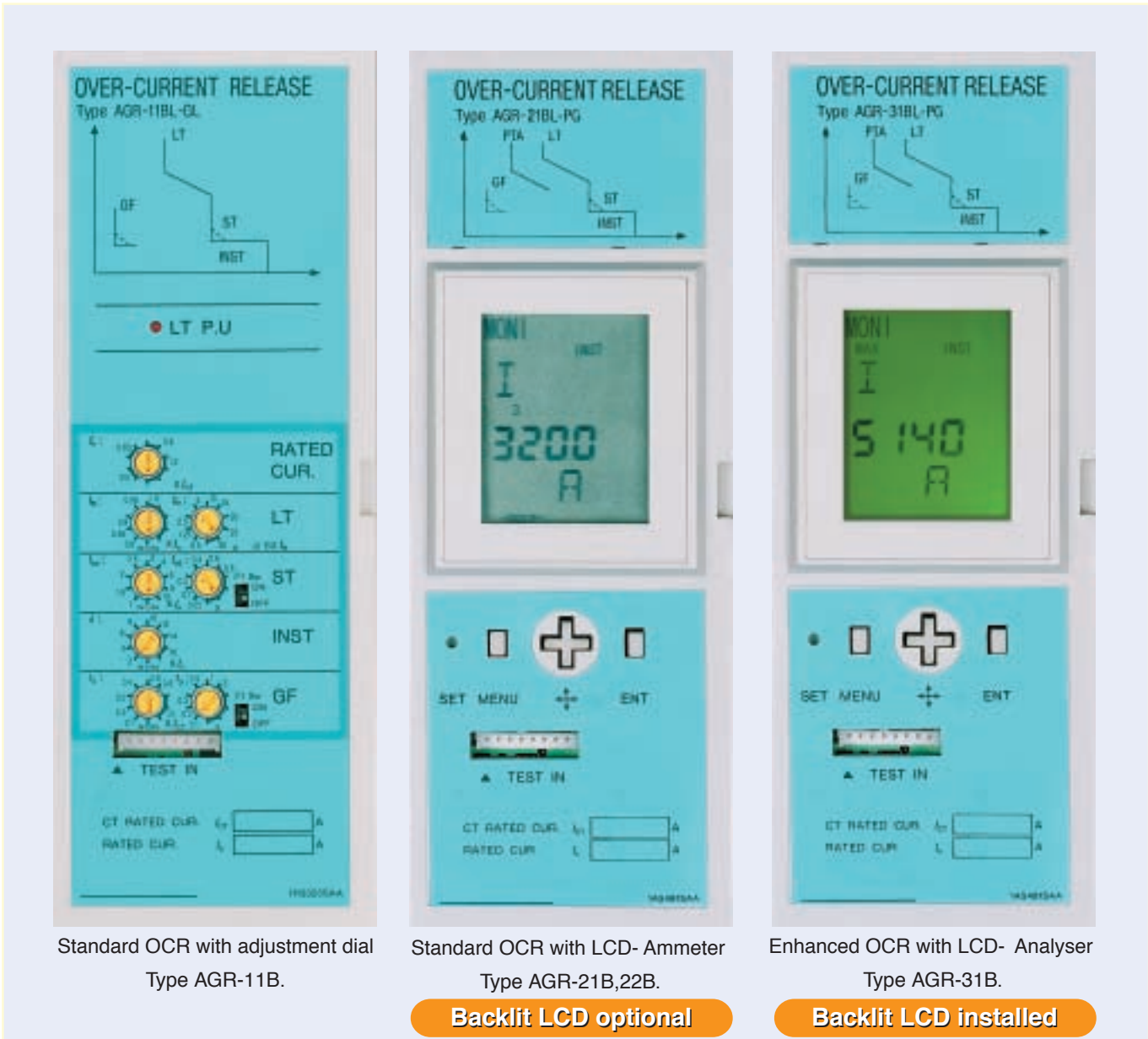
TemPower2 (Standard Series)

Note: above figures are the mechanical endurance with maintenance. For details please refer to pages 14 & 15.

1 Features

TemPower2 provides positive protection for electric power systems.

The *TemPower2* series is equipped with an RMS sensing over-current release (OCR) having a wide range of protection functions and capabilities.



Overload protection

Adjustable from 40% to 100% of rated current. True r.m.s detection up to the 19th harmonic, a distant vision for the competition who rarely see past the 7th. Neutral protection for all those Triple-N harmonics, such as 3rd, 9th and 15th. Also in case we forgot to mention, a **thermal memory** is available on the AGR21B/31B.



Reverse power trip function (S-characteristic)

This feature provides additional protection when paralleling generators. The AGR22B/31B OCR for generator protection with the reverse power trip function, negates the need for installation and wiring in an external reverse power relay. This feature is available using an AGR OCR with a generator S type characteristic only.

For general feeder circuits (L-characteristic)

For general feeder circuits (R-characteristic)

For generator protection (S-characteristic)

FOR FULL DETAILS REFER TO THE FEATURES TABLE PAGE 28-29



Two channel pre-trip alarm function (optional)

This function can be used to monitor and switch on additional power backup to feed critical circuits. For example, the function can be set so that when a pre-trip alarm is activated, an emergency generator starts to ensure a constant supply. This feature is only available on some AGR22B/31B OCR models with a generator S characteristic.



N-phase protection function (optional)

In 3-phase, 4-wire systems that contain harmonic distortion, the 3rd harmonic may cause large currents to flow through the neutral conductor. The N-phase protection function prevents the neutral conductor from sustaining damage or burnout due to these large currents. Available in all OCRs except for generator S characteristic types.



Ground fault trip function

This function eliminates external relays to provide a ground fault protection to TN-C or TN-S power distribution systems on the load side. Ground fault protection on the line side is also available as an option.



Phase rotation protection function

This function detects the negative-phase current occurring due to reverse phase or phase loss and prevents burnout of a motor or damage to equipment.



Advanced L.C.D. display, Over Current Relay

The AGR-31B OCR comes standard with the backlit LCD display. It can monitor and indicate phase currents, voltages, power, energy, power factor, frequency, and more. For features refer page 27. The backlit LCD is optional for AGR-21B and AGR-22B.



Remote Communications Protocols (optional)

Data communications via Modbus, an open network, are supported.

Energy Measurement

I, V, kW, MWh, kVar, cos ϕ , frequency

Intelligent Fault Analysis

Status, fault type, fault size, tripping time, fault history

Maintenance Information

Trip circuit supervision, contact temperature monitoring.

For details please refer to page 12.

For other protocols please contact terasaki.



Contact temperature monitoring function (optional)

This function monitors the temperature of the ACBs main contacts. An alarm indicates when the temperature exceeds 155°C. Continuous monitoring of the contact temperature provides valuable input for preventative and predictive maintenance programs.

1 Features



Optimum protective coordination

Why use a separate panel mounted protection relay when you can have all the benefits of I.D.M.T. protection integral to the ACB?

TemPower2 is available with a choice of flexible protection curves to assist in selectivity applications.

S.I. Standard Inverse

V.I. Very Inverse

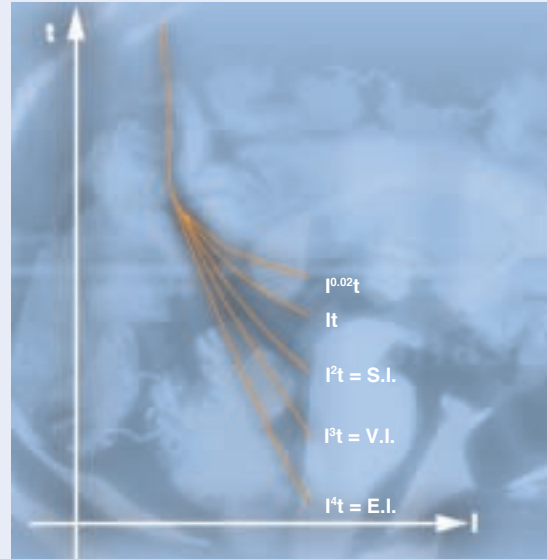
E.I. Extremely Inverse

All these curves are user definable and comply with IEC 60255-3. Standard transformer and generator protection characteristics are also available.

AGR-L Industrial & transformer protection

AGR-S Generator protection

AGR-R Characteristics to IEC 60255-3



Inverse Definite Minimum Time (I.D.M.T.)

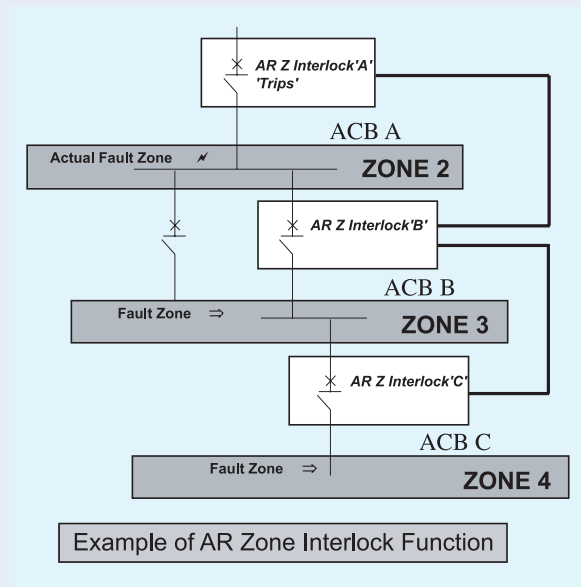


Zone Interlocking

In conventional discrimination systems, short time delays are used to allow a short-circuit current to be tripped by the circuit breaker nearest the fault. The disadvantage of this type of system is during a fault; considerable thermal and mechanical stresses are placed on the entire system. With the *TemPower2* Z Interlock system the breaker nearest the fault irrespective of the short time delay setting will trip first.

Example of operation:

If a fault occurs in Zone 2, only AR Z Interlock A will sense any fault current fault, a no fault signal will be sent by AR Z Interlock B & C, consequently AR Z Interlock A trips the ACB immediately, overriding its short time delay.





Double opening and closing coils

Double Opening and Closing Coils provides extended control system redundancy to an ACB. Double coils allow designers to implement back-up tripping and closing systems. It provides the end user with ultimate reliability on critical UPS circuits connected to critical loads.



Earthing Device

The unique design of *TemPower2 ACBs* allows for the earthing of either the busbar (line) or the circuit (load) of a low voltage system. Thus allowing system flexibility.

Some other manufactures only offer one option either, busbar or circuit earthing.

For full details refer to page 42

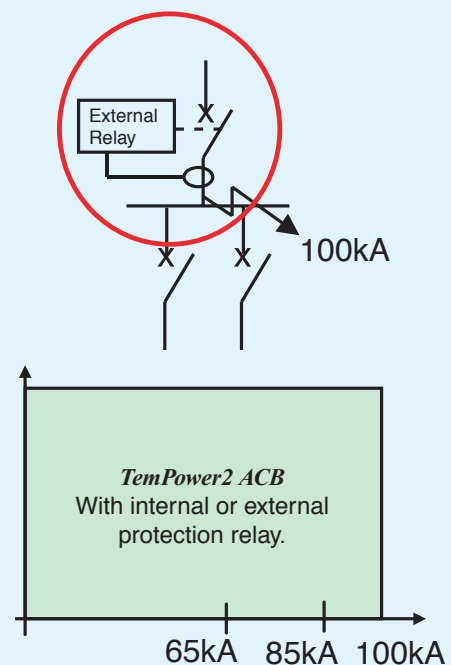


Protection relay performance

Ensure that the ACB you specify suffers no loss of performance when tripped by an external protection relay!

The *TemPower2 ACB* suffers no loss in performance when tripped through an external protection relay.

Some competitor s ACBs have reduced breaking performance when an external protection relay is used.



1 Features



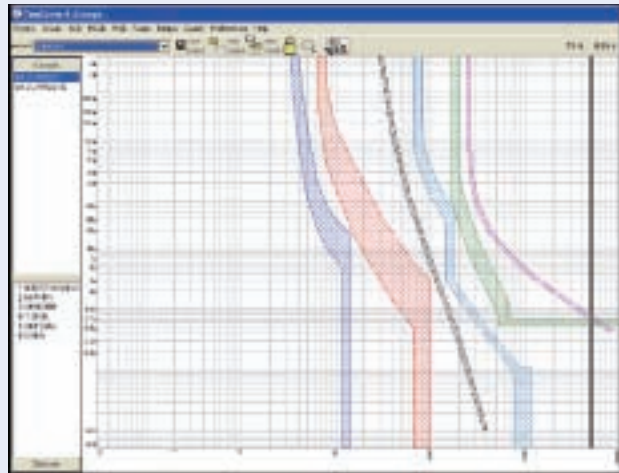
Double Neutrals

System harmonics, in the face of increasing triple-N harmonic currents Terasaki have launched a range of ACBs with double neutrals from 800 □ 6300Amps □The AR-DN . Terasaki have the widest range of double rated neutral ACBs on the global market.



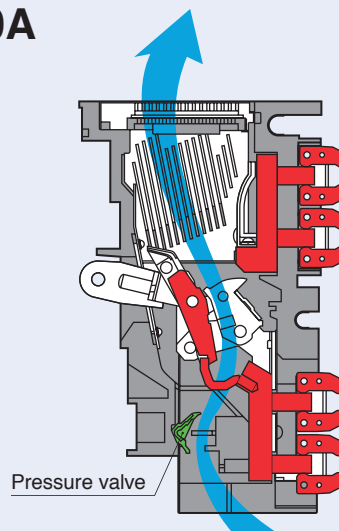
TemCurve

TemCurve Selectivity Analysis Software is shaped around the extensive range of **alfanar** Terasaki circuit breakers, but also includes a large number of complimentary protective devices such as High and Low Voltage Fuses to BS88/IEC269, IDMT Relays to BS142/IEC255. As a result, *TemCurve* can assist in protection device grading from the transformer primary to the point of final distribution, giving the facility to produce overcurrent and earth fault studies.



Maximum rated current of 6300A

The AR6 air circuit breaker interrupts the current at two points on the line side while dissipating heat from contacts or terminals by efficient air convection through a pressure valve.



Efficient air convection through a pressure valve

Patent granted



Meeting customer requirements

TemPower2 provides solutions to satisfy customer needs.

PANEL BOARD BUILDER

- Compact size for high packing density
- No extra arc space required for clearance
- Low temperature dissipation
- Built in trip supervision circuit
- Fully rated neutral as standard
- Terminal connections and accessories are field changeable
- Uniform panel cut out size



CONSULTANT

- Time Current Characteristics to IEC 60255-3
- Standard, Very and Extremely Inverse curves available
- Restricted and Unrestricted ground fault protection in one relay
- LSI characteristic curves as standard
- True r.m.s. protection
- Integral reverse power protection and load shedding relay



END USER

- Self checking protection relay and tripping coil
- Built in relay tester available on AGR21B/22B/31B can check on line without tripping the ACB
- Contact temperature monitoring
- Fault diagnosis - type of fault, magnitude, tripping time & trip history
- High making capacity for operator safety
- Communication via B.M.S. or S.C.A.D.A. system
- Main contacts can be changed within around 15 minutes per pole



1 Features



Communication facility added to *TemPower2*

TemPower2 is equipped with an optional communication interface unit that allows data exchange with a host PC via a Modbus open network. Data communicated includes measurements, fault log, maintenance information, ON/OFF status, settings, and control (ON/OFF/RESET) signals.

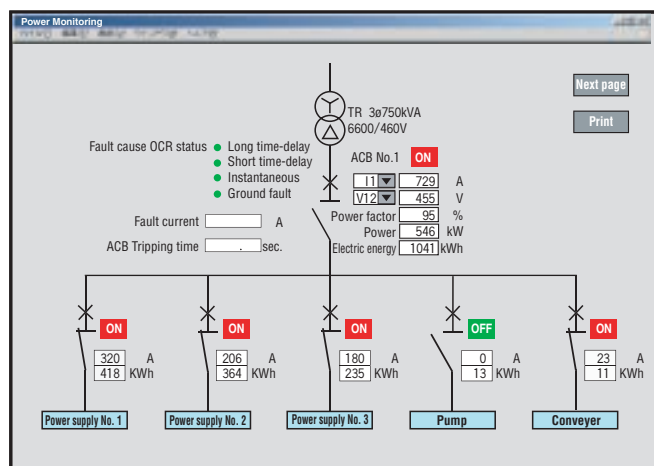
Fault log

Cause	Whichever trip functions, LTD, STD, INST, or GF is activated is then transmitted.
Fault current	The fault current at which the breaker tripped open is transmitted.
Trip pickup time	The trip pickup time is transmitted.

Maintenance information

Tripping circuit monitoring	The tripping coil is always monitored for disconnection. If the breaker is not open within approx. 300 ms of a trip signal delivered from the OCR, an alarm signal is generated.
-----------------------------	--

On-screen PC monitor



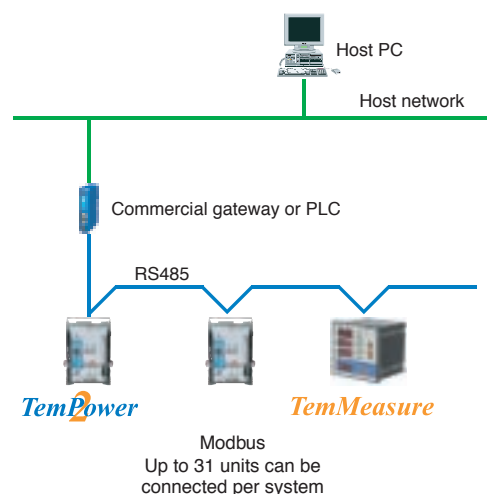
Data measurement

Phase current	Phase current I_1, I_2, I_3, I_N, I_g and max current I_{max} are measured and transmitted.
Line-to-line voltage	V_{12}, V_{23} and V_{31} are measured.
Active power	Three-phase power and the reverse power are measured.
Demand active power	Active power demand (over time) and historical max. power are recorded.
Accumulated power	Accumulated power is measured.
Power factor	Circuit power factor is measured.
Frequency	Frequency is measured.

Network interface I/O specifications

Item	Modbus
Transmission standard	RS-485
Transmission method	Two-wire half-duplex
Topology	Multi-drop bus
Transmission rate	19.2 kbps max
Transmission distance	1.2 km max (at 19.2 kbps)
Data format	Modbus-RTU or ASCII
Max number of nodes	1 □ 31

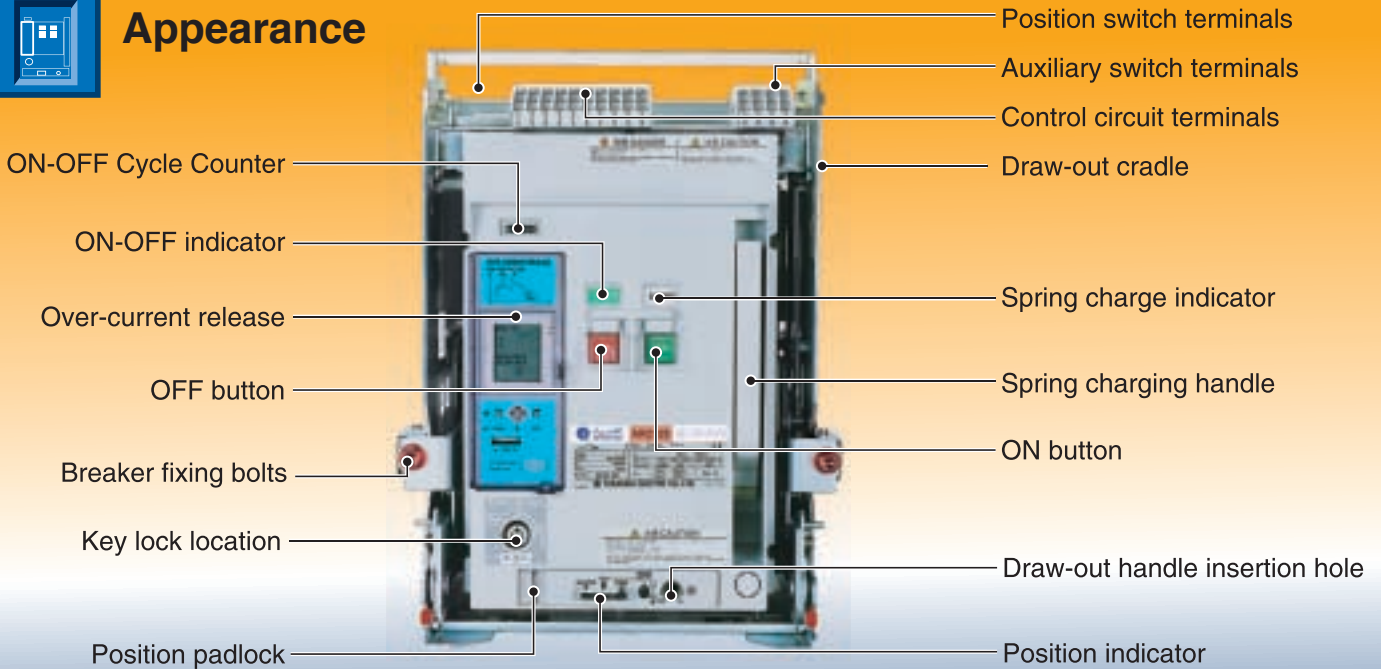
Communication network



2 Appearance and Internal Construction



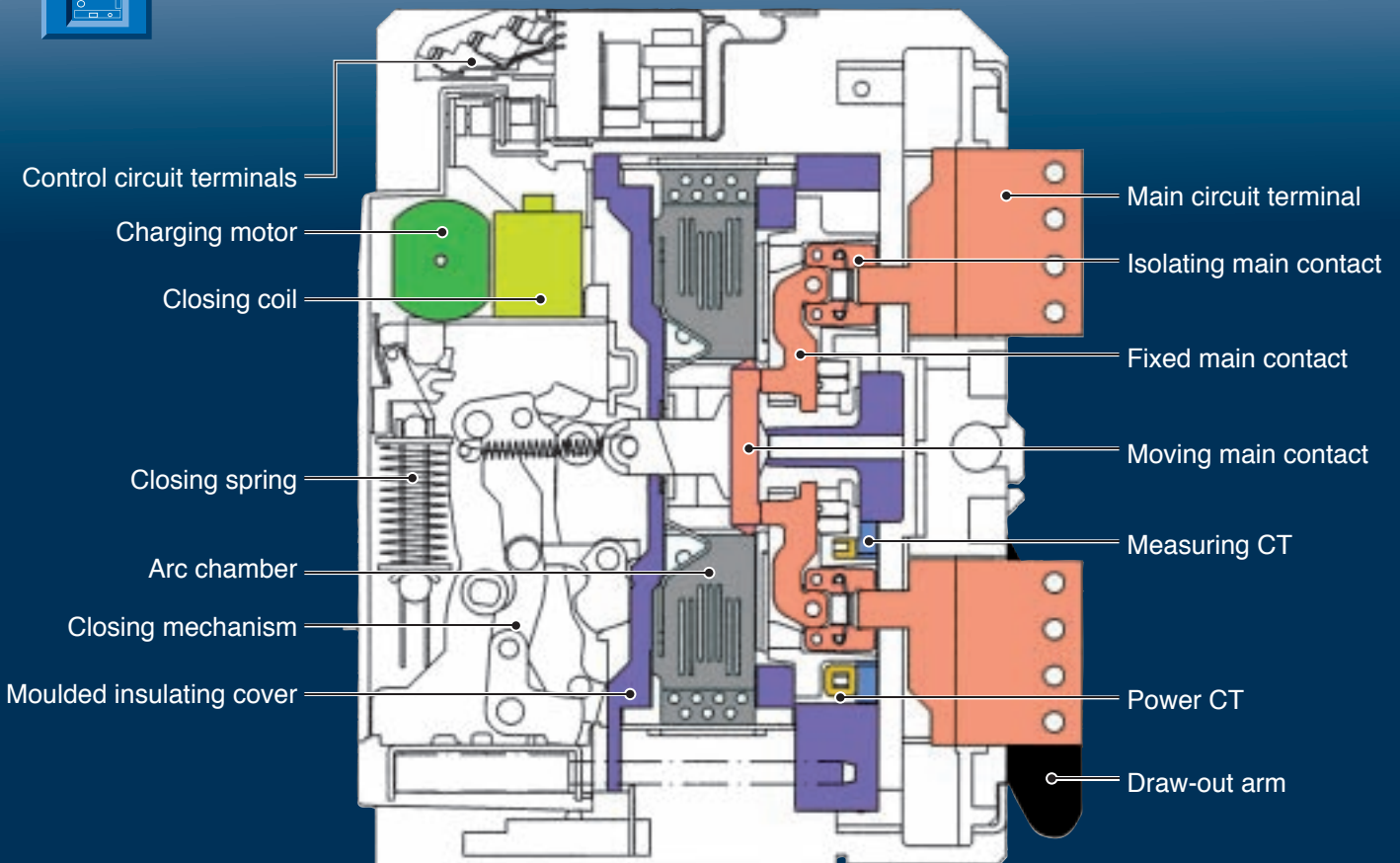
Appearance



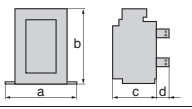
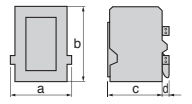
※Red ON button and GREEN OFF button are available on request.



Internal Construction



3 Ratings

Series	Standard	Standard	High fault	Standard	High fault	High fault	Standard	High fault	
AMPERE RATING(A)	800	1250	1250	1600	1600	1600	2000	2000	
TYPE	AR208S	AR212S	AR212H	AR216S	AR216H	AR316H	AR220S	AR220H	
RATED CURRENT (max) [I_n](A)	800	1250	1250	1600	1600	1600	2000	2000	
① ②									
JIS ^⑫ , IEC, EN, AS	800	1250	1250	1600	1600	1600	2000	2000	
NEMA, ANSI	800	1250	1250	1540	1600	1600	2000	2000	
Marine	800	1250	1250	1600	1600	1600	2000	2000	
NEUTRAL POLE AMPERES FRAME (A)	800	1250	1250	1600	1600	1600	2000	2000	
NUMBER OF POLES	3 4	3 4	3 4	3 4	3 4	3 4	3 4	3 4	
③ ④									
RATED PRIMARY CURRENT OF OVERCURRENT RELEASE [I_{CT}](A)	200	400	200	400	1600	200	400	2000	
RELEASE [I_{CT}](A)	400	800	400	800		400	800		
• for general feeder circuit use	800	1250	800	1250		800	1250		
			1250	1600		1250	1600		
						1600	2000		
RATED CURRENT OF OVERCURRENT RELEASE (A)	$100 \leq I_n \leq 200$	$200 \leq I_n \leq 400$	$100 \leq I_n \leq 200$	$200 \leq I_n \leq 400$	$800 \leq I_n \leq 1600$	$100 \leq I_n \leq 200$	$200 \leq I_n \leq 400$	$1000 \leq I_n \leq 2000$	
• for generator protection use	$200 < I_n \leq 400$	$400 < I_n \leq 800$	$200 < I_n \leq 400$	$400 < I_n \leq 800$		$200 < I_n \leq 400$	$400 < I_n \leq 800$		
[I_n] is generator rated current.	$400 < I_n \leq 800$	$630 < I_n \leq 1250$	$400 < I_n \leq 800$	$630 < I_n \leq 1250$	$800 < I_n \leq 1600$	$400 < I_n \leq 800$	$630 < I_n \leq 1250$	$800 < I_n \leq 1600$	
			$630 < I_n \leq 1250$			$800 < I_n \leq 1600$	$1000 < I_n \leq 2000$		
AC RATED INSULATION VOLTAGE [U_i](V. 50/60Hz)	1000	1000	1000	1000	1000	1000	1000	1000	
RATED OPERATIONAL VOLTAGE [U_o](V. 50/60Hz)	690	690	690	690	690	690	690	690	
AC RATED BREAKING CAP [kA sym rms]/MAKING CAP [kA peak]									
JIS ^⑫ , IEC, EN, AS	AC 690V ⑤	50/105	50/105	55/121	50/105	55/121	85/187	50/105	
[$I_{CS} = I_{CU}$]	440V	65/143 ⑥	65/143 ⑥	80/176	65/143 ⑥	80/176	100/220	65/143 ⑥	
NEMA	AC 635V	42/96.6	42/96.6	42/96.6	42/96.6	42/96.6	50/115	42/96.6	
ANSI	508V	50/115	50/115	55/127	50/115	55/127	80/184	50/115	
	254V	65/149.5	65/149.5	80/184	65/149.5	80/184	100/230	65/149.5	
⑦	DC 600V ⑧	40/40	40/40	40/40	40/40	40/40	40/40	40/40	
	250V	40/40	40/40	40/40	40/40	40/40	40/40	40/40	
NK ⑨	AC 690V	50/115	50/115	55/128	50/115	55/128	85/201	50/115	
	450V	65/153 ⑥	65/153 ⑥	80/186	65/153 ⑥	80/186	100/233	65/153 ⑥	
LR, AB, ⑨	AC 690V	50/115	50/115	55/128	50/115	55/128	85/201	50/115	
GL, BV	450V	65/153 ⑥	65/153 ⑥	80/186	65/153 ⑥	80/186	100/233	65/153 ⑥	
RATED IMPULSE WITHSTAND VOLTAGE [U_{imp}](kV)	12	12	12	12	12	12	12	12	
RATED SHORT TIME WITHSTAND	1s	65	65	80	65	80	100	65	
CURRENT [I_{cw}](kA rms)	3s	50	50	55	50	55	75	50	
LATCHING CURRENT (kA)		65	65	65	65	65	85	65	
TOTAL BREAKING TIME (s)		0.03	0.03	0.03	0.03	0.03	0.03	0.03	
CLOSING OPERATION TIME									
SPRING CHARGING TIME (s) max.	10	10	10	10	10	10	10	10	
CLOSE TIME (s) max.	0.08	0.08	0.08	0.08	0.08	0.08	0.08	0.08	
No. of operating cycles									
Mechanical life with maintenance	30000	30000	30000	30000	30000	30000	25000	30000	
without maintenance	15000	15000	15000	15000	15000	15000	12000	15000	
Electrical life without maintenance AC460V	12000	12000	12000	12000	12000	12000	10000	12000	
AC690V	10000	10000	10000	10000	10000	10000	7000	10000	
Draw-Out Body (kg)	⑪ 45 51	45 51	46 52	46 52	46 52	46 52	56 68	46 52	
Draw-Out Chassis (kg)	⑪ 28 35	28 35	33 42	30 38	33 42	49 57	33 42	33 42	
Total Draw-Out Weight (kg)	⑪ 73 86	73 86	79 94	76 90	79 94	105 125	79 94	79 94	
Fixed (kg)	⑪ 53 59	53 59	54 60	54 60	54 60	80 92	54 60	54 60	
OUTLINE DIMENSION (mm)									
FIXED TYPE		a 360 445	b 460	c 290	d 75	a 360 445	b 460	c 290	d 75
DRAW-OUT TYPE ⑩		a 354 439	b 460	c 345	d 40	a 354 439	b 460	c 345	d 40

- ①: Values in open air at 40°C (45°C for marine applications).
- ②: Values of AR208S, AR212S, AR216S for draw-out type with horizontal terminals, Values of the other ACBs for draw-out type with vertical terminals.
- ③: For 2 pole ACBs use outside poles of 3 pole ACB.
- ④: 4poles ACBs without Neutral phases protection can not apply IT earthing system.
- ⑤: Contact alfanar for the details.
- ⑥: For 500V AC.
- ⑦: ARG OCRs can not be used for DC. Please contact TERASAKI for DC application.
- ⑧: 3 poles in series should be applied for 600V DC. Please refer to the catalogue I73E for more information of DC breakers.

- ⑨: Applicable to only 3 pole ACBs.
 - ⑩: For vertical terminals or horizontal terminals.
 - ⑪: These weights are based on normal specifications with the OCR and standard accessories.
 - ⑫: Comply with JIS C 8201-2-1 Ann.1 Ann.2
 - ⑬: Being or will be applied.
 - ⑭: Values for ACBs with INST. 100/220kA for ACBs with MCR.
 - ※: Contact alfanar for the ratings.
- Note:** When the INST trip function is set to NON, the MCR function should be enabled, otherwise, the rated breaking capacity is reduced to the rated latching current.

High fault 2000	High fault 2000	Standard 2500	High fault 2500	Standard 3200	High fault 3200	Standard 4000	Standard 4000	High fault 4000	Standard 5000	Standard 6300	High fault 6300
AR320H	AR420H	AR325S	AR325H	AR332S	AR332H	AR440SB	AR440S	AR440H	AR650S	AR663S	AR663H
2000	2000	2500	2500	3200	3200	4000	4000	4000	5000	6300	6300
2000	*	2500	2500	3200	3200	3310	3700	3700	4700	5680	5680
2000	2000	2500	2500	3200	3200	4000	4000	4000	5000	6300	6300
2000	2000	2500	2500	3200	3200	4000	4000	4000	5000	6300	6300
3 4	3	3 4	3 4	3 4	3 4	3 4	3 4	3	3 4	3 4	3 4
2000	800 2000	2500	2500	3200	3200	4000	4000	4000	5000	6300	5000 6300

$1000 \leq I_n \leq 2000$	$400 \leq I_n \leq 800$ $1000 \leq I_n \leq 2000$	$1250 \leq I_n \leq 2500$	$1250 \leq I_n \leq 2500$	$1600 \leq I_n \leq 3200$	$1600 \leq I_n \leq 3200$	$2000 \leq I_n \leq 4000$	$2000 \leq I_n \leq 4000$	$2000 \leq I_n \leq 4000$	$2500 \leq I_n \leq 5000$	$3150 \leq I_n \leq 6300$	$2500 \leq I_n \leq 5000$ $3150 \leq I_n \leq 6300$
---------------------------	--	---------------------------	---------------------------	---------------------------	---------------------------	---------------------------	---------------------------	---------------------------	---------------------------	---------------------------	--

1000	1000	1000	1000	1000	1000	1000	1000	1000	1000	1000	1000
690	690	690	690	690	690	690	690	690	690	690	690

85/187	75/165	65/143	85/187	65/143	85/187	85/187	75/165	75/165	85/187	85/187	85/187
100/220	120/264 ¹⁴	85/187 ⁶	100/220	85/187 ⁶	100/220	100/220	100/220	120/264 ¹⁴	120/264	120/264	135/297
50/115	65/149.5	50/115	50/115	50/115	50/115	50/115	65/149.5	65/149.5	65/149.5	65/149.5	65/149.5
80/184	75/172.5	65/149.5	80/184	65/149.5	80/184	80/184	75/172.5	75/172.5	80/184	80/184	80/184
100/230	120/276	85/195.5	100/230	85/195.5	100/230	100/230	100/230	120/276	100/230	100/230	100/230
40/40	40/40	40/40	40/40	40/40	40/40	40/40	40/40	40/40	40/40	40/40	40/40
40/40	40/40	40/40	40/40	40/40	40/40	40/40	40/40	40/40	40/40	40/40	40/40
85/201	¹³	65/153	85/201	65/153	85/201	¹³	75/179	¹³	85/201 ¹³	85/201 ¹³	85/201 ¹³
100/233	¹³	85/201 ⁶	100/233	85/201 ⁶	100/233	¹³	100/245	¹³	120/287 ¹³	120/287 ¹³	138/322 ¹³
85/201	¹³	65/153	85/201	65/153	85/201	¹³	75/179	¹³	85/201 ¹³	85/201 ¹³	85/201 ¹³
100/233	¹³	85/201 ⁶	100/233	85/201 ⁶	100/233	¹³	100/245	¹³	120/287 ¹³	120/287 ¹³	138/322 ¹³

12	12	12	12	12	12	12	12	12	12	12	12
100	100	85	100	85	100	100	100	100	120	120	135
75	85	65	75	65	75	75	85	85	85	85	85
85	100	85	85	85	85	85	100	100	120	120	120
0.03	0.03	0.03	0.03	0.03	0.03	0.03	0.03	0.03	0.05	0.05	0.05

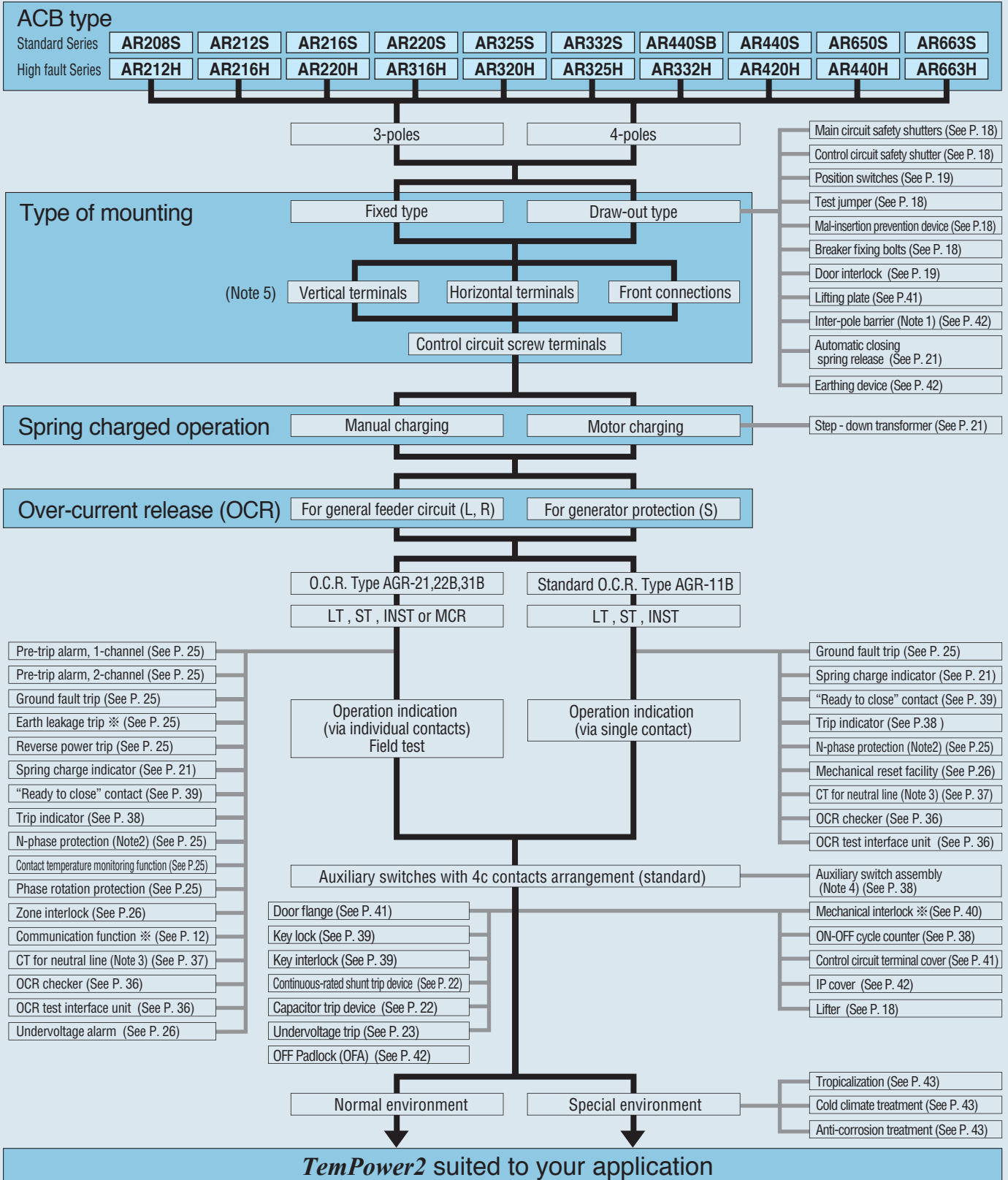
10	10	10	10	10	10	10	10	10	10	10	10
0.08	0.08	0.08	0.08	0.08	0.08	0.08	0.08	0.08	0.08	0.08	0.08

25000	15000	20000	20000	20000	20000	15000	15000	15000	10000	10000	10000
12000	8000	10000	10000	10000	10000	8000	8000	8000	5000	5000	5000
10000	3000	7000	7000	7000	7000	3000	3000	3000	1000	1000	1000
7000	2500	5000	5000	5000	5000	2500	2500	2500	500	500	500
56 68	71	56 68	56 68	56 68	56 68	58 71	71 92	71	125 160	140 180	140 180
49 57	76	49 57	49 57	49 57	49 57	68 87	68 84	76	75 100	80 105	80 105
105 125	147	105 125	105 125	105 125	105 125	126 158	139 176	147	200 260	220 285	220 285
80 92		80 92	80 92	80 92	80 92						

466 586		466 586	466 586	466 586	466 586						
460		460	460	460	460						
290		290	290	290	290						
75		75	75	75	75						
460 580	631	460 580	460 580	460 580	460 580	460 580	631 801	631	799 1034	799 1034	799 1034
460	460	460	460	460	460	460	460	460	460	460	460
345	375	345	345	345	345	345	375	375	380	380	380
40	53	40	40	40	40	140	53	53	60	60	60

4 Specifications

TemPower2 series ACBs have an extensive range of accessories available, enabling the ACBs to be custom built to suit every application.



Note 1: Not applicable to ACBs equipped with front connections.

Note 2: Applicable to 4-pole ACBs.

Note 3: Required for ground fault protection for 3-poles ACB on 3-phase, 4-wire systems.

Note 4: Microload switch assembly with 3c arrangement available.

Note 5: Vertical terminal is standard and horizontal terminal is optional for High fault series. Front connection is not available for High fault series.

※: Contact alfanar for details.

1 Types of Mounting

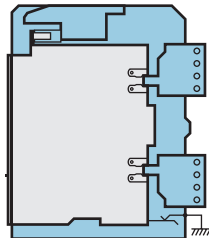
Draw-out type

This type of ACB consists of a breaker body and a draw-out cradle. The breaker body can be moved within or removed from the draw-out cradle that is fixed in the panel.

There are four breaker body positions: CONNECTED, TEST, ISOLATED, and WITHDRAWN. The panel door can be kept closed in the CONNECTED, TEST, and ISOLATED positions (shut-in three positions).

1 CONNECTED position

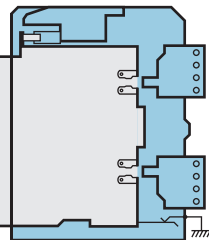
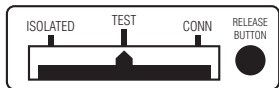
Position indicator



Both the main and control circuits are connected for normal service.

2 TEST position

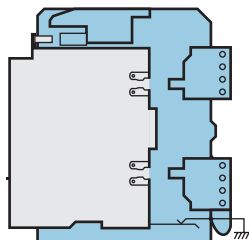
Position indicator



The main circuit is isolated and the control circuits are connected. This position permits operation tests without the need for opening the switchboard panel door.

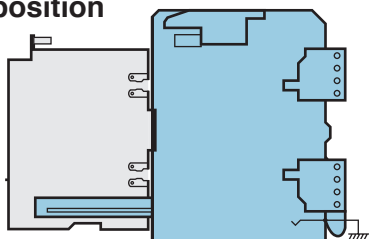
3 ISOLATED position

Position indicator



Both the main and control circuits are isolated. The switchboard panel door does not need to be opened.

4 WITHDRAWN position



The breaker body is fully withdrawn from the draw-out cradle.

Fixed type

This type of ACB has no draw-out cradle and is designed to be directly mounted in the switchboard.

Terminal arrangements

Main circuit terminals

Three(3) types of main circuit terminal arrangements are available: vertical terminals, horizontal terminals, and front connections. Different types of terminal arrangements can be specified for the line and load sides.

Note: The max. rated current [I_n] may be reduced depending on the main circuit terminal arrangement. For more information see page 70.

Type	Vertical terminals	Horizontal terminals	Front connections
AR208S, AR212S, AR216S	○	⊙	○
AR220S, AR325S, AR332S	⊙	○	○
AR212H, AR216H, AR220H, AR316H, AR320H, AR325H, AR332H	⊙	●	
AR440SB, AR440S, AR650S, AR663S, AR420H, AR440H, AR663H	⊙		

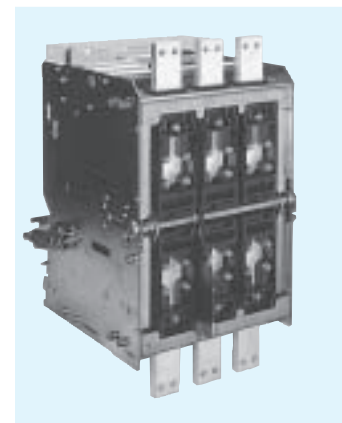
⊙: Standard. This configuration used unless otherwise specified.

○: Optional standard. Specify when ordering.

●: yes or available . ○: no or not available .



▲Horizontal terminals



▲Front connections



▲Vertical terminals

Control circuit terminals

Control circuit terminals are front located to allow easy wiring/ access.

- The terminal blocks (for auxiliary switches, position switches, and control circuits) are positioned on the top of the ACB front panel and can be accessed from the front for wiring.



▲Screw terminals

- M4 screw terminals are standard.

4 Specifications

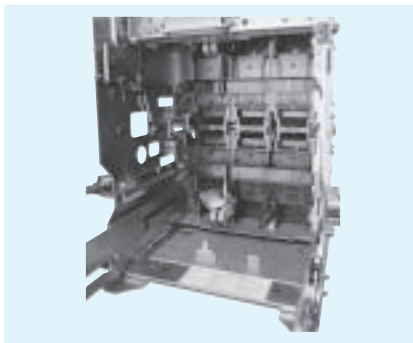
2 Accessories for Draw-out Type

※: Standard equipment

Main circuit safety shutters

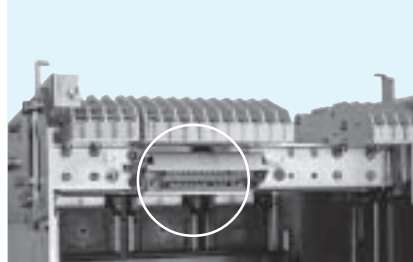
The main circuit safety shutters automatically conceal the main circuit contacts on the draw-out cradle when the ACB is drawn out.

- The top and bottom shutters operate independently and can be separately padlocked in the closed position.
- Up to three padlocks (with 6 hasp) can be installed on each side using padlocking unit. (Padlock not supplied)
- In the closed position, the shutters are locked to the extent that they cannot be easily unlocked by hand. They can be unlocked and held open if required for the purpose of inspection or maintenance.



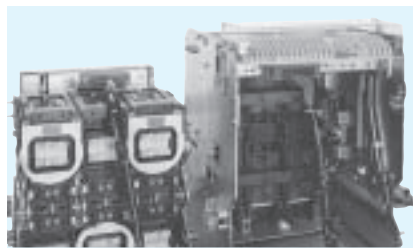
Control circuit safety shutter

The control circuit safety shutter covers the control circuit contacts, ensuring safety.



Test jumper

The test jumper is a plug-in type, and allows ON-OFF tests on all the *TemPower2* series ACBs with the breaker body drawn out from the draw-out cradle. The standard jumper cable is 5 m long.



Breaker fixing bolts

The breaker fixing bolts hold the breaker body securely to the draw-out cradle in position. Use them if the ACB is subject to strong vibration.



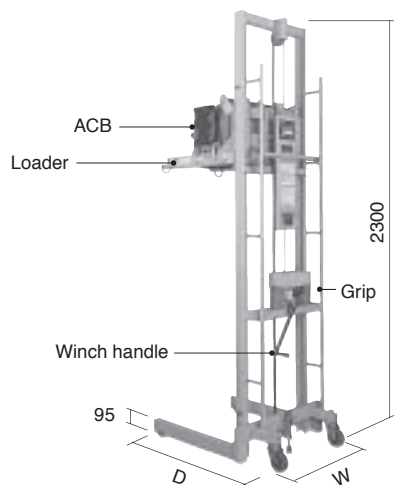
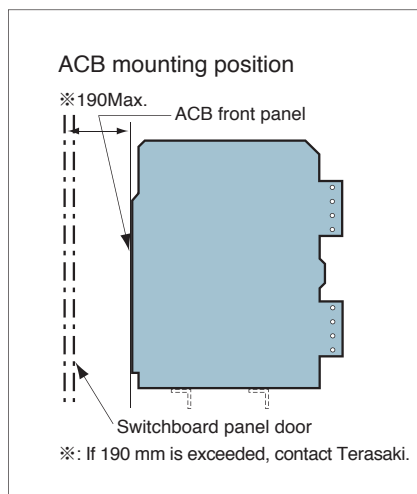
Position padlock lever ※

Using the position padlock lever prevents the breaker body from inadvertently being drawn out. The position padlock lever in the pulled-out position locks the breaker body in the CONNECTED, TEST, or ISOLATED position. Up to three padlocks (with 6 hasp) can be installed.



Lifter

A special lifter is available to allow easy and safe transportation or installation of the ACB. A drop prevention mechanism is standard.



Type of Lifter	Weight (kg)	D (mm)	W (mm)	Applicable ACBs
AWR-1B	92	887	710	AR2, AR3, AR440SB
AWR-2B	110	912	1150	AR2, AR3, AR4, AR6

Mal-insertion prevention device

Interchangeability exists within the *TemPower2* series of ACBs. Because of this feature, there is a possibility for an ACB of a different specification being placed into the draw-out cradle. Using the mal-insertion prevention device eliminates such a possibility.

This device is capable of distinguishing nine different breaker bodies.

Please specify the Code 1A, 1B, 1C, 2A, 2B, 2C, 3A, 3B, 3C for each ACB.



Position switches

The position switch operates to give an indication of the breaker position: CONNECTED, TEST, ISOLATED, and INSERT.

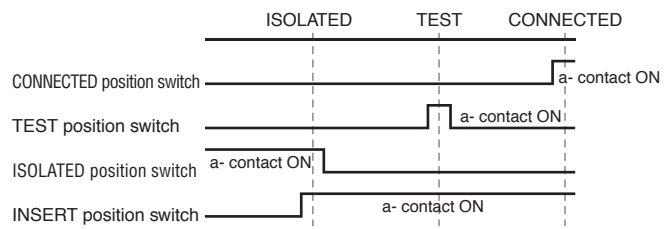
There are two contact arrangements: 2c and 4c.

Connections to the switches are made via screw type terminals.

The following table lists the available types of the switches.

Type	Number of contacts	Contact arrangement			
		INSERT	ISOLATED	TEST	CONN
ALR-0110P	2c	0	1	1	0
ALR-0101P		0	1	0	1
ALR-0011P		0	0	1	1
ALR-0200P		0	2	0	0
ALR-0020P		0	0	2	0
ALR-0002P		0	0	0	2
ALR-1111P		1	1	1	1
ALR-1210P		1	2	1	0
ALR-1201P		1	2	0	1
ALR-0211P		0	2	1	1
ALR-1120P	4c	1	1	2	0
ALR-1021P		1	0	2	1
ALR-0121P		0	1	2	1
ALR-1102P		1	1	0	2
ALR-1012P		1	0	1	2
ALR-0112P		0	1	1	2
ALR-0220P		0	2	2	0
ALR-0202P		0	2	0	2
ALR-0022P		0	0	2	2
ALR-1030P		1	0	3	0
ALR-0130P		0	1	3	0
ALR-0031P		0	0	3	1
ALR-1003P		1	0	0	3
ALR-0103P		0	1	0	3
ALR-0013P		0	0	1	3
ALR-0040P		0	0	4	0
ALR-0004P	0	0	0	4	

Position switch operation sequence



INSERT position means the breaker body is in any position between ISOLATED and CONNECTED.

Position switch ratings

Voltage	Resistive load (A)	Inductive load (A) ($\text{COS} \phi = 0.6, L/R = 0.07$)
AC 100-250V	11	6
DC 250V	0.3	0.3
DC 125V	0.6	0.6
DC 30V	6	5
DC 8V	10	6

Door interlock

The door interlock prevents the panel door from being opened unless the breaker body is in the ISOLATED position.

When the draw-out handle is removed while the ACB is in the ISOLATED position, the interlock is released and the panel door can be opened.

The breaker body cannot be inserted unless the panel door is closed.

Contact alfanar for details.

Note 1: When the door interlock is installed, the standard draw-out handle cannot be stored in the panel. A storage draw-out handle is available as an option. The storage draw-out handle can be housed flush with the front surface of the ACB. (The storage handle will incur extra cost).

Note 2: Contact alfanar for the details for fitting Door interlock with IP55 cover or Door flange.

4 Specifications

3 Spring Charged Operation

Manual charging type

For this type of ACB, the closing springs are charged by means of the spring charging handle. ON/OFF operation of the ACB is performed by means of ON/OFF buttons on the ACB.

■ Charging the closing springs

Pumping the spring charging handle by hand charges the closing springs.

■ Closing the ACB

Pressing the ON button on the ACB closes the ACB.

■ Opening the ACB

Pressing the OFF button on the ACB opens the ACB.

The ACB cannot be closed as long as the OFF button is pressed.

Motor charging type

For this type of ACB, the closing springs are charged by means of a motor. ON/OFF operation of the ACB can be performed remotely.

A manual charging mechanism is also fitted to facilitate inspection or maintenance work.

■ Charging the closing springs

A motor is used to charge the closing springs.

When the closing springs are released to close the ACB, they are automatically charged again by the motor for the next ON operation.

■ Closing the ACB

Turning on remote ON switch enables the ACB to be remotely closed.

• Anti-pumping mechanism

Even if the ON switch is kept on, ACB closing operation is performed only once.

To close the ACB again, remove the ON signal to reset the anti-pumping mechanism and then reapply the ON signal.

• If ON and OFF signals are simultaneously given to the ACB, the ON signal is ignored.

■ Opening the ACB

For opening the ACB remotely, specify the shunt trip device (See page 22) or the undervoltage trip (See page 23).

■ Operation power supply

Rated voltage (V)	Applicable voltage range (V)		Operation power supply ratings		
	CHARGE/ON operation	OFF operation (Note1)	Motor inrush current (peak) (A)	Motor steady-state current (A)	Closing command current (peak) (A)
AC 100	85□110		7	1.1	0.29
AC 110	94□121		7	1.1	0.25
AC 120	102□132		7	1.1	0.22
AC 200	170□220		4	0.7	0.14
AC 220	187□242		4	0.7	0.13
AC 240	204□264		4	0.7	0.11
DC 24	18□26		14	4	1.04
DC 48	36□53		10	1.6	0.51
DC 100	75□110		6	0.8	0.25
DC 110	82□121		6	0.8	0.22
DC 125	93□138		6	0.8	0.21
DC 200	150□220		4	0.5	0.13
DC 220	165□242		4	0.5	0.12

Note 1: For the ratings refer to the shunt trip device of page 22.

※ Split circuit for motor and closing coil available on request.

4 Accessories for Spring Charged Operation

Automatic closing spring release

This device allows the charged closing springs to be automatically released when the ACB is drawn out.

ANSI or NEMA-compliant ACBs require this option.

Spring charge indicator

This switch can be used to indicate that the closing springs have been fully charged.

■ Normal contacts for general service

Voltage (V)		Switch contact ratings	
		Resistive load	Inductive load
AC	250	3	3
DC	250	0.1	0.1
	125	0.5	0.5
	30	3	2

Minimum applicable load is DC24V 10mA.

■ Gold contacts for microload

Voltage (V)		Switch contact ratings	
		Resistive load	Inductive load
AC	250	0.1	0.1
DC	30	0.1	0.1

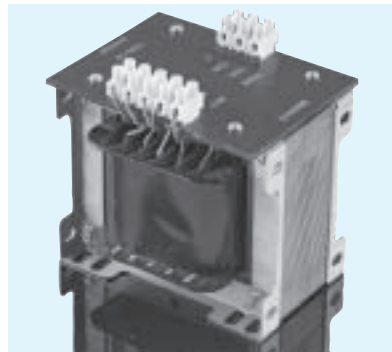
Minimum applicable load is DC24V 1mA.

Step-down transformer (external)

The maximum rated control voltage applicable to the operation power supply is AC240V. For higher voltages, a step-down transformer is needed.

The following step-down transformers are available as options.

Rated control voltage	Transformer		
	Type	Capacity	Voltage ratio
AC410□470V	TSE-30M	300VA	450/220V
AC350□395V	TSE-30M	300VA	380/220V



4 Specifications

5 Trip Devices

Continuously-rated shunt trip device

The continuous-rated shunt trip device allows the ACB to be opened when an external protection relay against overcurrent or reverse power is activated.

Because of its continuous rating, the device can also be used to provide an electrical interlock to the ACB.

*Continuously rated shunt trip and undervoltage trip can not be fitted to the same ACB. However, by fitting a special continuously rated shunt trip to the side plate of a ACB chassis will allow an undervoltage trip to be used in conjunction with a continuously rated shunt trip. A mechanical interlock can not be fitted with this combination.

*Instantaneously rated shunt trip also available with special specification. This shunt trip can be fitted with undervoltage trip to the same ACB.

*Special double opening and closing coils are available.

For more information contact alfanar.

Shunt Trip Rating (Continuously rated type)

Type	Rated voltage (V)	Operational voltage (V)	Max. excitation current (A)	Opening time (max.) (ms)
	AC100	AC70□110	0.29	
	AC110	AC77□121	0.25	
	AC120	AC84□132	0.22	
	AC200	AC140□220	0.14	
	AC220	AC154□242	0.13	
	AC240	AC168□264	0.11	
AVR□IC	DC24	DC16.8□26.4	1.04	40※
	DC30	DC21□33	0.85	
	DC48	DC33.6□52.8	0.51	
	DC100	DC70□110	0.25	
	DC110	DC77□121	0.22	
	DC125	DC87.5□137.5	0.21	
	DC200	DC140□220	0.13	
	DC220	DC154□242	0.12	

※ For AR6, the opening time is 50msec.

Capacitor trip device

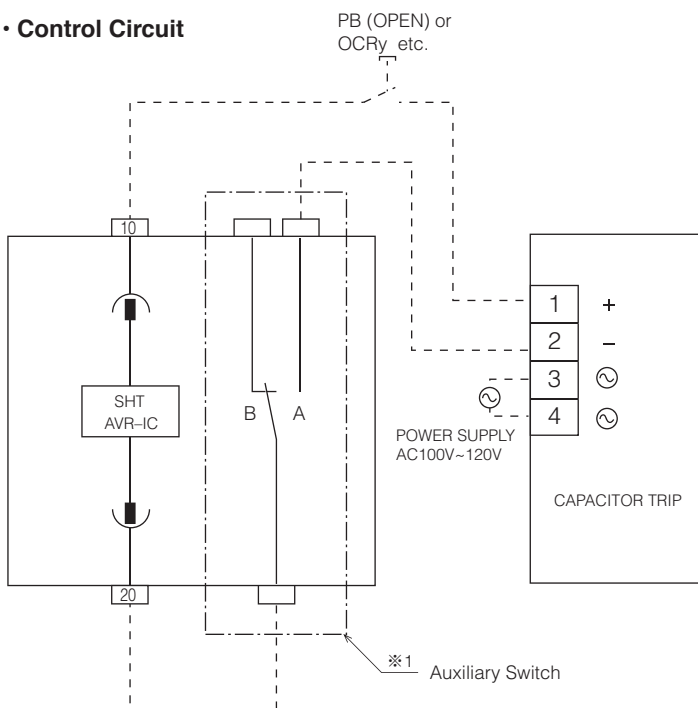
In conjunction with the continuously-rated shunt trip device, the capacitor trip device can be used to trip the ACB within a limited period of 30 sec if a large voltage drop occurs due to an ac power failure or short-circuit.

When the continuously-rated shunt trip is used with a capacitor trip device, a contact of auxiliary switch of ACB should be inserted in series, otherwise internal damage may occur.

Note: It is not possible to test the capacitor trip device when the test jumper is used.

Type	AQR-1
Rated Voltage	AC100-120V
Operational Voltage	Rated Voltage X 70 to 110%
Rated frequency	50/60Hz
Rated Voltage of Shunt Trip Used	DC48V
Power Consumption	100VA

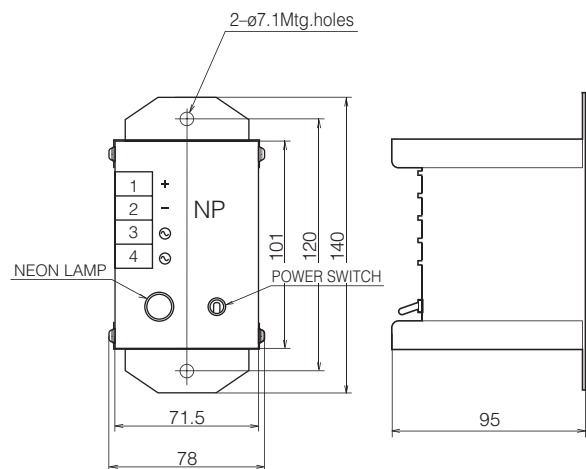
Control Circuit



----- User Wiring

※1: Use Auxiliary Switch for capacitor trip

Outline Dimensions



Undervoltage trip device (UVT)

The undervoltage trip device (UVT) trips the ACB when the control voltage drops below the opening voltage. When the control voltage is restored to the pick-up voltage, the ACB can be closed. The pick-up voltage is fixed to 85% of the rated voltage.

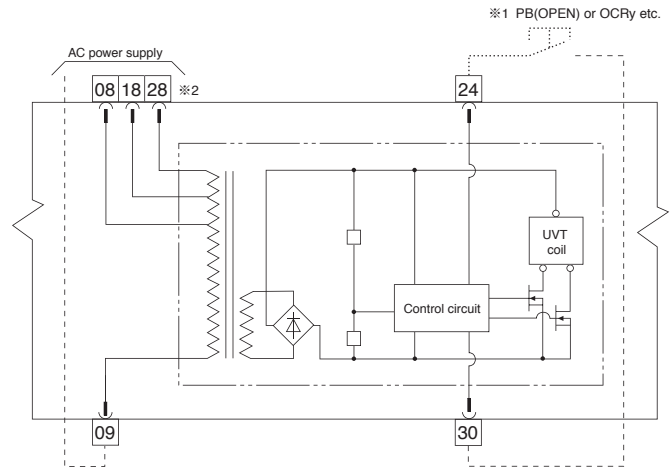
The UVT consists of a tripping mechanism and an undervoltage trip control device. The trip control device is available in two types: AUR-ICS and AUR-ICD.

Type AUR-ICS provides an instantaneous trip (below 200ms.) to the ACB when the control voltage drops below the opening voltage. Type AUR-ICD provides a delayed trip to the ACB when the control voltage remains below the opening voltage for at least 500 ms.※

Adding a pushbutton switch (with normally opened contacts) between terminals 24 and 30 allows the ACB to be tripped remotely.

※Time-delay trip over 1 sec. or 3 sec. is available as special specification.

Undervoltage trip control circuit (for AC)



- ※1 Tripping signal is 48 VDC/5 mA.
Apply tripping signal for at least 80 ms.
- ※2 For DC type use 09 as the (□) terminal and 08 as the (+) terminal.

It takes max. 1.5sec. for UVT coil to be adsorbed after the rated voltage is applied to the undervoltage trip device. Therefore, for the closing command, the closing signal should be applied on and over 1.5sec. after the rated voltage is applied.

• Ratings

Type of UVT Control Device	Rated Voltage 50/60Hz (V)	Opening Voltage (V)	Pick-up Voltage (V)	Coil Excitation Current (A)	Power Consumption (VA)		
					Normal	Reset	
AUR-1CS	AC	100	35 □ 70	85	0.1	8	10
		110	38.5 □ 77	93.5			
		120	42 □ 84	102			
		200	70 □ 140	170			
		220	77 □ 154	187			
		240	84 □ 168	204			
		380	133 □ 266	323			
		415	145 □ 290	352			
AUR-1CD	DC	24 ※3	8.4 □ 16.8	20.4	0.1	8	10
		48 ※3	16.8 □ 33.6	40.8			
		100 ※3 ※4	35 □ 70	85			

※3: Special specification.

※4: Not possible to fit with Instantaneously rated shunt trip.

4 Specifications

6 Over-current Releases (OCRs)

The AGR series of over-current releases (OCRs) featuring high reliability and multiple protection capabilities is available for *TemPower2*. Controlled by an internal 16-bit microprocessor, the OCR provides reliable protection against overcurrent.

The OCR range is divided into three groups: L-characteristic, R-characteristic (both for general feeder) and S-characteristic (for generator protection).

Each group consists of:

Type AGR-11B: Standard OCR with adjustment dial

Type AGR-21B,22B: Standard OCR with L.C.D. (Backlit L.C.D. optional)

Type AGR-31B: Enhanced OCR with backlit L.C.D.

Optional protection functions of the OCR include those against ground fault, earth leakage, undervoltage and reverse power.

Pre-trip alarm function can also be installed.

An AGR-11B over-current mechanical reset facility is available for special application. For more information contact alfanar.

Protective functions

① Adjustable long time-delay trip function **LT**

RMS sensing is used to accurately read through distorted wave-forms.

In addition to the standard L and S-characteristics, the R-characteristic is available in five types for long time-delay trip.

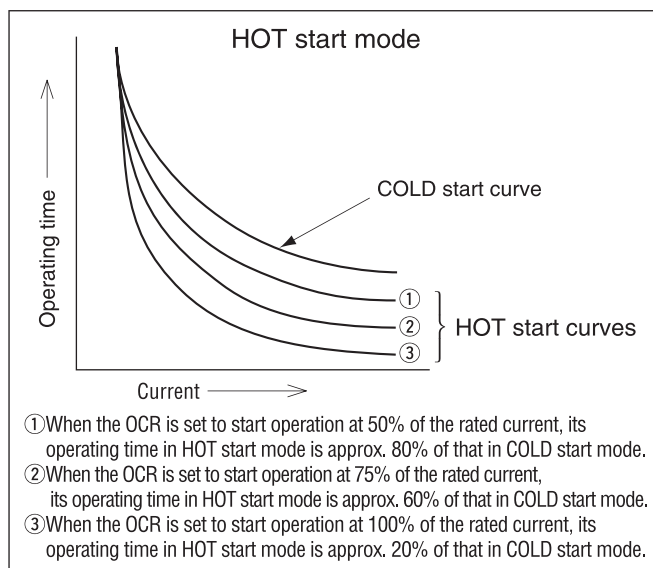
The R-characteristic can be used to give selectivity with e.g. fuses. (See page 8).

■ HOT start mode (applicable to L-characteristic of AGR-21B,31B)

HOT or COLD start mode is user-selectable.

In HOT start mode, the OCR operates faster than in COLD start mode in response to an overload. The HOT start mode gives protection, taking account of the behavior of loads under heat stress.

Note: In the standard shipment mode, COLD start mode is selected.



② Adjustable short time-delay trip function **ST**

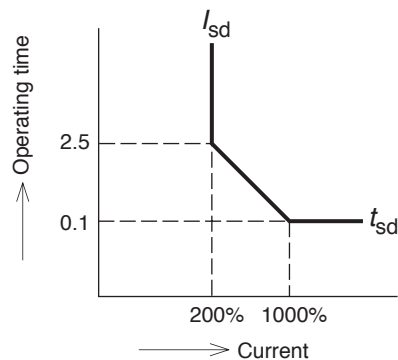
The ST delay trip function has a “definite time delay characteristic and a ramp characteristic”. These characteristics are selectable.

The ramp characteristic provides close selectivity with downstream circuit breakers or fuses.

The group AGR-L and AGR-R OCRs come in operation with the definite time characteristic when the load current reaches 1000% or more of the rated current [I_n] (500% or more of the rated current [I_n] for AGR-S).

The ST trip function is factory set to the definite time characteristic.

Ramp characteristic curve (L or R characteristic)



③ Adjustable instantaneous trip function **INST/MCR**

The INST trip function trips the ACB when the short circuit current exceeds the pickup current setting, irrespective of the state of the ACB.

The making current release (MCR) trips the ACB when the short circuit current exceeds the pickup current setting during closing operation. After the ACB is closed, the MCR is locked and kept inoperative.

The INST and MCR are selectable for AGR-21B, 22B and 31B. (AGR-11B is INST only, MCR is not selectable)

Note) The MCR needs the control power. If the control power is lost, the MCR provides the INST trip function only.

④ Adjustable pre-trip alarm function **PTA**

The pre-trip alarm function provides an alarm signal via the alarm contact (1a-contact) when the load current exceeding a predetermined value lasts for a predetermined time. A 2-channel pre-trip alarm function is available for S-characteristic. This function can be used to adjust feeding to loads according to their priority.

The pre-trip alarm is automatically reset when the load current drops to the predetermined value.

Note that this function needs the control power.

⑤ Ground fault trip function **GF**

The peak value sensing is used (the residual current of each phase is detected).

The GF pickup current can be set between 10% and 100% of the CT rated primary current [I_{CT}]. Not available if CT primary current [I_{CT}] is 200A or less.

<Ramp characteristic is added>

The ramp and definite time characteristics are selectable. The GF trip function comes into operation with the definite time characteristic when the load current reaches 100% or more of the CT rated primary current [I_{CT}].

The GF trip function is factory set to the definite time characteristic.

When using a 3-pole ACB in a 3-phase, 4-wire system, be sure to use an optional CT for neutral line (see page 37).

Note 1: The GF trip function comes usually with operation indications. If you need nothing but ground fault indication without a ground fault tripping operation, specify at the time of ordering.

Note 2: Restricted and unrestricted ground fault protection **REF** is available as option. This enables protection against ground fault on the line side of the ACB.

⑥ N-phase protection function **NP**

This NP function is available on 4-pole ACBs and prevents the neutral conductor from suffering damage or burnout due to overcurrent.

The NP trip pickup current can be set between 40% and 100% of the OCR rated primary current for L and R-characteristics. For AGR-11B, it is factory set to a value specified at the time of ordering.

Note 1: The NP trip function comes usually with operation indications. The NP trip pickup current setting is shared by the LT trip function.

Note 2: The HOT start mode is available for AGR-21B and AGR-31B. The operating time for the NP trip function is linked to that for the LT trip function.

⑦ Earth leakage trip function **ELT**

(For AGR-31B only.)

In conjunction with Zero phase Current Transformer (ZCT), the ELT function provides protection against earth leakage.

The ELT pickup current can be set at 0.2, 0.3 and 0.5A (Medium sensitivity) or 1, 2, 3, 5 and 10A (Low sensitivity).

This function needs the control power.

Note 1: Contact Terasaki for outline dimension of ACBs fitted with ZCT.

Note 2: For details on specifications of the external ZCT, contact Terasaki.

Note 3: The ELT function comes usually with operation indications. If you need nothing but earth leakage indications without earth leakage tripping operation, specify at the time of ordering.

Note 4: The ELT function is available up to 3200A rated current [I_n]

⑧ Reverse power trip function **RPT**

(For AGR-22B and AGR-31B only.)

The RPT function protects 3-phase generators running in parallel against reverse power. The RPT pickup current can be set in seven levels: 4% thru 10% of the generator rated power. If the rated main circuit voltage exceeds 250 VAC, a step-down power transformer is needed. When ordering the ACB, state the step-down ratio of the transformer you will use. ※

⑨ Contact temperature monitoring function **OH**

(For AGR-22B and AGR-31B only.)

The HEAT function prevents the ACB from suffering damage due to overheat.

It monitors the temperature of the ACB main contacts, and gives an alarm on the LCD and an output signal via the alarm contact (1a-contact) when the temperature exceeds 155°C.

The alarm can be manually reset when the temperature drops to a normal temperature.

If you want to set the threshold temperature to a lower value, contact Terasaki.

This function needs the control power.

Note 1: "Alarm" or "Trip" can be selected.

⑩ Phase rotation protection function **NS**

(For AGR-21B and AGR-31B only)

This function detects the negative-phase current occurring due to reverse phase or phase loss and prevents burnout of a motor or damage to equipment. The protection setpoint ranges from 20% to 100% of the main circuit rated current [I_n].

4 Specifications

⑪ Undervoltage alarm function UVA

(For AGR-22B and AGR-31B only.)

This function monitors the main circuit voltage, and gives an alarm on the LCD and an output signal via an alarm contact when the voltage drops below the setting voltage.

The alarm is activated when the main circuit voltage drops below the setting voltage (selectable from 40%, 60% or 80% of the rated main circuit voltage [Vn]), and is deactivated when the main circuit voltage rises to the recovery setting voltage (selectable from 80%, 85%, 90% or 95% of the rated main circuit voltage [Vn]).

If the rated main circuit voltage exceeds 250 VAC, a step-down power transformer is needed. When ordering the ACB, state the step-down ratio of the transformer you will use. ※

Note 1: The undervoltage alarm function is disabled unless the main circuit voltage has once risen to the recovery setting voltage or higher.

Note 2: If the undervoltage alarm function is used in conjunction with the undervoltage trip device (see page 23), an alarm may occur after the ACB trips open depending on the alarm setting voltage.

⑫ Zone interlock Z

(For AGR-22B and AGR-31B only)

The zone-selective interlock capability permits tripping of the ACB upstream of and nearest to a fault point in the shortest operating time, irrespective of the short time delay trip time setting, and minimizes thermal and mechanical damage to the power distribution line.

⑬ Mechanical reset facility (For the AGR-11B only)

When the circuit breaker is tripped by the overcurrent tripping relay, the button pops up. Eliminate the cause for the accident and then reset the button by pressing it. Otherwise, the ACB cannot be turned ON. For further details, contact us.

※: Special version without step-down transformer

This version is specially applicable in the main-circuit voltage range from 250 to 690 VAC using the built-in register circuit board without requiring a step-down transformer. To request the version without a step-down transformer, specify your main circuit voltage.

NON setting and fail-safe feature

1 NON setting

Setting a trip pickup current function to NON allows you to render the corresponding protection function inoperative.

Functions having the NON option include LT, ST, INST/MCR, and GF.

Appropriate NON setting will be a useful means for optimum selectivity.

2 Fail-safe feature

The OCR has a fail-safe mechanism in case protection functions are improperly set to NON.

For AGR-11B

- If the ST and INST trip pickup current functions are both set to NON, the fail-safe mechanism will activate the INST trip function to trip the ACB when a fault current equal to or more than 16 times the rated current [I_n] flows through the ACB.

For AGR-21B, 22B, 31B

- If the ST trip pickup current function is set to NON, INST trip pickup current function can not be set to NON, and MCR can not be selected.
- If the INST trip pickup current function is set to NON or if MCR is selected, ST trip pickup current function can not be set to NON.

For AR663H, even if MCR is selected, the fail-safe mechanism will activate the INST trip function to trip the ACB when a fault current equal to or more than 16 times the rated current [I_n] flows through the ACB.

Field test facility

Type AGR-21B/22B/31B OCRs are equipped with a field test function to verify the long time delay, short time delay, instantaneous and ground fault trip features without the need for tripping of the ACB.

To check type AGR-11B, use the type ANU-1 OCR checker (optional).

Operation indication function

1 Indication via single contact (AGR-11B)

When the LT, ST, INST or GF trip function is activated, an output is generated via 1a-contact.

The 1a-contact will turn off after 40 ms or more.

A self-hold circuit is needed.

2 Indication via individual contacts (AGR-21B, 22B, 31B)

When the LT trip, ST trip, INST/MCR trip, GF trip, ELT, RPT, NS, REF, UVT, pre-trip alarm, or contact temperature monitoring function is activated, LCD will indicate their operation individually and output is generated via the corresponding contact.

The OCR also has a self-diagnostic feature that monitors the internal tripping circuits. If detecting any fault in the circuits, this feature turns on the system alarm indicator. The control power is needed.

Operation indications

○: Self-hold (Note 1) ×: Auto-reset △: status indication —: Not applicable

Protective characteristic Function	L/R-characteristic		S-characteristic	
	LCD	Contact	LCD	Contact
LT · NP	○	○	○	× (Note 2)
ST	○	○ (Note 5)	○	× (Note 2 and 5)
INST/MCR	○	○	○	○
GF (Ground fault) or ELT (Earth leakage)	○	○	—	—
OH (Contact temperature monitoring)	○	○	○	○
(Note 3) NS (Reverse phase)	○	○	—	—
REF (Line side GF)	○	○	—	—
Trip indication ※1	△	△	△	△
RPT (Reverse power trip)	—	—	○	× (Note 2)
PTA (Pretrip alarm)	×	×	×	×
PTA2 (Pretrip alarm)	×	×	×	×
(Note 4) UV (Undervoltage alarm)	○	△	○	△
Spring charge indication	△	△	△	△
System alarm	○	○	○	○

Note 1: To reset the motion indication, press the button on the front of OCR.

Note 2: The contact will turn off after 500 ms or more. Use a self-hold circuit.

Note 3: Only one function can be selected from OH, NS, REF or trip indication. Selection of two or more functions involves manual connection of their control circuits (custom configuration). Contact Terasaki for details.

Note 4: Only one function can be selected from PTA2, UV or spring charge indication. Selection of two or more functions involves manual connection of their control circuits (custom configuration). Contact Terasaki for details.

Note 5: Motion indication contacts are commonly used for ST and INST/MCR.

※1: A switch is used to indicate the ACB has been tripped. This switch is activated whenever the off button, the overcurrent trip device, shunt trip device or undervoltage trip device is activated.

3 Contact ratings for Operation indication

Voltage (V)	Current (A)				
	1 Single contact		2 Individual contacts		
	Resistive load	Inductive load	Resistive load	Inductive load	
AC	250	3	3	0.5	0.2
DC	250	0.3	0.15	0.27	0.04
	125	0.5	0.25	0.5	0.2
	30	3	3	2	0.7

Note: See page 38 for the contact ratings of Trip indicator.

See page 21 for the contact ratings of Spring charge indicator.

OCR with advanced L.C.D. display, type AGR-31B (contact alfanar for details)

1 Monitoring various data on L.C.D.

OCR can monitor,

- Phase current (A) of I_1, I_2, I_3 and their max. peak current
- Current (A) of I_N, I_g
- Line voltage (V) of V_{12}, V_{23}, V_{31} and their max. peak voltage (or, Phase voltage (V) of V_{1N}, V_{2N}, V_{3N} and their peak voltage)
- Active power (W/ kW)
- Demand active power max. (W/ kW)
- Power factor (cos)
- Electric energy (Wh/ kWh/ MWh/ GWh)
- Frequency (Hz)
- Trip history

Fault current is monitored, and the operation cause is indicated on LCD and via individual contacts.

Note 1: The supply voltage to the OCR for indicating the main circuit voltage or power must not exceed 250 VAC. If the main circuit voltage exceeds 250 VAC, a step-down power transformer is needed. When ordering the ACB, state the step-down ratio of the transformer you will use.

Note 2: Special version without requiring step-down transformer is applicable in the main-circuit voltage range from 250 to 690 VAC using the built-in register circuit board. To request the version without a step-down transformer, specify your main circuit voltage.

2 Gives the system alarm with number on the LCD for the following abnormal function.

- Trip function fail
- MHT circuit break

4 Specifications

OCR Specifications

Protection characteristic	Protection Relay Over-current release (OCR)	PROTECTION						FUNCTIONS				
		Standard Protection			Ground Fault ④		N-Phase	Indication and Monitoring				
		Long Time	Short Time	Instantaneous/MCR	Unrestricted	Restricted	N-phase Protection	Indication		Monitoring		
		LT	ST	INST MCR	UREF	REF ②	NP	Single Contact	Individual Contacts	Ammeter	Energy Analyser	
Standard Protection Relays												
Dial Type For general feeder circuits	AGR-11BL-AL	●	●	---	----	----	○	●	----	----	----	
	AGR-11BL-GL	●	●	---	●	----	○	●	----	----	----	
Standard LCD Type For general feeder circuits	AGR-21BL-PS	●	●	●	----	----	○	----	●	●	----	
	AGR-21BL-PG	●	●	●	●	○	○	----	●	●	----	
Specialised Protection Relays												
Standard LCD Type For generator protection	① AGR-21BR-PS	●	●	●	----	----	○	----	●	●	----	
	AGR-21BR-PG	●	●	●	●	○	○	----	●	●	----	
	AGR-21BS-PS	●	●	●	----	----	----	----	●	●	----	
	AGR-22BS-PR	●	●	●	----	----	----	----	●	●	----	
Enhanced LCD Type	For general feeder circuits	AGR-31BL-PS	●	●	●	----	----	○	----	●	----	●
	AGR-31BL-PG	●	●	●	●	○	○	----	●	----	●	
	① IEC 60255-3	AGR-31BR-PS	●	●	●	----	----	○	----	●	----	●
	AGR-31BR-PG	●	●	●	●	○	○	----	●	----	●	
	For generator protection	AGR-31BS-PS	●	●	●	----	----	----	----	●	----	●
	AGR-31BS-PR	●	●	●	----	----	----	----	●	----	●	

- : Available as standard
- : Available as option
- : Not available

- ① : Standard Inverse, Very Inverse, Extremely Inverse Curves
- ② : Only one function can be selected from OH, NS, REF or trip indication. Selection of two or more functions involves manual connection of their control circuits (special specification). Contact alfanar for details.
- ③ : Only one function can be selected from PTA2, UV or spring charge indication. Selection of two or more functions involves manual connection of their control circuits (special specification). Contact alfanar for details.

- ④ : Not available if CT rated primary current [I_{CT}] is 200A or less.
- ⑤ : Available up to 3,200A rated current [I_n].
- ⑥ : Over AC 250V, a step down VT is required.

For full operational information see pages 24 to 27

Note: When a protection function of AGR-11B OCRs with single-contact indication is activated, the corresponding operation LED indicator is ON momentarily or OFF. But the LED indicator is kept ON when the protection function is checked with the optional OCR checker.

SPECIAL APPLICATIONS

Contact Temperature Monitoring OH ②	Zone Interlock Z	Earth Leakage Protection ELT ⑤	Reverse Power Protection RPT ⑥	Phase Rotation Protection NS ②	Under Voltage Alarm UVA ③	Pre-Trip Alarm		Spring Charge Indication ③	Trip Indication ②	Commu-nication C	Field Test	Control Power
						PTA	③ PTA2					
-----	-----	-----	-----	-----	-----	-----	-----	○	○	-----	-----	Not Required
-----	-----	-----	-----	-----	-----	-----	-----	○	○	-----	-----	Not Required
-----	-----	-----	-----	○	-----	●	-----	○	○	○	●	Required
-----	-----	-----	-----	○	-----	●	-----	○	○	○	●	Required
-----	-----	-----	-----	○	-----	●	-----	○	○	○	●	Required
-----	-----	-----	-----	○	-----	●	-----	○	○	○	●	Required
-----	-----	-----	-----	○	-----	●	-----	○	○	○	●	Required
-----	-----	-----	-----	○	-----	●	-----	○	○	○	●	Required
○	○	-----	●	-----	○	●	○	○	○	○	●	Required
○	○	○	-----	○	○	●	-----	○	○	○	●	Required
○	○	-----	-----	○	○	●	-----	○	○	○	●	Required
○	○	○	-----	○	○	●	-----	○	○	○	●	Required
○	○	-----	-----	○	○	●	-----	○	○	○	●	Required
○	○	-----	-----	○	○	●	-----	○	○	○	●	Required
○	○	-----	-----	○	○	●	○	○	○	○	●	Required
○	○	-----	●	-----	○	●	○	○	○	○	●	Required

If the control power is not supplied or is lost, each function operates as follows:	
LT, ST, INST, RPT	Operates normally.
GF	Operates normally When the CT rated primary current [I_{CT}] is less than 800A and the GF pick-up current is set to 10 %, the GF becomes inoperative.
MCR	Operates as INST.
PTA	1-channel PTA 2-channel PTA Is inoperative.
ELT	Is inoperative.
LED indicator on OCRs with single-contact indication	Is on momentarily or off.
Contact output from OCRs with single-contact indication	Turns off after 40 ms or more.
Contact output from OCRs with individual contact indication	Is inoperative.
LCD	Will display without backlit.
Field test facility	Is inoperative.

4 Specifications

L-characteristic for general feeder circuits (Type AGR-11BL, 21BL, 31BL)

Setting range of protection functions

Protection functions
■ Adjustable long time-delay trip characteristics LT
Pick-up current [I_R] (A)
Time-delay [t_R] (s)
Time-delay setting tolerance (%)
■ Adjustable short time-delay trip characteristics ST
Pick-up current [I_{SD}] (A)
Current setting tolerance (%)
Time-delay [t_{SD}] (ms) Relay time
Resettable time (ms)
Max. total clearing time (ms)
■ Adjustable instantaneous trip characteristics INST or MCR (For AGR-11B, INST only)
Pick-up current [I_I] (A)
Current setting tolerance (%)
■ Adjustable pre-trip alarm characteristics PTA
Pick-up current [I_{P1}] (A)
Current setting tolerance (%)
Time-delay [t_{P1}] (s)
Time-delay setting tolerance (%)
■ Adjustable ground fault trip characteristics GF
Pick-up current [I_g] (A)
Current setting tolerance (%)
Time-delay [t_g] (ms) Relay time
Resettable time (ms)
Max. total clearing time (ms)
Ground fault trip characteristics on line side REF (AGR-21B, 31B only)
Pick-up current [I_{REF}] (A)
current setting tolerance (%)
Time-delay (s)
■ N-phase protection characteristics NP
Pick-up current [I_N] (A)
Time-delay [t_N] (s)
Time-delay setting tolerance (%)
■ Phase rotation protection characteristics NS (AGR-21B, 31B only)
Pick-up current [I_{NS}] (A)
current setting tolerance (%)
Time-delay [t_{NS}] (s)
Time-delay setting tolerance (%)
■ Adjustable earth leakage trip characteristics ELT (AGR-31B only)
Pick-up current [I_{AR}] (A)
Current setting tolerance
Time-delay [t_{AR}] (ms) Relay time
Resettable time (ms)
Max. total clearing time (ms)
■ Undervoltage alarm characteristics UV (AGR-31B only)
Recovery setting voltage (V)
Recovery voltage setting tolerance (%)
Setting voltage (V)
Voltage setting tolerance (%)
Time-delay (s)
Time-delay setting tolerance (%)
■ Control power

Setting range																								
$I_R \times (0.8 \square 0.85 \square 0.9 \square 0.95 \square 1.0 \square \text{NON})$; 6 graduations • Non tripping when load current $\leq (I_R \times 1.05)$. • Tripping when $(I_R \times 1.05) < \text{load current} \leq (I_R \times 1.2)$ (0.5 \square 1.25 \square 2.5 \square 5 \square 10 \square 15 \square 20 \square 25 \square 30) at 600% of [I_R]; 9 graduations $\pm 15\%$ +150ms \square 0ms																								
$I_{SD} \times (1 \square 1.5 \square 2 \square 2.5 \square 3 \square 4 \square 6 \square 8 \square 10 \square \text{NON})$; 10 graduations $\pm 15\%$																								
<table border="1"> <tr> <td>50</td> <td>100</td> <td>200</td> <td>400</td> <td>600</td> <td>800</td> <td>; 6 graduations</td> </tr> <tr> <td>25</td> <td>75</td> <td>175</td> <td>375</td> <td>575</td> <td>775</td> <td></td> </tr> <tr> <td>120</td> <td>170</td> <td>270</td> <td>470</td> <td>670</td> <td>870</td> <td></td> </tr> </table>	50	100	200	400	600	800	; 6 graduations	25	75	175	375	575	775		120	170	270	470	670	870				
50	100	200	400	600	800	; 6 graduations																		
25	75	175	375	575	775																			
120	170	270	470	670	870																			
$I_I \times (2 \square 4 \square 6 \square 8 \square 10 \square 12 \square 14 \square 16 \square \text{NON})$; 9 graduations $\pm 20\%$																								
$I_{P1} \times (0.75 \square 0.8 \square 0.85 \square 0.9 \square 0.95 \square 1.0)$; 6 graduations $\pm 7.5\%$ (5 \square 10 \square 15 \square 20 \square 40 \square 60 \square 80 \square 120 \square 160 \square 200) at [I_{P1}] or more; 10 graduations $\pm 15\%$ +100ms \square 0ms																								
Note: Set [I_g] to 1200A or less. $I_g \times (0.1 \square 0.2 \square 0.3 \square 0.4 \square 0.6 \square 0.8 \square 1.0 \square \text{NON})$; 8 graduations $\pm 20\%$																								
<table border="1"> <tr> <td>100</td> <td>200</td> <td>300</td> <td>500</td> <td>1000</td> <td>2000</td> <td>; 6 graduations</td> </tr> <tr> <td>75</td> <td>175</td> <td>275</td> <td>475</td> <td>975</td> <td>1975</td> <td></td> </tr> <tr> <td>170</td> <td>270</td> <td>370</td> <td>570</td> <td>1070</td> <td>2070</td> <td></td> </tr> </table>	100	200	300	500	1000	2000	; 6 graduations	75	175	275	475	975	1975		170	270	370	570	1070	2070				
100	200	300	500	1000	2000	; 6 graduations																		
75	175	275	475	975	1975																			
170	270	370	570	1070	2070																			
$I_{REF} \times (0.1 \square 0.2 \square 0.3 \square 0.4 \square 0.6 \square 0.8 \square 1.0 \square \text{NON})$; 8 graduations $\pm 20\%$ Inst																								
$I_N \times (0.4 \square 0.5 \square 0.63 \square 0.8 \square 1.0)$; Factory set to a user-specified value for AGR-11BL. • Non tripping when load current $\leq (I_N \times 1.05)$. • Tripping when $(I_N \times 1.05) < \text{load current} \leq (I_N \times 1.2)$ Tripping at 600% of [I_N] with [LT] time-delay [t_R] $\pm 15\%$ +150ms \square 0ms																								
$I_{NS} \times (0.2 \square 0.3 \square 0.4 \square 0.5 \square 0.6 \square 0.7 \square 0.8 \square 0.9 \square 1.0)$; 9 graduations $\pm 10\%$ (0.4 \square 0.8 \square 1.2 \square 1.6 \square 2 \square 2.4 \square 2.8 \square 3.2 \square 3.6 \square 4) at 150% of [I_{NS}]; 10 graduations $\pm 20\%$ +150ms \square 0ms																								
0.2 \square 0.3 \square 0.5 (Medium sensitivity) or 1 \square 2 \square 3 \square 5 \square 10 (Low sensitivity) Non operate below 70% of [I_{AR}]. Operate between 70% and 100% of [I_{AR}].																								
<table border="1"> <tr> <td>100</td> <td>150</td> <td>300</td> <td>500</td> <td>800</td> <td>1500</td> <td>3000</td> <td>; 7 graduations</td> </tr> <tr> <td>50</td> <td>100</td> <td>250</td> <td>450</td> <td>750</td> <td>1450</td> <td>2950</td> <td></td> </tr> <tr> <td>250</td> <td>300</td> <td>450</td> <td>650</td> <td>950</td> <td>1650</td> <td>3150</td> <td></td> </tr> </table>	100	150	300	500	800	1500	3000	; 7 graduations	50	100	250	450	750	1450	2950		250	300	450	650	950	1650	3150	
100	150	300	500	800	1500	3000	; 7 graduations																	
50	100	250	450	750	1450	2950																		
250	300	450	650	950	1650	3150																		
$V_N \times (0.8 \square 0.85 \square 0.9 \square 0.95)$; 4 graduations $\pm 5\%$																								
$V_P \times (0.4 \square 0.6 \square 0.8)$; 3 graduations $\pm 5\%$ 0.1 \square 0.5 \square 1 \square 2 \square 5 \square 10 \square 15 \square 20 \square 30 \square 36; 10 graduations $\pm 15\%$ +100ms \square 0ms																								
AC100 \square 120V) Common DC100 \square 125V) Common DC24V) Common AC200 \square 240V) Common DC200 \square 250V) Common DC48V) Common																								
Power consumption: 5 VA																								

□ : Default setting

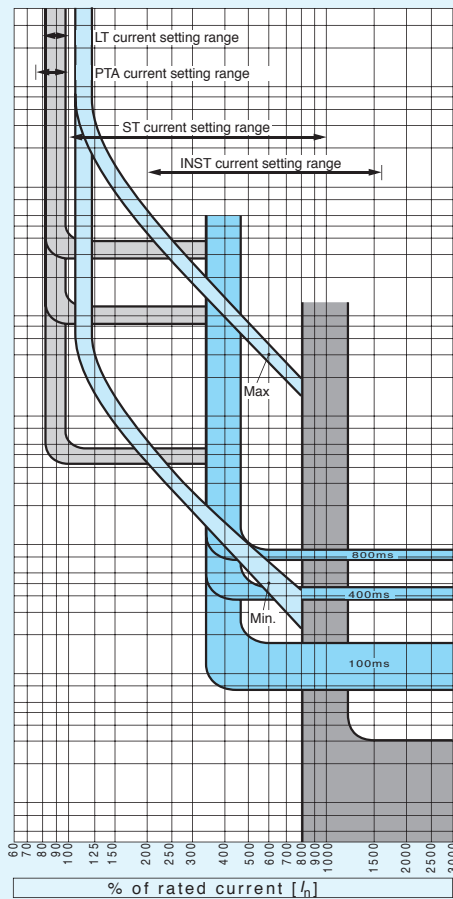
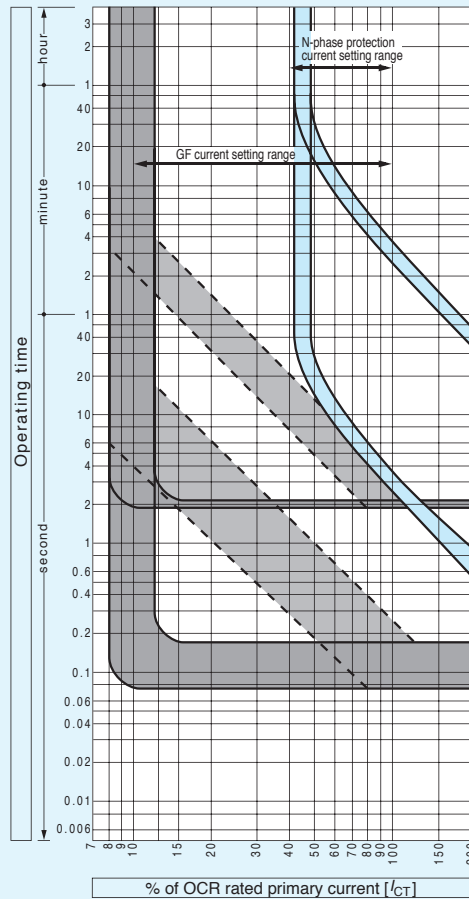
■ Values of $[I_{CT}]$ and $[I_n]$

Type	Applicable $[I_{CT}]$ (A)	Rated current $[I_n]$ (A)			
		$[I_{CT}] \times 0.5$	$[I_{CT}] \times 0.63$	$[I_{CT}] \times 0.8$	$[I_{CT}] \times 1.0$
AR208S	200	100	125	160	200
	400	200	250	320	400
	800	400	500	630	800
AR212S	400	200	250	320	400
	800	400	500	630	800
	1250	630	800	1000	1250
AR216S	400	200	250	320	400
	800	400	500	630	800
	1250	630	800	1000	1250
	1600	800	1000	1250	1600

Type	Applicable $[I_{CT}]$ (A)	Rated current $[I_n]$ (A)			
		$[I_{CT}] \times 0.5$	$[I_{CT}] \times 0.63$	$[I_{CT}] \times 0.8$	$[I_{CT}] \times 1.0$
AR220S	400	200	250	320	400
	800	400	500	630	800
	1250	630	800	1000	1250
	1600	800	1000	1250	1600
	2000	1000	1250	1600	2000
AR325S	2500	1250	1600	2000	2500
AR332S	3200	1600	2000	2500	3200
AR440SB	4000	2000	2500	3200	4000
AR440S	4000	2000	2500	3200	4000
AR650S	5000	2500	3200	4000	5000
AR663S	6300	3200	4000	5000	6300

Type	Applicable $[I_{CT}]$ (A)	Rated current $[I_n]$ (A)			
		$[I_{CT}] \times 0.5$	$[I_{CT}] \times 0.63$	$[I_{CT}] \times 0.8$	$[I_{CT}] \times 1.0$
AR212H	200	100	125	160	200
	400	200	250	320	400
	800	400	500	630	800
	1250	630	800	1000	1250
	1600	800	1000	1250	1600
AR216H	1600	800	1000	1250	1600
AR220H	2000	1000	1250	1600	2000
AR316H	200	100	125	160	200
	400	200	250	320	400
	800	400	500	630	800
	1250	630	800	1000	1250
	1600	800	1000	1250	1600
AR320H	2000	1000	1250	1600	2000
AR325H	2500	1250	1600	2000	2500
AR332H	3200	1600	2000	2500	3200
AR420H	800	400	500	630	800
	2000	1000	1250	1600	2000
AR440H	4000	2000	2500	3200	4000
	5000	2500	3200	4000	5000
AR663H	6300	3200	4000	5000	6300

Protection characteristics



The ST trip characteristic shown in the figure applies when the ramp characteristic select switch is in the OFF position.

Note: Total breaking time for AR6 is 0.05sec.

4 Specifications

R-characteristic for general feeder circuits (Type AGR-21BR, 31BR)

Setting range of protection functions

Protection functions
■ Adjustable long time-delay trip characteristics LT
Pick-up current [I_{LR}] (A)
Current setting tolerance (%)
Time-delay [t_{LR}] (s)
Time-delay setting tolerance (%)
■ Adjustable short time-delay trip characteristics ST
Pick-up current [I_{SR}] (A)
Current setting tolerance (%)
Time-delay [t_{SR}] (ms) Relay time
Resettable time (ms)
Max. total clearing time (ms)
■ Adjustable instantaneous trip characteristics INST or MCR
Pick-up current [I_I] (A)
Current setting tolerance (%)
■ Adjustable pre-trip alarm characteristics PTA
Pick-up current [I_{P1}] (A)
Current setting tolerance (%)
Time-delay [t_{P1}] (s)
Time-delay setting tolerance (%)
■ Adjustable ground fault trip characteristics GF
Pick-up current [I_g] (A)
Current setting tolerance (%)
Time-delay [t_g] (ms) Relay time
Resettable time (ms)
Max. total clearing time (ms)
Ground fault trip characteristics on line side REF
Pick-up current [I_{REF}] (A)
current setting tolerance (%)
Time-delay (s)
■ N-phase protection characteristics NP
Pick-up current [I_N] (A)
Current setting tolerance (%)
Time-delay [t_N] (s)
Time-delay setting tolerance (%)
■ Phase rotation protection characteristics NS
Pick-up current [I_{NS}] (A)
current setting tolerance (%)
Time-delay [t_{NS}] (s)
Time-delay setting tolerance (%)
■ Adjustable earth leakage trip characteristics ELT (AGR-31B only)
Pick-up current [I_{AR}] (A)
Current setting tolerance
Time-delay [t_{AR}] (ms) Relay time
Resettable time (ms)
Max. total clearing time (ms)
■ Undervoltage alarm characteristics UV (AGR-31B only)
Recovery setting voltage (V)
Recovery voltage setting tolerance (%)
Setting voltage (V)
Voltage setting tolerance (%)
Time-delay (s)
Time-delay setting tolerance (%)
■ Control power

Setting range																								
Select one from among $I^{0.02t}$, I_t , I^2t , I^3t , and I^4t on LCD.																								
I_{LR} × (0.8 □ 0.85 □ 0.9 □ 0.95 □ <u>1.0</u> □ NON) ; 6 graduations																								
±5%																								
(1 □ 2 □ 3 □ 4 □ <u>5</u> □ 6.3 □ 6.8 □ 10) at 300% of [I_{LR}]; 8 graduations																								
±20% +150ms □ 0ms																								
I_{SR} × (1 □ 1.5 □ 2 □ 2.5 □ 3 □ 4 □ <u>6</u> □ 8 □ 10 □ NON) ; 10 graduations																								
±15%																								
<table border="1"> <tr> <td>50</td> <td>100</td> <td>200</td> <td><u>400</u></td> <td>600</td> <td>800</td> <td>; 6 graduations</td> </tr> <tr> <td>25</td> <td>75</td> <td>175</td> <td>375</td> <td>575</td> <td>775</td> <td></td> </tr> <tr> <td>120</td> <td>170</td> <td>270</td> <td>470</td> <td>670</td> <td>870</td> <td></td> </tr> </table>	50	100	200	<u>400</u>	600	800	; 6 graduations	25	75	175	375	575	775		120	170	270	470	670	870				
50	100	200	<u>400</u>	600	800	; 6 graduations																		
25	75	175	375	575	775																			
120	170	270	470	670	870																			
I_I × (2 □ 4 □ 6 □ 8 □ 10 □ 12 □ 14 □ <u>16</u> □ NON) ; 9 graduations																								
±20%																								
I_{P1} × (0.75 □ 0.8 □ 0.85 □ 0.9 □ <u>0.95</u> □ 1.0) ; 6 graduations																								
±7.5%																								
(5 □ 10 □ 15 □ 20 □ 40 □ 60 □ 80 □ <u>120</u> □ 160 □ 200) at [I_{P1}] or more; 10 graduations																								
±15% +100ms □ 0ms																								
Note: Set [I_g] to 1200A or less.																								
I_{CT} × (0.1 □ <u>0.2</u> □ 0.3 □ 0.4 □ 0.6 □ 0.8 □ 1.0 □ NON) ; 8 graduations																								
±20%																								
<table border="1"> <tr> <td>100</td> <td>200</td> <td><u>300</u></td> <td>500</td> <td>1000</td> <td>2000</td> <td>; 6 graduations</td> </tr> <tr> <td>75</td> <td>175</td> <td>275</td> <td>475</td> <td>975</td> <td>1975</td> <td></td> </tr> <tr> <td>170</td> <td>270</td> <td>370</td> <td>570</td> <td>1070</td> <td>2070</td> <td></td> </tr> </table>	100	200	<u>300</u>	500	1000	2000	; 6 graduations	75	175	275	475	975	1975		170	270	370	570	1070	2070				
100	200	<u>300</u>	500	1000	2000	; 6 graduations																		
75	175	275	475	975	1975																			
170	270	370	570	1070	2070																			
I_{CT} × (0.1 □ <u>0.2</u> □ 0.3 □ 0.4 □ 0.6 □ 0.8 □ 1.0 □ NON) ; 8 graduations																								
±20%																								
Inst																								
I_{CT} × (<u>0.4</u> □ 0.5 □ 0.63 □ 0.8 □ 1.0) ;																								
±5%																								
Tripping at 300% of [I_N] with LT time-delay [t_{LR}]																								
±20% +150ms □ 0ms																								
I_{NS} × (0.2 □ 0.3 □ <u>0.4</u> □ 0.5 □ 0.6 □ 0.7 □ 0.8 □ 0.9 □ 1.0) ; 9 graduations																								
±10%																								
(0.4 □ 0.8 □ 1.2 □ 1.6 □ 2 □ 2.4 □ 2.8 □ 3.2 □ 3.6 □ <u>4</u>) at 150% of [I_{NS}]; 10 graduations																								
±20% +150ms □ 0ms																								
0.2 □ 0.3 □ <u>0.5</u> (Medium sensitivity) or 1 □ 2 □ 3 □ <u>5</u> □ 10 (Low sensitivity)																								
Non operate below 70% of [I_{AR}]. Operate between 70% and 100% of [I_{AR}].																								
<table border="1"> <tr> <td>100</td> <td>150</td> <td>300</td> <td>500</td> <td>800</td> <td>1500</td> <td><u>3000</u></td> <td>; 7 graduations</td> </tr> <tr> <td>50</td> <td>100</td> <td>250</td> <td>450</td> <td>750</td> <td>1450</td> <td>2950</td> <td></td> </tr> <tr> <td>250</td> <td>300</td> <td>450</td> <td>650</td> <td>950</td> <td>1650</td> <td>3150</td> <td></td> </tr> </table>	100	150	300	500	800	1500	<u>3000</u>	; 7 graduations	50	100	250	450	750	1450	2950		250	300	450	650	950	1650	3150	
100	150	300	500	800	1500	<u>3000</u>	; 7 graduations																	
50	100	250	450	750	1450	2950																		
250	300	450	650	950	1650	3150																		
V_{N} × (0.8 □ <u>0.85</u> □ 0.9 □ 0.95) ; 4 graduations																								
±5%																								
V_{N} × (0.4 □ <u>0.6</u> □ 0.8) ; 3 graduations																								
±5%																								
0.1 □ 0.5 □ <u>1</u> □ 2 □ 5 □ 10 □ 15 □ 20 □ 30 □ 36 ; 10 graduations																								
±15% +100ms □ 0ms																								
AC100 □ 120V) Common DC100 □ 125V) Common DC24V) Common																								
AC200 □ 240V) Common DC200 □ 250V) Common DC48V) Common																								
Power consumption: 5 VA																								

□ : Default setting

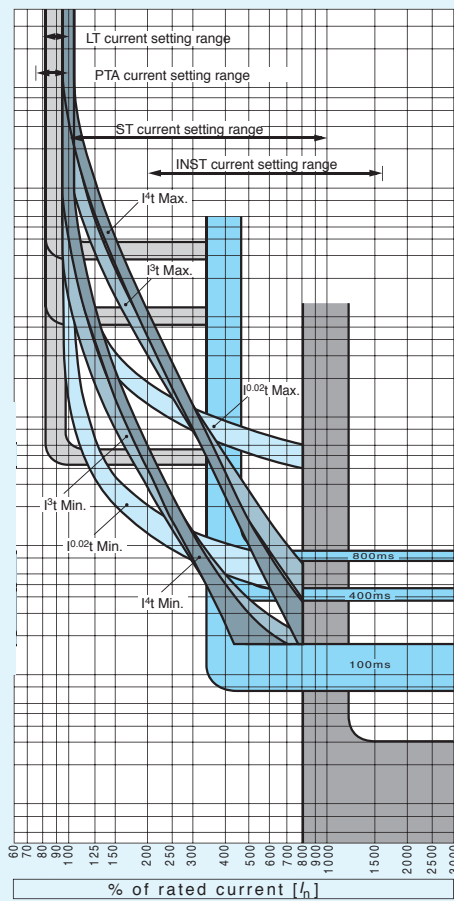
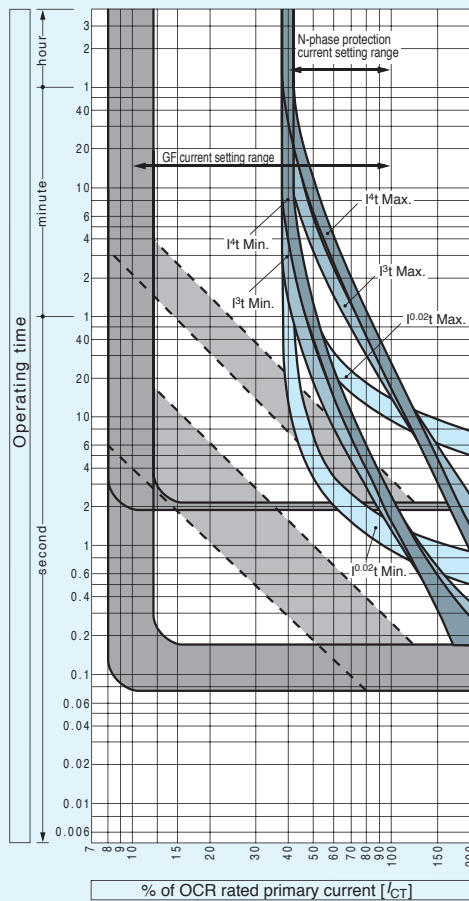
■ Values of $[I_{CT}]$ and $[I_n]$

Type	Applicable $[I_{CT}]$ (A)	Rated current $[I_n]$ (A)			
		$[I_{CT}] \times 0.5$	$[I_{CT}] \times 0.63$	$[I_{CT}] \times 0.8$	$[I_{CT}] \times 1.0$
AR208S	200	100	125	160	200
	400	200	250	320	400
	800	400	500	630	800
AR212S	400	200	250	320	400
	800	400	500	630	800
	1250	630	800	1000	1250
AR216S	400	200	250	320	400
	800	400	500	630	800
	1250	630	800	1000	1250
	1600	800	1000	1250	1600

Type	Applicable $[I_{CT}]$ (A)	Rated current $[I_n]$ (A)			
		$[I_{CT}] \times 0.5$	$[I_{CT}] \times 0.63$	$[I_{CT}] \times 0.8$	$[I_{CT}] \times 1.0$
AR220S	400	200	250	320	400
	800	400	500	630	800
	1250	630	800	1000	1250
	1600	800	1000	1250	1600
AR325S	2500	1250	1600	2000	2500
	AR332S	3200	1600	2000	2500
AR440SB	4000	2000	2500	3200	4000
AR440S	4000	2000	2500	3200	4000
AR650S	5000	2500	3200	4000	5000
AR663S	6300	3200	4000	5000	6300

Type	Applicable $[I_{CT}]$ (A)	Rated current $[I_n]$ (A)			
		$[I_{CT}] \times 0.5$	$[I_{CT}] \times 0.63$	$[I_{CT}] \times 0.8$	$[I_{CT}] \times 1.0$
AR212H	200	100	125	160	200
	400	200	250	320	400
	800	400	500	630	800
	1250	630	800	1000	1250
AR216H	1600	800	1000	1250	1600
AR220H	2000	1000	1250	1600	2000
AR316H	200	100	125	160	200
	400	200	250	320	400
	800	400	500	630	800
	1250	630	800	1000	1250
AR320H	2000	1000	1250	1600	2000
	AR325H	2500	1250	1600	2000
AR332H	3200	1600	2000	2500	3200
AR420H	800	400	500	630	800
	2000	1000	1250	1600	2000
AR440H	4000	2000	2500	3200	4000
AR663H	5000	2500	3200	4000	5000
	6300	3200	4000	5000	6300

Protection characteristics



The ST trip characteristic shown in the figure applies when the ramp characteristic select switch is in the OFF position.

Note: Total breaking time for AR6 is 0.05sec.

4 Specifications

S-characteristic for generator protection (Type AGR-21BS, 22BS, 31BS)

Setting range of protection functions

Protection functions	Setting range																					
<ul style="list-style-type: none"> Adjustable long time-delay trip characteristics 																						
LT																						
Pick-up current [I_R] (A)	$[I_R] \times (0.8 \square 1.0 \square 1.05 \square 1.1 \square 1.15 \square \text{NON})$; 6 graduations																					
Current setting tolerance (%)	$\pm 5\%$																					
Time-delay [t_R] (s)	$(15 \square 20 \square 25 \square 30 \square 40 \square 50 \square 60)$ at 120% of [I_R]; 7 graduations																					
Time-delay setting tolerance (%)	$\pm 15\%$ +150ms \square 0ms																					
<ul style="list-style-type: none"> Adjustable short time-delay trip characteristics 																						
ST																						
Pick-up current [I_{sd}] (A)	$[I_{sd}] \times (2 \square 2.5 \square 2.7 \square 3 \square 3.5 \square 4 \square 4.5 \square 5 \square \text{NON})$; 9 graduations																					
Current setting tolerance (%)	$\pm 10\%$																					
Time-delay [t_{sd}] (ms) Relay time	<table border="1"> <tr> <td>100</td> <td>200</td> <td>300</td> <td>400</td> <td>600</td> <td>800</td> <td></td> </tr> <tr> <td>75</td> <td>175</td> <td>275</td> <td>375</td> <td>575</td> <td>775</td> <td>; 6 graduations</td> </tr> <tr> <td>170</td> <td>270</td> <td>370</td> <td>470</td> <td>670</td> <td>870</td> <td></td> </tr> </table>	100	200	300	400	600	800		75	175	275	375	575	775	; 6 graduations	170	270	370	470	670	870	
100	200	300	400	600	800																	
75	175	275	375	575	775	; 6 graduations																
170	270	370	470	670	870																	
Resettable time (ms)																						
Max. total clearing time (ms)																						
<ul style="list-style-type: none"> Adjustable instantaneous trip characteristics 																						
INST or MCR																						
Pick-up current [I_i] (A)	$[I_i] \times (2 \square 4 \square 6 \square 8 \square 10 \square 12 \square 14 \square 16 \square \text{NON})$; 9 graduations																					
Current setting tolerance (%)	$\pm 20\%$																					
<ul style="list-style-type: none"> Adjustable pre-trip alarm characteristics 																						
PTA																						
Pick-up current [I_{p1}] (A)	$[I_{p1}] \times (0.75 \square 0.8 \square 0.85 \square 0.9 \square 0.95 \square 1.0 \square 1.05)$; 7 graduations																					
Current setting tolerance (%)	$\pm 5\%$																					
Time-delay [t_{p1}] (s)	$(10 \square 15 \square 20 \square 25 \square 30)$ at 120% of [I_{p1}]; 5 graduations																					
Time-delay setting tolerance (%)	$\pm 15\%$ +100ms \square 0ms																					
PTA 2 (AGR-22B,31B only)																						
Pick-up current [I_{p2}] (A)	$[I_{p2}] \times (0.75 \square 0.8 \square 0.85 \square 0.9 \square 0.95 \square 1.0 \square 1.05)$; 7 graduations																					
Current setting tolerance (%)	$\pm 5\%$																					
Time-delay [t_{p2}] (s)	1.5 [t_{p1}] at 120% of [I_{p2}]																					
Time-delay setting tolerance (%)	$\pm 15\%$ +100ms \square 0ms																					
<ul style="list-style-type: none"> Adjustable reverse power trip characteristics 																						
RPT (AGR-22B,31B only)																						
Pick-up power [P_R] (kW)	Rated power [P_R] $\times (0.04 \square 0.05 \square 0.06 \square 0.07 \square 0.08 \square 0.09 \square 0.1 \square \text{NON})$; 8 graduations																					
Power setting tolerance (%)	+0 \square 20%																					
Time-delay [time] (s)	$(2.5 \square 5 \square 7.5 \square 10 \square 12.5 \square 15 \square 17.5 \square 20)$ at 100% of [P_R]; 8 graduations																					
Time-delay setting tolerance (%)	$\pm 20\%$																					
<ul style="list-style-type: none"> Undervoltage alarm characteristics 																						
UV (AGR-31B only)																						
Recovery setting voltage (V)	$[V_n] \times (0.8 \square 0.85 \square 0.9 \square 0.95)$; 4 graduations																					
Recovery voltage setting tolerance (%)	$\pm 5\%$																					
Setting voltage (V)	$[V_n] \times (0.4 \square 0.6 \square 0.8)$; 3 graduations																					
Voltage setting tolerance (%)	$\pm 5\%$																					
Time-delay (s)	0.1 \square 0.5 \square 1 \square 2 \square 5 \square 10 \square 15 \square 20 \square 30 \square 36 ; 10 graduations																					
Time-delay setting tolerance (%)	$\pm 15\%$ +100ms \square 0ms																					
<ul style="list-style-type: none"> Control power 	<table border="1"> <tr> <td>AC100 \square 120V</td> <td>DC100 \square 125V</td> <td rowspan="2">Common</td> <td>DC24V</td> <td rowspan="2">Common</td> </tr> <tr> <td>AC200 \square 240V</td> <td>DC200 \square 250V</td> <td>DC48V</td> </tr> </table>	AC100 \square 120V	DC100 \square 125V	Common	DC24V	Common	AC200 \square 240V	DC200 \square 250V	DC48V													
AC100 \square 120V	DC100 \square 125V	Common	DC24V		Common																	
AC200 \square 240V	DC200 \square 250V		DC48V																			
	Power consumption: 5 VA																					

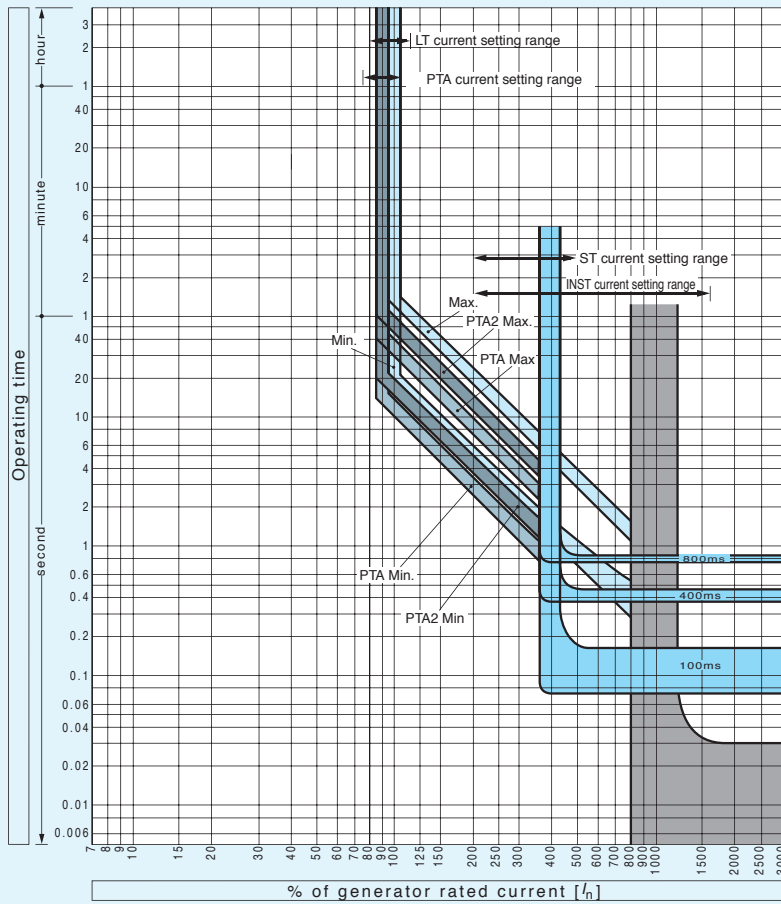
□ : Default setting

Applicable range of generator rated current [I_n]

Type	OCR rated primary current [I_{CT}](A)	Applicable range of generator rated current [I_n] (A)
AR208S	200	$100 \leq I_n \leq 200$
	400	$200 < I_n \leq 400$
	800	$400 < I_n \leq 800$
AR212S	400	$200 \leq I_n \leq 400$
	800	$400 < I_n \leq 800$
	1250	$630 < I_n \leq 1250$
AR216S	400	$200 \leq I_n \leq 400$
	800	$400 < I_n \leq 800$
	1250	$630 < I_n \leq 1250$
	1600	$800 \leq I_n \leq 1600$
AR220S	400	$200 \leq I_n \leq 400$
	800	$400 < I_n \leq 800$
	1250	$630 < I_n \leq 1250$
	1600	$800 \leq I_n \leq 1600$
AR325S	2500	$1250 \leq I_n \leq 2500$
	3200	$1600 \leq I_n \leq 3200$
AR440S	4000	$2000 \leq I_n \leq 4000$
AR440SB	4000	$2000 \leq I_n \leq 4000$
AR440S	4000	$2000 \leq I_n \leq 4000$
AR650S	5000	$2500 \leq I_n \leq 5000$
AR663S	6300	$3200 \leq I_n \leq 6300$

Type	OCR rated primary current [I_{CT}](A)	Applicable range of generator rated current [I_n] (A)
AR212H	200	$100 \leq I_n \leq 200$
	400	$200 < I_n \leq 400$
	800	$400 < I_n \leq 800$
	1250	$630 < I_n \leq 1250$
AR216H	1600	$800 \leq I_n \leq 1600$
AR220H	2000	$1000 \leq I_n \leq 2000$
AR316H	200	$100 \leq I_n \leq 200$
	400	$200 < I_n \leq 400$
	800	$400 < I_n \leq 800$
	1250	$630 < I_n \leq 1250$
AR320H	2000	$1000 \leq I_n \leq 2000$
	2500	$1250 \leq I_n \leq 2500$
AR332H	3200	$1600 \leq I_n \leq 3200$
AR420H	800	$400 \leq I_n \leq 800$
	2000	$1000 \leq I_n \leq 2000$
AR440H	4000	$2000 \leq I_n \leq 4000$
AR663H	5000	$2500 \leq I_n \leq 5000$
	6300	$3200 \leq I_n \leq 6300$

Protection characteristics



The ST trip characteristic shown in the figure applies when the ramp characteristic select switch is in the OFF position.

Note: Total breaking time for AR6 is 0.05sec.

4 Specifications

7 Other Accessories

OCR checker, type ANU-1

The OCR checker allows easy checking of the long time-delay trip, short time-delay trip, instantaneous trip, ground fault trip functions and the pre-trip alarm function of the OCR in the field.

■ Ratings and specifications

Power supply	<ul style="list-style-type: none"> AC100□110V, 50/60Hz or AC100□240V, 50/60Hz with type C plug 4×AA alkaline cells
Power consumption	7VA
Dimensions	101 (W) × 195 (H) × 44 (D) mm
Weight	400 g



■ Measurement output

- Long time delay trip pickup current
- Long time delay trip pickup time
- Short time delay trip pickup current
- Short time delay trip pickup time
- Instantaneous trip pickup current
- MCR trip pickup current
- Ground fault trip pickup current
- Ground fault trip pickup time
- N-phase protection trip pickup current
- N-phase protection trip pickup time
- Pre-trip alarm pickup current
- Pre-trip alarm pickup time

For the checking of Reverse power protection, use the following OCR test interface unit, ANU-2.

OCR test interface unit, type ANU-2

OCR test interface unit ANU-2 is a testing tool designed for checking the functionality of type AGR OCR (overcurrent release). Using this tool in conjunction with a commercial constant-current generator allows easy on-site testing of the OCR. The reverse power trip function of the OCR can also be tested using the tool.

OCR test interface unit ANU-2 is a device that converts current into voltage. In addition to the unit, a constant-current generator is needed to test the OCR. Use a generator with a continuous rating of 5A (50/60Hz) and a short-time rating of 50A (50/60 Hz) for 10 seconds (500 VA).



■ Ratings and Specifications

Power supply	Input	External power supply (through power cable with AC adaptor) 100 to 240 VAC (50/60 Hz)
	Output	9 VDC
Power consumption	7VA	
Outline dimensions	W160×H90×D220 (mm)	
Mass of main unit	2kg	

■ Measurement output

- Long time delay trip pickup current
- Short time delay trip pickup current
- Instantaneous trip pickup current *1
- Instantaneous trip operation
- MCR trip pickup current *1
- Ground fault trip pickup current
- N-phase protection trip pickup current
- Pre-trip alarm pickup current *2
- Reverse power protection trip pickup current *4
- Long time delay trip pickup time (simplified testing) *3
- Reverse power protection trip pickup time (simplified testing) *3 *4
- Pre-trip alarm pickup time (simplified testing) *3

■ Accessories

- Power cable with AC adaptor (2m)
- Plug adaptor
- Signal cable (3m)
- Operation manual

*1 Can be measured only when the input current does not exceed 50 A.

*2 Not applicable for types AGR-11 or AGR-11B.

*3 A stopwatch is required for measurement.

*4 Applicable for types AGR-22BS-PR and AGR-31BS-PR only.

Current transformer for neutral line (separate type)

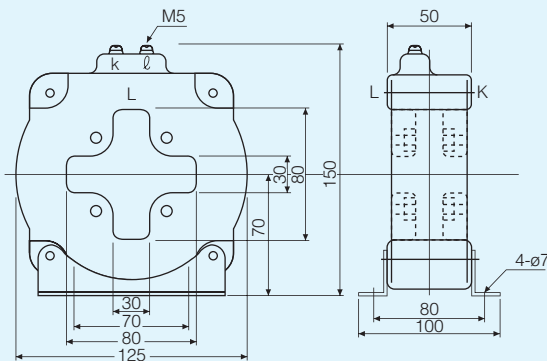
When using a 3-pole ACB with the ground fault protection function to protect a 3-phase, 4-wire system against ground fault, install an appropriate current transformer (CT) to the neutral line of the system.

TERASAKI can provide this neutral line CT as an option.

For the 4-pole ACB, a measuring CT instead of the neutral line CT is already built into the neutral phase of the ACB when the ground fault protection is fitted.

• Outline dimension of CT for neutral line

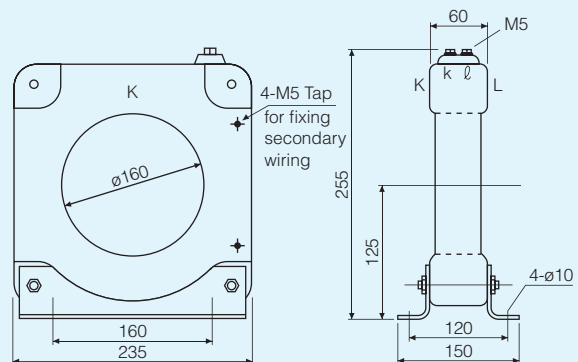
AR208S, AR212S, AR216S
AR212H, AR216H, AR316H



Type	CW80-40LS	
Rated Primary Current (A)	200	1250
Rated Primary Current (A)	400	1600
Rated Primary Current (A)	800	

Rated secondary current is 5A

AR220S, AR325S, AR332S, AR440SB, AR440S, AR650S, AR663S
AR220H, AR320H, AR325H, AR332H, AR420H, AR440H, AR663H



Type	EC160-40LS	
Rated Primary Current (A)	1600	4000
Rated Primary Current (A)	2000	5000
Rated Primary Current (A)	2500	6300
Rated Primary Current (A)	3200	

Rated secondary current is 5A

The over-current trip device of *TemPower2* provides a ground fault protection on the line side (optional) as well as on the load side as shown above. When the ACB is used for protection of a 3-pole, 4-wire system, select the same current transformer for the neutral line shown above. Two current transformers are required for 3 pole restricted earth fault ACBs.

4 Specifications

ON-OFF cycle counter

The ON-OFF cycle counter is a mechanical 5-digit readout that shows the number of ON-OFF cycles of the ACB.

Counter readings serve as a guide for maintenance or inspection.



Auxiliary switches

The auxiliary switches operate during the ACB ON/OFF operation.

Connections to the switches are made via screw terminals.

The auxiliary switches for draw-out type ACBs operate in the CONNECTED and TEST positions.

The auxiliary switches for ACBs conforming to classification society's rules operate in the CONNECTED position only.

The auxiliary switches have change-over contacts and are available for general service and for microload.

Type	Normal contacts for general service	Gold contacts for microload ※※
※AXR-004	4c	
AXR-007	7c	
AXR-304	4c	3c
AXR-010	10c	
AXR-307	7c	3c

※ The standard contact arrangement of the auxiliary switches is 4c. (Form c: Change-over, single gap, three terminals)

※※ Suited to electronic circuits

Note: 4c is the maximum arrangement when any one of the ground fault protection on the line side, zone interlock, or communication function is incorporated or in the case of type AGR-31B OCR with the ground fault trip function incorporated.

Auxiliary switch ratings

Category	For general service			For microload ※※			Min. applicable load
	Voltage	Resistive load (A)	Inductive load (A) AC: $\cos \geq 0.3$ DC: $L/R \leq 0.01$	Resistive load (A)	Inductive load (A)	AC: $\cos \geq 0.6$ DC: $L/R \leq 0.007$	
AC100-250V	5		5	0.1		0.1	DC5V 1mA
AC251-500V	5		5				
DC30V	1		1	0.1		0.1	
DC125-250V	1		1				

Note 1: The chattering of b-contacts due to ON-OFF operation of the ACB lasts for less than 20 ms.

Note 2: Do not supply different voltages to contacts of a switch.

Trip Indicator

Trip Indicator closes (ON) when the air circuit breaker is tripped by overcurrent release, shunt trip device, undervoltage trip device or manual operation of OFF button. The table summarizes when the trip indicator operates (ON) and when it is reset (OFF). Use a suitable self-hold circuit as necessary for continuous trip alarm indication.

Breaker Tripped by	Operation of Trip Indicator	
	Closing Springs Charged	Closing Spring Discharged
Over-current Trip (OCR) Shunt trip	Switch is ON for 40ms, then reset to OFF.	Switch remains ON until closing springs are charged
Undervoltage trip Remote Opening Undervoltage Condition	Switch remains ON until undervoltage condition is restored normal.	Switch remains ON until closing springs are charged after undervoltage condition has restored to normal.
Manual Opening by PUSH TO OPEN button	Switch remains ON until PUSH TO OPEN button is released	Switch remains ON until closing springs are charged after PUSH TO OPEN button is released.

Normal contacts for general service

Voltage (V)	Switch contact ratings	
	Resistive load	Inductive load
AC 250	3	3
DC	250	0.1
	125	0.5
	30	3

Minimum applicable load is DC24V 10mA.

Gold contacts for microload

Voltage (V)	Switch contact ratings	
	Resistive load	Inductive load
AC 250	0.1	0.1
DC 30	0.1	0.1

Minimum applicable load is DC24V 1mA.

“Ready to close” contact (special specification)

The ready to close contact indicates that the ACB is in a ready to close status.

This contact operates when the followings are valid.

- * ON-OFF indicator shows OFF . (The ACB is in OFF position)
- * Spring charge indicator shows charged .
- * Undervoltage trip is energised.
- * Shunt trip is not energised.
- * ACB is in the connected or test position.
- * Key lock and Key interlock are off.
- * Mechanical interlock is off.

■ Normal contacts for general service

Voltage (V)		Switch contact ratings	
		Resistive load	Inductive load
AC	250	3	3
	250	0.1	0.1
DC	125	0.5	0.5
	30	3	2

Minimum applicable load is DC24V 10mA.

■ Gold contacts for microload

Voltage (V)		Switch contact ratings	
		Resistive load	Inductive load
AC	250	0.1	0.1
DC	30	0.1	0.1

Minimum applicable load is DC24V 1mA.

Key lock

The key lock is available in two types: the lock-in ON type that locks the ACB in the closed position, and the lock-in OFF type that locks the ACB in the open position.

When the ACB is fitted with a key lock, the operator cannot operate the ACB unless using a matched key.



Key interlock

The key interlock is a system of interlocking between ACBs, each fitted with a key lock of lock-in OFF type.

- A key must be inserted to release the lock before the ACB can be closed.
- The ACB must be opened and locked in the OFF position before the key can be removed.

By utilizing the lock-in OFF type key lock feature, and then a limited number of keys by default provides an effective and reliable interlock system.

Using the same keys also allows interlocking between an ACB and other devices (such as a switchboard door).

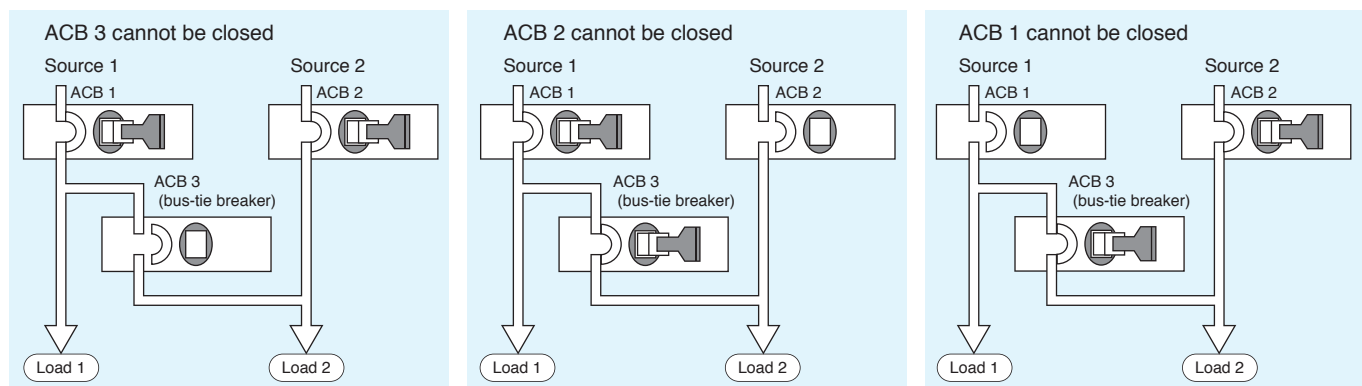
ACBs can be supplied with a cylinder lock or type FS-2 Castell lock (with an angular movement 90° clockwise to trap key).

A double Castell interlocking facility suitable for applications such as UPS systems is available as a special specification contact Terasaki Electric Europe, UK.

Facility or full option including locks are available, please specify.

For other lock types contact Terasaki Electric Europe, UK.

Example: Interlock for prevention of parallel feeding from two sources



4 Specifications

Mechanical interlock (Contact alfanar for details)

Mechanical interlocks for interlocking 2 or 3 ACBs in either horizontal (Draw-out type and Fixed type) or vertical (Draw-out type only) arrangements are available.

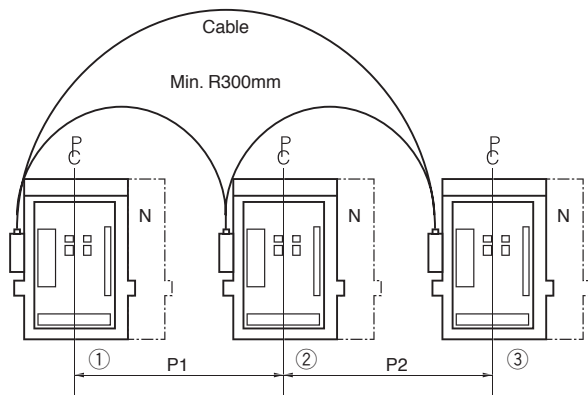
Interlocking is possible between any frame size within the *TemPower2* range.

In conjunction with an electrical interlock, it will enhance safety and reliability of power distribution systems.

1 Horizontal type

This table shows the standard pitch between left side ACB ① and right side ACB ②, or between left side ACB ② and right side ACB ③.

Right ACB		Pitch of ACB P (mm) (PC line to PC line)			
		AR208S~AR220S AR212H~AR220H	AR325S~AR332S AR316H~AR332H AR440SB	AR440S AR420H~AR440H (3P only)	AR650S~AR663S AR663H
Left ACB	3P	600, 700, 800	600, 700, 800	600, 700, 800	800, 1000, 1100
	4P	600, 700, 800, 900	700, 800, 900	600, 700, 800, 900	900, 1000, 1100
AR208S~AR220S AR212H~AR220H	3P	600, 700, 800, 900	700, 800, 900	600, 700, 800, 900	900, 1000, 1100
	4P	700, 800, 900, 1000	800, 900, 1000	700, 800, 900, 1000	1000, 1100, 1200
AR325S~AR332S AR316H~AR332H AR440SB	3P	800, 900, 1000, 1100	900, 1000, 1100	800, 900, 1000, 1100	1100, 1200, 1300
	4P	1000, 1100, 1200, 1300	1000, 1100, 1200, 1300	1000, 1100, 1200, 1300	1300, 1400
AR440S AR420H~AR440H (3P only)	3P	700, 800, 900, 1000	800, 900, 1000	700, 800, 900, 1000	1000, 1100, 1200
	4P	1000, 1100, 1200	1000, 1100, 1200	1000, 1100, 1200	1200, 1300, 1400



To order, select the required pitch for P1 and P2 from the above table, and specify the type and number of poles for each ACB.

Example,

P1: 700 mm

P2: 800 mm

ACB ①: Type AR212H 3 poles

ACB ②: Type AR332H 3 poles

ACB ③: Type AR216H 3 poles

Types and Operations

Type	Operation			Remark
	Br1	Br2	Br3	
Type C 1 	ON	OFF	/	One of two breakers can be turned on.
	OFF	ON	/	
	OFF	OFF	/	
Type B 2 	ON	ON	OFF	One or two of three breakers can be turned on.
	ON	OFF	ON	
	OFF	ON	ON	
	ON	OFF	OFF	
	OFF	ON	OFF	
	OFF	OFF	ON	
Type D 3 	ON	OFF	OFF	One of three breakers can be turned on.
	ON	ON	OFF	
	OFF	OFF	ON	
Type A 4 	ON	OFF	ON	Br2 is interlocked with both Br1 and Br3.
	ON	OFF	OFF	
	OFF	ON	OFF	
	OFF	OFF	ON	
	OFF	OFF	OFF	
	OFF	OFF	OFF	

- Interlock is enabled in the CONNECTED position. When the breaker body is in the TEST, ISOLATED or DRAW-OUT position, interlock is disabled.
- If all of two or three breakers receive a closing (on) signal, they all will turn off. This case, however, involves momentary continuity between the main circuit and the auxiliary switch a-contact in all the breakers.
- The body of a draw-out type breaker, as long as it is off (open), can be drawn out or inserted, irrespective of the state of other breakers. (Do not draw out or insert a breaker body during cable installation, adjustment or operation check).

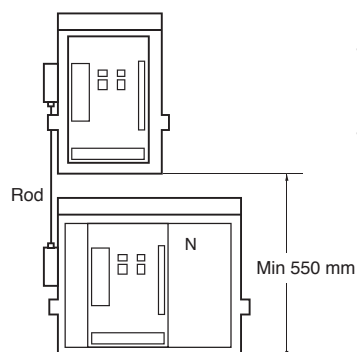
2 Vertical Type

Minimum pitch (550mm) is possible.

Specify the required pitch when ordering.

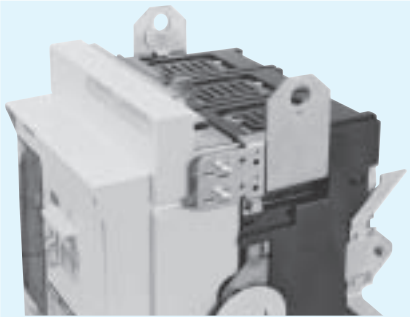
Maximum is 1200mm.

Contact alfanar for the details of vertical type with 3 ACBs.



Lifting plate

Lifting plates are detachable tools that can be used to lift a breaker body out of a draw-out cradle.



ON-OFF button cover ※

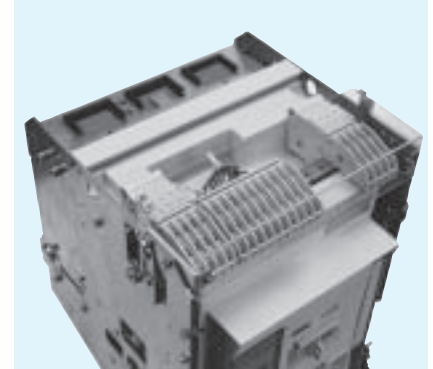
※: Standard equipment

An ON-OFF button cover prevents inadvertent or unauthorized operation of the ON or OFF button. It can be locked with up to three padlocks with 6 hasp. Padlocks are not supplied.



Control circuit terminal cover

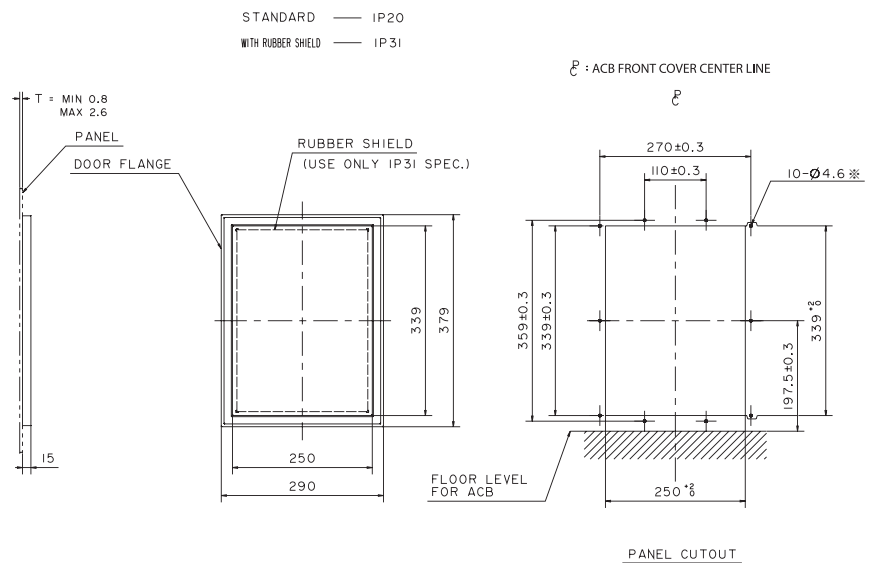
A control circuit terminal cover protects the terminal blocks for auxiliary switches, position switches, and control circuits from being accidentally touched, thus enhancing safety.



Door flange

A door flange can be used as a decoration panel that covers the cutout on the switchboard panel, and provides IP20 protection. For IP31 protection please specify the door flange with a gasket.

Note: Door flange can not be fitted with IP cover.



※ : Mount IP20 door flange through 6 mounting holes and IP31 door flange through 10 mounting holes.

4 Specifications

OFF padlock (OFA)

Permits the ACB to be padlocked in the OFF position. Max. three padlocks with 6 hasp can be fitted. Padlocking is possible only when ON-OFF indicator shows OFF. When the ACB is padlocked in the OFF position both manual and electrical closing become inoperative, but the charging of the closing spring by manual or motor is still possible.

Note1: OFF padlock facility cannot be fitted with key lock or key interlock.

Inter-pole barrier

An inter-pole barrier prevents a possible short-circuit due to foreign objects entering between the poles of the main circuit terminals or between the line and load ends, thus enhancing operational reliability of the ACB.

This barrier can be applied to the draw-out type ACB with vertical terminals or horizontal terminals.



Compatible with IEC60439-1 Form 4

All the models of TemPower2, except for Model AR440SB, comply as standard with Form 4 specified in IEC60439-1.

The AR440SB can be customized to comply with Form 4.

Earthing device

There is a growing demand in L.V. distribution for greater protection against electric shock particularly during periods when maintenance work is being carried out on the main busbars or cables. A safe and economical way to meet this requirement is to apply system earthing via the normal service breaker. Earthing devices on *TemPower2* ACBs comprises; Permanent parts which are factory fitted by alfanar Terasaki and are mounted on the ACB chassis and body to enable the ACB to receive the portable parts. Portable parts are supplied in loose kit form and are fitted on to the ACB body by the customer's engineer. This converts the ACB from a normal service device to an

earthing device.

When the ACB is converted to the earthing device mode, the over-current release and the other electrical tripping devices are automatically disabled to prevent the remote opening of the ACB.

It is recommended that the ON-OFF operating buttons be padlocked to prevent manual opening of the ACB when used in the earthing mode.

Note: UVT function can not be applied to the earthing device.

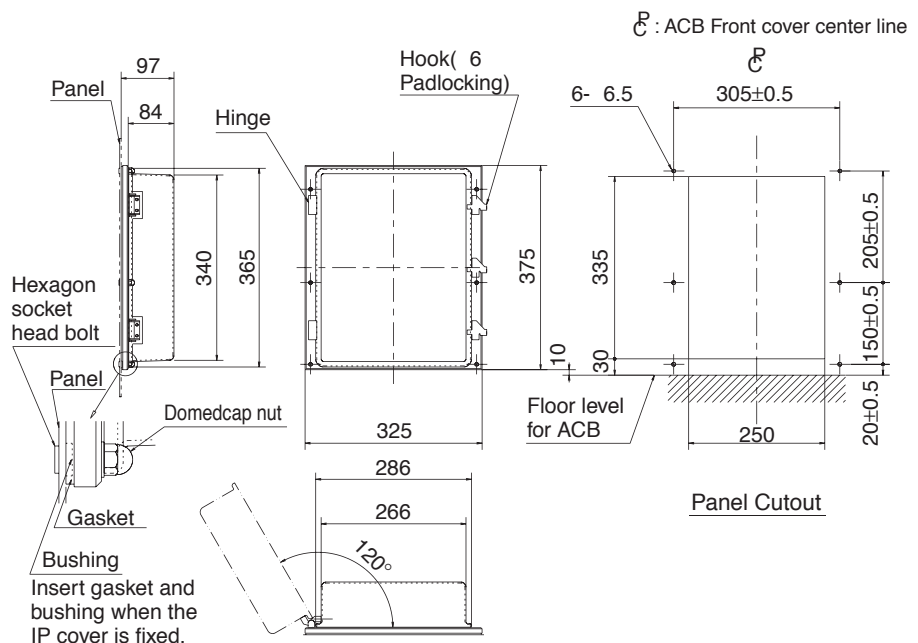
Earthing device is not available for AR6.

For further information contact Terasaki for details.

IP cover

An IP cover provides an IP55 grade of protection as defined in IEC 60529.

Even if the breaker body is on the ISOLATED position, IP cover can still be fitted on the ACB.



8 Operation Environments

Standard environment

The standard environment for ACBs is as follows:

Ambient temperature	<p>□5°C to +40°C</p> <p>The average temperature for 24 hours must not exceed 35°C.</p>
Relative humidity	45% to 85%
Attitude	Below 2000 m
Atmosphere	<p>Excessive water vapor, oil vapor, smoke, dust, or corrosive gases must not exist.</p> <p>Sudden change in temperature, condensation, or icing must not occur.</p>
Vibration	<p>The TemPower 2 ACB is designed to withstand electromagnetic and mechanical vibrations in accordance to IEC 68-2-6. (2-13.2 Hz with amplitude of +/- 1mm; 13.2 to 100Hz with an acceleration of 0.7g).</p>

Special environment

Tropicalization (Fungus and moisture treatment)

Specify this treatment when the ACB is used under high-temperature and high-humidity conditions.

Conditions: Max. permissible ambient temperature 60°C
 Max. permissible humidity 95% rel.
 No condensation

Cold climate treatment

Specify this treatment when the ACB is used in cold areas.

Conditions: Min. permissible storage temperature □40°C
 Min. permissible operating temperature □25°C
 No condensation

Anti-corrosion treatment

Specify this treatment when the ACB is used in a corrosive atmosphere.

Contact alfanar for details.

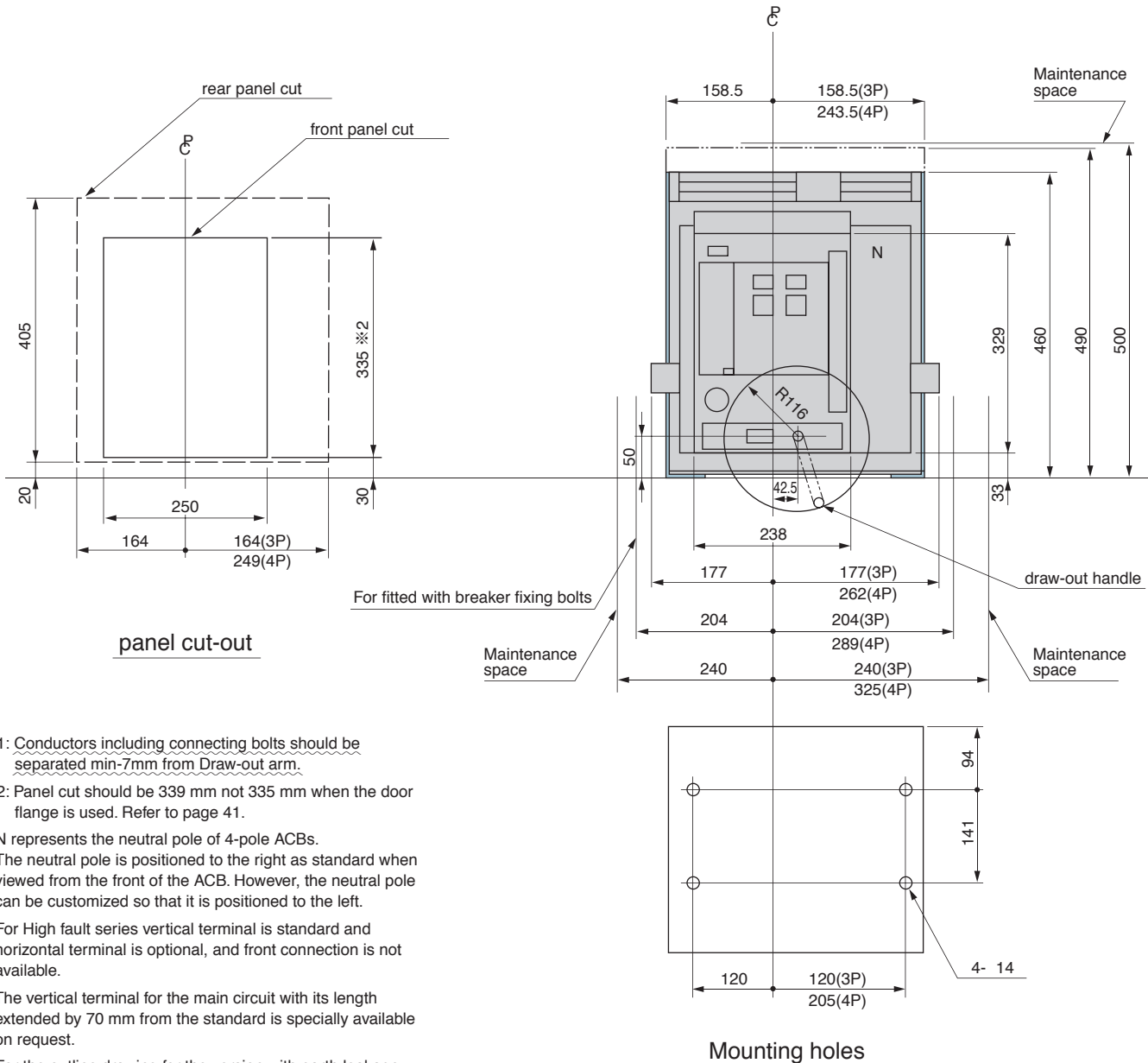
5 Outline Dimensions

•Type AR208S, AR212S, AR216S, AR220S, AR212H, AR216H, AR220H Draw-out type

Ⓢ: ACB Front cover center line

Terminal size

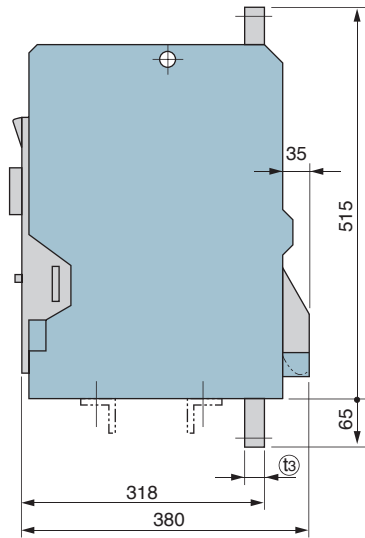
Type	t ₁	t ₂	t _a	W
AR208S	10	10	15	17.5
AR212S	10	10	15	17.5
AR216S	20	15	25	22.5
AR220S	20	15	25	
AR212H	20	15		
AR216H	20	15		
AR220H	20	15		



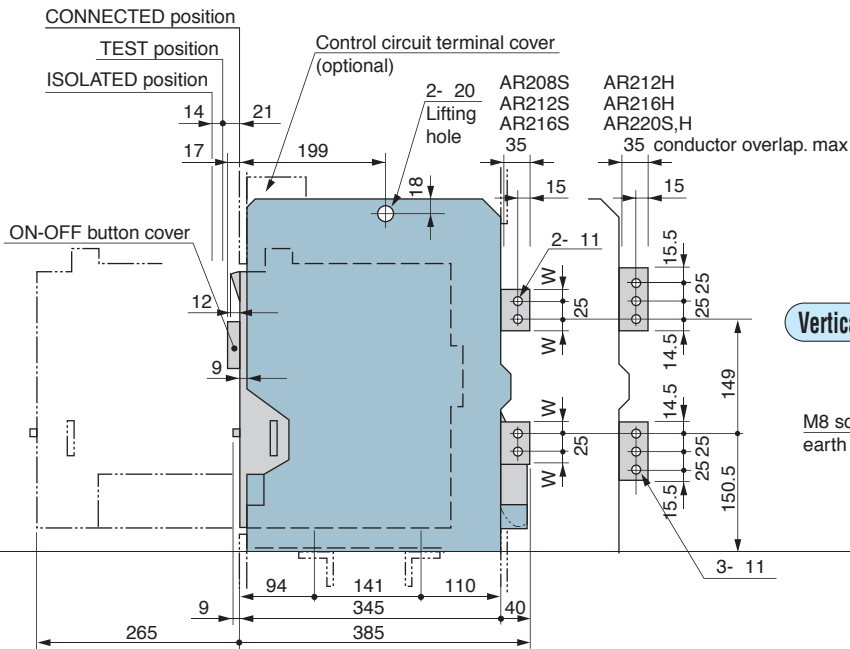
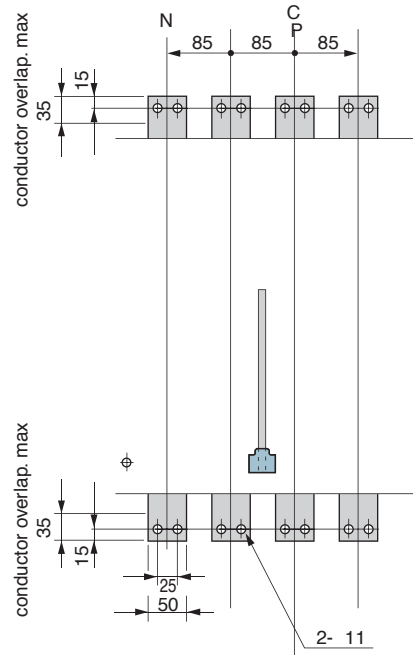
※1: Conductors including connecting bolts should be separated min-7mm from Draw-out arm.

※2: Panel cut should be 339 mm not 335 mm when the door flange is used. Refer to page 41.

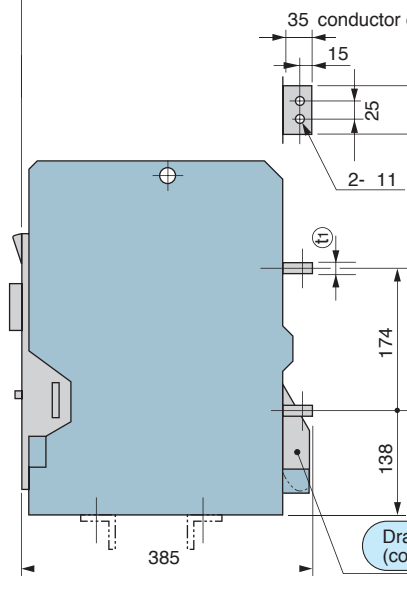
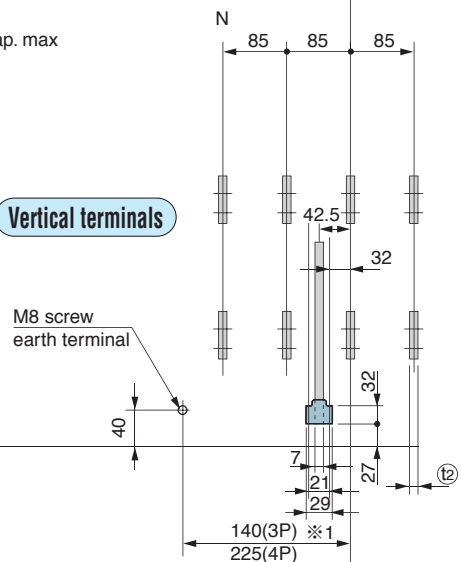
- N represents the neutral pole of 4-pole ACBs. The neutral pole is positioned to the right as standard when viewed from the front of the ACB. However, the neutral pole can be customized so that it is positioned to the left.
- For High fault series vertical terminal is standard and horizontal terminal is optional, and front connection is not available.
- The vertical terminal for the main circuit with its length extended by 70 mm from the standard is specially available on request.
- For the outline drawing for the version with earth leakage tripping, contact us.



Front connections

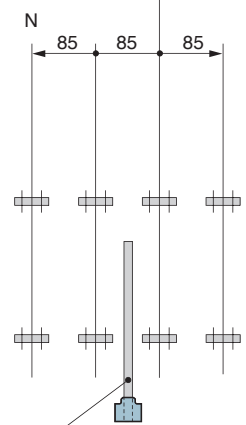


Vertical terminals



Horizontal terminals

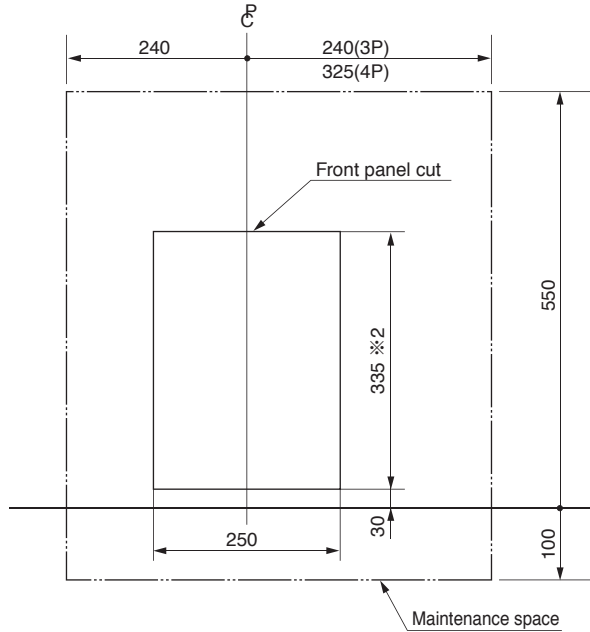
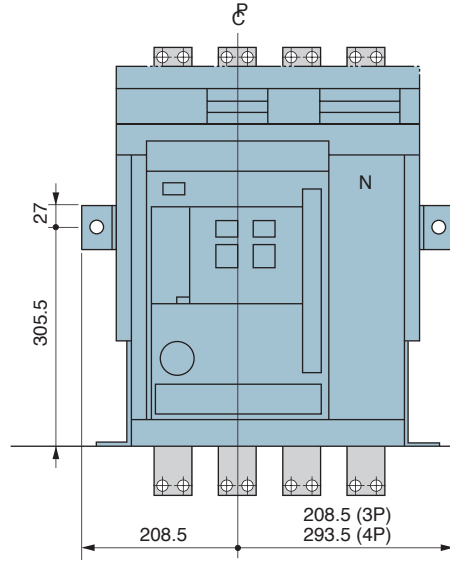
Draw-out arm (comes out when breaker is drawn out)



5 Outline Dimensions

- Types: AR208S, AR212S, AR216S, AR220S, AR212H, AR216H, AR220H Fixed type

Ⓢ: ACB Front cover center line



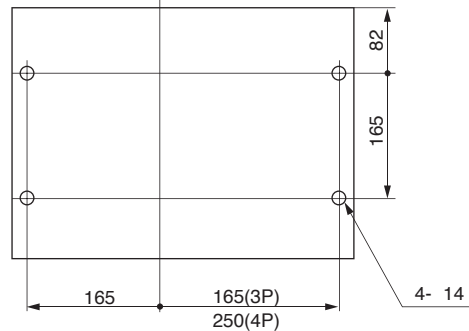
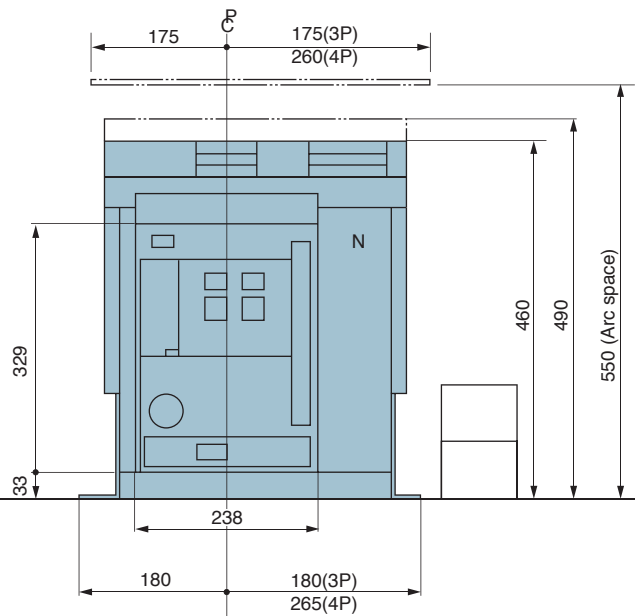
Panel cutout

Terminal size

Type	t ₁	t ₂	t ₃	W
AR208S	10	10	15	17.5
AR212S	10	10	15	17.5
AR216S	20	15	25	22.5
AR220S	20	15	25	
AR212H	20	15		
AR216H	20	15		
AR220H	20	15		

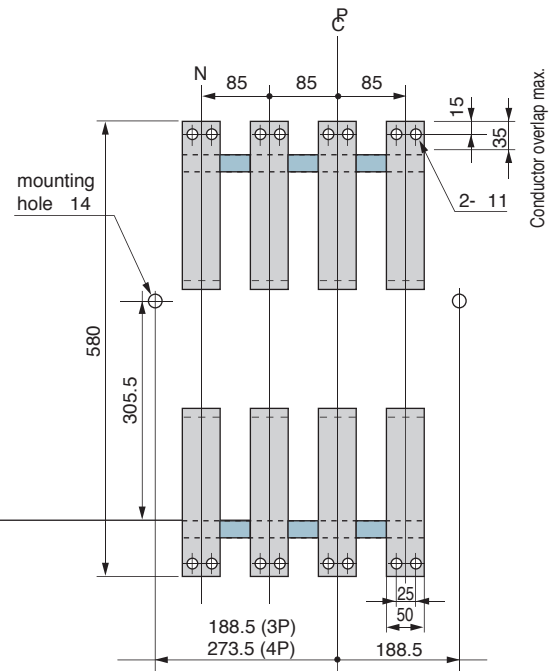
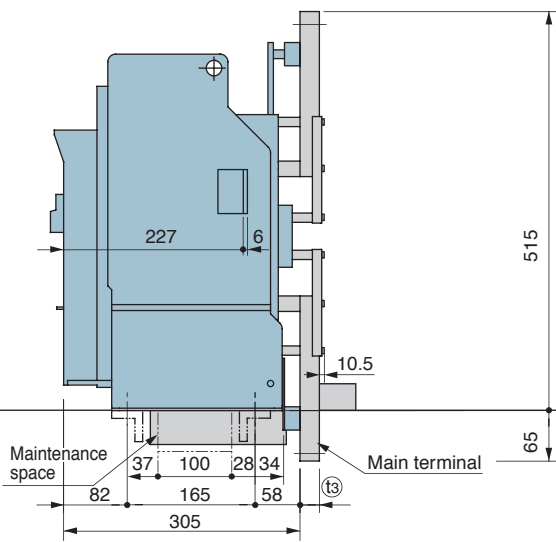
※2: Panel cut should be 339 mm not 335 mm when the door flange is used. Refer to page 41.

- N represents the neutral pole of 4-pole ACBs. The neutral pole is positioned to the right as standard when viewed from the front of the ACB. However, the neutral pole can be customized so that it is positioned to the left.
- For type AR-H high fault series, vertical terminals are standard, horizontal terminals are optional and front connections are not available.
- For the outline drawing for the version with earth leakage tripping, contact us.



Mounting holes

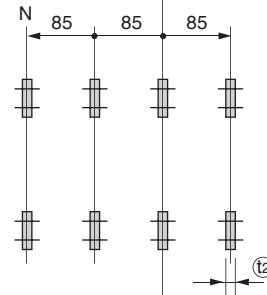
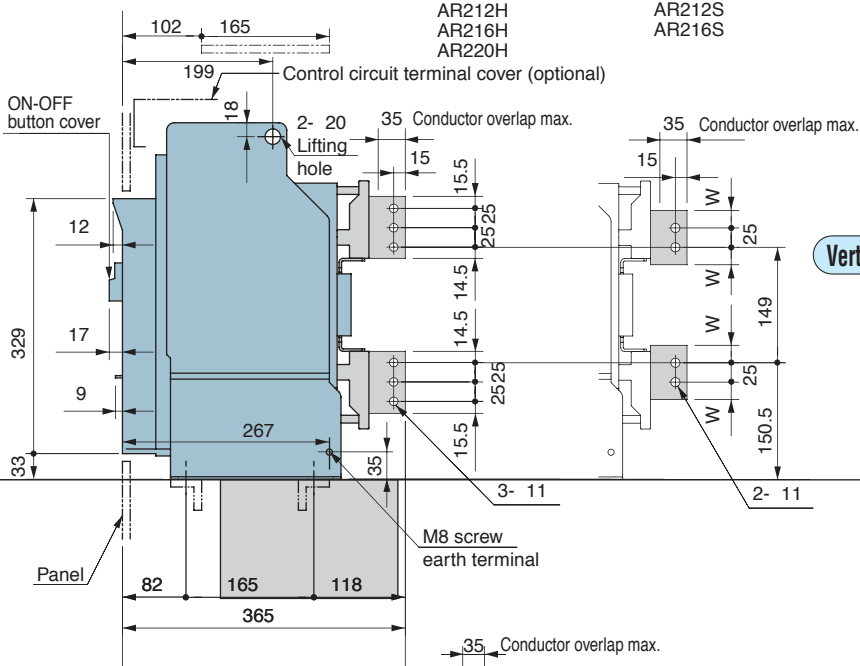
Front connections



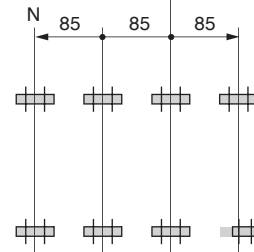
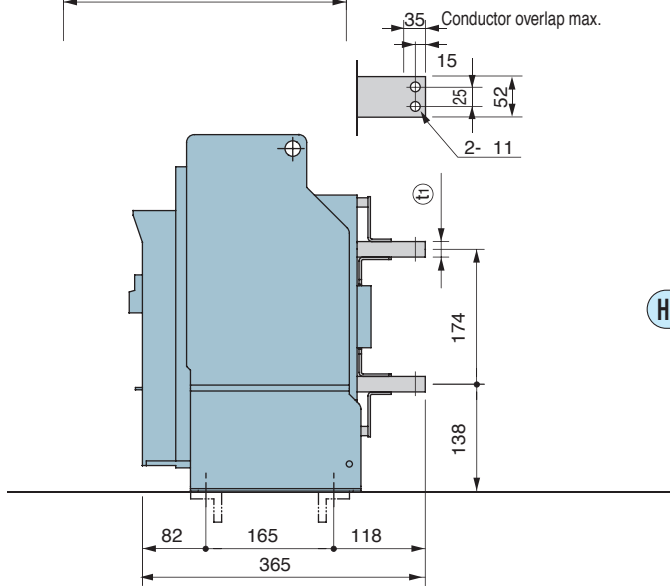
AR220S
AR212H
AR216H
AR220H

AR208S
AR212S
AR216S

Vertical terminals



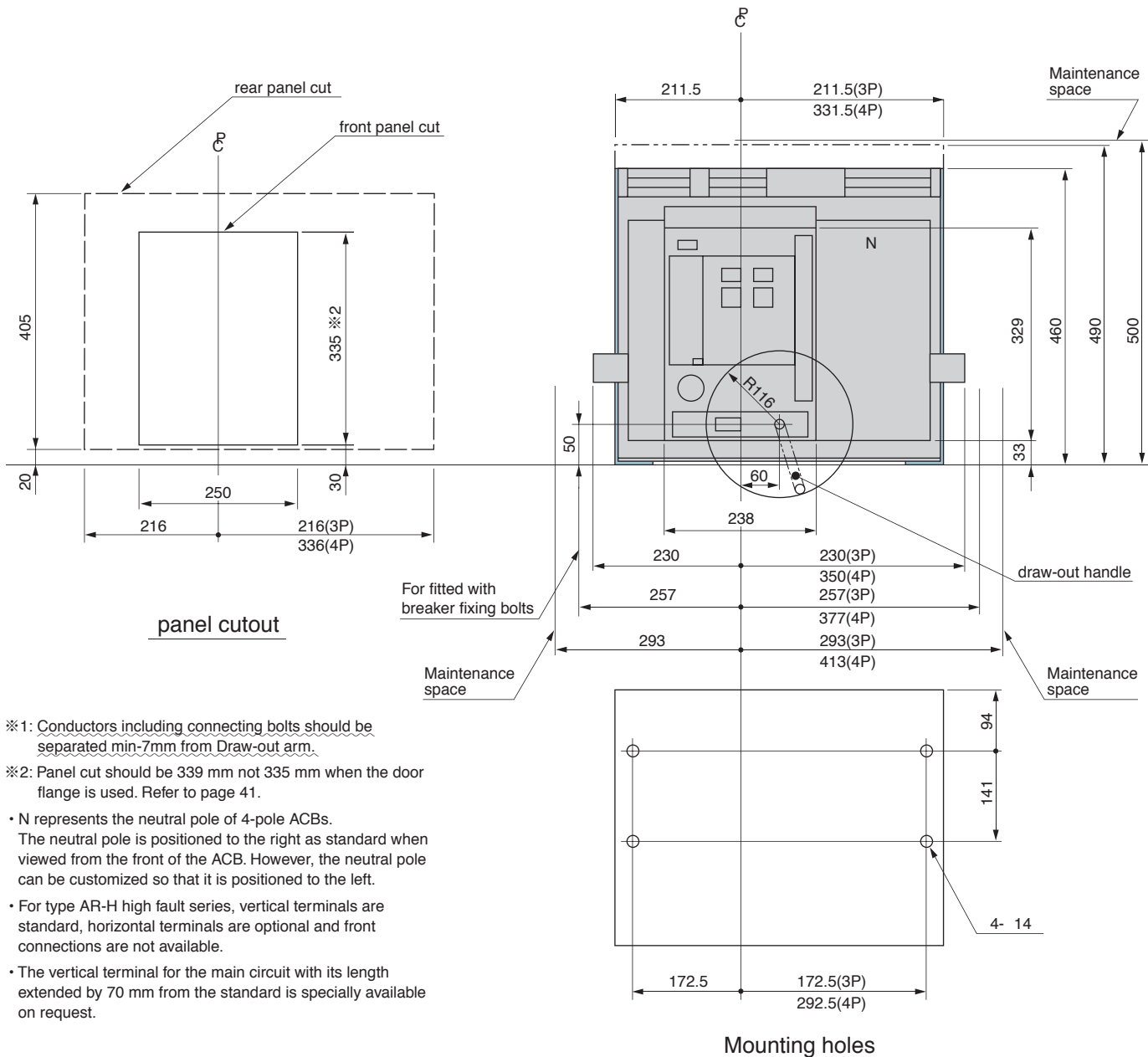
Horizontal terminals



5 Outline Dimensions

- Type AR325S, AR332S,
AR316H, AR320H, AR325H, AR332H Draw-out type

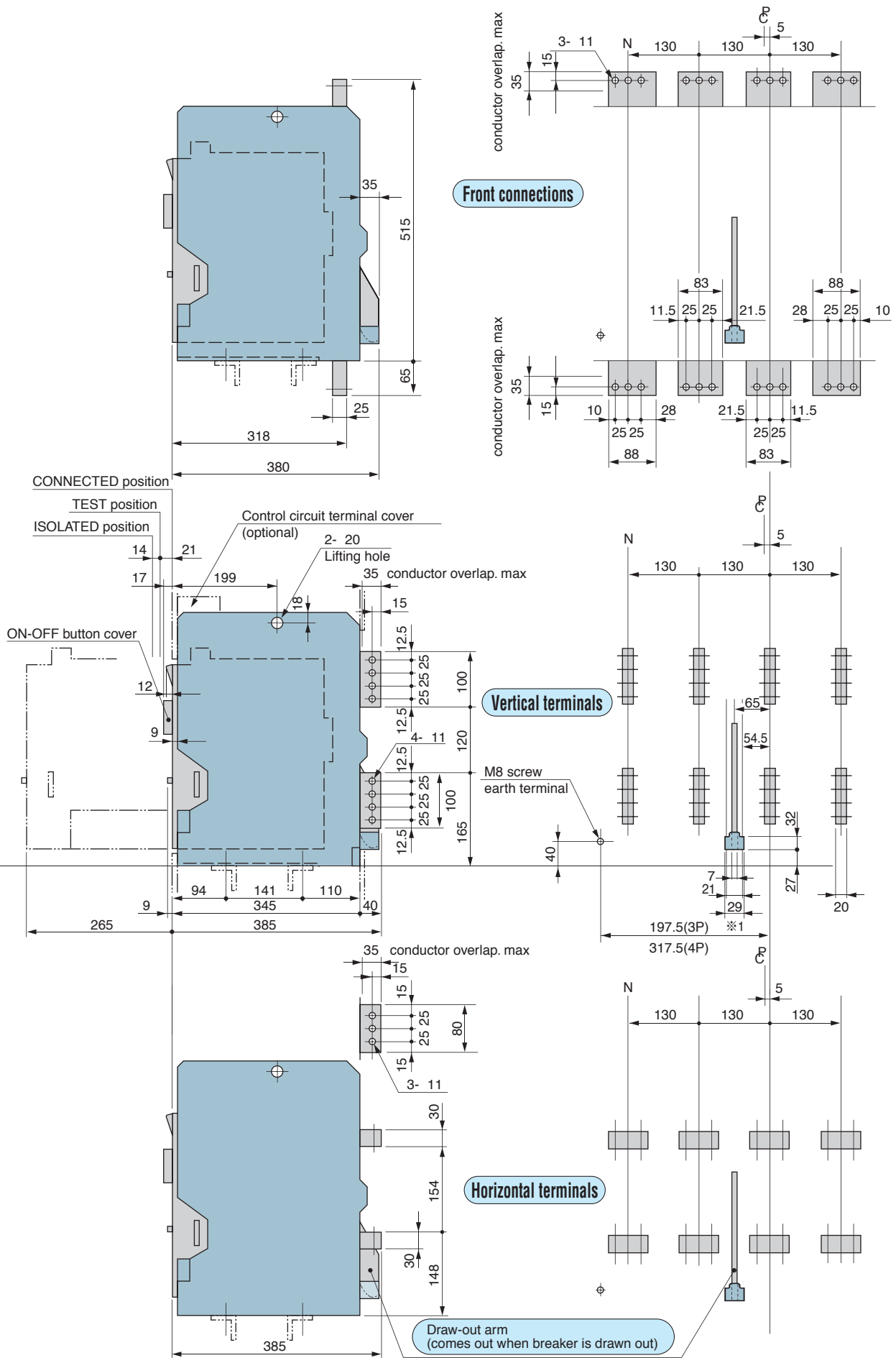
Ⓢ: ACB Front cover center line



※1: Conductors including connecting bolts should be separated min-7mm from Draw-out arm.

※2: Panel cut should be 339 mm not 335 mm when the door flange is used. Refer to page 41.

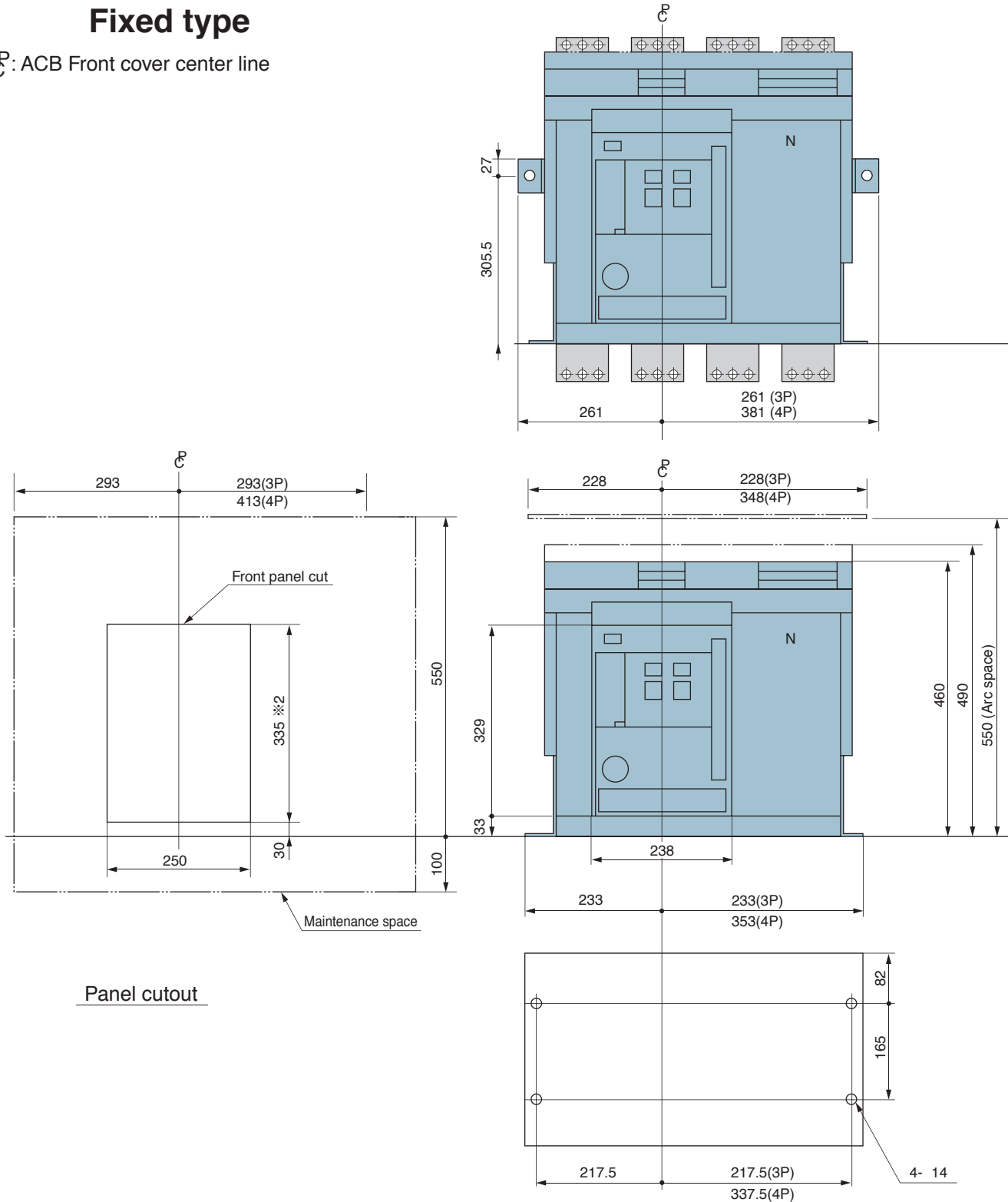
- N represents the neutral pole of 4-pole ACBs. The neutral pole is positioned to the right as standard when viewed from the front of the ACB. However, the neutral pole can be customized so that it is positioned to the left.
- For type AR-H high fault series, vertical terminals are standard, horizontal terminals are optional and front connections are not available.
- The vertical terminal for the main circuit with its length extended by 70 mm from the standard is specially available on request.



5 Outline Dimensions

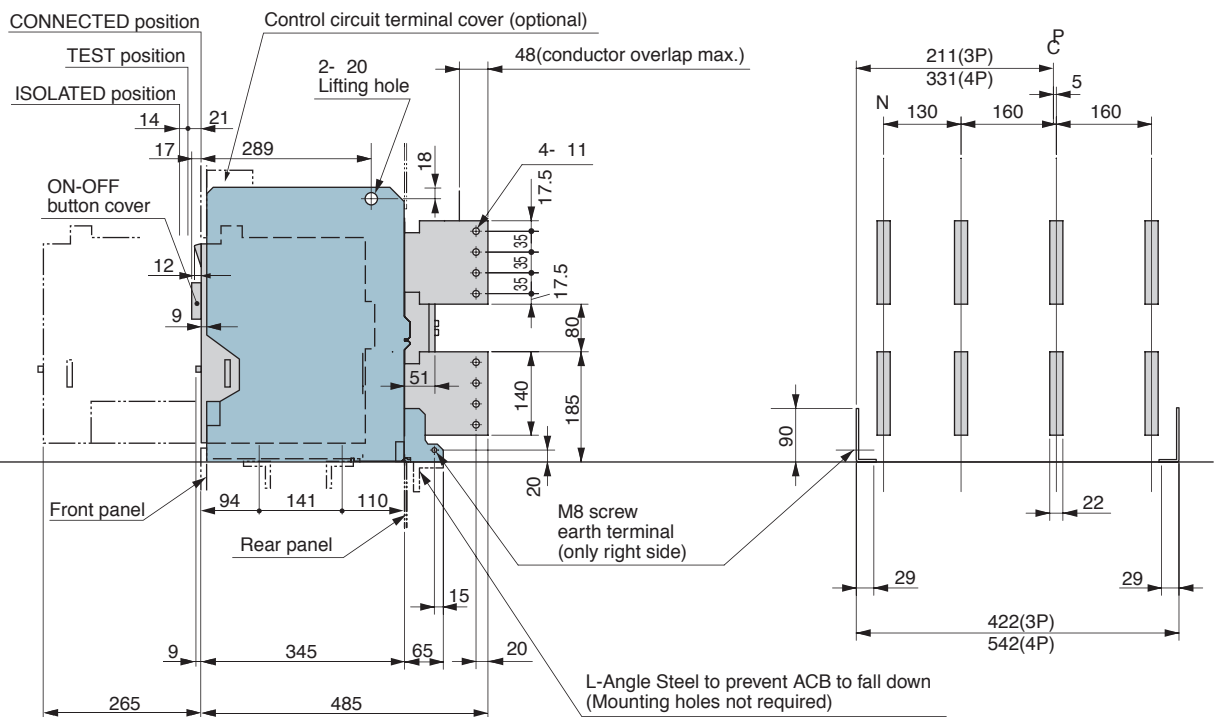
- Types: AR325S, AR332S, AR316H, AR320H, AR325H, AR332H
- Fixed type

Ⓢ: ACB Front cover center line



※2: Panel cut should be 339 mm not 335 mm when the door flange is used. Refer to page 41.

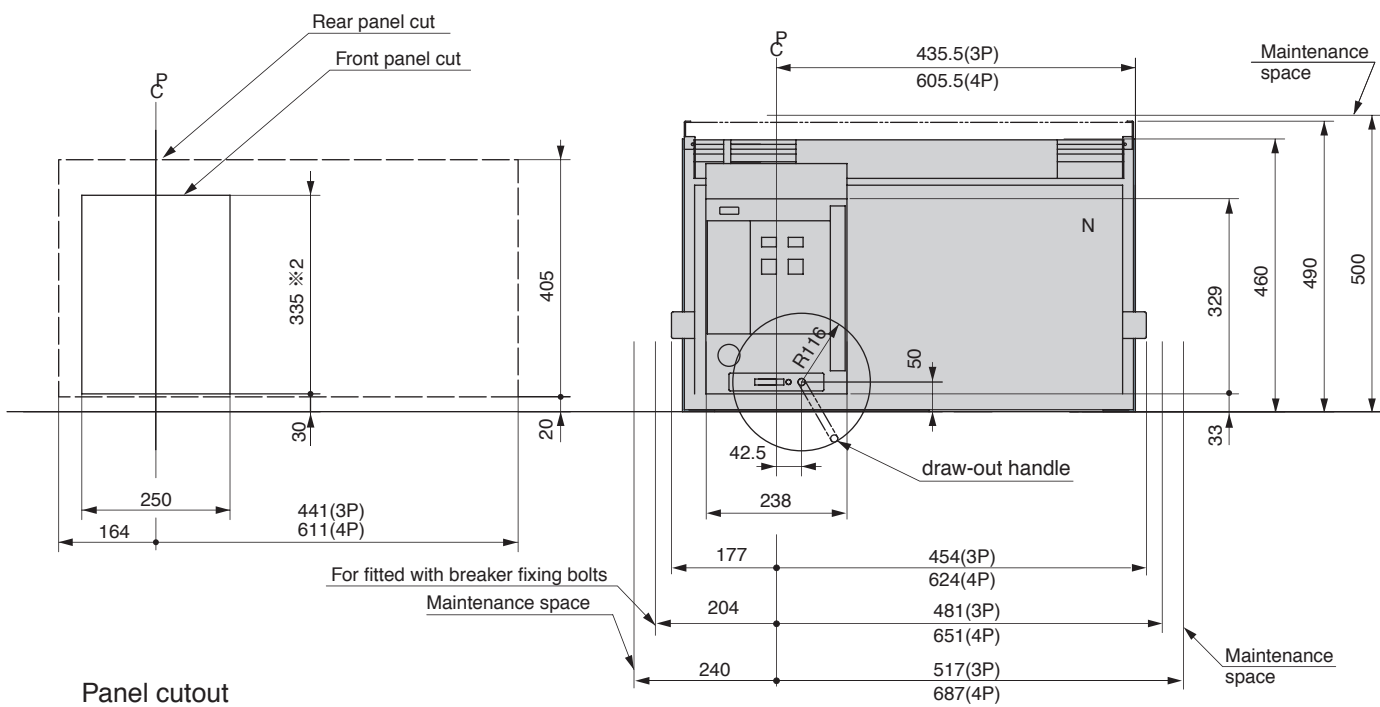
- N represents the neutral pole of 4-pole ACBs. The neutral pole is positioned to the right as standard when viewed from the front of the ACB. However, the neutral pole can be customized so that it is positioned to the left.
- For type AR-H high fault series, vertical terminals are standard, horizontal terminals are optional and front connections are not available.



5 Outline Dimensions

- Types: AR440S, AR420H (3 poles only), AR440H (3 poles only)
Draw-out type

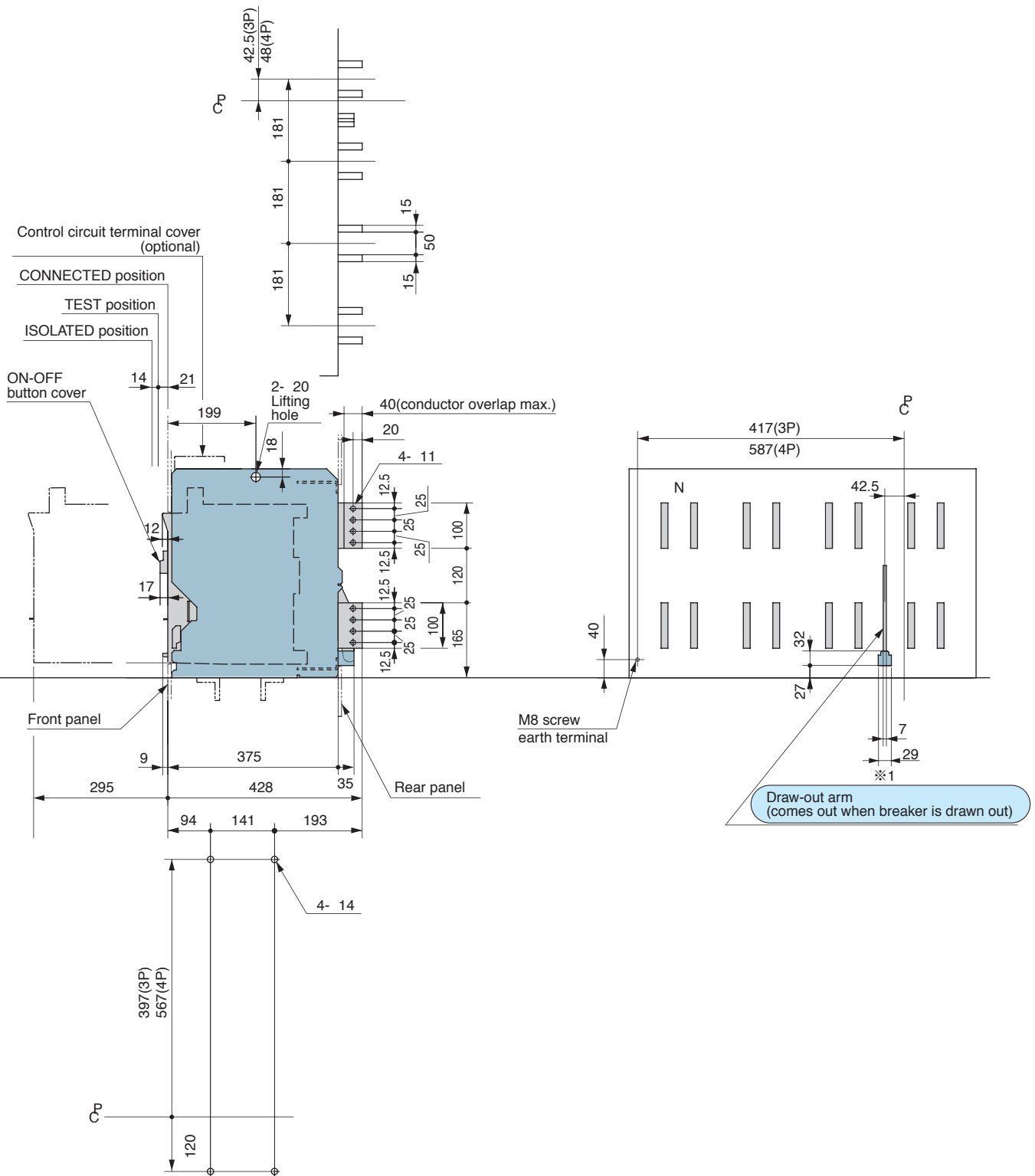
Ⓢ: ACB Front cover center line



※1: Conductors including connecting bolts should be separated min-7mm from Draw-out arm.

※2: Panel cut should be 339 mm not 335 mm when the door flange is used. Refer to page 41.

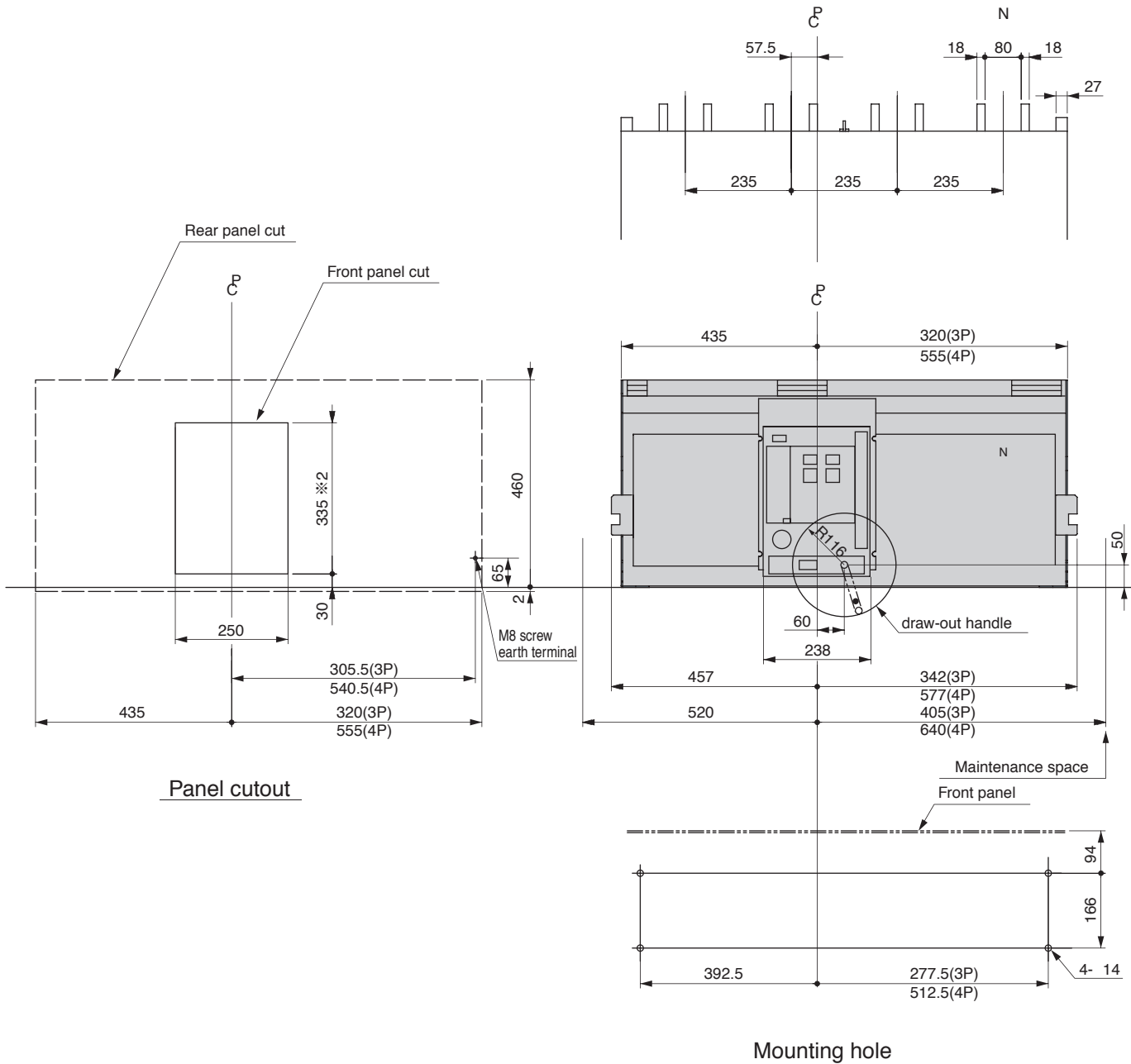
- N represents the neutral pole of 4-pole ACBs.
- AR420H and AR440H are 3 poles only.



5 Outline Dimensions

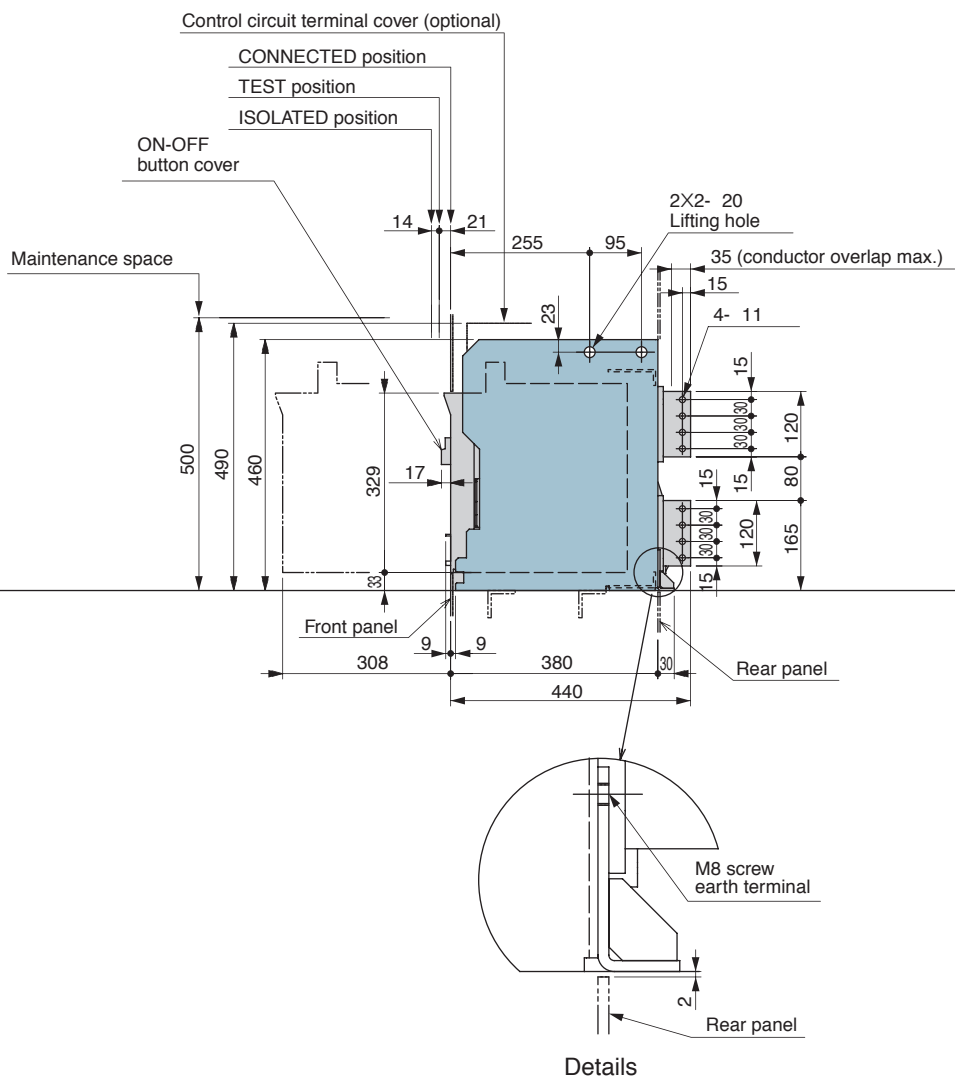
• Types: AR650S, AR663S AR663H Draw-out type

Ⓢ: ACB Front cover center line



※2: Panel cut should be 339 mm not 335 mm when the door flange is used. Refer to page 41.

• N represents the neutral pole of 4-pole ACBs.



6 Connection

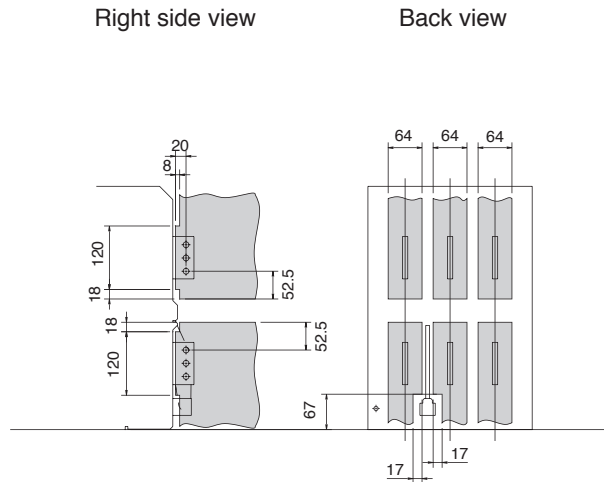
1 Conductors connection area

Connect conductors to the main circuit terminals in the conductor connection.

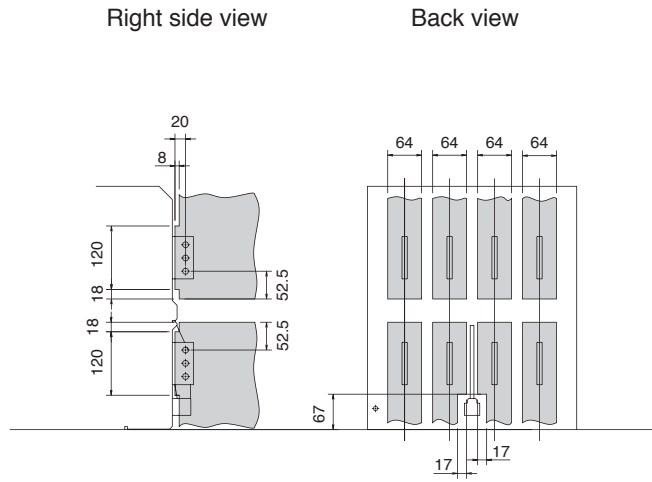
Insulation distance of conductor connection area and earth metal is more than 12.5mm.

• Types AR208S, AR212S, AR216S, AR220S, AR212H, AR220H

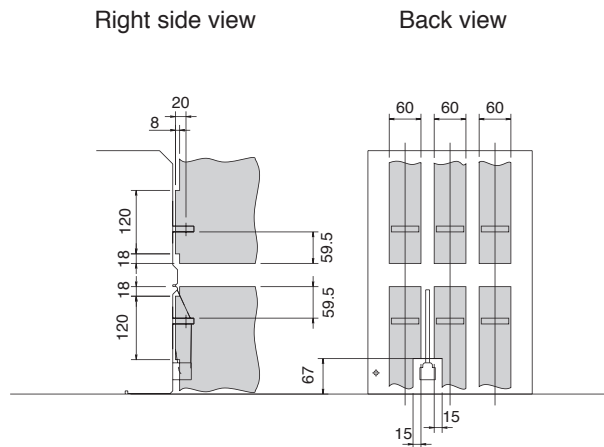
■ Vertical terminals 3P



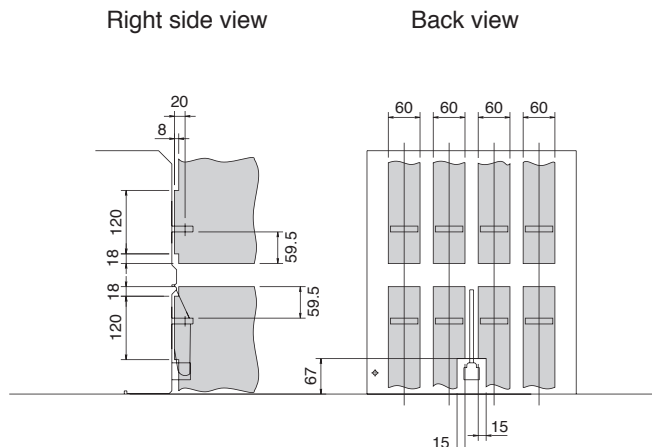
■ Vertical terminals 4P



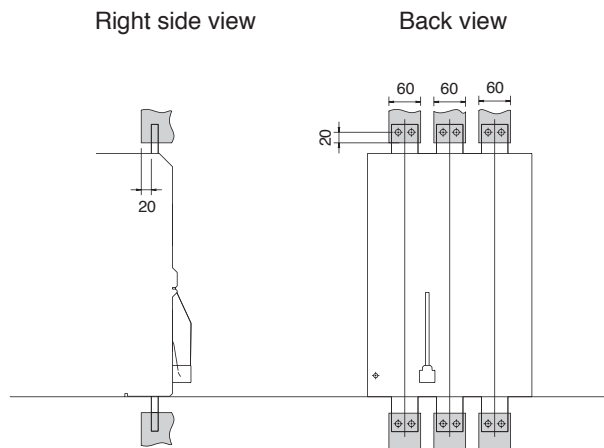
■ Horizontal terminals 3P



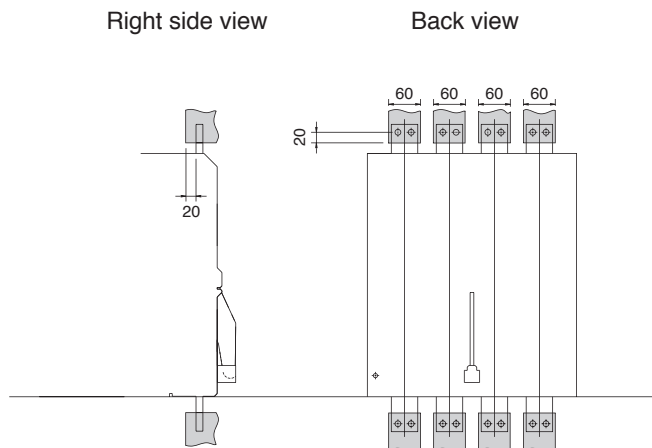
■ Horizontal terminals 4P



■ Front connections 3P

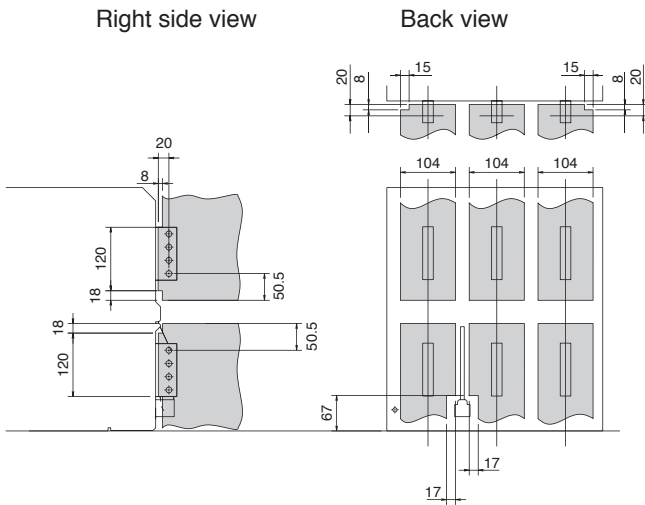


■ Front connections 4P

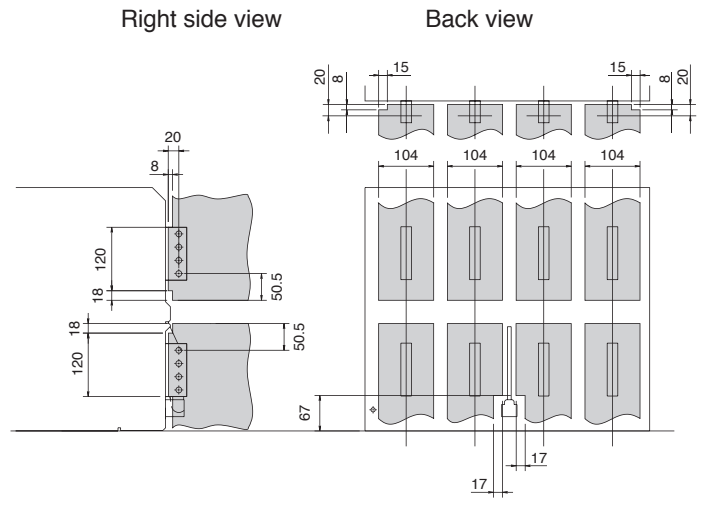


• Types AR325S, AR332S, AR316H, AR320H, AR325H, AR332H

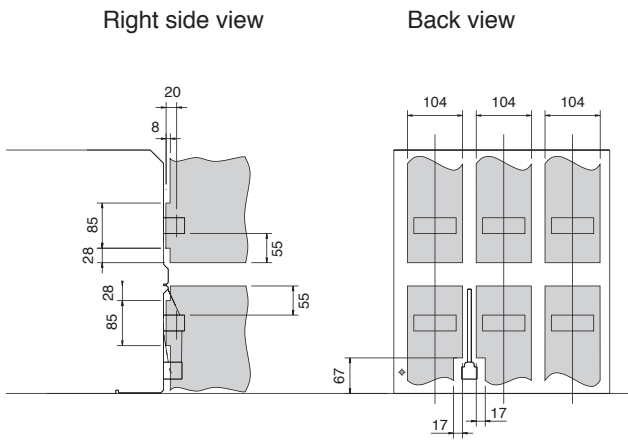
■ Vertical terminals 3P



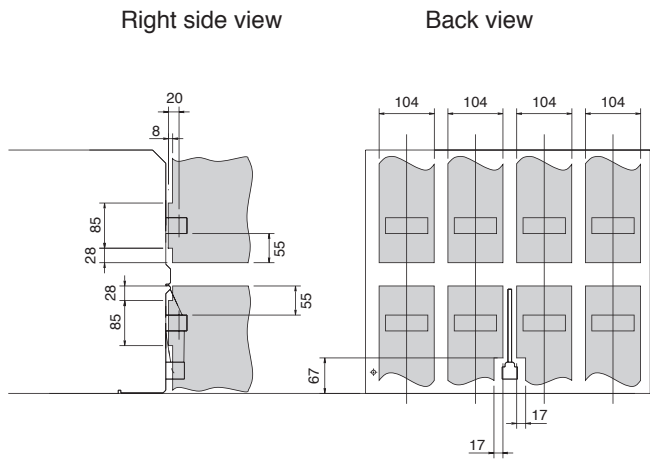
■ Vertical terminals 4P



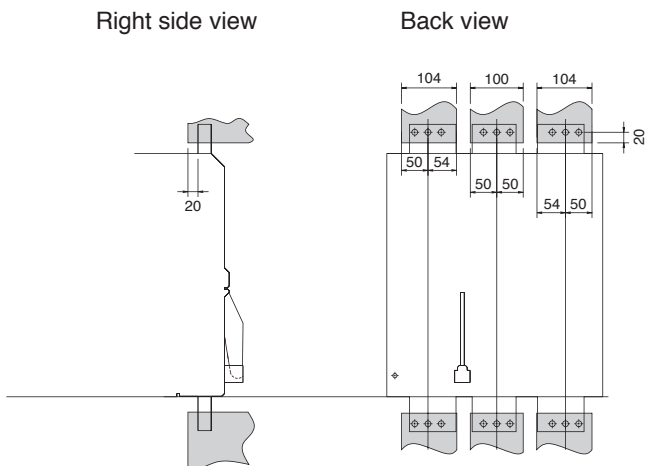
■ Horizontal terminals 3P



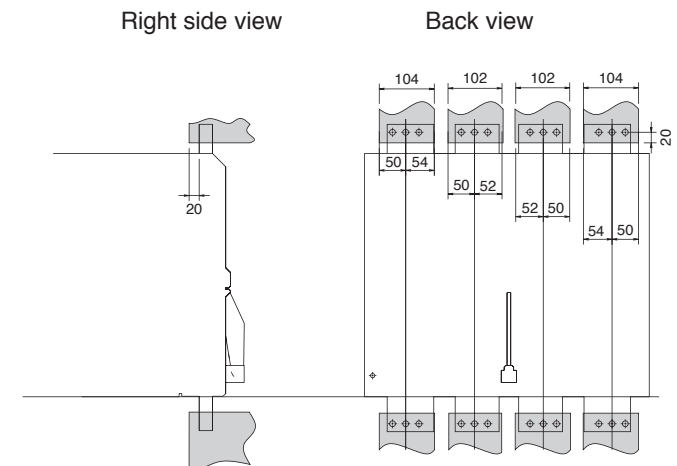
■ Horizontal terminals 4P



■ Front connections 3P



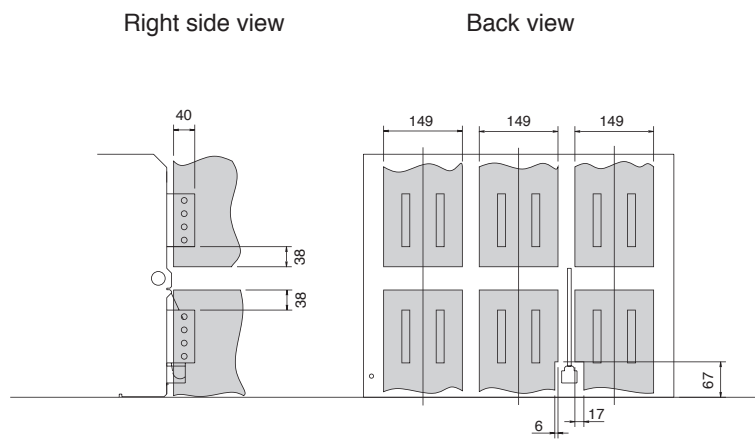
■ Front connections 4P



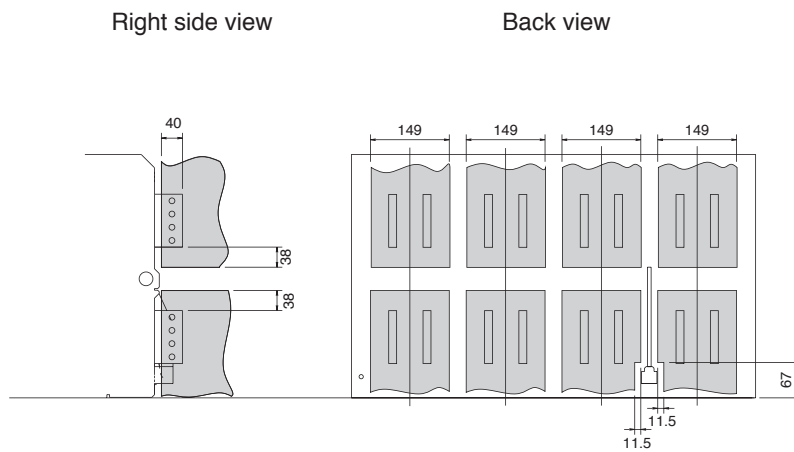
6 Connection

• Types AR440S, AR420H, AR440H

■ Vertical terminals 3P

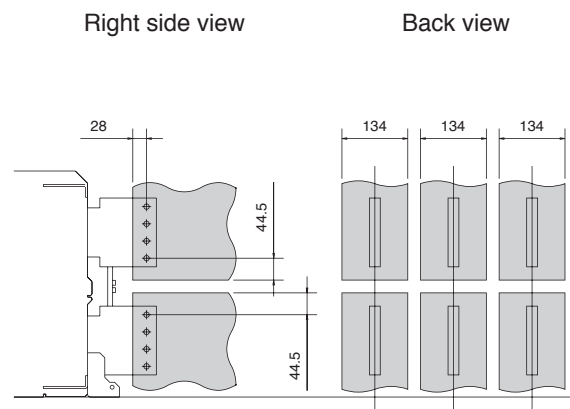


■ Vertical terminals 4P

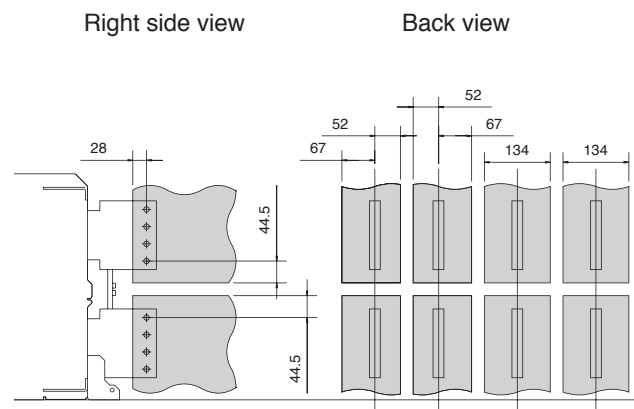


• Type AR440SB

■ Vertical terminals 3P



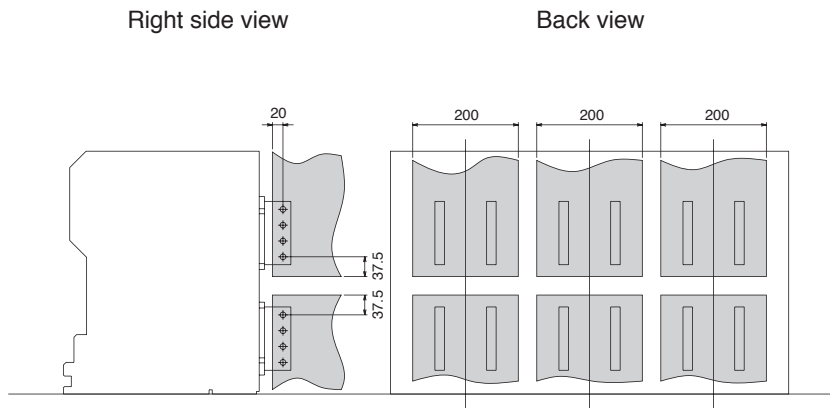
■ Vertical terminals 4P



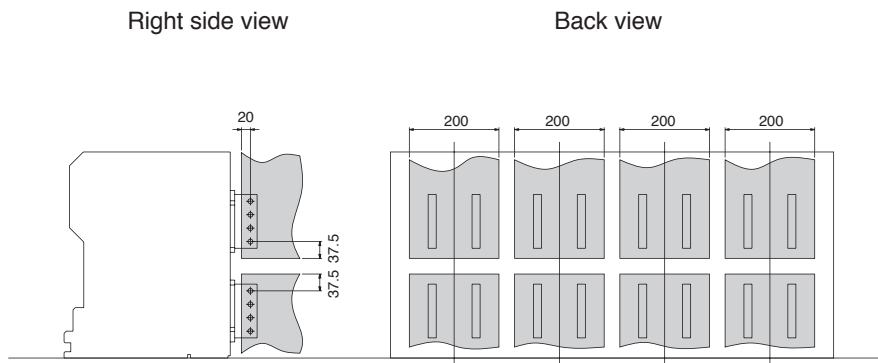
6 Connection

• **Types** AR650S, AR663S, AR663H

■ **Vertical terminals 3P**

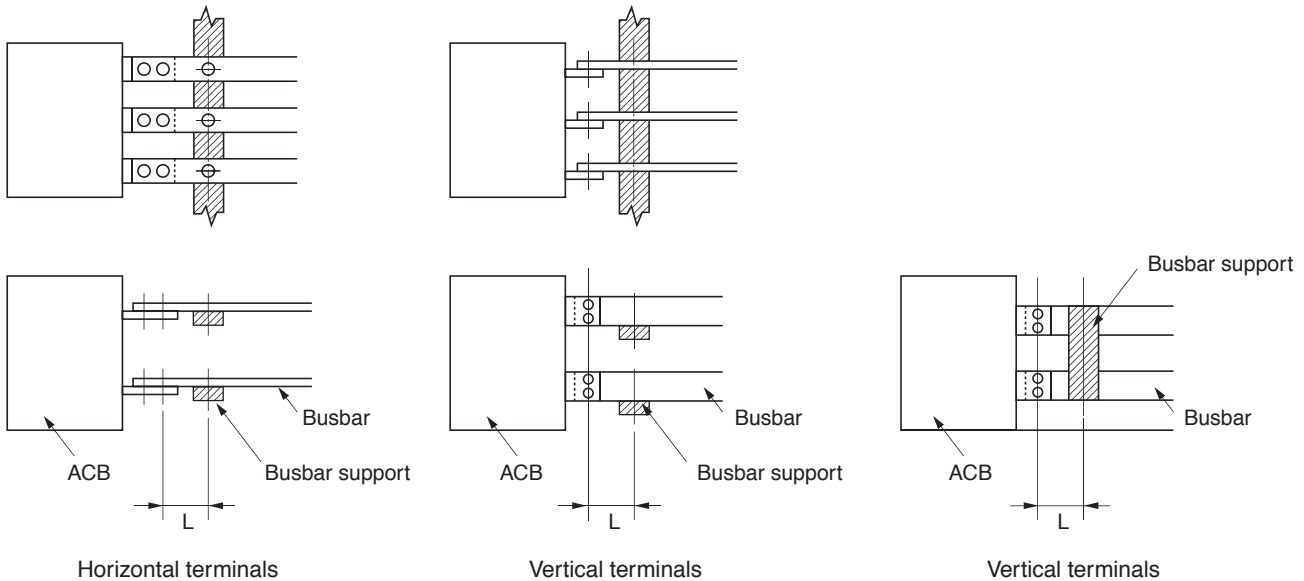


■ **Vertical terminals 4P**



2 Recommendation for Busbars connection

The busbars to the ACB should be firmly supported near the ACB terminal. Fault currents flow through the busbars developing a large electromagnetic force between the busbars. The support must be strong enough to withstand such forces and ensure the enough insulating distance. The ACB should not be relied on as a single support.



The maximum distance of the connection point of ACB to the first busbar support

Short-circuit current (kA)		30	50	65	80	100	120	135
Distance L (mm)	AR2	300	250	150	150			
	AR3	350	300	250	150	150		
	AR440SB	350	300	250	150	100		
	AR440S, AR420H, AR440H	350	300	250	150	150	100	
	AR6	350	300	250	150	150	150	150

7 Circuit Diagram (with AGR-11B OCR)

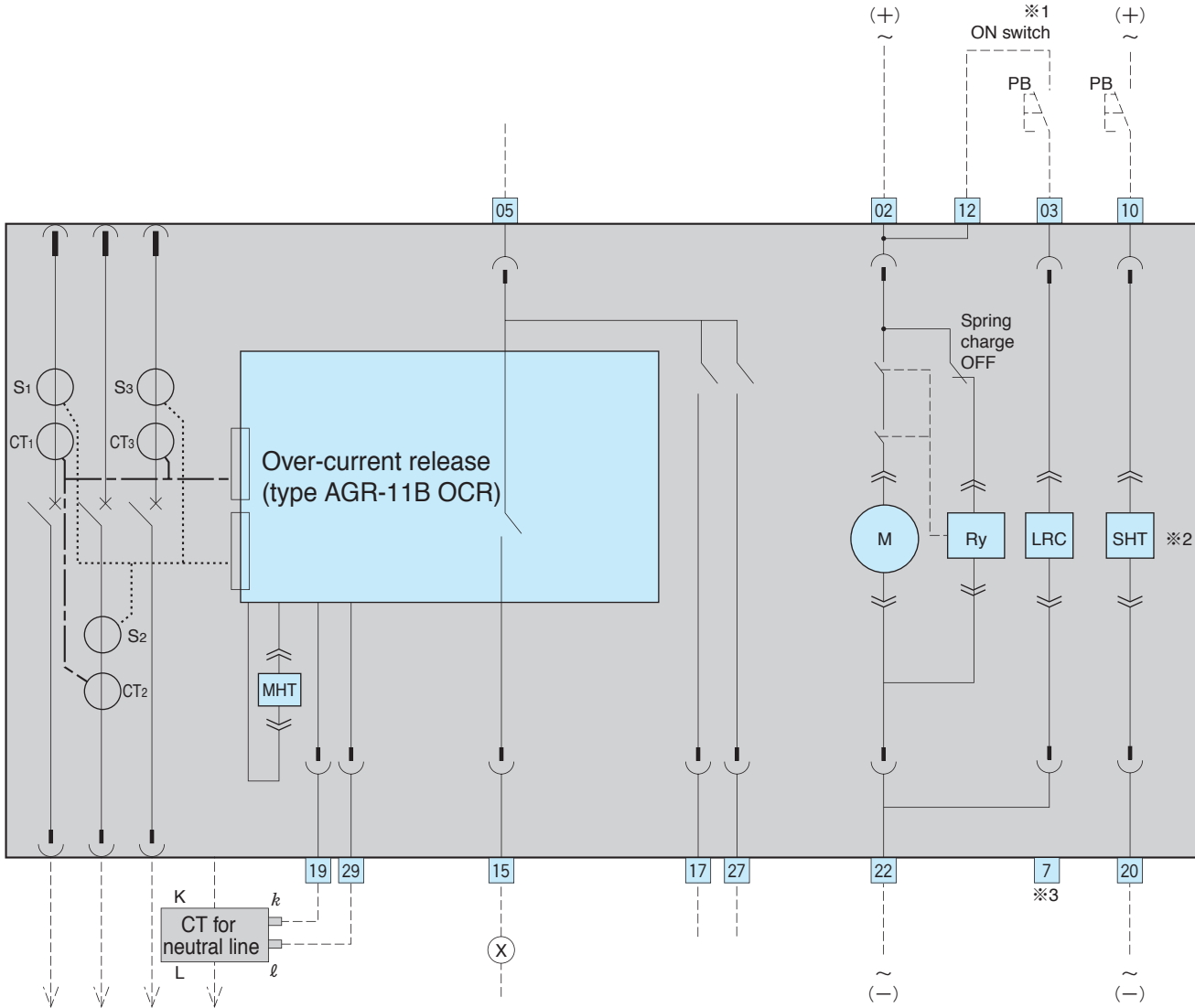
Main circuit

CT for neutral line

Operation

※3 Motor charging/
Operation circuit

Continuously-rated
shunt trip



Terminal description

Check OCR voltage before connecting.

02, 22 Control power supply AC100 - 240V, DC100 - 250V, DC24V, DC48V

12 Operation switch, common

03 ON switch

05 Operation indication terminal, common

15 OCR trip indication or single-contact trip indication (40ms signal)

17 Trip indication (not ready indication)

27 Spring charge indicator

10, 20 Continuously-rated shunt trip

19 Separate CT for neutral line (k)

29 Separate CT for neutral line (l)

08, 18, 28 UVT power supply

09 UVT power supply common

• Do not exceed specified voltages

UVT power supply

Term. No.	AC 100V unit	AC 200V unit	AC 400V unit	AC 450V unit
08 - 09	100V	200V	380V	450V
18 - 09	110V	220V	415V	480V
28 - 09	120V	240V	440V	400V

Term. No.	DC 24V unit	DC 48V unit	DC 100V unit	DC 110V unit
08 - 09	24V	48V	100V	110V

Symbols for accessories

CT1 - CT3 : Power CTs

S1 - S3 : Current sensors

M : Charging motor

LRC : Latch release coil

MHT : Magnetic Hold Trigger

⊖ Isolating terminal connector

⊖ Manual connector

--- User wiring

--(X)-- Relay or indicator lamp

※1: Do not connect b contact of auxiliary switch to ON switch in series, otherwise, pumping may occur.

※2: See page 22 for the circuit diagram of the continuously-rated shunt trip device with capacitor trip device.

※3: For motor split circuit, terminals 02, 22 and 03, 07 are used for charging and closing operation respectively. (Please specify when ordering)

※4: Refer to page 23 (short pulse only)

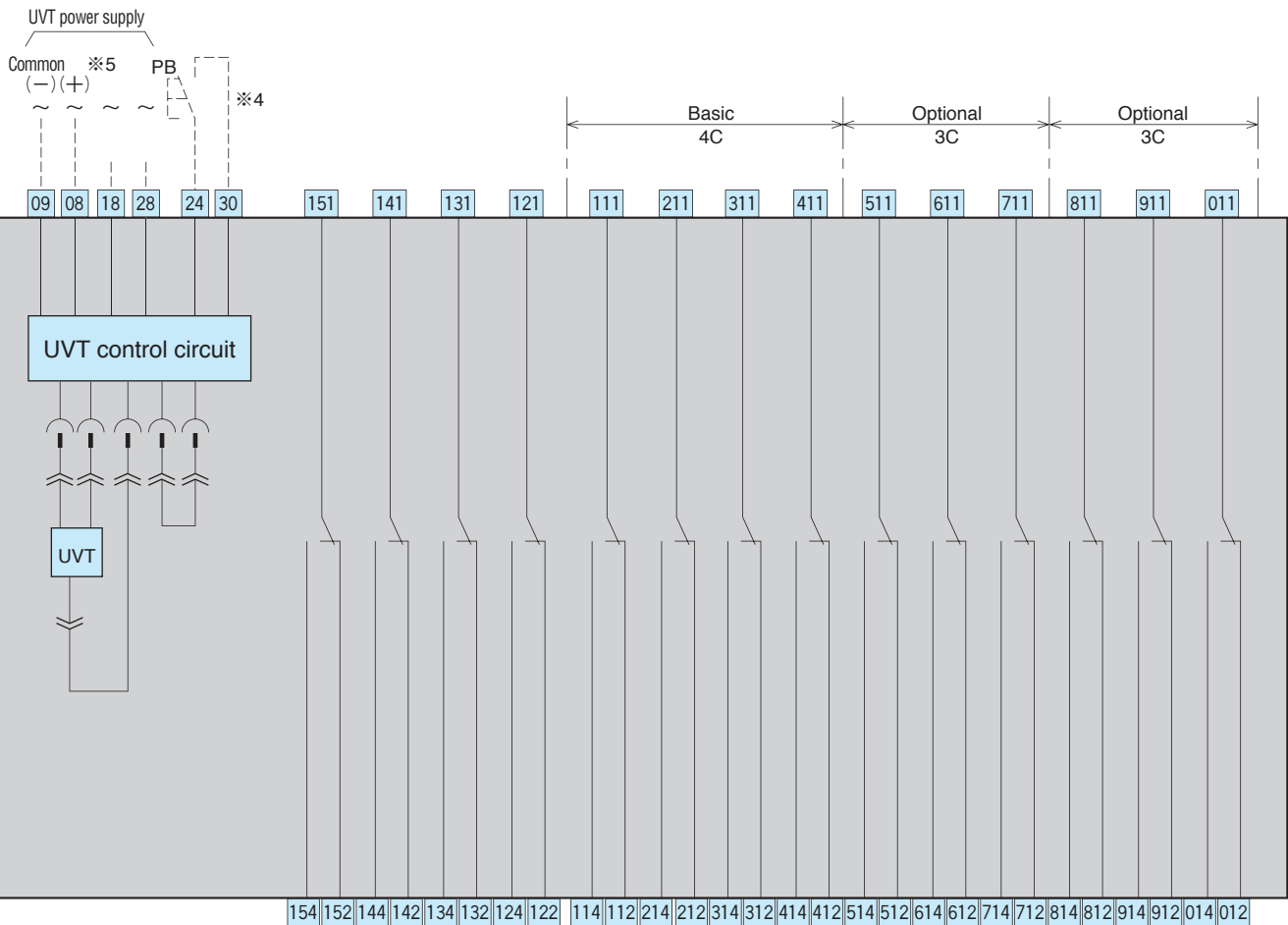
※5: Only one of terminals 08, 18, 28 must be used as this is a single phase UVT.

Note: In case of a UVT and a Shunt fitted together or Double opening or closing coil, use an aux. switch

Undervoltage trip

Position switches

Auxiliary switches



Designation of terminals for auxiliary and position switches

- * * * 1: Common
- 2: b-contact
- 4: a-contact
- 1: Auxiliary switch
- 2: Position switch (for CONNECTED)
- 3: Position switch (for TEST)
- 4: Position switch (for ISOLATED)
- 5: Position switch (for INSERT)
- (1 □ 0: Switch numbers
- A, B, C: Auxiliary switches for microload

CONNECTED position : 121□124 ON
121□122 OFF

TEST position : 131□134 ON
131□132 OFF

ISOLATED position : 141□144 ON
141□142 OFF

INSERT position : 151□154 ON
151□152 OFF

For operation sequence of position switches, see page 19.

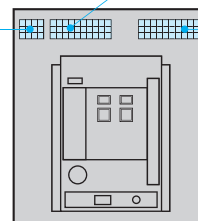
Position switches

Top	151	141	131	121
Middle	154	144	134	124
Bottom	152	142	132	122

Top	131	121
Middle	134	124
Bottom	132	122

Operation/control circuits

01	02	03	04	05	06	07	08	09	10
11	12	13	14	15	16	17	18	19	20
21	22	23	24	25	26	27	28	29	30



Auxiliary switches

(4c + optional 6c arrangement)

111	211	311	411	511	611	711	811	911	011
114	214	314	414	514	614	714	814	914	014
112	212	312	412	512	612	712	812	912	012

(4c arrangement)

111	211	311	411
114	214	314	414
112	212	312	412

7

Circuit Diagram (with AGR-21B OCR)

Main circuit

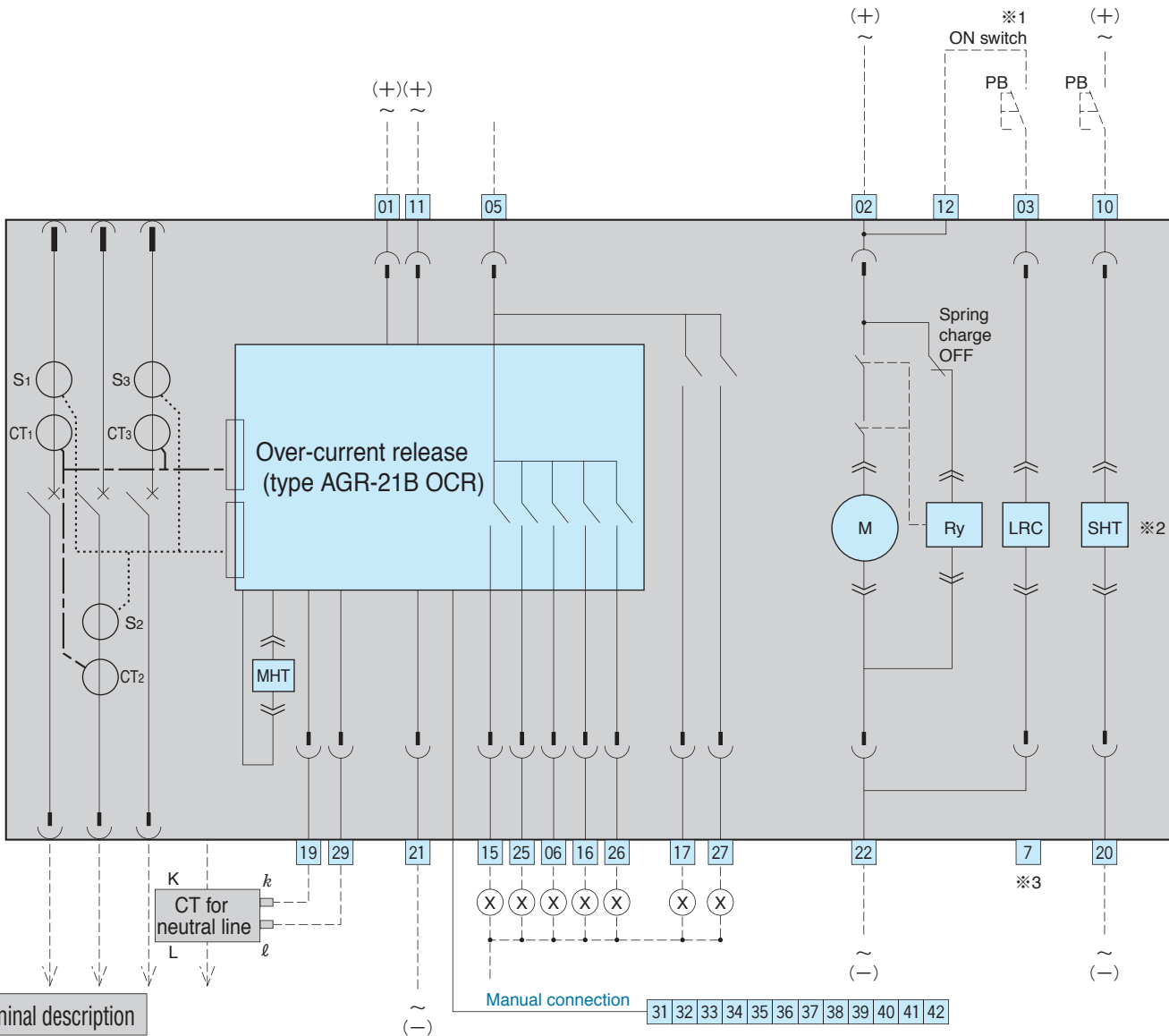
CT for neutral line

Control power

Operation

※3 Motor charging/ Operation circuit

Continuously-rated shunt trip



Terminal description

Check OCR voltage before connecting.

- 01 21 Control power supply AC200 - 240V, DC200 - 250V, DC48V
- 01 11 Control power supply AC100 - 120V
- 11 21 Control power supply DC100 - 125V, DC24V
- 02 22 Control power supply AC100 - 240V, DC100 - 250V, DC24V, DC48V
- 12 Operation switch, common
- 03 ON switch
- 05 Operation indication terminal, common
- 15 LT trip indication
- 25 ST, INST trip indication
- 06 PTA indication
- 16 GF trip indication
- 26 System alarm indication
- 17 REF, NS or trip indication
- 27 Spring charge indication
- 10 20 Continuously-rated shunt trip
- 19 Separate CT for neutral line (k)

- 29 Separate CT for neutral line (l)
- 08, 18, 28 UVT power supply
- 09 UVT power supply common
- 35 Separate CT for REF (k)
- 36 Separate CT for REF (l)
- 41 Communication line (□)
- 42 Communication line (+)
- 32 Communication line (common)

• Do not exceed specified voltages

UVT power supply

Term. No.	AC 100V unit	AC 200V unit	AC 400V unit	AC 450V unit
08 - 09	100V	200V	380V	450V
18 - 09	110V	220V	415V	480V
28 - 09	120V	240V	440V	400V

Term. No.	DC 24V unit	DC 48V unit	DC 100V unit	DC 110V unit
08 - 09	24V	48V	100V	110V

Symbols for accessories

- CT1 - CT3 : Power CTs
- S1 - S3 : Current sensors
- M : Charging motor
- LRC : Latch release coil
- MHT : Magnetic Hold Trigger
- ⊖ Isolating terminal connector (for draw-out type)
- ⊖ Manual connector
- User wiring
- ⊖(X) Relay or indicator lamp

※1: Do not connect b contact of auxiliary switch to ON switch in series, otherwise, pumping may occur.

※2: See page 22 for the circuit diagram of the continuously-rated shunt trip device with capacitor trip device.

※3: For motor split circuit, terminals 02, 22 and 03, 07 are used for charging and closing operation respectively. (Please specify when ordering)

※4: Refer to page 23 (short pulse only)

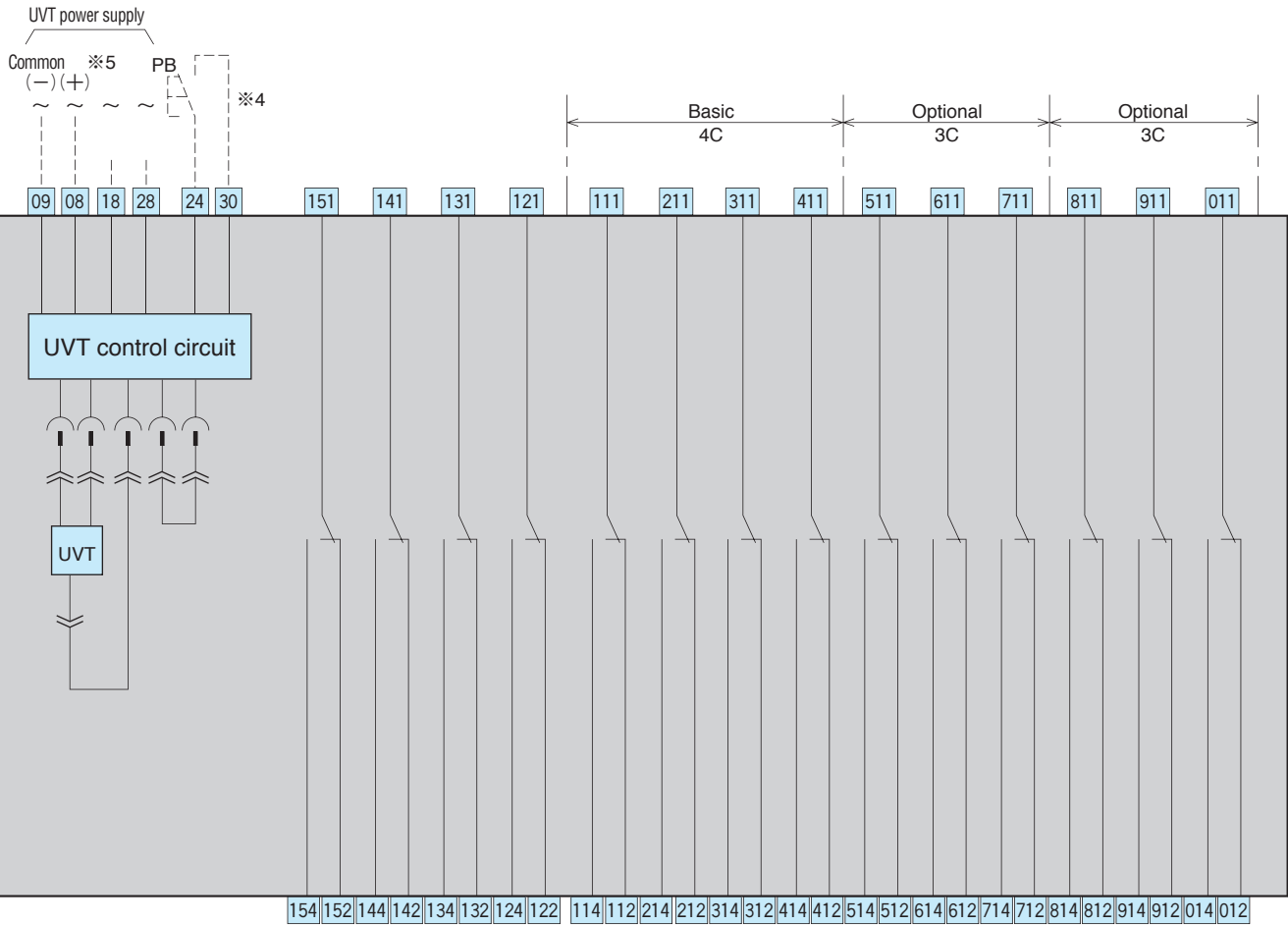
※5: Only one of terminals 08, 18, 28 must be used as this is a single phase UVT.

Note: In case of a UVT and a Shunt fitted together or Double opening or closing coil, use an aux. switch to prevent burnout. Contact alfanar for wiring.

Undervoltage trip

Position switches

Auxiliary switches



Designation of terminals for auxiliary and position switches

- * * * 1: Common
- 2: b-contact
- 4: a-contact
- 1: Auxiliary switch
- 2: Position switch (for CONNECTED)
- 3: Position switch (for TEST)
- 4: Position switch (for ISOLATED)
- 5: Position switch (for INSERT)
- (1 □ 0: Switch numbers
- A, B, C: Auxiliary switches for microload

- CONNECTED position : 121□124 ON
121□122 OFF
- TEST position : 131□134 ON
131□132 OFF
- ISOLATED position : 141□144 ON
141□142 OFF
- INSERT position : 151□154 ON
151□152 OFF

For operation sequence of position switches, see page 19.

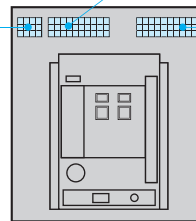
Position switches

Top	151	141	131	121
Middle	154	144	134	124
Bottom	152	142	132	122

Top	131	121
Middle	134	124
Bottom	132	122

Operation/control circuits

01	02	03	04	05	06	07	08	09	10
11	12	13	14	15	16	17	18	19	20
21	22	23	24	25	26	27	28	29	30



Auxiliary switches

(4c + optional 6c arrangement)

111	211	311	411	511	611	711	811	911	011
114	214	314	414	514	614	714	814	914	014
112	212	312	412	512	612	712	812	912	012

(4c arrangement)

111	211	311	411
114	214	314	414
112	212	312	412

31 32 33 34 35 36 37 38 39 40 41 42 Manual connection

If the ground fault protection on the line side or communication function is incorporated, control circuit terminals are of manual connection type.

7

Circuit Diagram (with AGR-22B, 31B OCR)

Main circuit

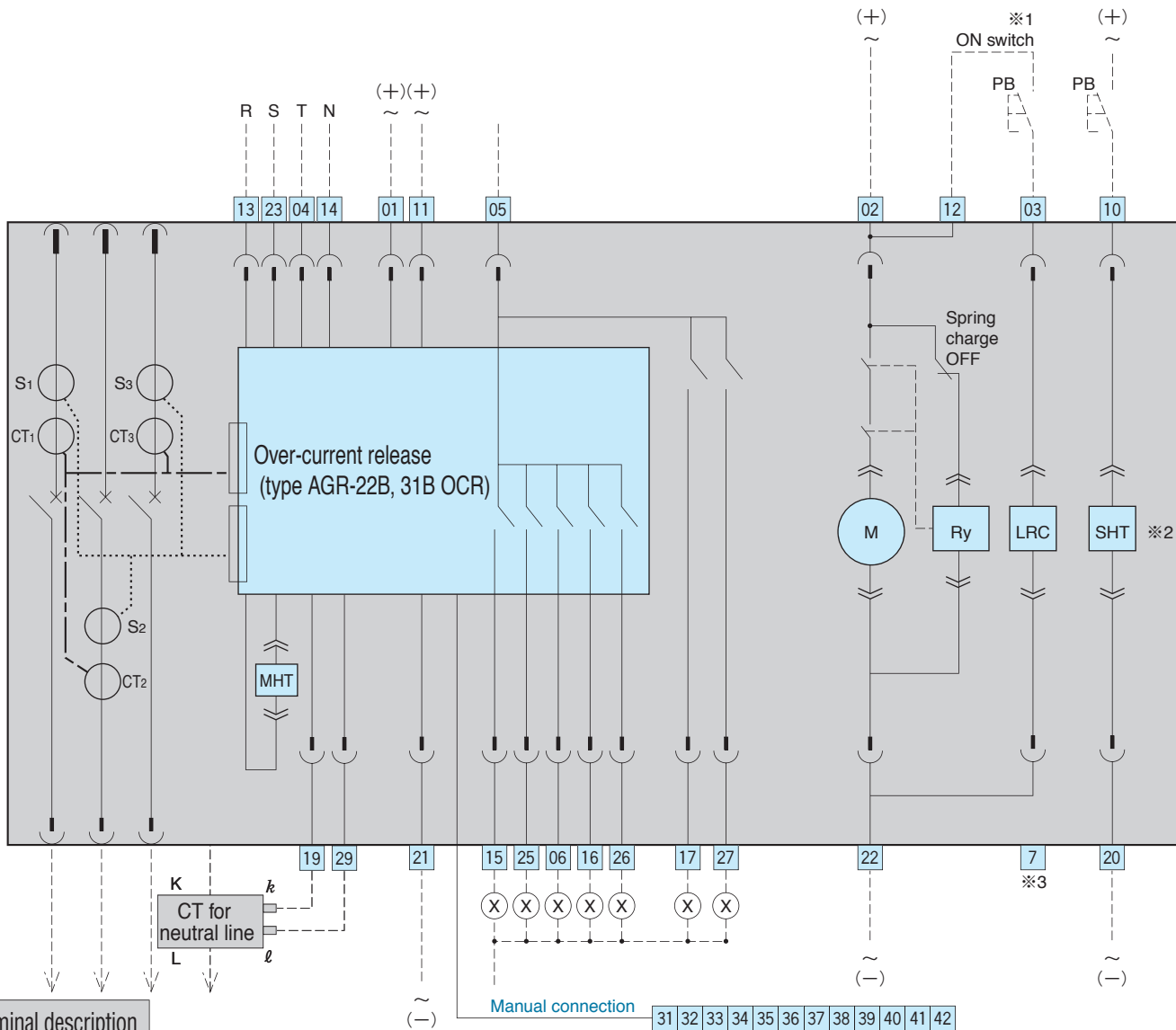
Main circuit voltage for RPT and Monitoring power

Control power

Operation

※3 Motor charging/ Operation circuit

Continuously-rated shunt trip



Terminal description

Check OCR voltage before connecting.

- 01 21 Control power supply AC200 - 240V, DC200 - 250V, DC48V
- 01 11 Control power supply AC100 - 120V
- 11 21 Control power supply DC100 - 125V, DC24V
- 02 22 Control power supply AC100 - 240V, DC100 - 250V, DC24V, DC48V
- 12 Operation switch, common
- 03 ON switch
- 05 Operation indication terminal, common
- 15 LT trip indication
- 25 ST, INST trip indication
- 06 PTA indication
- 16 GF trip indication or RPT trip indication
- 26 System alarm indication
- 17 REF, NS or trip indication
- 27 PTA2, UV or spring charge indication
- 10 20 Continuously-rated shunt trip
- 19 Separate CT for neutral line (k)

29 Separate CT for neutral line (l)

08, 18, 28 UVT power supply

09 UVT power supply common

35 Separate CT for REF (k)

36 Separate CT for REF (l)

41 Communication line (□)

42 Communication line (+)

32 Communication line (common)

• Do not exceed specified voltages

UVT power supply

Term. No.	AC 100V unit	AC 200V unit	AC 400V unit	AC 450V unit
08 - 09	100V	200V	380V	450V
18 - 09	110V	220V	415V	480V
28 - 09	120V	240V	440V	400V

Term. No.	DC 24V unit	DC 48V unit	DC 100V unit	DC 110V unit
08 - 09	24V	48V	100V	110V

Symbols for accessories

- CT1 - CT3 : Power CTs
- S1 - S3 : Current sensors
- M : Charging motor
- LRC : Latch release coil
- MHT : Magnetic Hold Trigger
- ⊖ Isolating terminal connector (for draw-out type)
- ⊖ Manual connector
- User wiring
- ⊖(X) Relay or indicator lamp

※1: Do not connect b contact of auxiliary switch to ON switch in series, otherwise, pumping may occur.

※2: See page 22 for the circuit diagram of the continuously-rated shunt trip device with capacitor trip device.

※3: For motor split circuit, terminals 02, 22 and 03, 07 are used for charging and closing operation respectively. (Please specify when ordering)

※4: Refer to page 23 (short pulse only)

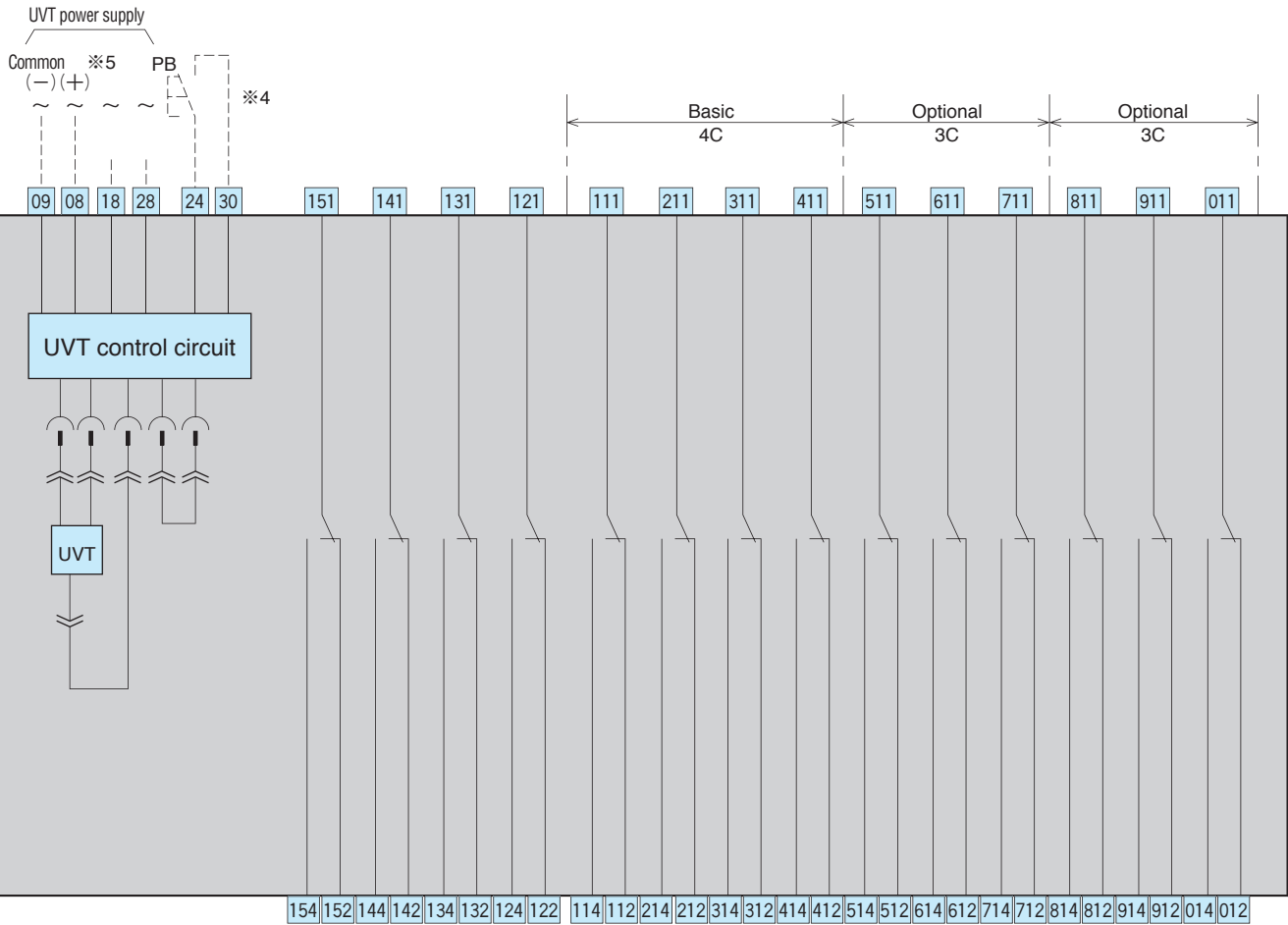
※5: Only one of terminals 08, 18, 28 must be used as this is a single phase UVT.

Note: In case of a UVT and a Shunt fitted together or Double opening or closing coil, use an aux. switch to prevent burnout. Contact TERASAKI for wiring.

Undervoltage trip

Position switches

Auxiliary switches



Designation of terminals for auxiliary and position switches

- * * * 1: Common
- 2: b-contact
- 4: a-contact
- 1: Auxiliary switch
- 2: Position switch (for CONNECTED)
- 3: Position switch (for TEST)
- 4: Position switch (for ISOLATED)
- 5: Position switch (for INSERT)
- (1 □ 0: Switch numbers
- A, B, C: Auxiliary switches for microload

- CONNECTED position : 121□124 ON
121□122 OFF
- TEST position : 131□134 ON
131□132 OFF
- ISOLATED position : 141□144 ON
141□142 OFF
- INSERT position : 151□154 ON
151□152 OFF

For operation sequence of position switches, see page 19.

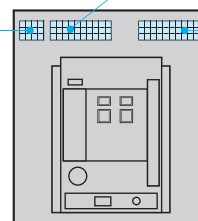
Position switches

Top	151	141	131	121
Middle	154	144	134	124
Bottom	152	142	132	122

Top	131	121
Middle	134	124
Bottom	132	122

Operation/control circuits

01	02	03	04	05	06	07	08	09	10
11	12	13	14	15	16	17	18	19	20
21	22	23	24	25	26	27	28	29	30



Auxiliary switches

(4c + optional 6c arrangement)

111	211	311	411	511	611	711	811	911	011
114	214	314	414	514	614	714	814	914	014
112	212	312	412	512	612	712	812	912	012

(4c arrangement)

111	211	311	411
114	214	314	414
112	212	312	412

31 32 33 34 35 36 37 38 39 40 41 42 Manual connection

If the ground fault protection is incorporated and a separate current transformer for neutral line is used, or any one of ground fault protection on the line side, zone interlock or communication function is incorporated, control circuit terminals are of manual connection type.

8 Technical Data

Dielectric strength

Circuit		Withstand voltage (at 50/60 Hz)		Rated impulse withstand voltage U_{imp}
Main circuit		Between terminals, terminal group to earth	AC3500V for 1 minute	12kV
Control circuits	Auxiliary switches	For general service	Terminal group to earth	AC2500V for 1 minute
		For microload	Terminal group to earth	AC2000V for 1 minute
	Position switches	Terminal group to earth	AC2000V for 1 minute	4kV
	Over-current release (OCR)	Terminal group to earth	AC2000V for 1 minute	4kV
	Power supply for undervoltage/reverse power trip function	Terminal group to earth	AC2500V for 1 minute	6kV
Other accessories		Terminal group to earth	AC2000V for 1 minute	4kV

Note: The values shown above are those measured on phase connections and cannot be applied to control terminals on the ACB.

Internal resistance and power consumption

• Standard Series

Type	AR208S	AR212S	AR216S	AR220S	AR325S	AR332S	AR440SB	AR440S	AR650S	AR663S
Rated current (A)	800	1250	1600	2000	2500	3200	4000	4000	5000	6300
DC internal resistance per pole (mΩ)	0.033	0.033	0.028	0.024	0.014	0.014	0.017	0.014	0.012	0.010
Power consumption for 3 poles (W)	64	155	215	288	263	430	816	672	900	1190

• High fault Series

Type	AR212H	AR216H	AR220H	AR316H	AR320H	AR325H	AR332H	AR420H	AR440H	AR663H
Rated current (A)	1250	1600	2000	1600	2000	2500	3200	2000	4000	6300
DC internal resistance per pole (mΩ)	0.024	0.024	0.024	0.014	0.014	0.014	0.014	0.014	0.014	0.010
Power consumption for 3 poles (W)	113	184	288	108	168	263	430	168	672	1190

Note: Above figures are based on the calculation of $3I^2R$. For more information please contact TERASAKI.

The max. rated current [I_n] depends on the main circuit terminal arrangement

Ambient temperature 40 °C

Based Standard	JIS C 8201-2-1 Ann.1 Ann.2 IEC60947-2, EN60947-2 AS3947.2			ANSI C37.13 NEMA, SG-3		
	Terminal arrangement			Terminal arrangement		
Type	Horizontal terminals	Vertical terminals	Front connections	Horizontal terminals	Vertical terminals	Front connections
AR208S	800	800	800	800	800	800
AR212S	1250	1250	1250	1250	1250	1250
AR216S	1600	1600	1600	1540	1600	1570
AR220S	2000	2000	2000	1670	2000	1830
AR325S	2430	2500	2500	2230	2500	2430
AR332S	2790	3200	3150	2700	3200	2890
AR440SB		4000			3310	
AR440S		4000			3700	
AR650S		5000			4700	
AR663S		6300			5680	
AR212H	1250	1250		1250	1250	
AR216H	1600	1600		1540	1600	
AR220H	2000	2000		1670	2000	
AR316H	1600	1600		1600	1600	
AR320H	2000	2000		2000	2000	
AR325H	2430	2500		2230	2500	
AR332H	2790	3200		2700	3200	
AR420H		2000			※	
AR440H		4000			3700	
AR663H		6300			5680	

Note 1: If different type of terminal arrangement are used for line and load sides refer to the ratings for the horizontal terminals.

Note 2: Front connection can not be specified with the different types of terminal arrangement for line and load sides.

※: Contact alfanar for the details.

Derating

• Standard Series

Based Standards	Ambient temperature (°C)	Type Connecting bar sizes	AR208S	AR212S	AR216S	AR220S	AR325S	AR332S	AR440SB	AR440S	AR650S	AR663S
JIS C 8201-2-1 Ann.1 Ann.2 IEC60947-2 EN 60947-2 AS3947.2	40 (Standard ambient temperature)	2X50X5t	800	1250	1600	2000	2500	3200	4000	4000	5000	6300
	45	2X80X5t	800	1250	1600	2000	2500	3200	4000	4000	5000	6300
	50	2X100X5t	800	1250	1600	2000	2500	3200	3940	4000	4950	6000
	55	3X100X5t	800	1200	1540	1820	2500	2990	3820	3940	4710	5680
	60	3X100X10t	800	1150	1460	1740	2400	2850	3690	3760	4450	5370
NEMA, SG-3 ANSI C37.13	40(Standard ambient temperature)	2X100X10t	800	1250	1540	2000	2500	3200	3310	3700	4700	5680
	45	3X100X10t	800	1190	1470	1960	2500	3010	3200	3580	4450	5370
	50	4X150X6t	800	1130	1390	1860	2440	2860	3100	3470	4180	5050
	55	4X150X6t	790	1070	1310	1750	2300	2690	2980	3350	3900	4710
	60	4X200X10t	740	1000	1230	1640	2150	2520	2870	3140	3610	4350

Note: The values are applicable for both Draw-out type and Fixed type.

The values of AR208S, AR212S and AR216S are for horizontal terminals on both line and load side.

The values of AR220S, AR325S, AR332S, AR440SB, AR440S, AR650S and AR663S are for vertical terminals on both line and load side.

Above figures are subject to the design of the enclosure and rating of busbar.

• High fault Series

Based Standards	Ambient temperature (°C)	Type Connecting bar sizes	AR212H	AR216H	AR220H	AR316H	AR320H	AR325H	AR332H	AR420H	AR440H	AR663H
JIS C 8201-2-1 Ann.1 Ann.2 IEC60947-2 EN 60947-2 AS3947.2	40 (Standard ambient temperature)	2X80X5t	1250	1600	2000	1600	2000	2500	3200	2000	4000	6300
	45	2X100X5t	1250	1600	2000	1600	2000	2500	3200	2000	4000	6300
	50	3X100X5t	1250	1600	2000	1600	2000	2500	3200	2000	4000	6000
	55	2X100X5t	1250	1600	1820	1600	2000	2500	2990	2000	3940	5680
	60	3X100X10t	1250	1550	1740	1600	2000	2400	2850	2000	3760	5370
NEMA, SG-3 ANSI C37.13	40(Standard ambient temperature)	2X100X10t	1250	1600	2000	1600	2000	2500	3200	2000	3700	5680
	45	3X100X10t	1250	1600	1960	1600	2000	2500	3010	2000	3580	5370
	50	4X150X6t	1250	1600	1860	1600	2000	2440	2860	2000	3470	5050
	55	4X150X6t	1250	1510	1750	1600	1950	2300	2690	2000	3350	4710
	60	4X200X10t	1240	1420	1640	1550	1830	2150	2520	2000	3140	4350

Note: The values are applicable for both Draw-out type and Fixed type.

The values are for vertical terminals on both line and load side.

Above figures are subject to the design of the enclosure and rating of busbar.

8 Application Data

What Is Discrimination?

Discrimination, also called selectivity, is the co-ordination of protective devices such that a fault is cleared by the protective device installed immediately upstream of the fault, and by that device alone.

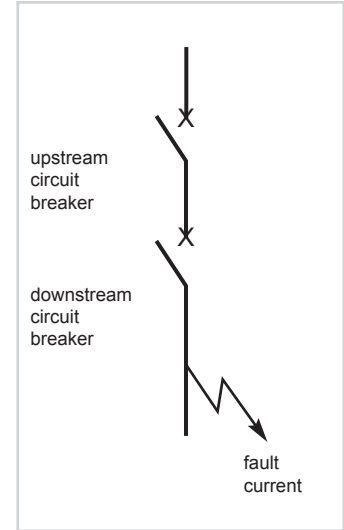
Total discrimination

Discrimination is said to be total if the downstream circuit breaker opens and the upstream circuit breaker remains closed. This ensures maximum availability of the system.

Partial discrimination

Discrimination is partial if the above condition is not fulfilled up to the prospective short-circuit current, but to a lesser value, termed the selectivity limit current (I_S).

Above this value both circuit breakers could open, resulting in loss of selectivity



How To Read The Discrimination Tables

Boxes containing the letter T indicate total discrimination between the relevant upstream and downstream circuit-breakers. Total discrimination applies for all fault levels up to the breaking capacity of the upstream or the downstream circuit breaker, whichever is the lesser.

For the other boxes, discrimination is either partial or there is no discrimination.

Worked Examples

Q (1) A main switchboard requires a 1600A ACB feeding a 400A MCCB. The fault level is 65kA. What combination of protective devices would provide total discrimination?

A (1) A *TemPower2 ACB* AR216S feeding a *TemBreak2* S400GJ would provide total discrimination up to 65kA. See page 73

Note: Discrimination would be total whether the *TemPower2 ACB* had an integral or external protection relay because $I_{cw}(1s) = I_{cs}$. Most other ACBs have $I_{cw}(1s) < I_{cs}$.

Discrimination Table

Upstream: *TemPower2 ACB* with or without Integral Protection Relay

Downstream: *TemBreak2 MCCB*

Upstream ACB

Frame	Model	Breaking Capacity	800A		1250A			1600A			2000A			2500A		3200A		4000A	5000A	6300A	
			AR208S	AR212S	AR212H	AR216S	AR216H	AR316H	AR220S	AR220H	AR320H	AR325S	AR325H	AR332S	AR332H	AR440SB	AR650S	AR663S	AR663H		
			65kA	65kA	80kA	65kA	80kA	100kA	65kA	80kA	100A	85kA	100kA	85kA	100kA	100kA	120kA	120kA	135kA		
Downstream MCCB	125A	E125NJ 25kA	T	T	T	T	T	T	T	T	T	T	T	T	T	T	T	T	T	T	
		S125NJ 36kA	T	T	T	T	T	T	T	T	T	T	T	T	T	T	T	T	T	T	T
		S125GJ 65kA	T	T	T	T	T	T	T	T	T	T	T	T	T	T	T	T	T	T	T
		H125NJ 125kA	T	T	T	T	T	T	T	T	T	T	T	T	T	T	T	T	T	T	T
		L125NJ 200kA	T	T	T	T	T	T	T	T	T	T	T	T	T	T	T	T	T	T	T
	160A/ 250A	S160NJ 36kA	T	T	T	T	T	T	T	T	T	T	T	T	T	T	T	T	T	T	T
		S160GJ 65kA	T	T	T	T	T	T	T	T	T	T	T	T	T	T	T	T	T	T	T
		E250NJ 25kA	T	T	T	T	T	T	T	T	T	T	T	T	T	T	T	T	T	T	T
		S250NJ 36kA	T	T	T	T	T	T	T	T	T	T	T	T	T	T	T	T	T	T	T
		S250GJ 65kA	T	T	T	T	T	T	T	T	T	T	T	T	T	T	T	T	T	T	T
		S250PE 70kA	T	T	T	T	T	T	T	T	T	T	T	T	T	T	T	T	T	T	T
		H250NJ 125kA	T	T	T	T	T	T	T	T	T	T	T	T	T	T	T	T	T	T	T
		L250NJ 200kA	T	T	T	T	T	T	T	T	T	T	T	T	T	T	T	T	T	T	T
		400A/ 630A	E400NJ 25kA	T	T	T	T	T	T	T	T	T	T	T	T	T	T	T	T	T	T
	S400CJ 36kA		T	T	T	T	T	T	T	T	T	T	T	T	T	T	T	T	T	T	T
S400NJ 50kA	T		T	T	T	T	T	T	T	T	T	T	T	T	T	T	T	T	T	T	
S400NE 50kA	T		T	T	T	T	T	T	T	T	T	T	T	T	T	T	T	T	T	T	
S400GJ 70kA	T		T	T	T	T	T	T	T	T	T	T	T	T	T	T	T	T	T	T	
S400GE 70kA	T		T	T	T	T	T	T	T	T	T	T	T	T	T	T	T	T	T	T	
S400PJ 85kA	T		T	T	T	T	T	T	T	T	T	T	T	T	T	T	T	T	T	T	
S400PE 85kA	T		T	T	T	T	T	T	T	T	T	T	T	T	T	T	T	T	T	T	
H400NJ 125kA	T		T	T	T	T	T	T	T	T	T	T	T	T	T	T	T	T	T	T	
H400NE 125kA	T		T	T	T	T	T	T	T	T	T	T	T	T	T	T	T	T	T	T	
E630NE 36kA	T		T	T	T	T	T	T	T	T	T	T	T	T	T	T	T	T	T	T	
S630CE 50kA	T		T	T	T	T	T	T	T	T	T	T	T	T	T	T	T	T	T	T	
S630GE 70kA	T		T	T	T	T	T	T	T	T	T	T	T	T	T	T	T	T	T	T	
800A	S800-CJ 36kA	T	T	T	T	T	T	T	T	T	T	T	T	T	T	T	T	T	T	T	
	S800-NJ 50kA	T	T	T	T	T	T	T	T	T	T	T	T	T	T	T	T	T	T	T	
	S800-RJ 70kA	T	T	T	T	T	T	T	T	T	T	T	T	T	T	T	T	T	T	T	
	S800-NE 50kA	T	T	T	T	T	T	T	T	T	T	T	T	T	T	T	T	T	T	T	
	S800-RE 70kA	T	T	T	T	T	T	T	T	T	T	T	T	T	T	T	T	T	T	T	
	H800-NE 125kA	T	T	T	T	T	T	T	T	T	T	T	T	T	T	T	T	T	T	T	
	L800-NE 200kA	T	T	T	T	T	T	T	T	T	T	T	T	T	T	T	T	T	T	T	
1000A	S1000-SE 50kA	-	T	T	T	T	T	T	T	T	T	T	T	T	T	T	T	T	T	T	
	S1000-NE 70kA	-	T	T	T	T	T	T	T	T	T	T	T	T	T	T	T	T	T	T	
1250A	S1250-SE 50kA	-	T	T	T	T	T	T	T	T	T	T	T	T	T	T	T	T	T	T	
	S1250-NE 70kA	-	T	T	T	T	T	T	T	T	T	T	T	T	T	T	T	T	T	T	
	S1250-GE 100kA	-	T	T	T	T	T	T	T	T	T	T	T	T	T	T	T	T	T	T	
1600A	S1600-SE 50kA	-	-	-	T	T	T	T	T	T	T	T	T	T	T	T	T	T	T	T	
	S1600-NE 100kA	-	-	-	T	T	T	T	T	T	T	T	T	T	T	T	T	T	T	T	

Notes: 1. All ACB's have Ii set at NON, MCR ON.

2. Assuming ACB time settings are greater than MCCB.

3. The above table is in accordance with IEC 60947-2, Annex A.

4. External relay can be used - Contact Terasaki for further details.

5. All values shown at 400V AC.

T= Total Selectivity

8 Application Data

Discrimination with T type fuses

The following table should be used as a guide when selecting alfanar Terasaki *Tempower2* Air Circuit Breakers and fuses (BS88/IEC60269) which are immediately downstream from a transformer.

I_n and I_R are set to the full rated current of the transformer, and t_R , I_{sd} and t_{sd} are at standard transformer settings. Listed are the maximum fuse ratings that can be used when downstream from a given ACB at these settings.

Also included are the maximum fuse ratings that can be used downstream when t_R , I_{sd} and t_{sd} are at their maximum settings.

All information listed is based on a transformer secondary voltage of 415V.

TRANSFORMER	kVA	500	630	750	800	1000	1250	1600	2000
	F.L.C. (A)	696	876	1043	1113	1391	1739	2226	2782
<i>Tempower2</i>	Type	AR208S	AR212S	AR212S	AR212S	AR216S	AR220S	AR325S	AR332S
	C.T. (A)	800	1250	1250	1250	1600	2000	2500	3200
SETTINGS (AGR-L)	I_n	1	0.8	1	1	1	1	1	1
	I_R	0.9	0.9	0.85	0.9	0.9	0.9	0.9	0.9
	t_R (sec)	20	20	20	20	20	20	20	20
	I_{sd}	6	6	6	6	6	6	6	6
	t_{sd} (msec)	400	400	400	400	400	400	400	400
Max.fuse rating with standard ACB settings	Note:1 (Amps)	355	400	500	500	500	630	800	1000
Max.fuse rating with maximum ACB settings	(Amps)	450	500	670	710	800	1000	1250	1250 Note:2

> The above I_n settings are based on 100% of Rated Current (Ict).

> Table Reference : I_R - Long Time Delay Pickup Current, t_R - Long Time Delay Time Setting, I_{sd} - Short Time Delay Pickup Current, t_{sd} - Short Time Delay Time Setting.

Notes:

Note:1 It is possible to increase the maximum fuse rating by utilising the ramp facility on the on the *Tempower2* Protection Relay (AGR).

Note:2 Information on fuses above 1250A rating was not available.

Note:3 All ACBs have I_i (Instantaneous) set to NON. (MCR can be set to ON)

Please note the above table is meant only for guidance, individual installations should have a specific discrimination study undertaken.

Accessories For Dual Supply Changeover Systems Accessories

TemTransfer Automatic Changeover Controller

The *TemTransfer* is a fully configurable Automatic Changeover Controller (ACC). It is designed to monitor the incoming AC mains supply (1 or 3 phases) for under/over voltage and under/over frequency. Should these fall out of limits, the module will issue a start command to the generating set controller. Once the set is available and producing an output within limits the ACC will control the transfer devices and switch the load from the mains to the generating set. Should the mains supply return to within limits the module will command a return to the mains supply and shut down the generator after a suitable cooling run. Various timing sequences are used to prevent nuisance starting and supply breaks.

TemTransfer is compatible with *TemPower2 ACBs*, *TemBreak2 MCCBs* and *TemContact* contactors.

Terasaki can supply *TemTransfer* pre-configured to specification, or unconfigured with an optional interface kit.

Configuration is by PC based software and the interface kit using an FCC68 socket on the rear of the module. This allows rapid and secure configuration of the module. The FCC68 socket also provides full real-time diagnostics on the status of the ACC, its inputs and outputs.

Configuration and connection options allow for a wide range of higher functions such as 'Auto start inhibit', 'Manual restore to mains', 'Load inhibit' (both mains and gen-set), 'Lamp test', 'Push-button transfer control', 'External mains or Gen-set failure inputs', etc. The four position key-switch allows for mode selection:-

- Auto Mode
- Auto mode with manual return to Mains
- Run generator off load
- Run generator on load

A clear mimic diagram with International symbols and LEDs provide clear indication of supply availability and load switching status. Further LED indication is provided for Start delay in progress and Mains return timer active. Two user configurable LEDs are provided to allow the user to display specific states (defaulted to indicate that the closing procedure of the Mains or Generator circuit breaker has been started).

Five user configurable relays are provided to allow control of contactors, different circuit breaker types and engine control modules and alarm systems.



The controller features a self seeking power supply which will utilise power from the Mains AC supply or the Generator AC supply. A DC supply to the module is not essential for basic operation, though some higher functions require it (such as system diagnostics).

The module is mounted in a robust plastic case, connection to the module is via plug and socket connectors.

COMPANY NAME:	EMAIL ADDRESS:
CONTACT NAME:	ORDER NUMBER:
TELEPHONE NUMBER:	QUANTITY:
FAX NUMBER:	DELIVERY TIME REQUEST :

1. TemPower 2 ACB: Enter your choice in the boxes provided (Refer to the catalogue for ratings and specifications)

alfanar TERASAKI ACB TYPE → AR FOR EXAMPLE - AR

ENTER CIRCUIT BREAKER TYPE - Type S, H or SB

ENTER RATED CURRENT - Amps

ENTER SENSOR KIT RATING - I_{ct} ONLY ENTER A VALUE IF DIFFERENT FROM RATED CURRENT

ENTER NUMBER OF POLES

2. Type of Mounting, Connections and Shutters: Tick required boxes.

Fixed Pattern. (Not available on AR4 & AR6 ACBs) Drawout Pattern.

	Horizontal	Vertical	Front	
Top - Connections.	<input type="checkbox"/>	<input type="checkbox"/>	<input type="checkbox"/>	Control Circuit Terminal Cover <input type="checkbox"/>
Bottom - Connections.	<input type="checkbox"/>	<input type="checkbox"/>	<input type="checkbox"/>	Main Circuit Shutters <input type="checkbox"/>
				Control Circuit Shutters <input type="checkbox"/>

3. AGR - Protection Relay and Protection Options: Tick required boxes.

Non Automatic. Go to Section 4 - Internal Accessories.

Protection Functions	AGR 11B Standard Protection - Dial				AGR 21/22B Standard Protection - LCD				AGR 31B Enhanced Protection - LCD			
	AGR-11BL	AGR-21BL	AGR-21BR	AGR-21BS	AGR-22BS	AGR-31BL	AGR-31BR	AGR-31BS	---	---	---	---
AL		---	---	---	---	---	---	---	---	---	---	---
PS	---					N1	N1					
GL		---	---	---	---	---	---	---	---	---	---	---
PG	---											
PR	---	---	---	---		---	---					

Protection Options

Protection Options	AGR-11BL	AGR-21BL	AGR-21BR	AGR-21BS	AGR-22BS	AGR-31BL	AGR-31BR	AGR-31BS	---	---
N-Phase Protection -NP.										
S1-Contact Temperature Monitoring - OH.	---	---	---	---	N2	N2	N2	N2		
S1-Trip Indicator.		N2	N2		N2	N2	N2	N2		
S1-Phase Rotation Protection - NS.	---	N2	N2			N2	N2			
S1-Restricted Ground Fault - REF. N4	---	N2	N2			N2	N2			
S2-Second Pre -Trip Alarm - PTA2.	---	---	---		N3	---	---	N3		
S2-Undervoltage Alarm - UV.	---	---	---		N3	N3	N3	N3		
S2-Spring Charge Indicator.					N3	N3	N3	N3		
Zone Interlock - Z.	---	---	---							
Communication - C.	---									
Earth Leakage - ELT.	---	---	---			N1	N1			

Please specify control voltage AC100 -120V AC200 - 240V DC24V DC48V DC100 -125V DC200 - 250V

Example of AGR Description

KEY:

Protection Relay Family. AGR

Protection Relay Group. - 21BL

Protection Function and Indication. - P S

A = LSI PROTECTION.

G = A + UNRESTRICTED GROUND FAULT PROTECTION.

P = A + PRE TRIP ALARM.

R = A + REVERSE POWER.

All AGR-B Protection Relays have individual operation contact indicators except the AGR-11B, which has a single operation contact indicator.

For AGR-31B please state system voltage - Volts

Specify generator full load current (In) if applicable - Amps

Back lit LCD for AGR-21B, 22B (option)

NOTES:

N1 - Soon to be available.

N2 - Only one function can be selected from section S1.

N3 - Only one function can be selected from section S2.

N4 - Restricted Ground Fault only available with PG function.

4. Internal Accessories: Tick required boxes.

4AB Auxiliary Switches	<input type="checkbox"/>										
7AB Auxiliary Switches (Refer to Page 40)	<input type="checkbox"/>										
10AB Auxiliary Switches (Refer to Page 40)	<input type="checkbox"/>										
4AB Standard + 3AB Gold (Refer to Page 40)	<input type="checkbox"/>										
7AB Standard + 3AB Gold (Refer to Page 40)	<input type="checkbox"/>										

Insert	Isolated	Test	Conn	
<input type="checkbox"/>	<input type="checkbox"/>	<input type="checkbox"/>	<input type="checkbox"/>	= Total 2.
<input type="checkbox"/>	<input type="checkbox"/>	<input type="checkbox"/>	<input type="checkbox"/>	= Total 4.

2 Position Switches (Write a '0', '1' or a '2', total 2)

4 Position Switches (Write a '0', '1' or a '2', total 4)

Non-Auto Trip Indication Switch-Normal (Not Ready to Close)

Non-Auto Spring Charge Switch-Normal

Capacitor Shunt Trip 110 AC (Not Available with UVT)

Double Closing Coil 24V DC Only (Short Rated)

Double Shunt Trip Coil 24V DC Only (Short Rated)

Split Circuit** (For Motor and Closing Coil)

Ready to close contact-Normal

Ready to close contact-Gold

Non-Auto Trip Indication Switch-Gold (Not Ready to Close)

Non-Auto Spring Charge Switch-Gold

Open/Close Cycle Counter

**Split Circuit - Voltages for the motor and closing coil must be indicated below.

AC100	AC110	AC120	AC200	AC220	AC230	AC240	AC380	AC400	AC415	AC440
<input type="checkbox"/>	<input type="checkbox"/>	<input type="checkbox"/>	<input type="checkbox"/>	<input type="checkbox"/>	<input type="checkbox"/>	<input type="checkbox"/>	<input type="checkbox"/>	<input type="checkbox"/>	<input type="checkbox"/>	<input type="checkbox"/>
<input type="checkbox"/>	<input type="checkbox"/>	<input type="checkbox"/>	<input type="checkbox"/>	<input type="checkbox"/>	<input type="checkbox"/>	<input type="checkbox"/>	<input type="checkbox"/>	<input type="checkbox"/>	<input type="checkbox"/>	<input type="checkbox"/>
<input type="checkbox"/>	<input type="checkbox"/>	<input type="checkbox"/>	<input type="checkbox"/>	<input type="checkbox"/>	<input type="checkbox"/>	<input type="checkbox"/>	<input type="checkbox"/>	<input type="checkbox"/>	<input type="checkbox"/>	<input type="checkbox"/>
<input type="checkbox"/>	<input type="checkbox"/>	<input type="checkbox"/>	<input type="checkbox"/>	<input type="checkbox"/>	<input type="checkbox"/>	<input type="checkbox"/>	<input type="checkbox"/>	<input type="checkbox"/>	<input type="checkbox"/>	<input type="checkbox"/>
<input type="checkbox"/>	<input type="checkbox"/>	<input type="checkbox"/>	<input type="checkbox"/>	<input type="checkbox"/>	<input type="checkbox"/>	<input type="checkbox"/>	<input type="checkbox"/>	<input type="checkbox"/>	<input type="checkbox"/>	<input type="checkbox"/>

AC - Control Voltage

Shunt Trip Continuously Rated (Short Rated with UVT)

Motor Operator and Closing coil

Closing Coil (Split Circuit)**

Motor Operator (Split Circuit)**

Undervoltage Trip Device - Instantaneous

Undervoltage Trip Device - Time-Delay

DC24	DC30	DC48	DC100	DC110	DC125	DC200	DC220
<input type="checkbox"/>	<input type="checkbox"/>	<input type="checkbox"/>	<input type="checkbox"/>	<input type="checkbox"/>	<input type="checkbox"/>	<input type="checkbox"/>	<input type="checkbox"/>
<input type="checkbox"/>	<input type="checkbox"/>	<input type="checkbox"/>	<input type="checkbox"/>	<input type="checkbox"/>	<input type="checkbox"/>	<input type="checkbox"/>	<input type="checkbox"/>
<input type="checkbox"/>	<input type="checkbox"/>	<input type="checkbox"/>	<input type="checkbox"/>	<input type="checkbox"/>	<input type="checkbox"/>	<input type="checkbox"/>	<input type="checkbox"/>
<input type="checkbox"/>	<input type="checkbox"/>	<input type="checkbox"/>	<input type="checkbox"/>	<input type="checkbox"/>	<input type="checkbox"/>	<input type="checkbox"/>	<input type="checkbox"/>
<input type="checkbox"/>	<input type="checkbox"/>	<input type="checkbox"/>	<input type="checkbox"/>	<input type="checkbox"/>	<input type="checkbox"/>	<input type="checkbox"/>	<input type="checkbox"/>

DC - Control Voltage

Shunt Trip Continuously Rated (Short Rated with UVT)

Motor Operator and Closing coil

Closing Coil (Split Circuit)**

Motor Operator (Split Circuit)**

Undervoltage Trip Device - Instantaneous

5. External Accessories: Tick required boxes.

Door Flange IP20	<input type="checkbox"/>	IP55 Transparent Cover	<input type="checkbox"/>
Door Flange IP31	<input type="checkbox"/>	Fixing Blocks	<input type="checkbox"/>
Standard Drawout Handle	<input type="checkbox"/>	Test Jumper	<input type="checkbox"/>
Storage Drawout Handle	<input type="checkbox"/>	Auto-Discharge	<input type="checkbox"/>
Insertion Prevention Device (Insert Code in Box)	<input type="checkbox"/>	Lifting Plates	<input type="checkbox"/>
Inter Pole Barriers (Not Applicable for Front Connections)	<input type="checkbox"/>	OCR Checker ANU-1	<input type="checkbox"/>
Step Down Transformer (P380-440V/S220V)	<input type="checkbox"/>	OCR test interface unit, type ANU-2	<input type="checkbox"/>
Tropicalisation Treatment	<input type="checkbox"/>	Main Shutter Padlock Device	<input type="checkbox"/>
Anti-Corrosion Treatment	<input type="checkbox"/>	IP3X Chassis Protection — European market only	<input type="checkbox"/>
Cold Climate Treatment	<input type="checkbox"/>		
Test Report (Enter Number of Copies in Box)	<input type="checkbox"/>	Lifter Loader	<input type="checkbox"/>
		AWR-1B	<input type="checkbox"/>
		AWR-2B	<input type="checkbox"/>

For AR 2, 3 & 440SB

For AR 2, 3, 4 & 6

6. Locking and Interlocking Systems: Tick required boxes.

Horizontal Mechanical Interlock

<input type="checkbox"/>	Type C (1)	One of two breakers can be turned on.
<input type="checkbox"/>	Type B (2)	One or two of three breakers can be turned on.
<input type="checkbox"/>	Type D (3)	One of three breakers can be turned on.
<input type="checkbox"/>	Type A (4)	Br2 is interlocked with both Br1 and Br3.

Type A - Indicate position of Gen. ACB

All Types - Pitch 'P1' (1st & 2nd), 'P2' (2nd & 3rd)

Left	Cent	Right
<input type="checkbox"/>	<input type="checkbox"/>	<input type="checkbox"/>

P1= mm P2= mm

Vertical Mechanical Interlock for two ACBs, one from two

Enter Vertical Pole Pitch 'P' Between ACBs

P= mm

Door Interlock Indicate type of drawout handle required Section 5 – External Accessories.

Cylinder lock (Lock in Off) and key

Cylinder lock (Lock in On) and key

Lock in Off Padlock Facility

Castell Fitting (Lock in Off) - Facility only

Castell Fitting (Lock in On) - Facility only

Castell Lock (Lock in Off) and Key (Factory fitted) European market only

Castell Lock (Lock in On) and Key (Factory fitted) European market only

Tick One Box

Enter Castell symbol required. European market only

Enter Castell symbol required. European market only

7. Earthing Devices: Tick required boxes.

Body (Portable Part)

Chassis (Permanent Part)

Earthing Device Note:

Not available with front connections.

Not recommend with a UVT, as manual disconnection is required.

For Customer Notes or References.

Toll free within K.S.A. : **800-124-1333**
Overseas : **+966-11-494-5404**
www.alfanar.com



الفسنار
alfanar