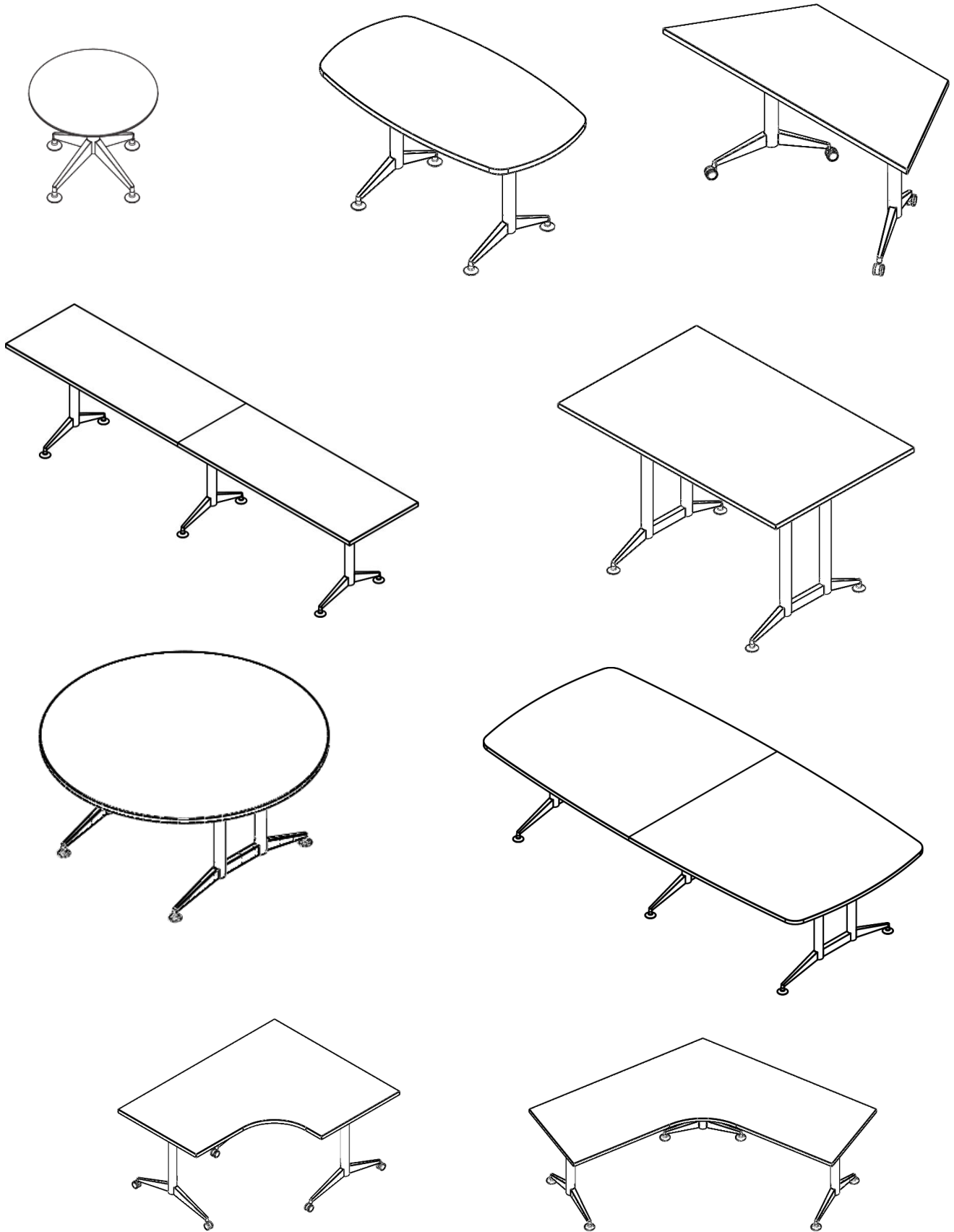


Day to Day Tables – Aluminum Base



Day to Day Tables – Aluminum Base

Revision Log

Date	Page No.	Description of change	Name
6/25/2018	1-6	Released	S. Powers
12/12/18	7	Added AIS Power Unit instructions	S. Powers
4/13/2020	2-3,7,9	Pg 2-3: Added parts list, Pg 7: New Charts, Pg 9: Updated part numbers to match labels.	S. Powers

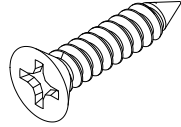
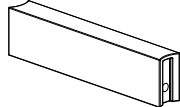
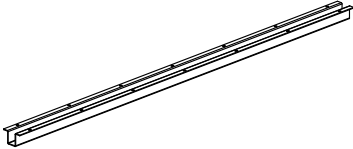
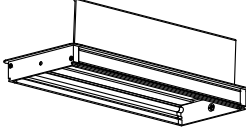
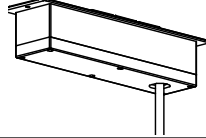
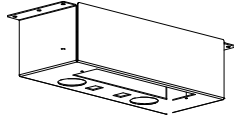



Day to Day Tables – Aluminum Base

Parts List

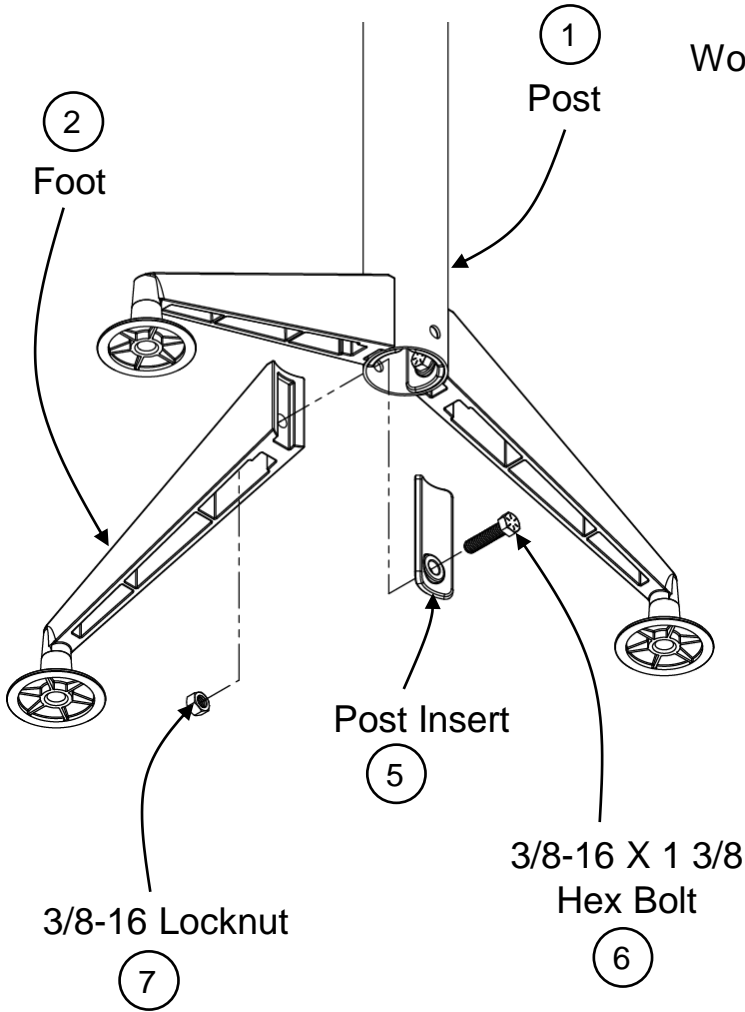
Item	Replacement Part number	Circle Sheet Part Number	Description	Image
1	WFS-(xx)(y)(z)W xx = 16,29 or 42 y = GP or CP z = 2, 3 or 4	WFS-(xx)(y)(z)W xx = 16,29 or 42 y = GP or CP z = 2, 3 or 4	Aluminum Post Leg 16H, 29H or 42H Glide or Caster 2, 3 or 4 way	
2	WFS-UTLxxBP (Bright Polished) or RWFS-UTLxx-B (Painted) xx= 24 or 30	WFS-UTLxxBP (Bright Polished) or RWFS-UTLxx-B (Painted) xx= 24 or 30	Aluminum Table Foot 24D or 30D	
3	RWFS-UTG-I	RWFS-UTG-I	Universal Table Glide	
4	RWFS-UTC-I	RWFS-UTC-I	Universal Table Caster 50mm	
5	RWFS—UTPI-I	RWFS—UTPI-I	Universal Table Post Insert	
6	RH-92240A627-I	RH-92240A627-I	Hex Bolt 3/8-16 x 1 3/8" long	
7	RH-91831A127-I	RH-91831A127-I	Locknut 3/8-16	
8	RWFS-UTP	RWFS-UTP	Universal Table Top Plate	
9	RH-SHF51618-1	RH-SHF51618-1	Flat Head Hex Drive Screw 5/16-18 x 1" long	

Day to Day Tables – Aluminum Base

Parts List Cont.

Item	Replacement Part number	Circle Sheet Part Number	Description	Image
10	RH-QS0978	RH-QS0978	Flat Head Wood Screw #9 x 7/8" long	
11	WFS-UTLSB (Painted) or WFS-UTLSBBP (Bright Polished)	WFS-UTLSB (Painted) or WFS-UTLSBBP (Bright Polished)	Universal Table Leg Support Beam	
12	T-UCKxx xx= 36-72 (increments of 6")	RWPS-HSxx xx= 36-72 (increments of 6")	Worksurface Stiffener (U-Channel)	
13	RP-XH04B (Black) RP-XH04MS (Metallic Silver)	RP-XH04B (Black) RP-XH04MS (Metallic Silver)	Power cover	
14	E-TVSP3802-F	E-TVSP3802-F	Power Unit	
15	RE-TAISB	RE-TAISB	Power Box	
16	RH-5269T622	RH-5269T622	Grommet	
17	E-HRJ45-SM E-HXJ6BK-SM HDMI-KEY-B	E-HRJ45-SM E-HXJ6BK-SM HDMI-KEY-B	CAT 5e Data Jack CAT 6 Data Jack HDMI Data Jack	
18	RH-90033A153	RH-90033A153	#6 X 5/8" Flat Head Sheet Metal Screw	

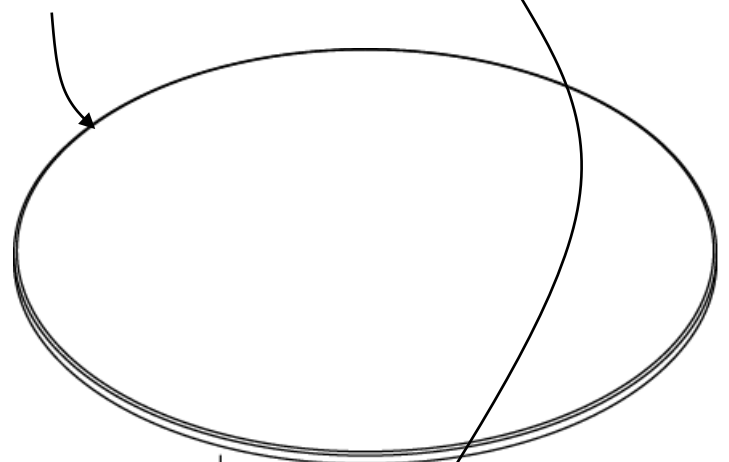
Day to Day Tables – Aluminum Base



X-Base Assembly

- ⑨ Hex Drive Flat Head Screw
5/16-18 X 1" Long
3/16" Hex Drive, 4 Places

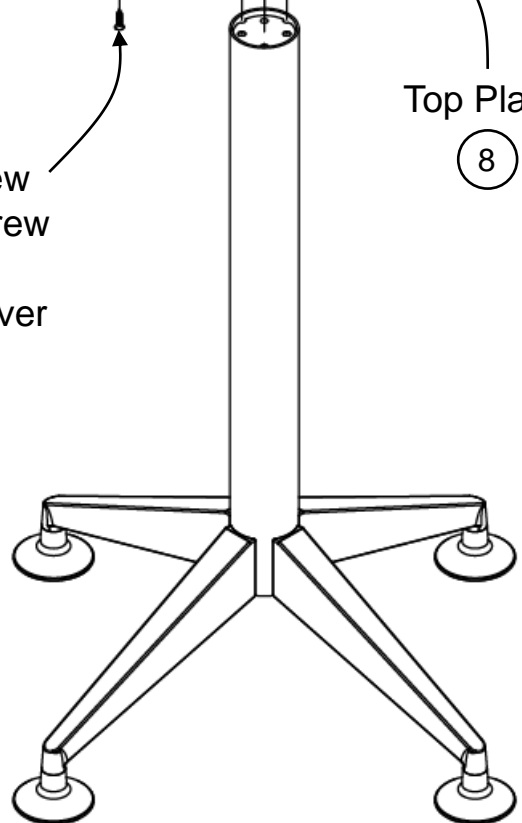
Worksurface



- ⑩ Worksurface Screw
Flat head wood screw
#9 x 7/8 long
#2 Phillips drive silver
12 places

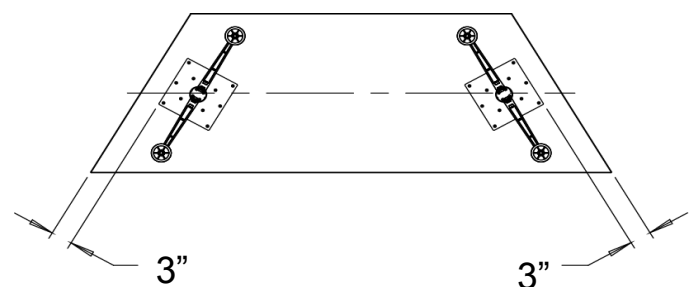
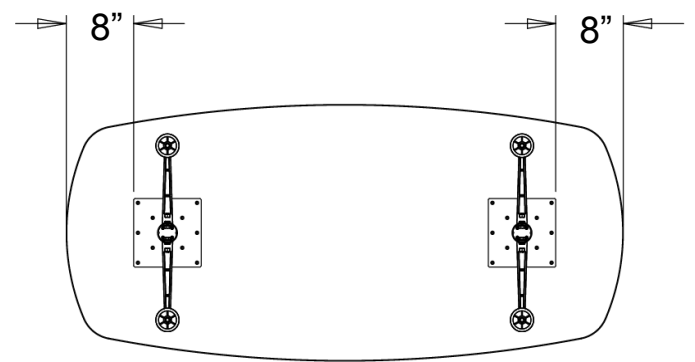
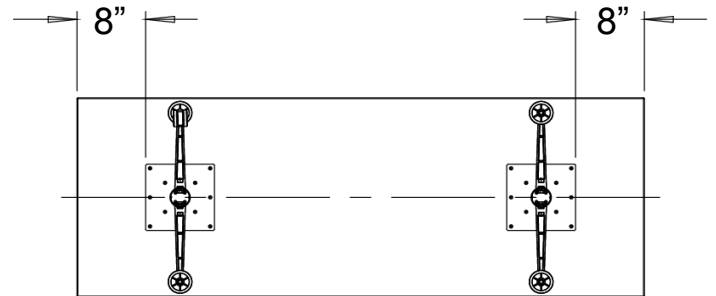
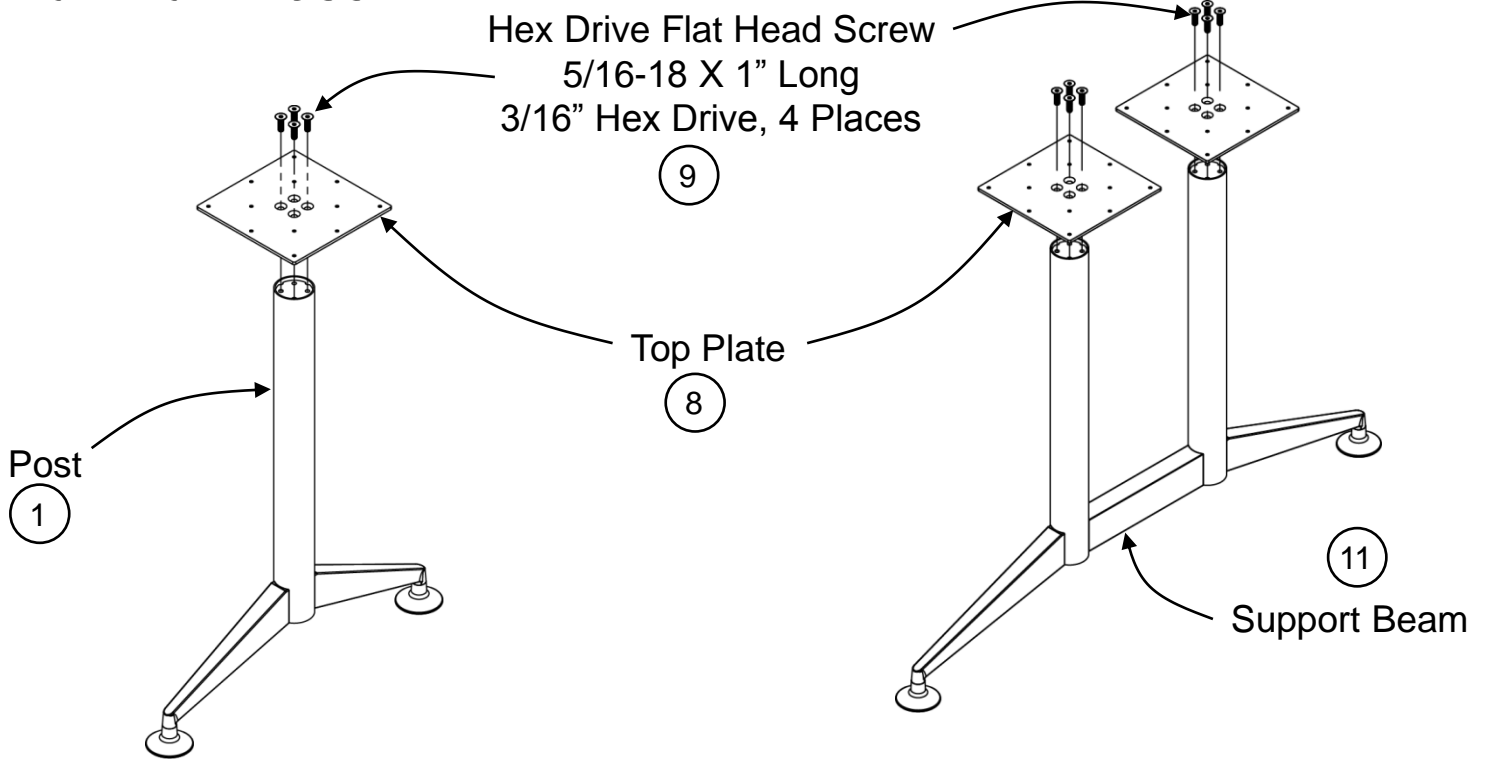
Top Plate

⑧

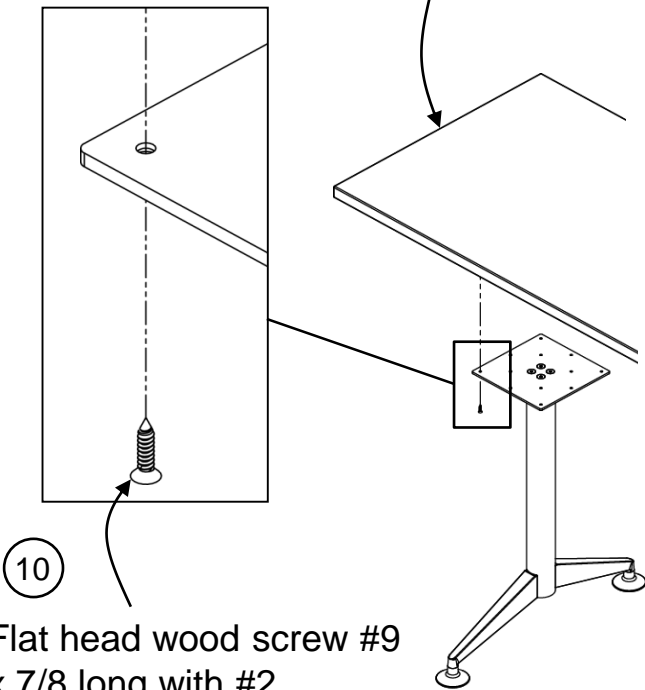


Day to Day Tables – Aluminum Base

T-Base Assembly



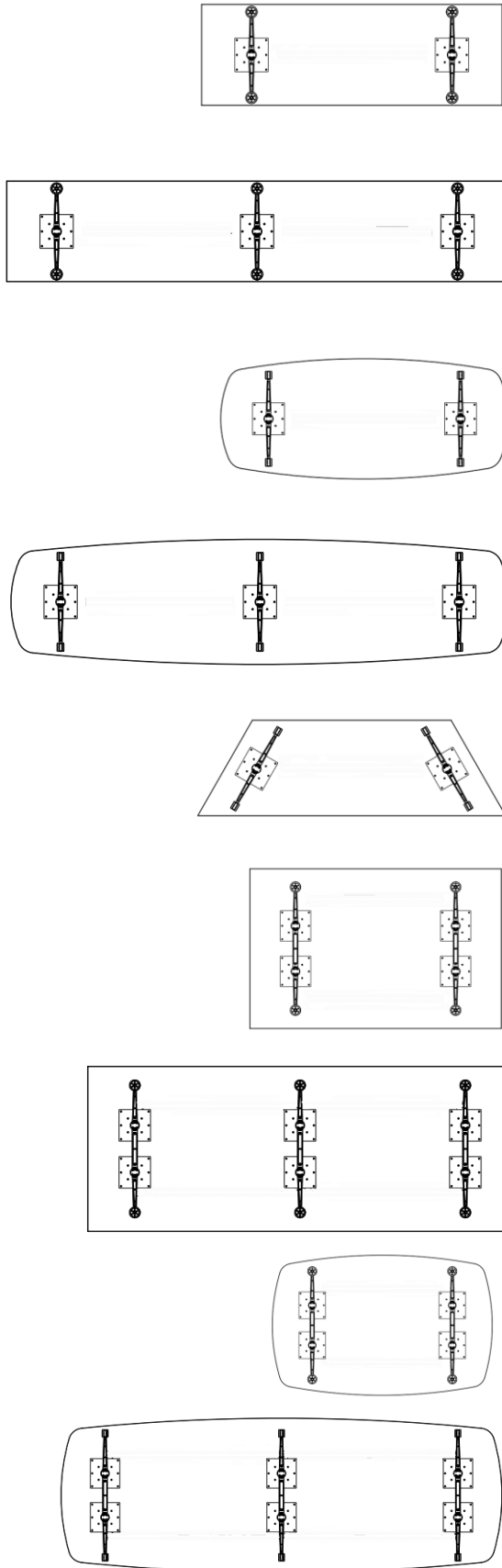
Worksurface



(10)
Flat head wood screw #9
x 7/8 long with #2
Phillips drive, silver x 12

Day to Day Tables – Aluminum Base

T-Base Assembly



Single Post Rectangular 36-96W

Worksurfaces	T-Base	Qty
24D	24D	2
30-36D	30D	2

Single Post Rectangular 108-120W

Worksurfaces	T-Base	Qty
30D	30D	3
36D	30D	3

Single Post Pebble 36-96W

Worksurfaces	T-Base	Qty
30D	24D	2
36D	30D	2

Single Post Pebble 108-120W

Worksurfaces	T-Base	Qty
30D	24D	3
36D	30D	3

Single Post Trapezoid 60-84W

Worksurfaces	T-Base	Qty
24D	24D	2
30D	30D	2

Double Post Rectangular 36-96W

Worksurfaces	T-Base	Qty
42-48D	35D	2
54-60D	41D	2

Double Post Rectangular 108-120W

Worksurfaces	T-Base	Qty
42-48D	35D	3
54-60D	41D	3

Double Post Pebble 36-96W

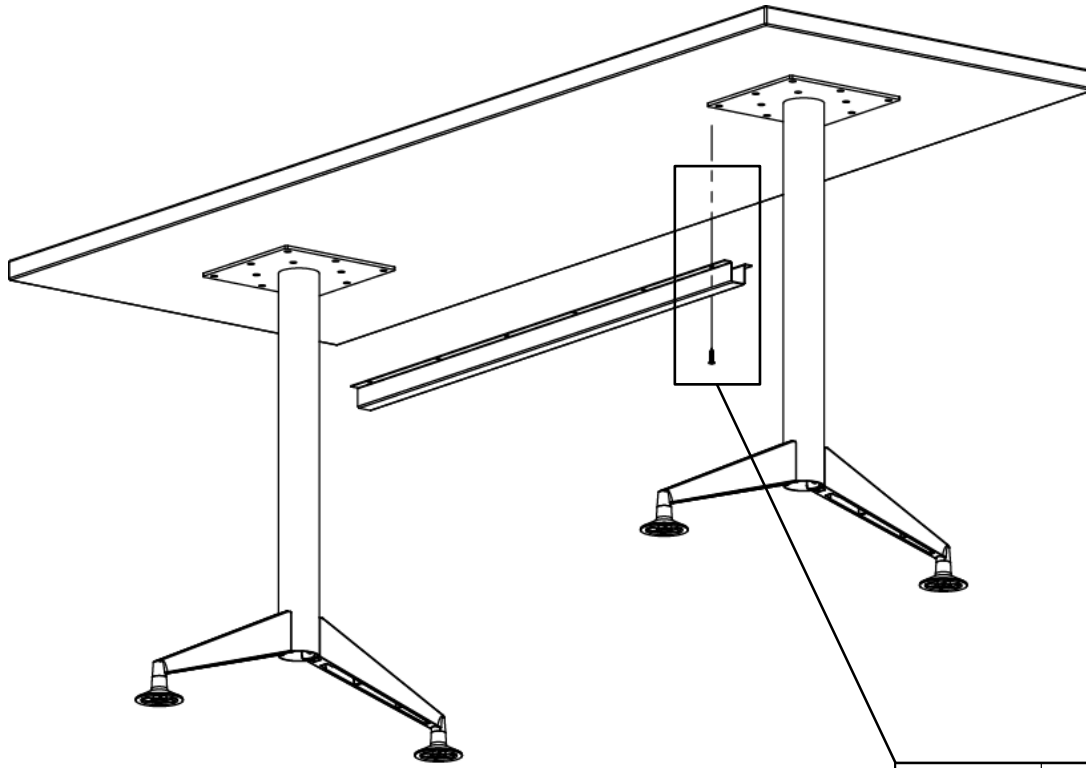
Worksurfaces	T-Base	Qty
42-48D	24D	2
54-60D	30D	2

Double Post Pebble 108-120W

Worksurfaces	T-Base	Qty
42-48D	24D	3
54-60D	30D	3

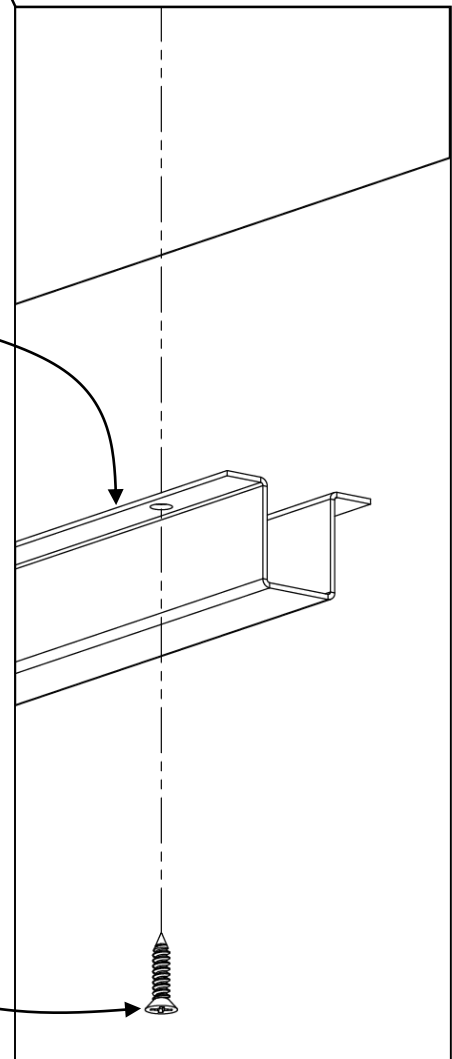
Day to Day Tables – Aluminum Base

U-Channel Assembly



⑫
U-Channel
(See following page for location)

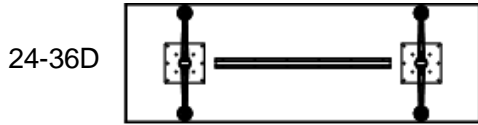
⑩
Flat head wood screw #9
x 7/8 long with #2
Phillips drive, silver x 12



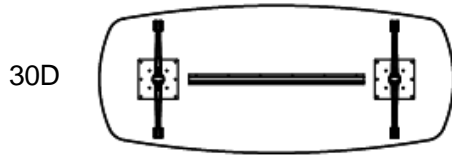
Day to Day Tables – Aluminum Base

U-Channel Assembly

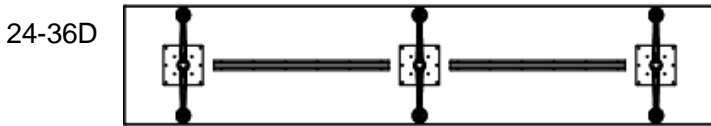
72W use RWPS-HS36



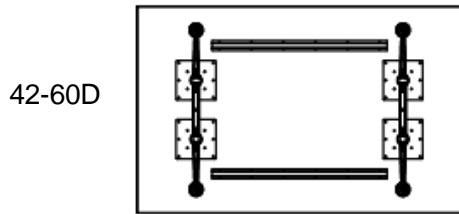
72W use RWPS-HS36



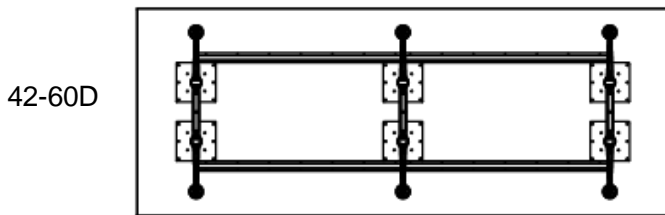
120W use RWPS-HS36



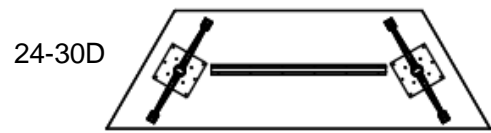
66W use RWPS-HS36
72W use RWPS-HS42



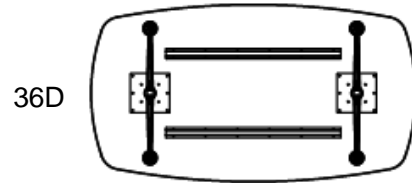
108W use RWPS-HS42
120W use RWPS-HS48



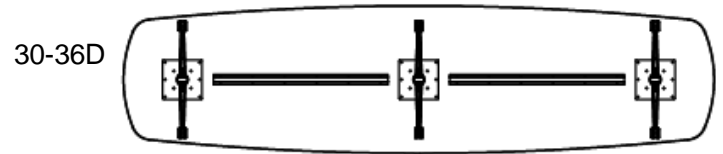
78W use RWPS-HS36
84W use RWPS-HS42



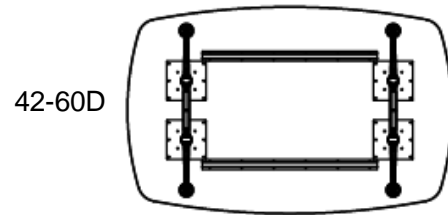
72W use RWPS-HS36



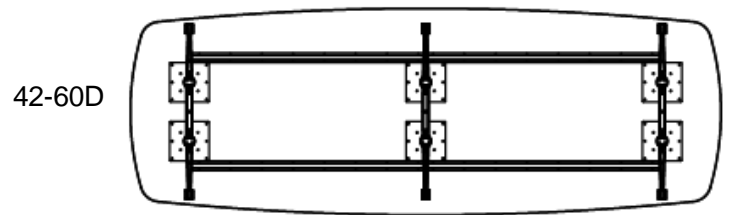
120W use RWPS-HS36



66W use RWPS-HS36
72W use RWPS-HS42



108W use RWPS-HS42
120W use RWPS-HS48



U-Channel	Nominal Length	Actual Length
RWPS-HS36	36"	35 1/2"
RWPS-HS42	42"	41 1/2"
RWPS-HS48	48"	47 1/2"
RWPS-HS54	54"	53 1/2"
RWPS-HS60	60"	59 1/2"
RWPS-HS66	66"	65 1/2"

