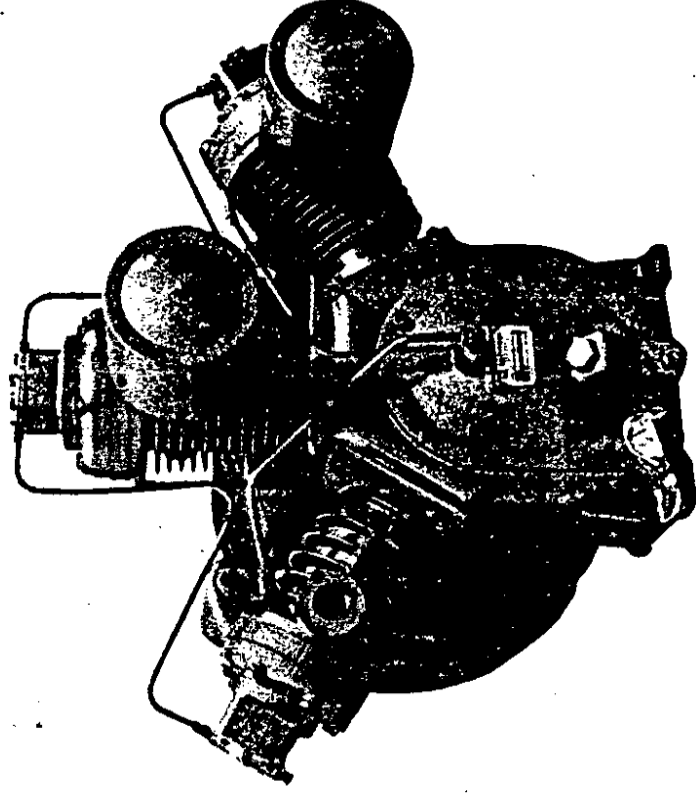


PARTS LIST
FOR
TYPE-30
Concentric Ring Valve
Compressor

Model 25T2



© Ingersoll-Rand Company 1979
Printed in U.S.A.



Ingersoll-Rand®
SMALL COMPRESSOR DIVISION

SCD 104-A
November 1979
Supersedes Feb. 1978

ORDERING INSTRUCTIONS

Refer all communications to the nearest Ingersoll-Rand Parts & Service Distributor.

HOW TO ORDER COMPRESSOR PARTS

When ordering replacement parts, please specify:

1. The MODEL and SERIAL NUMBER as stamped on Compressor Nameplate.
2. The FORM NUMBER of this booklet.
3. The QUANTITY, DESCRIPTION & PART NUMBER exactly as listed.

HOW TO SELECT RECOMMENDED SPARES

This catalog contains a listing of the parts which are included in each of the following classes of recommended spares.

CLASS I - MINIMUM—Suggested for Domestic Service where interruptions in service are not important.

CLASS II - AVERAGE—Suggested for Domestic Service where some interruptions in continuity of service are not objectionable.

CLASS III - MAXIMUM—Suggested for Export or for Domestic Service where interruptions in service are objectionable.

EXAMPLE

Send the following parts for a Model 25T2

Serial No.

2	Con Rod-LP	3R22594
1	Element-Filter	W114080
1	Valve, Safety	X1396T2-65

When ordering recommended spares, please follow the procedure as outlined for compressor parts.

To Order Motor Parts Refer to The Motor Manufacturer's Nearest Dealer.

WARNING

THE USE OF REPAIR PARTS OTHER THAN THOSE INCLUDED WITHIN THE INGERSOLL-RAND COMPANY APPROVED PARTS LIST MAY CREATE HAZARDOUS CONDITIONS. OVER WHICH THE INGERSOLL-RAND COMPANY HAS NO CONTROL. SUCH HAZARDOUS CONDITIONS CAN LEAD TO ACCIDENTS THAT MAY BE LIFE-THREATENING, CAUSE SUBSTANTIAL BODILY INJURY, OR RESULT IN DAMAGE TO THE EQUIPMENT. THEREFORE, INGERSOLL-RAND COMPANY CAN BEAR NO RESPONSIBILITY FOR EQUIPMENT IN WHICH NONAPPROVED REPAIR PARTS ARE INSTALLED. USE OF REPAIR PARTS NOT APPROVED BY THE INGERSOLL-RAND COMPANY WILL VOID ALL OUTSTANDING EQUIPMENT WARRANTIES.

GLOSSARY

GROUP ASSEMBLY PARTS LIST

This part contains the listings and illustrations of the repair parts for your compressor.

Parts are listed in assembly sequence, where applicable. The relationship of an article to its next higher assembly is indicated by indenture. For example:

DESCRIPTION

Unit—

- Assemblies and Detail Parts of Unit
- Attaching Parts for Assemblies and Detail Parts
- Subassemblies
- Attaching Parts for Subassemblies
- Detail Parts for Subassemblies, etc.

When an assembly is not broken down immediately after being listed, a reference is made to the listing where the breakdown is made.

Reference Number (Ref Nbr Column)

The reference number is the number assigned to the part in the listing. This reference number consists of the figure and illustration number and identifies the part on the associated illustration. An asterisk indicates not illustrated.

Part Number Column

All numbers shown are Ingersoll-Rand part numbers.

ILLUSTRATION NUMBER

If the illustration number on the art is enclosed in a circle 2, this indicates an assembly or sub-assembly broken down within the illustration.

Description Column

The Description column contains the standard item names with main noun modifiers.

Units Per Assembly Column (Nbr/Assy)

The quantities specified in this column are the number of parts used per one next-higher assembly and are not necessarily the total number of parts used in the overall unit. The entry "Ref" in this column refers to an assembly which is called for on a preceding illustration and is shown only to show its relationship to another part found in the list. The entry "NP" denotes that the assembly is nonprocurable. The entry "AR" denotes as required or bulk item.

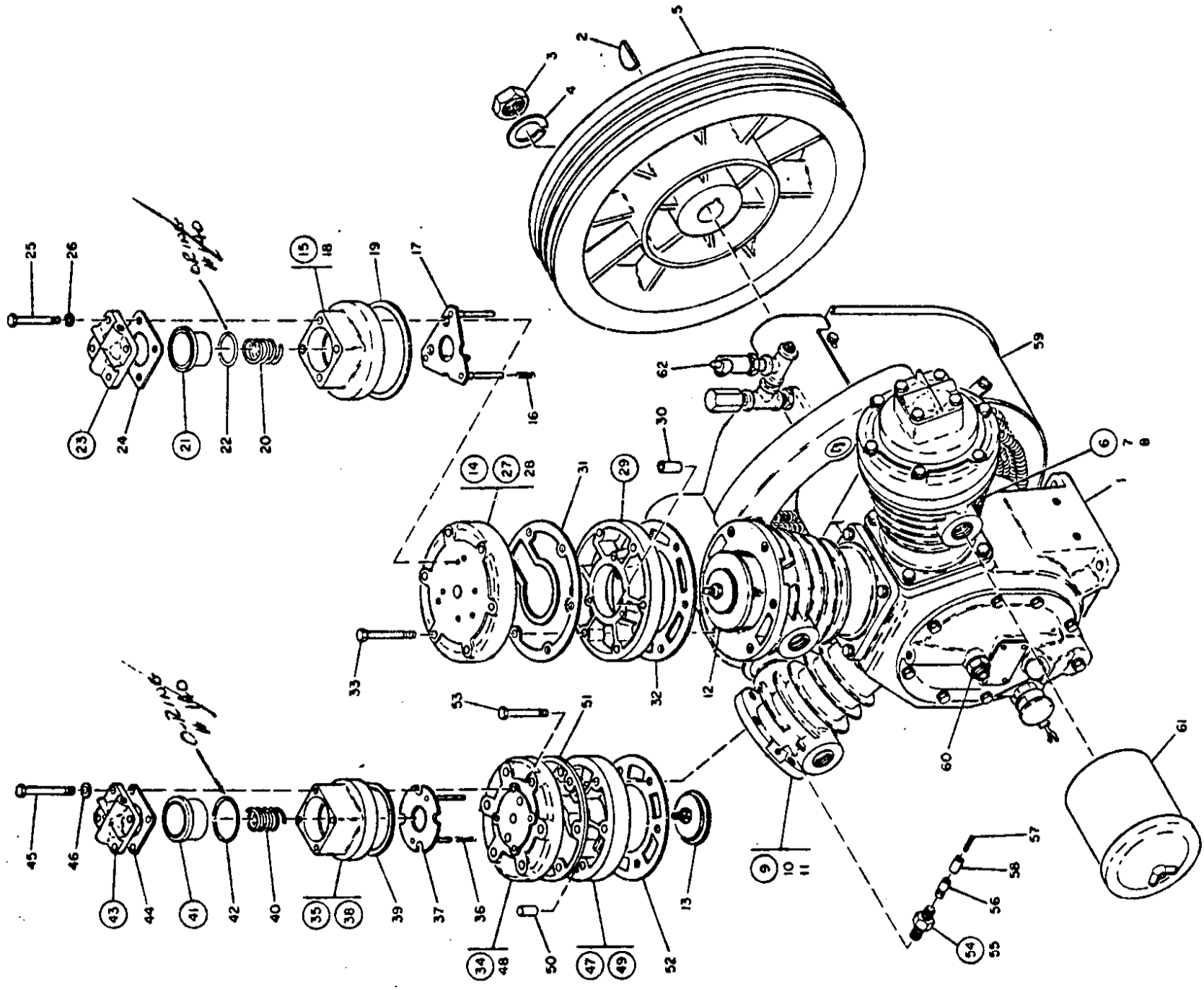


FIGURE 1. MODEL 25T2 BARE COMPRESSOR

REF NBR	PART NUMBER	DESCRIPTION	UNITS PER ASSY	USED ON			REC SPARES SVCE CLASS		
				CODE			1	2	3
1-		COMPRESSOR COMPLETE-MODEL 25T2	REF						
1-1		5-1/2 & 5-1/2 & 4 X 4 • FRAME COMPLETE SEE FIGURE 2 FOR DETAIL BREAK- DOWN. THE FOLLOWING 3 ITEMS ARE PART OF THE FRAME-CRANKSHAFT ASM: • • KEY-WOODRUFF • • NUT-BELT WHEEL • • WASHER-LOCK • • WHEEL-V BELT • • HEATER-OIL-CRANKCASE-OPTIONAL NOTE-FRAME MUST BE THREADED • WELL-BULB-THERMAL-OPTIONAL NOTE-FRAME MUST BE THREADED • THERMOSTAT-OPTIONAL NOTE-FRAME MUST BE THREADED	1						
1-2	23A9C1012		1						
1-3	3W21473		1						
1-4	14A5C175		1						
1-5	3H6165P6		1						
1-*	W45627T2		1						
1-*	W45629		1						
1-*	W45628		1						
1-6		• PISTON & CYLINDER COMPL-5-1/2 IN SEE FIGURE 3 FOR DETAIL BREAKDOWN • CAPSCREW 1/2 X 1-1/4 • WASHER-STEEL • PISTON & CYLINDER COMPL-4 IN IN DIA SEE FIGURE 4 FOR DETAIL BREAKDOWN • CAPSCREW 1/2 X 1-1/4 • WASHER-STEEL • VALVE COMPL-SIZE 55 SEE FIGURE 5 FOR DETAIL BREAKDOWN • VALVE COMPL-SIZE 42 SEE FIGURE 6 FOR DETAIL BREAKDOWN • AIR HEAD COMPL-SIZE 55 TYPE 1 USED W/O CS UNLOADER • AIR HEAD COMPL-SIZE 55 TYPE 2 USED WITH CS UNLOADER FOR OPTIONAL CS & DUAL CONTROL • • UNLOADER-CONSTANT SPEED- COMPLETE-SIZE 55 USED WITH TYPE 2 AIR HEAD ONLY. FOR OPTIONAL CS & DUAL CONTROL • • SPRING • • PLATE • • BODY-COMPLETE • • GASKET • • SPRING • • PISTON COMPL--UNL • • O-RING • • COVER-COMPLETE • • GASKET • • CAPSCREW 3/8-16X3-1/2 • • WASHER-PLAIN 3/8 • • AIR HEAD ASM-TYPE 1 • • AIR HEAD ASM-TYPE 2	2						
1-7	35A2C219		8						
1-8	X1016T35		8						
1-9			1						
1-10	35A2C219		4						
1-11	X1016T35		4						
1-12	3W75300T60		2						
1-13	3W75300T40		1						
1-*	3W75301T62		2						
1-14	3W75301T63		2						
1-15	3W75297T40		1						
1-16	PP567		3						
1-17	3W21468		1						
1-18	3W75297T40B		1						
1-19	3W21485		1						
1-20	PP568		1						
1-21	3W21467		1						
1-22	20A11EMJ41		1						
1-23	3W75297T20C		1						
1-24	3W21487		1						
1-25	35A2C123		1						
1-26	X1016T34		1						
1-*	H36226		4						
1-27	H23226P1		4						
			1						1
			1						1

REF NBR	PART NUMBER	DESCRIPTION	UNITS PER ASSY	USED ON CODE	REC SPARES SVCE CLASS		
					1	2	3
1-*		NOTE-WHEN REPLACING ONE OF THE FOLLOWING ASM COMPONENTS, GASKETS 2-31 & 2-32 MUST BE ORDERED					
1-28	F25229	. . . AIR HEAD-TOP HALF-TYPE 1	1				
1-29	F25229P1	. . . AIR HEAD-TOP HALF-TYPE 2	1				
1-30	W99844	. . . AIR HEAD ASM-BOTTOM HALF	1				
1-31	W99755	. . . DOWEL	1				
1-32	R53493	. . . GASKET-BETWEEN HALVES	1				
1-33	3W21948	. . . GASKET-AIR HEAD TO CYL	1				
1-*	35A2C227	. . . CAPSCREW 1/2X3	6				
1-*	29A7M2	. . . PIPEPLUG-OPTIONAL 1/8 SQUARE HEAD USED ON RH LP CSU	1				
1-*	3W7530LT46	. . . AIR HEAD COMPL-SIZE 42	1				
1-34	3W7530LT47	. . . TYPE 1 USED W/O CS UNLOADER	1				
1-35	3W75297T130	. . . TYPE 2 USED WITH CS UNLOADER FOR OPTIONAL CS & DUAL CONTROL	1				
1-36	X1091 PP567	. . . UNLOADER-CONSTANT SPEED-COMLETE-SIZE 42	2				
1-37	3W28878	. . . USED WITH TYPE 2 AIR HEAD ONLY FOR OPTIONAL CS & DUAL CONTROL	1				
1-38	3W75297T130B	. . . SPRING	1				
1-39	3W2880 3W28880	. . . PLATE	1				
1-40	PP568	. . . BODY-COMLETE	1				
1-41	3W21467	. . . GASKET	1				
1-42	20A11BE141	. . . SPRING	1				
1-43	3W75297T20C	. . . PISTON COMPL-UNL	1				
1-44	3W21487	. . . O-RING	1				
1-45	35A2C123	. . . COVER-COMLETE	1				
1-46	X1016134	. . . GASKET	4				
1-*	H37879	. . . CAPSCREW 3/8-16X3-1/2	4				
1-47	H37879P1	. . . WASHER-STEEL 3/8	4				
1-48	F28822	. . . AIR HEAD ASM-TYPE 1	1				
1-49	F28822P1	. . . AIR HEAD-TOP HALF-TYPE 1	1				
1-50	W123504	. . . AIR HEAD-TOP HALF-TYPE 2	1				
1-51	W99755	. . . AIR HEAD ASM-BOTTOM HALF	1				
1-52	R57258	. . . DOWEL	1				
1-53	W28719	. . . GASKET-BETWEEN HALVES	1				
1-*	35A2C227	. . . GASKET-AIR HEAD TO CYL	4				
1-*	R53543T1	. . . CAPSCREW 1/2X3	1				
1-*	R53543T3	. . . VALVE-AUXILIARY-OPTIONAL USED ON UNITS UP TO 125 PSI FOR OPT CONSTANT SPEED CONTROL	1				
1-*		. . . VALVE-AUXILIARY - OPTIONAL USED ON UNITS SET AT 125-250 PSI FOR OPT CONSTANT SPEED CONTROL	1				

REF NBR	PART NUMBER	DESCRIPTION	UNITS PER ASSY	USED ON CODE		REC SPARES SVCE CLASS		
				1	2	1	2	3
1-*	R57247 3R57247T1 3R57247T2 3W75290T30	. VALVE-UNLOADER USED ON UNITS SET AT 75-145 PSI USED ON UNITS SET AT 150-250 PSI . VALVE-CYLINDER RELIEF- COMPT-SIZE 30 . . . BODY . . . VALVE-BARE . . . SPRING . . . CAP . . . INTERCOOLER COMPLETE SEE FIGURE 7 FOR DETAIL BREAK- DOWN . UNLOADER-CENTRIFUGAL W/PILOT VLV-SIZE 60 SEE FIGURE 8 FOR DETAIL BREAK- DOWN . FILTER COMPLETE-INLET SEE FIGURE 9 FOR DETAIL BREAK- DOWN	1		1			1
1-54			1					
1-55	3W21461		1					
1-56	3W21462		1					
1-57	PP397		1					
1-58	3W21848		1					
1-59			1					
1-50			1					
1-61	H3633017		2					
1-*	3W75270T1	. TUBE ASM-BREATHER	1					
1-*	70A10B4	. . NUT-TUBE	2					
1-*	75A10B8	. . ELBOW-TUBE	2					
1-*	3W75270T2	. TUBE ASM, CENTRIFUGAL UNL EXHAUST TO CYL TOP FLANGE	1					
1-*	70A10B4	. . NUT-TUBE	2					
1-*	75A10B8	. . ELBOW-TUBE	1					
1-*	71A10B9	. . CONNECTOR-TUBE	1					
1-*	3W75270T3	. TUBE ASM, CYL RELIEF VLV TO CENT PILOT VLV	1					
1-*	70A10B5	. . NUT-TUBE	2					
1-*	3W75270T4	. TUBE ASM-OPTIONAL BETWEEN OPT CONST SPEED UNLOADERS FOR CONST SPEED & DUAL CONTROL	2					
1-*	70A10B4	. . NUT-TUBE	2					
1-*	71A10B7	. . CONNECTOR-TUBE	4					

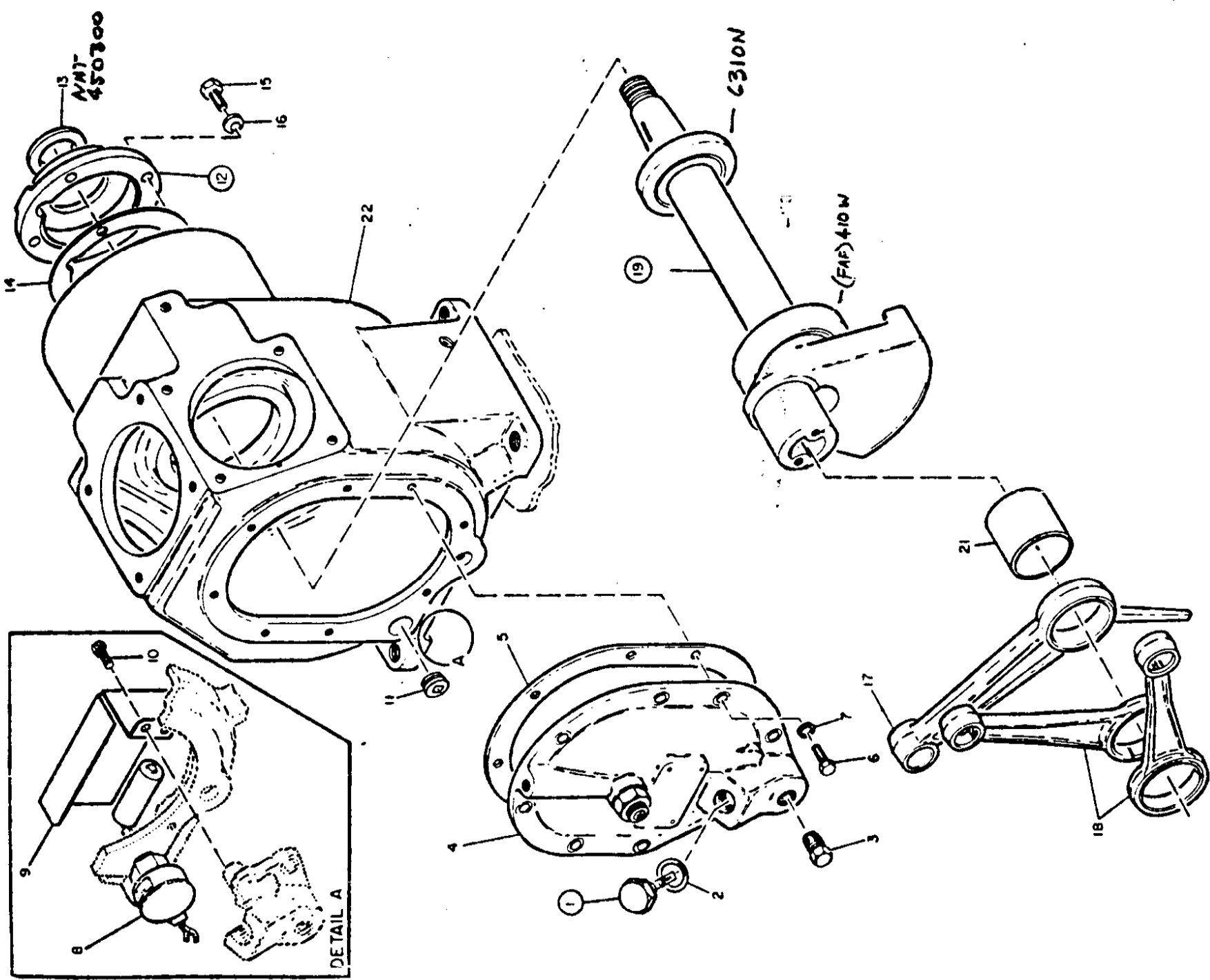


FIGURE 2. COMPRESSOR FRAME ASSEMBLY

REF NBR	PART NUMBER	DESCRIPTION	UNITS PER ASSY	USED ON CODE	REC SPARES SVCE CLASS		
					1	2	3
2-1	3W75294T30	FRAME COMPLETE-SIZE 15	REF				
2-2	20A11CM212	• GAUGE-OIL-COMPLETE	1				1
2-3	35A755	• O-RING	1				
2-4	3W75292T70	• PIPE PLUG-HEX HD 1/2	1				
2-5	3R8168	• COVER-FRAME END-COMPLETE	1				
2-6	35A2C110	• GASKET	8				
2-7	X1016T34	• CAPSCREW 3/8X7/8	8				
		• WASHER-STEEL 3/8					
2-8	3H48165	THE FOLLOWING 3 ITEMS ARE STAND- ARD FOR THE COMPRESSOR	1				
2-*	3W111519	• SWITCH-OIL LEVEL SHUTDOWN USED ON STANDARD UNIT	1				
2-9	3R40725	• SWITCH-OIL LEVEL SHUTDOWN	1				
2-10	35A2C1N	OPTIONAL EXPLOSION -PROOF	1				
		• BAFFLE-OIL LEVEL SWITCH	2				
2-11	31A7M5	• CAPSCREW 1/4X1/2	1				
		• PIPE PLUG 1/2 COUNTERSUNK OPTIONAL USED ON MODELS W/O OIL LEVEL SHUTDOWN SWITCH	1				
2-12	3W75293T72	• COVER-SHAFT END-COMPLETE	1				
2-13	W99622T7	• SEAL-SHAFT OIL NAT 450300	1				
2-14	3W21480	• GASKET	1				1
2-15	35A2C110	• CAPSCREW 3/8X7/8	4				
2-16	X1016T34	• WASHER-STEEL 3/8	4				
2-17	3R22593	• ROD-HP CONNECTING	1				
2-18	3R22594	• ROD-LP CONNECTING	2				
2-19	3W75291T80	• CRANKSHAFT COMPLETE	1				
2-21	3R47248	• BUSHING-CRANKPIN	1				
		THE FOLLOWING 3 ITEMS, WHILE PART OF THE CRANKSHAFT COMPLETE, ARE SHOWN IN FIGURE 1.					
2-*	23A9C1012	• KEY-WOODRUFF	1				
2-*	3W21473	• NUT-BELT WHEEL	1				
2-*	14A5C175	• WASHER-LOCK	1				
2-*	3H6165	• WHEEL-V BELT	1				
2-22	3F5074	SEE FIGURE 1 FOR LOCATION • FRAME-COMPRESSOR	1				

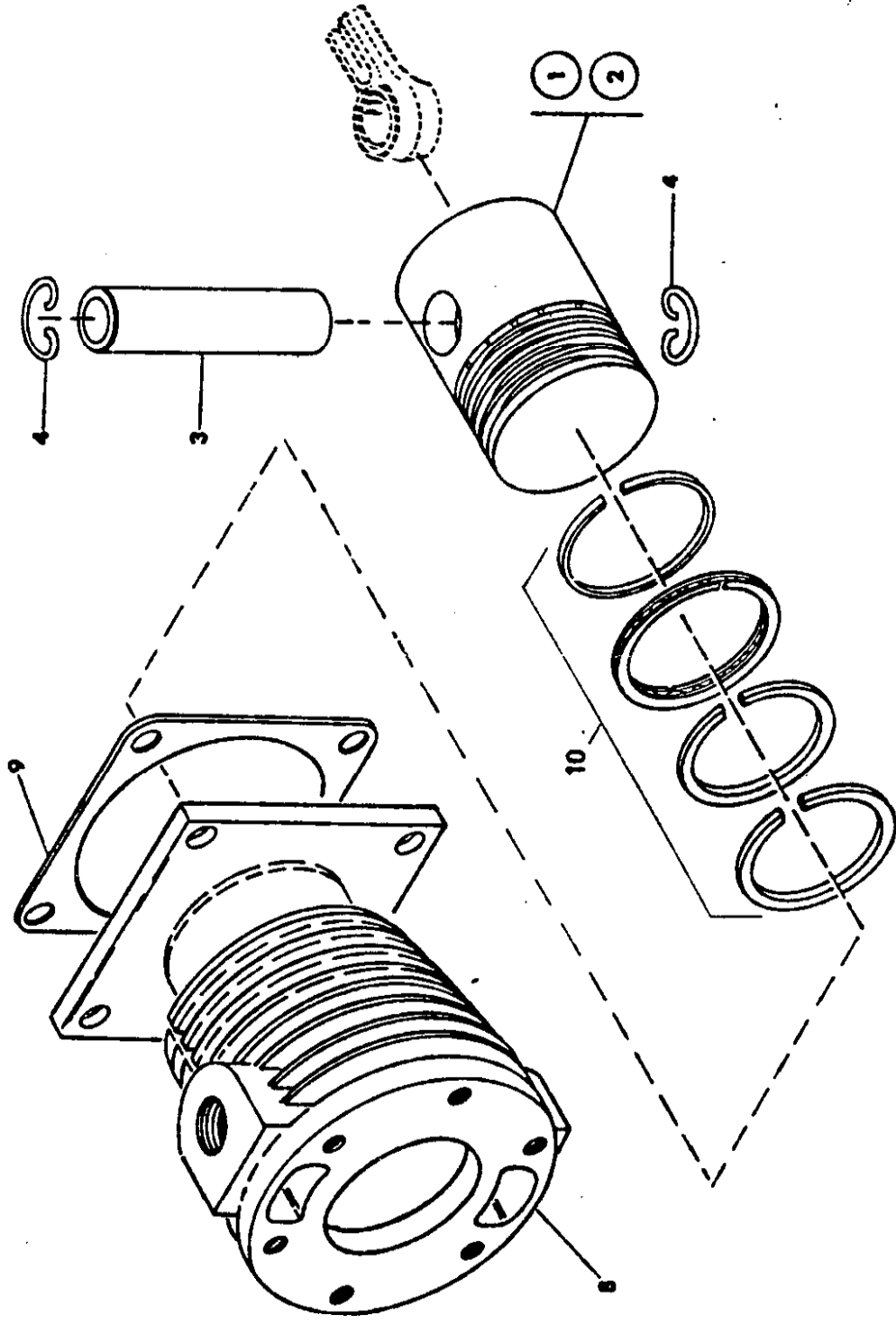


FIGURE 3. 5 1/2 INCH DIAMETER PISTON AND CYLINDER ASSEMBLY

REF NBR	PART NUMBER	DESCRIPTION	UNITS PER ASSY	USED ON CODE	REC SPARES ON SVCE CLASS		
					1	2	3
3-1	3W75295T240R	GROUP ASM-PISTON & CYL-5-1/2 DIA-TYPE 1	REF				1
3-2	3W75295T240	. PISTON AND RINGS COMPLETE	1			1	
3-3	3W11869	. PISTON COMPLETE	1				
3-4	3W11870	. . PIN, PISTON	2				
3-8	3W75296T380	. . RING, LOCK	1				
3-9	3W21481	. CYLINDER COMPLETE	1				
		. . GASKET, CYLINDER FLANGE	1				
3-10	W114364T3	RINGSET	2		2		2

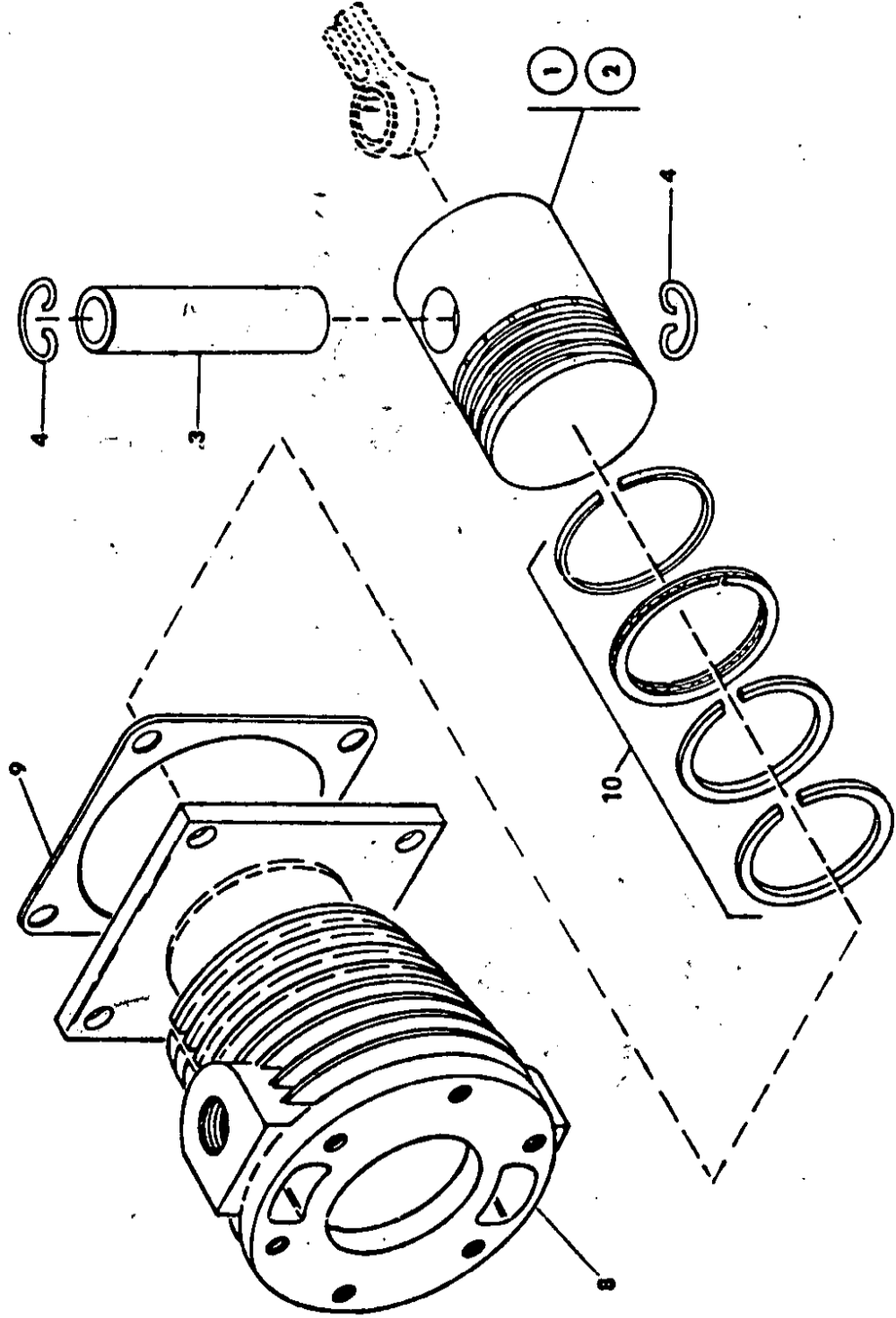


FIGURE 4. 4 INCH DIAMETER PISTON AND CYLINDER ASSEMBLY

REF NBR	PART NUMBER	DESCRIPTION	UNITS PER ASSY	USED ON CODE	REC SPARES SVCE CLASS		
					1	2	3
4-1	3W75295T220R	GROUP ASM-PISTON & CYL-4 IN DIA-TYPE 2	1				
4-2	3W75295T220	PISTON AND RINGS COMPLETE	1				
4-3	3W11867	PISTON, COMPLETE	1				
4-4	3W11870	PIN, PISTON	2				
4-8	3W75296T361	RING, LOCK	1				
4-9	3W21481	CYLINDER COMPLETE	1				
4-10	X1457T14A	GASKET, CYLINDER FLANGE RINGSET	1		1	1	1

W28872

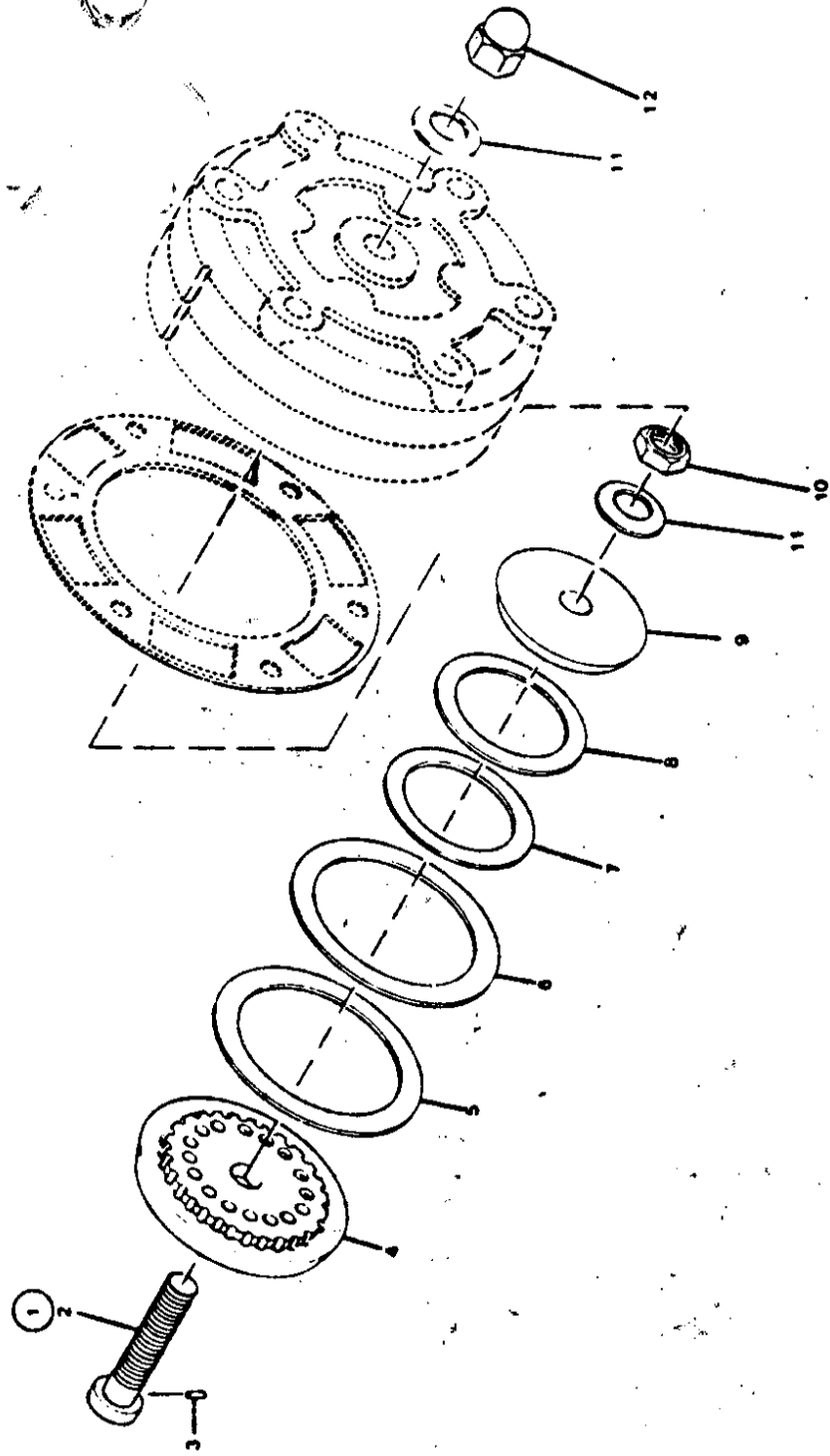


FIGURE 5. 55 GA CONCENTRIC RING VALVE ASSEMBLY

REF NBR	PART NUMBER	DESCRIPTION	UNITS PER ASSY	USED ON CODE	REC SPARES SYCE CLASS		
					1	2	3
5-1	3W75300T60	VALVE COMPLETE	1				1
5-2	3W21453	• BOLT-VALVE	1			1	1
5-3	3W34170	• PIN-BOLT	1			1	1
5-4	3W21943	• SEAT-DISCH VALVE	1			1	1
5-5	3W21446	• SPRING-INLET VALVE	1			1	1
5-6	3W21445	• PLATE-INLET VALVE	1			1	1
5-7	3W21447	• PLATE-DISCH VALVE	1			1	1
5-8	3W21448	• SPRING-DISCH VALVE	1			1	1
5-9	3W21444	• PLATE-DISCH VALVE STOP	1			1	1
5-10	22A4C8	• NUT	1			1	1
5-11	W114141T75	• WASHER-SPRING-BELLEVILLE	1			1	1
5-12	3W21751	• NUT-ACORN	2			1	1
		WHEN SERVICING THE ASM OR A COMPONENT, HEAD GASKET 3W21948 MUST BE REPLACED.	1				

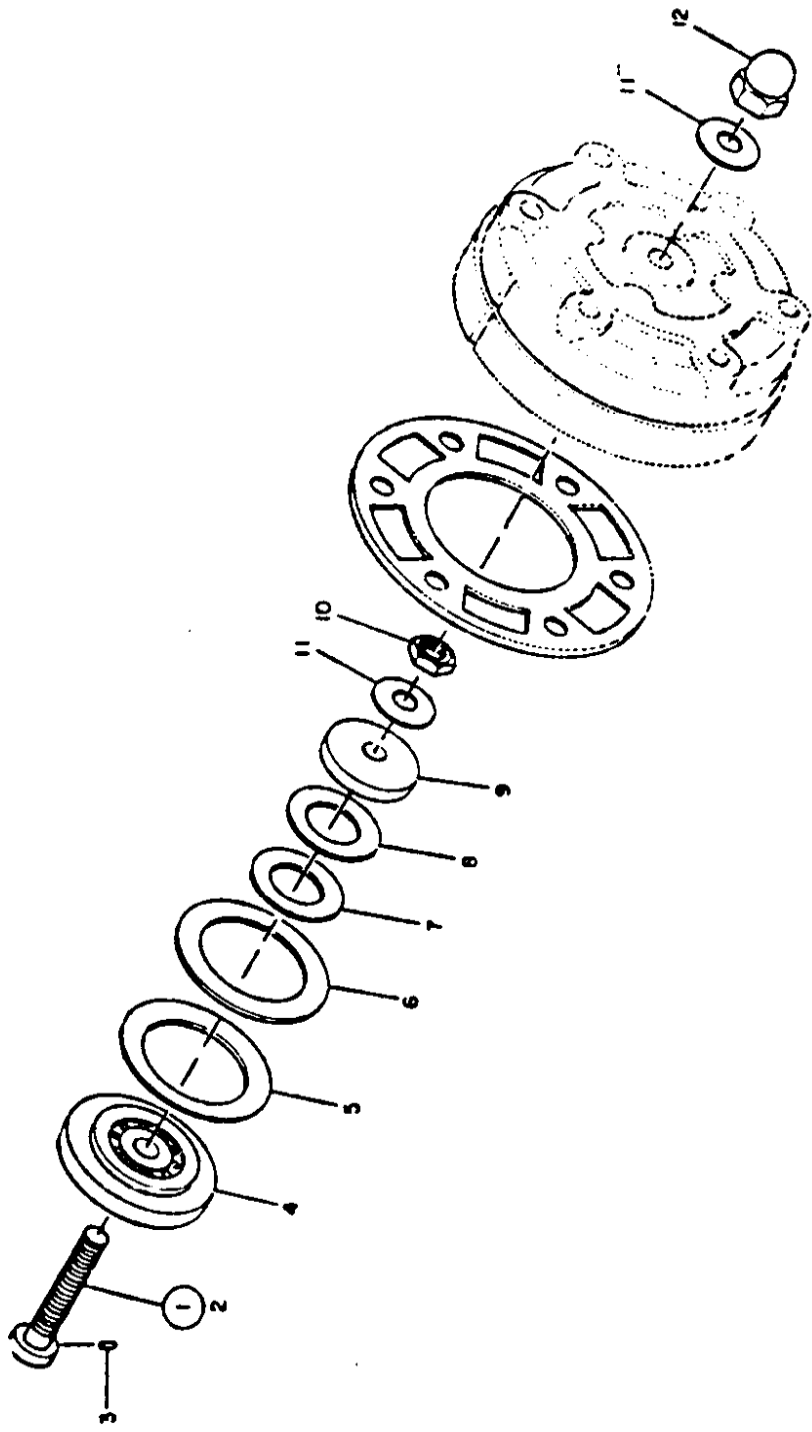


FIGURE 6. 42 GA CONCENTRIC RING VALVE ASSEMBLY

REF NBR	PART NUMBER	DESCRIPTION	UNITS PER ASSY	USED ON CODE	REC SPARES SVCE CLASS		
					1	2	3
6-1	3W75300T40	VALVE COMPLETE	1		1		1
6-2	3W21454	• BOLT-VALVE	1		1		
6-3	3W34171	• PIN-BOLT	1				
6-4	3W28713	• SEAT-DISCH VALVE	1		1		1
6-5	3W28716	• SPRING-INLET VALVE	1		1		1
6-6	3W28717	• PLATE-INLET VALVE	1		1		1
6-7	3W28715	• PLATE-DISCH VALVE	1		1		1
6-8	3W28714	• SPRING-DISCH VALVE	1		1		1
6-9	3W28712	• PLATE-DISCH VALVE STOP	1		1		1
6-10	22A4C7	• NUT	1				
6-11	W114141T63	• WASHER-SPRING-BELLEVILLE	1				
6-12	3W21750	• NUT-ACORN	2				
		WHEN SERVICING THE ASM OR A COMPONENT, HEAD GASKET 3W28719 MUST BE REPLACED.	1				

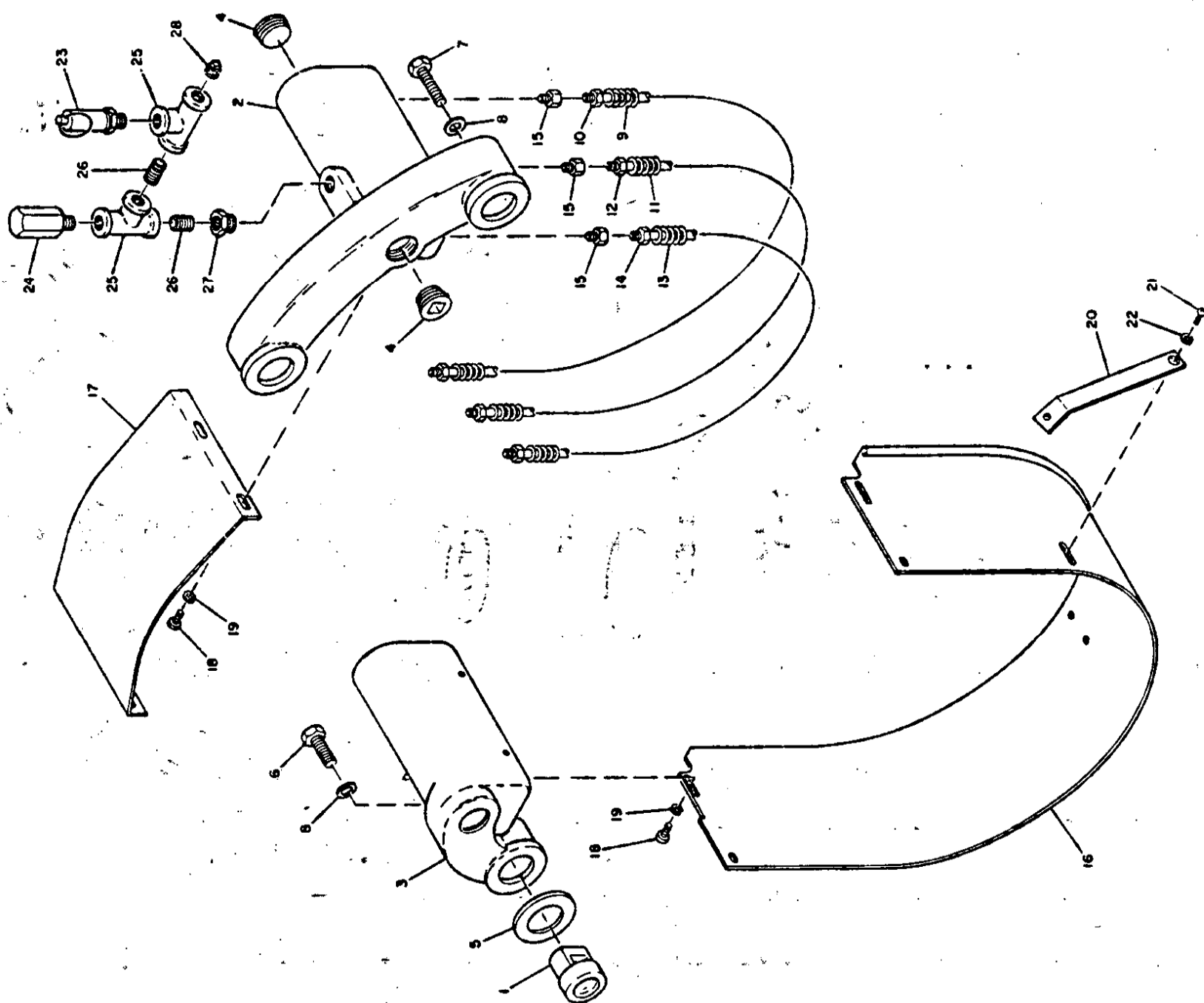


FIGURE 7. AIR INTERCOOLER ASSEMBLY

REF NBR	PART NUMBER	DESCRIPTION	UNIT'S PER ASSY	USED ON CODE	REC SPARES SVCF CLASS		
					1	2	3
7-1	3W21455	INTERCOOLER COMPLETE--TYPE 1	REF				
7-2	3W75303T400	• CONNECTION-MANIFOLD	3				
7-3	3W75303T410	• MANIFOLD COMPLETE-LP	1				
7-4	31A7M8	• MANIFOLD COMPLETE-HP	1				
7-5	3W21484	• • PIPE PLUG	4				
		• • GASKET	3				
		WHEN ORDERING EITHER MANIFOLD COMPL, GASKET 3W21484 & PIPE PLUG 31A7M8 ARE INCLUDED.					
7-6	35A2C325	• CAPSCREW 5/8 X 1-1/2	2				
7-7	35A2C327	• CAPSCREW 5/8 X 2	1				
7-8	X1016T30	• WASHER-FLAT 5/8	3				
7-9	X1434T20	• TUBE-FINNED	8				
7-10	70A10B5	• NUT-TUBE	16				
7-11	X1434T18	• TUBE-FINNED	7				
7-12	70A10B5	• NUT-TUBE	14				
7-13	X1434T16	• TUBE-FINNED	8				
7-14	70A10B5	• NUT-TUBE	16				
7-15	70A10B10	• CONNECTOR-TUBE	46				
7-16	3R8169	• SHROUD	1				
7-17	3R15878	• SHROUD-TOP	1				
7-18	87A2C142	• CAPSCREW FIL HD 1/4 X 3/8	8				
7-19	26A5S1114-0C	• WASHER-LOCK-SHAKEPROOF 1/4	8				
7-20	3W42847	• BRACE-SHROUD	1				
7-21	83A2C144	• SCREW-RD HEAD 1/4 X 1/2	1				
7-22	14A5C55	• WASHER-LOCK 1/4	1				
7-23	X1396T2-65	• VALVE-SAFETY	1				
7-24	R30460	• U.L. 100-VALVE-INTERCOOLER RELIEF	1				
		• TEE					
7-25	71A7M2	• NIPPLE	2				
7-26	18A7S2	• BUSHING-REDUCING	2				
7-27	23A7S5	• PLUG-SOLID SQUARE	1				
7-28	30A7S3		1				
7-*	71A7M2	• TEE-PIPE-OPTIONAL USED FOR AIR SUPPLY TO OPT AUTO WATER VLV-NOT USED W/STANDARD COOLER	1				
7-*	18A7N2	• NIPPLE-PIPE - OPTIONAL USED FOR AIR SUPPLY TO OPT AUTO WATER VLV-NOT USED W/STANDARD COOLER	1				

1
1

SEE DATA FLASH
SHEET #116
11/12/81
FOR 2020

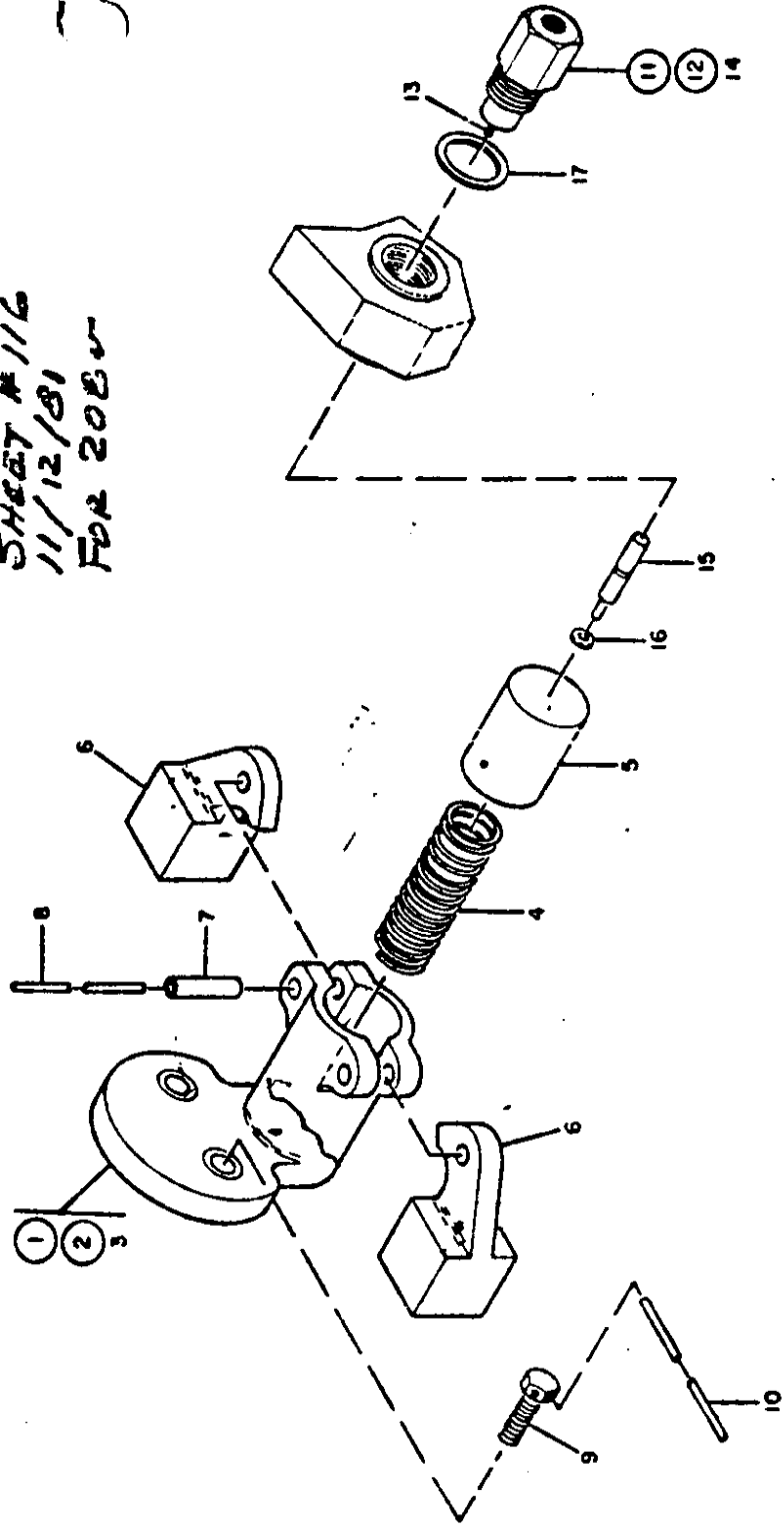


FIGURE 8. CENTRIFUGAL UNLOADER AND PILOT VALVE ASSEMBLIES

REF NBR	PART NUMBER	DESCRIPTION	UNITS PER ASSY	USED ON CODE	REC SPARES SVCE CLASS		
					1	2	3
8-1	W114086T60	UNLOADER-CENTRIFUGAL WITH PILOT VALVE-SIZE 60-4 STROKE	REF				
8-2	3W75288T60	• UNLOADER-CENTRIFUGAL	1				
8-3	3W21456	• • CAP ASM-CRANKPIN	1				
8-4	PP566	• • • CAP-CRANKPIN	1				1
8-5	3W21457	• • • SPRING	1				
8-6	3W21458	• • • PLUNGER	2				
8-7	3W11984	• • • WEIGHT	2				
8-8	X1636T12X5	• • • PIN	1				
8-9	2W21297	• • • LOCKWIRE	2				
8-10	X1636T20X5	• CAPSCREW-LOCKING	1				
8-11	R53608T50	• LOCKWIRE	1				
8-12	W114073	• • VALVE ASM-PILOT-COMPLETE	1			1	
8-13	W114073T1	• • • VALVE ASM	1				
8-14	W114073T2	• • • CORE	1				
8-15	W114074	• • • BODY-VALVE	1				
8-16	20A11CM006	• • • PIN-THRUST	1				
8-17	X1026T32	• • • O-RING	1				
		• • • WASHER-COPPER	2				

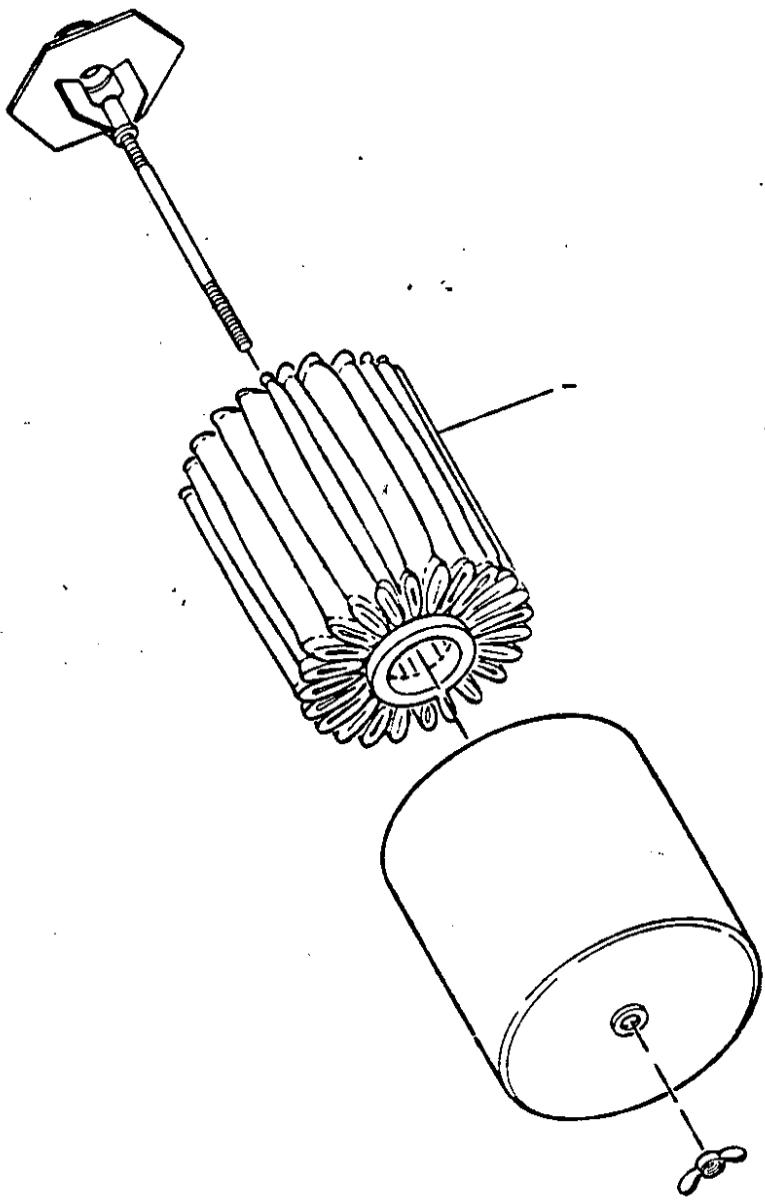
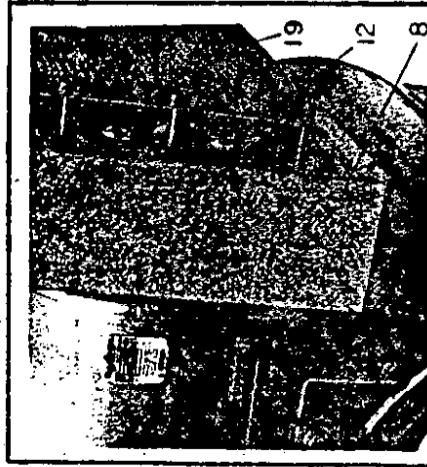
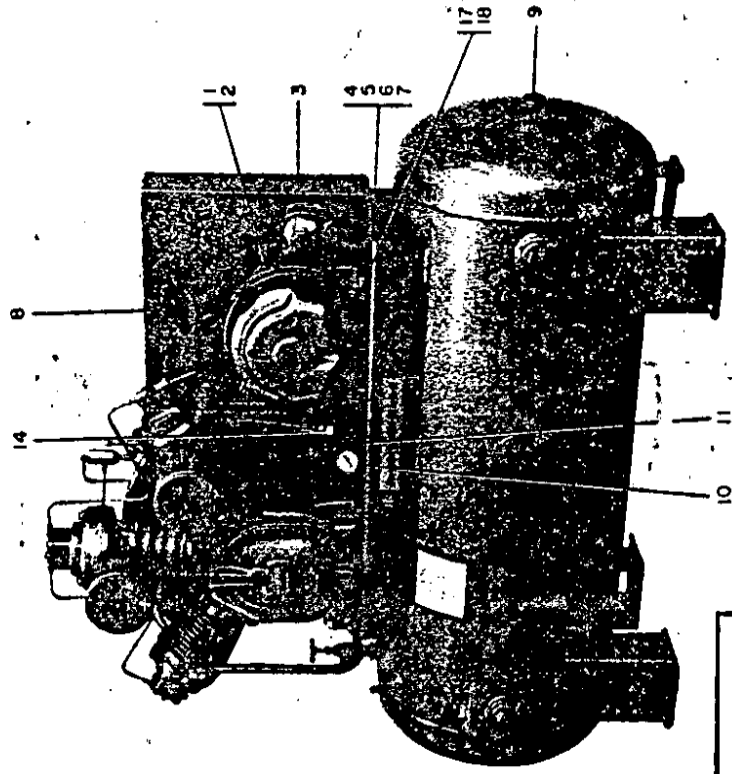
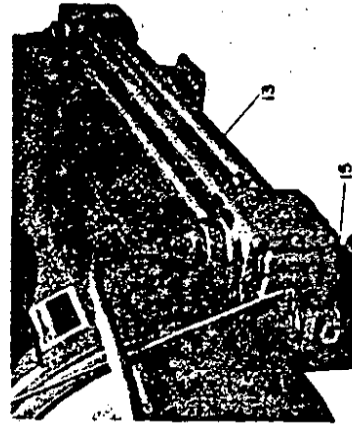


FIGURE 9. INLET-FILTER ASSEMBLY

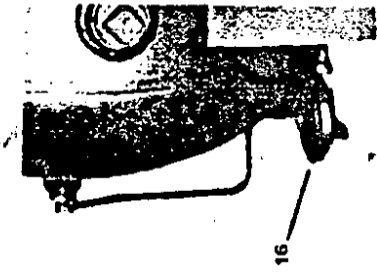
REF NBR	PART NUMBER	DESCRIPTION	UNITS PER ASSY	USED ON CODE	REC SPARES SYCE CLASS		
					1	2	3
9-9-1	H3633077 W114080	FILTER COMPLETE-INLET • ELEMENT NOTE-FOR HEAVY DUTY AIR FILTERING REQUIREMENTS, ORDER HEAVY DUTY FILTERING ELEMENT W114080T.	1 1				1



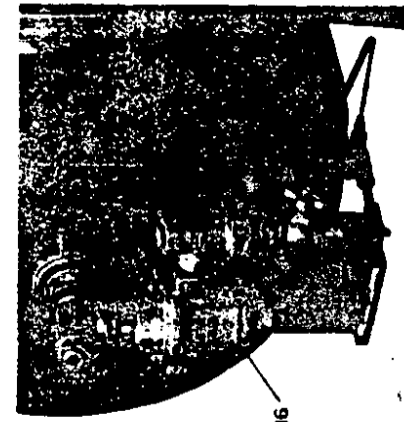
DETAIL A - TOTALLY ENCLOSED BELT GUARD.



DETAIL B - WATER COOLED AFTERCOOLER - DRAIN VALVE AS SHOWN IN DETAIL D MUST BE USED WITH THIS COOLER.



DETAIL C - AUTO DRAIN VALVE USED WITHOUT WATER COOLED AFTERCOOLER.



DETAIL D - AUTO DRAIN VALVE USED WITH WATER COOLED AFTERCOOLER.

FIGURE 1. COMPRESSOR DRIVE, AIR RECEIVER AND ACCESSORIES