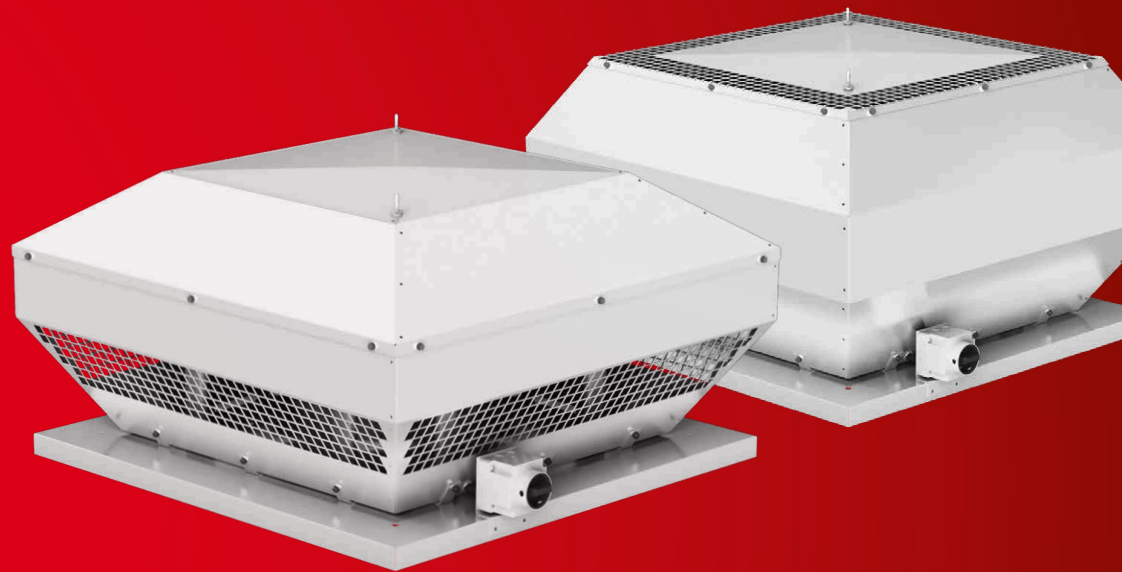


Right at the top. Helios roof fans.

Over 150 types in horizontal and vertical outlet designs with AC and efficient EC technology, in explosion-proof, T120 and smoke exhaust versions and with volume flows from 540 to 70 000 m³/h – you will be offered individual solutions for every construction project.



- EC roof fans, diagonal outlet, DV EC



478ff

- EC roof fans, horizontal and vertical outlet, RD and VD



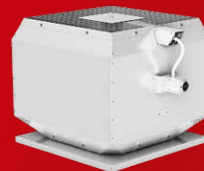
484ff

- AC roof fans, horizontal and vertical outlet, also in T120 and explosion-proof versions, RD and VD



506ff

- Smoke exhaust roof fans B VDD



See TGA catalogue
Ref. no. 86979

- Accessories

For roof fans.



530ff



This information supplements the "General technical information" and the information on the product pages.

■ **Series DV EC**

Diagonal outlet centrifugal fans for extract air operation. With EC drive technology for energy-saving application and the lowest operating costs.

□ **Design**

Extremely weather-resistant EC roof fan in plastic design for an extensive area of application. Aerodynamically designed plastic casing made of grey polypropylene with diagonal air outlet direction. Air flow temperatures from -30 to +60 °C.

□ **Drive**

Energy-efficient EC external rotor motor in protection category IP 54. Optimised efficiency, even with speed control for the lowest operating costs. Continuously variable speed control. Maintenance-free and radio interference-free, ball bearing mounted.

□ **Impellers**

Diagonal impeller made of aluminium, the motor-impeller unit is dynamically balanced for low-noise operation.

□ **Contact protection**

All units are delivered with an air outlet side protection grille according to DIN EN ISO 13857 as standard. If the system does not provide protection against touching rotating parts on the inlet side, a protection grille should also be attached here (accessories).

□ **Air flow temperatures**

Air flow temperatures from -30 to +60 °C.

■ **Power control**

■ **DV EC Pro**

- Ideal as a central extract air fan for multi-floor residential construction according to DIN 18017-3.
- A complete central ventilation system according to DIN 18017-3 with demand-controlled ventilation can be constructed in combination with additional components (accessories).
- Integrated pressure control for volume flow stabilisation in the connected rooms through automatic speed adjustment with consistently good efficiency.
- Integrated pressure sensor 0-300 Pa.
- Short amortisation period due to high energy savings.
- Operating data adjustment on the 4 potentiometers integrated in the control system for adjusting the desired operating point on site.
- Integrated serial bus interface (RS 485) for connection to a PC/laptop in conjunction with the interface (accessories).

■ **DV EC Eco**

- All EC types have continuously variable speed control via potentiometer, universal control system or electronic differential pressure/temperature controller (in combination with the mains adapter NG 24, accessories). Performance levels are shown on the characteristic curve as examples. Suitable control units can be found in the type table. Further information can be found in the "General technical information".

□ **Electrical connection**

Standard operating switch (protection category IP 65) mounted on the outside of the casing. Connection voltage 1~, 230 V, 50 Hz.

□ **Motor protection**

Integrated electronic temperature monitoring system for EC motor and electronics.

■ **Base formation, installation, delivery**

The units are delivered ready for installation in individual shipping boxes or crates. The fans are quick and easy to install; they are equally suitable for mounting on flat, pitched, single pitch, saw-tooth, sloping, trapezoidal or arched roofs. In general, the roof bases must always be designed so that the fan base plate lies flat and horizontal.

We recommend the use of the flat roof base, sloping roof base or corrugated roof base offered in the accessories range. These bases reduce the costs for planning, design and installation to a minimum.

The bases can also be created on site e.g. from concrete, wood, bricks or the like. A horizontal and flat surface is just as indispensable as a proper seal with the roof edge. Once positioned, the base plate is fastened to the base with 4 screws.

Helios flat roof bases and base silencers NS 180-450 mm have a hinge mechanism which is beneficial when it comes to cleaning and inspection. With regard to on-site bases, spacers should be used to compensate for any unevenness.

A gap between the base plate and base should be sealed with elastic tape or similar material. Once the screws have been evenly tightened, check the smooth movement of the impeller.

■ **Noise**

Further information can be found on the product pages and the "General technical information".

References	Page
Planning information, Acoustics, explosion prot.	10 ff.
General techn. information, power control	15 ff.



■ **Series RD EC**

Horizontal outlet EC centrifugal fans for extract air operation with efficiency-optimised aluminium casing and newly developed high-performance centrifugal impeller.

■ **Series VD EC**

Vertical outlet EC roof fan with efficiency-optimised aluminium casing and newly developed high-performance centrifugal impeller.

■ **Common features RD EC and VD EC**

□ **Design**

Robust and weather-resistant design. Motor support plate and base plate with inlet nozzle made of galvanised steel. Casing made of sea water-resistant aluminium with integrated tamper protection. Base plate made of galvanised steel sheet with inlet nozzle made of aluminium for all explosion-proof types. Smooth running due to vibration-damping motor suspension. Flat design.

□ **Drive**

External rotor motors in protection category IP 44, IP 54, IP 4X and insulation class F according to DIN EN 60034 / VDE 0530 and DIN EN 60335-1 / VDE 0700-1 are used for the EC types. The winding is also protected against moisture. The maintenance-free ball bearings have a lubricant supply for a period of approx. 30 000 operating hours. Motor and impeller dynamically balanced as a unit according to DIN ISO 21940-11, quality grade 6.3 for low-vibration operation.

□ **Impellers**

High-performance centrifugal impellers with backward curved blades made of plastic, steel sheet or aluminium. Dynamically balanced according to DIN ISO 21940-11 – quality grade 6.3.

□ **Contact protection**

All units are delivered with an air outlet side protection grille according to DIN EN ISO 13857 as standard. If the system does not provide protection against touching rotating parts on the inlet side, a protection grille should also be attached here (accessories).

□ **Air flow temperatures**

The range of application for EC types is up to +60 °C.

□ **Power control**

All EC types have continuously variable speed control via potentiometer, universal control system or electronic differential pressure/temperature controller (in combination with the mains adapter NG 24, accessories). Performance levels are shown on the characteristic curve as examples. Suitable control units can be found in the type table. Further information can be found in the "General technical information".

□ **Electrical connection**

ND 180 – 250 to external terminal box in protection category IP 65.
ND 315 – 630 to external terminal box and isolator switch in protection category IP 65.

□ **Motor protection**

Integrated electronic temperature monitoring system for EC motor and electronics.

□ **Delivery**

Units are ready-for-connection, fully pre-assembled in the shipping box / wooden crate. Simple positioning with standard crane hook from ND 450 upwards.

■ **Noise**

Further information can be found on the product pages and the "General technical information".

References	Page
Planning information, Acoustics, explosion prot.	10 ff.
General techn. information, power control	15 ff.



■ **Common features**
RD, VD and VD T120

□ **Design**

Robust and weather-resistant design. Motor support plate and base plate with inlet nozzle made of galvanised steel. Casing made of sea water-resistant aluminium with integrated tamper protection. Base plate made of galvanised steel sheet with inlet nozzle made of aluminium for all explosion-proof types. Smooth running due to vibration-damping motor suspension. Flat design.

□ **Drive**

Speed-controllable external rotor motors located inside the air flow in closed design and protection category IP 44 or IP 54 and insulation class F according to DIN EN 60034 / VDE 0530 and DIN EN 60335-1 / VDE 0700-1 are used for the AC types. The winding is also protected against moisture. The maintenance-free ball bearings have a lubricant supply for a period of approx. 30 000 operating hours. Motor and impeller dynamically balanced as a unit according to DIN ISO 21940-11, quality grade 6.3 for low-vibration operation.

□ **Impellers**

High-performance centrifugal impellers with backward curved blades made of galvanised steel sheet, plastic or aluminium. Dynamically balanced according to DIN ISO 21940-11 – quality grade 6.3

□ **Contact protection**

All units are delivered with an air outlet side protection grille according to DIN EN ISO 13857 as standard. If the system does not provide protection against touching rotating parts on the inlet side, a protection grille should also be attached here (accessories).

□ **Air flow temperatures**

The units can be used in the range from -20 °C to $+70\text{ °C}$. The upper limit value is type-specific and can be found in the table on the product page. If the fan is speed-controllable, this value should be reduced by approx. 10 °C . Explosion-proof types are approved up to max. $+40\text{ °C}$.
VD T120: The units can be used in the range from -30 °C up to max. $+120\text{ °C}$.

□ **Power control**

Further information can be found on the product pages and the "General technical information". The voltage-controllable types can be identified by a value in the column "Current consumption with control".

□ **Electrical connection**

The supply line can be connected from below via a cable opening in the base plate or from above (via the roof). The connection to the external terminal box or isolator switch must be carried out without dismantling other parts in accordance with the provided wiring diagram.

□ **Motor protection**

Further information can be found on the product pages and the "General technical information".

□ **Incorrect direction of rotation**

The units are only suitable for extract air operation. Operation in the incorrect direction of rotation overloads the motor and causes the thermal contacts or PTC thermistor to respond. Typical concomitant features include virtually non-existent flow rate, vibration and abnormal noise.

□ **Installation**

The roof fans must be installed horizontally. In case of sloping roofs, a corresponding base formation must be used to prevent water ingress. See series DV EC for delivery and base formation.

■ **Explosion protection**

The explosion-proof types correspond to unit group II, category 3 G for use in zone 2 in accordance with Directive 2014/34/EU.

The explosion-proof types $\text{Ø } 315$ to $\text{Ø } 560$ correspond to unit group II, category 2G for use in zone 1 in accordance with Directive 2014/34/EU.

The EU declaration of conformity provided with each fan certifies the design according to DIN EN 60079-0 / VDE 0170-1 and DIN EN 60079-7 / VDE 0170-6. The protection category corresponds to Ex e 2G. The temperature class is noted on the type page. The external terminal box also corresponds to Ex e 2G.

See "Planning information Explosion protection" and "General technical information" for further information. In accordance with EU Directive 2014/34/EU, larger air gaps are required, which can lead to a performance reduction of up to 10 %.

■ **Noise**

Further information can be found on the product pages and the "General technical information".

References	Page
Planning information, Acoustics, explosion prot.	10 ff.
General techn. information, power control	15 ff.

By combining the parameters of static pressure increase Δp_{fa} , speed min^{-1} and inlet side air noise as sound pressure at

4 m (free field conditions), the following table facilitates the selection of EC roof fans.

Type DV EC	Speed	Sound press. inlet side	Flow rate \dot{V} m ³ /h depending on static pressure = N / m ² = freely available pressure																
	min ⁻¹	L _{PA} dB(A) at 4 m distance	(Δp_{fa}) in Pa																
			0	50	100	150	200	250	300	350	400	450							
DV EC 200	1810	50	2010	1830	1660	1480	1270	1030	720	350									
DV EC 250	1640	55	3700	3480	3210	2930	2700	2420	2090	1690	1240	240							
DV EC 400 A	1020	48	4070	3660	3220	2720	2200	1610	980										
DV EC 400 B	1425	60	5650	5470	5100	4760	4480	4150	3800	3440	3000	1870							

Type RD EC	Speed	Sound press. inlet side	Flow rate \dot{V} m ³ /h depending on static pressure = N / m ² = freely available pressure																
	min ⁻¹	L _{PA} dB(A) at 4 m distance	(Δp_{fa}) in Pa																
			0	50	100	150	200	300	400	500	600	700	800	1000					
RDW EC 180	3360	57	670	650	620	600	570	500	410	260									
RDW EC 200	2650	57	1180	1120	1040	950	870	670	500	310									
RDW EC 225 A	2550	52	1310	1250	1160	1080	1000	810	600	370	160								
RDW EC 225 B	3020	60	1500	1440	1380	1330	1270	1150	1010	850	550								
RDW EC 250	2705	61	1890	1840	1790	1730	1660	1510	1330	1140	920	600							
RDW EC 315	1650	55	3460	3330	3190	3030	2840	2440	1730	80									
RDD EC 315	1700	55	3450	3320	3190	3060	2910	2540	2000	910									
RDW EC 355	1700	59	5370	5190	5030	4870	4690	4280	3850	3260	2260								
RDD EC 355	1750	60	5310	5160	5000	4820	4650	4300	3870	3350	2610	280							
RDW EC 400	1500	60	6710	6520	6310	6100	5850	5350	4730	3980	2470								
RDD EC 400	1500	60	6420	6250	6080	5870	5660	5180	4600	3800	2360								
RDW EC 450	1300	60	8020	7760	7480	7180	6870	6260	5490	4390	840								
RDD EC 450 A	1425	63	8740	8520	8280	8030	7770	7240	6570	5800	4780	2300							
RDD EC 450 B	1800	69	10730	10540	10360	10160	9970	9560	9120	8690	8230	7680	7100	5380					
RDD EC 500 A	1400	65	12680	12370	12070	11770	11470	10750	10010	9160	8130	6820	4350						
RDD EC 500 B	1550	68	13550	13280	13000	12720	12420	11820	11220	10540	9740	8920	7960	3940					
RDD EC 560	1100	63	14020	13660	13280	12880	12460	11490	10450	9010	6900	380							
RDD EC 630	940	67	17680	17240	16750	16180	15590	14380	12860	10560	5580								

Type VD EC	Speed	Sound press. inlet side	Flow rate \dot{V} m ³ /h depending on static pressure = N / m ² = freely available pressure																
	min ⁻¹	L _{PA} dB(A) at 4 m distance	(Δp_{fa}) in Pa																
			0	50	100	150	200	300	400	500	600	700	800	1000					
VDW EC 180	3330	54	670	640	610	570	540	460	370	210									
VDW EC 200	2670	55	1150	1070	1000	920	850	680	500	320	0								
VDW EC 225 A	2500	53	1260	1200	1120	1050	960	780	580	350	150								
VDW EC 225 B	3015	58	1430	1380	1320	1270	1200	1080	930	730	380								
VDW EC 250	2740	59	1820	1770	1720	1670	1600	1450	1280	1080	860	530							
VDW EC 315	1650	55	3440	3310	3170	3020	2860	2400	1630	180									
VDD EC 315	1700	55	3420	3290	3170	3040	2880	2480	1900	720									
VDW EC 355	1700	58	5070	4920	4780	4630	4470	4090	3570	2940	1870								
VDD EC 355	1750	59	5020	4890	4750	4610	4460	4120	3700	3100	2200	790							
VDW EC 400	1500	60	6180	6010	5820	5620	5400	4880	4230	3380	1630								
VDD EC 400	1500	59	6040	5870	5680	5450	5220	4770	4130	3300	1590								
VDW EC 450	1300	59	7350	7110	6870	6630	6330	5580	4640	3090	570								
VDD EC 450 A	1425	62	7990	7780	7560	7340	7090	6490	5810	4840	3360	1030							
VDD EC 450 B	1800	68	9940	9780	9620	9450	9270	8850	8420	7950	7390	6720	5850	3400					
VDD EC 500 A	1400	65	11100	10860	10620	10370	10100	9490	8760	7900	6730	5070	2620						
VDD EC 500 B	1550	68	11890	11690	11490	11270	11020	10480	9960	9310	8530	7630	6390	2100					
VDD EC 560	1100	62	12380	12050	11730	11380	10990	10050	9000	7390	4560	410							
VDD EC 630	940	67	15910	15500	15070	14570	14000	12710	11070	8370	2510								

Roof fans RD, VD and VD T120

Selection table

By combining the parameters of static pressure increase Δp_{fa} , speed min^{-1} and inlet side air noise as sound pressure at

4 m (free field conditions), the following table facilitates the selection of AC roof fans.

	Speed min^{-1}	Sound press. inlet side L_{PA} dB(A) at 4 m distance	Flow rate \dot{V} m^3/h depending on static pressure = N / m^2 = freely available pressure (Δp_{fa}) in Pa													
			0	50	100	150	200	250	300	400	500	600	800	1000	1200	
			RDW	RDD	VDW	VDD	VDW T120	VDD T120								
Type RD																
RDW 180/2	2295	41	550	490	440	360	290	200	120							
RDW 200/2	2430	48	1060	990	930	840	770	670	580	310						
RDW 200/4	1375	36	550	430	290											
RDW 225/2	2635	52	1310	1250	1200	1130	1060	990	930	760	520	90				
RDW 225/4	1340	36	650	550	410	30										
RDW 250/4	1340	38	920	800	630	440										
RDW 315/4	1385	46	2900	2720	2550	2330	2090	1830	1380							
RDD 315/4	1385	46	2890	2700	2510	2280	2060	1760	1290							
RDW 355/4	1400	46	4450	4260	4030	3790	3560	3280	2890	1870						
RDD 355/4	1350	46	4470	4230	4000	3700	3410	3120	2740	1650						
RDW 400/4	1405	51	6150	5920	5690	5450	5180	4910	4640	3970	2910	650				
RDD 400/4	1375	50	5950	5690	5430	5130	4850	4580	4230	3340	2050	310				
RDD 400/6	905	41	4030	3600	3180	2650	1910	420								
RDW 450/4	1385	54	8630	8340	8060	7770	7500	7200	6880	6220	5360	4240				
RDD 450/4	1400	54	8630	8380	8120	7840	7550	7270	6990	6280	5540	4400				
RDD 450/6	905	45	5830	5430	4910	4410	3780	2910	1530							
RDD 500/4	1340	56	12060	11710	11360	11000	10660	10310	9920	9140	8150	6980	3810			
RDD 500/6	885	47	8300	7750	7200	6670	5970	4990	3930	870						
RDD 560/4	1380	61	15660	15360	15040	14690	14320	13940	13570	12780	11960	11040	8810	5350	1220	
RDD 560/6	920	52	9820	9390	8960	8520	8100	7650	7130	5860	270					
RDD 630/6	930	59	15770	15200	14520	13870	13280	12580	11990	10460	8520	830				
RDD 710/6	968	63	26070	25460	24830	24150	23460	22790	22100	20390	18330	15660	6860			
Type VD																
VDW 180/2	2315	40	540	500	430	360	290	200	110							
VDW 200/2	2430	48	1000	940	870	790	700	610	500	240						
VDW 200/4	1375	32	530	420	250											
VDW 225/2	2635	51	1290	1240	1170	1100	1030	950	880	680	410	70				
VDW 225/4	1340	37	640	540	370	30										
VDW 250/4	1340	38	900	780	610	380										
VDW 315/4	1385	46	2850	2670	2480	2290	2050	1720	1200	150						
VDD 315/4	1385	45	2870	2680	2500	2270	2020	1660	1130							
VDW 355/4	1400	46	4290	4100	3880	3660	3390	3090	2710	1690	230					
VDD 355/4	1350	46	4280	4050	3830	3600	3300	2990	2550	1470	120					
VDW 400/4	1405	51	5820	5610	5370	5110	4850	4600	4290	3480	2300	760				
VDD 400/4	1375	49	5590	5340	5100	4830	4530	4190	3820	2940	1600	390				
VDD 400/6	905	41	3760	3440	2970	2380	1590	590								
VDW 450/4	1385	53	7740	7520	7290	7030	6760	6450	6110	5390	4360	3000				
VDD 450/4	1400	53	7870	7640	7400	7140	6890	6630	6280	5560	4400	3170				
VDD 450/6	905	44	5210	4860	4390	3840	3150	2200	1100							
VDD 500/4	1340	56	10550	10280	10000	9690	9380	9080	8740	7940	7040	5880	2780			
VDD 500/6	885	47	7240	6760	6290	5710	5090	4310	3220	760						
VDD 560/4	1380	62	14060	13760	13450	13100	12720	12370	12050	11270	10440	9530	7400	4730	1480	
VDD 560/6	920	52	9240	8760	8350	7950	7500	7010	6450	4860	970					
VDD 630/6	930	58	14430	13780	13240	12670	12020	11390	10780	9110	6440	1100				
VDD 710/6	968	62	23760	23210	22630	21980	21260	20470	19700	17940	15800	13000	5000			
Type VD T120																
VDD 315/4 T120	1450	53	3260	2920	2530	1980	1030									
VDD 355/4 T120	1400	55	4430	4090	3640	3100	2330	930								
VDD 400/4 T120	1400	54	6570	6140	5590	5000	4220	3360	2080							
VDD 400/6 T120	967	46	4360	3670	2760	460										
VDD 450/4 T120	1355	60	9470	9020	8470	7840	7070	6090	4860	3320	1500					
VDD 450/6 T120	940	53	6310	5650	4650	2990										
VDD 500/4 T120	1465	61	13530	13070	12540	11920	11250	10400	9260	7830	5940	3350	340			
VDD 500/6 T120	945	52	9190	8320	7080	5100	1930									
VDD 560/4 T120	1480	63	15820	15270	14690	14010	13250	12490	11660	10730	9640	8450	7080	5420	3330	
VDD 560/6 T120	965	52	11940	11050	10050	8640	6280	2510								
VDD 630/6 T120	985	63	18840	17940	16970	15730	14090	11900	7430	990						
VDD 710/6 T120	985	62	23780	22640	21410	19860	18260	16270	13770	10660	6670	1250				

Centrifugal roof fan RD, horizontal outlet.

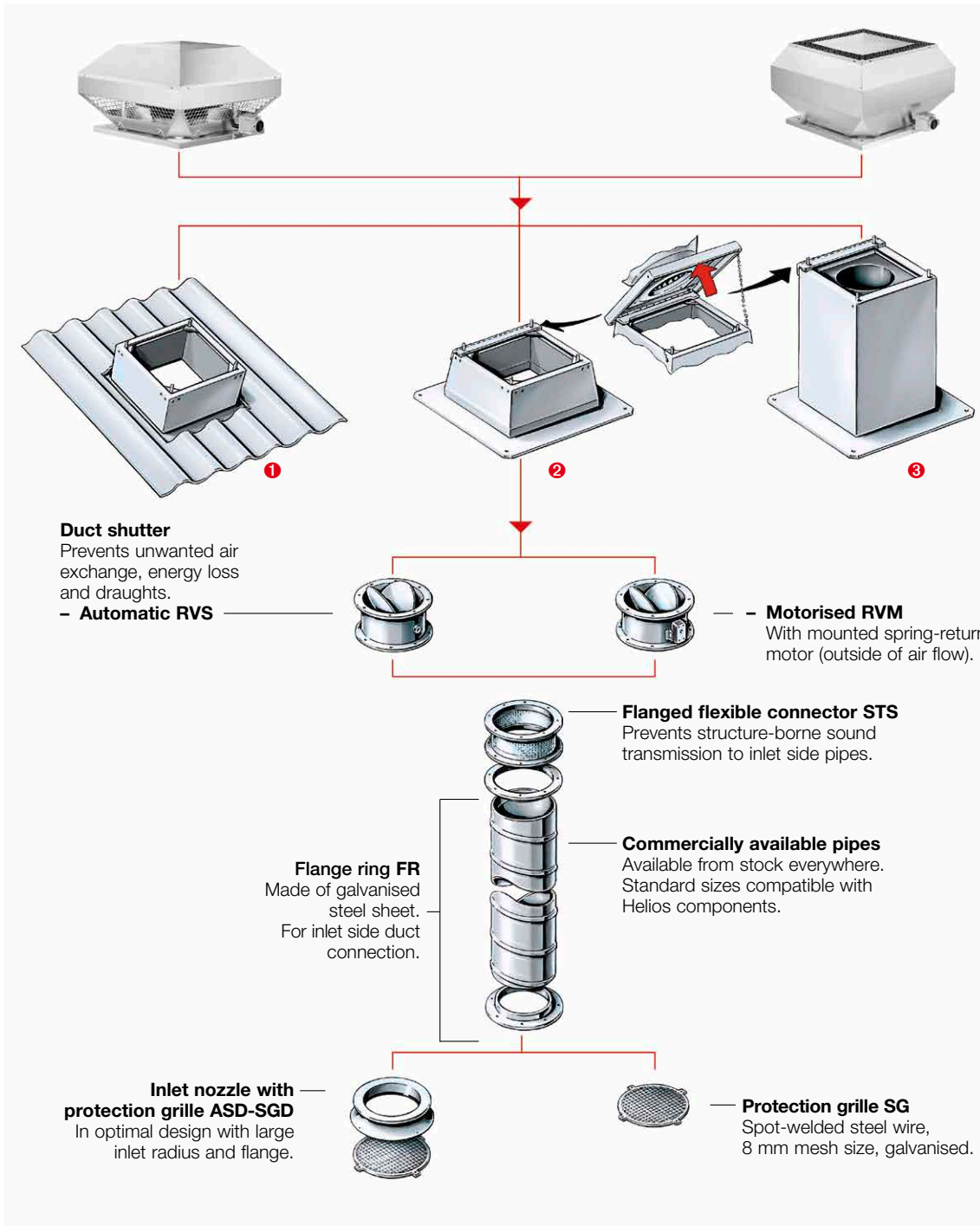
Favourable price/performance ratio. Horizontal outlet roof fan with efficiency-optimised aluminium casing and newly developed high-performance centrifugal impeller.

EC roof fans DV, diagonal outlet.

With energy-saving EC drive technology for the lowest operating costs. Extremely weather-resistant in plastic design. Optionally available in Pro version with integrated pressure control for volume flow stabilisation (no Figure).

Centrifugal roof fans VD, vertical outlet.

Favourable price/performance ratio. Vertical outlet roof fan with efficiency-optimised aluminium casing or casing made of galvanised steel sheet and newly developed high-performance centrifugal impeller.



Duct shutter

Prevents unwanted air exchange, energy loss and draughts.

– **Automatic RVS**

– **Motorised RVM**

With mounted spring-return motor (outside of air flow).

Flanged flexible connector STS

Prevents structure-borne sound transmission to inlet side pipes.

Commercially available pipes

Available from stock everywhere. Standard sizes compatible with Helios components.

Flange ring FR
Made of galvanised steel sheet. For inlet side duct connection.

Inlet nozzle with protection grille ASD-SGD

In optimal design with large inlet radius and flange.

Protection grille SG

Spot-welded steel wire, 8 mm mesh size, galvanised.

1 Corrugated roof base WDS

For the installation of roof fans and ventilation hoods on corrugated roofs. Weather-resistant and non-corrosive made of glass fibre reinforced polyester.

Pitched roof base SDS

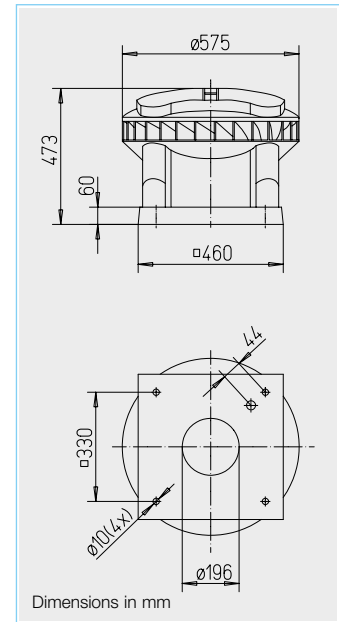
For the installation of roof fans/ventilation hoods on pitched or trapezoidal roofs. Sound and heat insulated lining on the inside.

2 Flat roof base FDS

For the cost-effective and efficient installation of roof fans and ventilation hoods on flat roofs. In corrosion-resistant GFK version or made of galvanised steel sheet. NS 180 to 450 mm with hinged mechanism for easy inspection and cleaning.

3 Base silencer SSD

For inlet side noise reduction. All metal parts made of galvanised steel sheet. Incl. fixing screws, rubber profile and seal between the base and base plate. NS 180 to 450 mm with hinged mechanism and foam core with free cross-section. Allows access to the duct/shaft system.



ecgreen vent

40% savings*

* with speed control

■ **Extremely weather-resistant EC roof fan in plastic design for an extensive range of applications, diagonal outlet.**

■ **Common features DV EC Pro and DV EC Eco**

□ **Casing**
Aerodynamically designed plastic casing made of grey polypropylene with diagonal air outlet direction. Air flow temperatures from -30 to +60 °C.

□ **Impeller**
Diagonal impeller made of aluminium, the motor impeller unit is dynamically balanced for low-noise operation.

□ **Drive**
Energy-efficient EC external rotor motor in protection category IP 54. Optimised efficiency even with speed control for low operating costs. Continuously variable speed control. Maintenance-free and radio interference-free, ball bearing mounted.

□ **Motor protection**
Integrated electronic temperature monitoring system for EC motor and electronics.

□ **Electrical connection**
Standard operating switch (protection category IP 65) mounted on the outside of the casing. Connection voltage 1~, 230 V, 50 Hz.

□ **Installation**
Horizontal alignment on the roof. In case of sloping roofs, a corresponding base formation must be used to prevent water ingress. A range of accessories facilitates the installation of the fan in the building duct system.

■ **Noise**
The total level and range are specified above the performance diagram for:
- Inlet side sound power
- Outlet side sound power.
The case-radiated noise as sound pressure at 4 m (free field conditions) is also specified in the type table and the table below the characteristic curve.

■ **Description DV EC Pro**

- **Power control**
 - Ideal as a central extract air fan for multi-floor residential construction in accordance with DIN 18017-3.
 - When combined with other components (accessories), a complete central ventilation system in accordance with DIN 18017-3 can be created with demand-driven ventilation.
 - Integrated pressure control for constant volume flow control in the connected rooms through automatic speed adjustment at almost constantly high efficiency.
 - Integrated pressure sensor 0-300 Pa.
 - Short amortisation period due to high energy saving.
 - Operating data setting at the 4 potentiometers integrated in the control system to set the desired operating point on site.
 - Integrated serial bus interface (RS 485) for connection to a PC/laptop in connection with the interface (accessories).

■ **Description DV EC Eco**

- **Power control**
 - Continuously variable speed control with speed potentiometer PU/PA 10 (accessories, see type table).
 - When combined with the universal control system EUR EC or electronic pressure/temperature controllers EDR/ETR (accessories, see type table), the fan can be used for the continuously variable control of differential pressure, differential temperature or flow velocity. Performance levels are shown in the characteristic curve as an example.

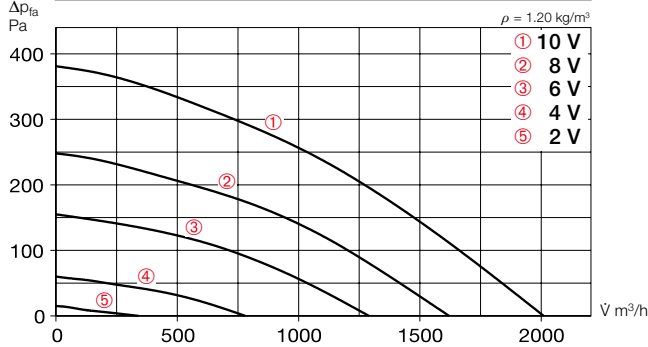
Type	Ref. no.	Maximum speed approx.	Flow rate free blowing	Noise sound pressure	Power consumption at maximum speed		Wiring diagram	Max. air flow temperature	Weight net approx.	Universal control system		Speed potentiometer			
					kW	A				Type	Ref. no.	Type	Ref. no.	Type	Ref. no.
		min ⁻¹	V m ³ /h	dB(A) at 4 m			No.	+ °C	kg	Type	Ref. no.	Type	Ref. no.	Type	Ref. no.
Type DV EC Pro, single-phase alternating current, 230 V, 50/60 Hz, EC motor, IP 54															
DV EC 200 Pro	08385	1810	2010	52	0.18	1.38	863.1	60	17.0	—	—	—	—	—	—
Type DV EC Eco, single-phase alternating current, 230 V, 50/60 Hz, EC motor, IP 54															
DV EC 200 Eco	08320	1810	2010	52	0.18	1.38	991	60	17.0	EUR EC ^{1) 2)}	01347	PU 10 ³⁾	01734	PA 10 ³⁾	01735

1) Multiple EC fans can normally be connected.

2) Alternative elec. pressure/temp. controller (EDR/ETR, no. 01437/01438) in combination with mains adapter NG 24, no. 01439, see accessories.

DV EC 200

Frequency		Hz	Tot.	125	250	500	1k	2k	4k	8k
L _{WA}	Inlet side	dB(A)	70	54	64	64	65	61	55	46
L _{WA}	Outlet side	dB(A)	72	53	57	66	69	66	57	46



Free blowing						
Voltage V	n min ⁻¹	V m ³ /h	P W	I A	Lp dB(A)	SFP kW/m ³ /s
10	1810	2010	180	1.38	52	—
8	1480	1620	108	0.90	47	—
6	1200	1290	60	0.54	41	—
4	720	780	21	0.20	31	—

Accessory details Page

Roof install. accessories	531 f.
Ventilation grilles	533 ff.
Extract air elements	546 ff.
Intake air elements	558 ff.
Fire protection systems	562 ff.
Universal control systems, electronic controllers, speed potentiometer	585 ff.

Accessories for all types

Base silencer

Type SSD 200 Ref. no. 05290
With folding mechanism for easy inspection and cleaning.

Flange connection plate

Type FAP 200 Ref. no. 08382
Made of galvanised steel sheet. Allows the connection of the duct system and accessories to the roof fans DV EC if no base silencer SSD is used.

Flat roof base

Type FDS 200 Ref. no. 01378
With folding mechanism for easy inspection and cleaning.

Counter flange

Type DFR 200 Ref. no. 01201
Made of galvanised steel sheet, for inlet-side duct connection.

Flanged flexible connector

Type DSTS 200 Ref. no. 01218
For the prevention of structure-borne noise transmission to inlet-side ducts. Flanges made of galvanised steel sheet.

Duct shutter

Type DRVS 200 Ref. no. 02591
Automatic, made of galvanised steel sheet. Prevents cold draughts when the fan is at a standstill. For vertical throughflow from bottom to top.

Accessories for DV EC Pro

Interface

Type ZLS-IF Ref. no. 08391
Interface for commissioning or controlling the fan in combination with a PC/Laptop. Incl. mains adapter, adapter cable and software.

Electronic timer module

Type ZLS-ZU 31 Ref. no. 08388
Allows the parallel operation of max. 31 DV EC roof fans. The rocker switch is used to enable the DV EC fans. The day and night switchover takes place via the settings in the display. Incl. main switch. 230 V, 50 Hz.

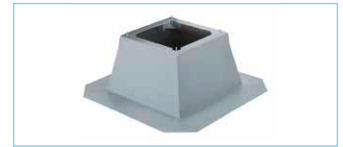
Accessories for DV EC Eco

Universal control system

Type EUR EC Ref. no. 01347
For the continuously variable control or regulation of single and three-phase EC fans with a set-point of 0–10 V DC.

Speed potentiometer

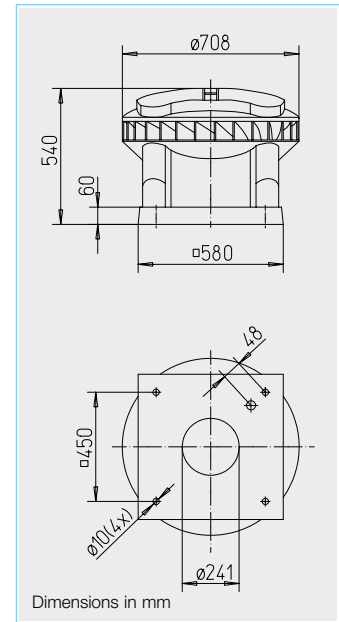
Type PU/PA 10 See type table
For the direct control/setpoint setting of EC fans with a potentiometer input.



EC roof fans

Timer for controlling max. 31 fans	
Type	Ref. no.
ZLS-ZU 31	08388
—	—

3) Without LED supply.



■ **Extremely weather-resistant EC roof fan in plastic design for an extensive range of applications, diagonal outlet.**

■ **Common features DV EC Pro and DV EC Eco**

□ **Casing**
Aerodynamically designed plastic casing made of grey polypropylene with diagonal air outlet direction. Air flow temperatures from -30 to +60 °C.

□ **Impeller**
Diagonal impeller made of aluminium, the motor impeller unit is dynamically balanced for low-noise operation.

□ **Drive**
Energy-efficient EC external rotor motor in protection category IP 54. Optimised efficiency even with speed control for low operating costs. Continuously variable speed control. Maintenance-free and radio interference-free, ball bearing mounted.

□ **Motor protection**
Integrated electronic temperature monitoring system for EC motor and electronics.

□ **Electrical connection**
Standard operating switch (protection category IP 65) mounted on the outside of the casing. Connection voltage 1~, 230 V, 50 Hz.

□ **Installation**
Horizontal alignment on the roof. In case of sloping roofs, a corresponding base formation must be used to prevent water ingress. A range of accessories facilitates the installation of the fan in the building duct system.

■ **Noise**
The total level and range are specified above the performance diagram for:
- Inlet side sound power
- Outlet side sound power.
The case-radiated noise as sound pressure at 4 m (free field conditions) is also specified in the type table and the table below the characteristic curve.

■ **Description DV EC Pro**

- **Power control**
 - Ideal as a central extract air fan for multi-floor residential construction in accordance with DIN 18017-3.
 - When combined with other components (accessories), a complete central ventilation system in accordance with DIN 18017-3 can be created with demand-driven ventilation.
 - Integrated pressure control for constant volume flow control in the connected rooms through automatic speed adjustment at almost constantly high efficiency.
 - Integrated pressure sensor 0–300 Pa.
 - Short amortisation period due to high energy saving.
 - Operating data setting at the 4 potentiometers integrated in the control system to set the desired operating point on site.
 - Integrated serial bus interface (RS 485) for connection to a PC/laptop in connection with the interface (accessories).

■ **Description DV EC Eco**

- **Power control**
 - Continuously variable speed control with speed potentiometer PU/PA 10 (accessories, see type table).
 - When combined with the universal control system EUR EC or electronic pressure/temperature controllers EDR/ETR (accessories, see type table), the fan can be used for the continuously variable control of differential pressure, differential temperature or flow velocity. Performance levels are shown in the characteristic curve as an example.

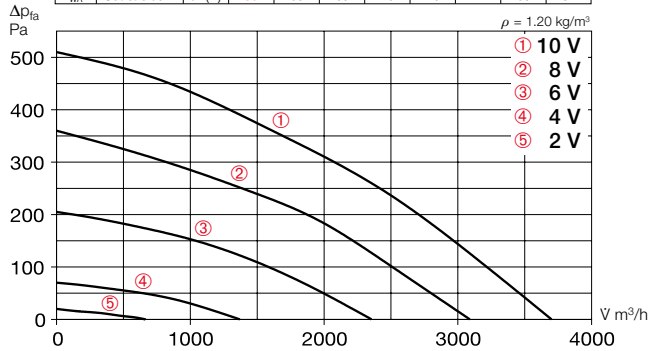
Type	Ref. no.	Maximum speed approx. min ⁻¹	Flow rate free blowing V m ³ /h	Noise sound pressure dB(A) at 4 m	Power consumption at maximum speed		Wiring diagram No.	Max. air flow temperature + °C	Weight net approx. kg	Universal control system		Speed potentiometer			
					kW	A				Type	Ref. no.	Type	Ref. no.	Type	Ref. no.
Type DV EC Pro, single-phase alternating current, 230 V, 50/60 Hz, EC motor, IP 54															
DV EC 250 Pro	08386	1640	3700	60	0.41	1.78	863.1	60	23.0	—	—	—	—	—	
Type DV EC Eco, single-phase alternating current, 230 V, 50/60 Hz, EC motor, IP 54															
DV EC 250 Eco	08322	1640	3700	60	0.41	1.78	991	60	23.0	EUR EC ^{1) 2)}	01347	PU 10 ³⁾	01734	PA 10 ³⁾	01735

1) Multiple EC fans can normally be connected.

2) Alternative elec. pressure/temp. controller (EDR/ETR, no. 01437/01438) in combination with mains adapter NG 24, no. 01439, see accessories.

DV EC 250

Frequency		Hz	Tot.	125	250	500	1k	2k	4k	8k
L _{WA}	Inlet side	dB(A)	75	60	64	70	69	67	61	52
L _{WA}	Outlet side	dB(A)	80	63	65	75	76	72	63	52



Free blowing						
Voltage V	n min ⁻¹	V̇ m ³ /h	P W	I A	Lp dB(A)	SFP kW/m ² /s
10	1640	3700	412	1.78	60	—
8	1380	3100	264	1.14	55	—
6	1100	2350	138	0.60	49	—
4	650	1370	40	0.20	36	—

Accessory details	Page
Roof install. accessories	531 f.
Ventilation grilles	533 ff.
Extract air elements	546 ff.
Intake air elements	558 ff.
Fire protection systems	562 ff.
Universal control systems, electronic controllers, speed potentiometer	585 ff.

■ Accessories for all types

Base silencer
Type SSD 250 Ref. no. 05292
 With folding mechanism for easy inspection and cleaning.

Flange connection plate
Type FAP 250 Ref. no. 08383
 Made of galvanised steel sheet. Allows the connection of the duct system and accessories to the roof fans DV EC if no base silencer SSD is used.

Flat roof base
Type FDS 250 Ref. no. 01379
 With folding mechanism for easy inspection and cleaning.

Counter flange
Type FR 250 Ref. no. 01203
 Made of galvanised steel sheet, for inlet-side duct connection.

Flanged flexible connector
Type STS 250 Ref. no. 01220
 For the prevention of structure-borne noise transmission to inlet-side ducts. Flanges made of galvanised steel sheet.

Duct shutter
Type RVS 250 Ref. no. 02592
 Automatic, made of galvanised steel sheet, shutters made of aluminium. Prevents cold draughts when the fan is at a standstill. For vertical throughflow from bottom to top.

■ Accessories for DV EC Pro

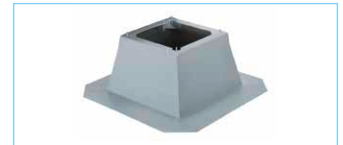
Interface
Type ZLS-IF Ref. no. 08391
 Interface for commissioning or controlling the fan in combination with a PC/Laptop. Incl. mains adapter, adapter cable and software.

Electronic timer module
Type ZLS-ZU 31 Ref. no. 08388
 Allows the parallel operation of max. 31 DV EC roof fans. The rocker switch is used to enable the DV EC fans. The day and night switchover takes place via the settings in the display. Incl. main switch. 230 V, 50 Hz.

■ Accessories for DV EC Eco

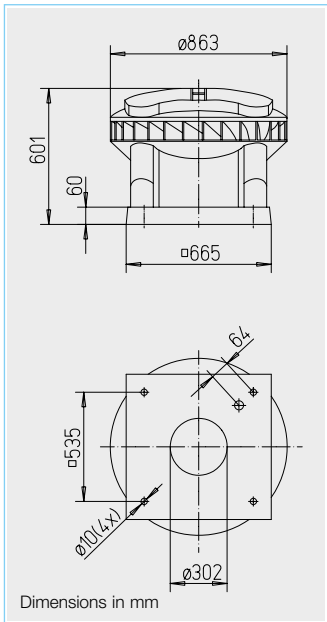
Universal control system
Type EUR EC Ref. no. 01347
 For the continuously variable control or regulation of single and three-phase EC fans with a set-point of 0–10 V DC.

Speed potentiometer
Type PU/PA 10 See type table
 For the direct control/setpoint setting of EC fans with a potentiometer input.



Timer for controlling max. 31 fans	
Type	Ref. no.
ZLS-ZU 31	08388
—	—

3) Without LED supply.



ecgreen vent
45% savings*
* with speed control

■ **Extremely weather-resistant EC roof fan in plastic design for an extensive range of applications, diagonal outlet.**

■ **Common features DV EC Pro and DV EC Eco**

□ **Casing**
Aerodynamically designed plastic casing made of grey polypropylene with diagonal air outlet direction. Air flow temperatures from -30 to +60 °C.

□ **Impeller**
Diagonal impeller made of aluminium, the motor impeller unit is dynamically balanced for low-noise operation.

□ **Drive**
Energy-efficient EC external rotor motor in protection category IP 54. Optimised efficiency even with speed control for low operating costs. Continuously variable speed control. Maintenance-free and radio interference-free, ball bearing mounted.

□ **Motor protection**
Integrated electronic temperature monitoring system for EC motor and electronics.

□ **Electrical connection**
Standard operating switch (protection category IP 65) mounted on the outside of the casing. Connection voltage 1~, 230 V, 50 Hz.

□ **Installation**
Horizontal alignment on the roof. In case of sloping roofs, a corresponding base formation must be used to prevent water ingress. A range of accessories facilitates the installation of the fan in the building duct system.

■ **Noise**
The total level and range are specified above the performance diagram for:
- Inlet side sound power
- Outlet side sound power.
The case-radiated noise as sound pressure at 4 m (free field conditions) is also specified in the type table and the table below the characteristic curve.

■ **Description DV EC Pro**

- **Power control**
 - Ideal as a central extract air fan for multi-floor residential construction in accordance with DIN 18017-3.
 - When combined with other components (accessories), a complete central ventilation system in accordance with DIN 18017-3 can be created with demand-driven ventilation.
 - Integrated pressure control for constant volume flow control in the connected rooms through automatic speed adjustment at almost constantly high efficiency.
 - Integrated pressure sensor 0-300 Pa.
 - Short amortisation period due to high energy saving.
 - Operating data setting at the 4 potentiometers integrated in the control system to set the desired operating point on site.
 - Integrated serial bus interface (RS 485) for connection to a PC/laptop in connection with the interface (accessories).

■ **Description DV EC Eco**

- **Power control**
 - Continuously variable speed control with speed potentiometer PU/PA 10 (accessories, see type table).
 - When combined with the universal control system EUR EC or electronic pressure/temperature controllers EDR/ETR (accessories, see type table), the fan can be used for the continuously variable control of differential pressure, differential temperature or flow velocity. Performance levels are shown in the characteristic curve as an example.

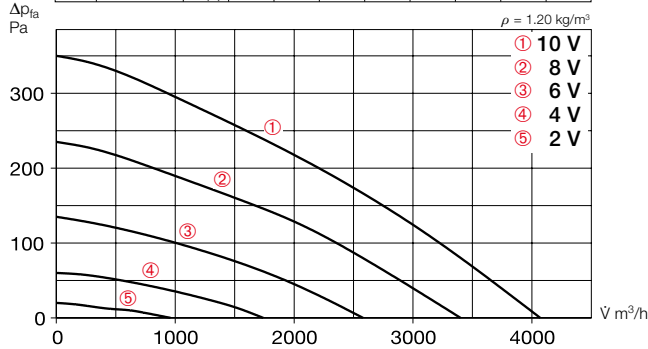
Type	Ref. no.	Maximum speed approx.	Flow rate free blowing	Noise sound pressure	Power consumption at maximum speed		Wiring diagram	Max. air flow temperature	Weight net approx.	Universal control system		Speed potentiometer			
					kW	A				Type	Ref. no.	Type	Ref. no.	Type	Ref. no.
		min ⁻¹	m ³ /h	dB(A) at 4 m			No.	+ °C	kg	Type	Ref. no.	Type	Ref. no.		
Type DV EC Pro, single-phase alternating current, 230 V, 50/60 Hz, EC motor, IP 54															
DV EC 400 A Pro	08387	1020	4070	51	0.30	1.33	863.1	60	33.0	—	—	—	—		
DV EC 400 B Pro	08389	1425	5650	65	0.75	3.32	863.1	60	35.0	—	—	—	—		
Type DV EC Eco, single-phase alternating current, 230 V, 50/60 Hz, EC motor, IP 54															
DV EC 400 A Eco	08324	1020	4070	51	0.30	1.33	991	60	33.0	EUR EC ^{1) 2)}	01347	PU 10 ³⁾	01734	PA 10 ³⁾	01735
DV EC 400 B Eco	08326	1425	5650	65	0.75	3.32	991	60	35.0	EUR EC ^{1) 2)}	01347	PU 10 ³⁾	01734	PA 10 ³⁾	01735

1) Multiple EC fans can normally be connected.

2) Alternative elec. pressure/temp. controller (EDR/ETR, no. 01437/01438) in combination with mains adapter NG 24, no. 01439, see accessories.

DV EC 400 A

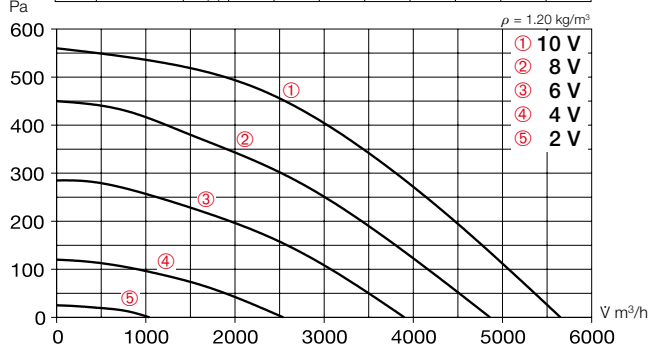
Frequency		Hz	Tot.	125	250	500	1k	2k	4k	8k
L _{WA}	Inlet side	dB(A)	68	55	62	63	63	58	51	44
L _{WA}	Outlet side	dB(A)	72	56	61	68	67	60	52	43



Free blowing						
Voltage V	n min ⁻¹	\dot{V} m ³ /h	P W	I A	Lp dB(A)	SFP kW/m ³ /s
10	1020	4070	303	1.33	51	—
8	850	3400	176	0.77	46	—
6	650	2580	85	0.40	40	—
4	450	1740	33	0.20	31	—

DV EC 400 B

Frequency		Hz	Tot.	125	250	500	1k	2k	4k	8k
L _{WA}	Inlet side	dB(A)	80	64	69	75	74	74	65	58
L _{WA}	Outlet side	dB(A)	85	66	72	82	81	76	66	56



Free blowing						
Voltage V	n min ⁻¹	\dot{V} m ³ /h	P W	I A	Lp dB(A)	SFP kW/m ³ /s
10	1425	5650	755	3.32	65	—
8	1225	4860	485	2.10	60	—
6	1000	3900	265	1.15	54	—
4	650	2540	90	0.40	43	—

Accessory details	Page
Roof install. accessories	531 f.
Ventilation grilles	533 ff.
Extract air elements	546 ff.
Intake air elements	558 ff.
Fire protection systems	562 ff.
Universal control systems, electronic controllers, speed potentiometer	585 ff.

Accessories for all types

Base silencer
Type SSD 400 Ref. no. 05291
With folding mechanism for easy inspection and cleaning.

Flange connection plate
Type FAP 400 Ref. no. 08384
Made of galvanised steel sheet. Allows the connection of the duct system and accessories to the roof fans DV EC if no base silencer SSD is used.

Flat roof base
Type FDS 400 Ref. no. 01380
With folding mechanism for easy inspection and cleaning.

Counter flange
Type FR 400 Ref. no. 01206
Made of galvanised steel sheet, for inlet-side duct connection.

Flanged flexible connector
Type STS 400 Ref. no. 01223
For the prevention of structure-borne noise transmission to inlet-side ducts. Flanges made of galvanised steel sheet.

Duct shutter
Type RVS 400 Ref. no. 02596
Automatic, made of galvanised steel sheet, shutters made of aluminium. Prevents cold draughts when the fan is at a standstill. For vertical throughflow from bottom to top.

Accessories for DV EC Pro

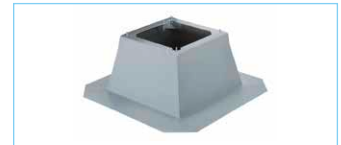
Interface
Type ZLS-IF Ref. no. 08391
Interface for commissioning or controlling the fan in combination with a PC/Laptop. Incl. mains adapter, adapter cable and software.

Electronic timer module
Type ZLS-ZU 31 Ref. no. 08388
Allows the parallel operation of max. 31 DV EC roof fans. The rocker switch is used to enable the DV EC fans. The day and night switchover takes place via the settings in the display. Incl. main switch. 230 V, 50 Hz.

Accessories for DV EC Eco

Universal control system
Type EUR EC Ref. no. 01347
For the continuously variable control or regulation of single and three-phase EC fans with a set-point of 0–10 V DC.

Speed potentiometer
Type PU/PA 10 See type table
For the direct control/setpoint setting of EC fans with a potentiometer input.



EC roof fans

Timer for controlling max. 31 fans	
Type	Ref. no.
ZLS-ZU 31	08388
ZLS-ZU 31	08388
—	—
—	—

3) Without LED supply.



Description RD EC
Horizontal outlet EC roof fan with efficiency-optimised aluminium casing and newly developed high-performance centrifugal impeller.

Description VD EC
Vertical outlet EC roof fan with efficiency-optimised aluminium casing and newly developed high-performance centrifugal impeller.

Common features RD EC and VD EC

Casing
Made of sea water-resistant aluminium with integrated tamper protection. Motor support plate and base plate with inlet nozzle made of galvanised steel. Base plate with threaded screws for attachment of inlet-side accessories (hole pattern according to DIN 24155).

Impeller
High-performance centrifugal impeller with backward curved blades made of plastic. Dynamically balanced according to DIN ISO 21940-11 – quality grade 6.3.

Drive
Energy-saving, speed-controllable EC external rotor motor with the highest level of efficiency. Maintenance-free and radio interference-free, ball bearing mounted.

Motor protection
Integrated electronic temperature monitoring system for EC motor and electronics.

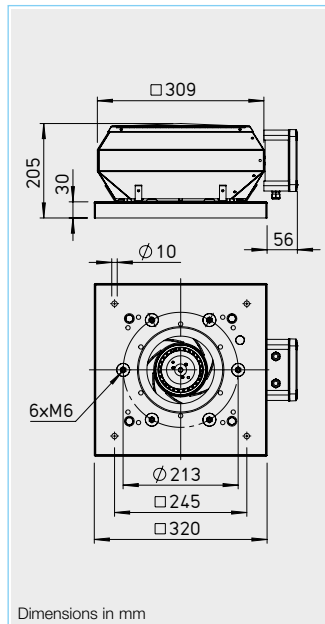
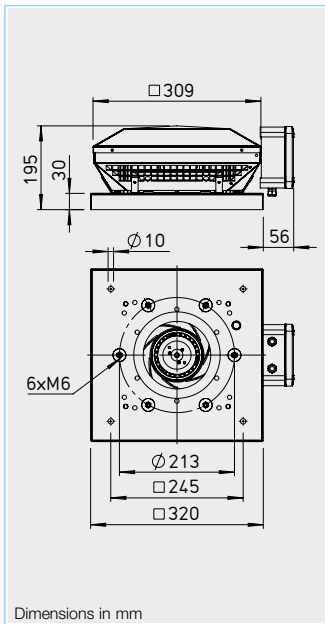
Electrical connection
ND 180 – 250 to external terminal box in protection category IP 65.

Protection grille
On outlet side as standard according to DIN EN ISO 13857.

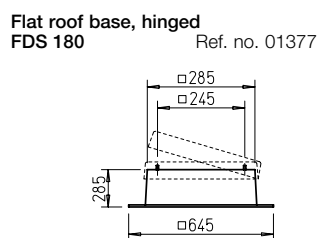
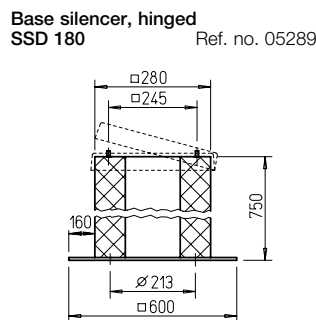
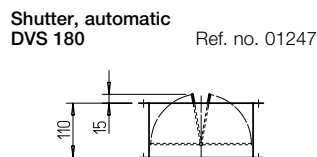
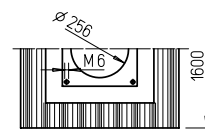
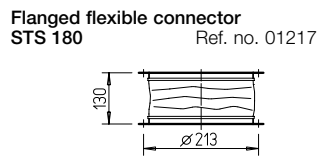
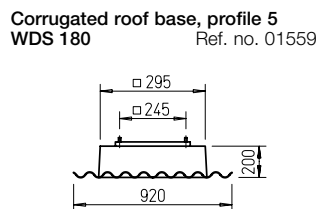
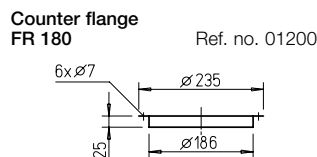
Power control
Continuously variable speed control via potentiometer or continuously variable speed control with universal control system (see table).

Delivery
Units are ready-for-connection, fully pre-assembled in the shipping box / wooden crate.

Noise
The total level and range are specified above the performance diagram for:
– Inlet side sound power
– Outlet side sound power.
The case-radiated noise as sound pressure at 4 m (free field conditions) is also specified in the type table and the table below the characteristic curve.



Accessories for Type RD EC / VD EC



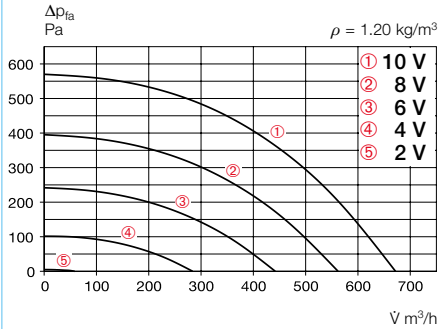
Dimensions in mm

ecgreen Vent **45% savings***
* with speed control

References	Page
Planning information	10 ff.
Technical description	473 f.
Selection table	475 f.
Accessories, details	531 f.
Universal control systems, electronic controllers, speed potentiometer	585 ff.

RDW EC 180

Frequency	Hz	Tot.	125	250	500	1k	2k	4k	8k
L _{WA} Inlet side	dB(A)	70	46	57	62	65	64	63	53
L _{WA} Outlet side	dB(A)	74	47	61	67	71	66	63	54

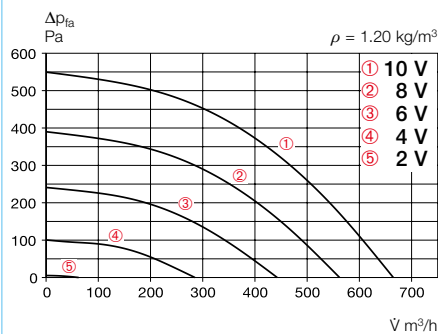


Free blowing						
Voltage V	n min ⁻¹	V m³/h	P W	I A	Lp dB(A)	SFP kW/m³/s
10	3370	670	100	0.75	57	0.54
8	2800	565	60	0.45	53	0.38
6	2200	445	30	0.25	48	0.24
4	1430	285	10	0.10	40	0.13

Type	Ref. no.	Speed	Flow rate free blowing	Noise sound press.	Power consumption	Current consumption		Wiring diagram	Max. air flow temp.		Weight net	Speed potentiometer			
						at rated voltage	with control		at rated voltage	with control		flush-mounted	surface-mounted		
		min ⁻¹	m³/h	dB(A) at 4 m	W	A	A	No.	°C	°C	kg	Type	Ref. no.	Type	Ref. no.
Alternating current, 1~, 230 V, 50 Hz, EC motor, protection category IP 44															
RDW EC 180	07125	3360	670	57	114	0.84	0.84	1149	50	—	4.9	PU 10	01734	PA 10	01735

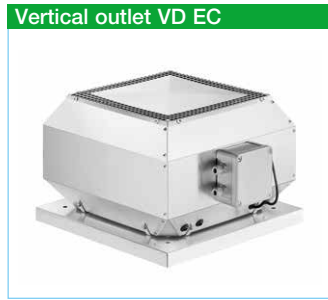
VDW EC 180

Frequency	Hz	Tot.	125	250	500	1k	2k	4k	8k
L _{WA} Inlet side	dB(A)	68	44	55	60	63	62	61	51
L _{WA} Outlet side	dB(A)	71	46	59	64	67	65	60	51



Free blowing						
Voltage V	n min ⁻¹	V m³/h	P W	I A	Lp dB(A)	SFP kW/m³/s
10	3330	665	95	0.70	54	0.51
8	2800	560	60	0.45	51	0.39
6	2200	445	30	0.25	46	0.24
4	1440	285	10	0.10	38	0.13

Type	Ref. no.	Speed	Flow rate free blowing	Noise sound press.	Power consumption	Current consumption		Wiring diagram	Max. air flow temp.		Weight net	Speed potentiometer			
						at rated voltage	with control		at rated voltage	with control		flush-mounted	surface-mounted		
		min ⁻¹	m³/h	dB(A) at 4 m	W	A	A	No.	°C	°C	kg	Type	Ref. no.	Type	Ref. no.
Alternating current, 1~, 230 V, 50 Hz, EC motor, protection category IP 44															
VDW EC 180	07123	3330	665	54	110	0.8	0.8	1149	50	—	5.2	PU 10	01734	PA 10	01735



Description RD EC
Horizontal outlet EC roof fan with efficiency-optimised aluminium casing and newly developed high-performance centrifugal impeller.

Description VD EC
Vertical outlet EC roof fan with efficiency-optimised aluminium casing and newly developed high-performance centrifugal impeller.

Common features RD EC and VD EC

Casing
Made of sea water-resistant aluminium with integrated tamper protection. Motor support plate and base plate with inlet nozzle made of galvanised steel. Base plate with threaded screws for attachment of inlet-side accessories (hole pattern according to DIN 24155).

Impeller
High-performance centrifugal impeller with backward curved blades made of plastic. Dynamically balanced according to DIN ISO 21940-11 – quality grade 6.3.

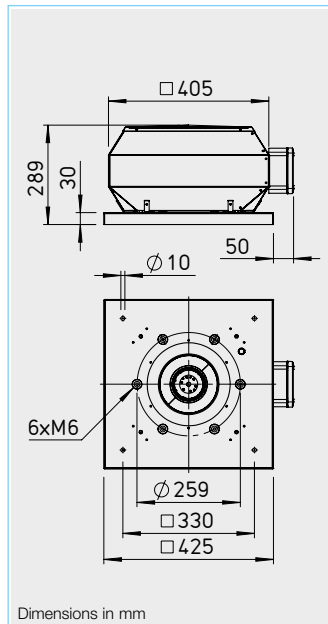
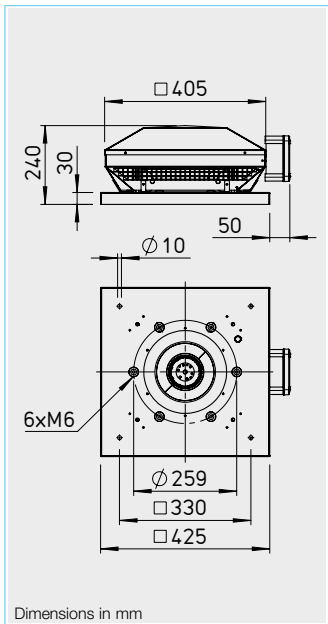
Drive
Energy-saving, speed-controllable EC external rotor motor with the highest level of efficiency. Maintenance-free and radio interference-free, ball bearing mounted.

Motor protection
Integrated electronic temperature monitoring system for EC motor and electronics.

Electrical connection
ND 180 – 250 to external terminal box in protection category IP 65.

Protection grille
On outlet side as standard according to DIN EN ISO 13857.

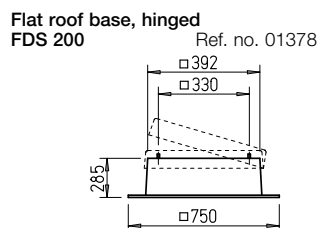
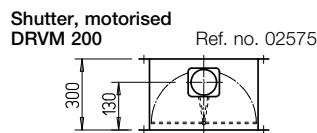
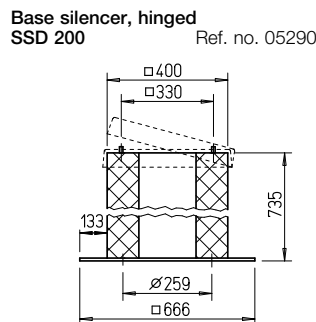
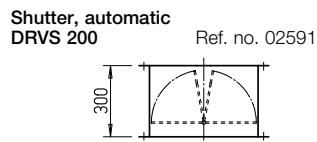
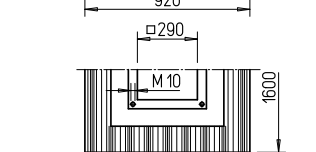
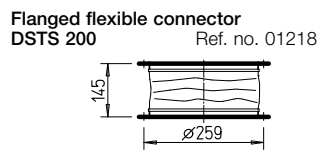
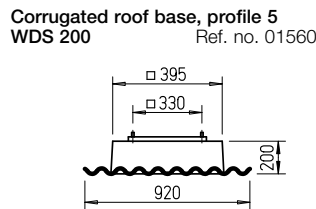
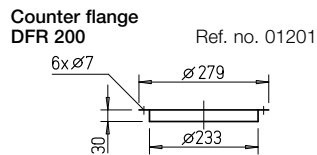
Power control
Continuously variable speed control via potentiometer or continuously variable speed control with universal control system (see table).



Delivery
Units are ready-for-connection, fully pre-assembled in the shipping box / wooden crate.

Noise
The total level and range are specified above the performance diagram for:
– Inlet side sound power
– Outlet side sound power.
The case-radiated noise as sound pressure at 4 m (free field conditions) is also specified in the type table and the table below the characteristic curve.

Accessories for Type RD EC / VD EC

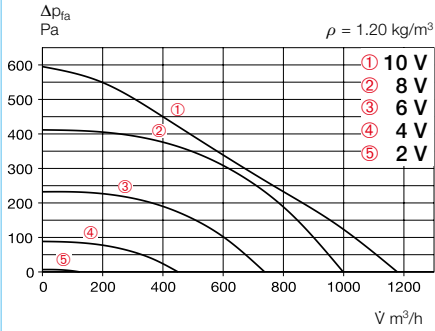


ecgreen Vent **45% savings***
* with speed control

References	Page
Planning information	10 ff.
Technical description	473 f.
Selection table	475 f.
Accessories, details	531 f.
Universal control systems, electronic controllers, speed potentiometer	585 ff.

RDW EC 200

Frequency	Hz	Tot.	125	250	500	1k	2k	4k	8k
L _{WA} Inlet side		dB(A) 71	43	64	65	65	63	61	57
L _{WA} Outlet side		dB(A) 74	45	67	67	68	66	65	61

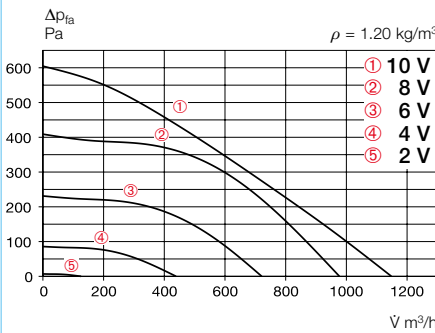


Free blowing						
Voltage V	n min ⁻¹	V m ³ /h	P W	I A	Lp dB(A)	SFP kW/m ³ /s
10	3000	1180	125	0.90	57	0.38
8	2545	1000	75	0.60	54	0.27
6	1925	740	35	0.27	48	0.17
4	1185	450	10	0.10	39	0.08

Type	Ref. no.	Speed	Flow rate free blowing	Noise sound press.	Power consumption	Current consumption		Wiring diagram	Max. air flow temp.		Weight net	Speed potentiometer			
						at rated voltage	with control		at rated voltage	with control		flush-mounted	surface-mounted		
		min ⁻¹	m ³ /h	dB(A) at 4 m	W	A	A	No.	°C	°C	kg	Type	Ref. no.	Type	Ref. no.
Alternating current, 1~, 230 V, 50 Hz, EC motor, protection category IP 44															
RDW EC 200	07195	2650	1180	56.5	129	0.93	0.93	1149	50	—	6.8	PU 10	01734	PA 10	01735

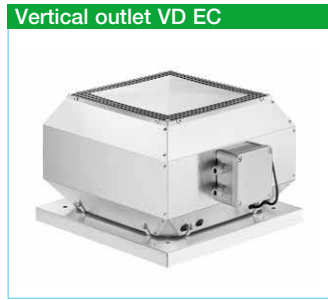
VDW EC 200

Frequency	Hz	Tot.	125	250	500	1k	2k	4k	8k
L _{WA} Inlet side		dB(A) 69	52	58	64	63	61	61	52
L _{WA} Outlet side		dB(A) 72	56	65	67	64	64	63	55



Free blowing						
Voltage V	n min ⁻¹	V m ³ /h	P W	I A	Lp dB(A)	SFP kW/m ³ /s
10	2960	1150	130	0.90	55	0.41
8	2520	975	80	0.60	52	0.30
6	1900	720	35	0.25	46	0.18
4	1170	440	10	0.09	36	0.08

Type	Ref. no.	Speed	Flow rate free blowing	Noise sound press.	Power consumption	Current consumption		Wiring diagram	Max. air flow temp.		Weight net	Speed potentiometer			
						at rated voltage	with control		at rated voltage	with control		flush-mounted	surface-mounted		
		min ⁻¹	m ³ /h	dB(A) at 4 m	W	A	A	No.	°C	°C	kg	Type	Ref. no.	Type	Ref. no.
Alternating current, 1~, 230 V, 50 Hz, EC motor, protection category IP 44															
VDW EC 200	07192	2670	1150	55	129	0.94	0.94	1149	50	—	7.4	PU 10	01734	PA 10	01735



Description RD EC
Horizontal outlet EC roof fan with efficiency-optimised aluminium casing and newly developed high-performance centrifugal impeller.

Description VD EC
Vertical outlet EC roof fan with efficiency-optimised aluminium casing and newly developed high-performance centrifugal impeller.

Common features RD EC and VD EC

Casing
Made of sea water-resistant aluminium with integrated tamper protection. Motor support plate and base plate with inlet nozzle made of galvanised steel. Base plate with threaded screws for attachment of inlet-side accessories (hole pattern according to DIN 24155).

Impeller
High-performance centrifugal impeller with backward curved blades made of plastic. Dynamically balanced according to DIN ISO 21940-11 – quality grade 6.3.

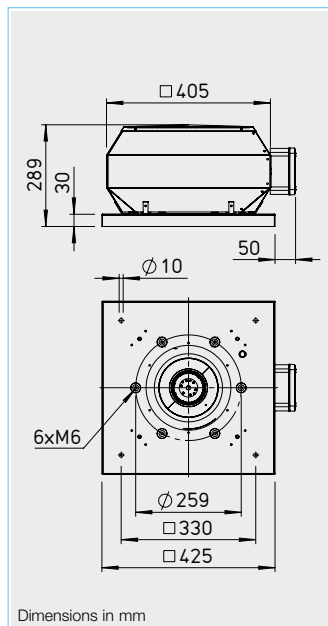
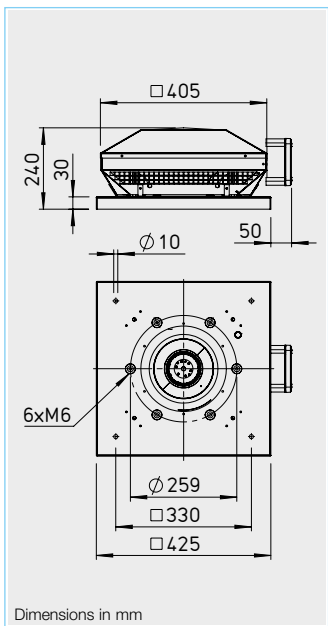
Drive
Energy-saving, speed-controllable EC external rotor motor with the highest level of efficiency. Maintenance-free and radio interference-free, ball bearing mounted.

Motor protection
Integrated electronic temperature monitoring system for EC motor and electronics.

Electrical connection
ND 180 – 250 to external terminal box in protection category IP 65.

Protection grille
On outlet side as standard according to DIN EN ISO 13857.

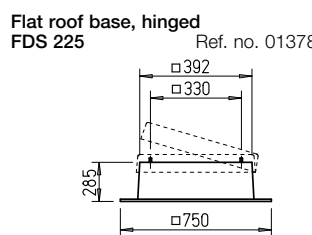
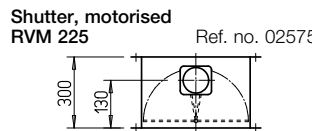
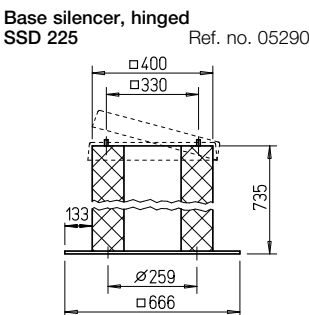
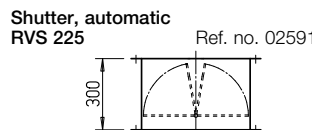
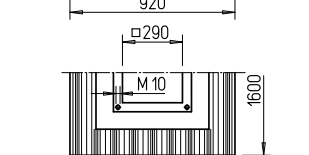
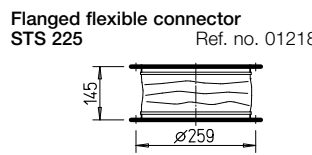
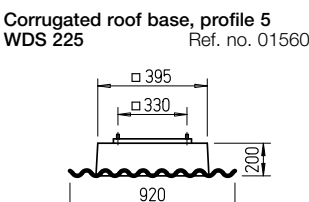
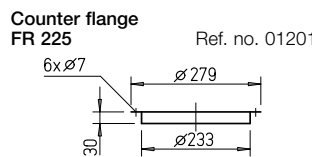
Power control
Continuously variable speed control via potentiometer or continuously variable speed control with universal control system (see table).



Delivery
Units are ready-for-connection, fully pre-assembled in the shipping box / wooden crate.

Noise
The total level and range are specified above the performance diagram for:
– Inlet side sound power
– Outlet side sound power.
The case-radiated noise as sound pressure at 4 m (free field conditions) is also specified in the type table and the table below the characteristic curve.

Accessories for Type RD EC / VD EC



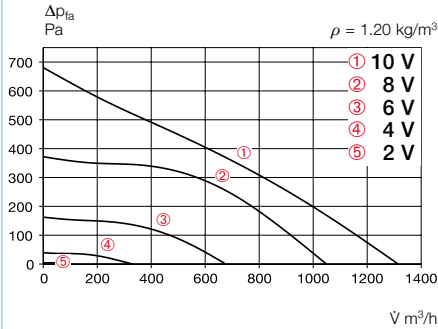
Dimensions in mm

ecgreen Vent **45% savings***
* with speed control

References	Page
Planning information	10 ff.
Technical description	473 f.
Selection table	475 f.
Accessories, details	531 f.
Universal control systems, electronic controllers, speed potentiometer	585 ff.

RDW EC 225 A

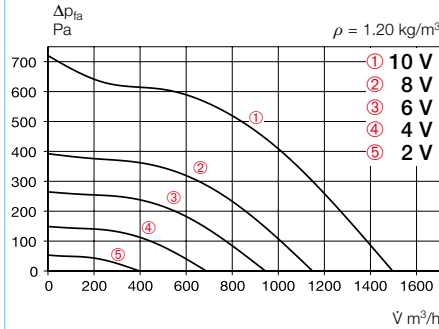
Frequency	Hz	Tot.	125	250	500	1k	2k	4k	8k
L _{WA} Inlet side		dB(A)	67	50	56	61	62	59	49
L _{WA} Outlet side		dB(A)	69	49	60	66	62	58	48



Free blowing						
Voltage V	n min ⁻¹	V m ³ /h	P W	I A	Lp dB(A)	SFP kW/m ³ /s
10	2700	1300	145	1.05	52	0.40
8	2160	1050	75	0.55	48	0.26
6	1430	680	25	0.20	39	0.13
4	720	330	5	0.05	28	0.05

RDW EC 225 B

Frequency	Hz	Tot.	125	250	500	1k	2k	4k	8k
L _{WA} Inlet side		dB(A)	75	49	66	69	68	67	64
L _{WA} Outlet side		dB(A)	77	55	69	70	70	69	66

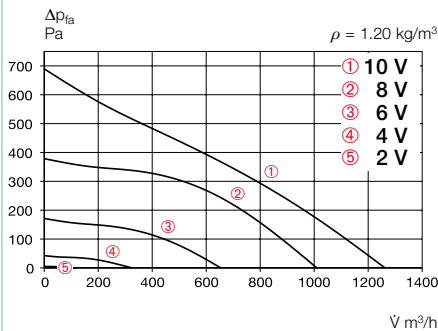


Free blowing						
Voltage V	n min ⁻¹	V m ³ /h	P W	I A	Lp dB(A)	SFP kW/m ³ /s
10	3020	1500	205	0.90	60	0.49
8	2350	1150	105	0.45	55	0.33
6	1940	945	65	0.30	51	0.25
4	1450	690	35	0.20	45	0.18

Type	Ref. no.	Speed	Flow rate free blowing	Noise sound press.	Power consumption	Current consumption		Wiring diagram	Max. air flow temp.		Weight net	Speed potentiometer			
						at rated voltage	with control		at rated voltage	with control		flush-mounted	surface-mounted		
		min ⁻¹	m ³ /h	dB(A) at 4 m	W	A	A	No.	°C	°C	kg	Type	Ref. no.	Type	Ref. no.
Alternating current, 1~, 230 V, 50 Hz, EC motor, protection category IP 44															
RDW EC 225 A	07262	2550	1310	52	163	1.14	1.14	1149	50	—	6.7	PU 10	01734	PA 10	01735
Alternating current, 1~, 230 V, 50 Hz, EC motor, protection category IP 54															
RDW EC 225 B	07243	3020	1500	60	246	1.06	1.06	1149	50	—	8	PU 10	01734	PA 10	01735

VDW EC 225 A

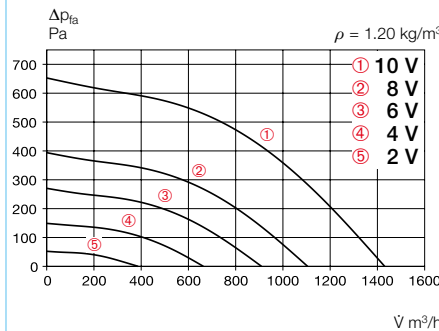
Frequency	Hz	Tot.	125	250	500	1k	2k	4k	8k
L _{WA} Inlet side		dB(A)	68	43	59	61	62	61	56
L _{WA} Outlet side		dB(A)	70	46	61	62	64	64	57



Free blowing						
Voltage V	n min ⁻¹	V m ³ /h	P W	I A	Lp dB(A)	SFP kW/m ³ /s
10	2690	1260	150	1.05	53	0.43
8	2160	1000	75	0.60	49	0.27
6	1430	650	25	0.20	40	0.14
4	720	330	5	0.05	27	0.05

VDW EC 225 B

Frequency	Hz	Tot.	125	250	500	1k	2k	4k	8k
L _{WA} Inlet side		dB(A)	74	47	65	68	67	66	62
L _{WA} Outlet side		dB(A)	75	50	66	68	69	68	63



Free blowing						
Voltage V	n min ⁻¹	V m ³ /h	P W	I A	Lp dB(A)	SFP kW/m ³ /s
10	3020	1430	205	0.9	58	0.52
8	2350	1100	105	0.5	53	0.34
6	1950	910	65	0.3	49	0.26
4	1450	670	35	0.2	43	0.19

Type	Ref. no.	Speed	Flow rate free blowing	Noise sound press.	Power consumption	Current consumption		Wiring diagram	Max. air flow temp.		Weight net	Speed potentiometer			
						at rated voltage	with control		at rated voltage	with control		flush-mounted	surface-mounted		
		min ⁻¹	m ³ /h	dB(A) at 4 m	W	A	A	No.	°C	°C	kg	Type	Ref. no.	Type	Ref. no.
Alternating current, 1~, 230 V, 50 Hz, EC motor, protection category IP 44															
VDW EC 225 A	07241	2500	1260	53	161	1.14	1.14	1149	50	—	7.3	PU 10	01734	PA 10	01735
Alternating current, 1~, 230 V, 50 Hz, EC motor, protection category IP 54															
VDW EC 225 B	07240	3015	1430	58	244	1.06	1.06	1149	50	—	8.5	PU 10	01734	PA 10	01735



Description RD EC
Horizontal outlet EC roof fan with efficiency-optimised aluminium casing and newly developed high-performance centrifugal impeller.

Description VD EC
Vertical outlet EC roof fan with efficiency-optimised aluminium casing and newly developed high-performance centrifugal impeller.

Common features RD EC and VD EC

Casing
Made of sea water-resistant aluminium with integrated tamper protection. Motor support plate and base plate with inlet nozzle made of galvanised steel. Base plate with threaded screws for attachment of inlet-side accessories (hole pattern according to DIN 24155).

Impeller
High-performance centrifugal impeller with backward curved blades made of plastic. Dynamically balanced according to DIN ISO 21940-11 – quality grade 6.3.

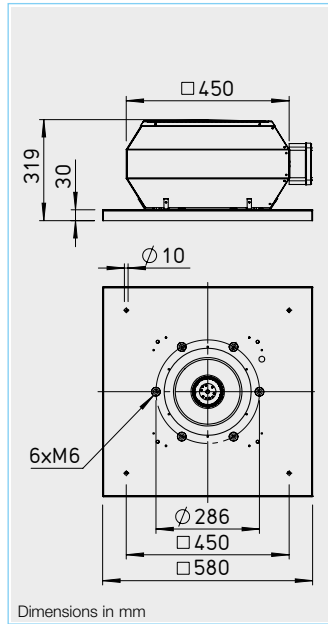
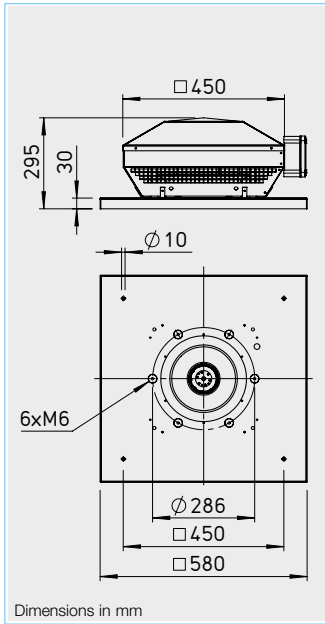
Drive
Energy-saving, speed-controllable EC external rotor motor with the highest level of efficiency. Maintenance-free and radio interference-free, ball bearing mounted.

Motor protection
Integrated electronic temperature monitoring system for EC motor and electronics.

Electrical connection
ND 180 – 250 to external terminal box in protection category IP 65.

Protection grille
On outlet side as standard according to DIN EN ISO 13857.

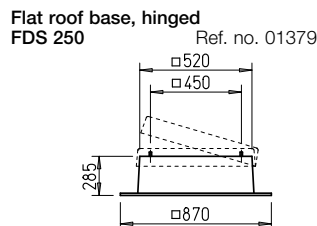
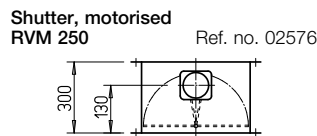
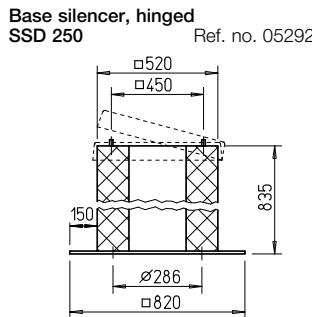
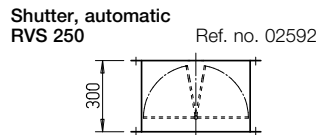
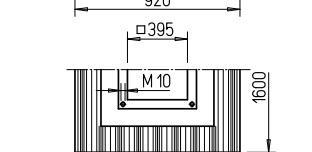
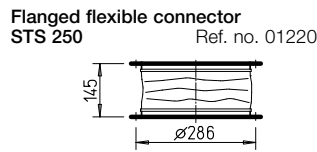
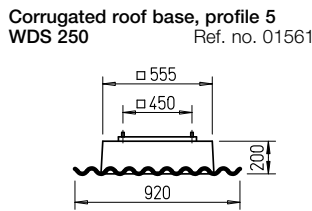
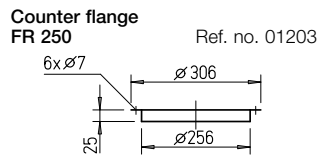
Power control
Continuously variable speed control via potentiometer or continuously variable speed control with universal control system (see table).



Delivery
Units are ready-for-connection, fully pre-assembled in the shipping box / wooden crate.

Noise
The total level and range are specified above the performance diagram for:
– Inlet side sound power
– Outlet side sound power.
The case-radiated noise as sound pressure at 4 m (free field conditions) is also specified in the type table and the table below the characteristic curve.

Accessories for Type RD EC / VD EC



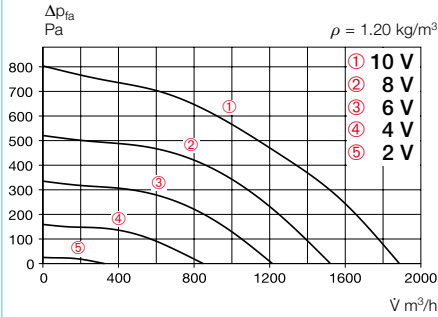
Dimensions in mm

ecgreen Vent **45% savings***
* with speed control

References	Page
Planning information	10 ff.
Technical description	473 f.
Selection table	475 f.
Accessories, details	531 f.
Universal control systems, electronic controllers, speed potentiometer	585 ff.

RDW EC 250

Frequency	Hz	Tot.	125	250	500	1k	2k	4k	8k
L _{WA} Inlet side	dB(A)	76	50	67	70	69	68	68	65
L _{WA} Outlet side	dB(A)	78	56	70	71	71	71	70	67

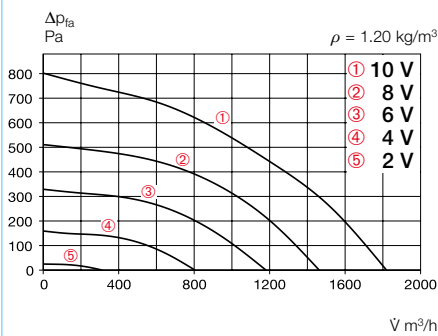


Free blowing						
Voltage V	n min ⁻¹	V m ³ /h	P W	I A	Lp dB(A)	SFP kW/m ³ /s
10	2870	1895	230	1.00	61	0.44
8	2300	1520	125	0.55	57	0.30
6	1840	1215	70	0.32	52	0.21
4	1290	860	30	0.15	45	0.13

Type	Ref. no.	Speed	Flow rate free blowing	Noise sound press.	Power consumption	Current consumption		Wiring diagram	Max. air flow temp.		Weight net	Speed potentiometer			
						at rated voltage	with control		at rated voltage	with control		flush-mounted	surface-mounted		
		min ⁻¹	m ³ /h	dB(A) at 4 m	W	A	A	No.	°C	°C	kg	Type	Ref. no.	Type	Ref. no.
Alternating current, 1~, 230 V, 50 Hz, EC motor, protection category IP 54															
RDW EC 250	07278	2705	1900	60.5	319	1.34	1.34	1149	50	—	11	PU 10	01734	PA 10	01735

VDW EC 250

Frequency	Hz	Tot.	125	250	500	1k	2k	4k	8k
L _{WA} Inlet side	dB(A)	75	48	66	69	68	68	67	63
L _{WA} Outlet side	dB(A)	76	51	67	69	70	69	68	64



Free blowing						
Voltage V	n min ⁻¹	V m ³ /h	P W	I A	Lp dB(A)	SFP kW/m ³ /s
10	2860	1830	240	1.05	59	0.47
8	2300	1460	130	0.60	55	0.32
6	1840	1180	75	0.35	50	0.23
4	1280	810	30	0.20	43	0.13

Type	Ref. no.	Speed	Flow rate free blowing	Noise sound press.	Power consumption	Current consumption		Wiring diagram	Max. air flow temp.		Weight net	Speed potentiometer			
						at rated voltage	with control		at rated voltage	with control		flush-mounted	surface-mounted		
		min ⁻¹	m ³ /h	dB(A) at 4 m	W	A	A	No.	°C	°C	kg	Type	Ref. no.	Type	Ref. no.
Alternating current, 1~, 230 V, 50 Hz, EC motor, protection category IP 54															
VDW EC 250	07276	2740	1825	59	321	1.36	1.36	1149	50	—	11.5	PU 10	01734	PA 10	01735



Description RD EC
Horizontal outlet EC roof fan with efficiency-optimised aluminium casing and newly developed high-performance centrifugal impeller.

Description VD EC
Vertical outlet EC roof fan with efficiency-optimised aluminium casing and newly developed high-performance centrifugal impeller.

Common features RD EC and VD EC

Casing
Made of sea water-resistant aluminium with integrated tamper protection. Motor support plate and base plate with inlet nozzle made of galvanised steel. Base plate with threaded screws for attachment of inlet-side accessories (hole pattern according to DIN 24155).

Impeller
High-performance centrifugal impeller with backward curved blades made of plastic. Dynamically balanced according to DIN ISO 21940-11 – quality grade 6.3.

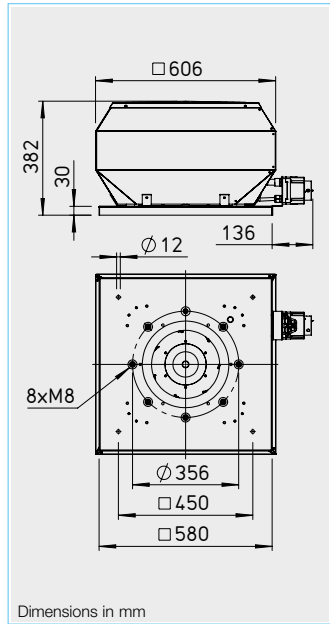
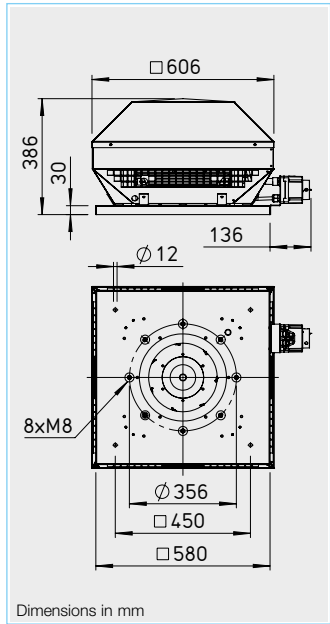
Drive
Energy-saving, speed-controllable EC external rotor motor with the highest level of efficiency. Maintenance-free and radio interference-free, ball bearing mounted.

Motor protection
Integrated electronic temperature monitoring system for EC motor and electronics.

Electrical connection
ND 315 – 630 to external terminal box and isolator in protection category IP 65.

Protection grille
On outlet side as standard according to DIN EN ISO 13857.

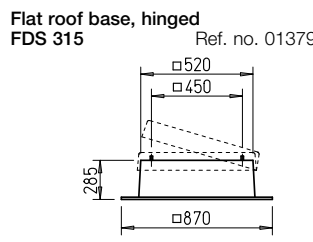
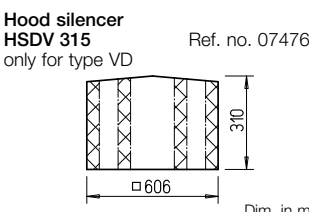
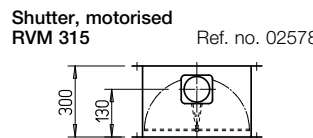
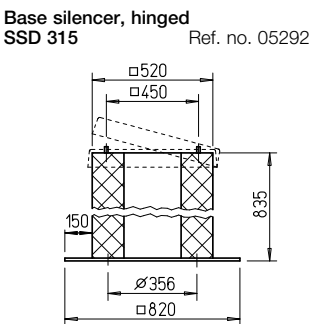
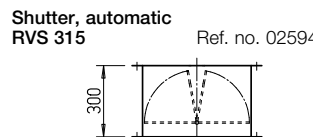
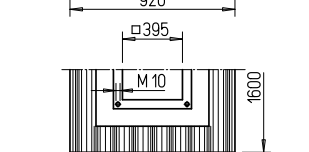
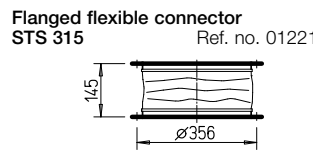
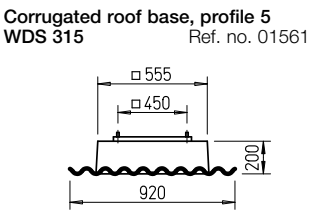
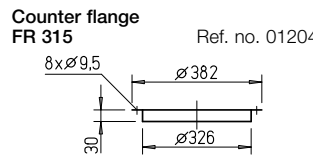
Power control
Continuously variable speed control via potentiometer or continuously variable speed control with universal control system (see table).



Delivery
Units are ready-for-connection, fully pre-assembled in the shipping box / wooden crate.

Noise
The total level and range are specified above the performance diagram for:
– Inlet side sound power
– Outlet side sound power.
The case-radiated noise as sound pressure at 4 m (free field conditions) is also specified in the type table and the table below the characteristic curve.

Accessories for Type RD EC / VD EC

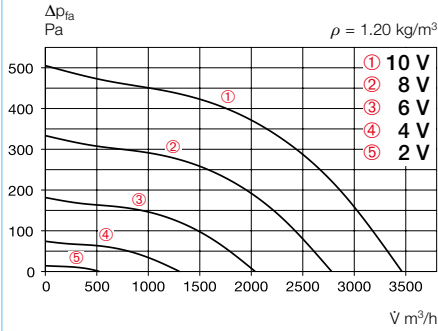


ecgreen Vent **45% savings***
* with speed control

References	Page
Planning information	10 ff.
Technical description	473 f.
Selection table	475 f.
Accessories, details	531 f.
Universal control systems, electronic controllers, speed potentiometer	585 ff.

RDW EC 315

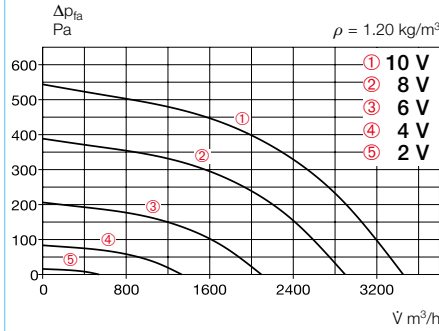
Frequency	Hz	Tot.	125	250	500	1k	2k	4k	8k
L _{WA} Inlet side	dB(A)	70	58	62	64	62	63	62	51
L _{WA} Outlet side	dB(A)	72	59	66	67	66	62	54	50



Free blowing						
Voltage V	n min ⁻¹	V m ³ /h	P W	I A	Lp dB(A)	SFP kW/m ³ /s
10	1641	3463	316	1.8	55	0.33
8	1325	2779	169	1.0	50	0.22
6	973	2039	72	0.5	44	0.13
4	621	1309	25	0.2	34	0.07

RDD EC 315

Frequency	Hz	Tot.	125	250	500	1k	2k	4k	8k
L _{WA} Inlet side	dB(A)	70	57	61	63	61	62	61	50
L _{WA} Outlet side	dB(A)	72	59	65	66	65	61	53	50

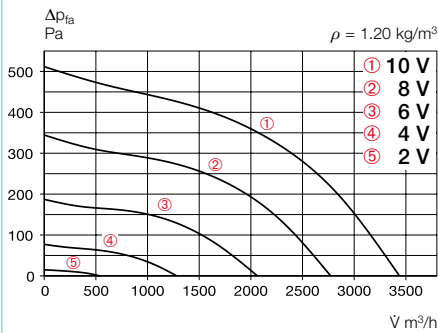


Free blowing						
Voltage V	n min ⁻¹	V m ³ /h	P W	I A	Lp dB(A)	SFP kW/m ³ /s
10	1700	3460	380	0.65	55	0.40
8	1430	2900	240	0.45	51	0.30
6	1040	2100	110	0.25	44	0.19
4	670	1350	45	0.15	35	0.12

Type	Ref. no.	Speed	Flow rate free blowing	Noise sound press.	Power consumption	Current consumption		Wiring diagram	Max. air flow temp.		Weight net	Speed potentiometer			
						at rated voltage	with control		at rated voltage	with control		flush-mounted	surface-mounted		
		min ⁻¹	m ³ /h	dB(A) at 4 m	W	A	A	No.	°C	°C	kg	Type	Ref. no.	Type	Ref. no.
Alternating current, 1~, 230 V, 50 Hz, EC motor, protection category IP 54															
RDW EC 315	07306	1650	3465	55	450	2	2	1149	40	—	18	PU 24	01736	PA 24	01737
Three-phase current, 3~, 400 V, 50 Hz, EC motor, protection category IP 54															
RDD EC 315	07314	1700	3460	54.5	500	0.9	0.9	1148	50	—	21.3	PU 24	01736	PA 24	01737

VDW EC 315

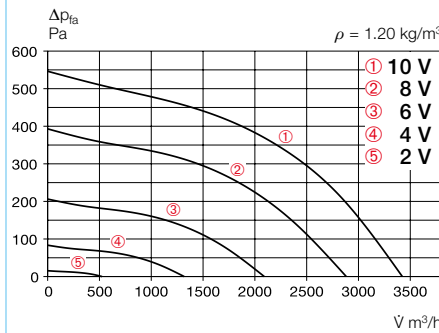
Frequency	Hz	Tot.	125	250	500	1k	2k	4k	8k
L _{WA} Inlet side	dB(A)	72	61	66	66	65	64	59	53
L _{WA} Outlet side	dB(A)	77	67	68	68	72	67	60	53



Free blowing						
Voltage V	n min ⁻¹	V m ³ /h	P W	I A	Lp dB(A)	SFP kW/m ³ /s
10	1645	3441	316	1.80	55	0.33
8	1329	2783	176	1.04	50	0.23
6	990	2060	76	0.48	44	0.13
4	612	1276	23	0.19	35	0.07

VDD EC 315

Frequency	Hz	Tot.	125	250	500	1k	2k	4k	8k
L _{WA} Inlet side	dB(A)	75	64	69	69	68	67	62	56
L _{WA} Outlet side	dB(A)	80	70	71	71	75	70	63	56



Free blowing						
Voltage V	n min ⁻¹	V m ³ /h	P W	I A	Lp dB(A)	SFP kW/m ³ /s
10	1700	3420	370	0.69	55	0.39
8	1430	2890	240	0.50	51	0.30
6	1040	2090	110	0.25	44	0.19
4	655	1320	45	0.15	35	0.12

Type	Ref. no.	Speed	Flow rate free blowing	Noise sound press.	Power consumption	Current consumption		Wiring diagram	Max. air flow temp.		Weight net	Speed potentiometer			
						at rated voltage	with control		at rated voltage	with control		flush-mounted	surface-mounted		
		min ⁻¹	m ³ /h	dB(A) at 4 m	W	A	A	No.	°C	°C	kg	Type	Ref. no.	Type	Ref. no.
Alternating current, 1~, 230 V, 50 Hz, EC motor, protection category IP 54															
VDW EC 315	07304	1650	3440	55	450	2	2	1149	40	—	17.2	PU 24	01736	PA 24	01737
Three-phase current, 3~, 400 V, 50 Hz, EC motor, protection category IP 54															
VDD EC 315	07312	1700	3425	54.5	500	0.9	0.9	1148	50	—	21.5	PU 24	01736	PA 24	01737



Description RD EC
Horizontal outlet EC roof fan with efficiency-optimised aluminium casing and newly developed high-performance centrifugal impeller.

Description VD EC
Vertical outlet EC roof fan with efficiency-optimised aluminium casing and newly developed high-performance centrifugal impeller.

Common features RD EC and VD EC

Casing
Made of sea water-resistant aluminium with integrated tamper protection. Motor support plate and base plate with inlet nozzle made of galvanised steel. Base plate with threaded screws for attachment of inlet-side accessories (hole pattern according to DIN 24155).

Impeller
High-performance centrifugal impeller with backward curved blades made of plastic. Dynamically balanced according to DIN ISO 21940-11 – quality grade 6.3.

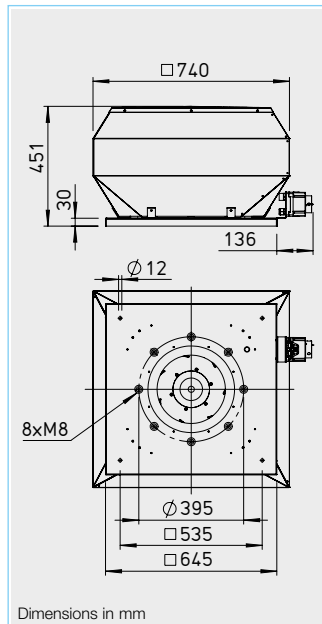
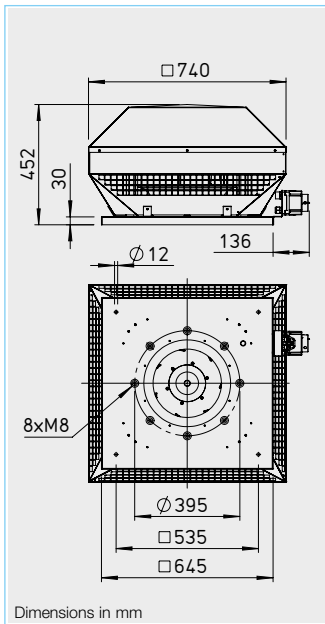
Drive
Energy-saving, speed-controllable EC external rotor motor with the highest level of efficiency. Maintenance-free and radio interference-free, ball bearing mounted.

Motor protection
Integrated electronic temperature monitoring system for EC motor and electronics.

Electrical connection
ND 315 – 630 to external terminal box and isolator in protection category IP 65.

Protection grille
On outlet side as standard according to DIN EN ISO 13857.

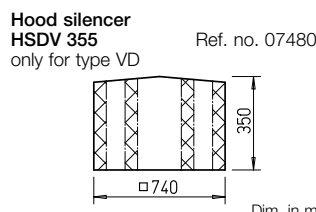
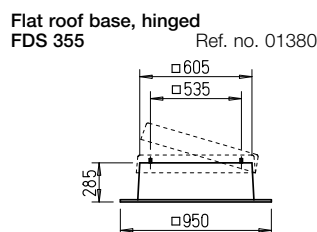
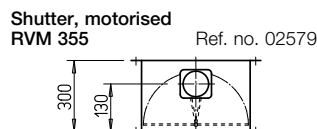
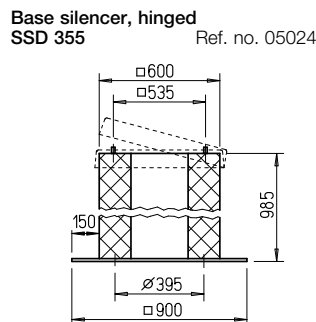
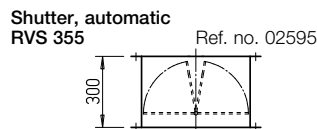
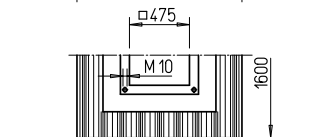
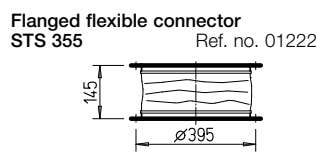
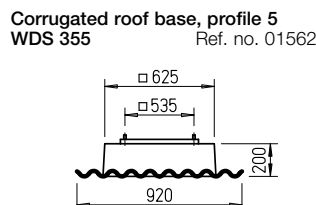
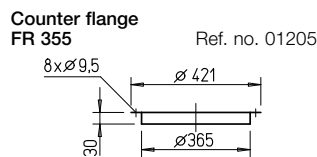
Power control
Continuously variable speed control via potentiometer or continuously variable speed control with universal control system (see table).



Delivery
Units are ready-for-connection, fully pre-assembled in the shipping box / wooden crate.

Noise
The total level and range are specified above the performance diagram for:
– Inlet side sound power
– Outlet side sound power.
The case-radiated noise as sound pressure at 4 m (free field conditions) is also specified in the type table and the table below the characteristic curve.

Accessories for Type RD EC / VD EC

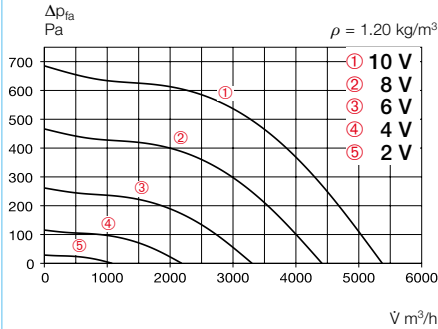


ecgreen Vent **45% savings***
* with speed control

References	Page
Planning information	10 ff.
Technical description	473 f.
Selection table	475 f.
Accessories, details	531 f.
Universal control systems, electronic controllers, speed potentiometer	585 ff.

RDW EC 355

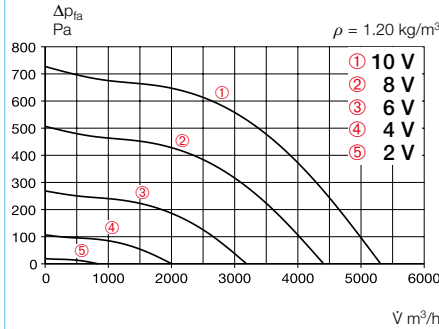
Frequency	Hz	Tot.	125	250	500	1k	2k	4k	8k
L _{WA} Inlet side	dB(A)	70	60	65	64	62	60	57	52
L _{WA} Outlet side	dB(A)	76	67	70	70	70	66	57	51



Free blowing						
Voltage V	n min ⁻¹	V m ³ /h	P W	I A	Lp dB(A)	SFP kW/m ³ /s
10	1700	5400	580	2.50	59	0.39
8	1400	4420	330	1.50	55	0.27
6	1050	3320	150	0.75	49	0.16
4	670	2170	60	0.45	40	0.10

RDD EC 355

Frequency	Hz	Tot.	125	250	500	1k	2k	4k	8k
L _{WA} Inlet side	dB(A)	72	62	67	66	64	62	59	54
L _{WA} Outlet side	dB(A)	77	68	71	71	71	67	58	52

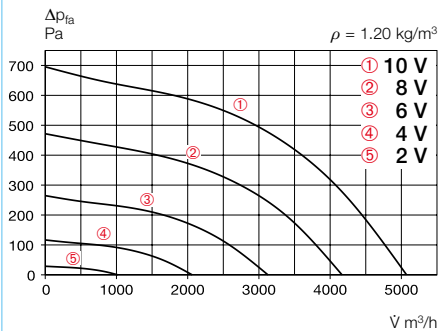


Free blowing						
Voltage V	n min ⁻¹	V m ³ /h	P W	I A	Lp dB(A)	SFP kW/m ³ /s
10	1750	5340	670	1.20	60	0.45
8	1450	4420	410	0.75	56	0.33
6	1060	3200	175	0.35	50	0.20
4	670	2000	60	0.15	41	0.11

Type	Ref. no.	Speed	Flow rate free blowing	Noise sound press.	Power consumption	Current consumption		Wiring diagram	Max. air flow temp. at rated voltage	Weight net	Speed potentiometer				
						at rated voltage	with control				flush-mounted	surface-mounted			
		min ⁻¹	m ³ /h	dB(A) at 4 m	W	A	A	No.	°C	kg	Type	Ref. no.	Type	Ref. no.	
Alternating current, 1~, 230 V, 50 Hz, EC motor, protection category IP 55															
RDW EC 355	07333	1700	5400	58.5	810	3.47	3.47	1147	50	—	26.5	PU 24	01736	PA 24	01737
Three-phase current, 3~, 400 V, 50 Hz, EC motor, protection category IP 55															
RDD EC 355	07335	1750	5330	59.5	900	1.49	1.49	1148	60	—	28.5	PU 24	01736	PA 24	01737

VDW EC 355

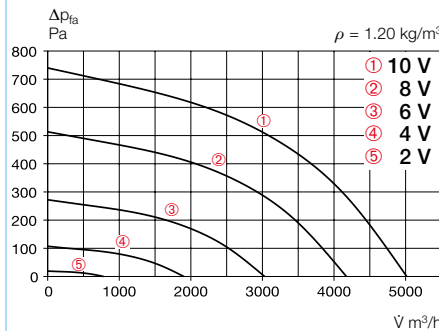
Frequency	Hz	Tot.	125	250	500	1k	2k	4k	8k
L _{WA} Inlet side	dB(A)	70	60	65	64	62	60	57	52
L _{WA} Outlet side	dB(A)	75	65	69	69	69	66	57	53



Free blowing						
Voltage V	n min ⁻¹	V m ³ /h	P W	I A	Lp dB(A)	SFP kW/m ³ /s
10	1700	5080	590	2.50	58	0.42
8	1400	4180	335	1.50	54	0.29
6	1050	3130	155	0.80	48	0.18
4	700	2070	60	0.50	40	0.10

VDD EC 355

Frequency	Hz	Tot.	125	250	500	1k	2k	4k	8k
L _{WA} Inlet side	dB(A)	71	61	66	65	63	61	58	53
L _{WA} Outlet side	dB(A)	76	67	70	70	70	66	58	52



Free blowing						
Voltage V	n min ⁻¹	V m ³ /h	P W	I A	Lp dB(A)	SFP kW/m ³ /s
10	1750	5030	650	1.20	59	0.47
8	1460	4180	390	0.75	55	0.34
6	1070	3040	170	0.35	49	0.20
4	667	1900	60	0.15	39	0.11

Type	Ref. no.	Speed	Flow rate free blowing	Noise sound press.	Power consumption	Current consumption		Wiring diagram	Max. air flow temp. at rated voltage	Weight net	Speed potentiometer				
						at rated voltage	with control				flush-mounted	surface-mounted			
		min ⁻¹	m ³ /h	dB(A) at 4 m	W	A	A	No.	°C	kg	Type	Ref. no.	Type	Ref. no.	
Alternating current, 1~, 230 V, 50 Hz, EC motor, protection category IP 55															
VDW EC 355	07331	1700	5080	58	800	3.45	3.45	1147	50	—	27	PU 24	01736	PA 24	01737
Three-phase current, 3~, 400 V, 50 Hz, EC motor, protection category IP 55															
VDD EC 355	07334	1750	5030	59	835	1.45	1.45	1148	60	—	29	PU 24	01736	PA 24	01737



Description RD EC
Horizontal outlet EC roof fan with efficiency-optimised aluminium casing and newly developed high-performance centrifugal impeller.

Description VD EC
Vertical outlet EC roof fan with efficiency-optimised aluminium casing and newly developed high-performance centrifugal impeller.

Common features RD EC and VD EC

Casing
Made of sea water-resistant aluminium with integrated tamper protection. Motor support plate and base plate with inlet nozzle made of galvanised steel. Base plate with threaded screws for attachment of inlet-side accessories (hole pattern according to DIN 24155).

Impeller
High-performance centrifugal impeller with backward curved blades made of plastic. Dynamically balanced according to DIN ISO 21940-11 – quality grade 6.3.

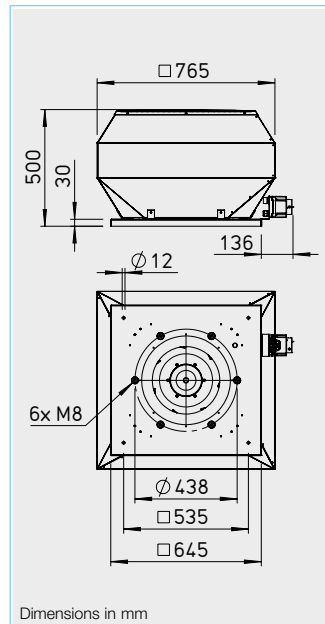
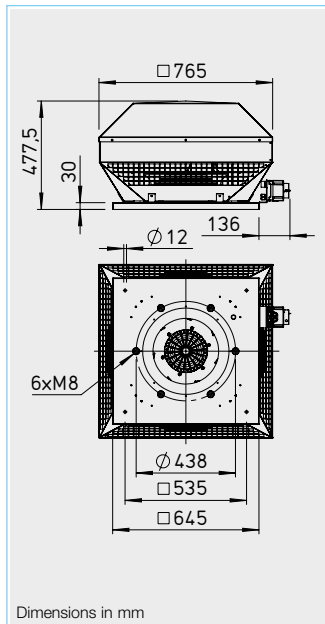
Drive
Energy-saving, speed-controllable EC external rotor motor with the highest level of efficiency. Maintenance-free and radio interference-free, ball bearing mounted.

Motor protection
Integrated electronic temperature monitoring system for EC motor and electronics.

Electrical connection
ND 315 – 630 to external terminal box and isolator in protection category IP 65.

Protection grille
On outlet side as standard according to DIN EN ISO 13857.

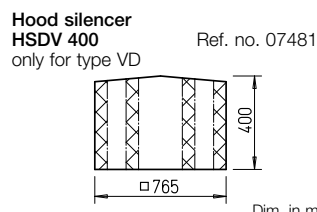
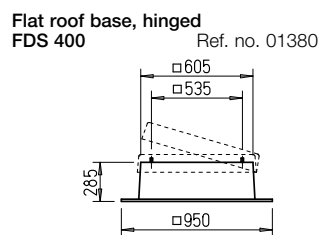
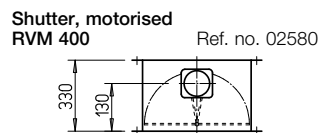
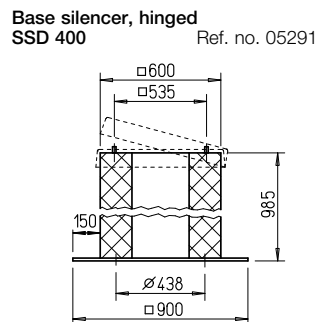
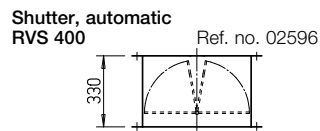
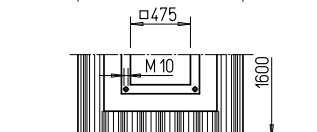
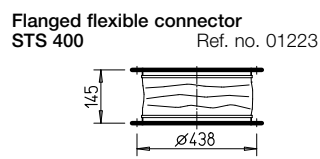
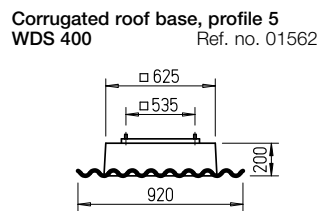
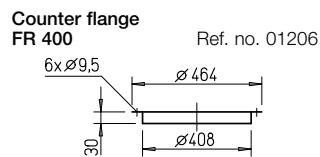
Power control
Continuously variable speed control via potentiometer or continuously variable speed control with universal control system (see table).



Delivery
Units are ready-for-connection, fully pre-assembled in the shipping box / wooden crate.

Noise
The total level and range are specified above the performance diagram for:
– Inlet side sound power
– Outlet side sound power.
The case-radiated noise as sound pressure at 4 m (free field conditions) is also specified in the type table and the table below the characteristic curve.

Accessories for Type RD EC / VD EC

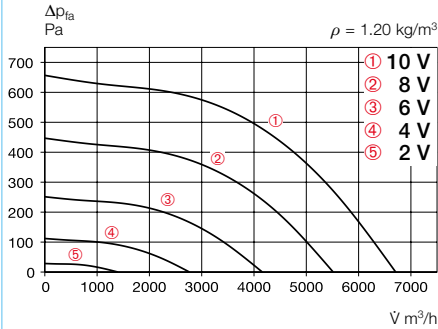


ecgreen Vent **45% savings***
* with speed control

References	Page
Planning information	10 ff.
Technical description	473 f.
Selection table	475 f.
Accessories, details	531 f.
Universal control systems, electronic controllers, speed potentiometer	585 ff.

RDW EC 400

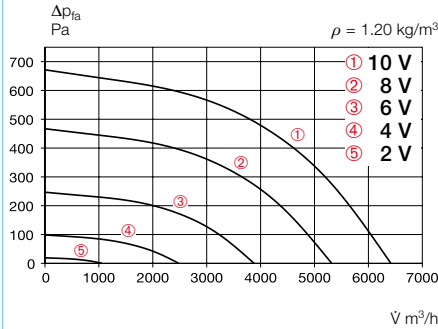
Frequency	Hz	Tot.	125	250	500	1k	2k	4k	8k
L _{WA} Inlet side	dB(A)	72	62	66	67	64	63	57	53
L _{WA} Outlet side	dB(A)	77	68	71	71	71	67	60	53



Free blowing						
Voltage V	n min ⁻¹	V m ³ /h	P W	I A	Lp dB(A)	SFP kW/m ³ /s
10	1500	6695	691	2.90	60	0.37
8	1237	5522	388	1.88	56	0.25
6	927	4168	173	0.83	50	0.15
4	617	2761	62	0.45	41	0.08

RDD EC 400

Frequency	Hz	Tot.	125	250	500	1k	2k	4k	8k
L _{WA} Inlet side	dB(A)	72	62	66	67	64	63	57	53
L _{WA} Outlet side	dB(A)	77	68	71	71	71	67	60	53

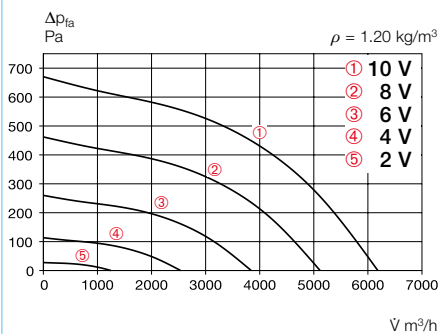


Free blowing						
Voltage V	n min ⁻¹	V m ³ /h	P W	I A	Lp dB(A)	SFP kW/m ³ /s
10	1500	6450	715	1.20	60	0.40
8	1250	5350	445	0.80	56	0.30
6	910	3910	210	0.45	50	0.19
4	580	2500	80	0.20	40	0.12

Type	Ref. no.	Speed	Flow rate free blowing	Noise sound press.	Power consumption	Current consumption		Wiring diagram	Max. air flow temp.		Weight net	Speed potentiometer			
						at rated voltage	with control		at rated voltage	with control		flush-mounted	surface-mounted		
		min ⁻¹	m ³ /h	dB(A) at 4 m	W	A	A	No.	°C	°C	kg	Type	Ref. no.	Type	Ref. no.
Alternating current, 1~, 230 V, 50 Hz, EC motor, protection category IP 54															
RDW EC 400	07365	1500	6695	59.5	1050	4.4	4.4	1147	40	—	28	PU 24	01736	PA 24	01737
Three-phase current, 3~, 400 V, 50 Hz, EC motor, protection category IP 54															
RDD EC 400	07369	1500	6450	59.5	1000	1.7	1.7	1148	50	—	33	PU 24	01736	PA 24	01737

VDW EC 400

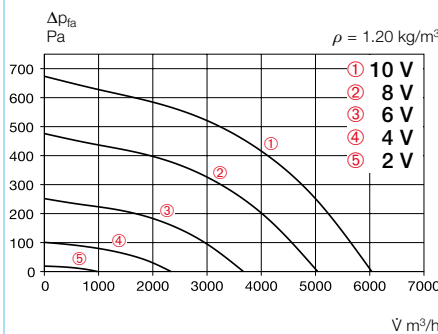
Frequency	Hz	Tot.	125	250	500	1k	2k	4k	8k
L _{WA} Inlet side	dB(A)	73	63	67	68	65	64	58	54
L _{WA} Outlet side	dB(A)	77	64	72	71	71	67	61	55



Free blowing						
Voltage V	n min ⁻¹	V m ³ /h	P W	I A	Lp dB(A)	SFP kW/m ³ /s
10	1499	6198	726	3.0	60	—
8	1246	5132	416	2.0	56	—
6	935	3859	187	1.0	50	—
4	619	2544	67	—	41	—

VDD EC 400

Frequency	Hz	Tot.	125	250	500	1k	2k	4k	8k
L _{WA} Inlet side	dB(A)	71	60	65	65	64	63	58	52
L _{WA} Outlet side	dB(A)	76	66	67	67	71	66	59	52



Free blowing						
Voltage V	n min ⁻¹	V m ³ /h	P W	I A	Lp dB(A)	SFP kW/m ³ /s
10	1500	6060	755	1.25	59	0.45
8	1250	5050	465	0.85	55	0.33
6	910	3680	220	0.45	49	0.22
4	580	2350	80	0.20	39	0.12

Type	Ref. no.	Speed	Flow rate free blowing	Noise sound press.	Power consumption	Current consumption		Wiring diagram	Max. air flow temp.		Weight net	Speed potentiometer			
						at rated voltage	with control		at rated voltage	with control		flush-mounted	surface-mounted		
		min ⁻¹	m ³ /h	dB(A) at 4 m	W	A	A	No.	°C	°C	kg	Type	Ref. no.	Type	Ref. no.
Alternating current, 1~, 230 V, 50 Hz, EC motor, protection category IP 54															
VDW EC 400	07364	1500	6200	59.5	1000	4.2	4.2	1147	40	—	33	PU 24	01736	PA 24	01737
Three-phase current, 3~, 400 V, 50 Hz, EC motor, protection category IP 54															
VDD EC 400	07368	1500	6060	58.5	1000	1.7	1.7	1148	50	—	33	PU 24	01736	PA 24	01737



Description RD EC
Horizontal outlet EC roof fan with efficiency-optimised aluminium casing and newly developed high-performance centrifugal impeller.

Description VD EC
Vertical outlet EC roof fan with efficiency-optimised aluminium casing and newly developed high-performance centrifugal impeller.

Common features RD EC and VD EC

Casing
Made of sea water-resistant aluminium with integrated tamper protection. Motor support plate and base plate with inlet nozzle made of galvanised steel. Base plate with threaded screws for attachment of inlet-side accessories (hole pattern according to DIN 24155).

Impeller
High-performance centrifugal impeller with backward curved blades made of plastic. Dynamically balanced according to DIN ISO 21940-11 – quality grade 6.3.

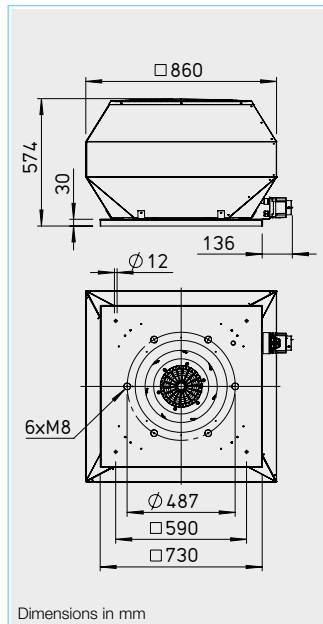
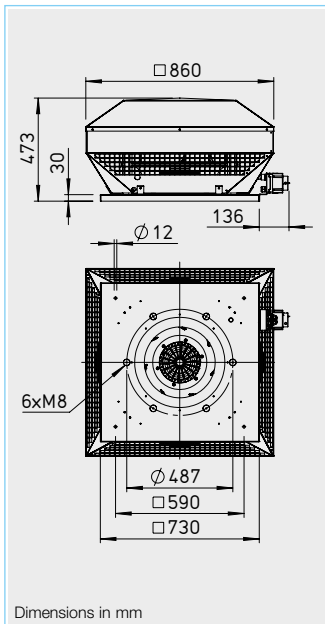
Drive
Energy-saving, speed-controllable EC external rotor motor with the highest level of efficiency. Maintenance-free and radio interference-free, ball bearing mounted.

Motor protection
Integrated electronic temperature monitoring system for EC motor and electronics.

Electrical connection
ND 315 – 630 to external terminal box and isolator in protection category IP 65.

Protection grille
On outlet side as standard according to DIN EN ISO 13857.

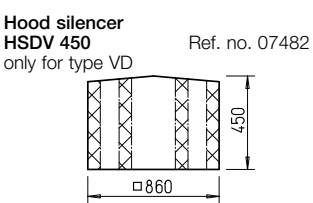
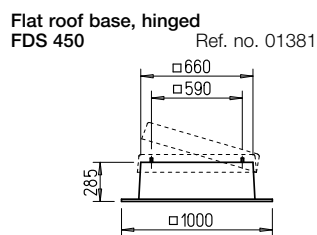
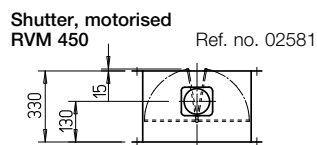
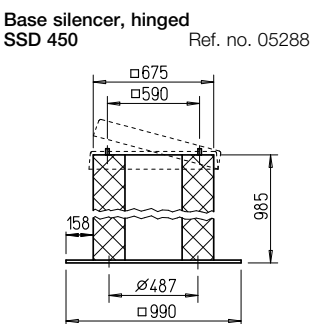
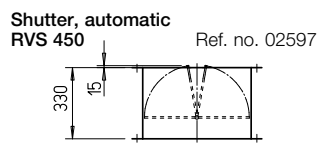
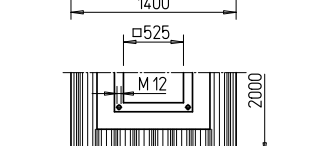
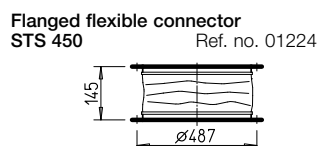
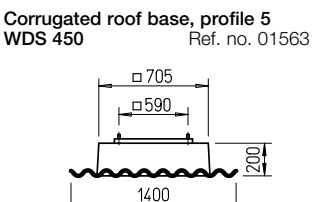
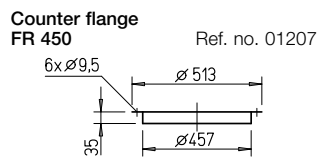
Power control
Continuously variable speed control via potentiometer or continuously variable speed control with universal control system (see table).



Delivery
Units are ready-for-connection, fully pre-assembled in the shipping box / wooden crate. Simple positioning with standard crane hook from ND 450 upwards.

Noise
The total level and range are specified above the performance diagram for:
– Inlet side sound power
– Outlet side sound power.
The case-radiated noise as sound pressure at 4 m (free field conditions) is also specified in the type table and the table below the characteristic curve.

Accessories for Type RD EC / VD EC

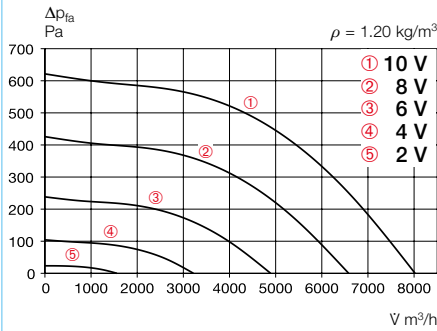


ecgreen Vent **50% savings***
* with speed control

References	Page
Planning information	10 ff.
Technical description	473 f.
Selection table	475 f.
Accessories, details	531 f.
Universal control systems, electronic controllers, speed potentiometer	585 ff.

RDW EC 450

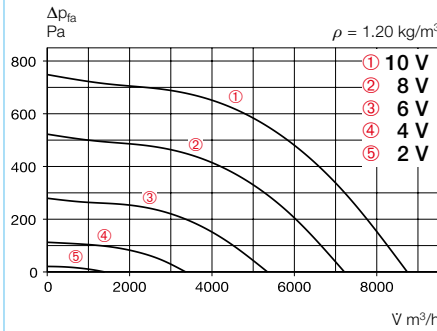
Frequency	Hz	Tot.	125	250	500	1k	2k	4k	8k
L _{WA} Inlet side	dB(A)	72	61	66	66	65	64	59	53
L _{WA} Outlet side	dB(A)	77	67	68	68	72	67	60	53



Free blowing						
Voltage V	n min ⁻¹	V̇ m ³ /h	P W	I A	Lp dB(A)	SFP kW/m ³ /s
10	1300	8042	738	3.10	60	0.33
8	1074	6595	421	1.80	56	0.23
6	802	4891	191	0.91	50	0.14
4	535	3221	70	0.51	37	0.08

RDD EC 450 A

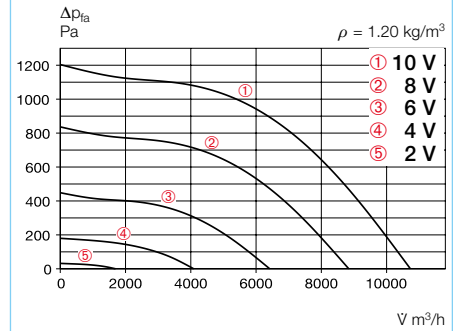
Frequency	Hz	Tot.	125	250	500	1k	2k	4k	8k
L _{WA} Inlet side	dB(A)	75	64	69	69	68	67	62	56
L _{WA} Outlet side	dB(A)	80	70	71	71	75	70	63	56



Free blowing						
Voltage V	n min ⁻¹	V̇ m ³ /h	P W	I A	Lp dB(A)	SFP kW/m ³ /s
10	1430	8760	980	1.60	63	0.40
8	1190	7230	590	1.05	59	0.29
6	870	5360	265	0.50	52	0.18
4	550	3380	90	0.20	42	0.10

RDD EC 450 B

Frequency	Hz	Tot.	125	250	500	1k	2k	4k	8k
L _{WA} Inlet side	dB(A)	81	70	75	75	74	73	68	62
L _{WA} Outlet side	dB(A)	86	76	77	77	81	76	69	62

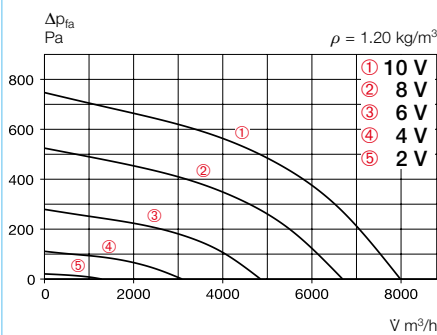


Free blowing						
Voltage V	n min ⁻¹	V̇ m ³ /h	P W	I A	Lp dB(A)	SFP kW/m ³ /s
10	1800	10760	2015	2.95	69	0.67
8	1490	8860	1180	1.80	65	0.48
6	1100	6430	525	0.92	58	0.29
4	700	4115	180	0.35	48	0.16

Type	Ref. no.	Speed	Flow rate free blowing	Noise sound press.	Power consumption	Current consumption		Wiring diagram	Max. air flow temp. at rated voltage	Weight net	Speed potentiometer				
						at rated voltage	with control				flush-mounted	surface-mounted	Ref. no.	Ref. no.	Ref. no.
		min ⁻¹	m ³ /h	dB(A) at 4 m	W	A	A	No.	°C	kg	Type	Ref. no.	Type	Ref. no.	
Alternating current, 1~, 230 V, 50 Hz, EC motor, protection category IP 54															
RDW EC 450	07397	1300	8050	59.5	1100	4.9	4.9	1147	40	—	39	PU 24	01736	PA 24	01737
Three-phase current, 3~, 400 V, 50 Hz, EC motor, protection category IP 54															
RDD EC 450 A	07382	1425	8760	62.5	1500	2.4	2.4	1148	40	—	39	PU 24	01736	PA 24	01737
RDD EC 450 B	07395	1800	10760	68.5	2900	4.2	4.2	1148	60	—	45	PU 24	01736	PA 24	01737

VDD EC 450 A

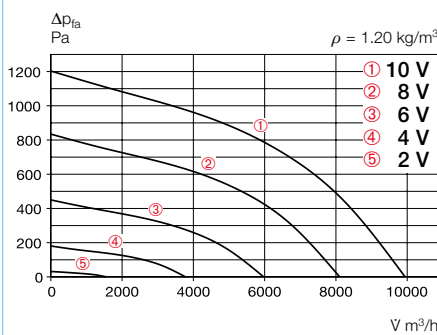
Frequency	Hz	Tot.	125	250	500	1k	2k	4k	8k
L _{WA} Inlet side	dB(A)	73	62	67	67	66	65	60	54
L _{WA} Outlet side	dB(A)	79	70	71	71	75	70	63	56



Free blowing						
Voltage V	n min ⁻¹	V̇ m ³ /h	P W	I A	Lp dB(A)	SFP kW/m ³ /s
10	1430	7990	1130	1.80	62	0.51
8	1190	6690	670	1.15	58	0.36
6	870	4850	290	0.55	51	0.22
4	550	3090	95	0.20	42	0.11

VDD EC 450 B

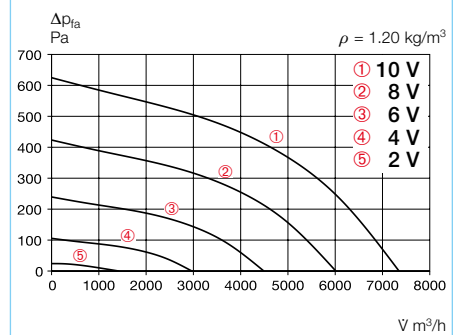
Frequency	Hz	Tot.	125	250	500	1k	2k	4k	8k
L _{WA} Inlet side	dB(A)	79	68	73	73	72	71	66	60
L _{WA} Outlet side	dB(A)	85	76	77	77	81	76	69	62



Free blowing						
Voltage V	n min ⁻¹	V̇ m ³ /h	P W	I A	Lp dB(A)	SFP kW/m ³ /s
10	1800	9960	2250	3.3	68	0.81
8	1500	8110	1330	2.0	64	0.59
6	1090	5980	570	0.95	57	0.34
4	690	3780	190	0.38	47	0.18

VDW EC 450

Frequency	Hz	Tot.	125	250	500	1k	2k	4k	8k
L _{WA} Inlet side	dB(A)	70	59	64	64	63	62	57	51
L _{WA} Outlet side	dB(A)	76	67	68	68	72	67	60	53



Free blowing						
Voltage V	n min ⁻¹	V̇ m ³ /h	P W	I A	Lp dB(A)	SFP kW/m ³ /s
10	1300	7354	862	4.0	59	—
8	1068	6018	487	2.0	55	—
6	802	4493	217	1.0	49	—
4	533	2966	78	—	36	—

Type	Ref. no.	Speed	Flow rate free blowing	Noise sound press.	Power consumption	Current consumption		Wiring diagram	Max. air flow temp. at rated voltage	Weight net	Speed potentiometer				
						at rated voltage	with control				flush-mounted	surface-mounted	Ref. no.	Ref. no.	Ref. no.
		min ⁻¹	m ³ /h	dB(A) at 4 m	W	A	A	No.	°C	kg	Type	Ref. no.	Type	Ref. no.	
Alternating current, 1~, 230 V, 50 Hz, EC motor, protection category IP 54															
VDW EC 450	07396	1300	7355	59	1120	4.7	4.7	1147	40	—	41	PU 24	01736	PA 24	01737
Three-phase current, 3~, 400 V, 50 Hz, EC motor, protection category IP 54															
VDD EC 450 A	07381	1425	7985	62	1450	2.3	2.3	1148	40	—	41	PU 24	01736	PA 24	01737
VDD EC 450 B	07392	1800	9955	68	2900	4.2	4.2	1148	60	—	47	PU 24	01736	PA 24	01737



Description RD EC
Horizontal outlet EC roof fan with efficiency-optimised aluminium casing and newly developed high-performance centrifugal impeller.

Description VD EC
Vertical outlet EC roof fan with efficiency-optimised aluminium casing and newly developed high-performance centrifugal impeller.

Common features RD EC and VD EC

Casing
Made of sea water-resistant aluminium with integrated tamper protection. Motor support plate and base plate with inlet nozzle made of galvanised steel. Base plate with threaded screws for attachment of inlet-side accessories (hole pattern according to DIN 24155).

Impeller
High-performance centrifugal impeller with backward curved blades made of plastic. Dynamically balanced according to DIN ISO 21940-11 – quality grade 6.3.

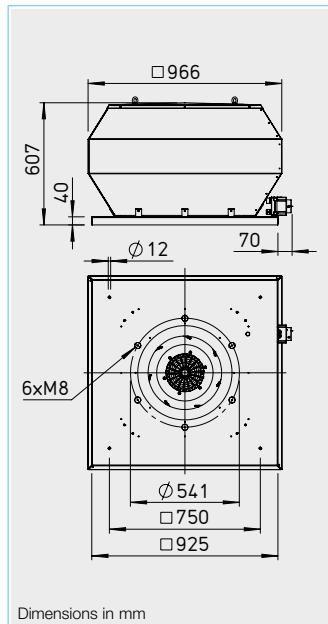
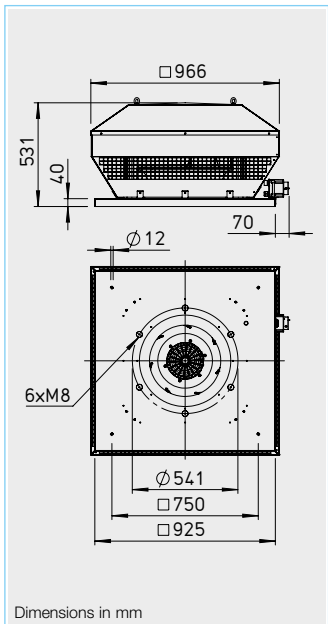
Drive
Energy-saving, speed-controllable EC external rotor motor with the highest level of efficiency. Maintenance-free and radio interference-free, ball bearing mounted.

Motor protection
Integrated electronic temperature monitoring system for EC motor and electronics.

Electrical connection
ND 315 – 630 to external terminal box and isolator in protection category IP 65.

Protection grille
On outlet side as standard according to DIN EN ISO 13857.

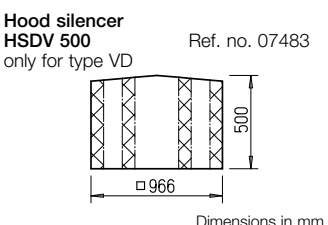
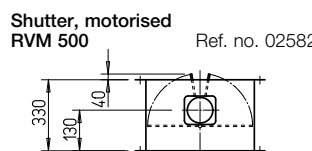
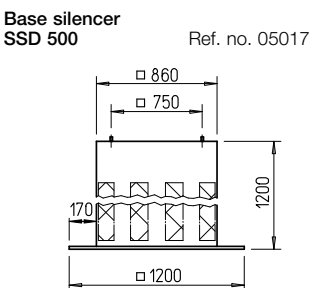
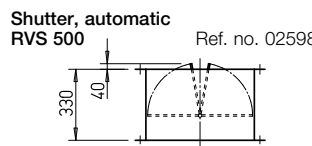
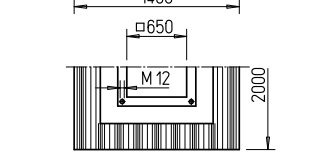
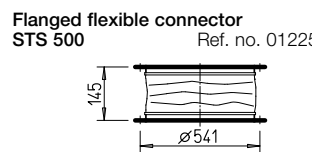
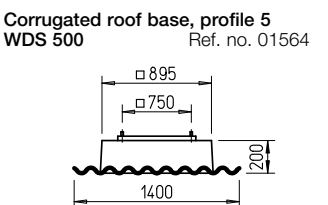
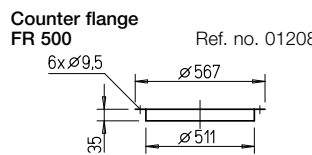
Power control
Continuously variable speed control via potentiometer or continuously variable speed control with universal control system (see table).



Delivery
Units are ready-for-connection, fully pre-assembled in the shipping box / wooden crate. Simple positioning with standard crane hook from ND 450 upwards.

Noise
The total level and range are specified above the performance diagram for:
– Inlet side sound power
– Outlet side sound power.
The case-radiated noise as sound pressure at 4 m (free field conditions) is also specified in the type table and the table below the characteristic curve.

Accessories for Type RD EC / VD EC

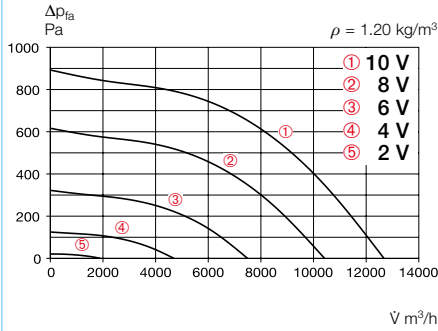


ecgreen Vent **30% savings***
* with speed control

References	Page
Planning information	10 ff.
Technical description	473 f.
Selection table	475 f.
Accessories, details	531 f.
Universal control systems, electronic controllers, speed potentiometer	585 ff.

RDD EC 500 A

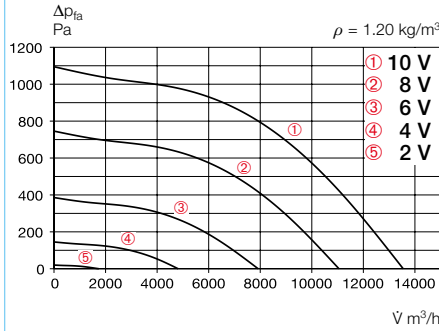
Frequency	Hz	Tot.	125	250	500	1k	2k	4k	8k	
L _{WA} Inlet side		dB(A)	76	64	70	70	69	68	63	59
L _{WA} Outlet side		dB(A)	82	70	76	77	76	72	64	58



Free blowing						
Voltage V	n min ⁻¹	V̇ m³/h	P W	I A	Lp dB(A)	SFP kW/m³/s
10	1400	12650	1760	2.70	65	0.50
8	1160	10400	1030	1.65	61	0.36
6	840	7480	450	0.85	54	0.22
4	530	4690	160	0.35	44	0.12

RDD EC 500 B

Frequency	Hz	Tot.	125	250	500	1k	2k	4k	8k	
L _{WA} Inlet side		dB(A)	80	68	74	74	73	72	67	63
L _{WA} Outlet side		dB(A)	85	73	79	80	79	75	67	61

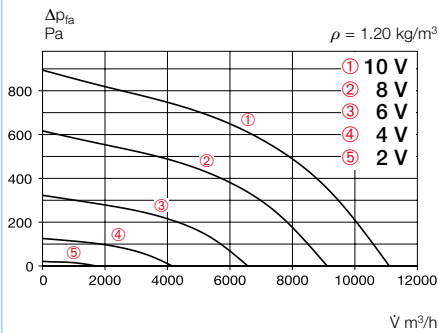


Free blowing						
Voltage V	n min ⁻¹	V̇ m³/h	P W	I A	Lp dB(A)	SFP kW/m³/s
10	1550	13530	2430	3.55	68	0.65
8	1280	11040	1370	2.05	64	0.45
6	920	7910	560	0.97	57	0.25
4	560	4810	165	0.35	46	0.12

Type	Ref. no.	Speed	Flow rate free blowing	Noise sound press.	Power consumption	Current consumption		Wiring diagram	Max. air flow temp.		Weight net	Speed potentiometer				
						at rated voltage	with control		at rated voltage	with control		flush-mounted	surface-mounted			
			min ⁻¹	m³/h	dB(A) at 4 m	W	A	A	No.	°C	°C	kg	Type	Ref. no.	Type	Ref. no.
Three-phase current, 3~, 400 V, 50 Hz, EC motor, protection category IP 54																
RDD EC 500 A	07425	1400	12650	64.5	2450	3.7	3.7	1148	40	—	63	PU 24	01736	PA 24	01737	
RDD EC 500 B	07417	1550	13550	67.5	3200	4.8	4.8	1148	40	—	67	PU 24	01736	PA 24	01737	

VDD EC 500 A

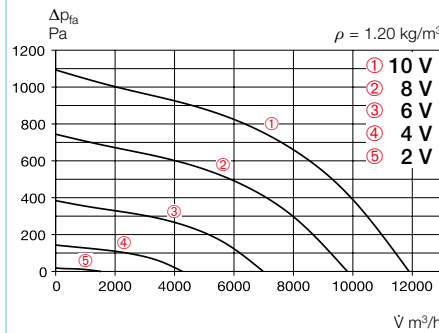
Frequency	Hz	Tot.	125	250	500	1k	2k	4k	8k	
L _{WA} Inlet side		dB(A)	76	67	71	69	69	66	62	58
L _{WA} Outlet side		dB(A)	82	71	75	76	76	74	69	61



Free blowing						
Voltage V	n min ⁻¹	V̇ m³/h	P W	I A	Lp dB(A)	SFP kW/m³/s
10	1400	11100	1910	2.90	65	0.62
8	1160	9120	1135	1.80	61	0.45
6	840	6585	480	0.90	54	0.26
4	530	4160	170	0.35	44	0.15

VDD EC 500 B

Frequency	Hz	Tot.	125	250	500	1k	2k	4k	8k	
L _{WA} Inlet side		dB(A)	79	70	76	77	76	72	64	58
L _{WA} Outlet side		dB(A)	85	74	78	79	79	77	72	64



Free blowing						
Voltage V	n min ⁻¹	V̇ m³/h	P W	I A	Lp dB(A)	SFP kW/m³/s
10	1550	11905	2575	3.80	68	0.78
8	1280	9820	1460	2.20	64	0.54
6	920	6990	595	1.00	57	0.31
4	560	4270	170	0.35	46	0.14

Type	Ref. no.	Speed	Flow rate free blowing	Noise sound press.	Power consumption	Current consumption		Wiring diagram	Max. air flow temp.		Weight net	Speed potentiometer				
						at rated voltage	with control		at rated voltage	with control		flush-mounted	surface-mounted			
			min ⁻¹	m³/h	dB(A) at 4 m	W	A	A	No.	°C	°C	kg	Type	Ref. no.	Type	Ref. no.
Three-phase current, 3~, 400 V, 50 Hz, EC motor, protection category IP 54																
VDD EC 500 A	07424	1400	11100	65	2450	3.7	3.7	1148	40	—	65	PU 24	01736	PA 24	01737	
VDD EC 500 B	07415	1550	11900	68	3200	4.7	4.7	1148	40	—	69	PU 24	01736	PA 24	01737	

EC roof fans



Description RD EC
Horizontal outlet EC roof fan with efficiency-optimised aluminium casing and newly developed high-performance centrifugal impeller.

Description VD EC
Vertical outlet EC roof fan with efficiency-optimised aluminium casing and newly developed high-performance centrifugal impeller.

Common features RD EC and VD EC

Casing
Made of sea water-resistant aluminium with integrated tamper protection. Motor support plate and base plate with inlet nozzle made of galvanised steel. Base plate with threaded screws for attachment of inlet-side accessories (hole pattern according to DIN 24155).

Impeller
High-performance centrifugal impeller with backward curved blades made of plastic. Dynamically balanced according to DIN ISO 21940-11 – quality grade 6.3.

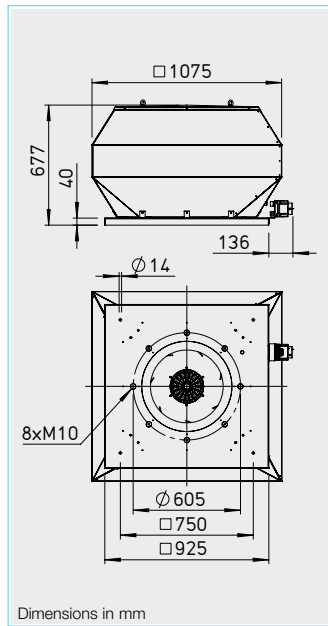
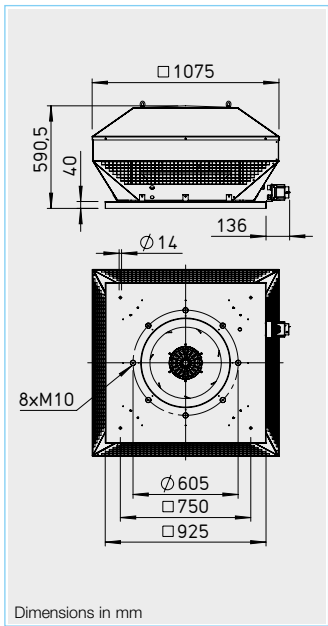
Drive
Energy-saving, speed-controllable EC external rotor motor with the highest level of efficiency. Maintenance-free and radio interference-free, ball bearing mounted.

Motor protection
Integrated electronic temperature monitoring system for EC motor and electronics.

Electrical connection
ND 315 – 630 to external terminal box and isolator in protection category IP 65.

Protection grille
On outlet side as standard according to DIN EN ISO 13857.

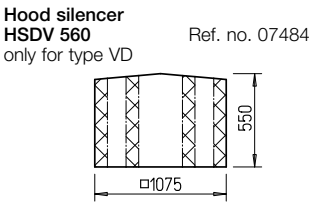
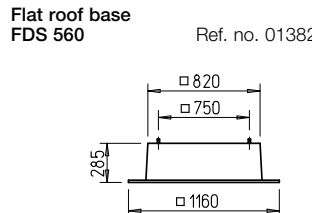
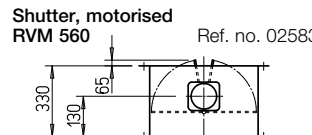
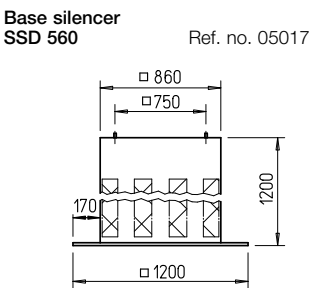
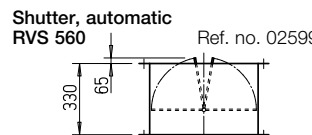
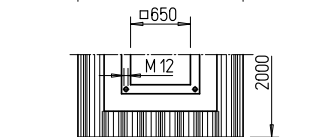
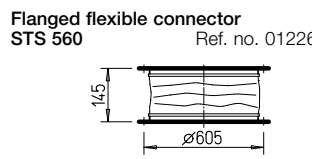
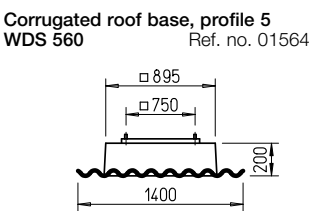
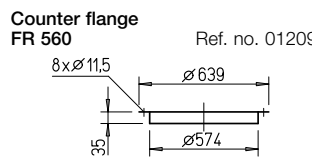
Power control
Continuously variable speed control via potentiometer or continuously variable speed control with universal control system (see table).



Delivery
Units are ready-for-connection, fully pre-assembled in the shipping box / wooden crate. Simple positioning with standard crane hook from ND 450 upwards.

Noise
The total level and range are specified above the performance diagram for:
– Inlet side sound power
– Outlet side sound power.
The case-radiated noise as sound pressure at 4 m (free field conditions) is also specified in the type table and the table below the characteristic curve.

Accessories for Type RD EC / VD EC

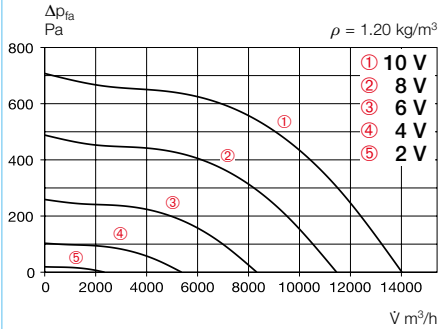


ecgreen Vent **35% savings***
* with speed control

References	Page
Planning information	10 ff.
Technical description	473 f.
Selection table	475 f.
Accessories, details	531 f.
Universal control systems, electronic controllers, speed potentiometer	585 ff.

RDD EC 560

Frequency	Hz	Tot.	125	250	500	1k	2k	4k	8k
L _{WA} Inlet side	dB(A)	75	68	72	74	73	69	65	58
L _{WA} Outlet side	dB(A)	80	68	71	73	74	71	64	55

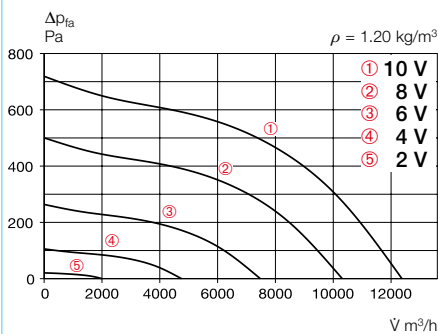


Free blowing						
Voltage V	n min ⁻¹	V m ³ /h	P W	I A	Lp dB(A)	SFP kW/m ³ /s
10	1100	14050	1790	2.70	63	0.46
8	920	11480	1050	1.67	59	0.33
6	670	8340	450	0.81	52	0.19
4	430	5380	150	0.32	42	0.10

Type	Ref. no.	Speed	Flow rate free blowing	Noise sound press.	Power consumption	Current consumption		Wiring diagram	Max. air flow temp.		Weight net	Speed potentiometer			
						at rated voltage	with control		at rated voltage	with control		flush-mounted	surface-mounted	Type	Ref. no.
		min ⁻¹	m ³ /h	dB(A) at 4 m	W	A	A	No.	°C	°C	kg	Type	Ref. no.	Type	Ref. no.
Three-phase current, 3~, 400 V, 50 Hz, EC motor, protection category IP 54															
RDD EC 560	07435	1100	14050	62.5	2400	3.7	3.7	1148	50	—	70	PU 24	01736	PA 24	01737

VDD EC 560

Frequency	Hz	Tot.	125	250	500	1k	2k	4k	8k
L _{WA} Inlet side	dB(A)	75	65	67	68	69	68	64	57
L _{WA} Outlet side	dB(A)	79	68	72	74	73	69	65	58



Free blowing						
Voltage V	n min ⁻¹	V m ³ /h	P W	I A	Lp dB(A)	SFP kW/m ³ /s
10	1100	12380	1925	2.90	62	0.56
8	915	10325	1120	1.80	58	0.39
6	670	7480	480	0.87	51	0.23
4	420	4750	150	0.35	41	0.11

Type	Ref. no.	Speed	Flow rate free blowing	Noise sound press.	Power consumption	Current consumption		Wiring diagram	Max. air flow temp.		Weight net	Speed potentiometer			
						at rated voltage	with control		at rated voltage	with control		flush-mounted	surface-mounted	Type	Ref. no.
		min ⁻¹	m ³ /h	dB(A) at 4 m	W	A	A	No.	°C	°C	kg	Type	Ref. no.	Type	Ref. no.
Three-phase current, 3~, 400 V, 50 Hz, EC motor, protection category IP 54															
VDD EC 560	07433	1100	12380	62	2400	3.7	3.7	1148	50	—	75	PU 24	01736	PA 24	01737



Description RD EC
Horizontal outlet EC roof fan with efficiency-optimised aluminium casing and newly developed high-performance centrifugal impeller.

Description VD EC
Vertical outlet EC roof fan with efficiency-optimised aluminium casing and newly developed high-performance centrifugal impeller.

Common features RD EC and VD EC

Casing
Made of sea water-resistant aluminium with integrated tamper protection. Motor support plate and base plate with inlet nozzle made of galvanised steel. Base plate with threaded screws for attachment of inlet-side accessories (hole pattern according to DIN 24155).

Impeller
High-performance centrifugal impeller with backward curved blades made of plastic. Dynamically balanced according to DIN ISO 21940-11 – quality grade 6.3.

Drive
Energy-saving, speed-controllable EC external rotor motor with the highest level of efficiency. Maintenance-free and radio interference-free, ball bearing mounted.

Motor protection
Integrated electronic temperature monitoring system for EC motor and electronics.

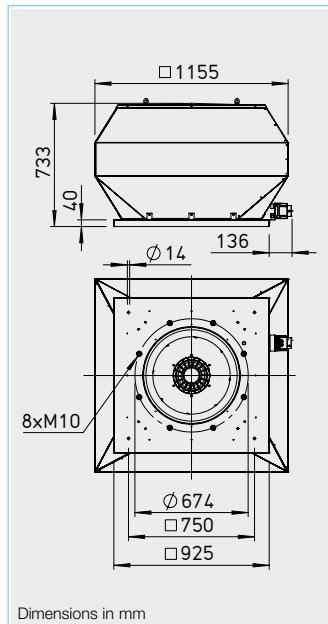
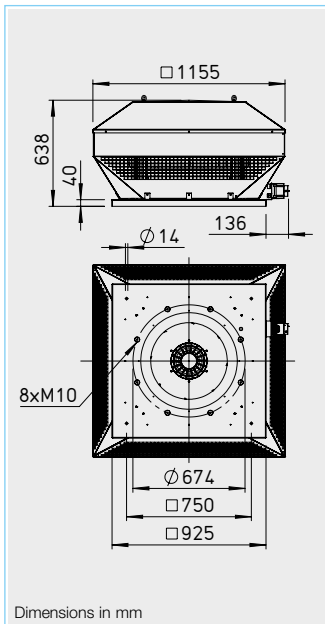
Electrical connection
ND 315 – 630 to external terminal box and isolator in protection category IP 65.

Protection grille
On outlet side as standard according to DIN EN ISO 13857.

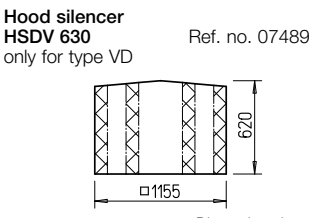
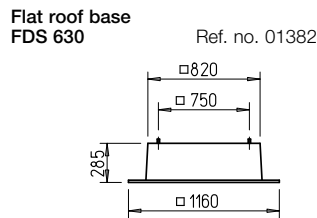
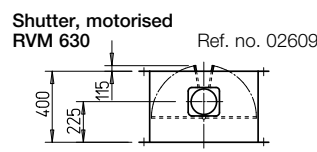
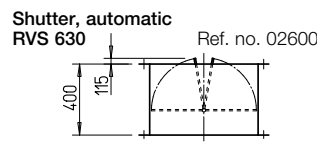
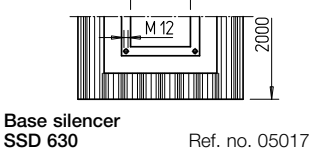
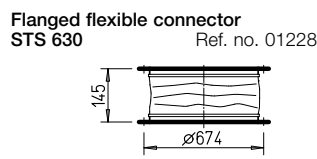
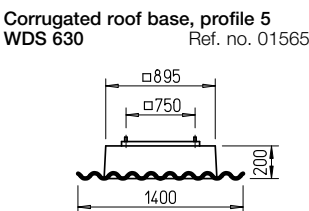
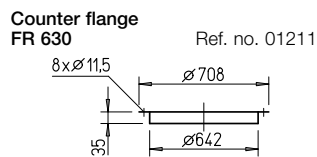
Power control
Continuously variable speed control via potentiometer or continuously variable speed control with universal control system (see table).

Delivery
Units are ready-for-connection, fully pre-assembled in the shipping box / wooden crate. Simple positioning with standard crane hook from ND 450 upwards.

Noise
The total level and range are specified above the performance diagram for:
– Inlet side sound power
– Outlet side sound power.
The case-radiated noise as sound pressure at 4 m (free field conditions) is also specified in the type table and the table below the characteristic curve.



Accessories for Type RD EC / VD EC

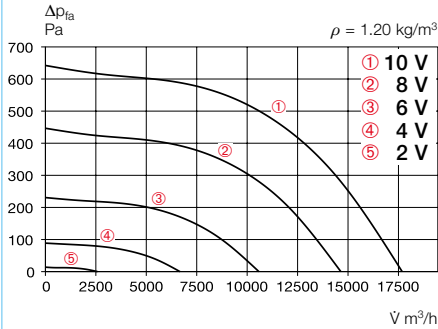


ecgreen Vent **35% savings***
* with speed control

References	Page
Planning information	10 ff.
Technical description	473 f.
Selection table	475 f.
Accessories, details	531 f.
Universal control systems, electronic controllers, speed potentiometer	585 ff.

RDD EC 630

Frequency	Hz	Tot.	125	250	500	1k	2k	4k	8k	
L _{WA} Inlet side		dB(A)	80	63	70	74	75	73	71	62
L _{WA} Outlet side		dB(A)	84	68	73	80	79	75	69	63

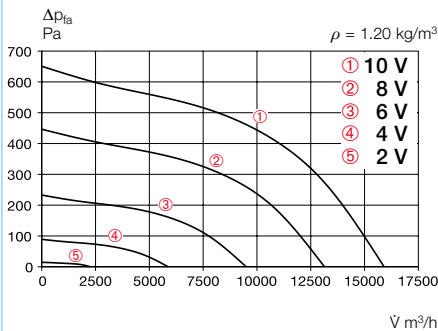


Free blowing						
Voltage V	n min ⁻¹	V m ³ /h	P W	I A	Lp dB(A)	SFP kW/m ³ /s
10	940	17710	2150	3.20	67	0.44
8	780	14650	1250	1.95	63	0.31
6	570	10580	490	0.90	56	0.17
4	350	6660	140	0.30	46	0.08

Type	Ref. no.	Speed	Flow rate free blowing	Noise sound press.	Power consumption	Current consumption		Wiring diagram	Max. air flow temp. at rated voltage	Max. air flow temp. with control	Weight net	Speed potentiometer			
						at rated voltage	with control					flush-mounted	surface-mounted		
		min ⁻¹	m ³ /h	dB(A) at 4 m	W	A	A	No.	°C	°C	kg	Type	Ref. no.	Type	Ref. no.
Three-phase current, 3~, 400 V, 50 Hz, EC motor, protection category IP 54															
RDD EC 630	07455	940	17750	67	2900	4.3	4.3	1148	50	—	87	PU 24	01736	PA 24	01737

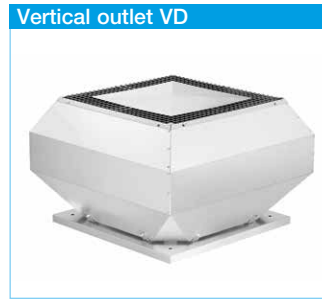
VDD EC 630

Frequency	Hz	Tot.	125	250	500	1k	2k	4k	8k	
L _{WA} Inlet side		dB(A)	80	63	70	74	75	73	71	62
L _{WA} Outlet side		dB(A)	84	68	73	80	79	75	69	63



Free blowing						
Voltage V	n min ⁻¹	V m ³ /h	P W	I A	Lp dB(A)	SFP kW/m ³ /s
10	940	16000	2380	3.55	67	0.54
8	780	13180	1370	2.15	63	0.37
6	570	9530	540	0.95	56	0.20
4	350	5890	150	0.32	46	0.09

Type	Ref. no.	Speed	Flow rate free blowing	Noise sound press.	Power consumption	Current consumption		Wiring diagram	Max. air flow temp. at rated voltage	Max. air flow temp. with control	Weight net	Speed potentiometer			
						at rated voltage	with control					flush-mounted	surface-mounted		
		min ⁻¹	m ³ /h	dB(A) at 4 m	W	A	A	No.	°C	°C	kg	Type	Ref. no.	Type	Ref. no.
Three-phase current, 3~, 400 V, 50 Hz, EC motor, protection category IP 54															
VDD EC 630	07451	940	15960	66.5	2800	4.2	4.2	1148	50	—	90	PU 24	01736	PA 24	01737



Description RD
Horizontal outlet roof fan with efficiency-optimised aluminium casing and newly developed high-performance centrifugal impeller.

Description VD
Vertical outlet roof fan with efficiency-optimised aluminium casing and newly developed high-performance centrifugal impeller.

Description of all series

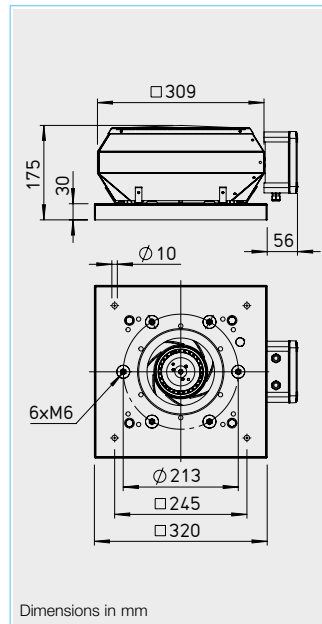
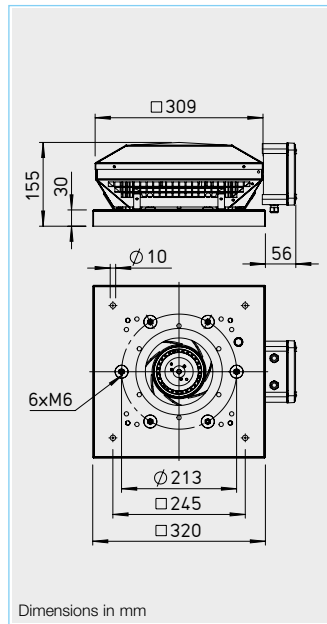
Casing
Casing made of sea water-resistant aluminium with integrated tamper protection. Motor support plate and base plate with inlet nozzle made of galvanised steel. Base plate with threaded screws for attachment of inlet-side accessories (hole pattern according to DIN 24155).

Impeller
High-performance centrifugal impeller with backward curved blades made of plastic. Dynamically balanced according to DIN ISO 21940-11 – quality grade 6.3.

Drive
Speed-controllable external rotor motor in closed design (IP 44). Ball bearing mounted with moisture protection. Maintenance-free and radio interference-free.

Motor protection
Through built-in thermal contacts which are wired in series to the winding and automatically deactivate and reactivate after cooling when the motor temperature is too high.

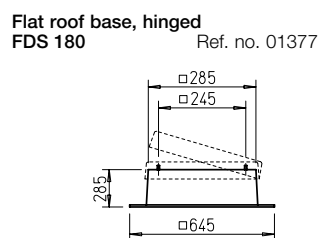
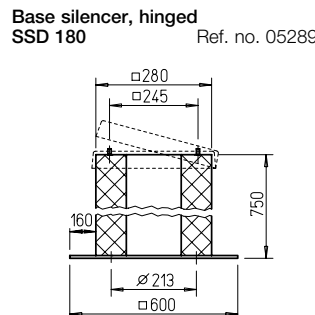
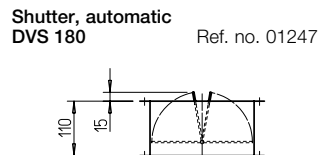
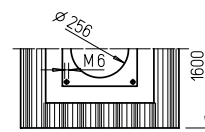
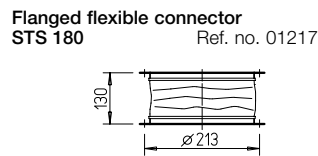
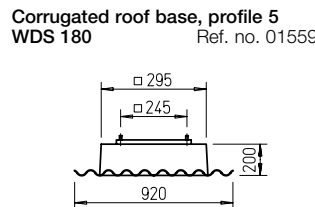
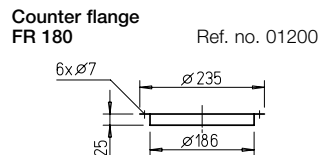
Electrical connection
To external terminal box in protection category IP 65. Isolator switch is optionally available (see accessories).



- Protection grille**
On the outlet side as standard according to DIN EN ISO 13857.
- Power control**
All types have continuously variable speed control in the range from 0 – 100 % through electronic speed controllers or five-step control units. Assignment see type table.
- Delivery**
Units are ready-for-connection, fully pre-assembled in the shipping box.
- Noise**
The total level and range are specified above the performance diagram for:
 - Inlet side sound power
 - Outlet side sound power.

The horizontally case-radiated noise as sound pressure at 4 m (free field conditions) is also specified in the type table.

Accessories for type RD / VD

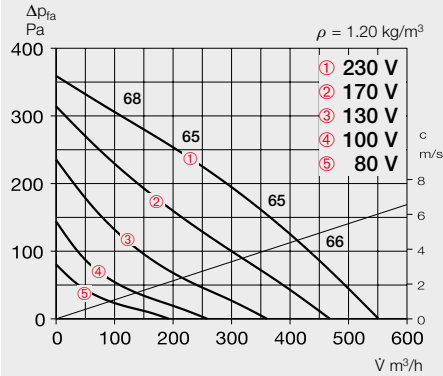


Dimensions in mm

References	Page
Planning information	10 ff.
Technical description	474 f.
Selection table	476 f.
Accessories, details	531 f.
Speed controllers, controllers and switches	571 ff.

RDW 180/2

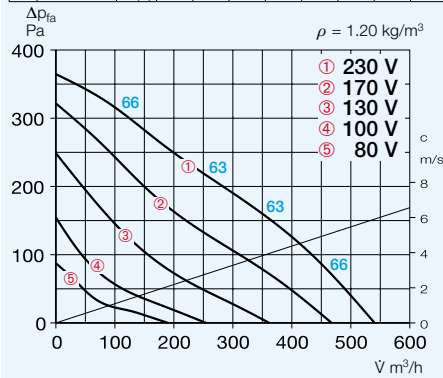
Frequency	Hz	Tot.	125	250	500	1k	2k	4k	8k
L _{WA} Inlet side	dB(A)	61	37	48	53	56	55	54	44
L _{WA} Outlet side	dB(A)	65	38	52	58	62	57	54	45



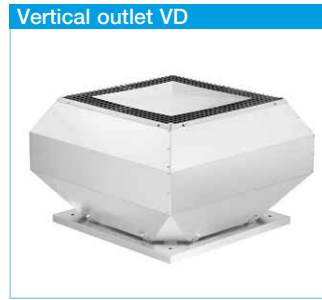
Type	Ref. no.	Speed	Flow rate free blowing	Noise sound press.	Power consumption	Current consumption at rated voltage	Current consumption with control	Wiring diagram	Max. air flow temp. at rated voltage	Max. air flow temp. with control	Weight net	Motor protection circuit breaker	Speed controller 5-step		
		min ⁻¹	m ³ /h	dB(A) at 4m	W	A	A	No.	°C	°C	kg	Type	Ref. no.	Type	Ref. no.
Alternating current, 1~, 230 V, 50 Hz, capacitor motor, protection category IP 44															
RDW 180/2	07122	2295	552	48	58	0.25	0.25	923	60	60	4.8	—	—	TSW 1.5	01495

VDW 180/2

Frequency	Hz	Tot.	125	250	500	1k	2k	4k	8k
L _{WA} Inlet side	dB(A)	60	36	47	52	55	54	53	43
L _{WA} Outlet side	dB(A)	63	38	51	56	59	57	52	43



Type	Ref. no.	Speed	Flow rate free blowing	Noise sound press.	Power consumption	Current consumption at rated voltage	Current consumption with control	Wiring diagram	Max. air flow temp. at rated voltage	Max. air flow temp. with control	Weight net	Motor protection circuit breaker	Speed controller 5-step		
		min ⁻¹	m ³ /h	dB(A) at 4m	W	A	A	No.	°C	°C	kg	Type	Ref. no.	Type	Ref. no.
Alternating current, 1~, 230 V, 50 Hz, capacitor motor, protection category IP 44															
VDW 180/2	07120	2315	545	46	59	0.26	0.26	923	60	60	4.7	—	—	TSW 1.5	01495



Description RD

Horizontal outlet roof fan with efficiency-optimised aluminium casing and newly developed high-performance centrifugal impeller.

Description VD

Vertical outlet roof fan with efficiency-optimised aluminium casing and newly developed high-performance centrifugal impeller.

Description of all series

Casing

Casing made of sea water-resistant aluminium with integrated tamper protection. Motor support plate and base plate with inlet nozzle made of galvanised steel (explosion-proof version inlet nozzle made of aluminium). Base plate with threaded screws for attachment of inlet-side accessories (hole pattern according to DIN 24155).

Impeller

High-performance centrifugal impeller with backward curved blades made of galvanised steel sheet (explosion-proof version made of aluminium). Dynamically balanced according to DIN ISO 21940-11 – quality grade 6.3.

Drive

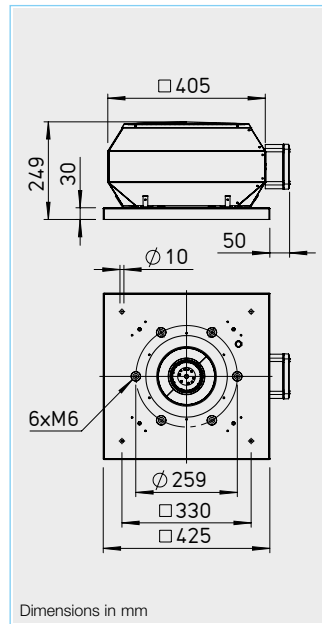
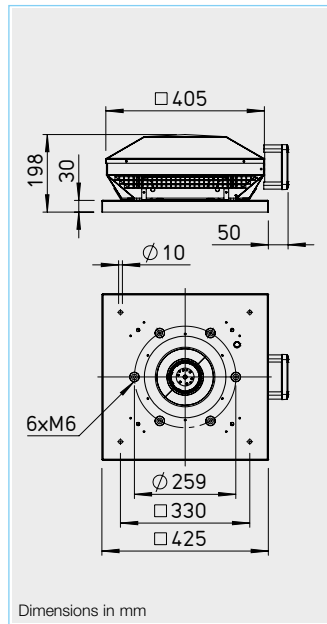
Speed-controllable external rotor motor in closed design (IP 44). Ball bearing mounted with moisture protection. Maintenance-free and radio interference-free.

Motor protection

Through built-in thermal contacts which are wired in series to the winding and automatically deactivate and reactivate after cooling when the motor temperature is too high. Explosion-proof version with thermal motor protection through built-in PTC thermistors.

Electrical connection

To external terminal box in protection category IP 65. Isolator switch is optionally available (see accessories).



Protection grille

On the outlet side as standard according to DIN EN ISO 13857.

Power control

All types have continuously variable speed control in the range from 0 – 100 % through electronic speed controllers or five-step control units. Assignment see type table.

Delivery

Units are ready-for-connection, fully pre-assembled in the shipping box.

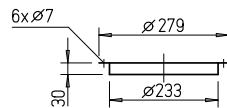
Noise

The total level and range are specified above the performance diagram for:
– Inlet side sound power
– Outlet side sound power.

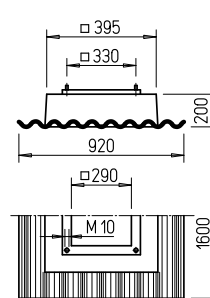
The horizontally case-radiated noise as sound pressure at 4 m (free field conditions) is also specified in the type table.

Accessories for type RD / VD

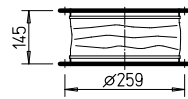
Counter flange DFR 200 Ref. no. 01201



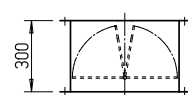
Corrugated roof base, profile 5 WDS 200 Ref. no. 01560



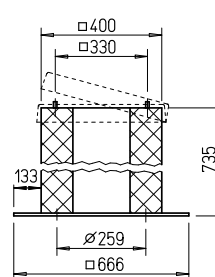
Flanged flexible connector DSTS 200 Ref. no. 01218
For explosion-proof fans
DSTS 200 Ex Ref. no. 02500



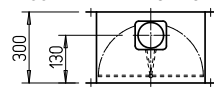
Shutter, automatic DRVS 200 Ref. no. 02591



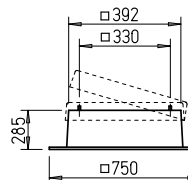
Base silencer, hinged SSD 200 Ref. no. 05290



Shutter, motorised DRVM 200 Ref. no. 02575



Flat roof base, hinged FDS 200 Ref. no. 01378

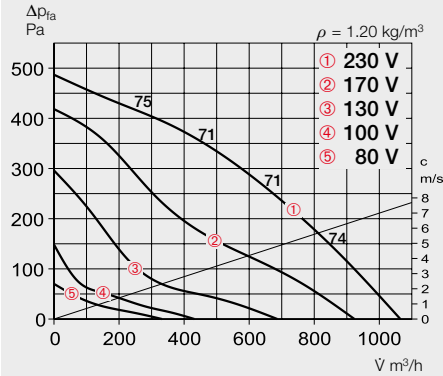


Dimensions in mm

References	Page
Planning information	10 ff.
Technical description	474 f.
Selection table	476 f.
Accessories, details	531 f.
Speed controllers, controllers and switches	571 ff.

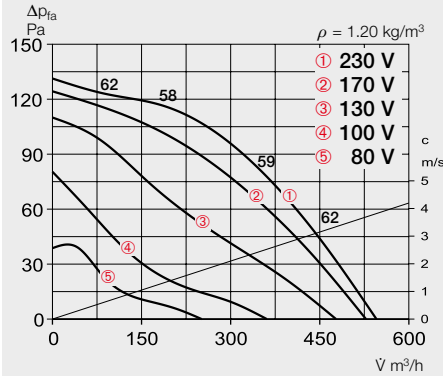
RDW 200/2

Frequency	Hz	Tot.	125	250	500	1k	2k	4k	8k
L _{WA} Inlet side	dB(A)	68	44	57	61	63	60	60	57
L _{WA} Outlet side	dB(A)	71	45	62	66	65	62	62	58



RDW 200/4

Frequency	Hz	Tot.	125	250	500	1k	2k	4k	8k
L _{WA} Inlet side	dB(A)	56	32	45	49	51	48	48	45
L _{WA} Outlet side	dB(A)	59	33	50	54	53	50	50	46

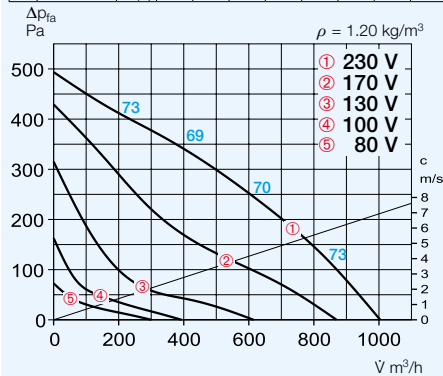


Type	Ref. no.	Speed	Flow rate free blowing	Noise sound press.	Power consumption	Current consumption		Wiring diagram	Max. air flow temp. at rated voltage	Weight net	Motor protection circuit breaker		Speed controller 5-step		
						at rated voltage	with control				Type	Ref. no.	Type	Ref. no.	
Alternating current, 1~, 230 V, 50 Hz, capacitor motor, protection category IP 44															
RDW 200/4	07177	1375	545	42	34	0.16	0.16	923	70	70	7.3	—	—	TSW 1.5	01495
RDW 200/2	07176	2430	1070	54	125	0.56	0.56	923	70	70	7.5	—	—	TSW 1.5	01495
Explosion-proof, II 3G Ex h IIB + H ₂ T3 Gc, motor Ex nA, three-phase current, 3~, 400 V, 50 Hz, protection category IP 44															
RDD 200/4 Ex ¹⁾	07191	1465	610	41	80	0.37	0.37	1156	40	40	9.5	MSA	01289	TSO 0.8	01500

1) Performance diagram at www.HeliosSelect.de.

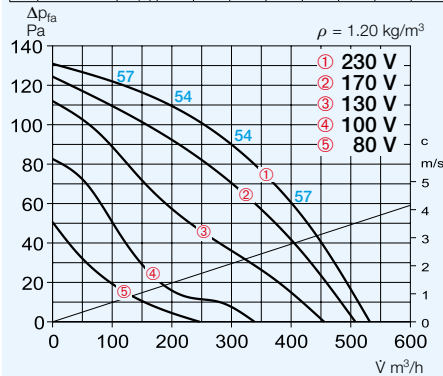
VDW 200/2

Frequency	Hz	Tot.	125	250	500	1k	2k	4k	8k
L _{WA} Inlet side	dB(A)	68	43	58	60	63	61	60	56
L _{WA} Outlet side	dB(A)	70	46	63	64	63	62	61	58



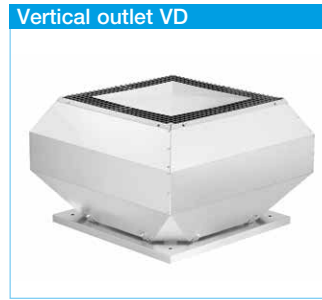
VDW 200/4

Frequency	Hz	Tot.	125	250	500	1k	2k	4k	8k
L _{WA} Inlet side	dB(A)	52	35	41	47	46	44	44	35
L _{WA} Outlet side	dB(A)	54	38	47	49	46	46	45	37



Type	Ref. no.	Speed	Flow rate free blowing	Noise sound press.	Power consumption	Current consumption		Wiring diagram	Max. air flow temp. at rated voltage	Weight net	Motor protection circuit breaker		Speed controller 5-step		
						at rated voltage	with control				Type	Ref. no.	Type	Ref. no.	
Alternating current, 1~, 230 V, 50 Hz, capacitor motor, protection category IP 44															
VDW 200/4	07134	1375	535	37	34	0.16	0.16	923	70	70	7.2	—	—	TSW 1.5	01495
VDW 200/2	07126	2430	1000	53	125	0.56	0.56	923	70	70	7.8	—	—	TSW 1.5	01495
Explosion-proof, II 3G Ex h IIB + H ₂ T3 Gc, motor Ex nA, three-phase current, 3~, 400 V, 50 Hz, protection category IP 44															
VDD 200/4 Ex ¹⁾	07178	1465	580	39	80	0.38	0.38	1156	40	40	9.5	MSA	01289	TSO 0.8	01500

1) Performance diagram at www.HeliosSelect.de.



Description RD

Horizontal outlet roof fan with efficiency-optimised aluminium casing and newly developed high-performance centrifugal impeller.

Description VD

Vertical outlet roof fan with efficiency-optimised aluminium casing and newly developed high-performance centrifugal impeller.

Description of all series

Casing

Casing made of sea water-resistant aluminium with integrated tamper protection. Motor support plate and base plate with inlet nozzle made of galvanised steel (explosion-proof version inlet nozzle made of aluminium). Base plate with threaded screws for attachment of inlet-side accessories (hole pattern according to DIN 24155).

Impeller

High-performance centrifugal impeller with backward curved blades made of galvanised steel sheet (explosion-proof version made of aluminium). Dynamically balanced according to DIN ISO 21940-11 – quality grade 6.3.

Drive

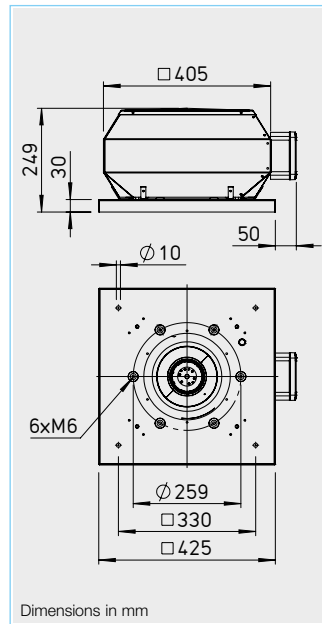
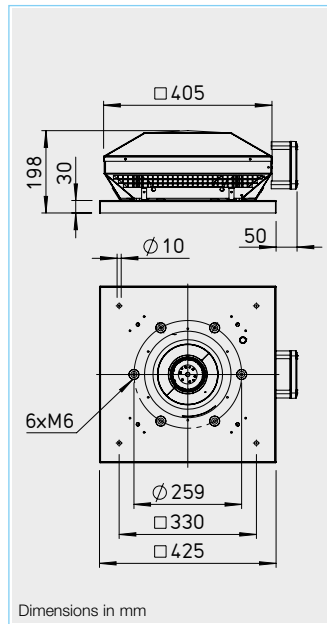
Speed-controllable external rotor motor in closed design (IP 44). Ball bearing mounted with moisture protection. Maintenance-free and radio interference-free.

Motor protection

Through built-in thermal contacts which are wired in series to the winding and automatically deactivate and reactivate after cooling when the motor temperature is too high. Explosion-proof version with thermal motor protection through built-in PTC thermistors.

Electrical connection

To external terminal box in protection category IP 65. Isolator switch is optionally available (see accessories).



Protection grille

On the outlet side as standard according to DIN EN ISO 13857.

Power control

All types have continuously variable speed control in the range from 0 – 100 % through electronic speed controllers or five-step control units. Assignment see type table.

Delivery

Units are ready-for-connection, fully pre-assembled in the shipping box.

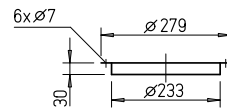
Noise

The total level and range are specified above the performance diagram for:
– Inlet side sound power
– Outlet side sound power.

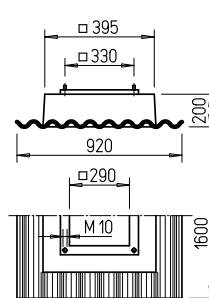
The horizontally case-radiated noise as sound pressure at 4 m (free field conditions) is also specified in the type table.

Accessories for type RD / VD

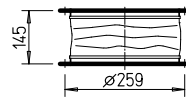
Counter flange FR 225 Ref. no. 01201



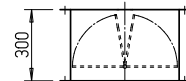
Corrugated roof base, profile 5 WDS 225 Ref. no. 01560



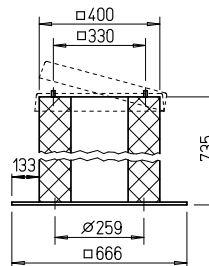
Flanged flexible connector STS 225 Ref. no. 01218
For explosion-proof fans
STS 225 Ex Ref. no. 02500



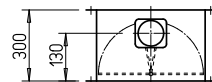
Shutter, automatic RVS 225 Ref. no. 02591



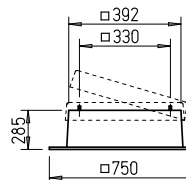
Base silencer, hinged SSD 225 Ref. no. 05290



Shutter, motorised RVM 225 Ref. no. 02575



Flat roof base, hinged FDS 225 Ref. no. 01378

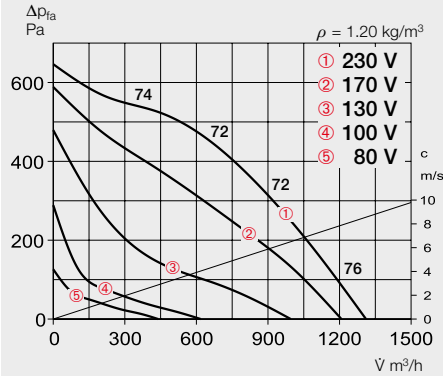


Dimensions in mm

References	Page
Planning information	10 ff.
Technical description	474 f.
Selection table	476 f.
Accessories, details	531 f.
Speed controllers, controllers and switches	571 ff.

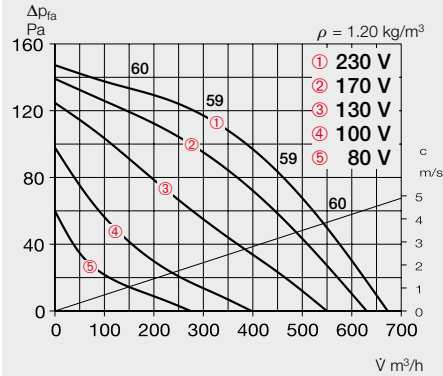
RDW 225/2

Frequency	Hz	Tot.	125	250	500	1k	2k	4k	8k
L _{WA} Inlet side	dB(A)	70	48	63	64	64	63	59	51
L _{WA} Outlet side	dB(A)	72	50	62	66	67	65	62	56



RDW 225/4

Frequency	Hz	Tot.	125	250	500	1k	2k	4k	8k
L _{WA} Inlet side	dB(A)	56	37	49	53	54	52	49	43
L _{WA} Outlet side	dB(A)	59	37	49	53	54	52	49	43

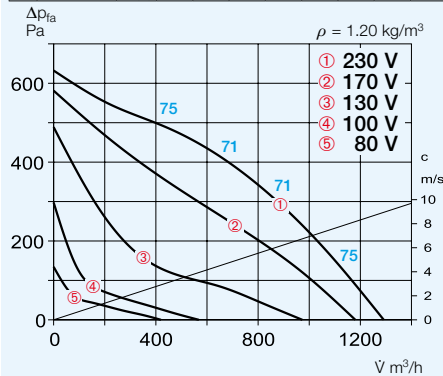


Type	Ref. no.	Speed	Flow rate free blowing	Noise sound press.	Power consumption	Current consumption		Wiring diagram	Max. air flow temp. at rated voltage	Weight net	Motor protection circuit breaker		Speed controller 5-step	
						at rated voltage	with control				Type	Ref. no.	Type	Ref. no.
		min ⁻¹	m³/h	dB(A) at 4m	W	A	A	No.	°C	kg	Type	Ref. no.	Type	Ref. no.
Alternating current, 1~, 230 V, 50 Hz, capacitor motor, protection category IP 44														
RDW 225/4	07235	1340	650	43	43	0.2	0.2	923	70	7.8	—	—	TSW 1.5	01495
RDW 225/2	07234	2635	1330	58	208	0.9	1.0	923	70	8.3	—	—	TSW 1.5	01495
Explosion-proof, II 3G Ex h IIB + H₂ T3 Gc, motor Ex nA, three-phase current, 3~, 400 V, 50 Hz, protection category IP 44														
RDD 225/4 Ex ¹⁾	07239	1445	845	43	100	0.37	0.37	1156	40	9.5	MSA	01289	TSD 0.8	01500

1) Performance diagram at www.HeliosSelect.de.

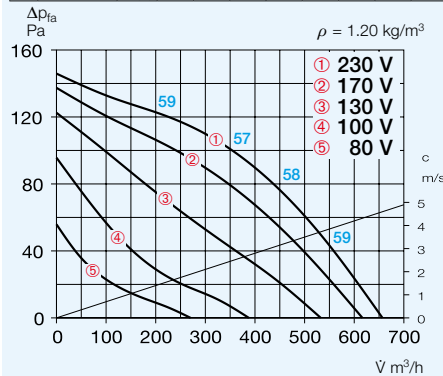
VDW 225/2

Frequency	Hz	Tot.	125	250	500	1k	2k	4k	8k
L _{WA} Inlet side	dB(A)	69	47	62	63	63	62	58	50
L _{WA} Outlet side	dB(A)	71	49	61	65	66	64	61	55



VDW 225/4

Frequency	Hz	Tot.	125	250	500	1k	2k	4k	8k
L _{WA} Inlet side	dB(A)	56	34	49	50	50	49	45	37
L _{WA} Outlet side	dB(A)	58	36	48	52	53	51	48	42



Type	Ref. no.	Speed	Flow rate free blowing	Noise sound press.	Power consumption	Current consumption		Wiring diagram	Max. air flow temp. at rated voltage	Weight net	Motor protection circuit breaker		Speed controller 5-step	
						at rated voltage	with control				Type	Ref. no.	Type	Ref. no.
		min ⁻¹	m³/h	dB(A) at 4m	W	A	A	No.	°C	kg	Type	Ref. no.	Type	Ref. no.
Alternating current, 1~, 230 V, 50 Hz, capacitor motor, protection category IP 44														
VDW 225/4	07221	1340	640	42	43	0.2	0.2	923	70	8.0	—	—	TSW 1.5	01495
VDW 225/2	07196	2635	1295	56	208	0.9	1.0	923	70	8.3	—	—	TSW 1.5	01495
Explosion-proof, II 3G Ex h IIB + H₂ T3 Gc, motor Ex nA, three-phase current, 3~, 400 V, 50 Hz, protection category IP 44														
VDD 225/4 Ex ¹⁾	07237	1450	810	41	100	0.37	0.37	1156	40	9.5	MSA	01289	TSD 0.8	01500

1) Performance diagram at www.HeliosSelect.de.



Description RD

Horizontal outlet roof fan with efficiency-optimised aluminium casing and newly developed high-performance centrifugal impeller.

Description VD

Vertical outlet roof fan with efficiency-optimised aluminium casing and newly developed high-performance centrifugal impeller.

Description of all series

Casing

Casing made of sea water-resistant aluminium with integrated tamper protection. Motor support plate and base plate with inlet nozzle made of galvanised steel (explosion-proof version inlet nozzle made of aluminium). Base plate with threaded screws for attachment of inlet-side accessories (hole pattern according to DIN 24155).

Impeller

High-performance centrifugal impeller with backward curved blades made of galvanised steel sheet (explosion-proof version made of aluminium). Dynamically balanced according to DIN ISO 21940-11 – quality grade 6.3.

Drive

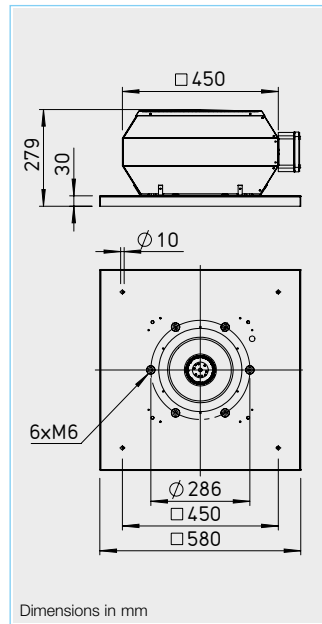
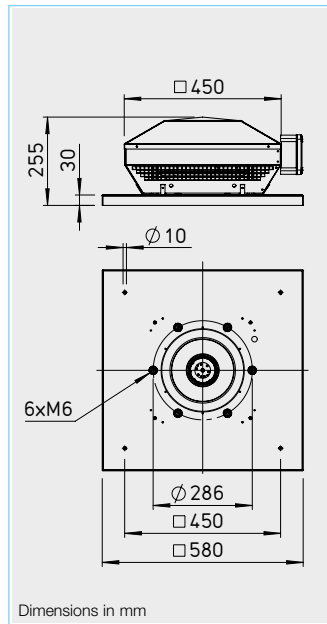
Speed-controllable external rotor motor in closed design (IP 44). Ball bearing mounted with moisture protection. Maintenance-free and radio interference-free.

Motor protection

Through built-in thermal contacts which are wired in series to the winding and automatically deactivate and reactivate after cooling when the motor temperature is too high. Explosion-proof version with thermal motor protection through built-in PTC thermistors.

Electrical connection

To external terminal box in protection category IP 65. Isolator switch is optionally available (see accessories).



Protection grille

On the outlet side as standard according to DIN EN ISO 13857.

Power control

All types have continuously variable speed control in the range from 0 – 100 % through electronic speed controllers or five-step control units. Assignment see type table.

Delivery

Units are ready-for-connection, fully pre-assembled in the shipping box.

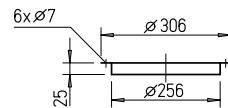
Noise

The total level and range are specified above the performance diagram for:
– Inlet side sound power
– Outlet side sound power.

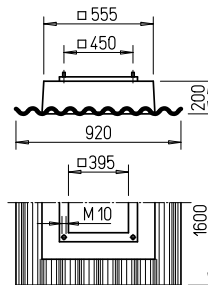
The horizontally case-radiated noise as sound pressure at 4 m (free field conditions) is also specified in the type table.

Accessories for type RD / VD

Counter flange FR 250 Ref. no. 01203

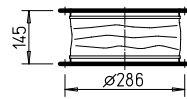


Corrugated roof base, profile 5 WDS 250 Ref. no. 01561

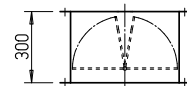


Flanged flexible connector STS 250 Ref. no. 01220

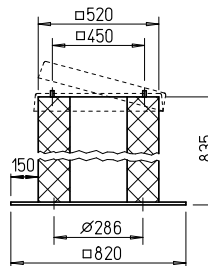
For explosion-proof fans
STS 250 Ex Ref. no. 02501



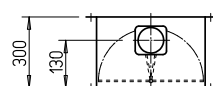
Shutter, automatic RVS 250 Ref. no. 02592



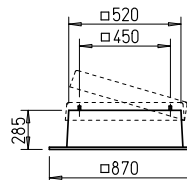
Base silencer, hinged SSD 250 Ref. no. 05292



Shutter, motorised RVM 250 Ref. no. 02576



Flat roof base, hinged FDS 250 Ref. no. 01379

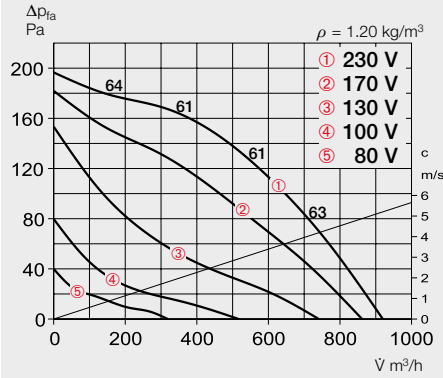


Dimensions in mm

References	Page
Planning information	10 ff.
Technical description	474 f.
Selection table	476 f.
Accessories, details	531 f.
Speed controllers, controllers and switches	571 ff.

RDW 250/4

Frequency	Hz	Tot.	125	250	500	1k	2k	4k	8k
L _{WA} Inlet side	dB(A)	58	46	48	52	52	50	50	41
L _{WA} Outlet side	dB(A)	61	50	52	55	54	54	52	44

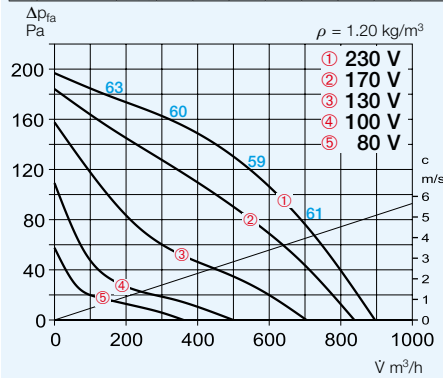


Type	Ref. no.	Speed	Flow rate free blowing	Noise sound press.	Power consumption	Current consumption		Wiring diagram	Max. air flow temp. at rated voltage	Max. air flow temp. with control	Weight net	Motor protection circuit breaker		Speed controller 5-step	
		min ⁻¹	m ³ /h	dB(A) at 4m	W	A	A	No.	°C	°C	kg	Type	Ref. no.	Type	Ref. no.
Alternating current, 1~, 230 V, 50 Hz, capacitor motor, protection category IP 44															
RDW 250/4	07264	1340	920	44	63	0.28	0.28	923	70	70	11.5	—	—	TSW 1.5	01495
Explosion-proof, II 3G Ex h IIB + H₂ T3 Gc, motor Ex nA, three-phase current, 3~, 400 V, 50 Hz, protection category IP 44															
RDD 250/4 Ex ¹⁾	07273	1400	1350	46	130	0.38	0.38	1156	40	40	12.0	MSA	01289	TSD 0.8	01500

1) Performance diagram at www.HeliosSelect.de.

VDW 250/4

Frequency	Hz	Tot.	125	250	500	1k	2k	4k	8k
L _{WA} Inlet side	dB(A)	58	40	49	51	52	51	51	39
L _{WA} Outlet side	dB(A)	60	47	52	54	53	52	52	44



Type	Ref. no.	Speed	Flow rate free blowing	Noise sound press.	Power consumption	Current consumption		Wiring diagram	Max. air flow temp. at rated voltage	Max. air flow temp. with control	Weight net	Motor protection circuit breaker		Speed controller 5-step	
		min ⁻¹	m ³ /h	dB(A) at 4m	W	A	A	No.	°C	°C	kg	Type	Ref. no.	Type	Ref. no.
Alternating current, 1~, 230 V, 50 Hz, capacitor motor, protection category IP 44															
VDW 250/4	07244	1340	900	43	63	0.28	0.28	923	70	70	11.5	—	—	TSW 1.5	01495
Explosion-proof, II 3G Ex h IIB + H₂ T3 Gc, motor Ex nA, three-phase current, 3~, 400 V, 50 Hz, protection category IP 44															
VDD 250/4 Ex ¹⁾	07265	1400	1280	45	120	0.37	0.37	1156	40	40	12.5	MSA	01289	TSD 0.8	01500

1) Performance diagram at www.HeliosSelect.de.

Description RD

Horizontal outlet roof fan with efficiency-optimised aluminium casing and newly developed high-performance centrifugal impeller.

Description VD

Vertical outlet roof fan with efficiency-optimised aluminium casing and newly developed high-performance centrifugal impeller.

Special feature VD T120

Designed for the delivery of process air up to +120 °C. Enclosed motor located outside of the air flow.

Description of all series

Casing

Casing made of sea water-resistant aluminium with integrated tamper protection. Motor support plate and base plate with inlet nozzle made of galvanised steel (explosion-proof version inlet nozzle made of aluminium). Base plate with threaded screws for attachment of inlet-side accessories (hole pattern according to DIN 24155).

Impeller

High-performance centrifugal impeller with backward curved blades made of plastic (T120 and explosion-proof version made of aluminium). Dynamically balanced according to DIN ISO 21940-11 – quality grade 6.3.

Drive

Speed-controllable external rotor motor in closed design (IP 54) (explosion-proof version in IP 44). Flange motor with self-ventilation (T120 version) in IP 54. Ball bearing mounted with moisture protection. Maintenance-free and radio interference-free.

Motor protection

Through built-in thermal contacts or built-in PTC thermistors, which must be connected to a motor protection circuit breaker. Assignment see type table.

Electrical connection

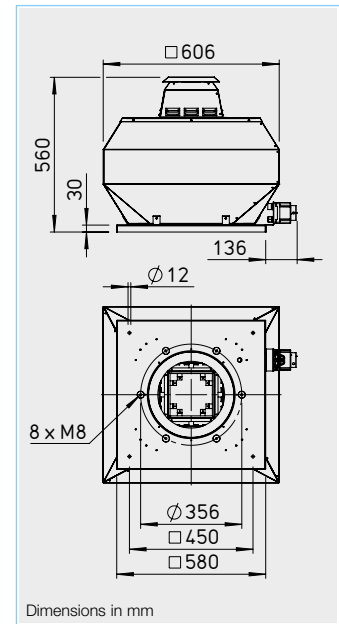
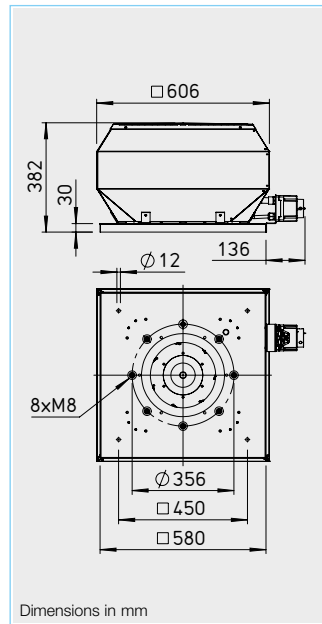
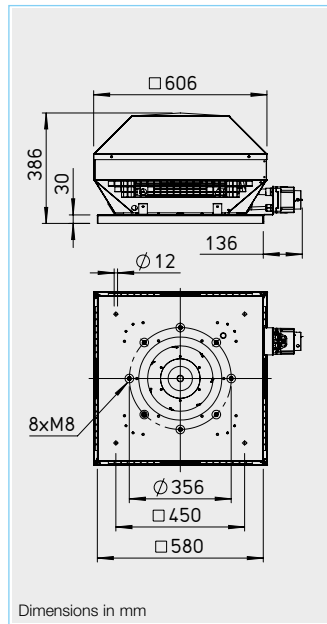
No dismantling of casing, to external isolator switch (explosion-proof version to terminal box) in protection category IP 65.

Protection grille

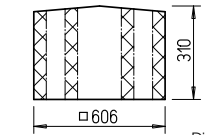
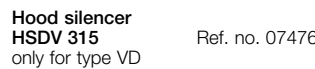
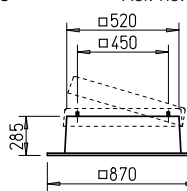
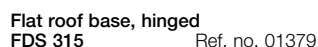
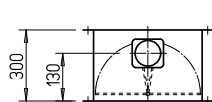
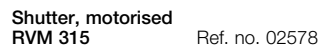
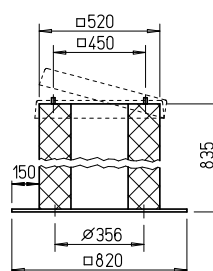
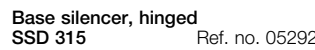
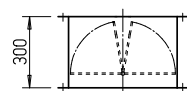
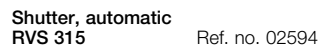
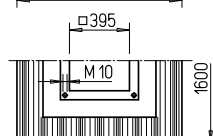
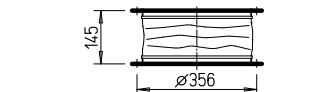
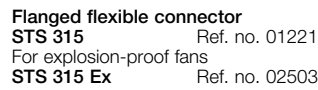
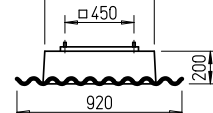
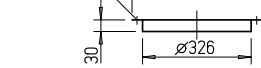
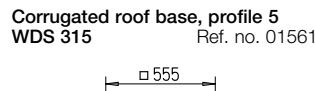
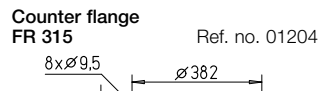
On the outlet side as standard according to DIN EN ISO 13857.

Power control

All types have continuously variable speed control in the range from 0 – 100 % through elec-



Accessories for type RD / VD*



tronic speed controllers or five-step control units. All 3~ types have continuously variable speed control in the range 0 – 100 % with a frequency converter with integrated, all-pole effective sine filter (except for explosion-proof version) or five-step control units. Assignment see type table.

Delivery

Units are ready-for-connection, fully pre-assembled in the shipping box.

Noise

The total level and range are specified above the performance diagram for:
– Inlet side sound power
– Outlet side sound power.

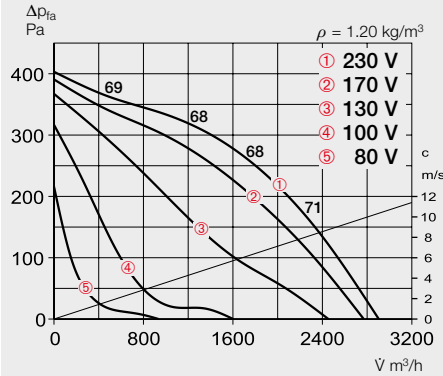
The horizontally case-radiated noise as sound pressure at 4 m (free field conditions) is also specified in the type table. Hood silencer see accessories.

References	Page
Planning information	10 ff.
Technical description	474 f.
Selection table	476 f.
Accessories, details	531 f.
Speed controllers, controllers and switches	571 ff.

* Accessories VD T120 see installation accessories p. 531 f. Other accessories upon request.

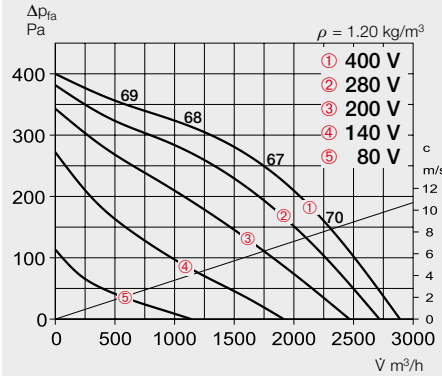
RDW 315/4

Frequency	Hz	Tot.	125	250	500	1k	2k	4k	8k
L _{WA} Inlet side	dB(A)	66	54	58	60	58	59	58	47
L _{WA} Outlet side	dB(A)	68	55	62	63	62	58	50	46



RDD 315/4

Frequency	Hz	Tot.	125	250	500	1k	2k	4k	8k
L _{WA} Inlet side	dB(A)	66	53	57	59	57	58	57	46
L _{WA} Outlet side	dB(A)	68	55	61	62	61	57	49	46



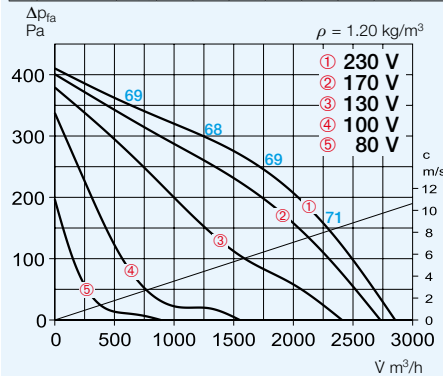
Type	Ref. no.	Speed	Flow rate free blowing	Noise sound press.	Power consumption	Current consumption		Wiring diagram	Max. air flow temp. at rated voltage	Weight net	Motor protection circuit breaker		Speed controller 5-step	
						at rated voltage	with control				Type	Ref. no.	Type	Ref. no.
		min ⁻¹	m ³ /h	dB(A) at 4m	W	A	A	No.	°C	kg	Type	Ref. no.	Type	Ref. no.
Alternating current, 1~, 230 V, 50 Hz, capacitor motor, protection category IP 54														
RDW 315/4	07287	1385	2900	51	300	1.47	2.0	1128	60	50	16.0	MW	01579	MWS 3 ²⁾ 01948
Three-phase current, 3~, 400 V, 50 Hz, squirrel-cage rotor, protection category IP 54														
RDD 315/4	07288	1385	2890	51	290	0.67	0.67	1129	60	60	19.0	MD	05849	RDS 1 ²⁾ 01314
Explosion-proof, II 2G Ex h IIB + H₂ T3 Gb, Motor Ex e, three-phase current, 3~, 400 V, 50 Hz, protection category IP 44														
RDD 315/4 Ex ¹⁾	07303	1390	2890	51.5	340	0.73	0.73	1157	40	40	19.0	MSA	01289	TSD 1.5 01501

1) Performance diagram at www.HeliosSelect.de.

2) Includes motor protection circuit breaker.

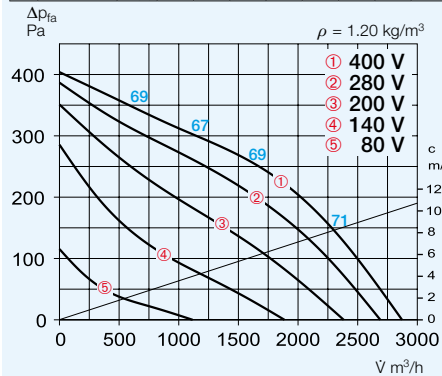
VDW 315/4

Frequency	Hz	Tot.	125	250	500	1k	2k	4k	8k
L _{WA} Inlet side	dB(A)	66	53	57	59	57	58	57	46
L _{WA} Outlet side	dB(A)	69	58	61	62	63	58	53	45



VDD 315/4

Frequency	Hz	Tot.	125	250	500	1k	2k	4k	8k
L _{WA} Inlet side	dB(A)	65	53	57	59	57	58	57	46
L _{WA} Outlet side	dB(A)	68	58	61	62	63	58	52	42



Type	Ref. no.	Speed	Flow rate free blowing	Noise sound press.	Power consumption	Current consumption		Wiring diagram	Max. air flow temp. at rated voltage	Weight net	Motor protection circuit breaker		Speed controller 5-step	
						at rated voltage	with control				Type	Ref. no.	Type	Ref. no.
		min ⁻¹	m ³ /h	dB(A) at 4m	W	A	A	No.	°C	kg	Type	Ref. no.	Type	Ref. no.
Alternating current, 1~, 230 V, 50 Hz, capacitor motor, protection category IP 54														
VDW 315/4	07279	1385	2860	52	300	1.47	2.0	1128	60	50	21.0	MW	01579	MWS 3 ²⁾ 01948
Three-phase current, 3~, 400 V, 50 Hz, squirrel-cage rotor, protection category IP 54														
VDD 315/4	07282	1385	2880	51	290	0.67	0.67	1129	60	60	20.0	MD	05849	RDS 1 ²⁾ 01314
Explosion-proof, II 2G Ex h IIB + H₂ T3 Gb, Motor Ex e, three-phase current, 3~, 400 V, 50 Hz, protection category IP 44														
VDD 315/4 Ex ¹⁾	07293	1390	2770	50.5	330	0.71	1.71	1157	40	40	19.5	MSA	01289	TSD 1.5 01501
Three-phase current, 3~, 400 V, 50 Hz, squirrel-cage rotor, protection category IP 54														
VDD 315/4 T120 ¹⁾	07315	1450	3671	55	395	0.89	1.1	1264	—	—	25.0	MD	05849	RDS 2 ²⁾ 01315

1) Performance diagram at www.HeliosSelect.de.

2) Includes motor protection circuit breaker.

Description RD

Horizontal outlet roof fan with efficiency-optimised aluminium casing and newly developed high-performance centrifugal impeller.

Description VD

Vertical outlet roof fan with efficiency-optimised aluminium casing and newly developed high-performance centrifugal impeller.

Special feature VD T120

Designed for the delivery of process air up to +120 °C. Enclosed motor located outside of the air flow.

Description of all series

Casing

Casing made of sea water-resistant aluminium with integrated tamper protection. Motor support plate and base plate with inlet nozzle made of galvanised steel (explosion-proof version inlet nozzle made of aluminium). Base plate with threaded screws for attachment of inlet-side accessories (hole pattern according to DIN 24155).

Impeller

High-performance centrifugal impeller with backward curved blades made of plastic (T120 and explosion-proof version made of aluminium). Dynamically balanced according to DIN ISO 21940-11 – quality grade 6.3.

Drive

Speed-controllable external rotor motor in closed design (IP 54) (explosion-proof version in IP 44). Flange motor with self-ventilation (T120 version) in IP 54. Ball bearing mounted with moisture protection. Maintenance-free and radio interference-free.

Motor protection

Through built-in thermal contacts or built-in PTC thermistors, which must be connected to a motor protection circuit breaker. Assignment see type table.

Electrical connection

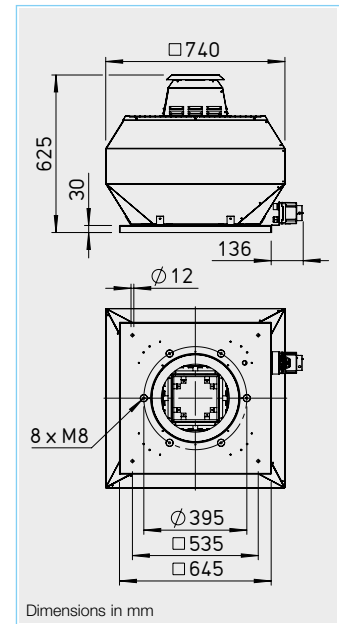
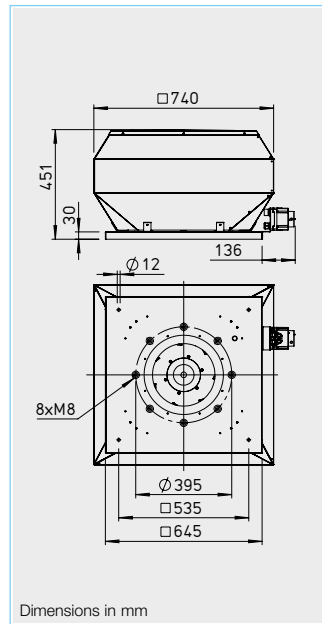
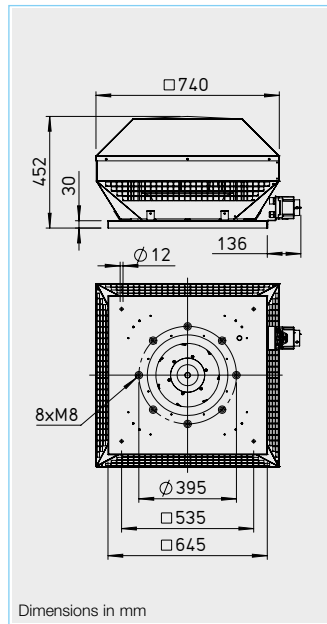
No dismantling of casing, to external isolator switch (explosion-proof version to terminal box) in protection category IP 65.

Protection grille

On the outlet side as standard according to DIN EN ISO 13857.

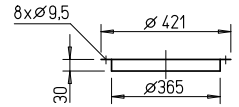
Power control

All types have continuously variable speed control in the range from 0 – 100 % through elec-

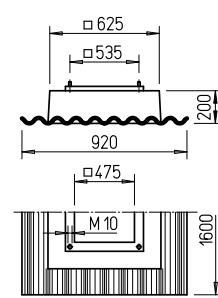


Accessories for type RD / VD*

Counter flange FR 355 Ref. no. 01205



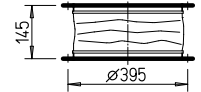
Corrugated roof base, profile 5 WDS 355 Ref. no. 01562



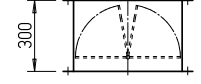
Flanged flexible connector STS 355 Ref. no. 01222

For explosion-proof fans

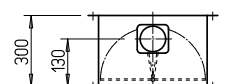
STS 355 Ex Ref. no. 02504



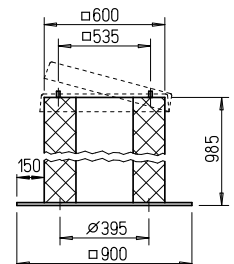
Shutter, automatic RVS 355 Ref. no. 02595



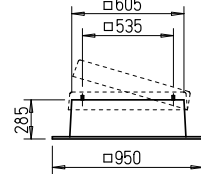
Shutter, motorised RVM 355 Ref. no. 02579



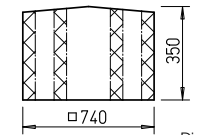
Base silencer, hinged SSD 355 Ref. no. 05024



Flat roof base, hinged FDS 355 Ref. no. 01380



Hood silencer HSDV 355 Ref. no. 07480
only for type VD



tronic speed controllers or five-step control units. All 3~ types have continuously variable speed control in the range 0 – 100 % with a frequency converter with integrated, all-pole effective sine filter (except for explosion-proof version) or five-step control units. Assignment see type table.

Delivery
Units are ready-for-connection, fully pre-assembled in the shipping box.

Noise
The total level and range are specified above the performance diagram for:
– Inlet side sound power
– Outlet side sound power.

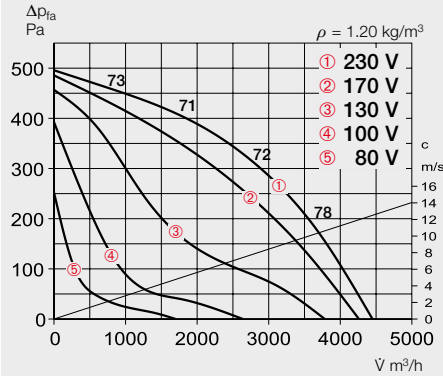
The horizontally case-radiated noise as sound pressure at 4 m (free field conditions) is also specified in the type table. Hood silencer see accessories.

References	Page
Planning information	10 ff.
Technical description	474 f.
Selection table	476 f.
Accessories, details	531 f.
Speed controllers, controllers and switches	571 ff.

* Accessories VD T120 see installation accessories p. 531 f. Other accessories upon request.

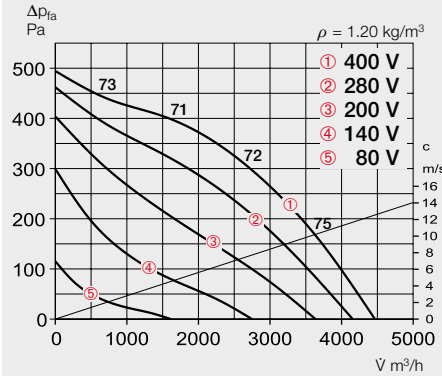
RDW 355/4

Frequency	Hz	Tot.	125	250	500	1k	2k	4k	8k
L _{WA} Inlet side	dB(A)	66	56	61	60	58	56	53	48
L _{WA} Outlet side	dB(A)	72	63	66	66	66	62	53	47



RDD 355/4

Frequency	Hz	Tot.	125	250	500	1k	2k	4k	8k
L _{WA} Inlet side	dB(A)	66	56	61	60	58	56	53	48
L _{WA} Outlet side	dB(A)	72	63	66	66	66	62	53	47



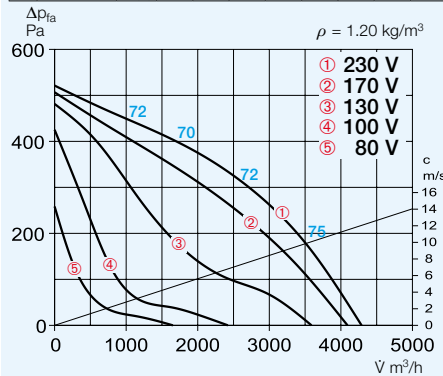
Type	Ref. no.	Speed	Flow rate free blowing	Noise sound press.	Power consumption	Current consumption		Wiring diagram	Max. air flow temp. at rated voltage	Weight net	Motor protection circuit breaker		Speed controller 5-step	
						at rated voltage	with control				Type	Ref. no.	Type	Ref. no.
		min ⁻¹	m ³ /h	dB(A) at 4m	W	A	A	No.	°C	kg	Type	Ref. no.	Type	Ref. no.
Alternating current, 1~, 230 V, 50 Hz, capacitor motor, protection category IP 54														
RDW 355/4	07323	1400	4480	55	520	2.55	3.4	1128	70	55	27.0	MW	01579	MWS 5 ²⁾ 01949
Three-phase current, 3~, 400 V, 50 Hz, squirrel-cage rotor, protection category IP 54														
RDD 355/4	07326	1350	4470	55	460	0.92	1.0	1129	60	60	25.0	MD	05849	RDS 2 ²⁾ 01315
Explosion-proof, II 2G Ex h IIB + H₂ T3 Gb, Motor Ex e, three-phase current, 3~, 400 V, 50 Hz, protection category IP 44														
RDD 355/4 Ex ¹⁾	07329	1345	4345	58	540	1.21	1.21	1157	40	40	25.0	MSA	01289	TSD 3 01502

1) Performance diagram at www.HeliosSelect.de.

2) Includes motor protection circuit breaker.

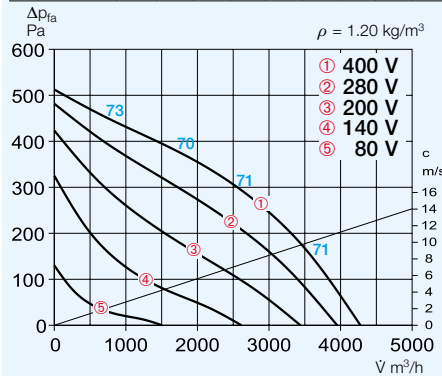
VDW 355/4

Frequency	Hz	Tot.	125	250	500	1k	2k	4k	8k
L _{WA} Inlet side	dB(A)	66	56	61	60	58	56	53	48
L _{WA} Outlet side	dB(A)	71	61	65	65	65	62	53	49



VDD 355/4

Frequency	Hz	Tot.	125	250	500	1k	2k	4k	8k
L _{WA} Inlet side	dB(A)	66	56	61	60	58	56	53	48
L _{WA} Outlet side	dB(A)	71	61	64	64	64	60	52	46



Type	Ref. no.	Speed	Flow rate free blowing	Noise sound press.	Power consumption	Current consumption		Wiring diagram	Max. air flow temp. at rated voltage	Weight net	Motor protection circuit breaker		Speed controller 5-step	
						at rated voltage	with control				Type	Ref. no.	Type	Ref. no.
		min ⁻¹	m ³ /h	dB(A) at 4m	W	A	A	No.	°C	kg	Type	Ref. no.	Type	Ref. no.
Alternating current, 1~, 230 V, 50 Hz, capacitor motor, protection category IP 54														
VDW 355/4	07317	1400	4300	54	520	2.55	3.4	1128	60	55	27.0	MW	01579	MWS 5 ²⁾ 01949
Three-phase current, 3~, 400 V, 50 Hz, squirrel-cage rotor, protection category IP 54														
VDD 355/4	07318	1350	4290	54	460	0.92	1.0	1129	60	60	25.5	MD	05849	RDS 2 ²⁾ 01315
Explosion-proof, II 2G Ex h IIB + H₂ T3 Gb, Motor Ex e, three-phase current, 3~, 400 V, 50 Hz, protection category IP 44														
VDW 355/4 Ex ¹⁾	07327	1350	4320	57	520	1.17	1.17	1157	40	40	25.5	MSA	01289	TSD 3 01502
Three-phase current, 3~, 400 V, 50 Hz, squirrel-cage rotor, protection category IP 54														
VDD 355/4 T120 ¹⁾	07336	1400	4441	58	584	1.3	1.4	1264	—	—	34.0	MD	05849	RDS 4 ²⁾ 01316

1) Performance diagram at www.HeliosSelect.de.

2) Includes motor protection circuit breaker.

Description RD

Horizontal outlet roof fan with efficiency-optimised aluminium casing and newly developed high-performance centrifugal impeller.

Description VD

Vertical outlet roof fan with efficiency-optimised aluminium casing and newly developed high-performance centrifugal impeller.

Special feature VD T120

Designed for the delivery of process air up to +120 °C. Enclosed motor located outside of the air flow.

Description of all series

Casing

Casing made of sea water-resistant aluminium with integrated tamper protection. Motor support plate and base plate with inlet nozzle made of galvanised steel (explosion-proof version inlet nozzle made of aluminium). Base plate with threaded screws for attachment of inlet-side accessories (hole pattern according to DIN 24155).

Impeller

High-performance centrifugal impeller with backward curved blades made of plastic (T120 and explosion-proof version made of aluminium). Dynamically balanced according to DIN ISO 21940-11 – quality grade 6.3.

Drive

Speed-controllable external rotor motor in closed design (IP 54) (explosion-proof version in IP 44). Flange motor with self-ventilation (T120 version) in IP 54. Ball bearing mounted with moisture protection. Maintenance-free and radio interference-free.

Motor protection

Through built-in thermal contacts or built-in PTC thermistors, which must be connected to a motor protection circuit breaker. Assignment see type table.

Electrical connection

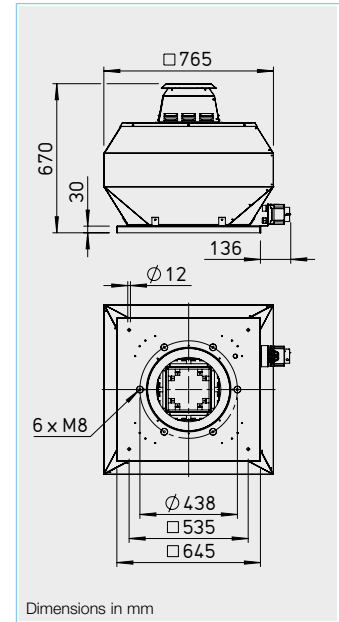
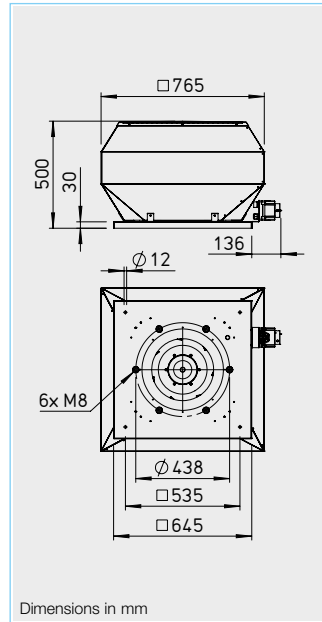
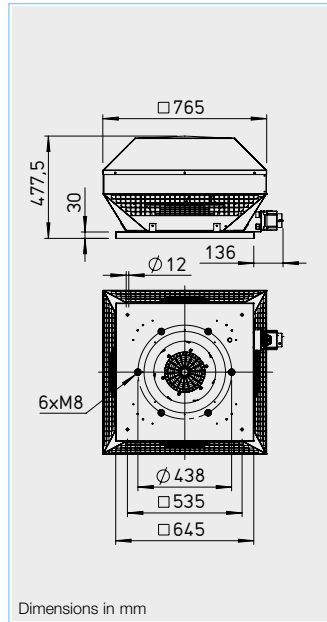
No dismantling of casing, to external isolator switch (explosion-proof version to terminal box) in protection category IP 65.

Protection grille

On the outlet side as standard according to DIN EN ISO 13857.

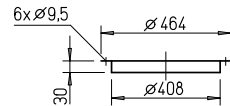
Power control

All types have continuously variable speed control in the range from 0 – 100 % through elec-

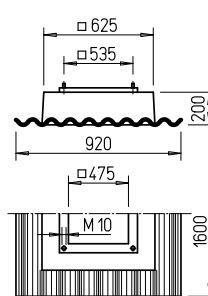


Accessories for type RD / VD*

Counter flange FR 400 Ref. no. 01206

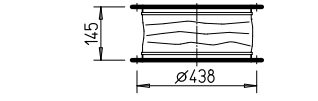


Corrugated roof base, profile 5 WDS 400 Ref. no. 01562

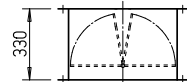


Flanged flexible connector STS 400 Ref. no. 01223

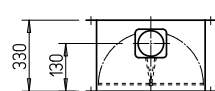
For explosion-proof fans



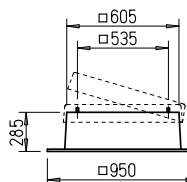
Shutter, automatic RVS 400 Ref. no. 02596



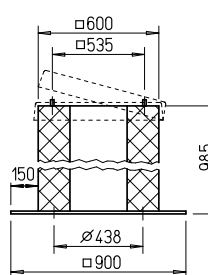
Shutter, motorised RVM 400 Ref. no. 02580



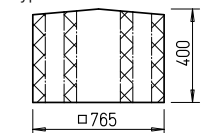
Flat roof base, hinged FDS 400 Ref. no. 01380



Base silencer, hinged SSD 400 Ref. no. 05291



Hood silencer HSDV 400 Ref. no. 07481
only for type VD



tronic speed controllers or five-step control units. All 3~ types have continuously variable speed control in the range 0 – 100 % with a frequency converter with integrated, all-pole effective sine filter (except for explosion-proof version) or five-step control units. Assignment see type table.

Delivery

Units are ready-for-connection, fully pre-assembled in the shipping box.

Noise

The total level and range are specified above the performance diagram for:

- Inlet side sound power
- Outlet side sound power.

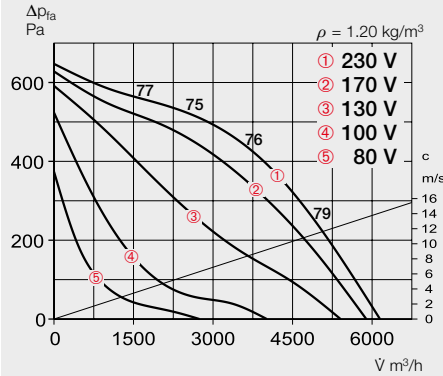
The horizontally case-radiated noise as sound pressure at 4 m (free field conditions) is also specified in the type table. Hood silencer see accessories.

References	Page
Planning information	10 ff.
Technical description	474 f.
Selection table	476 f.
Accessories, details	531 f.
Speed controllers, controllers and switches	571 ff.

* Accessories VD T120 see installation accessories p. 531 f. Other accessories upon request.

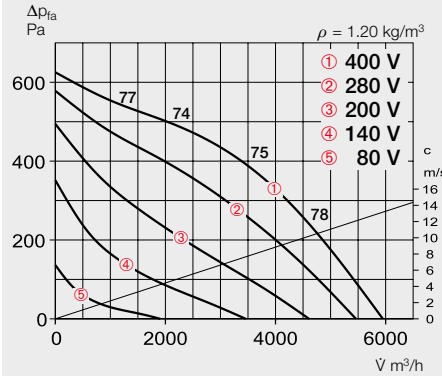
RDW 400/4

Frequency	Hz	Tot.	125	250	500	1k	2k	4k	8k
L _{WA} Inlet side	dB(A)	71	61	65	66	63	62	56	52
L _{WA} Outlet side	dB(A)	76	55	62	62	62	60	50	39



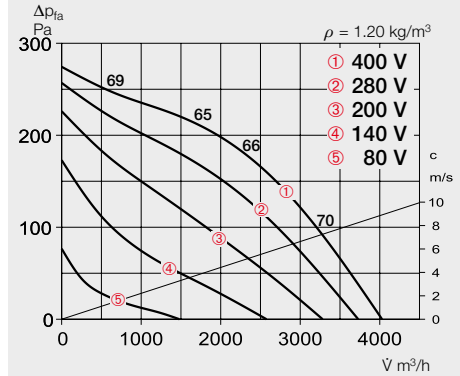
RDD 400/4

Frequency	Hz	Tot.	125	250	500	1k	2k	4k	8k
L _{WA} Inlet side	dB(A)	70	60	64	65	62	61	55	51
L _{WA} Outlet side	dB(A)	75	55	62	62	62	59	50	39



RDD 400/6

Frequency	Hz	Tot.	125	250	500	1k	2k	4k	8k
L _{WA} Inlet side	dB(A)	61	51	55	56	53	52	46	42
L _{WA} Outlet side	dB(A)	66	55	62	62	62	59	50	39



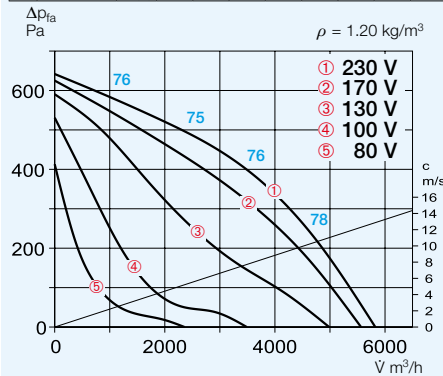
Type	Ref. no.	Speed	Flow rate free blowing	Noise sound press.	Power consumption	Current consumption at rated voltage	Current consumption with control	Wiring diagram	Max. air flow temp. at rated voltage	Weight net	Motor protection circuit breaker	Speed controller 5-step
		min ⁻¹	m ³ /h	dB(A) at 4m	W	A	A	No.	°C	kg	Type Ref. no.	Type Ref. no.
Alternating current, 1~, 230 V, 50 Hz, capacitor motor, protection category IP 54												
RDW 400/4	07350	1405	6150	59	875	4.3	6.0	1128	60	40	MW	01579 MWS 7.5 ²⁾ 01950
Three-phase current, 3~, 400 V, 50 Hz, squirrel-cage rotor, protection category IP 54												
RDD 400/6	07352	905	4030	49	260	0.6	0.6	1129	60	60	MD	05849 RDS 1 ²⁾ 01314
RDD 400/4	07351	1375	5970	58	765	1.55	1.6	1129	60	55	MD	05849 RDS 2 ²⁾ 01315
Explosion-proof, II 2G Ex h IIB + H₂ T3 Gb, Motor Ex e, three-phase current, 3~, 400 V, 50 Hz, protection category IP 44												
RDD 400/6 Ex ¹⁾	07363	930	3840	52	330	0.86	0.86	1157	40	40	MSA	01289 TSD 1.5 01501
RDD 400/4 Ex ¹⁾	07358	1395	6030	62.5	950	1.9	2.1	1157	40	40	MSA	01289 — —

1) Performance diagram at www.HeliosSelect.de.

2) Includes motor protection circuit breaker.

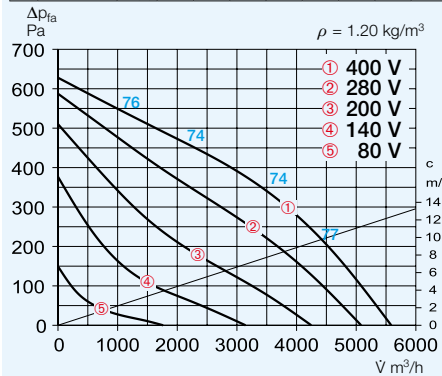
VDW 400/4

Frequency	Hz	Tot.	125	250	500	1k	2k	4k	8k
L _{WA} Inlet side	dB(A)	71	61	65	66	63	62	56	52
L _{WA} Outlet side	dB(A)	76	63	71	70	70	66	60	54



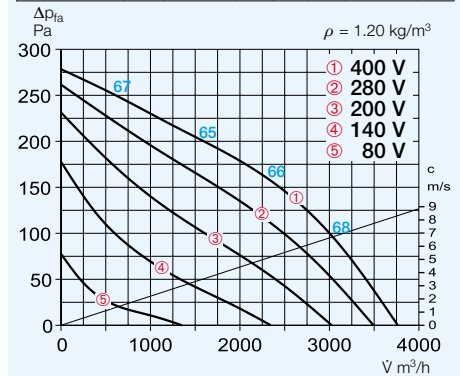
VDD 400/4

Frequency	Hz	Tot.	125	250	500	1k	2k	4k	8k
L _{WA} Inlet side	dB(A)	69	59	63	64	61	60	54	50
L _{WA} Outlet side	dB(A)	74	61	69	68	68	64	58	52



VDD 400/6

Frequency	Hz	Tot.	125	250	500	1k	2k	4k	8k
L _{WA} Inlet side	dB(A)	61	51	55	56	53	52	46	42
L _{WA} Outlet side	dB(A)	66	53	61	60	60	56	50	44



Type	Ref. no.	Speed	Flow rate free blowing	Noise sound press.	Power consumption	Current consumption at rated voltage	Current consumption with control	Wiring diagram	Max. air flow temp. at rated voltage	Weight net	Motor protection circuit breaker	Speed controller 5-step
		min ⁻¹	m ³ /h	dB(A) at 4m	W	A	A	No.	°C	kg	Type Ref. no.	Type Ref. no.
Alternating current, 1~, 230 V, 50 Hz, capacitor motor, protection category IP 54												
VDW 400/4	07338	1405	5830	59	875	4.3	6.0	1128	60	40	MW	01579 MWS 7.5 ²⁾ 01950
Three-phase current, 3~, 400 V, 50 Hz, squirrel-cage rotor, protection category IP 54												
VDD 400/6	07343	905	3780	49	260	0.6	0.6	1129	60	60	MD	05849 RDS 1 ²⁾ 01314
VDD 400/4	07342	1375	5590	57	765	1.55	1.6	1129	60	55	MD	05849 RDS 2 ²⁾ 01315
Explosion-proof, II 2G Ex h IIB + H₂ T3 Gb, Motor Ex e, three-phase current, 3~, 400 V, 50 Hz, protection category IP 44												
VDD 400/6 Ex ¹⁾	07359	930	3630	51.5	320	0.89	0.89	1157	40	40	MSA	01289 TSD 1.5 01501
VDD 400/4 Ex ¹⁾	07353	1375	5350	57	1000	2.1	2.2	1129	40	40	MSA	01289 TSD 3 01502
Three-phase current, 3~, 400 V, 50 Hz, squirrel-cage rotor, protection category IP 54												
VDD 400/6 T120 ¹⁾	07366	967	4322	54	353	0.88	1.02	1264	—	36.0	MD	05849 TSD 1.5 01501
VDD 400/4 T120 ¹⁾	07370	1400	6574	62	1045	4.2	2.28	1264	—	36.0	MD	05849 TSD 3 01502

1) Performance diagram at www.HeliosSelect.de.

2) Includes motor protection circuit breaker.

Description RD

Horizontal outlet roof fan with efficiency-optimised aluminium casing and newly developed high-performance centrifugal impeller.

Description VD

Vertical outlet roof fan with efficiency-optimised aluminium casing and newly developed high-performance centrifugal impeller.

Special feature VD T120

Designed for the delivery of process air up to +120 °C. Enclosed motor located outside of the air flow.

Description of all series

Casing

Casing made of sea water-resistant aluminium with integrated tamper protection. Motor support plate and base plate with inlet nozzle made of galvanised steel (explosion-proof version inlet nozzle made of aluminium). Base plate with threaded screws for attachment of inlet-side accessories (hole pattern according to DIN 24155).

Impeller

High-performance centrifugal impeller with backward curved blades made of plastic (T120 and explosion-proof version made of aluminium). Dynamically balanced according to DIN ISO 21940-11 – quality grade 6.3.

Drive

Speed-controllable external rotor motor in closed design (IP 54) (explosion-proof version in IP 44). Flange motor with self-ventilation (T120 version) in IP 54. Ball bearing mounted with moisture protection. Maintenance-free and radio interference-free.

Motor protection

Through built-in thermal contacts or built-in PTC thermistors, which must be connected to a motor protection circuit breaker. Assignment see type table.

Electrical connection

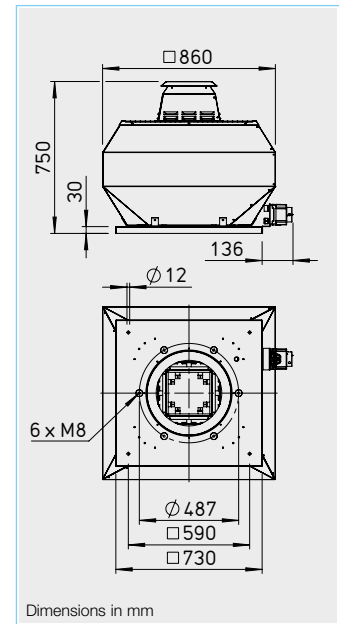
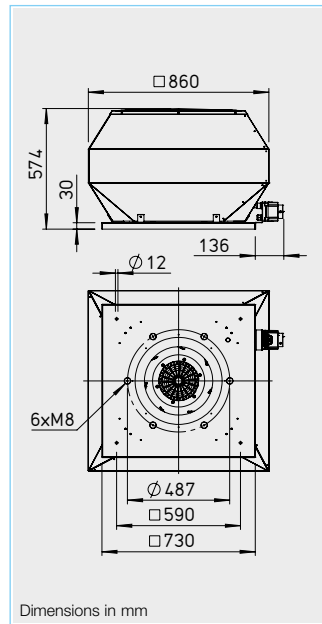
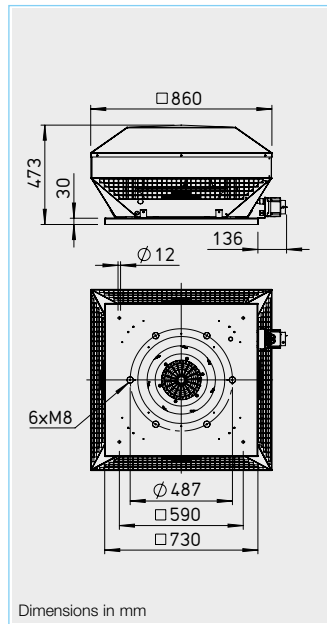
No dismantling of casing, to external isolator switch (explosion-proof version to terminal box) in protection category IP 65.

Protection grille

On the outlet side as standard according to DIN EN ISO 13857.

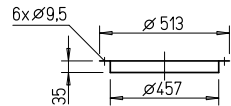
Power control

All types have continuously variable speed control in the range from 0 – 100 % through electronic speed controllers or five-

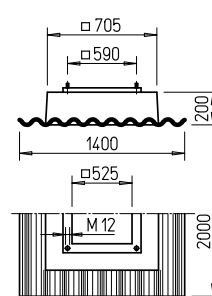


Accessories for type RD / VD*

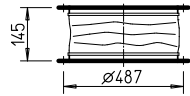
Counter flange FR 450 Ref. no. 01207



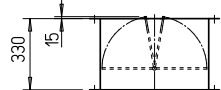
Corrugated roof base, profile 5 WDS 450 Ref. no. 01563



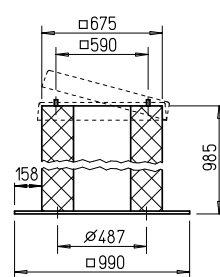
Flanged flexible connector STS 450 Ref. no. 01224
For explosion-proof fans
STS 450 Ex Ref. no. 02506



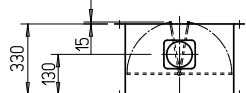
Shutter, automatic RVS 450 Ref. no. 02597



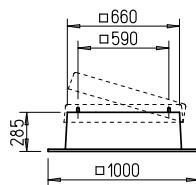
Base silencer, hinged SSD 450 Ref. no. 05288



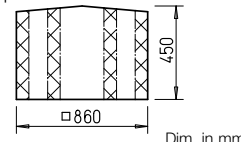
Shutter, motorised RVM 450 Ref. no. 02581



Flat roof base, hinged FDS 450 Ref. no. 01381



Hood silencer HSDV 450 Ref. no. 07482
only for type VD



step control units. All 3~ types have continuously variable speed control in the range 0 – 100 % with a frequency converter with integrated, all-pole effective sine filter (except for explosion-proof version) or five-step control units. Assignment see type table.

Delivery

Units are ready-for-connection, fully pre-assembled in the shipping box. Easy positioning due to crane hook as standard.

Noise

The total level and range are specified above the performance diagram for:

- Inlet side sound power
- Outlet side sound power.

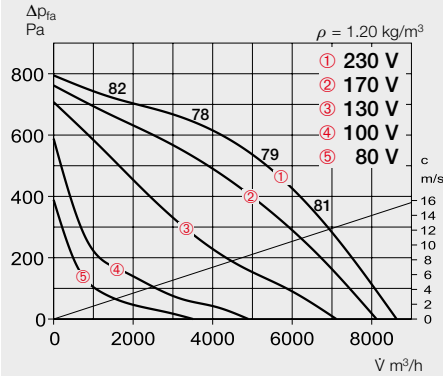
The horizontally case-radiated noise as sound pressure at 4 m (free field conditions) is also specified in the type table. Hood silencer see accessories.

References	Page
Planning information	10 ff.
Technical description	474 f.
Selection table	476 f.
Accessories, details	531 f.
Speed controllers, controllers and switches	571 ff.

* Accessories VD T120 see installation accessories p. 531 f. Other accessories upon request.

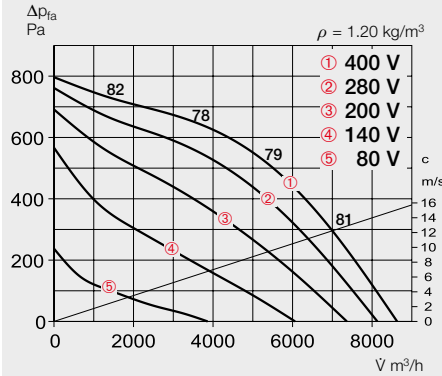
RDW 450/4

Frequency	Hz	Tot.	125	250	500	1k	2k	4k	8k
L _{WA} Inlet side	dB(A)	74	63	68	68	67	66	61	55
L _{WA} Outlet side	dB(A)	79	69	70	70	74	69	62	55



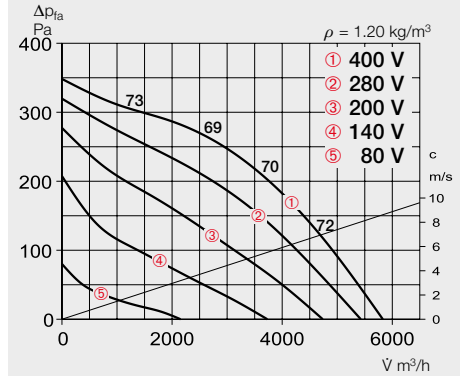
RDD 450/4

Frequency	Hz	Tot.	125	250	500	1k	2k	4k	8k
L _{WA} Inlet side	dB(A)	74	63	68	68	67	66	61	55
L _{WA} Outlet side	dB(A)	79	69	70	70	74	69	62	55



RDD 450/6

Frequency	Hz	Tot.	125	250	500	1k	2k	4k	8k
L _{WA} Inlet side	dB(A)	65	54	59	59	58	57	52	46
L _{WA} Outlet side	dB(A)	70	60	61	61	65	60	53	46



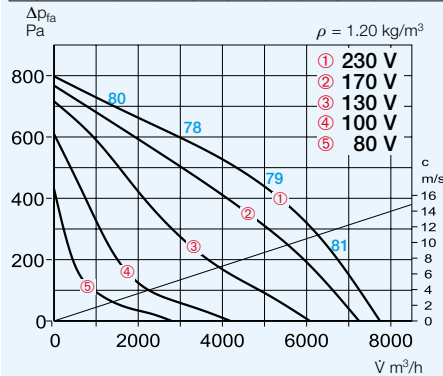
Type	Ref. no.	Speed	Flow rate free blowing	Noise sound press.	Power consumption	Current consumption at rated voltage	Current consumption with control	Wiring diagram	Max. air flow temp. at rated voltage	Weight net	Motor protection circuit breaker	Speed controller 5-step
		min ⁻¹	m ³ /h	dB(A) at 4m	W	A	A	No.	°C	kg	Type Ref. no.	Type Ref. no.
Alternating current, 1~, 230 V, 50 Hz, capacitor motor, protection category IP 54												
RDW 450/4	07377	1385	8650	62	1470	6.6	8.7	1128	60	46.0	MW 01579	MWS 10 ²⁾ 01946
Three-phase current, 3~, 400 V, 50 Hz, squirrel-cage rotor, protection category IP 54												
RDD 450/6	07385	905	5850	53	425	1.1	1.1	1129	60	39.0	MD 05849	RDS 2 ²⁾ 01315
RDD 450/4	07384	1400	8650	62	1350	2.9	2.9	1129	60	45.0	MD 05849	RDS 4 ²⁾ 01316
Explosion-proof, II 2G Ex h IIB + H₂ T3 Gb, Motor Ex e, three-phase current, 3~, 400 V, 50 Hz, protection category IP 44												
RDD 450/6 Ex ¹⁾	07391	870	5630	54.5	470	1.13	1.13	1129	60	39.0	MSA 01289	TSD 1.5 01501
RDD 450/4 Ex ¹⁾	07390	1405	8580	64.5	1620	3.3	3.66	1157	40	46.0	MSA 01289	TSD 5.5 01503

1) Performance diagram at www.HeliosSelect.de.

2) Includes motor protection circuit breaker.

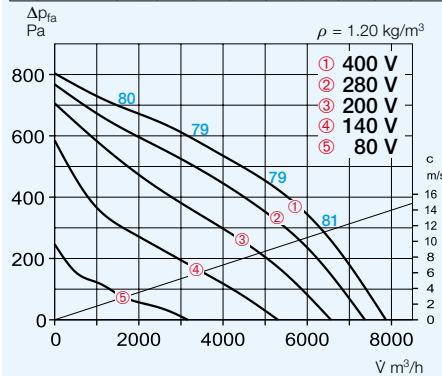
VDW 450/4

Frequency	Hz	Tot.	125	250	500	1k	2k	4k	8k
L _{WA} Inlet side	dB(A)	73	62	67	67	66	65	60	54
L _{WA} Outlet side	dB(A)	79	69	70	70	74	69	62	55



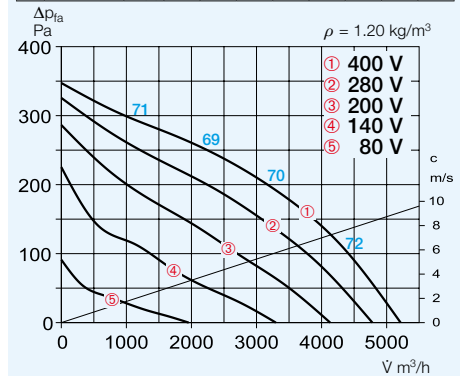
VDD 450/4

Frequency	Hz	Tot.	125	250	500	1k	2k	4k	8k
L _{WA} Inlet side	dB(A)	73	62	67	67	66	65	60	54
L _{WA} Outlet side	dB(A)	79	70	71	71	75	70	63	56



VDD 450/6

Frequency	Hz	Tot.	125	250	500	1k	2k	4k	8k
L _{WA} Inlet side	dB(A)	64	53	58	58	57	56	51	45
L _{WA} Outlet side	dB(A)	70	60	61	61	65	60	53	46



Type	Ref. no.	Speed	Flow rate free blowing	Noise sound press.	Power consumption	Current consumption at rated voltage	Current consumption with control	Wiring diagram	Max. air flow temp. at rated voltage	Weight net	Motor protection circuit breaker	Speed controller 5-step
		min ⁻¹	m ³ /h	dB(A) at 4m	W	A	A	No.	°C	kg	Type Ref. no.	Type Ref. no.
Alternating current, 1~, 230 V, 50 Hz, capacitor motor, protection category IP 54												
VDW 450/4	07372	1385	7750	62	1470	6.6	8.7	1128	60	47.0	MW 01579	MWS 10 ²⁾ 01946
Three-phase current, 3~, 400 V, 50 Hz, squirrel-cage rotor, protection category IP 54												
VDD 450/6	07380	905	5200	53	425	1.06	1.06	1129	60	40.0	MD 05849	RDS 2 ²⁾ 01315
VDD 450/4	07379	1400	7900	62	1350	2.9	2.9	1129	60	47.0	MD 05849	RDS 4 ²⁾ 01316
Explosion-proof, II 2G Ex h IIB + H₂ T3 Gb, Motor Ex e, three-phase current, 3~, 400 V, 50 Hz, protection category IP 44												
VDD 450/6 Ex ¹⁾	07387	875	5170	54	460	1.1	1.1	1157	40	40.0	MSA 01289	TSD 1.5 01501
VDD 450/4 Ex ¹⁾	07386	1405	7930	65	1570	3.3	3.66	1157	40	47.0	MSA 01289	TSD 5.5 01503
Three-phase current, 3~, 400 V, 50 Hz, squirrel-cage rotor, protection category IP 54												
VDD 450/6 T120 ¹⁾	07399	940	6357	62	660	2.05	2.05	1264	90	54.0	MD 05849	RDS 2 ²⁾ 01315
VDD 450/4 T120 ¹⁾	07398	1355	9470	69	1830	3.8	3.8	1264	80	60.0	MD 05849	RDS 7 ²⁾ 01578

1) Performance diagram at www.HeliosSelect.de.

2) Includes motor protection circuit breaker.

Description RD

Horizontal outlet roof fan with efficiency-optimised aluminium casing and newly developed high-performance centrifugal impeller.

Description VD

Vertical outlet roof fan with efficiency-optimised aluminium casing and newly developed high-performance centrifugal impeller.

Special feature VD T120

Designed for the delivery of process air up to +120 °C. Enclosed motor located outside of the air flow.

Description of all series

Casing

Casing made of sea water-resistant aluminium with integrated tamper protection. Motor support plate and base plate with inlet nozzle made of galvanised steel (explosion-proof version inlet nozzle made of aluminium). Base plate with threaded screws for attachment of inlet-side accessories (hole pattern according to DIN 24155).

Impeller

High-performance centrifugal impeller with backward curved blades made of plastic (T120 and explosion-proof version made of aluminium). Dynamically balanced according to DIN ISO 21940-11 – quality grade 6.3.

Drive

Speed-controllable external rotor motor in closed design (IP 54) (explosion-proof version in IP 44). Flange motor with self-ventilation (T120 version) in IP 54/55. Ball bearing mounted with moisture protection. Maintenance-free and radio interference-free.

Motor protection

Through built-in thermal contacts or built-in PTC thermistors, which must be connected to a motor protection circuit breaker. Assignment see type table.

Electrical connection

No dismantling of casing, to external isolator switch (explosion-proof version to terminal box) in protection category IP 65.

Protection grille

On the outlet side as standard according to DIN EN ISO 13857.

Power control

All types have continuously variable speed control in the range

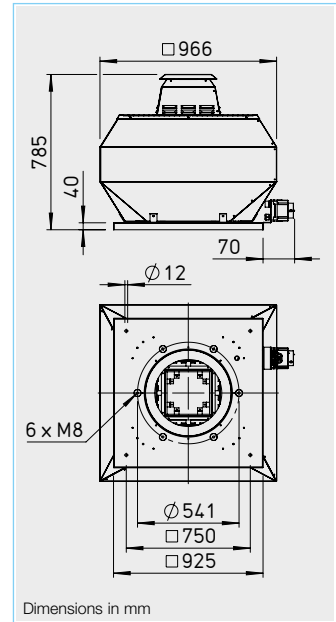
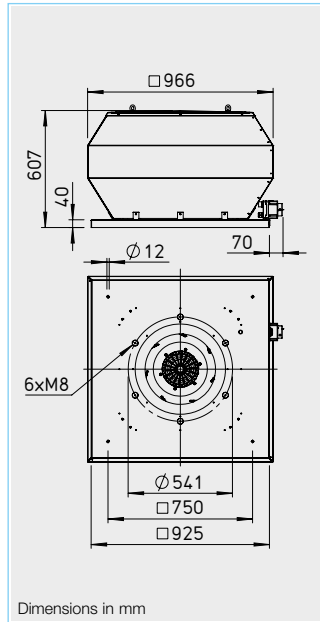
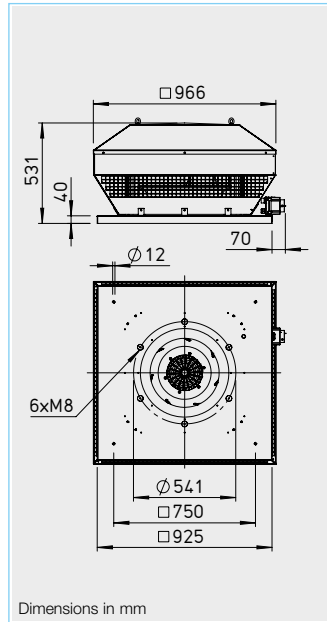
Horizontal outlet RD



Vertical outlet VD

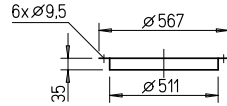


VD T120

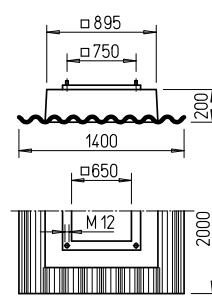


Accessories for type RD / VD*

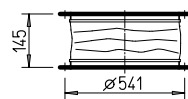
Counter flange FR 500 Ref. no. 01208



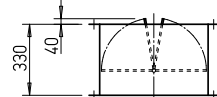
Corrugated roof base, profile 5 WDS 500 Ref. no. 01564



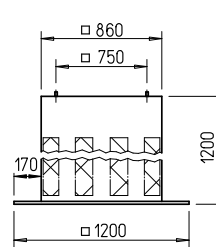
Flanged flexible connector STS 500 Ref. no. 01225
For explosion-proof fans



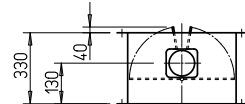
Shutter, automatic RVS 500 Ref. no. 02598



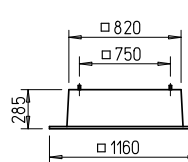
Base silencer SSD 500 Ref. no. 05017



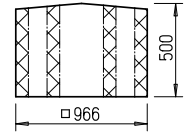
Shutter, motorised RVM 500 Ref. no. 02582



Flat roof base FDS 500 Ref. no. 01382



Hood silencer HSDV 500 Ref. no. 07483
only for type VD



from 0 – 100 % with a frequency converter with integrated, all-pole effective sine filter (except for explosion-proof version) or five-step control units (except for units with FU). Assignment see type table.

Delivery

Units are ready-for-connection, fully pre-assembled in the shipping box. Easy positioning due to crane hook as standard.

Noise

The total level and range are specified above the performance diagram for:

- Inlet side sound power
- Outlet side sound power.

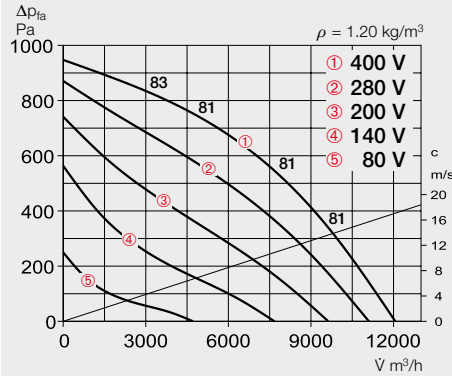
The horizontally case-radiated noise as sound pressure at 4 m (free field conditions) is also specified in the type table. Hood silencer see accessories.

References	Page
Planning information	10 ff.
Technical description	474 f.
Selection table	476 f.
Accessories, details	531 f.
Speed controllers, controllers and switches	571 ff.

* Accessories VD T120 see installation accessories p. 531 f. Other accessories upon request.

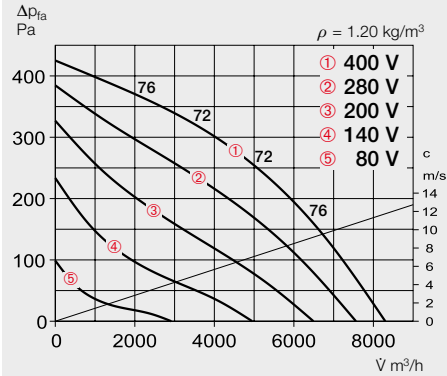
RDD 500/4

Frequency	Hz	Tot.	125	250	500	1k	2k	4k	8k
L _{WA} Inlet side	dB(A)	76	67	71	69	69	66	62	58
L _{WA} Outlet side	dB(A)	81	72	74	75	76	70	65	58



RDD 500/6

Frequency	Hz	Tot.	125	250	500	1k	2k	4k	8k
L _{WA} Inlet side	dB(A)	67	58	62	60	60	57	53	49
L _{WA} Outlet side	dB(A)	72	63	65	66	67	61	56	49



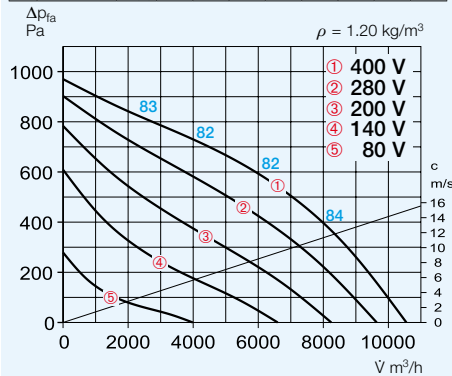
Type	Ref. no.	Speed	Flow rate free blowing	Noise sound press.	Power consumption	Current consumption		Wiring diagram	Max. air flow temp. at rated voltage	Weight net	Motor protection circuit breaker		Speed controller 5-step		
						at rated voltage	with control				Type	Ref. no.	Type	Ref. no.	
		min ⁻¹	m ³ /h	dB(A) at 4m	W	A	A	No.	°C	kg	Type	Ref. no.	Type	Ref. no.	
Three-phase current, 3~, 400 V, 50 Hz, squirrel-cage rotor, protection category IP 54															
RDD 500/6	07410	885	8300	55	680	1.55	1.55	1129	50	50	55.0	MD	05849	RDS 2 ²⁾	01315
RDD 500/4	07409	1340	12100	64	2150	4.15	4.25	1129	55	50	58.0	MD	05849	RDS 7 ²⁾	01578
Explosion-proof, II 2G Ex h IIB + H₂ T3 Gb, Motor Ex e, three-phase current, 3~, 400 V, 50 Hz, protection category IP 44															
RDD 500/6 Ex ¹⁾	07414	840	6550	57.5	570	1.21	1.21	1157	40	40	51.0	MSA	01289	TSD 1.5	01501
RDD 500/4 Ex ¹⁾	07416	1420	13030	64	2250	4.5	5.8	—	40	40	58.0	MSA	01289	TSD 1.5	01501

1) Performance diagram at www.HeliosSelect.de.

2) Includes motor protection circuit breaker.

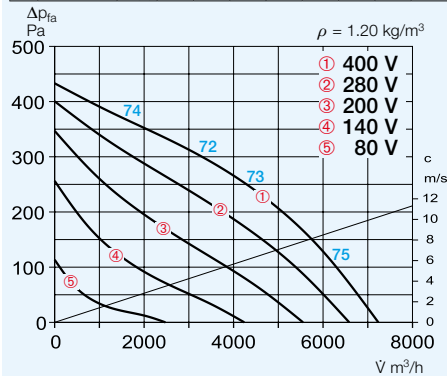
VDD 500/4

Frequency	Hz	Tot.	125	250	500	1k	2k	4k	8k
L _{WA} Inlet side	dB(A)	76	67	71	69	69	66	62	58
L _{WA} Outlet side	dB(A)	82	71	75	76	76	74	69	61



VDD 500/6

Frequency	Hz	Tot.	125	250	500	1k	2k	4k	8k
L _{WA} Inlet side	dB(A)	67	58	62	60	60	57	53	49
L _{WA} Outlet side	dB(A)	73	62	66	67	67	65	60	52



Type	Ref. no.	Speed	Flow rate free blowing	Noise sound press.	Power consumption	Current consumption		Wiring diagram	Max. air flow temp. at rated voltage	Weight net	Motor protection circuit breaker		Speed controller 5-step		
						at rated voltage	with control				Type	Ref. no.	Type	Ref. no.	
		min ⁻¹	m ³ /h	dB(A) at 4m	W	A	A	No.	°C	kg	Type	Ref. no.	Type	Ref. no.	
Three-phase current, 3~, 400 V, 50 Hz, squirrel-cage rotor, protection category IP 54															
VDD 500/6	07402	885	7250	56	680	1.55	1.55	1129	50	50	56.0	MD	05849	RDS 2 ²⁾	01315
VDD 500/4	07401	1340	10550	65	2150	4.15	4.25	1129	55	50	65.0	MD	05849	RDS 7 ²⁾	01578
Explosion-proof, II 2G Ex h IIB + H₂ T3 Gb, Motor Ex e, three-phase current, 3~, 400 V, 50 Hz, protection category IP 44															
VDD 500/6 Ex ¹⁾	07412	840	5850	56	560	1.2	1.2	1157	40	40	53.0	MSA	01289	TSD 1.5	01501
VDD 500/4 Ex ¹⁾	07413	1405	9350	66.5	2250	4.3	5.1	1157	40	40	68.0	MSA	01289	TSD 7	01504
Three-phase current, 3~, 400 V, 50 Hz, squirrel-cage rotor, protection category IP 54 or IP 55*															
VDD 500/6 T120 ¹⁾	07419	945	9215	61	100	2.1	2.1	1264	100	—	62.0	MSA	01289	TSD 7	01504
VDD 500/4 T120 ¹⁾ *	07418	1465	13543	70	3060	5.8	5.8	1130	95	—	71.0	MSA	01289	—	—

1) Performance diagram at www.HeliosSelect.de.

2) Includes motor protection circuit breaker.

Description RD

Horizontal outlet roof fan with efficiency-optimised aluminium casing and newly developed high-performance centrifugal impeller.

Description VD

Vertical outlet roof fan with efficiency-optimised aluminium casing and newly developed high-performance centrifugal impeller.

Special feature VD T120

Designed for the delivery of process air up to +120 °C. Enclosed motor located outside of the air flow.

Description of all series

Casing

Casing made of sea water-resistant aluminium with integrated tamper protection. Motor support plate and base plate with inlet nozzle made of galvanised steel (explosion-proof version inlet nozzle made of aluminium). Base plate with threaded screws for attachment of inlet-side accessories (hole pattern according to DIN 24155).

Impeller

High-performance centrifugal impeller with backward curved blades made of aluminium. Dynamically balanced according to DIN ISO 21940-11 – quality grade 6.3.

Drive

Speed-controllable external rotor motor in closed design (IP 54) (explosion-proof version in IP 44). Flange motor with self-ventilation (T120 version) in IP 54/55. Ball bearing mounted with moisture protection. Maintenance-free and radio interference-free.

Motor protection

Through built-in thermal contacts or built-in PTC thermistors, which must be connected to a motor protection circuit breaker. Assignment see type table.

Electrical connection

No dismantling of casing, to external isolator switch (explosion-proof version to terminal box) in protection category IP 65.

Protection grille

On the outlet side as standard according to DIN EN ISO 13857.

Power control

All types have continuously variable speed control in the range from 0 – 100 % with a frequency

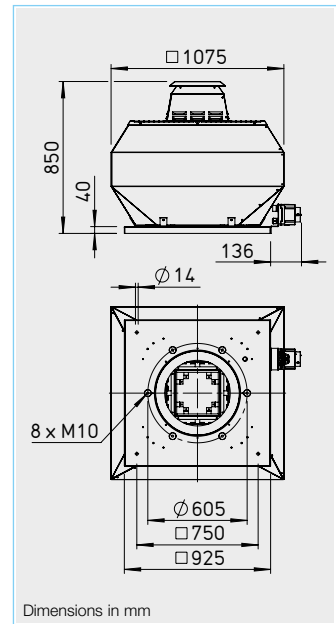
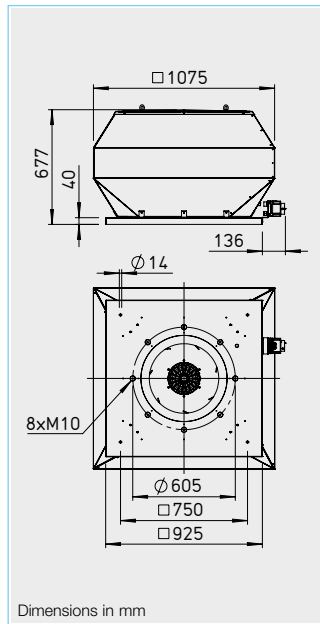
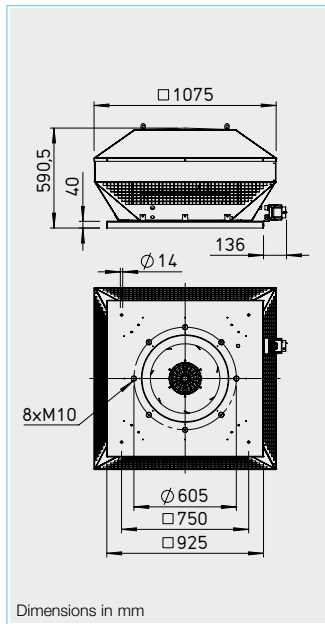
Horizontal outlet RD



Vertical outlet VD

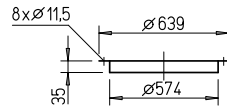


VD T120

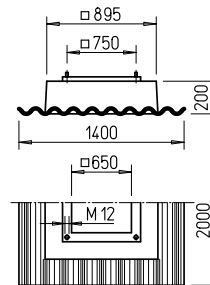


Accessories for type RD / VD*

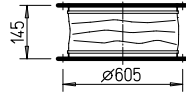
Counter flange FR 560 Ref. no. 01209



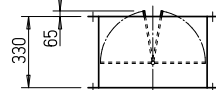
Corrugated roof base, profile 5 WDS 560 Ref. no. 01564



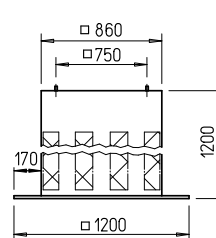
Flanged flexible connector STS 560 Ref. no. 01226
For explosion-proof fans
STS 560 Ex Ref. no. 02508



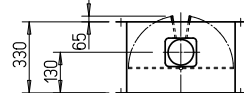
Shutter, automatic RVS 560 Ref. no. 02599



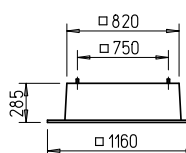
Base silencer SSD 560 Ref. no. 05017



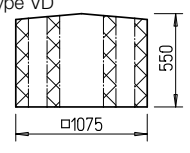
Shutter, motorised RVM 560 Ref. no. 02583



Flat roof base FDS 560 Ref. no. 01382



Hood silencer HSDV 560 Ref. no. 07484
only for type VD



converter with integrated, all-pole effective sine filter (except for explosion-proof version) or five-step control units (except for units with FU). Assignment see type table.

Delivery

Units are ready-for-connection, fully pre-assembled in the shipping box. Easy positioning due to crane hook as standard.

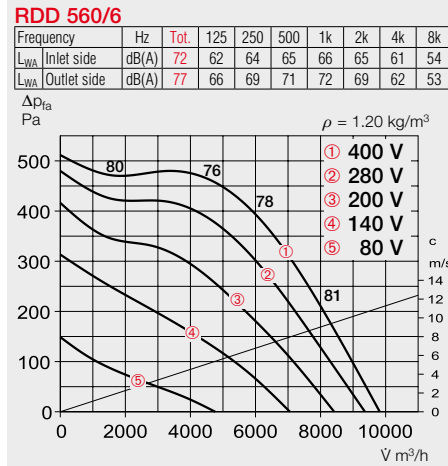
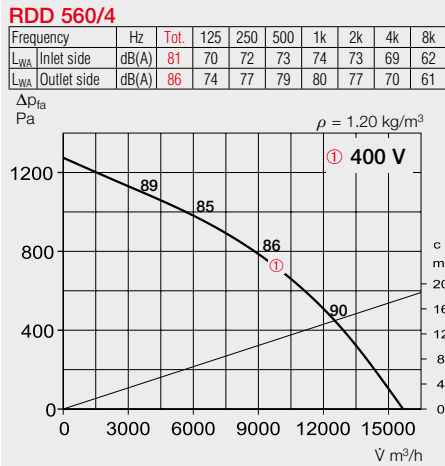
Noise

The total level and range are specified above the performance diagram for:
– Inlet side sound power
– Outlet side sound power.

The horizontally case-radiated noise as sound pressure at 4 m (free field conditions) is also specified in the type table. Hood silencer see accessories.

References	Page
Planning information	10 ff.
Technical description	474 f.
Selection table	476 f.
Accessories, details	531 f.
Speed controllers, controllers and switches	571 ff.

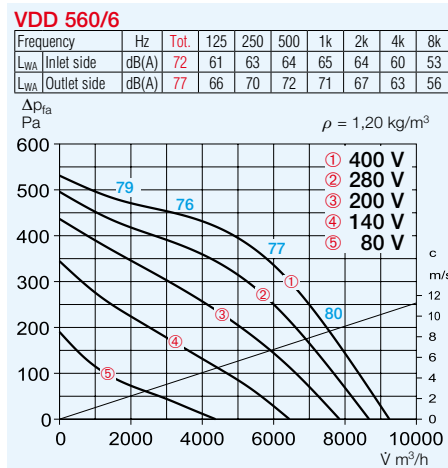
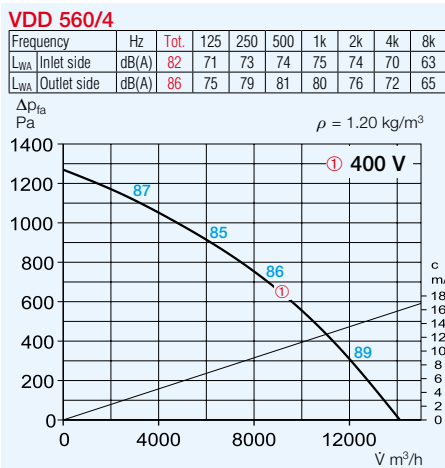
* Accessories VD T120 see installation accessories p. 531 f. Other accessories upon request.



Type	Ref. no.	Speed	Flow rate free blowing	Noise sound press.	Power consumption	Current consumption		Wiring diagram	Max. air flow temp. at rated voltage	Weight net	Motor protection circuit breaker		Speed controller 5-step		
						at rated voltage	with control				Type	Ref. no.	Type	Ref. no.	
		min ⁻¹	m ³ /h	dB(A) at 4m	W	A	A	No.	°C	kg	Type	Ref. no.	Type	Ref. no.	
Three-phase current, 3~, 400 V, 50 Hz, squirrel-cage rotor, protection category IP 54															
RDD 560/6	07429	920	9850	60	1180	3.2	3.2	1129	60	60	72.0	MD	05849	RDS 7 ²⁾	01578
RDD 560/4	07426	1380	15700	69	3610	6.4	7.8	1130	60	40	88.0	MD	05849	RDS 11 ²⁾	01332
Explosion-proof, II 2G Ex h IIB + H₂ T3 Gb, Motor Ex e, three-phase current, 3~, 400 V, 50 Hz, protection category IP 44															
RDD 560/6 Ex ¹⁾	07432	865	9410	61.5	1100	2.12	2.12	1157	40	40	67.0	MSA	01289	TSD 3	01502

1) Performance diagram at www.HeliosSelect.de.

2) Includes motor protection circuit breaker.



Type	Ref. no.	Speed	Flow rate free blowing	Noise sound press.	Power consumption	Current consumption		Wiring diagram	Max. air flow temp. at rated voltage	Weight net	Motor protection circuit breaker		Speed controller 5-step / Frequency converter		
						at rated voltage	with control				Type	Ref. no.	Type	Ref. no.	
		min ⁻¹	m ³ /h	dB(A) at 4m	W	A	A	No.	°C	kg	Type	Ref. no.	Type	Ref. no.	
Three-phase current, 3~, 400 V, 50 Hz, squirrel-cage rotor, protection category IP 54															
VDD 560/6	07422	920	9250	60	1180	3.2	3.2	1129	60	60	75.0	MD	05849	RDS 7 ²⁾	01578
VDD 560/4	07420	1385	14100	69	4430	6.4	—	1130	55	55	77.0	MD	05849	FU-BS 8.0	05461
Explosion-proof, II 2G Ex h IIB + H₂ T3 Gb, Motor Ex e, three-phase current, 3~, 400 V, 50 Hz, protection category IP 44															
VDD 560/6 Ex ¹⁾	07430	860	8455	60	1090	2.1	2.1	1157	40	40	70.0	MSA	01289	TSD 3	01502
Three-phase current, 3~, 400 V, 50 Hz, squirrel-cage rotor, protection category IP 54 or IP 55*															
VDD 560/6 T120 ¹⁾	07439	965	11940	60	1640	3.6	3.5	1264	—	—	92.0	MD	05849	RDS 7 ²⁾	01578
VDD 560/4 T120 ¹⁾ *	07436	1460	18830	69	5500	11.5	—	1130	120	100	102.0	MSA	01289	FU-BS 16	05463

1) Performance diagram at www.HeliosSelect.de.

2) Includes motor protection circuit breaker.

Description RD

Horizontal outlet roof fan with efficiency-optimised aluminium casing and newly developed high-performance centrifugal impeller.

Description VD

Vertical outlet roof fan with efficiency-optimised aluminium casing and newly developed high-performance centrifugal impeller.

Special feature VD T120

Designed for the delivery of process air up to +120 °C. Enclosed motor located outside of the air flow.

Description of all series

Casing

Casing made of sea water-resistant aluminium with integrated tamper protection. Motor support plate and base plate with inlet nozzle made of galvanised steel (explosion-proof version inlet nozzle made of aluminium). Base plate with threaded screws for attachment of inlet-side accessories (hole pattern according to DIN 24155).

Impeller

High-performance centrifugal impeller with backward curved blades made of aluminium. Dynamically balanced according to DIN ISO 21940-11 – quality grade 6.3.

Drive

Speed-controllable external rotor motor in closed design (IP 54) (explosion-proof version in IP 44). Flange motor with self-ventilation (T120 version) in IP 55. Ball bearing mounted with moisture protection. Maintenance-free and radio interference-free.

Motor protection

Through built-in thermal contacts or built-in PTC thermistors, which must be connected to a motor protection circuit breaker. Assignment see type table.

Electrical connection

No dismantling of casing, to external isolator switch (explosion-proof version to terminal box) in protection category IP 65.

Protection grille

On the outlet side as standard according to DIN EN ISO 13857.

Power control

All types have continuously variable speed control in the range from 0 – 100 % with a frequency converter with integrated,

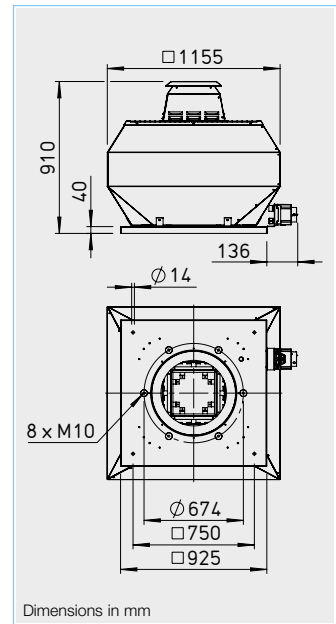
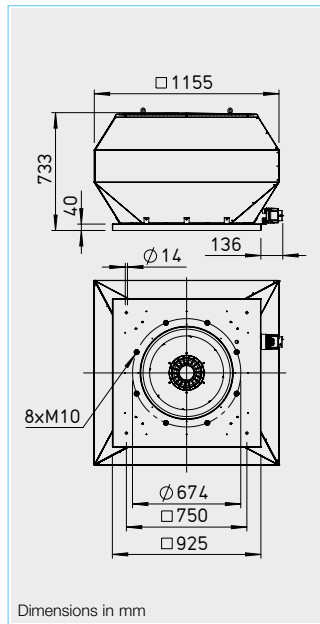
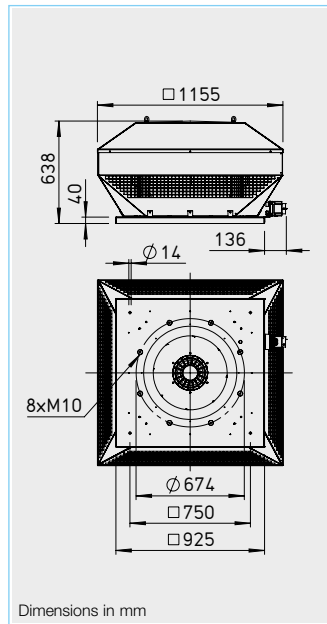
Horizontal outlet RD



Vertical outlet VD

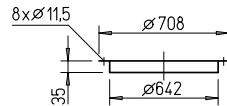


VD T120

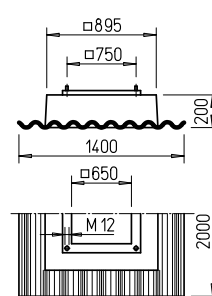


Accessories for type RD / VD*

Counter flange FR 630 Ref. no. 01211



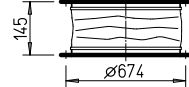
Corrugated roof base, profile 5 WDS 630 Ref. no. 01565



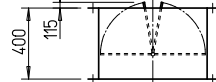
Flanged flexible connector STS 630 Ref. no. 01228

For explosion-proof fans

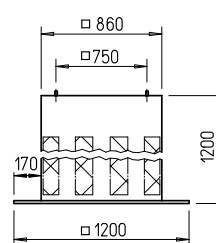
STS 630 Ex Ref. no. 02509



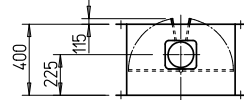
Shutter, automatic RVS 630 Ref. no. 02600



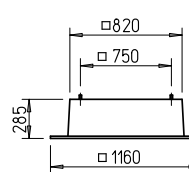
Base silencer SSD 630 Ref. no. 05017



Shutter, motorised RVM 630 Ref. no. 02609

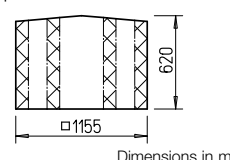


Flat roof base FDS 630 Ref. no. 01382



Hood silencer HSDV 630 Ref. no. 07489

only for type VD



all-pole effective sine filter (except for explosion-proof version) or five-step control units (except for units with FU). Assignment see type table.

Delivery

Units are ready-for-connection, fully pre-assembled in the shipping box. Easy positioning due to crane hook as standard.

Noise

The total level and range are specified above the performance diagram for:

- Inlet side sound power
- Outlet side sound power.

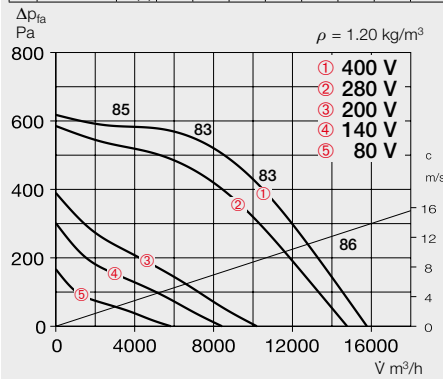
The horizontally case-radiated noise as sound pressure at 4 m (free field conditions) is also specified in the type table. Hood silencer see accessories.

References	Page
Planning information	10 ff.
Technical description	474 f.
Selection table	476 f.
Accessories, details	531 f.
Speed controllers, controllers and switches	571 ff.

* Accessories VD T120 see installation accessories p. 531 f. Other accessories upon request.

RDD 630/6

Frequency	Hz	Tot.	125	250	500	1k	2k	4k	8k
L _{WA} Inlet side	dB(A)	79	62	69	73	74	72	70	61
L _{WA} Outlet side	dB(A)	83	67	73	79	78	74	67	62



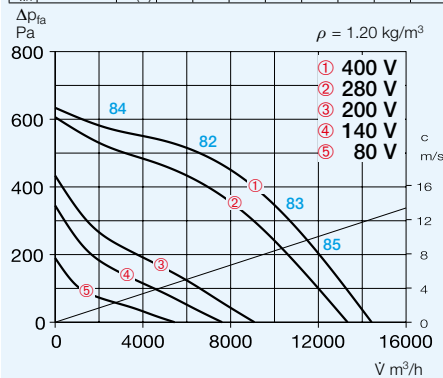
Type	Ref. no.	Speed	Flow rate free blowing	Noise sound press.	Power consumption	Current consumption		Wiring diagram	Max. air flow temp.		Weight net	Motor protection circuit breaker		Speed controller 5-step	
						at rated voltage	with control		at rated voltage	with control		Type	Ref. no.	Type	Ref. no.
		min ⁻¹	m³/h	dB(A) at 4m	W	A	A	No.	°C	°C	kg	Type	Ref. no.	Type	Ref. no.
Three-phase current, 3~, 400 V, 50 Hz, squirrel-cage rotor, protection category IP 54															
RDD 630/6	07447	875	16650	66	2380	4.7	5.2	1129	55	45	92.0	MD	05849	RDS 7²⁾	01578
Explosion-proof, II 3G Ex h IIB + H₂ T3 Gc, motor Ex nA, three-phase current, 3~, 400 V, 50 Hz, protection category IP 44															
RDD 630/6 Ex¹⁾	07450	905	16500	67.5	2690	5.4	5.6	1157	40	40	97.0	MSA	01289	TSD 7	01504

1) Performance diagram at www.HeliosSelect.de.

2) Includes motor protection circuit breaker.

VDD 630/6

Frequency	Hz	Tot.	125	250	500	1k	2k	4k	8k
L _{WA} Inlet side	dB(A)	78	65	71	72	72	71	64	57
L _{WA} Outlet side	dB(A)	83	67	76	77	77	76	71	63



Type	Ref. no.	Speed	Flow rate free blowing	Noise sound press.	Power consumption	Current consumption		Wiring diagram	Max. air flow temp.		Weight net	Motor protection circuit breaker		Speed controller 5-step	
						at rated voltage	with control		at rated voltage	with control		Type	Ref. no.	Type	Ref. no.
		min ⁻¹	m³/h	dB(A) at 4m	W	A	A	No.	°C	°C	kg	Type	Ref. no.	Type	Ref. no.
Three-phase current, 3~, 400 V, 50 Hz, squirrel-cage rotor, protection category IP 54															
VDD 630/6	07441	930	14430	66	2130	4.6	4.95	1129	60	60	96.0	—	—	RDS 7²⁾	01578
Explosion-proof, II 3G Ex h IIB + H₂ T3 Gc, motor Ex nA, three-phase current, 3~, 400 V, 50 Hz, protection category IP 44															
VDD 630/6 Ex¹⁾	07448	910	14700	67	2660	5.3	5.5	1157	40	40	101.0	MSA	01289	TSD 7	01504
Three-phase current, 3~, 400 V, 50 Hz, squirrel-cage rotor, protection category IP 55															
VDD 630/6 T120¹⁾	07456	985	18876	69	3160	7.5	7.5	1130	105	—	105.0	MSA	01289	—	—

1) Performance diagram at www.HeliosSelect.de.

2) Includes motor protection circuit breaker.



Description RD

Horizontal outlet roof fan with efficiency-optimised aluminium casing and newly developed high-performance centrifugal impeller.

Description VD

Vertical outlet roof fan with efficiency-optimised aluminium casing and newly developed high-performance centrifugal impeller.

Special feature VD T120

Designed for the delivery of process air up to +120 °C. Enclosed motor located outside of the air flow.

Description of all series

Casing

Casing made of sea water-resistant aluminium with integrated tamper protection. Motor support plate and base plate with inlet nozzle made of galvanised steel. Base plate with threaded screws for attachment of inlet-side accessories (hole pattern according to DIN 24155).

Impeller

High-performance centrifugal impeller with backward curved blades made of aluminium. Dynamically balanced according to DIN ISO 21940-11 – quality grade 6.3.

Drive

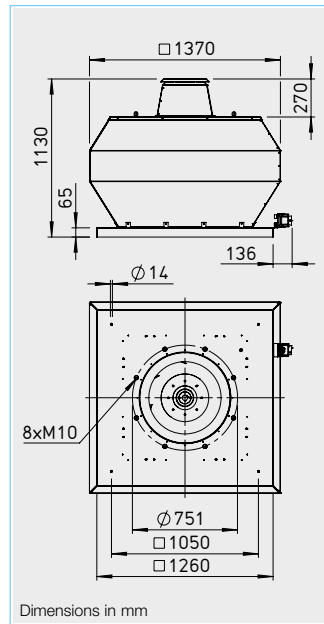
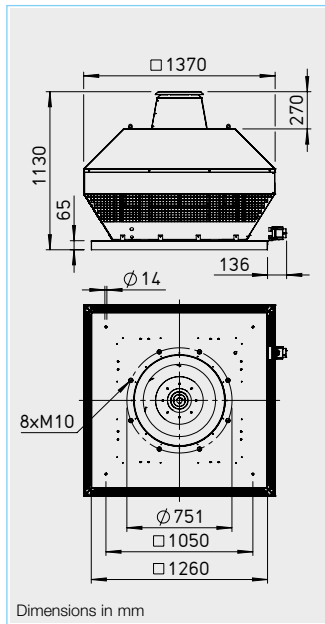
Speed-controllable IEC standard motor with self-ventilation in closed design IP 55. Ball bearing mounted with moisture protection. Maintenance-free and radio interference-free.

Motor protection

Through built-in thermal contacts or built-in PTC thermistors, which must be connected to a motor protection circuit breaker. Assignment see type table.

Electrical connection

No dismantling of casing, to external isolator switch in protection category IP 65.



Protection grille

On the outlet side as standard according to DIN EN ISO 13857.

Power control

All types have continuously variable speed control in the range from 0 – 100 % with a frequency converter with integrated, all-pole effective sine filter.

Delivery

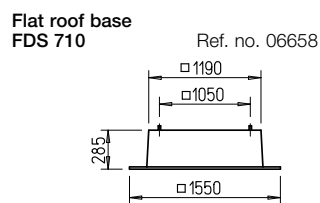
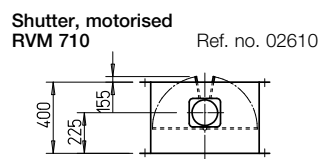
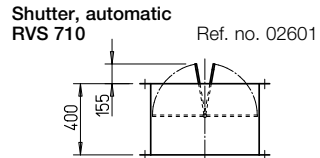
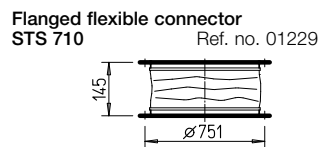
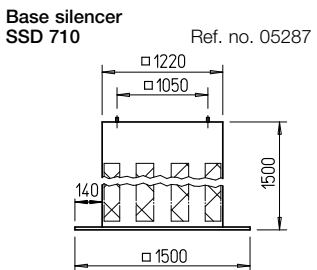
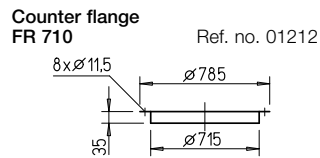
Units are ready-for-connection, fully pre-assembled in the shipping box. Easy positioning due to crane hook as standard.

Noise

The total level and range are specified above the performance diagram for:
– Inlet side sound power
– Outlet side sound power.

The horizontally case-radiated noise as sound pressure at 4 m (free field conditions) is also specified in the type table. Hood silencer see accessories.

Accessories for type RD / VD*

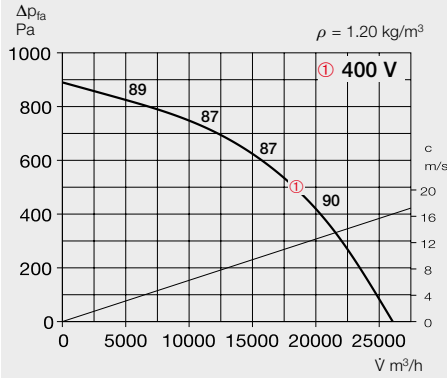


* Accessories VD T120 see installation accessories p. 531 f. Other accessories upon request.

References	Page
Planning information	10 ff.
Technical description	474 f.
Selection table	476 f.
Accessories, details	531 f.
Speed controllers, controllers and switches	571 ff.

RDD 710/6

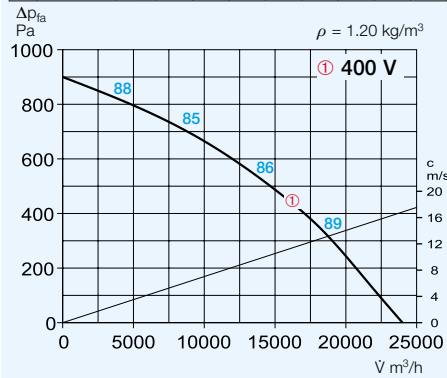
Frequency	Hz	Tot.	125	250	500	1k	2k	4k	8k
L _{WA} Inlet side		dB(A)	83	72	75	76	78	72	63
L _{WA} Outlet side		dB(A)	87	72	75	76	78	72	63



Type	Ref. no.	Speed	Flow rate free blowing	Noise sound press.	Power consumption	Current consumption at rated voltage	Current consumption with control	Wiring diagram	Max. air flow temp. at rated voltage	Max. air flow temp. with control	Weight net	Motor protection circuit breaker		Speed controller 5-step	
		min ⁻¹	m ³ /h	dB(A) at 4m	W	A	A	No.	°C	°C	kg	Type	Ref. no.	Type	Ref. no.
Three-phase current, 3~, 400 V, 50 Hz, squirrel-cage rotor, protection category IP 54															
RDD 710/6	07460	980	26066	70	4300	9.4	—	1130	50	40	187.0	—	—	—	—

VDD 710/6

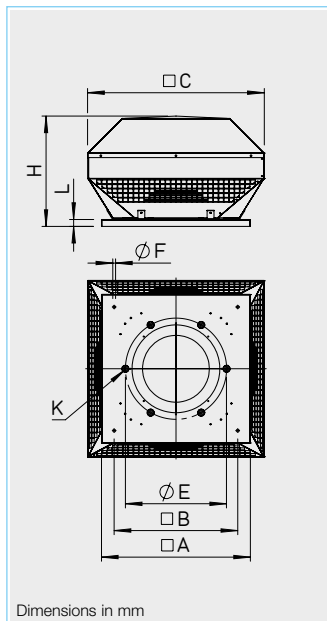
Frequency	Hz	Tot.	125	250	500	1k	2k	4k	8k
L _{WA} Inlet side		dB(A)	82	71	74	74	75	77	71
L _{WA} Outlet side		dB(A)	86	74	76	79	80	81	73



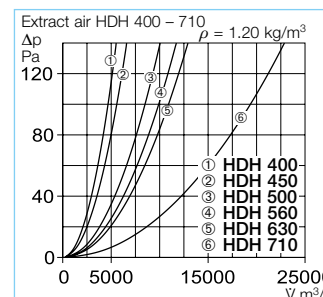
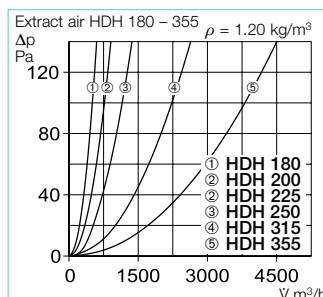
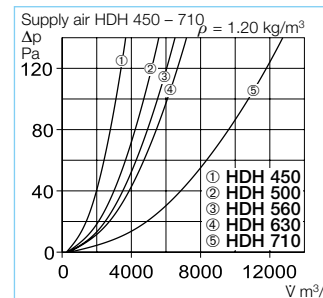
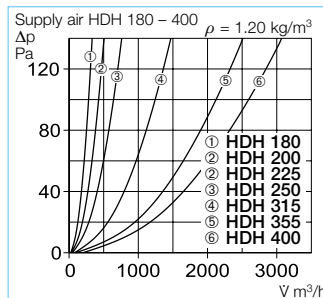
Type	Ref. no.	Speed	Flow rate free blowing	Noise sound press.	Power consumption	Current consumption at rated voltage	Current consumption with control	Wiring diagram	Max. air flow temp. at rated voltage	Max. air flow temp. with control	Weight net	Motor protection circuit breaker		Speed controller 5-step	
		min ⁻¹	m ³ /h	dB(A) at 4m	W	A	A	No.	°C	°C	kg	Type	Ref. no.	Type	Ref. no.
Three-phase current, 3~, 400 V, 50 Hz, squirrel-cage rotor, protection category IP 54															
VDD 710/6	07458	985	23800	69	4270	9.4	—	1130	60	—	185.0	MSA	01289	—	—
Three-phase current, 3~, 400 V, 50 Hz, squirrel-cage rotor, protection category IP 55															
VDD 710/6 T120¹⁾	07466	985	23777	69	4270	9.4	9.4	1130	106	—	185.0	MSA	01289	—	—

1) Performance diagram at www.HeliosSelect.de.

HDH

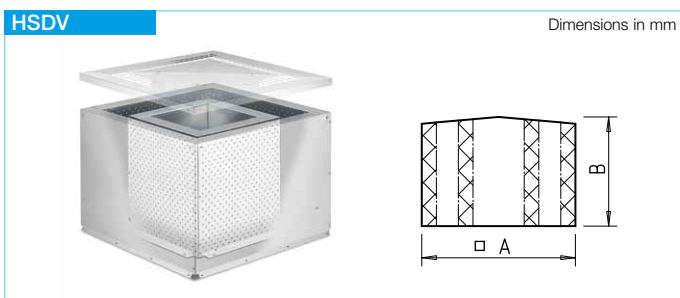


■ **Roof ventilation hoods HDH**
For covering convection vents and supply air openings in the roof. Same design as horizontal outlet roof fans RD. With regard to mechanical ventilation, the resulting flow losses must be taken into account (see diagrams). Accessories same as roof fans.



Type	Ref. no.	Nominal size	□ A	□ B	□ C	Ø E	Ø F	H	K	L	Weight net
		mm	mm	mm	mm	mm	mm	mm	mm	mm	approx. kg
HDH 180	07492	180	320	245	309	213	10	155	6 x M6	30	3.5
HDH 200	07493	200	425	330	405	259	10	198	6 x M6	30	5.0
HDH 225	07495	225	425	330	405	259	10	198	6 x M6	30	5.0
HDH 250	07496	250	580	450	450	286	10	255	6 x M6	30	8.0
HDH 315	07497	315	580	450	606	356	12	386	8 x M8	30	12.5
HDH 355	07498	355	645	535	740	395	12	452	8 x M8	30	17.5
HDH 400	07499	400	645	535	765	438	12	478	6 x M8	30	17.5
HDH 450	07491	450	730	590	860	487	12	473	6 x M8	30	26.0
HDH 500	07513	500	925	750	966	541	12	531	6 x M8	40	30.0
HDH 560	07517	560	925	750	1075	605	14	591	8 x M10	40	44.0
HDH 630	07518	630	925	750	1155	674	14	633	8 x M10	40	47.0
HDH 710	07519	710	1260	1050	1370	751	14	860	8 x M10	65	52.0

HSDV



■ **Hood silencer HSDV for outlet side noise reduction**
Average insulation value 8 dB. Available for series VD, nominal sizes 315 - 630.

The construction is placed on the roof fan and it can also be retrofitted without structural alteration. Can only be installed on series VD.

Type	Ref. no.	A in mm	B in mm
HSDV 315	07476	606	310
HSDV 355	07480	740	350
HSDV 400	07481	765	400
HSDV 450	07482	860	450
HSDV 500	07483	966	500
HSDV 560	07484	1075	550
HSDV 630	07489	1155	620

RS

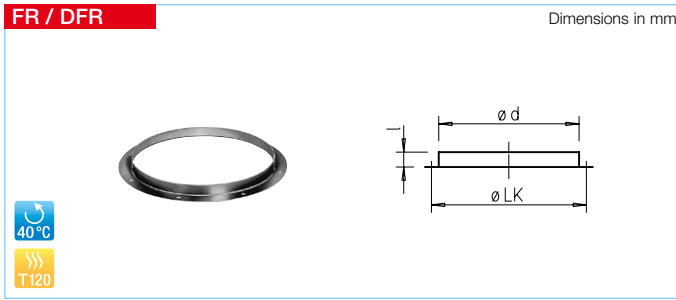


■ **Isolator switch RS**
RS 3+1+2 Ref. no. 07536

- 3 main contacts
- 1 auxiliary contact
- 2 contacts for TB/TP

For fans with direct start-up. Plastic casing for surface-mounting. Locking options in "0 OFF" position.

■ **Technical data**
Voltage 400 V, 3-, 50/60 Hz
Operating current 20 A
Load capacity AC-23 B, 7.5 kW
Protection category IP 65
Protection class II
Operation Rotary drive
Temperature range -25 to +60 °C
Weight approx. 0.3 kg
Dim. mm W 90.5 x H 90.5 x D 102
Casing UV and weather-resistant
Wiring diagram no. 1131

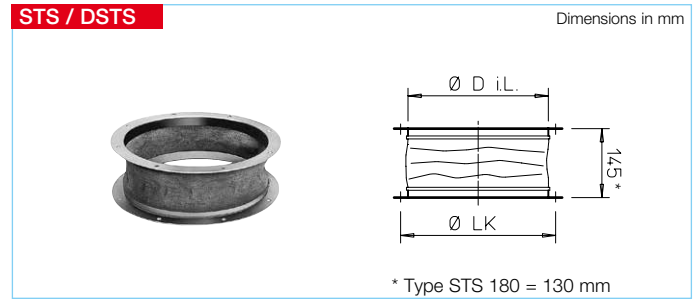


Flange ring FR

Made of galvanised steel sheet, for inlet side duct connection. Directly screwed to the fan base plate.

Dimensions according to DIN 24 155, p. 2.

Type	Ref. no.	Ø LK	l	Ø d	Weight approx. kg
FR 180	01200	213	25	186	0.4
DFR 200	01201	259	30	233	0.5
FR 225	01201	259	30	233	0.5
FR 250	01203	286	25	256	0.6
FR 315	01204	356	30	326	0.9
FR 355	01205	395	30	365	1.1
FR 400	01206	438	30	408	1.2
FR 450	01207	487	35	457	1.8
FR 500	01208	541	35	511	1.8
FR 560	01209	605	35	574	2.0
FR 630	01211	674	35	642	2.2
FR 710	01212	751	35	715	3.3



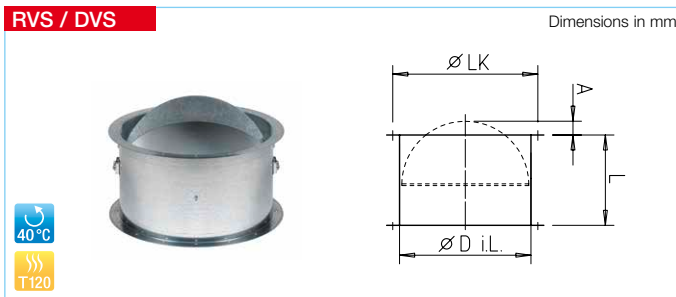
Flanged flexible connector STS

For the prevention of structure-borne sound transmission to inlet side pipes. Flange made of galvanised steel sheet. Elastic sleeve

made of PVC fabric. Use type STS Ex for explosion-proof fans. Directly screwed to the fan base plate. Flange dimensions according to DIN 24 155, p. 2. Ambient temperature -30 °C to +80 °C.

Type	Ref. no.	Type*	Ref. no.	Ø D i.L.	Ø LK	Weight approx. kg
STS 180	01217	—	—	183	213	0.9
DSTS 200	01218	DSTS 200 Ex	02500	229	259	1.1
STS 225	01218	STS 225 Ex	02500	229	259	1.1
STS 250	01220	STS 250 Ex	02501	252	286	1.3
STS 315	01221	STS 315 Ex	02503	322	356	1.8
STS 355	01222	STS 355 Ex	02504	358	395	2.1
STS 400	01223	STS 400 Ex	02505	404	438	2.5
STS 450	01224	STS 450 Ex	02506	453	487	3.8
STS 500	01225	STS 500 Ex	02507	507	541	3.4
STS 560	01226	STS 560 Ex	02508	570	605	4.5
STS 630	01228	STS 630 Ex	02509	638	674	4.6
STS 710	01229	—	—	711	751	7.0

* For explosion-proof fans. STSB for VD T120 version see TGA catalogue.



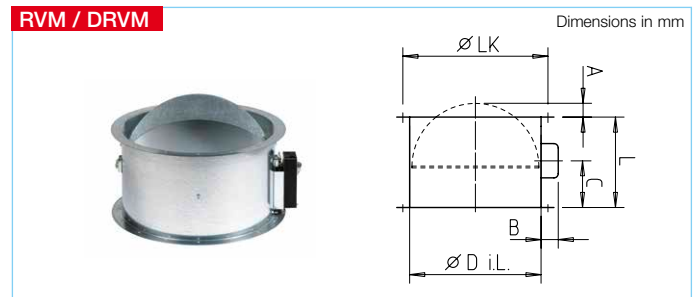
Automatic duct shutter with spring-return RVS¹⁾

For the prevention of cold draughts when the fan is at a standstill. For vertical throughflow from bottom to top (otherwise use type RVM). Automatic function through fan operation. Spring mechanism outside of the air flow. Locking force corresponds to fan power

and the installation position can be adjusted. Shutter and casing made of galvanised steel sheet, shutter made of aluminium for NS 225 – 560 mm. Directly screwed to the fan base plate. Double-sided flange. Holes pursuant to DIN 24155, p. 2. Ambient temperature -30 to +120 °C

Type	Ref. no.	Ø D i.L.	L	A	Ø LK	Weight approx. kg
DVS 180	01247	180	110	15	213	1.2
DRVS 200	02591	225	300	—	259	3.0
RVS 225	02591	225	300	—	259	3.0
RVS 250	02592	250	300	—	286	3.4
RVS 315	02594	315	300	—	356	4.3
RVS 355	02595	355	300	—	395	5.8
RVS 400	02596	400	330	—	438	7.2
RVS 450	02597	454	330	15	487	10.4
RVS 500	02598	504	330	40	541	11.7
RVS 560	02599	560	330	65	605	16.1
RVS 630	02600	630	400	115	674	19.5
RVS 710	02601	710	400	155	751	26.5

¹⁾ Pressure loss diagram see Page 536.



Motorised shutter RVM^{1) 2)}

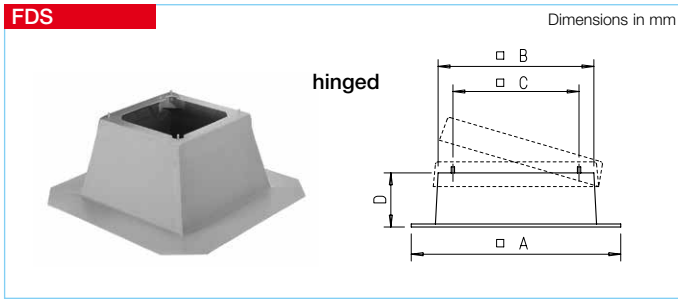
like RVS, but for vertical through-flow in any direction and with a mounted spring return motor (outside of air flow). Allows static ventilation when fan is at a standstill. Supply air control in combination with a roof ventilation hood. Elec. control parallel with fan; cable length 0.9 m, normally closed.

Ambient temperature -30 to +60 °C
Protection category IP 54
Voltage/Frequency 230 V AC, 50/60 Hz
Power consumption - up to Ø 560 / from Ø 630 14 W/6.5 W
Shutter opening time, approx. 75 sec.
Wiring diagram no. 380.1

Type	Ref. no.	Ø D i.L.	B	C	L	A	Ø LK	Weight approx. kg
DRVM 200	02575	225	95	130	300	—	259	3.3
RVM 225	02575	225	95	130	300	—	259	3.3
RVM 250	02576	250	95	130	300	—	286	3.7
RVM 315	02578	315	95	130	300	—	356	4.6
RVM 355	02579	355	95	130	300	—	395	6.1
RVM 400	02580	400	95	130	330	—	438	7.5
RVM 450	02581	454	95	130	330	15	487	10.7
RVM 500	02582	504	95	130	330	40	541	12.0
RVM 560	02583	560	95	130	330	65	605	16.4
RVM 630	02609	630	150	225	400	115	674	21.0
RVM 710	02610	710	150	225	400	155	751	28.0

²⁾ Types DRVM/RVM not suitable for use in potentially explosive atmospheres.

FDS



Flat roof base FDS¹⁾

For the placement of roof fans and ventilation hoods on flat roofs. Horizontal installation. Use of this base reduces costs and installation expenses to a minimum in comparison to handcrafted designs. Corrosion-resistant GFK version (NS 710 made of galvanised steel sheet) with abrasion-resistant, sound and heat insulation. Snow-safe base height.

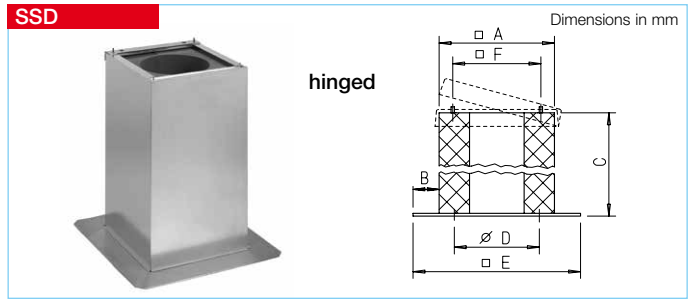
Installation

Attach base above the roof opening (roof). Full roof coating over adhesive edge of the base and seal with bitumen fibre filler. Fixing screws, rubber profile and seal between base and base plate included in delivery.

Type	Ref. no.	A in mm	B in mm	C in mm	D in mm
FDS 180*	01377	645	285	245	285
FDS 200*	01378	750	392	330	285
FDS 225*	01378	750	392	330	285
FDS 250*	01379	870	520	450	285
FDS 315*	01379	870	520	450	285
FDS 355*	01380	950	605	535	285
FDS 400*	01380	950	605	535	285
FDS 450*	01381	1000	660	590	285
FDS 500	01382	1160	820	750	285
FDS 560	01382	1160	820	750	285
FDS 630	01382	1160	820	750	285
FDS 710	06658	1550	1190	1050	285

* With folding mechanism for easy inspection and cleaning. ¹⁾ FDS B for VD T120 see TGA catalogue.

SSD



Base silencer SSD for inlet-side sound insulation

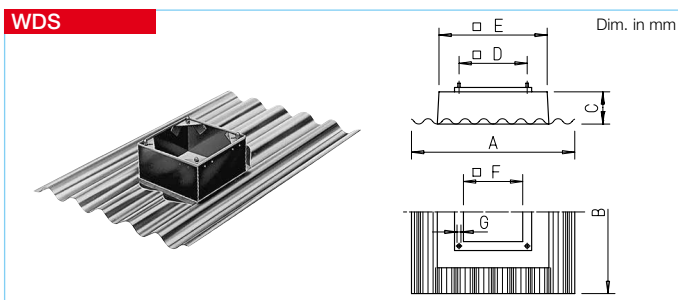
Average insulation value 15 dB. All metal parts made of galvanised steel sheet. For installation on flat roofs in the same way as the flat roof base. Fixing screws, rubber profile and seal between base and base plate included in delivery. For NS 500–710: Sound insulation baffles with insulation board made

of non-combustible material, class A2, wrapped in glass fibre mat on both sides. NS 180–450: With hinge for folding the fan down for inspection purposes. Foam core with free cross-section allows access to the duct/shaft system. Base plate is equipped with threaded bushes (according to DIN 24155, p. 2) for the connection of inlet side accessories.

Type	Ref. no.	A	B	C	D	E	F
SSD 180*	05289	280	160	750	213	600	245
SSD 200*	05290	400	133	735	259	666	330
SSD 225*	05290	400	133	735	259	666	330
SSD 250*	05292	520	150	835	286	820	450
SSD 315*	05292	520	150	835	356	820	450
SSD 355*	05024	600	150	985	395	900	535
SSD 400*	05291	600	150	985	438	900	535
SSD 450*	05288	675	158	985	487	990	590
SSD 500	05017	860	170	1200	—	1200	750
SSD 560	05017	860	170	1200	—	1200	750
SSD 630	05017	860	170	1200	—	1200	750
SSD 710	05287	1220	140	1500	—	1500	1050

* With folding mechanism for easy inspection and cleaning.

WDS



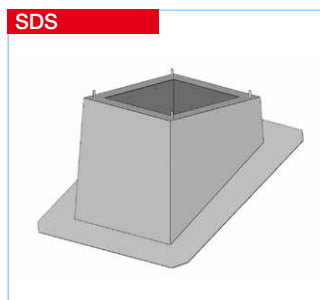
Corrugated roof base WDS

For the placement of roof fans and ventilation hoods on corrugated roofs. Weather-resistant and non-corrosive design made of glass-fibre reinforced polyester with a low deadweight. No risk of breakage during shipping and on the construction site. Low thermal transmittance value. Corrugation spacing 177 mm (profile no. 5). Use of this base costs for plan-

ning, design and installation to a minimum. Rain drains on the front and back grooves between the square base and the corrugated plate allow installation of the corrugated roof plate regardless of the assembly direction. Screws, washers and rubber profile for attaching and sealing the fan-base plate included in the delivery.

Type	Ref. no.	A	B	C	D	E	F	G
WDS 180	01559	920	1600	200	245	295	∅ 256	M 6
WDS 200/225	01560	920	1600	200	330	395	290	M 10
WDS 250/315	01561	920	1600	200	450	555	395	M 10
WDS 355/400	01562	920	1600	200	535	625	475	M 10
WDS 450	01563	1400	2000	200	590	705	525	M 12
WDS 500/560	01564	1400	2000	200	750	895	650	M 12
WDS 630	01564	1400	2000	200	750	895	650	M 12

SDS



Pitched roof base SDS

For the placement of roof fans and ventilation hoods on pitched roofs with up to 45° inclination. Made of galvanised steel sheet, with sound and heat insulated 50 mm thick lining on the inside.

All SDS types are available upon request. Please specify the fan type or nominal size of the ventilation hood, roof inclination angle, brick type or, if applicable, the profile shape and height (for profile roofs) when ordering.

Installation

Attach base to roof construction. Seal against roofing with surrounding lead collar. Screws, washers and seal between base and fan/hood base plate included in the delivery.

References	Page
All centrifugal roof fans do not have protection grilles on the inlet side. If the installation does not ensure protection against unintentional contact, the corresponding contact protection (grille type ASD-SGD or SG) must be attached.	251
Other accessories	Page
Speed controllers, controllers and switches	571 ff.