



2019 TOMMY BAHAMA Touring Coach Parts Book



2019 TOMMY BAHAMA TC

SECTION I

APPLIANCES

<u>Air Conditioner</u>	I-1
<u>Furnace</u>	I-1
<u>Water Heater</u>	I-1
<u>Generator</u>	I-2
<u>Microwave and Cooktop</u>	I-2
<u>Refrigerators</u>	I-2

EXTERIOR SHELL

<u>Wall, Roadside, Lounge</u>	I-3
<u>Wall, Curbside, Lounge</u>	I-5
<u>Wall, Roadside, Grand Tour</u>	I-7
<u>Wall, Curbside, Grand Tour</u>	I-9
<u>Medallions</u>	I-11
<u>Window Blackouts</u>	I-11
<u>Body Kits</u>	I-12
<u>Hitch Cover</u>	I-18
<u>Storage Box, Below Floor</u>	I-18
<u>Rear Bumper Protector Film</u>	I-18
<u>7-Way Bracket</u>	I-18

INTERIOR SHELL

<u>Windows, Pillar, and Roof Closeouts</u>	I-19
<u>Backsplash</u>	I-19
<u>Vanity Visor Mirror</u>	I-19
<u>Dash Trim Kit</u>	I-20
<u>Floor Assemblies</u>	I-21
<u>Ceiling Panels</u>	I-23
<u>Interior Panels and Window Boxes</u>	I-25

CHASSIS

<u>Spare Tire Carrier</u>	I-30
<u>Air Ride System</u>	I-30
<u>Wheels</u>	I-31
<u>Driver and Passenger Steps</u>	I-31
<u>Step</u>	I-31
<u>Step Well</u>	I-31
<u>Exhaust System</u>	I-32
<u>Skid Bar Assembly</u>	I-32
<u>Parktronic Sensor</u>	I-32
<u>Leveling Jacks</u>	I-32

2019 TOMMY BAHAMA TC

SECTION II

DOORS, WINDOWS, AWNINGS

<u>Exterior Doors</u>	II-1
<u>Screen Door, Lounge</u>	II-1
<u>Screen Door, Grand Tour</u>	II-2
<u>Screen Door, Rear Power Kit</u>	II-3
<u>Windows</u>	II-4
<u>Awnings</u>	II-5

SHADES

<u>Power Shades</u>	II-6
<u>Cockpit Window Shades and Hardware</u>	II-6

ELECTRICAL

110 VOLT

<u>Power Converter</u>	II-7
<u>Energy Management System</u>	II-7
<u>Shoreline Hookup</u>	II-7
<u>Inverter</u>	II-7
<u>Receptacles and USB Ports</u>	II-7
<u>Breakers</u>	II-7

12 VOLT

<u>Battery</u>	II-8
<u>Fuses</u>	II-8
<u>Cable Kits, Main 12VDC</u>	II-8
<u>Switches</u>	II-8
<u>Monitor Panel</u>	II-9
<u>Interior Lights</u>	II-9
<u>Exterior Lights</u>	II-9
<u>Exterior Utility Compartment Switch Panel</u>	II-10
<u>Rearview Monitor Camera</u>	II-10
<u>Solar Panel</u>	II-10
<u>Firefly System</u>	II-11

ENTERTAINMENT

<u>Audio</u>	II-12
<u>Video</u>	II-12
<u>Rear TV</u>	II-13
<u>Front TV</u>	II-13
<u>Blu-Ray Player</u>	II-13

2019 TOMMY BAHAMA TC

SECTION III

FLOOR COVERINGS

<u>Floor Covering</u>	III-1
-----------------------------	-------

FURNITURE

INTERIOR DOORS

<u>Interior Doors</u>	III-2
<u>Roof Locker Doors</u>	III-2

LAVATORY

<u>Wet Bath Module, Lounge</u>	III-3
<u>Wet Bath Module, Grand Tour</u>	III-4
<u>Shower Modules</u>	III-5
<u>Lavatory Door</u>	III-6

GALLEY

<u>Galley Top, Lounge</u>	III-7
<u>Galley, Lounge</u>	III-8
<u>Galley Top, Grand Tour</u>	III-10
<u>Galley, Grand Tour</u>	III-11
<u>Galley Bar</u>	III-13
<u>Refrigerator Cabinet</u>	III-14
<u>Pantry/Wardrobe</u>	III-15
<u>Front Shelf Closeout</u>	III-17
<u>Cargo Net</u>	III-17

2019 TOMMY BAHAMA TC

SECTION III

LOUNGE

<u>Dinette Seats, RS</u>	III-18
<u>Dinette Seats, CS</u>	III-20
<u>Sofa Base</u>	III-22
<u>Sofa Closeouts</u>	III-23
<u>Sofa Extensions</u>	III-24
<u>Pedestal Table</u>	III-25
<u>Flip Table Area</u>	III-26
<u>TV Mounting Cabinet</u>	III-27
<u>Wardrobes</u>	III-28
<u>Roof Lockers</u>	III-30

HARDWARE

<u>Seat Belts, Cup Holders, and Brackets</u>	III-44
<u>Sofa</u>	III-44
<u>Bath Accessories</u>	III-44
<u>Shower Curtain</u>	III-44
<u>Clothesline</u>	III-44
<u>License Plate</u>	III-44
<u>Cargo Cover</u>	III-45
<u>Hinges</u>	III-45
<u>Drawer Slides</u>	III-45
<u>Tommy Bahama Product Package</u>	III-45
<u>Interior Handles, Latches, and Fasteners</u>	III-46
<u>Rivets</u>	III-46

SAFETY EQUIPMENT

<u>Detectors and Fire Extinguisher</u>	III-47
--	--------

LABELS AND TAGS

<u>Labels and Tags</u>	III-48
------------------------------	--------

2019 TOMMY BAHAMA TC

SECTION IV

PLUMBING

LPG SYSTEMS

<u>LPG Tank, Mounting Brackets, and Heat Shield</u>	IV-1
<u>LPG System, Lounge</u>	IV-2
<u>LPG System, Grand Tour</u>	IV-3

FRESH WATER SYSTEMS

<u>Faucet and Sink, Galley</u>	IV-4
<u>Faucet, Wet Bath</u>	IV-4
<u>Exterior Shower</u>	IV-4
<u>City Water Hook-Up</u>	IV-4
<u>Fresh Water Tank and Water Fill</u>	IV-4
<u>Fresh Water Lines, Lounge</u>	IV-5
<u>Fresh Water Lines, Grand Tour</u>	IV-6
<u>Fresh Water Fittings</u>	IV-7

DRAIN SYSTEMS

<u>Black and Gray Tanks</u>	IV-8
<u>Black Tank Flush</u>	IV-8
<u>Black Tank Cover</u>	IV-9
<u>Macerator Pump System</u>	IV-10
<u>Drain System, Below Floor, Lounge</u>	IV-11
<u>Drain System, From Tanks to Pump, Lounge</u>	IV-12
<u>Drain System, Above Floor, Lounge</u>	IV-13
<u>Drain System, Below Floor, Grand Tour</u>	IV-15
<u>Drain System, From Tanks to Pump, Grand Tour</u>	IV-16
<u>Drain System, Above Floor, Grand Tour</u>	IV-17
<u>Drain Fittings</u>	IV-19
<u>Toilet</u>	IV-20

2019 TOMMY BAHAMA TC

SECTION IV

SEALERS AND GASKETS

<u>Sealers</u>	IV-21
<u>Gaskets</u>	IV-21
<u>Undercoating</u>	IV-21

BEDDING, PILLOWS

<u>Bedspread and Sheets</u>	IV-22
<u>Pillows</u>	IV-22

UPHOLSTERY, ULTRALEATHER

<u>Captain's Chairs, Cabin</u>	IV-23
<u>Captain's Chairs, 2nd Row</u>	IV-23
<u>Sofa, Power</u>	IV-23
<u>Sofa, Jackknife</u>	IV-23

VENTS AND FANS

<u>Black Tank Vent</u>	IV-24
<u>Bath Vent</u>	IV-24
<u>Furnace Vent</u>	IV-24
<u>Refrigerator Vent</u>	IV-24
<u>Exhaust Fan</u>	IV-24

PANELING, EDGEBANDING, LAUAN

<u>Paneling</u>	IV-25
<u>Edgebanding</u>	IV-25
<u>Lauan</u>	IV-25
<u>Plywood</u>	IV-25

TRIMS

<u>Trim</u>	IV-26
-------------------	-------

2019 TOMMY BAHAMA TC APPLIANCES

Air Conditioner

690323-46	Air conditioner, 13,500 BTU, White
690323-57	Air conditioner, 13,500 BTU, Black
513304-02	Spectrum 7" color touchscreen
690699-02	Room temperature sensor
690380-10	Interior air box/shroud
690380-11	Duct adapter, use with 690380-10
601240-01	Tubing, .5"
690323-SHDSL	Shroud, A/C, Silver
690323-SHDBLK	Shroud, A/C, Black
690323-SHDWH	Shroud, A/C, White
115397	Roof AC frame

Furnace

690620-02	Furnace, 16K BTU, Front discharge w/Black grille
690620-04	Replacement grille, Black
690620-05	Extension kit, 7.25"
365391	Gasket, Furnace vent
115657	Spacer, Furnace vent
454674	Vent backer plate, Furnace

Water Heater

690711-01	Water heater, On-Demand
690711-02	Vent, Water heater
690711-03	Control center, Water heater
690711-04	Vent cap, 15.5", Water heater
690711-05	Vent cap, 6.5", Water heater
382262	Gasket, Water heater
203978	Tray, Water heater
203981	Gasket spacer, Water heater
203981-01	Gasket spacer, Water heater
455344-01	Valve closeout
385963	Bracket, Mounting angle
602713	Rubber elbow, .5"
602714	Rubber elbow, 3/8"

2019 TOMMY BAHAMA TC APPLIANCES

Generator

512585-01	Generator, LPG 2.5, Onan
512585-02	Pigtail, Remote gen
512585-03	Under floor mounting kit
512585-06	Exhaust 90° elbow and flange
914399	Tailpipe, 6.75", Generator
381509	Hanger, Tailpipe
454663-01	Bracket, Roadside
454663-02	Bracket, Curbside aft
510817-01	Single gang, Weather proof box
510817-02	Single gang, Weather proof extension ring
510562	Switch, Generator

Microwave and Cooktop

690684	Microwave drawer type, 1.3 CF, Stainless steel, Contoure
690576	Cooktop, 2-burner, Smev

Refrigerator, Lounge

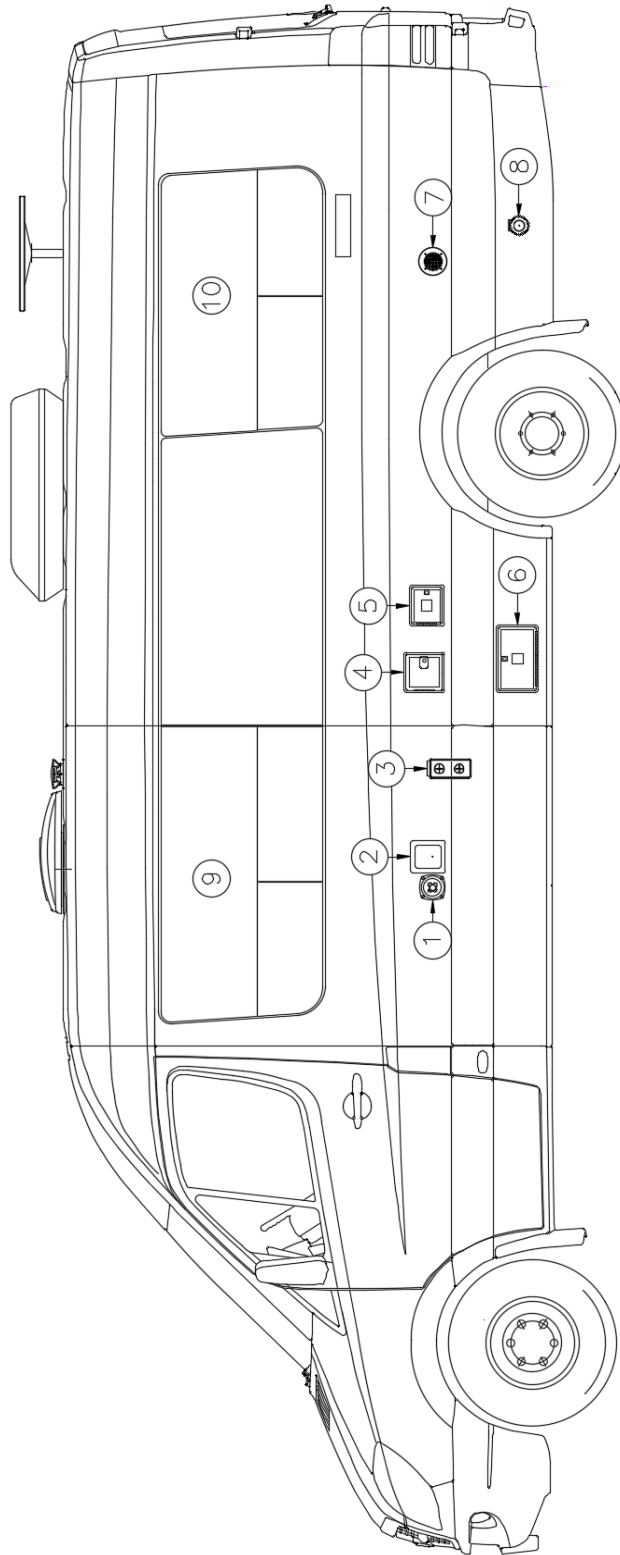
690599	Refrigerator, 3.1 CF, LH, Novakool
382297	Vent, 4 x 8, Black plastic

Refrigerator, Grand Tour

690706	Refrigerator/freezer, RH, Novakool
382297	Vent, 4 x 8, Black plastic
382298-01	Return grille, 12 x 6, Black

2019 TOMMY BAHAMA TC EXTERIOR SHELL

Wall, Roadside, Lounge



Parts Listed on Next Page

2019 TOMMY BAHAMA TC EXTERIOR SHELL

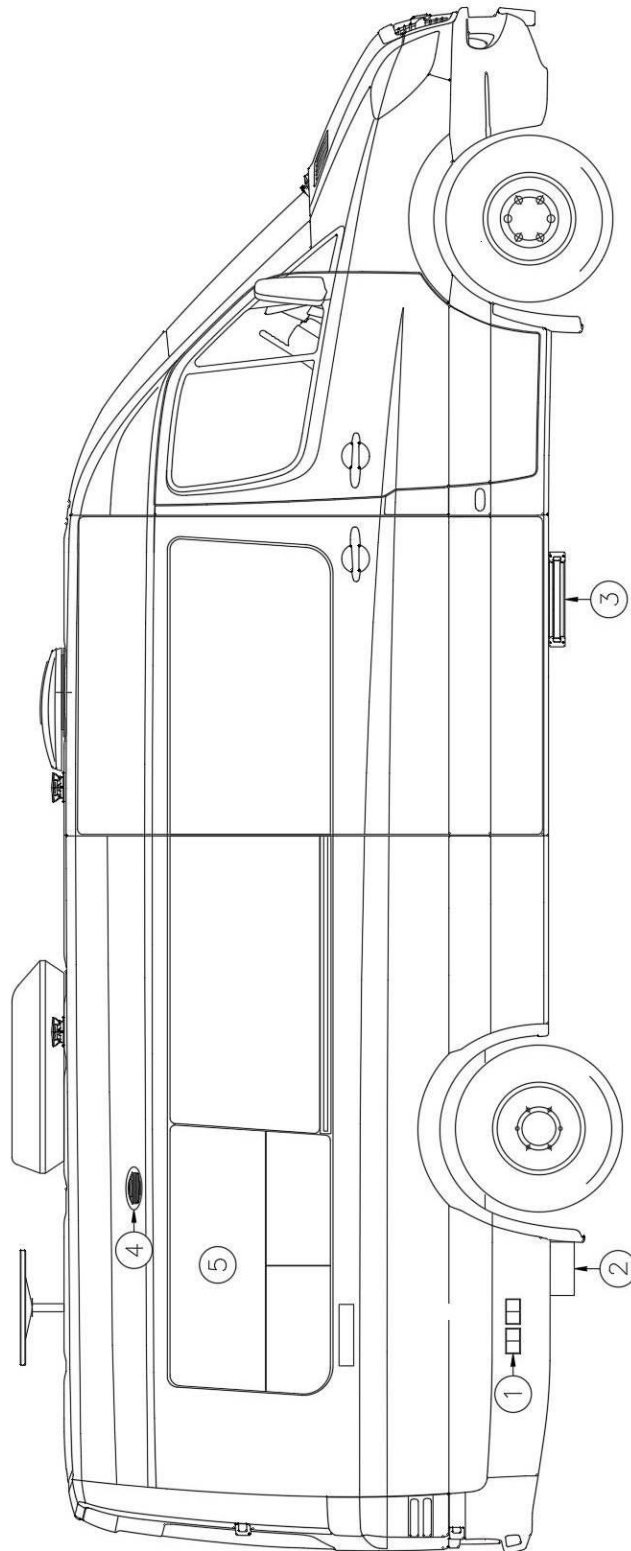
Wall, Roadside, Lounge

923335S Roadside Wall, Lounge

1. 601392-06 City water fill w/regulator, Chrome
2. 601194-03W Water fill w/lock, White
- 601194-03S Water fill w/lock, Silver
- 601194-03B Water fill w/lock, Black
3. 690620-05 Furnace extension kit, 7.25"
4. 602288-01W Exterior shower box, White
- 602288-01S Exterior shower box, Silver
- 602288-01B Exterior shower box, Black
5. 382083W Hatch, Electrical switches, White
- 382083S Hatch, Electrical switches, Silver
- 382083B Hatch, Electrical switches, Black
6. 381766W Door, Macerator compartment, White
- 381766S Door, Macerator compartment, Silver
- 381766B Door, Macerator compartment, Black
7. 690711-04 Vent cap, 15.5", Water heater
8. 513164 Power inlet, 30 amp, Stainless Steel
9. 372260-01 Window, RS front, Vented
10. 372260-04 Window, RS rear, Vented
- 411004-03 Trim kit, Front
- 411004-04 Trim kit, Rear
- 411004-08 Wheel, Front, Polished outside
- 411004-09 Wheel, Rear, Polished inside

2019 TOMMY BAHAMA TC EXTERIOR SHELL

Wall, Curbside, Lounge



Parts Listed on Next Page

2019 TOMMY BAHAMA TC EXTERIOR SHELL

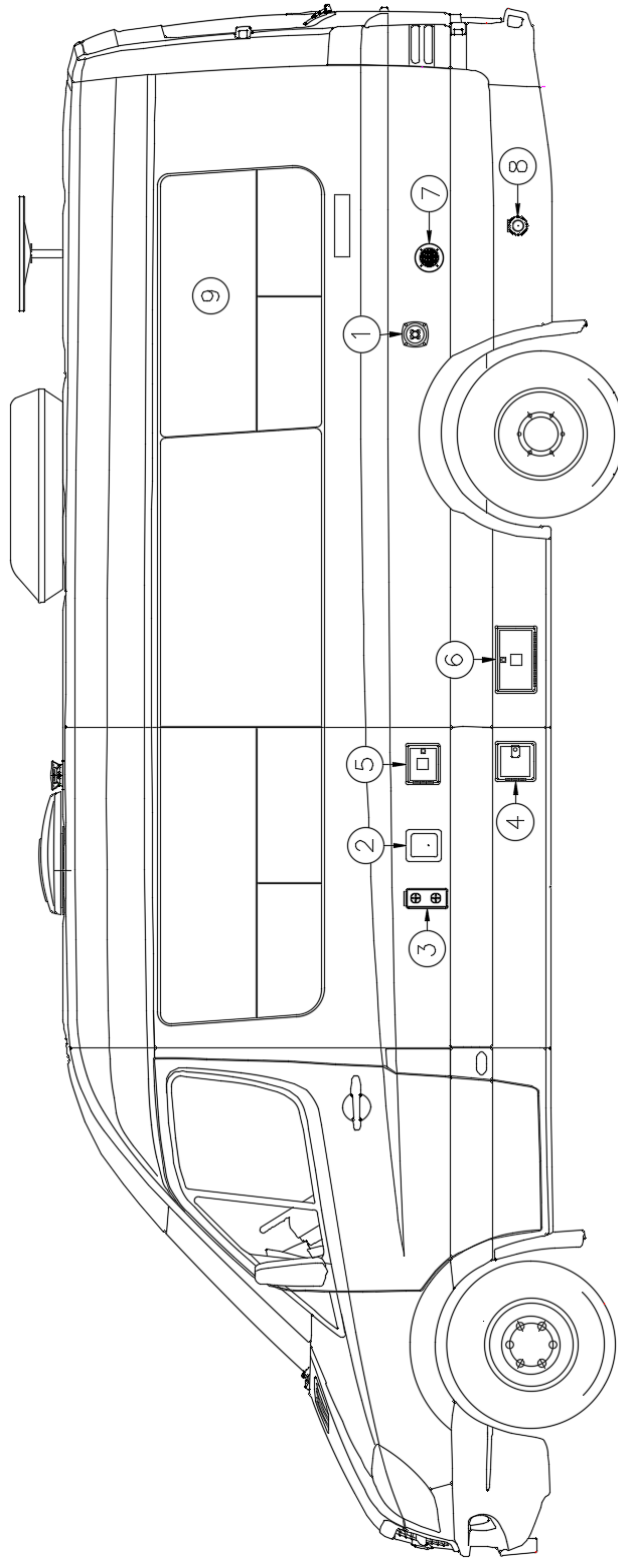
Wall, Curbside, Lounge

923335S Curbside Wall, Lounge

1. 512741W Weather proof cover w/gasket, White
- 512741S Weather proof cover w/gasket, Silver
- 512741B Weather proof cover w/gasket, Black
2. 454680 LPG remote fill assembly
3. 512450 Power step, Project 2000
4. 512793 LED porch light, Chrome
5. 372260-05 Window w/vents, CS rear
- 386147 Decal, On/Off LPG remote fill
- 203650 Cover, Remote fill
- 512434 Switch, ON/OFF LP valve

2019 TOMMY BAHAMA TC EXTERIOR SHELL

Wall, Roadside, Grand Tour



Parts Listed on Next Page

2019 TOMMY BAHAMA TC EXTERIOR SHELL

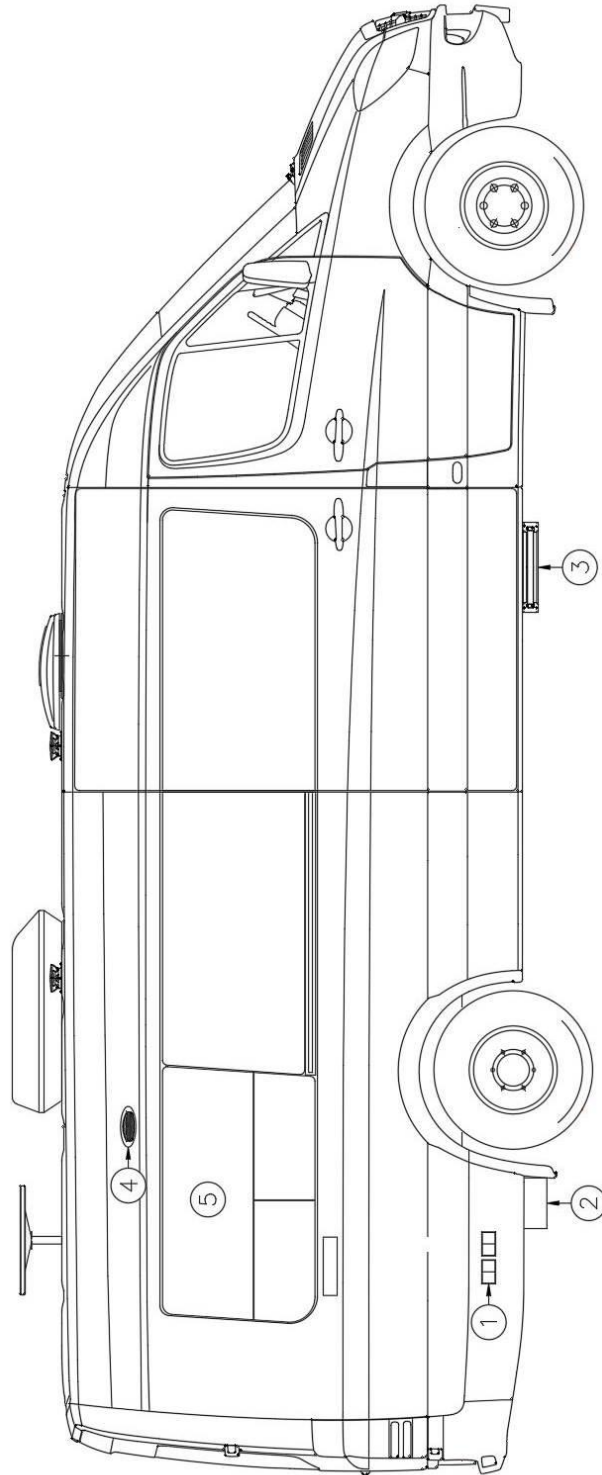
Wall, Roadside, Grand Tour

923337S Roadside Wall, Grand Tour

1. 601392-06 City water fill w/regulator, Chrome
2. 601194-03W Water fill w/lock, White
- 601194-03S Water fill w/lock, Silver
- 601194-03B Water fill w/lock, Black
3. 690620-05 Furnace extension kit, 7.25"
4. 602288-01W Exterior shower box, White
- 602288-01S Exterior shower box, Silver
- 602288-01B Exterior shower box, Black
5. 382083W Hatch, Electrical switches, White
- 382083S Hatch, Electrical switches, Silver
- 382083B Hatch, Electrical switches, Black
6. 381766W Door, Macerator compartment, White
- 381766S Door, Macerator compartment, Silver
- 381766B Door, Macerator compartment, Black
7. 690711-04 Vent cap, 15.5", Water heater
8. 513164 Power inlet, 30 amp, Stainless Steel
9. 372260-04 Window, RS rear, Vented
- 411004-03 Trim kit, Front
- 411004-04 Trim kit, Rear
- 411004-08 Wheel, Front, Polished outside
- 411004-09 Wheel, Rear, Polished inside

2019 TOMMY BAHAMA TC EXTERIOR SHELL

Wall, Curbside, Grand Tour



Parts Listed on Next Page

2019 TOMMY BAHAMA TC EXTERIOR SHELL

Wall, Curbside, Grand Tour

923337S Curbside Wall, Grand Tour

1. 512741W Weather proof cover w/gasket, White
- 512741S Weather proof cover w/gasket, Silver
- 512741B Weather proof cover w/gasket, Black
2. 454680 LPG remote fill assembly
3. 512450 Power step, Project 2000
4. 512793 LED porch light, Chrome
5. 372260-05 Window w/vents, CS rear
- 386147 Decal, On/Off LPG remote fill
- 203650 Cover, Remote fill
- 512434 Switch, ON/OFF LP valve

2019 TOMMY BAHAMA TC

EXTERIOR SHELL

Medallions

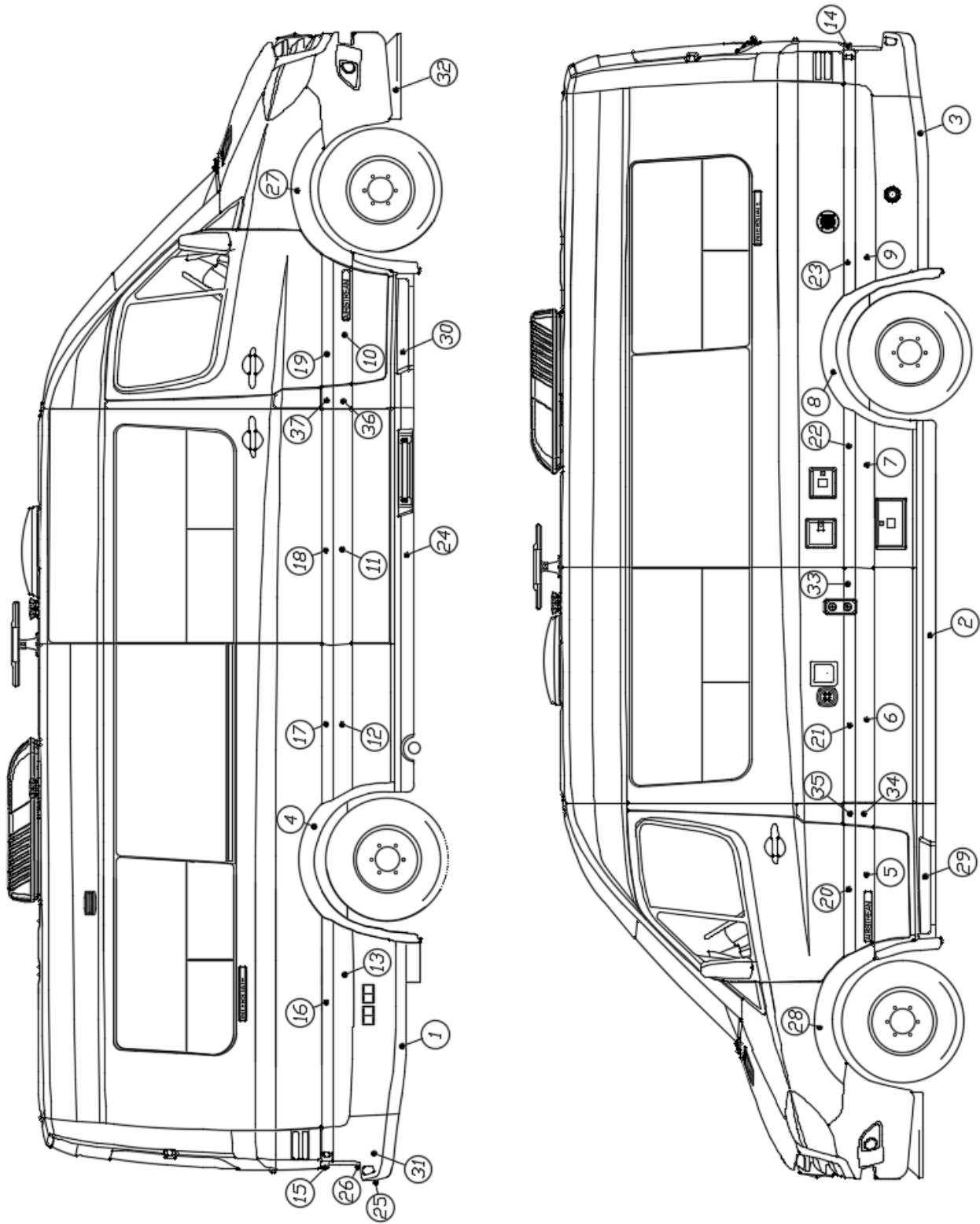
386255	Badge, "AIRSTREAM" Chrome
386295	Badge, "4WD", Chrome
386324	Marlin graphic, Rear window
386325	Tommy graphic, Side windows
386326	Tommy exterior badge

Window Blackouts

386215-06	Kit, Window blackout, GT
386215-07	Kit, Window blackout, Lounge
386215-01	Curbside rear blackout
386215-03	Roadside front blackout
386215-04	Roadside rear blackout
386215-05	Filler strip, 1.5 x 17

2019 TOMMY BAHAMA TC EXTERIOR SHELL

Body Kit, Silver



Parts Listed on Next Page

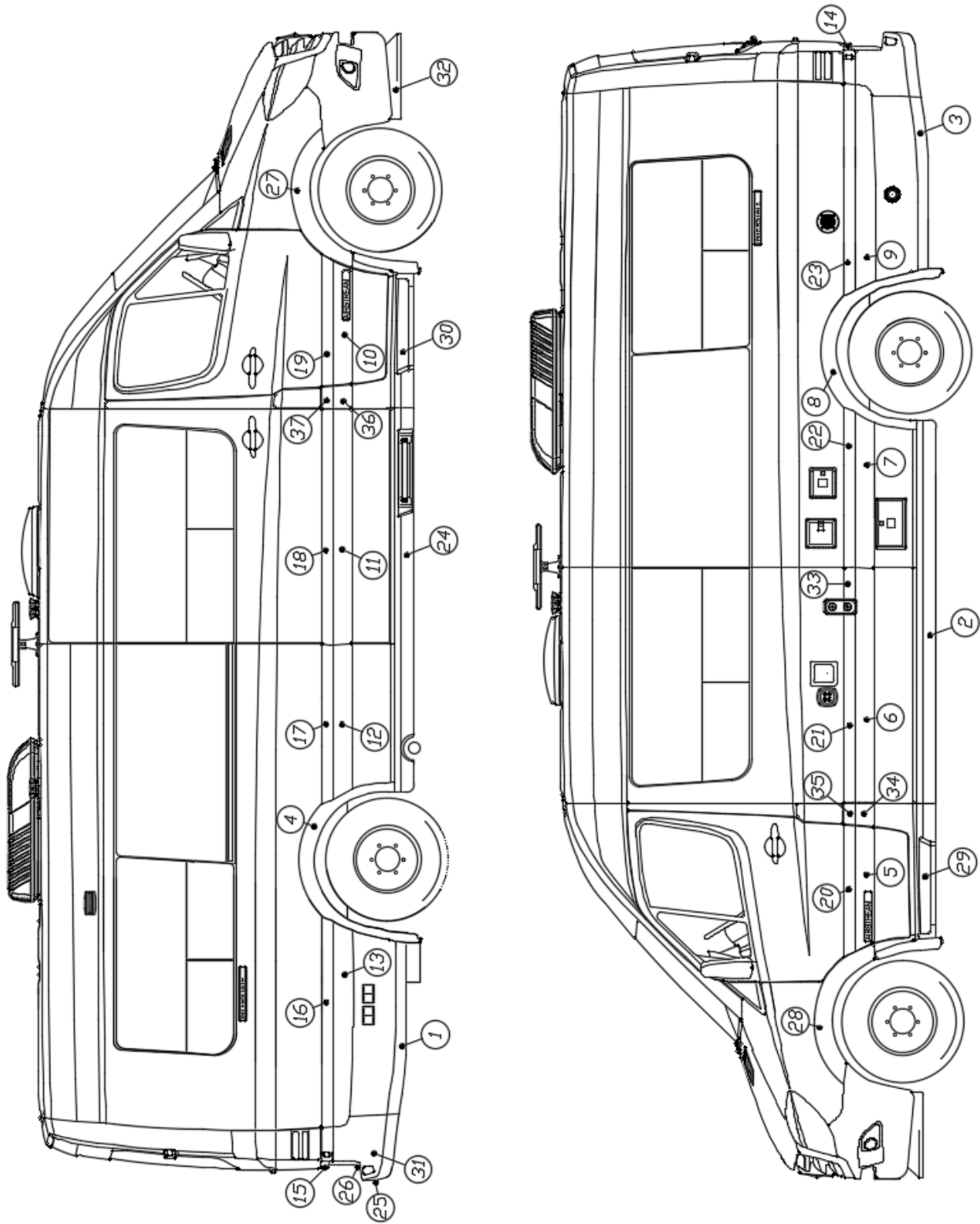
2019 TOMMY BAHAMA TC EXTERIOR SHELL

Body Kit, Silver

1. 203624-40 Extended passenger rear transition
2. 203624-06 Rocker, Driver side
3. 203624-41 Extended drivers side rear transition
4. 203624-08 Flare, Passenger rear
5. 203624-10 Panel, Driver front door
6. 203624-66 Panel, Driver side body w/furnace vent
7. 203624-13 Panel, Driver side middle rear
8. 203624-14 Flare, Driver rear
9. 203624-50 Extended drivers side rear quarter panel
10. 203624-16 Panel, Passenger side front door
11. 203624-18 Panel, Passenger side slider door
12. 203624-19 Panel, Passenger side middle rear
13. 203624-43 Extended passenger side rear quarter panel
14. 203624-23 Driver side top closeout, Rear bumper
15. 203624-24 Passenger side top closeout, Rear bumper
16. 203624-44 Extended passenger side quarter trim
17. 203624-26 Trim, Passenger middle rear, Chrome
18. 203624-27 Trim, Passenger slide door, Chrome
19. 203624-29 Trim, Passenger front door, Chrome
20. 203624-30 Trim, Driver side door, Chrome
21. 203624-67 Trim, Driver side body, Forward, Chrome
22. 203624-33 Trim, Driver side middle rear Chrome
23. 203624-51 Extended Drivers side rear quarter trim
24. 203624-69 Passenger side rocker w/step & exhaust notch
25. 203624-47 Hitch cover
26. 203624-48 Bracket, Rear bumper
27. 203624-55 Flare, Front passenger side
28. 203624-56 Flare, Front driver side
29. 203624-72 Step, Driver side
30. 203624-73 Step, Passenger side
31. 203624-59 Rear bumper w/sensor cutouts
32. 203624-61 Air dam, Front bumper
33. 203624-68 Trim, Driver side body, Aft, Chrome
34. 203624-11 Driver side B-pillar
35. 203624-31 Trim, Driver side B-pillar, Chrome
36. 203624-17 Passenger side B-pillar
37. 203624-28 Trim, Passenger side B-pillar, Chrome

2019 TOMMY BAHAMA TC EXTERIOR SHELL

Body Kit, Black



Parts Listed on Next Page

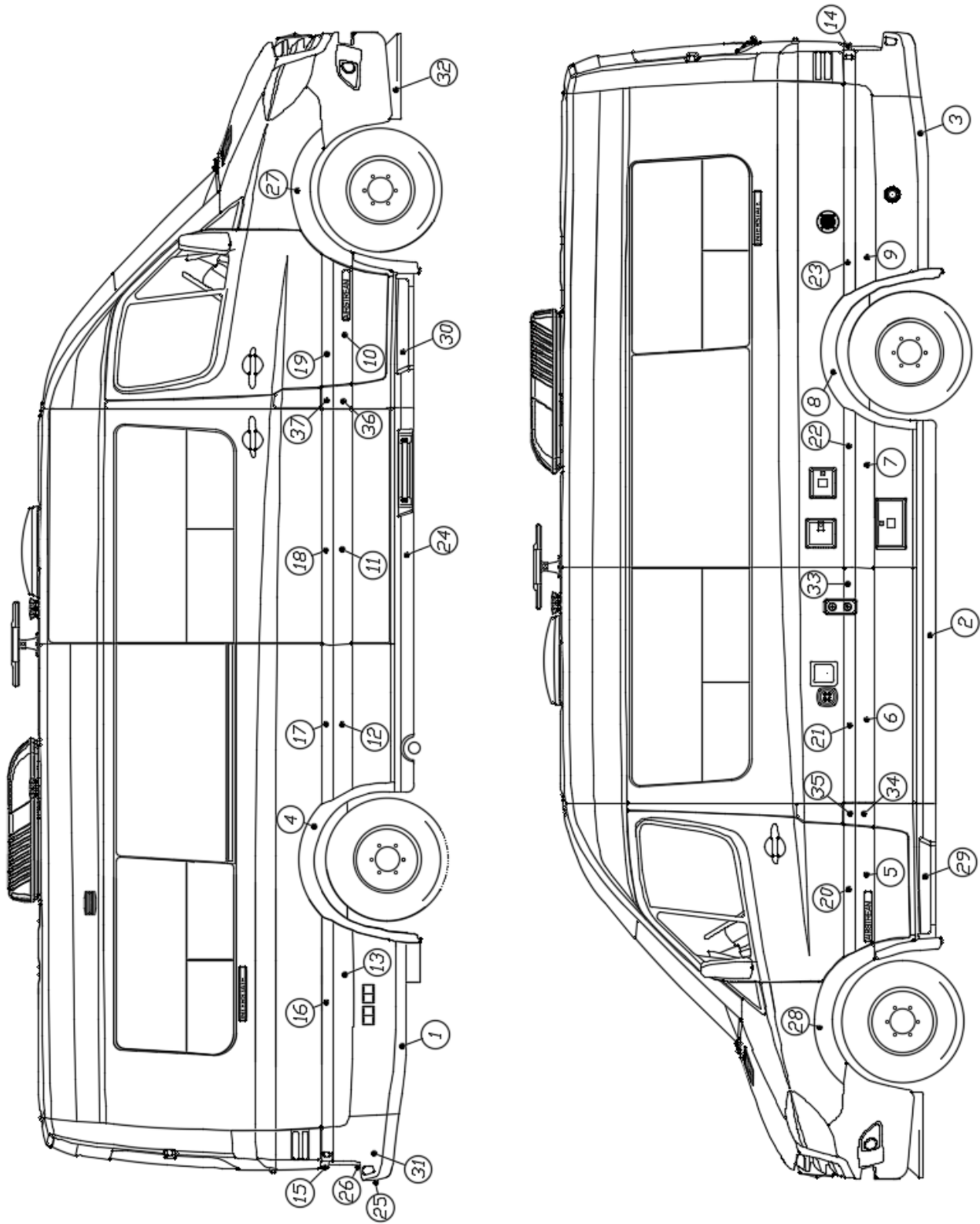
2019 TOMMY BAHAMA TC EXTERIOR SHELL

Body Kit, Black

1. 203624-40B Extended passenger rear transition
2. 203624-06B Rocker, Driver side
3. 203624-41B Extended drivers side rear transition
4. 203624-08B Flare, Passenger rear
5. 203624-10B Panel, Driver front door
6. 203624-66B Panel, Driver side body w/furnace vent
7. 203624-13B Panel, Driver side middle rear
8. 203624-14B Flare, Driver rear
9. 203624-50B Extended drivers side rear quarter panel
10. 203624-16B Panel, Passenger side front door
11. 203624-18B Panel, Passenger side slider door
12. 203624-19B Panel, Passenger side middle rear
13. 203624-43B Extended passenger side rear quarter panel
14. 203624-23B Driver side top closeout, Rear bumper
15. 203624-24B Passenger side top closeout, Rear bumper
16. 203624-44 Extended passenger side quarter trim
17. 203624-26 Trim, Passenger middle rear, Chrome
18. 203624-27 Trim, Passenger slide door, Chrome
19. 203624-29 Trim, Passenger front door, Chrome
20. 203624-30 Trim, Driver side door, Chrome
21. 203624-67 Trim, Driver side body, Forward, Chrome
22. 203624-33 Trim, Driver side middle rear Chrome
23. 203624-51 Extended Drivers side rear quarter trim, Chrome
24. 203624-69B Passenger side rocker w/step & exhaust notch
25. 203624-47B Hitch cover
26. 203624-48 Bracket, Rear bumper
27. 203624-55B Flare, Front passenger side
28. 203624-56B Flare, Front driver side
29. 203624-72B Step, Driver side
30. 203624-73B Step, Passenger side
31. 203624-59B Rear bumper w/sensor cutouts
32. 203624-61B Air dam, Front bumper
33. 203624-68 Trim, Driver side body, Aft, Chrome
34. 203624-11B Driver side B-pillar
35. 203624-31 Trim, Driver side B-pillar, Chrome
36. 203624-17B Passenger side B-pillar
37. 203624-28 Trim, Passenger side B-pillar, Chrome

2019 TOMMY BAHAMA TC EXTERIOR SHELL

Body Kit, White



Parts Listed on Next Page

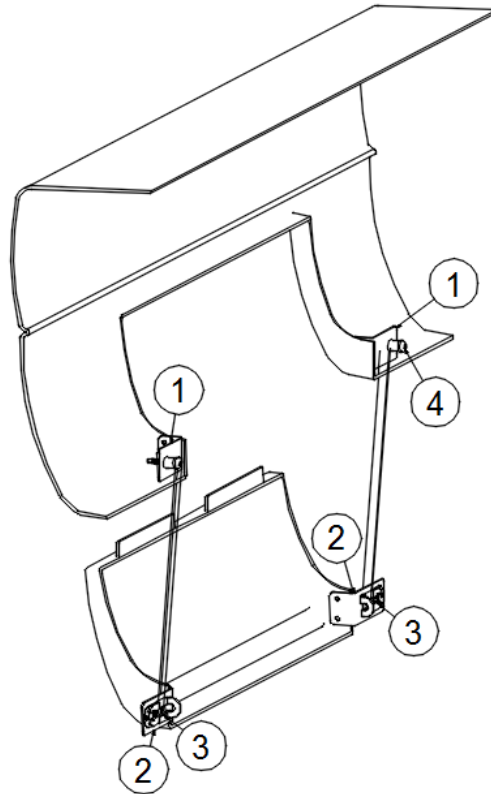
2019 TOMMY BAHAMA TC EXTERIOR SHELL

Body Kit, White

1. 203624-40W Extended passenger rear transition
2. 203624-06W Rocker, Driver side
3. 203624-41W Extended drivers side rear transition
4. 203624-08W Flare, Passenger rear
5. 203624-10W Panel, Driver front door
6. 203624-66W Panel, Driver side body w/furnace vent
7. 203624-13W Panel, Driver side middle rear
8. 203624-14W Flare, Driver rear
9. 203624-50W Extended drivers side rear quarter panel
10. 203624-16W Panel, Passenger side front door
11. 203624-18W Panel, Passenger side slider door
12. 203624-19W Panel, Passenger side middle rear
13. 203624-43W Extended passenger side rear quarter panel
14. 203624-23W Driver side top closeout, Rear bumper
15. 203624-24W Passenger side top closeout, Rear bumper
16. 203624-44 Extended passenger side quarter trim
17. 203624-26 Trim, Passenger middle rear, Chrome
18. 203624-27 Trim, Passenger slide door, Chrome
19. 203624-29 Trim, Passenger front door, Chrome
20. 203624-30 Trim, Driver side door, Chrome
21. 203624-67 Trim, Driver side body, Forward, Chrome
22. 203624-33 Trim, Driver side middle rear Chrome
23. 203624-51 Extended Drivers side rear quarter trim, Chrome
24. 203624-69W Passenger side rocker w/step & exhaust notch
25. 203624-47W Hitch cover
26. 203624-48 Bracket, Rear bumper
27. 203624-55W Flare, Front passenger side
28. 203624-56W Flare, Front driver side
29. 203624-72W Step, Driver side
30. 203624-73W Step, Passenger side
31. 203624-59W Rear bumper w/sensor cutouts
32. 203624-61W Air dam, Front bumper
33. 203624-68 Trim, Driver side body, Aft, Chrome
34. 203624-11W Driver side B-pillar
35. 203624-31 Trim, Driver side B-pillar, Chrome
36. 203624-17W Passenger side B-pillar
37. 203624-28 Trim, Passenger side B-pillar, Chrome

2019 TOMMY BAHAMA TC EXTERIOR SHELL

Hitch Cover



- | | |
|--------------|------------------------------------|
| 1. 454919 | Bumper bracket |
| 2. 454920 | Cover bracket |
| 3. 382182 | Latch, Snap slide, Stainless Steel |
| 4. 320029-02 | Screw, #8 x 1" |

Storage Box, Below Floor

- | | |
|--------|---------------------------|
| 455340 | Compartment, Rear storage |
| 203730 | Lid, Storage box, Plastic |
| 381985 | Plug, Quick nap |

Rear Bumper Protector Film

- | | |
|--------|---------------------------------|
| 203764 | Rear bumper protector, 3-M film |
|--------|---------------------------------|

7-Way Bracket

- | | |
|--------|---------------------|
| 455034 | Bracket, 7-way plug |
|--------|---------------------|

2019 TOMMY BAHAMA TC

INTERIOR SHELL

Windows, Pillar, and Roof Closeouts

203651-01	Closeout, Curbside, "C" pillar
203651-02	Closeout, Curbside, Front window
203651-03	Closeout, Curbside, Rear window
203651-04	Closeout, Curbside, Lower pillar
203651-06	Closeout, Roadside, Front window
203651-07	Closeout, Roadside, Front window, Aft
203651-08	Closeout, Roadside, Middle window
203651-09	Closeout, Roadside, Rear window
203651-10	Closeout, Roadside, Rear lower pillar
203628	Closeout, Roadside "B" pillar, bottom
203629	Closeout, Sliding door header
203947-01	Closeout, Roadside wheel well
203947-02	Closeout, Curbside wheel well
203637	Pads, Sound dampener, Rear wheel wells

Backsplash

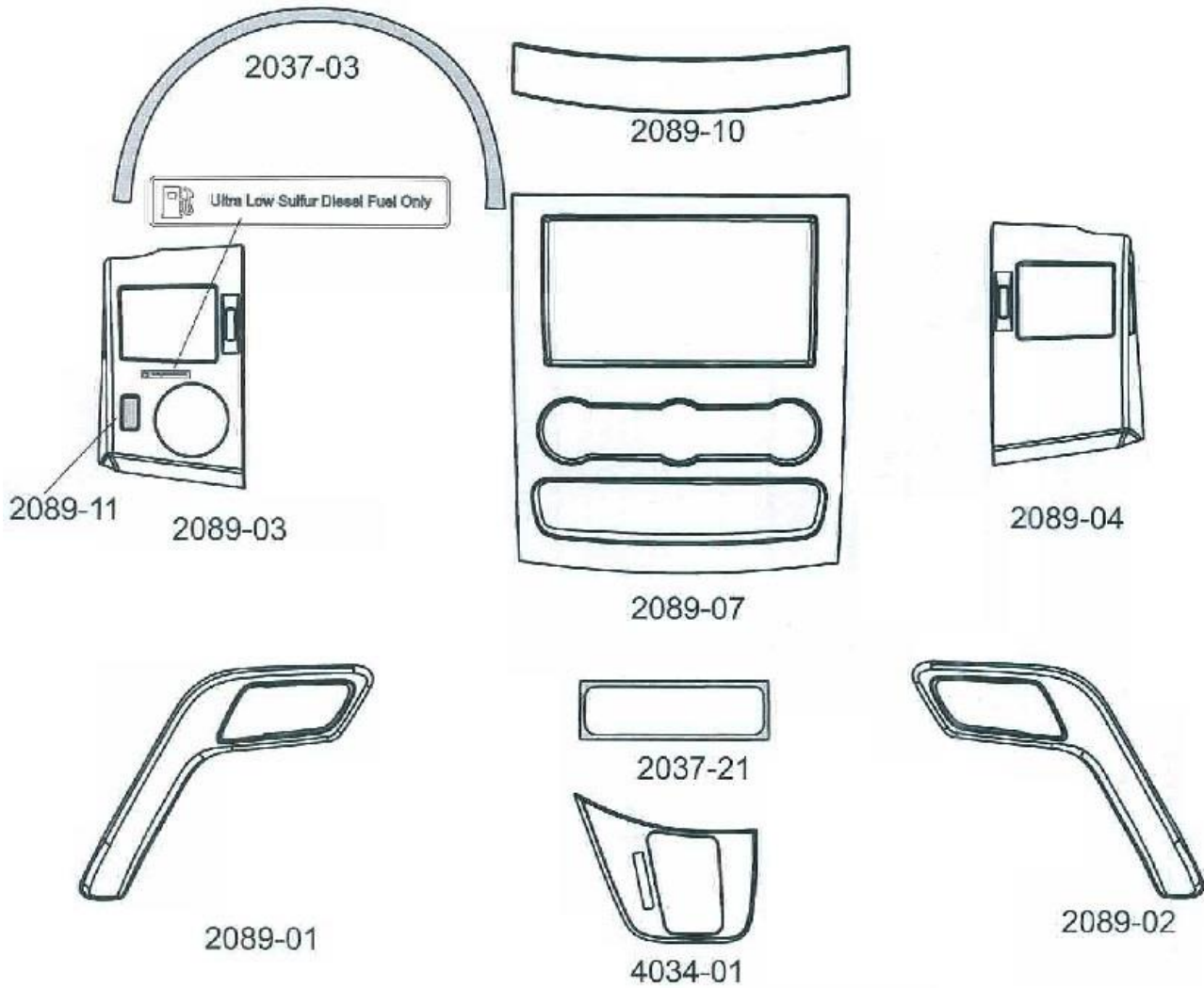
455249	Backsplash, .04 x 20.5 x 44.37, Lounge
455279	Backsplash, .04 x 20.75 x 36.63, GT
114070	J-trim, Aluminum

Vanity Visor Mirror

203962	Housing, Visor vanity mirror
203963	Mirror, Vanity visor
360381	Adhesive, Bostik elastic bonding
386289	Dome bumpers, Clear

2019 TOMMY BAHAMA TC INTERIOR SHELL

Dash Trim Kit



2089-01: DRIVER DOOR PULL

2089-04: PASS. VENT

2089-11: PLUG FOR DRIVER VENT

2089-02: PASS. DOOR PULL

2089-07: RADIO-AC CONTROL SURR

2037-03: SPEREDO

2089-03: DRIVER VENT

2089-10: ABOVE RADIO CENTER STORAGE

2037-21: BELOW MAIN DASH

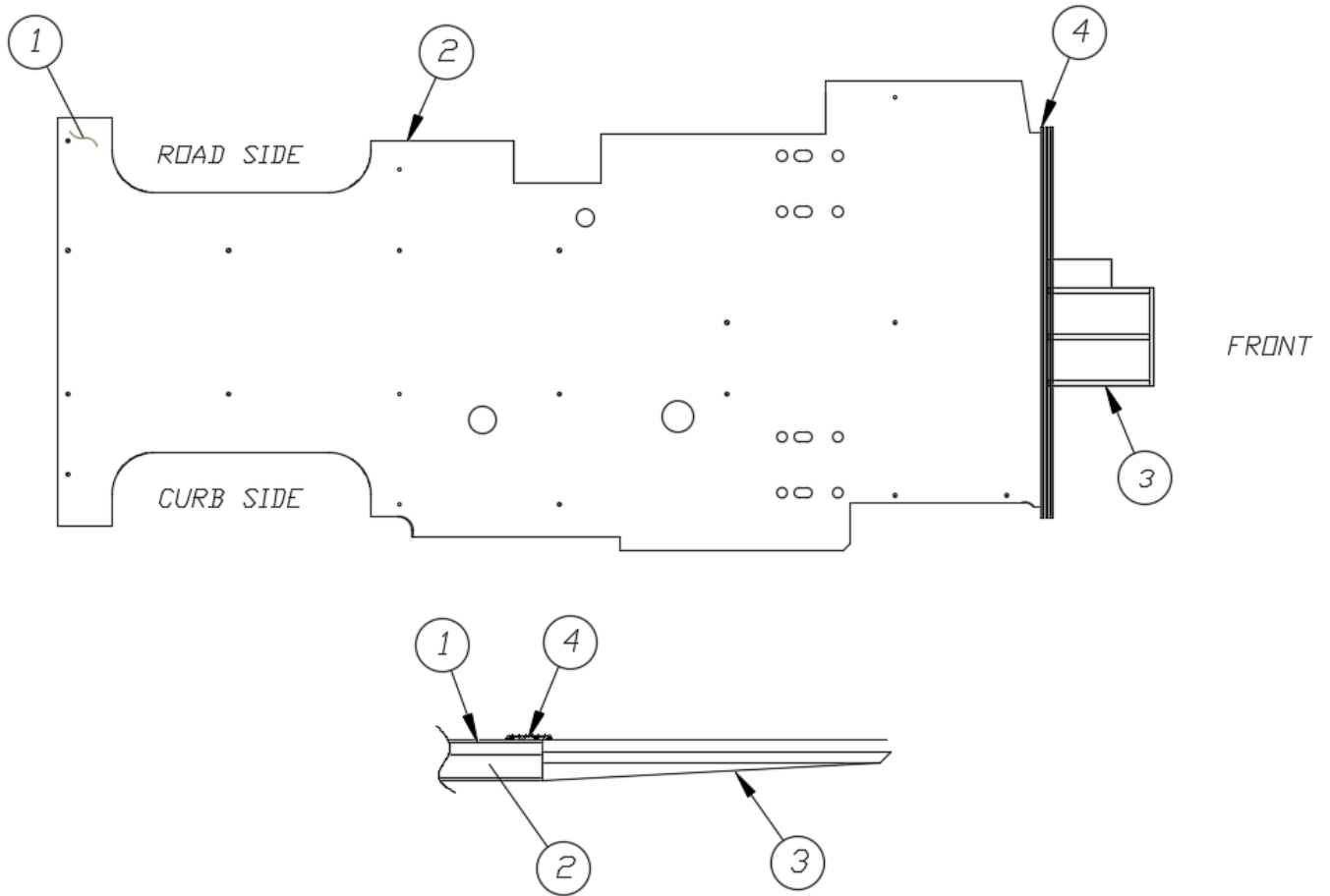
4034-01: AUTO SHIFTER SURR

365408

Kit, Dash trim combo, Greywood Black

2019 TOMMY BAHAMA TC INTERIOR SHELL

Floor Assembly, Lounge



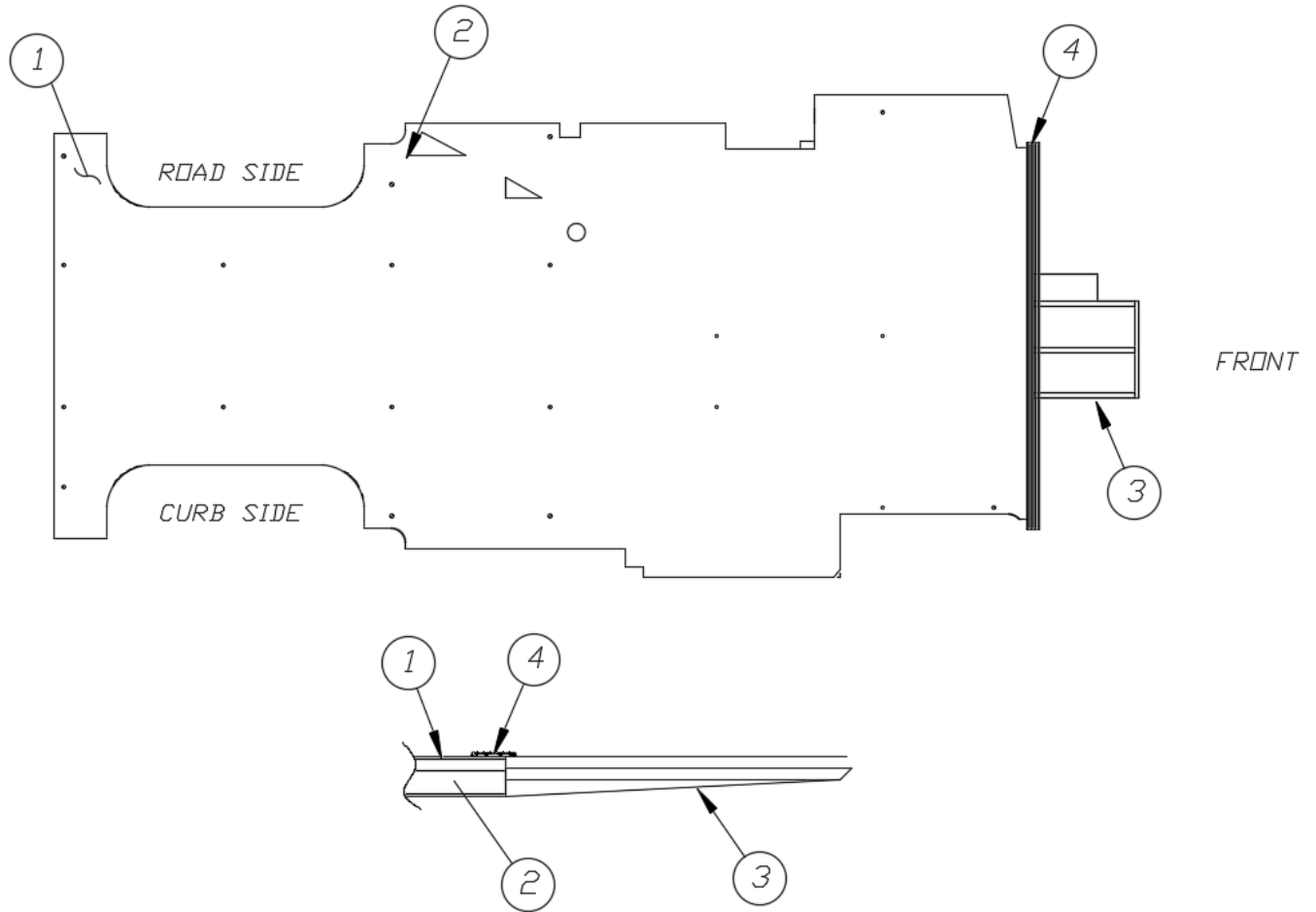
112560-01

Floor Install

- | | |
|-----------|---|
| 1. 704351 | Flooring, Luxury Woven Vinyl, Teak |
| 2. 923333 | Floor, Lounge |
| 3. 923012 | Cab to main floor transition |
| 4. 114869 | Extrusion, Threshold compartment |
| 703766-01 | Adhesive, AAT-272, Super premium |
| 802075-01 | Transition spacer, Cab to main floor, 14" |
| 802075-02 | Transition spacer, Cab to main floor, 18" |

2019 TOMMY BAHAMA TC INTERIOR SHELL

Floor Assembly, Grand Tour



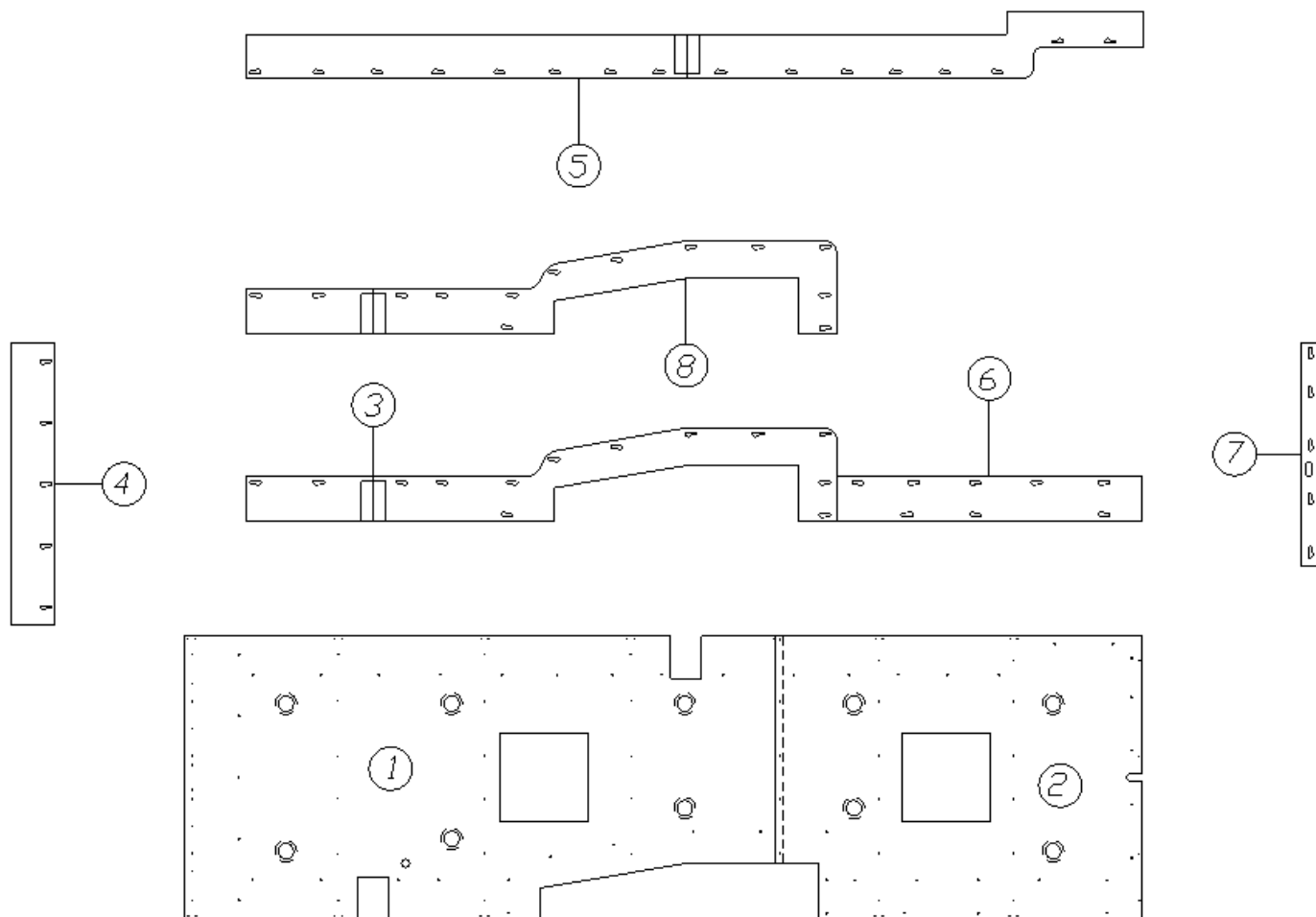
112561-01

Floor Install

- | | |
|--|--|
| <ul style="list-style-type: none"> 1. 704351 2. 923339 3. 923012 4. 114869 | <ul style="list-style-type: none"> Flooring, Luxury Woven Vinyl, Teak Floor, GT Cab to main floor transition Extrusion, Threshold compartment |
| <ul style="list-style-type: none"> 703766-01 802075-01 802075-02 | <ul style="list-style-type: none"> Adhesive, AAT-272, Super premium Transition spacer, Cab to main floor, 14" Transition spacer, Cab to main floor, 18" |

2019 TOMMY BAHAMA TC INTERIOR SHELL

Ceiling Panels, Lounge



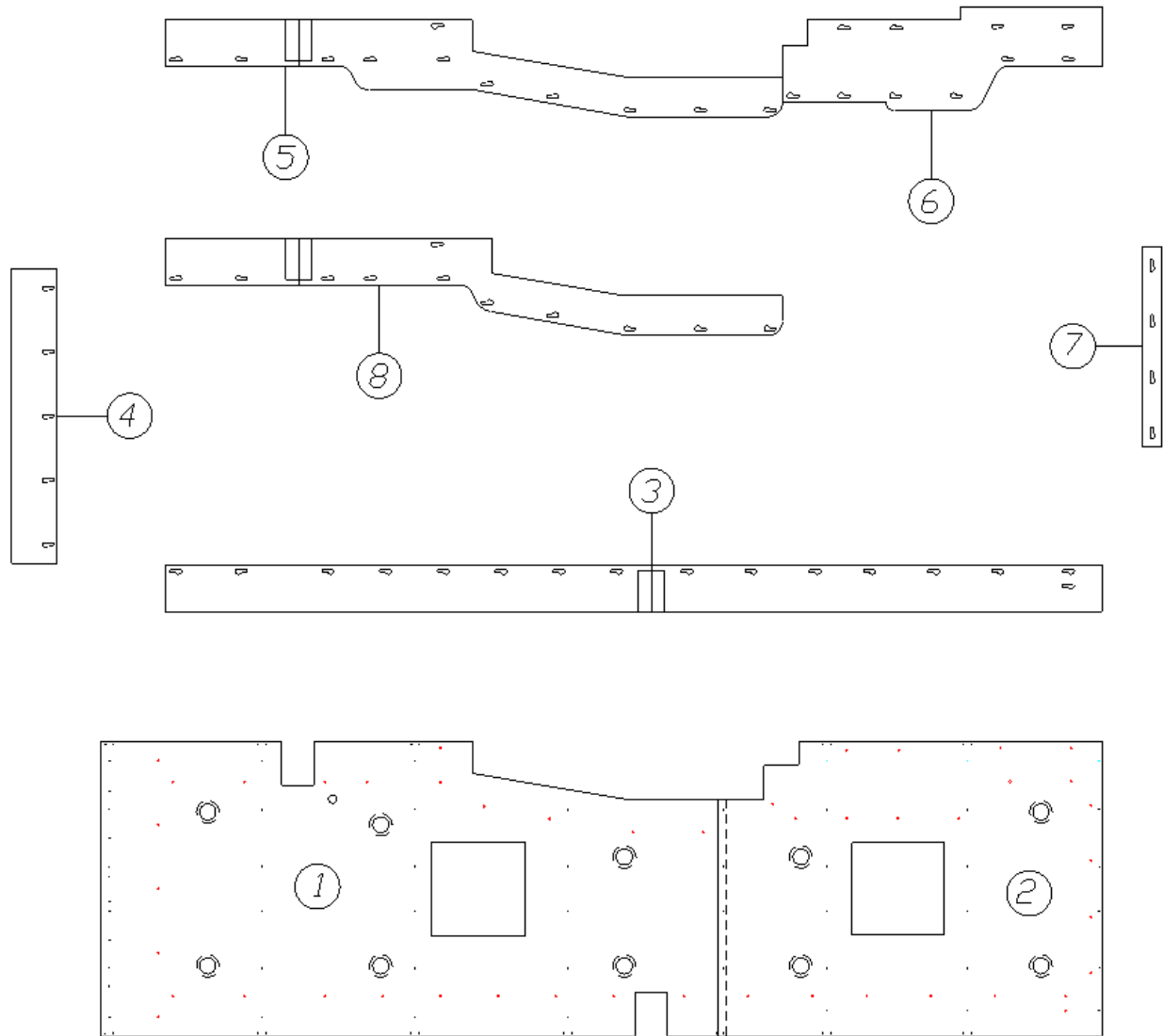
923217

Ceiling Panels Layout

- | | |
|--|---|
| <ul style="list-style-type: none"> 1. 923217-01 2. 923217-02 3. 923217-03 4. 923217-04 5. 923217-05 6. 923217-06 7. 923217-07 8. 923217-08 | <ul style="list-style-type: none"> Ceiling panel, Rear Aluminum ceiling panel, Front Ceiling panel, CS Ceiling panel, Rear Ceiling panel, RS Ceiling panel, Door Ceiling panel, Front Ceiling panel, CS, 9 passenger option Foam, 1/4" Suede Impala |
|--|---|

2019 TOMMY BAHAMA TC INTERIOR SHELL

Ceiling Panels, Grand Tour



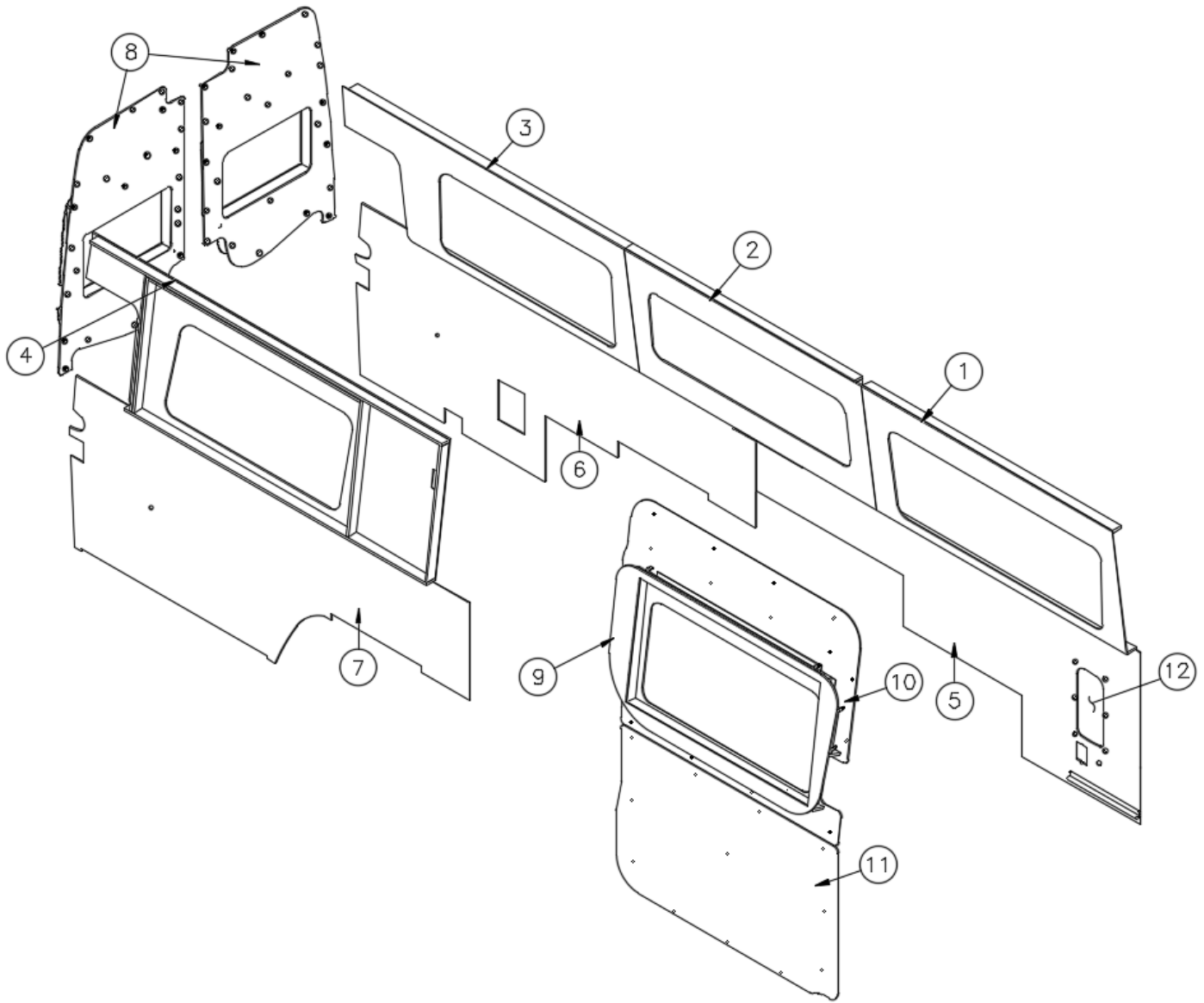
923203

Ceiling Panels Layout

- | | |
|--------------|---|
| 1. 923203-01 | Aluminum panel, Rear |
| 2. 923203-02 | Aluminum panel, Front |
| 3. 923203-03 | Ceiling panel, CS |
| 4. 923203-04 | Ceiling panel, Rear |
| 5. 923203-05 | Ceiling panel, RS rear |
| 6. 923203-06 | Ceiling panel, RS front |
| 7. 923203-07 | Ceiling panel, Front |
| 8. 923203-08 | Ceiling panel, RS rear, Extra seat option |
| 382062 | Fastener, Finned, .25" |
| 704088-02 | Fabric, Suede Sarandave Impala |

2019 TOMMY BAHAMA TC INTERIOR SHELL

Interior Panels and Window Boxes, Lounge



Parts Listed on Next Page

2019 TOMMY BAHAMA TC

INTERIOR SHELL

Interior Panels and Window Boxes, Lounge

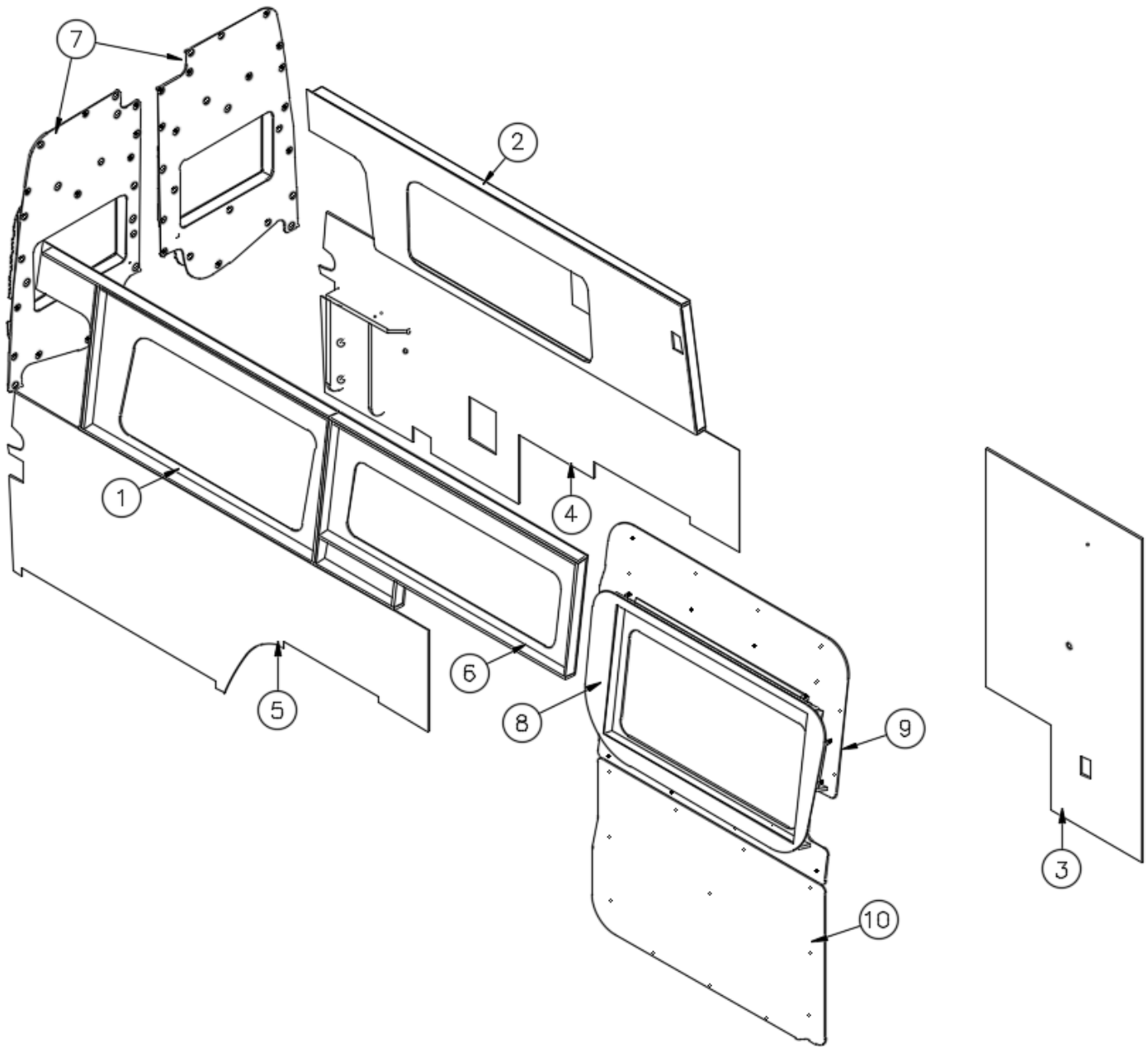
112542-39

Interior Panels and Window Boxes Install

1. 968449-11 Window box, RS forward
2. 968449-12 Window box, RS mid
3. 968449-13 Window box, RS rear
4. 968449-0939 Window box, CS rear
5. 968449-05 Panel, RS forward
6. 968449-06 Panel, RS rear
7. 968449-10 Panel, CS rear
8. 968451 Rear door panel, Right hand
- 968304 Rear door blind box, CS
- 968452 Rear door panel, Left hand
- 968305 Rear door blind box, RS
9. 968697 Slide door blind box
10. 968702 Slide door upper panel
11. 968454 Slide door lower panel
12. 967875 Cup holder
- 114849-06 060 Aluminum, Black, 25 x 36
- 800573-0139 Flat molding, Macchiato
- 800638-0139 Molding, Quarter round, .5", Macchiato
- 386206 Vent, Louvered, Black

2019 TOMMY BAHAMA TC INTERIOR SHELL

Interior Panels and Window Boxes, Grand Tour



Parts Listed on Next Page

2019 TOMMY BAHAMA TC

INTERIOR SHELL

Interior Panels and Window Boxes, Grand Tour

112541-39

Interior Panels and Window Boxes Install

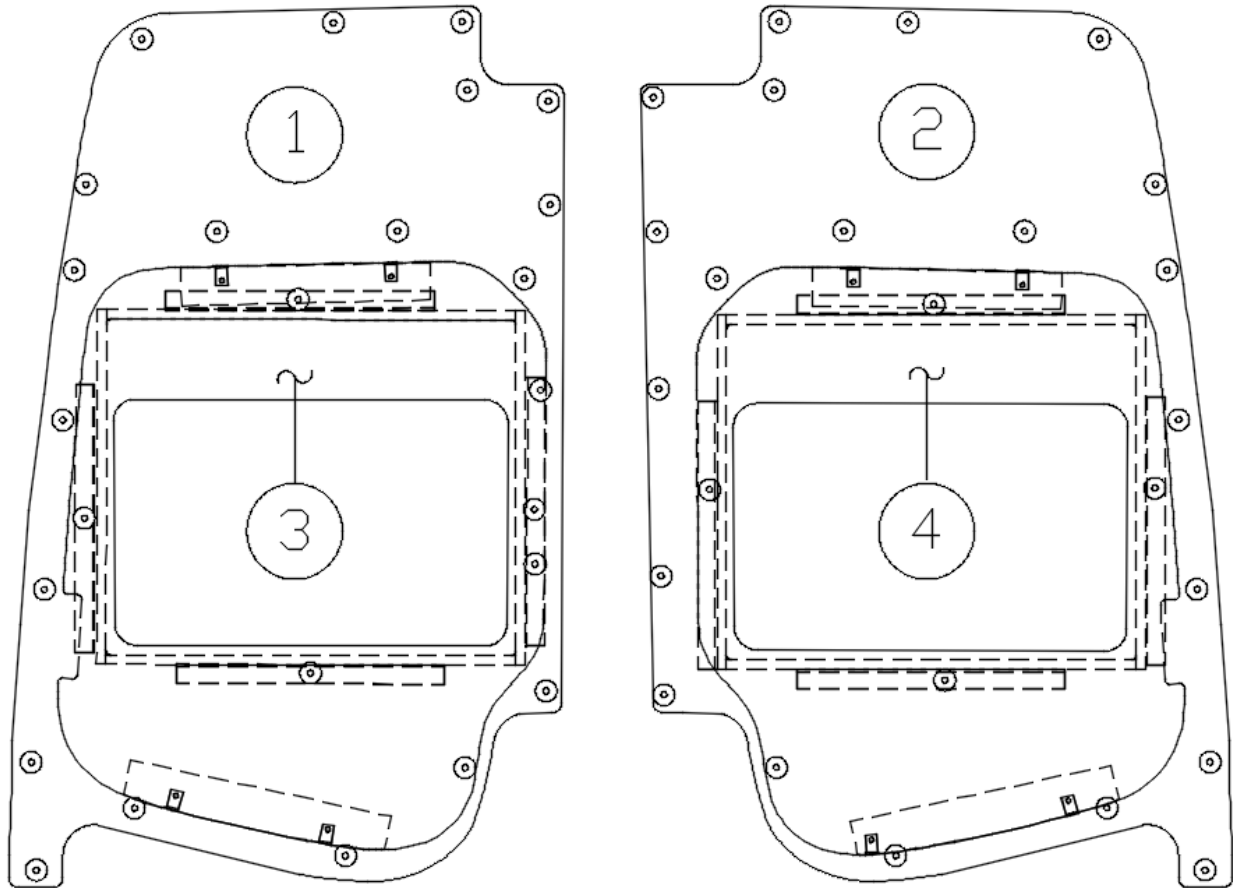
1. 968448-09 Window box, CS rear
2. 968448-0739 Window box, RS rear seat
3. 968448-0339 Panel, RS forward
4. 968448-08 Panel, RS rear seat
5. 968448-05 Panel, CS rear
6. 968448-10 Window box, CS mid
7. 968451 Rear door panel, Right hand
- 968304 Rear door blind box, CS
- 968452 Rear door panel, Left hand
- 968305 Rear door blind box, RS
8. 968697 Slide door blind box
9. 968702 Slide door upper panel
10. 968454 Slide door lower panel
- 114849-06 060 Aluminum, Black, 25 x 36

2019 TOMMY BAHAMA TC

INTERIOR SHELL

Interior Panels and Window Boxes, Rear Doors

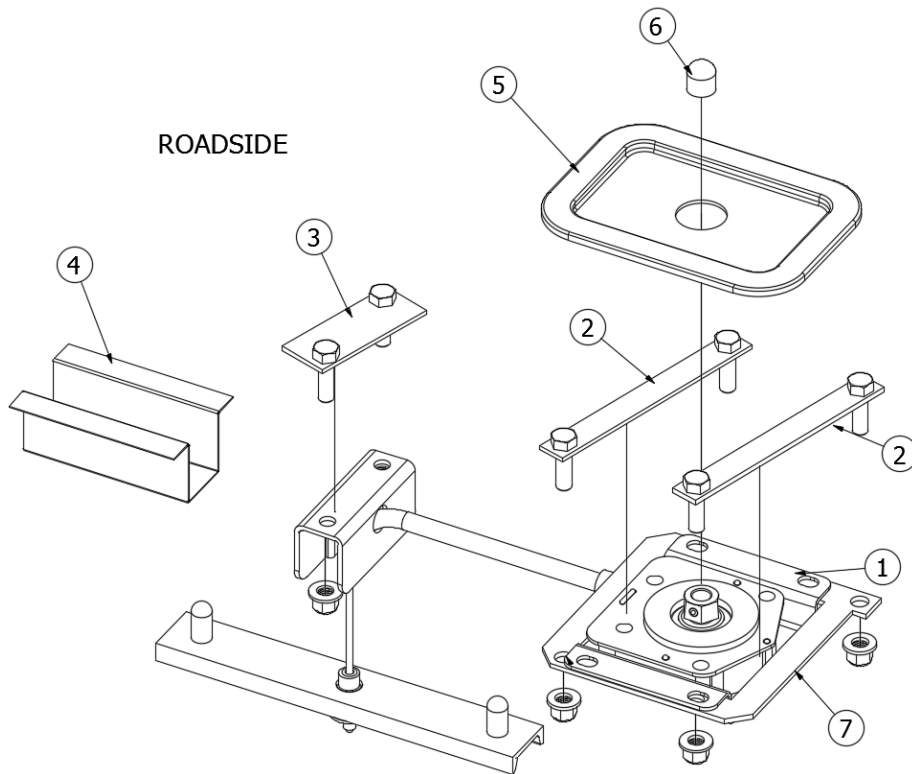
INTERIOR VIEW



- | | |
|-----------|-----------------------------|
| 1. 968451 | Rear door panel, Right hand |
| 2. 968452 | Rear door panel, Left hand |
| 3. 968304 | Blind box assembly, CS |
| 4. 968305 | Blind box assembly, RS |

2019 TOMMY BAHAMA TC CHASSIS

Spare Tire Carrier



112578 Spare Tire Install

- | | |
|-----------|------------------------------|
| 1. 454665 | Spare tire carrier |
| 2. 455347 | Bracket, Outboard |
| 3. 455346 | Bracket, Center |
| 4. 454713 | Hat section, Spare tire |
| 5. 203977 | Housing, Seat belt |
| 6. 382089 | Cap, Black bolt |
| 7. 455345 | Adapter, Spare tire carrier |
| 382545 | Socket, 3/8" x 19mm, Shallow |
| 381667 | Ratchet, 3/8" drive |

Air Ride System

- | | |
|-----------|-----------------------------|
| 411006-01 | Air ride kit, 4 x 2 |
| 411006-02 | Xenon height sensor bracket |
| 411006-03 | Air tank bracket |
| 411102-01 | Air ride kit, 4 x 4 |
| 411102-02 | Xenon height sensor bracket |
| 411102-03 | Air tank bracket |
| 704484 | Rear carpet w/air ride |

2019 TOMMY BAHAMA TC CHASSIS

Wheels

411004-08	Wheel, Front, Polished outside
411004-09	Wheel, Rear, Polished inside
411004-03	Trim kit, Front
411004-04	Trim kit, Rear
411004-06	Lug nut covers
411004-10	Wheel, Inner rear, Unpolished

Driver and Passenger Steps

203624-72	Step, Driver side, Silver
203624-73	Step, Passenger side, Silver
203624-72B	Step, Driver side, Black
203624-73B	Step, Passenger side, Black
203624-72W	Step, Driver side, White
203624-73W	Step, Passenger side, White
382424	Step thread, Driver/passenger
454963	Weldment, Support frame driver/passenger

Step

512450	Power step, Project 2000
512450-101	Relay & switch
512450-102	Step control
512450-103	Step motor only
512450-104	Step insert strip, Black
512450-105	Step plastic trim, Right side, White
512450-106	Step plastic trim, Left side, White
512849	Step switch
454789	Bracket, Step mounting
454788	Bracket, Step hanger
512301	Warning buzzer, Two tone, Step & awning
203772	Film, Step area

Step Well

203806	Step well, Screen door
203807	Step well, Forward screen door
512377	Courtesy light w/SS bezel, LED
701538-01	Carpet, Econolier w/PSA back
513112	Light, LED flex tape light, 124", White
203358-01	Extrusion, Black plastic
203358-02	Lens diffuser

2019 TOMMY BAHAMA TC CHASSIS

Exhaust System

914400	Exhaust tailpipe
454708	Water tank heat shield
454709	Angle, Water tank heat shield
410999	Exhaust extension, 7.25"
454696-01	Wrap, Exhaust, 34" long
454696-02	Wrap, Exhaust, 14" long
340073-02	Clamp, Muffler w/nuts & saddle
340073-10	Clamp, Muffler, 2.5"
340073-15	Clamp, Muffler, 2.75"
381509	Hanger, Tailpipe

Skid Bar Assembly

454685	Skid bar assembly
--------	-------------------

Parktronic Sensor

112014-01W	Sensor, White
112014-01S	Sensor, Silver
112014-02W	Contour ring, White
112014-02S	Contour ring, Silver
203822	Mounting socket
203823B	Mounting bezel, Black
203823S	Mounting bezel, Silver
203823W	Mounting bezel, White
203827	Silicone washer

Leveling Jacks

112654	Leveling kit, 4 x 2
112655	Leveling kit, 4 x 4
916422	Weldment, Forward bracket hydraulic leveling pump
455407	Gusset, Bracket hydraulic leveling pump
455393	Bracket, Forward hydraulic leveling pump
916423	Weldment, Bracket hydraulic leveling pump
455408	Gusset, Bracket hydraulic leveling pump
455392	Bracket, Hydraulic leveling pump
455394	Bracket, Rear Hydraulic pump
513405	Cable kit, Hydraulic lift
513405-01	Ring to ring, 2 GA, Red
513405-02	Ring to ring, 2 GA, Black

2019 TOMMY BAHAMA TC DOORS, WINDOWS, AWNINGS

Exterior Doors

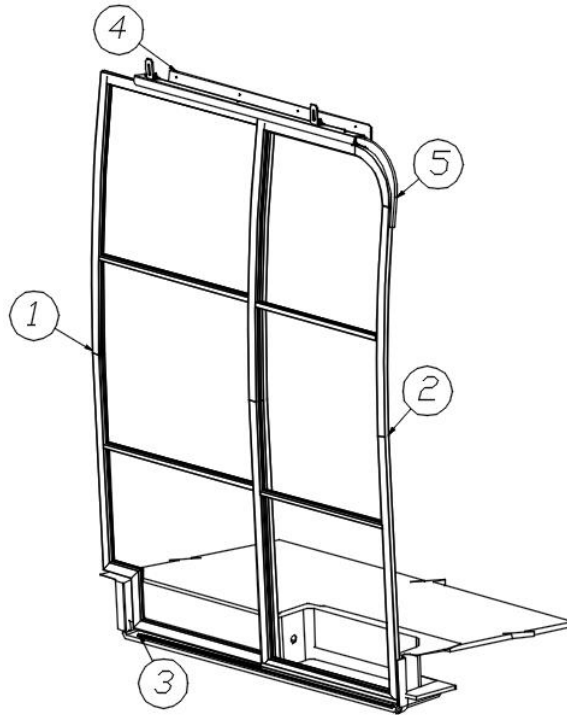
381766W	Door, Macerator compartment, White
381766S	Door, Macerator compartment, Silver
381766B	Door, Macerator compartment, Black
601194-03W	Water fill w/lock, White
601194-03S	Water fill w/lock, Silver
601194-03B	Water fill w/lock, Black
382083W	Hatch, Electrical switches, White
382083S	Hatch, Electrical switches, Silver
382083B	Hatch, Electrical switches, Black
602288-01W	Exterior shower box, White
602288-01S	Exterior shower box, Silver
602288-01B	Exterior shower box, Black
601392-06	City water fill w/regulator, Chrome

Screen Door, Lounge

704309	Folding door assembly
203865	Header, Upper trim
968549	Closeout, Screen header
455186	Bracket, Screen header
968532	Padded header, Folding screen door
455189	Bracket, Padded header
382386	Handle, Folding screen door
455243	Hanger/weldnut assembly
340307	Ring retainer, Self-lock
203866	Pillar assembly, Side trim
704367	Closeout, Folding screen door rear

2019 TOMMY BAHAMA TC DOORS, WINDOWS, AWNINGS

Screen Door, Grand Tour



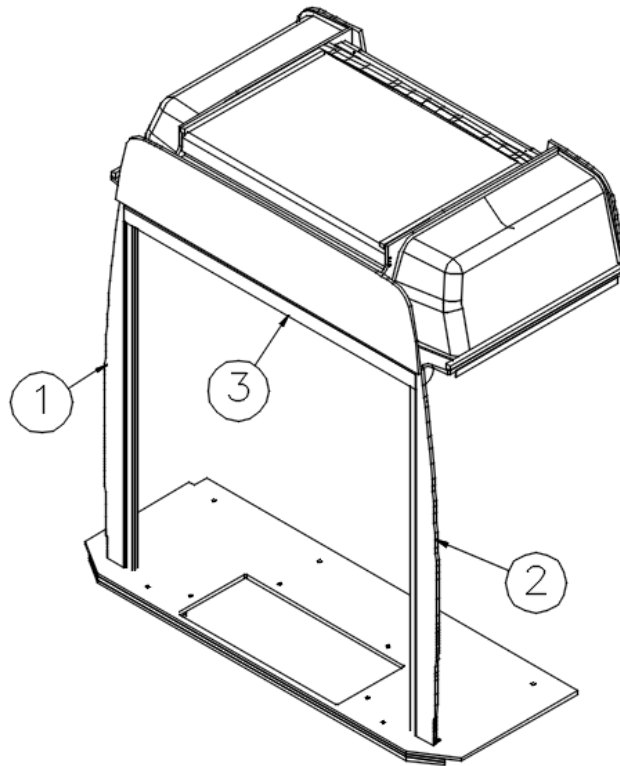
112204

RH Sliding Screen Door

- | | |
|-----------|--------------------------------------|
| 1. 112208 | Screen door, Aft |
| 2. 112203 | Screen door, Forward |
| 3. 382277 | Lower door track, Powder coated |
| 4. 968230 | Slide door header |
| 5. 203809 | Plastic radius header |
| 968232 | Sliding door header pad, Grand Tour |
| 115642 | Screen door frame only, Aft |
| 115643 | Screen door frame only, Forward |
| 382267 | Outer handle |
| 382269 | Interior handle |
| 382268 | Screen fabric, Black |
| 203808 | Screen retainer spline, .125", Black |
| 115637 | Extrusion, Screen door |
| 115638 | Extrusion, Screen door stiffener |
| 115643-01 | Powder coat, Matte Black |
| 203820 | Block, Slide door stop |
| 203853 | Spacer, Slide door stop block |
| 203999 | Spacer, Screen door |

2019 TOMMY BAHAMA TC DOORS, WINDOWS, AWNINGS

Screen Door, Rear Power Kit



112201-39

Power Screen Door

1. 112201-391

Panel, 3.07 x 59.06

2. 112201-392

Panel, 3.07 x 59.06

3. 704391

Power screen door kit, 54 x 65.75

704391-100

Motor, Power screen door

704393-01

RF remote

704140

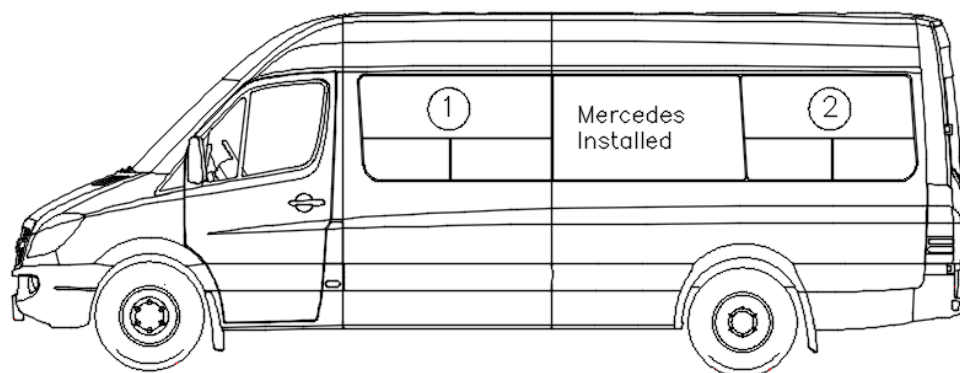
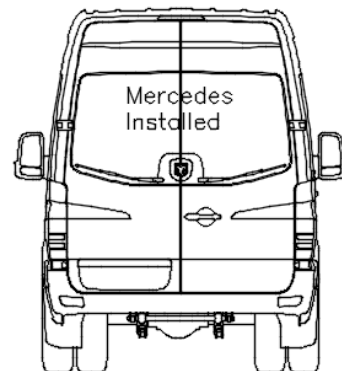
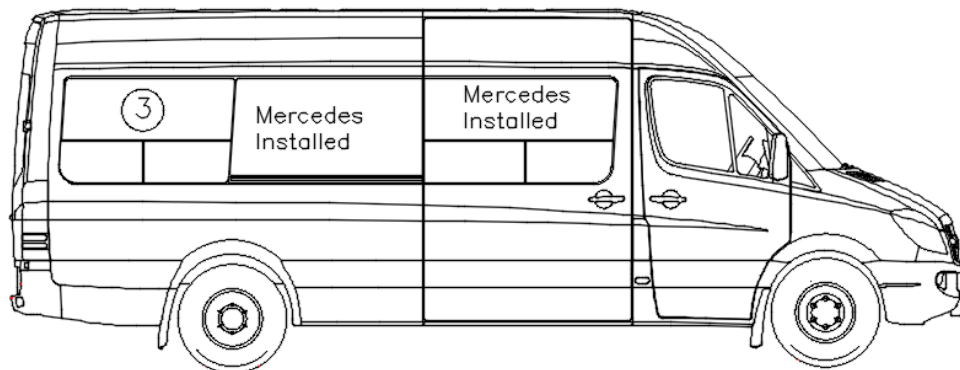
Kit, Rear cargo mat

704168

Kit, Rear cargo mat, Rear screen version

2019 TOMMY BAHAMA TC DOORS, WINDOWS, AWNINGS

Windows



- | | |
|--------------|----------------------------|
| 1. 372260-01 | Window, RS front |
| 2. 372260-04 | Window, RS rear, T-venting |
| 3. 372260-05 | Window, CS rear, T-venting |
| 382117 | Gasket, Rectangle post |
| 381842 | Trim lok, 1/16", Black |
| 203225-01 | Trim lok, .75", Gray |

2019 TOMMY BAHAMA TC DOORS, WINDOWS, AWNINGS

Awnings

704369-01	Awning, Patio, 4.5m, Carefree, White
704369-02	Awning, Patio, 4.5m, Carefree, Silver
704369-03	Awning, Patio, 4.5m, Carefree, Black
704310-04	Roof mount extrusion, Full length
704310-04B	Roof mount extrusion, Full length, Black
704310-05	Mounting screw kit
704310-06	Switch, In/Out – On/Off
382185	Well nut, Rubber
203973	Base, Front awning cap
203974-01	Cover, Front awning cap, Black
203974-02	Cover, Front awning cap, White
203974-03	Cover, Front awning cap, Silver
203975	Base, Rear awning cap
203976-01	Cover, Rear awning cap, Black
203976-02	Cover, Rear awning cap, White
203976-03	Cover, Rear awning cap, Silver
382536	Steel clip
381667	Drive ratchet, 3/8"
382109	Extension, 3/8", 3" long
382545	Socket, 3/8" x 19mm, Shallow

2019 TOMMY BAHAMA TC SHADES

Power Shades

704371-15	Kit, Power Venetian Shades, Lounge
704371-16	Kit, Power Venetian Shades, GT
704371-01	Power blind, 21.25 x 17.5, Rear doors
704371-02	Power blind, 41.75 x 22.75, Sliding door
704371-03	Power blind, 49.63 x 25.13, RS/CS rear
704371-04	Power blind, 57 x 25, RS front (lounge only)
704371-05	Remote control

Cockpit Window Shades and Hardware

704581	Kit - Cock Pit Shades
704581-01	Shade-RS Window Cab
704581-02	Shade-Front Window Cab
704581-03	Shade-CS Window Cab
704581-04	Bag-Window Shades Cab
*704406	Kit, Cockpit window shades
704406-01	Shade, Drivers door
704406-02	Shade, Windshield
704406-03	Shade, Passengers door
704406-04	Carrying bag

*704406 Replaced by 704581, September 2018 – 704406 still available

700021	Hook, Velcro, White
700020	Pile Velcro
100097	Curtain track extrusion, Sliding door curtain
700617-01	Velcro, 1" Black without sticky back

2019 TOMMY BAHAMA TC

ELECTRICAL, 110 VOLT

Power Converter

512547 Distribution center, AC/DC, 30 amp, Black
512547-100 Door only, Black

Energy Management System

513324 Energy Management System
513324-01 Midi PCS
513324-02 Mini PCS
513324-03 Power share switch
513324-04 Relay module, 15 amp
513324-05 PCS control pigtail
513324-06 Pigtail harness
513324-07 Mini PCS data cable, 10'

Shoreline Hookup

513164 Power inlet, 30 amp, Stainless Steel
513127 Power cord, 30 Amp, 30', Gray

Inverter

512609 Magnum inverter/converter w/transfer switch, 1K watt
512609-01 Remote display module

Receptacles and USB Ports

511451-02 Receptacle, 20 amp, Single, Brown
512096 Receptacle w/Black cover, GFI 15 amp
511912 Wall plate, Single gang, Snap on, Chrome
512186 Extension ring, GFCI
511815-01 Receptacle, Duplex, Black
500785 Outlet, Duplex, Brown
511287 Receptacle, Single, 15 amp
512481-02 Receptacle, 20 amp, Single, Brown
512854 USB port, Dual w/mounting plate, Black

Breakers

510564-20GFI Breaker, Type BR, 20GFI
510564-2020 Breaker, Type BRD, BD 20-20
510564-30 Breaker, Bryant, 30AMP
510947-15 Breaker, 15A, 12V15APP
510947-30 Breaker, 30A, 12V30APP
510947-50 Breaker, 50A, 12V50APP
510948-04 Buss bar, Copper

2019 TOMMY BAHAMA TC

ELECTRICAL, 12 VOLT

Battery

511828	Battery, 12 Volt, Deep cycle, AGM Lifeline
454982	Battery tray, AGM CL24, End mount
513535	CABLE KIT - MAIN 12V DC - EXT&
513535-04	5/16 Ring - 3/8 Ring, 1/0 Ga.
513535-13	3/8 Ring - 3/8 Ring, 1/0 Ga. R
513535-14	5/16 Ring - 5/16 Ring, 1/0 Ga.
513535-18	3/8 Ring - 3/8 Ring, 1/0 Ga. R
513535-19	5/16 Ring - 5/16 Ring, 1/0 Ga.
512661-01	Terminal Fuse Block, Terminal Stud
513385	Battery separator w/smart control and gen sense
512604	Battery disconnect w/remote operator

Fuses

512278-200	Fuse, Type BFI-32, 200 amp
512278-150	Fuse, Type BF1-32, 150 amp
500773-10	Fuse, ATC, 12 V DC, 10 amp
195466-251	Fuse holder w/cover, 30 amp
500773-07	Fuse, ATC, 12V DC, 7.5 amp
500773-15	Fuse, ATC, 12V DC, 15 amp
512318	Fuse holder w/1 amp AFC fuse, In-line
500773-05	Fuse, ATC, 12V DC, 5 Amp
512628	Fuse holder, AMI-mini fuse w/8M termination
512660-150	Terminal fuse, 150 Amp, Orange

Cable Kits, Main 12VDC

512807	Cable kit, Main 12V DC
--------	------------------------

Switches

512312	Switch, Momentary, Black
511977	Switch, 1-gang, Black

2019 TOMMY BAHAMA TC

ELECTRICAL, 12 VOLT

Monitor Panel

513362	Monitor, Tank system kit, Seelevel
513069-01	Flush mount monitor panel only
513362-01	Sender pad, 6"
512566-02	Sender pad, 12"

Interior Lights

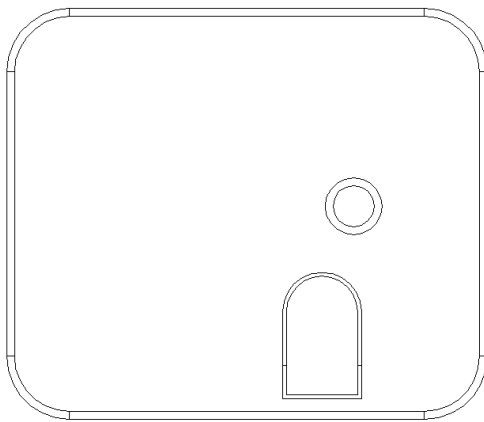
512659	LED flex tape w/bullet connectors, 61"
512659-01	Tape light channel, 6'
512659-02	LED flex tape w/bullet connectors, 39"
512376	LED shower light, SS trim ring
513406	LED reading light, Eyeball w/switch, Brushed Nickel
512936	LED spot light w/frost lens
512377	Light, Courtesy w/Stainless Steel bezel
512803	LED reading light w/frosted Lens, Brushed Nickel
512908	LED light, 16" linear utility light w/switch
512933	LED light, 5" domed surface mount light w/switch, White
512931	LED light, 18" Linear utility light
513183	LED light tape w/1.5" jumpers, Cool White
512829	Courtesy light, Push lens, Brushed Stainless Steel

Exterior Lights

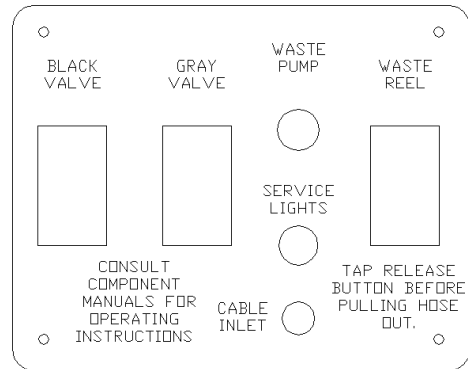
512793	LED porch light, Chrome
511294	Light, License plate
512740	Awning light, LED flex tape, 112" strips
513112	Light, LED flex tape light, 124", White
203358-01	Extrusion, Black plastic
203358-02	Lens diffuser
512909-01	LED pin light, Cool White
512909-02	Black bezel for 512909-01

2019 TOMMY BAHAMA TC ELECTRICAL, 12 VOLT

Exterior Utility Compartment Switch Panel



①



②

- | | | |
|----|--|--|
| 1. | 382083W
382083S
382083B | Hatch, Electrical switches, White
Hatch, Electrical switches, Silver
Hatch, Electrical switches, Black |
| 2. | 386283
510623
510623-01
512410
512410-100
602205-01
513550 | Control switch panel
Coax connector
Coax connector locking nut
Dump valve harness w/switch
Switch only from harness 512410
Switch, 20 Amp, Macerator
Switch W/Controller, White FP |

Rearview Monitor Camera

- | | |
|---------|---|
| 513101 | Rearview monitor/mirror, 7" |
| 513105 | Camera kit, L/R mirror integrated w/controls and cables |
| *513104 | Camera, 3 rd brake light w/eyeball |
| 513197 | Cable, 5pin to RCA power cable, 10 meter |
| 512056 | Coupler, Barrel, RCS, Gold, F/F |

*Replaced by Mercedes installed camera 5/24/2018

Solar Panel

- | | |
|-----------|---------------------------------------|
| 512805 | Panel, Solar Flex, 100 watt |
| 511846 | Kit, Charge controller display |
| 511469-01 | Connector, Liquid tight, 90°, Plastic |
| 512808 | Harness, Flex solar cable |
| 511165-01 | Conduit, .5", Black |

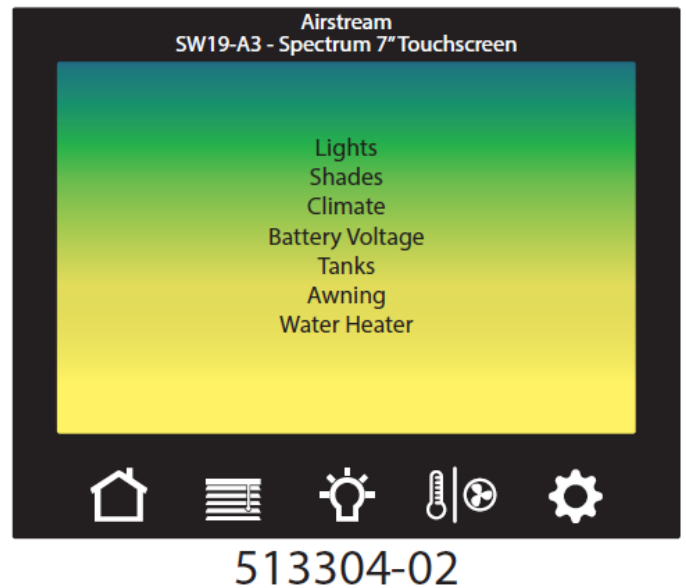
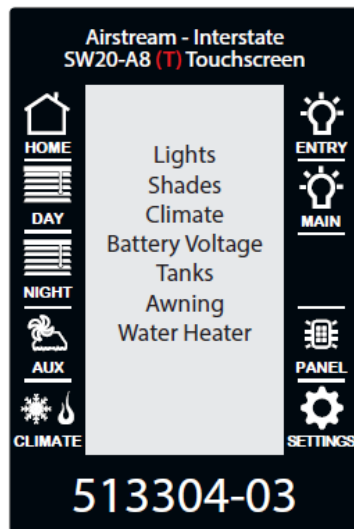
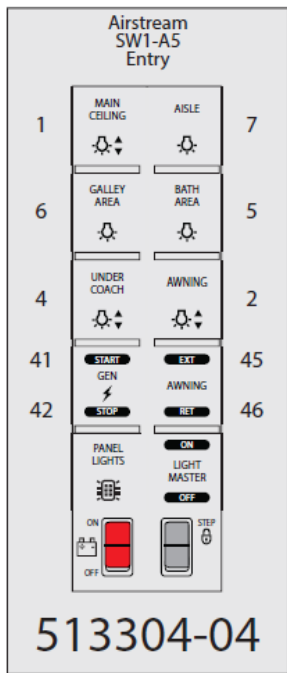
2019 TOMMY BAHAMA TC

ELECTRICAL, 12 VOLT

Firefly System

- 513304 Firefly Kit
- 513304-01 G7 main board
- 513304-02 Color touchscreen, 7"
- 513304-03 Touchscreen, 4.3"
- 513304-04 Switch panel assembly, Entry
- 513304-05 Module assembly, AirCon module
- 513304-06 Module assembly, Vent fan controller
- 513304-07 Mini Molex plug terminator

Firefly Control Panels



- 513304-02 Color touchscreen, 7"
- 513304-03 Touchscreen, 4.3"
- 513304-04 Switch panel assembly, Entry

2019 TOMMY BAHAMA TC ENTERTAINMENT

Audio

513013	Fusion in-dash infotainment system
512554	Tuner Sirius XM Tuner
513066	Speaker, 2-way, 6", Fusion
512492-04	Antenna w/25' Cable, Roof Mount
513096	Radio harness, Sprinter
512309	Terminal, Sprinter radio
510844-01	Relay, Bosch
510844-02	Relay socket, Bosch

Video

512657-02	TV antenna, Omni-directional, Roadstar
511635	Plate, Dual cable entry
382467-05	Gasket, Dual cable entry plate
512398	Wall plate power supply
510788-06	Antenna alarm switch
510612	Coax, 75 OHM, Standard
511534	Dual coax plate, White
510621-02	Splitter, Coax, 2-way
512405-01	Coax lead/jumper w/conn., 6"
512406	Connector, RG6 Hex compression
512407	Coax cable, RG6
513189	HDMI switcher/splitter, 4 x 4
512852	Wall plate, HDMI pigtail and coax

2019 TOMMY BAHAMA TC ENTERTAINMENT

Rear TV

690682	LED HDTV, 24" Samsung
512916-01	Articulating TV mount, Tri fold, Left hand
512916-02	Articulating TV mount, Tri fold, Right hand
513050	Cable, Mini coax 6', Blue
512561	Adapter, HDMI right angle
382184-01	Braided sleeving, .5", Black
512923	Grommet, 1.5" DIA.

Front TV

690674	LED HDTV, 28" Samsung, Modified
690682	LED HDTV, 24" Samsung, GT
968267-39	TV mounting cabinet, Macchiato
455014	Backplate, 28" TV
512414	Kit, Headphone station
512414-01	Headphone panel
512414-02	Extension cable, 15'
512414-03	Extension cable, 25'
512414-04	Stereo Y-cable, 3.5mm, 6"
512366-10	HDMI cable, Male to male, 10'
512884-01	IR receiver
512884-02	IR emitter
512884-03	IR Y-cable

Blu-Ray Player

512924	Blu-Ray disc/DVD player, Samsung
512366-10	HDMI cable, Male-male, 10'

2019 TOMMY BAHAMA TC FLOOR COVERINGS

Floor Covering

704351	Flooring, Luxury Woven Vinyl, Teak
801782-02	Matt overlay on plywood
703968	Floor guard, Underbelly material, 102" wide, Black
923012	Cab to main floor transition
704154-01	Floor mat, Driver and passenger w/Marlin logo
203727	Foil, Single bubble flex
701538-01	Carpet, Econolier Velour Black w/PSA back applied
704384-10	Kit, Lounge PSA carpet
704384-11	Kit, GT PSA carpet
704519	Carpet Runner, Lounge
704520	Carpet Runner, Grand Tour
704521	Carpet Runner, GT Twin

2019 TOMMY BAHAMA TC

FURNITURE, INTERIOR DOORS

Interior Doors

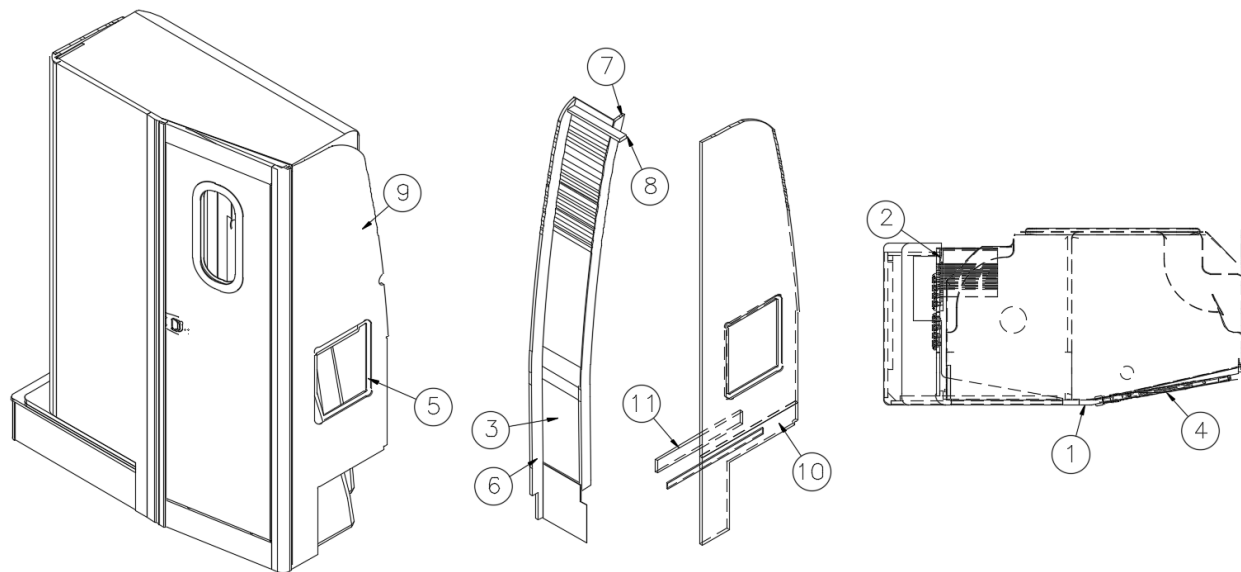
968579-39 Bath door, Aft, Macchiato
802225 Bath door louver assembly

Roof Locker Doors

203940-01 Door, Frosted w/Tommy logo, CS
203940-02 Door, Frosted w/Tommy logo, RS
801785-0139 Door, 12.38 x 31.5
801785-0439 Door, 12.38 x 17.38
801785-0539 Door, 12.38 x 25
801785-0739 Door, 12.38 x 20.5
801785-0839 Door, 12.38 X 28.13
801785-0939 Door, 12.38 X 24.75
801785-1039 Door, 12.38 x 28.81
801785-1139 Door, 12.38 x 18

2019 TOMMY BAHAMA TC FURNITURE, LAVATORY

Wet Bath Module, Lounge



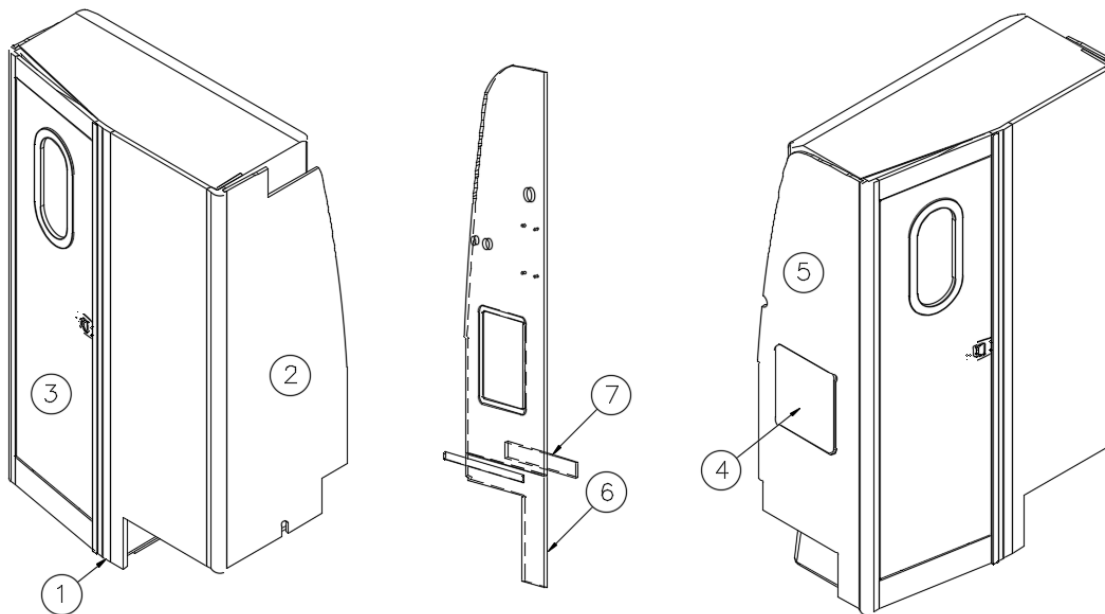
112237-01

Wet Bath Module

- | | |
|-----------------|---|
| 1. 968251-0039 | Wet bath face assembly |
| 2. 112237-012 | Panel, 22.68 x 65 |
| 3. 101131-02 | Underbelly aluminum, .024 x 22.5, Black |
| 4. 968579-39 | Aft bath door |
| 5. 112237-0111 | Panel, 11.88 x 13.88 |
| 6. 112237-0112 | Panel, 2.25 x 73.14 |
| 7. 112237-0113 | Panel, 2 x 64.4 |
| 8. 112237-0127 | Panel, 1.5 x 11 |
| 9. 112237-0128 | Panel, 20.68 x 73.9 |
| 10. 112237-0129 | Panel, 20.28 x 15.94 |
| 11. 112237-0130 | Panel, 2.25 x 18 |
| 203799 | Shower stall, Fiberglass |
| 690707 | Toilet, Dometic 301, White |
| 602251 | Faucet, Pull-out, Chrome |
| 602364-01 | Hanger clip, Chrome |
| 371423-02 | Mirror, Wall mount, Chrome |
| 602175 | Toilet paper holder |
| 382098 | Towel bar handle, 14.25", Gloss Chrome |
| 203625-02 | Under sink access panel |
| 382063 | Retractable clothesline |
| 701538-01 | Carpet, Econolier |
| 800573-0139 | Flat molding, Macchiato |
| 201666-01 | J-molding, 3/16", Plastic, White |
| 801818-0039 | Wood plugs, 3/8", Tapered, Macchiato |

2019 TOMMY BAHAMA TC FURNITURE, LAVATORY

Wet Bath Module, Grand Tour



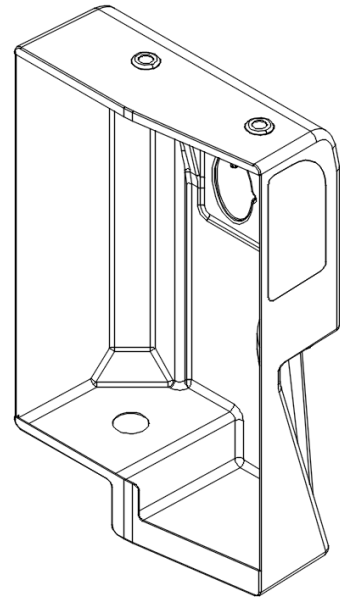
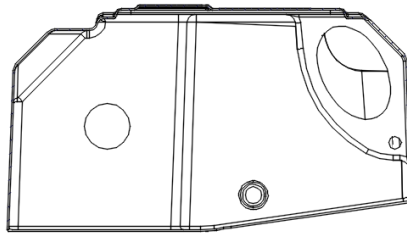
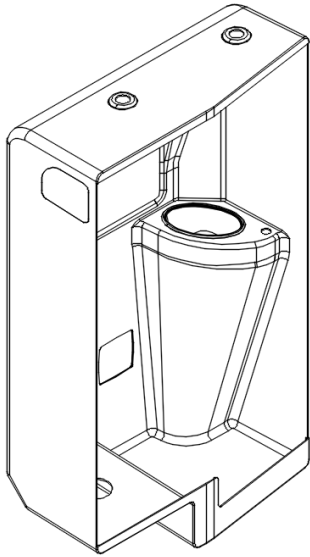
112167-01

Wet Bath Module

- | | |
|----------------|---------------------------------------|
| 1. 968128-0039 | Wet bath face assembly |
| 2. 112167-012 | Panel, 24.32 x 65.04 |
| 3. 968579-01 | Aft bath door, LH hinge |
| 4. 112167-018 | Panel, 11.88 x 13.88 |
| 5. 112167-0127 | Panel, 20.54 x 57.75 |
| 6. 112167-0128 | Panel, 20.28 x 15.94 |
| 7. 112167-0129 | Panel, 2.25 x 18 |
| 800573-0139 | Flat molding, Macchiato |
| 382063 | Retractable clothesline |
| 203789 | Shower stall, Fiberglass |
| 203789-02 | Under sink access panel |
| 115427 | Backer, Outside panel |
| 115426 | Backer, Shower panel front |
| 115428 | Backer, Shower panel rear |
| 382098 | Pull handle, 14.25", SS Satin Brushed |
| 602251 | Faucet, Pull-out, Chrome |
| 602364-01 | Hanger clip, Chrome |
| 371423-02 | Mirror, Wall mount, Chrome |
| 690707 | Toilet, Dometic 301, White |
| 602175 | Toilet paper holder |
| 115423 | Aluminum backer, Toilet paper holder |
| 100097 | Aluminum curtain track |
| 371423-01 | Retainer clip, Mirror |
| 203794 | Trim, Upper RS |
| 203795 | Trim, Lower RS |

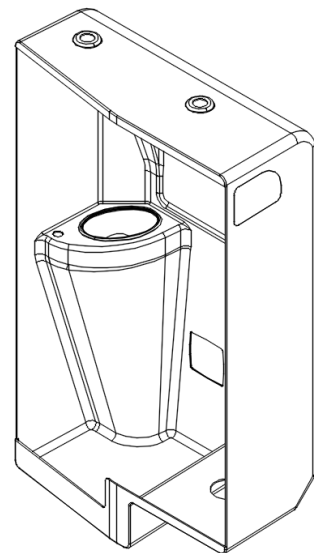
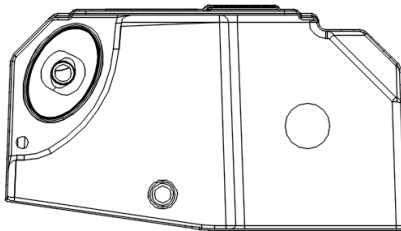
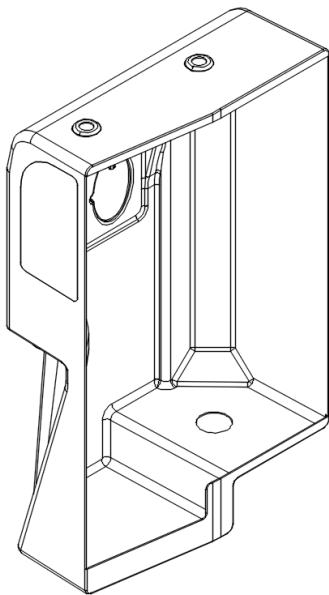
2019 TOMMY BAHAMA TC FURNITURE, LAVATORY

Shower Module, Lounge



203799 Shower stall, Fiberglass
203625-02 Under sink access panel
602251 Faucet, Pull-out

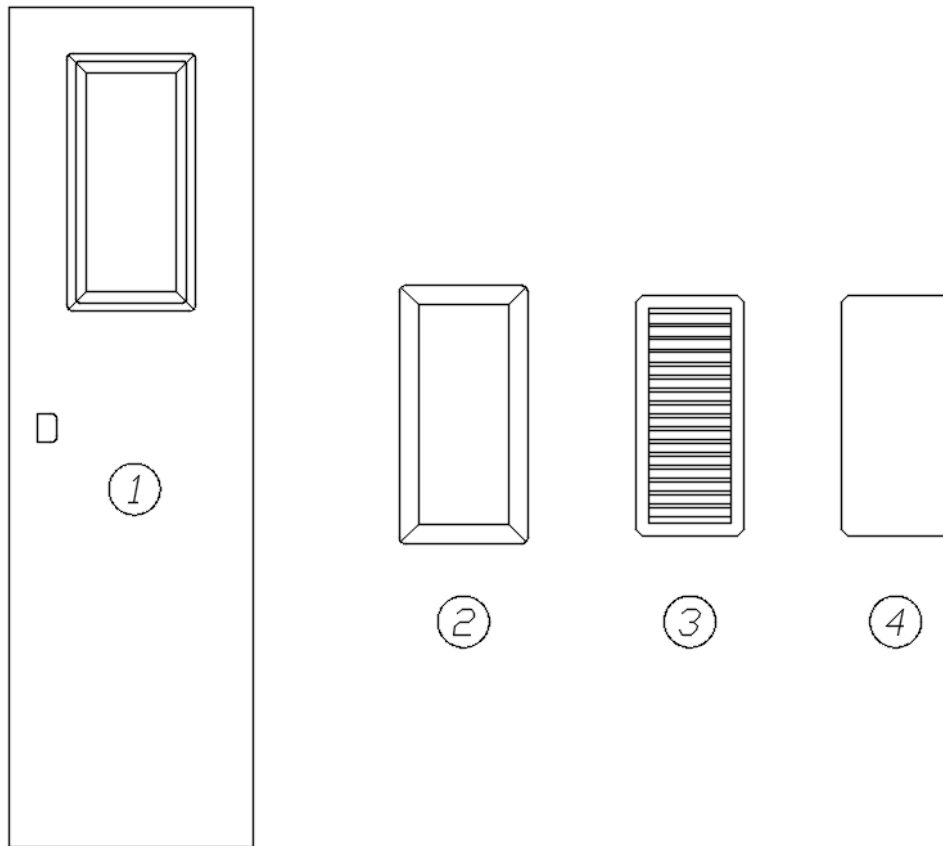
Shower Module, Grand Tour



203789 Shower stall, Fiberglass
203789-02 Under sink Access panel
602251 Faucet, Pull-out, Chrome

2019 TOMMY BAHAMA TC FURNITURE, LAVATORY

Lavatory Door



968579-39
968579-01
802225

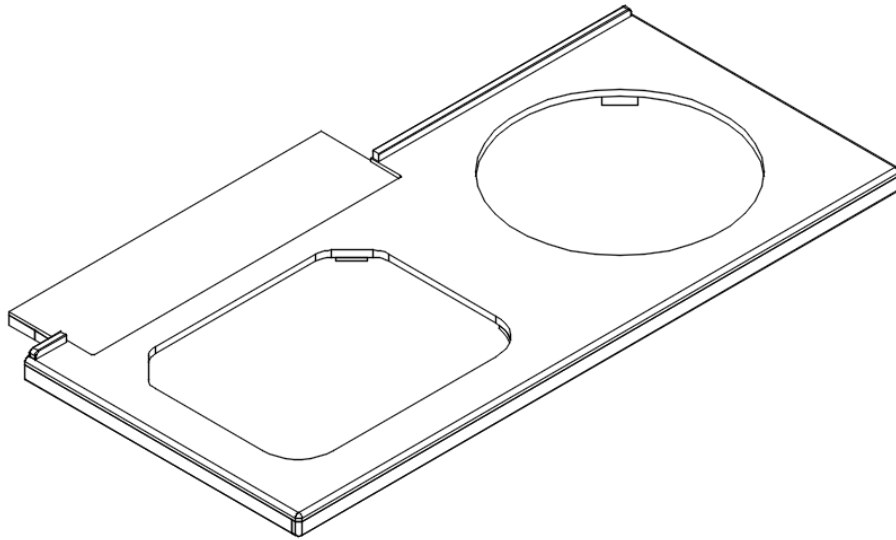
Aft Lavatory Door, RH hinge, Lounge
Aft Lavatory Door, LH hinge, GT
Louvered Bath Door Kit

- 1. 968579-391
- 968579-011
- 2. 802225-01
- 3. 802225-02
- 4. 802225-03
- 382125
- 382055
- 382061

Panel, 19 x 65.13, Lounge
Panel, 19 x 65.13, GT
Wood trim ring
Wood louver assembly
Frosted White lexan
Piano hinge, Clear Anodized
Privacy latch, Omni
Striker, Omni flat latch

2019 TOMMY BAHAMA TC FURNITURE, GALLEY

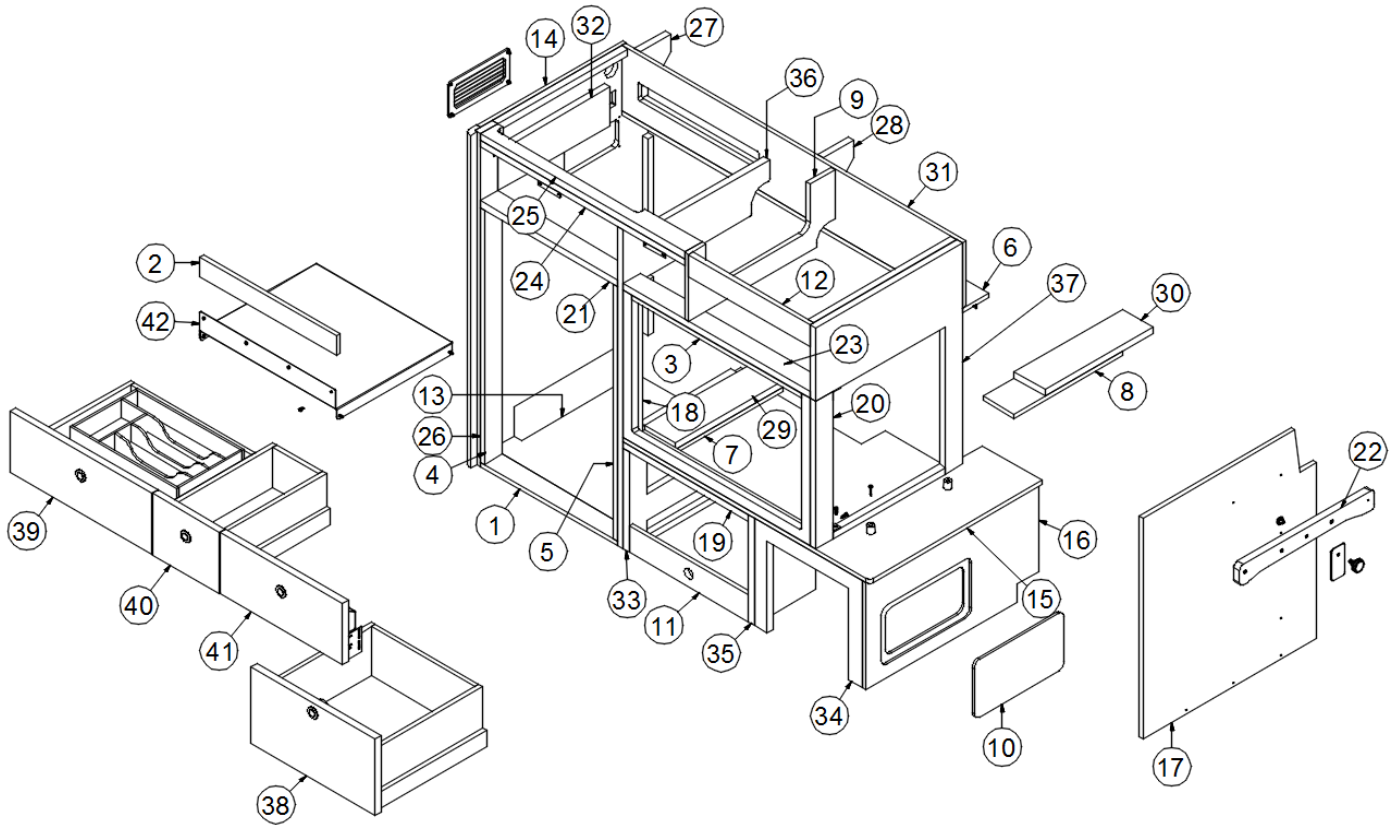
Galley Top, Lounge



- | | |
|-----------|---|
| 602661 | Galley Bar top, Corian, Glacier Ice |
| 512659-01 | Tape light channel, 6' |
| 513183 | LED light tape w/1.5" jumpers, Cool White |
| 602197 | Sink and faucet, Galley |
| 602153 | Faucet only, Stainless Steel |
| 602149 | Sink, Flush, Smev |

2019 TOMMY BAHAMA TC FURNITURE, GALLEY

Galley, Lounge



Parts Listed on Next Page

2019 TOMMY BAHAMA TC FURNITURE, GALLEY

Galley, Lounge

968569-39

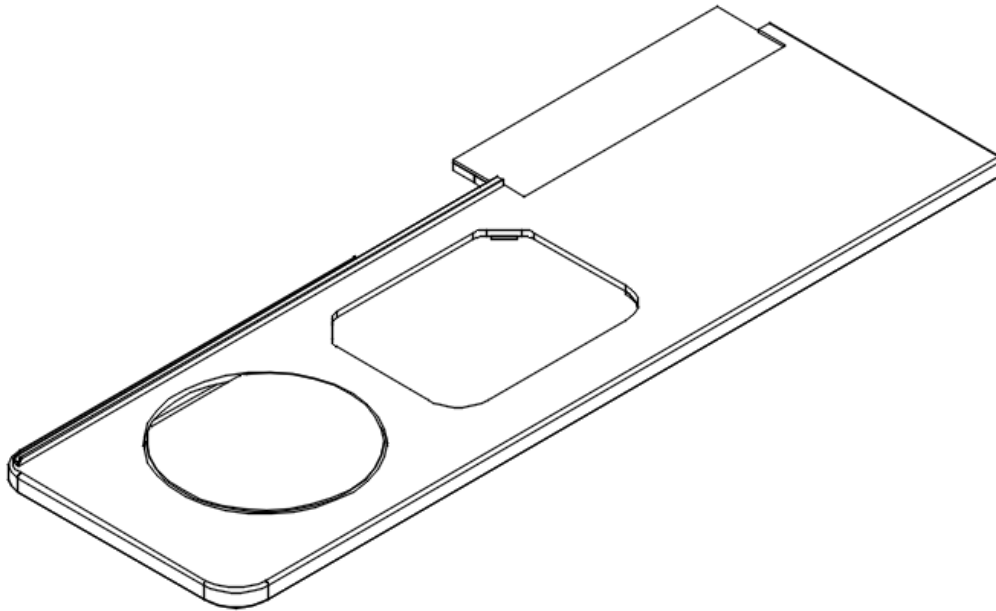
Galley Cabinet w/Drawer Microwave

1. 968569-391	Panel, 2.25 x 17.75
2. 968569-392	Panel, 2.25 x 17.75
3. 968569-393	Panel, 2.25 x 22
4. 968569-394	Panel, 2.25 x 28.5
5. 968569-395	Panel, 2.25 x 28.5
6. 968569-396	Panel, 3.37 x 44.25
7. 968569-397	Panel, 4 x 14
8. 968569-398	Panel, 4 x 14
9. 968569-399	Panel, 7.5 x 19
10. 968569-3910	Panel, 11.63 x 6.5
11. 968569-3911	Panel, 15.5 x 3
12. 968569-3912	Panel, 15.75 x 2.5
13. 968569-3913	Panel, 18.5 x 17.75
14. 968569-3914	Panel, 21.72 x 37.25
15. 968569-3915	Panel, 22.39 x 32.75
16. 968569-3916	Panel, 22.47 x 12
17. 968569-3917	Panel, 22.47 x 24.75
18. 968569-3918	Panel, 1 x 16.5
19. 968569-3919	Panel, 2.25 x 16.25
20. 968569-3920	Panel, 2.25 x 16.5
21. 968569-3921	Panel, 2.25 x 17.75
22. 968569-3922	Panel, 2.25 x 17.5
23. 968569-3923	Panel, 2.25 x 24.25
24. 968569-3924	Panel, 2.25 x 26.5
25. 968569-3925	Panel, 2.25 x 26.5
26. 968569-3926	Panel, 2.25 x 37.25
27. 968569-3927	Panel, 4 x 4
28. 968569-3928	Panel, 4 x 4
29. 968569-3929	Panel, 4 x 14
30. 968569-3930	Panel, 4 x 14
31. 968569-3931	Panel, 7.25 x 44.25
32. 968569-3932	Panel, 14.5 x 4.38
33. 968569-3933	Panel, 14.25 x 11.25
34. 968569-3934	Panel, 14 x 12
35. 968569-3935	Panel, 18 x 12
36. 968569-3936	Panel, 19 x 35.75
37. 968569-3937	Panel, 19.02 x 24.75
38. 968580-39	Drawer box
39. 968581-39	Drawer box, Upper
40. 968582-39	Drawer box, Under sink
41. 968583-39	Folding drawer
42. 455253	Heat shield, Galley
380264	Corner Bracket
801706-0039	Corner trim, 90°, 1" radius, Macchiato
454721	Bracket, Pedestal table storage
382095	Knob, Knurled
382297	Vent, 4 x 8, Black plastic

2019 TOMMY BAHAMA TC

FURNITURE, GALLEY

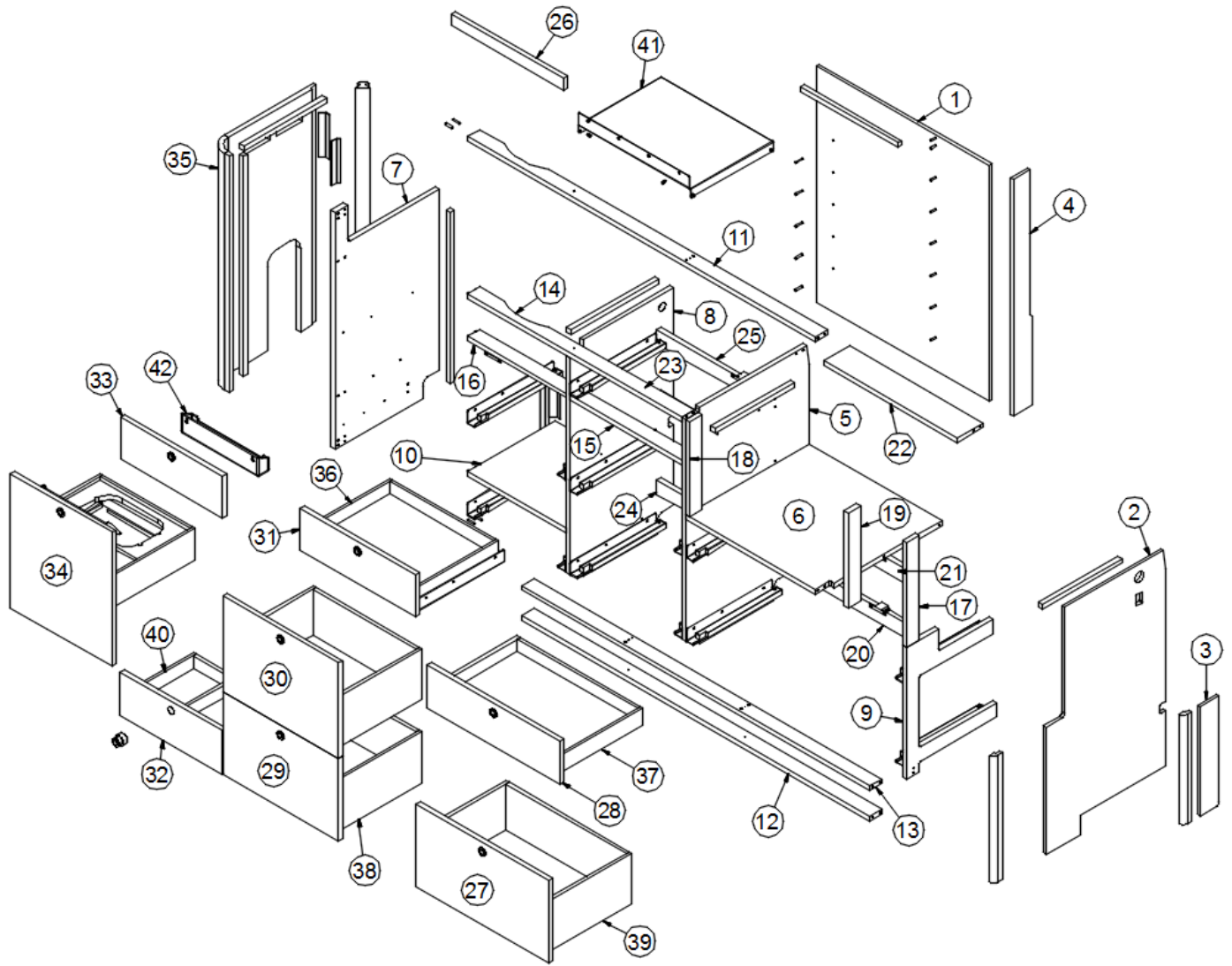
Galley Top, Grand Tour



602668	Galley bar top, Corian
512659-01	Tape light channel, 6'
513192	Illustra light w/1.5" jumpers, Cool White
602197	Sink and faucet, Galley
602153	Faucet only, Stainless Steel
602149	Sink, Flush, Smev

2019 TOMMY BAHAMA TC FURNITURE, GALLEY

Galley, Grand Tour



Parts Listed on Next Page

2019 TOMMY BAHAMA TC FURNITURE, GALLEY

Galley, Grand Tour

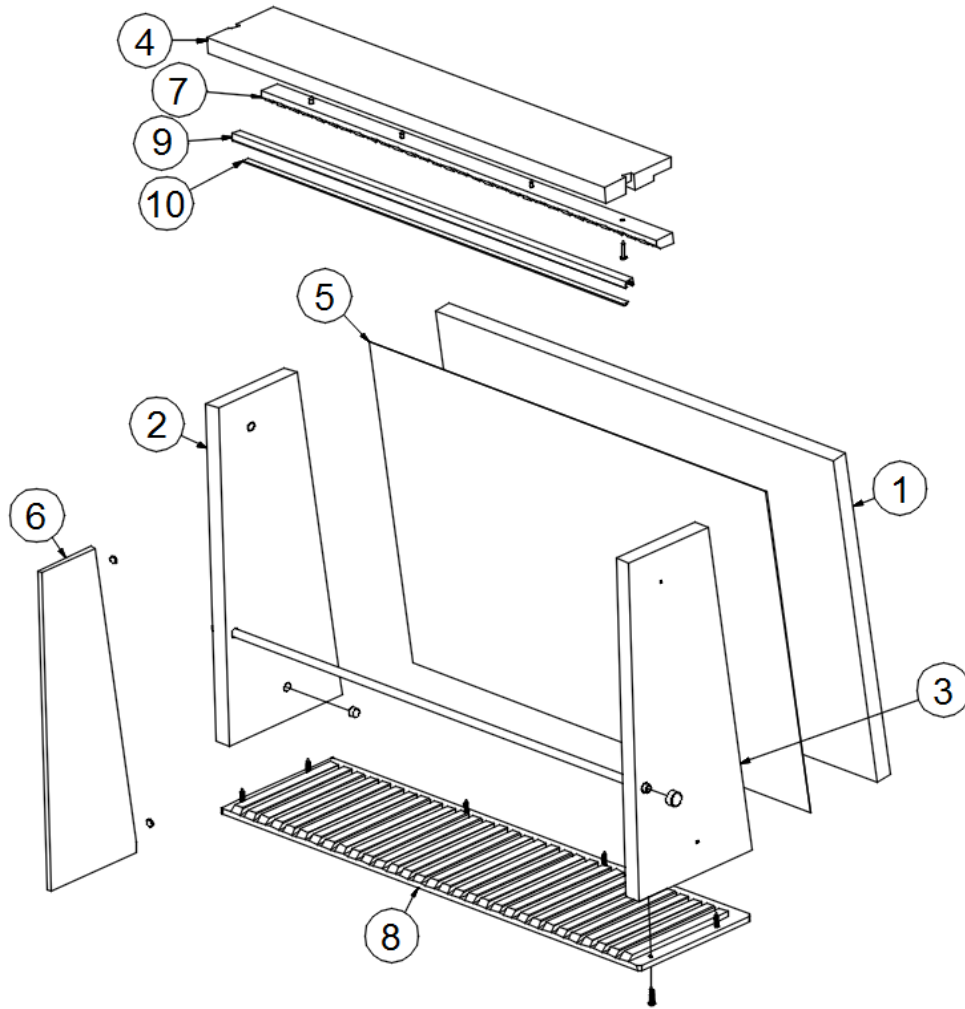
968592-39

Galley Cabinet

- | | |
|-----------------|---|
| 1. 968592-391 | Panel, 31.33 x 37.25 |
| 2. 968592-392 | Panel, 21.72 x 37.25 |
| 3. 968592-393 | Panel, 3.38 x 17.25 |
| 4. 968592-394 | Panel, 3.43 x 37.25 |
| 5. 968592-395 | Panel, 22.47 x 37.25 |
| 6. 968592-396 | Panel, 22.38 x 24.25 |
| 7. 968592-397 | Panel, 18.92 x 37.25 |
| 8. 968592-398 | Panel, 18.92 x 37.25 |
| 9. 968592-399 | Panel, 16.25 x 20.75 |
| 10. 968592-3910 | Panel, 16 x 17.91 |
| 11. 968592-3911 | Panel, 2.25 x 63.28 |
| 12. 968592-3912 | Panel, 2.25 x 63.28 |
| 13. 968592-3913 | Panel, 2.25 x 63.28 |
| 14. 968592-3914 | Panel, 2.25 x 39.03 |
| 15. 968592-3915 | Panel, 2.25 x 20.37 |
| 16. 968592-3916 | Panel, 2.25 x 17.91 |
| 17. 968592-3917 | Panel, 2.25 x 16.5 |
| 18. 968592-3918 | Panel, 2.25 x 15 |
| 19. 968592-3919 | Panel, 2.25 x 15 |
| 20. 968592-3920 | Panel, 2.25 x 24.25 |
| 21. 968592-3921 | Panel, 2.25 x 24.25 |
| 22. 968592-3922 | Panel, 2.25 x 24.25 |
| 23. 968592-3923 | Panel, 2.25 x 20.37 |
| 24. 968592-3924 | Panel, 2.25 x 20.37 |
| 25. 968592-3925 | Panel, 2.25 x 20.37 |
| 26. 968592-3927 | Panel, 1.94 x 20.38 |
| 27. 968592-3937 | Panel, 24.13 x 13 |
| 28. 968592-3938 | Panel, 24.13 x 6.75 |
| 29. 968592-3939 | Panel, 21 x 13 |
| 30. 968592-3940 | Panel, 21 x 15 |
| 31. 968592-3941 | Panel, 21 x 6.63 |
| 32. 968592-3942 | Panel, 18.53 x 6.88 |
| 33. 968592-3943 | Panel, 18.53 x 6.63 |
| 34. 968204-39 | Galley pull-out trash |
| 35. 968712 | Galley radius panel |
| 36. 968021-06 | Drawer box, 2.75 x 19.75 x 15 |
| 37. 968021-07 | Drawer box, 2.75 x 19.75 x 15 |
| 38. 968028-10 | Drawer box, 8 x 19.75 x 15 |
| 39. 968028-11 | Drawer box, 8 x 22.88 x 15 |
| 40. 968192-02 | Drawer box w/divider, 2.75 x 17.29 x 12 |
| 41. 455296 | Heat shield, Galley |
| 42. 381686 | Tray, Plastic, 14" |
| 382059-02 | Knob, Push/pull, Black |

2019 TOMMY BAHAMA TC FURNITURE, GALLEY

Galley Bar



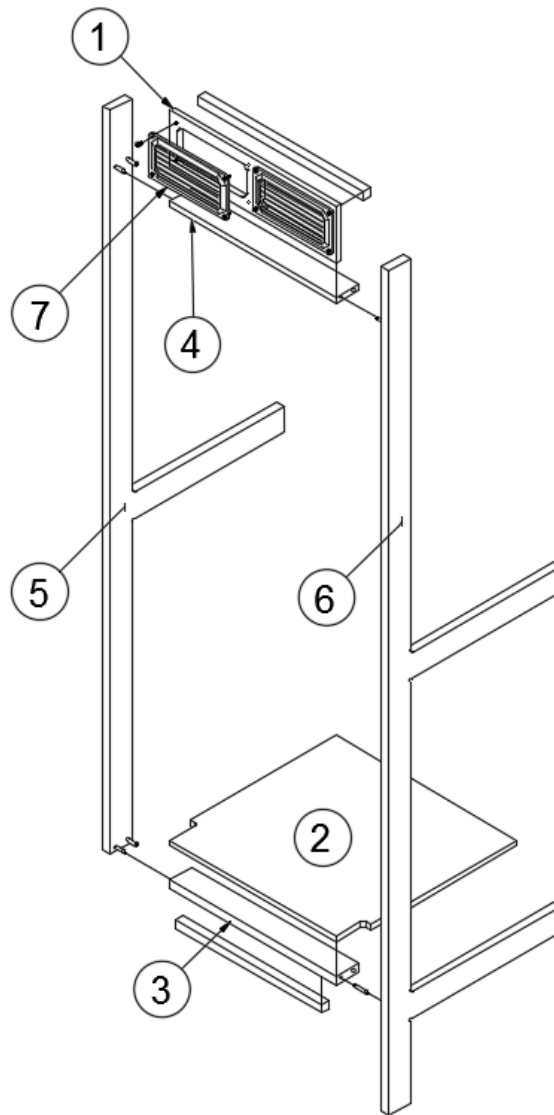
968534

Galley Bar

- | | |
|---------------|--|
| 1. 968534-1 | Panel, 23 x 15.56 |
| 2. 968534-2 | Panel, 6.75 x 15.5 |
| 3. 968534-3 | Panel, 6.75 x 15.5 |
| 4. 968534-4 | Panel, 3.94 x 23 |
| 5. 115860 | Back plate |
| 6. 203936 | Insert, Divider bar |
| 7. 203937 | Insert, Top slotted divider holder |
| 8. 203938 | Insert, Bottom slotted divider holder |
| 9. 512659-01 | Tape light channel, Black |
| 10. 512659-02 | LED flex tape w/bullet connectors, 39" |
| 345605 | Rod |
| 345606 | Cap |
| 801818-0039 | Wood plug, Tapered, Macchiato |

2019 TOMMY BAHAMA TC FURNITURE, GALLEY

Refrigerator Cabinet, Grand Tour



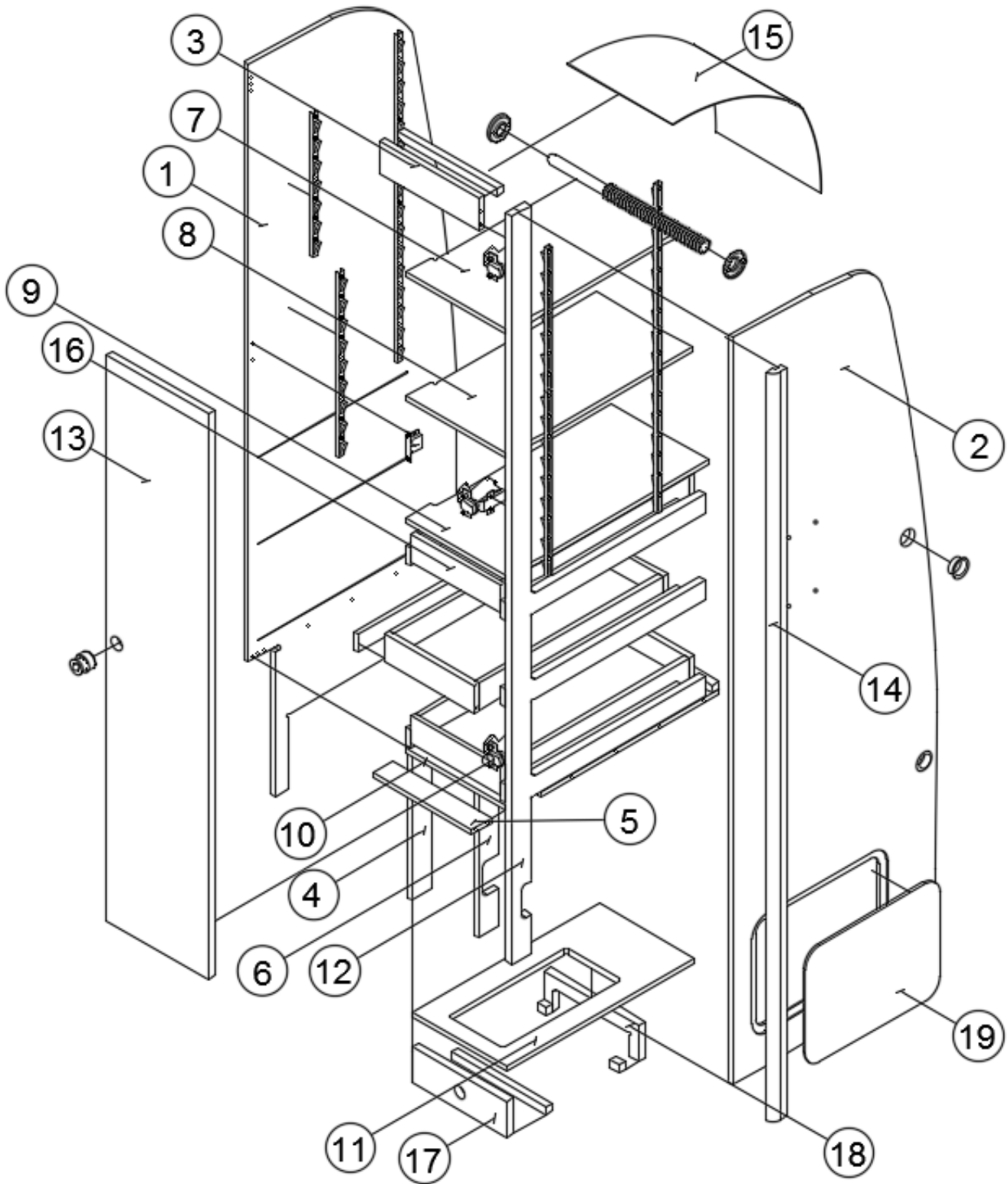
968594-39

Refrigerator Cabinet

- | | |
|---------------|-----------------------------|
| 1. 968594-391 | Panel, 4.94 x 16.75 |
| 2. 968594-392 | Panel, 18.25 x 17.5 |
| 3. 968594-393 | Panel, 2.25 x 16.75 |
| 4. 968594-394 | Panel, 2.25 x 16.75 |
| 5. 968594-395 | Panel, 17.5 x 64.94 |
| 6. 968594-396 | Panel, 17.5 x 73.75 |
| 7. 382297 | Vent, Black plastic |
| 365412-01 | Edgebanding, .63", Midnight |
| 365412-02 | Edgebanding, .94", Midnight |
| 800422 | Dowel pin |

2019 TOMMY BAHAMA TC FURNITURE, GALLEY

Pantry/Wardrobe, RS, Grand Tour



Parts Listed on Next Page

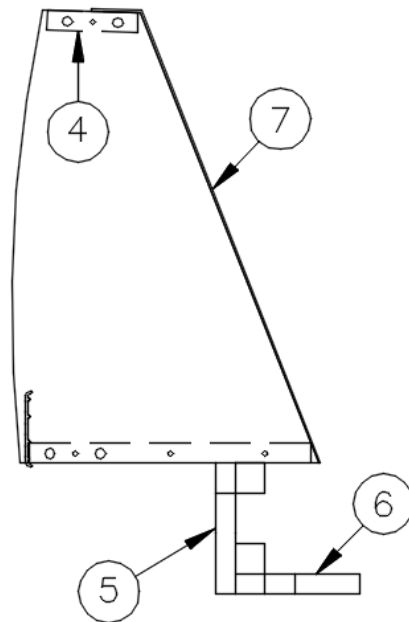
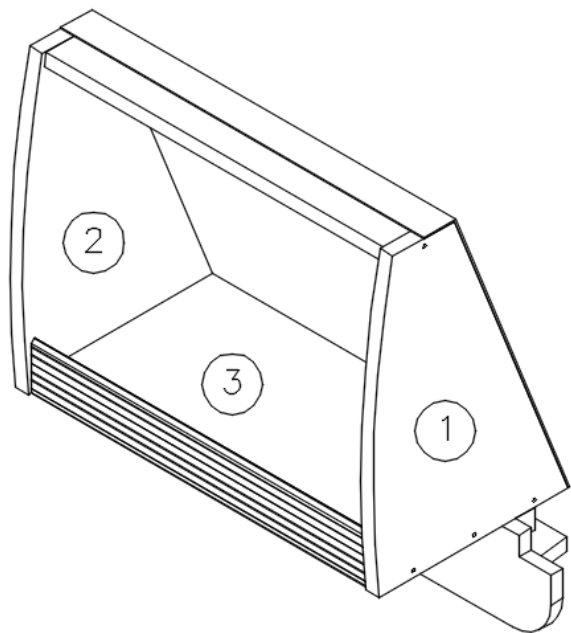
2019 TOMMY BAHAMA TC FURNITURE, GALLEY

Pantry/Wardrobe, RS, Grand Tour

968146-39	RS Pantry/Wardrobe
1. 968146-391	Panel, 23.74 x 73.75
2. 968146-392	Panel, 22.94 x 73.75
3. 968146-393	Panel, 3.25 x 11.25
4. 968146-394	Panel, 2.25 x 14.75
5. 968146-395	Panel, 2.25 x 11.25
6. 968146-396	Panel, 2.25 x 14.25
7. 968146-397	Panel, 19.43 x 11.51
8. 968146-398	Panel, 21.08 x 11.51
9. 968146-399	Panel, 22.88 x 11.51
10. 968146-3910	Panel, 23.64 x 12
11. 968146-3911	Panel, 21.28 x 10.75
12. 968146-3912	Panel, 22 x 73.75
13. 968146-3913	Panel, 11.63 x 56.65
14. 801706-0039	Corner trim, 90°, 1" radius, Macchiato
15. 968156	Wire cover
16. 964906-22	Drawer box, 2.75 x 21 x 10.19
17. 968146-3929	Panel, 10.75 x 3.5
18. 968146-3930	Panel, 10.75 x 3.5
19. 968146-3931	Panel, 15.25 x 11.5
381527	Shelf strips
382059-02	Knob, Push/pull, Black
381228-02	Catch, Grabber door, 5LB
365412-01	Edgebanding, .63", Macchiato
365412-02	Edgebanding, .94", Macchiato
381607-14	Hinge, Self-close
380045	Tubing, ¾"
380046	Flange, Chrome
200975-04	Conduit, Flexible Black plastic
381925-02	Drawer slide, 20"
381209-02	Grommet w/cap, 1.5" hole, Black

2019 TOMMY BAHAMA TC FURNITURE, GALLEY

Front Shelf Closeout



967505-39

Front shelf closeout

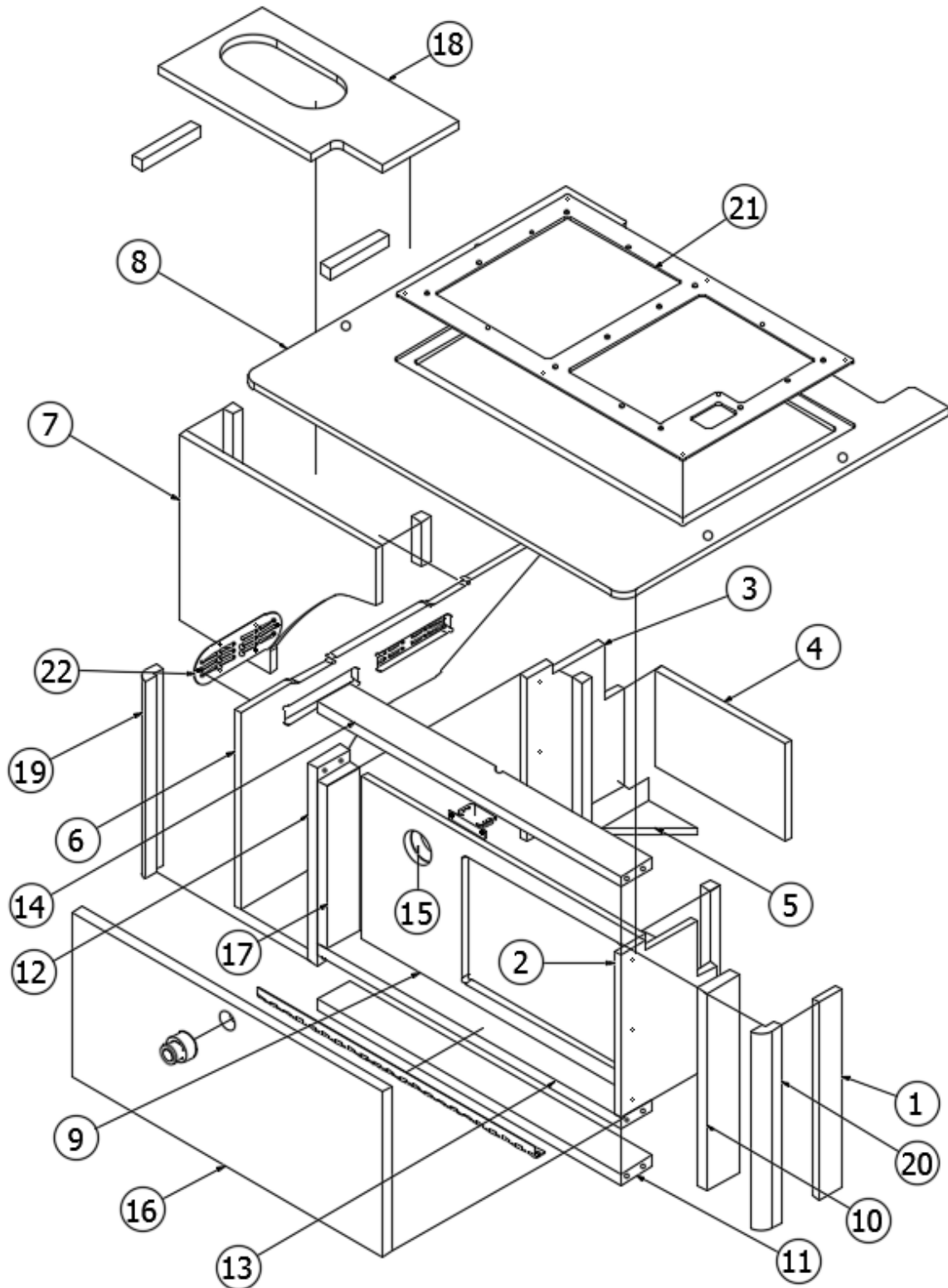
- | | |
|---------------|---------------------|
| 1. 967505-391 | Panel, 7.44 x 11.31 |
| 2. 967505-392 | Panel, 7.44 x 11.31 |
| 3. 967505-393 | Panel, 7 x 13.25 |
| 4. 967505-394 | Panel, 2.25 x 13.25 |
| 5. 967505-395 | Panel, 3.25 x 16.13 |
| 6. 967505-396 | Panel, 3.13 x 14 |
| 7. 115486 | Aluminum back |

Cargo Net

- | | |
|--------|----------------------------|
| 382171 | Cargo net, 10" x 7' |
| 320120 | Screw w/washer, Upholstery |

2019 TOMMY BAHAMA TC FURNITURE, LOUNGE

Dinette Seat, RS



Parts Listed on Next Page

2019 TOMMY BAHAMA TC FURNITURE, LOUNGE

Dinette Seat, RS

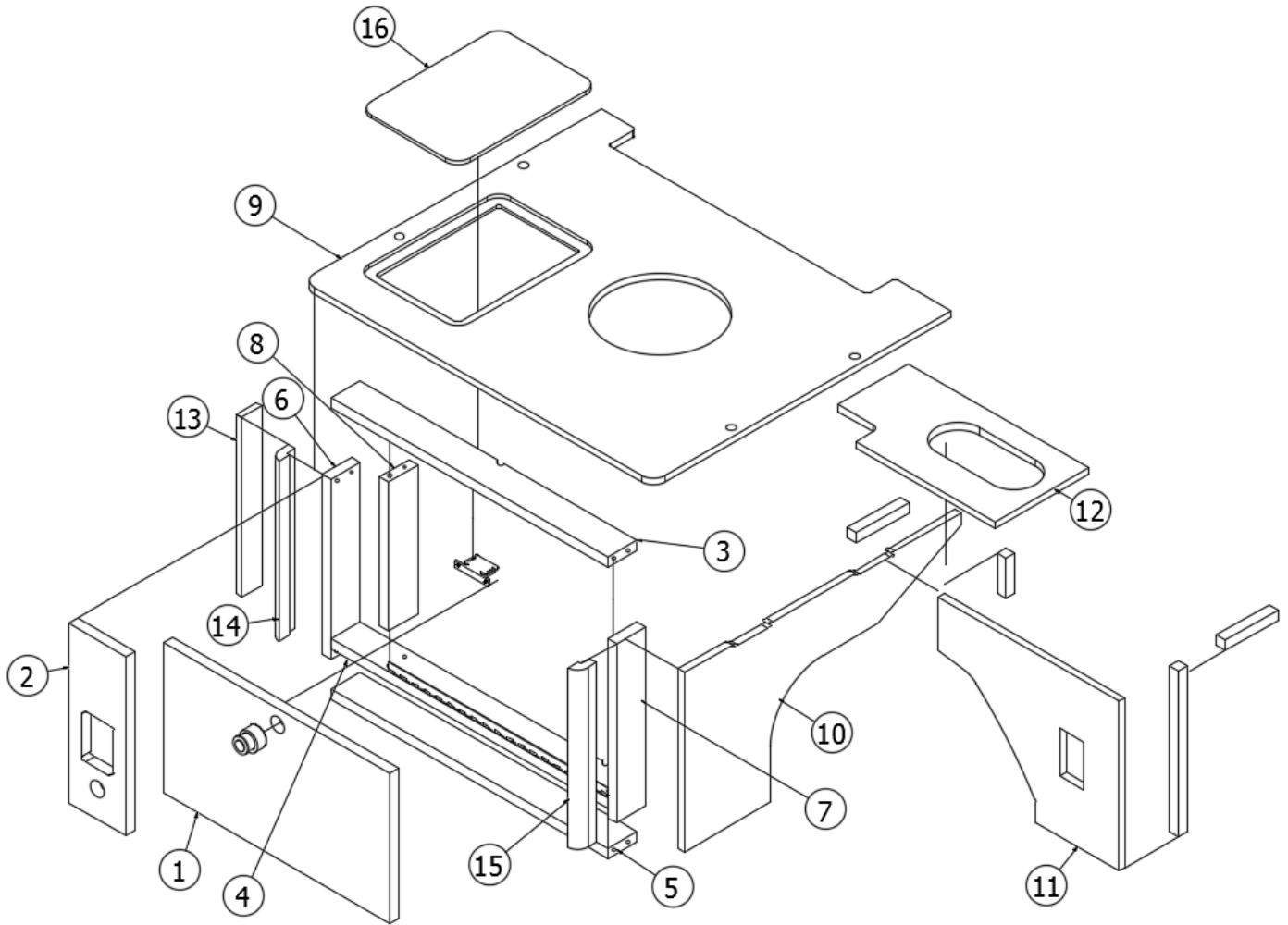
968748

RS Dinette Seat

1. 968748&000112BB	Panel, 1.75 x 13.25
2. 968748&000212BB	Panel, 7.5 x 10.94
3. 968748&000312BB	Panel, 7.5 x 10.94
4. 968748&000412BB	Panel, 10 x 6.5
5. 968748&000512BB	Panel, 3.75 x 3.75
6. 968748&000612BB	Panel, 23.5 x 13.25
7. 968748&000712BB	Panel, 15.36 x 12.5
8. 968748&000812BB	Panel, 25.31 x 41.42
9. 968748&000912BB	Panel, 21.56 x 10.88
10. 968748&001018BB	Panel, 2.5 x 13.25
11. 968748&001118BB	Panel, 2.5 x 23.5
12. 968748&001218BB	Panel, 2.5 x 13.25
13. 968748&001318BB	Panel, 2.5 x 23.5
14. 968748&001418BB	Panel, 2.5 x 23.5
15. 968748&001518BB	Panel, 2.69 x 2.69
16. 968748&001618BB	Panel, 24.13 x 11.1
17. 968748&001718BB	Panel, 2.5 x 10.94
18. 968748&002812BB	Panel, 8 x 15.36
19. 968748&0023T06B	Corner trim, 90°, 1" radius
20. 968748&0024T06B	Corner trim, 90°, 1" radius
21. 968141	Electrical cover
22. 382241	Vent, Stainless Steel
381228-02	Catch, Grabber door, 5LB
382059-02	Knob, Push/pull, Black
382125	Piano hinge, Clear
968748&0025B01	Edgebanding, .63"
968748&0026B02	Edgebanding, .94"

2019 TOMMY BAHAMA TC FURNITURE, LOUNGE

Dinette Seat, CS



Parts Listed on Next Page

2019 TOMMY BAHAMA TC FURNITURE, LOUNGE

Dinette Seat, CS

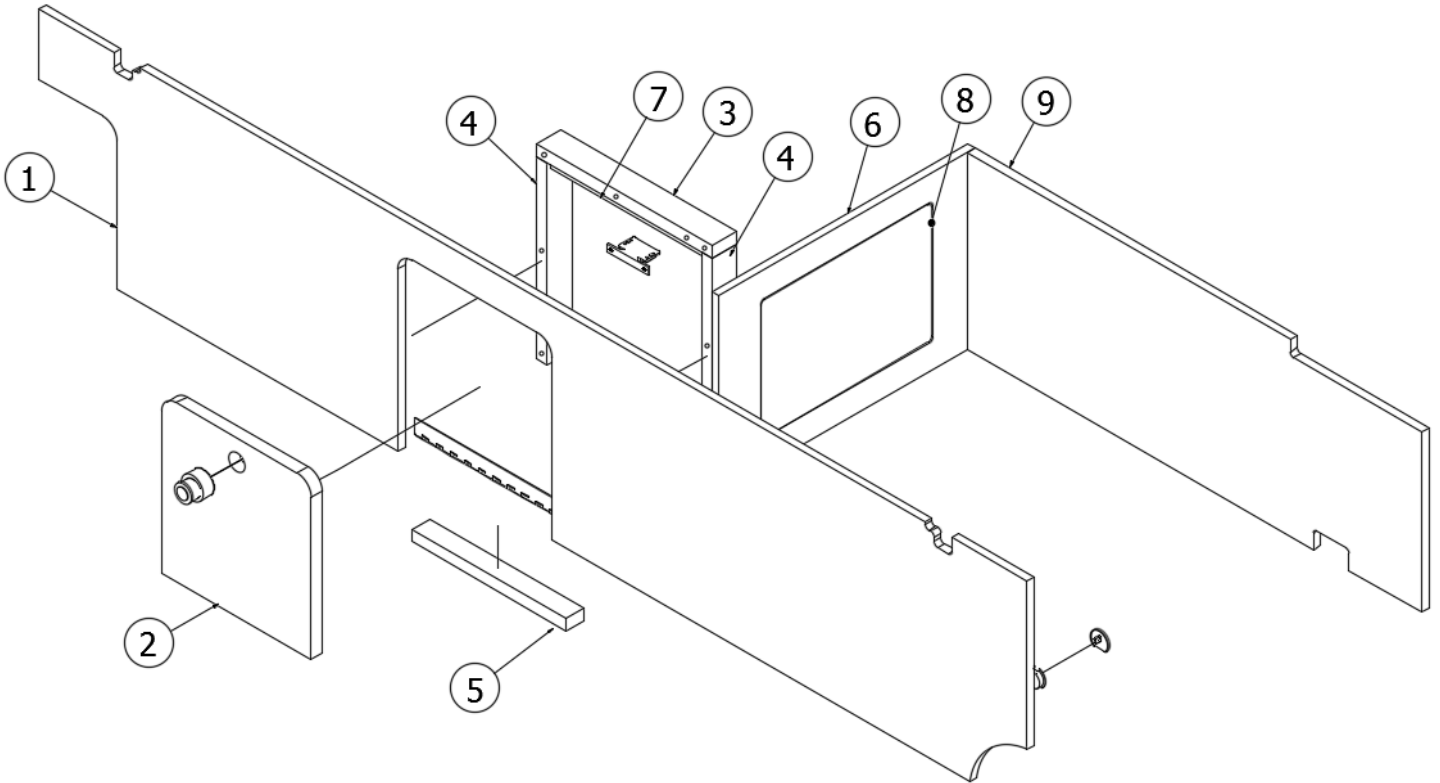
968747

CS Dinette Seat

1. 968747&000118BB	Panel, 19.25 x 11.63
2. 968747&000218BB	Panel, 4.88 x 13.25
3. 968747&000318BB	Panel, 2.5 x 23.5
4. 968747&000418BB	Panel, 2.5 x 23.5
5. 968747&000518BB	Panel, 2.5 x 23.5
6. 968747&000618BB	Panel, 2.5 x 13.25
7. 968747&000718BB	Panel, 2.5 x 13.25
8. 968747&000818BB	Panel, 2.5 x 11
9. 968747&000912BB	Panel, 25.31 x 41.42
10. 968747&001012BB	Panel, 23.5 x 13.25
11. 968747&001112BB	Panel, 15.36 x 12.5
12. 968747&001212BB	Panel, 8 x 15.31
13. 968747&001312BB	Panel, 1.75 x 13.25
14. 968747&0014T06B	Corner trim, 90°, 1" radius
15. 968747&0015T06B	Corner trim, 90°, 1" radius
16. 968747&002212BB	Panel, 11.88 x 8.38
382125	Piano hinge, Clear
382059-02	Knob, Push/pull, Black
381228-02	Catch, Grabber door, 5LB
968747&0020B01	Edgebanding, .63"
968747&0021B02	Edgebanding, .94"

2019 TOMMY BAHAMA TC FURNITURE, LOUNGE

Sofa Base



968746

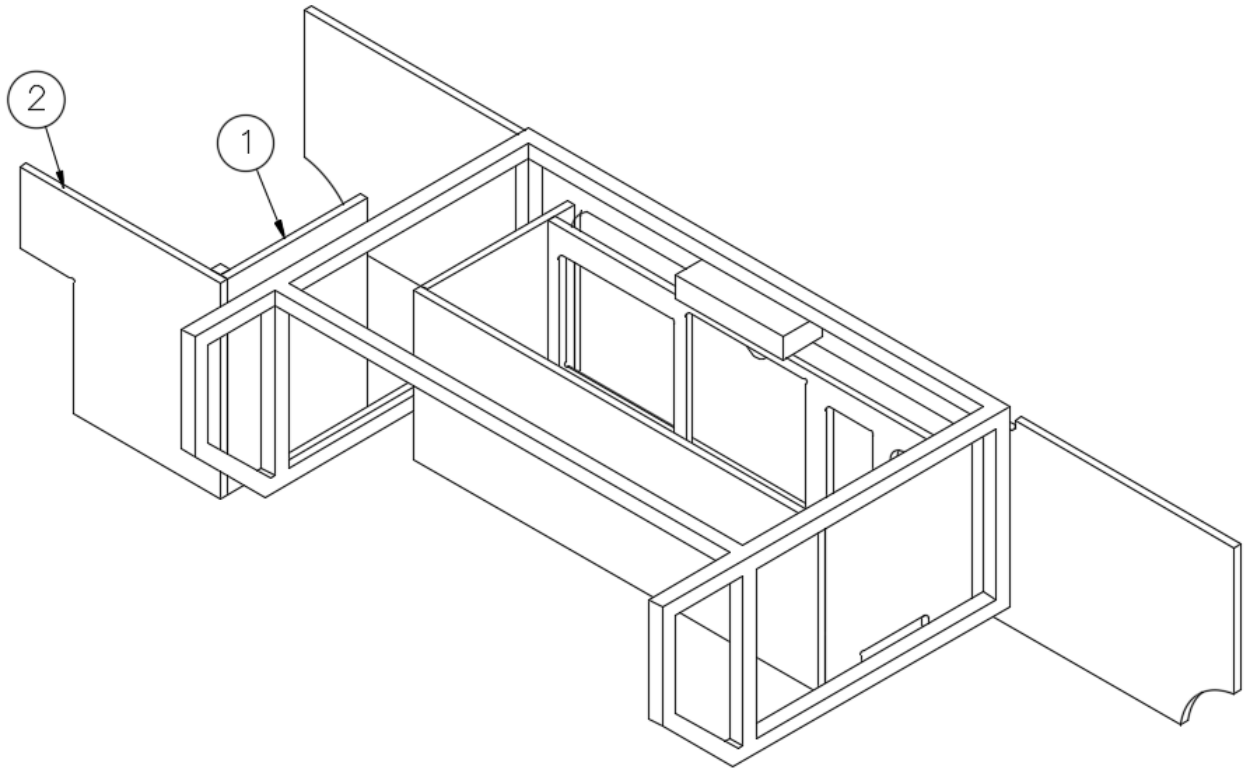
Rear Sofa Seat Base

1. 968746&000112BB
2. 968746&000218BB
3. 968746&000318BB
4. 968746&000418BB
5. 968746&000518BB
6. 968746&000712BB
7. 968746&000812BB
8. 968746&000912BB
9. 968746&001012BB
- 381228
- 380203-01
- 382059-02
- 382057
- 382057-01

- Panel, 14.25 x 69.58
- Panel, 10.5 x 10.88
- Panel, 1.75 x 12.38
- Panel, 1.75 x 12.31
- Panel, 1.25 x 10.88
- Panel, 12 x 18
- Panel, 1.5 x 10.88
- Panel, 13.5 x 9.88
- Panel, 12 x 32
- Catch, Grabber door, 10LB
- Piano hinge, 10", Anodized
- Knob, Push/pull, Black
- Knockdown
- D-cover cap, Lt. Brown

2019 TOMMY BAHAMA TC FURNITURE, LOUNGE

Sofa Closeouts

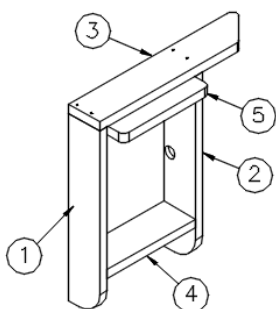
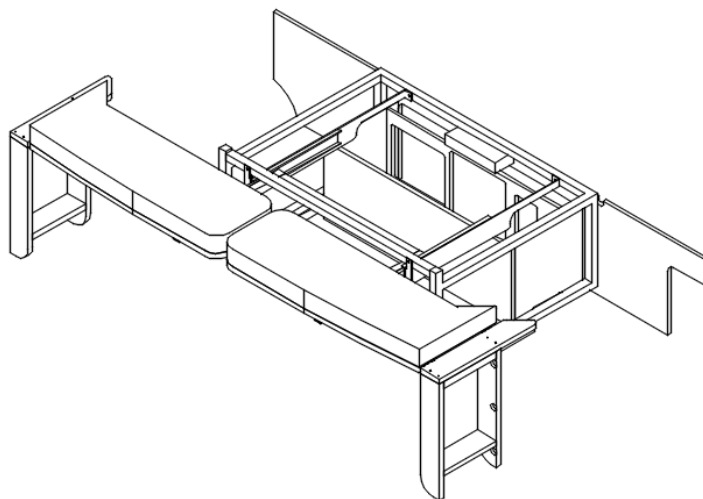


- 1. 967324-393
- 2. 967324-394

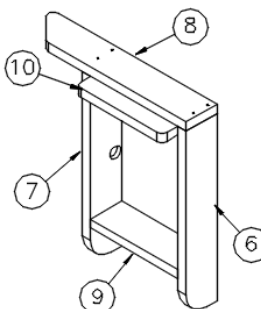
- Sofa bed closeout, 14 x 10.5
- Sofa bed closeout, 14 x 15

2019 TOMMY BAHAMA TC FURNITURE, LOUNGE

Sofa Extensions



Roadside



Curbside

967776-39
967777-39

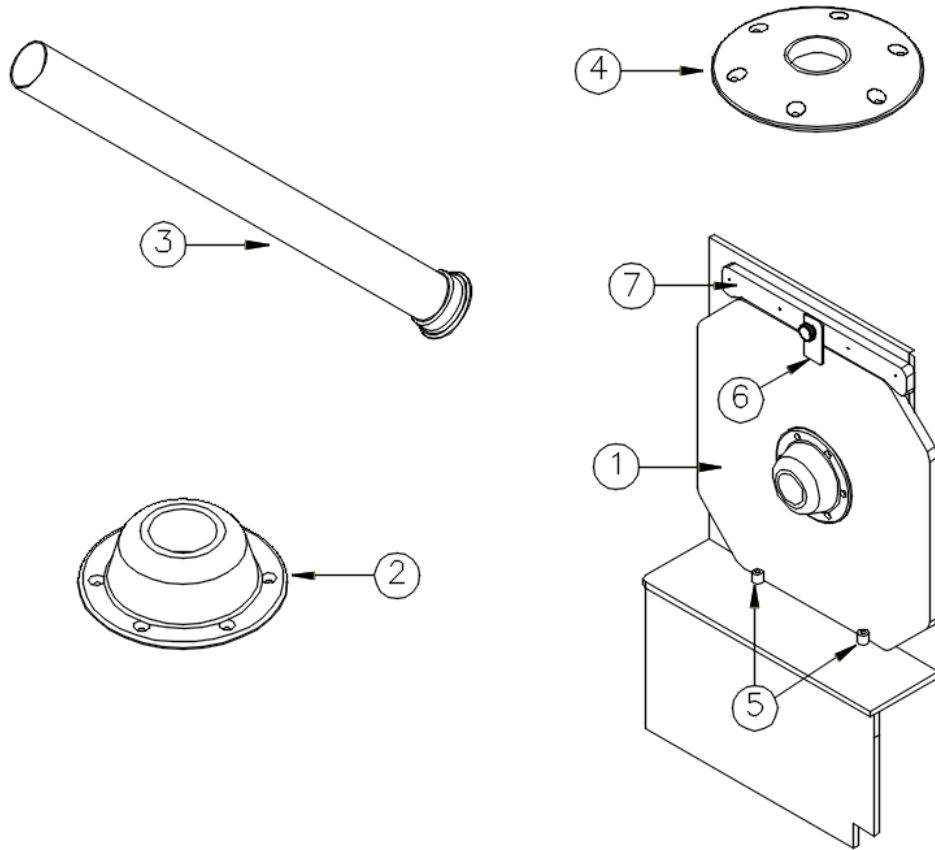
Sofa Extension, RS
Sofa Extension, CS

1. 967776-391
 2. 967776-392
 3. 967776-393
 4. 967776-3910
 5. 967776-3911
 6. 967777-391
 7. 967777-392
 8. 967777-393
 9. 967777-3910
 10. 967777-3911
- 704108DT
382172
115553
382293

- Panel, 3 x 15.75, RS
Panel, 3 x 15.75, RS
Panel, 3 x 15.79, RS
Panel, 3 x 8.5, RS
Panel, 4.5 x 8.38, RS
Panel, 3 x 18.25, CS
Panel, 3 x 18.25, CS
Panel, 3 x 15.79, CS
Panel, 3 x 8.5, CS
Panel, 4.5 x 8.38, CS
Kit, Sofa cushions, Desert Tan
Hinge, Narrow utility
Sofa extension weldment
Drawer Slide, 12"

2019 TOMMY BAHAMA TC FURNITURE, LOUNGE

Pedestal Table



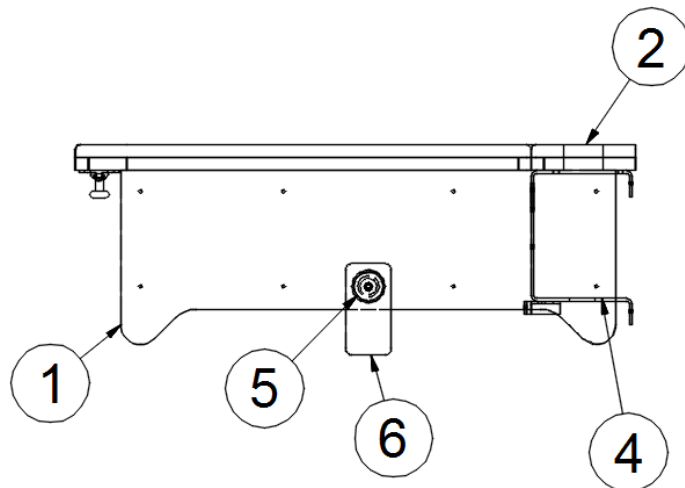
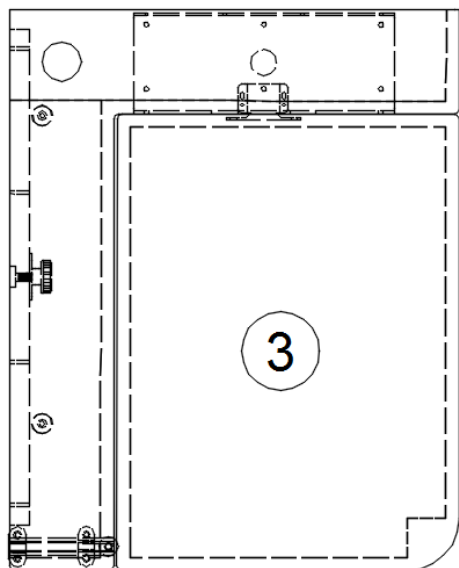
968482-02

Pedestal Table

- | | |
|----------------|--|
| 1. 602662 | Table top, Glacier Ice Illumination series |
| 2. 381975 | Pedestal socket, Table top |
| 3. 381974 | Pedestal leg, Thread lock |
| 4. 381976 | Pedestal socket, Floor |
| 5. 381136 | Rubber bumper |
| 6. 454721 | Bracket, Pedestal table storage |
| 7. 968569-3922 | Panel, 2.25 x 17.5 |
| 382095 | Knob, Knurled |
| 381610-03 | Cover cap, Plastic |
| 703967 | Storage wrap assembly |
| 703832 | Vinyl, Simplicity Black, 54" wide |
| 703703 | Zipper, Black |
| 382077 | Clip- 2.38" Post Storage |

2019 TOMMY BAHAMA TC FURNITURE, LOUNGE

Flip Table Area, Grand Tour



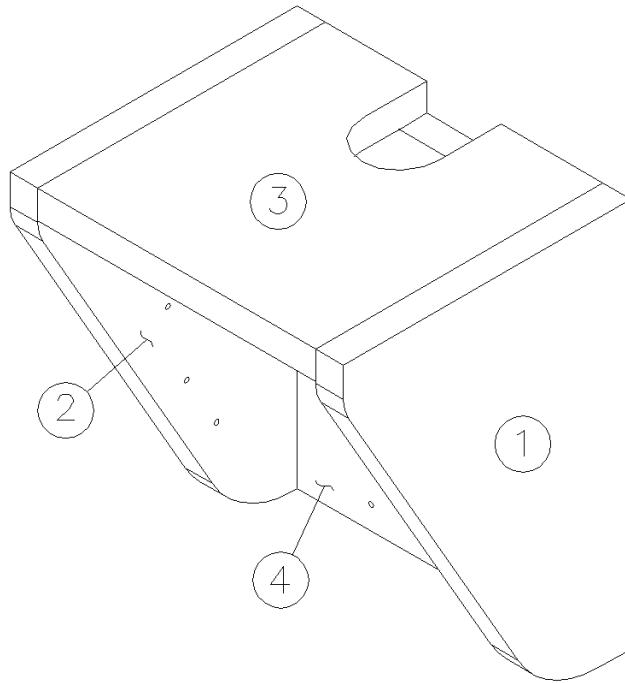
968593

Flip Table Area

- | | |
|--------------|-----------------------------------|
| 1. 968593-1 | Panel, 6.66 x 19 |
| 2. 602387-02 | Credenza top, Corian, Glacier Ice |
| 3. 602386-02 | Flip table, Corian, Glacier Ice |
| 4. 454987 | Bracket, Flip table |
| 5. 382095 | Knob, Knurled |
| 6. 454721 | Bracket, Pedestal table storage |
| 381136 | Rubber bumper |
| 382092-01 | Bracket, Hinged spring |
| 454989 | Bracket, Flip table brace |
| 382260 | Slide bolt, 4" |
| 381209-01 | Grommet w/cap, Black |
| 381228-02 | Catch, Grabber door, 5LB |
| 365412-02 | Edgebanding, .94", Macchiato |

2019 TOMMY BAHAMA TC FURNITURE, LOUNGE

TV Mounting Cabinet



968267-39

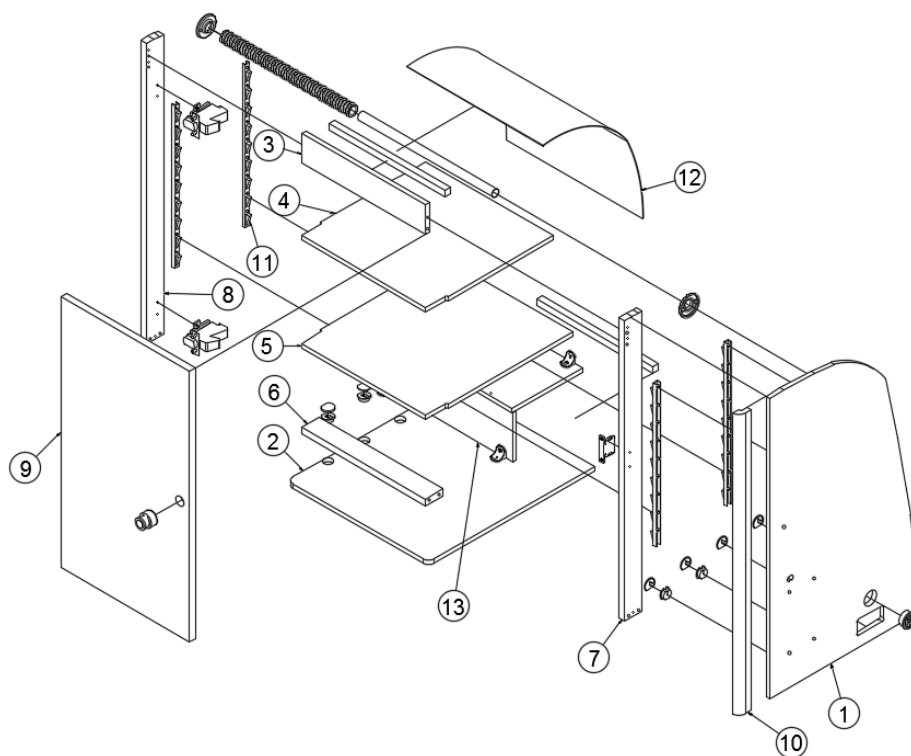
TV Mounting Cabinet

- 1. 968267-391
- 2. 968267-392
- 3. 968267-393
- 4. 968267-394
- 365412-02
- 382227
- 381228-02

Panel, 7.75 x 10.5
Panel, 7.75 x 10.5
Panel, 7.75 x 7.5
Panel, 7.5 x 9.75
Edgebanding, .94", Macchiato
Hinge, Overhead spring, Nickel
Catch, Grabber door

2019 TOMMY BAHAMA TC FURNITURE, LOUNGE

Wardrobe, CS Hanging, Lounge Wardrobe Option



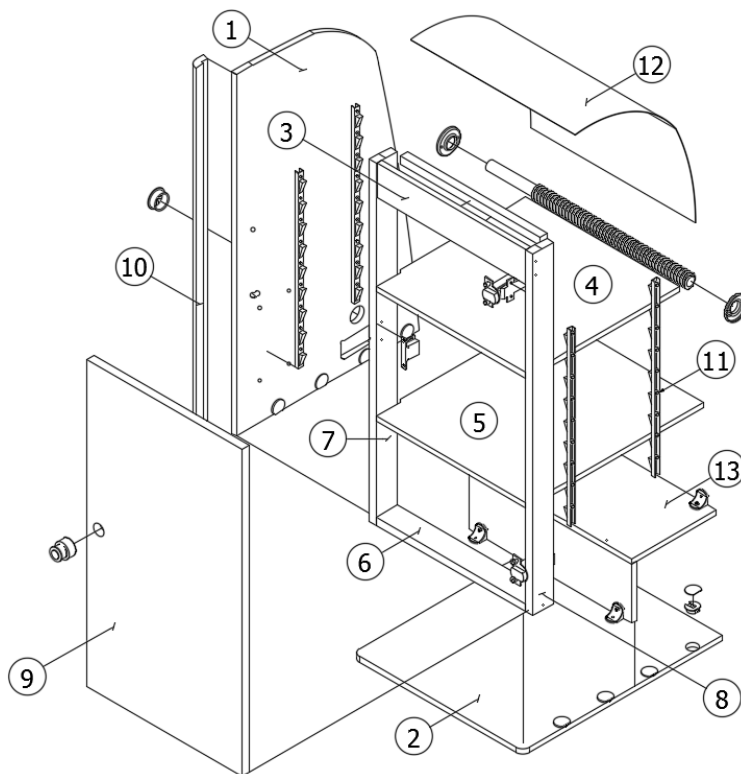
967518-39

CS Hanging Wardrobe

- | | |
|-----------------|--|
| 1. 967518-391 | Panel, 19.56 x 33.5 |
| 2. 967518-392 | Panel, 18.25 x 21.38 |
| 3. 967518-393 | Panel, 16 x 3.25 |
| 4. 967518-394 | Panel, 16.25 x 16.5 |
| 5. 967518-395 | Panel, 18.75 x 16.5 |
| 6. 967518-396 | Panel, 2.25 x 16 |
| 7. 967518-397 | Panel, 2.25 x 33.5 |
| 8. 967518-398 | Panel, 2.25 x 33.5 |
| 9. 967518-399 | Panel, 16.63 x 30.25 |
| 10. 801706-0039 | Corner trim, 90°, 1" radius, Macchiato |
| 11. 381527 | Shelf strips, Speedy |
| 12. 967234 | Cover, Wire |
| 13. 968327 | TV wire closeout |
| 382059-02 | Knob, Push/pull, Black |
| 381228-02 | Catch, Grabber door, 5LB |
| 382057 | Knockdown |
| 382057-01 | Cap, Knockdown, Lt. Brown |
| 381607-11 | Hinge, Self-close |
| 380045 | Tubing, .75", Elec. Metallic |
| 380046 | Flange, Chrome |
| 200975-04 | Conduit, Flexible Black plastic |
| 512923 | Grommet, 1.5" |

2019 TOMMY BAHAMA TC FURNITURE, LOUNGE

Wardrobe, RS Hanging, Grand Tour Wardrobe Option



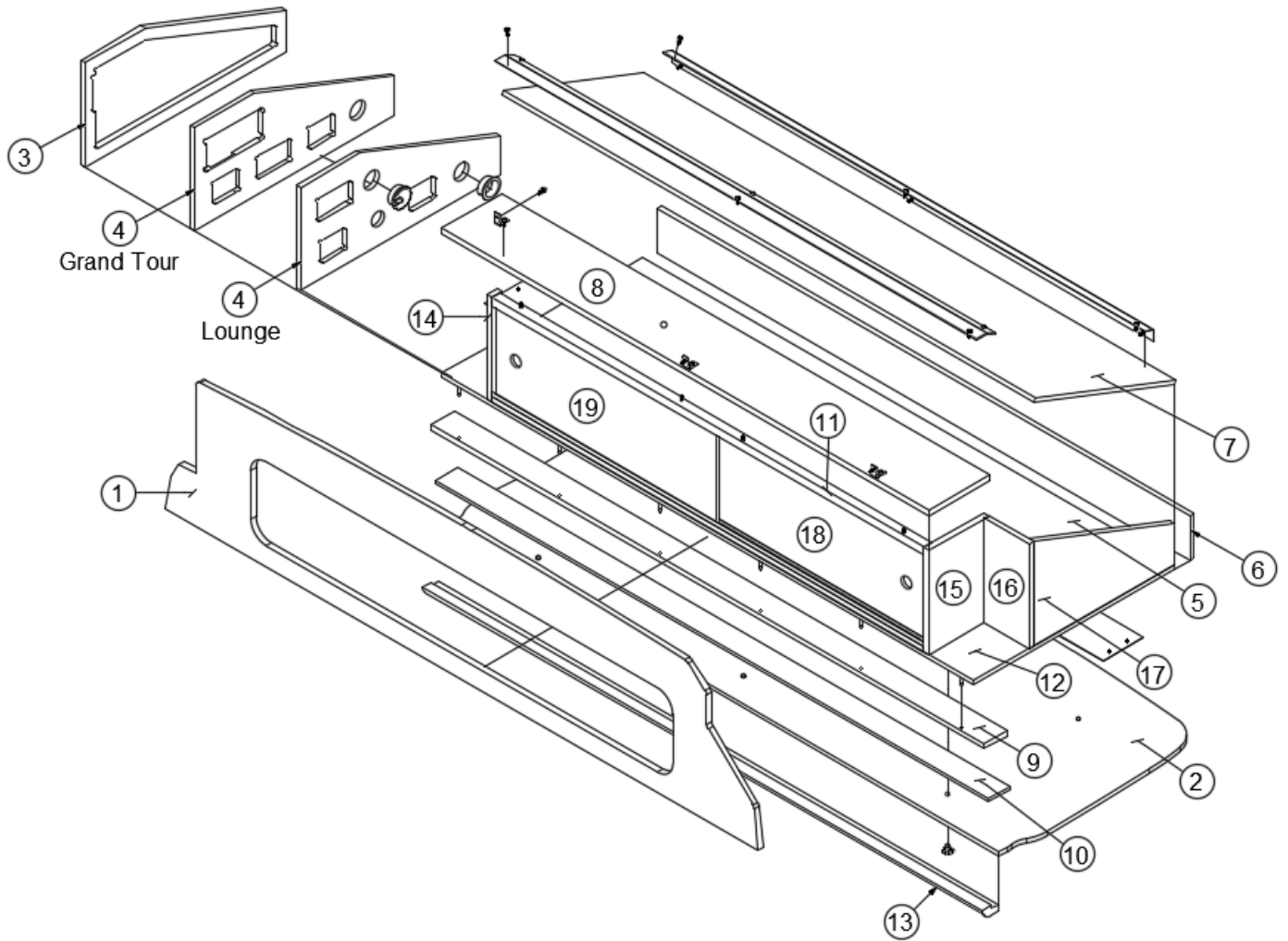
968143-39

RS Hanging Wardrobe

- | | |
|-----------------|--|
| 1. 968143-391 | Panel, 19.56 x 33.5 |
| 2. 968143-392 | Panel, 18.25 x 21.38 |
| 3. 968143-393 | Panel, 16 x 3.25 |
| 4. 968143-394 | Panel, 16.25 x 16.5 |
| 5. 968143-395 | Panel, 18.75 x 16.5 |
| 6. 968143-396 | Panel, 2.25 x 16 |
| 7. 968143-397 | Panel, 2.25 x 33.5 |
| 8. 968143-398 | Panel, 2.25 x 33.5 |
| 9. 968143-399 | Panel, 16.63 x 30.25 |
| 10. 801706-0039 | Corner trim, 90°, 1" radius, Macchiato |
| 11. 381527 | Shelf strips, Speedy |
| 12. 967234 | Cover, Wire |
| 13. 968327 | TV wire closeout |
| 382059-02 | Knob, Push/pull, Black |
| 381228-02 | Catch, Grabber door, 5LB |
| 382057 | Knockdown |
| 382057-01 | Cap, Knockdown, Lt Brown |
| 381607-11 | Hinge, Self-close |
| 380046 | Flange, Chrome |
| 200975-04 | Conduit, Flexible Black plastic |
| 512923 | Grommet, 1.5" |

2019 TOMMY BAHAMA TC FURNITURE, LOUNGE

Roof Locker, Front End



Parts Listed on Next Page

2019 TOMMY BAHAMA TC

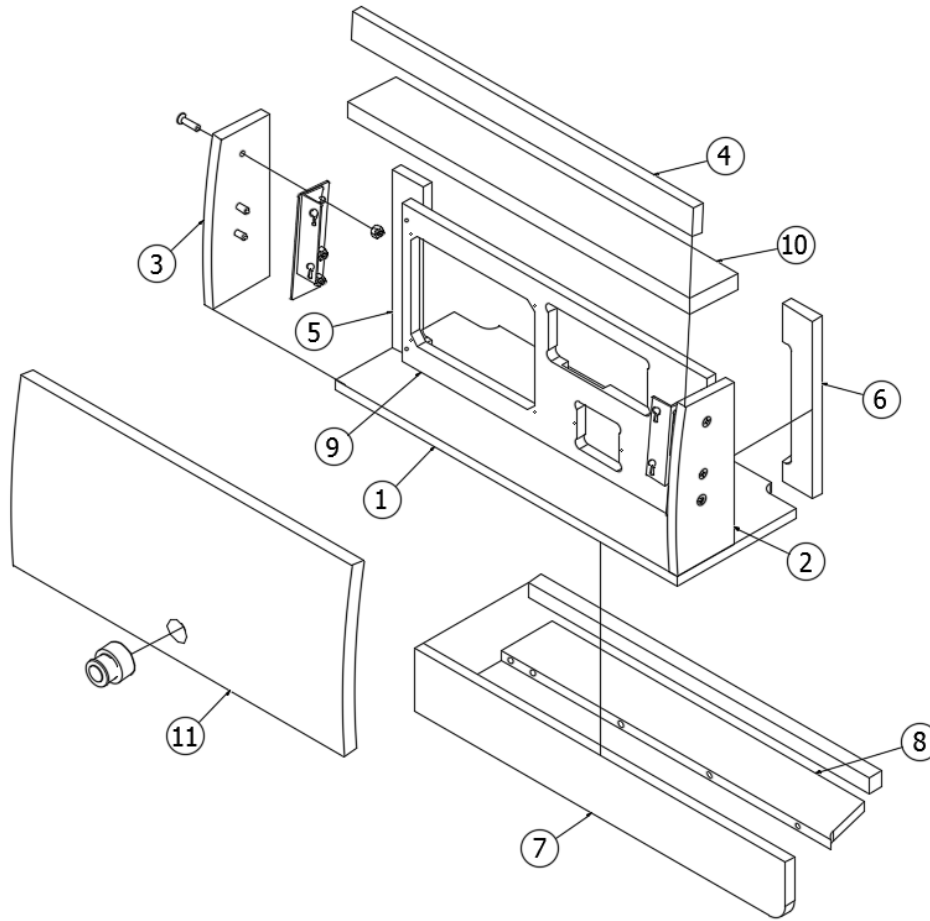
FURNITURE, LOUNGE

Roof Locker, Front End

967503-39	Front End Roof Locker
1. 967503-391	Panel, 13.25 x 59
2. 967503-2	Panel, 21 x 57
3. 967503-393	Panel, 9 x 20
4. 967503-4	Panel, 8.88 x 19.88, Lounge
967503-37	Panel, 8.88 x 19.88, GT
5. 967503-395	Panel, 9 x 14
6. 967503-6	Panel, 3.88 x 53
7. 967503-7	Panel, 15.04 x 53
8. 967503-3936	Panel, 6 x 48.5
9. 967503-399	Panel, 2.25 x 55
10. 967503-10	Panel, 2.25 x 55
11. 967503-3911	Panel, 1 x 43
12. 967503-12	Panel, 20 x 53
13. 801706-0039	Corner trim, 90°, 1" radius, Macchiato
14. 967503-3914	Panel, 1 x 9
15. 967503-3915	Panel, 6 x 9
16. 967503-3916	Panel, 4.5 x 9
17. 115580	Support plate, Overhead
18. 203940-01	Door, Frosted w/Tommy logo, CS
19. 203940-02	Door, Frosted w/Tommy logo, RS
203388-01	Track, Sliding door, Black
380041	Corner brace, 1" Stanley
381209-01	Grommet w/cap, 1.5", Black
381209-02	Grommet w/o cap, 1.5", Black
115561	Aluminum angle, 25°, 1 x 1
115562	Aluminum angle, 70°, 1 x 1
203710	T-molding, Almond

2019 TOMMY BAHAMA TC FURNITURE, LOUNGE

Roof Locker, RS Front Transition



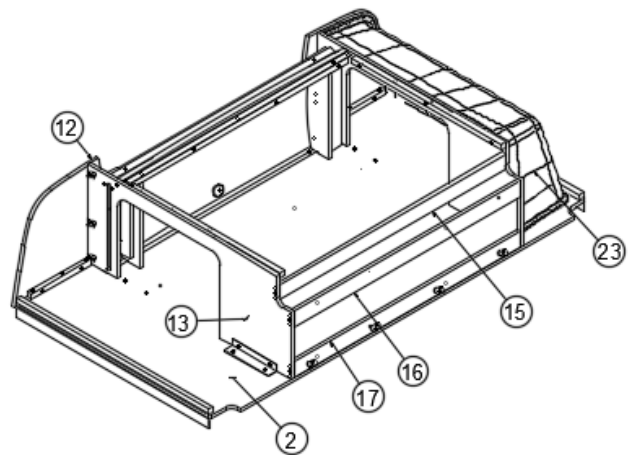
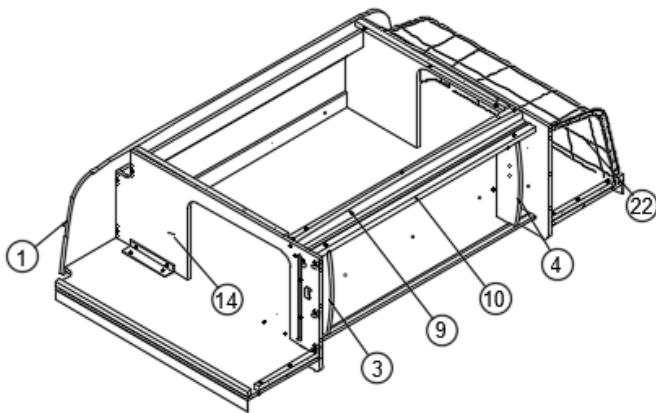
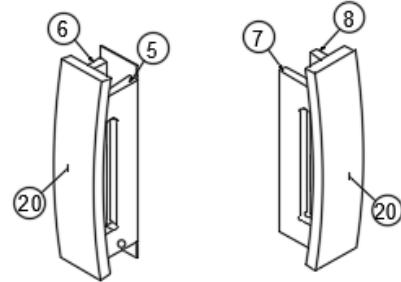
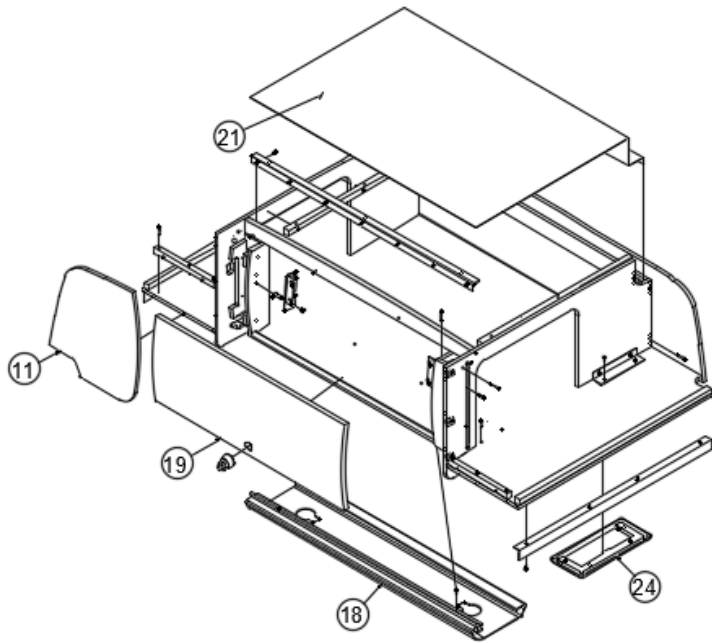
968818

RS Front Transition Roof Locker

1. 968818&000112BB	Panel, 7.31 x 19.5
2. 968818&000212BB	Panel, 3.31 x 8.16
3. 968818&000312BB	Panel, 3.31 x 8.16
4. 968818&000412BB	Panel, 1.38 x 19.5
5. 968818&000512BB	Panel, 1.75 x 8.79
6. 968818&000612BB	Panel, 1.75 x 8.79
7. 968818&000712BB	Panel, 3.13 x 21.19
8. 968818&000812BB	Panel, 2.88 x 18.78
9. 968818&000912BB	Panel, 17.38 x 7.88
10. 968818&001018BB	Panel, 2.75 x 19.5
11. 801790-0239	Door, 9.25 x 18.88, Macchiato
382059-02	Knob, Push/pull, Black
382227	Hinge, Overhead spring, Nickel
968818&0012B01	Edgebanding, .63", Macchiato
968818&0013B02	Edgebanding, .94", Macchiato

2019 TOMMY BAHAMA TC FURNITURE, LOUNGE

Roof Locker, Rear



Parts Listed on Next Page

2019 TOMMY BAHAMA TC FURNITURE, LOUNGE

Roof Locker, Rear

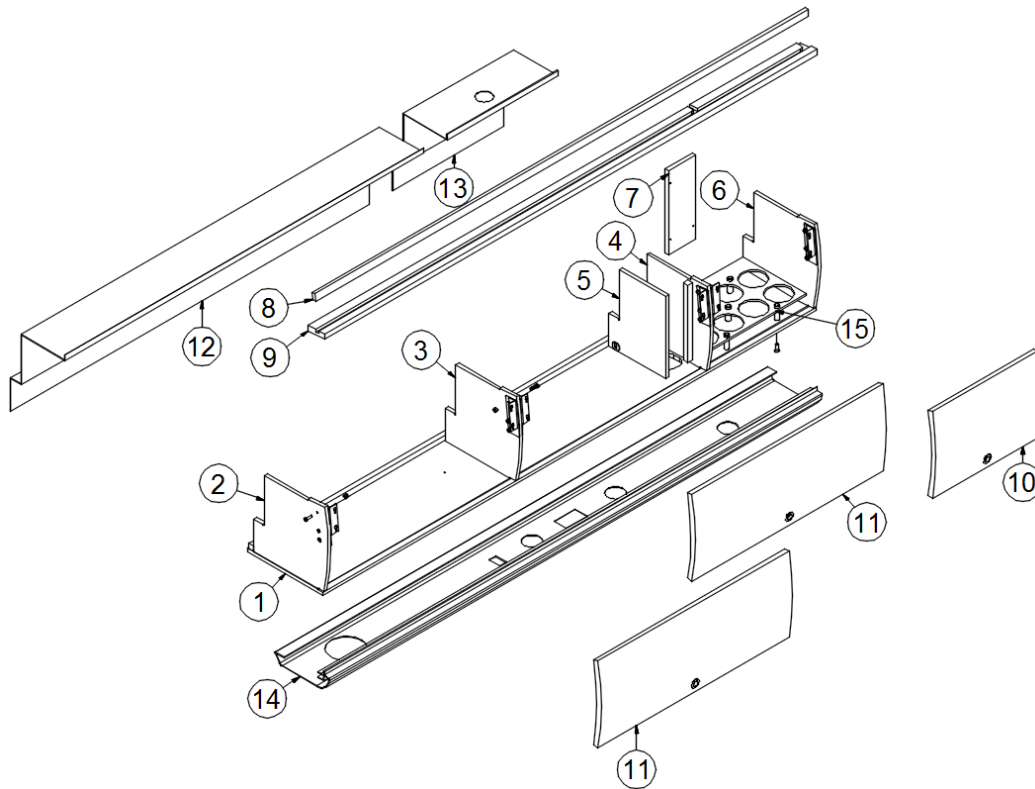
967771-39

Rear Roof Locker

1. 967771-391	Panel, 12.56 x 56.02
2. 967771-392	Panel, 34.01 x 62.63
3. 967771-393	Panel, 3.7 x 12.12
4. 967771-394	Panel, 3.7 x 12.12
5. 967771-395	Panel, 2.41 x 10.07
6. 967771-396	Panel, 2.41 x 10.07
7. 967771-397	Panel, 2.41 x 10.07
8. 967771-398	Panel, 2.41 x 10.07
9. 967771-399	Panel, 2.21 x 37.63
10. 967771-3910	Panel, 2.25 x 37.63
11. 967771-3911	Panel, 14.75 x 16.47
12. 967771-3912	Panel, 14.75 x 16.47
13. 967771-3913	Panel, 34.01 x 16.46
14. 967771-3914	Panel, 34.01 x 16.46
15. 967771-3915	Panel, 2.25 x 37.63
16. 967771-3916	Panel, 2.25 x 37.63
17. 967771-3917	Panel, 2.25 x 37.63
18. 115406	Roof locker extrusion
19. 801785-0139	Door, 12.38 x 31.5, Macchiato
20. 801785-0539	Door, 12.38 x 2.88, Macchiato
21. 115552	Closeout, Aluminum
22. 203728-01	Closeout, RH
23. 203728-02	Closeout, LH
24. 233787	Collapsing clothes hanger
382059-02	Knob, Push/pull, Black
701538-01	Carpet, Econolier w/PSA back
365412-01	Edgebanding, .63" Macchiato
365412-02	Edgebanding, .94" Macchiato
114813	Aluminum angle, 1 x 1.5
114812	Aluminum angle, 1 x 1
382057	Knockdown
382057-01	Cap, Knockdown, Lt Brown
203710	T-molding, Almond
382227	Hinge, Overhead spring, Nickel

2019 TOMMY BAHAMA TC FURNITURE, LOUNGE

Roof Locker, RS Aft, Lounge



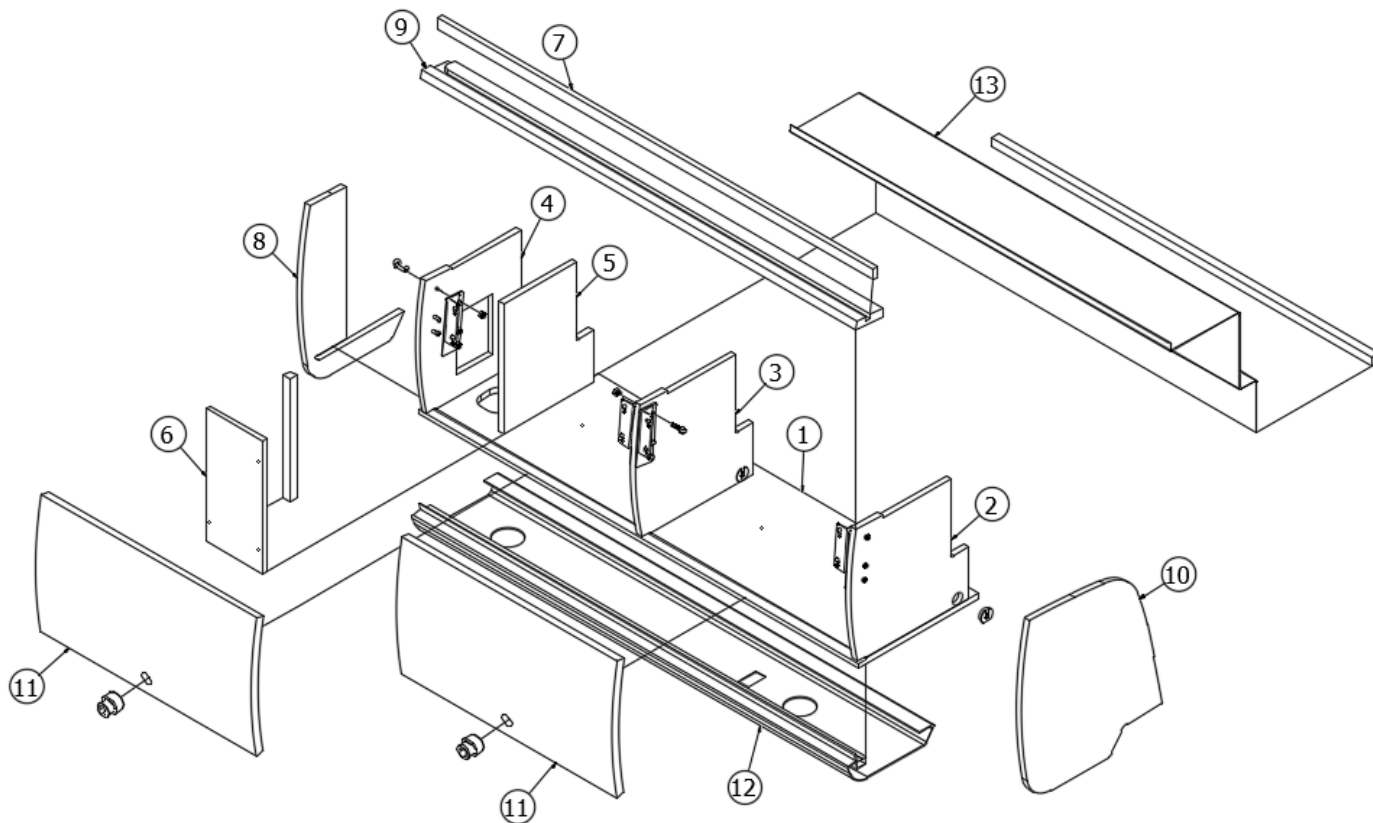
968538-39

Roadside Aft Roof Locker

- | | |
|-----------------|--------------------------------|
| 1. 968538-391 | Panel, 12.5 x 81.17 |
| 2. 968538-392 | Panel, 12.28 x 12.12 |
| 3. 968538-393 | Panel, 12.28 x 12.12 |
| 4. 968538-394 | Panel, 12.28 x 12.12 |
| 5. 968538-395 | Panel, 9.34 x 11.73 |
| 6. 968538-396 | Panel, 12.28 x 12.12 |
| 7. 968538-397 | Panel, 4.5 x 12 |
| 8. 968538-398 | Panel, 1 x 81.17 |
| 9. 968538-399 | Panel, 2.75 x 81.17 |
| 10. 801785-0439 | Door, 12.38 x 17.38, Macchiato |
| 11. 801785-0139 | Door, 12.38 x 31.5, Macchiato |
| 12. 115473-06 | Aluminum back, 59.06" |
| 13. 115473-12 | Aluminum back, 18.25" |
| 14. 115406 | Roof locker extrusion |
| 15. 203927 | Insert, Glass holder |
| 382059-02 | Knob, Push/pull, Black |
| 701538-01 | Carpet, Econolier, w/PSA back |
| 382227 | Hinge, Overhead spring, Nickel |
| 382057 | Knockdown |

2019 TOMMY BAHAMA TC FURNITURE, LOUNGE

Roof Locker, RS Forward, Lounge



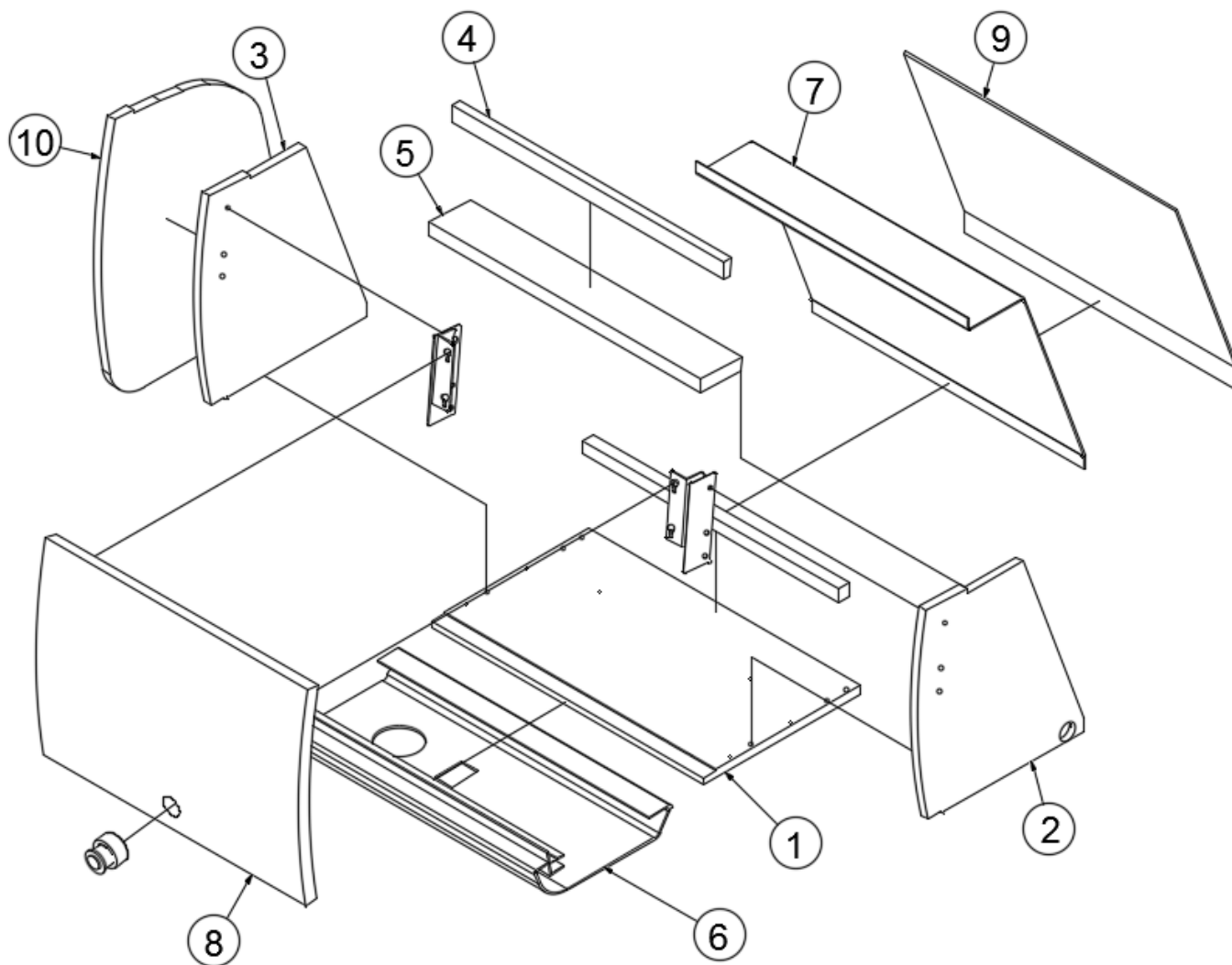
968819

RS Forward Roof Locker

- | | |
|---------------------|----------------------------------|
| 1. 968819&000112BB | Panel, 12.5 x 45.9 |
| 2. 968819&000212BB | Panel, 12.28 x 12.12 |
| 3. 968819&000312BB | Panel, 12.28 x 12.12 |
| 4. 968819&000412BB | Panel, 12.28 x 12.12 |
| 5. 968819&000512BB | Panel, 9.34 x 11.73 |
| 6. 968819&000612BB | Panel, 5.82 x 12 |
| 7. 968819&000712BB | Panel, 1 x 45.38 |
| 8. 968819&000812BB | Panel, 10.65 x 16.44 |
| 9. 968819&000918BB | Panel, 2.75 x 45.38 |
| 10. 968819&002312BB | Panel, 14.75 x 16.44 |
| 11. 801785-0839 | Door, 12.38 x 22.44, Macchiato |
| 12. 115406 | Roof locker extrusion, 45.38 |
| 13. 115473-21 | Aluminum roof locker back, 39.61 |
| 382059-02 | Knob, Push/pull, Black |
| 382227 | Hinge, Overhead spring, Nickel |
| 382057 | Knockdown |
| 382057-01 | Cap, Knockdown, Lt Brown |

2019 TOMMY BAHAMA TC FURNITURE, LOUNGE

Roof Locker, CS Forward, Lounge



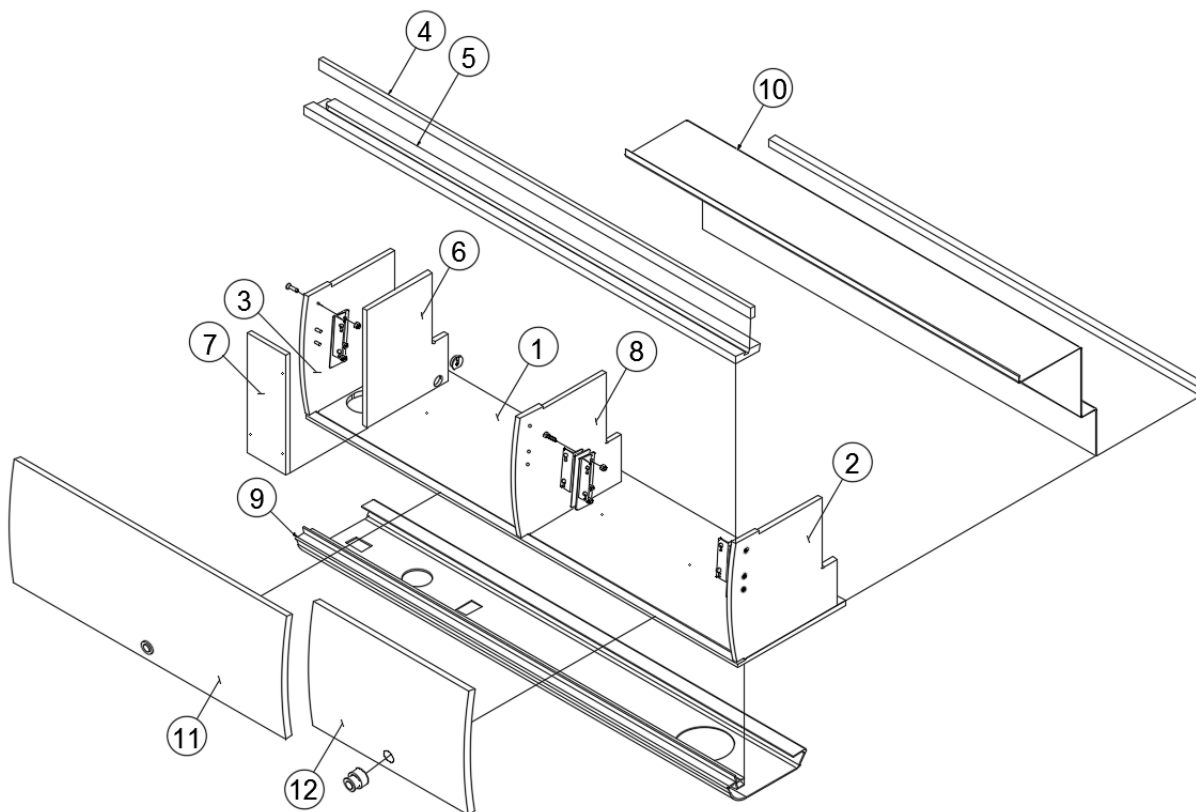
968278-39

CS Forward Roof Locker

- | | |
|----------------|--------------------------------|
| 1. 968278-391 | Panel, 10.38 x 18 |
| 2. 968278-392 | Panel, 11 x 12.12 |
| 3. 968278-393 | Panel, 11 x 12.12 |
| 4. 968278-394 | Panel, 1 x 18 |
| 5. 968278-395 | Panel, 2.75 x 18 |
| 6. 115406 | Roof locker extrusion, 45.38 |
| 7. 115636-02 | Aluminum roof locker back, 18" |
| 8. 801785-0439 | Door, 12.38 x 17.38, Macchiato |
| 9. 968290 | Roof locker padded back |
| 10. 968231-39 | Endcap, Macchiato |
| 382059-02 | Knob, Push/pull, Black |
| 382227 | Hinge, Overhead spring, Nickel |

2019 TOMMY BAHAMA TC FURNITURE, LOUNGE

Roof Locker, Curbside, Lounge



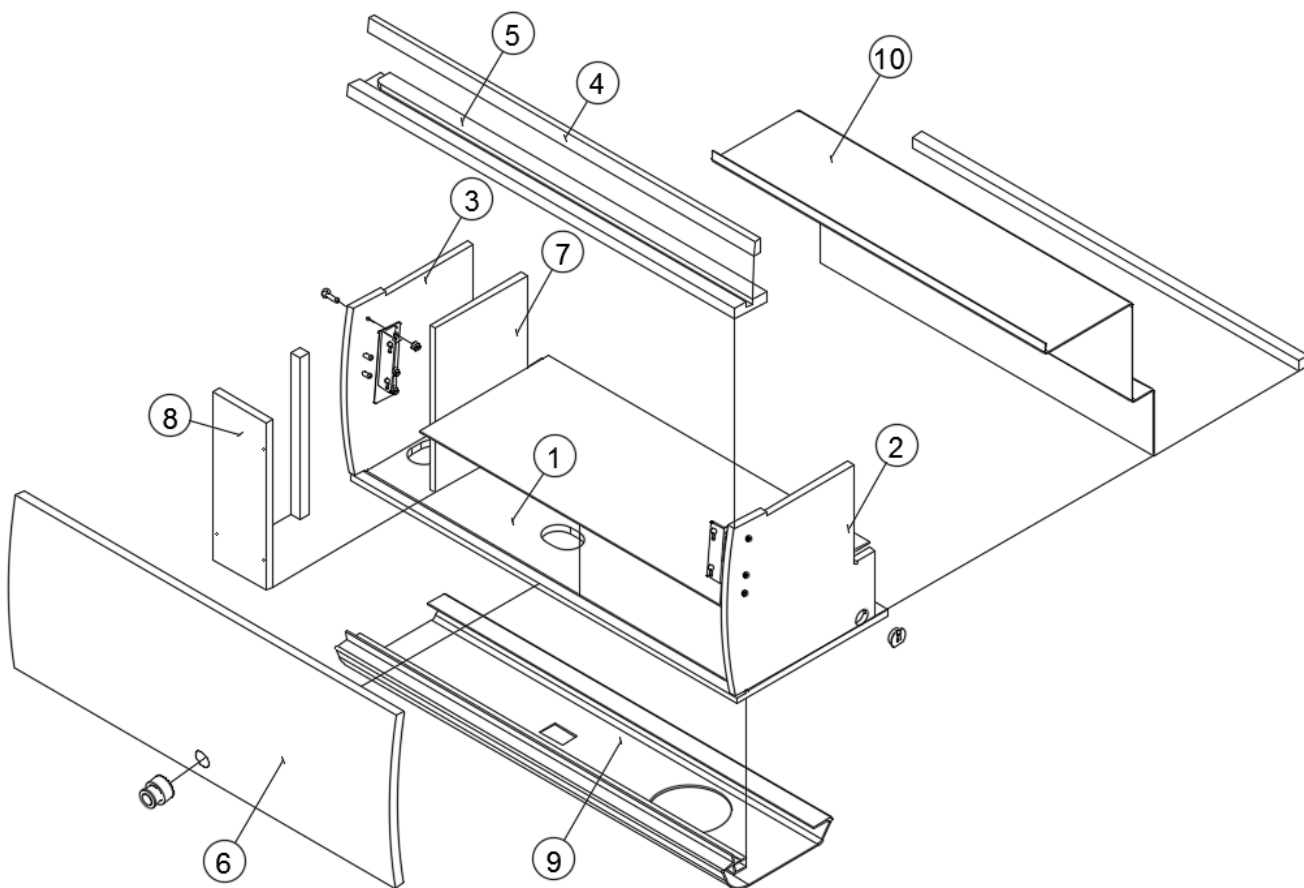
968252-39

CS Roof Locker

- | | |
|-----------------|--------------------------------|
| 1. 968252-391 | Panel, 12.5 x 50 |
| 2. 968252-392 | Panel, 12.28 x 12.12 |
| 3. 968252-393 | Panel, 12.28 x 12.12 |
| 4. 968252-394 | Panel, 1 x 50 |
| 5. 968252-395 | Panel, 2.75 x 50 |
| 6. 968252-397 | Panel, 9.34 x 11.73 |
| 7. 968252-398 | Panel, 4.5 x 12 |
| 8. 968252-3917 | Panel, 12.28 x 12.12 |
| 9. 115406 | Roof locker extrusion |
| 10. 115473-18 | Aluminum back, 45.57" |
| 11. 801785-0139 | Door, 12.38 x 31.5, Macchiato |
| 12. 801785-1139 | Door, 12.38 x 18, Macchiato |
| 382059-02 | Knob, Push/pull, Black |
| 365412-01 | Edgebanding, .63", Macchiato |
| 365412-02 | Edgebanding, .94", Macchiato |
| 382227 | Hinge, Overhead spring, Nickel |
| 382057 | Knockdown |
| 382057-01 | Cap, Knockdown, Lt Brown |

2019 TOMMY BAHAMA TC FURNITURE, LOUNGE

Roof Locker, CS Rear, Lounge Wardrobe Option



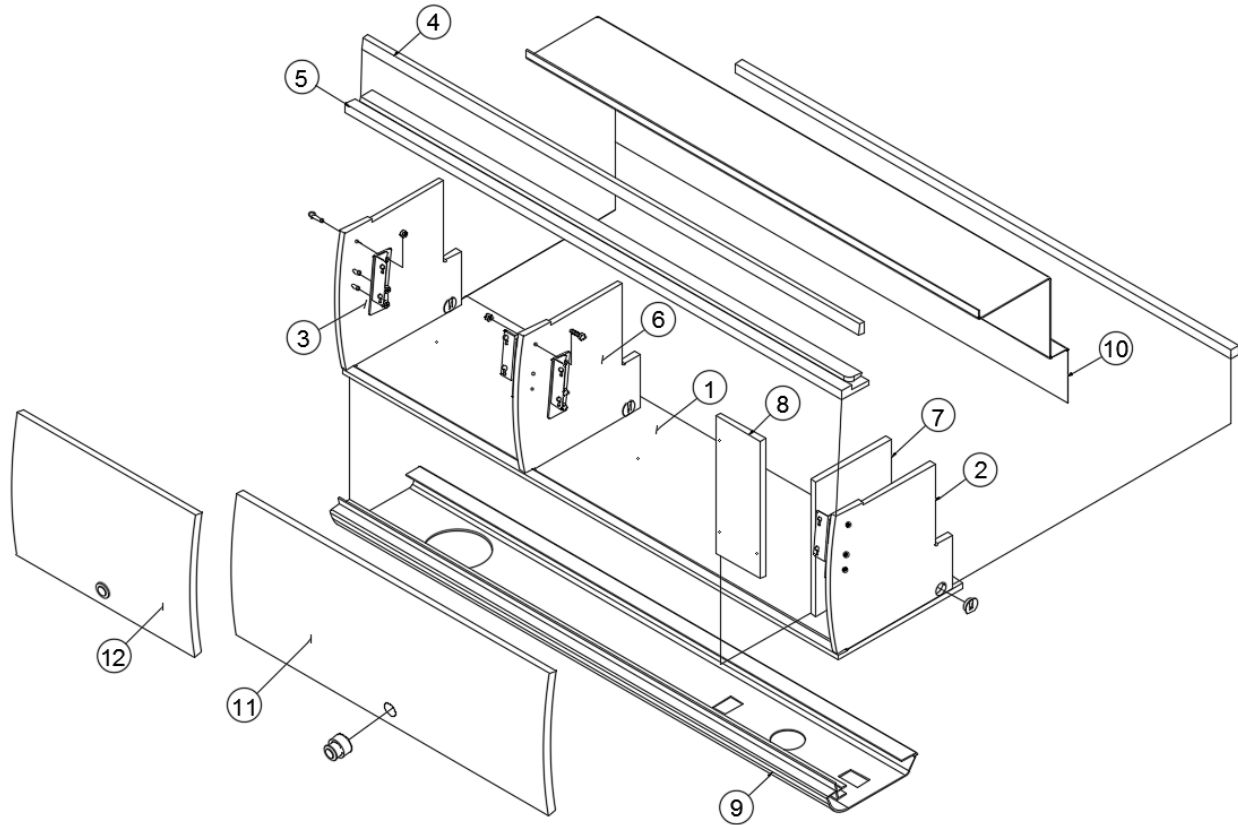
968258-39

CS Rear Roof Locker

- | | |
|----------------|--------------------------------|
| 1. 968258-391 | Panel, 12.5 x 32 |
| 2. 968258-392 | Panel, 12.28 x 12.12 |
| 3. 968258-393 | Panel, 12.28 x 12.12 |
| 4. 968258-394 | Panel, 1 x 32 |
| 5. 968258-395 | Panel, 2.75 x 32 |
| 6. 801785-0139 | Door, 12.38 x 31.5, Macchiato |
| 7. 968258-397 | Panel, 9.34 x 11.73 |
| 8. 968258-3918 | Panel, 4.43 x 12 |
| 9. 115406 | Roof locker extrusion |
| 10. 115473-16 | Aluminum back, 27.57" |
| 382059-02 | Knob, Push/pull, Black |
| 382227 | Hinge, Overhead spring, Nickel |
| 365412-01 | Edgebanding, .63", Macchiato |
| 365412-02 | Edgebanding, .94", Macchiato |
| 382057 | Knockdown |
| 382057-01 | Cap, Knockdown, Lt Brown |

2019 TOMMY BAHAMA TC FURNITURE, LOUNGE

Roof Locker, RS, Grand Tour



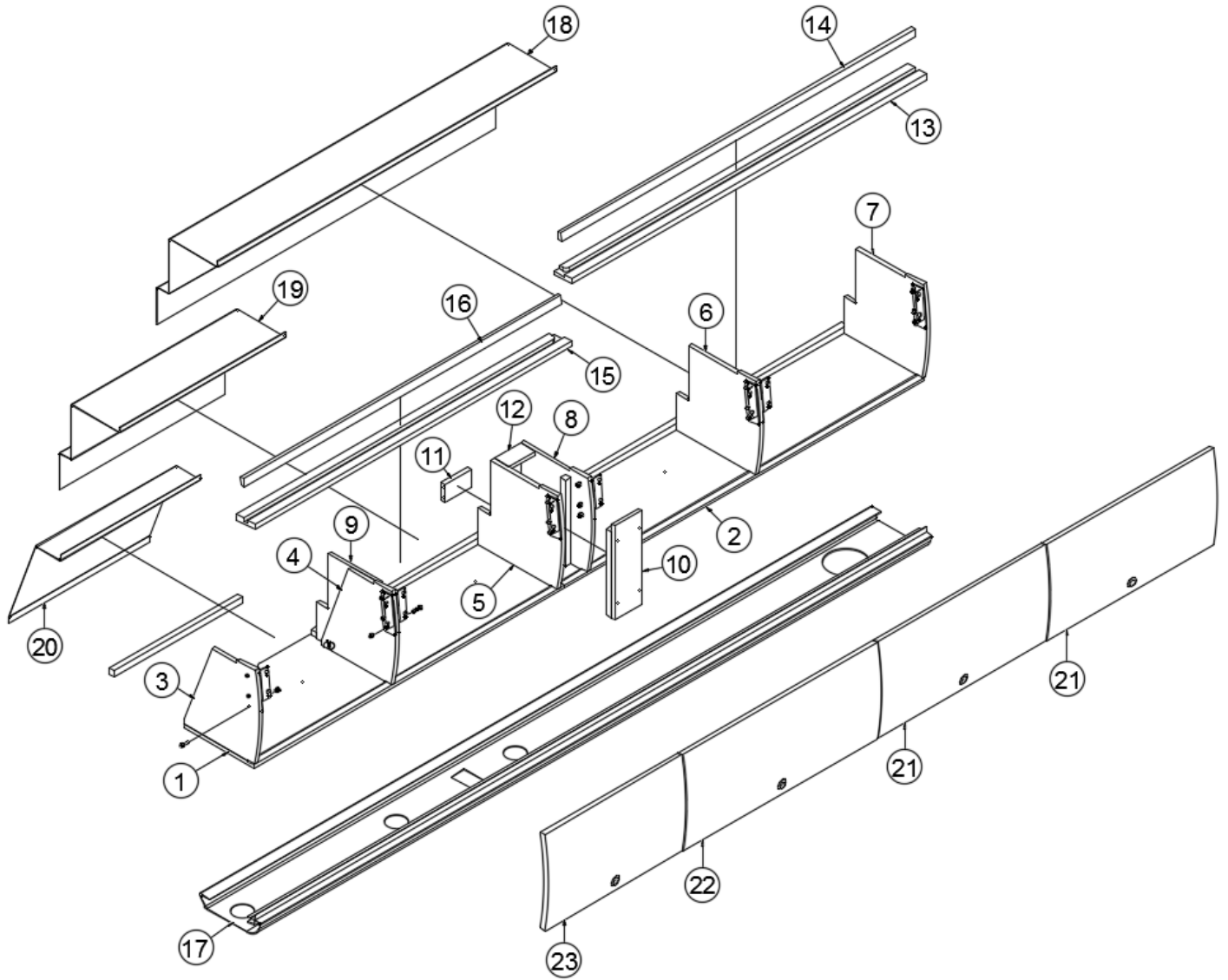
968210-39

RS Roof Locker

- | | |
|-----------------|--------------------------------|
| 1. 968210-391 | Panel, 12.5 x 50 |
| 2. 968210-392 | Panel, 12.28 x 12.12 |
| 3. 968210-393 | Panel, 12.28 x 12.12 |
| 4. 968210-394 | Panel, 1 x 50 |
| 5. 968210-395 | Panel, 2.75 x 50 |
| 6. 968210-3917 | Panel, 12.28 x 12.12 |
| 7. 968210-397 | Panel, 9.34 x 11.73 |
| 8. 968210-398 | Panel, 4.5 x 12 |
| 9. 115406 | Roof locker extrusion |
| 10. 115473-18 | Aluminum back |
| 11. 801785-0139 | Door, 12.38 x 31.5, Macchiato |
| 12. 801785-1139 | Door, 12.38 x 18, Macchiato |
| 382059-02 | Knob, Push/pull, Black |
| 382227 | Hinge, Overhead spring, Nickel |
| 365412-01 | Edgebanding, .63", Macchiato |
| 365412-02 | Edgebanding, .94", Macchiato |
| 382057 | Knockdown |
| 382057-01 | Cap, Knockdown, Lt Brown |

2019 TOMMY BAHAMA TC FURNITURE, LOUNGE

Roof Locker, CS, Grand Tour



Parts Listed on Next Page

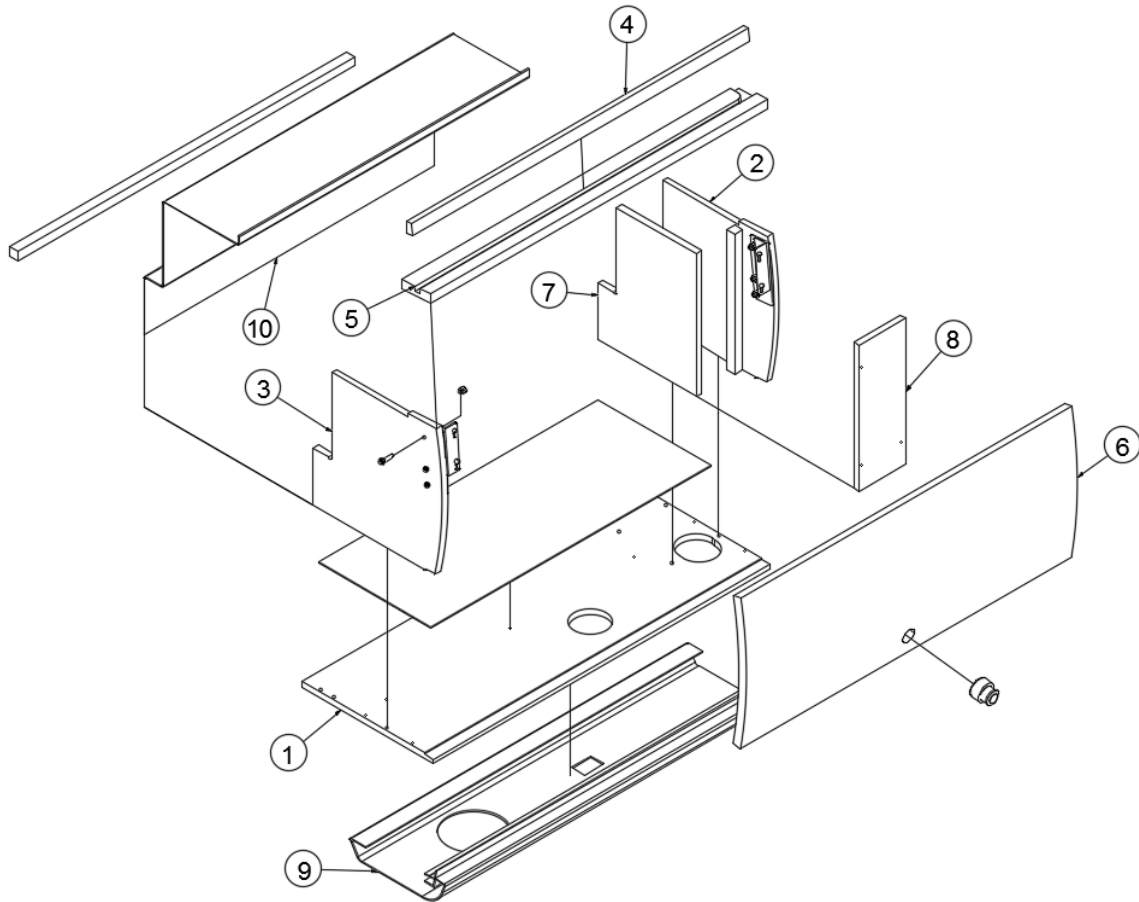
2019 TOMMY BAHAMA TC FURNITURE, LOUNGE

Roof Locker, CS, Grand Tour

968150-39	CS Roof Locker
1. 968150-391	Panel, 12.5 x 46.07
2. 968150-392	Panel, 12.5 x 53.26
3. 968150-393	Panel, 11 x 12.12
4. 968150-394	Panel, 11 x 12.12
5. 968150-395	Panel, 12.12 x 12.28
6. 968150-396	Panel, 12.12 x 12.28
7. 968150-397	Panel, 12.12 x 12.28
8. 968150-398	Panel, 12.12 x 12.28
9. 968150-399	Panel, 9.34 x 11.73
10. 968150-3910	Panel, 3.95 x 12
11. 968150-3911	Panel, 3.95 x 12
12. 968150-3912	Panel, 2.25 x 3.95
13. 968150-3913	Panel, 2.75 x 52.38
14. 968150-3914	Panel, 1 x 52.38
15. 968150-3915	Panel, 2.75 x 46.94
16. 968150-3916	Panel, 1 x 46.94
17. 115406	Roof locker extrusion. 99.32"
18. 115473-17	Aluminum back, 50.125"
19. 115473-15	Aluminum back, 24.5"
20. 115636-01	Aluminum back, 20.75"
21. 801785-0939	Door, 12.38 x 24.75, Macchiato
22. 801785-1039	Door, 12.38 x 28.81, Macchiato
23. 801785-0739	Door, 12.38 x 20.25, Macchiato
382227	Hinge, Overhead spring, Nickle
382059-02	Knob, Push/pull, Black
701538-01	Carpet, Econolier w/PSA back
365412-01	Edgebanding, .63", Macchiato
365412-02	Edgebanding, .94", Macchiato
382057	Knockdown

2019 TOMMY BAHAMA TC FURNITURE, LOUNGE

Roof Locker, RS, Grand Tour Wardrobe Option



968142-39

RS Roof Locker

- | | |
|----------------|--------------------------------|
| 1. 968142-391 | Panel, 12.5 x 32 |
| 2. 968142-392 | Panel, 12.28 x 12.12 |
| 3. 968142-393 | Panel, 12.28 x 12.12 |
| 4. 968142-394 | Panel, 1 x 32 |
| 5. 968142-395 | Panel, 2.75 x 32 |
| 6. 801785-0139 | Door, 12.38 x 31.5, Macchiato |
| 7. 968142-397 | Panel, 9.34 x 11.73 |
| 8. 968142-398 | Panel, 4.43 x 12 |
| 9. 115406 | Roof locker extrusion |
| 10. 115473-16 | Aluminum back |
| 382059-02 | Knob, Push/pull, Black |
| 382227 | Hinge, Overhead spring, Nickel |
| 365412-01 | Edgebanding, .63", Macchiato |
| 365412-02 | Edgebanding, .94", Macchiato |
| 382057 | Knockdown |
| 382057-01 | Cap, Knockdown, Lt Brown |

2019 TOMMY BAHAMA TC HARDWARE

Seat Belts, Cup Holders, and Brackets

382190-01	Seat belt, Mercedes style
382190-02	End release, Lap belt
704496	Seat belt cover, Rear lounge
454675	Seat belt bracket, RS
454926	Seat belt bracket, CS
455334	Backer, Seat belt
455335	Backer, Seat belt center
203977	Housing, Seat belt
203977-01	Housing, Seat belt
916037-01	Seat pedestal, Roadside seat
916037-02	Seat pedestal, Curbside seat
203610	Cup holder, Double
454875	Bracket, Slide door half stop
455348	Bracket, Stop flange

Sofa

455342	Backer, Sofa legs, Upper
455343	Backer, Sofa legs, Lower
455348	Bracket, Stop flange
455341	Backer, Seat belts, Out board

Bath Accessories

602175	Toilet roll holder, Dryroll
382076	Soap dispenser, Chrome
382098	Handle, 14.25", Glass Chrome (Towel bar)
704357-05	Cypress Bay bath towel set, Ice Turq

Shower Curtain

998202	Shower curtain
100097	Curtain track

Clothesline

382063	Retractable clothesline
--------	-------------------------

License Plate

382281	License plate holder, Chrome
--------	------------------------------

2019 TOMMY BAHAMA TC HARDWARE

Cargo Cover

703966	Cargo Cover
700617-01	Hook, DS-150
382123	Clip, Shock cord, Black
115042	Rod, .25", Aluminum
382124	Hook, Shock cord, Black
703832	Vinyl, Simplicity Black, 54"

Hinges

381607-11	Hinge, Self-close, 110° overlay
381607-04	Hinge screw, Grass
381607-14	Hinge, Self-close, 160° overlay
380458	Piano hinge, Copper Metallic
380203-01	Piano hinge, 10", Anodized
380203-02	Piano hinge, 72", Black Anodized
382227	Hinge, Overhead spring, Nickel
382125	Piano hinge, Clear
382172	Hinge, Narrow utility

Drawer Slides

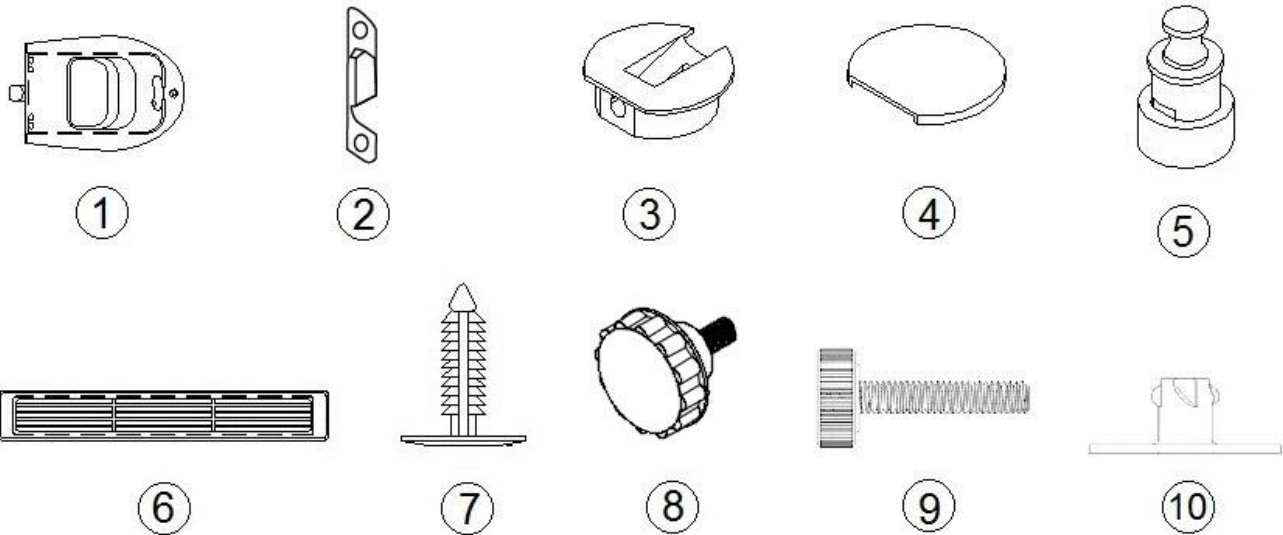
382203-02	Drawer slide, Self-close, 12"
382203-03	Drawer slide, Self-close, 15"
381925-02	Drawer slide, Side mount, 20"
381400	Drawer slide, Pair, 14"
382293	Drawer slide, Full extension, 12"

Tommy Bahama Product Package

704356-01	Stainless steel cooler, 54 QT.
704356-02	Padded event chair
704356-03	Whisky Stones, Set of 6
704356-04	Marlin bottle opener
704356-05	Parrot bottle opener and corkscrew in lime
704356-06	Etched palm stem less wine glass, Set of 2
704356-07	Etched palm double old fashioned glass, Set of 2
704356-08	Marlin mug
704356-09	Island blend large jar candle
704356-11	Maui Mango hand soap

2019 TOMMY BAHAMA TC HARDWARE

Interior Handles, Latches, and Fasteners



- | | |
|--------------|---------------------------------------|
| 1. 382055 | Privacy latch, Lavatory door |
| 2. 382061 | Striker, Privacy latch, Lavatory door |
| 3. 382057 | Knockdown |
| 4. 382057-01 | Cap, Knockdown, Light Brown |
| 382057-03 | Cap, Knockdown, Dark Brown |
| 5. 382059-02 | Knob, Push/pull, Black |
| 6. 386206 | Vent, Louvered, Black |
| 7. 382062 | Fastener, Finned, .25" |
| 8. 382095 | Knob, Knurled |
| 9. 345539 | Thumb screw, Black plastic head |
| 10. 350201 | Tee nut without prongs |
| 382267 | Outer screen door handle |
| 382269 | Interior screen door handle |
| 968232 | Sliding door header pad |
| 381228-02 | Catch, Grabber door, 5LB |
| 203473-0139 | Screw cap cover, Macchiato |

Rivets

- | | |
|-----------|--|
| 330127-03 | Pop rivet, 1/8", Dome head, Aluminum |
| 330128-05 | Pop rivet, 1/8", white |
| 330149 | Pop rivet, Aluminum |
| 325130 | Rivet nut for plastics, Zinc plated |
| 325127 | Rivet, Magna-Lok, 3/8", Protruding head, Steel |
| 325128 | Rivet, Bulb-Tite, 1/4", Steel, Dome head, Recessed crown |
| 330031-03 | Rivet, Dome head |
| 330031-01 | Rivet, 3/16 x 5/8, SSD68SSBS |

2019 TOMMY BAHAMA TC SAFETY EQUIPMENT

Detectors and Fire Extinguisher

510781	Smoke detector w/silencer
512783	Carbon Monoxide detector
512539-01	LPG detector
690381-02	Fire extinguisher

2019 TOMMY BAHAMA TC

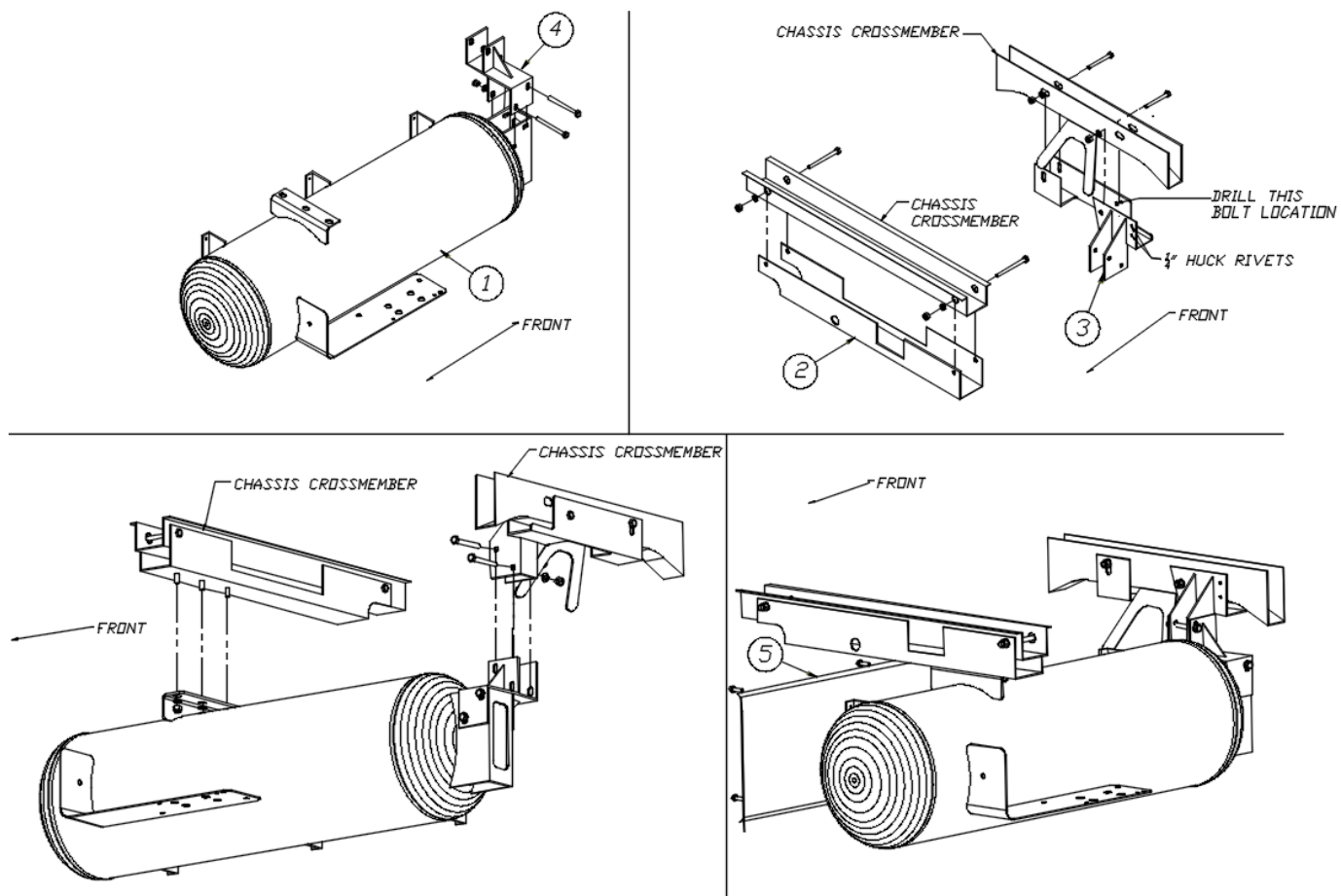
LABELS AND TAGS

Labels and Tags

386121	Label, LPG Gas Warning Label (Odor)
386122	Warning Label/Cooking Appliance
385261	Cleaning Instruction Label
386120	Label, Smoke Detector
385812	Label, Calif. Hazardous Substance
385465	Exit Label, English
386119	Label, "Do Not Store Combustible"
386124	Label, Refueling Warning
386207	Label, Caution, Door Step
386222	Sticker, Curbside Rear Door Handle
386113	Label, Rvia Gold
386123	Label, "Potable Water Only"
386118	Label, LPG Gas Warning/Fill
385062	Decal, 110-125 Voltage Ac
602205-12	Sticker, Instruction Macerator
386147	Decal, On/Off LPG Remote Fill
386227-03	Label, Hitch Weight Rating
386061	Label, Remove Panel For Access
386189	Label, Warning No Seatbelts
386237	Label, Lock/Unlock
386226	Label, RV Master Weight Label
386238	Label, LPG Systems
386291	Label, Warning Battery Ground
386019	Label, 1 Amp Fuse
386254	Label, PB battery assist
386252	Label, Hepvo waterless trap
386249	Label, No storage compartment
386263	Hang tag, Coach-net
386311	Label, Folding Screen Warning
386370	Warning Label - Vans

2019 TOMMY BAHAMA TC PLUMBING, LPG

LPG Tank, Mounting Brackets, and Heat Shield



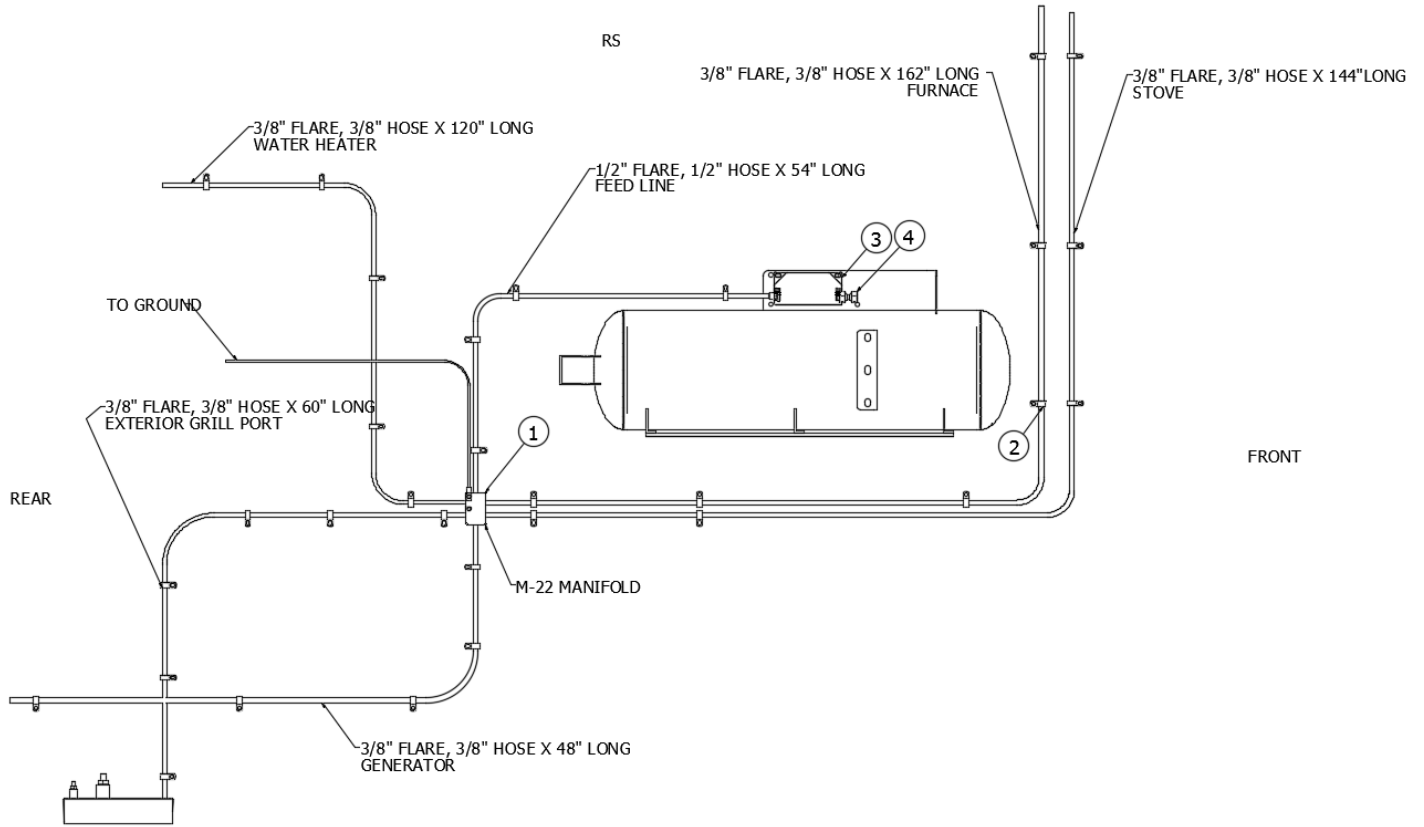
111715

LP Tank Install

- | | |
|-----------|---------------------------------------|
| 1. 602188 | LPG tank |
| 2. 454657 | Mounting bracket, Front, LPG tank |
| 3. 454967 | Mounting bracket, Rear, LPG tank |
| 4. 454659 | Mounting bracket, LPG tank to chassis |
| 5. 454662 | Heat shield, LPG tank |
| 203650 | Cover, Remote fill |

2019 TOMMY BAHAMA TC PLUMBING, LPG

LPG System, Lounge



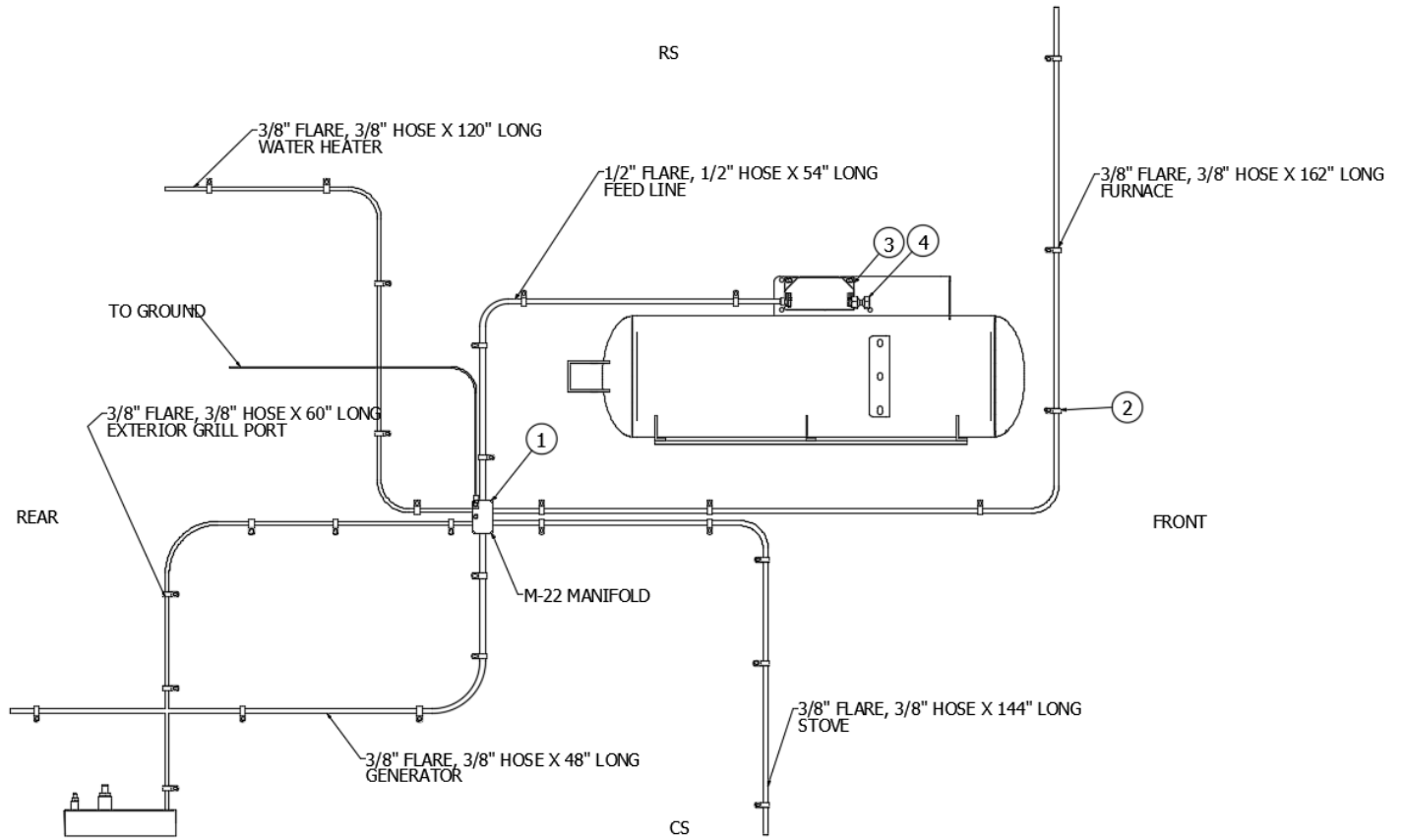
943836

LP System

- | | |
|--|--|
| <ul style="list-style-type: none"> 1. 602705 2. 340085-06 3. 601875-05 4. 943833 500038 500839 | <ul style="list-style-type: none"> Flex-Tech LP Clamp, 5/8" Dia Cover, Regulator LP regulator and fittings assembly Lug, Ground Wire, 8 gauge, Bare Copper |
|--|--|

2019 TOMMY BAHAMA TC PLUMBING, LPG

LPG System, Grand Tour



943835

LP System

- | | |
|---|---|
| <p>1. 602705</p> <p>2. 340085-06</p> <p>3. 601875-05</p> <p>4. 943833</p> <p>500038</p> <p>500039</p> | <p>Flex-Tech LP</p> <p>Clamp, 5/8" Dia</p> <p>Cover, Regulator</p> <p>LP regulator and fittings assembly</p> <p>Lug, Ground</p> <p>Wire, 8 gauge, Bare Copper</p> |
|---|---|

2019 TOMMY BAHAMA TC

PLUMBING, FRESH WATER

Faucet and Sink, Galley

602197	Sink and faucet, Galley
602153	Faucet only, Stainless Steel
602149	Sink, Flush, Smev
195362-39	Strainer, 2"

Faucet, Wet Bath

602251	Faucet, Pull-out
--------	------------------

Exterior Shower

602288-02	Hose w/sprayer, 15'
602288-01B	Exterior shower box, Black
602288-01S	Exterior shower box, Silver
602288-01W	Exterior shower box, White

City Water Hook-Up

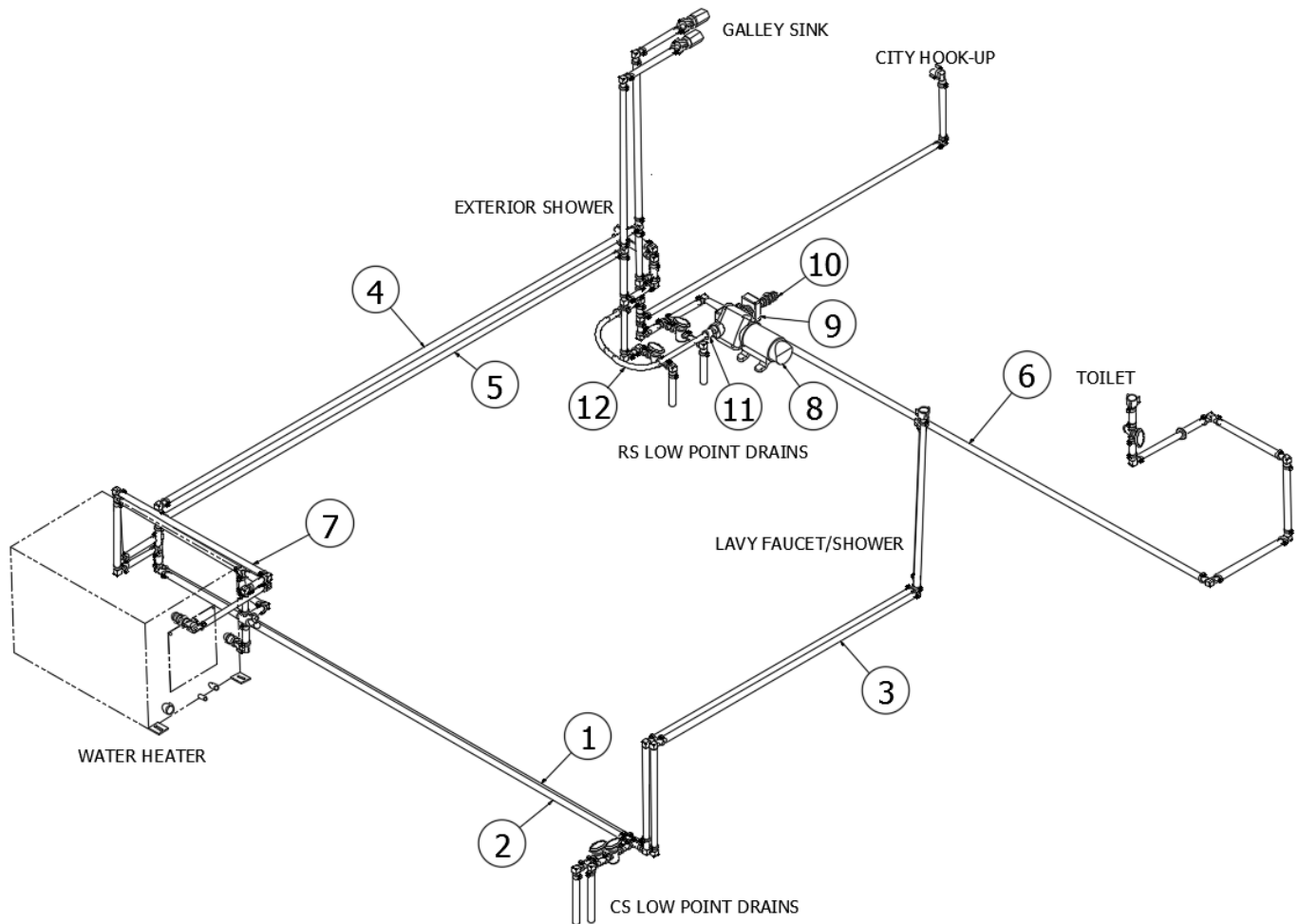
601392-06	City water fill w/regulator, Chrome
602209-04	Hose, Potable water, Clear, 3/4"

Fresh Water Tank and Water Fill

602363	Tank, Fresh water, 27 Gallon
601194-03W	Water fill w/lock, White
601194-03S	Water fill w/lock, Silver
601194-03B	Water fill w/lock, Black
454661	Fresh water tank support
602187	Water pickup tube, Elbow w/15" tube
454664-01	Rod, Fresh water tank, 14"
454664-02	Rod, Fresh water tank, 12.75"
454664-03	Rod, Fresh water tank, 13.5"
601239-01	Tubing, Ribbed w/flats every 9", 1.375"
511812	Heating pad
203648	Close off, Water tank, Plastic
203656	Spacer, Water tank

2019 TOMMY BAHAMA TC PLUMBING, FRESH WATER

Fresh Water Lines, Lounge



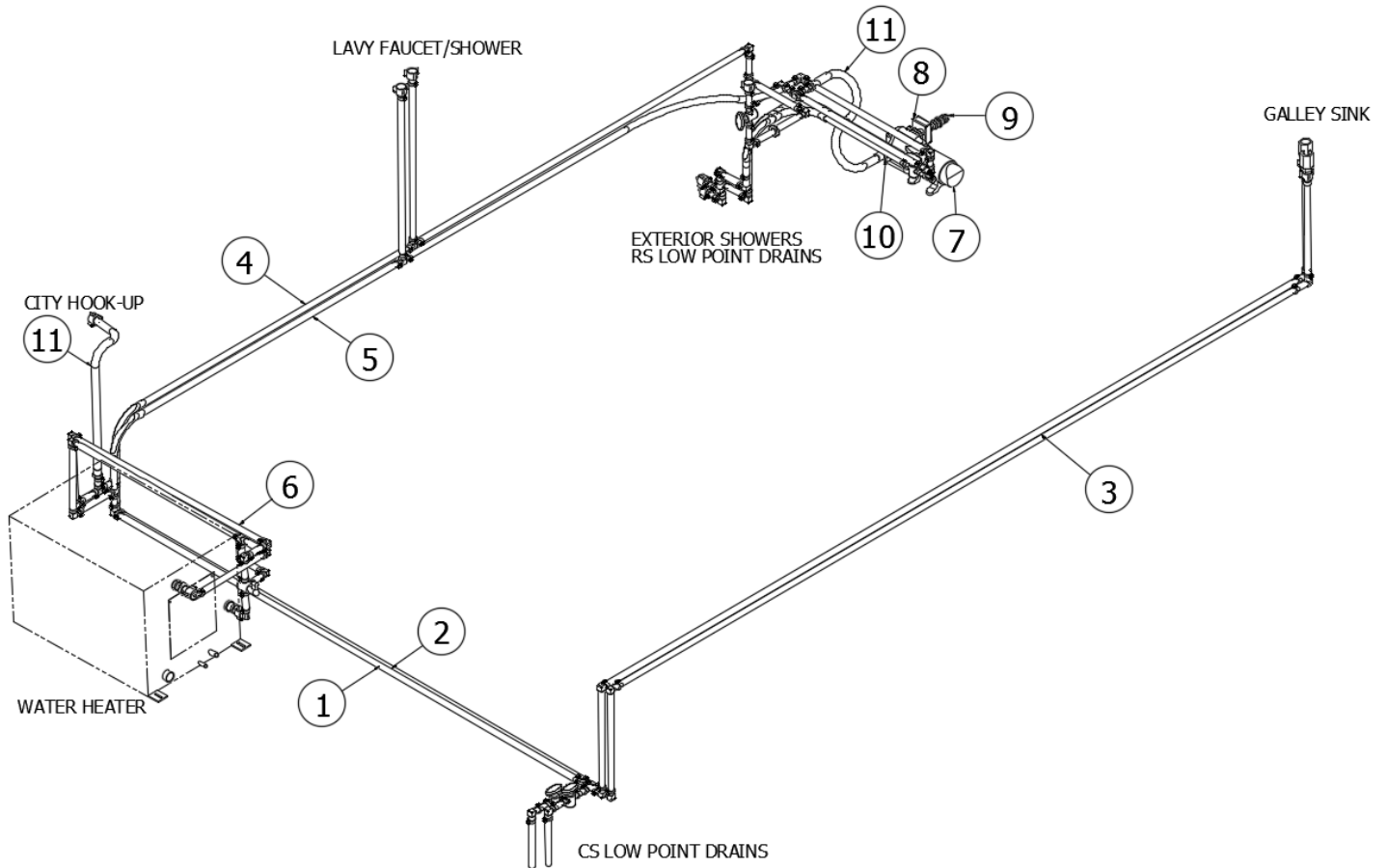
943856

Fresh Water Layout

- | | |
|---------------|--------------------------------|
| 1. 943856-03 | Cross car, Cold |
| 2. 943856-04 | Cross car, Hot |
| 3. 943856-05 | CS water lines |
| 4. 943856-06 | RS water lines, Cold |
| 5. 943856-07 | RS water lines, Hot |
| 6. 943856-08 | Cross car, Toilet |
| 7. 943856-09 | Hot water bypass |
| 8. 602177-01 | Water pump, Flojet |
| 9. 602177-02 | Strainer, Mini |
| 10. 602177-03 | Quick connect, .75" |
| 11. 602177-04 | Quick connect, .5" |
| 12. 602186 | Flex hose, 20" |
| 602217 | Rubber washer, Exterior shower |
| 382101 | Grommet, Rubber, 5/8" |

2019 TOMMY BAHAMA TC PLUMBING, FRESH WATER

Fresh Water Lines, Grand Tour



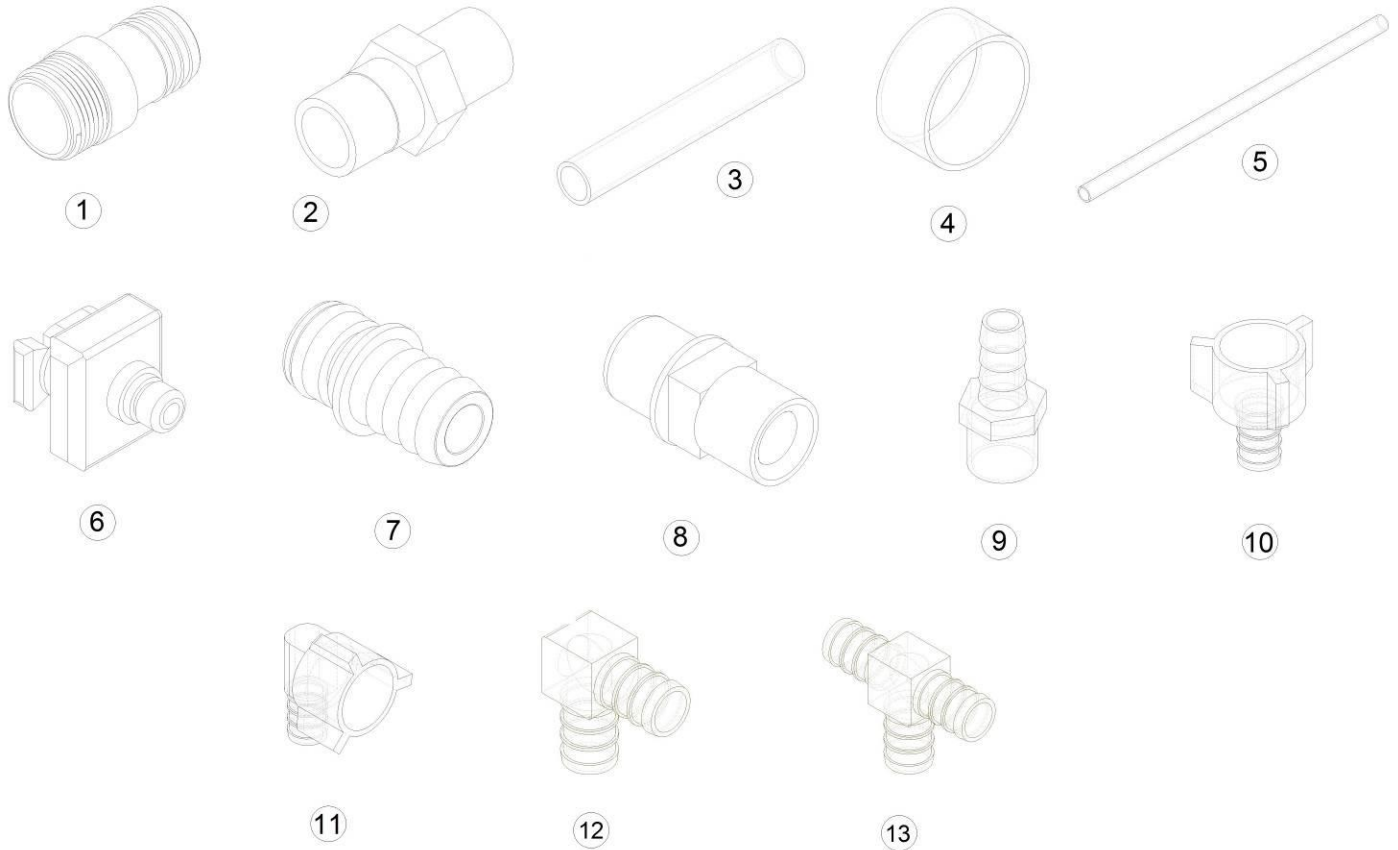
943857

Fresh Water Layout

- | | |
|---------------|-----------------------------------|
| 1. 943857-03 | Cross car, Cold |
| 2. 943857-04 | Cross car, Hot |
| 3. 943857-05 | CS water lines |
| 4. 943857-06 | RS water lines, Cold |
| 5. 943857-07 | RS water lines, Hot |
| 6. 943857-08 | Hot water bypass |
| 7. 602177-01 | Pump, Water Flojet |
| 8. 602177-02 | Strainer, Mini assembly |
| 9. 602177-03 | Quick connect, Pump, .75" |
| 10. 602177-04 | Quick connect, Pump, .5" |
| 11. 602186 | Flex hose, 20", Swivel connection |
| 602217 | Rubber washer, Exterior shower |
| 382101 | Grommet, Rubber, 5/8" |

2019 TOMMY BAHAMA TC PLUMBING, FRESH WATER

Fresh Water Fittings



- | | |
|---------------|--|
| 1. 601238 | Adaptor, 1.25 MPT x 1.25 Barb |
| 2. 602308 | Check valve, .5" MPT x .5" MPT |
| 3. 601698-01 | E-Pex tube, .5" |
| 4. 601698-15 | Crimp ring, .5" E-Pex, .5", Black |
| 5. 601698-21 | E-Pex tube, .5", Red |
| 6. 602177-02 | Strainer, Mini |
| 7. 602177-03 | Pump port, Quick connect, .75" barb |
| 8. 602177-04 | Pump port, Quick connect, .5" barb |
| 9. 602256-02 | Coupler, .5" barb x .5" MPT |
| 10. 602256-03 | Coupler, .5" barb x .5" FPT |
| 11. 602256-05 | Elbow, .5" barb x .5" FPT |
| 12. 602256-10 | Elbow, .5" barb x .5" barb |
| 13. 602256-11 | Tee, .5" x .5" x .5" |
| 602256-22 | Shut-off, .5" barb x .5" barb, Plastic |
| 203085 | Plug, Water line, .5", Plastic B |
| 602186 | Flex hose, 20" w/swivel connection |
| 602217 | Rubber washer, Exterior shower |

2019 TOMMY BAHAMA TC

PLUMBING, DRAIN

Black and Gray Tanks

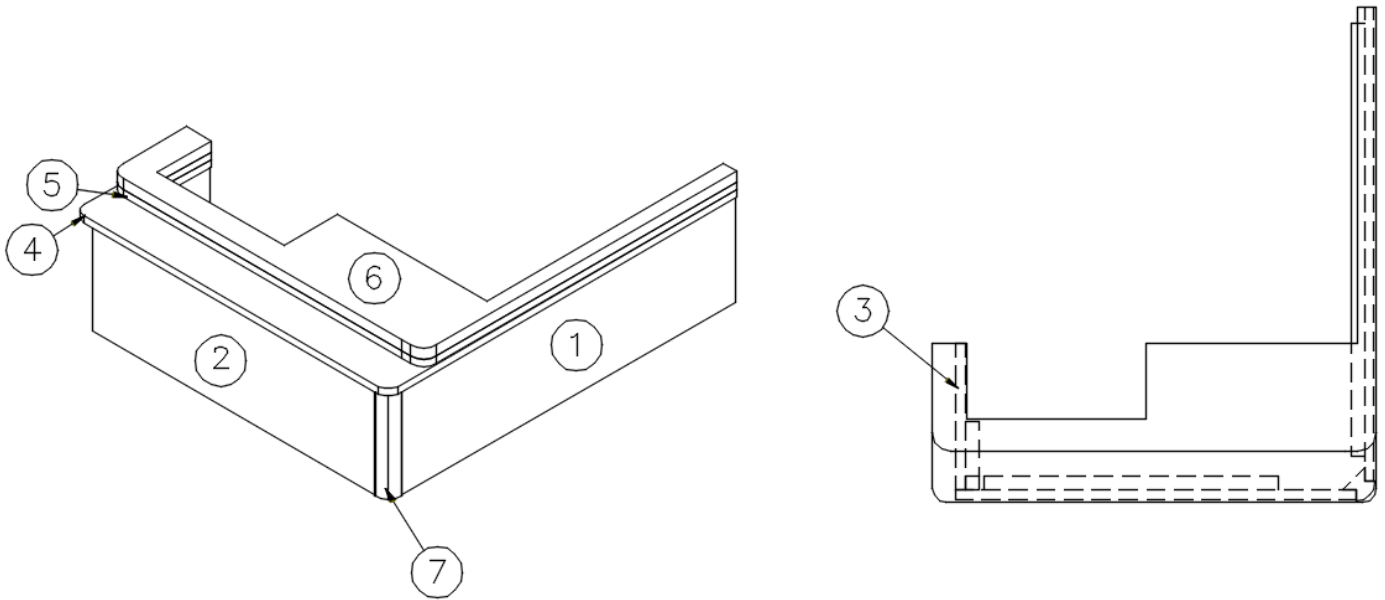
602517	Black tank, 12 gallon, Lounge
602381	Black tank, 14 gallon, Grand Tour
602257	Gray tank, Lounge
602382	Gray tank, Grand Tour
115490-01	Bracket, Black tank retainer, LH
115490-02	Bracket, Black tank retainer, RH
454688	Bracket, Grey tank
454689	Bracket, Front, Gray tank
454690	Bracket, Middle, Gray tank
454691	Bracket, Rear, Gray tank
454687	Rod, Gray tank
386223	Strap, Rubber
115491	Closeout, Black tank bracket
203634	Styrofoam, 1" x 48" x 96"
203045	Styrofoam, 1/4" x 48" x 50'
511812	Heating pad, Holding tank
512411	Waste valve, Electric
512410	Harness, Dump valve

Black Tank Flush

601441-02	Black tank flush
601441-101	Black cap w/strap
601441-102	Brass vacuum breaker and valve

2019 TOMMY BAHAMA TC PLUMBING, DRAIN

Black Tank Cover



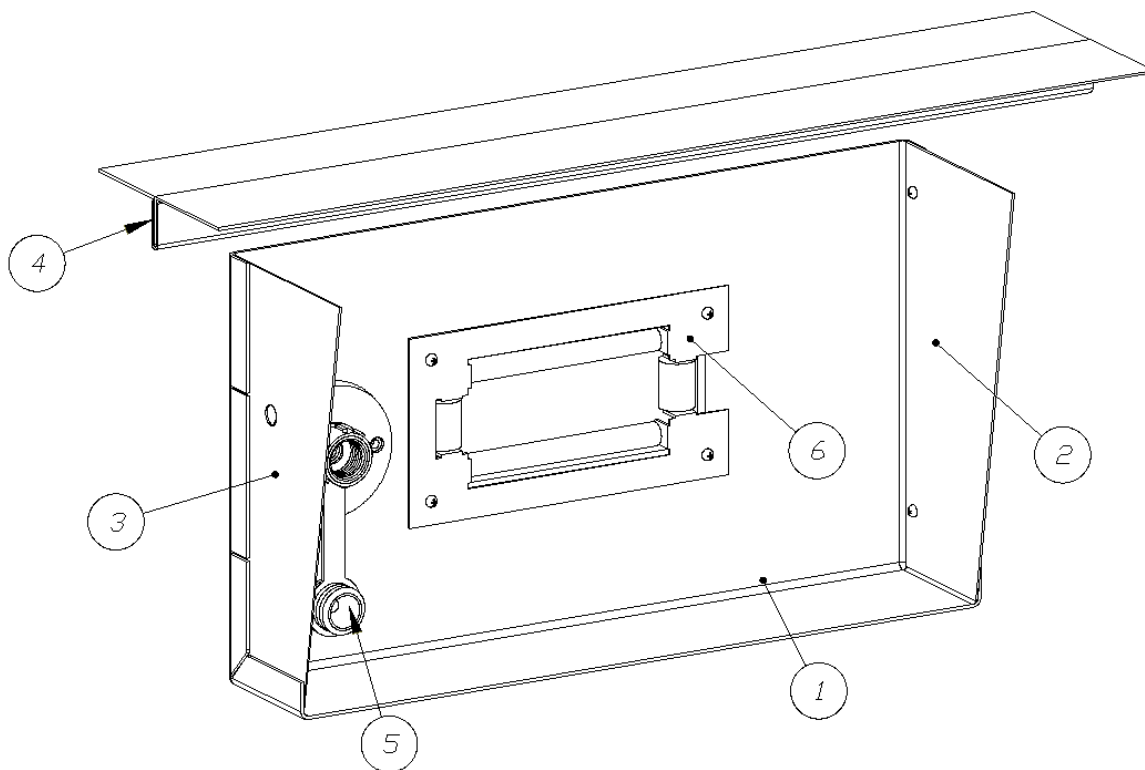
968272-39

Black Tank Cover

- | | |
|----------------|-----------------------------------|
| 1. 968272-391 | Panel, 25.75 x 7 |
| 2. 968272-392 | Panel, 21.82 x 7 |
| 3. 968272-393 | Panel, 8 x 7 |
| 4. 968272-394 | Panel, 24.19 x 26.88 |
| 5. 968272-395 | Panel, 24.19 x 24.13 |
| 6. 968272-396 | Panel, 24.19 x 24.13 |
| 7. 801415-0039 | Corner trim, 1" radius, Macchiato |

2019 TOMMY BAHAMA TC PLUMBING, DRAIN

Macerator Pump System



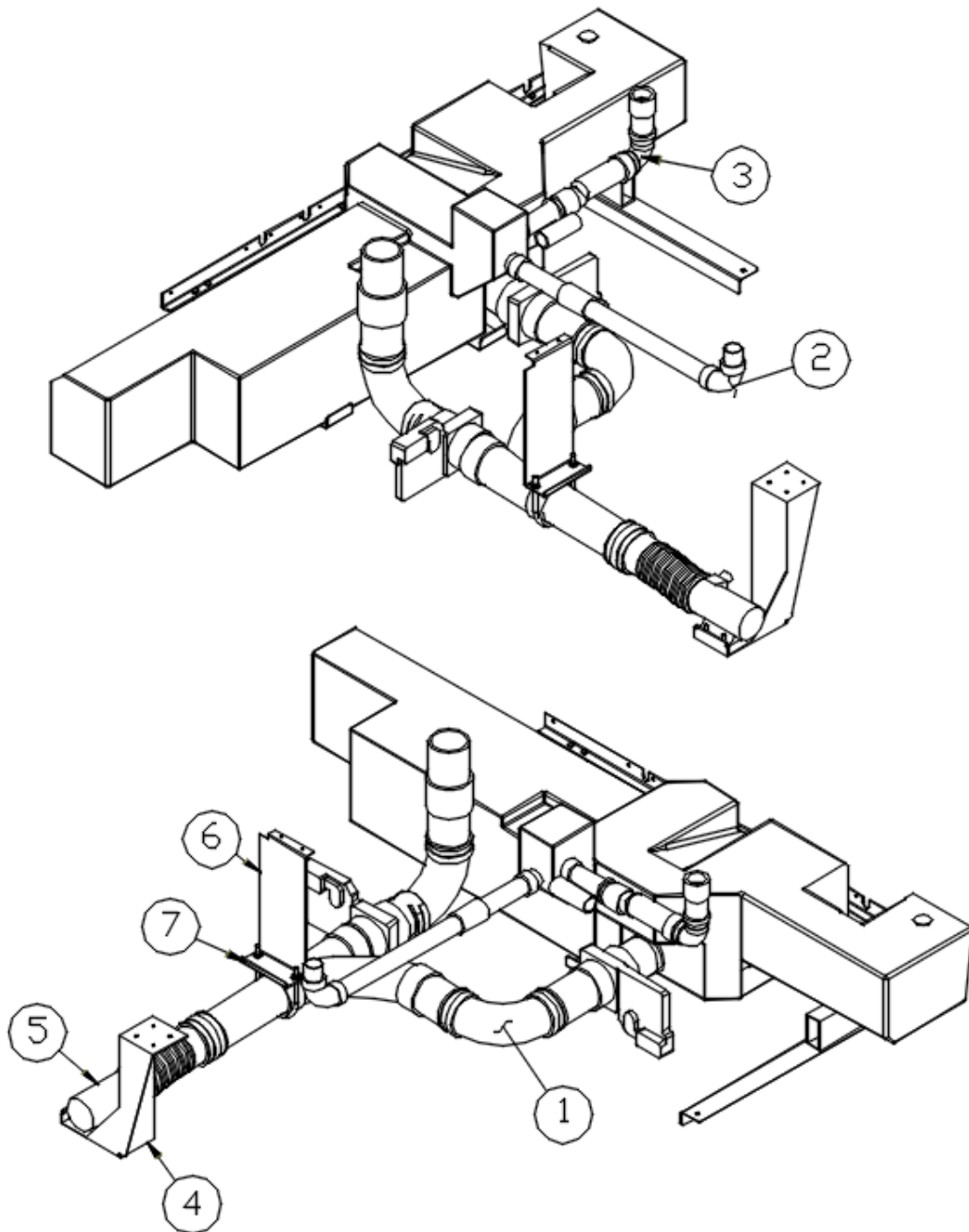
111814

Macerator Pump Closeout

- | | |
|--------------|---|
| 1. 203666 | Closeout, Macerator compartment |
| 2. 454724-01 | Side closeout, Macerator compartment |
| 3. 454724-02 | Side closeout, Macerator compartment |
| 4. 203225-01 | Trim lok, Gray, .75" |
| 5. 601197-02 | Water hook-up, Chrome |
| 6. 512934-02 | Roller guide |
| 512909-01 | Light, Pen LED |
| 512909-02 | Bezel for 512909-01 |
| 513314 | Black/Gray tank waste water hose reel |
| 455039 | Hose reel mounting bracket |
| 602176 | Macerator pump |
| 602205-10 | Valve, Drip proof w/2 adaptor for reel hose |

2019 TOMMY BAHAMA TC PLUMBING, DRAIN

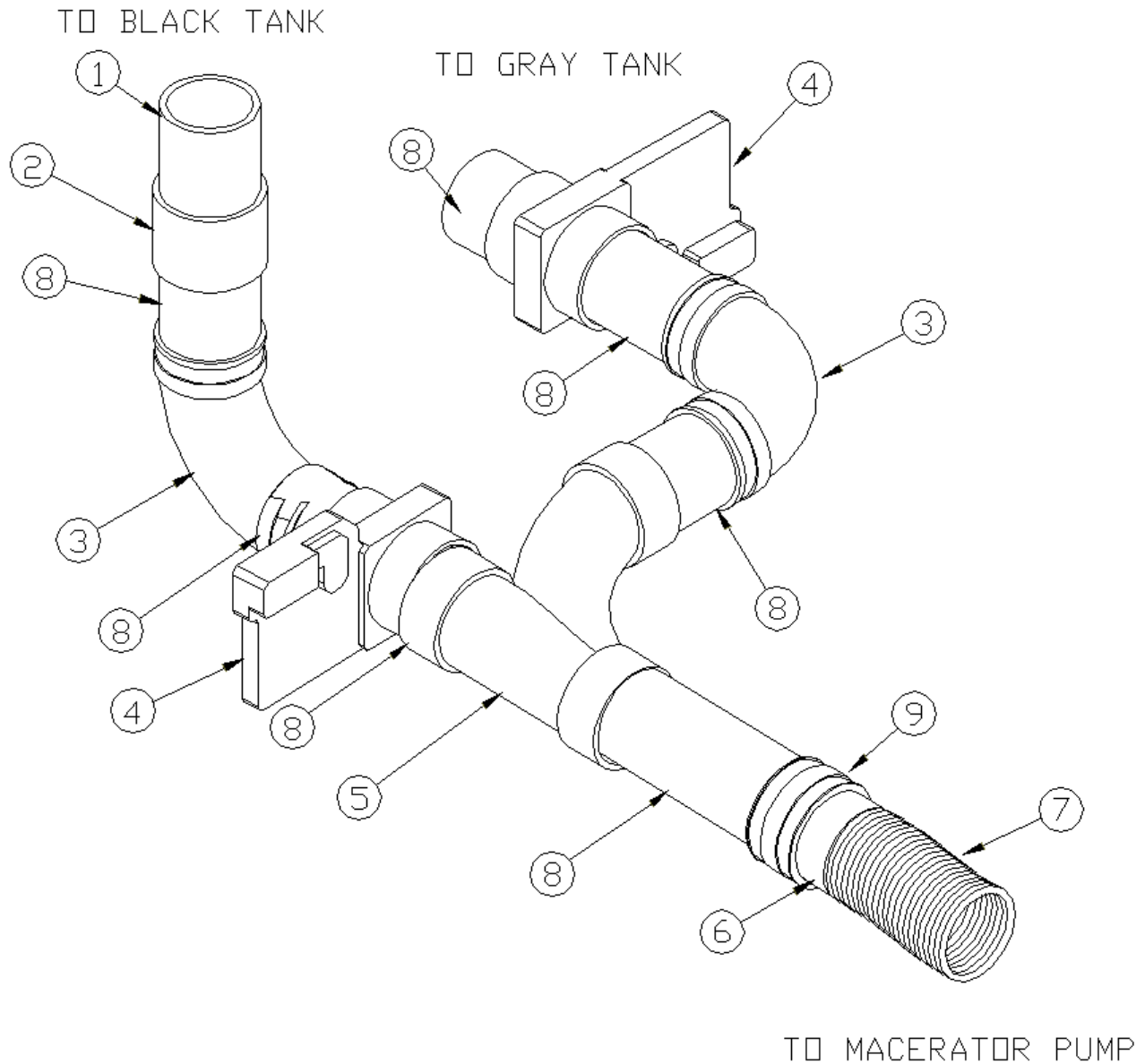
Drain System, Below Floor, Lounge



- | | |
|--------------|--------------------------------|
| 1. 943709-01 | Drains, From tanks to pump |
| 2. 943709-02 | Drain, Below floor from galley |
| 3. 943709-03 | Drain, Below floor from shower |
| 4. 602205-02 | Mounting bracket, Macerator |
| 5. 602176 | Pump, Macerator Flojet |
| 6. 454692 | Bracket, Below floor |
| 7. 340073-13 | Clamp, Muffler, 4" |

2019 TOMMY BAHAMA TC PLUMBING, DRAIN

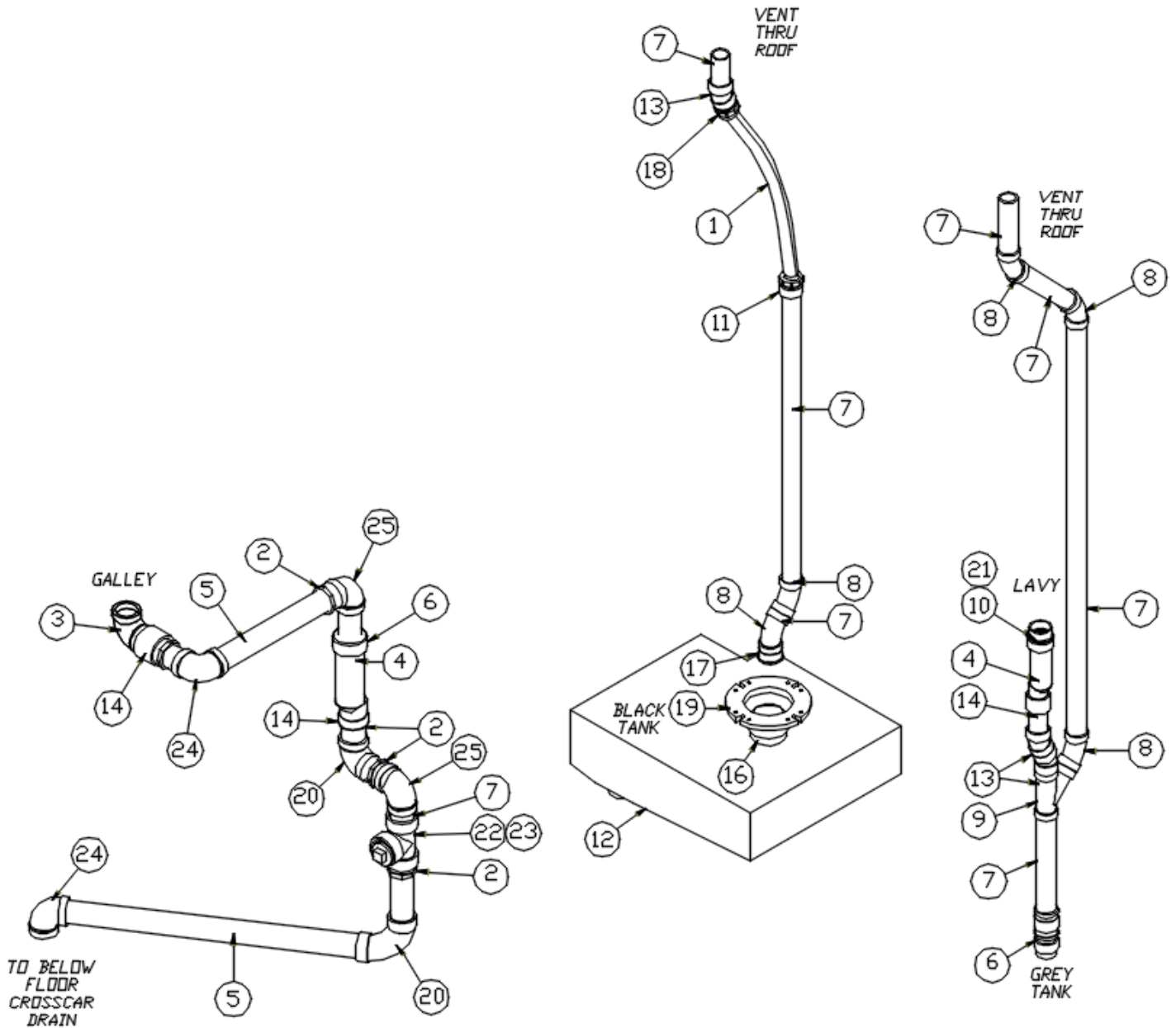
Drain System, From Tanks to Pump, Lounge



- | | |
|--------------|---|
| 1. 601267-04 | Nipple, 3" diameter, Threaded one end, 10" long |
| 2. 600253 | Coupling, 3" |
| 3. 602181 | Elbow, 3" flexible |
| 4. 512411 | Waste valve, Electric |
| 5. 600187 | 3" Wye, Comb and 1/8 bend |
| 6. 602205-04 | Adaptor for 3" connection hose |
| 7. 602205-05 | 3" flexible connection hose, 3' long w/2 clamps |
| 8. 601160-04 | Pipe, ABS DVW, 3" |
| 9. 600289 | Calder coupling, 3" (rubber) |
| 512410 | Harness, Dump valve |

2019 TOMMY BAHAMA TC PLUMBING, DRAIN

Drain System, Above Floor, Lounge



Parts Listed on Next Page

2019 TOMMY BAHAMA TC

PLUMBING, DRAIN

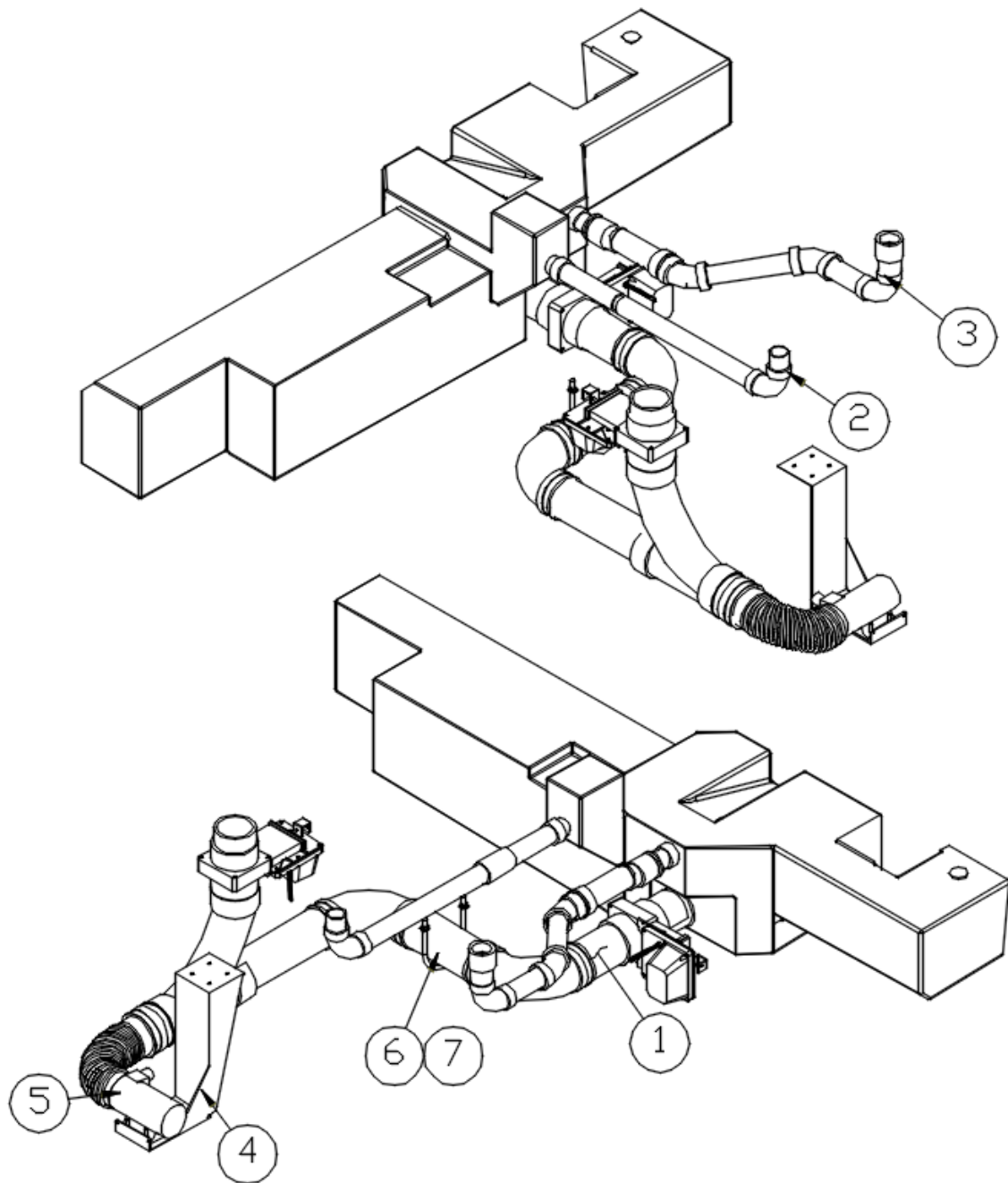
Drain System, Above Floor, Lounge

943710 Above Floor Drain System

1. 602524-29 Flexaust flexible hose
2. 602215 Bushing, 1.5" x 1.25", PVC
3. 690603-02 Adaptor, Angle
4. 690603-01 Waste valve, HEPVO
5. 601161-01 Pipe, ABS DVW, 1.25"
6. 602214 Adapter, 1.5" MPT x 1.5", Slip PVC
7. 601160-02 Pipe, ABS DVW, 1.5"
8. 600030 Elbow, ABS, 45°, Long turn
9. 600094 Wye
10. 602287-01 Adapter, Swivel 1.5" x 1.5"
11. 602523 Trap adapter, 1.5", hub x slip
12. 602517 Black water tank, 12 gallon
13. 600116 Elbow, 22° turn, 1.5 Hub
14. 602212 Adapter, 1.5" FPT x 1.5" Slip PVC
15. 602201 Flexible coupling, 1.5"
16. 601267-04 Nipple, 3", Threaded one end, 10" long
17. 601676 Adapter, Threaded, 1.5" male
18. 602522 Trap adapter, 1.5", spigot x slip
19. 601266 Toilet flange
20. 602236 90° long turn, ABS, 1.25" HXH
21. 602287-02 Rubber washer
22. 601318 Tee, Bi-directional
23. 600155 Plug, 1.5"
24. 602196 Elbow, 90°, 1.25"
25. 601636 Elbow, 90°, 1.5"

2019 TOMMY BAHAMA TC PLUMBING, DRAIN

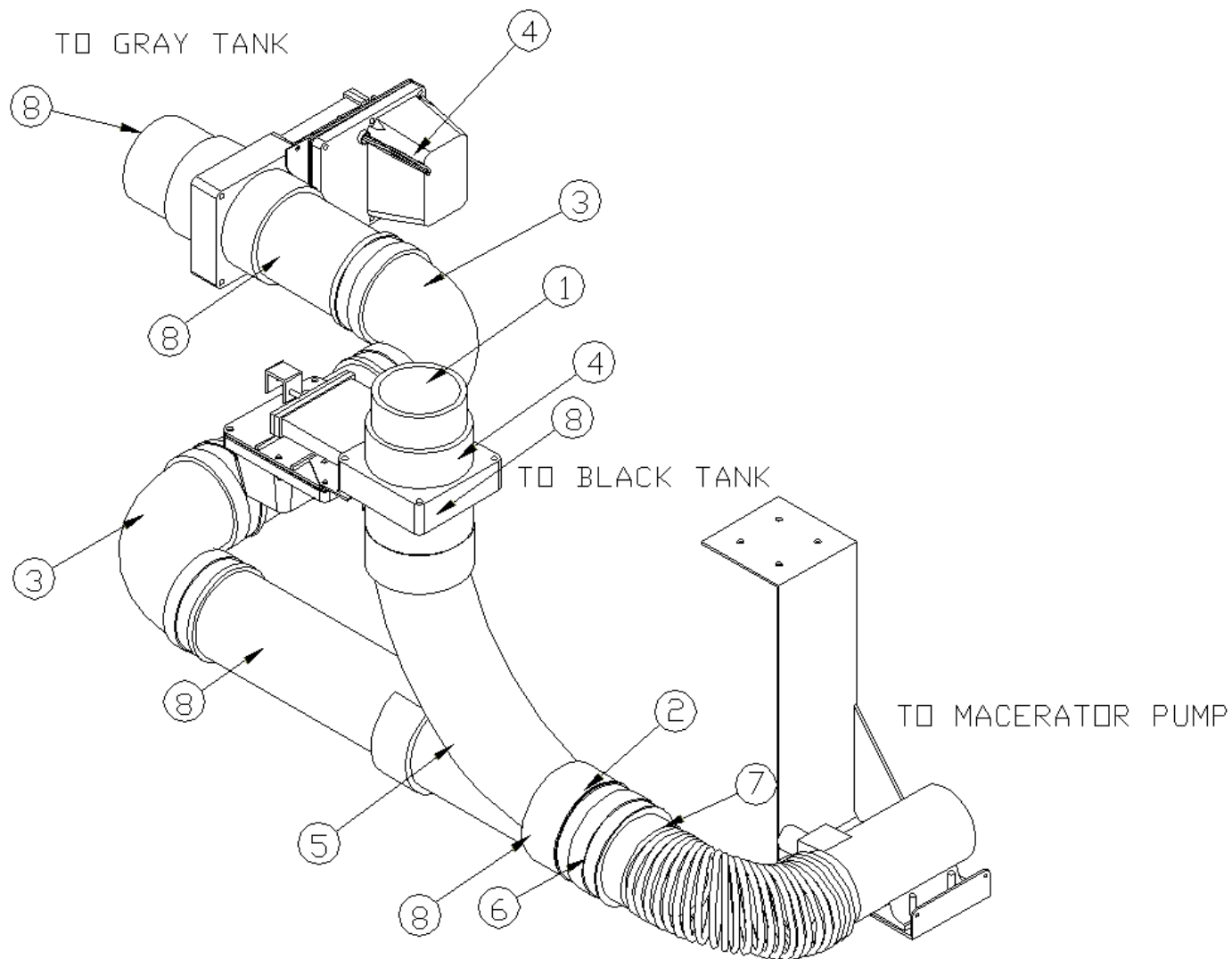
Drain System, Below Floor, Grand Tour



- | | |
|--------------|--------------------------------|
| 1. 943779-01 | Drains, From tanks to pump |
| 2. 943779-02 | Drain, Below floor from galley |
| 3. 943779-03 | Drain, Below floor from shower |
| 4. 602205-02 | Mounting bracket, Macerator |
| 5. 602176 | Pump, Macerator Flojet |
| 6. 340073-13 | Clamp, Muffler, 4" |
| 7. 381509 | Hanger, Universal swivel |

2019 TOMMY BAHAMA TC PLUMBING, DRAIN

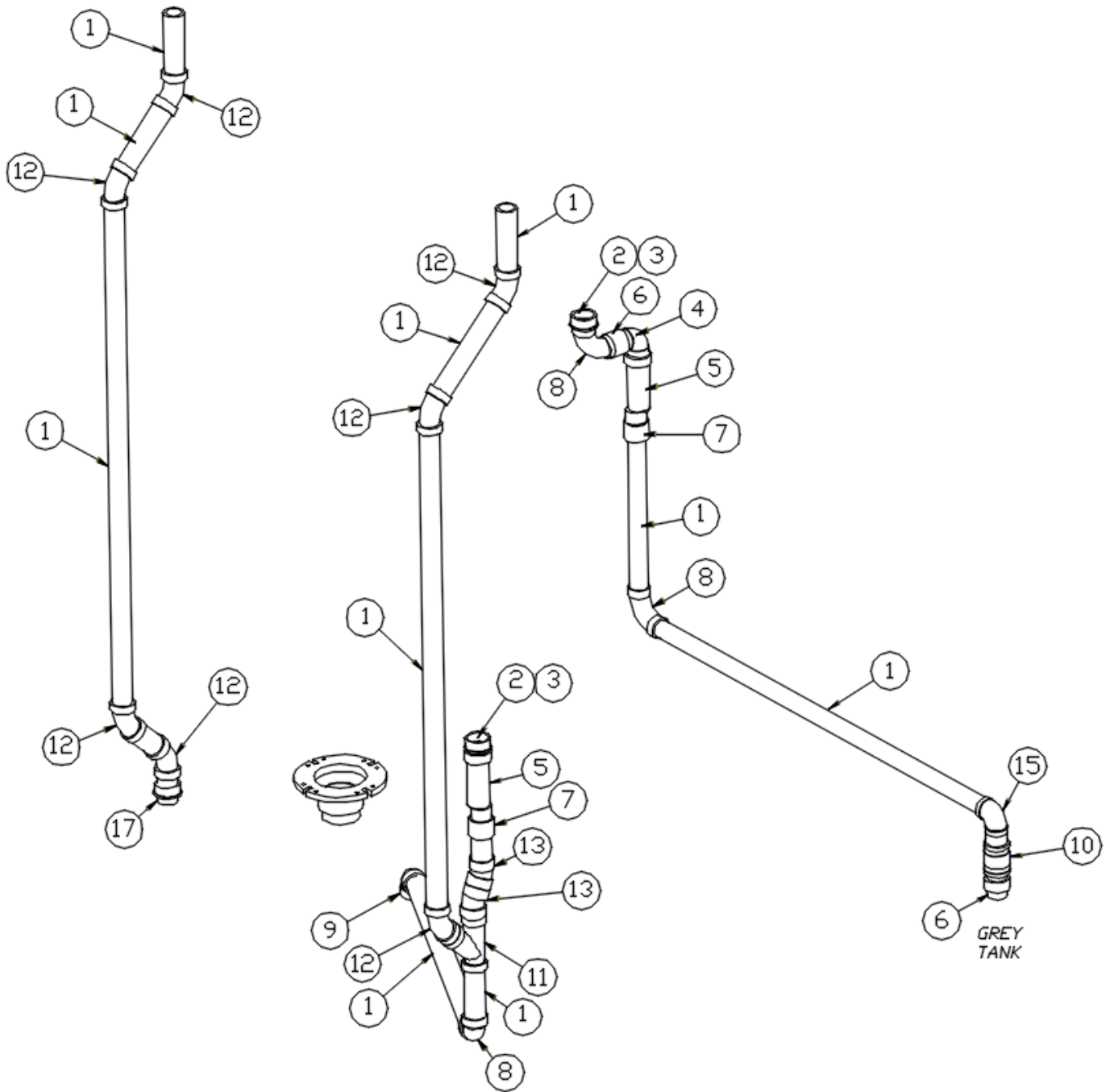
Drain System, From Tanks to Pump, Grand Tour



- | | |
|--------------|---|
| 1. 601267-04 | Nipple, 3" diameter, Threaded one end, 10" long |
| 2. 600289 | Calder coupling, 3" |
| 3. 602181 | Elbow, 3" Flexible |
| 4. 512411 | Waste valve, Electric |
| 5. 600187 | 3" Wye, Comb and 1/8 bend |
| 6. 602205-04 | Adaptor for 3" connection hose |
| 7. 602205-05 | 3" flexible connection hose, 3' long w/2 clamps |
| 8. 601160-04 | Pipe, ABS DVW, 3" |
| 512410 | Harness, Dump valve |

2019 TOMMY BAHAMA TC PLUMBING, DRAIN

Drain System, Above Floor, Grand Tour



Parts Listed on Next Page

2019 TOMMY BAHAMA TC

PLUMBING, DRAIN

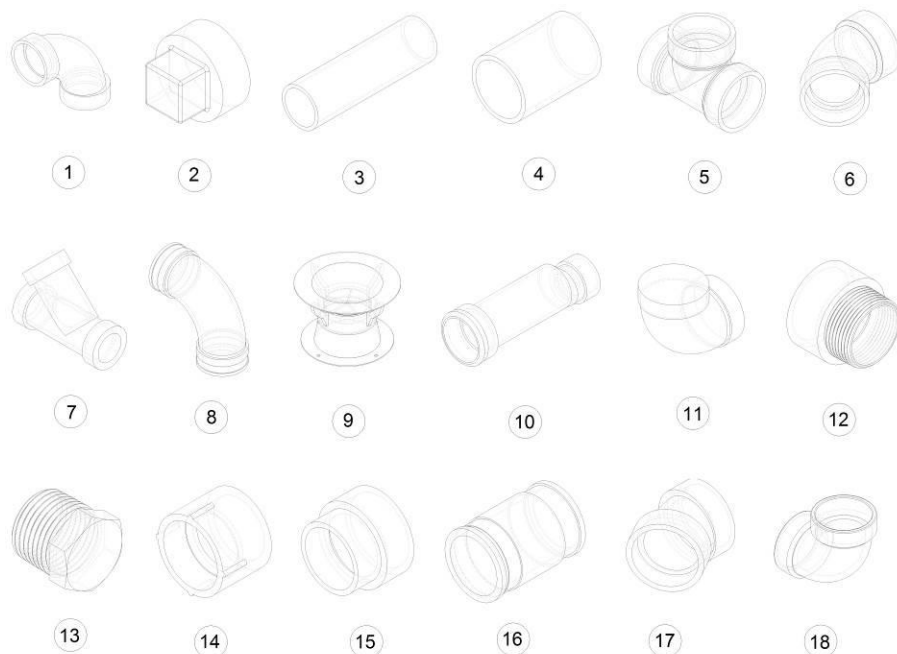
Drain System, Above Floor, Grand Tour

943780 Above Floor Drain System

1. 601160-02 Pipe, ABS DVW, 1.5"
2. 602287-01 Adapter, Swivel 1.5" x 1.5"
3. 602287-02 Rubber washer
4. 690603-02 Adaptor, Angle
5. 690603-01 Waste valve, HEPVO
6. 602214 Adapter, 1.5" MPT x 1.5", Slip PVC
7. 602212 Adapter, 1.5" FPT x 1.5" Slip PVC
8. 600035 Elbow, Long sweep, 1.5"
9. 602196 Elbow, 90°, 1.25"
10. 602201 Flexible coupling, 1.5"
11. 600094 Wye
12. 600030 Elbow, ABS, 45°, Long turn
13. 600116 Elbow, .5"
14. 601676 Adapter, Threaded, 1.5" male
15. 601636 Elbow, 90°, 1.5"
- 602381 Black tank, 14 gallon, Grand Tour
- 601267-04 Nipple, 3", Threaded one end, 10" long
- 601266 Toilet flange

2019 TOMMY BAHAMA TC PLUMBING, DRAIN

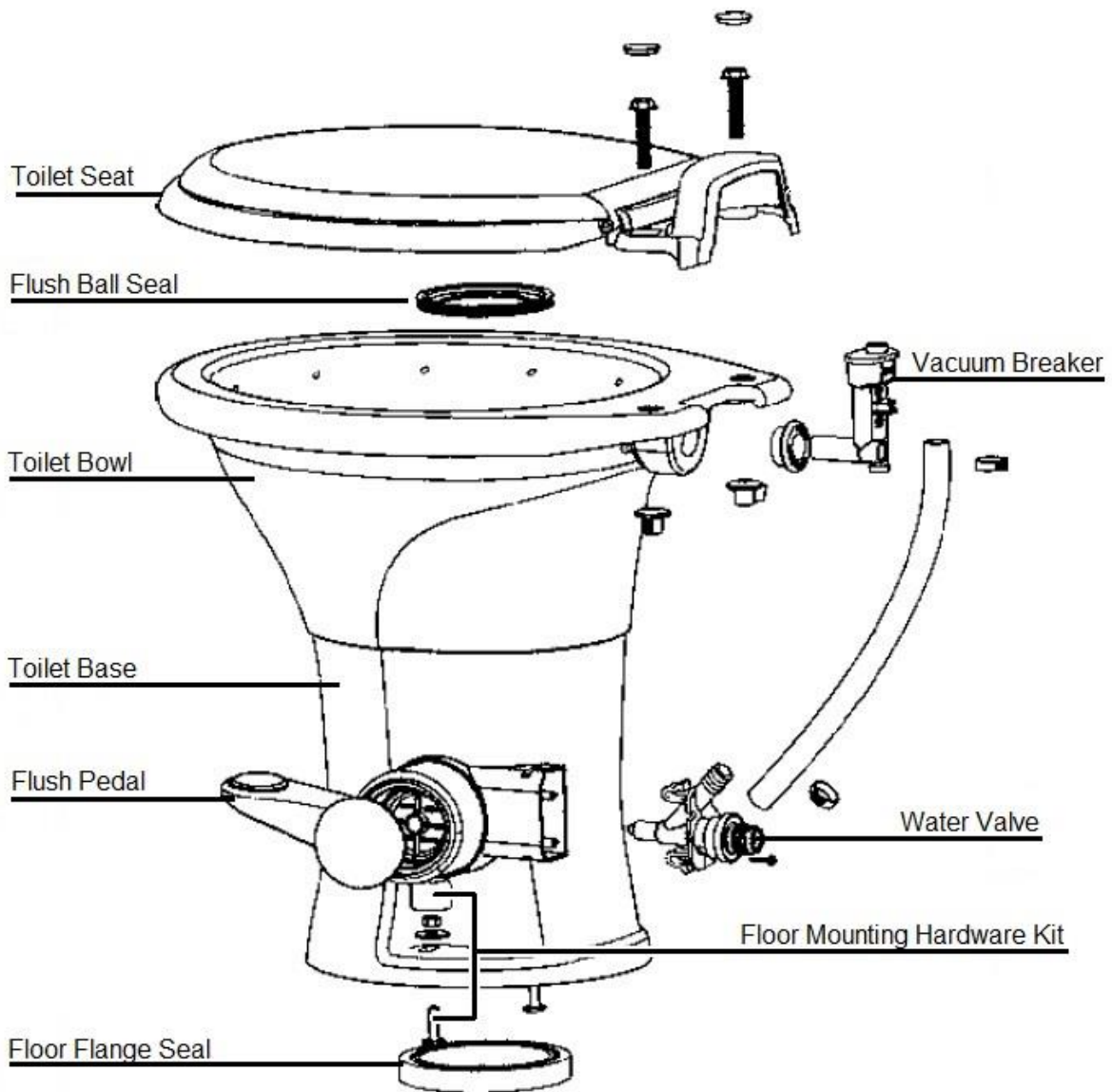
Drain Fittings



- | | |
|---------------|--|
| 1. 600035 | Elbow, 1.5", 90°, Long sweep |
| 2. 600155 | Plug, 1.5" |
| 3. 601160-02 | Pipe, ABS DVW, 1.5" |
| 4. 601160-04 | Pipe, ABS DVW, 3" |
| 5. 601318 | Tee, Bi-directional clean out, 1.5" |
| 6. 600030 | Elbow, ABS, 45°, Long turn |
| 7. 600094 | Wye |
| 8. 602181 | Elbow, 3" Flexible |
| 9. 690700-02 | Tank vent cap, Black |
| 10. 690603-01 | Waste valve, Hepvo |
| 11. 690603-02 | Adaptor, Angle |
| 12. 602194 | Adaptor, PVC, 1.125 HUB x MPT |
| 13. 602211 | Plug, .75" MPT Plastic |
| 14. 602212 | Adapter, 1.5" FPT x 1.5", Slip, PVC |
| 15. 602214 | Adapter, 1.5" MPT x 1.5", Slip PVC |
| 16. 602201 | Flexible coupling, 1.5" |
| 17. 600116 | Elbow, .5" |
| 18. 601636 | Elbow, 90°, 1.5" |
| 601267-04 | Nipple, 3", Threaded one end, 10" long |
| 602196 | Elbow, Slip x slip, 1.25", PVC |
| 602195 | Pipe, 1.25", White PVC |
| 602287-01 | Adapter, Swivel, 1.5" x 1.5" |
| 602287-02 | Rubber washer |
| 601676 | Adapter, Threaded, 1.5" male |

2019 TOMMY BAHAMA TC PLUMBING, DRAIN

Toilet



690707 Toilet, Dometic 301, Short height, White

2019 TOMMY BAHAMA TC SEALERS AND GASKETS

Sealers

360323	Sealant, Sikaflex, White
360323-01	Sealant, Sikaflex, Black
360324	Sika Lick, Spray bottle
365330-01	Sealant, RTV Silicone, White
360209	Sealant, Acryl-R seam sealant, Aluminum
360209-03	Sealant, Acryl-R seam sealant, Black
365285	Seamfill, Stain stick, Cherry
360074	Sealant, GE RTV 102, White
360255-04	Sealer, Anti-wick
365356-01	Sealant, White
365356-02	Sealant, Gray

Gaskets

365185-20	Gasket tape, 2", Black tank
382262	Gasket, Water heater
382337	Gasket, Corlon vent cap
365391	Gasket, Furnace vent
365388	Gasket, Rear view mirror
382467	Gasket kit
382467-01	Gasket, Exhaust fan
382467-02	Gasket, Tank vent
382467-03	Gasket, Radio antenna
382467-04	Gasket, Double solar
382467-05	Gasket, Dual cable entry
382467-06	Gasket, Bath fan
382467-07	Gasket, TV antenna
382467-08	Gasket, Single solar

Undercoating

360327	Undercoating, 17 Oz. Aerosol can
--------	----------------------------------

2019 TOMMY BAHAMA TC

BEDDING, PILLOWS

Bedspread and Sheets

704357-01 Comforter set, 4 piece (comforter, bed skirt, 2 shams)
704004-02 Sheet set, 400 TC

Pillows

704357-02 Throw pillow, 12 x 16, Natural
704357-03 Throw pillow, 16 x 16, Floral
704357-04 Throw pillow, 18 x 18, Striped
704372 Pillow kit, Tommy Bahama
704372-01 Pillow, Kiwi
704372-02 Pillow, Aran Isle
704372-03 Pillow, Villa Fronds
704372-04 Pillow, Lumbar

2019 TOMMY BAHAMA TC UPHOLSTERY, ULTRALEATHER

Captain's Chairs, Cabin

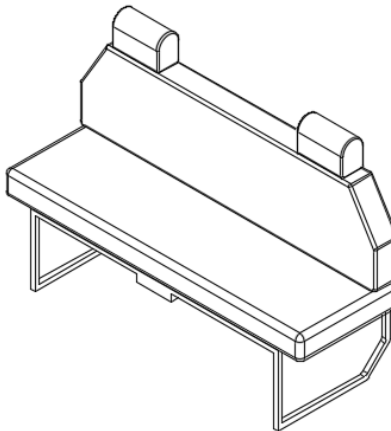
703806DT	Skirt, Driver's seat pedestal, Desert Tan
703807DT	Skirt, Passenger's seat pedestal, Desert Tan
704428DT-D	Recover, Driver seat w/map pocket, Thorax, Desert Tan
704428DT-P	Recover, Passenger seat w/map pocket, Thorax, Desert Tan

Cab captain's chairs come with the chassis. Airstream sends the chairs out to be recovered to match the motorhome color scheme.

Captain's Chairs, 2nd Row

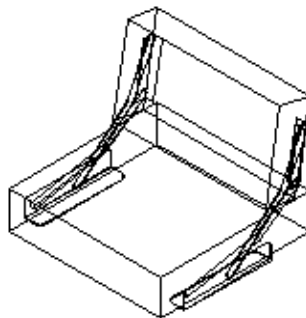
704377DT	Chair, RS w/seat belt & self-level armrests, Septer II, Desert Tan
704378DT	Chair, CS w/seat belt & self-level armrests, Septer II, Desert Tan

Sofa, Power



704441DT	Sofa, Power w/2 headrests & 2 bolsters, Septer II, Desert Tan
----------	---

Sofa, Jackknife



704211DT	Jackknife sofa, 29" w/UL & memory foam, Septer II, Desert Tan
----------	---

2019 TOMMY BAHAMA TC

VENTS AND FANS

Black Tank Vent

690700-02 Tank vent cap, Black
382337 Gasket, Vent cap

Bath Vent

690266-04 Vent w/2" White garnish
203639 Ceiling spacer, Bath vent

Furnace Vent

690620-05 Extension kit, 7.25"
115657 Spacer, Furnace vent
365391 Gasket, Furnace vent

Refrigerator Vent

382297 Vent, 4 x 8, Black plastic

Exhaust Fan

513172 Fantastic fan vent, RVC
382467-01 Gasket, Exhaust fan
115403 Vent frame, Roof

2019 TOMMY BAHAMA TC

PANELING, EDGEBANDING, LAUAN

Paneling

801392	Paneling, Pre-laminated, 12mm, White liner/White liner
802171-01	Laminate, Macchiato
802172-01	Laminate, Macchiato w/leaf pattern
802182	Paneling, Pre-laminated, 12mm, Macchiato/Macchiato
802222	Paneling, Pre-laminated, 18mm, Macchiato/Macchiato

Edgebanding

365412-01	Edgebanding, .63", Macchiato
365412-02	Edgebanding, .94", Macchiato

Lauan

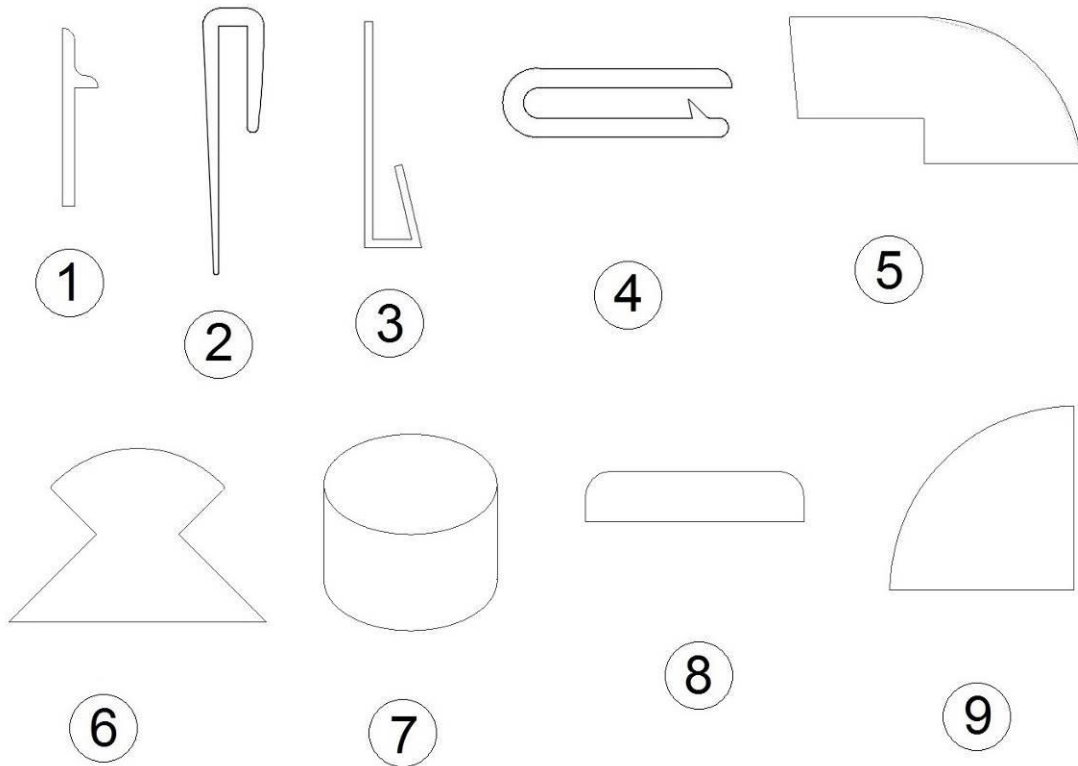
800507-01	Lauan, 1/8 x 4' x 8'
800507-02	Lauan, 1/4 x 4' x 8'
800507-03	Lauan, 3/8 x 4' x 8'
801438	Lauan, 2.7mm, Frost White/Raw

Plywood

800506-04	Plywood, .5 x 4' x 8'
801351	Plywood, Lite, .75 x 4' x 8'
801262-08	Plywood, Baltic Birch, 5" x 96"

2019 TOMMY BAHAMA TC TRIMS

Trim



- | | |
|----------------|--|
| 1. 115064 | Trim, Aluminum counter top |
| 2. 114070 | J-trim, Extrusion, Mill finish |
| 3. 201666-01 | J-molding, 3/16", White |
| 4. 203225-01 | Trim lock, .75", Gray |
| 5. 801706-0039 | Corner trim, 90°, 1" radius, Macchiato |
| 6. 801415-0039 | Corner trim, 45°, 1" radius, Macchiato |
| 7. 801818-0039 | Wood plug, 3/8", Tapered, Macchiato |
| 8. 800573-0139 | Flat molding, Macchiato |
| 9. 800638-0139 | Molding, Quarter round, .5", Macchiato |
| 203462-01 | Screw cap cover, PVC, Gray |
| 203710 | T-molding, Almond |