



Product Catalog

Cleveland Wheels & Brakes
Catalog AWBPC0001-15/USA

Cleveland
Wheels & Brakes

aerospace
climate control
electromechanical
filtration
fluid & gas handling
hydraulics
pneumatics
process control
sealing & shielding



ENGINEERING YOUR SUCCESS.

Publication Number: **AWBPC0001-15/USA**
AWBPC0001 Issue 15, Dated: **July 01, 2014**

Reference

MANUALS

Refer to the applicable Component Maintenance Manual for detailed maintenance / overhaul procedures. Consult the Aircraft Maintenance Manual and Airframe Log Books (for optional installations) to confirm the approved part numbers for the particular aircraft application. If any inconsistencies are observed in this data, please notify Cleveland Customer Support.

IMPORTANT NOTE

Use of other manufacturer's components with original Cleveland Wheel & Brake assemblies will void the Cleveland Wheels & Brakes warranty.

SAFETY WARNING



FAILURE OR IMPROPER SELECTION OR IMPROPER USE OF THE PRODUCTS AND/OR SYSTEMS DESCRIBED HEREIN OR RELATED ITEMS CAN CAUSE DEATH, PERSONAL INJURY AND PROPERTY DAMAGE.

This document and other information from Parker Hannifin Corporation, its subsidiaries and authorized distributors provide product and/or system options for further investigation by users having technical expertise. It is important that you analyze all aspects of your application, including consequences of any failure, and review the information concerning the product or system in the current product catalog. Due to the variety of operating conditions and applications for these products or systems, the user, through its own analysis and testing, is solely responsible for making the final selection of the products and systems and assuring that all performance, safety and warning requirements of the application are met.

The products described herein, including without limitation, product features, specifications, designs, availability and pricing, are subject to change by Parker Hannifin Corporation and its subsidiaries at any time without notice.

CONTACT INFORMATION

Cleveland Wheels & Brakes, 1160 Center Road • Avon, Ohio 44011

www.clevelandwheelsandbrakes.com

www.parker.com

E-mail: clevelandwbhelp@parker.com

Customer Support Fax: 440-937-5409

Technical Service Hotline: 1-800-BRAKING (1-800-272-5464)

Literature Requests: 440-937-1315

© 2014 Parker Hannifin Corporation

Revision Highlights**Revision 15, dated July 01, 2014**

Page	Description of Change
1-13	Cessna applicability data (add) Flagnote (4) for models 208 and 208B, brake P/N 30-182. (add) Flagnote: (4) Upgrade to 30-182A per SB7105.
1-20	Pacific Aerospace Corp., Ltd. applicability data (add) Flagnote (5) for model PAC 750XL, brake P/N 30-182. (add) Flagnote: (5) Upgrade to 30-182A per SB7105.
1-25	Reference table: Piper Aerostar - see Aerostar Aircraft (move) from page 1-24.
1-25	Quest applicability data (add) Flagnote (1) for model Kodiak 100, brake P/N 30-182 (add) Flagnote: (1) Upgrade to 30-182A per SB7105
2-8	Master Cylinder IPL for 10-30 (now) Item 8, 082-14500 Spring-Return, qty 1. (was) Item 8, 082-00900 Spring-Return, qty 1.
3-2	Brake Assembly P/N Index (add) 30-293 (add) 30-293 RH
3-14, 3-15	Brake Assembly IPL for 30-56, 30-56A, 30-56B, etc. (revise) IPL figure graphics, graphics item number callouts, and IPL parts list to reflect the actual parts of each assembly.
3-44	Brake Assembly IPL (8" External, Single Cylinder, Dual Piston) (add) New page for 30-293 and 30-293 RH data.
3-50	Brake Assembly IPL for 30-146, 30-146A, 30-220 (add) Graphics item number call for (17).
3-64	Brake Assembly IPL for 30-182 (add) Flagnote (4) for 30-182. (add) Note: (4) 199-281 Conversion Kit upgrades 30-182 to 30-182A. Refer to SB7105.
4-2	Wheel Assembly P/N Index (add) 40-483.
4-69	Wheel Assembly IPL for 40-172, 40-258, etc. (Main, External, 18 x 5.5) (add) 40-483 data.

Table of Contents

	PAGE
PRODUCT CATALOG	
Introduction	3
Typical Installation	
Internal Wheel & Brake	5
External Wheel & Brake	6
SECTION 1: AIRCRAFT/PRODUCT DIRECTORY	
Original Equipment	
Introduction	1-1
Applicability Data	1-3
Original Equipment - Floats	
Applicability Data	1-29
FAA-PMA Replacement Equipment	
Introduction	1-31
Applicability Data	1-32
SECTION 2: MASTER CYLINDER	
Part Number Index	2-1
Design Information	2-3
Illustrated Parts List	
Push Type	2-6
Push Type with Parking Brake	2-17
Push Type with Reservoir	2-18
Pull Type	2-23
SECTION 3: BRAKE ASSEMBLY	
Part Number Index	3-1
Illustrated Parts List	
Drum Type	3-3
External Design	3-5
Internal Design	3-76
SECTION 4: WHEEL ASSEMBLY	
Part Number Index	4-1
Illustrated Parts List	
Auxiliary Type	
Dolly	4-3
Tail	4-6
Nose	4-10
Main Wheels	
External Design	4-34
Internal Design	4-83
SECTION 5: PARKING VALVE	
Part Number Index	5-1
Illustrated Parts List	5-3
Design Information	5-8
SECTION 6: MISCELLANEOUS HYDRAULIC ASSEMBLY	
Part Number Index	6-1
Illustrated Parts List	
Actuator	6-3
Shimmy Damper	6-6



Introduction**How to find the part number for your wheel and brake**

Locate your aircraft, model number, year of manufacture or serial number in the **Aircraft / Product Directory** or **Kit Directory**. You will find the wheel and brake assembly number applicable to your aircraft. After determining the required assembly numbers, turn to the **Table of Contents** on pages 1 and 2 for all Cleveland Wheels & Brakes products, to locate the proper section and page number.

NOTE: Illustrations in this catalog are not necessarily exact and should be used as a guide only.

Catalog Updates

The catalog publication number will reflect the latest issue in effect with a suffix “-X” (X being the latest issue), e.g. AWBPC0001-8. The publication number will advance numerically with each update issued. Each page will reflect the latest issue in effect. Refer to the **Revision Highlights Page** in this publication for details of each update.

Consult the Parker Hannifin website, www.parker.com, for current publications. For additional information regarding publications on CD-Rom, please contact the Cleveland Wheels & Brakes Technical Support Team.

For technical assistance, contact the

TECHNICAL SERVICES HOTLINE:

clevelandwbhelp@parker.com

Fax: 440-937-5409

1-800-BRAKING (272-5464)

Part Numbering System

Two part numbering methods have been used by Cleveland over the years to identify products. The long form is an eight-digit (computer friendly) number and is used to identify detail and subassembly parts. The short form can contain both alpha and numeric characters. Past practices used the short form number on all of the products. Current practice is the use of the eight-digit format to identify all detail and subassembly components. Top assemblies are identified using the FAA-TSO approval. These are usually short form numbers, but occasionally are long form, or neither form, depending on the era in which the approval was granted.

To convert from the short form to the long form, use the following method:

1. Examples of converting older short version part numbers to the current eight-digit format is shown below:

Example: 65-144 becomes 065-14400

2. For numbers not ending in 00, replace the last two digits with a letter using the table below as a reference.

Example: 65-144C becomes 065-14403

The following table shows the cross reference of numeric to alpha characters:

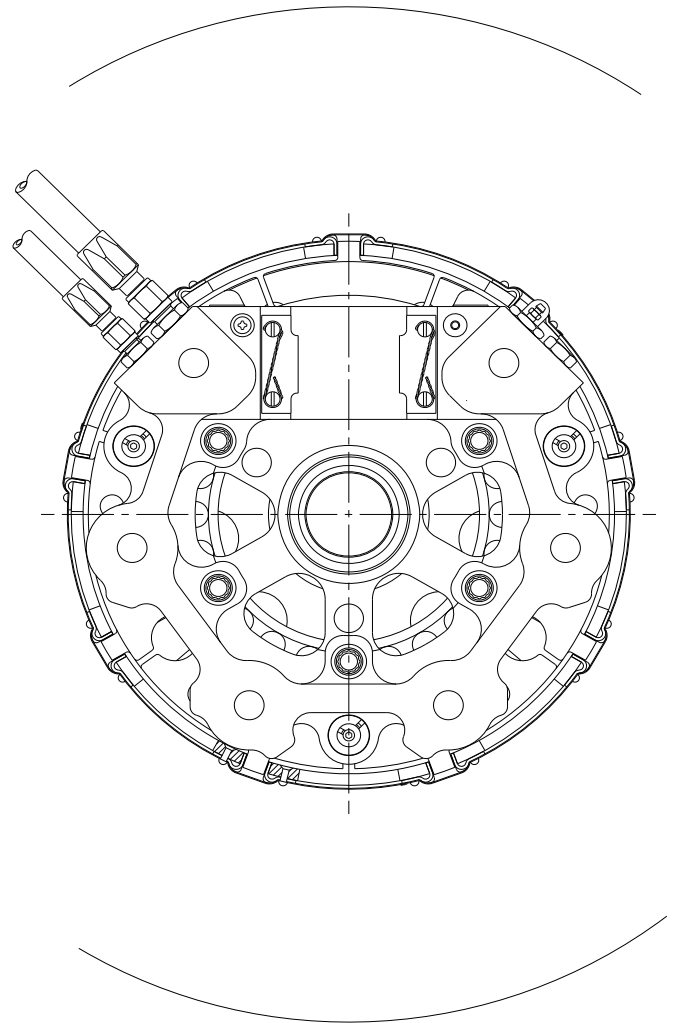
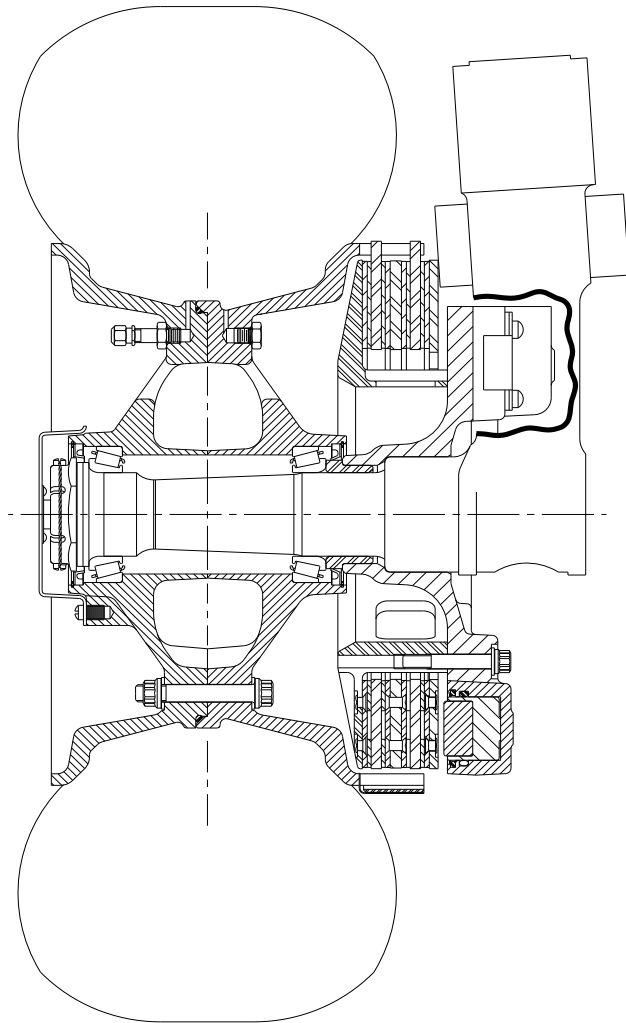
01 = A	06 = F	11 = L	16 = R	21 = W
02 = B	07 = G	12 = M	17 = S	22 = X
03 = C	08 = H	13 = N	18 = T	23 = Y
04 = D	09 = J	14 = P	19 = U	24 = Z
05 = E	10 = K	15 = Q	20 = V	

Letter I and O are deleted, so as not to be confused with the numbers 1 and 0.

Quantity Per Assembly

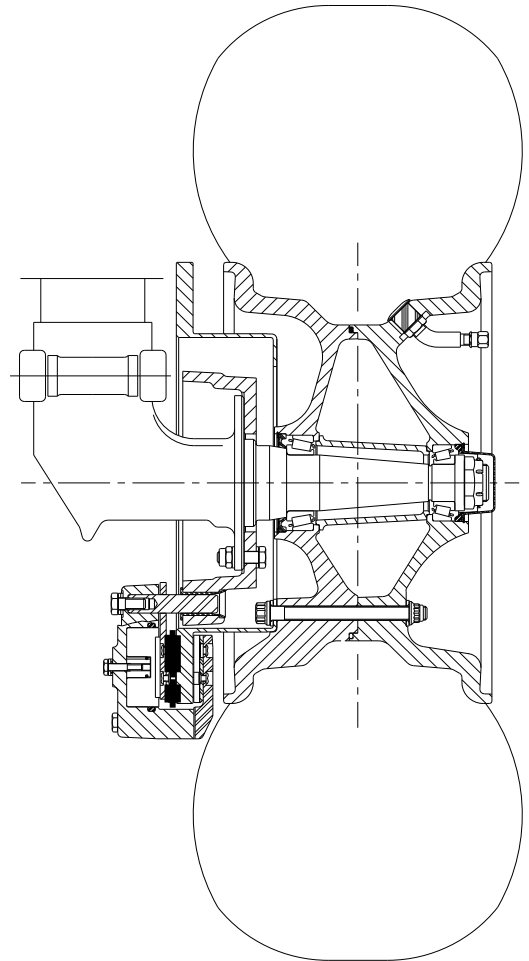
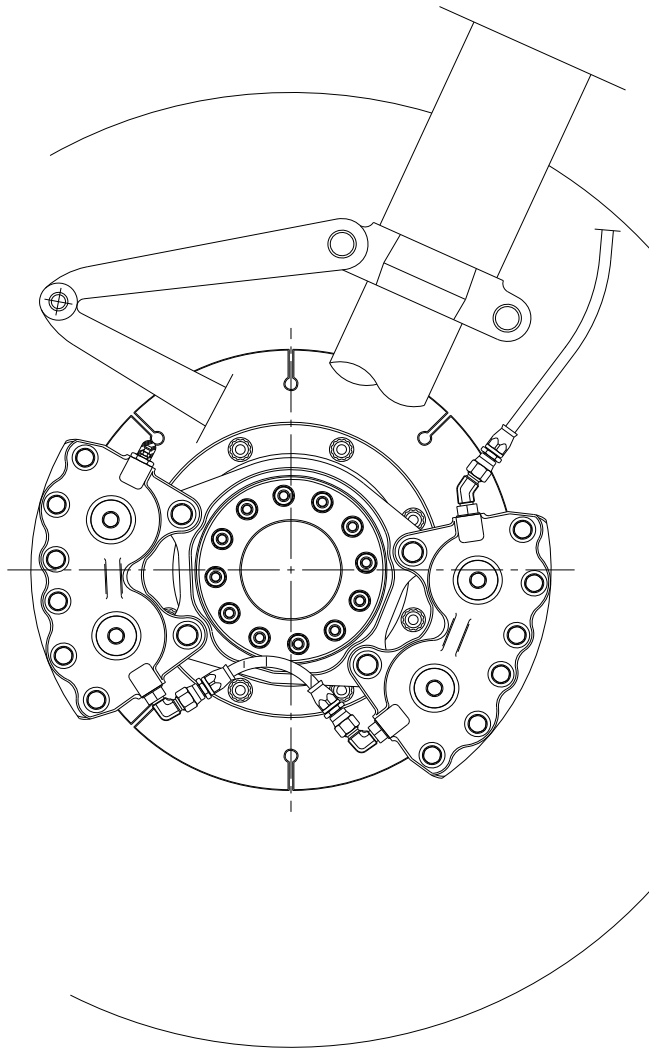
The quantity per assembly column for each part number in this catalog represents the total quantity for the top assembly, e.g. brake assembly, wheel assembly, etc.

This differs from a bill of material in a component maintenance manual where the quantity of each part number represents the total quantity for the next level of assembly, e.g. subassembly.



Cleveland
Wheels & Brakes





Cleveland
Wheels & Brakes



- STOP -

THE WHEEL & BRAKE APPLICABILITY DATA IS ACCURATE TO THE BEST OF OUR KNOWLEDGE. IT IS TO BE USED ONLY AS A GUIDE, AND NOT TO BE CONSTRUED AS THE BASIS FOR AIRCRAFT INSTALLATION APPROVAL.

Note!

Unless otherwise noted, listed Wheels and Brakes are FAA TSO C26 Approved.

For a product to be TSO qualified, it has to have successfully demonstrated its ability to meet minimum performance standards in accordance with FAA recognized rating methods. The TSO approval of a product does not constitute installation approval or applicability on an FAA Type Certificated Aircraft. It is the responsibility of those installing these products to determine that the aircraft installation and its wheel and brake performance requirements are compatible for the TSO ratings of the wheel and brake. TSO approved products must have separate approval for installation in a FAA type certificated aircraft. TSO Approved Products may be installed only if performed under Title 14 CFR Part 43 or the applicable airworthiness requirements.

Consult the Airframe maintenance manual, parts catalog, or equipment list (for optional installations), to confirm the approved part number for a particular application. It is the responsibility of the installer to assure that only approved parts have been used. Prior to installing replacement parts, please verify that the wheel and brake assembly numbers as listed match the model numbers as indicated on the nameplates. If unable to identify the parts, contact the **Technical Services Hotline**.

For quick reference, disc and lining part numbers are listed in the directory. Manufacturers and aircraft are listed alphabetically with models listed numerically. For other replacement parts on your assemblies, turn to the numerical assembly listing for a particular parts breakdown.

Actions affecting a particular assembly will be noted below each applicability data table. Always check for additional information such as superseding equipment, applicable upgrades and other pertinent information in the numerical assembly listing parts breakdown.

For technical assistance, contact the

TECHNICAL SERVICES HOTLINE:

clevelandwbhelp@parker.com

Fax: 440-937-5409

1-800-BRAKING (272-5464)

Cleveland
Wheels & Brakes



Notes



Applicability Data

Model/ Name	Year/ Serial Number	Main Wheel Assembly	Standard Disc	Chrome Disc	Brake Assembly	Lining	Auxiliary Wheel
Aerofab (1)							
LA-4	1963 and on	40-113X (4)(5)	164-04000	164-14000	30-75X (4)(5)	066-10500	N/A
		40-74 (2)(5)	164-00700	164-10700	30-51 (3)(5)	066-10600	
LA4-180, -200 Amphibian	1974 1975 1977 and on	40-113X (4)(5)	164-04000	164-14000	30-75X (4)(5)	066-10500	40-87C
		40-74A (5)	N/A	164-04700	30-51 (3)(5)	066-10600	
		40-74B (5)	164-00700	164-10700			
					30-51B (5)	066-10600	
LA-250 Renegade		40-418 (6)	164-24500	N/A	30-241 (6)	066-10500	40-87C
LA-270 Turbo Renegade		40-418 (7)	164-24500	N/A	30-241 (7)	066-10500	D-30500-1

(1) Formerly Lake Aircraft, Inc.

(2) 40-74 is interchangeable with 40-74B.

(3) Superseded by 30-51B.

(4) Replacement for aircraft equipped with Gerdes Wheels & Brakes. Requires modifications prior to installation. See Airframe manufacturer.

(5) For heavy duty option, order Main Wheel Assy 40-418 and Brake Assy 30-241, which is also high corrosion-resistant equipment.

(6) High corrosion-resistant, amphibious equipment. Replaces Main Wheel Assy 40-74B and Brake Assy 30-51B on new production aircraft. See Airframe manufacturer for applicability.

(7) High corrosion-resistant, amphibious equipment. Replaces Main Wheel Assy D-30660-7 and Brake Assy D-30793-4 on new production aircraft. See Airframe Manufacturer for applicability.

Aerospatale - See Socata**Aerostar Aircraft (1)**

600, 601, 601P PA-600A, -601B PA-601P, -60, -700P	171 and on 1975 and on	40-124	164-05006	N/A	30-88 (2)	066-02200	40-76B 40-76F
---------------------------------------------------------	---------------------------	--------	-----------	-----	-----------	-----------	------------------

(1) T.C. formerly held by Piper Aircraft.

(2) Use with airframe supplied Torque Plate (075-10100 LH and 075-10150 RH).

Agusta / Caproni Vizzola

C22J		40-151	164-08500	N/A	30-133 30-164	066-10500 066-06200	N/A
------	--	--------	-----------	-----	------------------	------------------------	-----

Agusta / Siai Marchetti - see Siai Marchetti / Agusta / Aermacchi

Applicability Data

Model/ Name	Year/ Serial Number	Main Wheel Assembly	Standard Disc	Chrome Disc	Brake Assembly	Lining	Auxiliary Wheel
Air Tractor							
AT-300		40-101 (1)	N/A	164-03006	30-67X	066-10800	N/A
AT-301, -302, -302A, -400A		40-101 (1)	N/A	164-03006	30-89	066-10800	40-168
AT-400, -402, -501, -502, -503, -503A		40-133 (2)	N/A	164-05806	30-98C	066-10800	40-168
AT-401, -401A		40-234 (3)	N/A	164-05606	30-184 LH (3) 30-184 RH (3)	066-10800 066-10800	40-168
AT-602		40-403	164-22202	N/A	30-231	066-06600	40-140C (8)
AT-802		40-279 (4) (6) (7) 40-279A (6) (7)	164-23001 (5) 164-23002	N/A N/A	30-210 (4) 30-210A	066-13100 066-13100	40-140C (8)

- (1) 8.50-10 Tire. (2) 29 x 11.00-10 Tire. (3) Not TSO approved - order from airframe manufacturer only.
 (4) Upgrade to 40-279A and 30-210A per SB7067 (TSO approved). (5) Supersedes 164-23000.
 (6) Refer to SB7082 for product improvement information. (7) Refer to SB7089 for inspection information.
 (8) 40-140C superseded by 40-426B.

Allied Ag Cat Corp. (1)

G164 Ag Cat	1 thru 399	40-47 (2)	N/A	164-01100	30-32C (2)	066-10600	40-112
		40-101 (3)	N/A	164-03006	30-67 (3)	066-10800	
Super Ag Cat G164A/450	401 and up	40-101 (3)	N/A	164-03006	30-67 (3) 30-67E (5)	066-10800 066-10800	
Super Ag Cat G164A/600 G164B/450		40-101 (3)	N/A	164-03006	30-67 (3) 30-67E (5)	066-10800 066-10800	
Super Ag Cat G164B/450	660 thru 708	40-101 (3)	N/A	164-03006	30-67 (3) 30-67E (5)	066-10800 066-10800	
	709 and up	40-101 (3)	N/A	164-03006	30-67E (3)	066-10800	
Super Ag Cat G164B/525		40-101 (3)	N/A	164-03006	30-67 (3) 30-67E (5)	066-10800 066-10800	
Super Ag Cat G164C/600		40-133 (4)	N/A	164-05806	30-84 (4)	066-10800	
Turbo Ag Cat G164D/T G164D/ST G164D/SST		40-133 (4)	N/A	164-05806	30-84 (4)	066-10800	
Ag Cat B-Plus/450, B-Plus/600		40-101 (3)	N/A	164-03006	30-67 (3) 30-67E (5)	066-10800 066-10800	
Marsh G164 C-T Turbo Ag Cat		40-133 (4)	N/A	164-05806	30-84 (4)	066-10800	
Mid Continent King Cat		40-133 (4)	N/A	164-05806	30-84 (4)	066-10800	
G-164B Super B Turbine		40-101 (3)	N/A	164-03006	30-67E (3)	066-10800	

- (1) T.C. held by Allied Ag Cat Productions Inc. (2) Aircraft equipped with 8.50-6 tires. (3) Aircraft equipped with 8.50-10 tires.
 (4) Aircraft equipped with 29 x 11.00-10 tires. (5) Heavy duty option.

Applicability Data

Model/ Name	Year/ Serial Number	Main Wheel Assembly	Standard Disc	Chrome Disc	Brake Assembly	Lining	Auxiliary Wheel
American Champion Aircraft (1)							
7AC to 7EC, 7GC Traveller		3050 (2)	169-00201	N/A	C7000 (2)	066-00504 (6)	N/A
7GCA, 7GCB, 7JC, 7KC, 7GCBA		3040 (5)	169-00101	N/A	C2000 (5)	066-00504 (6)	
7EC, 7FC Tri-Traveller		3040 (5)	169-00101	N/A	C2000 (5)	066-00504 (6)	40-2 (4)
7ECA, 7GCAA, 7GCBC, 7KCAB, 7SRS	1964 and on	40-28D	164-00500	164-10500	30-19A	066-10600	N/A
7ACA Champ	Thru 1970	40-28D	164-00500	164-10500	30-19A	066-10600	
	1971 and on	40-78B	164-01700	164-11700	30-9	066-10600	
8GCBC Scout		40-47 (3)	N/A	164-01100	30-32B	066-10600	
8KCAB Decathalon		40-28D	164-00500	164-10500	30-19A	066-10600	
T-250 Aries		40-75G	164-01501	164-11501	30-52S	066-10500	40-77C

(1) Formerly Bellanca/Champion.

(2) Mechanical Drum Brake.

(3) 8.50-6 Tire.

(4) Inactive.

(5) Hydraulic Drum Brake.

(6) Brake Shoe, Includes Rivets.

American General - see Grumman American

Arctic Aircraft

S1B2 Arctic Tern	001 - 1021	40-28	164-00500	164-10500	30-18	066-10600	N/A
	1022 and on	40-86B	164-02000	164-12000	30-55	066-10500	

Aviat / Pitts / Christen

S-1, S-2 Pitts Special Series		40-78B	164-01700	164-11700	30-9	066-10600	N/A
A-1 Husky		40-60	164-06700	164-16700	30-60 (1)	066-10600	

(1) Inactive - superseded by 30-60A.

Avions Pierre Robin (Constructions Aeromatiaques De Bourgogne)

140, 160		(1)	164-03601	164-13601	30-52T	066-10500	N/A
DR400 Series		40-97D	164-02601	164-12601	30-63E	066-10500	40-77A
HR100/120, 200		(1)	164-02601	164-12601	30-63D (2)	066-10500	N/A
					30-63E	066-10500	
HR100/200, 210		(1)	164-03601	164-13601	30-52N	066-10500	
HR400 Series		(1)	N/A	N/A	30-52T	066-10500	40-77A
R1000 Series		(1)	N/A	N/A	30-63E	066-10500	N/A
R2000 Series							
R3000 Series		(1)	N/A	N/A	30-63E	066-10500	40-77A

(1) Order complete main wheel from airframe manufacturer only.

(2) Inactive.

Cleveland
Wheels & Brakes

Applicability Data

Model/ Name	Year/ Serial Number	Main Wheel Assembly	Standard Disc	Chrome Disc	Brake Assembly	Lining	Auxiliary Wheel
Ayres (1)							
S2R-600 Thrush	1939R thru 217R	40-129 (2)	N/A	164-05606	30-94 (2)	066-10800	40-112 (3)
	2173R thru 2529R	40-129	N/A	164-05606	30-94	066-10800	
		40-133 (2)	N/A	164-05806	30-98D (2)	066-10800	
	2530R and on	40-133	N/A	164-05806	30-98D	066-10800	
S2R-660 Turbo Thrush		40-403	164-22202	N/A	30-231	066-06600	40-76H
S2R-800	5000R thru 5082R	40-129 (2)	N/A	164-05606	30-94 (2)	066-10800	40-112 (3)
	5083R and on	40-133	N/A	164-05806	30-98	066-10800	
S2R-PZL600 S2R-R1340 S2R-R1820 S2R-T11		40-133	N/A	164-05806	30-98D	066-10800	40-112 (3)
S2R-T15	T15-001	40-133	N/A	164-05806	30-98	066-10800	
	T15-002 and on				30-98D	066-10800	
S2R-T34	6000 thru 6023	40-133	N/A	164-05806	30-98	066-10800	
	6024 and on				30-98D	066-10800	
S2R-T41 S2R-T65 S2R-T65HG	T41-089 and -090	40-133	N/A	164-05806	30-98D	066-10800	

(1) Applications may vary on all models due to manufacturer kit changes and field modifications.

(2) Heavy duty option.

(3) Tail Wheel - not original equipment until 1977 however, it is interchangeable on all models.

Beechcraft

23, 24	1971 and on	40-113C	164-04300	164-14300	30-79A	066-10500	40-87A (3) or 40-113B (1)
B19, C33, 24R	1974 to 1977				30-75B	066-10500	
	1978 and on	40-59	164-06900	N/A	30-59	066-11200	40-87A (3)
33, A33 B33	CD-1 thru 387 CD-388 thru 639	40-1 (2)	164-00900	164-10900	30-1 (2)	066-11100	N/A
		40-37 (2)	164-00700	164-10700	30-24 (2)	066-10600	
G33, F33A, F33C, V35BTC, 36	CD-1272 thru 1304 CE-301 thru 634 CJ-31 thru 124 D-9193 thru 9861 E-1 thru 824 D-9862 and on	40-83	164-02504	164-12504	30-54	066-10500	40-87D
					30-54A	066-10500	40-77E
F33A, F33C A36, A36TC	CE-635 thru 1071 CJ-125 thru 155 E-825 thru 1802 EA-1 thru 186	40-83A	164-02505	164-12505	30-54A	066-10500	40-87D
					30-54C	066-10500	40-77E
F33A, F33C	CE-1072 and on CJ-156 and on						
A36, A36TC A36, B36TC	E-1803 thru 2254 EA-187 thru 442 E-2255 and on EA-443 and on	40-83B	164-02505	164-12505	30-54A	066-10500	40-77E
					30-54C	066-10500	
C55	TE-1 and on	40-98	164-02706	N/A	30-66	066-04400	N/A
D55	TE-452 and on						
E55	TE-768 and on						40-87A (3)

(1) 6.00-6 Equipment. Optional.

(2) Inactive.

(3) 40-87D, equipped with rubber lip seals, is interchangeable.



Applicability Data

Model/ Name	Year/ Serial Number	Main Wheel Assembly	Standard Disc	Chrome Disc	Brake Assembly	Lining	Auxiliary Wheel
Beechcraft (continued)							
56TC	TG-1 thru TG-83	40-98	164-02706	N/A	30-69A	066-02200	40-87A (3)
A56T	TG-84 and on						
58	TH-1 and on				30-66	066-04400	
B55, E55, 58	1978	40-128 (4)	164-06106	N/A	30-93B (4)	066-04400	N/A
	1979 and on	40-98G	164-02706	N/A	30-66G	066-09700	
		40-128D (4)	164-06106	N/A	30-93C (4)	066-09700	
58TC	1984 and on	40-171	164-20806	N/A	30-145	066-09700	
58P	1984 and on	40-171	164-20806	N/A	30-145	066-09700	40-87A (3)
B60	1984 and on	40-171	164-20806	N/A	30-145	066-09700	40-56C
76		40-83	164-02504	164-12504	30-54B	066-10500	40-87A (3)
77		40-59	164-06900	N/A	30-59D	066-11200	40-87A (3)
T34C		40-111A	164-06506	N/A	30-74B	066-06700	40-110

(3) 40-87D, equipped with rubber lip seals, is interchangeable.

(4) Heavy duty option.

Bell Helicopter

AH-1T, 214							40-117A (3)
UH-1H							40-103 (3)
214ST (4)	1984 and on	40-181B (5)	159-01000 (rotor disc)	N/A	30-154A (5)	(see brake components)	40-115B (1)
222							40-115A (2)(6)
230		40-276 (5)	----	N/A	30-208 (5)	----	40-115B (1)
430		40-276 (5)	159-06201 (rotor disc)	N/A	30-208A (5) (7)	066-12901	40-115B (1)

(1) Nose Wheel, eligible to use 10 ply tire.

(2) Nose Wheel, use 6 ply tire only.

(3) Dolly Wheel, 4 per helicopter - Not TSO approved.

(4) Helicopter equipped with optional landing gear.

(5) Internal wheel & brake design.

(6) Superseded for this application by 40-115B per SB7038.

(7) Supersedes 30-208.

Bellanca Aircraft Corporation

17-30A, 17-31A 17-31ATC, 300A		40-75E	164-01501	164-11501	30-52M	066-10500	40-76C
----------------------------------	--	--------	-----------	-----------	--------	-----------	--------

Britten-Norman Group

BN-2, BN-2A	1969 thru 1979	40-90 (6)	164-02201	N/A	30-23A (1) (2)	N/A	40-76C
BN-2B, BN-2T	1979 and on	40-90B (6)	164-02201	N/A	30-23C (2) (3) (6)	066-06500 066-06200	40-76D
BN-2 Series	ALL	40-90F (4)	164-01506	N/A	30-23D (2) (4)	066-06500 066-06200	
BN-2A Mk111 BN-2A Mk111-2 BN-2A Mk111-3		40-98F	164-02706	N/A	30-66H (5)	066-02200	40-76D
Defender 4000		40-128E	164-23300	N/A	30-93E	066-04400	40-76D

(1) Inactive.

(2) Used with 075-06800 (R.H.) or 075-06900 (L.H.) torque plate. Order from airframe manufacture only.

(3) Supersedes 30-23A.

(4) For aircraft equipped with 7.00-6 tires.

(5) Supersedes 30-66D per Service Bulletin SB7053.

(6) 199-202 Wheel & Brake Upgrade Kit converts 40-90 or 40-90B/30-23C to 40-90F/30-23D. TSO approved per PRM57.

Cleveland

Wheels & Brakes



Applicability Data

Original Equipment

Model/ Name	Year/ Serial Number	Main Wheel Assembly	Standard Disc	Chrome Disc	Brake Assembly	Lining	Auxiliary Wheel
----------------	------------------------	------------------------	------------------	----------------	-------------------	--------	--------------------

Burkhart Grob - see Grob**Caproni Vizzola - see Agusta****Cessna**

150A, B	1961 to 1962 150-59119 thru 150-59700	40-12 (1)	164-00400	N/A	30-9 (1)	066-10600	40-77 (1)
150C	1963	40-19 (1) (3) 40-57 (2) (3)	164-00400 164-00500	N/A 164-10500	30-9 (1) 30-40 (2)	066-10600 066-10600	40-77A (1)
150D, E	1964 to 1965	40-78 (1) 40-79A (2)	164-01700 164-01600	164-11700 N/A	30-9 (1) 30-40 (2)	066-10600 066-10600	40-77 (1) 40-76A (2) (4)
150F, G, F150F, G	1966 to 1967	40-97 (3) (6)	N/A	N/A	30-63 (3) (5)	066-10500	40-77 (1)
150H, J, K F150H, J A150K	1968 to 1970 1970	40-97A	164-02601	164-12601	30-63A	066-10500	
150L A150L F150K FA150K, L FRA150L 152 A152 F152, FA152	1971 and on 1971 and on 1970 and on 1970 to 1971 1972 and on 1978 and on 1978 and on 1978 and on	40-113	164-04000	164-14000	30-75	066-10500	40-77 (1)

(1) 5.00-5 Equipment

(2) 6.00-6 Equipment. Optional.

(3) Inactive.

(4) Starting with S/N 150-60477.

(5) Superseded by 30-63A.

(6) Superseded by 40-97A.

150, 152, A150	1971 to 1973	D-30063 (3) (4)	N/A	N/A	C-30018 (4)	066-30026	D-30053 (3)
F150, F152	1973 to 1976	D-30260 (3) (4)	164-30195	N/A			C-30174 (3)
FA152 (Reims) (Aircraft equipped with McCauley)	1976	D-30580 (3) (4)	164-30195	N/A	C-30018-4 (4)	066-30026	D-30480 (3)
	1976 to 1977	D-30291-6 (4)	164-30440	164-23600			
	1977	D-30600-1 (3) (4)	N/A	N/A	C-30018-5 (4)	066-30026	D-30500
	1978 to 1981 1982 and on	D-30660-1 (4)	164-30615-1	164-30804-1	C-30764-5 (4)	066-30026	

(1) 5.00-5 Equipment.

(2) 6.00-6 Equipment. Optional.

(3) Inactive.

(4) Superseded equipment - refer to Cessna Service Bulletin SEB00-5 and Cessna Service Kit SK182-120 for replacement wheels and brakes.

162 SkyCatcher		40-308	164-01700	N/A	30-308	066-14800	40-307
----------------	--	--------	-----------	-----	--------	-----------	--------

Cleveland

Wheels & Brakes



Applicability Data

Model/Name	Year/Serial Number	Main Wheel Assembly	Standard Disc	Chrome Disc	Brake Assembly	Lining	Auxiliary Wheel
Cessna - continued							
172, 172A, B, C Skyhawk 172D	172-46421 thru 172-49544						40-77 (1)
	172-49545 thru 172-50572						40-55 (2)(5)
172E thru M	172-50573 thru 172-63458						40-76A (2)
172F	172-51823 thru 172-52808	40-97A	164-02601	164-12601	30-56 (3)(6)	066-10500	40-77 (1)
172F, G, H	172-52809 thru 172-56512	40-97A	164-02601	164-12601	30-63 (3)(6)	066-10500	40-77 (1)
172I, K	172-56513 thru 172-59223	40-97A	164-02601	164-12601	30-63A	066-10500	40-77 (1)
172L thru 172R	1971 and on 172-59224 & on	40-113	164-04000	164-14000	30-75A	066-10500	40-77 (1)
F172D	F172-0001 thru F172-0018						40-55 (2)(5)
F172E thru M	F172-0019 thru F172-01234						40-76A (2)
F172F	F172-0086 thru F172-0095						40-77 (1)
F172F, G	F172-0096 thru F172-0204	40-97A	164-02601	164-12601	30-56 (3)(6)	066-10500	
F172G, H	F172-0205 thru F172-00754	40-97A	164-02601	164-12601	30-63A	066-10500	
F172K	F172-00755 & on	40-113	164-04000	164-14000	30-75A	066-10500	
F172RG Cutlass	172RG0001 & on	40-113	164-04000	164-14000	30-75	066-10500	40-77 (1)
172, R172	1971 to 1973	D-30063 (3)(7)	N/A	N/A	C-30018-2 (7)	066-30026	D-30053 (3)
F172 (Reims)	1973	D-30260 (3)(7)	164-30195	N/A	C-30018-2 (7)	066-30026	D-30204 (2)(4)
FR172 (Reims) (Aircraft equipped with McCauley)	1973 to 1974						C-30174 (1)(3)
	1973 to 1975						D-30255 (2)(4)
	1976						D-30585 (2)(4)
	1976	D-30580 (7)	164-30195	N/A	C-30018-2 (7)	066-30026	D-30480 (1)(3)
	1977	D-30600-1 (3)(7)	N/A	N/A	C-30018-6 (7)	066-30026	D-30625 (2)(4)
172RG Cutlass	1978 to 1981	D-30660-1 (7)	164-30615-1	164-30804-1	C-30018-6 (7)	066-30026	D-30500 (1)
	1978						D-30665 (2)
	1982 and on				C-30764-6 (7)	066-30026	D-30500 (1)
172RG Cutlass	1980 to 1981	D-30660-1 (7)	164-30615-1	164-30804-1	C-30018-6 (7)	066-30026	D-30500 (1)
	1982 and on				C-30764-5 (7)	066-30026	

(1) 5.00-5 Equipment

(2) 6.00-6 Equipment. Optional.

(3) Inactive.

(4) Superseded by D-30665.

(5) Superseded by 40-76A.

(6) Superseded by 30-63A.

(7) Superseded equipment – refer to Cessna Service Bulletin SEB00-5 and Cessna Service Kit SK182-120 for replacement wheels and brakes.



Applicability Data

Model/Name	Year/Serial Number	Main Wheel Assembly	Standard Disc	Chrome Disc	Brake Assembly	Lining	Auxiliary Wheel
Cessna - continued							
175 Skylark	175-55876 thru 175-57119						40-18 (1)(3)
177A, B Cardinal	177-01165 thru 177-01530	40-97A	164-02601	164-12601	30-63 (5)	066-10500	40-77 (1)
177B	177-01531 & on	40-113	164-04000	164-14000	30-75	066-10500	40-77 (1)
177A, B	177-01165 & on						40-76A (2)
177RG, F177RG	1971 and on	40-113	164-04000	164-14000	30-75	066-10500	40-77 (1)
177, 177RG	1972 to 1973						C-30053 (3)
F177RG (Reims)	1973 to 1974						C-30174 (1)(3)
(Aircraft equipped with McCauley)	1975	D-30580 (3)(6)	164-30195	N/A	C-30018-4 (6)	066-30026	D-30480 (1)(3)
	1976	D-30291-6 (6)	164-30440	164-23600	C-30018-4 (6)	066-30026	D-30500 (1)
	1977	D-30600-1 (3)(6)	N/A	N/A	C-30018-5 (6)	066-30026	
	1978 and on	D-30660-1 (6)	164-30615-1	164-30804-1			
180G	180-51313 & on	40-75B	164-01501	164-11501	30-52	066-10500	N/A
180H	180-52011 thru 180-52195	40-75D	164-03601	164-13601	30-52D (3)	066-10500	
180H	180-52196 & on				30-52N	066-10500	
180H	180-51775 thru 180-51993	40-66 (3)	164-00700	N/A	30-21 (3)	066-10600	
180 Series Skywagon	1973 to 1974	D-30063-1 (3)(6)	N/A	N/A	D-30118-1, -2 (3) (6)	066-30026	D-30380
(Aircraft equipped with McCauley)	1974	D-30291-3 (6)	164-30414	164-23900		066-30026	
	1974 to 1978	D-30063-4 (3)(6)	N/A	N/A	D-30118-5, -6 (6)		
	1978 and on	D-30291-1 (6)	164-30388	164-24100			
		D-30660-2 (6)	164-30615-2	164-30804-2			
182B, C, D, E	182-51887 thru 182-54423						40-35 (3)
182E, F	182-53599 thru 182-55058						40-55 (2)(3) or 40-76A (2)
182G thru P	182-55059 thru 182-62465						40-77 (1)
182G thru N	182-55059 thru 182-60445	40-97A	164-02601	164-12601	30-56A	066-10500	40-77 (1)
					30-63 (5)	066-10500	40-76A (2)
					30-63A	066-10500	
182N	182-60446 thru 182-67715	40-113	164-04000	164-14000	30-75	066-10500	40-77 (1)
182S	1996 and on	40-75B	164-01501	164-11501	30-52U	066-10500	40-77 (1)

(1) 5.00-5 Equipment

(2) 6.00-6 Equipment. Optional.

(3) Inactive.

(4) Superseded by D-30665.

(5) Superseded by 30-63A.

(6) Superseded equipment – refer to Cessna Service Bulletin SEB00-5 and Cessna Service Kit SK182-120 for replacement wheels and brakes.

Applicability Data

Model/ Name	Year/ Serial Number	Main Wheel Assembly	Standard Disc	Chrome Disc	Brake Assembly	Lining	Auxiliary Wheel
Cessna - continued							
182 Series F182 (Reims) (Aircraft equipped with McCauley)	1971 to 1973						D-30053 (3)
	1973						D-30204 (2)(4)
	1973 to 1974						C-30174 (1)(3)
	1973 to 1975						D-30255 (2)(4)
	1976	D-30291-6 (7)	164-30440	164-23600	C-30018-4 (7)	066-30026	D-30585 (2)(4)
						066-30026	D-30480 (1)(3)
	1977	D-30600-1 (3)(7)	N/A	N/A	C-30018-5 (7)	066-30026	D-30625 (2)(4)
	1978 to 1980 1978	D-30660-1 (7)	164-30615-1	164-30804-1	C-30018-5 (7)	066-30026	D-30500 (1)
D-30665 (2)							
T182	1981 and on	D-30660-3 (7)	164-30615-3	164-30804-3	C-30118-3, -4 (7)	066-30026	D-30500 (1)
R182, TR182, FR182 (Reims)	1978 and on	40-75B (8)	164-01501	164-11501	30-52U (8)	066-10500	D-30500 (1)
185, 185A	185-0001 thru 185-0512	40-32 (3)	164-00700	164-10700	30-21 (3)	066-10600	N/A
185B	185-0513 thru 185-0653	40-66 (3)	164-00700	N/A	30-21 (3)	066-10600	
185C, D, E	185-0654 thru 185-1095	40-75B	164-01501	164-11501	30-52	066-10500	
A185E, F	185-1096 & on	40-75B	164-01501	164-11501	30-52	066-10500	
A185E, F	185-1471 & on	40-75D	164-03601	164-13601	30-52D (3) (6)	066-10500	
A185E	185-1150 thru 185-1447	40-66 (3)	164-00700	N/A	30-21 (3)	066-10600	
185 Series Skywagon (Aircraft equipped with McCauley)	1973 to 1974	D-30063-1 (3)(7)	N/A	N/A	D-30118-1, -2 (3)(7)	066-30026	D-30380
		D-30291-3 (7)	164-30414	164-23900	D-30118-5, -6 (7)		
	1974	D-30063-4 (3)(7)	N/A	N/A			
	1974 to 1978	D-30291-1 (7)	164-30388	164-24100			
	1978 and on	D-30660-2 (7)	164-30615-2	164-30804-2			

- (1) 5.00-5 Equipment (2) 6.00-6 Equipment. Optional. (3) Inactive.
 (4) Superseded by D-30665. (5) Superseded by 30-63A. (6) Superseded to 30-52N.
 (7) Superseded equipment – refer to Cessna Service Bulletin SEB00-5 and Cessna Service Kit SK182-120 for replacement wheels and brakes.
 (8) Replaces Main Wheel Assembly D-30660-3 and Brake Assembly D-30118-3, -4 per Cessna Service Bulletin SEB00-5 and Cessna Service Kit Sk182-120.

188, A188, 188A, A188A, 188B, A188B, T188C	1966 to 1972	40-75B	164-01501	164-11501	30-52B	066-10500	N/A
		40-101A (2)	164-03106	N/A	30-67A	066-10800	
	1973 and on	40-101 (1)(2)	N/A	164-03006	30-67C	066-10800	D-30380
		40-98A (3)	164-02707	N/A	30-66A	066-11000	

- (1) Chrome disc is standard equipment. (2) Aircraft equipped with 8.50-10 tire. (3) Aircraft equipped with 22 x 8.00-8 tire.

205	205-0001 thru 205-0480	40-67 (3)	164-00700	164-10700	30-35 (3)	066-10600	40-55 (2)(3) 40-77 (1)
205A	205-0481 to 205-0577	40-75B	164-01501	164-11501	30-52	066-10500	40-76A (2)

- (1) 5.00-5 Equipment. (2) 6.00-6 Equipment. Optional. (3) Inactive.



Applicability Data

Model/ Name	Year/ Serial Number	Main Wheel Assembly	Standard Disc	Chrome Disc	Brake Assembly	Lining	Auxiliary Wheel
Cessna - continued							
206	206-0001 thru 206-0275	40-75B	164-01501	164-11501	30-52	066-10500	40-76A (2) or 40-77 (1)
U206	U206-0276 thru U206-1256	40-75B	164-01501	164-11501	30-52	066-10500	40-77 (1)
	U206-1257 & on	40-75D (5)	164-03601	164-13601	30-52N (5)	066-10500	40-77 (1)
P206	P206-0001 thru P206-0566	40-75B	164-01501	164-11501	30-52	066-10500	40-77 (1)
	P206-0567 & on	40-75D (5)	164-03601	164-13601	30-52N (5)	066-10500	40-77 (1)
206H, T206H	1996 and on	40-75B	164-01501	164-11501	30-52U	066-10500	40-76A (2) or 40-77 (1)
		40-75T (5)	164-08300	164-18300	30-52W (5)	066-10500	
206 Series (Aircraft equipped with McCauley)	1971 to 1973						D-30053 (3)
	1973						D-30204 (2)(4)
	1973 to 1974						C-30174 (1)(3)
	1973 to 1975						D-30255 (2)(4)
	1974	D-30063-2 (3)(6)	N/A	N/A	D-30118-3, -4 (6)	066-30026	N/A
	1974 to 1978	D-30291-2 (6)	164-30398	164-24000			
	1978 and on	D-30660-3 (6)	164-30615-3	164-30804-3			
	1974	D-30063-4 (3)(6)	N/A	N/A	D-30118-5, -6 (5)(6)	066-30026	
	1974 to 1978	D-30291-1 (5)(6)	164-30388	164-24100			
	1978 and on	D-30660-2 (5)(6)	164-30615-2	164-30804-2	D-30118-5, -6 (5)(6)	066-30026	D-30665 (2)
	1976						D-30585 (2)(4) D-30480 (1)(3)
	1977						D-30625 (2)(4)
	1976 and on						D-30500 (1)
207 Series	207-00001 & on	40-75B	164-01501	164-11501	30-52F	066-10500	40-77 (1)
		40-75D (5)	164-03601	164-13601	30-52E (5)	066-10500	40-76A (2)
207 Series (Aircraft equipped with McCauley)	1971 to 1973						D-30053 (3)
	1973						D-30204 (2)(4)
	1973 to 1974						C-30174 (1)(3)
	1973 to 1975						D-30255 (2)(4)
	1976						D-30585 (2)(4)
	1977						D-30625 (2)(4)
	1974 to 1976						D-30480 (1)(3)
	1978 and on						D-30665 (2)
1976 and on						D-30500 (1)	

(1) 5.00-5 Equipment

(2) 6.00-6 Equipment. Optional.

(3) Inactive.

(4) Superseded by D-30665.

(5) Optional - for 8.00-6 tire usage.

(6) Superseded equipment – refer to Cessna Service Bulletin SEB00-5 and Cessna Service Kit SK182-120 for replacement wheels and brakes.



Applicability Data

Model/ Name	Year/ Serial Number	Main Wheel Assembly	Standard Disc	Chrome Disc	Brake Assembly	Lining	Auxiliary Wheel
Cessna - continued							
208 Caravan 1	1 thru 138	40-179	164-22201	N/A	30-163	066-03300	40-177A
	139 and on				30-182 (4)	066-03300	
208B	1 thru 53	40-179	164-22201	N/A	30-163	066-03300	40-177A
	54 and on				30-182 (4)	066-03300	
210A, B	210-57734 thru 210-58085						40-35 (2)
210C	210-58086 thru 210-58220	40-21 (2)	164-00900	164-10900	30-45 (2)	066-11100	40-68 (2)
210D thru M	210-58221 thru 210-62954	40-75B	164-01501	164-11501	30-52	066-10500	40-77 (1)
T210F	T210-0001 & on						
P210	1984	40-142	164-07800	N/A	30-127C	066-06200	
210N	210-62955 & on	40-75B	164-01501	164-11501	30-52V	066-10500	
P210N	1979 and on						
210 Series (Aircraft equipped with McCauley)	1971 to 1973						D-30053 (2)
	1973 to 1974						C-30174 (1)(2)
	1974	D-30063-2 (2)(3)	N/A	N/A	D-30118-3, -4 (3)	066-30026	N/A
	1974 to 1978	D-30291-2 (3)	164-30398	164-24000			
	1978 and on	D-30660-3 (3)	164-30615-3	164-30804-3			
	1976						D-30480 (1)(2)
1976 and on						D-30500 (1)	

- (1) 5.00-5 Equipment. (2) Inactive. (3) Superseded equipment – refer to Cessna Service Bulletin SEB00-5 and Cessna Service Kit SK182-120 for replacement wheels and brakes.
(4) Upgrade to 30-182A per SB7105

303, T303	1982 and on	40-142	164-07800	N/A	30-127A	066-06200	40-76A
		40-98H (1)	164-08406	N/A	30-66F	066-04400	N/A
305A, B, C, D, E (3), F	1951 and on	40-97E	164-02601	164-12601	30-63K	066-10500	
		40-75F	164-01501	164-11501	30-52L (2)	066-10500	

- (1) 6.50-8 Equipment. Optional. (2) Used with 075-07500 (Left Hand) and 075-07600 (Right Hand) Torque Plates - order from airframe manufacturer only.
(3) Ref: USAF O-1A, -1E, -1G/-1D and -1F (for conversions) all except Model F.



Applicability Data

Model/ Name	Year/ Serial Number	Main Wheel Assembly	Standard Disc	Chrome Disc	Brake Assembly	Lining	Auxiliary Wheel
Cessna - continued							
310 Series	1976 to 1981	40-40A	164-00806	N/A	30-28B	066-03300	N/A
	1981 and on	40-40D	164-20206	N/A			
	1976 to 1977						D-30288 (1)(4)
	1978 to 1980						D-30665 (4)
	1981 and on						D-30665-1 (4)
335	1979 and on	40-40A	164-00806	N/A	30-28B	066-03300	N/A
336 Skymaster	336-0001 thru 336-0098	40-67 (1)	164-00700	164-10700	30-35 (1)	066-10600	40-55 (1)
	336-0099 & on	40-75B	164-01501	164-11501	30-52	066-10500	40-76A
337, 337A	1965 to 1966 337-0001 thru 337-0525	40-96A (2)	164-02504	164-12504	30-61	066-10500	40-76A
337B	1967 337-0526 thru 337-0619	40-96A (2)	164-02504	N/A	30-61A (3)	066-03600	N/A
337B thru D	337-0620 thru 337-1193	40-96A (2)	164-02504	164-12504	30-61D	066-10500	
337E	337-01194 & on	40-98A	164-02707	N/A	30-69B	066-02200	
337 Series, F337 FT337 (Reims)	1973						D-30204 (4)
	1973 to 1975						D-30255 (4)
	1976						D-30585 (4)
	1977						D-30625 (4)
	1978 and on						D-30665 (4)

(1) Inactive.

(2) Superseded to 40-96E.

(3) Superseded by 30-61D for this application.

(4) Superseded by 40-140A.

340 Series	1972 to 1981	40-40A	164-00806	N/A	30-28B	066-03300	N/A
	1981 and on	40-40D	164-20206	N/A			
	1976 to 1977						D-30288 (1)(2)
	1978 to 1980						D-30665 (2)
	1981 and on						D-30665-1 (2)
401 Series	All	40-40A	164-00806	N/A	30-28B	066-03300	40-76A
402 Series	All	40-135 (1)	164-06406	N/A	30-100	066-06600	N/A
	1981 and on	40-135A	164-20306	N/A			
	1976 to 1977						D-30288 (1)(2)
	1978 to 1980						D-30665 (2)
	1981 and on						D-30665-1 (2)
404 Titan	404-00001 and on	40-132	164-09100	N/A	30-97	066-06400	N/A
	1976 to 1977						D-30288 (1)(2)
	1978 to 1980						D-30665 (2)
	1981 and on						D-30665-1 (2)
411, 411A	1965 to 1968	40-40A	164-00806	N/A	30-28B	066-03300	40-76A
414 Chancellor		40-40A	164-00806	N/A	30-28B	066-03300	40-76A
414A	1981 and on	40-135 (1)	164-06406	N/A	30-100	066-06600	
		40-135A	164-20306	N/A			
414 Series	1976 to 1977						D-30288 (1)(2)
	1978 to 1980						D-30665 (2)
	1981 and on						D-30665-1 (2)

(1) Inactive.

(2) Superseded by 40-140A.

Cleveland

Wheels & Brakes



Applicability Data

Model/ Name	Year/ Serial Number	Main Wheel Assembly	Standard Disc	Chrome Disc	Brake Assembly	Lining	Auxiliary Wheel
Cessna - continued							
421C	1976 to 1980	40-135 (1)	164-06406	N/A	30-100	066-06600	N/A
	1981 and on	40-135A	164-20306	N/A			
421 Series	1976-1977						D-30288 (1)(3)
	1978-1980						D-30665 (3)
	1981 and on						D-30665-1 (3)
425	425-0001 & on	40-138 (1)	164-05500	N/A	30-113 (1)	066-06400	D-30665 (3)
		40-138A	164-05500	N/A	30-113A	066-06400	
441	1978 and on						D30665-1 (3)
552 (T-47A)		40-202 (2)	159-03500 (rotor disc)	N/A	30-161 (1)(2)	----	N/A
S550 Citation SII		40-202 (2)	159-03500 (rotor disc)	N/A	30-161A (2)	109-00100 (wear pad)	
A-37, T-37							D-30570
LC41-550 FG (400 Corvalis) LC42-550 FG (350 Corvalis)	All	40-406	164-02504	N/A	30-233A	066-06200	40-77G

(1) Inactive.

(2) Internal wheel & brake design.

(3) Superseded by 40-140A.

Christen - see Aviat**Cirrus Design Corp.**

SR-20		40-414 (1)	164-24400	N/A	30-239 (1)	066-14100	40-77
SR-20	1601 and on	40-75P	164-01501	164-11501	30-52AB	066-10500	
SR-22		40-75P (2)	164-01501	164-11501	30-52 (2)	066-10500	
SR-22	1740 and on	40-406	164-02504	N/A	30-233B	066-06200	

(1) Upgrade to 40-75P/30-52AB per Cirrus Service Bulletin SB2X-32-13. Reference Parker Service Bulletin SB7084.

(2) Upgrade to 40-406/30-233B per Cirrus Service Bulletin SB2X-32-13. Reference Parker Service Bulletin SB7085.

Classic Aircraft

YMF-5 Waco	F5001 and on	40-223	164-03106	N/A	30-176	066-10800	40-199A (1)
------------	--------------	--------	-----------	-----	--------	-----------	-------------

(1) Not TSO approved - order from airframe manufacturer only.

Columbia Aircraft

300, 350, 400	All	40-406A	164-02504	N/A	30-233A	066-06200	40-77G
---------------	-----	---------	-----------	-----	---------	-----------	--------

Commander - see Grumman American**Daher - See Socata****Daimler Benz / M.B.B.**

B.O. 208		40-12	164-00400	N/A	30-9	066-10600	40-18 (1)
B.O. 209 Monsun		40-78B	164-01700	164-11700	30-9	066-10600	40-77A

(1) Inactive.

Cleveland
Wheels & Brakes

Applicability Data

Model/ Name	Year/ Serial Number	Main Wheel Assembly	Standard Disc	Chrome Disc	Brake Assembly	Lining	Auxiliary Wheel
Diamond Aircraft							
DA20 Katana		40-78E	164-24200	N/A	30-9D	066-10600	N/A
DA40		40-414A	164-24400	N/A	30-239A	066-10600	40-77
DA42 Twin Star		40-75Z	164-01501	N/A	30-52Z (1)	066-10500	N/A
(1) Use with 075-22800 (L.H.) or 075-22850 (R.H.) torque plate.							
Eagle Aircraft Co.							
220, 300 Eagle (1)	1 and on	40-101	N/A	164-03006	30-89A (2)	066-10800	N/A
(1) Originally produced by Bellanca Aircraft for Eagle Aircraft (1979 thru 1981).							
Eclipse							
500	All	40-440B (1)	----	N/A	30-266C (1)	----	40-432
(1) Internal wheel & brake design. (2) Contact Eclipse Aerospace at www.eclipse.aero.com							
Ector Aircraft Co., Inc.							
Civil version of Cessna L-19 Bird Dog, Mountaineer, Super Mountaineer		40-97A	164-02601	164-12601	30-63A	066-10500	N/A
Edgley Aircraft Ltd. - see Lovaux							
Emair AG Aircraft Co.							
MA-1B Diablo 1200	1978 and on	40-139 (1)	N/A	164-07306 (1)	30-111 (1)	066-10800	N/A
(1) Not TSO approved - order from airframe manufacturer only.							
Embraer							
EMB-202 Ipanema		40-459	164-24800	N/A	30-269	066-04400	
EMB-312 (T-27) Tucano		40-130	164-07906	N/A	30-95B (1)	066-06600	40-77B (2) or 40-77G
(1) Specify LH or RH when ordering.				(2) Upgrade to 40-77G is required for 10 ply tire usage.			
Fairchild Aircraft (1)							
SA226, SA227 SA227CC	All models						40-212 (2)(3)
(1) Formerly Swearingen.		(2) Alternate, for spares only.		(3) Use existing aircraft axle spacers in place of 067-08800 spacers furnished with the 40-212 wheel.			
FFA Flugzeugwerke Altenrhein AG							
AS202-18A4	224 and on	40-97A	164-02601	164-12601	30-63A	066-10500	40-77B
Found Brothers							
100 Centennial		40-75B	164-01501	164-11501	30-52	066-10500	N/A

Cleveland

Wheels & Brakes



Applicability Data

Model/ Name	Year/ Serial Number	Main Wheel Assembly	Standard Disc	Chrome Disc	Brake Assembly	Lining	Auxiliary Wheel
GAF - Australia							
N22, N24, N22B		40-75T (1)	164-08300	164-18300	30-52Q	066-10500	40-140A (2)
N24A		40-143 (3)	164-08200	N/A	30-129 (3)	066-06200	
(1) Supersedes 40-75S.		(2) Supersedes 40-76D.		(3) Heavy-duty option.			

General Avia (Italy)

F.20, F.20TP		40-75G	164-01501	164-11501	30-52P	066-10500	N/A
F.22		40-151	164-08500	N/A	30-164	066-06200	40-77C
F.1300		40-131	164-05700	N/A	30-96	066-06200	40-77C

Gippsland

GA8	All	40-75T	164-08300	164-18300	30-52N	066-10500	40-76A
-----	-----	--------	-----------	-----------	--------	-----------	--------

Great Lakes Aircraft Co. (1)

2T-1A, 2T-1A-1, 2T-1A-2		40-113	164-04000	164-14000	30-75	066-10500	N/A
(1) Resumed production in 1984.							

Grob - Subsidiary of Grob Werke GMBH

G103, G103C		40-97A	164-02601	164-12601	30-63A	066-10500	N/A
G109 Series		40-78B	164-01700	164-11700	30-9	066-10600	
G115, -A, -B, -C		40-78B	164-01700	164-11700	30-9	066-10600	40-77B
G115-T		40-84	164-01900	164-11900	30-41B (1)	066-10600	40-77B
G115-TA		40-84	164-01900	164-11900	30-41B (2)	066-10600	40-77B
(1) Use with 075-15600 torque plate. Order from airframe manufacturer only.				(2) Use with 075-19700 (L.H.) or 075-19750 (R.H.) torque plate. Order from airframe manufacturer only.			

Group Genesis Inc.

Genesis 2		40-78B	164-01700	164-11700	30-9E	066-10600	N/A
-----------	--	--------	-----------	-----------	-------	-----------	-----

Grumman American (Gulfstream Aerospace)

AA1, A, B, TR-2	All models thru 1974	40-86A	164-02000	164-12000	30-55B	066-10500	40-77A
	1975 and on	40-88C	164-02000	164-12000	30-56B	066-10500	
AA-5	All models thru 1974	40-86A	164-02000	164-12000	30-55B	066-10500	40-77A
AA-5A, -5B (1)	1975 and on	40-88C	164-02000	164-12000	30-56B	066-10500	40-77A
GA-7		40-90	164-02201	N/A	30-23B (3)	066-06500 pp 066-06200 bp	40-76G
112, 112A, B (2)	1 thru 495	40-113A	164-04300	164-14300	30-79	066-10500	40-77A
	500 and on	40-75H	164-01501	164-11501	30-52H	066-10500	
112TC, 112TCA, 114, 114B (2)	13000 and on	40-75H	164-01501	164-11501	30-52H	066-10500	40-77A
(1) TC currently owned by American General Aviation.				(2) TC currently owned by Commander Aircraft.			
(3) Use with Airframe supplied Torque Plate (075-05801).							

Applicability Data

Original Equipment

Model/ Name	Year/ Serial Number	Main Wheel Assembly	Standard Disc	Chrome Disc	Brake Assembly	Lining	Auxiliary Wheel
Gulfstream Aerospace (1)							
690B, 690C, 695, 695A, (2) 840, 980, 1000	1980 and on	40-107A	164-07200	N/A	30-107 (3) 30-107B (3) 30-107A (3)(4) 30-107C (5) 30-107D (4)(6)	066-09000	N/A
700		40-128C	164-05006	N/A	30-93A	066-02200	40-76E
(1) Formerly Rockwell International.		(2) TC Currently owned by Twin Commander.		(3) Inactive.			
(4) Uses Skydrol Fluid only.		(5) Supersedes 30-107 and 30-107B.		(6) Supersedes 30-107A.			

Helio Aircraft Ltd.

H-250, H-295, 391, 395 Courier		40-75E	164-01501	164-11501	30-52A	066-10500	N/A
		40-75D	164-03601	164-13601	30-52N	066-10500	
		40-75T	164-08300	164-18300			
		40-98A (1)	164-02707	N/A	30-66A (1)	066-11000	
(1) For aircraft equipped with 6.50-8 Main Wheels and Brakes.							

Hunting Firecracker Aircraft Ltd. (1)

NDN 1T (2)		40-120C	164-21600	N/A	30-83A	066-06200	40-77B
(1) Purchased design from NDN Aircraft Ltd.				(2) Military Trainer.			

Industria Unidas SA (Mexico) (1)

A-9B		40-99	164-02800	N/A	30-41 (2) (3)	066-10600	N/A
(1) Produced by Aeronautica Mexicana S.A.		(2) Use with Airframe supplied Torque Plate (either 075-02900 or 075-00500).		(3) Inactive - Superseded by 30-41B.			

LAVIASA (1)

PA-25 Pawnee	25-1 thru 25-1999	3070 (2)	164-00900	N/A	3000-250 (3)	066-10600	N/A
PA-25-235, PA-25-235B	25-2000 thru 25-2136	40-61	164-01300	N/A			
		25-2137 thru 25-4171	40-61	164-01300	N/A	30-41 (3)(4)	066-10600
PA-25-235C, D PA-25-260C, D	25-4172 thru 25-7656119	40-84A	164-03300	164-13300	30-41B (3)	066-10600	
	25-7656120 and on	40-84A	164-03300	164-13300			
(1) LAVIASA (Latino Americana de Aviacion S.A., Buenos Aires, Argentina) has purchased the Piper Pawnee Type Certificate, and now provides Spares Support.		(2) 3070 wheel upgraded with thru bolt disc design per SB7100.		(3) Superseded by 30-41B.			
(3) Use with airframe supplied torque plate (075-02400).		(4) Superseded by 30-41B.					

Lovaux (1)

EA7 Optica	1 and on	40-86	164-02000	164-12000	30-55	066-10500	40-77
(1) Formerly Edgley Aircraft Ltd.							

M.B.B. - see Daimler Benz

Cleveland
Wheels & Brakes



Applicability Data

Model/ Name	Year/ Serial Number	Main Wheel Assembly	Standard Disc	Chrome Disc	Brake Assembly	Lining	Auxiliary Wheel
Marsh Aviation Co.							
S2R-T		40-129	N/A	164-05606	30-94	066-10800	40-112
		40-133 (1)	N/A	164-05806	30-98 (1)	066-10800	
G-164C-T		40-133 (1)	N/A	164-05806	30-84	066-10800	40-112

(1) Aircraft equipped with 29 x 11.00-10 tires.

Maule Air Inc.

M4 Series		3040 (1)	169-00101	N/A	C2000 (1)	066-00504 (3)	N/A
		40-97D	164-02601	164-12601	30-63E	066-10500	
M5 , M6 Series		40-97D	164-02601	164-12601	30-63E	066-10500	
M7 Series		40-75D (2)	164-03601	164-13601	30-52N (2)	066-10500	
M9 Series		40-75D	164-03601	164-13601	30-52AC (4)	066-10500	N/A
MXT-180							40-76B

(1) Aircraft Equipped with Drum-type brakes.

(2) Heavy duty option (2 piston brake).

(3) Brake shoes, includes rivets.

(4) Use with 075-23800 (L.H.) or 075-23850 (R.H.) torque plate.

McCulloch

J-2 Helicopter		40-78B	164-01700	164-11700	30-9	066-10600	40-112 (1)
----------------	--	--------	-----------	-----------	------	-----------	------------

(1) Some models equipped with 40-77 nose wheel.

Mitsubishi

MU2B-20, -25, -26, -26A -30, -35, -36, -36A, -40, -60							40-87
-------------------------------------------------------------	--	--	--	--	--	--	-------

Mooney Aircraft Corp.

M10 Cadet (1)	690001 and on	40-97 (2)	164-02601	164-12601	30-63 (2)	066-10500	40-17 (3)
M20, M20A	1001 thru 1400	3040 (4)	169-00101	N/A	C2000 (4)	066-00504 (5)	N/A
M20A, M20B, Mark 20, M20C, M20D M20E Super 21	1401 thru 3466 101 thru 260 101 thru 1308	40-24 (3)	164-00900	164-10900	30-5 (3)	N/A	40-33 (3) (7)
M20C M20E M20F M20G M20J M20K M20 Series (All models listed above)	670001 & on 670001 & on 660003 & on 680001 & on 24-0001 & on 25-0001 & on	40-86	164-02000	164-12000	30-56A	066-10500	40-87
		40-86E (6)	N/A	164-12000	30-56D (6)	066-10500	
M20M	All S/N	40-90A	164-02300	164-12300	30-65	066-10500	40-87

(1) Ercoupe.

(2) 40-97/30-63 superseded by 40-97A/30-63A.

(3) Inactive.

(4) Drum-type brake.

(5) Brake shoe, includes rivets.

(6) Chrome disc equipment.

(7) Superseded by 40-87.

Cleveland
Wheels & Brakes

Applicability Data

Model/ Name	Year/ Serial Number	Main Wheel Assembly	Standard Disc	Chrome Disc	Brake Assembly	Lining	Auxiliary Wheel
NDN Aircraft Ltd. (1)							
NDN6 Fieldmaster		40-175	164-21100	N/A	30-149	066-06600	N/A

(1) TC currently held by Croplease PLC.

Pacific Aerospace Corp., Ltd. (1)

FU24 Fletcher FU24-950 FU24-954 FU24A-954	1978 and on	40-47	164-01100	N/A	30-32 (2) 30-32C	N/A 066-10600	N/A
08-600 Cresco		40-101	164-03006	N/A	30-89E (3)	066-10800	40-140A
CT/4E Airtrainer	S/N 200 and on	40-97F	164-02601	164-12601	30-63S	066-10500	40-77
CT4		40-97F	164-02601	164-12601	30-63S	066-10500	N/A
PAC 750XL		40-179A (4)	164-03006	N/A	30-182 (5)	066-10800	40-140A

(1) Formerly New Zealand Aerospace Ind. Ltd.

(2) Inactive, replaced by 30-32C (both brakes must be changed over).

(3) Supersedes 30-89.

(4) Supersedes 40-179.

(5) Upgrade to 30-182A per SB7105

Partenavia

P.64B, P.66B	1970 and on	40-28	164-00500	164-10500	30-18	066-10600	40-77B
P.66C-160, P.66T		40-86B	164-02000	164-12000	30-55	066-10500	40-77B
P.68, P.68B, P.68C, P.68C-TC		40-96E 40-142 (1)	164-02504 164-07800	164-12504 N/A	30-61E 30-127 (1)	066-10500 066-06200	40-77B
Series 300		40-163	164-20500	N/A	30-139	066-06200	40-77B

(1) Heavy duty option.

Pilatus

PC-12/47E	1231 thru 1257	40-424 (1)	159-07400 (rotor disc)	N/A	30-244 (1)	109-03000 (wear pad)	40-423 (2)
	1258 and on						

(1) Internal wheel & brake design.

(2) See Pilatus for nose wheel installation kit.

Applicability Data

Model/ Name	Year/ Serial Number	Main Wheel Assembly	Standard Disc	Chrome Disc	Brake Assembly	Lining	Auxiliary Wheel
-------------	---------------------	---------------------	---------------	-------------	----------------	--------	-----------------

1

Piper (The New Piper Aircraft, Inc.)

PA-18-150, PA-18A-150	18-7609137 & on	40-60	164-06700	164-16700	30-60 (3) (4)	066-10600	N/A
PA-22 Tri-Pacer		3040 (1)	169-00101	N/A	C2000 (1)	066-00504 (2)	40-8
PA-22-108 Colt		40-28	164-00500	164-10500	30-18	066-10600	40-8

- (1) Aircraft equipped with Drum-type brakes. (2) Brake Shoe, includes rivets. (3) Inactive.
(4) Superseded by 30-60A. 30-60A superseded by 30-60B.

PA-23-150, -160		3080A	159-00200 (1)	N/A	3000-500	066-10600	38501 (2)
PA-23-235	27-1 thru 27-3737	3080B	164-00206	N/A	37-200-2	066-10600	38501 (2)
PA-23-250	27-3738 thru 27-7554137, 27-7554139, 27-7554141 thru 27-7554149	3080D	164-03206	N/A	37-200A	066-06500 pp 066-06200 bp	38501 (2)
	27-7554138	40-131	164-05700	N/A	30-96	066-06200	40-76B

- (1) For replacement order 159-00204, includes rivets. (2) Aircraft manufactured after 1971 are equipped with 40-76B nose wheel.

PA-24-180, -250, Comanche -260	24-1 thru 24-3295	3070 (1)	164-00900	N/A	3000-250 (5)	066-10600	38501 (2)
	24-3296 thru 24-3306	3070 (1)	164-00900	N/A	30-41 (3) (4)	066-10600	
	24-3307 and on	40-58	164-00900	164-10900			
		40-84	164-01900	164-11900	30-41B (3)	066-10600	
PA-24-400	24-130 and on	40-90	164-02201	N/A	30-23 (3)	066-06500 pp 066-06200 bp	

- (1) 3070 wheel upgraded with thru bolt disc design per SB7100. (2) Aircraft manufactured after 1971 are equipped with 40-76B nose wheel.
(3) Use with airframe supplied torque plate (075-02900). (4) Inactive - superseded by 30-41B.
(5) Use with airframe supplied torque plate (075-02400)

PA-25 Pawnee Series (1)							
-------------------------	--	--	--	--	--	--	--

- (1) See LAVIASA.



Applicability Data

Model/ Name	Year/ Serial Number	Main Wheel Assembly	Standard Disc	Chrome Disc	Brake Assembly	Lining	Auxiliary Wheel
Piper (The New Piper Aircraft, Inc.) - continued							
PA-28-140 Cherokee/Crusier	28-20002 thru 28-20520	40-28	164-00500	164-10500	30-18	066-10600	38501
	28-20521 thru 28-7725334	40-86	164-02000	164-12000	30-55	066-10500	
	28-7725335 and on	40-86	164-02000	164-12000	30-55	066-10500	40-76B
	1974 and on	40-86B	164-02000	164-12000	30-55	066-10500	40-76F
PA-28-150 Cherokee PA-28-160	28-1 thru 1760	40-28	164-00500	164-10500	30-18	066-10600	38501
	28-1761 & on	40-86	164-02000	164-12000	30-55	066-10500	
PA-28-151 Cherokee/Warrior		40-86B	164-02000	164-12000	30-55	066-10500	40-77A
	1979 and on	40-86B	164-02000	164-12000	30-55	066-10500	40-77B
PA-28-161 Cherokee/Warrior II		40-86B	164-02000	164-12000	30-55	066-10500	40-77B
	1977 and on (McCauley)	40-86B	164-02000	164-12000	30-55	066-10500	D-30500
PA-28-180 Cherokee/Archer	28-1 thru 28-1760	40-28	164-00500	164-10500	30-18	066-10600	38501
	28-1761 thru 28-7205244	40-86	164-02000	164-12000	30-55	066-10500	
	28-7205245 and on	40-86	164-02000	164-12000	30-55	066-10500	40-76B
	1974 and on	40-86B	164-02000	164-12000	30-55	066-10500	40-76F
PA-28-181 Cherokee/Archer II		40-86B	164-02000	164-12000	30-55	066-10500	40-76F
	1979 and on	40-86B	164-02000	164-12000	30-55	066-10500	40-56
PA-28-235 Cherokee/ Pathfinder	28-10487 & on	40-86	164-02000	164-12000	30-55	066-10500	40-76B
	1974 and on	40-86B	164-02000	164-12000	30-55	066-10500	40-76F
PA-28-236 Dakota	28-7911001 and on	40-86B	164-02000	164-12000	30-55	066-10500	40-56
	28-8111001 and on	40-90A (1)	164-02300	164-12300	30-65 (1)	066-10500	
PA-28R-180 Cherokee/Arrow 180	28R-30005 thru 28R-71300005	40-84	164-01900	164-11900	30-41 (2)	066-10600	40-77A
	28R-7130006 and on	40-86	164-02000	164-12000	30-55	066-10500	40-77A
	1974 and on	40-86B	164-02000	164-12000	30-55	066-10500	40-77B
	1977 and on (McCauley)	40-86B	164-02000	164-12000	30-55	066-10500	D-30500
PA-28R-200 Cherokee/Arrow 200	28R-35001 thru 28R-7135109	40-84	164-01900	164-11900	30-41 (2)	066-10600	40-77A
	28R-7135110 and on	40-86	164-02000	164-12000	30-55	066-10500	
	1974 and on	40-86B	164-02000	164-12000	30-55	066-10500	40-77B
	1977 and on (McCauley)	40-86B	164-02000	164-12000	30-55	066-10500	D-30500
PA-28-201T, PA-28R-201, PA-28RT-201		40-86B	164-02000	164-12000	30-55	066-10500	40-77B
PA-28R-201T	(McCauley)	40-86B	164-02000	164-12000	30-55	066-10500	D-30500

(1) Heavy duty option.

(2) Superseded by 30-41B.

Applicability Data

Model/ Name	Year/ Serial Number	Main Wheel Assembly	Standard Disc	Chrome Disc	Brake Assembly	Lining	Auxiliary Wheel
Piper (The New Piper Aircraft, Inc.) - continued							
PA-30 Twin Comanche	30-2 thru 30-845	40-34	164-01000	N/A	30-23 (1)	066-06500 pp 066-06200 bp	38501
	30-845 and on	40-90	164-02201	N/A			
	1971 and on	40-90	164-02201	N/A			40-76B

(1) Use with Airframe supplied Torque Plate (075-02900).

PA-31-300, -310 Navajo	31-5 thru 31-7300962	40-102	164-03506	N/A	30-68	066-03300	40-76B or 40-140 (1)
PA-31-325 Navajo C/R	31-7300963 & on	40-102A	164-04406	N/A	30-68A (2)	066-03300	40-76B or 40-140 (1)
PA-31-350 Chieftain	31-5001 thru 31-7652075	40-102A	164-04406	N/A	30-68A (2)	066-03300	40-76B or 40-140 (1)
	31-7812001 & on	40-130 (1)	164-07906 (3)	N/A	30-95A (1) (4)	066-06600	
	31-7652076 & on	40-130	164-07906 (3)	N/A	30-95 (4) (5)	066-06600	
T-1020		40-130	164-07906	N/A	30-95A (4)	066-06600	40-140
		40-141 (1)	164-07700	N/A	30-123 (1)	066-06800	
PA-31T Cheyenne I, IA, II	31-780015 & on	40-106	164-03906	N/A	30-106	066-06800	40-140
		40-106A (6)	164-03906	N/A			
PA-31T2 Cheyenne IIXL							40-140
T-1040		40-167	164-20600	N/A	30-142	066-07300	40-140

(1) Heavy duty option.

(2) Inactive - superseded by 30-68B.

(3) 164-07906 supersedes 164-05200.

(4) When ordering, specify LH or RH.

(5) Inactive - superseded by 30-95A.

(6) 40-106A has provisions for attachment dust shield.

PA-32-260 Cherokee Six "260"	32-1 thru 32-7200029	40-90	164-02201	N/A	30-65	066-10500	38501
	32-7200030 & on						40-76B
	1974 and on	40-90A	164-02300	164-12300			40-76F
	All	40-120 (1)	164-21600	N/A			30-83 (1)
PA-32-300 Cherokee Six "300"	32-40000 thru 32-7240100	40-90	164-02201	N/A	30-65	066-10500	38501
	32-7240101 & on	40-90	164-02201	N/A	30-65	066-10500	40-76B
	1974 and on	40-90A	164-02300	164-12300	30-65	066-10500	40-76F
	All	40-120 (1)	164-21600	N/A	30-83 (1)	066-06200	
PA-32R-300 Cherokee/Lance	1976 and on	40-90A	164-02300	164-12300	30-65	066-10500	40-77B
		40-120 (1)	164-21600	N/A	30-83 (1)	066-06200	
	1977 and on (McCauley)	40-120 (1)	164-21600	N/A	30-83 (1)	066-06200	D-30500
PA-32RT-300 Lance II	7885002 & on	40-90A	164-02300	164-12300	30-65	066-10500	40-77B
		40-120 (1)	164-21600	N/A	30-83 (1)	066-06200	
	1978 and on (McCauley)	40-120 (1)	164-21600	N/A	30-83 (1)	066-06200	D-30500
PA-32RT-300T Turbo Lance II	7887001 & on	40-90A	164-02300	164-12300	30-65	066-10500	40-77B
		40-120 (1)	164-21600	N/A	30-83 (1)	066-06200	
	1978 and on (McCauley)	40-120 (1)	164-21600	N/A	30-83 (1)	066-06200	D-30500

(1) Heavy duty option.

Cleveland
Wheels & Brakes



Applicability Data

Model/ Name	Year/ Serial Number	Main Wheel Assembly	Standard Disc	Chrome Disc	Brake Assembly	Lining	Auxiliary Wheel
Piper (The New Piper Aircraft, Inc.) - continued							
PA-32-301, 301T Saratoga and SP Series		40-90A	164-02300	164-12300	30-65	066-10500	40-77B
		40-120C (1)	164-21600	N/A	30-83A	066-06200	
PA-34-200 Seneca	7250001 and on	40-90	164-02201	N/A	30-65	066-10500	38501
	7250217 and on	40-90	164-02201	N/A	30-65	066-10500	40-76B
	1974 and on	40-90A	164-02300	164-12300	30-65	066-10500	40-76F
	All	40-120 (1)	164-21600	N/A	30-83 (1)	066-06200	
PA-34-200T Seneca II	7570001 and on	40-90A	164-02300	164-12300	30-65	066-10500	40-56B (2)
		40-120 (1)	164-21600	N/A	30-83 (1)	066-06200	
PA-34-220T Seneca III		40-90A	164-02300	164-12300	30-65	066-10500	40-56B or 40-77B
		40-120C (1)	164-21600	N/A	30-83A (1)	066-06200	
PA-34-220T Seneca IV	3448038 thru 3448079	40-90A	164-02300	164-12300	30-65	066-10500	40-56B
	3447001 thru 3447029	40-120C (1)	164-21600	N/A	30-83A (1)	066-06200	
PA-34-220T Seneca V	3449001 and on	40-120C (1)	164-21600	N/A	30-83A (1)	066-06200	
(1) Heavy duty option.		(2) Supersedes D-30665 and D-30265.					
PA-36 Pawnee Brave		40-101	N/A	164-03006	30-67B	066-10800	N/A
PA-38-112		40-78B	164-01700	164-11700	30-9B (2)	066-10600	40-77C
Tomahawk		40-59D (1)	164-06900	N/A	30-53A (1)	066-11200	40-56 (1)
(1) Used on early 1980 Aircraft - those equipped with 6.00-6 main and nose wheels.		(2) Inactive - superseded by 30-9.					
PA-39 Twin Comanche		40-90	164-02201	N/A	30-23 (1)	066-06500 pp 066-06200 bp	N/A
(1) Use with airframe supplied Torque Plate (075-02900).							
PA-42 Cheyenne III, IIIA							40-140
PA-42-1000 (400LS) Cheyenne IV		40-176 (1)	159-01100 (rotor disc)	N/A	30-150 (1)	109-00200 (wear pad)	40-140
(1) Internal wheel & brake design.							
PA-44-180 Seminole	7995001 and on	40-90A	164-02300	164-12300	30-65	066-10500	40-77B or D-30500
		40-120 (1)	164-21600	N/A	30-83 (1)	066-06200	
PA-44-180T	1 and on	40-120 (1)	164-21600	N/A	30-83 (1)	066-06200	
(1) Heavy duty option.							
PA-46-310P, -350P		40-120C	164-21600	N/A	30-83A	066-06200	40-77B
PA-46-500 Meridian		40-142	164-07800	N/A	30-127D	066-06200	40-77B
PA-46-500TP Meridian							40-77G (1)
(1) Upgrade from 40-77B per SB7083. Refer to SB7083 for applicability.							

Cleveland

Wheels & Brakes



Applicability Data

Model/ Name	Year/ Serial Number	Main Wheel Assembly	Standard Disc	Chrome Disc	Brake Assembly	Lining	Auxiliary Wheel
----------------	------------------------	------------------------	------------------	----------------	-------------------	--------	--------------------

Piper Aerostar - see Aerostar Aircraft**Pitts - see Aviat****Quest Aircraft Company**

Kodiak 100		40-179	164-22201	N/A	30-182 (1)	066-03300	40-177A
------------	--	--------	-----------	-----	------------	-----------	---------

(1) Upgrade to 30-182A per SB7105

RFB Rhein-Flugzeugbau GmbH (1)

RFB 400/600 Fantrainer (2)		40-96E	164-02504	164-12504	30-61E	066-10500	N/A
-------------------------------	--	--------	-----------	-----------	--------	-----------	-----

(1) Subsidiary of MBB.

(2) Military Trainer.

Saab-Scania

MF1-15, MF1-17 Supporter AC, Mushshak		40-97D	164-02601	164-12601	30-63D (1)	066-10500	40-77A
---------------------------------------------	--	--------	-----------	-----------	------------	-----------	--------

(1) Inactive - Superseded by 30-63E.

Sadler Aircraft Corp.

A-22 Lasa 18-100 OPV		40-78B	164-01700	164-11700	30-9	066-10600	40-77
-------------------------	--	--------	-----------	-----------	------	-----------	-------

Schaefer Aircraft Modifications, Inc. (1)

PA-31T Comanchero 750		40-106	164-03906	N/A	30-106	066-06800	N/A
PA-31-350 Comanchero 500		40-195	164-21900	N/A	30-158	066-06800	

(1) FAA STC approved modifications of Piper Navajo, Cheiftain, and Cheyenne II, currently manufactured by Embraer.

Schleicher

ASW20, 21, 22, 23 Sailplane		40-78B	164-01700	164-11700	30-9	066-10600	40-77C
--------------------------------	--	--------	-----------	-----------	------	-----------	--------

Schweizer (1)

SGS2-53, 2-33A		3050 (2)	169-00201	N/A	C7000 (2)	066-00504 (3)	40-112
Sailplane		3050A (2)	169-00201	N/A	C7000A (2)	066-00504 (3)	
I-36 Glider		40-78	164-01700	164-11700	30-9	066-10600	40-112

(1) For G-164 series Agricultural Aircraft, see Ag-Cat Corp.

(2) Aircraft equipped with Drum-type brakes.

(3) Brake Shoe, includes rivets.

Siai Marchetti / Agusta / Aermacchi

SF.205		40-97E	164-02601	164-12601	30-63M	066-10500	N/A
SF.260, SF.260C		3080A	159-00200	N/A	3000-500	066-10500	40-77A
SF.260M SF.260W SF.260TP		3040 (1)	169-00101	N/A	C2000	066-00504 (2)	40-77A
SF.260SW		40-90A	164-02300	164-12300	30-65A	066-10500	40-77A
S.211		40-205 (3) (4)	159-01400 (rotor disc)	N/A	30-165 (3) (4)	109-00100 (wear pad)	40-152
SF.600TP		40-75G	164-01501	164-11501	30-52P	066-10500	40-113B

(1) Aircraft equipped with Drum-type brakes.

(2) Brake Shoe, includes rivets.

(3) Not TSO approved - order from airframe manufacturer only.

(4) Internal wheel & brake design.

Cleveland
Wheels & Brakes

Applicability Data

Model/ Name	Year/ Serial Number	Main Wheel Assembly	Standard Disc	Chrome Disc	Brake Assembly	Lining	Auxiliary Wheel
----------------	------------------------	------------------------	------------------	----------------	-------------------	--------	--------------------

Slingsby Aviation Ltd.

T67C, T67M, 200 Firefly		40-86B 40-86F (1)	164-02000	164-12000	30-55	066-10500	40-77B
T-3A TR67GRP		40-407	164-24400	N/A	30-236	066-10500	40-77B

(1) Alternate wheel approved for use with 30-55 Brake – must be used with Slingsby Stock Code Numbers 126-35-623 Spacer and 126-35-622 Collar.

S M E Aerospace

MD3-160		40-113	164-04000	164-14000	30-75	066-10500	40-77
---------	--	--------	-----------	-----------	-------	-----------	-------

Socata

100, 110, 125 150, 180 Series		40-97D	164-02601	164-12601	30-63J	066-10500	40-77A
110ST Calopin, 160ST Garnement, 180T Galrien, 180GT Gailaard		40-97D	164-02601	164-12601	30-63J	066-10500	N/A
220, 235 Series, 235G Guerrier (1), 235GT Gabriel, 235CA Gaucho,		40-84 (5)	164-01900	164-11900	30-41B (3)	066-10600	
TB9 Tampico TB10 Tobago TB200		40-97E (4)	164-02601	164-12601	30-63J	066-10500	40-77B
TB20, 21 Trinidad		40-84 (5)	164-01900	164-11900	30-41B (3)	066-10600	40-77B
TB30 Epsilon		40-90B	164-02201	N/A	30-23B (3)	066-06500 pp 066-06200 bp	40-76C
TBM700	1 thru 204 206 thru 239 241 thru 243	40-270 (2)	159-02700 (rotor disc)	N/A	30-191 (2)	109-01500 (wear pad)	40-262A
	205, 240, 244 and up	40-434 (2)	159-02700 (rotor disc)	N/A	30-191 (2)	109-01500 (wear pad)	40-262A
TBM850	All	40-434 (2)	159-02700 (rotor disc)	N/A	30-191 (2)	109-01500 (wear pad)	40-262A

(1) Was Rallye Series aircraft.

(2) Internal wheel & brake design.

(3) Use with airframe supplied torque plate.

(4) Upgrade to 40-97F per SB7050.

(5) Upgrade to 40-84B per SB7059.

Sportavia (1)

RF6C/RS180 Sportsman		40-86A	164-02000	164-12000	30-55B	066-10500	40-76A (2) 40-77A (3)
-------------------------	--	--------	-----------	-----------	--------	-----------	--------------------------

(1) Owned by RFB, Subsidiary of FVW-Fokker GmbH.

(2) Aircraft equipped with 6.00-6 nose wheel.

(3) Aircraft equipped with 5.00-5 nose wheel.

Stol Aircraft Corp.

UC-1 Twin Bee (1)		40-74	164-00700	164-10700	30-51A	066-10600	40-50
-------------------	--	-------	-----------	-----------	--------	-----------	-------

(1) Complete TC modification of Republic Seabee.

Cleveland

Wheels & Brakes



Applicability Data

Model/ Name	Year/ Serial Number	Main Wheel Assembly	Standard Disc	Chrome Disc	Brake Assembly	Lining	Auxiliary Wheel
----------------	------------------------	------------------------	------------------	----------------	-------------------	--------	--------------------

Swearingen Aircraft

SX300		40-151	164-08500	N/A	30-133	066-10500	40-87
-------	--	--------	-----------	-----	--------	-----------	-------

Taylorcraft Aviation Corp.

F-19 Sportsman 100		3050 (1)	169-00201	N/A	C7000A (1)	066-00504 (2)	N/A
		40-86	164-02000	164-12000	30-55	066-10500	
F-21, F-21A Trainer/Sport		40-86	164-02000	164-12000	30-55	066-10500	
F-22		40-86	164-02000	164-12000	30-55	066-10500	40-77

(1) Aircraft equipped with Drum-type brakes, mechanically operated.

(2) Brake Shoe, includes rivets.

Univair

A2, A2A Alon (1)		40-97A	164-02601	164-12601	30-63A	066-10500	N/A
415-C, CD, D, E, G (1) Ercoupe F1, F1A Forney		40-41	164-00300	N/A	30-30	066-10500	
M10 Mooney Cadet (1)		40-97A	164-02601	164-12601	30-63A	066-10500	
J-3, PA-11, PA-12, (10) PA-14, PA-16, PA-18, PA-20 Piper Cub		40-60	164-06700	164-16700	30-60 (2)	066-10600	
PA-18, PA-20, PA-22/20 Piper Cub (10) (3)		40-84	164-01900	164-11900	30-41 (4)	066-10600	
108, 108-1, -2, -3, -5 (1)		3040 (5) (7)	169-00101	N/A	C2000 (5)	066-00504 (6)	
		40-28 (8)	164-00500	164-10500	30-18	066-10600	
Stinson		40-97E (9)	164-02601	164-12601	30-63Q (9)	066-10500	

(1) TC currently owned by Univair.

(2) Inactive - superseded by 30-60A.

(3) Aircraft equipped with 1-1/2 inch axles.

(4) Inactive - superseded by 30-41B.

(5) Aircraft equipped with Drum-type Brakes.

(6) Brake shoe, includes rivets.

(7) Aircraft equipped with 6.00-6 tires.

(8) Aircraft equipped with 7.00-6 tires.

(9) May be used to retrofit earlier models.

(10) STC Approved modification of original aircraft.

Valmet

L-70 Militrainer		40-75S (1)	164-04800	164-14800	30-52K	066-10500	40-77C
L-90 TP Redigo		40-142	164-07800	N/A	30-127	066-06200	40-110B

(1) Inactive - superseded by 40-75T.

Varga

2150A/218 Kachina		40-97E	164-02601	164-12601	30-63E	066-10500	40-77B
----------------------	--	--------	-----------	-----------	--------	-----------	--------

Waco

Meteor, Minerva, Vela		40-97A	164-02601	164-12601	30-63A	066-10500	40-77
--------------------------	--	--------	-----------	-----------	--------	-----------	-------

Cleveland

Wheels & Brakes



Applicability Data

Model/ Name	Year/ Serial Number	Main Wheel Assembly	Standard Disc	Chrome Disc	Brake Assembly	Lining	Auxiliary Wheel
----------------	------------------------	------------------------	------------------	----------------	-------------------	--------	--------------------

Weatherly Aviation Co.

201A, 201B 201C, 620		40-101	N/A	164-03006	30-67D (2)	066-10800	40-112
620A, 620TP, 620B	1520 thru 1584	40-101	N/A	164-03006	30-89B (1)	066-08000	40-112
620B	1585 and on	40-101E	N/A	164-03006			

(1) Order from airframe manufacturer only.

(2) 30-89B is heavy duty option for model 620.

Wing Aircraft

D-1 Derringer		40-84	164-01900	164-11900	30-41B (1)	066-10600	40-77A
---------------	--	-------	-----------	-----------	------------	-----------	--------

(1) Use with airframe supplied torque plate.

WTA Inc.

PA-18-150, PA-18A-150 Super Cub (1)		40-60	164-06700	164-16700	30-60 (2)	066-10600	N/A
-------------------------------------------	--	-------	-----------	-----------	-----------	-----------	-----

(1) Acquired rights from Piper Aircraft.

(2) Inactive - superseded by 30-60A.

Applicability Data

Model/ Name	Year/ Serial Number	Main Wheel Assembly	Standard Disc	Chrome Disc	Brake Assembly	Lining	Auxiliary Wheel
----------------	------------------------	------------------------	------------------	----------------	-------------------	--------	--------------------

Aerocet, Inc.

3500 Series	N/A	40-418A (1) 40-418C (3)	164-24500	N/A	091-21600 (2)	066-10500	N/A
-------------	-----	----------------------------	-----------	-----	---------------	-----------	-----

(1) Contains chrome-plated bearings.

(2) Brake cylinder assembly (part of 30-241 brake assembly).
Use with manufacturer supplied torque plate.

(3) Contains standard bearings.

Baumann Floats, Inc.

BF2150	N/A	40-78A	164-01700	164-11700	30-9C	066-10600	N/A
BF2550							
BF2750	N/A	40-418A (1)	164-24500	N/A	30-241	066-10500	N/A

(1) Contains chrome-plated bearings.

Wipaire, Inc.

2100/2350 Series	N/A	40-78A	164-01700	164-11700	30-9C	066-10600	D-30380
3730/4000 Series		40-87J					
3000/3450 Series	N/A	40-418 (1) (3) 40-418B (2)	164-24500	N/A	30-241	066-10500	D-30380
6000/8000/8750 Series	N/A						D-30500-1
10000/13000 Series	N/A	40-101 40-101D	164-03006	N/A	30-67C	066-10800	40-426 (1) 40-426A

(1) Contains chrome-plated bearings.

(2) Optional replacement for the 40-418. Contains standard bearings.

(3) Also available as an optional replacement for the 40-418 is a standard bearings/chrome disc wheel. Contact the Cleveland Technical Hotline for additional information.

- STOP -

BE AWARE THAT THIS LIST GIVES INSTALLATION ELIGIBILITY FOR THE LISTED OEM PART NUMBERS, AND IS NOT NECESSARILY AN INDICATION OF HOW A PARTICULAR AIRCRAFT IS ACTUALLY EQUIPPED. IN ORDER TO USE THE FAA-PMA CLEVELAND PART NUMBER AS LISTED, THE INSTALLER MUST VERIFY THAT THE PART TO BE REPLACED IS INSTALLED ON THE AIRCRAFT MAKE, MODEL AND SERIAL NUMBER (IF APPLICABLE) AND THAT IT IS THE SAME OEM PART NUMBER AS INDICATED.

When ordering replacement parts for the listed assemblies, refer to the numerical assembly listing for the parts breakdown. It is the responsibility of the installer to assure that only approved parts are used. Prior to installing replacement parts, verify that the model numbers as listed herein match the model numbers as indicated on the nameplates of the assemblies to be repaired. If any questions arise, contact the **Technical Services Hotline**.

For technical assistance, contact the

TECHNICAL SERVICES HOTLINE:

clevelandwbhelp@parker.com

Fax: 440-937-5409

1-800-BRAKING (272-5464)

Applicability Data**American Champion Aircraft Corp.**

Model/Name	Year/ Serial Number	Master Cylinder P/N		Parking Valve P/N	
		Cleveland	OEM	Cleveland	OEM
8KCAB, 8GCBC	All	10-54	(A-110-10)	60-5	(A850-1)

Beechcraft

Model/Name	Year/ Serial Number	Master Cylinder P/N		Parking Valve P/N	
		Cleveland	OEM	Cleveland	OEM
19A, B19, A23-19, A23-24, A23A, B23, C23, A24, A24R, B24R, C24R, 76	All	10-55	169-380100-3	N/A	N/A
F33A, F33C, G33, V35B, 36, A36, A36TC, B36TC	All	N/A	N/A	60-10	(A-850-8) (60-10) (060-01000)
77	All	10-55	169-380100-3	60-10	(A-850-8) (60-10) (060-01000)

Diamond Aircraft Industries

Model/Name	Year/ Serial Number	Parking Valve P/N	
		Cleveland	OEM
DA40	All	60-5D	60-5D

General Avia (2)

Model/Name	Year/ Serial Number	Master Cylinder P/N	
		Cleveland	OEM
F22	All	10-55B (1)	10-55B

Grob Aircraft

Model/Name	Year/ Serial Number	Parking Valve P/N	
		Cleveland	OEM
G115A, G115B, G115C, G115C2, G115D, G115D2	All	60-5	60-5

Maule Air Inc.

Model/Name	Year/ Serial Number	Master Cylinder P/N	
		Cleveland	OEM
M-5-235C, M-6-235, M-7-235	All	10-54	A-110-10 (10-54)

Note: Manufacturer Code Numbers shown in Parenthesis ().

Cleveland
Wheels & Brakes

Applicability Data

1

Mooney Aircraft Corp.

Model/Name	Year/ Serial Number	Master Cylinder P/N		Parking Valve P/N	
		Cleveland	OEM	Cleveland	OEM
M20J, M20M	All	10-24D	10-24D	60-14	(A-850-16) (880040-501) (880029-501)
M20L	All	N/A	N/A	60-14	(A-850-16) (880040-501) (880029-501)

Slingsby Aviation

Model/Name	Year/ Serial Number	Master Cylinder P/N	
		Cleveland	OEM
T67 GRP Series	All	10-30C	10-30C

The New Piper Aircraft, Inc. (Piper)

Model/Name	Year/ Serial Number	Master Cylinder P/N		Shimmy Damper P/N	
		Cleveland	OEM	Cleveland	OEM
PA-24-180, PA-24-250, PA-24-400	All	10-5	10-5 (455 929)	N/A	N/A
PA-24-260	All	10-5	10-5 (455 929)	N/A	N/A
		10-19	10-19 (455 931)		
PA-25-235	All	A-049-8	A-049-8 (455 952)	N/A	N/A
PA-25-260	25-5349 & on	A-049-8	A-049-8 (455 952)	N/A	N/A
PA-28-140	28-21037 & on	10-22	10-22 (455 938)	N/A	N/A
	28-20002 thru 28-7325684	10-30	10-30 (455 968)		
PA-28-150, PA-28-160	All	10-22	10-22 (455 938)	N/A	N/A
		10-30	10-30 (455 968)		
PA-28-151, PA-28-161	All	10-22	10-22 (455 938)	15-8	15-8 (456 015)
		10-30	10-30 (455 968)		
PA-28-180	28-2701 & on	10-22	10-22 (455 938)	N/A	N/A
	28-1 thru 28-7305611	10-30	10-30 (455 968)		
PA-28R-180	28R-30005 thru 28R-7130019	10-22	10-22 (455 938)	N/A	N/A
		10-30	10-30 (455 968)		

Note: Manufacturer Code Numbers shown in Parenthesis ().

Cleveland

Wheels & Brakes



Applicability Data

The New Piper Aircraft, Inc. (Piper) - continued

Model/Name	Year/ Serial Number	Master Cylinder P/N		Actuator P/N		Shimmy Damper P/N	
		Cleveland	OEM	Cleveland	OEM	Cleveland	OEM
PA-28-181	All	10-22	10-22 (455 938)	N/A	N/A	15-8	15-8 (456 015)
		10-30	10-30 (455 968)				
PA-28R-200	All	10-22	10-22 (455 938)	N/A	N/A	N/A	N/A
	28R-30482	10-30	10-30 (455 968)	N/A	N/A	N/A	N/A
	28R-35001 thru 28R-7335455			N/A	N/A	N/A	N/A
PA-28-201T	All	10-22	10-22 (455 938)	N/A	N/A	N/A	N/A
		10-30	10-30 (455 968)				
PA-28R-201,	All	10-22	10-22 (455 938)	SFA232-5 (011-00504)	96860-02 (455 994)	15-9	15-9 (456 016)
		10-30	10-30 (455 968)	11-16	35797-03 (455 997)		
PA-28R-201T	All	10-22	10-22 (455 938)	SFA232-5 (011-00504)	96860-02 (455 994)	15-9	15-9 (456 016)
		10-30	10-30 (455 968)	11-17	35797-05 (455 987)		
PA-28RT-201	All	10-22	10-22 (455 938)	SFA232-5 (011-00504)	96860-02 (455 994)	N/A	N/A
		10-30	10-30 (455 968)	11-16	35797-03 (455 997)		
PA-28RT-201T	All	10-22	10-22 (455 938)	SFA232-5 (011-00504)	96860-02 (455 994)	N/A	N/A
		10-30	10-30 (455 968)				
PA-28-235	28-10698 & on	10-22	10-22 (455 938)	N/A	N/A	N/A	N/A
	28-10003 thru 28-7310187	10-30	10-30 (455 968)	N/A	N/A	N/A	N/A
PA-28-236	All	10-22	10-22 (455 938)	N/A	N/A	15-10	15-10 (456 017)
		10-30	10-30 (455 968)				
PA-30	All	10-5	10-5 (455 929)	N/A	N/A	N/A	N/A
		10-19	10-19 (455 931)				

Note: Manufacturer Code Numbers shown in Parenthesis ().

Cleveland
Wheels & Brakes



Applicability Data

The New Piper Aircraft, Inc. (Piper) - continued

Model/Name	Year/ Serial Number	Master Cylinder P/N		Parking Valve P/N		Shimmy Damper P/N	
		Cleveland	OEM	Cleveland	OEM	Cleveland	OEM
PA-31P	All	10-17	10-17 (455 943)	60-3A	060-00301 (492 152)	N/A	N/A
PA-31T	All	N/A	N/A	60-3A	060-00301 (492 152)	N/A	N/A
	31T-7400002 thru 31T-7920004	10-17	10-17 (455 943)			N/A	N/A
	31T-792005 & on	10-23A	10-23A (455 971)			N/A	N/A
PA-31T1	All	N/A	N/A	60-3A	060-00301 (492 152)	N/A	N/A
	31T-7804001 thru 31T-780411	10-17	10-17 (455 943)			N/A	N/A
	31T-7904001 thru 31T-8304003	10-23A	10-23A (455 971)			N/A	N/A
	31T-1104004 & on					N/A	N/A
PA-31T2	All	10-23A	10-23A (455 971)	60-3A	060-00301 (492 152)	N/A	N/A
PA-31-300	All	10-17	10-17 (455 943)	60-3A	060-00301 (492 152)	N/A	N/A
PA-31-310	All	10-17	10-17 (455 943)	60-3A	060-00301 (492 152)	015-00100	015-00100 (456 014)
		10-23A	10-23A (455 971)	N/A	N/A		
PA-31-325	31-407 & on	N/A	N/A	60-3A	060-00301 (492 152)	N/A	N/A
	31-5 thru 31-7812099	10-17	10-17 (455 943)	N/A	N/A	N/A	N/A
	31-7812100 & on	10-23A	10-23A (455 971)	N/A	N/A	N/A	N/A
	31-8112046 & on	N/A	N/A	N/A	N/A	015-00100	015-00100 (456 014)
PA-31-350	All	N/A	N/A	60-3A	060-00301 (492 152)	N/A	N/A
	31-5001 thru 31-7852127	10-17	10-17 (455 943)			N/A	N/A
	31-7852128 & on	10-23A	10-23A (455 971)			N/A	N/A
	31-8152125 & on	N/A	N/A			015-00100	015-00100 (456 014)
PA-31P-350	All	10-23A	10-23A (455 971)	60-3A	060-00301 (492 152)	N/A	N/A
PA-32-260	All	10-22	10-22 (455 938)	N/A	N/A	N/A	N/A
		10-30	10-30 (455 968)	N/A	N/A	N/A	N/A

Note: Manufacturer Code Numbers shown in Parenthesis ().

Cleveland
Wheels & Brakes



Applicability Data

The New Piper Aircraft, Inc. (Piper) - continued

Model/Name	Year/ Serial Number	Master Cylinder P/N		Parking Valve P/N		Actuator P/N		Shimmy Damper P/N	
		Cleveland	OEM	Cleveland	OEM	Cleveland	OEM	Cleveland	OEM
PA-32-300 PA-32R-300 PA-32RT-300 PA-32RT-300T	All	10-22	10-22 (455 938)	N/A	N/A	N/A	N/A	N/A	N/A
		10-30	10-30 (455 968)						
PA-32-301 PA-32-301T	All	10-22	10-22 (455 938)	N/A	N/A	N/A	N/A	N/A	N/A
		10-30	10-30 (455 968)						
PA-32R-301(SP) PA-32R-301(HP) PA-32R-301T	All	10-22	10-22 (455 938)	N/A	N/A	SFA232-5 (011-00504)	96860-02 (455 994)	15-9	15-9 (456 016)
		10-30	10-30 (455 968)			11-17	35797-03 (455 997)		
PA-34-200 PA-34-200T	All	10-22	10-22 (455 938)	N/A	N/A	N/A	N/A	N/A	N/A
		10-30	10-30 (455 968)						
PA-34-220T (III and IV)	All	10-30	10-30 (455 968)	60-3C	60-3C (491 978)	N/A	N/A	N/A	N/A
PA-38-112	All	10-22	10-22 (455 938)	N/A	N/A	N/A	N/A	N/A	N/A
PA-39	All	10-5	10-5 (455 929)	N/A	N/A	N/A	N/A	N/A	N/A
		10-19	10-19 (455 931)						
PA-42 PA-42-720 PA-42-1000	All	10-75	10-75 (465 705)	60-3A	060-00301 (492 152)	N/A	N/A	015-00100	015-00100 (456 014)
PA-44-180, PA-44-180T	All	10-30	10-30 (455 968)	60-3A	060-00301 (492 152)	SFA232-5 (011-00504)	96860-02 (455 994)	N/A	N/A
						11-17	35797-03 (455 997)		
PA-46-310P	All	10-73	82805-03 (558 003)	60-3C	60-3C (491 978)	N/A	N/A	N/A	N/A
	4608008 & on	N/A	N/A	N/A	N/A	11-22	83769-03 (552 609)		
PA-46-350P	All	10-73	82805-03 (558 003)	60-3C	60-3C (491 978)	N/A	N/A	N/A	N/A
	4622001 & on	N/A	N/A	N/A	N/A	11-22	83769-03 (552 609)		

Note: Manufacturer Code Numbers shown in Parenthesis ().

Cleveland

Wheels & Brakes



Part Number Index

SECTION 2

10-5,2-17	10-24D,2-8	10-692-19
10-5B,2-17	10-30,2-8	10-70,2-8
10-5C,2-17	10-30A,2-8	10-70A,2-8
10-5E,2-17	10-30B,2-8	10-70B,2-8
10-17,2-23	10-30C,2-10	10-732-15
10-19,2-6	10-30D,2-8	10-75,2-23
10-19A,2-6	10-34,2-19	10-78,2-16
10-19B,2-6	10-35,2-19	10-78A,2-16
10-19D,2-6	10-36,2-19	10-78B,2-16
10-19F,2-6	10-38,2-19	10-86,2-23
10-19G,2-6	10-39,2-19	10-86A,2-23
10-19H,2-6	10-45,2-19	10-882-13
10-19J,2-6	10-46,2-11	10-892-8
10-20,2-6	10-49,2-13	10-952-11
10-20A,2-6	10-50,2-13	010-05101,2-11
10-21,2-18	10-51,2-11	010-05700,2-21
10-21A,2-18	10-52,2-11	010-05701,2-21
10-22,2-6	10-54,2-13	010-06000,2-14
10-22A,2-6	10-54A,2-13	010-065002-21
10-22B2-6	10-55,2-13	010-066002-14
10-23,2-23	10-55A,2-13	
10-23A,2-23	10-55B,2-13	
10-23C,2-23	10-58D,2-11	
10-23F,2-23	10-58E,2-11	
10-24C,2-8	10-58F,2-11	



Design Information

Bore (inch)	Stroke (inch)	Displ. (cu. inch)	Cleveland P/N	Installed Length (inch)	Type	Port Size	Wt. (lbs)	Comments
.552	1.94	.43	10-30	7.63	Push	1/8-27 N.P.T.	.58	Ports in-line, no fittings, extruded aluminum body. Upgrade to 10-30D per SB7093 for Grob Aircraft only.
.552	1.96	.46	10-30A	8.41	Push	1/8-27 N.P.T.	.58	Same as 10-30, but uses rod end clevis.
.552	2.00	.43	10-30B	7.50	Push	1/8-27 N.P.T.	.58	Obsolete design, superseded by 10-30D per SB7093.
.552	1.25	.278	10-30C	6.81	Push	1/8-27 N.P.T.	.73	Uses a custom mount with pivot pins on the side of the housing, adjacent to the inlet fitting.
.552	2.00	.43	10-30D	7.528	Push	1/8-27 N.P.T.	.58	Upgrades 10-30. Supersedes 10-30B.
.562	1.25	.31	10-5B	8.37	Push	7/16-20	.65	Without parking valve, ports 180° apart, fitting 45°.
.562	1.25	.31	10-5C	8.37	Push	7/16-20	.65	With parking valve, ports 180° apart, fitting 45° and 90°.
.562	1.25	.278	10-5E	8.37	Push	7/16-20	.65	With parking valve, ports 180° apart, fitting 45°
.563	1.29	.31	10-5	8.35	Push	Outlet, 7/16-20 Inlet, 1/8-27 N.P.T.	.63	With parking valve, ports 90° apart, fitting 45°.
.563	1.64	.39	10-19 (1)	8.35	Push	7/16-20	.58	Ports in-line, fittings 90°, extruded aluminum body. See note 1.
.563	1.64	.39	10-19D (1)	8.35	Push	1/8-27 N.P.T.	.53	Ports in-line, no fittings, extruded aluminum body. See note 1.
.563	1.64	.39	10-19F (1)	8.35	Push	Outlet, 7/16-20 Inlet, 1/8-27 N.P.T.	.55	Ports in-line, straight fitting, extruded aluminum body. See note 1.
.563	1.64	.39	10-19G (1)	8.01	Push	1/8-27 N.P.T.	.53	Ports in-line, no fittings, extruded aluminum body. See note 1.
.563	1.64	.39	10-19H (1)	8.36	Push	1/8-27 N.P.T.	.58	Ports in-line, fittings 90°, extruded aluminum body. See note 1.
.563	1.64	.39	10-19J (1)	8.33	Push	1/8-27 N.P.T.	.53	Ports in-line, no fittings, extruded aluminum body. See note 1.
.563	1.64	.39	10-20	7.48	Push	1/8-27 N.P.T.	.52	Ports in-line, no fittings, no rod clevis, extruded aluminum body.
.563	1.64	.39	10-20A	7.37	Push	1/8-27 N.P.T.	.52	Ports in-line, no fittings, no rod clevis, extruded aluminum body.
.62	.875	.26	010-05701	8.610	Push	7/16-20	.65	Reservoir - capacity: 3.0 cu. in. Bell P/N 222-380-011-103.
.625	1.09	.306	10-34	7.96	Push	1/8-27 N.P.T.	.59	Reservoir - capacity: 3.41 cu. in., mounting hole: .190 Dia.
.625	1.09	.306	10-35	7.96	Push	1/8-27 N.P.T.	.59	Reservoir - capacity: 3.41 cu.in., mounting hole: .250 Dia.
.6245	1.25	.36	10-38	7.85	Push	1/8-27 N.P.T.	.59	Reservoir - capacity: 3.0 cu.in
.625	1.20	.36	10-39	7.82	Push	1/8-27 N.P.T.	.60	Reservoir - capacity: 3.0 cu.in
.625	1.20	.36	10-45	7.45	Push	1/8-27 N.P.T.	.52	Reservoir - capacity: 3.0 cu. in., mounting hole: .190 Dia.
.625	1.50	.46	10-46	7.34	Push	1/8-27 N.P.T.	.48	Ports in-line, no fittings.
.625	1.50	.46	10-49	8.30	Push	1/8-27 N.P.T.	.60	Ports in-line, no fittings.

Cleveland
Wheels & Brakes



Design Information

Bore (inch)	Stroke (inch)	Displ. (cu. inch)	Cleveland P/N	Installed Length (inch)	Type	Port Size	Wt. (lbs)	Comments
.625	1.50	.46	10-50	8.75	Push	1/8-27 N.P.T.	.53	Beech P/N 96-380034-25.
.625	1.50	.46	10-55A	7.90	Push	1/8-27 N.P.T.	.50	Ports in-line, no fittings.
.625	1.50	.46	10-55B	7.68	Push	1/8-27 N.P.T.	.46	Ports in-line, no fittings.
.625	1.50	.46	10-58D	8.28	Push	1/8-27 N.P.T.	.48	Obsolete design, superseded by 10-58E.
.625	1.50	.46	10-58E	8.28	Push	7/16-20	.44	Supersedes 10-58D.
.625	1.50	.46	10-58F	8.28	Push	7/16-20	.46	Upgrade from 10-58E per SB7068.
.625	1.43	.46	10-73	9.80	Push	3/8-24		Piper P/N 82805-3-F.
.625	1.50	.42	10-88	6.83	Push	1/8-27 N.P.T.	.42	Ports in-line, no fittings.
.626	1.62	.47	10-54	7.88	Push	1/8-27 N.P.T.	.45	Ports in-line, no fittings.
.626	1.62	.47	10-55	7.90	Push	1/8-27 N.P.T.	.45	Beech P/N 169-380100-3.
.6265	1.53	.45	10-54A	7.37	Push	1/8-27 N.P.T.	.45	Same as 10-54, except for shorter installed length.
.690	1.384	.516	10-36	7.95	Push	7/16-20	.59	Reservoir - capacity: 3.41 cu. in., mounting hole: .250 & .190 Dia.
.750	1.25	.55	10-70	7.37	Push	7/16-20	.69	Beech P/N 104-384061-1.
.750	1.25	.55	10-70A	7.37	Push	7/16-20	.63	Beech P/N 104-384061-3.
.750	1.38	.60	10-70B	7.50	Push	7/16-20	.85	Ports in-line, no fittings.
.751	1.52	.66	10-24D	8.41	Push	1/8-27 N.P.T.	.53	Same as 10-24C, except body mounts are rotated 90°.
.750	1.50	.66	10-52	7.50	Push	1/8-27 N.P.T.	.50	Ports in-line, no fittings.
.750	1.50	.662	10-89	11.06	Push	1/8-27 N.P.T.		Ports in-line, no fittings.
.750	1.59	.68	10-22B	7.26	Push	Outlet, 7/16-20 Inlet, 1/8-27 N.P.T.	.50	Ports 180° apart.
.750	1.75	.77	10-21	12.87	Push	1/8-27 N.P.T.	1.05	Reservoir - capacity: 2.88 cu. in., with parking lever.
.750	1.75	.77	10-21A	12.87	Push	1/8-27 N.P.T.	.98	Reservoir - capacity: 2.88 cu. in., no parking brake.
.750	1.59	.68	10-22	7.25	Push	1/8-27 N.P.T.	.50	Inlet - 90°, .250 Dia. hole.
.750	1.75	.77	10-22A	7.20	Push	1/8-27 N.P.T.	.50	No fittings.
.751	1.52	.63	10-24C	8.20	Push	1/8-27 N.P.T.	.53	Ports in-line, no fittings, extruded aluminum body.
.801	1.00	.50	010-06500	10.69	Push	7/16-20	.90	Reservoir - capacity: 2.15 cu. in., Bell P/N 214-076-320-101.

Design Information

Bore (inch)	Stroke (inch)	Displ. (cu. inch)	Cleveland P/N	Installed Length (inch)	Type	Port Size	Wt. (lbs)	Comments
.801	1.00	.50	010-06600	10.69	Push	7/16-20	.83	Bell P/N 214-076-327-101.
.810	1.50	.77	10-78	11.535	Push	7/16-20	.80	90° male ports.
.812	1.50	.74	10-78A	11.535	Push	7/16-20	.80	90° male ports.
.812	1.50	.74	10-78B	11.535	Push	7/16-20	.74	90° male ports.
.864	1.408	.824	10-69	7.88	Push	7/16-20	.59	Reservoir - capacity: 3.41 cu. in.
.875	1.23	.59	10-17 (2)	5.25	Pull	7/16-20	.62	Ports in-line, no fittings, extruded aluminum body. See note 2.
.875	1.25	.66	010-06000	8.61	Push	7/16-20	.65	Bell P/N 222-380-012-101.
.925	1.25	.69	10-75	5.25	Pull	7/16-20	.62	Piper P/N 465-705.
.927	1.25	.75	10-23	5.25	Pull	7/16-20	.65	No fittings.
.927	1.22	.67	10-23A	5.21	Pull	7/16-20	.65	Same as 10-23, except with extruded aluminum body.
.927	1.25	.71	10-23C	5.25	Pull	7/16-20	.60	Extruded aluminum body.
.927	1.195	.71	10-23F	6.25	Pull	7/16-20	.81	Equipped with high strength clevis.
1.00	1.35	1.015	10-95	7.50	Push	3/8-24		Ports in-line, no fittings, extruded aluminum body.
1.0025	1.30	.95	010-05101		Push	M10 x 1 (metric)	.32	Flange mount.
1.117	1.06	.94	10-86	5.25	Pull	7/16-20	1.0	Large bore version of 10-23 series.
1.117	1.10	.94	10-86A	6.25	Pull	7/16-20	.90	Equipped with high strength clevis.

Notes:

- (1) The 10-19 Series master cylinders have been redesigned from a steel body configuration to an extruded aluminum configuration. Listed Design Information is for the extruded aluminum body master cylinder. Design Information for the steel body master cylinder is the same except for the following:

Stroke = 1.25 inches
 Displacement = .31 cubic inches
 Weight = .50 lbs.

- (2) The 10-17 master cylinder has been redesigned from a steel body configuration to an extruded aluminum configuration. Listed Design Information is for the extruded aluminum body master cylinder. Design Information for the steel body master cylinder is the same except for the following:

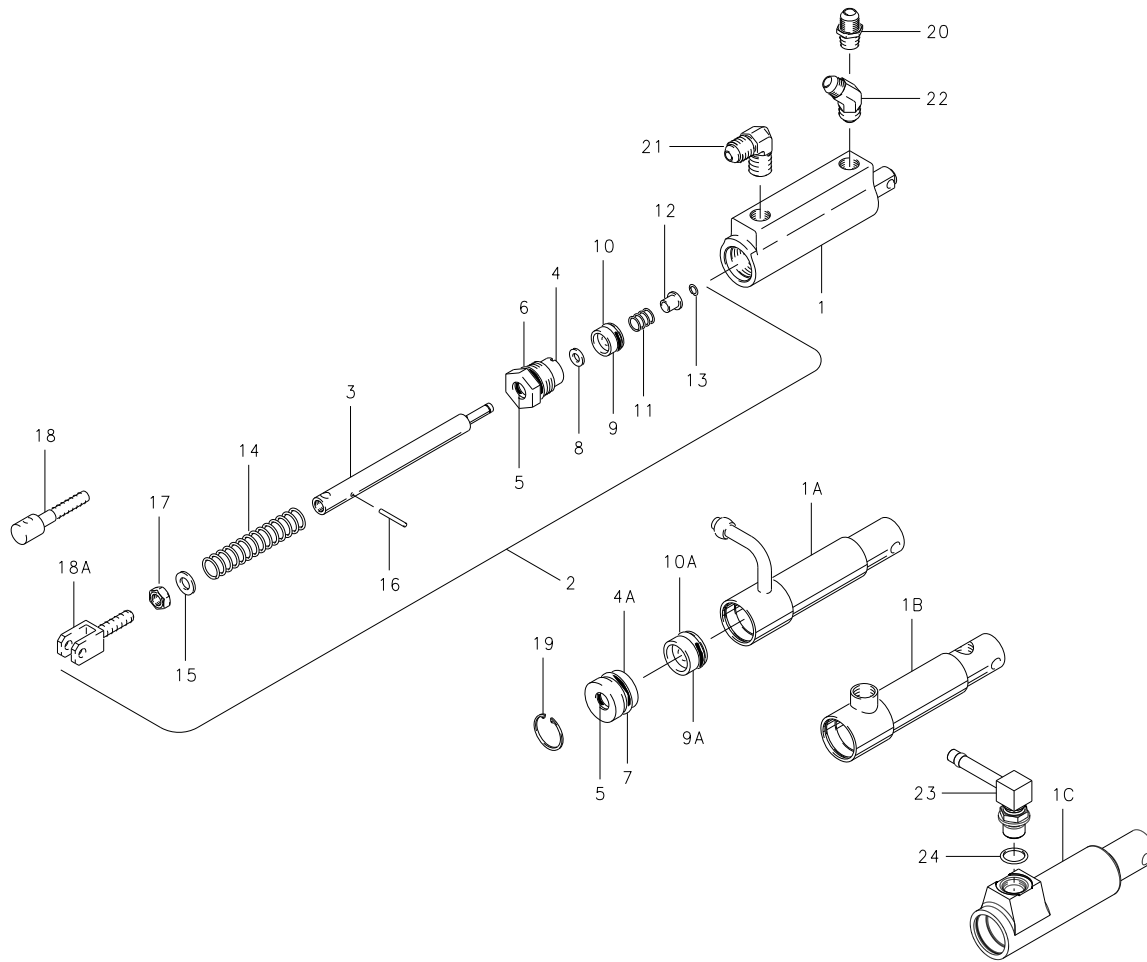
Stroke = 1.25 inches
 Displacement = .75 cubic inches
 Weight = .70 lbs.

Cleveland
Wheels & Brakes



Illustrated Parts List

10-19, 10-19A, 10-19B, 10-19D, 10-19F, 10-19G, 10-19H, 10-19J, 10-20, 10-20A, 10-22, 10-22A, 10-22B



NOTE: Parts list for reference only. Contact airframe manufacturer to order master cylinders and components listed.

FIG.	PART NO.	DESCRIPTION	PER ASSY.													
			10-19	10-19A (1)	10-19B (1)	10-19D	10-19F	10-19G	10-19H	10-19J	10-20	10-20A	10-22	10-22A	10-22B	
1	144-01204	Cylinder Body (3)	1			1										
	144-01206	Cylinder Body (4)					1	1	1							
	(2)	Cylinder Assembly		1	1											
	144-01201	Cylinder Body									1					
	144-01203	Cylinder Body									1					
1A	189-00900	Cylinder Assembly											1			
1B	189-00901	Cylinder Assembly												1		
1C	144-13600	Cylinder Body														1

(Continued on next page)

Illustrated Parts List

10-19, 10-19A, 10-19B, 10-19D, 10-19F, 10-19G, 10-19H, 10-19J, 10-20, 10-20A, 10-22, 10-22A, 10-22B

(Continued from previous page)

FIG.	PART NO.	DESCRIPTION	PER ASSY.															
			10-19	10-19A (1)	10-19B (1)	10-19D	10-19F	10-19G	10-19H	10-19J	10-20	10-20A	10-22	10-22A	10-22B			
2	182-00300	Piston Rod Assembly	1	1	1	1												
	182-00700	Piston Rod Assembly											1	1	1			
	182-02600	Piston Rod Assembly					1		1	1								
	182-04100	Piston Rod Assembly						1										
3	142-00500	Rod-Piston	1	1	1	1	1		1	1			1	1				
	142-00800	Rod-Piston											1	1				
	142-00900	Rod-Piston												1	1	1		
	142-02800	Rod-Piston						1										
4	141-00500	End Gland	1	1	1	1	1	1	1	1	1	1	1					
4A	141-01000	End Gland												1	1	1		
5	101-00700	O-Ring (MS28775-012)	1	1	1	1	1	1	1	1	1	1	1	1	1	1	1	1
6	101-01100	O-Ring (MS28775-113)	1	1	1	1	1	1	1	1	1	1	1					
7	101-01200	O-Ring (MS28775-114)												1	1	1		
8	095-01100	Washer-Seal	1	1	1	1	1	1	1	1	1	1	1	1	1	1	1	1
9	148-00900	Piston	1	1	1	1	1	1	1	1	1	1	1					
9A	148-01000	Piston												1	1	1		
10	101-00800	O-Ring-Piston (MS28775-110)	1	1	1	1	1	1	1	1	1	1	1					
10A	101-01100	O-Ring-Piston (MS28775-113)												1	1	1	1	1
11	082-00800	Spring-Piston	1	1	1	1	1	1	1	1	1	1	1	1	1	1	1	1
12	145-01500	Bushing	1	1	1	1	1	1	1	1	1	1	1	1	1	1	1	1
13	155-00500	Snap Ring	1	1	1	1	1	1	1	1	1	1	1	1	1	1	1	1
14	082-00900	Spring-Return	1	1	1	1	1	1	1	1	1	1	1	1	1	1	1	1
15	095-10200	Washer (AN960-416L)	1	1	1	1	1	1	1	1								
	095-10600	Washer (AN960-616)										1	1	1	1	1	1	1
16	223-00100	Roll-Pin										1	1	1	1	1	1	1
17	094-03000	Nut-Check (AN316-4)	1	1	1	1	1	1	1	1								
18	143-00400	Clevis	1	1		1												
18A	143-00900	Clevis					1	1	1	1								
19	155-01000	Snap Ring												1	1	1		1
20	104-00300	Tube Fitting (AN816-4D)					1											
21	104-00400	Tube Fitting (MS20822-4D)	2	2	1					2								
22	104-00500	Tube Fitting (MS20823-4D)			1													
23	104-06900	Fitting																1
24	101-20400	O-Ring																1

199-505	Repair Kit (5, 8, 10, 10A)	1	1		1	1	1	1	1	1	1	1						
199-507	Repair Kit (5, 6, 7, 8, 13, 15)													1	1	1		

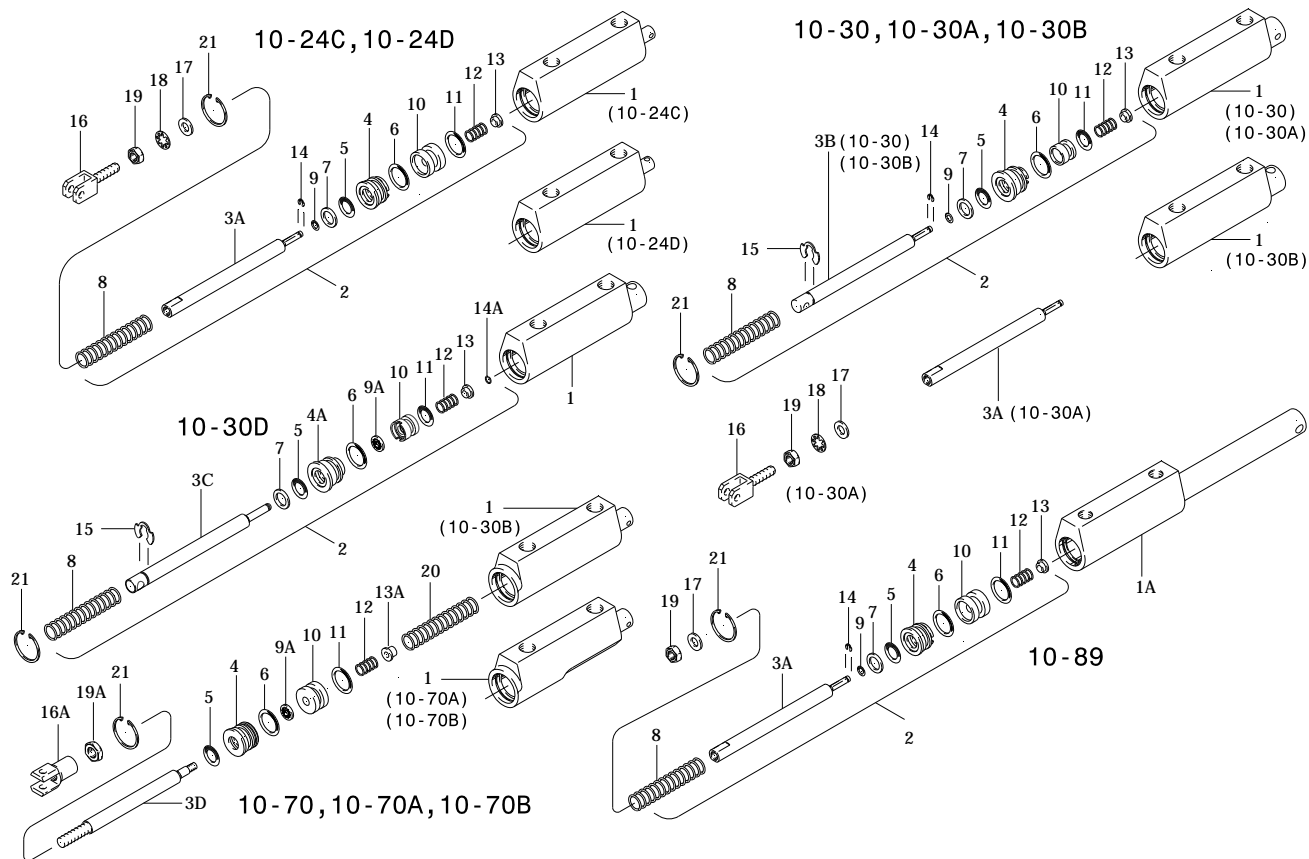
NOTES:

- (1) Inactive Assembly - Spares support only for parts listed.
- (2) Inactive Part - No longer available for spares support.
- (3) Extruded body – formerly used steel body P/N 189-00500 which is no longer available.
- (4) Extruded body – formerly used steel body P/N 189-00501 which is no longer available.



Illustrated Parts List

10-24C, 10-24D, 10-30, 10-30A, 10-30B, 10-30D, 10-70, 10-70A, 10-70B, 10-89



NOTE: Parts list for reference only. Contact the airframe manufacturer to order master cylinders and components listed.

FIG.	PART NO.	DESCRIPTION	PER ASSY.									
			10-24C	10-24D	10-30 (2)	10-30A	10-30B (1) (2)	10-30D	10-70	10-70A	10-70B	10-89
1	144-03200	Cylinder Body			1	1						
	144-03700	Cylinder Body	1									
	144-03701	Cylinder Body		1								
	144-06800	Cylinder Body						1				
	144-07300	Cylinder Body							1	1		
144-11900	Cylinder Body				1	1						
1A	144-11500	Cylinder Body										1
2	182-02000	Piston Rod Assembly	1	1								
	182-02200	Piston Rod Assembly			1							
	182-07500	Piston Rod Assembly										1
	(3)	Piston Rod Assembly					1					
	182-08500	Piston Rod Assembly						1				
3A	142-03700	Rod-Piston	1	1		1						1
3B	142-03900	Rod-Piston			1							
	(3)	Rod-Piston					1					

(Continued on next page)

Cleveland
Wheels & Brakes



Illustrated Parts List

10-24C, 10-24D, 10-30, 10-30A, 10-30B, 10-30D, 10-70, 10-70A, 10-70B, 10-89

(Continued from previous page)

FIG.	PART NO.	DESCRIPTION	PER ASSY.										
			10-24C	10-24D	10-30 (2)	10-30A	10-30B (1) (2)	10-30D	10-70	10-70A	10-70B	10-89	
3C	142-13700	Rod-Piston						1					
3D	142-07900	Rod-Piston							1	1	1		
4	141-01200	End Gland	1	1									1
	141-02500	End Gland			1	1	1						
	141-04400	End Gland							1	1			
	141-04401	End Gland									1		
5	101-00700	O-Ring (MS28775-012)	1	1					1	1	1	1	1
	101-00800	O-Ring (MS28775-110)			1	1	1	1					
6	101-01100	O-Ring (MS28775-113)	1	1	1	1	1	1	1	1	1	1	1
7	095-01300	Washer-Wiper	1	1	1	1	1	1					1
8	082-00900	Spring-Return				1	1						
	082-05200	Spring-Return	1	1									1
	082-14500	Spring-Return			1			1					
9	101-00100	O-Ring	1	1	1	1	1						1
9A	095-02600	Washer-Seal						1	1	1	1		
10	148-02300	Piston	1	1									1
	148-02500	Piston			1	1	1						
	148-03800	Piston							1	1	1		
	148-09200	Piston						1					
11	101-00800	O-Ring (MS28775-110)			1	1	1	1					
	101-01100	O-Ring (MS28775-113)	1	1					1	1	1	1	
12	082-02100	Spring-Piston	1	1	1	1	1	1					1
	082-05600	Spring-Piston							1	1	1		
13	145-01500	Spring Guide						1					
	145-05800	Bushing	1	1	1	1	1						1
13A	145-06500	Spring Guide							1	1	1		
14	155-04800	Snap Ring	1	1	1	1	1						1
14A	155-00500	Snap Ring						1					
15	155-05000	Snap Ring-Rod			1		1	1					
16	143-00400	Clevis	1	1		1							
16A	143-01300	Clevis							1	1	1		
	095-10100	Washer (AN960-616L)	1	1		1							
17	095-10200	Washer (AN960-416L)											1
	095-15600	Washer-Star (MS35333-40)	1	1		1							
18	094-03000	Nut-Check (AN316-4)	1	1		1							1
19A	094-04300	Nut-Check (AM316-5)							1	1	1		
20	082-07400	Spring-Return							1	1	1		
21	155-01200	Snap Ring	1	1									1
	155-04700	Snap Ring			1	1	1	1					
	155-05500	Snap Ring							1	1	1		
	199-510	Repair Kit (5, 6, 9)	1	1									
	199-512	Repair Kit (5, 6, 7, 9, 9A, 12, 14, 14A, 15)			1	1	1	1					
	199-521	Repair Kit (5, 6, 9A)							1	1	1		

NOTES:

- (1) Inactive Assembly - Spares support only for parts listed.
- (2) SB7093-1 Service Bulletin Kit upgrades 10-30 and 10-30B to 10-30D configuration per SB7093.
- (3) Inactive Part - No longer available for spares support.

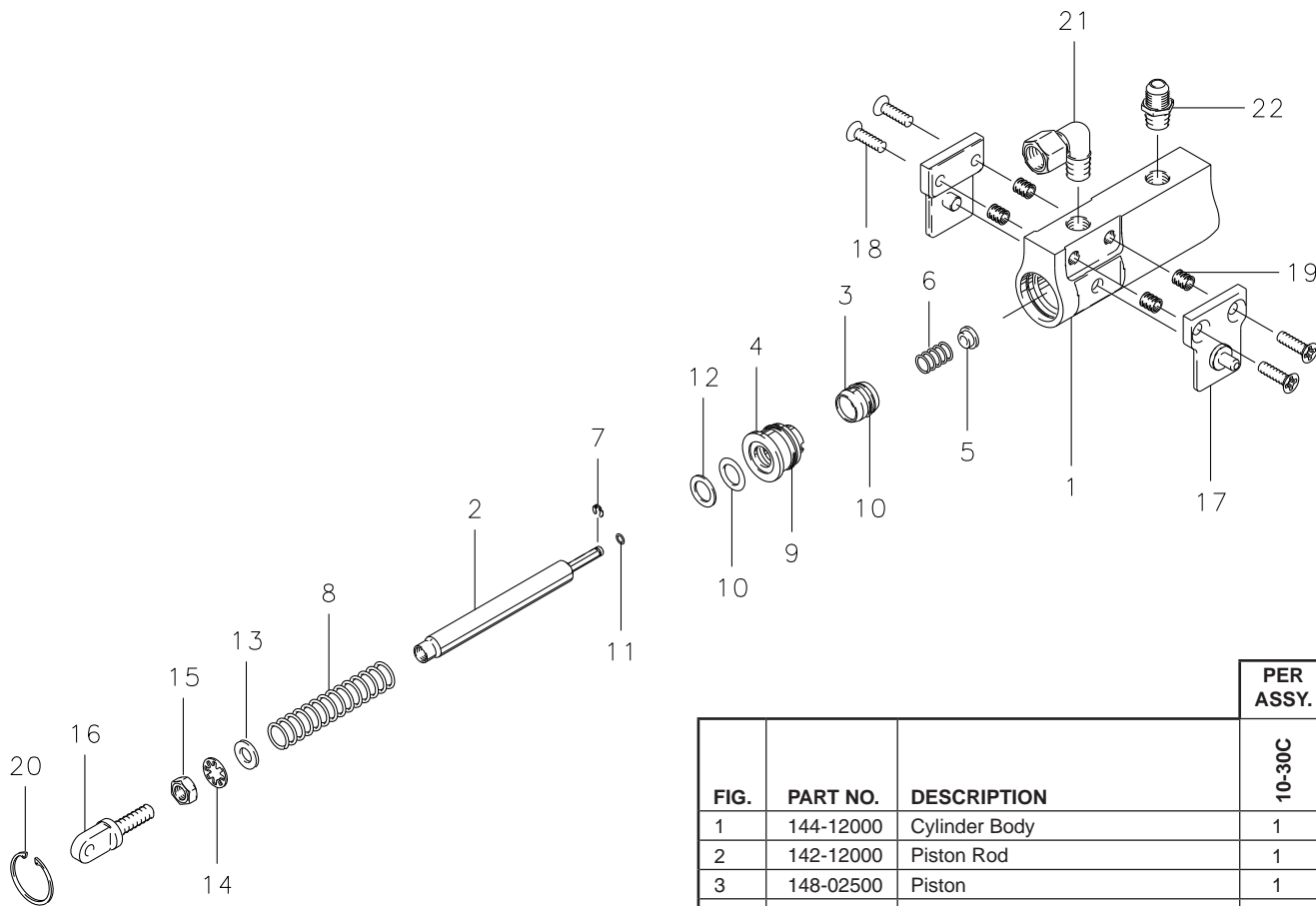
Cleveland
Wheels & Brakes



Illustrated Parts List

**Master Cylinder
Push Type**

10-30C



NOTES:

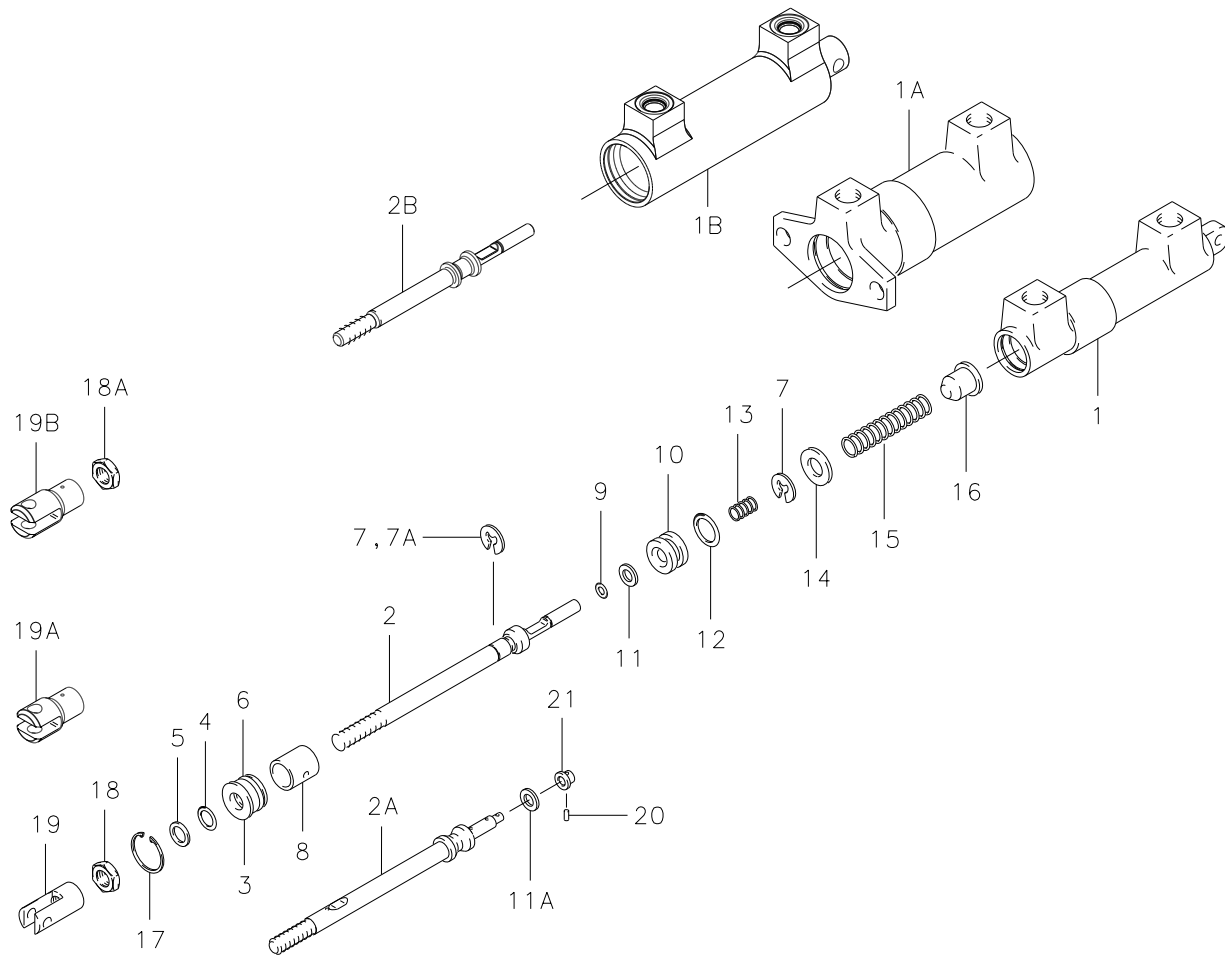
(1) Master Cylinder 10-30C is FAA PMA Approved for use on Slingsby Aviation Ltd. Aircraft Models T67 GRP series. The master cylinder and all components listed are available for sale thru distribution.

FIG.	PART NO.	DESCRIPTION	PER ASSY.
1	144-12000	Cylinder Body	1
2	142-12000	Piston Rod	1
3	148-02500	Piston	1
4	141-02500	End Gland	1
5	145-05800	Bushing	1
6	082-02100	Spring	1
7	155-04800	Retaining Ring	1
8	082-13700	Spring	1
9	101-01100	O-Ring (MS28775-113)	1
10	101-00800	O-Ring (MS28775-110)	2
11	101-00100	O-Ring	1
12	095-01300	Washer, Wiper	1
13	095-10100	Washer (AN960-616L)	1
14	095-15600	Washer, Star (MS35333-40)	1
15	094-03000	Nut, Jam (AN316-4)	1
16	143-03100	Clevis	1
17	111-10900	Bracket Assembly	2
18	102-17500	Screw (MS24694-S49)	4
19	230-05500	Insert, Locking (MS21209F1-15L)	4
20	155-04700	Ring, Retaining	1
21	104-09300	Elbow, Male	1
22	104-00300	Tube Fitting (AN816-4D)	1

199-512	Repair Kit (9, 10, 11)	1
---------	------------------------	---

Illustrated Parts List

10-46, 10-51, 010-05101, 10-52, 10-58D, 10-58E, 10-58F, 10-95



NOTE: Parts list for reference only. Contact the airframe manufacturer to order master cylinders and components listed.

FIG.	PART NO.	DESCRIPTION	PER ASSY.							
			10-46	10-51 (1)	010-05101	10-52	10-58D (1) (2) (4)	10-58E (6)	10-58F	10-95
1	144-04600	Cylinder Body	1				1			
	144-04601	Cylinder Body						1	1	
	144-05000	Cylinder Body				1				
1A	144-04900	Cylinder Body		1	1					
1B	144-13100	Cylinder Body								1
2	111-04700	Piston Rod Assembly	1							
	111-04900	Piston Rod Assembly				1				
	111-05400	Piston Rod Assembly					1	1		
	182-03700	Piston Rod Assembly		1	1					
2A	142-08201	Piston Rod							1	
2B	142-13200	Piston Rod								1
3	141-02600	End Gland	1				1	1	1	
	141-02800	End Gland				1				
	141-04000	End Gland			1					1
	(3)	End Gland		1						

(Continued on next page)

Cleveland
Wheels & Brakes



Illustrated Parts List

10-46, 10-51, 010-05101, 10-52, 10-58D, 10-58E, 10-58F, 10-95

(Continued from previous page)

FIG.	PART NO.	DESCRIPTION	PER ASSY.							
			10-46	10-51 (1)	010-05101	10-52	10-58D (1)(2)(4)	10-58E (6)	10-58F	10-95
4	101-26800	O-Ring		1	1					1
	101-00600	O-Ring (MS28775-011)	1			1	1	1	1	
5	100-20006	Ring, Back Up (MS28782-6)			1					1
6	101-20200	O-Ring (MS28775-014)	1				1	1	1	
	101-27000	O-Ring		1	1					1
	101-50343	O-Ring (MS28775-016)				1				
7	155-05100	Snap Ring	2	1	1	1	2	2		1
7A	155-07200	Snap Ring		1	1					
8	067-05000	Spacer	1							
	067-05400	Spacer				1				
	067-05500	Spacer		1	1					1
	067-07300	Spacer					1	1	1	
9	101-00300	O-Ring (MS28775-008)	1			1				
	101-26700	O-Ring		1	1					1
10	148-02800	Piston	1							
	148-03700	Piston				1				
	148-04500	Piston			1					1
	(3)	Piston		1						
	148-04900	Piston					1	1	1	
11	095-03400	Washer Seal					1	1		
11A	095-03401	Washer Seal							1	
12	101-00900	O-Ring (MS28775-111)	1				1	1	1	
	101-26900	O-Ring			1					1
	101-01100	O-Ring (MS28775-113)				1				
	(3)	O-Ring		1						
13	082-05500	Spring, Piston	1	1	1	1				1
	082-05501	Spring, Piston					1	1	1	
14	095-10200	Washer (AN960-416L)			1					1
15	082-06000	Spring, Return	1			1	1			
	082-06001	Spring, Return						1	1	
	082-06300	Spring, Return		1	1					1
16	067-07100	Spacer					1	1	1	
17	155-01200	Snap Ring				1				
	155-01300	Snap Ring		1	1					1
	155-05400	Snap Ring	1				1	1	1	
18	094-04300	Nut, Lock (AN316-5)		1	1	1				
18A	094-03000	Nut								1
19	143-01000	Clevis				1				
19A	143-01400	Clevis			1					
19B	143-03500	Clevis								1
20	223-03200	Pin, Roll							1	
21	200-02400	Retainer, Spring							1	

NOTES:

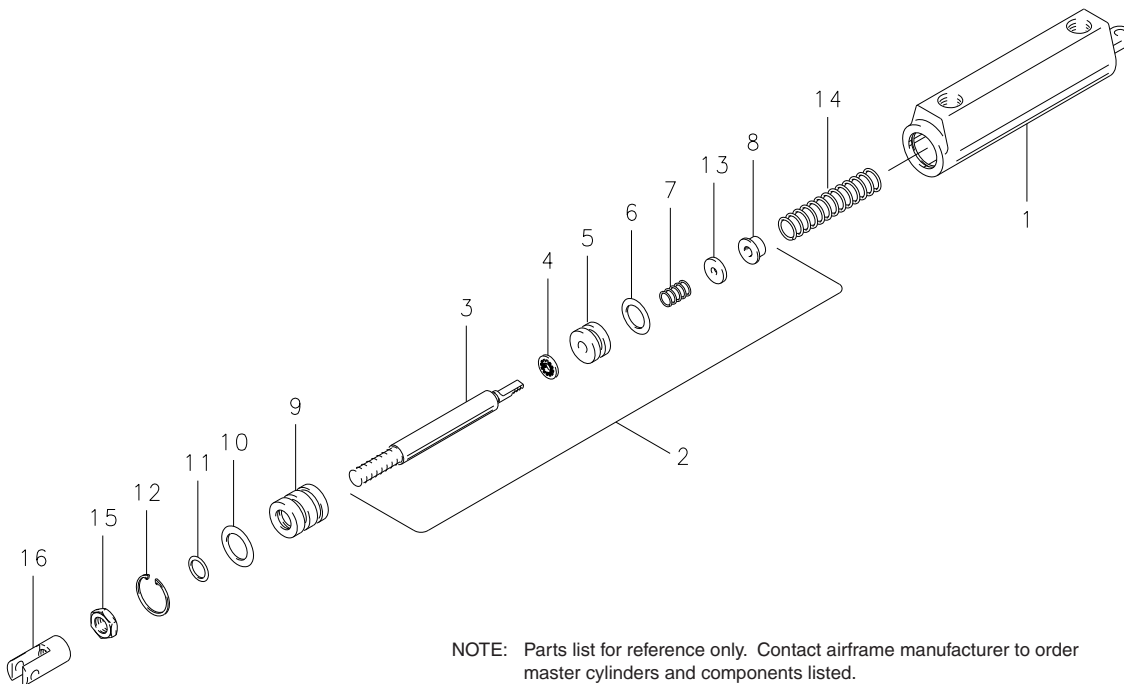
- (1) Inactive assembly - spares support only for parts listed.
- (2) 10-58C replaced by 10-58D.
- (3) Inactive part - No longer available for spares support.
- (4) 10-58D superseded by 10-58E.
- (5) The following Cleveland Master Cylinders were formerly manufactured by Gerdes Product Co.

C.W.B. NUMBER GERDES NUMBER
10-46 A-110-27
10-51 A-110-18
10-52 A-110-12
- (6) SB7068-1 Service Bulletin Kit Parts List upgrades master cylinder to 10-58F per Cleveland Service Bulletin SB7068.

199-515	Repair Kit (4, 6, 9, 12)	1								
199-518	Repair Kit (4, 5, 6, 7, 7A, 9, 12)			1						1
199-523	Repair Kit (4, 6, 9, 12)				1					
199-524	Repair Kit (4, 6, 7, 11,12)					1	1			
199-524A	Repair Kit (4, 6, 11A, 12, 20)								1	

Master Cylinder Push Type

10-49, 10-50, 10-54, 10-54A, 10-55, 10-55A, 10-55B, 10-88



NOTE: Parts list for reference only. Contact airframe manufacturer to order master cylinders and components listed.

NOTES:

(1) The following Cleveland master cylinders were formerly manufactured by Gerdes Products Co.

C.W.B. NUMBER	GERDES NUMBER
10-49	A-110-37
10-50	A-110-39
10-54	A-110-10

(2) Master Cylinder 10-55B replaces 10-55A. Both are FAA PMA Approved for use on General Avia Aircraft Model F22. The master cylinder and all components listed are available thru distribution.

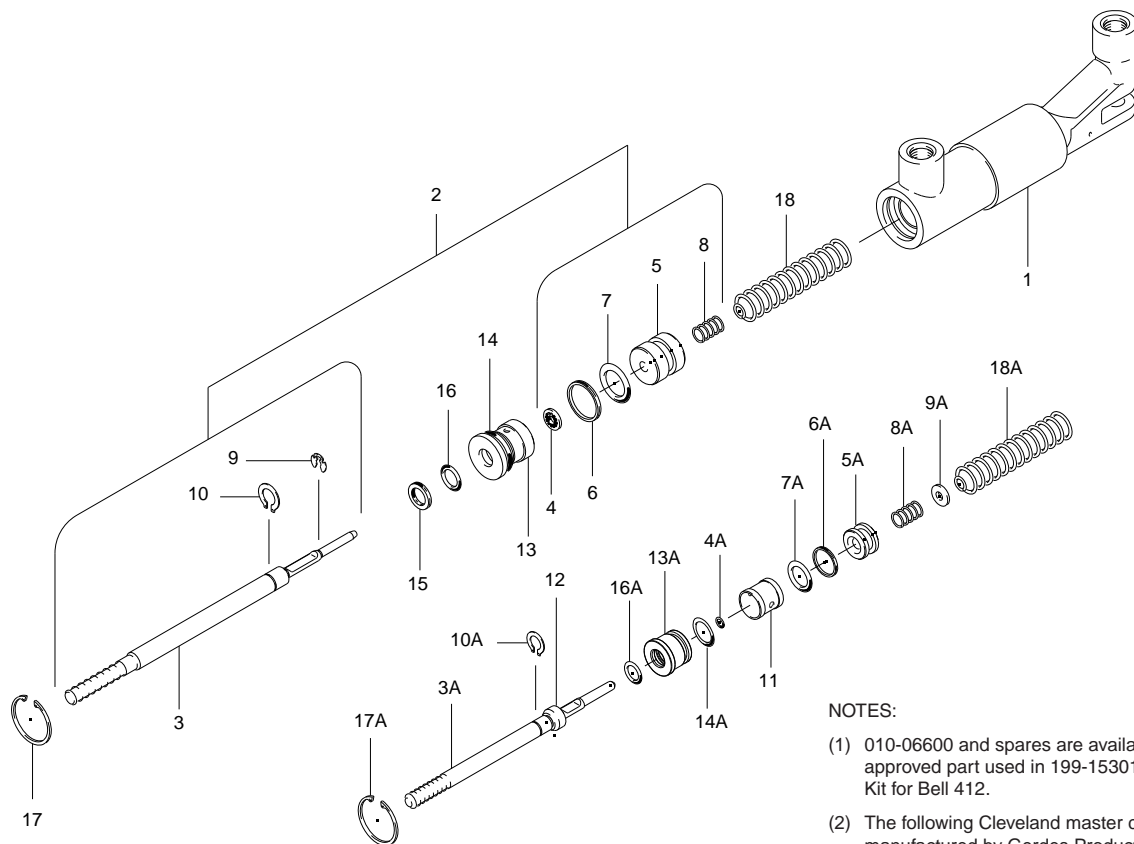
FIG.	PART NO.	DESCRIPTION	PER ASSY.						
			10-49	10-50	10-54	10-54A	10-55 10-55A (2)	10-55B (2)	10-88
1	144-04700	Cylinder Body	1		1	1			
	144-04800	Cylinder Body		1				1	1
2	182-02800	Piston Rod Assembly	1						
	182-02801	Piston Rod Assembly							1
3	142-05500	Piston Rod	1			1			1
	142-05300	Piston Rod		1					
	142-05400	Piston Rod			1		1		
	142-05502	Piston Rod						1	
4	095-02600	Stat-O-Seal	1	1	1	1	1	1	1
5	148-03400	Piston	1	1	1	1	1	1	1
6	101-00900	O-Ring (MS28775-111)	1	1	1	1	1	1	1
7	082-05600	Spring	1	1	1	1	1	1	1
8	145-06500	Guide-Spring	1	1	1	1	1	1	1
13	067-13300	Spacer				1			1
9	141-02700	Gland-End	1	1	1	1	1	1	1
10	101-01000	O-Ring (MS28775-112)	1	1	1	1	1	1	1
11	101-00700	O-Ring (MS28775-012)	1	1	1	1	1	1	1
12	155-05400	Snap Ring	1	1	1	1	1	1	1
14	082-06100	Spring-Return	1	1	1	1	1	1	1
15	094-04300	Nut-Check (AN316-5)	1	1	1	1	1	1	
16	143-01000	Clevis			1	1	1	1	
	143-01200	Clevis	1						
	143-01300	Clevis		1					
199-516 Repair Kit (4, 6, 10, 11)			1	1	1	1	1	1	

Cleveland
Wheels & Brakes



Master Cylinder Push Type

010-06000, 010-06600



NOTES:

- (1) 010-06600 and spares are available thru distribution; PMA approved part used in 199-15301 Wheeled Landing Gear Kit for Bell 412.
- (2) The following Cleveland master cylinders were formerly manufactured by Gerdes Product Co.

C.W.B.	GERDES
NUMBER	NUMBER
010-06000	A-2160-1

NOTE: Parts list for reference only. Contact airframe manufacturer to order master cylinders and components listed.

FIG.	PART NO.	DESCRIPTION	PER ASSY.	
			010-06000	010-06600 (1)
1	144-05300	Housing Assembly	1	
	189-09400	Body Assembly		1
2	182-03000	Piston Rod Assembly		1
3	142-07500	Rod Piston		1
3A	142-05900	Shaft	1	
4	095-02600	Stat-O-Seal		1
4A	101-50349	O-Ring (MS28775-007)	1	
5	148-04400	Piston		1
5A	148-03900	Piston	1	
6	100-20012	Back Up Ring (MS28782-12)		1
6A	100-10143	Back Up Ring (MS28774-111)	1	
7	101-50357	O-Ring (MS28775-114)		1
7A	101-00900	O-Ring (MS28775-111)	1	
8	082-07100	Spring		1
8A	082-05500	Spring	1	
9	155-07100	Snap Ring		1
9A	095-13100	Washer (AN960C10)	1	

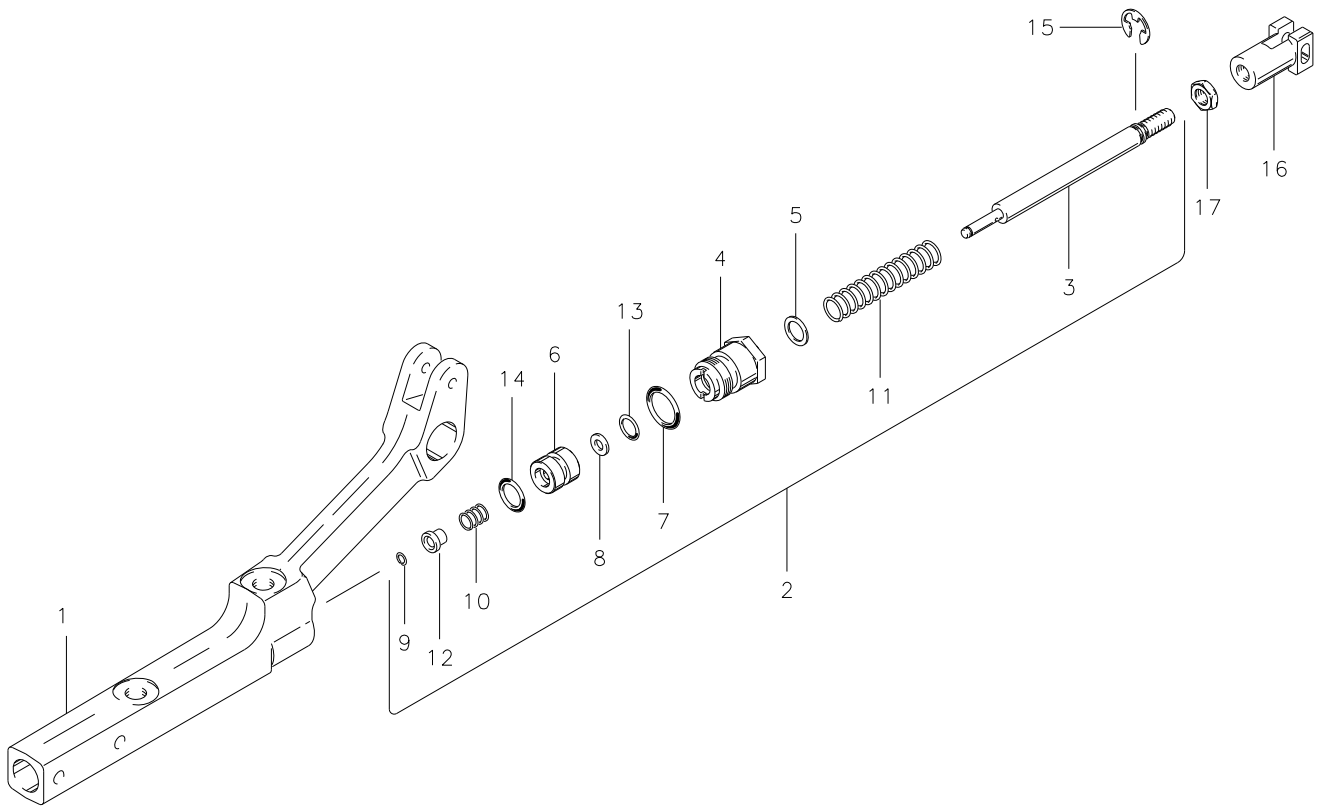
FIG.	PART NO.	DESCRIPTION	PER ASSY.	
			010-06000	010-06600 (1)
10	155-06500	Snap Ring		1
10A	155-05700	Snap Ring	1	
11	067-05600	Spacer	1	
12	139-06200	Thrust Collar	1	
13	141-03400	End Gland		1
13A	141-03200	End Gland	1	
14	101-50369	O-Ring (MS28775-017)		1
14A	101-20200	O-Ring (MS28775-011)	1	
15	100-20008	Backup Ring (MS28782-8)		1
16	101-00800	O-Ring (MS28775-110)		1
16A	101-50341	O-Ring (MS28775-011)	1	
17	155-06700	Snap Ring		1
17A	155-05400	Snap Ring	1	
18	082-06900	Spring-Return		1
18A	082-06400	Spring-Return	1	

199-532	Repair Kit (4, 6, 7, 14, 15, 16)		1
199-569	Repair Kit (4A, 6A, 7A, 14A, 16A, 17A)	1	

Cleveland
Wheels & Brakes



10-73



NOTE: Parts list for reference only. Contact airframe manufacturer to order master cylinders and components listed.

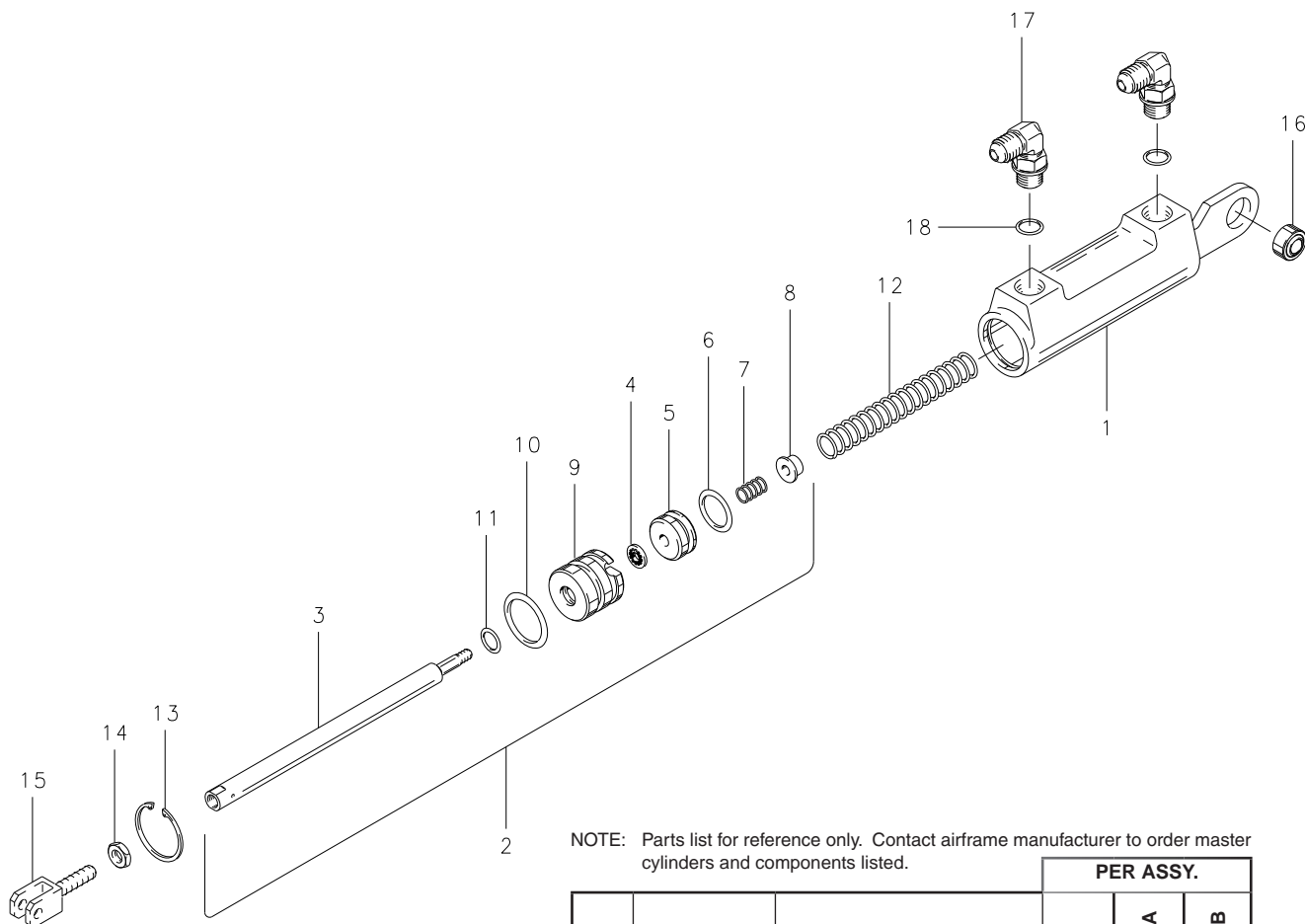
FIG.	PART NO.	DESCRIPTION	PER ASSY.
1	144-08800	Cylinder Body	10-73 1
2	182-04300	Piston Rod Assembly	1
3	142-09100	Piston Rod	1
4	141-05200	Packing Gland	1
5	095-04000	Washer	1
6	148-05300	Piston	1
7	101-01200	O-Ring (MS28775-114)	1
8	095-01100	Washer-Seal	1
9	155-00500	Snap Ring	1
10	082-00800	Spring	1
11	082-00900	Spring	1
12	145-01500	Bushing	1
13	101-00700	O-Ring (MS28775-012)	1
14	101-00900	O-Ring (MS28775-011)	1
15	155-09000	Retainer Ring	1
16	143-02000	Clevis	1
17	094-04300	Nut (AN316-5)	1

199-548	Repair Kit (7, 8, 13, 14)	1
---------	---------------------------	---

Illustrated Parts List

**Master Cylinder
Push Type**

10-78, 10-78A, 10-78B



NOTE: Parts list for reference only. Contact airframe manufacturer to order master cylinders and components listed.

FIG.	PART NO.	DESCRIPTION	PER ASSY.		
			10-78	10-78A	10-78B
1	189-04100	Cylinder Body	1	1	1
2	182-04800	Piston Rod Assembly	1	1	1
3	142-10400	Piston Rod	1	1	1
4	095-02600	Stat-O-Seal	1	1	1
5	148-04100	Piston	1	1	1
6	101-01200	O-Ring (MS28775-114)	1	1	1
7	082-05600	Spring-Piston	1	1	1
8	145-06500	Spring Guide	1	1	1
9	141-03000	End Gland	1	1	1
10	101-50117	O-Ring (MS28775-117)	1	1	1
11	101-00700	O-Ring (MS28775-012)	1	1	1
12	082-06100	Return Spring	1	1	1
13	155-05500	Retaining Ring	1	1	1
14	094-03000	Nut, Jam (AN316-4)	1	1	1
15	143-02200	Clevis	1	1	1
16	214-82600	Spherical Bearing	1	1	1
17	104-03100	Fitting	2	2	1
	104-06900	Fitting			1
18	101-20400	O-Ring (MS28778-4)	2	2	1

199-555	Repair Kit (4, 6, 10, 11, 18)	1		
---------	-------------------------------	---	--	--

Cleveland
Wheels & Brakes

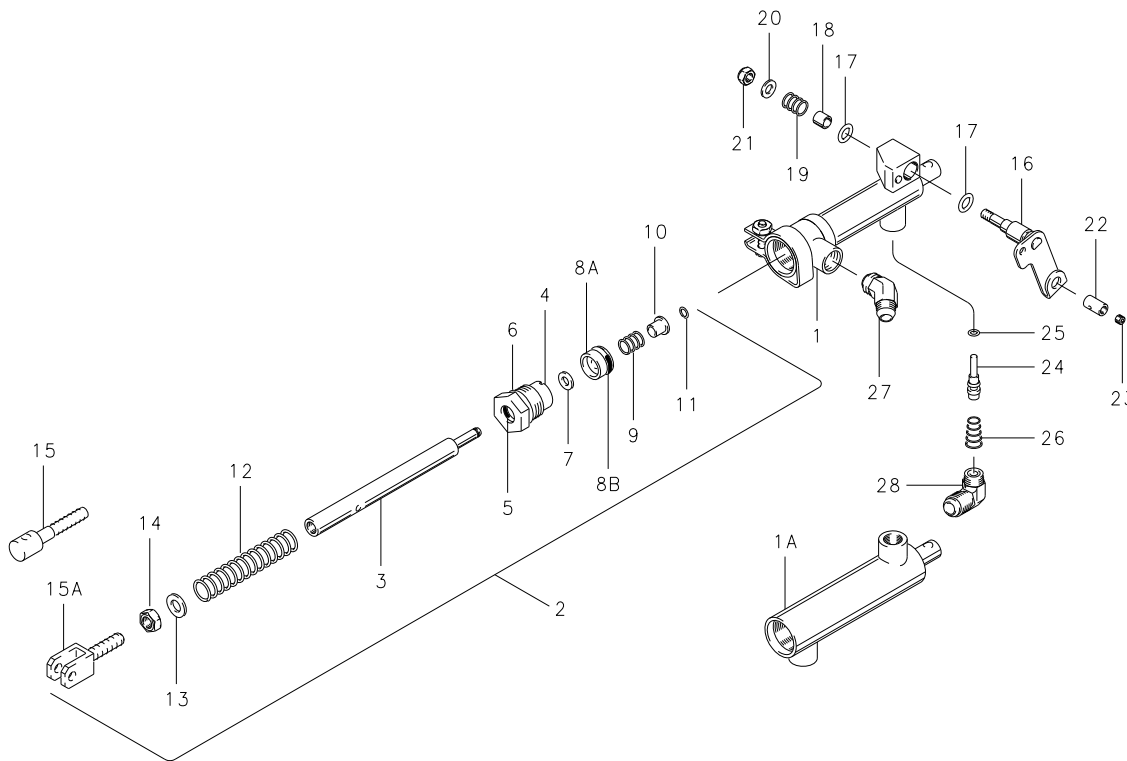


Illustrated Parts List

**Master Cylinder
Push Type with Parking Brake**

10-5, 10-5B, 10-5C, 10-5E

2



NOTE: Parts list for reference only. Contact airframe manufacturer to order master cylinders and components listed.

FIG.	PART NO.	DESCRIPTION	PER ASSY.			
			10-5	10-5B (1)	10-5C	10-5E
1	189-00100	Hydraulic Cylinder Assembly	1		1	
	189-01200	Hydraulic Cylinder Assembly				1
1A	189-02300	Hydraulic Cylinder Assembly		1		
2	182-00300	Piston Rod Assembly	1	1		
	182-02600	Piston Rod Assembly			1	1
3	142-00500	Rod	1	1	1	1
4	141-00500	Gland-End	1	1	1	1
5	101-00700	O-Ring-Gland (MS28775-012)	1	1	1	1
6	101-01100	O-Ring-Gland (MS28775-113)	1	1	1	1
7	095-01100	Washer-Seal	1	1	1	1
8A	148-00900	Piston	1	1	1	1
8B	101-00800	O-Ring (MS28775-110)	1	1	1	1
9	082-00800	Spring	1	1	1	1
10	145-01500	Bushing	1	1	1	1
11	155-00500	Ring-Snap	1	1	1	1
12	082-00900	Spring-Return	1	1	1	1
13	095-10200	Washer (AN960-416L)	1	1	1	1
14	094-00300	Nut-Jam (AN316-4)	1	1	1	1
15	143-00400	Clevis	1	1		
15A	143-00900	Clevis			1	1

FIG.	PART NO.	DESCRIPTION	PER ASSY.			
			10-5	10-5B (1)	10-5C	10-5E
16	181-00200	Cam Assembly	1		1	1
17	101-00500	O-Ring (MS28775-010)	2		2	2
18	145-00700	Bushing	1		1	1
19	082-01000	Spring	1		1	1
20	095-10300	Washer (AN960-10)	1		1	1
21	094-10200	Nut (AN364-1032)	1		1	1
22	145-00900	Bushing	1		1	1
23	102-00100	Screw-Set (#8-32x1/8)	1		1	1
24	146-00200	Valve	1		1	1
25	101-00100	O-Ring	1		1	1
26	082-01100	Spring	1		1	1
27	104-00500	Tube Fitting (MS20823-4D)	2	2	1	2
28	104-00400	Tube Fitting (MS20822-4D)			1	

199-502	Repair Kit (5, 6, 7, 8B, 17, 25)	1		1	1
199-503	Repair Kit (5, 6, 7, 8B, 11, 13)		1		

NOTES:

(1) 10-5B does not include Parking Brake.

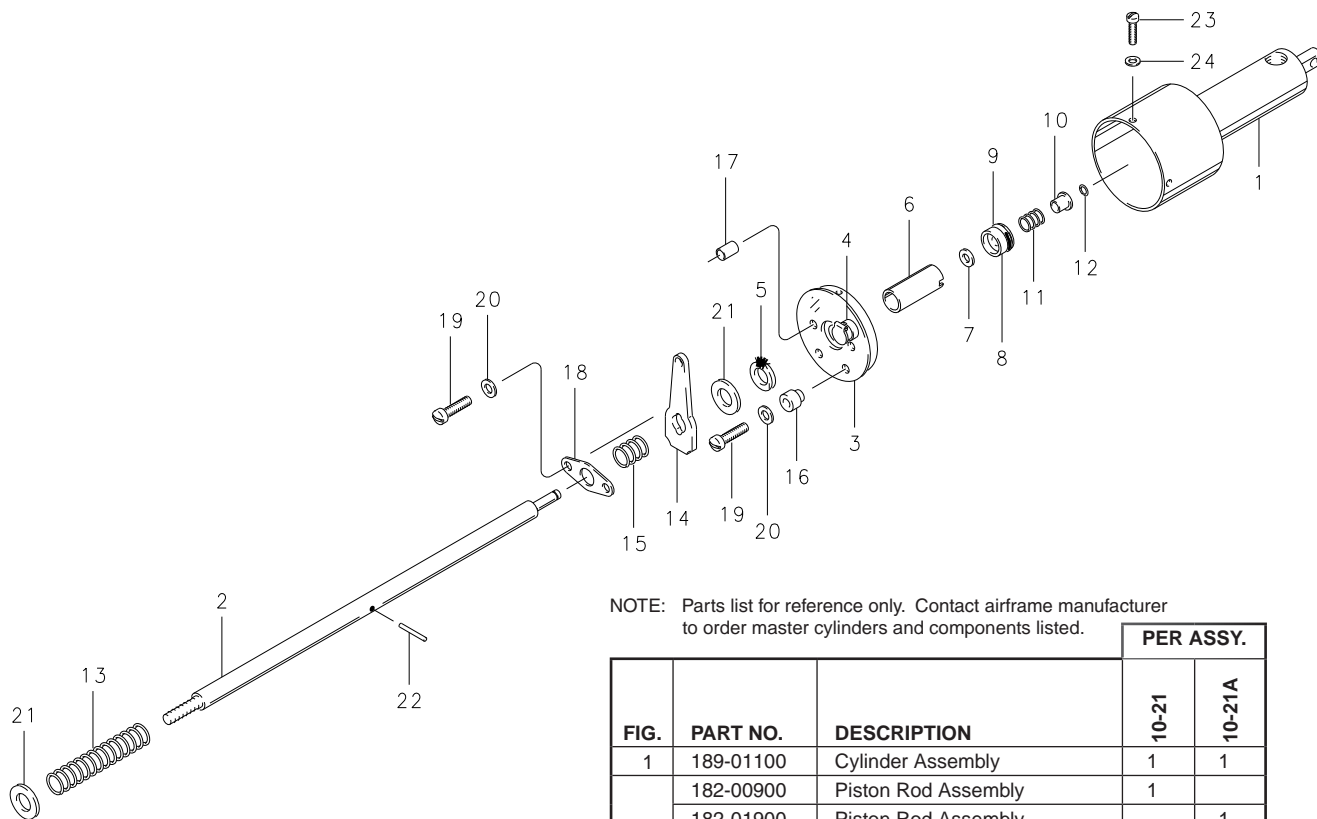
Cleveland
Wheels & Brakes



Illustrated Parts List

**Master Cylinder
Push Type with Reservoir**

10-21, 10-21A



NOTE: Parts list for reference only. Contact airframe manufacturer to order master cylinders and components listed.

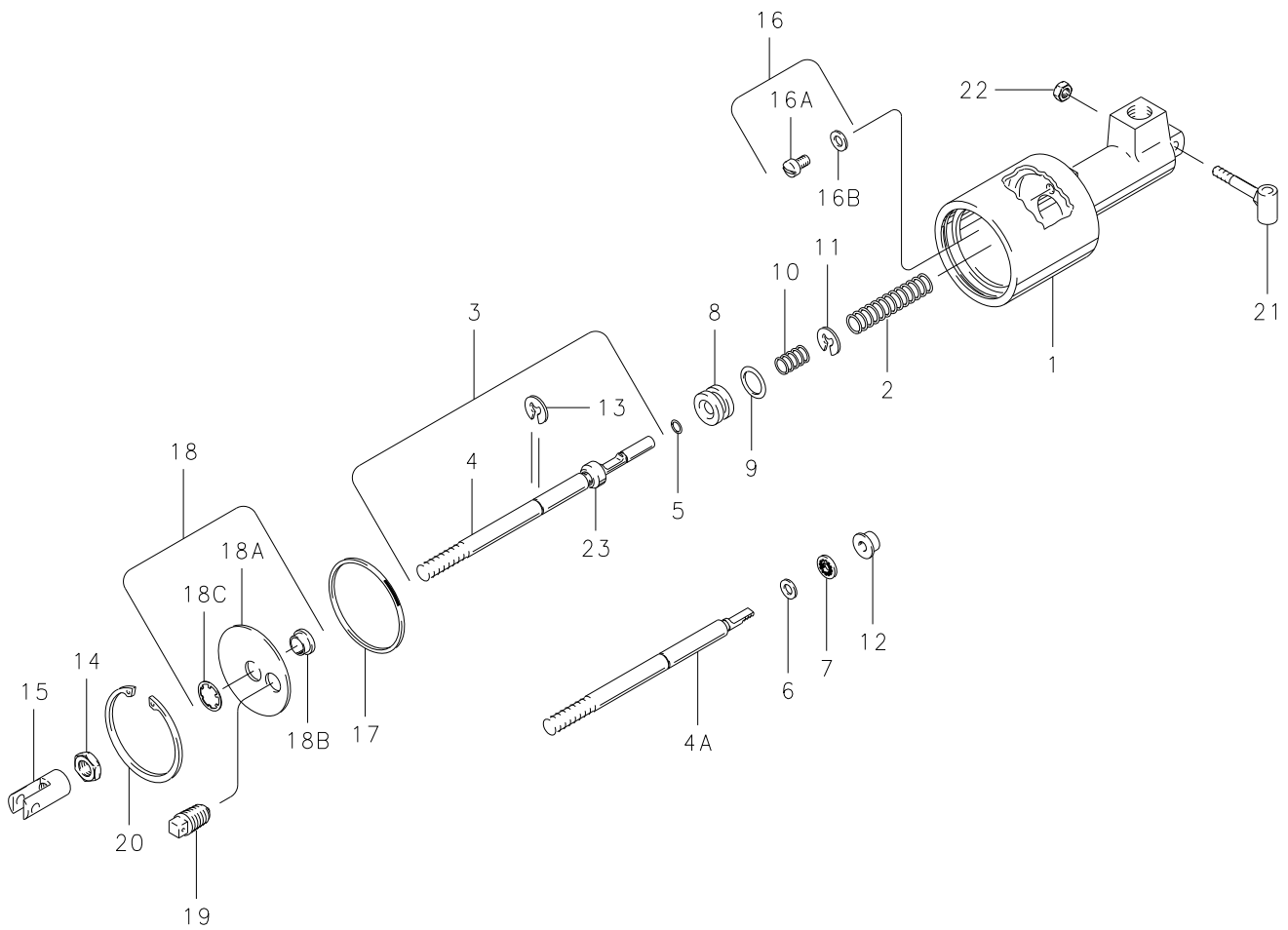
FIG.	PART NO.	DESCRIPTION	PER ASSY.	
			10-21	10-21A
1	189-01100	Cylinder Assembly	1	1
	182-00900	Piston Rod Assembly	1	
	182-01900	Piston Rod Assembly		1
2	142-03600	Piston Rod		1
	218-00100	Piston Rod	1	
3	141-01100	End Gland	1	
	141-01101	End Gland		1
4	213-00100	Fitting (Gits 502 "G")	1	1
5	154-01500	Feld-Rod	1	1
6	067-01300	Spacer-Piston	1	1
7	095-01100	Washer	1	1
8	148-01000	Piston	1	1
9	101-01100	O-Ring (MS28775-113)	1	1
10	145-01500	Bushing	1	1
11	082-00800	Spring	1	1
12	155-00500	Ring-Snap	1	1
13	082-00900	Spring	1	1
14	149-00100	Lever-Parking	1	
15	082-01800	Spring	1	
16	067-01200	Spacer	2	
17	145-02300	Bushing	2	
18	229-00100	Plate-Spring Retainer	1	
19	102-05700	Screw-Fil. Hd. (AN500-10-10)	4	
20	095-15400	Washer-Lock (AN936-A10)	4	
21	095-10600	Washer (AN960-616)	1	2
22	223-00100	Rollpin	1	1
23	102-05200	Screw-Fil. Hd. (AN500-6-4)	3	3
24	095-16000	Washer-Lock (MS35338-41)	3	3
	199-506	Repair Kit (5, 7, 9)	1	1

Cleveland
Wheels & Brakes



10-34, 10-35, 10-36, 10-38, 10-39, 10-45, 10-69

2



Illustrated Parts List

10-34, 10-35, 10-36, 10-38, 10-39, 10-45, 10-69

NOTE: Parts list for reference only. Contact the airframe manufacturer to order master cylinders and components listed.

FIG.	PART NO.	DESCRIPTION	PER ASSY.						
			10-34 (2)	10-35 (2)	10-36 (2)	10-38 (2)	10-39 (2)	10-45 (2)	10-69 (1)
1	144-03800	Cylinder Body	1			1		1	
	144-03900	Cylinder Body		1					
	144-04000	Cylinder Body			1				
	144-04200	Cylinder Body					1		
	144-06700	Cylinder Body							1
2	082-05400	Spring-Return	1	1		1	1	1	
	082-05700	Spring-Return			1				1
3	182-05000	Piston Rod Assembly				1	1	1	
4	142-04000	Piston Rod	1	1					
4A	142-04300	Piston Rod			1				
	142-08000	Piston Rod							1
5	101-00300	O-Ring (MS28775-008)	1	1		1	1	1	
6	095-12800	Washer			1				1
7	095-02600	Stat-O-Seal			1				1
8	148-02800	Piston	1	1		1	1	1	
	148-02900	Piston			1				
	148-04700	Piston							1
9	101-00900	O-Ring, Piston (MS28775-111)	1	1		1	1	1	
	101-01300	O-Ring, Piston (MS28775-115)							1
	101-01000	O-Ring, Piston (MS28775-112)			1				
10	082-05500	Spring-Piston	1	1		1	1	1	1
	082-05600	Spring-Piston			1				
11	155-05100	Snap Ring	1	1		1	1	1	
12	145-06500	Spring Guide			1				1
13	155-07200	Snap Ring	1	1		1	1	1	
14	094-04300	Nut-Check (AN316-5)	1	1	1	1	1	1	1
15	143-01000	Clevis-Rod	1	1	1	1			1
	143-01100	Clevis-Rod					1		
16	111-04300	Screw & Washer Assembly				1	1	1	
16A	102-20200	Screw	1	1	1				1
16B	095-10300	Washer	1	1	1				1
17	101-60001	O-Ring, Reservoir	1	1	1	1	1	1	1
18	111-04600	Cover Assembly			1	1	1	1	1
18A	147-00700	Cover Plate	1	1					
18B	145-06400	Bushing-Bronze	1	1					
18C	155-06900	Retaining Ring	1	1					
19	140-01900	Filler Plug	1	1	1	1	1	1	1
20	155-06300	Snap Ring	1	1	1	1	1	1	1
21	110-05200	Adapter-Clevis				1			
22	094-12300	Nut-Lock (AN365-1031)				1			
23	139-06200	Thrust Collar	1	1		1			

NOTES:

(1) 10-69 and spares are available thru distribution. PMA approved details of 199-115 kit for Cessna 441.

(2) The following Cleveland master cylinders were formerly manufactured by Gerdes Products Co.

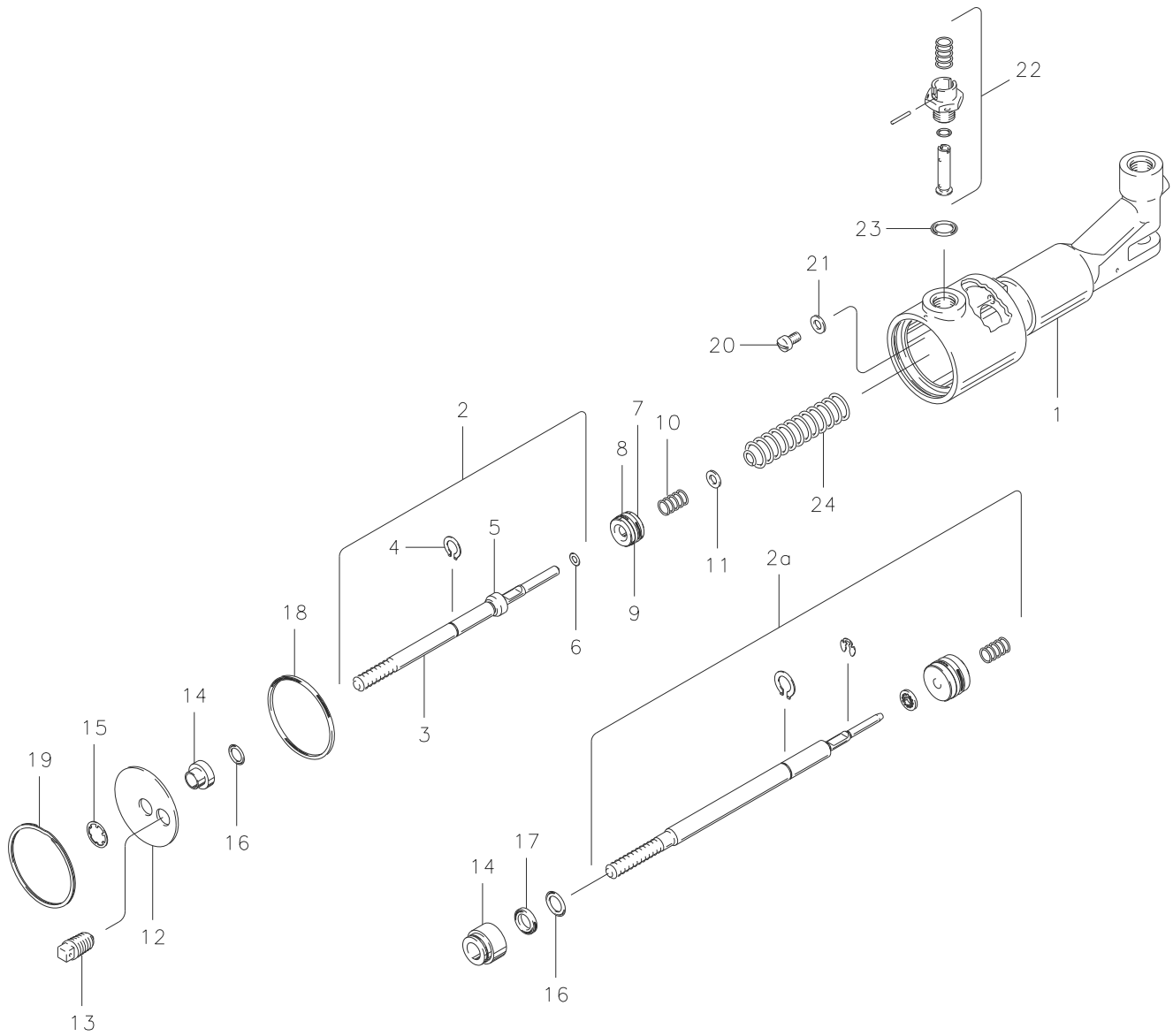
C.W.B. NUMBER	GERDES NUMBER
10-34	A-049-3
10-35	A-049-4
10-36	A-049-6
10-38	A-049-8
10-39	A-049-9
10-45	A-049-35

199-513	Repair Kit (5, 9, 17)	1	1		1	1	1	
199-514	Repair Kit (6, 7, 9, 16A, 16B, 17)			1				
199-577	Repair Kit (7, 9, 17)							1

Illustrated Parts List

Master Cylinder Push Type with Reservoir

010-05700, 010-05701, 010-06500



2

Cleveland
Wheels & Brakes



Illustrated Parts List

Master Cylinder
Push Type with Reservoir

010-05700, 010-05701, 010-06500

NOTE: Parts list for reference only. Contact the airframe manufacturer to order master cylinders and components listed.

FIG.	PART NO.	DESCRIPTION	PER ASSY.		
			010-05700 (1) (4)	010-05701	010-06500 (2)
1	189-09600	Hydraulic Cylinder Assembly	1	1	
	189-06500	Hydraulic Cylinder Assembly			1
2	182-03300	Piston Rod Assembly		1	
2A	182-02700	Piston Rod Assembly			1
3	142-05800	Piston Rod	1	1	
	142-07600	Piston Rod			1
4	155-05600	Snap Ring	1	1	
4A	155-06500	Snap Ring			1
5	139-06200	Thrust Collar	1	1	
6	101-50349	O-Ring (MS28775-007)	1	1	
6A	095-02600	Stat-O-Seal			1
7	148-03901	Piston		1	
	148-04200	Piston			1
	148-03900	Piston	1		
8	101-00900	O-Ring (MS28775-111)	1	1	
	101-01200	O-Ring (MS28775-114)			1
9	100-10143	Back Up Ring (MS28774-111)	1	1	
	100-20012	Back Up Ring (MS28782-12)			1
10	082-05500	Spring	1	1	
	082-07100	Spring			1
11	095-13100	Washer	1	1	
11A	155-07100	Retaining Ring			1
12	147-00700	Cover Plate	1	1	
	147-00900	Cover Plate			1
13	140-02000	Plug-Vented	1	1	1
14	141-03101	Gland		1	
	(3)	Gland	1		
14A	145-07100	Bushing			1
15	155-06900	Retaining Ring		1	
	155-07300	Retaining Ring			1
16	101-50341	O-Ring (MS28775-011)	1	1	
	101-00800	O-Ring (MS28775-110)			1
17	100-20008	Back Up Ring (MS28782-8)			1
18	101-60001	O-Ring		1	1
19	155-05200	Retaining Ring	1	1	
	155-06300	Retaining Ring			1
20	102-20200	Button Head Screw	1	1	1
21	095-13100	Washer (AN960-C-10)	1	1	
	095-10300	Washer (AN960-10)			1
22	111-04500	Reservoir Valve Assembly	1	1	1
22A	101-00300	O-Ring (MS28775-008)	1	1	1
23	101-20800	O-Ring (MS28778-4)	1	1	1
24	082-06400	Return Spring	1	1	
	082-06900	Return Spring			1

NOTES:

- (1) Inactive assembly - spares support only for parts listed.
- (2) 010-06500 and spares are available thru distribution; PMA approved part used in 199-15301 Wheeled Landing Gear Kit for Bell 412.
- (3) Inactive part - no longer available for spares support.
- (4) The following Cleveland master cylinders were formerly manufactured by Gerdes Product Co.

C.W.B.	GERDES
NUMBER	NUMBER
010-05700	A-1880-1

199-531	Repair Kit (6, 8, 9, 16, 17, 18, 22A)			1
199-568	Repair Kit (6, 8, 9, 15, 16, 18, 19, 22A, 23)		1	

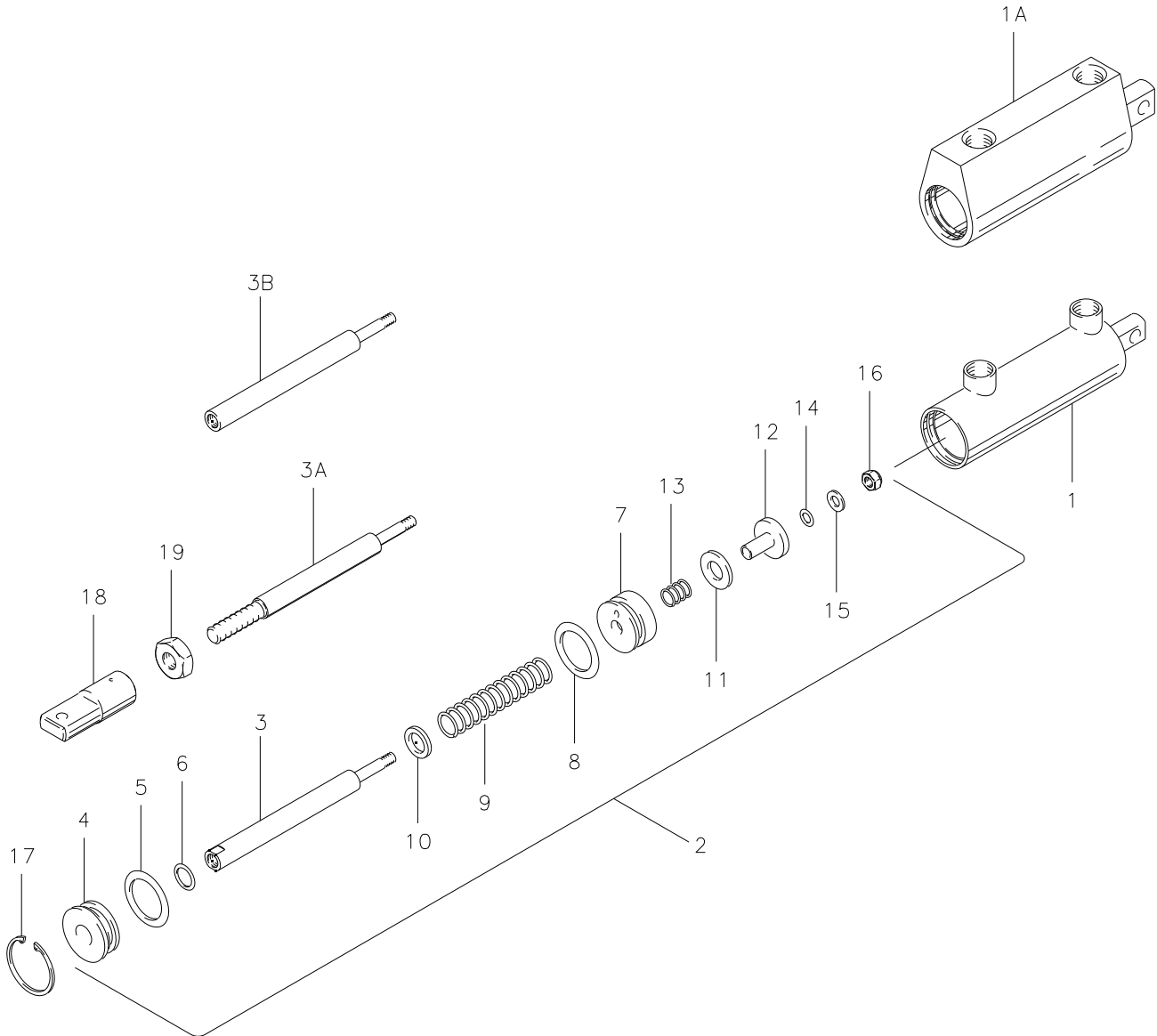
Cleveland

Wheels & Brakes



Illustrated Parts List

10-17, 10-23, 10-23A, 10-23C, 10-23F, 10-75, 10-86, 10-86A



NOTE: Parts list for reference only. Contact airframe manufacturer to order master cylinders and components listed.

FIG.	PART NO.	DESCRIPTION	PER ASSY.								
			10-17	10-23	10-23A	10-23C	10-23F	10-75	10-86	10-86A	
1	189-02500	Cylinder Body		1							
1A	144-03600	Cylinder Body			1	1	1				
	144-09400	Cylinder Body						1			
	144-11300	Cylinder Body							1	1	
	144-12300	Cylinder Body (1)	1								

NOTES:

(1) Extruded body – formerly used steel body P/N 189-01000 which is no longer available.

(Continued on next page)

Illustrated Parts List

10-17, 10-23, 10-23A, 10-23C, 10-23F, 10-75, 10-86, 10-86A

(Continued from previous page)

FIG.	PART NO.	DESCRIPTION	PER ASSY.								
			10-17	10-23	10-23A	10-23C	10-23F	10-75	10-86	10-86A	
2	182-00800	Piston Rod Assembly	1								
	182-02400	Piston Rod Assembly		1	1	1					
	182-02402	Piston Rod Assembly					1				
	182-04600	Piston Rod Assembly						1			
	182-07300	Piston Rod Assembly							1		
	182-07301	Piston Rod Assembly									1
3	142-00700	Rod-Piston	1	1	1	1				1	
	142-09900	Rod-Piston						1			
3A	142-00702	Rod-Piston					1				1
4	141-00800	End Gland	1	1	1	1	1				
	141-06001	End Gland						1			
	141-07600	End Gland								1	1
5	101-01400	O-Ring (MS28775-116)	1	1	1	1	1				
	101-50117	O-Ring (MS28775-117)						1			
	101-50119	O-Ring (MS28775-119)								1	1
6	101-00700	O-Ring (MS28775-012)	1	1	1	1	1			1	1
	101-50110	O-Ring (MS28775-110)						1			
7	148-00800	Piston	1								
	148-02600	Piston		1	1	1	1	1			
	148-06900	Piston								1	1
8	101-01300	O-Ring (MS28775-115)	1								
	101-01400	O-Ring (MS28775-116)		1	1	1	1				
	101-50116	O-Ring (MS28775-116)						1			
	101-27200	O-Ring (MS28775-212)								1	1
9	082-01900	Spring-Return	1	1	1	1	1	1			
	082-12400	Spring-Return								1	1
10	095-10600	Washer (AN960-616)	1	1	1	1	1			1	1
11	095-25100	Washer Seal	1	1	1	1	1	1	1	1	1
12	146-00500	Valve	1	1	1	1	1	1	1	1	1
13	082-01000	Spring	1	1	1	1	1	1	1	1	1
14	101-00300	O-Ring (MS28775-008)	1	1	1	1	1	1	1	1	1
15	095-10300	Washer (AN960-10)	1	1	1	1	1	1	1	1	1
16	094-10200	Nut (NASM21083N3)	1	1	1	1			1	1	
	094-12300	Nut (AN365-1032)					1				1
17	155-01100	Ring, Snap	1	1	1	1	1				
	155-01600	Ring, Snap						1			
	155-12500	Ring, Snap								1	1
18	143-03200	Clevis					1				1
19	094-04300	Nut					1				1

199-551	Repair Kit (5, 6, 8, 11, 14, 15, 17)							1			
199-504	Repair Kit (5, 6, 8, 14)	1									
199-508	Repair Kit (5, 6, 14)		1	1	1	1					
199-567	Repair Kit (5, 6, 8, 11, 14)									1	1

SECTION 3

Note!

Unless otherwise noted, listed Wheels and Brakes are FAA TSO C26 Approved.

For a product to be TSO qualified, it has to have successfully demonstrated its ability to meet minimum performance standards in accordance with FAA recognized rating methods. The TSO approval of a product does not constitute installation approval or applicability on an FAA Type Certificated Aircraft. It is the responsibility of those installing these products to determine that the aircraft installation and its wheel and brake performance requirements are compatible for the TSO ratings of the wheel and brake. TSO approved products must have separate approval for installation in a FAA type certificated aircraft. TSO Approved Products may be installed only if performed under Title 14 CFR Part 43 or the applicable airworthiness requirements.

30-4, 3-7	30-52, 3-26	30-58A, 3-30	30-67A, 3-50
30-5, 3-7	30-52A, 3-26	30-58B, 3-30	30-67B, 3-50
30-6, 3-7	30-52AA, 3-28	30-59, 3-12	30-67C, 3-50
30-7, 3-7	30-52AB, 3-28	30-59A, 3-12	30-67D, 3-50
30-9, 3-5	30-52AC, 3-28	30-59D, 3-12	30-67E, 3-63
30-9A, 3-5	30-52B, 3-26	30-59E, 3-12	30-67X, 3-50
30-9C, 3-5	30-52D, 3-26	30-60, 3-22	30-68, 3-54
30-9D, 3-5	30-52E, 3-26	30-60A, 3-22	30-68A, 3-54
30-9E, 3-5	30-52F, 3-26	30-60B, 3-22	30-68B, 3-54
30-18, 3-8	30-52G, 3-26	30-61, 3-30	30-69A, 3-42
30-19, 3-8	30-52H, 3-26	30-61A, 3-34	30-69B, 3-42
30-19A, 3-8	30-52K, 3-26	30-61B, 3-34	30-74B, 3-42
30-21, 3-22	30-52L, 3-26	30-61D, 3-30	30-75, 3-16
30-23, 3-33	30-52M, 3-26	30-61E, 3-30	30-75A, 3-16
30-23A, 3-33	30-52N, 3-26	30-61F, 3-30	30-75B, 3-16
30-23B, 3-33	30-52P, 3-28	30-63, 3-14	30-75X, 3-16
30-23C, 3-33	30-52Q, 3-28	30-63A, 3-14	30-79, 3-10
30-23D, 3-33	30-52S, 3-28	30-63B, 3-14	30-79A, 3-10
30-24, 3-22	30-52T, 3-28	30-63D, 3-14	30-79B, 3-10
30-28B, 3-54	30-52U, 3-28	30-63E, 3-14	30-83, 3-34
30-28C, 3-54	30-52V, 3-28	30-63F, 3-14	30-83A, 3-34
30-28D, 3-54	30-52W, 3-28	30-63J, 3-14	30-84, 3-57
30-30, 3-10	30-52X, 3-28	30-63K, 3-14	30-88, 3-47
30-31, 3-86	30-52Y, 3-28	30-63M, 3-14	30-89, 3-52
30-32, 3-24	30-52Z, 3-28	30-63P, 3-14	30-89A, 3-52
30-32A, 3-24	30-53, 3-12	30-63Q, 3-14	30-89B, 3-52
30-32B, 3-24	30-53A, 3-12	30-63S, 3-14	30-89C, 3-52
30-32C, 3-24	30-54, 3-30	30-65, 3-30	30-89E, 3-52
30-32E, 3-24	30-54A, 3-30	30-65A, 3-30	30-91, 3-88
30-35, 3-22	30-54B, 3-30	30-65E, 3-30	30-93, 3-45
30-40, 3-8	30-54C, 3-30	30-66, 3-42	30-93A, 3-45
30-40A, 3-8	30-55, 3-10	30-66A, 3-41	30-93B, 3-45
30-41, 3-22	30-55B, 3-10	30-66B, 3-41	30-93C, 3-45
30-41A, 3-22	30-56, 3-14	30-66C, 3-42	30-93D, 3-45
30-41B, 3-22	30-56A, 3-14	30-66D, 3-42	30-93E, 3-45
30-45, 3-8	30-56B, 3-14	30-66F, 3-42	30-94, 3-57
30-51, 3-22	30-56C, 3-14	30-66G, 3-42	30-95, 3-58
30-51A, 3-22	30-56D, 3-14	30-66H, 3-42	30-95A, 3-58
30-51B, 3-22	30-56F, 3-14	30-67, 3-50	30-95B, 3-58



Part Number Index

All

30-96,.....	3-40	30-165 RH.....	3-77	C7000 (30-3),.....	3-4
30-97,.....	3-60	30-170.....	3-74	C7000A (30-3A).....	3-4
30-98,.....	3-70	30-176,.....	3-50	C-30018,.....	3-19
30-98A,.....	3-70	30-181A,.....	3-5	C-30018-1,.....	3-19
30-98B,.....	3-70	30-182,.....	3-62	C-30018-2,.....	3-19
30-98C,.....	3-70	30-182A.....	3-62	C-30018-3,.....	3-19
30-98D.....	3-70	30-184 LH,.....	3-57	C-30018-4,.....	3-19
30-99.....	3-58	30-184 RH.....	3-57	C-30018-5,.....	3-19
30-100.....	3-58	30-189,.....	3-83	C-30018-6,.....	3-19
30-103,.....	3-88	30-189A,.....	3-83	C-30018-7.....	3-19
30-106,.....	3-73	30-191.....	3-79	C-30764-5,.....	3-20
30-107,.....	3-64	30-195,.....	3-50	C-30764-6,.....	3-20
30-107A,.....	3-64	30-204,.....	3-81	C-30764-7.....	3-20
30-107B,.....	3-64	30-204A.....	3-81	D-30118-3,.....	3-32
30-107C,.....	3-66	30-208,.....	3-76	D-30118-4,.....	3-32
30-107D,.....	3-66	30-208A.....	3-76	D-30118-5,.....	3-32
30-107E,.....	3-66	30-210,.....	3-75	D-30118-6,.....	3-32
30-111,.....	3-57	30-210A.....	3-75	D-30118-7,.....	3-32
30-113,.....	3-60	30-214,.....	3-10	D-30118-8,.....	3-32
30-113A.....	3-60	30-214B,.....	3-10	D-30118-9,.....	3-32
30-123,.....	3-71	30-220.....	3-48	D-30118-10,.....	3-32
30-127,.....	3-35	30-224.....	3-10	D-30793-3,.....	3-32
30-127A,.....	3-35	30-231.....	3-72	D-30793-4,.....	3-32
30-127C,.....	3-35	30-233,.....	3-36	D-30793-5,.....	3-32
30-127D.....	3-35	30-233A,.....	3-36	D-30793-6.....	3-32
30-129,.....	3-36	30-233B.....	3-36		
30-131.....	3-61	30-236.....	3-17		
30-133,.....	3-6	30-239,.....	3-18		
30-138.....	3-71	30-239A,.....	3-18		
30-139.....	3-40	30-239B.....	3-18		
30-141,.....	3-68	30-241.....	3-37		
30-142.....	3-68	30-244.....	3-85		
30-143.....	3-56	30-269.....	3-42		
30-144,.....	3-69	30-280.....	3-50		
30-144A,.....	3-69	30-293,.....	3-44		
30-144B.....	3-69	30-293 RH.....	3-44		
30-145.....	3-45	30-308.....	3-5		
30-146,.....	3-48	030-18902,.....	3-83		
30-146A,.....	3-48	35-200A (30-1),.....	3-7		
30-148.....	3-88	37-200-2 (30-8),.....	3-38		
30-149,.....	3-72	37-200A (30-72).....	3-38		
30-150.....	3-82	3000-250 (30-12),.....	3-21		
30-154A,.....	3-78	3000-500 (30-13).....	3-21		
30-154B.....	3-78	C2000 (30-2).....	3-3		
30-158.....	3-73				
30-159,.....	3-64				
30-159A.....	3-64				
30-159B,.....	3-66				
30-159C.....	3-66				
30-161,.....	3-83				
30-161A.....	3-83				
30-162.....	3-80				
30-163,.....	3-62				
30-164.....	3-6				
30-165 LH,.....	3-77				

Cleveland

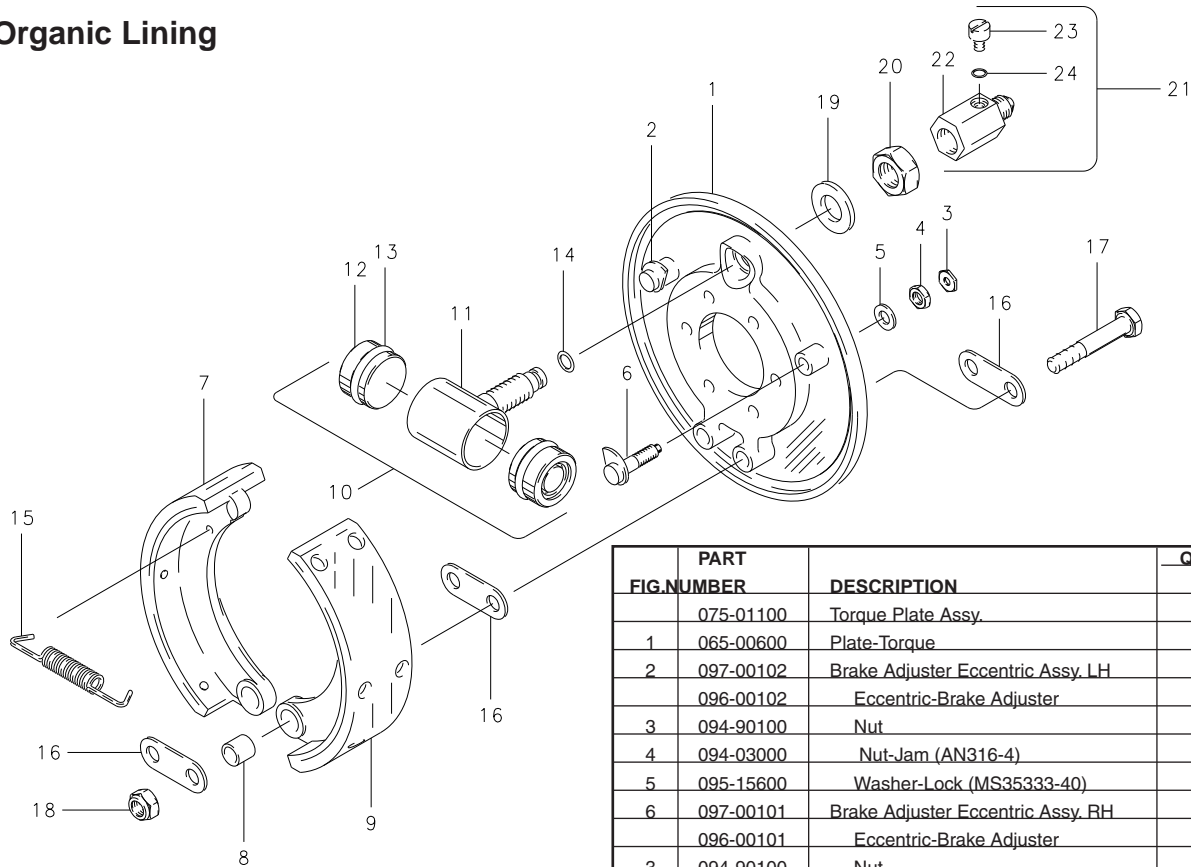
Wheels & Brakes



Illustrated Parts List

C2000 (30-2)

Organic Lining



Assy. Number

A) C2000 (30-2)

NOTES:

- (1) When ordering lining, order 066-00504 which includes rivets.
- (2) Refer to the latest revision of AWBCMM0001 Component Maintenance Manual for lining installation instructions.

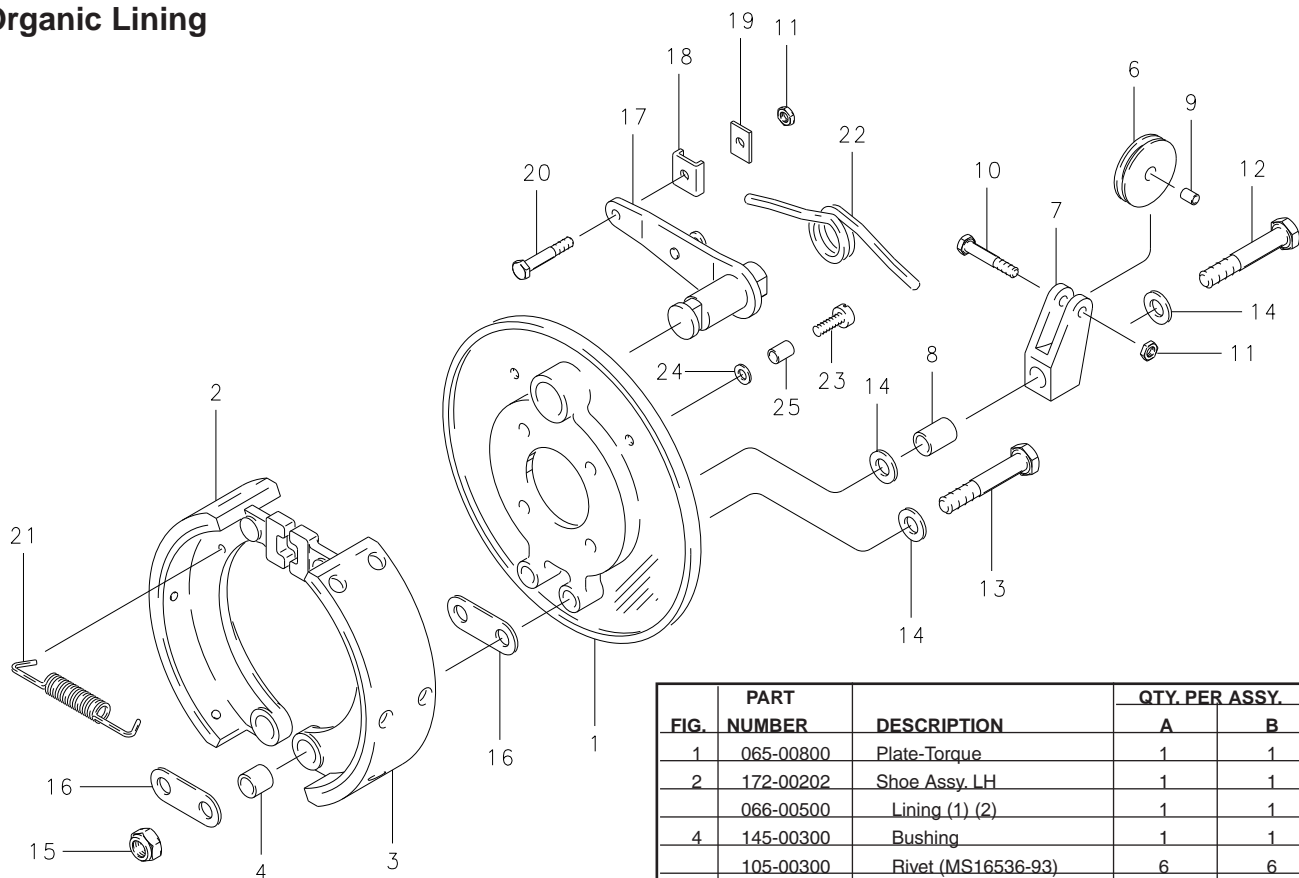
FIG. NUMBER	PART DESCRIPTION	QTY. PER ASSY
	075-01100 Torque Plate Assy.	1
1	065-00600 Plate-Torque	1
2	097-00102 Brake Adjuster Eccentric Assy. LH	1
	096-00102 Eccentric-Brake Adjuster	1
3	094-90100 Nut	1
4	094-03000 Nut-Jam (AN316-4)	1
5	095-15600 Washer-Lock (MS35333-40)	1
6	097-00101 Brake Adjuster Eccentric Assy. RH	1
	096-00101 Eccentric-Brake Adjuster	1
3	094-90100 Nut	1
4	094-03000 Nut-Jam (AN316-4)	1
5	095-15600 Washer-Lock (MS35333-40)	1
7	172-00102 Shoe Assy. LH	1
	066-00500 Lining (1) (2)	1
8	145-00200 Bushing	1
	105-00300 Rivet (MS16536-93)	6
9	172-00101 Shoe Assy. RH	1
	066-00500 Lining (1) (2)	1
8	145-00200 Bushing	1
	105-00300 Rivet (MS16536-93)	6
10	091-00300 Cylinder Assy.	1
11	167-00100 Tube Assy.	1
12	092-00100 Piston Assy.	2
	062-00200 Piston-Brake	2
	089-00100 Plate-Wear	2
13	101-01600 O-Ring (MS28775-211)	2
14	101-00500 O-Ring (MS28775-010)	1
15	082-00300 Spring	1
16	093-00100 Plate-Anchor Bolt	3
17	103-20300 Bolt (AN5-15A)	2
18	094-10400 Nut (MS21044-N5)	2
19	095-15700 Washer-Lock	1
20	094-03700 Nut-Jam	1
21	087-00100 Bleeder Assy.	1
22	077-00100 Body-Bleeder	1
23	079-00100 Screw-Bleeder	1
24	101-00300 O-Ring (MS28775-008)	1



Illustrated Parts List

C7000 (30-3), C7000A (30-3A)

Organic Lining



Assy. Number

- A) C7000 (30-3)
- B) C7000A (30-3A)

NOTES:

- (1) When ordering lining, order 066-00504 which includes rivets.
- (2) Refer to the latest revision of AWBCMM0001 Component Maintenance Manual for lining installation instructions.

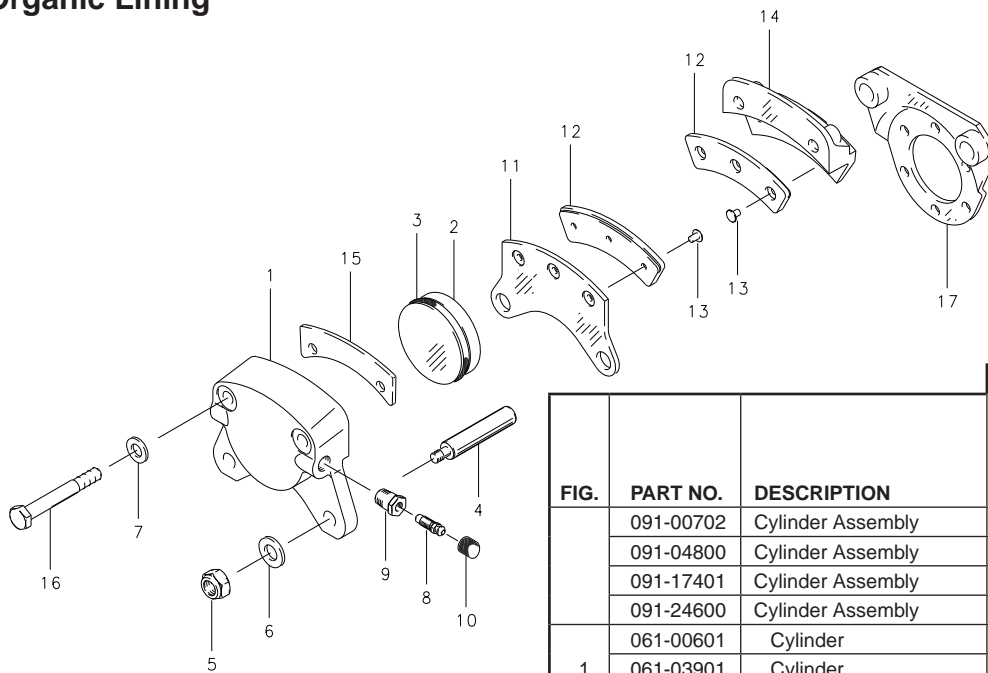
FIG.	PART NUMBER	DESCRIPTION	QTY. PER ASSY.	
			A	B
1	065-00800	Plate-Torque	1	1
2	172-00202	Shoe Assy. LH	1	1
	066-00500	Lining (1) (2)	1	1
4	145-00300	Bushing	1	1
	105-00300	Rivet (MS16536-93)	6	6
	089-00200	Plate-Wear	1	1
3	172-00201	Shoe Assy. RH	1	1
	066-00500	Lining (1) (2)	1	1
4	145-00300	Bushing	1	1
	105-00300	Rivet (MS16536-93)	6	6
	089-00200	Plate-Wear	1	1
5	174-00100	Pulley-Bracket Assy.	1	
6	179-00100	Pulley Cable	1	
7	173-00100	Bracket Pulley	1	
8	145-00400	Bushing	1	
9	145-00500	Bushing	1	
10	103-00200	Bolt (AN3-7A)	1	
11	094-10200	Nut (NASM21083N3)	2	1
12	103-10600	Bolt (AN4-23A)	1	
13	103-10400	Bolt (AN4-15A)	1	2
14	095-10400	Washer (AN960-416)	3	2
15	094-10300	Nut (MS21044-N4)	2	2
16	093-00200	Plate-Anchor Bolt	2	2
17	181-00100	Cam Assy.	1	1
18	176-00200	Clip-Washer	1	1
19	176-00100	Clip-Washer	1	1
20	103-00100	Bolt (AN3-5A)	1	1
21	082-00300	Spring	1	1
22	082-00400	Spring	1	1
23	102-25100	Screw (AN526-1024-8)	1	1
24	095-00200	Washer	1	1
25	145-00600	Bushing	1	1

Illustrated Parts List

**Brake Assembly – 5” External
Single Cylinder, Single Piston**

30-9, 30-9A, 30-9C, 30-9D, 30-9E, 30-181A, 30-308

Organic Lining



NOTES:

- (1) 199-200 Kit Upgrade converts 30-181 to 30-181A. TSO approved per PRM58.
- (2) Inactive – superseded by 30-9C.

FIG.	PART NO.	DESCRIPTION	PER ASSY.						
			30-9	30-9A	30-9C	30-9D	30-9E	30-181A	30-308
	091-00702	Cylinder Assembly	1			1	1		
	091-04800	Cylinder Assembly		1	1				
	091-17401	Cylinder Assembly						1	
	091-24600	Cylinder Assembly							1
1	061-00601	Cylinder	1		1	1	1	1	
	061-03901	Cylinder		1					
	061-20100	Cylinder							1
	092-00200	Piston Assembly	1	1	1	1	1	1	1
2	062-00300	Piston	1	1	1	1	1	1	1
3	101-02300	O-Ring (MS28775-218)	1	1	1	1	1	1	1
4	069-00400	Anchor Bolt	2	2	2	2	2	2	2
5	094-10300	Nut (MS21044-N4)	2	2	2	2	2	2	2
6	095-10400	Washer (AN960-416)	2	2	2	2	2	2	4
7	095-10200	Washer (AN960-416L)		2				2	
	095-10400	Washer (AN960-416)	2		2	2	2		
8	079-00300	Screw-Bleeder	1	1	1	1	1	1	1
9	081-00100	Seat-Bleeder	1	1	1	1	1	1	1
10	183-00100	Cap-Bleeder	1	1	1	1	1	1	1
	073-00300	Pressure Plate Assy	1	1	1	1	1	1	
	073-12200	Pressure Plate Assy							1
11	063-00500	Pressure Plate	1	1	1	1	1	1	1
12	066-10600	Lining	1	1	1	1	1	1	
	066-14800	Lining							1
13	105-00200	Rivet	3	3	3	3	3	3	3
	074-00200	Back Plate Assy	1	1	1	1	1	1	
	074-08300	Back Plate Assy							1
14	064-00500	Back Plate	1	1	1	1	1	1	1
12	066-10600	Lining	1	1	1	1	1	1	
	066-14800	Lining							1
13	105-00200	Rivet	3	3	3	3	3	3	3
15	068-00401	Shim						1	
16	103-12100	Bolt (AN4H15A)	2	2	2	2	2		2
	103-11500	Bolt							2
17	075-00800	Torque Plate Assy	1	1	1			1	1
	075-19300	Torque Plate Assy				1			
	075-19900	Torque Plate Assy					1		

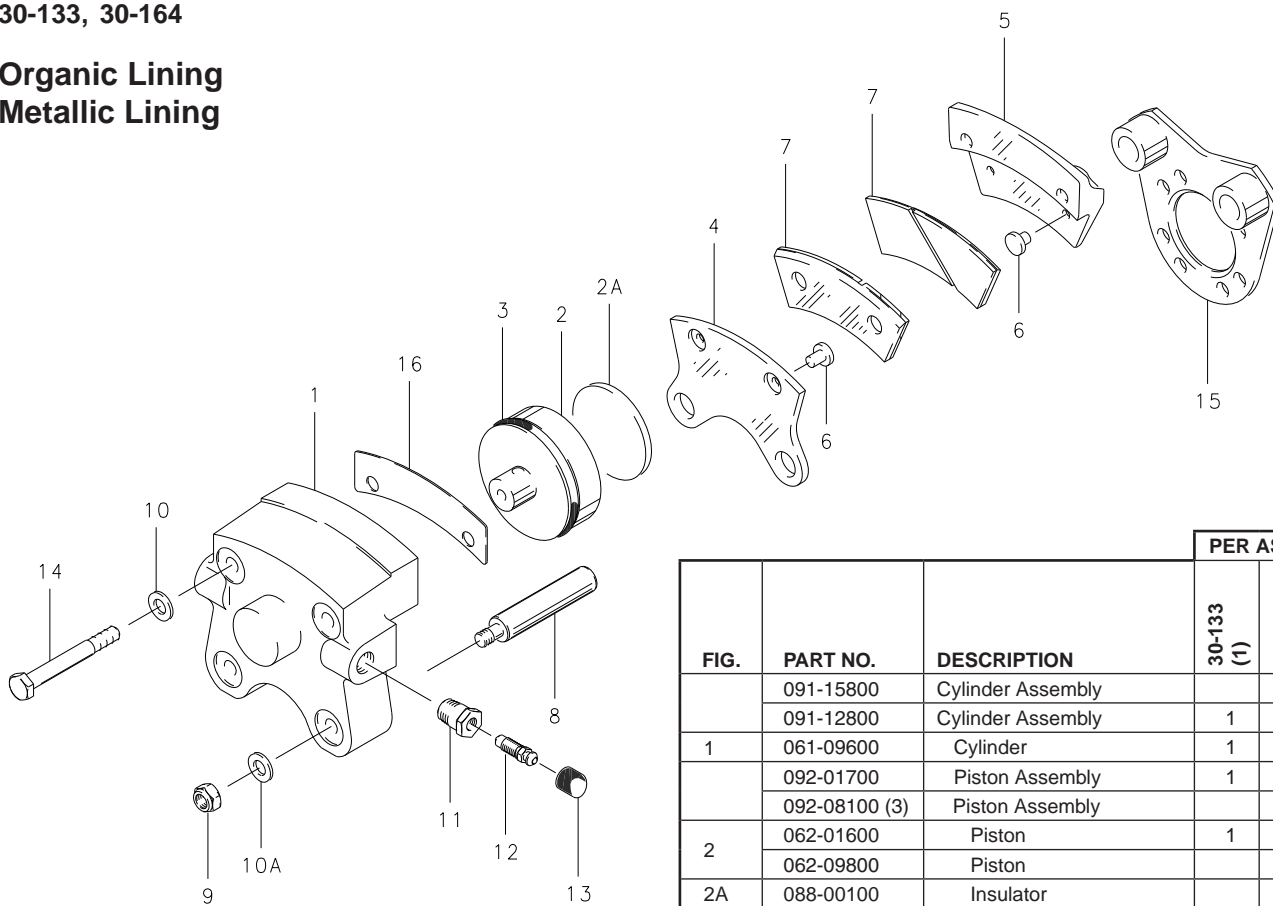


Illustrated Parts List

**Brake Assembly – 5” External
Single Cylinder, Single Piston**

30-133, 30-164

**Organic Lining
Metallic Lining**



NOTES:

- (1) Organic lining.
- (2) Metallic lining.
- (3) 199-214 Insulator Kit retrofits brake to add insulator shims and pistons.

FIG.	PART NO.	DESCRIPTION	PER ASSY.	
			30-133 (1)	30-164 (2) (3)
	091-15800	Cylinder Assembly		1
	091-12800	Cylinder Assembly	1	
1	061-09600	Cylinder	1	1
	092-01700	Piston Assembly	1	
	092-08100 (3)	Piston Assembly		1
2	062-01600	Piston	1	
	062-09800	Piston		1
2A	088-00100	Insulator		1
3	101-02300	O-Ring (MS28775-224)	1	1
	073-07200	Pressure Plate Assy		1
	073-03600	Pressure Plate Assy	1	
4	063-01200	Pressure Plate	1	1
6	177-00300	Pin		2
	105-00200	Rivet	2	
7	066-06200	Lining		1
	066-10500	Lining	1	
	074-05600	Back Plate Assy		1
	074-02900	Back Plate Assy	1	
5	064-00500	Back Plate	1	1
6	177-00300	Pin		2
	105-00200	Rivet	2	
7	066-06200	Lining		1
	066-10500	Lining	1	
8	069-00400	Anchor Bolt	2	2
9	094-10300	Nut (MS21044-N4)	2	2
	095-10400	Washer (AN960-416)		2
10	095-10200	Washer (AN960-416L)	2	
10A	095-10200	Washer (AN960-416L)	2	2
11	081-00100	Seat-Bleeder	1	1
12	079-00300	Screw-Bleeder	1	1
13	183-00100	Cap-Bleeder	1	1
14	103-11700	Bolt	2	2
15	075-00800	Torque Plate Assy	1	1
16	068-05300 (3)	Shim, Insulator		1

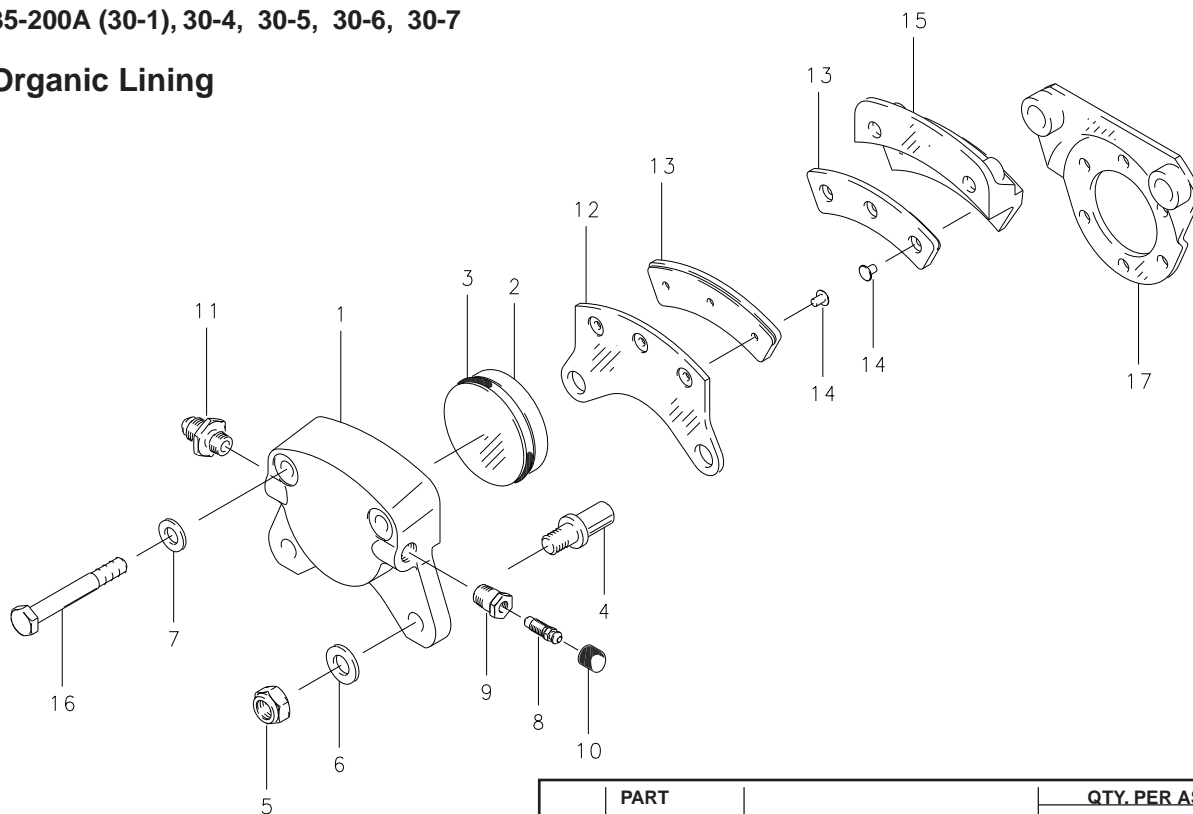
Cleveland
Wheels & Brakes



Illustrated Parts List

35-200A (30-1), 30-4, 30-5, 30-6, 30-7

Organic Lining



Assy. Number

- A) 35-200A (30-1) (1) (2)
- B) 30-4 (1) (3)
- C) 30-5 (1) (3)
- D) 30-6
- E) 30-7 (1) (2)

NOTES:

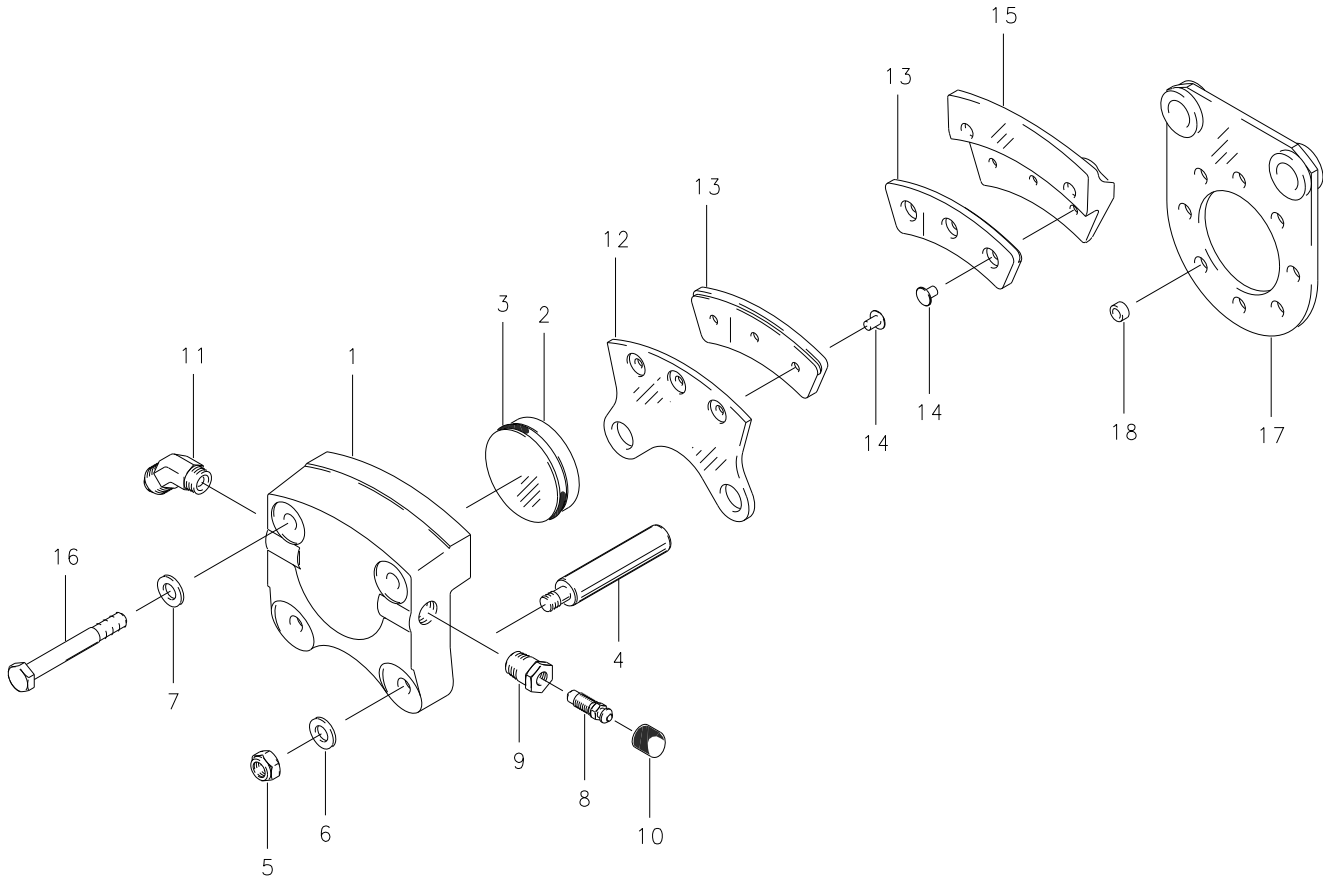
- (1) Inactive assembly – spares support only for parts listed.
- (2) Superseded by 199-49 Kit.
- (3) Superseded by 30-56A brake and 40-86 wheel.
- (4) Inactive part – no longer available for spares support.

FIG.	PART NUMBER	DESCRIPTION	QTY. PER ASSY.				
			A	B	C	D	E
	091-00200	Cylinder Assy.	1	1	1		1
	091-00600	Cylinder Assy.				1	
1	061-00200	Cylinder	1	1	1	1	1
2	062-00100	Piston	1	1	1	1	1
3	101-02900	O-Ring (MS28775-326)	1	1	1	1	1
4	069-00200	Anchor Bolt	2	2	2	2	2
5	094-10100	Nut (MS21042-6)	2	2	2	2	2
6	095-10100	Washer (AN960-616L)	2	2	2	2	2
	095-10700	Washer (AN960-516L)	2	2	2	2	2
8	079-00300	Screw-Bleeder	1	1	1	1	1
9	081-00100	Seat-Bleeder	1	1	1	1	1
10	183-00100	Cap	1	1	1	1	1
11	104-00300	Fitting (AN816-4D)	1	1		1	
	073-00100	Pressure Plate Assy.	1	1		1	1
	(4)	Pressure Plate Assy.			1		
12	063-00200	Pressure Plate	1	1	1	1	1
13	066-11100	Lining	1	1		1	1
	(4)	Lining			1		
14	105-00200	Rivet	3	3	3	3	3
	074-00100	Back Plate Assy.	1	1			1
	074-00300	Back Plate Assy.				1	
	(4)	Back Plate Assy.			1		
15	064-00300	Back Plate	1	1	1		1
	064-00700	Back Plate				1	
13	066-11100	Lining	1	1		1	1
	(4)	Lining			1		
14	105-00200	Rivet	3	3	3	3	3
16	103-20700	Bolt (AN5H14A)	2	2	2	2	2
	075-01200	Torque Plate Assy.		1			
17	075-00200	Torque Plate Assy.					1
	(4)	Torque Plate Assy.	1		1		
	075-00500	Torque Plate Assy.				1	

Illustrated Parts List

30-18, 30-19, 30-19A, 30-40, 30-40A, 30-45

Organic Lining



Illustrated Parts List

30-18, 30-19, 30-19A, 30-40, 30-40A, 30-45

Organic Lining

FIG.	PART NO.	DESCRIPTION	PER ASSY.					
			30-18	30-19	30-19A	30-40	30-40A (1)	30-45 (1) (2)
1	091-00701	Cylinder Assembly	1	1				
	091-00702	Cylinder Assembly			1	1		
	061-00601	Cylinder	1	1	1	1	1	
	(3)	Cylinder						1
2	092-00200	Piston Assembly	1	1	1	1		
	(3)	Piston Assembly					1	1
	062-00300	Piston	1	1	1	1		
	(3)	Piston					1	1
3	101-02300	O-Ring (MS28775-218)	1	1	1	1	1	
	(3)	O-Ring						1
4	069-00200	Anchor Bolt						2
	069-00400	Anchor Bolt	2	2	2	2	2	
5	094-10100	Nut (AN364-624C)				2		2
	094-10300	Nut (MS21044-N4)	2	2	2	2	2	
6	095-10100	Washer (AN960-616L)						2
	095-10400	Washer (AN960-416)	2	2	2	2	2	
7	095-10700	Washer (AN960-516L)						2
	095-10200	Washer (AN960-416L)	2	2	2	2	2	
8	079-00300	Screw-Bleeder	1	1	1	1	1	1
9	081-00200	Seat-Bleeder	1	1	1	1	1	1
10	183-00100	Cap-Bleeder	1	1	1	1	1	1
11	104-00400	Fitting (MS20822-4D)	1	1				
	104-00500	Fitting (MS20823-4D)			1	1		
	104-00300	Fitting (AN816-4D)					1	1
12	073-00100	Pressure Plate Assembly						1
	073-00300	Pressure Plate Assembly	1	1	1	1	1	
	063-00200	Pressure Plate						1
	063-00500	Pressure Plate	1	1	1	1	1	
13	066-11100	Lining						1
	066-10600	Lining	1	1	1	1	1	
14	105-00200	Rivet	3	3	3	3	3	3
15	074-00200	Back Plate Assembly	1	1	1	1	1	
	064-00300	Back Plate						1
	064-00500	Back Plate	1	1	1	1	1	
13	066-11100	Lining						1
	066-10600	Lining	1	1	1	1	1	
14	105-00200	Rivet	3	3	3	3	3	3
16	103-20700	Bolt (AN5H14A)						2
	103-12100	Bolt (AN5H15A)	2			2		
	103-11500	Bolt		2	2		2	
17	075-01600	Torque Plate Assembly	1					
	075-04900	Torque Plate Assembly			1			
	075-02500	Torque Plate Assembly				1		
	075-00600	Torque Plate Assembly						1
	075-01700	Torque Plate Assembly		1				
	(3)	Torque Plate Assembly					1	
18	145-01000	Bushing					2	2

NOTES:

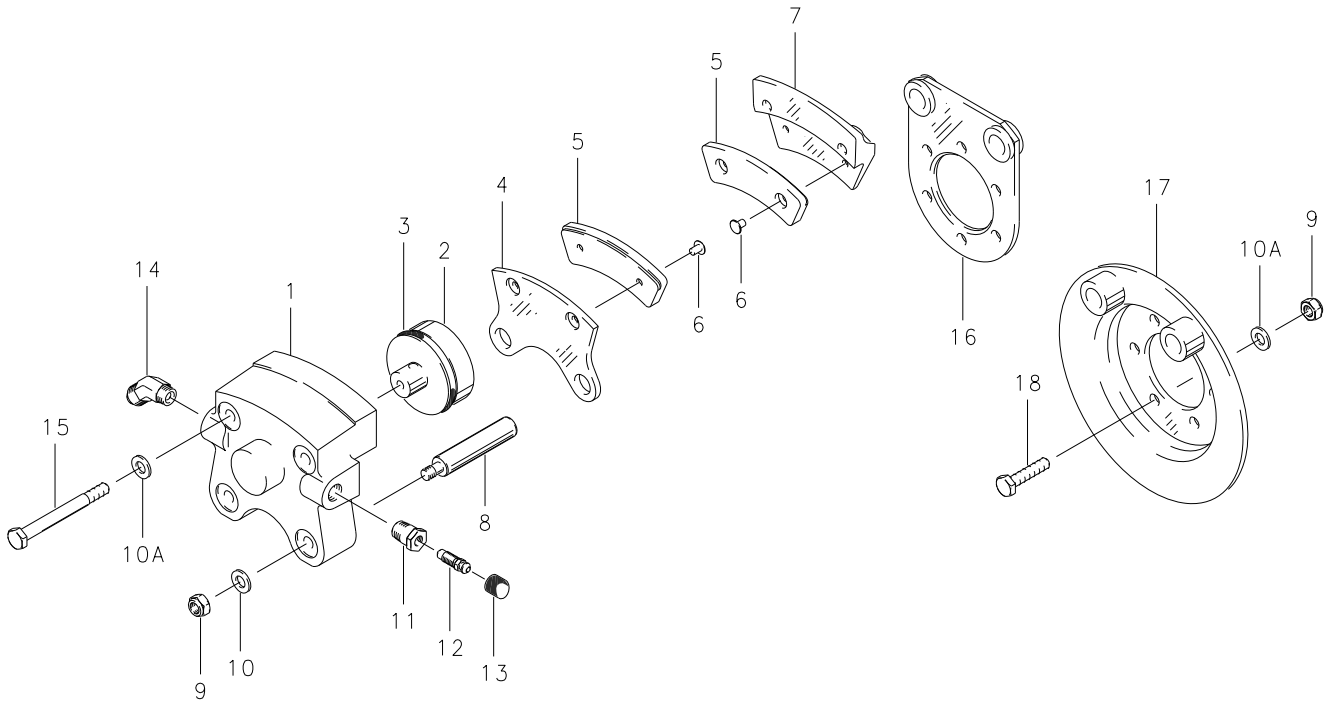
- (1) Inactive assembly – spares support only for parts listed.
- (2) 199-60 supersedes 30-45.
- (3) Inactive part – no longer available for spares support.



Illustrated Parts List

30-30, 30-55, 30-55B, 30-79, 30-79A, 30-79B, 30-214, 30-214B, 30-224

Organic Lining



Illustrated Parts List

30-30, 30-55, 30-55B, 30-79, 30-79A, 30-79B, 30-214, 30-214B, 30-224

Organic Lining

FIG.	PART NUMBER	DESCRIPTION	QTY. PER ASSY.									Assy. Number	
			A	B	C	D	E	F	G	H	I		
	091-02300	Cylinder Assy.		1	1								A) 30-30
	091-05500	Cylinder Assy.				1							B) 30-55
	091-07000	Cylinder Assy.							1				C) 30-55B
	091-07100	Cylinder Assy.						1					D) 30-79
	091-12000	Cylinder Assy.	1										E) 30-79A
	091-20400	Cylinder Assy.										1	F) 30-79B
	091-21100	Cylinder Assy.									1		G) 30-214
1	061-01900	Cylinder	1							1	1		H) 30-214B
	061-02100	Cylinder		1	1							1	I) 30-224 (3)
	061-14200	Cylinder				1	1	1					
	092-01700	Piston Assy.	1							1	1		
	092-01600	Piston Assy.		1	1	1	1	1				1	
2	062-01500	Piston		1	1	1	1	1				1	
	062-01600	Piston	1							1	1		
3	101-02700	O-Ring (MS28775-222)		1	1	1	1	1				1	
	101-05200	O-Ring (MS28775-224)	1							1	1		
	073-01100	Pressure Plate Assy.		1	1	1	1	1	1	1	1	1	
	073-03600	Pressure Plate Assy.	1										
4	063-01200	Pressure Plate	1	1	1	1	1	1	1	1	1	1	
5	066-10500	Lining	1	1	1	1	1	1	1	1	1	1	
6	105-00200	Rivet	2	2	2	2	2	2	2	2	2	2	
	074-01000	Back Plate Assy.		1	1	1	1	1	1	1	1	1	
	074-02900	Back Plate Assy.	1										
7	064-01500	Back Plate	1	1	1	1	1	1	1	1	1	1	
5	066-10500	Lining	1	1	1	1	1	1	1	1	1	1	
6	105-00200	Rivet	2	2	2	2	2	2	2	2	2	2	
8	069-00400	Anchor Bolt	2	2	2	2	2	2	2				
	069-01900	Anchor Bolt								2	2	2	
9	094-10300	Nut (MS21044-N4) (2)	8	2	2	2	2	2	2	2	2	2	
10	095-10200	Washer (AN960-416L)	4	4	4	4	4	4	4	4	4	4	
10A	095-10400	Washer (AN960-416) (2)	6										
11	081-00100	Seat-Bleeder	1	1	1	1	1			1	1	1	
12	079-00300	Screw-Bleeder	1	1	1	1	1			1	1	1	
13	183-00100	Cap-Bleeder	1	1	1	1	1			1	1	1	
	081-00300	Seat-Bleeder (1)							1				
	101-00100	O-Ring (MS28775-006) (1)							1				
	079-00500	Screw-Bleeder (1)							1				
	104-00300	Fitting (AN816-4D)							1				
14	104-00400	Fitting (MS20822-4D)						1					
	104-00500	Fitting (MS20823-4D)	1		1	1							
15	103-11600	Bolt	2	2	2	2	2	2	2	2	2	2	
	075-01600	Torque Plate Assy.		1									
	075-05600	Torque Plate Assy.			1								
	075-07700	Torque Plate Assy.								1			
	075-07800	Torque Plate Assy.						1					
	075-07900	Torque Plate Assy.				1							
	075-09100	Torque Plate Assy.							1				
	075-14200	Torque Plate Assy.										1	
	075-19500	Torque Plate Assy.									1		
17	075-12100	Torque Plate Assy.	1										
18	103-61100	Screw-Sock. Hd. (2)	6										

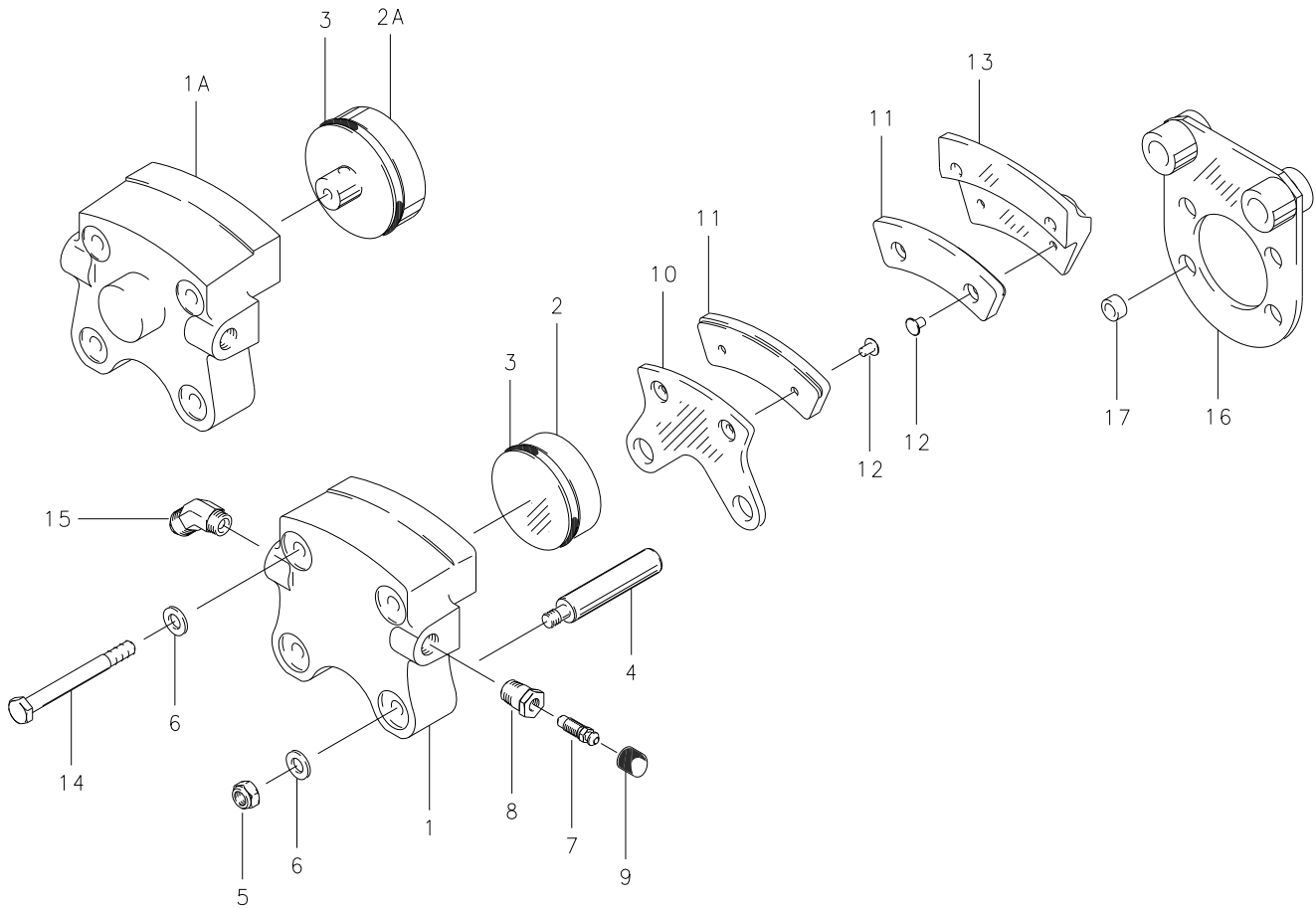
- NOTES:
- (1) Bleeder Assy. special for 30-79B, not shown.
 - (2) Hardware also used on 075-12100 Torque Plate Assy.
 - (3) This brake is not FAA-TSO Approved-Order from Airframe Manufacturer only.



Illustrated Parts List

30-53, 30-53A, 30-59, 30-59A, 30-59D, 30-59E

Organic Lining



Cleveland
Wheels & Brakes



Illustrated Parts List

30-53, 30-53A, 30-59, 30-59A, 30-59D, 30-59E

Organic Lining

FIG.	PART NUMBER	DESCRIPTION	QTY. PER ASSY.					
			A	B	C	D	E	F
	091-09600	Cylinder Assy.			1	1		1
	091-09800	Cylinder Assy.	1	1				
	091-11100	Cylinder Assy.					1	
1	061-07300	Cylinder	1	1				
	061-07500	Cylinder			1	1		1
1A	061-08900	Cylinder					1	
	092-01700	Piston Assy.					1	
	092-03200	Piston Assy.	1	1				
	092-04000	Piston Assy.			1	1		
2	062-03000	Piston	1	1				
	062-03900	Piston			1	1		1
2A	062-01600	Piston					1	
3	101-02700	O-Ring (MS28775-222)	1	1				
	101-05200	O-Ring (MS28775-224)			1	1	1	1
4	069-00400	Anchor Bolt	2	2	2	2	2	2
5	094-10300	Nut (MS21044-N4)	2	2	2	2	2	2
6	095-10200	Washer (AN960-416L)	4	4	4	4	4	4
7	079-00300	Screw-Bleeder	1	1	1	1	1	1
8	081-00100	Seat-Bleeder	1	1	1	1	1	1
9	183-00100	Cap-Bleeder	1	1	1	1	1	1
	073-04600	Pressure Plate Assy.	1	1	1	1	1	1
10	063-03400	Pressure Plate	1	1	1	1	1	1
11	066-11200	Lining	1	1	1	1	1	1
12	105-00200	Rivet	2	2	2	2	2	2
	074-03600	Back Plate Assy.	1	1	1	1	1	1
13	064-02900	Back Plate	1	1	1	1	1	1
11	066-11200	Lining	1	1	1	1	1	1
12	105-00200	Rivet	2	2	2	2	2	2
	103-11600	Bolt	2				2	
14	103-11700	Bolt (ABP4-20AM)			2	2		2
	103-12300	Bolt (AN4H17A)		2				
15	104-00500	Fitting (MS20823-4D)					1	
16	075-07800	Torque Plate Assy.			1		1	
	075-03700	Torque Plate Assy.				1		1
	075-14200	Torque Plate Assy.		1				
	(2)	Torque Plate Assy.	1					
17	145-01000	Bushing				2		

Assy. Number

- A) 30-53 (1)
- B) 30-53A LH & RH
- C) 30-59
- D) 30-59A
- E) 30-59D
- F) 30-59E

NOTES:

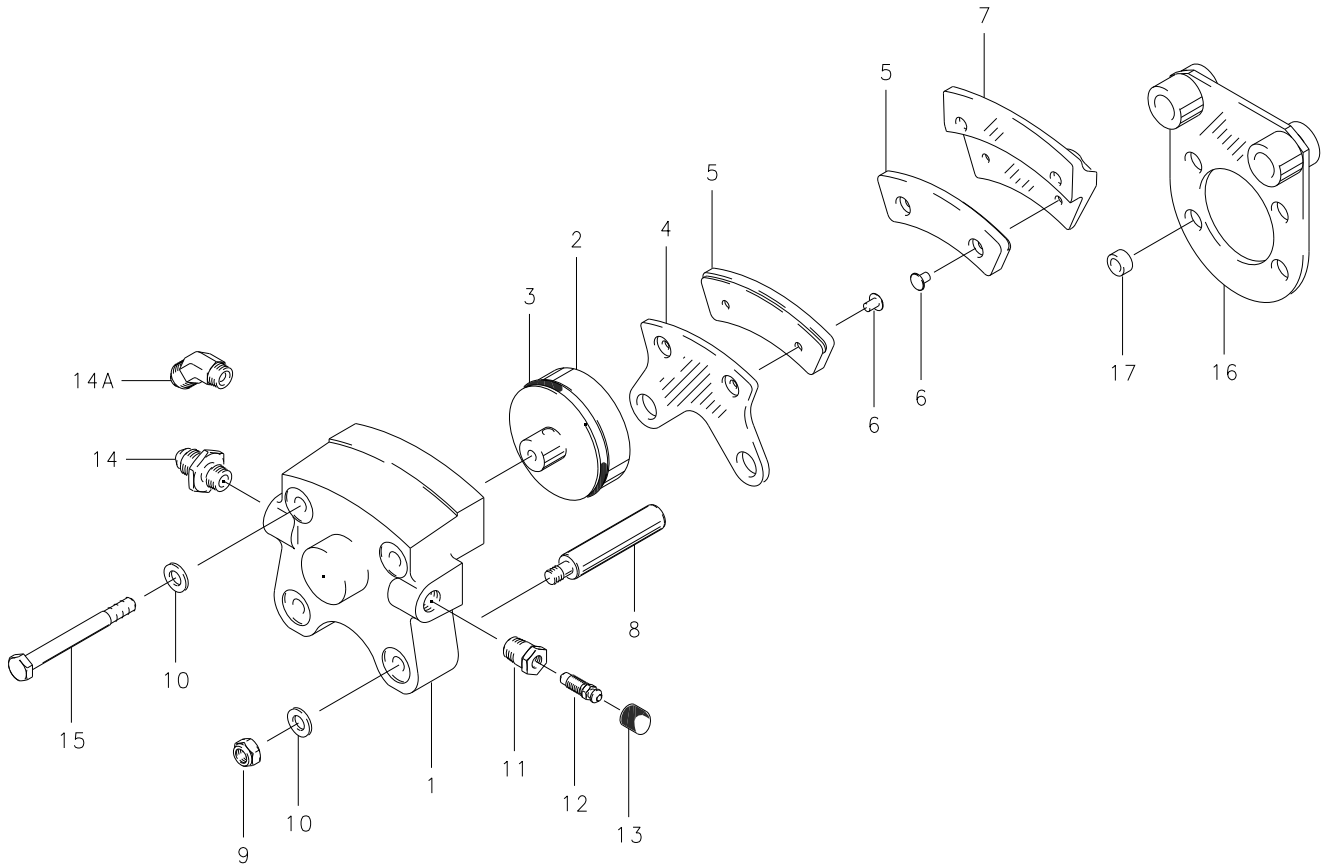
- (1) Inactive assembly – spares support only for parts listed.
- (2) Inactive part – no longer available for spares support.



Illustrated Parts List

30-56, 30-56A, 30-56B, 30-56C, 30-56D, 30-56F, 30-63, 30-63A, 30-63B,
30-63D, 30-63E, 30-63F, 30-63J, 30-63K, 30-63M, 30-63P, 30-63Q, 30-63S

Organic Lining



Cleveland
Wheels & Brakes



Illustrated Parts List

**30-56, 30-56A, 30-56B, 30-56C, 30-56D, 30-56F, 30-63, 30-63A, 30-63B,
30-63D, 30-63E, 30-63F, 30-63J, 30-63K, 30-63M, 30-63P, 30-63Q, 30-63S**

Organic Lining

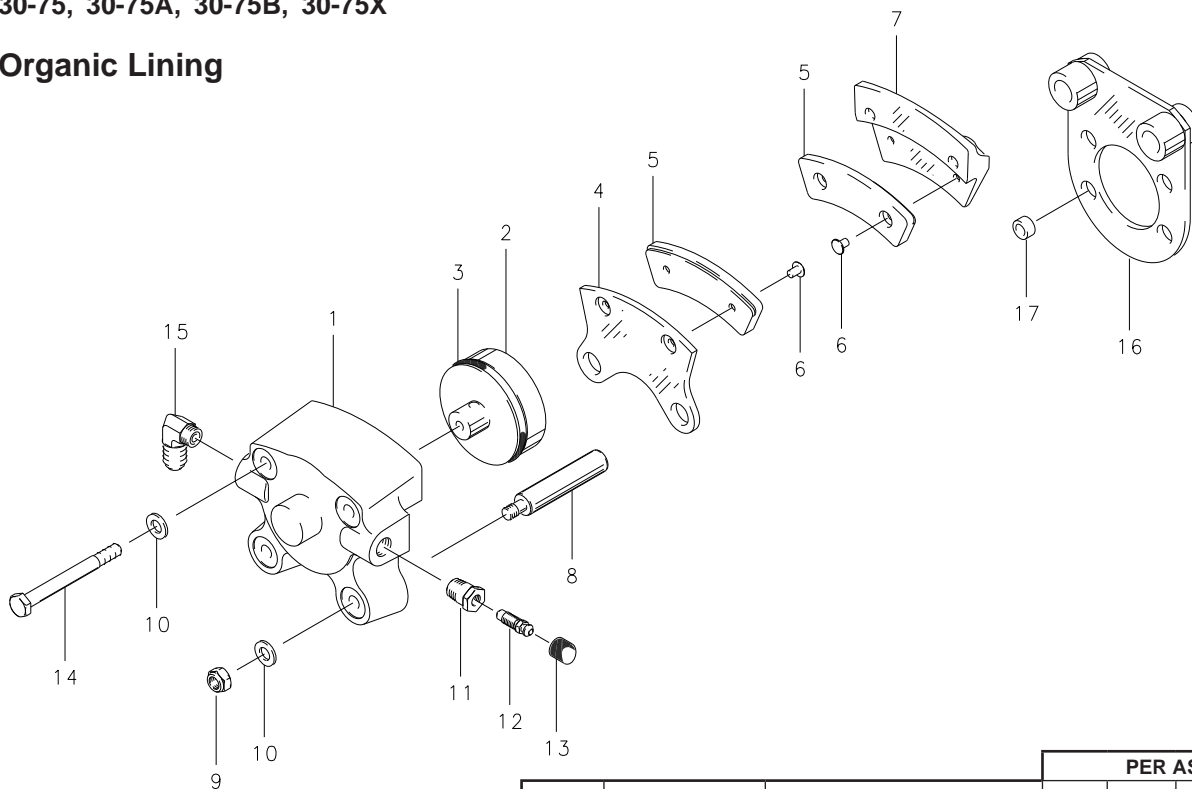
FIG.	PART NUMBER	DESCRIPTION	QTY. PER ASSY.																		Assy. Number
			A	B	C	D	E	F	G	H	I	J	K	L	M	N	O	P	Q	R	
	091-02200	Cylinder Assy.				1			1	1	1	1	1	1	1					A) 30-56 (1)	
	091-02201	Cylinder Assy.																	1	B) 30-56A	
	091-15900	Cylinder Assy.		1			1													C) 30-56B	
	091-05000	Cylinder Assy.												1						D) 30-56C	
	091-08400	Cylinder Assy.															1			E) 30-56D	
	091-11900	Cylinder Assy.	1		1			1										1		F) 30-56F	
	091-12200	Cylinder Assy.																	1	G) 30-63 (1)	
1	061-01900	Cylinder	1	1	1	1	1	1	1	1	1	1	1	1	1	1	1	1	1	H) 30-63A	
	092-01700	Piston Assy.	1	1	1	1	1	1	1	1	1	1	1	1	1	1	1	1	1	I) 30-63B (1)	
2	062-01600	Piston	1	1	1	1	1	1	1	1	1	1	1	1	1	1	1	1	1	J) 30-63D (1)	
3	101-05200	O-Ring (MS28775-224)	1	1	1	1	1	1	1	1	1	1	1	1	1	1	1	1	1	K) 30-63E	
	073-01100	Pressure Plate Assy.	1		1	1		1	1	1	1	1	1	1	1		1	1	1	L) 30-63F (1)	
	073-03600	Pressure Plate Assy.		1			1										1	1	1	M) 30-63J	
4	063-01200	Pressure Plate	1	1	1	1	1	1	1	1	1	1	1	1	1	1	1	1	1	N) 30-63K	
5	066-10500	Lining	1	1	1	1	1	1	1	1	1	1	1	1	1	1	1	1	1	O) 30-63M	
6	105-00200	Rivet	2	2	2	2	2	2	2	2	2	2	2	2	2	2	2	2	2	P) 30-63P	
	074-01000	Back Plate Assy.	1		1	1		1	1	1	1	1	1	1	1		1	1	1	Q) 30-63Q	
	074-02900	Back Plate Assy.		1			1										1	1	1	R) 30-63S	
7	064-01500	Back Plate	1	1	1	1	1	1	1	1	1	1	1	1	1	1	1	1	1	NOTES:	
5	066-10500	Lining	1	1	1	1	1	1	1	1	1	1	1	1	1	1	1	1	1	(1) Inactive Assembly - spares support only for parts listed.	
6	105-00200	Rivet	2	2	2	2	2	2	2	2	2	2	2	2	2	2	2	2	2		
8	069-00400	Anchor Bolt	2	2	2	2	2	2	2	2	2	2	2	2	2	2	2	2	2		
	069-01900	Anchor Bolt																	2		
9	094-10300	Nut (MS21044-N4)	2	2	2	2	2	2	2	2	2	2	2	2	2	2	2	2	2		
10	095-10200	Washer (AN960-416L)	4	4	4	4	4	4	4	4	4	4	4	4	4	4	4	4	4		
11	081-00100	Seat-Bleeder	1	1	1	1	1	1	1	1	1	1	1	1	1	1	1	1	1		
12	079-00300	Screw-Bleeder	1	1	1	1	1	1	1	1	1	1	1	1	1	1	1	1	1		
13	183-00100	Cap-Bleeder	1	1	1	1	1	1	1	1	1	1	1	1	1	1	1	1	1		
14	104-00300	Fitting (AN816-4D)														1			1		
14A	104-00500	Fitting (MS20823-4D)	1	1	1		1	1													
15	103-11600	Bolt	2		2	2		2	2	2	2	2	2	2	2	2	2	2	2		
	103-12300	Bolt (AN4H17A)		2			2														
	075-01600	Torque Plate Assy.		1			1														
	075-03700	Torque Plate Assy.	1						1	1	1	1	1	1							
	075-05600	Torque Plate Assy.			1																
	075-06701	Torque Plate Assy.																	1		
	075-07400	Torque Plate Assy.												1							
	075-07700	Torque Plate Assy.																1			
	075-09400	Torque Plate Assy.														1					
	075-14000	Torque Plate Assy.															1				
	075-05500	Torque Plate Assy.				1															
	075-03701	Torque Plate Assy.														1					
	075-09100	Torque Plate Assy.						1													
17	145-01000	Bushing	2						2	2	2	2	2	2							
	145-04500	Bushing													4						



Illustrated Parts List

30-75, 30-75A, 30-75B, 30-75X

Organic Lining



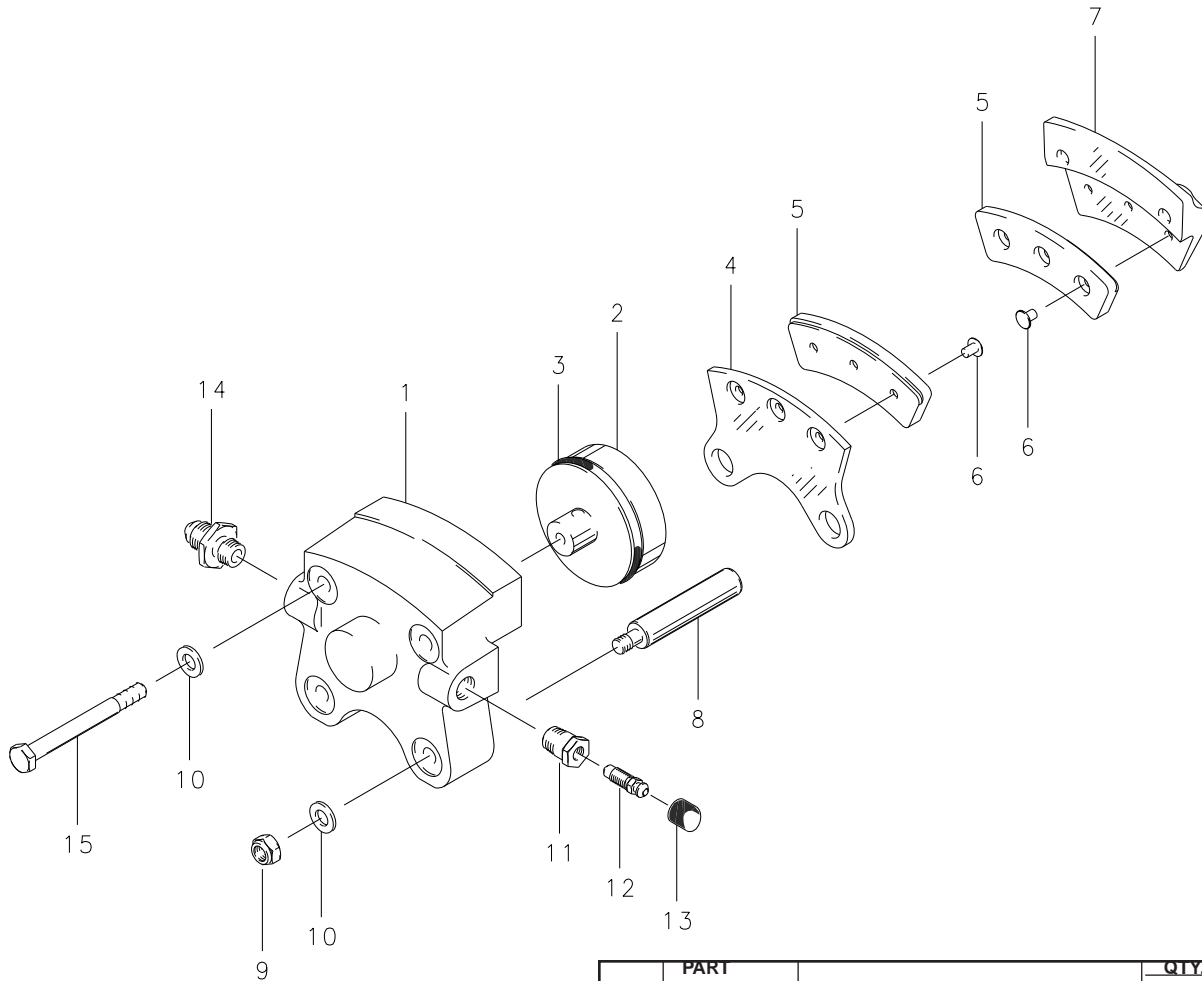
NOTES:

(1) Position of bushing varies with installation.

FIG.	PART NO.	DESCRIPTION	PER ASSY.			
			30-75	30-75A LH & RH	30-75B	30-75X
	091-04400	Cylinder Assembly	1	1		1
	091-06400	Cylinder Assembly			1	
1	061-14100	Cylinder	1	1	1	1
	092-07500	Piston Assembly	1	1	1	1
2	062-08000	Piston	1	1	1	1
	101-05200	O-Ring (MS28775-224)	1	1	1	1
	073-01100	Pressure Plate Assembly	1	1	1	1
4	063-01200	Pressure Plate	1	1	1	1
5	066-10500	Lining	1	1	1	1
6	105-00200	Rivet	2	2	2	2
	074-01000	Back Plate Assembly	1	1	1	1
7	064-01500	Back Plate	1	1	1	1
5	066-10500	Lining	1	1	1	1
6	105-00200	Rivet	2	2	2	2
	069-02500	Anchor Bolt	2	2	2	2
9	094-10300	Nut (MS21044-N4)	2	2	2	2
10	095-10200	Washer (AN960-416L)	4	4	4	4
11	081-00100	Seat-Bleeder	1	1	1	1
12	079-00300	Screw-Bleeder	1	1	1	1
13	183-00100	Cap-Bleeder	1	1	1	1
14	103-11600	Bolt	2	2	2	2
15	104-00400	Fitting (MS20822-4D)			1	
16	075-03700	Torque Plate Assembly	1			1
	075-06700	Torque Plate Assembly		1		
	075-07800	Torque Plate Assembly			1	
17	145-01000	Bushing (1)	2			2

30-236

Organic Lining



Assy. Number

A) 30-236

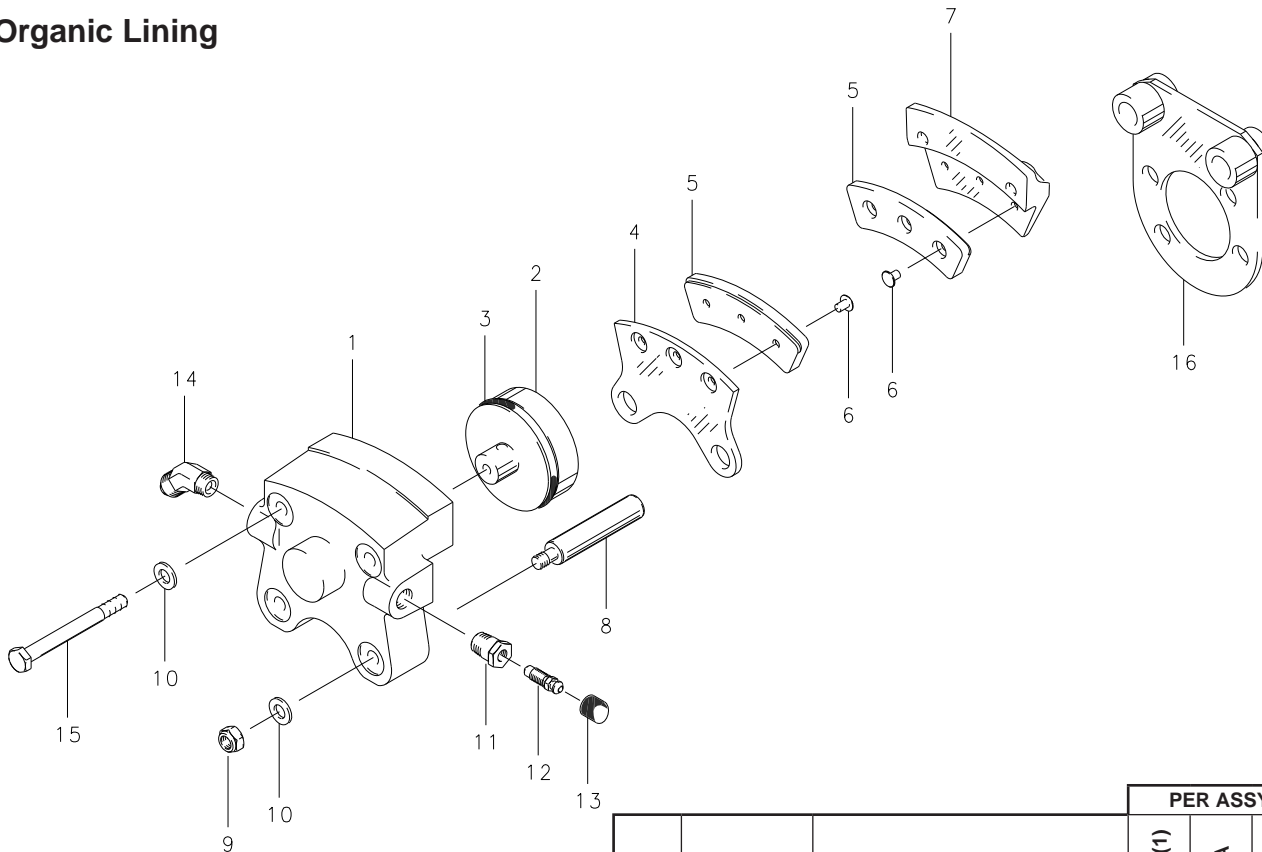
FIG.	PART NUMBER	DESCRIPTION	QTY. PER ASSY
1	061-16200	Cylinder	1
2	062-08001	Piston	1
3	101-05200	O-Ring (MS28775-224)	1
4	063-01200	Pressure Plate	1
5	066-10500	Lining	1
6	105-00200	Rivet	2
7	064-01500	Back Plate	1
8	069-01900	Anchor Bolt	2
9	094-10300	Nut (MS21044-N4)	2
10	095-10200	Washer (AN960-416L)	4
11	081-00100	Seat-Bleeder	1
12	079-00300	Screw-Bleeder	1
13	183-00100	Cap-Bleeder	1
14	104-00300	Fitting (AN816-4D)	1
15	103-11600	Bolt	2

3

Illustrated Parts List

30-239, 30-239A, 30-239B

Organic Lining



NOTES:

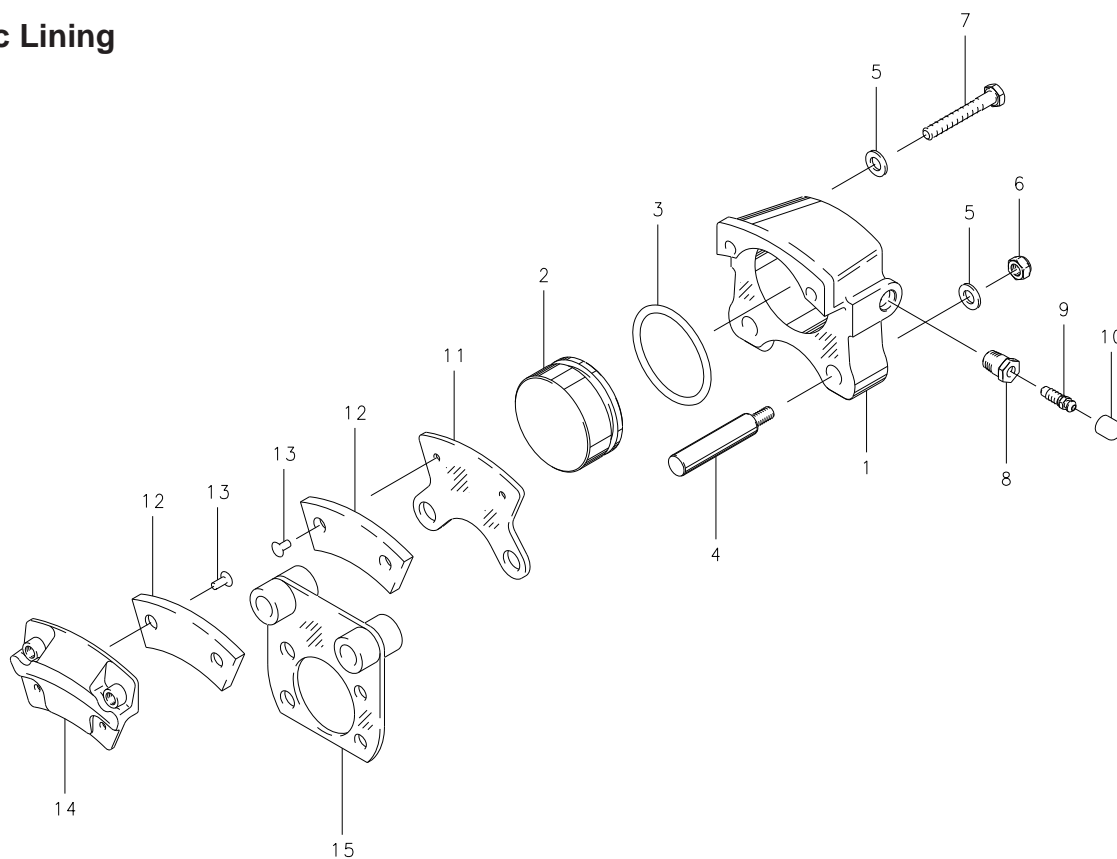
(1) Uses 075-20100 Torque Plate Assy. for left hand brake and 075-20150 for right hand brake.

FIG.	PART NO.	DESCRIPTION	PER ASSY.		
			30-239 (1)	30-239A	30-239B
	091-21500	Cylinder Assembly	1	1	
	091-21501	Cylinder Assembly			1
1	061-16200	Cylinder	1	1	1
2	062-08001	Piston	1	1	1
3	101-05200	O-Ring (MS28775-224)	1	1	1
	073-11200	Pressure Plate Assembly	1	1	1
4	063-09800	Pressure Plate	1	1	1
5	066-14100	Lining	1	1	1
6	105-00200	Rivet	3	3	3
	074-07700	Back Plate Assembly	1	1	1
7	064-00500	Back Plate	1	1	1
5	066-14100	Lining	1	1	1
6	105-00200	Rivet	3	3	3
8	069-01900	Anchor Bolt	2	2	2
9	094-10300	Nut (MS21044-N4)	2	2	2
10	095-10200	Washer (AN960-416L)	4	4	4
11	081-00100	Seat-Bleeder	1	1	1
12	079-00300	Screw-Bleeder	1	1	1
13	183-00100	Cap-Bleeder	1	1	1
14	104-00500	Fitting (MS20823-4D)	1	1	
	104-00900	Fitting (MS20822-3D)			1
15	103-12300	Bolt	2	2	2
16	(1)	Torque Plate Assembly	1		
	075-07700	Torque Plate Assembly		1	1

Illustrated Parts List

C-30018, C-30018-1, C-30018-2, C-30018-3, C-30018-4, C-30018-5, C-30018-6, C-30018-7

Organic Lining



Assy. Number

- A) C-30018 (3) (4)
- B) C-30018-1(3)
- C) C-30018-2 (3) (4)
- D) C-30018-3 (3)
- E) C-30018-4 (3) (4)
- F) C-30018-5 (3) (4)
- G) C-30018-6 (3) (4)
- H) C-30018-7 (3)

FIG.	PART NUMBER	DESCRIPTION	QTY. PER ASSY.							
			A	B	C	D	E	F	G	H
	091-30018	Cylinder Assy.	1	1	1	1	1	1	1	1
	(5)	Cylinder Sub-Assy. (1)	1	1	1	1	1	1	1	1
1	(5)	Cylinder	1	1	1	1	1	1	1	1
2	(5)	Piston	1	1	1	1	1	1	1	1
3	101-05200	O-Ring (MS28775-224)	1	1	1	1	1	1	1	1
4	069-30644	Anchor Bolt	2	2	2	2	2	2	2	2
5	095-10200	Washer (AN960-416L)	4	4	4	4	4	4	4	4
6	094-15200	Nut	2	2	2	2	2	2	2	2
7	103-14300	Bolt	2	2	2	2	2	2	2	2
8	081-00100	Seat-Bleeder	1	1	1	1	1	1	1	1
9	079-00300	Screw-Bleeder	1	1	1	1	1	1	1	1
10	183-00100	Cap-Bleeder	1	1	1	1	1	1	1	1
	073-30024	Pressure Plate Assy.	1	1	1	1	1	1	1	1
11	063-30025	Pressure Plate	1	1	1	1	1	1	1	1
12	066-30026	Lining	1	1	1	1	1	1	1	1
13	105-00200	Rivet	2	2	2	2	2	2	2	2
	074-30027	Back Plate Assy.	1	1	1	1	1	1	1	1
14	064-30028	Back Plate	1	1	1	1	1	1	1	1
12	066-30026	Lining	1	1	1	1	1	1	1	1
13	105-00200	Rivet	2	2	2	2	2	2	2	2
15	075-30166	Torque Plate Assy.		1						
	075-30649	Torque Plate Assy.	1			1	1	1		
	075-30650	Torque Plate Assy.			1				1	
	075-30824	Torque Plate Assy.								1

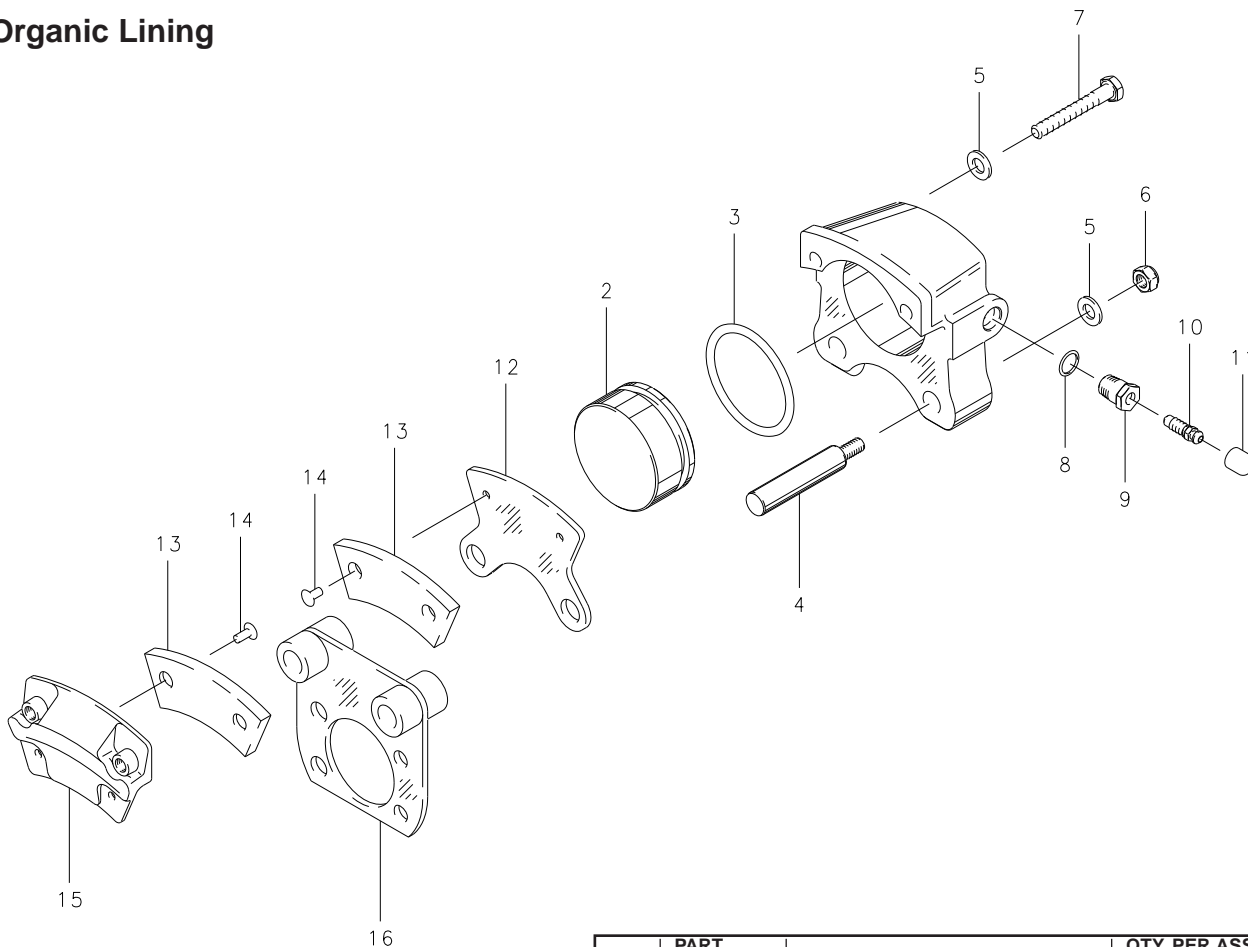
NOTES:

- (1) Cylinder sub-assembly includes anchor bolts, nuts and washers to attach.
- (2) All brake assemblies listed were formerly manufactured by "McCaughey Industrial Corporation."
- (3) Inactive assembly – spares support only for parts listed.
- (4) Superseded equipment – refer to Cessna Service Bulletin SEB00-5 and Cessna Service Kit SK182-120 for replacement wheels and brakes.
- (5) Inactive part – no longer available for spares support.

Illustrated Parts List

C-30764-5, C-30764-6, C-30764-7

Organic Lining



Assy. Number

A) C-30764-5 (3) (4)

B) C-30764-6 (3) (4)

C) C-30764-7 (3)

NOTES:

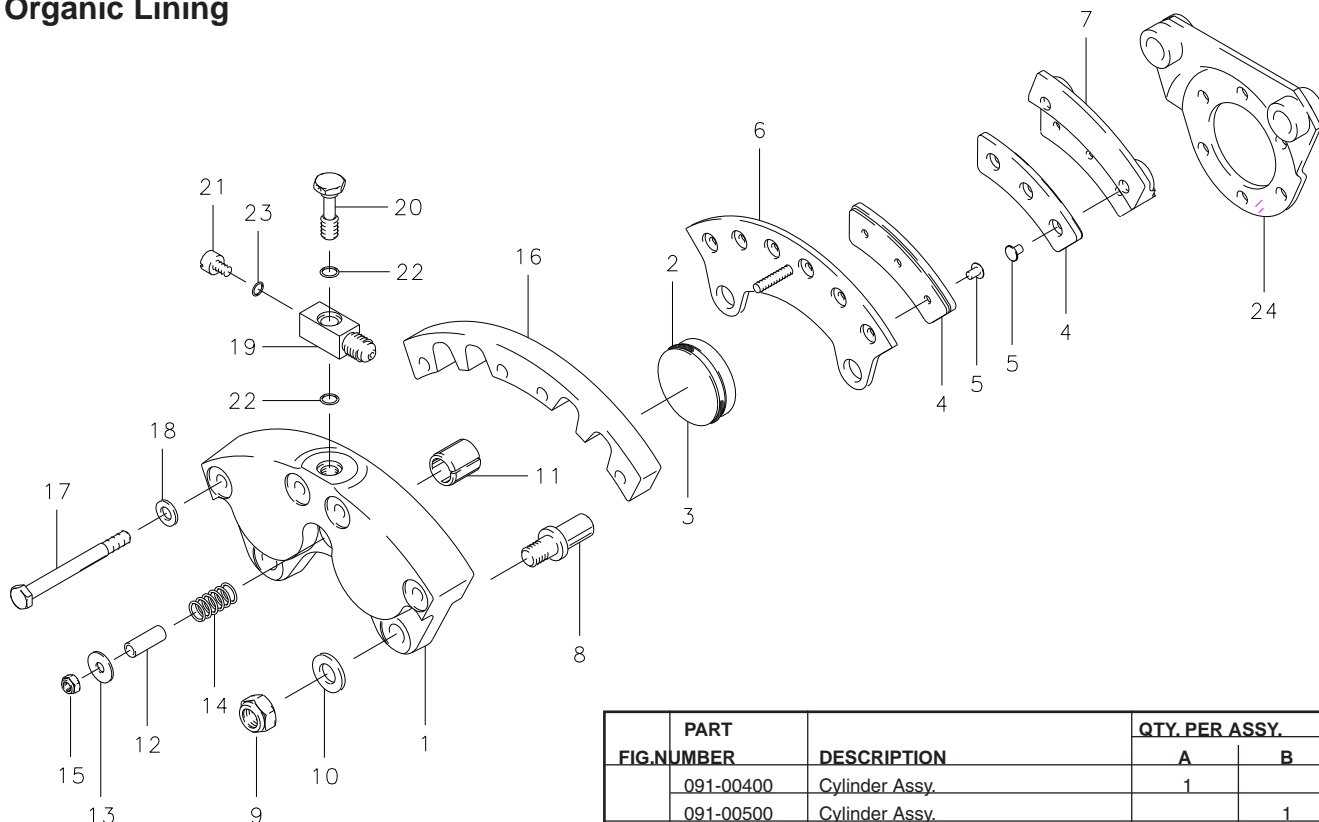
- (1) Cylinder sub-assembly includes anchor bolts, nuts and washers to attach.
- (2) All brake assemblies listed were formerly manufactured by McCauley Industrial Corporation.”
- (3) Inactive assembly – spares support only for parts listed.
- (4) Superseded equipment – refer to Cessna Service Bulletin SEB00-5 and Cessna Service Kit SK182-120 for replacement wheels and brakes.
- (5) Inactive part – no longer available for spares support.

FIG.	PART NUMBER	DESCRIPTION	QTY. PER ASSY.		
			A	B	C
	091-30764	Cylinder Assembly	1	1	1
	(5)	Cylinder Sub-Assembly (1)	1	1	1
1	(5)	Cylinder	1	1	1
2	(5)	Piston	1	1	1
3	101-05200	O-Ring (MS28775-224)	1	1	1
4	069-30644	Anchor Bolt	2	2	2
5	095-10200	Washer (AN960-416L)	4	4	4
6	094-15200	Nut	2	2	2
7	103-14300	Bolt (ABP4-22A)	2	2	2
8	101-00600	O-Ring (MS28775-011)	1	1	1
9	081-30169	Seat-Bleeder	1	1	1
10	079-00300	Screw-Bleeder	1	1	1
11	183-00100	Cap-Bleeder	1	1	1
	073-30024	Pressure Plate Assy.	1	1	1
12	063-30025	Pressure Plate	1	1	1
13	066-30026	Lining	1	1	1
14	105-00200	Rivet	2	2	2
	074-30027	Back Plate Assy.	1	1	1
15	064-30028	Back Plate	1	1	1
13	066-30026	Lining	1	1	1
14	105-00200	Rivet	2	2	2
	075-30649	Torque Plate Assy.	1		
16	075-30650	Torque Plate Assy.		1	
	075-30824	Torque Plate Assy			1

Illustrated Parts List

3000-250 (30-12), 3000-500 (30-13)

Organic Lining



Assy. Number

A) 3000-250 (30-12)

B) 3000-500 (30-13)

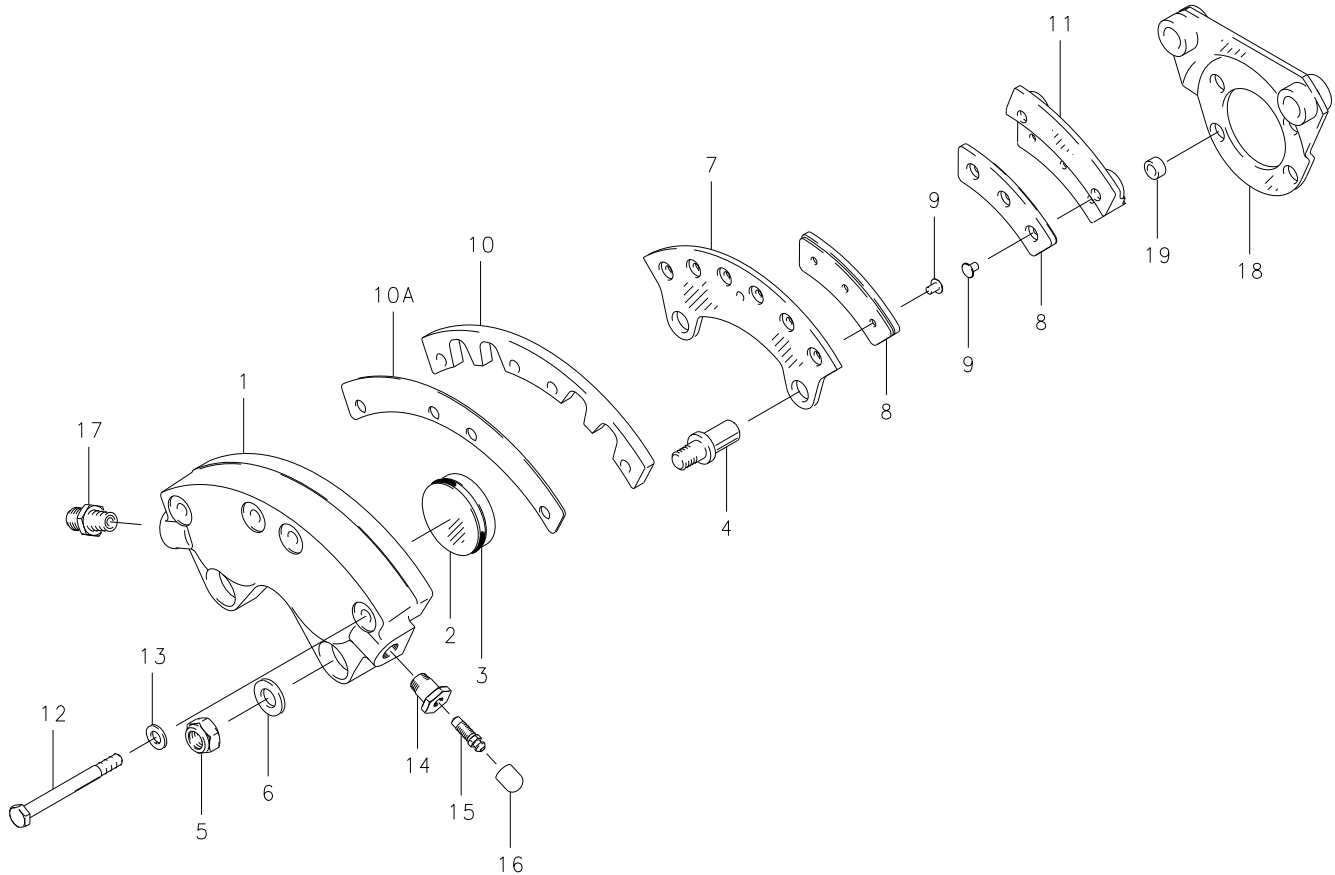
FIG. NUMBER	PART DESCRIPTION	QTY. PER ASSY.	
		A	B
	091-00400 Cylinder Assy.	1	
	091-00500 Cylinder Assy.		1
1	061-00300 Cylinder	1	
	092-00200 Piston Assy.	2	2
2	101-02300 O-Ring (MS28775-218)	2	2
3	062-00300 Piston	2	2
	073-00200 Pressure Plate Assy.	1	1
4	066-10600 Lining	2	2
5	105-00200 Rivet	6	6
6	184-00100 Plate Assy.	1	1
	074-00200 Back Plate Assy.	2	2
7	064-00500 Back Plate	2	2
4	066-10600 Lining	2	2
5	105-00200 Rivet	6	6
8	069-00200 Anchor Bolt	2	2
9	094-10100 Nut (MS21042-6)	2	2
10	095-10100 Washer (AN960-616L)	2	2
11	071-00100 Cylinder-Retract	1	1
12	067-00400 Spacer	1	1
13	095-00200 Washer	1	1
14	082-00500 Spring	1	1
15	094-10200 Nut (NASM21083N3)	1	1
16	068-00200 Shim		1
	068-00800 Shim	1	
17	103-12100 Bolt (AN4H15A)	4	
	103-12300 Bolt (AN4H17A)		4
18	095-10200 Washer (AN960-416L)	4	4
	087-00200 Bleeder Body Assy.	1	1
19	077-00200 Body-Bleeder	1	1
20	079-00200 Screw-Bleeder	1	1
21	079-00100 Screw-Bleeder	1	1
22	101-00600 O-Ring (MS28775-011)	2	2
23	101-00300 O-Ring (MS28775-008)	1	1
24	075-00300 Torque Plate Assy.		1



Illustrated Parts List

30-21, 30-24, 30-35, 30-41, 30-41A, 30-41B, 30-51, 30-51A, 30-51B, 30-60, 30-60A, 30-60B

Organic Lining



Cleveland
Wheels & Brakes



Illustrated Parts List

30-21, 30-24, 30-35, 30-41, 30-41A, 30-41B, 30-51, 30-51A, 30-51B, 30-60, 30-60A, 30-60B

Organic Lining

FIG.	PART NUMBER	DESCRIPTION	QTY. PER ASSY.												
			A	B	C	D	E	F	G	H	I	J	K	L	
1	091-08800	Cylinder Assy.						1							
	091-08901	Cylinder Assy.										1	1		
	091-12100	Cylinder Assy.								1	1				
	061-06600	Cylinder	1	1		1	1	1							
	061-06701	Cylinder										1	1		
	061-07100	Cylinder								1	1				
	(5)	Cylinder				1			1		1				
2	092-00200	Piston Assy.	2	2		2	2	2	2	2	2				
	092-00700	Piston Assy.			2							2	2		
	062-00300	Piston	2	2		2	2	2	2	2	2				
3	062-00600	Piston			2							2	2		
	101-02300	O-Ring (MS28775-218)	2	2		2	2	2	2	2	2				
4	101-02700	O-Ring (MS28775-222)			2							2	2		
	069-00200	Anchor Bolt	2	2	2	2	2	2	2	2	2	2	2		
5	094-10100	Nut (MS21042-6)	2	2	2	2	2	2	2	2	2	2	2		
6	095-10100	Washer (AN960-616L)	2	2	2	2	2	2	2	2	2	2	2		
	073-00400	Pressure Plate Assy.	1	1		1	1	1	1						
	073-00900	Pressure Plate Assy.			1										
	073-04100	Pressure Plate Assy.								1	1	1	1		
7	063-00600	Pressure Plate	1	1	1	1	1	1	1	1	1	1	1		
8	066-10600	Lining	2	2	2	2	2	2	2	2	2	2	2		
9	105-00200	Rivet	6	6	6	6	6	6	6	6	6	6	6		
10	068-01200	Shim			1										
	068-00800	Shim				1	1								
	(5)	Shim	1	1					1						
10A	068-01100	Shim-Insulating			1										
	074-00200	Back Plate Assy.	2	2	2	2	2	2	2						
	074-02700	Back Plate Assy.								2	2	2	2		
11	064-00500	Back Plate	2	2	2	2	2	2	2	2	2	2	2		
8	066-10600	Lining	2	2	2	2	2	2	2	2	2	2	2		
9	105-00200	Rivet	6	6	6	6	6	6	6	6	6	6	6		
12	103-12200	Bolt (AN4H16A)	4	4	4				4	4	4				
	103-12100	Bolt (AN4H15A)				4			4			4	4		
	103-11500	Bolt					4								
13	095-10200	Washer (AN960-416L)	4	4	4	4	4	4	4	4	4	4	4		
14	081-00100	Seat-Bleeder	1	1	1	1	1	1	1	1	1	1	1		
15	079-00300	Screw-Bleeder	1	1	1	1	1	1	1	1	1	1	1		
16	183-00100	Cap-Bleeder	1	1	1	1	1	1	1	1	1	1	1		
17	104-00300	Fitting (AN816-4D)	1			1	1	1	1	1	1				
	104-00400	Fitting (AN822-4D)		1											
	104-00500	Fitting (MS20823-4D)			1										
18	075-00500	Torque Plate Assy.											1		
	075-01500	Torque Plate Assy.	1		1										
	075-02700	Torque Plate Assy.							1		1				
	075-03900	Torque Plate Assy.					1								
	075-08501	Torque Plate Assy.								1					
	075-12500	Torque Plate Assy.										1	1		
	(5)	Torque Plate Assy.		1											
19	145-01000	Bushing (3)	2		2										

Assy. Number

- A) 30-21 (1)
- B) 30-24 (1)
- C) 30-35 (1)
- D) 30-41 (1) (2)
- E) 30-41A (1)
- F) 30-41B
- G) 30-51 (1) (6)
- H) 30-51A
- I) 30-51B
- J) 30-60 (1) (4)
- K) 30-60A
- L) 30-60B

NOTES:

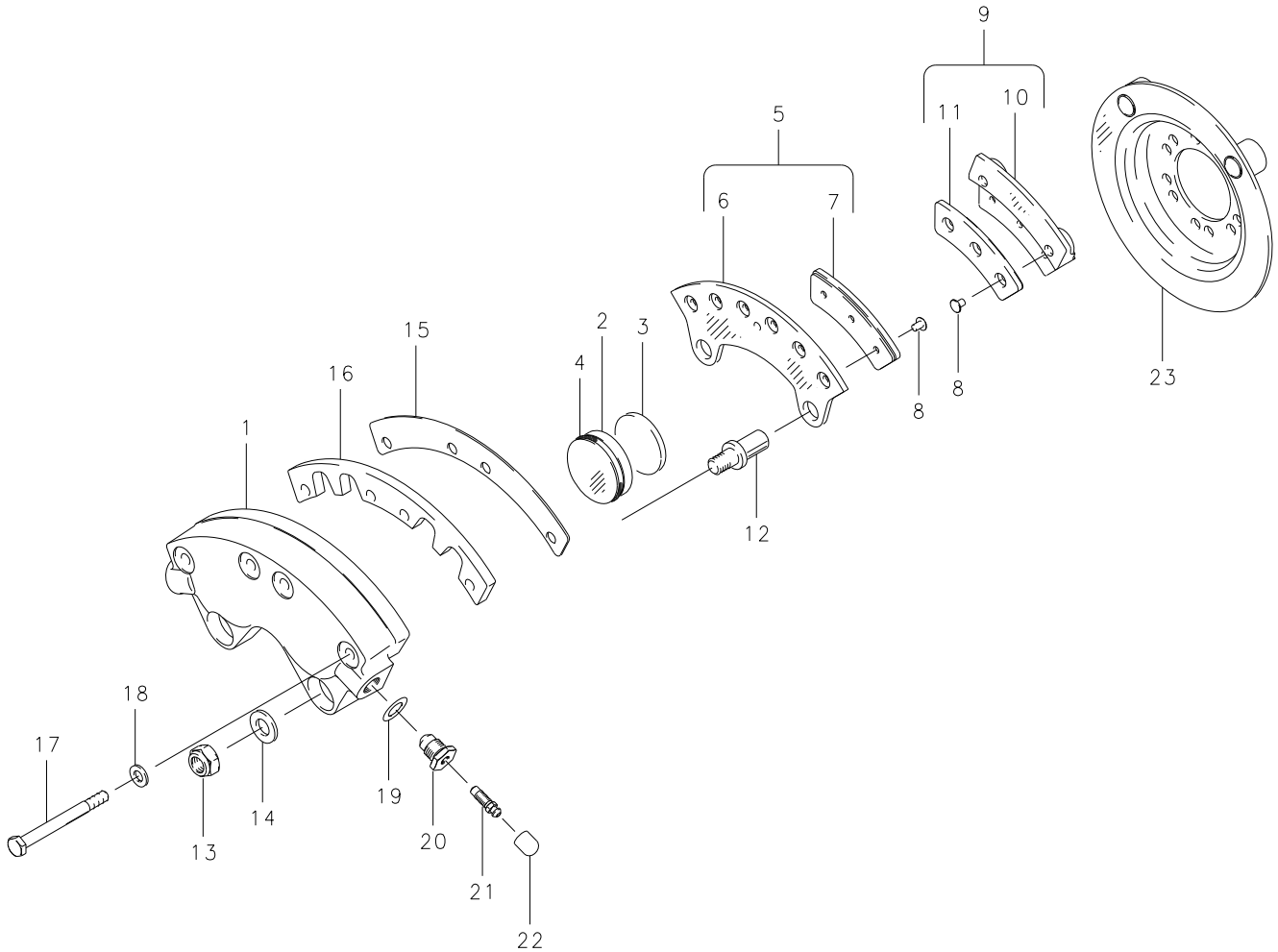
- (1) Inactive assembly – spares support only for parts listed.
- (2) 30-41 superseded by 30-41B.
- (3) Check position of bushing for proper replacement.
- (4) 30-60 superseded by 30-60A. 30-60A superseded by 30-60B.
- (5) Inactive part – no longer available for spares support.
- (6) 30-51 superseded by 30-51B.



Illustrated Parts List

30-32, 30-32A, 30-32B, 30-32C, 30-32E

Organic Lining



Illustrated Parts List

30-32, 30-32A, 30-32B, 30-32C, 30-32E

Organic Lining

FIG.	PART NO.	DESCRIPTION	PER ASSY.				
			30-32 (1)	30-32A (1)	30-32B	30-32C	30-32E
	091-10200	Cylinder Assembly			1	1	
	091-19800	Cylinder Assembly					1
1	061-08300	Cylinder			1	1	1
	(2)	Cylinder	1	1			
	092-00900	Piston Assembly	2	2	2	2	2
2	062-00800	Piston	2	2	2	2	2
3	088-00200	Insulator	2	2	2	2	2
4	101-02300	O-Ring (MS28775-218)	2	2	2	2	2
5	073-00400	Pressure Plate Assembly		1	1	1	1
	(2)	Pressure Plate Assembly	1				
6	063-00600	Pressure Plate	1	1	1	1	1
7	066-10600	Lining		2	2	2	2
	(2)	Lining	2				
8	105-00200	Rivet		6	6	6	6
	(2)	Pin	4				
9	074-00200	Back Plate Assembly		2	2	2	2
	(2)	Back Plate Assembly	2				
10	064-00500	Back Plate	2	2	2	2	2
11	066-10600	Lining		2	2	2	2
	(2)	Lining	2				
8	105-00200	Rivet		6	6	6	6
	(2)	Pin	4				
12	069-00200	Anchor Bolt	2	2	2	2	
	069-02600	Anchor Bolt					2
13	094-10100	Nut (MS21042-6)		2	2	2	2
14	095-10100	Washer (AN960-616L)		2	2	2	2
15	068-01100	Shim-Insulator	1	1	1	1	1
16	068-01200	Shim-Back Plate	1	1			
17	103-12000	Bolt	4	4	4	4	4
18	095-10200	Washer (AN960-416L)	4	4	4	4	4
19	101-00700	O-Ring (MS28775-012)	1	1	1	1	1
20	081-00200	Seat-Bleeder	1	1	1	1	1
21	079-00300	Screw-Bleeder	1	1	1	1	1
22	183-00100	Cap-Bleeder	1	1	1	1	1
23	075-02100	Torque Plate Assembly	1	1		1	
	075-02101	Torque Plate Assembly			1		
	075-05401	Torque Plate Assembly					1

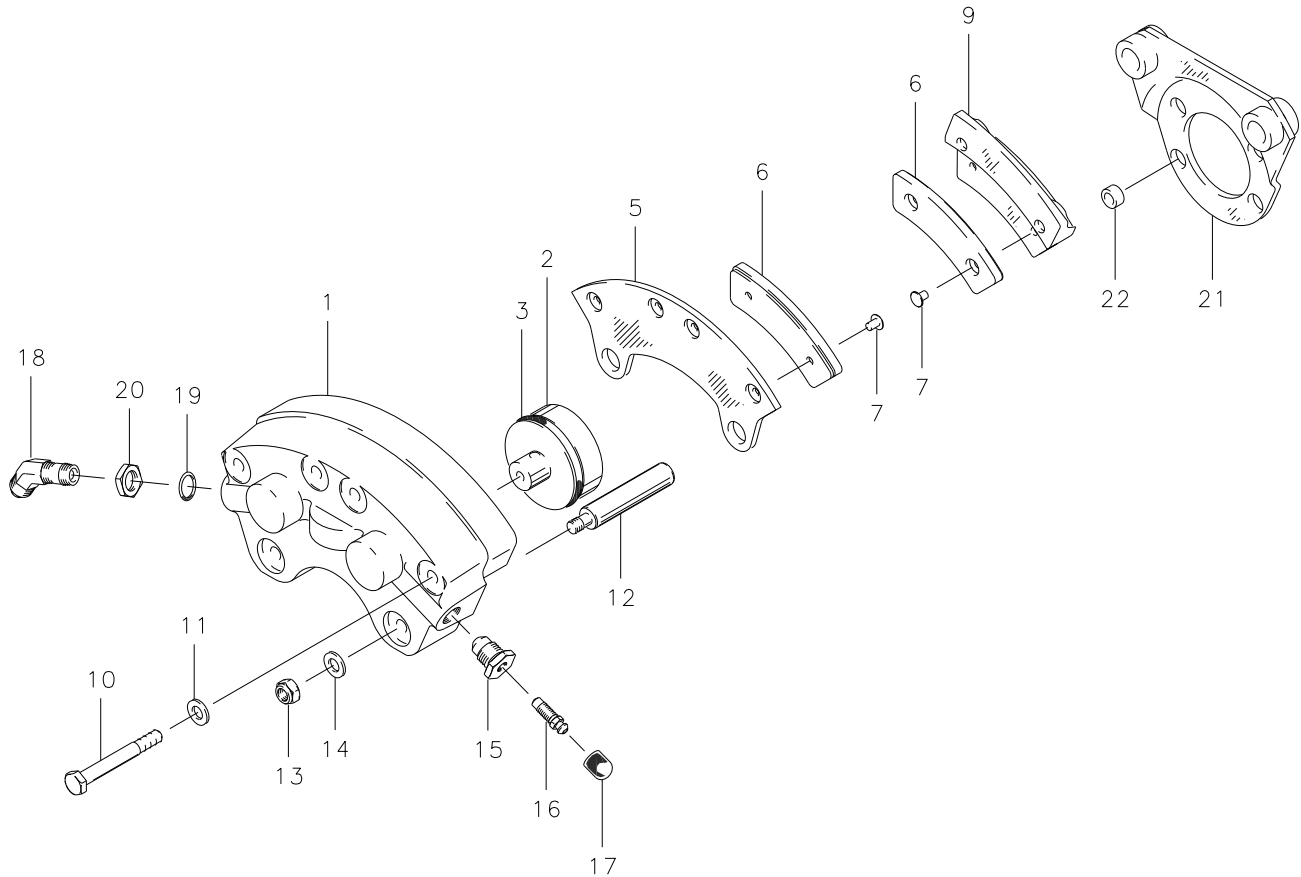
NOTES:

- (1) Inactive assembly - spares support only for parts listed.
- (2) Inactive part - no longer available for spares support.



Illustrated Parts List

30-52, 30-52A, 30-52B, 30-52D, 30-52E, 30-52F, 30-52G, 30-52H, 30-52K 30-52L, 30-52M, 30-52N
Organic Lining



NOTES:

- (1) Use with 075-11700(LH) and 075-11750(RH) Torque Plates.
- (2) 30-52 supersedes 30-52G.
- (3) When reordering, specify LH or RH.
- (4) 30-52N supersedes 30-52D when reordering.
- (5) Use with 075-07500(LH) and 075-07600(RH) Torque Plates – order from airframe manufacturer only.
- (6) Inactive assembly – spares support only for parts listed.
- (7) Inactive part – no longer available for spares support.

Cleveland
Wheels & Brakes



Illustrated Parts List

30-52, 30-52A, 30-52B, 30-52D, 30-52E, 30-52F, 30-52G, 30-52H, 30-52K, 30-52L, 30-52M, 30-52N

Organic Lining

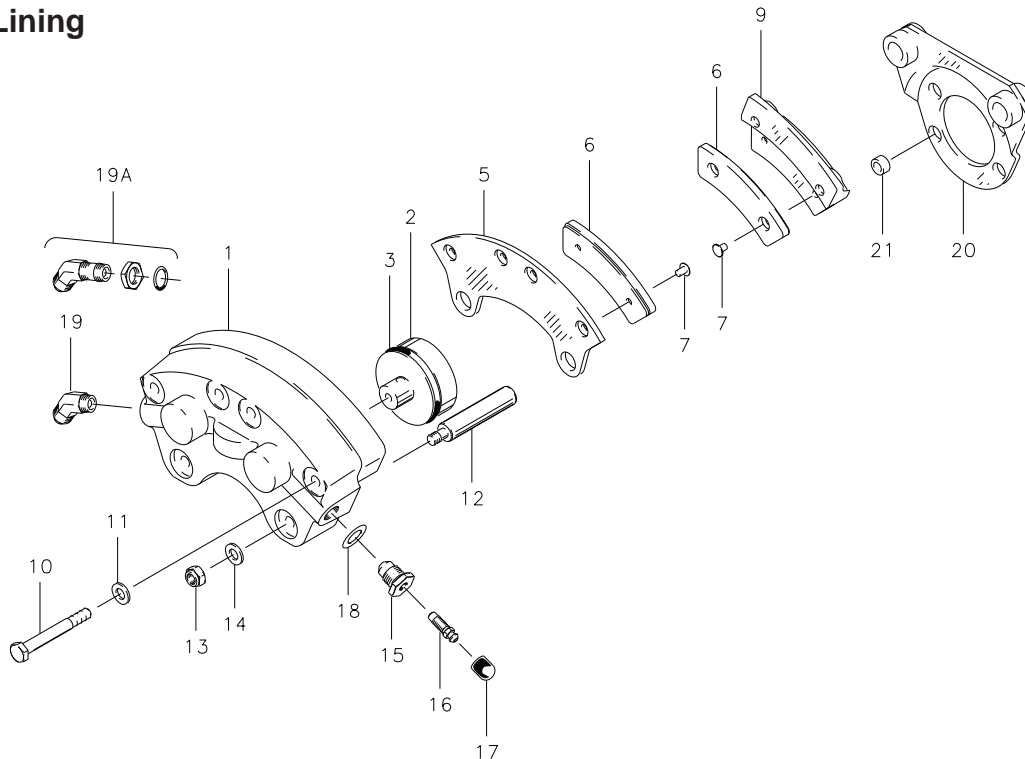
FIG.	PART NO.	DESCRIPTION	PER ASSY.														
			30-52	30-52A	30-52B	30-52D (4) (6)	30-52E	30-52F	30-52G (2) (6)	30-52H (1) (3)	30-52K	30-52L (5)	30-52M	30-52N			
1	091-02100	Cylinder Assembly	1	1	1	1	1	1	1	1							1
	091-02101	Cylinder Assembly									1						
	091-02103	Cylinder Assembly															
	091-05100	Cylinder Assembly														1	
	061-01800	Cylinder	1	1	1	1	1	1	1	1	1	1	1	1	1	1	1
	061-01801	Cylinder									1						
	061-03600	Cylinder										1					
	092-01600	Piston Assembly	2	2	2	2	2	2	2	2	2	2	2	2	2	2	2
2	062-01500	Piston	2	2	2	2	2	2	2	2	2	2	2	2	2	2	2
3	101-02700	O-Ring (MS28775-222)	2	2	2	2	2	2	2	2	2	2	2	2	2	2	2
4	073-01000	Pressure Plate Assy	1	1	1	1	1	1	1	1	1	1	1	1	1	1	1
5	063-01100	Pressure Plate	1	1	1	1	1	1	1	1	1	1	1	1	1	1	1
6	066-10500	Lining	2	2	2	2	2	2	2	2	2	2	2	2	2	2	2
7	105-00200	Rivet	4	4	4	4	4	4	4	4	4	4	4	4	4	4	4
8	074-01000	Back Plate Assy	2	2	2	2	2	2	2	2	2	2	2	2	2	2	2
9	064-01500	Back Plate	2	2	2	2	2	2	2	2	2	2	2	2	2	2	2
6	066-10500	Lining	2	2	2	2	2	2	2	2	2	2	2	2	2	2	2
7	105-00200	Rivet	4	4	4	4	4	4	4	4	4	4	4	4	4	4	4
10	103-11800	Bolt	4	4	4	4	4	4	4	4	4	4	4	4	4	4	4
	103-12400	Bolt (AN4H21A)												4			
11	095-10400	Washer (AN960-416)	4	4	4	4	4	4	4	4	4	4	4	4	4	4	4
12	069-00400	Anchor Bolt	2	2	2	2	2	2	2	2	2	2	2	2	2	2	2
13	094-10300	Nut (MS21044-N4)	2	2	2	2	2	2	2	2	2	2	2	2	2	2	2
14	095-10200	Washer (AN960-416L)	2	2	2	2	2	2	2	2	2	2	2	2	2	2	2
15	081-00100	Seat-Bleeder	1	1	1	1	1	1	1	1	1	1	1	1	1	1	1
	081-00200	Seat-Bleeder												1			
16	079-00300	Screw-Bleeder	1	1	1	1	1	1	1	1	1	1	1	1	1	1	1
17	183-00100	Cap-Bleeder	1	1	1	1	1	1	1	1	1	1	1	1	1	1	1
18	104-00500	Fitting (MS20823-4D)		1												1	
	104-02000	Fitting (AN837-4D)												1			
19	101-00700	O-Ring (MS28775-012)												1			
20	094-90500	Nut (AN924-4D)												1			
21	075-01500	Torque Plate Assembly	1						1	S							
	075-01501	Torque Plate Assembly		1						E							
	075-04400	Torque Plate Assembly			1					E							
	075-05300	Torque Plate Assembly						1									
	075-05301	Torque Plate Assembly					1			N							
	075-05401	Torque Plate Assembly								O						1	
	075-05402	Torque Plate Assembly								T							
	075-07300	Torque Plate Assembly								E					1		
	075-08600	Torque Plate Assembly								S							
075-13600 (7)	Torque Plate Assembly				1						1						
22	145-01000	Bushing	2			2			2		2			3		2	



Illustrated Parts List

30-52P, 30-52Q, 30-52S, 30-52T, 30-52U, 30-52V, 30-52W, 30-52X, 30-52Y, 30-52Z,
30-52AA, 30-52AB, 30-52AC

Organic Lining



NOTES:

- (1) Use with 075-09200(LH) and 075-09300(RH) Torque Plates.
- (2) Use with 075-13800(LH) and 075-13850(RH) Torque Plates.
- (3) When reordering, specify LH or RH.
- (4) 30-52Y to be used with 40-75J corrosive resistant equipment.
- (5) Inactive assembly – spares support only for parts listed.
- (6) Use with 075-22800 (LH) and 075-22850 (RH) Torque Plates.
- (7) Use with 075-23100 (LH) and 075-23150 (RH) Torque Plates.
- (8) Use with 075-23800 (LH) and 075-23850 (RH) Torque Plates.

FIG.	PART NO.	DESCRIPTION	PER ASSY.											
			30-52P	30-52Q	30-52S (1)	30-52T	30-52U	30-52V (2)(3)	30-52W	30-52X (5)	30-52Y (4)	30-52Z (3)(6)	30-52AA (3)(7)	30-52AB
1	091-02100	Cylinder Assembly			1					1				
	091-02103	Cylinder Assembly								1				
	091-02104	Cylinder Assembly											1	
	091-02105	Cylinder Assembly												1
	091-05300	Cylinder Assembly	1											
	091-05800	Cylinder Assembly		1		1								
	091-10600	Cylinder Assembly						1						
	091-10601	Cylinder Assembly					1		1					
091-10602	Cylinder Assembly									1				
	061-01800	Cylinder			1					1		1	1	1
	061-01802	Cylinder		1		1								
	061-01804	Cylinder								1				
	061-04200	Cylinder	1											
	061-08500	Cylinder						1						
061-08501	Cylinder					1		1			1			

(Continued on next page)

Illustrated Parts List

30-52P, 30-52Q, 30-52S, 30-52T, 30-52U, 30-52V, 30-52W, 30-52X, 30-52Y, 30-52Z,
30-52AA, 30-52AB, 30-52AC

Organic Lining

(Continued from previous page)

FIG.	PART NO.	DESCRIPTION	PER ASSY.												
			30-52P	30-52Q	30-52S (1)	30-52T	30-52U	30-52V (2) (3)	30-52W	30-52X (5)	30-52Y (4)	30-52Z (3) (6)	30-52AA (3) (7)	30-52AB	30-52AC (3) (8)
	092-01600	Piston Assembly	2	2	2	2	2	2	2	2	2	2	2	2	2
	092-07200	Piston Assembly									2				
	092-08500	Piston Assembly											2		
2	062-01500	Piston	2	2	2	2	2	2	2	2	2	2	2	2	
	062-07300	Piston								2					
3	101-02700	O-Ring (MS28775-222)	2	2	2	2	2	2	2	2	2	2	2	2	
	101-34500	O-Ring (M83461/1-222)											2		
4	073-01000	Pressure Plate Assy	1	1	1	1	1		1	1		1	1	1	
	073-04200	Pressure Plate Assy						1			1				
5	063-01100	Pressure Plate	1	1	1	1	1	1	1	1	1	1	1	1	
6	066-10500	Lining	2	2	2	2	2	2	2	2	2	2	2	2	
7	105-00200	Rivet	4	4	4	4	4	4	4	4	4	4	4	4	
8	074-01000	Back Plate Assy	2	2	2	2	2		2	2		2	2	2	
	074-02900	Back Plate Assy						2		2					
9	064-01500	Back Plate	2	2	2	2	2	2	2	2	2	2	2	2	
6	066-10500	Lining	2	2	2	2	2	2	2	2	2	2	2	2	
7	105-00200	Rivet	4	4	4	4	4	4	4	4	4	4	4	4	
10	103-11800	Bolt	4	4	4	4	4	4	4	4	4	4	4	4	
11	095-10400	Washer (AN960-416)	4	4	4	4	4	4	4	4	4	4	4	4	
	069-00400	Anchor Bolt	2	2	2	2	2	2	2			2	2		
12	069-01900	Anchor Bolt								2					
	069-03100	Anchor Bolt									2			2	
13	094-10300	Nut (MS21044-N4)	2	2	2	2	2	2	2	2	2	2	2	2	
14	095-10200	Washer (AN960-416L)	2	2	2	2	2	2	2	2	2	2	2	2	
15	081-00100	Seat-Bleeder	1	1	1	1				1		1	1	1	
	081-00500	Seat-Bleeder					1	1	1			1			
16	079-00300	Screw-Bleeder	1	1	1	1	1	1	1	1	1	1	1	1	
17	183-00100	Cap-Bleeder	1	1	1	1	1	1	1	1	1	1	1	1	
18	101-00600	O-Ring (MS28775-011)					1	1	1			1			
19	104-00500	Fitting (MS20823-4D)			1								1		
19A	104-11200	Fitting										1			
	075-01500	Torque Plate Assembly			S		1	S				S	S	1	
	075-01501	Torque Plate Assembly			E			E				E	E		
	075-04400	Torque Plate Assembly			E			E				E	E		
	075-05300	Torque Plate Assembly													
20	075-05301	Torque Plate Assembly			N			N			1	N	N		
	075-05401	Torque Plate Assembly			O	1		O	1	1		O	O		
	075-05402	Torque Plate Assembly		1	T			T				T	T		
	075-07300	Torque Plate Assembly			E			E				E	E		
	075-08600	Torque Plate Assembly	1		S			S				S	S		
21	145-01000	Bushing				2	2		2	2	2	2	2		



Illustrated Parts List

30-54, 30-54A, 30-54B, 30-54C, 30-58A, 30-58B, 30-61, 30-61D, 30-61E, 30-61F, 30-65, 30-65A, 30-65E

Organic Lining

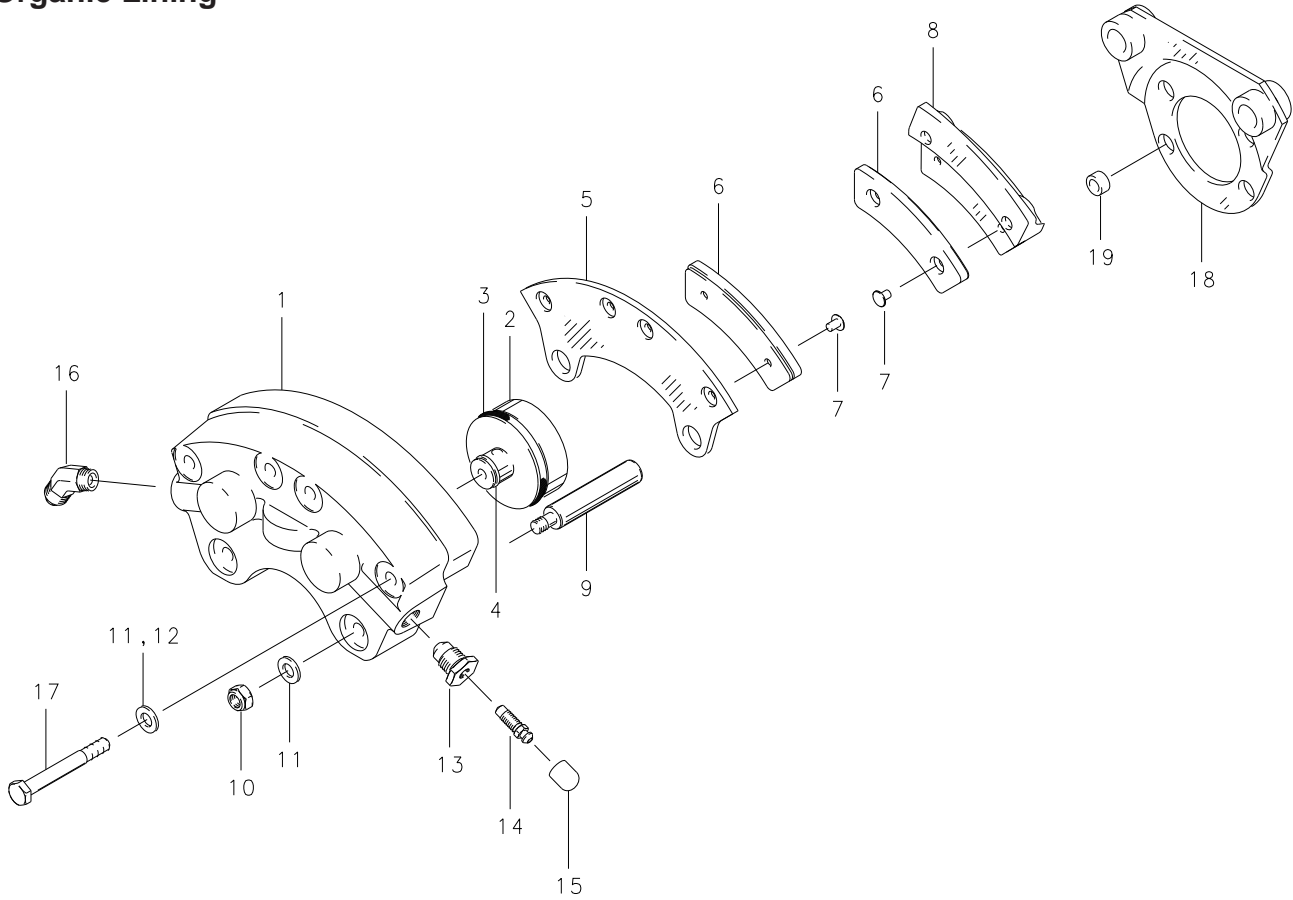


FIG.	PART NO.	DESCRIPTION	PER ASSY.											
			30-54	30-54A	30-54B	30-54C	30-58A (1)	30-58B (1)	30-61	30-61D	30-61E	30-61F (1)	30-65	30-65A
	091-02100	Cylinder Assembly										1		
	091-02400	Cylinder Assembly											1	
	091-02401	Cylinder Assembly												1
	091-02501	Cylinder Assembly	1	1										
	091-02800	Cylinder Assembly						1						
	091-03800	Cylinder Assembly							1					
	091-04100	Cylinder Assembly								1				
	091-09200	Cylinder Assembly			1									
	091-15200	Cylinder Assembly				1								
1	061-01800	Cylinder										1		
	061-01802	Cylinder											1	
	061-02400	Cylinder	1	1	1	1	1	1	1	1	1			1
	092-01600	Piston Assembly	2	2	2	2	2	2		2	2	2	2	2
	092-02100	Piston Assembly							2					
2	062-01500	Piston	2	2	2	2	2	2		2	2	2	2	2
	062-01900	Piston							2					

(Continued on next page)

Cleveland
Wheels & Brakes



Illustrated Parts List

30-54, 30-54A, 30-54B, 30-54C, 30-58A, 30-58B, 30-61, 30-61D, 30-61E, 30-61F, 30-65, 30-65A, 30-65E

Organic Lining

(Continued from previous page)

FIG.	PART NO.	DESCRIPTION	PER ASSY.												
			30-54	30-54A	30-54B	30-54C	30-58A (1)	30-58B (1)	30-61	30-61D	30-61E	30-61F (1)	30-65	30-65A	30-65E
3	101-02700	O-Ring (MS28775-222)	2	2	2	2	2	2	2	2	2	2	2	2	2
4	082-02000	Spring-Friction								2					
	073-01000	Pressure Plate Assembly	1	1					1	1			1		1
	073-04200	Pressure Plate Assembly			1						1			1	
	073-06700	Pressure Plate Assembly				1									
	(2)	Pressure Plate Assembly					1	1				1			
5	063-01100	Pressure Plate	1	1	1	1	1	1	1	1	1	1	1	1	1
6	066-10500	Lining	2	2	2	2			2	2	2		2	2	2
	(2)	Lining					2	2				2			
7	105-00200	Rivet	4	4	4	4	4	4	4	4	4	4	4	4	4
	074-01000	Back Plate Assembly							2	2			2		
	074-01001	Back Plate Assembly	2	2											
	074-02900	Back Plate Assembly									2			2	2
	074-03500	Back Plate Assembly			2										
	074-05100	Back Plate Assembly				2									
	(2)	Back Plate Assembly					2	2				2			
8	064-01500	Back Plate	2	2	2	2	2	2	2	2	2	2	2	2	2
6	066-10500	Lining	2	2	2	2			2	2	2		2	2	2
	(2)	Lining					2	2				2			
7	105-00200	Rivet	4	4	4	4	4	4	4	4	4	4	4	4	4
9	069-00400	Anchor Bolt	2	2	2	2	2	2	2	2		2	2	2	
	069-01900	Anchor Bolt									2				2
10	094-10300	Nut (MS21044-N4)	2	2	2	2	2	2	2	2	2	2	2	2	2
11	095-10200	Washer (AN960-416L)	6	6	6	6	6	6	6	6	6	6	6	6	6
12	095-10400	Washer (AN960-416)											4	4	4
13	081-00100	Seat-Bleeder	1	1	1	1	1	1	1	1	1	1	1	1	1
14	079-00300	Screw-Bleeder	1	1	1	1	1	1	1	1	1	1	1	1	1
15	183-00100	Cap-Bleeder	1	1	1	1	1	1	1	1	1	1	1	1	1
16	104-00300	Fitting (AN8164D)					1	1						1	1
	104-00500	Fitting (MS20823-4D)	1	1		1			1		1	1			
17	103-11800	Bolt	4	4	4	4			4	4	4	4	4	4	4
	103-12400	Bolt (AN4H21A)					4	4							
18	075-00500	Torque Plate Assembly													1
	075-01500	Torque Plate Assembly							1	1	1	1			
	075-03300	Torque Plate Assembly	1												
	075-03301	Torque Plate Assembly		1		1									
	075-03900	Torque Plate Assembly											1		
	075-12600	Torque Plate Assembly			1										
	075-13000	Torque Plate Assembly												1	
(2)	Torque Plate Assembly					1									
19	145-01000	Bushing							2	2	2	2			

NOTES:

- (1) Inactive assembly – spares support only for parts listed.
- (2) Inactive part – no longer available for spares support.



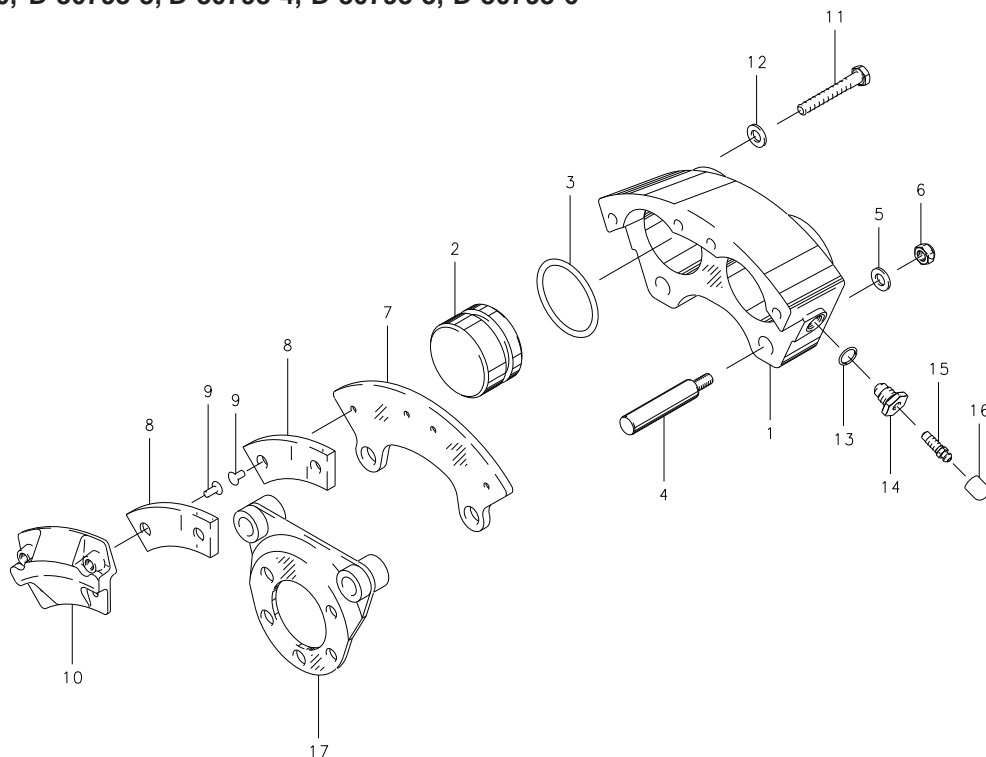
Illustrated Parts List

D-30118-3, D-30118-4, D-30118-5, D-30118-6, D-30118-7, D-30118-8,
D-30118-9, D-30118-10, D-30793-3, D-30793-4, D-30793-5, D-30793-6

Organic Lining

Assy. Number

- A) D-30118-3 (3) (4)
- B) D-30118-4 (3) (4)
- C) D-30118-5 (3) (5)
- D) D-30118-6 (3) (5)
- E) D-30118-7 (3)
- F) D-30118-8 (3)
- G) D-30118-9
- H) D-30118-10
- I) D-30793-3 (3) (6)
- J) D-30793-4 (3) (6)
- K) D-30793-5 (3)
- L) D-30793-6 (3)



NOTES:

- (1) Cylinder sub-assembly includes anchor bolts, nuts and washers to attach.
- (2) All brake assemblies listed were formerly manufactured by "McCauley Industrial Corporation".
- (3) Inactive assembly – spares support only for parts listed.
- (4) Superseded by 30-52U per Cessna Service Bulletin SEB00-5. Also superseded by conversion kit. See Conversion Kit Directory for applicable Aircraft model.
- (5) Superseded equipment – refer to Cessna Service Bulletin SEB00-5 and Cessna Service Kit SK182-120 for replacement wheels and brakes.
- (6) Superseded by 30-241.
- (7) Inactive part – no longer available for spares support.

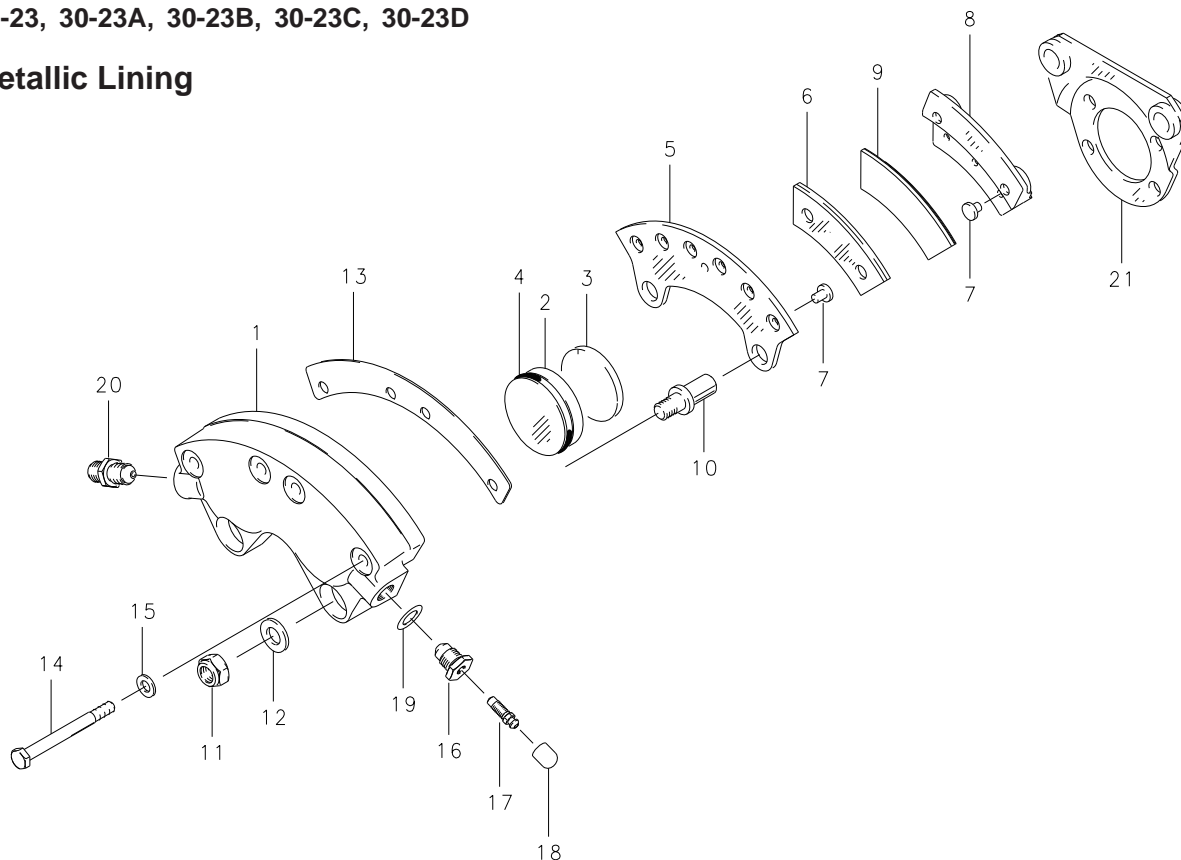
FIG.	PART NUMBER	DESCRIPTION	QTY. PER ASSY.												
			A	B	C	D	E	F	G	H	I	J	K	L	
	091-30118	Cylinder Assembly	1	1	1	1	1	1	1	1	1				
	091-30793	Cylinder Assembly										1	1	1	1
	(7)	Cylinder Sub-Assembly (1)	1	1	1	1	1	1	1	1	1	1	1	1	1
1	(7)	Cylinder	1	1	1	1	1	1	1	1	1	1	1	1	1
2	062-30161	Piston	2	2	2	2	2	2	2	2	2	2	2	2	2
3	101-02700	O-Ring (MS28775-222)	2	2	2	2	2	2	2	2	2	2	2	2	2
4	069-30644	Anchor Bolt	2	2	2	2	2	2	2	2	2	2	2	2	2
5	095-10200	Washer (AN960-416L)	2	2	2	2	2	2	2	2	2	2	2	2	2
6	094-15200	Nut	2	2	2	2	2	2	2	2	2	2	2	2	2
	(7)	Pressure Plate Assy.	1	1	1	1	1	1	1	1	1	1	1	1	1
7	(7)	Plate-Pressure	1	1	1	1	1	1	1	1	1	1	1	1	1
8	066-30026	Lining	2	2	2	2	2	2	2	2	2	2	2	2	2
9	105-00200	Rivet	4	4	4	4	4	4	4	4	4	4	4	4	4
	074-30027	Back Plate Assy.	2	2	2	2	2	2	2	2	2	2	2	2	2
10	064-30028	Plate-Back	2	2	2	2	2	2	2	2	2	2	2	2	2
8	066-30026	Lining	2	2	2	2	2	2	2	2	2	2	2	2	2
9	105-00200	Rivet	4	4	4	4	4	4	4	4	4	4	4	4	4
11	103-14300	Bolt	4	4	4	4	4	4	4	4	4	4	4	4	4
12	095-10400	Washer (AN960-416)	4	4	4	4	4	4	4	4	4	4	4	4	4
13	101-00600	O-Ring (MS28775-011)	1	1	1	1	1	1	1	1	1	1	1	1	1
14	081-30169	Seat-Bleeder	1	1	1	1	1	1	1	1	1	1	1	1	1
15	079-00300	Screw-Bleeder	1	1	1	1	1	1	1	1	1	1	1	1	1
16	183-00100	Cap-Bleeder	1	1	1	1	1	1	1	1	1	1	1	1	1
17	075-30107-1	Torque Plate Assy.	1									1			
	075-30107-2	Torque Plate Assy.		1									1		
	075-30107-3	Torque Plate Assy.								1					
	075-30107-4	Torque Plate Assy.									1				
	075-30278-1	Torque Plate Assy.			1		1							1	
	075-30278-2	Torque Plate Assy.				1		1							1



Illustrated Parts List

30-23, 30-23A, 30-23B, 30-23C, 30-23D

Metallic Lining



Assy. Number

- A) 30-23 (3) (4)
- B) 30-23A (1) (2) (4)
- C) 30-23B (4)
- D) 30-23C (4)
- E) 30-23D (4)

NOTES:

- (1) Inactive assembly – spares support only for parts listed.
- (2) 30-23C supersedes 30-23A.
- (3) 30-23: 061-06500 Cylinder supersedes 061-01000 Cylinder & 068-01200 Shim.
- (4) Torque plate, Item 21, supplied by airframe manufacturer.
- (5) Inactive part – no longer available for spares support.

FIG.	PART NUMBER	DESCRIPTION	QTY. PER ASSY.				
			A	B	C	D	E
	091-01300	Cylinder Assy.	1				
	091-08600	Cylinder Assy.				1	
	091-19100	Cylinder Assy.					1
1	061-06500	Cylinder	1		1	1	1
	(5)	Cylinder		1			
	092-00800	Piston Assy.	2	2	2	2	2
2	062-00700	Piston	2	2	2	2	2
3	088-00100	Insulator	2	2	2	2	2
4	101-02700	O-Ring (MS28775-222)	2	2	2	2	2
	073-03800	Pressure Plate Assy.	1	1	1	1	1
5	063-00600	Pressure Plate	1	1	1	1	1
6	066-06500	Lining	2	2	2	2	2
7	177-00300	Pin	4	4	4	4	4
	074-02300	Back Plate Assy.	2	2	2	2	2
8	064-00500	Back Plate	2	2	2	2	2
9	066-06200	Lining	2	2	2	2	2
7	177-00300	Pin	4	4	4	4	4
10	069-00200	Anchor Bolt	2	2	2	2	
	069-02600	Anchor Bolt					2
11	094-10100	Nut (MS21042-6)	2	2	2	2	2
12	095-10100	Washer (AN960-616L)	2	2	2	2	2
13	068-01100	Shim-Insulator	1	1	1	1	1
14	103-12200	Bolt (AN4H16A)	4	4	4	4	4
15	095-10200	Washer (AN960-416L)	4	4	4	4	4
16	081-00200	Seat-Bleeder	1	1	1	1	1
17	079-00300	Screw-Bleeder	1	1	1	1	1
18	0183-00100	Cap-Bleeder	1	1	1	1	1
19	101-00700	O-Ring (MS28775-012)	2	2	2	2	2
20	104-00200	Fitting (AN815-4D)	1		1		
	104-02200	Fitting (AN919-2D)		1		1	1

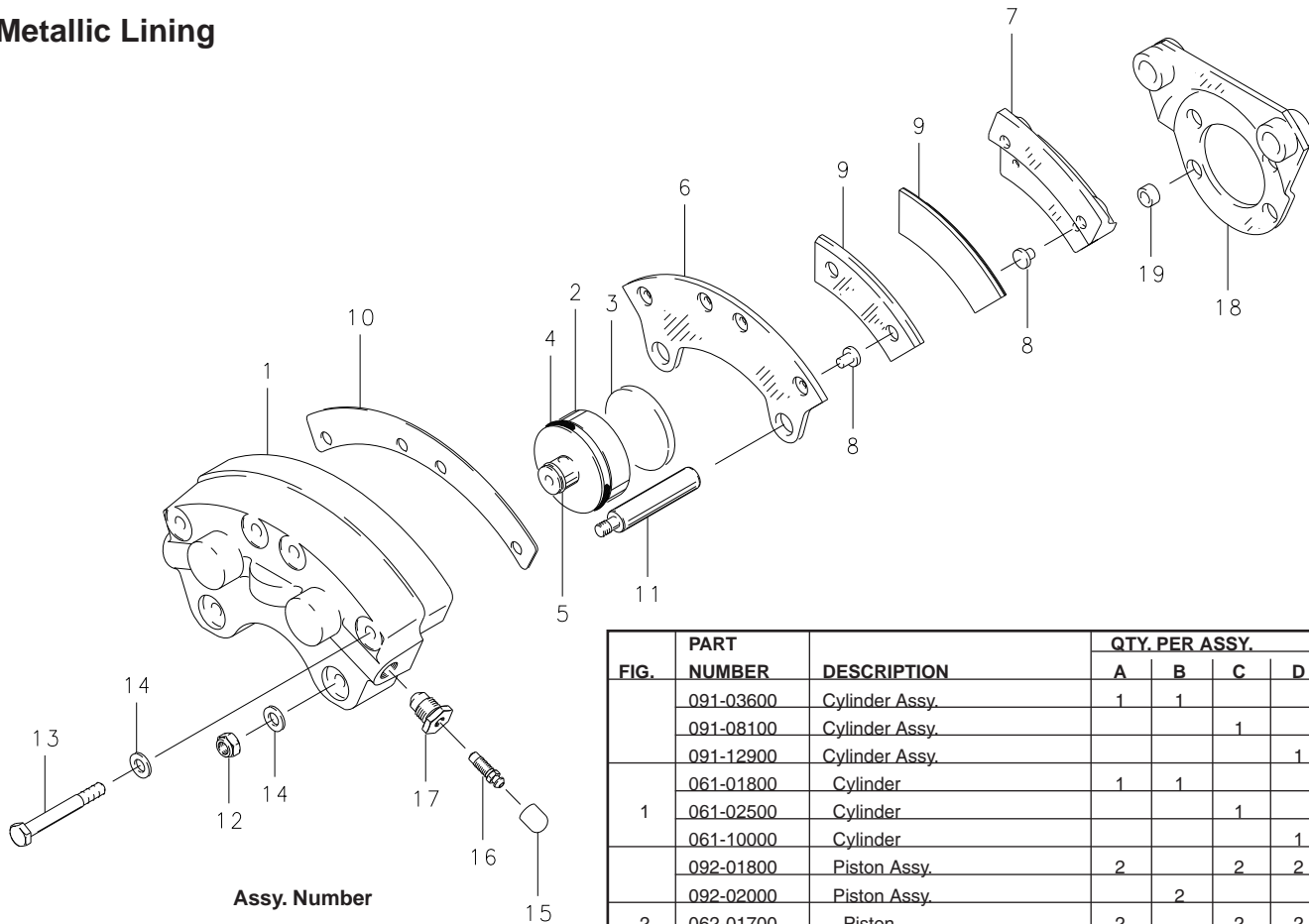
Cleveland
Wheels & Brakes



Illustrated Parts List

30-61A, 30-61B, 30-83, 30-83A

Metallic Lining



Assy. Number

- A) 30-61A (1)
- B) 30-61B (2)
- C) 30-83
- D) 30-83A

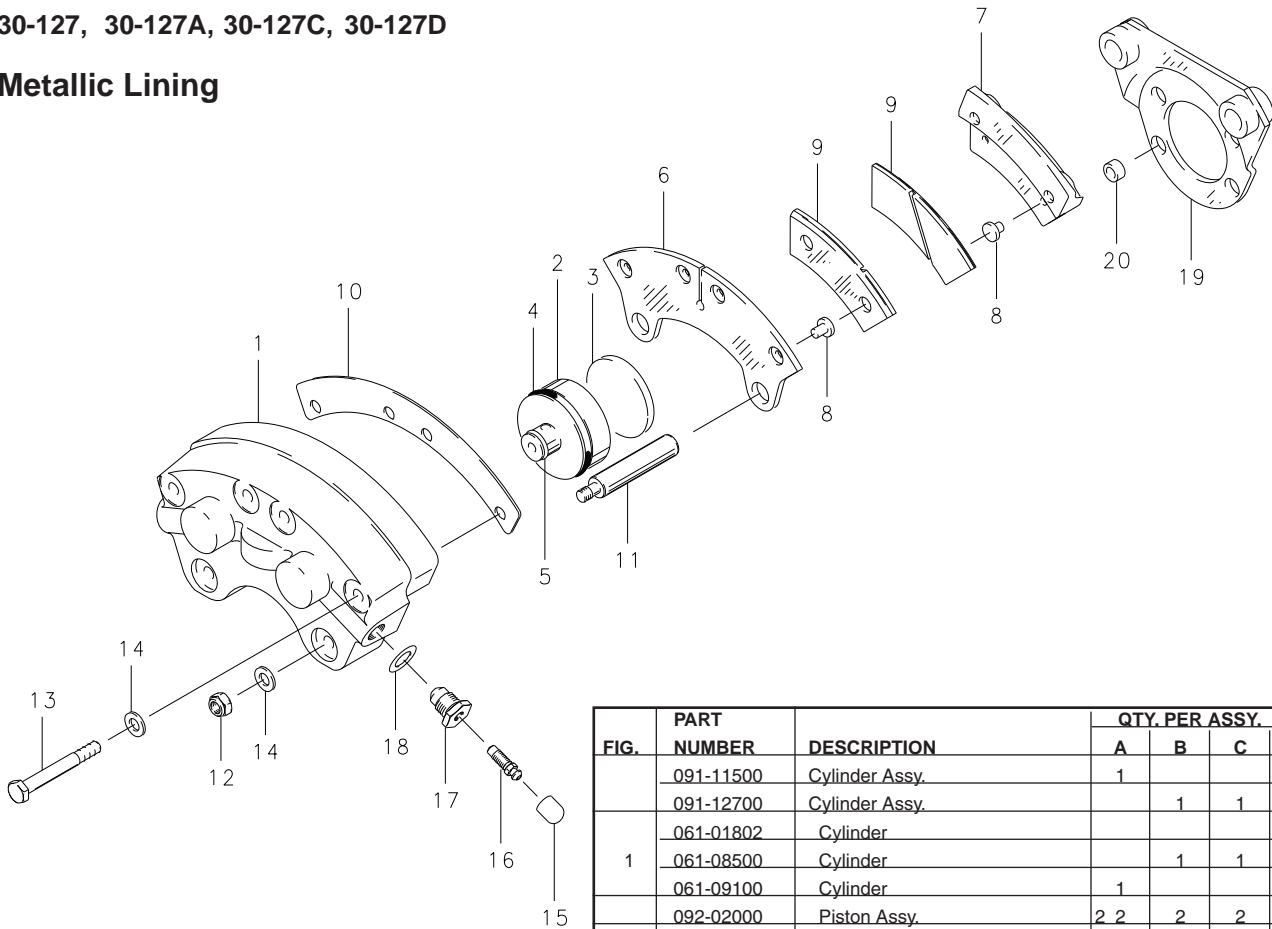
NOTES:

- (1) Inactive assembly – spares support only for parts listed.
- (2) This brake is not FAA-TSO approved – order from airframe manufacturer only.

FIG.	PART NUMBER	DESCRIPTION	QTY. PER ASSY.			
			A	B	C	D
	091-03600	Cylinder Assy.	1	1		
	091-08100	Cylinder Assy.			1	
	091-12900	Cylinder Assy.				1
1	061-01800	Cylinder	1	1		
	061-02500	Cylinder			1	
	061-10000	Cylinder				1
	092-01800	Piston Assy.	2		2	2
	092-02000	Piston Assy.		2		
2	062-01700	Piston	2		2	2
	062-01800	Piston		2		
3	088-00100	Insulator	2	2	2	2
4	101-02700	O-Ring (MS28775-222)	2	2	2	2
5	082-02000	Spring-Friction		2		
	073-01600	Pressure Plate Assy.	1	1		
6	073-02700	Pressure Plate Assy.			1	1
	063-01100	Pressure Plate	1	1	1	1
	074-01400	Back Plate Assy.	2	2		
	074-03000	Back Plate Assy.			2	2
7	064-01500	Back Plate	1	1	1	1
8	177-00300	Pin-Lining	8	8	8	8
	066-03600	Lining	4	4		
9	066-06200	Lining			4	4
	068-01100	Shim-Insulator	1	1	1	1
11	069-00400	Anchor Bolt	2	2	2	2
12	094-10300	Nut (MS21044-N4)	2	2	2	2
	103-11700	Bolt			4	4
13	103-11800	Bolt	4			
	103-12400	Bolt (AN4H21A)		4		
14	095-10200	Washer (AN960-416L)	6		6	6
	095-10400	Washer (AN960-416)		6		
15	183-00100	Cap-Bleeder	1	1	1	1
16	079-00300	Screw-Bleeder	1	1	1	1
17	081-00100	Seat-Bleeder	1	1	1	1
18	075-01500	Torque Plate Assy.	1	1		
	075-03900	Torque Plate Assy.			1	1
19	145-01000	Bushing-T.P.	2	2		

30-127, 30-127A, 30-127C, 30-127D

Metallic Lining



Assy. Number

- A) 30-127
- B) 30-127A
- C) 30-127C (1) (2)
- D) 30-127D

NOTES:

- (1) Uses 075-13800 Torque Plate Assy. for left hand brake and 075-13850 for right hand brake.
- (2) When reordering, specify LH or RH.

FIG.	PART NUMBER	DESCRIPTION	QTY. PER ASSY.			
			A	B	C	D
1	091-11500	Cylinder Assy.	1			
	091-12700	Cylinder Assy.		1	1	1
	061-01802	Cylinder				
	061-08500	Cylinder		1	1	1
	061-09100	Cylinder	1			
	092-02000	Piston Assy.	2	2	2	2
2	062-01800	Piston	2	2	2	2
3	088-00100	Insulator	2	2	2	2
4	101-02700	O-Ring (MS28775-222)	2	2	2	2
5	082-02000	Spring-Friction	2	2	2	2
	073-05800	Pressure Plate Assy	1	1	1	1
6	063-04500	Pressure Plate	1	1	1	1
	074-03000	Back Plate Assy.	2	2	2	2
7	064-01500	Back Plate	2	2	2	2
8	177-00300	Pin-Lining	8	8	8	8
9	066-06200	Lining	4	4	4	4
10	068-01100	Shim-Insulator	1	1	1	1
11	069-00400	Anchor Bolt	2	2	2	1
12	094-10300	Nut (MS21044-N4)	2	2	2	2
13	103-11800	Bolt	4	4	4	4
14	095-10400	Washer (AN960-416)	6	6	6	6
15	183-00100	Cap-Bleeder	1	1	1	1
16	079-00300	Screw-Bleeder	1	1	1	1
17	081-00100	Seat-Bleeder	1			
	081-00500	Seat-Bleeder		1	1	1
18	101-00600	O-Ring (MS28775-011)		1	1	1
19	075-20200	Torque Plate Assy.				1
	075-14300	Torque Plate Assy.		1		
	075-14500	Torque Plate Assy.	1			
20	145-01000	Bushing-T.P.	2			



Illustrated Parts List

30-129, 30-233, 30-233A, 30-233B

Metallic Lining

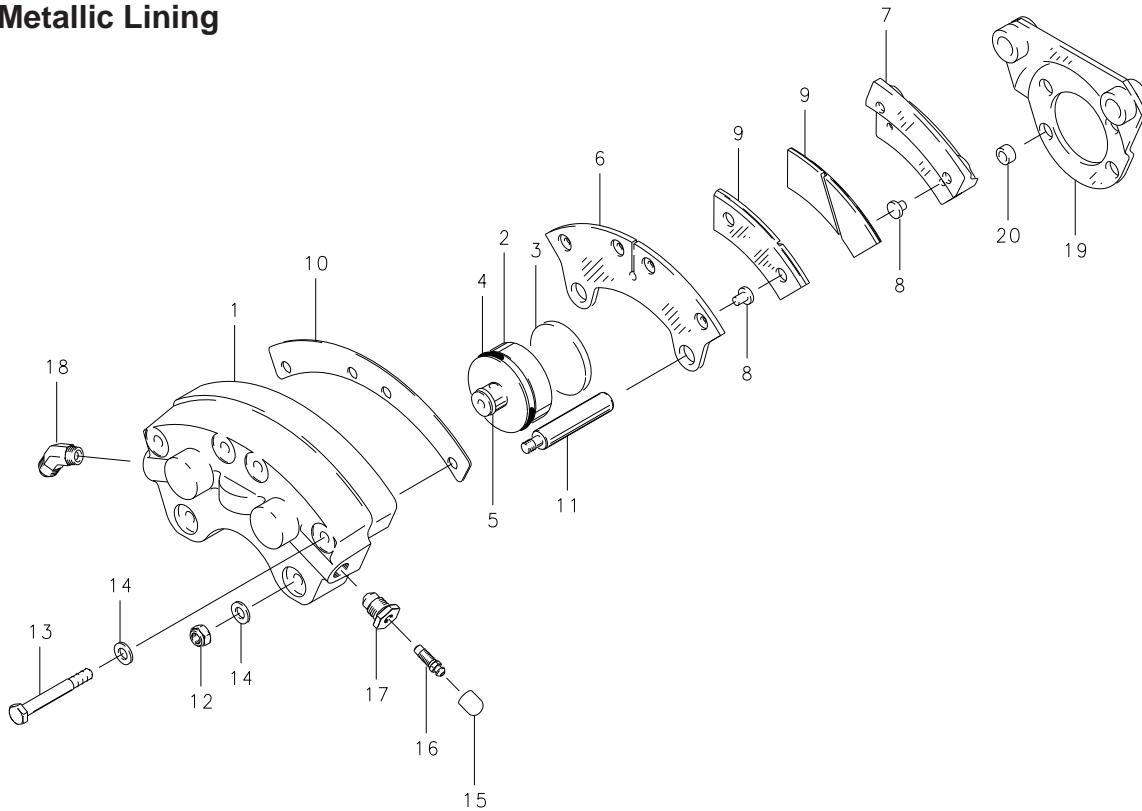


FIG.	PART NO.	DESCRIPTION	PER ASSY.			
			30-129	30-233	30-233A	30-233B
	091-12300	Cylinder Assembly	1			
	091-21200	Cylinder Assembly		1		
	091-21201	Cylinder Assembly			1	
	091-21202	Cylinder Assembly				1
1	061-01802	Cylinder	1	1	1	1
	092-02000	Piston Assembly	2	2	2	
	092-08600	Piston Assembly				2
2	062-01800	Piston	2	2	2	2
3	088-00100	Insulator	2	2	2	2
4	101-02700	O-Ring (MS28775-222)	2	2	2	
	101-34500	O-Ring				2
5	082-02000	Spring-Friction	2	2	2	2
	073-02700	Pressure Plate Assembly	1	1	1	1
6	063-01100	Pressure Plate	1	1	1	1
8	177-00300	Pin-Lining	4	4	4	4
9	066-06200	Lining	2	2	2	2
	074-03000	Back Plate Assembly	2	2	2	2
7	064-01500	Back Plate	2	2	2	2
8	177-00300	Pin-Lining	4	4	4	4
9	066-06200	Lining	2	2	2	2

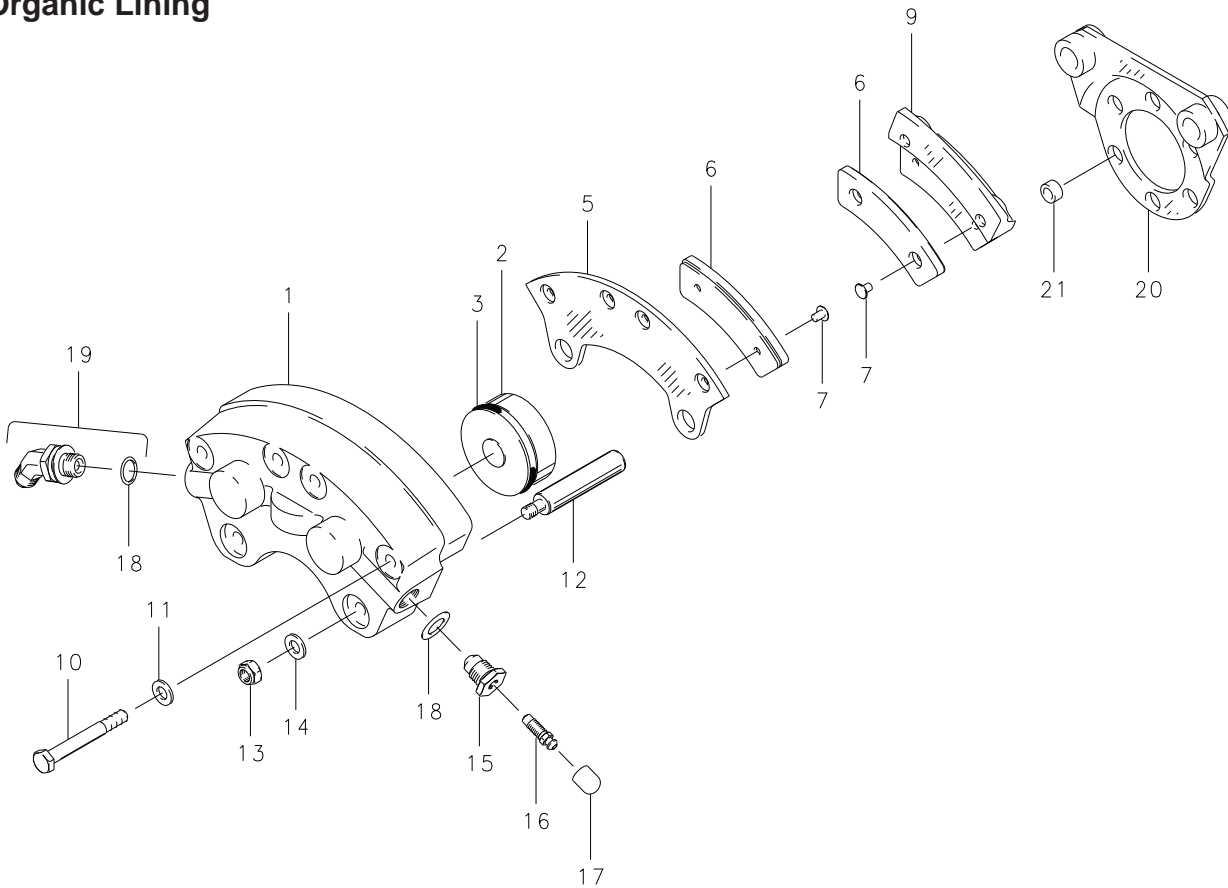
FIG.	PART NO.	DESCRIPTION	PER ASSY.			
			30-129	30-233	30-233A	30-233B
10	068-01100	Shim-Insulator	1	1	1	1
	069-00400	Anchor Bolt	2			
11	069-01900	Anchor Bolt		2		2
	069-02500	Anchor Bolt			2	
12	094-10300	Nut (MS21044-N4)	2	2	2	2
13	103-11800	Bolt	4	4	4	4
14	095-10400	Washer (AN960-416)	2	2	2	2
15	183-00100	Cap-Bleeder	1	1	1	1
16	079-00300	Screw-Bleeder	1	1	1	1
17	081-00100	Seat-Bleeder	1	1	1	1
18	104-00500	Inlet Fitting (MS20823-4D)		1	1	1
	075-01500	Torque Plate Assembly		1		1
19	075-05402	Torque Plate Assembly	1			
	075-20400	Torque Plate Assembly			1	
20	145-01000	Bushing-Torque Plate		2		

Cleveland
Wheels & Brakes



30-241

Organic Lining



Assy. Number

A) 30-241 (1)

NOTES:

(1) High corrosion resistant, amphibious equipment.

FIG.	PART NUMBER	DESCRIPTION	QTY. PER ASSY.
	091-21600	Cylinder Assy.	1
1	061-16600	Cylinder	1
2	062-10700	Piston	2
3	101-02700	O-Ring (MS28775-222)	2
4	073-04200	Pressure Plate Assy.	1
5	063-01100	Pressure Plate	1
6	066-10500	Lining	2
7	105-00200	Rivet	4
8	074-02900	Back Plate Assy.	2
9	064-01500	Back Plate	2
6	066-10500	Lining	2
7	105-00200	Rivet	4
10	103-85500	Bolt (MS21250H04026)	4
11	095-14300	Washer (MS20002C4)	4
12	069-03100	Anchor Bolt	2
13	094-10300	Nut (MS21044-N4)	2
14	095-10400	Washer (AN960-416)	2
15	081-00200	Seat-Bleeder	1
16	079-00300	Screw-Bleeder	1
17	183-00100	Cap-Bleeder	1
18	101-00700	O-Ring (MS28775-012)	2
19	104-04700	Fitting	1
20	075-20700	Torque Plate Assy.	1
21	145-01000	Bushing	2

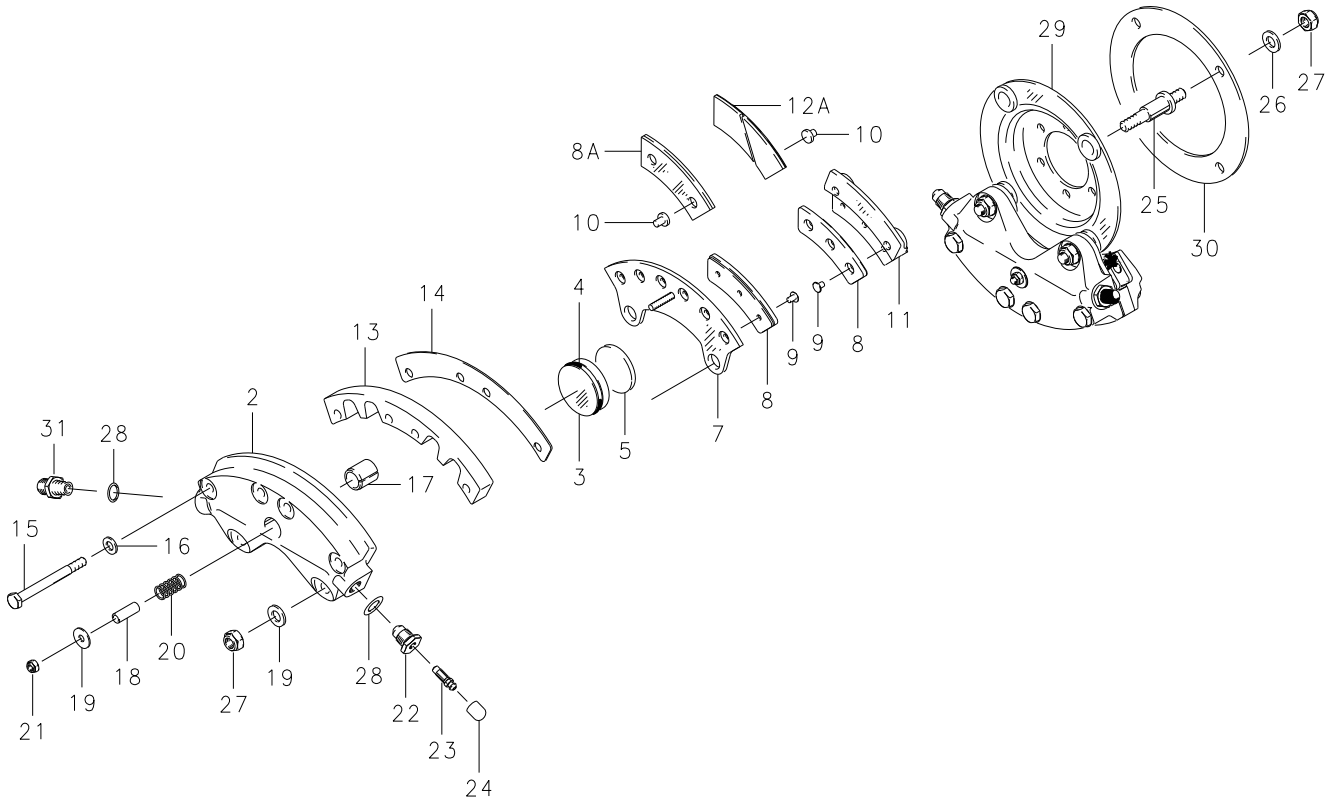
Cleveland
 Wheels & Brakes



Illustrated Parts List

37-200-2 (30-8), 37-200A (30-72)

Organic Lining
Metallic Lining



Cleveland
Wheels & Brakes



Illustrated Parts List

37-200-2 (30-8), 37-200A (30-72)

Organic Lining
Metallic Lining

FIG.	PART NUMBER	DESCRIPTION	QTY. PER ASSY.	
			A	B
1	091-00100	Cylinder Assy.	2	
	091-03401	Cylinder Assy.		2
2	061-00400	Cylinder	2	
	061-03000	Cylinder		2
	092-00200	Piston Assy.	4	
	092-00900	Piston Assy.		4
3	062-00300	Piston	4	
	062-00800	Piston		4
4	101-02300	O-Ring (MS28775-218)	4	4
5	088-00200	Insulator		4
	073-00200	Pressure Plate Assy.	2	
	073-02900	Pressure Plate Assy.		2
7	184-00100	Pressure Plate	2	2
8	066-10600	Lining	4	
8A	066-06500	Lining		4
9	105-00200	Rivet	12	
10	177-00300	Pin		8
	074-00200	Back Plate Assy.	4	
	074-02300	Back Plate Assy.		4
11	064-00500	Back Plate	4	4
8	066-10600	Lining	4	
12A	066-06200	Lining		4
9	105-00200	Rivet	12	
10	177-00300	Pin		8
13	068-00600	Shim	2	2
14	068-01100	Shim-Insulator		2
15	103-12400	Bolt (AN4H21A)	8	8
16	095-10200	Washer (AN960-416L)	8	8
17	071-00100	Cylinder-Retract	2	2
18	067-00400	Spacer	2	2
19	095-00200	Washer	2	2
20	082-00500	Spring	2	2
21	094-10200	Nut (NASM21083N3)	2	2
22	081-00100	Seat-Bleeder	2	
	081-00200	Seat-Bleeder		2
23	079-00300	Screw-Bleeder	2	2
24	183-00100	Cap-Bleeder	2	2
25	069-00300	Anchor Bolt	4	4
26	095-10700	Washer (AN960-516L)	8	8
27	094-10400	Nut (MS21044-N5)	8	8
31	104-00200	Fitting (AN815-4D)		2
28	101-00700	O-Ring (MS28775-012)		4
29	075-00900	Torque Plate Assy.	1	1
30	065-01000	Torque Plate	1	1

Assy. Number

A) 37-200-2 (30-8) (1)

B) 37-200A (30-72) (2)

NOTES:

(1) Organic lining.

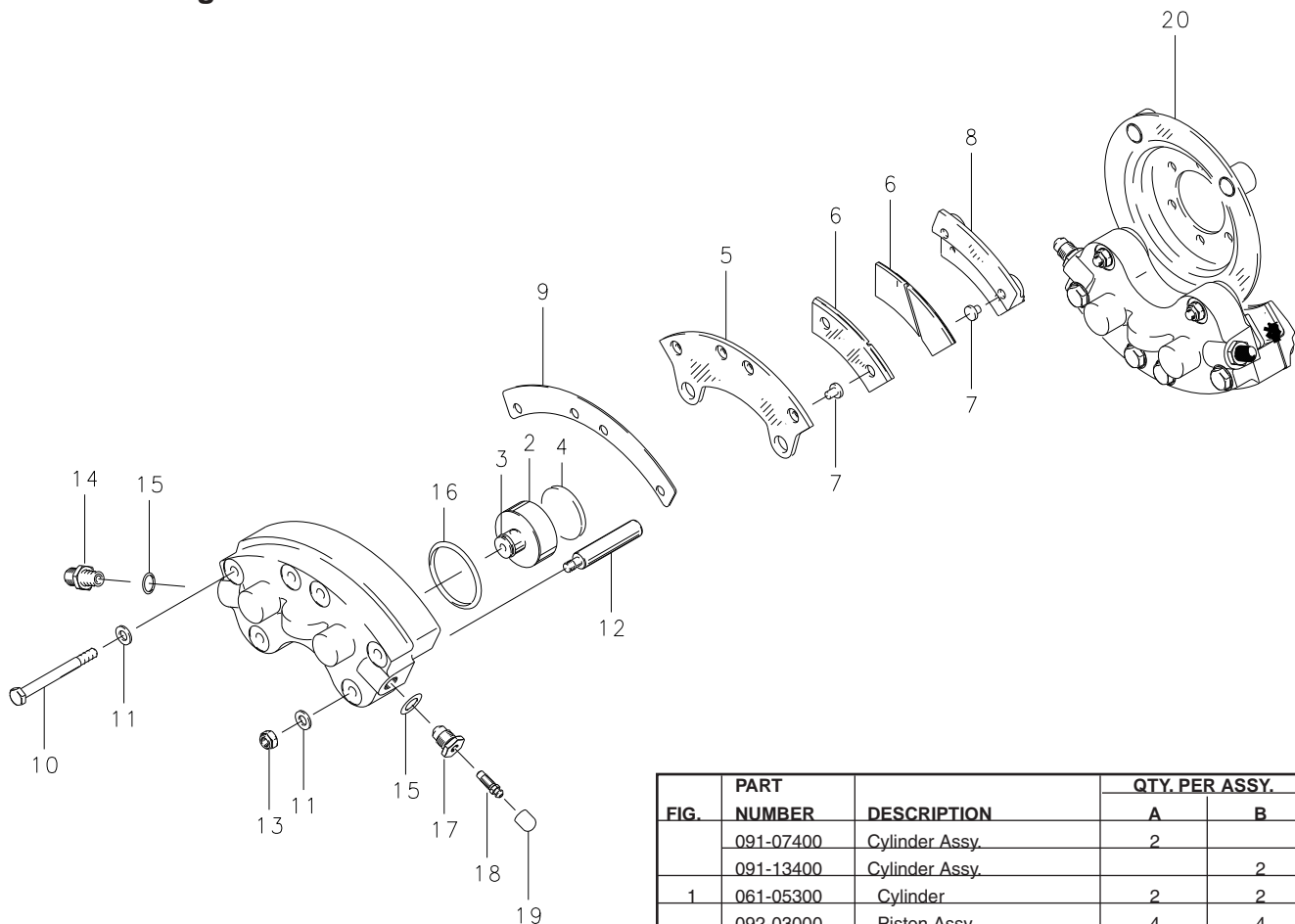
(2) Metallic lining.

Cleveland
Wheels & Brakes

Illustrated Parts List

30-96, 30-139

Metallic Lining



Assy. Number

A) 30-96

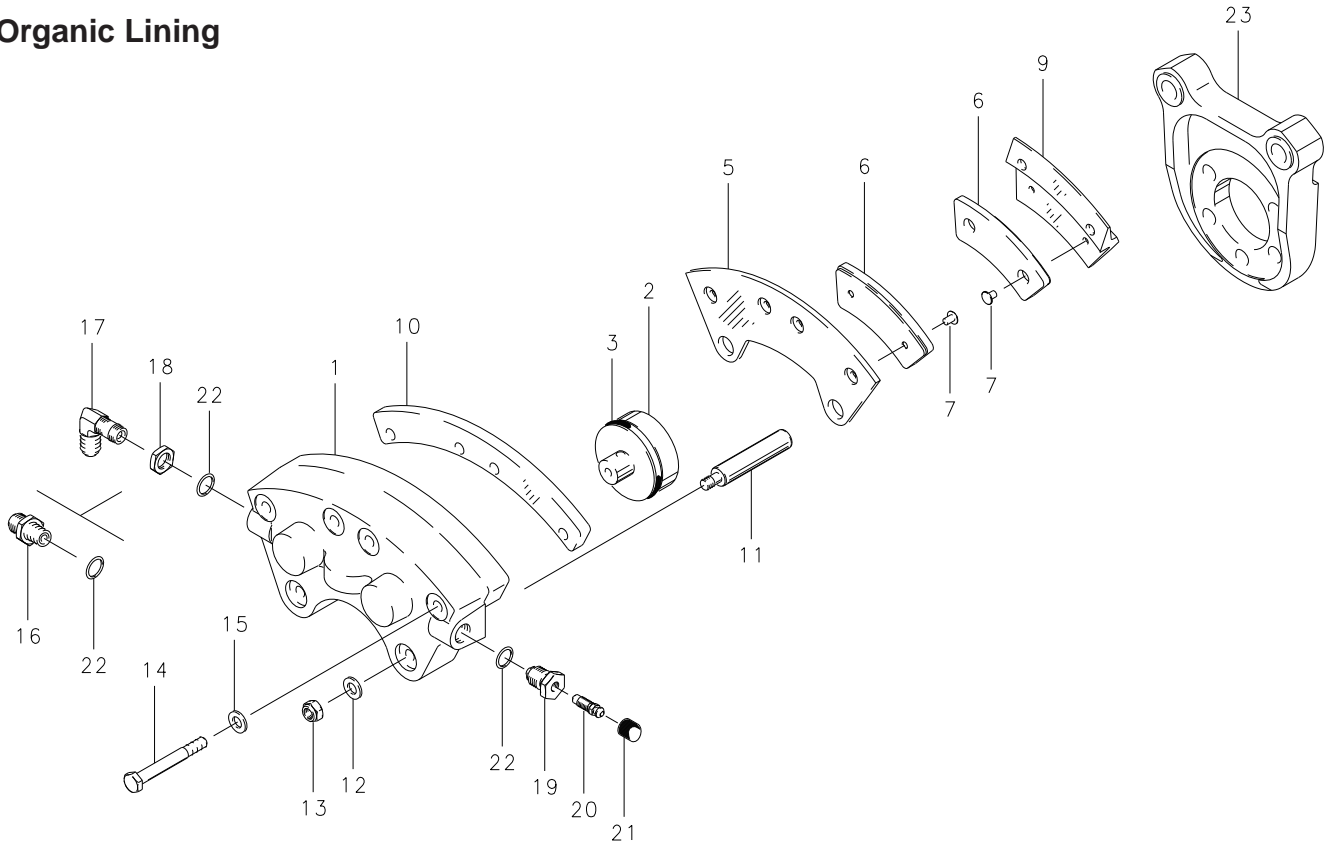
B) 30-139

FIG.	PART NUMBER	DESCRIPTION	QTY. PER ASSY.	
			A	B
1	091-07400	Cylinder Assy.	2	
	091-13400	Cylinder Assy.		2
2	061-05300	Cylinder	2	2
	092-03000	Piston Assy.	4	4
3	062-02500	Piston	4	4
	082-02000	Friction Spring	4	
4	088-00200	Insulator	4	4
	073-02700	Pressure Plate Assy.	2	2
5	063-01100	Pressure Plate	2	2
	066-06200	Lining	4	4
7	177-00300	Pin	8	8
	074-02300	Back Plate Assy.	4	
8	074-04400	Back Plate Assy.		4
	064-00500	Back Plate	4	
6	064-03700	Back Plate		4
	066-06200	Lining	4	4
7	177-00300	Pin	8	8
	068-01100	Shim-Insulator	2	2
10	103-12400	Bolt (AN4H21)	8	8
	095-10400	Washer (AN960-416)	12	12
12	069-00400	Anchor Bolt	4	4
	094-10300	Nut (MS21044-N4)	4	4
14	104-00200	Fitting (AN815-4D)	2	2
	101-00700	O-Ring (MS28775-012)	4	4
16	101-02700	O-Ring (MS28775-222)	4	4
	081-00200	Seat-Bleeder	2	2
18	079-00300	Screw-Bleeder	2	2
	183-00100	Cap-Bleeder	2	2
20	075-10200	Torque Plate Assy.	1	1

Illustrated Parts List

30-66A, 30-66B

Organic Lining



3

FIG.	PART NO.	DESCRIPTION	PER ASSY.	
			30-66A	30-66B
1	091-03500	Cylinder Assembly		1
	091-05200	Cylinder Assembly	1	
1	061-02200	Cylinder	1	1
	092-01600	Piston Assembly	2	2
2	062-01500	Piston	2	2
3	101-02700	O-Ring (MS28775-222)	2	2
4	073-02100	Pressure Plate Assembly	1	1
5	063-01400	Pressure Plate	1	1
6	066-11000	Lining	2	2
7	105-00200	Rivet	4	4
8	074-01700	Back Plate Assembly	2	2
9	064-01700	Back Plate	2	2
6	066-11000	Lining	2	2
7	105-00200	Rivet	4	4
10	068-02500	Shim-Back Plate	1	1

FIG.	PART NO.	DESCRIPTION	PER ASSY.	
			30-66A	30-66B
11	069-00400	Anchor Bolt	2	2
12	095-10200	Washer (AN960-416L)	2	2
13	094-10300	Nut (MS21044-N4)	2	2
14	103-11800	Bolt	4	4
15	095-10400	Washer (AN960-416)	4	4
16	104-00200	Fitting (AN815-4D)	1	
17	104-02300	Fitting (AN833-4D)		1
18	094-90500	Nut (AN924-4D)		1
19	081-00200	Seat-Bleeder	1	1
20	079-00300	Screw-Bleeder	1	1
21	183-00100	Cap-Bleeder	1	1
22	101-00700	O-Ring (MS28775-012)	2	2
23	075-08800	Torque Plate Assembly	1	
	075-09800	Torque Plate Assembly		1

Cleveland
Wheels & Brakes



Illustrated Parts List

30-66, 30-66C, 30-66D, 30-66F, 30-66G, 30-66H, 30-69A, 30-69B, 30-74B, 30-269

Metallic Lining

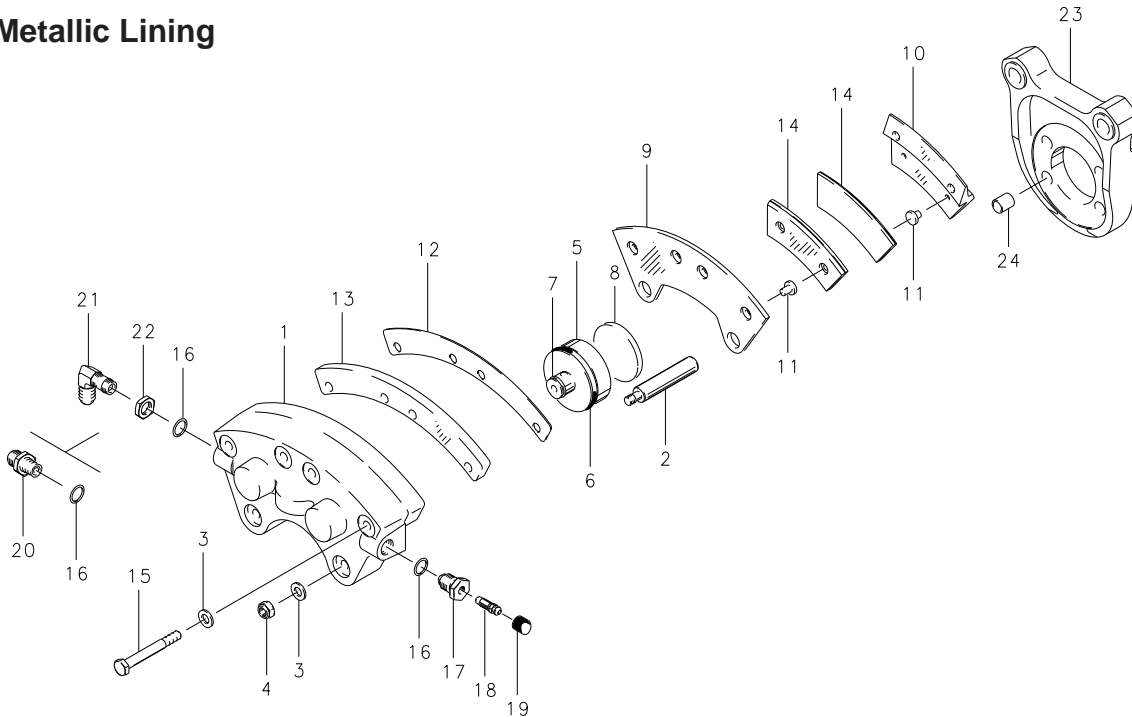


FIG.	PART NO.	DESCRIPTION	PER ASSY.																		
			30-66 (1)	30-66C	30-66D (2) (3)	30-66F	30-66G	30-66H	30-69A	30-69B	30-74B	30-269									
	091-02700	Cylinder Assembly	1																		
	091-02701	Cylinder Assembly									1										
	091-02702	Cylinder Assembly																			1
	091-02900	Cylinder Assembly		1																	
	091-04200	Cylinder Assembly											1								
	091-06500	Cylinder Assembly			1					1											
	091-12500	Cylinder Assembly				1															
	091-13200	Cylinder Assembly																			1
	091-15400	Cylinder Assembly							1												
1	061-02200	Cylinder	1	1	1			1	1	1	1	1	1								1
	061-06100	Cylinder																			1
	061-09500	Cylinder				1															
2	069-00400	Anchor Bolt	2	2	2	2	2	2	2	2	2	2	2								
	069-01900	Anchor Bolt																			2
	069-02800	Anchor Bolt																			2
3	095-10200	Washer (AN960-416L)	6	6	6	6	6	6	6	6	6	6	6	6	6	6	6	6	6	6	6
4	094-10300	Nut (MS21044-N4)	2	2	2	2	2	2	2	2	2	2	2	2	2	2	2	2	2	2	2
	092-01800	Piston Assembly	2	2				2		2											
	092-01801	Piston Assembly																			2
	092-02000	Piston Assembly			2	2			2			2	2	2	2	2	2	2	2	2	
5	062-01700	Piston	2	2				2		2											2
	062-01800	Piston			2	2			2			2	2	2	2	2	2	2	2	2	
6	101-02700	O-Ring (MS28775-222)	2	2	2	2	2	2	2	2	2	2	2	2	2	2	2	2	2	2	
	101-34500	O-Ring (M83461/1-222)																			2
7	082-02000	Spring-Friction			2	2			2			2	2	2	2	2	2	2	2	2	
8	088-00100	Insulator	2	2	2	2	2	2	2	2	2	2	2	2	2	2	2	2	2	2	2

(Continued on next page)

Illustrated Parts List

30-66, 30-66C, 30-66D, 30-66F, 30-66G, 30-66H, 30-69A, 30-69B, 30-74B, 30-269

Metallic Lining

(Continued from previous page)

FIG.	PART NO.	DESCRIPTION	PER ASSY.									
			30-66 (1)	30-66C	30-66D (2) (3)	30-66F	30-66G	30-66H	30-69A	30-69B	30-74B	30-269
9	073-01300 (5) (6) (7)	Pressure Plate Assembly	1	1	1	1	1	1	1	1	1	1
	073-03300	Pressure Plate Assembly										1
	063-01400	Pressure Plate	1	1	1	1	1	1	1	1		1
	063-02900	Pressure Plate										1
11	177-00300	Pin-Lining	4	4	4	4	4	4	4	4	4	4
	074-01200 (8) (9) (10)	Back Plate Assembly	2	2	2	2	2	2	2	2	2	2
	074-02800	Back Plate Assembly										2
10	064-01700	Back Plate	2	2	2	2	2	2	2	2	2	2
11	177-00300	Pin-Lining	4	4	4	4	4	4	4	4	4	4
12	068-01700	Shim-Insulator	1	1	1	1	1	1	1	1	1	1
13	068-02500	Shim-Back Plate		1								
14	066-02200	Lining		4	4			4	4	4		
	066-04400	Lining	4			4						4
	066-06700	Lining									4	
	066-09700	Lining					4					
15	103-11600	Bolt									4	
	103-11700	Bolt	4		4	4	4	4	4	4		4
	103-11800	Bolt		4								
16	101-00600	O-Ring (MS28775-011)				1						
	101-00700	O-Ring (MS28775-012)	2	2	2		2	2	2	2	1	2
17	081-00200	Seat-Bleeder	1	1	1		1	1	1	1	1	1
	081-00500	Seat-Bleeder				1						
18	079-00300	Screw-Bleeder	1	1	1	1	1	1	1	1	1	1
19	183-00100	Cap-Bleeder	1	1	1	1	1	1	1	1	1	1
20	104-00200	Fitting (AN815-4D)	1				1		1	1		1
	104-02200	Fitting (AN919-2D)			1			1				
21	104-02300	Fitting (AN833-4D)		1								
22	094-90500	Nut (AN924-4D)		1								
23	075-04000	Torque Plate Assembly	1				1					
	075-05100	Torque Plate Assembly							1			
	075-05700	Torque Plate Assembly								1		
	075-09900	Torque Plate Assembly		1								
	(4)	Torque Plate Assembly			1							
	075-12000	Torque Plate Assembly									1	
	075-14700	Torque Plate Assembly				1						
	075-19800	Torque Plate Assembly						1				
24	075-23400	Torque Plate Assembly										1
	145-02700	Bushing			2							
	145-14700	Bushing						2				

NOTES:

- (1) Assemblies manufactured after 12/76 use 066-04400 lining, was 066-02200. (2) Inactive assembly - spares support only for parts listed.
- (3) 30-66D superseded by 30-66H per SB7053 (4) Inactive part - no longer available for spares support.
- (5) 073-01301 is the spares replacement for 073-01300 used on 30-66C, -66H, -69A, 30-69B, and includes items 9, 11, and 14.
- (6) 073-01302 is the spares replacement for 073-01300 used on 30-66, 30-66F, 30-269, and includes items 9, 11, and 14.
- (7) 073-01304 is the spares replacement for 073-01300 used on 30-66G and includes items 9, 11, and 14.
- (8) 074-01201 is the spares replacement for 074-01200 used on 30-66, 30-66F, 30-269, and includes items 10, 11, and 14.
- (9) 074-01202 is the spares replacement for 074-01200 used on 30-66C, -66H, -69A, 30-69B, and includes items 10, 11, and 14.
- (10) 074-01203 is the spares replacement for 074-01200 used on 30-66G and includes items 10, 11, and 14.

Cleveland
Wheels & Brakes



Illustrated Parts List

30-293, 30-293 RH

Metallic Lining

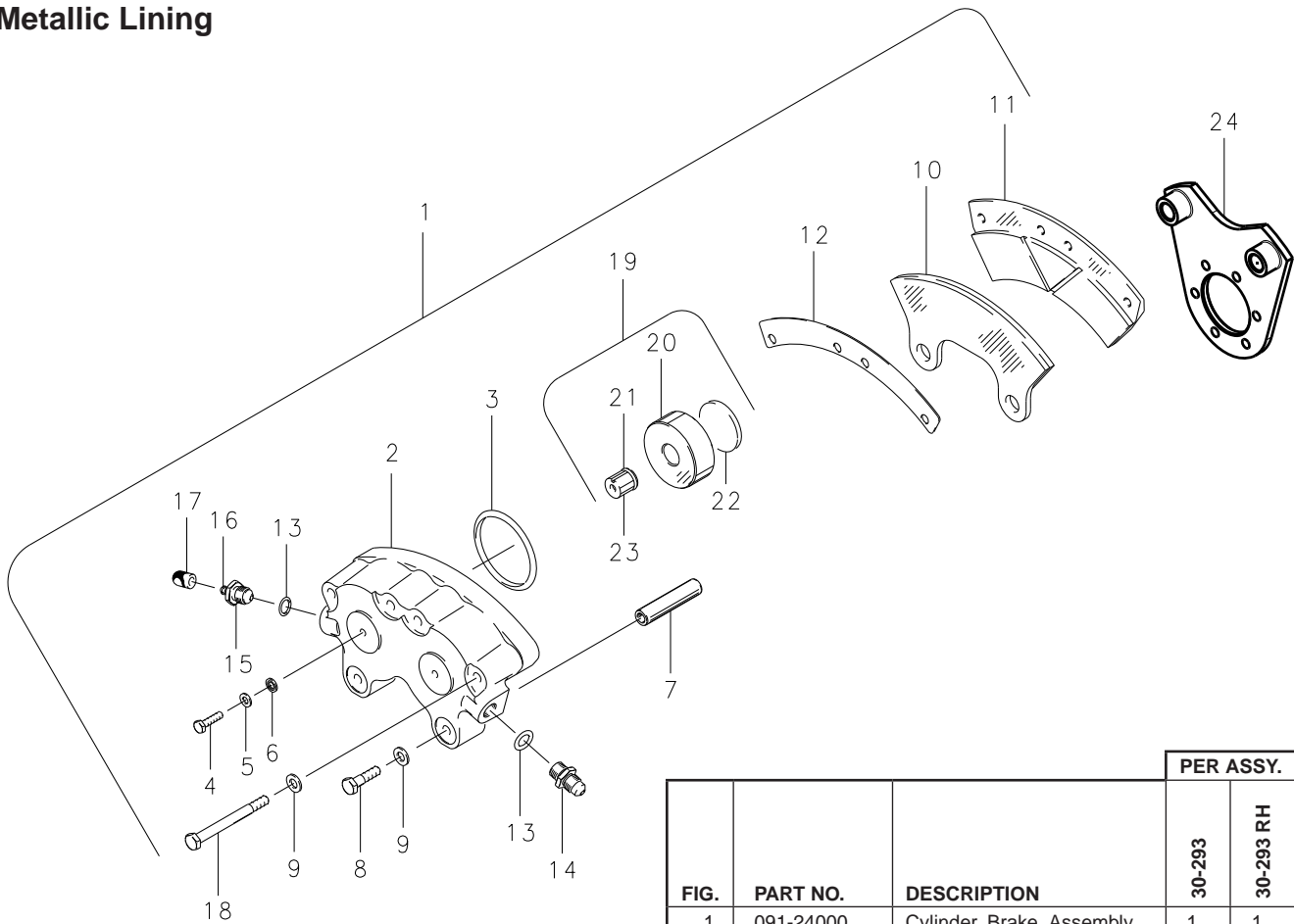


FIG.	PART NO.	DESCRIPTION	PER ASSY.	
			30-293	30-293 RH
1	091-24000	Cylinder, Brake, Assembly	1	1
2	061-10701	Cylinder	1	1
3	101-50225	Packing, Preformed	2	2
4	103-00100	Bolt	2	2
5	095-10800	Washer	2	2
6	095-02600	Washer, Stato Seal	2	2
7	069-02700	Anchor Bolt	2	2
8	103-10100	Bolt	2	2
9	095-10200	Washer	6	6
10	066-09100	Pressure Plate/Lining	1	1
11	066-09200	Back Plate/Lining	1	1
12	068-04100	Insulator Shim	1	1
13	101-24600	Packing, Preformed	2	2
14	104-04900	Fitting	1	1
15	081-00200	Bleeder Seat	1	1
16	079-00300	Bleeder Screw	1	1
17	183-00100	Bleeder Cap	1	1
18	103-11800	Bolt	4	4
19	092-05200	Piston Assembly	2	2
20	062-05600	Piston	2	2
21	082-02000	Friction Spring	2	2
22	088-00200	Insulator	2	2
23	139-09300	Piston Guide	2	2
24	065-23500	Torque Plate	1	
	065-23550	Torque Plate		1

Cleveland
Wheels & Brakes



Illustrated Parts List

30-93, 30-93A, 30-93B, 30-93C, 30-93D, 30-93E, 30-145

Metallic Lining

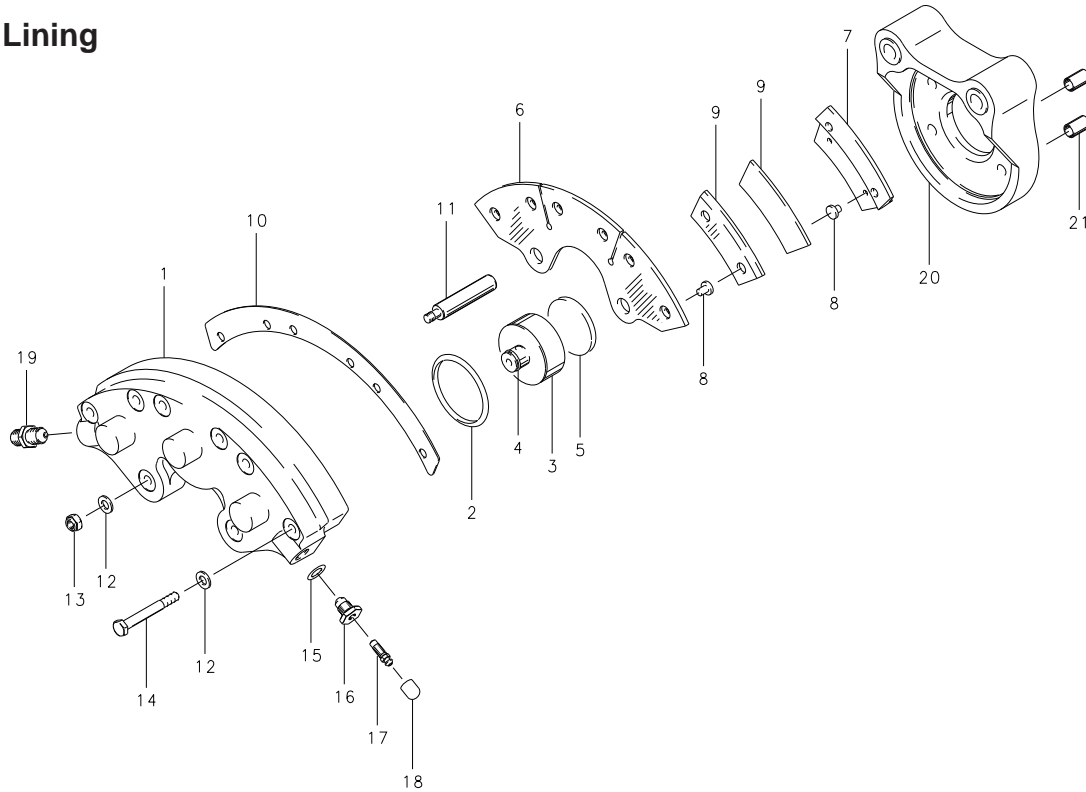


FIG.	PART NO.	DESCRIPTION	PER ASSY.						
			30-93	30-93A	30-93B	30-93C	30-93D (1) (2)	30-93E	30-145
	091-06800	Cylinder Assembly		1					
	091-06801	Cylinder Assembly	1		1		1		
	091-13700	Cylinder Assembly							1
	091-15500	Cylinder Assembly				1			
	091-19600	Cylinder Assembly						1	
1	061-05200	Cylinder		1					
	061-05201	Cylinder	1		1	1	1		1
	061-14900	Cylinder						1	
2	101-23200	O-Ring (MS28775-132)	3	3	3	3	3	3	3
	092-02800	Piston Assembly	3	3	3	3	3	3	3
3	062-02600	Piston	3	3	3	3	3	3	3
4	082-02000	Friction Ring	3	3	3	3	3	3	3
5	088-00100	Insulator	3	3	3	3	3	3	3
	073-02500 (3) (4) (5)	Pressure Plate Assembly	1	1	1	1	1	1	
	073-06100 (6)	Pressure Plate Assembly							1
6	063-02400	Pressure Plate	1	1	1	1	1	1	1
8	177-00300	Pin	6	6	6	6	6	6	6

(Continued on next page)

Illustrated Parts List

30-93, 30-93A, 30-93B, 30-93C, 30-93D, 30-93E, 30-145

Metallic Lining

(Continued from previous page)

FIG.	PART NO.	DESCRIPTION	PER ASSY.						
			30-93	30-93A	30-93B	30-93C	30-93D (1) (2)	30-93E	30-145
	074-01200 (7) (8) (9)	Back Plate Assembly	3	3	3	3	3	3	
	074-04600 (10)	Back Plate Assembly							3
7	064-01700	Back Plate	3	3	3	3	3	3	
	064-03900	Back Plate							3
8	177-00300	Pin	6	6	6	6	6	6	6
9	066-02200	Lining		6					
	066-04400	Lining	6		6		6	6	
	066-09700	Lining				6			6
10	068-02700	Shim-Insulator	1	1	1	1	1	1	1
11	069-00400	Anchor Bolt	2	2	2	2	2		2
	069-02500	Anchor Bolt						2	
12	095-10200	Washer (AN960-416L)	8	8	8	8	8	2	8
	095-14600	Washer (MS14144-4)						6	
13	094-10300	Nut (MS21044-N4)	2	2	2	2	2	2	2
14	103-11700	Bolt	6	6	6	6	6		6
	103-85500	Bolt (MS28775-012)						6	
15	101-00700	O-Ring (MS28775-012)	1	1	1	1	1	2	1
16	081-00200	Seat-Bleeder	1	1	1	1	1	1	1
17	079-00300	Screw-Bleeder	1	1	1	1	1	1	1
18	183-00100	Cap-Bleeder	1	1	1	1	1	1	1
19	104-02200	Fitting (AN919-2D)						1	
20	075-10900	Torque Plate Assembly		1					
	075-10901	Torque Plate Assembly	1						
	075-12700	Torque Plate Assembly			1	1			
	075-15400	Torque Plate Assembly							1
	075-18700	Torque Plate Assembly						1	
	075-17700 (1)	Torque Plate Assembly					1		
	075-17750 (1)	Torque Plate Assembly					1		
21	145-13600	Bushing						2	

NOTES:

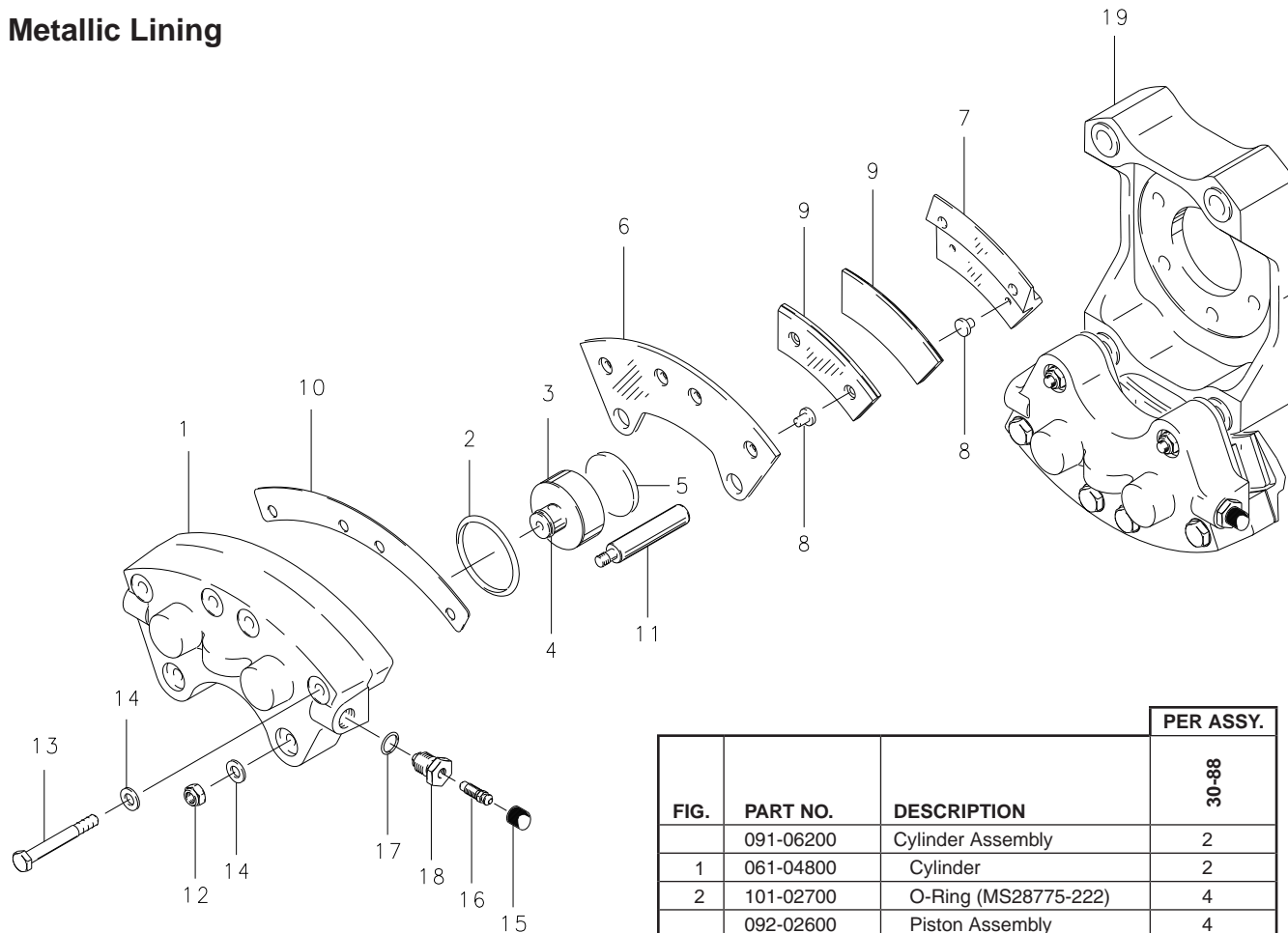
- (1) Uses 075-17700 for left hand brake and 075-17750 for right hand brake.
- (2) When reordering, specify LH or RH.
- (3) 073-02501 is the spares replacement for 073-02500 used on 30-93A and includes items 6, 8, and 9.
- (4) 073-02502 is the spares replacement for 073-02500 used on 30-93, -93B, -93D, and 30-93E and includes items 6, 8, and 9.
- (5) 073-02503 is the spares replacement for 073-02500 used on 30-93C and includes items 6, 8, and 9.
- (6) 073-06101 is the spares replacement for 073-06100 used on 30-145 and includes items 6, 8, and 9.
- (7) 074-01201 is the spares replacement for 074-01200 used on 30-93, -93B, -93D, and 30-93E and includes items 7, 8, and 9.
- (8) 074-01202 is the spares replacement for 074-01200 used on 30-93A and includes items 7, 8, and 9.
- (9) 074-01203 is the spares replacement for 074-01200 used on 30-93C and includes items 7, 8, and 9.
- (10) 074-04601 is the spares replacement for 074-04600 used on 30-145 and includes items 7, 8, and 9.



Illustrated Parts List

30-88

Metallic Lining



NOTES:

- (1) Uses 075-10100 Torque Plate for left hand Brake; 075-10150 Torque Plate for right hand Brake – order separately from airframe manufacturer.
- (2) 073-01301 is the spares replacement for 073-01300 and includes items 6, 8, and 9.
- (3) 074-01202 is the spares replacement for 074-01200 and includes items 7, 8, and 9.

			PER ASSY.
FIG.	PART NO.	DESCRIPTION	30-88
	091-06200	Cylinder Assembly	2
1	061-04800	Cylinder	2
2	101-02700	O-Ring (MS28775-222)	4
	092-02600	Piston Assembly	4
3	062-02500	Piston	4
4	082-02000	Spring-Friction	4
5	088-00200	Insulator	4
	073-01300 (2)	Pressure Plate Assembly	2
6	063-01400	Pressure Plate	2
8	177-00300	Pin	8
	074-01200 (3)	Back Plate Assembly	4
7	064-01700	Back Plate	4
8	177-00300	Pin	8
9	066-02200	Lining	8
10	068-01700	Shim-Insulator	2
11	069-00400	Anchor Bolt	4
12	094-10300	Nut (MS21044-N4)	4
13	103-11800	Bolt	8
14	095-10200	Washer (AN960-416L)	12
15	183-00100	Cap-Bleeder	2
16	079-00300	Screw-Bleeder	2
17	101-00700	O-Ring (MS28775-012)	2
18	081-00200	Seat-Bleeder	2
19	075-10100	Torque Plate Assembly (ref)	Note (1)
	075-10150	Torque Plate Assembly (ref)	Note (1)

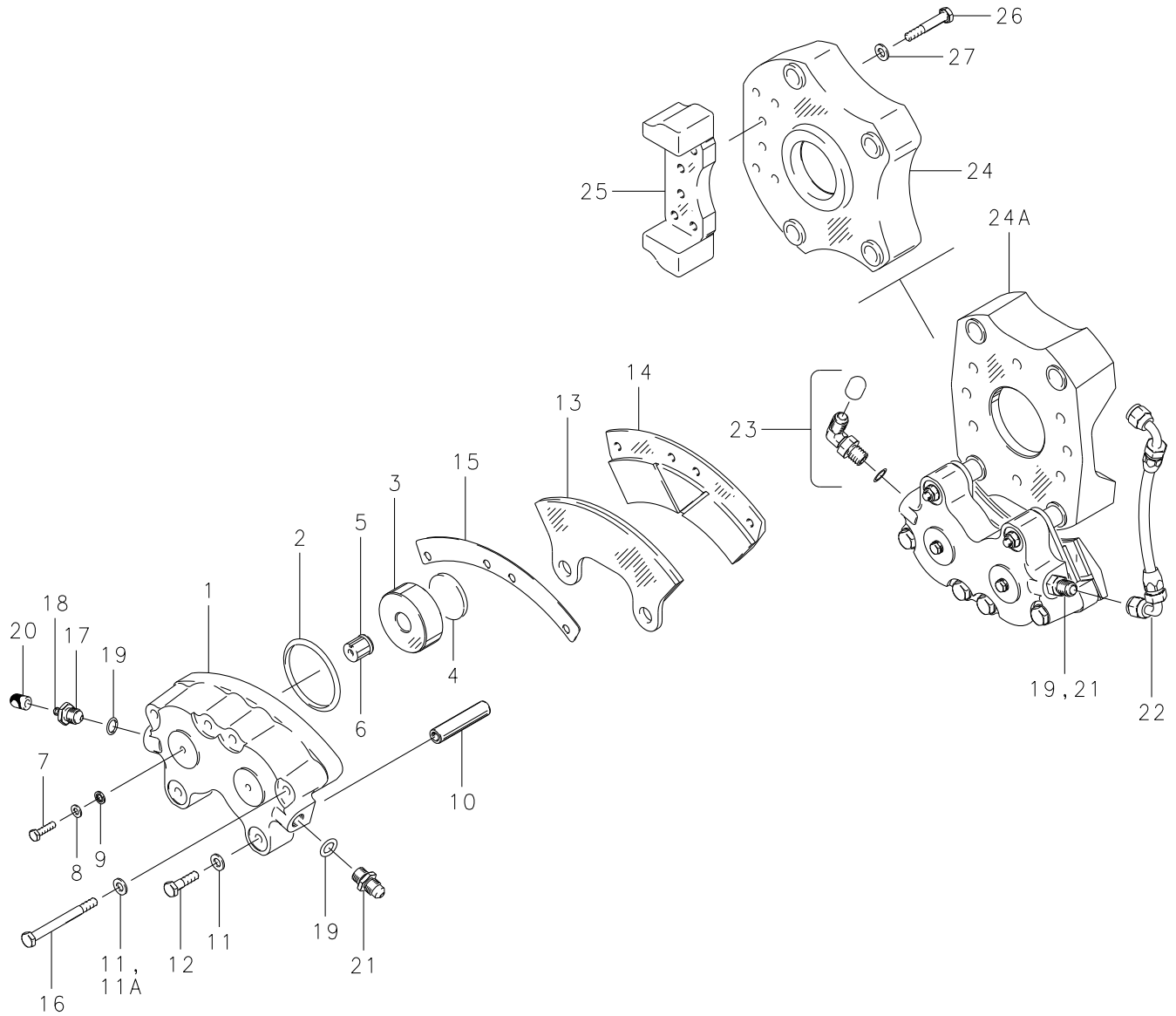
Cleveland
Wheels & Brakes



Illustrated Parts List

30-146, 30-146A, 30-220

Metallic Lining



Cleveland
Wheels & Brakes



Illustrated Parts List

30-146, 30-146A, 30-220

Metallic Lining

FIG.	PART NO.	DESCRIPTION	PER ASSY.		
			30-146 (2)	30-146A (3)	30-220
	091-14000	Cylinder Assembly	2	2	
	091-20600	Cylinder Assembly			2
1	061-10700	Cylinder	2	2	2
2	101-26500	O-Ring (MS28775-225)	4	4	4
	092-05200	Piston Assembly	4	4	4
3	062-05600	Piston	4	4	4
4	088-00200	Insulator	4	4	4
5	082-02000	Friction Spring	4	4	4
6	139-09300	Piston Guide	4	4	4
7	103-00100	Bolt (AN3-5A)	4	4	4
8	095-10800	Washer (AN960-10L)	4	4	4
9	095-02600	Stat-O-Seal	4	4	4
10	069-02000	Anchor Bolt	4	4	
	069-02700	Anchor Bolt			4
11	095-10200	Washer (AN960-416L)	12	12	4
11A	095-14300	Washer (MS20002C4)			8
12	103-10100	Bolt (AN4H5A)	4	4	4
13	066-09100	Pressure Plate/Lining Assembly	2	2	
	066-13500	Pressure Plate/Lining Assembly			2
14	066-09200	Back Plate/Lining Assembly	2	2	
	066-13700	Back Plate/Lining Assembly			2
15	068-04100	Shim-Insulator	2	2	2
16	103-11800	Bolt	8	8	
	103-85500	Bolt (MS21250H04026)			8
17	081-00200	Seat-Bleeder	1	1	1
18	079-00300	Screw-Bleeder	1	1	1
19	101-24600	O-Ring	3	3	3
20	183-00100	Cap-Bleeder	1	1	1
21	104-04700	Fitting	2		
	104-04900	Fitting		2	2
22	207-01600	Hose Assembly			1
	(4)	Hose Assembly		1	
	207-07600	Hose Assembly	1		
23	104-03100	Fitting	1		1
24A	(4)	Torque Plate Assembly		1	
24	075-16200	Torque Plate Assembly	1		1
	075-16201 (1)	Torque Plate	1		1
25	110-05800	Torque Backup Plate	1		1
26	103-10300	Bolt (AN4-10A)	6		6
27	095-10400	Washer (AN960-416)	6		6

NOTES:

- (1) 075-16201 Torque Plate is for spares replacement only. It does not include item 25, 110-05800 Torque Backup Plate; item 26, 103-10300 Bolts; or item 27, 095-10400 Washers.
- (2) 199-267 Hose Replacement Upgrade Kit available. Refer to PRM93.
- (3) Inactive assembly - spares support only for parts listed.
- (4) Inactive part - no longer available for spares support.

Cleveland

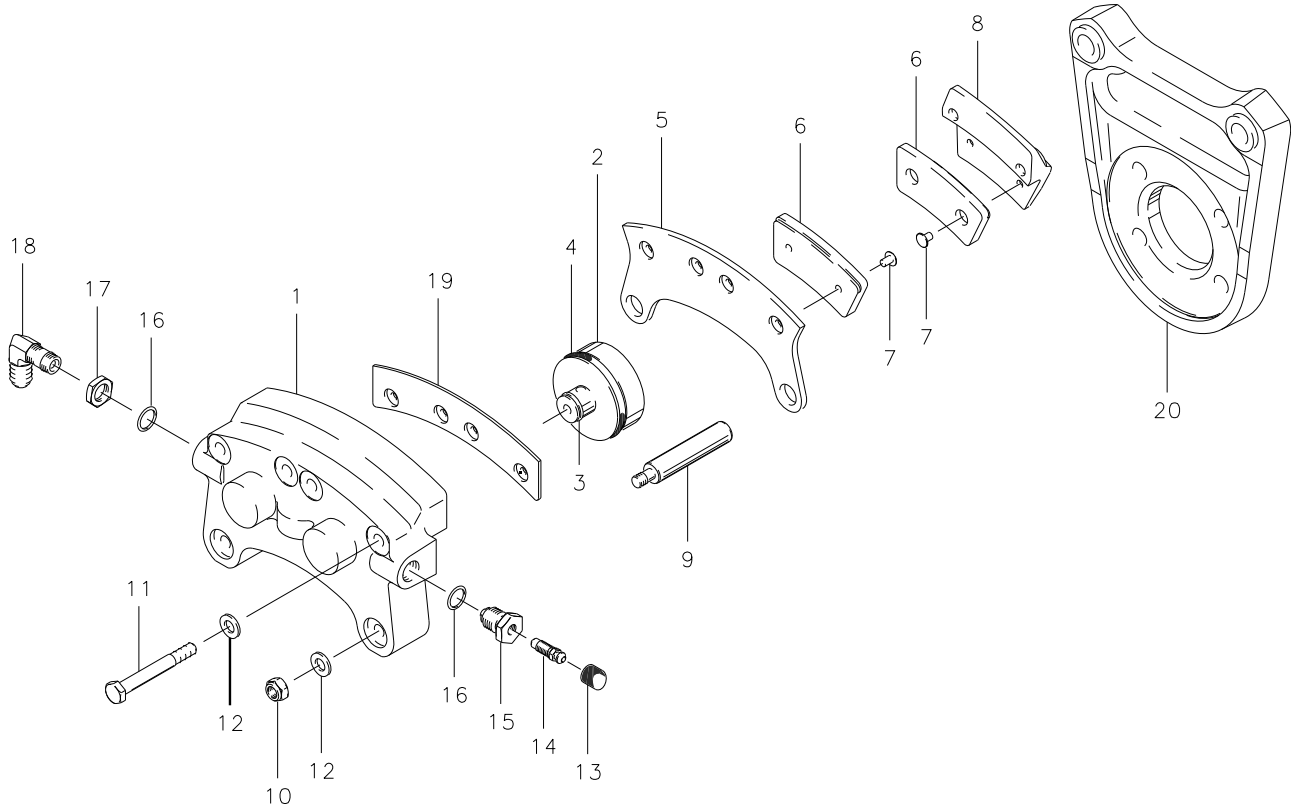
Wheels & Brakes



Illustrated Parts List

30-67, 30-67A, 30-67B, 30-67C, 30-67D, 30-67X, 30-176, 30-195, 30-280

Organic Lining



Illustrated Parts List

30-67, 30-67A, 30-67B, 30-67C, 30-67D, 30-67X, 30-176, 30-195, 30-280

Organic Lining

FIG.	PART NO.	DESCRIPTION	PER ASSY.									
			30-67	30-67A	30-67B	30-67C	30-67D	30-67X (1)	30-176	30-195	30-280	
	091-03000	Cylinder Assembly	1			1	1				1	
	091-03001	Cylinder Assembly							1			
	091-03002	Cylinder Assembly										1
	091-03100	Cylinder Assembly		1						1		
	091-04900	Cylinder Assembly			1							
1	061-02800	Cylinder	1		1	1	1	1			1	1
	061-02900	Cylinder		1						1		
	092-01600	Piston Assembly	2	2		2	2	2	2	2	2	2
	092-02100	Piston Assembly			2							
	092-07100	Piston Assembly			2							
2	062-01500	Piston	2	2		2	2	2	2	2	2	2
	062-01900	Piston			2							
3	082-02000	Friction Spring			2							
4	101-02700	O-Ring (MS28775-222)	2	2	2	2	2		2	2	2	2
	101-23100	O-Ring						2				
	073-01500	Pressure Plate Assembly	1	1	1	1	1	1	1	1	1	1
5	063-01500	Pressure Plate	1	1	1	1	1	1	1	1	1	1
6	066-10800	Lining	2	2	2	2	2	2	2	2	2	2
7	105-00200	Rivet	4	4	4	4	4	4	4	4	4	4
	074-01300	Back Plate Assembly	2	2	2	2	2	2	2	2	2	2
8	064-01600	Back Plate	2	2	2	2	2	2	2	2	2	2
6	066-10800	Lining	2	2	2	2	2	2	2	2	2	2
7	105-00200	Rivet	4	4	4	4	4	4	4	4	4	4
9	069-00400	Anchor Bolt	2	2	2	2	2	2	2	2	2	2
10	094-10300	Nut (MS21044-N4)	2	2	2	2	2	2	2	2	2	2
11	103-11600	Bolt		4						4		
	103-11700	Bolt	4		4	4	4	4			4	4
12	095-10400	Washer (AN960-416)	6	6	6	6	6	6	6	6	6	6
13	183-00100	Cap-Bleeder	1	1	1	1	1	1	1	1	1	1
14	079-00300	Screw-Bleeder	1	1	1	1	1	1	1	1	1	1
15	081-00200	Seat-Bleeder	1	1	1	1	1	1	1	1	1	1
16	101-00700	O-Ring (MS28775-012)	1	1	2	1	1		1			1
	101-23000	O-Ring						1				
17	094-90500	Nut (AN924-4D)			1							
18	104-02300	Fitting (AN833-4D)			1							
19	068-06100	Shim										1
20	075-04100	Torque Plate Assembly	1									
	075-04200	Torque Plate Assembly		1		1						1
	075-07200	Torque Plate Assembly			1					1		
	075-10000	Torque Plate Assembly					1					
	075-10300	Torque Plate Assembly						1				
	075-17400	Torque Plate Assembly									1	

NOTES:

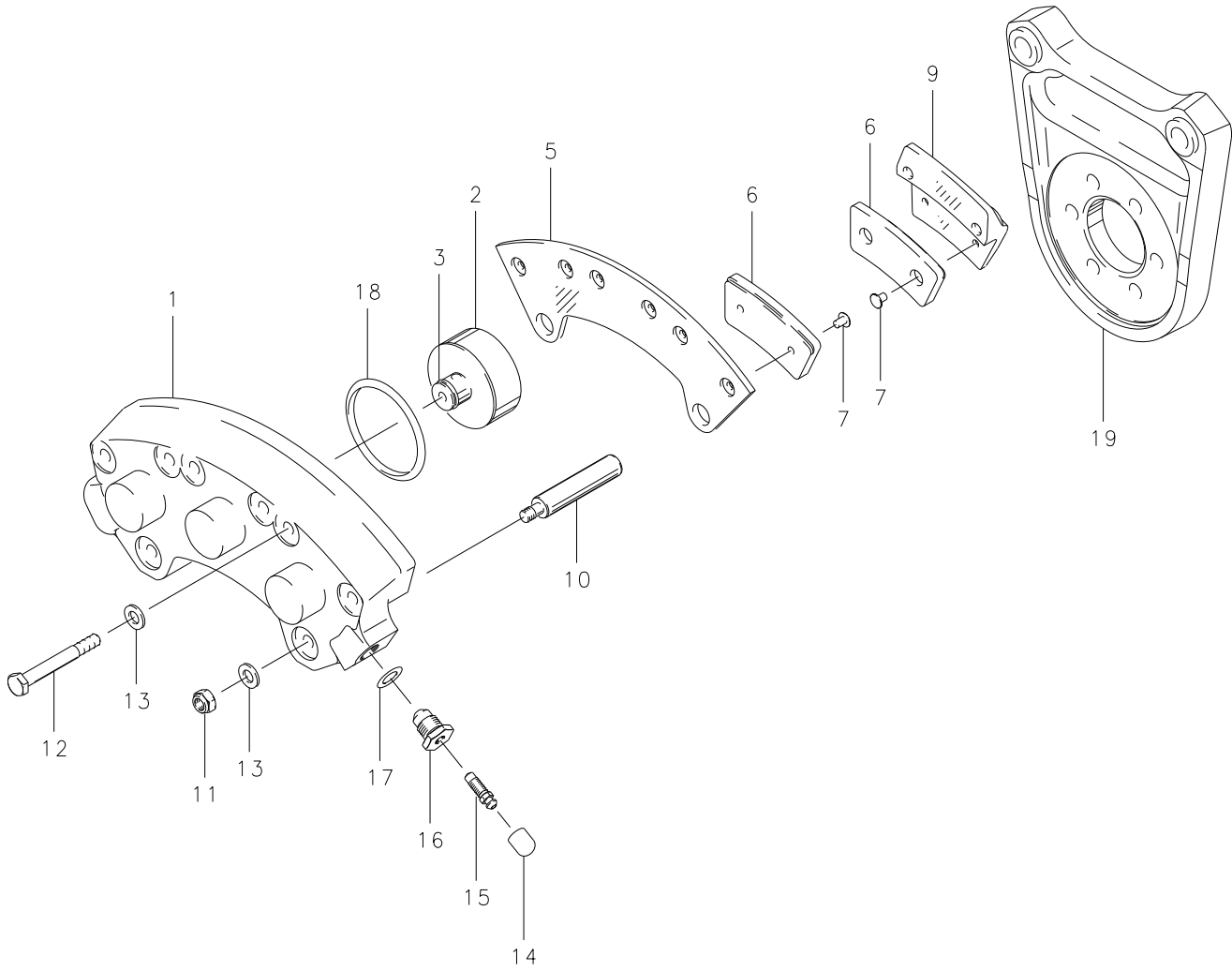
(1) This brake uses automotive brake fluid.



Illustrated Parts List

30-89, 30-89A, 30-89B, 30-89C, 30-89E

Organic Lining



Illustrated Parts List

30-89, 30-89A, 30-89B, 30-89C, 30-89E

Organic Lining

FIG.	PART NO.	DESCRIPTION	PER ASSY.				
			30-89 (1) (2)	30-89A (3)	30-89B (3)	30-89C	30-89E (4)
	091-07700	Cylinder Assembly	1	1	1	1	1
1	061-05800	Cylinder	1	1	1	1	1
	092-02900	Piston Assembly	3	3	3	3	3
2	062-02700	Piston	3	3	3	3	3
3	082-02000	Friction Spring	3	3	3	3	3
4	073-03000	Pressure Plate Assembly	1	1	1	1	1
5	063-01300	Pressure Plate	1	1	1	1	1
6	066-10800	Lining	3	3	3	3	3
7	105-00200	Rivet	6	6	6	6	6
8	074-02600	Back Plate Assembly	3	3	3	3	3
9	064-01600	Back Plate	3	3	3	3	3
6	066-10800	Lining	3	3	3	3	3
7	105-00200	Rivet	6	6	6	6	6
10	069-00400	Anchor Bolt	2	2	2	2	2
11	094-10300	Nut (MS21044-N4)	2	2	2	2	2
12	103-11700	Bolt	6	6	6	6	6
13	095-10200	Washer (AN960-416L)	8	8	8	8	8
14	183-00100	Cap-Bleeder	1	1	1	1	1
15	079-00300	Screw-Bleeder	1	1	1	1	1
16	081-00200	Seat-Bleeder	1	1	1	1	1
17	101-00700	O-Ring (MS28775-012)	1	1	1	1	1
18	101-23200	O-Ring (MS28775-132)	3	3	3	3	3
19	075-10000	Torque Plate Assembly			1		
	075-04100	Torque Plate Assembly		1			
	075-18200	Torque Plate Assembly				1	
	075-11500	Torque Plate Assembly	1				
	075-11502	Torque Plate Assembly					1

NOTES:

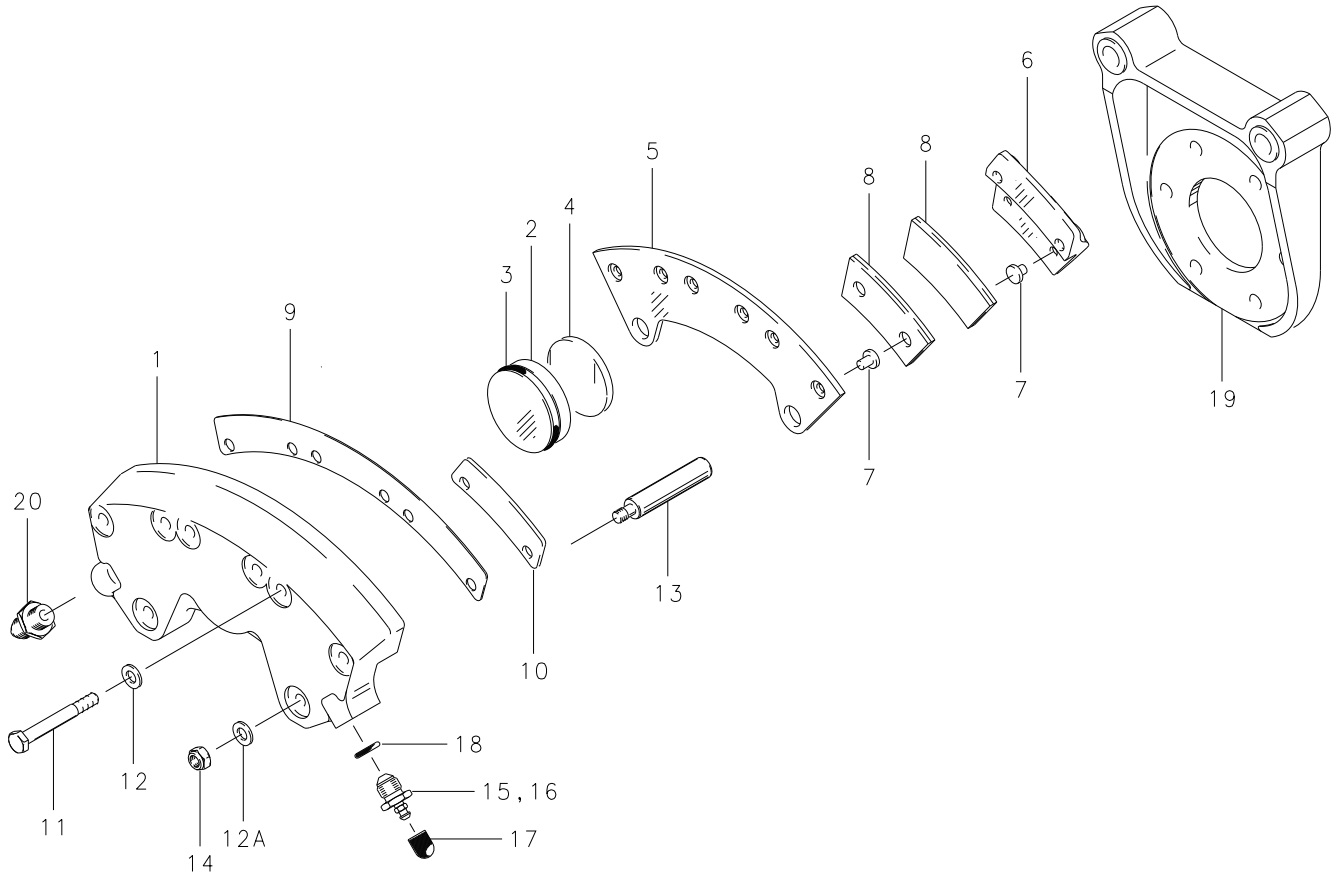
- (1) Uses 075-11500 Torque Plate Assy. for left hand brake and 075-11550 for right hand brake.
- (2) When reordering, specify LH or RH.
- (3) This brake is not FAA TSO approved – order from airframe manufacturer only.
- (4) Uses 075-11502 Torque Plate Assy. for left hand brake and 075-11552 for right hand brake.



Illustrated Parts List

30-28B, 30-28C, 30-28D, 30-68 30-68A, 30-68B

Metallic Lining



Cleveland
Wheels & Brakes



Illustrated Parts List

30-28B, 30-28C, 30-28D, 30-68, 30-68A, 30-68B

Metallic Lining

FIG.	PART NO.	DESCRIPTION	PER ASSY.					
			30-28B	30-28C	30-28D	30-68	30-68A (1) (2)	30-68B
	091-01002	Cylinder Assembly	1					
	091-01003	Cylinder Assembly		1				
	091-01004	Cylinder Assembly			1			
	091-01100	Cylinder Assembly				1		
	091-06100	Cylinder Assembly						1
1	061-02600	Cylinder	1	1	1			
	061-03400	Cylinder				1	1	
	061-03401	Cylinder						1
	092-00800	Piston Assembly	3	3	3	3	3	3
2	062-00700	Piston	3	3	3	3	3	3
3	101-02700	O-Ring (MS28775-222)	3	3	3	3	3	3
4	088-00100	Insulator	3	3	3	3	3	3
	073-00500 (4)	Pressure Plate Assembly	1	1	1	1	1	1
5	063-00700	Pressure Plate	1	1	1	1	1	1
7	177-00400	Pin	6	6	6	6	6	6
	074-00500 (5)	Back Plate Assembly	3	3		3	3	3
	074-02500 (6)	Back Plate Assembly			3			
6	064-02700	Back Plate	3	3	3	3	3	3
7	177-00400	Pin	6	6	6	6	6	6
8	066-03300	Lining	6	6	6	6	6	6
9	068-01600	Shim-Back Plate	1	1	1	1	1	1
10	(3)	Shim-Back Plate					3	
11	103-12000	Bolt	6	6	6			
	103-12100	Bolt (AN4H15A)				6		
	103-12200	Bolt (AN4H16A)					6	6
12	095-10400	Washer (AN960-416)	6	6	6		8	8
12A	095-10200	Washer (AN960-416L)	2	2	2	8		
13	069-00400	Anchor Bolt	2	2	2	2	2	2
14	094-10300	Nut (MS21044-N4)	2	2	2	2	2	2
15	081-00200	Seat-Bleeder	1	1	1	1	1	1
16	079-00300	Screw-Bleeder	1	1	1	1	1	1
17	183-00100	Cap-Bleeder	1	1	1	1	1	1
18	101-00700	O-Ring (MS28775-012)	1	2	1	1	1	1
20	104-00200	Fitting (AN815-4D)		1				
19	075-01902	Torque Plate Assembly	1					
	075-01903	Torque Plate Assembly			1			
	075-04300	Torque Plate Assembly				1	1	1
	075-08900	Torque Plate Assembly		1				

NOTES:

- (1) Inactive assembly – spares support only for parts listed.
- (2) 30-68A superseded by 30-68B.
- (3) Inactive part – no longer available for spares support.
- (4) 073-00501 is the spares replacement for 073-00500 and includes items 5, 7, and 8.
- (5) 074-00501 is the spares replacement for 074-00500 and includes items 6, 7, and 8.
- (6) 074-02501 is the spares replacement for 074-02500 and includes items 6, 7, and 8.

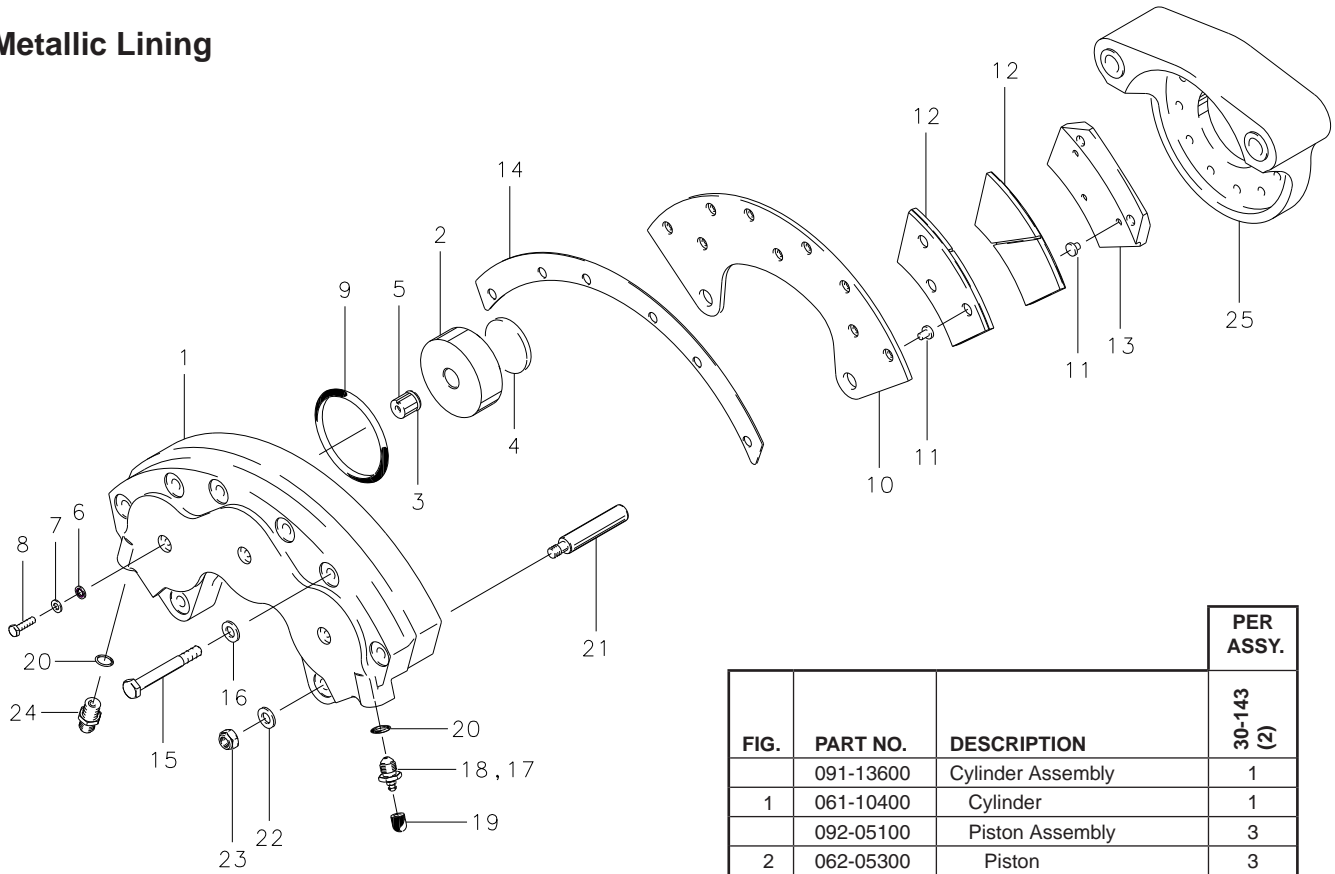
Cleveland
Wheels & Brakes



Illustrated Parts List

30-143

Metallic Lining



NOTES:

- (1) Use 075-15300 Torque Plate Assy. for left hand brake and 075-15900 for right hand brake.
- (2) When reordering, specify LH or RH.

FIG.	PART NO.	DESCRIPTION	PER ASSY.
	091-13600	Cylinder Assembly	1
1	061-10400	Cylinder	1
	092-05100	Piston Assembly	3
2	062-05300	Piston	3
3	082-02000	Friction Spring	3
4	088-00100	Insulator	3
5	139-08100	Piston Guide	3
6	095-02600	Stat-O-Seal	3
7	095-10800	Washer (AN960-10L)	3
8	103-00100	Bolt (AN3-5A)	3
9	101-25700	O-Ring (MS28775-229)	3
	073-06000	Pressure Plate Assembly	1
10	063-04700	Pressure Plate	1
11	177-01600	Pin	9
12	066-07300	Lining	3
	074-04500	Back Plate Assembly	3
13	064-03800	Back Plate	3
11	177-01600	Pin	9
12	066-07300	Lining	3
14	068-04000	Shim-Insulator	1
15	103-22500	Bolt (AN5H-22A)	6
16	095-10500	Washer (AN960-516)	6
17	081-00200	Seat-Bleeder	1
18	079-00300	Screw-Bleeder	1
19	183-00100	Cap-Bleeder	1
20	101-00700	O-Ring (MS28775-012)	2
21	069-01200	Anchor Bolt	2
22	095-10700	Washer (AN960-516L)	2
23	094-10400	Nut (MS21044-N5)	2
24	104-00200	Fitting (AN815-4D)	1
25	(1)	Torque Plate Assembly	1

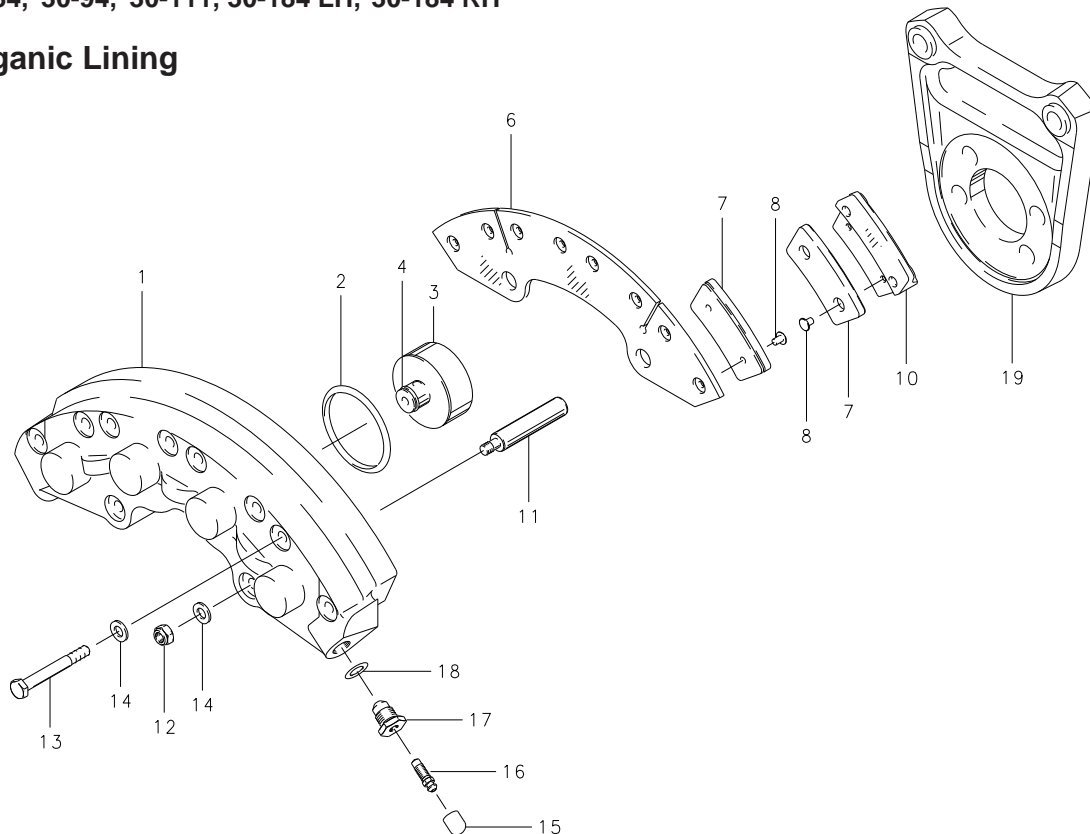
Cleveland
Wheels & Brakes



Illustrated Parts List

30-84, 30-94, 30-111, 30-184 LH, 30-184 RH

Organic Lining



Assy. Number

- A) 30-84
- B) 30-94
- C) 30-111 (1) (2)
- D) 30-184 LH (2)
- E) 30-184 RH (2)

NOTES:

- (1) This brake uses automotive type brake fluid.
- (2) This brake is not FAA TSO approved – order from airframe manufacturer only.

FIG. NUMBER	PART NUMBER	DESCRIPTION	QTY. PER ASSY.					
			A	B	C	D	E	
	091-07200	Cylinder Assy.		1				
	091-07201	Cylinder Assy.			1			
	091-17600	Cylinder Assy.				1	1	
1	061-05500	Cylinder	1	1	1	1	1	
2	101-23200	O-Ring (MS28775-132)	4	4		4	4	
	101-23400	O-Ring			4			
	092-02900	Piston Assy.	4	4	4	4	4	
3	062-02700	Piston	4	4	4	4	4	
4	082-02000	Friction Spring	4	4	4	4	4	
5	073-02600	Pressure Plate Assy.	1	1	1	1	1	
6	063-02500	Pressure Plate	1	1	1	1	1	
7	066-10800	Lining	4	4	4	4	4	
8	105-00200	Rivet	8	8	8	8	8	
9	074-02200	Back Plate Assy.	4	4	4	4	4	
10	064-01600	Back Plate	4	4	4	4	4	
7	066-10800	Lining	4	4	4	4	4	
8	105-00200	Rivet	8	8	8	8	8	
11	069-00400	Anchor Bolt	2	2	2	2	2	
12	094-10300	Nut (MS21044-N4)	2	2	2	2	2	
13	103-11800	Bolt	8	8	8	8	8	
14	095-10400	Washer (AN960-416)	10	10	10	10	10	
15	183-00100	Cap-Bleeder	1	1	1	1	1	
16	079-00300	Screw-Bleeder	1	1	1	1	1	
17	081-00200	Seat-Bleeder	1	1	1	1	1	
18	101-00700	O-Ring (MS28775-012)	1	1		1	1	
	101-23000	O-Ring			1			
19	075-11000	Torque Plate Assy.		1				
	075-11501	Torque Plate Assy.				1		
	075-13500	Torque Plate Assy.			1			
	075-11551	Torque Plate Assy.						1

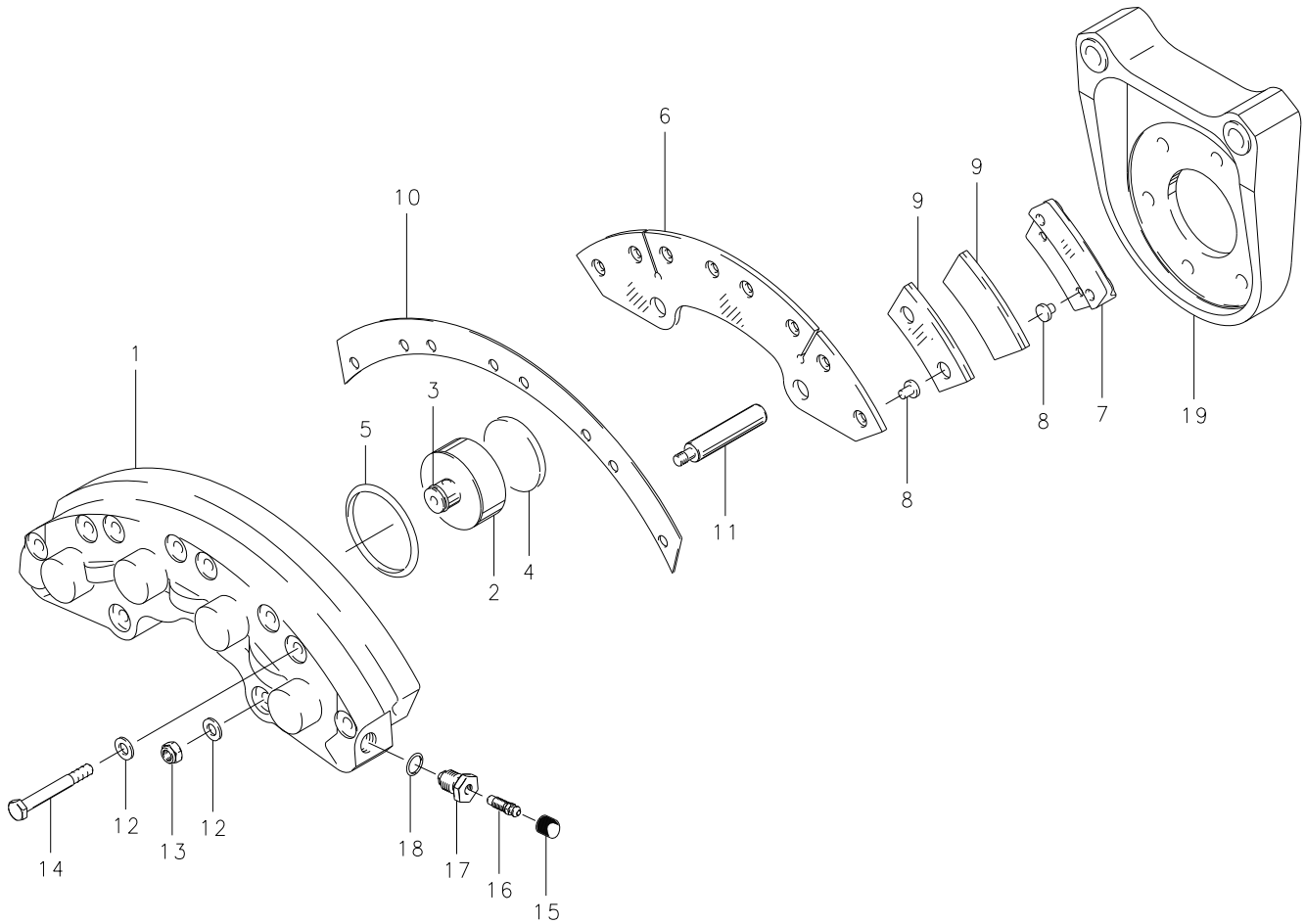
Cleveland
Wheels & Brakes



Illustrated Parts List

30-95, 30-95A, 30-95B, 30-99 30-100

Metallic Lining



Illustrated Parts List

30-95, 30-95A, 30-95B, 30-99, 30-100

Metallic Lining

FIG.	PART NO.	DESCRIPTION	PER ASSY.					
			30-95 (1) (2) (3)	30-95A (3) (4)	30-95B (3) (4)	30-99	30-100	
	091-08000	Cylinder Assembly					1	
	091-09100	Cylinder Assembly				1		
	091-10100	Cylinder Assembly		1				
	091-13800	Cylinder Assembly			1			
1	061-04900	Cylinder		1	1	1		
	061-05400	Cylinder					1	
	(5)	Cylinder	1					
	092-02800	Piston Assembly	4					
	092-03400	Piston Assembly					4	
	092-03700	Piston Assembly		4	4	4		
2	062-02600	Piston	4					
	062-03200	Piston		4	4	4	4	
3	082-02000	Friction Spring	4	4	4	4	4	
4	088-00100	Insulator	4	4	4	4	4	
5	101-23200	O-Ring (MS28775-132)	4	4		4	4	
	101-26200	O-Ring			4			
	073-03200 (6)	Pressure Plate Assembly	1					
	073-04000 (7)	Pressure Plate Assembly		1	1	1	1	
6	063-02600	Pressure Plate	1	1	1	1	1	
8	177-00400	Pin-Lining	8					
	177-01600	Pin-Lining		8	8	8	8	
9	066-03300	Lining	4					
	066-06600	Lining		4	4	4	4	
	074-02500 (8)	Back Plate Assembly	4					
	074-03200 (9)	Back Plate Assembly		4	4	4		
	074-03400 (10)	Back Plate Assembly					4	
7	064-02700	Back Plate	4	4	4	4	4	
8	177-00400	Pin-Lining	8					
	177-01600	Pin-Lining		8	8	8	8	
9	066-03300	Lining	4					
	066-06600	Lining		4	4	4	4	
10	068-02800	Shim-Insulator	1	1	1	1		
	068-03100	Shim-Insulator					1	
11	069-00400	Anchor Bolt	2	2	2		2	
	069-01900	Anchor Bolt				2		
12	095-10200	Washer (AN960-416L)	10	10	10	10	10	
13	094-10300	Nut (MS21044-N4)	2	2	2	2	2	
14	103-10400	Bolt (AN4-15A)	8					
	103-11800	Bolt				8	8	
	103-12400	Bolt (AN4H-21A)		8	8			
15	183-00100	Cap-Bleeder	1	1	1	1	1	
16	079-00300	Screw-Bleeder	1	1	1	1	1	
17	081-00200	Seat-Bleeder	1	1	1	1	1	
18	101-00700	O-Ring (MS28775-012)	1	1	1	1	1	
19	075-01902	Torque Plate Assembly					1	
	075-11800	Torque Plate Assembly				1		

NOTES:

- (1) 30-95 superseded by 30-95A LH.
- (2) Inactive assembly – spares support only for parts listed.
- (3) Uses 075-11100 Torque Plate Assy. for left hand brake and 075-11150 Torque Plate Assy. for right hand brake.
- (4) When reordering, specify LH or RH.
- (5) Inactive part – no longer available for spares support.
- (6) 073-03201 is the spares replacement for 073-03200 and includes items 6, 8, and 9.
- (7) 073-04001 is the spares replacement for 073-04000 and includes items 6, 8, and 9.
- (8) 074-02501 is the spares replacement for 074-02500 and includes items 7, 8, and 9.
- (9) 074-03201 is the spares replacement for 074-03200 and includes items 7, 8, and 9.
- (10) 074-03401 is the spares replacement for 074-03400 and includes items 7, 8, and 9.

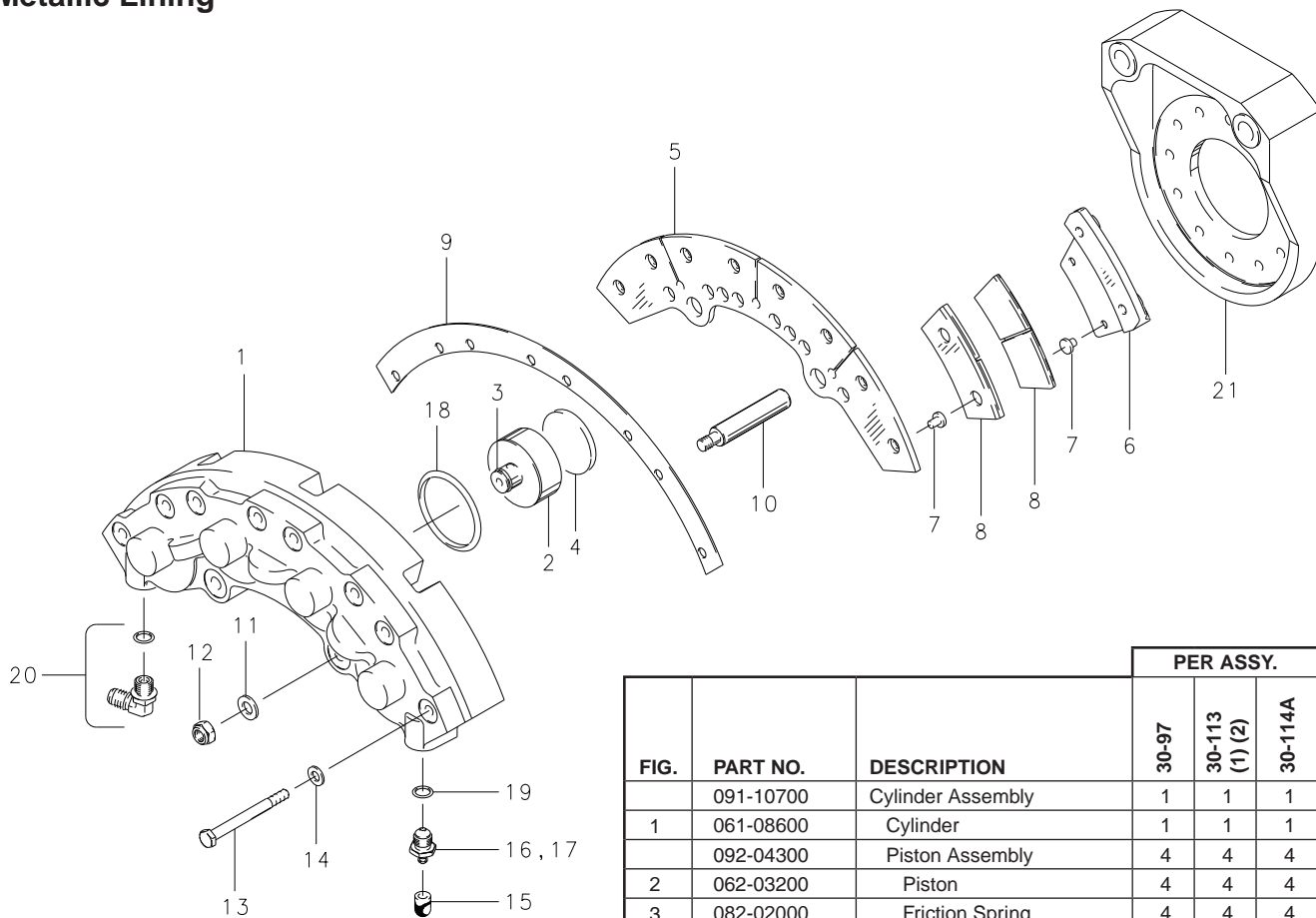


Illustrated Parts List

**Brake Assembly – 10” External
Single Cylinder, Four Piston**

30-97, 30-113, 30-113A

Metallic Lining



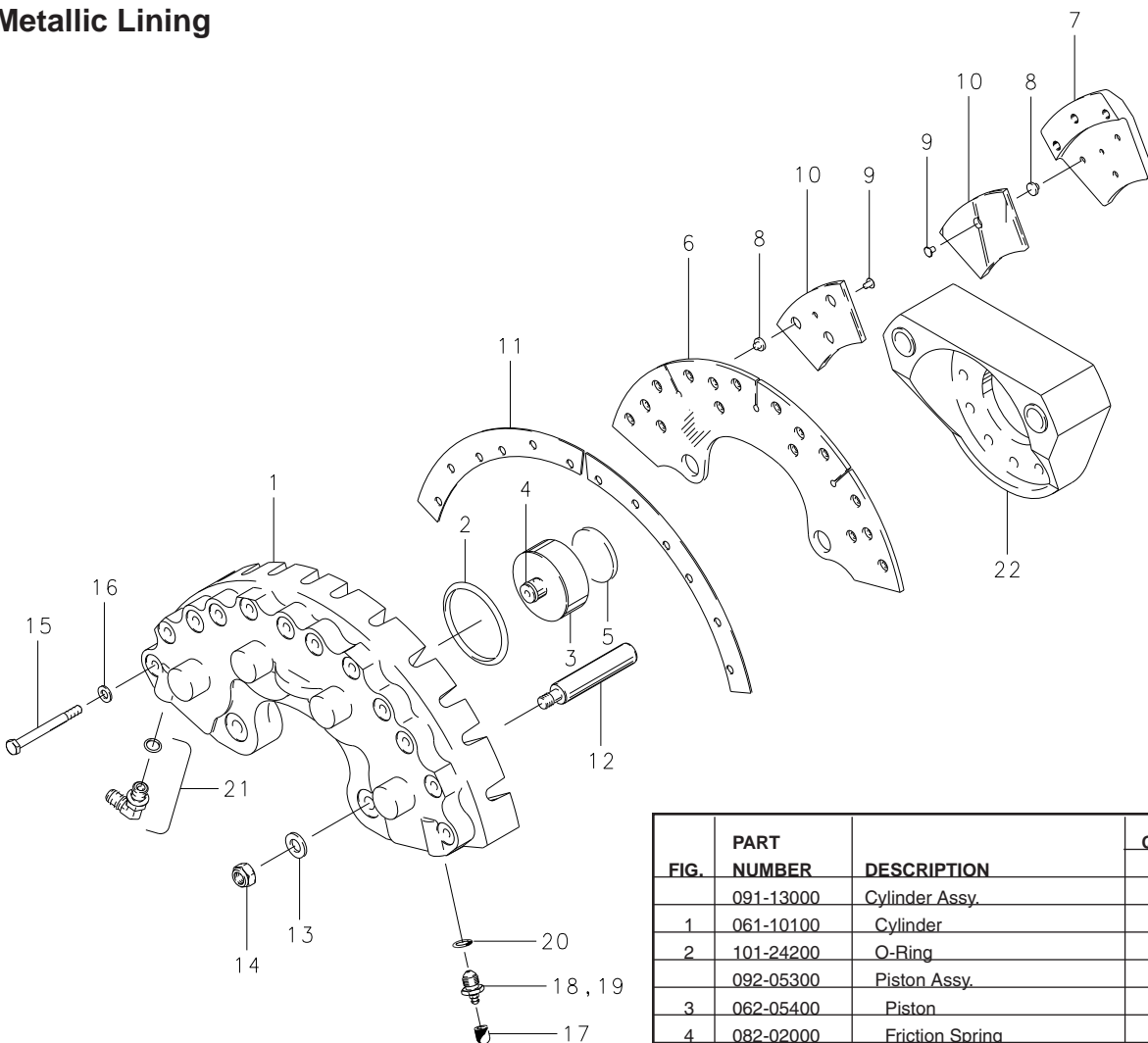
NOTES:

- (1) Inactive assembly – spares support only for parts listed.
- (2) 30-113 superseded by 30-113A.
- (3) 073-04901 is the spares replacement for 073-04900 and includes items 5, 7, and 8.
- (4) 074-02401 is the spares replacement for 074-02400 and includes items 6, 7, and 8.

FIG.	PART NO.	DESCRIPTION	PER ASSY.		
			30-97	30-113 (1) (2)	30-114A
	091-10700	Cylinder Assembly	1	1	1
1	061-08600	Cylinder	1	1	1
	092-04300	Piston Assembly	4	4	4
2	062-03200	Piston	4	4	4
3	082-02000	Friction Spring	4	4	4
4	088-00100	Insulator	4	4	4
	073-04900 (3)	Pressure Plate Assembly	1	1	1
5	063-03600	Pressure Plate	1	1	1
7	177-01600	Pin	8	8	8
	074-02400 (4)	Back Plate Assembly	4	4	4
6	064-02400	Back Plate	4	4	4
7	177-01600	Pin	8	8	8
8	066-06400	Lining	8	8	8
9	068-02900	Shim-Insulator	1	1	1
10	069-01200	Anchor Bolt	2	2	2
11	095-10700	Washer (AN960-516L)	2	2	2
12	094-10400	Nut (MS21044-N5)	2	2	2
13	103-14300	Bolt	8	8	8
14	095-10400	Washer (AN960-416)	8	8	8
15	183-00100	Cap-Bleeder	1	1	1
16	079-00300	Screw-Bleeder	1	1	1
17	081-00200	Seat-Bleeder	1	1	1
18	101-05200	O-Ring (MS28775-224)	4	4	4
19	101-00700	O-Ring (MS28775-012)	1	1	1
20	104-03100	Fitting	1		
21	075-11300	Torque Plate Assembly	1		
	075-13900	Torque Plate Assembly		1	1

30-131

Metallic Lining



Assy. Number

A) 30-131

FIG.	PART NUMBER	DESCRIPTION	QTY. PER ASSY.
			A
	091-13000	Cylinder Assy.	1
1	061-10100	Cylinder	1
2	101-24200	O-Ring	4
	092-05300	Piston Assy.	4
3	062-05400	Piston	4
4	082-02000	Friction Spring	4
5	088-00100	Insulator	4
	073-05700	Pressure Plate Assy.	1
6	063-04400	Pressure Plate	1
	074-04700	Back Plate Assy.	4
7	064-03200	Back Plate	4
8	177-01600	Pin	24
9	105-00200	Rivet	8
10	066-09000	Lining	8
11	068-03300	Shim-Insulator	2
12	069-01800	Anchor Bolt	2
13	095-10600	Washer (AN960-616)	2
14	094-10100	Nut (MS21042-6)	2
15	103-14500	Bolt	12
16	095-10400	Washer (AN960-416)	12
17	183-00100	Cap-Bleeder	1
18	079-00300	Screw-Bleeder	1
19	081-00200	Seat-Bleeder	1
20	101-00700	O-Ring (MS28775-012)	1
21	104-03100	Fitting	1
22	075-15000	Torque Plate Assy.	1

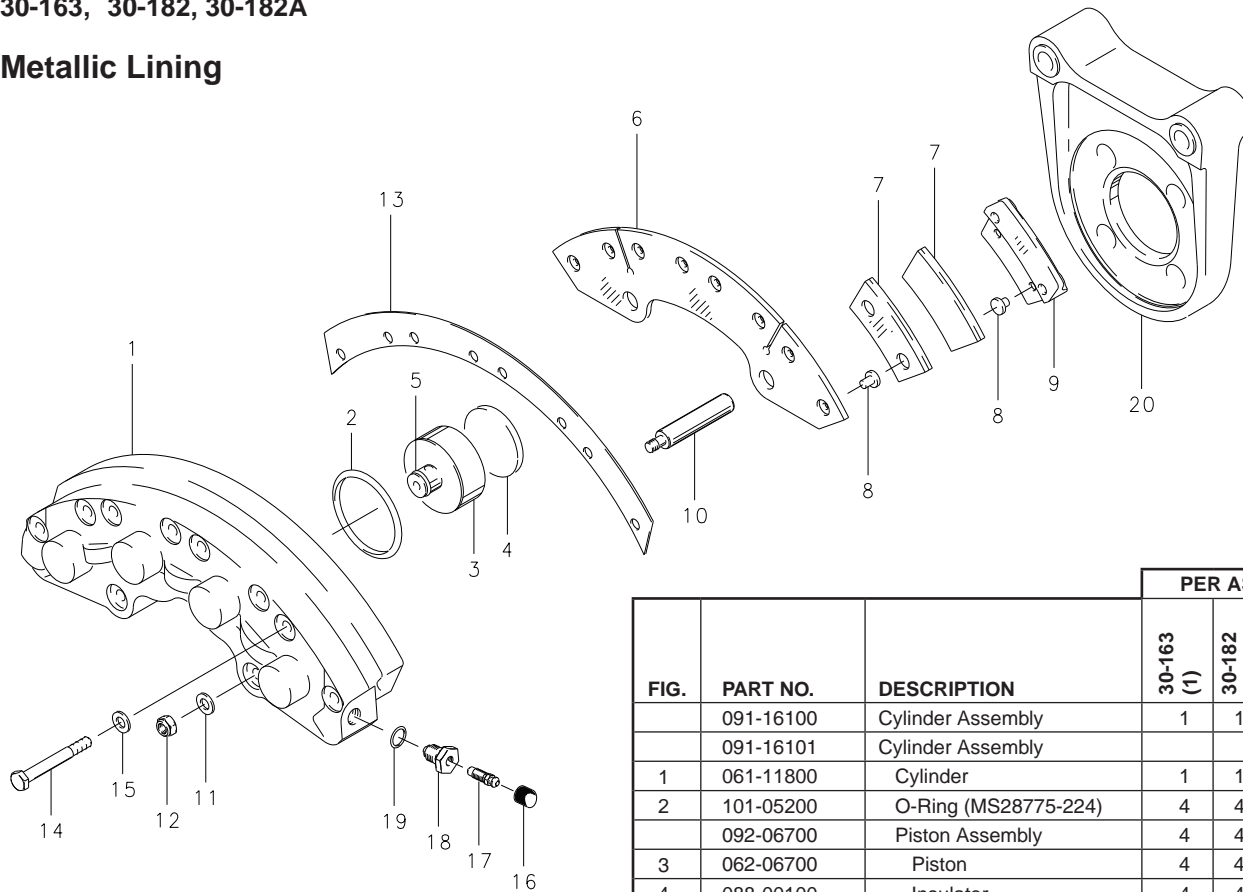


Illustrated Parts List

**Brake Assembly – 10” External
Single Cylinder, Four Piston**

30-163, 30-182, 30-182A

Metallic Lining



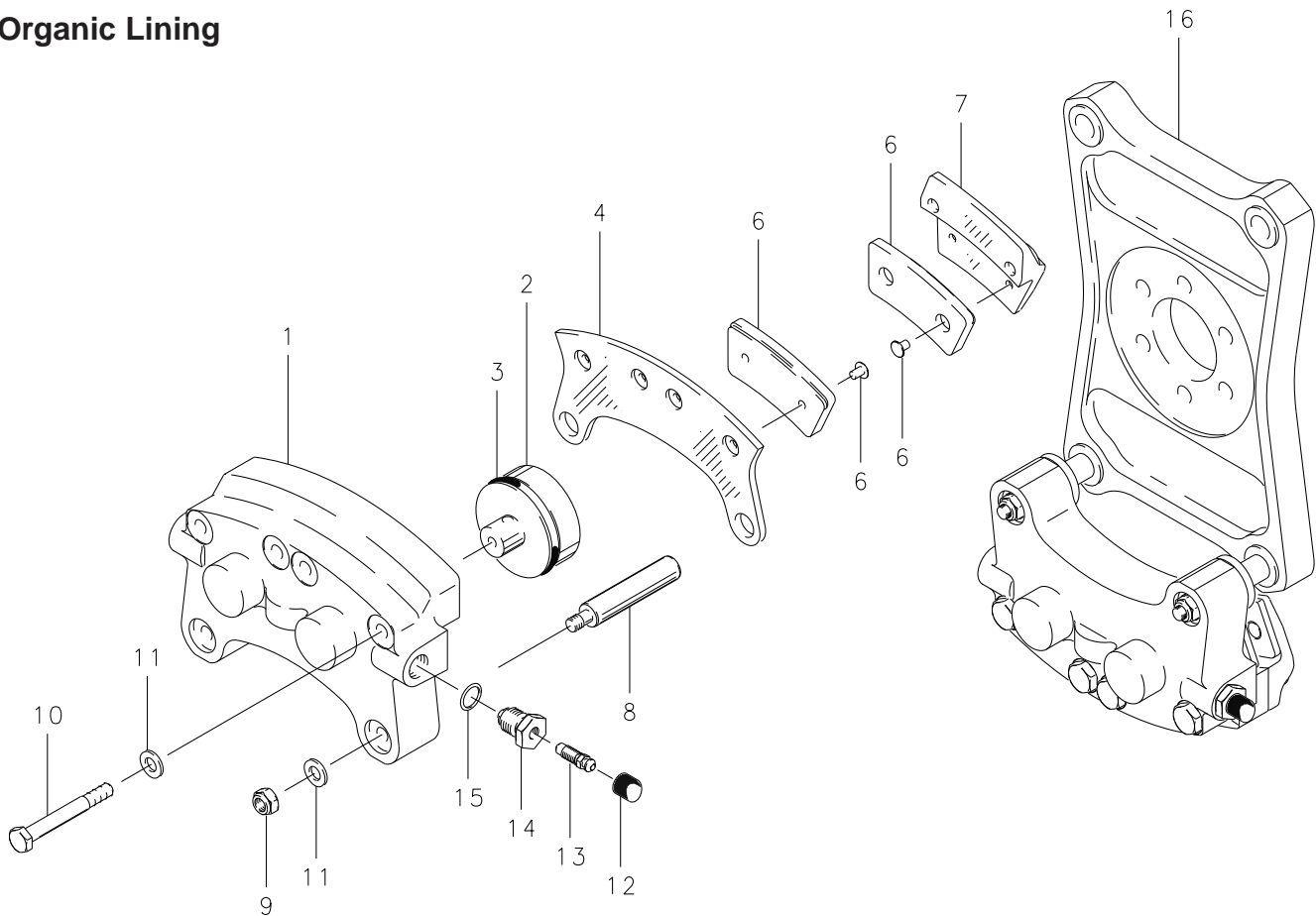
NOTES:

- (1) When reordering, specify LH or RH.
- (2) 073-08501 is the spares replacement for 073-08500 and includes items 6, 7, and 8.
- (3) 074-06601 is the spares replacement for 074-06600 and includes items 7, 8, and 9.
- (4) 199-281 Conversion Kit upgrades 30-182 to 30-182A. Refer to SB7105.

FIG.	PART NO.	DESCRIPTION	PER ASSY.		
			30-163 (1)	30-182 (4)	30-182A
	091-16100	Cylinder Assembly	1	1	
	091-16101	Cylinder Assembly			1
1	061-11800	Cylinder	1	1	1
2	101-05200	O-Ring (MS28775-224)	4	4	4
	092-06700	Piston Assembly	4	4	4
3	062-06700	Piston	4	4	4
4	088-00100	Insulator	4	4	4
5	082-02000	Friction Spring	4	4	4
	073-08500 (2)	Pressure Plate Assembly	1	1	
	073-08502	Pressure Plate Assembly			1
6	063-02500	Pressure Plate	1	1	1
8	177-00300	Pin	8	8	8
7	066-03300	Lining	4	4	
	066-15300	Lining			4
	074-06600 (3)	Back Plate Assembly	4	4	
	074-06602	Back Plate Assembly			4
9	064-01600	Back Plate	4	4	4
8	177-00300	Pin	8	8	8
7	066-03300	Lining	4	4	
	066-15300	Lining			4
10	069-01900	Anchor Bolt	2	2	2
11	095-10200	Washer (AN960-416L)	2	2	2
12	094-10300	Nut (MS21044-N4)	2	2	2
13	068-02800	Shim-Insulator	1	1	1
14	103-14300	Bolt	8	8	8
15	095-10400	Washer (AN960-416)	8	8	8
16	183-00100	Cap-Bleeder	1	1	1
17	079-00300	Screw-Bleeder	1	1	1
18	081-00500	Seat-Bleeder	1	1	1
19	101-50011	O-Ring (MS28775-011)	1	1	1
20	075-16800	Torque Plate Assembly	1		
	075-17100	Torque Plate Assembly		1	1
	075-11300	Torque Plate Assembly	1		
	075-13900	Torque Plate Assembly		1	

30-67E

Organic Lining



3

Assy. Number

A) 30-67E

FIG.	PART NUMBER	DESCRIPTION	QTY. PER ASSY.
	091-03000	Cylinder Assy.	2
1	061-02800	Cylinder	2
	092-01600	Piston Assy.	4
2	062-01500	Piston	4
3	101-02700	O-Ring (MS28775-222)	4
	073-01500	Pressure Plate Assy.	2
4	063-01500	Pressure Plate	2
5	066-10800	Lining	4
6	105-00200	Rivet	8
	074-01300	Back Plate Assy.	4
7	064-01600	Back Plate	4
5	066-10800	Lining	4
6	105-00200	Rivet	8
8	069-00400	Anchor Bolt	4
9	094-10300	Nut (MS21044-N4)	4
10	103-11700	Bolt	8
11	095-10400	Washer (AN960-416)	12
12	183-00100	Cap-Bleeder	2
13	079-00300	Screw-Bleeder	2
14	081-00200	Seat-Bleeder	2
15	101-00700	O-Ring (MS28775-012)	2
16	075-15800	Torque Plate Assy.	1

Cleveland
 Wheels & Brakes



Illustrated Parts List

30-107, 30-107A, 30-107B, 30-159, 30-159A

Metallic Lining

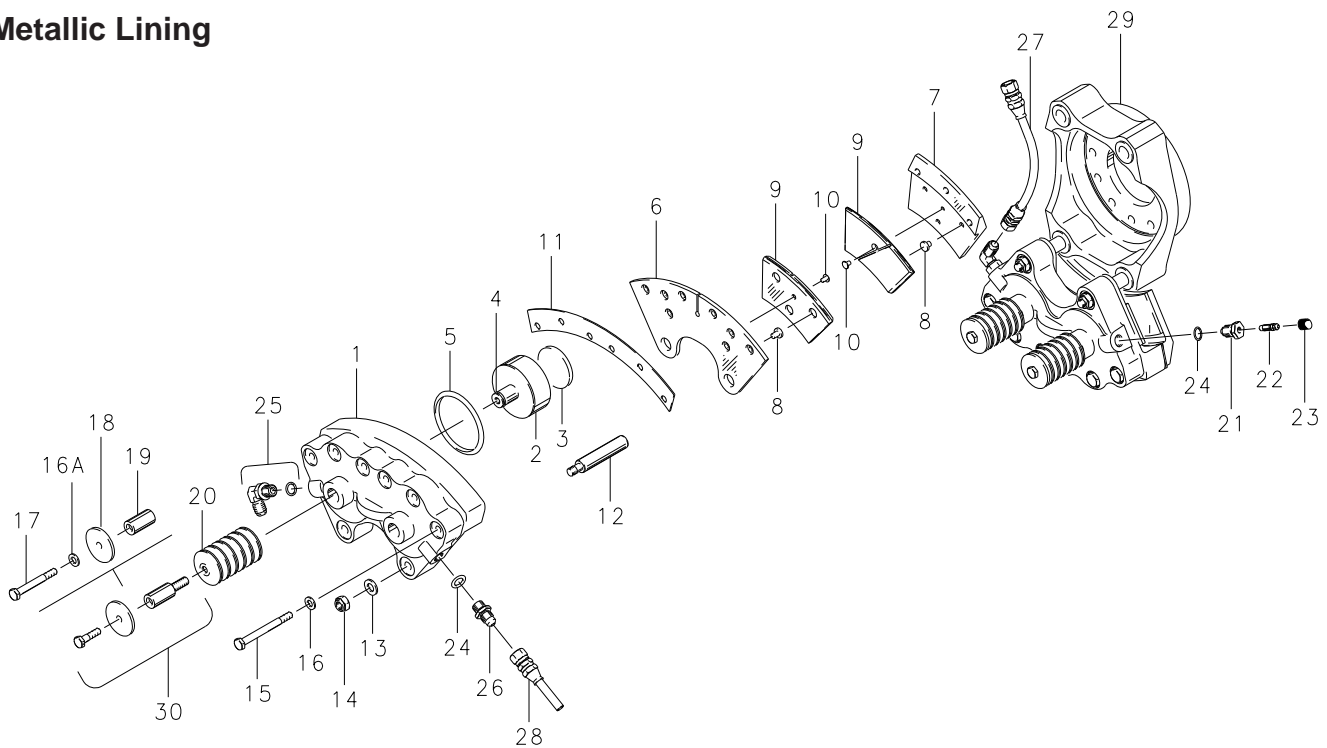


FIG.	PART NO.	DESCRIPTION	PER ASSY.				
			30-107 (1) (3) (12)	30-107A (1) (2) (4) (12)	30-107B (1) (3) (12)	30-159 (1) (7) (10) (11)	30-159A (1) (2) (8)
1	061-11400	Cylinder				2	2
	061-09000	Cylinder	2	2	2		
	092-04500	Piston Assembly	4		4		
	092-04800	Piston Assembly		4			
2	062-04700	Piston	4	4	4		
	(9)	Piston				4	4
3	088-00100	Insulator	4	4	4	4	4
4	101-24900	O-Ring	4		4	4	
	101-25000	O-Ring		4			4
5	101-24200	O-Ring	4		4		
	101-24500	O-Ring		4			
	101-05200	O-Ring (MS28775-224)				4	
	101-21500	O-Ring					4
	073-06200	Pressure Plate Assembly	2	2	2	2	2
6	063-03500	Pressure Plate	2	2	2	2	2
8	177-01600	Pin	12	12	12	12	12
9	066-09000	Lining	4	4	4	4	4
10	105-00200	Rivet	4	4	4	4	4

(Continued on next page)

Illustrated Parts List

30-107, 30-107A, 30-107B, 30-159, 30-159A

Metallic Lining

(Continued from previous page)

FIG.	PART NO.	DESCRIPTION	PER ASSY.				
			30-107 (1) (3) (12)	30-107A (1) (2) (4) (12)	30-107B (1) (3) (12)	30-159 (1) (7) (10) (11)	30-159A (1) (2) (8)
	074-04700	Back Plate Assembly	4	4	4	4	4
7	064-03200	Back Plate	4	4	4	4	4
8	177-01600	Pin	12	12	12	12	12
9	066-09000	Lining	4	4	4	4	4
10	105-00200	Rivet	4	4	4	4	4
11	068-03300	Shim-Insulator	4	4	4	2	2
12	069-01200	Anchor Bolt	4	4	4	4	4
13	095-10500	Washer (AN960-516)	4		4	4	4
	095-10700	Washer (AN960-516L)		4			
14	094-10400	Nut (MS21044-N5)	4	4	4	4	4
15	103-14500	Bolt	12	12	12		
	103-14200	Bolt				12	12
16	095-10200	Washer (AN960-416L)		12			
	095-10400	Washer (AN960-416)	12	12	12	12	12
16A	095-10200	Washer (AN960-416L)	4	4			
17	103-11500	Bolt	4	4			
	(9)	Bolt			4	4	4
18	(9)	Washer	4	4	4	4	4
19	(9)	Guide-Spring	4	4	4	4	4
20	(9)	Washer-Bellville	56	56	44	48	48
21	081-00200	Seat-Bleeder	1	1	1	1	1
22	079-00300	Screw-Bleeder	1	1	1	1	1
23	183-00100	Cap-Bleeder	1	1	1	1	1
24	101-23000	O-Ring		4			4
	101-24600	O-Ring	2		2	2	
25 (6)	104-03100	Fitting	2		2		
	104-05500	Fitting		2		2	2
26	104-04900	Fitting	1	1	1	1	1
27	207-01100	Hose Assembly-Link	1	1	1	1	1
28	207-01300	Hose Assembly-Link	1	1	1	1	1
29	075-13400	Torque Plate Assembly	1	1	1		
	075-16700	Torque Plate Assembly				1	1
30 (5)	(9)	Stud Assembly	4	4	4		

NOTES:

- (1) Inactive assembly – spares support only for parts listed.
- (2) Used Skydrol Fluid.
- (3) 199-130 Brake Upgrade Kit converts 30-107 or 30-107B to 30-107C. TSO approved per PRM 36.
- (4) 199-130A Brake Upgrade Kit converts 30-107A to 30-107D. TSO approved per PRM 38.
- (5) Stud Assy. replaced by items 17, 18 and 19 after 11/83.
- (6) O-ring is part of Fitting Assy. For replacement O-ring, order P/N 101-24600.

- (7) 30-159 superseded by 30-159B.
- (8) 30-159A superseded by 30-159C.
- (9) Inactive part – no longer available for spares support.
- (10) 199-94 Brake Retract Kit retrofits 30-159 brake to use new style retracts. TSO approved per PRM 49.
- (11) 199-173 Brake Retract Kit same as 199-94, except does not include new cylinders and pistons.
- (12) Refer to SB7098 for inspection of brake pistons.

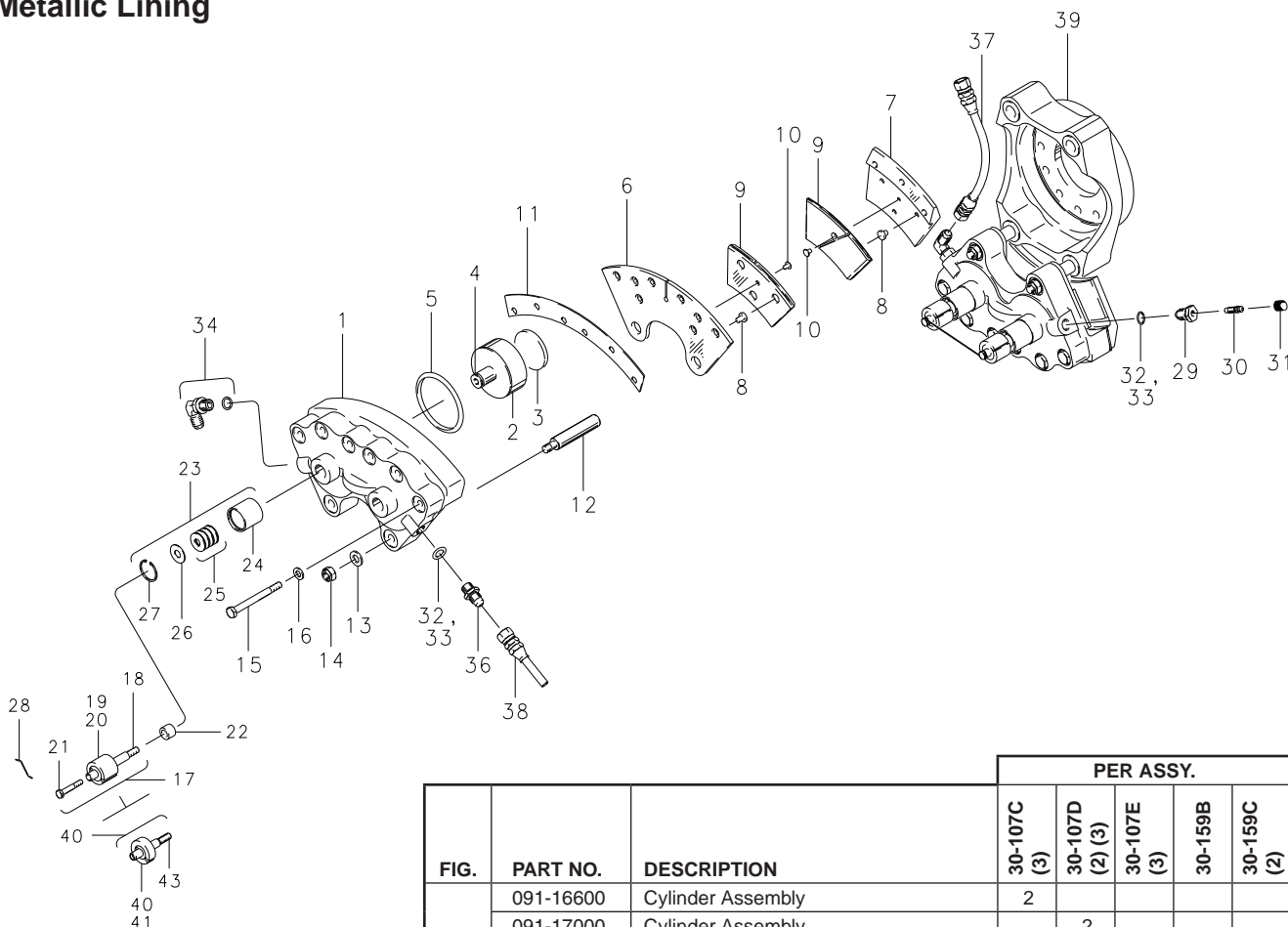
Cleveland
Wheels & Brakes



Illustrated Parts List

30-107C, 30-107D, 30-107E, 30-159B, 30-159C

Metallic Lining



NOTES:

- (1) O-ring is part of Fitting Assy.
For replacement O-ring, order P/N 101-24600.
- (2) Uses Skydrol Fluid.
- (3) Refer to SB7098 for inspection of brake pistons.

FIG.	PART NO.	DESCRIPTION	PER ASSY.				
			30-107C (3)	30-107D (2) (3)	30-107E (3)	30-159B	30-159C (2)
	091-16600	Cylinder Assembly	2				
	091-17000	Cylinder Assembly		2			
	091-15102	Cylinder Assembly				2	
	091-15103	Cylinder Assembly					2
	091-22001	Cylinder Subassembly, Trailing			1		
1	061-09000	Cylinder	2	2	2		
	061-11400	Cylinder				2	2
	092-04500	Piston Assembly	4		4		
	092-04800	Piston Assembly		4			
	092-07800	Piston Assembly				4	
	092-07801	Piston Assembly					4
2	062-04700	Piston	4	4	4		
	062-08500	Piston				4	4
3	088-00100	Insulator	4	4	4	4	4
	101-24900	O-Ring	4		4	4	
4	101-25000	O-Ring		4			4
	101-24200	O-Ring	4		4		
5	101-24500	O-Ring		4			
	101-05200	O-Ring (MS28775-224)				4	
	101-21500	O-Ring					4

(Continued on next page)

Illustrated Parts List

30-107C, 30-107D, 30-107E, 30-159B, 30-159C

Metallic Lining

(Continued from previous page)

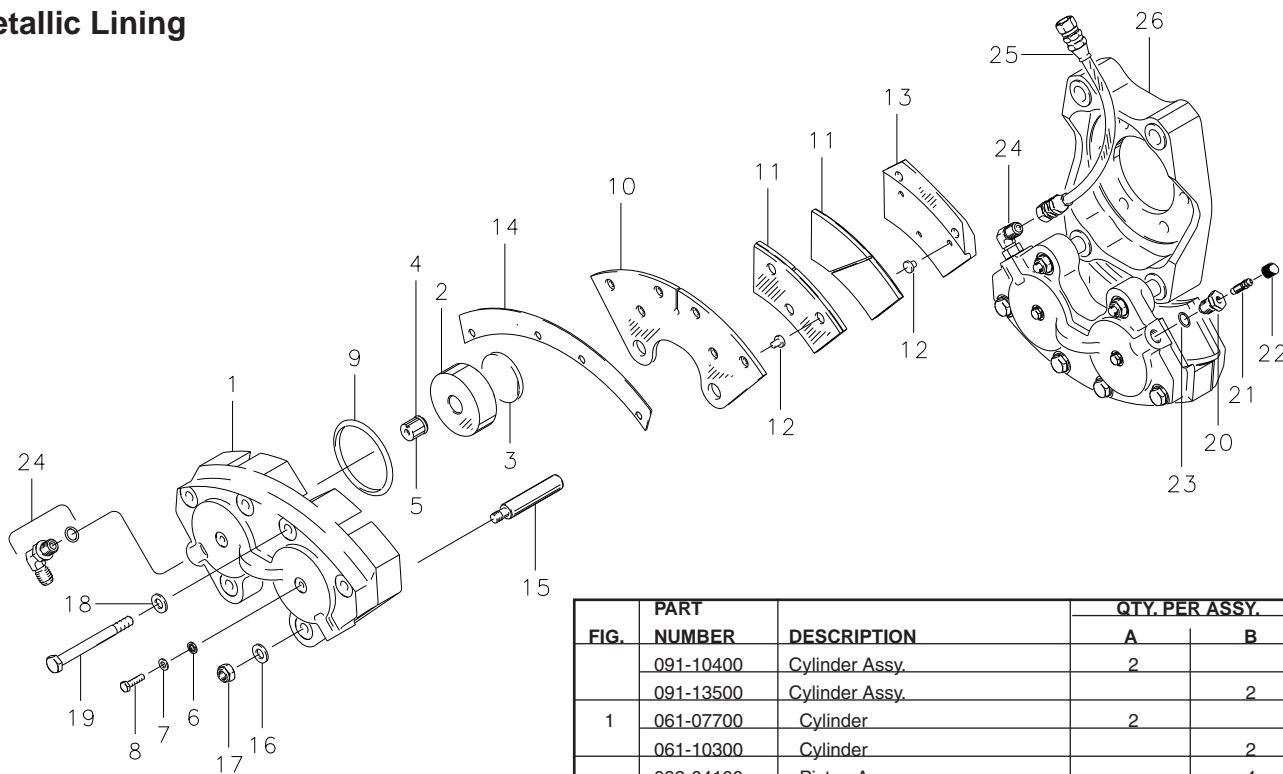
FIG.	PART NO.	DESCRIPTION	PER ASSY.				
			30-107C (3)	30-107D (2) (3)	30-107E (3)	30-159B	30-159C (2)
	073-06200	Pressure Plate Assembly	2	2	2	2	2
6	063-03500	Pressure Plate	2	2	2	2	2
8	177-01600	Pin-Lining	12	12	12	12	12
9	066-09000	Lining	4	4	4	4	4
10	105-00200	Rivet	4	4	4	4	4
	074-04700	Back Plate Assembly	4	4	4	4	4
7	064-03200	Back Plate	4	4	4	4	4
8	177-01600	Pin-Lining	12	12	12	12	12
9	066-09000	Lining	4	4	4	4	4
10	105-00200	Rivet	4	4	4	4	4
11	068-03300	Shim-Insulator	2	2	2	2	2
12	069-01200	Anchor Bolt	4	4	4	4	4
13	095-10500	Washer (AN960-516)	4	4	4	4	4
14	094-10400	Nut (MS21044-N5)	4	4	4	4	4
15	103-14500	Bolt	12	12	12		
	103-14200	Bolt				12	12
16	095-10400	Washer (AN960-416)	12	12	12	12	12
17	139-13100	Stud Assembly	4	4		4	4
18	139-12900	Stud	4	4		4	4
19	139-12700	Friction Sleeve	4	4		4	4
20	139-12800	Friction Sleeve	4	4		4	4
21	103-01300	Bolt	4	4		4	4
22	067-08000	Spacer	4	4		4	4
23	139-13300	Cup Assembly	4	4	4	4	4
24	139-13400	Cup	4	4	4	4	4
25	095-03700	Disc Spring	32	32	32	32	32
26	095-03600	Washer	4	4	4	4	4
27	155-08200	Snap Ring	4	4	4	4	4
28	-----	Lockwire (MS20995C32)	AR	AR		AR	AR
	139-16600	Lockwire (MS20995C32)			AR		
29	081-00200	Seat-Bleeder	1	1	1	1	1
30	079-00300	Screw-Bleeder	1	1	1	1	1
31	183-00100	Cap-Bleeder	1	1	1	1	1
32	101-23000	O-Ring		4			2
33	101-24600	O-Ring	2		2	2	
34	104-03100	Fitting (1)	2		2	2	2
	104-05500	Fitting (1)		2			
36	104-04900	Fitting	1	1	1	1	1
37	207-01100	Hose Assembly Link	1	1	1	1	1
38	207-01300	Hose Assembly Inlet	1	1	1	1	1
39	075-13400	Torque Plate Assembly	1	1	1		
	075-16700	Torque Plate Assembly				1	1
40	111-11600	Retract Stud Assembly			4		
41	200-02300	Return Collar Spring			4		
42	203-00500	Friction Ring			4		
43	177-04400	Friction Pin			4		



Illustrated Parts List

30-141, 30-142

Metallic Lining



Assy. Number

- A) 30-141
- B) 30-142

NOTES:

(1) Illustrated assembly is 30-142.

FIG.	PART NUMBER	DESCRIPTION	QTY. PER ASSY.	
			A	B
1	091-10400	Cylinder Assy.	2	
	091-13500	Cylinder Assy.		2
	061-07700	Cylinder	2	
	061-10300	Cylinder		2
2	092-04100	Piston Assy.		4
	092-05400	Piston Assy.	4	
	062-04100	Piston		4
3	088-00100	Insulator	4	4
4	082-02000	Friction	4	4
5	139-08100	Piston Guide	4	4
6	095-02600	Stat-O-Seal	4	4
7	095-10800	Washer (AN960-10L)	4	4
8	103-00100	Bolt (AN3-5A)	4	4
9	101-24200	O-Ring		4
	101-27300	O-Ring (MS28775-223)	4	
	073-05900	Pressure Plate Assy.	2	2
10	063-04600	Pressure Plate	2	2
11	066-07300	Lining	8	8
12	177-01600	Pin	24	24
	074-04500	Back Plate Assy.	4	4
13	064-03800	Back Plate	4	4
14	068-03900	Shim-Insulator	2	2
15	069-01200	Anchor Bolt	4	4
16	095-10700	Washer (AN960-516L)	4	4
17	094-10400	Nut (MS21044-N5)	4	4
18	095-10700	Washer (AN960-516L)	8	
	095-10500	Washer (AN960-516)		8
19	103-22500	Bolt (AN5H-22A)	8	8
20	081-00200	Bleeder Seat	1	1
21	079-00300	Bleeder Screw	1	1
22	183-00100	Bleeder Cap	1	1
23	101-00700	O-Ring (MS28775-012)	3	3
24	104-03100	Fitting	2	2
25	207-00800	Hose Assy.	1	1
26	075-13700	Torque Plate Assy.	1	1

Illustrated Parts List

30-144, 30-144A, 30-144B

Metallic Lining

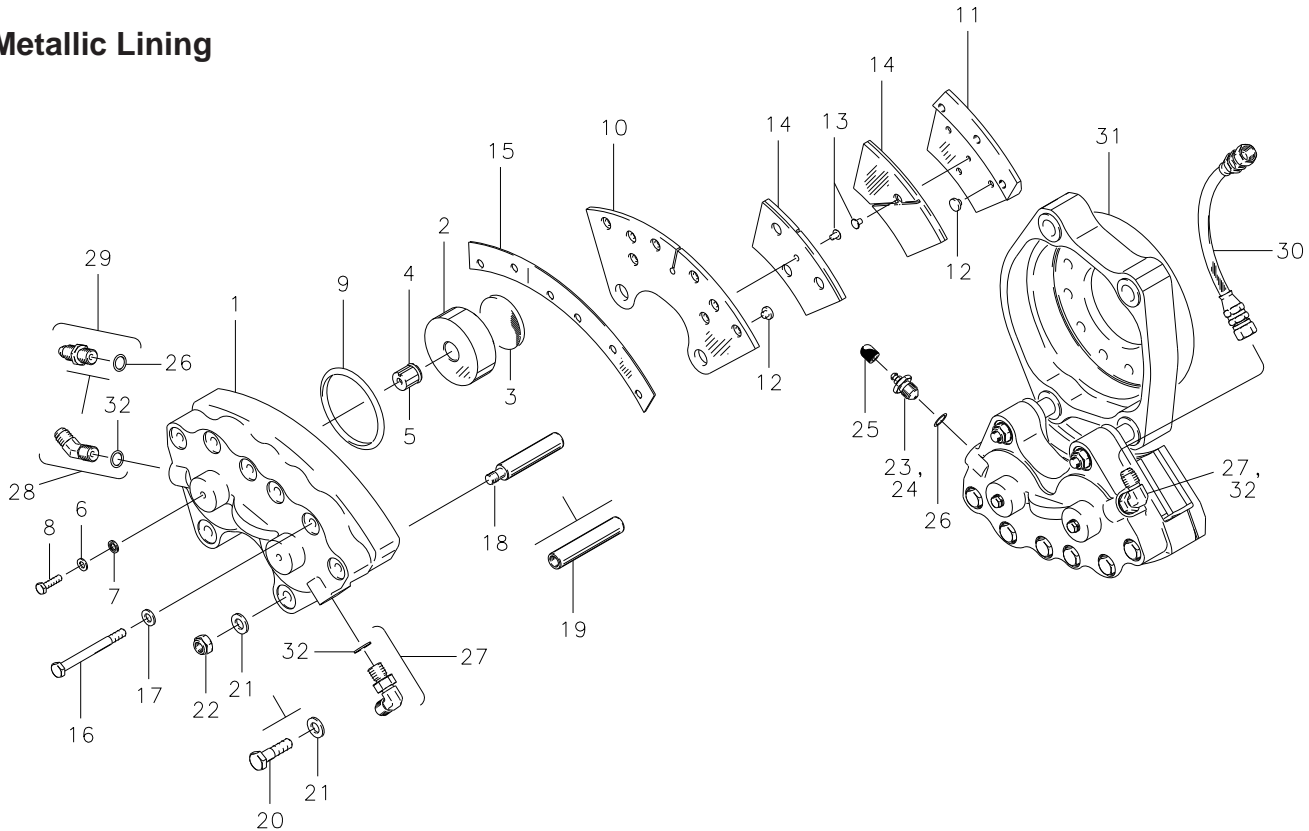


FIG.	PART NO.	DESCRIPTION	PER ASSY.		
			30-144	30-144A	30-144B
	091-13900	Cylinder Assembly	2		2
	091-13901	Cylinder Assembly		2	
1	061-10600	Cylinder	2	2	2
	092-07300	Piston Assembly	4		
	092-04100	Piston Assembly		4	4
2	062-04100	Piston	4	4	
3	088-00100	Insulator	4	4	4
4	082-02000	Friction Spring	4	4	4
5	139-08100	Piston Guide	4	4	4
6	095-10300	Washer (AN960-10)	4	4	4
7	095-02600	Stat-O-Seal	4	4	4
8	103-00200	Bolt (AN3-7A)	4	4	4
9	101-24200	O-Ring	4	4	4
	073-06200	Pressure Plate Assembly	2	2	2
10	063-03500	Pressure Plate	2	2	2
12	177-01600	Pin	12	12	12
13	105-00200	Rivet	4	4	4
14	066-09000	Lining	4	4	4
	074-04800	Back Plate Assembly	4	4	4
11	064-03200	Back Plate	4	4	4
12	177-01600	Pin	12	12	12
13	105-00200	Rivet	4	4	4
14	066-09000	Lining	4	4	4

FIG.	PART NO.	DESCRIPTION	PER ASSY.		
			30-144	30-144A	30-144B
15	068-03300	Shim-Insulator	2	4	2
16	103-14200	Bolt	12	12	12
17	095-10400	Washer (AN960-416)	12	12	12
	095-10200	Washer (AN960-416L)		12	
18	069-02400	Anchor Bolt	4		
	069-01200	Anchor Bolt			4
19	069-02100	Anchor Bolt		4	
20	103-20100	Bolt		4	
21	095-10500	Washer (AN960-516)	4	8	4
22	094-10400	Nut (MS21044-N5)	4		4
23	081-00200	Seat-Bleeder	1	1	1
24	079-00300	Screw-Bleeder	1	1	1
25	183-00100	Cap-Bleeder	1	1	1
26	101-24600	O-Ring	1	1	1
27	104-03100	Fitting	2	2	2
32	101-38900	O-Ring	2	2	2
28	104-04700	Fitting	1	1	
32	101-38900	O-Ring	1	1	
29	104-04900	Fitting			1
26	101-24600	O-Ring			1
30	207-00700	Hose Assembly	1	1	1
31	075-15500	Torque Plate Assembly	1	1	
	075-16900	Torque Plate Assembly			1

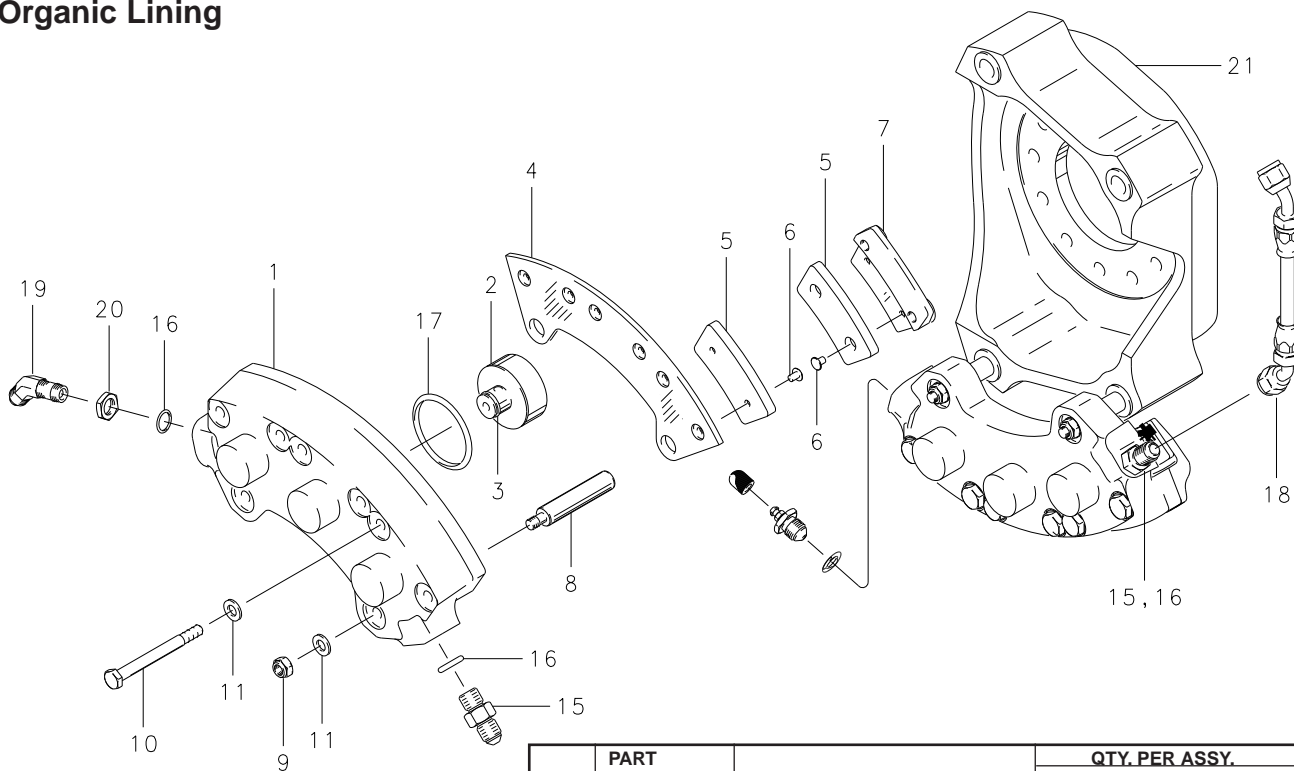
Cleveland
Wheels & Brakes



Illustrated Parts List

30-98, 30-98A, 30-98B, 30-98C, 30-98D

Organic Lining



Assy. Number

- A) 30-98
- B) 30-98A (1)
- C) 30-98B
- D) 30-98C
- E) 30-98D

NOTES:

(1) This brake uses automotive type brake fluid.

FIG.	PART NUMBER	DESCRIPTION	QTY. PER ASSY.				
			A	B	C	D	E
	091-07900	Cylinder Assy.	2		2	2	
	091-07901	Cylinder Assy.		2			
	091-11000	Cylinder Assy.					2
1	061-06000	Cylinder	2	2	2	2	2
	092-03300	Piston Assy.	6	6	6	6	6
2	062-03100	Piston	6	6	6	6	6
3	082-02000	Friction Spring	6	6	6	6	6
	073-03000	Pressure Plate Assy.	2	2	2	2	2
4	063-01300	Pressure Plate	2	2	2	2	2
5	066-10800	Lining	6	6	6	6	6
6	105-00200	Rivet	12	12	12	12	12
	074-02200	Back Plate Assy.	6	6	6	6	6
7	064-01600	Back Plate	6	6	6	6	6
5	066-10800	Lining	6	6	6	6	6
6	105-00200	Rivet	12	12	12	12	12
8	069-00400	Anchor Bolt	4	4	4	4	4
9	094-10300	Nut (MS21044-N4)	4	4	4	4	4
10	103-11800	Bolt	12	12	12	12	12
11	095-10400	Washer (AN960-416)	16	16	16	16	16
12	183-00100	Cap-Bleeder	1	1	1	1	1
13	079-00300	Screw-Bleeder	1	1	1	1	1
14	081-00200	Seat-Bleeder	1	1	1	1	1
15	104-00200	Fitting (AN815-4D)	2	2	2	2	
16	101-00700	O-Ring (MS28775-012)	3		3	3	2
	101-23000	O-Ring		4			
17	101-23500	O-Ring		6			
	101-50128	O-Ring (MS28775-128)	6		6	6	6
18	207-00600	Hydraulic Line Assy.-Inlet	1	1	1	1	
19	104-02000	Fitting (AN837-4D)		1			
20	094-90500	Nut (AN924-4D)		1			
21	075-11900	Torque Plate Assy.	1				1
	075-11901	Torque Plate Assy.		1	1		
	075-11902	Torque Plate Assy.				1	

Cleveland
Wheels & Brakes



Illustrated Parts List

30-123, 30-138

Metallic Lining

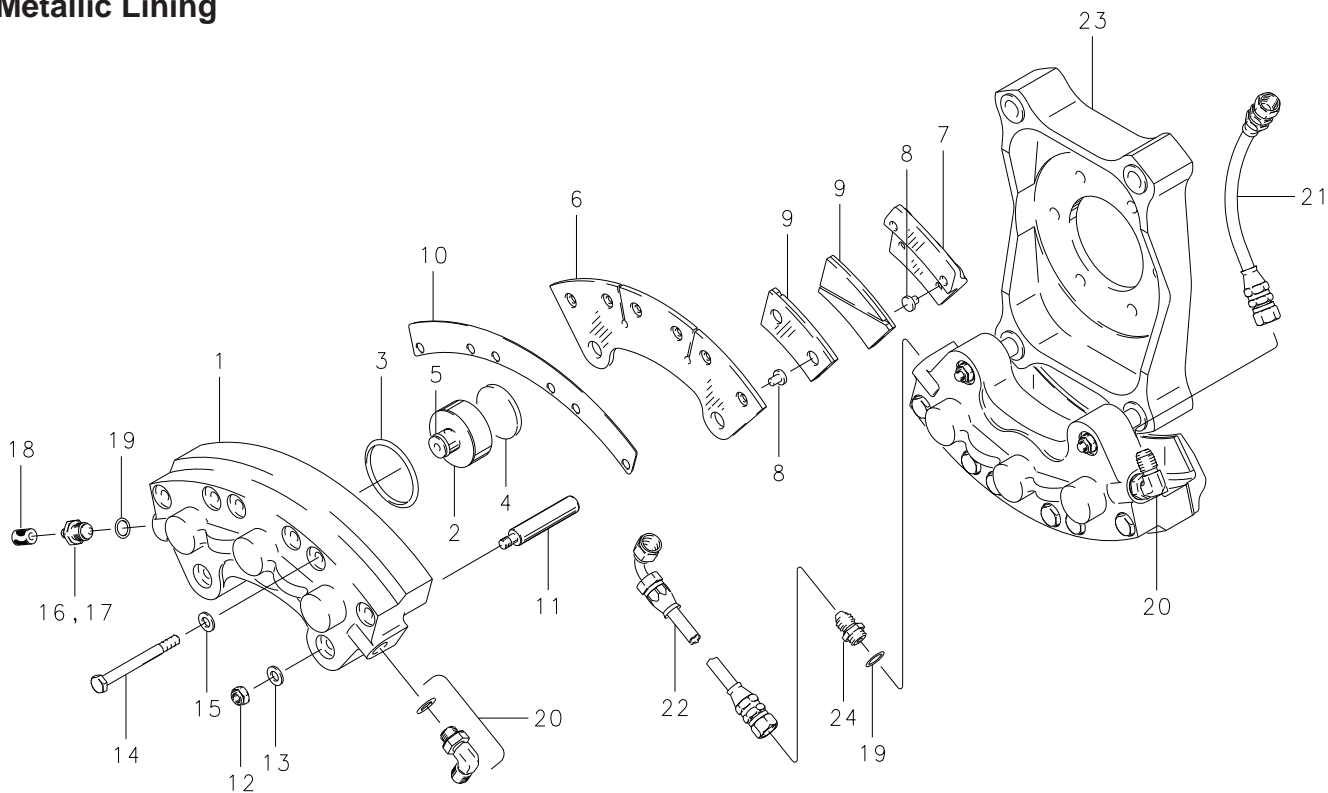


FIG.	PART NO.	DESCRIPTION	PER ASSY.	
			30-123	30-138
	091-10800	Cylinder Assembly	2	2
1	061-08700	Cylinder	2	2
	092-03600	Piston Assembly	6	6
2	062-03400	Piston	6	6
3	101-02700	O-Ring (MS28775-222)	6	6
4	088-00200	Insulator	6	6
5	082-02000	Friction Spring	6	6
	073-03700 (1)	Pressure Plate Assembly	2	2
6	063-03000	Pressure Plate	2	2
8	177-01600	Pin	12	12
	074-03200 (2)	Back Plate Assembly	6	6
7	064-02700	Back Plate	6	6
8	177-01600	Pin	12	12
9	066-06800	Lining	12	12
10	068-03000	Shim	2	2

FIG.	PART NO.	DESCRIPTION	PER ASSY.	
			30-123	30-138
11	069-00400	Anchor Bolt	4	4
12	094-10300	Nut (MS21044-N4)	4	4
13	095-10200	Washer (AN960-416L)	4	4
14	103-11800	Bolt	12	12
15	095-10400	Washer (AN960-416)	12	12
16	081-00200	Seat-Bleeder	1	1
17	079-00300	Screw-Bleeder	1	1
18	183-00100	Cap-Bleeder	1	1
19	101-00700	O-Ring (MS28775-012)	2	2
20	104-03100	Fitting	2	2
24	104-00200	Fitting (AN815-4D)	1	1
21	207-00800	Hose Assembly	1	1
22	207-01400	Hose Assembly, Inlet	1	
23	075-14100	Torque Plate Assembly	1	
	075-15100	Torque Plate Assembly		1

NOTES:

- (1) 073-03701 is the spares replacement for 073-03700 and includes items 6, 8, and 9.
- (2) 074-03202 is the spares replacement for 074-03200 and includes items 7, 8, and 9.

Cleveland
Wheels & Brakes



Illustrated Parts List

30-149, 30-231

Metallic Lining

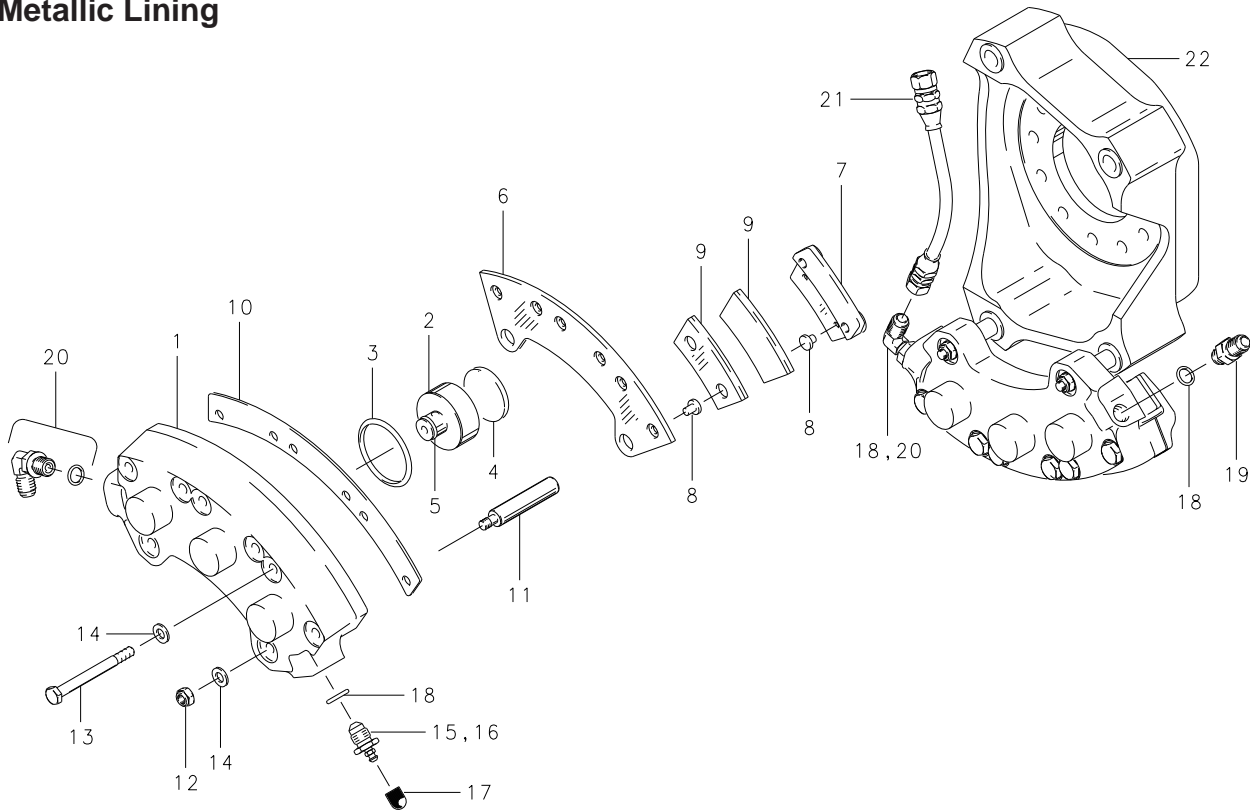


FIG.	PART NO.	DESCRIPTION	PER ASSY.	
			30-149	30-231
	091-14100	Cylinder Assembly	2	
	091-21000	Cylinder Assembly		2
1	061-06000	Cylinder	2	
	061-15900	Cylinder		2
	092-05500	Piston Assembly	6	
	092-05501	Piston Assembly		6
2	062-05700	Piston	6	6
3	101-50128	O-Ring (MS28775-128)	6	6
4	088-00200	Insulator	6	6
5	082-02000	Friction Spring	6	
	073-06600 (1)	Pressure Plate Assembly	2	2
6	063-00700	Pressure Plate	2	2
8	177-01600	Pin	12	12
	074-03400 (2)	Back Plate Assembly	6	6
7	064-02700	Back Plate	6	6
8	177-01600	Pin	12	12
9	066-06600	Lining	12	12

FIG.	PART NO.	DESCRIPTION	PER ASSY.	
			30-149	30-231
10	068-01600	Shim	2	2
11	069-00400	Anchor Bolt	4	
	069-02800	Anchor Bolt		4
12	094-10300	Nut (MS21044-N4)	4	4
13	103-11800	Bolt	12	
	103-14300	Bolt		12
14	095-10400	Washer (AN960-416)	16	16
15	081-00200	Seat-Bleeder	1	1
16	079-00300	Screw-Bleeder	1	1
17	183-00100	Cap-Bleeder	1	1
18	101-00700	O-Ring (MS28775-012)	4	3
19	104-00200	Fitting (AN815-4D)	1	1
20	104-03100	Fitting	2	
	207-01300	Hose Assembly	1	
21	207-00600	Hose Assembly		1
	075-16000	Torque Plate Assembly	1	
22	075-11903	Torque Plate Assembly		1

NOTES:

- (1) 073-06601 is the spares replacement for 073-06600 and includes items 6, 8, and 9.
- (2) 074-03401 is the spares replacement for 074-03400 and includes items 7, 8, and 9.

Cleveland
Wheels & Brakes



Illustrated Parts List

30-106, 30-158

Metallic Lining

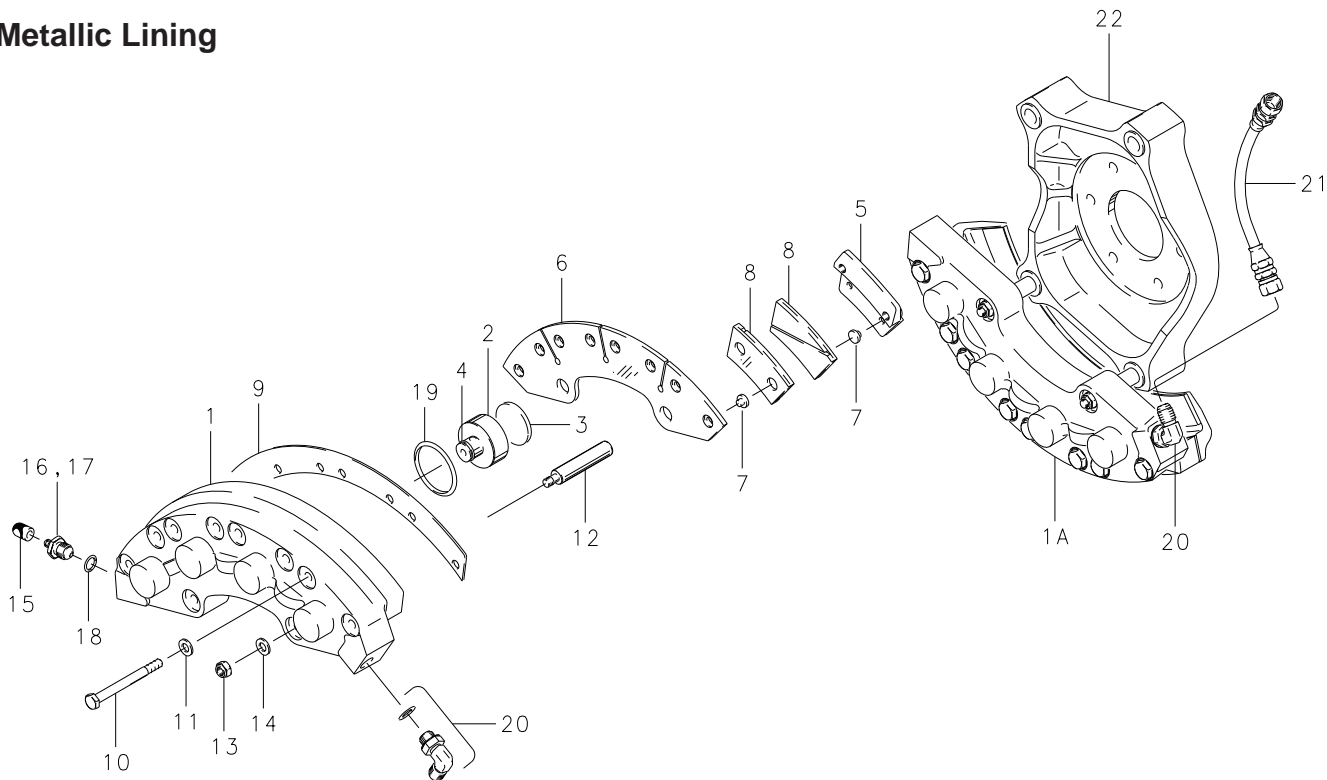


FIG.	PART NO.	DESCRIPTION	PER ASSY.	
			30-106	30-158
1	091-09400 (1)	Cylinder Assembly	1	1
	061-07000 (1)	Cylinder	1	1
1A	091-09401 (2)	Cylinder Assembly	1	1
	061-07001 (2)	Cylinder	1	1
	092-03900	Piston Assembly	8	8
2	062-03800	Piston	8	8
3	088-00400	Insulator	8	8
4	082-02000	Friction Spring	8	8
	074-03400 (4)	Back Plate Assembly	8	8
5	064-02700	Back Plate	8	8
7	177-01600	Pin	8	8
	073-04300 (3)	Pressure Plate Assembly	2	2
6	063-03100	Pressure Plate	2	2
7	177-01600	Pin	8	8
8	066-06800	Lining	16	16

FIG.	PART NO.	DESCRIPTION	PER ASSY.	
			30-106	30-158
9	068-03100	Shim-Insulator	2	2
10	104-14400	Bolt (AN4H23A)	16	16
11	095-10400	Washer (AN960-416)	16	16
12	069-00400	Anchor Bolt	4	4
13	094-10300	Nut (MS21044-N4)	4	4
14	095-10200	Washer (AN960-416L)	4	4
15	183-00100	Cap-Bleeder	1	1
16	079-00300	Screw-Bleeder	1	1
17	081-00200	Seat-Bleeder	1	1
18	101-00700	O-Ring (MS28775-012)	1	1
19	101-02500	O-Ring (MS28775-220)	8	8
20	104-03100	Fitting	2	2
21	207-00800	Hose Assembly	1	1
22	075-12800	Torque Plate Assembly	1	
	075-16600	Torque Plate Assembly		1

NOTES:

- (1) 091-09400 Cylinder Assembly leads on LH Gear, trails on RH Gear.
- (2) 091-09401 Cylinder Assembly trails on LH Gear, leads on RH Gear.
- (3) 073-04301 is the spares replacement for 073-04300 and includes items 6, 7, and 8.
- (4) 074-03402 is the spares replacement for 074-03400 and includes items 5, 7, and 8.

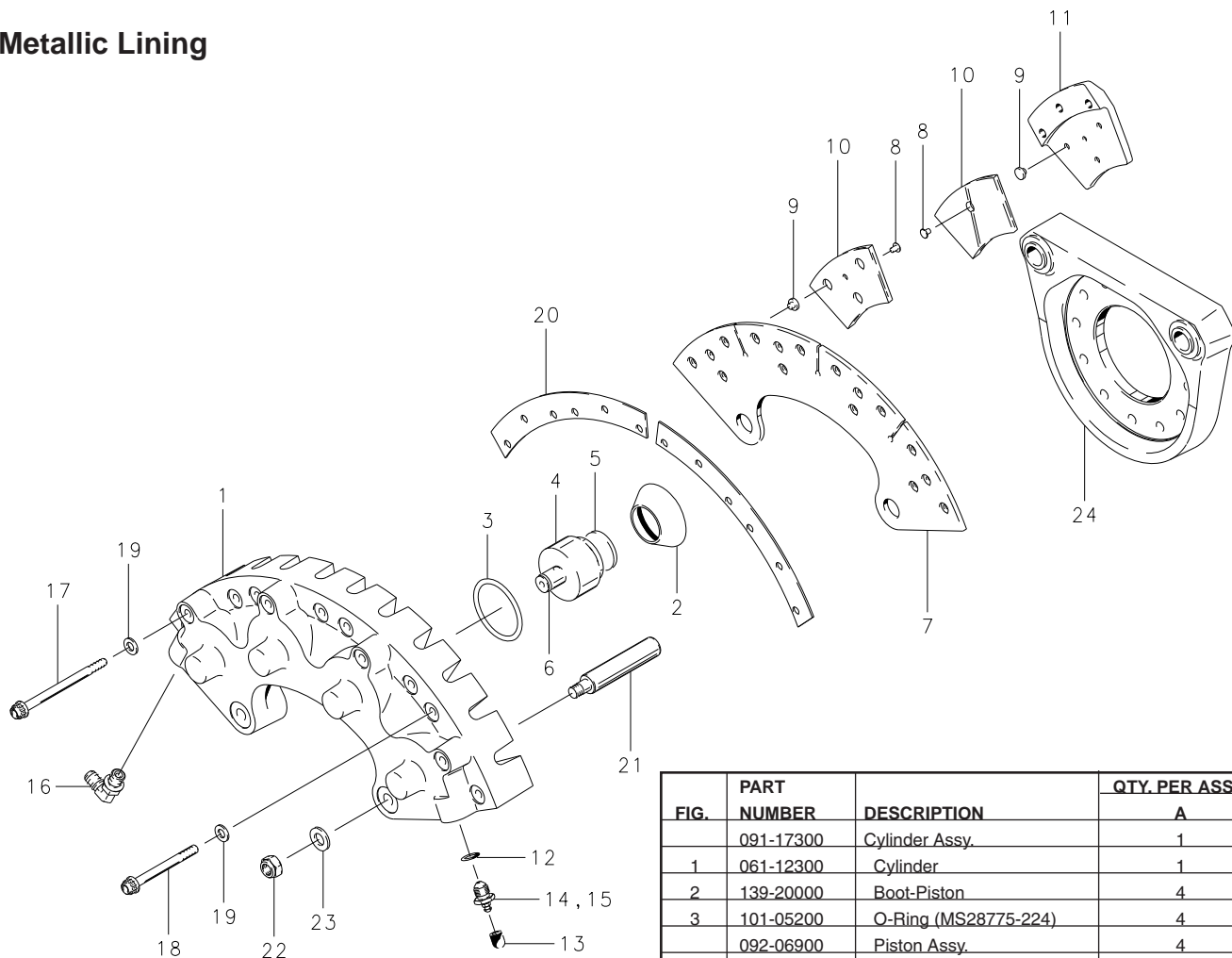
Cleveland
Wheels & Brakes



Illustrated Parts List

30-170

Metallic Lining



Assy. Number

A) 30-170

FIG.	PART NUMBER	DESCRIPTION	QTY. PER ASSY. A
	091-17300	Cylinder Assy.	1
1	061-12300	Cylinder	1
2	139-20000	Boot-Piston	4
3	101-05200	O-Ring (MS28775-224)	4
	092-06900	Piston Assy.	4
4	062-06800	Piston	4
5	088-01400	Insulator	4
6	082-02000	Friction Spring	4
	073-07400	Pressure Plate Assy.	1
7	063-05800	Pressure Plate	1
8	105-00200	Rivet	4
9	177-01600	Pin	12
10	066-10000	Lining	4
	074-06000	Back Plate Assy.	4
11	064-03200	Back Plate	4
8	105-00200	Rivet	4
9	177-01600	Pin	12
10	066-10000	Lining	4
12	101-00700	O-Ring (MS28775-012)	1
13	183-00100	Bleeder Cap	1
14	079-00300	Bleeder Screw	1
15	081-00200	Bleeder Seat	1
16	104-03100	Fitting	1
17	103-16700	Bolt (MS21250H04036)	4
18	103-16800	Bolt (MS21250H04024)	8
19	095-14300	Washer (MS20002-C4)	12
20	068-04600	Shim-Backplate	2
21	069-02300	Anchor Bolt	2
22	094-10100	Nut (MS21042-6)	2
23	095-10600	Washer (AN960-616)	2
24	075-17000	Torque Plate Assy.	1

Cleveland
Wheels & Brakes

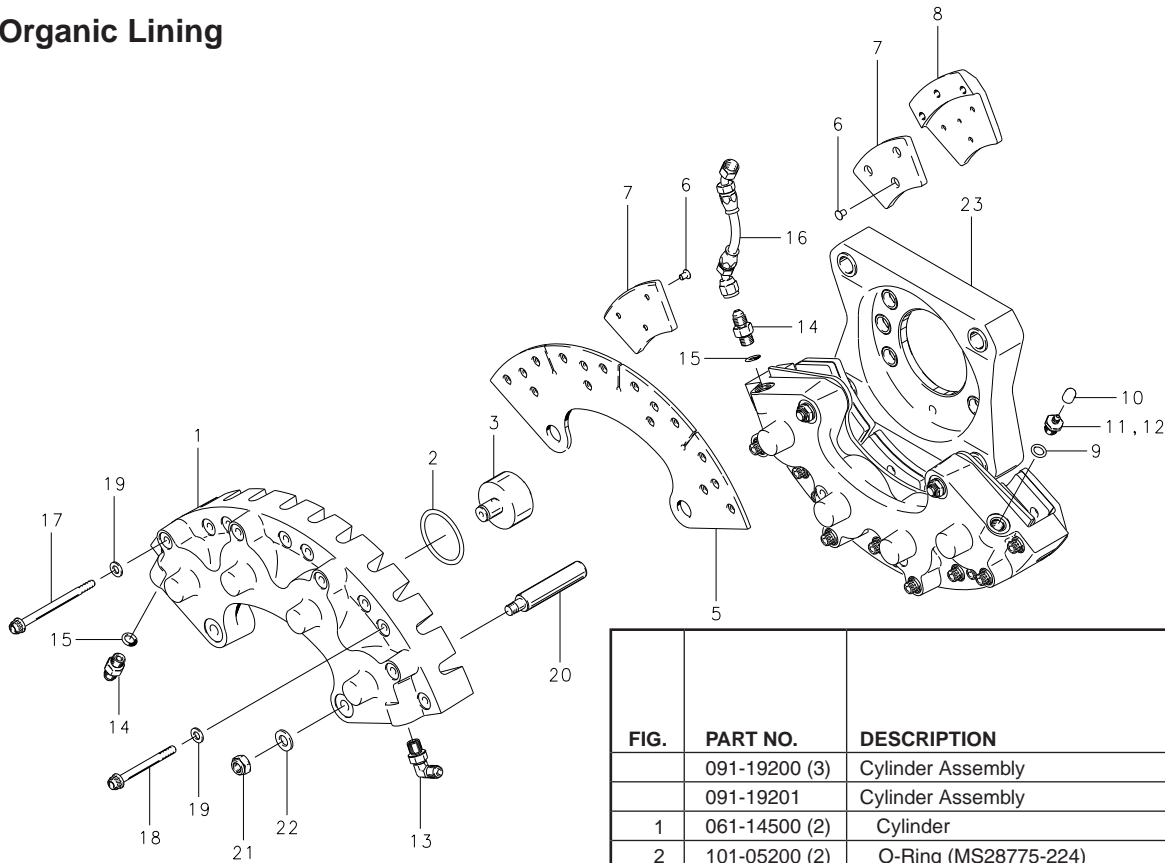


Illustrated Parts List

**Brake Assembly – 12” External
Dual Cylinder, Four Piston**

30-210, 30-210A

Organic Lining



NOTES:

- (1) SB7067-1 Service Bulletin Kit upgrades brake to 30-210A configuration per SB7067.
- (2) Component of Cylinder Assembly for 30-210A.
- (3) Includes all parts except Torque Plate Assembly.

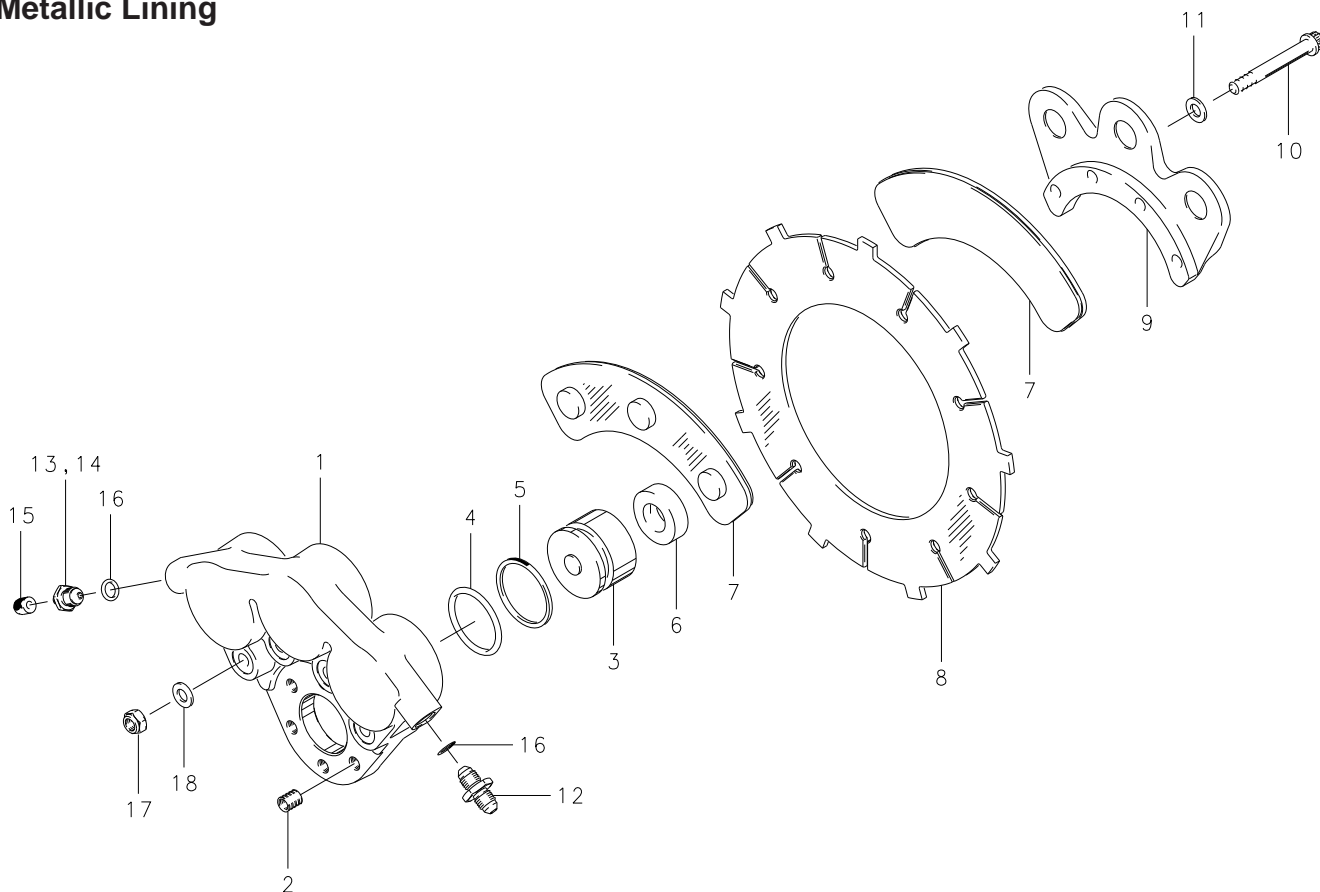
FIG.	PART NO.	DESCRIPTION	PER ASSY.	
			30-210 (1)	30-210A
	091-19200 (3)	Cylinder Assembly	2	
	091-19201	Cylinder Assembly		2
1	061-14500 (2)	Cylinder	2	2
2	101-05200 (2)	O-Ring (MS28775-224)	8	8
3	062-09301 (2)	Piston	8	8
	073-09201 (2)	Pressure Plate Assembly	2	2
5	063-05801	Pressure Plate	2	2
6	105-06700	Rivet	24	24
7	066-13100	Lining	8	8
	074-07200 (2)	Back Plate Assembly	8	8
8	064-03200	Back Plate	8	8
6	105-06700	Rivet	24	24
7	066-13100	Lining	8	8
9	101-00700	O-Ring (MS28775-012)	1	1
10	183-00100	Bleeder Cap	1	1
11	079-00300	Bleeder Screw	1	1
12	081-00200	Bleeder Seat	1	1
13	104-03100	Fitting	1	1
14	104-04900	Fitting	2	2
15	101-24600	O-Ring	2	2
16	207-01600	Hose Assembly	1	1
17	103-16700 (2)	Bolt (MS21250H04036)	8	8
18	103-16800 (2)	Bolt (MS21250H04024)	16	16
19	095-14300 (2)	Washer (MS20002-C4)	24	24
20	069-02300	Anchor Bolt	4	
	069-02301 (2)	Anchor Bolt		4
21	094-12900 (2)	Nut (MS21042-6)	4	4
22	095-10600 (2)	Washer (AN960-616)	4	4
23	075-18500	Torque Plate Assembly	1	1



Illustrated Parts List

30-208, 30-208A

Metallic Lining



Assy. Number

A) 30-208 (1) (2)

B) 30-208A

NOTES:

- (1) Inactive assembly – spares support only for parts listed.
- (2) Superseded by 30-208A per SB7039.
- (3) Inactive part – no longer available for spares support.

FIG.	PART NUMBER	DESCRIPTION	QTY. PER ASSY.	
			A	B
1	061-14300	Cylinder	1	1
2	230-03700	Insert	6	6
3	062-09100	Piston	3	3
4	101-34500	O-Ring	3	3
5	100-14300	Backup Ring	3	3
6	(3)	Insulator	3	
	088-01201	Insulator		3
7	(3)	Lining	2	
	066-12901	Lining		2
8	(3)	Brake Disc	1	
	159-06201	Brake Disc		1
9	064-05901	Back Plate	1	1
10	103-25100	Bolt (MS21250-05034)	4	4
11	095-02800	Washer (MS20002C5)	4	4
12	104-00200	Fitting (AN815-4D)	1	1
13	081-00200	Bleeder Seat	1	1
14	079-00300	Bleeder Screw	1	1
15	183-00100	Bleeder Cap	1	1
16	101-00700	O-Ring (MS28775-012)	2	2
17	094-10402	Nut (MS21045-5E)	4	4
18	095-10500	Washer (AN960-516)	4	4

Cleveland
Wheels & Brakes

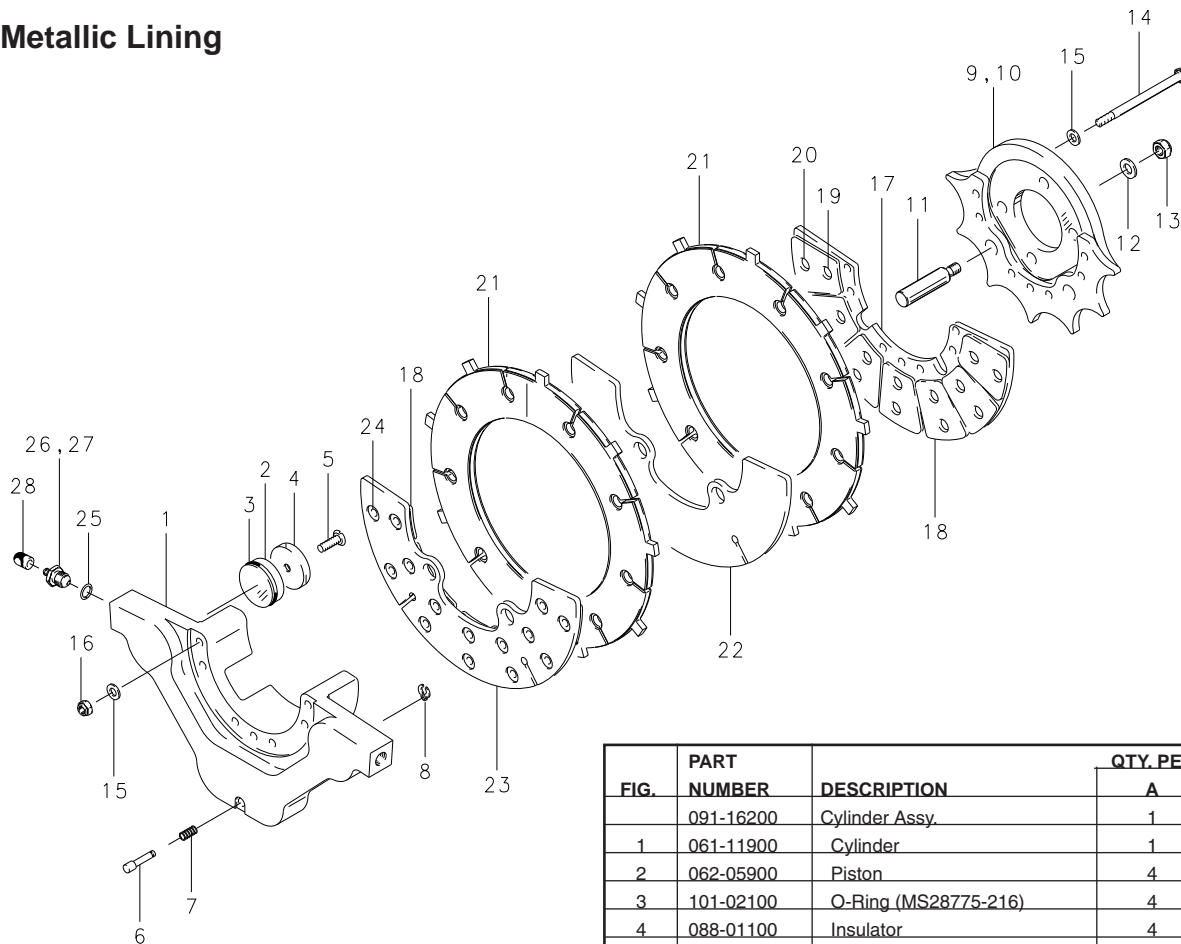


Illustrated Parts List

**Brake Assembly – 8” Internal
Single Cylinder, Four Piston**

30-165 LH, 30-165 RH

Metallic Lining



Assy. Number

A) 30-165 LH (1) (2)

B) 30-165 RH (1) (2)

NOTES:

- (1) Used with 40-205 Wheel Assemblies.
- (2) This Brake is not FAA TSO approved – order from airframe manufacturer only.

FIG.	PART NUMBER	DESCRIPTION	QTY. PER ASSY.	
			A	B
	091-16200	Cylinder Assy.	1	1
1	061-11900	Cylinder	1	1
2	062-05900	Piston	4	4
3	101-02100	O-Ring (MS28775-216)	4	4
4	088-01100	Insulator	4	4
5	102-15900	Screw (AN510-416-6)	4	4
6	139-12300	Lining Indicator Pin	1	1
7	082-06700	Spring	1	1
8	155-08000	Retaining Ring	1	1
9	065-15700	Torque Plate	1	
10	065-15750	Torque Plate		1
11	069-02200	Anchor Bolt	2	2
12	095-10500	Washer (AN960-524C)	2	2
13	094-10401	Nut (MS21045-5S)	2	2
14	103-15400	Bolt (AN4-27A)	7	7
15	095-10400	Washer (AN960-416)	14	14
16	094-10301	Nut (AN365-428C)	7	7
	074-05800	Back Plate Assy.	1	1
17	064-04600	Back Plate	1	1
18	109-00100	Wear Pad	7	7
19	105-01400	Rivet	7	7
20	105-01500	Rivet	7	7
21	159-01400	Disc	2	2
22	232-00600	Stator	1	1
	073-07300	Pressure Plate Assy.	1	1
23	063-05700	Pressure Plate	1	1
18	109-00100	Wear Pad	7	7
24	105-01100	Rivet	14	14
25	101-00700	O-Ring (MS28775-012)	1	1
26	081-00200	Bleeder Seat	1	1
27	079-00300	Bleeder Screw	1	1
28	183-00100	Bleeder Cap	1	1

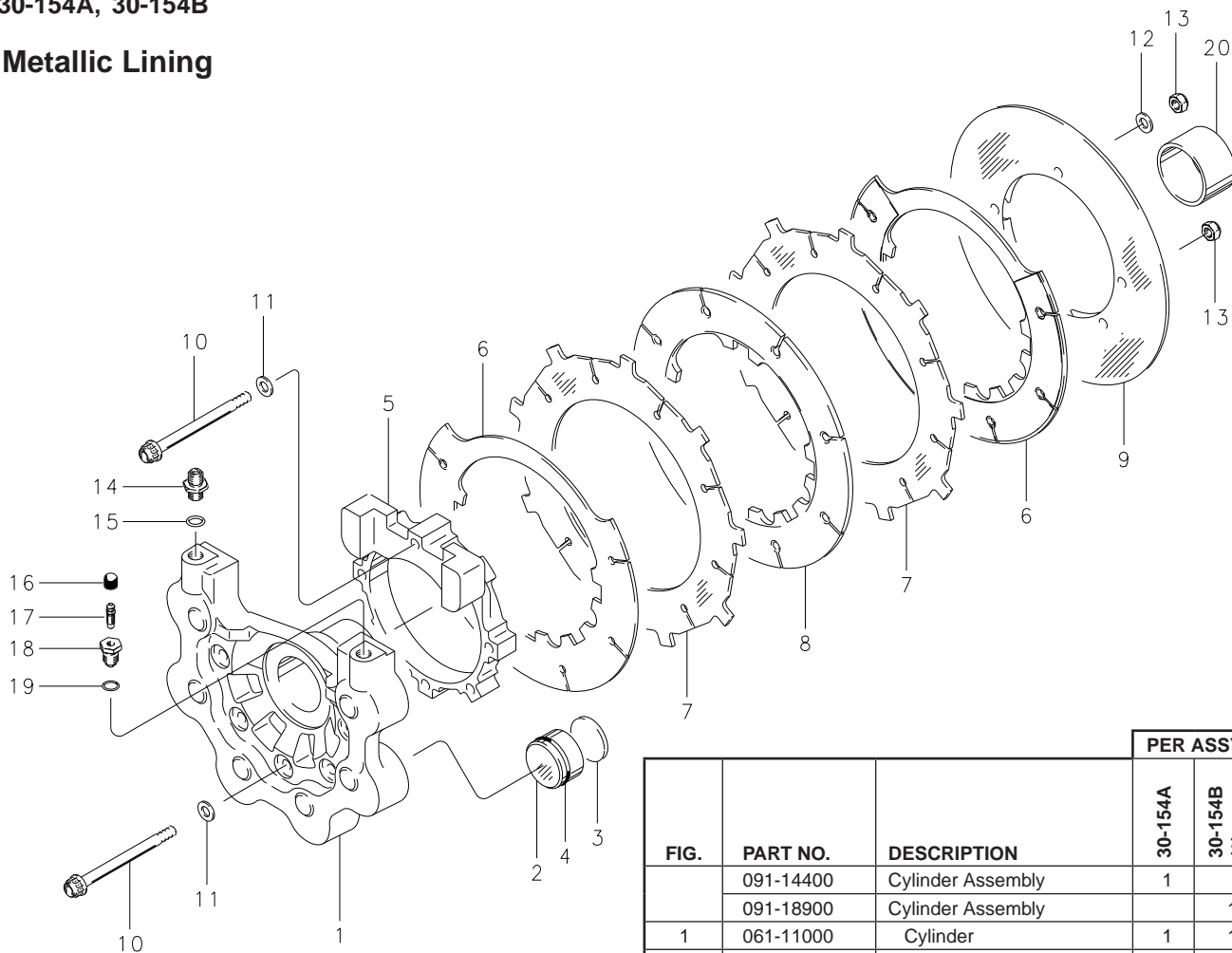
Cleveland
Wheels & Brakes



Illustrated Parts List

30-154A, 30-154B

Metallic Lining



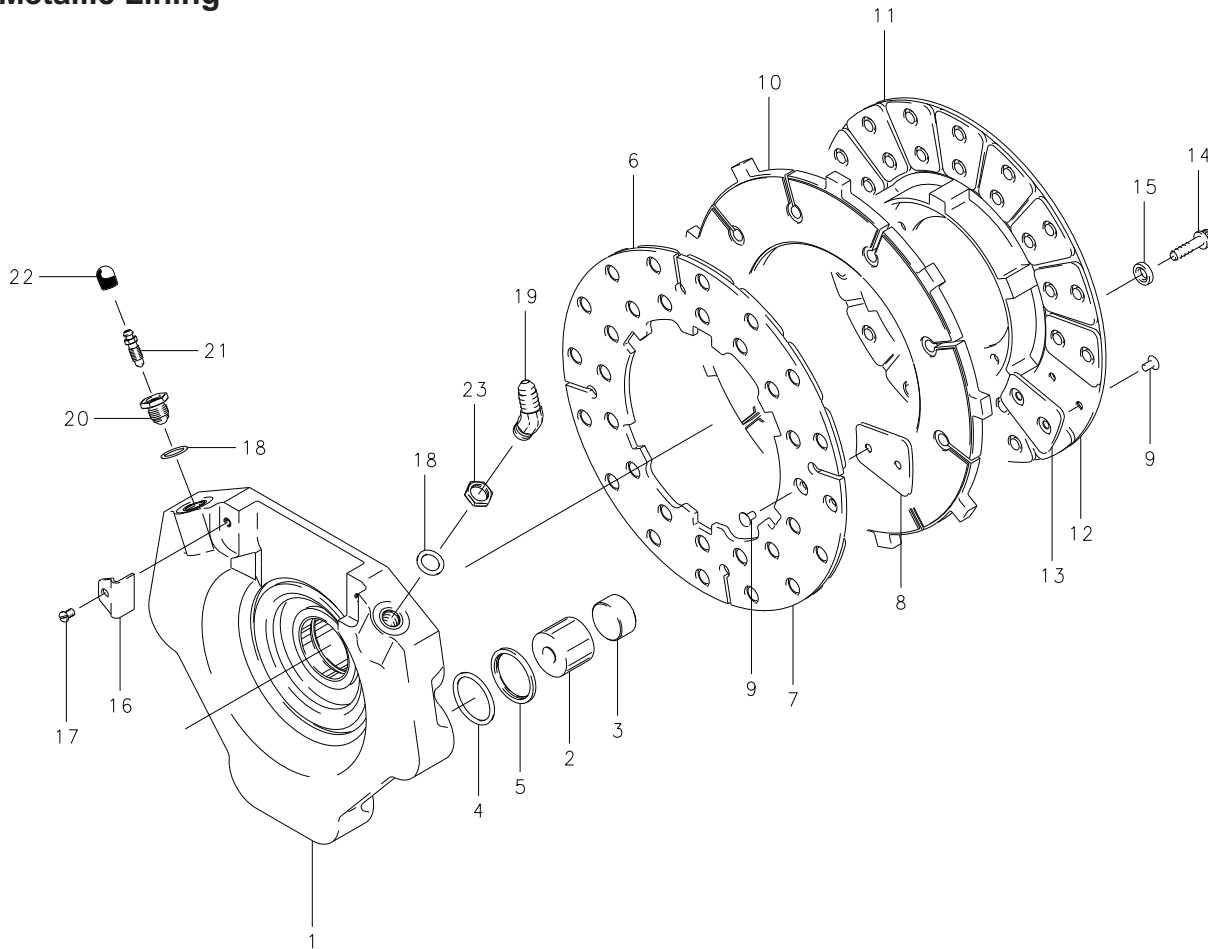
NOTES:

(1) 199-187 Brake Friction Stack Kit provides the components for the replacement of wearable friction stack components.

FIG.	PART NO.	DESCRIPTION	PER ASSY.	
			30-154A	30-154B (1)
1	091-14400	Cylinder Assembly	1	
	091-18900	Cylinder Assembly		1
1	061-11000	Cylinder	1	1
	092-05600	Piston Assembly	6	6
2	062-05800	Piston	6	6
3	088-00200	Insulator	6	6
4	101-02300	O-Ring (MS28775-218)	6	6
5	065-14700	Torque Plate	1	1
6	063-05000	Pressure Plate	2	
	063-05001 (1)	Pressure Plate		2
7	159-01000	Disc	2	
	159-01001 (1)	Disc		2
8	232-00100	Center Stator	1	
	232-00101 (1)	Center Stator		1
9	074-05600	Back Plate	1	1
10	103-22700	Bolt (MS21250-05022)	6	6
11	095-02800	Washer (MS20002-C5)	6	6
12	095-13600	Washer (MS20002-5)	1	1
13	094-13100	Nut (MS21042-L5)	6	6
14	104-00200	Fitting (AN815-4D)	1	1
15	101-24600	O-Ring	1	1
16	183-00100	Cap-Bleeder	1	1
17	079-00300	Screw-Bleeder	1	1
18	081-00200	Seat-Bleeder	1	1
19	101-00700	O-Ring (AN6227-7)	1	1
20	067-06400	Spacer	1	1

30-191

Metallic Lining



3

FIG.	PART NO.	DESCRIPTION	PER ASSY. 30-191
1	091-17900	Cylinder Subassembly	1
2	062-08300	Piston	6
3	088-01800	Insulator	6
4	101-50122	O-Ring (MS28775-122)	6
5	107-03100	Wiper Ring	6
6	073-08300	Pressure Plate Assy.	1
7	063-06400	Pressure Plate	1
8	109-01500	Wear Pad	16
9	105-00900	Rivet (MS16535-360)	32
10	159-02700	Disc	1
11	074-06400	Torque Tube Subassembly	1
12	064-05101	Torque Tube	1
13	109-01500	Wear Pad	16
9	105-00900	Rivet (MS16535-360)	32

FIG.	PART NO.	DESCRIPTION	PER ASSY. 30-191
14	103-16900	Bolt (MS21250-04004)	10
15	095-14600	Washer (MS14155-4)	10
16	205-03000	Torque Liner	2
17	102-07100	Screw (MS35266-61)	2
18	101-20800	O-Ring (MS28778-4)	2
19	104-02000	Elbow (AN837-4D)	1
20	081-00200	Bleeder Seat	1
21	079-00300	Bleeder Screw	1
22	183-00100	Bleeder Cap	1
23	094-90500	Nut (AN924-4D)	1

Cleveland
Wheels & Brakes



Illustrated Parts List

30-162

Metallic Lining

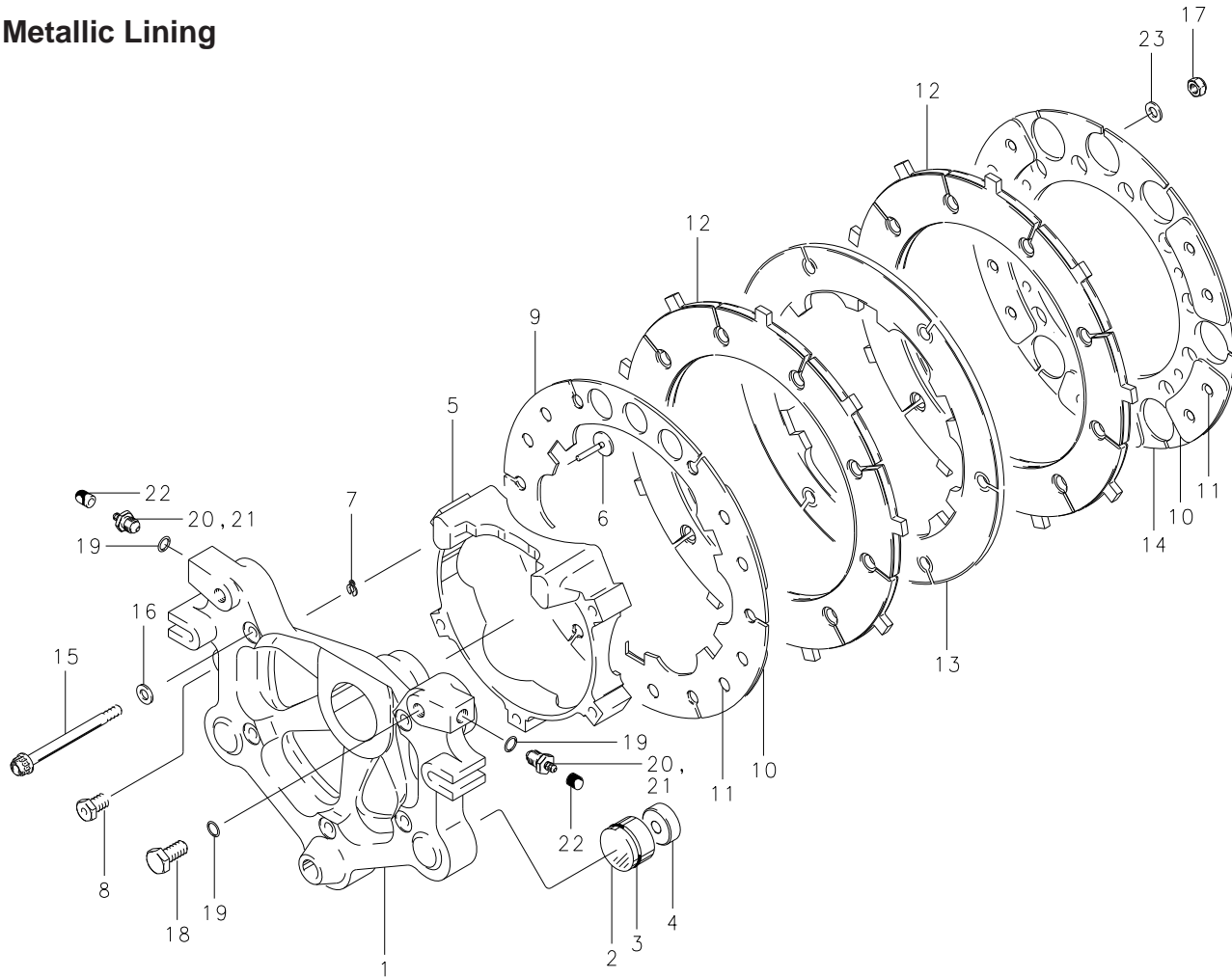


FIG.	PART NO.	DESCRIPTION	PER ASSY. 30-162
1	091-23900	Cylinder Assembly	1
2	062-07400	Piston	5
3	101-02100	O-Ring (MS28775-216)	5
4	088-01500	Insulator	5
5	065-15401	Torque Ring	1
6	139-11500	Lining Indicator Pin	1
7	155-04800	Retaining Ring	1
8	139-11400	Lining Indicator Seat	1
	073-07100	Pressure Plate Assembly	1
9	063-05500	Pressure Plate	1
10	109-00200	Wear Pad	5
11	105-00901	Rivet (NASM16535-429)	10
12	159-01200	Disc	2
13	232-00300	Stator	1

FIG.	PART NO.	DESCRIPTION	PER ASSY. 30-162
	074-05500	Back Plate Assembly	1
14	064-04300	Back Plate	1
10	109-00200	Wear Pad	5
11	105-00901	Rivet (NASM16535-429)	10
15	103-24400	Bolt (MS21250-05-040)	5
16	095-02800	Washer (MS20002C5)	5
17	094-10401	Nut (MS21045-5S)	5
18	104-05000	Plug (AN814-4)	1
19	101-00700	O-Ring (MS28775-012)	3
20	081-00200	Bleeder Seat	2
21	079-00300	Bleeder Screw	2
22	183-00100	Bleeder Cap	2
23	095-10500	Washer (AN960-516)	5

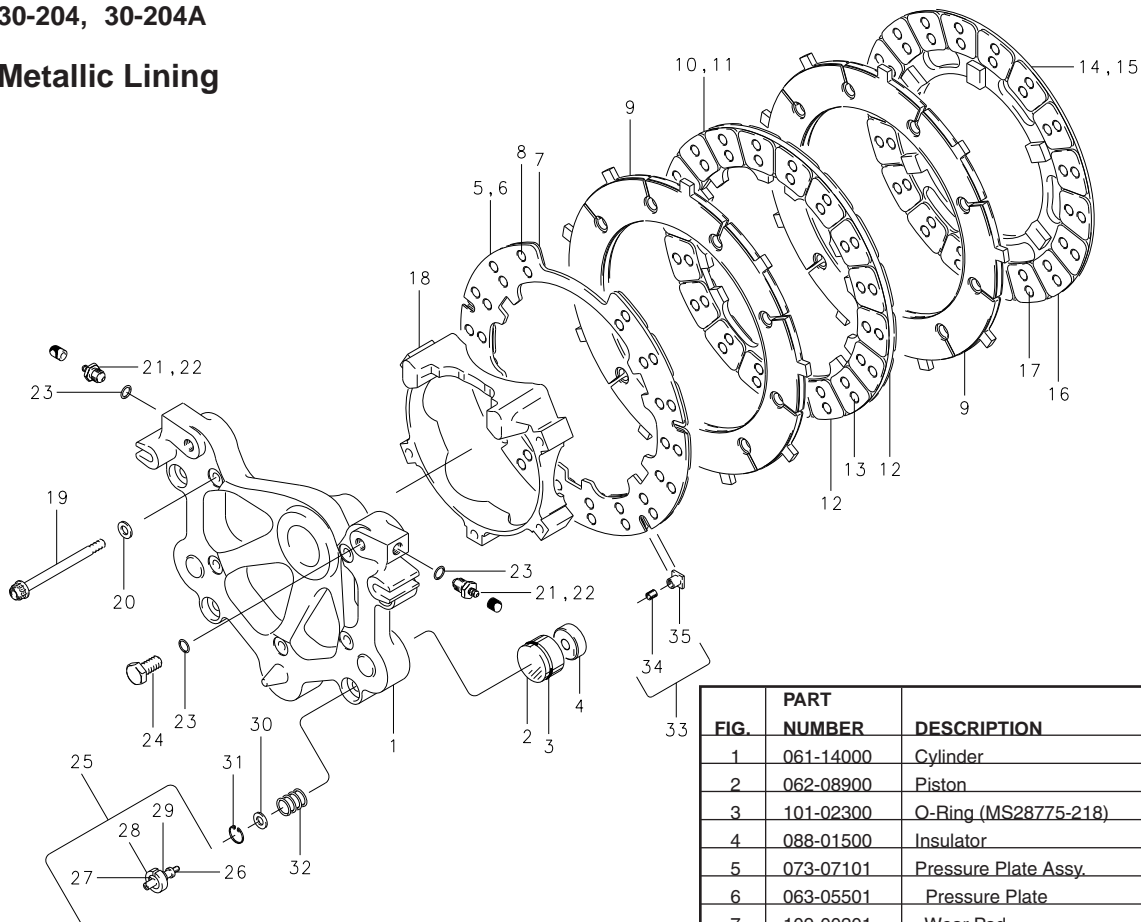
Cleveland
Wheels & Brakes



Illustrated Parts List

30-204, 30-204A

Metallic Lining



Assy. Number

A) 30-204 (1) (3)

B) 30-204A

NOTES:

- (1) Inactive assembly – spares support only for parts listed.
- (2) Inactive part – no longer available for spares support.
- (3) Refer to Service Bulletin SB7041 for upgrade to 30-204A.

FIG.	PART NUMBER	DESCRIPTION	QTY. PER ASSY.	
			A	B
1	061-14000	Cylinder	1	1
2	062-08900	Piston	5	5
3	101-02300	O-Ring (MS28775-218)	5	5
4	088-01500	Insulator	5	5
5	073-07101	Pressure Plate Assy.	1	1
6	063-05501	Pressure Plate	1	1
7	109-00201	Wear Pad	16	16
8	105-06700	Rivet	32	32
9	(2) 159-05900	Disc	2	2
10	242-01200	Stator Assy.	1	1
11	232-01201	Stator	1	1
12	109-00201	Wear Pad	36	36
13	105-06800	Rivet	36	36
14	074-07000	Back Plate Assy.	1	1
15	064-04303	Back Plate	1	1
16	109-00201	Wear Pad	18	18
17	105-06700	Rivet	36	36
18	065-15401	Torque Ring	1	1
19	103-25100	Bolt (MS21250-0503)	5	5
20	095-02800	Washer (MS20002C5)	5	5
21	081-00200	Bleeder Seat	2	2
22	079-00300	Bleeder Screw	2	2
23	101-00700	O-Ring (MS28775-012)	3	3
24	104-05000	Plug (AN814-4)	1	1
25	111-10300	Adjuster Assy.	4	4
26	139-21500	Stud	4	4
27	139-12000	Friction Sleeve	4	4
28	139-11900	Sleeve Retainer	4	4
29	067-13200	Spacer	4	4
30	095-13600	Washer (MS20002-5)	4	4
31	155-07800	Snap Ring	4	4
32	082-10400	Spring	4	4
33	111-08301	Retract Base Assy.	4	4
34	230-03300	Insert	4	4
35	139-22101	Retract Base	4	4

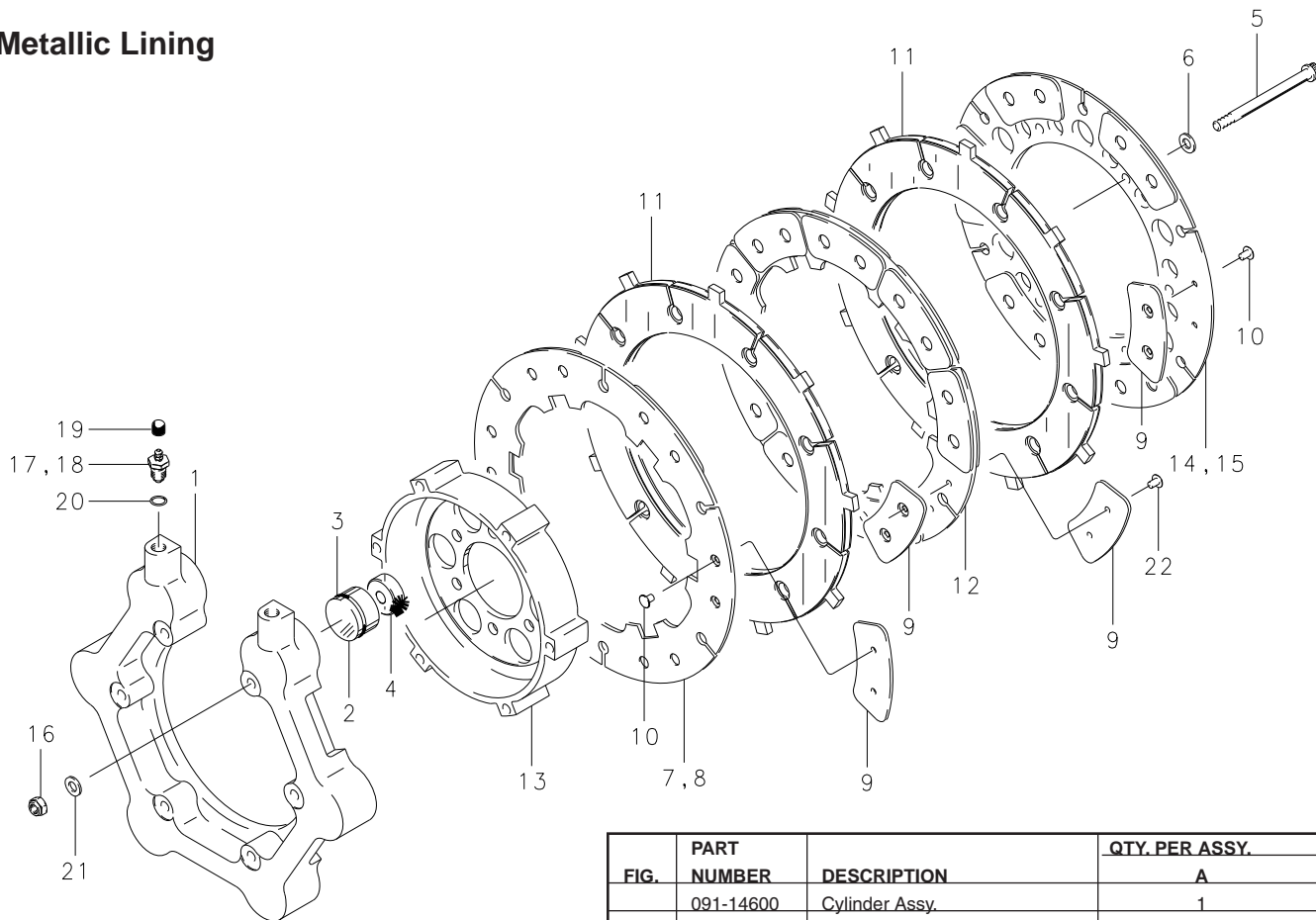
Cleveland
Wheels & Brakes



Illustrated Parts List

30-150

Metallic Lining



Assy. Number

A) 30-150

NOTE:

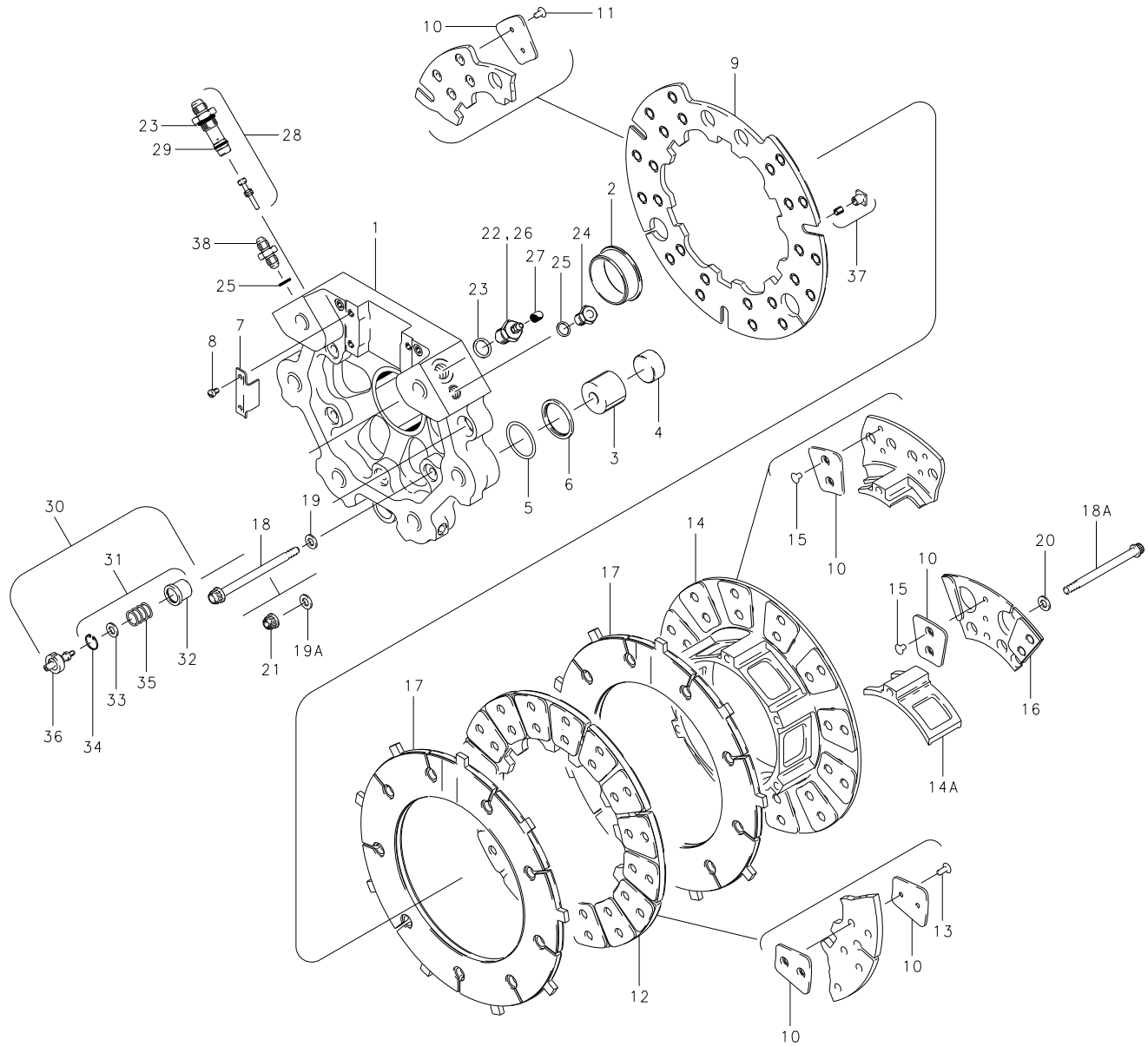
(1) Indicated assemblies have lining permanently bonded.

FIG.	PART NUMBER	DESCRIPTION	QTY. PER ASSY.
	091-14600	Cylinder Assy.	1
1	061-11100	Cylinder	1
2	062-07100	Piston	6
3	101-02100	O-Ring (MS28775-216)	6
4	088-01500	Insulator	6
5	103-22900	Bolt (MS21250-05042)	6
6	095-02800	Washer (MS20002C5)	6
7	073-06500	Pressure Plate Assy.	1
8	063-05200	Pressure Plate	1
9	109-00200	Wear Pad	6
10	105-00900	Rivet (MS16535-360)	12
11	159-01100	Disc Assy (1)	2
	242-00300	Stator Assy.	1
12	232-01200	Stator	1
9	109-00200	Wear Pad	18
22	105-02400	Rivet (MS16535-364)	18
13	065-14800	Torque Plate	1
14	074-05000	Back Plate Assy.	1
15	064-04200	Back Plate	1
9	109-00200	Wear Pad	6
10	105-00900	Rivet (MS16535-360)	12
16	094-12700	Nut-Lock (MS21042-5)	6
17	081-00200	Bleeder-Seat	1
18	079-00300	Bleeder-Screw	1
19	183-00100	Bleeder-Cap	1
20	101-00700	O-Ring (MS28775-012)	1
21	095-10700	Washer (AN960-516L)	6

Illustrated Parts List

30-189, 30-189A, 030-18902, 30-161, 30-161A

Metallic Lining



3

Cleveland
Wheels & Brakes



Illustrated Parts List

30-189, 30-189A, 030-18902, 30-161, 30-161A

Metallic Lining

FIG.	PART NO.	DESCRIPTION	PER ASSY.				
			30-189 (1) (2) (6)	30-189A (7)	030-18902 (7)	30-161 (1) (3) (5) (6)	30-161A (7)
1	091-17800	Cylinder Assembly	1	1	1		
	091-15600	Cylinder Assembly				1	1
2	145-10200	Bushing	1	1	1		
	145-08500	Bushing				1	1
3	062-06300	Piston	6	6	6	6	6
4	088-01900	Insulator	6	6	6		6
	(4)	Insulator				6	
5	101-27900	O-Ring (NAS1611-220)	6	6	6	6	6
6	107-00500	Wiper Ring	6	6	6	6	6
7	205-00900	Torque Liners	2	2	2	2	2
8	102-07100	Screw (AN501A10-6)	4	4	4	4	4
9	073-08200	Pressure Plate Assembly	1	1	1	1	1
10	109-00100	Wear Pad	12	12	12	12	12
11	105-01100	Rivet	24	24	24	24	24
12	242-00700	Center Stator Assembly	1	1	1	1	1
10	109-00100	Wear Pad	32	32	32	32	32
13	105-01200	Rivet	32	32	32	32	32
14	075-17600	Torque Plate Assembly		1	1		1
14A	(4)	Torque Plate Assembly	1			1	
10	109-00100	Wear Pad	12	12	12	12	12
15	105-01300	Rivet	24	24	24	24	24
16	(4)	Back Plate Assembly	1			1	
10	109-00100	Wear Pad	12			12	
15	105-01300	Rivet	24			24	
17	159-03500	Disc		2	2		2
	(4)	Disc	2			2	
18	103-85300	Bolt (MS21250H05022)		5	5		5
18A	(4)	Bolt	5			5	
19	095-02800	Washer (Countersunk) (MS20002C5)		5	5		5
19A	(4)	Washer (Countersunk)	5			5	
20	(4)	Washer	5			5	
21	(4)	Nut	5			5	
22	081-00600	Bleeder Seat	1	1	1	1	1
23	101-28000	O-Ring	1	1	1	1	1
24	104-05400	Plug (AN814-4K)	1	1	1	1	1
25	101-28200	O-Ring (NAS1612-4A)	2	2	2	2	2
26	079-00300	Bleeder Screw	1	1	1	1	1
27	183-00100	Bleeder Cap	1	1	1	1	1
28	111-09801	Shuttle Valve Assembly		1	1		1
	(4)	Shuttle Valve Assembly	1			1	
29	101-28100	O-Ring (NAS1611-13)	1	1	1	1	1
23	101-28000	O-Ring	1	1	1	1	1
30	111-07900	Retract Assembly	3	3	3	3	3
31	111-08400	Retract Housing Assembly	3	3	3	3	3
32	071-00200	Retract Housing	3	3	3	3	3
33	095-13600	Washer (MS20002-5)	3	3	3	3	3
34	155-07800	Snap Ring	3	3	3	3	3
35	082-10400	Spring	3	3	3	3	3
36	111-08200	Adjuster Assembly	3	3	3	3	3
37	111-08300	Retract Base Assembly	3	3	3	3	3
38	104-05200	Fitting (AN815-4K)	1	1	1	1	1

NOTES:

- (1) Inactive Assembly - spares support only for parts listed.
- (2) 30-189 has been superseded by 30-189A
- (3) 30-161 has been superseded by 30-161A
- (4) Inactive Part - no longer available for spares support.
- (5) 199-165 Brake Retract Kit retrofits brake to use improved retracts.
- (6) 199-169 Brake Upgrade Kit converts 30-161 brake to 30-161A and 30-189 to 39-189A. TSO approved per ESB7018 & ESB7022.
- (7) 199-206 Brake Bolt Kit retrofits brake assembly to use safety wired bolts. TSO approved per ESB7028.



Illustrated Parts List

30-244

Metallic Lining

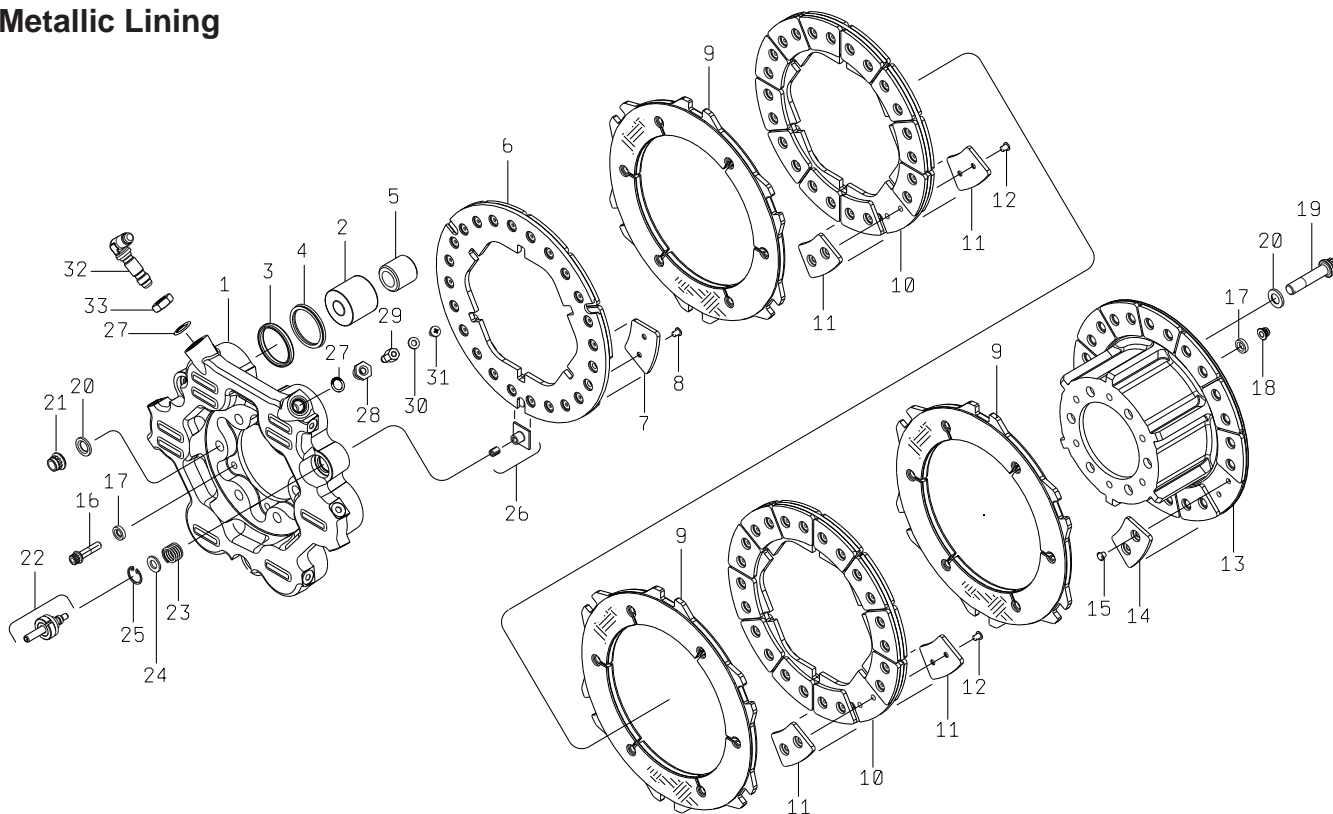


FIG.	PART NO.	DESCRIPTION	PER ASSY. 30-244
1	061-17000	Cylinder Assembly	1
2	062-11100	Piston	6
3	101-02500	O-Ring (MS28775-220)	6
4	107-03700	Wiper	6
5	088-03800	Insulator	6
6	073-10100	Pressure Plate Assembly	1
7	109-03000	Wear Pad	12
8	105-08701	Rivet	24
9	159-07400	Rotor	3
10	242-01800	Stationary Disc Assembly	2
11	109-03000	Wear Pad	48
12	105-02401	Rivet	48
13	075-20600	Torque Tube Assembly	1
14	109-03000	Wear Pad	12
15	105-08701	Rivet	24
16	103-19100	Bolt (MS21250-04008)	6
17	095-14600	Washer (MS14155-4)	12
18	094-17700	Nut (NAS1804-4N)	6

FIG.	PART NO.	DESCRIPTION	PER ASSY. 30-244
19	103-26400	Bolt (MS21250-06018)	6
20	095-03100	Washer (MS20002C6)	12
21	094-15800	Nut (NAS1804-6N)	6
22	111-11500	Retract Subassembly	3
23	082-14300	Spring	3
24	095-13600	Washer (MS20002-5)	3
25	155-07800	Ring, Retaining	3
26	111-11400	Retract Base Assembly	3
27	101-00700	Packing, Preformed (MS28775-012)	2
28	081-00200	Seat, Bleeder	1
29	079-00900	Bleeder	1
30	095-01100	Washer	1
31	102-32700	Screw, Bleeder	1
32	104-09600	Fitting, Inlet (AS1038J0404)	1
33	094-05400	Nut, Fitting (AN924-4J)	

	199-575 (1)	Brake Overhaul Kit (items 3, 7, 9, 11, 12, 14, 15, 27, 30, and a nameplate)	1
	199-575A	Brake Overhaul Kit (items 3, 4, 7, 9, 11, 12, 14, 15, 27, 30, and a nameplate)	1

NOTE:

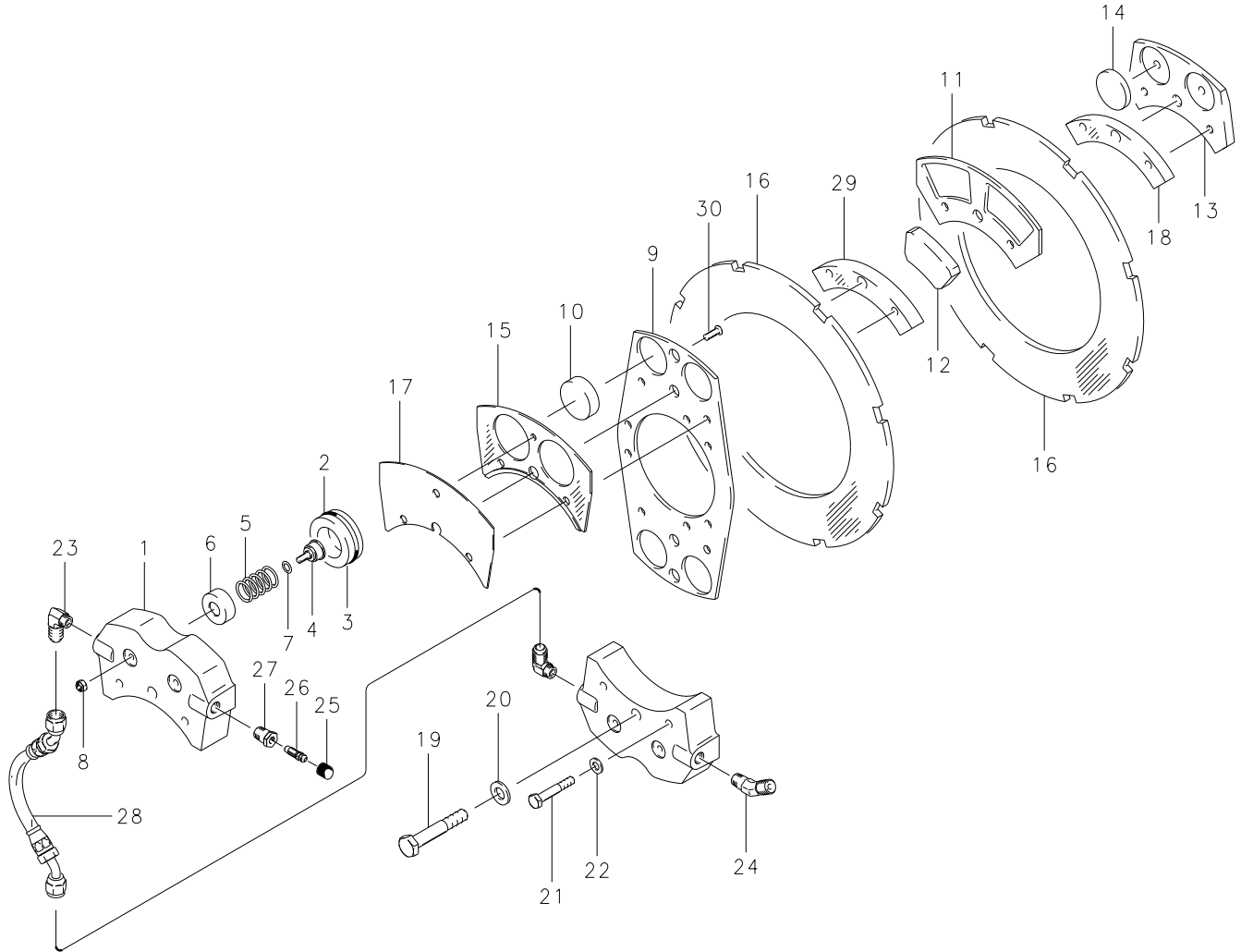
(1) 199-575 kit contains six extreme temperature/dusty condition wipers (P/N 107-02700) in lieu of the six reduced drag wipers (P/N 107-03700) used in kit 199-575A.

Cleveland
Wheels & Brakes



30-31

Organic Lining



Cleveland
Wheels & Brakes



Illustrated Parts List

30-31

Organic Lining

FIG.	PART NUMBER	DESCRIPTION	QTY. PER ASSY.
	091-02000	Cylinder Assy.	A
1	061-01500	Cylinder	2
	092-01300	Piston Assy.	4
2	062-01201	Piston	4
3	101-02500	O-Ring (MS28775-220)	4
4	202-00101	Bolt-Spring	4
5	082-01400	Spring-Retract	4
6	203-00100	Ring-Friction	4
7	101-00500	O-Ring (MS28775-010)	4
8	094-10200	Nut (NASM21083N3)	4
9	065-02000	Torque Plate	1
10	066-11700	Lining - Torque Plate	4
11	204-00100	Plate-Carrier	2
12	066-11900	Lining -Carrier Plate	4
13	064-01300	Back Plate	2
14	066-11800	Lining - Back Plate	4
15	061-01502	Cylinder Shim	2
16	159-00300	Disc-Brake	2
17	067-00701	Neoprene Shim	2
18	067-00900	Spacer	2
19	103-30300	Bolt (AN6H-25A)	2
20	095-10600	Washer (AN960-616)	2
21	103-12600	Bolt (AN4H-26A)	4
22	095-10400	Washer (AN960-416)	4
23	104-00400	Fitting (MS20822-4D)	2
24	104-00500	Fitting (MS20823-4D)	1
25	183-00100	Cap-Bleeder	1
26	079-00300	Screw-Bleeder	1
27	081-00100	Seat-Bleeder	1
28	207-00600	Hydraulic Line Assy.	1
29	067-00700	Spacer	2
30	102-15100	Screw (MS24672-2)	2

Assy. Number

A) 30-31

NOTE:

(1) Used with 40-46 Wheel Assembly.

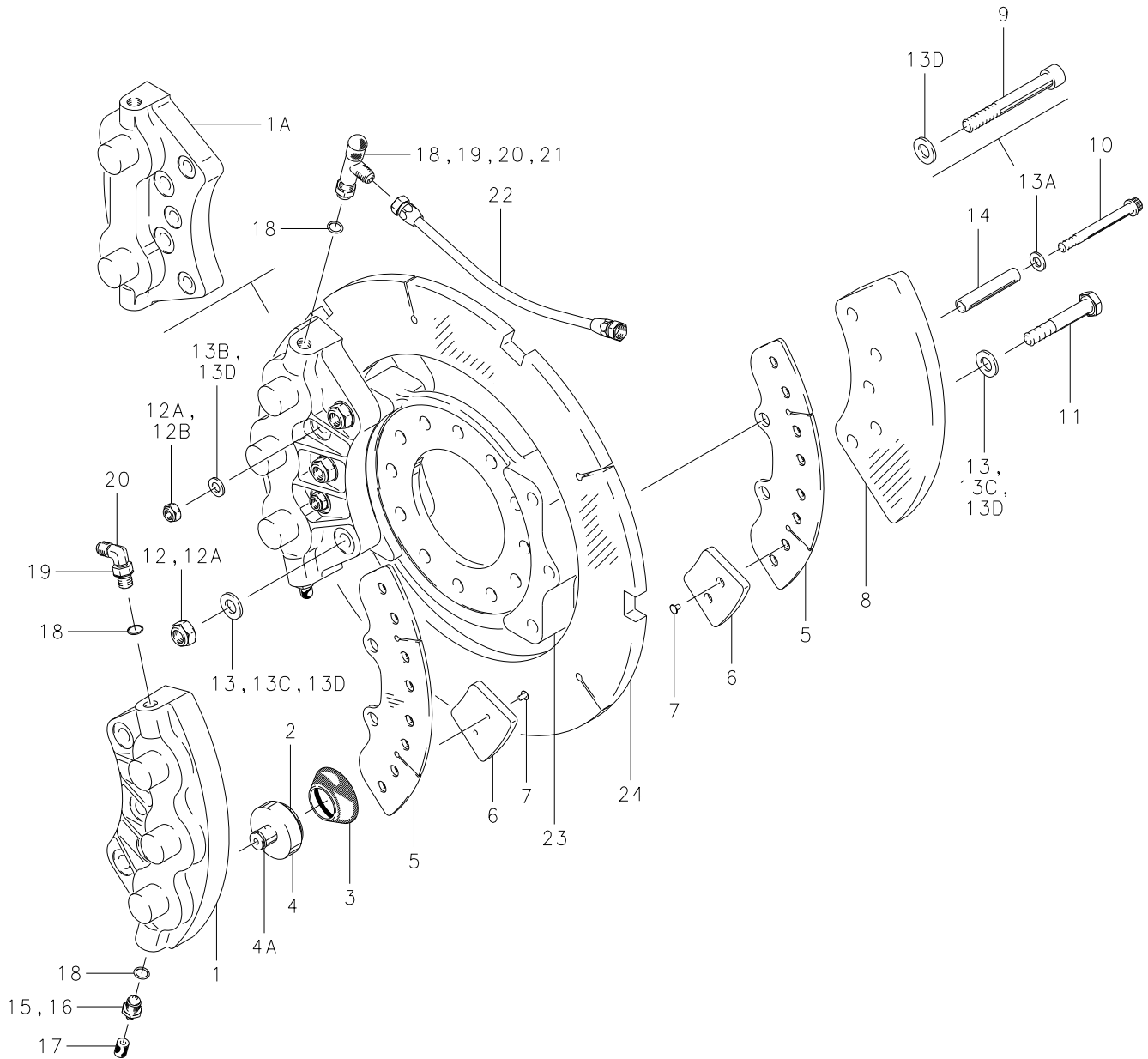
3

Cleveland
Wheels & Brakes

Illustrated Parts List

30-91, 30-103, 30-148

Organic Lining



Cleveland
Wheels & Brakes



Illustrated Parts List

30-91, 30-103, 30-148

Organic Lining

FIG.	PART NO.	DESCRIPTION	PER ASSY.		
			30-91 (1)	30-103 (2) (3)	30-148
	091-06600	Cylinder Assembly	2		
	091-09700	Cylinder Assembly		2	2
1	061-07800	Cylinder (3-piston)		2	2
1A	061-05100	Cylinder (2-piston)	2		
2	101-05200	O-Ring (MS28775-224)		6	6
	101-21500	O-Ring	4		
3	139-02300	Boot-Piston	4	6	6
	092-02500	Piston Assembly	4		
	092-05700	Piston Assembly		6	6
4	062-02400	Piston	4	6	6
4A	082-02000	Friction Spring	4		
	082-05300	Friction Spring		6	6
	073-02400	Pressure Plate Assembly	4		
	073-05400	Pressure Plate Assembly		4	4
5	063-02300	Pressure Plate	4		
	063-04100	Pressure Plate		4	4
6	066-11300	Lining	12	16	16
7	105-00200	Rivet	24	32	32
8	074-02100	Back Plate	2		
	074-03800	Back Plate		2	2
9	069-01100	Anchor Pin	4	4	
10	103-22800	Bolt (MS21250-05048)			4
11	103-30500	Bolt (AN6-30A)	6		
	103-40200	Bolt (AN7-34A)		6	6
12	094-10100	Nut (MS2142-6)	6		
12A	094-12200	Nut (AN365-720)	4	10	6
12B	094-10400	Nut (MS21044-N5)			4
13	095-12400	Washer-Seal	12		
13A	095-02800	Washer (MS20002C5)			4
13B	095-10500	Washer (AN960-516)			4
13C	095-12300	Washer (AN960-716)			12
13D	095-12700	Washer-Seal	8	20	
*	145-02701	Bushing	6		
14	145-08200	Bushing			4
15	081-00200	Seat-Bleeder	2	2	2
16	079-00300	Screw-Bleeder	2	2	2
17	183-00100	Cap-Bleeder	2	2	2
18	101-23000	O-Ring	5		
	101-00700	O-Ring (MS28775-012)		4	4
19	094-90500	Nut (AN924-4D)	3	2	2
20	104-02300	Fitting (AN833-4D)	2	1	1
21	104-02900	Fitting (AN784D4)	1		
	104-02700	Fitting (AN804D4)		1	1
22	207-00500	Hydraulic Line Assembly	1		
	207-01300	Hydraulic Line Assembly		1	1
23	075-10800	Torque Plate Assembly	1		
	075-13300	Torque Plate Assembly		1	1
24	159-00700	Brake Disc	1		
	159-00900	Brake Disc		1	1

NOTES:

- (1) This brake uses automotive type brake fluid.
- (2) 30-103 superseded by 30-148.
- (3) Inactive assembly – spares support only for parts listed.

* Not illustrated.



Illustrated Parts List

SECTION 4

Note!

Unless otherwise noted, listed Wheels and Brakes are FAA TSO C26 Approved.

For a product to be TSO qualified, it has to have successfully demonstrated its ability to meet minimum performance standards in accordance with FAA recognized rating methods. The TSO approval of a product does not constitute installation approval or applicability on an FAA Type Certificated Aircraft. It is the responsibility of those installing these products to determine that the aircraft installation and its wheel and brake performance requirements are compatible for the TSO ratings of the wheel and brake. TSO approved products must have separate approval for installation in a FAA type certificated aircraft. TSO Approved Products may be installed only if performed under Title 14 CFR Part 43 or the applicable airworthiness requirements.

21-100D (40-2),.....	4-10	40-75D,.....	4-47	40-83B,.....	4-48	40-98P,	4-63
27-100D (40-1),.....	4-36	40-75E,.....	4-47	40-84,.....	4-48	40-99	4-52
40-12,	4-33	40-75F,.....	4-47	40-84A,.....	4-48	40-101,	4-78
40-12A,.....	4-33	40-75G,	4-47	40-84B.....	4-48	40-101A,.....	4-78
40-18,	4-10	40-75H,.....	4-47	40-86,	4-49	40-101D,.....	4-78
40-19,	4-35	40-75J,	4-47	40-86A,.....	4-49	40-101E,.....	4-78
40-19A.....	4-35	40-75P,	4-47	40-86B,.....	4-49	40-102,	4-70
40-21,	4-40	40-75S,.....	4-47	40-86E,.....	4-49	40-102A,.....	4-70
40-24,	4-40	40-75T,	4-47	40-86F,	4-49	40-103,	4-3
40-28,	4-40	40-75W,	4-47	40-87,	4-11	40-103A.....	4-3
40-28D,.....	4-40	40-75Z,.....	4-47	40-87A,.....	4-11	40-106,	4-73
40-30A,.....	4-16	40-75AA	4-47	40-87C,.....	4-11	40-106A,.....	4-73
40-32	4-36	40-76-1	4-4	40-87D,.....	4-11	40-107A,.....	4-81
40-33,.....	4-10	40-76A,.....	4-16	40-87F,.....	4-11	40-110,	4-13
40-34,	4-41	40-76B,.....	4-16	40-87G,	4-11	40-110B,.....	4-13
40-40A,.....	4-70	40-76C,.....	4-16	40-87H,.....	4-11	40-111,	4-64
40-40B,.....	4-70	40-76D,.....	4-18	40-88C.....	4-49	40-111A.....	4-64
40-40C,.....	4-70	40-76E,.....	4-18	40-90,	4-50	40-112	4-6
40-40D,.....	4-72	40-76F,	4-18	40-90A,.....	4-50	40-113,	4-53
40-41,	4-49	40-76G,	4-18	40-90B,.....	4-50	40-113A,.....	4-53
40-46	4-90	40-76H.....	4-18	40-90D,.....	4-50	40-113B.....	4-16
40-47	4-62	40-76P,	4-16	40-90E,.....	4-50	40-113C,.....	4-53
40-50,	4-6	40-77,	4-11	40-90F.....	4-50	40-113X.....	4-53
40-55,.....	4-16	40-77A,.....	4-11	40-96A,.....	4-51	40-115,	4-13
40-56,.....	4-18	40-77B,.....	4-11	40-96E,.....	4-51	40-115A,.....	4-13
40-56B,.....	4-18	40-77C,.....	4-12	40-97A,.....	4-52	40-115B,.....	4-13
40-56C.....	4-19	40-77D,.....	4-12	40-97B,.....	4-52	40-115C.....	4-13
40-58	4-41	40-77E,.....	4-12	40-97C,.....	4-52	40-117A.....	4-28
40-59,	4-44	40-77F,	4-12	40-97D,.....	4-52	40-120,	4-54
40-59A,.....	4-44	40-77G,	4-11	40-97E,.....	4-52	40-120A,.....	4-20
40-59D,.....	4-44	40-77H,.....	4-11	40-97F,	4-52	40-120C,.....	4-54
40-59E.....	4-44	40-78,	4-33	40-98,	4-63	40-124,	4-65
40-60,.....	4-45	40-78A,.....	4-33	40-98A,.....	4-63	40-127,	4-93
40-60A,.....	4-45	40-78B,.....	4-33	40-98D,.....	4-63	40-128,	4-65
40-67	4-40	40-78E,.....	4-33	40-98E,.....	4-63	40-128C,.....	4-65
40-74,	4-46	40-78J,	4-33	40-98F,	4-63	40-128D,.....	4-65
40-74A,.....	4-46	40-79A,.....	4-48	40-98G,	4-63	40-128E.....	4-65
40-74B.....	4-46	40-83,	4-48	40-98H,.....	4-63	40-129,	4-78
40-75B,.....	4-47	40-83A,.....	4-48	40-98N,.....	4-63	40-130,	4-70



Part Number Index

40-131	4-38	40-234	4-78	C-30480.....	4-14
40-132,	4-73	40-239,	4-92	D-30204,.....	4-23
40-133,	4-80	40-240A,.....	4-84	D-30255,.....	4-23
40-134,	4-78	40-255	4-68	D-30260,.....	4-57
40-134A,.....	4-78	40-256	4-70	D-30260-1,	4-57
40-135,	4-70	40-258,	4-67	D-30291-1,	4-58
40-135A.....	4-72	40-259	4-83	D-30291-2,	4-58
40-137,	4-93	40-260	4-26	D-30291-3,	4-58
40-138A.....	4-74	40-262A,.....	4-10	D-30291-4,	4-58
40-139,	4-80	40-262AA	4-10	D-30291-5,	4-58
40-140,	4-20	40-270,	4-84	D-30291-6	4-58
40-140A,.....	4-20	40-273,	4-88	D-30380.....	4-8
40-140C.....	4-20	40-273A,.....	4-88	D-30500,.....	4-15
40-141	4-73	40-273B.....	4-88	D-30500-1	4-15
40-142,	4-54	40-276	4-84	D-30570,.....	4-23
40-142A.....	4-54	40-279,	4-82	D-30580.....	4-57
40-143,	4-55	40-279A.....	4-82	D-30585.....	4-23
40-148,	4-81	40-281	4-45	D-30660-1,	4-59
40-151,	4-33	40-289,	4-67	D-30660-2,	4-59
40-151A,.....	4-33	40-307	4-12	D-30660-3,	4-59
40-152	4-11	40-308	4-33	D-30660-4,	4-59
40-162,	4-75	40-403	4-80	D-30660-5	4-59
40-163	4-55	40-406,	4-51	D-30660-6,	4-60
40-166,	4-76	40-406A.....	4-51	D-30660-7,	4-60
40-167,	4-76	40-407,	4-61	D-30660-8,	4-60
40-168	4-9	40-414,	4-61	D-30660-9,	4-60
40-169	4-76	40-414A.....	4-61	D-30660-10	4-60
40-170,	4-81	40-417	4-5	D-30665,.....	4-24
40-170A,.....	4-81	40-418,	4-56	D-30665-1	4-24
40-170B,.....	4-81	40-418A,.....	4-56		
40-171	4-66	40-418B,.....	4-56		
40-172,	4-67	40-418C.....	4-56		
40-174	4-93	40-423	4-21		
40-175,	4-80	40-424	4-91		
40-176,	4-88	40-426,	4-22		
40-177A,.....	4-29	40-426A,.....	4-22		
40-179,	4-78	40-426B.....	4-22		
40-179A,.....	4-78	40-434	4-85		
40-181B,.....	4-86	40-450	4-27		
40-181C.....	4-86	40-455	4-32		
40-193	4-29	40-459	4-63		
40-195	4-75	40-483	4-67		
40-196,	4-70	040-21101,	4-82		
40-198	4-81	040-23901,	4-92		
40-199,	4-7	040-46900	4-69		
40-199A.....	4-7	3040 (40-6),.....	4-39		
40-202	4-92	3050 (40-7),.....	4-39		
40-203,	4-88	3050A (40-7A).....	4-39		
40-204	4-31	3070 (40-5).....	4-37		
40-205	4-87	3080A (40-3),	4-37		
40-210	4-25	3080B (40-4),	4-38		
40-211,	4-82	3080D (40-116),.....	4-38		
40-212	4-30	38501 (40-8),.....	4-16		
40-223,	4-78	C-30174-1,	4-14		
40-230,	4-33	C-30179,.....	4-23		

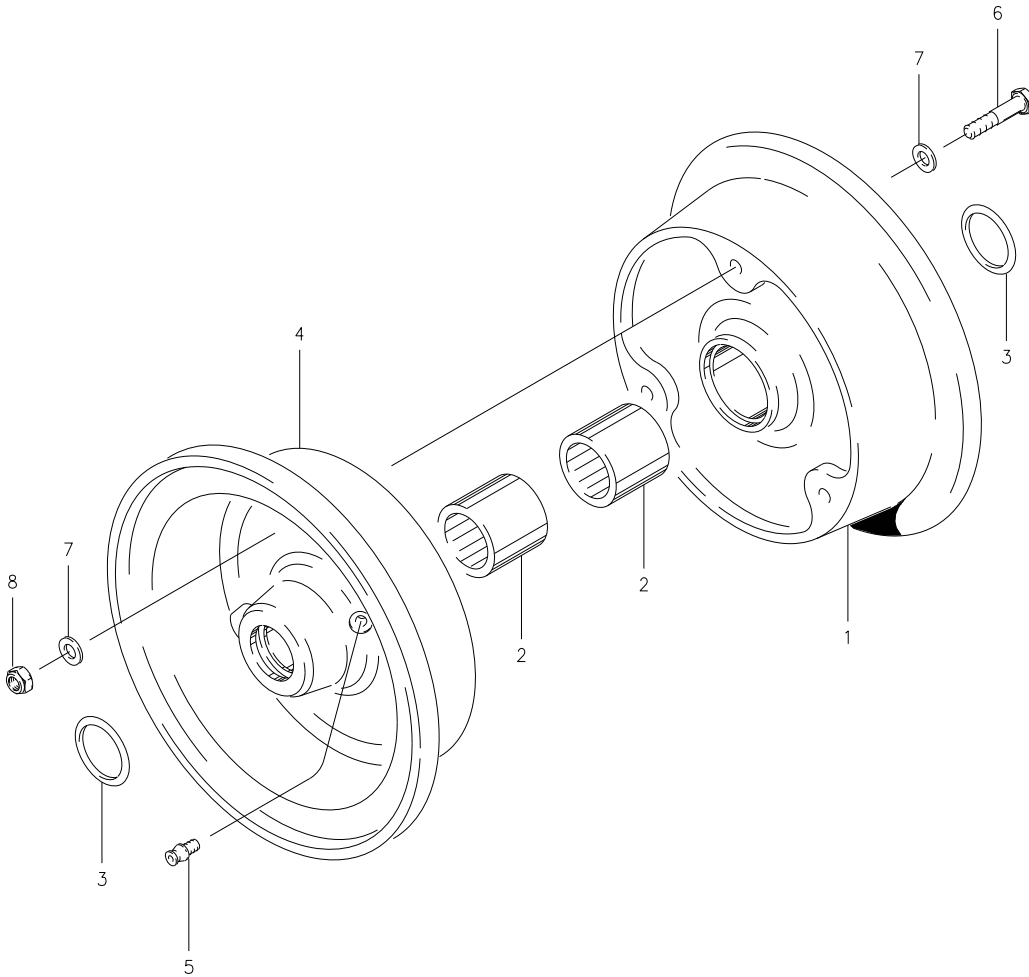
Cleveland
Wheels & Brakes



Illustrated Parts List

40-103, 40-103A

Tube-Type



4

Assy. Number

A) 40-103 (1)

B) 40-103A (1)

NOTES:

(1) Service equipment only – these wheels are not FAA-TSO approved.

FIG.	PART NUMBER	DESCRIPTION	QTY. PER ASSY.	
			A	B
1	161-03700	Inner Wheel Half Assy.	1	
	161-11300	Inner Wheel Half Assy.		1
2	214-01600	Bearing	1	1
3	101-04600	O-Ring	1	1
4	162-03700	Outer Wheel Half Assy.	1	
	162-10300	Outer Wheel Half Assy.		1
2	214-01600	Bearing	1	1
3	101-04600	O-Ring	1	1
5	213-00200	Grease Fitting	1	1
6	103-10300	Bolt (AN4-10A)	3	3
7	095-10200	Washer (AN960-416L)	6	6
8	094-10300	Nut (MS21044-N4)	3	3

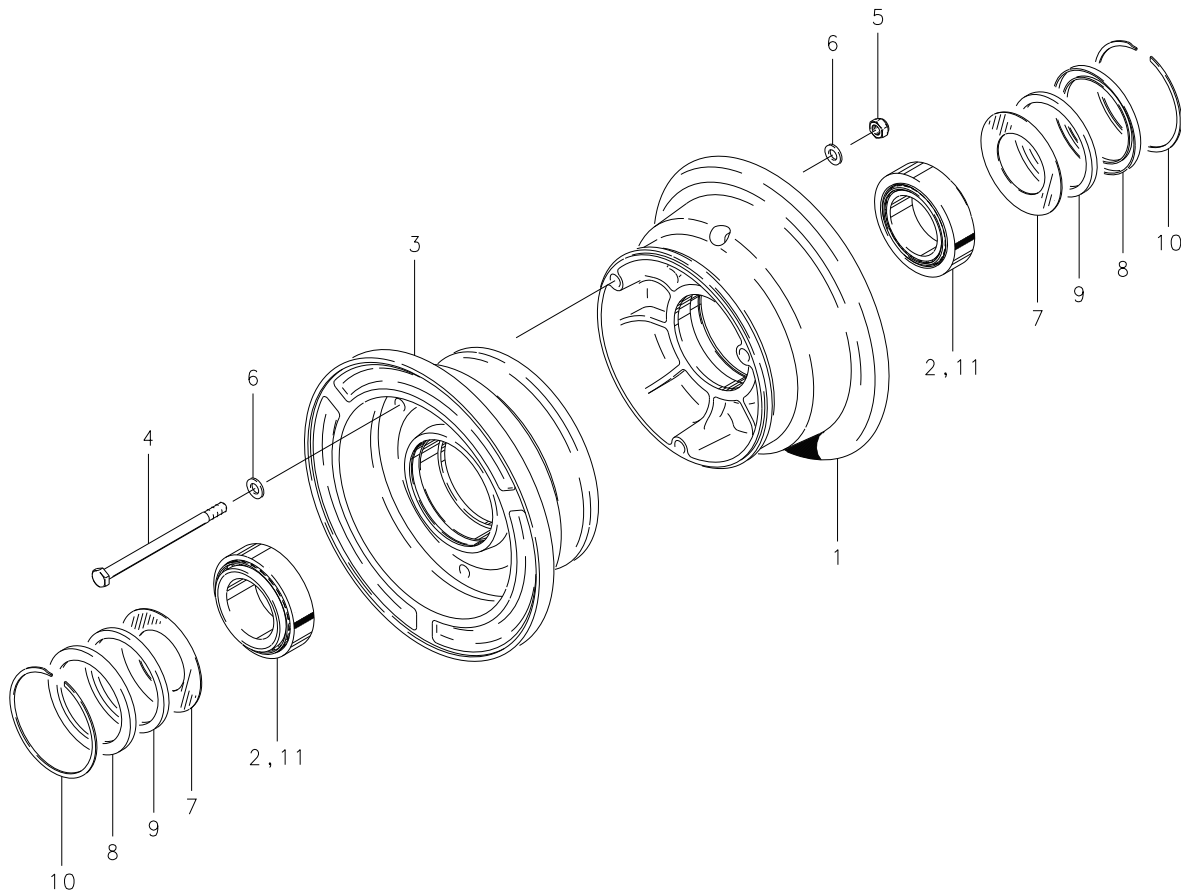
Cleveland
Wheels & Brakes



Illustrated Parts List

40-76-1

Tube-Type



Assy. Number

A) 40-76-1 (1) (2)

NOTES:

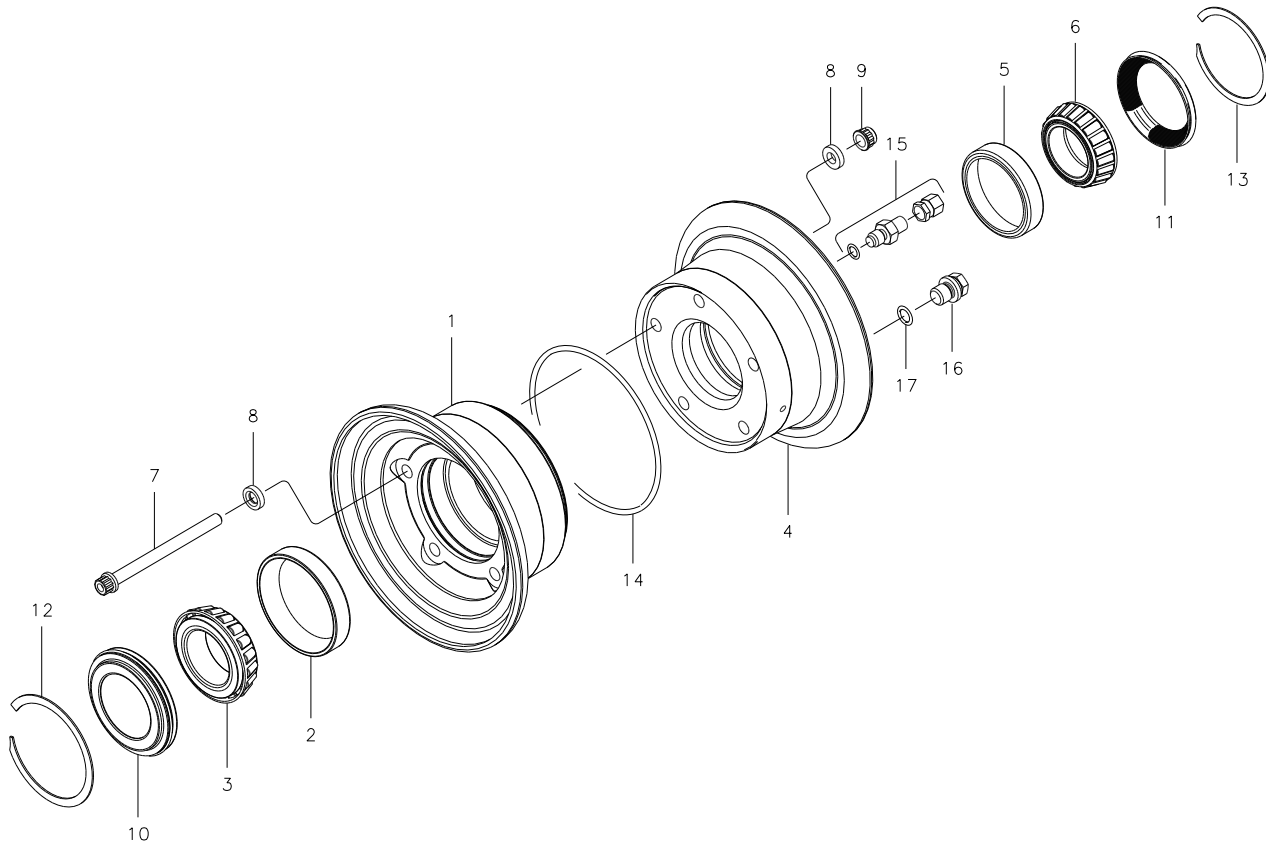
- (1) Service equipment only – these wheels are not FAA TSO approved.
- (2) Inactive assembly – spares support only for parts listed.
- (3) Inactive part – no longer available for spares support.

FIG.	PART NUMBER	DESCRIPTION	QTY. PER ASSY.
			A
1	(3)	Inner Wheel Half Assy.	1
2	214-00100	Cup-Bearing	1
3	(3)	Outer Wheel Half Assy.	1
2	214-00100	Cup-Bearing	1
4	103-10900	Bolt (AN4-35A)	3
5	094-10300	Nut (MS21044-N4)	3
6	095-00200	Washer (AN960-416L)	6
7	153-00300	Ring-Grease Seal	2
8	153-01500	Ring-Grease Seal	2
9	154-01400	Felt-Grease Seal	2
10	155-00100	Snap Ring	2
11	214-00200	Cone-Bearing	2

Illustrated Parts List

40-417

Tubeless



4

Assy. Number

A) 40-417 (1)

NOTES:

(1) Service equipment only – this wheel is not FAA-TSO approved.

FIG.	PART NUMBER	DESCRIPTION	QTY. PER ASSY.
			A
1	161-19800	Inner Wheel Half Assy.	1
2	214-00300	Cup Bearing	1
3	214-00400	Cone-Bearing-Inboard	1
4	162-19800	Outer Wheel Half Assy.	1
5	214-12400	Cup Bearing	1
6	214-12300	Cone-Bearing-Outboard	1
7	103-86100	Bolt (MS21250-04042)	5
8	095-14500	Washer (MS14155-4)	10
9	094-13800	Nut	5
10	154-07700	Seal, Bearing-Inboard	1
11	154-07800	Seal, Bearing-Outboard	1
12	155-13700	Ring, Retaining-Inboard	1
13	155-13800	Ring, Retaining-Outboard	1
14	101-60800	Packing, Preformed	1
15	160-02000	Valve Assy, Inflation	1
16	140-04000	Plug	1
17	101-61700	Preformed Packing (MS28778-3)	1

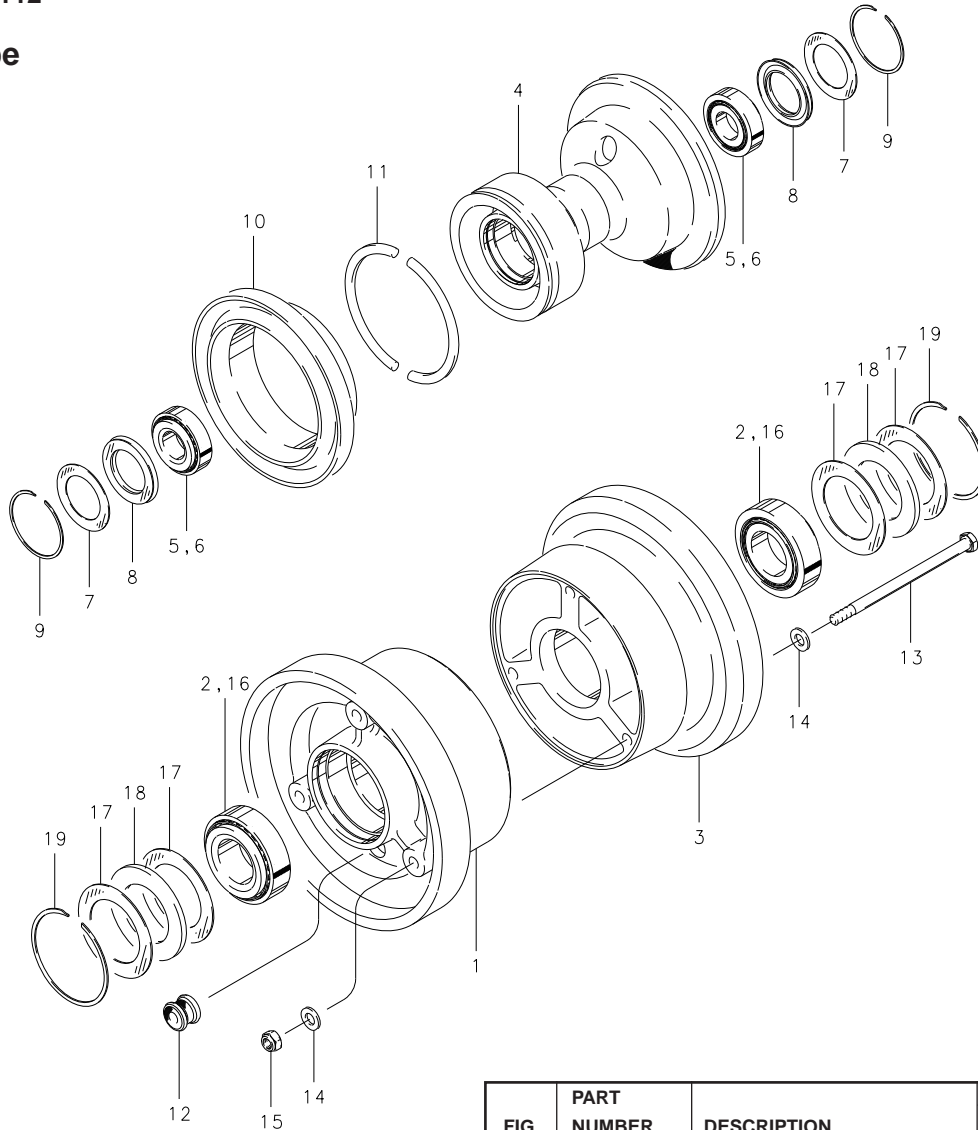
Cleveland
Wheels & Brakes



Illustrated Parts List

40-50, 40-112

Tube-Type



Assy. Number

A) 40-50 (1) (3)

B) 40-112 (2) (4)

NOTES:

- (1) Size 10.00 S.C.
- (2) Size 4-1/2 x 12-1/2
- (3) Fits 5/8" axle
- (4) Fits 1" axle

FIG.	PART NUMBER	DESCRIPTION	QTY. PER ASSY.	
			A	B
1	161-04800	Inner Wheel Half Assy.		1
2	214-00900	Cup-Bearing		1
3	162-04600	Outer Wheel Half Assy.		1
	214-00900	Cup-Bearing		1
4	201-00100	Wheel Body Assy.	1	
5	214-00500	Cup-Bearing	2	
6	214-00600	Cone-Bearing	2	
7	153-01100	Ring-Grease Seal	2	
8	226-00100	Grease Seal	2	
9	155-00800	Snap Ring	2	
10	197-00100	Flange-Wheel	1	
11	198-00100	Ring-Lock	1	
12	217-00100	Grommet		1
13	103-13500	Bolt (AN4-47A)		3
14	095-10400	Washer (AN960-416)		6
15	094-10300	Nut-Lock (MS21044-N4)		3
16	214-01000	Cone-Bearing		2
17	153-01700	Ring-Grease Seal		4
18	154-02100	Felt-Grease Seal		2
19	155-00600	Snap Ring		2

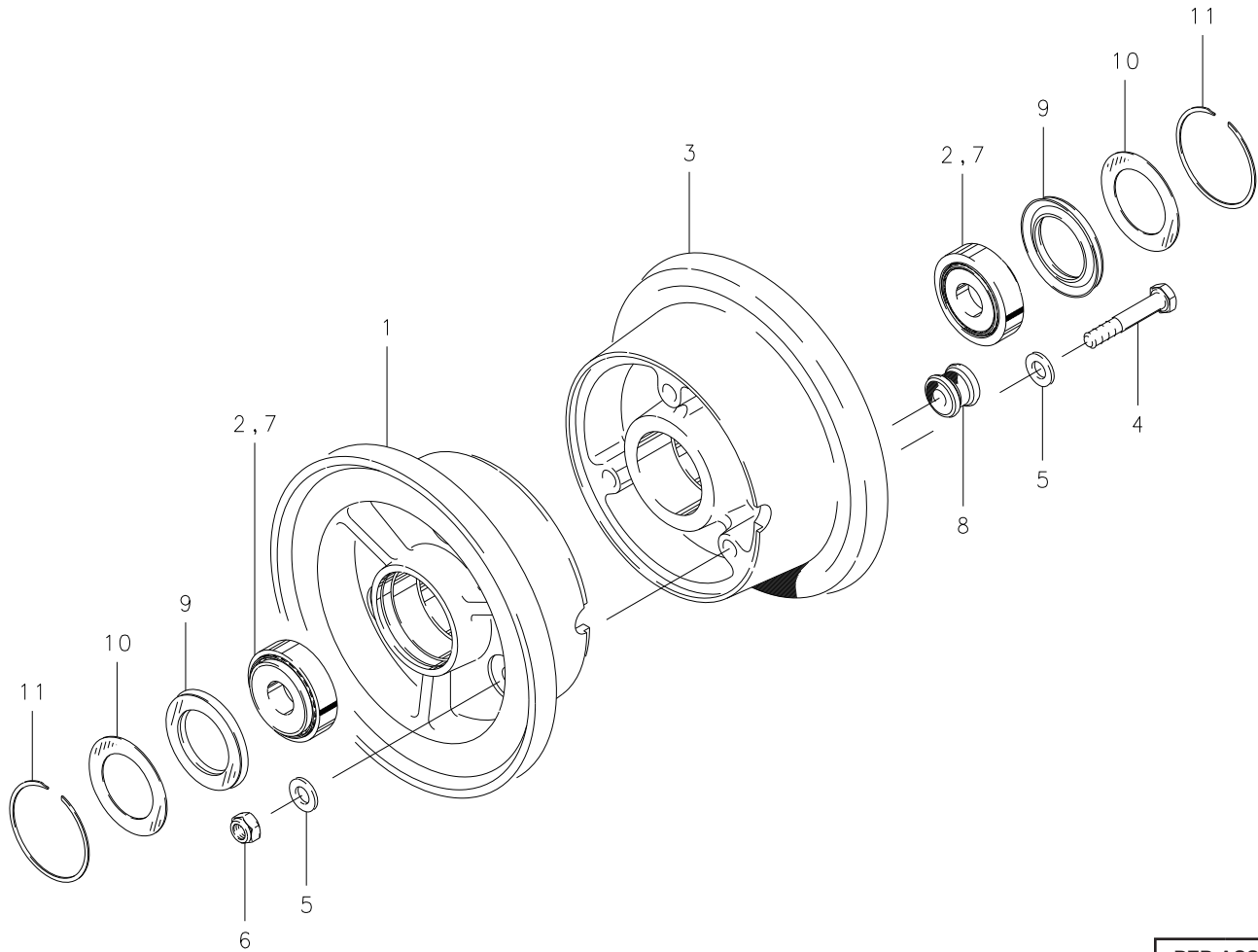
Cleveland
 Wheels & Brakes



Illustrated Parts List

40-199, 40-199A

Tube-Type



NOTES:

- (1) This wheel is not FAA-TSO approved – order from airframe manufacturer only.
- (2) Additional tire sizes:
4.10/3.50-4, 2.80/2.50-4,
8 x 3.00-4.
- (3) Fits 5/8" axle.
- (4) Fits 1/2" axle.

FIG.	PART NO.	DESCRIPTION	PER ASSY.	
			40-199 (1) (2) (3)	40-199A (1) (2) (4)
1	161-12200	Inner Wheel Half Assembly	1	
	161-14400	Inner Wheel Half Assembly		1
2	214-00500	Bearing Cup	1	
	214-82700	Bearing Cup		1
3	162-11200	Outer Wheel Half Assembly	1	
	162-13200	Outer Wheel Half Assembly		1
2	214-00500	Bearing Cup	1	
	214-82700	Bearing Cup		1
4	103-10600	Bolt (AN4-23A)	3	3
5	095-10400	Washer (AN960-416)	6	6
6	094-10300	Nut (MS21044-N4)	3	3
7	214-00600	Bearing Cone	2	
	214-82800	Bearing Cone		2
8	217-00100	Grommet	1	1
9	226-00100	Grease Seal	2	2
10	153-01100	Grease Seal Ring	2	2
11	155-00800	Snap Ring	2	2

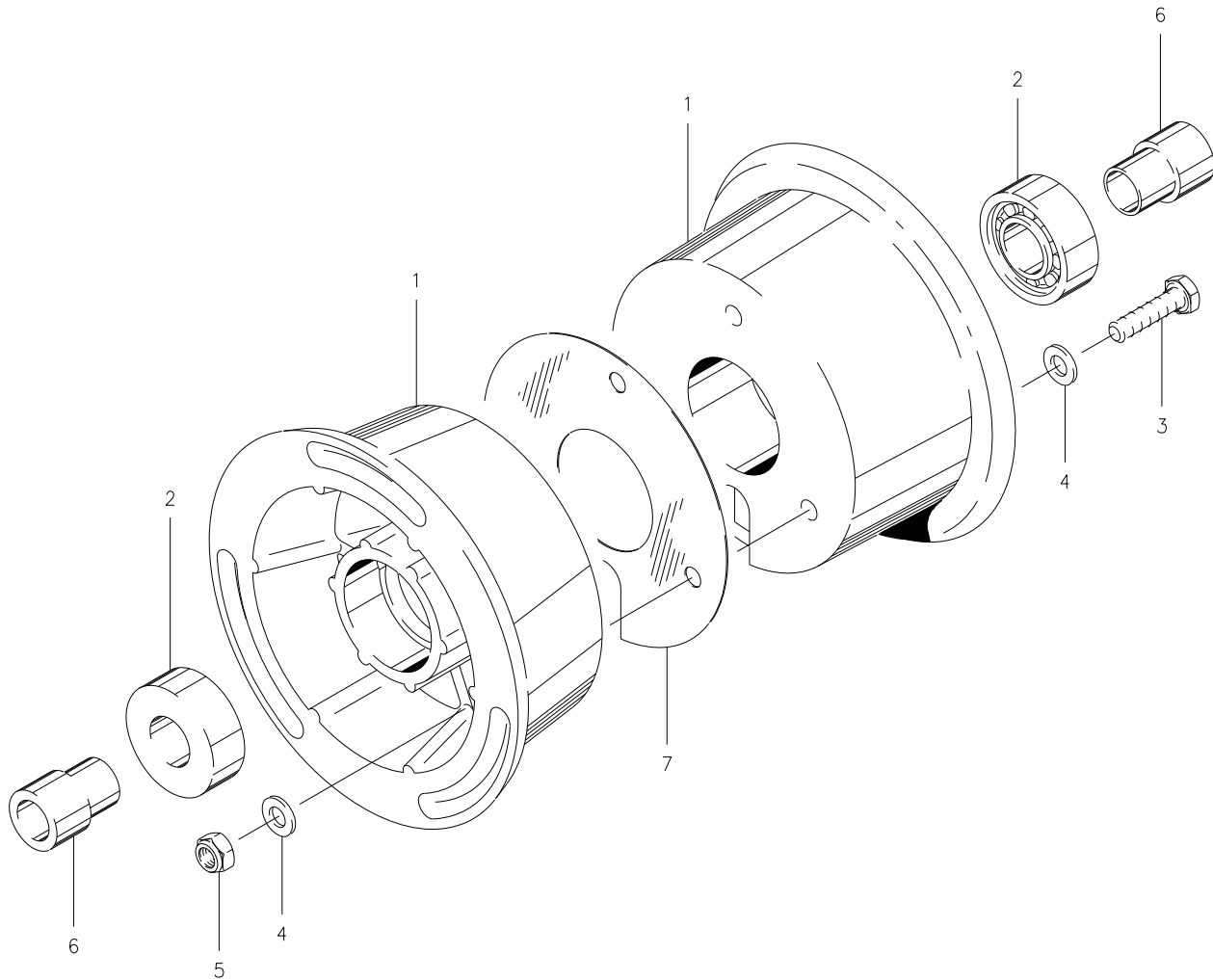
Cleveland
Wheels & Brakes



Illustrated Parts List

D-30380

Tube-Type



Assy. Number

A) D-30380

NOTES:

(1) All wheel assemblies were formerly manufactured by "McCauley Industrial Corporation."

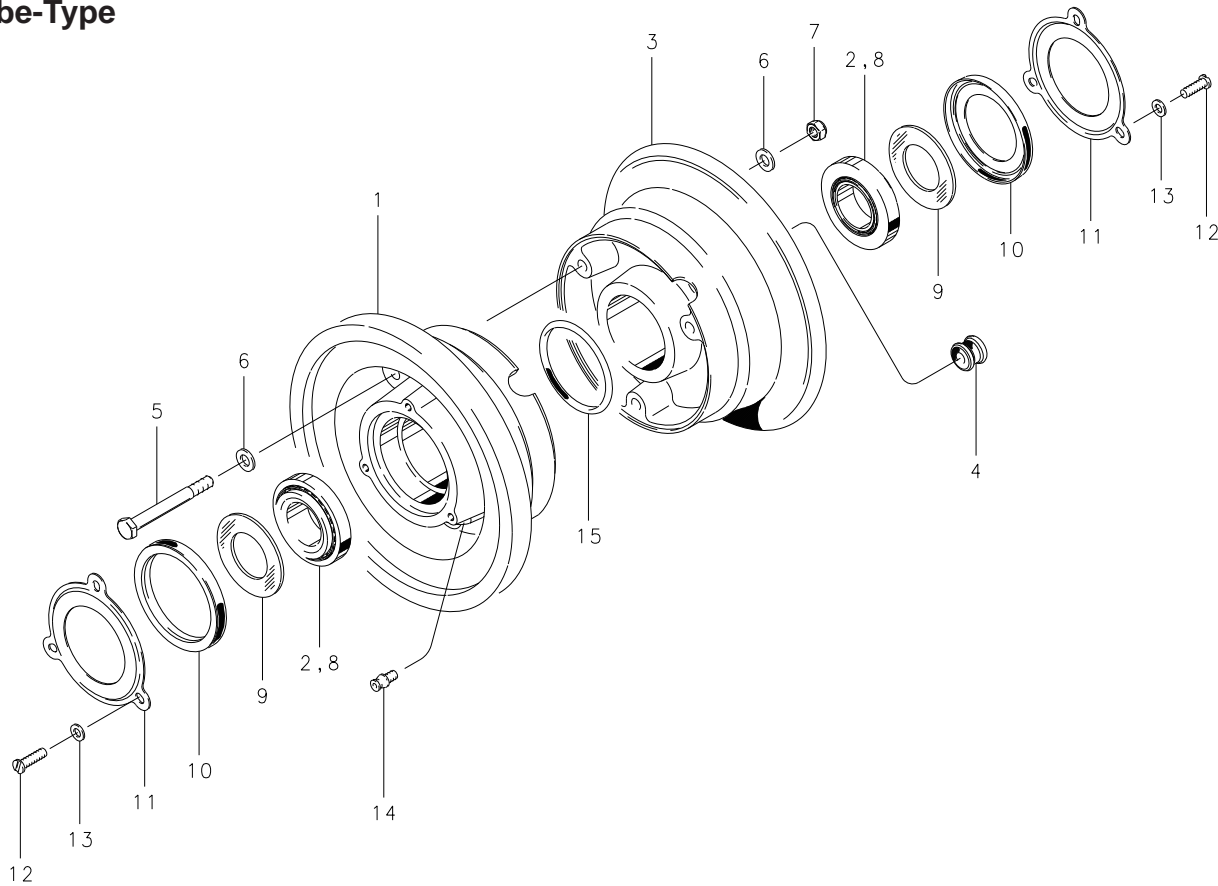
FIG.	PART NUMBER	DESCRIPTION	QTY. PER ASSY.
1	161-30382	Wheel Half Assy.	2
2	214-30371	Bearing	2
3	103-14700	Bolt (AN4-7A)	3
4	095-10200	Washer (AN960-416L)	6
5	094-15300	Nut	3
6	067-30372	Spacer	2
7	068-30373	Gasket	1

Cleveland
Wheels & Brakes



40-168

Tube-Type



4

Assy. Number

A) 40-168

FIG.	PART NUMBER	DESCRIPTION	QTY. PER ASSY.
			A
1	161-10400	Inner Wheel Half Assy.	1
2	214-00900	Cup-Bearing	1
3	162-09700	Outer Wheel Half Assy.	1
2	214-00900	Cup-Bearing	1
4	217-00100	Grommet	1
5	103-10500	Bolt (AN4-22A)	3
6	095-10400	Washer (AN960-416)	6
7	094-01200	Nut (MS21042-4)	3
8	214-01000	Cone-Bearing	2
9	067-06200	Spacer	2
10	154-03500	Grease Seal-Molded	2
11	153-00500	Ring-Grease Seal	2
12	102-05100	Screw-F.H. Cap (AN500-8-8)	6
13	095-15100	Washer-Lock (MS35333-38)	6
14	213-00600	Fitting-Grease	1
15	101-25300	O-Ring (MS28775-134)	1

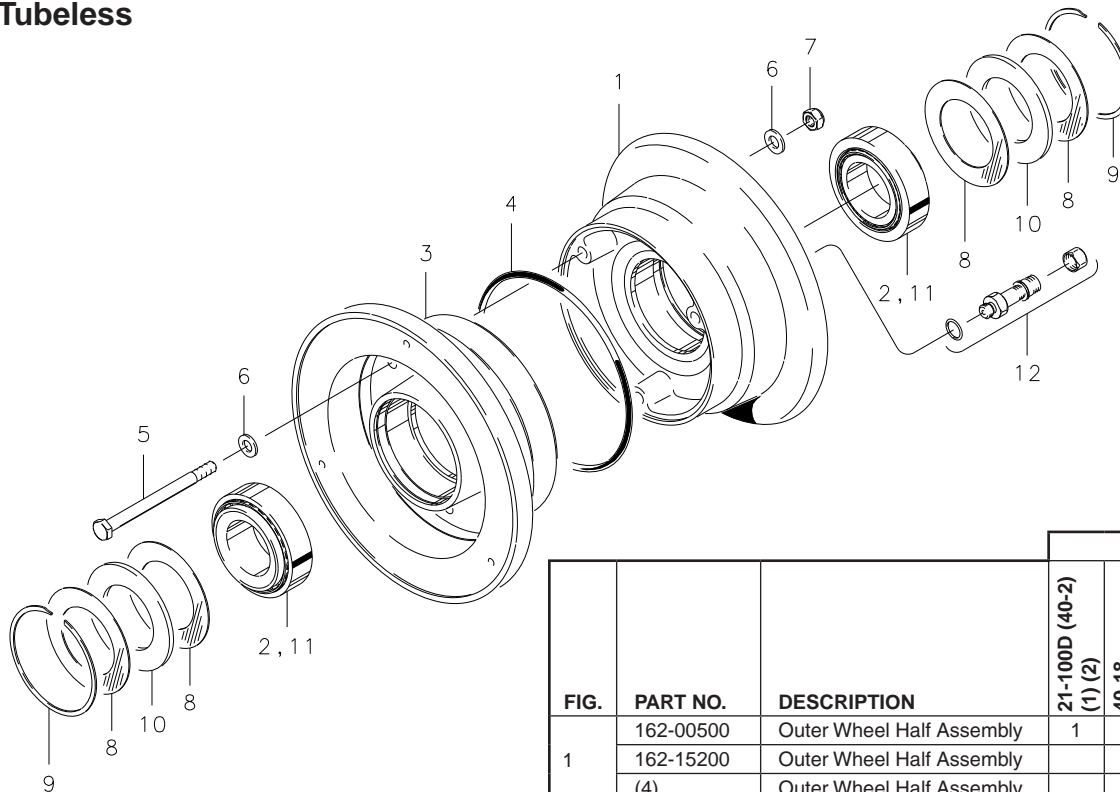
Cleveland
 Wheels & Brakes



Illustrated Parts List

21-100D (40-2), 40-18, 40-33, 40-262A, 40-262AA

Tubeless



NOTES:

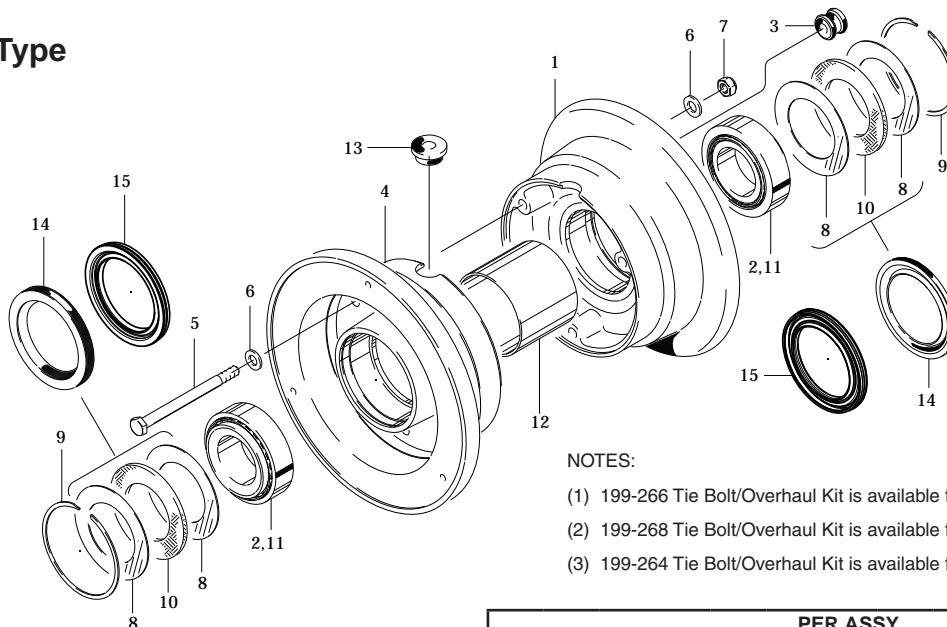
- (1) Use tubeless tire with needle inflation.
- (2) Inactive assembly – spares support only for parts listed.
- (3) 40-33 superseded by 40-87.
- (4) Inactive part – no longer available for spares support.
- (5) Upgrade kit available for upgrade of 40-262A to 40-262AA. Refer to SB7096.

FIG.	PART NO.	DESCRIPTION	PER ASSY.				
			21-100D (40-2) (1) (2)	40-18 (1) (2)	40-33 (2) (3)	40-262A (5)	40-262AA
1	162-00500	Outer Wheel Half Assembly	1	1			
	162-15200	Outer Wheel Half Assembly				1	1
	(4)	Outer Wheel Half Assembly			1		
2	214-00300	Cup-Bearing	1	1	1		
	214-03200	Cup-Bearing				1	1
3	161-00500	Inner Wheel Half Assembly	1	1			
	161-16300	Inner Wheel Half Assembly				1	1
	(4)	Inner Wheel Half Assembly			1		
2	214-00300	Cup-Bearing	1	1	1		
	214-03200	Cup-Bearing				1	1
4	101-07200	O-Ring (MS28775-244)	1	1			
	101-50242	O-Ring (MS28775-242)				1	1
5	103-10800	Bolt (AN4-31A)	3	3	3		
	103-17800	Bolt				3	
	103-17600	Bolt (MS21250-0434)					3
6	095-10400	Washer (AN960-416)	6	6	6		
	095-71400	Washer (MS14177-4)				6	6
7	094-10300	Nut (NAS21042-4)	3	3	3		
	094-16100	Nut				3	
	094-13800	Nut					3
8	153-00100	Ring-Grease Seal	4		4		
	153-00800	Ring-Grease Seal		4			
9	155-00200	Snap Ring	2	2	2	2	2
10	154-00100	Felt-Grease Seal	2		2		
	154-00600	Felt-Grease Seal		2			
	154-03200	Felt-Grease Seal				2	2
11	214-00400	Cone-Bearing	2	2	2		
	214-03300	Cone-Bearing				2	2
12	160-01900	Air Valve (MS27436-1)				1	1

Illustrated Parts List

40-77, 40-77A, 40-77B, 40-77G, 40-77H, 40-87, 40-87A,
40-87C, 40-87D, 40-87F, 40-87G, 40-87H, 40-152

Tube - Type



NOTES:

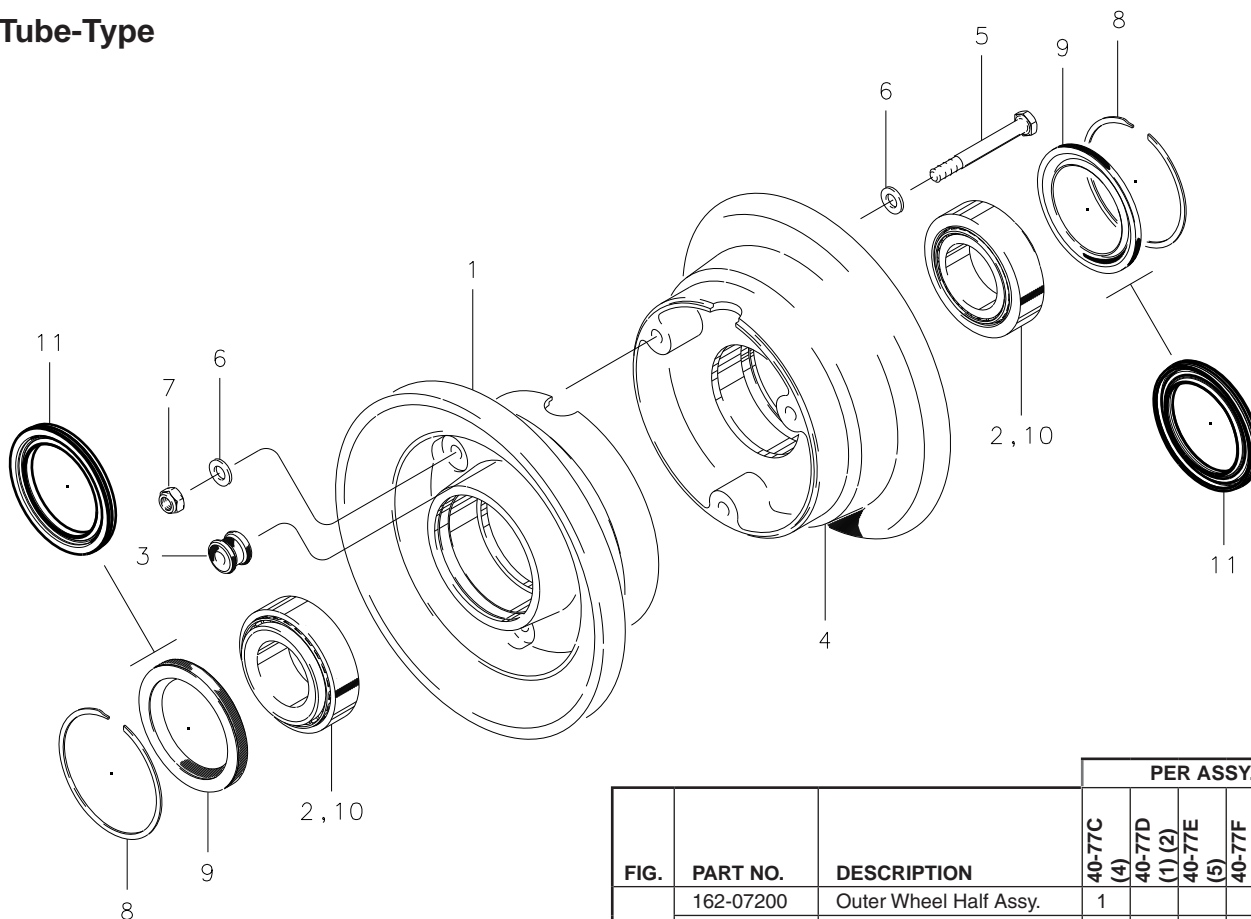
- (1) 199-266 Tie Bolt/Overhaul Kit is available for this wheel. Refer to PRM94.
- (2) 199-268 Tie Bolt/Overhaul Kit is available for this wheel. Refer to PRM94.
- (3) 199-264 Tie Bolt/Overhaul Kit is available for this wheel. Refer to PRM86.

FIG.	PART NO.	DESCRIPTION	PER ASSY.													
			40-77 (3)	40-77A (1)	40-77B (2)	40-77G	40-77H	40-87	40-87A	40-87C	40-87D	40-87F	40-87G	40-87H	40-152	
1	162-02800	Outer Wheel Half Assembly	1	1					1			1	1			
	162-03600	Outer Wheel Half Assembly								1	1					
	162-03900	Outer Wheel Half Assembly									1					
	162-03901	Outer Wheel Half Assembly												1		
	162-05300	Outer Wheel Half Assembly			1	1	1									1
2	214-00300	Cup-Bearing	1	1	1	1	1	1	1	1	1	1	1	1	1	
3	217-00100	Grommet	1	1	1	1	1	1	1	1	1	1	1	1	1	
4	161-03100	Inner Wheel Half Assembly	1	1					1				1	1		
	161-03800	Inner Wheel Half Assembly								1	1					
	161-04100	Inner Wheel Half Assembly									1					
	161-04101	Inner Wheel Half Assembly												1		
	161-05500	Inner Wheel Half Assembly			1	1	1									1
2	214-00300	Cup-Bearing	1	1	1	1	1	1	1	1	1	1	1	1	1	
5	103-10500	Bolt (AN4-22A)	3	3	3				3	3	3	3	3		3	3
	103-15100	Bolt (NAS6604-30)												3		
	103-85600	Bolt (MS21250-04030)				3	3									
6	095-10400	Washer (AN960-416)	6	6	6				6	6	6	6	6	6	6	6
	095-14600	Washer (MS14155-4)				6	6									
7	094-01200	Nut (NAS21042-4)	3	3	3				3	3	3	3	3		3	3
	094-10301	Nut (MMS21045-4S)												3		
	094-13800	Nut				3	3									
8	153-00100	Ring-Grease Seal							4	4	4				4	4
9	155-00200	Snap Ring	2	2	2	2	2	2	2	2	2	2	2	2	2	2
10	154-00100	Felt-Grease Seal							2	2	2	2	2	2	2	2
11	214-00400	Cone-Bearing	2	2	2	2	2	2	2	2	2	2	2	2	2	2
12	067-04900	Spacer														1
13	217-30653	Grommet				1	1									
14	154-03200	Molded Grease Seal						2				2	2	2		
15	154-13000	Molded Grease Seal	2	2	2	2										



40-77C, 40-77D, 40-77E, 40-77F, 40-307

Tube-Type



NOTES:

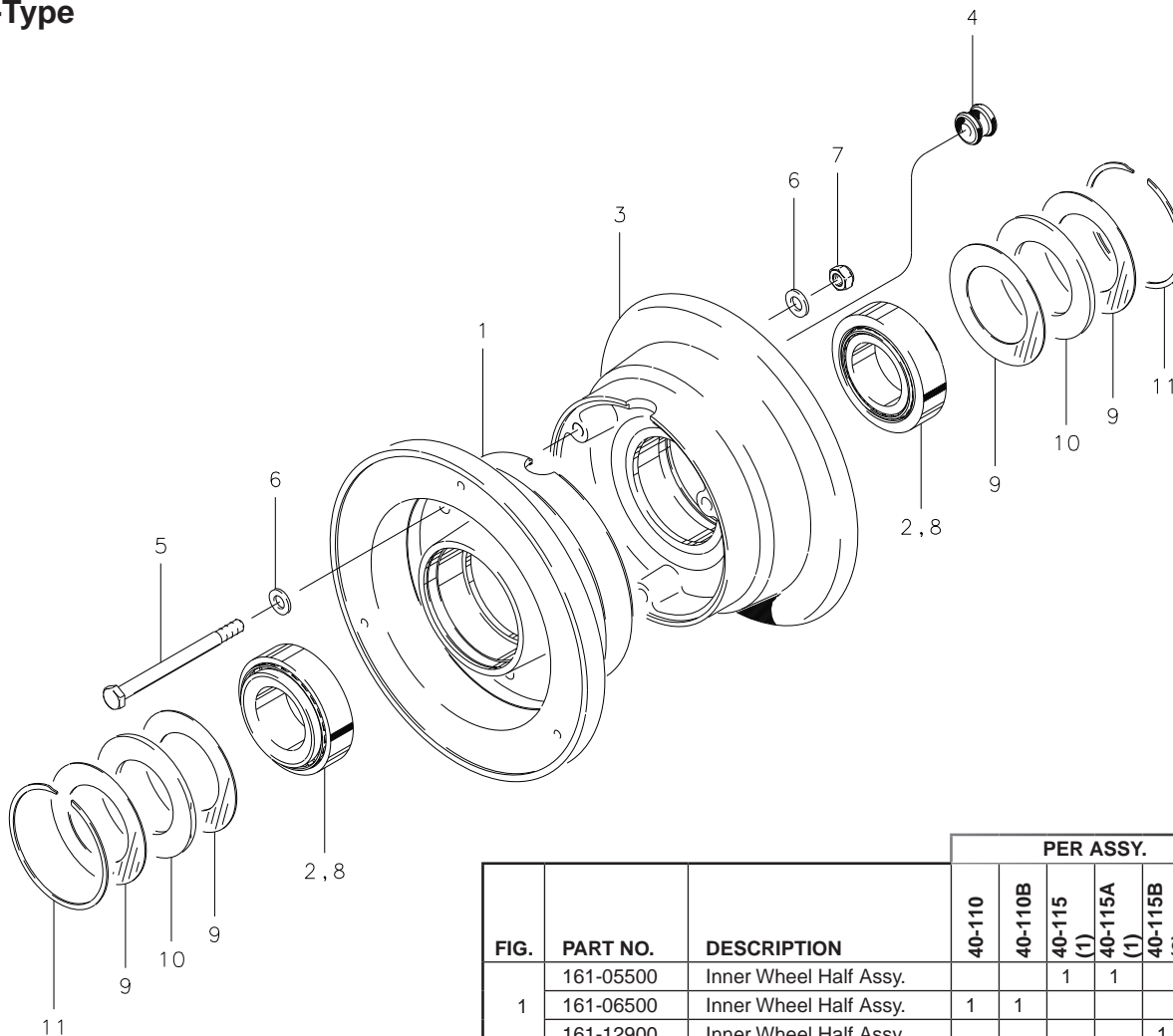
- (1) Inactive assembly – spares support only for parts listed.
- (2) 40-77E supersedes 40-77D.
- (3) Inactive part – no longer available for spares support.
- (4) 199-261 Tiebolt Service Kit is available for this wheel. Refer to PRM 83.
- (5) 199-263 Tiebolt Service Kit is available for this wheel. Refer to PRM 83.
- (6) 199-269 Tiebolt Service Kit is available for this wheel. Refer to PRM 94.

FIG.	PART NO.	DESCRIPTION	PER ASSY.					
			40-77C (4)	40-77D (1)(2)	40-77E (5)	40-77F (6)	40-307	
1	162-07200	Outer Wheel Half Assy.	1					
	162-07201	Outer Wheel Half Assy.		1	1			
	162-08200	Outer Wheel Half Assy.				1		
	162-24000	Outer Wheel Half Assy.					1	
2	214-00300	Cup-Bearing				1		
	214-03200	Cup-Bearing	1	1	1		1	
3	217-00100	Grommet	1	1	1	1	1	
4	161-07700	Inner Wheel Half Assy.	1					
	161-07701	Inner Wheel Half Assy.		1	1			
	161-08800	Inner Wheel Half Assy.				1		
	161-24000	Inner Wheel Half Assy.					1	
2	214-00300	Cup-Bearing				1		
	214-03200	Cup-Bearing	1	1	1		1	
5	103-10500	Bolt (AN4-22A)	3	3	3	3	3	
6	095-10200	Washer (AN960-416L)	6	6	6			
	095-10400	Washer (AN960-416)				6	6	
7	094-01200	Nut (MS21042-4)	3		3	3	3	
	094-10300	Nut (MS21044-N4)		3				
8	155-00200	Snap Ring	2	2	2	2		
	(3)	Grease Seal		2				
9	154-03200	Molded Grease Seal			2		2	
10	214-00400	Cone-Bearing				2		
	214-03300	Cone-Bearing	2	2	2		2	
11	154-13000	Molded Grease Seal	2			2		

Illustrated Parts List

40-110, 40-110B, 40-115, 40-115A, 40-115B, 40-115C

Tube-Type



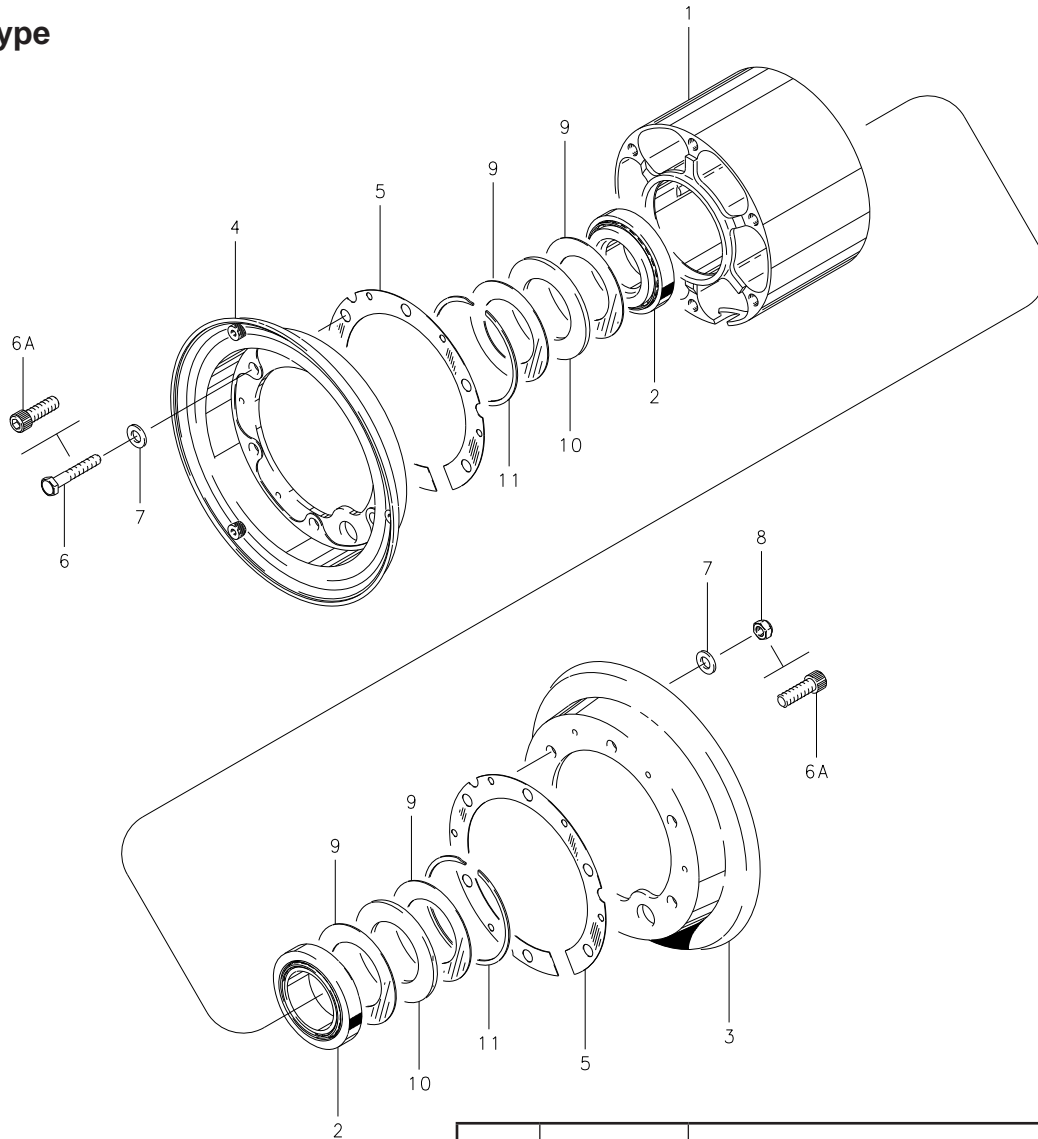
NOTES:

- (1) Inactive Assembly - spares support only for parts listed.
- (2) 40-115B supersedes 40-115 and 40-115A.

FIG.	PART NO.	DESCRIPTION	PER ASSY.					
			40-110	40-110B	40-115 (1)	40-115A (1)	40-115B (2)	40-115C
1	161-05500	Inner Wheel Half Assy.			1	1		
	161-06500	Inner Wheel Half Assy.	1	1				
	161-12900	Inner Wheel Half Assy.					1	1
2	214-00300	Cup-Bearing	1	1	1	1	1	1
3	162-05300	Outer Wheel Half Assy.			1	1		
	162-06100	Outer Wheel Half Assy.	1	1				
	162-11900	Outer Wheel Half Assy.					1	1
2	214-00300	Cup-Bearing	1	1	1	1	1	1
4	217-00100	Grommet	1	1	1	1	1	1
5	103-10500	Bolt (AN4-22A)	3	3	3			
	103-85600	Bolt (MS21250-0403)				3	3	3
6	095-10400	Washer (AN960-416)	6	6	6			
	095-14300	Washer (MS20002C4)				6	6	6
7	094-01200	Nut (MS21042-4)	3	3				
	094-10300	Nut (MS21044-N4)			3			
	094-10301	Nut (MS21045-4S)				3	3	3
8	214-00400	Cone-Bearing	2	2	2	2	2	2
9	153-00100	Ring-Grease Seal	4	4	4	4		
10	154-00100	Felt-Grease Seal	2	2	2	2		
	154-04100	Molded Grease Seal					2	2
11	155-00200	Snap Ring	2	2	2	2	2	2

C-30174-1, C-30480

Tube-Type



NOTES:

- (1) All wheel assemblies listed were formerly manufactured by "McCaughey Industrial Corporation."
- (2) Inactive assembly – spares support only for parts listed.
- (3) Superseded by D-30500.
- (4) Inactive part – no longer available for spares support.

FIG.	PART NO.	DESCRIPTION	PER ASSY.	
			C-30174-1 (2) (3)	C-30480 (2) (3)
1	(4)	Hub Assembly	1	
	(4)	Hub Assembly		1
2	(4)	Bearing	2	2
3	(4)	Wheel Flange	2	
	(4)	Wheel Flange		1
4	(4)	Wheel Flange		1
5	(4)	Spacer	2	2
6	(4)	Bolt	6	
6A	(4)	Screw		12
7	(4)	Washer	12	
8	095-10500	Washer (AN960-516)		12
9	153-00800	Ring	4	4
10	(4)	Felt	2	2
11	155-11800	Snap Ring	2	2

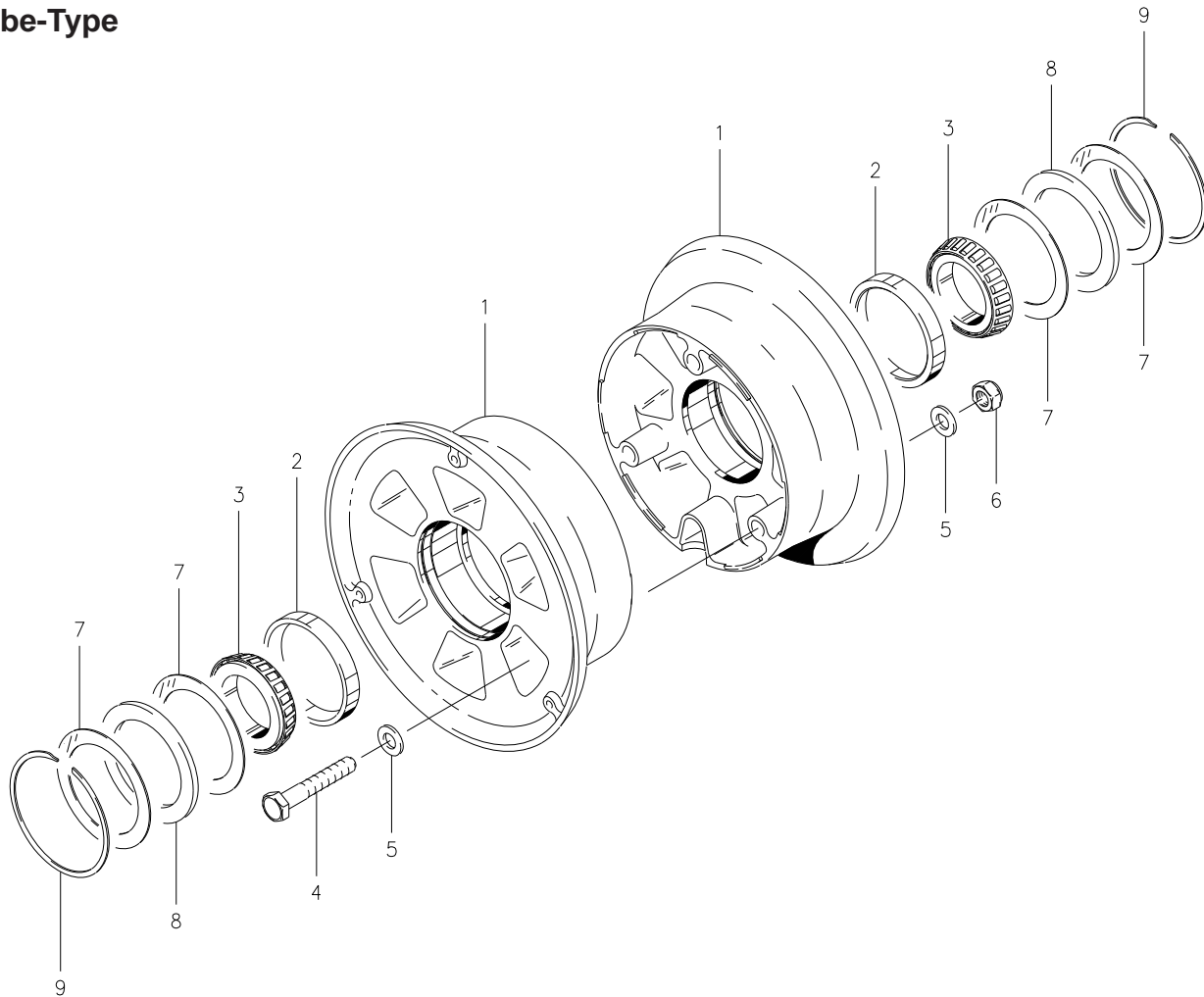
Cleveland
Wheels & Brakes



Illustrated Parts List

D-30500, D-30500-1

Tube-Type



NOTES:

- (1) All wheel assemblies listed were formerly manufactured by "McCauley Industrial Corporation."
- (2) Inactive assembly - spares support only for parts listed.
- (3) Superseded by 40-77 per PRM 88.
- (4) Superseded by 40-87H per PRM 88.
- (5) Inactive part - no longer available for spares support.

FIG.	PART NO.	DESCRIPTION	PER ASSY.	
			D-30500 (2)(3)	D-30500-1 (2)(4)
1	(5)	Wheel Half Assembly	2	
	(5)	Wheel Half Assembly		2
2	214-03200	Cup-Bearing	2	
	214-30794-1	Cup-Bearing		2
3	214-03300	Cone-Bearing	2	
	214-30794-2	Cone-Bearing		2
4	103-17300	Bolt	3	3
5	095-10500	Washer (AN960-516)	6	6
6	094-15100	Nut	3	3
7	153-00800	Ring	4	4
8	154-00600	Felt	2	2
9	155-11800	Snap Ring	2	2

Cleveland
Wheels & Brakes

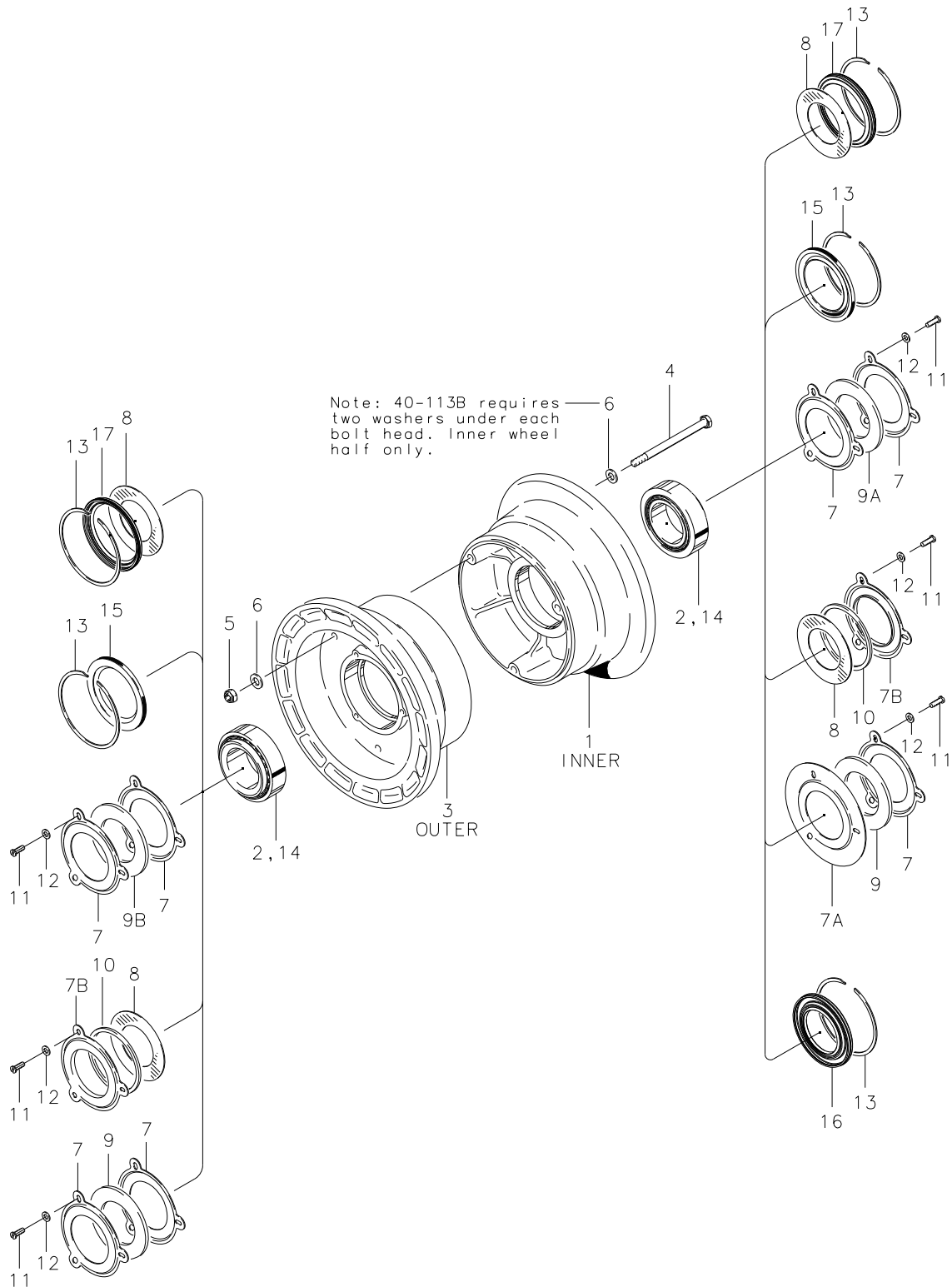


Illustrated Parts List

6.00-6

38501 (40-8), 40-30A, 40-55, 40-76A, 40-76B, 40-76C, 40-76P, 40-113B

Tube-Type



Cleveland
Wheels & Brakes



Illustrated Parts List

6.00-6

38501 (40-8), 40-30A, 40-55, 40-76A, 40-76B, 40-76C, 40-76P, 40-113B

Tube-Type

FIG.	PART NUMBER	DESCRIPTION	PER ASSY.							
			38501 (40-8)	40-30A	40-55 (1) (2)	40-76A (3)	40-76B	40-76C	40-76P	40-113B
1	161-00800	Inner Wheel Half Assembly	1							
	161-14200	Inner Wheel Half Assembly		1						
	(4)	Inner Wheel Half Assembly			1					
	161-03000	Inner Wheel Half Assembly				1	1	1		
	161-03011	Inner Wheel Half Assembly							1	
	161-04900	Inner Wheel Half Assembly								1
2	214-00100	Cup-Bearing	1	1	1	1	1	1	1	1
3	162-00600	Outer Wheel Half Assembly	1							
	162-13000	Outer Wheel Half Assembly		1						
	(4)	Outer Wheel Half Assembly			1					
	162-02700	Outer Wheel Half Assembly				1	1	1		
	162-04700	Outer Wheel Half Assembly							1	
	162-02711	Outer Wheel Half Assembly								1
2	214-00100	Cup-Bearing	1	1	1	1	1	1	1	1
4	103-11000	Bolt (AN4-36A)	3							3
	103-11200	Bolt (AN4-37A)		3	3					
	103-20400	Bolt (AN4-35A)				3	3	3	3	
5	094-10300	Nut (MS21044-N4)	3	3	3					3
	094-10400	Nut (MS21044-N5)				3	3	3	3	
6	095-10400	Washer (AN960-416)	6	6	6					9
	095-10500	Washer (AN960-516)				6	6	6	6	
7	153-00500	Ring-Grease Seal	4							
	153-01400	Ring-Grease Seal		3						
7A	156-00300	Plate-Grease Seal-Inner Wheel Half		1						
7B	153-01000	Ring-Grease Seal			2					
8	153-00300	Ring-Grease Seal			2	2		2	2	1
9	154-01200	Felt-Grease Seal		2						
9A	154-00400	Felt-Grease Seal-Inner Wheel Half	1							
9B	154-00500	Felt-Grease Seal-Outer Wheel Half	1							
10	154-00900	Felt-Grease Seal			2					
11	102-05100	Screw (AN500-8-8)	6	6	6					
12	095-15100	Washer-Lock (MS35333-38)		6	6					
	095-15300	Washer-Lock (AN936A8)	6							
13	155-00100	Snap Ring				2	2	2	2	2
14	214-00200	Cone-Bearing	2	2	2	2	2	2	2	2
15	154-03000	Molded Grease Seal					2			
16	154-12000	Molded Grease Seal								1
17	154-12400	Molded Grease Seal				2		2	2	1

NOTES:

(1) Inactive assembly – spares support only for parts listed.

(3) 40-76A supersedes 40-76H..

(2) 40-76A supersedes 40-55.

(4) Inactive part - no longer available for spares support.

Cleveland
Wheels & Brakes



40-56, 40-56B, 40-76D, 40-76E, 40-76F, 40-76G, 40-76H

Tube-Type

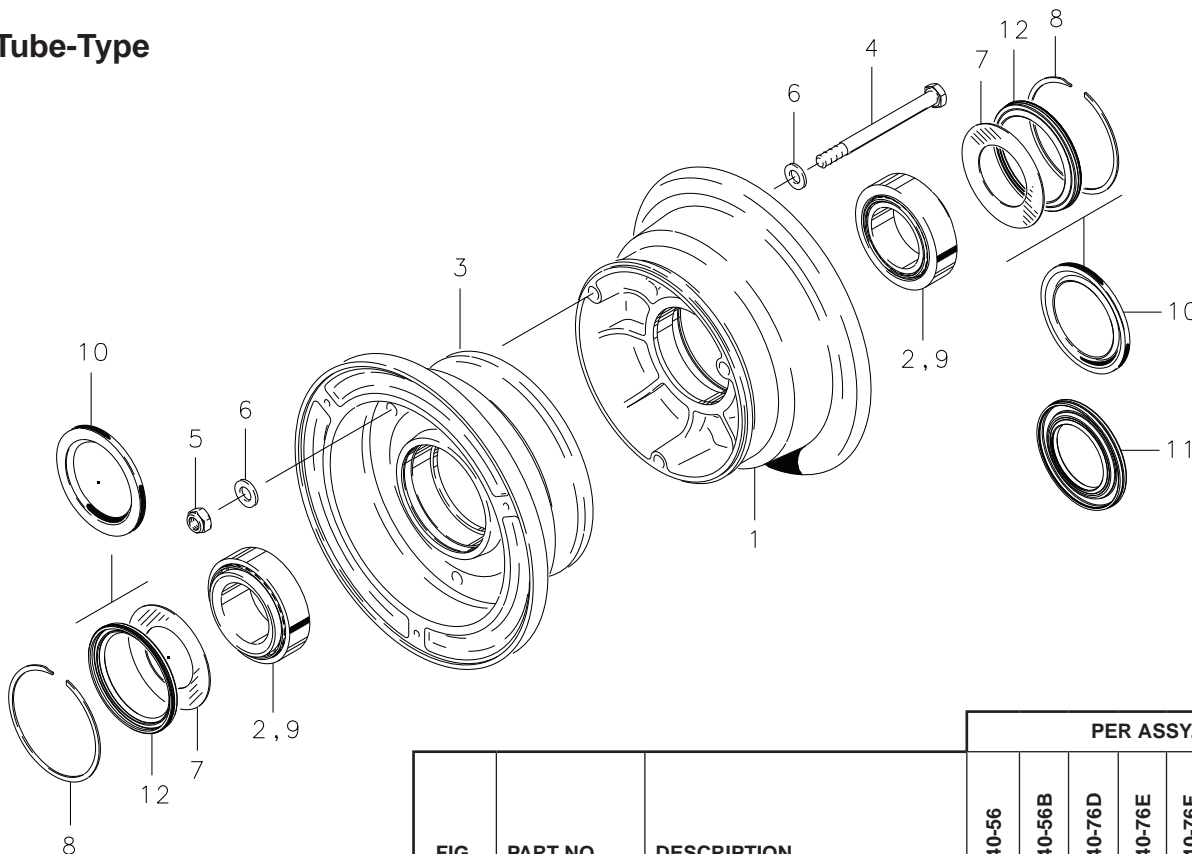
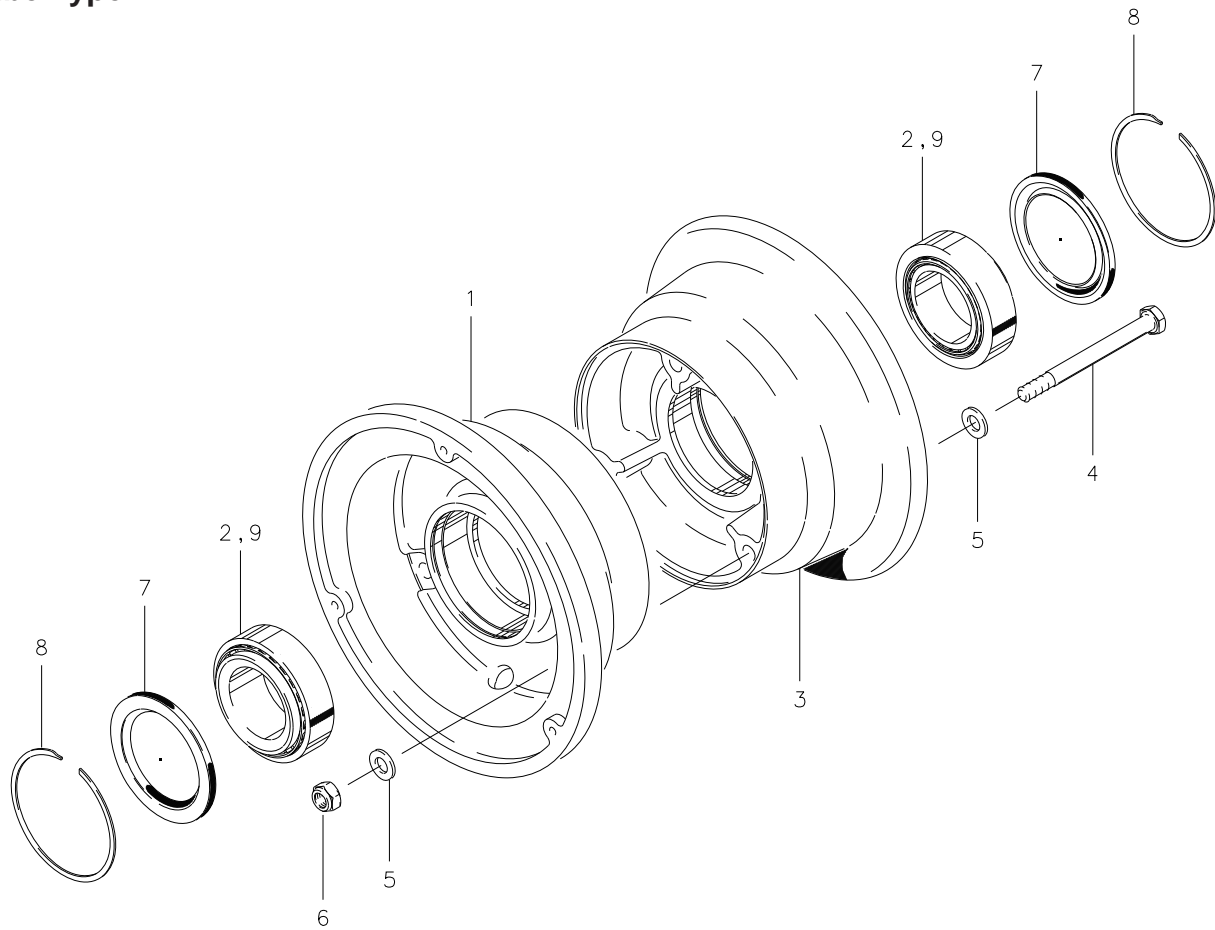


FIG.	PART NO.	DESCRIPTION	PER ASSY.						
			40-56	40-56B	40-76D	40-76E	40-76F	40-76G	40-76H
1	161-04700	Inner Wheel Half Assembly			1	1	1		
	161-03000	Inner Wheel Half Assembly						1	
	161-08300	Inner Wheel Half Assembly	1						
	161-09400	Inner Wheel Half Assembly		1					
	161-13700	Inner Wheel Half Assembly							1
2	214-00100	Cup-Bearing			1	1	1	1	1
	214-01300	Cup-Bearing	1	1					
3	162-04500	Outer Wheel Half Assembly			1	1	1		
	162-02700	Outer Wheel Half Assembly						1	1
	162-06900	Outer Wheel Half Assembly	1						
	162-08800	Outer Wheel Half Assembly		1					
2	214-00100	Cup-Bearing			1	1	1	1	1
	214-01300	Cup-Bearing	1	1					1
4	103-20400	Bolt (AN5-35A)			3	3	3	3	3
	103-21800	Bolt (AN5-34A)	3	3					
5	094-10400	Nut (MS21044-N5)	3	3	3	3	3	3	3
6	095-10500	Washer (AN960-516)	6	6	6	6	6	6	6
7	153-00300	Ring-Grease Seal			2	2		1	2
8	155-00100	Snap Ring	2	2	2	2	2	2	2
9	214-00200	Cone-Bearing			2	2		2	2
	214-01400	Cone-Bearing	2	2					
10	154-03000	Molded Grease Seal	2	2			2		
11	154-12000	Molded Grease Seal						1	
12	154-12400	Molded Grease Seal			2	2		1	2

40-56C

Tube-Type



4

Assy. Number

A) 40-56C

FIG.	PART NUMBER	DESCRIPTION	QTY. PER ASSY.
			A
1	161-08300	Inner Wheel Half Assy.	1
2	214-01300	Cup-Bearing	1
3	162-06900	Outer Wheel Half Assy.	1
2	214-01300	Cup-Bearing	1
4	103-21800	Bolt (AN5-34A)	3
5	095-10500	Washer (AN960-516)	6
6	094-10400	Nut (MS21044-N5)	3
7	154-03000	Molded-Grease Seal	2
8	155-00100	Snap Ring	2
9	214-01400	Cone-Bearing	2

Illustrated Parts List

40-120A, 40-140, 40-140A, 40-140C

Tube-Type

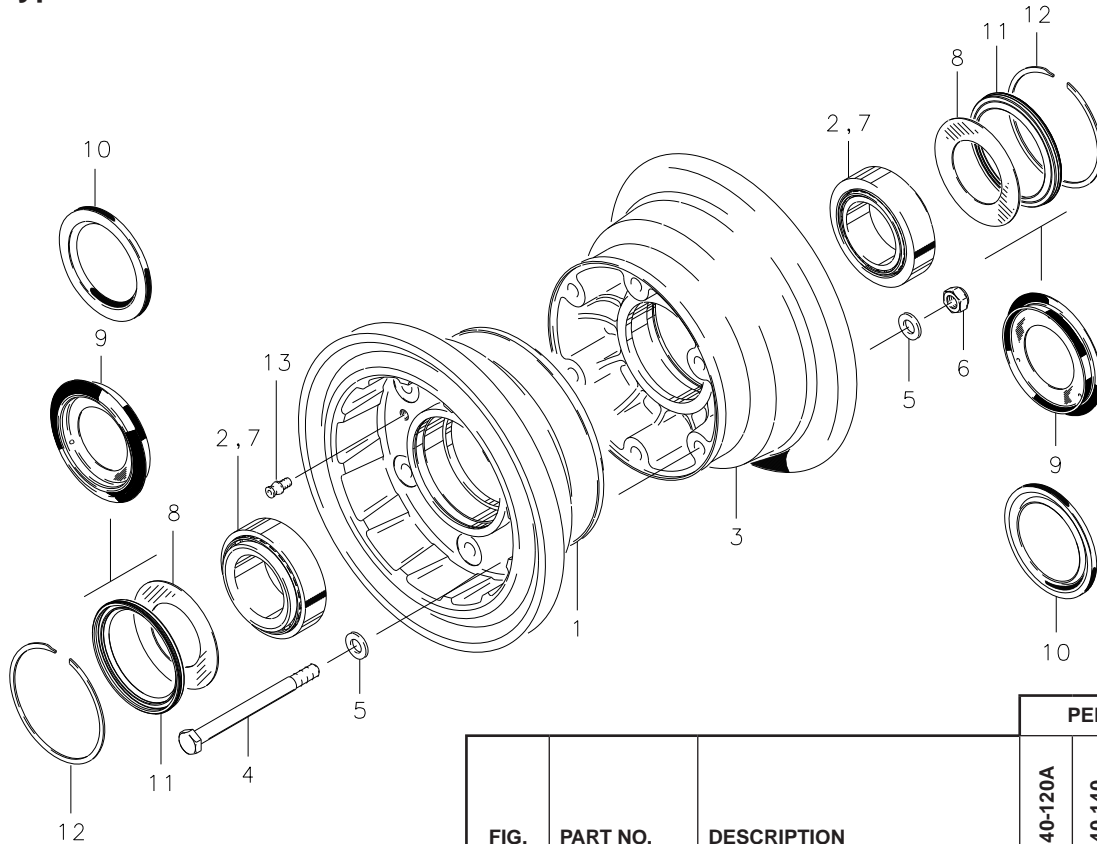


FIG.	PART NO.	DESCRIPTION	PER ASSY.			
			40-120A	40-140	40-140A	40-140C
1	161-08200	Inner Wheel Half Assembly		1	1	
	161-08202	Inner Wheel Half Assembly				1
	161-09302	Inner Wheel Half Assembly	1			
2	214-00100	Cup-Bearing	1	1	1	
	214-01100	Cup-Bearing				1
3	162-07700	Outer Wheel Half Assembly		1	1	
	162-07702	Outer Wheel Half Assembly				1
	162-08702	Outer Wheel Half Assembly	1			
2	214-00100	Cup-Bearing	1	1	1	
	214-01100	Cup-Bearing				1
4	103-20400	Bolt (AN5-35A)	6	6	6	6
5	095-10500	Washer (AN960-516)				12
	095-10700	Washer (AN960-516L)	12	12	12	
6	094-10401	Nut (MS21045-5S)				6
	094-10400	Nut (MS21044-N5)	6	6	6	
7	214-00200	Cone-Bearing	2	2	2	
	214-01200	Cone-Bearing				2
8	153-00300	Ring-Grease Seal			2	
9	154-07500	Molded Grease Seal				2
10	154-03000	Molded Grease Seal	2	2		
11	154-12400	Molded Grease Seal			2	
12	155-00100	Snap Ring	2	2	2	
13	213-00400	Grease Fitting (MS15720-1)				1

40-423

Tubeless

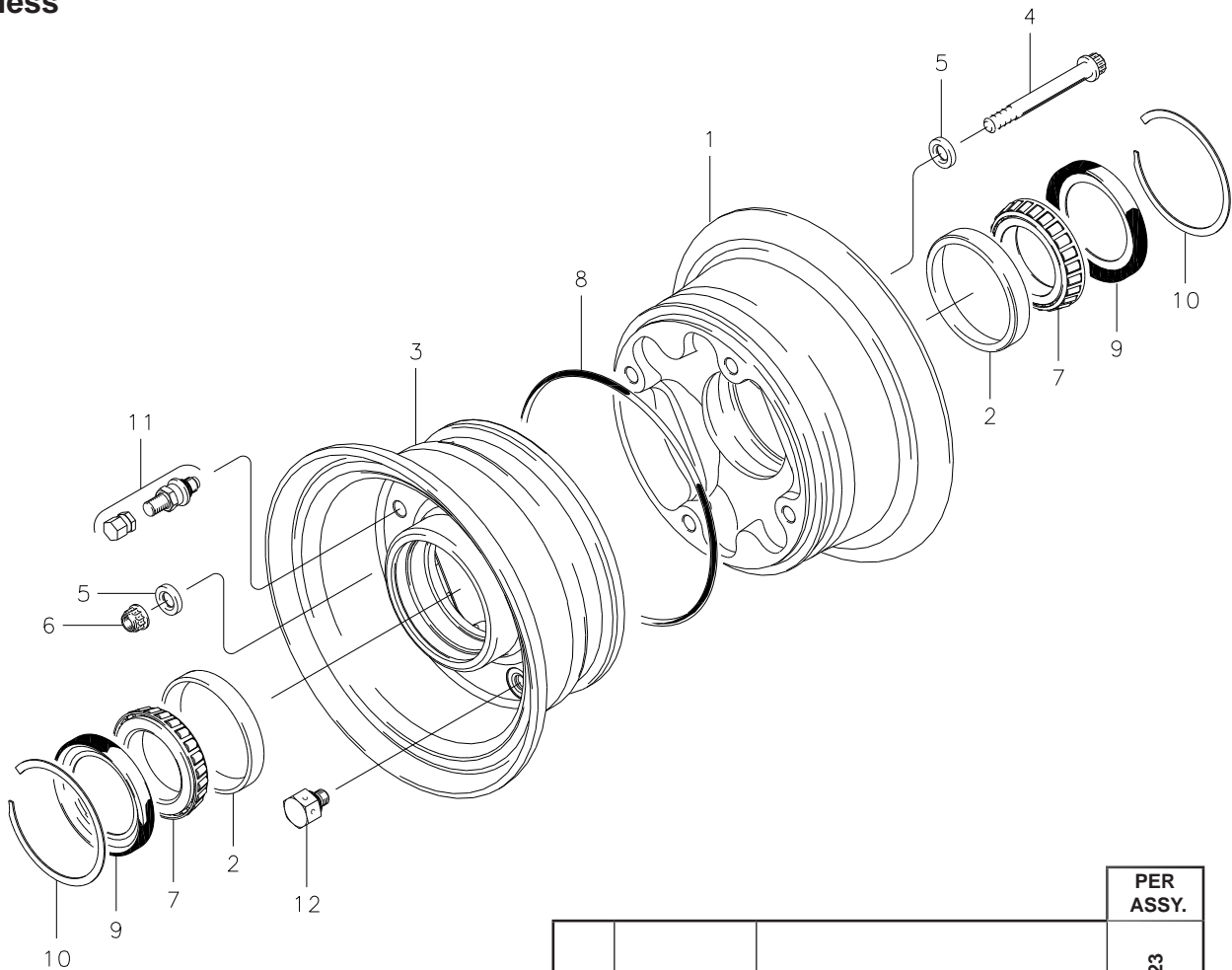


FIG.	PART NO.	DESCRIPTION	PER ASSY.
1	161-20400	Inner Wheel Half Assy.	1
2	214-06300	Cup-Bearing	1
3	162-20400	Outer Wheel Half Assy.	1
2	214-06300	Cup-Bearing	1
4	103-23500	Bolt (MS21250-05030)	4
5	095-14700	Washer (MS14155-5)	8
6	094-16400	Nut, Self-locking (NAS1804-5N)	4
7	214-00200	Cone-Bearing	2
8	101-50250	Packing, Preformed (MS28775-242)	1
9	154-09600	Seal, Bearing	2
10	155-14100	Ring, Retaining	2
11	160-01900	Assembly, Inflation Valve	1
12	106-01201	Disc, Rupture	1

4

40-426, 40-426A, 40-426B

Tube-Type

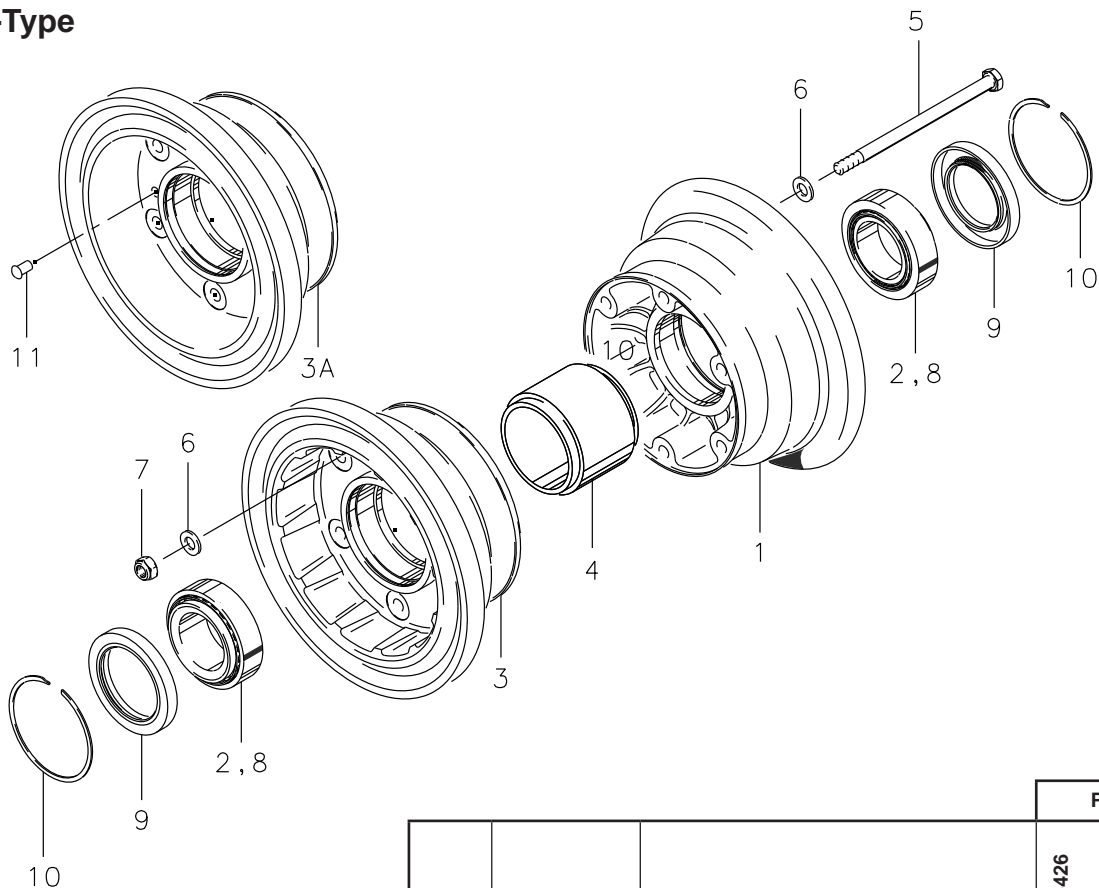


FIG.	PART NO.	DESCRIPTION	PER ASSY.		
			40-426 (1)	40-426A	40-426B
1	161-19901	Inner Wheel Half Assembly	1		
	161-19904	Inner Wheel Half Assembly		1	
	161-19906	Inner Wheel Half Assembly			1
2	214-01100	Cup-Bearing (chrome plated)	1		1
	214-00100	Cup-Bearing		1	
3	162-19901	Outer Wheel Half Assembly	1		
	162-19904	Outer Wheel Half Assembly		1	
3A	162-19906	Outer Wheel Half Assembly			1
2	214-01100	Cup-Bearing (chrome plated)	1		1
	214-00100	Cup-Bearing		1	
11	105-13700	Rivet			3
4	067-14700	Grease Dam Spacer	1	1	1
5	103-20400	Bolt (AN5-35A)	6	6	6
6	095-10500	Washer (AN960-516)	12	12	12
7	094-12700	Nut (MS21042-5)	6	6	6
8	214-01200	Cone-Bearing (chrome plated)	2		2
	214-00200	Cone-Bearing		2	
9	154-08300	Molded Grease Seal	2	2	
	154-13500	Grease Seal			2
10	155-14300	Snap Ring	2	2	2

NOTES:

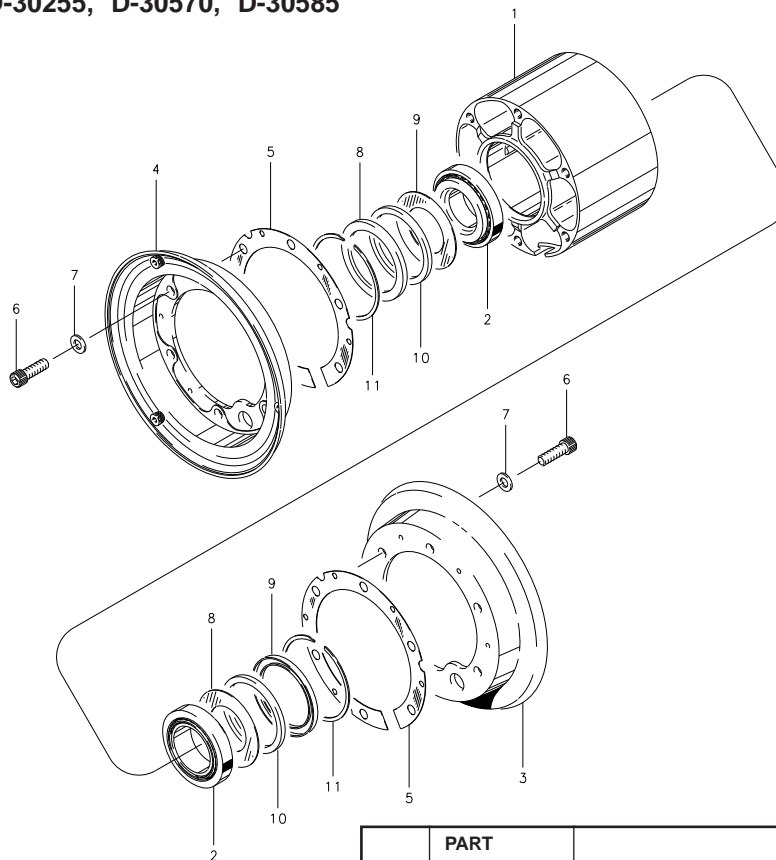
(1) High corrosion resistant, amphibious equipment.

Cleveland
Wheels & Brakes



C-30179, D-30204, D-30255, D-30570, D-30585

Tube-Type



Assy. Number

- A) C-30179 (1)
- B) D-30204 (1) (2)
- C) D-30255 (1) (2)
- D) D-30570 (1)
- E) D30585 (1) (2)

NOTES:

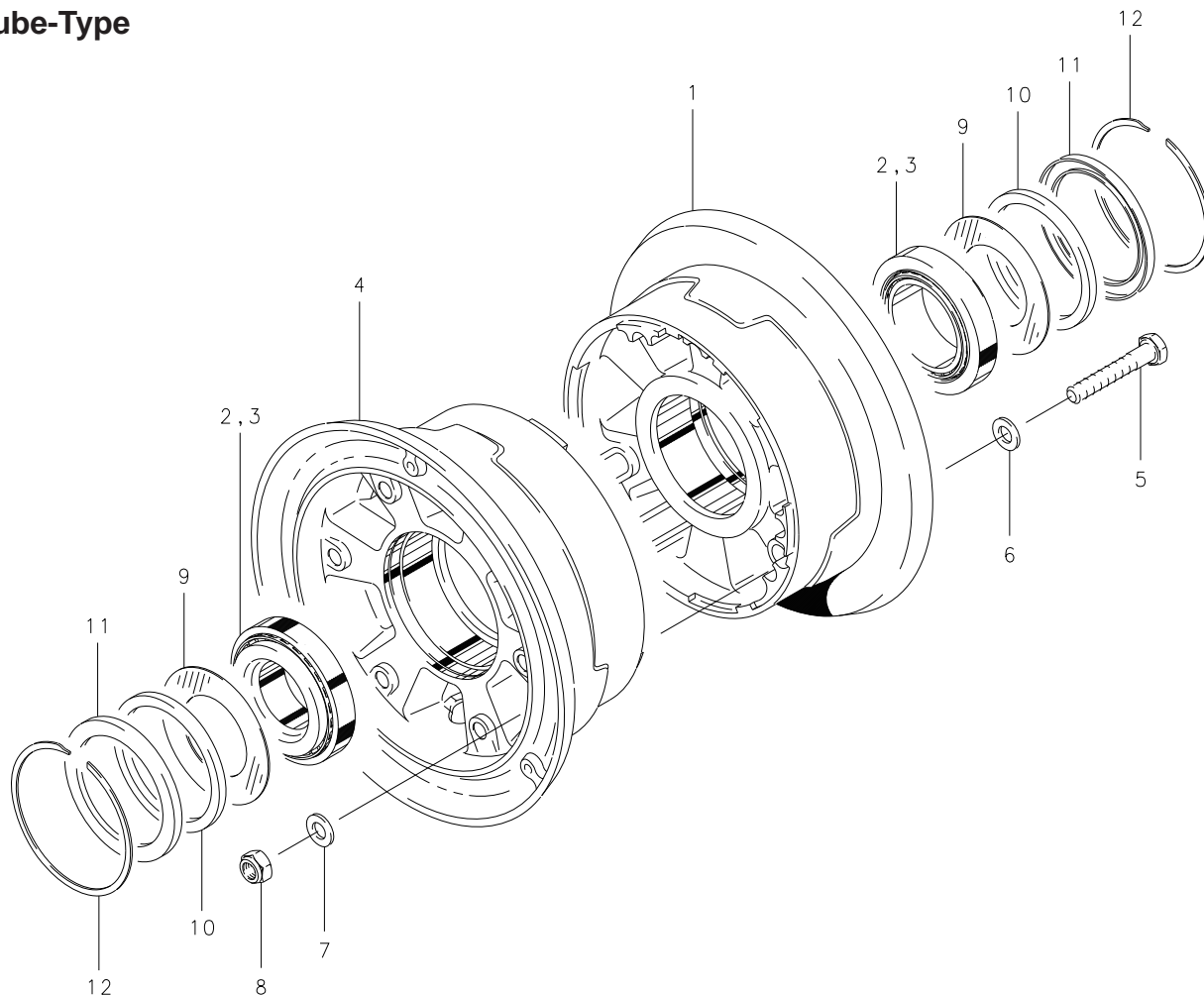
- (1) Inactive assembly – spares support only for parts listed.
- (2) Superseded by D-30665 (5).
- (3) Inactive part – no longer available for spares support.
- (4) All wheel assemblies listed were formerly manufactured by "McCauley Industrial Corporation."
- (5) D-30665 is inactive. See Airframe manufacturer for approved replacement.

* Not illustrated.

FIG.	PART NUMBER	DESCRIPTION	QTY. PER ASSY				
			A	B	C	D	E
1	201-30203	Hub Assy.	1				
	(3)	Hub Assy.		1			
	201-30256-1	Hub Assy.			1		1
	201-30568	Hub Assy.				1	
2	(3)	Bearing	2	2	2		2
	(3)	Bearing				2	
3	(3)	Wheel Flange	1				
	(3)	Wheel Flange		1			
	(3)	Wheel Flange			1		
	(3)	Wheel Flange				1	
	(3)	Wheel Flange					1
4	(3)	Wheel Flange	1				
	(3)	Wheel Flange		1			
	(3)	Wheel Flange			1		
	(3)	Wheel Flange				1	
5	067-30076	Spacer	2	2	2	2	2
	(3)	Screw	12				
6	(3)	Bolt (AN4-41A)		6			
	(3)	Screw			12		12
	102-18400	Screw				12	
	095-10500	Washer (AN960-516)	12			12	
7	(3)	Washer		12			
	(3)	Washer			12		12
	153-30014	Ring	2	2	2	2	2
9	153-30015	Ring	2	2	2	2	2
10	154-30010	Felt	2	2	2	2	2
11	155-11900	Snap Ring	2	2		2	
	155-11800	Snap Ring			2		2
*	094-15300	Nut		6			

D-30665, D-30665-1

Tube-Type



Assy. Number

A) D-30665 (2) (3)

B) D-30665-1 (2) (3)

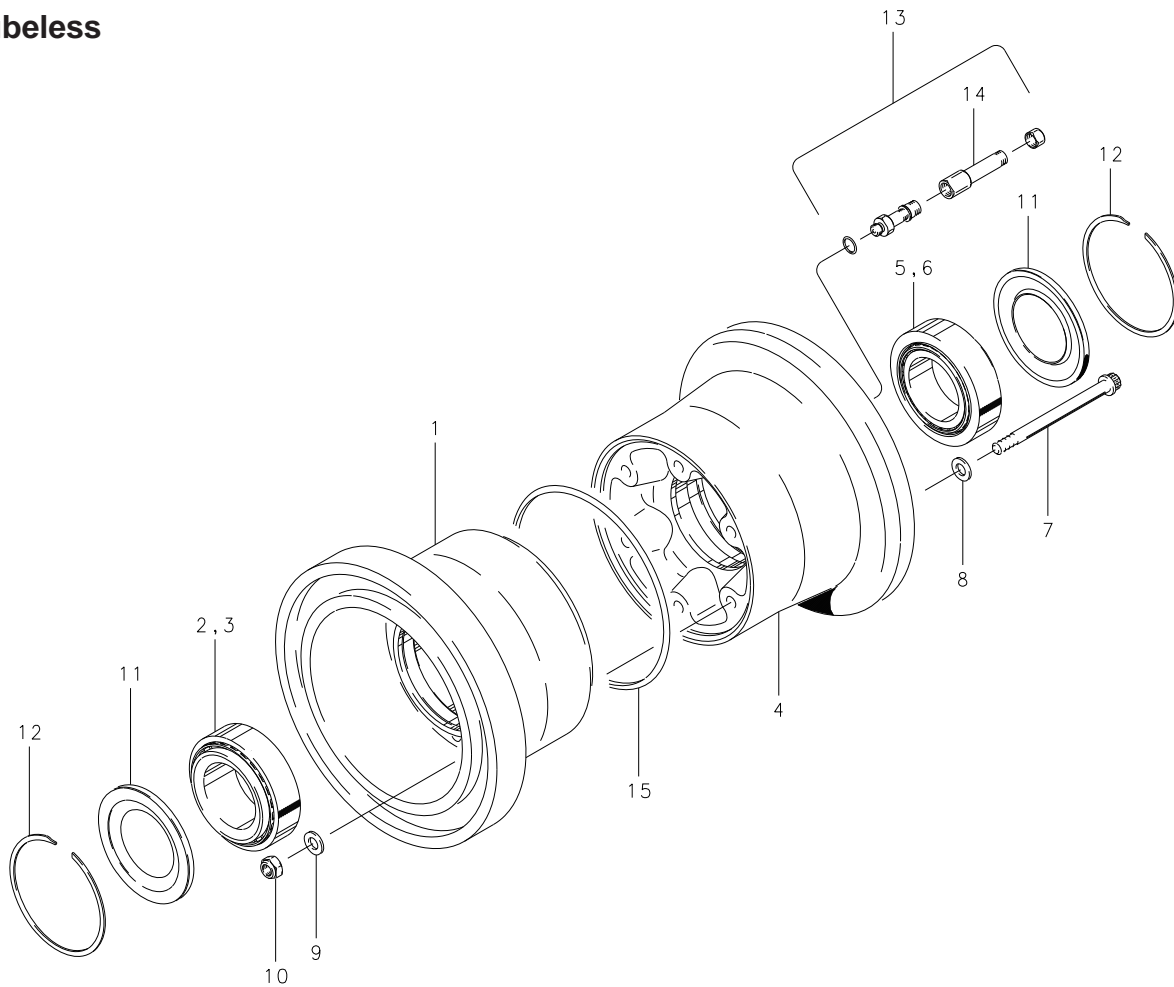
NOTES:

- (1) All wheel assemblies listed were formerly manufactured by "McCauley Industrial Corporation."
- (2) Inactive assembly – spares support only for parts listed.
- (3) Inactive. See Airframe manufacturer for approved replacement.
- (4) Inactive part – no longer available for spares support.

FIG.	PART NUMBER	DESCRIPTION	QTY. PER ASSY.	
			A	B
1	(4)	Inner Wheel Half Assy.	1	
	(4)	Inner Wheel Half Assy.		1
2	214-01300	Cup-Bearing	1	1
3	214-01400	Cone-Bearing	2	2
4	(4)	Outer Wheel Half Assy.	1	
	(4)	Outer Wheel Half Assy.		1
2	214-01300	Cup-Bearing	1	1
5	103-25900	Bolt	3	
	103-17200	Bolt		6
6	095-10500	Washer (AN960-516)		12
	095-02800	Washer (MS20002C5)	3	
7	095-02800	Washer (MS20002C5)	3	
	095-10700	Washer (AN960-516L)		12
8	094-15100	Nut	3	6
9	153-30015	Ring	2	2
10	154-30010	Felt	2	2
11	153-30014	Ring	2	2
12	155-11900	Snap Ring	2	2

40-210

Tubeless



Assy. Number

A) 40-210

FIG. NUMBER	PART	DESCRIPTION	QTY. PER ASSY.
			A
1	161-13200	Inner Wheel Half Assy.	1
2	214-04800	Cup-Bearing	1
3	214-04700	Cone-Bearing	1
4	162-12300	Outer Wheel Half Assy.	1
5	214-04800	Cup-Bearing	1
6	214-04900	Cone-Bearing	1
7	103-23300	Bolt (MS21250-05062)	6
8	095-02800	Washer (MS20002C5)	6
9	095-13600	Washer (MS20002-5)	6
10	094-10400	Nut-Lock (MS21044-N5)	6
11	154-03800	Molded Grease Seal	2
12	155-08100	Snap Ring	2
13	160-01900	Air Valve Assy.	1
14	138-85400	Valve Extension	1
15	101-50249	O-Ring (MS28775-249)	1

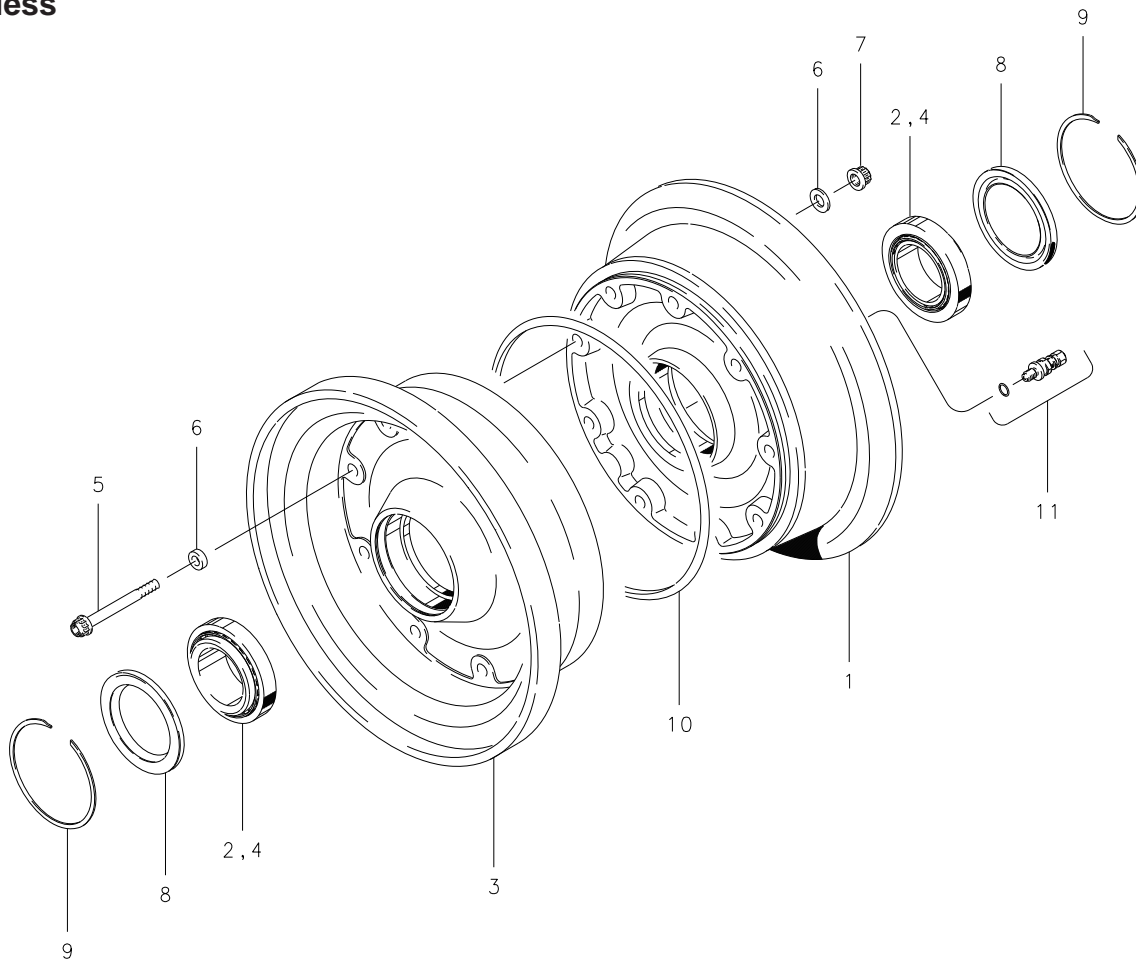
Cleveland
Wheels & Brakes



Illustrated Parts List

40-260

Tubeless



Assy. Number

A) 40-260

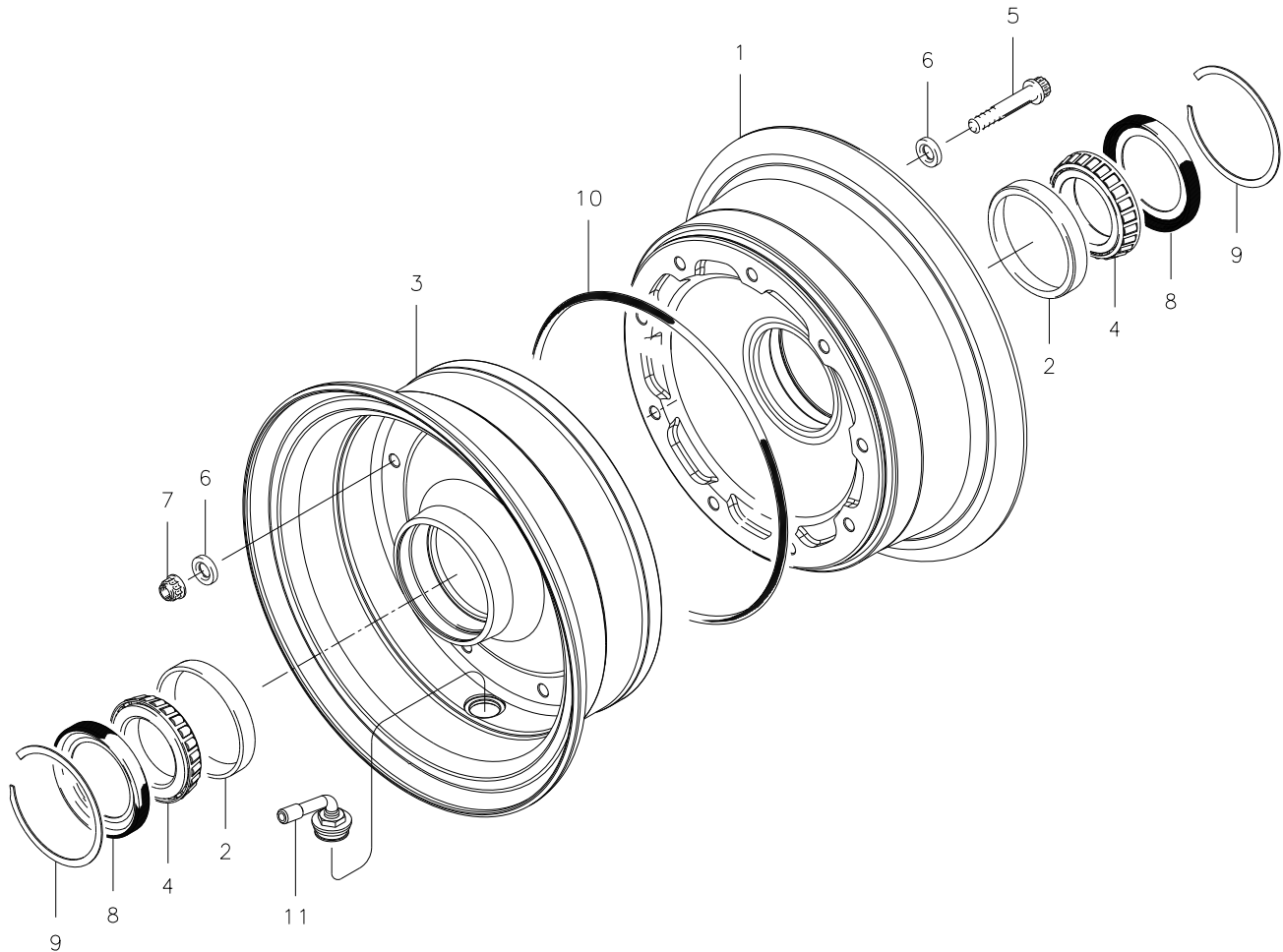
FIG.	PART NUMBER	DESCRIPTION	QTY. PER ASSY.
			A
1	162-15000	Outer Wheel Half Assy.	1
2	214-00100	Cup-Bearing	1
3	161-16100	Inner Wheel Half Assy.	1
2	214-00100	Cup-Bearing	1
4	214-00200	Cone-Bearing	1
5	103-17500	Bolt (MS21250-04022)	9
6	095-71400	Washer (MS14177-4)	18
7	094-13800	Nut	9
8	154-03600	Grease Seal	2
9	155-00100	Snap Ring	2
10	101-26600	O-Ring (MS28775-261)	1
11	160-00700	Air Valve Assy.	1

Cleveland
Wheels & Brakes



40-450

Tubeless (1)/Tube-Type



4

NOTES:

(1) Tubeless tire configuration requires the use of optional inflation air valve assembly. Inflation air valve assembly must be ordered separately.

FIG.	PART NO.	DESCRIPTION	PER ASSY.
1	161-22500	Inner Wheel Half Assembly	1
2	214-06300	Cup-Bearing	1
3	162-22500	Outer Wheel Half Assembly	1
2	214-01100	Cup-Bearing	1
4	214-00200	Cone-Bearing	2
5	103-19300	Bolt (MS21250-04014)	9
6	095-14600	Washer (MS14155-4)	18
7	094-17700	Nut (NAS1804-4N)	9
8	154-09600	Seal	2
9	155-14100	Snap Ring	2
10	101-26600	Preformed Packing	2
11	160-03500 (1)	Inflation Air Valve Assembly	1

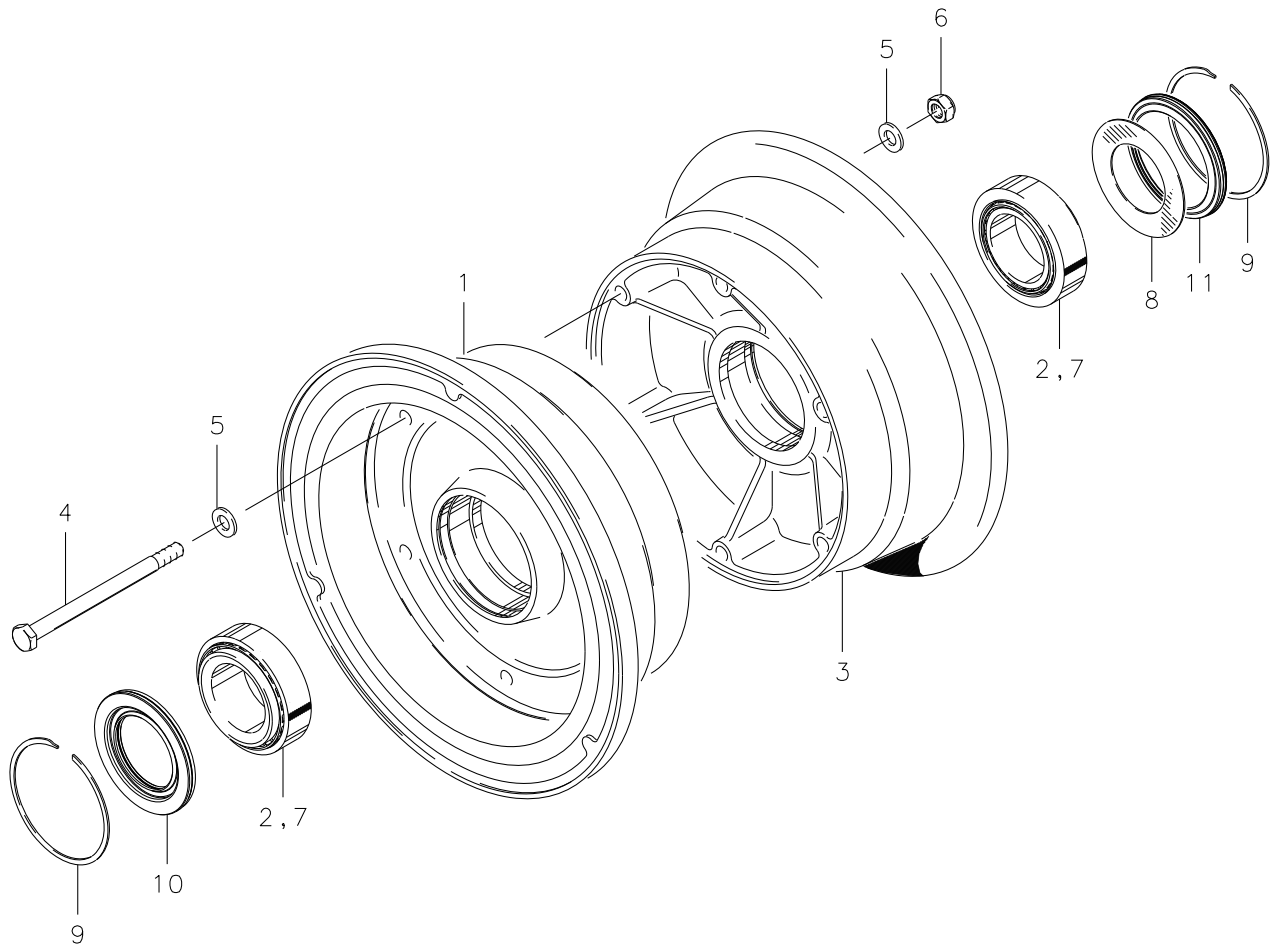
Cleveland
Wheels & Brakes



Illustrated Parts List

40-117A

Tube-Type



Assy. Number

A) 40-117A

FIG.	PART NUMBER	DESCRIPTION	QTY. PER ASSY.
			A
1	161-02300	Inner Wheel Half Assy.	1
2	214-00100	Cup-Bearing	1
3	162-04800	Outer Wheel Half Assy.	1
2	214-00100	Cup-Bearing	1
4	103-20400	Bolt (AN5-35A)	6
5	095-10500	Washer (AN960-516)	12
6	094-10400	Nut (MS21044-N5)	6
7	214-00200	Cone-Bearing	2
8	153-00300	Ring-Grease Seal	1
9	155-00100	Snap Ring	2
10	154-12000	Molded Grease Seal	1
11	154-12400	Molded Grease Seal	1

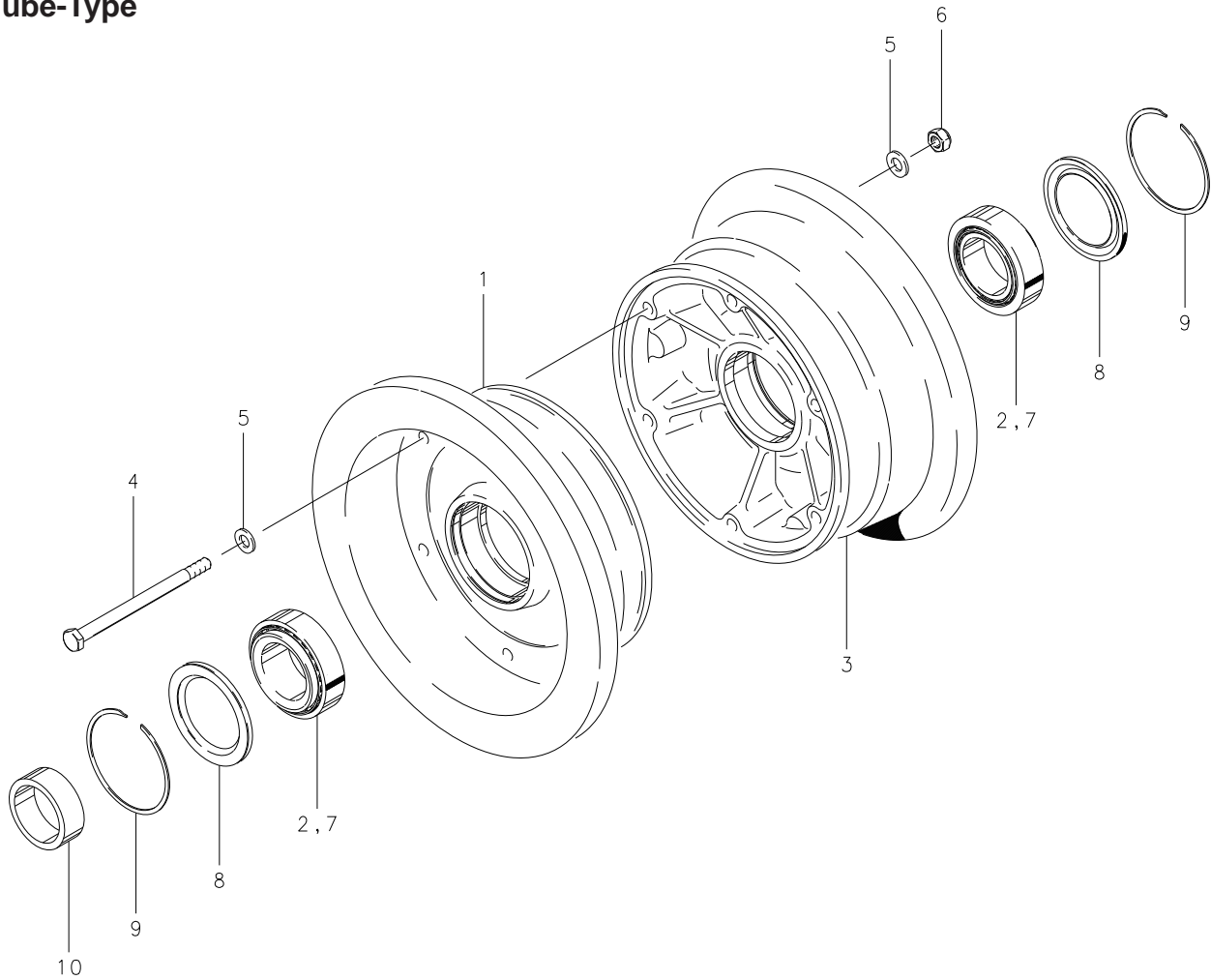
Cleveland
Wheels & Brakes



Illustrated Parts List

40-177A, 40-193

Tube-Type



Assy. Number

A) 40-177A

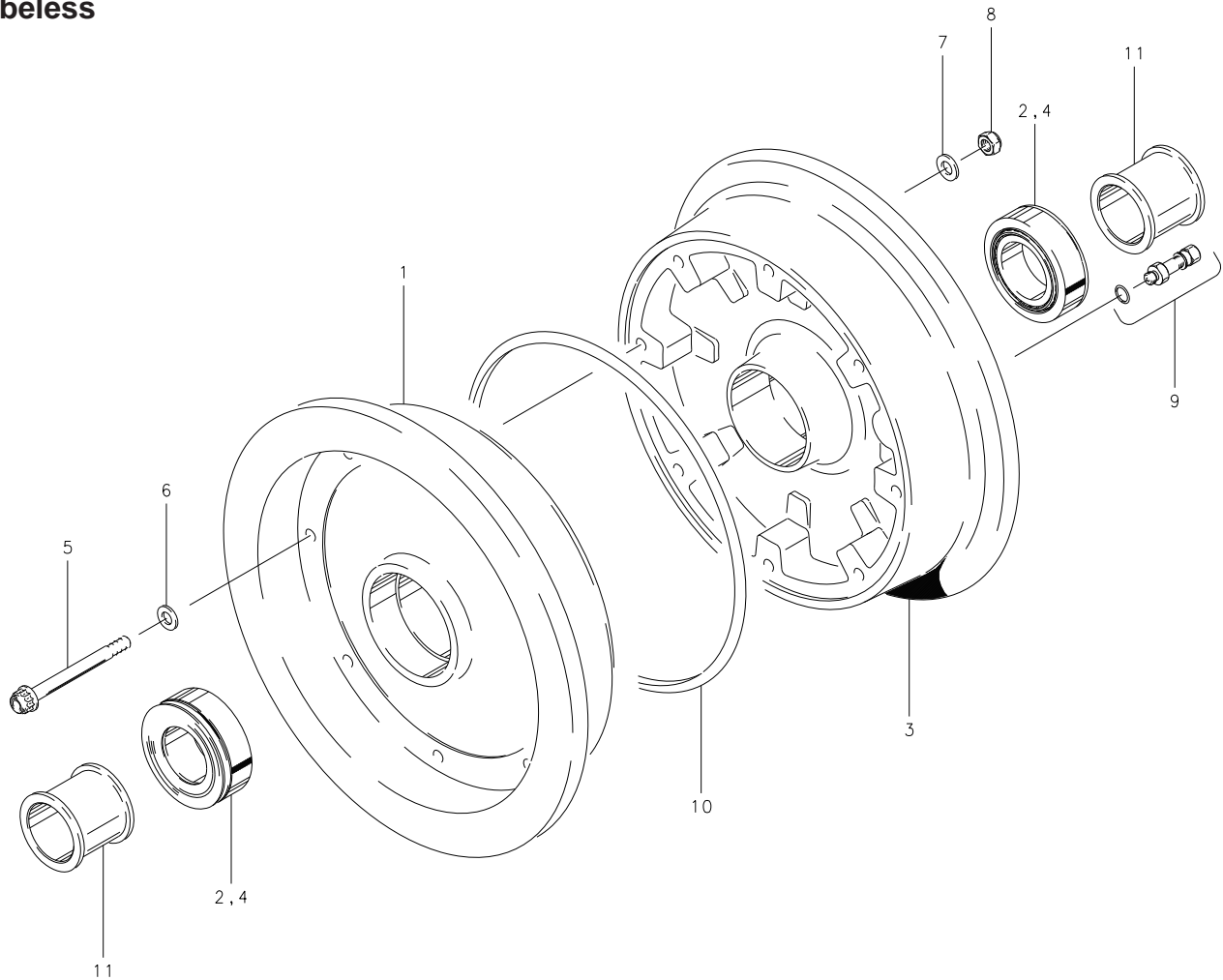
B) 40-193

FIG.	PART NUMBER	DESCRIPTION	QTY. PER ASSY.	
			A	B
1	161-06402	Inner Wheel Half Assy.		1
	161-11700	Inner Wheel Half Assy.	1	
2	214-00100	Cup-Bearing	1	1
3	162-06002	Outer Wheel Half Assy.		1
	162-10700	Outer Wheel Half Assy.	1	
2	214-00100	Cup-Bearing	1	1
4	103-20400	Bolt (AN5-35A)	6	6
5	095-10500	Washer (AN960-516)	12	12
6	094-10400	Nut (MS21044-N5)	6	6
7	214-00200	Cone-Bearing	2	2
8	154-03000	Molded Grease Seal	2	
	154-03600	Molded Grease Seal		2
9	155-00100	Snap Ring	2	2
10	067-07000	Spacer-Axle		1



40-212

Tubeless



Assy. Number

A) 40-212

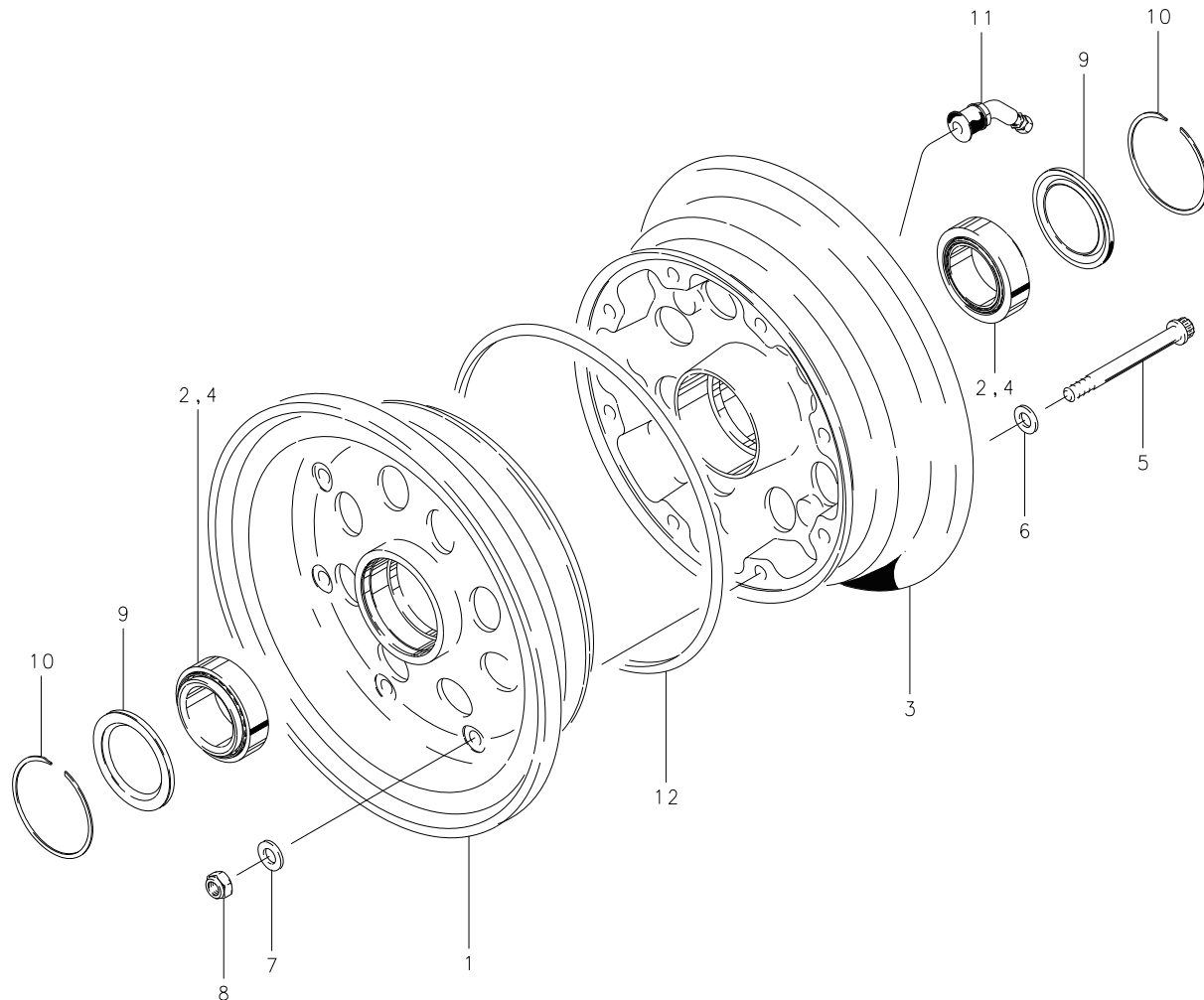
NOTES:

- (1) Optional balance kit 199-135 available for use with this wheel.
- (2) 095-02800 Washer is installed under the bolt head.

FIG.	PART NUMBER	DESCRIPTION	QTY. PER ASSY.
			A
1	161-13400	Inner Wheel Half Assy.	1
2	214-03700	Cup-Bearing	1
3	162-12500	Outer Wheel Half Assy.	1
2	214-03700	Cup-Bearing	1
4	214-03800	Bearing-Cone & Seal	2
5	103-23500	Bolt (MS21250-05030)	8
6	095-02800	Washer (MS20002C5) (2)	8
7	095-13600	Washer (MS20002-5)	8
8	094-10401	Nut-Lock (MS21045-5S)	8
9	160-00700	Air Valve	1
10	101-09700	O-Ring (MS28775-269)	1
11	067-08800	Axle Spacer	2

40-204

Tubeless/Tube-Type



Assy. Number

A) 40-204

FIG.	PART NUMBER	DESCRIPTION	QTY. PER ASSY.
			A
1	161-12500	Inner Wheel Half Assy.	1
2	214-00100	Cup-Bearing	1
3	162-11500	Outer Wheel Half Assy.	1
2	214-00100	Cup-Bearing	1
4	214-00200	Cone-Bearing	2
5	103-31200	Bolt (MS21250-06034)	8
6	095-03100	Washer (MS20002C6)	8
7	095-10600	Washer (AN960-616)	8
8	094-91500	Nut (MS21045-6S)	8
9	154-03600	Molded Grease Seal	2
10	155-00100	Snap Ring	2
11	160-01200	Air Valve Assy.	1
12	101-25800	O-Ring (MS28775-267)	1

Cleveland
Wheels & Brakes



4

40-455

Tube-Type

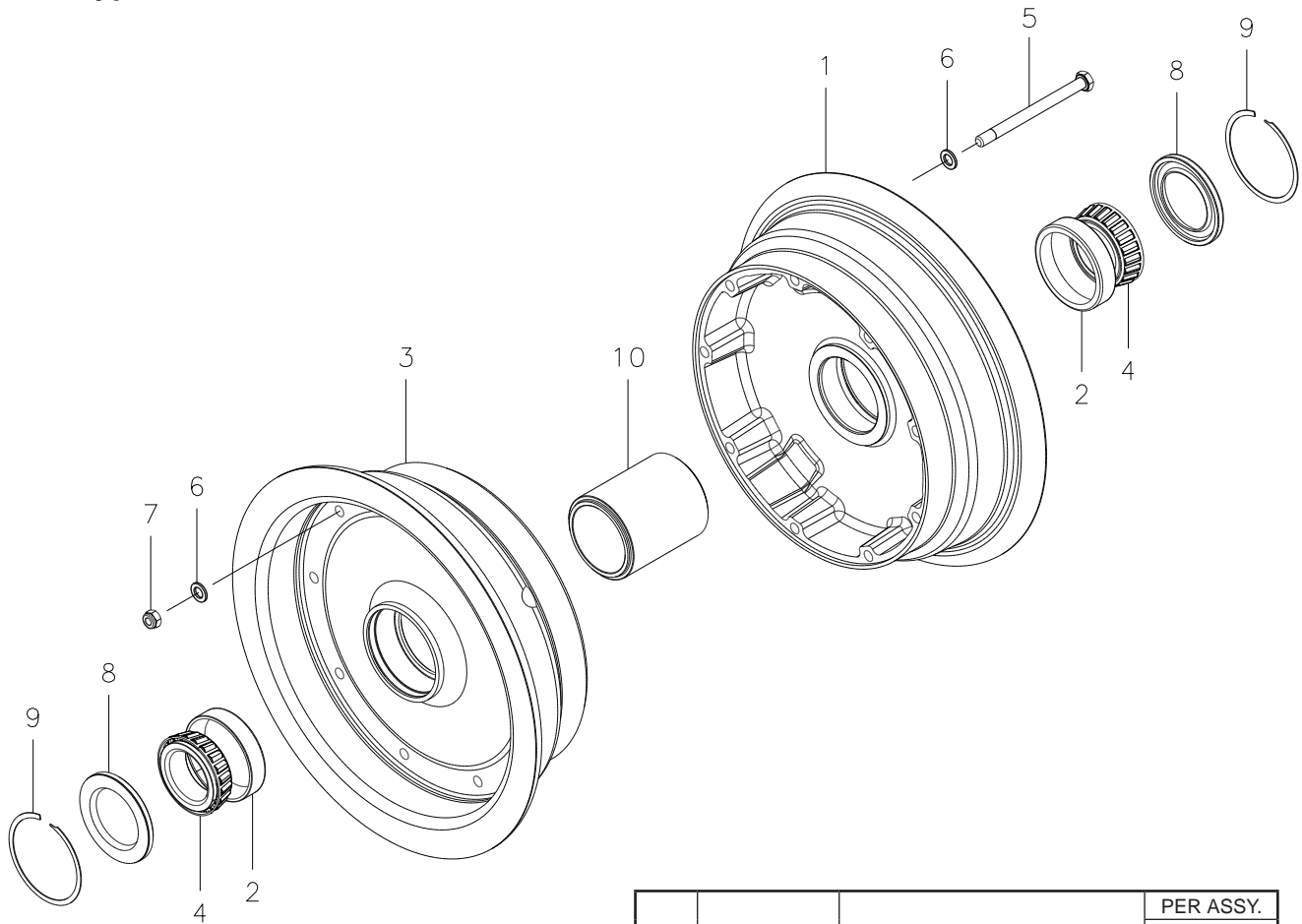
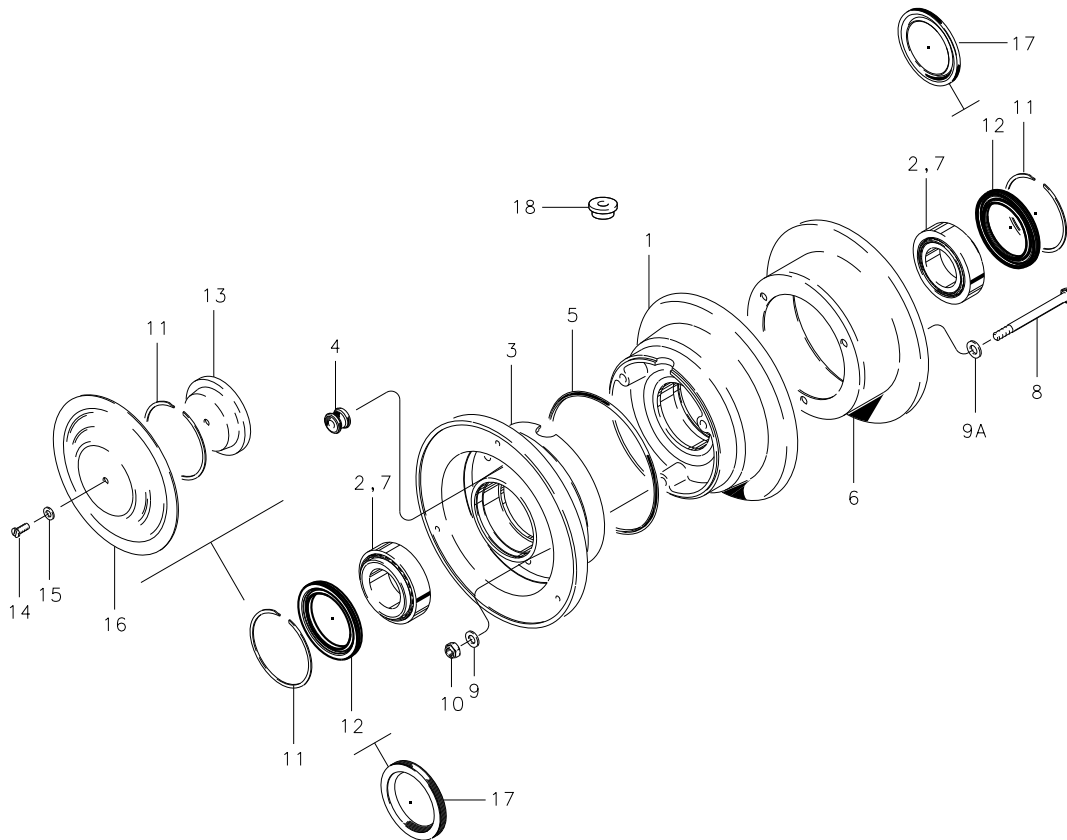


FIG.	PART NO.	DESCRIPTION	PER ASSY.
			40-455
1	161-12800	Inner Wheel Half Assembly	1
2	214-01300	Cup-Bearing	1
3	162-11800	Outer Wheel Half Assembly	1
2	214-01300	Cup-Bearing	1
4	214-01400	Cone-Bearing	2
5	103-21400	Bolt (AN5-37A)	9
6	095-10500	Washer (AN960-516)	18
7	094-10400	Nut (MS21044-N5)	9
8	154-03000	Molded Grease Seal	2
9	155-00100	Snap Ring	2
10	067-06300	Axle Spacer	1

Illustrated Parts List

40-12, 40-12A, 40-78, 40-78A, 40-78B, 40-78E, 40-78J, 40-151, 40-151A, 40-230, 40-308

Tubeless and Tube-Type



4

FIG.	PART NUMBER	DESCRIPTION	PER ASSY.												
			40-12 (1)	40-12A (1)	40-78 (2) (4)	40-78A (2) (4)	40-78B (2) (4)	40-78E (2)	40-78J (2) (4)	40-151 (2)	40-151A (2)	40-230 (2)	40-308		
1	161-00500	Inner Wheel Half Assembly	1	1											
	161-03100	Inner Wheel Half Assembly			1		1	1		1		1			
	161-14300	Inner Wheel Half Assembly				1									
	161-04100	Inner Wheel Half Assembly							1		1				
	161-24000	Inner Wheel Half Assembly													1
2	214-00300	Cup-Bearing	1	1	1		1	1	1	1	1	1	1		
	214-05100	Cup-Bearing				1									
	214-03200	Cup-Bearing													1
3	162-00500	Outer Wheel Half Assembly	1	1											
	162-02800	Outer Wheel Half Assembly			1		1	1		1		1			
	162-13100	Outer Wheel Half Assembly				1									
	162-03900	Outer Wheel Half Assembly							1		1				
	162-24000	Outer Wheel Half Assembly													1
2	214-00300	Cup-Bearing	1	1	1		1	1	1	1	1	1	1	1	
	214-05100	Cup-Bearing				1									
	214-03200	Cup-Bearing													1
4	217-00100	Grommet			1	1	1	1	1	1	1	1	1	1	1

(Continued on next page)

Cleveland
Wheels & Brakes



Illustrated Parts List

40-12, 40-12A, 40-78, 40-78A, 40-78B, 40-78E, 40-78J, 40-151, 40-151A, 40-230, 40-308

Tubeless and Tube-Type

(Continued from previous page)			PER ASSY.										
FIG.	PART NUMBER	DESCRIPTION	40-12 (1)	40-12A (1)	40-78 (2) (4) (6)	40-78A (2) (4) (6)	40-78B (2) (4) (6)	40-78E (2) (6)	40-78J (2) (4) (6)	40-151 (2)	40-151A (2)	40-230 (2)	40-308
5	101-07200	O-Ring (MS28775-244)	1	1									
6	164-00400	Brake Disc	1	1									
	164-01700	Brake Disc			1	1	1		1				1
	164-08500	Brake Disc								1	1		
	164-09900	Brake Disc										1	
	164-11700 (3)	Brake Disc - Chrome			1	1	1		1				
	164-24200 (5)	Brake Disc Brake Disc - Performance Gold			1	1	1		1				
7	214-00400	Cone-Bearing	2	2	2		2	2	2	2	2	2	
	214-05000	Cone-Bearing				2							
	214-03300	Cone-Bearing											2
8	103-10500	Bolt (AN4-22A)			3	3	3	3	3	3	3	3	3
	103-10800	Bolt (AN4-31A)	3	3									
9	095-10200	Washer (AN960-416L)	3	3	3	3	3	3	3	3	3	3	
	095-10400	Washer (AN960-416)											3
9A	095-10200	Washer (AN960-416L)	3	3									
10	094-01200	Nut (MS21042-4)			3	3	3	3	3	3	3	3	3
	094-10300	Nut (MS21044-N4)	3	3									
11	155-00200	Snap Ring	2	2	2	2	2	2	2	2	2	2	2
12	154-13000	Molded Grease Seal	1	1	2	2	2	2	2	2	2	2	
13	158-00500	Hub Cap	1	1									
14	102-25100	Screw (AN526-1024-8)	1	1									
15	095-15400	Washer-Lock (AN936A10)	1	1									
16	157-00500	Dust Shield	1										
17	154-03200	Molded Grease Seal											2
18	217-30653	Grommet											1

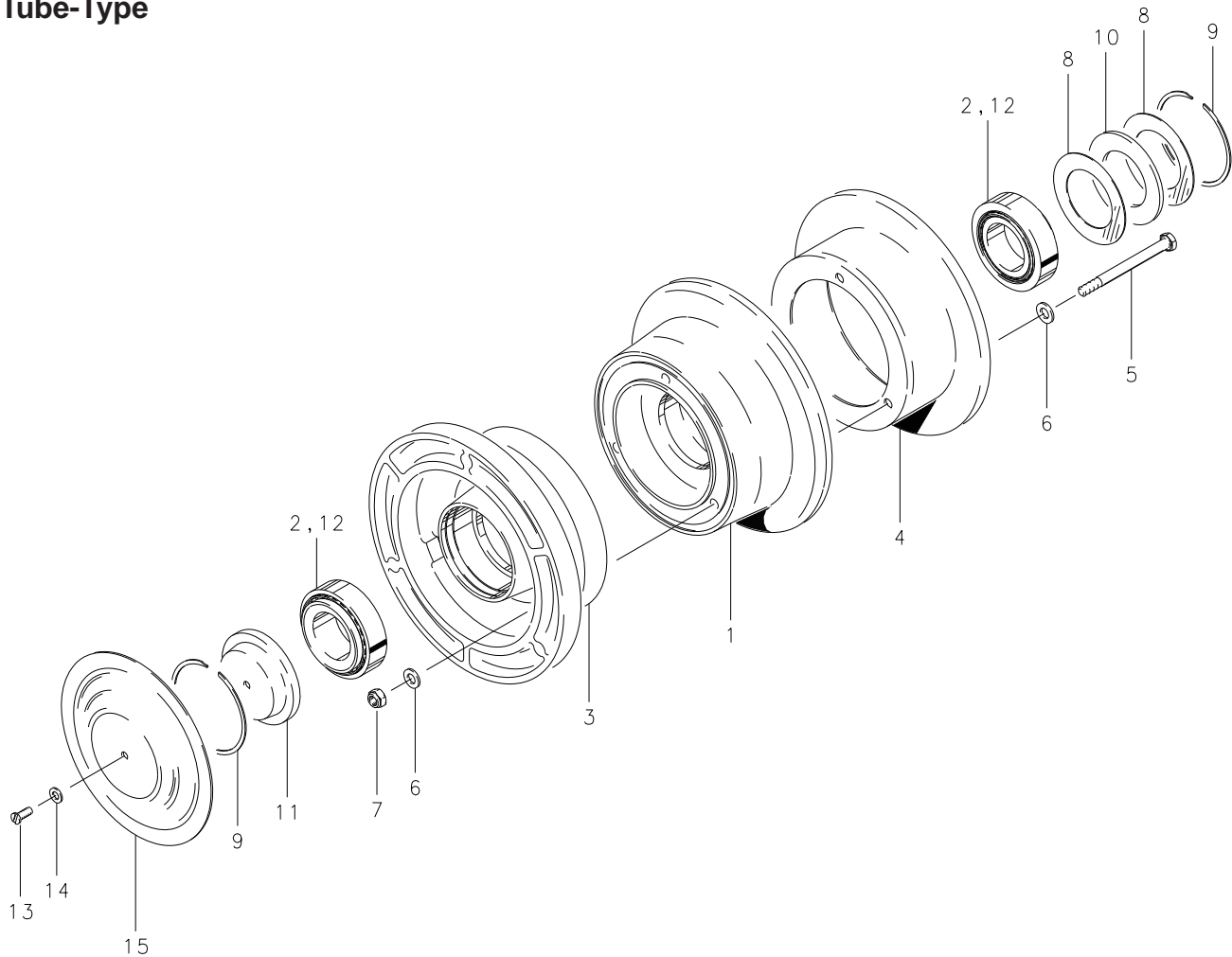
NOTES:

- (1) Use Tubeless Tire with needle inflation.
- (2) Use Tube-Type Tires.
- (3) Alternate chrome plated disc.
- (4) Also available with chrome plated disc. To order, specify assembly number followed by "CHROME."
- (5) Performance gold disc no longer available.
- (6) 199-277 Tie Bolt/Overhaul Kit is available for this wheel. Refer to PRM96.



40-19, 40-19A

Tube-Type



4

Assy. Number

- A) 40-19 (1) (2) (4)
- B) 40-19A (1) (2) (4)

NOTES:

- (1) Inactive assembly – spares support only for parts listed.
- (2) 40-19 and 40-19A have been superseded by 40-78A.
- (3) Inactive part – no longer available for spares support.
- (4) This wheel assembly is not FAA TSO approved.

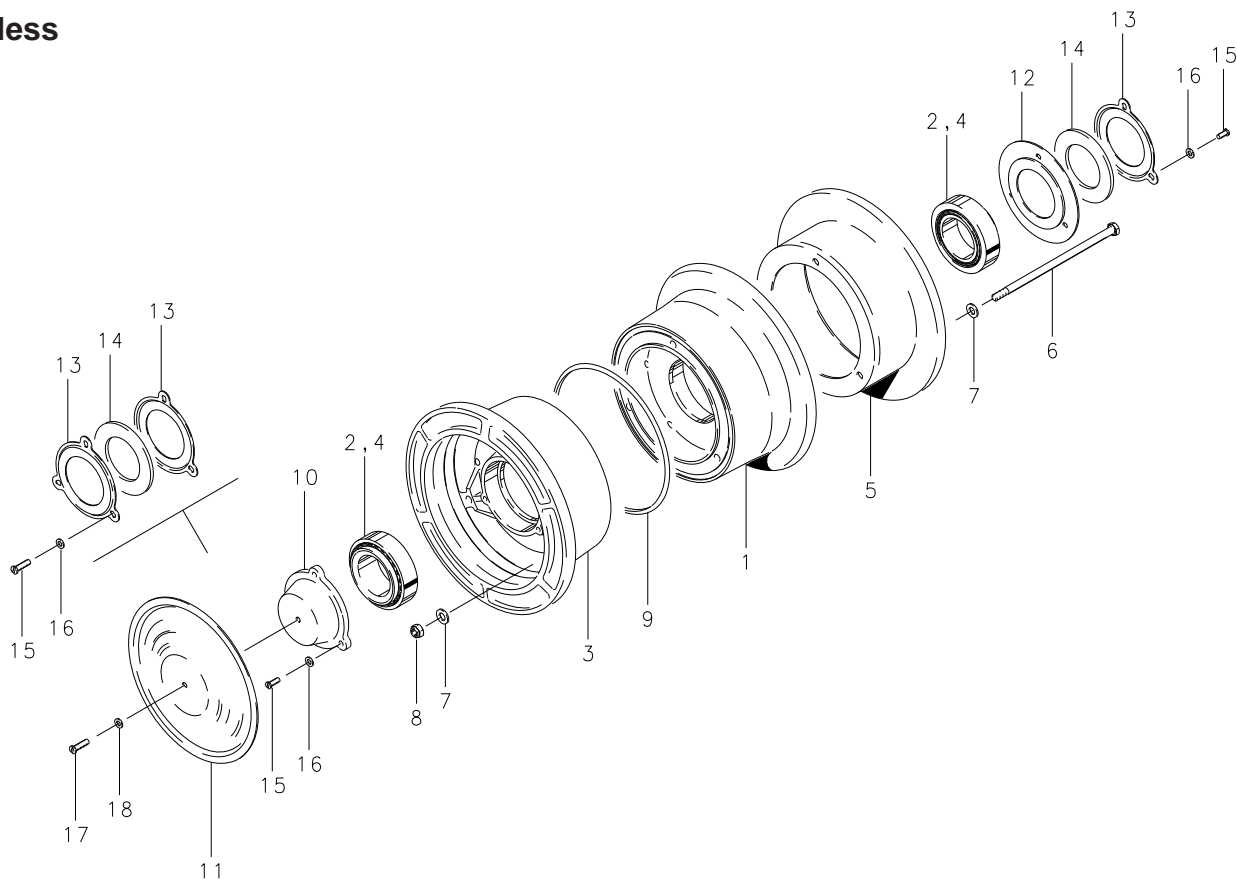
FIG.	PART NUMBER	DESCRIPTION	QTY. PER ASSY.	
			A	B
1	(3)	Inner Wheel Half Assy.	1	1
2	214-00300	Cup-Bearing	1	1
3	(3)	Outer Wheel Half Assy.	1	1
2	214-00300	Cup-Bearing	1	1
4	164-00400	Brake Disc	1	1
5	103-10800	Bolt (AN4-31A)	3	3
6	095-10400	Washer (AN960-416)	6	6
7	094-10300	Nut (MS21044-N4)	3	3
8	153-00800	Ring-Grease Seal	2	2
9	155-00200	Snap Ring	2	2
10	154-00600	Felt-Grease Seal	1	1
11	158-00500	Hub Cap	1	1
12	214-00400	Cone-Bearing	2	2
13	102-25100	Screw-Slotted (AN526-1024-8)	1	
14	095-15400	Washer-Lock (AN936A10)	1	
15	157-00500	Dust Shield	1	

Cleveland
 Wheels & Brakes



27-100D (40-1), 40-32

Tubeless



Assy. Number

- A) 27-100D (40-1) (1) (2)
- B) 40-32 (1) (2)

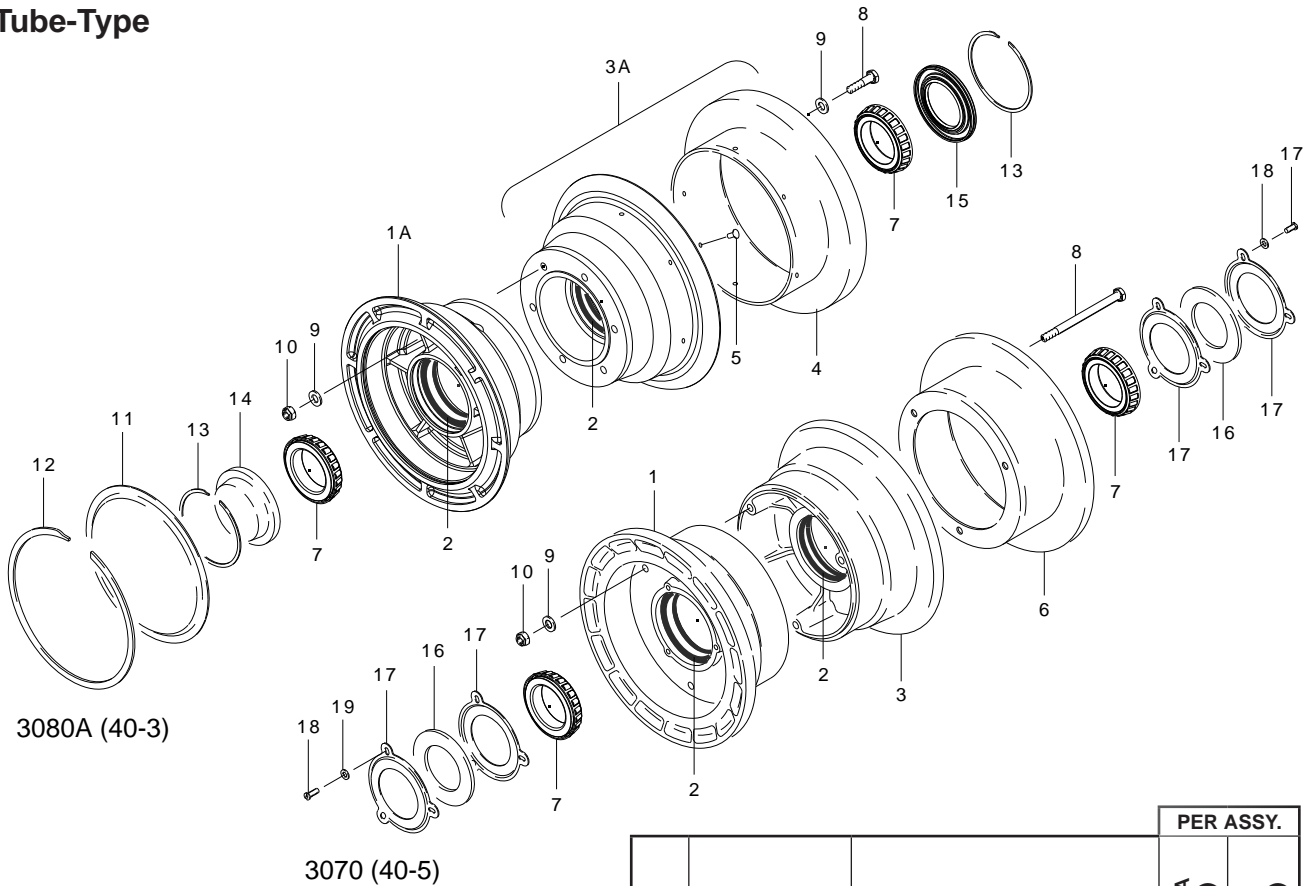
NOTES:

- (1) Inactive assembly – spares support only for parts listed.
- (2) Use tubeless tire with needle inflation.
- (3) Alternate chrome plated disc.
- (4) Inactive part – no longer available for spares support.

FIG.	PART NUMBER	DESCRIPTION	QTY. PER ASSY.	
			A	B
1	(4)	Inner Wheel Half Assy.	1	1
2	214-00100	Cup-Bearing	1	1
3	(4)	Outer Wheel Half Assy.	1	1
2	214-00100	Cup-Bearing	1	1
4	214-00200	Cone-Bearing	2	2
5	164-00900	Brake Disc	1	
	164-00700	Brake Disc		1
	164-10700 (3)	Brake Disc - Chrome		1
	164-10900 (3)	Brake Disc - Chrome	1	
6	103-11300	Bolt (AN4-40A)	3	3
7	095-10400	Washer (AN960-416)	6	6
8	094-10300	Nut (MS21044-N4)	3	3
9	(4)	O-Ring (MS28775-252)	1	1
10	158-00100	Hub Cap	1	
11	(4)	Hub Cap		1
	157-00100	Shield-Dust	1	
	157-00300	Shield-Dust		1
12	156-00100	Plate-Grease Seal	1	1
13	153-00500	Ring-Grease Seal	1	1
14	154-00500	Felt-Grease Seal	1	
	154-00400	Felt-Grease Seal		1
15	102-05100	Screw (AN500-8-8)	6	6
16	095-15100	Washer-Lock (MS35333-38)	6	6
17	102-25100	Screw (AN526-1024-8)		1
18	095-15400	Washer-Lock (AN936A10)	1	1

3080A (40-3), 3070 (40-5)

Tube-Type



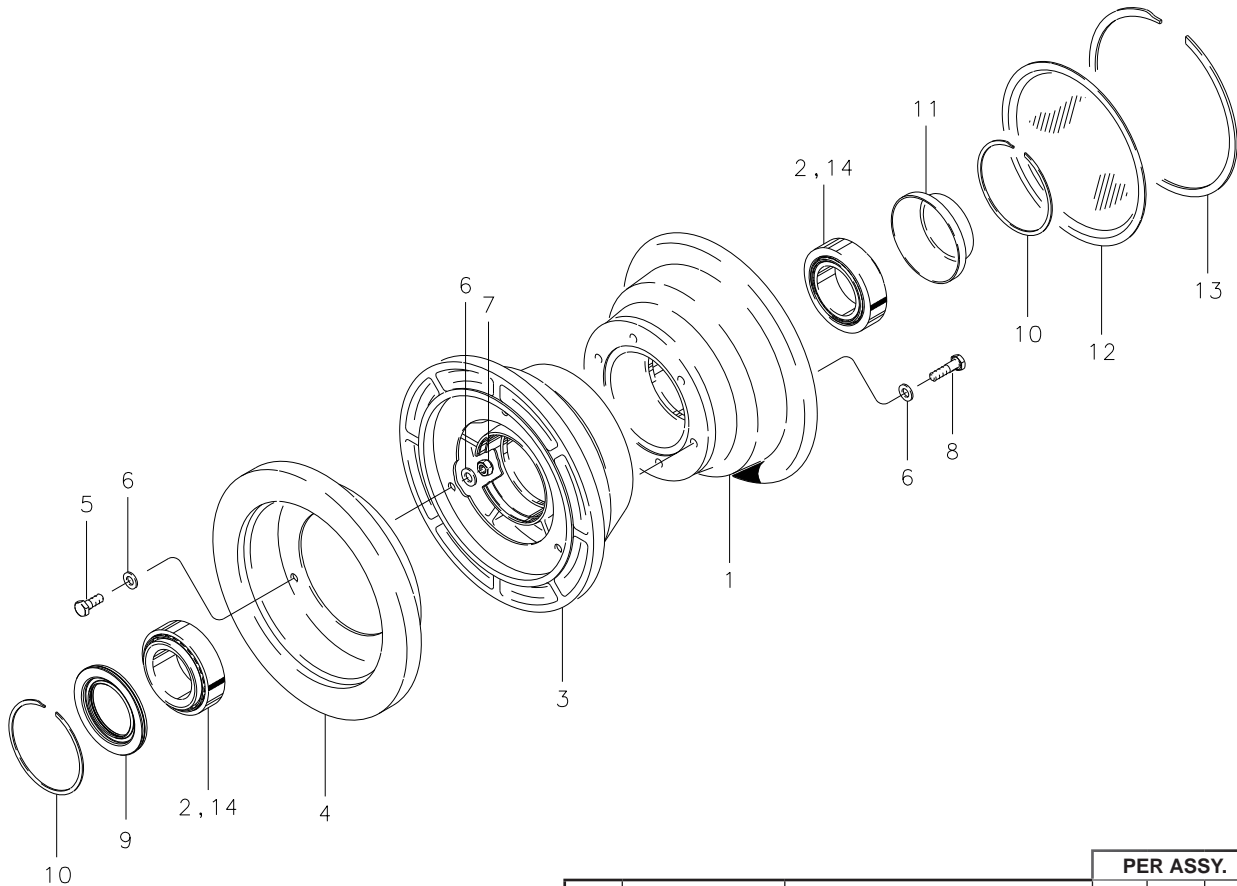
NOTES:

- (1) Brake discs sold only as 159-00204 with rivets.
- (2) 3070 (40-5) wheel upgraded with thru bolt disc design per SB7100.

FIG.	PART NUMBER	DESCRIPTION	PER ASSY.	
			3080A (40-3)	3070 (40-5)
1	162-00600	Outer Wheel Half Assembly		1
2	214-00100	Cup-Bearing		1
1A	162-00700	Outer Wheel Half Assembly	1	
2	214-00100	Cup-Bearing	1	
3	161-01600	Inner Wheel Half Assembly		1
2	214-00100	Cup-Bearing		1
3A	161-01000	Inner Wheel Half Assembly	1	
4	159-00200 (1)	Brake Disc	1	
5	105-00100	Rivet (AN425-AD6-7)	8	
2	214-00100	Cup-Bearing	1	
6	164-00900 (2)	Brake Disc		1
7	214-00200	Cone-Bearing	2	2
8	103-10300	Bolt (AN4-10A)	6	
	103-11000	Bolt (AN4-36A)		3
9	095-10400	Washer (AN960-416)	12	3
10	094-10300	Nut (MS21044-N4)	6	3
11	157-00400	Dust Shield	1	
12	155-00300	Snap Ring	1	
13	155-00100	Snap Ring	2	
14	158-00300	Hub Cap	1	
15	154-12000	Molded Grease Seal	1	
16	154-00400	Felt-Grease Seal		2
17	153-00500	Ring-Grease Seal		4
18	102-05100	Screw-F.H.C. (AN500-8-8)		6
19	095-15100	Washer-Lock (MS35333-38)		6

3080B (40-4), 3080D (40-116), 40-131

Tube-Type



NOTES:

(1) To obtain inner wheel half assy. with disc & hardware, order the following:

- 3080B order 161-00300
- 3080D order 161-05000
- 40-131 order 161-05800

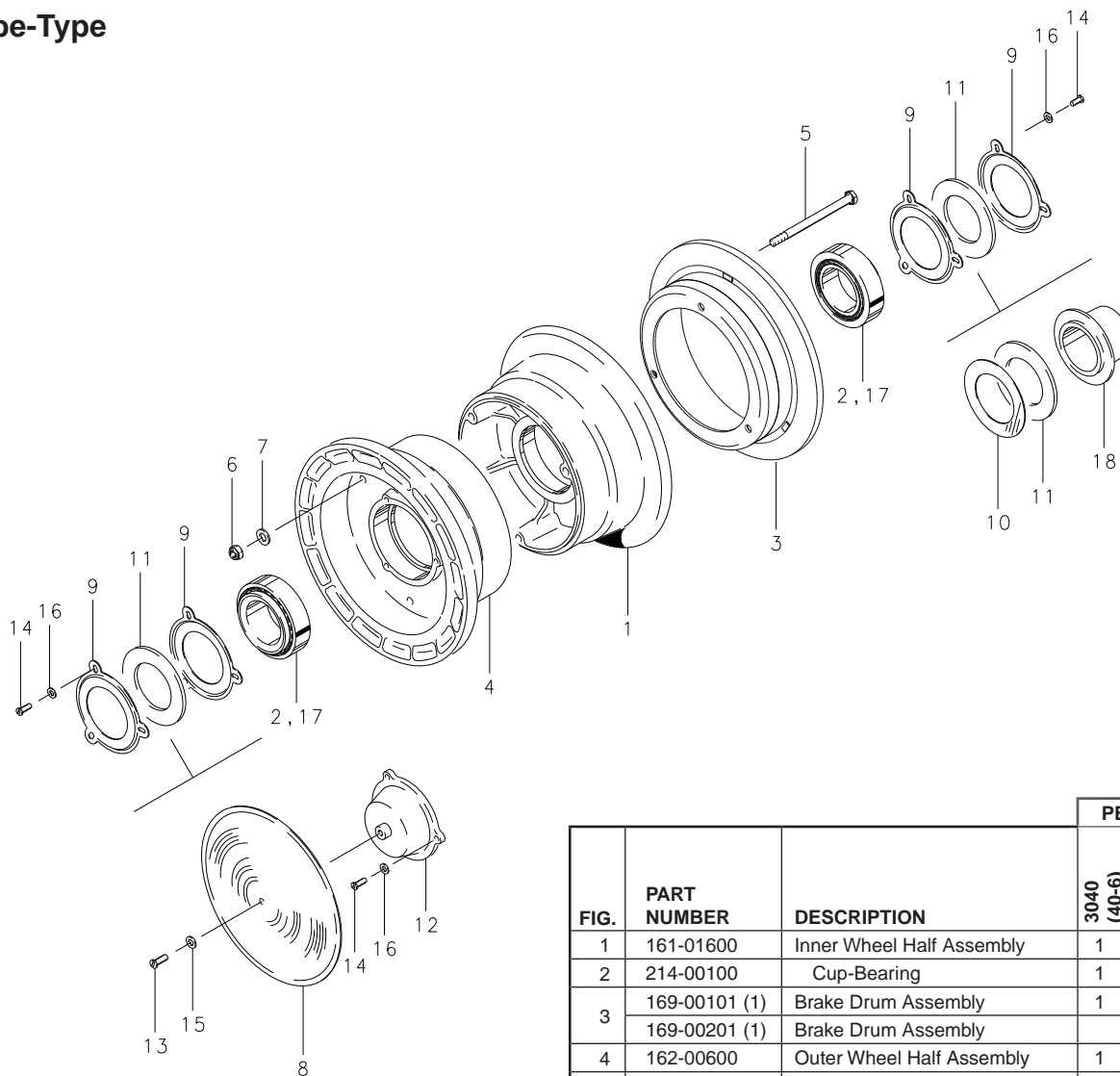
FIG.	PART NUMBER	DESCRIPTION	PER ASSY.		
			3080B (40-4)	3080D (40-116)	40-131
1	162-00700	Outer Wheel Half Assembly	1	1	1
2	214-00100	Cup-Bearing	1	1	1
3	161-06900	Inner Wheel Half Assembly	1	1	1
2	214-00100	Cup-Bearing	1	1	1
4	164-00206	Brake Disc	1		
	164-03206	Brake Disc		1	
	164-05700	Brake Disc			1
5	103-10100	Bolt (AN4H-5A)	3	3	3
6	095-10400	Washer (AN960-416)	6	6	6
7	094-10301	Nut (MS21045-4S)	3	3	3
8	103-10200	Bolt (AN4-6A)	6	6	6
6	095-10400	Washer (AN960-416)	6	6	6
9	154-12000	Grease Seal	1	1	1
10	155-00100	Snap Ring	2	2	2
11	158-00300	Hub Cap	1	1	1
12	157-00400	Dust Shield	1	1	1
13	155-00300	Snap Ring	1	1	1
14	214-00200	Cone-Bearing	2	2	2

Illustrated Parts List

**Wheel Assembly – Main, External
6.00-6**

3040 (40-6), 3050 (40-7), 3050A (40-7A)

Tube-Type



NOTES:

- (1) Brake drum assembly must be purchased separately.
- (2) 199-2 Grease Seal Kit converts wheel to 3050A (40-7A).

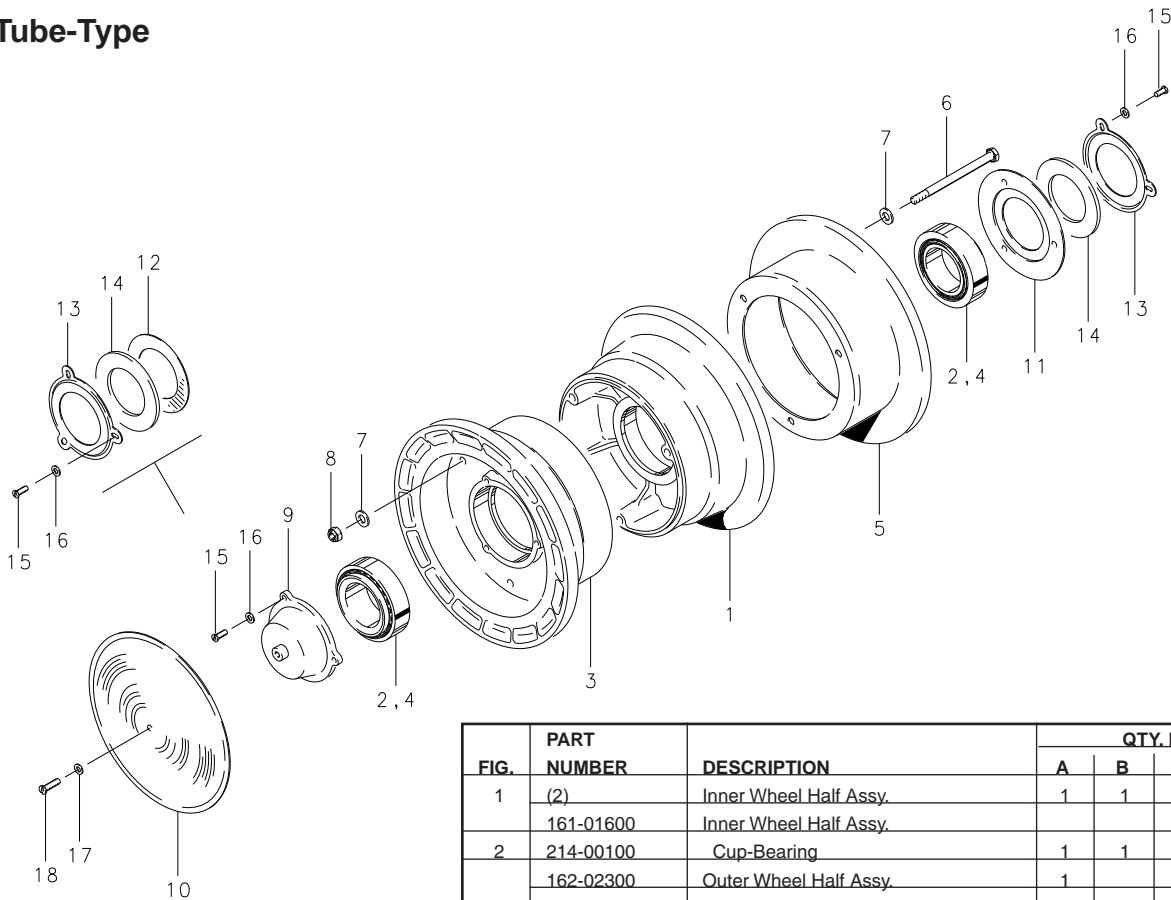
FIG.	PART NUMBER	DESCRIPTION	PER ASSY.		
			3040 (40-6)	3050 (40-7) (2)	3050A (40-7A)
1	161-01600	Inner Wheel Half Assembly	1	1	1
2	214-00100	Cup-Bearing	1	1	1
3	169-00101 (1)	Brake Drum Assembly	1		
	169-00201 (1)	Brake Drum Assembly		1	1
4	162-00600	Outer Wheel Half Assembly	1	1	1
2	214-00100	Cup-Bearing	1	1	1
5	103-11000	Bolt (AN4-36A)	3	3	3
6	094-10300	Nut (MS21044-N4)	3	3	3
7	095-10400	Washer (AN960-416)	3	3	3
8	157-00200	Dust Shield	1	1	
9	153-00500 (2)	Ring-Grease Seal	2		4
10	153-00300	Ring-Grease Seal		1	
11	154-00400 (2)	Felt-Grease Seal	1		2
	154-00500	Felt-Grease Seal		1	
12	158-01000	Hub Cap	1	1	
13	102-25100	Screw (AN526-1024-8)	1	1	
14	102-05100 (2)	Screw (AN500-8-8)	6	3	6
15	095-15400	Lock-Washer (AN936A10)	1	1	
16	095-15100 (2)	Lock-Washer (MS35333-38)	6	3	6
17	214-00200	Cone-Bearing	2	2	2
18	067-00300	Spacer-Inner Shoulder		1	



Illustrated Parts List

40-21, 40-24, 40-28, 40-28D, 40-67

Tube-Type



Assy. Number

- A) 40-21 (1)
- B) 40-24 (1)
- C) 40-28
- D) 40-28D
- E) 40-67 (1)

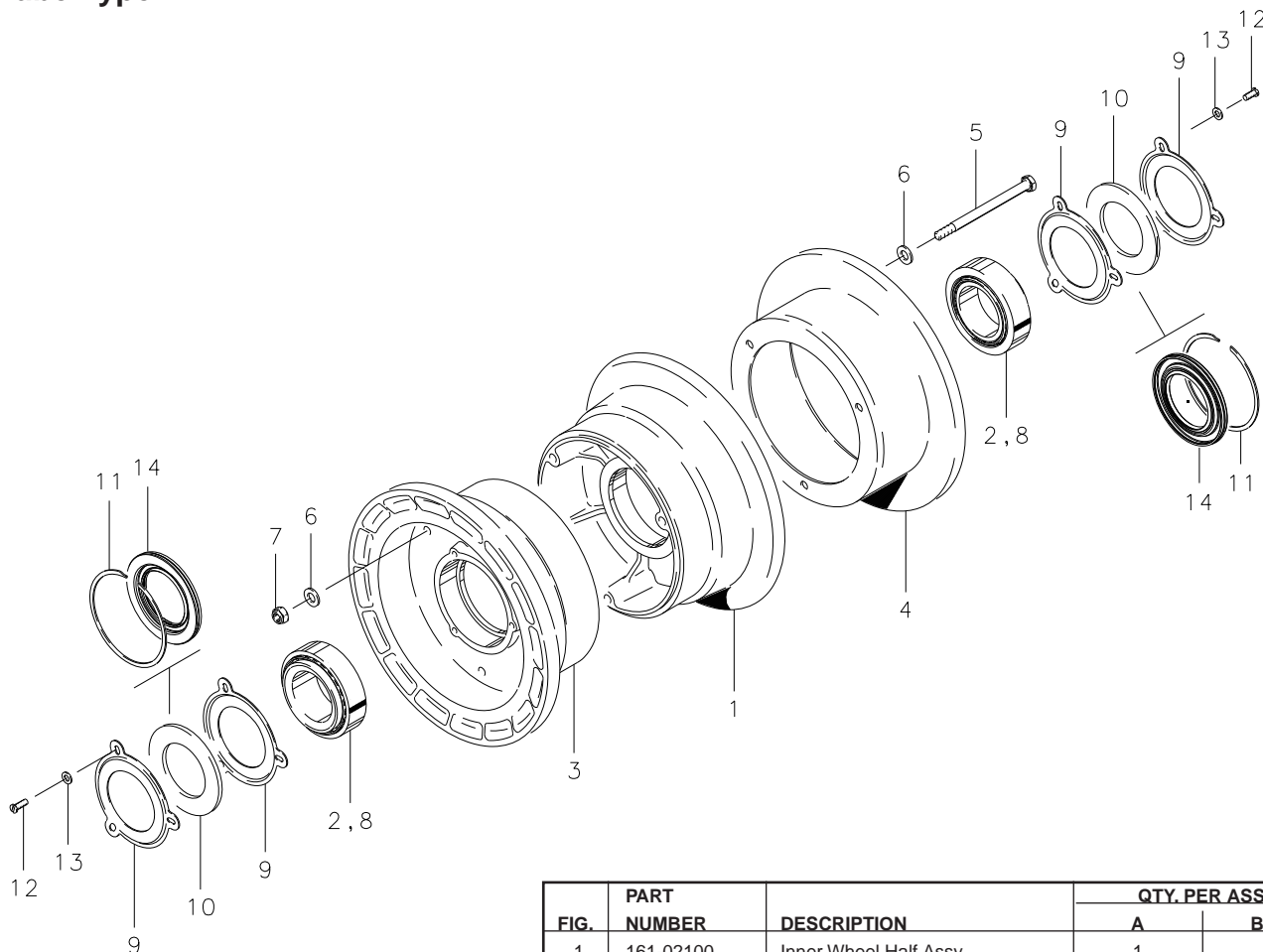
NOTES:

- (1) Inactive assembly – spares support only for parts listed.
- (2) Inactive part – no longer available for spares support.
- (3) Alternate chrome plated disc.

FIG.	PART NUMBER	DESCRIPTION	QTY. PER ASSY.				
			A	B	C	D	E
1	(2)	Inner Wheel Half Assy.	1	1			1
	161-01600	Inner Wheel Half Assy.			1	1	
2	214-00100	Cup-Bearing	1	1	1	1	1
3	(2)	Outer Wheel Half Assy.	1				1
	162-02300	Outer Wheel Half Assy.		1			
2	(2)	Outer Wheel Half Assy.			1	1	
	162-00600	Outer Wheel Half Assy.					
2	214-00100	Cup-Bearing	1	1	1	1	1
4	214-00200	Cone-Bearing	2	2	2	2	2
5	164-00900	Brake Disc	1	1			
	164-00700	Brake Disc					1
	164-00500	Brake Disc			1	1	
	164-10500 (3)	Brake Disc - Chrome			1	1	
	164-10700 (3)	Brake Disc - Chrome					1
6	164-10900 (3)	Brake Disc - Chrome	1	1			
	103-11300	Bolt (AN4-40A)	3	3			3
7	103-11000	Bolt (AN4-36A)			3	3	
	095-10400	Washer (AN960-416)	6	6	3	3	6
8	094-10300	Nut (MS21044-N4)	3	3	3	3	3
	158-01000	Cap-Hub		1	1		
9	157-00300	Shield-Dust		1			
	157-00200	Shield-Dust			1		
11	156-00100	Plate-Grease Seal	1	1			1
12	153-00300	Ring-Grease Seal	1				1
13	153-00500	Ring-Grease Seal	1	1	2	4	1
	153-01000	Ring-Grease Seal	1				1
14	154-00500	Felt-Grease Seal					2
	154-00400	Felt-Grease Seal	1	1	1		1
	154-00900	Felt-Grease Seal	1				1
15	102-05100	Screw (AN500-8-8)	6	6	6	6	6
16	095-15100	Washer Lock (MS35333-38)	6	6	6	6	6
17	095-15400	Washer Lock (AN936A10)		1	1		
18	102-25100	Screw-F.H.C. (AN526-1024-8)		1	1		

40-34, 40-58

Tube-Type



Assy. Number

A) 40-34

B) 40-58

NOTES:

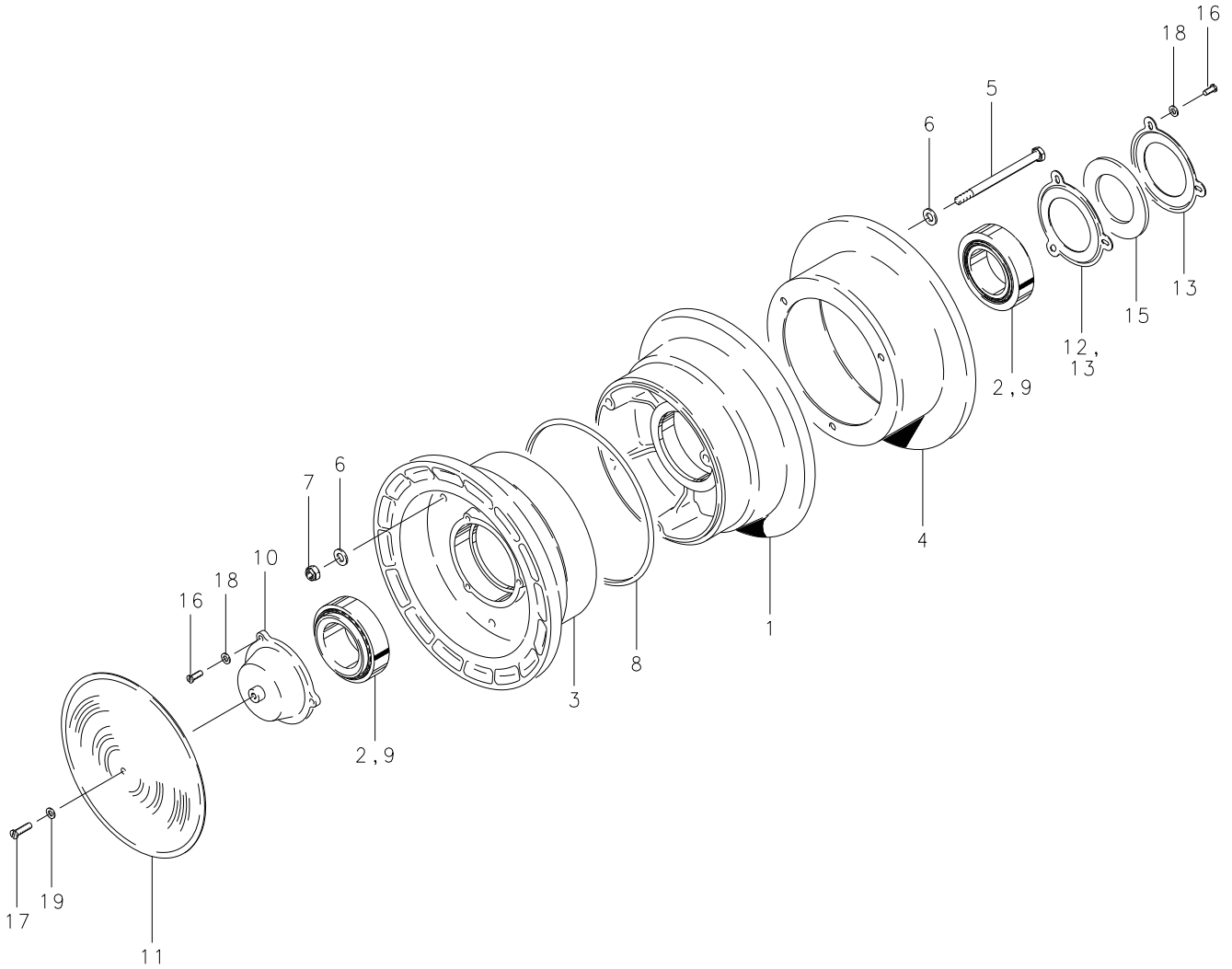
(1) Alternate chrome plated disc.

FIG.	PART NUMBER	DESCRIPTION	QTY. PER ASSY.	
			A	B
1	161-02100	Inner Wheel Half Assy.	1	
	161-01600	Inner Wheel Half Assy.		1
2	214-00100	Cup-Bearing	1	1
3	162-01900	Outer Wheel Half Assy.	1	
	162-00600	Outer Wheel Half Assy.		1
2	214-00100	Cup-Bearing	1	1
4	164-01000	Brake Disc	1	
	164-00900	Brake Disc		1
	164-10900 (1)	Brake Disc - Chrome		1
5	103-11300	Bolt (AN4-40A)	6	
	103-11000	Bolt (AN4-36A)		3
6	095-10400	Washer (AN960-416)	12	3
7	094-10300	Nut (MS21044-N4)	6	3
8	214-00200	Cone-Bearing	2	2
9	153-00500	Ring-Grease Seal		4
10	154-00400	Felt-Grease Seal		2
11	155-00100	Snap Ring	2	
12	102-05100	Screw (AN500-8-8)		6
13	095-15100	Washer-Lock (MS35333-38)		6
14	154-12000	Molded Grease Seal	2	



40-37, 40-57, 40-57A, 40-61, 40-66

Tube-Type



Illustrated Parts List

40-37, 40-57, 40-57A, 40-61, 40-66

Tube-Type

FIG.	PART NUMBER	DESCRIPTION	QTY. PER ASSY.				
			A	B	C	D	E
1	161-01600	Inner Wheel Half Assy.				1	
	(4)	Inner Wheel Half Assy.	1	1			1
	161-02900	Inner Wheel Half Assy.			1		
2	214-00100	Cup-Bearing	1	1		1	1
	214-01100	Cup-Bearing (chrome plated)			1		
3	162-00600	Outer Wheel Half Assy.				1	
	(4)	Outer Wheel Half Assy.	1	1			1
	162-02600	Outer Wheel Half Assy.			1		
2	214-00100	Cup-Bearing	1	1		1	1
	214-01100	Cup-Bearing (chrome plated)			1		
4	164-00500	Brake Disc		1	1		
	164-00700	Brake Disc	1				1
	164-01300	Brake Disc				1	
	164-10500 (2)	Brake Disc - Chrome		1	1		
5	164-10700 (2)	Brake Disc - Chrome	1				
	103-11000	Bolt (AN4-36A)				3	
6	103-11300	Bolt (AN4-40A)	3	3	3		3
	095-10400	Washer (AN960-416)	6	6	6	6	6
7	094-10300	Nut (MS21044-N4)	3	3	3	3	3
8	(4)	O-Ring (MS28775-252)	1				
9	214-00200	Cone-Bearing	2	2		2	2
	214-01200	Cone-Bearing (chrome plated)			2		
10	158-00100	Hub Cap	1				
	158-01000	Hub Cap		1		1	1
11	157-00100	Dust Shield	1				
	157-00200	Dust Shield				1	
	157-00300	Dust Shield		1			1
12	156-00100	Plate-Grease Seal	1	1	1		1
13	153-00500	Ring-Grease Seal	1	1	1	2	1
	153-01000	Ring-Grease Seal			1		
14	153-00300	Ring-Grease Seal			1		
15	154-00400	Felt-Grease Seal		1	1	1	1
	154-00500	Felt-Grease Seal	1				
	154-00900	Felt-Grease Seal			1		
16	102-05100	Screw (AN500-8-8)	6	6	6	6	6
17	102-25100	Screw (AN526-1024-8)	1	1		1	1
18	095-15100	Washer (MS35333-38)	6	6	6	6	6
19	095-15400	Washer-Lock (AN936A10)	1	1		1	1

Assy. Number

A) 40-37 (1) (3)

B) 40-57 (1)

C) 40-57A

D) 40-61

E) 40-66 (1)

NOTES:

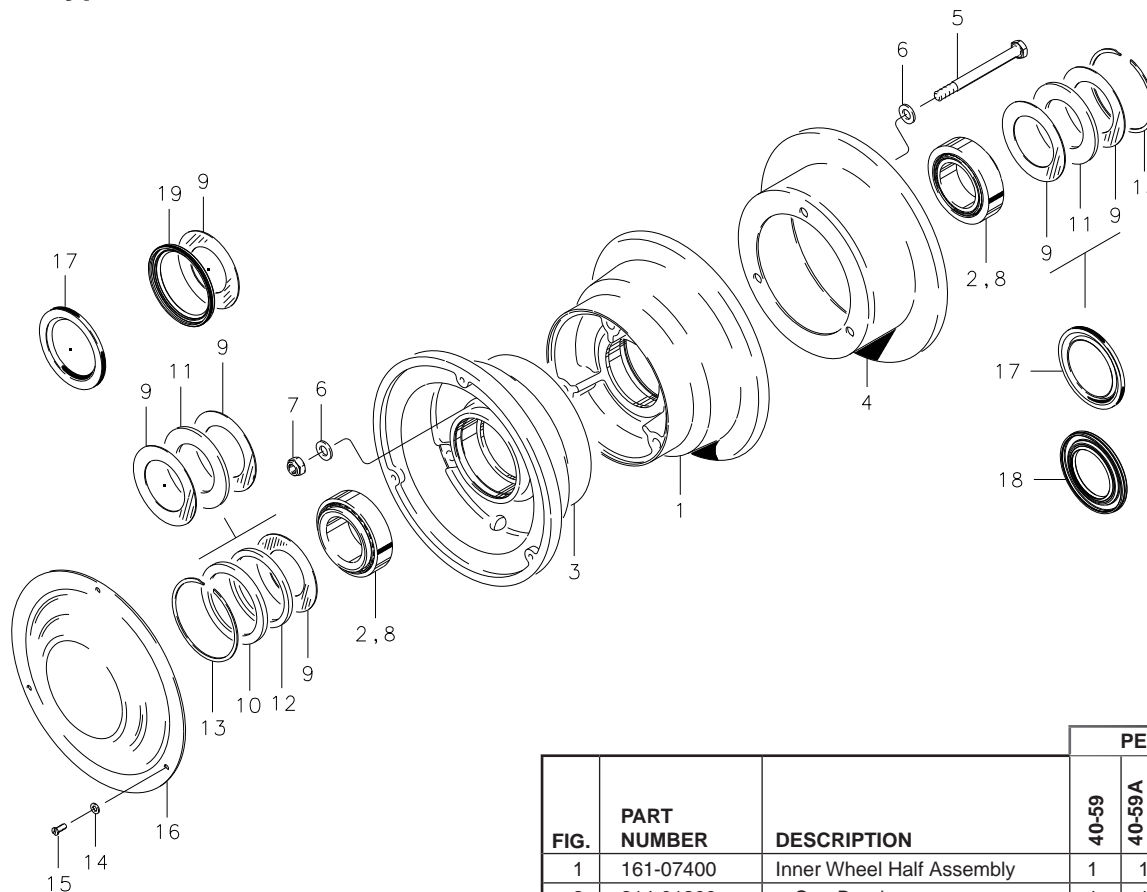
- (1) Inactive assembly – spares support only for parts listed.
- (2) Alternate chrome plated disc.
- (3) Use tubeless tire with needle inflation.
- (4) Inactive part – no longer available for spares support.



Illustrated Parts List

40-59, 40-59A, 40-59D, 40-59E

Tube-Type



NOTES:

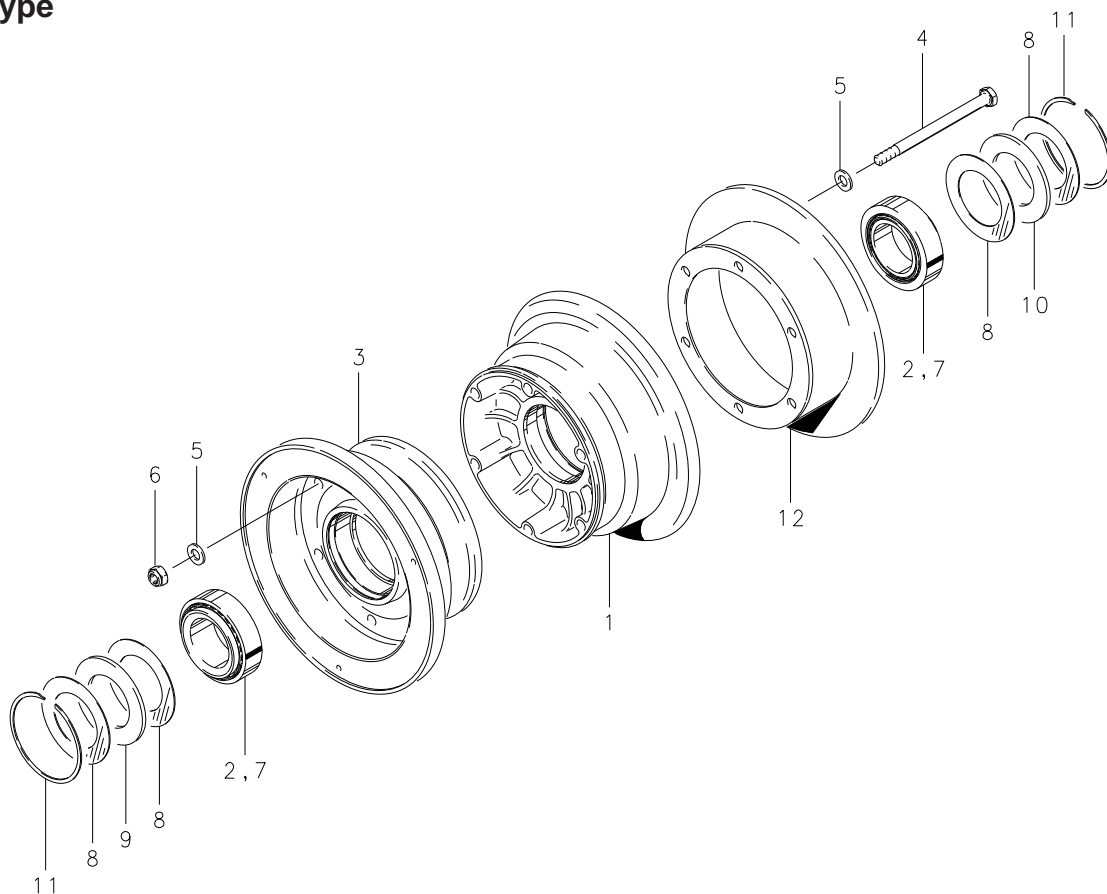
- (1) Alternate chrome plated disc.
- (2) Also available with chrome plated disc. To order, specify assembly number followed by "CHROME."
- (3) Performance gold disc no longer available.

FIG.	PART NUMBER	DESCRIPTION	PER ASSY.			
			40-59	40-59A (2)	40-59D	40-59E
1	161-07400	Inner Wheel Half Assembly	1	1	1	1
2	214-01300	Cup-Bearing	1	1	1	1
3	162-06900	Outer Wheel Half Assembly	1	1	1	1
2	214-01300	Cup-Bearing	1	1	1	1
4	164-06900	Brake Disc	1		1	1
	164-07500	Brake Disc		1		
	164-17500 (1)	Brake Disc - Chrome		1		
	(3)	Brake Disc - Performance Gold		1		
5	103-21800	Bolt (AN5-34A)	3	3	3	3
6	095-10500	Washer (AN960-516)	6	6	6	6
7	094-10400	Nut (MS21044-N5)	3	3	3	3
8	214-01400	Cone-Bearing	2	2	2	2
9	153-00300	Ring-Grease Seal	1	1		1
	153-00900	Ring-Grease Seal				2
10	153-01500	Ring-Grease Seal				1
11	154-00800	Felt-Grease Seal				1
12	154-01300	Felt-Grease Seal				1
13	155-00100	Snap Ring	2	2	2	2
14	095-15100	Washer-Lock (MS35333-38)				3
15	102-00600	Screw				3
16	157-00900	Dust Shield				1
17	154-03000	Molded Grease Seal				2
18	154-12000	Molded Grease Seal	1	1		
19	154-12400	Molded Grease Seal	1	1		

Illustrated Parts List

40-60, 40-60A, 40-281

Tube-Type



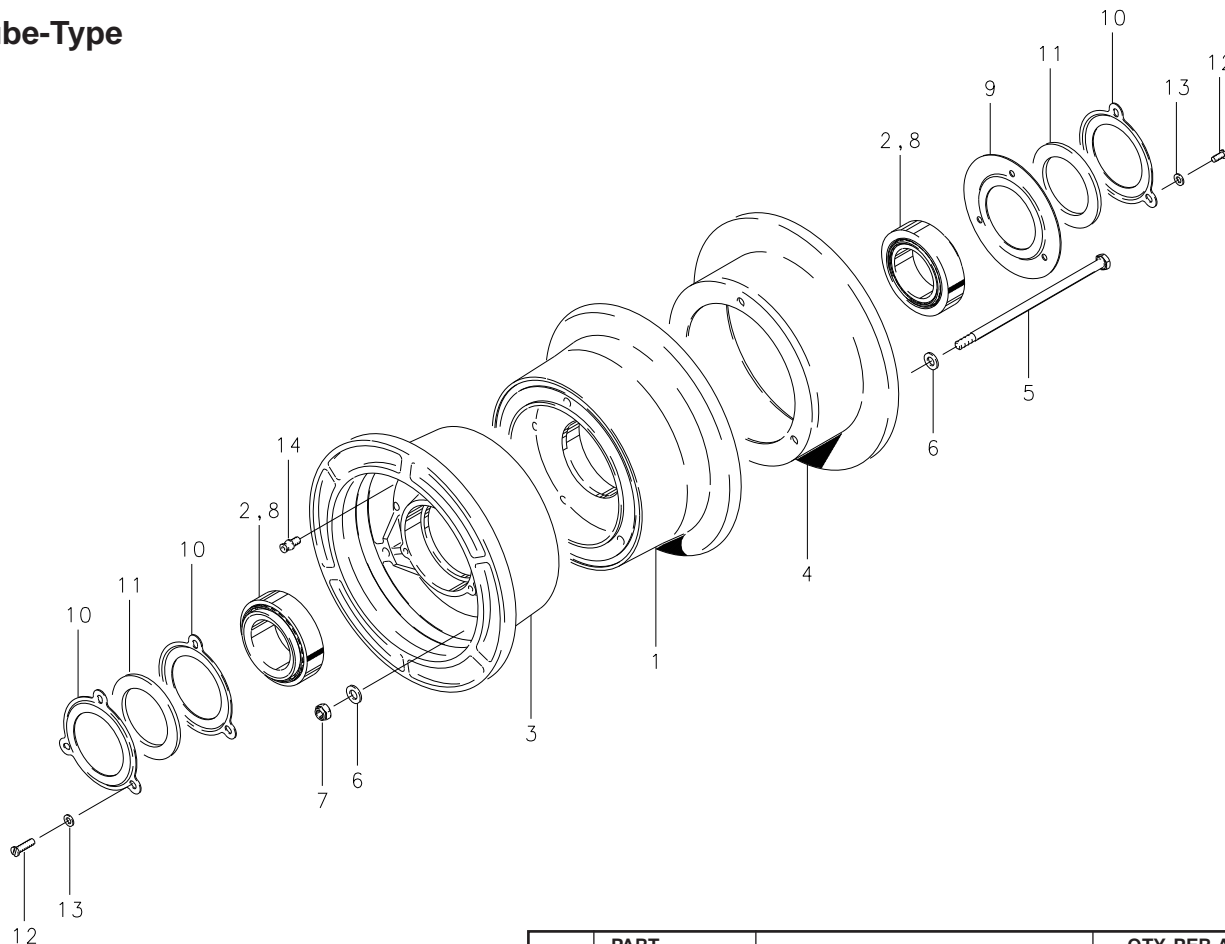
NOTES:

- (1) Alternate chrome plated disc.
- (2) To be used with 1-1/4" axle.
- (3) Use with:
6.00-6 4- and 6-ply,
7.00-6 4- and 6-ply,
8.00-6 4-, 6- and 8-ply
- (4) Also available with chrome plated disc. To order, specify assembly number followed by "CHROME."
- (5) Performance gold disc no longer available.

FIG.	PART NUMBER	DESCRIPTION	PER ASSY.		
			40-60 (2) (3) (4)	40-60A (2) (3) (4)	40-281 (2) (3)
1	161-07000	Inner Wheel Half Assembly	1		1
	161-07001	Inner Wheel Half Assembly		1	
2	214-00300	Cup-Bearing	1	1	1
3	162-06500	Outer Wheel Half Assembly	1		1
	162-06501	Outer Wheel Half Assembly		1	
2	214-00300	Cup-Bearing	1	1	1
4	103-11000	Bolt (AN4-36A)	6	6	6
5	095-72600	Washer (MS20002-4)	12	12	12
6	094-10300	Nut (MS21044-N4)	6	6	6
7	214-00400	Cone-Bearing	2	2	2
8	153-00200	Ring-Grease Seal	4	4	4
9	154-00200	Felt-Grease Seal	1	1	2
10	154-02800	Felt-Grease Seal	1	1	
11	155-00200	Snap Ring	2	2	2
12	164-06700	Brake Disc	1	1	
	164-16700 (1)	Brake Disc - Chrome	1	1	
	164-23400	Brake Disc			1
	(5)	Brake Disc - Performance Gold	1	1	

40-74, 40-74A, 40-74B

Tube-Type



Assy. Number

- A) 40-74
- B) 40-74A
- C) 40-74B

NOTES:

(1) Alternate chrome plated disc.

FIG.	PART NUMBER	DESCRIPTION	QTY. PER ASSY.		
			A	B	C
1	161-02900	Inner Wheel Half Assy.	1		
	161-05101	Inner Wheel Half Assy.		1	
	161-05102	Inner Wheel Half Assy.			1
2	214-00100	Cup-Bearing			1
	214-01100	Cup-Bearing (chrome plated)	1	1	
3	162-02600	Outer Wheel Half Assy.	1		
	162-04901	Outer Wheel Half Assy.		1	
	162-04902	Outer Wheel Half Assy.			1
2	214-00100	Cup-Bearing			1
	214-01100	Cup-Bearing (chrome plated)	1	1	
4	164-00700	Brake Disc	1		1
	164-04700	Brake Disc - Chrome		1	
	164-10700 (1)	Brake Disc - Chrome	1		1
5	103-11300	Bolt (AN4-40A)	3	3	3
6	095-10400	Washer (AN960-416)	6	6	6
7	094-10300	Nut (MS21044-N4)	3	3	3
8	214-00200	Cone-Bearing			2
	214-01200	Cone-Bearing (chrome plated)	2	2	
9	156-00300	Plate-Grease Seal	1	1	1
10	153-01400	Ring-Grease Seal	3	3	3
11	154-01200	Felt-Grease Seal	2	2	2
12	102-05100	Screw (AN500-8-8)	6	6	6
13	095-15100	Washer-Lock (MS35333-38)	6	6	6
14	213-00400	Fitting-Grease		1	1

Illustrated Parts List

40-75B, 40-75D, 40-75E, 40-75F, 40-75G, 40-75H, 40-75J,
40-75P, 40-75S, 40-75T, 40-75W, 40-75Z, 40-75AA

Tube-Type

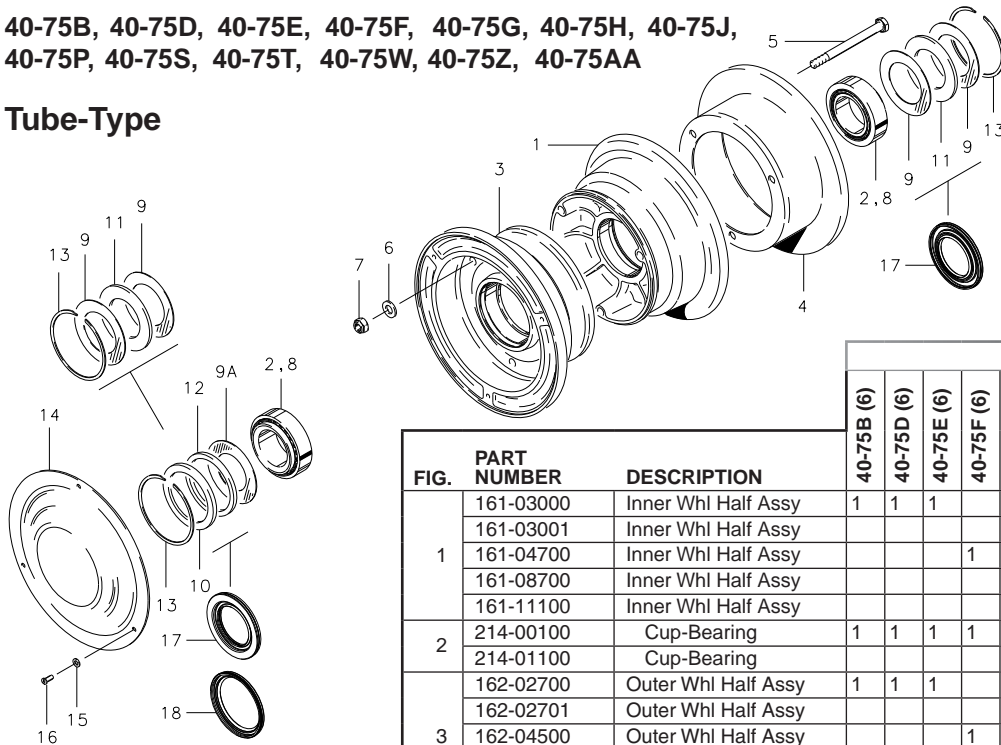


FIG.	PART NUMBER	DESCRIPTION	PER ASSY.														
			40-75B (6)	40-75D (6)	40-75E (6)	40-75F (6)	40-75G (6)	40-75H (6)	40-75J (2)	40-75P (6)	40-75S (3)	40-75T (6)	40-75W	40-75Z (6)	40-75AA		
1	161-03000	Inner Whl Half Assy	1	1	1		1	1	1								
	161-03001	Inner Whl Half Assy								1							
	161-04700	Inner Whl Half Assy				1					1						
	161-08700	Inner Whl Half Assy											1				1
	161-11100	Inner Whl Half Assy											1				
2	214-00100	Cup-Bearing	1	1	1	1		1	1	1	1	1	1	1	1	1	1
	214-01100	Cup-Bearing					1										
3	162-02700	Outer Whl Half Assy	1	1	1		1	1		1						1	
	162-02701	Outer Whl Half Assy								1							
	162-04500	Outer Whl Half Assy				1						1					
	162-08100	Outer Whl Half Assy											1	1			
2	162-25100	Outer Whl Half Assy															1
	214-00100	Cup-Bearing	1	1	1	1		1	1	1	1	1	1	1	1	1	1
	214-01100	Cup-Bearing					1										
4	164-01501	Brake Disc	1		1	1	1	1		1						1	
	164-03601 (4)	Brake Disc		1									1				
	164-04800	Brake Disc											1				
	164-08300	Brake Disc												1			1
	164-11501 (1)	Brake Disc-Chrome	1		1	1	1	1		1						1	
	164-13601 (1)	Brake Disc-Chrome (5)		1						1							
	164-14800 (1)	Brake Disc-Chrome										1					
	164-18300 (1)	Brake Disc-Chrome												1			
	164-21200	Brake Disc													1		
	(7)	Brake Disc-Perf. Gold	1		1		1	1		1						1	
(7)	Brake Disc-Perf. Gold		1														
(7)	Brake Disc-Perf. Gold																
5	103-20400	Bolt (AN5-35A)	3	3	3	3	3	3	3	3	3	3	3	3	3	3	3
	103-20500	Bolt (AN5-36A)											3				
6	095-10500	Washer (AN960-516)	3		3	3	3	3		3		3	3	3	3	3	3
	095-10700	Washer (AN960-516L)		3							3	3					
7	094-10400	Nut (MS21044-N5)	3	3	3	3	3	3	3	3	3	3	3	3	3	3	3
8	214-00200	Cone-Bearing	2	2	2	2	2	2	2	2	2	2	2	2	2	2	2
	214-01200	Cone-Bearing									2						
9	153-00400	Ring-Grease Seal											2				
	153-00900	Ring-Grease Seal						4									
	153-02600	Ring-Grease Seal															
9A	153-00300	Ring-Grease Seal	1	1	1	1	1		1		1	1	1	1	1	1	
10	153-01500	Ring-Grease Seal										1				1	
11	154-00300	Felt-Grease Seal											1				
	154-00800	Felt-Grease Seal						2									
	154-01400	Felt-Grease Seal															1
12	154-01300	Felt-Grease Seal										1				1	
13	155-00100	Snap Ring	2	2	2	2	2	2	2	2	2	2	2	2	2	2	2
14	157-00900	Shield, Dust	1	1												1	
15	095-15100	Washer, Lock														3	
16	102-00600	Screw														3	
17	154-12000	Molded Grease Seal	1	1	1	1	1		1		2		1	1			1
18	154-12400	Molded Grease Seal	1	1	1	1	1		1				1	1			1

NOTES:

- (1) Alternate chrome plated disc.
- (2) 40-75J to be used with 30-52Y corrosive resistant equipment.
- (3) Inactive assembly – spares support only for parts listed.
- (4) Supersedes 164-03600 per PRM 61.
- (5) Supersedes 164-13600 per PRM 61.
- (6) Also available with chrome plated disc. To order, specify assembly number followed by "CHROME."
- (7) Performance gold disc no longer available.

Cleveland
Wheels & Brakes



Illustrated Parts List

40-79A, 40-83, 40-83A, 40-83B, 40-84, 40-84A, 40-84B

Tube-Type

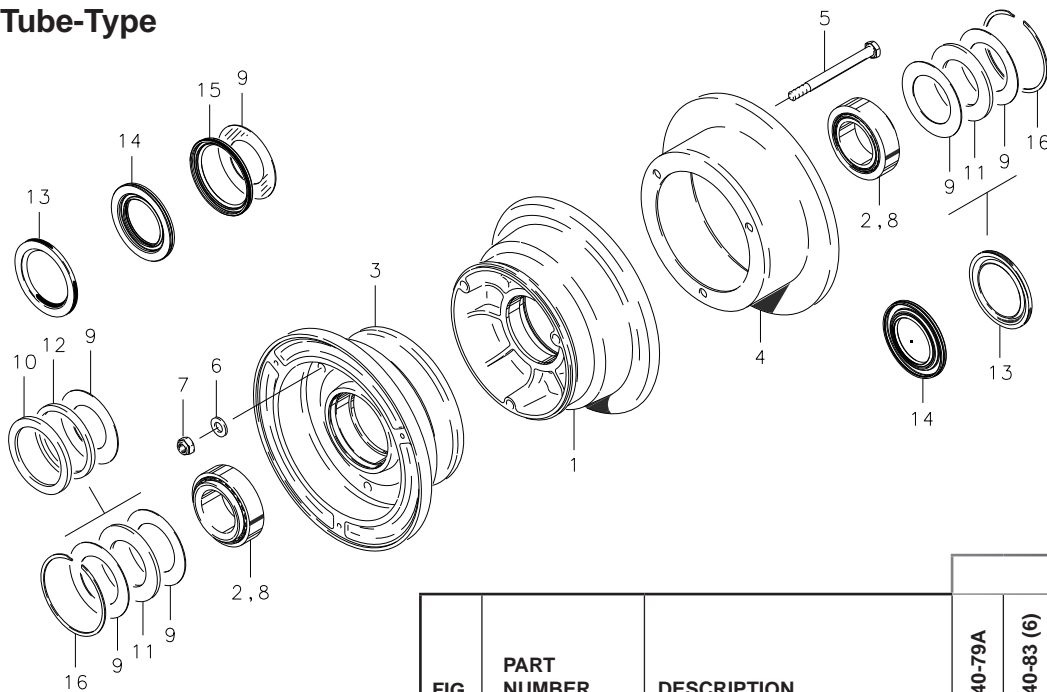


FIG.	PART NUMBER	DESCRIPTION	PER ASSY.						
			40-79A	40-83 (6)	40-83A	40-83B	40-84 (7)	40-84A	40-84B
1	161-03000	Inner Wheel Half Assembly	1	1	1	1		1	
	161-04700	Inner Wheel Half Assembly					1		1
2	214-00100	Cup-Bearing	1	1	1	1	1	1	1
3	162-02700	Outer Wheel Half Assembly	1	1	1	1		1	
	162-04500	Outer Wheel Half Assembly					1		1
2	214-00100	Cup-Bearing	1	1	1	1	1	1	1
4	164-01600	Brake Disc	1						
	164-02504	Brake Disc (1)		1					
	164-01900	Brake Disc					1		1
	164-03300	Brake Disc						1	
	164-02505	Brake Disc (2)			1	1			
	164-11900 (3)	Brake Disc-Chrome					1		1
	164-12504 (3)	Brake Disc-Chrome (5)		1					
5	103-20400	Bolt (AN5-35A)	3	3	3	3	3	3	3
	095-10700	Washer (AN960-516L)		3	3	3			
6	095-10500	Washer (AN960-516)	3				3	3	3
	094-10400	Nut (MS21044-N5)	3	3	3	3	3	3	3
7	214-00200	Cone-Bearing	2	2	2	2	2	2	2
9	153-00900	Ring-Grease Seal		4	4				
	153-00300	Ring-Grease Seal	1				1		1
	153-01600	Ring-Grease Seal							2
10	153-01500	Ring-Grease Seal							1
11	154-00800	Felt-Grease Seal		2	2				
	154-01600	Felt-Grease Seal							1
12	154-01300	Felt-Grease Seal							1
13	154-03000	Molded Grease Seal				2			
14	154-12000	Molded Grease Seal	1				1	2	
15	154-12400	Molded Grease Seal	1				1		
16	155-00100	Snap Ring	2	2	2	2	2	2	2

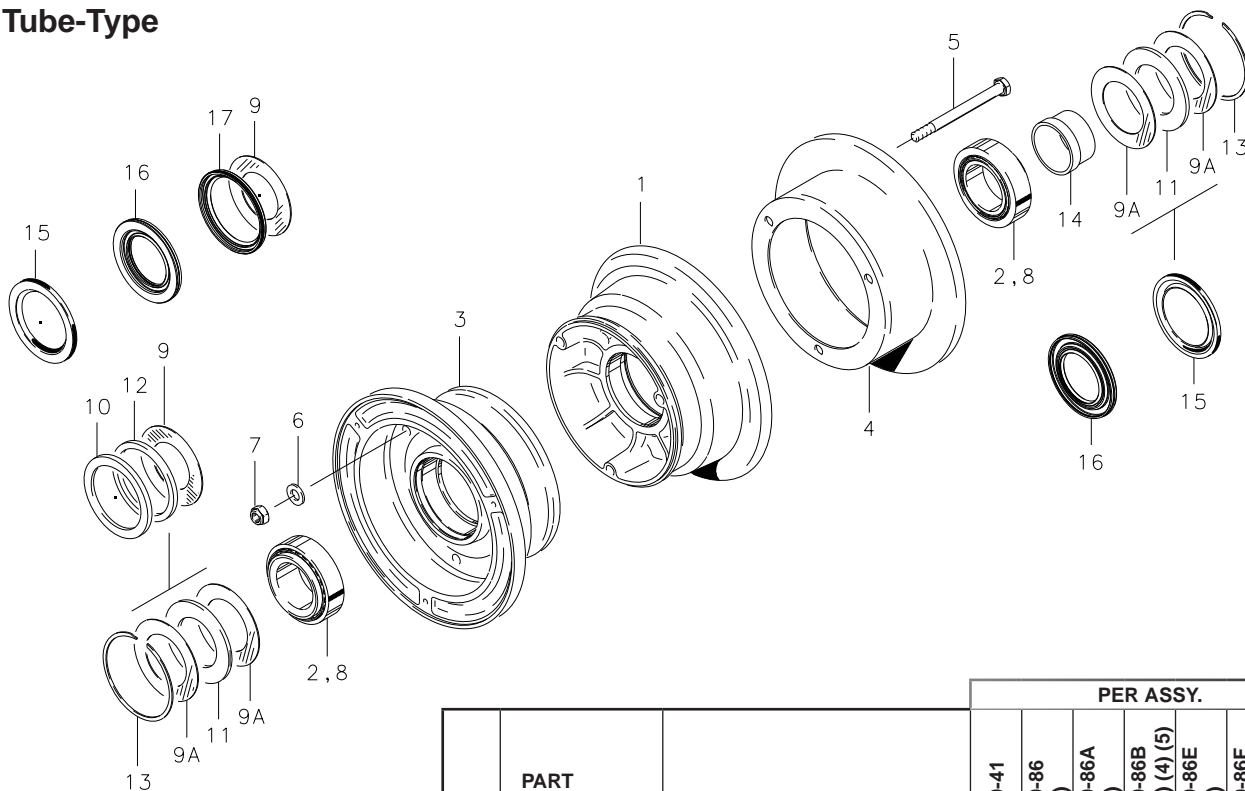
NOTES:

- (1) Supersedes 164-02501 per PRM 61.
- (2) Supersedes 164-02502 or 164-02503 per SB7033 and PRM 61.
- (3) Alternate chrome plated disc.
- (4) Supersedes 164-12502 per SB7033 and PRM 61.
- (5) Supersedes 164-12501 per PRM 61.
- (6) Also available with chrome plated disc. To order, specify assembly number followed by "CHROME."
- (7) SB7059-1 Service Bulletin Kit upgrades wheel to 40-84B configuration per SB7059.

Illustrated Parts List

40-41, 40-86, 40-86A, 40-86B, 40-86E, 40-86F, 40-88C

Tube-Type



NOTES:

- (1) Alternate chrome plated disc.
- (2) Performance gold disc no longer available.
- (3) Also available with chrome plated disc. To order, specify assembly number followed by "CHROME."
- (4) SB7057-1 Service Bulletin Kit upgrades wheel to 40-407 per SB7057.
- (5) SB7058-1 Service Bulletin Kit upgrades wheel to 40-86F per SB7058.

* Not illustrated

FIG.	PART NUMBER	DESCRIPTION	PER ASSY.						
			40-41	40-86 (3)	40-86A (3)	40-86B (3) (4) (5)	40-86E (3)	40-86F (3)	40-88C (3)
1	161-03000	Inner Wheel Half Assembly	1	1	1		1		1
	161-04700	Inner Wheel Half Assembly				1		1	
2	214-00100	Cup-Bearing	1	1	1	1	1	1	1
3	162-02700	Outer Wheel Half Assembly	1	1	1		1		1
	162-04500	Outer Wheel Half Assembly				1		1	
2	214-00100	Cup-Bearing	1	1	1	1	1	1	1
4	164-00300	Brake Disc	1						
	164-02000	Brake Disc		1	1	1	1	1	1
	164-12000 (1)	Brake Disc - Chrome		1	1	1	1	1	1
	(2)	Brake Disc - Performance Gold		1	1	1	1	1	1
5	103-20400	Bolt (AN5-35A)	3	3	3	3	3	3	3
6	095-10500	Washer (AN960-516)	3	3	3	3	3	3	3
7	094-10400	Nut (MS21044-N5)	3	3	3	3	3	3	3
8	214-00200	Cone-Bearing	2	2	2	2	2	2	2
9	153-00300	Ring-Grease Seal	1		1				1
9A	153-00900	Ring-Grease Seal	2						
10	153-01500	Ring-Grease Seal	1						
11	154-00800	Felt-Grease Seal	1						
12	154-01300	Felt-Grease Seal	1						
13	155-00100	Snap Ring	2	2	2	2	2	2	2
14	067-03800	Spacer-Axle	1						
*	157-00900	Dust Shield	1						
*	095-15100	Washer (MS35333-38)	3						
*	102-00600	Screw	3						
15	154-03000	Molded Grease Seal						2	
16	154-12000	Molded Grease Seal		2	1	2	2		1
17	154-12400	Molded Grease Seal			1				1



Illustrated Parts List

**Wheel Assembly – Main, External
6.00-6**

40-90, 40-90A, 40-90B, 40-90D, 40-90E, 40-90F

Tube-Type

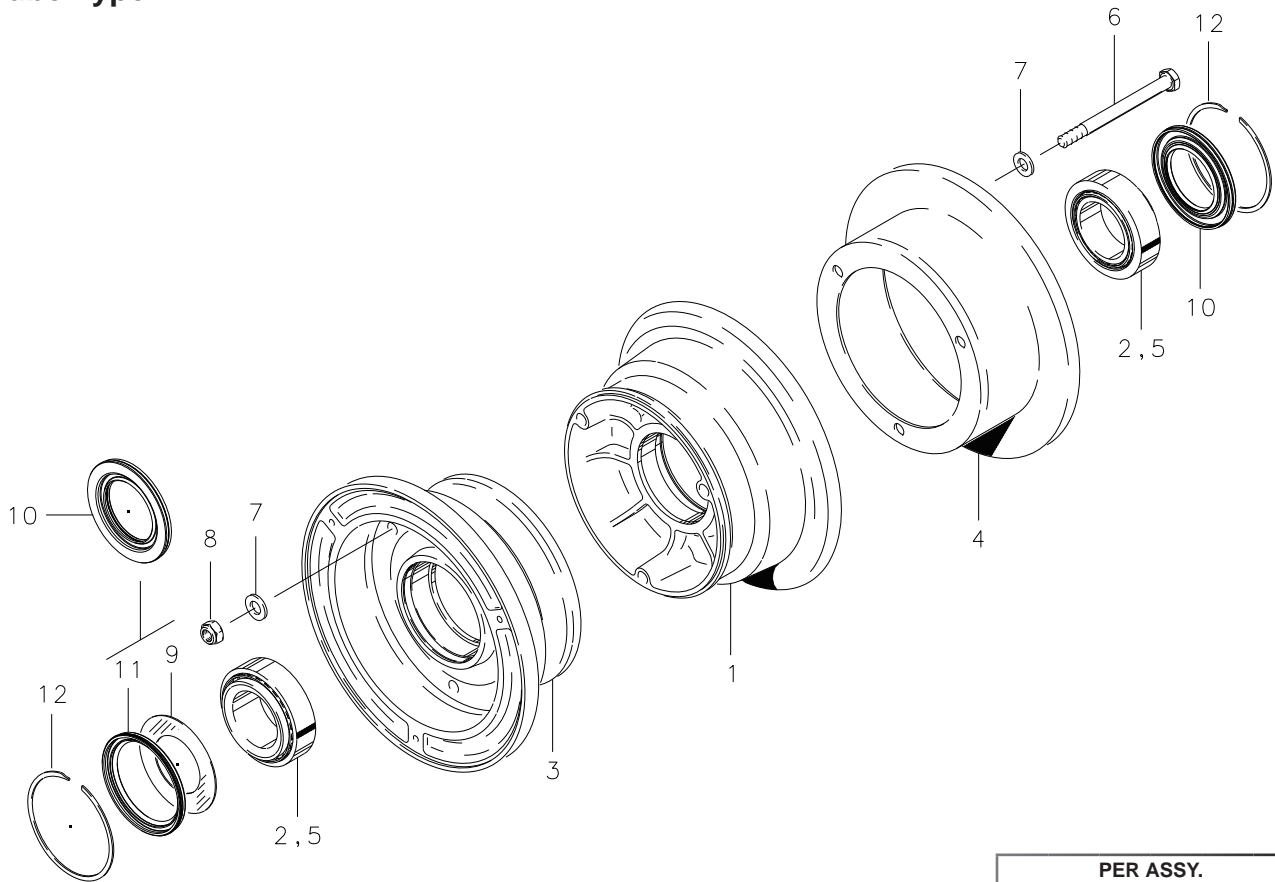
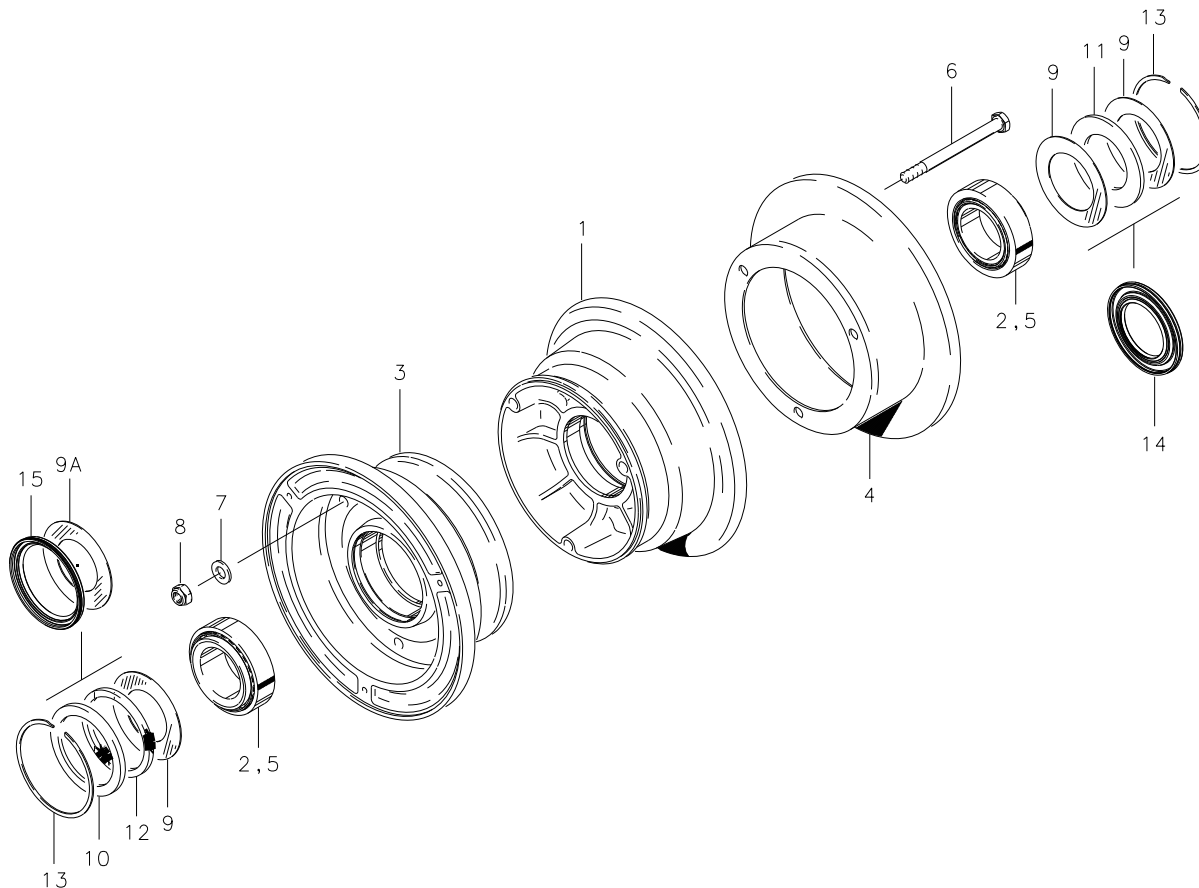


FIG.	PART NUMBER	DESCRIPTION	PER ASSY.					
			40-90	40-90A	40-90B	40-90D	40-90E	40-90F
1	161-03000	Inner Wheel Half Assembly	1			1		
	161-04700	Inner Wheel Half Assembly		1	1		1	1
2	214-00100	Cup-Bearing	1	1	1	1	1	1
3	162-02700	Outer Wheel Half Assembly	1			1		
	162-04500	Outer Wheel Half Assembly		1	1		1	1
2	214-00100	Cup-Bearing	1	1	1	1	1	1
4	164-01506	Brake Disc						1
	164-02201	Brake Disc	1		1			
	164-02300	Brake Disc		1				
	164-12300	Brake Disc				1		
	164-23100	Brake Disc					1	
5	214-00200	Cone-Bearing	2	2	2	2	2	2
6	103-20500	Bolt (AN5-36A)	3	3	3	3	3	3
7	095-10500	Washer (AN960-516)	6	6	6	6	6	6
8	094-10400	Nut (MS21044-N5)	3	3	3	3	3	3
9	153-00300	Ring-Grease Seal	1	1	1		1	1
10	154-12000	Molded Grease Seal	1	1	1	2	1	1
11	154-12400	Molded Grease Seal	1	1	1		1	1
12	155-00100	Snap Ring	2	2	2	2	2	2

Illustrated Parts List

40-96A, 40-96E, 40-406, 40-406A

Tube-Type



Assy. Number

- A) 40-96A
- B) 40-96E
- C) 40-406
- D) 40-406A

NOTES:

(1) Supersedes 164-02501 per PRM 61.

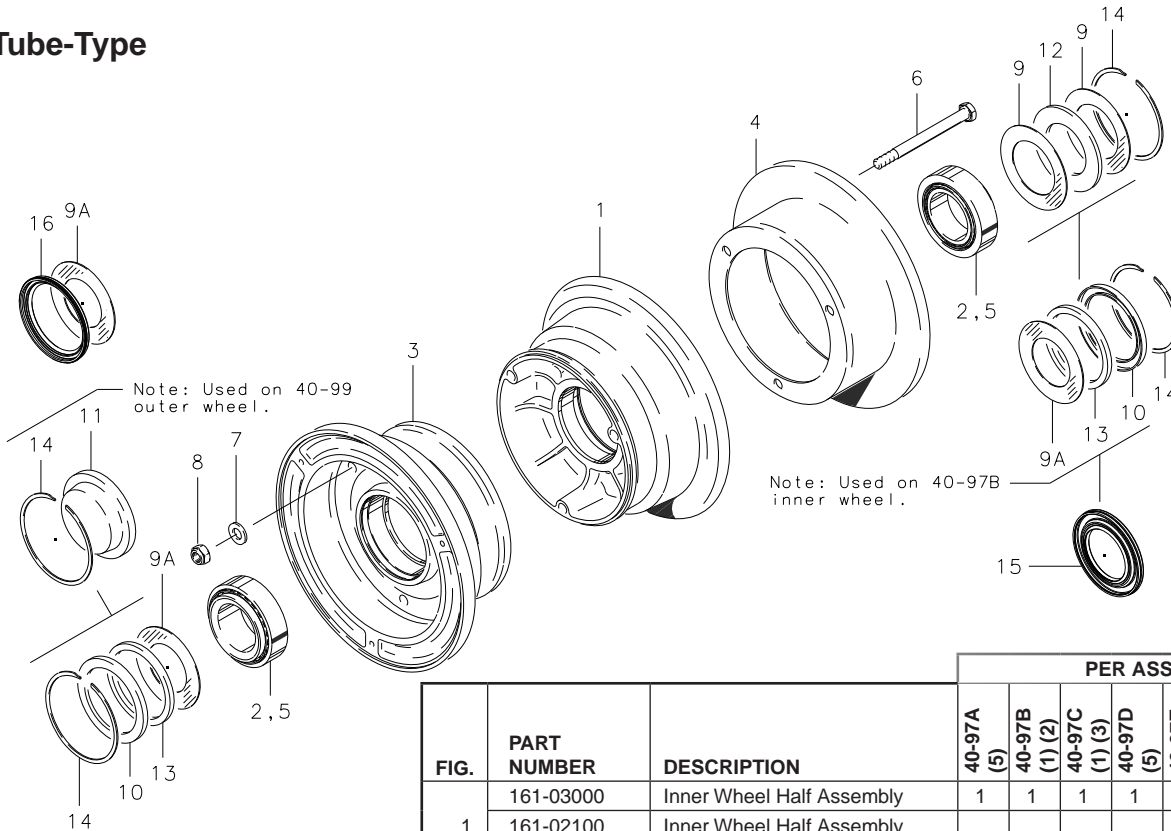
FIG.	PART NUMBER	DESCRIPTION	QTY. PER ASSY.			
			A	B	C	D
1	161-03000	Inner Wheel Half Assy.		1	1	1
	161-03024	Inner Wheel Half Assy.	1			
2	214-00100	Cup-Bearing	1	1	1	1
3	162-02700	Outer Wheel Half Assy.		1	1	1
	162-02724	Outer Wheel Half Assy.	1			
2	214-00100	Cup-Bearing	1	1	1	1
4	164-02504	Brake Disc (1)	1	1	1	1
5	214-00200	Cone-Bearing	2	2	2	2
6	103-20400	Bolt (AN5-35A)	3	3	3	3
7	095-10700	Washer (AN960-516L)	3	3	3	3
8	094-10400	Nut (MS21044-N5)	3	3	3	3
9	153-00300	Ring-Grease Seal	1	1	1	1
9A	153-00900	Ring-Grease Seal				2
10	153-01500	Ring-Grease Seal				1
11	154-01400	Felt-Grease Seal				1
12	154-01300	Felt-Grease Seal				1
13	155-00100	Snap Ring	2	2	2	2
14	154-12000	Molded Grease Seal	1	1	1	
15	154-12400	Molded Grease Seal	1	1	1	



Illustrated Parts List

40-97A, 40-97B, 40-97C, 40-97D, 40-97E, 40-97F, 40-99

Tube-Type



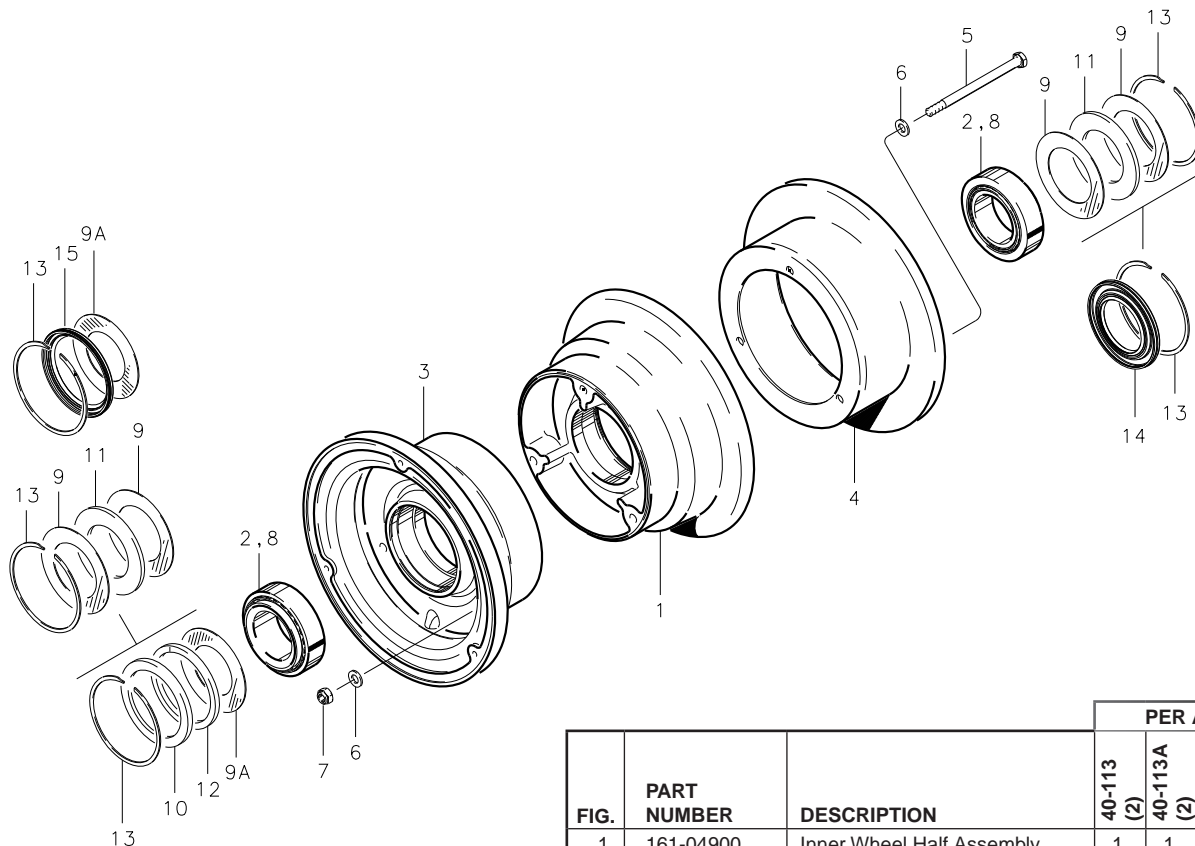
NOTES:

- (1) Inactive assembly – spares support only for parts listed.
- (2) 40-97A supersedes 40-97B.
- (3) 40-97D supersedes 40-97C.
- (4) Alternate chrome plated disc.
- (5) Also available with chrome plated disc. To order, specify assembly number followed by "CHROME."
- (6) Performance gold disc no longer available.

FIG.	PART NUMBER	DESCRIPTION	PER ASSY.						
			40-97A (5)	40-97B (1) (2)	40-97C (1) (3)	40-97D (5)	40-97E (5)	40-97F (5)	40-99
1	161-03000	Inner Wheel Half Assembly	1	1	1	1			
	161-02100	Inner Wheel Half Assembly							1
	161-04700	Inner Wheel Half Assembly					1	1	
2	214-00100	Cup-Bearing	1	1	1	1	1	1	1
3	162-02700	Outer Wheel Half Assembly	1	1	1	1			
	162-01900	Outer Wheel Half Assembly							1
3	162-04500	Outer Wheel Half Assembly					1	1	
	214-00100	Cup-Bearing	1	1	1	1	1	1	1
4	164-02601	Brake Disc	1	1	1	1	1	1	
	164-02800	Brake Disc							1
	164-12601 (4) (6)	Brake Disc - Chrome Brake Disc - Performance Gold	1	1	1	1	1	1	
5	214-00200	Cone-Bearing	2	2	2	2	2	2	2
6	103-20400	Bolt (AN5-35A)	3	3	3	3	3	3	
	103-11200	Bolt (AN4-37A)							6
7	095-10500	Washer (AN960-516)	3	3	3	3	3	3	
	095-10200	Washer (AN960-416L)							6
8	094-10500	Nut (MS21044-N5)	3	3	3	3	3	3	
	094-10300	Nut (MS21044-N4)							6
9	153-00400	Ring-Grease Seal			2				
	153-01600	Ring-Grease Seal						2	
9A	153-00300	Ring-Grease Seal	1	2	1	1	1	1	
10	153-01500	Ring-Grease Seal		2	1			1	
11	158-00300	Cap-Hub							1
12	154-00300	Felt-Grease Seal			1				
	154-01600	Felt-Grease Seal						1	
13	154-01300	Felt-Grease Seal		2	1			1	
14	155-00100	Snap Ring	2	2	2	2	2	2	2
15	154-12000	Molded Grease Seal	1			1	1		1
16	154-12400	Molded Grease Seal	1			1	1		

40-113, 40-113A, 40-113C, 40-113X

Tube-Type



NOTES:

- (1) Alternate chrome plated disc.
- (2) Also available with chrome plated disc. To order, specify assembly number followed by "CHROME."
- (3) Performance gold disc no longer available.

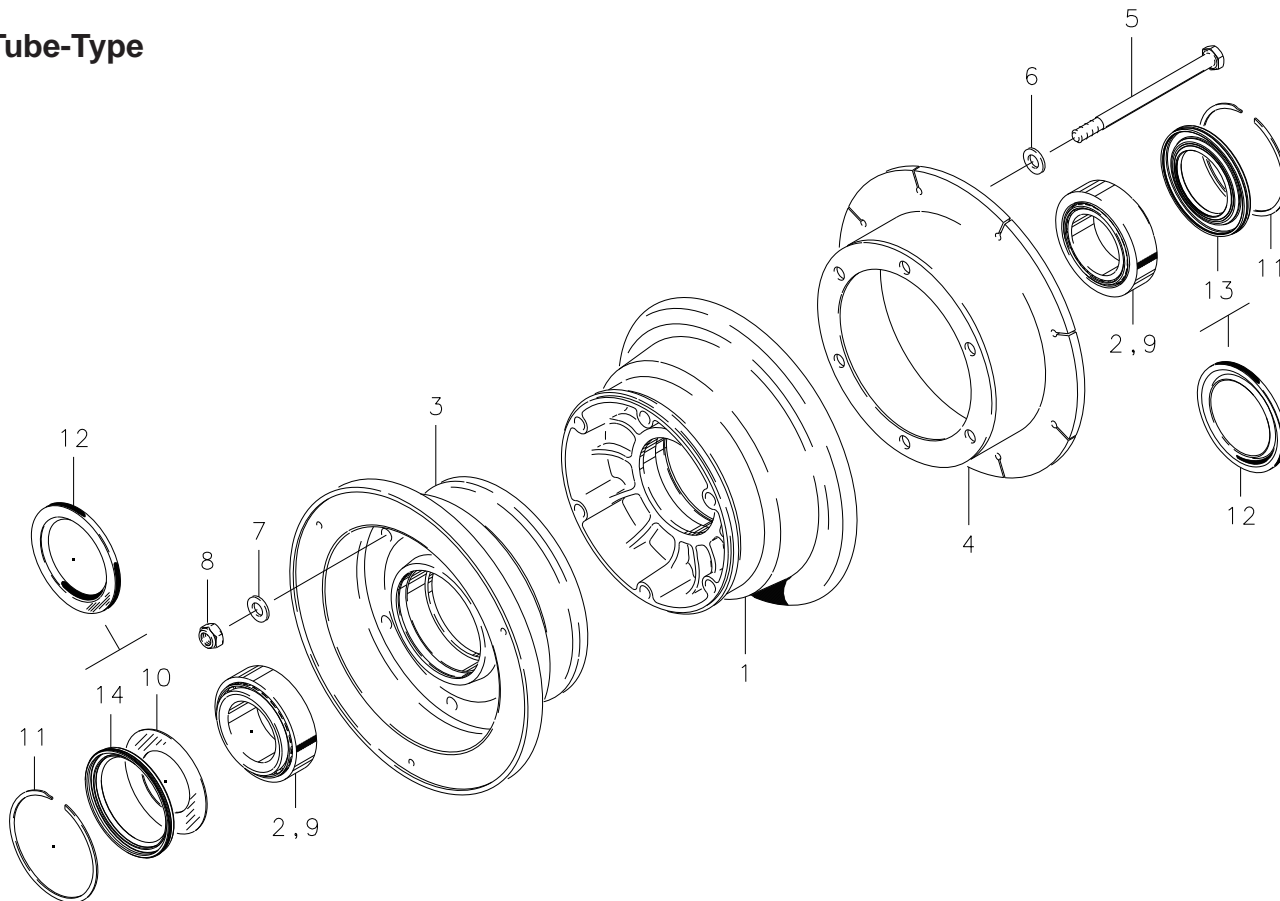
FIG.	PART NUMBER	DESCRIPTION	PER ASSY.			
			40-113 (2)	40-113A (2)	40-113C (2)	40-113X (2)
1	161-04900	Inner Wheel Half Assembly	1	1	1	1
2	214-00100	Cup-Bearing	1	1	1	1
3	162-04700	Outer Wheel Half Assembly	1	1	1	1
2	214-00100	Cup-Bearing	1	1	1	1
4	164-04000	Brake Disc	1			1
	164-04300	Brake Disc		1	1	
	164-14000 (1)	Brake Disc - Chrome	1			1
	164-14300 (1)	Brake Disc - Chrome		1	1	
	(3)	Brake Disc - Performance Gold	1			1
(3)	Brake Disc - Performance Gold		1	1		
5	103-11000	Bolt (AN4-36A)	3	3	3	3
6	095-10400	Washer (AN960-416)	6	6	6	6
7	094-10300	Nut (MS21044-N4)	3	3	3	3
8	214-00200	Cone-Bearing	2	2	2	2
9	153-00900	Ring-Grease Seal		4		2
9A	153-00300	Ring-Grease Seal	1		1	1
10	153-01500	Ring-Grease Seal				1
11	154-00800	Felt-Grease Seal		2		1
12	154-01300	Felt-Grease Seal				1
13	155-00100	Snap Ring	2	2	2	2
14	154-12000	Molded Grease Seal	1		1	
15	154-12400	Molded Grease Seal	1		1	



Illustrated Parts List

40-120, 40-120C, 40-142, 40-142A

Tube-Type



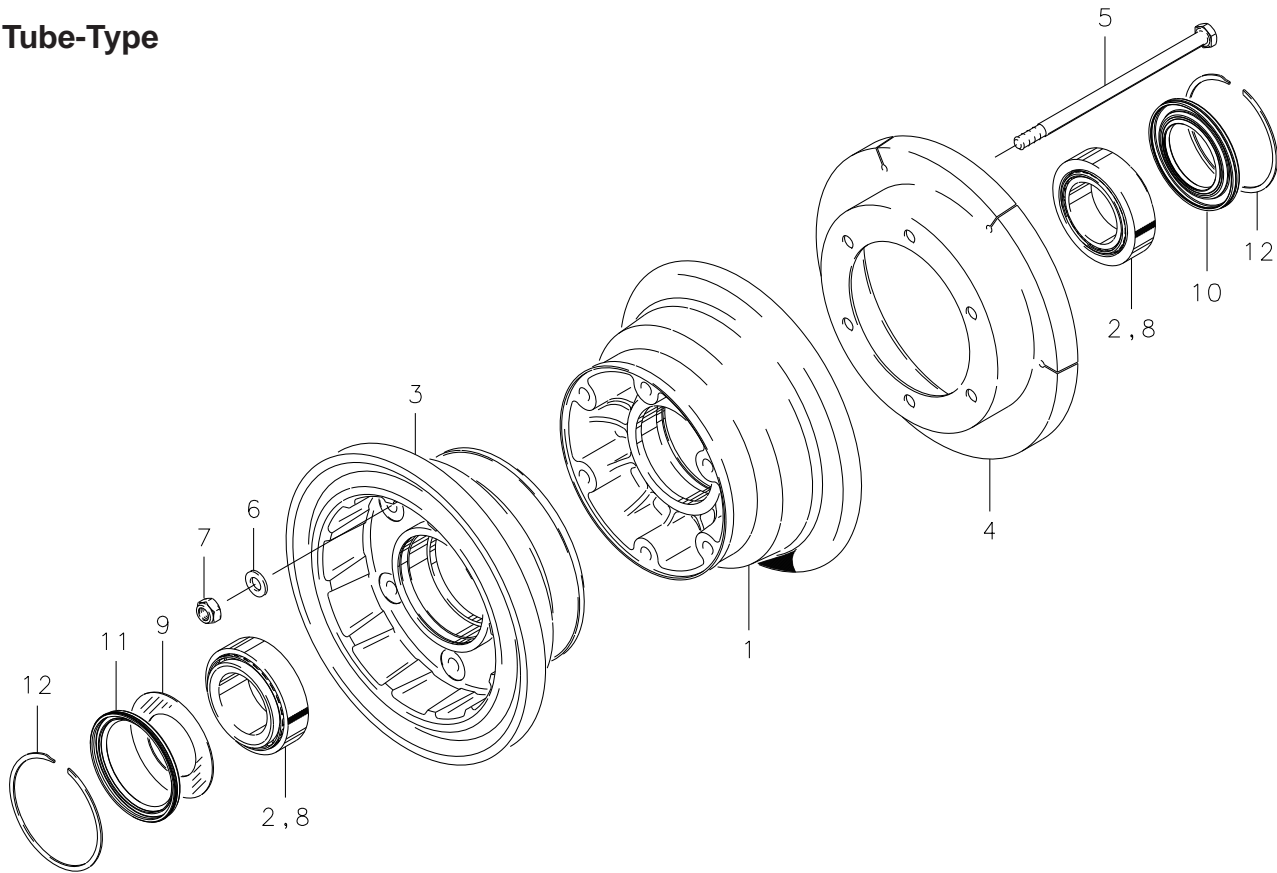
NOTES:

- (1) 199-118 Wheel Disc Kit (items 4, 6, 8) retrofits 40-120 or 40-120C wheel to use slotted disc. TSO approved per PRM 33.
- (2) Install washer per PRM 33.
- (3) 199-262 Tiebolt Service Kit available for this wheel. Refer to PRM 84.

FIG.	PART NO.	DESCRIPTION	PER ASSY.			
			40-120 (1)	40-120C (1)	40-142 (3)	40-142A
1	161-06102	Inner Wheel Half Assembly	1		1	1
	161-09302	Inner Wheel Half Assembly		1		
2	214-00100	Cup-Bearing	1	1	1	1
3	162-08702	Outer Wheel Half Assembly		1		
	162-05702	Outer Wheel Half Assembly	1		1	1
2	214-00100	Cup-Bearing	1	1	1	1
4	164-21600	Brake Disc (Slotted) (1)	1	1		
	164-07800	Brake Disc (Slotted)			1	
	164-08100	Brake Disc (Slotted)				1
5	103-20400	Bolt (AN5-35A)	6	6	6	6
6	095-03000	Washer (1) (2)	6	6		
7	095-10500	Washer (AN960-516)	6	6	6	6
8	094-12700	Nut (MS21042-5) (1)	6	6		
	094-10400	Nut (MS21044-N5)			6	6
9	214-00200	Cone-Bearing	2	2	2	2
10	153-00300	Ring-Grease Seal	1	1	1	
11	155-00100	Snap Ring	2	2	2	
12	154-03000	Molded Grease Seal				2
13	154-12000	Molded Grease Seal	1	1	1	
14	154-12400	Molded Grease Seal	1	1	1	

40-143, 40-163

Tube-Type



4

Assy. Number

A) 40-143

B) 40-163

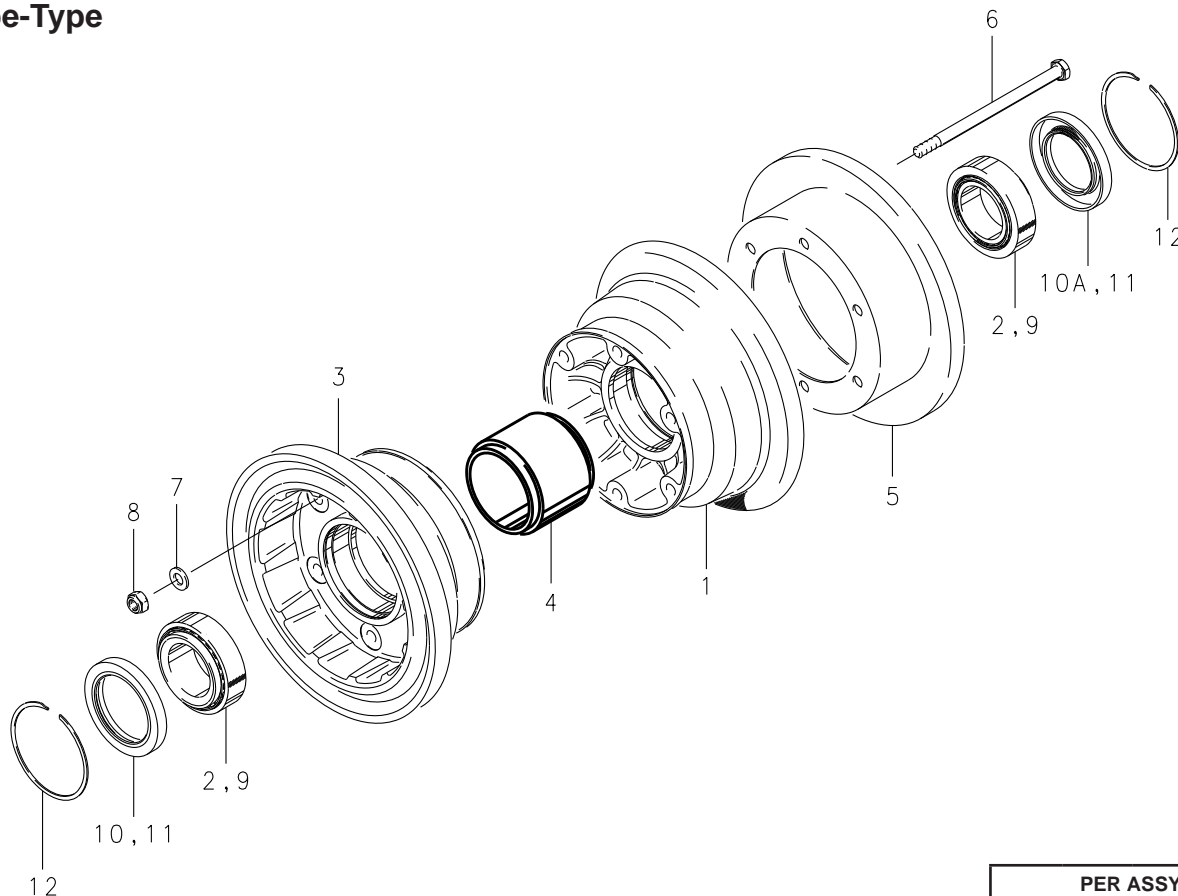
FIG.	PART NUMBER	DESCRIPTION	QTY. PER ASSY.	
			A	B
1	161-08700	Inner Wheel Half Assy.	1	
	161-10000	Inner Wheel Half Assy.		1
2	214-00100	Cup-Bearing	1	1
3	162-08100	Outer Wheel Half Assy.	1	1
2	214-00100	Cup-Bearing	1	1
4	164-08200	Brake Disc (Slotted)	1	
	164-20500	Brake Disc (Slotted)		1
5	103-21600	Bolt (AN5-45A)		6
	103-20400	Bolt (AN5-35A)	6	
6	095-10700	Washer (AN960-516L)	6	
	095-10500	Washer (AN960-516)		6
7	094-10400	Nut (MS21044-N5)	6	6
8	214-00200	Cone-Bearing	2	2
9	153-00300	Ring-Grease Seal	1	1
10	154-12000	Molded Grease Seal	1	1
11	154-12400	Molded Grease Seal	1	1
12	155-00100	Ring-Snap	2	2

Cleveland
Wheels & Brakes



40-418, 40-418A, 40-418B, 40-418C

Tube-Type



NOTES:

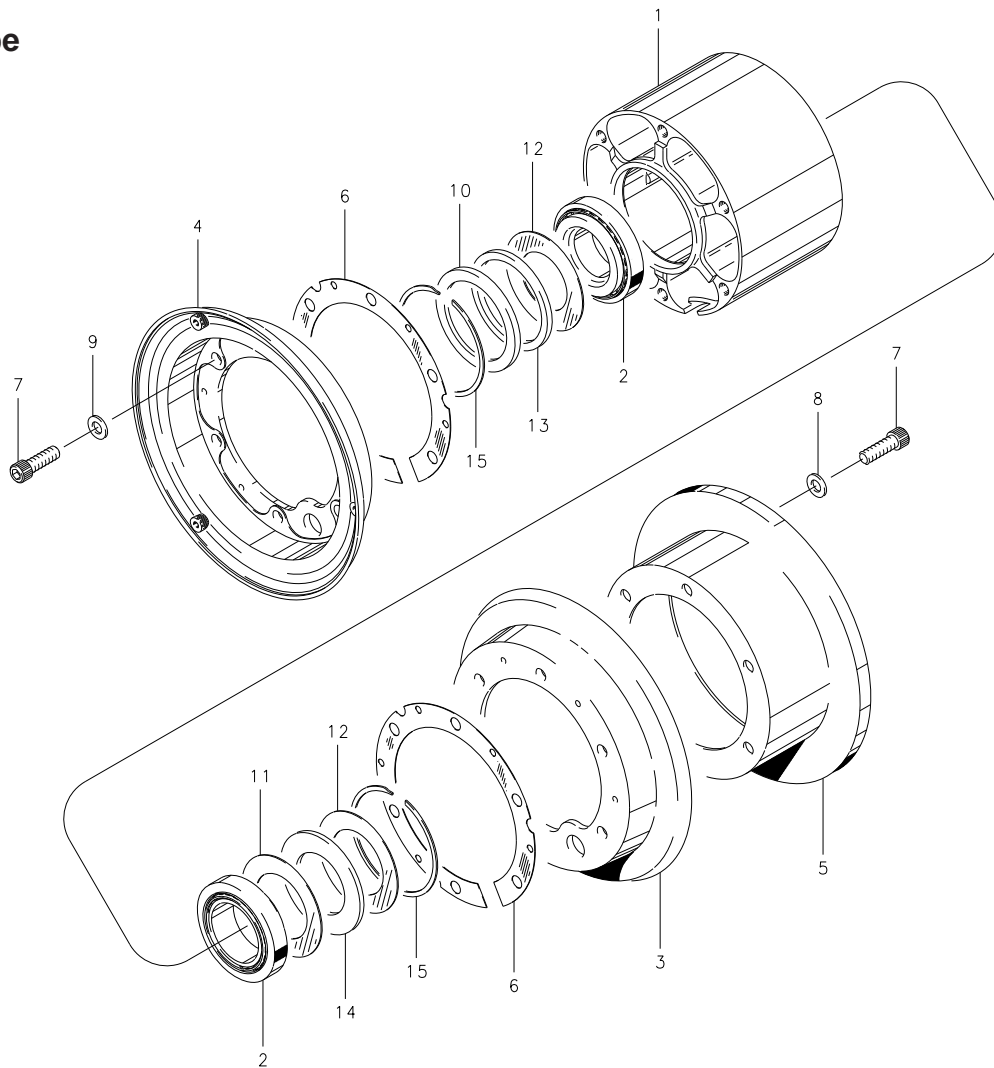
- (1) High corrosion resistant, amphibious equipment.
- (2) Alternate chrome plated disc.
- (3) Same as 40-418A except equipped with standard bearings.

FIG.	PART NO.	DESCRIPTION	PER ASSY.			
			40-418 (1)	40-418A (1)	40-418B	40-418C (3)
1	161-19900	Inner Wheel Half Assembly	1	1		
	161-19903	Inner Wheel Half Assembly			1	
	161-19905	Inner Wheel Half Assembly				1
2	214-01100	Cup-Bearing (chrome plated)	1	1		
	214-00100	Cup-Bearing			1	1
3	162-19900	Outer Wheel Half Assembly	1	1		
	162-19903	Outer Wheel Half Assembly			1	
	162-19905	Outer Wheel Half Assembly				1
2	214-01100	Cup-Bearing (chrome plated)	1	1		
	214-00100	Cup-Bearing			1	1
4	067-14700	Grease Dam Spacer	1	1	1	1
	164-24500	Brake Disc	1	1	1	1
5	164-24501 (2)	Brake Disc (Chrome)	1	1	1	1
	103-20400	Bolt (AN5-35A)	6	6	6	6
7	095-10500	Washer (AN960-516)	6	6	6	6
8	094-12700	Nut (MS21042-5)	6	6	6	6
9	214-01200	Cone-Bearing (chrome plated)	2	2		
	214-00200	Cone-Bearing			2	2
10	154-08300	Molded Grease Seal	1		1	
10A	154-08200	Molded Grease Seal	1		1	
11	154-08900	Molded Grease Seal		2		2
12	155-14300	Snap Ring	2	2	2	2

Illustrated Parts List

D-30260, D-30260-1, D-30580

Tube-Type



Assy. Number

- A) D-30260 (1) (2)
- B) D-30260-1 (1) (2)
- C) D-30580 (1) (2)

NOTES:

- (1) Inactive assembly – spares support only for parts listed.
- (2) Superseded equipment – refer to Cessna Service Bulletin SEB00-5 and Cessna Service Kit SK182-120. for replacement wheels and brakes.
- (3) Inactive part – no longer available for spares support.
- (4) All wheel assemblies listed were formerly manufactured by “McCaughey Industrial Corporation.”

FIG.	PART NUMBER	DESCRIPTION	QTY. PER ASSY.		
			A	B	C
1	201-30256-1	Hub Assy.	1	1	1
2	(3)	Cone-Bearing	2	2	2
3	(3)	Wheel Flange	1	1	
	(3)	Wheel Flange			1
	(3)	Wheel Flange	1		
4	(3)	Wheel Flange		1	
	(3)	Wheel Flange			1
	(3)	Wheel Flange			1
5	164-30195	Brake Disc	1	1	1
6	067-30076	Spacer	2	2	2
7	(3)	Screw	12	12	12
8	095-10500	Washer (AN960-516)	6	6	6
9	(3)	Washer	6	6	6
10	153-30014	Ring	1	1	1
11	153-30015	Ring	1	1	1
12	153-30013	Ring	2	2	2
13	154-30010	Felt	1	1	1
14	(3)	Felt	1	1	1
15	155-11900	Snap Ring	2	2	2

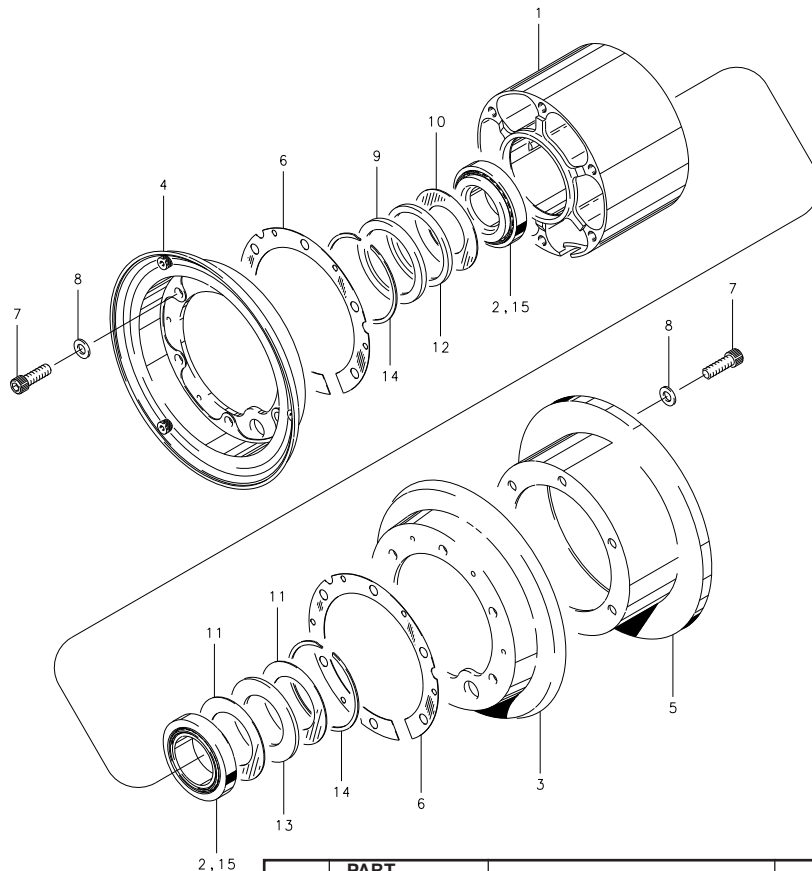
Cleveland
Wheels & Brakes



Illustrated Parts List

D-30291-1, D-30291-2, D-30291-3, D-30291-4, D-30291-5, D-30291-6

Tube-Type



Assy. Number

- A) D-30291-1 (3) (4)
- B) D-30291-2 (3) (4)
- C) D-30291-3 (3) (4)
- D) D-30291-4 (3)
- E) D-30291-5 (3)
- F) D-30291-6 (3) (4)

NOTES:

- (1) All wheel assemblies listed were formerly manufactured by "McCauley Industrial Corporation."
- (2) Alternate chrome plated disc.
- (3) Inactive assembly – spares support only for parts listed.
- (4) Superseded equipment – refer to Cessna Service Bulletin SEB00-5 and Cessna Service Kit SK182-120. for replacement wheels and brakes.
- (5) Inactive part – no longer available for spares support.

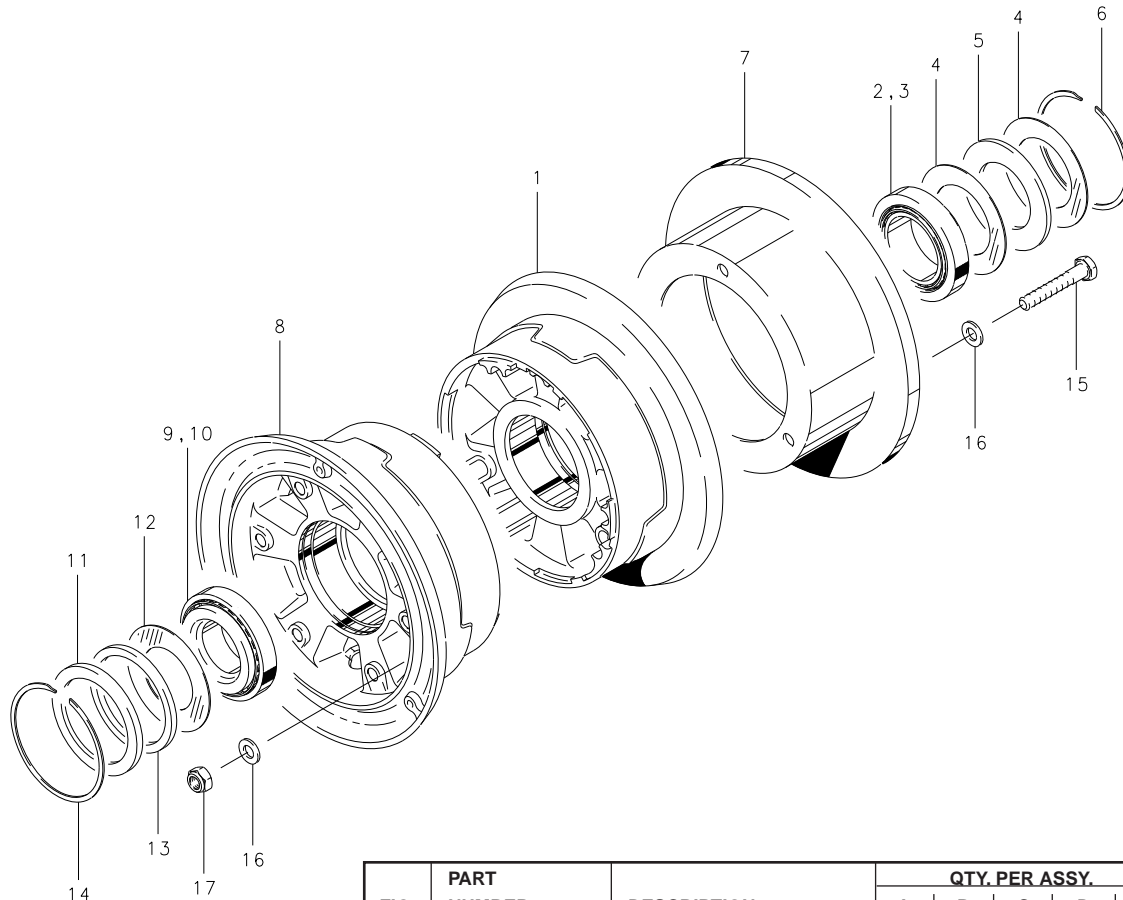
FIG.	PART NUMBER	DESCRIPTION	QTY. PER ASSY.					
			A	B	C	D	E	F
1	201-30256-1	Hub Assy.	1	1	1	1	1	1
2	214-01300	Cup-Bearing	2	2	2	2	2	2
3	(5)	Wheel Flange	1	1	1	1	1	1
	(5)	Wheel Flange	1					
4	(5)	Wheel Flange		1				
	(5)	Wheel Flange			1			
	(5)	Wheel Flange				1		
	(5)	Wheel Flange					1	
5	(5)	Wheel Flange						1
	164-30388	Brake Disc	1				1	
	164-30398	Brake Disc		1				
	164-30414	Brake Disc			1			
	164-30440	Brake Disc				1		1
	164-23600 (2)	Brake Disc (Chrome)				1		1
6	164-23900 (2)	Brake Disc (Chrome)			1			
	164-24000 (2)	Brake Disc (Chrome)		1				
	164-24100 (2)	Brake Disc (Chrome)	1				1	
6	067-30076	Spacer	2	2	2	2	2	2
7	102-18400	Screw	12	12	12	12	12	12
8	095-10500	Washer (AN960-516)	12	12	12	12	12	12
9	153-30014	Ring	1	1	1	1	1	1
10	153-30015	Ring	1	1	1	1	1	1
11	153-30013	Ring	2	2	2	2	2	2
12	154-30010	Felt	1	1	1	1	1	1
13	154-00300	Felt	1	1	1	1	1	1
14	155-11900	Snap Ring	2	2	2	2	2	2
15	214-01400	Cone-Bearing	2	2	2	2	2	2

Cleveland
Wheels & Brakes



D-30660-1, D-30660-2, D-30660-3, D-30660-4, D-30660-5

Tube-Type



Assy. Number

- A) D-30660-1 (1) (5)
- B) D-30660-2 (1) (5)
- C) D-30660-3 (1) (5)
- D) D-30660-4 (1)
- E) D-30660-5 (1) (5)

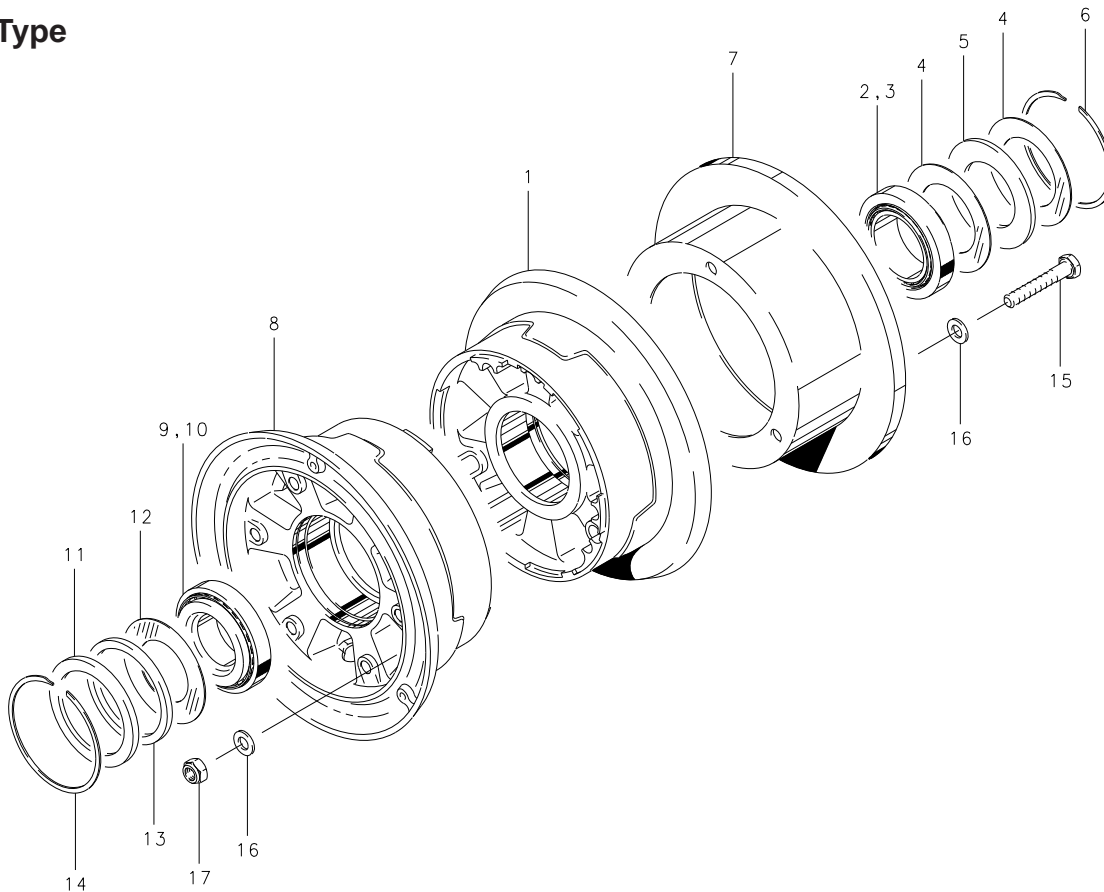
NOTES:

- (1) Inactive assembly – spares support only for parts listed.
- (2) Inactive part – no longer available for spares support.
- (3) All wheel assemblies listed were formerly manufactured by "McCauley Industrial Corporation."
- (4) Alternate chrome plated disc.
- (5) Superseded equipment – refer to Cessna Service Bulletin SEB00-5 and Cessna Service Kit SK182-120. for replacement wheels and brakes.

FIG.	PART NUMBER	DESCRIPTION	QTY. PER ASSY.				
			A	B	C	D	E
1	(2)	Inner Wheel Half Assy.	1	1	1		
	(2)	Inner Wheel Half Assy.				1	1
2	214-01300	Cup-Bearing	1	1	1		
	214-30795-1	Cup-Bearing				1	1
3	214-01400	Cone-Bearing	1	1	1		
	214-30795-2	Cone-Bearing				1	1
4	153-30013	Ring	2	2	2	2	2
5	154-00300	Felt	1	1	1	1	1
6	155-11900	Snap Ring	1	1	1	1	1
	164-30615-1	Brake Disc	1				
	164-30615-2	Brake Disc		1		1	
7	164-30615-3	Brake Disc			1		1
	164-30804-1 (4)	Brake Disc (Chrome)	1				
	164-30804-2 (4)	Brake Disc (Chrome)		1		1	
	164-30804-3 (4)	Brake Disc (Chrome)			1		1
8	(2)	Outer Wheel Half Assy.	1	1	1		
	(2)	Outer Wheel Half Assy.				1	1
9	214-01300	Cup-Bearing	1	1	1		
	214-30795-1	Cup-Bearing				1	1
10	214-01400	Cone-Bearing	1	1	1		
	214-30795-2	Cone-Bearing				1	1
11	153-30014	Ring	1	1	1	1	1
12	153-30015	Ring	1	1	1	1	1
13	154-30010	Felt	1	1	1	1	1
14	155-11900	Snap Ring	1	1	1	1	1
15	103-17200	Bolt	3	3	3	3	3
16	095-10700	Washer (AN960-516L)	6	6	6	6	6
17	094-15100	Nut	3	3	3	3	3

D-30660-6, D-30660-7, D-30660-8, D-30660-9, D-30660-10

Tube-Type



Assy. Number

- A) D-30660-6 (1)
- B) D-30660-7 (1) (4)
- C) D-30660-8 (1)
- D) D-30660-9 (1)
- E) D-30660-10 (1)

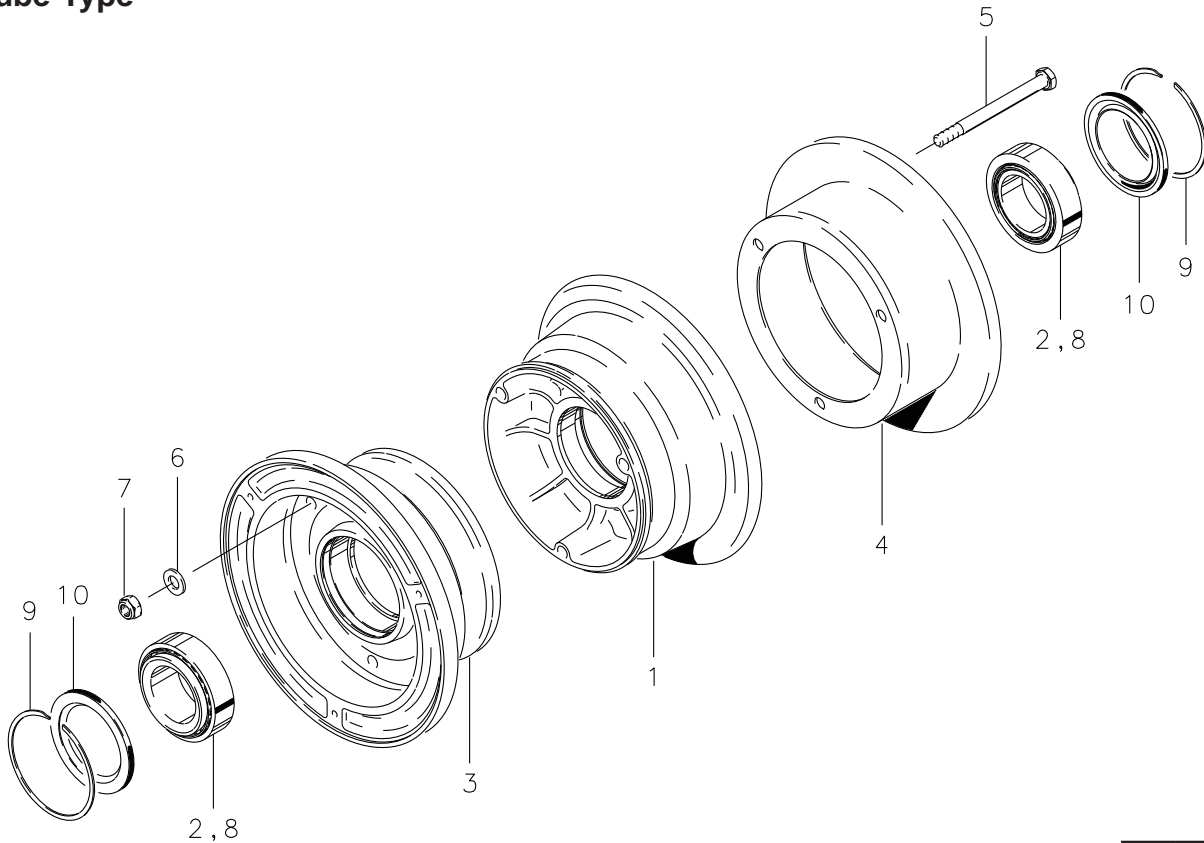
NOTES:

- (1) Inactive assembly – spares support only for parts listed.
- (2) Inactive part – no longer available for spares support.
- (3) All wheel assemblies listed were formerly manufactured by “McCauley Industrial Corporation.”
- (4) Superseded equipment – refer to Cessna Service Bulletin SEB00-5 and Cessna Service Kit SK182-120 for replacement wheels and brakes.

FIG.	PART NUMBER	DESCRIPTION	QTY. PER ASSY.				
			A	B	C	D	E
1	(2)	Inner Wheel Half Assy.	1	1	1		
	(2)	Inner Wheel Half Assy.				1	1
2	214-01300	Cup-Bearing	1	1	1		
	214-30795-1	Cup-Bearing				1	1
3	214-01400	Cone-Bearing	1	1	1		
	214-30795-2	Cone-Bearing				1	1
4	153-30013	Ring	2	2	2	2	2
5	154-00300	Felt	1	1	1	1	1
6	155-11900	Snap Ring	1	1	1	1	1
7	164-30804-1	Brake Disc (Chrome)			1		
	164-30804-2	Brake Disc (Chrome)	1			1	
	164-30804-3	Brake Disc (Chrome)		1			1
8	(2)	Outer Wheel Half Assy.	1	1	1		
	(2)	Outer Wheel Half Assy.				1	1
9	214-01300	Cup-Bearing	1	1	1		
	214-30795-1	Cup-Bearing				1	1
10	214-01400	Cone-Bearing	1	1	1		
	214-30795-2	Cone-Bearing				1	1
11	153-30014	Ring	1	1	1	1	1
12	153-30015	Ring	1	1	1	1	1
13	154-30010	Felt	1	1	1	1	1
14	155-11900	Snap Ring	1	1	1	1	1
15	103-17200	Bolt	3	3	3	3	3
16	095-10700	Washer (AN960-516L)	6	6	6	6	6
17	094-15100	Nut	3	3	3	3	3

40-407, 40-414, 40-414A

Tube-Type



NOTES:

(1) For use with tire size 15 x 6.00-6 only.

FIG.	PART NO.	DESCRIPTION	PER ASSY.		
			40-407	40-414 (1)	40-414A
1	161-04700	Inner Wheel Half Assembly	1	1	1
2	214-00100	Cup-Bearing	1	1	1
3	162-04500	Outer Wheel Half Assembly	1	1	1
2	214-00100	Cup-Bearing	1	1	1
4	164-24400	Brake Disc	1	1	1
5	103-20400	Bolt (AN5-35A)	3	3	3
6	095-10500	Washer (AN960-516)	3	3	3
7	094-10400	Nut (MS21044-N5)	3		
	094-10401	Nut (MS21045-5S)		3	3
8	214-00200	Cone-Bearing	2	2	2
9	155-00100	Snap Ring	2	2	2
10	154-03000	Molded Grease Seal	2		2
	154-12000	Molded Grease Seal		2	



40-47

Tube-Type

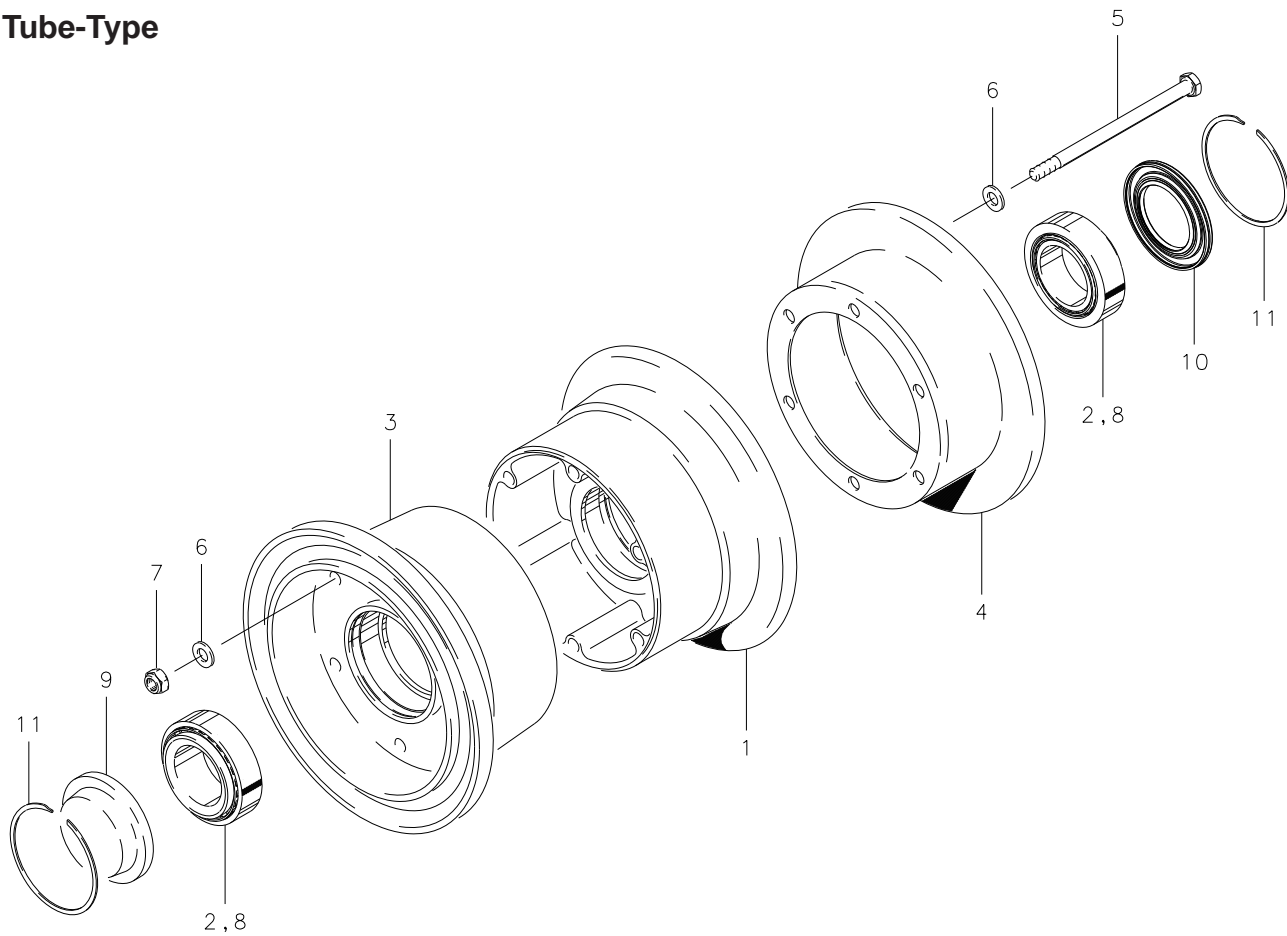


FIG.	PART NUMBER	DESCRIPTION	PER ASSY. 40-47
1	161-02200	Inner Wheel Half Assembly	1
2	214-00100	Cup-Bearing	1
3	162-02000	Outer Wheel Half Assembly	1
2	214-00100	Cup-Bearing	1
4	164-01100	Brake Disc	1
5	103-20600	Bolt (AN5-50A)	6
6	095-10500	Washer (AN960-516)	12
7	094-10400	Nut (MS21044-N5)	6
8	214-00200	Cone-Bearing	2
9	158-00300	Hub Cap	1
10	154-12000	Molded Grease Seal	1
11	155-00100	Snap Ring	2

Illustrated Parts List

40-98, 40-98A, 40-98D, 40-98E, 40-98F, 40-98G, 40-98H, 40-98N, 40-98P, 40-459

Tube-Type

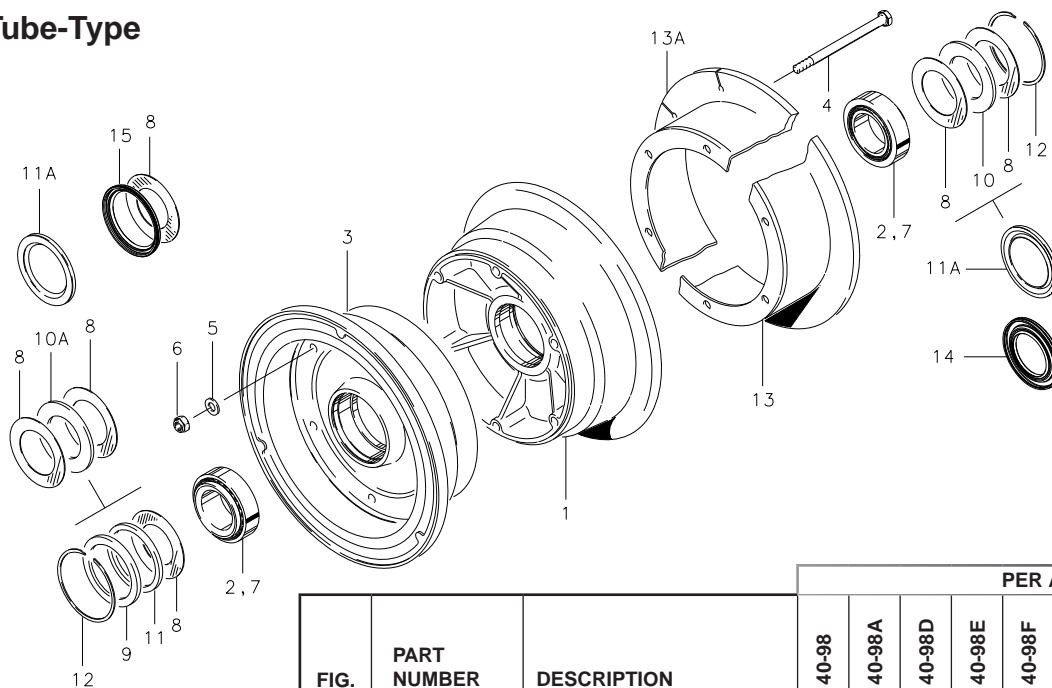


FIG.	PART NUMBER	DESCRIPTION	PER ASSY.																	
			40-98	40-98A	40-98D	40-98E	40-98F	40-98G	40-98H	40-98N (1)	40-98P	40-459								
1	161-02300	Inner Wheel Half Assembly	1	1	1			1			1	1	1							
	161-05300	Inner Wheel Half Assembly				1	1													
	161-02311	Inner Wheel Half Assembly									1									
2	214-00100	Cup-Bearing	1	1	1	1	1	1	1	1	1	1	1	1	1	1	1	1	1	1
3	162-02100	Outer Wheel Half Assembly	1						1							1				
	162-08500	Outer Wheel Half Assembly									1									
	162-04800	Outer Wheel Half Assembly		1	1									1						1
	162-05100	Outer Wheel Half Assembly				1	1													
2	214-00100	Cup-Bearing	1	1	1	1	1	1	1	1	1	1	1	1	1	1	1	1	1	1
4	103-20400	Bolt (AN5-35A)	6	6	6	6	6	6	6	6	6	6	6	6	6	6	6	6	6	6
5	095-10500	Washer (AN960-516)	6	6	6	6	6	6	6	6	6	6	6	6	6	6	6	6	6	6
6	094-10400	Nut (MS21044-N5)	6	6	6	6	6	6	6	6	6	6	6	6	6	6	6	6	6	6
7	214-00200	Cone-Bearing	2	2	2	2	2	2	2	2	2	2	2	2	2	2	2	2	2	2
8	153-00900	Ring-Grease Seal	2			2														2
	153-00300	Ring-Grease Seal	1	1		1	1				1	1	1							
	153-00400	Ring-Grease Seal												2						
	153-01600	Ring-Grease Seal			4															
9	153-01500	Ring-Grease Seal	1			1								1	1					
10	154-00300	Felt-Grease Seal			1									1						
10A	154-01400	Felt-Grease Seal	1		1	1														1
11	154-01300	Felt-Grease Seal	1			1								1	1					
11A	154-03000	Molded Grease Seal							2											2
12	155-00100	Snap-Ring	2	2	2	2	2	2	2	2	2	2	2	2	2	2	2	2	2	2
13	164-02706	Brake Disc	1					1	1											
	164-02707	Brake Disc		1	1															
	164-05006	Brake Disc				1														
	164-24800	Brake Disc																		1
13A	164-08406	Brake Disc (Slotted)										1								1
14	154-12000	Molded Grease Seal		1				1			1									
	154-12400	Molded Grease Seal		1				1			1									
*	102-00600	Screw																		3
*	157-04100	Dust Shield																		1
*	095-15100	Washer (MS35333-38)																		3

NOTES:

(1) Inactive assembly – spares support only for parts listed.

* Note: dust shield and attaching hardware not shown in illustration.

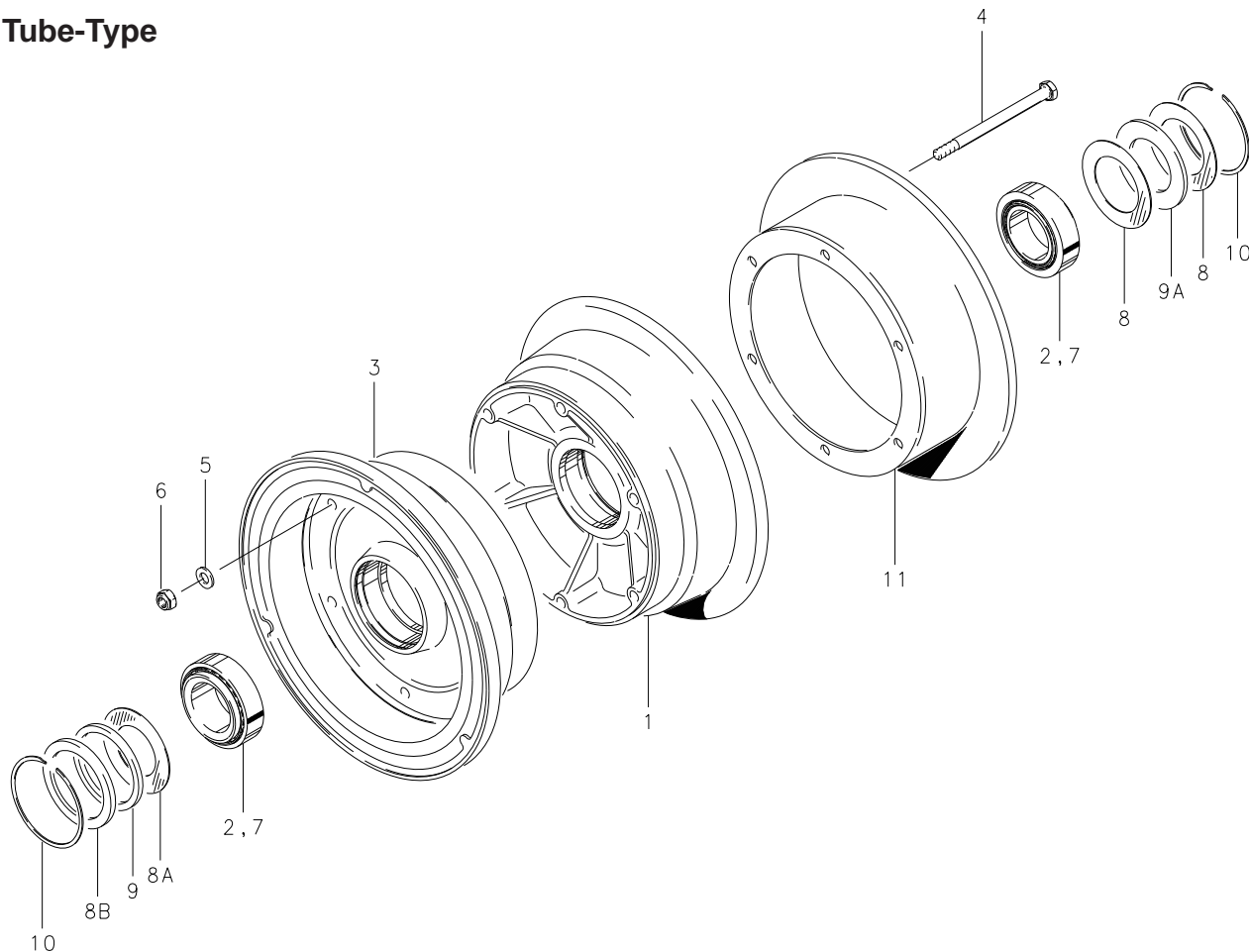
Cleveland
Wheels & Brakes



Illustrated Parts List

40-111, 40-111A

Tube-Type



Assy. Number

A) 40-111 (1) (3)

B) 40-111A

NOTES:

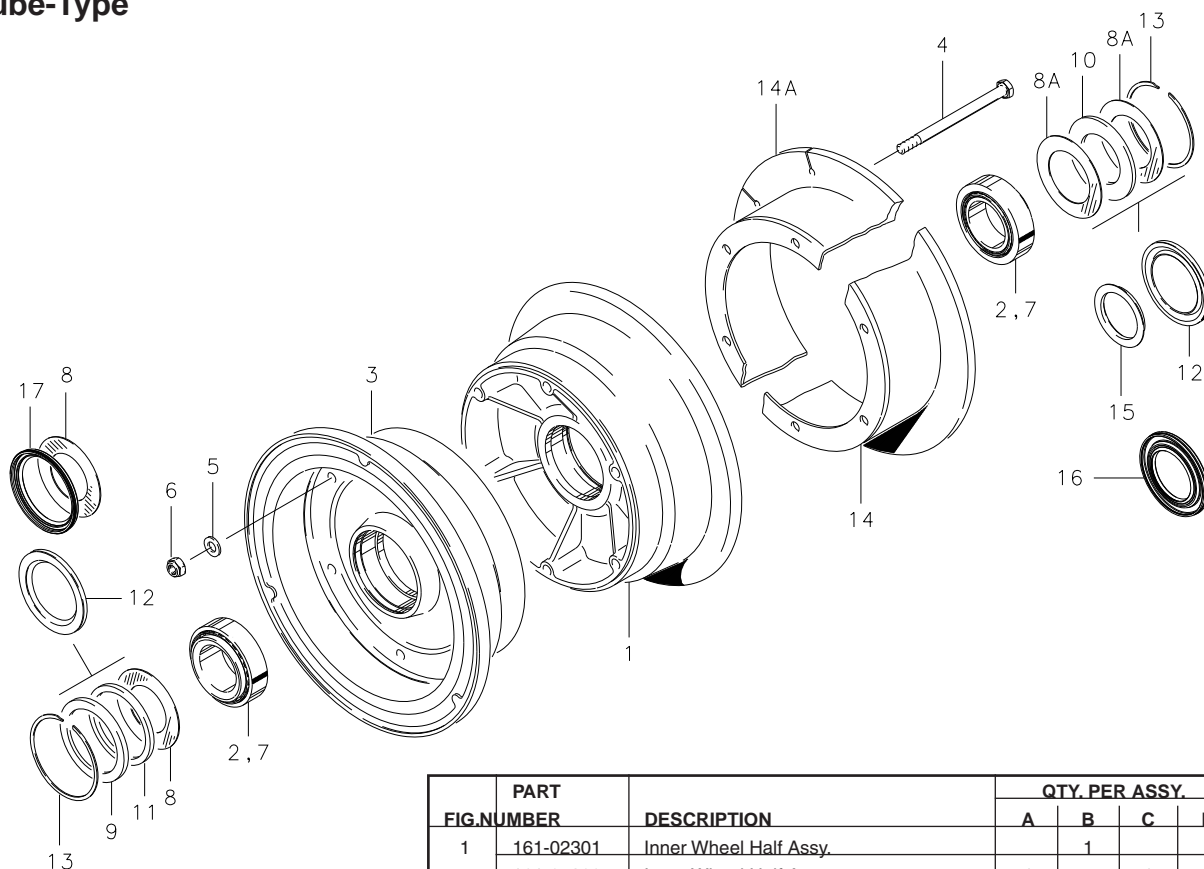
- (1) Inactive assembly – spares support only for parts listed.
- (2) Inactive part – no longer available for spares support.
- (3) 40-111 superseded by 40-111A.

FIG.	PART NUMBER	DESCRIPTION	QTY. PER ASSY.	
			A	B
1	(2)	Inner Wheel Half Assy.	1	
	161-06401	Inner Wheel Half Assy.		1
2	214-00100	Cup-Bearing	1	1
3	(2)	Outer Wheel Half Assy.	1	
	162-06001	Outer Wheel Half Assy.		1
2	214-00100	Cup-Bearing	1	1
4	103-20400	Bolt (AN5-35A)	6	6
5	095-10500	Washer (AN960-516)	6	6
6	094-10400	Nut (MS21044-N5)	6	6
7	214-00200	Cone-Bearing	2	2
8	153-00900	Ring-Grease Seal	2	2
8A	153-00300	Ring-Grease Seal	1	1
8B	153-01500	Ring-Grease Seal	1	1
9	154-01300	Felt-Grease Seal	1	1
9A	154-01400	Felt-Grease Seal	1	1
10	155-00100	Snap Ring	2	2
11	164-06506	Brake Disc	1	1
	067-03400	Axle Spacer (not shown)	1	1

Illustrated Parts List

40-124, 40-128, 40-128C, 40-128D, 40-128E

Tube-Type



Assy. Number

- A) 40-124
- B) 40-128
- C) 40-128C
- D) 40-128D
- E) 40-128E

* Note dust shield and attaching hardware not shown in illustration.

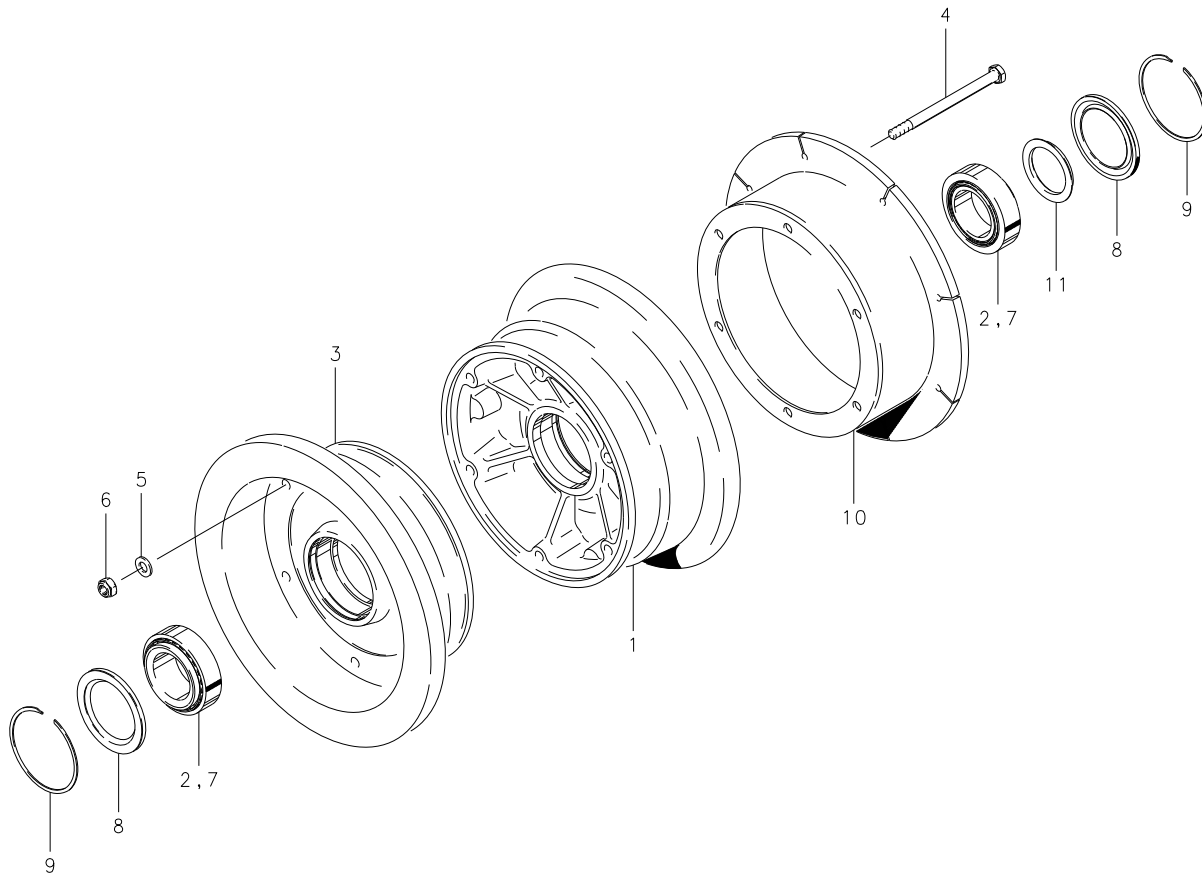
FIG. NUMBER	PART	DESCRIPTION	QTY. PER ASSY.				
			A	B	C	D	E
1	161-02301	Inner Wheel Half Assy.		1		1	
	161-05300	Inner Wheel Half Assy.	1				1
2	214-00100	Cup-Bearing	1	1	1	1	1
	162-02101	Outer Wheel Half Assy.		1		1	
3	162-05100	Outer Wheel Half Assy.	1		1		
	162-04800	Outer Wheel Half Assy.					1
2	214-00100	Cup-Bearing	1	1	1	1	1
4	103-21700	Bolt	6	6	6	6	6
5	095-10500	Washer (AN960-516)	6	6	6	6	
	095-10700	Washer (AN960-516L)					6
6	094-10400	Nut-Lock (MS21044-N5)	6	6	6	6	6
7	214-00200	Cone-Bearing	2	2	2	2	2
8	153-00300	Ring-Grease Seal	1	1	1		1
8A	153-00900	Ring-Grease Seal	2	2	2		
9	153-01500	Ring-Grease Seal	1	1	1		
10	154-01400	Felt-Grease Seal	1	1	1		
11	154-01300	Felt-Grease Seal	1	1	1		
12	154-03000	Molded Grease Seal					2
13	155-00100	Snap Ring	2	2	2	2	2
14	164-05006	Brake Disc	1		1		
	164-23300	Brake Disc					1
14A	164-06106	Brake Disc (Slotted)		1		1	
15	067-03400	Axle Spacer		1		1	
*	102-00600	Screw					3
*	157-01000	Dust Shield					1
*	095-15100	Washer (MS35333-38)					3
16	154-12000	Molded Grease Seal					1
17	154-12400	Molded Grease Seal					1



Illustrated Parts List

40-171

Tube-Type



Assy. Number

A) 40-171

FIG.	PART NUMBER	DESCRIPTION	QTY. PER ASSY.
1	161-10300	Inner Wheel Half Assy.	1
2	214-00100	Cup-Bearing	1
3	162-09500	Outer Wheel Half Assy.	1
2	214-00100	Cup-Bearing	1
4	103-21700	Bolt	6
5	095-10500	Washer (AN960-516)	6
6	094-10400	Nut (MS21044-N5)	6
7	214-00200	Cone Bearing	2
8	154-03000	Molded Grease Seal	2
9	155-00100	Snap Ring	2
10	164-20806	Brake Disc (Slotted)	1
11	067-03400	Axle Spacer	1

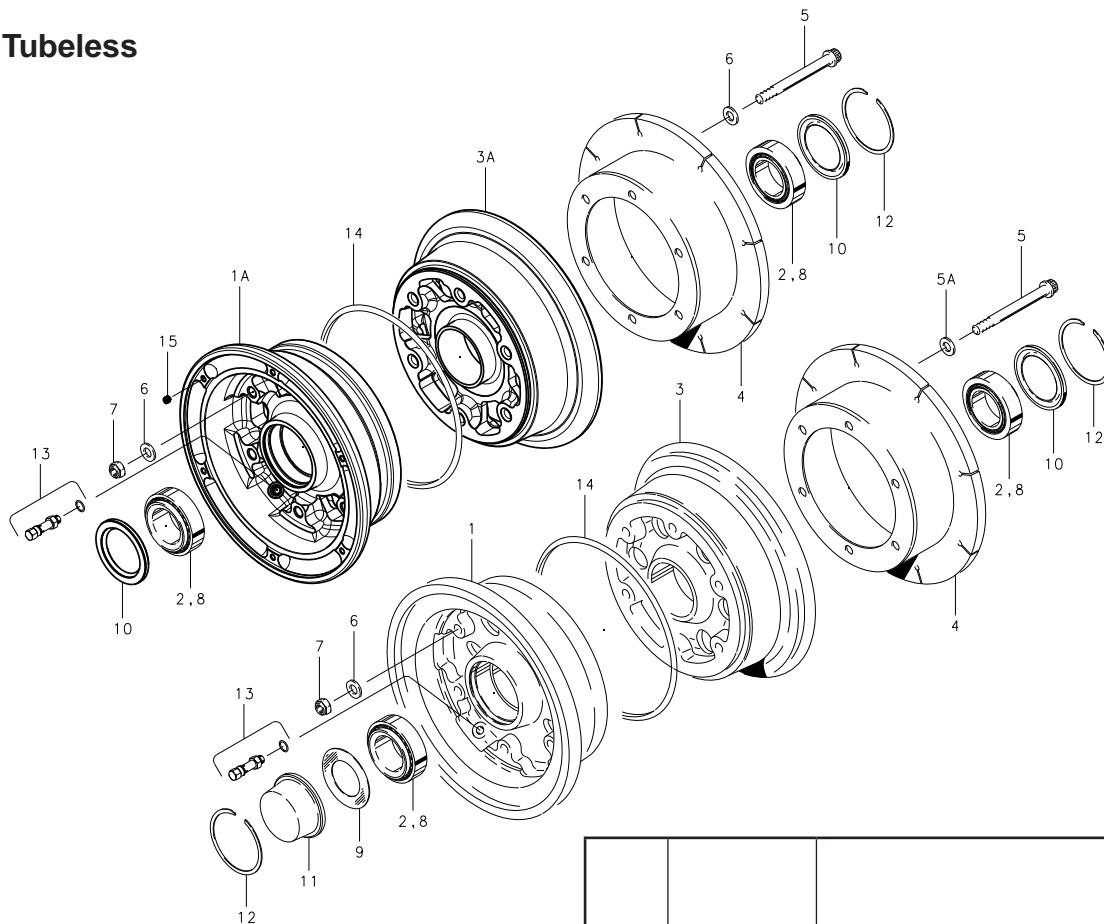
Cleveland
Wheels & Brakes



Illustrated Parts List

40-172, 40-258, 40-289, 40-483

Tubeless



NOTES:

- (1) Inactive assembly – spares support only for parts listed.
- (2) Inactive part – no longer available for spares support.
- (3) 40-289 supersedes 40-172.

FIG.	PART NO.	DESCRIPTION	PER ASSY.			
			40-172 (1)	40-258 (1)	40-289 (3)	40-483
1	(2)	Outer Wheel Half Assy.	1	1		
	162-18000	Outer Wheel Half Assy.			1	
1A	162-25000	Outer Wheel Half Assy.				1
2	214-01300	Cup-Bearing	1	1		
	214-06300	Cup-Bearing			1	1
3	(2)	Inner Wheel Half Assy.	1	1		
	161-18000	Inner Wheel Half Assy.			1	
3A	161-25000	Inner Wheel Half Assy.				1
4	164-21000	Brake Disc (slotted)	1	1	1	1
5	103-32300	Bolt (MS21250-06042)	6	6		
	103-32900	Bolt (MS21250-06044)			6	6
5A	095-03100	Washer (MS20002C6)	6	6		
	095-14900	Washer (MS14155-06)			6	
6	095-10600	Washer (AN960-616)	6	6		
	095-14900	Washer (MS14155-06)			6	12
7	094-91500	Nut (MS21045-6S)	6	6		
	094-15800	Nut (NAS1804-6N)			6	6
8	214-01400	Cone-Bearing	2	2		
	214-00200	Cone-Bearing			2	2
9	153-00300	Ring-Grease Seal	1	1		
	153-04200	Ring-Grease Seal			1	
10	154-03600	Molded Grease Seal	1	1	1	2
11	158-02000	Hub Cap-Sealed	1	1	1	
12	155-00100	Snap Ring	2	2	2	2
13	160-00700	Air Valve Assy.	1	1	1	1
14	101-26600	O-Ring (MS28775-261)	1	1	1	1
15	230-04700	Insert, Helicoil				6

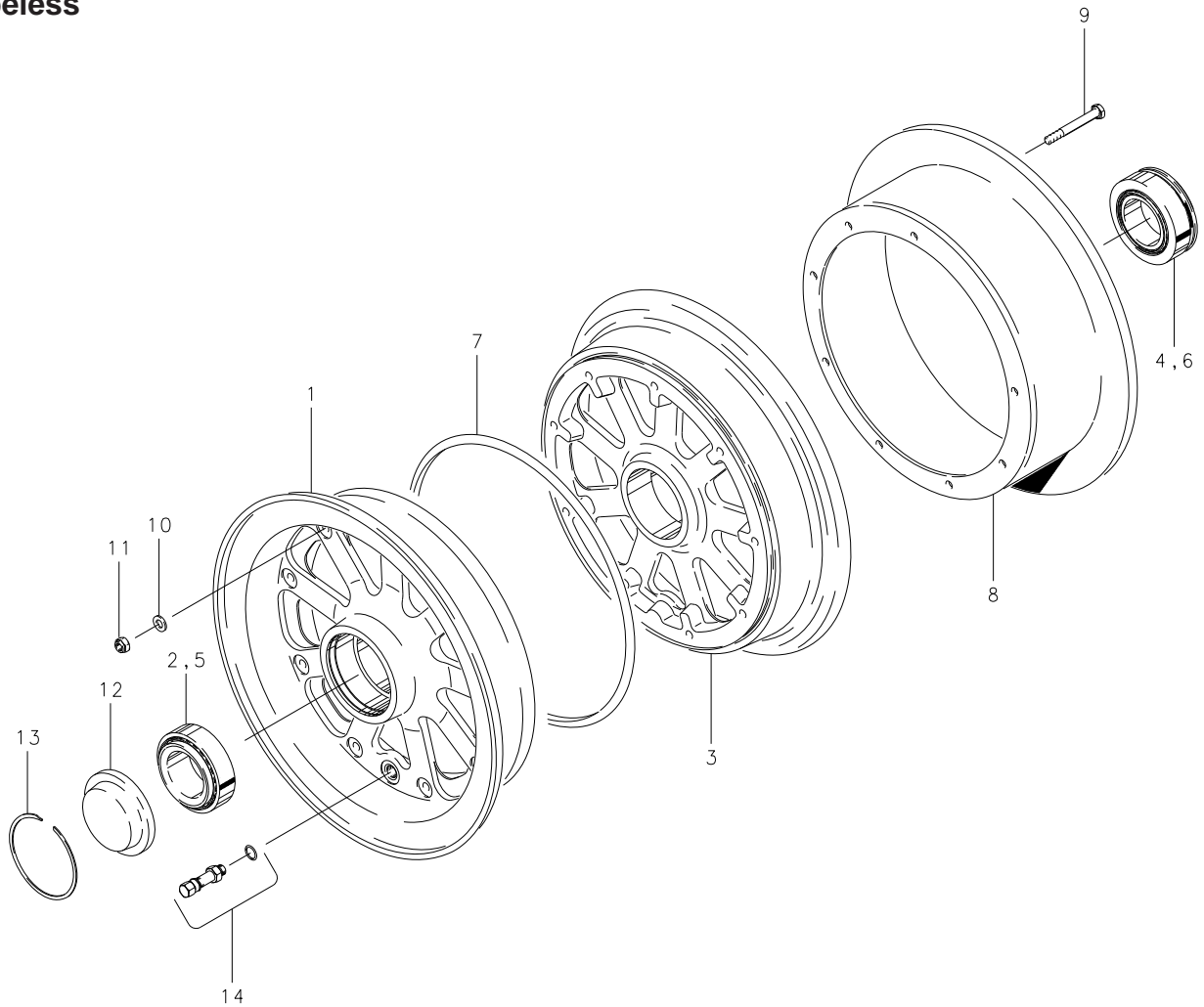
Cleveland
Wheels & Brakes



Illustrated Parts List

40-255

Tubeless



Assy. Number

A) 40-255

FIG.	PART		QTY. PER ASSY.
	NUMBER	DESCRIPTION	A
1	162-14800	Outer Wheel Half Assy.	1
2	214-01300	Cup-Bearing	1
3	161-15900	Inner Wheel Half Assy.	1
4	214-03700	Cup-Bearing (Inner)	1
5	214-01400	Cone-Bearing	1
6	214-03800	Cone-Bearing (Inner)	1
7	101-09700	O-Ring (MS28775-269)	1
8	164-03106	Brake Disc	1
9	103-00400	Bolt (AN4H-20A)	9
10	095-10400	Washer (AN960-416)	9
11	094-01200	Nut (MS21042-4)	9
12	158-00300	Hub Cap	1
13	155-00100	Snap Ring	1
14	160-00700	Air Valve Assy.	1

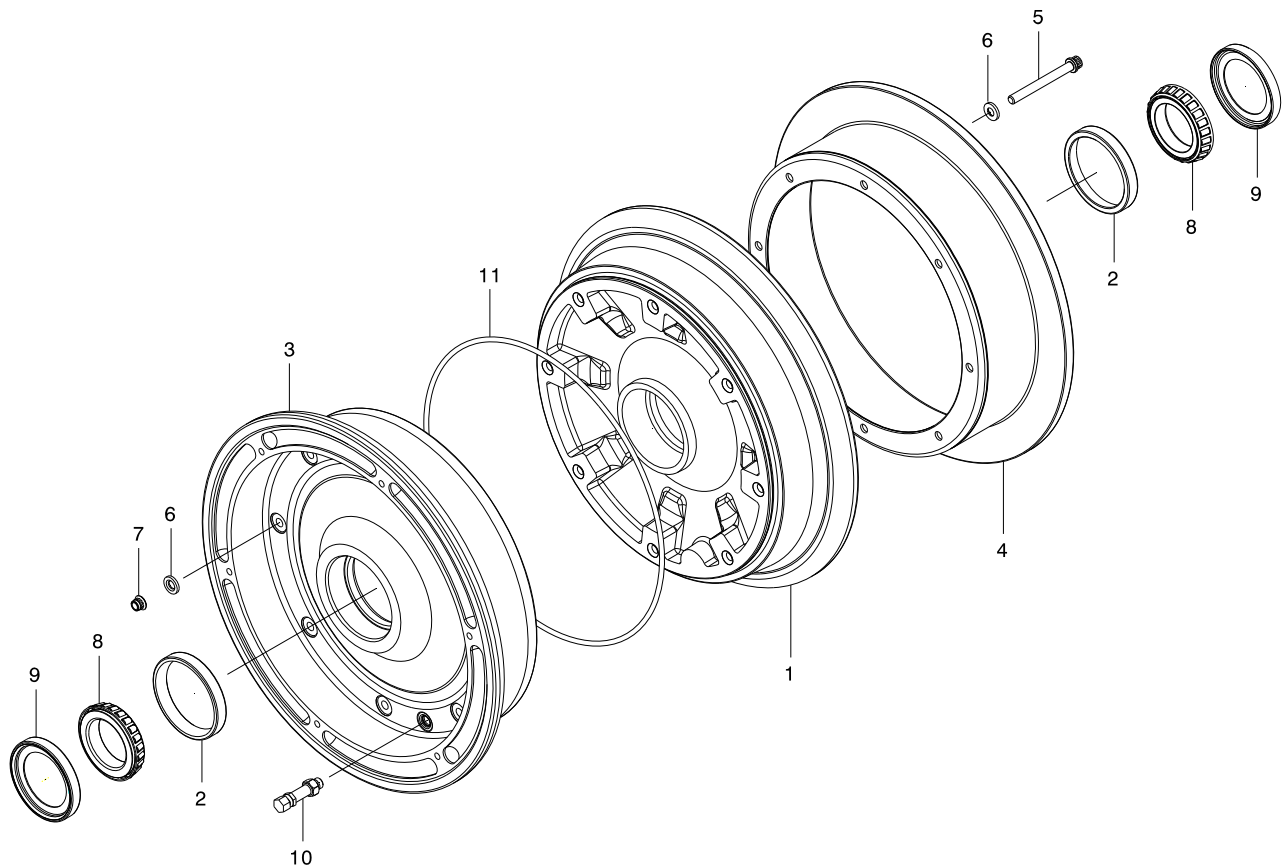
Cleveland
Wheels & Brakes



Illustrated Parts List

040-46900

Tubeless



4

FIG.	PART NO.	DESCRIPTION	PER ASSY.
1	161-23900	Inner Wheel Half Assembly	1
2	214-00100	Cup-Bearing	1
3	162-23900	Outer Wheel Half Assembly	1
2	214-00100	Cup-Bearing	1
4	164-25200	Brake Disc	1
5	103-85600	Bolt	8
6	095-14300	Washer	16
7	094-17700	Nut	8
8	214-00200	Cone-Bearing	2
9	154-09600	Seal, Grease	2
10	160-00700	Valve, Inflation	1
11	101-19700	Packing, Preformed	1

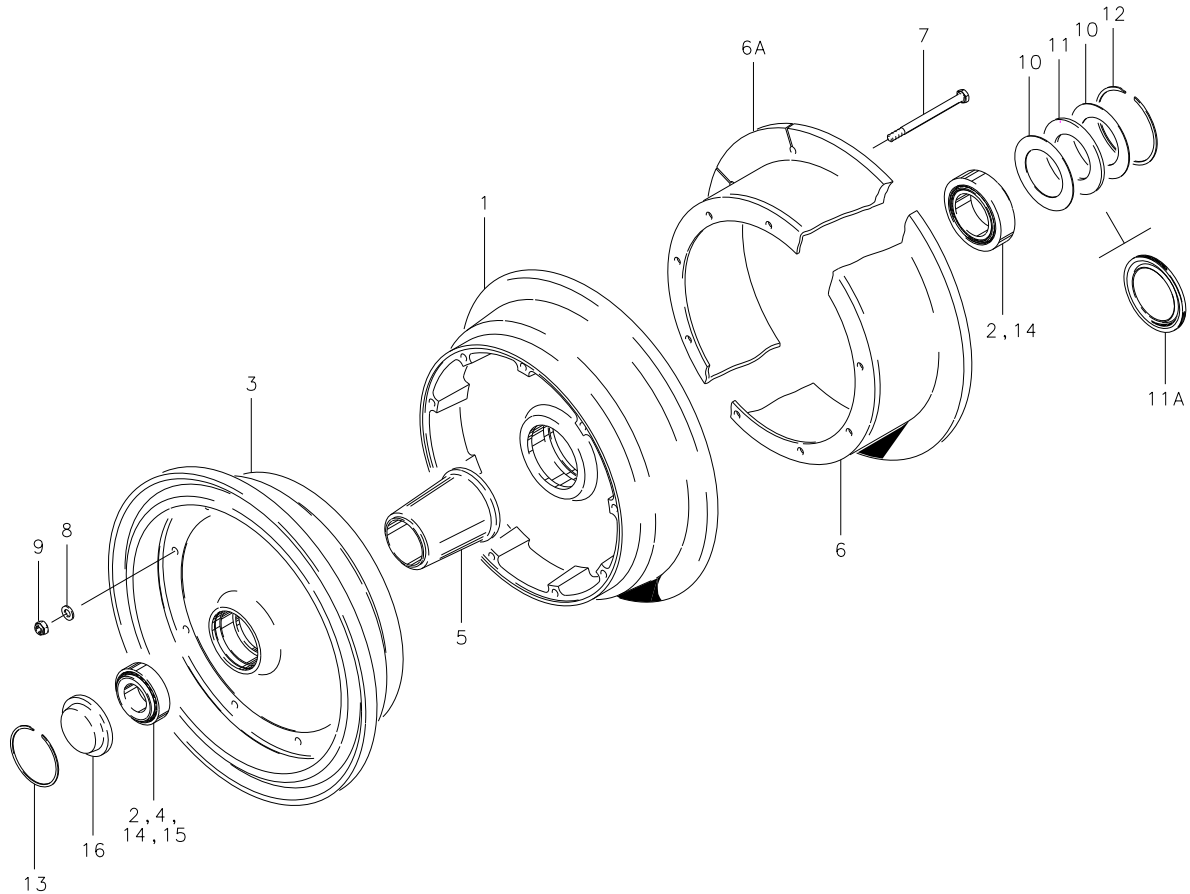
Cleveland
Wheels & Brakes



Illustrated Parts List

40-40A, 40-40B, 40-40C, 40-102, 40-102A, 40-130, 40-135, 40-196, 40-256

Tube-Type



Cleveland
Wheels & Brakes



Illustrated Parts List

40-40A, 40-40B, 40-40C, 40-102, 40-102A, 40-130, 40-135, 40-196, 40-256

Tube-Type

FIG.	PART NUMBER	DESCRIPTION	QTY. PER ASSY.								
			A	B	C	D	E	F	G	H	I
1	161-01900	Inner Wheel Half Assy.				1	1	1		1	
	161-01901	Inner Wheel Half Assy.	1	1	1				1		1
2	214-01300	Cup-Bearing	1	1	1	1	1	1	1	1	1
3	162-01700	Outer Wheel Half Assy.	1	1	1				1		1
	162-03500	Outer Wheel Half Assy.				1	1	1		1	
4	214-00900	Cup-Bearing	1	1	1				1		1
2	214-01300	Cup-Bearing				1	1	1		1	
5	067-00600	Spacer	1	1	1				1		1
	067-12000	Spacer				1	1	1		1	
6	164-00806	Brake Disc	1		1						
	164-03506	Brake Disc				1					
	164-04406	Brake Disc					1				
	164-03106	Brake Disc								1	
	164-01406	Brake Disc		1							
6A	164-03006	Brake Disc									1
6A	164-06406	Brake Disc (Slotted)							1		
	164-07906	Brake Disc (Slotted)						1			
7	103-11400	Bolt (AN4-32A)				9	9	9		9	
	103-15500	Bolt	9	9	9				9	9	9
8	095-10400	Washer (AN960-416)	9	9	9	9	9	9	9	9	9
	095-10200	Washer (AN960-416L)				9	9	9		9	
9	094-10300	Nut (MS21044-N4)				9	9	9		9	
	094-10301	Nut (MS21045-4S)	9	9	9				9		9
10	153-00900	Ring-Grease Seal		2						2	
	153-01600	Ring-Grease Seal			2	2	2	2			
11	154-00300	Felt-Grease Seal								1	
	154-00800	Felt-Grease Seal		1	1						
	154-01600	Felt-Grease Seal				1	1	1			
11A	154-03000	Molded Grease Seal	1						1		
	154-03600	Molded Grease Seal									1
12	155-00100	Snap Ring	1	1	1	2	2	2	1	1	1
13	155-00600	Snap Ring	1	1	1				1		1
14	214-01400	Cone-Bearing	1	1	1	2	2	2	1	2	1
15	214-01000	Cone-Bearing	1	1	1				1		1
16	158-00800	Hub Cap	1	1	1				1		1
	158-00300	Hub Cap				1	1	1		1	

Assy. Number

- A) 40-40A
- B) 40-40B
- C) 40-40C
- D) 40-102
- E) 40-102A
- F) 40-130
- G) 40-135 (1) (2)
- H) 40-196 (3)
- I) 40-256

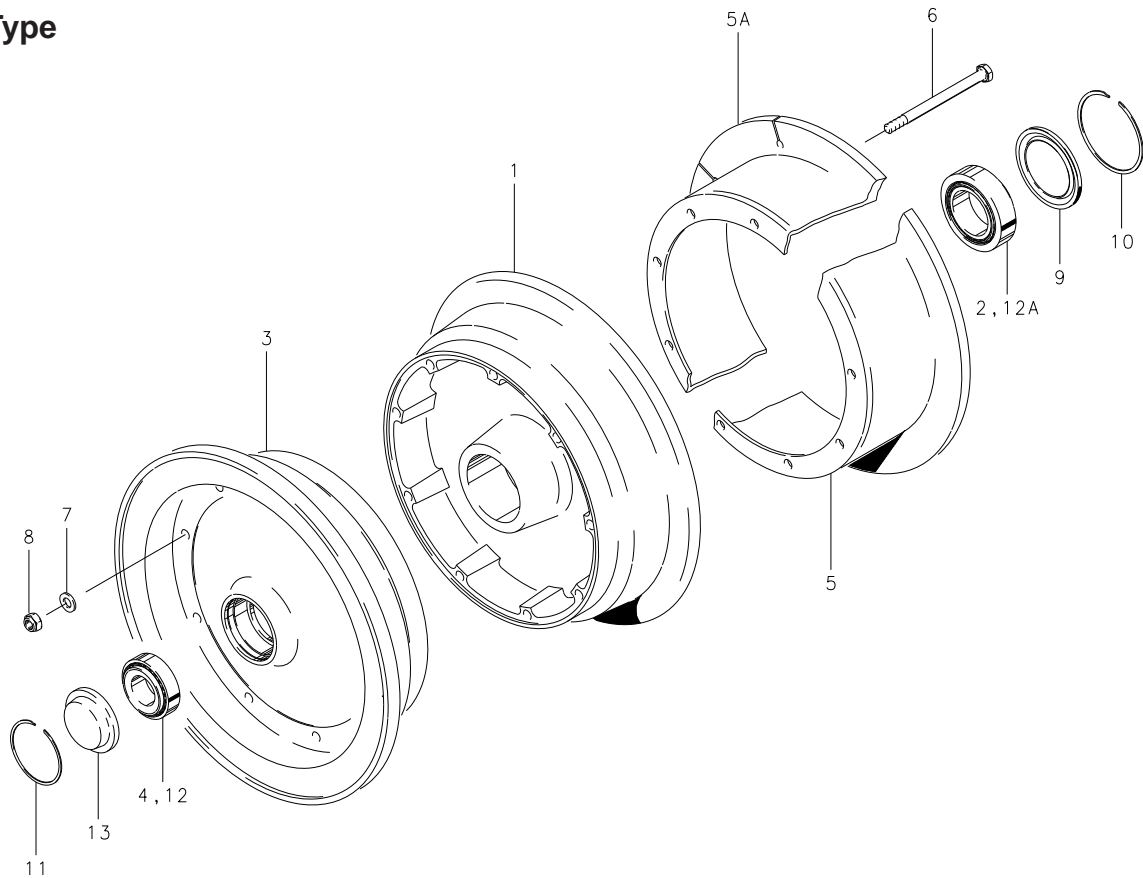
NOTES:

- (1) Inactive assembly – spares support only for parts listed.
- (2) 40-135 superseded by 40-135A.
- (3) This wheel is not FAA TSO approved – order from airframe manufacturer only.



40-40D, 40-135A

Tube-Type



Assy. Number

A) 40-40D

B) 40-135A (1)

NOTES:

(1) Optional high strength hardware: Qty

103-24200 Bolt (MS21250-05044)	9
095-02800 Washer (MS20002C5)	18
094-13200 Nut	9

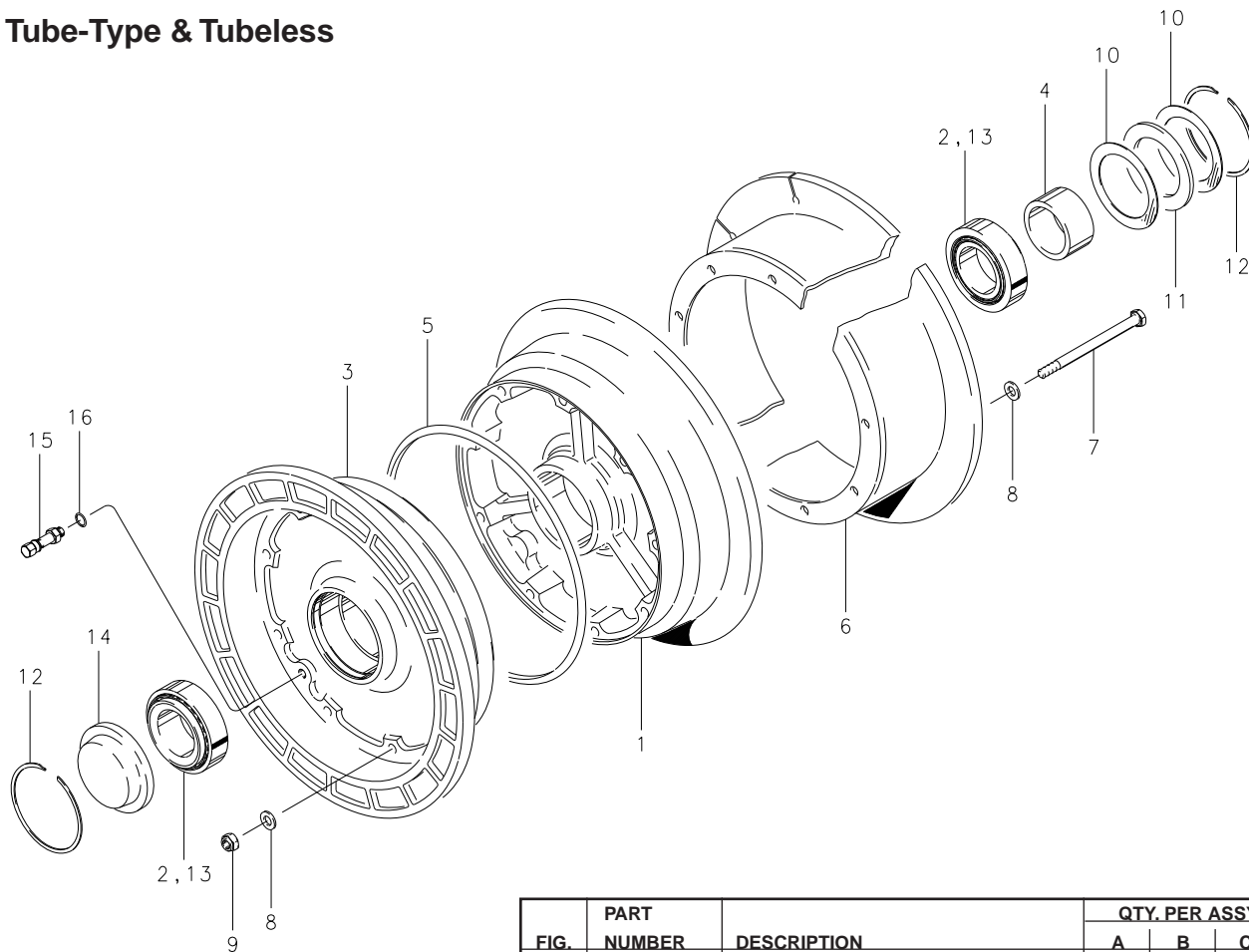
Above hardware must be used together to maintain proper grip on bolts – DO NOT mix with AN hardware.

Refer to PRM41 for installation instructions.

FIG.	PART NUMBER	DESCRIPTION	QTY. PER ASSY.	
			A	B
1	161-09900	Inner Wheel Half Assy.	1	1
2	214-01300	Cup-Bearing	1	1
3	162-09300	Outer Wheel Half Assy.	1	1
4	214-03400	Cup-Bearing	1	1
5	164-20206	Brake Disc	1	
5A	164-20306	Brake Disc (Slotted)		1
6	103-22400	Bolt (AN5-32A)	9	9
7	095-10500	Washer (AN960-516)	9	9
8	094-10400	Nut (MS21044-N5)	9	9
9	154-03000	Molded Grease Seal	1	1
10	155-00100	Snap Ring	1	1
11	155-00600	Snap Ring	1	1
12	214-01000	Cone-Bearing	1	1
12A	214-01400	Cone-Bearing	1	1
13	158-00800	Hub Cap	1	1

40-106, 40-106A, 40-132, 40-141

Tube-Type & Tubeless



Assy. Number

- A) 40-106 (1)
- B) 40-106A (1)
- C) 40-132 (2)
- D) 40-141 (1)

NOTES:

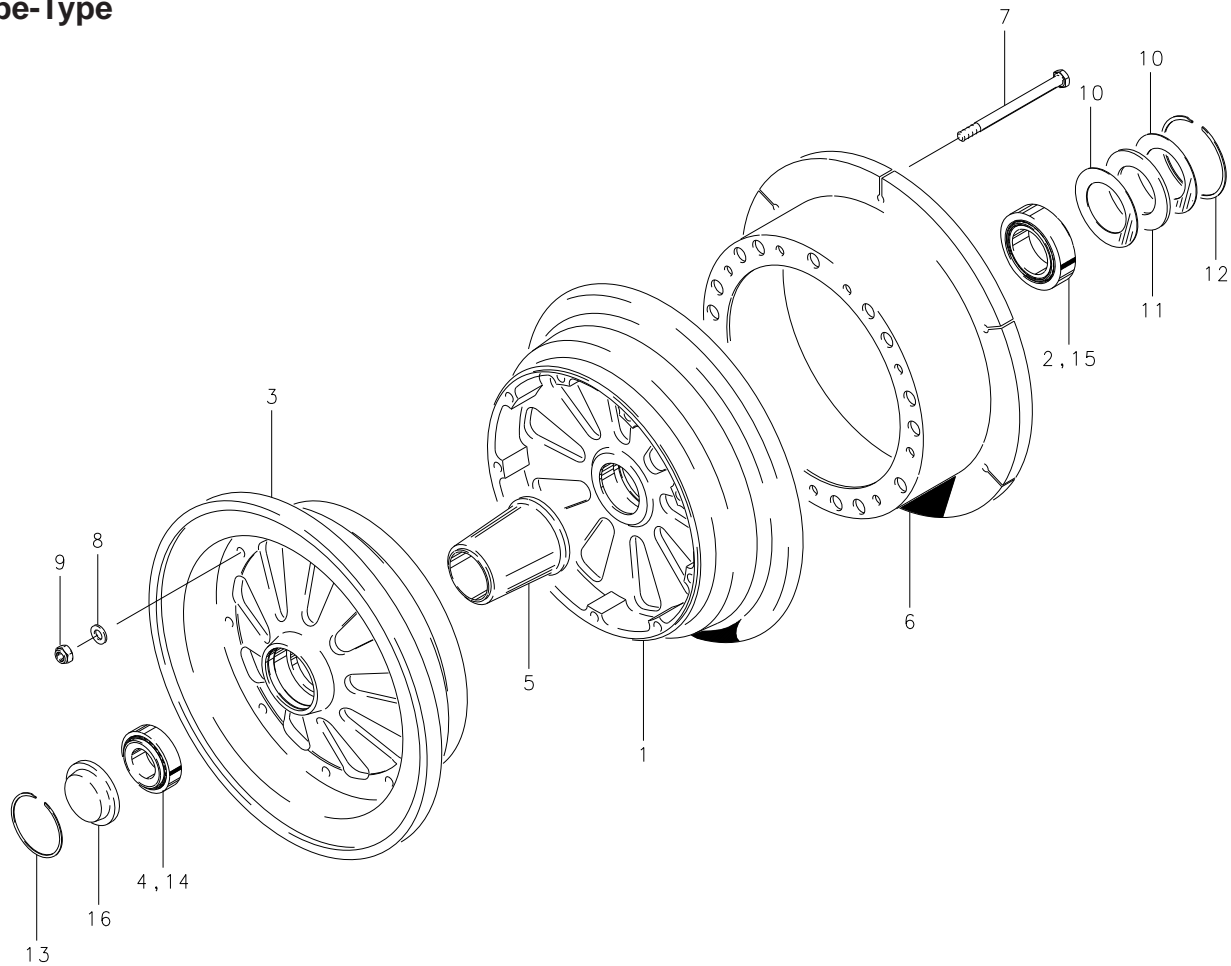
- (1) Use tube-type tires.
- (2) Use tubeless tires.

FIG.	PART NUMBER	DESCRIPTION	QTY. PER ASSY.			
			A	B	C	D
1	161-05900	Inner Wheel Half Assy.			1	
	161-07200	Inner Wheel Half Assy.	1	1		1
2	214-02900	Cup-Bearing	1	1	1	1
3	162-05500	Outer Wheel Half Assy.			1	
	162-06701	Outer Wheel Half Assy.		1		
	162-06700	Outer Wheel Half Assy.	1			1
2	214-02900	Cup-Bearing	1	1	1	1
4	067-03900	Spacer	1	1		1
5	101-09700	O-Ring (MS28775-269)			1	
6	164-03906	Brake Disc	1	1		
6A	164-09100	Brake Disc (Slotted)			1	
	164-07700	Brake Disc (Slotted)				1
7	103-20400	Bolt (AN5-35A)	9	9		9
	103-21400	Bolt (AN5-37A)			9	
8	095-10500	Washer (AN960-516)	18	18		18
	095-10700	Washer (AN960-516L)			18	
9	094-10400	Nut (MS21044-N5)	9	9	9	9
10	153-01900	Ring-Grease Seal	2	2	2	2
11	154-02600	Felt-Grease Seal	1	1	1	1
12	155-04400	Snap Ring	2	2	2	2
13	214-02800	Cone-Bearing	2	2	2	2
14	158-01300	Hub Cap	1	1	1	1
15	160-01900	Air Valve Assy.			1	
16	101-50354	O-Ring (MS28775-010)			1	



40-138A

Tube-Type



Assy. Number

A) 40-138A (1)

NOTES:

(1) 40-138A supersedes 40-138.

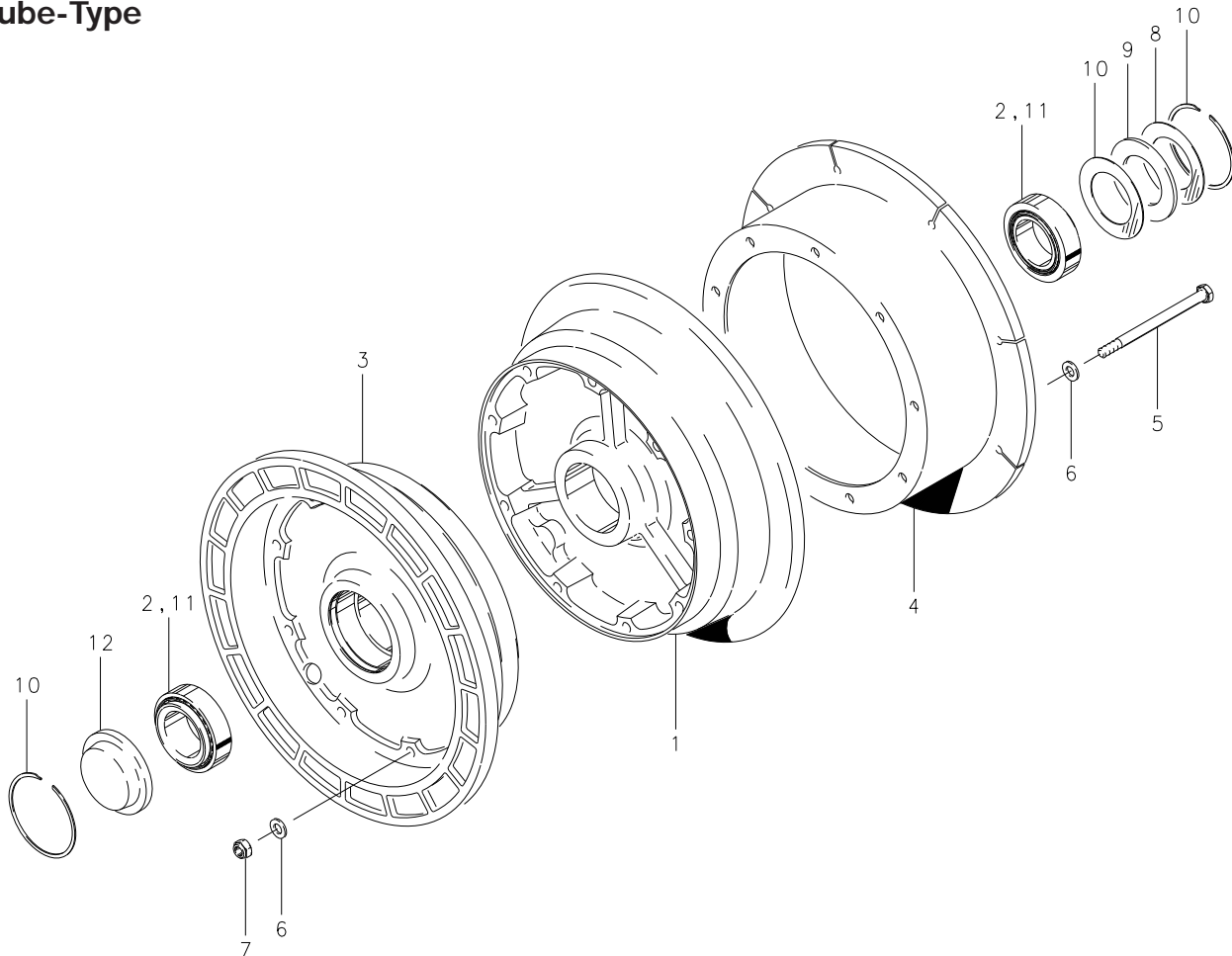
FIG.	PART NUMBER	DESCRIPTION	QTY. PER ASSY.
			A
1	161-11200	Inner Wheel Half Assy.	1
2	214-01300	Cup-Bearing	1
3	162-10200	Outer Wheel Half Assy.	1
4	214-03400	Cone-Bearing	1
5	067-00600	Spacer	1
6	164-05500	Brake Disc (Slotted)	1
7	103-21800	Bolt (AN5-34A)	9
8	095-10500	Washer (AN960-516)	9
9	094-10400	Nut (MS21044-N5)	9
10	153-00900	Ring-Grease Seal	2
11	154-00800	Felt-Grease Seal	1
12	155-00100	Snap Ring	1
13	155-00600	Snap Ring	1
14	214-01000	Cone-Bearing	1
15	214-01400	Cone-Bearing	1
16	158-00800	Hub Cap	1

Illustrated Parts List

**Wheel Assembly – Main, External
6.50-10**

40-162, 40-195

Tube-Type



Assy. Number

A) 40-162

B) 40-195

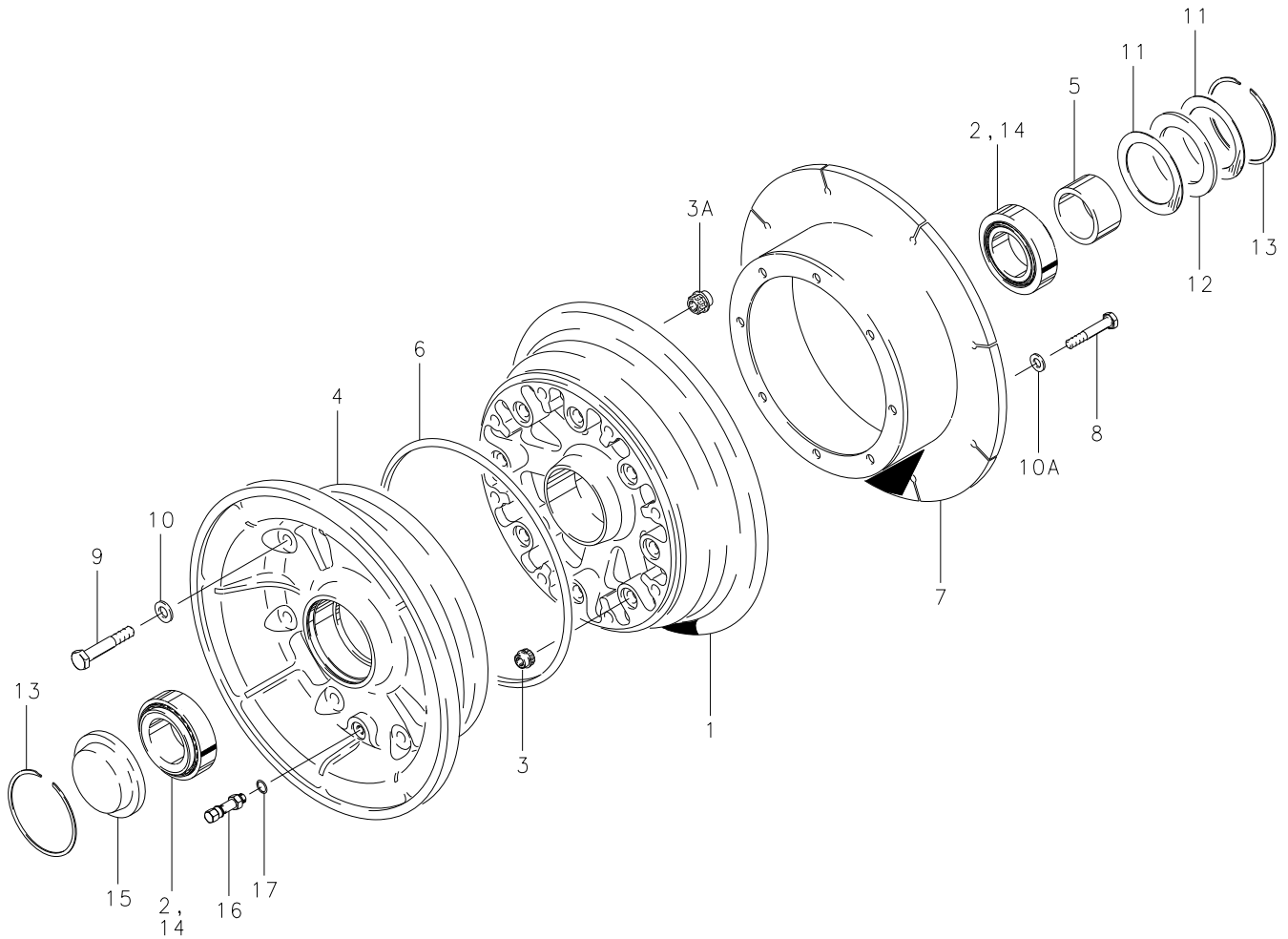
FIG.	PART NUMBER	DESCRIPTION	QTY. PER ASSY.	
			A	B
1	161-09500	Inner Wheel Half Assy.	1	1
2	214-01300	Cup-Bearing	1	1
3	162-08900	Outer Wheel Half Assy.	1	1
2	214-01300	Cup-Bearing	1	1
4	164-07700	Brake Disc (Slotted)	1	1
	164-21900	Brake Disc (Slotted)		1
5	103-20400	Bolt (AN5-35A)	9	9
6	095-10500	Washer (AN960-516)	18	18
7	094-10400	Nut (MS21044-N5)	9	9
8	153-01600	Ring-Grease Seal	2	2
9	154-01600	Felt-Grease Seal	1	1
10	155-00100	Snap Ring	2	2
11	214-01400	Cone-Bearing	2	2
12	158-00300	Hub Cap	1	1

4

Illustrated Parts List

40-166, 40-167, 40-169

Tube-Type & Tubeless



Cleveland
Wheels & Brakes



40-166, 40-167, 40-169

Tube-Type & Tubeless

FIG.	PART NUMBER	DESCRIPTION	QTY. PER ASSY.		
			A	B	C
1	161-07300	Inner Wheel Half Assy. (2)	1		
	161-08000	Inner Wheel Half Assy. (3)	1	1	
	161-10100	Inner Wheel Half Assy. (2)		1	
	161-10200	Inner Wheel Half Assy. (2)			1
	161-10900	Inner Wheel Half Assy. (3)			1
2	214-02900	Cup-Bearing	1	1	1
3	094-00600	Spline-Nut	8	8	16
3A	094-00800	Spline-Nut	8	8	
4	162-07500	Outer Wheel Half Assy.	1		
	162-09600	Outer Wheel Half Assy.		1	
	162-09400	Outer Wheel Half Assy.			1
2	214-02900	Cup-Bearing	1	1	1
5	067-03900	Spacer	1	1	
6	101-09700	O-Ring (MS28775-269)	1		1
7	164-07400	Brake Disc (Slotted)	1		
	164-20600	Brake Disc (Slotted)		1	
	164-20700	Brake Disc (Slotted)			1
8	103-20300	Bolt (AN5-15A)	8	8	8
9	103-31100	Bolt (AN6-20A)	8	8	
	103-22600	Bolt (MS21250-05016)			8
10	095-10600	Washer (AN960-616)	8	8	
	095-02800	Washer (MS20002C5)			8
10A	095-10700	Washer (AN960-516L)	8	8	
11	153-01900	Ring-Grease Seal	2	2	
12	154-02600	Felt-Grease Seal	1	1	
	154-03400	Molded Grease Seal			1
13	155-04400	Snap Ring	2	2	2
14	214-02800	Cone-Bearing	2	2	2
15	158-01300	Hub Cap	1	1	1
16	160-00700	Air Valve Assy.	1		1
17	101-50354	O-Ring (MS28775-010)	1		1

Assy. Number

A) 40-166 (1)

B) 40-167 (4)

C) 40-169 (1)

NOTES:

- (1) Use tubeless tires.
- (2) Inner wheel half assy. with disc.
- (3) Inner wheel half assy. without disc.
- (4) Use type-type tires.

Illustrated Parts List

40-101, 40-101A, 40-101D, 40-101E, 40-129, 40-134, 40-134A, 40-179, 40-179A, 40-223, 40-234

Tube-Type

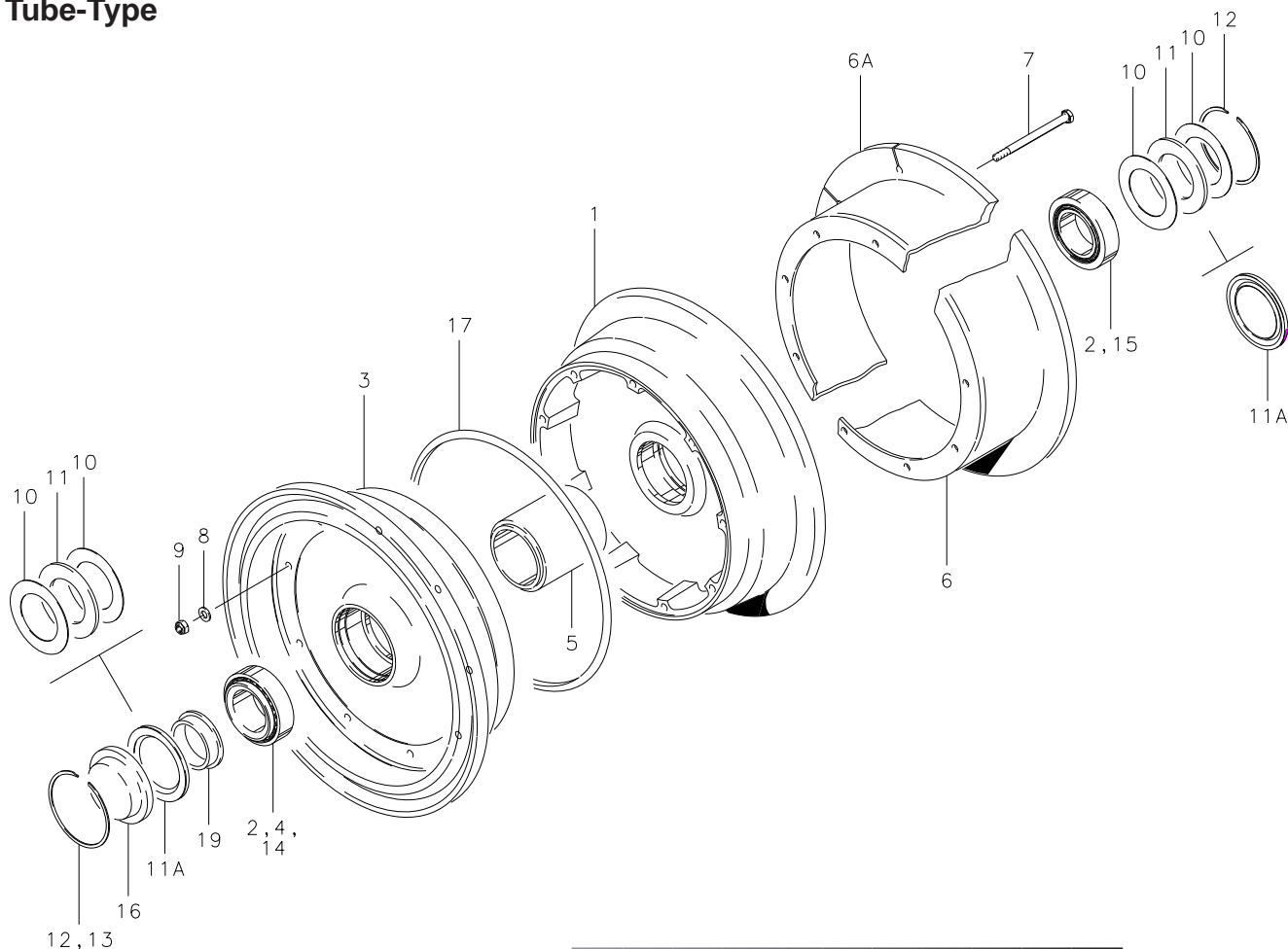


FIG.	PART NUMBER	DESCRIPTION	PER ASSY.										
			40-101	40-101A (3)	40-101D	40-101E	40-129	40-134 (1) (2)	40-134A (1) (2)	40-179	40-179A	40-223	40-234 (3)
1	161-03600	Inner Wheel Half Assembly	1	1		1						1	
	161-03601	Inner Wheel Half Assembly			1								
	161-05700	Inner Wheel Half Assembly				1							
	161-06300	Inner Wheel Half Assembly					1	1					
	161-12800	Inner Wheel Half Assembly							1	1			
2	214-01300	Cup-Bearing	1	1		1	1	1	1	1	1	1	1
	214-30795-1	Cup-Bearing			1								
3	162-03400	Outer Wheel Half Assembly	1	1		1						1	1
	162-03401	Outer Wheel Half Assembly			1								
	162-05400	Outer Wheel Half Assembly				1							
	162-05900	Outer Wheel Half Assembly					1	1					
	162-11800	Outer Wheel Half Assembly							1	1			
2	214-01300	Cup-Bearing	1	1		1				1	1	1	1
	214-30795-1	Cup-Bearing			1								
4	214-00900	Cup-Bearing					1	1	1				

(Continued on next page)

Cleveland
Wheels & Brakes



Illustrated Parts List

40-101, 40-101A, 40-101D, 40-101E, 40-129, 40-134, 40-134A, 40-179, 40-179A, 40-223, 40-234

Tube-Type

(Continued from previous page)

FIG.	PART NUMBER	DESCRIPTION	PER ASSY.														
			40-101	40-101A (3)	40-101D	40-101E	40-129	40-134 (1) (2)	40-134A (1) (2)	40-179	40-179A	40-223	40-234 (3)				
5	067-00600	Spacer					1	1	1								
	067-06300	Spacer	1	1	1	1					1	1	1	1			
6	164-03006	Brake Disc	1		1	1											
	164-03106	Brake Disc		1											1		
	164-05606	Brake Disc					1									1	
6A	164-22201	Brake Disc (Slotted)									1	1					
	164-06306	Brake Disc (Slotted)							1	1							
7	103-11300	Bolt (AN4-40A)	9	9	9	9	9								9	9	
	103-20800	Bolt (AN5-41A)						9	9								
	103-22300	Bolt (AN5-40A)									9	9					
8	095-10400	Washer (AN960-416)	9	9	9	9	9								9	9	
	095-10500	Washer (AN960-516)						9	9	9	9						
9	094-10300	Nut (MS21044-N4)	9	9	9	9	9								9	9	
	094-10400	Nut (MS21044-N5)						9	9	9	9						
10	153-00900	Ring-Grease Seal	2	2	2	2											2
	153-01600	Ring-Grease Seal					2	2	2								
11	154-01400	Felt-Grease Seal	1	1	1	1										2	1
	154-01600	Felt-Grease Seal					1	1	1								
11A	154-03000	Molded Grease Seal									2	1	2				
12	155-00100	Snap Ring	2	2	2	2	1	1	1	2	2	2	2				
13	155-00600	Snap Ring					1	1	1								
14	214-01000	Cone-Bearing					1	1	1								
	214-30795-2	Cone-Bearing			2												
15	214-01400	Cone-Bearing	2	2		2	1	1	1	2	2	2	2				
16	158-00300	Hub Cap	1	1	1												1
	158-00800	Hub Cap					1	1									
	158-01400	Hub Cap Assembly							1								
	158-02000	Hub Cap				1					1						
17	101-09700	O-Ring (MS28775-269)						1	1								
18	160-00900	Air Valve Assembly						1	1								
19	067-06700	Spacer (Outboard)									1	1					

NOTES:

- (1) Wheel size is 24 x 7.7; also suitable to use 7.50-10 and 8.50-10 tires.
- (2) Tubeless/Tube-Type convertible wheel.
- (3) This wheel is not FAA TSO approved – order from airframe manufacturer only.

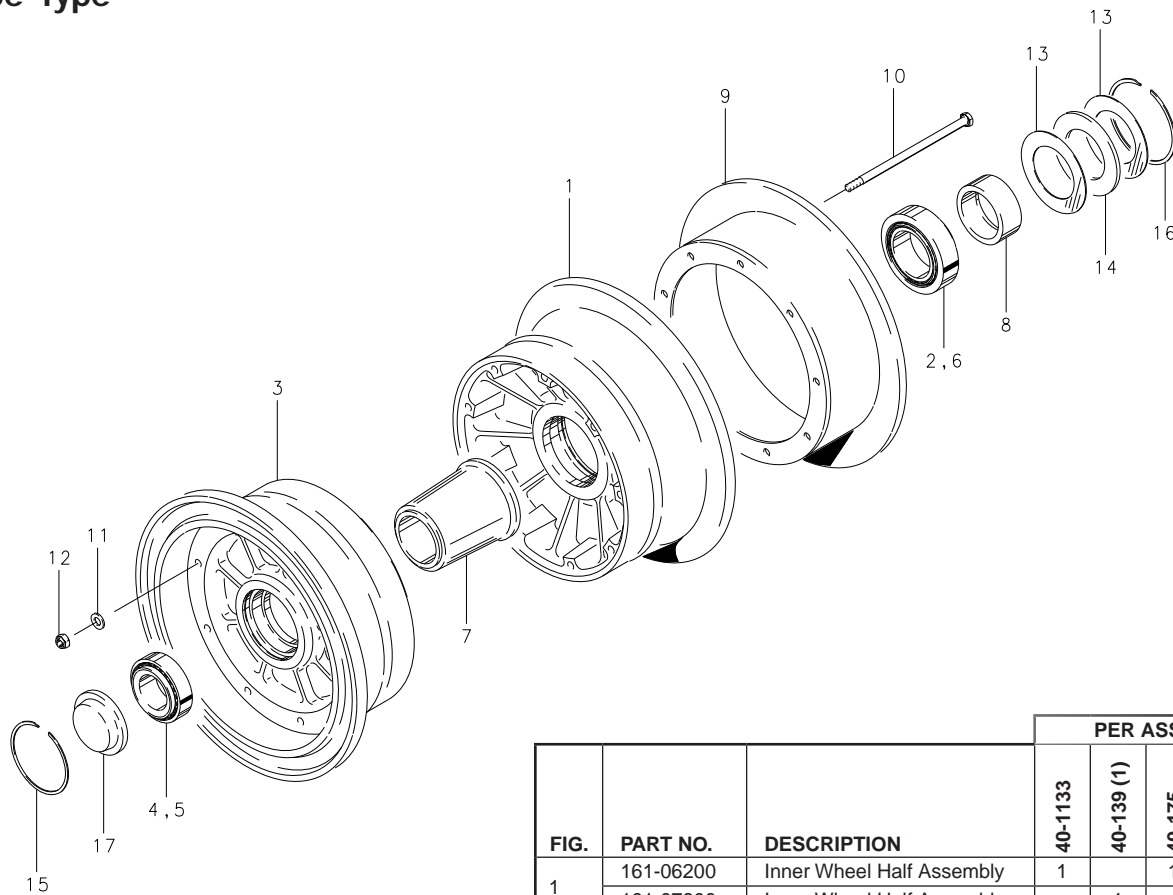


Illustrated Parts List

**Wheel Assembly – Main, External
29 x 11.00-10**

40-133, 40-139, 40-175, 40-403

Tube-Type



NOTES:

(1) This wheel is not FAA TSO approved – order from airframe manufacturer only.

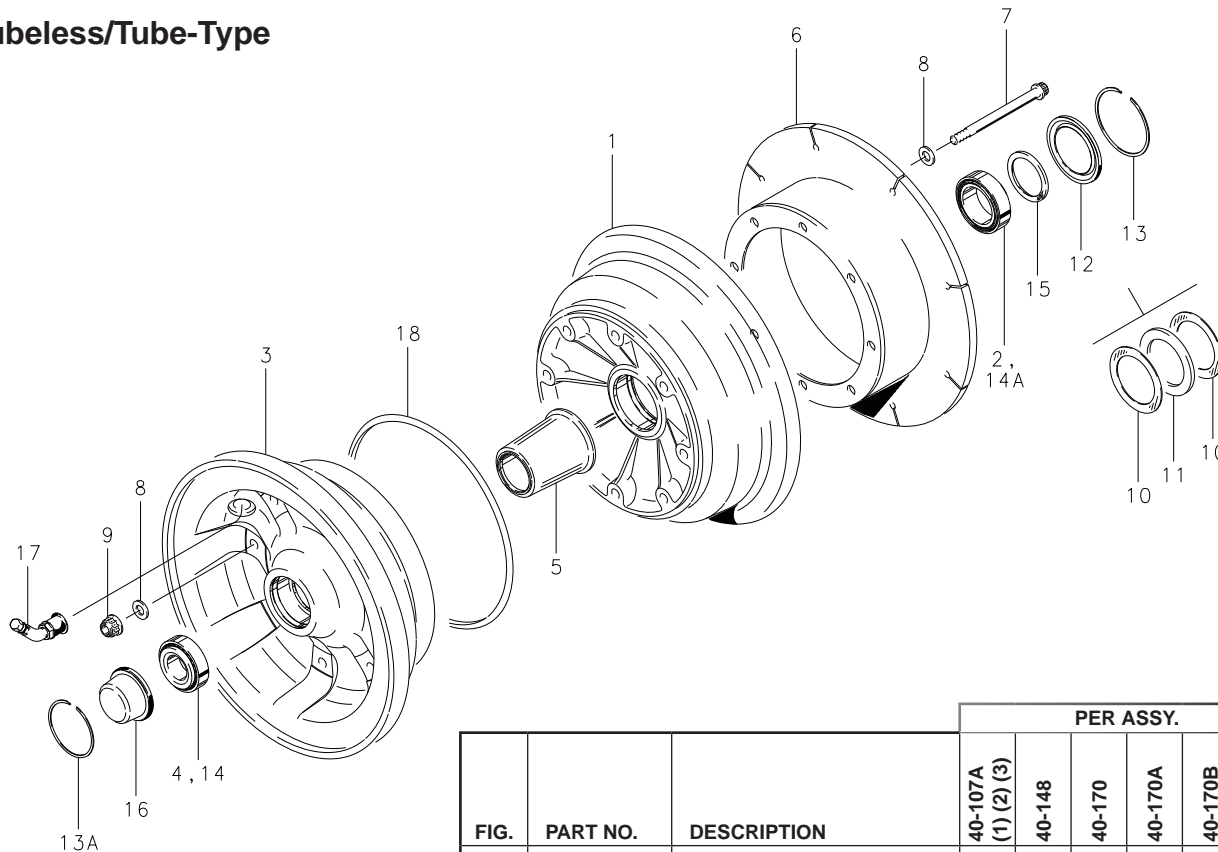
FIG.	PART NO.	DESCRIPTION	PER ASSY.			
			40-1133	40-139 (1)	40-175	40-403
1	161-06200	Inner Wheel Half Assembly	1		1	1
	161-07900	Inner Wheel Half Assembly		1		
2	214-03000	Cup-Bearing	1	1	1	1
3	162-05800	Outer Wheel Half Assembly	1		1	1
	162-07400	Outer Wheel Half Assembly		1		
4	214-00700	Cup-Bearing	1	1	1	1
5	214-00800	Cone-Bearing	1	1	1	1
6	214-03100	Cone-Bearing	1	1	1	1
7	067-03500	Spacer	1	1	1	1
8	067-03700	Axle Spacer	1		1	
9	164-05806	Brake Disc	1			
	164-07306	Brake Disc		1		
	164-21100	Brake Disc			1	
	164-22202	Brake Disc				1
10	103-21500	Bolt (AN5-71A)	9		9	9
	103-21900	Bolt (AN5-65A)		9		
11	095-10500	Washer (AN960-516)	9	9	9	9
12	094-10400	Nut (MS21044-N5)	9	9	9	9
13	153-02000	Ring-Grease Seal	2	2	2	2
14	154-02700	Felt-Grease Seal	1	1	1	1
15	155-04400	Snap Ring	1	1	1	1
16	155-04500	Snap Ring	1	1	1	1
17	158-01300	Hub Cap	1	1	1	1

Illustrated Parts List

**Wheel Assembly – Main, External
24 x 7.7**

40-107A, 40-148, 40-170, 40-170A, 40-170B, 40-198

Tubeless/Tube-Type



NOTES:

- (1) 40-107A supersedes 40-107.
- (2) Wheel qualified for usage with 24 x 7.7 or 8.50-10, 10-ply; use tubeless or tube-type tires.
- (3) 199-172 Bolt Retorque Kit provides increased bolt torque requirements. TSO approved per PRM48.

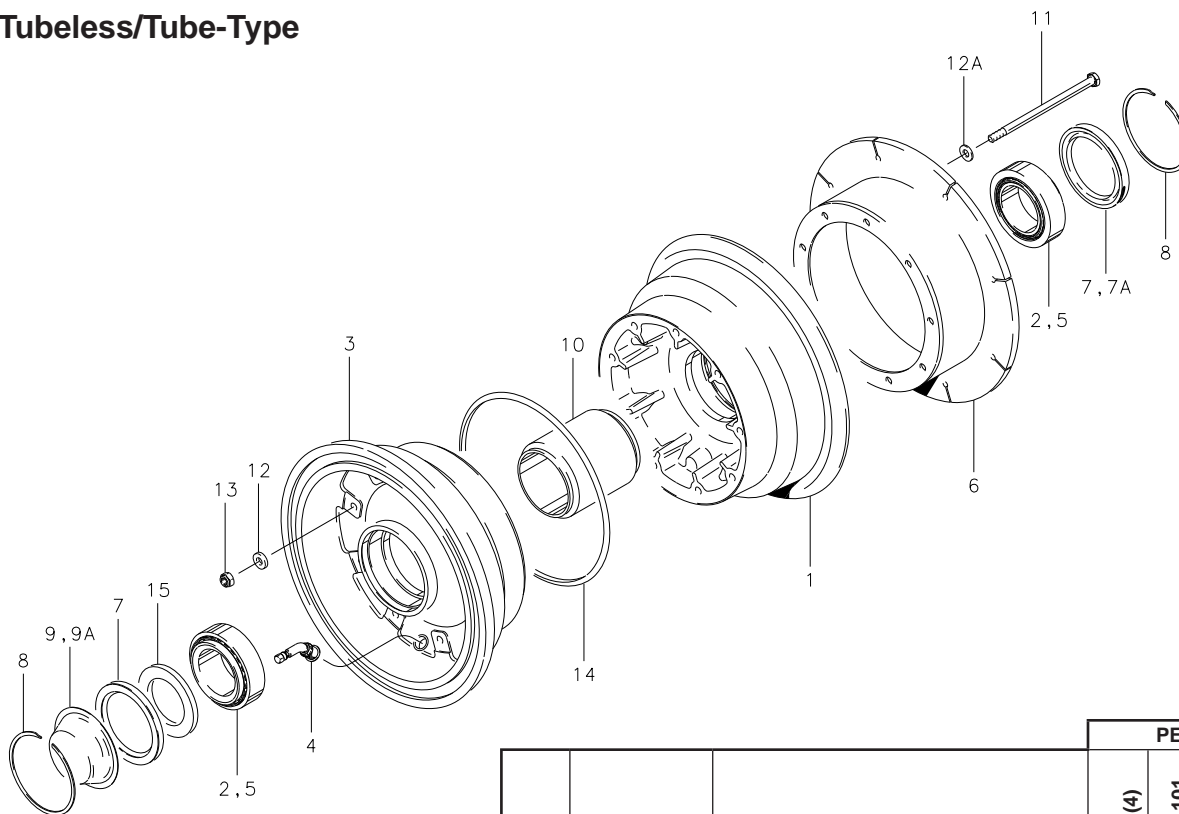
FIG.	PART NO.	DESCRIPTION	PER ASSY.					
			40-107A (1) (2) (3)	40-148	40-170	40-170A	40-170B	40-198
1	161-07600	Inner Wheel Half Assembly	1	1	1		1	1
	161-14900	Inner Wheel Half Assembly				1		
2	214-01300	Cup-Bearing	1	1	1	1	1	1
3	162-09100	Outer Wheel Half Assembly	1	1	1		1	1
	162-13700	Outer Wheel Half Assembly				1		
4	214-03400	Cup-Bearing	1	1	1	1	1	1
5	067-04100	Spacer	1	1	1	1	1	1
6	164-07200	Brake Disc (Slotted)	1	1				
	164-20900	Brake Disc (Slotted)			1	1		
	164-22000	Brake Disc (Slotted)						1
	164-22900	Brake Disc (Slotted)					1	
7	103-32500	Bolt (MS21250-06056)	8		8	8	8	8
	103-31500	Bolt (NAS6606-56)		8				
8	095-03100	Washer (MS20002C6)	16		16	16	16	16
	095-10600	Washer (AN960-616)		16				
9	094-15800	Nut (NAS1804-6N)	8		8	8	8	8
	094-12900	Nut (MS21042-6)		8				
10	153-01600	Ring-Grease Seal	2					
11	154-01600	Felt-Grease Seal	1					
12	154-03600	Molded Grease Seal		1	1	1	1	1
13	155-00100	Snap Ring	1	1	1	1	1	1
13A	155-00600	Snap Ring	1	1	1	1	1	1
14	214-01000	Cone-Bearing	1	1	1	1	1	1
14A	214-01400	Cone-Bearing	1	1	1	1	1	1
15	067-06500	Spacer		1				
16	158-01900	Hub Cap	1	1	1	1	1	1
17	160-01100	Air Valve Assembly	1	1	1	1	1	1
18	101-24100	O-Ring (MS28775-266)	1	1	1	1	1	1



Illustrated Parts List

40-211, 040-21101, 40-279, 40-279A

Tubeless/Tube-Type



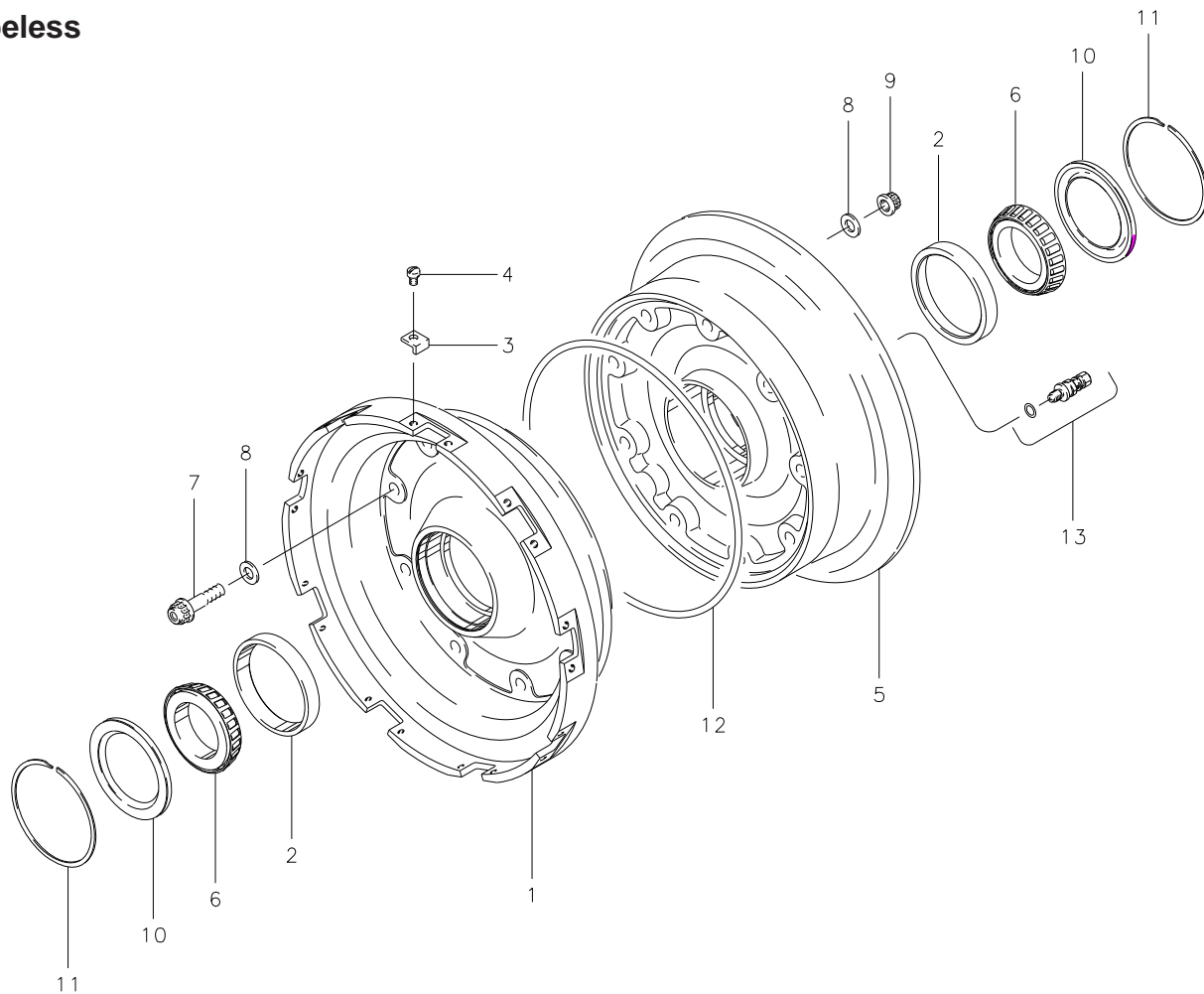
NOTES:

- (1) Inactive assembly – spares support only for parts listed.
- (2) Superseded by 040-21101.
- (3) Inactive part – no longer available for spares support.
- (4) 199-181 Wheel Upgrade Kit converts wheel to 040-21101. TSO approved per ESB7024.
- (5) Refer to Parker Service Bulletin SB7082 for replacement hubcap and seals.
- (6) SB7067-1 Service Bulletin Kit upgrades wheel to 40-279A configuration per SB7067.

FIG.	PART NO.	DESCRIPTION	PER ASSY.			
			40-211 (1) (2) (4)	040-21101	40-279 (5) (6)	40-279A (5)
1	161-13301	Inner Wheel Half Assembly		1	1	1
	(3)	Inner Wheel Half Assembly	1			
2	214-39412	Cup-Bearing	1	1	1	1
3	162-12401	Outer Wheel Half Assembly		1	1	1
	(3)	Outer Wheel Half Assembly	1			
2	214-39412	Cup-Bearing	1	1	1	1
4	160-01100	Air Valve Assembly	1	1	1	1
5	214-09200	Cone-Bearing	2	2	2	2
6	164-22400	Brake Disc	1	1		
	164-23001	Brake Disc			1	
	164-23002	Brake Disc				1
7	154-03900	Molded Grease Seal	2	2	2	
7A	154-10600	Molded Grease Seal				1
8	155-08300	Snap Ring	2	2	2	2
9	158-01700	Hub Cap	1	1	1	
9A	158-02600	Hub Cap				1
10	110-09700	Grease Dam	1			
11	103-31600	Bolt (AN6-55A)	9			
	103-32800	Bolt (MS21250-06080)		9	9	9
12	095-73200	Washer (MS14177-6)	9			
	095-10600	Washer (AN960-616)		9	9	9
12A	095-03100	Washer (MS20002C6)		9	9	9
13	(3)	Nut	9			
	094-15800	Nut (NAS1804-6N)		9	9	9
14	101-50272	O-Ring (MS28775-272)	1	1	1	1
15	095-25900	Washer, Axle				1

40-259

Tubeless



4

Assy. Number

A) 40-259

FIG.	PART NUMBER	DESCRIPTION	QTY. PER ASSY.
			A
1	161-16200	Inner Wheel Half Assy.	1
2	214-00100	Cup-Bearing	1
3	205-02900	Key Drive	18
4	102-07700	Screw (MS35266-59)	18
5	162-15100	Outer Wheel Half Assy.	1
2	214-00100	Cup-Bearing	1
6	214-00200	Cone Bearing	2
7	103-17500	Bolt (MS21250-04022)	9
8	095-71400	Washer (MS14177-4)	18
9	094-13800	Nut	9
10	154-03600	Molded Grease Seal	2
11	155-00100	Snap Ring	2
12	101-26600	O-Ring (MS28775-261)	1
13	160-00700	Air Valve Assy.	1

Cleveland
Wheels & Brakes

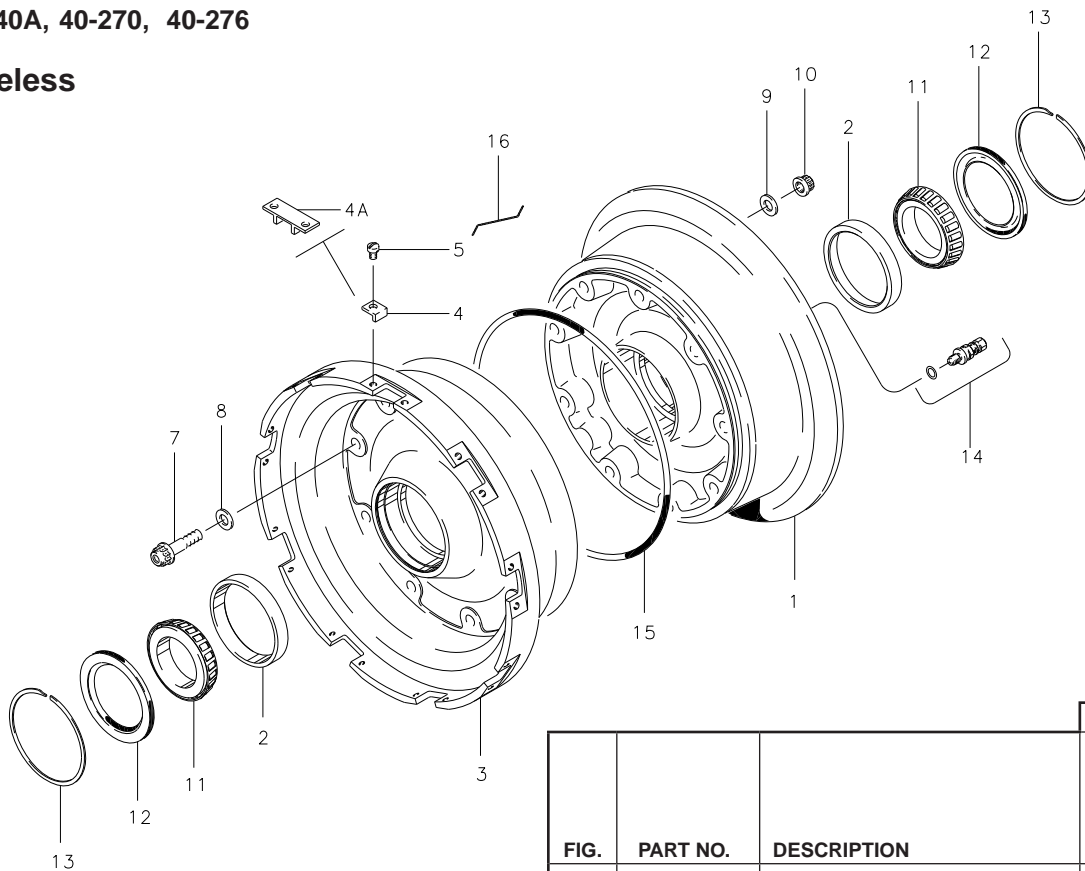


Illustrated Parts List

**Wheel Assembly – Main, Internal
18 x 5.5**

40-240A, 40-270, 40-276

Tubeless



NOTES:

- (1) Inactive assembly – spares support only for parts listed.
- (2) Inactive part – no longer available for spares support.

FIG.	PART NO.	DESCRIPTION	PER ASSY.		
			40-240A (1)	40-270	40-276
1	162-17900	Outer Wheel Half Assembly			1
	162-17100	Outer Wheel Half Assembly		1	
	(2)	Outer Wheel Half Assembly	1		
2	214-00100	Cup-Bearing	1	1	1
3	161-17900	Inner Wheel Half Assembly			1
	161-17100	Inner Wheel Half Assembly		1	
	(2)	Inner Wheel Half Assembly	1		
2	214-00100	Cup-Bearing	1	1	1
4	205-02900	Drive Key	18	18	
	205-04101	Drive Key			9
5	102-07700	Screw (MS35266-59)	18	18	
	102-07100	Screw (MS35266-61)			18
7	103-24500	Bolt (MS21250-05032)	9	9	
	103-17600	Bolt (MS21250-04034)			9
8	095-02800	Washer (MS20002C5)	9	9	
	095-71400	Washer (MS14177-4)			9
9	095-13600	Washer (MS20002-5)	9	9	
	095-71400	Washer (MS14177-4)			9
10	094-13200	Nut	9	9	
	094-13800	Nut			9
11	214-00200	Cone-Bearing	2	2	2
12	154-03600	Molded Grease Seal	2	2	
	154-03000	Grease Seal			2
13	155-00100	Snap Ring	2	2	2
14	160-01900	Air Valve Assy (MS27436C1)	1	1	1
15	101-26600	O-Ring (MS28775-261)	1	1	1
16	139-16600	Lockwire (MS20995C32)		A/R	

40-434

Tubeless

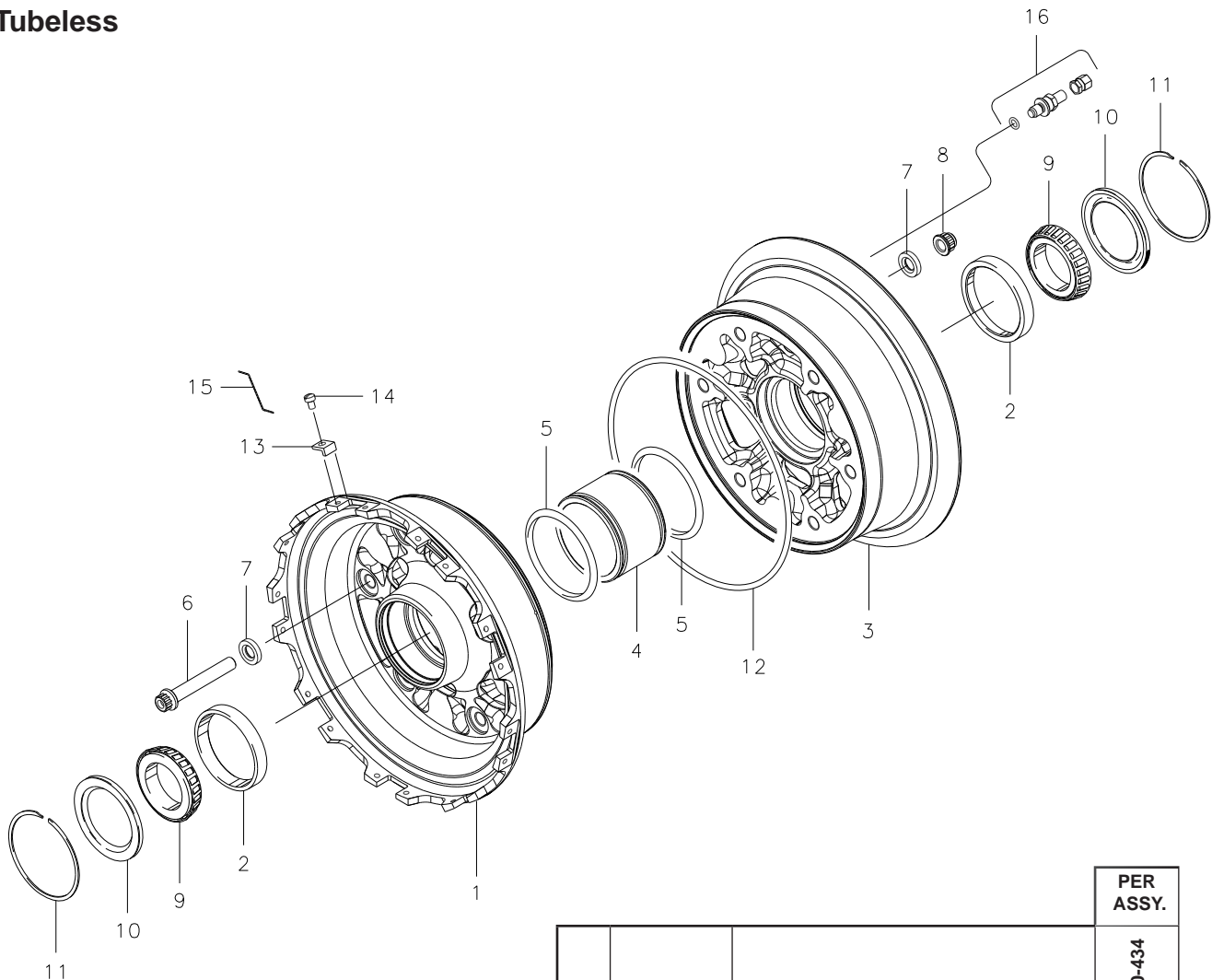


FIG.	PART NO.	DESCRIPTION	PER ASSY. 40-434
1	161-21100	Inner Wheel Half Assembly	1
2	214-01300	Cup-Bearing	1
3	162-21100	Outer Wheel Half Assembly	1
2	214-01300	Cup-Bearing	1
4	067-15100	Spacer, Grease Dam	1
5	101-62700	Packing, Preformed (MIL-P-83461/1-145)	2
6	103-86400	Bolt (MS21250-06030)	6
7	095-14900	Washer (MS14155-06)	12
8	094-15800	Nut (NAS1804-6N)	6
9	214-01400	Cone-Bearing	2
10	154-03600	Grease Seal, Molded Rubber	2
11	155-00100	Retaining Ring	2
12	101-61200	Packing, Preformed (MIL-P-83461/1-261)	1
13	205-02900	Key, Drive	18
14	102-07700	Screw (MS35266-59)	18
15	139-06500	Lockwire (MS20995-C20)	--
16	160-01900	Valve Assembly, Inflation	1

Cleveland
 Wheels & Brakes



40-181B, 40-181C

Tubeless

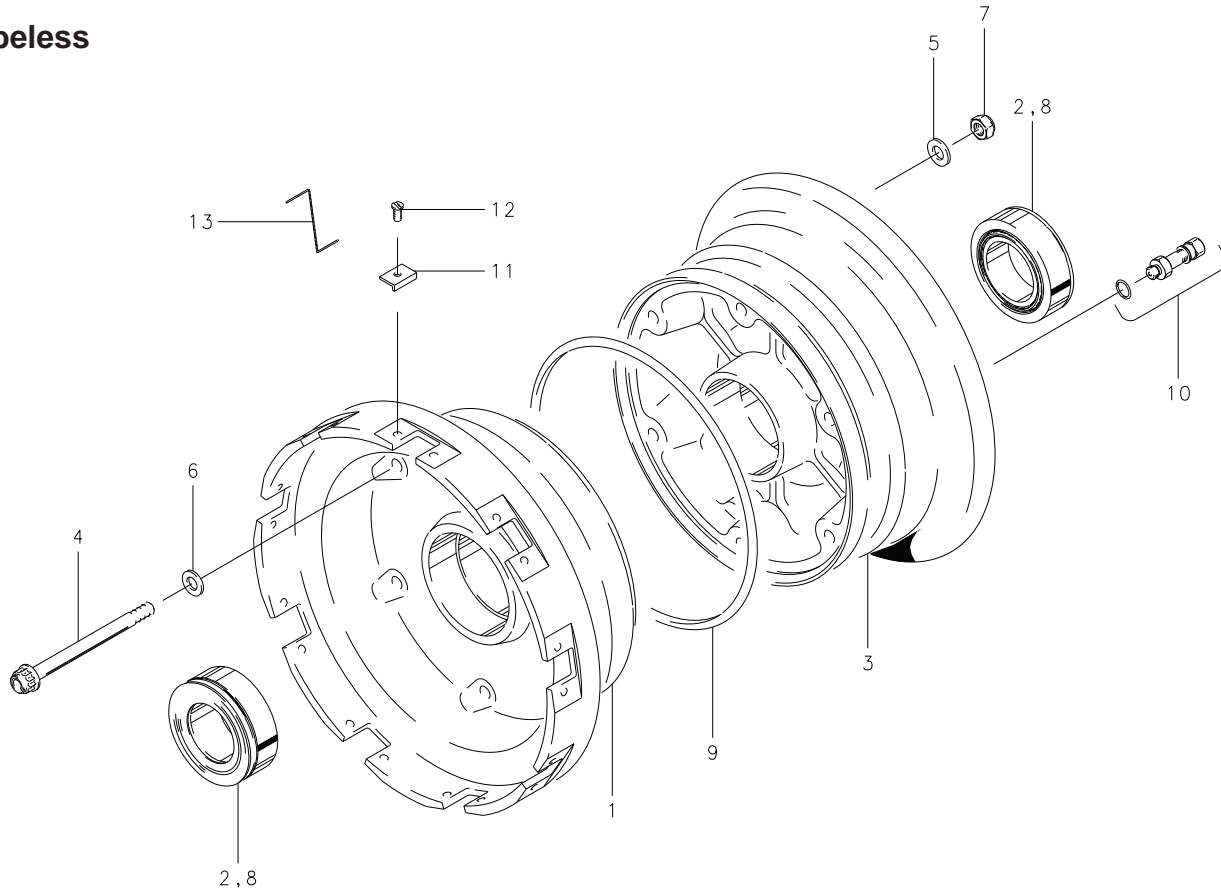
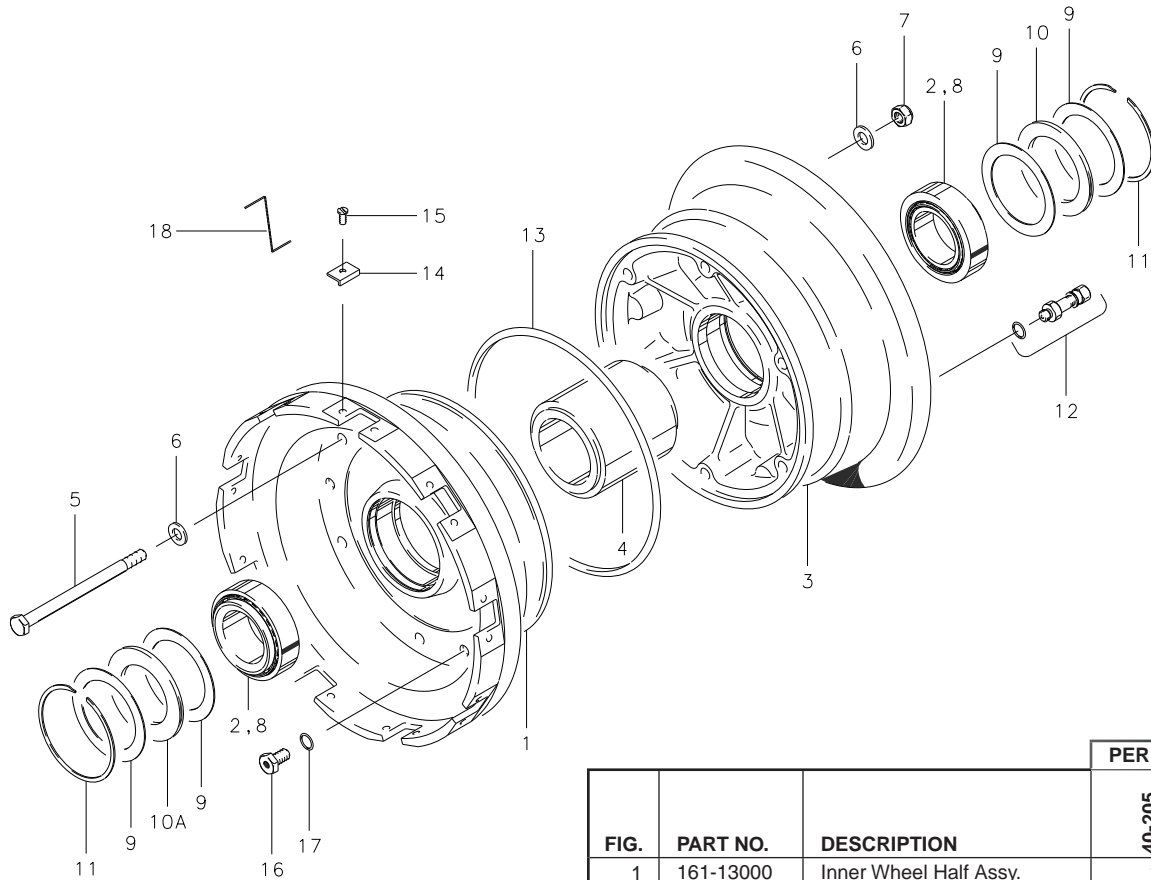


FIG.	PART NO.	DESCRIPTION	PER ASSY.	
			40-181B	40-181C
1	161-11500	Inner Wheel Half Assy.	1	1
2	214-01300	Cup-Bearing	1	1
3	162-10500	Outer Wheel Half Assy.	1	1
2	214-01300	Cup-Bearing	1	1
4	103-22800	Bolt (MS21250-05048)	6	6
5	095-13600	Washer (MS20002-5)	6	6
6	095-02800	Washer (MS20002C5)	6	6
7	094-10401	Nut (MS21045-5S)	6	6
8	214-04400	Cone-Bearing	2	2
9	101-26600	O-Ring (MS28775-261)	1	1
10	160-00700	Air Valve Assembly	1	1
11	205-00400	Key Liners	18	18
12	102-07100	Screw (MS35266-59)	18	18
13	139-16600	Lockwire (MS20995-C32)	A/R	A/R

40-205

Tubeless



NOTES:

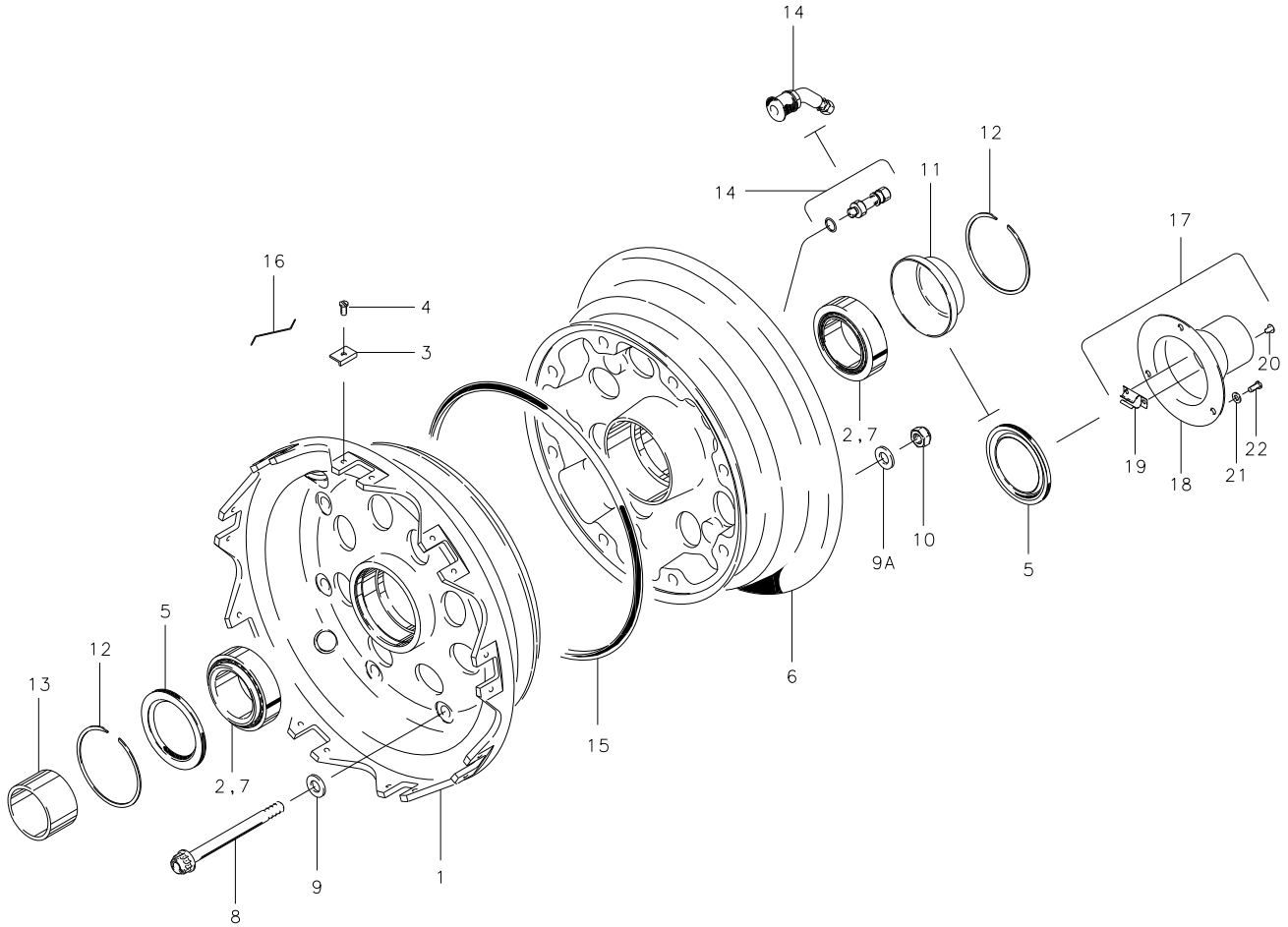
- (1) Use with 30-165 LH or RH.
- (2) This wheel is not FAA TSO approved – order from airframe manufacturer only.

FIG.	PART NO.	DESCRIPTION	PER ASSY.
			40-205 (1) (2)
1	161-13000	Inner Wheel Half Assy.	1
2	214-00100	Cup-Bearing	1
3	162-12000	Outer Wheel Half Assy.	1
2	214-00100	Cup-Bearing	1
4	067-04600	Spacer	1
5	103-21700	Bolt	6
6	095-10500	Washer (AN960-516)	12
7	094-10400	Nut (MS21044-N5)	6
8	214-00200	Cone-Bearing	2
9	153-02600	Ring-Grease Seal	4
10	154-10600	Felt-Grease Seal	1
10A	154-01400	Felt-Grease Seal	1
11	155-00100	Snap Ring	2
12	160-00700	Air Valve Assembly	1
13	101-23300	O-Ring	1
14	205-00400	Key Drive	18
15	102-07700	Screw (MS35266-59)	18
16	106-02200	Fuse Plug	3
17	101-20700	O-Ring (MS28778-2)	3
18	139-16600	Lockwire (MS20995-C32)	A/R

4

40-176, 40-203, 40-273, 40-273A, 40-273B

Tubeless/Tube-Type



Illustrated Parts List

40-176, 40-203, 40-273, 40-273A, 40-273B

Tubeless/Tube-Type

FIG.	PART NO.	DESCRIPTION	PER ASSY.				
			40-176 (2)	40-203 (1)	40-273 (1) (3) (5)	40-273A (1)	40-273B
1	161-11600	Inner Wheel Half Assy.	1				
	161-12400	Inner Wheel Half Assy.		1			
	(4)	Inner Wheel Half Assy.			1		
	161-17301	Inner Wheel Half Assy.				1	1
2	214-00100	Cup-Bearing		1	1	1	1
	214-02900	Cup-Bearing	1				
3	205-00600	Key Drive	18		18	18	18
	205-00700	Key Drive		18			
4	102-07700	Screw (AN501A10-4)	18	18	18	18	18
5	154-03400	Molded Grease Seal	1				
	154-03600	Molded Grease Seal		2	2		
	154-05100	Molded Grease Seal				2	2
6	162-10600	Outer Wheel Half Assy.	1				
	162-11400	Outer Wheel Half Assy.		1			
	(4)	Outer Wheel Half Assy.			1		
	162-17301	Outer Wheel Half Assy.				1	
	162-17302	Outer Wheel Half Assy.					1
2	214-00100	Cup-Bearing		1	1	1	1
	214-02900	Cup-Bearing	1				
7	214-00200	Cone-Bearing		2	2	2	2
	214-02800	Cone-Bearing	2				
8	103-31200	Bolt (MS21250-06034)	8	8	8	8	8
9	095-03100	Washer (MS20002C6)	8	8	8	8	8
9A	095-10600	Washer (AN960-616)	8	8	8	8	8
10	094-91500	Nut (MS21045-6S)	8	8			
	094-15800	Nut (NAS1804-6N))			8	8	8
11	158-01300	Hub Cap	1				
12	155-00100	Snap Ring		2	2		
	155-04400	Snap Ring	2				
	155-13600	Snap Ring					1
13	067-03900	Spacer	1				
14	160-00700	Air Valve Assembly	1				
	160-01200	Air Valve Assembly		1	1	1	1
15	101-25800	O-Ring (MS28775-267)	1	1	1	1	1
16	-----	Lockwire (MS20995-C32)		A/R	A/R	A/R	A/R
	139-16600	Lockwire (MS20995-C32)	A/R				
17	158-02500	Hubcap Assy.					1
18	157-03200	Hubcap					1
19	139-34400	Drive Coupling					1
20	105-12000	Rivet					2
21	095-10300	Washer (AN960-10)					3
22	102-33500	Screw (MS35207-263)					3

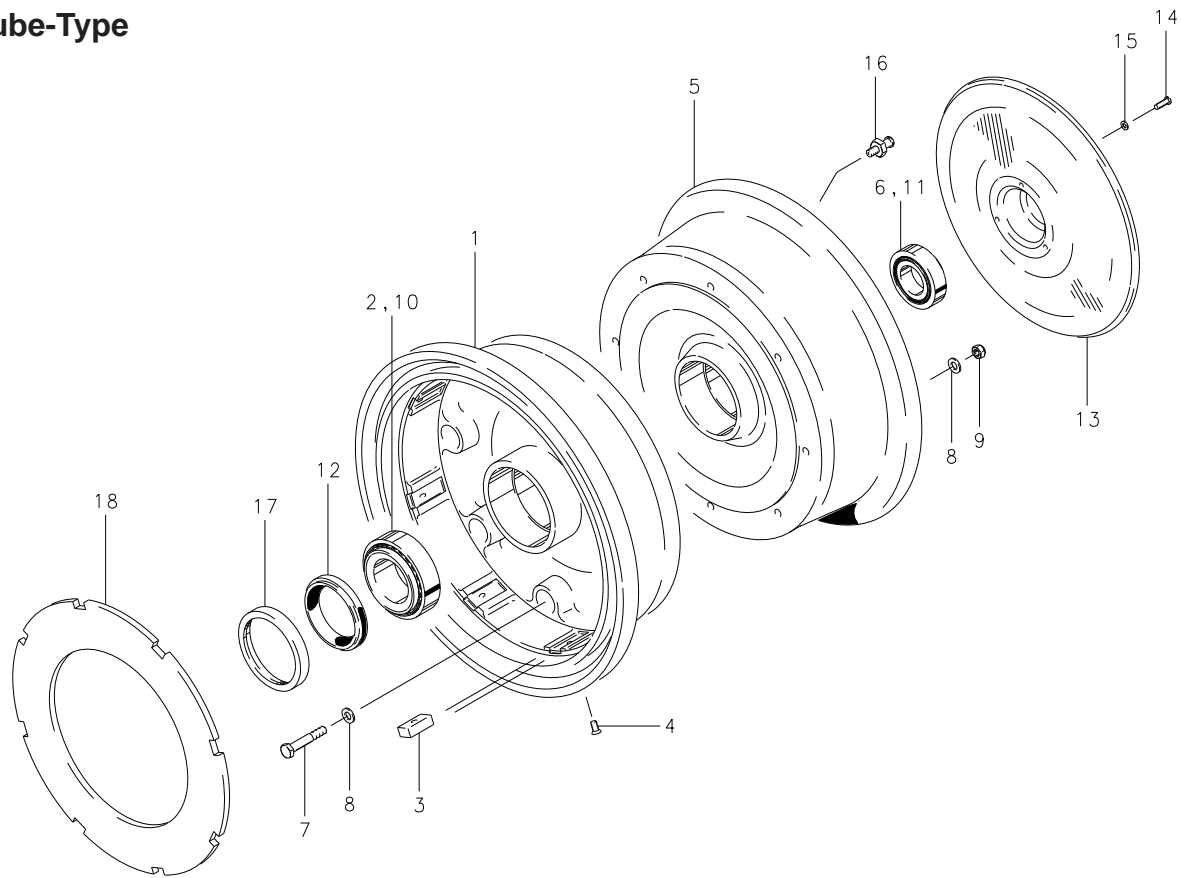
NOTES:

- (1) Convertible Tubeless/Tube-Type wheel.
- (2) Tubeless only.
- (3) Inactive assembly – spares support only for parts listed.
- (4) Inactive part – no longer available for spares support.
- (5) 40-273 superseded by 40-273A.



40-46

Tube-Type



Assy. Number

A) 40-46 (1)

NOTES:

- (1) Used with 30-31 brake assembly.
- (2) 159-00300 brake disc is a component of the 30-31 brake; shown for reference only.

FIG.	PART NUMBER	DESCRIPTION	QTY. PER ASSY.
			A
1	161-02600	Inner Wheel Half Assy.	1
2	214-01700	Cup-Bearing, Chrome Plated	1
3	205-00100	Key-Drive	8
4	102-15100	Screw-Drive Key (MS24693-S272)	8
5	162-02400	Outer Wheel Half Assy.	1
6	214-01900	Cup-Bearing, Chrome Plated	1
7	103-10300	Bolt (AN4-10A)	8
8	095-10400	Washer (AN960-416)	16
9	094-10300	Nut (MS21044-N4)	8
10	214-01800	Cone-Bearing, Chrome Plated	1
11	214-02000	Cone-Bearing, Chrome Plated	1
12	226-00200	Ring-Grease Seal	1
13	157-00700	Dust Shield	1
14	102-11000	Screw-Fil. Hd. Cap (AN500-6-5)	3
15	095-18300	Washer-Lock (AN936A6)	3
16	213-00500	Fitting-Lubricator	1
17	154-02300	Grease Seal	1
18	159-00300	Brake Disc (Ref.) (2)	---

40-424

Tubeless

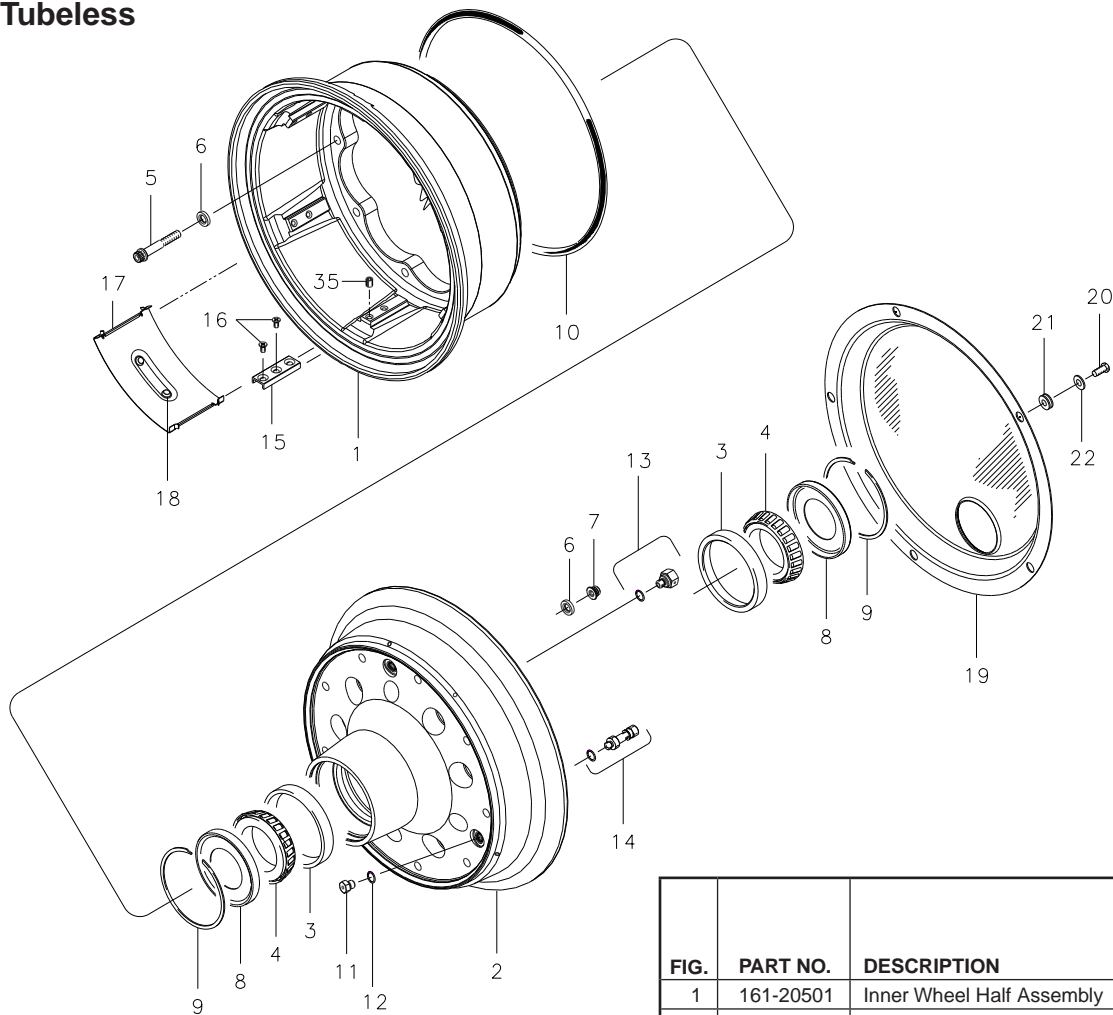


FIG.	PART NO.	DESCRIPTION	PER ASSY.
1	161-20501	Inner Wheel Half Assembly	1
2	162-20501	Outer Wheel Half Assembly	1
3	214-13100	Cup-Bearing	2
4	214-13200	Cone-Bearing	2
5	103-22700	Bolt (MS21250-05022)	9
6	095-14700	Washer (MS14155-5)	18
7	094-16400	Nut, Self-locking (NAS1804-5N)	9
8	154-08401	Grease Seal, Molded Rubber	2
9	155-14200	Ring, Retaining	2
10	101-50268	Packing, Preformed (MS28775-268)	1
11	106-01600	Plug, Fusible	3
12	101-00500	Packing, Preformed (MS28775-010)	3
13	106-01201	Rupture Disc Assembly	1
14	160-00700	Valve Assembly, Inflation	1
15	205-05201	Key, Drive	6
16	102-33300	Screw (NAS1102E3-6)	12
17	157-02600	Shield, Heat	6
18	110-15300	Bumpers, Shield, Heat	12
19	157-03500	Fairing	1
20	102-35000	Screw	5
21	207-01200	Grommet	5
22	095-10800	Washer (AN960-10L)	5

Cleveland
Wheels & Brakes



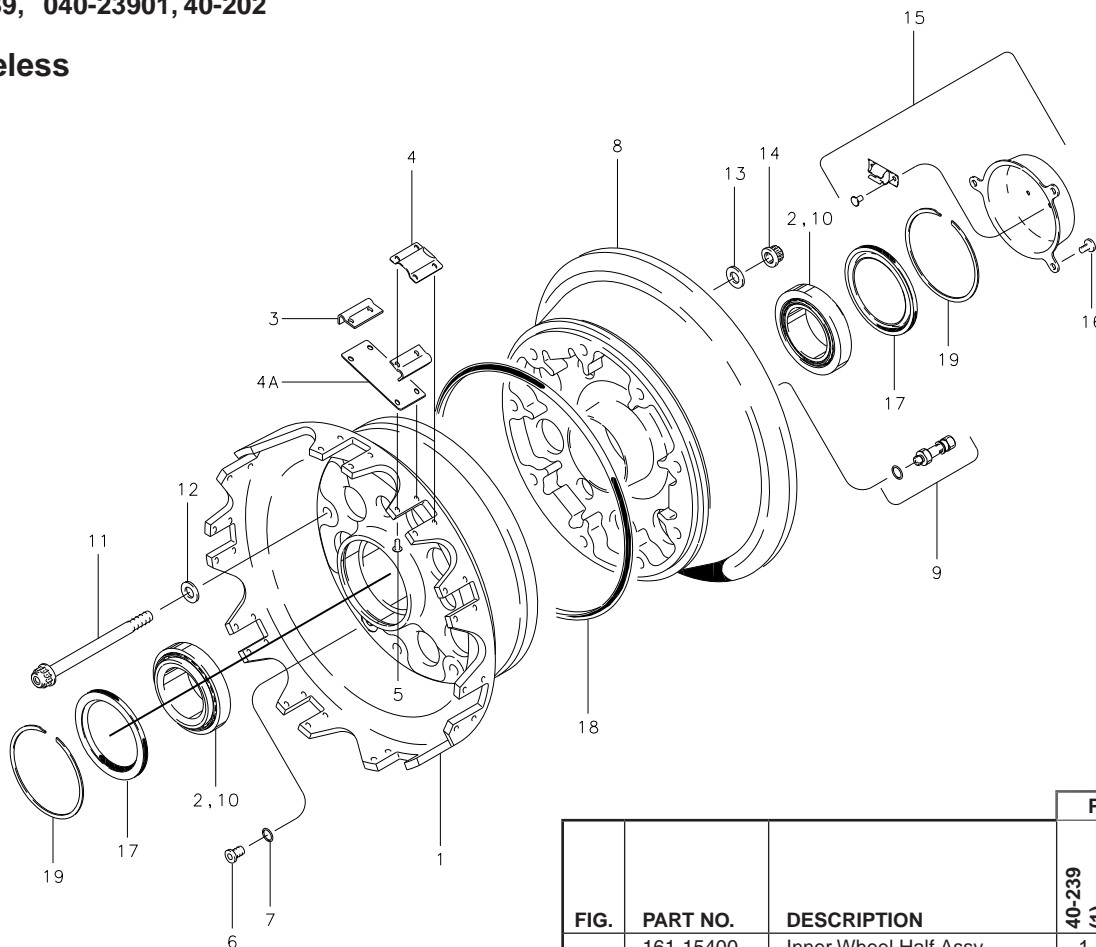
4

Illustrated Parts List

**Wheel Assembly – Main, Internal
22 x 8.0-10**

40-239, 040-23901, 40-202

Tubeless



NOTES:

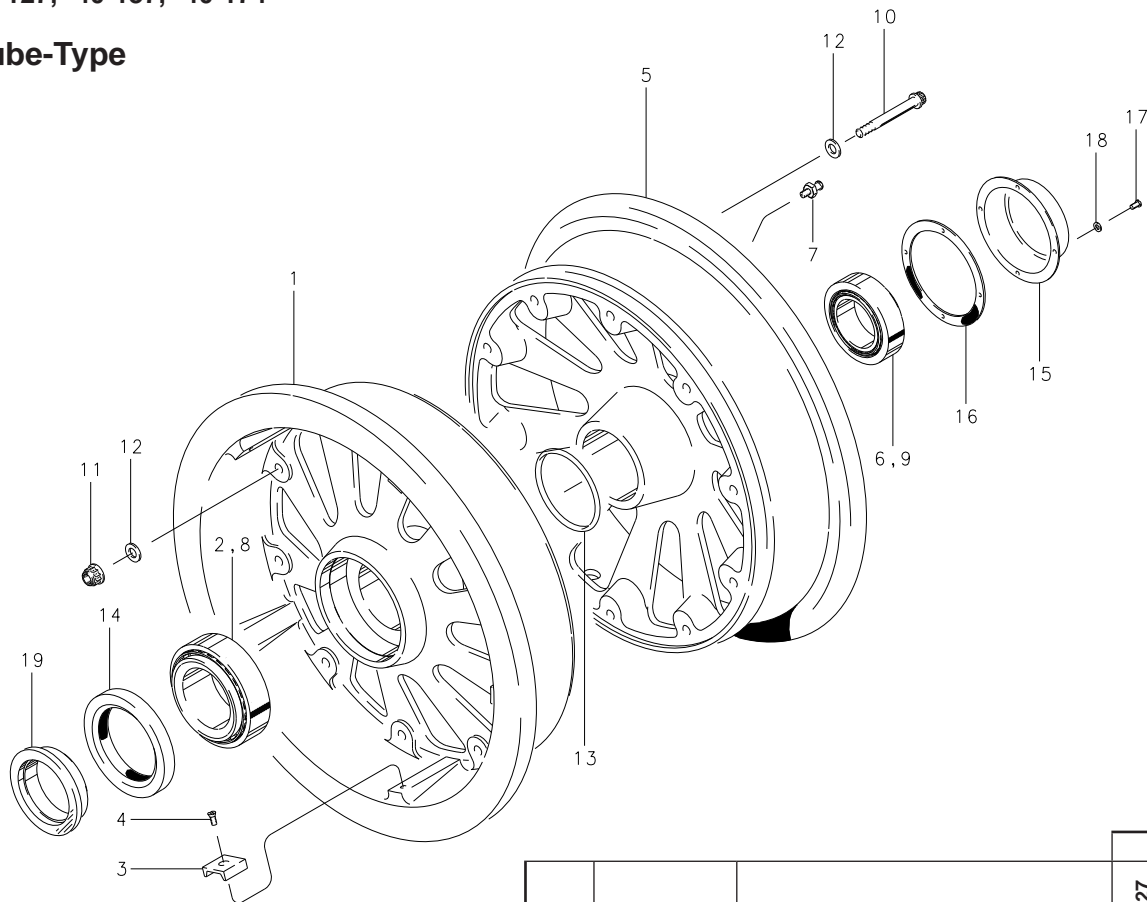
(1) 199-189 Wheel Heat Shield Kit retrofits wheel assembly to use latest heat shield configuration. TSO approved per ESB7032.

FIG.	PART NO.	DESCRIPTION	PER ASSY.		
			40-239 (1)	040-23901 (1)	40-202 (1)
1	161-15400	Inner Wheel Half Assy.	1	1	
	161-12600	Inner Wheel Half Assy.			1
2	214-04600	Cup-Bearing	1	1	1
3	205-04400	Key Drive	18	18	18
4	157-01600	Heat Shield Clip	9	9	9
4A	157-01900	Heat Shield	9	9	9
5	105-09900	Rivet (MS20426-AD4-9)	36	36	36
6	106-00200	Fuse Plug	3	3	3
7	101-20700	O-Ring (MS28778-2)	1	1	
8	162-14300	Outer Wheel Half Assy.	1	1	
	162-11600	Outer Wheel Half Assy.			1
2	214-04600	Cup-Bearing	1	1	1
9	160-01900	Air Valve Assy. (MS27436C1)	1	1	
	160-00700	Air Valve Assy.			1
10	214-04500	Cone-Bearing	2	2	2
11	103-31400	Bolt (MS21250-06030)	9	9	9
12	095-03100	Washer (MS20002C6)	9	9	9
13	095-03500	Washer (MS20002-6)	9	9	9
14	094-14900	Nut	9	9	9
15	158-02101	Hub Cap Assembly	1	1	
	158-01501	Hub Cap Assembly			1
16	102-07100	Screw (AN501A10-6)	3	3	3
17	154-06200	Grease Seal	2	2	
	154-03700	Grease Seal			2
18	101-24100	O-Ring (MS28775-266)	1	1	1
19	155-07500	Snap Ring			2

Illustrated Parts List

40-127, 40-137, 40-174

Tube-Type



NOTES:

- (1) Inactive assembly – spares support only for parts listed.
- (2) 40-137 superseded by 40-174.
- (3) Inactive part – no longer available for spares support.

FIG.	PART NO.	DESCRIPTION	PER ASSY.		
			40-127	40-137 (1) (2)	40-174
1	161-05400	Inner Wheel Half Assembly	1		
	161-07100	Inner Wheel Half Assembly		1	1
2	214-39422	Cup-Bearing	1	1	1
3	205-00300	Key-Drive	5	5	5
4	102-15100	Screw-Drive Key (MS24693-S272)		5	
	102-35400	Screw-Drive Key (NASM35191-271L)	5		5
5	162-05200	Outer Wheel Half Assembly	1		
	162-06600	Outer Wheel Half Assembly		1	1
6	214-18337	Cup-Bearing	1	1	1
7	213-00400	Fitting-Grease (MS15720-1)	1	1	1
8	214-39250	Cone-Bearing, Inner	1	1	1
9	214-18200	Cone-Bearing, Outer	1	1	1
10	103-32400	Bolt (MS21250-06036)	10		10
	(3)	Bolt		10	
11	094-15800	Nut (NAS1804-6N)	10		10
	(3)	Nut		10	
12	095-03100	Washer (MS20002C6)	20		20
	(3)	Washer		20	
13	101-06300	O-Ring (MS28775-235)	1	1	1
14	153-01800	Grease Seal	1	1	1
15	158-01200	Hub Cap	1	1	1
16	154-02500	Seal-Hub Cap	1	1	1
17	102-00600	Screw-Hub Cap	4	4	4
18	095-15100	Lock Washer-Hub Cap (MS35333-38)	4	4	4
19	067-03300	Axle Spacer	1	1	1

Cleveland
Wheels & Brakes



Illustrated Parts List

SECTION 5

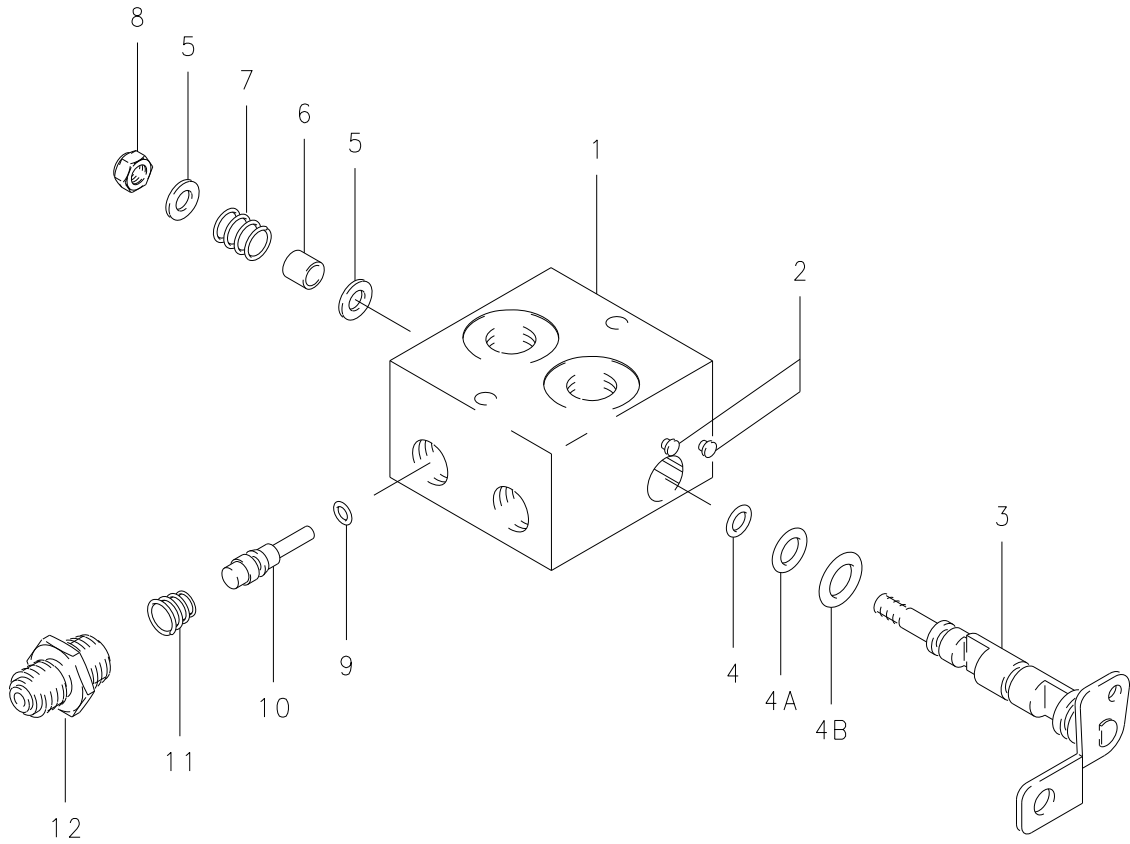
60-3A,.....	5-3	60-9,.....	5-5	60-17,.....	5-6
60-3C,.....	5-3	60-9B,.....	5-5	60-21,.....	5-6
60-5,.....	5-5	60-10,.....	5-6	60-25,.....	5-6
60-5A,.....	5-5	60-13,.....	5-6	60-25A,.....	5-6
60-5B,.....	5-5	60-14.....	5-5	60-41.....	5-6
60-5C,.....	5-5	60-15,.....	5-6	060-00800,.....	5-4
60-5D,.....	5-5	60-15A,.....	5-6	060-02200.....	5-4
60-6,.....	5-5	60-16.....	5-7		



Illustrated Parts List

**Parking Valve
Series Noted**

60-3A, 60-3C,



5

Note: Parts list for reference only. Contact airframe manufacturer to order parking valve and components listed.

Assy. Number

A) 60-3A

B) 60-3C

FIG.	PART NUMBER	DESCRIPTION	QTY. PER ASSY.	
			A	B
1	195-00400	Body-Valve	1	1
2	177-00200	Pin	2	2
3	181-00301	Camshaft Assy.	1	1
4	101-00300	O-Ring, Camshaft (MS28775-008)	1	1
4A	101-00500	O-Ring, Camshaft (MS28775-010)	1	1
4B	101-00600	O-Ring, Camshaft (MS28775-011)	1	1
5	095-10300	Washer (AN960-10)	2	2
6	145-00700	Bushing	1	1
7	082-01000	Spring	1	1
8	094-10200	Nut (NASM21083N3)	1	1
9	101-00100	O-Ring, Valve	2	2
10	146-00200	Valve	2	2
11	082-04400	Spring	2	2
12	104-00800	Fitting, Tube (AN816-3D)		2
	104-00300	Fitting, Tube (AN816-4D)	2	

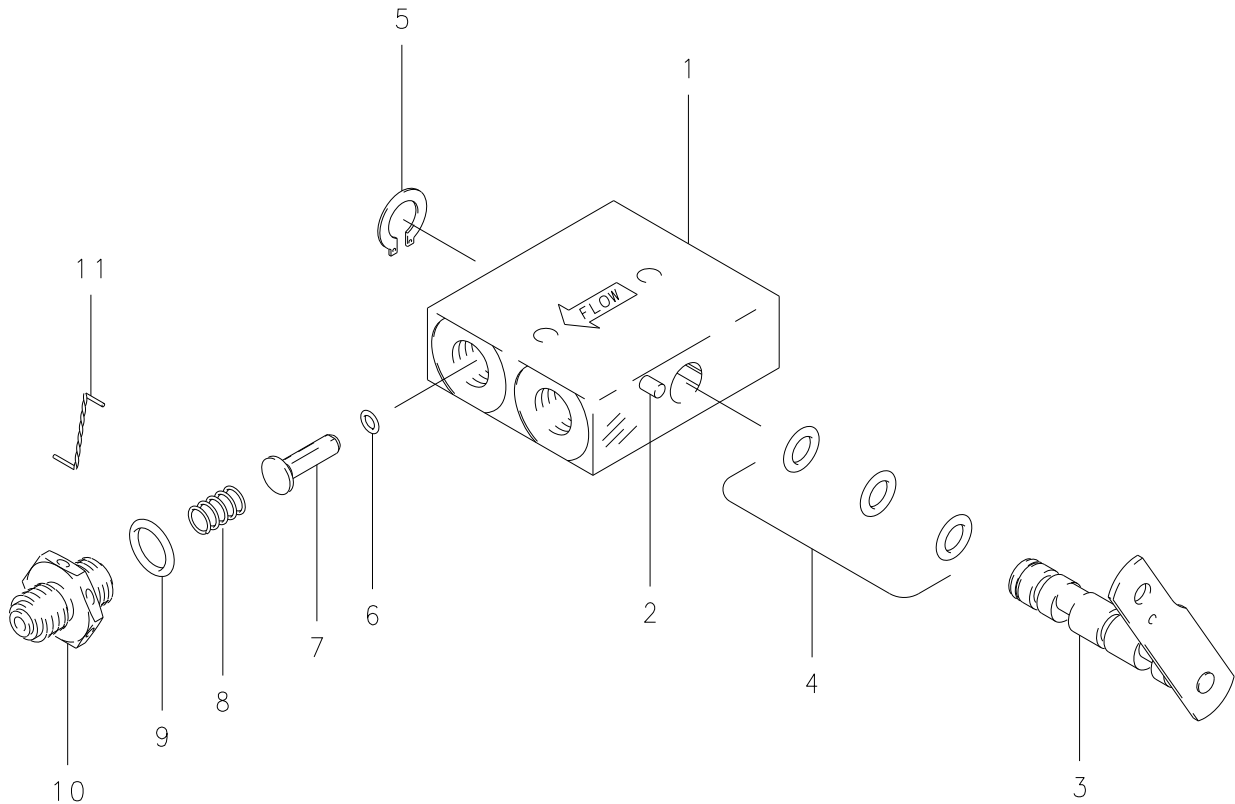
	199-526	Seal Kit (items 4, 4A, 4B, 9)	1	1
--	---------	-------------------------------	---	---

Cleveland
Wheels & Brakes



Illustrated Parts List

060-00800, 060-02200



Note: Parts list for reference only. Contact airframe manufacturer to order parking valve and components listed.

Assy. Number

A) 060-00800 (1)

B) 060-02200 (2)

NOTES:

- (1) Cleveland Valve 060-00800 was Gerdes Products Co. A-850-4.
- (2) 060-02200 and spares are available thru distribution; PMA approved details of 199-15301 Kit for Bell 412.

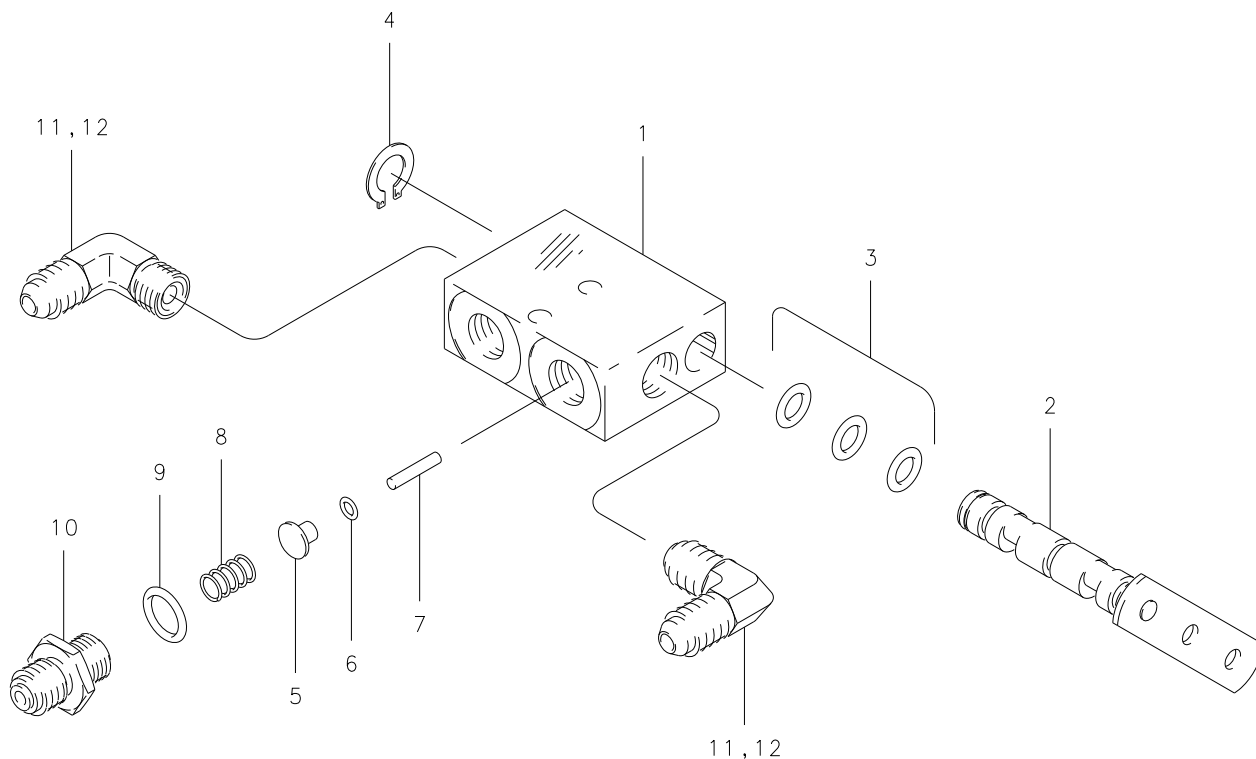
FIG.	PART NUMBER	DESCRIPTION	QTY. PER ASSY.	
			A	B
1	195-02500	Body, Valve	1	
	195-02900	Body, Valve		1
2	223-02000	Roll Pin	1	
	223-02400	Roll Pin		1
3	181-01300	Camshaft Assembly	1	
	181-01400	Camshaft Assembly		1
4	101-00500	O-Ring, Camshaft (MS28775-010)	3	3
5	155-05800	Snap Ring	1	1
6	101-40100	O-Ring, Poppet (2-006-P4300)	2	2
7	190-00900	Poppet	2	2
8	082-06700	Spring	2	
	082-07200	Spring		2
9	101-20400	O-Ring, Fitting (MS28778-4)	2	2
10	104-03400	Fitting	2	2
11	139-06500	Lockwire (MS20995-C20)	A/R	A/R
	199-528	Seal Kit (items 4, 6, 9)	1	1

Cleveland
Wheels & Brakes



Illustrated Parts List

60-5, 60-5A, 60-5B, 60-5C, 60-5D, 60-6, 60-9, 60-9B, 60-14



Note: Parts list for reference only. Contact airframe manufacturer to order parking valve and components listed.

NOTES:

(1) The following Cleveland parking valves were formerly manufactured by Gerdes Products Co.

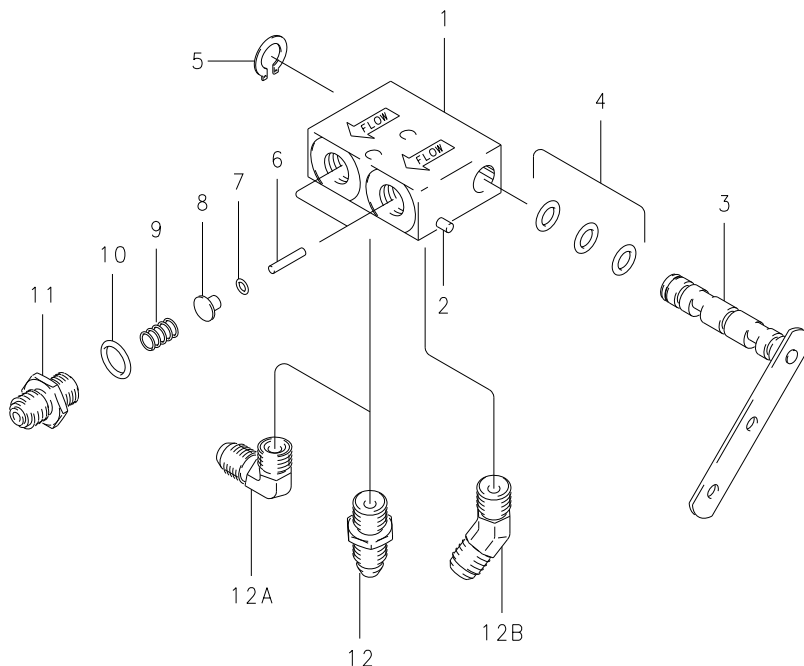
C.W.B. NUMBER	GERDES NUMBER
60-5	A-850-1
60-6	A-850-2
60-9	A-850-5
60-14	A-850-16

(2) Refer to PRM92 for notice of production change to 60-9B.

FIG.	PART NO.	DESCRIPTION	PER ASSY.									
			60-5	60-5A	60-5B	60-5C	60-5D	60-6	60-9	60-9B (2)	60-14	
1	195-02400	Body, Valve	1	1	1	1	1	1	1	1	1	1
2	181-00900	Camshaft Assembly						1				1
	181-01000	Camshaft Assembly	1	1			1					
	181-01001	Camshaft Assembly			1							
	181-01200	Camshaft Assembly					1		1			
	181-02900	Camshaft Assembly									1	
3	101-00500	O-Ring, Camshaft (MS28775-010)	3	3	3	3	3	3	3	3	3	3
4	155-05800	Snap Ring	1	1	1	1	1	1	1	1	1	1
5	190-00800	Poppet	2	2	2	2	2	2	2	2	2	2
6	101-50353	O-Ring, Poppet (2-006-N507-90)	2	2	2	2	2	2	2	2	2	2
7	139-06800	Dowel Pin	2	2	2	2	2	2	2	2	2	2
8	082-06600	Spring	2	2	2	2	2	2				2
	082-06700	Spring							2	2		
9	101-00700	O-Ring, Fitting (MS28775-012)	2	2	2	2	2	2	2	2	2	2
10	104-03300	Fitting	2			2						
	104-03400	Fitting							2	2		
	104-03500	Fitting		2	2		2	2				2
11	104-00400	Fitting (MS20822-4D)	2			2						
12	104-00900	Fitting (AN822-3D)		2	2		2	2				2
	199-527	Seal Kit (items 3, 6, 9)	1	1	1	1	1	1	1	1	1	1

Illustrated Parts List

60-10, 60-13, 60-15, 60-15A, 60-17, 60-21, 60-25, 60-25A, 60-41



Note: Parts list for reference only. Contact airframe manufacturer to order parking valve and components listed.

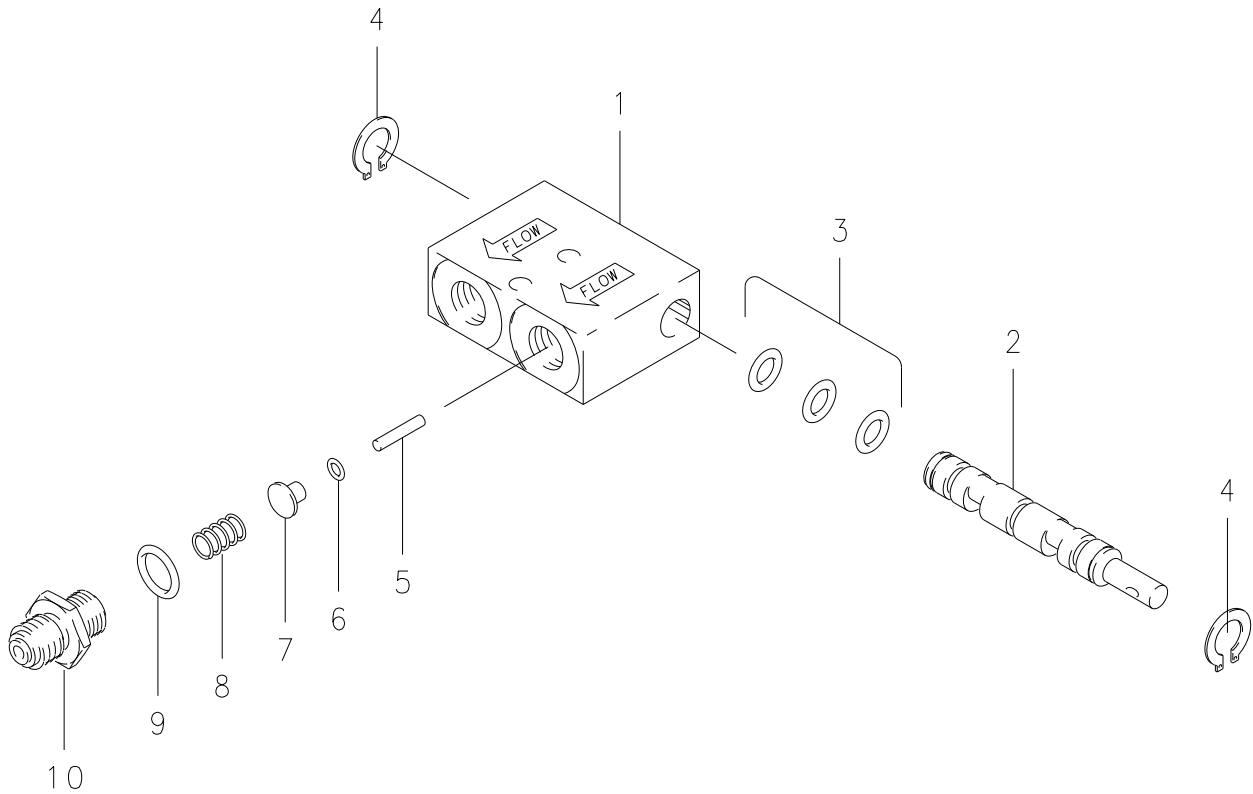
NOTES:

- (1) Inactive Assembly – spares support only for parts listed.
- (2) Inactive parts – no longer available for spares support.
- (3) The following Cleveland parking valves were formerly manufactured by Gerdes Products Co.

C.W.B. NUMBER	GERDES NUMBER
60-10	A-850-8
60-13	A-850-15
60-15	A-850-18
60-17	A-850-8 (Cessna)
60-21	A-850-19

FIG.	PART NO.	DESCRIPTION	PER ASSY.								
			60-10 (3)	60-13 (3)	60-15 (1) (3)	60-15A	60-17 (3)	60-21 (3)	60-25	60-25A	60-41
1	195-02600	Body, Valve	1	1	1	1	1	1			1
	195-03500	Body, Valve							1	1	
2	223-02000	Roll Pin	1	1	1	1	1	1	1	1	1
3	181-00700	Camshaft Assembly		1				1	1	1	
	181-00800	Camshaft Assembly	1		1	1	1				1
4	101-00500	O-Ring, Camshaft (MS28775-010)	3	3	3	3	3	3	3	3	3
5	155-05800	Snap Ring	1	1	1	1	1	1	1	1	1
6	139-06800	Dowel Pin	2	2	2	2	2	2	2	2	2
7	101-50353	O-Ring, Poppet (2-006-N507-90)	2	2	2	2	2	2	2	2	2
	190-00800	Poppet	2	2		2	2	2	2	2	2
8	(2)	Poppet			2						
9	082-06600	Spring	2	2	2	2	2	2	2	2	2
10	101-00700	O-Ring, Fitting (MS28775-012)	2	2	2	2	2	2	2	2	2
11	104-03300	Fitting	2	2			2				
	104-03500	Fitting			2	2		2	2		
	104-08400	Fitting								2	
	104-12200	Fitting									2
12	104-03700	Fitting	3	3	3	3	3	3	3		
12A	104-04300	Nipple						1			
12B	104-03600	Fitting (MS20823-3D)		1				1			
	199-527	Seal Kit (items 4, 7, 10)	1	1	1	1	1	1	1	1	1

60-16



Note: Parts list for reference only. Contact airframe manufacturer to order parking valve and components listed.

Assy. Number

A) 60-16

NOTES:

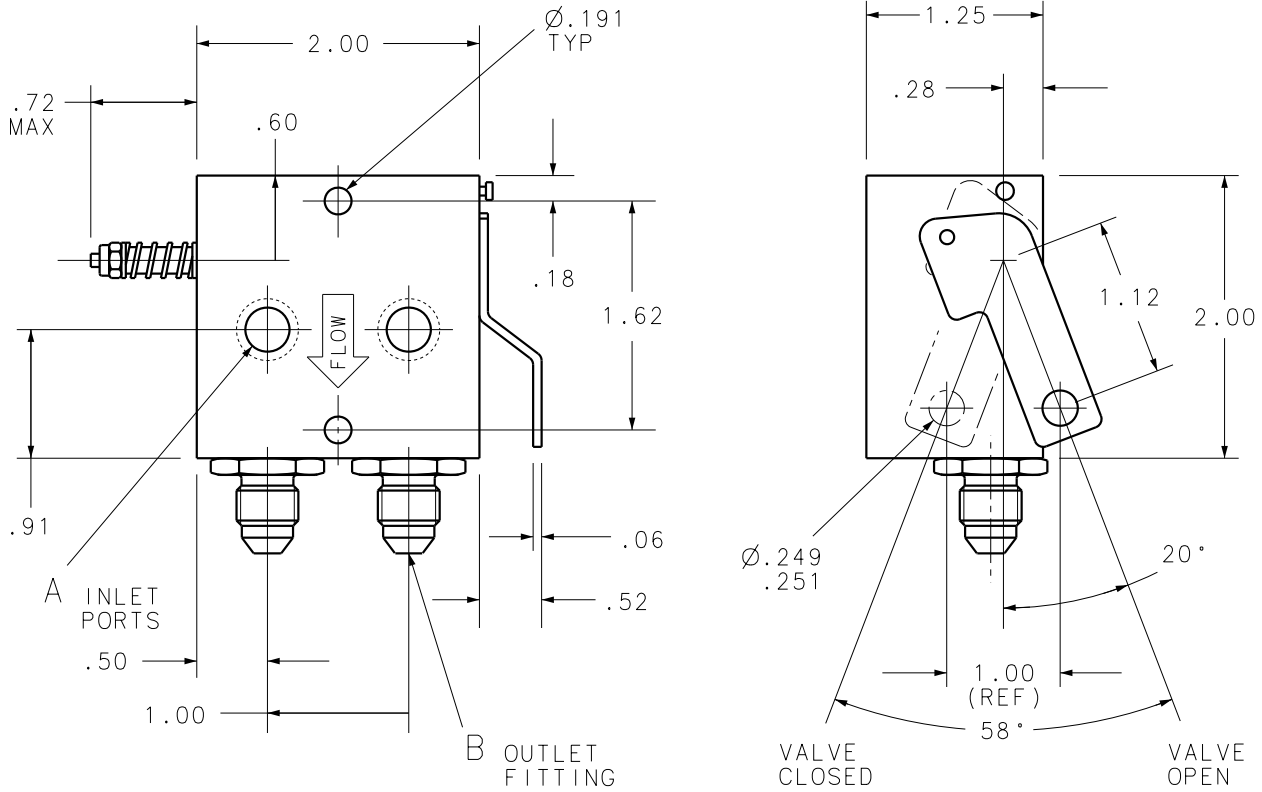
- (1) Fitting has external metric threads – M10X1.
- (2) Cleveland Valve 60-16 was Gerdes Products Co. A-850-30.

FIG.	PART NUMBER	DESCRIPTION	QTY. PER ASSY.
			A
1	195-02600	Body, Valve	1
2	193-01500	Camshaft	1
3	101-00500	O-Ring (MS28775-010)	3
4	155-05800	Snap Ring	2
5	139-06800	Dowel Pin	2
6	101-50353	O-Ring, Poppet (2-006-N507-90)	2
7	190-00800	Poppet	2
8	082-06600	Spring	2
9	101-00700	O-Ring, Fitting (MS28775-012)	2
10	104-03800	Fitting (1)	2
	199-527	Seal Kit (items 3, 6, 9)	1



Design Information

60-3A, 60-3C



ASSEMBLY PART NUMBER	A	B
60-3A	AND10050-4	MS33656-4
60-3C	AND10050-4	MS33656-3

General Notes:

1. Max Operating Pressure = 1,500 PSI.
2. Operating Fluid = MIL-H-5606 or MIL-H-83282 Oil.
3. Operating Temperatures = -65°F to 165°F.
4. Weight = .55 lb.

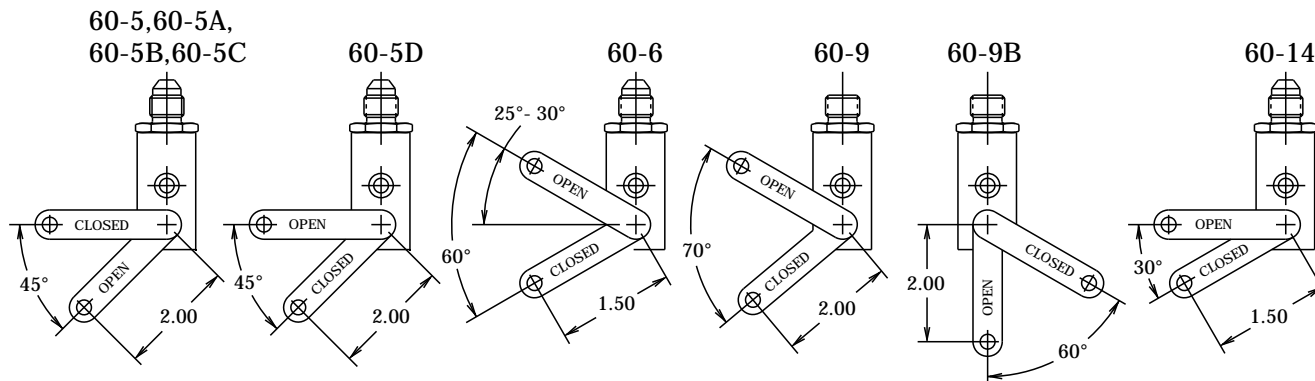
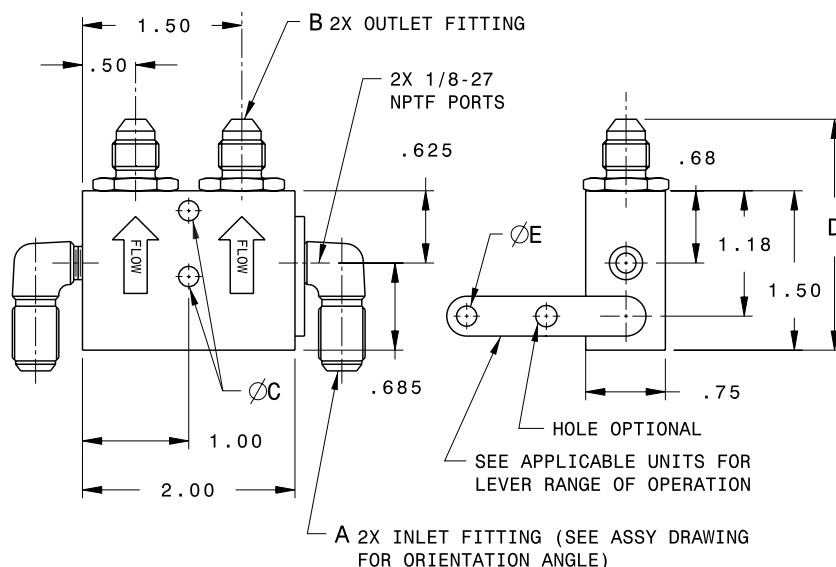
Cleveland
Wheels & Brakes



Design Information

60-5, 60-5A, 60-5B, 60-5C, 60-5D, 60-6, 60-9, 60-9B, 60-14

FOR ALL UNITS



PART NUMBER	A	B	C DIA. (ref.)	D (ref.)	E DIA. (ref.)
60-5	7/16-20	7/16-20	.198	2.25	.192
60-5A	3/8-24	3/8-24	.198	2.25	.192
60-5B	3/8-24	3/8-24	.198	2.25	.254
60-5C	7/16-20	7/16-20	.198	2.25	.192
60-5D	3/8-24	3/8-24	.198	2.25	.192

PART NUMBER	A	B	C DIA. (ref.)	D (ref.)	E DIA. (ref.)
60-6	3/8-24	3/8-24	.198	2.25	.254
60-9	---	7/16-20	.198	2.25	.192
60-9B	---	7/16-20	.198	2.25	.192
60-14	3/8-24	3/8-24	.198	2.25	.254

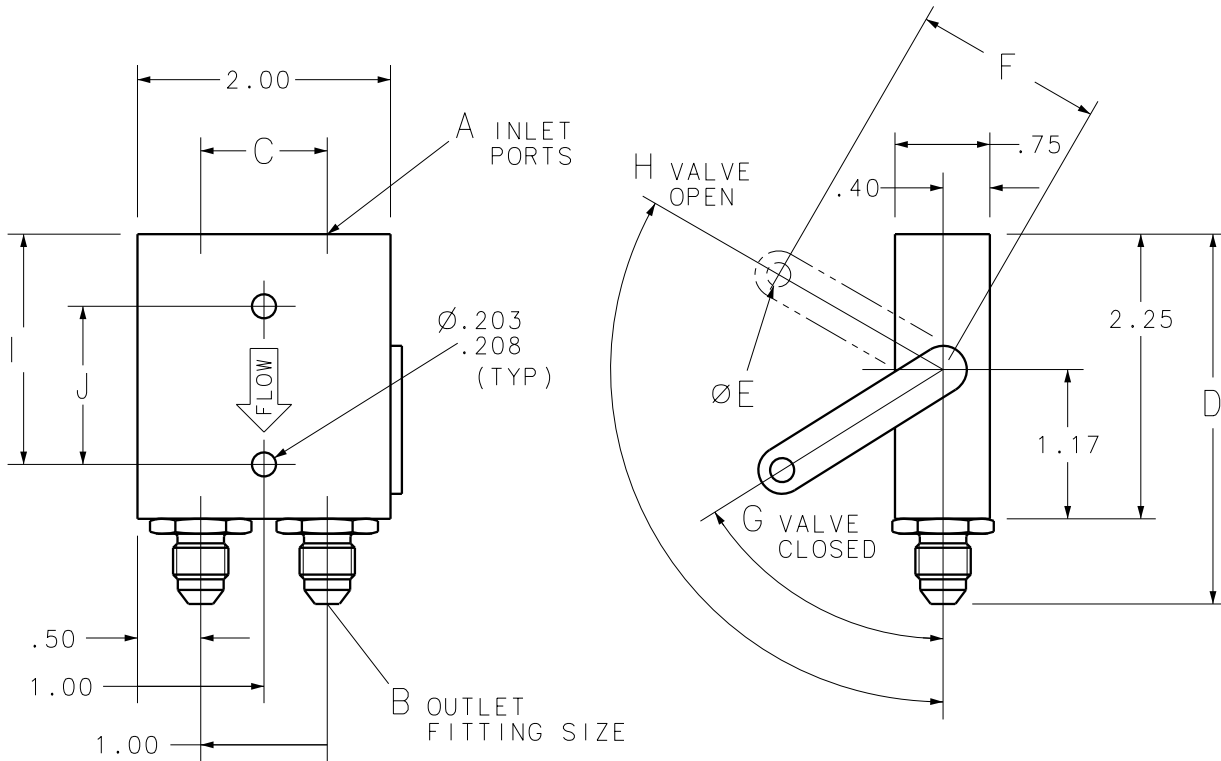
General Notes:

1. Maximum Operating Pressure = 1,500 PSI.
2. Operating Fluid = MIL-H-5606 Oil.
3. Operating Temperatures = -65°F to +165°F
4. Maximum weight = .35 lb. (varies according to fittings).

Cleveland
Wheels & Brakes



060-00800, 060-02200



ASSEMBLY PART NUMBER	A	B	C	D	E	F	G	H	I	J
060-00800	MS33649-4	MS33514-4	1.00	2.95	.189 - .193	1.50	60°	122°	1.82	1.250
060-02200	MS33649-4	MS33514-4	1.25	2.90	.189 - .193	1.50	60°	122°	1.82	1.375

General Notes:

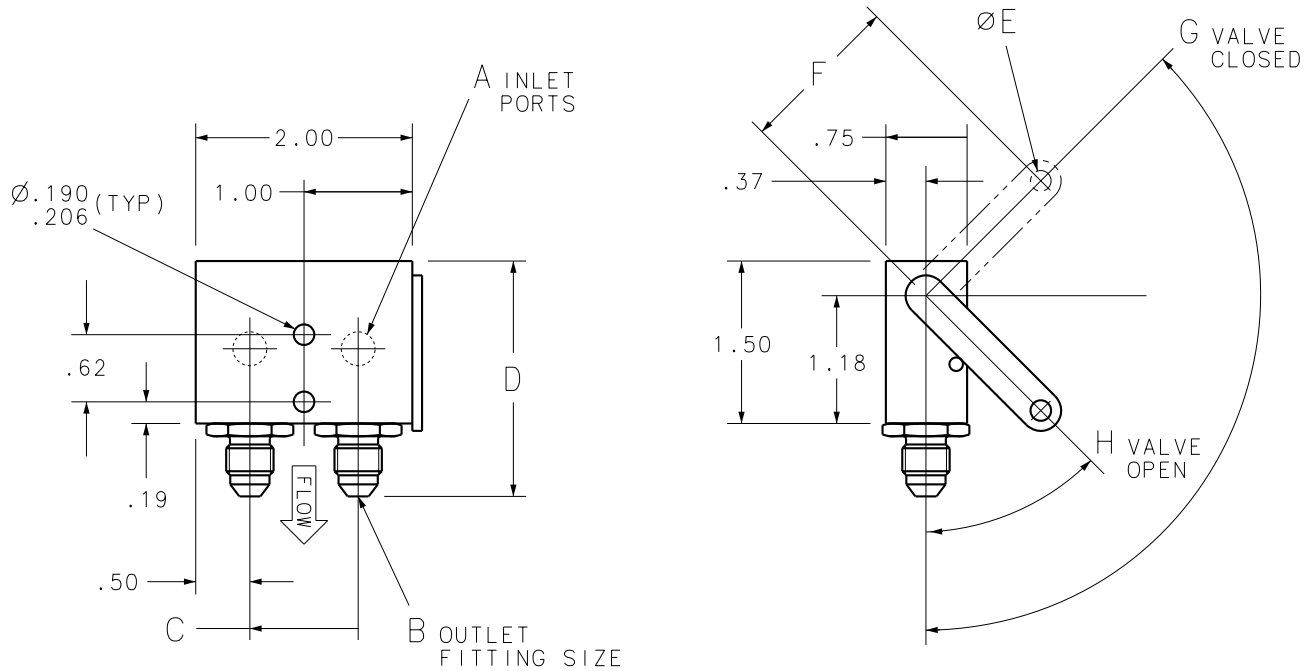
1. Maximum Operating Pressure = 800 PSI.
2. Operating Fluid = MIL-H-5606 Oil.
3. Operating Temperatures = -65°F to +125°F.
4. Maximum Weight = .50 lb.
5. Fittings supplied per customer requirements.

Cleveland
Wheels & Brakes



Design Information

60-10, 60-13, 60-15A, 60-16, 60-17, 60-21, 60-25, 60-25A



5

ASSEMBLY PART NUMBER	A	B	C	D	E	F	G	H
60-10	1/8-27 NPTF	MS33656E4	1.00	2.20	.190	1.50	105°	45°
60-13	(Note 5)	MS33656E4	1.00	2.23	.190	2.00	135°	45°
60-15A	1/8-27 NPTF	MS33656E3	1.00	2.28	.190	1.50	110°	45°
60-16	1/8-27 NPTF	M10X1	1.00	2.05	(Note 6)	(Note 6)	(Note 6)	(Note 6)
60-17	1/8-27 NPTF	MS33656E4	1.00	2.20	.190	1.50	105°	45°
60-21	(Note 5)	AND10056-3	1.00	2.20	.190	2.00	135°	45°
60-25	1/8-27 NPTF	AND10056-3	1.00	2.20	.190	2.00	135°	45°
60-25A	1/8-27 NPTF	MS33656E4	1.00	2.20	.190	2.00	135°	45°

General Notes:

1. Maximum Operating Pressure = 1,500 PSI.
2. Operating Fluid = MIL-H-5606 Oil.
3. Operating Temperatures = -65°F to +165°F
4. Maximum Weight = .35 lb.
5. Supplied with -3 fittings.
6. Camshaft lever not supplied.

Cleveland
Wheels & Brakes



SECTION 6

Contents

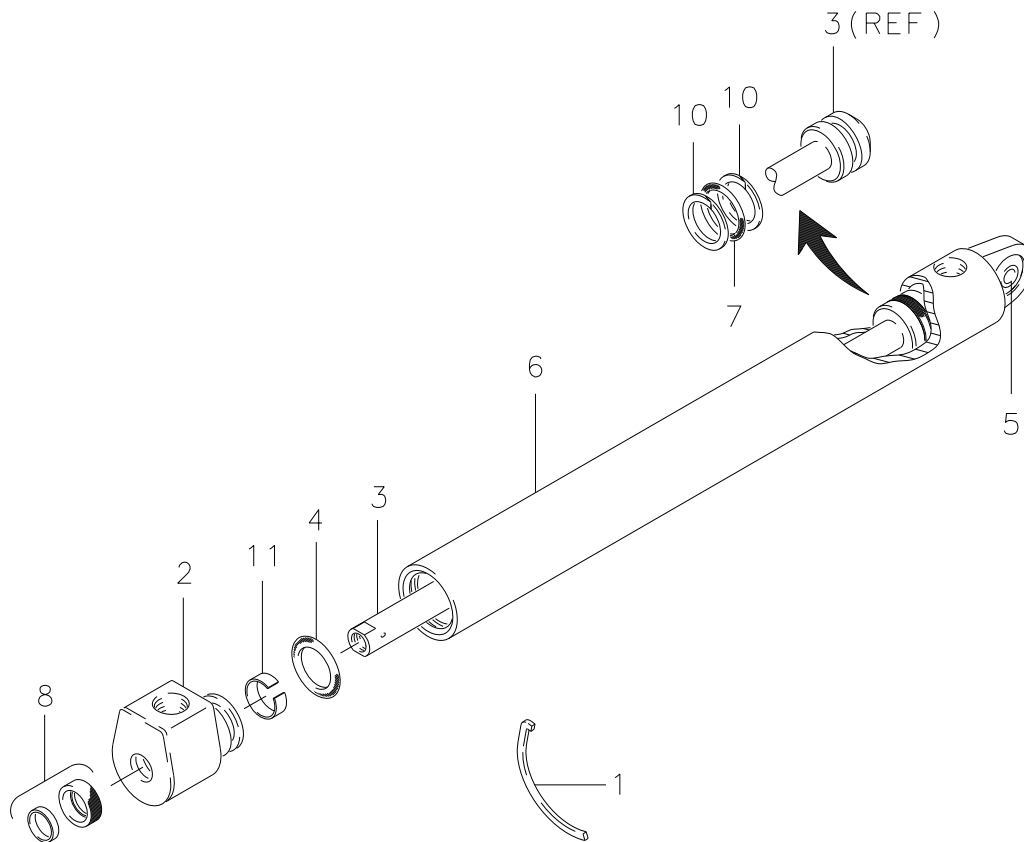
11-16, 6-4
 11-17 6-4
 11-22 6-5
 SFA232-5 (011-00504) 6-3

Contents

15-2, 6-7	15-11, 6-7	015-00100, 6-6
15-8, 6-7	15-13, 6-7	015-00101, 6-6
15-9, 6-7	15-14, 6-7	015-02000 6-6
15-10, 6-7	15-16 6-7	



SFA232-5 (011-00504)



NOTES:

(1) Refer to Parker SB7076 Service Bulletin Kit for replacement components.

FIG.	PART NO.	DESCRIPTION	PER ASSY.
1	155-02900	Retainer	1
2	141-01901	Gland, End	1
3	182-02503	Rod, Piston	1
4	101-01100	O-Ring (MS28775-113)	1
5	214-80900	Bearing, Swivel	1
6	144-03500	Cylinder, Body	1
7	101-01100	O-Ring (MS28775-113)	1
8	101-63500	Assembly, Seal	1
9	067-15600	Ring, Wear	1
10	100-20031	Retainer, Backup (MS28774-113)	2
	199-538A	Seal Kit (items 1, 4, 8, 9, 10)	1

Illustrated Parts List

**Miscellaneous Hydraulic Assembly
Actuator – Series Noted**

11-16, 11-17

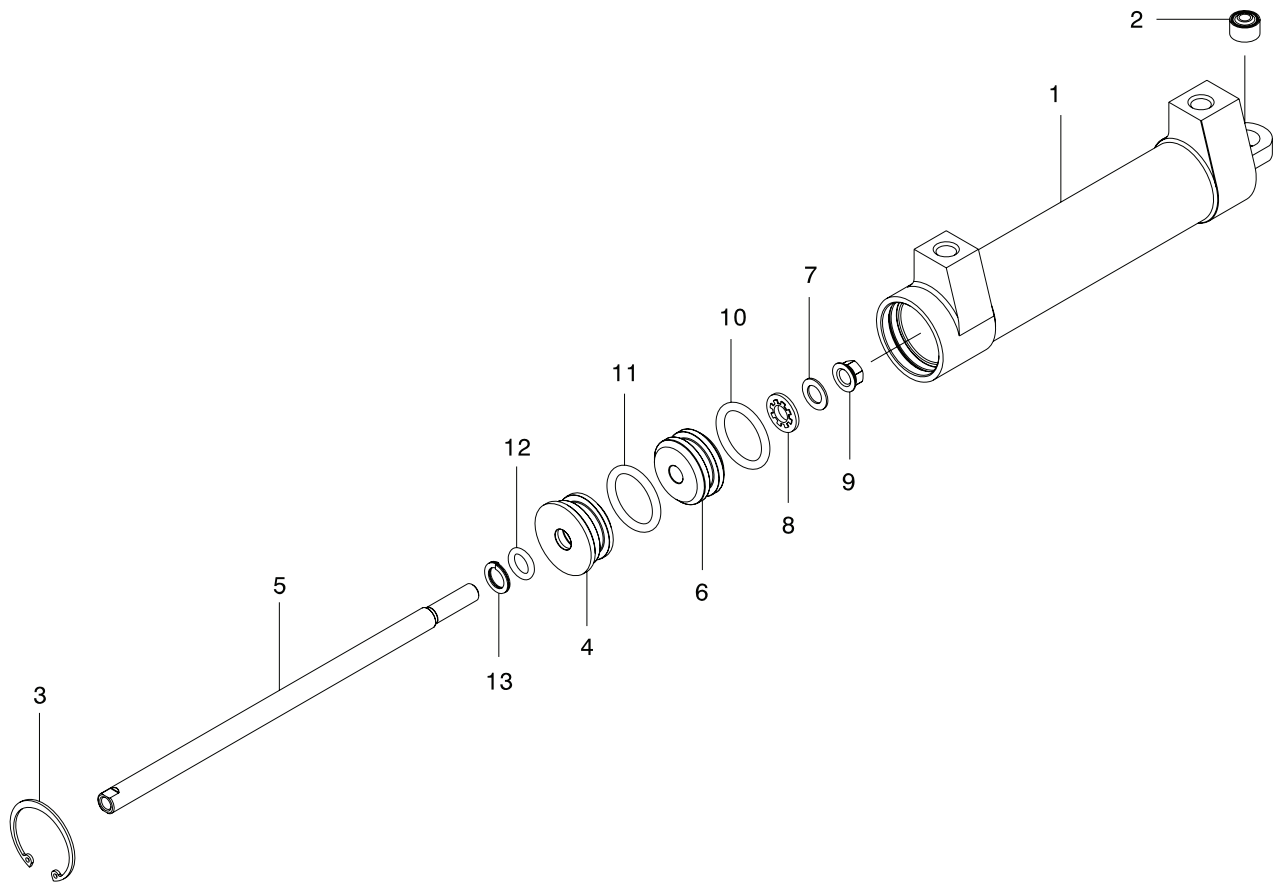


FIG.	PART NO.	DESCRIPTION	PER ASSY.	
			11-16	11-17
1	144-13400	Cylinder Body	1	1
2	214-83000	Bearing	1	1
3	155-07400	Ring, Snap (MS16625-1131)	1	1
4	141-04800	Gland, End	1	1
5	142-08400	Rod, Piston	1	
	142-08500	Rod, Piston		1
6	148-04800	Piston	1	1
7	095-10700	Washer (AN960-516I)	1	1
8	095-03200	Washer Seal, Thread	1	1
9	094-12700	Nut (MS21042-5)	1	1
10	101-01800	O-Ring, Piston (MS28775-213)	1	1
11	101-01800	O-Ring, End Gland O.D. (MS28775-213)	1	1
12	101-00800	O-Ring, End Gland I.D. (AS28775-110)	1	1
13	100-20008	Ring, Backup (MS28782-8)	1	1
	199-533	Seal Kit (items 8, 11, 12, 13)	1	1

Cleveland
Wheels & Brakes



11-22

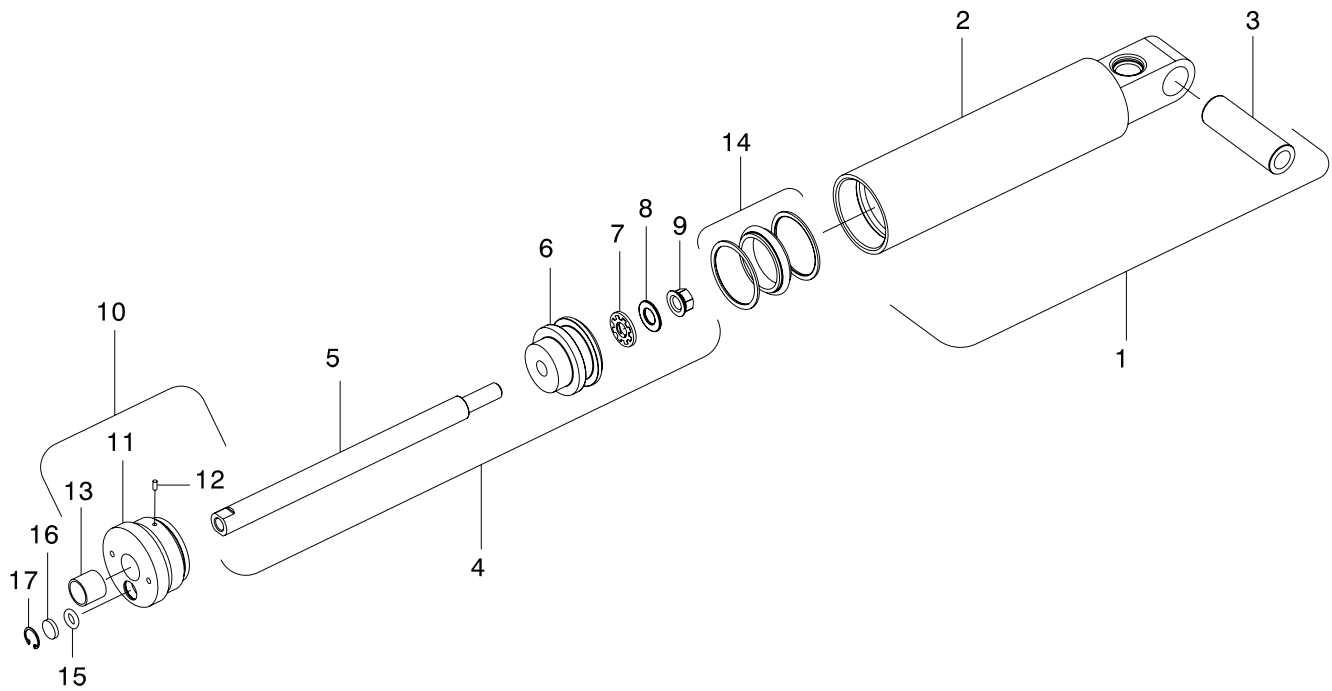
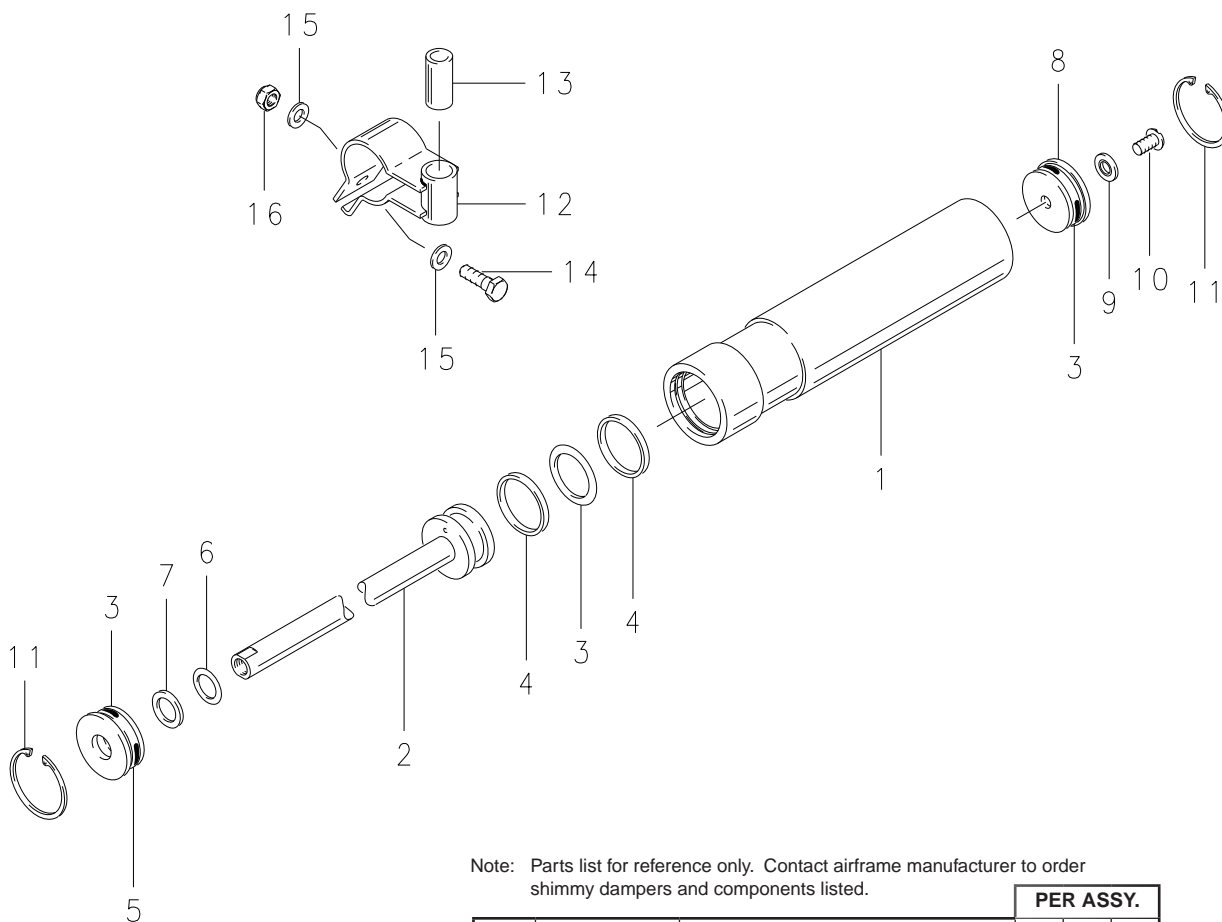


FIG.	PART NO.	DESCRIPTION	PER ASSY.
1	189-04000	Subassembly, Cylinder Body	1
2	144-09200	Housing	1
3	145-09500	Bushing	1
4	182-04400	Assembly, Piston Rod	1
5	142-09500	Rod, Piston	1
6	148-06500	Piston	1
7	107-01000	Washer Seal, Thread	1
8	095-10200	Washer (AN960-416L)	1
9	094-12500	Nut (MS21042-L4)	1
10	111-07400	Assembly, End Gland	1
11	141-05700	Gland, End	1
12	139-16000	Rod, Nylon	1
13	145-09300	Bearing-Sleeve	1
14	101-60500	Seal, Piston	1
15	101-00300	Packing, Preformed (MS28775-008)	1
16	139-01300	Filter, Oleo	1
17	155-08400	Ring, Snap (MS16625-1031)	1

Illustrated Parts List

015-00100, 015-00101, 015-02000



Note: Parts list for reference only. Contact airframe manufacturer to order shimmy dampers and components listed.

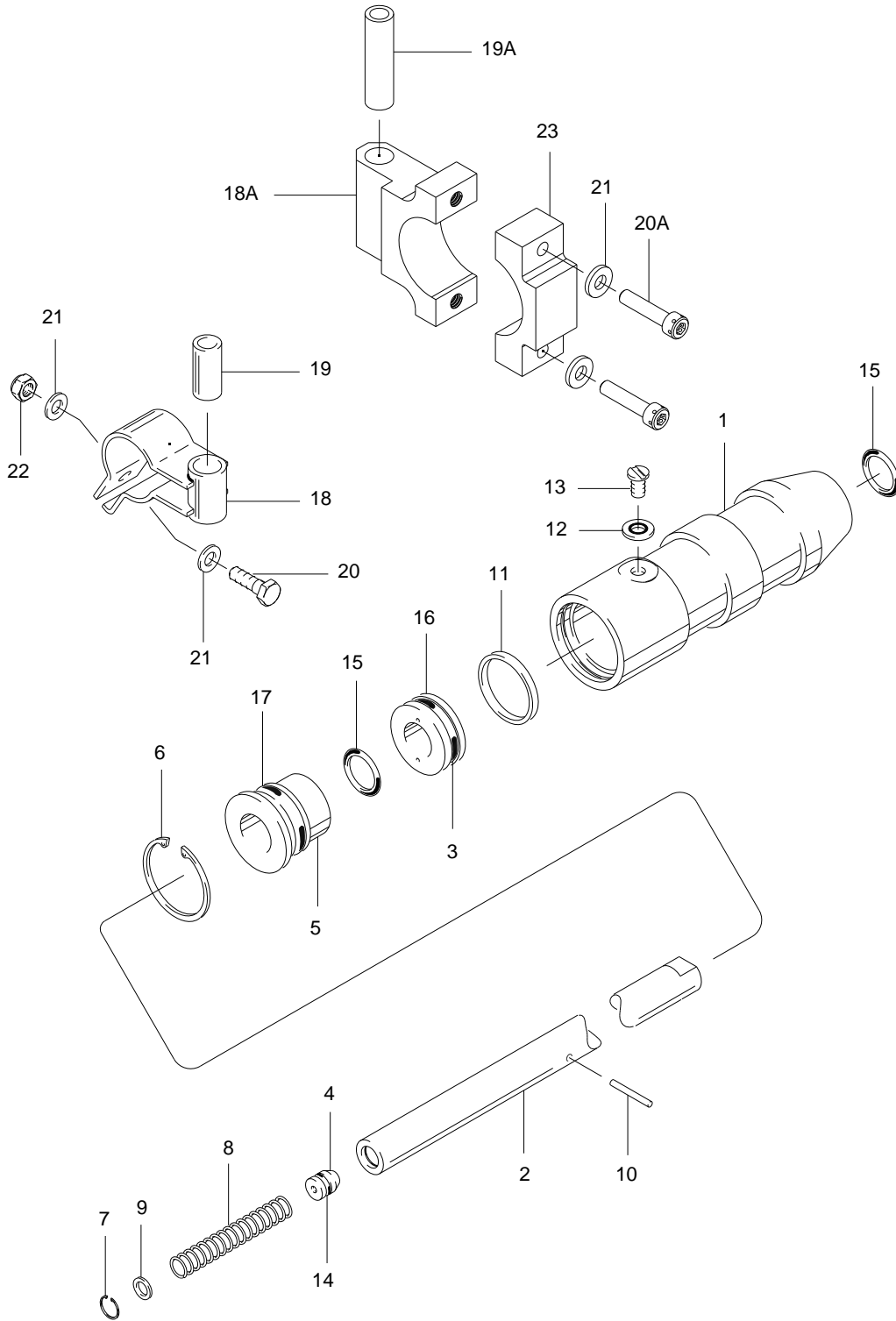
NOTES:

(1) 015-00101 is identical to 015-00100 except that the Piston Rod Assy. (Item 2) exits the Cylinder from the opposite end as shown.

FIG.	PART NO.	DESCRIPTION	PER ASSY.		
			015-00100	015-00101 (1)	015-02000
1	144-06600	Cylinder Body	1	1	1
2	182-03800	Piston Rod Assembly	1	1	
	182-07400	Piston Rod Assembly			1
3	101-01400	O-Ring (MS28775-116)	3	3	3
4	100-10145	Backup Ring (MS28774-116)	2	2	2
5	141-04300	End Cap Bearing	1	1	1
6	101-00800	O-Ring (MS28775-110)	1	1	1
7	100-20008	Backup Ring (MS28782-8)	1	1	1
8	141-04200	End Cap	1	1	1
9	095-02600	Stat-O-Seal	1	1	1
10	102-20400	Screw	1	1	1
11	155-01100	Snap Ring	2	2	2
12	185-00200	Clamp Assembly	1	1	1
13	145-07900	Bushing	1	1	1
14	103-00100	Bolt (AN3-5A)	1	1	1
15	095-13100	Washer (AN960C10)	2	2	2
16	094-10200	Nut (NASM21083N3)	1	1	1
	199-500	Seal Kit (items 3, 4, 6, 7, 9)	1	1	1

Illustrated Parts List

15-2, 15-8, 15-9, 15-10, 15-11, 15-13, 15-14, 15-16



6

Cleveland
Wheels & Brakes



Illustrated Parts List

15-2, 15-8, 15-9, 15-10, 15-11, 15-13, 15-14, 15-16

Note: Parts list for reference only. Contact airframe manufacturer to order shimmy dampers and components listed.

FIG.	PART NO.	DESCRIPTION	PER ASSY.								
			15-2	15-8	15-9	15-10	15-11	15-13	15-14	15-16	
1	144-10100	Cylinder Body	1								
	144-08400	Cylinder Body		1	1	1	1			1	1
	144-10000	Cylinder Body							1		
2	142-08600	Piston Rod		1							
	142-08800	Piston Rod	1		1	1	1	1			1
	142-10600	Piston Rod								1	
3	148-05000	Piston			1						
	148-05100	Piston	1	1		1	1	1	1	1	1
4	148-05200	Piston-Floating	1	1	1	1	1	1	1	1	1
5	141-05000	End Gland	1	1	1	1	1	1	1	1	1
6	155-08500	Snap Ring (MS16625-1112)	1	1	1	1	1	1	1	1	1
7	155-08400	Snap Ring (MS16625-1031)	1	1	1	1	1	1	1	1	1
8	082-08100	Spring	1	1	1	1	1	1	1	1	1
9	095-03800	Washer	1	1	1	1	1	1	1	1	1
10	223-02900	Roll Pin (MS171500)	1	1	1	1	1	1	1	1	1
11	139-13700	Glyd Ring	1	1	1	1	1	1	1	1	1
12	095-02600	Stat-O-Seal (600-001-10)	1	1	1	1	1	1	1	1	1
13	102-20400	Screw (MS51958-59)	1	1	1	1	1	1	1	1	1
14	101-00300	O-Ring (MS28775-008)	1	1	1	1	1	1	1	1	1
15	101-01000	O-Ring (MS28775-112)	2	2	2	2	2	2	2	2	2
16	101-01400	O-Ring (MS28775-116)	1	1	1	1	1	1	1	1	1
17	101-01500	O-Ring (MS28775-210)	1	1	1	1	1	1	1	1	1
18	185-00300	Clamp Assembly	1	1		1		1			
	185-00700	Clamp Assembly			1						1
	185-00900	Clamp Assembly					1				
18A	111-08500	Clamp Assembly								1	
19	145-08900	Bushing	1	1		1	1	1			
	145-08900	Bushing			1						1
19A	145-07900	Bushing								1	
20	103-00100	Bolt (AN3-5A)	1	1	1	1	1	1			1
20A	102-01900	Bolt (MS24678-13)								2	
21	095-13100	Washer (AN960C10)	2	2	2	2	2	2	2	2	2
22	094-12300	Nut (AN365-1032)	1	1	1	1	1	1			1
23	110-10600	Clamp-Upper								1	
(1)	139-06500	Lockwire (2)							AR		
	199-535	Seal Kit (items 6, 7, 9, 11, 12, 14, 15, 16, 17)	1	1	1	1	1	1	1	1	1

NOTES:

(1) Item not illustrated.

(2) Qty. AR: As Required.





Aircraft Wheel & Brake Division
Avon, Ohio



Parker Aerospace Headquarters
Irvine, California



Parker Hannifin Corporation Headquarters
Cleveland, Ohio

Aircraft Wheel & Brake Division
Parker Aerospace
Parker Hannifin Corporation
1160 Center Road
Avon, Ohio 44011
www.clevelandwheelsandbrakes.com
www.parker.com
E-mail: clevelandwbhelp@parker.com
Customer Support Fax: (440) 937-5409
Literature Request: (440) 937-1315
Technical Service Hotline: 1-800-BRAKING
1-800-272-5464



Cleveland
Wheels & Brakes