

Technical Specification



Frequency Range(GHz)	2.0 – 18.0
Gain(dBi)	12 Typ.
Polarization	Linear
3dB Beamwidth(deg)	E Plane: 85 - 19
	H Plane: 77 - 18
Cross Pol. Isolation(dB)	25 Typ.
VSWR	1.5:1 Typ.
	2.5:1 Max.
Connector	SMA-Female or N-Female
Power Handling(W CW)	SMA-Female: 50 Max.
	N-Female: 150 Max.
Material	Al
Size(mm)	103.8 x 77.9 x 127
Net Weight(Kg)	0.4 Around

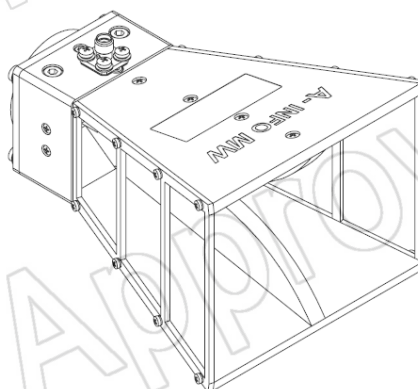
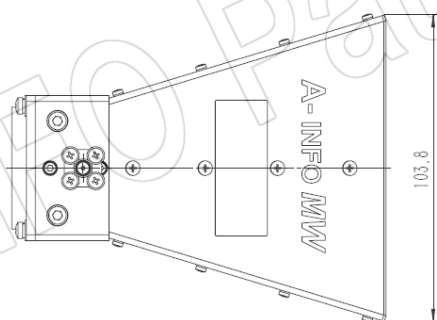
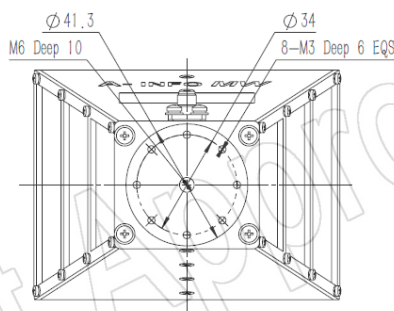
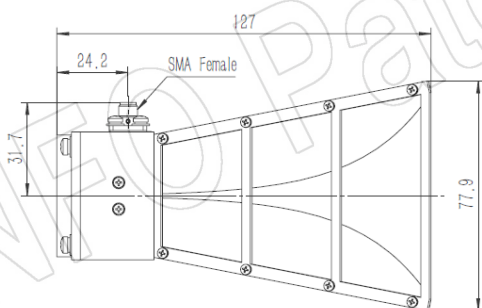
PATENT ID (China)

ZL201630458551.2

Outline Drawing (Size: mm)

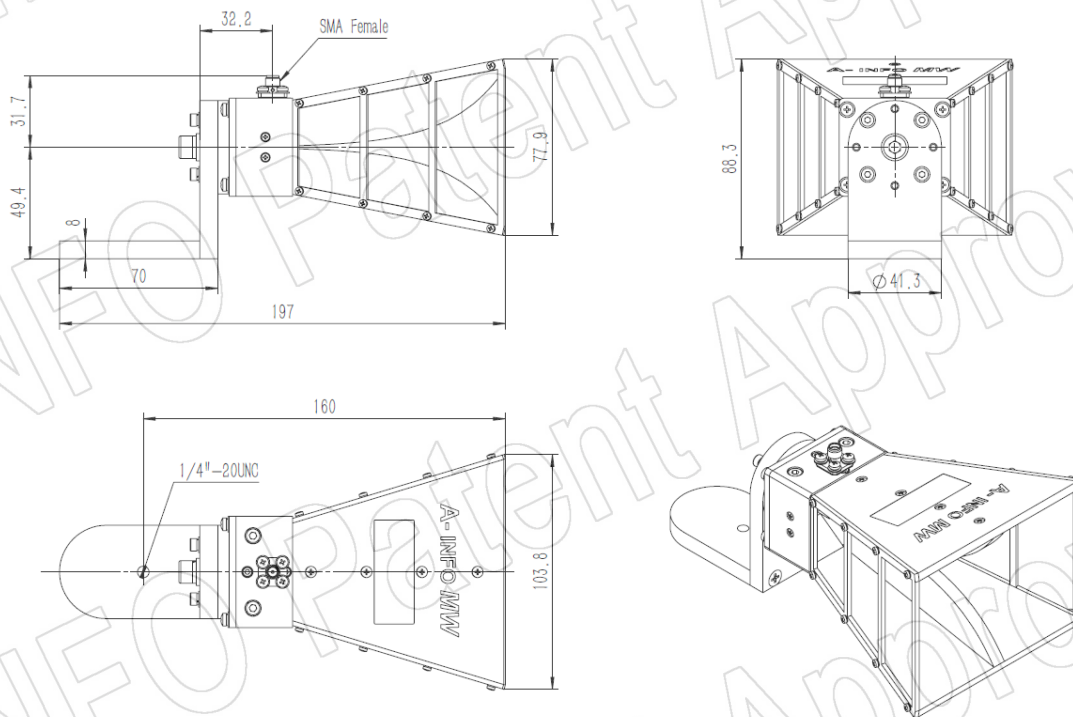
SMA-Female Output (P/N: LB-20180-SF)

For N-Female output outline drawing, please contact A-INFO.



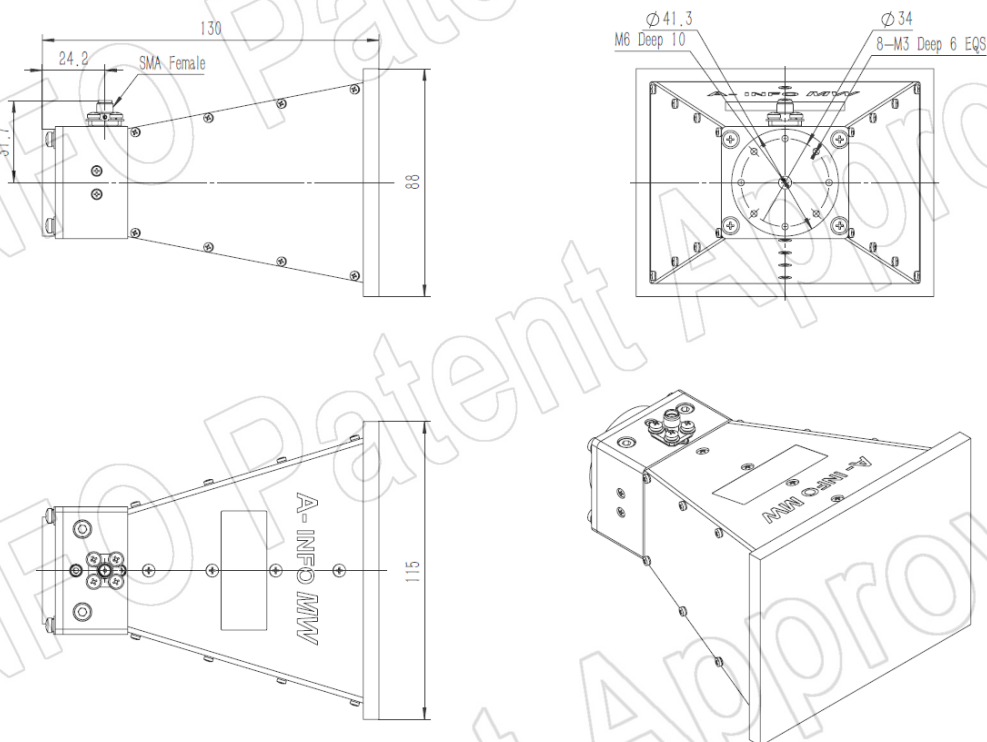
SMA-Female Output with L Type Mounting Bracket (Option, P/N: LB-20180-L)

For N-Female output outline drawing, please contact A-INFO.



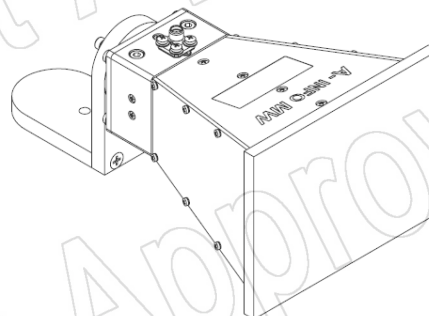
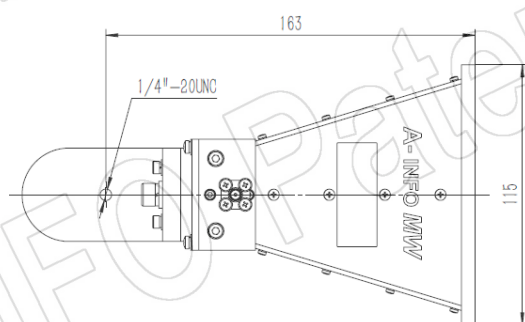
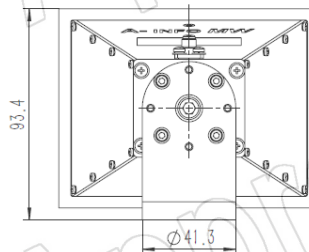
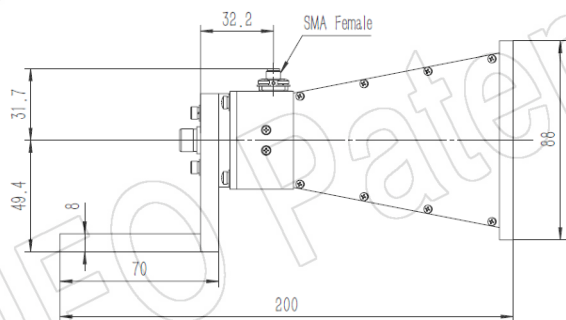
SMA-Female Output with Radome (Option, P/N: LB-20180-SFSP0, Outdoor Application)

For N-Female output outline drawing, please contact A-INFO.



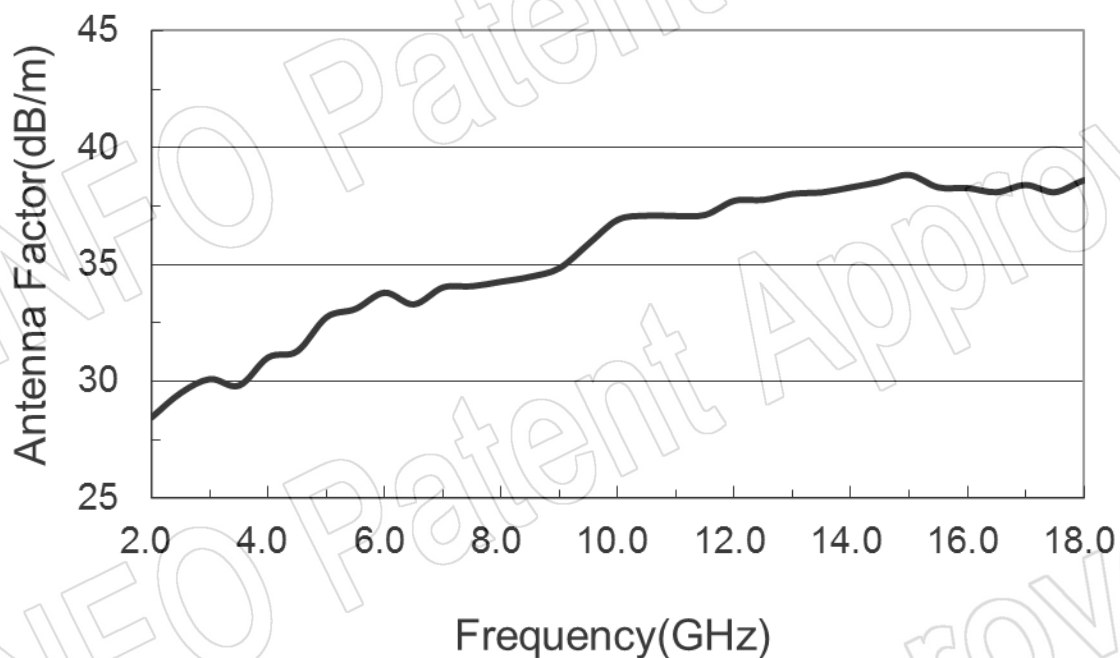
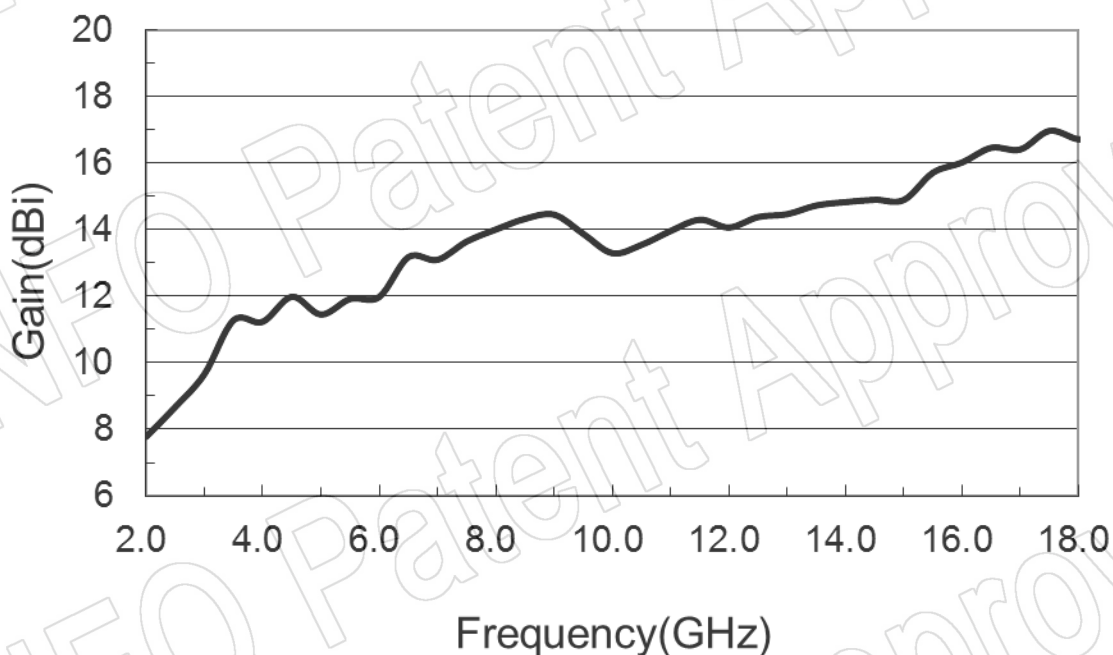
SMA-Female Output with L Type Mounting Bracket & Radome (Option, P/N: LB-20180-L & LB-20180-SFSP0, Outdoor Application)

For N-Female output outline drawing, please contact A-INFO.

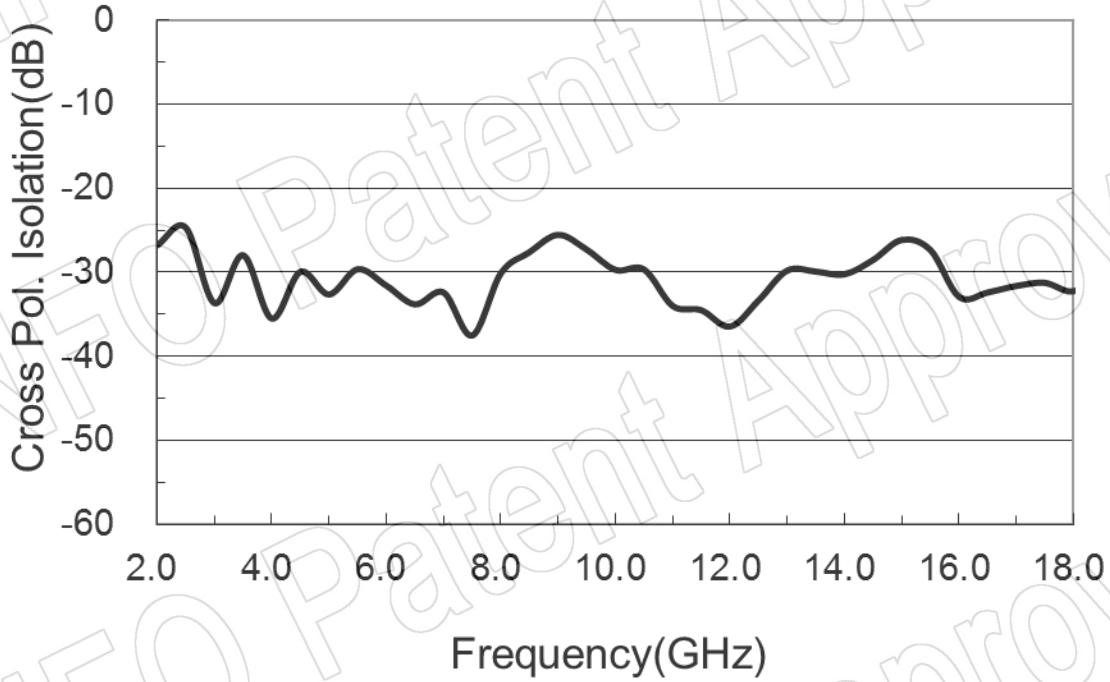


Test Results

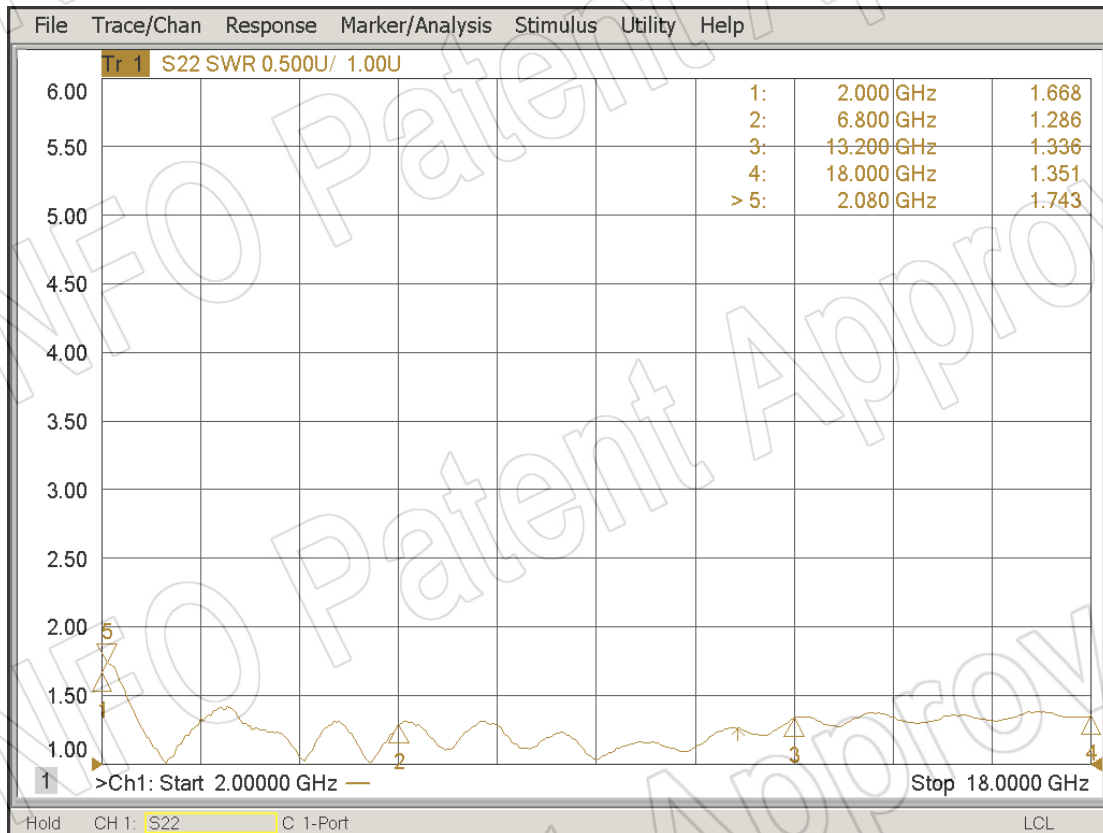
1. Gain & Antenna Factor



2. Cross Polarization Isolation



3. VSWR



4. Pattern

