

## DOSSERT®

### TYPE BCV-S Tee Connector

A heavy duty cable run to cable tap tee connector. Handles a wide range of conductor sizes in each clamping position.

#### Material

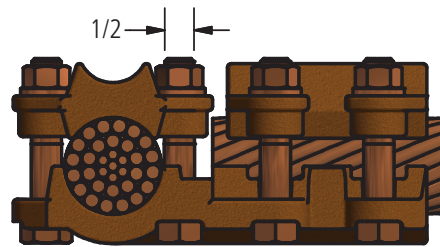
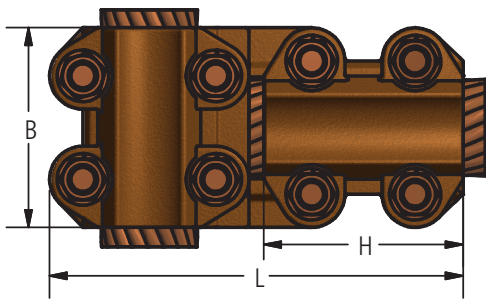
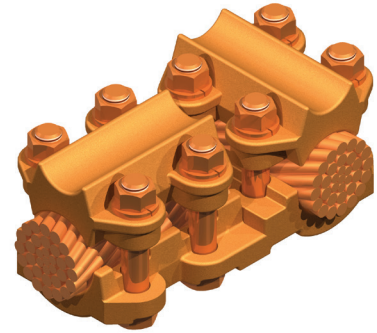
Copper Alloy

#### Hardware

Everdur bolts, nuts and lockwashers

#### Notes

- For Electro Tin plate, add "-SN" to Catalog Number EX: BCV50-25-S-SN



### Ordering Information

CATALOG NUMBER	CABLE RANGE RUN				CABLE RANGE TAP				DIMENSIONS IN INCHES		
	SMALL GROOVE		LARGE GROOVE		SMALL GROOVE		LARGE GROOVE		B	H	L
	MIN	MAX	MIN	MAX	MIN	MAX	MIN	MAX			
BCV13-13-S	-	-	6 SOL	2/0 STR	-	-	6 SOL	2/0 STR	2	2	3 3/16
BCV50-25-S	1/0 SOL	250 MCM	250 MCM	500 MCM	-	-	4 SOL	250 MCM	2 5/8	2 3/4	5 9/16
BCV50-50-S	1/0 SOL	250 MCM	250 MCM	500 MCM	1/0 SOL	250 MCM	250 MCM	500 MCM	2 5/8	2 5/8	5 7/16
BCV60-60-S	#4 SOL	3/0 STR	4/0 STR	600 MCM	#4 SOL	3/0 STR	4/0 STR	600 MCM	2 3/4	2 3/4	5 5/8
BCV80-25-S	2/0 SOL	450 MCM	500 MCM	800 MCM	-	-	4 SOL	250 MCM	2 7/8	2 3/4	5 13/16
BCV80-80-S	2/0 STR	450 MCM	500 MCM	800 MCM	2/0 STR	450 MCM	500 MCM	800 MCM	2 7/8	2 7/8	5 15/16
BCV100-25-S	4/0 SOL	400 MCM	450 MCM	1000 MCM	-	-	4 SOL	250 MCM	2 7/8	2 3/4	5 7/8
BCV100-50-S	4/0 SOL	400 MCM	450 MCM	1000 MCM	1/0 SOL	250 MCM	250 MCM	500 MCM	2 7/8	2 5/8	5 3/4
BCV100-100-S	4/0 SOL	400 MCM	450 MCM	1000 MCM	4/0 SOL	400 MCM	450 MCM	1000 MCM	2 7/8	2 7/8	6
BCV100-80-S	4/0 SOL	400 MCM	450 MCM	1000 MCM	2/0 STR	450 MCM	500 MCM	800 MCM	2 7/8	2 7/8	6
BCV150-25-S	250 MCM	750 MCM	800 MCM	1500 MCM	-	-	4 SOL	250 MCM	3 3/8	2 3/4	5 1/2
BCV150-100-S	250 MCM	750 MCM	800 MCM	1500 MCM	4/0 SOL	400 MCM	450 MCM	1000 MCM	3 3/8	2 7/8	6 1/4
BCV150-150-S	250 MCM	750 MCM	800 MCM	1500 MCM	250 MCM	750 MCM	800 MCM	1500 MCM	3 3/8	3 3/8	6 3/4
BCV150-200-S	250 MCM	750 MCM	800 MCM	1500 MCM	500 MCM	1250 MCM	1500 MCM	2000 MCM	3 3/8	3 3/8	6 3/4
BCV200-25-S	500 MCM	1250 MCM	1500 MCM	2000 MCM	-	-	4 SOL	250 MCM	3 3/8	2 3/4	6 3/8
BCV200-50-S	500 MCM	1250 MCM	1500 MCM	2000 MCM	1/0 SOL	250 MCM	250 MCM	500 MCM	3 3/8	2 5/8	6 1/4
BCV200-200-S	500 MCM	1250 MCM	1500 MCM	2000 MCM	500 MCM	1250 MCM	1500 MCM	2000 MCM	3 3/8	3 3/8	7
BCV250-150-S	1000 MCM	1500 MCM	1750 MCM	2500 MCM	250 MCM	750 MCM	800 MCM	1500 MCM	3 3/8	3 3/8	7 1/4

## DOSSERT®

### TYPE U2T, UUTT

The U2T is a double tap single run, while the UUTT is a double tap double run.

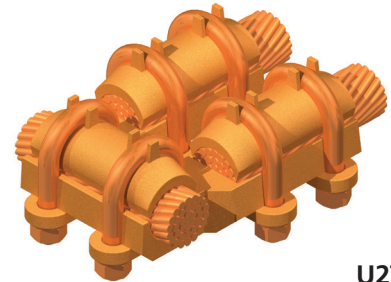
Each tap position independently takes a wide range of conductor sizes. A well-balanced contact and conductive areas assure cool operation at maximum loads.

**Material**

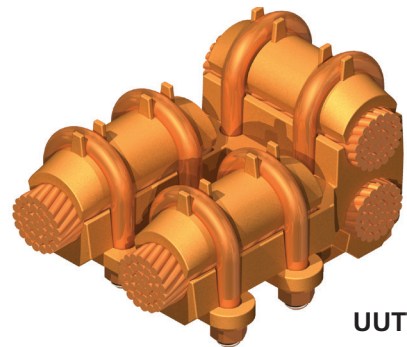
Copper Alloy

**Hardware**

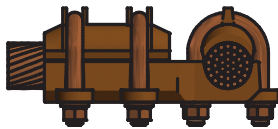
Everdur U-bolts, nuts and lockwashers



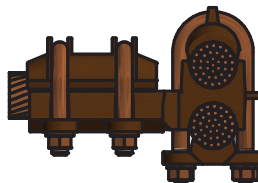
U2T



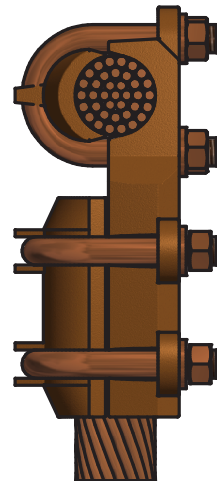
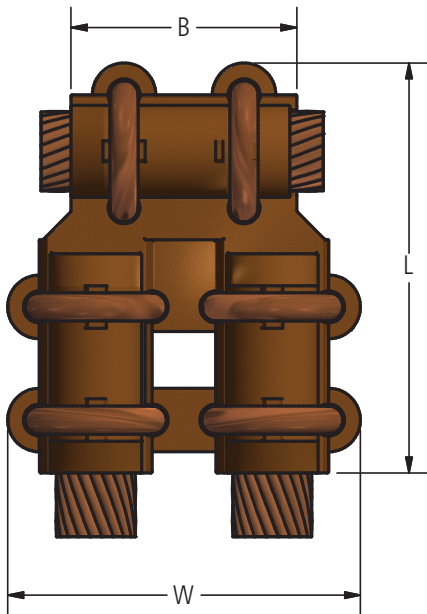
UUTT



U2T



UUTT





# Bronze Elbows Tee & Vee Connectors

## DOSSERT®

### TYPE U2T, UUTT

The U2T is a double tap single run, while the UUTT is a double tap double run.

#### Ordering Information

CATALOG NUMBER		CABLE RANGE RUN		CABLE RANGE TAP		DIMENSIONS IN INCHES			U-BOLT DIA.	
		MIN	MAX	MIN	MAX	B	L	W	MAIN	TAP
U2T13-13	UUTT13-13	# 6 STRanded	2/0 STRanded	#6 STRanded	2/0 STRanded	3 1/4	4 1/4	3 1/4	5/16	5/16
U2T21-21	UUTT21-21	#1 STRanded	4/0 STRanded	#1 STRanded	4/0 STRanded	3 1/4	4 1/2	3 3/4	3/8	3/8
U2T30-13	UUTT30-13	1/0 STRanded	300 MCM	#6 STRanded	2/0 STRanded	3 1/4	4 1/4	3 1/4	3/8	3/8
U2T30-30	UUTT30-30	1/0 STRanded	300 MCM	1/0 STRanded	300 MCM	3 3/4	4 1/2	4	3/8	3/8
U2T50-13	UUTT50-13	300 MCM	500 MCM	#6 STRanded	2/0 STRanded	3 1/4	4 3/8	3 1/4	3/8	5/16
U2T50-21	UUTT50-21	300 MCM	500 MCM	#1 STRanded	4/0 STRanded	3 1/4	4 3/4	3 3/4	3/8	3/8
U2T50-30	UUTT50-30	300 MCM	500 MCM	1/0 STRanded	300 MCM	4 1/4	4 7/8	4	3/8	3/8
U2T50-50	UUTT50-50	300 MCM	500 MCM	300 MCM	500 MCM	4 1/4	5 1/8	4 3/8	3/8	3/8
U2T80-13	UUTT80-13	500 MCM	800 MCM	#6 STRanded	2/0 STRanded	3 1/4	5 1/4	3 1/4	1/2	5/16
U2T80-21	UUTT80-21	500 MCM	800 MCM	#1 STRanded	4/0 STRanded	3 1/4	5 7/8	3 3/4	1/2	3/8
U2T80-30	UUTT80-30	500 MCM	800 MCM	1/0 STRanded	300 MCM	4 1/4	6	4	1/2	3/8
U2T80-50	UUTT80-50	500 MCM	800 MCM	300 MCM	500 MCM	4 1/4	6 1/4	4 3/8	1/2	3/8
U2T80-80	UUTT80-80	500 MCM	800 MCM	500 MCM	800 MCM	5 1/4	6 1/2	5 1/2	1/2	1/2
U2T100-13	UUTT100-13	750 MCM	1000 MCM	#6 STRanded	2/0 STRanded	4 1/4	5 1/2	3 1/4	1/2	5/16
U2T100-21	UUTT100-21	750 MCM	1000 MCM	#1 STRanded	4/0 STRanded	4 1/4	5 5/8	3 3/4	1/2	3/8
U2T100-30	UUTT100-30	750 MCM	1000 MCM	1/0 STRanded	300 MCM	4 1/4	5 3/4	4	1/2	3/8
U2T100-50	UUTT100-50	750 MCM	1000 MCM	300 MCM	500 MCM	4 1/4	6	4 3/8	1/2	3/8
U2T100-80	UUTT100-80	750 MCM	1000 MCM	500 MCM	800 MCM	5 1/4	6 1/4	5 1/2	1/2	1/2
U2T100-100	UUTT100-100	750 MCM	1000 MCM	750 MCM	1000 MCM	5 1/4	6 1/2	5 7/8	1/2	1/2
U2T150-13	UUTT150-13	1000 MCM	1500 MCM	#6 STRanded	2/0 STRanded	4 1/4	5 3/4	3 1/4	1/2	5/16
U2T150-21	UUTT150-21	1000 MCM	1500 MCM	#1 STRanded	4/0 STRanded	4 1/4	5 7/8	3 3/4	1/2	3/8
U2T150-30	UUTT150-30	1000 MCM	1500 MCM	1/0 STRanded	300 MCM	4 1/4	6	4	1/2	3/8
U2T150-50	UUTT150-50	1000 MCM	1500 MCM	300 MCM	500 MCM	4 1/4	6 1/4	4 3/8	1/2	3/8
U2T150-80	UUTT150-80	1000 MCM	1500 MCM	500 MCM	800 MCM	5 1/4	6 1/2	5 1/2	1/2	1/2
U2T150-100	UUTT150-100	1000 MCM	1500 MCM	750 MCM	1000 MCM	5 1/4	6 3/4	5 7/8	1/2	1/2
U2T150-150	UUTT150-150	1000 MCM	2000 MCM	1000 MCM	2000 MCM	4	7 1/4	6 1/4	1/2	1/2
U2T200-30	UUTT200-30	1500 MCM	2000 MCM	1/0 STRanded	300 MCM	4 1/4	6 1/4	4	1/2	3/8
U2T200-50	UUTT200-50	1500 MCM	2000 MCM	300 MCM	500 MCM	4 1/4	6 1/2	4 3/8	1/2	3/8
U2T200-80	UUTT200-80	1500 MCM	2000 MCM	500 MCM	800 MCM	4 1/2	6 11/16	5 1/2	1/2	1/2
U2T200-100	UUTT200-100	1500 MCM	2000 MCM	750 MCM	1000 MCM	5 1/4	7	5 7/8	1/2	1/2
U2T200-150	UUTT200-150	1500 MCM	2000 MCM	1000 MCM	1500 MCM	6 3/8	7 1/2	6 5/8	1/2	1/2
U2T200-200	UUTT200-200	1500 MCM	2000 MCM	1500 MCM	2000 MCM	4 1/2	8 1/2	6 7/8	1/2	1/2



## Bronze Elbows, Tee & Vee Connectors

### DOSSERT®

#### TYPE UT, UUT U-Bolt Tee Connector

A rugged U-bolt high compression clamp type tee connector which takes a wide range of cable sizes in both the run and tap sections. Designed to withstand high compressive clamping action on all cables within specified cable ranges.

#### Material

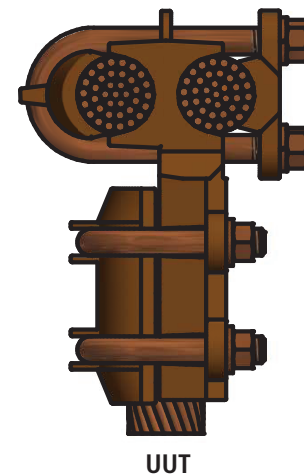
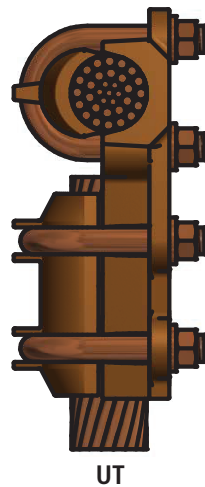
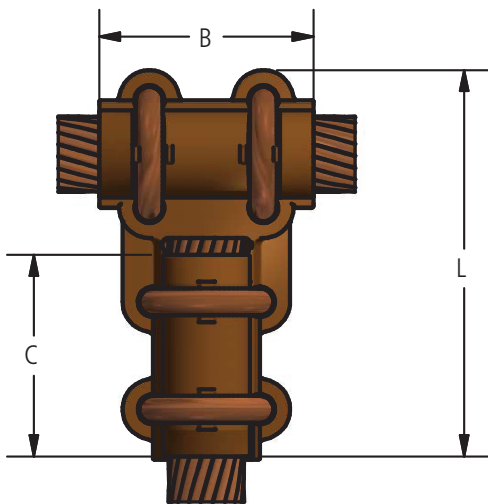
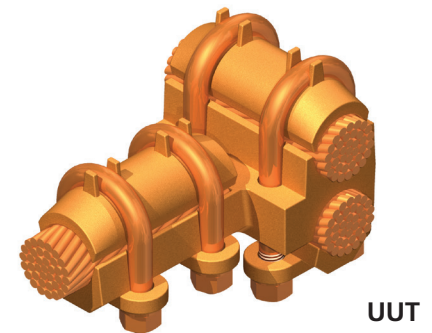
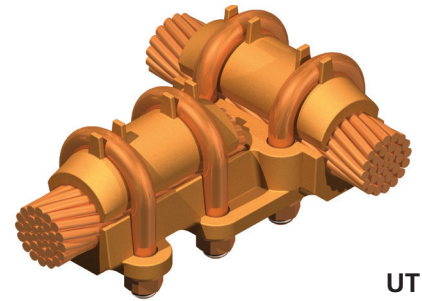
Copper Alloy

#### Hardware

Everdur U-bolts, nuts, and lockwashers

#### Notes

- For a 500 MCM cable tee connector, single tap, SINGLE run, order UT50-50.
- For a 500 MCM cable tee connector, single tap, DOUBLE run, order UUT50-50.
- For tin plating, add "-SN" to end of catalog number. EX: UT50-50-SN





# Bronze Elbows, Tee & Vee Connectors

## DOSSERT®

### TYPE UT, UUT U-Bolt Tee Connector

#### Ordering Information

CATALOG NUMBER		CABLE RANGE				DIMENSIONS IN INCHES				
		RUN		TAP		B	C	L	U-BOLT DIA.	
SINGLE RUN	DOUBLE RUN	MIN	MAX	MIN	MAX				U-BOLT DIA. RUN	U-BOLT DIA. TAP
UT13-13	UUT13-13	#6 Stranded	2/0 Stranded	#6 Stranded	2/0 Stranded	2 1/2	2 1/2	4 1/4	3/8	5/16
UT21-21	UUT21-21	#1 Stranded	4/0 Stranded	#1 Stranded	4/0 Stranded	2 5/8	2 5/8	4 1/2	3/8	3/8
UT30-13	UUT30-13	1/0 Stranded	300 MCM	#6 Stranded	2/0 Stranded	2 3/4	2 3/4	4 1/4	3/8	5/16
UT30-30	UUT30-30	1/0 Stranded	300 MCM	1/0 Stranded	300 MCM	2 3/4	2 3/4	4 1/2	3/8	3/8
UT50-13	UUT50-13	300 MCM	500 MCM	#6 Stranded	2/0 Stranded	3	2 1/2	4 3/8	1/2	5/16
UT50-21	UUT50-21	300 MCM	500 MCM	#1 Stranded	4/0 Stranded	3	2 5/8	4 3/4	1/2	3/8
UT50-30	UUT50-30	300 MCM	500 MCM	1/0 Stranded	300 MCM	3	2 3/4	4 7/8	1/2	3/8
UT50-50	UUT50-50	300 MCM	500 MCM	300 MCM	500 MCM	3	3	5 1/8	3/8	3/8
UT80-13	UUT80-13	500 MCM	800 MCM	#6 Stranded	2/0 Stranded	3 1/4	2 1/2	5 1/4	1/2	5/16
UT80-21	UUT80-21	500 MCM	800 MCM	#1 Stranded	4/0 Stranded	3 1/4	2 5/8	5 7/8	1/2	3/8
UT80-30	UUT80-30	500 MCM	800 MCM	1/0 Stranded	300 MCM	3 1/4	2 3/4	6	1/2	3/8
UT80-50	UUT80-50	500 MCM	800 MCM	300 MCM	500 MCM	3 1/4	3	5 13/16	1/2	3/8
UT80-80	UUT80-80	500 MCM	800 MCM	500 MCM	800 MCM	3 1/4	3 1/4	6 1/2	1/2	1/2
UT100-13	UUT100-13	750 MCM	1000 MCM	#6 Stranded	2/0 Stranded	3 1/2	2 1/2	5 1/2	1/2	5/16
UT100-21	UUT100-21	750 MCM	1000 MCM	#1 Stranded	4/0 Stranded	3 1/2	2 5/8	5 5/8	1/2	3/8
UT100-30	UUT100-30	750 MCM	1000 MCM	1/0 Stranded	300 MCM	3 1/2	2 3/4	5 3/4	1/2	3/8
UT100-50	UUT100-50	750 MCM	1000 MCM	300 MCM	500 MCM	3 1/2	3	6	1/2	3/8
UT100-80	UUT100-80	750 MCM	1000 MCM	500 MCM	800 MCM	3 1/2	3 1/4	6 1/4	1/2	1/2
UT100-100	UUT100-100	750 MCM	1000 MCM	750 MCM	1000 MCM	3 1/2	3 1/2	6 9/16	1/2	1/2
UT150-13	UUT150-13	1000 MCM	2000 MCM	#6 Stranded	2/0 Stranded	4	2 1/2	5 3/4	1/2	5/16
UT150-21	UUT150-21	1000 MCM	2000 MCM	#1 Stranded	4/0 Stranded	4	2 5/8	5 7/8	1/2	3/8
UT150-30	UUT150-30	1000 MCM	2000 MCM	1/0 Stranded	300 MCM	4	2 3/4	6	1/2	3/8
UT150-50	UUT150-50	1000 MCM	2000 MCM	300 MCM	500 MCM	4	3	6 1/4	1/2	3/8
UT150-80	UUT150-80	1000 MCM	2000 MCM	500 MCM	800 MCM	4	3 1/4	6 1/2	1/2	1/2
UT150-100	UUT150-100	1000 MCM	2000 MCM	750 MCM	1000 MCM	4	3 1/2	6 3/4	1/2	1/2
UT150-150	UUT150-150	1000 MCM	2000 MCM	1000 MCM	2000 MCM	4	3 7/8	7 1/4	1/2	1/2
UT200-30	UUT200-30	1500 MCM	2000 MCM	1/0 Stranded	300 MCM	4 1/2	2 3/4	6 1/2	1/2	3/8
UT200-50	UUT200-50	1500 MCM	2000 MCM	300 MCM	500 MCM	4 1/2	3	6 3/4	1/2	3/8
UT200-80	UUT200-80	1500 MCM	2000 MCM	500 MCM	800 MCM	4 1/2	3 1/4	7	5/8	1/2
UT200-100	UUT200-100	1500 MCM	2000 MCM	750 MCM	1000 MCM	4 1/2	3 1/2	7 1/4	5/8	1/2
UT200-150	UUT200-150	1500 MCM	2000 MCM	1000 MCM	1500 MCM	4 1/2	4	7 3/4	5/8	1/2
UT200-200	UUT200-200	1500 MCM	2000 MCM	1500 MCM	2000 MCM	4 1/2	4 1/2	8 3/16	1/2	1/2

## DOSSERT®

### TYPE UTS

#### Copper U-Bolt Type Tee Coupler

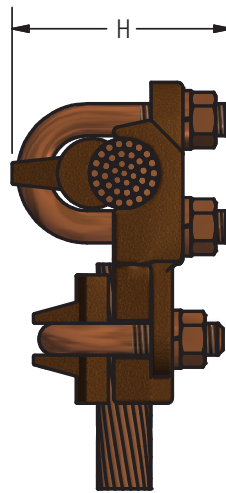
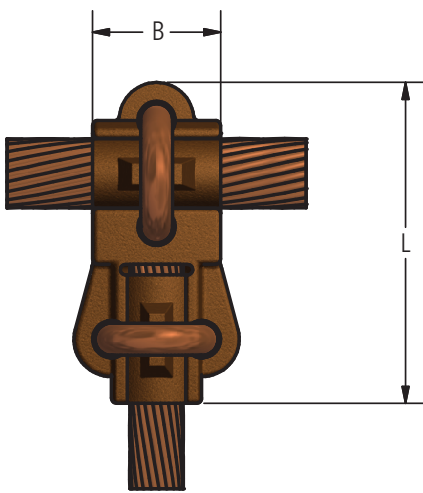
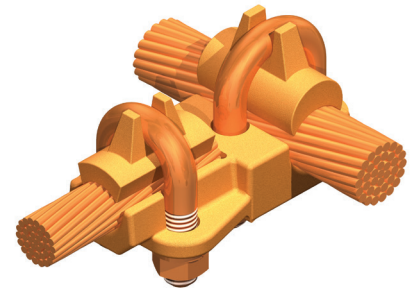
A rugged U-bolt clamp type tee connector which takes a wide range of cable sizes in both the run and tap sections. Designed to withstand high compressive clamping action on all cables within specified cable range. UTS is a compact version of UT.

#### Material

Copper Alloy

#### Hardware

Everdur nuts, lockwashers and U-bolts



### Ordering Information

CATALOG NUMBER	CABLE RANGE				DIMENSIONS IN INCHES			U-BOLT SIZE	
	RUN		TAP		B	H	L	MAIN	TAP
	MIN	MAX	MIN	MAX					
UTS13-13	6 STR	2/0 STR	6 STR	2/0 STR	1 1/4	1 3/4	3 1/8	5/16	5/16
UTS21-13	1 STR	4/0 STR	6 STR	2/0 STR	1 5/16	2 1/8	3 3/8	3/8	5/16
UTS21-21	1 STR	4/0 STR	1 STR	4/0 STR	1 5/16	2 1/8	3 7/16	3/8	3/8
UTS30-21	1/0 STR	300 MCM	1 STR	4/0 STR	1 3/8	2 3/8	3 1/2	3/8	3/8
UTS30-30	1/0 STR	300 MCM	1/0 STR	300 MCM	1 3/8	2 3/8	3 5/8	3/8	3/8
UTS50-13	300 MCM	500 MCM	6 STR	2/0 STR	1 1/2	2 5/8	3 11/16	3/8	5/16
UTS50-30	300 MCM	500 MCM	1/0 STR	300 MCM	1 1/2	2 5/8	3 13/16	3/8	3/8
UTS50-50	300 MCM	500 MCM	300 MCM	500 MCM	1 1/2	2 5/8	3 15/16	3/8	3/8
UTS80-13	500 MCM	800 MCM	1 STR	2/0 STR	1 3/4	2 3/4	4 1/8	1/2	5/16
UTS80-30	500 MCM	800 MCM	1/0 STR	300 MCM	1 3/4	2 3/4	4 1/4	1/2	3/8
UTS80-50	500 MCM	800 MCM	300 MCM	500 MCM	1 3/4	3 1/8	4 3/8	1/2	3/8
UTS80-80	500 MCM	800 MCM	500 MCM	800 MCM	1 3/4	3 1/8	4 1/2	1/2	1/2
UTS100-13	750 MCM	1000 MCM	1 STR	2/0 STR	2	3	4 1/4	1/2	5/16
UTS100-21	750 MCM	1000 MCM	1 STR	4/0 STR	2	3	4 3/8	1/2	3/8
UTS100-30	750 MCM	1000 MCM	1/0 STR	300 MCM	2	3	4 3/8	1/2	3/8
UTS100-50	750 MCM	1000 MCM	300 MCM	500 MCM	2	3	4 1/2	1/2	3/8
UTS100-80	750 MCM	1000 MCM	500 MCM	800 MCM	2 1/4	3	4 3/4	1/2	1/2
UTS100-100	750 MCM	1000 MCM	750 MCM	1000 MCM	2 1/4	3	4 1/2	1/2	1/2
UTS150-30	1000 MCM	1500 MCM	1/0 STR	300 MCM	2 1/4	3 3/4	4 3/4	1/2	3/8
UTS150-50	1000 MCM	1500 MCM	300 MCM	500 MCM	2 1/4	3 3/4	4 7/8	1/2	3/8
UTS150-80	1000 MCM	1500 MCM	500 MCM	800 MCM	2 5/8	3 3/4	5 1/8	1/2	1/2
UTS150-100	1000 MCM	1500 MCM	750 MCM	1000 MCM	2 7/8	3 3/4	5 1/4	1/2	1/2
UTS150-150	1000 MCM	1500 MCM	1000 MCM	1500 MCM	3 1/4	3 3/4	5 1/2	1/2	1/2
UTS200-30	1500 MCM	2000 MCM	1/0 STR	300 MCM	2	3 13/16	5	1/2	3/8
UTS200-50	1500 MCM	2000 MCM	300 MCM	500 MCM	2	3 13/16	5 1/8	1/2	3/8
UTS200-100	1500 MCM	2000 MCM	750 MCM	1000 MCM	2	3 13/16	5 1/4	1/2	1/2
UTS200-150	1500 MCM	2000 MCM	1000 MCM	1500 MCM	2	3 13/16	5 1/2	1/2	1/2
UTS200-200	1500 MCM	2000 MCM	1500 MCM	2000 MCM	2	3 13/16	5 5/8	1/2	1/2