

DOSSERT® TYPE CFTV-N-AA Terminal Lug

Tee connector designed to connect aluminum cables to aluminum pad for flat bolt on connection. Pads conform to NEMA standards.

Material

Aluminum Alloy

Hardware

Yellow anodized aluminum nuts, bolts and lockwashers.

Notes

1. For Stainless Steel bolts, lockwashers and Everdur nuts, add "-SSHBN" to catalog number. EX: CFTV160-4N-NN-SSHBN
2. For Grade Five Galvanized Steel Hardware, add "-GS5" to catalog number. EX: CFTV160-4N-AA-GS5

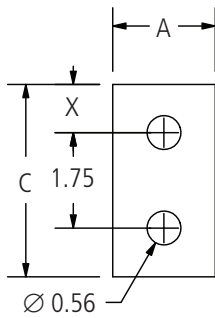
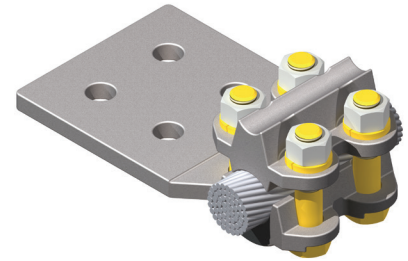


FIG. 2

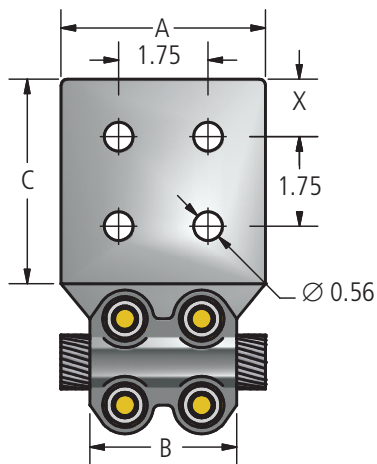


FIG. 1

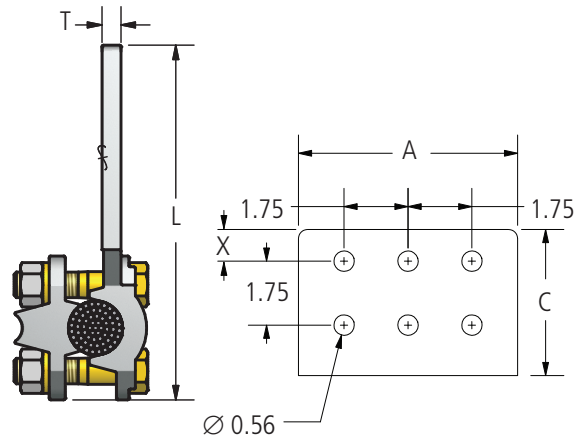


FIG. 3

Ordering Information

CATALOG NUMBER	CABLE RANGE				FIG. NO.	DIMENSIONS IN INCHES						BOLT SIZE
	ALUMINUM		ACSR			A	B	C	L	T	X	
	MIN	MAX	MIN	MAX								
CFTV25-2N-AA	1/0 STR.	250 MCM	1/0	4/0	2	2.00	3.00	3.00	5.63	0.31	0.63	1/2
CFTV25-3N-AA	1/0 STR.	250 MCM	1/0	4/0	1	3.00	3.00	3.00	5.56	0.31	0.63	1/2
CFTV25-4N-AA	1/0 STR.	250 MCM	1/0	4/0	1	4.00	3.00	3.00	5.56	0.31	0.63	1/2
CFTV25-4N4-AA	1/0 STR.	250 MCM	1/0	4/0	1	4.00	3.00	4.00	6.56	0.31	1.13	1/2
CFTV40-2N-AA	250 MCM	400 MCM	4/0	397.5	2	2.00	3.00	3.00	5.63	0.38	0.63	1/2
CFTV40-3N-AA	250 MCM	400 MCM	4/0	397.5	1	3.00	3.00	3.00	5.75	0.38	0.63	1/2
CFTV40-4N-AA	250 MCM	400 MCM	4/0	397.5	1	3.00	3.00	3.00	5.75	0.38	0.63	1/2
CFTV40-4N4-AA	250 MCM	400 MCM	4/0	397.5	1	4.00	3.00	4.00	6.75	0.38	1.13	1/2
CFTV60-2N-AA	350 MCM	600 MCM	336.4	477	2	2.00	3.00	3.00	5.94	0.38	0.63	1/2
CFTV60-3N-AA	350 MCM	600 MCM	336.4	477	1	3.00	3.00	3.00	5.94	0.38	0.63	1/2
CFTV60-4N-AA	350 MCM	600 MCM	336.4	477	1	4.00	3.00	3.00	5.94	0.38	0.63	1/2
CFTV60-4N4-AA	350 MCM	600 MCM	336.4	477	1	4.00	3.00	4.00	6.94	0.38	1.13	1/2
CFTV60-6N4-AA	350 MCM	600 MCM	336.4	477	3	6.00	3.00	4.00	6.94	0.38	1.13	1/2
CFTV90-2N-AA	500 MCM	900 MCM	477	795	2	2.00	3.00	3.00	6.13	0.50	0.63	1/2
CFTV90-3N-AA	500 MCM	900 MCM	477	795	1	3.00	3.00	3.00	6.13	0.50	0.63	1/2
CFTV90-4N-AA	500 MCM	900 MCM	477	795	1	4.00	3.00	3.00	6.63	0.50	0.63	1/2
CFTV90-4N4-AA	500 MCM	900 MCM	477	795	1	4.00	3.00	4.00	7.13	0.50	1.13	1/2
CFTV125-2N-AA	900 MCM	1250 MCM	715	1113	2	2.00	3.25	3.00	6.31	0.50	0.63	1/2
CFTV125-3N-AA	900 MCM	1250 MCM	715	1113	1	3.00	3.25	3.00	6.31	0.50	0.63	1/2

DOSSERT®

TYPE CFTV-N-AA

Terminal Lug

Ordering Information

CATALOG NUMBER	CABLE RANGE				FIG. NO.	DIMENSIONS IN INCHES						BOLT SIZE
	ALUMINUM		ACSR			A	B	C	L	T	X	
	MIN	MAX	MIN	MAX								
CFTV125-4N-AA	900 MCM	1250 MCM	715	1113	1	3.00	3.25	3.00	6.31	0.50	0.63	1/2
CFTV125-4N4-AA	900 MCM	1250 MCM	715	1113	1	4.00	3.25	4.00	7.31	0.50	1.13	1/2
CFTV125-6N4-AA	900 MCM	1250 MCM	715	1113	3	6.00	3.25	4.00	7.31	0.50	1.13	1/2
CFTV160-3N-AA	1250 MCM	1600 MCM	1113	1431	1	3.00	4.38	3.00	6.88	0.56	0.63	5/8
CFTV160-4N-AA	1250 MCM	1600 MCM	1113	1431	1	4.00	4.38	3.00	6.88	0.56	0.63	5/8
CFTV160-4N4-AA	1250 MCM	1600 MCM	1113	1431	1	4.00	4.38	4.00	7.88	0.56	1.13	5/8
CFTV160-6N4-AA	1250 MCM	1600 MCM	1113	1431	3	6.00	4.38	4.00	7.88	0.56	1.13	5/8
CFTV200-2N-AA	1500 MCM	2000 MCM	1272	1780	2	2.00	4.50	3.00	7.00	0.69	0.63	5/8
CFTV200-3N-AA	1500 MCM	2000 MCM	1272	1780	1	3.00	4.50	3.00	7.00	0.69	0.63	5/8
CFTV200-4N-AA	1500 MCM	2000 MCM	1272	1780	1	4.00	4.50	3.00	7.00	0.69	0.63	5/8
CFTV200-4N4-AA	1500 MCM	2000 MCM	1272	1780	1	4.00	4.50	4.00	8.00	0.69	1.13	5/8
CFTV200-6N4-AA	1500 MCM	2000 MCM	1272	1780	3	6.00	4.50	4.00	8.00	0.69	1.13	5/8
CFTV250-2N-AA	2000 MCM	2500 MCM	1780	2300	2	2.00	4.50	3.00	7.19	0.75	0.63	5/8
CFTV250-3N-AA	2000 MCM	2500 MCM	1780	2300	1	3.00	4.50	3.00	7.00	0.69	0.63	5/8
CFTV250-4N-AA	2000 MCM	2500 MCM	1780	2300	1	4.00	4.50	3.00	7.38	0.75	0.63	5/8
CFTV250-4N4-AA	2000 MCM	2500 MCM	1780	2300	1	4.00	4.50	4.00	8.38	0.75	1.13	5/8
CFTV250-6N4-AA	2000 MCM	2500 MCM	1780	2300	3	6.00	4.50	4.00	8.38	0.75	1.13	5/8
CFTV300-4N-AA	2500 MCM	3000 MCM	2300	2870	1	4.00	4.50	3.00	7.56	0.75	0.63	5/8
CFTV300-4N4-AA	2500 MCM	3000 MCM	2300	2870	1	4.00	4.50	4.00	8.56	0.75	1.13	5/8

230 kV Aluminum Bolted Terminal Connectors

DOSSERT®

TYPE T3CV-AA

Aluminum Terminal

Material

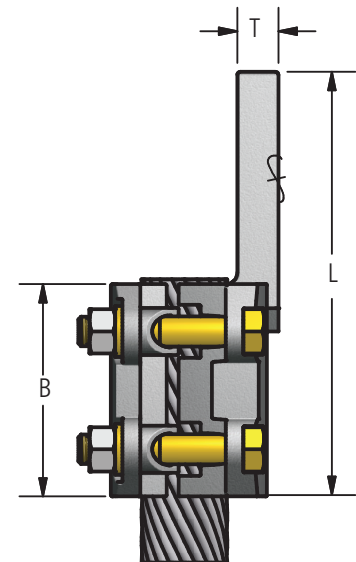
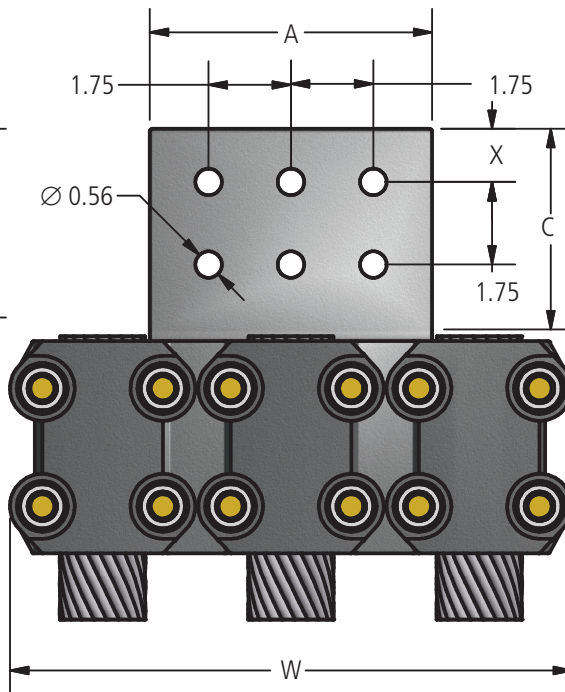
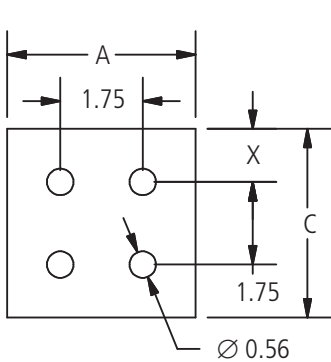
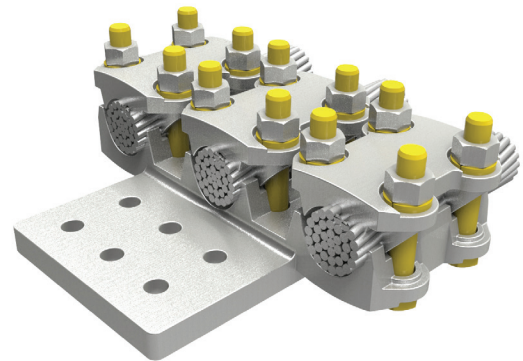
Aluminum Alloy

Material

Aluminum nuts, bolts and lockwashers.

Notes

- For Stainless Steel Hardware, add "-SS" to catalog number. EX: T3CV125-4N4-AA-SS
- For Stainless Steel bolts, lockwashers and Everdur nuts, add "-SSHBN" to catalog number. EX: T3CV125-4N4-AA-SSHBN
- For Galvanized Steel Hardware, add "-GS" to catalog number. EX: T3CV125-4N4-AA-GS
- For Angled Pad, add "A" to prefix and angle to catalog number. EX: T3CVA125-4N4-45-AA





230 kV Aluminum Bolted Terminal Connectors

DOSSERT®

TYPE T3CV-AA
Aluminum Terminal

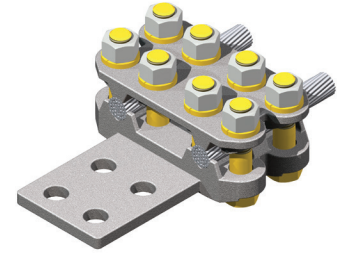
Ordering Information

CATALOG NUMBER	CABLE RANGE				FIG. NO.	DIMENSIONS IN INCHES							BOLT SIZE
	ALUMINUM		ACSR			A	B	C	L	T	W	X	
	MIN	MAX	MIN	MAX									
T3CV25-4N-AA	# 1/0	250	# 1/0	#4/0	1	3.00	3.00	3.00	6.25	0.31	7.19	0.63	1/2
T3CV25-4N4-AA	# 1/0	250	# 1/0	#4/0	1	4.00	3.00	4.00	7.25	0.31	7.19	1.13	1/2
T3CV40-4N-AA	250	400	#4/0	397.5	1	3.00	3.00	3.00	6.25	0.38	7.75	0.63	1/2
T3CV40-4N4-AA	250	400	#4/0	397.5	1	4.00	3.00	4.00	7.25	0.38	7.75	1.13	1/2
T3CV60-4N-AA	350	600	336.4	477	1	3.00	3.00	3.00	6.25	0.38	8.63	0.63	1/2
T3CV60-4N4-AA	350	600	336.4	477	1	4.00	3.00	4.00	7.25	0.38	8.63	1.13	1/2
T3CV90-4N-AA	500	900	477	795	1	3.00	3.00	3.00	6.25	0.50	8.88	0.63	1/2
T3CV90-4N4-AA	500	900	477	795	1	4.00	3.00	4.00	7.25	0.75	8.88	1.13	1/2
T3CV90-5N4-AA	500	900	477	795	2	5.00	3.00	4.00	7.25	0.63	8.88	1.13	1/2
T3CV90-6N4-AA	500	900	477	795	2	6.00	3.00	4.00	7.25	0.50	8.88	1.13	1/2
T3CV125-4N-AA	900	1250	715	1113	1	3.00	3.25	3.00	6.50	0.63	9.44	0.63	1/2
T3CV125-4N4-AA	900	1250	715	1113	1	4.00	3.25	4.00	7.50	0.63	9.88	1.13	1/2
T3CV160-4N-AA	1250	1600	1113	1431	1	3.00	4.38	3.00	7.63	0.75	11.13	0.63	5/8
T3CV160-4N4-AA	1250	1600	1113	1431	1	4.00	4.38	4.00	8.75	0.75	11.13	1.13	5/8
T3CV160-6N4-AA	1250	1600	1113	1431	2	6.00	4.38	4.00	8.75	0.75	11.13	1.13	5/8
T3CV200-4N-AA	1500	2000	1272	1780	1	3.00	4.50	3.00	7.75	0.88	11.88	0.63	5/8
T3CV200-4N4-AA	1500	2000	1272	1780	1	4.00	4.50	4.00	8.75	0.88	12.25	1.13	5/8
T3CV200-6N4-AA	1500	2000	1272	1780	2	6.00	4.50	4.00	8.75	0.88	11.88	1.13	5/8
T3CV250-4N-AA	2000	2500	1780	2300	1	3.00	4.50	3.00	7.75	0.88	11.94	0.63	5/8
T3CV250-4N4-AA	2000	2500	1780	2300	1	4.00	4.50	4.00	8.75	0.88	12.06	1.13	5/8
T3CV250-6-4N4-AA	2000	2500	1780	2300	1	4.00	4.50	4.00	8.75	0.88	15.94	1.13	5/8
T3CV250-6N4-AA	2000	2500	1780	2300	2	6.00	4.50	4.00	8.75	0.88	12.06	1.13	5/8

230 kV Aluminum Bolted

DOSSERT® TYPE T2CV-N-AA, T2CVA-N-30-AA, T2CVA-N-45-AA, T2CVA-N-90-AA Aluminum Terminal for 2 Cables

Terminal is designed to connect stranded aluminum or ACSR conductors to aluminum pads. Pad conforms to NEMA standards. Terminals are designed with a universal groove to accept a wide range of conductor sizes. Captive bolts permit one wrench tightening of nuts.



Material

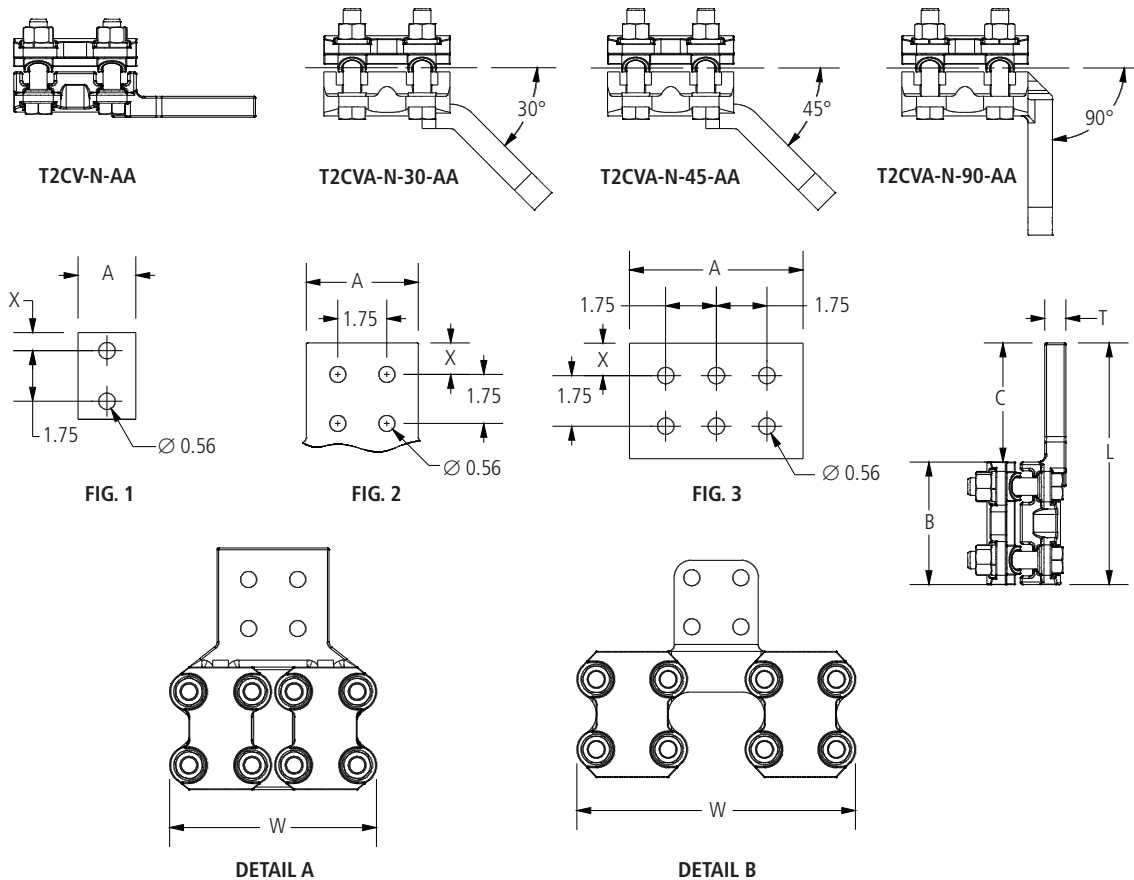
Aluminum Alloy

Material

Yellow anodized aluminum nuts, bolts and lockwashers.

Notes

- For a 30°, add suffix '-30°'; 45°, add suffix '-45°'; and 90°, add suffix '-90°' to catalog number. Also add 'A' after T2CV. EX: T2CVA25-4N4-90-AA
- For Stainless Steel bolts, lockwashers and Everdur nuts, add "-SSHBN" to catalog number. EX: T2CV200-4N4-AA-SSHBN
- For Galvanized Steel Hardware, add "-GS" to catalog number. EX: T2CV200-4N4-AA-GS
- For Angled Pad, add "A" to prefix and angle to catalog number. EX: T2CVA200-4N4-45-AA



DOSSERT®

TYPE T2CV-N-AA, T2CVA-N-30-AA, T2CVA-N-45-AA, T2CVA-N-90-AA Aluminum Terminal for 2 Cables

Ordering Information

CATALOG NO.	CABLE RANGE				FIG. NO.	DETAIL	DIMENSIONS IN INCHES								BOLT SIZE
	AAC		ACSR				A	B	C	L	T	W	X		
	MIN	MAX	MIN	MAX											
T2CV25-4N-AA	# 1/0	250	# 1/0	# 4/0	2	A	3	3	3	6 1/4	5/16	4 3/4	5/8	1/2	
T2CVA25-4N-30-AA	# 1/0	250	# 1/0	# 4/0	2	A	3	3	3	6 1/4	5/16	4 3/4	5/8	1/2	
T2CVA25-4N-45-AA	# 1/0	250	# 1/0	# 4/0	2	A	3	3	3	6 1/4	5/16	4 3/4	5/8	1/2	
T2CVA25-4N-90-AA	# 1/0	250	# 1/0	# 4/0	2	A	3	3	3	6 1/4	5/16	4 3/4	5/8	1/2	
T2CV25-4N4-AA	# 1/0	250	# 1/0	# 4/0	2	A	4	3	4	7 1/4	5/16	4 3/4	1 1/8	1/2	
T2CVA25-4N4-30-AA	# 1/0	250	# 1/0	# 4/0	2	A	4	3	4	7 1/4	5/16	4 3/4	1 1/8	1/2	
T2CVA25-4N4-45-AA	# 1/0	250	# 1/0	# 4/0	2	A	4	3	4	7 1/4	5/16	4 3/4	1 1/8	1/2	
T2CVA25-4N4-90-AA	# 1/0	250	# 1/0	# 4/0	2	A	4	3	4	7 1/4	5/16	4 3/4	1 1/8	1/2	
T2CV40-4N-AA	250	400	# 4/0	397.5	2	A	3	3	3	6 1/4	7/16	5 1/16	5/8	1/2	
T2CVA40-4N-30-AA	250	400	# 4/0	397.5	2	A	3	3	3	6 1/4	7/16	5 1/16	5/8	1/2	
T2CVA40-4N-45-AA	250	400	# 4/0	397.5	2	A	3	3	3	6 1/4	7/16	5 1/16	5/8	1/2	
T2CVA40-4N-90-AA	250	400	# 4/0	397.5	2	A	3	3	3	6 1/4	7/16	5 1/16	5/8	1/2	
T2CV40-4N4-AA	250	400	# 4/0	397.5	2	A	4	3	4	7 1/4	3/8	5 1/16	1 1/8	1/2	
T2CVA40-4N4-30-AA	250	400	# 4/0	397.5	2	A	4	3	4	7 1/4	3/8	5 1/16	1 1/8	1/2	
T2CVA40-4N4-45-AA	250	400	# 4/0	397.5	2	A	4	3	4	7 1/4	3/8	5 1/16	1 1/8	1/2	
T2CVA40-4N4-90-AA	250	400	# 4/0	397.5	2	A	4	3	4	7 1/4	3/8	5 1/16	1 1/8	1/2	
T2CV60-4N-AA	350	600	336.4	477	2	A	3	3	3	6 1/4	3/8	5 3/8	5/8	1/2	
T2CVA60-4N-30-AA	350	600	336.4	477	2	A	3	3	3	6 1/4	3/8	5 3/8	5/8	1/2	
T2CVA60-4N-45-AA	350	600	336.4	477	2	A	3	3	3	6 1/4	3/8	5 3/8	5/8	1/2	
T2CVA60-4N-90-AA	350	600	336.4	477	2	A	3	3	3	6 1/4	3/8	5 3/8	5/8	1/2	
T2CV60-4N4-AA	350	600	336.4	477	2	A	4	3	4	7 1/4	3/8	5 3/8	1 1/8	1/2	
T2CVA60-4N4-30-AA	350	600	336.4	477	2	A	4	3	4	7 1/4	3/8	5 3/8	1 1/8	1/2	
T2CVA60-4N4-45-AA	350	600	336.4	477	2	A	4	3	4	7 1/4	3/8	5 3/8	1 1/8	1/2	
T2CVA60-4N4-90-AA	350	600	336.4	477	2	A	4	3	4	7 1/4	3/8	5 3/8	1 1/8	1/2	
T2CV90-2N-AA	500	900	477	795	1	A	2	3	3	6 1/4	11/16	5 7/8	5/8	1/2	
T2CVA90-2N-30-AA	500	900	477	795	1	A	2	3	3	6 1/4	11/16	5 7/8	5/8	1/2	
T2CVA90-2N-45-AA	500	900	477	795	1	A	2	3	3	6 1/4	11/16	5 7/8	5/8	1/2	
T2CVA90-2N-90-AA	500	900	477	795	1	A	2	3	3	6 1/4	11/16	5 7/8	5/8	1/2	
T2CV90-4N-AA	500	900	477	795	2	A	3	3	3	6 1/4	1/2	5 7/8	5/8	1/2	
T2CVA90-4N-30-AA	500	900	477	795	2	A	3	3	3	6 1/4	1/2	5 7/8	5/8	1/2	
T2CVA90-4N-45-AA	500	900	477	795	2	A	3	3	3	6 1/4	1/2	5 7/8	5/8	1/2	
T2CVA90-4N-90-AA	500	900	477	795	2	A	3	3	3	6 1/4	1/2	5 7/8	5/8	1/2	
T2CV90-4N4-AA	500	900	477	795	2	A	4	3	4	7 1/4	1/2	5 7/8	1 1/8	1/2	
T2CVA90-4N4-30-AA	500	900	477	795	2	A	4	3	4	7 1/4	1/2	5 7/8	1 1/8	1/2	
T2CVA90-4N4-45-AA	500	900	477	795	2	A	4	3	4	7 1/4	1/2	5 7/8	1 1/8	1/2	
T2CVA90-4N4-90-AA	500	900	477	795	2	A	4	3	4	7 1/4	1/2	5 7/8	1 1/8	1/2	
T2CV125-2N-AA	900	1250	715	1192.5	1	A	3	3 1/4	3	6 1/2	5/8	6 1/4	5/8	1/2	
T2CVA125-2N-30-AA	900	1250	715	1192.5	1	A	3	3 1/4	3	6 1/2	5/8	6 1/4	5/8	1/2	
T2CVA125-2N-45-AA	900	1250	715	1192.5	1	A	3	3 1/4	3	6 1/2	5/8	6 1/4	5/8	1/2	
T2CVA125-2N-90-AA	900	1250	715	1192.5	1	A	3	3 1/4	3	6 1/2	5/8	6 1/4	5/8	1/2	
T2CV125-4N-AA	900	1250	715	1192.5	2	A	3	3 1/4	3	6 1/2	5/8	6 1/4	5/8	1/2	
T2CVA125-4N-30-AA	900	1250	715	1192.5	2	A	3	3 1/4	3	6 1/2	5/8	6 1/4	5/8	1/2	
T2CVA125-4N-45-AA	900	1250	715	1192.5	2	A	3	3 1/4	3	6 1/2	5/8	6 1/4	5/8	1/2	
T2CVA125-4N-90-AA	900	1250	715	1192.5	2	A	3	3 1/4	3	6 1/2	5/8	6 1/4	5/8	1/2	
T2CV125-6-4N-AA	900	1250	715	1192.5	2	B	3	3 1/4	3	6 1/2	11/16	9 1/16	5/8	1/2	
T2CVA125-6-4N-30-AA	900	1250	715	1192.5	2	B	3	3 1/4	3	6 1/2	11/16	9 1/16	5/8	1/2	
T2CVA125-6-4N-45-AA	900	1250	715	1192.5	2	B	3	3 1/4	3	6 1/2	11/16	9 1/16	5/8	1/2	
T2CVA125-6-4N-90-AA	900	1250	715	1192.5	2	B	3	3 1/4	3	6 1/2	11/16	9 1/16	5/8	1/2	
T2CV125-4N4-AA	900	1250	715	1192.5	2	A	4	3 1/4	4	7 1/2	5/8	6 1/4	1 1/8	1/2	
T2CVA125-4N4-30-AA	900	1250	715	1192.5	2	A	4	3 1/4	4	7 1/2	5/8	6 1/4	1 1/8	1/2	
T2CVA125-4N4-45-AA	900	1250	715	1192.5	2	A	4	3 1/4	4	7 1/2	5/8	6 1/4	1 1/8	1/2	
T2CVA125-4N4-90-AA	900	1250	715	1192.5	2	A	4	3 1/4	4	7 1/2	5/8	6 1/4	1 1/8	1/2	

230 kV Aluminum Bolted Terminal Connectors

DOSSERT®

TYPE T2CV-N-AA, T2CVA-N-30-AA, T2CVA-N-45-AA, T2CVA-N-90-AA Aluminum Terminal for 2 Cables

Ordering Information

CATALOG NO.	CABLE RANGE				FIG. NO.	DETAIL	DIMENSIONS IN INCHES								BOLT SIZE
	AAC		ACSR				A	B	C	L	T	W	X		
	MIN	MAX	MIN	MAX											
T2CV125-6-4N4-AA	900	1250	715	1192.5	2	B	4	3 1/4	4	7 1/2	11/16	9 1/16	1 1/8	1/2	
T2CVA125-6-4N4-30-AA	900	1250	715	1192.5	2	B	4	3 1/4	4	7 1/2	11/16	9 1/16	1 1/8	1/2	
T2CVA125-6-4N4-45-AA	900	1250	715	1192.5	2	B	4	3 1/4	4	7 1/2	11/16	9 1/16	1 1/8	1/2	
T2CVA125-6-4N4-90-AA	900	1250	715	1192.5	2	B	4	3 1/4	4	7 1/2	11/16	9 1/16	1 1/8	1/2	
T2CV125-6N4-AA	900	1250	715	1192.5	3	A	6	3 1/4	4	7 1/2	5/8	6 1/4	1 1/8	1/2	
T2CV125-6N4-30-AA	900	1250	715	1192.5	3	A	6	3 1/4	4	7 1/2	5/8	6 1/4	1 1/8	1/2	
T2CV125-6N4-45-AA	900	1250	715	1192.5	3	A	6	3 1/4	4	7 1/2	5/8	6 1/4	1 1/8	1/2	
T2CV125-6N4-90-AA	900	1250	715	1192.5	3	A	6	3 1/4	4	7 1/2	5/8	6 1/4	1 1/8	1/2	
T2CV160-4N-AA	1250	1600	1113	1431	2	A	3	4 3/8	3	7 5/8	3/4	7 3/8	5/8	5/8	
T2CVA160-4N-30-AA	1250	1600	1113	1431	2	A	3	4 3/8	3	7 5/8	3/4	7 3/8	5/8	5/8	
T2CVA160-4N-45-AA	1250	1600	1113	1431	2	A	3	4 3/8	3	7 5/8	3/4	7 3/8	5/8	5/8	
T2CVA160-4N-90-AA	1250	1600	1113	1431	2	A	3	4 3/8	3	7 5/8	3/4	7 3/8	5/8	5/8	
T2CV160-4N4-AA	1250	1600	1113	1431	2	A	4	4 3/8	4	8 5/8	3/4	7 3/8	1 1/8	5/8	
T2CVA160-4N4-30-AA	1250	1600	1113	1431	2	A	4	4 3/8	4	8 5/8	3/4	7 3/8	1 1/8	5/8	
T2CVA160-4N4-45-AA	1250	1600	1113	1431	2	A	4	4 3/8	4	8 5/8	3/4	7 3/8	1 1/8	5/8	
T2CVA160-4N4-90-AA	1250	1600	1113	1431	2	A	4	4 3/8	4	8 5/8	3/4	7 3/8	1 1/8	5/8	
T2CV160-6N4-AA	1250	1600	1113	1431	2	A	6	4 3/8	4	8 5/8	3/4	7 3/8	1 1/8	5/8	
T2CVA160-6N4-30-AA	1250	1600	1113	1431	2	A	6	4 3/8	4	8 5/8	3/4	7 3/8	1 1/8	5/8	
T2CVA160-6N4-45-AA	1250	1600	1113	1431	2	A	6	4 3/8	4	8 5/8	3/4	7 3/8	1 1/8	5/8	
T2CVA160-6N4-90-AA	1250	1600	1113	1431	2	A	6	4 3/8	4	8 5/8	3/4	7 3/8	1 1/8	5/8	
T2CV200-4N-AA	1500	2000	1272	1780	2	A	3	4 1/2	3	7 3/4	7/8	7 5/8	5/8	5/8	
T2CVA200-4N-30-AA	1500	2000	1272	1780	2	A	3	4 1/2	3	7 3/4	7/8	7 5/8	5/8	5/8	
T2CVA200-4N-45-AA	1500	2000	1272	1780	2	A	3	4 1/2	3	7 3/4	7/8	7 5/8	5/8	5/8	
T2CVA200-4N-90-AA	1500	2000	1272	1780	2	A	3	4 1/2	3	7 3/4	7/8	7 5/8	5/8	5/8	
T2CV200-4N4-AA	1500	2000	1272	1780	2	A	4	4 1/2	4	8 3/4	7/8	7 5/8	1 1/8	5/8	
T2CVA200-4N4-30-AA	1500	2000	1272	1780	2	A	4	4 1/2	4	8 3/4	7/8	7 5/8	1 1/8	5/8	
T2CVA200-4N4-45-AA	1500	2000	1272	1780	2	A	4	4 1/2	4	8 3/4	7/8	7 5/8	1 1/8	5/8	
T2CVA200-4N4-90-AA	1500	2000	1272	1780	2	A	4	4 1/2	4	8 3/4	7/8	7 5/8	1 1/8	5/8	
T2CV200-6N4-AA	1500	2000	1272	1780	3	A	6	4 1/2	4	8 3/4	7/8	7 5/8	1 1/8	5/8	
T2CVA200-6N4-30-AA	1500	2000	1272	1780	3	A	6	4 1/2	4	8 3/4	7/8	7 5/8	1 1/8	5/8	
T2CVA200-6N4-45-AA	1500	2000	1272	1780	3	A	6	4 1/2	4	8 3/4	7/8	7 5/8	1 1/8	5/8	
T2CVA200-6N4-90-AA	1500	2000	1272	1780	3	A	6	4 1/2	4	8 3/4	7/8	7 5/8	1 1/8	5/8	
T2CV250-4N-AA	2000	2500	1780	2300	2	A	3	4 1/2	3	7 3/4	7/8	8	5/8	5/8	
T2CVA250-4N-30-AA	2000	2500	1780	2300	2	A	3	4 1/2	3	7 3/4	7/8	8	5/8	5/8	
T2CVA250-4N-45-AA	2000	2500	1780	2300	2	A	3	4 1/2	3	7 3/4	7/8	8	5/8	5/8	
T2CVA250-4N-90-AA	2000	2500	1780	2300	2	A	3	4 1/2	3	7 3/4	7/8	8	5/8	5/8	
T2CV250-4N4-AA	2000	2500	1780	2300	2	A	4	4 1/2	4	8 3/4	7/8	8	1 1/8	5/8	
T2CVA250-4N4-30-AA	2000	2500	1780	2300	2	A	4	4 1/2	4	8 3/4	7/8	8	1 1/8	5/8	
T2CVA250-4N4-45-AA	2000	2500	1780	2300	2	A	4	4 1/2	4	8 3/4	7/8	8	1 1/8	5/8	
T2CVA250-4N4-90-AA	2000	2500	1780	2300	2	A	4	4 1/2	4	8 3/4	7/8	8	1 1/8	5/8	
T2CV250-6N4-AA	2000	2500	1780	2300	3	A	6	4 1/2	4	8 3/4	7/8	8	1 1/8	5/8	
T2CVA250-6N4-30-AA	2000	2500	1780	2300	3	A	6	4 1/2	4	8 3/4	7/8	8	1 1/8	5/8	
T2CVA250-6N4-45-AA	2000	2500	1780	2300	3	A	6	4 1/2	4	8 3/4	7/8	8	1 1/8	5/8	
T2CVA250-6N4-90-AA	2000	2500	1780	2300	3	A	6	4 1/2	4	8 3/4	7/8	8	1 1/8	5/8	
T2CV250-6-4N-AA	2000	2500	1780	2300	2	B	3	4 1/2	3	7 3/4	7/8	9 15/16	5/8	5/8	
T2CVA250-6-4N-30-AA	2000	2500	1780	2300	2	B	3	4 1/2	3	7 3/4	7/8	9 15/16	5/8	5/8	
T2CVA250-6-4N-45-AA	2000	2500	1780	2300	2	B	3	4 1/2	3	7 3/4	7/8	9 15/16	5/8	5/8	
T2CVA250-6-4N-90-AA	2000	2500	1780	2300	2	B	3	4 1/2	3	7 3/4	7/8	9 15/16	5/8	5/8	
T2CV250-6-4N4-AA	2000	2500	1780	2300	2	B	4	4 1/2	4	8 3/4	7/8	9 15/16	1 1/8	5/8	
T2CVA250-6-4N4-30-AA	2000	2500	1780	2300	2	B	4	4 1/2	4	8 3/4	7/8	9 15/16	1 1/8	5/8	
T2CVA250-6-4N4-45-AA	2000	2500	1780	2300	2	B	4	4 1/2	4	8 3/4	7/8	9 15/16	1 1/8	5/8	
T2CVA250-6-4N4-90-AA	2000	2500	1780	2300	2	B	4	4 1/2	4	8 3/4	7/8	9 15/16	1 1/8	5/8	

DOSSERT®

TYPE T2CV-N-AA, T2CVA-N-30-AA,
T2CVA-N-45-AA, T2CVA-N-90-AA
Aluminum Terminal for 2 Cables

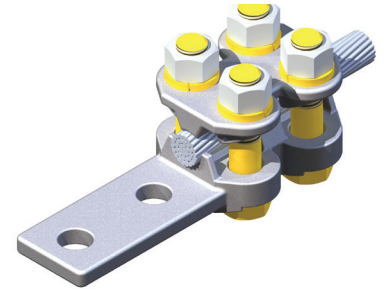
Ordering Information

CATALOG NO.	CABLE RANGE				FIG. NO.	DETAIL	DIMENSIONS IN INCHES								BOLT SIZE
	AAC		ACSR				A	B	C	L	T	W	X		
	MIN	MAX	MIN	MAX											
T2CV250-6-6N4-AA	2000	2500	1780	2300	3	B	6	4 1/2	4	8 3/4	7/8	9 15/16	1 1/8	5/8	
T2CVA250-6-6N4-30-AA	2000	2500	1780	2300	3	B	6	4 1/2	4	8 3/4	7/8	9 15/16	1 1/8	5/8	
T2CVA250-6-6N4-45-AA	2000	2500	1780	2300	3	B	6	4 1/2	4	8 3/4	7/8	9 15/16	1 1/8	5/8	
T2CVA250-6-6N4-90-AA	2000	2500	1780	2300	3	B	6	4 1/2	4	8 3/4	7/8	9 15/16	1 1/8	5/8	
T2CV364-5N4-AA	3000	3640	NA	NA	3	A	5	4 1/2	3	8 3/4	7/8	8 3/4	1 1/8	5/8	
T2CVA364-5N4-30-AA	3000	3640	NA	NA	3	A	5	4 1/2	3	8 3/4	7/8	8 3/4	1 1/8	5/8	
T2CVA364-5N4-45-AA	3000	3640	NA	NA	3	A	5	4 1/2	3	8 3/4	7/8	8 3/4	1 1/8	5/8	
T2CVA364-5N4-90-AA	3000	3640	NA	NA	3	A	5	4 1/2	3	8 3/4	7/8	8 3/4	1 1/8	5/8	

DOSSERT®

TYPE TCV-N-AA, TCVA-N-15-AA, TCVA-N-30-AA, TCVA-N-45-AA, TCVA-N-90-AA NEMA Terminal for Cable Terminal Lug Cable

A variable clamp type terminal for connecting a cable to a flat bar bus. Each size terminal accommodates a wide range of cable sizes. Designed to carry the full rated load of the maximum conductor without overheating. Contact pads other than those listed below can be promptly furnished to any specified size or drilling. The variable type terminal exhibits its advantage in that one connector will accommodate a number of cable sizes. This minimizes greatly the problem of stocking various sizes of connectors and the errors which occur in specifying connectors for specific cable sizes.



230 kV – Bolted Terminal Conn.

Material

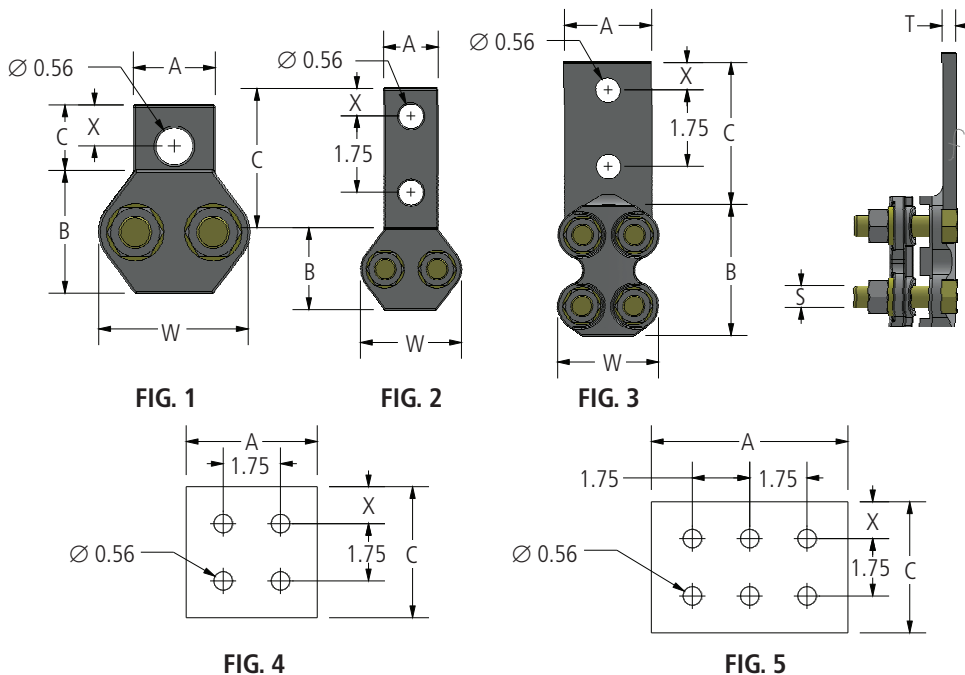
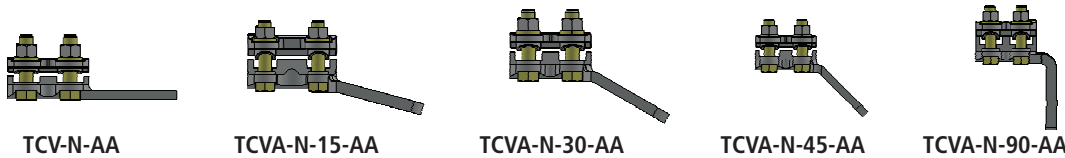
Aluminum Alloy

Hardware

Yellow anodized aluminum nuts, bolts and lockwashers

Notes

- For Finished Surface on both sides of pad, add "-F" to catalog number. EX: TCV25-4NF-AA.
- For Contact Surfaces prefilled with Dostex and packaged in Polyethylene Bag, add "-LP" to catalog number. EX: TCV60-2N-AA-LP.
- For Stainless Steel bolts, lockwashers and Everdur nuts, add "-SSHBN" to catalog number. EX: TCV300-6N4-AA-SSHBN.





230 kV Aluminum Bolted Terminal Connectors

DOSSERT®

**TYPE TCV-N-AA, TCVA-N-15-AA,
TCVA-N-30-AA, TCVA-45-AA, TCVA-90-AA**
NEMA Terminal for Cable Terminal Lug Cable

Ordering Information

CATALOG NUMBER	CABLE RANGE				FIG. NO.	DIMENSIONS IN INCHES						
	ALUMINUM		ACSR			A	B	C	W	X	T	S
	MIN	MAX	MIN	MAX								
TCV10-1-AA	#4 STR	1/0 STR	#4	1/0	1	1.50	1.88	1.44	2.31	0.63	0.31	1/2
TCV10-2N-AA	#4 STR	1/0 STR	#4	1/0	2	1.50	1.88	3.25	2.31	0.63	0.31	1/2
TCV25-2N-AA	1/0	250	1/0	4/0	3	1.63	3.00	3.25	2.31	0.63	0.31	1/2
TCV25-4N-AA	1/0	250	1/0	4/0	4	3.00	3.00	3.25	2.31	0.63	0.31	1/2
TCV25-4N4-AA	1/0	250	1/0	4/0	4	4.00	3.00	4.25	2.31	1.13	0.31	1/2
TCV40-2N-AA	250	400	4/0	397.5	3	2.00	3.00	3.25	2.50	0.63	0.38	1/2
TCV40-4N-AA	250	400	4/0	397.5	4	3.00	3.00	3.25	2.50	0.63	0.38	1/2
TCV40-4N4-AA	250	400	4/0	397.5	4	4.00	3.00	4.25	2.50	1.13	0.38	1/2
TCV60-2N3-AA	350	600	336.4	477	3	2.00	3.00	3.38	2.69	0.63	0.38	1/2
TCV60-2N-AA	350	600	336.4	477	3	1.81	3.00	3.25	2.69	0.63	0.38	1/2
TCV60-4N-AA	350	600	336.4	477	4	3.00	3.00	3.38	2.69	0.63	0.38	1/2
TCV60-4N4-AA	350	600	336.4	477	4	4.00	3.00	4.25	2.69	1.13	0.38	1/2
TCV60-6N4-AA	350	600	336.4	477	5	6.00	3.00	4.25	2.69	1.13	0.44	1/2
TCV90-2N-AA	500	900	477	795	3	2.00	3.00	3.25	2.88	0.63	0.50	1/2
TCV90-4N-AA	500	900	477	795	4	3.00	3.00	3.25	2.88	0.63	0.50	1/2
TCV90-4N4-AA	500	900	477	795	4	4.00	3.00	4.25	2.88	1.13	0.50	1/2
TCV125-2N-AA	900	1250	715	1113	3	2.63	3.25	3.25	3.06	0.63	0.50	1/2
TCV125-4N-AA	900	1250	715	1113	4	3.00	3.25	3.25	3.06	0.63	0.50	1/2
TCV125-4N4-AA	900	1250	715	1113	4	4.00	3.25	4.25	3.06	1.13	0.50	1/2
TCV160-2N-AA	1250	1600	1113	1431	3	2.00	4.38	3.25	3.63	0.63	0.56	5/8
TCV160-4N-AA	1250	1600	1113	1431	4	3.00	4.38	3.25	3.63	0.63	0.56	5/8
TCV160-4N4-AA	1250	1600	1113	1431	4	4.00	4.38	4.25	3.63	1.13	0.56	5/8
TCV160-6N4-AA	1250	1600	1113	1431	5	6.00	4.38	4.25	3.63	1.13	0.56	5/8
TCV200-2N-AA	1500	2000	1272	1780	3	2.00	4.50	3.25	3.88	0.63	0.69	5/8
TCV200-4N-AA	1500	2000	1272	1780	4	3.00	4.50	3.25	3.88	0.63	0.69	5/8
TCV200-4N4-AA	1500	2000	1272	1780	4	4.00	4.50	4.25	3.88	1.13	0.69	5/8
TCV200-6N4-AA	1500	2000	1272	1780	5	6.00	4.50	4.25	3.88	1.13	0.69	5/8
TCV250-4N-AA	2000	2500	1780	2300	4	3.00	4.50	3.25	3.94	0.63	0.75	5/8
TCV250-4N4-AA	2000	2500	1780	2300	4	4.00	4.50	4.25	3.94	1.13	0.75	5/8
TCV250-6N4-AA	2000	2500	1780	2300	5	6.00	4.50	4.25	3.94	1.13	0.75	5/8
TCV300-6N4-AA	2500	3000	1780	2870	5	6.00	6.00	4.25	4.13	1.13	1.00	5/8

230 kV - Bolted Terminal Conn.

DOSSERT®

TYPE TCX-AA Wide Range Terminal

TCX can be used as a cable tap terminal or a straight terminal. A variable clamp type terminal or tap for connecting a cable or pipe to a flat bar bus. Each size accommodates a wide range of cable sizes. New terminal series reduces stock with extended range taking capabilities. Excellent for use due to storm damage. Three terminals provide cable range from #2 solid to 3500 MCM. Available in pad sizes from two-hole to six-hole pads.

Material

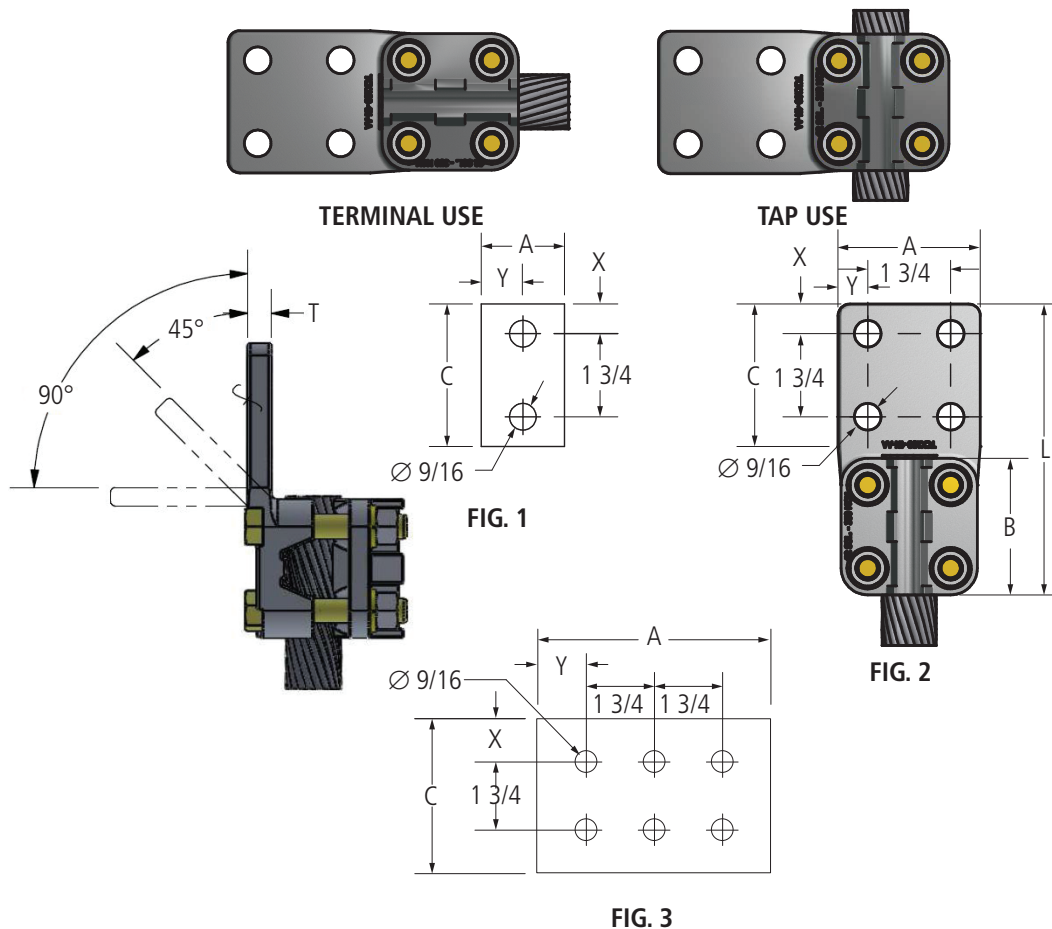
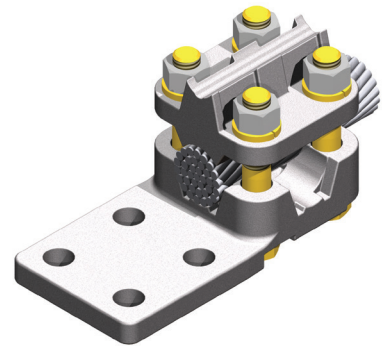
Aluminum Alloy

Hardware

Yellow anodized aluminum nuts, bolts and lockwashers.

Notes

- For angled pad, add "A" to prefix and angle to catalog number. EX: TCXA350-4N4-45-AA
- For Grade Five Galvanized Steel Hardware, add "-GS5" to catalog number. EX: TCX350-4N4-AA-GS5





230 kV Aluminum Bolted Terminal Connectors

DOSSERT®

TYPE TCX-AA Wide Range Terminal

Ordering Information

CATALOG NUMBER	FIG. NO.	CONDUCTOR RANGE (AAC)			S.P.S.	DIMENSIONS IN INCHES							
		ACSR OR AAC	RUN OR TAP			RUN OR TAP	A	B	C	L	T	X	Y
			MIN	MAX									
TCX100-2N-AA	1	AAC	#2 SOL.	1000 MCM	3/8 - 3/4	2 1/32	3 1/16	3 1/8	6 7/16	1/2	5/8	1 1/64	
		ACSR	4(7/1)	900(36/1)									
TCX100-4N-AA	2	AAC	#2 SOL.	1000 MCM	3/8 - 3/4	3	2 7/8	3	6 1/8	1/2	5/8	5/8	
		ACSR	4(7/1)	900(36/1)									
TCX100-4N4-AA	2	AAC	#2 SOL.	1000 MCM	3/8 - 3/4	4	2 7/8	4	7 1/8	1/2	1 1/8	1 1/8	
		ACSR	4 (7/1)	900 (36/1)									
TCX100-6N4-AA	3	AAC	#2 SOL.	1000 MCM	3/8 - 3/4	6	2 7/8	4	7 1/8	1/2	1 1/8	1 1/4	
		ACSR	4(7/1)	900(36/1)									
TCX200-4N-AA	2	AAC	4/0 STR.	2000 MCM	3/8 - 1 1/4	3	3 3/8	3	6 5/8	11/16	5/8	5/8	
		ACSR	4/0(6/1)	1780(84/19)									
TCX200-4N4-AA	2	AAC	4/0 STR.	2000 MCM	3/8 - 1 1/4	4	3 3/8	4	7 5/8	11/16	1 1/8	1 1/8	
		ACSR	4/0(6/1)	1780(84/19)									
TCX350-4N4-AA	2	AAC	795 MCM	3500 MCM	-	4	4 1/2	4	9	3/4	1 1/8	1 1/8	
		ACSR	795(54/7)	2515(76/19)									
TCX350-6N4-AA	3	AAC	795 MCM	3500 MCM	-	6	4 1/2	4 1/2	9	11/16	1 1/8	1 1/4	
		ACSR	795(54/7)	2515(76/19)									

DOSSERT®

TYPE U2L-N-AA, U2LA-N-45-AA, U2LA-N-90-AA Aluminum Two Cable U Bolt Terminal

Terminals are designed to connect AAC or ACSR conductors to aluminum pads. Pads conform to NEMA standards. Terminals are designed with universal grooves to accept a wide range of conductor sizes. Captured U-bolts permit one wrench tightening of nuts.

Material

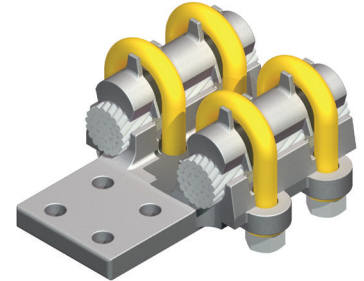
Aluminum Alloy

Hardware

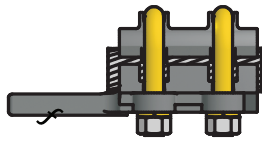
Aluminum U-bolts, lockwashers and nuts.

Notes

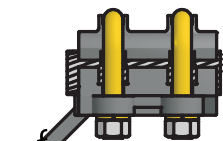
- Contact pads can be furnished to any specification size and hole pattern.



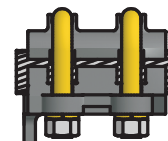
230 kV – Bolted Terminal Conn.



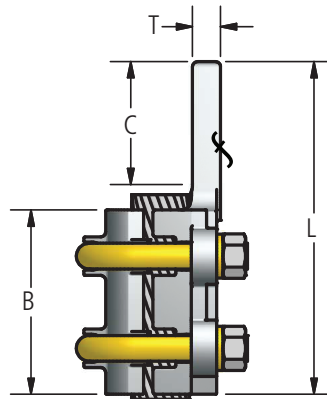
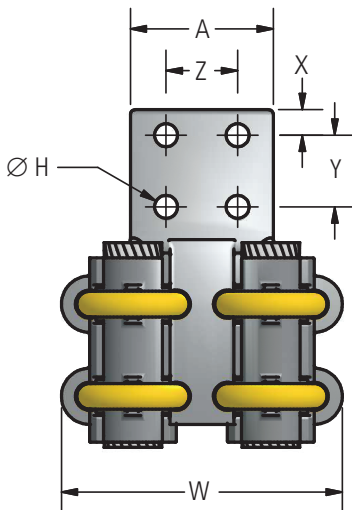
U2L-N-AA



U2LA-N-45-AA



U2LA-N-90-AA



Ordering Information

CATALOG NUMBER			CABLE RANGE		DIMENSIONS IN INCHES									
STRAIGHT	45 DEGREE	90 DEGREE	MIN	MAX	A	B	C	H	L	T	W	X	Y&Z	U-BOLT
U2L30-4N-AA	U2LA30-4N-45-AA	U2LA30-4N-90-AA	1/0	300	3.00	3.25	3.00	0.56	6.38	0.38	4.75	0.63	1.75	1/2
U2L50-4N-AA	U2LA50-4N-45-AA	U2LA50-4N-90-AA	300	500	3.00	3.25	3.00	0.56	6.50	0.38	5.00	0.63	1.75	1/2
U2L50-4N4-AA	U2LA50-4N4-45-AA	U2LA50-4N4-90-AA	300	500	4.00	3.25	4.00	0.56	7.50	0.38	5.00	1.13	1.75	1/2
U2L90-4N-AA	U2LA90-4N-45-AA	U2LA90-4N-90-AA	500	900	3.00	3.50	3.00	0.56	6.75	0.50	5.63	0.63	1.75	1/2
U2L90-4N4-AA	U2LA90-4N4-45-AA	U2LA90-4N4-90-AA	500	900	4.00	3.50	4.00	0.56	7.75	0.50	5.63	1.13	1.75	1/2
U2L100-4N-AA	U2LA100-4N-45-AA	U2LA100-4N-90-AA	750	1000	3.00	3.50	3.00	0.56	6.75	0.50	5.75	0.63	1.75	1/2
U2L100-4N4-AA	U2LA100-4N4-45-AA	U2LA100-4N4-90-AA	750	1000	4.00	3.50	4.00	0.56	7.75	0.50	5.75	1.13	1.75	1/2
U2L150-4N-AA	U2LA150-4N-45-AA	U2LA150-4N-90-AA	1000	1500	3.50	4.50	3.00	0.56	8.00	0.69	6.88	0.63	1.75	5/8
U2L150-4N4-AA	U2LA150-4N4-45-AA	U2LA150-4N4-90-AA	1000	1500	4.00	4.50	4.00	0.56	8.75	0.69	6.88	1.13	1.75	5/8
U2L200-4N4-AA	U2LA200-4N4-45-AA	U2LA200-4N4-90-AA	1500	2000	4.00	4.50	4.00	0.56	9.00	0.69	7.38	1.13	1.75	5/8

DOSSERT®

TYPE UL-N-AA, ULA-N-45-AA, ULA-N-90-AA Aluminum U-Bolt Terminal

A U-bolt type variable terminal lug for connecting cables to flat bar busses. Designed to operate at cooler than conductor temperatures under maximum load conditions with the largest size cable of the range of cable sizes. Contact pads other than those listed can be promptly furnished to any specified size or drilling.

Material

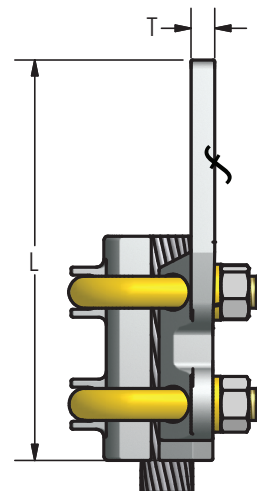
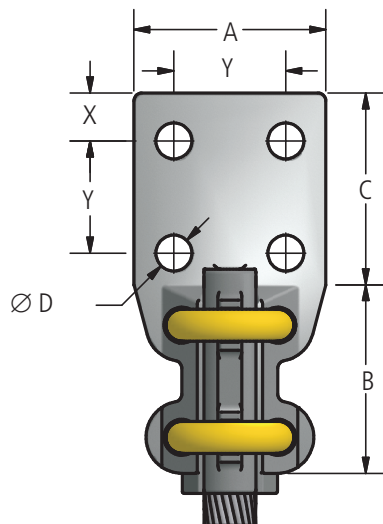
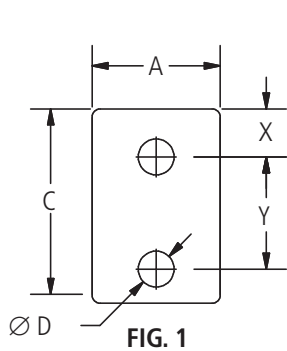
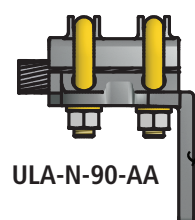
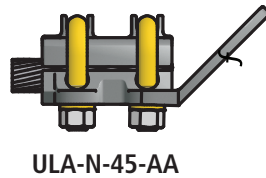
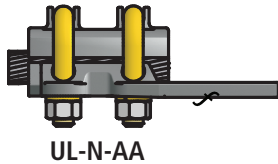
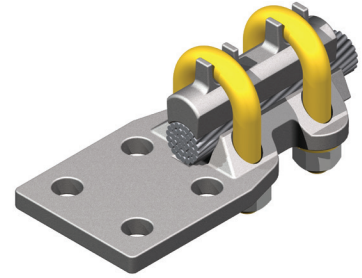
Aluminum Alloy

Hardware

Aluminum bolts, lockwashers and nuts.

Notes

- For a 900 MCM cable, with a two-hole pad, at a 45° angle, order ULA90-2N-45-AA.
- For a 900 MCM cable, with a two-hole pad, at a 90° angle, order ULA90-2N-90-AA.
- For finished pad on both sides, add "F" to catalog number. EX: ULA90-2NF-90-AA.





230 kV Aluminum Bolted Terminal Connectors

DOSSERT®

TYPE UL-N-AA, ULA-N-45-AA, ULA-N-90-AA

Aluminum U-Bolt Terminal

Ordering Information

CATALOG NUMBER			CABLE RANGE		FIG. NO.	DIMENSIONS IN INCHES									
STRAIGHT	45 DEGREE	90 DEGREE	MIN	MAX		A	B	C	D	L	T	X	Y	BOLT SIZE	
UL13-2N-AA	ULA13-2N-45-AA	ULA13-2N-90-AA	6	#2/0	1	1.50	3.00	3.00	0.56	6.50	0.31	0.63	1.75	1/2	
UL13-4N-AA	ULA13-4N-45-AA	ULA13-4N-90-AA	6	#2/0	2	3.00	3.00	3.00	0.56	6.25	0.31	0.63	1.75	1/2	
UL21-2-AA	ULA21-2-45-AA	ULA21-2-90-AA	1	#4/0	1	1.25	3.00	2.13	0.44	5.38	0.38	0.50	1.75	1/2	
UL21-2N-AA	ULA21-2N-45-AA	ULA21-2N-90-AA	1	#4/0	1	1.50	3.00	3.00	0.56	6.25	0.38	0.63	1.75	1/2	
UL21-4N-AA	ULA21-4N-45-AA	ULA21-4N-90-AA	1	#4/0	2	3.00	3.00	3.00	0.56	6.25	0.38	0.63	1.75	1/2	
UL21-4N4-AA	ULA21-4N4-45-AA	ULA21-4N4-90-AA	1	#4/0	2	4.00	3.00	4.00	0.56	7.25	0.38	1.13	1.75	1/2	
UL30-2N-AA	ULA30-2N-45-AA	ULA30-2N-90-AA	1/0	300	1	1.50	3.25	3.00	0.56	6.50	0.38	0.63	1.75	1/2	
UL30-4N-AA	ULA30-4N-45-AA	ULA30-4N-90-AA	1/0	300	2	3.00	3.25	3.00	0.56	6.50	0.38	0.63	1.75	1/2	
UL30-4N4-AA	ULA30-4N4-45-AA	ULA30-4N4-90-AA	1/0	300	2	4.00	3.25	4.00	0.56	7.50	0.38	1.13	1.75	1/2	
UL50-2N-AA	ULA50-2N-45-AA	ULA50-2N-90-AA	300	500	1	1.75	3.25	3.00	0.56	6.63	0.38	0.63	1.75	1/2	
UL50-4N-AA	ULA50-4N-45-AA	ULA50-4N-90-AA	300	500	2	3.00	3.25	3.00	0.56	6.63	0.38	0.63	1.75	1/2	
UL50-4N4-AA	ULA50-4N4-45-AA	ULA50-4N4-90-AA	300	500	2	4.00	3.25	4.00	0.56	7.50	0.38	1.13	1.75	1/2	
UL60-2N-AA	ULA60-2N-45-AA	ULA60-2N-90-AA	300	600	1	1.75	3.25	3.00	0.56	6.25	0.38	0.63	1.75	1/2	
UL90-2N-AA	ULA90-2N-45-AA	ULA90-2N-90-AA	500	900	1	1.75	3.50	3.00	0.56	6.75	0.50	0.63	1.75	1/2	
UL90-4N-AA	ULA90-4N-45-AA	ULA90-4N-90-AA	500	900	2	3.00	3.50	3.00	0.56	6.75	0.50	0.63	1.75	1/2	
UL90-4N4-AA	ULA90-4N4-45-AA	ULA90-4N4-90-AA	500	900	2	4.00	3.50	4.00	0.56	7.75	0.50	1.13	1.75	1/2	
UL100-2N-AA	ULA100-2N-45-AA	ULA100-2N-90-AA	750	1000	1	2.00	3.50	3.00	0.56	6.88	0.50	0.63	1.75	1/2	
UL100-4N-AA	ULA100-4N-45-AA	ULA100-4N-90-AA	750	1000	2	3.00	3.50	3.00	0.56	6.88	0.50	0.63	1.75	1/2	
UL100-4N4-AA	ULA100-4N4-45-AA	ULA100-4N4-90-AA	750	1000	2	4.00	3.50	4.00	0.56	8.00	0.50	1.13	1.75	1/2	
UL127-2N-AA	ULA127-2N-45-AA	ULA127-2N-90-AA	600	1272	1	2.00	3.50	3.00	0.56	6.75	0.63	0.63	1.75	1/2	
UL150-2N-AA	ULA150-2N-45-AA	ULA150-2N-90-AA	1000	1500	1	2.00	4.50	3.25	0.56	7.75	0.69	0.63	1.75	5/8	
UL150-4N-AA	ULA150-4N-45-AA	ULA150-4N-90-AA	1000	1500	2	3.00	4.50	3.00	0.56	7.75	0.63	0.63	1.75	5/8	
UL150-4N4-AA	ULA150-4N4-45-AA	ULA150-4N4-90-AA	1000	1500	2	4.00	4.50	4.00	0.56	8.75	0.63	1.13	1.75	5/8	
UL159-4N-AA	ULA159-4N-45-AA	ULA159-4N-90-AA	—	1590	2	3.00	4.50	3.00	0.56	7.75	0.63	0.63	1.75	5/8	
UL159-4N4-AA	ULA159-4N4-45-AA	ULA159-4N4-90-AA	—	1590	2	4.00	4.50	4.00	0.56	8.75	0.56	1.13	1.75	5/8	
UL200-2N-AA	ULA200-2N-45-AA	ULA200-2N-90-AA	1500	2000	1	2.75	4.50	3.00	0.56	7.75	0.69	0.63	1.75	5/8	
UL200-4N-AA	ULA200-4N-45-AA	ULA200-4N-90-AA	1500	2000	2	3.00	4.50	3.00	0.56	7.88	0.69	0.63	1.75	5/8	
UL200-4N4-AA	ULA200-4N4-45-AA	ULA200-4N4-90-AA	1500	2000	2	4.00	4.50	4.00	0.56	9.13	0.69	1.13	1.75	5/8	
UL200-4S4-AA	ULA200-4S4-45-AA	ULA200-4S4-90-AA	1500	2000	2	4.00	4.50	4.00	0.56	8.75	0.69	1.00	2.00	5/8	
UL250-4N-AA	ULA250-4N-45-AA	ULA250-4N-90-AA	2000	2500	2	3.00	4.50	3.00	0.56	7.75	0.75	0.63	1.75	5/8	
UL250-4N4-AA	ULA250-4N4-45-AA	ULA250-4N4-90-AA	2000	2500	2	4.00	4.50	4.00	0.56	8.75	0.75	1.13	1.75	5/8	

230 kV Al. Bolted Terminal Connectors