



www.otterbine.com



2015

· · · · PARTS · LIST



PH: 1-800-237-8837 (USA) or 610-965-6018
FAX: 484-550-6677 | EMAIL: orders@otterbine.com

TABLE OF CONTENTS

Parts List for Otterbine Systems

2	Cable
3	Pigtails
3	Splice Kits
3	Maintenance Kits
3	Zinc Anode Kits
4-12	Concept 3 Parts
13-22	Concept 3 Exploded Views
23-29	Concept 2 Parts
30-34	Concept 2 Exploded Views
35-36	Fractional Series Parts
37-38	Fractional Series Exploded Views
39-41	Air Flo 2 Parts
42-44	Air Flo 2 Exploded Views
45	Air Flo Parts <i>(Discontinued)</i>
45-49	Giant Fountain Parts <i>(2nd Gen)</i>
49-52	Giant Fountain Parts <i>(1st Gen Discontinued)</i>
52-57	Fountain Glo Light Parts
58	MR16 Lights Exploded View
59	Instant Fountain Parts <i>(Discontinued)</i>
60-61	Large Aerating Fountain Parts <i>(Discontinued)</i>

CABLE

IMPROVED for 2015: New ordering process for replacement cable that includes pigtail with a factory vulcanized/splice to raw cable.
See sections below.



Raw Cable

RAW CABLE

DOES NOT INCLUDE PIGTAIL

Must be ordered in 25ft/7.5m increments.

Part Number	Description
34-0011	CABLE 16/2 LED & WIND CONTROLS
GP3995	CABLE 16/5 SEQUENCER CONTROL
GP3999	CABLE 12/3 LIGHTS/IF/AQUA/FAC
957-001	CABLE POWER 12/3 1Ph
957-002	CABLE POWER 12/4 3Ph
957-009	CABLE POWER 10/3 1Ph
957-010	CABLE POWER 10/4 3Ph
34-0002	CABLE POWER 8/3 1Ph
34-0003	CABLE POWER 8/4 3Ph
34-0004	CABLE POWER 6/3 1Ph
34-0005	CABLE POWER 6/4 3Ph
34-0007	CABLE POWER 4/4 3Ph



Pigtail

Vulcanizer

VULCANIZATION/SPLICE WITH PIGTAIL

USED FOR CABLE ASSEMBLIES

ONLY USE when ordering with raw cable. Includes pigtail with factory vulcanization or splice, and cable strain relief.

All Product Lines Except Giant Fountain

Part Number	Description
17-0077	PIGTAIL/VULCAN 16-12/2LTS 2PIN
08-0031-002	PIGTAIL/VULCAN SEQ 5PIN
08-0020-017	PIGTAIL/VULCAN 12/3 FRAC 3PIN
08-0020-001	PIGTAIL/VULCAN 12/3&10/3 4PIN
08-0020-002	PIGTAIL/VULCAN 12/4&10/4 4PIN
08-0020-003	PIGTAIL/VULCAN 8/3 4PIN
08-0020-004	PIGTAIL/VULCAN 8/3 5HP1PH 3PIN
08-0020-005	PIGTAIL/VULCAN 8/4 4PIN
08-0020-015	PIGTAIL/VULCAN 6/3 4PIN
08-0020-008	PIGTAIL/VULCAN 6/3 5HP1PH 3PIN
08-0020-018	PIGTAIL/SPLICE 6/4 C2/C3 4PIN

Giant Fountain Product Line

Part Number	Description
08-0036-104	PIGTAIL/SPLICE 10/4 10HP460 QD
08-0036-084	PIGTAIL/SPLICE 8/4 10HP460 QD
08-0037-084	PIGTAIL/SPLICE 8/4 GF QD
08-0037-064	PIGTAIL/SPLICE 6/4 GF QD
08-0037-044	PIGTAIL/SPLICE 4/4 GF QD

PIGTAILS

Giant Fountain Pigtails are found within their product lines.

Part Number	Description
35-0010	PIGTAIL C2/C3 HEAVY DUTY 4 PIN
35-0011	PIGTAIL C3 5HP/1Ph ONLY 3 PIN
35-0012	CE PIGTAIL C2/C3 12/4HARM
35-0014	PIGTAIL 2 PIN SMALL STD LITES
35-0019	CE PIGTAIL 12/3 HARMONIZED FS
FR510	PIGTAIL MALE QDC IF/FRAC/LITES
FR512	PIGTAIL W/ADAPT INST FTN
MP6511	PIGTAIL 3 PIN SMALL FRAC/LITES



Pigtail

SPLICE KITS

Giant Fountain Splice Kits are found within their product line.

Part Number	Description
614-017	SPLICE KIT LG 1"MAX 12/10/8awg
614-016	SPLICE KIT SM 12/3 FRAC/LTS
12-0049	SPLICE KIT 16/2 MR16 LITE ASSY
12-0073	SPLICE KIT INSTANT FOUNTAIN



Splice Kits

MAINTENANCE KITS

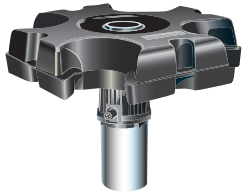
Quantity Discounts Offered: 10-19 Receive 10% | 20-49 Receive 14% | 50+ Receive 17%

Part Number	Description
12-0077	MAINTENANCE KIT C3 1-5HP/OIL
12-0115	MAINTENANCE KIT AFL/OIL
C2-MKIT	MAINTENANCE KIT C2 1-5HP/OIL

ZINC ANODE KITS

Zinc Anode kits are used on units placed in brackish and corrosive environments.

Part Number	Description
12-0120	KIT C2 UNIT ARMS 3 ZINC ANODES
12-0121	KIT TRITON 4 ZINC ANODES
12-0122	KIT C3 UNIT 4 ZINC ANODES
12-0124	KIT SHAFT ZINC ANODE FRAC
12-0130	KIT FS UNIT 2 ZINC ANODES
614-027	ZINC SHAFT ANODE C2/C3
614-028	KIT ZINC ANODE REPLACEMENT



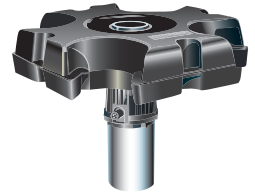
CONCEPT 3 PARTS

Exploded part views can be found on pages 13-22

Part Number	Description
09-0014	C3 BULKHD ASSY, 3 PIN, 5HP 1Ph
09-0016	C3 BULKHD ASSY, 4 PIN
10-0008	THROAT ASSY EQUINOX C3
10-0053	THROAT ASSEMBLY OMEGA C3
10-0060	THROAT ASSY C3
10-0061	STANDOFF STRAINER ASSY C3
10-0062	FLOW DIVERTER ASSY PHX/TRI C3
10-0065	LOWER PUMP CHAMBER ASSY C3
10-0068	NOZZLE C3&AFL GEN/CON/OM/VE/OR
10-0069	FLOW DIVERTER ASSY CONSTELL C3
10-0073	THROAT ASSY GENESIS C3
11-1401-116	PCC 1HP 115V/1Ph/60Hz SW C2/C3
11-1401-215	PCC 1HP 220V/1Ph/50Hz SW C2/C3
11-1401-216	PCC 1HP 230V/1Ph/60Hz SW C2/C3
11-1402-215	PCC 2HP 220V/1Ph/50Hz SW C2/C3
11-1402-216	PCC 2HP 230V/1Ph/60Hz SW C2/C3
11-1403-215	PCC 3HP 220V/1Ph/50Hz SW C2/C3
11-1403-216	PCC 3HP 230V/1Ph/60Hz SW C2/C3
11-1403-236	PCC 3HP 230V/3Ph/60Hz SW C2/C3
11-1403-335	PCC 3HP 380V/3Ph/50Hz SW C2/C3
11-1403-435	PCC 3HP 415V/3Ph/50Hz SW C2/C3
11-1403-436	PCC 3HP 460V/3Ph/60Hz SW C2/C3
11-1405-216	PCC 5HP 230V/1Ph/60Hz SW C2/C3
11-1405-236	PCC 5HP 230V/3Ph/60Hz SW C2/C3
11-1405-335	PCC 5HP 380V/3Ph/50Hz SW C2/C3
11-1405-435	PCC 5HP 415V/3Ph/50Hz SW C2/C3
11-1405-436	PCC 5HP 460V/3Ph/60Hz SW C2/C3
11-1405-536	PCC 5HP 575V/3Ph/60Hz SW C2/C3
11-1413-236	PCC 3HP 230/3/60 SW C3 PH.MON
11-1413-436	PCC 3HP 460/3/60 SW C3 PH.MON
11-1415-236	PCC 5HP 230/3/60 SW C3 PH.MON
11-1415-335	PCC 5HP 380/3/50 SW C3 PH.MON
11-1415-436	PCC 5HP 460/3/60 SW C3 PH.MON
11-1423-436	PCC 3HP 460/3/60 SW C2/C3 EPD
11-1425-436	PCC 5HP 460/3/60 SW C2/C3 EPD
11-1433-436	PCC 3HP 460/3/60 SW C3 PM&EPD
11-1435-436	PCC 5HP 460/3/60 SW C3 PM&EPD
12-0001	SEAL KIT C3 OPEN HUB & ROTARY
12-0052	SEAL KIT,C3,G SEAL w/METAL HUB
12-0053	SEAL KIT, C3 G-SEAL ANGLED MBP

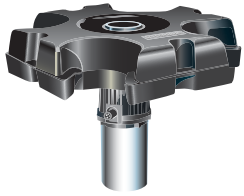
CONCEPT 3 PARTS

Exploded part views can be found on pages 13-22



Part Number	Description
12-0067	MTR BASE PLATE C3 ANGLED 4PIN
12-0068	MTR BASE PLATE C3 ANGLD 5HP1PH
12-0071	HARDWARE KIT FLOAT DETACHED C3
12-0075	SCREEN KIT 1/4" C3 DECORATIVE
12-0076	SCREEN KIT 1/2" C3 SNB/GEM/SAT
12-0079	KIT HUBBELL GFCI RETROFIT SW
12-0097	STABILIZER PLATES KIT COMET C3
12-0105	MOUNT KIT GENESIS THROAT ASSY
12-0122	KIT C3 UNIT 4 ZINC ANODES
13-0100-116	C3 PWR UNT 1HP 115/1/60 STDOFF
13-0100-215	C3 PWR UNT 1HP 220/1/50 STDOFF
13-0100-216	C3 PWR UNT 1HP 230/1/60 STDOFF
13-0200-215	C3 PWR UNT 2HP 220/1/50 STDOFF
13-0200-216	C3 PWR UNT 2HP 230/1/60 STDOFF
13-0300-215	C3 PWR UNT 3HP 220/1/50 STDOFF
13-0300-216	C3 PWR UNT 3HP 230/1/60 STDOFF
13-0300-236	C3 PWR UNT 3HP 230/3/60 STDOFF
13-0300-335	C3 PWR UNT 3HP 380/3/50 STDOFF
13-0300-336	C3 PWR UNT 3HP 380/3/60 STDOFF
13-0300-435	C3 PWR UNT 3HP 415/3/50 STDOFF
13-0300-436	C3 PWR UNT 3HP 460/3/60 STDOFF
13-0500-216	C3 PWR UNT 5HP 230/1/60 STDOFF
13-0500-236	C3 PWR UNT 5HP 230/3/60 STDOFF
13-0500-335	C3 PWR UNT 5HP 380/3/50 STDOFF
13-0500-336	C3 PWR UNT 5HP 380/3/60 STDOFF
13-0500-435	C3 PWR UNT 5HP 415/3/50 STDOFF
13-0500-436	C3 PWR UNT 5HP 460/3/60 STDOFF
13-0500-536	C3 PWR UNT 5HP 575/3/60 STDOFF
15-0024	CAPACITOR/START SWITCH 1HP C3
15-0025	CAPACITOR/START SWITCH 2HP C3
17-0052	CHAMBER PKG DEC TO AERATION C3
178-011A	PIGTAIL WASHER ALL C1/C2/C3
178-015	NUT PIGTAIL ALL C1/C2/C3
178-017	PROTECTOR PIGTAIL C2/C3
19-0001-150	SUNBURST CHAMBER C3 1HP 50Hz
19-0001-160	SUNBURST CHAMBER C3 1HP 60Hz
19-0001-250	SUNBURST CHAMBER C3 2HP 50Hz
19-0001-260	SUNBURST CHAMBER C3 2HP 60Hz
19-0001-350	SUNBURST CHAMBER C3 3HP 50Hz
19-0001-360	SUNBURST CHAMBER C3 3HP 60Hz

CONCEPT 3 PARTS



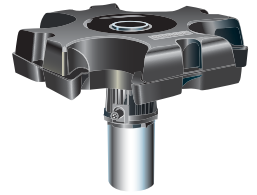
CONCEPT 3 PARTS

Exploded part views can be found on pages 13-22

Part Number	Description
19-0001-550	SUNBURST CHAMBER C3 5HP 50Hz
19-0001-560	SUNBURST CHAMBER C3 5HP 60Hz
19-0002-150	ROCKET CHAMBER C3 1HP 50Hz
19-0002-160	ROCKET CHAMBER C3 1HP 60Hz
19-0002-250	ROCKET CHAMBER C3 2HP 50Hz
19-0002-260	ROCKET CHAMBER C3 2HP 60Hz
19-0002-350	ROCKET CHAMBER C3 3HP 50Hz
19-0002-360	ROCKET CHAMBER C3 3HP 60Hz
19-0002-550	ROCKET CHAMBER C3 5HP 50Hz
19-0002-560	ROCKET CHAMBER C3 5HP 60Hz
19-0003-150	PHOENIX CHAMBER C3 1HP 50Hz
19-0003-160	PHOENIX CHAMBER C3 1HP 60Hz
19-0003-250	PHOENIX CHAMBER C3 2HP 50Hz
19-0003-260	PHOENIX CHAMBER C3 2HP 60Hz
19-0003-350	PHOENIX CHAMBER C3 3HP 50Hz
19-0003-360	PHOENIX CHAMBER C3 3HP 60Hz
19-0003-550	PHOENIX CHAMBER C3 5HP 50Hz
19-0003-560	PHOENIX CHAMBER C3 5HP 60Hz
19-0004-150	TRI-STAR CHAMBER C3 1HP 50Hz
19-0004-160	TRI-STAR CHAMBER C3 1HP 60Hz
19-0004-250	TRI-STAR CHAMBER C3 2HP 50Hz
19-0004-260	TRI-STAR CHAMBER C3 2HP 60Hz
19-0004-350	TRI-STAR CHAMBER C3 3HP 50Hz
19-0004-360	TRI-STAR CHAMBER C3 3HP 60Hz
19-0004-550	TRI-STAR CHAMBER C3 5HP 50Hz
19-0004-560	TRI-STAR CHAMBER C3 5HP 60Hz
19-0005-150	GEMINI CHAMBER C3 1HP 50Hz
19-0005-160	GEMINI CHAMBER C3 1HP 60Hz
19-0005-250	GEMINI CHAMBER C3 2HP 50Hz
19-0005-260	GEMINI CHAMBER C3 2HP 60Hz
19-0005-350	GEMINI CHAMBER C3 3HP 50Hz
19-0005-360	GEMINI CHAMBER C3 3HP 60Hz
19-0005-550	GEMINI CHAMBER C3 5HP 50Hz
19-0005-560	GEMINI CHAMBER C3 5HP 60Hz
19-0011-150	OMEGA CHAMBER C3 1HP 50Hz
19-0011-160	OMEGA CHAMBER C3 1HP 60Hz
19-0011-250	OMEGA CHAMBER C3 2HP 50Hz
19-0011-260	OMEGA CHAMBER C3 2HP 60Hz
19-0011-350	OMEGA CHAMBER C3 3HP 50Hz
19-0011-360	OMEGA CHAMBER C3 3HP 60Hz

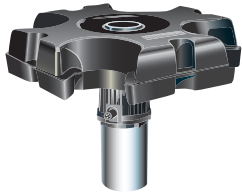
CONCEPT 3 PARTS

Exploded part views can be found on pages 13-22



Part Number	Description
19-0011-550	OMEGA CHAMBER C3 5HP 50Hz
19-0011-560	OMEGA CHAMBER C3 5HP 60Hz
19-0012-150	COMET CHAMBER C3 1HP 50Hz
19-0012-160	COMET CHAMBER C3 1HP 60Hz
19-0012-250	COMET CHAMBER C3 2HP 50Hz
19-0012-260	COMET CHAMBER C3 2HP 60Hz
19-0012-350	COMET CHAMBER C3 3HP 50Hz
19-0012-360	COMET CHAMBER C3 3HP 60Hz
19-0012-550	COMET CHAMBER C3 5HP 50Hz
19-0012-560	COMET CHAMBER C3 5HP 60Hz
19-0013-150	SATURN CHAMBER C3 1HP 50Hz
19-0013-160	SATURN CHAMBER C3 1HP 60Hz
19-0013-250	SATURN CHAMBER C3 2HP 50Hz
19-0013-260	SATURN CHAMBER C3 2HP 60Hz
19-0013-350	SATURN CHAMBER C3 3HP 50Hz
19-0013-360	SATURN CHAMBER C3 3HP 60Hz
19-0013-550	SATURN CHAMBER C3 5HP 50Hz
19-0013-560	SATURN CHAMBER C3 5HP 60Hz
19-0014-150	CONSTELL CHAMBER C3 1HP 50Hz
19-0014-160	CONSTELL CHAMBER C3 1HP 60Hz
19-0014-250	CONSTELL CHAMBER C3 2HP 50Hz
19-0014-260	CONSTELL CHAMBER C3 2HP 60Hz
19-0014-350	CONSTELL CHAMBER C3 3HP 50Hz
19-0014-360	CONSTELL CHAMBER C3 3HP 60Hz
19-0014-550	CONSTELL CHAMBER C3 5HP 50Hz
19-0014-560	CONSTELL CHAMBER C3 5HP 60Hz
19-0016-150	GENESIS CHAMBER C3 1HP 50Hz
19-0016-160	GENESIS CHAMBER C3 1HP 60Hz
19-0016-250	GENESIS CHAMBER C3 2HP 50Hz
19-0016-260	GENESIS CHAMBER C3 2HP 60Hz
19-0016-350	GENESIS CHAMBER C3 3HP 50Hz
19-0016-360	GENESIS CHAMBER C3 3HP 60Hz
19-0016-550	GENESIS CHAMBER C3 5HP 50Hz
19-0016-560	GENESIS CHAMBER C3 5HP 60Hz
19-0028-150	EQUINOX CHAMBER C3 1HP 50Hz
19-0028-160	EQUINOX CHAMBER C3 1HP 60Hz
19-0028-250	EQUINOX CHAMBER C3 2HP 50Hz
19-0028-260	EQUINOX CHAMBER C3 2HP 60Hz
19-0028-350	EQUINOX CHAMBER C3 3HP 50Hz
19-0028-360	EQUINOX CHAMBER C3 3HP 60Hz

CONCEPT 3 PARTS



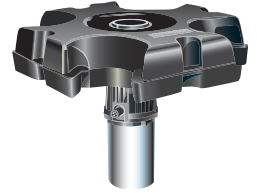
CONCEPT 3 PARTS

Exploded part views can be found on pages 13-22

Part Number	Description
19-0028-550	EQUINOX CHAMBER C3 5HP 50Hz
19-0028-560	EQUINOX CHAMBER C3 5HP 60Hz
20-0009	RIVET S/S C3 THROAT
20-0010	RIVET S/S 3/16"
20-0012	SPRING, C3 OPEN HUB SEAL LONG
21-0004	CLAMP 1" PLASTIC 2 HOLE PIPE
22-0019	BOLT HEX S/S M8x20
22-0020	BOLT HEX S/S M8x30 SELF-SEALNG
22-0022	BOLT HEX S/S M8x45
22-0024	BOLT CARRIAGE C3 DECORATIVE
22-0025	BOLT HEX S/S M8x35 SELF-SEALNG
22-0027	EYEBOLT S/S 5/16-18x1 375"THR
24-0010	SCREW PAN PHIL S/S M4x16
24-0013	SCREW HEX S/S M5x50 FULL THRD
24-0014	SCREW FLATHD S/S #8x1 SELF-TAP
24-0015	SCREW SET S/S M8x8 CUP POINT
25-0011	SCREW PAN PH TAPTITE 4-40x1/2
26-0006	NUT NYLON LOCK 316S/S M5
26-0007	NUT NYLON LOCK 316S/S M8
28-0004	WASHER,FLAT 18-8SS C3 "G" SEAL
28-0008	WASHER FENDER S/S 5/16" M8
28-0014	WASHER FLAT S/S M4
28-0015	WASHER SPLIT LOCK S/S M4
28-0016	WASHER FLAT S/S M5
28-0017	WASHER SPLIT LOCK S/S M5
28-0018	WASHER FLAT S/S 5/16" M8
28-0019	WASHER SPLIT LOCK S/S M8 5/16
30-0029-110	MOTOR 1HP 1Ph 50/60Hz C3
30-0029-210	MOTOR 2HP 1Ph 50/60Hz C3
30-0029-310	MOTOR 3HP 1Ph 50/60Hz C3
30-0029-330	MOTOR 3HP 3Ph 50/60Hz C3
30-0029-510	MOTOR 5HP 1Ph 50/60Hz C3
30-0029-530	MOTOR 5HP 3Ph 50/60Hz C3
30-0029-535	MOTOR 5HP 575V 3Ph 50/60Hz C3
31-0008-140	FUSE TIME DELAY 250V 1 4A
31-0009-007	FUSE TIME DLY CURR LIMT CC 7A
31-0009-010	FUSE TIME DLY CURR LIMT CC 10A
31-0009-012	FUSE TIME DLY CURR LIMT CC 12A
31-0009-020	FUSE TIME DLY CURR LIMT CC 20A
31-0009-030	FUSE TIME DLY CURR LIMT CC 30A

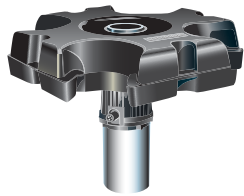
CONCEPT 3 PARTS

Exploded part views can be found on pages 13-22



Part Number	Description
31-0049-230	GFCI BREAKER 30A 2 POLE 1PH
31-0049-250	GFCI BREAKER 50A 2 POLE
31-0055-250	BREAKER 240V 50A 2 POLE
31-0055-330	BREAKER 240V 30A 3 POLE
31-0056-002	BREAKER MOUNTING BASE 2 POLE
31-0056-003	BREAKER MOUNTING BASE 3 POLE
31-0070	TIMER 24HR 120V UNITS & LIGHTS
31-0098-315	BREAKER 15A 460V 3Ph EPD
31-0110	GFCI MODULE HUBBELL 120V
31-0115	TRANSFORMER 50VA w/FUSE BLOCK
31-0134-050	TRANSF 50VA 380/415to110/220
31-0142-001	NEUTRAL BAR KIT
31-0147-003	CONTACTOR 3RT102 120V COIL 17A
31-0147-004	CONTACTOR 3RT103 120V COIL 28A
31-0147-005	CONTACTOR 3RT102 240V COIL 17A
31-0148-001	OVERLOAD RELAY 3RT102 1 8-2 5A
31-0148-002	OVERLOAD RELAY 3RT102 3 5-5A
31-0148-003	OVERLOAD RELAY 3RT102 5 5-8A
31-0148-004	OVERLOAD RELAY 3RT102 7-10A
31-0148-005	OVERLOAD RELAY 3RT102 9-12 5A
31-0148-006	OVERLOAD RELAY 3RT102 11-16A
31-0148-007	OVERLOAD RELAY 3RT102 14-20A
31-0148-010	OVERLOAD RELAY 3RT103 22-32A
31-0154	TIMER DIGITAL 24HR 2CHANL 120V
31-0155	BRACKET QCR BREAKER MOUNTING
31-0156	TIMER DIGITAL 24HR/7DAY 120V
31-0158	PHASE MONITOR 190-480V 50/60Hz
31-0160-040	SWITCH DSCNT SIEMENS #LBR3040
31-0160-060	SWITCH DSCNT SIEMENS #LBR3060
31-0160-080	SWITCH DSCNT SIEMENS #LBR3080
31-0160-100	SWITCH DSCNT SIEMENS #LBR3100
31-0161-001	SHAFT DS 180mm SIEMENS#LBRS180
31-0162-001	HANDLE DS SIEMENS #LBRH3
31-0165	HOA LEGEND PLATE 22 5mm
31-0166	KNOB KEYED HOA SWITCH
31-0168	TIMING MODULE ON DELAY SIEMENS
31-0172-050	TRANSFORMER 50VA 575 to 110
31-0180	TIMER 24HR SPDT 220V 50Hz 1Ph
31-0200	MOTOR PROTECTOR EATON
31-0201	MOTOR PROTECTOR C2/C3 3HP 460V

CONCEPT 3 PARTS



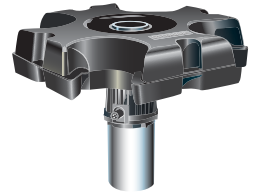
CONCEPT 3 PARTS

Exploded part views can be found on pages 13-22

Part Number	Description
31-0202	MOTOR PROTECTOR EATON +
31-0203	MOTOR PROTECTOR EATON 12A
31-0204	MOTOR PROTECTOR EATON +
31-0206	MOTOR PROTECTOR 5HP 230V/1/60
31-0220	CONTACTOR 3HP 460V/3PH/60HZ
31-0221	CONTACTOR EATON 9A +
31-0222	CONTACTOR EATON 12A
31-0223	CONTACTOR EATON 15A +
31-0224	CONTACTOR EATON 25A +
31-0230	CONTACTOR 3HP 400V/3PH/50HZ
31-0231	CONTACTOR 3&5HP 400V/3Ph/50Hz
31-0232	CONTACTOR EATON 12A 230V
31-0233	CONTACTOR EATON 15A +
31-0234	CONTACTOR EATON 25A +
31-0235	CONTACTOR EATON 32A 230V
31-0240	SWITCH, EATON 3 POS SELECTOR
31-0241	KIT, EATON DISCONNECT HANDLE
31-0242	CONNECTOR, EATON B FRAME
31-0243	CONNECTOR, EATON B TO C FRAME
31-0245	SWITCH, EATON AUX CONTACT
31-0246	KIT, EATON NEUTRAL BAR
31-0247	MODULE SHUNT TRIP EATON MMP
31-0250	30A DISCONNECT SWITCH EATON
31-0251	40A DISCONNECT SWITCH EATON
31-0252	60A DISCONNECT SWITCH EATON
31-0253	80A DISCONNECT SWITCH EATON
31-0254	100A DISCONNECT SWITCH EATON
31-0255	125A DISCONNECT SWITCH EATON
31-0260	DISCONNECT SWITCH SHAFT EATON
31-0261	DISCONNECT SWITCH HANDLE EATON
31-0262	DISCONNECT SW LONG SHAFT EATON
32-0001	SWING PANEL NO LIGHTS 115/230V
32-0002	SWING PANEL W/ LIGHTS 115/230V
32-0003	SWING PANEL NO LIGHTS 50/60Hz+
32-0004	SWING PANEL W/ LIGHTS 50/60Hz
32-0068	CLAMP ASSY N4X S/S ENCLOSURE
32-0084	ENCLOSURE FIBERGLASS 18x16x8
32-0090	ENCLOSURE FJHP121005 12x10x5
33-0017	TERMINAL BLOCK PCC w/SWING PNL
33-0024	COVER TERM BLK PCC w/SWING PNL

CONCEPT 3 PARTS

Exploded part views can be found on pages 13-22



Part Number	Description
33-0028-001	CONNECTOR INSULATED CRIMP SML
33-0028-002	CONNECTOR INSULATED CRIMP MED
33-0028-003	CONNECTOR INSULATED CRIMP LG
33-0031	CONNECTOR BUTT 8awg non-insul
35-0002	STRAIN RELIEF 8/3 SOW CABLE
35-0010	PIGTAIL C2/C3 HEAVY DUTY 4 PIN
35-0011	PIGTAIL C3 5HP/1Ph ONLY 3 PIN
35-0012	CE PIGTAIL C2/C3 12/4HARM
36-0005	CAPACITOR C3 3HP & 5HP +
36-0006	CAPACITOR C3 5HP 1Ph +
36-0009	BEARING TOP ALL C3 FRANKLIN
36-0010	BEARING BOTTOM allC3 C2 FRNKLN
36-0020	CAPACITOR C3 3HP 1Ph +
37-0011	ASSEMBLY, GFCI/EPD w/ILLUM PB
40-0099	SHIM IMPELLER C2/C3 DPC S/S
40-0107	SPACER IMPELR 5HP60/3&5HP50 C3
40-0115	BRACKET STABILIZER PLATE COMET
41-0104	DIFFUSER PLATE ROCKET C3
41-0105	DIFFUSER PHOENIX C3
41-0106	DIFFUSER TRI-STAR C3
41-0108	PIPE TRI-STAR DIFFUSER C3
41-0109	KIT, EATON DISCONNECT HANDLE
41-0123	DIFFUSER PLATE COMET C3
41-0127	PLATE STABILIZER COMET C3
42-0015	SEAL HUB C3
42-0018	FLOAT BLACK C3
42-0019	SUNBURST/SATURN RING C3
42-0020	CAN RING C3
42-0023	UPPER PUMP CHAMBER C3
42-0032	DIFFUSER CONSTELLATION C3
42-0048	FLOAT SUPPLEMENTAL BLACK C3
42-0051	SEAL HUB, C3 OPEN SINGLE SEAL
42-0052	SEAL HUB, C3 METAL LOW PROFILE
46-0002	SEAL RETAINING RING C3 SHAFT
46-0051	TY-RAP LARGE C3/AIRFLO/GF
46-0105-125	PLUG C3 SEAL HUB S/S
46-0105-250	PLUG C3 MOTOR BASE PLATE OIL
46-0106	TY-RAP SMALL
46-0107	CLAMP C3 CE PIGTAIL/CBL SHIELD
47-0001	HOUSING MOTOR SS C2 & C3

CONCEPT 3 PARTS



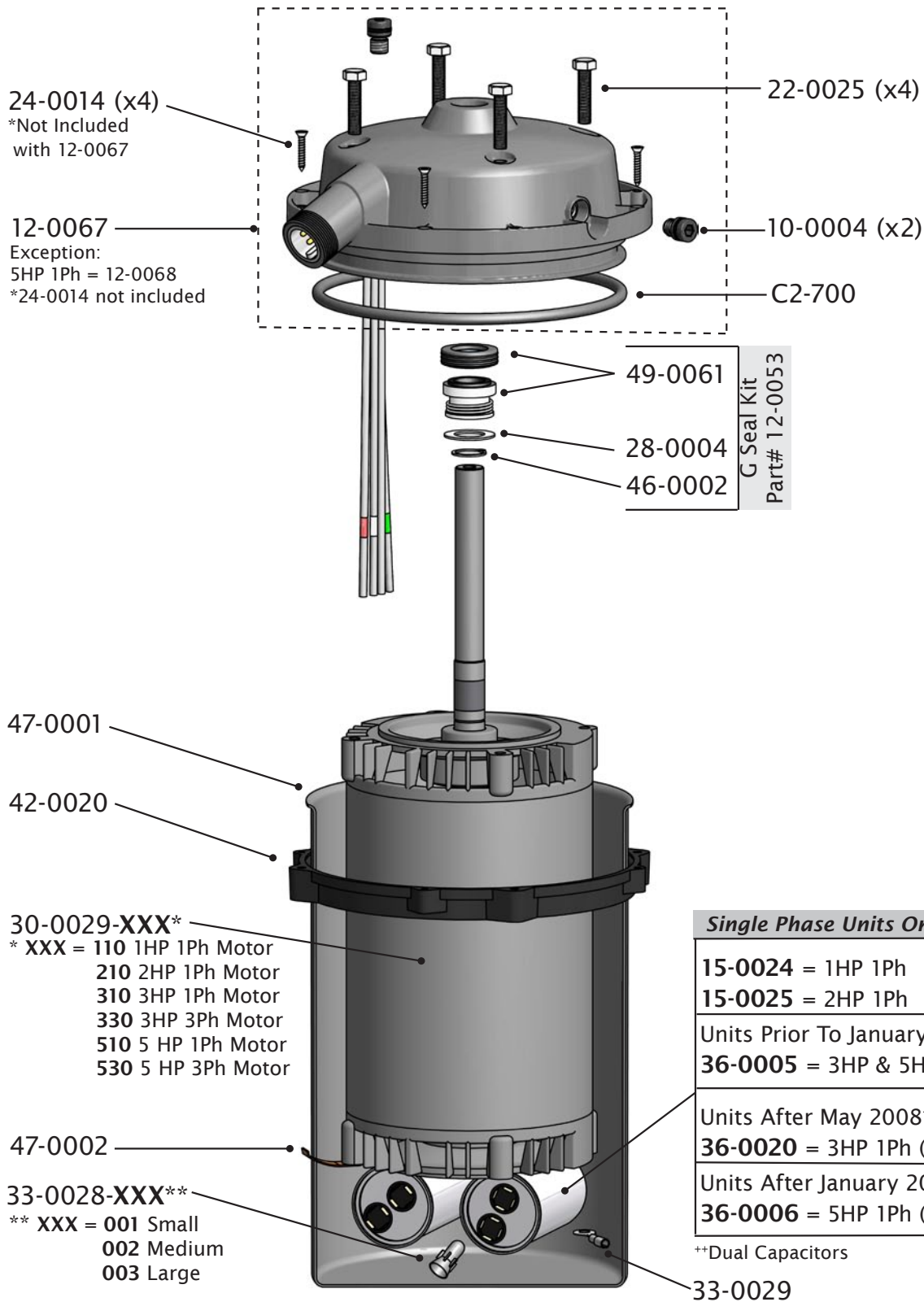
CONCEPT 3 PARTS

Exploded part views can be found on pages 13-22

Part Number	Description
47-0002	GROUND CLIP C2 & C3 MOTOR
47-0003	SLINGER DISC 1-5HP C3 SNB/GEM
47-0020	SLINGER C3 SEAL HUB RUBBER
49-0012	SEAL, C3 DBL ROTARY CLOSED HUB
49-0013	O-RING SEAL HUB C3
49-0015	O-RING THROAT/PATTERN C3
49-0017	O-RING TRI-STAR C3
49-0038	O-RING MOTOR BASE PLATE C3
49-0041	SEAL, C3 3/4" ROTARY OPEN HUB
49-0061	SEAL, C3 TYPE G ROTARY
50-0010-001	IMPELLR DEC 1HP60Hz C3
50-0010-002	IMPELLR DEC 2HP60Hz/1HP50Hz C3
50-0010-003	IMPELLR DEC 3HP60Hz/2HP50Hz C3
50-0010-005	IMPLR DEC 5HP60Hz/3&5HP50Hz C3
50-0012-001	IMPELLER SNB/GEM 1HP60Hz C3
50-0012-002	IMPELLR SNB/GEM 2HP60/1HP50 C3
50-0012-003	IMPELLR SNB/GEM 3HP60/2HP50 C3
50-0012-005	IMPELLR SNB/GEM 5HP60/3HP50 C3
50-0012-055	IMPELLER SNB/GEM 5HP50Hz C3
667-002-008	OIL AERATOR 2 GALLON IN PAIL
667-002-220	OIL AERATOR IN 55 GALLON DRUM
97-0004	DIPSTICK, PAPER MAINT KIT
97-0005	DIPSTICK, SS TOOLS METAL
F-LEVEL-HIGH	LEVEL CONTROL HIGH WATER 15FT
F-LEVEL-LOW	LEVEL CONTROL LOW WATER 15FT
F-W-KIT	INSTALL KIT 2 DUCKBILL ANCHORS
HP1505	SURGE ARRESTOR 1Ph w/o BRKT
HP1506	SURGE ARRESTOR 3Ph w/o BRKT
HP1507	BRACKET DELTA SURGE ARRESTOR
HP5007	MOUNTING BRACKET-TORK TIMERS
JP5005*10	CABLE S/S MOORING 1/8" QTY 10FT
JP5007	THIMBLE S/S FOR 1/8" CABLE

POWER UNIT

**MOLDED SEAL HUB
ANGLED MOTOR BASE PLATE
(Units June 2014 - Current)**

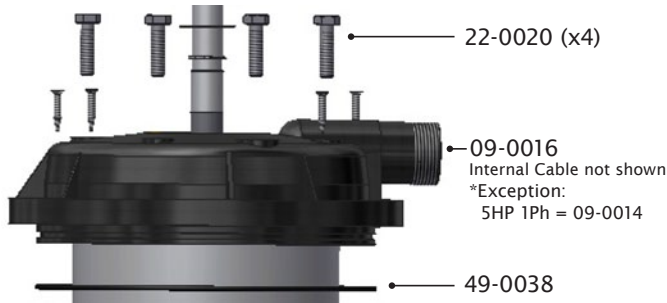


Can be purchased as complete power unit - see part numbers on page 5
(Includes Standoff Strainer, part# 10-0061 - not shown)

SEAL HUBS (PRIOR TO JUNE 2014)

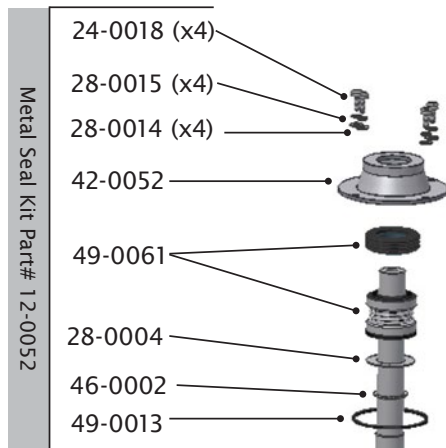
All part numbers listed in these drawings are still available.

MOTOR BASE PLATE (Units Prior to June 2014)

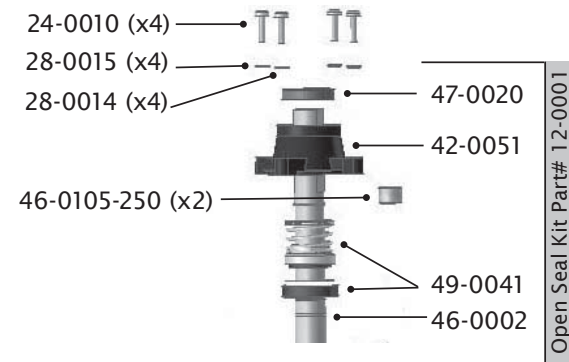


NOTE: The above motor base plate is discontinued and no longer available. Units with Metal Seal Hub's can easily retrofit to the new Angled Motor Base Plate with Molded Seal Hub, for older units please contact the factory for your options.

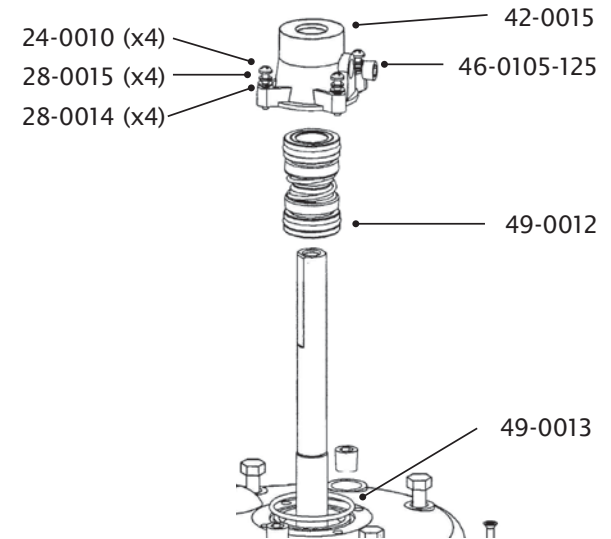
METAL SEAL HUB + (Units March 2010 - May 2014)



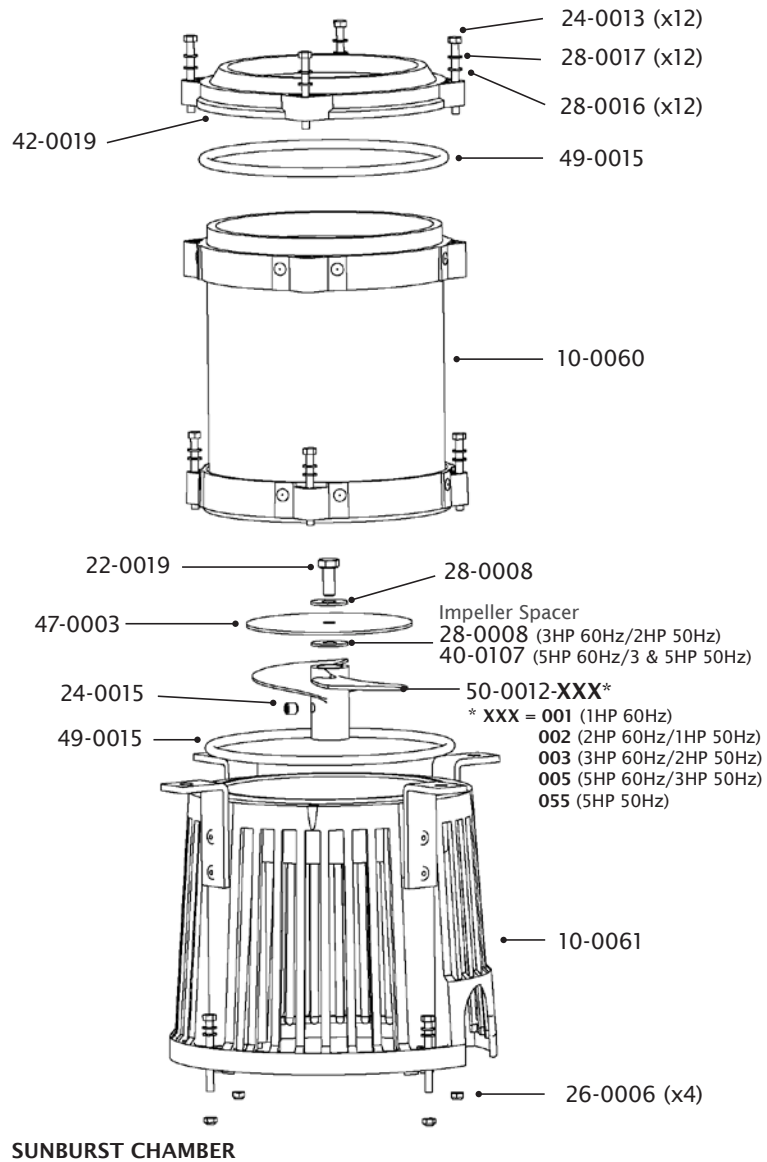
OPEN SEAL HUB + (Units 2007 - March 2010)



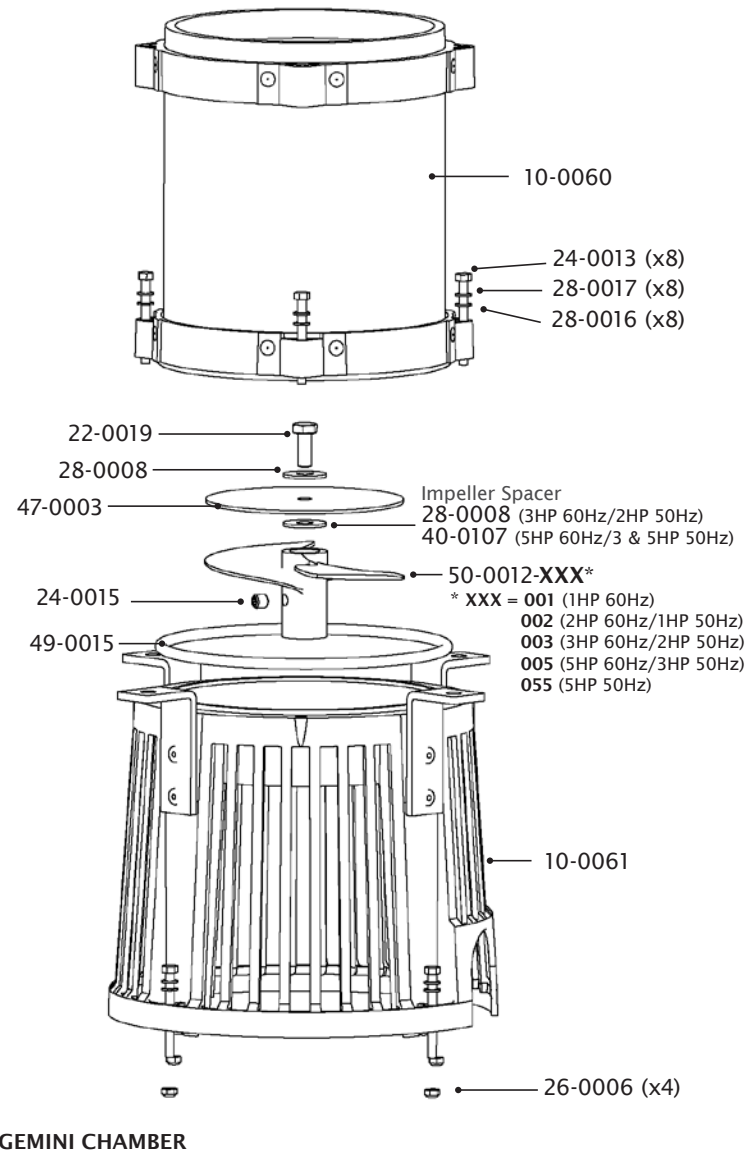
CLOSED SEAL HUB + (Units Prior 2007)



+ Seal Hubs Vary by Year Manufactured

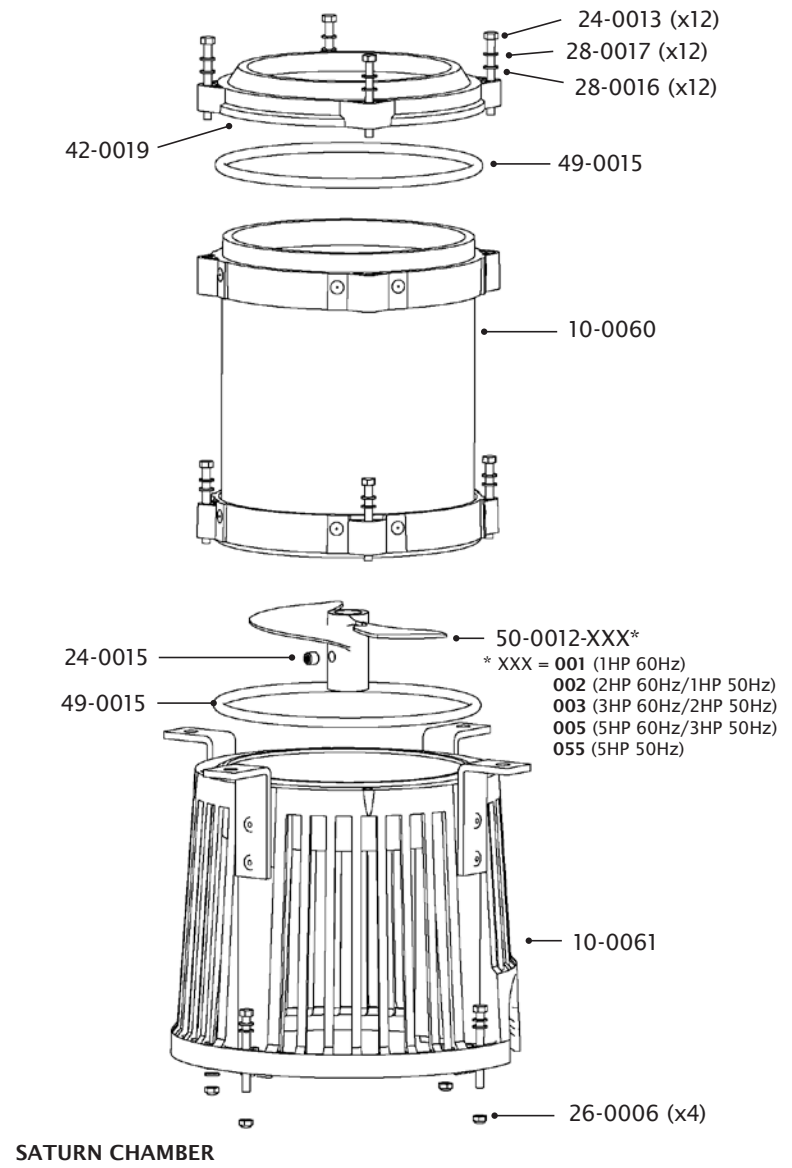
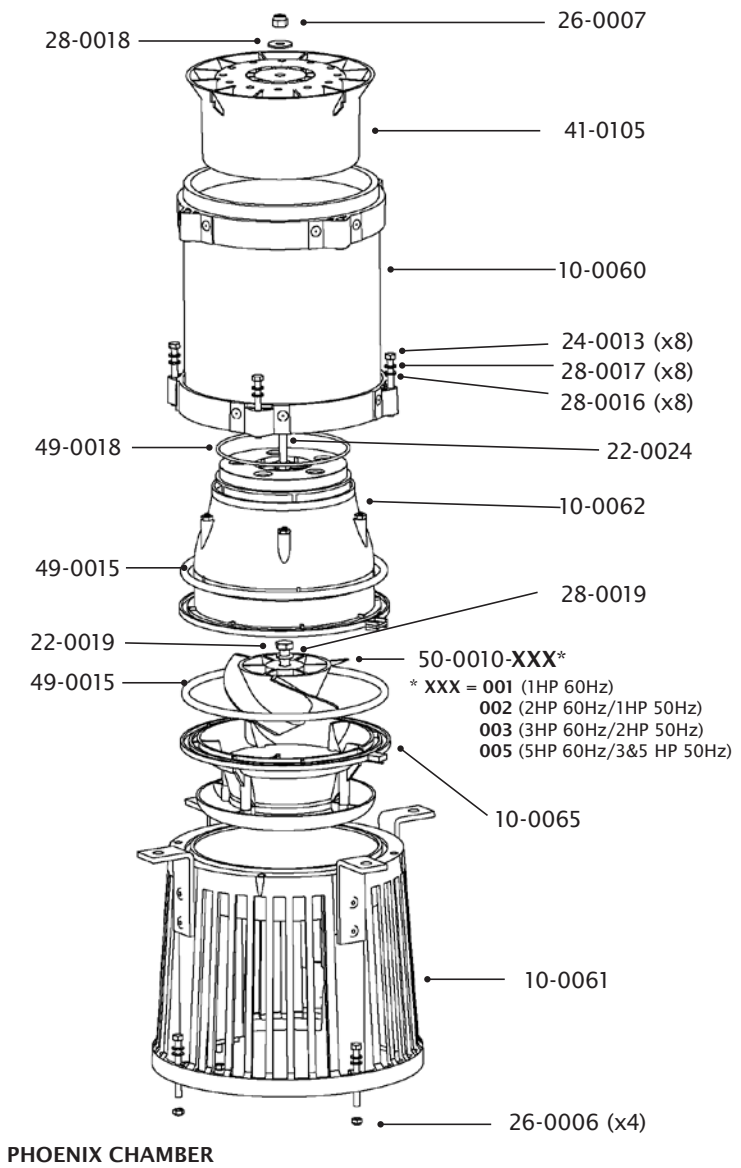


SUNBURST CHAMBER

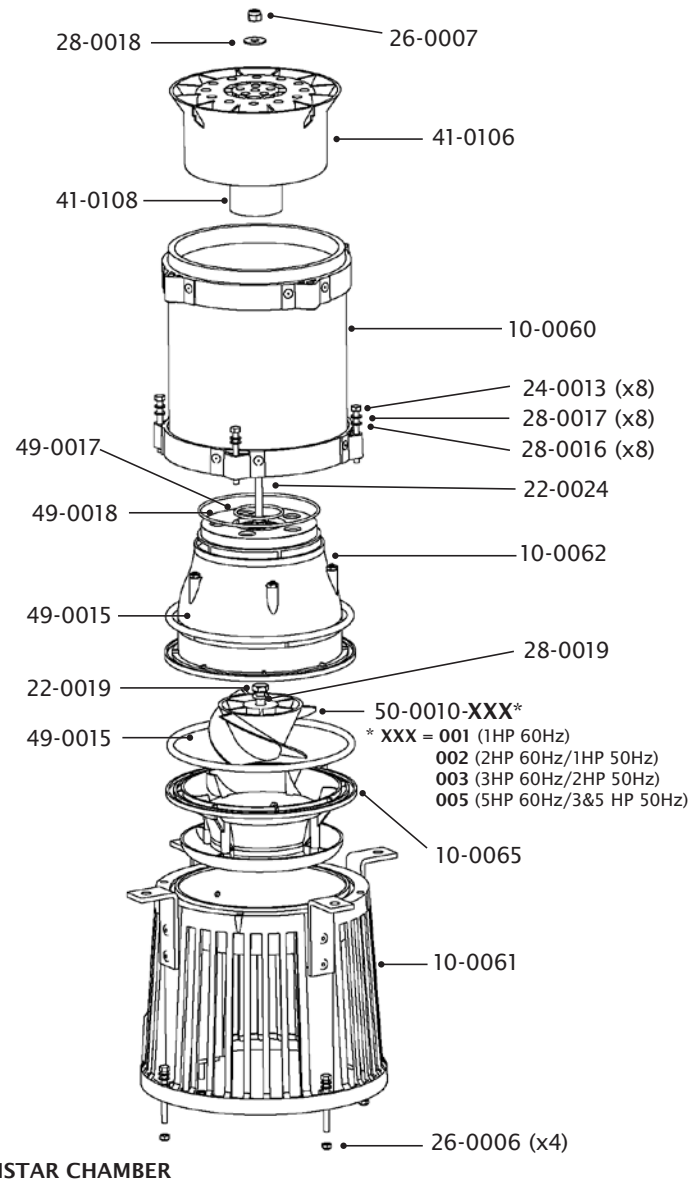
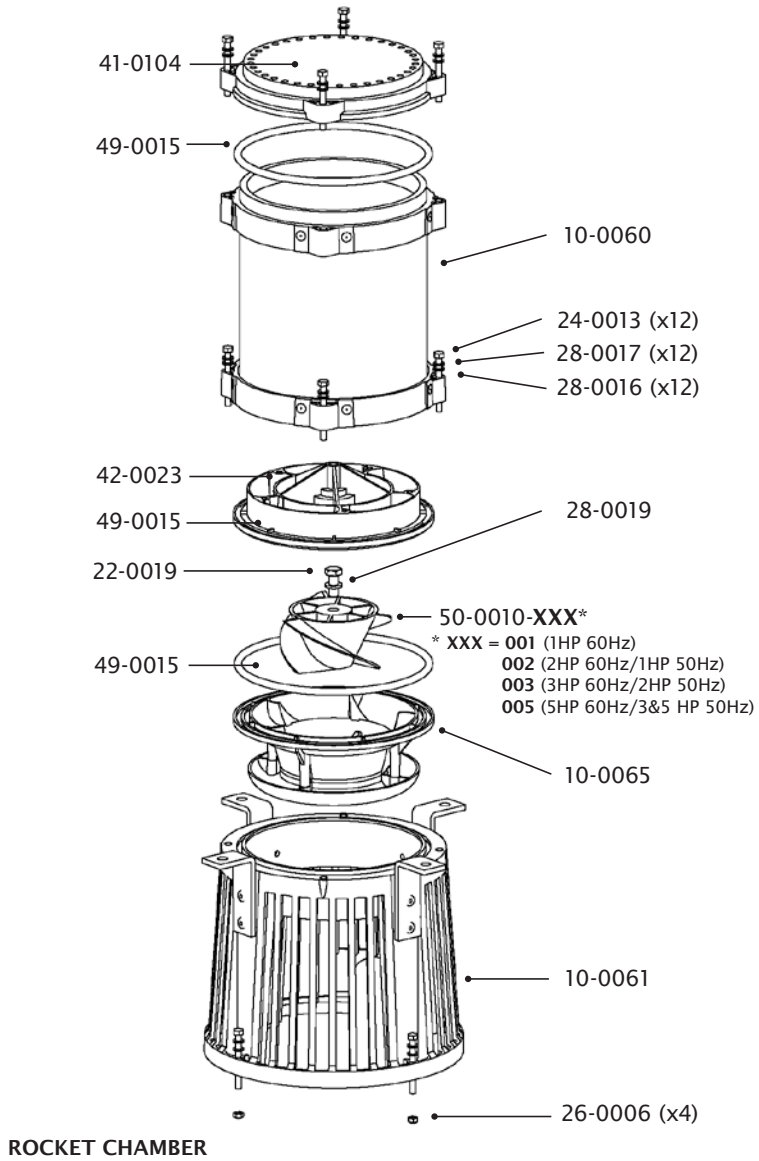


GEMINI CHAMBER

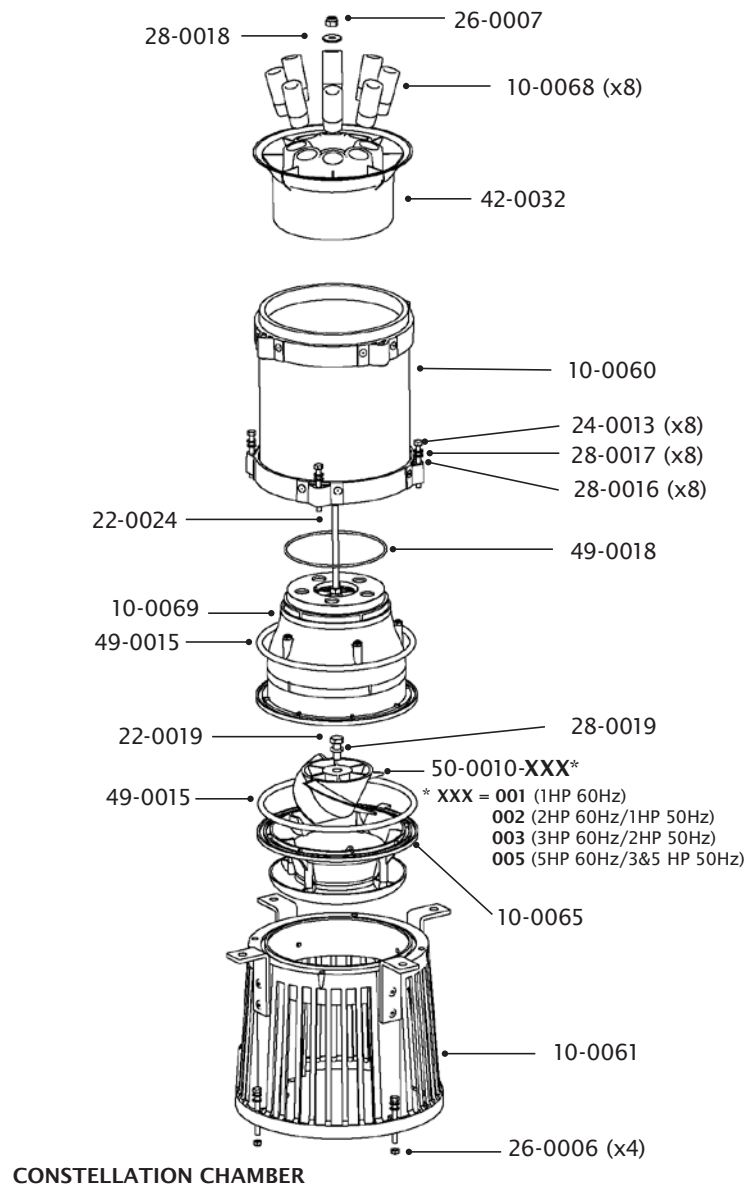
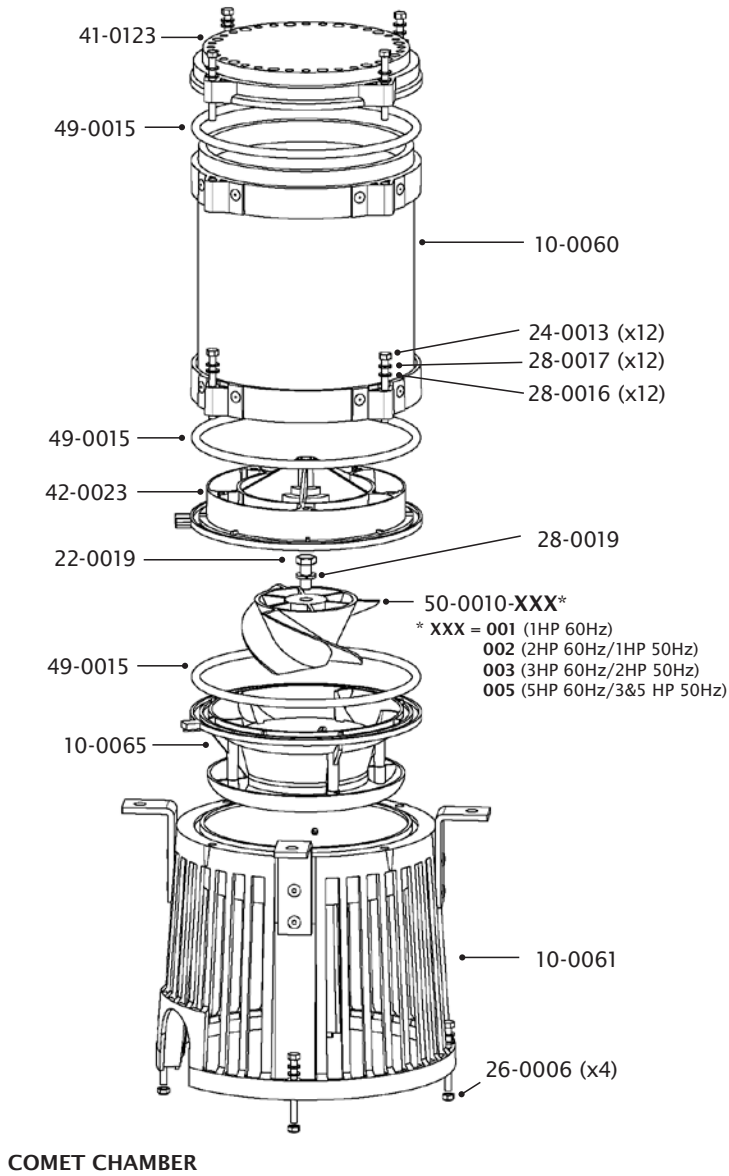
Can be purchased as complete chamber - see part numbers pages 5-8
NOTE: Standoff Strainer (part number 10-0061) is not part of pump chamber assembly.



Can be purchased as complete chamber - see part numbers pages 5-8
 NOTE: Standoff Strainer (part number 10-0061) is not part of pump chamber assembly.

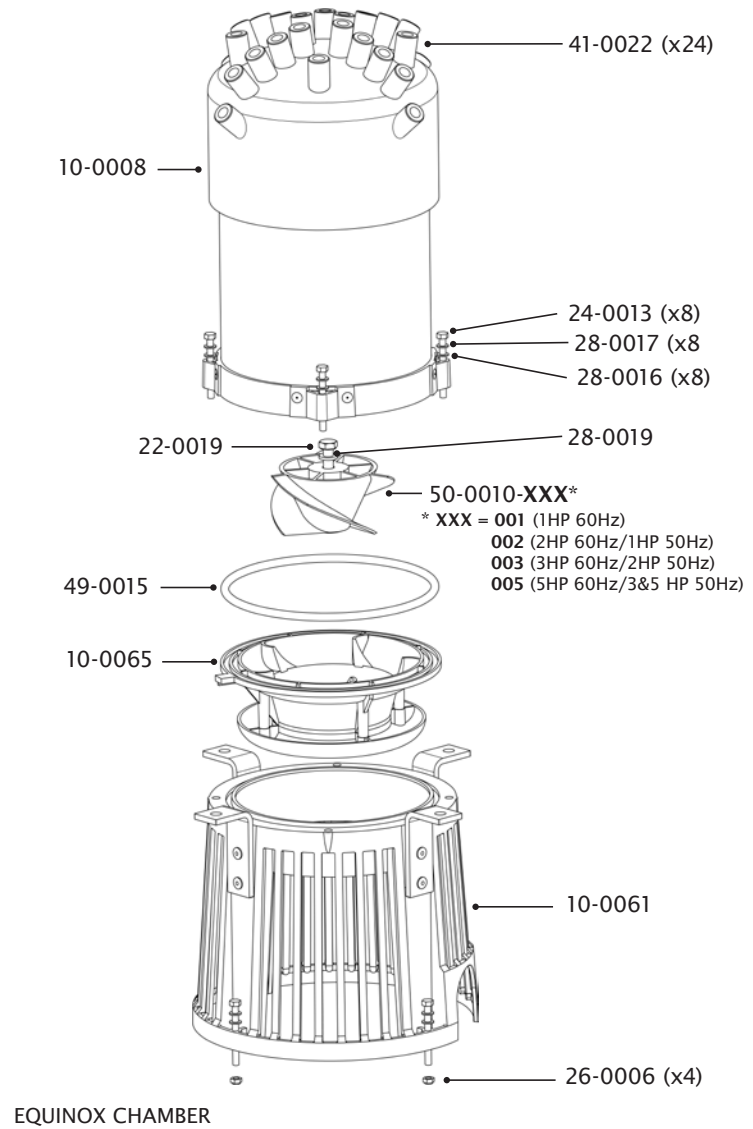
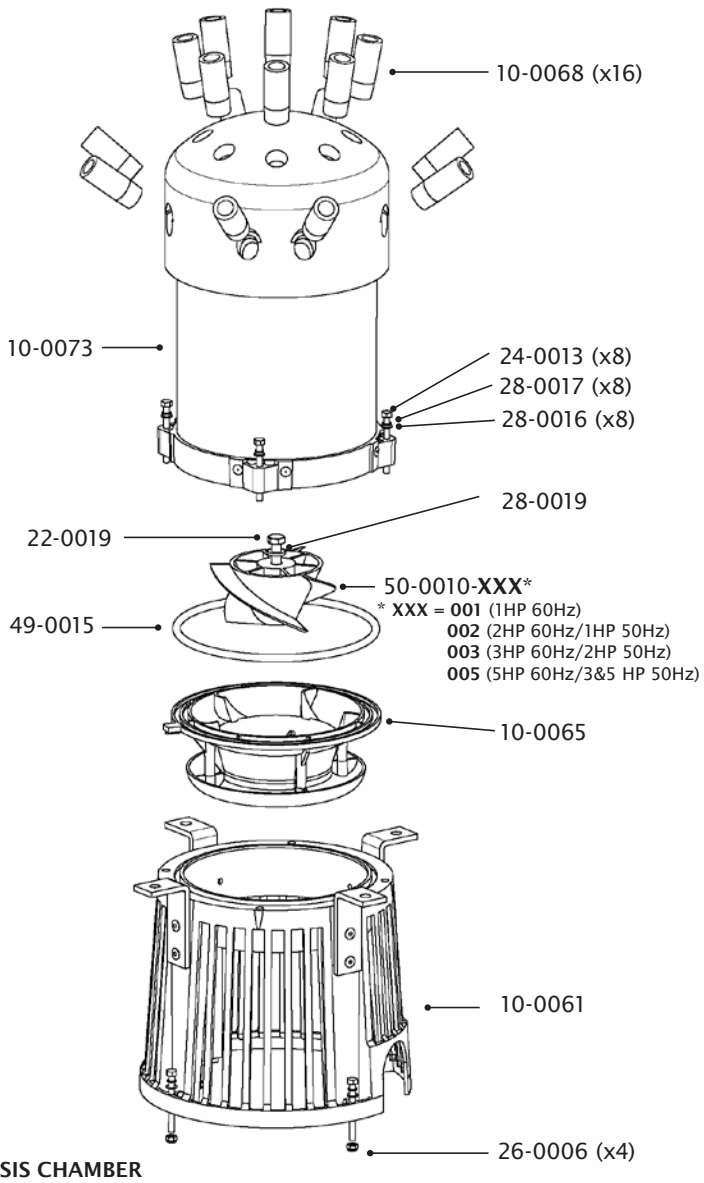


Can be purchased as complete chamber - see part numbers pages 5-8
 NOTE: Standoff Strainer (part number 10-0061) is not part of pump chamber assembly.

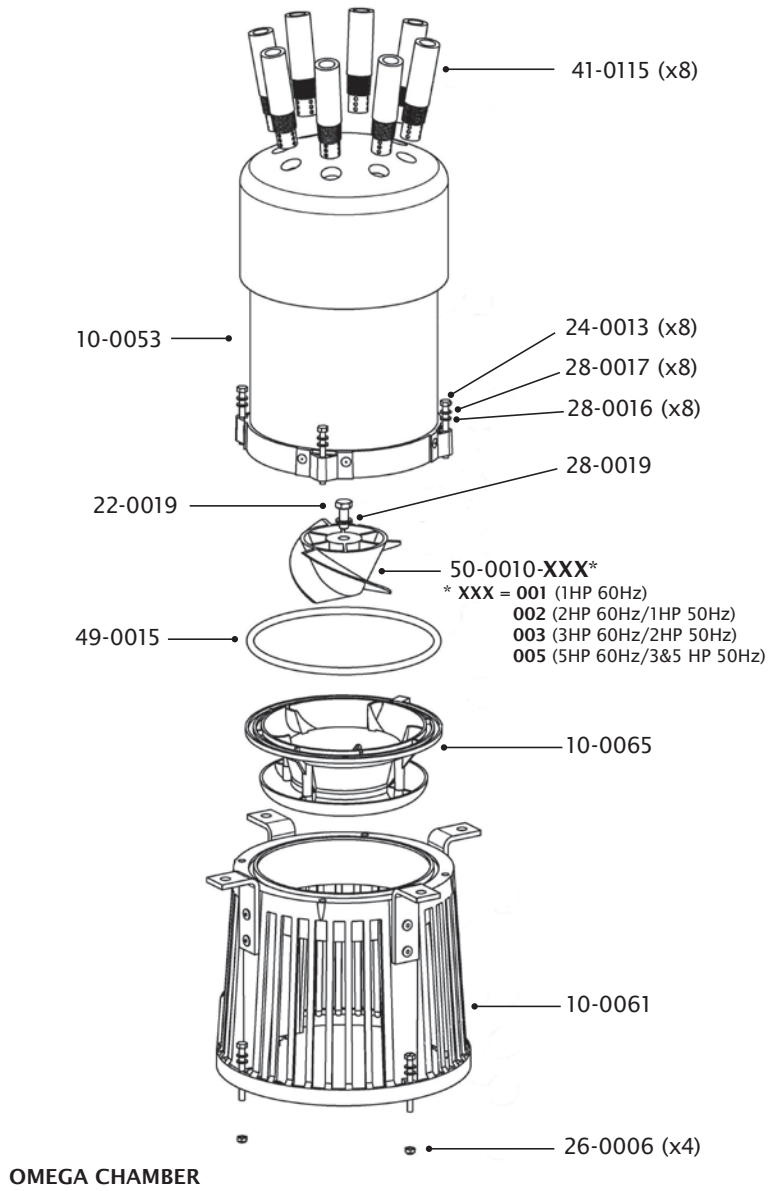


Can be purchased as complete chamber - see part numbers pages 5-8

NOTE: Standoff Strainer (part number 10-0061) is not part of pump chamber assembly.



Can be purchased as complete chamber - see part numbers pages 5-8
 NOTE: Standoff Strainer (part number 10-0061) is not part of pump chamber assembly.

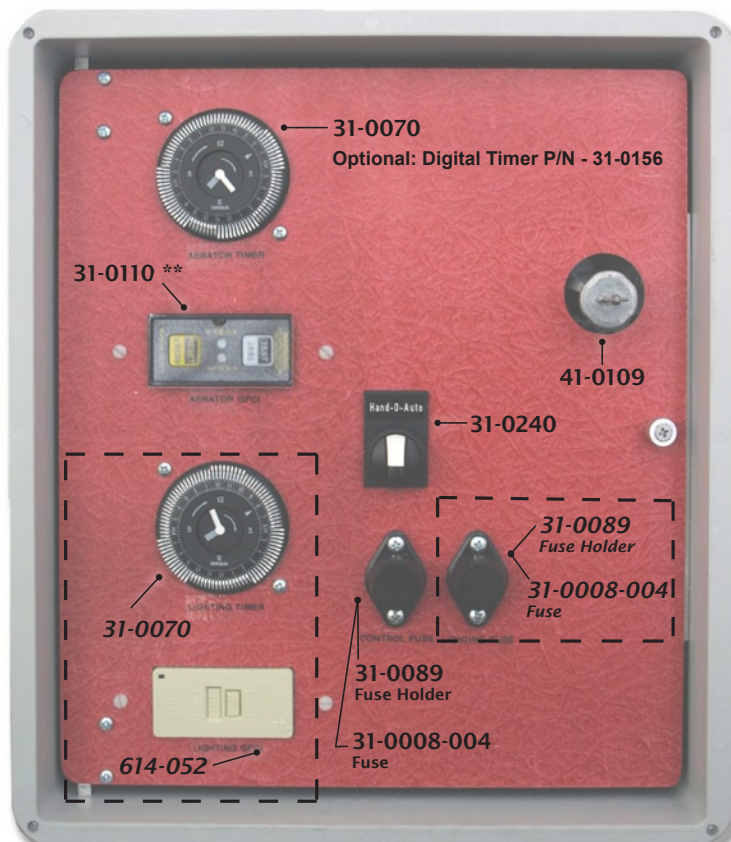
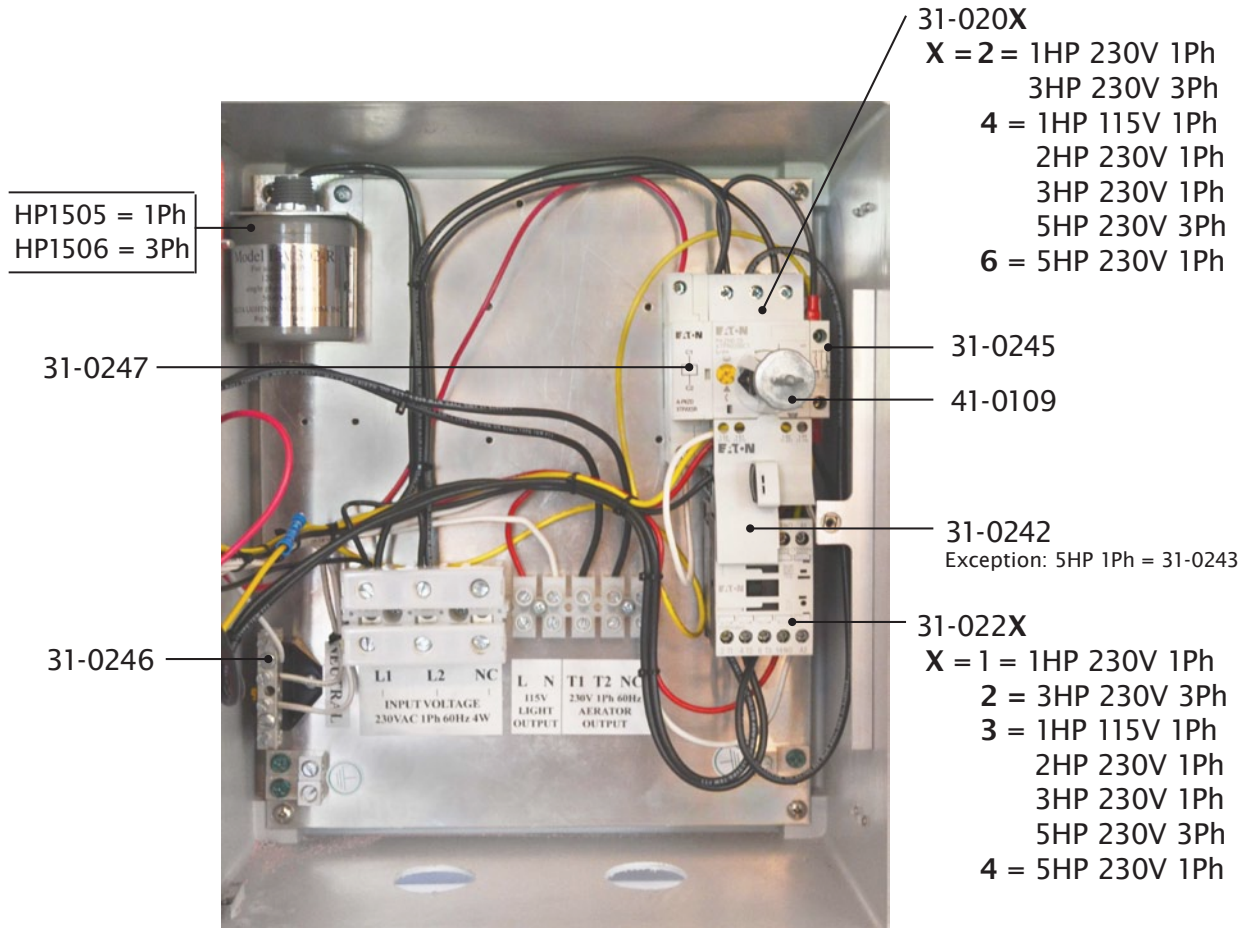


Can be purchased as complete chamber - see part numbers pages 5-8

NOTE: Standoff Strainer (part number 10-0061) is not part of pump chamber assembly.

1HP-5HP Panel Part Numbers with Pricing can be found sequential on pages 4-12

Light Part Numbers with Pricing can be found sequential on pages 52-57



NOTES:

Use for Reference Purposes Only
Illustration is a 230V 1Ph with MR16 Light Controls

Part numbers shown are for 1HP-5HP units, 115V and 230V, both single and three phase in 60Hz.

MR16 Light Controls are italicized and inside the dashed boxes on illustration.

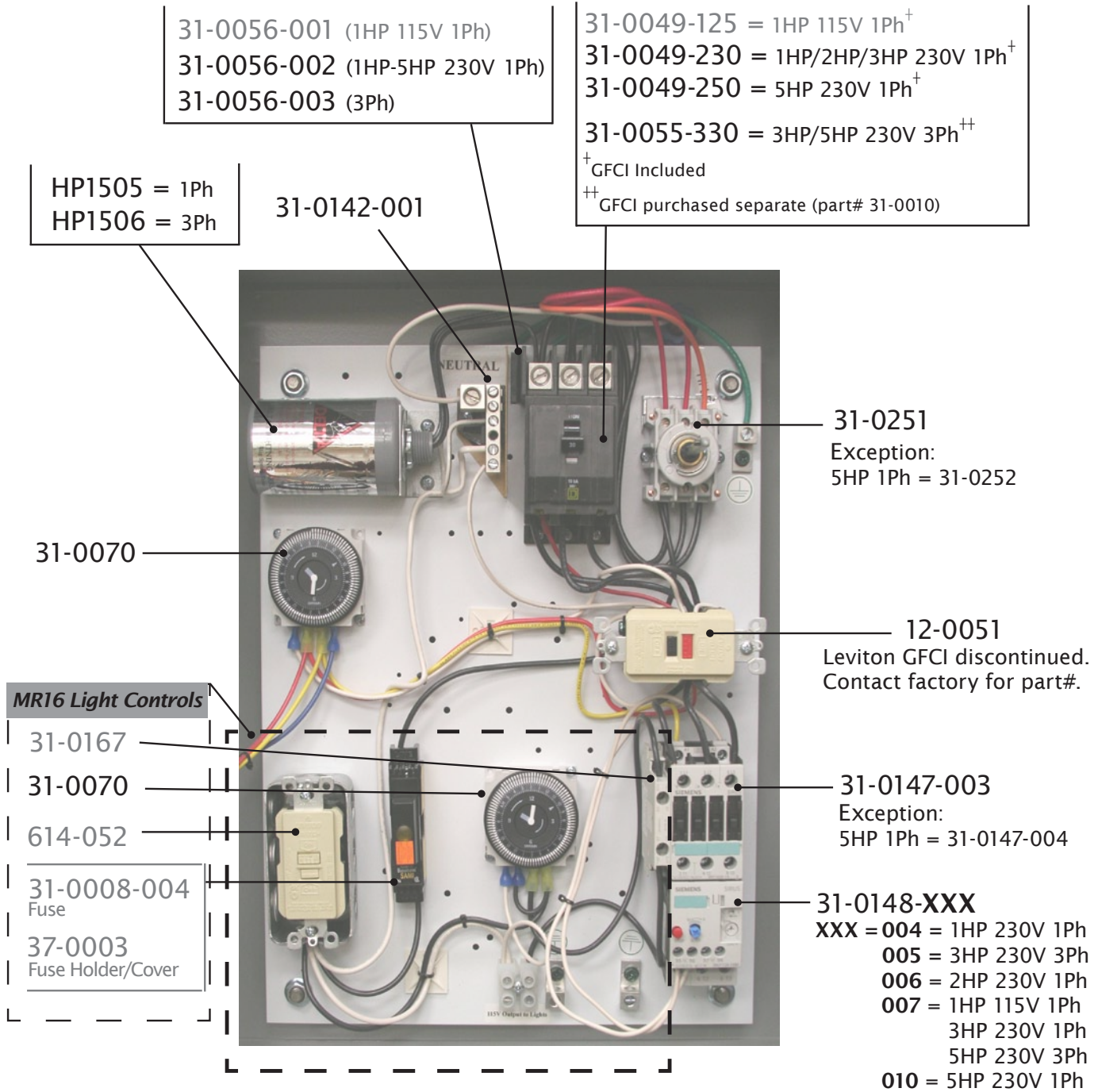
Additional Resources for Panels can be found on Otterbine's Distributor Dashboard.

Hubbell GFCI (part#31-0110) effective March 2014.

** If replacing the GFCI with panels prior to March 2014, use part# 12-0079 GFCI Retrofit Kit (includes Hubbell GFCI, Shunt and Wire Harness)

1HP-5HP Panel Part Numbers with Pricing can be found sequential on pages 4-12

Light Part Numbers with Pricing can be found sequential on pages 52-57

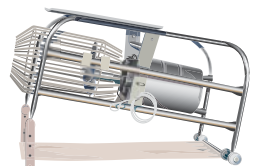
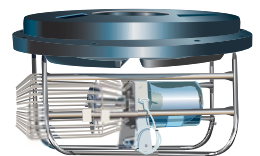
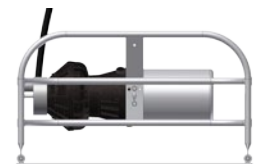
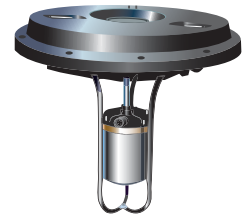


NOTES: Use for Reference Purposes Only (prior to June 2011)*
 Illustration is a 230V 3Ph Large Panel with MR16 Light Controls
 Part numbers shown are for 1HP-5HP units, 115V and 230V, both single and three phase in 60Hz.
 *Parts vary in size and shape depending on voltage and phase.
 Mounting hardware is not called out in illustration.
 Additional Resources for Panels can be found on Otterbine's Distributor Dashboard.

CONCEPT 2 PARTS

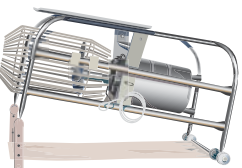
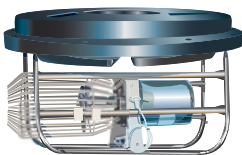
Exploded part views can be found on pages 30-34

Part Number	Description
09-0013	BULKHEAD CABLE ASSY (C2 ONLY)
10-0004	OIL PLUG C-2 w/O-RING
10-0005	STRAINER/LOWER CHAMBER ASSY C2
10-0006	VOLUTE MANIFOLD ASSEMBLY C2
10-0009	TRITON 2 SUPPORT FRAME 1 SIDE
10-0010	TRITON 2 MOORING CABLE ASSY
10-0013	TRITON ASP VENTURI ASSEMBLY
10-0014	FLOAT/COUPLING ASSY SUBTRT ASP
101-012	BOLT IMPELLER3/8-16x2"SNB3&5HP
101-012A	BOLT C2 1HP SNB PROP3/8-16X1 5
106-302*10	BOLT SUPPORT ARM BOLT QTY 10
12-0007-001	GFI KIT WH PANEL 115V RETROFIT
12-0007-002	GFI KIT WEST PANEL 208/230
12-0008	SCREEN HW KIT C2/C3/10HP
12-0010	HARDWARE KIT DEC PUMP CHAMBER
12-0018	ANCHOR KIT SUB-TRITON MIXER
12-0070-001	SPLICE KIT PROSPLICE 12/3 SJOW
12-0070-002	SPLICE KIT PRO12/3&4 10/3&4SOW
12-0070-003	SPLICE KIT PRO 8/3 & 8/4 SOW
12-0092	FLOW STRAIGHTENER KIT HV
12-0120	KIT C2 UNIT ARMS 3 ZINC ANODES
12-0121	KIT TRITON 4 ZINC ANODE
15-0007	SCREEN TRITON 2 TOP SECTION
15-0017	CAP/START SW 1HP C2 FRANKLIN
15-0018	CAP/START SW 2HP C2 FRANKLIN
155-422	SLINGER DISC C2/SNB & AFL/SB
16-0021-111	P U TRT 1HP 1Ph 115 60
16-0021-121	P U TRT 1HP 1Ph 230/220 60/50
16-0021-221	P U TRT 2HP 1Ph 230/220 60/50
16-0021-321	P U TRT 3HP 1Ph 230/220 60/50
16-0021-323	P U TRT 3HP 3Ph 230 60
16-0021-343	P U TRT 3HP 3Ph 460/380 60/50
16-0021-523	P U TRT 5HP 3Ph 230 60
16-0021-543	P U TRT 5HP 3Ph 460/380 60/50
16-0021-553	P U TRT 5HP 3Ph 575 60
178-003B*10	GROUND LUG NON-INSULATED QTY10
178-004A*10	CONNECTOR WIRE CRIMP QTY 10
178-005A*10	CONNECTOR WIRE CRIMP QTY 10
178-006*10	WIRE NUT EXTRA LARGE QTY 10
178-012*10	CONNECTOR BUTT 12-10awg QTY 10



CONCEPT 2 PARTS

Exploded part views can be found on pages 30-34

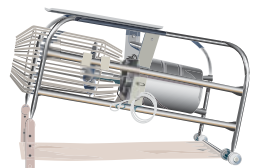
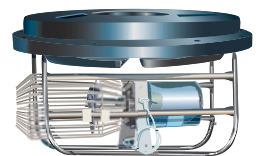
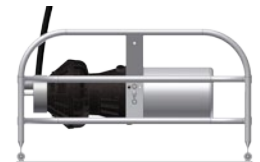
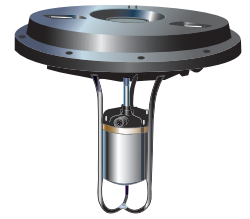


Part Number	Description
178-012R*10	CONNECTOR BUTT QTY 10
19-0006-150	HIGH VOLUME CHAMBR C2 1HP 50Hz
19-0006-160	HIGH VOLUME CHAMBR C2 1HP 60Hz
19-0006-250	HIGH VOLUME CHAMBR C2 2HP 50Hz
19-0006-260	HIGH VOLUME CHAMBR C2 2HP 60Hz
19-0006-350	HIGH VOLUME CHAMBR C2 3HP 50Hz
19-0006-360	HIGH VOLUME CHAMBR C2 3HP 60Hz
19-0006-550	HIGH VOLUME CHAMBR C2 5HP 50Hz
19-0006-560	HIGH VOLUME CHAMBR C2 5HP 60Hz
19-0007-150	SUB-TRT ASP CHAMBR C2 1HP 50Hz
19-0007-160	SUB-TRT ASP CHAMBR C2 1HP 60Hz
19-0007-250	SUB-TRT ASP CHAMBR C2 2HP 50Hz
19-0007-260	SUB-TRT ASP CHAMBR C2 2HP 60Hz
19-0007-350	SUB-TRT ASP CHAMBR C2 3HP 50Hz
19-0007-360	SUB-TRT ASP CHAMBR C2 3HP 60Hz
19-0007-550	SUB-TRT ASP CHAMBR C2 5HP 50Hz
19-0007-560	SUB-TRT ASP CHAMBR C2 5HP 60Hz
19-0008-150	TRITON ASP CHAMBER C2 1HP 50Hz
19-0008-160	TRITON ASP CHAMBER C2 1HP 60Hz
19-0008-250	TRITON ASP CHAMBER C2 2HP 50Hz
19-0008-260	TRITON ASP CHAMBER C2 2HP 60Hz
19-0008-350	TRITON ASP CHAMBER C2 3HP 50Hz
19-0008-360	TRITON ASP CHAMBER C2 3HP 60Hz
19-0008-550	TRITON ASP CHAMBER C2 5HP 50Hz
19-0008-560	TRITON ASP CHAMBER C2 5HP 60Hz
19-0009-150	SUB-MIXER CHAMBER C2 1HP 50Hz
19-0009-160	SUB-MIXER CHAMBER C2 1HP 60Hz
19-0009-250	SUB-MIXER CHAMBER C2 2HP 50Hz
19-0009-260	SUB-MIXER CHAMBER C2 2HP 60Hz
19-0009-350	SUB-MIXER CHAMBER C2 3HP 50Hz
19-0009-360	SUB-MIXER CHAMBER C2 3HP 60Hz
19-0010-150	MIXER CHAMBER C2 1HP 50Hz
19-0010-160	MIXER CHAMBER C2 1HP 60Hz
19-0010-250	MIXER CHAMBER C2 2HP 50Hz
19-0010-260	MIXER CHAMBER C2 2HP 60Hz
19-0010-350	MIXER CHAMBER C2 3HP 50Hz
19-0010-360	MIXER CHAMBER C2 3HP 60Hz
20-0011	U-BOLT S/S FLOW STRAIGHTENER
22-0004*10	BOLT HEX S/S 3/8"-16x3" QTY 10
22-0018	BOLT HEX S/S 3/8-16x1 25" NYLN

CONCEPT 2 PARTS

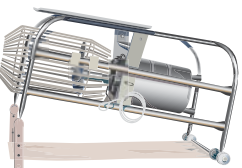
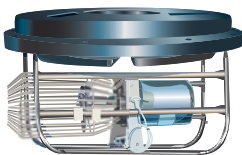
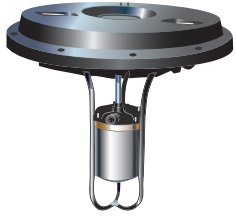
Exploded part views can be found on pages 30-34

Part Number	Description
24-0001	SETSCREW TRT2 MIXER&50HZ PROPS
24-0005	SETSCREW IMPELLE 2/97& NEWER
26-0001	NUT SERRATED FLANGE S/S 1/4-20
26-0001*10	NUT SERRATED FLANGE QTY 10
28-0003-001	WASHER SPLIT LOCK S/S #10
28-0003-001*10	WASHER SPLIT LCK S/S #10 QTY10
29-0004	WASHER FENDER S/S 3/8"x1 25"OD
293-005*10	IMPELLER WARNING DECAL QTY 10
31-0043	STARTER KIT PCC WEST 1HP 115V
31-0044	STARTR PCC WEST 230V1HP/3HP3Ph
31-0045	STARTER KIT PCC WEST 2HP/230V
31-0046	STARTR KIT WEST230V 3HP1Ph/5HP
40-0003	SUPPORT BRACE TRITON 2 S/S
40-0004	BRACKET U TRITON-2 FRAME/FLOAT
40-0005	SPACER TRITON 2 ASPIRATOR
40-0006	THRUST COLLAR TRITON-2 MIXER
40-0011	TIE ROD SUB-TRITON II
40-0111	PLATE MTG FLOW STRAIGHTENER HV
40-0112	BRACKET MTG FLOW STRAIGHTNR HV
40-0113	FLOW STRAIGHTENER "A" HV
40-0114	FLOW STRAIGHTENER "B" HV
41-0002	BUSHING TRITON 2
41-0004	BARRIER BOTTOM SUB-TRITON ASP
41-0005	BARRIER BOTTOM SUB-TRIT MIXER
41-0006	PLATE VORTEX SUBTRITON MIXER
45-0006	TRITON 2 MOTOR MOUNTING RING
46-0004-034	AIR TUBE TRITON 2 ASPIRATOR
46-0005	MUFFLER TRITON 2 ASP 1" X 2 5"
46-0005*10	MUFFLER TRITON 2 ASP QTY 10
46-0006*10	PIPE NIPPLE TRITON ASP QTY 10
46-0007	ELBOW FITTING 1/2" FEMALE/BARB
46-0012	ROD END CAP 3/8"
46-0104	SEAL HOLE S/S PCC 1 5" CONDUIT
48-0001	SILICONE 2GM PACK SINGLE USE
48-0001*10	SILICONE 1 5ML PACK QTY 10
48-0002	SILICON/DIELEC COMPOUND 5 3OZ
48-0003*10	SEAL LUBRICANT 2 ml PAC QTY 10
48-0004	SEAL LUBRICANT 1 PINT
49-0002	GROMMET 1" RUBBER C2 MOTORS
49-0018	O-RING C2 MNFLD&C3 PHX/TRI/CON



CONCEPT 2 PARTS

Exploded part views can be found on pages 30-34

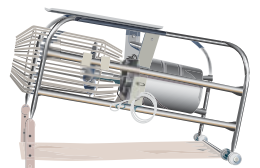
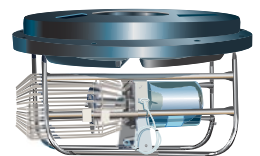
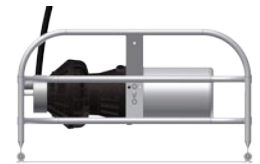
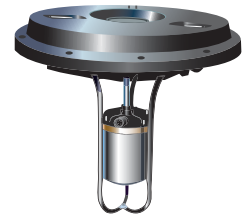


Part Number	Description
50-0006-001	PROP TRT2 MIXER 1HP 60Hz
50-0006-002	PROP TRT2 MIX 2HP60Hz/1HP50Hz
50-0006-003	PROP TRT2 MIX 3HP60Hz/2HP50Hz
50-0006-053	PROP TRT2 MIXER 3HP 50Hz
50-0013-001	IMPELLER HV 1HP60Hz C2
50-0013-002	IMPELLER HV 2HP60Hz/1HP50Hz C2
50-0013-003	IMPELLER HV 3HP60Hz/2HP50Hz C2
50-0013-005	IMPELLER HV 5HP60Hz/3HP50Hz C2
50-0013-006	IMPELLER HV 5HP50Hz C2
614-017	SPLICE KIT LG 1"MAX ALL12/10/8
614-019	BEARING BOTTOM C2 1HP FRANKLIN
614-025	STRAIN RELIEF DEVICE
614-028	KIT ZINC ANODE REPLACEMENT KIT
660-002	NUT HEX 316S/S 5/16-18
660-002*10	NUT HEX 316S/S 5/16"-18 QTY 10
895-0041	SLINGER SPACER C2 1HP
895-0044	SLINGER SPACER C2 2HP/60HZ
895-0045	SPACER VENTURI ASSY TRITON ASP
895-0046	SLINGER SPACER 50HZ 5HP SNB
927-000	WASHER FLAT S/S 1/4"
927-000*10	WASHER FLAT S/S 1/4" QTY 10
927-003	WASHER FLAT S/S 3/8"
927-003*10	WASHER FLAT S/S 3/8" QTY 10
927-009	WASHER FENDER S/S 3/8"x1 5"OD
927-009*10	WASHER SLINGER QTY 10
BP2803B	SCREW HEX SL S/S #10x3/4TYPE A
BP2874*10	TY-RAP QTY 10
C2-100	TOLERANCE RING C2
C2-100*10	TOLERANCE RING C2 QTY 10
C2-110	BOLT RIB NECK CAR S/S 1/4-20x1
C2-110*10	BOLT MOUNTING RING QTY 10
C2-111	BOLT HIGH VOLUME PROP
C2-1112	TERMINAL STRIP 4 POLE
C2-112	NUT NYLON LOCK 316S/S 1/4-20
C2-112*10	NUT LOCK 316S/S 1/4"-20 QTY 10
C2-115	BOLT PROP BOLT 2HP 60 HZ SNB
C2-140	BOLT VOLUTE RETAINING BOLT
C2-141*10	SCREW VOLUTE MOUNTING QTY 10
C2-200	MOTOR PLATE C2 UN-ASSEMBLED
C2-203	MOTOR BASE PLATE ASSY C2

CONCEPT 2 PARTS

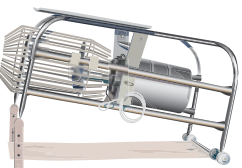
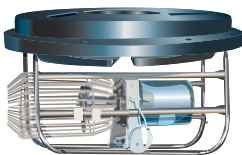
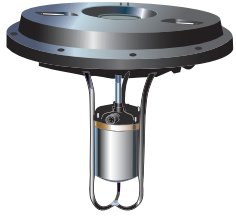
Exploded part views can be found on pages 30-34

Part Number	Description
C2-205	MOUNTING RING CONCEPT 2
C2-301	PLATE SUPPORT ARM BRACE C2
C2-303	SUPPORT ARM & BRACKET C2
C2-304	SUPPORT ARM ADJUSTABLE w/BRKT
C2-310	SUPPORT ARM SHORT 31"
C2-311	SUPPORT ARM SHORT ADJUSTABLE
C2-340	CAGE PROTECTIVE TRIT ^{or} SUB MIXER
C2-345	CLAMP TRITON MIXER CAGE
C2-350	BRACKET ANGLE ADJ TR2 SUBMIXER
C2-400	FLOAT C2
C2-533	CAPACITOR 3HP 1Ph C2 FRANKLN
C2-611	MOTOR C2 1HP 50/60 HZ
C2-612	MOTOR C2 2HP 1Ph 50/60Hz
C2-613	MOTOR C2 3HP 1Ph 50/60Hz
C2-633	MOTOR C2 3HP 60/50Hz 3PH
C2-635	MOTOR C2 5HP 3Ph 50/60Hz
C2-655	MOTOR C2 5HP 575V 3Ph CANADA
C2-660	BEARING TOP ALL C2
C2-662	BEARING BOTTOM C2 2HP FRANKLIN
C2-663	BEARING BTM C2 3&5HP BEFOR4/98
C2-700	O-RING C2 HOUSING
C2-704	ROTARY SEAL C2 ALL
C2-705	WAVEY WASHER C2
C2-706	O-RING PUMP CHAMBER O-RING C2
C2-708	O-RING RKT DIFFUSER O-RING C2
C2-720	SHAFT SLINGER REPLACES#C2-703
C2-801	IMPELLER SNB 1HP 60Hz
C2-802	IMPELLER SNB 2HP 60Hz/1HP 50Hz
C2-803	IMPELLER SNB 3HP 60Hz/2HP 50Hz
C2-805	IMPELLER SNB 5HP 60Hz/3HP 50Hz
C2-806	IMPELLER SNB 5HP 50Hz
C2-809	SPACER SLINGER C2 3HP & 5HP
C2-811	IMPELLER DEC 1HP 60Hz C2
C2-812	IMPELLER DEC 2HP 60Hz ONLY C2
C2-813	IMPELLR DEC 3HP60Hz/2HP50Hz C2
C2-815	IMPELLR DEC 5HP60Hz/3HP50Hz C2
C2-816	IMPELLER DEC 1HP 50Hz C2
C2-817	IMPELLER DEC 5HP 50Hz C2
C2-840	DIFFUSER HOUSING C2
C2-845	DIFFUSER PHX C2
C2-850	DIFFUSER PLATE RKT C2 3 DEGREE



CONCEPT 2 PARTS

Exploded part views can be found on pages 30-34

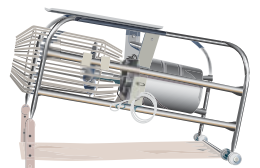
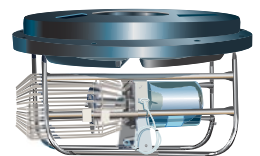
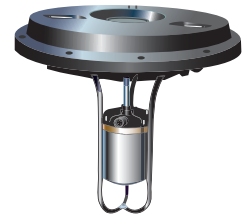


Part Number	Description
C2-870	DIFFUSER TRI-STAR C2
EP5103*10	BOLT HEX S/S 1/4-20x3/4" QTY10
EP6301	WASHER SPLIT LOCK S/S 3/8"
EP6301*10	WASHER SPLIT LCK S/S 3/8 QTY10
F-126-111	PWR U C2 1HP 1Ph 115 60
F-126-121	PWR U C2 1HP 1Ph 230/220 60/50
F-126-221	PWR U C2 2HP 1Ph 230/220 60/50
F-126-321	PWR U C2 3HP 1Ph 230/220 60/50
F-126-323	PWR U C2 3HP 3Ph 230 60
F-126-343	PWR U C2 3HP 3Ph 460/380 60/50
F-126-523	PWR U C2 5HP 3Ph 230 60
F-126-543	PWR U C2 5HP 3Ph 460/380 60/50
F-126-553	PWR U C2 5HP 3Ph 575 60
F-800-001B	SCREEN KIT 1/2" C2 HV/SNB
F-900-002F	SCREEN KIT 1/4" C2 DECORATIVE
HP4102	G F I SENSING RING KIT
MP2001*10	NUT HEX 316S/S 3/8"-16 QTY 10
MP2002*10	WASHER INT STAR S/S 3/8" QTY10
MP2004	BOLT HEX S/S #10-24 x 1 25"
MP2004*10	BOLT HEX S/S #10-24x1 25 QTY10
MP2006*10	WASHER INT STAR S/S #10 QTY 10
S-300	C2 FLOAT/ARMS/HARDWARE PACKAGE
S-320	HARDWARE KIT C2 ARM ASSY
S-400	THROAT ASSY C2 SNB
S-C2-801	IMPELLER ASSY C2 1HP SNB 60HZ
S-C2-802	IMPELLER ASSY C2 2HP SNB 60HZ
S-C2-803	IMPELLER ASSY C2 3HP SNB 60HZ
S-C2-805	IMPELLER ASSY C2 5HP SNB 60HZ
SP-801	PHX CHAMBER C2 1HP/60HZ
SP-801-50	PHX CHAMBER C2 1HP/50HZ
SP-802	PHX CHAMBER C2 2HP/60HZ
SP-802-50	PHX CHAMBER C2 2HP/50HZ
SP-803	PHX CHAMBER C2 3HP/60HZ
SP-803-50	PHX CHAMBER C2 3HP/50HZ
SP-805	PHX CHAMBER C2 5HP/60HZ
SP-805-50	PHX CHAMBER C2 5HP/50HZ
SR-801	RKT CHAMBER C2 1HP/60HZ
SR-801-50	RKT CHAMBER C2 1HP/50HZ
SR-802	RKT CHAMBER C2 2HP/60HZ
SR-802-50	RKT CHAMBER C2 2HP/50HZ

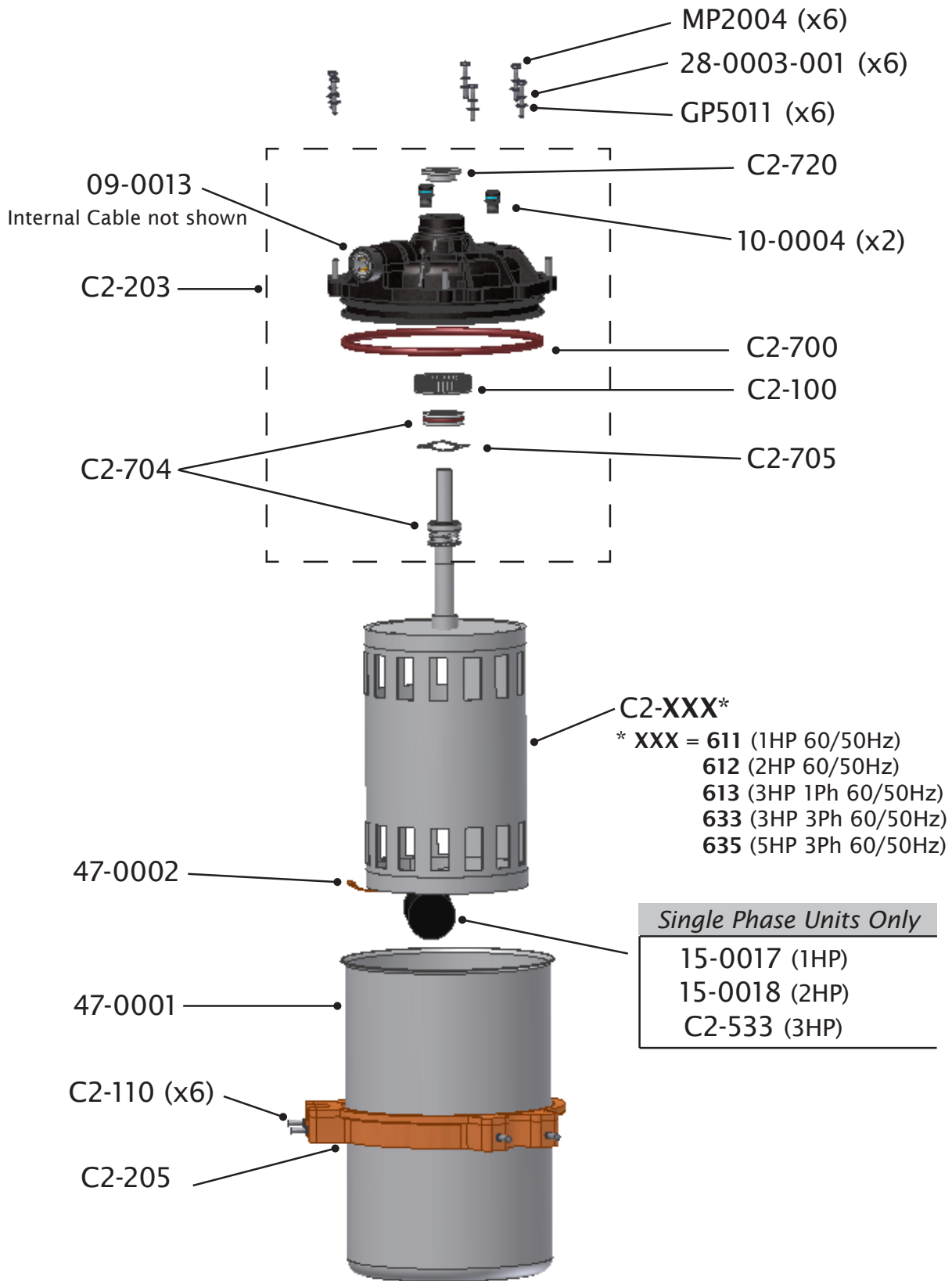
CONCEPT 2 PARTS

Exploded part views can be found on pages 30-34

Part Number	Description
SR-803	RKT CHAMBER C2 3HP/60HZ
SR-803-50	RKT CHAMBER C2 3HP/50HZ
SR-805	RKT CHAMBER C2 5HP/60HZ
SR-805-50	RKT CHAMBER C2 5HP/50HZ
SR-850	DIFF ASSY C-2 W/ORING RKT 6DEG
SS-801	SNB CHAMBER C2 1HP/60HZ
SS-801-50	SNB CHAMBER C2 1HP/50HZ
SS-802	SNB CHAMBER C2 2HP/60HZ
SS-802-50	SNB CHAMBER C2 2HP/50HZ
SS-803	SNB CHAMBER C2 3HP/60HZ
SS-803-50	SNB CHAMBER C2 3HP/50HZ
SS-805	SNB CHAMBER C2 5HP/60HZ
SS-805-50	SNB CHAMBER C2 5HP/50HZ
ST-801	TRISTAR CHAMBER C2 1HP/60HZ
ST-801-50	TRISTAR CHAMBER C2 1HP/50HZ
ST-802	TRISTAR CHAMBER C2 2HP/60HZ
ST-802-50	TRISTAR CHAMBER C2 2HP/50HZ
ST-803	TRISTAR CHAMBER C2 3HP/60HZ
ST-803-50	TRISTAR CHAMBER C2 3HP/50HZ
ST-805	TRISTAR CHAMBER C2 5HP/60HZ
ST-805-50	TRISTAR CHAMBER C2 5HP/50HZ

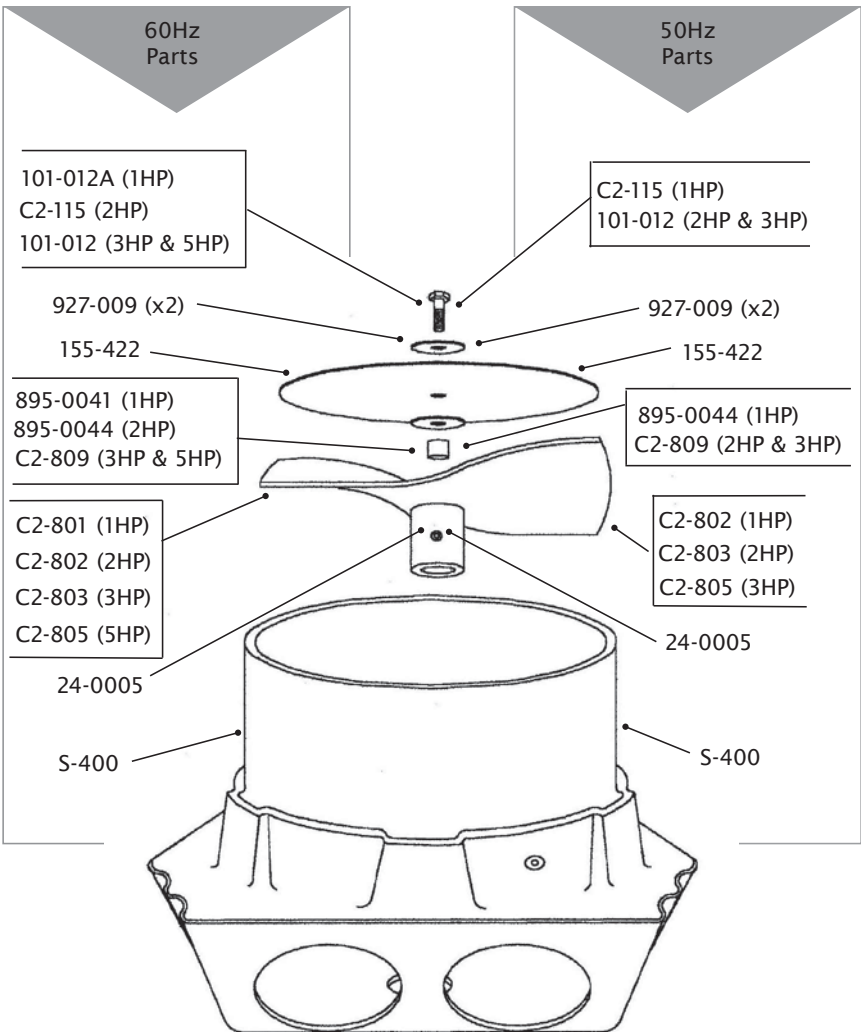


Part Numbers with Pricing can be found sequential on pages 23-29

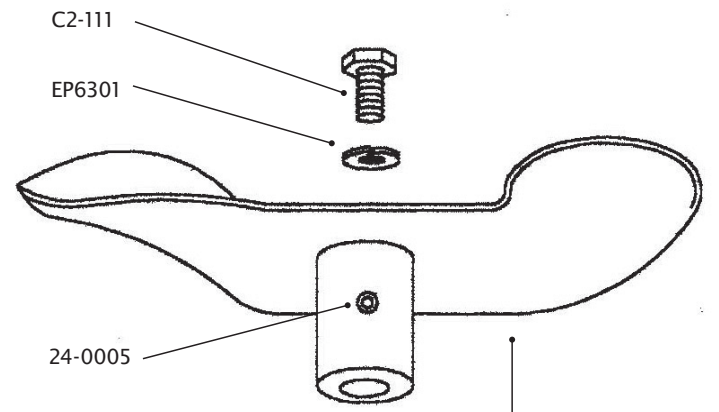


C2 POWER UNIT

Can be purchased as complete power unit - see part numbers on pages 27



SUNBURST CHAMBER

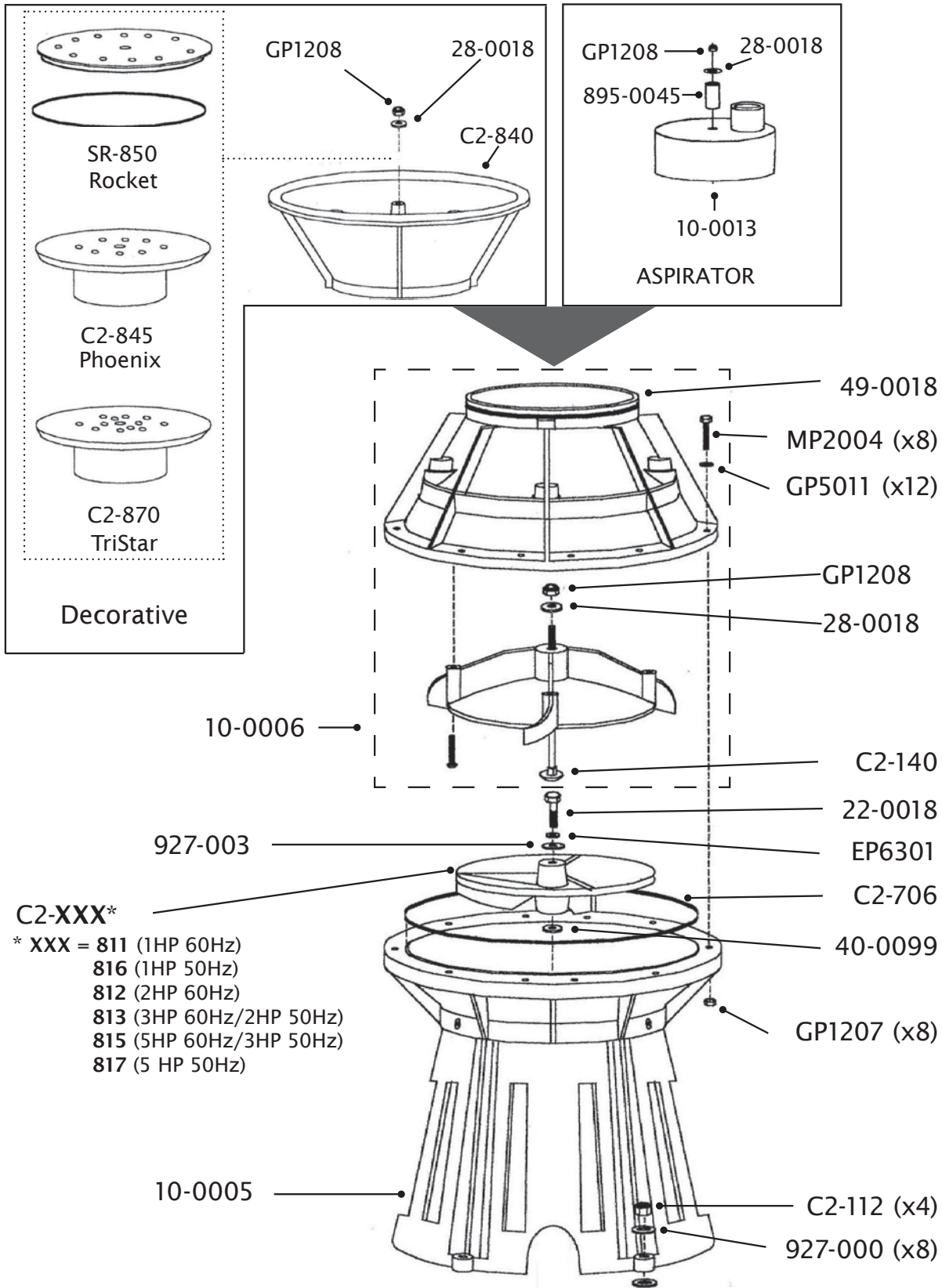


- * XXX = 001 (1HP 60Hz)
- 002 (2HP 60/50Hz)
- 003 (3HP 60Hz/2HP 50Hz)
- 005 (5HP 60Hz/3HP 50Hz)
- 006 (5HP 50Hz)

HIGH VOLUME CHAMBER

Can be purchased as complete chamber - see part numbers in Concept 2 Section

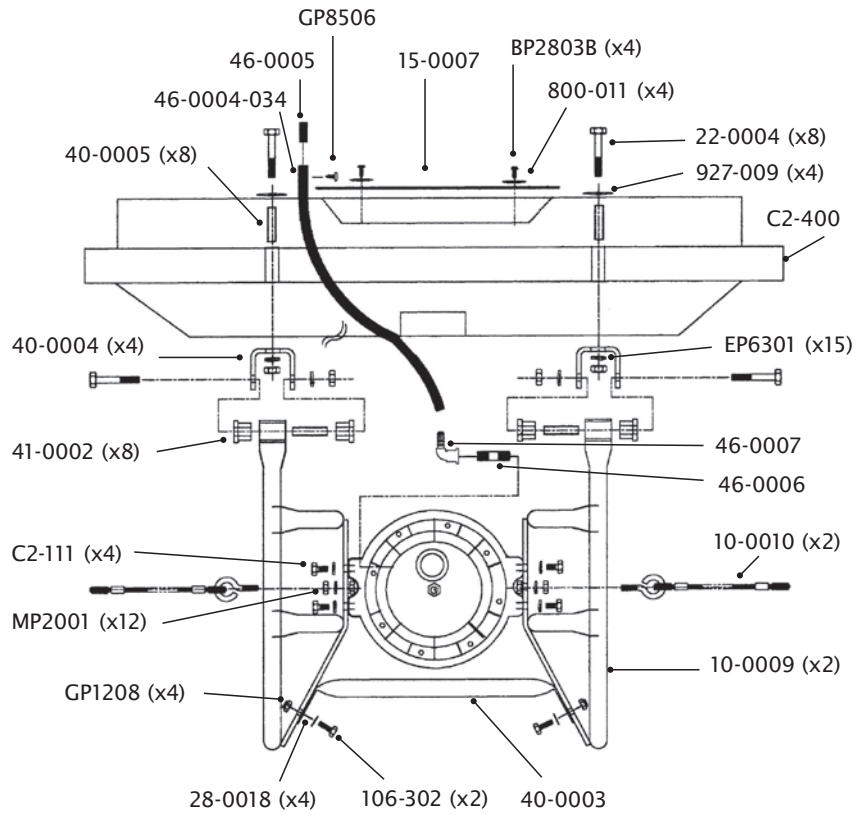
Part Numbers with Pricing can be found sequential on pages 23-29



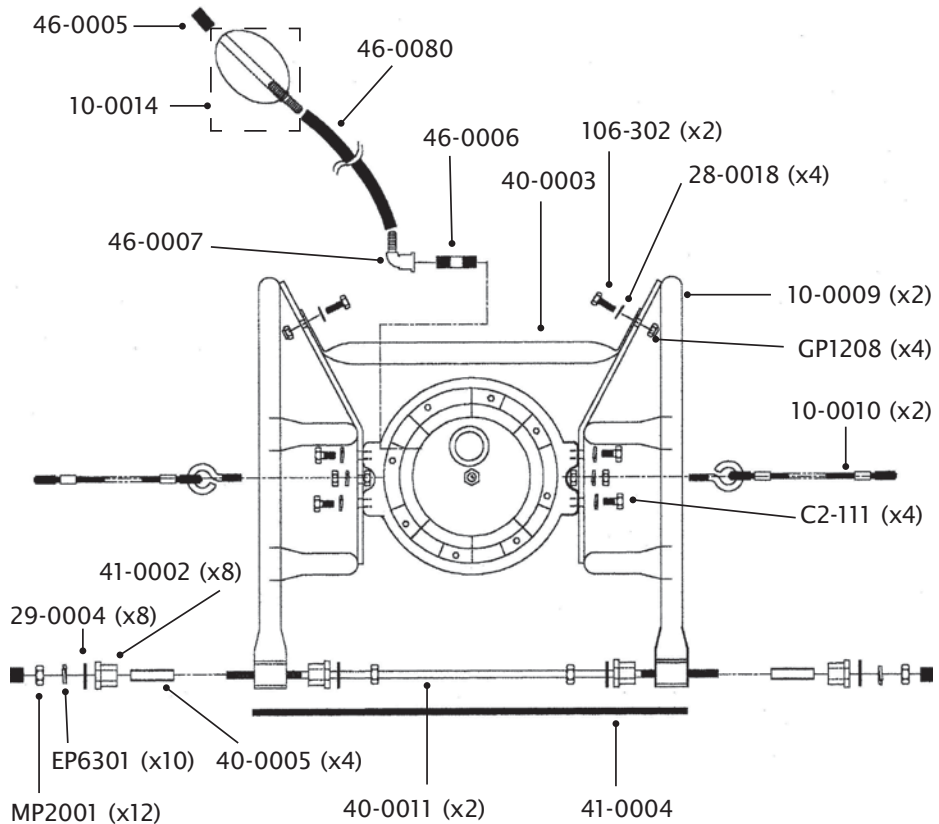
C2 DECORATIVE & ASPIRATOR CHAMBER

Can be purchased as complete chamber - see part numbers in Concept 2 Section

Part Numbers with Pricing can be found sequential on pages 23-29

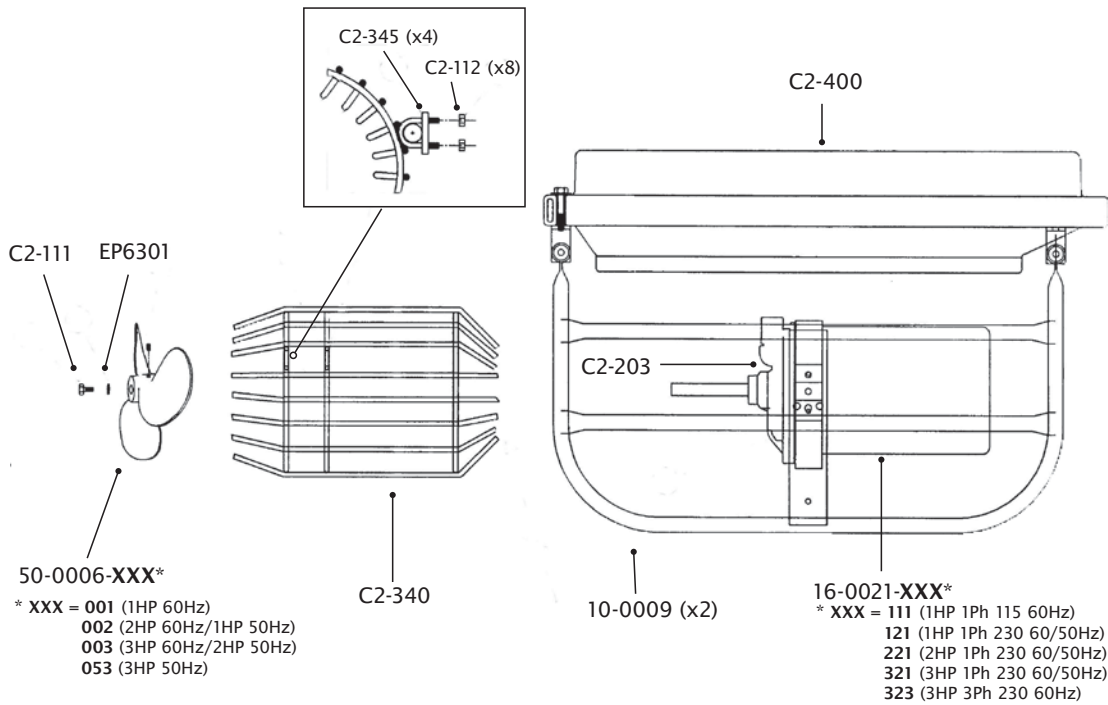


TRITON ASPIRATOR

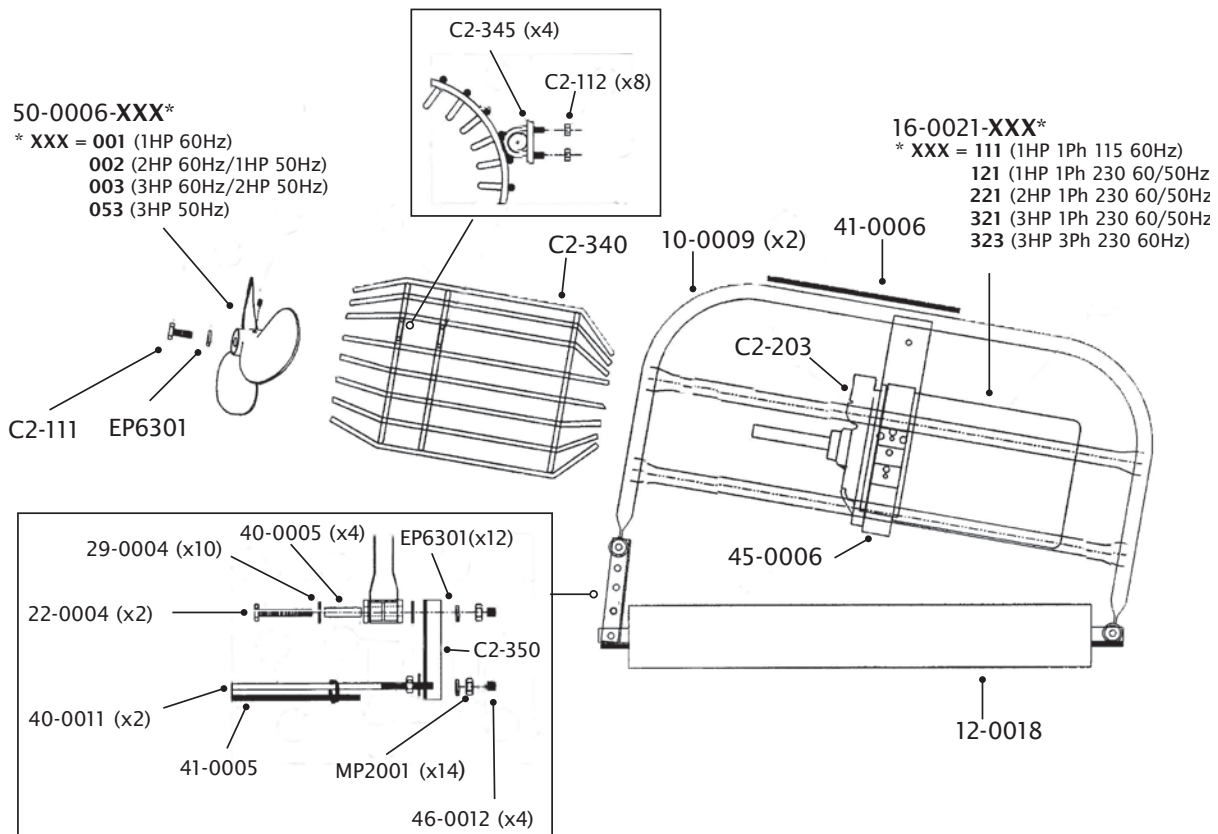


SUB - TRITON ASPIRATOR

Part Numbers with Pricing can be found sequential on pages 23-29



TRITON MIXER



SUB - TRITON MIXER

FRACTIONAL SERIES PARTS

Exploded part views can be found on page 37-38



Part Number	Description
09-0020	FRACT SERIES QDC/PT CE HARM FS
11-0020-115	CONTROLS PKG FRAC UNT 115V60Hz
11-0020-230	CONTROLS PKG FRAC UNT 230V60Hz
12-0106	SCREEN KIT 1/4" MESH FRAC SER
12-0124	KIT SHAFT ZINC ANODE FRAC
12-0125	MBP KIT, FS HARDWIRED 6FT 12/3
12-0126	MBP KIT, FRAC SERIES QD (& CE)
12-0130	KIT FS UNIT 2 ZINC ANODES
13-0001	FS POWER UNIT 115/1/60 HDWIRED
13-0002	FS POWER UNIT 230/1/60 HDWIRED
13-0003	FS POWER UNIT 115/1/60 QD
13-0004	FS POWER UNIT 230/1/60 QD
13-0005	FS POWER UNIT 220/1/50 HDWIRED
13-0006	FS POWER UNIT 220/1/50 QD
13-0007	FS POWER UNIT 220/1/50 QD (CE)
22-0006	BOLT HEX S/S M5x35
22-0040	BOLT,M6-1x40 SEALNG HEX MBP FS
22-0041	BOLT, M6-1x14 S/S HEX FS
24-0022	SCREW HEX S/S M6x20 FULL THRD
24-0034	SCREW PAN PHIL S/S M4x30
24-0035	SCREW SOCK CAP S/S 8-32X1-1/4
28-0005	WASHER, SPACER FS "G" SEAL
28-0023	WASHER FENDER S/S M6
30-0001	MOTOR 1/2HP FRACTIONAL SERIES
31-0107	TIMER 24HR 120V FRACTIONAL
35-0019	CE PIGTAIL 12/3 HARMONIZED FS
36-0023	CAPACITOR FRACTIONAL SERIES
40-0012	BRACKET, 60Hz FLOAT, FS
40-0013	SLINGER DISC, GEMINI 60HZ FS
40-0014	SLINGER DISC, GEMINI 50HZ FS
40-0017	BRACKET, 50Hz FLOAT, FS
40-0022	SLINGER DISC, HV 60HZ FS
41-0064	SPACER, HIGH VOLUME FS 50HZ
42-0042	FLOAT FRACTIONAL SERIES
42-0101	MOUNTING RING FS
42-0102	THROAT CHAMBER FRAC SERIES
42-0103	CHAMBER, DECORATIVE FS
42-0104	INTAKE, DECORATIVE IMPELLER FS
42-0105	IMPELLER, DECORATIVE 60Hz FS
42-0106	IMPELLER, DECORATIVE 50Hz FS

FRACTIONAL SERIES PARTS

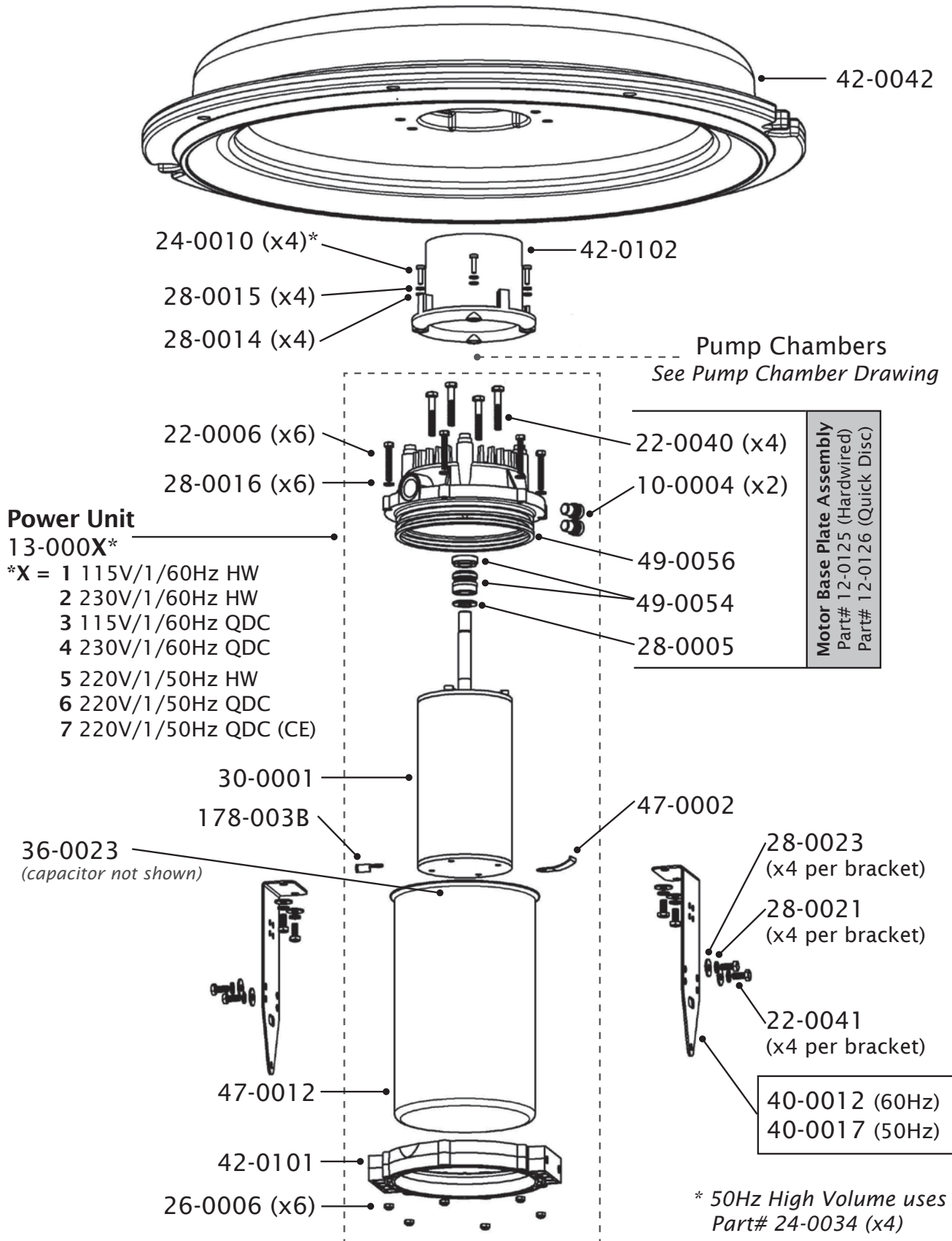


FRACTIONAL SERIES PARTS

Exploded part views can be found on pages 37-38



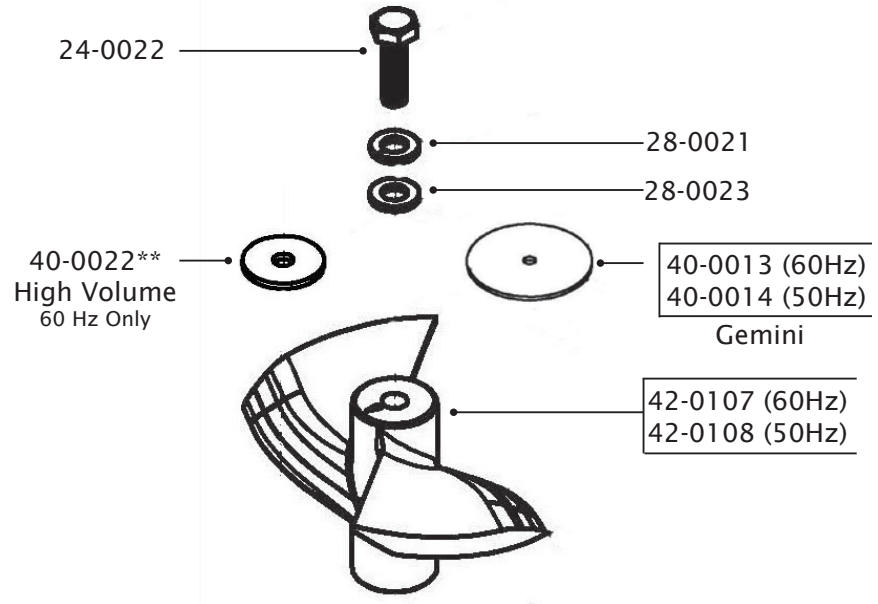
Part Number	Description
42-0107	PROP, OPEN THROAT 60Hz FS
42-0108	PROP, OPEN THROAT 50Hz FS
42-0110	NOZZLE, PHOENIX FS
42-0111	NOZZLE, ROCKET FS
47-0012	HOUSING 316 S/S FS MOTOR
49-0054	SEAL, FS UNIT TYPE G ROTARY
49-0055	O-RING PUMP CHAMBER FS
49-0056	O-RING MOTOR BASE PLATE FS
49-0057	O-RING CONNECTOR LIGHTING JB
49-0059	O-RING CONNECTOR/BULKHEAD FS



* 50Hz High Volume uses Part# 24-0034 (x4)

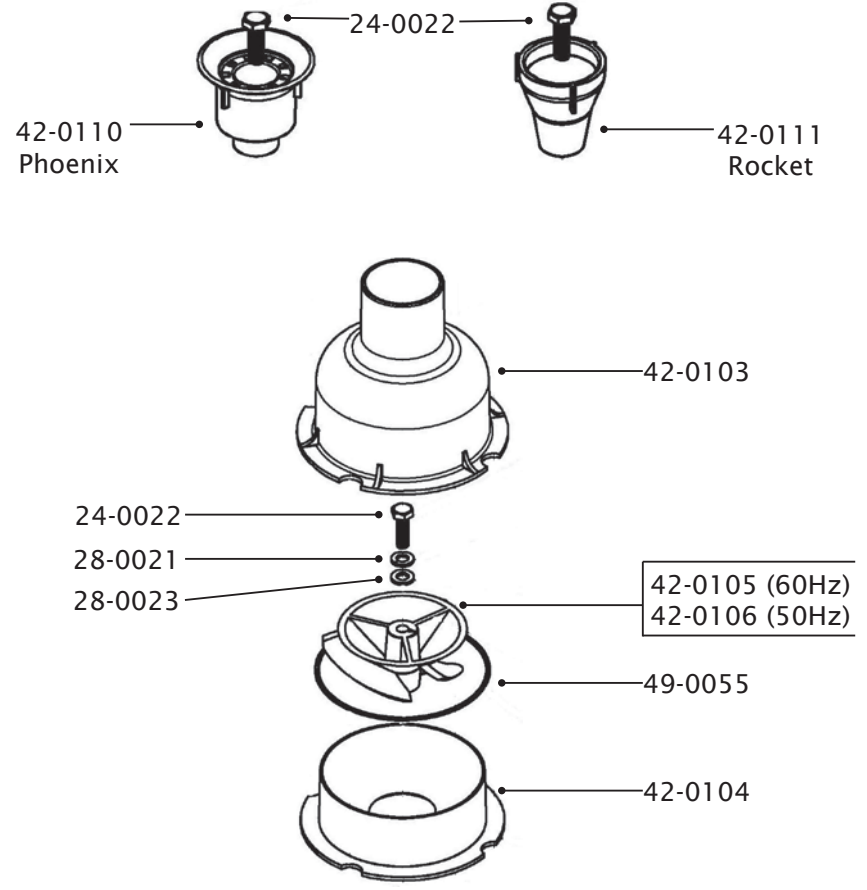
AERATION PUMPS
 Mixer*, High Volume, Gemini

* Slinger Discs are not used with Mixer



** 50 Hz High Volume replaces slinger with 4 spacers mounted between motor base plate and Open Throat Chamber.
 [Throat Spacer = Part# 41-0064 (x4)]

DECORATIVE PUMPS
 Phoenix and Rocket



AIR FLO 2 PARTS

Exploded part views can be found on pages 42-44



Part Number	Description
10-0001	DIFFUSER MANIFOLD ASSY 4 DOMES
10-0002	PIPE MANIFOLD ASSY 4 DOME AF2
10-0003	1 VALVE MANIFOLD ASSY,AIRFLO 2
10-0011	2 VALVE MANIFOLD ASSY,AIRFLO 2
10-0012	3 VALVE MANIFOLD ASSY,AIRFLO 2
10-0020	4 VALVE MANIFOLD ASSY,AIRFLO 2
10-0022	VALVE MANIFOLD,4 VALVE,2 DOMES
10-0041	DIFFUSER MANIFOLD ASSY 1 DOME
10-0042	DIFFUSER MANIFOLD ASSY 2 DOMES
10-0043	PIPE MANIFOLD ASSY 1 DOME AF2
10-0044	PIPE MANIFOLD ASSY 2 DOME AF2
10-0070	DIFFUSER STONE 9" AIRFLO
10-0071	PIPE MANIFOLD ASSY 6 STONE AF2
10-0072	DIFFUSER MANIFOLD ASSY 6 STONE
12-0017	KIT,COMPRESSOR REBUILD AIRFLO2
12-0093-100	TUBING KIT WEIGHTED 100 FT
12-0094-100	TUBING KIT UNWEIGHTED 100 FT
21-0003	STANDOFF M4x52mm AIRFLO2
22-0028	BOLT HEX S/S 1/4-20x4 5
22-0035	BOLT CARRIAGE ZNC 5/16-18x5.5"
22-0035-312	BOLT 1/4-20 x 3 5 FULL THREAD
24-0007*10	SCREW S/S SLTD 1/4-20x 5 QTY10
24-0021	SCREW CHEESE HD PHIL S/S M5x20
24-0025	SCREW PAN PH EXT WSH S/S M4x12
24-0030	SCREW SELF-DRILL S/S 8-32x1/2"
24-0032	SCREW CHEESE HD SLOT S/S M3x25
26-0012	NUT M3 KEPS EXTERNAL WASHER
26-0013	NUT M4 KEPS EXTERNAL WASHER
26-0014	NUT M5 KEPS EXTERNAL WASHER
27-0004	LOCKNUT 1/2" NPT
28-0002	WASHER FLAT S/S 7/8"
28-0025	WASHER M5 S/S FENDER
29-0007	NYLON WASHER IMPELLER FRAC SER
30-0037-115	COMPRESSOR 3/4HP 115V AIRFLO 2
30-0037-230	COMPRESSOR 3/4HP 230V AIRFLO 2
30-0037-HIP	COMPRESSOR 3/4HP HI PRESS,AFII
31-0038	BUSHING 1/2" NPT MALE THREADED
31-0101-115	BLOWER 115V 60Hz AIRFLO2
31-0101-220	BLOWER CE 220V 60/50Hz AIRFLO2
31-0101-230	BLOWER 230V 60/50Hz AIRFLO 2
31-0183	SWITCH DISCONNECT AIRFLO 2

AIR FLO 2 PARTS



AIR FLO 2 PARTS

Exploded part views can be found on pages 42-44

Part Number	Description
31-0184	SWITCH SNAP DISC TEMP, AIRFLO2
33-0042	TERMINAL BLOCK WAGO, AIRFLO2
33-0043	CONNECTOR RING 16-14AWG #8STUD
33-0044	CONNECTOR RING 16-14AWG#10STUD
33-0045	CONNECTOR FEMALE 16-14AWG 1/4"
34-0034	WRAP,WIRE SLEEVING, AIRFLO 2
40-0009	BRACKET BLOWER CAP AIRFLO 2 CE
40-0075	SCREEN S/S BLOWER 5"x4" AFII
40-0124	SPACER, HOUSING/BASE, AIRFLO 2
40-0125	BRACE HOUSING ENDPLATE AIRFLO2
40-0126	BRACE HOUSING BASE AIRFLO 2
41-0128	BARRIER STONE DIFF MANIFOLD
41-0132	STANDOFF PVC AIRFLO DIFF MAN
41-0153	CABINET BASE, PLASTIC AIRFLO 2
42-0060	BASE DOME DIFFUSER MANIFOLD
45-0018	STANDOFF AIR MANIFOLD BRACKET
46-0003	FILTER AIR AIRFLO 2
46-0016	DIFFUSER DOME AIRFLO 2
46-0024	MUFFLER,INTAKE AIRFLO2
46-0039	FOAM SOUND BARRIER KIT AF2
46-0040	TUBING NYLON 3/8"ODx1/4"ID
46-0041	HOSE HEATER 5/8" AIRFLO 2
46-0046	PLUG, AIRFLO 2 DIFFUSER BASE
46-0089	TAPE, HIGH BOND FOAM, AIRFLO2
46-0115	BOX,IRRIGATION VALVE, AIRFLO 2
46-0124	CLAMP S/S WEIGHTED TUBE AIRFLO
46-0130	CLAMP AIRFLO DIFFUSER MANIFOLD
46-0140	MOUNT COMPRESSR DAMPING AIRFL2
46-0142	STRAP,CE CAP MOUNTING,AIRFLO2
46-0143	KNOB 1/4-20"THREAD AIRFLO 2
46-0144	STRAP 5/8" LOOP AIRFLO 2
47-0014	TOP S/S CABINET AIRFLO2
47-0015	BASE S/S CABINET AIRFLO2
47-0016	END ELECTRICAL S/S CAB AIRFLO2
47-0017	END INTAKE S/S CABINET AIRFLO2
47-0018	COVER AIR CLEANER S/S AIRFLO2
47-0021	PLATE, BLOWER BAFFLE AIRFLO2
49-0040-023	SEAL TRIM MOLDING 23" AIRFLO 2
49-0040-038	SEAL TRIM MOLDING 38" AIRFLO 2
49-0042	GROMMET 3/8" PIPE AIRFLO 2

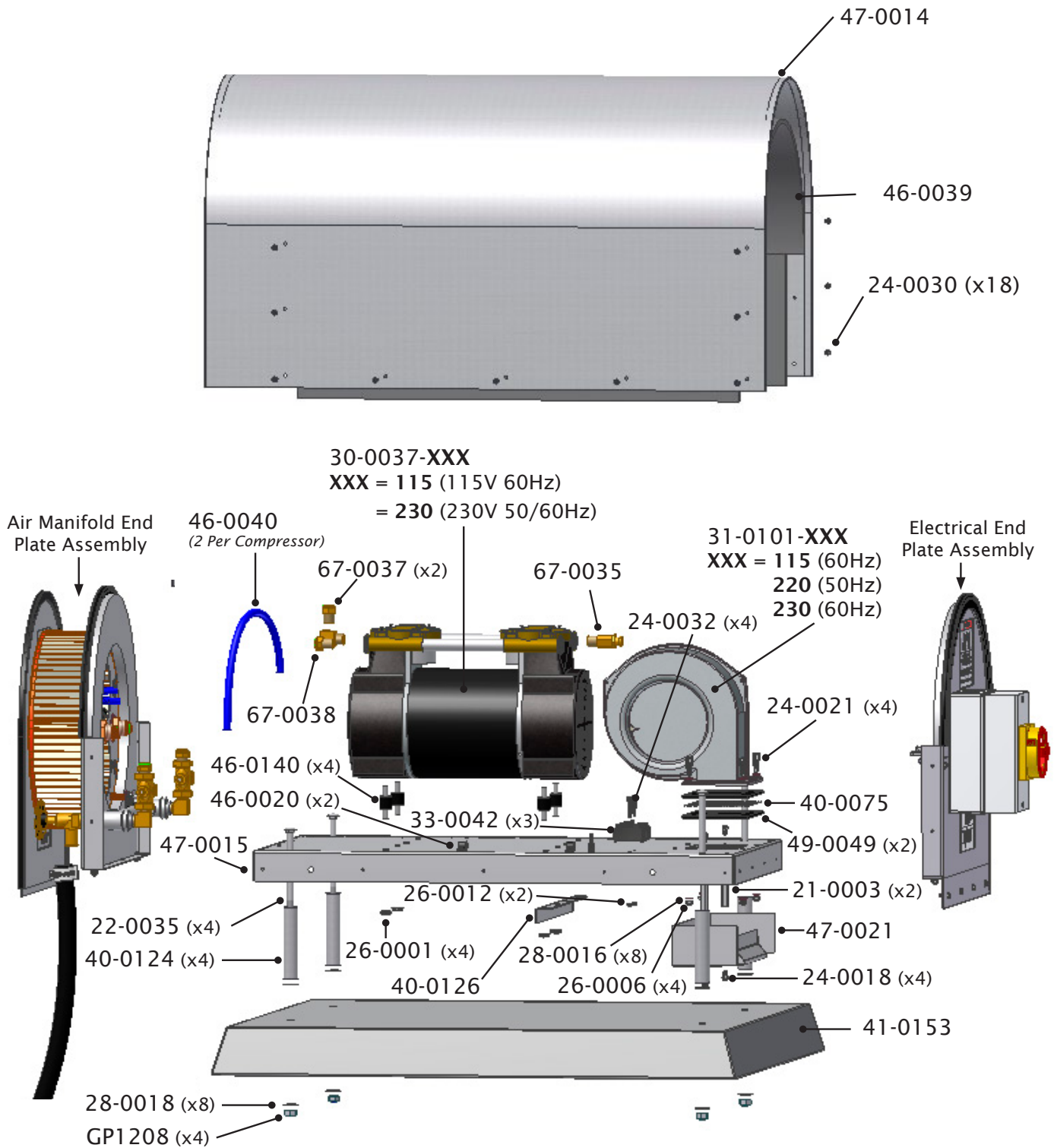
AIR FLO 2 PARTS

Exploded part views can be found on pages 42-44



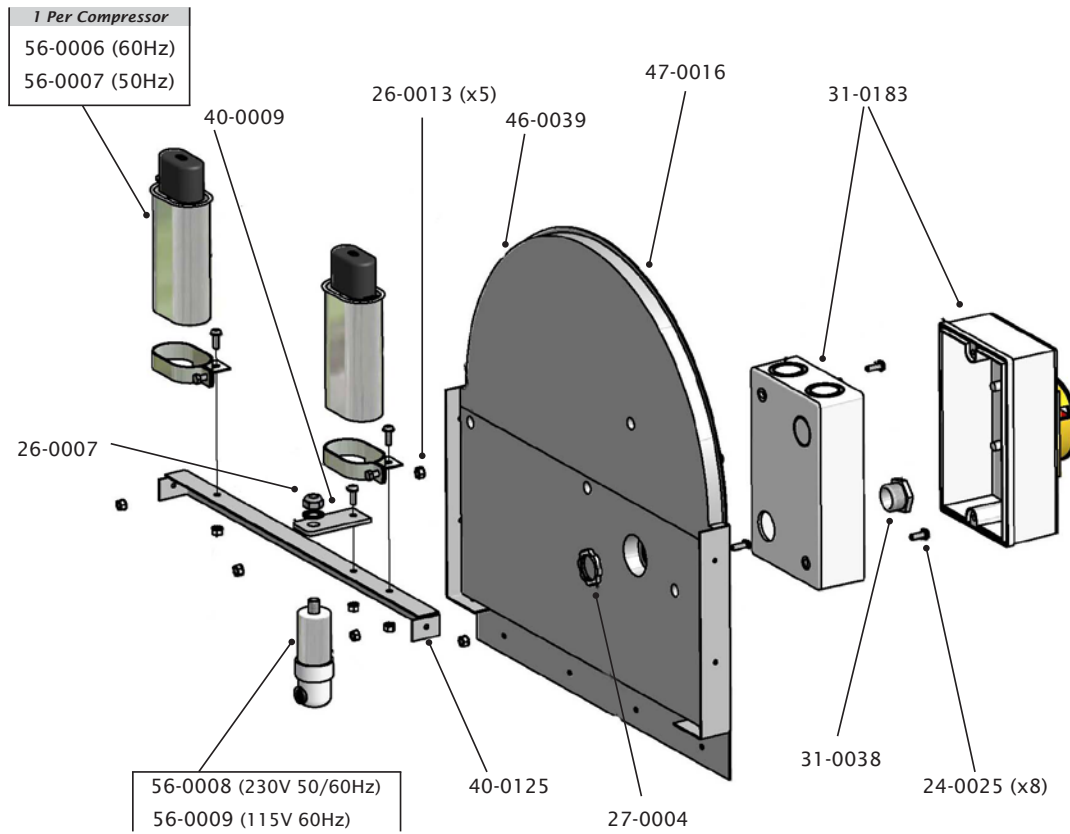
Part Number	Description
49-0044	O-RING SEALING 019, AIRFLO2
49-0045	GASKET FOAM AIRFLO 2 (UOM=1IN)
56-0006	CAPACITOR AIRFLO 2 (NON-CE)
56-0007	CAPACITOR AIRFLO 2 (CE)
56-0008	CAPACITOR 2uf 230V Blower AF2
56-0009	CAPACITOR 6uf 115V Blower AF2
65-0004	ELBOW 3/4PVCx3/4"FEM NPT SCH40
65-0044	ADAPTOR PVC 3/4"NPTx1/2"BARB
65-0045	VALVE CHECK 3/4"FNPT AIRFLO
67-0006	VALVE BALL 1/2Fx1/2M AIRFLO 2
67-0007-375	PLUG BRASS 3/8"NPT AIRFLO
67-0008	COUPLING 1/2"BARB BRASS AIRFLO
67-0013	TEE GALV 3/8"NPT AIRFLO
67-0020	NIPPLE GALV 3/8NPTx10" AIRFLO2
67-0021	VALVE HIFLOW BRASS STOP AIRFL2
67-0022	FITTING,5/8BRBx1/2M, AIRFLO 2
67-0023	CONNECTOR 90-3/8TUBINGX3/8NPT
67-0024	BUSHING 3/8"x1/4"NPT AIRFLO 2
67-0026	BULKHEAD 3/8" BRASS AIRFLO 2
67-0028	VALVE CHECK 1/4"NPT AIRFLO 2
67-0029	COUPLING 5/8"BARB BRSS AIRFLO2
67-0031	FITTING,1/2BRBx1/2M, AIRFLO 2
67-0035	VALVE 30PSI RELIEF AIRFLO 2
67-0037	CONNECTOR TUBING 3/8x1/4NPT
67-0038	ELBOW BRASS STREET 90 AIRFLO2
67-0039	ELBOW BRASS 90 MALE AIRFLO2
BP2875	OIL PLUG 1/6 HP / AF 2

Part Numbers with Pricing can be found sequential on pages 39-41

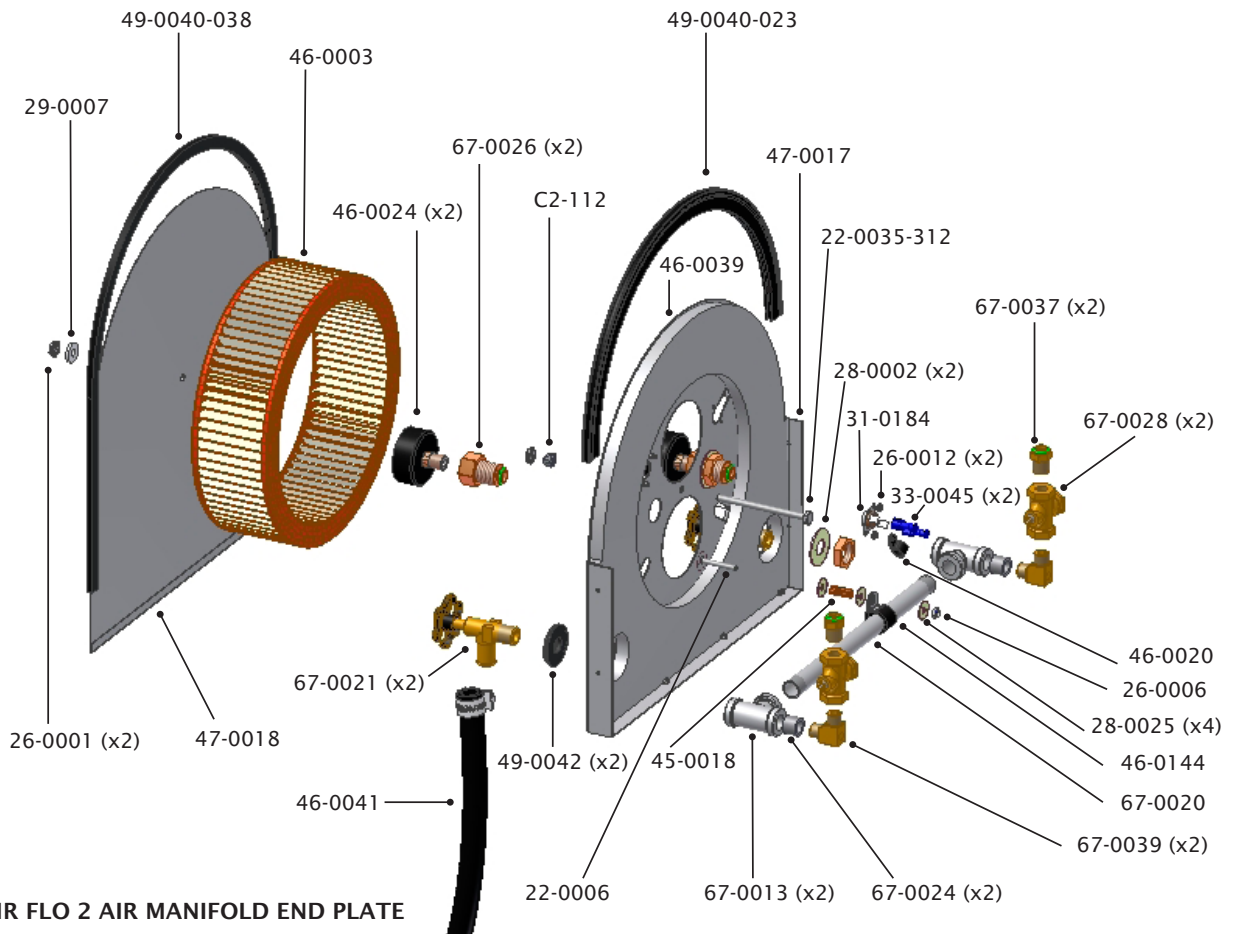


AIR FLO 2 BASE PLATE ASSEMBLY

Part Numbers with Pricing can be found sequential on pages 39-41

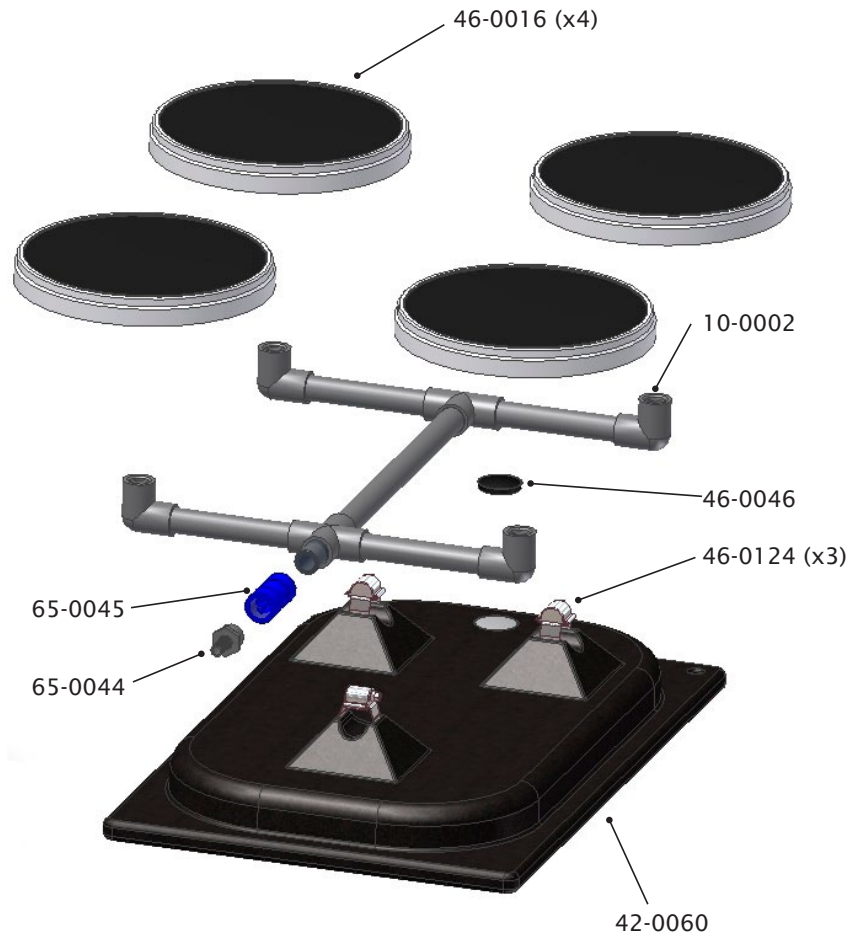


AIR FLO 2 ELECTRICAL END PLATE



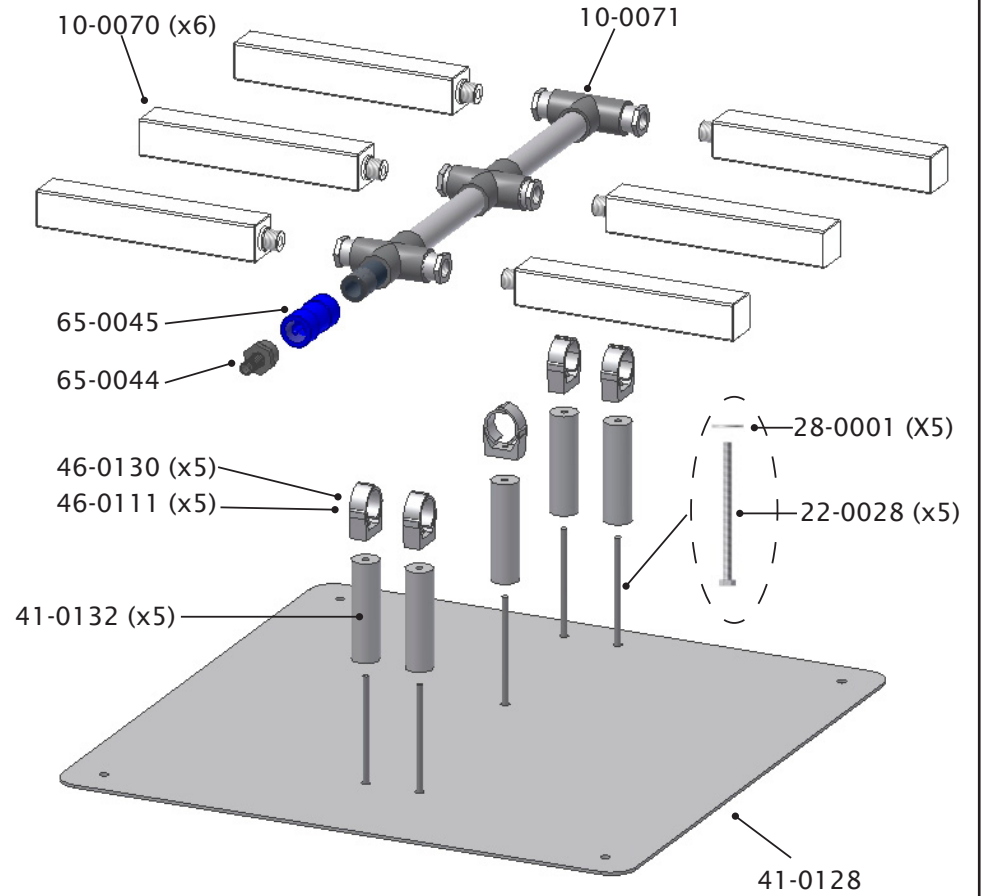
AIR FLO 2 AIR MANIFOLD END PLATE

Part Numbers with Pricing can be found sequential on pages 39-41



DOME DIFFUSER

Can be purchased as complete manifold assembly - part number 10-0001



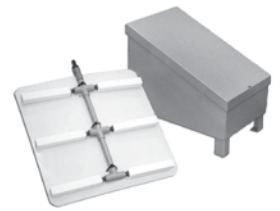
AIR STONE DIFFUSER

Can be purchased as complete manifold assembly - part number 10-0072

AIR FLO PARTS

See Air Flo 2 Section for Stone Diffuser Manifold parts

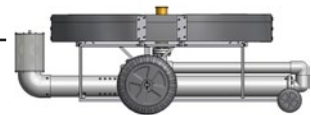
1st Gen | Discontinued Product



Part Number	Description
22-0026	BOLT CARRIAGE S/S 5/16-18x1"
30-0030-002	COMPRESSOR 3/4HP H P AIRFLO
30-0030-003	COMPRESSOR 3/4HP STD AIRFLO
31-0150-115	FAN AXIAL 6" ROUND 115V AIRFLO
31-0150-230	FAN AXIAL 6" ROUND 230V AIRFLO
46-0113	MUFFLER/FILTER GLS JAR AIRFLO
46-0116	CARTRIDGE FILTER ELEMENT AF
56-0001-010*10	O-RING COMPRESSR AIRFLO QTY 10
56-0001-011	END CAP HOLDER AIRFLO no ORING
56-0003-001	VANES/GASKET KIT 1/4HP COMP AF
56-0003-002	VANES/GASKET KIT 3/4HP COMP AF
67-0009	FITTING 5/8"BARBx3/8"MNP AF ML
67-0010	FITTING 1/2"BARBx3/8"FNPT/AFFM

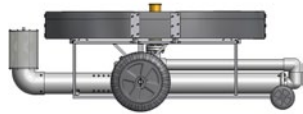
GIANT FOUNTAIN PARTS

2nd Generation



Part Number	Description
01-0004-001	WND CONT OFF ALL 60 NP
01-0004-002	WND CTRL OFF/RED 10/15HP/60NP
01-0004-003	WND CTRL OFF/RED 25HP/60 NP
01-0004-007	WND CTRL OFF 230V ALL 50 NP
01-0004-008	WND CTRL OFF/RED 10/15HP 50 NP
01-0004-009	WND CTL OFF/RED 25HP 50 NP
10-0037-075	RING ASSY AQUA/TRI 12 noNOZZLS
10-0037-100	RING ASSY AQUA/TRI 16 noNOZZLS
10-0037-150	RING ASSY AQUA/TRI 20 noNOZZLS
10-0037-250	RING ASSY AQUA/TRI 24 noNOZZLS
10-0039	VALVE ASSY 1.5" noCABLE WND CT
10-0040	VALVE ASSY 2" noCABLE WIND CNT
10-0200	FRAME ASSEMBLY ALL 10/15HP GF2
10-0220	ASSEMBLY,FRAME ALL 25HP GF2
10-0222	ASSEMBLY, PIPE(76" SLEEVE) GF2
10-0223	ASSEMBLY, PIPE(80" SLEEVE) GF2
10-0224	ASSEMBLY, PIPE(84" SLEEVE) GF2
10-0225	ASSEMBLY, PIPE(94" SLEEVE) GF2

GIANT FOUNTAIN PARTS (2ND GEN)



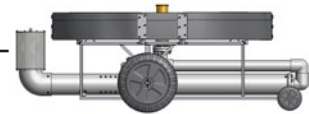
GIANT FOUNTAIN PARTS

2nd Generation

Part Number	Description
10-0226	ASSEMBLY,PIPE(100" SLEEVE) GF2
10-0230	SCREEN ASSEMBLY,INTAKE ALL GF2
10-0231	ASSEMBLY, INTAKE PIPE ALL GF2
10-0232	CONDUIT ASSEMBLY 50Hz GF2
11-7010-216	PCC 10HP 230/1/60 GF2
11-7010-236	PCC 10HP 230/3/60 GF2
11-7010-335	PCC 10HP 380/3/50 GF2
11-7010-435	PCC 10HP 415/3/50 GF2
11-7010-436	PCC 10HP 460/3/60 GF2
11-7010-536	PCC 10HP 575/3/60 GF2
11-7015-216	PCC 15HP 230/1/60 GF2
11-7015-236	PCC 15HP 230/3/60 GF2
11-7015-335	PCC 15HP 380/3/50 GF2
11-7015-435	PCC 15HP 415/3/50 GF2
11-7015-436	PCC 15HP 460/3/60 GF2
11-7015-536	PCC 15HP 575/3/60 GF2
11-7025-236	PCC 25HP 230/3/60 GF2
11-7025-335	PCC 25HP 380/3/50 GF2
11-7025-435	PCC 25HP 415/3/50 GF2
11-7025-436	PCC 25HP 460/3/60 GF2
11-7025-536	PCC 25HP 575/3/60 GF2
11-7310-236	PCC 10HP 230/3/60 SUBMON GF2
11-7310-436	PCC 10HP 460/3/60 SUBMON GF2
11-7310-536	PCC 10HP 575/3/60 SUBMON GF2
11-7315-236	PCC 15HP 230/3/60 SUBMON GF2
11-7315-436	PCC 15HP 460/3/60 SUBMON GF2
11-7315-536	PCC 15HP 575/3/60 SUBMON GF2
11-7325-236	PCC 25HP 230/3/60 SUBMON GF2
11-7325-436	PCC 25HP 460/3/60 SUBMON GF2
11-7325-536	PCC 25HP 575/3/60 SUBMON GF2
12-0005	SPLICE KIT XL 1-9/16" MAX OD
12-0037	SPLICE KIT, UNIVERSAL GF2
17-0016-001	QUICK DS 10/4sm FIELD APPLD GF
17-0016-002	QUICK DS 10/4&8/4 FIELD APP GF
17-0016-003	QUICK DS 6/4 FIELD APPLIED GF
17-0016-004	QUICK DS 4/4 FIELD APPLIED GF
178-011	PIGTAIL CONNECTOR GIANT FTN
178-013-R	PIGTAIL REVERSE GIANT FTN
178-014	PIGTAIL COUPLER GIANT FTN
20-0013	PIN, 0.1875 x 3" S/S COTTER
21-0005	STANDOFF M-F 1"x2-56 SCREW,HEX

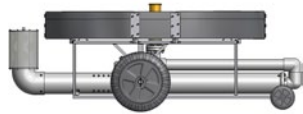
GIANT FOUNTAIN PARTS

2nd Generation



Part Number	Description
21-0006	STANDOFF F-F 1"x2-56 SCREW,HEX
22-0012	BOLT HEX FLNGE SS 5/16-18x5/8"
24-0009	SCREW TRUSS SLTD S/S 8-32x5/16
28-0011*10	WASHER FLAT S/S 5/8" QTY 10
30-0004-100	MOTOR 10HP GF STD 230V 1Ph60Hz
30-0004-150	MOTOR 15HP GF STD 230/1/60
30-0005-100	MOTOR 10HP GF STD 230V 3Ph60Hz
30-0005-150	MOTOR 15HP GF STD 230/3/60
30-0005-250	MOTOR 25HP GF STD 230/3/60
30-0006-100	MTR 10HP GF 460 60 380/415 50
30-0006-150	MTR 15HP GF 460/60 380-415/50
30-0006-250	MTR 25HP GF 460/60 380-415/50
30-0007-100	MOTOR 10HP GF STD 380/3/60
30-0007-150	MOTOR 15HP GF STD 380/3/60
30-0007-250	MOTOR 25HP GF STD 380/3/60
30-0010-100	PUMP 10HP 60Hz STANDARD
30-0010-150	PUMP 15HP 60Hz STANDARD
30-0010-250	PUMP 25HP 60Hz STANDARD
30-0024-100	MTR 10HP S SBTRL 460/380 60/50
30-0024-150	MTR 15HP S SBTRL 460/380 60/50
30-0024-250	MTR 25HP S SBTRL 460/380 60/50
31-0055-290	BREAKER 240V 90A 2 POLE
31-0055-3100	BREAKER 240V 100A 3 POLE
31-0088-100	CAPACITOR BOX DLX 10HP 1Ph
31-0090-150	CAPACITOR BOX DLX 15HP 1Ph
31-0091	TIMER 24HR/7DAY 120V 60Hz
31-0205	MOTOR PROTECTOR 15HP 575V/3/60
31-0207	MOTOR PROTECTOR EATON (NOTES)
31-0208	MOTOR PROTECTOR EATON 32A
31-0209	MOTOR PROTECTOR EATON (NOTES)
31-0210	MOTOR PROTECTOR EATON 50A
31-0211	MOTOR PROTECTOR EATON 58A
31-0212	MOTOR PROTECTOR EATON 63A
31-0225	CONTACTOR EATON 32A
31-0226	CONTACTOR EATON 40A
31-0227	CONTACTOR EATON 50A
31-0228	CONTACTOR EATON 65A
31-0229	CONTACTOR EATON 80A
31-0236	CONTACTOR EATON 40HP 230V
31-0237	CONTACTOR 25HP 400V/3Ph/50Hz
31-0238	CONTACTOR EATON 25HP 50HZ

GIANT FOUNTAIN PARTS (2ND GEN)

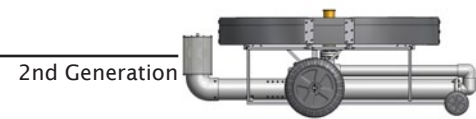


GIANT FOUNTAIN PARTS

2nd Generation

Part Number	Description
31-0239	CONTACTOR EATON 80A
31-0244	CONNECTOR, EATON D FRAME
31-0249	OVERLOAD RELAY EATON 65-70A
33-0019-004	CONNECTOR LONG BARREL 4awg
33-0019-006	CONNECTOR LONG BARREL 6awg
33-0019-008	CONNECTOR LONG BARREL 8awg
35-0001	STRAIN RELIEF 10/4 SOW CABLE
35-0003	STRAIN RELIEF 8/4&6/3 SOW CABL
35-0006-001	PIGTAIL MALE 6/4 & SMALLER GF
35-0006-002	PIGTAIL FEMALE 6/4&SMALLER GF
35-0007-001	PIGTAIL MALE 4/4 GIANT FTN
35-0007-002	PIGTAIL FEMALE 4/4 GIANT FTN
35-0020	STRAIN RELIEF 12/4(CE CABLE)
36-0011-001	LEADS STD 6" MOTOR ALL HPs GF
36-0011-002	LEADS NiR/316 6" MTR ALL HPs GF
38-0002	ANEMOMETER WIND CNTL GIANT FTN
38-0003	ANEMOMETER CABLE 60' GIANT FTN
38-0004	MAST ANEMOMETER MTG WIND CNTL
38-0006	WIND CONTRL BOARD 120V 60HZ GF
38-0007	WIND CONTRL BOARD 230V 50HZ GF
40-0039	PLATE OUTSIDE FLOAT GIANT FTN
40-0057	BRACKET A PATTRN RING 25HP GF2
40-0058	BRACKET B PATTERN RING ALL GF
40-0059	BRACE S/S AQUA/TRI RING LG FLT
40-0092	SCREEN S/S SM MYS/POL NOZZLE
40-0093	SCREEN S/S LG MYS/POL NOZZLE
40-0215	AXLE, SMALL WHEEL, ALL GF2
41-0019	NOZZLE 15HP 50/60Hz POLARIS
41-0032	NOZZLE & TIP AQUA/TRIAD RING
41-0033	NIPPLE PVC w/HOLES WIND CNTL
41-0053-100	NOZZLE 10HP 50/60Hz MYSTIC
41-0053-150	NOZZLE 15HP 50/60Hz MYSTIC
41-0053-250	NOZZLE 25HP 60Hz MYS & POL
41-0114	SHAFT,EATON MMP 1-3/8" MACH
41-0200	BUSHING, LARGE WHEEL, ALL GF2
41-0260	SUPPORT MOTOR 8" LONG GIANT GF2
41-0261	WHEEL, SMALL POLY, MACHINED GF2
41-0262	WHEEL, LARGE POLY MACHINED GF2
42-0004	FLOAT GNT FTN 1/4 SCT UNFOAMED
42-0004-F	FLOAT GIANT FTN 1/4 SCT FOAMED
42-0005	FLOAT GIANT FTN 16" EXTDG SECT

GIANT FOUNTAIN PARTS

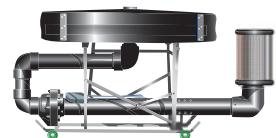


2nd Generation

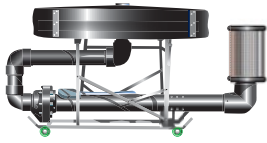
Part Number	Description
46-0026	PLUG EXPANSION FLOAT GIANT FTN
46-0032	CLAMP CONDUIT 1 25" GIANT FTN
46-0036	HOSE 1 25" ID CON-AG LENGTH 1 FT
46-0037	CLAMP HOSE WORM-DRIVE 1 25"
46-0045	CLAMP HOSE WORM-DRIVE 2 25"
46-0047	TAPE ELECTRICAL ROLL #33
46-0048	TAPE RUBBER MASTIC ELECTRICAL
46-0052	VALVE IRRIGATION 1 5" WIND CNT
46-0053	VALVE IRRIGATION 2" WIND CNTL
46-0082	PLUG BRASS 1/8" NPT GIANT FTN
46-0132	NOZZLE & TIP 10HP AQUASTR RING
48-0007	SEALANT THREAD LOCTITE 567
48-0008	CEMENT PVC GREY QUART
48-0009	PRIMER PVC/CPVC CLEAR QUART
48-0016	ANTISEIZE 1GM PACK SINGLE USE
49-0053	O-RING QUAD, GF2 PATTERN HEAD
49-0062	GASKET 2" SBR RING FLANGE
49-0063	GASKET 3" SBR RING FLANGE
49-0064	GASKET 4" SBR RING FLANGE
64-0006	SLEEVE S/S MYSTIC GIANT FTN
64-0007	SLEEVE S/S MYSTIC GIANT FTN
65-0027	NIPPLE PVC SCH 80 1 5" NPT X 2"
65-0030	CAP THREADED 1 5" NPT PVC SCH80
65-0033	BUSHING REDUCER PVC SCH40 GRAY
JP5006	CLAMP 1/8" S/S WIRE ROPE

GIANT FOUNTAIN PARTS

1st Generation | Discontinued Product



Part Number	Description
10-0017	AXLE ASSEMBLY GIANT FTN FRAME
10-0018	A-FRAME ASSY WELDED GIANT FTN
10-0021	TAIL BRACKET ASSY GIANT FTN
10-0025	BRACKET ASSY "A" FLOAT GNT FTN
10-0026	BRACKET ASSY "B" FLOAT GNT FTN



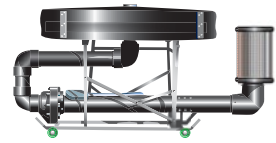
GIANT FOUNTAIN PARTS

1st Generation | Discontinued Product

Part Number	Description
10-0027	NIPPLE PLATE ASSY 4" GIANT FTN
10-0030	NIPPLE PLATE ASSY 3" GIANT FTN
10-0049	SCREEN ASSY REMOVABLE GT FTN
10-0049-001	ELBOW ASSY REMOVABLE SCREEN GF
12-0029	LARGE FLOAT ASSY KIT GIANT FTN
12-0030	SMALL FLOAT ASSY KIT GIANT FTN
12-0041	EXTRA HW KIT GIANT FTN FLOAT
12-0043	HW KIT SMALL FLOAT GIANT FTN
12-0044	HW KIT LARGE FLOAT GIANT FTN
22-0011	BOLT HEX 316S/S 3/4"-10 X 5"
26-0003*10	NUT LOCK 316S/S 5/8"-11 QTY 10
26-0004	NUT HEAVY HEX 316S/S 3/4-10
28-0012	WASHER FLAT S/S 3/4"
30-0004-075	MOTOR 7.5HP GF STD 230V1Ph60Hz
30-0005-075	MOTOR 7.5HP GF STD 230V3Ph60Hz
30-0006-075	MTR 7.5HPSTD 460 60 380/415 50
30-0007-075	MOTOR 7.5HP GF 380V 3Ph 60Hz
30-0010-075	PUMP 7.5HP 60Hz S/S
30-0024-075	MTR 7.5HP S SBTL 460/380 60/50
30-0038-100	MTR 10HP S/S SUBTROL 575V 60Hz
30-0038-150	MTR 15HP S/S SUBTROL 575V 60Hz
30-0038-250	MTR 25HP S/S SUBTROL 575V 60Hz
31-0055-360	BREAKER 240V 60A 3 POLE
31-0055-370	BREAKER 240V 70A 3 POLE
31-0055-390	BREAKER 240V 90A 3 POLE
31-0085	RELAY DELAY-ON-BREAK
31-0087-011	SOCKET RELAY 11 PIN
31-0088-075	CAPACITOR BOX DLX 7 5HP 1Ph
31-0095	TRANSFORMER 100VA w/FUSE BLOCK
31-0097	SOFT START NEMA4 3Ph GIANT FTN
31-0098-350	BREAKER 50A 460V 3Ph EPD
31-0098-380	BREAKER 80A 460V 3Ph EPD
31-0099	TRANSFORMER 200VA w/FUSE BLOCK
31-0105-020	TRANSFORMER 20VA 120V/24V
31-0105-220	TRANSFORMER 20VA 230V/24V
31-0147-006	CONTACTOR 3RT103 120V COIL 32A
31-0147-007	CONTACTOR 3RT103 120V COIL 50A
31-0147-008	CONTACTOR 3RT104 120V COIL 80A
31-0148-008	OVERLOAD RELAY 3RT103 11-16A
31-0148-009	OVERLOAD RELAY 3RT103 14-20A

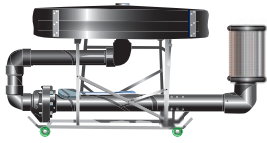
GIANT FOUNTAIN PARTS

1st Generation | Discontinued Product



Part Number	Description
31-0148-011	OVERLOAD RELAY 3RT103 28-40A
31-0148-012	OVERLOAD RELAY 3RT103 40-50A
31-0148-013	OVERLOAD RELAY 3RT104 57-75A
31-0159-330	BREAKER 480V 30A 3P F FRAME
31-0159-340	BREAKER 480V 40A 3P F FRAME
31-0159-350	BREAKER 480V 50A 3P F FRAME
31-0159-380	BREAKER 480V 80A 3P F FRAME
40-0023	BRACE SHORT CROSS SMALL FLOAT
40-0024	BRACE LONG CROSS SMALL FLOAT
40-0025	BRACE SHORT CROSS LARGE FLOAT
40-0026	BRACE LONG CROSS LARGE FLOAT
40-0027	BRACE SUPPORT SMALL FLOAT
40-0030	BRACE BOTTOM GIANT FTN
40-0034	BRACE SUPPORT LARGE FLOAT
40-0040	BRACKET FLOAT JOINT GIANT FTN
40-0052	U-BOLT S/S PIPE GIANT FTN
40-0053	U-BOLT S/S ELBOW/TEE GIANT FTN
40-0088	RAIL FRAME LEFT SHORT GF
40-0089	RAIL FRAME RIGHT SHORT GF
40-0090	RAIL FRAME LEFT LONG GF
40-0091	RAIL FRAME RIGHT LONG GF
41-0013	SUPPORT MOTOR 4"LONG GIANT FTN
41-0016	FLANGE 8" MODIFIED GIANT FTN
41-0025	COUPLING ADJ BALL NOZZLE ASSY
41-0026-100	NOZZLE OUTER 10HP 50/60Hz NOVA
41-0026-150	NOZZLE OUTER 15HP 50/60Hz NOVA
41-0026-250	NOZZLE OUTER 25HP 50/60Hz NOVA
41-0027-100	NOZZLE INNER 10HP 50/60Hz NOVA
41-0027-150	NOZZLE INNER 15HP 50/60Hz NOVA
41-0027-250	NOZZLE INNER 25HP 50/60Hz NOVA
41-0030-100	NOZZLE BRASS 10HP 50/60Hz AQUA
41-0030-150	NOZZLE BRASS 15HP 50/60Hz AQUA
41-0030-250	NOZZLE BRASS 25HP 50/60Hz AQUA
41-0053-255	NOZZLE 25HP 50Hz MYS & POL
41-0087-100	NOZZLE CNTR 10HP 50/60Hz TRIAD
41-0087-150	NOZZLE CNTR 15HP 50/60Hz TRIAD
41-0087-250	NOZZLE CNTR 25HP 50/60Hz TRIAD
41-0089-100	NOZZLE OUTFR 10HP 50/60Hz TRIAD
41-0089-150	NOZZLE OUTFR 15HP 50/60Hz TRIAD
41-0089-250	NOZZLE OUTFR 25HP 50/60Hz TRIAD

GIANT FOUNTAIN PARTS (1ST GEN)



GIANT FOUNTAIN PARTS

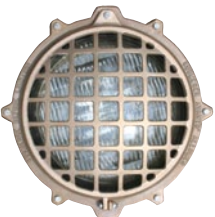
1st Generation | Discontinued Product

Part Number	Description
41-0099-001	SLEEVE FLOW 8" x 72" LONG GF
41-0099-002	SLEEVE FLOW 8" x 78" LONG GF
41-0099-003	SLEEVE FLOW 8" x 84" LONG GF
41-0099-004	SLEEVE FLOW 8" x 94" LONG GF
41-0099-005	SLEEVE FLOW 8" x 100" LONG GF
41-0100	SUPPORT MOTOR 8" LONG GIANT FTN
46-0025	WHEEL V-GROOVE GIANT FTN
46-0028	GASKET 13 5"ODx8"IDx 125"THK
46-0033	ELBOW BRASS 45DEG 1/2"NPT
46-0049	TAPE TEFLON ROLL



LIGHT PARTS

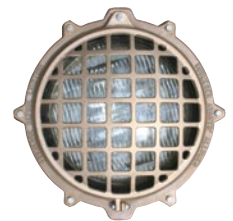
Exploded part views for MR16 Halogen and LED lights can be found on page 58



Part Number	Description
09-0007	LITE BASE ASSY HV 8' POTTED
09-0008	LITE BASE ASSY GF/HV EXT POTTD
09-0012-250	LITE FIXTURE 250W 8' noLENS
09-0012-500	LITE FIXTURE 500W 8' noLENS
09-0029	MR16 LITE HOUSING ASSY NO BULB
09-0030-006	6.5W LED BULB & ORING DAY/COOL
09-0030-007	6.5W LED BULB & O-RING WARM
09-0030-020	20W HALOGEN BULB & O-RING
09-0030-050	50W HALOGEN BULB & O-RING
09-1000-060	LITE ASSY 1000W 120V HV PAR64
10-0046	BRACKET S/S EXT POLE w/PIN
10-0047	ROD ASSY EXTENSION POLE
10-0048	EXT POLE ASSY HV LIGHTS GT FTN
10-0066	CLAMP ASSY MR16 PLASTIC LIGHT
101-023*10	BOLT HEXS/S 5/16-18x2 75 QTY10
11-0002-023	LIGHT CONTROL ASSY HV 10A MAX
11-0007-160	LIGHT CONTRLS MR16 SEQ SWPNLMT
11-0008-050	LIGHT CONTROLS 220V 50Hz MR16

LIGHT PARTS

Exploded part views for MR16 Halogen and LED lights can be found on page 58



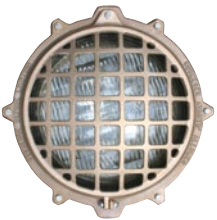
Part Number	Description
11-0008-060	LIGHT CONTROLS 115V SUBPNL MNT
11-0008-160	LIGHT CONTROLS MR16 SW PNL MNT
11-0008-260	LIGHT CTRL ASSY HV 10A SWPNL +
11-0008-261	LIGHT CONTROL 10A SUBPNL EATON
11-0008-360	LIGHT CTRL ASSY HV 15A SWPNL +
11-0008-361	LIGHT CONTROL 15A SUBPNL EATON
11-0008-460	LIGHT CTRL ASSY HV 20A SWPNL +
11-0008-461	LIGHT CONTROL 20A SUBPNL EATON
11-1502	LIGHT CONTROL 2 LED SWPNL 60Hz
11-1504	LIGHT CONTROL 4 LED SWPNL 60Hz
11-1506	LIGHT CONTROL 6 LED SWPNL 60Hz
11-1508	LIGHT CONTROL 8 LED SWPNL 60Hz
11-1512	LIGHT CONTROL 2LED SUBPNL 60Hz
11-1514	LIGHT CONTROL 4LED SUBPNL 60Hz
11-1516	LIGHT CONTROL 6LED SUBPNL 60Hz
11-1518	LIGHT CONTROL 8LED SUBPNL 60Hz
11-1522	PCC 2 MR16 LED CONTROLS 50Hz
11-1524	PCC 4 MR16 LED CONTROLS 50Hz
11-1526	PCC 6 MR16 LED CONTROLS 50Hz
11-1528	PCC 8 MR16 LED CONTROLS 50Hz
11-1532	LIGHT CONTROL 2LED SUBPNL 50Hz
11-1534	LIGHT CONTROL 4LED SUBPNL 50Hz
11-1536	LIGHT CONTROL 6LED SUBPNL 50Hz
11-1538	LIGHT CONTROL 8LED SUBPNL 50Hz
12-0016	MOUNTING KIT JBOX C1 10HP & GF
12-0042-004	MOUNTING KIT 4 LITE SET GT FTN
12-0042-006	MOUNTING KIT 6 LITE SET GT FTN
12-0042-008	MOUNTING KIT 8 LITE SET GT FTN
12-0042-012	MOUNTING KIT 12 LITE SET GT FT
12-0049	SPLICE KIT 16/2 CABLE
12-0085	LENS KIT MR16 RED/BLU/GRN/YEL
12-0086	BRACKET KIT MR16 STD LIGHT IF
12-0091	LENS SINGLE MR16-CHOOSE COLOR
12-0095	LITE MTG KIT HIGH-VOLT C2/C3
12-0096	HARDWARE KIT HI-VOLT C2 MOUNT
12-0098	BRKT/HW KIT MR16 LIGHT C3/C2
12-0100	J-BOX PLASTIC MTG KIT C3
12-0101	J-BOX PLASTIC MOUNTING KIT C2
12-0102	J-BOX PLASTIC HV MTG KT AFL&GF
12-0103	J-BOX BRASS MTG KIT C3

LIGHT PARTS



LIGHT PARTS

Exploded part views for MR16 Halogen and LED lights can be found on page 58



Part Number	Description
12-0160	LIGHT CTL KIT HI SWPNL115/230+
12-0161	LIGHT CTL KIT HV SWPNL115/230+
12-0260	LIGHT CTL KIT HI SWPNL460/50H+
12-0261	LIGHT CTL KIT HV SWPNL460&50H+
12-1000-001	LITE MOUNTING KIT,PAR64 TO AFL
12-1000-003	LENS REPLACEMENT KIT, PAR64
12-1000-004	1000W LAMP REPLACEMT KIT,PAR64
17-0013	TRANSFORMER NO NEUTRAL 50VA
17-0018	PANEL/LED LIGHTING/12X10FG
17-0040	QDC OPTION IF/JBOX FIELD APPL
17-0059	QDC OPTION MR16 20W FIELD APPL
17-0074	MR16 20W STD LIGHT, CE PIGTAIL
17-0080	TRANSFORMER MR16LED/NO NEUT SW
22-0029	BOLT HEX S/S M6x30
24-0016	BOLT HEX S/S 1/4-20x1 5"
24-0017	BOLT HEX S/S 1/4-20x5/8"
24-0018	SCREW PAN PHIL S/S M4x10
24-0019	SCREW PAN PHIL S/S M6x12
24-0031	SCREW FILSTR HD PHIL S/S M5x25
28-0001	WASHER FENDER S/S 1/4"x1 5"OD
28-0006	WASHER EXT STAR S/S 5/16"
28-0013*10	WASHER EXT STAR S/S 1/4" QTY10
28-0020	WASHER FLAT S/S M6
28-0021	WASHER SPLIT LOCK S/S M6
28-0022	WASHER INT STAR S/S M4
29-0005	WASHER NYLON PLAS LIGHT MR16
31-0005-000	BULB HALOGEN 1000W 120V
31-0005-250	BULB HALOGEN 250W 120V
31-0005-500	BULB HALOGEN 500W 120V
31-0008	FUSE COVER CLASS CC 30A FUSE
31-0008-004	FUSE TIME DELAY 250V 4A
31-0008-100	FUSE TIME DELAY 250V 1A
31-0024	TRANS/TIMER/PHOTOCELL MR16
31-0049-125	GFCI BREAKER 25A 1 POLE
31-0056-001	BREAKER MOUNTING BASE 1 POLE
31-0061-002	FUSE TIME DELAY CLASS CC 2A
31-0065	CONTACTS AUX 1NO-3NC EATON
31-0068	BREAKER 8A MR16 LTS DINRAIL MT
31-0069	BREAKER 20A HIGH-VOLT DIN RAIL
31-0082-001	RELAY 25A SOLID ST DC CONTROL

LIGHT PARTS

Exploded part views for MR16 Halogen and LED lights can be found on page 58



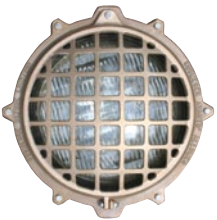
Part Number	Description
31-0082-002	RELAY 25A SOLID ST AC CONTROL
31-0149-050	TRANSFORMER 360VA 50Hz J-BOX
31-0149-060	TRANSFORMER 360VA 60Hz J-BOX
31-0167	AUX CONTACT LIGHT CTRL SIEMENS
31-0173-200	TRANSFORMER/TIMER 200W MAX
33-0006	CORD CONNECTR 3/4"HI-VOLT LITE
33-0018	CORD CONNECTR 8awg CABLE
34-0011	CABLE 16/2 LED & WIND CONTROLS
35-0013	BULKHEAD CONN 2 PIN STD LITES
35-0014	PIGTAIL 2 PIN SMALL STD LITES
37-0003	FUSE HOLDER w/COVER 1 POLE 30A
40-0008	BRACKET HI-VOLT JCTN BOX 10HP
40-0050	BRACKET S/S INSIDE LITE GT FTN
40-0060	BRACKET S/S OUTER DOUBLE LIGHT
40-0061	BRACKET,MOUNTING, PAR64 TO GF
40-0062	BRACKET,MOUNTING, PAR64 TO AFL
40-0064	BRACKET,MOUNTING, PAR64 TO GF
40-0100	BRACKET S/S MR16 LIGHT C2 & C3
40-0105	BRACKET S/S MR16 LIGHT C2 & IF
40-0116	BRACKET S/S w/COATING J-BOX
41-0133	LID JBOX PLASTIC HIVOLT LIGHTS
41-0134	SPACER PLASTIC J-BOX C2 MACH
42-0030	RING PLASTIC LIGHT MR16
42-0034	LID J-BOX PLASTIC MR16 LIGHTS
43-0005	REFLECTOR LITES HIGH-VOLTAGE
45-0001	LITE ROCKGUARD/BEZEL HIGH-VOLT
45-0002	LITE CLAMP-RING HIGH-VOLTAGE
45-0003	LITE MOUNT BRACKET HI-VOLT
45-0014	UPPER RING 1000W PAR 64 LT
45-0015	ROCK GUARD 1000W PAR64 LIGHT
46-0017	NIPPLE BRASS PIPE 1/2" NPT
46-0035	CABLE SHIELD CONDUIT (UOM=FT)
46-0050	FLOAT EXTENSION POLE ASSY
46-0066	CLAMP BAND S/S 5-1/2" JBOX MTG
46-0067	CLAMP BAND S/S 4-1/2" JBOX MTG
46-0111	ADAPTOR S/S CLAMP 1/4-20
46-0128	CLAMP V-BAND S/S JUNCTION BOX
46-0129	CLAMP BAND S/S 8" J-BOX MTG
46-0131	PLUG 1/2"NPT PLASTIC J-BOX
47-0004	LENS CLEAR GLASS MR16 LIGHT

LIGHT PARTS



LIGHT PARTS

Exploded part views for MR16 Halogen and LED lights can be found on page 58



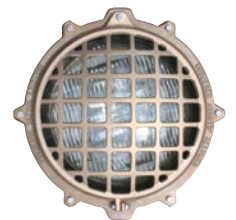
Part Number	Description
47-0006	HOUSING S/S JUNCTION BOX
47-0007	GROUND CLIP PLASTIC J-BOX
47-0030	LENS PLAIN GLASS 9 5" PAR64
49-0001	GASKET HI-VOLT LITES
49-0014	O-RING MR16 PLASTIC HOUSING
49-0021	O-RING JUNCTION BOX
49-0037	GASKET PAR 64 HIGH VOLT LIGHT
52-0003	RESIN SIZE D 3M SCOTCHCAST2123
614-016	SPLICE KIT SMALL 5/8MAX LTS/IF
614-052	GFCI LIGHT CONTROLS/BLANK FACE
65-0026	BUSHING POLY 3/4"MNPTx1/2"FNPT
800-011*10	WASHER FENDER S/S #10x1" QTY10
C2-1115*10	BLADES STA-CON QTY 10
C2-1120	SPACER 1" 8-32 THREAD
C2-1152*10	SCREW BRASS SEQUNCER QTY 10
CP4070	CLAMP STAINLESS STEEL
ETL-C-HI	ETL-C OPTION MR16 H/I LIGHTS
ETL-C-HV	ETL-C OPTION HV LIGHTS
F-104-JBSQBD	P C BOARD ASSY SEQ IN PCC
F-GP276	SEALED CORD C2 JUNCTION BOX
F-GP41	LIGHT CORD 41" JUMPER
F-GP56	LIGHT CORD 56" JUMPER
F-GP62	LIGHT CORD 62" JUMPER
F-GP68	LIGHT CORD 68" JUMPER
F-GP85	LIGHT CORD 85" JUMPER
F-MUSKRAT	S/S CORD SHIELD HV LIGHTS 7FT
FR704	BRACKET LITE INST FTN
GP-110	HW KIT LIGHT BRKT MTG C2 & C3
GP-120	JCTN BOX MTG HARDWARE C-2 KIT
GP1200	SCREW LITE U-BRACKET
GP1202*10	WASHER FLAT NYLON #10 QTY 10
GP1207	NUT NYLON LOCK 316S/S #10-24
GP1207*10	NUT LOCK 316S/S #10-24 QTY 10
GP1208	NUT NYLON LOCK 316S/S 5/16-18
GP1208*10	NUT LOCK 316S/S 5/16"-18 QTY10
GP1211	NUT HEX S/S 8-32
GP1211*10	NUT LITE RETAINING RING QTY 10
GP1215	PLUG LITE HOUSING END PLUG
GP1225	PROTECTOR PIGTAIL MR16 & FRAC
GP1300*10	FORK CONNECTOR LITE QTY 10

LIGHT PARTS

Exploded part views for MR16 Halogen and LED lights can be found on page 58



Part Number	Description
GP1702	TRANSFORMER SEQ 60Hz
GP1720	BULKHEAD CONNECTOR 5 PIN SEQ
GP1721	PIGTAIL 5 PIN SEQUENCER
GP1724	GROUND LUG
GP2500	SCREW RDHD PH S/S #10-24x3/8
GP5003	STRAIN RELIEF JCTN BOX JUMPER
GP5008	TY-RAP BLACK MEDIUM SIZE
GP5011	WASHER FLAT S/S #10
GP5012*10	CONNECTOR RING 12-10awg QTY 10
GP5102	LENS CLEAR GLASS
GP5102B	LENS BLUE GLASS
GP5102G	LENS GREEN GLASS
GP5102R	LENS RED GLASS
GP5102Y	LENS YELLOW GLASS
GP6005	BRACKET U HI-INT LITE
GP8405*10	SCREW ALUM LITE GROUND QTY 10
GP8506*10	SCREW S/S #8x1/2" TYPE A QTY10
HP4710	FUSE TIME DELAY 250V 3 2A
JP1001	CONNECTOR T & B #2675
MP6510	BULKHEAD CONN 3 PIN FRAC/LITES
MP6511	PIGTAIL 3 PIN SMALL FRAC/LITES
MP6512	PIGTAIL NUT 3 PIN SMALL
MP6513	PIGTAIL WASHER 3 PIN SMALL
S-C2BD	P C BOARD ASSY SEQ IN J-BOX



Part Numbers with Pricing can be found sequential on pages 52-57

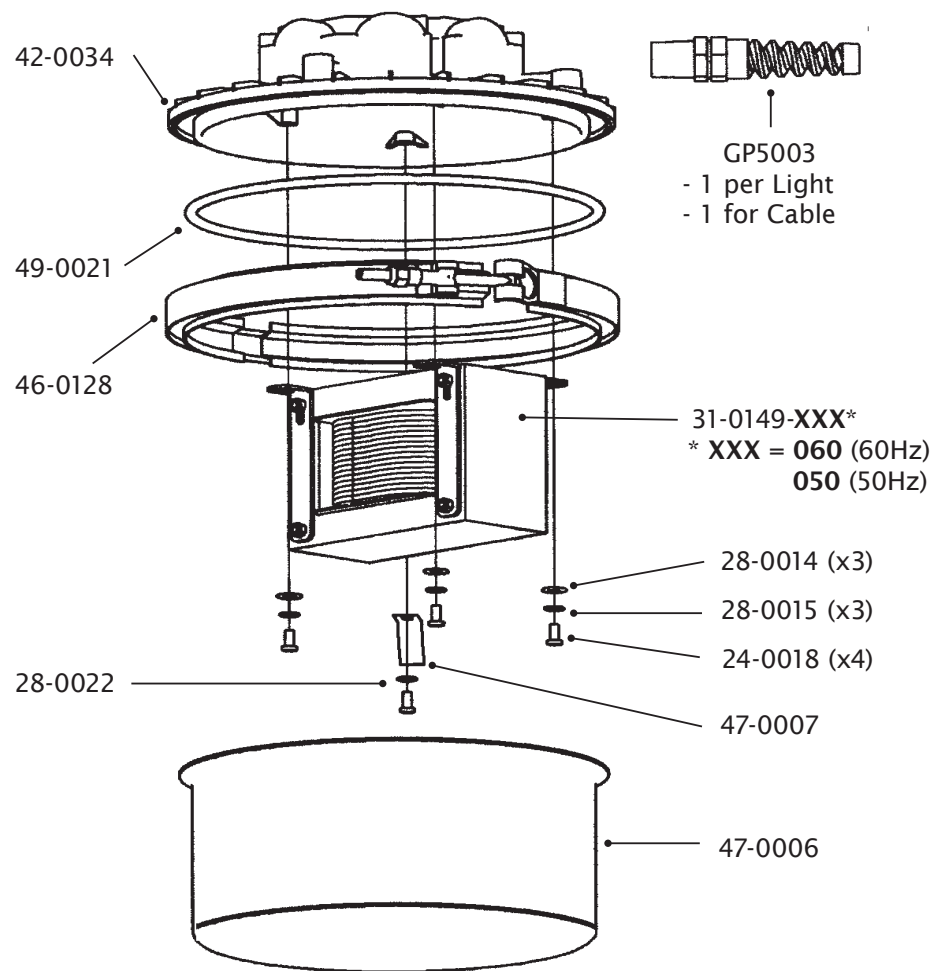


MR16 HALOGEN AND LED LIGHT FIXTURE

Entire Fixture is Part #09-0029. Includes 5.5ft (1.7m) 16/2 light cable and all items shown in illustration EXCEPT the bulb.

Clamp Assembly part# 10-0066 (not shown) is ordered separately.

Splice Kit 12-0049 used to splice cable between Junction Box & Light Fixtures



MR16 JUNCTION BOX (50W HALOGEN)
Not sold as an assembly

INSTANT FOUNTAIN PARTS

Discontinued Product



Part Number	Description
12-0073	SPLICE KIT INSTANT FOUNTAIN
17-0043	QDC OPTION IF/MR16 FIELD APPLY
17-0045	CABLE 12/3 CE HARMNIZED 2METER
21-0013	GROMMET NUT INSTANT FTN
31-0008-010	FUSE TIME DELAY 250V 10A
31-0008-015	FUSE TIME DELAY 250V 15A
31-0169-001	CONTACTOR 1/4 1/2 3/4HP 230V
660-001*10	NUT HEX 316S/S 1/4"-20 QTY 10
FR101*10	SPEED NUT INSTANT FTN QTY 10
FR102*10	NUT LOCK 316S/S 5/16"-24 QTY10
FR103*10	BOLT HEX S/S 1/4-20x2 75 QTY10
FR104*10	FLAT WASHER S/S 5/16" QTY 10
FR105*10	WASHER FLAT S/S 1/4" QTY 10
FR107*10	NUT HEX S/S 1/4-20 QTY 10
FR108*10	SETSCREW FRAC DIFFUSOR QTY 10
FR109*10	SCREW SELFTAP S/S #10 QTY 10
FR112*10	PUSH MOUNT FOR CBL TIE QTY 10
FR113*10	CABLE TIE RELEASABLE QTY 10
FR114	WASHER FLAT 076"THK
FR200	SHELL/SCREEN ASSY I.F. UNIT
FR204	STANDOFF INST FTN UNIT
FR205	IMPELLER RING INST FTN UNIT
FR206	CHAMBER PUMPING INST FTN UNIT
FR302	CLIP MOORING INSTANT FTN
FR503	LEAD WIRE ASSY 1/2&3/4HP MOTOR
FR510	PIGTAIL MALE QDC IF/FAC/LITES
FR511	DISCONNECT ADAPTER SMALL 3PIN
FR512	PIGTAIL W/ADAPT INST FTN
FR549	CORD ASSY I F DISCONNECT OPTN
FR701	O-RING PUMP CHAMBER INST FTN
FR701*10	O-RING I.F. PUMP CHMBR QTY 10
FR800	IMPELLER INST FTN 1/2HP-60HZ
FR803	NOZZLE PHX INSTANT FTN
FR805	BAFFLE INSTANT FTN
FR850	HEX KEY for INST FTN NOZZLE

LARGE AERATING FOUNTAIN PARTS



LARGE AERATING FOUNTAIN PARTS

Discontinued Product

Part Number	Description
12-0114	PARTS KIT SCRNF/FLT/RING 7.5/10
178-021	PIGTAIL FEMALE 10/4 AFL
178-027	PROTECTOR PIGTAIL AFL 3ph ONLY
22-0007	BOLT HEX S/S 5/16"-18 X 1 25"
22-0009	BOLT HEX S/S 5/16"-18 X 1 5"
22-0031	BOLT HEX S/S 5/16-18 x 1/2"
22-0032	BOLT HEX S/S 1/2-13 x 2 25"
22-0033	BOLT HEX S/S 3/8-16 x 3 25"
24-0029	SCREW SET 7.5/10HP DEC IMPELLR
26-0009	NUT HEX S/S 5/8-11
26-0010	NUT HEX JAM S/S 5/8-11
26-0011	NUT NYLON LOCK 316S/S 3/8-16
28-0024	WASHER SPLIT LOCK S/S 1/4"
31-0009-015	FUSE TIME DLY CURR LIMT CC 15A
31-0009-025	FUSE TIME DLY CURR LIMT CC 25A
31-0055-280	BREAKER 240V 80A 2 POLE
31-0055-350	BREAKER 240V 50A 3 POLE
31-0098-330	BREAKER 30A 460V/3PH EPD
31-0148-014	OVERLOAD RELAY 3RT103 18-25A
33-0039-006	CONNECTOR SHORT BARREL 6awg
35-0004	STRAIN RELIEF 6/4&4/3 SOW CABL
35-0005	STRAIN RELIEF 4/4 SOW CABLE
35-0015	PIGTAIL MALE 10/4 AFL
35-0016	PIGTAIL FEMALE CE AFL
35-0017	PIGTAIL MALE CE AFL
36-0018	CAPACITOR 50MFD 7.5HP 1Ph AFL
36-0019	CAPACITOR 60MFD 10HP 1Ph AFL
36-0021	BEARING SHAFT END ALL AFL
36-0022	BEARING OPPOSITE SHAFT END AFL
40-0002	SET SCREW, AFL SNB IMPELLER
40-0119	BRACKET SCREEN S/S 7.5/10HP
40-0120	ROD THREADED S/S 7.5/10HP DEC
40-0123	SPACER ORION S/S 7.5/10HP
41-0144	THROAT DECORATIVE 7.5/10HP
41-0146	THROAT NEPTUNE 7.5/10HP
41-0147	DIFFUSER APOLLO 7.5/10HP
41-0148	DIFFUSER ORION 7.5/10HP
41-0149	NOZZLE 3/4" EQUINOX AFL
41-0151	THROAT VENUS 7.5/10HP
42-0049	FLOAT MAIN BLACK 7.5/10HP UNIT

LARGE AERATING FOUNTAIN PARTS

Discontinued Product



Part Number	Description
42-0050	FLOAT WING UNFOAMED 7.5/10HP
45-0009	FLOW STRAIGHTENER 7.5/10HP AFL
45-0010	PUMP CHAMBER 7.5/10HP AFL
46-0105-750	PLUG OIL 3/4"NPT 7.5/10HP AFL
46-0134	CLAMP V-BAND S/S 7.5/10HP AFL
46-0136	PLUG EXPANSION WING FLOAT AFL
47-0013	SLINGER DISC S/S NEP/STAR AFL
49-0032	O-RING MBP 7.5/10HP AFL
49-0033	SEAL ROTARY 7.5/10HP AFL
49-0034	O-RING PUMP CHAM 7.5/10HP AFL
49-0035	O-RING APOLLO PLT 7.5/10HP AFL
49-0036	O-RING DEC THROAT 7.5/10HP AFL
49-0039	O-RING MBP 7 5/10HP AFL
50-0015-001	IMPELLER SB/NEP 7.5HP 60Hz
50-0015-002	IMPELLER SB/NEP 10HP60/7.5HP50
50-0015-003	IMPELLER SB/NEP 10HP 50Hz
50-0016-001	IMPELLER DECORATIVE 7.5HP 60Hz
50-0016-002	IMPELLER DECOR 10HP60/7.5HP50
50-0016-003	IMPELLER DECORATIVE 10HP 50Hz
97-0002	TOOL MBP CENTERING 7 5/10HPAFL
97-0003	TOOL SEAL/MBP 7 5/10HP AFL



As stewards of the environment, Otterbine Barebo, Inc. strives to sustain our natural resources for future generations. As demand for water increases exponentially, it's more important than ever for us to be environmentally conscious and do what we can to aid in water conservation and the treatment of earth's most valuable asset, water.

Otterbine aeration systems provide many benefits, but most importantly they improve water quality leaving clean, healthy ponds and lakes.

For our most current product specifications and promotions visit our website www.otterbine.com



2015 Parts Price List

OTTERBINE® BAREBO, INC.
3840 Main Road East, Emmaus, PA 18049, U.S.A.
PHONE: 1-800-AER8TER (USA) or 610-965-6018
EMAIL: orders@otterbine.com · **FAX:** 484-550-6677
WEB: www.otterbine.com

