

Eaton RS Enclosure

Easy to configure power, cabling and airflow



Powering Business Worldwide

Eaton RS Enclosure

Whether you have a network closet, server room, or multi-tenant data center, the Eaton® RS Enclosure provides an easy-to-configure solution for IT equipment storage. RS features tool-less configuration, optimized mounting for power distribution, flexible cable management solutions and security provisions. For more information visit, Eaton.com/RS.

RS features

Power-optimized design

Today's increasing power densities require flexible ePDU rack power distribution mounting and cable management solutions.

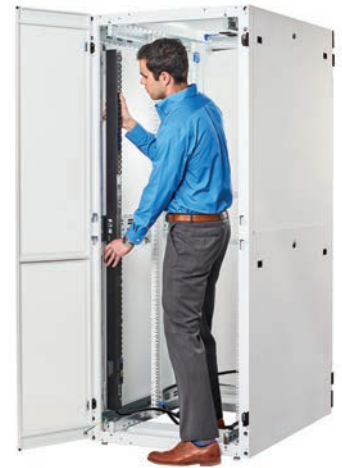
- Multiple ePDU mounting options and out-of-the-box installation for ePDUs
- Pathways for cable ingress and egress at the top and bottom of the enclosure to accommodate large connectors and cable loops
- Tool-less ePDU mounting brackets with integrated cable management



Tool-less configuration

To help reduce installation time, RS supports tool-less configuration of all key enclosure components.

- Mounting rails and PDU brackets
- Doors, top panels and side panels
- Cable management and airflow management accessories



Cable management

- Improved cable management helps maximize available enclosure space while improving airflow to prevent overheating
- Customizable mounting options that accommodate uninterruptible power systems (UPSs) and power distribution units (PDUs)

Physical security

- Enhanced physical security via a highly secure combination lock helps protect valuable IT resources from both internal and external threats
- Ideal for government and healthcare industries where security is a larger factor

Integrated power management solutions

Power management

Eaton provides the widest variety of power and power management capabilities through its basic, monitored and managed power distribution offering with solutions ranging from .5 kVA up to 15+ kVA.



Eaton.com/ePDUG3

UPS backup power solutions

Managing a UPS has never been easier with the 9PX UPS; even in virtualized environments.

- Premium backup power and scalable battery runtimes
- For servers, voice/data networks and storage systems

- Advanced LCD screen interface
- 9PX UPS ideal in both rack and stand-alone installations
- Robust power management software



Eaton.com/9PX

Energy efficient solutions for high-density equipment

Integrating key design elements

Energy efficient designs require attention to a wide range of enclosure elements including cable management, airflow, heat containment, power distribution and management and environment monitoring/management. RS and its complementary tool-less accessories address these needs.

- A Air dams** (see page 17)
Top panels with brushes and grommets provide airflow management while facilitating overhead cabling.
- B Blanking Panels** (see page 17)
Blanking panels are key to maintaining cold/hot aisle configurations and minimizing any recirculation of air.
- C ePDU** (see page 17)
Eaton's extensive offering of managed and monitored ePDUs – which mount to the PDU brackets – provide a wide range of sensor and communication options for managing an installation.
- D Side panels** (see page 14)
Optional side panels feature grommet holes with covers to manage airflow while providing side-to-side cabling.
- E Cable management** (see pages 15 and 16)
Cable management is critical for ensuring air intake/exhaust paths are clear to maximize equipment cooling.



A Air dams provide a barrier between hot and cold air, and manage cables.



D Side panel grommet holes with covers to help manage airflow.



B Blanking panels are available to seal open U spaces.



E Optional grommets for overhead cabling.



C Integrated power distribution mounting is built into the frame.



C Monitor and manage system energy with Eaton Smart ePDUs.

Preconfigured enclosures

1 RS server configuration

- Ideal for labs, network closets or basic server racks.
- PDU mounting, airflow and cable management options



See page 6
Eaton.com/RSserver

2 RS network configuration

- Ideal for applications with medium to high-density cabling
- Cable managers installed in the front and rear



See page 8
Eaton.com/RSnetwork

3 RS colocation configuration

- Ideal for data centers requiring flexibility and security
- Secure, flexible combination lock



See page 10
Eaton.com/RScolo

RS solution features

Available solutions

Size range

- Height: 42U, 45U, 48U, 52U
- Width: 600 mm and 800 mm
- Depth: 1000 mm, 1100 mm, 1200 mm

Colors

- White steel with black trim
- Black steel with black trim

Safety & certifications

Loading

- Robust 3000 lbs. static loading; 2000 lbs. dynamic loading

Grounding

- Featured on all components
- Auto-bonding for ease of grounding on most components

Anchorage and leveling

- Anti-tip and seismic anchorage brackets available as options
- Easy to access levelers for ease of installation and pads to protect floors
- Anchor bracket kits easily install on front of frame
- Seismic anchorage analysis report available upon request

Compliance and certifications

- UL 2416 for data center applications (includes UL 60950)



Construction solutions

Frame

- Welded and bolted construction; highly symmetrical design
- 3000 lbs. static loading to handle a full load of servers or related IT equipment

Doors

- High-flow full door with maximum perforation area to help ensure no blockage in equipment mounting space
- High-flow split perforated doors
- One person easy on/easy off door installation with quick disconnect lanyards for grounding
- 180°+ opening
- Lift-off design (tool-less, one person handling)
- Swing handle with key lock is standard
- Optional locks available including HFID and combo lock

Rails

- Tool-less latching for easy alignment with location markings on crossmembers
- Markings on front and rear help make equipment mounting easy
- .375" square holes with mounting hardware

Side panels

- Tool-less easy on/off locking solid side panels
- Feature an easy lift off/drop on design
- Cable pass-thru version option available as an accessory

Top panel

- Cable ingress and support with standard top panel helps manage airflow and cable pass-thru
- Brush in rear for handling larger data bundles or power cords/receptacles
- Tool-less removal of top panel
- Modular, tool-less and configurable options

PDU mounting

- Tool-less brackets integrate cable management
- Brackets can mount up to two PDUs and also accommodate cable management elements, including Velcro® straps, to help manage cabling in PDU area
- For split PDUs or additional cable management, add additional bracket kits as needed
- 90 degree bracket option for mounting behind rails on 800 mm wide versions

Airflow management

- Rails mate to top panel and bottom caster pontoon for hot aisle/cold aisle seal
- Top panel features grommets and brushes to manage heat
- Side air dams and blanking panels (optional air dams available)

1 RS server configuration

RS server configurations are the perfect solution for labs, network closets or basic server racks.

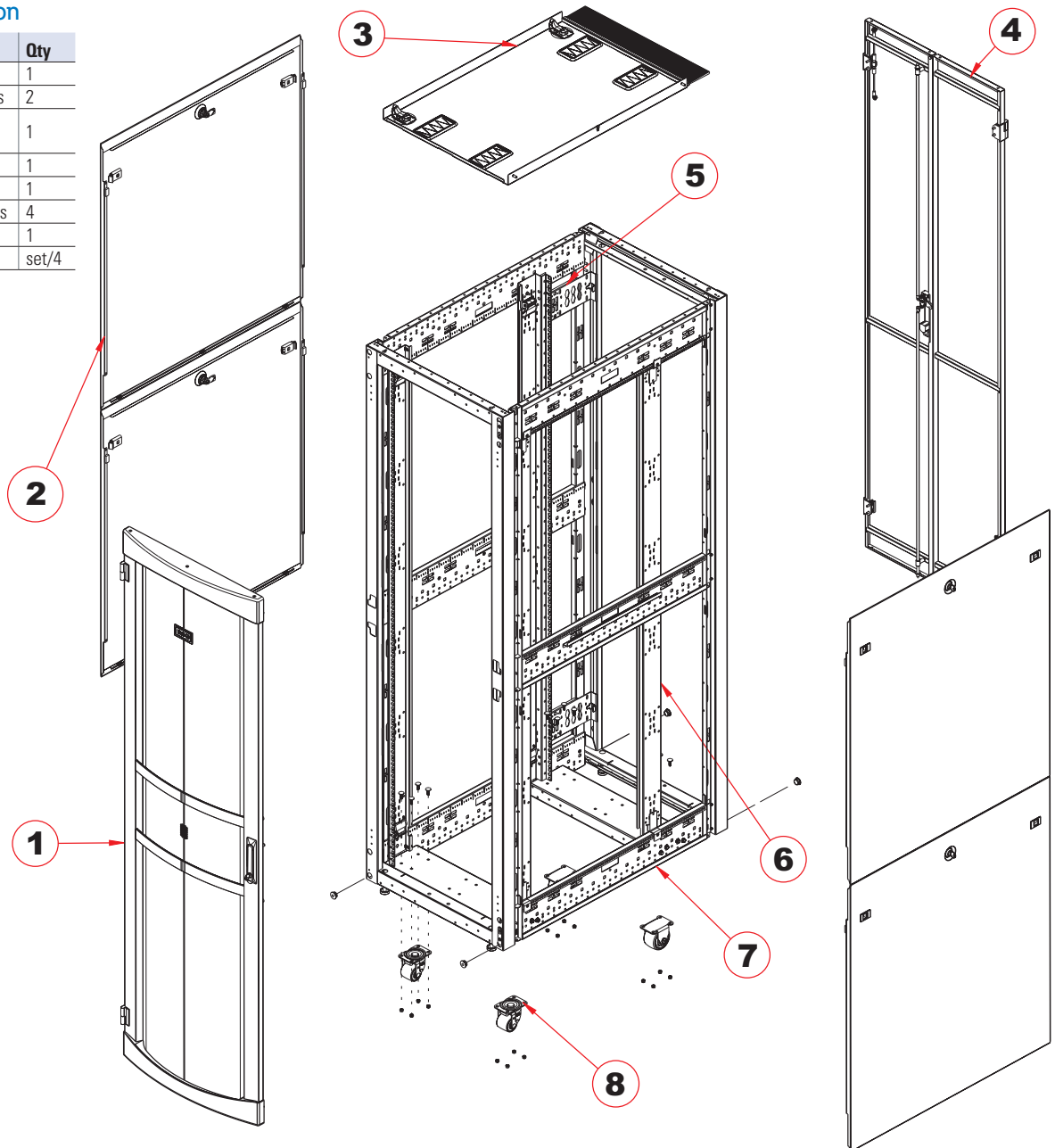
Server configurations are available in black or white in a wide range of sizes including heights of 42U, 45U, 48U and 52U, widths of 600 mm and 800 mm, and depths of 1000 mm, 1100 mm and 1200 mm. To support different thermal requirements, servers are available with and without side panels.

Each configuration includes:

- Robust frame
- Square hole adjustable rails
- High-flow perforated front door
- High-flow split rear door
- Locking split side panels (where applicable)
- Networking top panel with cable pass-thru grommets and brush
- Casters and levelers
- PDU mounting brackets
- Grounding

RS server configuration

Item	Description	Qty
1	Full front door	1
2	Locking split side panels	2
3	Top panel with cable pass-thru grommets	1
4	Rear split door	1
5	Dual PDU bracket kit	1
6	Tool-less rackmount rails	4
7	Welded frame	1
8	Caster kit	set/4



How to order a RS server configuration

Server configuration part number matrix

Step 1 Select **server style** RSV = standard server or RSVNS = standard server - no sides

Step 2 Select **(U) height** 42, 45, 48, 52

Step 3 Select **width** 6 = 600 mm or 8 = 800 mm

Step 4 Select **depth** 0 = 1000 mm or 1 = 1100mm 2 = 1200mm

Step 5 Select **color** W = white or B = black

Example: RSV4261B is a 42U high, 600 mm wide, 1100 mm deep, black standard enclosure with sides



Server configuration front



Server configuration back

RS server configuration most popular accessories*



Vertical air dam

Air dams	Width	Height (U)	Color
RSAIRD = RS air dam	600 for 600 mm	42, 45, 48, 52	N/A W = white B = black
	800 for 800 mm		

Example: RSAIRD80042B is an air dam that is 800 mm wide, 42U high, black

Side panels	Height (U)HH	Depth D	Color
RSSP = RS side panels - solid RSSPC = RS side panel cable pass-thru	42, 45, 48, 52	0 = 1000 mm	W = white B = black
		1 = 1100 mm	
		2 = 1200 mm	

Example: RSSP420B: RS side panel solid, 42U high, 1000 mm deep, black



Cable fingers

Vertical cable manager finger kit	Height (U)
RSCMF = Vertical cable manager finger kit	42, 45, 48, 52

Example: RSCMF42U is a 42U high, vertical cable manager finger kit.

* For a full range of accessories, see pages 14 through 19.

2

RS network configuration

RS network configurations are the perfect solution for applications with medium to high-density cabling requirements.

Each enclosure features vertical cable managers in the front and rear. The front features a medium-density vertical cable manager with fingers installed on the front rail. The 600 mm wide enclosures feature the medium-density cable manager which is also installed in the rear. The 800 mm wide enclosures features a high-density cable manager with two sets of fingers and a door installed.

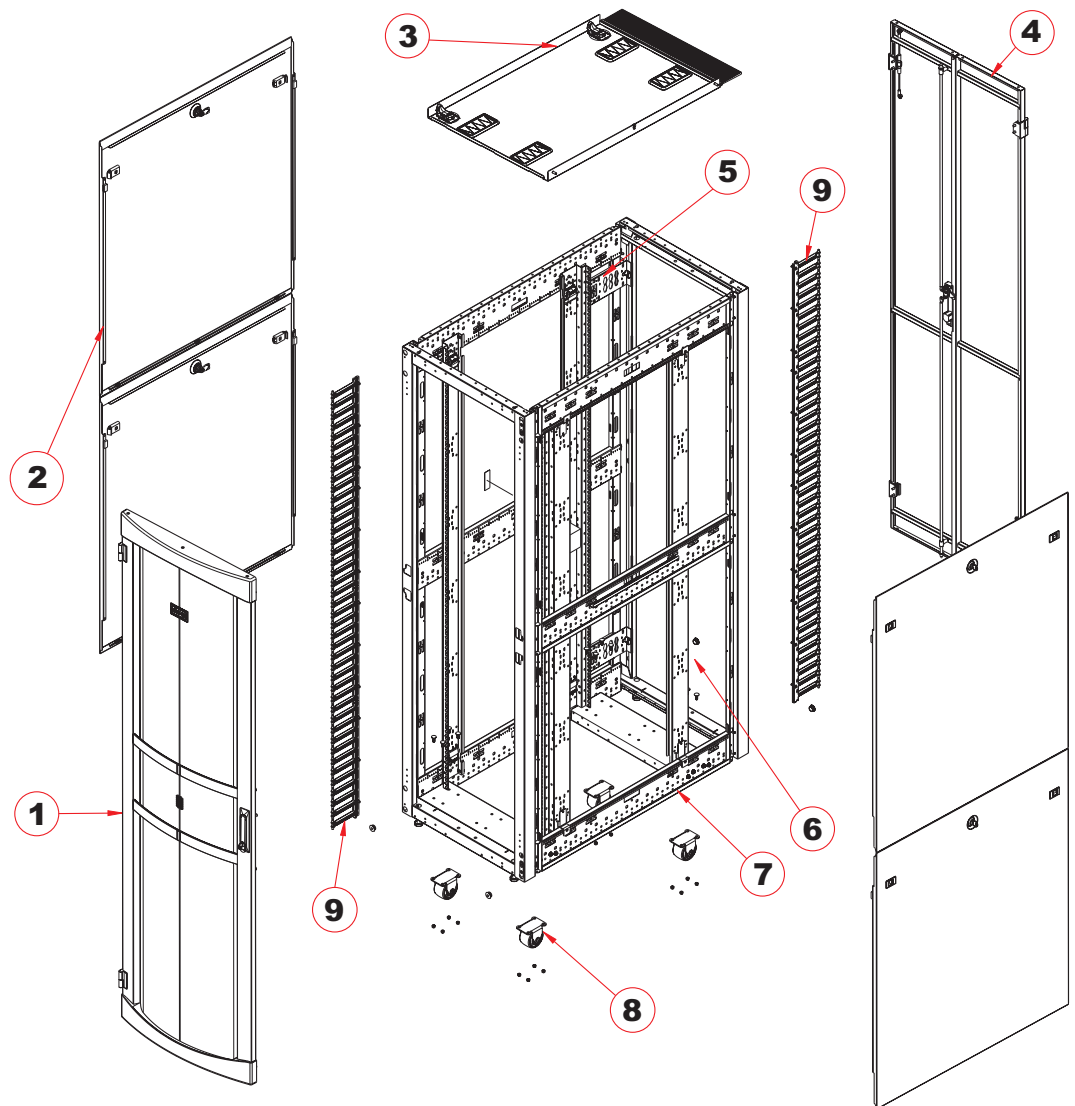
Preconfigured network configurations are available in a wide range of sizes including heights of 42U and 48U, widths of 600 mm and 800 mm and depths of 1100 mm and 1200 mm. Colors include black with black trim and white with black trim.

Each configuration includes:

- Robust frame
- Square hole adjustable rails
- High-flow perforated front door with swing handle lock
- High-flow split rear door with swing handle
- Locking split side panels
- Tool-less cable managers can be removed or adjusted
- Networking top panel with cable pass-thru grommets and brush
- Casters and levelers
- PDU mounting brackets
- Grounding
- Vertical cable managers in front and rear

RS network configuration

Item	Description	Qty
1	Full front door	1
2	Locking split side panels	2
3	Top panel with cable pass-thru grommets	1
4	Rear split door	1
5	Dual PDU bracket kit	1
6	Tool-less rackmount rails	4
7	Welded frame	1
8	Caster kit	set/4
9	Front and rear cable managers	2





Network configuration shown with side panels removed; optional Flextray™ included in addition to finger style vertical managers

RS network configuration ordering information

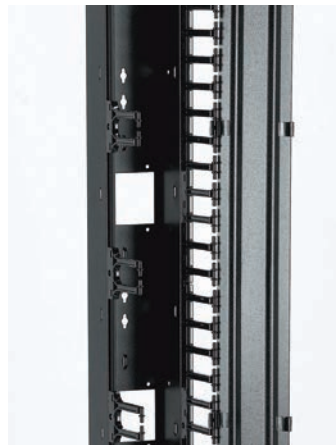
- Select __ = B (black) or W (white)

Part number	Size	Color	Cable management
RSN4261__	42U x 600 mm x 1100 mm	Black with black trim or white with black trim	2 medium-duty vertical cable managers
RSN4281__	42U x 800 mm x 1100 mm	Black with black trim or white with black trim	1 medium-duty vertical cable manager, 1 high-density cable manager
RSN4262__	42U x 600 mm x 1200 mm	Black with black trim or white with black trim	2 medium-duty vertical cable managers
RSN4282__	42U x 800 mm x 1200 mm	Black with black trim or white with black trim	1 medium-duty vertical cable manager, 1 high-density cable manager
RSN4861__	48U x 600 mm x 1100 mm	Black with black trim or white with black trim	2 medium-duty vertical cable managers
RSN4881__	48U x 800 mm x 1100 mm	Black with black trim or white with black trim	1 medium-duty vertical cable manager, 1 high-density cable manager
RSN4862__	48U x 600 mm x 1200 mm	Black with black trim or white with black trim	2 medium-duty vertical cable managers
RSN4882__	48U x 800 mm x 1200 mm	Black with black trim or white with black trim	1 medium-duty vertical cable manager, 1 high-density cable manager

Example: RSN4261B is a 42U high, 600 mm wide, 1100 mm deep, black enclosure



Medium-duty vertical cable manager



High-density vertical cable manager



Top panel with cable pass-thru grommets and brush



Grounding

RS network configuration most popular accessories*

- Select __ = B (black) or W (white)

Part number	Description
Anchor brackets	
RSANC__	Anchor brackets in black or white
RSAIRD60042	Air dam kit for 42U, 600 mm wide enclosure
Air dams	
RSAIRD60048	Air dam kit for 48U, 600 mm wide enclosure
RSAIRD80042__	Air dam kit for 42U, 800 mm wide enclosure – includes vertical blanking panels; black or white
Bottom panel	
RSBPAIRD2__	Bottom panel for 800 mm wide enclosures for configurations with rails recessed more than 100 mm; black or white
RSHPC63__	Bottom panel for 600 mm wide enclosures for configurations with rails recessed more than 100 mm; black or white
Blanking panels	
ETN-PBP1U10	Kit of 10 tool-less plastic blanking panels

* For a full range of accessories, see pages 14 through 19.

3

RS colocation configuration

The RS colocation configuration is ideal for data centers that require additional flexibility and security.

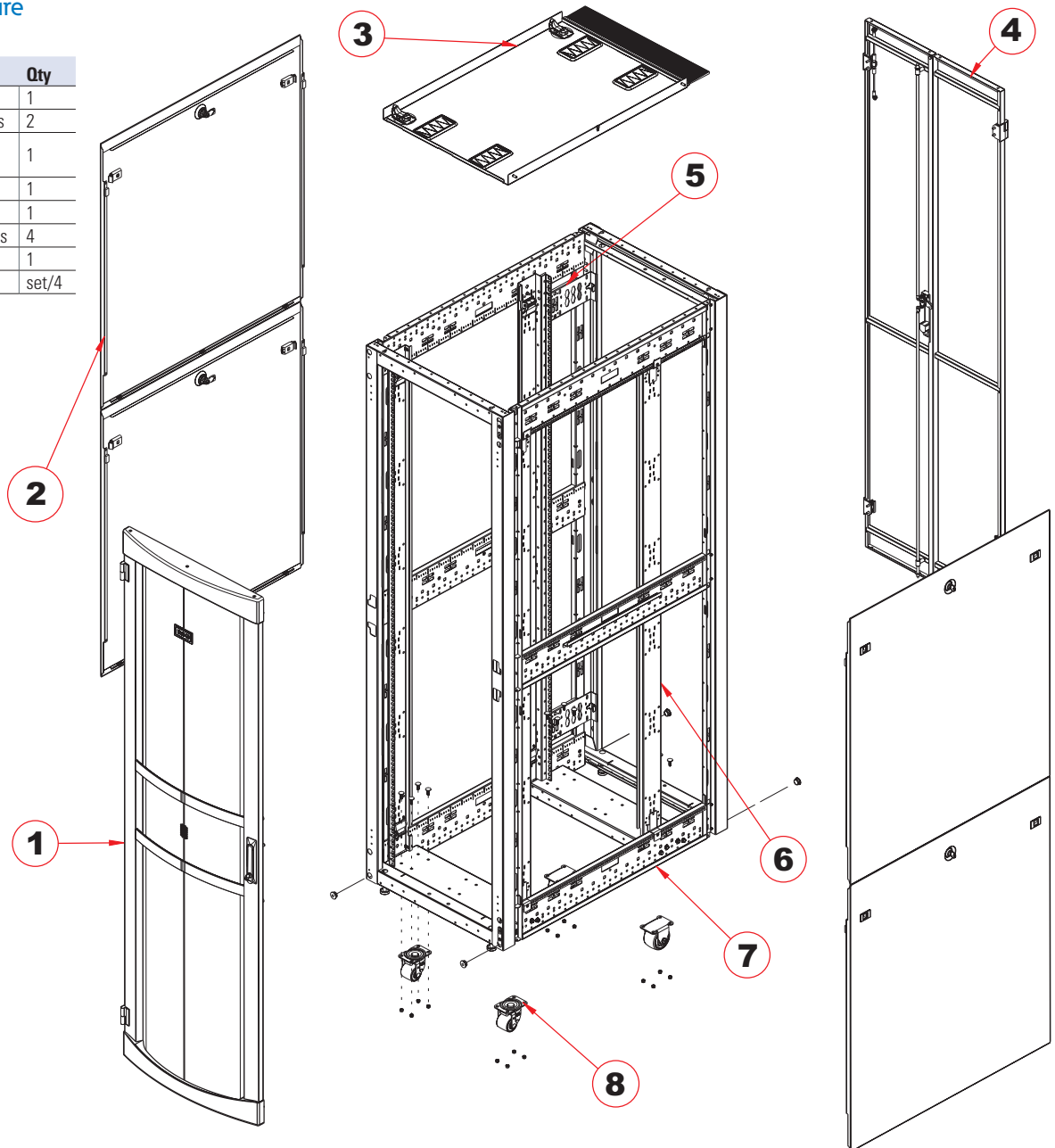
Colocation enclosures are available in a wide range of sizes including heights of 42U and 48U, widths of 600 mm and 800 mm and depths of 1100 mm and 1200 mm. Colors include black with black trim and white with black trim.

Each configuration includes:

- Robust frame
- High-flow perforated front door with combination swing handle lock; alternative HFID lock also available
- Square hole adjustable rails
- High-flow split rear door with combination swing handle
- Locking split side panels
- Networking top panel with cable pass-thru grommets and brush
- Casters and levelers
- PDU mounting brackets
- Grounding

RS colocation enclosure configuration

Item	Description	Qty
1	Full front door	1
2	Locking split side panels	2
3	Top panel with cable pass-thru grommets	1
4	Rear split door	1
5	Dual PDU bracket kit	1
6	Tool-less rackmount rails	4
7	Welded frame	1
8	Caster kit	set/4





RS comes in black with black trim or white with black trim



Combination lock



Flexible ePDU mounting options

RS colocation configuration ordering information

- Select __ = B (black) or W (white)

Part number	Size	Color
RSC4261__	42U x 600 mm x 1100 mm	Black with black trim or white with black trim
RSC4281__	42U x 800 mm x 1100 mm	Black with black trim or white with black trim
RSC4262__	42U x 600 mm x 1200 mm	Black with black trim or white with black trim
RSC4282__	42U x 800 mm x 1200 mm	Black with black trim or white with black trim
RSC4861__	48U x 600 mm x 1100 mm	Black with black trim or white with black trim
RSC4881__	48U x 800 mm x 1100 mm	Black with black trim or white with black trim
RSC4862__	48U x 600 mm x 1200 mm	Black with black trim or white with black trim
RSC4882__	48U x 800 mm x 1200 mm	Black with black trim or white with black trim

Example: RSC4261B is a 42U high, 600 mm wide, 1100 mm deep, black enclosure

RS colocation configuration most popular accessories*

- Select __ = B (black) or W (white)

Part number	Description
Anchor brackets	
RSANC__	Anchor brackets in black or white
Air dams	
RSAIRD60042	Air dam kit for 42U, 600 mm wide enclosure
RSAIRD60048	Air dam kit for 48U, 600 mm wide enclosure
RSAIRD80042__	Air dam kit for 42U, 800 mm wide enclosure – includes vertical blanking panels; black or white
RSAIRD80048__	Air dam kit for 48U 800 mm wide enclosure – includes vertical blanking panels; black or white
Bottom panel	
RSBPAIRD2__	Bottom panel for 800 mm wide enclosures for configurations with rails recessed more than 100 mm;
RSHPC63__	Bottom panel for 600 mm wide enclosures for configurations with rails recessed more than 100 mm;
Blanking panels	
ETN-PBP1U10	Kit of 10 tool-less plastic blanking panels
Cable managers	
RSCMF42U	42U vertical cable manager finger kit; tool-less
RSCMF48U	48U vertical cable manager finger kit; tool-less
RSVCMC42B	42U high-density cable manager for 800 mm wide enclosures; black
RSVCMC48B	48U high-density cable manager for 800 mm wide enclosures; black

* For a full range of accessories, see pages 14 through 19.

RS configured-to-order (CTO) solutions

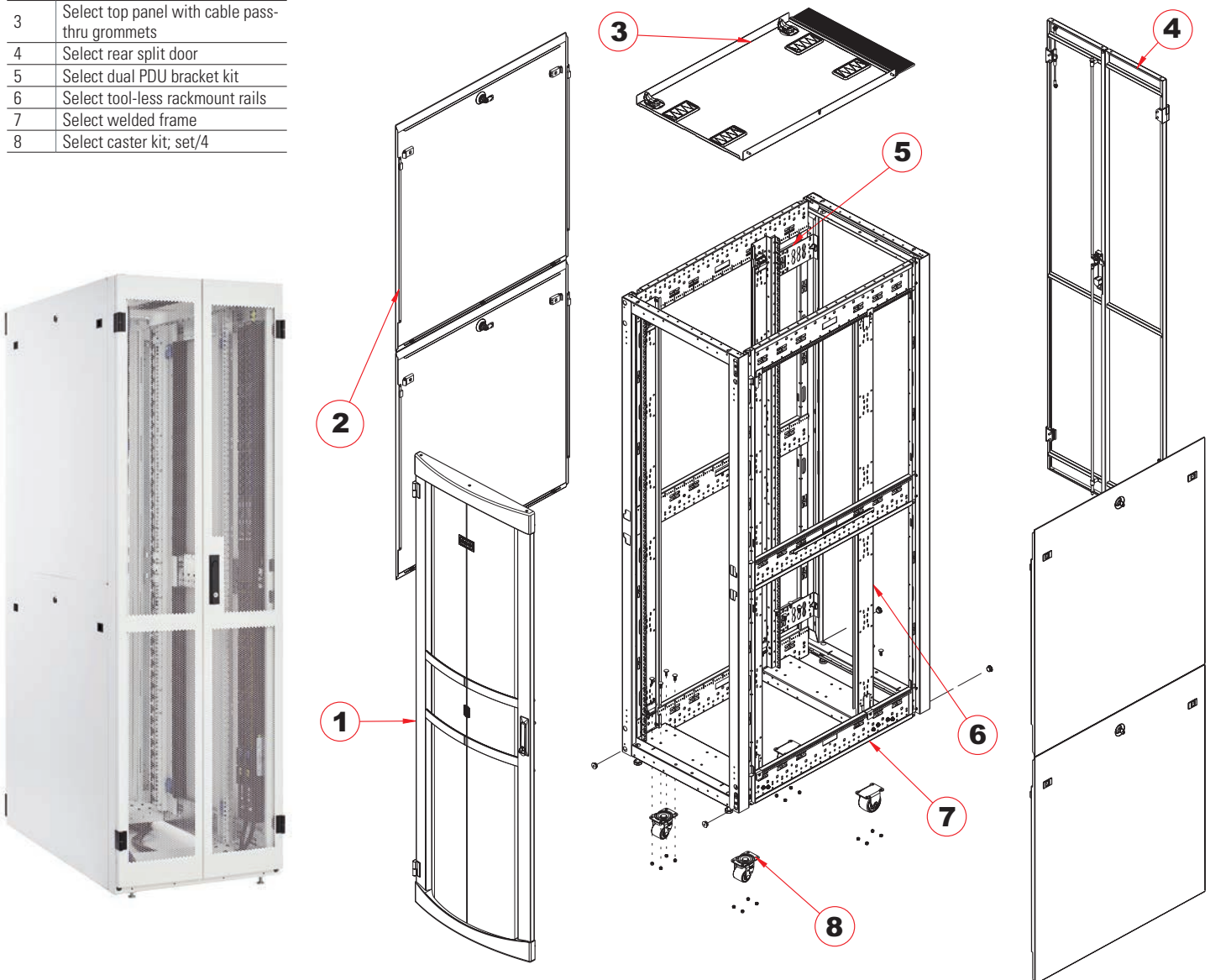
RS can be custom configured to meet your specific requirements with our configured-to-order program. Configure a four-post frame solution for a lab, a high security HFID enclosure for a colocation facility, and more. The options are limitless.

Overview

- Build the part number to configure the enclosure for your application
- Options include: side panels, top panels, doors, casters, door handles, rails and color
- Add-on features for installation include: air dams and heavy duty packaging

RS CTO configuration

Item	Description
1	Select front door
2	Select locking split side panels
3	Select top panel with cable pass-thru grommets
4	Select rear split door
5	Select dual PDU bracket kit
6	Select tool-less rackmount rails
7	Select welded frame
8	Select caster kit; set/4



RS configured-to-order (CTO) solutions

To build a part number for a configured-to-order Eaton RS Enclosure, follow the steps below and refer to the exploded view on page 12 for additional reference.

Step 1	R	RS Enclosure Platform	R = RS Enclosure
	42	Height (rack units)	42, 45, 48, 52
	6	Width	6 = 600 mm 8 = 800 mm
	1	Depth	0 = 1000 mm 1 = 1100 mm 2 = 1200 mm
Step 2	2	Rail type	1 = EIA 19" square 2 = EIA 19" tapped 12-24"
Step 3	X	Left side panel	S = Solid with lock C = Cable pass-thru with lock X = No side panel
	S	Right side panel	S = Solid with lock C = Cable pass-thru with lock X = No side panel
Step 4	1	Front door	1 = Perf left hand 2 = Perf right hand X = No door
	3	Rear door	1 = Perf left 2 = Perf right 3 = Split perf 4 = Split solid X = No door
	S	Locks (same front & rear)	S = Swing C = Combo H = HFID
Step 5	T	Top panel	S = Server (modular) T = One piece X = No top
Step 6	B	Color	B = Black W = White
Step 7	1	Casters	1 = Standard casters X = No casters

Example: R42612XS13STB1 is a 42U tall, 600 mm wide, 1100 mm deep enclosure with EIA 19" tapped hole rails, no left side panel, solid right side panel with locks, perforated front door (hinged left) and split perforated rear doors all with swing lock handles, a one piece top panel, black finish with casters.

RS accessories

Side panels

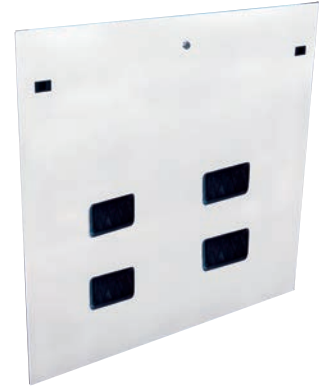
Side panels – solid

- Side panels feature simple unlock and lift-off design for ease of servicing. Each side panel includes top and bottom.
- Select __ = B (black) or W (white)



Side panels – cable pass-thru

- Side panels feature a simple unlock and lift-off design for ease of servicing.
- Grommet pathways for routing cable between adjacent enclosures.
- Select __ = B (black) or W (white)



Cable pass-thru locking split side panel

Part number	Description
RSSPC420__	42U, 1000 mm
RSSPC450__	45U, 1000 mm
RSSPC480__	48U, 1000 mm
RSSPC520__	52U, 1000 mm
RSSPC421__	42U, 1100 mm
RSSPC451__	45U, 1100 mm
RSSPC481__	48U, 1100 mm
RSSPC521__	52U, 1100 mm
RSSPC422__	42U, 1200 mm
RSSPC452__	45U, 1200 mm
RSSPC482__	48U, 1200 mm
RSSPC522__	52U, 1200 mm

Grommet kit

Part number	Description
RSGROM4	Replacement grommets (pkg. of four)

Solid locking split side panel, black or white

Part number	Description
RSSP420__	42U, 1000 mm, solid
RSSP450__	45U, 1000 mm, solid
RSSP480__	48U, 1000 mm, solid
RSSP520__	52U, 1000 mm, solid
RSSP421__	42U, 1100 mm, solid
RSSP451__	45U, 1100 mm, solid
RSSP481__	48U, 1100 mm, solid
RSSP521__	52U, 1100 mm, solid
RSSP422__	42U, 1200 mm, solid,
RSSP452__	45U, 1200 mm, solid
RSSP482__	48U, 1200 mm, solid
RSSP522__	52U, 1200 mm, solid



Top panels

Top panels – solid

- Limitless number of top panel configurations can be created using the modular top panels shown at right.
- Easy to install without tools – simply pull back the latches and push the panel.
- Available in a range of sizes (with and without grommets for cable pass-thru).
- Brushes and waterfalls available to attach to end of panels for added cable pass-thru options.
- Select __ = B (black) or W (white)

Solid horizontal top panel, black or white

Part number	Description
RSHPS61__	600 mm x 100 mm
RSHPS63__	Horizontal top panel, 600 mm x 300 mm
RSHPS64__	Horizontal top panel, 600 mm x 400 mm
RSHPS65__	Horizontal top panel, 600 mm x 500 mm

Grommet kit

Part number	Description
RSGROM4	Replacement grommets (pkg. of four)

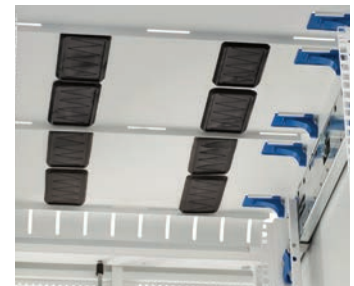


Top panels – cable pass-thru

- Select __ = B (black) or W (white)

Cable pass-thru horizontal top panel, black or white

Part number	Description
RSHPC63__	600 mm x 300 mm
RSHPC64__	600 mm x 400 mm
RSHPC65__	600 mm x 500 mm
RSHPC67__	600 mm x 700 mm
RSHPC68__	600 mm x 800 mm
RSHPC69__	600 mm x 900 mm



Top panel edge grip

An alternative to brushes, the heavy duty edge grip seal simply pushes on to edge of panel and can be used when panels are in staggered up/down configuration to help provide air seal.



Part number	Description
RSHPEDGE61	600 mm, 180 edge

Vertical cable management

2" vertical Flextray™ system

Robust wire basket; cost effective and flexible option for cable management.

- Cabling can be routed in/out of gates and at any point of basket
- Velcro® straps are available to secure the cabling in place
- Tool-less mounting brackets are included in each kit
- Black finish

2" Vertical Flextray™ with mounting hardware

Part number	Description
RSCMBFT42U42	2" x 4", 42U
RSCMBFT45U42	2" x 4", 45U
RSCMBFT48U42	2" x 4", 48U
RSCMBFT52U42	2" x 4", 52U
RSCMBFT42U62	2" x 6", 42U
RSCMBFT45U62	2" x 6", 45U
RSCMBFT48U62	2" x 6", 48U
RSCMBFT52U62	2" x 6", 52U



Vertical cable managers

For 600 mm wide enclosures or low density requirements in 800 mm widths, the robust cable manager finger sections can be installed from top to bottom, or in select locations.

- Kits include tool-less fasteners for easy installation
- For high density requirements, full cable managers with doors mount on tool-less brackets behind the rails
- Doors will help provide cable retention

Railmounted cable management fingers, with mounting hardware

Part number	Description
RSCMF42U	42U
RSCMF45U	45U
RSCMF48U	48U
RSCMF52U	52U
RSCMF11U	11U



6" Vertical flat Flextray™ system with mounting hardware

Part number	Description
RSCMFFT42U6	42U
RSCMFFT45U6	45U
RSCMFFT48U6	48U
RSCMFFT52U6	52U



- Includes high and low density fingers to manage cables
- Dual hinged door to retain cables

High density vertical cable manager, with mounting brackets for 800 mm enclosures

Part number	Description
RCVCMC42B	42U
RCVCMC45B	45U
RCVCMC48B	48U
RCVCMC52B	52U



RS accessories

Horizontal cable management.

For front-to-back cabling, the horizontal Flextray system is robust, yet provides a perfect low profile support to attach/route cabling from front to rear of the enclosure.

- Available in 800 mm enclosures or flat for any width enclosure
- Tool-less mounting brackets included

Horizontal rackmount cable manager kit with cover

19" rackmount horizontal cable managers are the perfect solution for managing cabling along the front of the enclosure.

Part number	Description
SB87019S1	19" – 482 mm W x 1U H
SB87019S2	19" – 482 mm W x 2U H
SB87019S3	19" – 482 mm W x 3U H



4" Horizontal Flextray™ system; black with mounting hardware

Part number	Description
RSBFT42800	2" x 4" x 800 mm
RSBFT42900	2" x 4" x 900 mm
RSBFT421000	2" x 4" x 1000 mm



6" Horizontal flat Flextray™ system with mounting hardware

Part number	Description
RSFFT6800	800 mm; black
RSFFT6900	900 mm; black
RSFFT61000	1000 mm; black



Cable management accessories

Split cable retention gate kit

Retention gates are designed to snap onto basket Flextray™ wire basket for cable management.

Split cable retention gate

Part number	Description
RSCRG10	10 pc (5LH, 5RH)



Spools and rings

For use with PDU brackets, the following spools and rings can be mounted to bracket for cable management.

Part number	Description
ETN-CMTUNR02	Cable Spool
ETN-CMTUNR05	Cable Ring

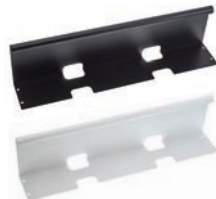


Overhead cable management trough

Use one or more cable troughs to provide separate cable pathways on top of enclosures.

- Select ___ = B (black) or W (white)

Part number	Description
RSCMOT6___	600 mm, with mounting hardware
RSCMOT8___	800 mm, with mounting hardware



Top cable waterfalls

Waterfalls are designed to provide a radius for fiber cables. The waterfall attaches tool-less to the edge of a top panel.

- Select ___ = B (black) or W (white)

Part number	Description
RSCMTWF600___	600 mm, with mounting hardware



VELCRO® buckle straps

- Velcro buckle straps allow for mechanical fastening of strap to multiple points in enclosure
- Velcro offers superior reusability versus tie wraps
- 50 straps per kit (standard Velcro straps) and 10 straps per kit (Velcro buckle straps)

Part number	Length	Width	Qty
ETN-CMVBCKL	9"	.5"	10
ETN-CMVBCKL12	12"	.5"	10
ETN-BX45V8	8"	.5"	50
ETN-BX45V11	10"	.5"	50



Air management brush kit

Cable management brush for tool-less attachment to edge of top panel.

Part number	Description
RSHPBRS61	600 mm x 100 mm



ePDU mounting brackets

PDU brackets install easily without tools in the enclosure providing mounting for up to two PDUs and supports for cable management. Velcro® straps, cable rings and spools can attach to the brackets. The standard and long brackets attach to the frame in a variety of locations. The 90-degree version is for use behind the rails on an 800 mm wide enclosure.

PDU mounting brackets

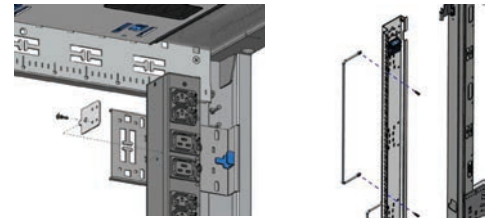
- Select __ = B (black) or W (white)

Part Number	Description	H	W	D	Weight
RSPDUMTG__	ePDU brackets with cable management	5.12"	9"	.714"	4"
RSPDULMTG__	ePDU extended brackets with cable management	5.12"	10"	.714"	1"
RSPDU9MTG__	ePDU brackets – 90-degree mounting behind rails	4"	4"	.5"	4.2"



PDU mounting kits

Part number	Description
RSPDURTNKITB	Kit, ePDU retainer
RSCMPWR11	Kit, bar, 11U, for managing IT equipment power cords



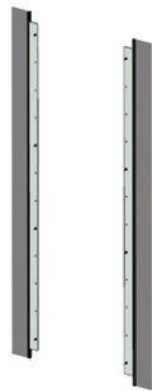
Airflow management

For applications where the hot/cold aisle seal is required, we offer brush strips or vertical blanking panel solutions for 800 mm wide enclosures. Both feature tool-less installation. For 600 mm wide enclosures, a simple to install air dam kit is available.

- Select __ = B (black) or W (white)

Vertical brush strip air dams for 800 mm enclosures; black or white

Part number	Description
RSAIRB80042__	42U enclosure
RSAIRB80045__	45U enclosure
RSAIRB80048__	48U enclosure
RSAIRB80052__	52U enclosure



Plastic blanking panels

- Tapped/square holes
- Cost effective, tool-less, aesthetic solution for airflow management requirements.

Part number	Height	Qty
ETN-PBP1U10	1U	10
ETN-PBP1U100	1U	100
ETN-PBP1U500	1U	500
ETN-PBP2U10	2U	10
ETN-PBP2U100	2U	100
ETN-PBP2U500	2U	500
ETN-PBP8U10	8U	10
ETN-PBP8U100	8U	100
ETN-PBP8U500	8U	500



Vertical air dam kits with hardware and grommets; black or white

- Select __ = B (black) or W (white)

800 mm kit

Part number	Description
RSAIRD80042__	42U enclosure
RSAIRD80045__	45U enclosure
RSAIRD80048__	48U enclosure
RSAIRD80052__	52U enclosure



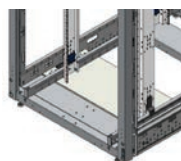
600 mm kit

Part number	Description
RSAIRD60042	42U enclosure
RSAIRD60045	45U enclosure
RSAIRD60048	48U enclosure
RSAIRD60052	52U enclosure



Bottom panel air seal for 800 mm

Part number	Description
*RSBPAIRD2__	With grommet



Bottom panel for 600 mm

Part number	Description
*RSHPC63__	With cable pass-thru



* For use in configurations with rails recessed greater than 100 mm.

RS accessories

Shelving

Standard and heavy-duty fixed and roll-out shelves for storing peripherals and non-rackmounted legacy equipment

Part Number	Description	Height	Width	Depth	Weight Capacity	Mounting Range
ETN-US192U1605	Utility shelf	2U	17.2"	16"	50 lbs.	n/a
ETN-FS19201U20	Standard-duty fixed shelf	1U	17.4"	20"	200 lbs.	20" to 26"
ETN-FS19241U20	Standard-duty fixed shelf	1U	17.4"	24"	200 lbs.	24" to 29"
ETN-FS19281U20	Standard-duty fixed shelf	1U	17.4"	28"	200 lbs.	28" to 35"
ETN-RS19241U10	Standard-duty roll-out shelf	1U	17.5"	24"	100 lbs.	24" to 29"
ETN-RS19281U10	Standard-duty roll-out shelf	1U	17.5"	28"	100 lbs.	28" to 34"
ETN-FS19201U40	Heavy-duty fixed shelf	1U	17.7"	20"	400 lbs.	20" to 26"
ETN-FS19241U40	Heavy-duty fixed shelf	1U	17.7"	24"	400 lbs.	20" to 29"
ETN-FS19281U40	Heavy-duty fixed shelf	1U	17.7"	28"	400 lbs.	28" to 35"
ETN-RS19242U20	Heavy-duty roll-out shelf	1U	n/a	24"	200 lbs.	n/a
ETN-RS19282U20	Heavy-duty roll-out shelf	1U	n/a	28"	200 lbs.	n/a
ETN-CHASBKT2032	Chassis Bracket 20-32"	n/a	n/a	n/a	n/a	n/a



Hardware

Rackstuds™ tool-less mounting kit

Part number	Description
RSSTUDKIT100	Pkg. of 100



Baying kit

The baying kit includes a spare set of baying brackets (all enclosures come standard with a baying kit) and a black filler strip which can be used when mounting enclosures on 24" spacing to fill the gap between the racks

- Select __ = B (black) or W (white)



Caster kit

Part number	Description
RSCSTRKIT	Set of four casters (two fixed, two swivel)



Part number	Description
RSBAYKIT__	With hardware and filler, (filler strip not shown)

Anchoring kit

Anchor brackets attach to the front and rear of the enclosure for anchoring to the data center floor.

- Select __ = B (black) or W (white)



Part number	Description
RSANC__	Anchor brackets with hardware

Hinge kits

Part number	Description
RSHINGEKITR	For changing to right side open doors
RSHINGEKITL	For changing to left side open doors



Anti-tip bracket

The anti-tip brackets are for use during installation of heavy equipment in the enclosure; particularly in the upper U mounting spaces.

- Select __ = B (black) or W (white)

Part number	Description
RSANT6__	600 mm stabilizer kit with hardware
RSANT8__	800 mm stabilizer kit with hardware



Cage nuts & screws

Part number	Description
ETN-1032CAGE20	10-32 - kit of 20
ETN-M6CAGE20	M6 - kit of 20



RS accessories

Handles & locks

HFID lock

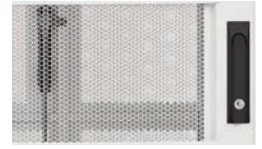
For HFID locks, a battery kit is required to activate the lock for opening prior to installation. For managing the locks, a software package by Dirak® is available

Part number	Description
RSDDLH	HFID handle replacement kit
RSHFIDBATT	HFID battery pack
RSHFIDADMSW	Admin software for HFID lock



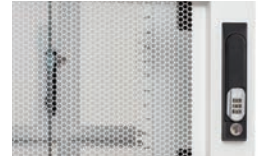
Swing handles

Part number	Description
RSHDLS	Swing handle replacement kit



Combo lock

Part number	Description
RSHDLC	Combo lock handle replacement kit



Miscellaneous accessories

Rail kits with square holes

- Select __ = B (black) or W (white)

Part number	Description
RSRSPSQ42__	42U rails, kit of 2 rails
RSRSPSQ45__	45U rails, kit of 2 rails
RSRSPSQ48__	48U rails, kit of 2 rails
RSRSPSQ52__	52U rails, kit of 2 rails

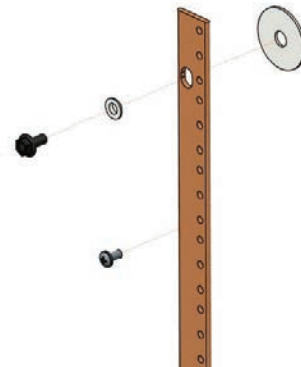


Hardware kit

Part number	Description
RSRLKIT	Rail locking kit for securing rails during shipment when IT equipment is installed

Buss bars with mounting hardware

Part number	Description
RSBB42	42U
RSBB45	45U
RSBB48	48U
RSBB52	52U



Ramp

The optional ramp is used with the standard RS packaging to facilitate easy movement of the enclosure from the pallet.



Ramp

Part number	Description
RSRMPSTD	Standard ramp (must be ordered with enclosures; not available for separate shipment)

Grommet kit

Replacement grommet kit.

Part number	Description
RSGROM4	Kit of grommets, package of four



For more information, on Eaton's
RS Enclosure, please visit
www.eaton.com/RS

U.S. Customer Service Center is staffed Monday through Friday from 7 a.m. to 5 p.m. Central Standard Time.

Eaton
509 West Monroe Street
Highland, IL 62249
United States
800-851-7415
www.cooperblinc.com/contactus

Eaton
1000 Eaton Boulevard
Cleveland, OH 44122
United States
Eaton.com

© 2016 Eaton
All Rights Reserved
Printed in USA
Publication No. CA301001EN
June 2016 RSRE-16

Eaton is a registered trademark.
All other trademarks are property
of their respective owners.

Follow us on social media to get the
latest product and support information.

