

---

## 3.3V 4.25 Gbps CML Low-Power Limiting Post Amplifier with TTL LOS

---

### Features

- Multi-Rate up to 4.25 Gbps Operation
- 5 mV<sub>PP</sub> Input Sensitivity
- Low Noise 50Ω CML Data Outputs
  - 800 mV<sub>PP</sub> Output Swing
  - 60 ps Edge Rates
  - 1ps<sub>RMS</sub> Typ. Random Jitter
  - 10ps<sub>PP</sub> Typ. Deterministic Jitter
- Chatter-Free Loss-of-Signal (LOS) Output
  - 3.5 dB Electrical Hysteresis
  - OC-TTL Output with Internal 4.75 kΩ Pull-Up Resistor
- Programmable LOS Sensitivity Using Single External Resistor
- Internal 50Ω Data Input Termination
- TTL /EN Input Allows Feedback from LOS
- Wide Operating Range:
  - Single 3.3V ±10% Power Supply
  - Industrial Temperature Range: -40°C to +85°C
- Available in a 16-pin QFN Package

### Applications

- 1.062 Gbps, 2.125 Gbps, and 4.25 Gbps Fibre Channel
- Cable Driver
- Small Form Factor (SFF) and Small Form Factor Pluggable (SFP) Transceivers
- High-Gain Line Driver and Line Receiver

### General Description

The SY88403BL is a low-power limiting post amplifier optimized for copper applications. The device connects to typical transimpedance amplifiers (TIAs). The linear signal output from TIAs can contain significant amounts of noise and may vary in amplitude over time. The SY88403BL quantizes these signals and outputs typically 800 mV<sub>PP</sub> voltage-limited waveforms.

The SY88403BL operates from a single +3.3V ±10% power supply, over an industrial temperature range of -40°C to +85°C. With its wide bandwidth and high gain, signals with data rates up to 4.25 Gbps and as small as 5 mV<sub>PP</sub> can be amplified to drive devices with CML inputs or AC-coupled PECL inputs.

The SY88403BL incorporates a loss-of-signal (LOS) open-collector TTL output with internal 4.75 kΩ pull-up resistor. A programmable loss-of-signal level set pin (LOSLVL) sets the sensitivity of the input amplitude detection.

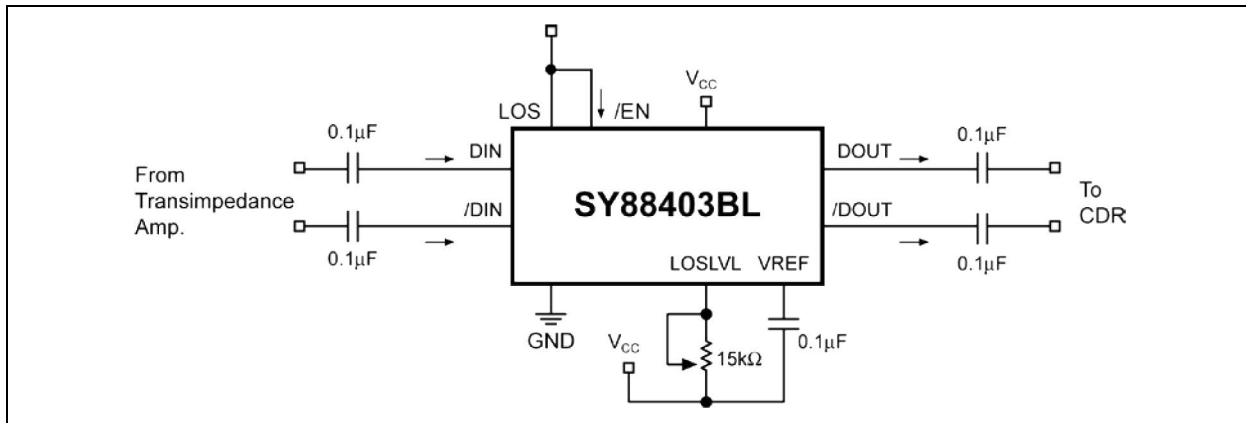
LOS asserts high if the input amplitude falls below the threshold set by LOSLVL and de-asserts low otherwise. LOS can be fed back to the enable bar (/EN) input to maintain output stability under a loss of signal condition. /EN de-asserts the true output signal without removing the input signal. Typically, 3.5 dB LOS hysteresis is provided to prevent chattering.

### Markets

- Copper Interconnect
- Datacom and Telecom
- Storage Area Network (SAN)

# SY88403BL

## Typical Application Circuit



## 1.0 ELECTRICAL CHARACTERISTICS

### Absolute Maximum Ratings †

Supply Voltage ( $V_{CC}$ )	0V to +7.0V
/EN, LOSLVL Voltage	0V to $V_{CC}$
REF Current	±1 mA
LOS Current	±5 mA
DOUT, /DOUT Current	±25 mA
DIN, /DIN Current	±10 mA

### Operating Ratings ‡

Supply Voltage ( $V_{CC}$ )	+3.0V to +3.6V
-----------------------------	----------------

† **Notice:** Permanent device damage may occur if ratings in the absolute maximum ratings section are exceeded. This is a stress rating only and functional operation is not implied for conditions other than those detailed in the operational sections of this data sheet. Exposure to absolute maximum ratings conditions for extended periods may affect device reliability.

‡ **Notice:** The data sheet limits are not guaranteed if the device is operated beyond the operating ratings.

## DC ELECTRICAL CHARACTERISTICS

$V_{CC} = +3.0V$  to  $+3.6V$ ;  $R_L = 50\Omega$  to  $V_{CC}$ ;  $T_A = -40^\circ C$  to  $+85^\circ C$ ; typical values at  $V_{CC} = +3.3V$ ,  $T_A = +25^\circ C$ .

Parameter	Symbol	Min.	Typ.	Max.	Units	Conditions
Power Supply Current	$I_{CC}$	—	25	42	mA	3.3V, Note 1
		—	41	62	mA	3.3V, Note 2
REF Voltage	$V_{REF}$	—	$V_{CC} - 1.3$	—	V	—
LOSLVL Voltage Range	$V_{LOSLVL}$	$V_{REF}$	—	$V_{CC}$	V	—
DOUT, /DOUT HIGH Voltage	$V_{OH}$	$V_{CC} - 0.020$	$V_{CC} - 0.005$	$V_{CC}$	V	Note 3
DOUT, /DOUT LOW Voltage	$V_{OL}$	$V_{CC} - 0.475$	$V_{CC} - 0.400$	$V_{CC} - 0.350$	V	3.3V, Note 3
DC Differential Output Voltage	$V_{OD\_DC}$	700	800	950	mV	Note 3
Differential Output Offset	$V_{OFFSET}$	—	—	±80	mV	—
Single-Ended Output Impedance	$Z_O$	40	50	60	$\Omega$	—
Single-Ended Input Impedance	$Z_I$	40	50	60	$\Omega$	—

## TTL DC ELECTRICAL CHARACTERISTICS

$V_{CC} = 3.0V$  to  $3.6V$ ;  $T_A = -40^\circ C$  to  $+85^\circ C$ .

Parameter	Symbol	Min.	Typ.	Max.	Units	Conditions
LOS Output HIGH Level	$V_{OH}$	2.4	—	$V_{CC}$	V	Sourcing 100 $\mu A$
LOS Output LOW Level	$V_{OL}$	—	—	0.5	V	Sinking 2 mA
/EN Input HIGH Voltage	$V_{IH}$	2.0	—	—	V	—
/EN Input LOW Voltage	$V_{IL}$	—	—	0.8	V	—
/EN Input HIGH Current	$I_{IH}$	—	—	20	$\mu A$	$V_{IN} = 2.7V$
		—	—	100	$\mu A$	$V_{IN} = V_{CC}$
/EN Input LOW Current	$I_{IL}$	-0.3	—	—	mA	$V_{IN} = 0.5V$

**Note 1:** Excludes current of CML output stage. See “Detailed Description.”

**2:** Total device current with no output load.

**3:** Output levels are based on a  $50\Omega$  to  $V_{CC}$  load impedance. If the load impedance is different, the output level will be changed. Amplifier is in limiting mode. Measured at 155 Mbps with 20 mV<sub>PP</sub> input and PRBS-23 data pattern and  $50\Omega$  load.

# SY88403BL

## AC ELECTRICAL CHARACTERISTICS

$V_{CC} = +3.0V$  to  $+3.6V$ ;  $T_A = -40^{\circ}C$  to  $+85^{\circ}C$ ;  $R_L = 50\Omega$  to  $V_{CC}$ ; typical values at  $V_{CC} = +3.3V$ ,  $T_A = 25^{\circ}C$ .

Parameter	Symbol	Min.	Typ.	Max.	Units	Conditions
Output Rise/Fall Time (20% to 80%)	$t_r, t_f$	—	60	120	ps	Note 1
Deterministic Jitter	$t_{JITTER}$	—	10	—	ps <sub>PP</sub>	Note 2
Random Jitter		—	1	—	ps <sub>RMS</sub>	Note 3
Differential Input Voltage Swing	$V_{ID}$	5	—	1800	mV <sub>PP</sub>	See Figure 1
AC Differential Output Voltage	$V_{OD\_AC}$	600	800	950	mV <sub>PP</sub>	Note 4
LOS Release Time	$t_{OFF}$	—	2	10	$\mu s$	—
LOS Assert Time	$t_{ON}$	—	2	10	$\mu s$	—
Low LOS Assert Level	$LOS_{AL}$	—	8	—	mV <sub>PP</sub>	$R_{LOSLVL} = 15\text{ k}\Omega$ , Note 5
Low LOS De-assert Level	$LOS_{DL}$	—	12	—	mV <sub>PP</sub>	$R_{LOSLVL} = 15\text{ k}\Omega$ , Note 5
Low LOS Hysteresis	$HYS_L$	2	3.5	4.5	dB	$R_{LOSLVL} = 15\text{ k}\Omega$ , Note 6
Medium LOS Assert Level	$LOS_{AM}$	12	17	—	mV <sub>PP</sub>	$R_{LOSLVL} = 5\text{ k}\Omega$ , Note 5
Medium LOS De-assert Level	$LOS_{DM}$	—	25	33	mV <sub>PP</sub>	$R_{LOSLVL} = 5\text{ k}\Omega$ , Note 5
LOS Hysteresis	$HYS_M$	2	3.5	4.5	dB	$R_{LOSLVL} = 5\text{ k}\Omega$ , Note 6
High LOS Assert Level	$LOS_{AH}$	34	47	—	mV <sub>PP</sub>	$R_{LOSLVL} = 100\Omega$ , Note 5
High LOS De-assert Level	$LOS_{DH}$	—	70	83	mV <sub>PP</sub>	$R_{LOSLVL} = 100\Omega$ , Note 5
High LOS Hysteresis	$HYS_H$	2	3.5	4.5	dB	$R_{LOSLVL} = 100\Omega$ , Note 6
LOS Sensitivity Range	$V_{SR}$	20	—	35	mV <sub>PP</sub>	—
Differential Voltage Gain	$A_{V(DIFF)}$	32	38	—	dB	—
Single-Ended Small-Signal Gain	$S_{21}$	26	32	—	dB	—

**Note 1:** Amplifier in limiting mode. Input is a 200 MHz square wave.

**2:** Deterministic jitter measured using 4.25 Gbps K28.5 pattern,  $V_{ID} = 20\text{ mV}_{PP}$ .

**3:** Random jitter measured using 4.25 Gbps K28.7 pattern,  $V_{ID} = 20\text{ mV}_{PP}$ .

**4:** Differential output swing measured at 4.25 Gbps with 20 mV<sub>PP</sub> input and PRBS-23 data pattern and 50 $\Omega$  load.

**5:** See "Typical Operating Characteristics" for a graph showing how to choose a particular  $R_{LOSLVL}$  for a particular LOS assert and its associated de-assert amplitude.

**6:** This specification defines electrical hysteresis as  $20\log(\text{LOS De-assert/LOS Assert})$ . The ratio between optical hysteresis and electrical hysteresis is found to vary between 1.5 and 2 depending on the level of received optical power and ROSA characteristics. Based on that ratio, the optical hysteresis corresponding to the electrical hysteresis range 2 dB to 4.5 dB shown in the AC characteristics table will be 0.5 dB to 3 dB Optical Hysteresis.

## TEMPERATURE SPECIFICATIONS (Note 1)

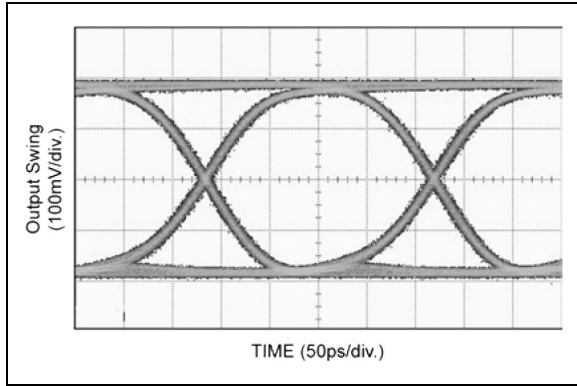
Parameters	Sym.	Min.	Typ.	Max.	Units	Conditions
<b>Temperature Ranges</b>						
Junction Temperature Range	$T_J$	-40	—	+120	°C	—
Ambient Temperature	$T_A$	-40	—	+85	°C	—
Lead Temperature	—	—	—	+260	°C	Soldering, 10 sec.
Storage Temperature	$T_S$	-65	—	+150	°C	—
<b>Package Thermal Resistance (Note 2)</b>						
QFN (Still-Air)	$\theta_{JA}$	—	61	—	°C/W	—
QFN	$\psi_{JB}$	—	38	—	°C/W	—

- Note 1:** The maximum allowable power dissipation is a function of ambient temperature, the maximum allowable junction temperature and the thermal resistance from junction to air (i.e.,  $T_A$ ,  $T_J$ ,  $\theta_{JA}$ ). Exceeding the maximum allowable power dissipation will cause the device operating junction temperature to exceed the maximum +85°C rating. Sustained junction temperatures above +85°C can impact the device reliability.
- 2:** Thermal performance assumes the use of a 4-layer PCB. Exposed pad must be soldered (or equivalent) to the device's most negative potential on the PCB.

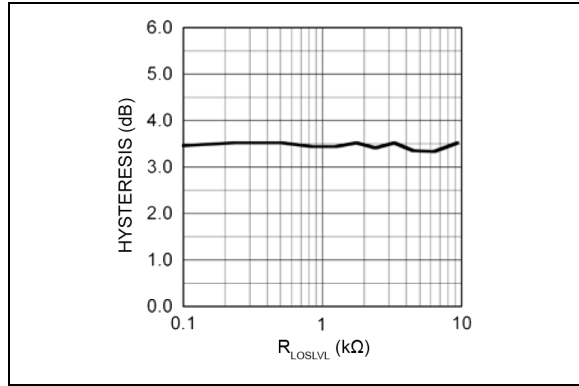
# SY88403BL

## 2.0 TYPICAL PERFORMANCE CURVES

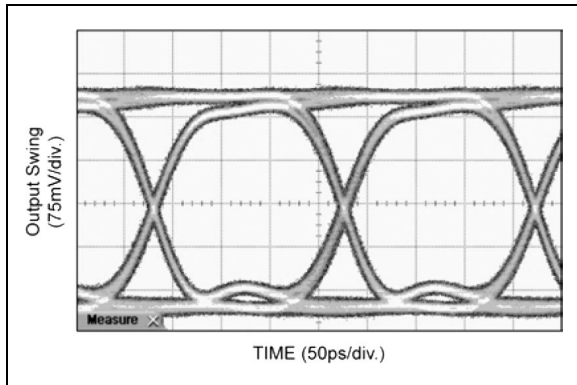
**Note:** The graphs and tables provided following this note are a statistical summary based on a limited number of samples and are provided for informational purposes only. The performance characteristics listed herein are not tested or guaranteed. In some graphs or tables, the data presented may be outside the specified operating range (e.g., outside specified power supply range) and therefore outside the warranted range.



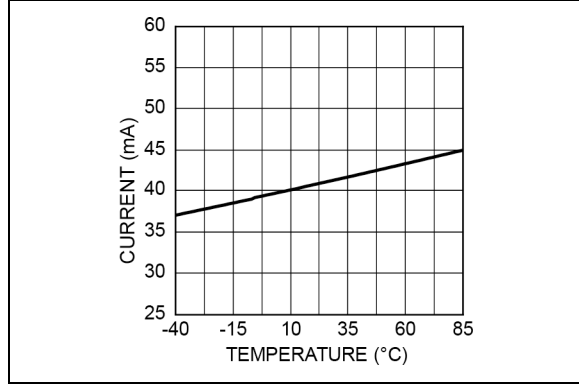
**FIGURE 2-1:** 3.3V, 25°C 20 mV<sub>PP</sub> Input @ 4.25 Gbps 2<sup>23</sup> - 1 PRBS, R<sub>LOAD</sub> = 50 to V<sub>CC</sub>.



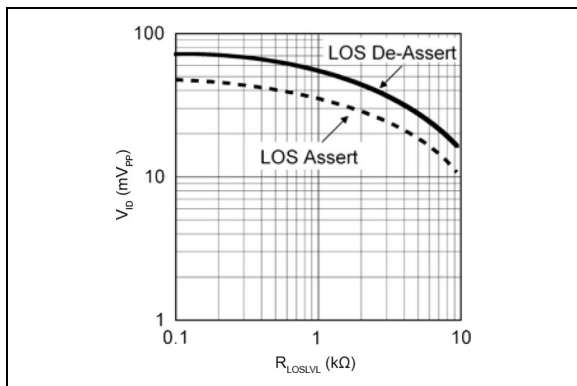
**FIGURE 2-4:** LOS Hysteresis vs. R<sub>LOSLVL</sub>.



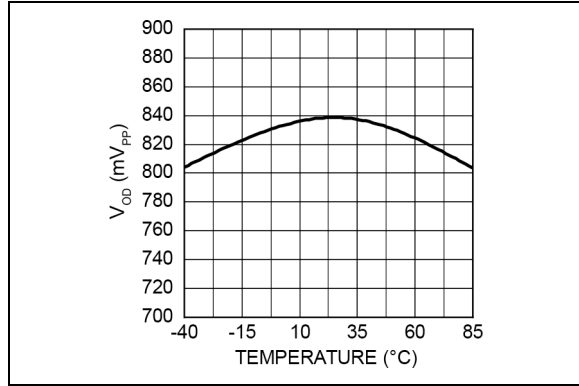
**FIGURE 2-2:** 1800 mV<sub>PP</sub> Input @ 4.25 Gbps 2<sup>23</sup> - 1 PRBS.



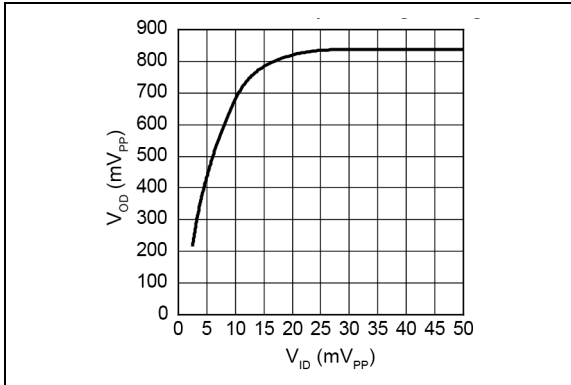
**FIGURE 2-5:** Power Supply Current vs. Temperature.



**FIGURE 2-3:** V<sub>ID</sub> to Assert/De-Assert LOS vs. R<sub>LOSLVL</sub>.



**FIGURE 2-6:** Differential Output Voltage Swing vs. Temperature (Amplifier in Limiting Mode).

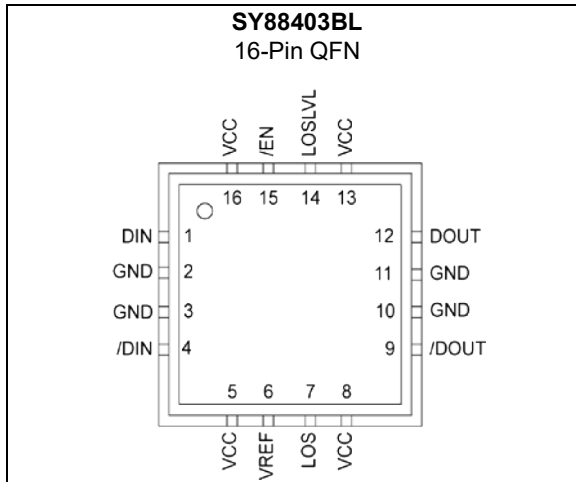


**FIGURE 2-7:** *Differential Output Voltage Swing vs. Differential Input Voltage Swing.*

# SY88403BL

## 3.0 PIN DESCRIPTIONS

### Package Type



The descriptions of the pins are listed in [Table 3-1](#).

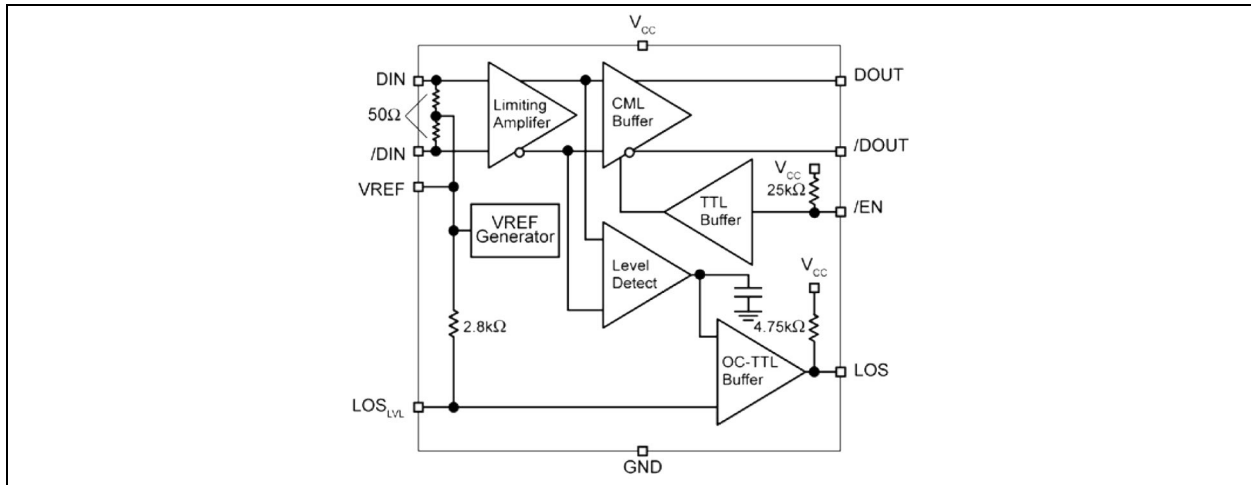
**TABLE 3-1: PIN FUNCTION TABLE**

QFN Pin Number	Pin Name	Type	Description
1, 4	DIN, /DIN	Differential Data Input	Differential Data Input. Each pin internally terminates to REF through 50Ω.
2, 3, 10, 11 Exposed Pad	GND	Ground	Device Ground. Exposed pad must be soldered (or equivalent) to the same potential as the ground pins.
5, 8, 13, 16	VCC	Power Supply	Positive Power Supply. Bypass with 0.1 μF  0.01 μF low ESR capacitors. 0.01 μF capacitors should be as close as possible to VCC pin.
6	VREF	—	Reference Voltage. Bypass with 0.01μF low ESR capacitor from VREF to VCC to stabilize LOS <sub>LVL</sub> and V <sub>REF</sub> .
7	LOS	Open Collector TTL Output with Internal 4.75kΩ Pull-Up Resistor	Loss-of-Signal: Asserts high when the data input amplitude falls below the threshold set by LOSLVL.
9, 12	DOUT, /DOUT	Differential CML Output	Differential Data Output.
14	LOSLVL	Input: Default is maximum sensitivity.	Loss-of-Signal Level Set: A resistor from this pin to VCC sets the threshold for the data input amplitude at which the LOS output will be asserted.
15	/EN	TTL Input: Default is high.	Enable Bar: De-asserts true data output when high. Incorporates 25 kΩ pull-up to VCC.



## 4.0 FUNCTIONAL DESCRIPTION

### 4.1 Functional Block Diagram



### 4.2 Detailed Description

The SY88403BL low-power limiting post amplifier operates from a single +3.3V power supply, over temperatures from  $-40^{\circ}\text{C}$  to  $+85^{\circ}\text{C}$ . Signals with data rates up to 4.25Gbps and as small as 5 mV<sub>PP</sub> can be amplified. Figure 4-1 shows the allowed input voltage swing. The SY88403BL generates an LOS output, allowing feedback to /EN for output stability. LOSLVL sets the sensitivity of the input amplitude detection.

#### 4.2.1 INPUT AMPLIFIER/BUFFER

The SY88403BL's inputs are internally terminated with 50Ω to REF. If not affected by this internal termination scheme, upstream devices need to be AC-coupled to the SY88403BL's inputs. Figure 4-2 shows a simplified schematic of the input stage.

The high-sensitivity of the input amplifier allows signals as small as 5 mV<sub>PP</sub> to be detected and amplified. The input amplifier allows input signals as large as 1800 mV<sub>PP</sub>. Input signals are linearly amplified with a typically 38 dB differential voltage gain. Since it is a limiting amplifier, the SY88403BL outputs typically 800 mV<sub>PP</sub> voltage-limited waveforms for input signals that are greater than 20 mV<sub>PP</sub>. Applications requiring the SY88403BL to operate with high-gain should have the upstream TIA placed as close as possible to the SY88403BL's input pins to ensure the best performance of the device.

#### 4.2.2 OUTPUT BUFFER

The SY88403BL's CML output buffer is designed to drive 50Ω lines. The output buffer requires appropriate termination for proper operation. An external 50Ω resistor to V<sub>CC</sub> or equivalent for each output pin provides this. Figure 4-3 shows a simplified schematic of the output stage and includes an appropriate

termination method. Of course, driving a downstream device with a CML input that is internally terminated with 50Ω to V<sub>CC</sub> eliminates the need for external termination. As noted in the previous section, the amplifier outputs typically 800 mV<sub>PP</sub> waveforms across 25Ω total loads. The output buffer thus switches typically 16 mA tail-current. Figure 4-4 shows the power supply current measurement, which excludes the 16 mA tail-current.

#### 4.2.3 LOSS-OF-SIGNAL

The SY88403BL incorporates a chatter-free loss-of-signal (LOS) open-collector TTL output with internal 4.75 kΩ pull-up resistor as shown in Figure 4-5. LOS is used to determine that the input amplitude is too small to be considered a valid input. LOS asserts high if the input amplitude falls below the threshold set by LOSLVL and de-asserts low otherwise. LOS can be fed back to the enable (/EN) input to maintain output stability under a loss of signal condition. /EN de-asserts low the true output signal without removing the input signals. Typically 3.5 dB LOS hysteresis is provided to prevent chattering.

#### 4.2.4 LOSS-OF-SIGNAL LEVEL SET

A programmable loss-of-signal level set pin (LOSLVL) sets the threshold of the input amplitude detection. Connecting an external resistor between V<sub>CC</sub> and LOSLVL sets the voltage at LOSLVL. This voltage ranges from V<sub>CC</sub> to V<sub>REF</sub>. The external resistor creates a voltage divider between V<sub>CC</sub> and V<sub>REF</sub> as shown in Figure 4-6. If desired, an appropriate external voltage may be applied rather than using a resistor. The relationship between V<sub>LOSLVL</sub> and R<sub>LOSLVL</sub> is given by:

# SY88403BL

---

---

## EQUATION 4-1:

$$V_{LOSLVL} = V_{CC} - \left( 1.3 \frac{R_{LOSLVL}}{R_{LOSLVL} + 2.8} \right)$$

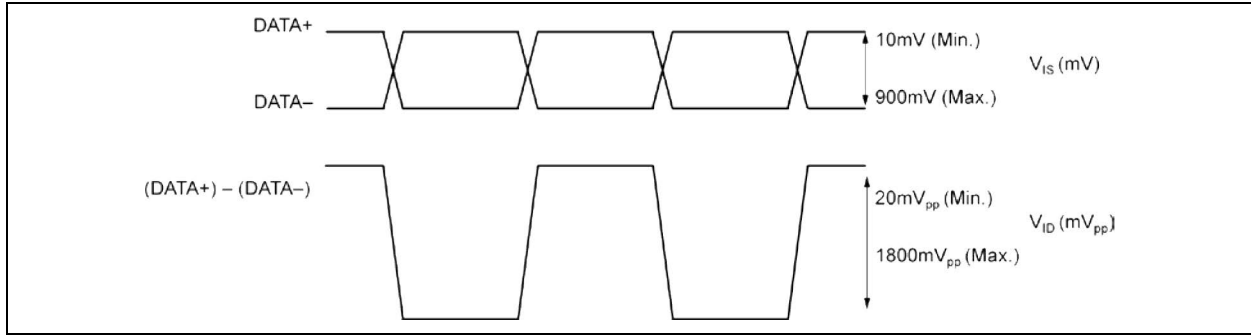
Where:

Voltages are in volts and resistances are in kΩ.

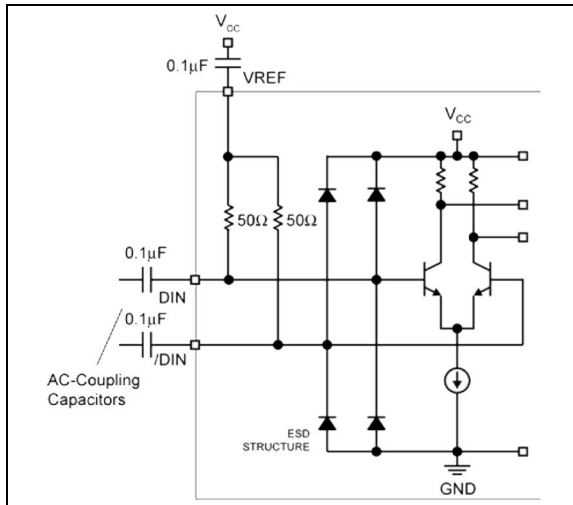
The smaller the external resistor, implying a smaller voltage difference from LOSLVL to VCC, lowers the LOS sensitivity. Hence, larger input amplitude is required to de-assert LOS. “Typical Operating Characteristics” contains graphs showing the relationship between the input amplitude detection sensitivity and  $R_{LOSLVL}$ .

### 4.2.5 HYSTERESIS

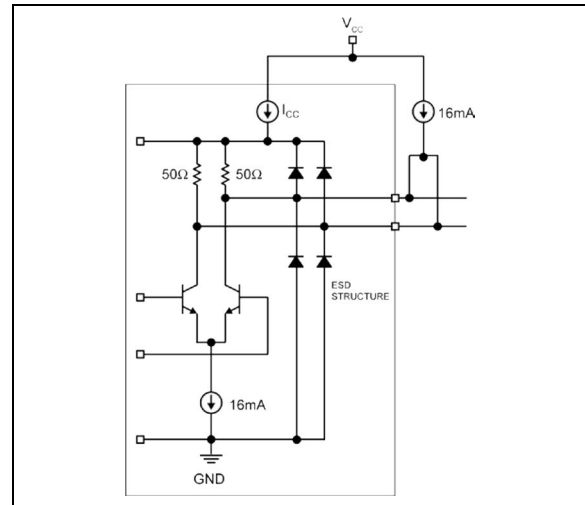
The SY88403BL provides typically 3.5 dB LOS electrical hysteresis. By definition, a power ratio measured in dB is  $10\log$  (power ratio). Power is calculated as  $V_{IN}^2/R$  for an electrical signal. Hence the same ratio can be stated as  $20\log$  (voltage ratio). While in linear mode, the electrical voltage input changes linearly with the optical power and hence the ratios change linearly. Therefore, the optical hysteresis in dB is half the electrical hysteresis in dB given in the datasheet. The SY88403BL provides typically 1.75 dB LOS optical hysteresis. As the SY88403BL is an electrical device, this datasheet refers to hysteresis in electrical terms. With 3.5 dB LOS hysteresis, a voltage factor of 1.5 is required to de-assert LOS.



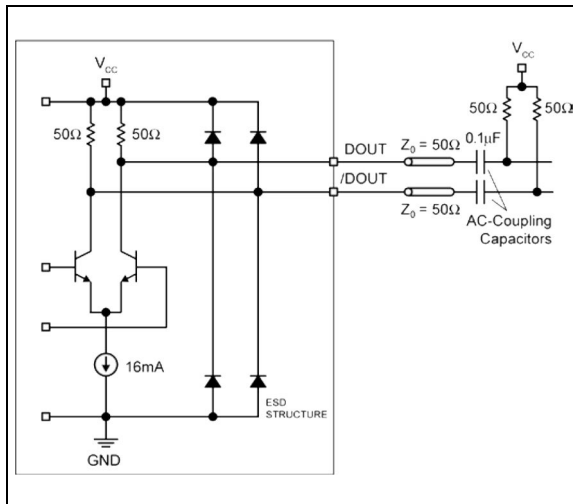
**FIGURE 4-1:**  $V_{IS}$  and  $V_{ID}$  Definition.



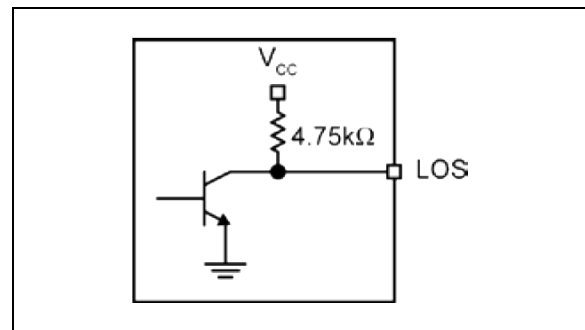
**FIGURE 4-2:** Input Structure.



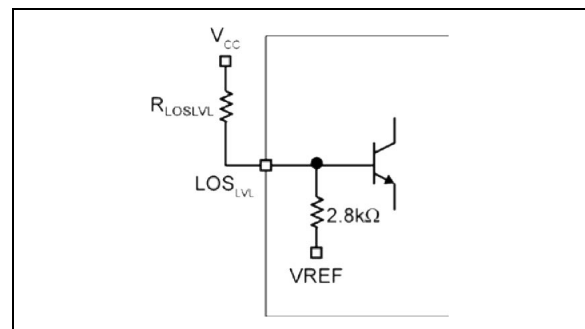
**FIGURE 4-4:** Power Supply Current Measurement.



**FIGURE 4-3:** Output Structure.



**FIGURE 4-5:** LOS Output Structure.



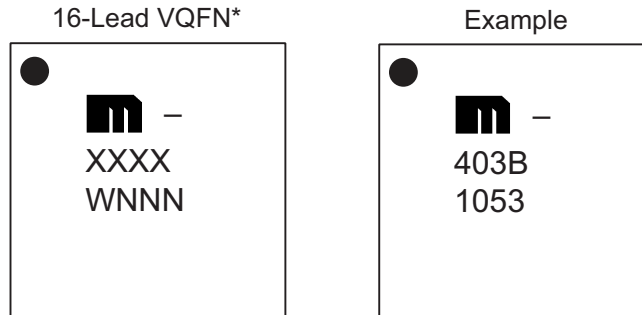
**FIGURE 4-6:** LOSLVL Setting Circuit.

# SY88403BL

---

## 5.0 PACKAGING INFORMATION

### 5.1 Package Marking Information



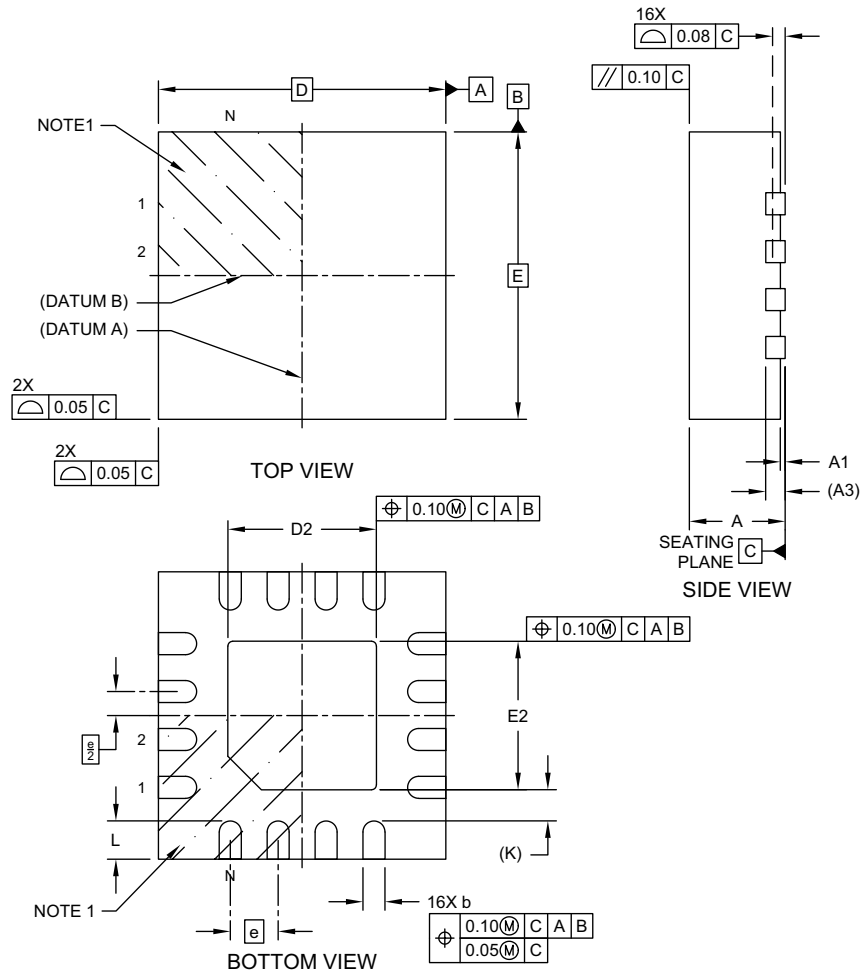
<b>Legend:</b>	XX...X	Product code or customer-specific information
	Y	Year code (last digit of calendar year)
	YY	Year code (last 2 digits of calendar year)
	WW	Week code (week of January 1 is week '01')
	NNN	Alphanumeric traceability code
	(e3)	Pb-free JEDEC® designator for Matte Tin (Sn)
	*	This package is Pb-free. The Pb-free JEDEC designator ((e3)) can be found on the outer packaging for this package.
	•, ▲, ▼	Pin one index is identified by a dot, delta up, or delta down (triangle mark).
<b>Note:</b>	In the event the full Microchip part number cannot be marked on one line, it will be carried over to the next line, thus limiting the number of available characters for customer-specific information. Package may or may not include the corporate logo.	
	Underbar (¯) and/or Overbar (˘) symbol may not be to scale.	

## 16-Lead QFN Package Outline and Recommended Land Pattern



### 16-Lead Very Thin Plastic Quad Flat, No Lead Package (NCA) - 3x3x1.0 mm Body [VQFN] With 1.55 mm Exposed Pad

**Note:** For the most current package drawings, please see the Microchip Packaging Specification located at <http://www.microchip.com/packaging>



Microchip Technology Drawing C04-1103-NCA Rev B Sheet 1 of 2

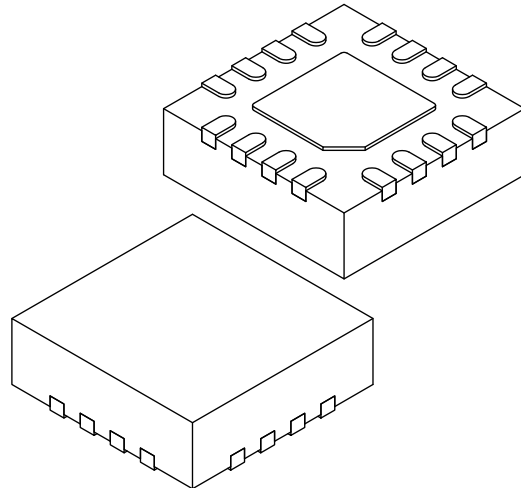
© 2021 Microchip Technology Incorporated

# SY88403BL



## 16-Lead Very Thin Plastic Quad Flat, No Lead Package (NCA) - 3x3x1.0 mm Body [VQFN] With 1.55 mm Exposed Pad

**Note:** For the most current package drawings, please see the Microchip Packaging Specification located at <http://www.microchip.com/packaging>



Dimension Limits	Units	MILLIMETERS		
		MIN	NOM	MAX
Number of Terminals	N	16		
Pitch	e	0.50 BSC		
Overall Height	A	0.80	0.90	1.00
Standoff	A1	0.00	0.02	0.05
Terminal Thickness	A3	0.203 REF		
Overall Length	D	3.00 BSC		
Exposed Pad Length	D2	1.50	1.55	1.60
Overall Width	E	3.00 BSC		
Exposed Pad Width	E2	1.50	1.55	1.60
Terminal Width	b	0.18	0.23	0.28
Terminal Length	L	0.35	0.40	0.45
Terminal-to-Exposed-Pad	K	0.33 REF		

**Notes:**

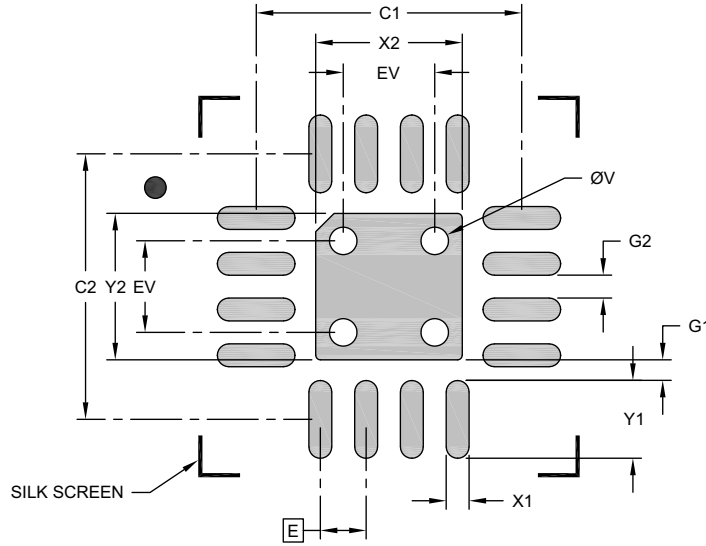
1. Pin 1 visual index feature may vary, but must be located within the hatched area.
2. Package is saw singulated
3. Dimensioning and tolerancing per ASME Y14.5M  
BSC: Basic Dimension. Theoretically exact value shown without tolerances.  
REF: Reference Dimension, usually without tolerance, for information purposes only.

Microchip Technology Drawing C04-1103-NCA Rev B Sheet 2 of 2



## 16-Lead Very Thin Plastic Quad Flat, No Lead Package (NCA) - 3x3x1.0 mm Body [VQFN] With 1.55 mm Exposed Pad

**Note:** For the most current package drawings, please see the Microchip Packaging Specification located at <http://www.microchip.com/packaging>



RECOMMENDED LAND PATTERN

Dimension Limits	Units	MILLIMETERS		
		MIN	NOM	MAX
Contact Pitch	E	0.50 BSC		
Center Pad Width	X2			1.60
Center Pad Length	Y2			1.60
Contact Pad Spacing	C1		2.90	
Contact Pad Spacing	C2		2.90	
Contact Pad Width (Xnn)	X1			0.25
Contact Pad Length (Xnn)	Y1			0.85
Contact Pad to Center Pad (Xnn)	G1	0.23		
Contact Pad to Contact Pad (Xnn)	G2	0.25		
Thermal Via Diameter	V		0.30	
Thermal Via Pitch	EV		1.00	

**Notes:**

- Dimensioning and tolerancing per ASME Y14.5M  
BSC: Basic Dimension. Theoretically exact value shown without tolerances.
- For best soldering results, thermal vias, if used, should be filled or tented to avoid solder loss during reflow process

Microchip Technology Drawing C04-3103-NCA Rev B

# SY88403BL

---

---

NOTES:



## APPENDIX A: REVISION HISTORY

### Revision A (February 2022)

- Converted Micrel document SY88403BL to Microchip data sheet DS20006650A.
- The MSOP package was removed as part of a recent update that happened prior to the document conversion.
- Minor text changes throughout.

# SY88403BL

---

---

NOTES:

## PRODUCT IDENTIFICATION SYSTEM

To order or obtain information, e.g., on pricing or delivery, contact your local Microchip representative or sales office.

<u>PART No.</u>	<u>X</u>	<u>X</u>	<u>X</u>	<u>-XX</u>	<b>Examples:</b>
Device	Supply Voltage	Package	Temperature Range	Media Type	
<b>Device:</b>	SY88403B:	3.2 Gbps CML Limiting Post Amplifier with Wide Loss-of-Signal Detection Range			a) SY88403BLMG: SY88403B, 3.3V Supply Voltage, 16-Lead 3x3 VQFN, -40°C to +85°C Temp. Range, 100/Tube
<b>Supply Voltage:</b>	L	=	3.3V		b) SY88403BLMG-TR: SY88403B, 3.3V Supply Voltage, 16-Lead 3x3 VQFN, -40°C to +85°C Temp. Range, 1,000/Reel
<b>Package:</b>	M	=	16-Lead 3 mm x 3 mm VQFN		<b>Note 1:</b> Tape and Reel identifier only appears in the catalog part number description. This identifier is used for ordering purposes and is not printed on the device package. Check with your Microchip Sales Office for package availability with the Tape and Reel option.
<b>Temperature Range:</b>	G	=	-40°C to +85°C		
<b>Media Type:</b>	(blank)=	100/Tube			
	TR	=	1,000/Reel		

# SY88403BL

---

---

NOTES:

---

---

**Note the following details of the code protection feature on Microchip products:**

- Microchip products meet the specifications contained in their particular Microchip Data Sheet.
- Microchip believes that its family of products is secure when used in the intended manner, within operating specifications, and under normal conditions.
- Microchip values and aggressively protects its intellectual property rights. Attempts to breach the code protection features of Microchip product is strictly prohibited and may violate the Digital Millennium Copyright Act.
- Neither Microchip nor any other semiconductor manufacturer can guarantee the security of its code. Code protection does not mean that we are guaranteeing the product is “unbreakable”. Code protection is constantly evolving. Microchip is committed to continuously improving the code protection features of our products.

---

This publication and the information herein may be used only with Microchip products, including to design, test, and integrate Microchip products with your application. Use of this information in any other manner violates these terms. Information regarding device applications is provided only for your convenience and may be superseded by updates. It is your responsibility to ensure that your application meets with your specifications. Contact your local Microchip sales office for additional support or, obtain additional support at <https://www.microchip.com/en-us/support/design-help/client-support-services>.

THIS INFORMATION IS PROVIDED BY MICROCHIP "AS IS". MICROCHIP MAKES NO REPRESENTATIONS OR WARRANTIES OF ANY KIND WHETHER EXPRESS OR IMPLIED, WRITTEN OR ORAL, STATUTORY OR OTHERWISE, RELATED TO THE INFORMATION INCLUDING BUT NOT LIMITED TO ANY IMPLIED WARRANTIES OF NON-INFRINGEMENT, MERCHANTABILITY, AND FITNESS FOR A PARTICULAR PURPOSE, OR WARRANTIES RELATED TO ITS CONDITION, QUALITY, OR PERFORMANCE.

IN NO EVENT WILL MICROCHIP BE LIABLE FOR ANY INDIRECT, SPECIAL, PUNITIVE, INCIDENTAL, OR CONSEQUENTIAL LOSS, DAMAGE, COST, OR EXPENSE OF ANY KIND WHATSOEVER RELATED TO THE INFORMATION OR ITS USE, HOWEVER CAUSED, EVEN IF MICROCHIP HAS BEEN ADVISED OF THE POSSIBILITY OR THE DAMAGES ARE FORESEEABLE. TO THE FULLEST EXTENT ALLOWED BY LAW, MICROCHIP'S TOTAL LIABILITY ON ALL CLAIMS IN ANY WAY RELATED TO THE INFORMATION OR ITS USE WILL NOT EXCEED THE AMOUNT OF FEES, IF ANY, THAT YOU HAVE PAID DIRECTLY TO MICROCHIP FOR THE INFORMATION.

Use of Microchip devices in life support and/or safety applications is entirely at the buyer's risk, and the buyer agrees to defend, indemnify and hold harmless Microchip from any and all damages, claims, suits, or expenses resulting from such use. No licenses are conveyed, implicitly or otherwise, under any Microchip intellectual property rights unless otherwise stated.

For information regarding Microchip's Quality Management Systems, please visit [www.microchip.com/quality](http://www.microchip.com/quality).

**Trademarks**

The Microchip name and logo, the Microchip logo, Adaptec, AnyRate, AVR, AVR logo, AVR Freaks, BesTime, BitCloud, CryptoMemory, CryptoRF, dsPIC, flexPWR, HELDO, IGLOO, JukeBlox, KeeLoq, Kleer, LANCheck, LinkMD, maXStylus, maXTouch, MediaLB, megaAVR, Microsemi, Microsemi logo, MOST, MOST logo, MPLAB, OptoLyzer, PIC, picoPower, PICSTART, PIC32 logo, PolarFire, Prochip Designer, QTouch, SAM-BA, SenGenuity, SpyNIC, SST, SST Logo, SuperFlash, Symmetricom, SyncServer, Tachyon, TimeSource, tinyAVR, UNI/O, Vectron, and XMEGA are registered trademarks of Microchip Technology Incorporated in the U.S.A. and other countries.

AgileSwitch, APT, ClockWorks, The Embedded Control Solutions Company, EtherSynch, Flashtec, Hyper Speed Control, HyperLight Load, IntelliMOS, Libero, motorBench, mTouch, Powermite 3, Precision Edge, ProASIC, ProASIC Plus, ProASIC Plus logo, QuietWire, SmartFusion, SyncWorld, Temux, TimeCesium, TimeHub, TimePictra, TimeProvider, TrueTime, WinPath, and ZL are registered trademarks of Microchip Technology Incorporated in the U.S.A.

Adjacent Key Suppression, AKS, Analog-for-the-Digital Age, Any Capacitor, AnyIn, AnyOut, Augmented Switching, BlueSky, BodyCom, CodeGuard, CryptoAuthentication, CryptoAutomotive, CryptoCompanion, CryptoController, dsPICDEM, dsPICDEM.net, Dynamic Average Matching, DAM, ECAN, Espresso T1S, EtherGREEN, GridTime, IdealBridge, In-Circuit Serial Programming, ICSP, INICnet, Intelligent Paralleling, Inter-Chip Connectivity, JitterBlocker, Knob-on-Display, maxCrypto, maxView, memBrain, Mindi, MiWi, MPASM, MPF, MPLAB Certified logo, MPLIB, MPLINK, MultiTRAK, NetDetach, NVM Express, NVMe, Omniscient Code Generation, PICDEM, PICDEM.net, PICkit, PICtail, PowerSmart, PureSilicon, QMatrix, REAL ICE, Ripple Blocker, RTAX, RTG4, SAM-ICE, Serial Quad I/O, simpleMAP, SimpliPHY, SmartBuffer, SmartHLS, SMART-I.S., storClad, SQL, SuperSwitcher, SuperSwitcher II, Switchtec, SynchroPHY, Total Endurance, TSHARC, USBCheck, VariSense, VectorBlox, VeriPHY, ViewSpan, WiperLock, XpressConnect, and ZENA are trademarks of Microchip Technology Incorporated in the U.S.A. and other countries.

SQTP is a service mark of Microchip Technology Incorporated in the U.S.A.

The Adaptec logo, Frequency on Demand, Silicon Storage Technology, Symmcom, and Trusted Time are registered trademarks of Microchip Technology Inc. in other countries.

GestIC is a registered trademark of Microchip Technology Germany II GmbH & Co. KG, a subsidiary of Microchip Technology Inc., in other countries.

All other trademarks mentioned herein are property of their respective companies.

© 2022, Microchip Technology Incorporated and its subsidiaries.

All Rights Reserved.

ISBN: 978-1-5224-9777-6



# MICROCHIP

## Worldwide Sales and Service

### AMERICAS

**Corporate Office**  
2355 West Chandler Blvd.  
Chandler, AZ 85224-6199  
Tel: 480-792-7200  
Fax: 480-792-7277  
Technical Support:  
[http://www.microchip.com/  
support](http://www.microchip.com/support)  
Web Address:  
[www.microchip.com](http://www.microchip.com)

**Atlanta**  
Duluth, GA  
Tel: 678-957-9614  
Fax: 678-957-1455

**Austin, TX**  
Tel: 512-257-3370

**Boston**  
Westborough, MA  
Tel: 774-760-0087  
Fax: 774-760-0088

**Chicago**  
Itasca, IL  
Tel: 630-285-0071  
Fax: 630-285-0075

**Dallas**  
Addison, TX  
Tel: 972-818-7423  
Fax: 972-818-2924

**Detroit**  
Novi, MI  
Tel: 248-848-4000

**Houston, TX**  
Tel: 281-894-5983

**Indianapolis**  
Noblesville, IN  
Tel: 317-773-8323  
Fax: 317-773-5453  
Tel: 317-536-2380

**Los Angeles**  
Mission Viejo, CA  
Tel: 949-462-9523  
Fax: 949-462-9608  
Tel: 951-273-7800

**Raleigh, NC**  
Tel: 919-844-7510

**New York, NY**  
Tel: 631-435-6000

**San Jose, CA**  
Tel: 408-735-9110  
Tel: 408-436-4270

**Canada - Toronto**  
Tel: 905-695-1980  
Fax: 905-695-2078

### ASIA/PACIFIC

**Australia - Sydney**  
Tel: 61-2-9868-6733

**China - Beijing**  
Tel: 86-10-8569-7000

**China - Chengdu**  
Tel: 86-28-8665-5511

**China - Chongqing**  
Tel: 86-23-8980-9588

**China - Dongguan**  
Tel: 86-769-8702-9880

**China - Guangzhou**  
Tel: 86-20-8755-8029

**China - Hangzhou**  
Tel: 86-571-8792-8115

**China - Hong Kong SAR**  
Tel: 852-2943-5100

**China - Nanjing**  
Tel: 86-25-8473-2460

**China - Qingdao**  
Tel: 86-532-8502-7355

**China - Shanghai**  
Tel: 86-21-3326-8000

**China - Shenyang**  
Tel: 86-24-2334-2829

**China - Shenzhen**  
Tel: 86-755-8864-2200

**China - Suzhou**  
Tel: 86-186-6233-1526

**China - Wuhan**  
Tel: 86-27-5980-5300

**China - Xian**  
Tel: 86-29-8833-7252

**China - Xiamen**  
Tel: 86-592-2388138

**China - Zhuhai**  
Tel: 86-756-3210040

### ASIA/PACIFIC

**India - Bangalore**  
Tel: 91-80-3090-4444

**India - New Delhi**  
Tel: 91-11-4160-8631

**India - Pune**  
Tel: 91-20-4121-0141

**Japan - Osaka**  
Tel: 81-6-6152-7160

**Japan - Tokyo**  
Tel: 81-3-6880-3770

**Korea - Daegu**  
Tel: 82-53-744-4301

**Korea - Seoul**  
Tel: 82-2-554-7200

**Malaysia - Kuala Lumpur**  
Tel: 60-3-7651-7906

**Malaysia - Penang**  
Tel: 60-4-227-8870

**Philippines - Manila**  
Tel: 63-2-634-9065

**Singapore**  
Tel: 65-6334-8870

**Taiwan - Hsin Chu**  
Tel: 886-3-577-8366

**Taiwan - Kaohsiung**  
Tel: 886-7-213-7830

**Taiwan - Taipei**  
Tel: 886-2-2508-8600

**Thailand - Bangkok**  
Tel: 66-2-694-1351

**Vietnam - Ho Chi Minh**  
Tel: 84-28-5448-2100

### EUROPE

**Austria - Wels**  
Tel: 43-7242-2244-39  
Fax: 43-7242-2244-393

**Denmark - Copenhagen**  
Tel: 45-4485-5910  
Fax: 45-4485-2829

**Finland - Espoo**  
Tel: 358-9-4520-820

**France - Paris**  
Tel: 33-1-69-53-63-20  
Fax: 33-1-69-30-90-79

**Germany - Garching**  
Tel: 49-8931-9700

**Germany - Haan**  
Tel: 49-2129-3766400

**Germany - Heilbronn**  
Tel: 49-7131-72400

**Germany - Karlsruhe**  
Tel: 49-721-625370

**Germany - Munich**  
Tel: 49-89-627-144-0  
Fax: 49-89-627-144-44

**Germany - Rosenheim**  
Tel: 49-8031-354-560

**Israel - Ra'anana**  
Tel: 972-9-744-7705

**Italy - Milan**  
Tel: 39-0331-742611  
Fax: 39-0331-466781

**Italy - Padova**  
Tel: 39-049-7625286

**Netherlands - Drunen**  
Tel: 31-416-690399  
Fax: 31-416-690340

**Norway - Trondheim**  
Tel: 47-7288-4388

**Poland - Warsaw**  
Tel: 48-22-3325737

**Romania - Bucharest**  
Tel: 40-21-407-87-50

**Spain - Madrid**  
Tel: 34-91-708-08-90  
Fax: 34-91-708-08-91

**Sweden - Gothenberg**  
Tel: 46-31-704-60-40

**Sweden - Stockholm**  
Tel: 46-8-5090-4654

**UK - Wokingham**  
Tel: 44-118-921-5800  
Fax: 44-118-921-5820

