

Watt-Hour Meter using PIC16C923 and CS5460

Authors: Brett Duane, Stephen Humberd
Microchip Technology Inc.

OVERVIEW

This application note shows how to use a PIC16C923 microcontroller to control operation of the CS5460 power measurement integrated circuit from Cirrus Logic®/Crystal Power Measurement, to drive a liquid crystal panel (“glass”), and to store and retrieve data using the 24C01 Serial EEPROM.

Energy transferred between the line and load is measured by the CS5460. The PIC16C923 initializes the CS5460 with calibration data stored in the 24C01 Serial EEPROM, records the total energy measured in the 24C01, and displays results on the LCD panel.

INTRODUCTION

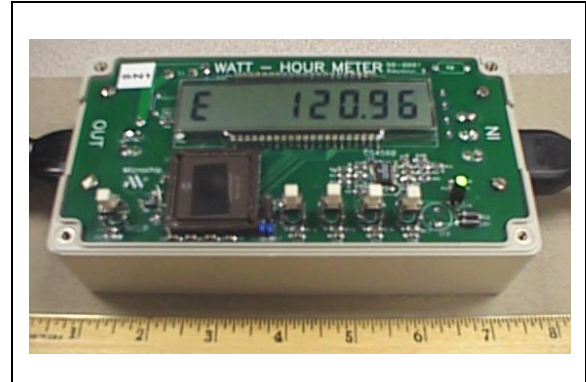
Most forms of AC power measurement have already been patented by various companies, so measuring AC power in a product intended for sale often involves paying licensing fees to another company. The CS5460 offers an integrated solution that provides a power and energy measurement sub-system, requiring only voltage and current sense inputs. In addition, calibration is accurate for any current waveform or power factor that may be encountered.

By using the CS5460, a PIC16C923 microcontroller, a 24C01 Serial EEPROM, and an LCD panel, a simple and compact device is constructed that displays RMS voltage, RMS current, and the energy consumed by a load. These features are extended by including computation and display of apparent power, true power, and power factor.

The PIC16C923 LCD controller can drive an LCD panel with up to 4 common planes and up to 32 segments. 4K words of program memory, and 176 bytes of RAM are provided. A Synchronous Serial Peripheral (SSP) provides SPI™ communications with the CS5460. Inter-Integrated Circuit™ (I²C) communications with the 24C01 Serial EEPROM are provided by firmware.

The CS5460 power/energy measurement IC measures instantaneous voltage and current four thousand times a second and uses these measurements to compute VRMS, IRMS, instantaneous power, and accumulated energy results for read out. In addition, a pulse is generated whenever a user specified amount of energy transfers between the line and the load.

FIGURE 1: WATT-HOUR METER



HARDWARE

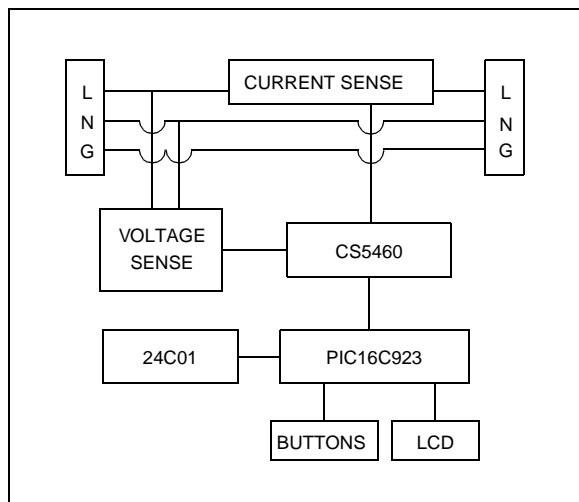
On power-up, the PIC16C923 microcontroller reads the calibration data, device serial number, and total energy from the 24C01, writes the calibration data to the CS5460, initializes the CS5460, and reads the state of the control buttons.

If the control button state matches one of three patterns at RESET, a control mode is entered that allows setting the real time clock (RTC), clearing the total WHr and restoring default calibration values, or adjusting calibration constants.

During normal operation, the PIC16C923 counts pulses from the CS5460, reads CS5460 data registers, drives the LCD panel to display the requested data, and monitors the control buttons. The pulses are used to update the total energy count and are periodically written to the 24C01.

The CS5460 measures line voltage and line current to compute power and energy transferred on the line. When a unit of energy has transferred between the line and the load, a pulse with direction indication is generated.

FIGURE 2: SYSTEM BLOCK DIAGRAM



CS5460 Power/Energy Measurement Circuit

The CS5460 measures the instantaneous line voltage and line current, four thousand times a second. These measurements are used to compute instantaneous power, energy transferred since the last measurement, RMS voltage, RMS current, and accumulated energy transferred. All measurements and results can be read by an external controller, via the SPI interface. A transfer of energy is also indicated by a pulse output at the $\overline{\text{EOUT}}$ pin. The direction of transfer is indicated by the $\overline{\text{EDIR}}$ pin.

Communication with the CS5460 takes place over a 4-wire SPI link with the PIC16C923. The CS5460 is configured and controlled over this link. Calculation results are also read by the controller over this link.

The line voltage may be sampled using a transformer or resistor divider. The differential input is limited to 150mVRMS. In this application, line voltage is detected from the secondary winding of the power supply transformer, T2 (see Figure 3B and Figure 5). When operating from 120V, there is about an 8V peak at VIN+ or VIN- . When operating from 220V, there is about a 14.7V peak. This voltage is further reduced by a resistor network before being applied to the CS5460 (see Figure 4A).

The line current may be sampled using a current transformer or shunt resistor. Depending on the gain of the input channel, the differential input is limited to either 30 mVRMS (gain = 50), or 150 mVRMS (gain = 10). In this application, the current channel gain is 10, for a maximum input voltage of 150 mVRMS. This voltage is provided by the current sense transformer T1 and resistor R21, and is reduced by a resistor network similar to the line voltage channel (see Figure 3A and Figure 4B).

There is no switching provided, or required for operation from either 120V or 220V, 50Hz or 60Hz. However, accuracy will decrease when operating from a line voltage different than the calibration conditions.

By using the instantaneous voltage and current, the CS5460 computes the RMS voltage, RMS current, and instantaneous power. The instantaneous power is integrated at the sampling rate (4000Hz) to compute the energy transferred. A new RMS value is available every 4000 samples. Samples are taken 4000 times per second, or about 67 times per 60Hz cycle.

When the integrated energy exceeds 10 WSec, a fixed width pulse is generated at the $\overline{\text{EOUT}}$ pin and the integrated energy is reduced by 10 WSec. These pulses are counted to record energy consumption. The $\overline{\text{EDIR}}$ pin indicates the direction that the energy flows (reactive loads can return energy to the line). Depending on the state of the $\overline{\text{EDIR}}$ pin, the pulse at the $\overline{\text{EOUT}}$ pin causes the PIC16C923 to either increment, or decrement the total energy count.

FIGURE 3: CIRCUITS THAT MONITOR LINE CURRENT (A) AND LINE VOLTAGE (B)

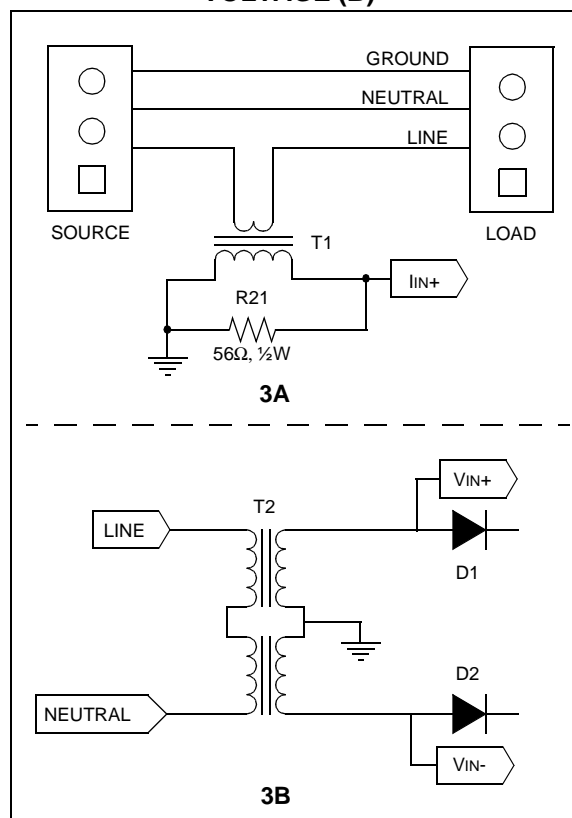
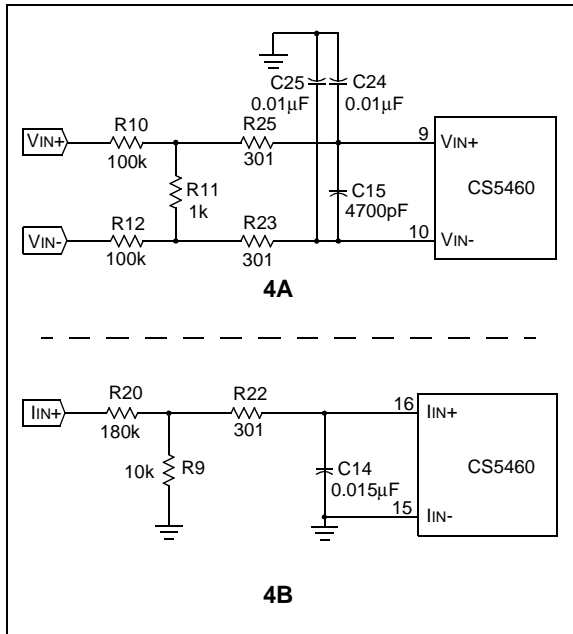


FIGURE 4: CS5460 INPUT ATTENUATION CIRCUITS

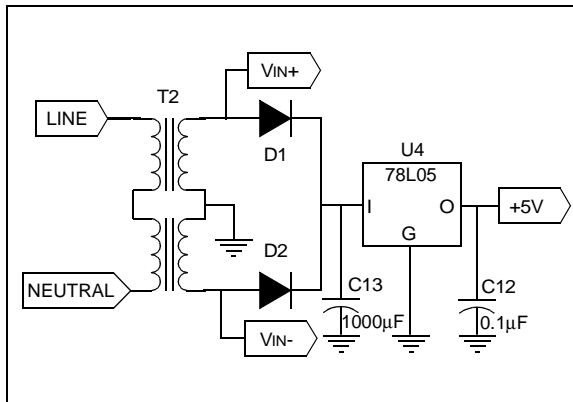


Power Supply

A transformer isolated power supply provides power for the Watt-Hour Meter. The transformer primary is connected to the line between the power source and the current sense transformer. The AC voltage from the transformer secondary is used to detect the line voltage and is coupled to the CS5460 through a resistor network (see Figure 4A).

The AC from the center tapped secondary is full wave rectified, filtered, and provided to the 5V regulator. The 5V loads are the "power-on" LED, the CS5460, and the PIC16C923. The majority of the current is drawn by the LED, about 7.5mA. The rest of the circuit draws less than 5mA.

FIGURE 5: POWER SUPPLY CIRCUIT

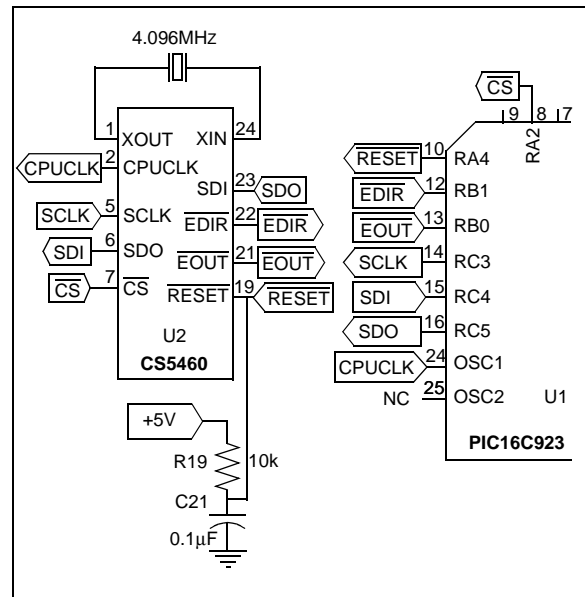


PIC16C923 Microcontroller

The PIC16C923 microcontroller provides a Liquid Crystal Display (LCD) driver module that drives the LCD panel directly. It also communicates with the CS5460 using the 4-wire SPI link (SDI, SDO, SCL, and CS) to issue commands, write calibration data, and read measurement and calculation results. The microcontroller also controls the CS5460 RESET line (see Figure 6).

The controller system oscillator is driven by the CPUCLK output of the CS5460 and operates at 4.096MHz. The system oscillator is configured for XT mode, but any crystal mode will work. A 32.768kHz crystal has been provided for use with the Timer1 oscillator. Since the CS5460 provides a 4.096MHz clock source to the PIC16C923, either source can be used for the real time clock source. The demonstration units have been configured to use the CS5460 clock source for the real time clock.

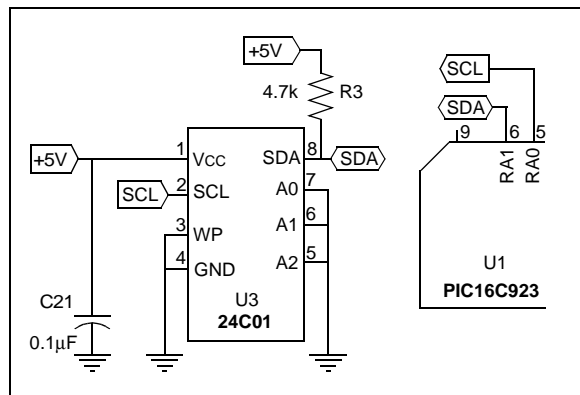
FIGURE 6: CONNECTIONS BETWEEN THE CS5460 AND THE PIC16C923



Interface to 24C01 Serial EEPROM

The Serial EEPROM stores the calibration constants required by the CS5460 for accurate measurements, and the total accumulated energy transferred. The controller communicates with the 24C01 via an I²C interface. Since the SSP module is already in use supporting SPI communications with the CS5460, the PIC16C923 must perform I²C communications in firmware, using RA0 (SCL) and RA1 (SDA) (see Figure 7). Either the 24C01, or the PIC16C923, may pull the SDA line low, depending on the direction of the data flow. Since the PIC16C923 always drives the SCL line, no pull-up resistor was included. A memory map of the Serial EEPROM is included in Appendix A.

FIGURE 7: CONNECTION BETWEEN THE 24C01 AND THE PIC16C923



User Interface

The user interface consists of the LCD display, four control push buttons, one reset push button, and the “power-on” LED.

The PIC16C923 LCD module directly drives the LCD panel. The panel can display eight, 7-segment digits (numbers only), seven decimal points and three colons.

When pushed, each of the four push buttons pull the respective port pin low. The buttons are connected to PORTB and are numbered from 1 to 4, left to right.

FIRMWARE

The CS5460 transfers data in 4 byte groups (32-bits). The first byte contains the register address and a bit specifying a read or write operation. The remaining 3 bytes are transferred to or from one of the internal registers. The CS5460 also accepts single byte commands. Such commands are followed by 3 SYNC bytes that are treated as NOP bytes.

A write command is followed by 3 bytes of data to the CS5460, to be written to the selected register. A read command causes the 3 bytes of the selected register to be output by the CS5460.

If the command byte specifies an operation to be performed, or a read operation, the remaining 3 bytes transmitted by the PIC16C923 should be SYNC0 bytes (0xFE).

Power-up and RESET

A Power-on Reset initializes the CS5460 and clears the real time clock.

Initialize On-Chip Peripherals

Timer1, Timer2, the SSP, and Ports A, B, and C are configured for operation. Interrupts are also enabled. The LCD module is then configured.

Clear the LCD Display

All segment data registers are cleared to blank the display. This routine is called frequently during normal operation.

Initialize Variables

If this was a cold start (power has just been applied), the memory contents are cleared and the calibration constants are copied from the 24C01 to the CS5460. The device serial number and the current total WHr are retrieved from the 24C01. If a warm start has occurred, only the serial number is retrieved.

Initialize the CS5460

The CS5460 is configured to generate a pulse at the EOUT pin for each 10 WSec measured (360 pulses per WHr). For 100W loads, this causes 10 pulses per second to be generated.

Check Button Status

The status of the four push buttons is checked. If all four buttons are pressed, the total WHr value in the 24C01 is cleared and calibration values are copied from the EEPROM to the CS5460. If the center two buttons are pressed, the real time clock is set. If the outer two buttons are pressed, the Watt-Hour meter enters Calibration mode (see Table 1). If no buttons are pressed, the CS5460 begins continuous measurements. Execution proceeds to the scrolling start-up message.

TABLE 1: BUTTON STATES CHECKED DURING RESET

Buttons				Control Mode
1	2	3	4	
X	X	X	X	Clear WHr, restore calibration values
	X	X		Set Clock
X			X	Calibration

Display the Start-up Message

A start-up message is displayed on the LCD. This message scrolls across the display until any of the four buttons is pressed. This message displays the device name and serial number.

Normal Operation

Results of the various calculations are displayed on the LCD. Each result is displayed for two seconds with an update after one second. If no buttons are pressed, the next mode is displayed. Holding any button keeps the display in the present mode, for as long as the button is held. New results will be displayed each second (see Table 2).

TABLE 2: DISPLAY MODES

Display	Value Displayed
HH:MM:SS	Time
E	RMS Voltage
C	RMS Current
AP	Apparent Power
TP	True Power
PF	Power Factor
Hr	Total WHr

Time

The first result displayed is the time of day in the form HH:MM:SS. If the time of day was not set at RESET, this indicates the time since power-up (days are not recorded).

RMS Voltage

The RMS voltage is computed by reading the RMS voltage value from the CS5460. This is a 24-bit value with a range of 0.000 to 1.000, representing a fraction of the full scale voltage. The 16 most significant bits are multiplied by the full scale voltage (as 16-bits) to produce the actual RMS voltage on the line, as a 16-bit binary number. This is converted to a 5 digit packed BCD number. The LCD display is blanked and "E" and the appropriate decimal point are displayed. The packed BCD number is then displayed, after determining which digits (leading zeros) should remain blank.

After one second, the value is updated and displayed again. After another second, execution proceeds to the next mode if no buttons were pressed. If a button was pressed, the two-second counter that controls when the next subroutine should be executed is cleared, extending the time that the value is displayed. This code is repeated in all display subroutines.

RMS Current

The RMS current is computed and displayed similar to the RMS voltage. The only differences are the full scale current is used, a "C" is displayed and a different decimal point is turned on. The button state is again checked to see if execution should remain in this subroutine.

Apparent Power

The apparent power is computed in a subroutine (CalcAP), called by both the apparent power loop (APLoop) and the power factor loop (PFLoop). The apparent power is computed by reading the RMS voltage and RMS current from the CS5460, as before. The 16 most significant bits of each are multiplied together, giving a 32-bit result. The 16 most significant bits of the result are multiplied with the full scale apparent power (16-bits) to get the actual apparent power in volt • amps in binary. The 16 most significant bits are returned for use by the calling subroutines.

APLoop then converts the apparent power in binary (16-bits) to a 5-digit packed BCD number for display. The LCD display is blanked, "AP" is displayed and after determining which digits should remain blanked (leading zeros), the apparent power is displayed. The buttons are again checked, as before, to determine if execution should remain in this subroutine.

True Power

The CS5460 was programmed to generate a pulse whenever 10 WSec of energy has been transferred. For a 250W load, 25 pulses each second will be generated. These pulses have been processed in an Interrupt Service Routine. When 360 pulses have been accumulated, 3600 WSec or 1 WHr has been transferred. The total WHr is then incremented. The pulse count is also recorded for each second.

The apparent power is computed in a subroutine (CalcTP), called by both the true power loop (TPLoop) and the power factor loop (PFLoop). CalcTP multiplies the number of pulses received during the last second by 10 to compute the true power consumed by the load. The result is returned as the true power in watts as a 16-bit binary number.

TPLoop converts and displays the true power in the same way as APLoop displays apparent power. The only difference is that "TP" is displayed instead of "AP". The buttons are again checked as before to determine if execution should remain in this subroutine.

Power Factor (PF)

The power factor is computed by calling the CalcAP subroutine to get apparent power in volt • amps and the CalcTP subroutine to get true power in watts. The true power is divided by the apparent power to get the power factor as a binary result, in the range of 0.000 to 1.000. The binary power factor is multiplied by 1000 and converted to a BCD number for display. The appropriate decimal point is turned on.

The buttons are checked as before to determine if execution should remain in the power factor subroutine.

If apparent power is equal to 0, there is no load ($I_{RMS} = 0$). This can result in a division by zero condition. If a division by zero is detected, a PF of 1.000 is reported.

The calculated power factor can also greatly exceed 1.0. When this occurs, the power factor is reported as being 1.000. This occurs when the load characteristics are rapidly changing (as when a motor is starting). All the measurements are not taken at exactly the same time and the RMS values are calculated over a one second period. When the load reaches a steady state condition, the power factor will again be correct.

Energy (Watt-Hours)

The `WHLoop` simply displays the WHr counter value. The binary count is converted to BCD. The BCD number is then displayed with leading zeros blanked, using the same subroutine used by the apparent power and true power displays. The WHr counter is 16-bits long, allowing a maximum of 65,535 WHr to be displayed. When this count is exceeded, the count rolls over to 0.

Control Modes

If any of the three control modes was selected during RESET, execution branches to one of these modules to control how the Watt-Hour meter functions.

When the control mode is terminated, a warm start RESET is executed.

Calibrating the Watt-Hour Meter

The user is given the opportunity to adjust the calibration constants. These constants will not be stored to the 24C01. When reset, using the reset button, the calibration values entered in the Calibrate mode will be used for making measurements and operation will resume as normal, except that the new calibration values are used. If reset by removing power, or reset while pressing all four buttons (clear total WHr), the constants stored in the 24C01 will be used for operation.

Enter Calibration mode by holding the two outer buttons while pressing the reset button. The first three digits display "CAL", and the remaining digits indicate which constant is being adjusted. "CAL EOFF" will be displayed first. This indicates that the value displayed the next time button 2 is pressed, will be the calibration constant for the voltage offset. Pressing button 2 again displays the constant's value.

The decimal point is next to the digit to be modified. Pressing button 3 will move the decimal point to the next digit to the right. Pressing button 4 will increment that digit. Each digit will cycle from 0 to F, then back to 0. Only that digit will be affected. Pressing button 1 at any time will cause the value for that constant to be sent to the CS5460 and display the next constant name. See Table 3 for button functions.

TABLE 3: CALIBRATION MODE BUTTON FUNCTIONS

Button				Function
1	2	3	4	
X				Writes constant to CS5460 and displays next constant name
	X			Displays each constant name and its value in turn
		X		Selects next digit and moves decimal point
			X	Increments selected digit

Table 4 shows the constant names and typical values. It is essential that the offsets be minimized before setting the gains.

To set the offsets, remove AC power from the Watt-Hour meter and apply DC power of 8 to 12 VDC to C13. Adjust the offset constants for minimum RMS results (there is a null in both the current and voltage channels). Record the offsets.

Apply AC power to the Watt-Hour meter and remove the DC power from C13. Applying power in this order prevents a loss of power to the CS5460. If power is lost, reenter the offset values before adjusting the gain values. Apply a known resistive load to the Watt-Hour meter output. Adjust the voltage and current gain constants so the indicated RMS voltage and current match the actual load voltage and current. Adjust the pulse rate gain so the indicated true power matches the actual load power. Record the gain constants.

Resetting the device now uses the constants just found. If the total Watt-Hours is cleared, the original constants will be restored.

The software was designed for demonstration purposes; therefore, the calibration constants cannot be written to the serial EEPROM. If desired, the user can modify the code to write the new calibration constants to the EEPROM.

TABLE 4: CALIBRATION MODE INDICATIONS, CONSTANT AND TYPICAL VALUES

Indication	Constant	Calibration Value (120V, 10A)	CS5460 Default
EOFF	Voltage Offset	0x00CCBB = +0.00624	0x000000 = 0.00000
COFF	Current Offset	0xFEB320 = -0.01015	0x000000 = 0.00000
E GA	Voltage Gain	0x2C2F62 = 0.69039	0x400000 = 1.00000
C GA	Current Gain	0x298610 = 0.64917	0x400000 = 1.00000
P GA	Pulse Rate Gain	0x01FEF2 = 510.95	0x0FA000 = 4000.000

Clear Total Watt-Hours

This option causes the total WHr to be cleared from the 24C01 and RAM, and copies calibration data stored in the 24C01 back to the CS5460. The word "CLEAR" is displayed until the buttons are released.

Setting the Real Time Clock

"CL" is displayed in the two digits at the left edge of the display. The current time is displayed in the remaining six digits.

If buttons 2 and 4 are pressed together, the hours are incremented. If buttons 3 and 4 are pressed, the minutes are incremented. If the minutes roll over from 59 to 0, the hours will not be affected. If button 1 is pressed, "CL" is cleared from the display and execution proceeds to the main loop. Pressing Button 2, 3, or 4 alone has no effect (see Table 5).

TABLE 5: CLOCK SET MODE BUTTON FUNCTIONS

Button				Function
1	2	3	4	
X				Done setting clock
	X		X	Increment hours
		X	X	Increment minutes

POSSIBLE ENHANCEMENTS

An idea to simplify the calibration process is presented, along with ideas for adding a battery backup and event logging.

Power Factor

As reactive loads draw current out of phase with the line voltage, there is an associated phase angle. The cosine of this angle provides the power factor.

The power factor will never exceed 1.000. Resistive loads will show a very high power factor, while reactive loads, such as motors, will show lower power factors. Loads with great harmonic content (such as most power supplies) will also indicate a low power factor. Power Factor Correcting (PFC) loads will indicate very high power factors.

Calibration

The calibration process assumes the user has the time and understanding to determine the calibration constants. This process can be greatly simplified. The CS5460 has the capability of determining offsets and gains. By commanding the CS5460 to perform an offset calibration, the offset constants can be found very quickly. The calibration program would indicate the measured value being calibrated and allow the user to adjust the constant, without actually having to know what the constant was. When a satisfactory measurement is achieved, the constant would then be written to the 24C01.

The code presented in this application note almost completely fills the first code page of the PIC16C923. The second code page could be dedicated to a calibration program.

Battery Backup

Some users may wish to have the real time clock continue to run, even during a loss of power. This becomes possible by adding a backup battery to power the PIC16C923 and allow the Timer1 oscillator to operate. This would be the time base for the real time clock. The code to use Timer1 and its oscillator has been included. To extend the life of the battery, it would power only the PIC16C923.

Event Logging

The 24C01 provides 128 bytes of non-volatile EEPROM memory. Currently, only 17 bytes are used for storing calibration data, total energy, and a device serial number. The remaining memory could be used to record power line events, such as black-outs, brown-outs, surges and load peaks. With a real time clock, the times of these events could also be recorded. Recording black-outs and brown-outs would require that the backup battery also power the 24C01.

APPENDIX A: EEPROM DATA MAP

Address	Description
0x00	Device Serial Number
0x01	Voltage Offset MSB
0x02	Voltage Offset
0x03	Voltage Offset LSB
0x04	Current Offset MSB
0x05	Current Offset
0x06	Current Offset LSB
0x07	Voltage Gain MSB
0x08	Voltage Gain
0x09	Voltage Gain LSB
0x0A	Current Gain MSB
0x0B	Current Gain
0x0C	Current Gain LSB
0x0D	Watt-Hour MSB
0x0E	Watt-Hour LSB
0x0F	Pulse Rate Gain MSB
0x10	Pulse Rate Gain
0x11	Pulse Rate Gain LSB

APPENDIX B: SOURCES

The LCD routines came from PICDEM-3™. Adjustments may have been made to the segment and common definitions to account for the use of a different LCD panel than was used in PICDEM-3.

The BIN2BCD routine is loosely based on the B2_BCD_Looped routine in BCD.ASM of application note AN544. This function was originally written for the PIC17CXXX family, but it has been modified for the PIC16CXXX family.

The multiply and divide math routines were copied from application note AN617.

The data sheet for the PIC16C923 can be found at <http://www.microchip.com>. Search for "DS30444E" or "PIC16C923".

The data sheet for the 24C01 can be found at <http://www.microchip.com>. Search for "DS20071J" or "24C01".

The data sheet for the CS5460 can be found at <http://www.crystal.com>. Search for "DS279PP3" or "CS5460".

APPENDIX C: SCHEMATICS

FIGURE C-1: PIC16C923 CONNECTIONS

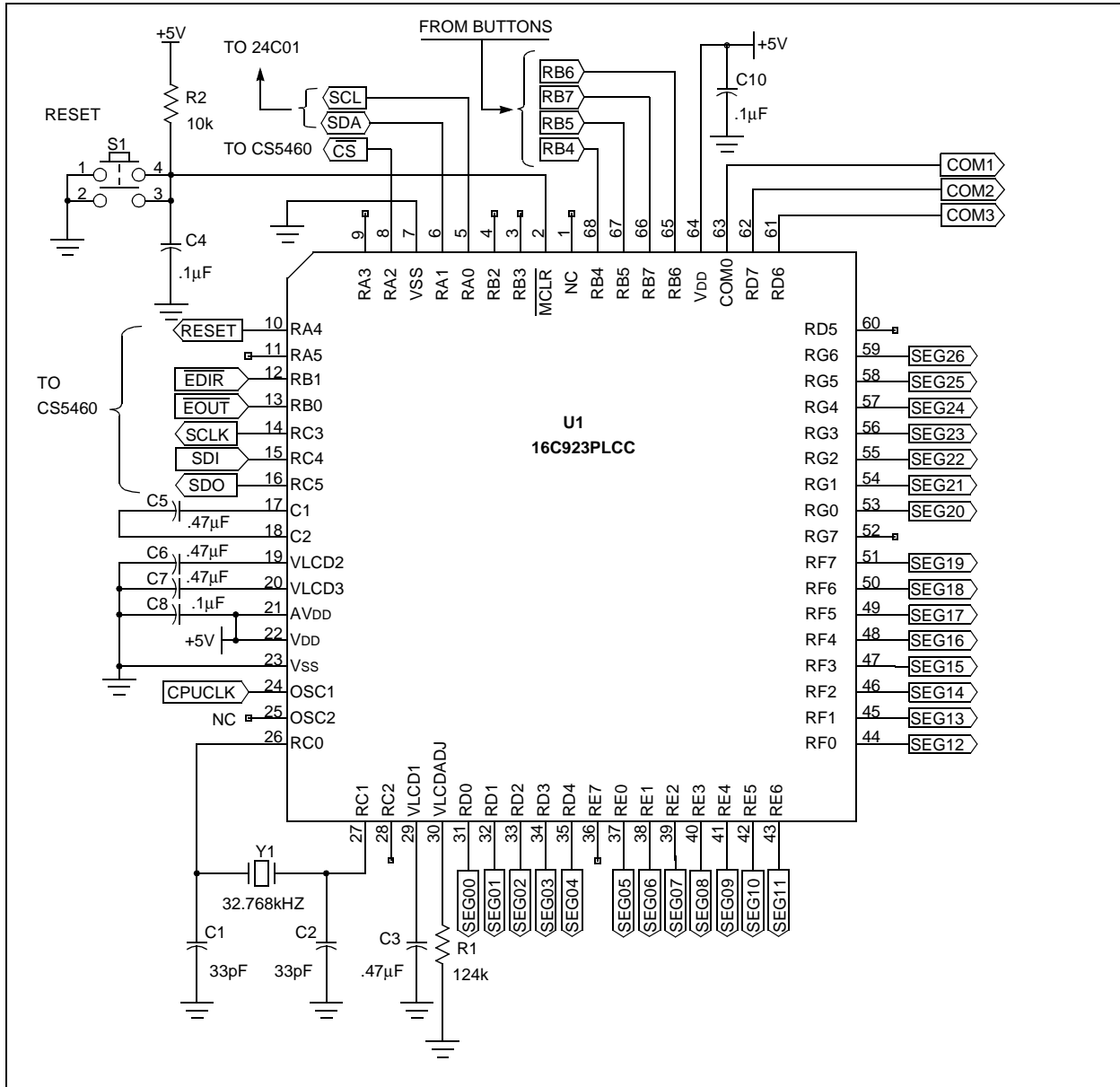


FIGURE C-2: LCD, 24C01, PUSH BUTTONS

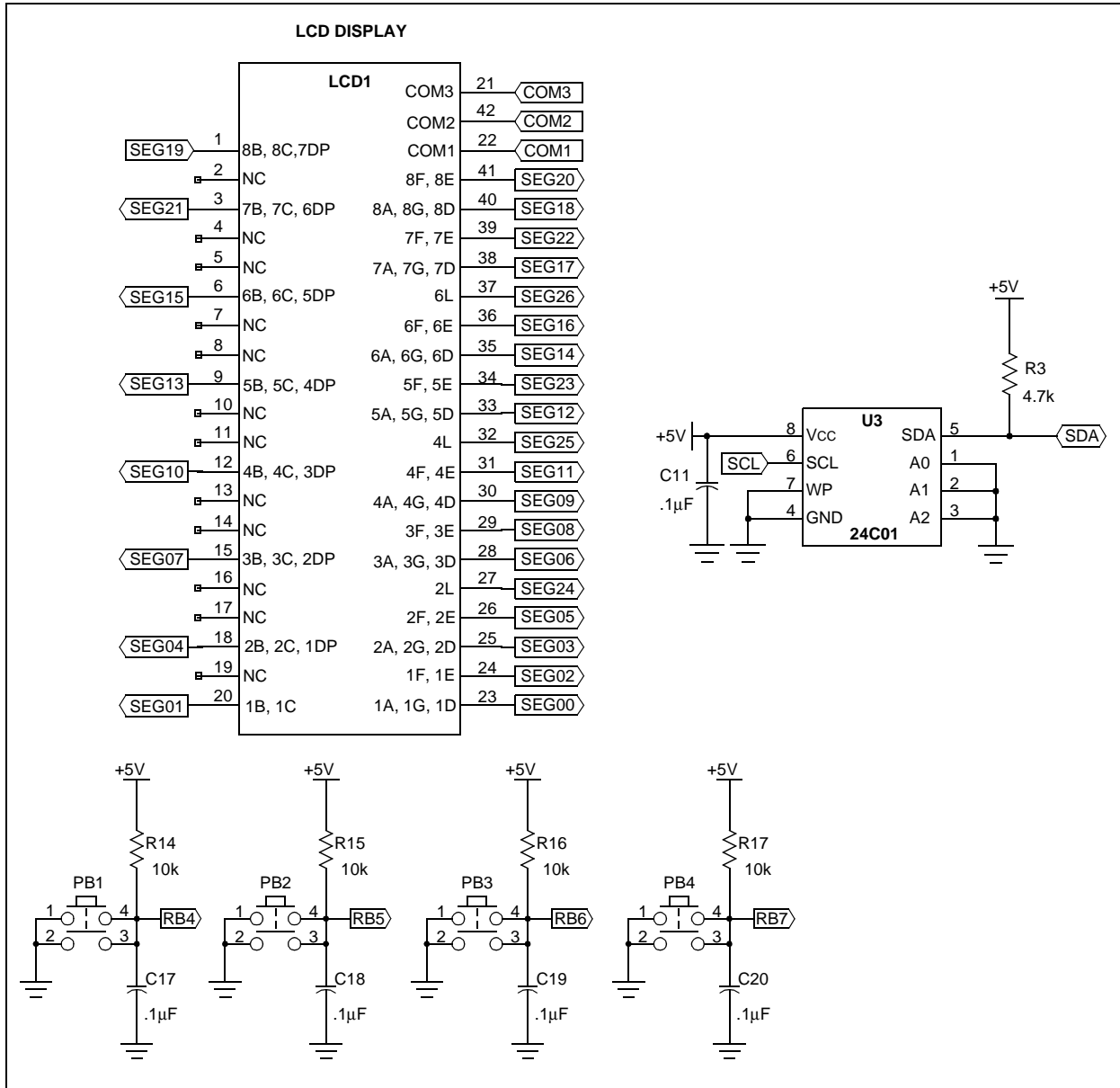


FIGURE C-3: POWER SUPPLY, VOLTAGE SENSE, CURRENT SENSE

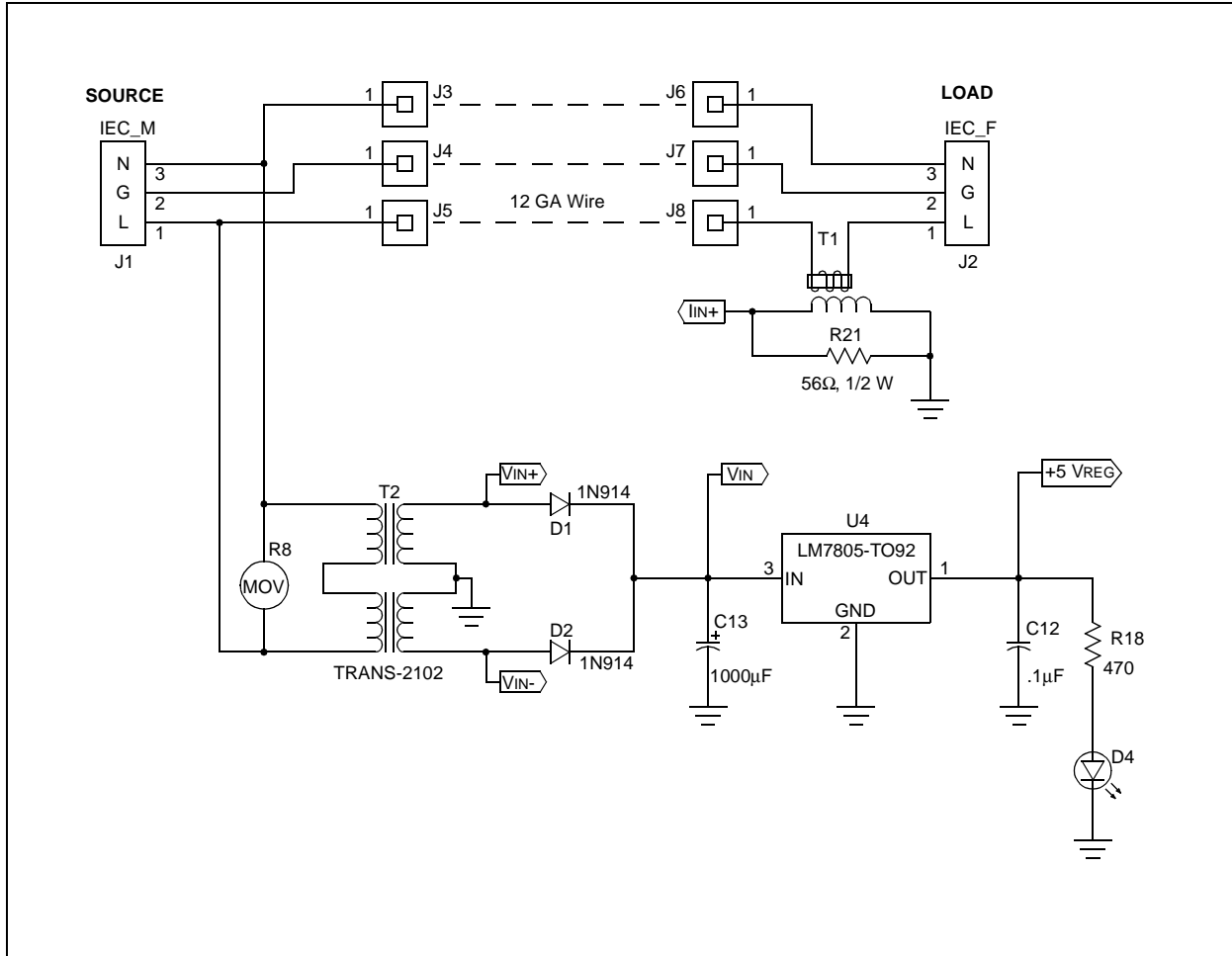
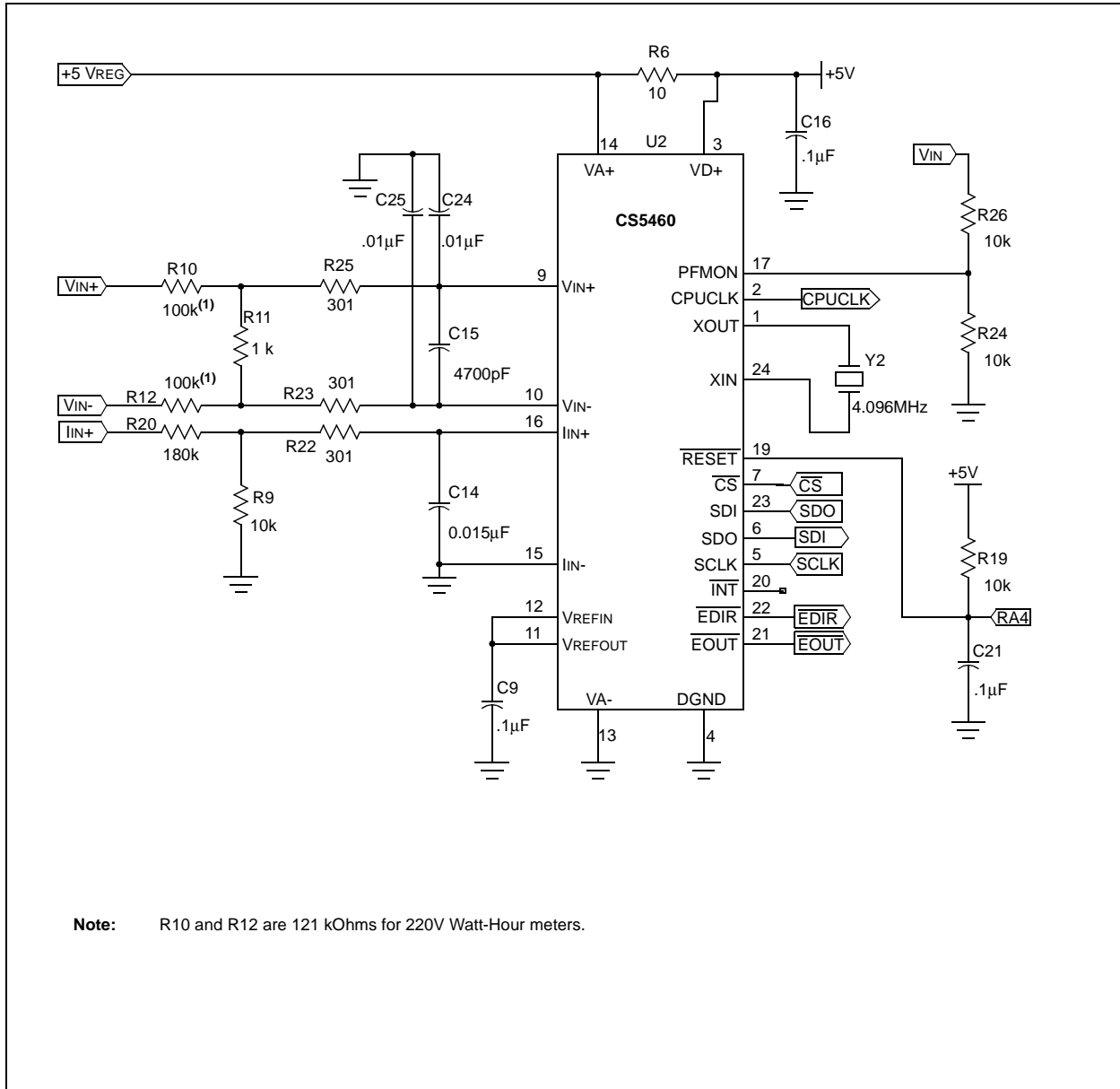


FIGURE C-4: CS5460 CONNECTIONS



Note: R10 and R12 are 121 kOhms for 220V Watt-Hour meters.

APPENDIX D: BILL OF MATERIALS

Cnt	Component Name	RefDes	Description	Digikey
2	1N4001	D1-2	1N4001DICT-ND	
1	16C923PLCC	U1	PIC16C924 (Microchip)	
1	SOCKET	U1	A2144-ND	
1	24C01_TSOP	U3	24C01-BC (Microchip)	
2	CAP150	C1-2	33pF Capacitor	P4843-ND
12	CAP0805	C4, C8-12, C16-21	.1 μ F Capacitor	PCC1864CT-ND
2	CAP1206	C24-25	.01 μ F Capacitor	PCC103BCT-ND
4	CAP1206	C3, C5-7	.47 μ F Capacitor	PCC1891CT-ND
1	CAP1206	C15	4700pF Capacitor	PCC472BCT-ND
1	CAP1206	C14	15000pF Capacitor	PCC153BCT-ND
1	CAP-RAD400D	C13	1000 μ F Capacitor	P5142-ND
1	CRYSTAL	Y2	4.096MHz Crystal	X082-ND
1	CRYSTAL_32KHZ	Y1	32kHz Crystal	SE3201-ND
1	CS5460	U2	CS4560 (Crystal Semiconductor)	
1	CSE187-L	T1	Current Transformer	10515-ND
1	IEC_F	J2	Socket	509-1271 (Allied)
1	IEC_M	J1	Plug	509-1269 (Allied)
1	LCD_VIM-808-DP	LCD1	VIM-808-DP-RC-S-HV	153-1057-ND
1	LED_SMT	D4	LED, Green	LT1120CT-ND
1	LM7805-TO92	U4	Voltage Regulator	NJM78L05A-ND
1	MOV	R8	MOV	P7259-ND
1	RES600	R21	56 Ω 1/2W Resistor	56H-ND
1	RES1206	R11	1k Ω Resistor	P1.0KECT-ND
1	RES1206	R3	4.7k Ω Resistor	P4.7KECT-ND
1	RES1206	R6	10 Ω Resistor	P10ECT-ND
9	RES1206	R2, R9, R14-17, R19, R24, R26	10k Ω Resistor	P10KECT-ND
1	RES1206	R1	124k Ω Resistor	P124KFCT-ND
1	RES1206	R20	121k Ω Resistor	P121KFCT-ND
3	RES1206	R22-23, R25	301 Ω Resistor	P300ECT-ND
1	RES1206	R18	470 Ω Resistor	P470ECT-ND
2	RES1206	R10, R12	100k Ω Resistor	P100KECT-ND
5	SW-B3F1000	S1, PB1-4		SW404-ND
5	KEY CAP	S1, PB1-4		SW450-ND
1	TRANS-2102	T2	Transformer 12 Vac/0.09 A	MT2113-ND
1	Plastic case			141840 (Jameco)
1	Printed Circuit Board			
Misc:				
4	4-40 X 3/8 machine screw for J1, J2			
4	4-40 hex nut			
2 ft	12 ga stranded copper wire			
1	20-pin machined pin IC socket to cut up for pin extensions for S1-S5			

Software License Agreement

The software supplied herewith by Microchip Technology Incorporated (the "Company") for its PICmicro® Microcontroller is intended and supplied to you, the Company's customer, for use solely and exclusively on Microchip PICmicro Microcontroller products.

The software is owned by the Company and/or its supplier, and is protected under applicable copyright laws. All rights are reserved. Any use in violation of the foregoing restrictions may subject the user to criminal sanctions under applicable laws, as well as to civil liability for the breach of the terms and conditions of this license.

THIS SOFTWARE IS PROVIDED IN AN "AS IS" CONDITION. NO WARRANTIES, WHETHER EXPRESS, IMPLIED OR STATUTORY, INCLUDING, BUT NOT LIMITED TO, IMPLIED WARRANTIES OF MERCHANTABILITY AND FITNESS FOR A PARTICULAR PURPOSE APPLY TO THIS SOFTWARE. THE COMPANY SHALL NOT, IN ANY CIRCUMSTANCES, BE LIABLE FOR SPECIAL, INCIDENTAL OR CONSEQUENTIAL DAMAGES, FOR ANY REASON WHATSOEVER.

APPENDIX E: SOURCE CODE

MPASM 02.30.11 Intermediate WATT_MTR.ASM 5-25-2000 13:31:13 PAGE 1

LOC OBJECT CODE LINE SOURCE TEXT
VALUE

```

00001 list st=off ; suppress list file symbol table
00002 list n=0 ; suppress list file page breaks
00003
00004 ;*****
00005 ; Configuration switches. These control what code is assembled.
00006
00007 ; Select the desired operating voltage by commenting out all but
00008 ; the desired voltage range
00009 #define VOLT120 ; 120V nominal full scale range
00010 #define VOLT220 ; 220V nominal full scale range
00011
00012 ; Selects the real time clock frequency source,
00013 #define TMR10SC ; defined if using 32kHz T10SC, comment out if another RTC source
00014
00015 ;*****
00016 ; Software License Agreement
00017 ;
00018 ; The software supplied herewith by Microchip Technology Incorporated (the
00019 ; "Company") for its PICmicro® Microcontroller is intended and supplied to

```

00020 ; You, the Company's customer, for use solely and exclusively on Microchip
00021 ; PICmicro Microcontroller products.
00022 ;
00023 ; The software is owned by the Company and/or its supplier, and is protected
00024 ; under applicable copyright laws. All rights are reserved. Any use in
00025 ; violation of the foregoing restrictions may subject the user to criminal
00026 ; sanctions under applicable laws, as well as to civil liability for the
00027 ; breach of the terms and conditions of this license.
00028 ;
00029 ; THIS SOFTWARE IS PROVIDED IN AN "AS IS" CONDITION. NO WARRANTIES, WHETHER
00030 ; EXPRESS, IMPLIED OR STATUTORY, INCLUDING, BUT NOT LIMITED TO, IMPLIED
00031 ; WARRANTIES OF MERCHANTABILITY AND FITNESS FOR A PARTICULAR PURPOSE APPLY
00032 ; TO THIS SOFTWARE. THE COMPANY SHALL NOT, IN ANY CIRCUMSTANCES, BE LIABLE
00033 ; FOR SPECIAL, INCIDENTAL OR CONSEQUENTIAL DAMAGES, FOR ANY REASON WHATSOEVER.
00034 ;
00035 ;
00036 ; *****
00037 ; Author: Stephen Humberd, Brett Duane
00038 ; Company: Microchip Technology Inc.
00039 ; Revision: 1.1
00040 ; Date: 5-15-2000
00041 ; Assembled using MPLAB 4.99.07, MPASM 2.30.11
00042 ; *****
00043 ; Include Files: CAL.INC calibration constants
00044 ; PR3.INC LCD segment definitions
00045 ; P16C924.INC Standard Microchip include file for PIC16C923/924
00046 ; *****
00047 ; This program controls and reads data from The Crystal CS4560
00048 ; Single Phase Bi-Directional Power/Energy IC
00049 ; and displays it on a eight digit LCD using the LCD drive
00050 ; function of a PIC16C923.
00051 ;
00052 ; The CS460 measures line voltage and current transferred between
00053 ; the line (source) and the load. The instantaneous voltage and current
00054 ; measurements are used to compute (within the CS5460) instantaneous power,
00055 ; RMS voltage, RMS current, and accumulated energy. All of these
00056 ; measurements and calculation results are available to the PIC16C923 via SPI.
00057 ;
00058 ; The RMS voltage and RMS current are displayed and used to calculate aparent
00059 ; power.
00060 ;
00061 ; A pulse output (EOUT) on the CS460 indicates when a programmable amount of
00062 ; energy has been transferred between the line and the load. Another output
00063 ; (EDIR) indicates the direction of that transfer (if a load is highly
00064 ; reactive, enegy flows from the load to the line). These pulses are counted
00065 ; by the PIC16C923 to measure and display total energy transferred in WattHours

```

00066 ;
00067 ; True power is measured by counting pulses for 1 second. The CS5460 has been
00068 ; programmed to generate a pulse for each 10WattSeconds of energy transferred.
00069 ; The pulse count is multiplied by 10 to calculate true power.
00070 ;
00071 ; Aparent power and true power are displayed, and are used to calculate the
00072 ; power factor of the load.
00073 ;
00074 ; The CS4560 outputs a 4.096MHz clock for use by the PIC16C923 as the system
00075 ; clock. This code offers the option of using this source as the real time clock
00076 ; source with CCP1 in compare/interrupt only/special event mode, or using the Timer1
00077 ; oscillator with a 32.768KHz crystal. The hardware provided on the demo units
00078 ; supports both options.
00079 ;
00080 ; Every 8 minutes, the current accumulated energy (WHr) is written to the 24C01
00081 ; serial EEPROM. This saves the total energy during times when the AC power is removed.
00082 ;
00083 ; Calibration constants are also stored in the 24C01. These are read from the 24C01
00084 ; and written back to the CS5460 when power is reapplied, and when the total enegy is
00085 ; cleared from the 24C01. The code to read the constants from cal.inc and write them to
00086 ; the 24C01 has been included, but has been commented out.
00087 ;
00088 ; On reset, the PIC16C923 checks the 4 control buttons for 3 specific states. One state
00089 ; allows the user to set the time of the real time clock. Another state clears the
00090 ; total WHr for the 24C01 and rewrites the calibration constants to the CS5460. A
00091 ; third state allows the user to adjust the calibration constants in the CS5460.
00092 ;
00093 ; Written by Stephen Humberd, Microchip Technology 10/08/1999
00094 ; *****
00095 ; Optional Real Time Clock sources (TIOSC or CS5460 CPUCLK output)
00096 ; Monitor CS5460 !EDIR output.
00097 ; Change Pulse Rate from 128 pulses/KWHR (1 pulse/28,125Wsec)
00098 ; to 1 pulse/10Wsec (100W load generates 10 pulses per second)
00099 ; Use 16-bits of CS5460 data rather than 24-bits
00100 ; (CS5460 settings are still 24-bits long)
00101 ; Added Apparent Power, True Power, and Power Factor Functions.
00102 ; Moved Pulse Rate register value to EEPROM.
00103 ; Modified Calibrate routine to include Pulse Rate "Gain" function.
00104 ; General code size reduction. (Fits in PIC16C923.)
00105 ;
00106 ; If the CPUCLK output of the CS5460 is 4.096MHz, the CCP1 module
00107 ; can be used (as is) for the real time clock reference instead of the
00108 ; Timer1 Oscillator. If the CPUCLK output is some other frequency,
00109 ; CCP1H:CCP1L will need to be adjusted to make CCP1 generate an interrupt
00110 ; every 0.5 second.
00111 ;

```



```

00112 ; If the Timer1 oscillator is to be used as the Real Time Clock base,
00113 ; uncomment line 46 ("#define TMR1OSC"). This causes CCP1 code to
00114 ; be disabled and T1OSC code to be enabled.
00115 ;
00116 ; Modified by Brett Duane, Microchip Technology 5/25/2000
00117 ; *****
00118
00119         list p=16c924
00120         #include <p16c924.inc>
00001
00002 ; P16C924.INC Standard Header File, Version 1.01 Microchip Technology, Inc.
00289 LIST
00121         ___CONFIG_CP_OFF&_WDT_OFF&_XT_OSC&_PWRT_ON
00122
00123         errorlevel -302 ; suppress assembler warning message "Operand not in bank 0"
00124         errorlevel -306 ; suppress assembler warning message "Crossing page boundary"
00125
00126
00127 ; *****
00128 ; various equates
00129
00130 ; Microchip MATH library AN617
00131 MSB equ 7
00132 LSB equ 0
00133
00134 ; CS5460 variables (string equates)
00135 SYNC0 equ 0xFE
00136 SYNC1 equ 0xFF
00137
00138 #IFDEF TMR1OSC
00139 CCPCOUNT equ 0x7F
00140 ENDIF
00141
00142 ; *****
00143 ; Variables in RAM
00144         cblock 0x20 ; Load variables into RAM starting at 0x20
00145         ; scratchpad
00146         ; scratchpad
00147
00148         ; TIME variables
00149         ; TIME variables
00150         ; TIME variables
00151
00152 WATTMPH ; energy pulse counter MSB
00153 WATTMPL ; energy pulse counter LSB
00154 WATTHR  ; Accumulated WHr MSB

```

```

00000028 00155 WATHRL ; Accumulated WHr LSB
00156
00000029 00157 PULSECH ; "Pulses per second" counter MSB
0000002A 00158 PULSECL ; "Pulses per second" counter LSB
00159
0000002B 00160 PULDISPH ; "Pulses during previous second" MSB
0000002C 00161 PULDISPL ; "Pulses during previous second" LSB
00162
0000002D 00163 APH ; Apparent Power MSB (16 bit) (VoltAmps in binary)
0000002E 00164 APL ; Apparent Power LSB
00165
0000002F 00166 TPH ; True Power MSB (16 bit) (Watts in binary)
00000030 00167 TPL ; True Power LSB
00168
00000031 00169 PFH ; Power Factor MSB (16 bit) (unitless in binary)
00000032 00170 PFL ; Power Factor LSB
00171
00172 ;More general variables
00173 POINTER ; Points to the characters in initial
00174 PTRTMP ; scrolling message
00000035 00175 SERNUM ; unit serial number
00000036 00176 CALMODE ; Calibration Mode being displayed
00000037 00177 CALDIG ; Calibration digit being incremented
00000038 00178 UPDATEWH ; When to write accumulated Watt HOURS to the EEPROM (every 8 minutes)
00179
00000039 00180 ; SSP variables (SPI mode) Receive buffer from CS5460
00181 RXDATA0 ; RXDATA buffer MSB
0000003A 00182 RXDATA1 ; RXDATA buffer
0000003B 00183 RXDATA2 ; RXDATA buffer LSB
00184
0000003C 00185 ; TXDATA buffer (SPI mode) Transmit buffer to CS5460
0000003D 00186 TXDATA ; command byte to send to the CS4560
0000003E 00187 TXDATA0 ; TXDATA buffer MSB
0000003F 00188 TXDATA1 ; TXDATA buffer
00189 TXDATA2 ; TXDATA buffer LSB
00190
00191 ; Microchip MATH library AN617
00000040 00192 AARGB0 ; 4 byte argument and result. B0 is always MSB
00000041 00193 AARGB1
00000042 00194 AARGB2
00000043 00195 AARGB3
00000044 00196 AARGB4
00197
00000045 00198 BARGB0 ; 2 byte argument. B0 is always MSB
00000046 00199 BARGB1
00200

```

```

00000047      ; 2 byte remainder (from division)
00000048      ; B0 is always MSB
00201 REMB0
00202 REMB1
00203
00204 TEMP      ; internal variables
00205 TEMPB0
00206 TEMPB1
00207 TEMPB2
00208 LOOPCOUNT
00209
00210 ; 16 bit binary to BCD variables - See apnote AN544
00211 R0      ; output bytes 10k's digits
00212 R1      ;      1k's, 100's digits
00213 R2      ;      10's,  1's digits
00214
00215 TEMPL      ; input bytes (2 byte binary)
00216 TEMPH
00217
00218 COUNT      ; internal variable
00219
00220 BYTECOUNT ; EEPROM variables (firmware I2C)
00221 EEADDR      ; EEPROM addresses
00222 EEDATA      ; EEPROM data
00223 EETEMP
00224
00225 ;powerup variables
00226 PWRUP55      ; registers to test at power up to
00227 PWRUPAA      ; see if warm start or cold start
00228
00229 LASTRAM      ; dummy marker (unused)
00230
00231      endc
00232
00233      cblock      0x70      ; Load variables into RAM starting at 0x70
00234 ; "SHARED" variables in memory locations 70h-7Fh are available in all banks
00235
00236 LCDTEMP1      ; used by LCD routines
00237 LCDTEMP2
00238
00239 MODEINC      ; incremented each second,
00240      ; bit 7 set whenever Bit 0 is set (every odd second)
00241
00242 UPDATE      ; Bit 0 set each second
00243
00244 BUTTON      ; indicates button press. Bit0=1 = a button is pressed
00245 BUTTONTMP      ; used only in ISR.      Bits<1:4>=1 = buttons 1-4 are pressed
00246

```

```

00000076
00000077
00000078
00000079
00247 ; Save context before interrupt, restore after interrupt
00248 TEMPFSR ; save FSR register during ISR
00249 TEMPPCLATH ; save PCLATH register during ISR
00250 TEMPW ; save W register during ISR
00251 TEMPSTAT ; save STATUS register during ISR
00252
00253
00254
00001 ; Software License Agreement <cal.inc> ; calibration definitions
00002 ;
00003 ; The software supplied herewith by Microchip Technology Incorporated (the
00004 ; "Company") for its PICmicro® Microcontroller is intended and supplied to
00005 ; you, the Company's customer, for use solely and exclusively on Microchip
00006 ; PICmicro Microcontroller products.
00007 ;
00008 ; The software is owned by the Company and/or its supplier, and is protected
00009 ; under applicable copyright laws. All rights are reserved. Any use in
00010 ; violation of the foregoing restrictions may subject the user to criminal
00011 ; sanctions under applicable laws, as well as to civil liability for the
00012 ; breach of the terms and conditions of this license.
00013 ;
00014 ; THIS SOFTWARE IS PROVIDED IN AN "AS IS" CONDITION. NO WARRANTIES, WHETHER
00015 ; EXPRESS, IMPLIED OR STATUTORY, INCLUDING, BUT NOT LIMITED TO, IMPLIED
00016 ; WARRANTIES OF MERCHANTABILITY AND FITNESS FOR A PARTICULAR PURPOSE APPLY
00017 ; TO THIS SOFTWARE. THE COMPANY SHALL NOT, IN ANY CIRCUMSTANCES, BE LIABLE
00018 ; FOR SPECIAL, INCIDENTAL OR CONSEQUENTIAL DAMAGES, FOR ANY REASON WHATSOEVER.
00019
00020 ; ***** DEFAULT VALUES TO WRITE TO EEPROM *****
00021 ; After the calibration values have been determined for a new
00022 ; unit those values can be loaded into these "#defines" and
00023 ; written to the EEPROM (see Calibration instruction document)
00024
00025 #define SERNUMBER 0x01 ; Serial Number
00026
00027 #define VOLTGAINH 0x29 ; voltage gain MSB
00028 #define VOLTGAINM 0x66 ; voltage gain
00029 #define VOLTGAINL 0x6F ; voltage gain LSB
00030
00031 #define CURRGAINH 0x2A ; current gain MSB
00032 #define CURRGAINM 0x2E ; current gain
00033 #define CURRGAINL 0x0A ; current gain LSB
00034
00035 #define VOLTTOFFH 0x10 ; voltage offset MSB
00036 #define VOLTTOFFM 0x1A ; voltage offset
00037 #define VOLTTOFFL 0xB6 ; voltage offset LSB
00038

```

```

00039 #define CURROFFH 0xFE ; current offset MSB
00040 #define CURROFFM 0xDC ; current offset
00041 #define CURROFFL 0x16 ; current offset LSB
00042
00043 #define PULSERATEH 0x02 ; Pulse rate "gain" MSB
00044 #define PULSERATEM 0x14 ; Pulse rate "gain"
00045 #define PULSERATEL 0xCB ; Pulse rate "gain" LSB
00046
00047 ; ***** FULL SCALE VALUES *****
00048 ; The present rev of the CS4560 is not linear over the entire voltage range
00049 ; Values used by the MATH routines for coarse calibration
00050 ; based on the values we choose for the voltage divider
00051
00052 #define MAXCURRH 0x00 ; Full scale current MSB ... 25.0 Amps
00053 #define MAXCURRL 0xFA ; Full scale current LSB
00054
00055 #IFDEF VOLT120 ; 120V nominal full scale
00056 ; for 120V R10 & R12 = 100K, R11 = 1K
00057 ; use this value for full scale voltage
00058
00059 #define MAXVOLTH 0x00 ; Full scale voltage MSB ... 237 VOLTS
00060 #define MAXVOLTL 0xED ; Full scale voltage LSB
00061
00062 #define MAXPWRH 0x98 ; Full scale power MSB ... 237V * 25.0A = 5925 W
00063 #define MAXPWRL 0xCE ; Full scale power LSB
00064 #ENDIF
00065
00066 #IFDEF VOLT220 ; 220V nominal full scale
00067 ; for 220V R10 & R12 = 121K, R11 = 1K
00068 ; use this value for full scale voltage
00069
00070 #define MAXVOLTH 0x01 ; Full scale voltage MSB ... 282 VOLTS
00071 #define MAXVOLTL 0x1A ; Full scale voltage LSB
00072
00073 #define MAXPWRH 0xB3 ; Full scale power MSB ... 282V * 25.0A = 7050 W
00074 #define MAXPWRL 0xF1 ; Full scale power LSB
00075 #ENDIF
00076
00077
00078
00255 #include <pr3a.inc> ; LCD, I2C, and math library definitions
00001 ; *****
00002 ; Software License Agreement
00003 ;
00004 ; The software supplied herewith by Microchip Technology Incorporated (the
00005 ; "Company") for its PICmicro® Microcontroller is intended and supplied to

```

```

00006 ; you, the Company's customer, for use solely and exclusively on Microchip
00007 ; PICmicro Microcontroller products.
00008 ;
00009 ; The software is owned by the Company and/or its supplier, and is protected
00010 ; under applicable copyright laws. All rights are reserved. Any use in
00011 ; violation of the foregoing restrictions may subject the user to criminal
00012 ; sanctions under applicable laws, as well as to civil liability for the
00013 ; breach of the terms and conditions of this license.
00014 ;
00015 ; THIS SOFTWARE IS PROVIDED IN AN "AS IS" CONDITION. NO WARRANTIES, WHETHER
00016 ; EXPRESS, IMPLIED OR STATUTORY, INCLUDING, BUT NOT LIMITED TO, IMPLIED
00017 ; WARRANTIES OF MERCHANTABILITY AND FITNESS FOR A PARTICULAR PURPOSE APPLY
00018 ; TO THIS SOFTWARE. THE COMPANY SHALL NOT, IN ANY CIRCUMSTANCES, BE LIABLE
00019 ; FOR SPECIAL, INCIDENTAL OR CONSEQUENTIAL DAMAGES, FOR ANY REASON WHATSOEVER.
00020
00021 ;***** EEPROM I2C communications *****
00022 #define SCL PORTA,0
00023 #define SDA PORTA,1
00024 #define SDATIS TRISA,1
00025
00026 ;***** SSP *****
00027 #define CS PORTA,2
00028
00029 ;***** LCD *****
00030 ; We define what bit in what register corresponds to each LCD segment
00031
00032 #define DIA LCDD02,2 ; DIGIT 1 (LEFT SIDE)
00033 #define DIB LCDD02,3
00034 #define DIC LCDD06,3
00035 #define DID LCDD10,2
00036 #define DIE LCDD06,4
00037 #define DIF LCDD02,4
00038 #define DIG LCDD06,2
00039
00040 #define D2A LCDD02,1 ; DIGIT 2
00041 #define D2B LCDD02,5
00042 #define D2C LCDD06,5
00043 #define D2D LCDD10,1
00044 #define D2E LCDD06,6
00045 #define D2F LCDD02,6
00046 #define D2G LCDD06,1
00047
00048 #define D3A LCDD01,6 ; DIGIT 3
00049 #define D3B LCDD01,7
00050 #define D3C LCDD05,7
00051 #define D3D LCDD09,6

```

```

00052 #define D3E LCDD06,0
00053 #define D3F LCDD02,0
00054 #define D3G LCDD05,6
00055
00056 #define D4A LCDD01,4 ; DIGIT 4
00057 #define D4B LCDD01,5
00058 #define D4C LCDD05,5
00059 #define D4D LCDD09,4
00060 #define D4E LCDD06,7
00061 #define D4F LCDD02,7
00062 #define D4G LCDD05,4
00063
00064 #define D5A LCDD01,1 ; DIGIT 5
00065 #define D5B LCDD01,2
00066 #define D5C LCDD05,2
00067 #define D5D LCDD09,1
00068 #define D5E LCDD05,3
00069 #define D5F LCDD01,3
00070 #define D5G LCDD05,1
00071
00072 #define D6A LCDD00,6 ; DIGIT 6
00073 #define D6B LCDD00,7
00074 #define D6C LCDD04,7
00075 #define D6D LCDD08,6
00076 #define D6E LCDD05,0
00077 #define D6F LCDD01,0
00078 #define D6G LCDD04,6
00079
00080 #define D7A LCDD00,3 ; DIGIT 7
00081 #define D7B LCDD00,4
00082 #define D7C LCDD04,4
00083 #define D7D LCDD08,3
00084 #define D7E LCDD04,5
00085 #define D7F LCDD00,5
00086 #define D7G LCDD04,3
00087
00088 #define D8A LCDD00,0 ; DIGIT 8 (RIGHT SIDE)
00089 #define D8B LCDD00,1
00090 #define D8C LCDD04,1
00091 #define D8D LCDD08,0
00092 #define D8E LCDD04,2
00093 #define D8F LCDD00,2
00094 #define D8G LCDD04,0
00095
00096 #define COLON1 LCDD11,2 ; COLONS
00097 #define COLON2 LCDD11,1

```

```

00098 #define COLON3 LCDD11,0
00099
00100 #define DEC1 LCDD10,3 ; DECIMAL POINTS
00101 #define DEC2 LCDD10,5
00102 #define DEC3 LCDD09,7
00103 #define DEC4 LCDD09,5
00104 #define DEC5 LCDD09,2
00105 #define DEC6 LCDD08,7
00106 #define DEC7 LCDD08,4
00107
00108
00256
00257 ;*****
00258 ; Reset and interrupt vectors
00259 ;*****
00260
00261 org 0x0000 ; Reset vector
00262 goto Start
00263
00264 org 0x0004 ; Interrupt vector
00265
00266 movwf TEMPW ; save context before executing
00267 swapf STATUS,W ; ISR (Interrupt Service Routine)
00268 movwf TEMPSTAT
00269 movf FSR,W
00270 movwf TEMPFSR
00271 movf PCLATH,W
00272 movwf TEMPPCLATH
00273
00274 clrf PCLATH ; Prog page 0
00275 bcf STATUS,RP0 ; SFR bank 0
00276 bcf STATUS,RP1 ; SFR bank 0
00277
00278 ; Find out which flag caused the interrupt, then branch to appropriate subroutine
00279
00280 btfsc INTCON,INTF ; RB0/INT flag
00281 goto RBOISR ; Pulse from CS4560 EOUT pin
00282
00283 #IFDEF TMR1OSC
00284 btfsc PIR1,TMR1IF ; Check Timer1 interrupt flag
00285 #ELSE
00286 btfsc PIR1,CCP1IF ; Check CCP1 interrupt flag, not used with Timer1
00287 #ENDIF
00288 goto TMR1ISR ; Timer1 overflowed (One second timer)
00289
00290 btfsc INTCON,RBIF ; Check PORTB flag

```



```

0013 2847      ButtonISR      ; A BUTTON was pressed
00291      goto
00292
0014 188C      PIR1,TMR2IF      ; Check Timer2 flag
00293      btfsc
0015 2853      TMR2ISR      ; debounce time for BUTTONS
00294      goto
00295
00296      ; if you get here it wasn't a real interrupt, go back to the main program
00297      bcf      INTCON,T0IE      ; disable timer0 interrupts
00298
0016 128B      goto      POP      ; restore context, return from interrupt
00299
0017 28A9      POP
00300
00301      ;*****
00302      ; Timer1 overflow interrupt
00303      ; This is the interrupt for the second counter for the Real Time Clock
00304      ; If T1OSC used, the timer is stopped, a new value is reloaded, and the timer
00305      ; is restarted.
00306      ;
00307      ; If CCP1 is used, only an interrupt is generated, but interrupts occur twice
00308      ; as often as needed. The interrupt rate is divided by 2 to get a 1 second interrupt
00309      ; rate. No reloading is required.
00310      ;
00311      ; This interrupt is the basis of the 1 second timer tick that regulates the various
00312      ; display modules, and the real time clock.
00313      ;
00314      ; The count in the PULSEC<H:L> variables is moved to PULDISP<H:L>, and PULSEC<H:L> is cleared.
00315      ;
00316      ; Input variables:  CCPCOUNT, MODEINC, SECOND, MINUTE, HOUR, WATTHR1, WATTHR
00317      ; Output variables: UPDATE, PULSECL, PULSECH, WATTHR1, WATTHR, UPDATEWH
00318
0018      TMR1ISR
00319
00320      #IFDEF TMR1OSC ; use this code if 32kHz Timer1OSC is used
00321
00322      bcf      T1CON,TMR1ON      ; turn off timer
00323      movlw   0x7f              ; reload Timer1 registers
00324      movwf   TMR1H
00325      movlw   0xff
00326      movwf   TMR1L
00327      bsf     T1CON,TMR1ON      ; turn on timer
00328
00329      bcf     PIR1, TMR1IF      ; Clear TMR1 interrupt flag
00330
00331      #ELSE
00332      ; use this code if the system clock is used
00333
0018 110C      bcf     PIR1, CCP1IF      ; Clear CCP1 interrupt flag
00334
0019 0AFF      incf   CCPCOUNT,F      ; count interrupt
001A 187F      btfsc  CCPCOUNT,0      ; divide interrupt rate by 2

```

```

001B 28A9 00337 goto POP ; not yet time for 1 second interrupt (1/2 second)
00338
00339 #ENDIF
00340
001C 1473 00341 bsf UPDATE,0 ; Set to update display
001D 0AF2 00342 incf MODEINC,F
00343
00344 ; This is how often we change display MODES
00345 ; (time, volts, current, etc)
00346
001E 18F2 00347 btfsc MODEINC,1 ; set to change MODE every 2 seconds
001F 17F2 00348 bsf MODEINC,7
00349
0020 082A 00350 movf PULSECL,W ; COUNT the pulses each second from the
0021 00AC 00351 movwf PULDISPL ; CS4560 EOUT pin. Every second move
0022 0829 00352 movf PULSECH,W ; the count from the counter variable (PULSEC#)
0023 00AB 00353 movwf PULDISPH ; to the display. (PULDISF#)
0024 01AA 00354 clrf PULSECL ; clear counter (PULSEC#)
0025 01A9 00355 clrf PULSECH
00356
0026 0AA2 00357 incf SECOND,F ; increment seconds
0027 0822 00358 movf SECOND,W
0028 3C3C 00359 sublw .60 ; see if we have counted 60 seconds
0029 1903 00360 btfsc STATUS,Z ; if we have then increment minutes
002A 282C 00361 goto IncMINUTE
002B 28A9 00362 goto POP
002C
002C 00363 IncMINUTE
002C 00364 clrf SECOND ; clear SECONDS counter every minute
002D 0AB8 00365 incf UPDATEWH,F
002E 1DB8 00366 btfss UPDATEWH,3 ; Write Watt HOURS to EEPROM every 8 minutes
002F 283A 00367 goto IncMINUTE2 ; (bit3 of the update Watt HOUR counter)
0030 0828 00368 movf WATHRL,W ; Accumulated Watt HOURS LSB
0031 00D6 00369 movwf EEDATA ; put the data in EEDATA
0032 300D 00370 movlw 0x0D ; the EEPROM address in EEADDR
0033 00D5 00371 movwf EEADDR
0034 241A 00372 call EEWrite ; call EEWrite to write it
0035 0827 00373 movf WATHRH,W ; MSB
0036 00D6 00374 movwf EEDATA
0037 0AD5 00375 incf EEADDR,F
0038 241A 00376 call EEWrite
0039 01B8 00377 clrf UPDATEWH
003A
003A 00378 IncMINUTE2
003A 0AA3 00379 incf MINUTE,F ; increment MINUTES
003B 0823 00380 movf MINUTE,W
003C 3C3C 00381 sublw .60 ; if we have counted 60 minutes
003D 1903 00382 btfsc STATUS,Z

```



```

00429 ; PORTB interrupt on change is then re-enabled.
00430 ;*****
00431 ; Inputs: PORTB, BUTTONTMP
00432 ; Outputs: BUTTON
00433
00434 TMR2ISR
00435         bcf          T2CON,TMR2ON      ; turn off timer2
00436
00437         bsf          STATUS,RP0         ; bank 1
00438         bcf          PIE1,TMR2IE       ; disable timer2 interrupt
00439         bcf          STATUS,RP0         ; bank 0
00440
00441         bcf          PIR1,TMR2IF       ; clear timer2 interrupt flag
00442
00443         clrf         BUTTON           ; clear button status
00444
00445         movf         PORTB,W           ; read PORTB
00446         bcf          INTCON,RBIF       ; clear PORTB interrupt flag
00447         bsf          INTCON,RBIE       ; enable PORTB interrupt on change
00448
00449         andlw        0xf0             ; clear lower nibble
00450         subwf        BUTTONTMP,W       ; compare with last button state
00451         btfsc        STATUS,Z          ; did previous and present button states match?
00452         goto         ChkButtons        ; debounce good ... read buttons
00453
00454         clrf         BUTTONTMP        ; debounce failed ... ignore
00455         goto         POP
00456
00457 ; The variable "BUTTON" returns the BUTTON press status
00458 ; bit0 = at least one BUTTON was pressed
00459 ; bit1-4 = BUTTON(s) that was pressed (bit1 set = BUTTON 1 pressed etc)
00460
00461 ChkButtons
00462         movf         BUTTONTMP,W
00463         btfsc        STATUS,Z
00464         goto         POP
00465
00466         bsf          BUTTON,0          ; a button was pressed
00467 Button1
00468         btfss        BUTTONTMP,4
00469         bsf          BUTTON,1          ; test button 1
00470 Button2
00471         btfss        BUTTONTMP,5
00472         bsf          BUTTON,2          ; button 1 was pressed
00473 Button3
00474         btfss        BUTTONTMP,6
00475
00462         movf         BUTTONTMP,W
00463         btfsc        STATUS,Z
00464         goto         POP
00465
00466         bsf          BUTTON,0          ; a button was pressed
00467 Button1
00468         btfss        BUTTONTMP,4
00469         bsf          BUTTON,1          ; test button 1
00470 Button2
00471         btfss        BUTTONTMP,5
00472         bsf          BUTTON,2          ; button 1 was pressed
00473 Button3
00474         btfss        BUTTONTMP,6
00475
0062         movf         BUTTONTMP,W
0063         btfsc        STATUS,Z
0064         goto         POP
0065
0066         bsf          BUTTON,0          ; a button was pressed
0067 Button1
0068         btfss        BUTTONTMP,4
0069         bsf          BUTTON,1          ; test button 1
0070 Button2
0071         btfss        BUTTONTMP,5
0072         bsf          BUTTON,2          ; button 2 was pressed
0073 Button3
0074         btfss        BUTTONTMP,6
0075
0062         movf         BUTTONTMP,W
0063         btfsc        STATUS,Z
0064         goto         POP
0065
0066         bsf          BUTTON,0          ; a button was pressed
0067 Button1
0068         btfss        BUTTONTMP,4
0069         bsf          BUTTON,1          ; test button 1
0070 Button2
0071         btfss        BUTTONTMP,5
0072         bsf          BUTTON,2          ; button 2 was pressed
0073 Button3
0074         btfss        BUTTONTMP,6
0075
0062         movf         BUTTONTMP,W
0063         btfsc        STATUS,Z
0064         goto         POP
0065
0066         bsf          BUTTON,0          ; a button was pressed
0067 Button1
0068         btfss        BUTTONTMP,4
0069         bsf          BUTTON,1          ; test button 1
0070 Button2
0071         btfss        BUTTONTMP,5
0072         bsf          BUTTON,2          ; button 2 was pressed
0073 Button3
0074         btfss        BUTTONTMP,6
0075

```

```

006B 15F4          ; button 3 was pressed
006C          BUTTON,3
006C 00475      bsf          BUTTON,3
006C 00476      Button4
006C 1FF5          ; test button 4
006D 1674          ; button 4 was pressed
006E          BUTTON,4
006E 00479      ButtonEnd
006E 28A9          ; button 4 was pressed
006E          POP
00481          goto
00482 ;*****
00483 ; The !EOUT pin of the CS5460 outputs a pulse (active low) whenever a programmed
00484 ; amount of energy has been transferred between the line and the load. The !EDIR
00485 ; output indicates the direction of energy flow.
00486 ;
00487 ; The !EOUT pin drives the INT pin of the PIC16C923, causing an interrupt. This
00488 ; ISR examines the state of the !EOUT pin via RB1 to decide if WATTMP<H:L>
00489 ; should be incremented (energy to the load) or decremented (energy from the load).
00490 ;
00491 ; When the WATTMP<H:L> reaches 360 (3600 WattSeconds), WATTHR<H:L> is incremented,
00492 ; and WATTMP<H:L> is cleared. If the pulse count is decremented to less than 0,
00493 ; WATTMP<H:L> is reset to 359 and WATTHR<H:L> is decremented.
00494 ;
00495 ; A PULSEC<H:L> counter is also incremented/decremented at the same time. This
00496 ; counter is used to count the number of pulses that occur each second for true power
00497 ; and power factor calculations.
00498 ;*****
00499 ; Inputs: Pins RB0 and RB1, PULSEC<H:L>, WATTMP<H:L>, WATTHR<H:L>
00500 ; Outputs: PULSEC<H:L>, WATTMP<H:L>, WATTHR<H:L>
00501 ;*****
00502 ; Pulse from CS4560 !EOUT pin (active low)
00503 ; CS4560 is configured for
00504 ; 1 pulse = 10 Watt*Sec
00505 ; 360 pulses = 3600 Watt*Sec = 1 Watt*Hr
00506
00507 RB0ISR
00508          bcf          INTCON,INTF          ; raw pulses per second from the CS4560
00509          btfsf         PORTB,1           ; Was EDIR high?
00510          goto         DirPlus          ; yes, increment counter
00511
00512 DirMinus
00513          decf         PULSEC<L>,F       ; Decrement pulse count
00514          movf         PULSEC<L>,W
00515          xorlw        0xFF
00516          btfsf         STATUS,Z
00517          goto         DM1
00518          decf         PULSEC<L>,F
00519
00520          btfsf         PULSEC<L>,7

```

0079	287C	00521	goto	DM1	
007A	01A9	00522	clrf	PULSECH	
007B	01AA	00523	clrf	PULSECL	
		00524			
007C	03A6	00525	decf	WATTMPL,F	; decrement pulse count LSB
007D	0826	00526	movf	WATTMPL,W	; get LSB
007E	3AFF	00527	xorlw	0xFF	; test for underflow
007F	1D03	00528	btfs	STATUS,Z	; was there an underflow?
0080	28A9	00529	goto	POP	; no, continue
		00530			
0081	03A5	00531	decf	WATTMPH,F	; decrement pulse count MSB
0082	0825	00532	movf	WATTMPH,W	; get LSB
0083	3AFF	00533	xorlw	0xFF	; test for underflow
0084	1D03	00534	btfs	STATUS,Z	; was there an underflow?
0085	28A9	00535	goto	POP	; no, continue
		00536			
0086	3001	00537	movlw	0x01	; reset counter
0087	00A5	00538	movwf	WATTMPH	
0088	3067	00539	movlw	0x67	
0089	00A6	00540	movwf	WATTMPL	
		00541			
008A	03A8	00542	decf	WATHRL,F	; decrement pulse count
008B	0828	00543	movf	WATHRL,W	; get LSB
008C	3AFF	00544	xorlw	0xFF	; test for underflow
008D	1D03	00545	btfs	STATUS,Z	; was there an underflow?
008E	28A9	00546	goto	POP	; no, continue
		00547			
008F	03A7	00548	decf	WATHRH,F	; decrement pulse count
0090	0827	00549	movf	WATHRH,W	; get LSB
0091	3AFF	00550	xorlw	0xFF	; test for underflow
0092	1D03	00551	btfs	STATUS,Z	; was there an underflow?
0093	28A9	00552	goto	POP	; no, continue
		00553			
0094	01A8	00554	clrf	WATHRL	; yes, do not decrement below zero
0095	01A7	00555	clrf	WATHRH	
		00556			
0096	28A9	00557	goto	POP	; exit interrupt
		00558			
0097		00559		DirPlus	
0097	0FAA	00560	incfsz	PULSECL,F	; increment pulse count
0098	289A	00561	goto	DP2	
0099	0AA9	00562	incf	PULSECH,F	
		00563			
009A	0FA6	00564	incfsz	WATTMPL,F	; increment pulse count
009B	289D	00565	goto	DPI	
009C	0AA5	00566	incf	WATTMPH,F	; increment pulse count


```

00613 ; *****
00614 ; *****
00615 ; Write default calibration values in CAL.INC to the EEPROM.
00616 ; This is used to write calibration values for a new unit.
00617 ; Uncomment the next instruction to allow writing values to EEPROM memory.
00618 ;
00619 ;      WriteSer
00620 ; *****
00621
00622
00623
00624
00625
00626
00627
00628
00629
00630
00631
00632
00633 Continue2
00634
00635
00636
00637
00638
00639
00640 Continue3
00641
00642
00643
00644
00645
00646
00647
00648
00649
00650
00651
00652 ; *****
00653 ; If no BUTTONs are pressed at reset
00654 ; the real program starts here
00655
00656 Continue4
00657
00658
00B5 222A      call      InitValues      ; get default values from the EEPROM,
                                ; place them in variables and write to CS5460,
                                ; initialize interrupts
00B6 178B      bsf      INTCON,GIE      ; enable all interrupts
00B7 0806      movf     PORTB,W          ; get states of BUTTONs (normally high, active low))
00B8 39F0      andlw   0xf0            ; mask off low 4 bits
00B9 1903      btfsc  STATUS,Z        ; are all four BUTTONs pressed?
00BA 21DD      call    ClearEEPROM     ; yes, clear the accumulated Watt HOURS from the EEPROM
                                ; and rewrite calibration values to CS5460
00BB 0806      movf     PORTB,W          ; get states of buttons (normally high)
00BC 39F0      andlw   0xf0            ; mask off low 4 bits
00BD 3C90      sublw  0x90            ; center two buttons
00BE 1903      btfsc  STATUS,Z        ; are only center 2 buttons pressed
00BF 2CB5      goto    SetClock       ; yes, set the "Time of Day" clock
00C0 0806      movf     PORTB,W          ; get states of buttons (normally high)
00C1 39F0      andlw   0xf0            ; mask off low 4 bits
00C2 3C60      sublw  0x60            ; outside two buttons
00C3 1D03      btfss  STATUS,Z        ; are only outer 2 buttons pressed?
00C4 28C9      goto    Continue4      ; no, skip next few instructions
00C5 3001      movlw  0x01           ; set to calibrate Voltage Offset
00C6 00B6      movwf  CALMODE        ; set to digit 1 (left)
00C7 3037      movlw  CALDIG         ; Modify calibration registers in the CS4560
00C8 2B06      goto    Calibrate
00C9
00C9 30E8      movlw  b'11101000'    ; CS5460 "start continuous conversions" command
00CA 00BC      movwf  TXDATA         ; Send the command

```



```

00CB 22FD      00659      call      SSPCmd      ; send TXDATA only to CS5460
00CC 225D      00660      call      Message     ; Display Startup Scrolling Message
                                00661      ; until a button is pressed
00CD 28CE      00662      goto     TimeLoop    ; Then start executing the main loop beginning
                                00663      ; with the Display time.
                                00664      ;
                                00665      ; *****
                                00666      ; *****
                                00667      ; *****
                                00668      ; ***** Display Time on LCD *****
                                00669      ; ***** HOURS, MINUTES, & SECONDS are counted in the Time Interrupt routine.
                                00670      ; *****
                                00671      ; *****
                                00672      ; *****
                                00673      ; ***** Display Time on LCD *****
                                00674      ; ***** HOURS, MINUTES, & SECONDS are counted in the Time Interrupt routine.
                                00675      ; *****
                                00676      ; The display is updated once after one second while in this loop before execution
                                00677      ; continues to ELoop.
                                00678      ; *****
                                00679      ; If any button is pressed, execution remains within this loop until 2 seconds
                                00680      ; after all buttons have been released.
                                00681      ; *****
                                00682      ; Inputs: UPDATE, MODEINC, PORTB
                                00683      ; Outputs: none
                                00684      ; *****
00CE 2295      00685      call     TimeLoop    ; Updatedisplay ; displays current time on LCD
00CF 1873      00686      call     TimeLoop    ; Updatedisplay ; displays current time on LCD.
00D0 2295      00687      call     TimeLoop    ; Updatedisplay ; yes, displays current time on LCD.
00D1 1FF2      00688      btfsc   TL0          ; 2 seconds yet?
00D2 28D5      00689      call    UPDATE,0     ; 1 second passed?
                                00690      Updatedisplay ; yes, displays current time on LCD.
                                00691      ;
                                00692      btfss   MODEINC,7   ; 2 seconds yet?
                                00693      goto    TLoop2      ; no, skip over jump
                                00694      ;
                                00695      clr    MODEINC      ; yes, clear MODE counter
                                00696      goto    ELoop       ; goto ELoop
                                00697      ;
                                00698      movf   PORTB,W      ; check buttons
                                00699      andlw  0xf0         ; mask off unneeded bits
                                00700      sublw  0xf0         ; compare with no pressed buttons state
                                00701      btfsc  STATUS,Z     ; buttons pressed?
                                00702      goto    TLoop       ; no, wait some more
                                00703      ;
                                00704      clr    MODEINC      ; yes, clear MODE counter

```

```

00DB 28CF 00705      goto      TLoop      ; wait forever
00706
00707 ;***** Display Voltage on LCD *****
00708 ; Reads RMS voltage (as fraction of full scale, 0 <= VRMS < 1) from CS5460,
00709 ; multiplies by the full scale voltage to get actual voltage in 2 byte binary,
00710 ; converts binary to 5 digit (3 byte) BCD (Binary Coded Decimal).
00711 ;
00712 ; The display is blanked, an "E" is written to the leftmost digit, and the decimal
00713 ; point is turned on. The BCD result is displayed, skipping leading zeros in the
00714 ; 10's and 100's digits.
00715 ;
00716 ; If any button is pressed, execution remains within this loop until 2 seconds
00717 ; after all buttons have been released.
00718 ;*****
00719 ; Inputs: MAXVOLT<H:L>, Vrms data from CS5460, UPDATE, MODEINC, PORTE
00720 ; Outputs: none
00721
00DC      00722 ELoop
00DC 3018      movlw    b'00011000',      ; read RMS Voltage from CS4560
00DD 00BC      movwf    TXDATA
00DE 22BF      call     SSPRead
00DF 0839      movf     RXDATA0,W      ; move received Vrms data to
00E0 00C0      movwf    AARGB0      ; multiplicand
00E1 083A      movf     RXDATA1,W
00E2 00C1      movwf    AARGB1
00E3 3000      movlw    MAXVOLTH      ; load full scale voltage to
00E4 00C5      movwf    BARGB0      ; multiplicand
00E5 30ED      movlw    MAXVOLTL
00E6 00C6      movwf    BARGB1
00E7 25D1      call     FXM1616U      ; Math 16bit * 16bit multiply routine
00E8 0841      movf     AARGB1,W      ; move result for Bin2BCD
00E9 00D2      movwf    TEMPH
00EA 0842      movf     AARGB2,W      ; this is the actual voltage in binary
00EB 00D1      movwf    TEMPL
00EC 24DC      call     Bin2BCD16      ; Change 16 bit binary to 5 digit decimal
00ED 2612      call     C1rLCD      ; clear display
00EE 300E      movlw    0x0E      ; display "E" on LCD (for Volts)
00EF 261F      call     Load1
00F0 1703      bsf     STATUS,RP1      ; Select Bank 2

```

```

00F1 1798      DEC6      ; turn on the decimal point
00F2 1303      STATUS,RP1 ; Select Bank 0

00F3 084E      R0,W       ; if "Hundreds" digit is 0, leave blank
00F4 390F      0x0F
00F5 1903      STATUS,Z
00F6 28F9      E5LCD
00F7 270C      WriteLCD4 ; Display 5 digits of data as decimal
00F8 2900      Waite1

00F9 0E4F      R1,W       ; if "Tens" digit is zero, leave blank
00FA 390F      0x0F
00FB 1903      STATUS,Z
00FC 28FF      E4LCD
00FD 270F      WriteLCD5 ; Display 4 digits of data as decimal
00FE 2900      Waite1

00FF 2712      E4LCD   ; Display 3 digits of data as decimal
00751 00768   E4LCD
00752 00769   call    WriteLCD6
00753 00770   bcf    UPDATE,0
00754 00771   btfs   MODEINC,7 ; 2 seconds yet?
00755 00772   goto   Waite2   ; no, skip over jump
00756 00773   clrf   MODEINC ; yes, clear MODE counter
00757 00774   goto   ILoop  ; go to the Current loop
00758 00775   btfs   UPDATE,0 ; 1 second passed?
00759 00776   goto   ELoop  ; yes, take new reading and display it.
00760 00777   movf   PORTB,W  ; no, check buttons
00761 00778   andlw  0xf0   ; mask off unneeded bits
00762 00779   sublw 0xf0   ; compare with no pressed button state
00763 00780   btfs   STATUS,Z ; button pressed?
00764 00781   goto   Waite   ; no, wait some more
00765 00782   clrf   MODEINC ; yes, clear MODE counter
00766 00783   goto   Waite   ; wait some more
00767 00784   ***** Display Current on LCD *****
00768 00785   ; Reads RMS current (as fraction of full scale, 0 <= IRMS < 1 ) from CS5460,
00769 00786   ; multiplies by the full scale current to get actual current in 2 byte binary,
00770 00787   ; converts binary to 5 digit (3 byte) BCD (Binary Coded Decimal).
00771 00788   ; The display is blanked, an "C" is written to the leftmost digit, and the decimal
00772 00789   ;
00773 00790   ;
00774 00791   ;
00775 00792   ;
00776 00793   ;
00777 00794   ;
00778 00795   ;
00779 00796   ;
00780 00797   ;
00781 00798   ;
00782 00799   ;
00783 00800   ;
00784 00801   ;
00785 00802   ;
00786 00803   ;
00787 00804   ;
00788 00805   ;
00789 00806   ;
00790 00807   ;
00791 00808   ;
00792 00809   ;
00793 00810   ;
00794 00811   ;
00795 00812   ;
00796 00813   ;
00797 00814   ;
00798 00815   ;
00799 00816   ;
00800 00817   ;
00801 00818   ;
00802 00819   ;
00803 00820   ;
00804 00821   ;
00805 00822   ;
00806 00823   ;
00807 00824   ;
00808 00825   ;
00809 00826   ;
00810 00827   ;
00811 00828   ;
00812 00829   ;
00813 00830   ;
00814 00831   ;
00815 00832   ;
00816 00833   ;
00817 00834   ;
00818 00835   ;
00819 00836   ;
00820 00837   ;
00821 00838   ;
00822 00839   ;
00823 00840   ;
00824 00841   ;
00825 00842   ;
00826 00843   ;
00827 00844   ;
00828 00845   ;
00829 00846   ;
00830 00847   ;
00831 00848   ;
00832 00849   ;
00833 00850   ;
00834 00851   ;
00835 00852   ;
00836 00853   ;
00837 00854   ;
00838 00855   ;
00839 00856   ;
00840 00857   ;
00841 00858   ;
00842 00859   ;
00843 00860   ;
00844 00861   ;
00845 00862   ;
00846 00863   ;
00847 00864   ;
00848 00865   ;
00849 00866   ;
00850 00867   ;
00851 00868   ;
00852 00869   ;
00853 00870   ;
00854 00871   ;
00855 00872   ;
00856 00873   ;
00857 00874   ;
00858 00875   ;
00859 00876   ;
00860 00877   ;
00861 00878   ;
00862 00879   ;
00863 00880   ;
00864 00881   ;
00865 00882   ;
00866 00883   ;
00867 00884   ;
00868 00885   ;
00869 00886   ;
00870 00887   ;
00871 00888   ;
00872 00889   ;
00873 00890   ;
00874 00891   ;
00875 00892   ;
00876 00893   ;
00877 00894   ;
00878 00895   ;
00879 00896   ;
00880 00897   ;
00881 00898   ;
00882 00899   ;
00883 00900   ;
00884 00901   ;
00885 00902   ;
00886 00903   ;
00887 00904   ;
00888 00905   ;
00889 00906   ;
00890 00907   ;
00891 00908   ;
00892 00909   ;
00893 00910   ;
00894 00911   ;
00895 00912   ;
00896 00913   ;
00897 00914   ;
00898 00915   ;
00899 00916   ;
00900 00917   ;
00901 00918   ;
00902 00919   ;
00903 00920   ;
00904 00921   ;
00905 00922   ;
00906 00923   ;
00907 00924   ;
00908 00925   ;
00909 00926   ;
00910 00927   ;
00911 00928   ;
00912 00929   ;
00913 00930   ;
00914 00931   ;
00915 00932   ;
00916 00933   ;
00917 00934   ;
00918 00935   ;
00919 00936   ;
00920 00937   ;
00921 00938   ;
00922 00939   ;
00923 00940   ;
00924 00941   ;
00925 00942   ;
00926 00943   ;
00927 00944   ;
00928 00945   ;
00929 00946   ;
00930 00947   ;
00931 00948   ;
00932 00949   ;
00933 00950   ;
00934 00951   ;
00935 00952   ;
00936 00953   ;
00937 00954   ;
00938 00955   ;
00939 00956   ;
00940 00957   ;
00941 00958   ;
00942 00959   ;
00943 00960   ;
00944 00961   ;
00945 00962   ;
00946 00963   ;
00947 00964   ;
00948 00965   ;
00949 00966   ;
00950 00967   ;
00951 00968   ;
00952 00969   ;
00953 00970   ;
00954 00971   ;
00955 00972   ;
00956 00973   ;
00957 00974   ;
00958 00975   ;
00959 00976   ;
00960 00977   ;
00961 00978   ;
00962 00979   ;
00963 00980   ;
00964 00981   ;
00965 00982   ;
00966 00983   ;
00967 00984   ;
00968 00985   ;
00969 00986   ;
00970 00987   ;
00971 00988   ;
00972 00989   ;
00973 00990   ;
00974 00991   ;
00975 00992   ;
00976 00993   ;
00977 00994   ;
00978 00995   ;
00979 00996   ;
00980 00997   ;
00981 00998   ;
00982 00999   ;
00983 01000   ;
00984 01001   ;
00985 01002   ;
00986 01003   ;
00987 01004   ;
00988 01005   ;
00989 01006   ;
00990 01007   ;
00991 01008   ;
00992 01009   ;
00993 01010   ;
00994 01011   ;
00995 01012   ;
00996 01013   ;
00997 01014   ;
00998 01015   ;
00999 01016   ;
01000 01017   ;
01001 01018   ;
01002 01019   ;
01003 01020   ;
01004 01021   ;
01005 01022   ;
01006 01023   ;
01007 01024   ;
01008 01025   ;
01009 01026   ;
01010 01027   ;
01011 01028   ;
01012 01029   ;
01013 01030   ;
01014 01031   ;
01015 01032   ;
01016 01033   ;
01017 01034   ;
01018 01035   ;
01019 01036   ;
01020 01037   ;
01021 01038   ;
01022 01039   ;
01023 01040   ;
01024 01041   ;
01025 01042   ;
01026 01043   ;
01027 01044   ;
01028 01045   ;
01029 01046   ;
01030 01047   ;
01031 01048   ;
01032 01049   ;
01033 01050   ;
01034 01051   ;
01035 01052   ;
01036 01053   ;
01037 01054   ;
01038 01055   ;
01039 01056   ;
01040 01057   ;
01041 01058   ;
01042 01059   ;
01043 01060   ;
01044 01061   ;
01045 01062   ;
01046 01063   ;
01047 01064   ;
01048 01065   ;
01049 01066   ;
01050 01067   ;
01051 01068   ;
01052 01069   ;
01053 01070   ;
01054 01071   ;
01055 01072   ;
01056 01073   ;
01057 01074   ;
01058 01075   ;
01059 01076   ;
01060 01077   ;
01061 01078   ;
01062 01079   ;
01063 01080   ;
01064 01081   ;
01065 01082   ;
01066 01083   ;
01067 01084   ;
01068 01085   ;
01069 01086   ;
01070 01087   ;
01071 01088   ;
01072 01089   ;
01073 01090   ;
01074 01091   ;
01075 01092   ;
01076 01093   ;
01077 01094   ;
01078 01095   ;
01079 01096   ;
01080 01097   ;
01081 01098   ;
01082 01099   ;
01083 01100   ;
01084 01101   ;
01085 01102   ;
01086 01103   ;
01087 01104   ;
01088 01105   ;
01089 01106   ;
01090 01107   ;
01091 01108   ;
01092 01109   ;
01093 01110   ;
01094 01111   ;
01095 01112   ;
01096 01113   ;
01097 01114   ;
01098 01115   ;
01099 01116   ;
01100 01117   ;
01101 01118   ;
01102 01119   ;
01103 01120   ;
01104 01121   ;
01105 01122   ;
01106 01123   ;
01107 01124   ;
01108 01125   ;
01109 01126   ;
01110 01127   ;
01111 01128   ;
01112 01129   ;
01113 01130   ;
01114 01131   ;
01115 01132   ;
01116 01133   ;
01117 01134   ;
01118 01135   ;
01119 01136   ;
01120 01137   ;
01121 01138   ;
01122 01139   ;
01123 01140   ;
01124 01141   ;
01125 01142   ;
01126 01143   ;
01127 01144   ;
01128 01145   ;
01129 01146   ;
01130 01147   ;
01131 01148   ;
01132 01149   ;
01133 01150   ;
01134 01151   ;
01135 01152   ;
01136 01153   ;
01137 01154   ;
01138 01155   ;
01139 01156   ;
01140 01157   ;
01141 01158   ;
01142 01159   ;
01143 01160   ;
01144 01161   ;
01145 01162   ;
01146 01163   ;
01147 01164   ;
01148 01165   ;
01149 01166   ;
01150 01167   ;
01151 01168   ;
01152 01169   ;
01153 01170   ;
01154 01171   ;
01155 01172   ;
01156 01173   ;
01157 01174   ;
01158 01175   ;
01159 01176   ;
01160 01177   ;
01161 01178   ;
01162 01179   ;
01163 01180   ;
01164 01181   ;
01165 01182   ;
01166 01183   ;
01167 01184   ;
01168 01185   ;
01169 01186   ;
01170 01187   ;
01171 01188   ;
01172 01189   ;
01173 01190   ;
01174 01191   ;
01175 01192   ;
01176 01193   ;
01177 01194   ;
01178 01195   ;
01179 01196   ;
01180 01197   ;
01181 01198   ;
01182 01199   ;
01183 01200   ;
01184 01201   ;
01185 01202   ;
01186 01203   ;
01187 01204   ;
01188 01205   ;
01189 01206   ;
01190 01207   ;
01191 01208   ;
01192 01209   ;
01193 01210   ;
01194 01211   ;
01195 01212   ;
01196 01213   ;
01197 01214   ;
01198 01215   ;
01199 01216   ;
01200 01217   ;
01201 01218   ;
01202 01219   ;
01203 01220   ;
01204 01221   ;
01205 01222   ;
01206 01223   ;
01207 01224   ;
01208 01225   ;
01209 01226   ;
01210 01227   ;
01211 01228   ;
01212 01229   ;
01213 01230   ;
01214 01231   ;
01215 01232   ;
01216 01233   ;
01217 01234   ;
01218 01235   ;
01219 01236   ;
01220 01237   ;
01221 01238   ;
01222 01239   ;
01223 01240   ;
01224 01241   ;
01225 01242   ;
01226 01243   ;
01227 01244   ;
01228 01245   ;
01229 01246   ;
01230 01247   ;
01231 01248   ;
01232 01249   ;
01233 01250   ;
01234 01251   ;
01235 01252   ;
01236 01253   ;
01237 01254   ;
01238 01255   ;
01239 01256   ;
01240 01257   ;
01241 01258   ;
01242 01259   ;
01243 01260   ;
01244 01261   ;
01245 01262   ;
01246 01263   ;
01247 01264   ;
01248 01265   ;
01249 01266   ;
01250 01267   ;
01251 01268   ;
01252 01269   ;
01253 01270   ;
01254 01271   ;
01255 01272   ;
01256 01273   ;
01257 01274   ;
01258 01275   ;
01259 01276   ;
01260 01277   ;
01261 01278   ;
01262 01279   ;
01263 01280   ;
01264 01281   ;
01265 01282   ;
01266 01283   ;
01267 01284   ;
01268 01285   ;
01269 01286   ;
01270 01287   ;
01271 01288   ;
01272 01289   ;
01273 01290   ;
01274 01291   ;
01275 01292   ;
01276 01293   ;
01277 01294   ;
01278 01295   ;
01279 01296   ;
01280 01297   ;
01281 01298   ;
01282 01299   ;
01283 01300   ;
01284 01301   ;
01285 01302   ;
01286 01303   ;
01287 01304   ;
01288 01305   ;
01289 01306   ;
01290 01307   ;
01291 01308   ;
01292 01309   ;
01293 01310   ;
01294 01311   ;
01295 01312   ;
01296 01313   ;
01297 01314   ;
01298 01315   ;
01299 01316   ;
01300 01317   ;
01301 01318   ;
01302 01319   ;
01303 01320   ;
01304 01321   ;
01305 01322   ;
01306 01323   ;
01307 01324   ;
01308 01325   ;
01309 01326   ;
01310 01327   ;
01311 01328   ;
01312 01329   ;
01313 01330   ;
01314 01331   ;
01315 01332   ;
01316 01333   ;
01317 01334   ;
01318 01335   ;
01319 01336   ;
01320 01337   ;
01321 01338   ;
01322 01339   ;
01323 01340   ;
01324 01341   ;
01325 01342   ;
01326 01343   ;
01327 01344   ;
01328 01345   ;
01329 01346   ;
01330 01347   ;
01331 01348   ;
01332 01349   ;
01333 01350   ;
01334 01351   ;
01335 01352   ;
01336 01353   ;
01337 01354   ;
01338 01355   ;
01339 01356   ;
01340 01357   ;
01341 01358   ;
01342 01359   ;
01343 01360   ;
01344 01361   ;
01345 01362   ;
01346 01363   ;
01347 01364   ;
01348 01365   ;
01349 01366   ;
01350 01367   ;
01351 01368   ;
01352 01369   ;
01353 01370   ;
01354 01371   ;
01355 01372   ;
01356 01373   ;
01357 01374   ;
01358 01375   ;
01359 01376   ;
01360 01377   ;
01361 01378   ;
01362 01379   ;
01363 01380   ;
01364 01381   ;
01365 01382   ;
01366 01383   ;
01367 01384   ;
01368 01385   ;
01369 01386   ;
01370 01387   ;
01371 01388   ;
01372 01389   ;
01373 01390   ;
01374 01391   ;
01375 01392   ;
01376 01393   ;
01377 01394   ;
01378 01395   ;
01379 01396   ;
01380 01397   ;
01381 01398   ;
01382 01399   ;
01383 01400   ;
01384 01401   ;
01385 01402   ;
01386 01403   ;
01387 01404   ;
01388 01405   ;
01389 01406   ;
01390 01407   ;
01391 01408   ;
01392 01409   ;
01393 01410   ;
01394 01411   ;
01395 01412   ;
01396 01413   ;
01397 01414   ;
01398 01415   ;
01399 01416   ;
01400 01417   ;
01401 01418   ;
01402 01419   ;
01403 01420   ;
01404 01421   ;
01405 01422   ;
01406 01423   ;
01407 01424   ;
01408 01425   ;
01409 01426   ;
01410 01427   ;
01411 01428   ;
01412 01429   ;
01413 01430   ;
01414 01431   ;
01415 01432   ;
01416 01433   ;
01417 01434   ;
01418 01435   ;
01419 01436   ;
01420 01437   ;
01421 01438   ;
01422 01439   ;
01423 01440   ;
01424 01441   ;
01425 01442   ;
01426 01443   ;
01427 01444   ;
01428 01445   ;
01429 01446   ;
01430 01447   ;
01431 01448   ;
01432 01449   ;
01433 01450   ;
01434 01451   ;
01435 01452   ;
01436 01453   ;
01437 01454   ;
01438 01455   ;
01439 01456   ;
01440 01457   ;
01441 01458   ;
01442 01459   ;
01443 01460   ;
01444 01461   ;
01445 01462   ;
01446 01463   ;
01447 01464   ;
01448 01465   ;
01449 01466   ;
01450 01467   ;
01451 01468   ;
01452 01469   ;
01453 01470   ;
01454 01471   ;
01455 01472   ;
01456 01473   ;
01457 01474   ;
01458 01475   ;
01459 01476   ;
01460 01477   ;
01461 01478   ;
01462 01479   ;
01463 01480   ;
01464 01481   ;
01465 01482   ;
01466 01483   ;
01467 01484   ;
01468 01485   ;
01469 01486   ;
01470 01487   ;
01471 01488   ;
01472 01489   ;
01473 01490   ;
01474 01491   ;
01475 01492   ;
01476 01493   ;
01477 01494   ;
01478 01495   ;
01479 01496   ;
01480 01497   ;
01481 01498   ;
01482 01499   ;
01483 01500   ;
01484 01501   ;
01485 01502   ;
01486 01503   ;
01487 01504   ;
01488 01505   ;
01489 01506   ;
01490 01507   ;
01491 01508   ;
01492 01509   ;
01493 01510   ;
01494 01511   ;
01495 01512   ;
01496 01513   ;
01497 01514   ;
01498 01515   ;
01499 01516   ;
01500 01517   ;
01501 01518   ;
01502 01519   ;
01503 01520   ;
01504 01521   ;
01505 01522   ;
01506 01523   ;
01507 01524   ;
01508 01525   ;
01509 01526   ;
01510 01527   ;
01511 01528   ;
01512 01529   ;
01513 01530   ;
01514 01531   ;
01515 01532   ;
01516 01533   ;
01517 01534   ;
01518 01535   ;
01519 01536   ;
01520 01537   ;
01521 01538   ;
01522 01539   ;
01523 01540   ;
01524 01541   ;
01525 01542   ;
01526 01543   ;
01527 01544   ;
01528 01545   ;
01529 01546   ;
01530 01547   ;
01531 01548   ;
01532 01549   ;
01533 01550   ;
01534 01551   ;
01535 01552   ;
01536 01553   ;
01537 01554   ;
01538 01555   ;
01539 01556   ;
01540 01557   ;
01541 01558   ;
01542 01559   ;
01543 01560   ;
01544 01561   ;
01545 01562   ;
01546 01563   ;
01547 01564   ;
01548 01565   ;
01549 01566   ;
01550 01567   ;
01551 01568   ;
01552 01569   ;
01553 01570   ;
01554 01571   ;
01555 01572   ;
01556 01573   ;
01557 01574   ;
01558 01575   ;
01559 01576   ;
01560 01577   ;
01561 01578   ;
01562 01579   ;
01563 01580   ;
01564 01581   ;
01565 01582   ;
01566 01583   ;
01567 01584   ;
01568 01585   ;
01569 01586   ;
01570 01587   ;
01571 01588   ;
01572 01589   ;
01573 01590   ;
01574 01591   ;
01575 01592   ;
01576 01593   ;
01577 01594   ;
01578 01595   ;
01579 01596   ;
01580 01597   ;
01581 01598   ;
01582 01599   ;
01583 01600   ;
01584 01601   ;
01585 01602   ;
01586 01603   ;
01587 01604   ;
01588 01605   ;
01589 01606   ;
01590 01607   ;
01591 01608   ;
01592 01609   ;
01593 01610   ;
```

```

00797 ; point is turned on. The BCD result is displayed, skipping the leading zero in the
00798 ; 10's digit.
00799 ;
0800 ; If any button is pressed, execution remains within this loop until 2 seconds
0801 ; after all buttons have been released.
0802 ;*****
0803 ; Inputs: MAXCURR<H:L>, Irms data from CS5460, UPDATE, MODEINC, PORTB
0804 ; Outputs: none
0805
0806 ILoop
010E      movlw    b'00010110'      ; read Irms from the CS4560
010E      movwf    TXDATA
010F      call    SSPRead
0110      22BF
0111      0839      movf    RXDATA0,W      ; move received data to
0112      00C0      movwf   AARGB0          ; multiplicand
0113      083A      movf    RXDATA1,W
0114      00C1      movwf   AARGB1
0115      3000      movlw   MAXCURRH      ; move full scale Current value
0116      00C5      movwf   BARGB0          ; to multiplicand
0117      30FA      movlw   MAXCURRL
0118      00C6      movwf   BARGB1
0119      25D1      call    FXM1616U      ; Math 16bit * 16bit multiply routine
011A      0841      movf    AARGB1,W      ; move result for Bin2BCD
011B      00D2      movwf   TEMPH
011C      0842      movf    AARGB2,W      ; this is actual current in binary
011D      00D1      movwf   TEMPL
011E      24DC      call    Bin2BCD16     ; Change 16 bit binary to 5 digit decimal (BCD)
011F      2612      call    C1rLCD        ; clear display
0120      300C      movlw   0x0C         ; load W with char "C" to display
0121      261F      call    LoadD1       ; display "C" on LCD (for Current)
0122      1703      bsf     STATUS,RP1   ; Select Bank 2
0123      1519      bsf     DECS        ; turn on the decimal point
0124      1303      bcf     STATUS,RP1   ; Select Bank 0
0125      084E      movf    R0,W         ; if "tens" digit is 0, leave blank
0126      390F      andlw   0x0F
0127      1903      btfsf   STATUS,Z
0128      292B      goto    C5LCD
0129      270C      call    WriteLCD4     ; Display 5 digits of data as decimal

```

```

012A 292C      00843      goto      WaitC1
012B 270F      00844 C5LCD      call      WriteLCD5
012C 1073      00845      bcf       UPDATE,0
012D      00846 WaitC1      btfss    MODEINC,7
012D 1FF2      00847 WaitC      goto     WaitC2
012E 2931      00848      btfss    MODEINC,7
012F 01F2      00849      goto     WaitC2
0130 293A      00850      clrf     MODEINC
0131      00851      goto     APLoop
0131      00852      goto     APLoop
0131      00853      goto     APLoop
0131      00854 WaitC2
0131 1873      00855      btfsc    UPDATE,0
0132 290E      00856      goto     ILoop
0133 0806      00857      movf    PORTB,W
0134 39F0      00858      andlw   0xf0
0135 3CF0      00859      sublw   0xf0
0136 1903      00860      btfsc   STATUS,Z
0137 292D      00861      goto     WaitC
0138 01F2      00862      goto     WaitC
0139 292D      00863      clrf     MODEINC
0139      00864      goto     WaitC
0139      00865      goto     WaitC
0139      00866      goto     WaitC
0139      00867 ;***** Display Apparent Power on LCD *****
0139      00868 ; Calls routine to calculate apparent power, converts the binary result to BCD, clears
0139      00869 ; the display, displays "AP", and calls the subroutine that displays the power result.
0139      00870 ;
0139      00871 ; If any button is pressed, execution remains within this loop until 2 seconds
0139      00872 ; after all buttons have been released.
0139      00873 ;*****
0139      00874 ; Inputs: UPDATE, MODEINC, PORTB
0139      00875 ; Outputs: none
0139      00876
013A      00877 APLoop
013A 24FF      00878      call    CalcAP
013B 082D      00879      movf    APH,W
013C 00D2      00880      movwf   TEMPH
013D 082E      00881      movf    APL,W
013E 00D1      00882      movwf   TEMPL
013F 24DC      00883      call    Bin2BCD16
0140 2612      00884      call    ClrLCD
0140      00885      call    ClrLCD
0140      00886      call    ClrLCD
0140      00887      call    ClrLCD
0140      00888      call    ClrLCD
; Display 4 digits of data as decimal
; 2 seconds yet?
; no, skip over jump
; yes, clear MODE counter
; go to the Apparent Power loop
; 1 second passed?
; yes, take new reading and display it.
; no, check buttons
; mask off unneeded bits
; compare with no pressed button state
; button pressed?
; no, wait some more
; yes, clear MODE counter
; wait some more
; get Vrms, Irms, multiply, save as APH:APL(binary)
; get Apparent Power high byte
; get Apparent Power low byte
; convert binary to decimal
; clear the LCD display

```

```

00889          0141 300A          movlw      0x0A
00890          0142 261F          call       LoadD1
00891          0143 3010          movlw      0x10
00892          0144 263A          call       LoadD2
00893
00894          0145 271C          call       DispPwr
00895          0146 1073          bcf        UPDATE,0
00896          00897 WaitAP1
00897          00898          bcf        MODEINC,7
00898          00899 WaitAP
00899          0147 1FF2          btfss     WaitAP2
00900          0148 294B          goto      MODEINC
00901          0149 01F2          clrf      TPLoop
00902          014A 2954          goto      MODEINC
00903
00904          014B          goto      TPLoop
00905
00906          014B          goto      TPLoop
00907          014B 1873          btfsc     UPDATE,0
00908          014C 293A          goto      APLoop
00909
00910          014D 0806          movf      PORTB,W
00911          014E 39F0          andlw     0xf0
00912          014F 3CF0          sublw     0xf0
00913          0150 1903          btfsc     STATUS,Z
00914          0151 2947          goto      WaitAP
00915
00916          0152 01F2          clrf      MODEINC
00917          0153 2947          goto      WaitAP
00918
00919          00919 ***** Display True Power on LCD *****
00920          00920 ; Calls routine to calculate true power, converts the binary result to BCD, clears
00921          00921 ; the display, displays "tp", and calls the subroutine that displays the power result.
00922          00922 ;
00923          00923 ; If any button is pressed, execution remains within this loop until 2 seconds
00924          00924 ; after all buttons have been released.
00925          00925 *****
00926          00926 ; Inputs: UPDATE, MODEINC, PORTB
00927          00927 ; Outputs: none
00928
00929          00929 TPLoop
00930          0154 2518          call      CalcTP
00931
00932          0155 082F          movf     TPH,W
00933          0156 00D2          movwf    TEMPH
00934          0157 0830          movf     TPL,W

```



```

00981 ;*****
00982 ; Inputs: UPDATE, MODEINC, PORTE
00983 ; Outputs: none
00984 ;*****
00985 ; PF = TP / AP      TP <= AP,    0<=PF<=1
00986 ;
00987 ; If AP=0, then a divide by zero condition exists, report back PF=1.000
00988 ; This is a no load condition. Vrms cannot be zero (this device wont work). Irms is zero.
00989 ;
00990 ; Due to delays in the CS5460, PF can sometimes compute to greater than 1.000. This
00991 ; is an incorrect result. In such cases, limit PF to 1.000.
00992 ; The next calculation will report the correct PF.
00993 ; This usually occurs only when the load characteristics are rapidly changing.
00994 ;*****
00995
00996 PFLoop
00997
00998
00999
01000
01001
01002
01003
01004
01005
01006
01007
01008
01009 PFUnity
01010
01011
01012
01013
01014
01015
01016 PFZero
01017
01018
01019
01020
01021
01022
01023
01024
01025
01026

016E 24FF
016E

016F 08AD
0170 1D03
0171 297B

0172 082E
0173 39F0
0174 1D03
0175 297B

0176 3003
0177 00D2
0178 30E8
0179 00D1

017A 2996

017B 2518

017C 082F
017D 00C0
017E 0830
017F 00C1
0180 01C2

0181 082D
0182 00C5

016E 24FF
016E

016F 08AD
0170 1D03
0171 297B

0172 082E
0173 39F0
0174 1D03
0175 297B

0176 3003
0177 00D2
0178 30E8
0179 00D1

017A 2996

017B 2518

017C 082F
017D 00C0
017E 0830
017F 00C1
0180 01C2

0181 082D
0182 00C5

; calculate present Aparent Power
; test APH for non-zero value
; was APH zero?
; APH is non-zero, PF can be calculated
; APL may be very close to zero
; discard low 4 bits
; is APL>0x0F?
; APL is non-zero
; report PF=1.000
; jump directly to display routine
; calculate present True Power
; save results in TPH:TPL as Watts in binary
; load True Power
; load Apparent Power

```



```

0183 082E      01027      movf      APL,W
0184 00C6      01028      movwf    BARGB1
0185 2525      01029
0186 08C1      01030      call     FXD2416U
0187 1D03      01031
0188 2976      01032      ; divide True Power by Apparent Power
0189 0841      01033      ; Test AARGB1
018A 00C0      01034      ; is AARGB1 non-zero?
018B 0842      01035      ; yes, report PF => 1.000
018C 00C1      01036      ; move result for scaling
018D 3003      01037      AARGB1,F
018E 00C5      01038      STATUS,Z
018F 30E8      01039      PFUnity
0190 00C6      01040      AARGB1,W
0191 25D1      01041      AARGB0
0192 0841      01042      AARGB2,W
0193 00D2      01043      AARGB1
0194 0842      01044      0x03
0195 00D1      01045      BARGB0
0196 24DC      01046      0xE8
0197 2612      01047      BARGB1
0198 3010      01048      FXM1616U
0199 261F      01049      ; multiply result by 1000 decimal
019A 300F      01050      AARGB1,W
019B 263A      01051      TEMPH
019C 1283 1703 01052      ; put HEX value in TEMPH:TEMPL (MSB:LSB) and BCD is returned in R0:R1:R2
019E 1519      01053      PFZero
019F 1283 1303 01054      call     Bin2BCD16
01A1 270F      01055      call     ClrLCD
01A2 1073      01056      movlw   0x10
01A3 1FF2      01057      call     LoadD1
01A4 1FF2      01058      movlw   0x0F
01A5 1FF2      01059      call     LoadD2
01A6 1FF2      01060      banksel LCDD02
01A7 1FF2      01061      bsf     DEC5
01A8 1FF2      01062      banksel PORTA
01A9 1FF2      01063      call    WriteLCD5
01AA 1FF2      01064      bcf     UPDATE,0
01AB 1FF2      01065      banksel MODEINC,7
01AC 1FF2      01066      btfs   ; Write the data as formatted decimal
01AD 1FF2      01067      ;
01AE 1FF2      01068      ;
01AF 1FF2      01069      ;
01B0 1FF2      01070      ;
01B1 1FF2      01071      ;
01B2 1FF2      01072      ;
01B3 1FF2      01073      ;
01B4 1FF2      01074      ;
01B5 1FF2      01075      ;
01B6 1FF2      01076      ;
01B7 1FF2      01077      ;
01B8 1FF2      01078      ;
01B9 1FF2      01079      ;
01BA 1FF2      01080      ;
01BB 1FF2      01081      ;
01BC 1FF2      01082      ;
01BD 1FF2      01083      ;
01BE 1FF2      01084      ;
01BF 1FF2      01085      ;
01C0 1FF2      01086      ;
01C1 1FF2      01087      ;
01C2 1FF2      01088      ;
01C3 1FF2      01089      ;
01C4 1FF2      01090      ;
01C5 1FF2      01091      ;
01C6 1FF2      01092      ;
01C7 1FF2      01093      ;
01C8 1FF2      01094      ;
01C9 1FF2      01095      ;
01CA 1FF2      01096      ;
01CB 1FF2      01097      ;
01CC 1FF2      01098      ;
01CD 1FF2      01099      ;
01CE 1FF2      01100      ;
01CF 1FF2      01101      ;
01D0 1FF2      01102      ;
01D1 1FF2      01103      ;
01D2 1FF2      01104      ;
01D3 1FF2      01105      ;
01D4 1FF2      01106      ;
01D5 1FF2      01107      ;
01D6 1FF2      01108      ;
01D7 1FF2      01109      ;
01D8 1FF2      01110      ;
01D9 1FF2      01111      ;
01DA 1FF2      01112      ;
01DB 1FF2      01113      ;
01DC 1FF2      01114      ;
01DD 1FF2      01115      ;
01DE 1FF2      01116      ;
01DF 1FF2      01117      ;
01E0 1FF2      01118      ;
01E1 1FF2      01119      ;
01E2 1FF2      01120      ;
01E3 1FF2      01121      ;
01E4 1FF2      01122      ;
01E5 1FF2      01123      ;
01E6 1FF2      01124      ;
01E7 1FF2      01125      ;
01E8 1FF2      01126      ;
01E9 1FF2      01127      ;
01EA 1FF2      01128      ;
01EB 1FF2      01129      ;
01EC 1FF2      01130      ;
01ED 1FF2      01131      ;
01EE 1FF2      01132      ;
01EF 1FF2      01133      ;
01F0 1FF2      01134      ;
01F1 1FF2      01135      ;
01F2 1FF2      01136      ;
01F3 1FF2      01137      ;
01F4 1FF2      01138      ;
01F5 1FF2      01139      ;
01F6 1FF2      01140      ;
01F7 1FF2      01141      ;
01F8 1FF2      01142      ;
01F9 1FF2      01143      ;
01FA 1FF2      01144      ;
01FB 1FF2      01145      ;
01FC 1FF2      01146      ;
01FD 1FF2      01147      ;
01FE 1FF2      01148      ;
01FF 1FF2      01149      ;

```

```

01A4 29A7      goto      WaitPF2
01A5 01F2      clr     MODEINC
01A6 29B0      goto      WHLoop
01A7          WaitPF2
01A7 1873      btfsc  UPDATE,0
01A8 296E      goto      PFLoop
01A9 0806      movf   PORTB,W
01AA 39F0      andlw  0xf0
01AB 3CF0      sublw  0xf0
01AC 1903      btfsc  STATUS,Z
01AD 29A3      goto      WaitPF
01AE 01F2      clr     MODEINC
01AF 29A3      goto      WaitPF
01090
01091 ;***** Display Kw/Hr on LCD *****
01092 ; The !EOUT pin of the CS4560 goes to the RB0/INT pin of the PIC16C923.
01093 ; The !EDIR pin of the CS5460 goes to the RB1 pin.
01094 ; The interrupt service routine RB0ISR counts the pulses and increments WATTHR:WATTHR.
01095 ;
01096 ; This routine takes the total energy in WATTHR:WATTHR, converts it to BCD, clears the display,
01097 ; displays "Hr", and calls the subroutine that displays power while blanking leading zeros.
01098 ;
01099 ; If any button is pressed, execution remains within this loop until 2 seconds
01100 ; after all buttons have been released.
01101 ;*****
01102 ; Inputs: UPDATE, MODEINC, PORTB, WATTHR:WATTHR
01103 ; Outputs: none
01104
01105 WHLoop
01106      call   C1rLCD
01107      movf  WATTHR,W      ; LSB of Watt hours
01108      movwf TEMPL
01109      movf  WATTHR,W      ; MSB of Watt hours
01110      movwf TEMPH
01111      ; put HEX value in TEMPL (LSB) and TEMPH (MSB),
01112      call  Bin2BCD16    ; BCD is returned in R2 (LSB) R1 and R0 (MSB)
01113      ; 16 bit binary to BCD routine
01114
01115      call  C1rLCD      ; blank display
01116
01117 ; Write a "Hr" to the first two digits (left side)
01118      movlw 0x18      ; H

```



```

01D1 00BF      movwf    TXDATA2      ; bits 7-0
01D2 22E1      call     SSPWrite    ; send command to CS5460
01165      movwf    TXDATA2      ; bits 7-0
01166      call     SSPWrite    ; send command to CS5460
01167
01168 ;*****
01169 ; Initialize the CS5460 Serial Port
01170 ; Write SYNC1 (0xFF) to the CS4560 up to 3 times followed by
01171 ; a SYNC0 (0xFE) to initialize the Serial Port
01172
01173      movlw   SYNC1      ; SYNC1 byte (0xFF)
01174      movwf   TXDATA    TXDATA
01175      movlw   SYNC1      ; SYNC1 byte (0xFF)
01176      movwf   TXDATA0  TXDATA0
01177      movlw   SYNC1      ; SYNC1 byte (0xFF)
01178      movwf   TXDATA1  TXDATA1
01179      movlw   SYNC0      ; SYNC0 byte (0xFE)
01180      movwf   TXDATA2  TXDATA2
01181      call     SSPWrite    ; send sync bytes to CS5460
01182
01183      return
01184
01185 ;*****
01186 ; This routine clears the accumulated Watt Hours
01187 ;
01188 ; The CS5460 is reset, the total energy is zeroed in the 24C01 EEPROM, and all
01189 ; internal variables that track accumulated energy are cleared. The display is
01190 ; blanked, and "CLEAR" is written to it.
01191 ;
01192 ; Calibration values are read from the 24C01 and written back to the CS5460.
01193 ;*****
01194 ; Inputs: none
01195 ; outputs: none
01196
01197      call     ClearEEPROM      ResetCS4560
01198
01199
01200 ; Write "00" to the EEPROM addresses
01201
01202      clrf    EEDATA      ; set data to 0
01203      movlw  0x0D        ; EE address of Watt HOUR MSB
01204      movwf  EEADDR
01205
01206      call   EEWrite     ; clears WHr MSB
01207
01208      incf  EEADDR,F    ; clears WHr LSB
01209      call  EEWrite
01210

```

```

01E4 01A8      WATTHR1      ; clear total energy
01E5 01A7      WATTHR0      ; clear pulse counter
01E6 01A5      WATTMPH      ; clear 8 minute timer
01E7 01A6      WATTMPL      ; Put the default Voltage and Current
01E8 01B8      UPDATEWH     ; Offset and Gain values back in the CS4560
01E9 21F9      GetDefaults  ; "C"      ; Write CLEAR to the LCD
01EA 2612      ClrLCD      ; "L"
01EB 300C      movlw      ; "E"
01EC 263A      call       ; "A"
01ED 301D      movlw      ; "r"
01EE 2655      call       ; "r"
01EF 300E      movlw      ; "r"
01F0 2670      call       ; "r"
01F1 300A      movlw      ; "r"
01F2 268B      call       ; "r"
01F3 3014      movlw      ; "r"
01F4 26A6      call       ; "r"

01F5          01230      01230      ; wait for BUTTON press to continue
01F6          01232      01232
01F7          01233      01233      btfsf      BUTTON,0
01F8          01234      01234      goto      ClearWait
01F9          01235      01235      clr      ; clear button state
01FA          01236      01236      return
01FB          01237      01237
01FC          01238      ; *****
01FD          01239      ; This routine fetches the calibration values from the EEPROM and writes them to the
01FE          01240      ; CS4560 registers. The calibration data consists of
01FF          01241      ; Voltage Offset, Current Offset, Voltage Gain, Current Gain and Pulse Rate Gain
0200          01242      ;
0201          01243      ; It also fetches the accumulated Watt HOURS from the EEPROM and writes it to the variables in RAM.
0202          01244      ;
0203          01245      ; This routine is called at power-up.
0204          01246      ; *****
0205          01247      ; Inputs: none
0206          01248      ; outputs: WATTHR0:WATTHR1
0207          01249
0208          01250
0209          01251      GetDefaults
020A          01252      ; gets 2 bytes of WATTHR data from EEPROM, stores in WATTHR0:WATTHR1
020B          01253      movlw      0x0D      ; address of Watt HOUR MSB in EEPROM
020C          01254      movwf     EEADDR
020D          01255      call      EERead
020E          01256      movf     EEData,W      ; retrieve data

```



```

0217 304C 01303 movlw b'01001100' ; write to CS5460 Pulse Rate register
0218 00BC 01304 movwf TXDATA ; store in TX buffer
0219 300F 01305 movlw 0x0F ; address in EEPROM for Pulse Rate MSB
021A 00D5 01306 movwf EEADDR
021B 221D 01307 call Init5460 ; get Pulse Rate constant from EEPROM,
021C 0008 01308 return ; write to corresponding registers in CS5460
01309
01310
01311
01312
01313 ;*****
01314 ; Reads 3 bytes from EEPROM, puts them into transmit buffer
01315 ; Sends CS5460 command and transmit buffer to CS5460
01316 ;*****
01317 ; Inputs: TXDATA CS5460 command
01318 ; EEADDR Address in EEPROM
01319 ; Outputs: none
01320
01321 Init5460
021D 242A 01321 call EERead ; get byte from address in EEPROM
021E 0856 01322 movf EEDATA,W ; retrieve data
021F 00BD 01323 movwf TXDATA0 ; store in TX buffer
01324
01325
0220 0AD5 01324 incf EEADDR,F ; point to next address
0221 242A 01325 call EERead ; get byte from address in EEPROM
0222 0856 01326 movf EEDATA,W ; retrieve data
0223 00BE 01327 movwf TXDATA1 ; store in TX buffer
01328
01329
0224 0AD5 01328 incf EEADDR,F ; point to next address
0225 242A 01329 call EERead ; get byte from address in EEPROM
0226 0856 01330 movf EEDATA,W ; retrieve data
0227 00BF 01331 movwf TXDATA2 ; store in TX buffer
01332
01333
0228 22E1 01332 call SSPWrite ; send TX buffer to CS5460
0229 0008 01333 return
01334
01335 ;*****
01336 ; See if this is a "warm" start or a "cold" start
01337
01338
01339
01340 ;*****
01341 ; A "warm" start has occurred when the locations PWRUPAA and PWRUP55 contain 0x55, respectively
01342 ;
01343 ; A "cold" start has occurred when the locations PWRUPAA and PWRUP55 contain random data.
01344 ;
01345 ; If a cold start has occurred, the warm start data is written to PWRUPAA and PWRUP55, memory is cleared,
01346 ; the CS5460 is reset and calibration data is rewritten to it.
01347 ;

```

```

01348 ;
01349 ; Both warm and cold starts retrieve the device serial number and process it for display.
01350 ; All pending interrupts are cleared, and the PIC16C923 interrupts are initialized.
01351 ;*****
01352 ; Inputs: PWRUPAA, PWRUP55
01353 ; Outputs: PWRUPAA, PWRUP55, SERNUM, most memory may be cleared, INTCON, PIR1, PIE1
01354
022A      0858      ; Read EEPROM default values
022A      movf      PWRUP55,W
022B      3C55      ; get byte from RAM
022C      1D03      ; compare with expected value
022D      2A32      ; was there a match?
022E      0859      ; no, was cold start.
022F      3CAA      ; yes, might be a warm start.
0230      1903      ; if PWRUPAA <-> 0xAA and PWRUP55
0231      2A42      ; <-> 0x55 then this was a cold start
0232      ; warm start
0232      0232      ; This was a cold start, clear memory
0232      3020      ; start of GPRs
0233      0084      FSR
0234
0234      0234      ; clear GPR
0234      0180      clrf
0235      0A84      ; increment POINTER
0236      0804      ; get POINTER
0237      3A80      ; test for first GPR to not clear
0238      1D03      ; was there a match?
0239      2A34      ; no, clear another GPR
023A      30AA      ; Write 0xAA to PWRUPAA
023B      00D9      PWRUPAA
023C      3055      ; Write 0x55 to PWRUP55
023D      00D8      PWRUP55
023E      301F      ; initialize message pointer
023F      00B3      POINTER
0240      21CA      ; reset CS4560
0241      21F9      call      ResetCS4560
0242      ; GetDefaults ; get calibration data from EEPROM, write tp CS5460
0242      01388      ; get serial number from EEPROM
0242      01D5      ; EEPROM address, Serial Number at 0x00
0243      242A      call      EEAddr
0244      0856      ; read the unit serial number byte
0244      0856      ; retrieve EEPROM data
0245      00B5      movwf   SERNUM
           ; move to variable

```



```

0246 1903          ; if serial # = 0, no data
0247 2A50          ConfigInt
01394          STATUS,Z
01395          goto          ConfigInt
01396
01397          SERNUM,W
0248 0835          movf          SERNUM,W
0249 3CFF          sublw         0xff
024A 1903          STATUS,Z
024B 2A50          goto          ConfigInt
01400
01401          SERNUM,W
024C 0835          movf          SERNUM,W
024D 00F0          LCDTEMP1
024E 27B0          call          Get7SegDat
024F 00B5          movwf         SERNUM
           ; change to "display data"
01406
01407          ConfigInt
0250          ; configure interrupts
0250 0806          movf          PORTB,W
0251 018C          clrf          PIR1
0252 018B          clrf          INTCON
           ; required to clear interrupt on PORTB change
           ; clear all pending peripheral interrupts
           ; clear all remaining interrupts and
           ; some interrupt enable flags
01411
01412
01413          STATUS,RP0
0253 1683          bsf          STATUS,RP0
           ; select page 1
01414
01415          b'10111111'
0254 30BF          movlw         b'10111111'
0255 0081          movwf         OPTION_REG
           ; Interrupt on RB0/INT falling edge
01417
01418          PIE1
0256 018C          clrf          PIE1
           ; enable Timer1 interrupt
01419 #IFDEF TMR1OSC
01420          bsf          PIE1,TMR1IE
           ; enable CCP1 interrupt
01421 #ELSE
0257 150C          bsf          PIE1,CCP1IE
           ; select page 0
01422 #ENDIF
0258 1283          bcf          STATUS,RP0
           ; enable RB0/INT pin interrupt
01423          bsf          INTCON,INTE
0259 160B          bsf          INTCON,RBIE
           ; enable change on PORTB interrupt
01424          bsf          INTCON,PEIE
           ; enable peripheral interrupts
01425
01426          return
025A 158B
025B 170B
025C 0008
01430
01431
01432 ;*****
01433 ; Displays the initial scrolling message
           *
01434 ; (PIC16C923 Watt Hour Meter "ser #")
           *
01435 ;*****
01436 ; Inputs: BUTTON, UPDATE, POINTER
01437 ; Outputs: LCD display
01438
01439 Message
025D

```

```

025D 0833 01440 movf    POINTER,W
025E 00B4 01441 movwf   PTRTMP
      01442
      01443
025F 27D6 01444 call    Msg
0260 261F 01445 call    LoadD1
0261 0BB4 01446 decfsz  PTRTMP,F
0262 2A65 01447 goto    Disp2
0263 301F 01448 movlw   .31
0264 00B4 01449 movwf   PTRTMP
      01450 Disp2
0265 27D6 01451 call    Msg
0266 263A 01452 call    LoadD2
0267 0BB4 01453 decfsz  PTRTMP,F
0268 2A6B 01454 goto    Disp3
0269 301F 01455 movlw   .31
026A 00B4 01456 movwf   PTRTMP
      01457 Disp3
026B 27D6 01458 call    Msg
026C 2655 01459 call    LoadD3
026D 0BB4 01460 decfsz  PTRTMP,F
026E 2A71 01461 goto    Disp4
026F 301F 01462 movlw   .31
0270 00B4 01463 movwf   PTRTMP
      01464 Disp4
0271 27D6 01465 call    Msg
0272 2670 01466 call    LoadD4
0273 0BB4 01467 decfsz  PTRTMP,F
0274 2A77 01468 goto    Disp5
0275 301F 01469 movlw   .31
0276 00B4 01470 movwf   PTRTMP
      01471 Disp5
0277 27D6 01472 call    Msg
0278 268B 01473 call    LoadD5
0279 0BB4 01474 decfsz  PTRTMP,F
027A 2A7D 01475 goto    Disp6
027B 301F 01476 movlw   .31
027C 00B4 01477 movwf   PTRTMP
      01478 Disp6
027D 27D6 01479 call    Msg
027E 26A6 01480 call    LoadD6
027F 0BB4 01481 decfsz  PTRTMP,F
0280 2A83 01482 goto    Disp7
0281 301F 01483 movlw   .31
0282 00B4 01484 movwf   PTRTMP
      01485 Disp7
0283

```

; POINTER is the character in the string
; we are going to display,
; save to temporary variable

; Call the table to get offset into Get7SegDat
; LCD position 1
; next character
; at end of message, start over

; LCD position 2

; LCD position 3

; LCD position 4

; LCD position 5

; LCD position 6

; LCD position 7

```

0283 27D6      call      Msg
0284 26C1      call      LoadD7          ; LCD position 7
0285 0BB4      decfsz   PTRTMP,F
0286 2A89      goto     Disp8
0287 301F      movlw   .31
0288 00B4      movwf   PTRTMP
0289          ;
0289 27D6      call      Msg
028A 26DC      call      LoadD8          ; LCD position 8
028B 0BB3      decfsz   POINTER,F
028C 2A8F      goto     MessageWait      ; Wait a second before scrolling
028D 301F      movlw   .31
028E 00B3      movwf   POINTER
0289          ;
028F          ; Wait a second before scrolling
028F 1874      btfsc   BUTTON,0          ; any BUTTONs pressed?
0290 0008      return
0291 1C73      btfss   UPDATE,0
0292 2A8F      goto     MessageWait      ; wait for 1 second timer tick
0293 01F3      clrf    UPDATE           ; 1 second passed, clear counter
0294 2A5D      goto     Message         ; redisplay message, scrolled 1 char left
0295          ;
0295 2612      call      UpdateDisplay   ; Writes Time to the LCD
0296 0822      movf    SECOND,W         ; Clear the LCD display
0297 00D1      movwf   TEMPL           ; get the HEX value for seconds
0298 01D2      clrf    TEMPH           ; LSB
0299 24DC      call    Bin2BCD16       ; MSB (SECONDS are never > 256)
029A 0850      movf    R2,W            ; change to BCD
029B 00F1      movwf   LCDTEMP2
029C 390F      andlw  0x0f
029D 26DC      call    LoadD8         ; Write seconds to LCD digit 8
029E 0E71      swapf  LCDTEMP2,W
01486          call      Msg
01487          call      LoadD7          ; LCD position 7
01488          decfsz   PTRTMP,F
01489          goto     Disp8
01490          movlw   .31
01491          movwf   PTRTMP
01492          Disp8
01493          call      Msg
01494          call      LoadD8          ; LCD position 8
01495          decfsz   POINTER,F
01496          goto     MessageWait      ; Wait a second before scrolling
01497          movlw   .31
01498          movwf   POINTER
01499          ;
01500          MessageWait      ; Wait a second before scrolling
01501          btfsc   BUTTON,0          ; any BUTTONs pressed?
01502          return
01503          ;
01504          btfss   UPDATE,0
01505          goto     MessageWait      ; wait for 1 second timer tick
01506          ;
01507          clrf    UPDATE           ; 1 second passed, clear counter
01508          goto     Message         ; redisplay message, scrolled 1 char left
01509          ;
01510          ;*****
01511          ; Writes the current time to the LCD display.
01512          ;
01513          ; Clear the Display, convert SECOND to BCD, write the BCD result to the 2 seconds digits.
01514          ; Convert MINUTE to BCD, write the BCD result to the 2 minutes digits.
01515          ; Convert HOUR to BCD, write the BCD result to the 2 hours digits.
01516          ; Turn on the colons.
01517          ;*****
01518          ; Inputs:  SECOND, MINUTE, HOUR
01519          ; Outputs: LCD display
01520          ;
01521          UpdateDisplay   ; Writes Time to the LCD
01522          call    ClrLCD           ; Clear the LCD display
01523          UpdDisp      movf    SECOND,W         ; get the HEX value for seconds
01524          movwf   TEMPL           ; LSB
01525          clrf    TEMPH           ; MSB (SECONDS are never > 256)
01526          call    Bin2BCD16       ; change to BCD
01527          movf    R2,W            ; change to BCD
01528          movwf   LCDTEMP2
01529          andlw  0x0f
01530          call    LoadD8         ; Write seconds to LCD digit 8
01531          swapf  LCDTEMP2,W

```

```

029F 390F 01532 andlw 0x0f
02A0 26C1 01533 call LoadD7
02A1 0823 01534 movf MINUTE,W ; and 7
02A2 00D1 01535 movwf TEMPL ; Display MINUTES
02A3 01D2 01536 clrfs TEMPH
02A4 24DC 01537 call Bin2BCD16
02A5 0850 01538 movf R2,W
02A6 00F1 01539 movwf LCDTEMP2
02A7 390F 01540 andlw 0x0f
02A8 26A6 01541 call LoadD6 ; On LCD digit 6
02A9 0E71 01542 swapf LCDTEMP2,W
02AA 390F 01543 andlw 0x0f
02AB 268B 01544 call LoadD5 ; and 5
02AC 0824 01545 movf HOUR,W ; Display HOURS
02AD 00D1 01546 movwf TEMPL
02AE 01D2 01547 clrfs TEMPH
02AF 24DC 01548 call Bin2BCD16
02B0 0850 01549 movf R2,W
02B1 00F1 01550 movwf LCDTEMP2
02B2 390F 01551 andlw 0x0f
02B3 2670 01552 call LoadD4 ; On LCD digit 4
02B4 0E71 01553 swapf LCDTEMP2,W
02B5 390F 01554 andlw 0x0f
02B6 2655 01555 call LoadD3 ; and 3
02B7 1283 1703 01556 banksel LCDD11 ; Turn on the colons
02B9 149B 01557 bsf COLON2
02BA 141B 01558 bsf COLON3
02BB 1283 1303 01559 banksel PORTA
02BD 1073 01560 bcf UPDATE,0
02BE 0008 01561 return
01562
01563 ;*****
01564 ; Read data from the CS4560 through the SSP PORT *
01565 ;*****
01566 ; Inputs: TXDATA (read command specifying which register to read)
01567 ; Outputs: RXDATA0, RXDATA1, RXDATA2 (received data buffer)
01568
01569 SSPRead
02BF 1105 01570 bcf CS ; CS4560 chip select pin7 low
02C0 083C 01571 movf TXDATA,W ; CS4560 register to read
02C1 0093 01572 movwf SSPBUF ; put it in SSPBUF the start read
02C2 118C 01573 bcf PIR1,SSPIF ; clear flag
02C3 1D8C 01574 btfss PIR1,SSPIF ; wait for SSP to be ready
02C4 2AC3 01575 goto $-1
02C5 118C 01576 bcf PIR1,SSPIF ; clear flag
02C6 0813 01577 movf SSPBUF,W

```

```

01578
01579 ; send three dummy bytes
01580 ; in this case we send "SYNC1"s
01581
01582          movlw   SYNC1          ; dummy byte 1
01583          SSPBUF
01584          bcf     PIR1,SSPIF
01585          btfss  PIR1,SSPIF
01586          goto  $-1
01587          bcf     PIR1,SSPIF
01588          movf   SSPBUF,W
01589          movwf  RXDATA0
01590
01591          movlw   SYNC1          ; dummy byte 2
01592          SSPBUF
01593          bcf     PIR1,SSPIF
01594          btfss  PIR1,SSPIF
01595          goto  $-1
01596          bcf     PIR1,SSPIF
01597          movf   SSPBUF,W
01598          movwf  RXDATA1
01599          movlw   SYNC1          ; dummy byte 3
01600          SSPBUF
01601          bcf     PIR1,SSPIF
01602          btfss  PIR1,SSPIF
01603          goto  $-1
01604          bcf     PIR1,SSPIF
01605          movf   SSPBUF,W
01606          movwf  RXDATA2
01607
01608          bsf     CS              ; CS4560 chip select pin back high
01609          return
01610
01611 ;*****
01612 ; Write data to a CS4560 register
01613 ; The command will be in TXDATA and the data will be in
01614 ; TXDATA0 (MSB), TXDATA1, and TXDATA2 (LSB)
01615 ;*****
01616 ; Inputs: TXDATA, TXDATA1, TXDATA2, TXDATA3
01617 ; Outputs: none
01618
01619 SSPWrite
01620          bcf     CS              ; set CS4560 chip select pin 7 low
01621          bcf     PIR1,SSPIF    ; clear the flag
01622
01623          movf   TXDATA,W       ; get command (or register)

```

```

02E4 0093 01624 movwf SSPBUF ; put it in SSPBUF
02E5 1D8C 01625 btfss PIR1,SSPIF ; wait for SSP to be ready
02E6 2AE5 01626 goto $-1
02E7 0813 01627 movf SSPBUF,W ; dummy read, discard byte
02E8 118C 01628 bcf PIR1,SSPIF ; command byte sent, clear flag
01629
02E9 083D 01630 movf TXDATA0,W ; get first data byte
02EA 0093 01631 movwf SSPBUF ; send data byte 0 (MSB)
02EB 1D8C 01632 btfss PIR1,SSPIF ; wait for SSP to be ready
02EC 2AEB 01633 goto $-1
02ED 0813 01634 movf SSPBUF,W ; dummy read, discard byte
02EE 118C 01635 bcf PIR1,SSPIF ; first data byte sent, clear flag
01636
02EF 083E 01637 movf TXDATA1,W
02F0 0093 01638 movwf SSPBUF ; send data byte 1
02F1 1D8C 01639 btfss PIR1,SSPIF ; wait for SSP to be ready
02F2 2AF1 01640 goto $-1
02F3 0813 01641 movf SSPBUF,W
02F4 118C 01642 bcf PIR1,SSPIF ; second data byte sent, clear flag
01643
02F5 083F 01644 movf TXDATA2,W
02F6 0093 01645 movwf SSPBUF ; send data byte 2 (LSB)
02F7 1D8C 01646 btfss PIR1,SSPIF ; wait for SSP to be ready
02F8 2AF7 01647 goto $-1
02F9 0813 01648 movf SSPBUF,W ; dummy read, discard byte
02FA 118C 01649 bcf PIR1,SSPIF ; third data byte sent, clear flag
01650
02FB 1505 01651 bsf CS ; set CS4560 chip select pin back high
01652
02FC 0008 01653 return
01654
01655 ; *****
01656 ; Write a 1 byte command to the CS4560
01657 ; The command will be in TXDATA
01658 ; *****
01659 ; Inputs: TXDATA
01660 ; Outputs: none
01661
01662 SSPCmd bcf CS ; set CS4560 chip select pin 7 low
01663
01664
01665 movf TXDATA,W ; get command
01666 movwf SSPBUF ; send command
0300 118C 01667 bcf PIR1,SSPIF ; clear interrupt flag
0301 1D8C 01668 btfss PIR1,SSPIF ; loop waiting for command to be sent
0302 2B01 01669 goto $-1

```

*

```

0303 0813      movf    SSPBUF,W      ; command sent
01670
01671
0304 1505      bsf     CS           ; set CS4560 chip select pin back high
01672
01673
0305 0008      return
01674
01675
01676 ;***** Calibrate *****
01677 ; This routine allows the user to temporarily change the calibration
01678 ; values used in the CS4560.
01679 ;
01680 ; These values are NOT written to the EEPROM and will be lost when the
01681 ; power to the unit is lost. Some other method is required to write
01682 ; these values to the EEPROM.
01683 ;
01684 ; This routine is executed by holding BUTTONs 1 and 4 and while pressing MCLR.
01685 ;
01686 ; Prior to calling this routine CALMODE and CALDIG are set to 0x01
01687 ; (voltage offset MODE and Digit 1)
01688 ;
01689 ; CAL "MODE" is first displayed on the LCD
01690 ; CAL BOFF = Voltage Offset, CAL E GA = Voltage Gain
01691 ; CAL COFF = Current Offset, CAL C GA = Current Gain
01692 ; CAL P GA = Pulse Rate gain
01693 ;
01694 ; That value is read from the CS4560 and displayed on the LCD.
01695 ;
01696 ; BUTTON 1 writes the current value to the CS4560
01697 ;
01698 ; BUTTON 2 steps through the Modes (V GA, V OFF, C GA, C OFF, P GA)
01699 ;
01700 ; Button 3 selects the next hex digit to modify. The decimal point next to
01701 ; the selected digit is turned on.
01702 ;
01703 ; BUTTON 4 increments the digit, when "F" is reached the digit rolls over to
01704 ; 0. Only one digit is changed (overflowing the lower nibble does
01705 ; not increment upper nibble).
01706 ;
01707 ; Reset (!MCLR) exits this routine.
01708 ;
01709 ; CALMODE (7 6 5 4 3 2 1 0) selects calibration variable to adjust
01710 ; 7 = don't care 6 = don't care 5 = don't care 4 = Pulse rate gain
01711 ; 3 = current gain 2 = voltage gain 1 = current offset 0 = voltage offset
01712 ;*****
01713 ; Inputs: CALMODE, BUTTON, CALDIG
01714 ; Outputs:
01715

```

```

0306      01F4      01716 Calibrate
0306      01F4      01717      clrLf          ; clear button state
0306      01F4      01718      BUTTON
0307      3006      01719      movlw        b'00000110',
0308      00BC      01720      movwf        TXDATA      ; read Voltage Offset command
0309      22BF      01721      call         SSPRead     ; get voltage offset from CS5460
0309      22BF      01722
030A      2612      01723      call         ClrLCD      ; blank the LCD display
030B      300C      01724      movlw        0x0C       ; "C"
030C      261F      01725      call         LoadD1     ; "A"
030D      300A      01726      movlw        0x0A
030E      263A      01727      call         LoadD2     ; "L"
030F      301D      01728      movlw        0x1D
0310      2655      01729      call         LoadD3
0310      2655      01730
0311      0836      01731      movf        CALMODE,W
0312      3905      01732      andlw        B'00000101',
0313      1903      01733      btfsc       STATUS,Z   ; test for voltage mode
0314      2B17      01734      goto        CalCur     ; not voltage mode
0314      2B17      01735
0315      300E      01736      movlw        0x0E       ; assume voltage mode, "E"
0316      2B1E      01737      goto        SendE5     ; display "E"
0316      2B1E      01738
0317      0836      01739      movf        CALMODE,W
0318      390A      01740      andlw        B'00000101',
0319      1903      01741      btfsc       STATUS,Z   ; test for current mode
031A      2B1D      01742      goto        CalPul     ; not current mode
031A      2B1D      01743
031B      300C      01744      movlw        0x0C       ; assume Pulse Rate mode, "C"
031C      2B1E      01745      goto        SendE5     ; display "C"
031C      2B1E      01746
031D      3010      01747      movlw        0x10       ; assume Pulse Rate mode, "P"
031D      3010      01748      CalPul
031E      268B      01749      call        SendE5     ; display "E", "C", or "P"
031E      268B      01750
031F      0836      01751      movf        CALMODE,W
0320      3903      01752      andlw        B'00000011',
0321      1D03      01753      btfss       STATUS,Z   ; test for offset mode
0322      2B28      01754      goto        SendOff    ; display "OFF"
0322      2B28      01755
0322      2B28      01756      ; display "GA"
0323      3006      01757      movlw        0x06       ; "G"
0324      26C1      01758      call        LoadD7
0325      300A      01759      movlw        0x0A       ; "A"
0326      26DC      01760      call        LoadD8
0327      2B2E      01761      goto

```



```

0328      01762      ; display "OFF"
0328      01763      SendOff
0328      01763      movlw      0x00
0328      01764      call      LoadD6
0329      01765      movlw      0x0F
032A      01766      call      LoadD7
032B      01767      movlw      0x0F
032C      01768      call      LoadD8
032D      01769      call      LoadD8
032E      01770      call      LoadD8
032E      01771      Call
032E      01772      btfs     BUTTON,2
032F      01773      goto     Call
032F      01773      ; was BUTTON 2 pressed? (step through modes)
032F      01773      ; no, wait some more
0330      01774      call      LoadD8
0330      01775      DispCal
0330      01776      call      LoadD8
0330      01776      ; clear button state
0331      01777      call      LoadD8
0331      01778      clrf     CALDIG
0332      01779      bsf     CALDIG,0
0332      01780      ; digit 1 selected
0333      01781      movlw     b'00000110'
0334      01782      btfs     CALMODE,0
0335      01783      goto     GetCal
0335      01783      ; CS5460 command - Read Voltage Offset
0335      01783      ; test for Voltage Offset MODE
0335      01783      ; read CS5460 register
0336      01784      call      LoadD8
0336      01785      movlw     b'00000010'
0337      01786      btfs     CALMODE,1
0338      01787      goto     GetCal
0338      01787      ; CS5460 command - Read Current Offset
0338      01787      ; test for Current Offset MODE
0338      01787      ; read CS5460 register
0339      01788      call      LoadD8
0339      01789      movlw     b'00001000'
033A      01790      btfs     CALMODE,2
033B      01791      goto     GetCal
033B      01791      ; CS5460 command - Read Voltage Gain
033B      01791      ; test for Voltage Gain MODE
033B      01791      ; read CS5460 register
033C      01792      call      LoadD8
033C      01793      movlw     b'00000100'
033D      01794      btfs     CALMODE,3
033E      01795      goto     GetCal
033E      01795      ; CS5460 command - Read Current Gain
033E      01795      ; test for Current Gain MODE
033E      01795      ; read CS5460 register
033F      01796      call      LoadD8
033F      01797      movlw     b'00001100'
033F      01797      ; CS5460 command - Read Pulse Rate Gain
033F      01798      call      LoadD8
0340      01799      GetCal
0340      01800      register
0340      01800      movwf     TXDATA
0341      01801      call      SSPRead
0341      01801      ; move data to TX command buffer
0342      01802      call      WriteLCD
0342      01802      ; get data from CS5460
0342      01802      ; send HEX data to display
0343      01803      call      LoadD8
0343      01804      bsf     STATUS,RP1
0343      01804      ; bank 2
0344      01805      bsf     STATUS,RP1
0344      01805      ; turn on decimal point next to digit 1
0345      01806      bcf     STATUS,RP1
0345      01806      ; bank 0
0345      01807      call      LoadD8

```

```

0346 01F4 ; clear all BUTTON readings
0347      BUTTON
0347      ; was a BUTTON pressed?
0347 1C74      goto Cal2
0348 2B47      ; no, wait some more
0349 18F4      ; was BUTTON 1 pressed? (write to CS5460)
034A 2BC5      WriteCS4560
034B 1D74      ; was BUTTON 2 pressed? (step through MODEs)
034C 2B55      ChkButton3
034D      ; clear button states
034D 01F4      BUTTON
034E 1003      STATUS,C
034E      ; clear carry bit before rotate
034F 0DB6      CALMODE,F
0350 1EB6      CALMODE,5
0351 2B06      Calibrate
0352 12B6      CALMODE,5
0353 1436      CALMODE,0
0354 2B06      Calibrate
0355      ; clear invalid MODE
0355      ; reset to Voltage Offset
0355 19F4      BUTTON,3
0356 2B5B      NextDigit
0357 1A74      ; was BUTTON 4 pressed? (increment digit)
0358 2B8C      WhichDigit
0359 01F4      ; should not get here
035A 2B47      goto Cal2
035A      ; wait for a BUTTON press
035B      ; clear BUTTON data
035B 01F4      BUTTON
035C 1003      STATUS,C
035D 0DB7      CALDIG,F
035E 1F37      CALDIG,6
035F 2B62      WhichDec
0360 3001      ; invalid digit selected
0361 00B7      CALDIG
0362      ; Reset CALDIG to digit 1 (MSB)
0362 01F4      BUTTON
0363 1837      ; clear BUTTON data
0363      ; is digit 1 selected?
0363      CALDIG,0
0363      ; digit 1 selected?

```

```

0364 2B6E 01854 ; yes, modify digit 1
01855 DigitOne
0365 18B7 01856 ; is digit 2 selected?
01857 CALDIG,1
01858 2B73 01857 ; yes, modify digit 2
01858 DigitTwo
0367 1937 01859 ; is digit 3 selected?
0368 2B78 01860 ; yes, modify digit 3
01861 CALDIG,2
01861 DigitThree
0369 19B7 01862 ; is digit 4 selected?
036A 2B7D 01863 ; yes, modify digit 4
01864 CALDIG,3
036B 1A37 01865 ; is digit 5 selected?
036C 2B82 01866 ; yes, modify digit 5
01867 CALDIG,4
01867 DigitFive
036D 2B87 01868 ; modify digit 6
01869 DigitsSix
036E 1703 01869 DigitOne
036E 1703 ; select bank 2
036F 1218 01870 STATUS,RP1
0370 159A 01871 bsf ; turn off decimal point 7
0371 1303 01872 bcf DEC7
0372 2B47 01873 bcf DEC1
01874 STATUS,RP1
01875 DigitTwo 01874 Cal2
0373 1703 01875 ; select bank 2
0374 119A 01876 STATUS,6
0375 169A 01877 bcf DEC1
0376 1303 01878 bcf DEC2
0377 2B47 01879 bcf DEC3
01880 STATUS,RP1
01881 DigitThree 01880 Cal2
0378 1703 01881 ; select bank 2
0379 129A 01882 STATUS,6
037A 1799 01883 bcf DEC2
037B 1303 01884 bcf DEC3
037C 2B47 01885 bcf DEC4
01886 STATUS,RP1
037D 1703 01887 DigitFour 01886 Cal2
037D 1703 ; select bank 2
037E 1399 01888 STATUS,6
037F 1699 01889 bcf DEC3
0380 1303 01890 bcf DEC4
0381 2B47 01891 bcf DEC4
01892 STATUS,RP1
0382 1703 01893 DigitFive 01892 Cal2
0382 1703 ; select bank 2
0383 1299 01894 STATUS,6
0384 1798 01895 bcf DEC4
0385 1303 01896 bcf DEC6
0386 2B47 01897 STATUS,RP1
01898 DigitSix 01897 Cal2
0387 01898 ; select bank 0
01899 DigitSix 01899 ; wait for BUTTON press

```

```

0387 1703      01900      ; select bank 2
0388 1398      01901      ; turn off decimal point 6
0389 1618      01902      ; turn on decimal point 7
038A 1303      01903      ; select bank 0
038B 2B47      01904      ; wait for BUTTON press
038C          01905
038C          01906      WhichDigit
038C          01907      BUTTON          ; clear BUTTON data
038D          01908
038D 1837      01909      CALDIG,0      ; is digit 1 selected?
038E 2B98      01910      IncOne        ; yes, increment digit 1
038F 18B7      01911
0390 2B9D      01912      CALDIG,1      ; is digit 2 selected?
0391 1937      01913      IncTwo        ; yes, increment digit 2
0392 2BA7      01914
0393 19B7      01915      CALDIG,2      ; is digit 3 selected?
0394 2BAC      01916      IncThree       ; yes, increment digit 3
0395 1A37      01917
0396 2BB6      01918      CALDIG,3      ; is digit 4 selected?
0397 2BBB      01919      IncFour        ; yes, increment digit 4
0398 0839      01920
0399 3E10      01921      CALDIG,4      ; is digit 5 selected?
039A 00B9      01922      IncFive        ; yes, increment digit 5
039B 26F7      01923
039C 2B62      01924      IncSix         ; increment digit 6
039D 0839      01925
039E 3E01      01926      IncOne        RXDATA0,W      ; get digit data
039F 1C83      01927      addlw         0x10      ; increment digit
03A0 2BA4      01928      movwf        RXDATA0  ; store digit data
03A1 00B9      01929      call         WriteLCD  ; update display
03A2 3010      01930      goto         WhichDec ; turn on decimal point 1
03A3 0239      01931
03A4 00B9      01932      IncTwo        RXDATA0,W      ; get digit data
03A5 26F7      01933      addlw         0x01      ; increment digit
03A6 2B62      01934      btfss       STATUS,DC ; was there a digit overflow?
03A7 083A      01935      goto         IncTwo2   ; no, display digit
03A8          01936
03A9          01937
03AA 00B9      01938      movwf        RXDATA0  ; save result to buffer
03AB 3010      01939      movlw       0x10      ; decrement upper digit
03AC 0239      01940      subwf        RXDATA0,W ;
03AD          01941      IncTwo2
03AE 00B9      01942      movwf        RXDATA0  ; save result
03AF 26F7      01943      call         WriteLCD  ; update display
03B0 2B62      01944      goto         WhichDec  ; turn on decimal point 2
03B1          01945      IncThree
03B2          01946      IncThree
03B3          01947      IncThree
03B4          01948      IncThree
03B5          01949      IncThree
03B6          01950      IncThree
03B7          01951      IncThree
03B8          01952      IncThree
03B9          01953      IncThree
03BA          01954      IncThree
03BB          01955      IncThree
03BC          01956      IncThree
03BD          01957      IncThree
03BE          01958      IncThree
03BF          01959      IncThree
03C0          01960      IncThree
03C1          01961      IncThree
03C2          01962      IncThree
03C3          01963      IncThree
03C4          01964      IncThree
03C5          01965      IncThree
03C6          01966      IncThree
03C7          01967      IncThree
03C8          01968      IncThree
03C9          01969      IncThree
03CA          01970      IncThree
03CB          01971      IncThree
03CC          01972      IncThree
03CD          01973      IncThree
03CE          01974      IncThree
03CF          01975      IncThree
03D0          01976      IncThree
03D1          01977      IncThree
03D2          01978      IncThree
03D3          01979      IncThree
03D4          01980      IncThree
03D5          01981      IncThree
03D6          01982      IncThree
03D7          01983      IncThree
03D8          01984      IncThree
03D9          01985      IncThree
03DA          01986      IncThree
03DB          01987      IncThree
03DC          01988      IncThree
03DD          01989      IncThree
03DE          01990      IncThree
03DF          01991      IncThree
03E0          01992      IncThree
03E1          01993      IncThree
03E2          01994      IncThree
03E3          01995      IncThree
03E4          01996      IncThree
03E5          01997      IncThree
03E6          01998      IncThree
03E7          01999      IncThree
03E8          02000      IncThree
03E9          02001      IncThree
03EA          02002      IncThree
03EB          02003      IncThree
03EC          02004      IncThree
03ED          02005      IncThree
03EE          02006      IncThree
03EF          02007      IncThree
03F0          02008      IncThree
03F1          02009      IncThree
03F2          02010      IncThree
03F3          02011      IncThree
03F4          02012      IncThree
03F5          02013      IncThree
03F6          02014      IncThree
03F7          02015      IncThree
03F8          02016      IncThree
03F9          02017      IncThree
03FA          02018      IncThree
03FB          02019      IncThree
03FC          02020      IncThree
03FD          02021      IncThree
03FE          02022      IncThree
03FF          02023      IncThree

```

```

03A8 3E10      01946      addlw      0x10
03A9 00BA      01947      movwf     RXDATA1
03AA 26F7      01948      call     WriteLCD
03AB 2B62      01949      goto     WhichDec
03AC 083A      01950
03AD 3E01      01951      movf     RXDATA1,W
03AE 1C83      01952      addlw     0x01
03AF 2BB3      01953      btfss   STATUS,DC
03B0 00BA      01954      goto     IncFour2
03B1 3010      01955
03B2 023A      01956      movwf     RXDATA1
03B3 00BA      01957      movlw     0x10
03B4 26F7      01958      subwf    RXDATA1,W
03B5 2B62      01959
03B6 083B      01960      movwf    RXDATA1
03B7 3E10      01961      call     WriteLCD
03B8 00BB      01962      goto     WhichDec
03B9 26F7      01963
03BA 2B62      01964      movf     RXDATA2,W
03BB 083B      01965      addlw     0x10
03BC 3E01      01966      movwf    RXDATA2
03BD 1C83      01967      call     WriteLCD
03BE 2BC2      01968      goto     WhichDec
03BF 00BB      01969
03C0 3010      01970      movf     RXDATA2,W
03C1 023B      01971      addlw     0x01
03C2 00BB      01972      btfss   STATUS,DC
03C3 26F7      01973      goto     IncSix2
03C4 2B62      01974
03C5 00BB      01975      movwf    RXDATA2
03C6 173C      01976      movlw     0x10
03C7 0839      01977      subwf    RXDATA2,W
03C8 00BD      01978
03C9 083A      01979      movwf    RXDATA2
03CA 00BE      01980      call     WriteLCD
03CB 083B      01981      goto     WhichDec
03CC 00BF      01982
03CD 00BA      01983      ; copies RXDATA buffer to TXDATA buffer
03CE 01F4      01984      clr     BUTON
03CF 173C      01985      bsf     TXDATA,6
03D0 0839      01986      movf    RXDATA0,W
03D1 00BD      01987      movwf   TXDATA0
03D2 083A      01988      movf    RXDATA1,W
03D3 00BE      01989      movwf   TXDATA1
03D4 083B      01990      movf    RXDATA2,W
03D5 00BF      01991      movwf   TXDATA2
03D6 00BF      01992
03D7 00BA      01993
03D8 00BA      01994
03D9 00BA      01995
03DA 00BA      01996
03DB 00BA      01997
03DC 00BA      01998
03DD 00BA      01999
03DE 00BA      02000
03DF 00BA      02001
03E0 00BA      02002
03E1 00BA      02003
03E2 00BA      02004
03E3 00BA      02005
03E4 00BA      02006
03E5 00BA      02007
03E6 00BA      02008
03E7 00BA      02009
03E8 00BA      02010
03E9 00BA      02011
03EA 00BA      02012
03EB 00BA      02013
03EC 00BA      02014
03ED 00BA      02015
03EE 00BA      02016
03EF 00BA      02017
03F0 00BA      02018
03F1 00BA      02019
03F2 00BA      02020
03F3 00BA      02021
03F4 00BA      02022
03F5 00BA      02023
03F6 00BA      02024
03F7 00BA      02025
03F8 00BA      02026
03F9 00BA      02027
03FA 00BA      02028
03FB 00BA      02029
03FC 00BA      02030
03FD 00BA      02031
03FE 00BA      02032
03FF 00BA      02033

```

```

03CD 22E1 01992 call          ; SSPWrite          ; transmit TX buffer
03CE 2B4D 01993 goto          ; IncCal          ; select next calibration MODE
03CF 0008 01994 return
03D0 01995 Delay10mS
03D0 01996 ; 10ms delay routine
03D0 01997 bcf          STATUS,RP0
03D0 1283 01998 bcf          STATUS,RP1
03D1 1303 01999 clrf          TEMPA
03D2 01A0 02000 movlw        .5
03D3 3005 02001 movwf        TEMPB
03D4 00A1 02002 goto          Dly1
03D5 2BD6 02003
02004
03D6 02005 Dly1 ; the delay loop
03D6 2BD7 02006 goto          $+1
03D7 2BD8 02007 goto          $+1
03D8 0000 02008 nop
03D9 0BA0 02009 decfsz       TEMPA,F
03DA 2BD6 02010 goto          Dly1
03DB 0BA1 02011 decfsz       TEMPB,F
03DC 2BD6 02012 goto          Dly1
03DD 0008 02013 return
02014
02015 ;***** I2C EEPROM routines *****
02016 ; These routines write to and read from the 24C01 EEPROM
02017 ; SDA has a pull-up resistor, but SCL does not.
02018 ; SCL is driven high rather than allowed to be pulled high by pull-up resistor
02019 ;*****
02020
02021 ;*****
02022 ; Sends Start Bit - SDA falls while SCL is high
02023 ;*****
02024 ; Inputs: none
02025 ; Outputs: none
02026
02027 SendStart ; start bit - data goes low while clock is high
02028
03DE 1485 02029 bsf          SDA          ; PORTA, bit1
03DF 1683 02030 bsf          STATUS,RP0 ; bank 1
03E0 1085 02031 bcf          SDATRIS    ; set SDA as output
03E1 1283 02032 bcf          STATUS,RP0 ; bank 0
03E2 1405 02033 bsf          SCL          ; PORTA, bit0
02034
03E3 1085 02035 bcf          SDA          ; data set low
02036
03E4 1005 02037 bcf          SCL          ; clock goes low

```

```

02038                                     return
02039
02040
02041 ;*****
02042 ; Sends Stop Bit - SDA rises while SCL is high
02043 ;*****
02044 ; Inputs: none
02045 ; Outputs: none
02046
02047 SendStop      ; stop bit - data goes high while clock is high
02048
02049             bcf      SDA          ; data goes low
02050             bsf      STATUS,RP0   ; bank 1
02051             bcf      SDATRIS     ; set SDA as output
02052             bcf      STATUS,RP0   ; bank 0
02053
02054             bsf      SCL          ; clock goes high
02055
02056             bsf      SDA          ; data goes high
02057             bsf      STATUS,RP0   ; bank 1
02058             bcf      SDATRIS     ; set SDA as input
02059             bcf      STATUS,RP0   ; bank 0
02060
02061             return
02062
02063 ;*****
02064 ; BYTECOUNT is loaded with 8 (8 bits to send). For each bit in EETEMP starting
02065 ; with MSB, sets SDA to same state as bit to send, sets SCL high then low.
02066 ; BYTECOUNT is decremented for each bit. When BYTECOUNT reaches zero, all bits
02067 ; have been sent.
02068 ;*****
02069 ; Inputs: EETEMP (data to transmit)
02070 ; Outputs: none
02071 ; used:  BYTECOUNT (bit counter)
02072
02073 SendData      ; generates clock, reads SDA
02074
02075             movlw   0x08          ; send eight bits
02076             movwf  BYTECOUNT
02077
02078             bsf      STATUS,RP0   ; bank 1
02079             bcf      SDATRIS     ; SDA set to output
02080             bcf      STATUS,RP0   ; bank 0
02081
02082 SendDataLoop
02083             btfsc  EETEMP, 7      ; EETEMP MSB
03E5  0008                                     return
03E6
03E6  1085             bcf      SDA          ; data goes low
03E7  1683             bsf      STATUS,RP0   ; bank 1
03E8  1085             bcf      SDATRIS     ; set SDA as output
03E9  1283             bcf      STATUS,RP0   ; bank 0
03EA  1405             bsf      SCL          ; clock goes high
03EB  1485             bsf      SDA          ; data goes high
03EC  1683             bsf      STATUS,RP0   ; bank 1
03ED  1485             bcf      SDATRIS     ; set SDA as input
03EE  1283             bcf      STATUS,RP0   ; bank 0
03EF  0008                                     return
03F0
03F0  3008             movlw   0x08          ; send eight bits
03F1  00D4             movwf  BYTECOUNT
03F2  1683             bsf      STATUS,RP0   ; bank 1
03F3  1085             bcf      SDATRIS     ; SDA set to output
03F4  1283             bcf      STATUS,RP0   ; bank 0
03F5
03F5  1BD7             btfsc  EETEMP, 7      ; EETEMP MSB

```

```

03F6 2BF9      02084      SDAHigh      goto
03F7 1085      02085      SDA          bcf
03F8 2BFA      02086 SDALow  02087      SCLPulse     goto
03F9 1485      02088      SDA          bsf
03FA 0000      02089 SDAHigh  02090      SCL          nop
03FB 1405      02091 SCLPulse  02092      SCL          bsf
03FC 0000      02093      SCL          nop
03FD 0000      02094      SCL          nop
03FE 1005      02095      SCL          bcf
03FF 0DD7      02096      SCL          EETEMP,F    rlf
0400 0BD4      02097 DecCntA  02098      BYTECOUNT,F decfsz
0401 2BF5      02099      SendDataLoop goto
0402 0008      02100      SendDataLoop return
02101
02102 ;*****
02103 ; BYTECOUNT is loaded with 8 (8 bits to receive). SCL is set high, SDA is read,
02104 ; and SCL is set low. BYTECOUNT is decremented for each bit. The received bit
02105 ; is shifted into EETEMP. When BYTECOUNT reaches zero, all bits have been
02106 ; received, with the received byte in EETEMP.
02107 ;*****
02108 ; Inputs: none
02109 ; Outputs: EEDATA (received data)
02110 ; used:  BYTECOUNT (bit counter)
02111
0403 3008      02112 GetData  movlw      0x08
0404 00D4      02113      BYTECOUNT movwf
0405 1405      02114      SCL        bsf
0406 1885      02115 ReadData bsf
0407 2C0A      02116      SDA        btfsc
0408 1056      02117      RDHigh    goto
0409 2C0B      02118      EEDATA,0 bcf
02119      02120      DRCount  goto
02121
040A 1456      02121      EEDATA,0 bsf
02122 RDHigh
02123
040B 1005      02124 DRCount  bcf
040C 0BD4      02125      BYTECOUNT,F decfsz
040D 2C0F      02126      NextBit  goto
040E 0008      02127      return
02128
040F 0DD6      02128      EEDATA,F  rlf

```



```

0410      2C05      goto      ReadData
02130
02131
02132 ;*****
02133 ; Generates a 9th clock pulse so slave can send ACK bit. This bit is not
02134 ; recorded.
02135 ;*****
02136 ; Inputs: none
02137 ; Outputs: none
02138
02139 GetACK
0411      1683      bsf      STATUS,RP0      ; bank 1
0412      1485      bsf      SDATRIS      ; set SDA to input
0413      1283      bcf      STATUS,RP0      ; bank 0
0414      1405      bsf      SCL      ; clock pulse for ACK
0415      0000      nop
0416      0000      nop
0417      0000      nop
0418      1005      bcf      SCL
0419      0008      return
02150
02151
02152
02153 ;*****
02154 ; Single byte write to EEPROM.
02155 ;
02156 ; Sends write command to EEPROM followed by address in EEPROM (EADDR) and data
02157 ; to write (EEDATA).
02158 ; The delay allows time for the EEPROM to perform the write operation.
02159 ;*****
02160 ; Inputs:  EEADDR, EEDATA
02161 ; Outputs: none
02162
041A      30A0      movlw   b'10100000'      ; Send Write Code to EEPROM memory
041B      00D7      movwf   EETEMP
02165
041C      23DE      call    SendStart      ; send Start Bit
041D      23F0      call    SendData      ; send 8 bits of data
041E      2411      call    GetACK      ; get ACK bit from slave
02169
041F      0855      movf    EEADDR,W      ; Send memory Address
0420      00D7      movwf   EETEMP
0421      23F0      call    SendData      ; send 8 bits of data
0422      2411      call    GetACK      ; get ACK bit from slave
02174
0423      0856      movf    EEDATA,W      ; Send memory Data

```

```

0424 00D7 EETEMP
0425 23F0 SendData ; send 8 bits of data
0426 2411 GetACK ; get ACK bit from slave

0427 23E6 SendStop ; send Stop Bit
0428 23D0 Delay10ms ; time for EEPROM write operation
0429 0008 return

02176 movwf EETEMP
02177 call SendData ; send 8 bits of data
02178 call GetACK ; get ACK bit from slave
02179
02180 call SendStop ; send Stop Bit
02181
02182 call Delay10ms ; time for EEPROM write operation
02183
02184 return
02185
02186 ;*****
02187 ; Single byte read from EEPROM.
02188 ;
02189 ; Sends read command to EEPROM followed by address in EEPROM (EEADDR). Data
02190 ; is received and saved (EEDATA).
02191 ;*****
02192 ; Inputs: EEADDR
02193 ; Outputs: EEDATA
02194
02195 EERead
02196 movlw b'10100000' ; I2C address w/write command
02197 movwf EETEMP
02198
02199 call SendStart ; send start bit
02200 call SendData ; send I2C address
02201 call GetACK ; get ACK bit
02202
02203 movf EEADDR,W ; memory Address
02204 movwf EETEMP
02205
02206 call SendData ; send memory address to EEPROM
02207 call GetACK ; get ACK bit
02208
02209 movlw b'10100001' ; I2C address w/read command
02210 movwf EETEMP
02211
02212 call SendStart ; send restart bit
02213 call SendData ; send I2C address
02214 call GetACK ; get ACK bit
02215 call GetData ; get memory data from EEPROM
02216 call SendStop ; send stop bit
02217
02218 return
02219
02220 ;*****
02221 ; This routine writes the calibration data in the file CAL.INC to the proper

```

```

02222 ; address in the EEPROM.
02223 ;*****
02224 ; Inputs: contents of CAL.INC (calibration constants)
02225 ; Outputs: none
02226
02227 WriteSer
043B 3000      movlw      0x00
043C 00D5      EEADDR      ; select address 0x00
043D 3001      movlw      SERNUMBER ; write serial number
043E 00D6      movwf      EEDATA
043F 241A      call       EEWrite
02233
0440 3001      movlw      0x01
0441 00D5      EEADDR      ; Voltage Offset MSB, select address 0x01
0442 3010      movlw      VOLTFFFH
0443 00D6      movwf      EEDATA
0444 241A      call       EEWrite
02239
0445 3002      movlw      0x02
0446 00D5      EEADDR      ; Voltage Offset, select address 0x02
0447 301A      movlw      VOLTFFM
0448 00D6      movwf      EEDATA
0449 241A      call       EEWrite
02245
044A 3003      movlw      0x03
044B 00D5      EEADDR      ; Voltage Offset LSB, select address 0x03
044C 30B6      movlw      VOLTFFL
044D 00D6      movwf      EEDATA
044E 241A      call       EEWrite
02251
044F 3004      movlw      0x04
0450 00D5      EEADDR      ; Current Offset MSB, select address 0x04
0451 30FE      movlw      CURROFFH
0452 00D6      movwf      EEDATA
0453 241A      call       EEWrite
02257
0454 3005      movlw      0x05
0455 00D5      EEADDR      ; Current Offset, select address 0x05
0456 30DC      movlw      CURROFFM
0457 00D6      movwf      EEDATA
0458 241A      call       EEWrite
02263
0459 3006      movlw      0x06
045A 00D5      EEADDR      ; Current Offset LSB, select address 0x06
045B 3016      movlw      CURROFFL
045C 00D6      movwf      EEDATA

```

```

045D 241A 02268 call EEWrite
045E 3007 02269 movlw 0x07
045F 00D5 02270 movwf EEADDR ; Voltage Gain MSB, select address 0x07
0460 3029 02271 movlw VOLTGAINH
0461 00D6 02272 movwf EEDATA
0462 241A 02273 call EEWrite
0463 3008 02274 movlw 0x08
0464 00D5 02275 movwf EEADDR ; Voltage Gain, select address 0x08
0465 3066 02276 movlw VOLTGAINM
0466 00D6 02277 movwf EEDATA
0467 241A 02278 call EEWrite
0468 3009 02279 movlw 0x09
0469 00D5 02280 movwf EEADDR ; Voltage Gain LSB, select address 0x09
046A 306F 02281 movlw VOLTGAINL
046B 00D6 02282 movwf EEDATA
046C 241A 02283 call EEWrite
046D 300A 02284 movlw 0x0A
046E 00D5 02285 movwf EEADDR ; Current Gain MSB, select address 0x0A
046F 302A 02286 movlw CURRGAINH
0470 00D6 02287 movwf EEDATA
0471 241A 02288 call EEWrite
0472 300B 02289 movlw 0x0B
0473 00D5 02290 movwf EEADDR ; Current Gain, select address 0x0B
0474 302E 02291 movlw CURRGAINM
0475 00D6 02292 movwf EEDATA
0476 241A 02293 call EEWrite
0477 300C 02294 movlw 0x0C
0478 00D5 02295 movwf EEADDR ; Current Gain LSB, select address 0x0C
0479 300A 02296 movlw CURRGAINL
047A 00D6 02297 movwf EEDATA
047B 241A 02298 call EEWrite
047C 300D 02299 movlw 0x0D
047D 00D5 02300 movwf EEADDR ; Watt HOUR LSB, select address 0x0D
047E 01D6 02301 clrwf EEDATA
047F 241A 02302 call EEWrite
0480 300E 02303 movlw 0x0E
0481 00D5 02304 movwf EEADDR ; Watt HOUR MSB, select address 0x0E
0482 01D6 02305 clrwf EEDATA

```

```

0483 241A 02314 EEWrite
0484 300F 02315 movlw 0x0F
0485 00D5 02316 EEADDR ; Pulse Rate gain MSB, select address 0x0F
0486 3002 02317 PULSERATEH
0487 00D6 02318 movwf EEDATA
0488 241A 02319 EEWrite
02320 call
02321
0489 3010 02322 movlw 0x10
048A 00D5 02323 EEADDR ; Pulse Rate gain, select address 0x10
048B 3014 02324 PULSERATEM
048C 00D6 02325 movwf EEDATA
048D 241A 02326 EEWrite
02327 call
02328
048E 3011 02328 movlw 0x11
048F 00D5 02329 EEADDR ; Pulse Rate gain LSB, select address 0x11
0490 30CB 02330 PULSERATEL
0491 00D6 02331 movwf EEDATA
0492 241A 02332 EEWrite
02333 call
02334 return
0493 0008 02335
02336 ; *****
02337 ; Configure internal peripherals (except LCD) for operation.
02338 ; Also configures interrupts.
02339 ;
02340 ; A 1 second interrupt is configured depending on whether TMR1OSC is defined.
02341 ;
02342 ; If defined, Timer1 is enabled, and uses the Timer1 Oscillator to generate
02343 ; 1 second interrupts. This requires an external 32,768 Hz crystal.
02344 ;
02345 ; If not defined, CCP1 is configured to used the system clock in
02346 ; Compare mode, interrupt only, special event trigger. This generates 1/2 second interrupts, but the
02347 ; interrupt rate is divided by 2 in the TMR1ISR (also configured depending
02348 ; on the TMR1OSC definition). This relies on the system clock. In this
02349 ; application, the system clock is provided by the CS5460 and is 4.096 MHz.
02350 ; If the clock is a different frequency, adjust CCP1H:CCP1L.
02351 ; *****
02352 ; Inputs: TMR1OSC definition
02353 ; Outputs: none
02354
0494 02355 InitPeriph bcf PORTB, 3
0494 1186 02356
0495 1683 02357 bsf STATUS, RPO ; Bank 1
02358
02359

```

```

0496 3007      movlw      b'000001111',
0497 009F      movwf      ADCON1      ; set PORTA all digital

0498 30F2      movlw      b'11110010',
0499 0085      movwf      TRISA      ; RA0=EEPROM_SCL, RA1=EEPROM_SDA, RA2=CS5460_CS,
                                ; RA3=NC, RA4=NC, RA5=NC

049A 30F1      movlw      b'11110001',
049B 0086      movwf      TRISB      ; RB0=!EOUT, RB4=!SW2
                                ; RB1=!EDIR, RB5=!SW3
                                ; RB2=NC, RB6=!SW4
                                ; RB3=NC, RB7=!SW5

049C 3016      movlw      B'00010110',
049D 0087      movwf      TRISC      ; RC0=TIOSC, RC3=SSP_SCK
                                ; RC1=TIOSC, RC4=SSP_SDI
                                ; RC2=NC, RC5=SSP_SDO

049E 30C0      movlw      b'11000000',
049F 0094      movwf      SSPSTAT      ; setup SSP Module - input sampled at end of output,
                                ; xmit on rising SCLK

04A0 1283      bcf          STATUS,RP0      ; bank 0

02380 ; The CS5460 CPUCLK output is 4.096MHz and provides the Fosc for the controller.
02381
02382 #IFDEF TMR1OSC ; use this code if 32kHz Timer1OSC is used
02383 ; (comment out #DEFINE TMR1OSC at the top of the program)
02384
02385 movlw      0x7f      ; preload Timer1 to interrupt in 1 second
02386 movwf      TMR1H
02387 movlw      0xFF
02388 movwf      TMR1L
02389
02390 movlw      b'00001111',
02391 movwf      T1CON      ; setup Timer1 - 1 int/sec
                                ; 1:1 prescale, osc enabled, ext clock, async

02392 #ELSE
02393 ; The following lines initialize Timer1 and CCP1 in Special Event Trigger MODE.
02394 ; If the Timer1 oscillator is used, these lines are disabled by the #DEFINE TMR1OSC
02395 ; statement.
02396 movlw      b'00110001',
02397 movwf      T1CON      ; setup Timer1 - reset by special event trigger
                                ; 8:1 prescale, int clock
02398 c1rf      CCPCOUNT      ; clear interrupt counter
02399
02400
02401 movlw      0xF9
02402 movwf      CCPR1H      ; 0.5 second compare
02403 movlw      0xFF
02404 movwf      CCPR1L
02405

```

```

04A8 300B      02406      movlw      b'00001011'      ; set up CCP1 compare mode,
04A9 0097      02407      movwf     CCP1CON          ; special event trigger
                                02408      #ENDIF
                                02409
04AA 3039      02410      movlw      b'00111001'      ; setup Timer2 -
04AB 0092      02411      movwf     T2CON           ; 4:1 prescale, 8:1 postscale, TMR2 off
                                02412
04AC 3021      02413      movlw      b'00100001'      ; SSP MODE, Fosc/16 -
04AD 0094      02414      movwf     SSPCON         ; SPI master, Fosc/16, SSP enabled, clk idle low
                                02415
04AE 01F3      02416      clrf      UPDATE         ; clear LCD update flag
04AF 01F4      02417      clrf      BUTTON        ; clear pressed BUTTON status
04B0 01F2      02418      clrf      MODEINC       ; clear display MODE counter
                                02419
04B1 1505      02420      bsf      CS              ; Set CS5460 !CS
                                02421
04B2 301F      02422      movlw     .31            ; set message POINTER to start
04B3 00B3      02423      movwf     POINTER       ; scrolling message
                                02424
04B4 0008      02425      return
                                02426
                                02427 ; *****
04B5 01F3      02428 ; This routine allows the user to set HOURS and MINUTES for the real time clock
04B6 300C      02429 ; display. (Seconds can not be set).
04B7 261F      02430 ; *****
04B8 301D      02431 ; Inputs:  BUTTON
04B9 263A      02432 ; Outputs: SECOND, MINUTE, HOUR
                                02433
04BA 1873      02434      SetClock
04BB 2296      02435      clrf      UPDATE
                                02436
04BC 1C74      02437      movlw     0x0C          ; "C"
04BD 2CBA      02438      call     LoadD1
04BE 1CF4      02439      movlw     0x1D          ; "L"
04BF 2CC1      02440      call     LoadD2
                                02441
04C0 28C9      02442      SetLoop
04C1 04C1      02443      call     UpdDisp
                                02444
                                02445      btfs     BUTTON,0
                                02446      goto     SetLoop
                                02447      btfs     BUTTON,1
                                02448      goto     Chk2Clk
                                02449
                                02450      goto     Continue4
                                02451      Chk2Clk

```

```

04C1 1D74
04C2 2CC5
04C3 1A74
04C4 2CD3
04C5      Chk3Clk
04C6 1DF4
04C7 2CC9
04C8 1A74
04C9 2CCB
04CA 01F4
04CB 2CBA
04CB 01F4
04CC 0AA3
04CD 303C
04CE 0223
04CF 1903
04D0 01A3
04D1 1473
04D2 2CBA
04D3
04D3 01F4
04D4 0AA4
04D5 3019
04D6 0224
04D7 1903
04D8 01A4
04D9 1473
04DA 2CBA
04DB 0008
04DB ; *****
0487 ; *****
0488 ; Bin2BCD16 - Converts a 16-bit binary number in TEMPH:TEMPL into a 3 byte packed
0489 ; BCD number in R0:R1:R2.
0490 ; R0 holds the 10 thousands digit
0491 ; R1 holds the hundreds and thousands digits
0492 ; R2 holds the ones and tens digits
0493 ; *****
0494 ; Inputs: TEMPH, TEMPL (16-bit binary number)
0495 ; Outputs: R0, R1, R2 (5 digit BCD number)
0496 ; Used: COUNT
02452 ; is BUTTON 2 pressed?
02453 ; no, check BUTTON 3
02454 ; yes, is BUTTON 4 pressed?
02455 ; yes, adjust hours
02456 Chk3Clk
02457 ; is BUTTON 3 pressed?
02458 ; no
02459 ; yes, is BUTTON 4 pressed?
02460 ; yes, adjust minutes
02461 EndButtonClk
02462
02463
02464
02465 IncMin
02466
02467
02468
02469
02470
02471
02472
02473
02474
02475 IncHr
02476
02477
02478
02479
02480
02481
02482
02483
02484
02485
02486
02487 ; *****
02488 ; Bin2BCD16 - Converts a 16-bit binary number in TEMPH:TEMPL into a 3 byte packed
02489 ; BCD number in R0:R1:R2.
02490 ; R0 holds the 10 thousands digit
02491 ; R1 holds the hundreds and thousands digits
02492 ; R2 holds the ones and tens digits
02493 ; *****
02494 ; Inputs: TEMPH, TEMPL (16-bit binary number)
02495 ; Outputs: R0, R1, R2 (5 digit BCD number)
02496 ; Used: COUNT
02497

02452 btfsf BUTTON,2
02453 goto Chk3Clk
02454 btfsf BUTTON,4
02455 goto IncHr
02456 btfsf BUTTON,3
02457 goto EndButtonClk
02458 btfsf BUTTON,4
02459 goto IncMin
02460 clrf BUTTON
02461 goto SetLoop
02462
02463
02464
02465 clrf BUTTON
02466 incf MINUTE,F
02467 movlw .60
02468 subwf MINUTE,W
02469 btfsf STATUS,Z
02470 clrf MINUTE
02471 bsf UPDATE,0
02472 goto SetLoop
02473
02474
02475 clrf BUTTON
02476 incf HOUR,F
02477 movlw .25
02478 subwf HOUR,W
02479 btfsf STATUS,Z
02480 clrf HOUR
02481 bsf UPDATE,0
02482 goto SetLoop
02483
02484
02485
02486
02487 return
02488 ; return to calling routine in page 0
02489 ; *****
02490 ; *****
02491 ; *****
02492 ; *****
02493 ; *****
02494 ; *****
02495 ; *****
02496 ; *****
02497 ; *****

```



```

04DC      0498 Bin2BCD16
04DC      02499      ; Initialize variables
04DC      02500      bcf     STATUS,C
04DD      03010      movlw  D'16'
04DE      00D3      movwf  COUNT
04DF      01CE      clr    R0
04E0      01CF      clr    R1
04E1      01D0      clr    R2
04E2      02506      Loop16a2
04E2      02507      rlf    TEMPL,F
04E3      0DD2      rlf    TEMPH,F
04E4      0DD0      rlf    R2,F
04E5      0DCF      rlf    R1,F
04E6      0DCE      rlf    R0,F
04E7      0BD3      decfsz COUNT,F
04E8      2CEA      goto   AdjDec2
04E9      0008      return
04EA      04EA      02514      return
04EA      04EA      02515      AdjDec2
04EA      03050      movlw  R2
04EB      0084      movwf  FSR
04EC      24F4      call   AdjBCD2
04ED      304F      02519      return
04EE      0084      movlw  R1
04EF      24F4      movwf  FSR
04F0      304E      02520      call   AdjBCD2
04F1      0084      movlw  R0
04F2      24F4      movwf  FSR
04F3      2CE2      call   AdjBCD2
04F4      04F4      02527      goto   Loop16a2
04F4      04F4      02529      return
04F4      04F4      02530      AdjBCD2
04F4      3003      movlw  3
04F5      0700      addwf  INDF,W
04F6      00C9      movwf  TEMP
04F7      19C9      btfs   TEMP,3
04F8      0080      movwf  INDF
04F9      3030      movlw  30
04FA      0700      addwf  INDF,W
04FB      00C9      movwf  TEMP
04FC      1BC9      btfs   TEMP,7
04FD      0080      movwf  INDF
04FE      0008      return
04FE      0008      return
04FE      02541      return
04FE      02542      return
04FE      02543      return
; clear carry bit
; init bit counter
; clear output
; clear output
; clear output
; mult by 2, shift MSb to TEMPH
; mult by 2, shift MSb to R2
; mult by 2, shift MSb to R1
; mult by 2, shift MSb to R0
; mult by 2, shift MSb to Carry
; decrement bit counter
; point to R2
; point to R1
; point to R0
; W = 3 + Rn
; TEMP = 3+Rn
; Rn=TEMP
; decimal adjust?
; W=30+Rn
; TEMP=30+Rn
; Rn=TEMP

```

```

02544 ;*****
02545 ; Interrogate CS5460 for Vrms and Irms
02546 ; Calculate Apparent Power (Vrms * Irms = AP)
02547 ; store binary result in APH:APL (16-bit number)
02548 ;*****
02549 ; Inputs: none
02550 ; Outputs: APH, APL
02551
02552 CalcAP
02553     movlw    b'00011000',
02554     movwf    TXDATA
02555     call     SSPRead
02556     movf    RXDATA0,W
02557     movwf    AARGB0
02558     movf    RXDATA1,W
02559     movwf    AARGB1
02560
02561     movlw    b'00010110',
02562     movwf    TXDATA
02563     call     SSPRead
02564
02565     movf    RXDATA0,W
02566     movwf    BARGB0
02567
02568     movf    RXDATA1,W
02569     movwf    BARGB1
02570
02571     call     FXM1616U
02572
02573
02574     movlw    MAXPWRH
02575     movwf    BARGB0
02576     movlw    MAXPWRL
02577     movwf    BARGB1
02578
02579     call     FXM1616U
02580
02581
02582     movf    AARGB0,W
02583     movwf    APH
02584
02585     movf    AARGB1,W
02586     movwf    APL
; read RMS Voltage from CS4560
; get V high byte
; save
; get V middle byte
; save
; read RMS Current from the CS4560
; get I high byte
; save
; get I middle byte
; save
; multiply I and V to get Apparent Power (fraction of
; result in AARGB0 (MSB) to AARGB3 (LSB) (use AARGB0
; full scale power
; multiply AP(fraction) and full scale Power to get
; result in AARGB0 (MSB) to AARGB3 (LSB)
; save Apparent Power high byte
; APx is VoltAmps in binary
; save Apparent Power low byte

```

```

02587             return
02588
02589
02590 ;*****
02591 ; Get energy over the last second, multiply by 10
02592 ; (pulses are 1 pulse / 10Watt*second) and save result in TPH:TPL.
02593 ; Result is True Power as Watts in binary.
02594 ;*****
02595 ; Inputs: none
02596 ; Outputs: TPH, TPL
02597
02598 CalcTP
02599     movf    PULDISPH,W           ; Pulse per second MSB
02600     movwf   AARGB0
02601     movf    PULDISPL,W          ; Pulse per second LSB
02602     movwf   AARGB1
02603
02604     clrf    BARGB0              ; multiply pulses by 10
02605     movlw   0x0A                ; to get True Power
02606     movwf   BARGB1
02607
02608     call    FXM1616U            ; Math 16bit * 16bit multiply routine
02609
02610     movf    AARGB2,W            ; save results in TPH:TPL as Watts in binary
02611     movwf   TPH
02612     movf    AARGB3,W
02613     movwf   TPL
02614
02615     return
02616
02617 ;*****
02618 ; The following MATH routines were copied from the Microchip
02619 ; MATH library AN617
02620 ;*****
02621 ;
02622 ; 24/16 Bit Unsigned Fixed Point Divide 24/16 -> 24.16
02623 ;
02624 ; Input:  24 bit unsigned fixed point dividend in AARGB0, AARGB1,AARGB2
02625 ;        16 bit unsigned fixed point divisor in BARGB0, BARGB1
02626 ;
02627 ; Use:    CALL    FXD2416U
02628 ;
02629 ; Output: 24 bit unsigned fixed point quotient in AARGB0, AARGB1,AARGB2
02630 ;        16 bit unsigned fixed point remainder in REMB0, REMB1
02631 ;
02632 ; Result: AARG, REM  <--  AARG / BARG

```

02633									
02634	FXD2416U								
02635		CLRF							REMB0
02636		CLRF							REMB1
02637									TEMP
02638		CLRF							
02639									AARGB0,W
02640		RLF							REMB1,F
02641		RLF							BARGB1,W
02642		MOVF							REMB1,F
02643		SUBWF							BARGB0,W
02644		MOVF							STATUS,C
02645		BTFSS							BARGB0,W
02646		INCFSZ							REMB0,F
02647		SUBWF							
02648									
02649		CLRW							STATUS,C
02650		BTFSS							1
02651		MOVLW							TEMP,F
02652		SUBWF							AARGB0,F
02653		RLF							
02654									
02655		MOVLW							7
02656		MOVWF							LOOPCOUNT
02657									
02658	LOOPU2416A	RLF							AARGB0,W
02659		RLF							REMB1,F
02660		RLF							REMB0,F
02661		RLF							TEMP,F
02662		MOVF							BARGB1,W
02663		BTFSS							AARGB0,LSB
02664		GOTO							UADD46LA
02665									
02666		SUBWF							REMB1,F
02667		MOVF							BARGB0,W
02668		BTFSS							STATUS,C
02669		INCFSZ							BARGB0,W
02670		SUBWF							REMB0,F
02671		CLRW							
02672		BTFSS							STATUS,C
02673		MOVLW							1
02674		SUBWF							TEMP,F
02675		GOTO							UOK46LA
02676									
02677	UADD46LA	ADDWF							REMB1,F
02678		MOVF							BARGB0,W

054A	1803	02679	BTFSC	STATUS,C
054B	0F45	02680	INCFSZ	BARGB0,W
054C	07C7	02681	ADDFW	REMB0,F
054D	0103	02682	CLRW	
054E	1803	02683	BTFSC	STATUS,C
054F	3001	02684	MOVLW	1
0550	07C9	02685	ADDFW	TEMP,F
		02686		
0551	0DC0	02687	RLF	AARGB0,F
		02688		
0552	0BCD	02689	DECFSZ	LOOPCOUNT,F
0553	2D37	02690	GOTO	LOOPU2416A
		02691		
0554	0D41	02692	RLF	AARGB1,W
0555	0DC8	02693	RLF	REMB1,F
0556	0DC7	02694	RLF	REMB0,F
0557	0DC9	02695	RLF	TEMP,F
0558	0846	02696	MOVWF	BARGB1,W
0559	1C40	02697	BTFSS	AARGB0,LSB
055A	2D65	02698	GOTO	UADD46L8
		02699		
055B	02C8	02700	SUBWF	REMB1,F
055C	0845	02701	MOVWF	BARGB0,W
055D	1C03	02702	BTFSS	STATUS,C
055E	0F45	02703	INCFSZ	BARGB0,W
055F	02C7	02704	SUBWF	REMB0,F
0560	0103	02705	CLRW	
0561	1C03	02706	BTFSS	STATUS,C
0562	3001	02707	MOVLW	1
0563	02C9	02708	SUBWF	TEMP,F
0564	2D6E	02709	GOTO	UOK46L8
		02710		
0565	07C8	02711	ADDFW	REMB1,F
0566	0845	02712	MOVWF	BARGB0,W
0567	1803	02713	BTFSC	STATUS,C
0568	0F45	02714	INCFSZ	BARGB0,W
0569	07C7	02715	ADDFW	REMB0,F
056A	0103	02716	CLRW	
056B	1803	02717	BTFSC	STATUS,C
056C	3001	02718	MOVLW	1
056D	07C9	02719	ADDFW	TEMP,F
		02720		
056E	0DC1	02721	RLF	AARGB1,F
		02722		
056F	3007	02723	MOVLW	7
0570	00CD	02724	MOVWF	LOOPCOUNT

0571	0D41	02725		RLF	AARGB1,W
0572	0DC8	02726	LOOPU2416B	RLF	REMB1,F
0573	0DC7	02727		RLF	REMB0,F
0574	0DC9	02728		RLF	TEMP,F
0575	0846	02729		MOVF	BARGB1,W
0576	1C41	02730		BTSS	AARGB1,LSB
0577	2D82	02731		GOTO	UADD46LB
		02732			
		02733			
0578	02C8	02734		SUBWF	REMB1,F
0579	0845	02735		MOVF	BARGB0,W
057A	1C03	02736		BTSS	STATUS,C
057B	0F45	02737		INCFSZ	BARGB0,W
057C	02C7	02738		SUBWF	REMB0,F
057D	0103	02739		CLRW	
057E	1C03	02740		BTSS	STATUS,C
057F	3001	02741		MOVLW	1
0580	02C9	02742		SUBWF	TEMP,F
0581	2D8B	02743		GOTO	UOK46LB
		02744			
0582	07C8	02745	UADD46LB	ADDWF	REMB1,F
0583	0845	02746		MOVF	BARGB0,W
0584	1803	02747		BTSC	STATUS,C
0585	0F45	02748		INCFSZ	BARGB0,W
0586	07C7	02749		ADDWF	REMB0,F
0587	0103	02750		CLRW	
0588	1803	02751		BTSS	STATUS,C
0589	3001	02752		MOVLW	1
058A	07C9	02753		ADDWF	TEMP,F
		02754			
058B	0DC1	02755	UOK46LB	RLF	AARGB1,F
		02756			
058C	0BCD	02757		DECFSZ	LOOPCOUNT,F
058D	2D71	02758		GOTO	LOOPU2416B
		02759			
058E	0D42	02760		RLF	AARGB2,W
058F	0DC8	02761		RLF	REMB1,F
0590	0DC7	02762		RLF	REMB0,F
0591	0DC9	02763		RLF	TEMP,F
0592	0846	02764		MOVF	BARGB1,W
0593	1C41	02765		BTSS	AARGB1,LSB
0594	2D9F	02766		GOTO	UADD46LB
		02767			
0595	02C8	02768		SUBWF	REMB1,F
0596	0845	02769		MOVF	BARGB0,W
0597	1C03	02770		BTSS	STATUS,C

0598	0F45	02771	INCFSZ	BARGB0,W
0599	02C7	02772	SUBWF	REMB0,F
059A	0103	02773	CLRW	STATUS,C
059B	1C03	02774	BTFS	1
059C	3001	02775	MOVLW	TEMP,F
059D	02C9	02776	SUBWF	UOK46L16
059E	2DA8	02777	GOTO	
059F	07C8	02778		
05A0	0845	02779	ADDFW	REMB1,F
05A1	1803	02780	MOVF	BARGB0,W
05A2	0F45	02781	BTFS	STATUS,C
05A3	07C7	02782	INCFSZ	BARGB0,W
05A4	0103	02783	ADDFW	REMB0,F
05A5	1803	02784	CLRW	
05A6	3001	02785	BTFS	STATUS,C
05A7	07C9	02786	MOVLW	1
		02787	ADDFW	TEMP,F
		02788		
05A8	0DC2	02789	RLF	AARGB2,F
		02790		
05A9	3007	02791	MOVLW	7
05AA	00CD	02792	MOVWF	LOOPCOUNT
		02793		
05AB	0D42	02794	RLF	AARGB2,W
05AC	0DC8	02795	RLF	REMB1,F
05AD	0DC7	02796	RLF	REMB0,F
05AE	0DC9	02797	RLF	TEMP,F
05AF	0846	02798	MOVF	BARGB1,W
05B0	1C42	02799	BTFS	AARGB2,LSB
05B1	2DBC	02800	GOTO	UADD46LC
		02801		
05B2	02C8	02802	SUBWF	REMB1,F
05B3	0845	02803	MOVF	BARGB0,W
05B4	1C03	02804	BTFS	STATUS,C
05B5	0F45	02805	INCFSZ	BARGB0,W
05B6	02C7	02806	SUBWF	REMB0,F
05B7	0103	02807	CLRW	
05B8	1C03	02808	BTFS	STATUS,C
05B9	3001	02809	MOVLW	1
05BA	02C9	02810	SUBWF	TEMP,F
05BB	2DC5	02811	GOTO	UOK46LC
		02812		
05BC	07C8	02813	ADDFW	REMB1,F
05BD	0845	02814	MOVF	BARGB0,W
05BE	1803	02815	BTFS	STATUS,C
05BF	0F45	02816	INCFSZ	BARGB0,W

```

05C0 07C7 ADDWF REMB0,F
05C1 0103 CLRW
05C2 1803 BTFSC STATUS,C
05C3 3001 MOVLW 1
05C4 07C9 ADDWF TEMP,F
05C5 0DC2 RLF AARGB2,F
05C6 0BCD DECFSZ LOOPCOUNT,F
05C7 2DAB GOTO LOOPU2416C
05C8 1842 BTFSC AARGB2,LSB
05C9 2DD0 GOTO UOK46L
05CA 0846 MOVF BARGB1,W
05CB 07C8 ADDWF REMB1,F
05CC 0845 MOVF BARGB0,W
05CD 1803 BTFSC STATUS,C
05CE 0F45 INCFSZ BARGB0,W
05CF 07C7 ADDWF REMB0,F
05D0 3400 RETLW 0x00

02837 UOK46L
02838
02839 ;*****
02840 ;
02841 ; 16x16 Bit Unsigned Fixed Point Multiply 16x16 -> 32
02842 ;
02843 ; Input: 16 bit unsigned fixed point multiplicand in AARGB0:AARGB1
02844 ; 16 bit unsigned fixed point multiplier in BARGB0:BARGB1
02845 ;
02846 ; Use: CALL FXM1616U
02847 ;
02848 ; Output: 32 bit unsigned fixed point product in AARGB0:AARGB1:AARGB2:AARGB3
02849 ;
02850 ; Result: AARG <-- AARG x BARG
02851

02852 FXM1616U
02853 CLRWF AARGB2 ; clear partial product
02854 CLRWF AARGB3
02855 MOVF AARGB0,W
02856 MOVWF TEMPB0
02857 MOVF AARGB1,W
02858 MOVWF TEMPB1
02859
02860 MOVLW 0x08
02861 MOVWF LOOPCOUNT
02862

```


05D9					
05D9	0CC6		LOOPUM1616A	RRF	BARGB1, F
05DA	1803			BTFSC	STATUS, C
05DB	2DE9			GOTO	ALUM1616NAP
05DC	0BCD			DECFSZ	LOOPCOUNT, F
05DD	2DD9			GOTO	LOOPUM1616A
05DE	00CD			MOVWF	LOOPCOUNT
05DF					
05DF	0CC5		LOOPUM1616B	RRF	BARGB0, F
05E0	1803			BTFSC	STATUS, C
05E1	2DE7			GOTO	BLUM1616NAP
05E2	0BCD			DECFSZ	LOOPCOUNT, F
05E3	2DDF			GOTO	LOOPUM1616B
05E4	01C0			CLRF	AARGB0
05E5	01C1			CLRF	AARGB1
05E6	3400			RETLW	0x00
05E7					
05E7	1003		BLUM1616NAP	BCF	STATUS, C
05E8	2E04			GOTO	BLUM1616NA
05E9					
05E9	1003		ALUM1616NAP	BCF	STATUS, C
05EA	2DF4			GOTO	ALUM1616NA
05EB					
05EB	0CC6		ALOOPUM1616	RRF	BARGB1, F
05EC	1C03			BTFSS	STATUS, C
05ED	2DF4			GOTO	ALUM1616NA
05EE	084B			MOVWF	TEMPBL, W
05EF	07C1			ADDWF	AARGB1, F
05F0	084A			MOVWF	TEMPB0, W
05F1	1803			BTFSC	STATUS, C
05F2	0F4A			INCFSZ	TEMPB0, W
05F3	07C0			ADDWF	AARGB0, F
05F4					
05F4	0CC0		ALUM1616NA	RRF	AARGB0, F
05F5	0CC1			RRF	AARGB1, F
05F6	0CC2			RRF	AARGB2, F
05F7	0BCD			DECFSZ	LOOPCOUNT, F
05F8	2DEB			GOTO	ALOOPUM1616
02863			LOOPUM1616A		
02864				RRF	BARGB1, F
02865				BTFSC	STATUS, C
02866				GOTO	ALUM1616NAP
02867				DECFSZ	LOOPCOUNT, F
02868				GOTO	LOOPUM1616A
02869					
02870				MOVWF	LOOPCOUNT
02871					
02872			LOOPUM1616B		
02873				RRF	BARGB0, F
02874				BTFSC	STATUS, C
02875				GOTO	BLUM1616NAP
02876				DECFSZ	LOOPCOUNT, F
02877				GOTO	LOOPUM1616B
02878					
02879				CLRF	AARGB0
02880				CLRF	AARGB1
02881				RETLW	0x00
02882					
02883			BLUM1616NAP		
02884				BCF	STATUS, C
02885				GOTO	BLUM1616NA
02886					
02887			ALUM1616NAP		
02888				BCF	STATUS, C
02889				GOTO	ALUM1616NA
02890					
02891			ALOOPUM1616		
02892				RRF	BARGB1, F
02893				BTFSS	STATUS, C
02894				GOTO	ALUM1616NA
02895				MOVWF	TEMPBL, W
02896				ADDWF	AARGB1, F
02897				MOVWF	TEMPB0, W
02898				BTFSC	STATUS, C
02899				INCFSZ	TEMPB0, W
02900				ADDWF	AARGB0, F
02901					
02902			ALUM1616NA		
02903				RRF	AARGB0, F
02904				RRF	AARGB1, F
02905				RRF	AARGB2, F
02906				DECFSZ	LOOPCOUNT, F
02907				GOTO	ALOOPUM1616
02908					

```

05F9 3008      MOVLW 0x08
05FA 00CD      MOVWF LOOPCOUNT

05FB 0CC5      RRF BARGB0, F
05FC 1C03      BITFSS STATUS,C
05FD 2E04      GOTO BLUM1616NA
05FE 084B      MOVF TEMPB1,W
05FF 07C1      ADDWF AARGB1, F
0600 084A      MOVF TEMPB0,W
0601 1803      BITFSS STATUS,C
0602 0F4A      INCFSSZ TEMPB0,W
0603 07C0      ADDWF AARGB0, F

0604          ;*****
0604 0CC0      RRF AARGB0, F
0605 0CC1      RRF AARGB1, F
0606 0CC2      RRF AARGB2, F
0607 0CC3      RRF AARGB3, F
0608 0BCD      DECFSSZ LOOPCOUNT, F
0609 2DFB      GOTO BLOOPUM1616

060A 3400      RETLW 0x00

02933 ;*****
02934 ; This routine contains the basics for controlling the LCD
02935 ; (value to be displayed)
02936 ; call Load3 (LCD digit to display it on)
02937 ; (this example 3)
02938 ;
02939 ; Written by Stan D'Souza 4/12/98. For presentations using the
02940 ; PICDEM3 board with asm firmware
02941
02942 ;*****
02943 ; Initializes the LCD module to drive the LCD
02944 ;*****
02945 ; Inputs: none
02946 ; Outputs: none
02947
02948 InitLCD
02949      bcf STATUS,RP1 ; Select bank 2
02950      movlw b'10011110' ; operates in sleep, 1/3 mux, 1/3 bias, internal RC osc,
02951      movwf LCDCON ; init lcd control register, internal voltage generator used
02952      movlw 0x02 ; 1/3 mux, frame freq = 20kHz/(96*(2+1)) = about 70 Hz
02953      movwf LCDPS
02954      bcf STATUS,RP1 ; Select bank 0

```

```

02955      return
02956
02957 ;*****
02958 ; Clears all LCD pixels (blanks the display)
02959 ;*****
02960 ; Inputs: none
02961 ; Ouputs: none
02962
02963 ClrLCD
02964      bsf      STATUS,RP1      ; Select bank 2
02965      clrfd   LCDD00          ; clear all LCD ram locations
02966      clrfd   LCDD01
02967      clrfd   LCDD02
02968      clrfd   LCDD04
02969      clrfd   LCDD05
02970      clrfd   LCDD06
02971      clrfd   LCDD08
02972      clrfd   LCDD09
02973      clrfd   LCDD10
02974      clrfd   LCDD11
02975      bcf      STATUS,RP1      ; Select bank 0
02976      return
02977
02978 ;*****
02979 ; Each "LoadDx" accepts data in the W register, saves it in LCDTEMP1,
02980 ; calls Get7SegDat table, and displays the segment data returned on the LCD
02981 ; display.
02982 ;*****
02983 ; Inputs: W register
02984 ; Ouputs: none
02985 ; Uses:  LCDTEMP1
02986
02987 LoadD1      ; Write to LCD digit 1 (left side)
02988      movwf   LCDTEMP1
02989      call    Get7SegDat      ; get seven segment data in w
02990      movwf   LCDTEMP1      ; save in temp
02991      bsf     STATUS,RP1      ; Select bank 2
02992      bcf     D1A
02993      bcf     D1B
02994      bcf     D1C
02995      bcf     D1D
02996      bcf     D1E
02997      bcf     D1F
02998      bcf     D1G
02999      btfsc  LCDTEMP1,0      ; if not set, skip segment
03000      bsf     D1A

```

```

062C 18F0 LCDTEMP1,1 btfsc
062D 1592 D1B bsf
062E 1970 LCDTEMP1,2 btfsc
062F 1596 D1C bsf
0630 19F0 LCDTEMP1,3 btfsc
0631 151A D1D bsf
0632 1A70 LCDTEMP1,4 btfsc
0633 1616 D1E bsf
0634 1AF0 LCDTEMP1,5 btfsc
0635 1612 D1F bsf
0636 1B70 LCDTEMP1,6 btfsc
0637 1516 D1G bsf
0638 1303 STATUS,RP1 bcf
0639 0008 return

03001 ; Write to LCD digit 2
03002 movwf LCDTEMP1
03003 call Get7SegDat
03004 movwf LCDTEMP1
03005 bsf STATUS,RP1
03006 bcf D2A
03007 bcf D2B
03008 bcf D2C
03009 bcf D2D
03010 bcf D2E
03011 bcf D2F
03012 bcf D2G
03013 btfsc LCDTEMP1,0
03014 bsf D2A
03015 btfsc LCDTEMP1,1
03016 bsf D2B
03017 btfsc LCDTEMP1,2
03018 bsf D2C
03019 btfsc LCDTEMP1,3
03020 bsf D2D
03021 btfsc LCDTEMP1,4
03022 bsf D2E
03023 btfsc LCDTEMP1,5
03024 bsf D2F
03025 btfsc LCDTEMP1,6
03026 bcf STATUS,RP1
03027 return

03015 LoadD2
03016 ; Write to LCD digit 2
03017 movwf LCDTEMP1
03018 call Get7SegDat
03019 movwf LCDTEMP1
03020 bsf STATUS,RP1
03021 bcf D2A
03022 bcf D2B
03023 bcf D2C
03024 bcf D2D
03025 bcf D2E
03026 bcf D2F
03027 bcf D2G
03028 btfsc LCDTEMP1,0
03029 bsf D2A
03030 btfsc LCDTEMP1,1
03031 bsf D2B
03032 btfsc LCDTEMP1,2
03033 bsf D2C
03034 btfsc LCDTEMP1,3
03035 bsf D2D
03036 btfsc LCDTEMP1,4
03037 bsf D2E
03038 btfsc LCDTEMP1,5
03039 bsf D2F
03040 btfsc LCDTEMP1,6
03041 bcf STATUS,RP1
03042 return

03044 ; Write to LCD digit 3
03045 movwf LCDTEMP1
03046
0655 00F0 LoadD3
0655 00F0

```

```

0656 27B0 03047 call          ; get seven segment data in w
0657 00F0 03048 movwf       LCDTEMP1
0658 1703 03049 bsf        STATUS,RP1
0659 1311 03050 bcf        D3A
065A 1391 03051 bcf        D3B
065B 1395 03052 bcf        D3C
065C 1319 03053 bcf        D3D
065D 1016 03054 bcf        D3E
065E 1012 03055 bcf        D3F
065F 1315 03056 bcf        D3G
0660 1870 03057 btfsc       LCDTEMP1,0
0661 1711 03058 bsf        D3A
0662 18F0 03059 btfsc       LCDTEMP1,1
0663 1791 03060 bsf        D3B
0664 1970 03061 btfsc       LCDTEMP1,2
0665 1795 03062 bsf        D3C
0666 19F0 03063 btfsc       LCDTEMP1,3
0667 1719 03064 bsf        D3D
0668 1A70 03065 btfsc       LCDTEMP1,4
0669 1416 03066 bsf        D3E
066A 1AF0 03067 btfsc       LCDTEMP1,5
066B 1412 03068 bsf        D3F
066C 1B70 03069 btfsc       LCDTEMP1,6
066D 1715 03070 bsf        D3G
066E 1303 03071 bcf        STATUS,RP1
066F 0008 03072 return

0670 0670 03074 ; Write to LCD digit 4
0670 00F0 03075 movwf       LCDTEMP1
0671 27B0 03076 call          Get7SegDat
0672 00F0 03077 movwf       LCDTEMP1
0673 1703 03078 bsf        STATUS,RP1
0674 1211 03079 bcf        D4A
0675 1291 03080 bcf        D4B
0676 1295 03081 bcf        D4C
0677 1219 03082 bcf        D4D
0678 1396 03083 bcf        D4E
0679 1392 03084 bcf        D4F
067A 1215 03085 bcf        D4G
067B 1870 03086 btfsc       LCDTEMP1,0
067C 1611 03087 bsf        D4A
067D 18F0 03088 btfsc       LCDTEMP1,1
067E 1691 03089 bsf        D4B
067F 1970 03090 btfsc       LCDTEMP1,2
0680 1695 03091 bsf        D4C
0681 19F0 03092 btfsc       LCDTEMP1,3

```

```

0682 1619 03093 03103 LoadD5          ; Write to LCD digit 5
0683 1A70 03094 03104          movwf          LCDTEMP1
0684 1796 03095 03105          call           Get7SegDat
0685 1AF0 03096 03106          movwf          LCDTEMP1
0686 1792 03097 03107          bsf            STATUS,RP1
0687 1B70 03098 03108          bcf            D5A
0688 1615 03099 03109          bcf            D5B
0689 1303 03100 03110          bcf            D5C
068A 0008 03101 03111          bcf            D5D
03102 03112          bcf            D5E
03103 03113          bcf            D5F
03104 03114          bcf            D5G
068B 00F0 03115          bsf            LCDTEMP1,0
068C 27B0 03116          bsf            LCDTEMP1,1
068D 00F0 03117          bsf            LCDTEMP1,2
068E 1703 03118          bsf            LCDTEMP1,3
068F 1091 03119          bsf            LCDTEMP1,4
0690 1111 03120          bsf            LCDTEMP1,5
0691 1115 03121          bsf            LCDTEMP1,6
0692 1099 03122          bsf            STATUS,RP1
0693 1195 03123          bsf            STATUS,RP1
0694 1191 03124          bsf            D6A
0695 1095 03125          bsf            D6B
0696 1870 03126          ; if not set, skip segment
0697 1491 03127          ;
0698 18F0 03128          ;
0699 1511 03129          ;
069A 1970 03130          ;
069B 1515 03131          ;
069C 19F0 03132          ;
069D 1499 03133          ;
069E 1A70 03134          ;
069F 1595 03135          ;
06A0 1AF0 03136          ;
06A1 1591 03137          ;
06A2 1B70 03138          ;
06A3 1495 03139          ;
06A4 1303 03140          ;
06A5 0008 03141          ;

06A6 06A6 00F0 03142          ; Write to LCD digit 6
06A7 27B0 03143          movwf          LCDTEMP1
06A8 00F0 03144          call           Get7SegDat
06A9 1703 03145          movwf          LCDTEMP1
06AA 1310 03146          bsf            STATUS,RP1
06AB 1390 03147          bcf            D6A
03148          bcf            D6B

```

```

06AC 1394      03139      bcf      D6C
06AD 1318      03140      bcf      D6D
06AE 1015      03141      bcf      D6E
06AF 1011      03142      bcf      D6F
06B0 1314      03143      bcf      D6G
06B1 1870      03144      btfsc    LCDTEMP1,0      ; if not set, skip segment
06B2 1710      03145      bsf      D6A
06B3 18F0      03146      btfsc    LCDTEMP1,1
06B4 1790      03147      bsf      D6B
06B5 1970      03148      btfsc    LCDTEMP1,2
06B6 1794      03149      bsf      D6C
06B7 19F0      03150      btfsc    LCDTEMP1,3
06B8 1718      03151      bsf      D6D
06B9 1A70      03152      btfsc    LCDTEMP1,4
06BA 1415      03153      bsf      D6E
06BB 1AF0      03154      btfsc    LCDTEMP1,5
06BC 1411      03155      bsf      D6F
06BD 1B70      03156      btfsc    LCDTEMP1,6
06BE 1714      03157      bsf      D6G
06BF 1303      03158      bcf      STATUS,RP1      ; Select bank 0
06C0 0008      03159      return
                                03160

06C1          03161      ; Write to LCD digit 7
06C1 00F0      03162      movwf    LCDTEMP1
06C2 27B0      03163      call     Get7SegDat      ; get seven segment data in w
06C3 00F0      03164      movwf    LCDTEMP1      ; save in temp
06C4 1703      03165      bsf      STATUS,RP1      ; Select bank 2
06C5 1190      03166      bcf      D7A
06C6 1210      03167      bcf      D7B
06C7 1214      03168      bcf      D7C
06C8 1198      03169      bcf      D7D
06C9 1294      03170      bcf      D7E
06CA 1290      03171      bcf      D7F
06CB 1194      03172      bcf      D7G
06CC 1870      03173      btfsc    LCDTEMP1,0      ; if not set, skip segment
06CD 1590      03174      bsf      D7A
06CE 18F0      03175      btfsc    LCDTEMP1,1
06CF 1610      03176      bsf      D7B
06D0 1970      03177      btfsc    LCDTEMP1,2
06D1 1614      03178      bsf      D7C
06D2 19F0      03179      btfsc    LCDTEMP1,3
06D3 1598      03180      bsf      D7D
06D4 1A70      03181      btfsc    LCDTEMP1,4
06D5 1694      03182      bsf      D7E
06D6 1AF0      03183      btfsc    LCDTEMP1,5
06D7 1690      03184      bsf      D7F

```

```

06D8 1B70          LCDTEMP1,6
06D9 1594          D7G
06DA 1303          STATUS,RP1      ; Select bank 0
06DB 0008          return

06DC             ; Write to LCD digit 8 (right side)
06DC 00F0          movwf LCDTEMP1
06DD 27B0          call Get7SegDat      ; get seven segment data in w
06DE 00F0          movwf LCDTEMP1      ; save in temp
06DF 1703          bsf STATUS,RP1      ; Select bank 2
06E0 1010          bcf D8A
06E1 1090          bcf D8B
06E2 1094          bcf D8C
06E3 1018          bcf D8D
06E4 1114          bcf D8E
06E5 1110          bcf D8F
06E6 1014          bcf D8G
06E7 1870          btfsf LCDTEMP1,0      ; if not set, skip segment
06E8 1410          bsf D8A
06E9 18F0          btfsf LCDTEMP1,1
06EA 1490          bsf D8B
06EB 1970          btfsf LCDTEMP1,2
06EC 1494          bsf D8C
06ED 19F0          btfsf LCDTEMP1,3
06EE 1418          bsf D8D
06EF 1A70          btfsf LCDTEMP1,4
06F0 1514          bsf D8E
06F1 1AF0          btfsf LCDTEMP1,5
06F2 1510          bsf D8F
06F3 1B70          btfsf LCDTEMP1,6
06F4 1414          bsf D8G
06F5 1303          bcf STATUS,RP1      ; Select bank 0
06F6 0008          return

03218           ;*****
03219 ;*****
03220 ; Writes HEX values to LCD
03221 ;
03222 ; This routine is used to write the contents of the receive buffer to the LCD
03223 ; as a 6 digit HEX number
03224 ;
03225 ; This can also be used as a diagnostic tool. Copy the data to display to the
03226 ; receive buffer, and call this subroutine.
03227 ;*****
03228 ; Inputs: RXDATA0, RXDATA1, RXDATA2
03229 ; Outputs: none
03230 ; Uses: none

```



```

06F7          03231 WriteLCD
06F7 2612          call          ClrLCD          ; blank display
06F8 0839          movf          RXDATA0,W      ; get data from receive buffer
06F9 390F          andlw         0x0f
06FA 263A          call          LoadD2
06FB 0E39          swapf         RXDATA0,W
06FC 390F          andlw         0x0f
06FD 261F          call          LoadD1
06FE 083A          movf          RXDATA1,W
06FF 390F          andlw         0x0f
0700 268B          call          LoadD5
0701 0E3A          swapf         RXDATA1,W
0702 390F          andlw         0x0f
0703 2670          call          LoadD4
0704 083B          movf          RXDATA2,W
0705 390F          andlw         0x0f
0706 26DC          call          LoadD8
0707 0E3B          swapf         RXDATA2,W
0708 390F          andlw         0x0f
0709 26C1          call          LoadD7
070A 0008          return
03258 ;*****
03259 ; Writes Decimal values to LCD
03260 ; Takes packed BCD numbers in R0, R1, R2 and writes each digit to LCD
03261 ; Write R0 to digit 4
03262 ; Write R1 to digits 5 and 6
03263 ; Write R2 to digits 7 and 8
03264 ;*****
03265 ; Inputs: R0, R1, R2
03266 ; Outputs: none
03267
03268
03269 WriteLCD2
03270          call          ClrLCD          ; clear the LCD display
03271
03272 WriteLCD4
03273          movf          R0,W          ; get R0
03274          andlw         0x0f          ; mask off upper nibble
03275          call          LoadD4          ; LCD digit 4
03276 WriteLCD5
03277          swapf         R1,W          ; swap R1 into W

```

```

0710 390F 03277 andlw 0x0f ; mask off upper nibble (former lower nibble)
0711 268B 03278 call LoadD5 ; LCD digit 5
0712 084F 03279 movf R1,W ; get BCD in R1
0713 390F 03280 andlw 0x0f ; mask off upper nibble
0714 26A6 03281 call LoadD6 ; LCD digit 6
0715 0E50 03282 movf R2,W ; swap R2 into W
0716 390F 03283 andlw 0x0f ; mask off upper nibble
0717 26C1 03284 call LoadD7 ; LCD digit 7
0718 0850 03285 movf R2,W ; get BCD in R2
0719 390F 03286 andlw 0x0f ; mask off upper nibble
071A 26DC 03287 call LoadD8 ; LCD digit 8
071B 0008 03288 return
03289 ;*****
03290 ;*****
03291 ;*****
03292 ;*****
03293 ;*****
03294 ;*****
03295 ;*****
03296 ;*****
03297 ;*****
03298 ;*****
03299 ;*****
03300 ;*****
03301 ;*****
071C 084E 03302 movf R0,W ; if "10K" digit is 0, leave blank
071D 390F 03303 andlw 0x0F
071E 1903 03304 STATUS,Z
071F 2F22 03305 goto DP5LCD
0720 270C 03306 call WriteLCD4 ; Display 5 digits
0721 0008 03307 return
0722 0E4F 03308 swapf R1,W ; if "1K" digit is zero, leave blank
0723 390F 03309 andlw 0x0F
0724 1903 03310 STATUS,Z
0725 2F28 03311 goto DP4LCD
0726 270F 03312 call WriteLCD5 ; Display 4 digits
0727 0008 03313 return
0728 084F 03314 movf R1,W ; if "100" digit is zero, leave blank
0729 390F 03315 andlw 0x0F
072A 1903 03316 STATUS,Z
072B 2F2E 03317 goto DP3LCD
072C 2712 03318 call WriteLCD6 ; Display 3 digits
072D 0008 03319 return
03320 ;*****
03321 ;*****
03322 ;*****

```

```

072E 0E50      03323 DP3LCD      swapf      R2,W      ; if "10" digit is zero, leave blank
072F 390F      03324      andlw      0x0F
0730 1903      03325      btfsc     STATUS,Z
0731 2F34      03326      goto      DP2LCD
0732 2715      03327      call      WriteLCD7      ; Display 2 digits
0733 0008      03328      return
0734 2718      03329      call      WriteLCD8      ; Display 1 digit
0735 0008      03330      return
07B0          03331      org 0x07B0
03332      03332      ;*****
03333      03333      ; LCD character table
03334      03334      ;*****
03335      03335      ; Place the character to be displayed on the LCD in LCDTEMP1, and call this routine.
03336      03336      ;
03337      03337      ; The seven segment pattern is returned in W.
03338      03338      ;
03339      03339      ;
03340      03340      ; Place LCD character table so that a memory 256 byte boundary does not occur
03341      03341      ; within the table itself.
03342      03342      ;
03343      03343      ; Entering this routine with LCDTEMP1=0x1B returns the device serial number rather
03344      03344      ; than a seven segment display pattern.
03345      03345      ;*****
03346      03346      ; Inputs: LCDTEMP1, PCL
03347      03347      ; Outputs: W
03348      03348      ; Uses: PCLATH
03349      03349      ;*****
07B0          03350      Get7SegDat      movlw      high(Get7SegDat)      ; set PCLATH to jump to this table
07B0 3007      03351      movwf     PCLATH
07B1 008A      03352      movf     LCDTEMP1,W      ; get offset
07B2 0870      03353      sublw    0x1D      ; compare with table length
07B3 3C1D      03354      btfss   STATUS,C      ; was there a borrow?
07B4 1C03      03355      retlw    0x40      ; yes, return dash
07B5 3440      03356      movf     LCDTEMP1,W      ; get offset
07B6 0870      03357      addwf   PCL,F      ; add to program counter
07B7 0782      03358      retlw    b'00111111'      ; Zero
07B8 343F      03359      retlw    b'00000110'      ; One
07B9 3406      03360      retlw    b'01011011'      ; Two
07BA 345B      03361      retlw    b'01001111'      ; Three
07BB 344F      03362      retlw    b'01100110'      ; Four
07BC 3466      03363      retlw    b'01101101'      ; Five
07BD 346D      03364      retlw    b'01111101'      ; Six
07BE 347D      03365      retlw    b'00000111'      ; Seven
07BF 3407      03366

```

```

07C0 347F 03369 ;*****
07C1 346F 03370 ; Characters used in the initial scrolling message listed in reverse order.
07C2 3477 03371 ; The DT directive generates a group of RETLW statements with the contents of
07C3 347C 03372 ; the table. This is a more compact way of specifying the table contents than
07C4 3439 03373 ; listing "RETLW 0xNN" statements.
07C5 345E 03374 ;*****
07C6 3479 03375 ; Inputs: PTRTMP, PCL
07C7 3471 03376 ; Outputs: W
07C8 3473 03377 ; Uses: PCLATH
07C9 343C 03378 ;*****
07CA 341E 03379 ; high(Msg)
07CB 3478 03380 ; PCLATH
07CC 3450 03381 ; set PCLATH to jump to this table
07CD 345C 03382 ; PTRTMP,W
07CE 341C 03383 ; get offset
07CF 3400 03384 ; PCL,F
07D0 3476 03385 ; 0x00,0x17,0x1B,0x17,0x14,0x0E,0x13,0x0E,0x1A,0x19,0x17
07D1 3433 03386 ; 0 sp sp sn sp r E t E Mr ML sp
07D2 3427 03387 ; 0x14,0x16,0x18,0x17,0x13,0x13,0x0A,0x12,0x11,0x17,0x03
07D3 0835 03388 ; r u o H sp t t A Wr WL sp 3
07D4 0008 03389 ;*****
07D5 3438 03390 ;*****
03391 ;*****
03392 ;*****
03393 ; Characters used in the initial scrolling message listed in reverse order.
03394 ; The DT directive generates a group of RETLW statements with the contents of
03395 ; the table. This is a more compact way of specifying the table contents than
03396 ; listing "RETLW 0xNN" statements.
03397 ;*****
03398 ; Inputs: PTRTMP, PCL
03399 ; Outputs: W
03400 ; Uses: PCLATH
03401 ;*****
07D6 03402 Msg
07D6 3007 03403 ; high(Msg)
07D7 008A 03404 ; PCLATH
07D8 0834 03405 ; PTRTMP,W
07D9 0782 03406 ; get offset
07DA 3400 3417 3417 03408 ; PCL,F
07DA 341B 3417 3414 03409 ; 0x00,0x17,0x1B,0x17,0x14,0x0E,0x13,0x0E,0x1A,0x19,0x17
07DA 340E 3413 340E 03410 ; 0 sp sp sn sp r E t E Mr ML sp
07DA 341A 3419 3417 ; 0x14,0x16,0x18,0x17,0x13,0x13,0x0A,0x12,0x11,0x17,0x03
07E6 3414 3416 3415 03411 ; r u o H sp t t A Wr WL sp 3
07E6 3418 3417 3413 03412 ;*****
07E6 3413 340A 3412 03413 ;*****

```

```

07F2 3402 3409 340C 03414 dt      0x02,0x09,0x0C,0x06,0x01,0x0C,0x01,0x10
3406 3401 340C 03415 ;      2 9 C 6 1 C 1 P
3401 3410 03416          ;
07FA 0000 03417 nop      ; marker to find end of tables
03418          ; check if overrun to next page,
03419          ; or tables cross 256 word boundary
03420
03421 ;*****
03422 ; End of program code.
03423 ;
03424 ; The fill directive fills the second program memory page with "goto 0x00" instructions.
03425 ; At 0x000 in the second page is an instruction to clear PCLATH. The next goto instruction will
03426 ; then goto the first instruction in the first page.
03427 ;
03428 ; If execution should somehow branch to page 1, the next 3
03429 ; lines will force execution to the reset vector on page 0.
03430 ;
03431 ; This is not the same as a reset. Among other things, the stack is not reset.
03432
0800          org      0x0800 ; Page 1
0800 018A      clr     PCLATH ; selects page 0
0801 28       fill (goto 0x00),0x1000-$$ ; jump to first instruction in whichever page is selected
03436
03437          end      ; directive indicating the end of code

```

MEMORY USAGE MAP ('X' = Used, '-' = Unused)

```

0000 : X--XXXXXXXXXXXXXXXXXXXXXXXXXXXXXXXXXXXXXXXXXXXXXXXXXXXXXXXXXXXXXXXXXXXXXXXXXXXX
0040 : XXXXXXXXXXXXXXXXXXXXXXXXXXXXXXXXXXXXXXXXXXXXXXXXXXXXXXXXXXXXXXXXXXXXXXXXXXXXXXX
0080 : XXXXXXXXXXXXXXXXXXXXXXXXXXXXXXXXXXXXXXXXXXXXXXXXXXXXXXXXXXXXXXXXXXXXXXXXXXXXXXX
00C0 : XXXXXXXXXXXXXXXXXXXXXXXXXXXXXXXXXXXXXXXXXXXXXXXXXXXXXXXXXXXXXXXXXXXXXXXXXXXXXXX
0100 : XXXXXXXXXXXXXXXXXXXXXXXXXXXXXXXXXXXXXXXXXXXXXXXXXXXXXXXXXXXXXXXXXXXXXXXXXXXXXXX
0140 : XXXXXXXXXXXXXXXXXXXXXXXXXXXXXXXXXXXXXXXXXXXXXXXXXXXXXXXXXXXXXXXXXXXXXXXXXXXXXXX
0180 : XXXXXXXXXXXXXXXXXXXXXXXXXXXXXXXXXXXXXXXXXXXXXXXXXXXXXXXXXXXXXXXXXXXXXXXXXXXXXXX
01C0 : XXXXXXXXXXXXXXXXXXXXXXXXXXXXXXXXXXXXXXXXXXXXXXXXXXXXXXXXXXXXXXXXXXXXXXXXXXXXXXX
0200 : XXXXXXXXXXXXXXXXXXXXXXXXXXXXXXXXXXXXXXXXXXXXXXXXXXXXXXXXXXXXXXXXXXXXXXXXXXXXXXX
0240 : XXXXXXXXXXXXXXXXXXXXXXXXXXXXXXXXXXXXXXXXXXXXXXXXXXXXXXXXXXXXXXXXXXXXXXXXXXXXXXX
0280 : XXXXXXXXXXXXXXXXXXXXXXXXXXXXXXXXXXXXXXXXXXXXXXXXXXXXXXXXXXXXXXXXXXXXXXXXXXXXXXX
02C0 : XXXXXXXXXXXXXXXXXXXXXXXXXXXXXXXXXXXXXXXXXXXXXXXXXXXXXXXXXXXXXXXXXXXXXXXXXXXXXXX
0300 : XXXXXXXXXXXXXXXXXXXXXXXXXXXXXXXXXXXXXXXXXXXXXXXXXXXXXXXXXXXXXXXXXXXXXXXXXXXXXXX
0340 : XXXXXXXXXXXXXXXXXXXXXXXXXXXXXXXXXXXXXXXXXXXXXXXXXXXXXXXXXXXXXXXXXXXXXXXXXXXXXXX
0380 : XXXXXXXXXXXXXXXXXXXXXXXXXXXXXXXXXXXXXXXXXXXXXXXXXXXXXXXXXXXXXXXXXXXXXXXXXXXXXXX
03C0 : XXXXXXXXXXXXXXXXXXXXXXXXXXXXXXXXXXXXXXXXXXXXXXXXXXXXXXXXXXXXXXXXXXXXXXXXXXXXXXX
0400 : XXXXXXXXXXXXXXXXXXXXXXXXXXXXXXXXXXXXXXXXXXXXXXXXXXXXXXXXXXXXXXXXXXXXXXXXXXXXXXX

```

0440 : XXXXXXXXXXXXXXXXXXXX
0480 : XXXXXXXXXXXXXXXXXXXX
04C0 : XXXXXXXXXXXXXXXXXXXX
0500 : XXXXXXXXXXXXXXXXXXXX
0540 : XXXXXXXXXXXXXXXXXXXX
0580 : XXXXXXXXXXXXXXXXXXXX
05C0 : XXXXXXXXXXXXXXXXXXXX
0600 : XXXXXXXXXXXXXXXXXXXX
0640 : XXXXXXXXXXXXXXXXXXXX
0680 : XXXXXXXXXXXXXXXXXXXX
06C0 : XXXXXXXXXXXXXXXXXXXX
0700 : XXXXXXXXXXXXXXXXXXXX
0780 : -----XXXXXXXXXXXX
07C0 : XXXXXXXXXXXXXXXXXXXX
0800 : XXXXXXXXXXXXXXXXXXXX
0840 : XXXXXXXXXXXXXXXXXXXX
0880 : XXXXXXXXXXXXXXXXXXXX
08C0 : XXXXXXXXXXXXXXXXXXXX
0900 : XXXXXXXXXXXXXXXXXXXX
0940 : XXXXXXXXXXXXXXXXXXXX
0980 : XXXXXXXXXXXXXXXXXXXX
09C0 : XXXXXXXXXXXXXXXXXXXX
0A00 : XXXXXXXXXXXXXXXXXXXX
0A40 : XXXXXXXXXXXXXXXXXXXX
0A80 : XXXXXXXXXXXXXXXXXXXX
0AC0 : XXXXXXXXXXXXXXXXXXXX
0B00 : XXXXXXXXXXXXXXXXXXXX
0B40 : XXXXXXXXXXXXXXXXXXXX
0B80 : XXXXXXXXXXXXXXXXXXXX
0BC0 : XXXXXXXXXXXXXXXXXXXX
0C00 : XXXXXXXXXXXXXXXXXXXX
0C40 : XXXXXXXXXXXXXXXXXXXX
0C80 : XXXXXXXXXXXXXXXXXXXX
0CC0 : XXXXXXXXXXXXXXXXXXXX
0D00 : XXXXXXXXXXXXXXXXXXXX
0D40 : XXXXXXXXXXXXXXXXXXXX
0D80 : XXXXXXXXXXXXXXXXXXXX
0DC0 : XXXXXXXXXXXXXXXXXXXX
0E00 : XXXXXXXXXXXXXXXXXXXX
0E40 : XXXXXXXXXXXXXXXXXXXX
0E80 : XXXXXXXXXXXXXXXXXXXX
0EC0 : XXXXXXXXXXXXXXXXXXXX
0F00 : XXXXXXXXXXXXXXXXXXXX
0F40 : XXXXXXXXXXXXXXXXXXXX
0F80 : XXXXXXXXXXXXXXXXXXXX
0FC0 : XXXXXXXXXXXXXXXXXXXX

2000 : -----X-----

All other memory blocks unused.

Program Memory Words Used: 3966

Program Memory Words Free: 130

Errors : 0

Warnings : 0 reported, 0 suppressed

Messages : 0 reported, 2204 suppressed

Note the following details of the code protection feature on PICmicro® MCUs.

- The PICmicro family meets the specifications contained in the Microchip Data Sheet.
- Microchip believes that its family of PICmicro microcontrollers is one of the most secure products of its kind on the market today, when used in the intended manner and under normal conditions.
- There are dishonest and possibly illegal methods used to breach the code protection feature. All of these methods, to our knowledge, require using the PICmicro microcontroller in a manner outside the operating specifications contained in the data sheet. The person doing so may be engaged in theft of intellectual property.
- Microchip is willing to work with the customer who is concerned about the integrity of their code.
- Neither Microchip nor any other semiconductor manufacturer can guarantee the security of their code. Code protection does not mean that we are guaranteeing the product as “unbreakable”.
- Code protection is constantly evolving. We at Microchip are committed to continuously improving the code protection features of our product.

If you have any further questions about this matter, please contact the local sales office nearest to you.

Information contained in this publication regarding device applications and the like is intended through suggestion only and may be superseded by updates. It is your responsibility to ensure that your application meets with your specifications. No representation or warranty is given and no liability is assumed by Microchip Technology Incorporated with respect to the accuracy or use of such information, or infringement of patents or other intellectual property rights arising from such use or otherwise. Use of Microchip's products as critical components in life support systems is not authorized except with express written approval by Microchip. No licenses are conveyed, implicitly or otherwise, under any intellectual property rights.

Trademarks

The Microchip name and logo, the Microchip logo, FilterLab, KEELOQ, microID, MPLAB, PIC, PICmicro, PICMASTER, PICSTART, PRO MATE, SEEVAL and The Embedded Control Solutions Company are registered trademarks of Microchip Technology Incorporated in the U.S.A. and other countries.

dsPIC, ECONOMONITOR, FanSense, FlexROM, fuzzyLAB, In-Circuit Serial Programming, ICSP, ICEPIC, microPort, Migratable Memory, MPASM, MPLIB, MPLINK, MPSIM, MXDEV, PICC, PICDEM, PICDEM.net, rPIC, Select Mode and Total Endurance are trademarks of Microchip Technology Incorporated in the U.S.A.

Serialized Quick Turn Programming (SQTP) is a service mark of Microchip Technology Incorporated in the U.S.A.

All other trademarks mentioned herein are property of their respective companies.

© 2002, Microchip Technology Incorporated, Printed in the U.S.A., All Rights Reserved.

 Printed on recycled paper.



Microchip received QS-9000 quality system certification for its worldwide headquarters, design and wafer fabrication facilities in Chandler and Tempe, Arizona in July 1999. The Company's quality system processes and procedures are QS-9000 compliant for its PICmicro® 8-bit MCUs, KEELOQ® code hopping devices, Serial EEPROMs and microperipheral products. In addition, Microchip's quality system for the design and manufacture of development systems is ISO 9001 certified.



MICROCHIP

WORLDWIDE SALES AND SERVICE

AMERICAS

Corporate Office

2355 West Chandler Blvd.
Chandler, AZ 85224-6199
Tel: 480-792-7200 Fax: 480-792-7277
Technical Support: 480-792-7627
Web Address: <http://www.microchip.com>

Rocky Mountain

2355 West Chandler Blvd.
Chandler, AZ 85224-6199
Tel: 480-792-7966 Fax: 480-792-7456

Atlanta

500 Sugar Mill Road, Suite 200B
Atlanta, GA 30350
Tel: 770-640-0034 Fax: 770-640-0307

Boston

2 Lan Drive, Suite 120
Westford, MA 01886
Tel: 978-692-3848 Fax: 978-692-3821

Chicago

333 Pierce Road, Suite 180
Itasca, IL 60143
Tel: 630-285-0071 Fax: 630-285-0075

Dallas

4570 Westgrove Drive, Suite 160
Addison, TX 75001
Tel: 972-818-7423 Fax: 972-818-2924

Detroit

Tri-Atria Office Building
32255 Northwestern Highway, Suite 190
Farmington Hills, MI 48334
Tel: 248-538-2250 Fax: 248-538-2260

Kokomo

2767 S. Albright Road
Kokomo, Indiana 46902
Tel: 765-864-8360 Fax: 765-864-8387

Los Angeles

18201 Von Karman, Suite 1090
Irvine, CA 92612
Tel: 949-263-1888 Fax: 949-263-1338

New York

150 Motor Parkway, Suite 202
Hauppauge, NY 11788
Tel: 631-273-5305 Fax: 631-273-5335

San Jose

Microchip Technology Inc.
2107 North First Street, Suite 590
San Jose, CA 95131
Tel: 408-436-7950 Fax: 408-436-7955

Toronto

6285 Northam Drive, Suite 108
Mississauga, Ontario L4V 1X5, Canada
Tel: 905-673-0699 Fax: 905-673-6509

ASIA/PACIFIC

Australia

Microchip Technology Australia Pty Ltd
Suite 22, 41 Rawson Street
Epping 2121, NSW
Australia
Tel: 61-2-9868-6733 Fax: 61-2-9868-6755

China - Beijing

Microchip Technology Consulting (Shanghai)
Co., Ltd., Beijing Liaison Office
Unit 915
Bei Hai Wan Tai Bldg.
No. 6 Chaoyangmen Beidajie
Beijing, 100027, No. China
Tel: 86-10-85282100 Fax: 86-10-85282104

China - Chengdu

Microchip Technology Consulting (Shanghai)
Co., Ltd., Chengdu Liaison Office
Rm. 2401, 24th Floor,
Ming Xing Financial Tower
No. 88 TIDU Street
Chengdu 610016, China
Tel: 86-28-6766200 Fax: 86-28-6766599

China - Fuzhou

Microchip Technology Consulting (Shanghai)
Co., Ltd., Fuzhou Liaison Office
Unit 28F, World Trade Plaza
No. 71 Wusi Road
Fuzhou 350001, China
Tel: 86-591-7503506 Fax: 86-591-7503521

China - Shanghai

Microchip Technology Consulting (Shanghai)
Co., Ltd.
Room 701, Bldg. B
Far East International Plaza
No. 317 Xian Xia Road
Shanghai, 200051
Tel: 86-21-6275-5700 Fax: 86-21-6275-5060

China - Shenzhen

Microchip Technology Consulting (Shanghai)
Co., Ltd., Shenzhen Liaison Office
Rm. 1315, 13/F, Shenzhen Kerry Centre,
Renminnan Lu
Shenzhen 518001, China
Tel: 86-755-2350361 Fax: 86-755-2366086

Hong Kong

Microchip Technology Hongkong Ltd.
Unit 901-6, Tower 2, Metroplaza
223 Hing Fong Road
Kwai Fong, N.T., Hong Kong
Tel: 852-2401-1200 Fax: 852-2401-3431

India

Microchip Technology Inc.
India Liaison Office
Divyasree Chambers
1 Floor, Wing A (A3/A4)
No. 11, O'Shaugnessey Road
Bangalore, 560 025, India
Tel: 91-80-2290061 Fax: 91-80-2290062

Japan

Microchip Technology Japan K.K.
Benex S-1 6F
3-18-20, Shinyokohama
Kohoku-Ku, Yokohama-shi
Kanagawa, 222-0033, Japan
Tel: 81-45-471- 6166 Fax: 81-45-471-6122

Korea

Microchip Technology Korea
168-1, Youngbo Bldg. 3 Floor
Samsung-Dong, Kangnam-Ku
Seoul, Korea 135-882
Tel: 82-2-554-7200 Fax: 82-2-558-5934

Singapore

Microchip Technology Singapore Pte Ltd.
200 Middle Road
#07-02 Prime Centre
Singapore, 188980
Tel: 65-6334-8870 Fax: 65-6334-8850

Taiwan

Microchip Technology Taiwan
11F-3, No. 207
Tung Hua North Road
Taipei, 105, Taiwan
Tel: 886-2-2717-7175 Fax: 886-2-2545-0139

EUROPE

Denmark

Microchip Technology Nordic ApS
Regus Business Centre
Lautrup høj 1-3
Ballerup DK-2750 Denmark
Tel: 45 4420 9895 Fax: 45 4420 9910

France

Microchip Technology SARL
Parc d'Activite du Moulin de Massy
43 Rue du Saule Trapu
Batiment A - 1er Etage
91300 Massy, France
Tel: 33-1-69-53-63-20 Fax: 33-1-69-30-90-79

Germany

Microchip Technology GmbH
Gustav-Heinemann Ring 125
D-81739 Munich, Germany
Tel: 49-89-627-144 0 Fax: 49-89-627-144-44

Italy

Microchip Technology SRL
Centro Direzionale Colleoni
Palazzo Taurus 1 V. Le Colleoni 1
20041 Agrate Brianza
Milan, Italy
Tel: 39-039-65791-1 Fax: 39-039-6899883

United Kingdom

Arizona Microchip Technology Ltd.
505 Eskdale Road
Winnersh Triangle
Wokingham
Berkshire, England RG41 5TU
Tel: 44 118 921 5869 Fax: 44-118 921-5820

03/01/02