

DATA SHEET

Premium Efficiency Motor: **PEWWE40-36-286JM**

60 Hz

WorldWide Electric Corporation

1 (800) 808-2131

Worldwideelectric.net



Document Generated: 1-Aug-2023
Document ID:

Customer:

MOTOR INFORMATION	
HP	40
RPM	3600
Phase	3
Frequency	60 Hz
Voltage	230/460 V
Frame Size	286JM
Enclosure	TEFC
Degree of Protection	IP55
Service Factor	1.15
Poles	2
Full Load Speed	3540
Insulation Class	F
Temp Rise	80°C
NEMA Code Letter	G
Duty Cycle	S1 / Continuous
Slip	1.66%
NEMA Design	B
Moment of Inertia	1.96 lb.ft.^2
Locked Rotor Time (Hot)	10 seconds
Sound Pressure Level	76 dB(A)
Number of Starts	2 Cold/1 Hot
Max Ambient Temperature	40°C
Max Elevation	1000 m.a.s.l (3300 f.a.s.l)
Mounting	F1
Rotation	Bi-Directional
Area of Classification	Class 1 Division 2 Groups A,B,C,D
Inverter Rating	10:1 CT / 20:1 VT PWM Type
Standard	NEMA MG-1
Approvals	CSA-US, CE

EFFICIENCY/POWER FACTOR		
LOAD	EFF	P. F.
100%	92.4 %	0.89
75%	93.1 %	0.87
50%	93.0 %	0.83

TORQUE		
FULL LOAD	LRT	BDT
59.2 lb.ft.	140 %	210 %

AMPERAGE INFORMATION		
	230V	460V
Full Load Amps	91.1A	45.5A
Locked Rotor Amps	580A	290A
No Load Current	21.2A	10.6A
Usable at 208V	101A	

BEARING INFORMATION	
DE Bearing	6311 C3
ODE Bearing	6309 C3
Grease Type	SKF LGHP 2
DE Regreasing Interval	2400 Hours
ODE Regreasing Interval	3000 Hours

ADDITIONAL DATA	
F2 Suitable	Yes
Shaft Material	1045 Carbon Steel
Connection Diagram	230 / 460 V - 12 Lead Δ
Approximate Weight	419 lbs.

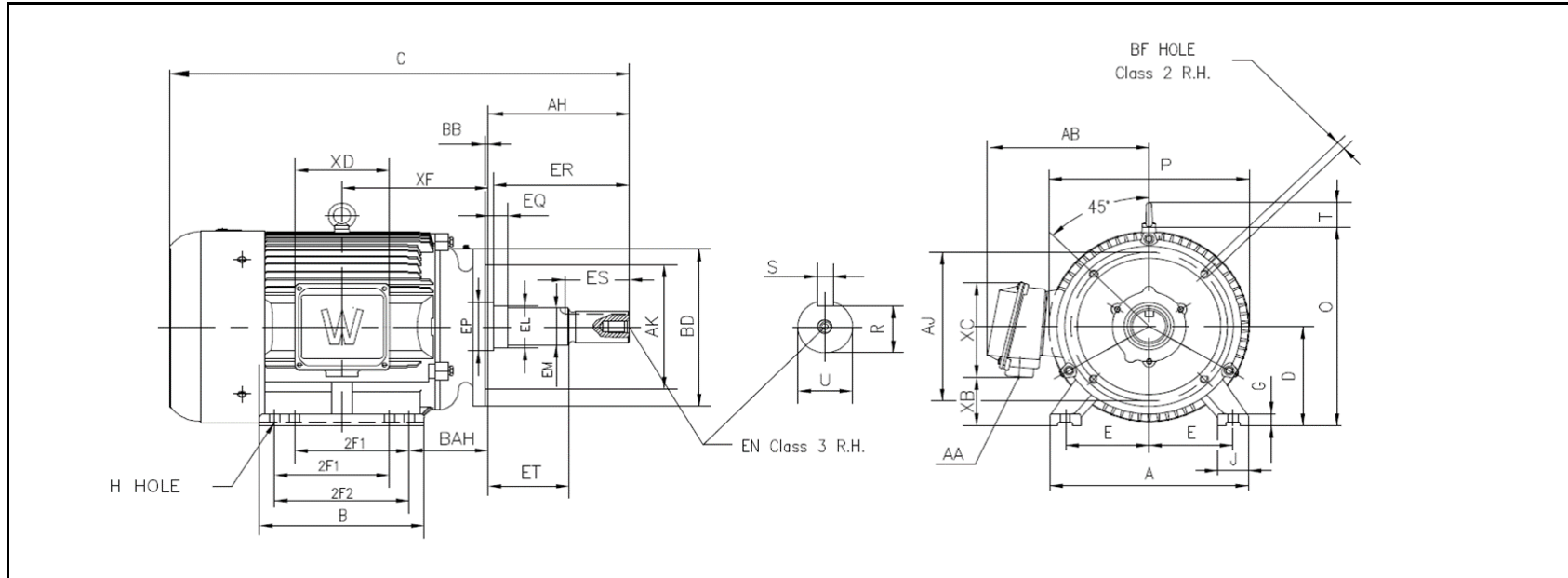
MOTOR DRAWING

Premium Efficiency Motor: **PEWWE40-36-286JM**

WorldWide Electric Corporation

1 (800) 808-2131

Worldwideelectric.net



DIMENSION - INCHES

MOUNTING					A	B	C	D	G	J	P	O	T	AB
E	2F1	2F	H	BAH										
5.5	9.5	11	0.53	5	14	13.9	29	7	0.87	2.8	14	14.3	2.05	12

SHAFT & KEY												
S	ES	R	AH	EQ	ET	EM	EL	EP	ER	EN	U	
0.25	2.6	1.11	5.25	0.625	3	1.375	1.75	2.165	5.5	1/2-13	1.249	

FLANGE				
AJ	AK	BB	BD	BF
11	12.5	0.275	13.2	5/8-11

TERMINAL BOX				
AA	XB	XC	XD	XF
1.5	3.6	7.4	6.3	10.5

PERFORMANCE CURVES

WorldWide Electric Corporation

1 (800) 808-2131

Worldwideelectric.net



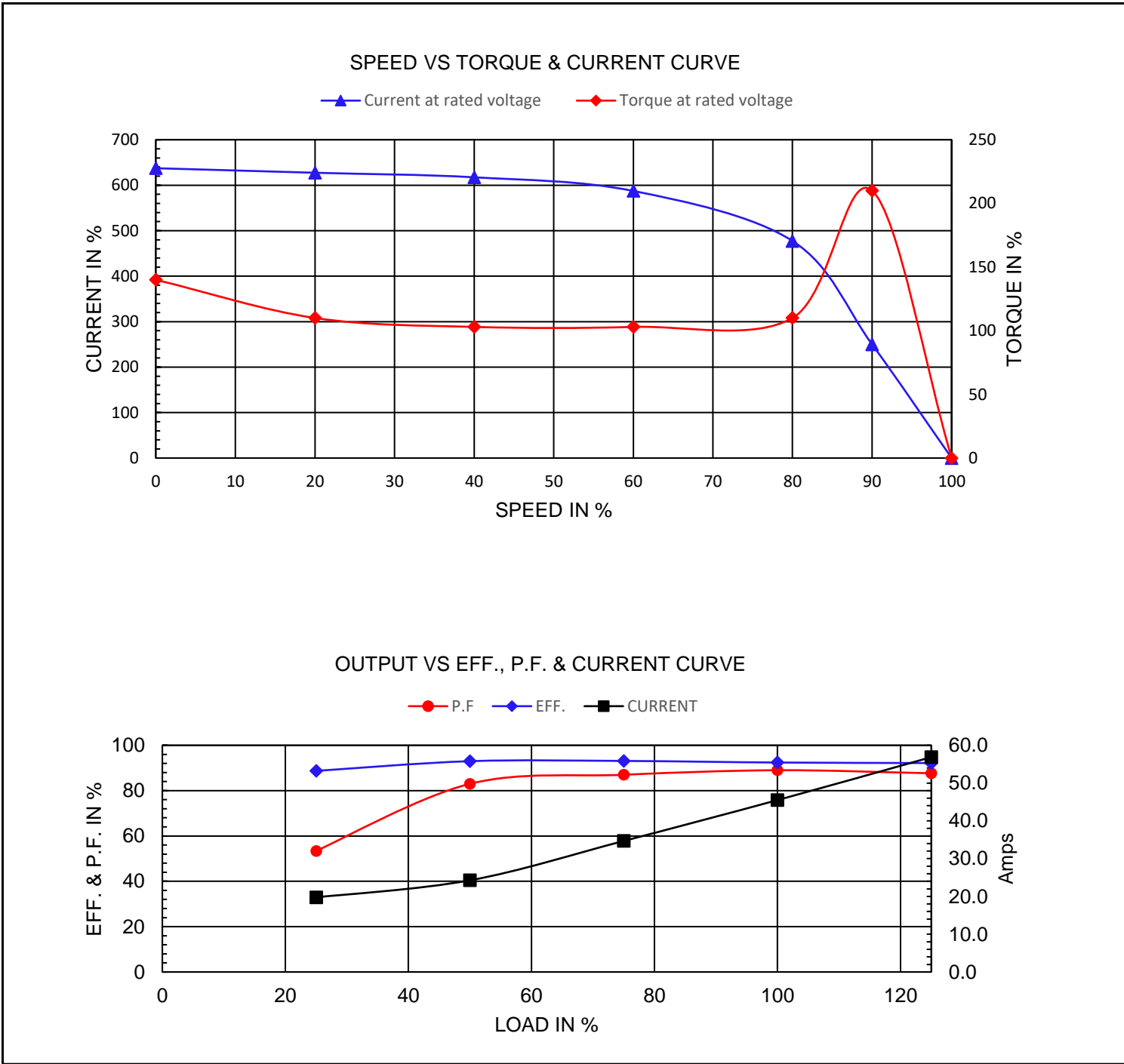
Premium Efficiency Motor:

PEWWE40-36-286JM

Document Generated: 1-Aug-2023
Document ID:

Customer:

Motor Type	PEWWE			FL Speed	3540		
Output Rating (HP)	40			LRT (%FLT)	140	460 volt FLA	45.5
Full Load Torque	59.2	lb.ft		BDT (%FLT)	210	230 volt FLA	91.1
Rotor Wk^2	1.96	lb-ft^2					



NAMEPLATE / WIRING

WorldWide Electric Corporation

1 (800) 808-2131

Worldwideelectric.net



WORLDWIDE
ELECTRIC CORPORATION

Premium Efficiency Motor:

PEWWE40-36-286JM

Document Generated: 1-Aug-2023
Document ID:

Customer:

SAMPLE NAMEPLATE DATA

		NEMA Premium		3-PHASE INDUCTION MOTOR						CC006A																																					
Model				Ser No.				<table border="1"> <tr><td colspan="3">Low Voltage</td></tr> <tr><td>6</td><td>4</td><td>5</td></tr> <tr><td>7</td><td>8</td><td>9</td></tr> <tr><td>12</td><td>10</td><td>11</td></tr> <tr><td>1</td><td>2</td><td>3</td></tr> <tr><td>L1</td><td>L2</td><td>L3</td></tr> <tr><td colspan="3">High Voltage</td></tr> <tr><td>4</td><td>5</td><td>6</td></tr> <tr><td>7</td><td>8</td><td>9</td></tr> <tr><td>12</td><td>10</td><td>11</td></tr> <tr><td>1</td><td>2</td><td>3</td></tr> <tr><td>L1</td><td>L2</td><td>L3</td></tr> </table>				Low Voltage			6	4	5	7	8	9	12	10	11	1	2	3	L1	L2	L3	High Voltage			4	5	6	7	8	9	12	10	11	1	2	3	L1	L2	L3
Low Voltage																																															
6	4	5																																													
7	8	9																																													
12	10	11																																													
1	2	3																																													
L1	L2	L3																																													
High Voltage																																															
4	5	6																																													
7	8	9																																													
12	10	11																																													
1	2	3																																													
L1	L2	L3																																													
HP		S.F.		IP		Encl																																									
Frame		P.F.		Code		Type																																									
Voltage	230/460	Hz		Ins Cl		Rating	°C Amb Cont																																								
Amps		RPM		Design		Date																																									
Nom.Eff.	FL	% 3/4	% 230/460 V	10:1 CT	20:1 VT	PWM	VFD	1.0SF																																							
Class I DIV. 2 Groups A B C D				Amb.40°C	DE Brng																																										
Class I Zone 2 IIC				Amb.55°C	ODE Brng																																										
				Grease type: LGHP 2 (compatible with polyrex)																																											
50Hz		HP	V	A	rpm	1.0SF																																									
WorldWide Electric Corporation																																															

Model	PEWWE40-36-286JM										
HP	40	S.F.	1.15	IP	IP55	Encl	TEFC				
Frame	286JM	P.F.	0.89	Code	G	Type					
Voltage	230/460 V	Hz	60 Hz	Ins Cl	F	Ambient	40°C				
Amps	0	RPM	3540	Design	B	DE Brng	6311 C3				
Nom.Eff.	FL	92.4%	3/4	93.1%	ODE Brng		6309 C3				
Class 1 Division 2 Groups A,B,C,D						T3C(160°C)		Grease type: SKF LGHP 2			
50Hz	--	HP	--	--	A	--	rpm				