

**10MHz function generator - 25% EW reader discount**

11 (10) (-5)

# ELECTRONICS WORLD

Denmark DKr. 65.00  
Germany DM 15.00  
Greece Dra.950  
Holland Dfl. 14  
Italy L. 8000  
IR £3.30  
Singapore S\$12.60  
Spain Pts. 750  
USA \$4.94

**INCORPORATING WIRELESS WORLD**

A REED BUSINESS PUBLICATION  
FOR DISTRIBUTION

January 1996 £2.10

## Lowther horn design

**New direct  
conversion  
receiver**

**Orientation  
via magnetic  
sensing**

**Cable cbr  
modelling**

**Light-detector  
outputs RS232**

**Valve audio  
power amp**

**DSP kit review**

**DIY simulation**



**Lowther drivers - 20% exclusive EW discount**

9 770959 833011 01 >

# MICROMASTER LV PROGRAMMER



**APPROVED**

by major manufacturers including

**AMD  
MICROCHIP  
ATMEL**

from only  
**£495**

**THE ONLY PROGRAMMERS  
WITH TRUE 3 VOLT SUPPORT**

## The Only True 3V and 5V Universal Programmers

Ice Technology's universal programming solutions are designed with the future in mind. In addition to their comprehensive, ever widening device support, they are the only programmers ready to **correctly** programme and verify 3 volt devices NOW. Operating from battery or mains power, they are flexible enough for any programming needs.

The Speedmaster LV and Micromaster LV have been rigorously tested and **approved** by some of the most well known names in semiconductor manufacturing today, something that very few programmers can claim, especially at this price level!

Not only that, we give free software upgrades so you can dial up our bulletin board any time for the very latest in device support.

Speedmaster LV and Micromaster LV - they're everything you'll need for programming, chip testing and ROM emulation, now and in the future.

### **Speedmaster LV £495**

Programmes 3 and 5V devices including memory, programmable logic and 8748/51 series micros. Complete with parallel port cable, software, re-charger and documentation.

### **8 bit Emulator card £125**

Expansion card for Speedmaster LV/ Micromaster LV containing 8 bit wide ROM/ RAM emulator. Emulates 3V and 5V devices. Includes cable and software. Configuration: 128K x 8 expandable to 512K by 8.

### **Micromaster LV £625**

As above plus support for over 130 different Microcontrollers, without adaptors, including PICs, 89C51, 68HC705/711, ST6, Z8 etc.

### **16 bit Emulator card £195**

As above but containing 16 bit ROM/RAM emulator. Configuration: 128K by 16, 256K by 8, 2 by 128K 8, expandable to 512K by 16/1024K by 8.

## FEATURES

- Widest ever device support including EPROMs, EEPROMs, Flash, Serial PROMs, BROMs, PALS, MACH, MAX, MAPL, PEELs, EPLDs, Microcontrollers etc.
- Correct programming and verification of 3 volt devices.
- Approved by major manufacturers.
- High speed: programmes and verifies National 27C512 in under 11 seconds.
- Full range of adaptors available for up to 84 pins.
- Connects directly to parallel port - no PC cards needed.
- Built in chiptester for 7400, 4000, DRAM, SRAM.
- Lightweight and mains or battery operation.
- FREE software device support upgrades via bulletin board.
- Next day delivery.

For a copy of our catalogue giving full details of programmers, emulators, erasers, adaptors and logic analysers call, fax or dial the BBS numbers below.



ICE Technology Ltd. Penistone Court, Station Buildings,  
Penistone, South Yorkshire, UK S30 6HG

Tel: +44 (0)1226 767404 Fax: +44 (0)1226 370434

BBS: +44 (0)1226 761181 (14400, 8N1)

CIRCLE NO. 101 ON REPLY CARD



# CONTENTS

## 12 DESIGNING A HORN LOUDSPEAKER

Ketil Parow details the design of a no compromise full-range tractrix horn loudspeaker.

## 18 HIGH PERFORMANCE DIRECT CONVERSION

A system with high performance, impressive selectivity and variable bandwidth – designed by Rod Green and Richard Hosking.

## 24 A FRESH LOOK AT VALVE POWER

Culminating in a new design with a unique feature, this extract from the book *Valve Amplifiers* takes you through the steps of developing a valve power amplifier.

## 52 HIGH PERFORMANCE THD METER

THD resolved to 0.001% and simplicity are features of Ian Hickman's new distortion meter design.

## 65 EVALUATE DSP FOR £90

Allen Brown has been looking at an evaluation kit with a price tag designed to bring DSP development within the reach of every engineer.

## 68 BITS OF LIGHT

An extremely simple light-to-RS232 interface combining the Basic Stamp microcontroller and the *TSL230* is described by Claus Kühnel.

## 79 DISTORTION BY DESIGN

Building on his previous articles discussing ac analysis with Spice, Owen Bishop details how distortion can be assessed on a pc.



Cover – Hashim Akib

## 20% DISCOUNT



For a limited period, Lowther Voigt is offering a pair of drivers for the Horn Loudspeaker featured in this issue at a 20% discount to *EW* readers – page 16.

## 30 DIY CIRCUIT ANALYSIS

Via Basic routines, John Hopkins demonstrates how you can analyse simple dc networks on the pc.

## 40 A NEW DIRECTION IN ORIENTATION

Two and three-axis orientation systems are typical applications of a unique three-terminal magnetic detector sensitive down to 10nT. Richard Noble explains.

## 48 MODELLING CABLE AND CMR

As an aid to designers optimising balanced audio and instrumentation links, Ben Duncan demonstrates how to model common-mode rejection and simulate cmr testing.

## REGULARS

### 1 COMMENT

Chasing the dragon.

### 4 NEWS

EMI from twisted pairs, GPS claims, Surround sound for PCs, 4kV/s op-amp, Radio Data on the PC.

### 8 RESEARCH NOTES

Detecting payload via gravity, Smaller IC capacitors, 7mm car boasts 100mm/s, Plastic lasers, Improving traffic flow.

### 35 LETTERS

Sallen & Key distortion solution, EMC clarified, Improved Hot Audio

### 57 CIRCUIT IDEAS

PC software control, 3-phase motor protection, Low-voltage power amplifier, NiCd battery discharger/charger, Precise pulse generator, Narrow-band vco, Electronic lock.

### 71 NEW PRODUCTS

Pick of the month – classified for convenience.

### 76 APPLICATIONS

Magnetic cores for emi, 90% efficient smps, power control

## 20% DISCOUNT

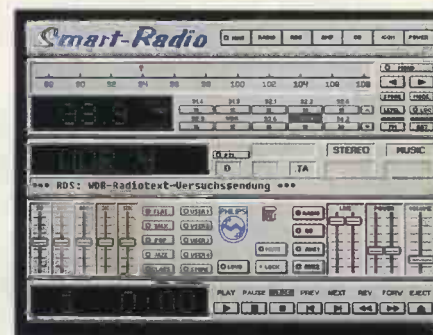
Speake and Co is repeating its exclusive *EW* reader offer of 20% discount on a pair of three-terminal magnetic sensors – page 43.



Capable of 100mm/s but only 7mm long – see page 8.

## 25% DISCOUNT

*EW* readers can obtain 25% discount on a 10MHz function generator with fm and pwm capabilities – page 37.



Its now possible to view broadcast Radio Data on the PC – page 4.

**Next month: Radio-code clock, Colour sync generator, 'Non-slewing' high-power audio.**

**FEBRUARY ISSUE – ON SALE JANUARY 25.**

PORTABLE PROGRAMMER & EMULATOR

**PROGRAMS  
EPROMS/FLASH TO 40  
PINS WITHOUT ADAPTORS  
EMULATES 8 & 16 BIT  
SYSTEMS**



from **£465**

**its an easy touch  
for anyone**

Ideal for R&D or small volume production. ISO 9002 manufacture and strict use of manufacturers algorithms guarantees reliable programming.

**Lloyd Research Ltd.**

7 & 7a Brook Lane, Warsash, Southampton, Hampshire SO31 9FH, England.  
Tel: +44 (0)1489 574040.  
Fax: +44 (0)1489 885853.

- 2M ram, expandable to 8M - avoids multiple downloads and programming in blocks.
- Set programming & emulation for 16 bit systems.
- Tactile membrane with individual keys for all major functions.
- Supports sector protect/unprotect feature on 29F010/040.
- Fast download. 15 seconds for 1M bit Intel file.



CIRCLE NO. 103 ON REPLY CARD

**SCAN BAR CODES FOR £29.50  
HEWLETT PACKARD HP71B**

As easy to use as a calculator but as powerful as a computer

**BARCODE READER**

Smart wand  
- Automatically recognises and decodes all major bar-code standards.



- A powerful set of basic functions, statements and operators - over 230 in all - many larger computers don't have a set of basic instructions in this complete.
- Advanced statistics functions enabling computations on up to 15 independent variables.
- Recursive subprograms and user defined functions.
- An advanced internal file system for storing programs and data - the HP71 has continuous memory - when you turn the computer off it retains programs and data.
- A keyboard that can be easily customised for your specific application.
- HP-1L Interface pre-installed to create a system that can print, plot, store, retrieve and display information. Control or read instruments or speak to other computers, 5000 bytes/sec. Built in ROM includes 46 separate commands. Interface to HP-1L, HP-1B, RS232C, GPIO or series 80. Includes connection cables.

These are second user systems ex DHSS are fully tested and working but have no programming (THAT IS UP TO YOU)  
HP71B ..... £29.95  
Bar-code Reader ..... £12.95  
AC Power Supply ..... £4.95  
(Works from batteries normally)  
Keyboard Overlay ..... £1.00  
(Limited quantities)  
Unknown Program -  
Memory Modules ..... £3.00  
(Limited quantities)  
Complete kit of HP71B, Bar-code Reader and power supply ..... £39.50  
(Prices include VAT - delivery £3.00) (UK only)  
(Currently selling in USA for US\$500)  
Allow 7 days for delivery

**SPECIAL OFFER**

Buy 2 Kits For **£59.00**

**Other products at give-away prices**

Numeric keypad for 'AT' computer  
**£5 + £2 Carriage** (Carriage FREE if ordered with above).

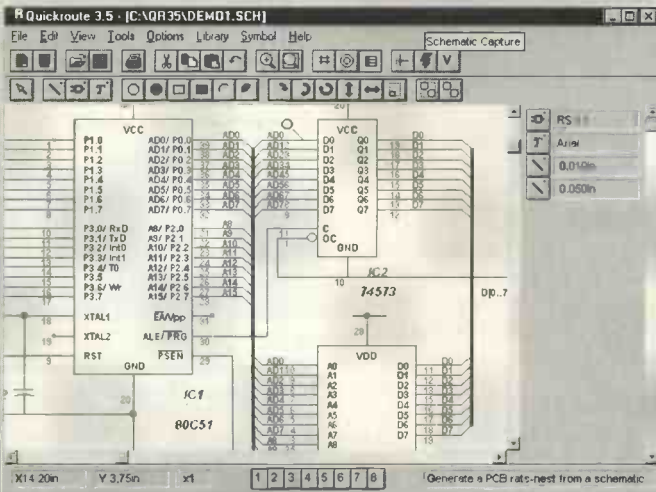
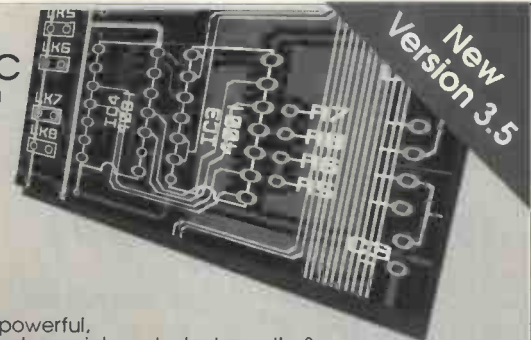
**INTERCONNECTIONS LTD**

Unit 51, InShops, Wellington Centre, Aldershot, Hants GU11 5DB  
Tel: (01252) 341900 Fax: (01293) 822786

CIRCLE NO. 104 ON REPLY CARD



**Integrated PCB & Schematic  
Design System for Windows™**



Quickroute 3.5 is a powerful, affordable and easy to use integrated schematic & PCB design system for Windows. With its multiple button bars, 'tool hints' and 'parts bin', Quickroute helps you to design quickly and efficiently

There are four different versions of Quickroute giving you a choice of features & price. Quickroute is available with multi-sheet schematic capture, auto-routing, 'engineering change' (modification of a PCB from a schematic), copper fill, and a range of file import/export options. See the table for a selection of features.

Prices are Designer (£149), PRO (£249) and PRO+ (£399). The Personal edition is available for just £68, but has the manual provided on disk as on-line help. Post & Packing is \$5 (UK), £8 (EC), £12 (World). VAT must be added to the total price.

"..of all the products included here, this is my personal favourite... Really, thats all I have to say about Quickroute - it certainly gets my vote!"

Review of QR 3.0 & other products  
Computer Shopper Nov 95

**Tel/Fax 0161 449 7101**

Quickroute Systems Ltd., 14 Ley Lane, Marple Bridge, Stockport, SK6 5DD, U.K.

email info@quicksys.demon.co.uk

Prices and specifications subject to change without notice. All trade marks are acknowledged & respected.

|                           | Personal | Designer | PRO | PRO+ |
|---------------------------|----------|----------|-----|------|
| PCB & Schematic Design    | ✓        | ✓        | ✓   | ✓    |
| Schematic Capture         | ✓        | ✓        | ✓   | ✓    |
| Auto router               | ✓        | ✓        | ✓   | ✓    |
| Design Rule Checking      | ✓        | ✓        | ✓   | ✓    |
| Export WMF & Tango        | ✓        | ✓        | ✓   | ✓    |
| Export Gerber/NC-Drill    | ✓        | ✓        | ✓   | ✓    |
| Extended Libraries        | ✓        | ✓        | ✓   | ✓    |
| Tango + Gerber Import     | ✓        | ✓        | ✓   | ✓    |
| Update PCB from schematic | ✓        | ✓        | ✓   | ✓    |
| DXF & SPICE Export        | ✓        | ✓        | ✓   | ✓    |
| Copper Fill               | ✓        | ✓        | ✓   | ✓    |

CIRCLE NO. 105 ON REPLY CARD

# Chasing the dragon

## EDITOR

Martin Eccles  
0181 652 3128

## EDITORIAL ASSISTANT

Rob Allcock  
0181 652 8638

## CONSULTANTS

Jonathan Campbell  
Philip Darrington  
Frank Ogden

## DESIGN & PRODUCTION

Alan Kerr

## EDITORIAL ADMINISTRATION

Jackie Lowe  
0181-652 3614

## E-MAIL ORDERS

jackie.lowe@rbp.co.uk

## ADVERTISEMENT MANAGER

Richard Napier  
0181-652 3620

## DISPLAY SALES EXECUTIVE

Malcolm Wells  
0181-652 3620

## ADVERTISING PRODUCTION

Christina Budd  
0181-652 8355

## PUBLISHER

Mick Elliott

## EDITORIAL FAX

0181-652 8956

## CLASSIFIED FAX

0181-652 8956

## SUBSCRIPTION HOTLINE

01622 721666  
Quote ref INJ

## SUBSCRIPTION QUERIES

01444 445566  
FAX

0144 4445447

## NEWSTRADE DISTRIBUTION

David G. Sanders  
0181 652 8171

## BACK ISSUES

Available at £2.50

ISSN 0959-8332



Asia is an obsession of this Government. If only we could emulate Asian growth rates and success in the new high-tech industries, think ministers, the UK would be a 'Tiger' economy – a kind of Taiwan or South Korea.

What is it about the Asian Tigers that our Government feels has created their success? Low tax, low interest rate, *laissez-faire*, deregulated capitalism red in tooth and claw, seems to be the Government's answer.

To anyone who follows the success of Asian high-tech industries this is a laughable misapprehension. The most successful Asian high-tech economies have had governments which, very carefully and consistently over many years, followed a policy of acquiring – then disseminating as widely as possible – the key technologies for success in high-tech.

Take the most successful Asian economy – Japan. Back in the fifties, the Japanese government put import restrictions on US microelectronics products; forced US companies selling microelectronics in Japan to license their technology to Japanese companies; and forced Japanese holders of such licences to sub-license the technology to spread it to as many companies as possible.

Take Taiwan. In 1976 the government bought seven micron microelectronics technology from RCA and has subsequently refined it – in the same laboratory – through every subsequent technology generation down to a modern 0.25 micron process. From time to time the Taiwan government has spun-off its pre-production r&d process lines into the private sector forming such companies as UMC, TSMC, Winbond and Vanguard.

In Korea much the same thinking produced the microelectronics r&d organisation KIET (Korean Institute for Electronics Technology) and the 1982 Semiconductor Industry Promotion Plan which directly led to the moves of Samsung, Hyundai and Lucky Goldstar into the memory chip market with huge success – today microelectronics accounts for one tenth of Korea's total exports.

So much for *laissez-fair* capitalism! The UK Government thinks that people

can compete in high-tech without access to the latest technologies; in Asia governments are thrusting these technologies upon companies.

The wooden-headedness of the Government was matched by that of UK industry. While Asian high-tech industry blossomed on the back of growing capabilities in microelectronics what were the bosses of the UK electronics industry saying? Were they saying that they needed state-of-the-art microelectronics technology to stay alive?

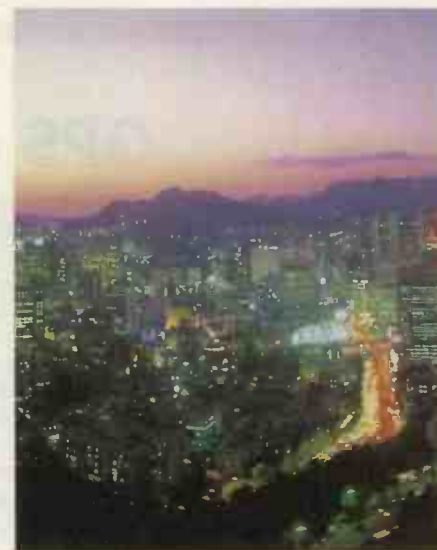
With the noble exception of John Clark of Plessey, they were not. Ferranti allowed its world lead in ASIC technology to dribble away. After 1971, GEC-Marconi never made the investments required to be a world leader in microelectronics manufacturing.

So the best possible recent news is that the new head of one of the UK's largest electronics concerns – BT – is to be a microelectronics man. Peter Bonfield, is ex ICL and, more importantly, ex of microelectronics giant Texas Instruments.

The two strengths of microelectronics men are: a belief in the learning curve and open minds. The first means they actually expect technology to double its capability every couple of years for the same cost; the second means that they have a sponge-like capacity for new ideas.

In many of the world's great electronics companies, the semiconductor divisions are doing so well that the heads of them are becoming, for the first time, credible contenders for the top corporate job. This is when we can expect a massive increase in the efficiency with which microelectronics is applied.

Take for instance a UK national scandal: whereas the technology to increase the data carrying capacity of domestic phone lines from today's 28.8kilobits per second to the 144kilobits per second of ISDN has been around for many years, it is only now being offered to homes by BT and at a scandalous price of hundreds of pounds for a couple of chip-sets – one at the user end and another at the exchange



**The most successful Asian high-tech economies have had governments which, very carefully and consistently over many years, followed a policy of acquiring – then disseminating as widely as possible – the key technologies for success in high-tech.**

end costing less than a tenner each.

Oftel's refusal to allow open competition to supply upgraded capabilities to the local loop seems disgraceful to the citizen wanting better services, or to anyone who wants the UK to be an efficient industrial economy. But it makes perfect sense to a BT executive seeking maximisation of the profit earning potential of every technological change – which usually means delaying change.

To a microelectronics man, such a wilful disregard to promote and implement available technology goes against the grain. If Bonfield can get the learning curve mentality of Microelectronics Man to replace the dead-head mentality of Telecoms Man and Government Man he will do the UK a massive favour.

**David Manners**

*Electronics World + Wireless World* is published monthly. By post, current issue £2.25, back issues (if available) £2.50. Orders, payments and general correspondence to L333, *Electronics World + Wireless World*, Quadrant House, The Quadrant, Sutton, Surrey SM2 5AS. Tlx:892984 REED BP G.

Cheques should be made payable to Reed Business Publishing Group. **Newstrade:** Distributed by Marketforce (UK) Ltd, 247 Tottenham Court Road London W1P 0AU 0171 261-5108. **Subscriptions:** Quadrant Subscription Services, Oakfield House, Perrymount Road, Haywards Heath, Sussex RH16 3DH. Telephone 01444 445566. Please notify change of address. Subscription rates 1 year £30 UK 2 years £48.00 3 years £70.00. Surface mail 1 year £35.00 2 years £56.00 3 years £80.00 Air mail Europe/Eu 1 year £43.00 2 years £68.00 ROW 1 year £52.00 2 years £83.00 USA: \$52.00 airmail. Reed Business Publishing (USA), Subscriptions

office, 205 E. 42nd Street, NY 10117.

**Overseas advertising agents:** France and Belgium: Pierre Mussard, 18-20 Place de la Madeleine, Paris 75008. United States of America: Ray Barnes, Reed Business Publishing Ltd, 205 E. 42nd Street, NY 10117. Telephone (212) 867-2080. Tlx 23827.

**USA mailing agents:** Mercury Airfreight International Ltd Inc, 10(b) Englehard Ave, Avenel NJ 07001. 2nd class postage paid at Rahway NJ Postmaster. Send address changes to above.

Printed by BPCG Magazines (Carlisle) Ltd, Newtown Trading Estate, Carlisle, Cumbria, CA2 7NR

Typeset by Wace Publication Imaging 2-4 Powerscroft Road, Sidcup, Kent DA14 5DT

©Reed Business Publishing Ltd 1995 ISSN 0959 8332

## GPS attacked over GPS chip claims

CEC Plessey Semiconductors, GPS, has clashed with Rockwell Semiconductor and Motorola of the US in claims over chip-sets for the global positioning system market.

"We are the only people offering a complete integrated chipset," said Brian Hick at GPS. "All the others are built around dsp cores or use discreet front ends."

"Absolute rubbish!", said Nigel Williams, chairman of Manhattan Skyline, Rockwell's UK distributor. "We took the first large European order for Rockwell's integrated gps chipset."

"We've had three to four design

wins already and one production order. In the accounts we've been in we haven't seen any competition."

Motorola also disputes GPS's claim. The company has been competing in the gps market at board level but is about to move to chipsets.

"We've not announced a product yet but we're talking to selected customers about an integrated chipset," one of the Motorola gps team commented.

However, Brian Hick said that GPS had sold 150 of its development systems for its chipset, which consists of a bipolar silicon front end, a 35MHz surface-acoustic-wave filter and a 12-channel correlator. An ARM

60 processor is used with the chipset.

"We want to see if customers want further integration", said Hick. "The obvious move is to integrate the ARM core and the correlator." Rockwell's latest two-chip set is called Zodiac. Encapsulated together in a PQFP are a gallium arsenide front end and an analogue c-mos die.

The second chip contains a single die incorporating a 12-channel dsp, a microprocessor and co-processor in a TQFP. The set costs \$70.

Others targeting the gps chipset market are Philips and SGS-Thomson.

David Manners, *Electronics weekly*

## Pictures from radio to enhance your PC

In an intriguing move, Philips Semiconductors has developed a module and a set of components that let pcs receive and decode RDS (radio data system) broadcasts, displaying the information on the screen.

Dubbed the *Smart-Radio* module, Philips claims it provides the first high-quality radio reception for pcs, superseding previous solutions that relied on chips developed primarily for car receivers.

"Now radio can be seen as well as

heard," said David Canha, sales manager for Philips Semiconductors. "Smart-Radio expands the listening experience to computer users as well as providing on-screen text."

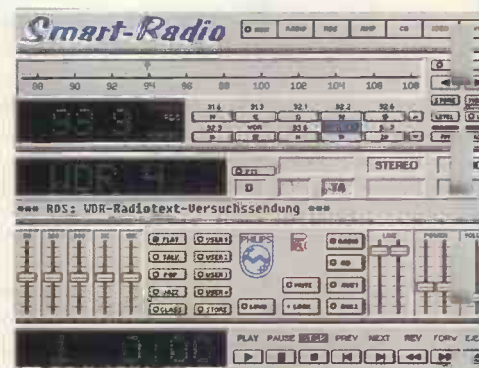
Kaveh Kianush, project leader of Philips' radio IC design team, adds that just as tv tuners have been added to the pc so some users have been demanding stereo-quality radio reception as well.

"In a multimedia pc it might be nice to have some background music playing while you perform another task," said Kianush. "The RDS facility then adds the ability to receive data, which might be market information or advertisements."

RDS broadcasts are widely used throughout Europe to transmit the station's identification, traffic bulletins, weather and other information alongside the normal fm signal. In the US the Electronics Industries Association (EIA) is supporting the RDS standard and has launched this year a \$1m campaign to install hardware encoders in the top 25 radio markets across the US. The EIA's plan is to equip several radio stations with the encoders, allowing RDS signals to reach 85% of the US radio audience.

The heart of Philips' strategy is the *OM5604* module, which is the fm radio tuner and preamplifier. The module is carefully shielded to isolate it from the noisy pc electrical environment and prealigned.

It uses the *TEA5757H* tuner IC designed by Kianush's team for this



Broadcast Radio Data - as received on a pc.

application. The tuner IC uses twin frequency locked loops to provide speedy scan tuning and tuning to up to 99 frequency presets. The module is completed with a preamplifier providing 900mV line audio outputs and an I<sup>2</sup>C bus controller chip. The module is programmed and controlled via this bus.

PC and pc-card makers can then augment this module with the *SAA6579* RDS demodulator and the *CCR921* RDS decoder chips. Philips engineers have developed a prototype pc plug-in card based on the *OM5604* module and written a *Windows* software utility to control the radio from the screen.

Kianush says the card and the software are for demonstration purposes and it is unlikely Philips will sell either on the pc user market. "The idea is to support pc and card makers with the architecture," he said.

Simon Parry, *EW*



**Quantum pc card order.** UK-based telecom products specialist, Quantum Electronics, has received an order of £500,000 for its Type II PCMCIA fax modems that can be used with GSM lines as well as land lines.

Equivalent to over 50,000 cards over a period of three years, the order will help Quantum Electronics reach its goal of attaining a £20m turnover employing 200 within the next five years. The company currently has around 100 employees and its latest financial results show a £4m turnover.

## 4kV/ $\mu$ s V-mode op-amp is claimed as world's fastest

National Semiconductor has introduced an op-amp that has a slew rate of 4100V/ $\mu$ s which it claims is the world's fastest voltage-feedback operational amplifier.

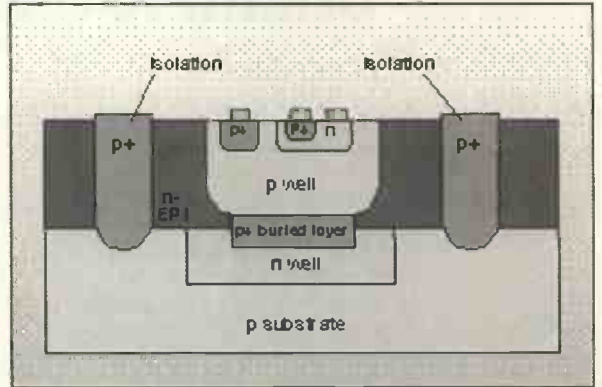
The LM7171 is indicative of trend in which innovative amplifier front-ends and high-performance processes allow voltage-feedback op-amps to encroach on current-feedback territory. This tempts engineers who are ignorant of current-feedback techniques to design high speed circuits.

However, National Semiconductor engineer Mark Holdaway thinks current-feedback op-amps will continue to reign at the top. "Current feedback amplifiers have a flat open-loop gain response, whereas the gain

of voltage feedback amplifiers decreases at 20dB/decade from dc," said Holdaway. "Therefore current amplifiers have an inherent gain advantage in high speed applications."

The LM7171 has a 4100V/ $\mu$ s slew rate and a bandwidth of 220MHz ( $A_v=2$ ) at a supply voltage of  $\pm 15V$ . With a  $\pm 5V$  supply the figures are 950V/ $\mu$ s and 140MHz.

Maximum output current of the amplifier is 100mA and it has been designed with stability in mind. This allows the device to drive heavy, capacitive loads like video cables with claimed low distortion, resulting in high-quality images. Supply current is typically 6.5mA and offset voltages down to 200 $\mu$ V are available.



National's new 4100V/ $\mu$ s voltage-mode op-amp uses proprietary VIPIII bipolar process. This allows vertically integrated npn transistors to be made with performance similar to nearby npn transistors. The third generation of the VIP process produces npn and pnp transistors with  $f_s$  of 3GHz and 2GHz respectively.

## EMC awareness receives a boost

The DTI launched on 1 December 1995 its £100,000 extension to the EMC awareness campaign. The money will pay for five technical consultancy hotlines around the country.

The extension is to be managed by Salford University Technical Services which says the current 16 emc clubs, established as part of the original £450,000 awareness campaign, will be grouped into five consortia. These will each run a hotline providing full-time technical support for six months until

May next year.

David Southerland of the DTI said the intention of the extension was to "deal with the immediate panic" before EC regulations are enforced on 1 January. "A lot of people still have questions but the emc clubs haven't got any spare capacity," said Southerland. "The extension will help."

Southerland added that the extra money would be found within the DTI and said the Microelectronics in Business programme would not be affected.

## UK X-ray litho work to continue

Oxford Instruments is continuing development of its Helios II X-ray synchrotron for IC lithography despite uncertainty over the viability of the technology. X-ray lithography is considered slow and too expensive for production purposes by some semiconductor manufacturers.

However, Oxford Instruments believes the synchrotron, due next year, is not an expensive machine considering its capabilities and is in discussion with a number of IC makers.

"I don't think the synchrotron is expensive. Considering the investment needed, our machine doesn't cost much. Optical steppers are slightly less expensive, but still comparable," said Alistair Smith, head of the semiconductor processing division at Oxford Instruments.

Helios II is a twenty-stepper machine that can provide continuous

operation from a high intensity X-ray source. Oxford Instruments expects X-ray lithography to become the norm before the end of the decade.

## Apple pushes PowerPC against Intel

Apple Computer, worried about the progress of PowerPC microprocessor development, has pressured its partners IBM and Motorola to boost the microprocessor's performance sooner to keep pace with Intel.

Although Apple says that PowerPC is still a better platform than Pentium Pro, it acknowledges that the PowerPC's performance advantage has been eroded by Intel's Pentium Pro family.

David Nagel, vice-president of

## NiMH batteries could see doubling in capacity

A nickel-metal-hydride battery with a claimed energy capacity twice that of typical NiMH cells is being developed by Matsushita. The battery stores 300Whr/l compared to conventional NiMH cells which offer around 170Whr/l.

Nickel-metal-hydride cells offer higher energy densities than Nickel cadmiums and have a lower environmental impact. They are appearing in portable products like mobile phones and laptops, but there is some debate whether they will be overtaken by lithium technology secondary cells.

Lithium ion cells have higher energy densities, around 280Whr/l with 360Whr/l predicted. The Matsushita battery, if it proves to be mass-producible, brings NiMH strongly back into the fray.

● AER Energy Resources of Columbus, Georgia, is claiming a 50% increase in the capacity with a 78% hike in output power for its rechargeable zinc-air batteries. AER makes batteries that fit under popular laptops increasing their run time to over 12 hours between charges.

Apple Research and Development, said: "We have been concerned about PowerPC development and we have communicated that concern to IBM and Motorola. They have promised to address the issue and we are confident they can get the PowerPC back on track."

When the PowerPC was first unveiled, its supporters promised a 200% increase in performance compared to Intel microprocessors. The performance advantage has been reduced to between 10 and 50%. "Fifty per cent is still an important advantage for a lot of computational tasks," says Nagel. "I wish it wasn't the case, but Intel has done a good job in narrowing the gap."

# Cabling makers dispute unshielded twisted pair emi

Claims that unshielded twisted pair cabling may not meet emissions rules under the EMC Directive have been attacked by three leading cable network suppliers.

Nortel, AMP and AT&T have demonstrated that category 5 UTP should not push installed networking equipment outside the limits of the EN55022 emissions specification, provided the terminal equipment is fully EMC compliant.

"There is a great deal of misinformed rumour generated by the shielded cable manufacturers," said Arthur Green, marketing manager for Nortel Cable Networks. "It simply isn't true that shielded cabling is the only way to meet the EMC Directive and we have demonstrated it at 155Mbit/s."

Nortel tested a 155Mbit/s ATM

broadband communications link running over 100m of UTP category 5 cable including patch panels. Measured emissions were at least 8dB better than the EN55022 Class B (domestic) limit from 30MHz to 1GHz.

Current legislation requires that all active LAN equipment should be certified to EMC Class A in commercial environments from the beginning of January 1996.

According to Green, as long as the cable terminations are suitably balanced category 5 UTP will support data rates up to 155Mbit/s and meet the EMC regulations.

Balancing the current flow in each arm of the twisted pair cable is necessary to ensure that noise currents are cancelled out at the receiver input. Nortel also suggests that inductive

chokes are connected in series with the input transformer to keep the common-mode rejection ratio to the necessary 40dB.

Part of any common-mode noise signal is converted into a differential-mode noise signal which passes directly into the input of the receiver. The level of balance in the UTP link was measured by Nortel to be better than the necessary 40dB from 20 to 100MHz and better than 50dB from 1 to 20MHz.

According to Paul Cave, manager of AMP's networking group, manufacturers with only shielded products are using the EMC argument to boost sales. "There is confusion in the market caused by people with a vested interest in streaming the market down the shielded route," said Cave. Richard Wilson, *Electronics weekly*

## Surround sound for the pc embryo

Aimed at multimedia pcs, Dolby Laboratories has introduced Dolby Surround Multimedia – a cut-down version of the Dolby Surround Pro-Logic system used in home cinema.

The intention is to promote Dolby Surround-sound encoding among games companies who can use it to increase the sense of participation in their games.

The signals that Surround Multimedia decodes are the same

as those in the Pro-Logic system, but the different listening requirements of a pc, allow the playback system to be simplified.

A pc user sits in a well defined position in front of the computer.

The home cinema audience, on the other hand, is spread around a room. The '3D' sound field of a PC does not need to be so big, and the Multimedia Surround system exploits this.

## Quarter micron geometries for GPS

GEC Plessey Semiconductors (GPS) has unveiled its technology roadmap coinciding with potential fab capacity down to 0.25µm. Next year it anticipates having its first silicon germanium chips on 0.35µm technology.

By 1997, the company will prototype 0.35µm c-mos production, with a 3.3V 0.35µm process scheduled for 1998. A further 2.5V 0.25µm c-mos process is expected by the end of the decade.

GPS is to pursue a more aggressive track in bipolar with 0.5µm, 5V and 3.3V, triple metal layer processes in production next year.

The company will sample a 0.35µm SiGe process next year with production scheduled for 1998. By the end of the decade GPS could have 0.25µm SiGe process.

GPS's first SiGe products will be 2.4GHz rf front-ends, low-noise amplifiers and mixers. ■

## Windows 95 sales misjudged

Despite being the most highly marketed product in history, Microsoft's Windows 95 is not reaching its sales targets and most home pc users say that they have no immediate plans to install the system.

Market research firm Dataquest says that it misjudged earlier forecasts of demand for the operating system and has reduced its forecast for 1995 shipments by 3.6m. It now says that 26.4m units will ship this year instead of 30m, and expects 10m units will remain unsold at the end of the year, gathering dust on shop shelves.

"The lower forecast is due to two factors: It is an artifact of forecasting a product at a time when it was not yet in the market, when there was no final shipment date and Dataquest is

taking a more conservative view of the holiday season," said Dataquest analyst Paul Cabbage.

Also a survey of home pc users by market research firm Odyssey, found that just 6% of respondents had installed Windows 95. About 53% said that they would not install it and 30% said they didn't need it.

## Monitoring heartbeat

It has been brought to our attention that Baki Koyuncu's "Monitoring Heartbeat" feature published in our July 1995 issue is based on John Becker's "Biomet Pulse Monitor" design published in the February 1993 issue of *Everyday with Practical Electronics*. We recognise that Copyright belongs to *Everyday with Practical Electronics* and apologise to them and to their Technical Editor John Becker for this unintentional infringement.



A survey of home pc users by market research firm Odyssey, found that just 6% of respondents had installed Windows 95.



# STOP! Just Take Two Steps to do Your Measurement



CIRCLE NO. 106 ON REPLY CARD

## TiePieSCOPE



**HS508 Complete set  
for £ 597.00**

You can simply plug the new TiePieSCOPE - HS508 into the parallel port of your portable or desktop PC. With the advanced software, you can use this two channel, 8 bits, 50 MHz measuring instrument as a fast digital storage oscilloscope, including a lot more features than a single oscilloscope! Moreover, the TiePieSCOPE - HS508 contains a multiple display voltmeter (up to 5 MHz true RMS), a spectrum analyzer with an harmonic distortion meter and a transient recorder for recording a variety of signals. The TiePieSCOPE - HS508 is supplied complete with user manual, software, and two probes.

Call now for a free demo diskette and our catalog!!

### TiePie engineering (UK)

☒ 28 Stephenson Rd, Industrial Est., ST. IVES, CAMBS PE17 4WJ  
Tel.: (01480) 460028 - Fax: (01480) 460340

### TiePie engineering, The Netherlands

☒ P.O. Box 115, 8900 AC LEEUWARDEN  
☐ Battenserreed 2, 9023 AR JORWERD  
Tel.: (31) 5106 9238 - Fax: (31) 5106 9704

# RESEARCH NOTES

Jonathan Campbell

## Gravity reveals military vehicle secrets

Experiments to measure different aspects of gravity are unremarkable in the modern laboratory. But if three scientists at Mitre Corporation in the US are correct in their assumptions, we could one day see portable gravity gradiometers scanning dusty lorries as part of arms limitation monitoring. Or even being used by Police on the M25, checking if vehicles are overloaded.

According to the researchers, Steven Gray, John Parmentola and Richard LeShack, the basic principles which make gravity gradient measurements possible are relatively easy to understand – it is the hardware and software engineering principles that are really involved.

Suffice it to say that the team proposes to use gravity gradients to monitor the weight of military vehicles, to help assess what type of arms, if any, they are carrying. Other studies have suggested that gravity profiles could be used to distinguish between conventionally-armed and nuclear cruise missiles. Or used to count the number of warheads on board an intercontinental ballistic missile or submarine-launched ballistic missile.

The approach would have certain advantages not shared by other techniques. It is non-contact, there can be no argument that design secrets are being revealed – as is the case with x-rays – and background readings can cause problems with  $\gamma$ -ray detectors. Scale equipment can also suffer when being used for in-motion measurements.

The researchers point out that the idea that the mass of an object can be estimated directly from gravity

gradiometer measurements is easy to understand. At sufficiently large distances, all objects can be approximated to point masses and various expressions exist to relate gravity to mass.

Of course things get a little trickier when measurements are taken closer in, since the objects are no longer point sources.

Most of a recent paper (Estimating the weight of very heavy objects with a gravity gradiometer," *J. Phys. D: Appl Phys*, Vol 28 (1995) pp. 2378-2388) is taken up with

explaining how to correct for the non-spherical nature of real world objects.

Obviously, much work has to be done to arrive at a reliable device giving reproducible results in a real situation. But in a world where scientists routinely talk in terms of the gravity exerted by a single grain of sand, such problems will surely not detain researchers for long.

*Steven Gray, The Mitre Corporation, 202 Burlington Road, Bedford, MA 01730, USA.*

## Chemistry cracks open memory limits

Innovative but relatively minor changes in silicon-processing techniques could open up a three-fold reduction in the area required for capacitive components in microelectronic devices. Electronics experts are welcoming the advance as allowing further miniaturisation of memory devices which would otherwise soon hit capacitance limits using conventional methods.

Basis of the breakthrough, announced by R F Cava and colleagues at AT&T Bell Laboratories, is an increase in the dielectric constant of Ta<sub>2</sub>O<sub>5</sub>, tantalum oxide, by addition of 8% TiO<sub>2</sub> titanium oxide ("Enhancement of the dielectric constant of Ta<sub>2</sub>O<sub>5</sub> through substitution with TiO<sub>2</sub>", *Nature*, Vol 377, pp. 215-217).

Ta<sub>2</sub>O<sub>5</sub> is known to form high-quality thin films, though its dielectric constant is low at around 35. Addition of TiO<sub>2</sub> boosts that figure to 126.

Ta<sub>2</sub>O<sub>5</sub> and TiO<sub>2</sub> are already well used and understood in electronics,

unlike many of the more exotic compounds that have been suggested in the past to increase the dielectric constant. This allows the area of capacitors to be reduced.

The exact reason why the TiO<sub>2</sub> boosts the dielectric constant of Ta<sub>2</sub>O<sub>5</sub> is not yet wholly clear. So far TiO<sub>2</sub> it seems to be unique in its effect.

However the researchers say that at around the 8% TiO<sub>2</sub> level, the new material is likely to be processable with very similar conditions to those currently employed to make pure Ta<sub>2</sub>O<sub>5</sub> films.

As well as the area reduction, the workers say that the material could eliminate the need for complex three-dimensional capacitor geometries often resorted to, to yield acceptable capacitance in small-area components.

*R F Cava, AT&T Bell Laboratories, 600 Mountain Avenue, PO Box 636, Murray Hill, New Jersey, 07974-0636, USA.*

## Putting electric cars under the microscope

Calls for ever-smaller electric vehicles have led to a breakthrough by Japanese workers at one of the largest suppliers of technology to the automotive industry worldwide. In shape it looks like an estate. It is light-weight, has a record breaking speed capability in its class, and you can even have it finished in pure gold. Only one drawback – the vehicle is only 7mm long.

In fact the microcar developed by researchers at Nippondenso Research Laboratories in Japan is currently the smallest wheel-driven mechanism in the world. Overall weight is 65mg and the car is reported to have recorded a top speed of 100mm/s.

Power for the car is through a miniaturised step motor built around an isotropic barium-ferrite magnet rotor that has been machined into a tube shape by a cylindrical grinder ("Performance of a 7mm microfabricated car, Akihiko Teshigahara et al, *Journal of Micromechanical systems*, Vol 4, No 2, pp. 76-80). The rotor's core is made into a four-pole magnet by placing it between four contact probes whose coils can generate a four-pole magnetic field. It is then joined directly to a zirconia front wheel shaft.

Chassis and wheels are made of stainless steel, and for the shell body, the main material used is a 30µm nickel film produced by plating onto an aluminium mould, etching away the aluminium, then protecting the nickel with gold. Microparts are so small that researchers had to resort to a mechanical manipulator usually found in bioresearch cell handling.

During testing, three running conditions were identified. In the low frequency range, alternation of the magnetic pole of the stator core is

slow and the alternation interval long. So the rotor rotates step by step with each step being 90°. But at certain angles of rotation, motor torque increases too quickly and the wheels lose their grip, resulting in a stop-go movement. In the medium frequency range, movement is much smoother, with maximum speed being attained at 100Hz. But local variations in surface friction can cause some erratic movement – even backwards travel.

In the high frequency range, the rotor could not keep up with the changing field and simply rotated back and forth. However, surprisingly the effect produced the smoothest and most consistent forward movement. Researchers believe movement was due to a vibration of the stator caused by its asymmetry. Clearance between the wheel shaft and the chassis allowed this vibration to move the wheel into and out of contact with the surface, enabling a smooth and net movement in one direction.

A speed of 100mm/s might not seem sports performance, but it could be too fast for a 1/1000th scale car. Wear of the rotating parts is quite severe. Unfortunately, in tests, lubrication caused adhesion due to molecular force or surface tension.

Plainly there is still work to do before a millimetre scale machine becomes useful in industrial and medical applications. And of course, the design does not really have any practical implications for real electric cars. Where on Earth are you going to be able to find atomic-scale furry dice?

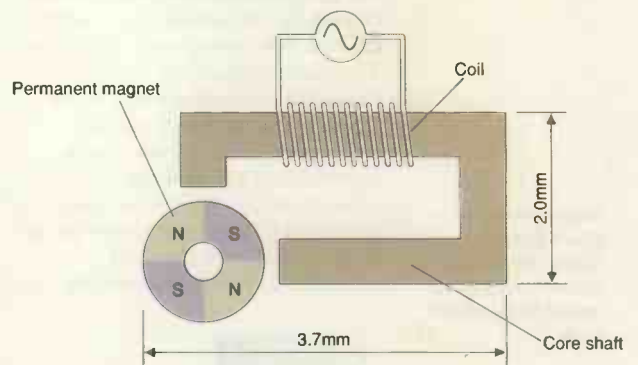
*Akihiko Teshigahara, Research Laboratories, Nippondenso Co Ltd, 500-1 Minamiyama Komenoki, Nisshin, Aichi 470-01, Japan.  
Email: atesiga@rlab.denso.co.jp.*



Watching the microcar go through its paces...



...about the same size as a grain of rice



Micro step motor at the heart of Nippondenso's 7mm car

## Plastic lasers breakthrough performance boundaries

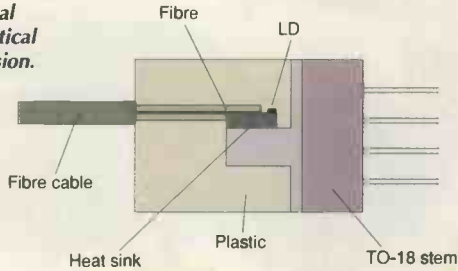
Sealing laser modules in plastic can provide several operational advantages. But such modules have rarely demonstrated good operating characteristics and so far reliability has been uncertain. However, three researchers from NTT Opto-electronics Laboratories in Japan are

claiming to have built a device that could make plastic moulding practicable, heralding the next stage in laser module fabrication technology for optical fibre transmission.

The lasers ("Pigtail type Laser Modules Entirely Moulded in

Plastic," M Fukuda, *Electronics Letters*, Vol 31, No 20, pp. 1745-1747) are Fabry-Pérot type 1.3µm-band bulk or strained MQW BH devices. They have no facet coatings, are mounted on silicon heat sinks with a fibre guide. The heat sinks are then bonded on a TO18 stem usually

Plastic lasers offer practical and low-cost optical sources for optical fibre transmission.



used for compact disc lasers. In the fabrication process, the laser is manually mounted so that the light emitting region can be set at the

centre of the fibre guide. In this way, the Japanese team reports, optical coupling can be obtained without alignment, by inserting the fibre along the guide. Distance between the laser facet and the fibre end (optical input port) is a few tens of micrometres.

The entire laser-mounted stem and fibre can then be covered with epoxy resin and cured. Refractive index of the resin is set at around the value of the fibre core.

Results show that good modulation characteristics can be produced, and

the 3dB band-width under sinusoidal wave modulation is more than 3GHz at a current of 30mA.

Following tests, life is estimated at over 105h – even at 70°C and a constant output power of 5mW.

Fukuda and colleagues say that the work proves the feasibility of plastic pigtail lasers and demonstrates a practical low cost method for optical transmitter production.

*M Fukuda, NTT Opto-electronics Laboratories, 3-1 Morinosato Wakamiya, Atsugi-shi, Kanagawa, 243-01 Japan.*

## Using infrared to see through the traffic jam

We can't – or don't want to – halt the unwavering progress of the automobile. But we can make a better job of keeping all that metal moving along the roads, if a simple system being tested in New York finds favour in the UK.

Good traffic control involves counting the number of vehicles, analysing their movements in real time and taking control measures, such as switching on green lights. Unfortunately magnetic-loop detectors are relatively inflexible and any modifications are going to mean digging up the carriage-way – never the best way to improve traffic flow. They are also limited in their capabilities and can not be used to record speed and length data of individual vehicles, or for vehicle identification and tracking.

But infrared systems now being developed look as though they can do all that – and more. The first commercial system, produced by

Eltec Instruments, has just been launched, and in an unrelated study recently, researcher Tarik Hussain and colleagues revealed the full potential of such systems to improve traffic flow (“Infrared pyroelectric sensor for detection of vehicular traffic using digital signal processing techniques”, T M Hussain et al, *IEEE Transactions on Vehicular Technology*, Vol 44, No 3, pp. 683-689).

Pyroelectric systems rely on sensors mounted above a roadway to monitor traffic passing on individual lanes below. The detectors convert incident thermal infrared optical power into an electrical output signal.

Pyroelectric crystal sensors develop an electrical charge on their surfaces when incident radiation is absorbed by a coating on the crystal surface and converted to heat. The heat alters the lattice spacing of the crystal and causes a charge differential, measurable as an output voltage to sense the passing vehicles.

The signal, typically in the millivolt range, is then passed through a comparator block that uses mirror op amps to compare the received signal from the detector when a vehicle passes, to the steady-state condition. High cmrr op-amps – of the order of 60dB – allow the system to respond only to the difference signal.

For the 50-60m detection distances typically required, a gain of 40dB on the op-amp gives acceptable signal-to-noise ratios. The difference signal is fed to an LMC555 to generate a series of pulses which feed a counter.

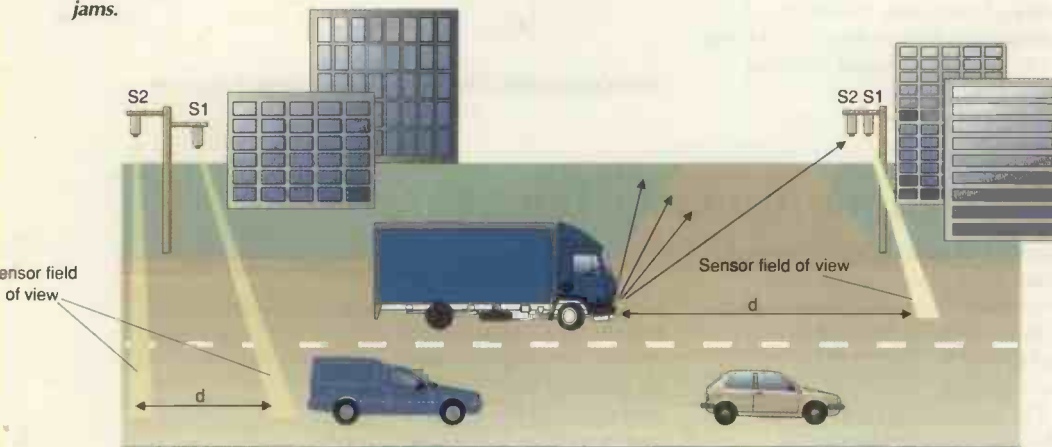
In use, the pyroelectric detectors can be mounted on lamp standards or anywhere where they can have a line of sight to the vehicles. Counting output pulses is then a simple matter. But using a second sensor along the road allows much more information to be obtained. The system can sense the duration of each signal in each sensor, and also the time between signals. So speed, acceleration and length of vehicle can all be calculated.

Different signal widths result from cars, vans and lorries in terms of signal widths and the field tests showed that weather conditions had little effect. The researchers say that the system could survive several hundred fold reduction in visibility to a level at which traffic probably couldn't circulate anyway.

Counting error was found to be less than one in 200 vehicles and was more accurate than magnetic loop sensors which overcount by detecting additional axles in the case of lorries. ■

*T M Hussain is with Farradyne Systems Inc, New York, NY 10119, USA.*

Infrared sensors could form the backbone of traffic control system that would help prevent jams.



# The Universal Programmer that stands-alone



with everything you need. Don't buy your next programmer until you see the 'Eclipse'

- Windows and DOS user interface
- Unparalleled in speed & sophistication ideal for R&D and volume production
- 96 to 256 pin drivers
- Programms PLDs, EPLDs, FPGAs, PROMS, EPROMS, E/EPROMS, FLASH & Micros
- Universal DIP, PLCC, PGA and QFP modules - no more socket adaptors
- Stand-alone or remote operation

Europe's largest programmer manufacturer



call today on +44 (0)1707 332148 or fax +44 (0)1707 371503 for further information

All trade marks are acknowledged and respected

CIRCLE NO. 107 ON REPLY CARD

## EMBEDDED C ASSEMBLY SIMULATION

### 8051

C compiler, first released in 1991, now features:

- Easy to use interrupt support with register bank switching
- IEEE floating point arithmetic
- IEEE 695 source level debug output
- Integrated relocatable assembler

Simulator running under Microsoft Windows provides extensive support for the 8051 code development

### 68000

Our first C compiler/assembler package

- now supports floating point arithmetic
- has been widely adopted by many OEM's to support their 68000 and 68307 hardware

### CPU32

68020 C compiler/assembler, originally developed to accompany Motorola's 68020 and 68EC020 evaluation models

- Now supports the CPU32
- 68881 co-processor support
- IEEE 695 source level debug output

Further information from:  
CROSSWARE PRODUCTS  
St John's Innovation Centre, Cowley Road, Cambridge, CB4 4WS, UK  
Tel: +44 (0) 1223 421263, Fax: +44 (0) 1223 421006  
BBS: +44 (0) 1223 421207 (8-N-1), Internet: sales@crossware.com



CIRCLE NO. 108 ON REPLY CARD

# £34\* GETS your Hard disk BACK!

If you have never lost a file, never ran out of disk space or love re-installing software, don't read any further.

Backer® is a high performance back-up system designed specifically for the home user. For less than the price of most PC games, you can store up to 1.5Gbytes of data on a single VHS video tape, the equivalent of 3 CD-ROMs. Backer® utilises your existing video recorder to transfer data from your hard disk at up to 9Mbytes per minute, faster than many of the significantly more expensive tape streamers.



Only  
**£34.00\***  
Exc. VAT

- Free up extra disk space by archiving less frequently used files
- Protect important files by keeping back-up copies
- Transfer data between PCs, copy hundreds of Megabytes quickly and easily
- Runs under Windows® in the background, allowing you to continue working with other applications
- Uses low cost standard video tapes
- Comprises of an expansion card and easy-to-use software
- State of the art sophisticated error correction ensures reliable operation
- Back-up selected files or the whole hard disk



Order now by ringing 01606 74330 quoting your Access, Visa or Switch number. Alternatively send a cheque or postal order for £42.45 (\*£39.95 inc. VAT + P&P £2.50) along with details of which magazine you saw this advertisement and the specification of your PC to: Danmere Technologies Ltd., Whitehall, 75 School Lane, Hartford, Northwich, Cheshire CW8 1PF.

Reliability - "Backer passes this test with flying colours."

"Backer's top transfer rate of 9Mb per minute runs rings around the 1.8Mb per minute most tape streamers can manage."  
"Frightfully good stuff."

PC Format - December '95

"Extraordinarily good value product."  
"A must for the data conscious."

PC Home - December '95

Distributor enquires welcome.

Danmere  
**Backer**

The PC hard disk back-up system

Danmere Technologies Ltd., Whitehall, 75 School Lane, Hartford, Northwich, Cheshire CW8 1PF

CIRCLE NO. 109 ON REPLY CARD

# Designing a horn loudspeaker



**Ketil Parow details how to design a no-compromise, full-range tractrix horn loudspeaker featuring the combined benefits of high efficiency and crossover-free operation.**

**W**hy a horn? Much has been written about horn speakers over the years, and I am not going to repeat all of it here. I will however point out the obvious advantages, and my points of view. First, I will kill some of the myths about horn loudspeakers.

- Bass reproduction from a horn is not tinny. Some poorly-designed systems may have a tendency to produce 'empty' bass. In these cases, chances are that the designer compromised too much, foreshortened the horn in

order to reduce the physical size. Poor wood quality may also have contributed to the poor quality.

- You do not need a vinyl record player and valve amplifiers to make a horn sound good. Advantages of a horn system are noticeable – regardless of equipment technology.

- Treble is not poor from a one-way horn system. There is a number of 'full-range' drivers available that are not truly range. This is not so with the Lowther drivers I used.

There is wide agreement on the following pros of horn loudspeakers.

- A horn system is far more efficient than an infinite baffle of bass reflex system. This offers not only more sound per input watt. For a given signal peak level, spl, the driver's excursion is accordingly smaller. As a result, the driver operates with more linear excursions so distortion is lower.

- Sound from a horn is more dynamic and more life-like than that from closed or vented boxes.

- In my experience, multi-way systems in vented or sealed enclosures can be seriously compromised by sloppy construction. A horn is less sensitive to enclosure materials and wood-working accuracy.

- Crossover networks are difficult to design, expensive, and the end results are unpredictable. A one-way horn removes these problems and produces a single sound source.

### Design goals

Does the world need a new horn design? There is a number of well-designed horn systems in existence. However, on reviewing some of the existing designs, they did not appeal to me for various reasons.

The modern designs seem to compromise too much in order to limit their physical dimensions. Older designs are no doubt good, but they *look* old fashioned. I want my speakers to look modern.

When I set out on this project, the only goal that was well-defined was that I wanted a back-loaded horn. Bass reproduction was to go well below 40Hz. Physical size was not an absolute restraint.

### Horn theory overview

This section merely scratches the surface of horn theory. Those of you wanting to design your own horn are referred to the literature list. I will however provide all the theory relevant to the horn that I designed in enough detail to allow you to duplicate my work.

A horn is an acoustic transformer coupling the speaker cone movement to the air. It transforms a small volume of air moving with high energy into a low-energy, large movement of air. This is where the efficiency comes from.

The horn forms a funnel starting at the throat, closest to the driver and ending at the mouth. Cross-sectional area of the funnel expands along the length of the horn at a rate depending the formula used. This is known as the contour.

Any given horn is only effective down to its cut-off frequency,  $f_c$ . To calculate the horn, you need to know the mouth and throat area, the cut-off frequency, and the chosen contour.

### Mouth dimensioning

Mouth area is calculated from  $f_c$ . Circumference of a circular mouth should be

### List. Pseudo code for calculating the horn's tractrix contour.

```
;Sample code
Def var r      as decimal . ;See the above formula
Def var x      as decimal . ;See the above formula
Def var a      as decimal . ;See the above formula
Def var r_throat as decimal . ;Radius at throat
Def var r_fe_mouth as decimal . ;Radius for a Fully
                                ;Expanded mouth (free space loading)
Def var hl_feas decimal . ;Horn Length when Full Expansion
                                ;(free space loading)
Def var Size_factor as integer . ;See below
Def var step      as integer initial 1 . ;See below
Def var oldx      as decimal initial -1 .
Def var xfromthroat as decimal .
Def var prec      as decimal initial 0.001 .

                                ;simulate radius growth with prec(ision) of..
Input r_throat      ;Get the radius of the throat
Input Size_factor   ;Get the size factor
                                ;(1 for free loading,
                                ;2 for the middle of a floor,
                                ;4 for wall placement, 8 for corner placement)
Input r_fe_mouth    ;radius for free loaded mouth
Input step          ;Get the desired step value
                                ;(output for every <step> length units)

r = r_throat * sqrt(Size_factor).
                                ;Start at the size-factor adjusted r.
a = r_fe_mouth.                ;End at the fully expanded mouth.
hl_fe = a * log((a + sqrt(a * a - r * r)) / r) - sqrt(a * a - r * r).
                                ;Calculate the length of the horn
do while r <= r_fe_mouth: ;Leave the loop when we're at the mouth.
  x = a * log((a + sqrt(a * a - r * r)) / r) - sqrt(a * a - r * r).
                                ;Calculate the x (dist from mouth)
  xfromthroat = hl_fe - x.      ;Find dist from throat
  If trunc(xfromthroat / step, 0) > oldx then do:
                                ;Did we just step over to a new value of x?
    display                    ;Yes, print the line out...
      xfromthroat at 1          column-label "Dist. throat"
      sqrt(r * r * M_PI / Size_factor) column-label "Square"
      r / sqrt(Size_factor)    column-label "Radius"
      (r * r * M_PI / Size_factor) column-label "Area".
      oldx = xfromthroat / step. ;And keep current step value
  End. ;New step value
  r = r + Prec.                ;Increase radius by Prec
end.
;End Sample code
```

### Performance

I don't have the tools to measure frequency response, but bass response seems reasonably flat in the deep end. I suspect, however, that there's a small dip in the response in the high bass region. It may be possible to reduce this with experimentation on cavity-damping/room-placement.

One of the most amazing things about these speakers is the sound output they are capable of. Out of interest, I tried powering them up using a Walkman, and they actually filled my basement – which is a big room. According to my measurements, 2-3W driving these speakers should suffice. At 1W, they are loud enough for most people to start holding their ears.

Horn speakers require tweaking to perform at their best. Seemingly insignificant adjustments in room placement can shift the sound from beautiful to dreadful. At this point, I am still not 100% sure that my speakers are optimally placed, and some of the above noted problems may still go away.

Lowther drivers are often criticised for having peaks in the high mids/low treble regions. I think the critics are, to some extent, right on this. There is a pronounced peak somewhere in that region, making some vocals/guitars sound a little harsh. There are some common tweaks to remedy this. Loosely stuffing some clean, long-hair wool between the whizzer-cone and the main cone is one of them.

equal to one wavelength of  $f_c$ , which gives,

$$r_m = \frac{c}{2\pi f_c}$$

where,  $c$  is the speed of sound, at 34290cm/s or 1125ft/s.

If you try inserting a sample value in the formula of, say, 30Hz, you will get an outrageous mouth radius of 182cm. This, however, is a mouth size calculated for free space loading. That means that the dimensions are good if the horn is hanging from the roof, radiating into all eight quadrants of the space. For wall placement, the horn will be radiating into only two quadrants, so you can safely reduce the size by a factor of  $8^{1/2}$ , or four.

For corner placement, the situation is even better. The horn will be radiating into one quadrant only, and you can reduce the size by a factor of eight. In this example, that will bring the mouth down to  $r_m/\sqrt{8}$ , which is 64cm. In a square horn, this corresponds to a square side of 114cm – which is still large.

It is possible to reduce the mouth size still further, even without compromising the overall design, as explained later.

This horn's  $f_c$  was set at 32Hz, and calculated for corner placement.

**Throat dimensioning**

Theory here is somewhat more obscure. However, there are some valid thumb rules in calculating the throat area. In his 1974 article (see recommended reading) Dinsdale said, "For maximum bandwidth of a horn, one uses throat-to-driver ratios of 0.50 to 0.30; for maximum efficiency one uses ratios of 0.50 to 0.70."

Personally, I chose the throat area of my horn empirically. I browsed through 10-20 comparable horn designs, and decided on the basis of the designs most resembling mine. The driver I chose has an effective area of 211cm<sup>2</sup>. This indicates that the throat area should be somewhere between 63cm<sup>2</sup> and 148cm<sup>2</sup>. I decided on a throat area of 100cm<sup>2</sup>. That gives a throat radius,  $r_t$  of 5,65cm.

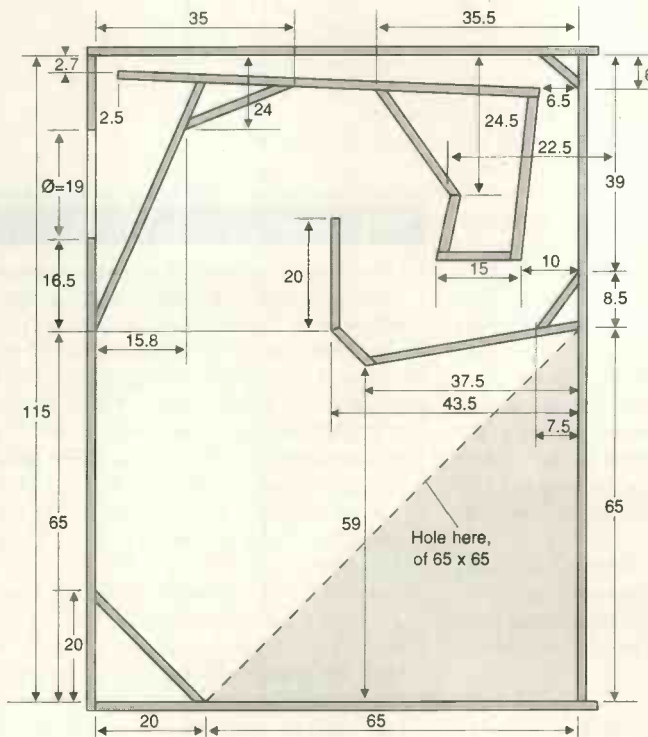
**Horn contouring**

Common contours for horn loudspeakers include conical, exponential, hyperbolic, and the tractrix. Of these, the conical is the easiest one to calculate and convert into a physical unit, but it is also the least efficient. Conical contours are never used for bass horns, because of the poor response and the impossibly long horns that result.

The exponential is the most common, and is easy to calculate. The hyperbolic contour is a variety of the exponential, and is the most efficient type. The trade-off is more distortion in the deep bass region. Hyperbolic horns are

*Tractrix horn expansion from the throat*

| Distance | Radius | Square | Area     | Const. width | L. straight | Dist, inch | Const. w, inch | L. straight inch |
|----------|--------|--------|----------|--------------|-------------|------------|----------------|------------------|
| 0        | 5.64   | 10.00  | 100.00   | 2.70         |             | 0.00       | 14.6           |                  |
| 10       | 5.99   | 10.61  | 112.53   | 3.04         | 9.93        | 3.94       | 1.20           | 3.91             |
| 20       | 6.35   | 11.25  | 126.64   | 3.42         | 9.93        | 7.89       | 1.35           | 3.91             |
| 30       | 6.73   | 11.94  | 142.48   | 3.85         | 9.88        | 11.82      | 1.52           | 3.89             |
| 40       | 7.14   | 12.66  | 160.36   | 4.33         | 9.89        | 15.76      | 1.71           | 3.90             |
| 50       | 7.58   | 13.43  | 180.48   | 4.88         | 9.87        | 19.70      | 1.92           | 3.88             |
| 60       | 8.04   | 14.25  | 203.03   | 5.49         | 9.80        | 23.62      | 2.16           | 3.86             |
| 70       | 8.53   | 15.12  | 228.61   | 6.18         | 9.85        | 27.57      | 2.43           | 3.88             |
| 80       | 9.05   | 16.04  | 257.31   | 6.95         | 9.78        | 31.50      | 2.74           | 3.85             |
| 90       | 9.61   | 17.03  | 289.85   | 7.83         | 9.81        | 35.45      | 3.08           | 3.86             |
| 100      | 10.19  | 18.07  | 326.35   | 8.82         | 9.73        | 39.37      | 3.47           | 3.83             |
| 110      | 10.82  | 19.17  | 367.65   | 9.94         | 9.72        | 43.31      | 3.91           | 3.83             |
| 120      | 11.48  | 20.35  | 414.22   | 11.20        | 9.67        | 47.25      | 4.41           | 3.81             |
| 130      | 12.19  | 21.61  | 466.81   | 12.62        | 9.63        | 51.18      | 4.97           | 3.79             |
| 140      | 12.94  | 22.94  | 526.27   | 14.22        | 9.59        | 55.12      | 5.60           | 3.78             |
| 150      | 13.75  | 24.36  | 593.56   | 16.04        | 9.54        | 59.06      | 6.32           | 3.76             |
| 160      | 14.60  | 25.88  | 669.75   | 18.10        | 9.48        | 63.00      | 7.13           | 3.73             |
| 170      | 15.51  | 27.50  | 756.05   | 20.43        | 9.41        | 66.94      | 8.04           | 3.70             |
| 180      | 16.49  | 29.22  | 853.78   | 23.08        | 9.32        | 70.88      | 9.08           | 3.67             |
| 190      | 17.53  | 31.06  | 964.84   | 26.08        | 9.23        | 74.81      | 10.27          | 3.64             |
| 200      | 18.64  | 33.03  | 1090.96  | 29.49        | 9.11        | 78.75      | 11.61          | 3.59             |
| 210      | 19.82  | 35.14  | 1234.48  | 33.36        | 8.99        | 82.68      | 13.14          | 3.54             |
| 220      | 21.10  | 37.40  | 1398.57  | 37.80        | 8.86        | 86.62      | 14.88          | 3.49             |
| 230      | 22.47  | 39.82  | 1585.84  | 42.86        | 8.68        | 90.56      | 16.87          | 3.42             |
| 240      | 23.94  | 42.44  | 1800.80  | 48.67        | 8.50        | 94.50      | 19.16          | 3.35             |
| 250      | 25.53  | 45.25  | 2047.51  | 55.34        | 8.25        | 98.43      | 21.79          | 3.25             |
| 260      | 27.25  | 48.30  | 2333.01  | 63.05        | 8.01        | 102.37     | 24.82          | 3.15             |
| 270      | 29.12  | 51.61  | 2663.60  | 71.99        | 7.68        | 106.30     | 28.34          | 3.03             |
| 280      | 31.16  | 55.23  | 3049.89  | 82.43        | 7.33        | 110.24     | 32.45          | 2.89             |
| 290      | 33.40  | 59.20  | 3504.50  | 94.72        | 6.91        | 114.18     | 37.29          | 2.72             |
| 300      | 35.88  | 63.59  | 4043.91  | 109.29       | 6.40        | 118.11     | 43.03          | 2.52             |
| 310      | 38.66  | 68.52  | 4694.61  | 126.88       | 5.83        | 122.05     | 49.95          | 2.30             |
| 320      | 41.82  | 74.13  | 5494.64  | 148.50       | 5.15        | 125.98     | 58.47          | 2.03             |
| 330      | 45.54  | 80.71  | 6514.42  | 176.07       | 4.37        | 129.92     | 69.32          | 1.72             |
| 340      | 50.14  | 88.87  | 7898.07  | 213.46       | 3.43        | 133.86     | 84.04          | 1.35             |
| 350      | 57.04  | 101.10 | 10221.90 | 276.27       | 2.17        | 137.80     | 108.77         | 0.86             |



*Prototype enclosure design, cross section. Front and back panels are 37cm wide. Note these dimensions apply for 22mm mdf.*

*Table 1. Inside dimensions of the horn. Note that the mnemonics are referred to in Table 2.*

| Dimension | Mnemonic | cm    |
|-----------|----------|-------|
| Width     | IW       | 37cm  |
| Depth     | ID       | 85cm  |
| Height    | IH       | 115cm |



also somewhat longer than exponential horns. Combinations of all these types can also be found.

The tractrix is a curve well-known in the world of mechanics. In a stroke of genius, the late Paul Voigt applied the tractrix to horn speaker acoustics in 1926. The tractrix contour has characteristics similar to the exponential, but has the advantage of being shorter since the curve expands faster. The disadvantage is that it is somewhat awkward to calculate. This is because you cannot directly calculate the area  $A(x)$  at a distance  $x$  from the throat.

In this design, I decided to employ the tractrix contour to save space and wood.

### Calculating the tractrix

The formula for calculating a tractrix contour is as follows,

$$x = \frac{a \log(a + \sqrt{a^2 - r^2})}{r} - \sqrt{a^2 - r^2}$$

Where  $x$  is the distance from the mouth of the horn,  $a$  is the radius at the mouth and  $r$  is the radius at distance  $x$  from the mouth.

The tractrix curve can also be constructed using two straight rulers.

However, if you have access to a computer and some form of compiler, the most convenient method is to write a small program to calculate the curve. Pseudo code outlining how this is done is presented in the List.

### Coupling horn and driver

Before designing the enclosure, some attention needs to be directed to the volume of air – the cavity – between the driver's back side and the horn throat. It is best to keep higher frequencies out of the horn.

A good thumb rule is to let the horn handle 3-4 octaves or fewer. You should therefore dimension the cavity in such a way that it will act as a low-pass filter with an upper cut-off 3-4 times the horn's cut-off frequency. Also, the upper cut-off should be set at a point where the horn's length equals an odd multiple of the wavelength. This is because the horn is loaded from the back of the driver, 180° out of phase. In this way, cancelling of the frequencies around the upper cut-off is avoided.

Calculate the volume of the cavity  $V_c$  using,

$$V_c = \frac{C \times \text{throat area}}{(2\pi \times \text{upper } f_c)^3}$$

In my design, this was not considered. This is because I wanted to leave plenty of space available for experimenting with different upper cut-off frequencies and damping of the cavity. However, I advise would-be constructors to take advantage of this equation.

### Folding a bass horn

This is by far the most difficult part of constructing a bass horn. Horn length should be measured along the middle of the duct. Through a bend, the length should be measured along the middle of the duct, all the way around the bend. That makes it a little difficult

to construct the bend correctly, but by employing a pair of callipers and a ruler, it is possible.

At first glance, the most convenient method appears to be to keep one wall of the horn straight, while expanding the horn with the other wall. This provides for a convenient way of making the cross-sectional areas match the distance. However, it also makes it harder to measure the distance, since the distance will be on an angled line.

The formula gives you values for  $x$  measured along a straight centre line in the middle of the duct, while the radius – and calculated squares/rectangle heights – will expand in both directions from the centre line.

I solved this trigonometrical problem with a spreadsheet. I inserted output from the tractrix contour program into the spreadsheet, and added a number of columns. One of the columns contains the length along the straight wall of the horn, corresponding to the length along the centre line,  $x$ . This makes it a lot easier to draw the horn.

In this spreadsheet, the first four columns are created by the tractrix calculation program. These are, distance, radius, square and area. Height of the duct with a width of 37 is shown in the next column, entitled Const. width. In the L. straight column, length of the straight duct wall over the corresponding distance is shown. This has been found by applying simple trigonometric functions to the angles given by the increase in height *versus* the length increase shown in the Distance column.

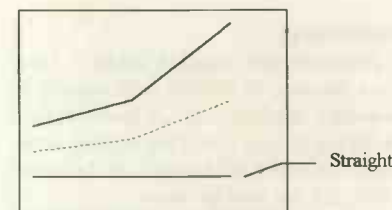
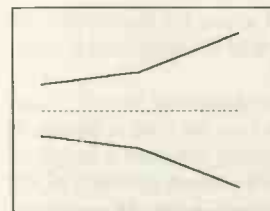
In the spreadsheet that I used, I also calculated the minimum space requirements for each row of the table. This gave a good indication of the final overall size, given the horn length.

### And a time to compromise...

Comparing the spreadsheet to the drawing reveals that the mouth area of horn appears small. It has been foreshortened, i.e. terminated at a mouth smaller than the actually calculated mouth area.

An accepted method of foreshortening the horn, is to base the mouth opening on a higher frequency than the  $f_c$  used to determine the flare rate. Normally, a horn's 'true cut-off' will be at a frequency of around  $1.25f_c$ . This allows the horn to be terminated at an area of  $7314\text{cm}^2$ . This corresponds to a duct height of  $198\text{cm}$  in our  $37\text{cm}$  constant-width horn.

Purists will tell you not to foreshorten the horn any more than this, and they are right. However, reviewing a large number of bass horns, I've found that even some of the most acclaimed designs are foreshortened more



*Folding the horn. In order to transfer the horn from paper to woodwork, it can help to draw one side flat and double the curve on the opposite side. But this also has the disadvantage of making the distance more difficult to measure since the horn axis is no longer a straight line.*

than this – and in some cases a lot more. The resulting design theoretically yields an uneven response versus frequency curve in the 1-2 octaves above the  $f_c$ . However, so will any speaker located in any room. Depending on the acoustical damping characteristics of the speaker's surroundings, this natural reflection phenomenon may, or may not, be in excess of the irregularities of the horn.

After having done some thorough research on the subject, I have found a number of thumb rules for foreshortening horns. One of them is that the mouth area should be at least five times the area of the throat. This rule is probably best-employed for front-loaded

### Mounting the drivers – caution

Take great care when handling the Lowther drive units. The magnetic gap is open, and small metal objects, swarf and dust can easily be drawn in to the gap. If that happens, the unit will need to be serviced. A useful tip is to cover the whole unit with thin tights as soon as you remove the plastic bag it is shipped in, and then mount the driver with the tights in place.

Table 2. Dimensions of panels required for the horn. In the interests of flexibility, the choice of wood thickness has not been fixed.

| Qty | Board  | Width | Depth   | Height                      |
|-----|--------|-------|---|-----------------------------|
| 2   | Top    | IW    | ID + front panel thickness + back panel thickness + 1 |                             |
| 2   | Bottom | IW    | ID + rear panel thickness + 1                         |                             |
| 2   | Front  | IW    |   | IH + bottom panel thickness |
| 2   | Rear   | IW    |   | IH                          |
| 4   | Sides  |       | ID + front + back thicknesses                         | IH + top + btm thicknesses  |

horns. Another is to cut the horn when the length is at a quarter of the theoretical  $f_c$  wavelength.

My design's foreshortening is well within these thumb rules. I cut the horn at an area of 91cm by 37cm, giving the horn a length of 288cm. Because of the mouth geometry of this design, the mouth will in fact be somewhat larger.

**Dimensioning**

Inner dimensions are listed in Table 1. Since there's a number of options with regards to wood quality, thickness, etc., I have left final dimensioning to you. Using the original drawing, the outer board dimensions can be calculated like this, for two speakers.

I used 22mm medium-density fibre-board for the top/front and side panels, and 16mm MDF for the back/bottom and inner boards. My advice however is to use marine plywood, as thick as you can afford. Also, if I were to build these speakers again – which I am sure I will, incidentally – I would cut some boards for bracing the cabinet, between the top panel and the topmost inner board, between the front board and the middle (vertical) inner board, and between the side panels toward the mouth opening. ■

**Recommended reading**

Dinsdale, J., Horn Loudspeaker design, *Wireless World*, Mar-June 1974. Note, there are errors in the tables of tractrix horn lengths.

Edgar, BC, The Show Horn, *Speaker Builder*, 2/90.

Edgar, BC, The Monolith Horn, *Speaker Builder*, 6/93.

Edgar, BC, The Edgar midrange horn, *Speaker Builder*, 1/86.

Edgar, BC, Solving the Klipschorn throat riddle, *Speaker Builder* 4/90.

Edgar, BC, The Klipschorn throat revisited: Or, Oooops, *Speaker Builder*, 6/90.

Hanna CR and Slepian, J, The Function and Design of Horns For Loudspeakers, *JAES*, Sep 1977 Vol. 25, No. 9, pp. 573-585. (Reprint of 1924 article).

Discussion: The Function and Design of Horns For Loudspeakers, *JAES*, Mar 1978, Vol. 26, No. 3, pp. 131-138. (Reprint of 1924 article).

Ketil Parow is a 30 year old programmer / software analyst at RADAR Software AS in Norway. His hobbies include loudspeaker design and building, wood-working and scuba diving. Ketil is also a part-time musician.

# Lowther's renowned PM6C – 20% discount for EW readers

For a limited period\*, Lowther Voigt is making available one pair of PM6C drivers per reader at a 20% discount on the normal retail price. This makes the pair £253.80 including VAT, instead of the normal price of £317.25. Please add £10 postage and packing.

\*Closing date for receipt of orders 9 February.



**Driver details**

Lowther's PM6C driver was specially developed with back-loaded horn applications in mind.

Even though designed for high-efficiency horn enclosures, the PM6C is still capable of handling 100W. It is a full-range, twin-cone unit specified at 30Hz to 20kHz and with a free-air resonance of 36Hz. Sensitivity is 96dB and flux density achieved from the driver's ferrite magnet is 1.75 tesla.

The PM6C is an 8Ω unit with an overall diameter of 23.2cm and a depth of 7.6cm. A baffle hole of 19cm is needed, with 4 equidistant holes on a 20.8cm pitch-circle diameter.

**Use this coupon to order your drivers**

Name/Company (if any)

Address

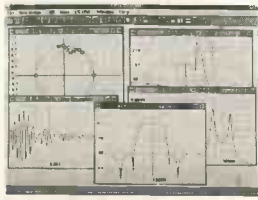
Phone number/fax

Make cheques payable to Lowther Voigt Ltd  
Or, please debit my Master, Visa or Access card.

Card No  
Expiry date

Please mail this coupon to Lowther Voigt Ltd, together with payment. Alternatively fax credit card details with order on 0181 308 0778 or telephone on 0181 300 9166. Address orders and all correspondence relating to this order to Lowther Voigt Ltd, PO Box 184, Sidcup Kent DA14 4NL, England.

\*Overseas readers can also obtain this discount but details vary according to country. Please ring, write or fax to Lowther Voigt Ltd



## HSPS - Filter Designer

Windows based, designs Analog IIR and Digital IIR/FIR filters. Includes the standard designs plus first and second order parametric filters. Analog filters can be mapped to the digital Domain by a choice of transforms.

Easy filter specification, screen prompts change appropriately for the filter design. View filter Amplitude, Phase, Transient Response, Group Delay, Pole-Zero Map. View more than one filter at the same time. Direct manipulation of Poles and Zeros with the mouse. Graphical Interface allows zooming in on response and map detail. Converts Analog Designs to component values for active filters giving E12 resistor and capacitor combinations.

Converts Digital Designs to Filter Coefficients.

Interfaces directly with PC-DSP1, for instantly running digital designs or analog designs mapped to digital domain. IIR filters can be cascaded within one channel. Supports multiple card systems.

### PC-DSP1 signal processing card

DSP card for PC. Occupies 8 bit ISA slot, link selectable PC I/O address. Software control from Filter Designer. Two 16 bit Analog channels. Sample Rates from 5.125 to 48 KHz, including 44.1 and 32 KHz. Uses two 13 MiPs 16 bit DSPs.

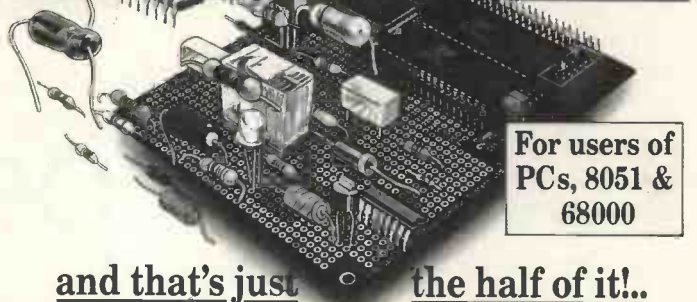
#### Benefits

Speed the design process with fast prototyping of analog and digital filters. Windows graphical interface gives results that are directly usable in documentation. Investigate and implement non-standard filters by direct placement of poles and zeros. Interactive interface provides a practical approach to understanding pole-zero maps, their responses and the effects of mapping from analog to digital domain.

**HSPS Ltd, 53 Mill Road, Over, Cambridge CB4 5PY**  
**Tel/Fax: 01954 230057**

CIRCLE NO. 110 ON REPLY CARD

The MICRO MODULE  
 A NEW LOW COST controller  
 that gives you customisation  
 for as little as **£95** one off



For users of  
 PCs, 8051 &  
 68000

and that's just the half of it!..

#### FEATURES

- 16/32 bit 68307 CPU for fast operation
- Up to 1 Mbyte of EPROM space onboard
- Up to 512Kbyte SRAM space onboard
- 32 Kbyte SRAM fitted as standard
- RS232 serial with RS485 option
- MODBUS & other protocols supported
- Up to 22 digital I/O channels
- 2 timer/counter/match registers
- I<sup>2</sup>C port or Mbus & Watch dog facilities
- Large Proto-typing area for user circuits
- Up to 5 chip selects available
- Program in C, C++, Modula-2 & Assembler
- Real Time multitasking Operating System
- OS9 or MINOS with free run time license option
- Manufacturing available even in low volumes
- A full range of other Controllers available

#### P.C. 'C' STARTER PACK AT ONLY £295 + VAT

The Micro Module will reduce development time for quick turnaround products/projects and with the P.C. 'C' Starter pack allow you to start coding your application immediately, all drivers and libraries are supplied as standard along with MINOS the real time operating system all ready to run from power on. The 'C' Starter pack includes: A Micro Module with 128 Kbyte SRAM, PSU, Cables, Manuals, C compiler, Debug monitor ROM, Terminal program, Downloader, a single copy of MINOS. Extensive example software, and free unlimited technical support all for £295 + VAT.



Cambridge Microprocessor  
 Systems Limited

Unit 17-18, Zone 'D', Chelmsford Road Ind. Est.,  
 Great Dunmow, Essex, U.K. CM6 1XG  
 Phone 01371 875644 Fax 01371 876077

CIRCLE NO. 111 ON REPLY CARD

# SEETRAX CAE RANGER PCB DESIGN

WITH COOPER & CHYAN AUTOROUTER

RANGER3 - DOS £2500  
 - Windows\NT £2900

RANGER2 £150

Hierarchical or flat schematic linked to artwork.  
 Unlimited design size, 1 micron resolution  
 Any shaped pad, definable outline library  
 in, gate & outline swapping - auto back annotation  
 Split power planes, switchable on - line DRC

### COOPER & CHYAN SPECCTRA

autorouter (SP2)

Inputs: OrCAD, Cadstar,  
 PCAD, AutoCAD DXF

Outputs: Postscript, Windows bit map

R2 & R3 Outputs: 8/9 & 24 pin printers, HP  
 Desk & Laser Jet, Cannon Bubble Jet,  
 HP-GL, Gerber,  
 NC Drill, AutoCAD DXF

Upto 8 pages of schematic linked to artwork  
 Gate & pin swapping - automatic back annotation  
 Copper flood fill, Power planes, Track necking,  
 Curved tracks, Clearance checking,  
 Simultaneous multi-layer auto-router

RANGER2 UTILITIES £250

COOPER & CHYAN SPECCTRA auto-router (SPI)  
 Gerber-in viewer, AutoCAD DXF in & out

UPGRADE YOUR PCB PACKAGE  
 TO RANGER2 £60

TRADE IN YOUR EXISTING PACKAGE TODAY

Seetrax CAE, Hinton Daubnay House, Broadway Lane, Lovedean, Hants, PO8 0SG  
 Call 01705 591037 or Fax 01705 599036 + VAT & P.P

CIRCLE NO. 112 ON REPLY CARD

All Trademarks Acknowledged

# High performance direct conversion

**Rod Green and Richard Hosking discuss how extending the polyphase direct conversion receiver concept produces a system with high performance, impressive selectivity and variable bandwidth.**

**T**here have been many direct conversion receiver designs published, many with acceptable performance despite their simplicity. Problems with simple designs are the 'audio image', and difficulty receiving modes other than cw and ssb.

The audio image – ie receiving signals on both sides of the local oscillator frequency – can be eliminated using phasing techniques. It is possible to achieve opposite side-band suppression with these circuits of 55-60dB. This level of suppression approaches that achievable with a crystal filter.

A block diagram of a polyphase dc receiver, Fig. 1, published in *EW+WW* March 1994, is

shown in with a plot of the receiver selectivity in Fig. 2. You can see that as the receiver is tuned across the the signal carrier frequency from one side-band to the other, the response drops very rapidly from 0 to -60dB.

'High-side' selectivity, illustrated in Fig. 2, depends on the low-pass filter following the audio phase network. In the case of the previous polyphase design a five-pole low-pass filter was used to give attenuation of approximately 30dB per octave above 3kHz. As a result the -60dB point occurs at about 12kHz from the carrier.

Obviously, better results could be obtained using higher order switched capacitor or digital filters, with response determined by the design of the filter and the number of poles. Alternatively, if the 'crossover' effect that occurs as the receiver is tuned across the carrier frequency could be utilised on the high side of the audio pass-band, the result would be a receiver of excellent selectivity.

By extending the polyphase direct conversion receiver concept it is possible to produce such a design – Fig. 3.

## A different rf phasing network

The front end of the receiver, Fig. 4, is a direct conversion phasing design similar to the one described in *EW+WW* March 1994. The major difference in this part of the circuit is the rf phasing network. Instead of the bistable circuit, a two-pole rf polyphase network is used, see panel.

The first set of mixers translate from signal frequency down to an 'audio IF' at 0Hz and a wide-band polyphase network provides suppression of the opposite side-band, Fig. 5. Instead of combining the outputs of the polyphase network they are used as inputs to a second set of mixers at a second intermediate frequency of 461kHz, Fig. 6. The intermediate frequency is not critical and any convenient choice could be used.

As the second mixer local oscillators are in quadrature, this section is in effect an ssb generator at 461kHz. The 461kHz ssb signal is

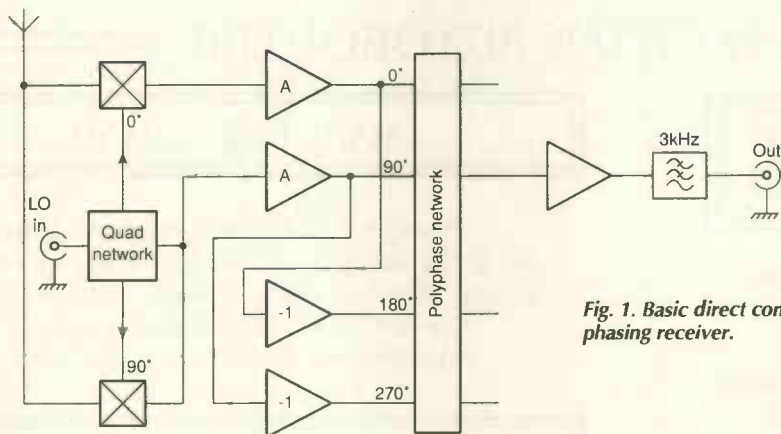
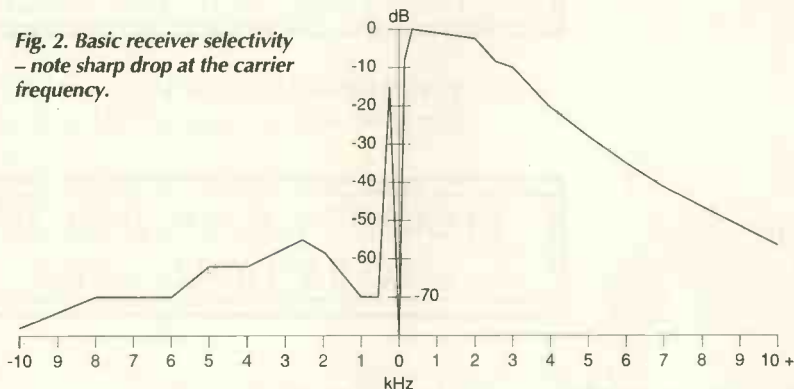


Fig. 1. Basic direct conversion phasing receiver.

Fig. 2. Basic receiver selectivity – note sharp drop at the carrier frequency.



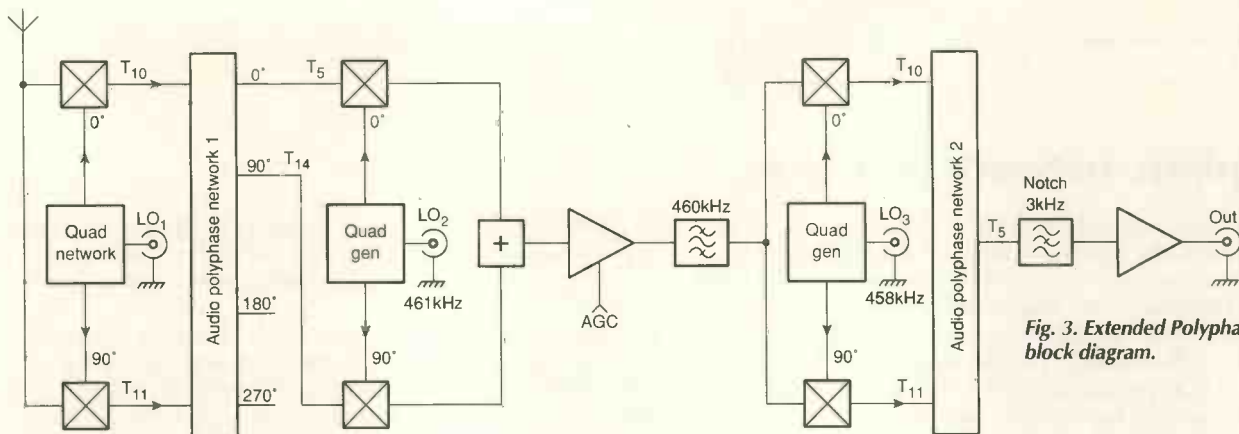


Fig. 3. Extended Polyphase receiver block diagram.

amplified and passed through a band-pass filter before being applied to a third set of quadrature mixers, Fig. 7. The filter is not critical, but it is required to attenuate responses at harmonics of the intermediate frequency local oscillators.

For the third mixers, the local oscillator is offset from the second local oscillator by 1 to 10kHz. Third mixer outputs are applied to a second audio polyphase network identical to the first, Fig. 5, to make this section in effect a second polyphase ssb receiver.

Phase relationships of all the signals are arranged so that the first section provides the selectivity on one side of the receiver pass-band while the third section provides the selectivity on the other side.

Variable offset between the second and third local oscillators allows a variable receiver bandwidth, ie frequency difference between the two oscillators. The AN4061 dual mixer is used for the second and third mixer pairs. This device is designed for use in colour tv cameras and is highly balanced and matched. In addition, it requires a minimum of external components.

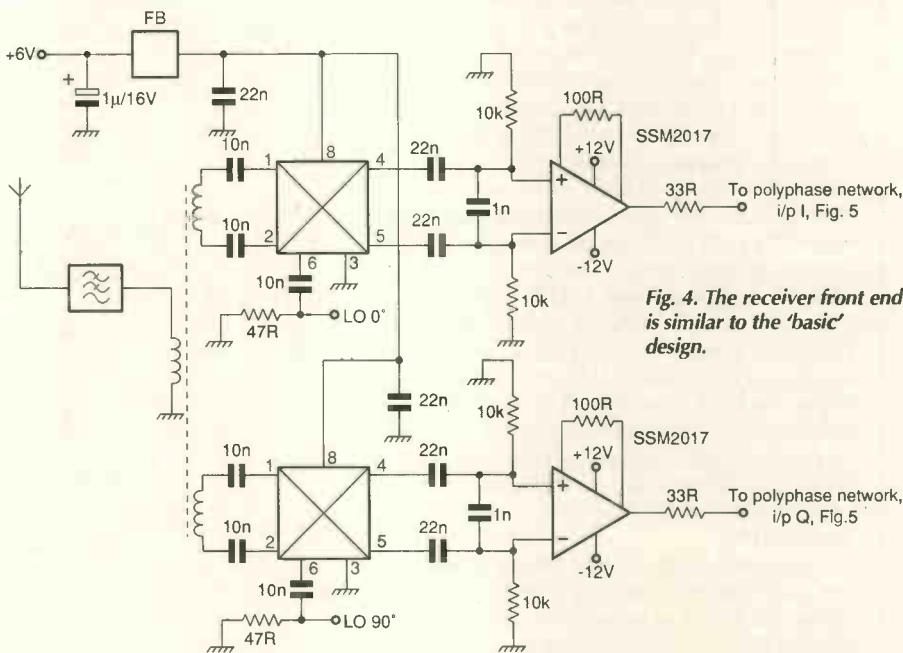
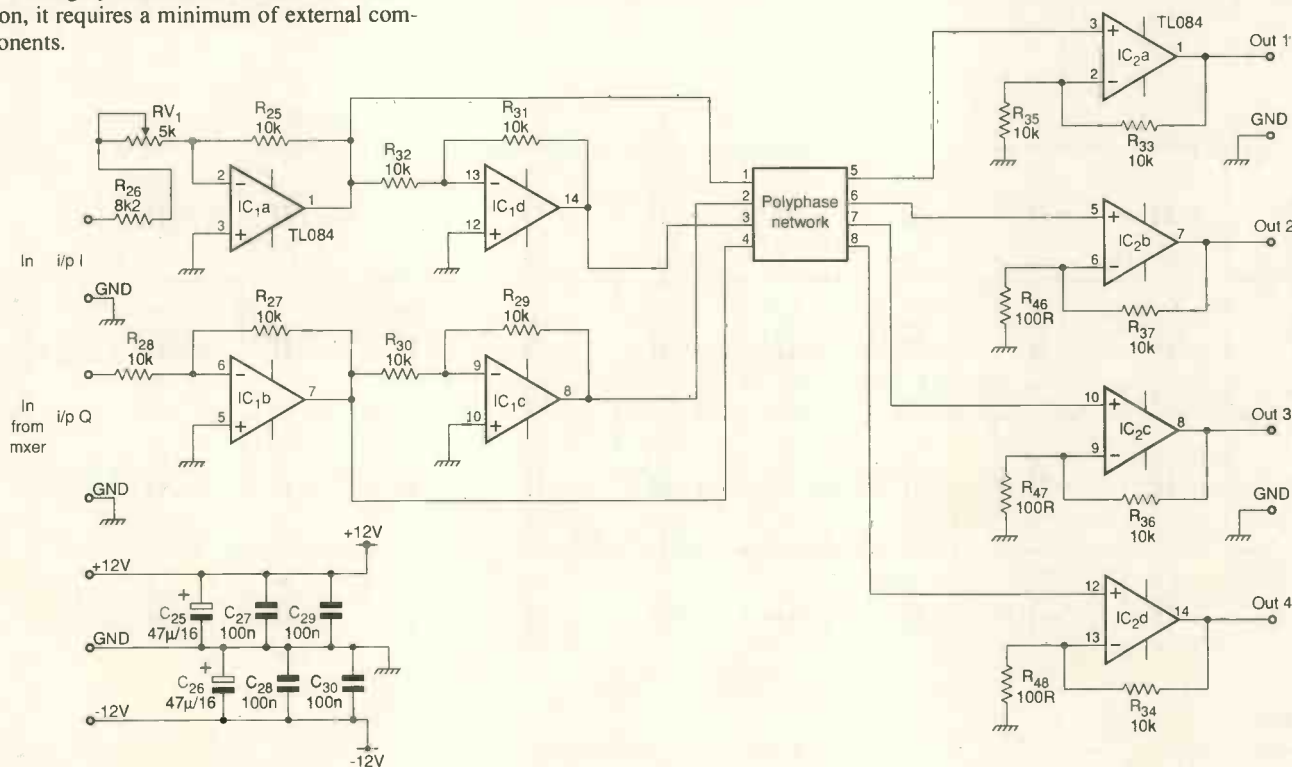


Fig. 4. The receiver front end is similar to the 'basic' design.



## Polyphase network principles

The principle of the polyphase network has been previously described. Briefly, if the network is fed with four signals in quadrature, they are cancelled in one direction – for example 0°, 90°, 180° and 270° – and passed in the other – 180°, 90°, 0° and 270°. More importantly, in this design, the signals are cancelled in the network. The outputs do not need to be combined to achieve cancellation and are available as quadrature pairs to feed into the second set of mixers. We used 9 pole audio networks to give an accurate quadrature response up to about 10kHz, Fig. 5 and the diagram below.

Network response was measured with a phase meter to be accurate to within 0.2° over the relevant pass-band. This accuracy is consistent with the measured system selectivity of approximately 55dB.

Note that networks have maximum attenuation within their quadrature pass-band. Above and below the quadrature pass-band, amplitude of the output products rises. A low pass RC section at about 15kHz was necessary after the first audio network to prevent overloading and cross-modulation in the second set of mixers from high frequency audio products. The network is relatively immune to component variation but it is still useful to choose matched capacitors and 1% resistors to achieve best performance.

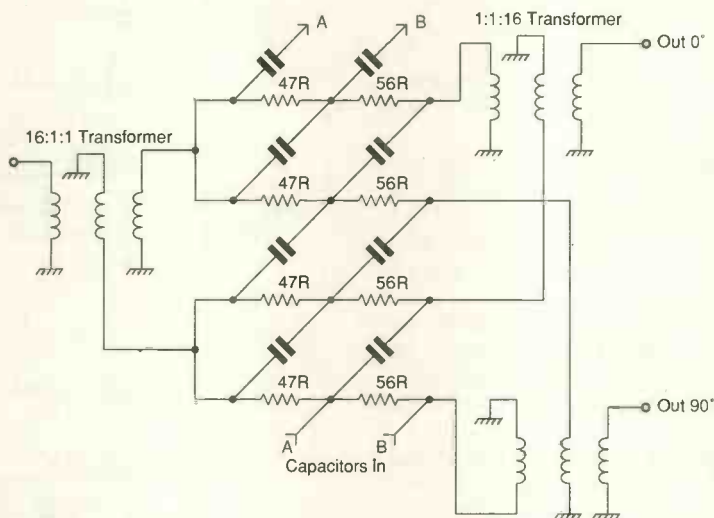
### And at rf?

The polyphase network can be made to work at rf up to about 30MHz. Above this, stray capacitance and phase errors in other parts of the circuit cause unacceptable phase error.

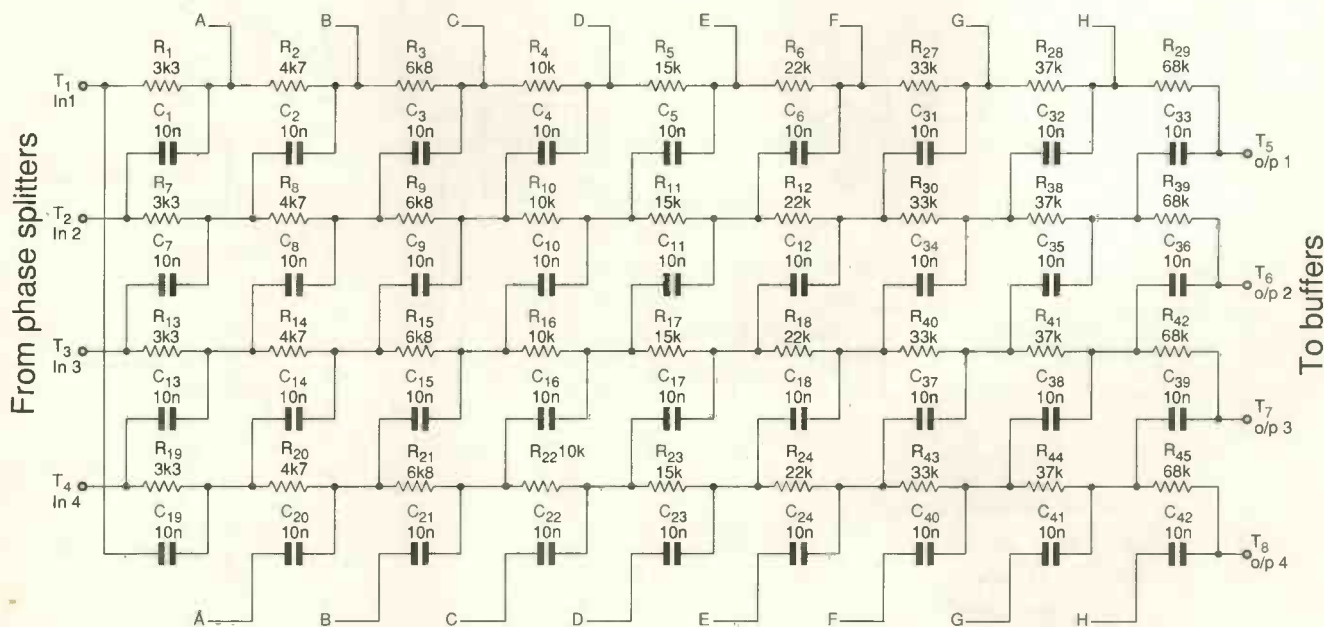
In the front end of this receiver, we used a two pole network to give good results over the 3.5 to 4MHz band,

diagram right. A transformer is necessary to provide balanced input drive to the network and to provide impedance matching. In this receiver transformers were wound on ferrite beads.

Loss in the network is not great if only two poles are used. It is possible to construct a broadband network with six or more poles to cover a decade or more, but network loss becomes significant. An alternative approach is to use several networks with a smaller number of poles and switch between them for different bands.



(Top) RF polyphase network which is accurate over the 3.5 to 4MHz range. (below) Audio polyphase network detail.



Local oscillator quadrature signals for second and third mixers are generated using dual bistable devices in a ring configuration. Front end quadrature rf signals are generated using a broad-band rf polyphase network with values for the band of interest.

To minimise board space, surface-mount components can be used for polyphase networks. A notch filter is necessary in the audio output to eliminate a tone due to carrier feed-

through in the second set of mixers. In this case we used a switched capacitor filter.

**System blocks**

Figure 8 gives a visual representation of the signals as they pass through various stages of the receiver.

Assume selectivity is set at 3kHz and that the incoming signal spectrum includes a dsb signal on 10MHz. Carriers C1-3, are on 9.990,

10.007 and 10.018 MHz, Fig. 8a). The first local oscillator, LO1, is set at 10.003MHz and the first set of mixers and phasing networks are arranged to receive the lower side-band.

Signals above 10.003MHz are attenuated by the phasing network. Note that this attenuation extends only to the limit of the phasing network response. In this case we used a polyphase network with poles extending to about 10kHz. As a result products from sig-

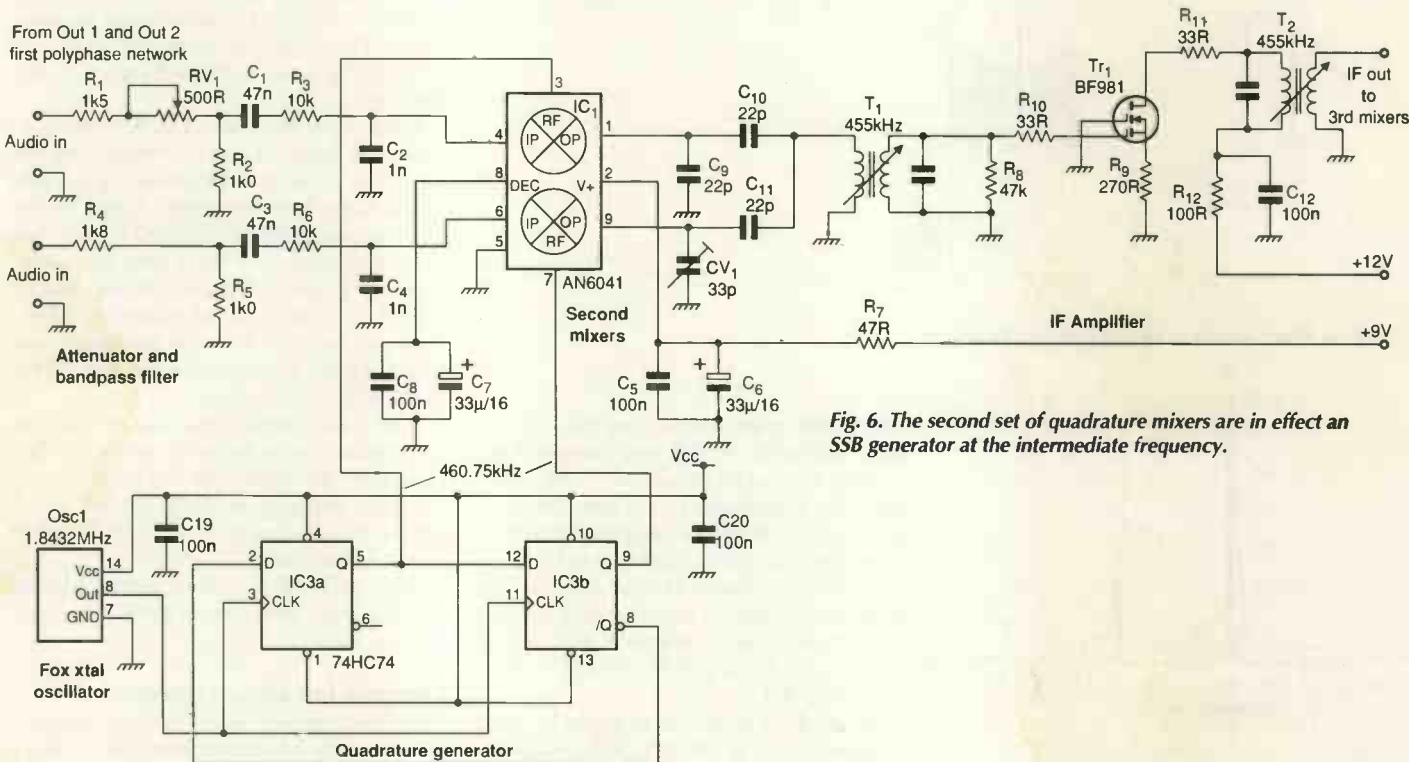


Fig. 6. The second set of quadrature mixers are in effect an SSB generator at the intermediate frequency.

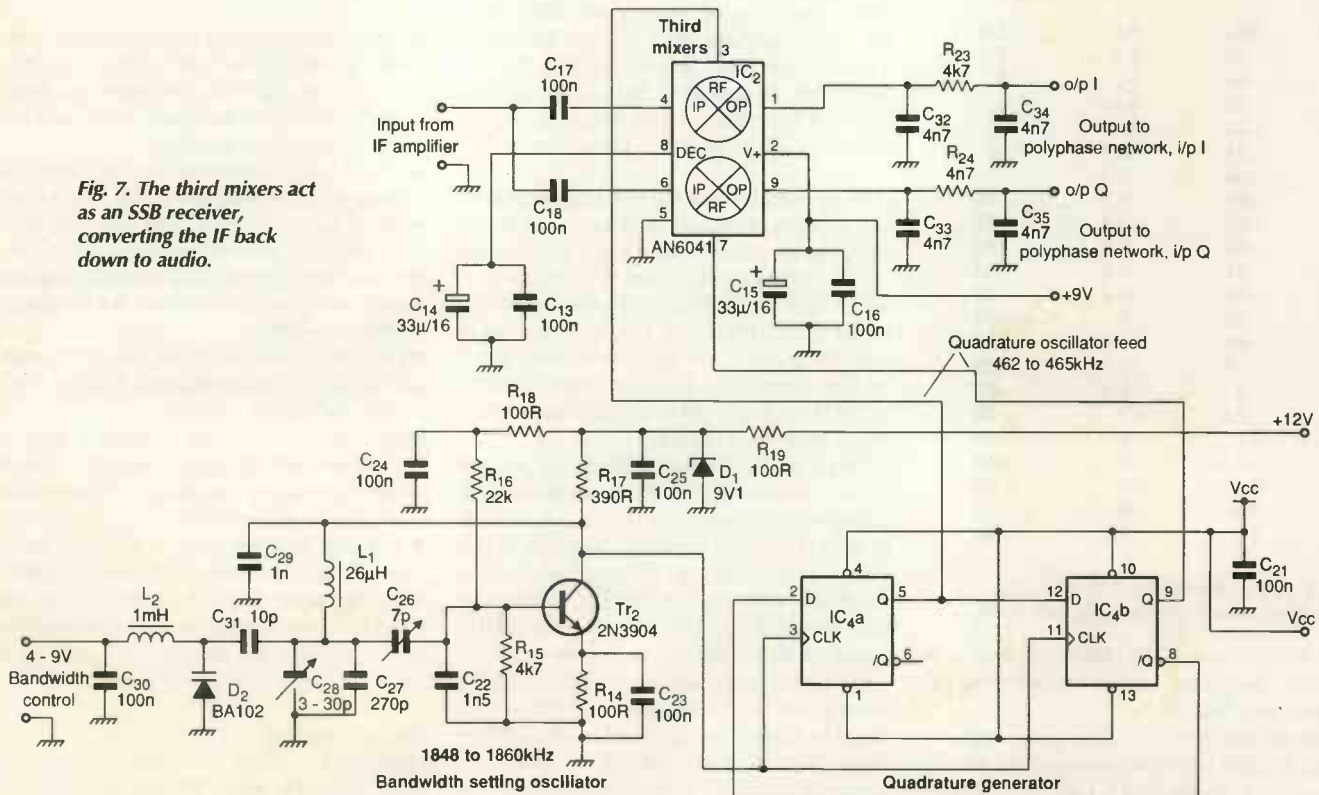


Fig. 7. The third mixers act as an SSB receiver, converting the IF back down to audio.

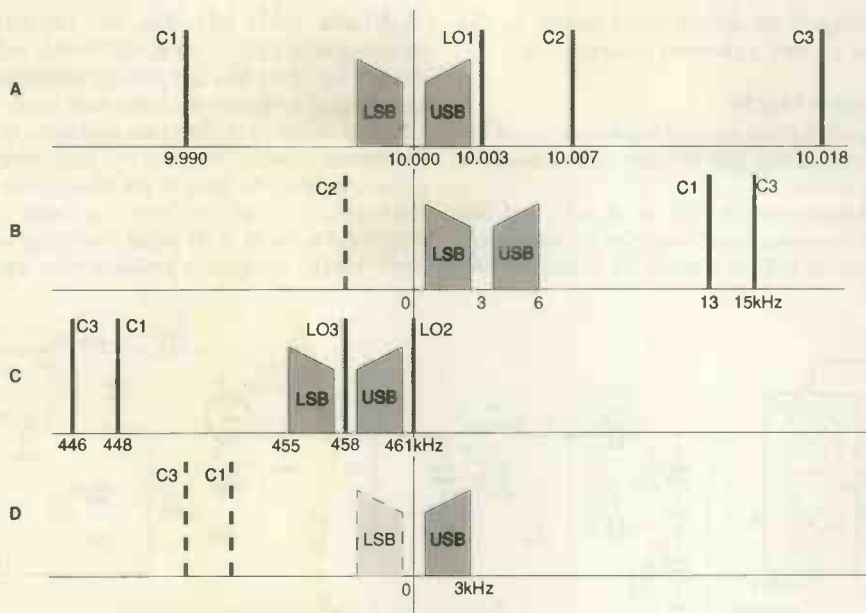


Fig. 8. Signal spectra at various points in the receiver.

this case, audio output would represent the original amplitude modulation upper side-band from 0 to 10kHz.

**The receiver's performance**

Front-end performance depends on the quality of the first local oscillator and first mixers. In this case, we used NE602 active mixers which have only average strong signal handling due to their rf gain and low power design. Maximum input level before limiting is about -25dBm. Dynamic range is about 90dB. This could be improved as in all receivers by using high-level mixers in the front end.

Selectivity is impressive, Fig. 9. These measurements were taken at 3.6MHz with the selectivity set at 3kHz. Reference point was 0dB at 1kHz from the carrier. 'Lobes' in the response within 300Hz of cutoff at each side of the pass-band were due to poor quadrature accuracy in the polyphase networks below 300Hz. This effect could be reduced by 300Hz high pass sections after the polyphase networks or poles at frequencies less than 300Hz in the polyphase networks.

There was a spurious response at -49dB at twice the selectivity frequency setting - in this case 6kHz. We assume that this is due to poor side-band suppression in the second set of mixers. It could almost certainly be improved with a second design.

Subjectively the filter improved intelligibility of signals over the original polyphase receiver alone.

**Complex but advantageous**

Though the receiver is somewhat complex, it offers several advantages over conventional superhets and dc receivers,

- Apart from responses within the audio pass-band - ie within about 10kHz of the signal frequency - any spurious responses are determined by first local oscillator quality and first mixer strong signal handling.
- 'Brickwall' selectivity can be achieved without crystal or mechanical filters and bandwidth is easily variable. This order of selectivity could be achieved using dsp techniques. However digital processing generally requires higher current drain which may not be ideal in portable equipment.
- Potentially, amplitude and frequency modulated signals can be received, making this a multimode design.
- Automatic gain control is easier to apply to the intermediate-frequency amplifier than at audio, as would be the case in a conventional direct conversion receiver.
- It would be interesting to measure group delay characteristics of the system though we have not done this. In theory the system should show a relatively linear characteristic over the whole pass-band. ■

**Further reading**

Hosking R. 'Polyphase direct conversion SSB', EW+WW Mar 1994, pp. 202-206.

and 15kHz respectively. Note that C2 has been eliminated. Recall that the polyphase network has output phases of 0°, 90°, 180° and 270°. A quadrature pair of these outputs is applied to the second set of mixers with phases arranged to produce lower side-band sbs with a local oscillator, LO2, at 461kHz. The IF spectrum includes the original dsb signal from 461 to 455kHz - inverted - and products from C1 and C3 at 448 and 446kHz respectively, Fig. 8c).

The third set of mixers is driven by local oscillator LO3, at 458kHz. This section is arranged to receive upper side-bands. Resultant output is demodulated audio from the upper side-band of the original dsb signal, Fig. 8d). The lower side-band and all the carriers have disappeared. Selectivity on both sides of the pass-band is sharp due to the crossover effect described above.

**AM reception via direct conversion?**

It is possible to receive amplitude modulation using the receiver. Assume that a 10MHz AM signal is being received and that selectivity is set to 10kHz. The first local oscillator would be set to 10.010MHz to give an audio output with the original AM upper side-band inverted from 0 to 10kHz. The AM carrier would be at 10kHz and the AM lower side-band would range from 10 to 20kHz.

Single side-band output from the second section would in effect be a reconstituted AM signal with the carrier at 451kHz. It is possible to detect this using envelope detection. In this case it is necessary to provide intermediate frequency selectivity at 451kHz as only signals between 10.010MHz and 10.020MHz would be attenuated by the first section.

In practice, heterodynes from other signals are a problem. Alternatively the AM signal could be limited and the third local oscillator phase locked to the carrier to give synchronous detection with good selectivity. In

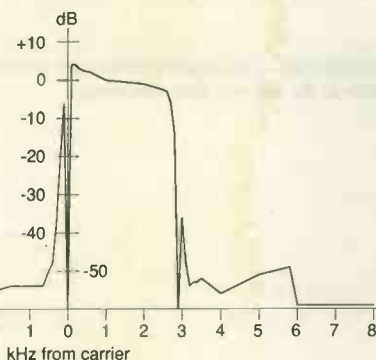


Fig. 9. The receiver shows 'brickwall' selectivity on both sides of the passband.

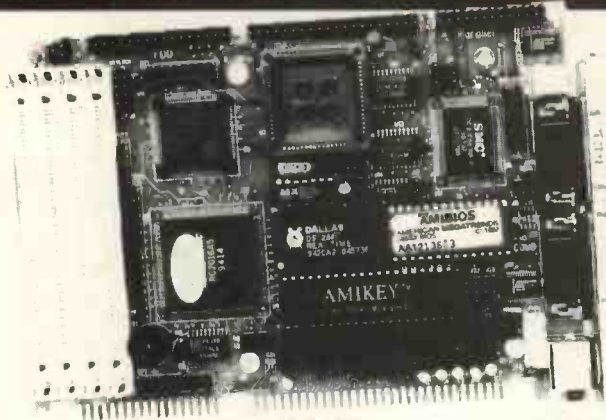
signals above about 10.013MHz will appear in the first polyphase output as audio signals greater than 10kHz.

Output from the first audio polyphase network, Fig. 8b), contains products from the dsb signal and products from C1 and C3 at 13kHz

| F (kHz) | dB   | 0.4  | 2.5 |
|---------|------|------|-----|
| 10      | -59  | 0.3  | 3   |
| 8       | -59  | 0.2  | 4   |
| 6       | -59  | 0.1  | 4   |
| 5.8     | -49  | 0    | 60  |
| 5       | -51  | -0.1 | -6  |
| 4       | -56  | -0.2 | -21 |
| 3.5     | -52  | -0.3 | -38 |
| 3.4     | -53  | -0.4 | -48 |
| 3.3     | -53  | -0.5 | -50 |
| 3.2     | -54  | -0.6 | -54 |
| 3.1     | -48  | -0.8 | -54 |
| 3.0     | -36  | -1   | -54 |
| 2.9     | -60  | -1.5 | -54 |
| 2.8     | -14  | -2.0 | -56 |
| 2.7     | -6   | -2.5 | -57 |
| 2.5     | -2.5 | -3   | -59 |
| 2.0     | -1   | -4   | -59 |
| 1.5     | -0.5 | -5   | -59 |
| 1.0     | 0    | -6   | -58 |
| 0.8     | 0.5  | -8   | -58 |
| 0.6     | 1    | -10  | -58 |



# COMPONENTS & SYSTEMS FROM IOSIS



**INDUSTRIAL SPEC COMPONENTS AND SYSTEMS**  
 386SX-40 All-in-one CPU Board on PC half card from £215. Requires only display adapter and RAM to complete the core of a PC-compatible system. PC/104 or ISA bus expansion. PC/104 display adapter from £135. Desktop LCD mono VGA monitor with display adapter and passive back-plane from £499. Please enquire for complete systems. Prices exclude VAT and carriage.

2c Chandos Road, Redland, Bristol BS6 6PE. UK  
 Tel: 0117 973 0435 Fax: 0117 923 7295

CIRCLE NO. 113 ON REPLY CARD

## DID YOU KNOW?

More than half the world's PCs wake up to our BIOS!

And we're doing pretty well with hardware products too!

Motherboards:

- TITAN - 2 x P5 EISA/PCI
- ATLAS - P5 ISA/PCI
- APOLLO - P5 Triton ISA/PCI
- ATLAS LPX - P5 Triton ISA/PCI

Peripherals:

MegaRAID™ - PCI/SCSI/RAID

And more...Call us for more information!

**PLUS - Coming soon PC-CARE™**  
 (AMIDdiag for Windows)  
 Watch this space!

OEM enquiries welcome on all products, Hardware / Software and BIOS.

**American Megatrends Intl. Limited**  
 Unit CS, Worth Corner, Pound Hill, CRAWLEY, W.Sx. RH10 7SL  
 Tel 01293 882288 - Fax 01293 886550



CIRCLE NO. 114 ON REPLY CARD

# COMPONENTS FOR MODEMS

Telecom Design Communications - the one-stop shop for all your modem needs.

## Modem Chipsets

Rockwell's range of market-leading modem devices provides high-speed 28.8 kbps through single-chip 14.4 kbps with data/fax/voice, to low power, low cost 2400 bps data only. Call TDC for superb solutions for fast Internet access. Write in number 108



B17 ONLY REQD



## SocketModems™

Rockwell SocketModems™ make integration of voice, data, and fax functionality a breeze. Connect with one of our BAPT line interfaces for fastest time to market. Write in number 244

Write in number 244

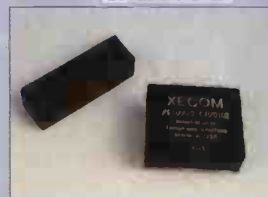
## Digital Simultaneous Voice & Data

Operating at 28.8 kbps, DSVD is ideal for new and expanding markets like business presentations and interactive games - play and talk simultaneously on a single standard phone line! Write in number 245

Write in number 245



B17 ONLY REQD



## Line Interfaces

Carrying a BAPT Certificate of Recognition to ease the path to full UK approval, Xecom Inc. line interfaces are the compact solution to PSTN connection. Other country versions are also available. Write in number 246

Write in number 246

## Modem Manufacturing Packages

Aimed at OEMs and System Integrators wishing to incorporate modem functionality into their products, TDC have introduced an evaluation board based on Rockwell's single-chip V.32bis data/fax/voice device. Write in number 247

Write in number 247



If you need communications facilities, our team of applications engineers can assist you at every stage from design and integration through to BAPT approval.



**TDC**

TELECOM DESIGN COMMUNICATIONS LTD

Telecom Design Communications;  
 Connect House, Stroudley Road,  
 Basingstoke, RG24 0UG  
 Tel: 01256 332800.  
 Fax: 01256 332810.  
 BBS: 01256 57900.

51° 16. 16' N. 0° 1. 04' W. SU 653535.46531535

CIRCLE NO. 115 ON REPLY CARD

In this extract from his book *Valve Amplifiers* **Morgan Jones** takes you through the steps of designing a valve power amplifier, and presents a prototype with a unique feature.

# A fresh look at valve power



**W**hen designing your first valve amplifier, you need to be realistic. You are not going to design a world beating amplifier overnight, and by restricting your ambitions you stand a much better chance of making something that actually works.

The design example presented here is a 10W Class AB1 push-pull 'ultra-linear' amplifier using *EL84* output valves. There are a number of reasons for this choice,

- It is cheap. If you have a 340V HT supply, this can be smoothed by 385V capacitors intended for switch-mode power supplies. In addition, the HT could be provided by a 240V isolating transformer with a silicon bridge rectifier. If any mistakes are going to be made, then it is best to make them with reasonably inexpensive components rather than expensive ones.
- There are many reasonably cheap second-hand amplifiers such as the Leak Stereo 20 or Leak TL12+, that can be cannibalised for their transformers.
- Powerful amplifiers require considerably more skill in layout and construction, and

generate bigger bangs, so it is advisable for designers to start small.

## Bevois Valley amplifier

This design acquired its name because the prototype was built from a pair of mono amplifiers bought for £15 – including pre-amplifier – in Bevois Valley. Once the output valves have been chosen, transformer configuration is limited, and therefore the entire output stage is fixed.

Transformer primary impedance needs to be around 8k $\Omega$  anode to anode, and with 43% taps for minimum distortion. This component might have been scavenged from a Leak, or it might even have been bought new. Either way, you will need an HT of 320V, and each valve will require 8V<sub>RMS</sub> for full output. Our task is to design superior driving circuitry using the following specification.

**Low noise.** With the low noise obtainable from cd or a good vinyl recording, noise in the power amplifier needs to be undetectable. A signal-to-noise ratio of 100dB, relative to full output power, is not an unreasonable figure to aim for. This rules out pentodes and high sensitivity.

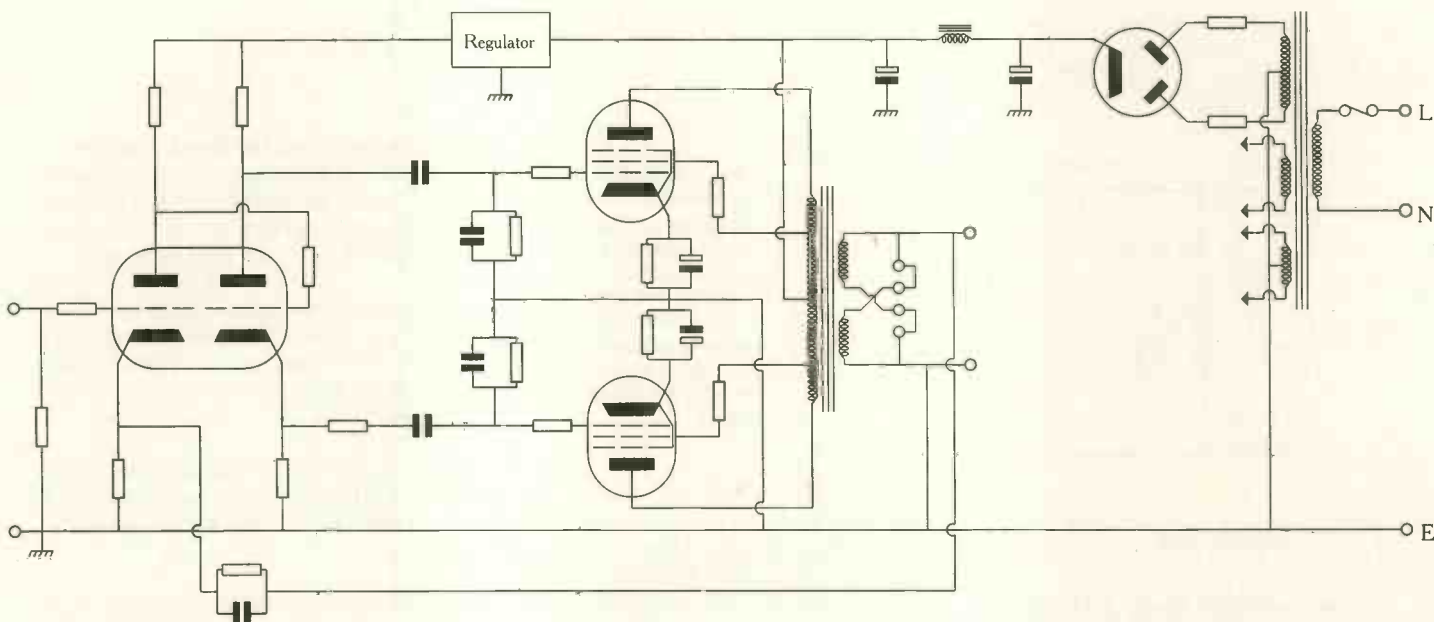


Fig. 1. Power amplifier using concertina phase splitter and featuring – possibly for the first time – cathode build-out resistor in the driver stage.

**No hum.** This implies superb standards of construction, and/or dc heaters for the input stage.

**Stability.** To achieve good stability an absolute minimum of stages is needed.

**Distortion.** This is a tricky topic. If you want distortion measured in parts per million, then you had better buy a decent transistor amplifier. If you think that hearing is everything and measurement is nothing, then sell the house and buy a single-ended triode amplifier. We have to be honest about this. Valve amplifiers do not measure well, but they do sound good. Presumably, we listen to music to enjoy it, so this quality is important. However, I see no reason why we should tolerate obvious engineering faults. As a result, these will be removed – although this will not imply perfection.

**Simplicity.** Valve designs should be simple. Simple systems tend to have simple shortcomings. Additionally, they are repairable. Complex systems are built on silicon, have lots of legs, and are repeatable and disposable.

Together, these criteria demand that we use a concertina phase splitter direct coupled from the input stage without a driver stage, and we can instantly draw a circuit diagram. That this circuit is quite similar to the GEC912-Plus demonstrates that there is little new under the sun. The design rationale however is new, and to my knowledge, the cathode build-out resistor in the phase splitter is unique, Fig. 1.

Since the output valves are being driven

directly from the phase splitter, linearity of the phase splitter is paramount. The chosen phase splitter only has a gain of 1, so the input stage will also need excellent-linearity.

Only three valves are really suitable for a concertina stage – the 6SN7, ECC82 and E88CC. We will use the E88CC.

### Optimisation of dc conditions

Because the two stages are dc coupled, the design of the two stages will be interactive. As before, the way to deal with an awkward problem like this is to garner as many facts as possible, label the drawing, and see if anything

useful appears.

Having chosen a concertina stage, we can start by labelling the anode and cathode loads as  $22k\Omega$ . This traditional value is used because  $Z_{out}$  is approximately equal to  $R_L$  and while output resistance needs to be minimised, a significantly lower value would result in excessive power dissipation, Fig. 2.

Generally, with an anode voltage of 80 to 90V, linearity of the E88CC is best when the grid is at  $-2.5V$ . Although the concertina operates under heavy feedback, it would be preferable if it were linear *before* feedback. As a result, it is necessary to juggle conditions such that both valves are biased with  $V_{gk} = -2.5V$ .

Since the concertina has a gain of around unity, it might be possible to arrange component values such that the signal current drawn by the concertina is equal and opposite to the signal current drawn by the input stage. This would result in zero modulation of the HT supply, and would make the HT requirements less stringent.

After much drawing of loadlines, I found that all three requirements could be met simultaneously. Additionally, they met the previously unstated requirement of being achievable with the HT available.

Balancing signal currents is the easiest requirement to satisfy. If the concertina had an  $A_V$  of unity, then for equal and opposite currents we would use an anode load in the input stage equal to the sum of the anode and cathode loads of the concertina. Since the concertina has  $A_V$  of less than one, proportionately less signal current is swung into the input stage, which means a higher value of anode load:

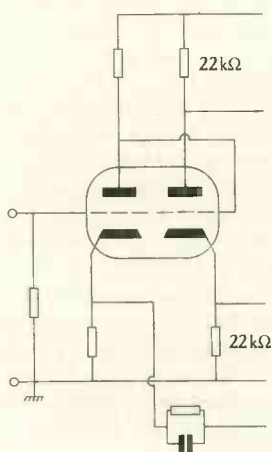


Fig. 2. Determining the operating conditions of the driver/input stage. The value  $22k\Omega$  is used because  $Z_{out}$  is approximately equal to  $R_L$ . A significantly lower value would result in excessive power dissipation.

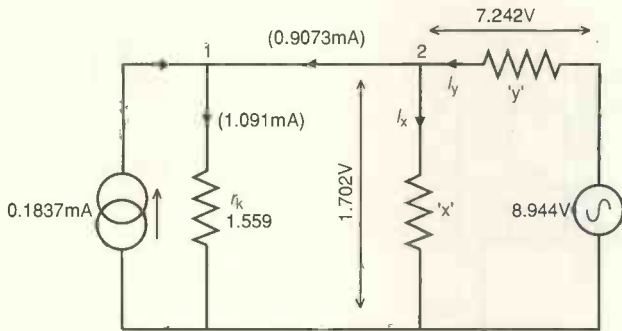


Fig. 3. Equivalent circuit of ac conditions at the valve amplifier input stage. Labelling currents and other relevant information makes calculating the cathode bias and feedback resistors easier.

$$R_{L(input)} = \frac{R_{anode} + R_{cathode}}{A_{V(concertina)}}$$

For the concertina,  $R_k=R_a=22k\Omega$  obtains, and optimum biasing is needed. Since the HT voltage is not known, gain has to be guessed. Fortunately, because the E88CC has such a low anode resistance, and the concertina has heavy feedback, it is possible to make a good guess at gain.

Since the E88CC has a low anode resistance, gain for a given value of anode load does not change greatly with HT.

As a result, an HT of 300V can be guessed at, and a loadline can be plotted to determine the gain of an E88CC with a 44kΩ anode load and -2.5V grid voltage. This results in an  $A_V$  of 28.75. The feedback equation can now be used to determine the gain when used as a concertina,

$$A_{V(concertina)} = \frac{28.75}{1 + 28.75} = 0.966$$

Even if had the approximation been based on  $\mu$ , the error would only have been 0.3%, indicating that the guess should be quite accurate. From this result, the value of anode load for the input stage can be calculated from,

$$R_{L(input\ stage)} = \frac{44}{0.966} = 45.53k\Omega$$

Alternatively,  $R_L$  for the input stage can be set at 47kΩ, and the concertina resistors reset to 22.7kΩ. This is a more convenient choice since the 47kΩ resistor will dissipate almost 1W, and so a 2W component is needed. This could be provided by 4x47kΩ 0.6W devices in series/parallel, or by a single 2W component.

It is inconvenient to provide non-standard values in higher ratings, whereas the concertina resistors are only dissipating around 0.33W. This can be more easily met by standard resistors.

The closest approach to 22.7kΩ is provided by 24kΩ in parallel with 430kΩ, but this

means that the 24kΩ resistor is dissipating almost all the heat, and a 0.6W component is marginal. You could use a 2W 24kΩ resistor, but the tolerance of 2W resistors is usually 2%. A better solution is to use 36kΩ in parallel with 62kΩ, which is not such an accurate approach to 22.7kΩ, but the resistors are closer tolerance. Also, the power is more evenly distributed between the components so that they are operated well within their ratings.

These choices of loads for the input/phase splitter stage will ensure equal and opposite signal currents, so we now need to arrange the correct biasing. The only way of doing this is by an iterative process.

Both stages will have an HT of less than or equal to 300V due to the voltage drop from the output stage. It is also known that each stage will have an anode voltage of 80 to 90V, for a -2.5V grid.

First draw the loadline for the concertina and find  $V_a$  for  $V_{gk}=-2.5V$ . This value is then subtracted from the HT voltage to give the voltage across  $R_k$  and  $R_a$ , and divided by 2 to give the voltage across  $R_k$ . Voltage on the grid will be 2.5V lower than this, and will equal the anode voltage of  $V_1$ .

The next job is to draw a loadline for  $V_1$  to see if the optimum anode voltage corresponds with the voltage just derived. If it doesn't, the only variable is HT voltage. Fortunately, a few iterations - by hand, not computer - found that a 285V HT voltage met all requirements, and this will be provided by a regulator.

I must say that the last determination was an incredibly tedious process. It was only carried out because in adjusting the biasing, it became obvious that it was also possible to fiddle both valves' bias voltage into balance as well. A nice computer model using real valve characteristics would solve this problem in considerably less time.

Now that the HT voltage for the two stages is known, all the ac parameters can be calculated, and the value of the build-out resistor for the concertina determined.

### Cathode bias and feedback resistance

This is easily the most complex calculation in the design of a power amplifier with negative feedback applied to the cathode of the input stage. These four factors are significant:

- Cathode bias voltage needs to be set correctly. This would normally be a trivial application of Ohm's law, but in this case the bias current flows through the cathode resistor and the feedback resistor.
- The input valve generates a feedback current through the cathode resistor, in addition to any current sourced from the output of the amplifier.
- Ratio of the two resistors needs to be set so as to obtain the desired negative feedback.
- As far as ac is concerned, the cathode resistor is shunted by  $r_k$  of the valve.

Now, with the restrictions specified, it should be possible to label a diagram and derive some equations. Since 2.5V bias on the cathode is needed, and anode current is 190V/47kΩ, the total resistance to ground from the cathode must be 618.4Ω.

Anode signal swing for full output is 8.636V rms. This means that the anode signal current must be 8.636V/47kΩ=0.1837mA rms. This current also flows in the cathode circuit and will develop a feedback voltage across any unbypassed cathode resistor.

If input sensitivity of the amplifier is to equal 2V rms, and we know that the unmodified sensitivity is 298mV rms, the feedback voltage required at the cathode will be 2-0.298V, which is 1.702V rms.

For full output of 10W, the signal at the output of the amplifier will be 8.944V rms. This means that there will be 7.242V rms across the feedback resistor. Since  $r_k$  will shunt the cathode resistor at ac, it is necessary to find  $r_k$ :

$$r_k = \frac{R_f + r_a}{\mu + 1}$$

Using this equation, you will find that  $r_k=1.559k\Omega$ .

Assume that the output of the amplifier is a true Thévenin source driving the network through the feedback resistor 'y'. The valve's own feedback current is represented as a Norton current source, and the cathode resistor 'x' is shunted with  $r_k$ . Note that Fig. 3 is an ac diagram.

Our first observation is that there is a resistor of known value  $r_k$  with a known voltage of 1.702V across it, so current through it is 1.091mA.

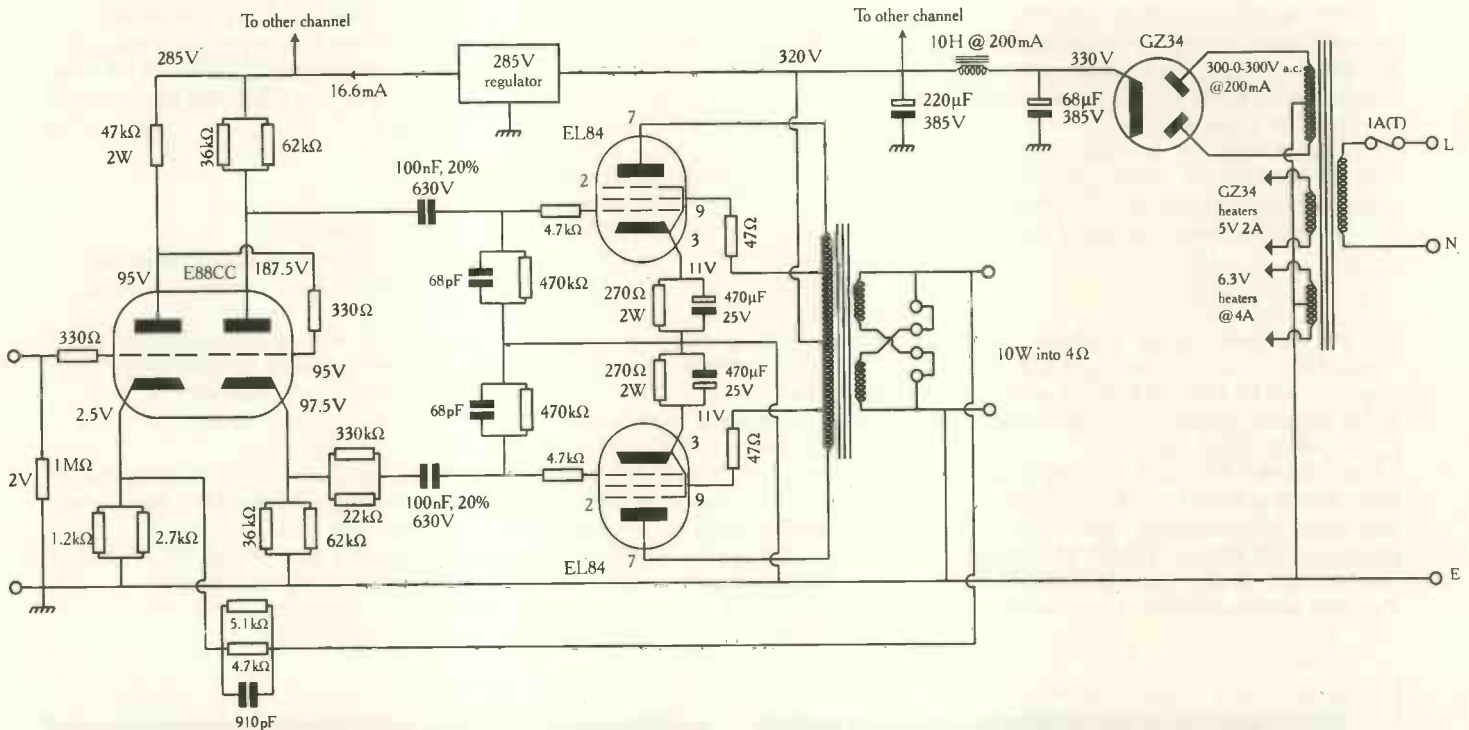


Fig. 4. Practical 10W Class AB1 push-pull amplifier using EL84 output valves and featuring the 'ultra linear' output stage.

We can now see that node 1 has two known currents flowing through it, so we can find the third, using Kirchhoff. If there is 0.1837mA flowing into the node, but 1.091mA leaving it, then 0.9073mA must be supplied by the other node. Moving to node 2, you can see that any current coming into the node must be supplied by  $I_y$  and that this splits through the resistor 'x', and to node 1. Formalising this;

$$I_x + 0.9073 = I_y \text{ (Eq. 1)}$$

You can use Ohm's law to make statements about the currents in resistors 'x' and 'y':

$$I_x = \frac{1.702}{x} \text{ (Eq. 2)} \quad I_y = \frac{7.242}{y} \text{ (Eq. 3)}$$

The final restriction is the dc restriction, which says that x and y in parallel must give 0.6184kΩ.

$$0.6184 = \frac{xy}{x+y} \text{ (Eq. 4)}$$

The way to solve the equations is to substitute the second and third equations into the first:

$$\frac{1.702}{x} + 0.9073 = \frac{7.242}{y}$$

Rearranging, and simplifying:

$$7.982x - 1.876y = xy.$$

It is now possible to substitute this into the fourth equation, and solve it to give the ratio  $y=2.953x$ . Substituting this ratio back into the equation yields  $x=828\Omega$ . Using the ratio you therefore need 1.2kΩ in parallel with 2.7kΩ for the cathode resistor, and 4.7kΩ in parallel with 5.1kΩ for the feedback resistor.

### Distortion consideration

Some of  $V_1$ 's cathode current is now flowing through the output transformer, and it might be thought that this would cause distortion. Assuming that dc resistance of the transformer secondary winding is negligible, the current flow will be,

$$2.5V/2.44k\Omega \approx 1mA.$$

Now the current turns ratio of the transformer is 31.6:1 – secondary-to-primary – so 1mA of dc flowing in the secondary is equivalent to 31μA out-of-balance dc flowing in the primary. Compared to 40mA each side, this is negligible, since output valve balance is highly unlikely to be as good as this.

All component values for the driving circuitry are now known, so the values for the output stage can be determined. The EL84 is allowed a maximum grid leak resistor of 300kΩ with grid bias. As cathode bias is being

used however, this can be increased to 470kΩ. A 0.1μF coupling capacitor is necessary, which should be polycarbonate, or preferably polypropylene, with a rating of 400Vdc or more.

A value of 4.7kΩ is traditional for grid stopper resistors on the EL84. They may not be needed, but it seems sensible to fit them just in case. A resistance of 47Ω in series with  $g_2$  is alleged to reduce distortion while reducing peak power. I have not tested this, so fitting them is a matter of personal choice. The Mullard circuits included them, but the Leaks didn't.

From the data sheet, the cathode bias resistor should be 270Ω and dissipate 0.45W. Resistors rated at 2W are commonly used here, but a 15W chassis mounting metal clad type with tabs is a much better choice. This is because an electrolytic capacitor is going to be placed very close to this resistor, so it needs to be kept cool. The resistor also provides convenient tags for anchoring the capacitor.

The cathode bypass capacitor should be 2200μF for a 1Hz cut-off. But as discussed earlier, this value would cause additional problems; a good compromise is 470μF 63V. A rating of 63V may seem excessive, since it will only see around 11V, but the higher voltage component will have a lower effective

series resistance. This becomes significant when you are trying to bypass the  $90\Omega$  cathode resistance of the valve.

Because there is only one  $RC$  network plus the output transformer in the entire amplifier, low-frequency stability will not be a problem. High frequency stability is not assured, and so this should be investigated.

The input stage has its basic sensitivity reduced from  $298\text{mV}$  to  $2\text{V}$ , which corresponds to a gain reduction of 6.71. From this, you can calculate the new  $r_a$  for the stage:

$$\frac{\mu R_L}{R_L + r_a} = 6.71 \frac{\mu R_L}{R_L + r'_a}$$

Solving this, and using  $r_a=5\text{k}\Omega$ , gives  $r'_a=302\text{k}\Omega$ , in parallel with  $R_L=47\text{k}\Omega$ ; this gives  $r_{\text{out}}=41\text{k}\Omega$ . You will find that applying global negative feedback invariably causes  $r_{\text{out}}\approx R_L$  for the input stage.

The concertina has  $3.2\text{pF}$  of Miller capacitance. Allowing for strays,  $5\text{pF}$  is a reasonable total value. In combination with  $41\text{k}\Omega$ , this gives a cut-off around  $780\text{kHz}$ . The output stage will have an input capacitance that loads the  $22\text{k}\Omega$  output resistance of the concertina,

so should be determined. Although the *EL84* is a pentode, it will still have Miller capacitance, albeit greatly reduced, so this should be included in the calculation.

You can find anode gain of the output stage by calculating voltage across the  $8\text{k}\Omega$  transformer primary for  $11\text{W}$ . It is known that  $16\text{V}_{\text{RMS}}$  from grid to grid is needed to drive the stage. This gives a gain to the anode of 18.54. Since  $C_{\text{ag}}=0.5\text{pF}$ , this would result in a Miller capacitance of  $9.8\text{pF}$ . Unfortunately, this value of  $C_{\text{ag}}$  is for the pure pentode connection. On the other hand, we will be using the 'ultra-linear' connection, where  $g_2$  does not stay at a constant potential. This means that allowance must be made for the Miller effect from  $C_{g_2}$ . Unfortunately, the Mullard data sheet does not give a value for this, so it is probably wise to allow another  $10\text{pF}$ .

Adding these to  $C_{\text{in}}=10.8\text{pF}$  produces a total input capacitance of around  $35\text{pF}$ , including strays. Driven by the concertina, this gives a cut-off of  $200\text{kHz}$ , and is the dominant pole. To achieve high-frequency stability, slug the input capacitance of the output valves, and not the concertina, as is usually done. This will

have the advantage that additional capacitance will swamp variations in the capacitance between valves, improving high-frequency balance. Shunt capacitors of  $68\text{pF}$  across the *EL84* grid leak resistors will slug this pole to  $72\text{kHz}$ . It is now possible to draw a full circuit diagram of the amplifier, with component values, Fig. 4. ■

### Further reading

Colloms, M, 'High performance loudspeakers', 3rd edn. Pentech Press, London, pp. 188-206, 1985.

Futterman, J, 'A practical commercial output transformerless amplifier', *Journal of the Audio Engineering Society* October 1956.

Hedge, L B, 'Cascade AF amplifier', *Wireless World*, 283-87, June 1956.

Mullard, 'Tube Circuits for Audio Amplifiers', reprinted by Audio Amateur Press, Peterborough, New Hampshire, 1993.

Williamson, D T N and Walker, P J, 'Amplifiers and superlatives', *Journal of the Audio Engineering Society*, 2(2), 75-80, 1954.

## Valve Amplifiers



Morgan Jones

## BOOKS

### Valve amplifiers

Classic power amplifiers is just one of the subjects covered in a new book entitled *Valve Amplifiers*, from which the above article is extracted. With over 370 pages, *Valve Amplifiers* is written by Morgan Jones and covers,

- Circuit analysis
- Basic building blocks
- Components
- Power supplies
- Power and preamplifiers
- Construction
- Safety

*Valve Amplifiers* is priced at £25. Please add postage at £2.50 UK, £5 Europe or £7.50 worldwide. Send your request with a cheque or postal order made payable to Reed Business Publishing Group Ltd, to Jackie Lowe, Room L333, Quadrant House, The Quadrant, Sutton, Surrey SM2 5AS. If ordering by credit card, please quote card type, number and expiry date together with card-holder address. Post your order, fax on 0181 652 8956 or e-mail it to jackie.lowe@rbp.co.uk.

## Microelectric Training and Development Systems PIC and 51 Series



From only  
£595

Systems comprise of the following:

In-Circuit Emulator, Integrated windowed Full Function Editor, Assembler, Simulator, Down-loader, programmers calculator and tools. Plus leads, power supply, logic probe etc. contained in a custom-case.

Training systems contain a full set of modules and a complete set of coursework (to BTEC/GNVQ Level 3). TEC Funding Available to offset purchase costs.

Development systems include programmers and full speed in-circuit emulators.

Please call or fax for a full datapack

Kanda Systems, Lisburne House, Pontrhydygroes,  
Dyfed SY25 6DX.

Telephone: 01974 282670. Fax: 01974 282356

### Distributors Wanted!

CIRCLE NO. 116 ON REPLY CARD

## RAPID

Interactive development,

## DATA LOGGER

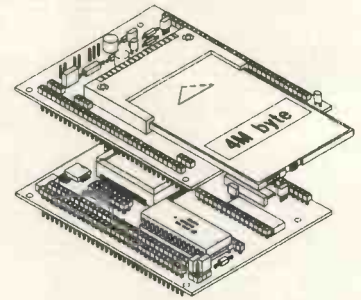
easy to learn and

## DEVELOPMENT

ready-made libraries with

## MODULE

or without PCMCIA.



TDS2020CM +  
TDS2020

## LESS HASSLE THAN

1mA single battery supply,

## THE TRADITIONAL

10-bit 8-ch A to D,

## DESIGN PROCESS,

2 serial I/O, modem option,

## YET TAILORED TO

customisable logging software.

## THE JOB



Triangle Digital  
Services Ltd

Tel 0181-539 0285

Fax 0181-558 8110

CIRCLE NO. 117 ON REPLY CARD

*SuperFILTER* synthesizes Active, Passive and Digital FIR/IIR filters and ports to *SpiceAge for Windows™* for a complete analysis.

*Super FILTER* Version 3 for Windows provides the following features.

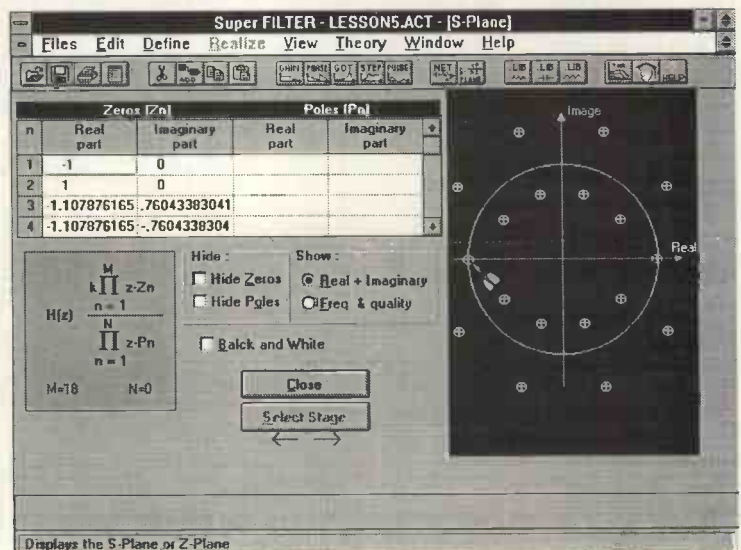
1. Choice of specifying parameters for desired response includes gain & phase coordinates, graphical (mouse tracing response), poles and zeroes in S and Z planes and Laplace transfer function coordinates.
2. No order limits of cascaded filters - applies to digital, active and passive types.
3. Types available include Butterworth, Chebyshev, Elliptic, Bessel, Realpole, Gaussian, Linear phase, Inverse Chebyshev, Digital Hilbert FIR, Differentiator, Raised cosine, Squared root raised cosine of LPF, HPF, BPF, APF, Notch filters.
4. Minimum specification of suitable op amps for achieving active filter performance.
5. Analysis of components' sensitivity using Monte Carlo method for analogue filters.
6. Analysis of effect of register characteristics on digital filters and D to A converters.
7. Analysis of inductor losses for passive filters.
8. Defining digital FIR filters by gain using the Remez Exchange algorithm.
9. Supports behavioural modelling within *SpiceAge for Windows* synthesizing more than 150 topologies
10. Graphic display of the realized versus the ideal filter with best fit options taken from a comprehensive (and user controllable) library of preferred component values.

*"This is a stunning program that will save and save again."*

For further details and demonstration disk, contact Those Engineers Ltd, 31 Birkbeck Road, LONDON NW7 4BP.  
Tel 0181-906 0155, FAX 0181-906 0969, CompuServe 100550, 2455,

CIRCLE NO. 118 ON REPLY CARD

Those  
Engineers Ltd







# DIY *circuit analysis*

Using brief Basic routines, **John Hopkins** demonstrates how you can analyse simple circuit networks on the PC - and in doing so, provides an insight into how Spice functions.

If you have used an analogue simulator, such as Spice, you may have wondered how all those intricate calculations are carried out.

If you have a version of Basic - such as the one included with MS-DOS - you can gain an insight into Spice by trying out the routines described here. What follows is not intended to be a replacement for a proper simulator, but rather an exercise in trying to understand how network analysis is carried out.

Consider solving a linear network consisting of resistors, capacitors, inductors and active devices driven from an appropriate signal source. Transistors - and other active devices - are non linear, but by considering small signal operation at a suitable dc working point, you can linearise the problem.

Figure 1 shows a network involving only resistors and a dc source. The usual way of solving this without computer aid is to use Kirchhoff's laws and set up a system of equations. For our purposes, it is best to use the nodal analysis method.

You begin by numbering the nodes, making the earth node zero and then allocating the numbers 1,2,3... as far as necessary, as in Fig. 1. Analysis is then conducted in terms of voltages at each node, by writing a statement of Kirchhoff's current law at each node.

The sum of the currents flowing through the resistors, worked out from the node voltages and Ohm's law, is equal to the current from the independent source connected to that node.

At node 1:  $V(1)/1+(V(1)-V(2))/10+(V(1)-V(3))/100=1$   
 At node 2:  $(V(2)-V(1))/10+(V(2)-V(3))/10+V(3)/100=0$   
 At node 3:  $(V(3)-V(1))/100+(V(3)-V(2))/10+V(3)/1=0$

Equations can be tidied up so that terms involving a given node voltage are grouped together.

Node 1:  $(1+1/10+1/100).V(1)-V(2)/10-V(3)/100=1$   
 Node 2:  $-V(1)/10+(1/10+1/10+1/100).V(2)-V(3)/10=0$   
 Node 3:  $-V(1)/100-V(2)/10+(1+1/10+1/100).V(3)=0$

There are some simple rules for constructing these equations.

- At each node, a term is formed by summing the reciprocals of the resistances attached to the node, multiplied by the voltage at the node.
  - Remaining terms on the left-hand side of an equation are formed by considering the resistances connected to each of the other nodes in the circuit.
- These terms are all negative and consist of the other node voltages divided by the connecting resistances.
- The right-hand side is the independent current source value.

The equations can be written again with the numerical values worked out,

$$\begin{aligned} 1.11V(1)-0.1V(2)-0.01V(3) &= 1 & [1] \\ -0.1V(1)+0.21V(2)-0.1V(3) &= 0 & [2] \\ -0.01V(1)-0.1V(2)+1.11V(3) &= 0 & [3] \end{aligned}$$

An elegant way to solve the equations is by the use of Gaussian elimination.

If you take equation [1] and multiply each term by 0.1/1.11 and then add it to [2], the term involving V(1) in the new version of [2]



vanishes. Similarly, if you multiply through [1] by 0.01/1.11 and add it to [3], then the term in V(1) will vanish there too. The result of these operations is,

$$\begin{aligned} 1.11V(1)-0.1V(2)-0.01V(3) &= 1 & [1] \\ 0.201V(2)-0.101V(3) &= 9.01E-2 & [2] \\ -0.101V(1)+1.11V(3) &= 9.01E-3 & [3] \end{aligned}$$

Of course you can repeat the trick to get rid of the term in V(2) in [3]. Multiplying [2] by 0.101/0.201 and adding to [3],

$$\begin{aligned} 1.11V(1)-0.1V(2)-0.01V(3) &= 1 & [1] \\ 0.201V(2)-0.101V(3) &= 9.01E-2 & [2] \\ 1.059V(3) &= 5.43E-2 & [3] \end{aligned}$$

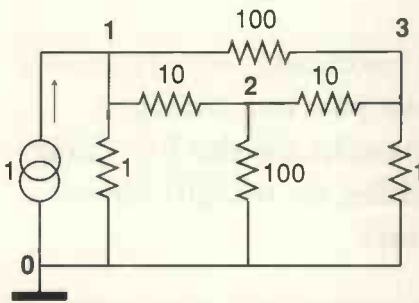


Fig. 1. Simple dc circuit illustrates computer-aided network analysis. Current source is in amps, resistance in ohms.

Fig. 2. Qbasic program for solving network analysis equations. If your PC has an older version of Dos, you can easily modify the programs to cope with the Basic it uses.

```
CLS
PRINT "Solution of linear eqns by Gaussian elimination."
DEFINT I-K, N
INPUT "What is number of eqns"; N
DIM a(N, N + 1), V(N)
PRINT "Enter values of elements:"
FOR I = 1 TO N
  FOR J = 1 TO N + 1
    PRINT "Element"; J; "of row"; I
    INPUT a(I, J)
  NEXT J: NEXT I

REM Reduction of matrix.
FOR K = 1 TO N - 1
  FOR I = K + 1 TO N
    'Eqn used to eliminate V(K), omit last eqn.
    'Start at next eqn. (I is row number)
    M = a(I, K) / a(K, K)
    'Work out multiplier, a(K, K) is pivot.
    a(I, K) = 0
    'Entries up to pivot are zero.
    'J is column number.
    FOR J = K + 1 TO N + 1
      a(I, J) = a(I, J) - M * a(K, J)
    'Calculate new elements and store in original array
    NEXT J
  NEXT I
NEXT K

REM Back substitution
V(N) = a(N, N + 1) / a(N, N)
'Last variable.
FOR I = N - 1 TO 1 STEP -1
  'Work back towards first eqn.
  S = 0
  FOR J = I + 1 TO N
    'Sum of terms to right of variable
    S = S + a(I, J) * V(J)
    'being evaluated.
  NEXT J
  V(I) = (a(I, N + 1) - S) / a(I, I)
  'Variable value.
NEXT I

REM Print results.
PRINT : PRINT "Solution:"
FOR I = 1 TO N
  PRINT "V("; I; ")="; V(I)
NEXT I
END
```

Each node voltage can be calculated using back substitution. From [3]:

$$V(3) = 5.43E-2 / 1.059 = 5.12E-2$$

Putting this value into [2], V(2) is found to be,

$$V(2) = (9.01E-2 + 0.101 \times 5.12E-2) / 0.201 = 0.474$$

And using these values in [1],

$$V(1) = (1 + 0.1 \times 0.474 + 0.01 \times 5.12E-2) / 1.11 = 0.944$$

This is the solution to the problem. Of course, this method can be employed in more complicated situations. Although Gaussian elimination is not the preferred method for solving the equations, it is simple and serves as an introduction to more advanced techniques.

**Gaussian elimination.**

When written in Qbasic with operations applied to the coefficients of each term in the equations, the algorithm is reasonably compact. You can therefore draw up an array (a matrix) of these coefficients, and then work out the procedure from that. A set of three equations, written with symbols for the coefficients, would look like,

$$\begin{aligned} a(1,1)V(1)+a(1,2)V(2)+a(1,3)V(3) &= a(1,4) & [1] \\ a(2,1)V(1)+a(2,2)V(2)+a(2,3)V(3) &= a(2,4) & [2] \end{aligned}$$

$$a(3,1)V(1)+a(3,2)V(2)+a(3,3)V(3) = a(3,4) \quad [3]$$

So the array we are using is:

|                        |        |        |   |                 |
|------------------------|--------|--------|---|-----------------|
| a(1,1)                 | a(1,2) | a(1,3) | : | a(1,4)          |
| a(2,1)                 | a(2,2) | a(2,3) | : | a(2,4)          |
| a(3,1)                 | a(3,2) | a(3,3) | : | a(3,4)          |
| left-hand side of eqns |        |        |   | right-hand side |

All coefficients are taken as positive at this stage, although for a real problem some numbers would be negative, as we have seen. To eliminate V(1) from [2] multiply [1] by a(2,1)/a(1,1) and then subtract the new first equation from [2].

To eliminate V(1) from [3] multiply [1] by a(3,1)/a(1,1) and then subtract the new first equation from [3]. At the second stage, to eliminate V(2) from [3], multiply the new second equation by the new a(3,2)/a(2,2) and then subtract it from the new equation [3].

Difficulties caused by differences between the old and new equations can be neatly avoided by simply storing new coefficient values in the array which held the old values. This is easy to do and has the advantage that it is economical on memory space. As a result, you do not need to discriminate between old and new values of coefficients, and the reduced array or matrix now looks like,

|        |        |        |   |        |
|--------|--------|--------|---|--------|
| a(1,1) | a(1,2) | a(1,3) | : | a(1,4) |
|        | a(2,2) | a(2,3) | : | a(2,4) |
|        |        | a(3,3) | : | a(3,4) |

Referring to Fig. 2, you will see that it falls into four parts. Firstly, there is a straightforward section which defines a number of integer variables and dimensions arrays a(N,N+1) and V(N). The program then asks for values of the coefficients to be used in the calculation. Secondly, sections two and three headed 'reduction of matrix' and 'back substitution' do the calculations. These have been developed from a flow chart by Dom and McCracken.<sup>1</sup>

If, like me, you need more explanation of computer programs, then the following comments may help. Think in definite terms about the procedure.

To start with, assume that the number of equations N=3. Integer K refers to the number of the equation which is to be multiplied and then subtracted from the others, so it will start at 1 and go to 2 to complete the procedure.

The general array element is a(I,J), with the first integer (I) being thought of as the row number and the second (J) as the column number.

Element a(K,K) is the one which divides the Kth equation, and is called the pivot. So the I loop runs from the next equation (starting at number 2). This is used to work out the multiplier M and set elements which are going to be eliminated equal to zero (there is no need to work them out). It is also used to multiply

Fig. 3a) Qbasic program to solve a dc network.

```

DECLARE SUB Equations ()

' Type a list of DATA statements
' at the beginning, as follows:

REM DC network of Fig.1
DATA 7,3
DATA CS,1,0,1
DATA R,1,0,1
DATA R,1,2,10
DATA R,2,0,100
DATA R,2,3,10
DATA R,3,0,1
DATA R,1,3,100

DEFINT I-K, N
READ Numele, N      'No. elements, nodes.
DIM a(N, N+1), V(N)
DIM G(N, N), CS(N)

FOR I = 1 TO Numele
READ Type$
SELECT CASE Type$   'Decide element type
CASE IS = "R"
READ J, K, R
G(J, J)=G(J, J)+1/R: G(K, K)=G(K, K)+1/R
G(J, K)=G(J, K)-1/R: G(K, J)=G(K, J)-1/R
CASE IS = "CS"
READ J, K, Csource
CS(J)=Csource: CS(K)=-Csource
END SELECT
NEXT I

REM Set up matrix
FOR I=1 TO N: FOR J=1 TO N
a(I, J)=G(I, J) 'Array filled with
NEXT J: NEXT I   'conductances.
FOR I=1 TO N
a(I, N+1)=CS(I) 'RHS, current sources.
NEXT I

CALL Equations   'Solve eqns.

CLS
PRINT "Solution"
Format$="&      &"
PRINT USING Format$: "Node"; "Voltage"
PRINT
form$="##      ##.####"
FOR I=1 TO N
PRINT USING form$: I; V(I)
NEXT I
END

```

remaining elements in the selected equation – number 1 to begin with – by M, subtracting each from the value in the other equations and storing the result in the same location.

The process above needs a further (innermost) loop (J). It deals with the columns in an equation, or more precisely only the columns starting at K+1. This is because the other elements are going to be zero anyway.

### Back substitution

Now the job is finished by back substitution. This is done in the third section of the program, the fourth prints the result.

First, there is a simple evaluation of the last variable, ie  $V(N)=V(3)$ . Then, working backwards through the equations, you evaluate  $V(N-1)$ , then  $V(N-2)$  and so on. This is done by summing the terms on the left-hand side which lie to the right of the variable being evaluated. Finally, the sum is subtracted from

Fig. 3b) Sub program for solving equations.

```

DEFINT I-K, N
SUB Equations
  SHARED a(), V(), N
  'REM Reduction of matrix, using
  'Gaussian elimination.
  FOR K=1 TO N-1
  FOR I=K+1 TO N
  M=a(I, K)/a(K, K)
  a(I, K)=0
  FOR J=K+1 TO N+1
  a(I, J)=a(I, J)-M*a(K, J)
  NEXT J
  NEXT I
  NEXT K
  REM Back substitution.
  V(N)=a(N, N+1)/a(N, N)
  FOR I=N-1 TO 1 STEP-1
  S=0
  FOR J=I+1 TO N
  S=S+a(I, J)*V(J)
  NEXT J
  V(I)=(a(I, N+1)-S)/a(I, I)
  NEXT I
END SUB

```

Fig. 4. This subroutine can be used for printing the matrix to provide a more readable format.

```

FOR I=1 TO N: FOR J=1 TO N+1
PRINT USING "##.####": a(I, J);
IF J=N+1 THEN PRINT
NEXT J: NEXT I

```

the right-hand side and divided by the coefficient of the variable we need.

### General comments

You should find that the program will work for any reasonable number of equations N. One of the problems that you can encounter if you simply invent equations without reference to a network is that some of the pivot values can be zero, in other words  $a(K,K)=0$ . This will not happen if you use a network as the source of the problem, provided that you always allocate an earth node and label it zero and number the other nodes in sequence 1,2,3... None of the values should be left out.

### Creating a netlist

The usual way of getting circuit configurations into a package such as Spice is by means of a list of components and their node numbers. To deal with the problem in hand it is necessary to specify resistors and current sources. These methods are described fully in Vlach and Singhal<sup>2</sup>.

Resistors require their conductance values to be stored in an array called  $G(J,K)$ , the J,K values being the node numbers to which each resistor is connected. Since the problem is going to involve N equations, the highest node number will be N, so the greatest values of J and K will be N. You therefore dimension the array: DIM G(N,N).

Assuming that J,K and the resistor value R have been read into the program, you can now create an entry into G as follows,

$$G(J,J)=G(J,J)+1/R : G(K,K)=G(K,K)+1/R$$

$$G(J,K)=G(J,K)-1/R : G(K,J)=G(K,J)-1/R$$

To understand this, consider the 100Ω resistor connected between the nodes 1 and 3 of Fig. 1. According to the assignments above, provided that all elements of G are zero at the outset, then the effect is to make,

$$G(1,1)=.01 : G(3,3)=.01$$

$$G(1,3)=-.01 : G(3,1)=-.01.$$

If these are interpreted as the elements of the matrix, ie  $a(1,1)=G(1,1)$  etc, then you have the appropriate values for the coefficients on the left-hand side of the equations. When these instructions are used repeatedly, the effect of the  $G(J,K)$  terms on the right-hand side is to add the conductances of any resistors which terminate on the given pair of nodes.

If a resistor is connected with one end to earth, say  $K=0$ , then all but  $G(J,J)$  will have no effect. This is because the corresponding matrix elements are not used in the Gaussian elimination.

Now for the current sources. Here we create an array CS(N), and assign values to it as follows,

$$CS(J)=Csource : CS(K)=-Csource$$

where J is the node connected to the positive end of the source, and K is the negative end. We enter these values into column N+1 of the matrix. Figure 3 reads in a netlist and then solves the resulting equations.

As you see, the program has a main section and a sub program to solve the linear equations. The only other thing you might need to do to convince yourself that the program is operating correctly is to add a short program segment to print the matrix, Fig. 4.

### References

1. Dorn, W, S. and McCracken, D, D, 'Numerical methods with FORTRAN IV case studies', John Wiley, 1972.
2. Vlach J and Singhal K, 'Computer methods for circuit analysis and design', Van Nostrand Reinhold, 1994.

### Further reading

Feldman P and Rugg T, 'Using QBASIC', Que Corporation, 1991.

# THE ELECTRONICS SERVICE MANUAL

**ESM IS ABOUT ELECTRONICS AND ELECTRONIC EQUIPMENT, EXPLAINING:**

- What it is • How it works • How to test it • How to take it apart
- How to find faults • How to fix it

**OFFERING:**

- Down to earth advice • Vital data • Facts to feast on
- Knowledge at your finger-tips

**TOPICS COVERED:**

- TV • Audio • Video • Computers • Disk drives • Techniques
- Test gear • Workshops • Addresses • Pinouts • Symbols • Safety
- Logos • Tools • Data • etc

**WHO IT'S FOR:**

- Across the board appeal
- Ideal for: Technicians • Engineers • Students • Hobbyists

**LITERARY MERIT:**

- Authoritatively written • Clearly presented • Highly readable
- A living library in words, drawings and photographs



**SUPPLEMENTS**  
Detailed technical servicing notes on various types of equipment are covered in the quarterly Supplements, plus additional valuable information for other sections of the Manual

**FREE**  
We will send you the latest Supplement FREE with your Manual

**PRICES**  
Manual only £39.95 plus P&P  
Over 850 A4 pages edited by Mike Tooley. Supplied in robust ring binder. Latest Supplement included FREE. 24-hour despatch  
Supplements £23.50 plus P&P  
Approximately 160 pages of facts and data in each Supplement

**GUARANTEE**  
Our NO-QUIBBLE MONEY-BACK GUARANTEE gives you *complete peace of mind*. If you are not entirely happy with the Manual or its Supplements, for whatever reason, simply return to us in good condition (within 30 days for the Manual, 10 days for Supplements) and we will make a FULL REFUND of your payment. (Overseas buyers do have to pay the postage charge.)

**HOW TO OBTAIN ESM**  
Order now! - just fill in the order form.  
Or, to find out more about ESM, ring, fax or write to:  
Wimborne Publishing Ltd, Dept E1  
Allen House, East Borough, Wimborne  
Dorset BH21 1PF  
Tel: 01202 881749 Fax: 01202 841692

| ELECTRONICS SERVICE MANUAL<br>COVERAGE AND CONTENTS   |          |
|---|----------|
| <b>SAFETY</b><br>Safety practices, life-saving techniques, legal requirements   | <b>A</b> |
| <b>UNDERPINNING KNOWLEDGE</b><br>Electronics theory, component theory & functions, circuit techniques, fault diagnosis, detailed equipment principles | <b>B</b> |
| <b>PRACTICAL SKILLS</b><br>Component identification, avoiding static, soldering & component replacement techniques                                    | <b>C</b> |
| <b>TOOLS AND EQUIPMENT</b><br>Choosing tools & test gear, workshop practice, optimising test equipment  | <b>D</b> |
| <b>SERVICING TECHNIQUES</b><br>The Supplements include detailed guidelines on how to service specific types of electronic equipment                   | <b>E</b> |
| <b>TECHNICAL NOTES</b><br>Detailed examination of how specific types of electronic equipment work   | <b>F</b> |
| <b>REFERENCE DATA</b><br>Detailed tables of specifications for semiconductors, including pinouts  | <b>G</b> |
| <b>USEFUL ADDRESSES</b><br>Manufacturers' & suppliers' addresses, including logos   | <b>H</b> |
| <b>INDEX</b><br>Itemised key subjects in the Manual and individual Supplements  | <b>I</b> |

## PRIORITY ORDER FORM

Full name: .....  
(BLOCK CAPITALS PLEASE)

Address: .....

Post code: .....

Telephone Number: .....

I enclose cheque/PO payable to WIMBORNE PUBLISHING LTD  
 Please charge my Access (Mastercard)/Visa card. Expiry date: .....

Card No: .....  
(Please advise cardholder's address if different from above)

Please send me each new quarterly Supplement when it is published. I understand that these are billed separately and that they can be returned within 10 days or discontinued at any time.

I understand that should I decide not to keep the Manual I can return it to you within 30 days for a FULL REFUND (overseas customers must pay the postage).

Signature: .....

Please send this form (or a copy) to: **Wimborne Publishing Ltd, Dept. E1, Allen House, East Borough, Wimborne, Dorset BH21 1PF**

### PLEASE URGENTLY SEND ME

| Item                            | Cost   | Postage | Total |
|---------------------------------|--------|---------|-------|
| ESM Manual                      | £39.95 | £       | £     |
| One Supplement free with Manual | FREE   | FREE    | £0.00 |
| Payment in £ Sterling only      |        | Total   | £     |

### POSTAGE CHARGES

| Postal Region    | Manual  |     |
|------------------|---------|-----|
|                  | Surface | Air |
| UK               | £5.50   | -   |
| Eire             | -       | £11 |
| Europe (EEC)     | -       | £20 |
| Europe (Non-EEC) | £20     | £26 |
| USA & Canada     | £25     | £32 |
| East & Australia | £31     | £33 |
| Rest of World    | £25     | £44 |

NOTE: Surface mail can take over 10 weeks to some parts of the world. Each Manual weighs about 4kg when packed.

# LETTERS

Letters to "Electronics World" Quadrant House, The Quadrant, Sutton, Surrey, SM2 5AS

## S&K distortion culprit?

A.D. Ryder, in his letter 'Sallen & Key Distortion', November 1995 issue, discusses a distortion mechanism often seen when op-amps are used with divergent inverting and non-inverting input source impedances and applied common-mode voltages.

A Sallen & Key filter represents an extreme case of this, with medium-high impedance at the non-inverting input and – usually – zero impedance at the inverting input, as in his example. However, the distortion can also be seen in other non-inverting amplifier topologies when working from medium to high impedance sources, if the source/feedback impedances are not balanced.

The basic distortion culprit is a non-linear capacitance-voltage characteristic at the amplifier input(s), i.e., a varactor-like behaviour. This produces the distortion when appreciable common-mode voltage is applied. For a given signal input, the distortion generated is proportional to the source impedance, that is higher impedances will produce more distortion from a given amplifier.

As Mr. Ryder notes, operating the op-amp in the alternate inverting mode avoids this distortion. This is because the non-linear C-V mechanism is not exercised for this condition.

Several means can be used to control this distortion in Sallen & Key filters. One is to simply scale the filter impedances to the lowest level possible. This reduces distortion by simple brute force means. Use, for example, two 11k $\Omega$  resistors and 4.7/47nF capacitors, etc.

A more complete approach is to provide direct compensation for the distortion, by taking advantage of the intrinsic amplifier input characteristics. Op-amps are inherently differential-mode input devices; as such they produce this distortion at both inputs. It then follows that matching the impedances at the two inputs will provide a compensating delta-V/delta-C distortion at the feedback input. This conveniently causes the distortion at the output to be minimised by virtue of the amplifier's natural common-mode rejection.

A simple first-order RC pair in the feedback path provides some compensation, but full distortion reduction is seen when the input RC components seen at the non-inverting input are duplicated one for one in the feedback path. For Mr. Ryder's example, this would be accomplished by synthesising an equivalent two-terminal impedance network, composed of, at the top, a 470pF capacitor in parallel with two series 110k $\Omega$  resistors. The lower of these is shunted by a 4.7nF capacitor.

The bottom of this network is returned to the amplifier output, completing the filter. In this setup, the amplifier sees identical impedances at the two inputs for all frequencies, the desired condition for lowest distortion due to common-mode inputs.

This topic has been discussed previously in (1) and (2) for filter applications, and in (3) and (4) for straightforward amplifiers. Data contained in (2) shows an order of magnitude or more reduction in the with the use of the compensating network in a Sallen & Key filter.

Reference (4) also illustrates another method of beating the problem, by bootstrapping the input stage of a susceptible amplifier.

**Walt Jung**  
Analog Devices Inc.  
(Office), 410 692-6702  
(fax) 410 692-2158.  
Email: [Walter.Jung@analog.com](mailto:Walter.Jung@analog.com)

## References

1. Scott Wurcer, 'An Input-Impedance Compensated Sallen-Key Filter', Analog Devices AD743 data sheet.
2. Walt Jung, 'Active Filter Circuit Subtleties', Analog Devices OP176 data sheet.
3. Walt Jung, 'Op-Amp Device/Topology Related Distortions' of 'Audio Line Drivers and Buffers', part of Chapter 8 of 'System Applications Guide', Analog Devices, 1993.
4. Walt Jung, 'Bootstrapped IC Substrate Lowers Distortion in JFET Op-Amps', Analog Devices AN-232, July 1992.

## Anyone remember this?

In 1914 the Marconi Wireless Telegraphy Company, acting for the Admiralty, built a 100kW spark transmitting station on Ascension Island. This, by any standards, was a

remarkable task. Apart from being one of the most remote in the world, this island had virtually no infrastructure, and the sole population comprised a garrison of Naval staff and their servants.

Every item required in the project had to be brought in. In addition to the transmitter/receiver site, with its six, 305ft tubular steel masts supporting a massive 'T' antenna, the project also required the construction of complete power station, delivering 500V dc for the transmitter and a separate 220V dc supply for lighting and staff accommodations.

Incredibly, the entire job was completed within three months. My society, thanks to the help and generosity of the Marconi Company, has a good deal of information concerning the description and specification of this installation. Sadly we have very little information concerning its operational life. May I appeal to any readers who may have any such information, or even photographs, to contact me at the following at, Ascension Heritage Society, c/o BBC Atlantic Relay Station, Ascension Island, South Atlantic Ocean.

**Phil Brooks**  
Secretary, AHS  
Ascension Island.

## EMC clarified

Mr Bore's argument, expressed in last December's Letters, is valid to some extent, but his description of the situation is inaccurate. He can be forgiven for being confused, because there is a positively scandalous amount of wrong information – even disinformation – rife in the industry. The authorities seem powerless to control matters.

Radiated emissions are by no means the only disturbances which are controlled by limits in standards. The EMC Directive does not require any testing at all to be undertaken: all it requires is that 'apparatus' does not cause interference, and is not unduly sensitive to legitimate or permissible electromagnetic disturbances that can be expected to occur in the environment(s) in which the manufacturer intends or expects the apparatus to be used.

In most cases, the manufacturer is required to make a legally-binding declaration to this effect. This declaration can, for most types of

apparatus, be supported in either of two ways: conformity to the appropriate standards which have been notified as acceptable to the Commission by publication in the EU Official Journal, or by the 'Technical File' route, known as TCF. With the TCF route, standards may be used in part, but essentially, it requires a technical report prepared or endorsed by a 'Competent Body'. This body may be an officially recognised test laboratory.

In spite of a concerted campaign to cajole equipment manufacturers into the TCF route (to support the high proportion of Competent Bodies in the UK – far higher than in other countries) the standards route is, for most products, simpler, cheaper and more certain.

It is essential however, that the appropriate standard(s) are applied, and this is a particular source of confusion. For products that have no particular appropriate standards ('product standards' or 'product-family standards'), there are Generic Standards EN50081-1 and -2 and EN50082-1 and -2.

These standards make provision for exemptions from testing where there is clearly no call for it – see for example, Clause 8 of EN50081-1. Some product standards are rather elderly, and do not contain such a provision explicitly. However, provided the decision not to test is recorded with reasons, and preserved as required by the Directive, a statutory defence of 'due diligence' is provided in, for example, the UK Regulations implementing the Directive.

Mr. Bore's example figures, however, are not realistic. For most types of product, radiated emissions are controlled above 30MHz. Below this frequency, the efficiency of most products as antennas is low because their dimensions are small compared with the wavelength. But at 30MHz and higher frequencies, quite a small amount of antenna power is required to produce, for example, the limit field strength of 30dB( $\mu$ V/m) (31.6 $\mu$ V/m) at 10m specified in EN50081-1. If the equipment were as efficient a radiator as a half-wave dipole, the requisite input power to the dipole would be given approximately by:  $(31.6 \times 10^{-6} \times 10)^2 / 118.4 = 0.84$ nW  
**KRS John Woodgate**  
(Chairman, British Standards Technical Committee EPL/100)

## Improved hot audio

Having analysed Jeff Macaulay's valve power amplifier featured in the October 1995 issue of Electronics World, I have found an imbalance in the circuit that the following equations highlight.

In the equations,

$u$  is  $V_{in}$

$i$  is change in  $Tr_1$  emitter current from its quiescent value

$l$  is change in  $Tr_2$  emitter current from its quiescent value

$m$  is the value of  $R_3$

$M$  is the value of  $R_4$

$p$  is potential at  $Tr_1$  emitter

$P$  is potential at  $Tr_2$  emitter

$-E$  is potential of the negative rail

$f$  is the value of  $R_2$

$F$  is the value of  $R_5$

$b$  is the value of  $R_{12}$

$B$  is the value of  $R_{13}$

$h$  is the value of  $R_{11}$

Emitter current of  $Tr_1$  is,

$$\frac{p-0}{m} + \frac{p-u}{f}$$

which in the quiescent state is,

$$E \frac{f}{b} \left( \frac{1}{m} + \frac{1}{f} \right)$$

and similarly the quiescent emitter current of  $Tr_2$  is,

$$E \frac{F}{B} \left( \frac{1}{M} + \frac{1}{F} \right)$$

When  $V_{in}$  is instantaneously at some value  $u$  the emitter current of  $Tr_1$  is,

$$\left( f \left( \frac{u}{f} + \frac{u}{b} + \frac{E}{b} + \frac{u}{h} \right) - 0 \right) \frac{1}{m} + \left( f \left( \frac{u}{f} + \frac{u}{b} + \frac{E}{b} + \frac{u}{h} \right) - u \right) \frac{1}{f}$$

which simplifies to,

$$\frac{Ef}{bm} + u \frac{f}{m} \left( \frac{1}{f} + \frac{1}{b} + \frac{1}{h} \right) + \frac{E}{b} + u \left( \frac{1}{b} + \frac{1}{h} \right)$$

and so the change of  $Tr_1$  emitter current from its quiescent value is,

$$u \frac{f}{m} \left( \frac{1}{f} + \frac{1}{b} + \frac{1}{h} \right) + u \left( \frac{1}{b} + \frac{1}{h} \right)$$

and so we have,

$$i = u \left( \frac{1}{m} + \frac{f}{mb} + \frac{f}{mh} + \frac{1}{b} + \frac{1}{h} \right)$$

Similarly the instantaneous emitter current of  $Tr_2$  is,

$$\left( F \left( \frac{E}{B} - \frac{u}{h} \right) - 0 \right) \frac{1}{M} + \left( F \left( \frac{E}{B} - \frac{u}{h} \right) - 0 \right) \frac{1}{F}$$

which simplifies to,

$$\frac{EF}{BM} - \frac{uF}{Mh} + \frac{E}{B} - \frac{u}{h}$$

and so the change of  $Tr_2$  emitter current from its quiescent value is,

$$l = -u \left( \frac{F}{Mh} + \frac{1}{h} \right)$$

Applying the resistor values specified in the circuit (working in mA, V and k $\Omega$ ),

$$i = u \left( \frac{1}{1.8} + \frac{10}{1.8 \times 68} + \frac{10}{1.8 \times 0.68} + \frac{1}{68} + \frac{1}{0.68} \right) = 10.3u$$

and,

$$l = -u \left( \frac{10}{1.8 \times 0.68} + \frac{1}{0.68} \right) = -9.6u$$

The ratio between these is 1.07 so the imbalance is higher than it need be. It could be improved with the circuit on the right. Components with functions similar to the original circuit have the same labels as the original circuit.

In the quiescent state the emitters of  $Tr_1$  and  $Tr_2$  are at ground or 0V. To allow quiescent current to flow the emitter resistors  $R_{3,4}$  are not returned to ground but to an appropriate negative potential. With perfect balance the sum of the currents in  $R_{3,4}$  will be constant, so this appropriate voltage is determined by  $R_{18}$  across which there will be a constant potential difference.

The value of  $R_{18}$  has been chosen to give the same quiescent current as the original circuit.

There are two ways of looking at the operation of the phase splitting arrangement.

The potential at the junction of the equal-valued resistors  $R_5$  and  $R_{17}$  will be the average of the potentials at the transistor emitters so if phase splitting is perfectly balanced this potential will remain at 0V. By connecting this point to the inverting input of  $A_2$ ,  $A_2$  will control the potential at the emitter of  $Tr_2$  so that the potential at the junction of  $R_5$  and  $R_{17}$  is as close to 0V as its raw gain will permit. Hence the phase splitting is as well-balanced as possible.

The other way of looking at the circuit is to consider  $R_{17}$ ,  $R_5$ ,  $A_2$  and  $Tr_2$  to be a conventional amplifier with feedback which takes its input from the emitter of  $Tr_1$ . The gain of the amplifier is  $-1$  so it straightforwardly inverts the potential at its input and so provides the opposite phase.

$A_1$  has 100% negative feedback applied so the potential of the emitter of  $Tr_1$  will equal  $V_{in}$ , and that of  $Tr_2$  will be  $-V_{in}$ .

In this circuit, let  $t$  = the value of  $R_3$ ,  $R_4$ ,  $r$  = value of  $R_5$ ,  $R_{17}$  and  $s$  = the value of  $R_{18}$ . Quiescent emitter current of both  $Tr_1$  and  $Tr_2$  will be half that flowing through  $R_{18}$ , ie.

$$\frac{1}{2} \cdot \frac{E}{\left( s + \frac{t}{2} \right)}$$

or

$$\frac{E}{(2s+t)}$$

Potential at the junction of  $R_3$ ,  $R_4$  and  $R_8$  will be

$$\frac{E \cdot t}{(2s+t)}$$

Hence when  $V_{in}=u$  and the emitter of  $Tr_1$  is at potential  $u$  the emitter current of  $Tr_1$  will be,

$$\left( \frac{u + \frac{E \cdot t}{(2s+t)}}{t} + \frac{u-0}{r} \right)$$

which is,

$$\frac{u}{t} + \frac{E}{(2s+t)} + \frac{u}{r}$$

and so the change in current from the quiescent value is,

$$u \left( \frac{1}{t} + \frac{1}{r} \right)$$

Applying the resistor values specified (working in mA, volts and k $\Omega$ ) the change in  $Tr_1$  emitter current is

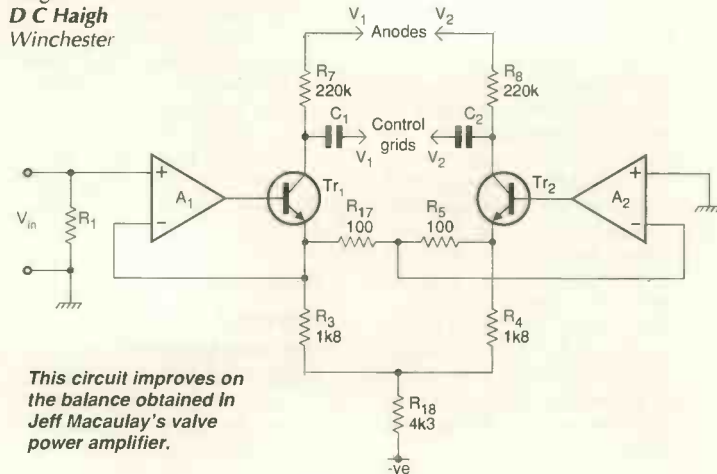
$$u \left( \frac{1}{1.8} + \frac{1}{0.1} \right) = 10.6u$$

Similarly it can be shown that the change in  $Tr_2$  emitter current is  $-10.6u$ .

I have not yet built this circuit but I would expect it to perform better than the original. Also its component count is lower.

Finally, I am a little worried about the voltage rating of  $C_5$  and  $C_6$ . Allowing a 2V drop across the bridge rectifier, the peak on these capacitors will be 394V. This is perilously close to the specified voltage rating of 400. If the mains input voltage were to rise to 244V there might be an expensive bang.

**D C Haigh**  
Winchester



*This circuit improves on the balance obtained in Jeff Macaulay's valve power amplifier.*

## Linearity confusion

Looking back at past debates of fet/bjt linearity, I noticed that the word linearity is being referred differently by some correspondents.

A lot of the fet supporter comment on the linearity between  $g_m$  and  $V_{gs}$ . Fair enough. Suppose  $g_m$  does increase linearly with  $V_{gs}$ . Then we can write  $g_m = kV_{gs}$ , where  $k$  is a constant.

Knowing that  $g_m = Id/V_{gs}$  and

substituting  $g_m = V_{gs}$  gives  $Id = kV_{gs}^2$ . What is important in audio signal amplification is linearity between  $Id$  and  $V_{gs}$ , not between  $g_m$  and  $V_{gs}$ .

The fet's square law does have an advantage though. Distortions produced by square law devices are mainly even order. Using such a device in push-pull results in cancelling of even-order distortion. If precise matching can be done for output devices – which I doubt – fets may have less distortion in the end. Bipolar devices are probably more

linear on their own, but due to the doubling of odd-order distortion under push-pull operation, they may have higher distortion compared to a perfectly aligned fet stage.

Using fets with reasonable  $g_m$  also results in lower open-loop output impedance. This is due to the source follower output impedance of  $1/g_m$ . Output impedance below  $1\Omega$  would be enough to control most speakers.

There is another point. Given low open-loop output impedance, any back emf and radio-frequency

disturbance coming from the speaker will be earthed at the output terminals. Amplifiers relying on global negative feedback to lower output impedance behave differently. Any unwanted rf/emf coming in from the output terminals will be injected into the second base of the long tailed pair. As a result, the amplifier is forced to perform disturbance rejection on top of the amplification it has to do. This is not ideal.

Mr Self rejected the idea of

# 10MHz function generator – 25% EW reader discount

This 10MHz function generator – featuring frequency modulation/sweep and pulse-width modulation facilities – is being made available at 25% discount on the normal retail price – exclusively to EW readers.

The instrument provides 50Ω sine, square, triangle, pulse and sawtooth outputs, with 0dB, -20dB or -40dB attenuation.

Normally, the H6000 function generator sells at £169, excluding VAT and shipping. But Vann Draper is making this instrument available to EW readers at the special price of £149 – fully inclusive.

Each unit is shipped with mains lead and operating manual.

## Function generator specifications

### Frequency characteristics

|                    |  |
|--------------------|--|
| Frequency range    | 0.1Hz to 10MHz                             |
| Frequency accuracy | +5% of full scale                          |
| Output waveforms   | sine, square, triangle, pulse and sawtooth |

### Waveform characteristics

|                        |                             |
|------------------------|-----------------------------|
| Sinewave distortion    | <1% at $\leq 200\text{kHz}$ |
| Triangle non-linearity | <1% at $\leq 200\text{kHz}$ |
| Square rise and fall   | <20ns                       |

### Output

|                   |  |
|-------------------|--|
| 50Ω o/p impedance | 50Ω $\pm 5\%$                                      |
| 0dB amplitude     | 2Vpp to 20Vpp no load                              |
| -20dB amplitude   | 200mV to 2V pk-pk, no load                         |
| -40dB amplitude   | 20mV to 200mV pk-pk, no load                       |
| Logic             | Capable of driving 20 ttl loads                    |
| Offset            | $\pm 10\text{V}$ no load, $\pm 5\text{V}$ 50Ω load |
| Duty cycle        | 10% to 90%   |

### General

|                    |  |
|--------------------|--|
| Operating temp.    | +5°C to +40°C                                  |
| Weight             | 1100g  |
| Size, overall      | 203mm x 195mm x 75mm                           |
| Power requirements | 110/120V or 220/240V<br>50/60Hz externally set |
| Power consumption  | typically 10VA                                 |
| Specification      | BS EN 61010-1/1993                             |

### External frequency control

#### VCO frequency modulation/sweep

|                    |                    |
|--------------------|--------------------|
| Impedance          | 10kΩ $\pm 2\%$     |
| Sensitivity        | +10V (300:1)       |
| Max mod. frequency | $\geq 2\text{MHz}$ |
| Protection         | $\pm 50\text{V}$   |

#### Pulse-width modulation

|                    |                    |
|--------------------|--------------------|
| Impedance          | 10kΩ $\pm 2\%$     |
| Sensitivity        | $\pm 10\text{V}$   |
| Max mod. frequency | $\geq 2\text{MHz}$ |
| Protection         | $\pm 50\text{V}$   |



H6000 is a 10MHz function generator featuring frequency modulation/sweep and pulse-width modulation facilities.

### Use this coupon to order your H6000

Please send me ..... H6000 Function Generator(s) at the fully inclusive special offer price of £149.

Name

Company (if any)

Address

Phone number/fax

Total amount £.....

Make cheques payable to Vann Draper Electronics Ltd  
Or, please debit my Master, Visa or Access card.

Card type (Access/Visa)

Card No

Expiry date

Please mail this coupon to Vann Draper Electronics, together with payment. Alternatively fax credit card details with order on 0116 2773945 or telephone on 0116 2771400. Address orders and all correspondence relating to this order to Vann Draper Electronics at Unit 5, Premier Works, Canal Street, South Wigston, Leicester LE18 2PL.

\*Overseas readers can also obtain this discount but details vary according to country. Please ring, write or fax to Vann Draper Electronics.

# When Performance is more important than size:-

two new re-programmable BASIC Stamp Computers.



## BS1-IC

8 I/O lines  
up to 100 program lines  
2,000 lines/sec  
Comms to 2400 baud  
**£29** single price

## BS2-IC

16 I/O lines  
up to 600 program lines  
SPI, DTMF  
Comms to 19.2k baud  
**£49** single price

Programming package £66

Milford Instruments Tel 01977 683665 Fax 01977 681465

CIRCLE NO. 123 ON REPLY CARD

# TOROIDAL TRANSFORMERS

High Quality Low Prices



In addition to our standard range we will be pleased to quote for your special requirements.

## PRICE LIST

| VA   | Mail Order | Quantity Price Excluding VAT & Carriage |       |       |       |       |
|------|------------|---|-------|-------|-------|-------|
|      |            | 2+                                      | 10+   | 25+   | 50+   | 100+  |
| 15   | 14.59      | 10.21                                   | 7.69  | 5.69  | 5.52  | 5.35  |
| 30   | 16.04      | 11.23                                   | 8.45  | 6.25  | 6.06  | 5.89  |
| 50   | 17.83      | 12.48                                   | 9.40  | 6.95  | 6.74  | 6.53  |
| 60   | 18.02      | 12.61                                   | 9.49  | 7.02  | 6.82  | 6.61  |
| 80   | 17.98      | 12.60                                   | 9.49  | 7.02  | 6.81  | 6.60  |
| 100  | 21.07      | 14.74                                   | 11.11 | 8.21  | 7.96  | 7.72  |
| 120  | 21.54      | 15.08                                   | 11.35 | 8.39  | 8.15  | 7.89  |
| 150  | 25.98      | 18.19                                   | 13.70 | 10.12 | 9.82  | 9.53  |
| 160  | 23.83      | 16.68                                   | 12.56 | 9.28  | 9.00  | 8.73  |
| 225  | 30.10      | 21.07                                   | 15.87 | 11.73 | 11.39 | 11.04 |
| 300  | 34.32      | 24.02                                   | 18.09 | 13.38 | 12.98 | 12.58 |
| 400  | 46.19      | 32.32                                   | 24.35 | 17.99 | 17.47 | 16.94 |
| 500  | 50.48      | 35.34                                   | 26.61 | 19.67 | 19.09 | 18.51 |
| 625  | 53.09      | 41.36                                   | 31.14 | 23.02 | 21.24 | 20.57 |
| 750  | 58.39      | 44.23                                   | 33.30 | 24.62 | 23.89 | 23.17 |
| 1000 | 78.80      | 55.16                                   | 41.54 | 30.70 | 29.80 | 28.89 |
| 1200 | 82.45      | 57.72                                   | 43.46 | 32.12 | 31.17 | 30.23 |
| 1500 | 105.10     | 73.63                                   | 55.40 | 40.94 | 39.74 | 38.53 |
| 2000 | 114.45     | 96.13                                   | 72.39 | 53.51 | 51.93 | 50.36 |
| 2500 | 163.04     | 114.13                                  | 85.94 | 63.51 | 61.64 | 59.79 |

These prices are for 240volt primary and two equal secondary with 8" colour coded fly leads. Each transformer is supplied with a mounting kit (steel dish washer pads, nut and bolt) Mail order prices include vat and postage. Please do not hesitate to telephone or write with your particular requirements.



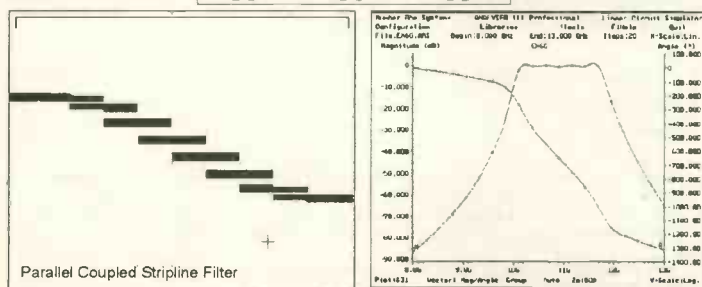
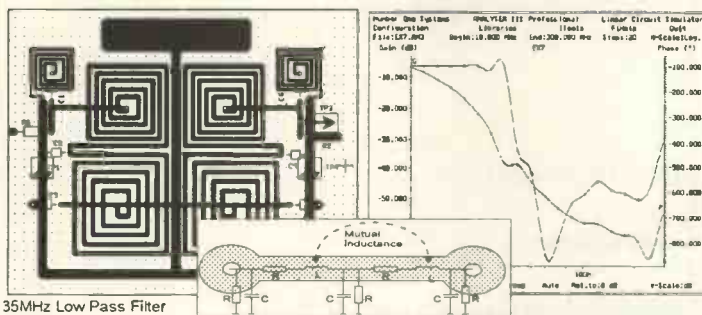
**Airlink Sales Co**

16 Knight Street, Sawbridgeworth, Herts CM21 9AT  
Tel: 01279 600139 Fax: 01279 726379

CIRCLE NO. 124 ON REPLY CARD

# Electronic Designs Right First Time?

## LAYAN – Affordable Electromagnetic Simulation



## Affordable Electronics CAD

|  |                                      |                                     |
|--|--------------------------------------|-------------------------------------|
| LAYAN: Electro-magnetic layout Simulator. Include board parasitics in your Analogue simulations.                 | \$950.00                             | £495.00                             |
| EASY-PC Professional: Schematic Capture and PCB CAD. Links directly to ANALYSER III, LAYAN and PULSAR.           | \$375.00                             | £195.00                             |
| PULSAR: Digital Circuit Simulator – 1500 gate capacity.  | \$195.00                             | £98.00                              |
| ANALYSER III: Linear Analogue Circuit Simulator ~ 130 node capability.   | \$195.00                             | £98.00                              |
| Z-MATCH for Windows: Windows based Smith-Chart program for RF Engineers.   | \$475.00                             | £245.00                             |
| FILTECH: Active and Passive Filter Design.   | \$275.00                             | £145.00                             |
| <i>We operate a no penalty upgrade policy. Technical support is FREE FOR LIFE. Special prices for Education.</i> | US\$ prices include Post and Packing | Sterling prices exclude P&P and VAT |

## Number One Systems Ltd.

Ref WW, Harding Way, St. Ives, Huntingdon, Cambs. PE17 4WR, UK.

For Full Information Please Write, Phone or Fax.

**Tel: +44 (0) 1480 461778**  
**Fax: +44 (0) 1480 494042**

email: sales@numberone.com

For less than £1000!



CIRCLE NO. 125 ON REPLY CARD



resistively loading the  $V_{as}$  transistor due to distortion. However, it has its merits when bipolar devices are used at the output. Choosing  $R_1$  at  $5k\Omega$ , and assuming an output Darlington  $h_{fe}$  of 10000, the open-loop impedance will be  $0.5\Omega$ . As a result, there is no need to resort to feedback to lower open-loop output impedance.

Varying the value of  $R_1$  results in a trade off between distortion and open-loop output impedance. Subjectivists may find it interesting to replace  $R_1$  with a  $100k\Omega$  potentiometer.

Lastly, why doesn't anybody use the Siliconix Vmos device which claim superior linearity over ordinary mosfets? I hardly ever see the Toshiba IGBT's used either.

**Koji Kiyoleawa,**  
Allestree  
Derby

### Excellent grounds for more debate

I beg to disagree with sentiments expressed by John Watkinson in your letters column of *EW*, Nov '95. Contrary to John's point of view, I do feel that the debate on audio amplifiers has been healthy and should be encouraged.

Whether for Aerospace, Marine, Defence or Industrial applications, amplifiers are fundamentally the same. As a result, whatever is learned by investigating audio amplifiers is certainly applicable to the other areas just mentioned.

The fact that audio-frequency amplifiers have been hotly debated over these many months, is a clear indication that a lot has been taken for granted over the years. Of course thanks to our new tools of trade, analyses are made so much easier. This however, is not to take anything away from those who have burnt the midnight oil to bring it all to us.

For most of us in the 'Third World' where we are more at home with wild life than wires, the closest we get to Spice is in our cup of morning tea. Hence we are very grateful to the Selfs, Olssons, Hoods, and Duncans for the privilege of having the chance to share their simulation and test results, and also their unquestionable technical expertise.

**Clyve J. Caines**  
Technical Services Manager  
Nairobi, Kenya, East Africa.

### Duncan disputes

Prof. Cherry in Letters, Nov '95, has not read my words. On p. 393, May '95, the number of electrolytic capacitors is unspecified. Instead I clearly refer to a ratio of three, as

unequivocally shown between his Figs. 11a) and b) on p. 20, Jan '95. I am glad that Prof. Cherry recognises that music signals are usually asymmetrical.

As a world-renowned advocate – along with top recordists – of a minimum record/replay path built from all-dc electronics, ideally free from unnatural high-pass capacitors, the discharge error he mentions does not much concern me; his caution should be directed as those like Self, whose power amplifier alone contains as many electrolytic capacitors as my entire, ideal dc audio chain.

Much as I love his approach to electronics, it appears that Prof.

Cherry cannot see nor share the joke over the futility (on his own objectivist terms) of his scheme, viz: "there are no sharp edges nor sub-sonic signals surviving in multitrack recordings because of all the high-pass filters; So making the last and hundredth device in the chain have an ideal square wave response is a waste."

If Prof. Cherry chooses to ignore the role of capacitor constructions, impedances and microphony on sonics, and denies real electrolytic capacitor tolerances and temperature coefficients, that is not my problem. There are in-depth works on audio capacitor reality by Marsh and Jung and someone called Duncan. The

five minutes of tweaking he suggests is ok by me but grossly unacceptable to most manufacturers, as rightly indicated by Self, and it ignores drift and temperature coefficient.

Since my colleagues and I design and produce audio systems that have helped enthral many thousands of discerning customers, I have enough substantiation, thank you. At least we'll be open minded enough to give Prof. Cherry's low-frequency compensation scheme a listen some day, even if we think it is as deranged as his chassis earthing recommendations.

**Ben Duncan**  
Lincoln

## Living with the Chip exclusive *EW* reader discount

"How the chip affects your business, your family, your home, your job – and your future"

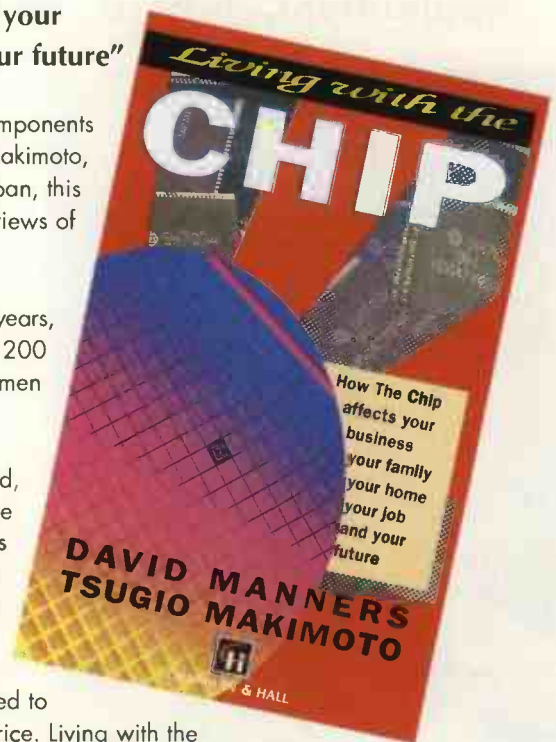
Written by Electronics Weekly's Senior Components Editor, David Manners, together with Tsugio Makimoto, Executive Managing Director of Hitachi in Japan, this work provides one of the most informed overviews of the chip and its implications ever published.

Covering the chip's evolution over the past 50 years, *Living with the Chip* is a highly accessible 200 page paperback that will be enjoyed by laymen and electronics engineers alike.

Dr Gordon Moore, founder of Intel and Fairchild, said, "This book captures the excitement of the chip industry." And *Living with the Chip* was described by Doug Dunn, Chairman of Philips Semiconductors, as, "A unique book, unveiling the history and potential of the chip".

For a limited period\* this work is being offered to *EW* readers for an exclusive 10% discount price. *Living with the Chip* normally retails at £9.99 but by mentioning Electronics World when placing your order, you can obtain it for £8.99. When paying by cheque with order or credit card, postage is free. Otherwise, please add £2.50 for UK postage and packing, making the total price £11.49. (Surface mail – Europe £3.90, please call for other rates).  
Hotlines: for UK orders, tel 01264 342923, fax 01264 342787 or overseas, tel UK +441264 342830, fax: UK +44 1264 342761. Alternatively, e-mail: pamelahounsomes@itps.co.uk.

\*Offer closes 29 February.



***Living with the Chip* "Captures the excitement of the chip industry" – Gordon Moore.**

# A new direction in orientation

**Sensitive down to to 10nT, the FGM three terminal magnetic detector is suitable for a host of two and three-axis orientation applications. Richard Noble explains.**



The most well known orientation detector is the common compass, the simplest form of which is a single axis device known as a steer-on-heading compass or 'poor man's autopilot'. It comprises a single magnetic sensor mounted on a rotatable disk, marked in degrees around the periphery and fitted with a stationary indicating pointer, Fig. 1.

Output of the sensor is connected to a frequency-to-voltage converter circuit feeding a centre-zero meter display as described in the November issue of *EW*.

In Fig. 1, if the boat veers to the left, the meter needle swings to the right, indicating the need to steer in that direction to correct the course. If the rotating disc is turned to a new heading the needle shows the best direction to steer in until the new heading is reached. At this point it returns to the centre position.

Magnitude of the deflection gives an indication of the amount of correction needed at any time. This type of steering system is said to be easier on the helmsman than having to remember and follow a degree bearing.

For this simple system to be useful, the sensor must be gimballed and weighted so as to keep its axis level at all times. Since it is only a single axis device it only needs a single gimbal, provided that the gimbal rotates with the heading disc.

The next level of complexity is a two-axis compass. For this, it is best to replace the frequency-to-voltage converter with a microcontroller of some sort as a number of more complex operations need to be carried out – especially if a readout display is wanted.

Many varieties exist, all capable of dealing with the requirements of a compass. But

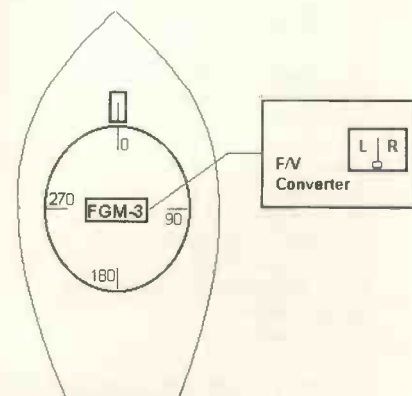
because the sensors have their own analogue-to-digital feature, microcontrollers which have frequency or period determining features built in are the obvious choice in this instance.

## Angular sensitivity

It is useful to look first at the angular response of an individual sensor. Because of its structure it 'sees' the full magnitude of a field, which is aligned along its long axis. For any field at right angles to this axis, it gives zero output in the sense that its period corresponds to that of a zero field condition.

For a field aligned at an angle between these two extremes the response is proportional to the projection of the field on to the long axis of the sensor, therefore to the cosine of the angle between field and sensor. This gives rise to the classic figure-of-eight polar diagram, comprising two contacting circles or, in the three dimensional case, two contacting spheres, Fig. 2.

If sensors are aligned along the axes of any two or three axis coordinate system the



Steer-on-Heading Compass

**Fig. 1. Simple steer-on-heading compass comprising a sensor mounted on a rotatable disc, marked in degrees around its periphery, and fitted with a stationary indicating pointer.**

Richard is Technical Director of Speake & Co Ltd.

sensor outputs represent the direction cosines of the field vector with respect to that coordinate system. For convenience the chosen system is usually cartesian but this is not essential.

As described under the calibration and linearising techniques, it is convenient to normalise the sensor readings by dividing through by the zero-field period. In orientation type devices it is also convenient to then subtract one from these normalised values to yield equal positive and negative ranges about zero. These adjusted values are then proportional, but not yet equal, to the direction cosines of the field vector.

The reason is that no two sensors are exactly alike in absolute sensitivity, and must now be calibrated so as to achieve a standard sensitivity. This can be done by the calibration coil method described earlier, after which proportionality constants can be assigned as multipliers to equalise the sensitivities. Alternatively it can be done by aligning the individual sensors in turn along the local earth field vector in the two possible directions, 180° apart and determining the corresponding maxima and minima for each sensor. Proportionality constants are again assigned to equalise the sensitivities.

**Two-axis orientation sensing**

The two axis compass uses twin sensors superimposed at right angles to one another in the same location and both constrained to lie in the horizontal plane. The sensitivity equalising process in this case can be semi automated by rotating the sensors through a full 360° and allowing the software to determine the maxima and minima for both axes.

Assume that the two now standardised values are  $x$  and  $y$  components of the local field vector,  $h$ , having a modulus equal to  $\sqrt{(x^2+y^2)}$ . Now, the final normalisation can be realised by dividing each component by this modulus. This gives the true direction cosines of the field vector which together define the unit vector  $i$ , having the same direction as the field vector,  $h$ .

This process eliminates the effect of any variation of the absolute magnitude of the measured field, since the sum of the squares of the direction cosines always equals one. Earth field variations are insignificant in this context, but supply or ambient temperature changes are neutralised provided all sensors are equally affected.

The direction cosines can be readily converted to a more customary representation such as angular heading as follows.

Assume that the compass heading indication is aligned with the  $y$ -axis and label the components of the unit vector,  $i_x$  and  $i_y$ . Then it can be seen from Fig. 3 that if  $\theta$  is the conventional heading angle,

$$\tan\theta = -i_x/i_y$$

and

$$\theta = \tan^{-1}(-i_x/i_y)$$

and the compass heading is simply the arctangent of the ratio of the  $x$  and  $y$  components of the unit vector in the Earth's field direction.

For a three-dimensional coordinate axis system with the  $z$ -axis at right angles to the other two there is no conflict with anything that has been said so far, provided that the  $z$ -axis remains vertical. In fact this becomes the necessary condition for the successful operation of this type of compass, which needs to be gimballed in two directions and appropriately weighted.

It will be evident that some attention to signs and the possible divisions by zero will be required in considering the full circle of 360°. While this arctangent solution may be possible for a computer with trigonometric functions in a high-level language, it is not appropriate for a lower level of implementation such as a microcontroller. However, the underlying principle remains the same in alternative approaches.

The full circle in which the heading vector lies may be segmented into eight 45° octants and the octant occupied by the field vector can be identified by simple non trigonometric tests, easily applied in software.

The rules which do this involve the signs of the  $i_x$  and  $i_y$  components and the comparative magnitudes of these components taken as an ordered set. For example if  $i_x < 0$  and  $i_y > 0$  the heading must lie in the first quadrant. If, in addition,  $|i_x| < |i_y|$  it must lie in the first octant between 0° and 45° as in the previous diagram. Other combinations uniquely identify the remaining octants, Table 1.

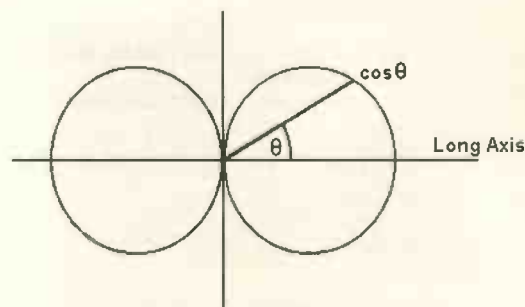
**Table 1. These combinations uniquely identify octants in a two-axis heading system.**

| Sign of $i_x$ | Sign of $i_y$ | $ i_x  >  i_y $ or $ i_x  <  i_y $ | Octant No |
|---------------|---------------|------------------------------------|-----------|
| negative      | positive      | less                               | 1         |
| negative      | positive      | greater                            | 2         |
| negative      | negative      | greater                            | 3         |
| negative      | negative      | less                               | 4         |
| positive      | negative      | less                               | 5         |
| positive      | negative      | greater                            | 6         |
| positive      | positive      | greater                            | 7         |
| positive      | positive      | less                               | 8         |

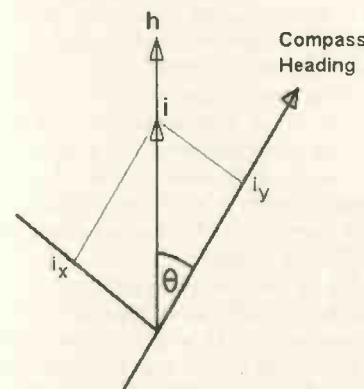
Implementation of these rules on their own provide an eight point compass with a  $\pm 22.5^\circ$  accuracy, which while not very precise may be adequate for some undemanding applications. There are other benefits in more sophisticated versions. The first advantage of this technique is the Gray-code like way in which the octant rules work.

At each octant boundary only one of the rule parameters changes. For example at 45° no sign changes occur but the inequality between  $i_x$  and  $i_y$  changes direction. At 90° no inequality changes occur and the sign of only  $i_y$  changes. This property prevents large scale jitter and confusion which might otherwise occur at the octant transitions if the changes were not totally synchronous.

A second advantage is that in each of the octants, a linear function of either  $i_x$  or  $i_y$  can be identified which is virtually equal to the desired heading angle, to within a small error.



**Fig. 2. Polar response of the sensor. Because of its structure, the sensor sees the full magnitude of a field aligned along its axis.**



**Fig. 3. In a twin-axis heading system, the direction cosines are readily converted to a more customary representation such as angular heading.**

In the 0° to 45° range if  $ki_x$  is interpreted as a radian angle it is in fact very little different from the appropriate arctangent for that octant.

If  $k=1.08$  the error in doing this is nowhere greater than about 1.25°. If  $k$  is ignored and the unit vector  $x$  component alone is interpreted as radians the error is never worse than 4.5°, permitting the implementation of a 5° precision compass very easily. Note that for this purpose the modulus of the  $x$  component is used, eliminating the need to consider signs. Note also that  $|i_x|$  is less than  $|i_y|$ .

In the next octant, between 45° and 90°,  $ki_y$  interpreted as an angle and subtracted from 90° is very close to the correct heading. This pattern repeats around the full circle and leads to the following rule.

Whichever of the direction cosines is the smaller is interpreted as an angle and in odd octants is added to the nearest quadrant boundary. However in even octants it is subtracted from the nearest quadrant boundary to obtain the heading.

If as is likely in a software implementation the octants are numbered 0 to 7 rather than 1 to 8, the odd and even should be reversed in the previous statement of the rule. In conjunction with using  $k=1.08$  this rule will provide almost  $\pm 1^\circ$  precision in a software implementation requiring no trigonometric functions.

Alternatively, since the error is small, a very short lookup table of adjustments to be added to the heading obtained with  $k=1$  will improve the precision to a level of around  $\pm 0.5^\circ$ .

**Table 2. Correction factors for the two-axis heading system.**

| Measured angle | Added correction |
|----------------|------------------|
| 0°-20°         | 0°               |
| 20°-29°        | 0.9°             |
| 29°-33°        | 1.8°             |
| 33°-37°        | 2.7°             |
| 37°-39°        | 3.7°             |
| 39°-41°        | 4.3°             |

This technique will not produce a compass of this accuracy. Rather, the contribution to the total error budget from this source will be minimised to the extent indicated. Other sources may contribute larger errors in a final design if they are not suitably addressed.

One important potential error is lack of orthogonality in the axes of the two sensors. This can cause a smoothly varying error around the whole compass circle which can be much larger than those discussed above. Fortunately there is a relatively simple correction technique for this as can be seen from the following analysis.

In Fig. 4,  $i$  is the unit vector in the field direction,  $\theta$  is the heading angle and  $\phi$  is the small angular error by which the  $x$ -axis sensor departs from the correct right angled position. Also  $i_x$  is the true  $x$  component of the unit vector,  $i_y$  is the true  $y$  component and  $i'_x$  is the apparent measured  $x$  component of the sensor in error.

You can see from the geometry of the figure that,

$$i_y = i \cos \theta$$

$$i_x = i \sin \theta$$

$$i'_x = i \sin(\theta - \phi)$$

Expanding the last relation,

$$i'_x = i \sin \theta \cos \phi - i \cos \theta \sin \phi$$

Since  $\phi$  is small  $\cos \phi$  may be taken as one and  $\sin \phi$  as just equal to  $\phi$  giving

$$i'_x = i \sin \theta - \phi i \cos \theta = i_x - \phi i_y$$

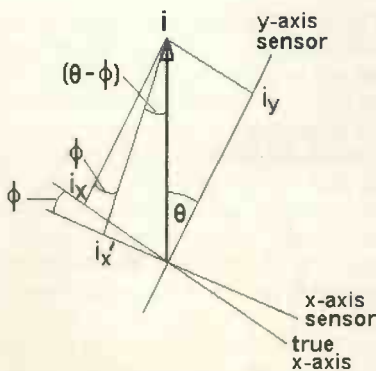
Hence,

$$i_x = i'_x + \phi i_y$$

It can be seen from this that the desired  $x$  component of the unit vector can be obtained from the apparent measured component, for all angles, by adding a small fixed portion of the  $y$  component. The proportion to be added is equal to the orthogonality error in radians.

The value of  $\phi$  can be found, for a standardised and normalised sensor set by rotating the configuration in the Earth's field and measuring the angle between the zero-field positions of each sensor.

Alternatively the algorithm can be added retrospectively to an otherwise completed compass by checking the error during a full 360° rotation. The value of  $\phi$  can be taken to be the average of the errors at 90° and 270° shown by the digital display. Such a determination



**Fig. 4. Errors in orthogonality depend on direction of tilt and heading.**

needs only to be made once.

If the microcontroller has no convenient way of memorising the correction it could alternatively be read from a trimmer value on power-up using RC timing or some other relatively crude analogue input method. The orthogonality then becomes one of the possible adjustments available to the user during the compass 'boxing' exercise.

**Detecting errors**

Probably the largest of the final observed errors will arise from failure to constrain the axes of the sensors to the horizontal plane. The errors depend on the direction of tilt and the heading, and on some headings small angular tilts will multiply up to much larger heading errors.

For example on a north heading a 1° north-south tilt will produce no error, but a 1° east-west tilt will give rise to almost 2.5° of heading error. There is no simple cure for this other than effective double gimbaling, suitably weighted, though short term averaging of multiple readings can improve the stability of the displayed output.

Another more complex alternative is to use a gravity sensor to determine the direction of the gravity vector and use trigonometric calculation to correct for the effects of tilt.

A final aspect of overall accuracy concerns the required precision of sensor readings. Interestingly, this is surprisingly lower than might be thought. Using the type of algorithm described earlier, a full 360° of 1° precision requires only that the measured components be slotted into one of forty-five almost evenly spaced bands. A relatively low six-bit binary measure will cover this. For a 5° precision a miserly four bits is adequate.

In conclusion, for those who may design, build and use a compass, in anger, the illusion of precision created by a 360° digital display may hide a lack of precision which is real. The cautious navigator rarely places total faith in compass accuracy and never trusts it as his sole instrument of navigation.

**Triple sensor systems**

Using three orthogonal sensors permits a three-dimensional determination of both magnitude and direction of the local field vector.

This determination is only made with respect to the axis system of the sensor configuration and not in any absolute space. Nevertheless it can provide the basis of many interesting applications other than the compass.

The compass is not the only device which requires absolute referencing. The extension to three dimensions permits – in principle – the exploitation of the Earth's field in 'virtual reality' simulations, with the possible advantage of a 'free roving' capability.

The potential to free rove in a large space is a consequence of the fact that the field behaves as a fixed orientation vector everywhere in the space. It can be converted to the forward looking vector of a virtual reality helmet, provided that it can be referenced to some absolute space.

The sensor configuration alone is not adequate for the following reason. For each angle the field can take with reference to the sensor axis system it is possible to rotate the axis system a full 360° around the field vector without any change in the sensor outputs. This ambiguity must be resolved to obtain the desired absolute reference and requires one more fixed orientation vector. The obvious one is Earth's gravity vector which will always provide a local vertical.

While a compass design can make use of a slow response device such as a mercury pool on resistive quadrants or a dielectric bubble on capacitive quadrants, these are useless for virtual reality applications. They usually don't have the angular range and they certainly don't have the speed required to follow rapid head movements.

The minimum requirement would be a speed compatible with a flicker free video image refreshing system, say 70Hz, though some systems specify a response rate of 250Hz. To satisfy this kind of requirement calls for something like an accelerometer configuration with a flat bandwidth of this order, which also extends down to dc.

Such devices have been recently developed, spurred on by the automobile air-bag market, but low-g versions are still very expensive in small quantities. They also have relatively poor signal-to-noise ratios at wide bandwidths. This is not too severe a problem, however, since like the compass algorithms already described, high angular accuracy can be obtained with low binary spans.

**Pseudo three axis systems**

There is a class of systems which use a three axis sensor system, but eliminate the need for the gravity vector by an additional constraint on one axis. They have the superficial appearance of three-dimensional systems but do not exploit all the possible degrees of freedom.

The searchlight is a classic example. It rotates in azimuth around 360° and could rotate in elevation through 180°, but does not have any mechanism for rolling around the remaining axis, since it would be entirely pointless.

If only the human head was satisfied by the same mechanism. Virtual reality would be

much easier to implement.

The reason that this works is that as soon as the roll axis is constrained to remain horizontal, the rotational ambiguity around the field vector, mentioned previously, disappears. The trigonometry of the unit vector components is soluble and yields not only the azimuth angles, like a compass, but also the elevation angles.

Gun platforms fall into this category, as do steerable satellite type aerials, some robot mechanisms and any device which needs to point to a direction in space from a horizontal platform. Complex devices of this nature are probably well served by the expensive mechanisms they already employ, but there may be many simpler applications which could benefit from a low cost magnetic sensor configuration and a microchip solution, previously not economic.

One interesting idea may be exploitable in the economy end of the flying sport. Aircraft magnetic compasses are notoriously impossible objects, since even the addition of a gravity vector sensor solves nothing when it indiscriminately combines gravity with the accelerations of manoeuvring.

In level flight, a gimballed flux-gate compass works well but is useless in turns. Nevertheless it remains a reasonable tool to a power pilot in transit. Since a glider pilot spends a great deal of time in spiral turns, chasing thermals, it is not very appropriate most of the time.

If one axis could be reasonably constrained most of the time, a usable compromise might

be achievable. Since the full horizontal rotation of  $360^\circ$  is required and roll angle can be large, the only restriction possible is in the pitch axis. Aircraft do not generally spend very long periods in pitching manoeuvres – except during aerobatic activity. They may, however, alter pitch modestly during climbing, descending or turning. During any steady state version of these activities acceleration or deceleration along the line of the fuselage is small or nil.

If a three dimensional sensor configuration were gimballed transversely and suitably weighted, it could perhaps maintain the pitch axis of the sensor set sufficiently horizontal to allow the strategy under discussion to generate a heading and additionally a bank angle of acceptable precision.

Whatever the precision, it would represent a vast improvement on the conventional fully gimballed compass and add half of an artificial horizon into the bargain. It would also weigh and cost less than any gyroscopic equivalent.

### Three and two dimensional ferrous detectors

It is possible to elaborate the design of fixed single sensor vehicle detectors described earlier, with advantage, by using a two sensor version. Even when restricted to the horizontal plane, an orthogonal sensor set can provide more information, in the sense that it can provide both angular and magnitude signals for the anomaly caused by the vehicle passage.

An object with a magnetic moment possesses an external pattern of lines of force similar to that of a permanent magnet. This line of force pattern combines additively with the earth's field lines of force which consist locally of straight parallel lines.

If the disturbing magnetic moment passes very close to the sensors it produces not only a variation in field magnitude but also large swings in the angular orientation of the detected field. If the passage is more remote from the sensors, not only is the magnitude of the signal reduced, but also total angular swing.

While the time variation of these parameters gives some indication of the speed of the passage, if the magnitude of the signal is plotted against the angle in a polar diagram, what results is a time invariant 'signature' of the object. In some sense this signature contains information about the range, since for a close passage it will have a large angle polar diagram and for a remote passage a small angle diagram. This range is not absolute as it will also depend on the equivalent magnetic length of the magnetic moment being observed, which is roughly correlated with the size of the vehicle most of the time.

The fall off in field strength is proportional to the inverse cube of the ratio of the range to the magnetic length. As a result, the field from large objects falls off more slowly than that from small ones.

Actual magnitude and angle variations will be quite small but can be increased to usable size by the digital heterodyne method or, in

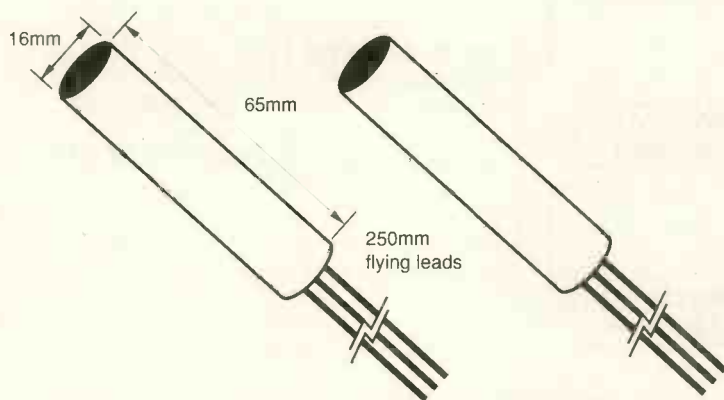
## FGM-3 three-terminal magnetic sensor – exclusive Electronics World special offer

Normally, the FGM-3 sensor sells at £16.45 but as a special introductory offer to EW readers, Speake & Co is making up to two sensors per reader available at the 20% discount price of £13.16 each – fully inclusive of VAT and postage.

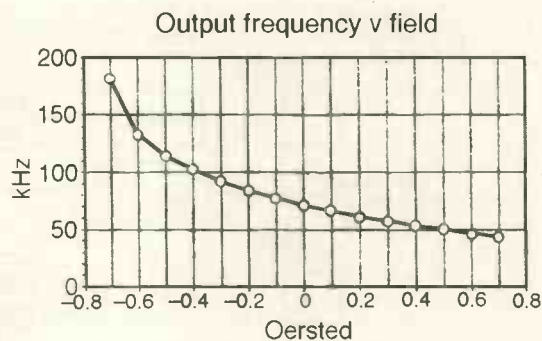
The FGM-3 is a three-terminal sensor – ground, +5V and output – that produces a frequency between 50kHz and 120kHz. The period of this output represents magnetic fields in the range  $\pm 50\mu\text{T}$ . At  $25^\circ\text{C}$ , temperature stability is 0.003% – a significant

improvement over non-compensated Hall-effect devices. Send your postal-order or cheque payable to Speake & Co Ltd to Speake & Co Ltd, Elvicta Estate, Crickhowell, Powys NP8 1DF, tel. 01873 811281, fax 810958. Please note that any queries about this offer, or the FGM-3 sensor, should be directed to Speake & Co, not EW+WW.

Please note that this offer applies to overseas readers, but excluding those in Canada and North America.



*The FGM-3 outputs a frequency between 50kHz and 120kHz whose period represents magnetic fields in the range  $\pm 50\mu\text{T}$  and is highly stable with temperature.*



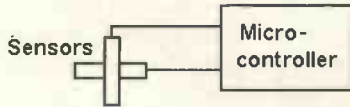
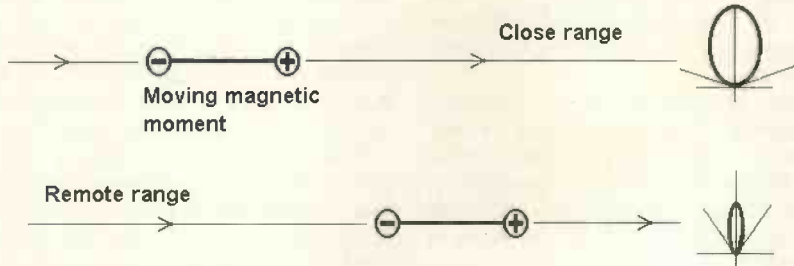


Fig. 5. Using twin-axis sensors in ferrous detector produces a significant enhancement in performance.



this case its software equivalent. The polar diagrams shown are simplified and guesswork, not based on any tests, Fig. 5.

It seems that this is an area worthy of more serious research on practical real life situations, since it may resolve the problems of lane separation and vehicle classification in multiple vehicle studies.

**Orientation sensitivity elimination**

The ferrous detection systems discussed so far have been static ones and the fixed large signals produced by the earth's field can be relatively easily eliminated from the desired indications.

In situations where the sensor configurations will inevitably be subject to unpredictable movement, the high orientation sensitivity becomes a serious disadvantage in the search for very small signals.

However, consider a perfectly standardised and normalised, perfectly linearised and perfectly orthogonal sensor set. The problem is easy to deal with since the sum of the squares of the three outputs must always be equal to the field vector modulus squared – a scalar quantity without any orientation. Success of any real implementation will clearly be only a function of how close to perfection the above

requirements come.

The mathematics are simple and readily implemented on computer or microcontroller. Basic sensitivity of the sensors is adequate, matching of the calibrations is more constructive than absolute accuracy, orthogonality correction can be carried out to a fairly high degree, but non-linearity may be a troublesome source of error.

A technique helpful in these circumstances is to use some sort of negative feedback to improve both linearity and stability. The method consists of overwinding the sensor with a solenoidal coil in which a controlled field can be produced. This field is automatically adjusted to cancel out to zero, the local field which the sensor would otherwise experience.

Solenoid current giving rise to this cancelling field must be proportional to the local field being cancelled. Since the sensor only ever sees a zero field, its own non-linearity is no longer of consequence and the cancelling current is a direct and linear measure of the local field magnitude.

This approach obviously calls for a d-to-a converter to control the current in the cancellation coil. With a microcontroller, this could be a pulse-width modulated, single-bit, output

**Magnetic unit conversions**

**Magnetic flux density**

|         | gauss            | tesla            | gamma           |
|---------|------------------|------------------|-----------------|
| 1 gauss | 1                | 10 <sup>-4</sup> | 10 <sup>5</sup> |
| 1 tesla | 10 <sup>4</sup>  | 1                | 10 <sup>9</sup> |
| 1 gamma | 10 <sup>-5</sup> | 10 <sup>-9</sup> | 1               |

**Magnetic field strength**

|           | amp/m | oersted |
|-----------|-------|---------|
| 1 amp/m   | 1     | 0.01257 |
| 1 oersted | 79.58 | 1       |

Note: technically, the FGM-3 sensor measures flux density in gauss, but since in a vacuum – and virtually in air – the units of flux density are the same magnitude as those of field strength. Since the sensor can only really be used in air, oersted have been used in the text and diagrams as equivalent to gauss.

and low-pass filter arrangement, as used so successfully in many current low-cost digital audio devices. Software complexity increases but the hardware cost is still held low, probably calling only for a linear current generator of modest current capability.

In any case, total 360° orientation de-sensitising is not always needed. Reductions in the angular variation achieved by other means will often considerably improve performance. Examples are a detector carried in a normally level vehicle, or a neutral buoyancy weighted float, trailed just submerged. An error may exist in the output but it remains passably constant.

This type of system, Fig. 6, could find uses as a detector of seabed wrecks in modest depths or as a search tool in archaeological studies. Constructed with sufficient care, it provides a low cost and compact alternative to nuclear magnetic resonance devices in some applications. ■

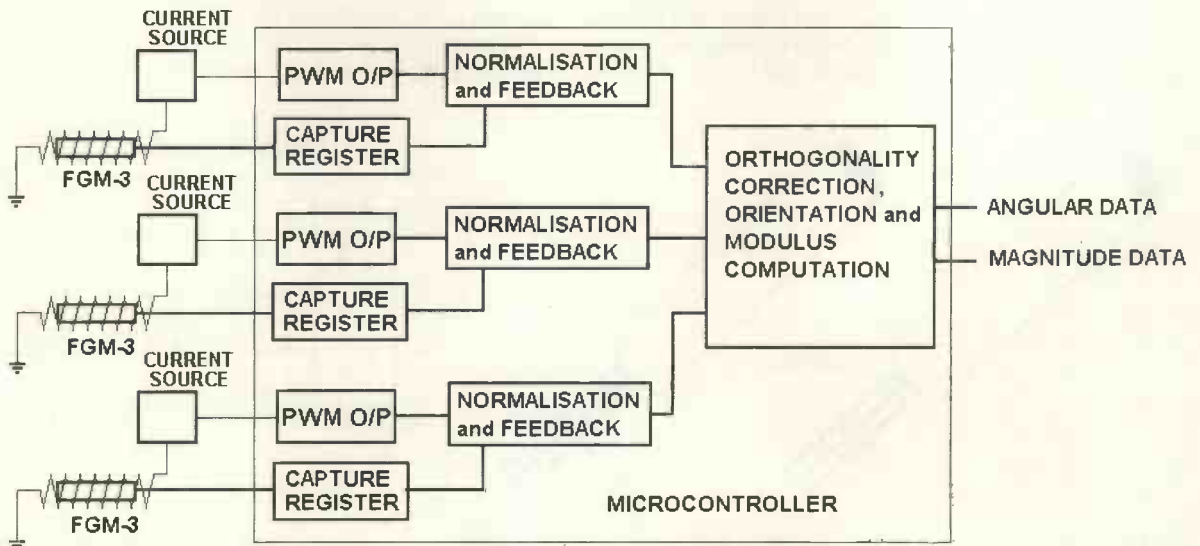


Fig. 6. In a three-dimensional sensor system, a microcontroller with pwm facilities can be used to supply the cancellation coils.

# THE NEW IRON AGE

VALUE • COMFORT • ACCURACY • STYLE



In these times of high tech and the micro-chip it might seem odd to be entering the New Iron Age - but that's what we at Antex have done. By including the very latest technology, safety devices, ergonomic design and researching our customers' needs, Antex have rediscovered the New Iron Age. So for Stands Stations and Irons that point to the future choose Antex.

For more information contact your local dealer now.

**ANTEX**

Antex (Electronics) Ltd, 2 Westbridge Industrial Estate, Tavistock, Devon, PL19 8DE  
Tel: (01822) 613565 Fax: (01822) 617598

CE  
All Antex products carry the C.E. mark

CIRCLE NO. 126 ON REPLY CARD

£30 WORTH OF VOUCHERS

CATALOGUE WAS £2.50 NOW FREE

Only the cost of a stamp

THINK COMPONENTS - THINK CRICKLEWOOD

- TELEVISION & VIDEO SPARES • RESISTORS & CAPACITORS • HI-FI GADGETS & SPEAKERS
- TRANSISTORS & I.C.'s • AUDIOPHILE CAPACITORS
- IN CAR AUDIO • COMPUTER BOARDS • TOOLS & TEST EQUIPMENT • PLUGS SOCKETS & LEADS



**Cricklewood Electronics**

PLEASE SEND ME A COPY OF THE 1995 CRICKLEWOOD CATALOGUE.

Name.....

Address.....

.....

.....

.....

..... EWW

Cricklewood Electronics Ltd, 40-42 Cricklewood Broadway, London NW2 3ET. Tel: 0181-450 0995 Fax: 0181-208 1441

CIRCLE NO. 127 ON REPLY CARD

## JOHN MORRISON HARDWARE & SOFTWARE

### PIC ICE II

#### In Circuit Emulator for PIC16C54-55-56-57-71 & 84

Replaces all 18 or 28 pin PIC's. All ports Bi-directional OSC2 output, RTCC input, on board A/D converter for PIC18C71. Supplied with PICDEV software suite, user manual, connecting leads and headers asrn, user sample files and hardware circuit projects.

£159.95



### PIC PROGRAMMER

#### PIC 16C54-55-56-57-71 & 84

Centronics port interface, powerful editing software allows the user to Read, Write & Copy PIC devices including data memory in PIC16C84. Supplied with Editor Assembler software suite. Sample files and notes.

£99.95



### MEGAPROM EPROM PROGRAMMER

#### EPROMS, E<sup>2</sup> PROMS & FLASH memories from 2Kb to 8Mb INC. MICROCHIP 24L series.

Operates via host IBM PC and centronics port, uses standard printer cable, on board production quality ZIF socket.

£99.95

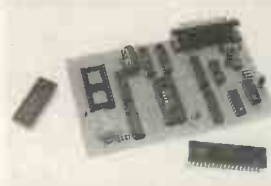


### EPROM EMULATOR

#### For ROM from 1Kb to 32Kb

Operates via host IBM PC and centronics port, uses standard printer cable. Very fast download to target board EPROM socket, operates with or without our development software suite.

£69.95



### SMARTCARD/PIC CHIP PROGRAMMER

ON BOARD ISO 7816 INTERFACE, software runs on host IBM PC allowing the user to program SmartCards or PIC16C84's on a SmartCard emulator, also Programs PIC16C84 on a target board via an on board header. The perfect SmartCard development tool. Supplied with a full suite of software.

£79.95

### DEVELOPMENT SOFTWARE

Develop software on your IBM PC for other Microprocessors, Controllers, PIC Chips etc. Each software suite has a fully integrated Text editor, Assembler, Disassembler and Simulator included. Code can be downloaded directly to our emulators. All software supplied with operator instructions and sample code.

MCS8051/52/552 - MCS8048/49 - PIC16C54/55/56/57  
PIC16C71/84 - HD63/6809 - R6502 **£19.95 ea**

Please add £1.75 for P&P to UK mainland.

All prices subject to VAT at the prevailing rate (17.5%)

**CROWN HILL ASSOCIATES LIMITED, PO BOX 845 WATERBEACH, CAMBRIDGE, CB5 9JS**

**BBS: 0956 700018**

**TEL: 0956 700017**

**FAX: 01223 441645**

CIRCLE NO. 128 ON REPLY CARD

## SYNTHESISED SIGNAL SOURCE

an innovative design from an established 'Off-Air' Company

- Custom designed chip set
- Sinewave output 0dBm into 50Ω
- Can be run independently or genlocked to external source
- dc to 16MHz in 0.1Hz steps, with option 0.0001 Hz steps
- Freestanding rack mounting, or OEM options available
- Increased resolution and increased stability options available

Models available October, contact us for prices

NEW from Halcyon

CIRCLE NO. 126

## 'OFF-AIR' FREQUENCY STANDARD



CIRCLE NO. 127

Variants from  
**£249+VAT**

- ★ Provides 10MHz, 5MHz & 1MHz
- ★ Use it for calibrating equipment that relies on quartz crystals, TCXOs, VXCOs, oven crystals
- ★ Phase locks to DROITWICH (rubidium controlled and traceable to NPL)
- ★ For ADDED VALUE also phase locks to ALLOUIS (cesium controlled and traceable to OP — French eq to NPL)
- ★ British designed and British manufactured
- ★ Options available include enhanced receiver, sine wave outputs and 13MHz output for GSM. Prices on application.

Output frequencies — 10MHz, 5MHz, 1MHz  
Short term stability — better than  $1 \times 10^{-8}$  (1 sec)  
Typical —  $4 \times 10^{-9}$  (1 sec)  
Long term — tends to  $2 \times 10^{-12}$  (1000 sec)  
Call for 'Off-Air' Standard list

## TEST EQUIPMENT CIRCLE NO. 128

We are well known for our quality, new and used Test Equipment. Our list is extensive, ranging through most disciplines. Call for details and a complete list



**HALCYON ELECTRONICS**



423, KINGSTON ROAD, WIMBLEDON CHASE, LONDON SW20 8JR  
SHOP HOURS 9-5.30 MON-SAT. TEL 0181-542 6383, FAX 0181-542 0340

CIRCLE NO. 129 ON REPLY CARD

## STABILIZER 5



In any public address system where microphones and loudspeakers are in the same vicinity, acoustic feedback (howlround) occurs if the amplification exceeds a critical value. By shifting the audio spectrum fed to the speakers by a few Hertz, the tendency to howl at room resonance frequencies is destroyed and increased gain is available before the onset of feedback.

- ★ Broadcast Monitor Receiver 150kHz-30MHz
- ★ Advanced Active Aerial 4kHz-30MHz
- ★ Stereo Variable Emphasis Limiter 3
- ★ 10-Outlet Audio Distribution Amplifier 4
- ★ PPM10 In-vision PPM and chart recorder
- ★ Twin Twin PPM Rack and Box Units
- ★ PPM5 hybrid, PPM9 microprocessor and PPM8 IEC/DIN -50/+6dB drives and movements
- ★ Broadcast Stereo Coders
- ★ Stereo Disc Amplifiers
- ★ Peak Deviation Meter for FM broadcasting

**SURREY ELECTRONICS LTD**

The Forge, Lucks Green, Cranleigh GU6 7BG  
Telephone: 01483 275997 Fax: 276477

CIRCLE NO. 130 ON REPLY CARD

# FREE TO SUBSCRIBERS

Electronics World offers you the chance to advertise  
**ABSOLUTELY FREE OF CHARGE!**

Simply write your ad in the form below, using one word per box, up to a maximum of twenty words (remember to include your telephone number as one word). You must include your latest mailing label with your form, as this **free** offer applies to private subscribers only. Your ad will be placed in the first available issue.

This offer applies to private sales of electrical and electronic equipment only.

Trade advertisers should call **Malcolm Wells on 0181-652 3620**

All adverts will be placed as soon as possible. However, we are unable to guarantee insertion dates. We regret that we are unable to enter into correspondence with readers using this service, we also reserve the right to reject adverts which do not fulfil the terms of this offer.

|  |  |  |  |  |
|--|--|--|--|--|
|  |  |  |  |  |
|  |  |  |  |  |
|  |  |  |  |  |
|  |  |  |  |  |

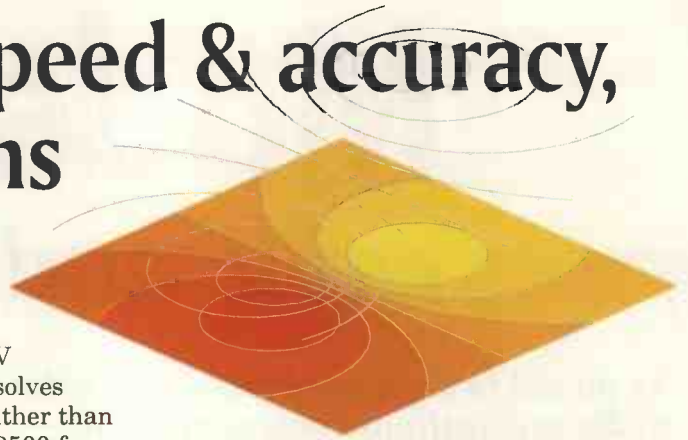
Please send your completed forms to:

Free Classified Offer: Electronics World, L329, Quadrant House, The Quadrant, Sutton, Surrey SM2 5AS



# Maple V

## Compared to our speed & accuracy, other maths systems just don't add up!



Accuracy is vital in the reliability of all information — particularly to engineers, mathematicians, scientists, and educators. Maple V, a recognised leader in computer math systems, provides a complete mathematical environment for performing symbolic and numeric computations, quickly and accurately.

Maple V excels in situations where precise presentation of scientific and engineering data is critical. Sophisticated 2D and 3D colour graphics can be generated with pin-point accuracy by using Maple's superior algebraic engine and user-friendly graphical user

interface (GUI). Maple V computes answers and solves equations in seconds, rather than hours. With more than 2500 functions in calculus, linear algebra, differential equations, and many others, Maple V is a fast, reliable, and cost-effective method of solving complex mathematical problems and handling tedious calculations.

When it comes to the power of computer math, there is no comparison.

Maple V is available for all popular platforms including MS-Windows, Macintosh, Power Macintosh, and UNIX.

## Waterloo Maple

Advancing Mathematics

Corporate Headquarters  
**Waterloo Maple Inc.**  
450 Phillip Street, Waterloo  
Ontario, Canada N2L 5J2  
Phone: (519) 747-2373  
Fax: (519) 747-5284  
info@maplesoft.com  
http://www.maplesoft.com

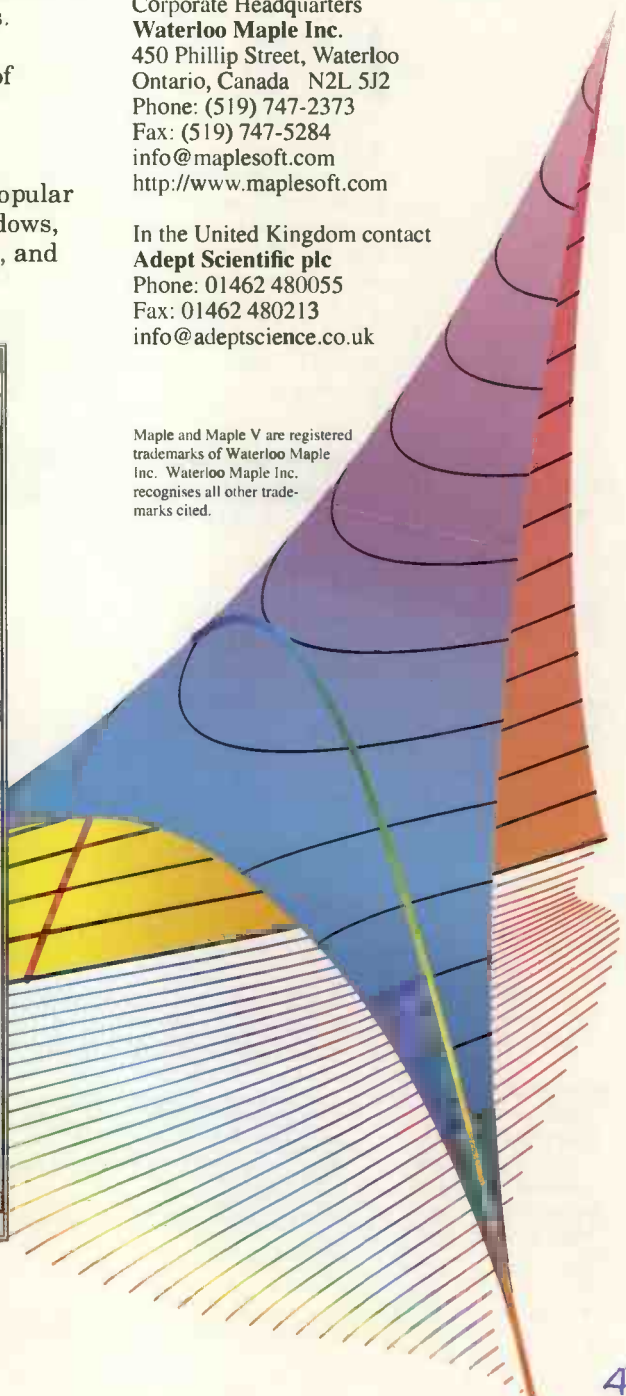
In the United Kingdom contact  
**Adept Scientific plc**  
Phone: 01462 480055  
Fax: 01462 480213  
info@adeptsience.co.uk

Maple and Maple V are registered trademarks of Waterloo Maple Inc. Waterloo Maple Inc. recognises all other trademarks cited.

```
Maple V - FEM1.MS
File Edit Format View Options Help
[Icons]

$$K = \iint -\left(\frac{\partial}{\partial x} N_j(x,y)\right)\left(\frac{\partial}{\partial x} N_i(x,y)\right) - \left(\frac{\partial}{\partial y} N_j(x,y)\right)\left(\frac{\partial}{\partial y} N_i(x,y)\right) dx dy$$

> N:=vector([1/4*(1-xi)*(1-eta), 1/4*(1+xi)*(1-eta),
1/4*(1+xi)*(1+eta), 1/4*(1-xi)*(1+eta)]);
N = [1/4(1-xi)(1-eta) 1/4(1+xi)(1-eta) 1/4(1+xi)(1+eta) 1/4(1-xi)(1+eta)]
Thus having applied Green's Theorem in a plane and Galerkin's weighted residual
method to the Laplace equation in two dimensions, we now calculate the global
derivatives of the interpolation functions. Since the interpolation functions are
expressed in the local co-ordinates, the Jacobian matrix
> matrix([ [Diff(x,xi), Diff(y,xi)], [Diff(x,eta), Diff(y,eta)]]);
[ ∂/∂ξ x  ∂/∂ξ y
  ∂/∂η x  ∂/∂η y ]
is computed. This can be done directly in Maple V via the jacobian function in the
linear algebra package as
> jacobian(N, [xi, eta]);
[ -1/4 + 1/4 η  -1/4 + 1/4 ξ
  1/4 - 1/4 η  -1/4 - 1/4 ξ
  1/4 + 1/4 η  1/4 + 1/4 ξ
  -1/4 - 1/4 η  1/4 - 1/4 ξ ]
Bytes Used: 298K Time Used: 13 sec Free Memory: 19178K
```



CIRCLE NO. 131 ON REPLY CARD

# Modelling cable and cmr

As an aid to designers optimising balanced audio and instrumentation systems, **Ben Duncan** demonstrates how to model common-mode rejection and simulate cmr testing. In the process, he exposes some of the subtleties of connecting shielded cables.

In an earlier article<sup>1</sup>, a number of IC makers' Spice 'macro' models were tested for common-mode rejection. Some subsequent wider testing reinforces the impression that makers' models have some way to go to simulate reality in this area.

For example, the Spice model of the *SSM 2017* – a true differential receiver converting balanced lines to unbalanced – yields about -35dB common-mode rejection when tested. While the data sheet omits to graph cmr, real units sampled over five years have consistently measured around -65dB to -70dB. The comparison is across the audio band.

Rather than allow these failings to damn the use of today's powerful circuit analysis tools, progress can be made by other means.

## Ideal balanced receiver

For most investigations, a perfectly balanced differential receiver or differential-to-single-ended converter with near infinite common-mode rejection is an ideal that will help designers isolate other causes of common-mode rejection degradation.

A linear 'V-of-V' source that provides the ideal differential-to-single-ended conversion is available in *MicroCAP-IV* and -V. For other simulators based on Spice 2G, voltage-controlled voltage source 'E' is a similar element.

A major advantage of using an ideal source rather than an op-amp or other active device model, is that the device performance is completely free from physical limits. Slew limits, maximum voltage swing and dc offset are all initially irrelevant to cmr investigations. The linear 'V-of-V' in *MicroCAP* has just one parameter – a setting for numeric  $V_{in}/V_{out}$  ratio, for example 1.0 for 0dB.

Looking at the top left circuit in Fig. 1, the raw part appears as a circle – the output side – associated with two round input terminals – the isolated inputs – on the left. Here, we are interested in checking the cmr of the device, so the balanced input terminals are linked and driven by an ac common mode test voltage,  $V_{cm}$ .

In ac mode, the test level defaults to a nominal 1V and frequency is swept – irrespective of the generators' amplitude and frequency defined in the .MODEL statement text beneath.

## Macro capabilities

*MicroCAP*'s macro capability is easy to use and is a little more than just a means of grouping key strokes. In Fig. 1, the circuit on the right repeats the identical V-of-V after being macro'd into a four-pin op-amp shape. This is called DTSEC, which represents a differential-to-single-ended converter. The tie 'bb' connects the  $V_{cm}$  test source. In analysis, the single ended output voltages are read between the named nodes  $V_{o1}$ ,  $V_{o2}$ , etc, and ground.

In Fig. 1, the lower pair of circuits comprise a wholly independent differential gain test of the same V-of-V, and again, the macro'd version of it, DTSEC, is on the right. This demonstrates *MicroCAP*'s ability to simultaneously test independent circuits, thereby greatly speeding up investigation and control investigative file branching.

Figure 2 is a plot of results. The recovered differential signal is 0dB. For this to be the case, the V-of-V's gain parameter needs changing from the default 1.0 to 0.5, ie. -6dB. This is because the two voltage sources  $V_{diff}$  needed to model a perfect balanced source are both set at 1V and summed in ac analysis mode. This is an intrinsic feature which cannot be changed.

The DTSEC's cmr is not quite infinite, but at -3000dB, the ratio comfortably exceeds physical limits assuming there are about  $1 \times 10^{80}$  (1.6kdB) atoms in the local universe. Of course, the macros on the right-hand side of Fig. 1 perform exactly the same. To enable this to be seen, their expressions in Fig. 2 include '-1V' and '-500dB' in the upper and lower plots respectively, as an offset for clarity.

Fig. 1. Four sub-circuits simultaneously demonstrate the cmr of a perfect dual-to-single-ended converter, and the macro'd form; and the differential gain of the same DTSEC, and again, the macro'd form. For cmr testing a single  $V_{cm}$  test source is shared whereas for the differential gain testing, *MicroCAP* handles four independent sources.

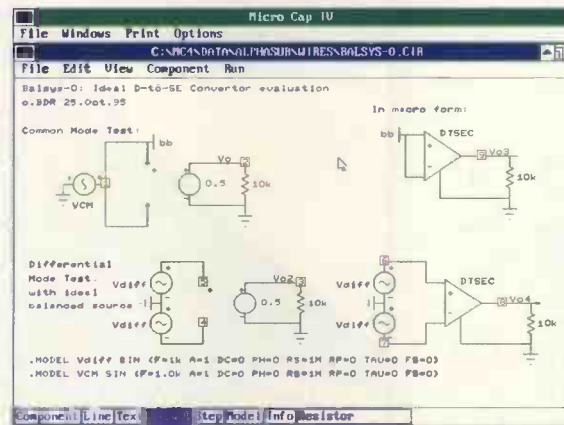
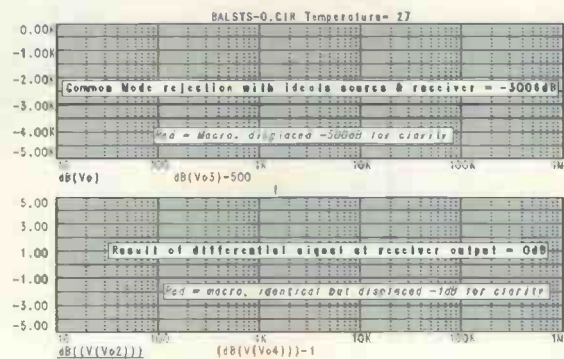
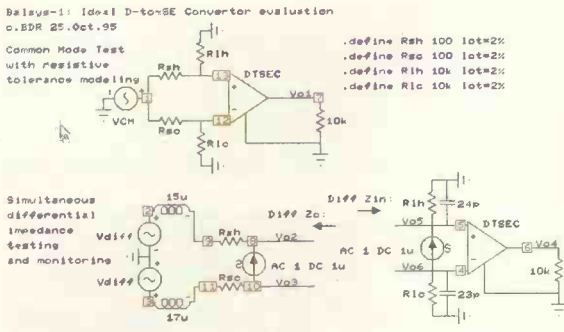


Fig. 2. Upper plot shows dual-to-single-ended converter based on linear V-of-V has more than adequate 'perfect' common-mode rejection of -3000dB. Lower confirms 0dB differential gain from lower pair of test circuits. To achieve this, the V-of-V's ratio must be set at -6dB.





**Fig. 3. Receiver cmr workshop screen packs in another 3 simultaneous tests. In the upper circuit, the isolated effect of different resistor absolute values and tolerances (lot=X%, and optionally even %Dev tolerances) can be rapidly explored. In the lower circuit, the differential test generator from Fig. 1 and its output resistors, is split from the DTSEC, and its input resistors. The  $Z_{diff}$  of both halves is then read using individual 'I' sources, set up to force a frequency-swept ac current of 1A differentially up each. The current converts the ac Y axis from volts to an ohms scale.**

**Virtual cmr workshop**

In Fig. 3, the DTSEC is being tested in a circuit where the resistive connections and their errors are real enough, but where reactive effects are being ignored. This would be a reasonable comparison for an on-board interface, where transmitter and receiver connections are very short.

Resistors are defined in the statements on the right of the schematic. Values of  $R_{sh}$  or  $R_{source,hot}$  and its twin,  $R_{sc}$  or  $R_{source,cold}$  are typical output stand-off resistors. Hot load resistor  $R_{1h}$  and its cold twin  $R_{1c}$  are typical of a conventional audio bridging audio input, to the IEC.268 convention. These provide a bias and discharge path, as well as defining input impedances  $R_{diff}$  and  $R_{cm}$ .

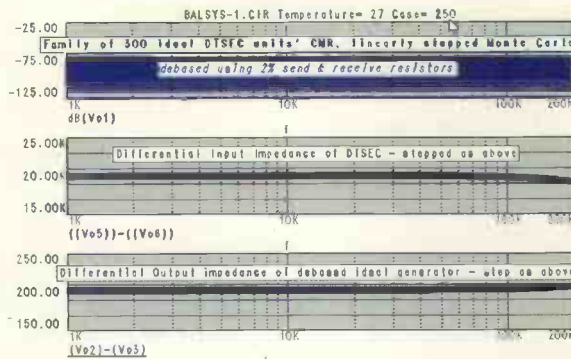
The DTSEC drives a 10kΩ resistor but this is in no way essential in *MicroCAP*. It just makes the single ended output visually stand out.

In the lower half of Fig. 3, a completely different pair of tests is going on. Here, the circuit above has been split and independent current sources inserted. These sources are 'I' in *MicroCAPs* menu but labelled 'S' on page. Inserting the current sources forces current up the test source's output, and raises the DTSEC inputs. You will see that each source's label reads 'ac 1 dc 1u'. Noting the spaces, it means the ac current is 1A, but only 1µA of dc. Spice syntax is similar.

The wanted ac part is then swept by the ac analysis, and the output – in linear volts instead of decibels – is read as ohms. Since the connection is differential, the outcome is a plot of the differential impedance,  $Z_{diff}$ , of the source and load. The two differential generators  $V_{diff}$  are unused but need not be removed. To make the impedance plots more realistic, plausible parasitic reactances have been added. These comprise transmitter series source inductance and receiver shunt capacitance.

Figure 4 shows how these apparently disparate measurements tie together. In the top plot, 250 linear Monte Carlo runs show how common-mode rejection might vary over a population with the cited rather sloppy 2% tolerance parts. The middle plot confirms the  $Z_{diff}$  of the DTSEC is varying about 20kΩ, bowing down at rf on the right. This plot provides an instant visual check of the span of the resistors' range stepping.

Likewise, the lower plot confirms that the  $Z_{o-diff}$  of the balanced generator is about 200Ω, with the source inductances just having effect at 200kHz. This kind of measurement gets more interesting at this frequency and above, when cable reactances are added.



**Fig. 4. Using a DTSEC macro instead of a macro-model speeds investigation; with a 100MHz 16bit pc, it takes just 25 seconds for the effects of the tolerated parts to be evaluated in two hundred and fifty linear Monte Carlo runs – while simultaneously monitoring the stepped resistor values by plotting differential send and receive impedances.**

In Fig. 5, the effects of shunt capacitive reactance are added and part isolated for study. This time the circuit source and load resistors are untoleranced, but offset with realistic high specification mismatches of 0.025% for 20Ω and 0.001% for 100kΩ.

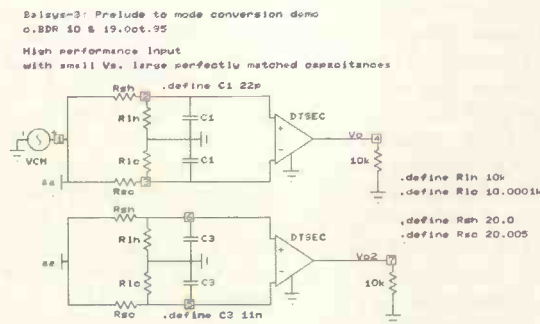
Shunt capacitance is also untoleranced, and perfectly balanced. As in Fig. 3, capacitors connect to ground. By practical inference, this is the local zero volt reference, seen underneath the DTSEC.

Common-mode test source  $V_{cm}$  shares the same ground by definition; don't be deceived by its leftside geographic location. In the upper circuit, the introduced shunt capacitance is just 22pF – believable if the interface is proximate on a groundplane pcb. In the lower figure, capacitance is far higher, being typical of tens of yards or so of shielded cable, the total value possibly including shunt rf filter capacitors.

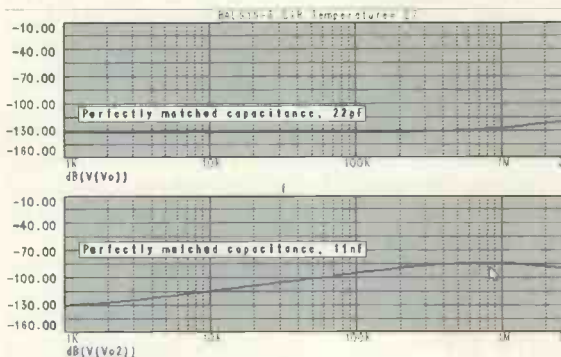
When looking at the outcome in Fig. 6, it is important to note that the added capacitors are not in any way unbalancing the line. Yet the higher capacitance, while not as a load, begins to significantly degrade the common-mode rejection at low rf of around 1MHz, and above. Of course, the model neglects other effects becoming significant at 1MHz but the trend is clear enough.

**Introducing cable effects**

Accurate balancing of analogue and audio signal feeds has a major role to play in emi immunity for emc. But attaining high cmrs in balanced transmitters and receivers alone is not good enough. Real cmr may depend as much, or more, on the

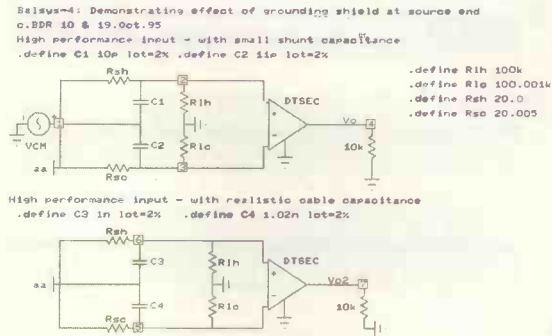


**Fig. 5. In these two test circuits, the effects of perfectly balanced shunt cable and rf filter capacitances are examined in a high cmr performance environment.**

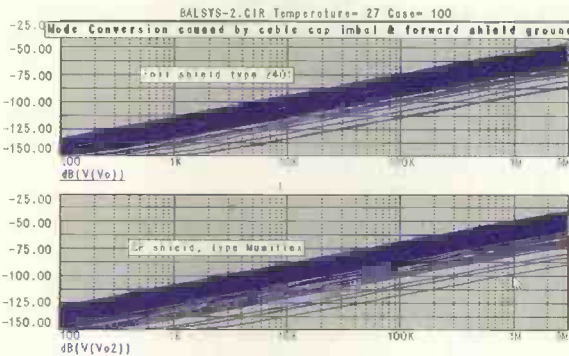


**Fig. 6. These plots show how absolute capacitance matters, at least when referred to the DTSEC ground. Lower curve shows how hyper-matching alone is not enough to preserve hf cmr.**

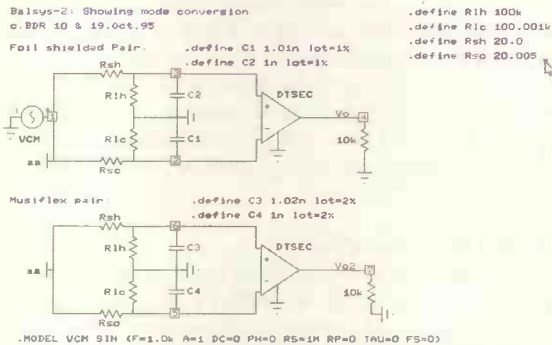
**Fig. 7. Shunt capacitance definitions have been appended with core-to-shield capacitance tolerances that are typical of real shielded pair cables.**



**Fig. 8. Stepping through 100 linear Monte Carlo'd core-to-shield cable capacitances. In reality, as cable capacitance imbalances are more fixed and skewed, some better cmr results may be discounted, while worst cases remain plausible.**



**Fig. 9. Cable shield is strapped at the balanced transmitter's ground end, alias V<sub>cm</sub>'s hot side. This scheme is 'more' correct in theory, than terminating at the receiver end.**



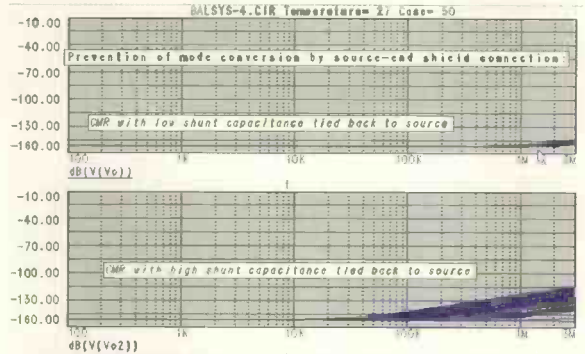
quality of cable used, and moreover, on the way that cable shielding is connected.

A recent AES paper<sup>2</sup> has drawn attention to cmr degradation caused by core-to-shield capacitance imbalance in twisted pair shielded cables. It specifically highlights the effects of the pairs having naturally separate colours of insulation, for example red and black. Owing to the different additives used for colouring, each type has a different permittivity. This, and differences in the extruded insulation thickness, lead to a different capacitance between the circuit legs. Typically this is of the order of 1-5%. This may not seem much, but it has increasingly serious repercussions at rf in any system requiring high emi immunity.

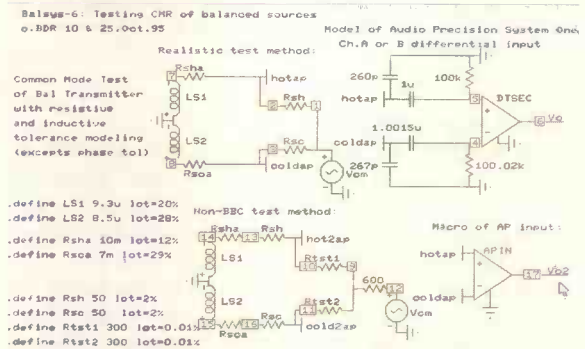
After comparing the spot foil-shield capacitances of some balanced cable offcuts lying around the lab, Fig. 7 mimics the reality. In the upper circuit, the 1% typical imbalance between two cores of a foil-shielded pair, for example Alpha type 2401, is modelled by defining the core/shield capacitances C<sub>1,2</sub> with independent 1% tolerances.

Musiflex stage cable has a soft conductive plastic shield of higher resistivity. Typical imbalance was higher at 2%, conservatively approximated with C<sub>1,2</sub> independently set at 'Lot=2%'. Again, '%Dev' tolerances could also be appended if statistical data is to hand.

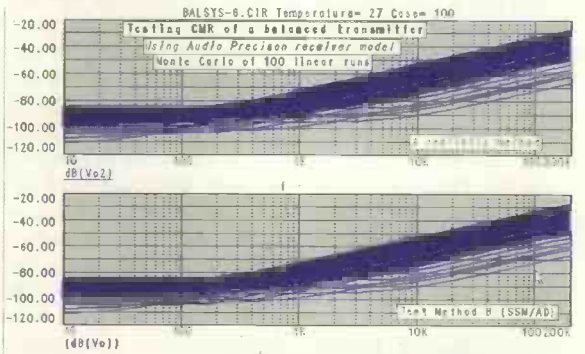
As in Fig. 5, note that realistically imbalanced resistive values set a maximum cmr baseline, and that cable capacitances are tied to ground. This is the receiver output reference, alias local 0V. This means the shield is connected to earth only at



**Fig. 10. Common-mode rejection plots back up the theory – as the effects of the shunt cable capacitance on cmr is greatly diminished – compare with Fig. 8. Still, a more advanced model is needed to account for many documented instances where consistently wired systems have actually buzzed less with the Fig. 5 and 7 type connection.**



**Fig. 11. To test the cmr of a balanced transmitter, a common-mode signal may be forced equally up both legs, and a the resulting error voltage is read with a well balanced, bridging receiver. Here, two slightly different methods are compared, using a model of the test set that would be used in realspace. The transmitter, represented passively by R<sub>sha</sub> and L<sub>S1</sub> and the other half, could also be a full circuit, a macro-model or any other representation, subject to implicit modeling limitations.**



**Fig. 12. In 100 linear runs, there is not much in the two cmr test methods. The hf degradation (above 1kHz) could be tackled by controlling the differences and tolerances in the leg inductances. Variables used are simulating careless layout, for example different track lengths and varying cable dress in production. The cmr seen on the left (at 10Hz) is governed by resistor mismatch alone. Even with 2% series output resistors, output cmr is better than -80dB. But earlier figures show why this is no excuse for complacency, since receiver and cable imbalances add their toll.**

the receiver end. While disputable<sup>2</sup>, this method often works in practice and is considered essential when a shielded multicore is unplugged from 90kW of front-of-house power amplification.

**But what are the hazards?**

Figure 8 shows the effect of stepping the cables' capacitive imbalances over the given tolerances. Clearly the random mismatching caused by tolerancing is wrecking hf balance with cmr affected most. Using a cable with twice as much core/shield capacitance tolerance than the foil type is not helping - by 6dB as you might expect.

In Fig. 9, the circuit has changed subtly. The cable capacitances' drain ends have been 'back-referred' effectively to the source ground. This ground is notionally the 'hot' side of the  $V_{cm}$  source. In effect, connection of the cable shield has been changed from receiver to transmitter ground. Now, as shown in Fig. 10, high-frequency cmr degradation is far lower, and the effect of inter-pair capacitance mismatch is also diminished.

The fact remains, however, that in giant, touring multi-media audio systems, the most inobtrusive system noise quality has required a flexible approach as to which end of the shield should be grounded. Others have noted as much<sup>3</sup>. This means the Fig. 7 model, while a firm basis, and useful for predicting performance of specific systems, naturally requires some more parasitic elements to be added to be useful in many real applications.

**Output cmr test station**

In Fig. 11, output cmr is measured by two external methods, where the source can be modelled as just an impedance. A third method, specified by the BBC, is outside the scope of this setup, as it requires the source to be active and driven.

In the upper figure,  $R_{sha}$  and  $L_{S1}$  represent the active source's impedance with high negative feedback, and the inductance modelling the effect of diminishing negative feedback at hf. Resistors  $R_{sh}$  and  $R_{sc}$  are the usual output resistors. Again, all parts have arbitrary but realistic fixed imbalances

and tolerances.

The test involves shorting the balanced output terminals and applying  $V_{cm}$ , the test signal, to this point. A balanced receiver is then connected before, and across the output resistors. Common-mode rejection, i.e. balance, is proportional to the voltage here.

The ability of circuit modelling to mimic even the industry standard test gear you might use to verify computations, has not been widely published hitherto. To change this, on the right, the cmr of the analyser input of my Audio Precision System One test set has been modelled, by measuring self-cmr, then adjusting the values of the shunt and series  $R_s$  and  $C_s$  to closely match the curve.

In the lower circuitry of Fig. 11, output cmr is measured by another method, cited by SSM in their SSM-2142 data sheet. Here,  $V_{cm}$  is connected driven up the source via a pair of quite tightly matched  $\pm 0.01\%$  resistors,  $R_{1st}$ , in series with a third resistor.

This method requires a fiddly fixture, but avoids any need to delve inside the box. On the bottom right, the AP input (above) has now been macro'd into the same shape as the dual-to-single-end converter.

Results, shown in Fig. 12, demonstrate there is not a lot between the two test methods - at least over 100 linearly stepped Monte Carlo runs shown. A few minutes spent running such tests can evaporate myths, thereby reducing the noise floor at audio conventions!

**References**

1. Duncan B., 'CMR under Test', *EW&WW*, July '94.
2. Whitlock B., 'Balanced lines in audio systems', *JAES* June '95.
3. Muncy N., 'Noise susceptibility in analog and digital signal processing systems', *JAES* Jun '95.



8 CONVENTS WAY,  
BINLEY INDUSTRIAL ESTATE,  
COVENTRY CV3 2SF  
Tel: 01203 650702  
Fax: 01203 650773  
Mobile: 0860 400683

**TELNET**

|  |       |
|--|-------|
| Hewlett Packard 141T + 8552B + 8555A (10MHz-18GHz).....            | £1600 |
| Hewlett Packard 8756A - Scalar network analyser (10MHz-40GHz)..... | £2250 |
| Hewlett Packard 8505A - Network analyser (500kHz-1.3GHz).....      | £4000 |

**MISCELLANEDUS**

|  |       |
|--|-------|
| Hewlett Packard 8601A - generator/sweeper, 110MHz.....                 | £300  |
| Hewlett Packard 3326A - two channel synthesiser.....                   | £3750 |
| Hewlett Packard 4948A - transmission impairment measuring set.....     | £2000 |
| Hewlett Packard 3455A - 6 1/2 digit multimeter (autoscal).....         | £750  |
| Hewlett Packard 8660C - synthesised signal generator (1300MHz).....    | £175  |
| Hewlett Packard 3575A - gain/phase meter 1Hz-13MHz.....                | £500  |
| Hewlett Packard 8165A - 50kHz programmable signal source.....          | £1650 |
| Hewlett Packard 3746A - selective level measuring set.....             | £1750 |
| Hewlett Packard 6002A - autoringing 50V-10A, PSU.....                  | £650  |
| Hewlett Packard 8403A - modulator.....                                 | £500  |
| Hewlett Packard 334A - distortion analyser.....                        | £300  |
| Hewlett Packard 335A - distortion measuring set.....                   | £1500 |
| Hewlett Packard 5314A - (new) 100MHz universal counter.....            | £250  |
| Hewlett Packard 5350B - (new) microwave frequency counter (20GHz)..... | £2500 |
| Anritsu ME462B - DS-3 transmission analyser.....                       | £3000 |
| Marconi Z305 - modulation meter.....                                   | £2500 |
| Marconi 2871 - data communications analyser.....                       | £2000 |
| Marconi 6500 - automatic amplitude analyser.....                       | £1750 |
| Anritsu MG642A - Pulse pattern generator.....                          | £1500 |
| Datalab DL 1080 - Programmable Transient Recorder.....                 | £350  |
| Datron D101 - Precision multimeter.....                                | £650  |
| Dynaport TP20 - Intelligence tape peel tester, Immac. cond.....        | £1950 |
| E.I.P. 331 - 18GHz frequency counter.....                              | £850  |
| E.I.P. 548A - frequency counter (26.5GHz).....                         | £3000 |
| Farnell TSV70 MkII - Power Supply (70V-5A or 35V-10A).....             | £500  |
| Ferroglyph RTS2 - Audio test set with ATU1.....                        | £650  |
| Heiden 1107 - 30v-10A Programmable power supply (IEEE).....            | £1500 |
| Hewlett Packard 3325A - 21MHz synthesiser/function gen.....            | £1500 |
| Hewlett Packard 3437A - System voltmeter.....                          | £350  |
| Hewlett Packard 3438A - Digital voltmeter.....                         | £200  |
| Hewlett Packard 3490A - Digital multimeter.....                        | £250  |
| Hewlett Packard 3586A - Selective level meter.....                     | £1750 |
| Hewlett Packard 3711A/3712A/3791B/3793B - Microwave link analyser..... | £3500 |
| Hewlett Packard 5385A - Frequency counter 1GHz (HP-IB) with Opt.....   | £995  |
| Hewlett Packard 6181C - D.C. current source.....                       | £150  |

|   |      |
|---|------|
| Hewlett Packard 6261B - Power supply 20V-50A..... | £500 |
|---|------|

**DISCOUNT FOR QUANTITIES**

|  |           |
|--|-----------|
| Hewlett Packard 7402 - Recorder with 17401A x 2 plug-ins.....        | £300      |
| Hewlett Packard 8005B - Pulse generator.....                         | £250      |
| Hewlett Packard 8011A - Pulse gen. 0.1Hz-20MHz.....                  | £500      |
| Hewlett Packard 8152A - Optical average power meter.....             | £1250     |
| Hewlett Packard 8158B - Optical attenuator with opt's 002 + 001..... | £1100     |
| Hewlett Packard 8620C - Sweep oscillator mainframe.....              | £400      |
| Hewlett Packard 8750A - Storage normaliser.....                      | £375      |
| Hewlett Packard 3456A - Digital voltmeter.....                       | £750      |
| Hewlett Packard 8684A - 5.4GHz to 12.5GHz Sig Gen.....               | £3500     |
| Hewlett Packard 8640B - AM/FM Signal Gen. (512MHz).....              | £850      |
| Hewlett Packard 5340A - 18GHz Frequency Counter.....                 | £900      |
| Hewlett Packard 3709B - 18GHz Frequency Converter Head.....          | £450      |
| Hewlett Packard 432A - Power Meter (with 478A Sensor).....           | £275      |
| Hewlett Packard 435A or B - Power Meter (with 848A/8484A).....       | from £750 |
| Hewlett Packard 4953A - Protocol analyser.....                       | £2995     |
| Hewlett Packard 5359A - Time synthesiser.....                        | CP O.A.   |
| Hewlett Packard 5505A - Laser display.....                           | CP O.A.   |

|   |           |
|---|-----------|
| Hewlett Packard 3488A - HP-IB switch/control unit (various plug-ins available).....       | £550      |
| Hewlett Packard 3481C - Selective voltmeter.....  | £300      |
| Hewlett Packard 3708A - Noise and interference test set.....                              | £8500     |
| Hewlett Packard 4192A - L.F. impedance analyser (5Hz-13MHz).....                          | £9000     |
| Hewlett Packard 4261A - LCR meter (digital).....  | £500      |
| Hewlett Packard 4271B - LCR meter (digital).....  | £300      |
| Hewlett Packard 4342A - Q meter.....  | £395      |
| Hewlett Packard 4954A - Protocol analyser.....  | £3500     |
| Hewlett Packard 8116A - Pulse/function generator (1MHz-50MHz).....                        | £2750     |
| Hewlett Packard 8349B - Microwave broadband Amp (as new) 2-20MHz.....                     | £4700     |
| Hewlett Packard 8350B - Sweep oscillator mainframe (plug-ins avail).....                  | £2650     |
| Hewlett Packard 8903A - Microwave signal gen (2.3-6.5GHz).....                            | £3500     |
| Hewlett Packard 8656A - Synthesised signal gen (100kHz-990MHz).....                       | £1750     |
| Hewlett Packard 8901B - Modulation analyser (150kHz-1300MHz).....                         | £4250     |
| Hewlett Packard 8903A - Audio analyser (20Hz-100kHz).....                                 | £2600     |
| Hewlett Packard 8903B - Audio analyser (20Hz-100kHz).....                                 | £3250     |
| Marconi 2337A - Automatic dist. meter.....  | £150      |
| Marconi 893B - A/F power meter.....   | £295      |
| Marconi 2019A - 80kHz-1040MHz synthesised sig. gen.....                                   | £1950     |
| Philips PM 5167 - 10MHz function gen.....   | £400      |
| Philips PM 5190 - LF synthesiser with GPIB.....   | £300      |
| Philips PM 5565 - Waveform monitor.....   | £200      |
| Philips PM 5567 - Vectorscope.....  | £600      |
| Philips PM 8226 - 6-p recorder.....   | £550      |
| Phoenix 5500A - telecomms analyser with various interface options.....                    | £2500     |
| Powerance - Power line analyser.....  | £1950     |
| Racal 9301A True RMS/Rf millivoltmeter.....   | £300      |
| Racal Dana 1992 - 1300MHz frequency counter opts 4B+55.....                               | £800      |
| Racal Dana 3100 40-130MHz synthesiser.....  | £750      |
| Racal Dana 9081 Synth. sig. gen. 520MHz.....  | £225      |
| Racal Dana 9084 Synth. sig. gen. 104MHz.....  | £450      |
| Racal Dana 9242D Programmable PSU 25V-2A.....   | £300      |
| Racal Dana 9248B Programmable PSU 25V-10A.....  | £400      |
| Racal Dana 9303 True RMS/Rf level meter.....  | £650      |
| Racal Dana 9921 3GHz frequency counter.....   | £450      |
| Schlumberger SI 4040 - Stablock, high accuracy 1GHz radio test set.....                   | £5960     |
| Schlumberger 4923 - Radio Code Test Set.....  | £1500     |
| Schlumberger 2720 - 1250MHz Freq. Counter.....  | £750      |
| Systron Donner 6054B or D - 18GHz or 24GHz Freq. Counter.....                             | from £900 |
| Tektronix DA5100 Series Logic Analyser.....   | £500      |
| Tektronix - Plug-ins - Many available such as PG508, FG504, SC504, SW503, SG 502 etc..... |           |
| Tektronix TM5003 + AFG5101 Arbitrary Function Gen.....                                    | £1750     |
| Tektronix 1240 Logic Analyser.....  | £1250     |
| Time 9814 Voltage calibrator (with test fixture).....                                     | £750      |
| Tetronix AM503 + TM501 + P6302 - current probe amplifier.....                             | £395      |
| Tektronix PG506 + TG501 + SG503 + TM503 - Oscilloscope calibrator.....                    | £1995     |
| Tektronix CG5001 - Programmable oscilloscope cal. generator.....                          | £7500     |
| Time 9811 Programmable resistance.....  | £500      |
| Time 9814 Voltage calibrator.....   | £750      |
| Wayne Kerr N905 - Precision LCR meter.....  | £850      |
| Witron 560 Scalar Network analyser.....   | £800      |

MANY MORE ITEMS AVAILABLE - SEND LARGE S.A.E. FOR LIST OF EQUIPMENT ALL EQUIPMENT IS USED - WITH 30 DAYS GUARANTEE. PLEASE CHECK FOR AVAILABILITY BEFORE ORDERING - CARRIAGE & VAT TO BE ADDED TO ALL GOODS

# High-performance thd meter

**Taking advantage of modern components, Ian Hickman has developed a new distortion meter combining a measuring resolution of 0.001% with design simplicity.**

I designed this thd meter for testing hi-fi amplifiers, in conjunction with a low distortion sinewave oscillator.

Figure 1a) is a schematic for a thd meter design dating from the early seventies<sup>1</sup>. Figure 1b) shows its full circuit, which is interesting in that it highlights some of the problems in thd meter design.

The complete instrument includes a low-pass filter with a choice of switchable cut-off frequencies. This extends the lower limit of the measuring range by limiting the noise bandwidth. Provision for selecting a high-pass filter to reject hum is also included but not shown.

Designed as a distortion monitor, the circuit was intended for use with a separate external audio-frequency voltmeter – preferably one with true rms response.

Some quick sums show it to be still 7.5dB down at the second harmonic of the notch frequency. This is because of the low Q of the Wien network caused by the two capacitors and two resistors, not the complete bridge. It is well below unity – in fact just a third. Consequently, it is necessary to include the notch circuit in an overall negative feedback loop. This brings the response at the second harmonic to ideally much less than 1dB down.

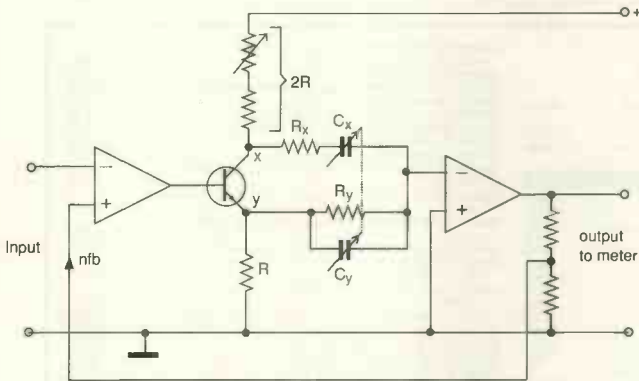
The effective absence of negative feedback at the frequency of the test signal when the notch is correctly tuned to it, however, means that the fundamental is considerably accentuated in the stages within the loop. As a result it is necessary to keep the input amplitude well below the overload level of these stages. This helps prevent the distortion meter introducing distortion of its own.

A consequence is that the noise floor can limit attempts to measure very low thd levels. A further consequence of negative feedback is to narrow the notch, making tuning critical. The original article<sup>1</sup> recommended a slow motion drive with at least a 100:1 reduction ratio. These and other considerations limited the measurement range of the instrument of reference 1 to the order of 0.01% at 1kHz.

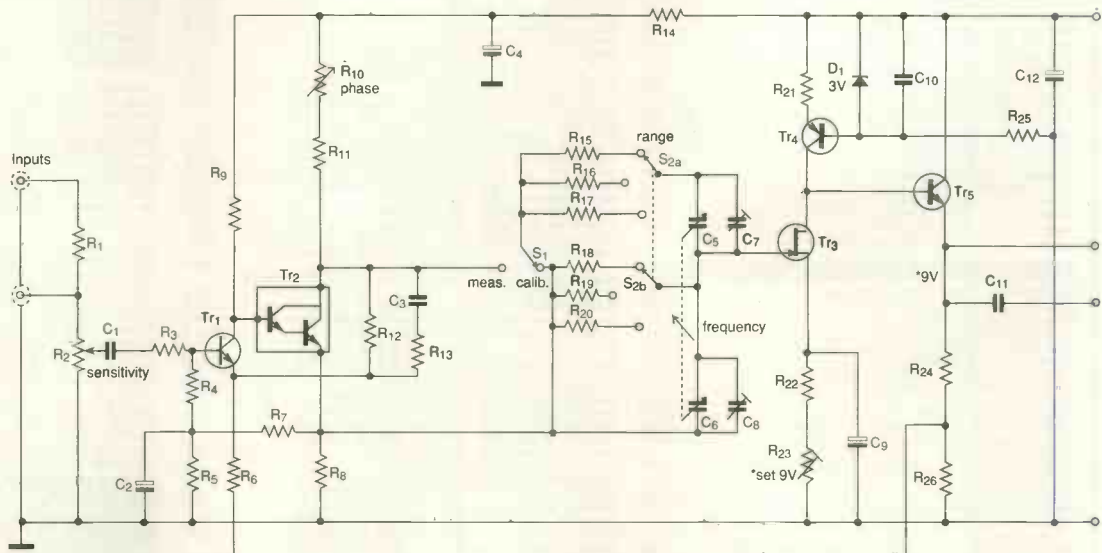
Some years ago, I designed and built a thd meter with ranges down to 0.01% full scale, permitting readings down to around 0.002% or lower. It used a state-variable filter, svf, based circuit which, having a higher Q, does not

## Notch circuitry

Using a Wien bridge arrangement, the circuit provides a notch or transmission zero at the fundamental of the sinewave test signal. However, the notch produced by this type of circuit is cusp-shaped. Not only is it very narrow at the null, but its return to full output at very low and very high frequencies is leisurely.



**Fig. 1a)** Above, schematic of a notch circuit with negative feedback to provide a (nearly) flat response by one octave either side of the notch.  
**b)** On the right, part circuit of the distortion monitor described in reference 1.



need so much overall negative feedback to obtain a reasonably flat response at the second harmonic.

Measurements at the limit of the circuit's sensitivity were very tricky due to the narrowness of the notch, as detailed in the panel. Consequently, when making the measurements on a low-distortion oscillator<sup>2</sup>, the thd meter was preceded by an auxiliary test circuit. This consisted of a fixed-frequency twin-tee network followed by a two pole Chebychev high-pass filter. Tuning and peaking of the latter were adjusted to give a sensibly flat response, in conjunction with the notch, from the second harmonic upwards. Three such circuits permitted spot frequency testing at 20Hz, 600Hz and 10kHz.

While this arrangement provided thd measurements which are reliably accurate – due to suppression of the fundamental in a passive network before it meets any active circuitry – the restriction to spot frequency testing is in practice a serious drawback.

**A new approach**

For many years, I have been planning to replace my original distortion meter with an improved design offering continuous tuning and a wider notch. The wider notch is needed for measurements down towards the 0.001% level since adequate suppression of the fundamental is not possible with a single two-pole notch circuit.

As indicated in the panel, to measure even 0.01% thd, requiring suppression of the fundamental to at least 0.003%, implies an accuracy of tuning of 15ppm – the equivalent of 0.015Hz at 1kHz. This required accuracy is not an absolute figure. It is relative to the frequency of the sinewave oscillator providing the test signal. Even if stability of the notch tuning were perfect, the oscillator may not exhibit the necessary long term stability to allow readings to be taken. Even if it did, the short term stability of an RC oscillator is likely to be inadequate.

The inevitable close-in noise sidebands will be inadequately suppressed by the notch. If you prefer to think in the time domain, frequency of the oscillator will shuffle about by a minuscule amount. This results in the fundamental peeping out randomly on either side of the notch, preventing a steady reading representing the harmonics only.

**Notches in tandem**

The solution presented here is to use two notches in tandem, greatly reducing the suppression required of each. This four pole arrangement also permits a design that avoids the accentuation of the fundamental within the loop. This is necessary with a two-pole notch circuit to achieve a response at the second harmonic which is no more than, say, 1dB down on the 'flat', ie on the response far from the notch.

The scheme is outlined in Fig. 2, where the first stage is an svf notch circuit with a Q of unity. As a result there is no accentuation of the fundamental, high pass, band-pass and

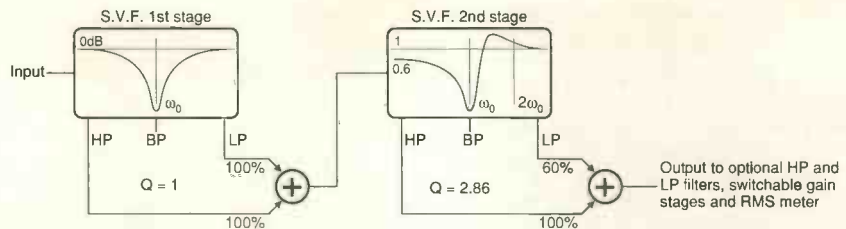


Fig. 2. Schematic arrangement of an improved front-end of a thd meter. This provides reduced internal distortion and less critical tuning of the notch.

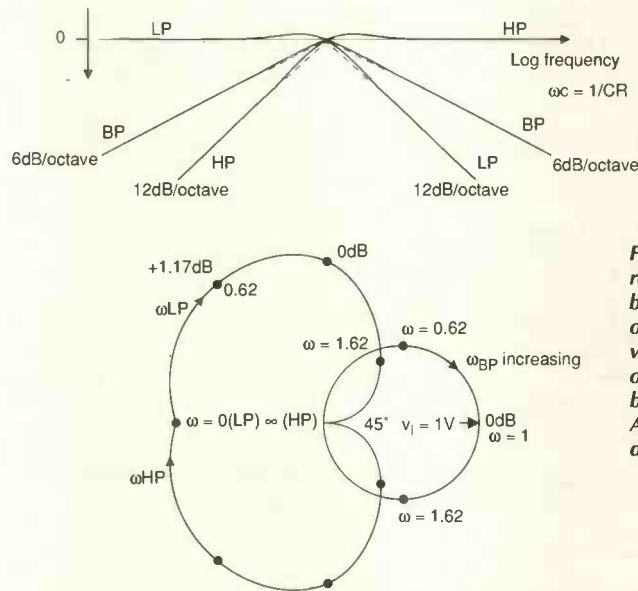


Fig. 3a) Frequency response of the low, band and high-pass outputs of a state variable filter with a Q of unity (Bode plot). b) As a) but shown as an Argand or vector diagram.

low-pass responses. All are unity at the tuned notch frequency, Fig. 3. With the chosen Q of unity, there is a slight peak in the low-pass response of just over 1dB at 62% of the tuned frequency – and at 1.6 times the tuned frequency in the case of the high pass response. But in thd testing there is no signal present at this frequency. As low and high pass outputs are in antiphase, summing them produces a notch at the tuned frequency.

The first stage sums equal contributions from the low and high pass outputs, resulting in a symmetrical notch. With the chosen Q of unity, this is just 1.6dB down at twice the notch frequency.

High pass output is summed with just 60% of the low-pass output by the second stage. This results in the notch occurring below the tuned frequency, with low-frequency response only 60% that of the high-frequency response, Fig. 2. Furthermore, the notch now occurs at a frequency below the svf stage resonant frequency. Resonant frequency is that at which low, high and band-pass responses are all equal, and is given by,

$$f=1/(2\pi CR).$$

**Flat response**

By choosing a smaller value of CR for the second stage – in conjunction with the chosen ratio of low to high-pass contribution – its notch can be arranged to coincide with that of the first.

By choosing a suitable value of Q for the second stage, a peak occurs at its resonant fre-

quency, ie somewhere above the notch. Its amplitude can be made +1.6dB at twice the notch frequency. This compensates for the -1.6dB response of the first stage. In fact, by judicious adjustment of the second-stage resonant frequency, ratio of low to high-pass contribution and Q, overall response can be made flat at the second and all higher harmonics.

The arrangement has certain similarities to a four-pole elliptic high-pass filter, but there is a significant difference. Instead of spacing the two frequencies of zero response apart so as to maintain a designed stop-band attenuation, A<sub>s</sub>, all the way down to 0Hz, they are made coincident. This is because there is only one signal in the stop-band – namely the fundamental of a sinewave test frequency. The harmonics all lie in the pass-band, which in this design is flat to within less than 0.1dB.

**Performance of the thd meter**

The two stages were made up in temporary form, as per Fig. 4a) and 4b) and tested. Note the tuning arrangement using a potentiometer to drive each integrator's input resistor R. This scheme using a fixed R provides linear tuning. As a result, poor resolution is avoided at the high-frequency end of the range which occurs if tuning is effected by varying R.

Figure 5a) shows the notch output of the Fig. 4a) circuit, set to 1kHz, at 10dB/vertical division, the span being 0-5kHz. Over 60dB of rejection was observed, the residual due to the low and high pass outputs being not quite in antiphase: 60dB down corresponds to a depar-

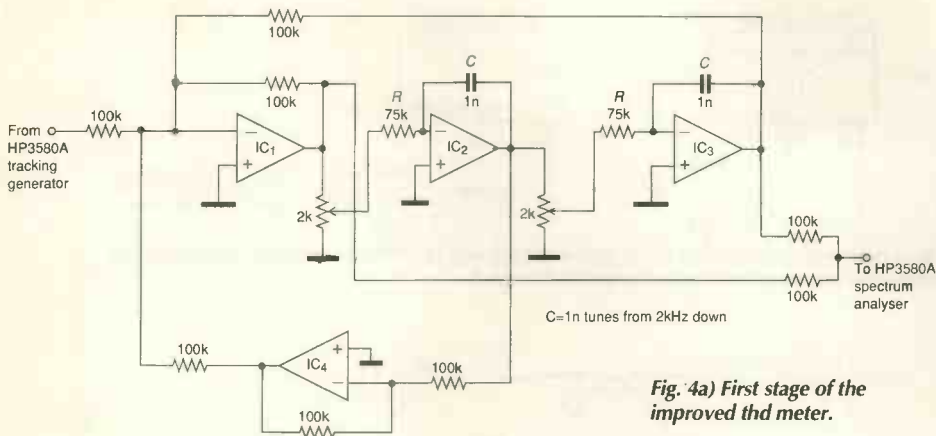
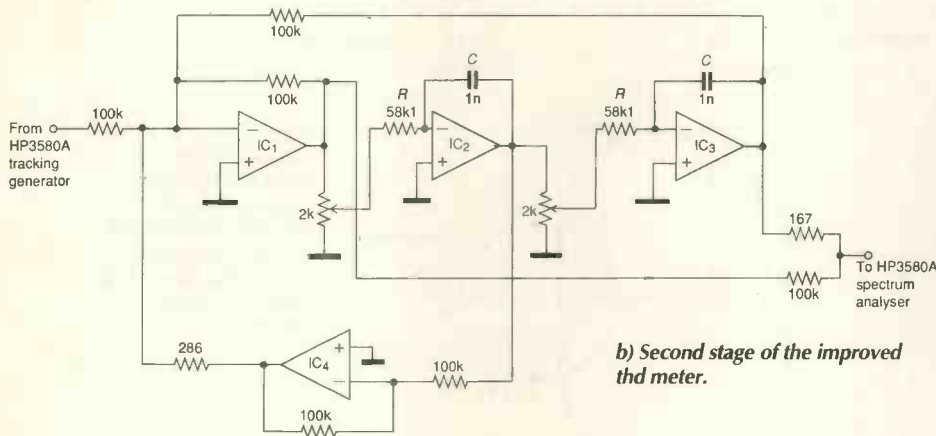


Fig. 4a) First stage of the improved thd meter.



b) Second stage of the improved thd meter.



Fig. 6a) Second stage response, notch trace and low-pass trace 10dB/div.

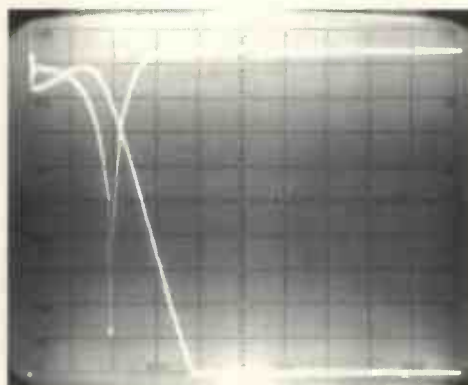


Fig. 6b) Combined four-pole notch response 10dB/div. at output of second stage, with first stage low-pass response at 1dB/div.

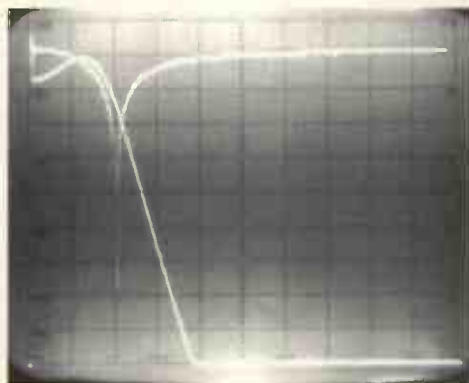
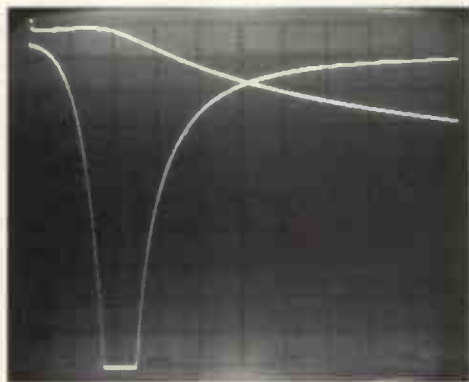


Fig. 5a) First stage response; span 0 to 5kHz, notch trace 10dB/div, low-pass trace 1dB/div.



b) As a), but notch trace 1dB/div and low-pass trace 10dB/div.

ture from 180° of just 0.053°.

Also shown is the low-pass output at 1dB/div, showing the expected peaking of about +1dB. Note that the traces are offset so the 0Hz levels of the two traces do not correspond. Figure 5b) shows the same results, this time with the notch trace at 1dB/div and the low-pass at 10dB/div. Compared to the response at 5kHz and higher, it can be seen that the response at 2kHz is indeed 1.6dB down as predicted by theory.

Figure 6a) shows the response of the second svf stage, with its tuning set so that the notch again occurs at 1kHz. The stage's resonant frequency is actually 1.29kHz, with around 10dB of peaking at the low pass output. This results in a smaller peak in the notch output, the response still being +1.6dB relative to the far-out high frequency response. When this is combined with the first stage response of Fig. 5, the result is a response which is level at 2kHz and upwards, Fig. 6b).

The notch should be 120dB or more deep, but as displayed it is limited to the spectrum analyser's noise floor at -90dBref. To reliably achieve 60dB or more suppression in each stage, putting the fundamental of the test sine wave below noise, a phase trim should be provided for each stage, similar to Fig. 7.

**To complete the picture**

A complete thd meter front-end must include facilities to accept inputs of various amplitudes, so some kind of input attenuator is required as indicated in Fig. 7. The poten-

tiometer used should be a wirewound type, to avoid introducing noise. The twin gang tuning potentiometers should also be wirewound, for the same reason. Also shown is a 'set level' switch which permits meter deflection to be set to full scale on the incoming signal, before notching out the fundamental.

Figure 7 shows a fine tuning trim on the second svf stage. This optional trimmer assists in obtaining the maximum possible fundamental rejection. It becomes necessary if the twin gang tuning potentiometers for the two stages are ganged together. In this case, an 'initial tune' position is needed which permits tuning of the first stage for maximum rejection.

The second stage is now also approximately tuned due to the ganging. Final adjustment of the second stage frequency and phase trims completes the tuning. Dual gang 2kΩ wirewound pots are available to special order<sup>‡</sup> with the shaft extended at the rear, permitting the tuning of the two svf stages to be ganged.

Due to the 20dB gain stage between the first and second svf stages, the lower limit of the measurement range is set only by first stage noise. Should thd measurements exceeding 10% be required, provision must be made to switch the 20dB gain stage to 0dB.

Results shown in Figs 5 and 6 were taken using TL084 quad op-amps in circuits prototyped on bread boards. In the final design, these op-amps would be unsuitable, due to

<sup>‡</sup>Available from Spectrol Reliance Ltd. Tel, 01793 521351, fax, 01793 539255.



### Classic state-variable filter

This circuit diagram is the classic four op-amp state variable filter. There is a three op-amp variant, but this involves taking the damping term from the band-pass output back to the non-inverting input of IC<sub>1</sub>, resulting in a common mode component at the filter input.

The tuned frequency or maximum gain frequency at the band-pass output is given by  $f=1/(2\pi CR)$ . At this frequency the high, band and low-pass outputs are all equal in amplitude, with the band and low-pass outputs lagging the high-pass output by 90° and 180° respectively.

With resistor values shown, low-frequency gain at the low-pass output and high-frequency gain at the high pass output are both unity. Gain at the tuned frequency is numerically equal to the circuit Q, where  $Q=RQ/100k$ . The transfer function is given by

$$\text{numerator}/(s^2 + Ds + 1),$$

where the numerator equals 1 for the low-pass output, s for the band pass and s<sup>2</sup> for the high-pass output, and  $D=1/Q$ .

Now s is the complex frequency variable  $\sigma + j\omega$ , but for the purposes of determining the steady state response of the circuit to sinewaves, s can be ignored. This leaves just j $\omega$  as the variable, where  $\omega=2\pi f$  radians per second.

Things can be simplified even further by normalising the frequency, that is, simply assuming that whatever tuned frequency you are interested in is unity. Thus gain at the low-pass output is given by  $1/(-\omega^2 + Dj\omega + 1)$ . At the tuned frequency, where  $\omega$  is 1, this amounts to  $1/jD = -j(1/D)$  where -j indicates a phase lagging 90° on the input. At the

tuned frequency, if D is 1/2, ie Q is 2, the gain is x2 or +6dB at -90° relative to the input.

Notch output of Fig. 4a) is obtained by summing the high and low-pass outputs. As a result, gain is given by

$$(-\omega^2 + 1)/(-\omega^2 + Dj\omega + 1).$$

Clearly, the numerator is zero when  $\omega$  is 1. On substituting  $D=1$  and  $\omega=2$ , the gain turns out to be x0.83, or -1.6dB. This is the response of the circuit at the second harmonic of a sinewave test signal, when the notch is tuned to the fundamental. In Fig. 4b), D is set to 0.35 (Q=2.86) and the contribution from the low-pass output is reduced to 60%. Now, gain is given by

$$(-\omega^2 + 0.6)/(-\omega^2 + 0.35j\omega + 1),$$

resulting in the response illustrated in Fig. 6a). Note that in this case, though,  $\omega=1$  corresponds to 1.29 times the  $\omega=1$  of the first svf section. In other words, this is 1.29kHz for a 1kHz test signal,

making the notches of the two stages coincident.

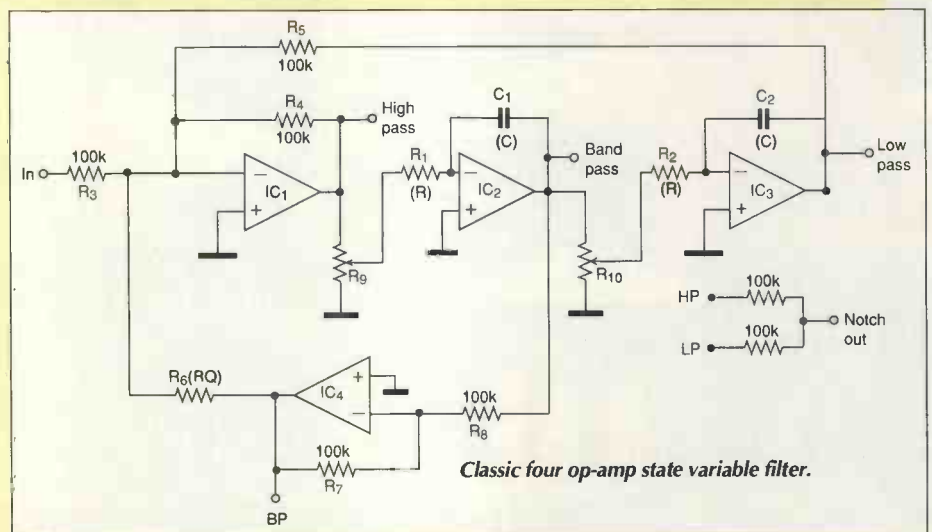
Sharpness of the notch in the circuit of 4a) can be found by a little judicious approximation of the expression

$$(-\omega^2 + 1)/(-\omega^2 + j\omega + 1).$$

Remember that D is 1 for this circuit. At  $\omega=1$ , the numerator is zero and the denominator is j $\omega$ , or just unity - amplitude-wise.

If frequency is changed by 0.1%, the denominator is virtually unaffected. However, with  $\omega$  now equal to 0.999, the numerator becomes 0.002, or only 54dB down on the response at  $\omega=0$  or infinity. Thus for a fractional detuning from the notch of  $\delta$ , the output rises from zero to 2 $\delta$ .

For reasonably accurate thd measurements even down to a modest 0.01%, the fundamental must be suppressed to 0.003%. As a result, the accuracy of tuning must be at least 0.0015%, or 0.015Hz at 1kHz.



Classic four op-amp state variable filter.

their thd of around 0.003% typical. A better choice is the Burr Brown OPA2604 dual fet-input audio op-amp, with its 0.0003% typical thd figure.

Clearly, careful construction and screening between stages is necessary to achieve 120dB or more of fundamental suppression. Given this, the limiting factor on readings is likely to be noise and hum. The former can be reduced by a low-pass filter immediately preceding the measuring circuit. It should have switchable cut-off frequencies of say 200, 80 and 20kHz, and include a switchable high-pass filter with heavy attenuation at 50Hz for the 20kHz selection.

### References

1. Hood, JL, 'Portable distortion monitor' WW, July 1972, pp. 306-8.
2. Hickman, I, 'Low distortion audio oscillator', EW+WW, May 1994, pp. 370-6.

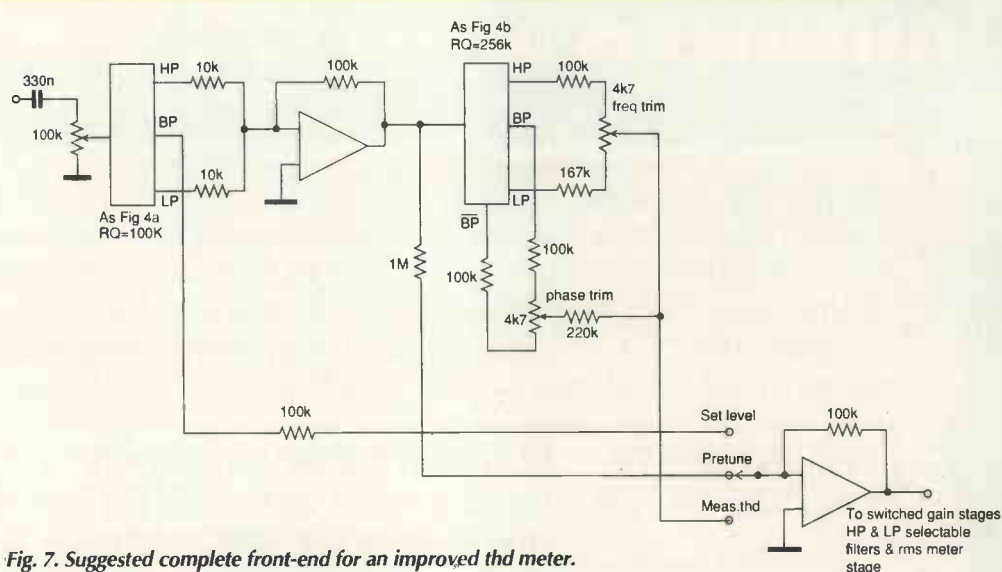


Fig. 7. Suggested complete front-end for an improved thd meter.

# NOW, THE BATTLE IS OVER

ULTIBOARD



## ULTIBOARD

**BUNDLED WITH**  **SPECCTRA**  
SHAPE BASED AUTOROUTER

ULTIboard's interactive strength has always been the major selection criterion of professional Printed Circuit Board designers. Now that every ULTIboard Designer system will be supplied with a SPECCTRA SP4 Autorouter, ULTIboard designers now get the best of both worlds.

All ULTIboard Designer Users with valid update subscription got a MAINTENANCE UPGRADE with the SPECCTRA SP4 (4 signal layers + power/ground layers) Shape based Autorouter. This shows that ULTIimate Technology is *the* PCB-Design Tool vendor that *really* cares for their customers!

**THE ULTIMATE  
SPECIAL OFFER**

**ULTIboard Entry Designer\* £ 1295 (excl. VAT) will now  
be supplied with SPECCTRA Shape Based Autorouter  
\*free Upgrade with EMC-EXPERT mid 1996 (list price at release £ 1875)**

CIRCLE NO. 133 ON REPLY CARD

**ULTIMATE**  
TECHNOLOGY

Corporate Headquarters:  
Energistraat 36 • 1411 AT Naarden  
The Netherlands

tel.: (+31) 35 - 6944444  
fax: (+31) 35 - 6943345

UK/Ireland Sales-Office:  
2 Bacchus House • Calleva Park  
Aldermaston Berkshire • RG7 4QW

tel.: 01734 - 812000  
fax: 01734 - 815300

# CIRCUIT IDEAS

Do you have an original circuit idea for publication? We are giving **£100** cash for the month's top design. Additional authors will receive **£25** cash for each circuit idea published. We are looking for ingenuity in the use of modern components.

## PC software control

Using only the Request to Send (RTS) line from a serial port, this circuit allows a pc to be switched off under software control, while the serial port is still usable for other purposes. No power is used by the switch when the pc is off.

Briefly actuating the 'on' switch fires the triac, whereupon the pc

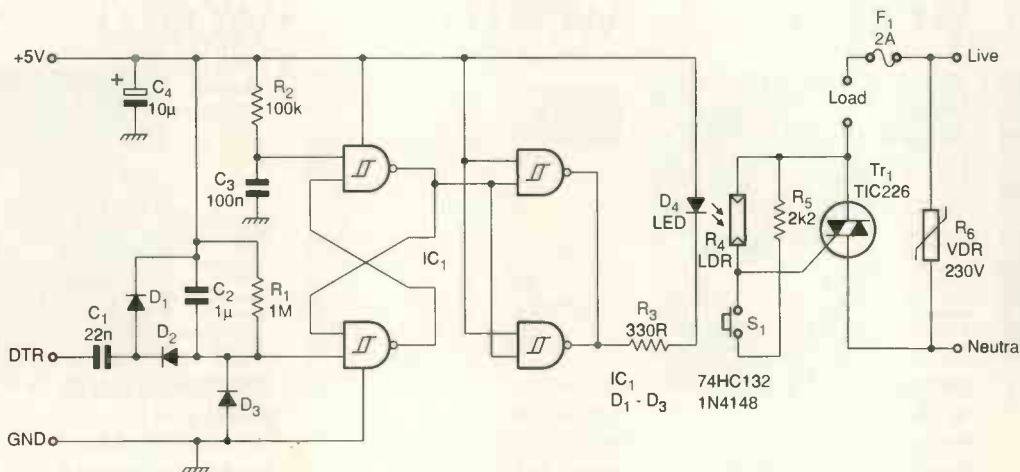
supplies 5V to the control circuit. The flip-flop is reset by  $R_2C_3$ , led  $D_4$  is on, the light-sensitive resistor  $R_4$  conducts to complete the feedback loop and the triac stays on. Voltage-dependent resistor  $R_6$  eliminates accidental triggering of the triac by excessive  $dV/dt$ .

Now applying a train of pulses, for example 10kHz for a second, to

the Data Terminal Ready, DTR, line charges  $C_2$ , sets the flip-flop and extinguishes  $D_4$ , so that power is removed from the pc.

Mount  $D_4$  and  $R_4$  close together in a light-tight enclosure,  $D_4$  being a high-efficiency diode.

**Torsten Martinsen**  
Aalborg  
Denmark



Using this software controlled pc switching circuit, the serial port is available for other purposes.

## YOU COULD BE USING A 1GHz SPECTRUM ANALYSER ADAPTOR!

Got a good idea? Then this Thurlby-Thandar Instruments TSA1000 spectrum analyser adaptor could be yours.

Covering the frequency range 400kHz to over 1GHz with a logarithmic display range of 70dB  $\pm 1.5$ dB, it turns a basic oscilloscope into a precision spectrum analyser with digital readout calibration.

Recognising the importance of good design, TTI will be giving away one of these excellent instruments every six months to the best circuit idea published in the preceding period until further notice. This incentive will be in addition to our £100 monthly star author's fee, together with £25 for all other ideas published.

Our judging criteria are ingenuity and originality in the use of modern components – with simplicity particularly valued.



THE FASTEST GROWING ELECTRONICS TITLE IN THE UK

# ELECTRONICS WORLD

+ WIRELESS WORLD

MARCH 1995 £3.50



LIKE LIGHTNING? Tesla's ht generator

MARCH 1995

**FREE** Circuit Ideas pocket book Part 1  
Distortion from power-amp supplies  
Winning power switching circuits  
Enhance RS232  
Transmission lines explained  
Tesla's ht generator

20% discount - 1GHz frequency meter for under £74

# ELECTRONICS WORLD

+ WIRELESS WORLD

APRIL 1995 £3.50



OPTICAL STORAGE - present and pending

APRIL 1995

**FREE** Circuit Ideas pocket book Part 2  
ISDN - inside the world network  
Linsley-Hood's attenuator for audio  
Evidence for the slew-rate debate  
Self-tuning 50Hz filter for instrumentation

Exclusive - 20% discount on LCR meter

# ELECTRONICS WORLD

+ WIRELESS WORLD

JUNE 1995 £3.50



Versatile £220 i/o controller for £99

JUNE 1995

**AUDIO SPECIAL**  
Tri-modal audio power  
Microreflex loudspeaker  
Audio power ICs exposed  
Researching via Internet  
New concept in I/o control  
Generating waveforms

Unique offer - component guide on CD rom

# ELECTRONICS WORLD

+ WIRELESS WORLD

JULY 1995 £3.50



Exclusive - PCBs for Self's trimodal amp

JULY 1995

**SPECIAL FEATURE**  
PC INTERFACING  
Heart rate monitor  
Signal Centre reviewed  
Coaxial cable analyser  
Dual mirror for faster audio  
Modulating linearly  
Oscillator innovations

Unique offer - Digital-readout temperature sensor

# ELECTRONICS WORLD

+ WIRELESS WORLD

AUGUST 1995 £3.50



Exclusive + GPS designer's kit

AUGUST 1995

20Hz active subwoofer  
Getting more from RS232  
PC engineering: signal analysis  
24cm antenna  
DSP demystified  
Analogue signal processing  
Linsley-Hood comments on mosfets  
RF oscilloscope probe using sm

EW exclusive - 30% off virtual instruments

# ELECTRONICS WORLD

+ WIRELESS WORLD

SEPTEMBER 1995 £3.50



20% discount - audio analyser UK launch

SEPTEMBER 1995

New audio power solution  
Analogue design for a single-rail  
MicroCap 5 reviewed  
Nulling coil interaction  
New balanced amplifier design  
Analysing fm noise

30% OFF - 10A multimeter with transistor tester

# ELECTRONICS WORLD

+ WIRELESS WORLD

OCTOBER 1995 £3.50



Review - Electronics Workbench

OCTOBER 1995

**FREE** Circuit ideas pocket book  
Sweeper for 0 to 200MHz  
IEEE488 testing made easy  
Current probe for switching mosfets  
Valve audio  
Analysing circuits via energy  
DC circuit design

Key Internet modem parts for under £60

# ELECTRONICS WORLD

+ WIRELESS WORLD

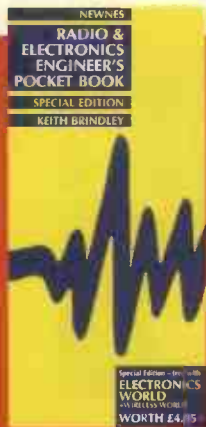
NOVEMBER 1995 £3.50



EW&WW exclusive - magnetic sensor offer

NOVEMBER 1995

**FREE** Zetex 5V regulator  
Optoelectronics investigated  
Isolate RS232  
14.4kbaud fax/data modem  
Power and Class-C  
Linsley-Hood noise reducer  
Applying the ZR78L05 regulator



**FREE**

With every two back issues ordered -  
Engineer's Pocket Book  
Worth £4.95

## BACK ISSUES

Back issues of *Electronics World* are £2.50 in the UK and £3.00 elsewhere\*. Price includes postage. Please complete the coupon and send with correct payment to: Electronics World, Quadrant House, The Quadrant, Sutton, Surrey, SM2 5AS

Note that all issues are subject to availability and please allow 28 days for delivery

| Issue (Month/Year) | Quantity | Price | Total |
|--------------------|----------|-------|-------|
|                    |          |       |       |
|                    |          |       |       |
|                    |          |       |       |
|                    |          |       |       |
|                    |          |       |       |
|                    |          |       |       |
|                    |          |       |       |
|                    |          |       |       |
|                    |          |       |       |
|                    |          |       |       |

Name \_\_\_\_\_  
Address \_\_\_\_\_  
Post Code \_\_\_\_\_

Method of payment (please circle):  
 Access/Mastercard  Visa  Cheque  PO  
 Credit card No \_\_\_\_\_  
 Expiry Date \_\_\_\_\_ Signed \_\_\_\_\_



# SMALL SELECTION ONLY LISTED - EXPORT TRADE AND QUANTITY DISCOUNTS - RING US FOR YOUR REQUIREMENTS WHICH MAY BE IN STOCK

- HP New Colour Spectrum Analysers**  
 HP141T+8552B IF + 8553B RF - 1KHz-110Mc/s - £700.  
 HP141T+8552B IF + 8554B RF - 100KHz-1250Mc/s - £900.  
 HP141T+8552B IF + 8556A RF - 20Hz-300KHz - £700.  
**Special Offer just in from MOD Qty 40 HP8555A RF Units 10Mc/s - 18GHzS.**  
 HP141T+8552B IF + 8555A 10Mc/s-18GHzS - £1200.  
**HP ANZ Units Available Separately - New Colours - Tested**  
 HP141T Mainframe - £350.  
 HP8552B IF - £300.  
 HP8553B RF 1KHz to 110Mc/s - £200.  
 HP8554B RF 100KHz to 1250Mc/s - £500.  
 HP8555A RF 10Mc/s to 18GHzS - £800.  
 HP8556A RF 20Hz to 300KHzS - £250.  
 HP8443A Tracking Generator Counter 100KHz-110Mc/s - £300.  
 HP8445B Tracking Preselector DC to 18GHz - £350.  
 HP3580A 5Hz - 50KHz ANZ - £750 - £1000.  
 HP3582A .02Hz to 25.6KHz - £2k.  
 HP8568A 100Hz-1500Mc/s ANZ - £6k.  
 HP8569B 10Mc/s-22GHz ANZ - £6k.  
**HP Mixers are available for the above ANZ's to 40GHz**  
 TEK 492 - 50KHz - 18GHz Opt 1+2 - £4k-£4.2k.  
 TEK 492 - 50KHz - 18GHz Opt 1+2+3 - £4.5k.  
 TEK 492P - 50KHz - 21 GHz Opt 1+2+3 - £5k.  
 TEK 494AP 1KC/s - 21GHz - £7k.  
 TEK 496P 1KHz-1.8GHz - £4k.  
 TEK 5L4N 0-100KHz - £400.  
 TEK 7L5 + L1 - 20Hz-5Mc/s - £700.  
 TEK 7L5 + L3 - Opt 25 Tracking Gen - £900.  
 TEK 7L12 - 100KHz-1800Mc/s - £1000.  
 TEK 7L18 - 1.5-60GHz - £1500.  
 TEK 491 10Mc/s-12.4GHz-40GHz - £750. 12.4GHz-40GHz with Mixers.  
**Tektronix Mixers are available for above ANZ to 60GHzS**  
**Systron Donner 763 Spectrum ANZ + 4745B Preselector .01-18GHz + Two Mixers 18-40GHz in Transit Case - £3k.**  
 HP8673D Signal Generator .05-26.5GHz - £20k.  
**Systron Donner 1618B Microwave AM FM Synthesizer 50Mc/s 2-18GHz**  
**R&S SWP Sweep Generator Synthesizer AM FM 4-2500Mc/s - £3.5k.**  
**ADRET 3310A FX Synthesizer 300Hz-60Mc/s - £600.**  
 HP8640A Signal Generators - 1024Mc/s - AM FM - £800.  
 HP3717A 70Mc/s Modulator - Demodulator - £500.  
 HP8651A RF Oscillator 22KC/s - £2Mc/s.  
 HP5316B Universal Counter A+B.  
 HP6002A Power Unit 0-5V 0-10A 200W.  
 HP825A Bipolar Power Supply Amplifier.  
 HP461A-465A-467A Amplifiers.  
 HP81519A Optical Receiver DC-400Mc/s.  
 HP Plotters 7470A-7475A.  
 HP3770A Amplitude Delay Distortion ANZ.  
 HP3770B Telephone Line Analyser.  
 HP8182A Data Analyser.  
 HP59401A Bus System Analyser.  
 HP6260B Power Unit 0-10V 0-100 Amps.  
 HP3782A Error Detector.  
 HP3781A Pattern Generator.  
 HP3730A+3737A Down Converter Oscillator 3.5-6.5GHz.  
 HP Microwave Amps 491-492-493-494-495-1GHz-12.4GHz - £250.  
 HP105B Quartz Oscillator - £400.  
 HP5087A Distribution Amplifier.  
 HP6034A System Power Supply 0-60V 0-10A-200W - £500.  
 HP6131C Digital Voltage Source + 100V 1/2 Amp.  
 HP4275A Multi Frequency L.C.R. Meter.  
 HP3779A Primary Multiplex Analyser.  
 HP3779C Primary Multiplex Analyser.  
 HP8150A Optical Signal Source.  
 HP1630G Logic Analyser.  
 HP5316A Universal Counter A+B.  
 HP5335A Universal Counter A+B+C.  
 HP59501B Isolated Power Supply Programmer.  
 HP8901A Modulation Meter AM - FM - also 8901B.  
 HP5370A Universal Time Interval Counter.  
**Marconi TF2370 - 30Hz-110Mc/s 750HM Output (2 BNC Sockets+Resistor for 500HM MOD with Marconi MOD Sheet supplied - £650.**  
**Marconi TF2370 30Hz-110Mc/s 50 ohm Output - £750.**  
**Marconi TF2370 as above but late type - £850.**  
**Marconi TF2370 as above but late type Brown Case - £1000.**  
**Marconi TF2374 Zero Loss Probe - £200.**  
**Marconi TF2440 Microwave Counter - 20GHz - £1500.**  
**Marconi TF2442 Microwave Counter - 26.5GHz - £2k.**  
**Marconi TF2305 Modulation Meter - £2.3k.**  
**Racal/Dana 2101 Microwave Counter - 10Hz-20GHz - £2k.**  
**Racal/Dana 1250-1261 Universal Switch Controller + 200Mc/s PI Cards.**  
**Racal/Dana 9303 True RMS Levelmeter+Head - £450. IFFE - £500.**  
**TEKA6902A also A6902B Isolator - £300-£400.**  
 TEK 1240 Logic Analyser - £400.  
 TEK FG5010 Programmable Function Generator 20Mc/s - £600.  
 TEK2465A 350Mc/s Oscilloscope - £2.5k + probes - £150 each.  
 TEK CT-5 High Current Transformer Probe - £250.  
 TEK J16 Digital Photometer + J6523-2 Luminance Probe - £300.  
 TEK J16 Digital Photometer + J6503 Luminance Probe - £250.  
 ROTEK 320 Calibrator + 350 High Current Adaptor AC-DC - £500.  
 FLUKE 5102B AC-DC Calibrator - £4k.  
 FLUKE 1120A IEEE - 488 Translator - £250.  
 Tinsley Standard Cell Battery 5644B - £500.  
 Tinsley Transportable Voltage Reference - £500.  
 FLUKE Y5020 Current Shunt - £150.  
 HP8745A+746A AC Calibrator - £800.  
 HP8080A MF + 8091A 1GHz Rate Generator + 8092A Delay Generator + Two 8093A 1GHz Amps + 15400A - £800.  
 HP54200A Digitizing Oscilloscope.  
 HP11729B Carrier Noise Test Set .01-18GHz - LEF - £2000.  
 HP3311A Function Generator - £300.  
**Marconi TF2008 - AM-FM signal generator - also sweeper - 10Kc/s - 510Mc/s - from £250 - tested to £400 as new with manual - probe kit in wooden carrying box.**  
**HP Frequency comb generator type 8406 - £400.**  
**HP Vector Voltmeter type 8405A - £400 new colour.**  
**HP Sweep Oscillators type 8690 A & B + plug-ins from 10Mc/s to 18GHz also 18-40GHz. P.O.R.**  
**HP Network Analyzer type 8407A + 8412A + 8501A - 100Kc/s - 110Mc/s - £500 - £1000.**  
**HP Amplifier type 8447A - 1-4000Mc/s £200 - HP8447A Dual - £300.**  
**HP Frequency Counter type 5340A - 18GHz £1000 - rear output £800.**  
**HP 8410 - A - B - C Network Analyzer 110Mc/s to 12GHz or 18GHz - plus most other units and displays used in this set-up - 8411a - 8412 - 8413 - 8414 - 8418 - 8740 - 8741 - 8742 - 8743 - 8746 - 8650. From £1000.**  
**Racal/Dana 9301A - 9302 RF Millivoltmeter - 1.5-2GHz - £250-£400.**  
**Racal/Dana Modulation Meter type 9009 - 8Mc/s - 1.5GHz - £250.**  
**Marconi RCL Bridge type TF2700 - £150.**  
**Marconi/ Saunders Signal Sources type - 6058B - 6070A - 6055A - 6059A - 6057A - 6056 - £250-£350. 400Mc/s to 18GHz.**  
**Marconi TF1245 Circuit Magnification meter + 1246 & 1247 Oscillators - £100-£300.**  
**Marconi microwave 6600A sweep osc. mainframe with 6650 PI - 18-26.5GHz or 6651 PI - 26.5-40GHz - £1000 or PI only £600. MF only £250.**  
**Marconi distortion meter type TF2331 - £150. TF2331A - £200.**
- Tektronix Ring-Ins 7A13 - 7A14 - 7A18 - 7A24 - 7A26 - 7A11 - 7M11 - 7S11 - 7D10 - 7S12 - S1 - S2 - S6 - S52 - PG506 - SC504 - SG502 - SG503 - SG504 - DC503 - DC508 - DD501 - WR501 - DM501A - FG501A - TG501 - PG502 - DC505A - FG504 - 7B80 + 85-7892A**  
**Gould J3B test oscillator + manual - £150.**  
**Tektronix Mainframes - 7603 - 7623A - 7613 - 7704A - 7844 - 7904 - TM501 - TM503 - TM506 - 7904A - 7834 - 7623 - 7633.**  
**Marconi 6155A Signal Source - 1 to 2GHz - LED readout - £400.**  
**Barr & Stroud Variable filter EF3 0.1Hz - 100Kc/s + high pass + low pass - £150.**  
**Marconi TF2163S attenuator - 1GHz. £200.**  
**Farnell power unit H60/50 - £400 tested. H60/25 - £250.**  
**Racal/Dana 9300 RMS voltmeter - £250.**  
**HP 8750A storage normalizer - £400 with lead + S.A. or N.A. Interface.**  
**Marconi TF2330 - or TF2330A wave analysers - £100-£150.**  
**Tektronix - 7514 - 7T11 - 7S11 - 7S12 - S1 - S2 - S39 - S47 - S51 - S52 - S53 - 7M11.**  
**Marconi mod meters type TF2304 - £250.**  
**HP 5065A rubidium vapour FX standard - £1.5k.**  
**Systron Donner counter type 6054B - 20Mc/s - 24GHz - LED readout - £1k.**  
**Racal/Dana 9083 signal source - two tone - £250.**  
**Systron Donner - signal generator 1702 - synthesized to 1GHz - AM/FM - £600.**  
**Tektronix TM515 mainframe + TM5006 mainframe - £450 - £850.**  
**Farnell electronic load type RB1030-35 - £350.**  
**Racal/Dana counters - 9904 - 9905 - 9906 - 9915 - 9916 - 9917 - 9921 - 50Mc/s - 3GHz - £100-£450 - all fitted with FX standards.**  
**HP4815A RF vector impedance meter c/w probe - £500-£600.**  
**Marconi TF2092 noise receiver. A, B or C plus filters - £100-£350.**  
**Marconi TF2091 noise generator. A, B or C plus filters - £100-£350.**  
**Marconi 2017 S/G 10KHz - 1024MHz.**  
**HP180TR, HP182T mainframes £300-£500.**  
**Philips panoramic receiver type PM7900 - 1 to 20GHz - £400.**  
**Marconi 6700A sweep oscillator + 18GHz PI's available.**  
**HP8505A network ANZ + 8503A S parameter test set + 8501A normalizer - £4k.**  
**HP8505 network ANZ 8505 + 8501A + 8503A.**  
**Racal/Dana VLF frequency standard equipment. Tracer receiver type 900A + difference meter type 527E + rubidium standard type 9475 - £2750.**  
**HP signal generators type 626 - 628 - frequency 10GHz - 21GHz.**  
**HP 432A - 435A or B - 436A - power meters + powerheads - Mc/s - 40GHz - £200-£1000.**  
**Bradley oscilloscope calibrator type 192 - £600.**  
**HP8614A signal generator 800Mc/s - 2.4GHz, new colour £400.**  
**HP8616A signal gen 1.8GHz - 4.5GHz, new colour £400.**  
**HP 3325A syn function gen 20Mc/s - £1500.**  
**HP 3336A or B syn level generator - £500-£600.**  
**HP 3586B or C selective level meter - £750-£1000.**  
**HP 3575A gain phase meter 1Hz - 13Mc/s - £400.**  
**HP 8682D S/G microwave 2.3 - 13GHz - opt 001 - 003 - £4.5k.**  
**HP 8660 A-B-C syn S/G. AM + FM + 10Kc/s to 110Mc/s PI - 1Mc/s to 1300Mc/s - 1Mc/s to 2600Mc/s - £500-£2000.**  
**HP 8640B S/G AM-FM 512Mc/s or 1024Mc/s. Opt 001 or 002 or 003 - £800-£1250.**  
**HP 8622BX Sweep PI - 01 - 2.4GHz + ATT - £1750.**  
**HP 8629A Sweep PI - 2 - 18GHz - £1000.**  
**HP 8629B Sweep PI - 2 - 18GHz - £1250.**  
**HP 86 Series PI's in stock - splitband from 10Mc/s - 18.6GHz - £250-£1k.**  
**HP 8620C Mainframe - £250. IEEE - £500.**  
**HP 8615A Programmable signal source - 1MHz - 50Mc/s - opt 002 - £1k.**  
**HP 8601A Sweep generator. 1 - 110Mc/s - £300.**  
**HP 8488A HP - IB switch control unit - £500 + control modules various - £175 each.**  
**HP 1160A 50Mc/s programmable pulse generator - £1000.**  
**HP 853A MF ANZ - £1.5k.**  
**HP 8349A Microwave Amp 2 - 20GHz Solid state - £1500**  
**HP 3585A Analyser 20Hz - 40Mc/s - £4k.**  
**HP 8569B Analyser .01 - 22GHz - £5k.**  
**HP 3580A Analyser 5Hz - 50KHz - £1k.**  
**HP 1980B Oscilloscope measurement system - £600.**  
**HP 3455A Digital voltmeter - £500.**  
**HP 3437A System voltmeter - £300.**  
**HP 3581C Selective voltmeter - £250.**  
**HP 5370A Universal time interval counter - £450.**  
**HP 5335A Universal counter - 200Mc/s - £500.**  
**HP 5328A Universal counter - 500Mc/s - £250.**  
**HP 6034A System power supply - 0 - 60V - 0 - 10 amps - £500.**  
**HP 5150A Thermal printer - £250.**  
**HP 1645A Data error analyser - £150.**  
**HP 4437A Attenuator - £150.**  
**HP 3717A 70Mc/s modulator - £400.**  
**HP 3710A - 3715A - 3716A - 3702B - 3703B - 3705A - 3711A - 3791B - 3712A - 3793B microwave link analyser - P.O.R.**  
**HP 3730A + B RF down converter - P.O.R.**  
**HP 3552A Transmission test set - £400.**  
**HP 3763A Error detector - £500.**  
**HP 3764A Digital transmission analyser - £600.**  
**HP 3770A Amp delay distortion analyser - £400.**  
**HP 3780A Pattern generator detector - £400.**  
**HP 3781A Pattern generator - £400.**  
**HP 3781B Pattern generator (bell) - £300.**  
**HP 3782A Error detector - £400.**  
**HP 3782B Error detector (bell) - £300.**  
**HP 3785A Jitter generator + receiver - £750-£1k.**  
**HP 8006A Word generator - £100-£150.**  
**HP 8016A Word generator - £250.**  
**HP 8170A Logic pattern generator - £500.**  
**HP 59401A Bus system analyser - £350.**  
**HP 59500A Multiprogrammer HP - IB - £300.**  
**Philips PM5390 RF syn - 0.1 - 1GHz - AM + FM - £1000.**  
**S.A. Spectral Dynamics SD345 spectroscope 111 - LF ANZ - £1500.**  
**Tektronix R7912 Transient waveform digitizer - programmable - £400.**  
**Tektronix TR503 + TM503 tracking generator 0.1 - 1.8GHz - £1k - or TR502.**  
**Tektronix 576 Curve tracer + adaptors - £900.**  
**Tektronix 577 Curve tracer + adaptors - £900.**  
**Tektronix 1502/1503 TDR cable test set - £1000.**  
**Tektronix AM503 Current probe + TM501 m/frame - £1000.**  
**Tektronix SC501 - SC502 - SC503 - SC504 oscilloscopes - £75-£350.**  
**Tektronix 465 - 465B - 475 - 2213A - 2215 - 2225 - 2235 - 2245 - £250-£1000.**  
**Kikusui 100Mc/s Oscilloscope COS6100M - £350.**  
**Nicolet 3091 LF oscilloscope - £400.**  
**Racal 1991 - 1992 - 1988 - 1300Mc/s counters - £500-£900.**  
**Fluke 80K-40 High voltage probe in case - BN - £100.**  
**Racal Recorders - Store 4 - 4D - 7 - 14 channels in stock - £250 - £500.**  
**Racal Store Horse Recorder & control - £400-£750 Tested.**  
**EIP 545 microwave 18GHz counter - £1200.**  
**Fluke 510A AC ref standard - 400Hz - £200.**  
**Fluke 355A DC voltage standard - £300.**  
**Wiltron 610D Sweep Generator + 6124C PI - 4 - 8GHz - £400.**  
**Wiltron 610D Sweep Generator + 61084D PI - 1Mc/s - 1500Mc/s - £500.**  
**Time Electronics 9814 Voltage calibrator - £750.**  
**Time Electronics 9811 Programmable resistance - £600.**  
**Time Electronics 2004 D.C. voltage standard - £1000.**  
**HP 8699B Sweep PI YIG oscillator .01 - 4GHz - £300. 8690B MF - £250. Both £500.**  
**Schlumberger 1250 Frequency response ANZ - £1500.**  
**Dummy Loads & power att up to 2.5 kilowatts FX up to 18GHz - microwave parts new and ex equip - relays - attenuators - switches - waveguides - Yigs - SMA - APC7 plus - adaptors.**  
**B&K Items in stock - ask for list.**  
**W&G Items in stock - ask for list.**  
**Power Supplies Heavy duty + bench in stock - Farnell - HP - Weir - Thurlby - Racal etc. Ask for list.**

ITEMS BOUGHT FROM HM GOVERNMENT BEING SURPLUS. PRICE IS EX WORKS. SAE FOR ENQUIRIES. PHONE FOR APPOINTMENT OR FOR DEMONSTRATION OF ANY ITEMS, AVAILABILITY OR PRICE CHANGE. VAT AND CARRIAGE EXTRA  
 ITEMS MARKED TESTED HAVE 30 DAY WARRANTY. WANTED: TEST EQUIPMENT-VALVES-PLUGS AND SOCKETS-SYNCRONS-TRANSMITTERS AND RECEIVING EQUIPMENT ETC.

**Johns Radio, Whitehall Works, 84 Whitehall Road East, Birkenshaw, Bradford BD11 2ER. Tel. No: (01274) 684007. Fax: 651160**

CIRCLE NO. 134 ON REPLY CARD

## NiCd battery discharger/charger

NiCd cells should be discharged to 1V: this circuit does that and subsequently charges the cells at the 100mA rate.

Reference for the first TL082 comes from  $R_3$  and is set to 0.7V,  $V_1$  being adjusted to  $V_{bat}/n$ , where  $n$  is the number of cells. While  $V_1$  is above 1V, the BUZ10 is on and the cells are discharging, but when

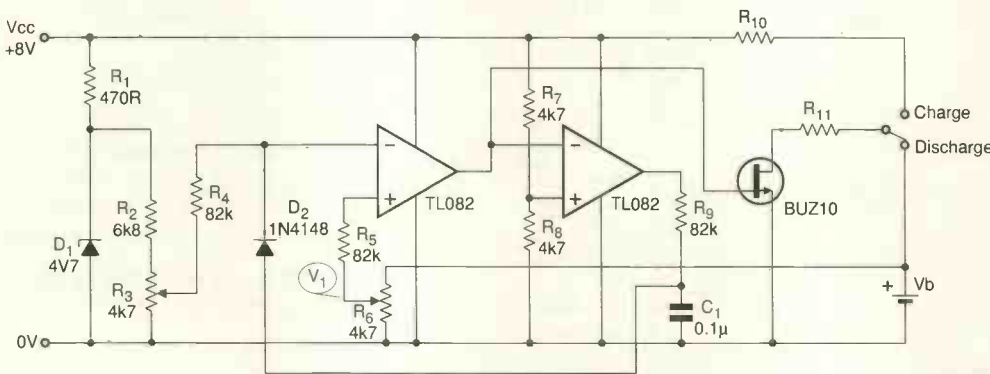
$V_1$  decreases to below 1V, the circuit is latched off via  $D_2R_9C_1$  and discharge is complete.

Switching in  $R_{10}$  begins the 100mA charge, the value of this resistor being  $(8-1.45n)/0.1$ . Adjustment of  $R_6$  allows the discharge of up to 30 cells, assuming  $R_6$  is man enough for the job and can be adjusted with

sufficient accuracy. Discharge resistor  $R_{11}$  is  $5 \times n(\Omega)$ .

The circuit will work with up to 20 lead-acid cells by setting  $V_{ref}$  to 1.75V,  $R_6$  as needed and selecting  $R_{11}$  appropriately.

**Ken Hughes**  
Wokingham  
Berkshire.



Circuit for discharging and charging up to 30 NiCd cells or 20 lead-acid types.

## Fast, precise pulse generator

Newport Components's 31A5500 tapped, active delay line (from RS), together with advanced c-mos logic (ACL), eases the design of a pulse generator to produce 3ns transients and pulse-width accuracy within 2ns.

An input pulse longer than the required output, rising at better than 10ns/V, goes to one input of an XOR and to the other by way of the selected delay in the 31A5500, so that the gate output is high

during the delay; the AND prevents anything further happening during the delay, after the input pulse has gone low.

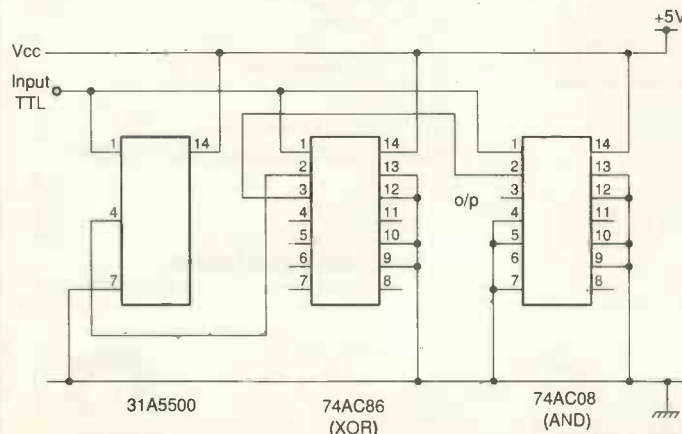
Propagation delay from the leading edge of the input is accounted for by two ACL delays, amounting to 8ns, and the transient times are determined by the AND gate – around 3ns for ACL. A possible problem is that the output of the line is not much more than the specified high for ACL.

Instead of the delay line, the

unused gates could be used to make up the delay, the six available contributing about 3.8ns per gate at 25°C, although the delay will not be as precise as with the line.

The result shown in the oscillogram was obtained by the circuit built on Veroboard with the ics in sockets.

**Nick Wheeler**  
Sutton  
Surrey.

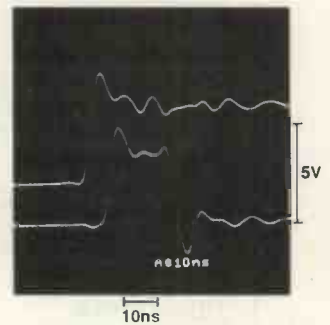


**Notes:**

- 1 0.02µF capacitor on each device socket
- 2 Pinout of 31A5500 (and other 31A delay lines) as follows:

- |        |                  |
|--------|------------------|
| 1      | Input            |
| 2, 3   | NC               |
| 4      | Tap 2 (2 delays) |
| 5      | NC               |
| 6      | Tap 4 (4 delays) |
| 7      | GND              |
| 8      | Out (5 delays)   |
| 9      | NC               |
| 10     | Tap 3 (3 delays) |
| 11, 13 | NC               |
| 12     | Tap 1 (1 delay)  |
| 14     | Vcc              |

Delay line pulse generator gives 3ns rise and fall times and pulse-accuracy to within 2ns. Narrowest pulse available is 5ns.



Upper trace, pulse leading edge at the output of a function generator operating at 2MHz. Lower trace, delayed by about 8ns, is the output of the AND gate.

## COMPUTER ICs

|   |                 |
|---|-----------------|
| TMS 9900N-40 PULLS                            | £20 ea          |
| S9000 NEW AND EQUIVALENT                      | £30 ea          |
| MC6802 PROCESSOR                              | £2 ea           |
| TMS320  | £5              |
| AM27C020-125L1 SURFACE MOUNT EPROM USED/WIPED | £1.50           |
| MX16C450 UEART                                | £5              |
| P8217 BBC DISC CONTROLLER CHIP EX EQPT        | £25             |
| 2817A-20 (2Kx8) EEPROM ex eqpt                | £2              |
| D41256C-15 256Kx1 PULLS                       | 9 FOR £5        |
| 80C31 MICRO                                   | £2              |
| P8749H MICRO                                  | £2              |
| D8751-8 NEW                                   | £10             |
| MK1482-20 ZERO POWER RAM EQUIV 6116LP         | £4              |
| USED 41256-15                                 | £1              |
| USED 4164-15                                  | 60p             |
| BBC VIDEO ULA                                 | £10             |
| 8051 MICRO                                    | £1.25           |
| FLOPPY DISC CONTROLLER CHIPS 1771             | £16             |
| FLOPPY DISC CONTROLLER CHIPS 1772             | £17.50          |
| 68000-8 PROCESSOR NEW                         | £6              |
| HD6384-8                                      | £5              |
| ALL USED EPROMS ERASABLE AND BLANK CHECKED    |                 |
| 2716-64S USED                                 | £2 100/£1       |
| 2732-45 USED                                  | £2 100/£1       |
| 2764-30 USED                                  | £2 100/£1.60    |
| 27C256-30 USED                                | £2              |
| 27C512 USED                                   | £2.50           |
| 1702 EPROM EX EQPT                            | £5              |
| 6214 EX EQPT 50p 4116 EX EQPT                 | 70p             |
| 6264-15 8k STATIC RAM                         | £2              |
| Z80A SJO-O                                    | £1.25           |
| 7126 3/2 DIGIT LCD DRIVER CHIP                | £2 ea           |
| 2816A-30 HOUSE MARKED                         | £2              |
| USED TMS2532JL                                | £2.50 2708 USED |
| HM6167LP-8                                    | 65p             |
| 68000-10 PROCESSOR                            | £6              |
| 8255-5  | £1              |
| 2114 CMOS (RCA 5114)                          | £1.60           |
| M27C4001-12 USED/WIPED 4M EPROM               | £6              |
| WD16C550-PC UART                              | £5              |
| ZN47E-8                                       | £4              |
| 27C256-26 USED                                | £1.50           |

## REGULATORS

|                                 |        |
|---------------------------------|--------|
| LM338K                          | £6     |
| LM323K 5V 3A PLASTIC            | £3     |
| LM323K 5V 3A METAL              | £3     |
| LM350K (VARIABLE 3A)            | £3     |
| 78H12ASC 12V 5A                 | £5     |
| LM317H 705 CAN                  | £1     |
| LM317T PLASTIC TO220 variable   | £1     |
| LM317 METAL                     | £2.20  |
| 7812 METAL 12V 1A               | £1     |
| 7805/12/15/24                   | 30p    |
| 7905/12/15/24                   | 30p    |
| CA3085 TO99 variable reg        | 2/£1   |
| 78HGASC + 79HGASC REGULATORS    | £30 ea |
| LM123 5T93 5V 3A TO3 REGS       | £3 ea  |
| UC3524AN SWITCHING REGULATOR IC | 60p    |
| 78L 12 SHORT LEADS              | 100/£1 |
| LM2950ACZ5.0                    | 60p    |

## CRYSTAL OSCILLATORS

|   |          |
|---|----------|
| 307.2KHZ 1M000000 1M8432 2M457600 3M6864 4M000000         |          |
| 5M000000 5M608800 5M760000 6M000000 6M1440 7M000000       |          |
| 3M372800 7M5 8M000000 9M216 10M0000 10M0 12M000000 14M318 |          |
| 14M3818 16M00 17M625600 18M0000 18M432 19M050 19M2        |          |
| 19M440 20M000 20M0150 21M675 22M1184 23M587 24M0000       |          |
| 25M1748 25M175 25M1889 27M 36M 27M000000 28M322           |          |
| 32M000000 32M0000 *S/MOUNT 33M3330 35M4816 38M100         |          |
| 40M000 41M539 42M000000 44M444 44M900 44M0 48M000000      |          |
| 50M00 55M000 56M00920 64M000000 66M667 76M1 80M0          |          |
| 84M0  | £1.50 ea |

## CRYSTALS

|  |       |
|--|-------|
| 32K768 1MHz 1M8432 2M000 2M1432 2M304 2M4576 3M000       |       |
| 3M2768 3M400 3M579545 3M58564 3M600 3M6864 3M93216       |       |
| 4M000 4M190 4M194304 4M2056 4M43361 4 4M608 4M9152 5M000 |       |
| 5M0686 6M000 6M041952 6M200 6M400 7M37280 8M000 8M060400 |       |
| 8M448 8M863256 8M8670 9M3750 9M8304 10M240 10M245        |       |
| 10M368 10M70000 11M000 11M052 11M9813 12M000 12M5        |       |
| 13M000 13M270 13M875000 14M000 14M318 14M7450 14M7456    |       |
| 15M00000 16M000 17M625018M432 18M432 20M000 21M300       |       |
| 21M400015A 24M000 25M000 26M9395 BN 27M045 27M095 OR     |       |
| 27M145 BL 27M145 YW 27M195 GN 28M4696 30M4696 31M4696    |       |
| 31M4696 34M368 35M7525 36M7675 36M78125 36M79375         |       |
| 36M8025 36M81875 36M83125 36M84375 38M900 48M000         |       |
| 51M05939 54M1916 55M500 57M7416 57M7583 69M545 69M550    |       |
| 96M000 111M800 114M8 120M000                             | £1 ea |

## TRANSISTORS

|                             |                    |
|-----------------------------|--------------------|
| MPSA92                      | 10/£1              |
| 2N2907A                     | 10/£1              |
| BC177 BC498                 | 10/£1              |
| BC107 BCY70 PREFORMED LEADS | £1 £4/100 £30/1000 |
| full spec                   | £1/30 £3/50/100    |
| BC557, BC238C, BC308B       | £1/30 £3/50/100    |
| 2N2907 PLASTIC CROPPED      | £1/15 £4/100       |
| BC548B SHORT LEADS          | £3/100 £20/1000    |

## POWER TRANSISTORS

|                                   |              |
|-----------------------------------|--------------|
| QC29                              | £2 ea        |
| P POWER FET IRF9531 8A 60V        | 3/£1         |
| N POWER FET IRF9531 8A 60V        | 3/£1         |
| 2SC1520 sim BF259                 | 3/£1 100/£22 |
| TIP 141/2 £1 ea TIP 112/242B      | 2/£1         |
| SE9301 100V 1DA DARL SIM TIP121   | 2/£1         |
| PLASTIC 3055 OR 2955 equiv 50p    | 100/£35      |
| BU231 POWER FET TO-220 200V 12.5A | 2/£1         |

## TEXTPOOL ZIF SOCKETS

|   |                           |
|---|---------------------------|
| 28 PIN USED   | £3                        |
| 40 PIN NEW  | £10                       |
| SINGLE IN LINE 32 WAY CAN BE GANGED FOR USE WITH ANY DUAL IN LINE DEVICES | CLAMPING SUPPLIED 2/£1.50 |

## MISCELLANEOUS

|  |                           |
|--|---------------------------|
| XENON STROBE TUBE  | £1.60                     |
| 2 VOLT 920 A/hr LEAD ACID CELLS, UNUSED, UNFILLED 18" HIGH 12" x 7", WEIGHT 48Kg each, RUBBERISED CASE, GAULTLETED TUBULAR PLATE CONSTRUCTION, FOR DEEP CYCLE, HIGH CURRENT USE, MADE FOR BRITISH NAVY, 800 CELLS AVAILABLE, PHONE FOR PRICING ALSO AVAILABLE FILLED & CHARGED |                           |
| Narrow angle infra red emitter LED55C  | 2/£1                      |
| UM6116M-2L surface mount 1000 available  | £1                        |
| Z808 PIO 7000 available £1 each, qty. price  | 30/50p                    |
| CNY65 OPTO ISOL 3000 available   | 50p                       |
| OPTO ICs also available TLP550 TLP666GF  |                           |
| 68 way PLCC SKT 1500 available   | £1 each                   |
| 100 way PLCC SKT 100 available   | £1.50 each                |
| 1250pF POSTAGE STAMP COMPRESSION TRIMMER   | £1                        |
| XL53C54P-3 serial Eeprom 10,700 available  | £1,600/lot, £25/100, £1/3 |
| LM324 (Quad 741)   | 4/£1                      |
| MINIATURE FERRITE MAGNETS 4x4x3mm  | 10/£1                     |
| TLO71 LO NOISE OP AMP  | 5 for £1                  |
| TLO81 OP AMP   | 4 for £1                  |
| 47000u 25v SPRAGUE 36D   | £3.50 (£2)                |
| 12 way di sw   | £3 for £1                 |
| 10NF 63V X7R PHILIPS SURFACE MOUNT 100K available  | £30/4000                  |
| SWITCHED MODE PSU 40 WATT UNCASED QTY. AVAILABLE +5v 5A, +12V 2A, 12V 500mA FLOATING   | £9.95 (£2)                |
| 220R 2.5W WIREWOUND RESISTOR 60K AVAILABLE   | £50/10000                 |
| CMOS 555 TIMERS  | 2/£1                      |
| 2/3 AA LITHIUM cells as used in compact cameras  | 2/£1.50                   |
| ICM7126PC CMOS 3 1/2 DIGIT LCD DRIVER CHIP   | £2 ea                     |
| LITHIUM CELL 1/2 AA SIZE   | 2 FOR £1                  |
| PASSIVE INFRA RED SENSOR CHIP + MIRROR + CIRCUIT   | £2 ea                     |
| EUROCARD 28-SLOT BACK PLANE 96/96-WAY  | £25 ea                    |
| *PROTONIC 24 VARIBUS 16.7" x 5" FIBREGLASS MULTILAYER PTH PCB  |                           |
| EUROCARD 96-WAY EXTENDER BOARD   | £10 ea                    |
| 290x100mm  |                           |
| DIN 41612 96-WAY A/B/C SOCKET PCB RIGHT  | £1.30                     |
| ANGLE  | £1.30                     |
| DIN 41612 96-WAY A/C SOCKET WIRE WRAP PINS   | £1.30                     |
| DIN 41612 64-WAY A/C SOCKET WIRE WRAP PINS   | £1                        |
| DIN 41612 64-WAY A/C PLUG PCB RIGHT ANGLE  | £1                        |
| DIN 41612 64-WAY A/B SOCKET WIRE WRAP (2-ROW BODY)   | 3/£1                      |
| BT PLUG + LEAD   | 3/£1                      |
| MIN. TOGGLE SWITCH 1 POLE 60 PCB type  | 5/£1                      |
| LOC MODULE SIM. LM018 but needs 150 to 250V AC for display   | £10                       |
| 40X2 characters 162X35X13mm  | £1                        |
| 6-32 UNC 5/16 POZI PAN SCREWS  | £1/100                    |
| NUTS   | £1.25/100                 |
| PUSH SWITCH CHANGEOVER   | 2/£1                      |
| RS232 SERIAL CABLE D25 WAY MALE CONNECTORS   | £5.90 ea (£1.30)          |
| 25 FEET LONG, 15 PINS WIRED BRAID + FOIL SCREENS   |                           |
| AMERICAN 2/3 PIN CHASSIS SOCKET  | 2/£1                      |
| WIRE OPEN FUSES 0.25A  | 30/£1                     |
| NEW ULTRASONIC TRANSDUCERS 32KHZ   | £2/pr                     |
| POWERFUL SMALL CYLINDRICAL MAGNETS   | 3/£1                      |
| BNC 50OHM SCREENED CHASSIS SOCKET  | 2/£1                      |
| SMALL MICROWAVE DIODES AE1 OC1026A   | 2/£1                      |
| D.L. SWITCHES 10-WAY £1 8-WAY 80p 4/56-WAY   | 80p                       |
| 180VOLT 1WATT ZENERS also 12V & 75V  | 20/£1                     |
| MIN GLASS NEONS  | 10/£1                     |
| RELAY 5V 2-pole changeover looks like RS 355-741 marked STC 47WBot   | £1 ea                     |
| MINIATURE CO-AX FRIPE PLUG RS 455-071  | 2/£1                      |
| MINIATURE CO-AX PCB SKT RS 455-093   | 2/£1                      |
| PCB WITH 2N2645 UNIJUNCTION WITH 12V 4-POLE RELAY  | £1                        |
| 400 MEGOHM THICK FILM RESISTORS  | 4/£1                      |
| STRAIN GAUGES 40 ohm Foil type polyester backed balco grid alloy   | £1.50 ea 100 +            |
| ELECTRET MICROPHONE INSERT   | 2/£1                      |
| Linear Hall effect IC Micro Switch no 613 SS4 sim RS 304-267   | £2.50 100+ £1.50          |
| HALL EFFECT IC UGS3040 + magnet  | £1                        |
| 1 pole 12-way rotary switch  | 4/£1                      |
| AUDIO ICS LM380 LM386  | 30/£1                     |
| 555 TIMERS £1 741 OP AMP   | 6/£1                      |
| ZN4 14 AM RADIO CHIP   | 80p                       |
| COAX PLUGS nice ones   | 4/£1                      |
| COAX BACK TO BACK JOINERS  | 3/£1                      |
| INDUCTOR 20uH 1.5A   | 5/£1                      |
| 1.25" PANEL FUSEHOLDERS  | 3/£1                      |
| 12V 1.2W small w/e lamps fit most modern cars  | 10/£1                     |
| STEREO CASSETTE HEAD   | £2                        |
| MONO CASS. HEAD £1 ERASE HEAD  | 50p                       |
| THERMAL CUT OUTS 50 77 85 120°C  | £1 ea                     |
| THERMAL FUSES 220°C/121°C 240V 15A   | 5/£1                      |
| TRANSISTOR MOUNTING PADS TO-5/TO-18  | £3/10000                  |
| TO-3 TRANSISTOR COVERS   | 10/£1                     |
| PCB PINS FIT TO 1" VERO  | 200/£1                    |
| TO-220 FITS 4-bushes   | 10/50p 100/£2             |
| TO-3 micas + bushes  | 15/£1                     |
| Large heat shrink sleeving pack  | £2                        |
| IEC chassis plug filter 10dB   | £3                        |
| POTS SHORT SPINDLES 2K5 10K 25K 1M 2M5   | 4/£1                      |
| 40k uS TRANSDUCERS EX-EQPT NO DATA   | £1/pr                     |
| LM335Z 10MV/degree C   | £1                        |
| LM234Z CONST. CURRENT I.C.   | £1                        |
| BNC TO 4MM BINDING POST SIM RS 455-961   | £1                        |
| MIN PCB POWER RELAYS 10.5v COIL 6A CONTACTS 1 pole c/o   | £1                        |
| BANDOLIERED COMPONENTS ASSORTED Rs, Cs, ZENERS   | £5/1000                   |
| LCD MODULE 16 CHAR. X 1 LINE (SIMILAR TO HITACHI LM10) ...   | £5                        |
| OP1264A 10KV OPTO ISOLATOR   | £1.35 ea 100 + £1 ea      |
| *LOVE STORY* CLOCKWORK MUSICAL BOX MECHANISM   | £1 ea                     |
| MADE BY SANKYO   |                           |
| Telephone cable clips with hardened pins   | 500/£2                    |
| 10,000uF 16V PCB TYPE 30mm DIAx31mm  | 2/£1                      |
| EC CHASSIS FUSED PLUG B-LEE L2728  | 3/£1                      |
| 2A CERAMIC FUSE 1.25" OB   | 10/£1                     |
| 46 WAY IDC RIBBON CABLE 100 FOOT REEL  | £5+CARR                   |
| 20mm PCB FUSEHOLDER  | 5/£1                      |
| IEC CHASSIS FUSED PLUG B-LEE L2728   | 3/£1                      |
| ASTEC MODULATOR VIDEO + SOUND UM1287   | £2.25                     |
| BAROGRAPH DISPLAY B RED LEADS  | £1.50                     |
| NE567 PHASE LOCKED LOOP  | £1                        |
| NE564  | £1                        |
| P8749H USED WIPED  | £2                        |
| TLO84  | 4/£1                      |
| IR2432 SHARP 12 LED VU BAR GRAPH DRIVER  | £1.25                     |

## DIODES AND RECTIFIERS

|                                   |            |
|-----------------------------------|------------|
| A115M 3A 600V FAST RECOVERY DIODE | 4/£1       |
| 1N5407 3A 1000V                   | 8/£1       |
| 1N4148                            | 100/£1.50  |
| 1N4004 SD4 1A 300V                | 100/£3     |
| 1N5401 3A 100V                    | 10/£1      |
| IN5819RL 20K Ex stock             | 1000 + 10p |
| BA158 1A 400V fast recovery       | 100/£3     |
| BY254 800V 3A                     | 8/£1       |
| BY255 1300V 3A                    | 6/£1       |
| 6A 100V SIMILAR MR751             | 4/£1       |
| 1A 600V BRIDGE RECTIFIER          | 4/£1       |
| 4A 100V BRIDGE                    | 3/£1       |
| 6A 100V BRIDGE                    | 2/£1       |
| 10A 200V BRIDGE                   | 10/£1      |
| 25A 200V V BRIDGE £2              | 10/£1.18   |
| 25A 400V BRIDGE £2.50             | 10/£2.2    |
| 2KBP02 IN LINE 200V BRIDGE REC    | 8/£1       |
| BY297                             | 10/£1      |
| KBP0304 BRIDGE REC 3A 400V        | 4/£1       |

## SCRS

|                              |         |
|------------------------------|---------|
| PULSE TRANSFORMERS 1:1 + 1   | £1.25   |
| TICV106D 800mA 400C SCR 3/£1 | 100/£15 |
| MEU21 PROG. UNIJUNCTION      | 3/£1    |

## TRIACS

|                                      |                  |
|--------------------------------------|------------------|
| NEC TRIAC AC08F 8A 600V TO220        | 5/£2 100/£30     |
| TXAL225 8A 500V 5mA GATE             | 2/£1 100/£35     |
| BT A 08-400 ISO TAB 400V 5mA GATE    | 90p              |
| TRAL2230D 30A 400V ISOLATED STUD     | £5 ea            |
| TRIAC 1A 800V TOL3811T 16K AVAILABLE | 5 FOR £1 1£k/100 |

## PHOTO DEVICES

|   |         |
|---|---------|
| HI BRIGHTNESS LEDS COX24 RED                | 5/£1    |
| SLOTTED OPTO-SWITCH OP/COA OPB815           | £1.30   |
| 2N5777                                      | 50p     |
| TIL81 PHOTO TRANSISTOR                      | 5/£1    |
| TIL38 INFRA RED LED                         | 5/£1    |
| AN25 OPT0 2252 OPT0 ISOLATOR                | 50p     |
| PHOTO DIODE 50P                             | 6/£2    |
| MEL12 (PHOTO DARLINGTON BASE n/c)           | 50p     |
| LED'S RED 3 or 5mm 12x1                     | 100/£6  |
| LED'S GREEN OR YELLOW 10x1                  | 100/£6  |
| FLASHING RED LED 5mm 50p                    | 100/£40 |
| HIGH SPEED MEDIUM AREA PHOTODIODE RS651-995 | £10 ea  |
| OPTEK OPB745 REFLECTIVE OPTO SENSOR         | £1.50   |
| LED LINE - CHROME BEZEL                     | 3/£1    |
| OP1108 HI VOLTAGE OPTO ISOLATOR             | £1      |

## STC NTC BEAD THERMISTORS

|   |       |
|---|-------|
| G22 220R, G13 1K, G23 2K, G24 20K, G54 50K, G25 200K, RES 20°C DIRECTLY HEATED TYPE | £1 ea |
| FS22B W NTC BEAD INSIDE END OF 1" GLASS PROBE RES 20°C 200R                         | £1 ea |
| A13 DIRECTLY HEATED BEAD THERMISTOR 1k res. ideal for audio Wien Bridge Oscillator  | £2 ea |

## CERMET MULTI-TURN PRESETS 3/4"

|   |        |
|---|--------|
| 10R 20R 100R 200R 250R 500R 2K 2K2 2K5 5K 10K 47K 50K 100K 200K 500K 2M | 50p ea |
|---|--------|

## IC SOCKETS

|                                   |             |
|-----------------------------------|-------------|
| 14/16/18/20/24/28/40 WAY DIL SKTS | £1 per TUBE |
| 8-WAY DIL SKTS                    | £2 per TUBE |
| 32-WAY TURNED PIN SKTS            | 3 for £1    |
| SIMM SOCKET FOR 2x30-way SIMMS    | £1          |

## POLYESTER/POLYCARB CAPS

|  |              |
|--|--------------|
| 330nF 10%, 250V AC X2 RATED PHILIPS TYPE 330 | £20/100      |
| 100n, 220n 63V 5mm                           | 20/£1 100/£3 |
| 10n/15v/22n/33n/47n/66n 10mm rad             | 100/£3.50    |
| 100n 250V radial 10mm                        | 100/£3       |
| 100n 600V Sprague axial 10/£1                | 100/£6 (£1)  |
| 2µF 160V rad 22mm, 2µF 100V rad 15mm         | 100/£10      |
| 10n/33n/47n 250V AC X rated 15mm             | 10/£1        |
| 1µ 600V MIXED DIELECTRIC                     | 50p ea       |
| 1µ 100V rad 15mm, 1µ 22m rad                 | 100/£6       |
| 0.22µ 250V AC X2 RATING                      | 4/£1         |
| 0.22µ 900V                                   | 4/£1         |

## RF BITS

|   |                   |
|---|-------------------|
| SAW FILTERS SW662/SW661 PLESSEY SIGNAL TECHNOLOGY 379.5 MHz         | £1.50 ea          |
| FX3286 FERRITE RING ID 5mm OD 10mm                                  | 10 for £1         |
| ASTEC UM1233 UHF VIDEO MODULATORS (NO SOUND) 1250 STOCK             | £1.50             |
| MARCONI MICROWAVE DIODE TYPES DC2929, DC2962, DC4229F 1/2           | £1 EA             |
| XTAL FILTERS 21M4 550M  | £2 ea             |
| ALL TRIMMERS  | 3 for 50p         |
| VIOLET  | 5-105pF           |
| RED 120-110pF GREY 5-25pF SMALL MULLARD                             |                   |
| 2 to 22pF   | 3 FOR 50p £10/100 |
| TRANSISTORS 2N4427, 2N3866  | 80p ea            |
| CERAMIC FILTERS 4M5/6M/9M/10M7                                      | 60p ea            |
| FEED THRU CERAMIC CAPS 1000pF                                       | 10/£1             |
| SL610   | £5                |
| 6 VOLT TELEDYNE RELAYS 2 POLE CHANGEOVER (6V51 TRANSISTOR CAN SIZE) | £2                |
| 2N2222 METAL  | 5/£1              |
| P2N2222A PLASTIC  | 10/£1             |
| 2N3694A   | 5/£1              |
| 74N16 MOTOROLA CAR PHONE O/P MODULE                                 | £3                |

## MONOLITHIC CERAMIC CAPACITORS

|                               |           |
|-------------------------------|-----------|
| 10n 50V 2.5mm                 | 100/£4.50 |
| 100n 50V 2.5mm or 5mm         | 100/£6    |
| 100n ax short leads           | 100/£3    |
| 100n ax long leads            | 100/£5    |
| 100n 50V dip package 0.3" rad | 100/£8    |

## QUARTZ HALOGEN LAMPS

|                           |                      |
|---------------------------|----------------------|
| 12V 50watt LAMP TYPE M312 | £1 ea HOLDERS 60p ea |
| 6V 50watt                 | £1                   |

# KEYTRONICS

TEL. 01279-505543  
FAX. 01279-757656</



## Narrow-band, voltage-controlled oscillator

As a tone decoder to detect a single frequency in the presence of interference, a narrow-band vco in a phase-locked loop works well. Unfortunately, combining a narrow band and a well defined centre frequency is not easy, particularly if initial tuning is to be avoided. A crystal oscillator is one method, its frequency being "pulled" by a Varicap, but the

frequency sweep is only a few hundred hertz at frequencies in the 1-10MHz range and at maximum deviation stability is poor.

Ceramic resonators offer the advantage of wider frequency adjustment. The main diagram on the left shows a low-power 6MHz oscillator using a cmos 4007UBE IC with an RS type 656-215 ceramic resonator. The BB102

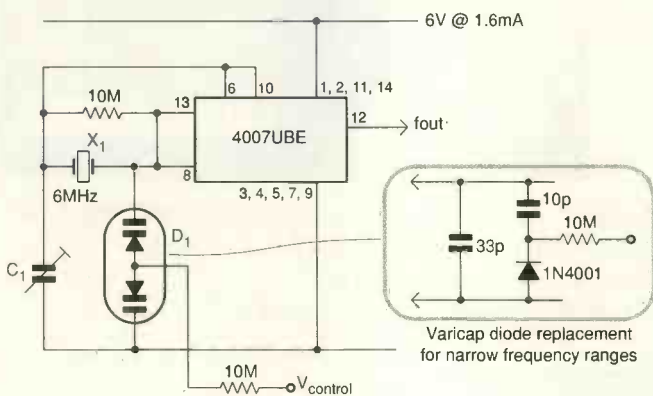
varicap provides adjustment capacitance  $C_1$ , the centre frequency being set by  $C_1$  (about 33pF).

Sweep range is around 50kHz for a change of 33-220pF, the characteristic being logarithmic to give a falling frequency with increasing capacitance. Sensitivity therefore depends on capacitance: -4kHz/pF at 10pF and -80Hz/pF at 470pF.

A cheaper alternative is to replace the Varicap with a rectifier diode, having some junction capacitance. A 1N4001 - as shown in the diagram contained in the block - provides a 4kHz sweep at 6V.

**R G Harrison**  
Charvill  
Reading.

*As a narrow-band vco, a ceramic resonator can give better results than a crystal can provide, and the circuit is simpler to design. A diode is even cheaper.*



## Electronic lock relies on magnetic poles

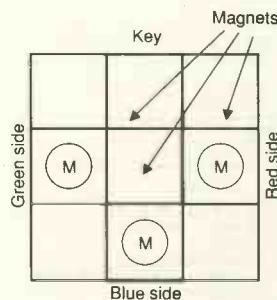
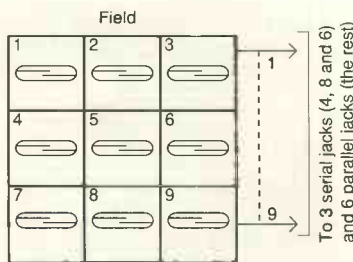
Giving an unauthorised user no indication of how to use it, this lock uses a magnetic key inserted into a field of reed relays.

Out of nine (or more) possible positions, only three contain the

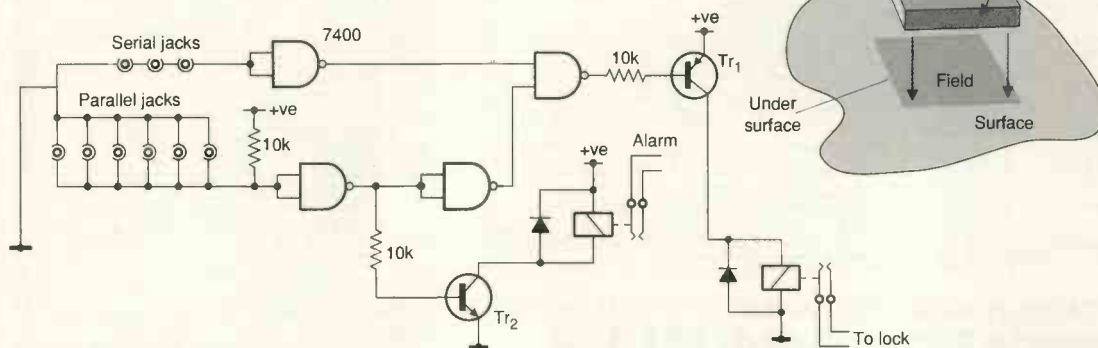
magnets to operate the relays, the three operated being effectively connected as an And gate. Inserting the key energises the output transistor and, therefore, the lock, but only if the remaining relays are

not operated; if any of the others operate, being connected as an Or gate, the lock stays locked and the alarm sounds.

**Ronny Tegel**  
Arlov, Sweden



*Reed relays and their magnets in a random pattern form an electronic lock which also provides an alarm if the wrong key is tried.*



# New Analog & Mixed Mode Simulation

Easy To Use, Full Systems from £450 to £2300

1st Class, Free UK technical support

## Professional Level .....

ICAP/4, The Virtual Circuit Design Lab, is a complete circuit design system. It features schematic entry, interactive analog and mixed mode simulation, extensive device libraries, and powerful data processing, all integrated in one easy to use environment. With ICAP/4 you can simulate all types of designs including Power, ASIC, RF, Mixed Mode, Control Systems, and Mixed Technologies

- **Interactive SPICE 3F based Simulator** (AC, DC, Transient, Temperature, Noise, Distortion, Fourier, Monte Carlo, and Sensitivity (AC/DC) analyses)
- **Native Mixed Mode** - includes 12 state Digital Logic Simulator
- **Interactive Parameter Sweeping and Measurements**
- **Real Time Cross Probing Directly on the Schematic**
- **Over 600+ Models Available** including Special RF and Vendor Libraries
- **Multiple Platform Support** - Windows (32s), Windows NT on the PC, Digital Alpha & MIPS, DOS, Macintosh, and Power PC

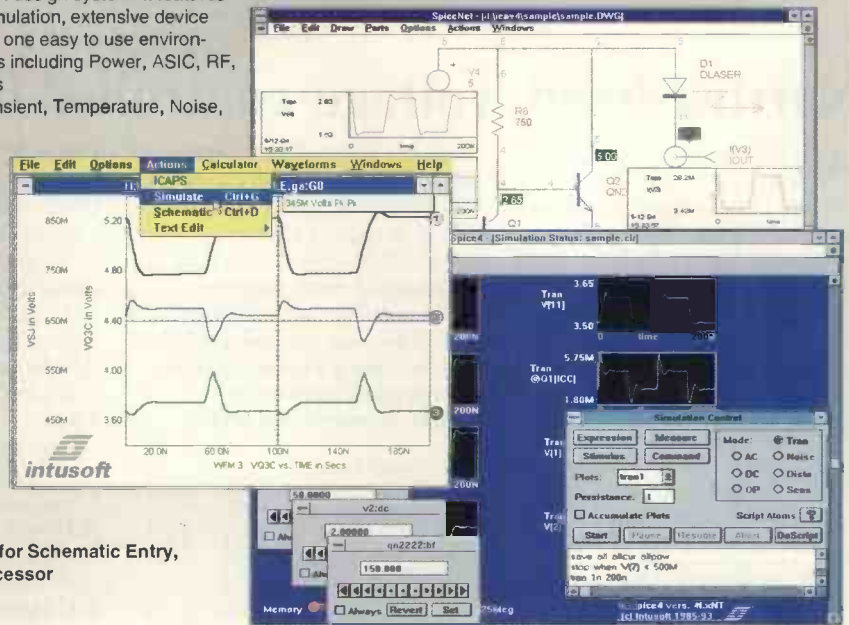
## or Entry Level .....

- **SPICE 3F based simulator** (AC, DC, Transient, Temperature, Operating point)
- **UNLIMITED CIRCUIT SIZE**
- **Over 500 device models**
- **Separate upgrades available**, when you need them, for Schematic Entry, Models Library, Spice Engine & Graphical Post-processor
- **Windows & Windows NT**

## and both with .....

- **Integrated Schematic Entry**
- **High Performance 32-bit Simulator**
- **Real Time Waveform Display**
- **Third Party Support** - Works with all popular schematic entry systems

*The Future Is Interactive!*



Call or write for free information and eval SW:  
Technology Sources Ltd - Falmouth Avenue -  
Newmarket - Suffolk CB8 0LZ  
Ph: 01638-561460 Fax: 01638-561721

CIRCLE NO. 135 ON REPLY CARD

# M & B RADIO (LEEDS)

THE NORTH'S LEADING VALUE TEST EQUIPMENT DEALER

|  |  |       |  |       |
|--|--|-------|--|-------|
| <b>OSCILLOSCOPES</b>                                     | FARNELL SSG2000 10KHz-2000MHz synthesized generator (as new) | £2000 | HP11683A power meter calibrator                                    | £395  |
| TEKTRONIX 2445 300MHz 4 channel                          | FARNELL DSG2 0.001Hz-110KHz synthesized (new)                | £200  | HP436A digital RF power meters (sensors available POA)             | £650  |
| TEKTRONIX 7844/7A247A1/97892B/7B80 (1x600MHz/2x400MHz)   | SYSTRON DONNER 1702 100KHz-1000MHz synthesized generator     | £650  | HP3581C 15Hz-50 KHz selective voltmeter                            | £600  |
| TEKTRONIX 2213 60MHz dual trace                          | WILTRON 610D/501 1MHz-1500 MHz sweeper                       | £1000 | HP4915A protocol analyser  | £350  |
| TEKTRONIX 2215 60MHz dual trace/delayed TB               | GIGA GR1101A 12GHz-18GHz pulse generator (as new)            | £650  | HP333A distortion analyser   | £295  |
| TEKTRONIX 475 200MHz dual trace                          | MARCONI 6055B 850GHz-2150GHz signal source                   | £225  | HP11667A DC-18 GHz power splitter (new)                            | £400  |
| TEKTRONIX 465B 100MHz 2 channel                          | MARCONI 608 2GHz-4GHz signal source                          | £225  | HP11710A down converter  | £350  |
| TEKTRONIX 434 25MHz 2 channel storage                    | ADRET 2230A 200Hz-1MHz synthesized source                    | £195  | HP400A true RMS voltmeter (analogue)                               | £145  |
| TEKTRONIX SC50A/TM50A/DM50 80MHz oscilloscope/multimeter | LINSTEAD G1000 10Hz-11MHz synthesized oscillator             | £200  | HP3403C true RMS voltmeter (digital)                               | £195  |
|  | THANDAR TG503 0.005Hz-5MHz pulse/function generator          | £225  | HP3406A 10KHz-1200MHz RF sampling voltmeter with probes            | £200  |
|  |  |       | HP3466A 3.5 digit autorangeing multimeter                          | £200  |
|  |  |       | HP3437A 3.5 digit high speed system voltmeter                      | £200  |
|  |  |       | HP3455A 5.5 digit digital voltmeter                                | £495  |
|  |  |       | HP3468A 5.5 digit multimeter (LCD)                                 | £400  |
|  |  |       | HP5004A signature analyser   | £150  |
|  |  |       | HP5005A signature multimeter                                       | £200  |
|  |  |       | HP 6032A systems power supply 0-60V/0.50 amp 100w                  | £1000 |
|  |  |       | HP 6255A dual DC power supply 0.40V/0-1.5 amp                      | £185  |
|  |  |       | HP 6253A dual DC power supply 0.20V/0-3 amp                        | £200  |
|  |  |       | HP 6825A power supply/amplifier - 20v to +20v/0-2 amp              | £250  |
|  |  |       | HP 6368B DC power supply 0.40V/0-30 amp OPT 003/01/0/040           | £500  |
|  |  |       | HP 843 RF wattmeters   | £100  |
|  |  |       | BIIRD 8323 30dB coaxial attenuator 100w                            | £300  |
|  |  |       | BIIRD 8319 30dB coaxial attenuator 200w                            | £300  |
|  |  |       | EXACT 334 precision current calibrator                             | £195  |
|  |  |       | FLUKE 103A frequency comparator                                    | £250  |
|  |  |       | FLUKE 3330B prog const current/voltage calibrator                  | £400  |
|  |  |       | BALLANTINE 6143C prog time amplitude test set                      | £400  |
|  |  |       | BRADLEY 192 oscilloscope calibrator                                | £500  |
|  |  |       | ALTECH 533X-11 calibrator (1 HP355C/1 HP355D ATT)                  | £150  |
|  |  |       | SIEMENS 525233 capacitance meter (new)                             | £350  |
|  |  |       | WADYNE KERR CT 496 LCR meter battery portable                      | £75   |
|  |  |       | RAYMETER TR811 RLC component comparator                            | £150  |
|  |  |       | AVO 215-L2 AC/DC breakdown/insulation tester                       | £400  |
|  |  |       | FARNELL TB1030/35 electronic load                                  | £495  |
|  |  |       | FARNELL TR8 10KHz-1000MHz true RMS sampling voltmeter              | £350  |
|  |  |       | SIEMENS 60132 solid state amplifier 8 GHz-12GHz                    | £150  |
|  |  |       | SIEMENS D2108 200KHz-30MHz level meter                             | £350  |
|  |  |       | SIEMENS V108 200 KHz-30MHz level oscillator                        | £350  |
|  |  |       | NARDA 3001 450MHz-950MHz directional coupler 10/20/30dB            | £100  |
|  |  |       | NARDA 3041-20 500MHz-1000MHz directional coupler 20dB              | £125  |
|  |  |       | NARDA 3044B-20 3.7GHz-3.8GHz 20dB directional coupler              | £195  |
|  |  |       | NARDA 3004-10 4 GHz-10GHz 10dB directional coupler                 | £175  |
|  |  |       | RACAL 9063 two tone oscillator                                     | £400  |
|  |  |       | RACAL RA17 30MHz valve receiver (new)                              | £300  |
|  |  |       | RACAL RA1218 30MHz receiver  | £300  |
|  |  |       | RACAL RA1779/MA1107 30MHz receiver                                 | £1500 |
|  |  |       | RACAL 9063 two tone oscillator                                     | £400  |
|  |  |       | RACAL 9008 1.5MHz-2000MHz automatic modulation meter               | £300  |
|  |  |       | RACAL DANA 9904M 50MHz universal counter timer                     | £95   |
|  |  |       | RACAL DANA 9914 10Hz-200MHz frequency counter                      | £100  |
|  |  |       | RACAL DANA 9915 10Hz-500MHz frequency counter                      | £100  |
|  |  |       | RACAL DANA 9916 10Hz frequency counter                             | £175  |
|  |  |       | RACAL DANA 9917 10Hz-100 MHz frequency counter                     | £295  |
|  |  |       | RACAL DANA 9918 10Hz-100 MHz frequency counter                     | £400  |
|  |  |       | RACAL DANA 9919 10Hz-100 MHz universal counter timer 9 digit       | £500  |
|  |  |       | RACAL DANA 9920 10Hz-100 MHz universal counter timer               | £400  |
|  |  |       | RACAL DANA 9921 10Hz-300MHz frequency counter                      | £250  |
|  |  |       | RACAL DANA 9901 10Hz-100 MHz universal counter timer 9 digit       | £500  |
|  |  |       | RACAL DANA 18000 microprocessing digital voltmeter                 | £250  |
|  |  |       | BRUEL & KJAER 2203 precision sound level meter/90812 filter        | £400  |
|  |  |       | BRUEL & KJAER 2971 phase meter                                     | £400  |
|  |  |       | FLUKE 8506A thermal RMS voltmeter                                  | £POA  |
|  |  |       | FLUKE 5100B calibrator   | £POA  |
|  |  |       | FLUKE 5006A programmable AC calibrator                             | £POA  |
|  |  |       | FLUKE 5205A precision power amplifier                              | £POA  |
|  |  |       | FLUKE 5440B direct volt calibrator                                 | £POA  |
|  |  |       | SPECIAL OFFERS   | £400  |
|  |  |       | SOLARTRON 7045 4.5 digit bench multimeter (battery/main)           | £60   |
|  |  |       | FLUKE 25 High spec digital multimeters with manual/probes (as new) | £70   |
|  |  |       | SMITHS 3" diameter portable meter                                  | £65   |
|  |  |       | SIEMENS P18M82 portables LCD radiation meters (new)                | £50   |

ALL PRICES PLUS VAT AND CARRIAGE · ALL EQUIPMENT SUPPLIED WITH 30 DAYS WARRANTY

**86 Bishopgate Street, Leeds LS1 4BB**  
**Tel: (0113) 2435649 Fax: (0113) 2426881**

CIRCLE NO. 136 ON REPLY CARD

# Evaluate DSP for

# £90

**Allen Brown has been looking at an evaluation kit with a price tag designed to bring DSP development within the reach of every engineer.**

**D**igital signal processing, dsp, techniques have become very popular for solving a range of problems in electronics. Whether it is filtering, spectral analysis, noise reduction or information coding, there is a very good chance that dsp can offer a solution.

Having decided that dsp is an appropriate direction to find a solution, the next question centres on what hardware should be used. There's a number of processor manufactures to choose from, and to make the choice easier, a number of companies now provide low cost evaluation modules hosting a signal processor.

One such product is the *DSP56002EVM* from Motorola which sells for £90, exclusive, and provides a very low cost gateway into practical dsp. Shown in Fig. 1, the *DSP56002EVM* comprises a 40MHz *DSP56L002*, which is a low-power version of the *DSP56002*, and 128kbyte of sram. It also has a Crystal Semiconductor *CS4215* – which is a 16-bit multimedia audio codec – and is fitted with three 2.1mm jack sockets for analogue i/o.

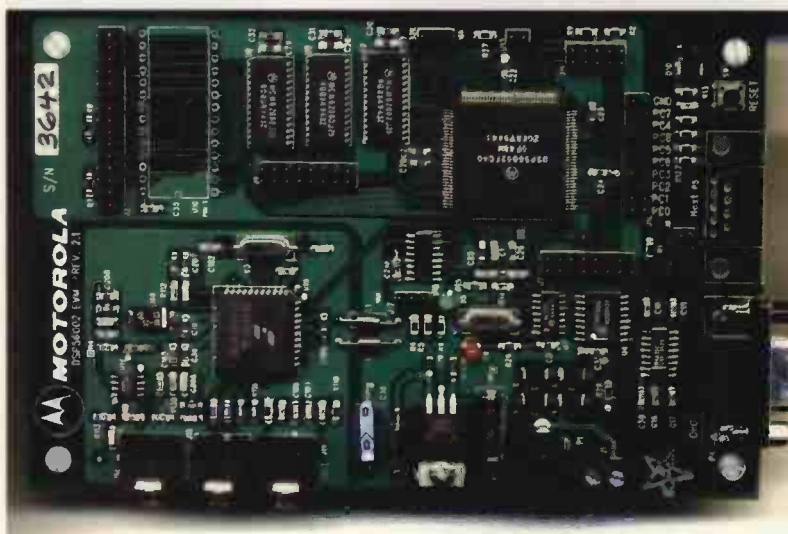
The board can be controlled directly from a pc via a serial link. It is provided with *Debug-EVM* software, allowing the user to monitor the internal registers and memory of the *56002* processor. Facilities for emending assembly code at the processor level are also provided, as are technical data sheets on both the *DSP56002* and the Codec.

### **DSP56002 architecture**

The processor is a fixed point device with two 56bit accumulators, designated A and B. It has a dual data architecture – X and Y memory with individual buses – feeding general purpose registers X and Y. There are also eight address registers  $r_{0-7}$ , each with auxiliary registers,  $m_{0-7}$  and  $n_{0-7}$ , for implementing address modifications.

Instructions are fetched on the program bus and with its hard-wired multiplier and arithmetic and logic unit the *DSP56002* is able to perform multiply, add and dual channel data move operations in a single clock cycle.

Harvard architecture on-board memory comprises 512-by-24 bit program ram and 256 by 24bit ram for both X-data and Y-data. There is also a boot rom in the program memory area for allowing external code to be downloaded from a slow eeprom during the boot-up phase. Both X and Y data spaces have rom areas dedicated to A-law/ $\mu$ -law and sine coefficients respectively.



The *DSP56002* has an interesting array of on-board peripherals. A 24bit timer/event counter, a synchronous serial i/o port, a serial comms i/o port, a host interface port and a *OnCE* port for on chip emulation. This provides an easy way of observing what is going on inside the processor. To complement its architecture the *DSP56002* has a generous instruction set and each line of assembly language code can have four sub-instructions, each relating to a different functional unit on the processor.

### **Evaluation kit hardware**

Analogue i/o operations are performed on the cmos *CS4215* 16bit stereo codec. It supports cd, fm radio quality music, telephone quality speech and modems. The device's a-to-d converters are 64-times oversampling delta-sigma types with on-chip filters which adapt to the sample frequency. The *CS4215* allows integration of microphone, line-level inputs and i/o gain settings, along with headphone and monitor speaker drivers, resulting in a very small footprint.

Codec sampling is between 4kHz to 50kHz and the device can perform 16bit or 8bit audio data coding compression in either A or  $\mu$ -law. This makes more efficient use of the 16bit dynamic range by applying a gain that is dependent upon the instantaneous signal amplitude.

**Fig. 1.** *DSP56002EVM* featuring a *DSP56L002* and a *CS4215* multimedia audio codec from Crystal Semiconductor. Using the evaluation module serves as an ideal method to become acquainted with the signal processor.

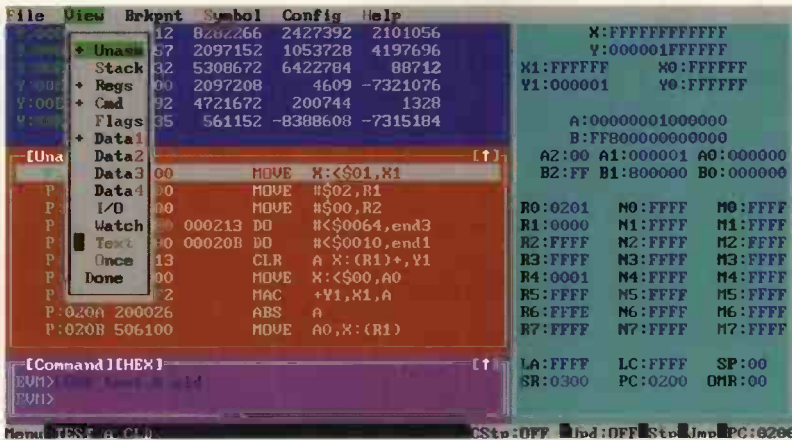


Fig. 2. Typical screen display of the Debug-EVM software showing the register contents, a fragment of disassembled code and the contents of part of the data memory.

The limitation of the codec lies in its output sample rate of less than 50kHz. Although adequate for stereo audio needs, the evaluation kit would not be suitable for investigating higher frequency applications. Its appeal would probably be limited to first time users of dsp technology.

In addition to the 128kbyte of sram, the *DSP56002EVM* also has a space for an *AT29C256PC* flash eeprom which can serve as program memory or as X-data memory for read only purposes. Motorola only provides holes for the eeprom – not even a proper dip socket. It would have been far more useful if an eeprom in a dip had been supplied.

Without the eeprom, once the power to the module is switched off, the memory loses its contents – thus limiting its usefulness. Also, Motorola leaves room for a second nine-pin D-connector to enable a dumb terminal to be interfaced to the *DSP56002EVM*. Again the company could have been a little more generous and supplied the D connector as standard, together with some software routines for running an external led display or dumb terminal.

### Software for dsp evaluation

Communication with the *DSP56002EVM* is effected via an RS-232 serial link which accesses the *OnCE* facility on the main processor. The *OnCE* permits all the register contents to be interrogated and dumped via the serial link to the pc.

Registers can also be modified, and as a result allow the user to emend software errors. The accompanying software – *Debug-EVM* – is a development system package which greatly facilitates software testing. It only runs under dos, but it can be called from within windows.

The other attractive feature of using the *OnCE* is that it negates the need for a monitor program to be resident on the

evaluation module. This feature is common on evaluation systems hosting conventional microprocessors and occupies valuable memory address space.

A typical screen display of *Debug-EVM* is shown in Fig. 2. The display can show several fields, for example register contents, disassembled code, graphical i/o and memory contents. However, these do not operate as smoothly as windows equivalent using the graphics user interface (gui) standard.

Provided with the package is a *DSP56002* assembler. Once a sources code is run through the assembler an executable file is generated which can be downloaded into the evaluation module's memory. The whole operation is quite painless.

When the *Debug-EVM* software is running the user has the option of executing a host of features normally found within microprocessor monitor systems, for example implanting break points and single stepping the code. Although acceptable if you are only running one evaluation kit, if you wanted to run a second, the limitations of the dos version of the *Debug-EVM* would soon become apparent.

### Worked dsp examples

To run a number of the worked examples, the user is asked to provide a stereo music source – such as a Walkman – and a set of headphones. The worked examples given in the *Quick Start* document – comprising 16 pages of A4 – include a program for removing a 60Hz signal using a notch filter and implementing the codec process on audio signals.

There is also a program implementing a low-pass digital filter. These are quite useful as demonstrations and serve as good introductions to the *DSP56002*. Routines are also provided for driving the codec. There should be more examples available and this deficiency is not helped by the absence of a credible user manual containing information on the kit's hardware features. Although there is some information on a disk readme file – by no stretch of the imagination would this pass as a user manual.

There is however a printed manual for the *Debug-EVM* software. Probably a great deal could be done with the kit but without the relevant hardware details the scope for development will be somewhat limited. The general impression is that it is very much intended for the engineer who already has a reasonable knowledge of microprocessors.

### Summary

The *DSP56002EVM* gives instant access to the possibilities of the *DSP56002*. Its stereo channel analogue i/o is a very attractive feature which allows the processor to be used in audio signal processing applications or for any processing requirements under 50kHz.

However, in view of the fact that many potential users probably would not have a knowledge in dsp, I feel that the product would be better served if provided with a comprehensive user manual. Having performed the exercises laid out in the *Quick Start* document you could be left wondering 'what do I do with it now?'

On the whole, I feel that a stand-alone module for a dsp chip is a good idea. But unless more is provided for the non specialist interested in investigating the possibilities of the *DSP56002*, I feel its appeal will soon run out. ■

### Availability

*DSP56002EVM* costs £90, excluding VAT and postage, and is available from Arrow Jermyn, St Martin's Business Centre, Cambridge Road, Bedford MK42 0LF, tel 01234 270027, fax 01234 214674.



Claus Kühnel describes how combining the Basic Stamp microcontroller and a TSL230 forms an extremely simple light-to-RS232 interface.

# Bits of light

For silicon photo diodes, the detectable spectrum of light extends from about 300nm to 1100nm.

Short circuit current of the silicon photo diode is proportional to incident irradiation and almost independent of temperature. The down side is that photo diodes generally produce only a very small signal current. As a result, the analogue circuits for processing the diode output can become expensive.

Design costs reduce however when the photo diode and its amplifier are integrated into the same chip or module. In the case of the photo diode used here, not only are the diode and its amplifier mounted in the same module, but there is also digital circuitry,

allowing the device to communicate directly with a microcontroller. In addition, the chip can operate from supply rails down to 2.7V

### Light sensing with the TSL230

The TSL230, from Texas instruments, is a programmable light-to-frequency converter. Both silicon photo diode and current-to-frequency converter are housed in a clear plastic dual-in-line package with eight-pins.

When the device is set for maximum sensitivity, an irradiation of  $450\mu\text{W}/\text{cm}^2$  ( $\lambda_p$  of 660nm) produces an output frequency of typically 1MHz. The light sensitive area of this photo diode is typically  $1\text{mm}^2$ .

This photo diode is configurable. Its sensitivity can be increased by a factor of 10 or 100. Further adjustments can be made via programmable on-chip frequency dividers allowing divide by 2, 10 or 100 of the output.

In addition to control inputs S3 to S0 there is an output-enable input. When active-low, this pin switches the output of the device into a tri-state condition, allowing outputs of several devices to be connected to a common line.

Programming conditions are listed in the table. The first line in the table is hatched since these conditions invoke a special mode.

Frequency division causes a symmetrical output, i.e. one with a 1:1 duty cycle. While S3 and S2 are low, duration of the output pulse extends from 125ns to 500ns and symmetry is not defined.

*The TSL230 programmable light-to-frequency is linked to a host controller by a simple RS232 interface and one command line. After this command line is pulled low, the Stamp asks for a command. This command sets inputs S3 to S0 of the TSL230. Following setup, the Stamp sends the measured value to the host periodically.*

### Listing - PBASIC-source

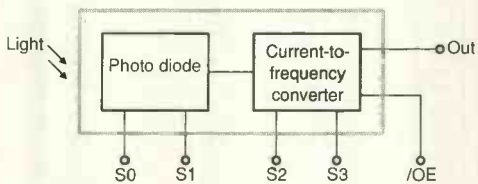
```
[Constants]
symbol RxD = 7
symbol TxD = 6
symbol TSL230 = 4
symbol baud = N2400

[Variables]
symbol key = pin5
symbol ss = b0
symbol period = w1

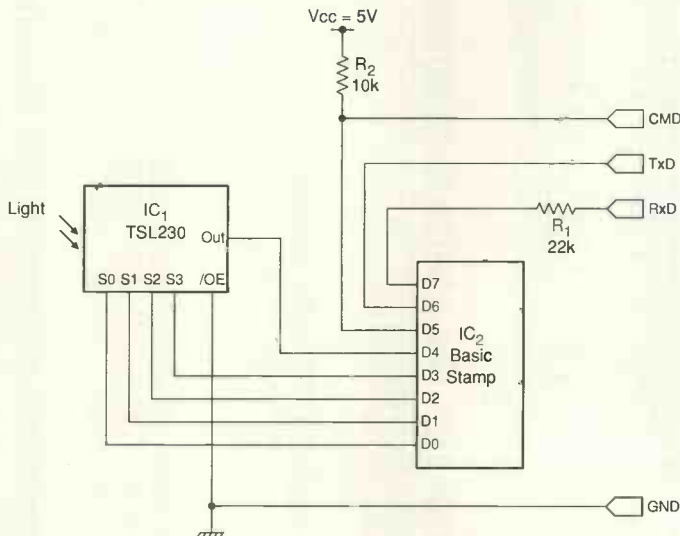
[Initialisation]
dirs = %01001111
pins = %00000101

[Main Code]
start: if key = 0 then enter
loop: pulsln TSL230,0,period
serout TxD, baud, (#period,10,13)
debug period
pause 1000
period = 0
goto start

enter: serout TxD, baud, ("SS?",10,13)
serin RxD, baud, #ss
ss = ss - $30 & $0f
debug %ss
pins = ss
goto loop
```

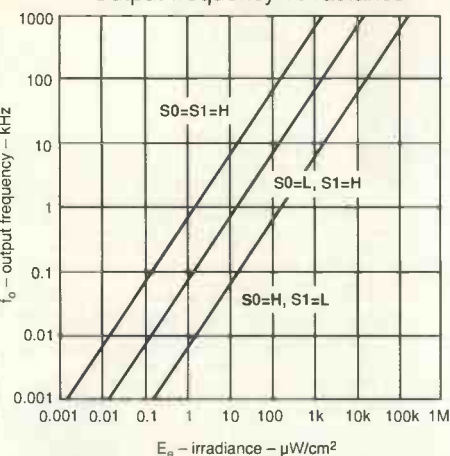


The TSL230 light-to-frequency converter comprises a photodiode and current-to-frequency converter integrated into an eight-pin diil package.

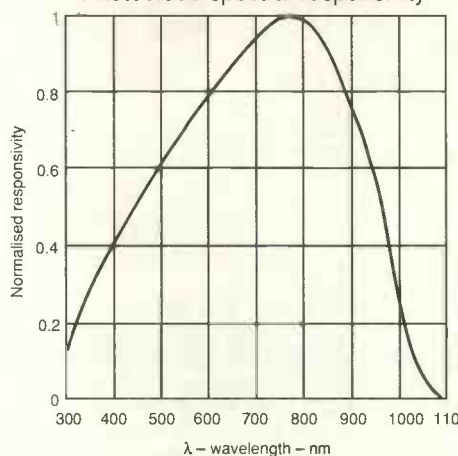


*Basic Stamp is designed for ease of use. It has eight i/o lines and is programmed using a high-level Basic dialect. As a result, forming an interface to read data from the light-to-frequency converter and translating the reading to RS232 for use on a pc is very simple.*

Output frequency vs radiance



Photodiode spectral responsivity



Typical performance of the TSL230 light-to-frequency converter. Both are for 25°C. Conditions for frequency versus irradiance were 5V supply,  $\lambda_p$  of 670nm and  $S3=S2=L$ .

When S1 and S0 are low, the device switches to the power-down mode. This reduces maximum supply current from 2mA to 10 $\mu$ A.

**Basic stamp as an RS232 interface**

In order to determine light level, the TSL230's output frequency must be measured. Interfacing the TSL230 to a pc or controller allows the conversion and display to be carried out in software.

The simplest solution results from building this interface using a microcontroller best suited for this kind of application. On the Basic Stamp, there are eight free configurable i/o lines and the device is programmable in a Basic dialect known as Pbasic, which is an

abbreviation of Parallax Basic. This language was developed especially for microcontroller applications.

Interfacing to the host computer is carried out via a simple three-wire connection according to RS-232 standards and an additional command line.

**Light detection software**

At the label 'start' in the program, the command line CMD marked 'key' is queried. If the i/o line is pulled low by the host controller a jump to the label 'enter' results.

The Basic Stamp sends the characters 'SS?' to the host and waits to receive a value to setup the control lines S3 to S0. After masking

The TSL230 light to frequency converter is programmable for both sensitivity and output frequency scaling via four programming inputs.

| S3 | S2 | Frequency scaling | S1 | S0 | Sensitivity |
|----|----|-------------------|----|----|-------------|
| L  | L  | f                 | L  | L  | Power down  |
| L  | H  | f/2               | L  | H  | 1x          |
| H  | L  | f/10              | H  | L  | 10x         |
| H  | H  | f/100             | H  | H  | 100x        |

for all eventualities, and a possible display in the debug window of the development system, the control inputs are set up. A jump to the label 'loop' leads to the endless loop, where the program runs normally.

The low period of TSL230 output pulses is measured using the command 'pulsin'. To calculate output frequency from this low time the pulse sequence must be symmetrical. As a result, the hatched condition in the table is unusable.

Results from the command 'pulsin' are saved in the 16 bit variable 'period'. Resolution is 10 $\mu$ s. After getting the half period duration, the result can be transferred to the host. The Basic Stamp sends an ascii sequence closed by a carriage return and line feed. After a pause of one second, chosen arbitrarily, the whole process is repeated.

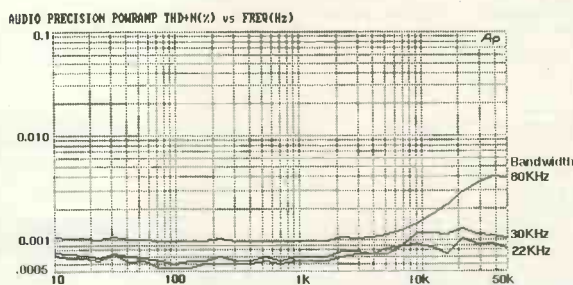
In applications allowing some of the programming inputs to be hard wired, the spare i/o lines on the stamp could be connected to, say, a led or beeper and used for signalling light level limits.

# Trimodal power amplifier PCBs

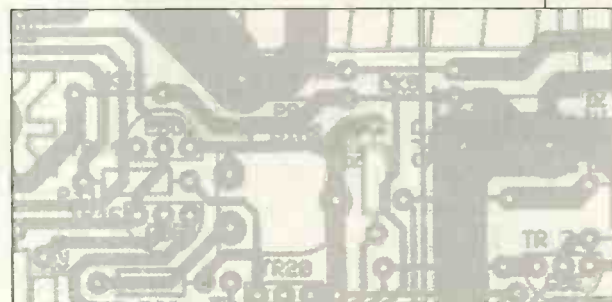
**"Performance of a properly-designed class-A amplifier challenges even the ability of an Audio Precision measurement system."**

Printed circuit boards for Douglas Self's Trimodal audio power amplifier - detailed in the June and July issues of EW+WW - are available exclusively via EW+WW. This amplifier can be switched between Class A/AB and Class B to provide remarkable performance over a wide range of operating conditions. In Class A it delivers up to 27W with ultra-low distortion. But presented with a low impedance, the amplifier has recourse to an unusually linear AB configuration.

Designed by Gareth Connor and supplied with a 12 page manual, the silk-screened boards are supplied in pairs at £49.48 per pair, fully inclusive of VAT and UK or overseas postage. Send a postal order or cheque payable to Reed Business Publishing to Trimodal Power, EW+WW, room L333, Quadrant House, The Quadrant, Sutton, Surrey SM2 5AS, together with your address. Alternatively e-mail your address, credit-card number, credit-card type (i.e. Access/Visa) and the card's expiry date to jackie.lowe@rbp.co.uk or fax the same details on 0181 652 8956.



Distortion of the Trimodal power amplifier in its class-A mode at 20W into 8 $\Omega$ .



Surplus always wanted for cash!

# THE ORIGINAL SURPLUS WONDERLAND!

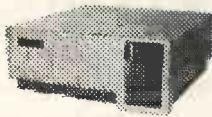
THIS MONTH'S SELECTION FROM OUR VAST EVER CHANGING STOCKS

Surplus always wanted for cash!

## LOW COST PC's - ALL EXPANDABLE - ALL PC COMPATIBLE

### SPECIAL BUY AT 286

40Mb HD + 3Mb Ram

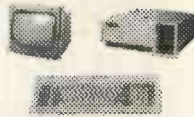


LIMITED QUANTITY only of these 12Mhz HI GRADE 286 systems Made in the USA to an industrial specification, the system was designed for total reliability. The compact case houses the motherboard, PSU and EGA video card with single 5 1/4" 1.2 Mb floppy disk drive & Integral 40Mb hard disk drive to the front. Real time clock with battery backup is provided as standard. Supplied in good used condition complete with enhanced keyboard, 640k + 2Mb RAM, DOS 4.01 and 90 DAY Full Guarantee. Ready to Run!

|   |        |
|---|--------|
| Optional Fitted extras: VGA graphics card             | £29.00 |
| 1.4Mb 3 1/2" floppy disk drive (instead of 1.2 Mb)    | £24.95 |
| NE2000 Ethernet (thick, thin or twisted) network card | £49.00 |

**ONLY £149.00 (E)**  
CALL FOR QTY DISCOUNTS

### PC SCOOP COMPLETE COLOUR SYSTEM ONLY £79.00



A massive bulk purchase enables us to bring you a COMPLETE Ready to run colour PC system at an unheard of price! The Display Electronics PC99 system comprises of fully compatible and expandable XT PC with 256k of RAM, 5 1/4" 360k floppy disk drive, 12" CGA colour monitor, standard 84 key keyboard, MS DOS and all connecting cables - just plug in and go!! Ideal students, schools or anybody wishing to learn the world of PC's on an ultra low budget. Don't miss this opportunity. Good used condition - Fully guaranteed for 90 Days. Order as PC99COL **£79.00 (E)**

|  |        |
|--|--------|
| Optional Fitted extras: 640k RAM                     | £29.00 |
| 2nd floppy drive, specify 5 1/4" 360k or 3 1/2" 720k | £29.95 |

Above prices for PC99 offer ONLY.



## 19" RACK CABINETS

Superb quality 6 foot 40U Virtually New, Ultra Smart **Less than Half Price!**

Top quality 19" rack cabinets made in UK by Optima Enclosures Ltd. Units feature designer, smoked acrylic lockable front door, full height lockable half louvered back door and lightweight removable side panels. Fully adjustable internal fixing struts, ready punched for any configuration of equipment mounting plus ready mounted integral 12 way 13 amp socket switched mains distribution strip make these racks some of the most versatile we have ever sold. Racks may be stacked side by side and therefore require only two side panels to stand singly or in multiple bays. Overall dimensions are: 77 1/2" H x 32 1/2" D x 22" W. Order as:

|  |             |
|--|-------------|
| OPT Rack 1 Complete with removable side panels | £335.00 (G) |
| OPT Rack 2 Rack, Less side panels              | £225.00 (G) |

## FLOPPY DISK DRIVES 3 1/2" - 8"

5 1/4" from £22.95 - 3 1/2" from £24.95

Massive purchases of standard 5 1/4" and 3 1/2" drives enables us to present prime product at industry beating low prices! All units (unless stated) are BRAND NEW or removed from often brand new equipment and are fully tested, aligned and shipped to you with a 90 day guarantee and operate from standard voltages and are of standard size. All are IBM-PC compatible (if 3 1/2" supported on your PC).

|  |            |
|--|------------|
| 3 1/2" Panasonic JU363/4 720K or equivalent        | £24.95 (B) |
| 3 1/2" Mitsubishi MF355C-L, 1.4 Meg. Laptops only* | £36.95 (B) |
| 3 1/2" Mitsubishi MF355C-D, 1.4 Meg. Non laptop    | £29.95 (B) |
| 5 1/4" Teac FD-55GFR 1.2 Meg                       | £29.95 (B) |
| 5 1/4" BRAND NEW Mitsubishi MF501B 360K            | £22.95 (B) |

\* Data cable included in price.

|  |             |
|--|-------------|
| Shugart 800/801 8" SS refurbished & tested       | £195.00 (E) |
| Shugart 851 8" double sided refurbished & tested | £250.00 (E) |
| Mitsubishi M2894-63 8" double sided NEW          | £275.00 (E) |
| Mitsubishi M2896-63-02U 8" DS slimline NEW       | £285.00 (E) |

Dual 8" drives with 2 mbyte capacity housed in a smart case with built in power supply. Ideal as exterior drives! **£499.00 (F)**

## HARD DISK DRIVES

End of line purchase scoop! Brand new NEC D2246 8" 85 Mbyte of hard disk storage! Full industry standard SMD Interface. Ultra hi speed data transfer and access time, replaces Fujitsu equivalent model. Complete with manual. Only **£299.00 (E)**

|   |             |
|---|-------------|
| 3 1/2" FUJII FK-309-26 20mb MFM I/F RFE             | £59.95 (C)  |
| 3 1/2" CONNER CP3024 20 mb IDE I/F (or equiv.) RFE  | £69.95 (C)  |
| 3 1/2" CONNER CP3044 40mb IDE I/F (or equiv.) RFE   | £89.00 (C)  |
| 3 1/2" RODIME RO3057S 45mb SCSI I/F (Mac & Acorn)   | £99.00 (C)  |
| 5 1/4" MINISCRIBE 3425 20mb MFM I/F (or equiv.) RFE | £49.95 (C)  |
| 5 1/4" SEAGATE ST-238R 30 mb RLL I/F Refurb         | £69.95 (C)  |
| 5 1/4" CDC 94205-51 40mb HH MFM I/F RFE tested      | £69.95 (C)  |
| 8" FUJITSU M2322K 160Mb SMD I/F RFE tested          | £195.00 (E) |

Hard disc controllers for MFM, IDE, SCSI, RLL etc. from £16.95

## THE AMAZING TELEBOX

Converts your colour monitor into a QUALITY COLOUR TV!!



TV SOUND & VIDEO TUNER!

The TELEBOX consists of an attractive fully cased mains powered unit, containing all electronics ready to plug into a host of video monitors made by makers such as MICROVITEC, ATARI, SANYO, SONY, COMMODORE, PHILIPS, TATUNG, AMSTRAD etc. The composite video output will also plug directly into most video recorders, allowing reception of TV channels not normally receivable on most television receivers\* (TELEBOX MB). Push button controls on the front panel allow reception of 8 fully tuneable 'off air' UHF colour television channels. TELEBOX MB covers virtually all television frequencies VHF and UHF including the HYPERBAND as used by most cable TV operators. A composite video output is located on the rear panel for direct connection to most makes of monitor or desktop computer video systems. For complete compatibility - even for monitors without sound - an integral 4 watt audio amplifier and low level Hi Fi audio output are provided as standard. TELEBOX ST for composite video input type monitors **£34.95**  
TELEBOX STL as ST but with integral speaker **£37.50**  
TELEBOX MB Multiband VHF/UHF/Cable/Hyperband tuner **£69.95**  
For overseas PAL versions state 5.5 or 6 mhz sound specification. \*For cable / hyperband reception Telebox MB should be connected to a cable type service. Shipping code on all Teleboxes is (B)

## FANS & BLOWERS

|   |                |
|---|----------------|
| MITSUBISHI MMF-D6012DL 60x60x25 mm 12v DC                 | £4.95 10 / £42 |
| MITSUBISHI MMF-09B12DH 92x92x25 mm 12v DC                 | £5.95 10 / £53 |
| PANCAKE 12-3.5 92x92x18 mm 12v DC                         | £7.95 10 / £69 |
| EX-EQUIP 120 x 38mm AC fans - tested specify 110 or 240 v | £6.95          |
| EX-EQUIP 80 x 38mm AC fans - tested specify 110 or 240 v  | £5.95          |
| VERO rack mount 1U x 19" fan tray specify 110 or 240v     | £45.95 (B)     |
| IMHOF B26 1900 rack mnt 3U x 19" Blower 110/240v NEW      | £79.95         |

Shipping on all fans (A). Blowers (B). 50,000 Fans Ex Stock CALL

## IC's - TRANSISTORS - DIODES

OBSOLETE - SHORT SUPPLY - BULK

5,000,000 items EX STOCK

For MAJOR SAVINGS - Send SAE or CALL FOR LATEST LIST

Issue 13 of Display News now available - send large SAE - PACKED with bargains!

## VIDEO MONITOR SPECIALS

One of the highest specification monitors you will ever see - At this price - Don't miss it!!

Mitsubishi FA3415ETKL 14" SVGA Multisync monitor with fine 0.28 dot pitch tube and guaranteed resolution of 1024 x 768. A variety of inputs allows connection to a host of computers including IBM PC's in CGA, EGA, VGA & SVGA modes, BBC, COMMODORE (including Amiga 1200), ARCHIMEDES and APPLE. Many features: Etched faceplate, text switching and LOW RADIATION MPR specification. Full 90 day warranty. Supplied in EXCELLENT little used condition. **Only £139 (E)**

Order as MITS-SVGA  
Tilt & Swivel Base £8.00 Leads for IBM PC £8.95 (A)  
External Cables for other computers £ CALL

PHILIPS HCS35 (same style as CM8833) attractively styled 14" colour monitor with both RGB and standard composite 15.625 KHz video inputs via SCART socket and separate phono jacks. Integral audio power amp and speaker for all audio visual uses. Will connect direct to Amiga and Atari BBC computers. Ideal for all monitoring / security applications with direct connection to most colour cameras. High quality with many features such as front concealed flap controls, VCR correction button etc. Good used condition - fully tested with a 90 day guarantee Dimensions: W14" x H12 3/4" x 15 1/2" D. **Only £99 (E)**

Special Offer save £16.95 - Order TELEBOX ST & HCS35 together - giving you a quality colour TV & AV system for **Only £122.50 (E)**

KME 10" high definition colour monitors. Nice light 0.28" dot pitch for superb clarity and modern styling. Operates from any 15.625 khz sync RGB video source, with RGB analog and composite sync such as Atari, Commodore Amiga, Acorn Archimedes & BBC. Measures only 13 1/2" x 12" x 11". **Only £125 (E)**  
Good used condition. 90 day guarantee.  
KME 10" as above for PC EGA standard **£145.00 (E)**

PHILIPS HCS31 Ultra compact 9" colour video monitor with standard composite 15.625 KHz video input via SCART socket. Ideal for all monitoring / security applications. High quality, ex-equipment fully tested with a 90 day guarantee (possible minor screen burns). In attractive square black plastic case measuring W10" x H10" x 13 1/2" D. Mains powered **Limited Quantity - Only £79.00 (D)**

## 20" 22" and 26" AV SPECIALS

Superbly made UK manufacture. P1L all solid state colour monitors, complete with composite video & optional sound inputs. Attractive teak style case. Perfect for Schools, Shops, Disco, Clubs, etc. In EXCELLENT little used condition with full 90 day guarantee.

20".....£135 22".....£155 26".....£185 (F)

## DC POWER SUPPLIES

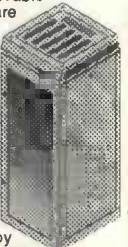
Virtually every type of power supply you can imagine. Over 10,000 Power Supplies Ex Stock Call for info / list.

## SPECIAL INTEREST

|   |       |
|---|-------|
| MTS. FA3445ETKL 14" Industrial spec SVGA monitors         | £245  |
| Computer MCA1613APC 16mm auto iris lenses 'C' mount       | £125  |
| Seaward PAT 2000 dual voltage computerised PAT tester     | £585  |
| INTEL SBC 486/133SE Multibus 486 system. 8Mb Ram          | £1200 |
| Zeta 3220-05 A0 4 pen HPGL RS232 fast drum plotter        | £1950 |
| MOTOROLA VME Bus Boards & Components SAE / CALL           | EPOA  |
| Trfo 0-18 vdc linear metered 30 amp bench PSU . New       | £470  |
| Fujitsu M3041 600 LPM bar printer                         | £1950 |
| VG Electronics 1035 TELETEXT Decoding Margin Meter        | £3750 |
| Andrews LARGE 3.1 m Satellite Dish + mount (For Voyager!) | £950  |
| KNS EMC / Line interference tester NEW                    | £1200 |
| Thurly 1A 160B logic analyser                             | £1375 |
| GEC 1.5kw 115v 60hz power source                          | £950  |
| Brush 2Kw 400 Hz 3 phase frequency converter              | £850  |
| Anton Piller 75 kW 400 Hz 3 phase frequency converter     | EPOA  |
| Newton Derby 70 kW 400 Hz 3 phase frequency converter     | EPOA  |
| COMPONEDEX T1000 Portable TELEX tester NEW                | £250  |
| Sekonic SD 150H 18 channel digital Hybrid char recorder   | £1995 |
| HV 7580A A1 8 pen HPGL high speed drum plotter            | £1850 |
| Densel MUD 0185AH 1kVa UPS system with batts NEW          | £575  |

## 32U - High Quality - All steel RakCab

Made by Eurocraft Enclosures Ltd to the highest possible spec, rack features all steel construction with removable side, front and back doors. Front and back doors are hinged for easy access and all are lockable with five secure 5 lever barrel locks. The front door is constructed of double walled steel with a 'designer style' smoked acrylic front panel to enable status indicators to be seen through the panel, yet remain unobtrusive. Internally the rack features full slotted reinforced vertical fixing members to take the heaviest of 19" rack equipment. The two movable vertical fixing struts (extras available) are pre punched for standard 'cage nuts'. A mains distribution panel internally mounted to the bottom rear, provides 8 x IEC 3 pin Euro sockets and 1 x 13 amp 3 pin switched utility socket. Overall ventilation is provided by fully louvered back door and double skinned top section with top and side louvers. The top panel may be removed for fitting of integral fans to the sub plate etc. Other features include: fitted castors and floor levelers, prepunched utility panel at lower rear for cable / connector access etc. Supplied in excellent, slightly used condition with keys. Colour Royal blue. External dimensions mm-1625H x 635D x 603 W. (64" H x 25" D x 23 3/4" W)



Sold at LESS than a third of makers price !!

A superb buy at only **£195.00 (G)**

Over 1000 racks in all sizes 19" 22" & 24" 3 to 44 U. Available from stock !! Call with your requirements.

## TOUCH SCREEN SYSTEM

The ultimate in 'Touch Screen Technology' made by the experts - MicroTouch - but sold at a price below cost!! The system consists of a flat translucent glass laminated panel measuring 29.5 x 23.5 cm connected to an electronic controller PCB. The controller produces a standard serial RS232 or TTL output which continuously gives simple serial data containing positional X & Y co-ordinates as to where a finger is touching the panel - as the finger moves, the data instantly changes. The X & Y information is given at an incredible matrix resolution of 1024 x 1024 positions over the entire screen size !! A host of available translation software enables direct connection to a PC for a myriad of applications including: control panels, pointing devices, POS systems, controllers for the disabled or computer un-trained etc. Imagine using your finger with 'Windows', instead of a mouse !! (A driver is indeed available!) The applications for this amazing product are only limited by your imagination!! Complete system including Controller, Power Supply and Data supplied at an incredible price of only: **£145.00 (B)**  
Full MICROTOUCH Software Support Pack and Manuals for IBM compatible PC's: **£29.95 RFE - Tested**

## LOW COST RAM & CPU'S

INTEL 'ABOVE' Memory Expansion Board. Full length PC-XT and PC-AT compatible card with 2 Mbytes of memory on board. Card is fully selectable for Expanded or Extended (286 processor and above) memory. Full data and driver disks supplied. RFE. Fully tested and guaranteed. Windows compatible. Order as: ABOVE CARD **£59.95 (A1)**  
Half length 8 bit memory upgrade cards for PC AT XT expands memory either 256k or 512k in 64k steps. May also be used to fill in RAM above 640k DOS limit. Complete with data. Order as: XT RAM UG. 256k. **£32.95 or 512k £38.95 (A1)**

## SIMM SPECIALS

|                                    |                            |
|------------------------------------|----------------------------|
| 1 MB x 9 SIMM 9 chip 120ns         | Only £19.50 (A1)           |
| 1 MB x 9 SIMM 3 chip 80 ns         | £23.50 or 70ns £26.00 (A1) |
| 1 MB x 9 SIMM 9 chip 80 ns         | £22.50 or 70ns £28.00 (A1) |
| 4 MB 70 ns 72 pin SIMM with parity | Only £105.00 (A1)          |

SPECIAL OFFER - INTEL 486-DX33 CPU **£79.99 (A1)**

## PHILIPS - LOW COST PRINTERS

A masterpiece of engineering, the PHILIPS model NMS 1436 fully featured MULTIMODE matrix printer packs a host of features into a unit weighing just over 4kg and measuring only 40 x 12 x 28 cm. Fully Epson compatible with adjustable paper tractor which accepts upto 9.5" sprocket fed paper and adjusts down to handle the smallest labels. The 9 needle head produces Near Letter Quality in a host of fonts and type sizes and in draft mode 'whizzes' along at 120 characters per second!! Many other features include most European character sets, IBM, EPSON, MSX & Prestel emulations. Good used condition, IBM Cable £6.95 **Only £49.95 (B)**



ESTABLISHED 25 YEARS

For MAJOR SAVINGS - Send SAE or CALL FOR LATEST LIST

70

LONDON SHOP  
Open Mon - Sat 9:00 - 5:30  
215 Whitehorse Lane  
South Norwood  
On 68A Bus Route  
N. Thornton Heath &  
Selhurst Park SR Rail Stations

ALL MAIL & OFFICES  
Open Mon-Fri 9.00-5:30  
Dept WW. 32 Biggin Way  
Upper Norwood  
LONDON SE19 3XF

NEW DISTEL ©  
The Original  
FREE On line Database  
Info on 15,000+ stock items!  
COMING SOON !!

ALL ENQUIRIES  
**0181 679 4414**  
FAX 0181 679 1927

All prices for UK Mainland. UK customers add 17.5% VAT to TOTAL order amount. Minimum order £10. Bona Fide account orders accepted from Government, Schools, Universities and Local Authorities - minimum account order £50. Cheques over £100 are subject to 10 working days clearance. Cash on delivery £23.00, (A1)=£24.00, (B)=£25.50, (C)=£28.50, (D)=£12.00, (E)=£15.00, (F)=£18.00, (G)=CALL. Allow approx 6 days for shipping - faster CALL. Scotland surcharge CALL. All goods supplied under our Standard Conditions of Sale and unless stated guaranteed for 90 days. All guarantees on a return to base basis. All rights reserved to change prices / specifications without prior notice. Orders subject to stock. Discounts for volume. Top CASH prices paid for surplus goods. All trademarks etc acknowledged. © Display Electronics 1995. E & O E 6/5

CIRCLE NO. 138 ON REPLY CARD



# NEW PRODUCTS CLASSIFIED

Please quote "Electronics World" when seeking further information

## PASSIVE

**Ceramic capacitors.** Kyocera's new ceramic component offers high capacitance (up to 10 $\mu$ F at 16V), low equivalent series resistance and good hf characteristics. Insulation resistance is better than 10G $\Omega$  or 500M $\Omega$  $\mu$ F, whichever is least, and the units operate from -25°C to 85°C. The capacitors are in Y5V with nickel barrier terminations. AVX Ltd. Tel., 01252 770000; fax, 01252 770001.

**Cermet trimmers.** The Spectrol Reliance model 76 is a 0.25in square, single-turn cermet trimmer, available in three pin styles for top or side adjustment and covering the 10 $\Omega$  to 2M $\Omega$  range at  $\pm$ 10% tolerance. Contact resistance variation is 1% or 3 $\Omega$  (there is a multi-finger wiper), voltage and resistance adjustability  $\pm$ 0.05% and  $\pm$ 0.15%. The trimmers can be cleaned by immersion. Gothic Crellon Ltd. Tel., 01734 788878; fax, 01734 776095.

**Chip inductors.** Panasonic has two new series of chip inductors having high Qs and in package sizes approaching the ridiculous - down to 1.6 by 0.8 by 0.8mm. ELJRE and ELJND series provide inductances from 2.2nH to 1 $\mu$ H, have high self resonance and Q between 4 and 18 at 100MHz. Panasonic Industrial (Europe) Ltd. Tel., 01344 853827; fax, 01344 853313.

### Connectors and cabling Adaptable cigarette-lighter plugs.

Since there appears to be no standard for the diameter of car cigarette-lighter plugs, all those bits of gear that "simply plug into the lighter socket" probably won't. Accordingly, Pedoka has made all-purpose plugs with a sliding mechanism so that they will fit into any socket. Pedoka Ltd. Tel., 01462 422433; fax, 01462 422233.

**Triaxial camera cables.** Nokia's range of triaxial camera cables is extended to include 8mm and 11mm Triflex cables, which have a stranded inner conductor and special sheath to increase flexibility. The existing 8mm, 11mm and 14mm cables continue in production and, as with the new types, can be supplied cut to length or terminated and tested. Transradio Ltd. Tel., 0181 997 8880; fax, 0181 997 0116.

**25-way connector.** Bulgin's Buccaneer range of connectors for use in hostile surroundings now includes a 25-way version, which is produced in five mounting styles: in-line flex, chassis, bulkhead surface and low-profile flange. Gold-flashed contacts are rated at 1A, 50Vac/dc and may be inserted into the contact carrier in any combination up to the maximum 25 ways without tools. Gothic Crellon Ltd. Tel., 01734 788878; fax, 01734 776095.

**Power inlets.** A new range of power inlets in the Schurter Multifit range are the Combifit pcb-mounted types that need no wiring. They snap fit to the board or can be screwed, being soldered at the same time as other components. Versions now available are combined inlet/outlet, inlet/switch and inlet/fuse models; types with surge protectors and filters will be introduced soon. Radiatron Components Ltd. Tel., 01784 439393; fax, 01784 477333.

**Coaxial idc.** Erni has an insulation-displacement connector for 75 $\Omega$  cable-to-pcb connections, in which assembly simply entails tightening a screw to pull down a cover, providing a gas-tight seal. It allows precise cable alignment and is claimed to be extremely reliable. The metallised housing gives emc shielding. Maximum current is 1.5A; crosstalk attenuation 45dB to 500MHz, shielding attenuation 60dB to 500MHz and reflectance factor under 0.1.

Radiatron Components Ltd. Tel., 01784 439393; fax, 01784 477333.

### Crystals

**Express crystals.** IQD now includes UM1 crystals in its express manufacturing service, allowing the production of custom-specified crystals to be made in three days. Due to its construction, the UM1 copes with shock and vibration and is therefore suitable for the avionics industry and other rugged surroundings. Frequency range is 950kHz-250MHz to within  $\pm$ 5ppm. IQD Ltd. Tel., 01460 74433; fax, 01460 72578.

**Saw resonator.** Seiko Epson's FS-555 is a surface-mounted, quartz-based, surface acoustic-wave

### Cameras

**High-resolution still camera.** Sony's XC-7500 monochrome camera module uses a progressive-scan ccd imager to give 659 by 494-pixel, full-frame still images of rapidly moving objects, shuttering the whole frame at one instant to provide the full vertical resolution at 60dB s:n ratio. Pixels are square, so that the processor does not need to make compensating adjustments. The E-Donpisha asynchronous reset shutter mode allows immediate exposure of 10<sup>-5</sup>s with long-term integration from 1/60s to infinity. Outputs are twin, two-channel interlaced or non-interlaced and a single non-interlaced output. The camera is compatible with the EIA standard and a CCIR model is to be produced shortly. Sony United Kingdom Ltd. Tel., 01932 816000; fax, 01932 817000.

## ACTIVE

### A-to-D and D-to-A converters

**3V, 16-bit a-to-d.** Analog Devices' AD7715 is a 16-bit analogue-to-digital converter for 3V working. It has a programmable-gain input. A three-wire serial interface reduces the number of interconnection lines and couplers for isolated systems, the input taking differential inputs. Gain, signal polarity and update rate are all controlled by software. Polar Electronics. Tel., 01525 377093; fax, 01525 378367.

### Discrete active devices

**Reliable s-m discretes.** Transistors and diodes in the Rohm SC-59 series allow more reliable automated manufacture than the SOT-23 devices. The range contains switching transistors and diodes, digital p-n-p and n-p-n types with built-in resistors and both transistor and diode arrays. Although the devices are direct physical replacements for SOT-23, they have improved structures to reduce thermal stress to the bond wires and reduced vulnerability to humidity, with better power dissipation and improved alignment on the board. Also in stock is 1.6mm square EM3 series. Polar Electronics. Tel., 01525 377093; fax, 01525 378367.

### Logic

**3.3V, low-emi clock drivers.** S3LV306/308/318/368 comprise AMCC's family of 3.3V clock drivers to meet the requirements of logic running at up to 100MHz. 306 provides 10 outputs at half  $f_{in}$  and 10 at  $f_{in}$ , 308 and 318 give 20 and 30 outputs respectively at  $f_{in}$ , while 368 gives six at  $f_{in}$  and eight at  $f_{in}/2$  synchronously; all outputs at  $f_{in}$  asynchronously. Output drivers provide 24mA, dropping to 4mA when the output reaches 0.8V, followed by a slower transition to 0.4V. This "virtually eliminates" ground bounce and any resulting emi. AMCC Inc. Tel., 001 619 450-9333; fax, 001 619 450-9885.

### Microprocessors and controllers

**Stepper drivers.** Sanyo Denki offers the PMM8723/14 for driving two-phase and five-phase stepper motors. They are CMOS ICs and each, with a pulse oscillator and power switching transistors, forms a complete drive. Both have excitation mode changeover terminals for different phase excitation. Power supply is 5V for the PMM8723 and 4-18V for the 8714. EAO-Highland Electronics Ltd. Tel., 01444 236000; fax, 01444 236641.



Please quote "Electronics World" when seeking further information

resonator for the 300-360MHz range of comms systems, ecl oscillators and rf modulators. Frequency tolerance is  $\pm 100$ ppm and series resistance  $30\Omega$ . The device measures 1.5 by 4.8 by 5.2mm and is suitable for automatic assembly. Advanced Crystal Technology. Tel., 01635 528520; fax, 01635 528443.

**Displays**

**Super tft.** Hitachi announces a new 'super-tft' lcd technique that produces a 70° angle with no colour shift or change and is forecast to compete with crts when several viewers are present. The technique used is in-plane switching (IPS), in which the liquid-crystal molecules switch the light transmittance while keeping their longitudinal axls parallel to the substrate. First product to use this method will be a 262k colour, 13.3in 1024 by 768 pixel display. Hitachi Europe Ltd. Tel., 01628 585163; fax, 01628 585160.

**SVGA colour lcds.** A new screen size of 11.3in is introduced by Sharp, with tft and stn SVGA-compatible colour displays. Power consumption and weight are both less than in the current 10.4in types used in notebooks and they are more compact deslgn. Hero Electronics Ltd. Tel., 01525 405015; fax, 01525 402383.

**Filters**

**Motor filters.** Roxburgh offers the MIF range of motor inverter filters with the aim of reducing noise from inverters using long runs of cable. Single-phase types handle 3-32A, the three-phase versions coping with 4-180A. They meet EN55022B requirements, with over 80dB of common-mode and 40dB of differential-mode noise reduction at 150kHz. Roxburgh Electronics Ltd. Tel., 01724 281770; fax, 01724 281650.

**Hardware**

**Cooler Pentia.** Sanyo Denki introduces the San Ace MC fan cooler to dampen the ardour of Pentium P6 chips. The fan and its integral heatsink take up a volume of 66 by 62 by 30mm the heat transfer rate allowing up to 30W for a 25°C temperature rise; thermal resistance is 0.79°C/W. Voltage range is 7-13Vdc, speed 3600rev/min at 12V

and noise rating 29dBA. Locked-rotor protection is standard and an alarm output ls fitted. EAO-Highland Electronics Ltd. Tel., 01444 236000; fax, 01444 236641.

**Test and measurement**

**Photometers.** Tek's J18 range of hand-held digital photometers is now available. A range of pre-calibrated heads, automatic units selection, scaling and zeroing allow the measurement of chromaticity, luminance, illuminance, radiance, irradiance and led output. When used with the J1810 chromaticity head, the instrument measures, in real time, colour for matching and balancing in television studios and monitor manufacture. Thurlby Thandar Instruments Ltd. Tel., 01480 412451; fax, 01480 450409.

**Spectrum analysis.** Marconi Instruments has a new range of general-purpose and microwave spectrum analysers. The 2390 Series consists of the 2393 for 9kHz-2.9GHz, the 2390 covering 9kHz-22GHz and the 2392 for 9kHz-26.5GHz. All three have built-in am/fm receivers and a 1Hz resolution frequency counter to allow the identification of interfering signal, and resolution bandwidth of 3Hz-30MHz enable signals from a large range of equipment to be examined. There is a 2.9GHz tracking generator for response measurements and an optional quasi-peak detector and filters are provided for emc testing. Marconi Instruments Ltd. Tel., 01438 742200; fax, 01438 727601

**Oscilloscope calibration.** For both analogue and digital oscilloscopes,

**Switchable filter.** Kemo's VBF18 is an adjustable band-pass/band-stop filter frame which can take one or two channels, each of which is mode-selectable. Frequency is adjustable by front-panel rotary switches from 0.01Hz to 99.9kHz to a resolution of three digits. In band-stop mode, it gives a notch filter response with theoretical ripple of  $\pm 0.1$ dB in upper and lower pass-bands, response being 1dB down at  $1/6$  octave points and -50dB at 2% from centre frequency. Kemo Ltd. Tel., 0181 658 3838; fax, 0181 658 4084.

Fluke's 5500A-SC represents a new facility for use with the 5500A Multi-product calibrator, which itself handles thermometers, power meters, power harmonic analysers and other instruments. 5500A-SC is a levelled sine generator at up to 250MHz for bandwidth verification, a square wave for calibrating voltage gain, a low rise-time pulse generator for pulse response and a time-marker for time-base calibration. This is a single board that plugs into an internal slot in the 5500A. Fluke UK Ltd. Tel., 01923 240511; fax, 01923 225067.

**Screened rooms.** For emc testing, Seaward has modular screened rooms to provide fully rf shielded and controlled environments for pre-compliance testing. The rooms can be stand-alone or linked to existing buildings. Features include minimal cavity resonance, supply filtering, the ability to take heavy equipment and a removable panel for rf penetration. As options, there are radio absorbent material to give a uniform field for radiated immunity test, are conditioning with waveguide protection, a revolving test table and cctv monitoring from a separate room. A larger version has a separate instrument lobby. Seaward Electronic Ltd. Tel., 0191 586 3511; fax, 0191 586 0227.

**Otdr plug-ins for FiberMaster.** Tektronix's FG Series plug-in modules for the TFP2A FiberMaster optical time-domain reflectometer are meant for use in cabling, cable head-end facilities and lans. FG1300 works at 1310nm and the FG1315 at both 1315 and 1550nm, both being single-mode and having temperature characteristics for indoors or temperate outdoor weather. Dynamic range at 1310nm is 31dB. Tektronix UK Ltd. Tel., 01628 403300; fax, 01628 403301.

**Ethernet adaptor.** The Interphase 4221 VME Ethernet adaptor is a networking card to provide up to four Ethernet ports per VME slot. It provides a single-port version or a dual-channel type with two ports and a daughter card on the baseboard. An optional Ethernet daughter card gives two further ports. Gothic Crellon Ltd. Tel., 01734 788878; fax, 01734 776095.

**Literature**

MPS. The MPS (Maplin) components catalogue now has over 1000 pages



**Interfaces**

**PCMCIA buffer.** Elan has the B158 Buffer Card, which provides a simple interface between external circuits and the PCMCIA slot. It allows high-speed data transfer without signal conditioning or control, providing an interface for portable application, with eight bidirectional data lines, 15 address lines, memory read/write, i/o read/write signals and a single interrupt line. In-line resistive terminations reduce cross talk and reflection, with a view to reducing emc. A screened mini-i/o connector is used. Elan Digital Systems Ltd. Tel., 01489 579799; fax, 01489 577516.

and the latest edition includes more than 1500 new products. Two of the new sections are Navigation, which includes GPS systems, and Education, including lasers, meteorology and solar power. Equipment from resistors to computer hardware is to be found in these pages. MPS Electronics. Tel., 01702 554171; fax, 01702 553935.

**Keyswitches.** Low-profile keyswitches are described in a new brochure by Cherry. The ML switch is designed to give the full 3mm travel preferred by touch typists on standard keyboards. Cherry Electrical Products Ltd. Tel., 01582 763100; fax, 01582 768883.

**Relays.** Matsushita has a catalogue of relays, including power, signal, PhotoMOS, time delay, safety, automotive and surface-mounted types, with some ic modules. Highlights include the AQV212 SOP, said to be the world's smallest semiconductor type at 2.1mm high, and the TX2, which is rated at 60W and 220V<sub>max</sub> and 2A<sub>max</sub> and which withstands a 2500V rms surge. Matsushita Automation Controls Ltd. Tel., 01908 231555; fax, 01908 231599.

**Optical encoders.** In 24 colour pages, Grayhill's new brochure describes the Series 61 family of rotary optical encoders, including a 128 cycle/rev range. The publication contains advice on appllcations, describes the quadrature decoding



Please quote "Electronics World" when seeking further information

technique and provides a section on interfacing to controllers. EAO-Highland Electronics Ltd. Tel., 01444 236000; fax, 01444 236641.

## Materials

**Solders and adhesives.** *Multicore* has a new range of low-residue solder pastes needing no cleaning and high-performance epoxy adhesives for surface-mounted components.

*Multicore NC63* paste leaves little clear residue and provides a good print definition to 16mil pitch at printing speeds up to 100mm/s in air or nitrogen. *Multicore SA-35* adhesive has a rapid cure for high-speed dispensing at over 16,000 dots/hour; it has high insulation resistance and low dielectric constant to make it electrically invisible after curing for 45-60s at 130°C. Flint Distribution. Tel., 01530 510333; fax, 01530 510275.

## Production equipment

**Fluid dispensers.** For the accurate application of flux, masking agents, solvents and water-based materials, Intertronics supplies pens and refillable bottles in the *Fisnar Flow-Seal* range which are provided with spring-loaded nibs and a valve to control the amount of material and prevent evaporation. Nibs are available in chisel, bullet and pointed shapes in acrylic and in a polyester chisel shape. Intertronics Ltd. Tel., 01865 842842; fax, 01865 842172.

## Power supplies

**2V dc-to-dc.** Ericsson's *PKG 4310 PI* is a new member of the *PKG* series of dc converter modules. This one offers up to 75% efficiency at 30W output, causing only 30°C case temperature rise at 1m/s air velocity, which reduces the need for heat sinking, although there is thermal protection built in. Case size is about 3in by 2in by 0.43in and the dual in-line pin layout allows mounting on 1in centres. Output is adjustable, there is a remote on/off function and a shutdown function to avoid discharging batteries during mains failure. Ericsson Components AB. Tel., 01793 488300; fax, 01793 488301.

**Crt supply.** Cathode-ray tube supply *M153/02* by Farnell Hivolt has been redesigned as the *CRM183* to give better performance and efficiency. Output voltage is now 18kV at 300µA, varying by less than 50V for 100µA load change at 18kV. The 600V auxiliary output is now standard and tracks the 18kV supply. The unit is controllable by a signal from a d-to-a converter or op-amp, by an internal or external reference and potentiometer or by fixed resistors. Custom versions can be supplied. Farnell Hivolt Ltd. Tel., 01234 841888; fax, 01234 824698.

**720W in a 3U rack.** Melcher has the *PSK* family of switching regulators, from which is available up to 720W of output at 5V-36V, with inputs up to 144Vdc and with no additional heat sink or air cooling. Features include continuous short and open-circuit

protection, sense lines, true current sharing for parallel operation, inhibit and continuous output adjustment to 42.5V. The devices come in both chassis and 19in rack form. Melcher Ltd. Tel., 01425 474752; fax, 01425 474768.

## Radio communications products

**Tunnel-diode detectors.** A family of tunnel-diode detectors in the *ACT15000* range from Anglia Microwaves exhibits output voltage stability of, typically,  $\pm 0.15$ dB over the  $-65^{\circ}\text{C}$  to  $100^{\circ}\text{C}$  temperature range. The family operates in bands between 100MHz and 18GHz and versions are made for use in applications from broad or narrow-band ocm receivers to low-noise video amplifier inputs. Output impedances are between 75Ω and 125Ω and the square-law range is 34dBm, extended to 38dBm with load selection. No bias is needed. Anglia Microwaves Ltd. Tel., 01277 630000; fax, 01277 631111.

**Antennas for mobiles.** The Swedish company Carant Antenn AB offers a range of easily installed antennas for cellular phones. *GIGAtop* corrosion-proof antennas cope with all systems to 2.5GHz and complies with the European factory assembly standard, so that they can be mounted by car manufacturers, particularly since they need only 6.5mm between car body and roof lining. Also available are magnetically mounted temporary types that will withstand a speed of 120mile/h. Carant Antenn AB. Tel., 0046 8 768 03 65; fax, 0046 8 792 06 77.

**Radio time.** Galleon Systems has a range of modules and ics to form radio-controlled clocks, synchronised to MSF Rugby. Modules need only a ferrite antenna to receive; with an additional level-shifter, the modules drive a decoder directly. The ics receive and demodulate the MSF signal and there are three microcontroller modules to complete the clock with functions such as led drive or RS-232 interface. Also available are clock kits on a small pcb. Drivers for Windows, MS-DOS, Novell, Windows NT, DEC, Unix and Windows 95 are available. Galleon Systems Ltd. Tel., 01564 777166; fax, 01564 777169.

## Switches and relays

**Sil relays.** From Astralux, the *Series 160 SIL* relays come in a transfer-moulded package occupying 5 by 19.5mm of board space and 4-pin solder or socket mounting. Normally open and nc contacts are available, energised by 5V, 12V and 24V, handling 100Vdc, 0.5A and 10W switching capability. Astralux Dynamics Ltd. Tel., 01403 240055; fax, 01403 255657.

**Microswitches.** The *D2F* range of pcb-mounted microswitches for computer mice is now extended for other uses. Measuring 12.7 by 5.8 by 6.5mm, the switches handle up to



125Vac or 30Vdc at 3A and actuators are of pin plunger, lever or roller form as standard, other types being available. A quick reverse-action mechanism gives high speed. Omron Electronics Ltd. Tel., 0181 450 4646; fax, 0181 450 8087.

**Sil changeover.** A miniature, single in-line changeover switch for pcb mounting, the *SECME 1K2* measures 10 by 2.5mm, standing 6.4mm off the board and can be mounted on a 2.54mm matrix. Contacts are gold-plated, the base is sealed and feet allow it to withstand wave soldering. EAO-Highland Electronics Ltd. Tel., 01444 236000; fax, 01444 236641.

## Transducers and sensors

**Optical encoder.** Grayhill's *61D Series* panel-mounted industrial optical encoder has a life span of over  $10^6$  cycles, 2.5µs and 4.5µs turn-on and turn-off times, position and direction of rotation outputs. Multiple, concentric versions, a type with one code change per detented position, extended temperature working, military specification, and various sealing and switching options are offered. Roxburgh Electronics Ltd. Tel., 01724 281770; fax, 01724 281650.

**Photosensors.** Matsushita introduces the *UZC Series* of cylindrical photoelectric sensors that have a detection range of up to 12m. The sensors operate from 10-30V dc or 24-240V ac supplies and provide output from either n-p-n or p-n-p transistors, which have short-circuit protection. Matsushita Automation Controls Ltd. Tel., 01908 231555; fax, 01908 231599.

**Universal load cell.** Control Transducers's S-Beam range of load cells copes with force measurement in compression or in tension and with weighing and is provided with a range of mounting accessories and matched output to ease corner adjustment. *PS Series* cells are in nickel-plated tool

## Navigation systems

**Piezo gyro.** *Gyrostar* is a rotational angular-velocity sensor by Murata, intended for use in navigation, location systems and satellite antenna positioning. A triangular vibrating prism uses the Coriolis effect to provide output from two piezoelectric sensors mounted on the prism and driving a differential amplifier. In this way, output is much higher than that normally obtained from piezo vibratory instruments. The unit copes with seven direction changes per second at a maximum angular velocity of  $\pm 90^{\circ}/\text{s}$  at  $25^{\circ}\text{C}$ , producing a  $\pm 2\text{Vdc}$  swing. Supply is 5V at 15mA. Murata Electronics (UK) Ltd. Tel., 01252 811666; fax, 01252 811777.

steel, encapsulated to IP67, and cover the range 20kg to 10,000kg, inaccuracy due to all causes being less than  $\pm 0.027\%$ . Excitation required is 5-12Vac/dc and output 2mV/V from 350Ω. Control Transducers. Tel., 01234 217704; fax, 01234 217083.

## COMPUTER

### Board-level products

**Virtual laboratory.** *Multiple Instrument Station* by ABI is a software/hardware package to emulate six measuring instruments on a pc: counters, a digital storage oscilloscope, direct-voltage probes, function generators, programmable analogue outputs and a power supply. It fits the 5.25in drive bay, so that connections are to the front panel; one expansion slot is needed. The software works under *Windows* and provides familiar-looking instrument panels and controls. ABI Electronics Ltd. Tel., 01226 350145; fax, 01226 350483.

Please quote "Electronics World" when seeking further information

**Computers**

**Pentium card.** IMS introduces a new plug-in Pentium cpu card, the *PCA-6157*, and ISA/PCibus unit to be used in a passive backplane or as an embedded controller. The board has temperature sensing and overheating alarm outputs. It is based on the Triton chipset, taking cpus working at frequencies from 75MHz to 150MHz. Features include both ISA and PCI local bus, PCI SCSI-II interface, two PCI Enhanced IDE hard disk interfaces, two floppy interfaces, two RS-232 Interfaces with high-speed buffers and a bidirectional parallel port. There is also 256/512Kb of extra cache and the board can accommodate up to 128MB of memory. Integrated Measurement Systems Ltd. Tel., 01703 771143; fax, 01703 704301.

**Pentium motherboard.** From the Apricot subsidiary of Mitsubishi comes the *Diamond PCI/ISA* motherboard, based on the Triton chipset. It is intended for "cost-sensitive" pc systems, but can be configured as a fully featured multi-media computer with audio, IRDA remote control and support for modems and live video. Optional software gives remote

control of television, radio, audio, cd and telephone. The mother board supports all Pentia up to 150MHz. Apricot Computers Ltd. Tel., 0121 717 7171; fax, 0121 717 3692.

**Embedded pc with display.** *AXIS* from Blue Chip is an embedded pc and display which, combined with either a keyboard or touch screen, forms a complete pc for use in industrial surroundings. It comes in ac or dc versions and is contained in a nickel-plated steel enclosure, has a mono or colour display, up to 540Mbyte of hard disk storage and two 16C550 serial ports. It is intended for mounting behind a clear panel in an enclosure, but may be used as a stand-alone computer or mounted on a wall. Blue Chip Technology. Tel., 01244 520222; fax, 01244 531043.

**Single-board 486.** From AMC, the PC/AT-compatible *AMC-490* is an all-in-one single-board 486 (up to DX4/100) computer with an on-board svga controller, PCI-bus and ISA-bus support. Display-intensive work is eased by the use of a Trident *TGLI9440* chipset with 1 or 2Mb of video memory, allowing 32-bit graphics at up to 33MHz, and by the standard *Feature Connector*. There is also a high-speed local-bus IDE controller supporting modes 3 and 4 hard disks to enable data transfer at up to 11Mb/s. Four IDE devices, including large hard disks, cd-rom drives, tape and other types may be connected. Features include two RS-232 serial ports and a bi-directional parallel port and a floppy controller. Simm sockets can take up to 256Mb of dram. Advanced Modular Computers Ltd. Tel., 01753 580660; fax, 01753 580653.

**Data acquisition**

**Transducer control panel.** Amplicon Liveline's *EX206* transducer excitation and signal-conditioning panel provides current or voltage for up to 16 channels and is intended to work with the *PC226* expandable a-to-d board. This newest 200 series board offers a wider range of excitation and software programmable analogue



threshold trigger. Each input is configurable for 2, 3 or 4-wire rtds, lvdts, solid-state temperature sensors, voltage-excited 2-wire sensors and strain gauge transducers. Amplicon Liveline Ltd. Tel., 0800 525 335 (free); fax, 01273 570215.

**Data communications**

**PC serial interface.** IMS offers the *PCL-740*, a high-speed serial port interface card, which can be switched between RS-232, 422, 485 or current loop. It has a 16C550 uart with an on-chip fifo buffer to reduce processing load, particularly in *Windows* applications. In RS-485 mode, a network of serial devices can be built over distances of 1200m with only two wires, the card sensing direction of incoming data and switching transmission to suit. The card comes with a suite of software for programming and debugging, together with high-level language drivers for most of the popular development languages. Integrated Measurement Systems Ltd. Tel., 01703 771143; fax, 01703 704301.

**Software**

**Heart education.** Guildsoft has two packages on cd-rom designed to teach the basics of the heart. *SmartHeart Teacher*, in addition to the rom, with its animation and sound, contains a heart monitor to allow the user to see on the pc screen the working of his own heart; the output from the monitor is an ecg record acceptable for medical purposes and savable on a disk. *SmartHeart Plus* builds on this by allowing true single-lead arrhythmia monitoring. Output can be faxed or sent by modem to a physician. Guildsoft Ltd. Tel., 01752 895100; fax, 01752 894833.

**PCMCIA data/fax modems.** Contained in stainless steel cases, 14.4kb/s data/fax modems by *DIP Systems* use V.42bis data compression to handle data rates of up to 57.6kb/s and fax to 14.4kb/s. Three versions are the basic type, a Hayes AutoSync model and a voice-enabled unit which discriminates between voice, data and fax, reacting in the relevant manner. In this mode, the modem can behave as a digital answering machine. All models come with installation and diagnostic software, Pipex access and Tel-me software. DIP Systems. Tel., 01483 202070; fax, 01483 202023.

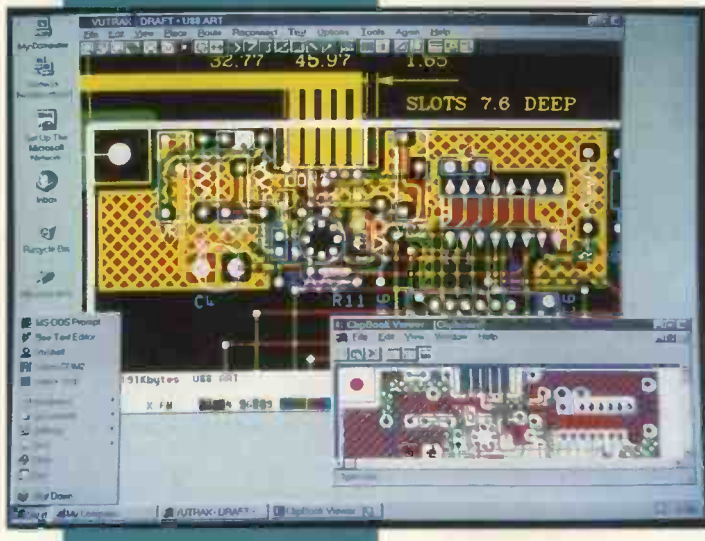
**New catalogue**

This last minute entry is SSI's 1996 catalogue featuring new additions including wide range of computer cables, connectors and assemblies, loudspeakers, PA/disc equipment, instruments and hundreds of component-level products. SSI, Tel., 0181 6431126, fax 0181 6433937.



**Faster pcb design.**

Computation's *Vutrax* pcb design package is now in version 11.4, in which double the previous speed and many extra features are offered for the same cost as earlier versions. Features include the provision of software in 32-bit or 16-bit form, as appropriate for the work in hand; improved *Windows* presentation; more checking facilities; and extra graphics config. files to include support for controllers in the 800-by-600 modes for best trade-off between speed and resolution for dos users. Computation Systems Ltd. Tel., 01525 378939; fax, 01525 850459.



# HART

## HART AUDIO KITS - YOUR VALUE FOR MONEY ROUTE TO ULTIMATE HI-FI

Hart Audio Kits and factory assembled units use the unique combination of circuit designs by the renowned John Linsley Hood, the very best audiophile components, and our own engineering expertise, to give you unbeatable performance and unbelievable value for money. We have always led the field for easy home construction to professional standards, even in the sixties we were using easily assembled printed circuits when Heathkit in America were still using tagboards! Many years of experience and innovation, going back to the early Dinsdale and Bailey classics gives us incomparable design background in the needs of the home constructor. This simply means that building a Hart kit is a real pleasure, resulting in a piece of equipment that not only saves you money but you will be proud to own. Why not buy the reprints and construction manual for the kit you are interested in to see how easy it is to build your own equipment the HART way. The FULL cost can be credited against your subsequent kit purchase.

### K1100 AUDIO DESIGN 80 WATT POWER AMPLIFIER.



This fantastic John Linsley Hood designed amplifier is the flagship of our range, and the ideal powerhouse for your ultimate hifi system. This kit is your way to get UK performance at bargain basement prices. Unique design features such as fully FET stabilised power supplies give this amplifier World Class performance with startling clarity and transparency of sound, allied to the famous HART quality of components and ease of construction. Useful options are a stereo LED power meter and a versatile passive front end giving switched inputs, with ALPS Precision Blue Velvet low-noise volume and balance controls. Construction is very simple and enjoyable with all the difficult work done for you, even the wiring is pre-terminated, ready for instant use! All versions are available with Standard components or specially selected Super Audiophile components at £29.60 extra per channel, plus £2.40 if you want to include Gold Plated speaker terminals.

|   |         |
|---|---------|
| K1100B Complete STANDARD Amplifier Kit, .....           | £395.21 |
| A1100B Factory Assembled .....                          | £499.21 |
| K1100SC Complete SLAVE Amplifier Kit, .....             | £333.62 |
| A1100SC Factory Assembled .....                         | £422.62 |
| K1100M Complete MONOBLOC Amplifier Kit, .....           | £261.20 |
| A1100M Factory Assembled .....                          | £329.20 |
| RLH11 Reprints of latest Amplifier articles .....       | £1.80   |
| K1100GM Construction Manual with full parts lists ..... | £5.50   |

### "CHIARA" SINGLE ENDED CLASS "A" HEADPHONE AMPLIFIER.



This unit provides a high quality headphone output for 'stand alone' use or to supplement those many power amplifiers that do not have a headphone facility. Easily installed with special link-through feature the unit draws its power from our new Andante Ultra High Quality linear toroidal supply. Housed in the neat, black finished, Hart minibox it features the wide frequency response, low-distortion and 'musicality' that one associates with designs from the renowned John Linsley Hood. Pre-terminated interconnecting leads and PCB mounted sockets prevent supply polarity reversal and on-board diagnostics provide visual indication of supply line integrity. Volume and balance controls are Alps "Blue Velvet" components. Very easily built, even by beginners, since all components fit directly on the single printed circuit board. The kit has very detailed instructions, and even comes with a complementary roll of Hart audiograde silver solder. It can also be supplied factory assembled and tested. Selling for less than the total cost of all the components, if they were bought separately, this unit represents incredible value for money and makes an attractive and harmonious addition to any hifi system.

|   |         |
|---|---------|
| K2100 Complete Kit .....  | £109.50 |
| K2100SA Series Audiophile version with selected audiophile components ..... | £112.46 |
| A2100SA Series Audiophile version, factory Assembled .....                  | £149.46 |
| K3565 "Andante" Power Supply Kit to suit "Chiara" .....                     | £85.42  |
| A3565 Power Supply, Factory Assembled .....                                 | £128.42 |
| CM2100 Construction Manual .....  | £2.50   |
| SPECIAL OFFER. Both units together, Kit Form .....                          | £184.92 |
| Factory Assembled and Tested .....  | £267.88 |

### "Andante" SERIES 20VA AUDIOPHILE POWER SUPPLIES

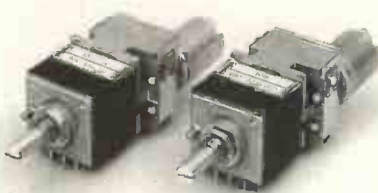
Specially designed for exacting audio use requiring absolute minimum noise, low hum field and total freedom from mechanical noise this unit is a logical development from our highly successful 1550 series.

Utilising linear technology throughout for smoothness and musicality makes it the perfect partner for any module requiring fully stabilised ±15v supplies.

Two versions are available. K3550 has 2 ±15v supplies and a single 15v for relays etc. and can be used with our K1400 preamp and our K1450 RIAA pickup preamp, as well as other useful modules soon to be introduced. The K3565 is identical in appearance but only has the ±15v lighter current supply for use with the K1450 RIAA pickup preamp or "Chiara" headphone amplifier.

|  |        |
|--|--------|
| K3550 Full Supply with all outputs .....   | £93.75 |
| K3565 Power Supply for K1450 & K2100 ..... | £85.42 |

### ALPS "Blue Velvet" PRECISION AUDIO CONTROLS.



Now you can throw out those noisy ill-matched carbon pots and replace with the famous Hart exclusive ALPS "Blue Velvet" range components only used selectively in the very top flight of World class amplifiers. The improvement in track accuracy and matching really is incredible giving better tonal balance between channels and rock solid image stability. Motorised versions have 5v DC motor.

|   |        |
|---|--------|
| <b>MANUAL POTENTIOMETERS</b>  |        |
| 2-Gang 100K Lin. ....   | £15.67 |
| 2-Gang 10K, 50K or 100K Log. ....   | £16.40 |
| 2-Gang 10K Special Balance, zero crosstalk and zero centre loss .....                         | £17.48 |
| <b>MOTORISED POTENTIOMETERS</b>   |        |
| 2-Gang 20K Log Volume Control .....   | £26.20 |
| 2-Gang 10K RD Special Balance, zero crosstalk and less than 10% loss in centre position ..... | £26.98 |

### TECHNICAL BOOKSHELF

NEW! Another Classic by John Linsley Hood. "AUDIO ELECTRONICS" Following the enormous ongoing success of his "Art of Linear Electronics" the latest offering is the all-new edition of "Audio Electronics", now entirely re-written by the master himself. Underlying audio techniques and equipment is a world of electronics that determines the quality of sound. For anyone involved in designing, adapting or using digital or analogue audio equipment understanding electronics leads to far greater control over the reproduced sound. The subjects covered include tape recording, tuners, power output stages, digital audio, test instruments and loudspeaker crossover systems. John's lifetime of experience and personal innovation in this field allow him to apply his gift of being so familiar with his subject that he can write clearly about it and make it both interesting and comprehensible to the reader. Containing 240 pages and over 250 line illustrations this new book represents great value for money at only .....

|        |
|--------|
| £18.99 |
|--------|

### "THE ART OF LINEAR ELECTRONICS."

The definitive linear electronics and audio book by John Linsley Hood. This 300+ page book will give you an unparalleled insight into the workings of all types of audio circuits. Learn how to read circuit diagrams and understand amplifiers and how they are designed to give the best sound. The virtues and vices of passive and active components are examined and there are separate sections covering power supplies and the sources of noise and hum. As one would expect from this writer the history and derivation of audio amplifier circuitry have an entire chapter, as does test and measurement equipment. Copiously illustrated this book is incredible value for the amount of information it contains on the much neglected field of linear, as opposed to digital, electronics. Indeed it must be destined to become the standard reference for all who work, or are interested in, this field. Latest reprinted edition with extended index. 1994 344 Pages. 247 x 190. 1Kg. 0-7506-0868-4. ....

|        |
|--------|
| £16.95 |
|--------|

|  |        |        |
|--|--------|--------|
| <b>"DIGITAL AUDIO AND COMPACT DISC TECHNOLOGY"</b>                                     |        |        |
| 0-7506-0614-2 .....  | £17.95 |        |
| <b>INTRODUCING DIGITAL AUDIO CD, DAT AND SAMPLING.</b> ISBN 1670775 22 8 .....         |        | £7.95  |
| <b>"THE ART OF SOLDERING"</b> 0-85935-324-3. 0 .....                                   |        | £3.95  |
| <b>"TOWERS' INTERNATIONAL TRANSISTOR SELECTOR"</b> 0-572-01062-1 .....                 |        | £19.95 |
| <b>"AUDIO"</b> F.A. Wilson, BP111 .....  |        | £3.95  |
| <b>"HOW TO USE OSCILLOSCOPES &amp; OTHER TEST EQUIPMENT"</b> R.A. Penfold, BP267. .... |        | £3.50  |
| <b>"THE LOUDSPEAKER DESIGN COOKBOOK"</b> Vance Dickason.                               |        |        |

|   |        |        |
|---|--------|--------|
| (4th Edn.) 0-9624-191-7-6 .....   | £22.95 |        |
| <b>ELECTROSTATIC LOUDSPEAKER DESIGN AND CONSTRUCTION</b> Ronald Wagner BKT6 .....     |        | £18.95 |
| <b>"AN INTRODUCTION TO LOUDSPEAKERS &amp; ENCLOSURE DESIGN"</b> V. Capel, BP256 ..... |        | £2.95  |
| <b>"LOUDSPEAKERS FOR MUSICIANS"</b> BP297 .....                                       |        | £3.95  |
| <b>"THE HART PRINTED CIRCUIT BOARD CONSTRUCTION GUIDE."</b> .....                     |        | £2.50  |

### VALVE & EARLY CLASSIC BOOKS

|  |  |                |
|--|--|----------------|
| <b>THE VTL BOOK</b> David Manley BKV1 .....  |  | £17.95         |
| <b>LOUDSPEAKERS; THE WHY AND HOW OF GOOD REPRODUCTION.</b> G. Briggs. 1949 0-9624-1913-3. ....   |  | £8.95          |
| <b>MULLARD TUBE CIRCUITS FOR AUDIO AMPLIFIERS</b> BKAA27 .....   |  | £13.95         |
| <b>"THE WILLIAMSON AMPLIFIER."</b> 0-9624-1918-4. ....   |  | £6.95          |
| <b>AN APPROACH TO AUDIO FREQUENCY AMPLIFIER DESIGN.</b> GEC 1957, 1-882580-05-2 .....  |  | £18.95         |
| <b>AUDIO ANTHOLOGIES</b> , articles from Audio Engineering. Six volumes covering the days when audio was young and valves were king! BKAA3/1 to 6. All ..... |  | £13.95 each.   |
| <b>"A SIMPLE CLASS A AMPLIFIER"</b> J.L. Linsley Hood M.I.E.E. 1969. RLH12 .....   |  | £2.50          |
| Postage on all books, unless starred, is only £1.50 per book, maximum £4.50 for any number, any size! Starred items are heavy books costing .....            |  | £2.50 to send. |
| No waiting! All listed books are normally in stock!  |  |                |
| SPECIAL OFFER. All book orders over £15 will receive a FREE John Linsley Hood monograph entitled "Digital versus Analogue, Black Discs or Silver?"           |  |                |

### SPECIAL OFFER PRECISION Triple Purpose TEST CASSETTE TC1D.

Are you sure your tape recorder is set up to give its best? Our latest triple purpose test cassette checks the three most important tape parameters without test equipment. Ideal when fitting new heads. A professional quality, digitally mastered test tape at a price anyone can afford. Test Cassette TC1D. Our price only .....

|       |
|-------|
| £9.99 |
|-------|



### HC80 Replacement Stereo Cassette Head.

The excellent performance of modern cassette recorders depends totally on the quality of the R/P head. Even the slightest amount of wear can impair the frequency response and distortion levels. Our HC80 is atop quality head from one of the foremost manufacturers in Japan, easily fitted to most standard stereo recorders (except Sony) and will transform the performance over a worn head. Only the fact that we buy these in vast quantities enables us to offer them at the amazing price of only £11.70 each or 2 for £17.60. We also stock a range of other heads, including "reel-to-reel stereo heads.

### SOLDERING

The size of modern components makes the right soldering equipment essential for good results. Everything we offer we actually use in our own workshops! See our Lists for the full range. 845-820 XS240 ANTEX 240v 25w Soldering Iron. This is the ideal multi-purpose iron as the bit is designed to totally surround the element giving the best heat transfer. This excellent design also means that although it is small and handy enough for modern components its heating capacity is better than larger irons of conventional construction. Excellent Value .....

|   |       |
|---|-------|
| £9.93   |       |
| 845-080 ST4 Lightweight Soldering Iron Stand. This has provision for the classic damp sponge for bit wiping ..... | £3.95 |

### HART SUPER AUDIOGRADE SILVER SOLDER.

Hart Super Audiograde Silver Solder has been specially formulated for the serious audiophile. Not only does it give beautiful easy-to-make joints but it is designed to melt at normal soldering temperatures avoiding the possibility of thermal damage to components or the need for special high temperature irons. A very low residue flux makes perfect joints easy but eliminates the need for board cleaning after assembly.

|  |        |
|--|--------|
| 845-007 3mtrs 22SWG in Hart Mini Tube .....  | £3.90  |
| 845-008 100g. Reel Special Valve Grade, 20swg .....                                | £12.90 |
| 845-009 100g. Precision PCB Grade, 22swg .....                                     | £14.75 |
| 845-110 100g Reel Superfine 24swg for ultra precise control and easy working ..... | £21.45 |

QUALITY AUDIO KITS

24 hr. SALES LINE (01691) 652894

ALL PRICES INCLUDE UK/EC VAT

CIRCLE NO. 139 ON REPLY CARD

**HART**  
HART ELECTRONIC KITS LTD.  
1 PENYLAN MILL  
OSWESTRY, SHROPSHIRE  
SY10 3AF

75

# APPLICATIONS

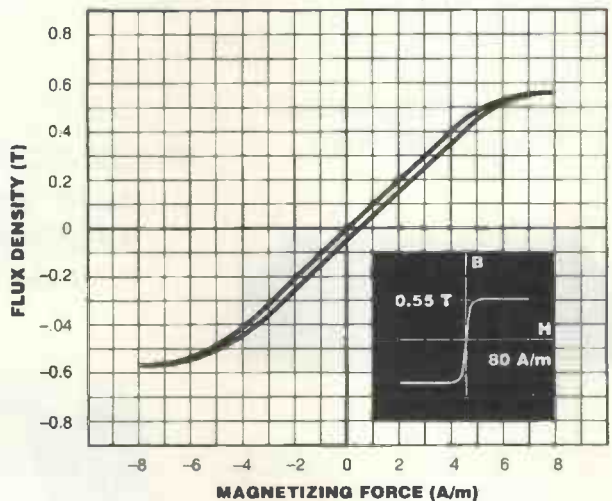
## High permeability cores for emi filtering

Detailed in a technical bulletin from Allied Signal is a highly permeable core designed with a highly flat or 'sheared over' dc hysteresis loop.

High permeability, typically greater than 90,000 at 1kHz, 2mA/cm, makes these cores particularly effective for noise suppression applications, such as electromagnetic interference filtering. Major benefits include high attenuation for excellent suppression of electromagnetic noise and low profile. Weight and volume reductions of up to 50% are possible and core loss is low.

Other applications include high accuracy current and pulse transformers as well as ground fault protection devices.

*Curve results from cores designed to exhibit a flat or 'sheared over' dc hysteresis loop. Resulting benefits include high initial permeability over a wide range of operating frequencies, high accuracy and low core loss.*



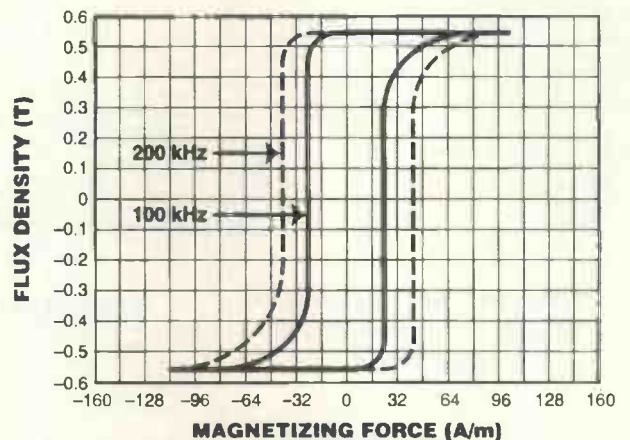
## Square-loop cores for magnetic amplifiers

Square loop cores detailed in a further Technical bulletin from Allied Signal claim to be able to operate at higher frequencies than previously possible. In addition, they are said to enable magnetic amplifiers to be made with unparalleled precision and output regulation efficiency.

Magnetic amplifiers can be used for outputs with currents of 1A to several tens of amps but they are also used at lower currents, where tight regulation and efficiency are important.

Conventional regulated outputs are limited at higher frequencies and output currents, and linear regulators are inefficient. Independent switch-mode sub-regulators avoid the inefficiency, but they also require more complex and expensive circuitry relative to a magnetic amplifier.

*AlliedSignal Inc, Amorphous Metals, 6 Eastmans Road, Parsippany NJ07054, USA, tel (201) 581 7653, fax (201) 581 7717.*



*Square loop magnetic cores are designed to exhibit an extremely square dc hysteresis loop and high  $B_{SAT}$ .*

## Power controller designed with emc in mind

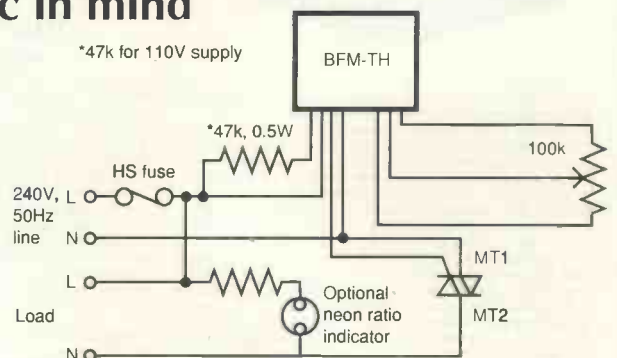
A power controller designed specifically to comply with the soon to be introduced emc regulations is described in an editorial feature from Sutronics.

The *BFM-TH* burst firing trigger circuit requires only the inclusion of a 100k $\Omega$  potentiometer and suitable triac to give a compact versatile power supply.

Unlike phase-angle controllers and electromechanical contactors, the device generates virtually no radio-frequency interference. This is a result of switching occurring when the supply waveform is within  $\pm 5V$  of the zero-crossing point. Also, because the switching element is a triac, there are no moving contacts and as a result no arcing.

Due to the controller operating on a burst-fire principle manual control of resistive loads such as hot plates, ovens etc can be achieved.

*Sutronics, 62 Park Road, Swanage, Dorset BH19 2AE, tel/fax 01929 426400, email: sutronics@tcp.co.uk.*



*Powered either by 220/240V or 110/120V this circuit offers current drain of less than 2.5mA, which is said to be significantly lower than for other burst-fire controllers. With pulse duration of 0.1ms and an amplitude of 2.5V at 100mA the circuit is capable of driving any triac with a gate current up to 100mA.*

# 90% smps efficiency using flyback topology

Data sheet *PWR-TOP200-4/14* from Power Integrations details the operation, device characteristics and application issues of the company's three-terminal off-line pulse-width modulation switch family.

*TOPSwitch* is a self biased and protected current-to-duty cycle converter with linear control and an open drain output. High efficiency is achieved through the use of cmos combined with high integration. Integration eliminates the external power resistors normally needed for current sensing and/or supplying initial start-up bias current.

This three pin device implements buck, boost, flyback or forward topology and will easily interface with both opto and primary feedback. Supporting continuous or discontinuous operating modes, it is intended for 100, 110 or 230V ac off-line power supply applications in the 0-100W range. The device can also be used for 230/277V ac off-line power factor correction up to 150W.

## Primary feedback regulation

Figure 1 is a simple 5V, 5W bias supply based on the *PWR-TOP200*. This universal-input flyback power supply employs primary-side regulation from a transformer bias winding. Line and load regulation of  $\pm 5\%$  or better can be achieved from 10 to 100% of rated load.

Voltage feedback is obtained from  $T_1$ 's bias winding, eliminating the need for an opto-coupler and secondary-referenced error amplifier. High-voltage dc is applied to  $T_1$ 's primary winding. The other side of the transformer primary is driven by the integrated high-voltage mosfet transistor within the *PWR-TOP200*.

The clamp circuit implemented by  $VR_1$  and  $D_1$  limits leading-edge voltage spikes caused by transformer leakage inductance to a safe value. The 5V power secondary winding is rectified and filtered by  $D_3$ ,  $C_2$ ,  $C_3$  and  $L_1$  to create a 5V output voltage.

Output of the  $T_1$  bias winding is rectified and filtered by  $D_2$ ,  $R_1$  and  $C_5$ . Voltage across  $C_5$  is regulated by  $U_1$ , and is determined by the 5.7V internal shunt regulator at the control pin of  $U_1$ .

When rectified bias voltage on  $C_5$  begins to exceed the shunt regulator voltage, current flows into the control pin. Increasing control pin current decreases the duty cycle until a stable operating point is reached.

Output voltage is proportional to bias voltage by the turns ratio of the output to bias windings. Capacitor  $C_5$  is used to bypass the control pin. It also provides loop compensation for the power supply by shunting ac currents around the 'control' pin

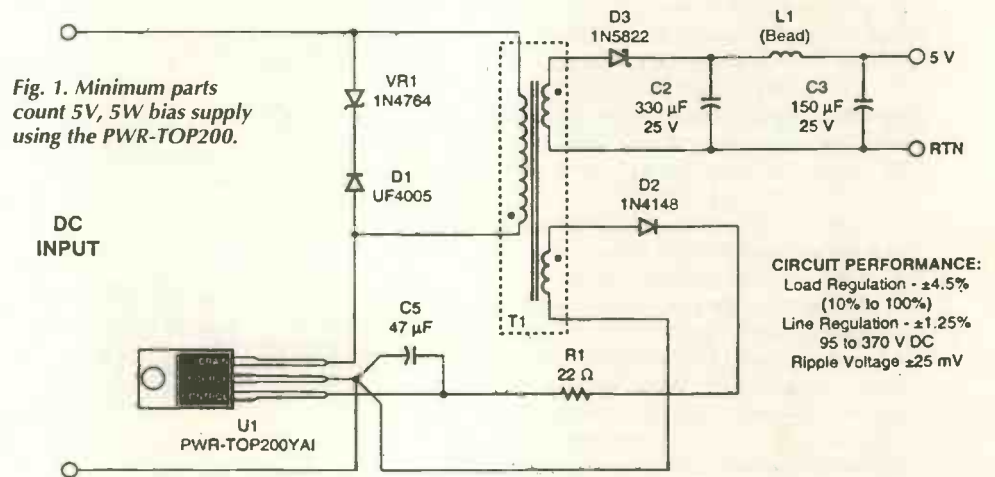


Fig. 1. Minimum parts count 5V, 5W bias supply using the *PWR-TOP200*.

**CIRCUIT PERFORMANCE:**  
 Load Regulation -  $\pm 4.5\%$   
 (10% to 100%)  
 Line Regulation -  $\pm 1.25\%$   
 95 to 370 V DC  
 Ripple Voltage  $\pm 25$  mV

dynamic impedance. In addition, it determines the auto-restart conditions.

## Boost PFC pre-regulator

As a fixed frequency, discontinuous mode boost pre-regulator, the *TOPswitch* can be used to improve power factor and thd in applications such as power supplies and electronic ballasts. Figure 2 operates from 230V ac, delivering 70W at 430V dc with typical power factor of over 0.98 and a thd figure of 7%.

Bridge rectifier  $BR_1$  full wave rectifies ac input voltage. A boost power stage comprises  $L_1$ ,  $D_1$ ,  $C_4$  and the *TOPswitch*. Diode  $D_2$  prevents reverse current through the device's body diode due to ringing voltages generated by the boost inductance and parasitic capacitance.

Resistor  $R_1$  generates a pre-compensation current proportional to the instantaneous rectified ac input voltage which directly varies the duty cycle. Capacitor  $C_2$  filters high frequency switching currents while having no filtering effect on the line frequency pre-compensation current.

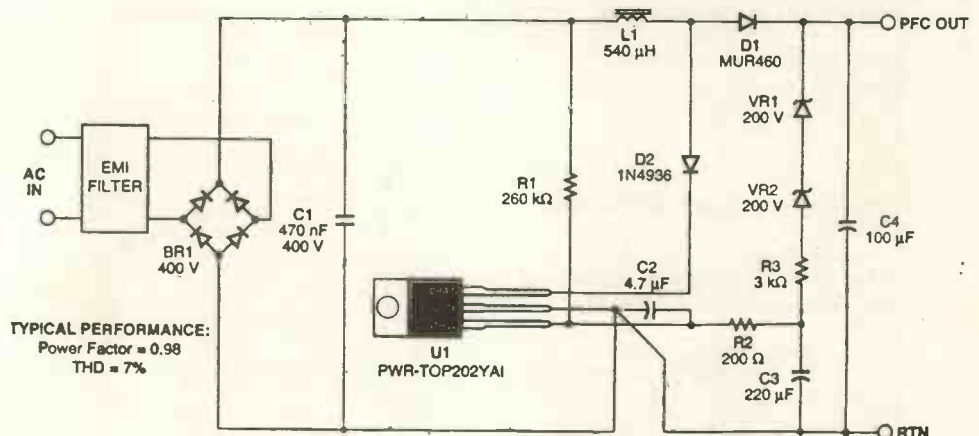
Resistor  $R_2$  decouples pre-compensation current from the large filter,  $C_3$ . This prevents an averaging effect which would increase thd. Capacitor  $C_1$  filters high frequency noise currents to prevent errors in the pre-compensation current.

When power is first applied,  $C_3$  charges to typically 5.7V before the *TOPSwitch* starts. It provides bias current until the output voltage becomes regulated. When this occurs, series connected zener diodes  $VR_{1,2}$  begin to conduct. They drive current into the control pin, and directly control the duty cycle.

Capacitor  $C_3$  together with  $R_3$  performs low-pass filtering on the feedback signal to prevent output line frequency ripple voltage from varying the duty cycle.

**Power Integrations Inc, 411 Clyde Avenue, Mountain view, California, 94043. Applications Hotline, (800) 552-3155, fax, 468-0809**

Fig. 2. 70W, 230V ac input boost power factor correction circuit using the *PWR-TOP202*.



**TYPICAL PERFORMANCE:**  
 Power Factor = 0.98  
 THD = 7%

# 20mA vco operates to over 1GHz

Described in Motorola's *ECLinPS LITE* technical data book is a low-power voltage controlled oscillator designated the *MC12148*. This LC-tank-based device operates at up to 1100MHz. Housed in 8-pin SOIC packaging, it needs just 20mA from a 5V supply, and it features a phase noise of typically  $-90\text{dBc}/\text{Hz}$  at 25kHz.

The *MC12148* requires an external parallel tank circuit comprising an inductor and capacitor. A varactor diode may be incorporated into the tank circuit to provide a voltage-variable input for the oscillator. Alternatively, the *12148* is suitable for many fixed-frequency applications, but it will not operate in conjunction with a quartz crystal.

Based on the vco circuit topology of the *MC1648*, the device uses advanced bipolar process technology which results in a design capable of operating at a much higher frequency, but needing only half the current.

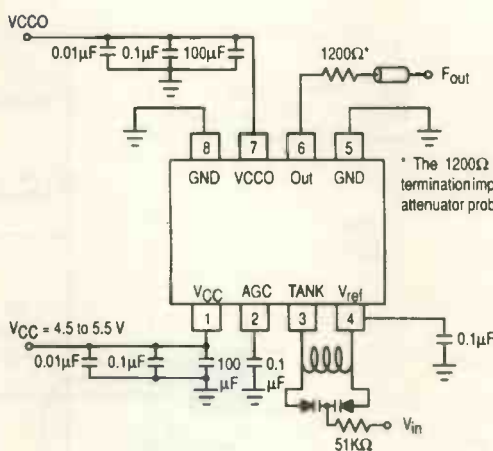
Typical frequency stability of the *12148* is  $3.6\text{kHz}/\text{mV}$  with supply fluctuations, but only  $0.1\text{kHz}/^\circ\text{C}$  with temperature change. Second harmonic from the carrier is  $-25\text{dBc}$ , while signal-to noise ratio is 40dB.

Emitter-coupled logic output circuitry of the *12148* is not a traditional open emitter output structure. Instead it has on-chip termination with a nominal value of  $500\Omega$ . This facilitates direct ac-coupling of the output signal into a transmission line.

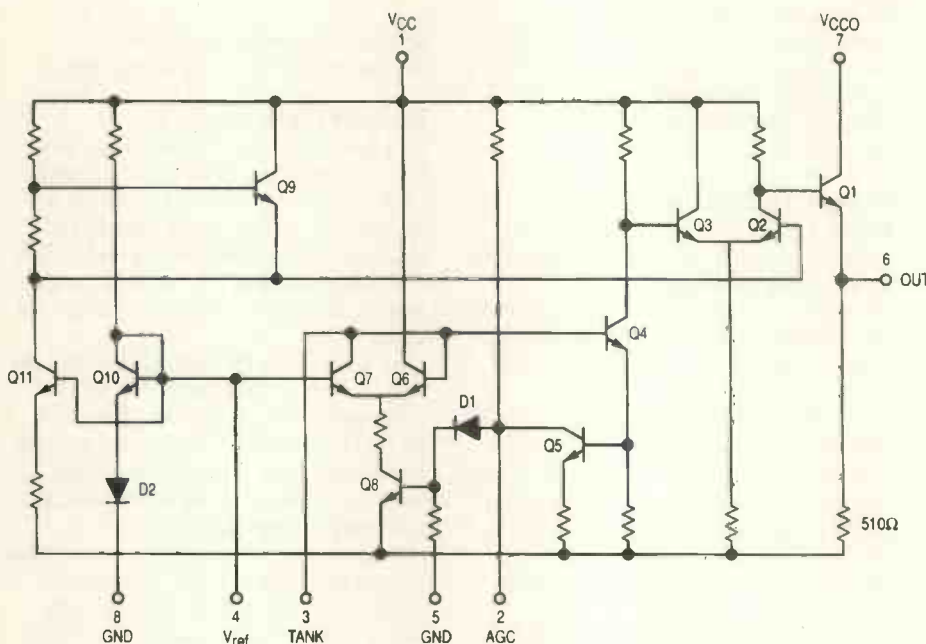
Because of this output configuration, an external pull-down resistor is not required to provide the output with a dc current path.

Output is intended to drive one ecl load. If you need to fan the signal out, an ecl buffer such as the *MC10EL16* line receiver/driver is useful.

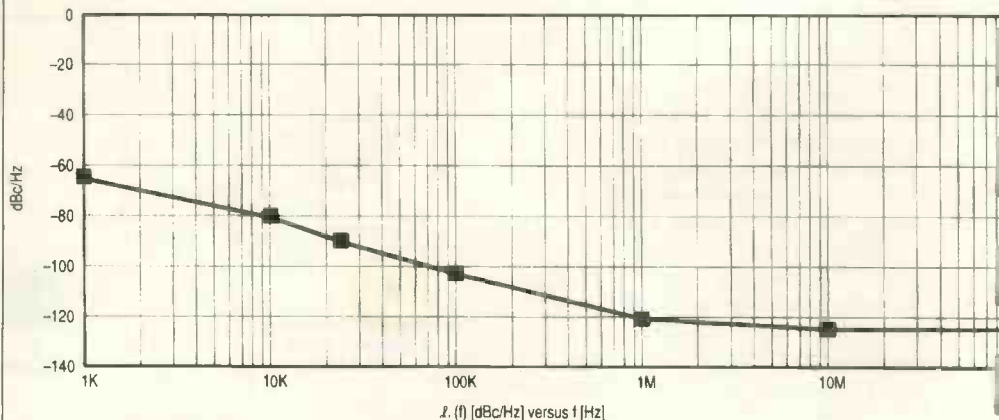
**Motorola Semiconductor Products Sector**, Buckingham Street, Aylesbury, AY1 1XX, tel 01296 395252, fax 01296 21999.



Typical test circuit for the gigahertz low-power vco. Operating from a nominal supply of 5V, the device is also useful in applications requiring a fixed frequency.



Internals of the *MC1248* vco. The device exhibits a phase noise of  $-90\text{dBc}$  at 25kHz.



Typical evaluation results with the low power oscillator, 930MHz cw.

## Tank component suppliers

Below are suppliers who manufacture tuning varactors and inductors which can be used to build an external tank circuit

Coilcraft Inductors A01T thru A05T  
Coilcraft-Coilcraft, Inc  
1102 Silver Lake Rd  
Gary, Illinois 60013  
tel, 708-639-6400

Loral Tuning Varactors GC1500 Series  
Loral  
16 Maple Road  
Chelmsford, Massachusetts 01824  
tel, 508-256-8101 or 508-256-4113

Alpha Tuning Diodes DVH6730  
Alpha Semiconductor Devices Division  
20 Sylvan Road  
Woburn, MA 01801  
tel, 617-935-5150



# Distortion

# BY

# design

Building on his previous articles discussing ac analysis with Spice, Owen Bishop details how distortion can be assessed on a pc.

**M**ore advanced versions of Spice include the command `.DISTO` for analysing distortion. Here, I use the routine included in *IsSpice*. This does not adhere exactly to Spice syntax, but it does cover much the same aspects of circuit behaviour.

Before looking at the routine in operation, it is instructive to examine the test circuit using the standard ac frequency sweep. The circuit is a wide-band amplifier based on a single rf transistor, Fig. 1. Its frequency range is extended by including an inductor in the collector circuit. Assuming that other component values are suitable, it is necessary to settle on a suitable value for the inductor which will give an extended but reasonably flat-topped frequency response.

Draw the schematic and enter component values, including the voltage source, `V2 1 0 AC 1`. Use the Edit control box to add the `.AC` command statements to the netlist. The lines required here are, `.AC DEC 10 1K 100MEG`, and `.PRINT AC V(2)`. These call for the voltage at node 2 to be displayed for a frequency sweep from 1kHz to 100MHz, with ten steps per decade.

## Overall response

Select Simulate from the Actions menu. When the analysis is complete, the Simulation Status screen displays a small graph of `V(2)` in decibels against frequency. These plots are intended only to give an overall picture of the response, not for reading off values. In fact, there are no values displayed on the x-axis and only the lowest and highest level marked on the y-axis.

Often the plot does not completely fill the frame in the vertical direction. As a result, its shape is somewhat obscured and the curve is flatter than it would be with a better choice of scale on the y-axis.

This can be remedied. Click twice on the plot; when the Rescale Plots dialogue box appears, click on the Auto button, then on the OK button. The plot is re-displayed with a more sensible scale. Of course, the associated *Introscope* program provides much clearer plots with fully graduated axes, but the small plot is good enough for the moment and allows the overall effects of sweeping component values to be observed.

## Sweeping inductances

Sweeping the inductor value is most easily done by using the Simulation Control dialogue box. I normally keep this minimised as an icon, because it obscures the plots when there are more than two on the screen. Clicking on the icon restores the box, Fig. 2.

Now click on the Persistence panel and enter '10'. This allows up to ten curves to be displayed before the plot is cleared and renewed. Click on the Stimulus button to bring up the Stimulus Picker dialogue box. Click on `I1` to list the sweepable parameters associated with the inductor. Double-click on Inductance.

At this point, a small control panel headed 'I1:inductance' appears and displays the present value of the inductance, 10µH. Frequency response that is already displayed shows a sharp peak which indicates that this inductance is too large. Clicking on one of the buttons in the row below increases or decreases inductance, the buttons further to the left or right effecting the biggest change.

Check the Always option, then place the mouse on the next-to-leftmost button and hold down the mouse button. Inductance is decreased in steps of 1µH and at each step the simulation is re-run and its output plotted. In Fig. 2, the top curve with the prominent peak is for 10µH and

the bottom one for 1µH.

The shape of the lower curve shows that 2µF is too small a value, insufficiently extending the amplifier's bandwidth.

The best response, with no appreciable

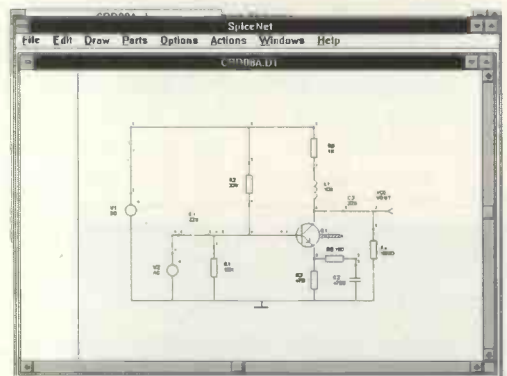


Fig. 1. This wide-band amplifier includes an inductor to extend the response curve into the higher frequencies. A search for a value of inductor L1 to give widest frequency response with minimum distortion is the subject of most of this article's analyses.

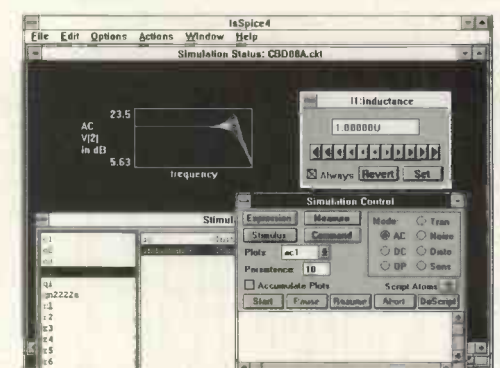


Fig. 2. The first step in the investigation is to sweep the value of inductor L1 of Fig. 1 and plot the frequency response at the output node 2. This screen illustrates a quick and easy way of doing it.

### Defining distortion

When a pure sine wave passes through a circuit, its shape is almost always altered. The distorted non-sinusoidal shape of the output signal can be described as the sum of the original fundamental sine wave, frequency  $f_1$ , plus sine waves of frequencies  $2f_1, 3f_1, 4f_1, \dots, nf_1$ , the harmonics. Amplitudes of the harmonics usually differ from each other and from the fundamental. Some harmonics may have zero amplitude. The fundamental and harmonics may also differ in phase.

Usually, the fundamental has the greatest amplitude. Amplitudes of the harmonics decrease with increasing order. For this reason the biggest contributor to harmonic distortion is the second-order harmonic, followed closely by the third-order. In a distortion analysis, Spice calculates the amplitudes of both second and third-order harmonics.

This can be done for a single value of the fundamental or, more often, input frequency is swept over a given frequency range and distortion is calculated at a number of points within this range. In Spice2 distortion is expressed with reference to the fundamental's amplitude. Second-order harmonic distortion, HD2, at any given frequency of the fundamental is calculated as the amplitude of the second-order harmonic, divided by the fundamental's amplitude. Third-order distortion, HD3, is calculated similarly.

Harmonics of the fourth and higher orders can usually be ignored and are not calculated. Note that values of the distortion terms are ratios, so they have no units.

Another type of distortion is produced if the input signal consists of at least two simultaneous sine waves. If two signals have frequencies  $f_1$  and  $f_2$ , the output signal contains 'sum and difference' signals, with frequencies  $(f_1+f_2)$  and  $(f_1-f_2)$ . This is known as intermodulation distortion. Amplitudes of these signals (relative to the fundamental) are calculated by Spice as SIM2 and DIM2. Not only is there

intermodulation between the fundamentals but it also occurs between the fundamental and the harmonics.

An enormous number of intermodulation signals is obtained, even with relatively few harmonics, but usually most of these are insignificant. Spice calculates only one of these signals,  $(2f_1-f_2)$ . The command line refers to this as DIM3. The two harmonic distortion values and the three intermodulation values constitute complete distortion analysis.

The range of a Spice distortion analysis is specified in the accompanying .AC command, for example,

```
.AC DEC 10 100 10MEG
```

This specifies 100Hz to 10MHz, with ten steps per decade. Distortion is calculated for a load resistor, described by,

```
.DISTO ROUT 5 0.9 1M 0.25
```

ROUT is the netlist name of the output resistor. Distortion is to be calculated for every fifth step, that is twice per decade. Analysis is for two frequencies, with  $f_2/f_1=0.9$  – the ratio must always be between 0 and 1. Power developed by the fundamental in the output resistor is set at a reference level of 1mW – this is the default, so this parameter can be omitted. Amplitude of  $f_2$  is 0.25 times that of  $f_1$ . Output is specified by a line of the form,

```
.PRINT DISTO HD2 HD3 SIM2 DIM2 DIM3
```

This calls for values of all five distortion terms, based by default on the magnitudes of the amplitudes. Output can also be calculated in terms of real (R) or imaginary (I) components, or for phase (P), by keying these letters after the appropriate terms. Values on a decibel scale are obtained by including DB, for example,

```
.PRINT DISTO HD2 (R) HD2 (I) HD3 (DB).
```

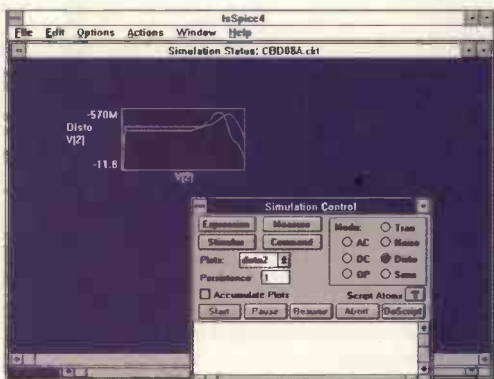


Fig. 3. A plot of the distortion analysis shows how second and third order distortion vary with frequency.

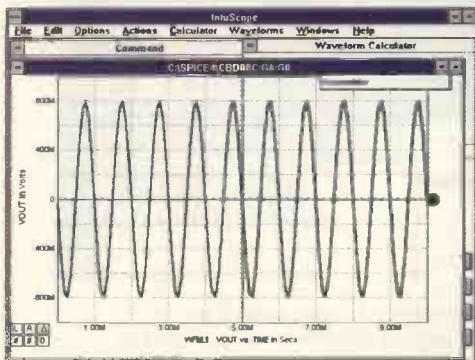


Fig. 4. Transient output of the amplifier ( $L1=4\mu\text{H}$ ) when the input is a 1kHz sine wave with an amplitude of 0.1V.

peak and with maximum bandwidth, occurs when inductance is  $4\mu\text{H}$ . Working in this way makes selection of component values easy, and is one of the more novel and useful facilities of this simulator.

### Circuit analysis

Having found a value which provides the widest bandwidth and a level response, analyse the circuit for distortion. *IsSpice* syntax differs slightly from Spice2 – see panel 1. Command lines are,

```
.DISTO DEC 10 1K 100MEG  
.PRINT DISTO V(2)
```

The .DISTO line has the same format and syntax as the usual .AC line. The .PRINT line specifies the output node. There is no need to state which distortion term is required, since amplitudes of both second and third-order harmonics are calculated automatically. Also make additions to the voltage source statement,

```
V2 1 0 AC 1 DISTOF1 DISTOF2 0.1
```

The DISTOF additions specify magnitudes of the signals  $f_1$  and  $f_2$  during the frequency sweep. Only DISTOF1 is used for calculating harmonic distortion. DISTOF2 is used if intermodulation distortion is being calculated.

By default, as with DISTOF1 above, magnitude of the  $f_1$  signal is 1 and 0.1 for the  $f_2$  signal. A second value after each of the two

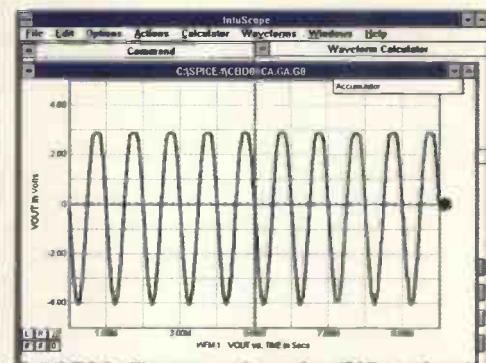


Fig. 5. Increasing input amplitude to 0.5V shows the beginnings of clipping and general asymmetry of the curve. Although the curve looks like a sine wave, thd is nearly 10%.

keywords can be used to specify their phases, the default of which is  $0^\circ$ . DISTOF may be used with more than one independent voltage source in the same circuit.

Note that *IsSpice* calculates amplitudes (in volts), not the ratio between the harmonic and fundamental amplitudes, as in Spice2. HD2 and HD3, if required, are obtained by using a calculator.

Figure 3 shows initial results of the analysis with a  $4\mu\text{H}$  inductance. To begin with, the screen shows only second-order distortion. This is indicated by the legend DISTO1 in the Plots panel of the Simulation Control box. To

plot both terms on the same grid, click on the Start button. This plots both second and third-order amplitudes as shown in the figure. The curve with the pronounced peak is the third-order curve.

Distortion curves can not be plotted in *Intuscope*. For precise details, look in the Output file – Exit the simulation, select Edit Text Files, then click on the OUT button. This displays the output file which lists amplitudes of both of the frequencies as they are swept over the prescribed range. Both curves have a similar shape.

Over a wide range at the lower frequencies, amplitude is almost constant, increasing by no more than 1% of its 1kHz value. It then rises fairly sharply to a peak at the high-frequency end, falling steeply beyond the peak. Table 1 summarises these features for this and subsequent analyses. Comparison with the ordinary ac analysis-results shown in Table 2 shows that at, 1kHz, second-order distortion is 0.42/8.05, i.e. 0.05 of the fundamental, ie HD2 is 0.05. It rises to about 0.15 where the curves peak, between 12 and 15MHz.

Intermodulation values are obtained by re-running the same simulation after adding the  $f_2/f_1$  value to the .DISTO line. These too are summarised in Table 1, which shows that they are relatively unimportant. For example, the sum and difference distortions when  $L1=4\mu\text{H}$  are only 0.01 of the fundamental at 1kHz.

Repeating analyses with  $L1=10\mu\text{H}$  presents a different picture. Behaviour of the amplifier is unaffected at low frequencies, starting at 1kHz, but the frequency at which distortion begins to exceed 1% is much lower than when  $L1$  is  $4\mu\text{H}$ . The distortion peaks to higher values and the intermodulation distortions also peak at lower frequencies. These results confirm that  $4\mu\text{H}$  is a preferable value for  $L1$ .

Further investigation of distortion in more detail can be undertaken using a full print-out of the output files and a calculator, but this short discussion illustrates some of the ways in which distortion may be examined.

### THD analysis – a different angle

Transient analyses include a routine that is also of value in examining distortion. If a pure sine wave of given frequency is fed into a circuit, the composition of the set of harmonics emerging at the output indicates the degree of distortion.

Ideally, only the fundamental should appear at the output, but circuits are nearly always far from ideal. The Fourier analysis, .FOUR, examines the output signal and computes amplitudes of the fundamental and its harmonics.

It sounds as if .FOUR does the same things as .DISTO. There are some points of similarity, but the way in which they are carried out is totally different. A .DISTO analysis is preceded by an .AC analysis, which applies small-signal inputs to the circuit when at its dc operating point.

Non-linear components are linearised during the analysis. A .FOUR analysis, by contrast, simulates the action of the circuit in the time

Table 1. Key values of distortion in the amplifier circuit of Fig 1.

| Inductance of L1 | Distortion term   | Initial amplitude (V) | up to (MHz) | Peak amplitude (V) | at (MHz) |
|------------------|-------------------|-----------------------|-------------|--------------------|----------|
| 4 $\mu\text{H}$  | 2nd-order         | 0.42                  | 0.63        | 1.26               | 15.8     |
|                  | 3rd-order         | 0.35                  | 0.32        | 1.08               | 7.9      |
|                  | $f_1+f_2$         | 0.08                  | 1.26        | 0.18               | 25.1     |
|                  | $f_1-f_2$         | 0.08                  | 1.26        | 0.18               | 25.1     |
|                  | $2\times f_1-f_2$ | 0.11                  | 0.5         | 0.31               | 12.6     |
| 10 $\mu\text{H}$ | 2nd-order         | 0.42                  | 0.40        | 4.03               | 15.8     |
|                  | 3rd-order         | 0.35                  | 0.32        | 2.24               | 7.9      |
|                  | $f_1+f_2$         | 0.08                  | 0.79        | 0.47               | 15.9     |
|                  | $f_1-f_2$         | 0.08                  | 0.79        | 0.47               | 15.9     |
|                  | $2\times f_1-f_2$ | 0.11                  | 0.39        | 0.66               | 10.0     |

Table 2. Amplitude of the fundamental at the amplifier output (Node 2).

| Inductance of L1 | Initial amplitude (V) | up to (MHz) | Peak amplitude (V) | at (MHz) |
|------------------|-----------------------|-------------|--------------------|----------|
| 4 $\mu\text{H}$  | 8.05                  | 6.3         | 8.25               | 12.6     |
| 10 $\mu\text{H}$ | 8.05                  | 1.6         | 13.57              | 15.8     |

domain. All voltage and current sources are fully operational, and with intrinsically non-linear devices behaving in their non-linear ways.

Results are saved in a file that lists one or more output values at each instant in time.

### Fourier and transient analysis

Next follows the .FOUR analysis. This takes the results of the Transient analysis and mathematically analyses them to characterise the set of sine waves that constitutes the waveform. Spice2, and consequently *IsSpice*, determines amplitudes and phase angles for the fundamental and the first nine harmonics  $f$  to  $9f$ . This takes harmonic analysis further than the .DISTO routines.

For comparison with the .DISTO analysis, take the netlist for Fig 1 and edit it for transient analysis followed by .FOUR. Delete lines containing AC and .DISTO, including the statement defining V2. Then add these lines,

```
.TRAN 10U 10M
.FOUR 1K V(2)
V2 1 0 SIN (0 0.1 1K)
.PRINT TRAN V(2)
```

Since Fourier analysis depends on data produced by a transient analysis, it is essential to include the .TRAN line, even if the precise shape of the transient curve is of no particular interest. The line quoted above specifies time steps of 10 $\mu\text{s}$  lasting for a total of 10ms – M is 'milli' in Spice. The .FOUR line sets the fundamental frequency to 1kHz, and the value to be analysed is the voltage at node 2.

The voltage generator is set up between nodes 1 and 0, excited by a sine wave, delay zero, amplitude 0.1V, and frequency 1kHz. Total time of the analysis allows for ten complete cycles of the waveform, although only the final cycle is analysed by .FOUR. This gives time for the circuit to get into a steady operating state.

In a transient analysis capacitors begin uncharged, unless initial values are set. Similarly, inductors begin with zero current through them and with zero induced emf. In a

simple circuit such as this, values reach steady levels after fewer than ten cycles, but it is a safe habit always to run for at least ten cycles.

Select Simulate from the Actions menu; the Simulation Status screen displays a plot of ten sinusoidal cycles, or rather, ten inverted sinusoidal cycles, since this is an inverting amplifier. Select Scope, then select VOUT=V(2) on the Waveform menu.

Transient analysis is displayed as in Fig. 4, and is a typical inverted sine wave with no visible distortion. Exit *Intuscope*, then Exit Simulation Status, select Edit Text Files and click on the Out button. The output file has the usual netlist, followed by a table of the Initial Transient Solution (dc operating point values), Fourier analysis, and data generated by the Transient analysis. Running the analysis for ten more-or-less repetitive cycles creates a lot of data – 20 pages of it, if printed out.

Fourier analysis table Table 3 begins with a statement of the thd. Harmonic zero is the dc component of the waveform. This is listed separately in some other implementations of Spice. Harmonic one is the fundamental, which has an amplitude of 0.785732V, and lags 179.85° behind the input signal. This verifies the statement above that this is an inverting amplifier. The table lists Magnitude and phase angle – relative to the input signal – for the nine harmonics.

Amplitudes tend to fall off with increasing order, though harmonics five and six are slightly larger than harmonic four. Phase

### Total harmonic distortion

This is calculated from,

$$\text{THD} = \frac{\sqrt{(a_2^2 + a_3^2 + \dots + a_n^2)}}{a_1} \times 100$$

where  $a_1$  is the amplitude of the fundamental, and  $a_n$  is the amplitude of the  $n^{\text{th}}$  harmonic. It is a useful single-value measure of the overall distortion.

Table 3. Fourier analysis – values rounded to three significant from six.

THD: 0.518%

| Harmonic | Frequency | Magnitude | Phase | Norm. Magnitude | Norm. Phase |
|----------|-----------|-----------|-------|-----------------|-------------|
| 0        | 0         | -0.00181  | 0     | 0               | 0           |
| 1        | 1000      | 0.786     | -180  | 1               | 0           |
| 2        | 2000      | 0.00405   | 90.9  | 0.00515         | 271         |
| 3        | 3000      | 0.000359  | 161   | 0.000457        | 341         |
| 4        | 4000      | 0.000109  | 125   | 0.000136        | 304         |
| 5        | 5000      | 0.000119  | 138   | 0.000152        | 318         |
| 6        | 6000      | 0.000111  | 143   | 0.000142        | 322         |
| 7        | 7000      | 0.000106  | 156   | 0.000134        | 336         |
| 8        | 8000      | 0.000102  | 155   | 0.000130        | 335         |
| 9        | 9000      | 7.37e-005 | 172   | 9.37e-005       | 352         |

angles for harmonics three to nine lead the input by between 125° and 172° respectively. Absolute values are sometimes of interest, but it makes possible comparisons between tests under different sets of conditions if the values are normalised.

The last two columns of the table show magnitude and phase angle normalised so that the fundamental has amplitude 1, and phase angle 0°.

Looking for distortion

Table 3 shows what happens to a small signal at a frequency that is comfortably within the bandwidth of the amplifier. As expected, distortion is minimal.

Repeat the analysis after editing the netlist to make L1=10µH. Figures obtained show differences only in the last or next-to-last of the six significant figures. Overall there is a slight increase in amplitudes but they are negligible.

Whether inductor L1 is 4µH or 10µH is immaterial when frequency is low. Fourier analysis operates at only one frequency; it does not sweep the frequencies as does .DISTO. As a consequence, edit these lines of the netlist to,

```
.TRAN 800P 800N
.FOUR 12MEG V(2)
V2 1 0 SIN (0 0.1 12MEG)
```

Edit L1 to a value 4µH. Run the analysis as

before. The waveform appears undistorted but the analysis shows a thd of 1.36% – more than at 1kHz, though not excessive.

Normalised amplitude of harmonic two is 0.0136 and that of harmonic 3 is 0.0073, both are appreciably larger than before. But the fourth and subsequent harmonics are very small – there is a change of pattern. Alter L1 to 10µH and repeat. Thd increases to 2.8247% and harmonics increase roughly in proportion.

Clipping

One important application of .FOUR is to investigate clipping and similar forms of distortion. This is quite outside the scope of .DISTO.

Using the same circuit as above, re-edit to the lowest distortion settings – with a frequency of 1kHz and L1 at 4µH – but increase amplitude of V2 to 0.5V. The simulation shows a waveform that is clipped but only just, Fig. 5. Fourier reveals a generally unacceptable thd of 9.67%. Second and third harmonics contribute most to this (normalised amplitudes 0.0874 and 0.0375) but the fourth and subsequent harmonics are lower than before.

Using frequency spectra

Many simulators lack .DISTO but Fourier analysis can be used for assessing harmonic distortion. In SpiceAge, enter a netlist to describe the circuit of Fig. 1, with L1 equal to 4µH, and with V2 amplitude 100mV, sine excitation at 1kHz. Set probes to measure the input signal (node 2) and the output signal (node 7).

The procedure is to run a transient analysis and use the Fourier option to analyse and display the result. SpiceAge performs a Fast Fourier Transform on the whole wave train not just the last cycle. For most accurate results, sample several cycles and make the sampling period cover an integral number of cycles. In the Sweep Times dialogue box, set start time to zero, stop time to 5ms and step time to 10µs. This gives time for 5 cycles of the waveform. Run a Transient analysis which shows a sine wave, amplitude 0.725V, Fig. 6.

Follow with a Fourier analysis but first use the Probe

Control box to de-select the input probe, as we do not need to analyse the pure sinewave input. Also in the Graph Scaling box, set the x-axis maximum to be held at 10k. Frequencies higher than this have such a low amplitude that they may be ignored.

Under Y-display mode, select Lines to Origin – to give a spectrum – and Phase Plot. Only the fundamental (1kHz) and the first two harmonics appear, Fig. 7 – the rest are too small to show on this scale. One way to bring more into view is to select dB scale under Y-display mode. This will also bring into view lines for many other frequencies, some of which may be cross modulations but many of which will be ‘mathematical noise’. To cut these out, set the y-axis minimum to be held at -85dB. Frequencies at amplitudes less than this may certainly be ignored.

It is clear from these results, Fig. 8, that the distortion products of this circuit are all so small that they can be ignored.

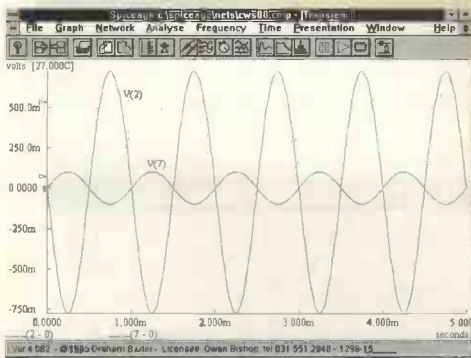


Fig. 6. Amplifier input and output contrasted. SpiceAge allows several graphs to be plotted on one set of axes, with suitable scale factors and offsets on the Y-axis, so as to display all curves in the most intelligible fashion.

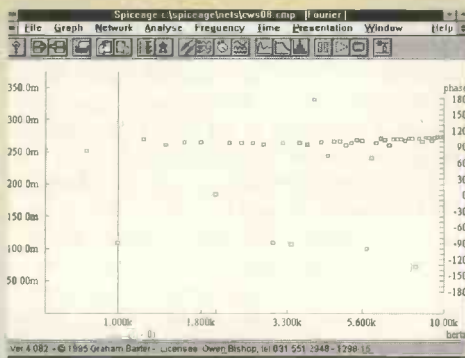


Fig. 7. Fourier analysis by SpiceAge shows the fundamental plus a minuscule 2nd-order harmonic. Phase plots are relative to an input with phase angle +90°; add 90° to displayed values.

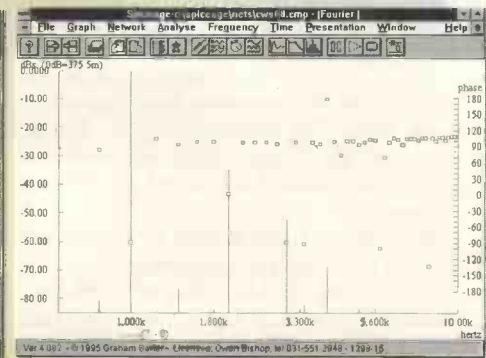


Fig. 8. A plot on the dB scale shows more harmonics, most of which are too small in amplitude to contribute significant distortion.

# FREE TO SUBSCRIBERS

## Electronics World offers you the chance to advertise ABSOLUTELY FREE OF CHARGE!

Simply write your ad in the form below, using one word per box, up to a maximum of twenty words (remember to include your telephone number as one word). You must include your latest mailing label with your form, as this **free** offer applies to private subscribers only. Your ad will be placed in the first available issue.

This offer applies to private sales of electrical and electronic equipment only.

Trade advertisers should call **Malcolm Wells on 0181-652 3620**

All adverts will be placed as soon as possible. However, we are unable to guarantee insertion dates. We regret that we are unable to enter into correspondence with readers using this service, we also reserve the right to reject adverts which do not fulfil the terms of this offer.

|  |  |  |  |
|--|--|--|--|
|  |  |  |  |
|  |  |  |  |
|  |  |  |  |
|  |  |  |  |

Please send your completed forms to:  
Free Classified Offer: Electronics World, L329, Quadrant House, The Quadrant, Sutton,  
Surrey SM2 5AS

## B. BAMBER ELECTRONICS

Pye Westminster Type W15AM, Mid Band, 6CH, Suitable for conversion to Air Band. Sets complete but less Mics and Speakers, £15 each.  
Pye Reporters Type MF6AM, Mid Band, 6CH, complete with mics but less speaker, £20 each.  
Pye MX293 Mobile Radios, AM, Mid Band, 12CH, complete but less mics and Speaker, £20 each.  
Pye Mobile Microphones, £3 each.  
Pye Mobile Speakers, £2 each.  
Pye Slide Mounts for Reporters/M293 etc, £3 each.  
Farnell Portable Synthesized Signal Generator 10-520MHz: Type PSG520, £475.  
Rohde & Schwarz UHF Power Signal Generator 275-2750MHz, £400.  
Marconi Wide Range RC Oscillator Type TF1370A, £75.  
Marconi Spectrum Analyser Type TF2370 with Frequency Extender Type TF2373, 30Hz-1250MHz, £2000.  
California Invertron Power Unit, 2'10vac input, 2'10v 400Hz output, 500VA, £260.  
Pye Base Station Receivers Type R4001, AM, Mid Band, 106MHz, £20 each.  
Pye Base Station Transmitters Type T4001, AM, Mid Band, 139MHz, £40.  
Pye Base Station Receivers Type R7AM, Mid Band, 106MHz, £10 each.  
Pye Base Station Transmitters Type T30AM, Mid Band, 138MHz, £20.  
Rohde & Schwarz Polyskop 11, £100.  
Teleguipment Oscilloscope Type D63, £150.  
Racal 32MHz Frequency Counter Type 836, £25.  
Marconi RF Power Meters Type TF1152A/1, 10/25W, 50ohm, £35.  
Racal-Dana UHF Frequency Counter, 520MHz, Type 9916, £175.  
Marconi RF Power Meter Type 6460, £75.  
Panasonic 14 Day 4 Programme Timer Type NV-V10-B, £45.  
Bradley AC Calibrator Type 125B, £45.  
Philips Sun Bed, 20 Tube, Type HF3503/HF3504, £250.  
Pye Controllers Type PC1, £15 each.  
Pye Oscillator Units Type HS400, £20 each.  
Bradley DC Signal Generator Type 123S, £45.  
Tektronix Oscilloscope Type 465B, £400.  
Hewlett Packard UHF Signal Generator Type 616B, 1.8-4.2GHz, £75.  
Hewlett Packard SHF Signal Generator Type 618B, 3.8-7.6GHz, £75.  
Hewlett Packard SHF Signal Generator Type 620B, 7-11GHz, £75.  
Hewlett Packard SHF Signal Generator Type 628B, 15-21GHz, £75.  
Bryans Chart Recorder Type BS316, £125.  
Marconi AM/FM Signal Generator Type TF2008, 10kHz-510MHz, £400.  
Lay-Flat Tubing, 3"x200gx174Mts, £3 per roll.  
Graham Llon Slow Scan Television Transmitter, £150.  
Scopex Oscilloscope Type 4D10, £60.  
Marconi Wave Analyser Type TF2330, £150.  
Hewlett Packard Channel Selectors Type 3777A, £150.  
Tektronix Oscilloscope Type 2215, 60MHz, £450.  
Marconi AM/FM Signal Generator Type TF2002AS, 10kHz-72MHz, £160.  
Marconi CT499/111 RF Watt Meter Absorption 1-3-10-30-100W, 50ohm-70ohm Converter Adaptor, £350.  
Avo Auto Eng. Multimeter Model 12, £65.  
Marconi AM/FM Signal Generator Type 2015, 10-520MHz, £200.  
Philips PAL Colour TV Pattern Generator Type FM5508, £150.  
Clypton Tech Dwell Volts Testers, £35.  
RS Isolating Transformer, 500VA, £40.  
Racal Frequency Standard Type MA259, £150.  
Airtch UHF Filter Duplexers, £25.  
Toroidal Transformer, 20V @ 5amp, £8 each.  
Avo Multimeter Model 5, £15.  
Ramron 15 Sideways Ram & Ron Ex Board for the BBC Micro, £10.  
Teleguipment Oscilloscope Type D755 opt 66, £250.

Marconi RF Electronic Millivolt Meter Type TF2603, £75.  
Hewlett Packard Spectrum Analyser 28GHz, Type 8566A, £1600.  
Hewlett Packard Modulation Analyser Type 8901A, £3900.  
Marconi 110MHz Spectrum Analyser Type TF2370, £950.  
Round Panel Meters, 1mA-0-1mA, 2 1/4", £2 each.  
Precision Variable Capacitor Model PVC2, £40.  
Hewlett Packard RMS Voltmeter Type 3406A, £250.  
Wristband Checkers, £15.  
Pye Westminster Mains Power Units Type AC15, £10 each.  
Tektronix Constant Amplitude Signal Generator Type 191, £150.  
Hewlett Packard Pattern Generator Type 3780A, £350.  
Tektronix Plug-in Type 7B53A, £75.  
Hewlett Packard Spectrum Analyser Mainframe Type 141T, £350.  
Hewlett Packard Plug-in Type 8694, £95.  
Teleguipment Oscilloscope Type D83, £235.  
Plessey H.F. Receiver Type PRS2280, Memory, CW, AM, SSB, LED Readout, £1700.  
Racal Universal Counter Type 9837H, £75.  
Hewlett Packard Peak Power Calibrator Type 8900B, £95.  
Stepper Motors, 12volt, 1.8Deg, £3 each.  
Racal-Dana Frequency Counter Type 1998, £900.  
Hitachi Video Tuner Type VT-TU70B, £45.  
Round Panel Meters, 3 1/4", 0-500vac, £2 each.  
Pye 10 Way Battery Chargers Type BC29 (PF85), £45.  
Pye Single Way Battery Chargers Type BC21D (PF85), £25.  
Advance Oscilloscope Type OS250, £120.  
Avo Multimeter Model 8 MK5, £100.  
Pye Controller Type UED6, £50.  
Pye Controller Type M2, £150.  
Tektronix Oscilloscope Type 7603 Mainframe, £200.  
Smiths Techometers, 0-2500 RPM, 4 1/2" Round, £5 each.  
Nicolet Digital Storage Oscilloscope Type 3091, £900.  
Racal Synthesized Signal Generator 520MHz Type 9081, £550.  
Taylor Digital Volt-Ohm Meter Type TD20, £45.  
Pye Single Way Battery Charger Type BC21R (PF9), £10.  
Pye Cambridge/Westminster Battery Chargers, £10.  
Pye 10 way Battery Chargers Type BC11 (PF2), £10.  
Tektronix Oscilloscope Type 7603, 7A26, 7B53A, £395.  
Schlumberger Radio Communications Test Set Type 4010, £750.  
Charging Units for Dosimeters, Quartz Fibre, £10.  
Pye Power Units Type AC200, £20.  
Pye Battery Pack Power Unit Type P200, £35.  
BOC Ar/He Gas Purifier Unit, £90.

\*\*\*\*\*  
Storno Starnet Mobile Radio Trunking Control System Type  
RA7728/00. Complete with 21 Storno 9000 Series Fixed Stations,  
UHF/VHF. POA  
\*\*\*\*\*

All items subject to availability. Technical  
information by telephone only.  
All prices include Carriage. No VAT.  
Callers by appointment only.

ARE YOU ON  
OUR MAILING  
LIST?



5 STATION ROAD, LITTLEPORT,  
CAMBS CB6 1QE  
PHONE: ELY (01353) 860185 FAX: ELY (01353) 863245



CIRCLE NO. 140 ON REPLY CARD

**SURVEILLANCE TELESCOPE** Superb Russian zoom telescope adjustable from 15x to 60x! complete with metal tripod (impossible to use without this on the higher settings) 66mm lens, leather carrying case £149 ref BAR69

**RADIATION DETECTOR SYSTEM** Designed to be wall mounted and connected into a PC, ideal for remote monitoring, whole building coverage etc. Complete with detector, cable and software. £19.95 ref BAR75.

**WIRELESS VIDEO BUG KIT** Transmits video and audio signals from a miniature CCTV camera (included) to any standard television! All the components including a PP3 battery will fit into a cigarette packet with the lens requiring a hole about 3mm diameter. Supplied with telescopic aerial but a piece of wire about 4' long will still give a range of up to 100 metres. A single PP3 will probably give less than 1 hours use. £99 REF EP79. (probably not licensable!)

**CCTV CAMERA MODULES** 46X70X29mm, 30 grams, 12v 100mA, auto electronic shutter, 3.6mm F2 lens, CCIR, 512x492 pixels, video output is 1v-p (75 ohm). Works directly into a scart or video input on a tv or vcr. IR sensitive. £79.95 ref EF137.

**IR LAMP KIT** Suitable for the above camera, enables the camera to be used in total darkness! £5.99 ref EP138.

**TANDATA D1400 VIEWDATA** Complete system comprising modem, infra red remote keyboard, psu, UHF and RGB output, phone lead, RS232 output, composite output. £9.95 ref BAR33.

**MAGNETIC CARD READERS** (Swipes) £9.95 Cased with flyleads, designed to read standard credit cards! they have 3 wires coming out of the head so they may write as well! complete with control electronics PCB. just £9.95 ref BAR31

**PANORAMIC CAMERA OFFER** Takes double width photographs using standard 35mm film. Use in horizontal or vertical mode. Complete with strap £7.99 ref BAR1

**COIN OPERATED TIMER KIT** Complete with coin slot mechanism, adjustable time delay, relay output, put a coin on anything you like! TVs, videos, fridges, drinks cupboards, HiFi, takes 50p's and £1 coins. DC operated, price just £7.99 ref BAR27.

**ZENITH 900 X MAGNIFICATION MICROSCOPE** Zoom, metal construction, built in light, shrimp farm, group viewing screen, lots of accessories. £29 ref ANAYLT.

**LUBITEL 166U** Twin lens Russian 2 1/4" sq reflex camera supplied with two free rolls of colour film, flip up magnifier, 3 element f4.5 lens. £19.99 ref BAR36.

**AA NICAD PACK** Pack of 4 tagged AA nicads £2.99 ref BAR34

**PLASMA SCREENS** 22x310mm, no data hence £4.99 ref BAR67

**NIGHTSIGHTS** Model TZS4 with infra red illuminator, views up to 75 metres in full darkness in infrared mode, 150m range, 45mm lens, 13 deg angle of view, focussing range 1.5m to infinity. 2 AA batteries required. 950g weight. £210 ref BAR61. 1 years warranty

**FILM-1** 150m range, 15 deg angle of view, focusing 10m-infinity, £179 ref BAR62. A separate infra red light is available at £30 ref BAR63.

**WHITE NIGHT SIGHTS** Excellent professional night sight, small, hand held with camouflaged carrying case £325. 1 years warranty.

**MEGA AIR MOVERS** 375 cubic feet per minl, 240v 200 WATT, 2,800 rpm, reversible, 7"x7" UK made, new, Aluminium, current list price about £180 ours? £29.95 ref BAR35.

**LIQUID CRYSTAL DISPLAYS** Bargain prices, 16 character 2 line, 65x14mm £1.99 ref SM1612A

16 character 2 line, 99x24mm £2.99 ref SM1623A  
20 character 2 line, 83x19mm £3.99 ref SM2020A  
16 character 4 line, 62x25mm £5.99 ref SMC1640A

**TAL-1 110MM NEWTONIAN REFLECTOR TELESCOPE** Russian. Superb astronomical scope, everything you need for some serious star gazing! up to 169x magnification. Send or fax for further details £249 ref TAL-1

**GOT AN EXPENSIVE BIKE?** You need one of our bottle alarms, they look like a standard water bottle. But open the top, insert a key to activate a motion sensor alarm built inside. Fits all standard bottle carriers. supplied with two keys. SALE PRICE £7.99 REF SA32.

**GOT AN EXPENSIVE ANYTHING?** You need one of our cased vibration alarms, keyswitch operated, fully cased just fit it to anything from videos to caravans, provides a years protection from 1 PP3 battery, UK made. SALE PRICE £4.99 REF SA33.

**DAMAGED ANSWER PHONES** These are probably beyond repair so just £4.99 each. BT response 200 machines. REF SA30.

**COMMODORE GAMES CONSOLES** Just a few of these left to dear at £5 ref SA31. Condition unknown.

**COMPUTER DISC CLEAROUT** We are left with a lot of software packs that need clearing so we are selling at disc value only! 50 discs for £4, that's just 8p each (our choice of discs) £4 ref EP66

**IBM PS2 MODEL 1602 CASE AND POWER SUPPLY** Complete with fan etc and 200 watt power supply. £9.95 ref EP67

**DELL PC POWER SUPPLIES** 145 watt, +5, -5, +12, -12, 150x150x85mm complete with switch, flyleads and IEC socket. SALE PRICE £9.99 ref EP55

**1.44 DISC DRIVES** Standard PC 3.5" drives but returns so they will need attention SALE PRICE £4.99 ref EP68

**1.2 DISC DRIVES** Standard 5.25" drives but returns so they will need attention SALE PRICE £4.99 ref EP69

**PP3 NICADS** Unused but some storage marks. £4.99 ref EP52

**DELL PC POWER SUPPLIES** (Customer returns) Standard PC psu's complete with fly leads, case and fan, pack of two psu SALE PRICE £5 FOR TWO!! ref EP61

**GASHOBS ANDOVENS** Brand new gas appliances, perfect for small flats etc. Basic 3 burner hob SALE PRICE £24.99 ref EP72. Basic small built in oven SALE PRICE £79 ref EP73

**BITS AND BOBS** We have a quantity of cased modems, multiplexers etc different specs but ideal strippers. £4 each ref EP63

**RED EYE SECURITY PROTECTOR** 1,000 watt outdoor PIR switch SALE PRICE £9.99 ref EP57

**ENERGY BANK KIT** 100 6"x6" 6v 100mA panels, 100 diodes, connection details etc. £69.95 ref EF112.

**PASTEL ACCOUNTS SOFTWARE**, does everything for all sizes of businesses, includes wordprocessor, report writer, windowing, networkable up to 10 stations, multiple cash books etc. 200 page comprehensive manual. 90 days free technical support (0345-326009 try before you buy) Current retail price is £129, SALE PRICE £9.95 ref SA12. SAVE £120!!

## WOLVERHAMPTON BRANCH NOW OPEN AT WORCESTER ST W HAMPTON TEL 01902 22039

**MINI MICRO FANS** 12V 1.5" sq SALE PRICE £2. Ref SA13.  
**REUSEABLE HEAT PACKS.** Ideal for fishermen, outdoor enthusiasts elderly or infirm, warming food, drinks etc, defrosting pipes etc. reusable up to 10 times, lasts for up to 8 hours per go, 2,000wh energy, gets up to 90 degC. SALE PRICE £9.95 REF SA29  
**12V ZAMP LAPTOP** psu's 110x55x40mm (includes standard IEC socket) and 2m lead with plug, 100-240v IP. £6.99 REF SA15.

**PC CONTROLLED 4 CHANNEL TIMER** Control (on/off times etc) up to 4 items (8A240v each) with this kit. Complete with Software, relays, PCB etc. £25.99 REF 95/26

**COMPLETE PC 300 WATT UPS SYSTEM** Top of the range UPS system providing protection for your computer system and valuable software against mains power fluctuations and cuts. New and boxed, UK made Provides up to 5 mins running time in the event of complete power failure to allow you to run your system down correctly. SALE PRICE just £89.00.

**SOLAR PATH LIGHTS** Low energy walklights powered by the sun built in PIR so they work when you walk past. Includes solar panel & rechargeable bat. SALE PRICE £19.95 REF EP62

**BIG BROTHER PSU** Cased PSU, 6v 2A output, 2m o/p lead, 1.5m input lead, UK made. 220v. SALE PRICE £4.99 REF EP7



Check out our  
**WEB SITE**

<http://www.pavilion.co.uk/bull-electrical>

**RACAL MODEM BONANZA!** 1 Racal MPS1223 1200/75m modem, telephone lead, mains lead, manual and comms software. The cheapest way onto the net! all this for just £13 ref DEC13.

**4.6mm LASER POINTER. BRAND NEW MODEL NOW IN STOCK!** supplied in fully built form (looks like a nice pen) complete with handy pocket clip (which also acts as the on/off switch.) About 60 metres range! Runs on 2 AAA batteries. Produces thin red beam. Ideal for levels, gun sights, experiments etc. Just £39.95 ref DEC49 TRADE PRICE £28 MIN 10 PIECES

**BULL TENS UNIT** Fully built and tested TENS (Transcutaneous Electrical Nerve Stimulation) unit, complete with electrodes and full instructions. TENS is used for the relief of pain etc in up to 70% of sufferers. Drug free pain relief, safe and easy to use, can be used in conjunction with analgesics etc. £49 REF TEN/1

**COMPUTER RS232 TERMINALS. (LIBERTY)** Excellent quality modern units, (like wyse 50, s) 2xRS232, 20 function keys, 50 thro to 38,400 baud, menu driven port, screen, cursor, and keyboard setup menus (18 menu's). £29 REF NOV4.

**RUSSIAN MONOCULARS** Amazing 20 times magnification, coated lenses, carrying case and shoulder strap £29.95 REF BAR73

**PC PAL VGA TO TV CONVERTER** Converts a colour TV into a basic VGA screen. Complete with built in psu, lead and swate. Ideal for laptops or a cheap upgrade. Supplied in kit form for home assembly. SALE PRICE £25 REF SA34

**EMERGENCY LIGHTING UNIT** Complete unit with 2 double bulb floodlights, built in charger and auto switch. Fully cased, 6v 8AH lead acid req'd. (secondhand) £4 ref MAG4P11.

**SWINGFIRE GUIDED MISSILE WIRE.** 4.200 metre reel of ultra thin 4 core insulated cable, 28lbs breaking strain, less than 1mm thick! Ideal alarms, intercoms, dolls house's etc. £13.99 ref EP51

**ELECTRIC CAR WINDOW DE-ICERS** Complete with cable, plug etc SALE PRICE JUST £4.99 REF SA28

**ASTEC SWITCHED MODE PSU** BM41012 Gives +5 @ 3.75A, +12 @ 1.5A, -12 @ 4A. 230/110, cased, BM41012. £5.99 ref AUG6P3.

**AUTO SUNCHARGER** 155x300mm solar panel with diode and 3 metre lead fitted with a cigar plug. 12v 2watt. £8.99 REF SA25.

**TOP QUALITY CENTRIFUGAL MAINS MOTORS SALE PRICE 2 FOR JUST £2.60 REF SA38**

**ECLATRON FLASH TUBE** As used in police car flashing lights etc, full spec supplied, 60-100 flashes a min. £8.99 REF SA15.

**24v AC 96WATT** Cased power supply. New. £9.99 REF SA40

**MILITARY SPEC GEGEIGER COUNTERS** Unused an straight from Her majesty's forces. SALE PRICE £44 REF SA16

**MICRODRIVE STRIPPERS** Small cased tape drives ideal for stripping, lots of useful goodies including a smart case, and lots of components. SALE PRICE JUST £4.99 FOR FIVE REF SA26

**SOLAR POWER LAB SPECIAL** You get TWO 6"x6" 6v 130mA solar cells, 4 LED's, wire, buzzer, switch plus 1 relay or motor. Superb value kit SALE PRICE JUST £4.99 REF SA27

**RGB/CGA/EGA/TTL COLOUR MONITORS** 12" in good condition. Best analysed metal case. SALE PRICE £49 REF SA16

**PLUG IN ACORN PSU** 19v AC 14w. £2.99 REF MAG3P10

**POWER SUPPLY** fully cased with mains and o/p leads 17V DC 900mA output. Bargain price £5.99 ref MAG6P9

**ACORN ARCHIMEDES PSU** +5v @ 4.4A. on/off sw uncased, £3.99 ref MAG7P2

**13.8V 1.9A PSU** cased with leads. Just £9.99 REF MAG10P3

**200 WATT INVERTER** Converts 10-15v DC into either 110v or 240v AC. Fully cased 115x36x156mm, complete with heavy duty power lead, cigar plug, AC outlet socket Auto overload shutdown, auto short circuit shut down, auto input over voltage shutdown, auto input under voltage shut down (with audible alarm), auto temp control, unit shuts down if overheated and sounds audible alarm. Fused reversed polarity protected, output frequency within 2%, voltage within 10%. A well built unit at a keen price. Just £64.99 ref AUG65.

**UNIVERSAL SPEED CONTROLLER KIT** Designed by us for the C5 motor but ok for any 12v motor up to 30A. Complete with PCB etc. A heat sink may be required. £17.00 REF: MAG17

**COMPUTER COMMUNICATIONS PACK KIT** contains 100m of 6 core cable, 100 cable clips, 2 line drivers with RS232 interfaces and all connectors etc. Ideal low cost method of communicating between PCs over a long distance. Complete kit £8.99.

**VIEWDATA SYSTEMS** made by Phillips, complete with internal 1200/75 modem, keyboard, psu etc RGB and composite outputs, menu driven, autodialler etc. SALE PRICE £12.99 REF SA18

**AIR RIFLES.** 22 As used by the Chinese army for training purposes, so there is a lot about! £39.95 REF EF78. 500 pellets £4.50 ref EF80.

**PLUG IN POWER SUPPLY SALE FROM £1.60** Plugs in to 13A socket with output lead. three types available, 9vdc 150mA £1.50 ref SA19, 9vdc 200mA £2.00 ref SA20, 6.5vdc 500mA £2 ref SA21.

**VIDEO SENDER UNIT.** Transmits both audio and video signals from either a video camera, video recorder, TV or Computer etc to any standard TV set in a 100' range! (tune TV to a spare channel) 12v DC op. Price is £15 REF: MAG15 12v psu is £5 extra REF: MAG5P

**\*FM CORDLESS MICROPHONE** Small hand held unit with a 500' range 2 transmit power levels. Reqs PP3 9v battery. Tuneable to any FM receiver. Price is £15 REF: MAG15P1

**\*MINATURE RADIO TRANSCIVERS** A pair of walkie talkies with a range up to 2km in open country. Units measure 22x52x155mm. Including cases and earpieces. 2xPP3 req'd. £30.00 pr. REF: MAG30

**\*FM TRANSMITTER KIT** housed in a standard working 13A adaptor! the bug runs directly off the mains so lasts forever! why pay £700? or price is £15 REF: EF62 (kit) Transmits to any FM radio.

**\*FM BUG BUILT AND TESTED** superior design to kit. Supplied to detective agencies. 9v battery req'd. £14 REF: MAG14

**TALKING COINBOX STRIPPER COMPLETE WITH COIN SLOT MECHANISMS** originally made to retail at £79 each, these units are designed to convert an ordinary phone into a payphone. The units have the locks missing and sometimes broken hinges. However they can be adapted for their original use or used for something else?? SALE PRICE JUST £2.50 REF SA23

**GAT AIR PISTOL PACK** Complete with pistol, darts and pellets £12.95 REF EF82B extra pellets (500) £4.50 ref EF80.

**6"X12" AMBIPHIOUS SOLAR PANEL** 12v 155x310mm 130mA. SALE PRICE £4.99 REF SA24.

**FIBRE OPTIC CABLE BUMPER PACK** 10 metres for £4.99 ref MAG5P13 ideal for experimenters! 30 m for £12.99 ref MAG13P1

**MIXED GOODIES BOX OF MIXED COMPONENTS WEIGHING 2 KILOS YOURS FOR JUST £5.99**

**4X28 TELESCOPIC SIGHTS** Suitable for all air rifles, ground lenses, good light gathering properties. £19.95 ref R/7.

**RATTLE BACKS** Interesting things these. small piece of solid perspex like material that if you try to spin it on the desk it only spins one way! in fact if you spin it the 'wrong' way it stops of its own accord and goes back the other way! £1.99 ref GJ/01.

**GYROSCOPES** Remember these? well we have found a company that still manufactures these popular scientific toys, perfect gift or for educational use etc. £6 ref EP70

**HYPOTHERMIA SPACE BLANKET** 215x150cm aluminised foil blanket, reflects more than 90% of body heat. Also suitable for the construction of two way mirrors! £3.99 each ref O/L041.

**LENSTATIC RANGER COMPASS** Oil filled capsule, strong metal case, large luminous points. Sight line with magnifying viewer. 50mm dia, 86gm. £10.99 ref OK604.

**RECHARGE ORDINARY BATTERIES UP TO 10 TIMES!** With the Battery Wizard! Uses the latest pulse wave charge system to charge all popular brands of ordinary batteries AAA, AA, C, D, four at a time! Led system shows when batteries are recharged, automatically rejects unsuitable cells, complete with mains adaptor. BS approved. Price is £21.95 ref EP31.

**TALKING WATCH** Yes, it actually tells you the time at the press of a button. Also features a voice alarm that wakes you up and tells you what the time is! Lithium cell included. £7.99 ref EP26.

**PHOTOGRAPHIC RADAR TRAPS CAN COST YOU YOUR LICENCE!** The new multiband 2000 radar detector can prevent even the most responsible of drivers from losing their licence!

Adjustable audible alarm with 8 flashing leds gives instant warning of radar zones. Detects X, K, and Ka bands. 3 mile range, 'over the hill' 'around bends' and 'rear trap' facilities. micro size just 4.25"x2.5"x.75". Can pay for itself in just one day! £79.95 ref EP3.

**SANYO NICAD PACKS** 120mmx14mm 4, 8v 270 mA suitable for cordless phones etc. Pack of 2 just £5 ref EP78.

**3" DISCS** As used on older Amstrad machines, Spectrum plus 3's etc £3 each ref BAR400.

**STEREO MICROSCOPES BACK IN STOCK** Russian, 200x complete with lenses, liquids, filters etc very comprehensive microscope that would normally be around the £700 mark, our price is just £299 (full money back guarantee) full details in catalogue. Ref 95/300.

**SOLAR POWERED CAR VENTILATOR** Simply fits along the top of the glass in a side window and provides a constant supply of fresh air in hot sunny conditions! keeps your car cool in summer. £19.95 ref s/vent.

**WE BUY SURPLUS STOCK FOR CASH FREE CATALOGUE**

**100 PAGE CATALOGUE NOW AVAILABLE, 45P STAMP OR FREE WITH ORDER.**

**CIRCLE NO. 141 ON REPLY CARD**

\*SOME OF OUR PRODUCTS MAY BE UNLICENSABLE IN THE UK

**BULL ELECTRICAL**  
250 PORTLAND ROAD, HOVE, SUSSEX  
BN3 5QT. (ESTABLISHED 50 YEARS)

MAIL ORDER TERMS: CASH, PO OR CHEQUE  
WITH ORDER PLUS £3 P&P PLUS VAT.

PLEASE ALLOW 7-10 DAYS FOR DELIVERY PHONE ORDERS  
WELCOME (ACCESS, VISA, SWITCH, AMERICAN EXPRESS)

TEL: 01273 203500  
FAX 01273 323077

E-mail [bulk@pavilion.co.uk](mailto:bulk@pavilion.co.uk)

**PORTABLE X RAY MACHINE PLANS** Easy to construct plans on a simple and cheap way to build a home X-ray machine! Effective device, X-ray sealed assemblies can be used for experimental purposes. Not a toy or for minors! £6/set. Ref F/XP1.

**TELEKINETIC ENHANCER PLANS** Mystify and amaze your friends by creating motion with no known apparent means or cause. Uses no electrical or mechanical connections, no special gimmicks yet produces positive motion and effect. Excellent for science projects, magic shows, party demonstrations or serious research & development of this strange and amazing psychic phenomenon. £4/set Ref F/TK1.

**ELECTRONIC HYPNOSIS PLANS & DATA** This data shows several ways to put subjects under your control. Included is a full volume reference text and several construction plans that when assembled can produce highly effective stimuli. This material must be used cautiously. It is for use as entertainment at parties etc only, by those experienced in its use. £15/set. Ref F/H2.

**GRAVITY GENERATOR PLANS** This unique plan demonstrates a simple electrical phenomena that produces an anti-gravity effect. You can actually build a small mock spaceship out of simple materials and without any visible means- cause it to levitate. £10/set Ref F/GRA1.

**WORLDS SMALLEST TESLA COIL/LIGHTENING DISPLAY GLOBE PLANS** Produces up to 750,000 volts of discharge, experiment with extraordinary HV effects, 'Plasma in a jar', St Elmo's fire, Corona, excellent science project or conversation piece. £5/set Ref F/BTC1/LG5.

**COPPER VAPOUR LASER PLANS** Produces 100mw of visible green light. High coherency and spectral quality similar to Argon laser but easier and less costly to build yet far more efficient. This particular design was developed at the Atomic Energy Commission of NEGEV in Israel. £10/set Ref F/CVL1.

**VOICE SCRAMBLER PLANS** Miniature solid state system turns speech sound into indecipherable noise that cannot be understood without a second matching unit. Use on telephone to prevent third party listening and bugging. £6/set Ref F/V59.

**PULSED TV JOKER PLANS** Little hand held device utilizes pulse techniques that will completely disrupt TV picture and sound! works on FM too! DISCRETION ADVISED. £8/set Ref F/TJ5.

**BODYHEAT TELESCOPE PLANS** Highly directional long range device uses recent technology to detect the presence of living bodies, warm and hot spots, heat leaks etc. Intended for security, law enforcement, research and development, etc. Excellent security device or very interesting science project. £8/set Ref F/BHT1.

**BURNING, CUTTING CO2 LASER PLANS** Projects an invisible beam of heat capable of burning and melting materials over a considerable distance. This laser is one of the most efficient, converting 10% input power into useful output. Not only is this device a workhorse in welding, cutting and heat processing materials but it is also a likely candidate as an effective directed energy beam weapon against missiles, aircraft, ground-to-ground, etc. Particle beams may very well utilize a laser of this type to blast a channel in the atmosphere for a high energy stream of neutrons or other particles. The device is easily applicable to burning and etching wood, cutting, plastics, textiles etc. £12/set Ref F/LC7.

**MYSTERY ANTI GRAVITY DEVICE PLANS** Uses simple concept. Objects float in air and move to the touch. Defies gravity, amazing gift, conversation piece, magic trick or science project. £6/set Ref F/ANT1K.

**ULTRASONIC BLASTER PLANS** Laboratory source of sonic shock waves. Blow holes in metal, produce 'cold' steam, atomize liquids. Many cleaning uses for PC boards, jewellery, coins, small parts etc. £6/set Ref F/ULB1.

**ULTRA HIGH GAIN AMP/STETHOSCOPIC MIKE/SOUND AND VIBRATION DETECTOR PLANS** Ultrasensitive device enables one to hear a whole new world of sounds. Listen through walls, windows, floors etc. Many applications shown, from law enforcement, nature listening, medical heartbeat, to mechanical devices. £6/set Ref F/HGA7.

**ANTI DOG FORCE FIELD PLANS** Highly effective circuit produces time variable pulses of acoustical energy that dogs cannot tolerate. £6/set Ref F/DOG2.

**LASER BOUNCE LISTENER SYSTEM PLANS** Allows you to hear sounds from a premises without gaining access. £12/set Ref F/LLIST1.

**CRAWLING INSECT ROASTER PLANS** Harmless high frequency energy pulses destroy pests as they crawl into the energy field! £4/set Ref F/RCR1.

**LASER LIGHT SHOW PLANS** Do it yourself plans show three methods. £6 Ref F/LLS1.

**PHASOR BLAST WAVE PISTOL SERIES PLANS** Handheld, has large transducer and battery capacity with external controls. £6/set Ref F/PSP4.

**INFINITY TRANSMITTER PLANS** Telephone line grabber/room monitor. The ultimate in home/office security and safety! simple to use! Call your home or office phone, push a secret tone on your telephone to access either: A) On premises sound and voices or B) Existing conversation with break-in capability for emergency messages. £7 Ref F/TELEGRAB.

**BUG DETECTOR PLANS** Is that someone getting the goods on you? Easy to construct device locates any hidden source of radio energy! Sniffs out and finds bugs and other sources of bothersome interference. Detects low, high and UHF frequencies. £5/set Ref F/BD1.

**ELECTROMAGNETIC GUN PLANS** Projects a metal object a considerable distance- requires adult supervision. £5 Ref F/EML2.

**ELECTRIC MAN PLANS, SHOCK PEOPLE WITH THE TOUCH OF YOUR HAND!** £5/set Ref F/EMA1.

**PARABOLIC DISH MICROPHONE PLANS** Listen to distant sounds and voices, open windows, sound sources in 'hard to get' or hostile premises. Uses satellite technology to gather distant sounds and focus them to our ultra sensitive electronics. Plans also show an optional wireless link system. £8/set Ref F/PM5.

**2 FOR 1 MULTIFUNCTIONAL HIGH FREQUENCY AND HIGH DC VOLTAGE, SOLID STATE TESLA COIL AND VARIABLE 100,000 VDC OUTPUT GENERATOR PLANS** Operates on 9-12vdc, many possible experiments. £10 Ref F/HVM7/TCL4.

**WOLVERHAMPTON BRANCH  
NOW OPEN AT WORCESTER ST  
W'HAMPTON TEL 01902 22039**

**MINI FM TRANSMITTER KIT** Very high gain preamp, supplied complete with FET electret microphone. Designed to cover 88-108 Mhz but easily changed to cover 63-130 Mhz. Works with a common 9v (PP3) battery. 0.2W RF. £7 Ref 1001.

**ELECTRONIC SIREN KIT** Impressive 5 watt power output. Ideal for car/bike alarm etc. 6-12v dc max current 1A. 1.2khz £6 Ref 1003.

**3-30V POWER SUPPLY KIT** Variable, stabilized power supply for lab use. Short circuit protected, suitable for professional or amateur use. 24v 3A transformer is needed to complete the kit. £14 Ref 1007.

**1 WATT FM TRANSMITTER KIT** Supplied with piezo electric microphone 8-30vdc. At 25-30v you will get nearly 2 watts! £12 ref 1009.

**FM/AM SCANNER KIT** Well not quite, you have to turn the knob yourself but you will hear things on this radio that you would not hear on an ordinary radio (even TV). Covers 50-160mhz on both AM and FM. Built in 5 watt amplifier, inc speaker. £15 ref 1013.

**MOSQUITO REPELLER KIT** Modern way to keep midges at bay! Runs for about a month on one 1.5v battery. £7 Ref 1015.

**3 CHANNEL SOUND TO LIGHT KIT** Wireless system, mains operated, separate sensitivity adjustment for each channel, 1,200 w power handling, microphone included. £14 Ref 1014.

**MOTORBIKE/CYCLE TREMBLER ALARM KIT** Adjustable sensitivity, preset alarm time, auto reset. Could be connected to horn etc. £12 Ref 1011.

**0-5 MINUTE TIMER KIT** adjustable, will switch up to 2A mains. Perfect for alarms, photography, etc. £7 Ref 1020.

**4 WATT FM TRANSMITTER KIT** Small but powerful FM transmitter, 3 RF stages, microphone and audio preamp included. £20 Ref 1028.

**STROBE LIGHT KIT** Adjustable from 1-60 Hz (a lot faster than conventional strobes). Mains operated. £16 Ref 1037.

**ULTRASONIC RADAR KIT** Ideal as a movement detector with a range of about 10 metres, automate your cat flap! 12v dc. £15 Ref 1049.

**LIQUID LEVEL DETECTOR KIT** Useful for tanks, ponds, baths, rain alarm, leak detector etc. Will switch 2A mains. £5 Ref 1081.

**COMBINATION LOCK KIT** Key, programmable, complete with keypad, will switch 2A mains. 9v dc operation. £10 ref 1114.

**PHONE BUG DETECTOR KIT** This device will warn you if somebody is eavesdropping on your line. £6 ref 1130.

**ROBOT VOICE KIT** Interesting circuit that distorts your voice! adjustable, answer the phone with a different voice! 12vdc £9 ref 1131.

**TELEPHONE BUG KIT** Small bug powered by the phone line, starts transmitting as soon as the phone is picked up! £8 Ref 1135.

**FUNCTION GENERATOR KIT** Produces sinusoidal, saw tooth and square waves from 20-20khz, separate level controls for each shape. Will produce all 3 together. 24vac. £16 ref 1008.

**3 CHANNEL LIGHT CHASER KIT** 800 watts per channel, speed and direction control supplied with 12 LEDs (you can fit triacs instead to make kit mains, not supplied) 9-12vdc £17 ref 1026.

**12V FLOURESCENT LAMP DRIVER KIT** Light up 4 foot tubes from your car battery! 9v 2a transformer also required. £8 ref 1069.

**VOX SWITCH KIT** Sound activated switch ideal for making bugging tape recorders etc, adjustable sensitivity. £8 ref 1073.

**INCAR SOUND TO LIGHT KIT** Put some atmosphere in your car with this mini 3 channel sound to light. Each channel has 6 led's. £10 ref 1086.

**7W HI FI AMPLIFIER KIT** Useful, powerful, ideal for audio systems, intercoms etc. 12-18vdc £7 ref 1025.



**Check out our  
WEB SITE**

<http://www.pavillon.co.uk/bull-electrical>

**PREAMP MIXER KIT** 3 input mono mixer, sep bass and treble controls plus individual level controls, 18vdc, input sens 100mA. £15 ref 1052.

**METAL DETECTOR KIT** Range 15-20cm, complete with case, 9vdc. £8 ref 1022.

**SINGLE CHANNEL SOUND TO LIGHT KIT** Mains operated, add rhythm to your party for only £8 ref 1006.

**SOUNDEFFECTS GENERATOR KIT** Produces sounds ranging from bird chirps to sirens. Complete with speaker, add sound effects to your projects for just £9 ref 1045.

**GUITAR PREAMP KIT** Complete with tone controls, small enough to fit in any guitar, based on TL082 IC, 9-12vdc £8 Ref 1091.

**16 WATT FM TRANSMITTER (BUILT)** 4 stage high power, preamp required 12-18vdc, can use ground plane, yagi or open dipole. £69 ref 1021.

**TELEPHONE AMPLIFIER KIT** Very sensitive amplifier which uses a pickup coil (supplied) will let you follow a conversation with out holding the phone. £11 ref 1059.

**HUMIDITY METER KIT** Builds into a precision LCD humidity

**\*SOME OF OUR PRODUCTS MAY BE UNLICENSABLE IN THE UK**

**BULL ELECTRICAL**  
250 PORTLAND ROAD, HOVE, SUSSEX.  
BN3 5QT. (ESTABLISHED 50 YEARS)  
MAIL ORDER TERMS- CASH, PO OR CHEQUE  
WITH ORDER PLUS £3 P&P PLUS VAT.  
PLEASE ALLOW 7-10 DAYS FOR DELIVERY PHONE ORDERS  
WELCOME (ACCESS,VISA, SWITCH, AMERICAN EXPRESS)  
TEL: 01273 203500  
FAX 01273 323077  
E-mail [bull@pavillon.co.uk](mailto:bull@pavillon.co.uk)

meter, 9ic design, pcb, lcd display and all components included. £49

**PC TIMER KIT** Four channel output controlled by your PC, will switch high current mains with relays (supplied). Software supplied so you can program the channels to do what you want whenever you want. Minimum system configuration is 286, VGA, 4.1, 640k, serial port, hard drive with min 100k free. £24.99

**DIVING RODS** Expensive technology cannot challenge the fool proof art of water diving, passed down from generation to generation. Seeing is believing. Use in the home, garden, countryside or desert, it's divinely simple! £4.99 a pair ref E3.

**HUGE BUBBLE MAKING KIT** You'll be amazed at the size of the bubbles you can achieve with this bubble making kit. Once you have got the knack it is possible to make bubbles of up to 40 feet long. £11.99 ref E9.

**FM CORDLESS MICROPHONE** This unit is an FM broadcasting station in miniature, 3 transistor transmitter with electret condenser mic + fet amp design result in maximum sensitivity and broad frequency response. 90-105mhz, 50-1500hz, 500' range in open country! PP3 battery required. £15.00 ref 15P42A.

**MAGNETIC MARBLES** They have been around for a number of years but still give rise to curiosity and amazement. A pack of 12 is just £3.99 ref GI/R20

**STETHOSCOPES** A fully functioning stethoscope for all those intricate projects. Enables you to listen to motors, pipes, heartbeats, walls, insects etc. £6 ref MAR6P6.

**NICKEL PLATING KIT** Professional electroplating kit that will transform rusting parts into showpieces in 3 hours! Will plate onto steel, iron, bronze, gunmetal, copper, welded, silver soldered or brazed joints. Kit includes enough to plate 1,000 sq.inches. You will also need a 12v supply, a container and 2 12v light bulbs. £39.99 ref NIK39.

**SHOP WOBBLERS!** Small assemblies designed to take D size batteries and 'wobble' signs about in shops! £3.99 Ref SEP4P2.

**OMRON ELECTRONIC INTERVAL TIMERS.**  
\*\*\*\*\*NEW LOW PRICES TO CLEAR!\*\*\*\*\*

**Miniature adjustable timers, 4 pole c/o output 3A 240v,**  
HY1230S, 12vDC adjustable from 0-30 secs. £4.99  
HY1210M, 12vDC adjustable from 0-10 mins. £4.99  
HY1260M, 12vDC adjustable from 0-60 mins. £4.99  
HY2460M, 24vAC adjustable from 0-60 mins. £2.99  
HY243H, 24vAC adjustable from 0-3 hours. £2.99  
HY2401S, 240v adjustable from 0-1 secs. £4.99  
HY2405S, 240v adjustable from 0-5 secs. £4.99  
HY24060m, 240v adjustable from 0-60 mins. £6.99

**DRINKING BIRD** Remember these? hook onto wine glass (supplied) and they drink, standup, drink, standup ETC! £4 each Ref EF1

**SOLAR POWER LAB SPECIAL** You get TWO 6"x6" 6v 130mA solar cells, 4 LEDs, wire, buzzer, switch plus 1 relay or motor. Superb value kit just £5.99 Ref: MAG6P8

**BUGGING TAPE RECORDER** Small voice activated recorder, uses micro cassette complete with headphones. £28.99 ref MAR29P1.

**PLUG IN ACORN PSU** 19v AC 14w , £2.99 Ref MAG3P10

**POWER SUPPLY** fully cased with mains and o/p leads 17v DC 900mA output. Bargain price £5.99 ref MAG6P9

**9v DC POWER SUPPLY** Standard plug in type 150ma 9v DC with lead and DC power plug, price for two is £2.99 ref AUG3P4.

**13.8V 1.9A** psu cased with leads. Just £9.99 Ref MAG10P3

**IN FRA RED REMOTE CONTROLLERS** Originally made for hi spec satellite equipment but perfect for all sorts of remote control projects. Our clearance price is just £2 Ref: MAG2

**MAINS CABLE** Precut black 2 core 2 metre lengths ideal for repairs, projects etc. 50 metres for £1.99 ref AUG2P7.

**COMPOSITE VIDEO KIT.** Converts composite video into separate H sync, V sync, and video. 12v DC. £8.00 Ref: MAG8P2.

**UNIVERSAL PC POWER SUPPLY** complete with flyleads, switch, fan etc. 200w at £20 Ref: MAG20P3 (265x155x125mm).

**GYROSCOPE** About 3" high and an excellent educational toy for all ages! Price with instruction booklet £6 Ref EF15.

**FUTURE PC POWER SUPPLIES** These are 295x135x60mm, 4 drive connectors 1 mother board connector. 150watt, 12v fan, lec inlet and on/off switch. £12 Ref EF6.

**VENUS FLYTRAP KIT** Grow your own carnivorous plant with this simple kit £3 Ref EF34.

**TWEETERS** 2" diameter good quality tweeter 140R (ok with the above speaker) 2 for £2 Ref: MAG2P5 or 4 for £3 Ref: MAG3P4

**6"x12" AMORPHOUS SOLAR PANEL** 12v 155x310mm 130mA Bargain price just £5.99 ea Ref MAG6P12.

**FIBRE OPTIC CABLE BUMPER PACK** 10 metres for £4.99 ref MAG3P13 Ideal for experimenters! 30 m for £12.99 ref MAG13P1

**ROCK LIGHTS** Unusual things these, two pieces of rock that glow when rubbed together believed to cause rain! £3 a pair Ref EF29.

**3" by 1" AMORPHOUS SOLAR PANELS** 14.5v, 700mA 10 watts, aluminium frame, screw terminals, £44.95 ref MAG45.

**ELECTRONIC ACCUPUNCTURE KIT** Builds into an electronic version instead of needles! good to experiment with. £7 ref 7P30

**SHOCKING COIL KIT** Build this little battery operated device into all sorts of things, also gets worms out of the ground! £7 ref 7P36.

**FLYING PARROTS** Easily assembled kit that builds a parrot that actually flaps its wings and flies 50 m range £6 ref EF2.

**HIGH POWER CATAPULTS** Hinged arm brace for stability, tempered steel yoke, super strength latex power bands. Departure speed of ammunition is in excess of 200 miles per hour! Range of over 200 metres! £7.99 ref R9.

**BALLON MANUFACTURING KIT** British made, small blob blows into a large, long lasting balloon, hours of fun! £3.99 ref GVE99R

**WE BUY SURPLUS STOCK FOR CASH**  
**FREE CATALOGUE**  
**100 PAGE CATALOGUE NOW AVAILABLE, 45P STAMP OR FREE ON REQUEST WITH ORDER.**  
**CIRCLE NO. 142 ON REPLY CARD**

# CLASSIFIED

TEL 0181 652 3620

FAX 0181 652 8956

## ARTICLES WANTED

### WE WANT TO BUY!!

*IN VIEW OF THE EXTREMELY RAPID CHANGE TAKING PLACE IN THE ELECTRONICS INDUSTRY, LARGE QUANTITIES OF COMPONENTS BECOME REDUNDANT. WE ARE CASH PURCHASERS OF SUCH MATERIALS AND WOULD APPRECIATE A TELEPHONE CALL OR A LIST IF AVAILABLE. WE PAY TOP PRICES AND COLLECT.*

**R. HENSON LTD.**

*21 Lodge Lane, N. Finchley,  
London N12 8JG.*

*5 Mins, from Tally Ho Corner.*

**TELEPHONE**

**0181-445-2713/0749**

**FAX 0181-445-5702**

### VALVES, and CRTs AVAILABLE

ONE MILLION VALVES stocked for Audio, Receiving, Transmitting & RF Heating. Rare brands such as Mullard & GEC available. Also MAGNETRONS, KLYSTRONS, CRTs and SOCKETS.

Large stocks of Russian & Sovtek items.

Please ask for our free catalogues of valves or CRTs.

### VALVES, etc. WANTED

Most types considered but especially KT88 (£48), PX4/PX25 (£50), KT66 (£35), KT77 (£15), EL34 (£10), EL37 (£9), ECC83 (£3).

Valves must be UK manufacture to achieve prices mentioned.

Also various valve-era equipment e.g. Garrard 301, (up to) £80.

Ask for a free copy of our wanted list.

BILLINGTON EXPORT LTD., Billingshurst, Sussex RH14 9EZ.

Tel: 01403 784961 Fax: 01403 783519

VISITORS STRICTLY BY APPOINTMENT.

MINIMUM ORDER £50 plus VAT

### WANTED!!

Top prices paid for your test equipment made by HEWLETT-PACKARD, MARCONI, FLUKE, TEKTRONIX, BOONTON, ROHDE & SCHWARZ etc.

From Europe's No. 1 Test Equipment Leader

**ROSENKRANZ-ELEKTRONIK, AXEL ROSENKRANZ  
GROSS GERAUER WEG 55, 64295 DARMSTADT/GERMANY**

Phone: 0049-6151-3998-0 Fax: 0049-6151-3998-18

**CONTACT US NOW!**

You are looking for test equipment? More than 10,000 units in stock for immediate delivery. Call or fax for our new 100 page catalogue

— today —

**\*\* WHAT WE DON'T HAVE YOU DON'T NEED \*\***

## ARTICLES FOR SALE

### ★★WANTED★★

Test equipment, Electronic Scrap, Valves, Transmitters/Receivers, Factory & Warehouse Clearance. Confidentiality Assured.

**TELFORD ELECTRONICS**

Phone: 01952 605451

Fax: 01952 677978

### WANTED

Test equipment, receivers, valves, transmitters, components, cable and electronic scrap and quantity.

Prompt service and cash.

**M & B RADIO**

86 Bishopgate Street  
Leeds LS1 4BB

Tel: 0113 2435649

Fax: 0113 2426881

WANTED Tektronics Oscilloscope Type 547 dead or alive. Good money paid. Can you help? If so phone Christopher Hilton-Johnson on 01280 860648 evenings and weekends.

### TOP PRICES PAID

For all your valves, tubes, semi conductors and IC's.

**Langrex Supplies Limited**

**1 Mayo Road  
Croydon**

**Surrey CR0 2QP**

**TEL: 0181-684 1166**

**FAX: 0181-684 3056**

WANTED Spectrum analyser and tracking generator for work up to 2.5GHz. Telephone Mike: 01432 271162.

### ELECTRONICS VALVES & SEMICONDUCTORS

Phone for a most courteous quotation

We are one of the largest stockists of valves etc, in the U.K.

### COLOMOR ELECTRONICS LTD

**170 Goldhawk Road,  
London W12 8HJ  
England.**

**Tel: 0181 743 0899**

**Fax: 0181 749 3934**

**ELECTRONIC COMPONENTS** Large quantity new passive active cabinets power supplies etc. Worth over £2,000 but will accept £250. 01625 527282.

**PICO ADC-10** Parallel port computer A-to-D converter with Picoscope and Picolog software. £35. 0161 793 4936 after 6pm please.

### STATIC INVERTORS

Ferranti type F.I.45E A/C type 24/28v DC I/P rated O/P 115v 400c/s 1 phase 150 watt cont sine wave, or 225 watt 10 Min. with connec & mt hardware. £220 each inclusive.

**A.H. SUPPLIES**

Unit 12, Bankside Works  
Darnall Road, Sheffield S9 5HA

**Tel: 0114 244 4278**

### FOR SALE - MULTICORE CABLE.

Various lengths of 8 way heavy duty Sound Cable, also 100m lengths of 4 way Data Cable, plus 500m RG62 a/v. Offers. (01707) 263953.

### FIELD ELECTRIC LTD

Unit 2, Willows Link  
Stevenage SG2 8AB

Tel: 01438 353781 Fax: 01438 359397  
0836 640328

Test Equipment - Professional Audio Video - Computer Hardware - General Electronics - Purchased & Sold.

Please ring for a list.

Overseas enquiries welcome

**PRECISION MULTIMETER**, Datron 1071 6/7 digits. Volts, 4 Wire Ohms, DC current IEEE Interface. Manuals + calibration certificate. £550. 01243 830018 (West Sussex).

**FOR SALE** Electronic workbench version 3. For use with your PC. Tel: Daz 0956 142132 anytime.

### PURCHASE FOR CASH

**SURPLUS - OBSOLETE - REDUNDANT - EXCESS** stocks of electronic, electrical components/accessories, part processed and/or finished products. Please submit preliminary information or lists for immediate response to:

**K.B. COMPONENTS, 21 Playle Chase, Gt Totham,  
Maldon, Essex CM9 8UT**

**Telephone 01621-893204. Facsimile 01621-893180.**



# CLASSIFIED

TEL 0181 652 3620

FAX 0181 652 8956

## ARTICLES FOR SALE



### SUPPLIER OF QUALITY USED TEST INSTRUMENTS



CONTACT

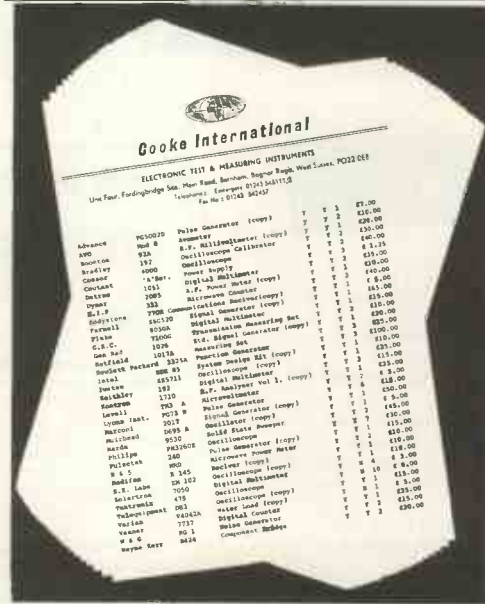
### Cooke International

ELECTRONIC TEST & MEASURING INSTRUMENTS  
Unit Four, Fordingbridge Site, Main Road, Barnham,  
Bognor Regis, West Sussex, PO22 0EB  
Tel: (+44)01243 545111/2 Fax: (+44)01243 542457

CIRCLE NO. 143 ON REPLY CARD



### OPERATING & SERVICE MANUALS



CONTACT

### Cooke International

ELECTRONIC TEST & MEASURING INSTRUMENTS  
Unit Four, Fordingbridge Site, Main Road, Barnham,  
Bognor Regis, West Sussex, PO22 0EB  
Tel: (+44)01243 545111/2 Fax: (+44)01243 542457

CIRCLE NO. 144 ON REPLY CARD

## INDEX TO ADVERTISERS

|                         | PAGE   |                                   | PAGE |                     | PAGE |
|-------------------------|--------|-----------------------------------|------|---------------------|------|
| Adept                   | 47     | Halcyon Electronics               | 46   | Number One Systems  | 38   |
| Airlink                 | 46     | Hart Electronic Kits Ltd          | 75   | Quickroute Systems  | 2    |
| AMI                     | 23     | HSPS Ltd                          | 17   | Ralfe Electronics   | 88   |
| Antex                   | 45     | ICE Technology Ltd                | IFC  | Seetrex             | 17   |
| Bamber Electronics      | 83     | Interconnections                  | 2    | Stag Programmers    | 11   |
| Bull Electrical         | 84, 85 | Iosis                             | 23   | Stewart of Reading  | 30   |
| CMS                     | 17     | Johns Radio                       | 60   | Surrey Electronics  | 46   |
| Cooke International     | 87     | JPG Electronics                   | 30   | TDC                 | 23   |
| Cricklewood Electronics | 45     | Kanda Systems                     | 29   | TDS                 | 29   |
| Crossware               | 11     | Kestral Electronic Components Ltd | 30   | Technology Sources  | 64   |
| Crownhill Associates    | 45     | Keytronics                        | 62   | Telnet              | 31   |
| Danmere                 | 11     | Langrex                           | 30   | Those Engineers Ltd | 29   |
| Display Electronics     | 70     | Lloyd Research                    | 2    | Tie Pie             | 7    |
| Flight Electronics      | IBC    | M&B Radio (Leeds)                 | 64   | Ultimate Technology | 56   |
| Grandata                | 67     | Milford Instruments               | 38   | Wimbourne           | 34   |

## SPECTRUM ANALYSERS



|  |                |
|--|----------------|
| IFR MODEL A-7550 1GHz portable                             | £3500          |
| HP141T 1.25GHz system (8552B, 8554B)                       | £1250          |
| HP8557A 350MHz (fitted in 182C mainframe)                  | £1500          |
| HP3580A 5Hz-50kHz audio frequency spectrum analyser        | £1000 to £1500 |
| HP3582A audio frequency ft analyser dual-channel           | £2000          |
| HP8568A high-specification 1.5GHz spectrum analyser        | £7500          |
| MARCONI 2386 100Hz-26.5GHz (in 1Hz steps)                  | £15000         |
| TEKTRONIX 496P 1.8GHz spectrum analyser, GPIB programmable | £4500          |

## MARCONI INSTRUMENTS



|  |        |
|--|--------|
| 2019A synthesized AM/FM signal generator<br>80kHz-1040MHz        | £2000  |
| 2305 modulation analyser 50kHz-2.3GHz                            | £3000  |
| 2828A/2829 digital simulator/analyser                            | £500   |
| 2386 spectrum analyser, superb specification,<br>100Hz-26.5GHz   | £15000 |
| 2926 TV generator & inserter (NTSC variant)                      | £500   |
| 6460/6421 power meter & sensor 10MHz-12.4GHz                     |        |
| 6500 amplitude analyser c/w 2c 6514 waveguide detectors          |        |
| 6960 microwave power meter with 6910 power sensor<br>10MHz-20GHz |        |
| OA2805A pcm regenerator test set                                 |        |
| TF2910/4 non-linear distortion (video) test set                  |        |
| TF2910 TV interval timer   |        |

**ralfe electronics** exclusively professional T&M ©  
 • 36 Eastcote Lane • South Harrow • Middx HA2 8DB • England •  
 TEL (+44) 0181-422 3593 • FAX (+44) 0181-423 4009

EST  
41  
YRS



DISTRIBUZIONE E ASSISTENZA, ITALY: TLC RADIO, ROMA (06) 871 90254

## TEST EQUIPMENT

|  |       |
|--|-------|
| BRUEL & KJAER 2511 vibration meter (field set with 1621 filter)          | £1000 |
| BRUEL & KJAER 2517 portable level recorder                               | £1500 |
| BRUEL & KJAER 2619 preamplifier complete with 315 1/2" microphone        | £500  |
| BRUEL & KJAER 2609 measuring amplifier                                   | £750  |
| BRUEL & KJAER 2308 analogue X-Y pen recorder                             | £750  |
| BRUEL & KJAER 2639 preamplifier  | £325  |
| CHASE LFR1000 interference measuring receiver 9kHz-150kHz                | £1000 |
| DATRON 1061 & 1061A - various digital multimeter & 1065 - call from £500 |       |

**ralfe electronics** exclusively professional T&M ©  
 SEND FOR LATEST STOCK LIST. WE FAX LISTS  
 AND SHIP WORLDWIDE. ALL FULLY LAB-TESTED  
 AND NO-QUIBBLE GUARANTEED



ISO9002 ACCREDITED STOCKIST  
 CERT.: 95/013 MEASUREMENT & TEST EQUIPMENT CERT.: 95/013



|   |        |
|---|--------|
| IDACOM PT502 protocol analyser (Hewlett Packard E3910B with E3936A) | £3500  |
| JJ INSTRUMENTS CR600 2-channel pen recorder                         | £350   |
| KIKSUI 8520 frequency response analyser 20Hz-200kHz                 | £500   |
| PHILIPS PM8272 X-Y & Y-I dual-channel pen recorder                  | £850   |
| RACAL-DANA 1992 frequency counter 1.3GHz IEEE option                | £700   |
| SYSTRON DONNER 1300 synthesized signal generator 100Hz-1GHz GPIB    | £1350  |
| TEKTRONIX AA501/SG505 distortion analyser (complete with TM503)     | £1250  |
| TEKTRONIX P6303 scope probes NEW 250MHz X1/X10 with readout pin     | £500ea |
| WAVETEK 2520 synthesized signal generator 200kHz-2700MHz            | £2500  |

## HEWLETT PACKARD



|   |       |
|---|-------|
| 1640B serial data generator             | £500  |
| 3561A dynamics signal analyser (opt 01) | £5500 |
| 3764A digital transmission analyser     | £2000 |
| 3312A function generator                | £500  |
| 3400A voltmeter, analogue 10Hz-10MHz    | £250  |

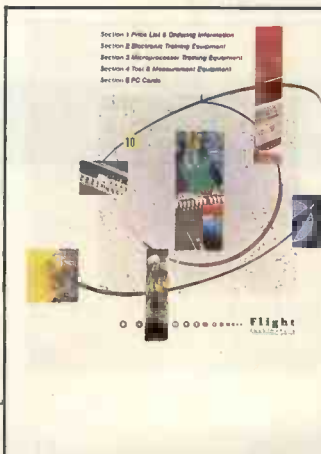
|   |                |
|---|----------------|
| 3456A digital multimeter  | £750           |
| 3580A audio frequency spectrum analyser                         | £1000 to £1500 |
| 3581C selective voltmeter                                       | £1250          |
| 3582A dual-channel spectrum analyser 0.02Hz-25.5kHz             | £2000          |
| 3799D primary multiplex analyser                                | £3000          |
| 4140B pA/meter, DC voltage source                               | £4000          |
| 4339A high resistance meter c/w lead set 16117B                 | £2000          |
| 4275A serial-frequency fcr meter                                | £3500          |
| 435B microwave power meter, analogue                            | £400           |
| 436A microwave power meter (digital)                            | £850           |
| 4951C protocol analyser with 1817A pod                          | £1000          |
| 5334B frequency counter w option 010 high-stab                  | £1250          |
| 5386A 3GHz frequency counter                                    | £1500          |
| 54100A 1GHz digitizing oscilloscope                             | £2250          |
| 6012A power supply 0-60V 0-50A 1000W                            | £650           |
| 6033A system power supply 0-20V 0-30A                           | £1000          |
| 6114A precision power supply unit 0-20V/2A, 20-40V/1A           | £650           |
| 6253A dual power supply 0-20V 0-1A twice                        | £250           |
| 6443B power supply 0-120V 0-2.5A                                | £400           |
| 6825A bipolar power supply/amplifier -20V to +20V, 0-1A         | £350           |
| 8007B pulse generator 100MHz                                    | £950           |
| 8018A serial data generator                                     | £1000          |
| £8082A pulse generator 250MHz                                   | £2000          |
| 8111A pulse generator 20MHz                                     | £1250          |
| 816A slotted line 1.8-18GHz with 809C & 447B probe              | £500           |
| 8444A tracking generator with option 059                        | £1250          |
| 8568A spectrum analyser 100Hz-1.5GHz                            | £7500          |
| 8640B signal generator w opt 01 & 03 (variable audio osc & rpp) | £1250          |
| 87510A gain-phase analyser 100kHz-300MHz                        | £6500          |
| 8901A modulation analyser with option 02/010                    | £3500          |
| 8903A audio analyser  | £2000          |

CIRCLE NO. 145 ON REPLY CARD

# ELECTRONIC UPDATE

Contact Malcolm Wells on  
0181-652 3620

A regular advertising feature enabling  
readers to obtain more information  
on companies' products or services.



## New Flight Electronics International Catalogue Set

You now have access to the world's latest:  
 ★ Electronics Training Equipment  
 ★ Microprocessor Training Equipment  
 ★ Test and Measurement Equipment  
 ★ PC Cards

via "Flight's" latest catalogue set.

We are specialists in the provision of innovative top quality electronics trainers, breadboards, test and measurement, PC cards and microprocessor evaluation equipment.

Our extensive range covers every need, call today for your free catalogue set.

CIRCLE NO. 146 ON REPLY CARD

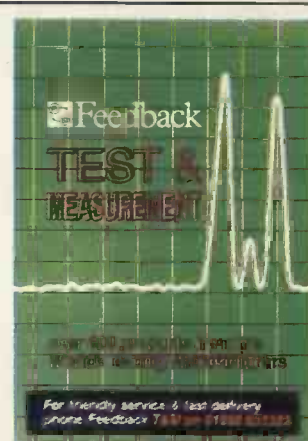


## NEW CATALOGUE

The new 1996 National Instruments Instrumentation Reference and Catalogue is available now. Discover how to develop integrated systems for test and measurement and industrial automation. Includes details of over 500 software and hardware products for PCs and workstations. Includes valuable tutorials on data acquisition and instrument control.

NATIONAL INSTRUMENTS  
Tel: 01635 523545

CIRCLE NO. 148 ON REPLY CARD



## NEW Feedback T&M Catalogue

The latest edition of the Feedback Test & Measurement catalogue is now available. Over 60 pages packed with more than 800 products divided into over 20 sections. The catalogue is indexed for both product and manufacturer and is fully illustrated. Whether you are looking for an individual product, a complete workstation, or a solution to a particular Test & Measurement need the NEW Feedback catalogue will solve your problems, send for a copy NOW!

CIRCLE NO. 147 ON REPLY CARD



## 1995 MASTER PRODUCT CATALOGUE NOW OUT!

Test and instrument control solutions. 48 pages of full description and technical data on our own range of solutions to your PC and PS2 interfacing problems: IEEE488 (GPIB) \* DIO \* Timer/Counters \* RS232 \* RS422/485 \* A/D \* D/A \* plus Opto Isolated versions. New Parallel/Serial RS232. Opto Dual RS232. Motion Control, Converter and Repeater for 1995!  
 ISO 9001 Quality guarantee ✓  
 UK design and manufacture ✓  
 36 month no-quibble warranty ✓  
 Telephone hotline support ✓  
 Competitive pricing on the page ✓  
 Intelligent solutions 8 friendly service ✓

BRAIN BOXES

Unit 3f Wavertree Boulevard South  
Wavertree Technology Park  
Liverpool L7 9PF  
Tel: 0151 220 2500 Fax: 0151 252 0446

CIRCLE NO. 149 ON REPLY CARD

NEW! NEW! NEW! NEW! NEW! NEW! NEW! NEW! NEW! NEW! NEW!

# At last! The complete PC-Based PLD Training System



**ONLY  
£695.00**

## THE PAL TRAINER

Until now, introducing students and engineers to the world of Programmable Logic Devices has been fraught with problems.

It not only has the necessary hardware to be laboriously assembled in bits and pieces, but suitable software and - equally important - supporting documentation has been, if anything, harder to source.

With the launch of THE PAL TRAINER system from Flight Electronics International, the entire problem has been neatly solved in one comprehensive hardware/software/documentation package...

...providing everything that the engineer and student needs for a thorough introduction to PLD's at a very realistic price.

### COMPLETE & COMPREHENSIVE

One of the main advantages of THE PAL TRAINER is its completeness. The board and accessory kit consists of:

The MPLDT-10 main unit - a sturdy metal-cased PCB containing both a GAL programmer and a test unit. There is also a separate demo area for use with the demonstration section of the manual.

A PCPET interface card, which plugs into a free PC expansion slot, and connects to the main unit via a supplied API-37 cable. This allows rapid programming of the PLD, and greater flexibility than a serial link can deliver.

A 360kb system diskette containing the board driver files.

An external power line for use with the experiment section.

Various connection lines and block jumpers.

The comprehensive PAL TRAINER User's Manual. This has been written in precise, easy-to-understand English,

and takes the student right from unpacking and setting up the system, through a short demonstration program which runs without the need to do into PALASM and then, in a gentle step-by-step sequence, through 23 separate experiments.

- The complete PALASM software package, whose separate manual also contains a number of example programs.

### SIMPLE, FAST, FRIENDLY

The design parameters of THE PAL TRAINER were that it should:

- run on IBM XT, AT or compatibles - with no need for ANY other hardware.
- provide a complete training course, from initial logic design, to PC simulation, device programming & testing.
- be enjoyable, readily-understandable, but fully applicable to 'real-world' situations.
- include a top programming language - in this case AMD's PALASM Version 4, widely regarded as the PLD standard. Version 4, incidentally, can be linked to other schematic packages such as OrCad.

**CIRCLE NO. 102 ON REPLY CARD**

## 14 UNIQUE ADVANTAGES!

- ✓ Superb Manual
- ✓ Everything in one box
- ✓ Save time & money
- ✓ Demo area provided
- ✓ 23 worked experiments
- ✓ Menu drive for fast learning
- ✓ Includes PALASM
- ✓ 3 simultaneous PLD's
- ✓ Jumper wire linkage
- ✓ Supports GAL16V8 & GAL20V8
- ✓ 3 input, 4 output areas
- ✓ No tied up ports
- ✓ 4 FREE GAL's
- ✓ 12 month guarantee

#### LIKE TO SEE THE PAL TRAINER IN ACTION?

Nothing beats an actual hands-on experience of the system's completeness, ease of use, and flexibility. Just call 01703 227721 and order today! - We operate a 'no strings' 30 days 'no risk' refund.

### USING THE SYSTEM

The two main parts of the PAL TRAINER are the programmer and the applications sections. Using the programmer section, up to 3 GAL devices are placed in ZIF sockets, and programmed from the PC using the supplied software. This lets you choose a particular PAL to emulate, loads a JEDEC file into memory (either generated from the PAL TRAINER's own software or any other appropriate software package), downloads the JEDEC file to the GAL, and even lets you 'view' the GAL once it has been programmed.

We accept:



Flight House  
Ascupart Street  
Southampton  
SO14 1WP U.K.

Telephone:  
01703 227721  
Facsimile:  
01703 330039  
Email: Sales  
@flight demon.co.uk



# Flight

ELECTRONICS  
INTERNATIONAL LIMITED

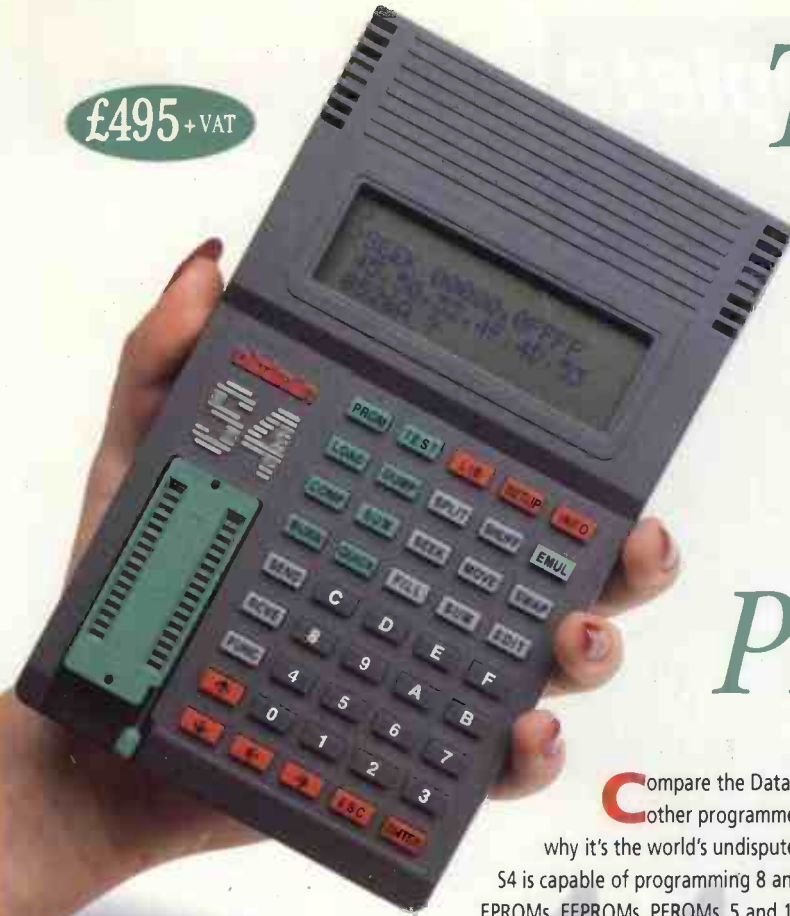
light  
iso  
make

- ELECTRONIC & MICROPROCESSOR TRAINING EQUIPMENT
- TEST & MEASUREMENT EQUIPMENT
- 4 FREE COLOUR BROCHURES AVAILABLE - CALL TODAY!

**TEL: 01703 227721**  
**FAX: 01703 330039**

£495 + VAT

# THE WORLD'S MOST POWERFUL, PORTABLE PROGRAMMERS



Compare the Dataman S4 with any other programmer and you'll see why it's the world's undisputed number one.

S4 is capable of programming 8 and 16-bit EPROMs, EEPROMs, PEROMs, 5 and 12V FLASH, BOOT-BLOCK FLASH, PICs, 8751 Microcontrollers and more. S4 also emulates ROM and RAM as standard! S4 is the only truly hand held programmer that ships complete with all emulation leads, organiser-style manual, AC charger, spare library ROM, both DOS and Windows terminal software, and arrives fully charged and ready to go! Who else offers you all this plus a three year guarantee?

Customer support is second to none. The very latest programming library is always available free on the Internet, and on our dedicated bulletin boards. Customers NEVER pay for upgrades or technical support.

### Dataman-48

Our new Dataman-48 programmer adds Pinsmart® technology to provide true no-adaptor programming right up to 48-pin DIL devices. Dataman-48 connects

straight to your PC's parallel port and works great with laptops. Coming complete with an integral world standard PSU, you can take this one-stop programming solution anywhere!

As with S4, you get free software upgrades and technical support for life, so now you don't need to keep paying just to keep programming.

The current device library contains over 1500 of the most popular logic and memory devices including GALs, PALs, CEPALs, RALs, 8 and 16-bit EPROMs, EEPROMs, PEROMs, FLASH, BOOT-BLOCK, BIPOLAR, MACH, FPGAs, PICs and many other Micro-Controllers. We even include a 44-pin universal PLCC adaptor.

If you need to program different packaging styles, we stock adaptors for SOP, TSOP, QFP, SDIP as well as memory emulation pods.

Order your Dataman programming solution today via our credit card hotline and receive it tomorrow. For more detailed information on these and other market leading programming products, call now and request your free copy of our new colour brochure.

### The Dataman Challenge

Try the Dataman S4 or Dataman-48 without obligation for 30 days. If you do not agree that these are the most effective, most useful, most versatile additions you can make to your programming toolbox, we will refund your money in full.

CIRCLE NO: 103 ON REPLY CARD

£795 + VAT



Credit Card Hotline  
01300 320719

Orders received by 4pm will normally be despatched same day. Order today, get it tomorrow!

## DATAMAN

Dataman Programmers Ltd,  
Station Road, Maiden Newton,  
Dorset DT2 0AE. UK

Telephone +44/0 1300 320719

Fax +44/0 1300 321012

BBS +44/0 1300 321095 (24hr)

Modem V.34/V.FC/V.32bis

Home page: <http://www.dataman.com>

FTP: <ftp.dataman.com>

Email: [sales@dataman.com](mailto:sales@dataman.com)

