

# ELECTRONICS & WIRELESS WORLD

APRIL 1989 £1.95

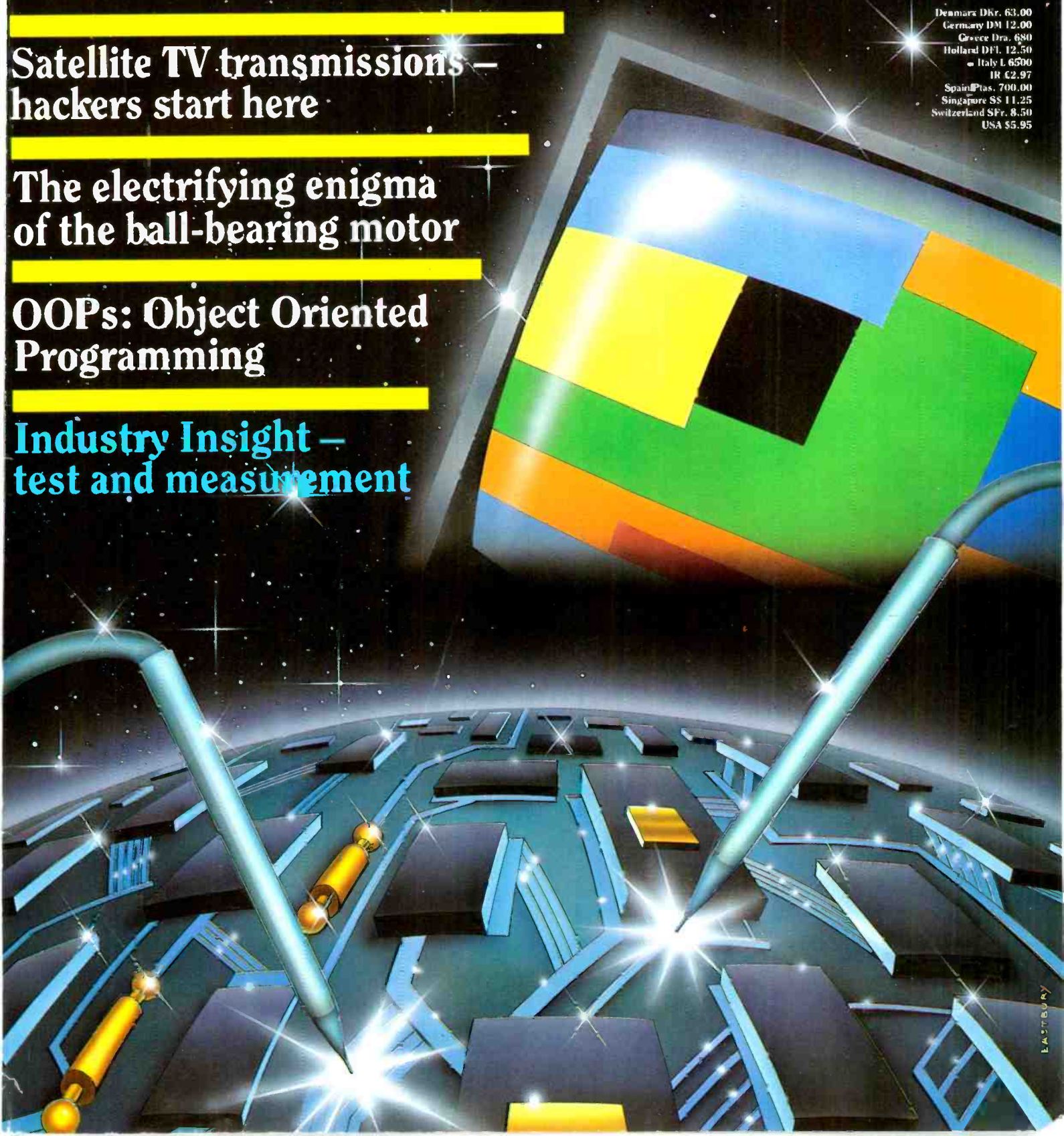
**Satellite TV transmissions –  
hackers start here**

**The electrifying enigma  
of the ball-bearing motor**

**OOPs: Object Oriented  
Programming**

**Industry Insight –  
test and measurement**

Denmark Dkr. 63.00  
Germany DM 12.00  
Greece Dra. 680  
Holland Dfl. 12.50  
Italy L. 6500  
IR €2.97  
Spain Ptas. 700.00  
Singapore S\$ 11.25  
Switzerland SFr. 8.50  
USA \$5.95



# UNBEATABLE PRICES



## GREAT OFFERS ON TRIED AND TESTED USED EQUIPMENT

### ATLANTIC RESEARCH

40A Data Analyser £1950

### BARCO

5151-NP 14" Colour Monitor, 25MHz and 50 MHz Video Bandwidth £ 750

CD5137-NP Colour Monitor £ 450

### FLUKE

6010A Frequency Synthesiser, 0.1Hz to 110KHz £1500

8050A 4½ Digit Multimeter £ 175

### MARCONI

2370 Spectrum Analyser, 30Hz-110MHz, 1Hz resolution, 100dB displayed dynamic range. X-Y output, digital storage of spectral information. £4500

2371 Spectrum Analyser, 30Hz-200MHz £6000

2437 Universal Counter Timer, DC to 100MHz £ 475

2438 Universal Counter Timer, DC to 520MHz £ 650

2610 True RMS Voltmeter £ 850

6059A Signal Source 12-18GHz £1200

6158A Signal Source 8-12.4GHz £ 950

6159 Signal Source 12-18GHz £1500

6460 TFT Power Meter £ 950

6500-001 Automatic Amplitude Analyser £1950

### PHILIPS

3219 50MHz Analogue Storage Scope. Will operate from DC power source 21-30V £1500

3267 100MHz Scope £ 950

### HEWLETT PACKARD

2671G Thermal Graphics Printer £ 300

3581C Selective Voltmeter £ 950

3582A Spectrum Analyser £ 4950

4951A Protocol Analyser £ 1950

4951B Protocol Analyser £ 2250

6940B Multiprogrammer £ 650

8016A Word Generator £ 1250

8568A Spectrum Analyser, 100Hz-1500MHz £15000

8662A Synthesised Signal Generator, £11000

100KHz-1.28GHz

8672A Signal Generator, 2-18GHz £16500

### RACAL

9081 AM/FM Generator, 520MHz £ 1250

9702 Spectrum Analyser, 0.1 to 1000MHz £ 4250

### TEKTRONIX

1225 Logic Analyser, 100Hz 48-Channel £ 1500

2430 2 Channel, 1500Hz realtime 100Ms/sec sample rate, Digital Scope £ 3500

2445 4 Channel, 150MHz realtime Analogue Scope £ 1750

2710 Spectrum Analyser, 1.8GHz £ 3000

4114 Graphics Display with 1Mb £ 2000

4663 A2 plotter, RS232 and GPIB.9 Character fonts, dual programmable pen control £ 800

7904 500MHz, Mainframe £ 2950

7L12 100KHz to 1.8GHz £ 4000

7L18 Spectrum Analyser Plug-in 1.5 to 18GHz Spectrum Analyser £ 6000

### WILTRON

6663A 2 to 40GHz Sweep Generator £17500

All prices advertised are exclusive of carriage and VAT.

All equipment sold subject to availability.

Warranty period 12 months on all equipment (except computers MDS - 3 months).

FOR FURTHER  
INFORMATION  
TELEPHONE



LONDON 0753 580000  
MANCHESTER 061-973 6251  
ABERDEEN 0224 899522

(All prices advertised are exclusive of carriage and V. A. T.)

ENTER 1 ON REPLY CARD

# IEEE-488...

**Instrument Control  
Solutions For  
Your Computer**



**National Instruments,  
the IEEE-488 leader,  
has the widest selection  
of hardware interfaces  
and software technologies.**



*The Software is the Instrument*

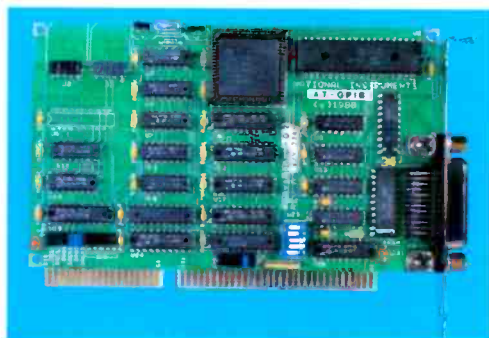
# NATIONAL INSTRUMENTS HARDWARE MEETS ALL YOUR GPIB NEEDS

National Instruments has been working with the IEEE-488 bus (GPIB) for more than 12 years. Our hardware products are designed to meet *all* your needs. Choose any popular computer and we have an IEEE-488 solution. Each product line also offers you the choice of a low-cost solution for less demanding applications or a high-performance solution for applications that demand the best. We back our products with comprehensive customer support. No one gives you more choices, better performance, or better support than National Instruments.



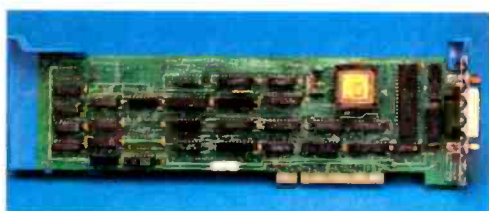
## Turbo488™ ASIC Technology

At the heart of our highest performance interface boards is the National Instruments Turbo488 Application Specific Integrated Circuit (ASIC). Turbo488 integrates 26 chips into one, resulting in a lower cost implementation with significantly improved performance. Special last-byte handling significantly reduces the software overhead of an application program.



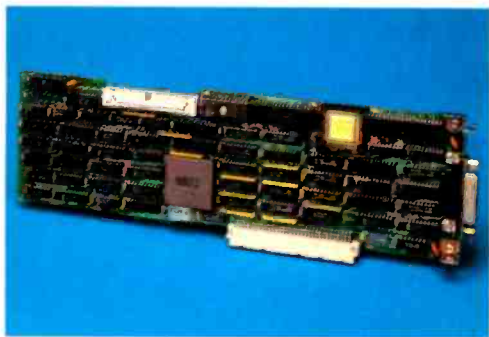
### AT-GPIB—PC/AT Interface

- ★ Turbo488 ASIC
- ★ 1M bytes/sec DMA rates
- ★ GPIB monitor port for board and bus level diagnostics
- ★ Byte-to-word packing/unpacking to increase throughput
- ★ 11 interrupt levels
- ★ Three 16-bit DMA channels
- ★ Shared interrupt and DMA capability
- ★ LabWindows and NI-488 Software support
- ★ Operates independent of AT clock speed



### MC-GPIB—Personal System/2 Micro Channel Interface

- ★ Turbo488 ASIC
- ★ 1M bytes/sec DMA rates
- ★ Programmable Option Set circuitry for selecting I/O address, interrupt level, and DMA channel
- ★ Byte-to-word packing/unpacking to increase throughput
- ★ LabWindows and NI-488 Software support



### NB-DMA-8-G—Macintosh II NuBus Interface

- ★ Turbo488 ASIC
- ★ 1M bytes/sec DMA rates
- ★ 8 channels of high-performance 32-bit DMA
  - Buffer chaining
  - Accesses full NuBus 4 gigabyte address space
- ★ DMA and timing support for National Instruments data acquisition cards via RTSI bus
- ★ 8 independent 16-bit counter/timer channels
- ★ LabVIEW and NI-488 Software support



### NB-GPIB—Macintosh II NuBus Interface

#### GPIB-SE—Macintosh SE Interface

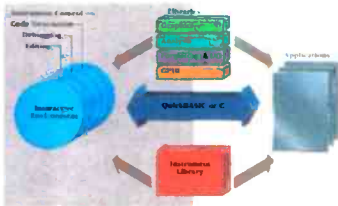
#### NB-GPIB

- ★ Turbo488 ASIC
- ★ 400K bytes/sec programmed I/O rates
- ★ GPIB monitor port
- ★ DMA operations over RTSI bus with NB-DMA-8-G
- ★ Byte-to-word packing/unpacking to increase throughput
- ★ LabVIEW and NI-488 Software support

#### GPIB-SE

- ★ Turbo488 ASIC
- ★ 1M bytes/sec rates with optional DMA controller
- ★ Optional numeric coprocessor
- ★ LabVIEW and NI-488 Software support

## SECOND GENERATION



### LabWindows®

LabWindows is a software system for the IBM PC, PS/2, and compatibles designed to provide rapid development, prototyping, and operation of test and measurement applications by fortifying and enhancing C and QuickBASIC. These languages are fortified by an interactive development environment and

enhanced by supportive libraries. Instrument control applications can be quickly developed using LabWindows interactive editing and debugging features, automatic code generation mechanisms, instrument library, GPIB library, graphics library, analysis library, and formatting and I/O library.



### Lotus Measure®

Lotus Measure is a set of data acquisition drivers for Lotus 1-2-3 or Symphony that can collect data and store it directly into a 1-2-3 or Symphony spreadsheet. Lotus Measure fortifies the 1-2-3 or Symphony macro command language by adding an advanced set of macro commands to perform IEEE-488, RS-232, and analog-to-digital operations. All functions available in the worksheet can be easily accessed for immediate reduction, analysis, and presentation of the data.

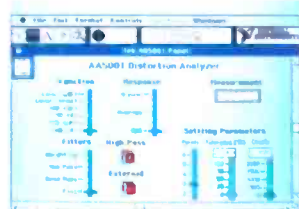


## THIRD GENERATION

### LabVIEW®

LabVIEW is an easy-to-use, powerful graphical programming language for the Macintosh family of computers. LabVIEW (Laboratory Virtual Instrument Engineering Workbench) has a complete integrated programming environment for applications involving instrument control, data acquisition, data analysis, data

formatting, data presentation and data management. LabVIEW also has an extensive Instrument Library. The basis of LabVIEW is the representation of a software module as a Virtual Instrument. A Virtual Instrument is a real instrument made with software. LabVIEW users construct programs using block diagrams—a natural design notation of scientists and engineers. These block diagrams are the actual executable programs, that can be operated by way of user-defined graphical front panels that look and act like instruments.



### Additional Application Software

National Instruments IEEE-488 interface boards are widely recognized for their quality and performance and are supported by many application software packages:

- ASYST
- GURU
- TestWindows
- ASYSTANT
- EZ-TEK
- LaserPaint
- TBASIC
- EZ-TEST
- SPD
- XScan
- WaveTest
- ChromaScan
- LABTECH NOTEBOOK
- Parameter Manager

### Instrument Libraries

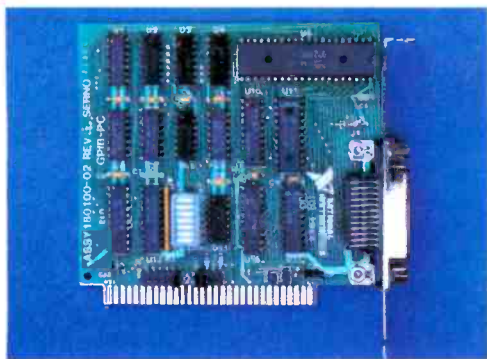
There exist over 4000 IEEE-488 compatible instruments manufactured by more than 300 vendors worldwide. Each of these instruments has its own, unique set of commands that make it function programmatically. The real ease of programming instruments comes from having a library of pre-packaged software modules that operate instruments, by way of intuitive, graphical panel interfaces. An instrument library makes operating an instrument from the computer as easy as operating it from its front panel. National Instruments is dedicated to increasing the instrument libraries of both LabWindows and LabVIEW by adding the instruments frequently requested.



### Ordering Information

Surrey C House  
Suite 315  
34 Eden Street  
Kingston upon Thames

KT1 1ER  
Phone • 01-549-3444



### GPIB-PCII/IIA—IBM PC Interface

- ★ Half-size card
- ★ DMA rates over 300K bytes/sec
- ★ Standardized by IBM
- ★ AEGIS handler for Apollo 3000 and 4000 workstations
- ★ 6 interrupt lines
- ★ 3 DMA channels
- ★ LabWindows and NI-488 Software support



### GPIB-PCIII—IBM PC/XT/RT PC Interface

- ★ Onboard high-speed FIFO buffer
- ★ 1M bytes/sec DMA rates
- ★ GPIB monitor port
- ★ Optional AIX handler
- ★ Interrupt circuitry for detecting SRQ and clock alarm
- ★ LabWindows and NI-488 Software support

### MicroGPIB Products—Converters, Controllers, and Data Buffer

#### MicroGPIB Products

- ★ GPIB-232CV bidirectional transparent data converter between IEEE-488 and RS-232
- ★ GPIB-422CV bidirectional transparent data converter between IEEE-488 and RS-422
- ★ GPIB-PRL transparent parallel data converter
- ★ GPIB-232CT full-function IEEE-488 controller from RS-232 port
- ★ GPIB-422CT full-function IEEE-488 controller from RS-422 port compatible with Macintosh serial port
- ★ GPIB-SCSI full-function IEEE-488 controller from SCSI port
- ★ GPIB-BUF IEEE-488 data buffer with 900K bytes/sec transfer rates and 1M bytes of RAM



#### GPIB-MAC

- ★ Macintosh serial port interface
- ★ External configuration switches
- ★ 2K to 32K byte data buffer
- ★ Baud rates from 300 to 57.6K bits per second
- ★ LabVIEW Software system support

### GPIB 100 Series—Bus Extenders/Expander

- ★ GPIB-100A High performance parallel bus extender
  - Supports 28 devices at 300 m
  - 222K bytes/sec transfer rates
- ★ GPIB-110 Serial bus extender
  - Fiber optic or coaxial cabling
  - 144K bytes/sec transfer rates
- ★ GPIB-120 Bus Expander
  - Optically isolates 2 GPIB buses
  - Extends GPIB by interfacing up to 14 more devices
  - Doubles the GPIB 20 m cable limit
  - Transparent to user software



### GPIB-410—Bus Analyzer/Monitor

- ★ For use in debugging any GPIB application
- ★ Stores GPIB status in memory for later review
- ★ Simulated LEDs reflect the current condition of the GPIB
- ★ Emulate source or acceptor
- ★ Requires IBM PC as host





## GPIB11 Series—Q-BUS/UNIBUS Interfaces

### GPIB11V-2

- ★ Dual height card for Q-BUS
- ★ Supports MicroVAX series of computers
- ★ 250K bytes/sec DMA rates

### GPIB11V-1

- ★ Dual height card for Q-BUS
- ★ 50K bytes/sec programmed I/O rates

### GPIB11-2

- ★ Hex height card for UNIBUS
- ★ 500K bytes/sec DMA rates

### GPIB11-1

- ★ Quad height card for UNIBUS
- ★ 60K bytes/sec programmed I/O rates

GPIB11 Series Software Support—RT, RSX, MicroVMS, VAXELN, UNIX, and FSX11M+ handlers in source code; NI DEC-Style Software



## GPIB-1014 Series—VMEbus Interfaces

Complete Support for Sun Computers

### GPIB-1014

- ★ 500K bytes/sec DMA rates
- ★ Full 24-bit addressing

### GPIB-1014P

- ★ Single or double height front panels
- ★ 80K bytes/sec programmed I/O rates

### GPIB-1014DP

- ★ Dual GPIB-1014P interface on one expansion slot

### GPIB-S3/4

- ★ Kit for Sun-3 and Sun-4 workstations
- ★ Includes interface board, adapter bracket, internal cable, and software

GPIB-1014 Series Software Support—UNIX, real-time and multitasking handlers, NI-488 Software



## GPIB-796 Series—MULTIBUS/SBX Interfaces

Complete Support for Apollo Computers

### GPIB-796

- ★ 24-bit MULTIBUS addressing
- ★ 500K bytes/sec DMA rates
- ★ AEGIS handler for Apollo 3000 and 4000 workstations

### GPIB-796P

- ★ 3 optional iSBX connectors
- ★ 50K bytes/sec programmed I/O rates

### GPIB-SBX

- ★ Intel SBX bus interface
- ★ Turns GPIB-796P into multiport interface
- ★ 250K bytes/sec DMA rates

GPIB-796 Series Software Support—UNIX, AEGIS, real-time, and multitasking handlers, NI-488 Software



## GPIB-961P—STD Bus Interface

- ★ STU-Z80, -8085, -8088 compatible
- ★ 500K bytes/sec DMA rates
- ★ RS-232, counters, timers, digital I/O lines
- ★ NI-488 Software support

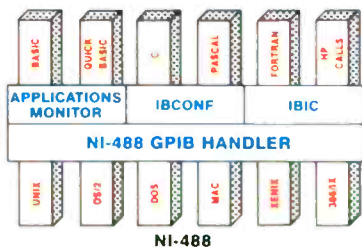
## GPIB-3B2—AT&T 3B2 Interface

- ★ Onboard 80186 processor with 128K bytes of memory
- ★ 790K bytes/sec DMA rates
- ★ UNIX software
- ★ NI-488 Software support

# THREE GENERATIONS OF SOFTWARE TECHNOLOGY

Three generations of innovative, high-performance software technology have been developed to simplify your programming task. The first generation includes flexible products that handle the fundamental I/O and data acquisition requirements. The second generation is an extension of the first generation that includes products that fortify and enhance an existing programming environment in order to minimize development time and meet the data acquisition, data analysis, and data presentation requirements. The third generation combines the features of the first two generations with an integrated programming environment and language designed for instrument control applications.

## FIRST GENERATION



### NI-488 Software

The NI-488 software established a standard for PC-based instrument control drivers by introducing the first loadable IEEE-488 device driver for MS-DOS based personal computers. The NI-488 software now covers a number of different computer platforms such as IBM PC and PS/2, Macintosh, Sun, and Pro-Log STD-DOS. Major companies such as IBM, Tektronix, Philips, LeCroy, Howtek, Sharp, Perkin Elmer, Instron, Bruel & Kjaer, Hitachi Nakaworks, and Advantest all use the NI-488 software to produce innovative, high-quality products. This large backing has established NI-488 as the *de facto* industry standard.

#### Flexible

- Use any instrument, even one not 100% compatible with the IEEE-488 specification
- Use a language that meets the demands of your specific application (BASIC, C, Pascal, FORTRAN, Assembler)
- Use a computer architecture that will handle all your computing needs
- Use a multitasking operating system: versions for OS/2, UNIX, 386/ix, and XENIX

#### High-speed

- Designed to be a high-speed device driver
- Subroutine-based structure as opposed to a slower character I/O implementation
- Direct Memory Access (DMA) transfers are used without special programming instructions

#### Easy-to-use

- Subroutines and functions can be called from familiar programming languages
- Only a small number of high-level functions are needed for most applications
- To initialize the bus and configure a multimeter only two simple commands are needed:

```
CALL INITIO "D", 1000
CALL INSTR "1000, 1000"
```

#### Reliable

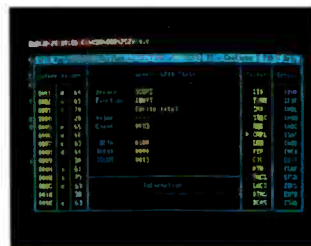
- Over twelve years experience developing GPIB device handlers
- Built-in error checking
- Exhaustive testing prior to release
- Quick response to user needs and suggestions

#### Utilities:

**IBIC**—With the IEEE-488 Bus Interactive Control (IBIC) utility you can control and communicate with instruments from the keyboard. The IBIC utility is a simple way to learn the NI-488 handler functions and the device-specific commands of the instrument or to troubleshoot the system.



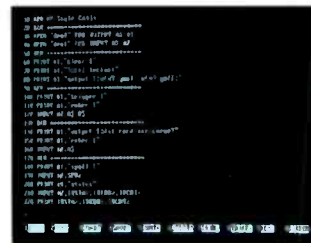
**Applications Monitor**—A utility that performs automatic error detection and identification. For ease in debugging, a Session Summary of all the GPIB commands made during a session is generated.



**IBCONF**—A utility program that configures the NI-488 handler for GPIB addresses, timeout settings, termination methods, and device-specific characteristics.



**HP-Style Calls**—For users familiar with the calls supported by a Hewlett-Packard controller, the NI-488 software has an option for HP-Style function calls.





# CONTENTS

APRIL 1989 VOLUME 96 NUMBER 1638

## FEATURES

### DESIGNING FOR RS232

340

When is RS-232 genuinely RS-232? Not that often, despite what it says on the equipment label, says author Graham Stephens.

### INSTRUMENTATION AMPLIFIERS

344

A new design of op-amp based amplifier circuit provides a high common mode rejection ratio without need for component matching.

### CHIPS FOR PANEL METERS

347

An at-a-glance round-up of ICs for panel meters with associated application circuits.

### BALL BEARING MOTORS

356

The author believes this novel motor design produces energy from nothing. It certainly produces rotation with considerable torque. But from nothing?

### SATELLITE SCRAMBLING

362

Satellite encryption companies claim virtually unbreakable code for their systems. A philosophical challenge if ever there was one.

### FREQUENCY COUNTER ADD-ON

367

The January design feature on a microprocessor-controlled frequency counter produced much interest. We now present a bus interface.

### OBJECT ORIENTATED PROGRAMMING

370

Object oriented languages work on a bottom up principle placing emphasis on the data rather than the structure which contains the data.

*Rupert Baines*

### SHANNON, CODING AND SPREAD SPECTRUM

375

The third article in this series examines error correction coding.

### PROGRAMMING PRODUCTIVITY

380

This article highlights the advantages of specific high level languages as applied to realtime control. By Brian Frost

### INDUSTRY INSIGHT

**Testing surface mount devices *in situ*.** The ATE and semiconductor industries now agree on test procedure protocols for devices mounted on the PCB. 385

**Changing role of digital oscilloscopes.** We chart the rise and rise of this ubiquitous instrument. 389

**Digital testing for digital audio.** Dr Richard Cabot makes standard audio measurements on digitised audio in the digital domain. 393

**Test structures in wafer fabrication.** This month's IEEE conference on microelectronic test structures highlights issues relating to wafer process control. 397

**Waferscale testing procedures.** Can faulty circuitry be reclaimed by pouring in redundancy? The answer is probably yes, provided redundancy is backed with on chip intelligence. By Ivor Catt. 401

**Beyond modularity and automation.** More recent architectures such as VXI and RTSI provide for precise timing at system level. But the software should be able to keep time from the top down. 403



Computer-guided driving could soon be a reality – see Update p 336.

### PIONEERS

417

Sigurd Varian never lost faith that, one day, his brother Russell "would invent the big one". He wasn't disappointed. The thing originally referred to by the Varian brothers as the "spittoon" was renamed the "klystron"

### ON THE HOUSE

421

Our report on parliamentary affairs as they affect the electronics industry.

### COMMUNITY RADIO

427

A three-month community VHF experiment licensed by the DTI could pave the way for nationwide community broadcasting.

## REGULARS

APPLICATIONS 408

CIRCUIT IDEAS 359

COMMENT 331

LETTERS 414

NEW PRODUCT CLASSIFIED 353

RESEARCH NOTES 332

RF COMMENTARY 422

UPDATE 335, 410, 425

# MAKING ELECTRONICS C.A.D. AFFORDABLE

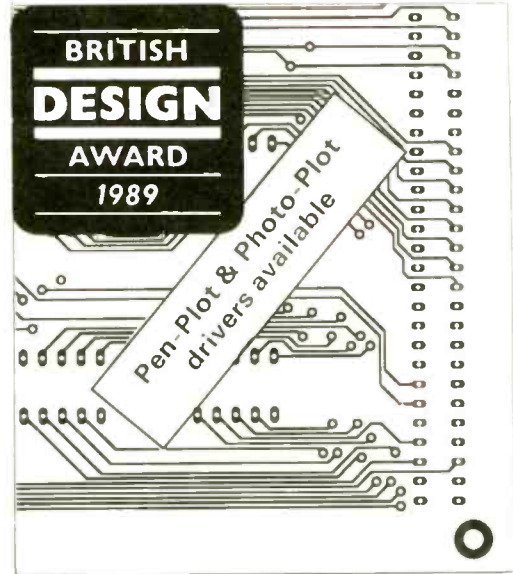
**TINY-PC**

**PCB CAD, FOR THE PC/XT/AT**

**EASY-PC**

- Are you still using tapes and a light box?
- Have you been putting off buying PCB CAD software?
- Have you access to an IBM PC/XT/AT or clone inc Amstrad 1640 & 1512 or Archimedes with P.C. Emulator?
- Would you like to be able to produce PCB layouts up to 17" square?
- With up to 8 track layers and 2 silk screen layers?
- Plus drill template and solder resist?
- With up to eight different track widths anywhere in the range .002 to .531"?
- With up to 16 different pad sizes from the same range?
- With pad shapes including round, oval, square, with or without hole and edge connector fingers?
- With up to 1500 IC's per board, from up to 100 different outlines?
- With auto repeat on tracks or other features - ideal for memory planes?
- That can be used for surface mount components?
- With the ability to locate components and pads on grid or to .002" resolution?
- With an optional auto via facility for multilayer boards?
- With the ability to create and save your own symbols?
- That can be used with either cursor keys or mouse?
- That is as good at circuit diagrams as it is at PCB's?
- That outputs to Dot Matrix Printer, or, with extra drivers can drive a pen plotter or photoplotter.
- Where you can learn how to use it in around an hour?

- THAT ONLY COSTS £95+VAT (TINY-PC), £275+VAT (EASY-PC)



Output on dot matrix printer reduced from 2:1

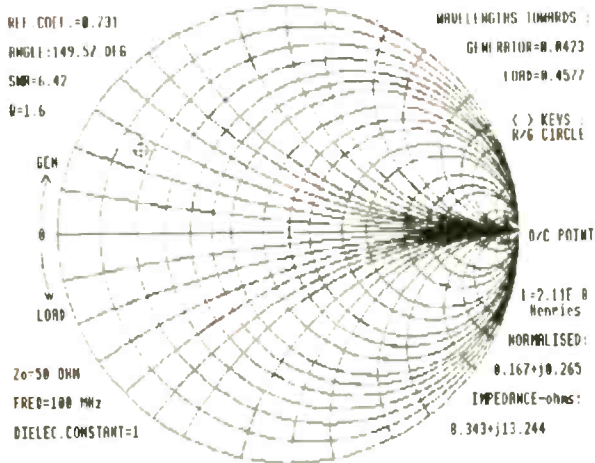
**SMITH CHART PROGRAM**

**Z MATCH**

**CIRCUIT ANALYSIS BY COMPUTER**

**ANALYSER II**

For IBM, PC/XT/AT and clones inc. Amstrad 1512 and 1640 and BBC B, B+ and Master.



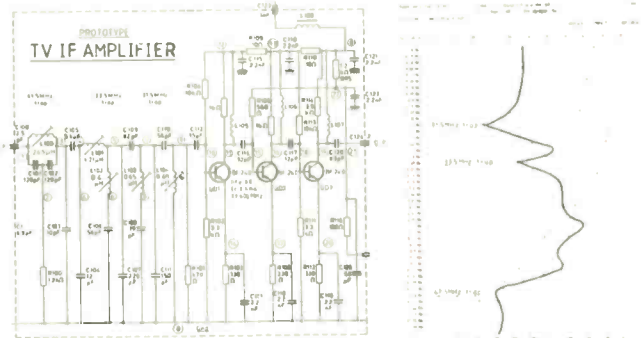
Z-MATCH - Takes the drudgery out of R.F. matching problems. Includes many more features than the standard Smith Chart.

Provides solutions to problems such as TRANSMISSION LINE MATCHING for AERIALS and RF AMPLIFIERS with TRANSMISSION LINE, TRANSFORMER and STUB MATCHING methods using COAXIAL LINES MICROSTRIP, STRIPLINE and WAVEGUIDES. The program takes account of TRANSMISSION LINE LOSS, DIELECTRIC CONSTANT, VELOCITY FACTOR and FREQUENCY.

Z-MATCH is supplied with a COMPREHENSIVE USER MANUAL which contains a range of WORKED EXAMPLES

**£130 for PC/XT/AT etc.**  
**£65.00 for BBC B, B+ and Master**

For IBM PC/XT/AT and clones inc. Amstrad 1512, 1640, R.M. NIMBUS, and BBC B, B+, and Master.



"ANALYSER II" - Analyses complex circuits for GAIN, PHASE, INPUT IMPEDANCE, OUTPUT IMPEDANCE and GROUP DELAY over a very wide frequency range.

Ideal for the analysis of ACTIVE and PASSIVE FILTER CIRCUITS, AUDIO AMPLIFIERS, LOUDSPEAKER CROSS-OVER NETWORKS, WIDE BAND AMPLIFIERS, TUNED R.F. AMPLIFIERS, AERIAL MATCHING NETWORKS, TV I.F. and CHROMA FILTER CIRCUITS, LINEAR INTEGRATED CIRCUITS etc.

STABILITY CRITERIA AND OSCILLATOR CIRCUITS can be evaluated by "breaking the loop". Can save days breadboarding and thousands of pounds worth of equipment.

**£195 for PC/XT/AT etc.**  
**£130 for BBC, B, B+ and Master**

All prices Ex-VAT  
WRITE OR PHONE FOR FULL DETAILS:- REF WW

**Number One Systems Ltd**



Harding Way, St Ives, Huntingdon Cambs, PE17 4WR  
Tel: St Ives (0480) 61778  
We provide full after-sales support with free telephone 'hotline help' service.  
Software updates are free within 6 months of purchase date.

ENTER 44 ON REPLY CARD

# COMMENT

CONSULTING EDITOR

**Philip Darrington**

EDITOR

**Frank Ogden**

EDITOR – INDUSTRY INSIGHT

**Geoffrey Shorter, B.Sc.**

01-661 8639

DEPUTY EDITOR

**Martin Eccles**

01-661 8638

COMMUNICATIONS EDITOR

**Richard Lambley**

01-661 3039

ILLUSTRATION

**Roger Goodman**

01-661 8690

DESIGN & PRODUCTION

**Alan Kerr**

01-661 8676

ADVERTISEMENT MANAGER

**Paul Kitchen**

01-661 3130

SENIOR ADVERTISEMENT

EXECUTIVE

**James Sherrington**

01-661 8640

CLASSIFIED SALES EXECUTIVE

**Christopher Tero**

01-661 3033

ADVERTISING PRODUCTION

**Brian Bannister**

01-661 8648

MARKETING EXECUTIVE

**Rob Ferguson**

01-661 8679

PUBLISHER

**Susan Downey**

01-661 8452



## An old prejudice

Attend any convention of electronics engineers and you will find that the delegate sitting next you is more than likely to be a man. Indeed, the entire row of seats in which you are sitting will probably be occupied by men. In an audience of 100, perhaps half a dozen delegates will be women. This appears to be blatant prejudice on the part of the electronics industry, a state of affairs which wouldn't be allowed to continue elsewhere in society.

Our industry has responded with 'rather self-conscious initiatives along the lines of 'Woman Engineer/Designer/Technician of the Year' – very worthy, but totally missing the point. This journal has never encountered a direct case of discrimination against women. Discrimination, if this is the right word for it, occurs with the individual's first encounter with the education system. Boys are encouraged to play with computers and electronics; girls aren't. The association is ingrained at an early age, reinforced by a predominantly female primary-school teaching corps with a similarly limited outlook.

This damaging attitude of mind can best be resolved by education secretary Kenneth Baker. Given that we could be wasting nearly half of the country's latent talent, we look to him for speedy action. Yet the electronics industry harbours another form of blatant discrimination which it could do something about itself: ageism.

'Ageism' is a concocted word, but nonetheless apt, and implies a totally negative attitude to the acquired experience, proven performance and reliability often found in older people. The following letter was received at the offices of our sister publication *Electronics Weekly*.

"Once you turn 45 it is difficult to obtain re-employment in the electronics industry. This is the conclusion I have reached as a 56-year-old quality manager of some 20 years experience.

"I have worked all the way through engineering from the bench right through to divisional quality manager for a large company. In the last nine to twelve months I have been trying to obtain a new position, but constantly get turned down. Out of some 30-odd applications, I have been granted only one interview."

One can't definitely state that the writer of this letter and the hundreds of people like him will turn out to be the perfect employee for any given job; but neither can one be any more certain of a new recruit to the industry. It seems odd that companies prize youth well above proven experience. It appears even stranger in the light of an industry professing to suffer a skills shortage.

A youthful outlook certainly helps in circumstances where preconceptions and habits could be limiting. Marketing jobs involve a ready acceptance of risk; the caution which comes from bitter experience may well be inhibiting. Most other jobs which spring to mind would seem to benefit from experience, however. In short, individual qualities could be more important than the candidate's age. It is thus unfair, wasteful and inappropriate to pursue ageism.

*Electronics & Wireless World* is published monthly (USPS687540). By post, current issue £2.25, back issues (if available) £2.50. Order and payments to 301 *Electronics and Wireless World*, Quadrant House, The Quadrant, Sutton, Surrey SM2 5AS. Cheques should be payable to Reed Business Publishing Ltd. **Editorial & Advertising offices:** EWW Quadrant House, The Quadrant, Sutton, Surrey SM2 5AS. **Telephones:** Editorial 01-661 3614, Advertising 01-661 3130, 01-661 8469, Telex: 892084 REED BP G. **EEP:** Facsimile: 01-661 3948 (Groups II & III). **Beeline:** 01-661 8978 or 01-661 8986, 300 baud, 7 data bits, even parity, one-stop-bit. Send ctrl-Q, then EWW to start, NNNN to sign off. **Newstrade** – Quadrant Publishing Services No. 01-661 3240. **Subscription rates:** 1 year (normal rate) £23.40 UK and £28.50 outside UK. **Subscriptions:** Quad-

rant Subscription Services, Oakfield House, Perrymount Road, Haywards Heath, Sussex RH16 3DH. Telephone 0444 441212. Please notify a change of address. **USA:** \$116.00 airmail. **Reed Business Publishing (USA):** Subscriptions Office, 205 E. 42nd Street, NY 10117. **Overseas advertising agents:** **France and Belgium:** Pierre Mussard, 18-20 Place de la Madeleine, Paris 75008. **United States of America:** Jay Feinman, Reed Business Publishing Ltd, 205 East 42nd Street, New York, NY 10017. Telephone (212) 867-2080. Telex 23827. **USA mailing agents:** Mercury Airfreight International Ltd, Inc., 100b Englehard Ave, Avenel, N.J. 07001. 2nd class postage paid at Rahway, N.J. Postmaster – send address to the above.

© Reed Business Publishing Ltd 1989. ISSN 0266-3244

# RESEARCH NOTES

## Superconducting dipoles

One of the world's first practical applications for high-temperature superconductors is a miniature dipole antenna developed at the University of Birmingham. Michael Mehler of the Department of Electronic and Electrical Engineering has demonstrated in the laboratory an efficient dipole constructed from yttrium barium copper oxide ceramic material ( $YBa_2Cu_3O_x$ ) and operating at liquid nitrogen temperatures (77K).

Two obvious questions arise: why use superconductors when losses in conventional antennas aren't usually great and what's the practical value of an antenna if it has to be immersed in liquid?

The answers to both these questions have to do with size. There are many situations in which a full-size HF dipole, for example, would be out of place. Anything larger than a few tens of centimetres long would be difficult to accommodate on a fighter aircraft or a spacecraft during its passage through the atmosphere. Scaling down a standard half-wave dipole or loop antenna to around a tenth of its normal size would thus be extremely advantageous.

Obviously it is not impossible to get such a miniature antenna to radiate, though the losses under normal circumstances would be extremely large. Not only would the dipole impedance be very low ( $\sim 0.1\Omega$ ) it would have a large reactive component. Matching would be difficult and losses, even

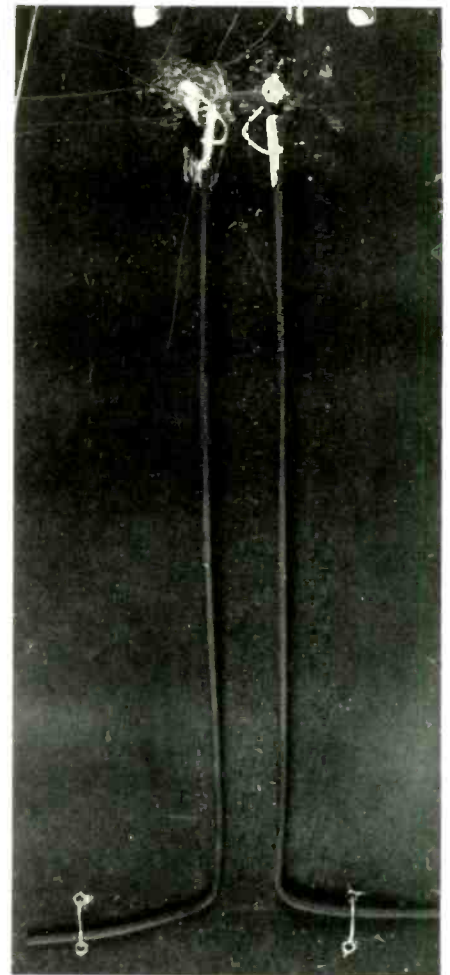
in a copper radiating element, would be high.

Attempts to circumvent resistive losses have been made in the past using conventional metallic superconductors operating at about 4K in liquid helium. Such attempts, though successful, have been unpractical and prohibitively expensive for everyday applications.

By using the new ceramic superconductors Mehler has, in effect, turned a bit of esoteric engineering into something with practical potential. What he's done is to fabricate a 550MHz dipole a mere 20mm long and its associated matching network and line, all from the new ceramic material. Surrounded by a glass dewar containing liquid nitrogen, the whole tiny assembly matches a  $50\Omega$  source and radiates just as well as a full-size copper dipole.

As far as practicalities go, the ceramic dipole is connected to its RF source by means of wire-wrapping and silver paint, no real problem. Nor is the refrigerant. Apart from being transparent to radiated RF well into the gigahertz region, liquid nitrogen is cheap and readily available.

With backing from the Science and Engineering Research Council (SERC) and the Ministry of Defence, Michael Mehler is now refining the hardware and also developing other practical configurations such as loops and multi-element arrays.



## Quarter micron c-mos developed at IBM

A milestone in the race for ever smaller and hence more powerful memories was contained in a paper presented at the 1988 International Electron Devices Meeting in San Francisco by a team of researchers from IBM's Yorktown Heights Laboratory. B. Davari *et al.* report success in the construction of c-mos circuitry using transistors only 0.25 micron wide (250nm). Such tiny elements, they say, would make possible c-mos memory chips with a capacity of 256 megabits.

The IBM circuits were fabricated in bulk silicon technology using advanced optical lithography, incorporating elements that are only 7mm, that is 20 atomic layers thick. These quarter-micron circuits are the smallest that have so far been incorporated in c-mos though the team have now made experimental tenth-micron n-mos devices which they hope to develop in the same way.

*Research Notes is written by John Wilson of the BBC World Service science unit.*

## Amps, volts and bananas. . .

For decades now we've had electronic transducers that will convert most physical quantities into their electrical analogues. Temperature, pressure, light intensity, mass and nuclear radiation are just a few examples of quantities that are easily measurable with cheap and readily available transducers.

More recently, this list has begun to include detectors for chemical entities such as hydrocarbons, smoke particles, alcohol etc. But imagine the range of uses for a transducer that could generate an electrical output directly proportional to the concentration of AIDS virus. . . .

So far, the development of entity-specific sensors has proceeded very slowly indeed for a number of reasons, some practical and some to do with the chemical reactions on which they depend. The most obvious approach of coating a chemical reagent directly on to a silicon circuit element has proved disappointing because of corrosion or other interactions between the two.

Two interesting new approaches are, however, proving more successful. George Guilbault, a chemistry professor at New Orleans University is one of a number of researchers who are experimenting with monoclonal antibodies coated on piezo-

electric transducers. Monoclonal antibodies, developed originally in Cambridge, are highly specific reagents that will bind chemically to individual complex chemicals. Thus it is possible to create a monoclonal antibody that will react only with one particular protein. When such an antibody is coated on a piezo-electric crystal the resonant frequency is critically determined by its mass. So if a protein comes along that binds to the antibody the mass will increase and the resonant frequency will decrease. Guilbault has so far employed such a system to make electronic detectors that are specific for cocaine and for various agricultural pesticides.



# RESEARCH NOTES

## The deafening smell of pollution

We've all by now grown used to the idea that excessive noise can cause deafness. Above a certain threshold it is very nearly a product of amplitude and duration. But of all the factors likely to induce hearing loss, airborne pollution hasn't up till now been a front runner.

Disturbing experiments conducted at Johns Hopkins University in the USA and at two Japanese institutions show that, in rats, noise and atmospheric carbon monoxide levels have an additive effect. Laurence Fechter, Associate Professor of Environmental Health Sciences, has produced data to show that the danger threshold level for noise is considerably lowered in the presence of carbon monoxide. Moreover, noise levels and carbon monoxide concentrations (500ppm), harmless on their own, can cause permanent ear damage when combined.

Although there's no direct means of proving that the same is true for humans,

Fechter is convinced that the risk is a very real one. This is especially so in view of the tendency of high ambient noise levels to occur in the same situations as high carbon monoxide levels. Examples that come to mind include smokers in discos, furnace operators and transport workers. Smokers have carbon monoxide levels in their lungs of around 350ppm — not much below the level that causes serious problems for rats.

Providing conclusive proof of a risk to human health will not of course be easy. But if it does emerge, it will be immensely complicating for occupational health legislators. No longer will it be reasonable, for example, to specify blanket intensity/time limits on noise in all environments. And of course the famous orange warning light, bane of concert promoters, could well in future need to have a second input... from a gas detector.

## Viruses wait for All Fools' Day

Stories about computer viruses make curiously compulsive reading. Could it be that they appeal to our gruesome appetite for disaster? Or is it because such stories reveal that machines, like men, have feet of clay?

As a lifelong joker with natural sympathies for the under-dog I must confess to

Another intriguing approach to biochemical sensing goes one stage beyond the use of biologically active substances. Garry Rechnitz of the University of Delaware is using bits of living creatures built into electrodes. In particular he's fitted lead-out wires to the antennae of blue crabs. When immersed in water the crab antennae act more-or-less as ready-made transducers, producing electrical nerve impulses in direct proportion to the concentration of certain toxic pollutants.

Plants, too, can be pressed into service as chemical sensors. Rechnitz has used an oxygen-sensing electrode in conjunction with a slice of banana to detect an important brain chemical called dopamine. This 'banana-trode', as he calls it, produces an electrical signal that could, in theory at least, measure susceptibility to Parkinson's disease (due essentially to lack of dopamine).

Some of these experimental devices may seem somewhat whimsical, but there's a huge range of important applications awaiting biochemical sensors that are stable, reliable and resistant to the corrosive environment of the human body. Imagine, for example, a cure for diabetes in which an insulin pump were directly controlled by a feedback loop attached to a continuous-reading glucose sensor inside an artery.

finding more than a little entertainment value in some recent reports... like the innocuous little program that was designed to deposit a mere 400 bytes of garbage in a memory on the day its hapless investigator was removed from the company payroll. Each successive day the garbage was programmed to double until... calculators at the ready... it jammed up a whole 300 megabyte memory in a little under three weeks.

Or what about a virus, dubbed Sizzle, that somehow managed progressively to increase the clock rate of its host until the central processor became incandescent from the thermal dissipation? Ingenious at least.

Now, as April 1st approaches, academic institutions all over the country are bracing themselves for a repeat of some clone of the '1813 Friday the Thirteenth Virus' that struck in January. According to a number of London consultants this is more than just speculation: threats have already been received.

One answer of course is to equip yourself with one of the many anti-viral programs or vaccines that are now appearing on the market. "Immunise" is just one example of this increasingly anthropomorphic breed. But are these medical allusions merely marketing hype or journalistic licence? Or could it be, as I hinted earlier, that machines and men are actually evolving, along convergent lines?

If so, may I leave you to ponder a sobering thought... what happens when someone writes a rogue program called Computer Immunodeficiency Virus (CIV)? Please send your suggestions under plain wrapper... and of course make sure they're electronically tested.

## Blind to our future?

At a recent press conference to launch their new book 'Pathways to the Universe', the Astronomer Royal Sir Francis Graham-Smith and Sir Bernard Lovell drew attention to an unseen form of pollution that has steadily been restricting our view of the Universe. That pollution is of course man-made radiation, not just at radio and optical wavelengths but across the whole electromagnetic spectrum including gamma rays.

The reason this problem has now reached critical proportions is twofold: first the increase in man-made radiation levels and secondly the increasingly distant and hence weak sources of natural radiation that are now, with the help of modern technology, capable of being observed. Such sources, often at the extreme edge of the observable Universe, are of particular interest because of what they can tell us about the early history of creation.

Pulsars and quasars, to say nothing of supernova explosions, represent some of the most fascinating and energetic regions of the sky — objects which, because of their energy, tend to emit in the shorter wavelength parts of the electromagnetic spectrum, mainly X-rays and  $\gamma$ -rays. Such rays do not penetrate the atmosphere and it's only in the last decade or so that this window on the Universe has been opened to astronomers by means of space-borne telescopes.

Yet this window, so recently opened, may soon close, according to Smith and Lovell. Soviet RORSAT military satellites carry unshielded nuclear reactors which emit  $\gamma$ -rays in far greater quantity than those arriving from the depths of space.

Radio astronomy, long a victim of man-made radiation, is now becoming more restricted than ever. No longer is it just occasional leakage from faulty equipment or drifting oscillators. Today the internationally agreed 'silent' bands allocated to radio astronomy are fast being invaded deliberately by such sources as military navigation systems.

All in all, our greed for spectrum seems set to deny researchers access to the information that would do most to answer the most fundamental of all questions about the origin and destiny of the Universe.

## Making waves with electrons

The colour image which appeared under this title on page 114 of the February issue showed a tantalum disulphide charge density wave, and was kindly provided by Dr John Clarke of the physics department of the University of California at Berkeley. Further details of this work by Dr Clarke and his collaborators, led by Dr R. E. Thomson, appeared in *Physical Review B*, November 15, 1988.

# DEVELOPMENT SUPPORT FOR IBM PC (AND COMPATIBLES) USERS

## CROSS ASSEMBLERS

The METAi development system supports over 50 processors including all the common ones

- A complete range of RELOCATABLE ASSEMBLERS, which have INCLUDE, MACROS and CONDITIONAL ASSEMBLY facilities.
- An editing environment with dual-windows and automatic erroneous line search
- Universal LINKER, LIBRARY and MAKEFILE features
- A source level DEBUGGER
- On-line HELP facility
- A complete range of DISASSEMBLERS with code labelling
- An EPROM Emulator which emulates 2716 to 27512 EPROMS
- Object code in several formats compatible with the Model 18 EPROM PROGRAMMER
- Comprehensive User Manual

### PRICE LIST (excluding VAT)

METAi-01 Assembler, Linker, Loader, Editor, Manual and Interface Card	£395
METAi-01 As METAi-01 but including Disassembler	£695
METAi-03 As METAi-02 but including EPROM Emulator	£995
Also the following upgrades	
METAi-11 Extra EPROM Emulator	£325
METAi-12 Extra Interface Card for multiple users, includes Manual	£245
METAi-13 Disassembler to upgrade METAi-01 to METAi-02	£395
PROCEDURE Single Processor Version (please state which processor)	£195

XA48 8048/41 Cross assembler	£99.50
Compatible with Intel assembler	
E512 EPROM EMULATOR 2716 to 27512	£149.80
Use in conjunction with the Model 18 Programmer	
UV10 EPROM ERASER with Timer	£93.50
PS41 PRINTER SWITCH 4 to 1, serial or parallel, all 25 wires	£29.80

### PAL PROGRAMMER

The PLD-1100 programs all commonly available 20 and 24 pin PALS as well as the new EEPROM based second generation GALs. It can read, test and program both bipolar and CMOS PALS, GALs, PEELs, PLDs and EPLDs.

PLD1100 £795 + VAT

### EPLD PROGRAMMER

The PLDS01 EPLD Development system programs Lattice and Altera GALs 16V8, 20V8, EP310, EP320 and EP600. Software to run on IBM PCs and compatibles is included in the price.

PLDS01 £495 + VAT

Write or telephone for further details:  
ELECTRONICS, UNIT 2, PARK ROAD CENTRE,  
MALMESBURY, WILTSHIRE, ENGLAND SN16 0BX.  
TELEPHONE: 0666 825146

## (E)EPROM PROGRAMMER



Over 80 (E)EPROM and MICRO-CONTROLLER types...

1 2508/10ms	18 27128A	35 8741	52 63705V	69 GR27513
2 2508/50ms	19 27256	36 8742	53 63705Z	70 27011
3 2516/10ms	20 27256/21V	37 8041	54 63701V	71 27010
4 2516/50ms	21 27512	38 8042	55 75P54/P64	72 27C101
5 2532/10ms	22 27513	39 8048	56 EMULATOR 2716	73 27C1023
6 2532/50ms	23 27064	40 8049	57 EMULATOR 2732	74 27C1001
7 2564/10ms	24 27256	41 8050	58 EMULATOR 2764	75 27C010
8 2564/50ms	25 87C257	42 8751	59 EMULATOR 27128	76 27C301
9 2758	26 8755	43 8752/21V	60 EMULATOR 27256	77 27C100
10 2716	27 8755A	44 87C51	61 EMULATOR 27512	78 27C1000
11 2732	28 8355	45 87C51FA/8752	62 2816A	79 571001
12 2732A/10ms	29 8748	46 8744	63 2817A	80 27C1024
13 2732A/50ms	30 8749	47 8051	64 2864A	81 27210
14 2764/50ms	31 8750	48 8052	65 GR2764	82 27C102
15 2764	32 8748H	49 8044	66 GR27128	83 571024
16 2764A	33 8749H	50 63701V	67 GR27256	
17 27128	34 8750H	51 63701X	68 GR27512	*read only

New devices continually being introduced

at a price to suit any budget!

### THE MODEL 18 PROM PROGRAMMER

- All 1 Mbit EPROMS, Greenwich Instruments Emulators, 27C parts and EEPROMs now programmable!
- Upgradeable for future types
- Designed, manufactured and supported in the UK
- Comprehensive User Manual
- Micro-controllers require low cost socket adapter
- Supports our new EPROM Emulator as 2716 to 27512 EPROM
- Automatic Data Rate setting 300-19200 Baud
- Fast interactive algorithms automatically selected as appropriate
- Two independent communications protocols built in - Use with any host computer with RS232C port and terminal emulator
- Our PROMDRIVER AdvanceC Features User Interface Package available for all MS-DOS and PC-DOS computers
- NEW FAST COMMS - 1 Mbit EPROMS programmed in about 2 1/2 mins. Limited version also available for CPM computers

Still only  
**£189.95**  
+ VAT

### PRICE LIST (excluding VAT)

MOP0018 EPROM PROGRAMMER MODEL 18 (includes Comprehensive Manual)	£189.95
MOP0019 8755 FAMILY SOCKET ADAPTER (Adapter 1)	£29.95
MOP0020 8748 FAMILY SOCKET ADAPTER (Adapter 2)	£39.95
MOP0021 8751 FAMILY SOCKET ADAPTER (Adapter 3)	£39.95
MOP0022 32 Pin EPROMS (Adapter 10)	£75.00
MOP0023 40 Pin EPROMS (Adapter 11)	£75.00
SVW/PD PROMDRIVER SOFTWARE PACKAGE (Please state MSDOS or CPM-80 and give full details of computer type, disc size and format)	£39.95
V24/PC RS232C LEAD for IBM PC, XT and compatibles and Amstrad	£14.95
V24/AT RS232C LEAD for IBM AT and compatibles	£14.95
V24/BBC RS232C LEAD for BBC	£14.95
Please add £5 plus VAT to all orders to cover postage, packing and insurance during dispatch within the UK. Overnight delivery can be arranged at £14 plus VAT (£18 for Northern Ireland and Isle of Man, £20 for Scottish Highlands and Islands and Scilly Isles). Telephone ACCESS orders welcome.	

### ENTER 16 ON REPLY CARD

Used equipment with 30 days guarantee. Supplied with Manuals. This is a very small sample of stock. SAE or telephone for LISTS. Please check availability before ordering. Carriage all units £16. VAT to be added to total of Goods and Carriage.

<b>OSCILLOSCOPES</b>		
TEKTRONIX 2465 Four Trace 30MHz Dual TB	£2,400	
TEKTRONIX 2445A Four Trace 150MHz Dual TB	£1,600	
TEKTRONIX 2236 Dual Trace 100MHz Delay Sweep Counter/Time	£900	
DMM		
TEKTRONIX 2225 Dual Trace 50MHz Delay Sweep	£475	
TEKTRONIX 2215 Dual Trace 60MHz Delay Sweep Dual TB	£475	
TEKTRONIX 2213 Dual Trace 60MHz Delay Sweep	£400	
TEKTRONIX 475 Dual Trace 100MHz Delay Sweep	£650	
TEKTRONIX 465 Dual Trace 100MHz Delay Sweep	£500	
TEKTRONIX 7403 Four Trace 50MHz Delay Sweep	£450	
TEKTRONIX 454 Dual Trace 150MHz Delay Sweep	£400	
TRIO CS2150 Four Trace 150MHz Delay Sweep	£800	
TRIO CS1100 Dual Trace 100MHz Delay Sweep	£600	
TRIO CS1065 Three Trace 60MHz Delay Sweep	£500	
BITACHI V1050F Dual Trace 100MHz Delay Sweep	£550	
THANDAR 10115 Dual Trace 15MHz Magn. Battery Unused	£300	
PHILIPS PM262 Dual Trace 100MHz Delay Sweep	£450	
PHILIPS PM312 Dual Trace 15MHz	£250	
TELEQUIPMENT D83 Dual Trace 50MHz Delay Sweep	£375	
TELEQUIPMENT D755 Dual Trace 50MHz Delay Sweep	£250	
KIKUSUI 5530A Dual Trace 30MHz	£200	
HAMEG 2034 Dual Trace 20MHz	£240	
TRIO L209A Dual Trace 15MHz	£200	
GOULD ADVANCE 051100 Dual Trace 30MHz	£180	
GOULD ADVANCE 05295 Dual Trace 15MHz	£120	
GOSSOR CDU150 Dual Trace 35MHz Delay Sweep Solid State Portable 8x10cm Display	£110	
Optional front cover containing 2 probes etc	£10	
SE LARS SW111 Dual Trace 15MHz Solid State Portable AC or external DC operation 8x10cm Display	£130	
TELEQUIPMENT S54A Single Trace 10MHz Solid State	£90	
TEKTRONIX 466 Single Trace 100MHz	£750	
GOULD OS4000 Digital Storage Dual Trace 10MHz with Output for X Y	£400	
MARCONI Mobile Radio Test Set TS2950	£650	
WAYNE KERR 8905 Automatic Precision Bridge	£2,000	
RAYSON 1065 Automatic Precision Bridge	£2,000	
RACAL DANA 6002 Microprocessing Digital Multimeter 6 1/2 digit	£1,000	
BOONTON 230A POWER AMPLIFIER 10 500MHz Output 45Watt	£500	
RICAL DANA 9008 Mod Meter 1.5MHz 20Hz AM/FM	£450	
THANDAR Logic Analyser TA2000/2MHz 3 channel	£400	
FEEDBACK FM610 Digital Freq Meter 0.001MHz/10MHz	£400	
MARCONI SANDERS Sig Source 6056A 2 GHz	£500	
MARCONI SANDERS Sig Source 6055 850-2150MHz	£500	
MARCONI SANDERS Sig Source 6070A 400-1200MHz	£500	
MARCONI TF2006 AM/FM 10MHz/1GHz Sig Gen	£500	
MARCONI TF2008 AM/FM 10MHz/5GHz Sig Gen	£375	
MARCONI TF2015 AM/FM 10-5209MHz Sig Gen with Synchroniser	£450	
TF2171	£425	
MARCONI TF2015 without Synchroniser	£425	
MARCONI TF2016 AM/FM 10MHz/120MHz with Synchroniser	£400	
TF2173	£300	
MARCONI TF2016 without Synchroniser	£200	
MARCONI MOD METERS IF 2300, TF2300B, TF2303 from	£200	
DYMAR 1525 AM/FM 0.1-184MHz Sig Gen	£200	
RACAL 908A AM/FM 10MHz/10MHz Sig Gen Synthesised	£600	
HP 618C Signal Generator 3.8-7.6MHz	£400	
HP 6168 Signal Generator 1.8-4.2GHz	£450	
HP 614A Signal Generator 800-2130MHz	£450	
RE (Radiocontrol) 101 Sig Gen 0.15-30MHz, 86-130MHz, Built in Osc and Sweep Facility	£750	
LEADER LS2215 Sig Gen AM/FM Q1-30MHz, 75-115MHz, Built in FM Stereo Modulation	£750	
WAVEKER 157 Programmable Waveform Synthesiser 100 MicroHz to 1MHz, Swept Tr, 0.2-10MHz	£1,350	
TELEQUIPMENT S52 Sig Gen 0.005GHz-5MHz Swe/Sig Tr/TTL Sweep	£180	
FEEDBACK FG601 Sig Gen 0.001MHz-1MHz Swe/Sig Tr	£375	
PHILIPS COLOUR BAR GEN VHF UHF Video Over 20 Test Patterns	£400	
MARCONI Automatic Distortion Meter TF2337A 400Hz or 1kHz. Measures down to 0.01%	£150	
<b>SPECIAL OFFER - HAMEG MODULAR SYSTEM</b>		
HMB001 Main Frame with HMB032 Saw-Wave Generator 20Hz-20MHz, HMB030 2 Function Generator 0.1-1MHz, Swe/Sig, Trigger and HMB011 2 Digital Multimeter 4 1/2 digit	ONLY £400	
IF R SPECTRUM ANALYSER A750 10MHz-1GHz with Tracing Gen & Receiver options	£4,250	
HP SPECTRUM ANALYSER 8551B with 851B Display 10MHz-120MHz	£750	
HP 140B with Nelson Ross Spectrum Analyser Plug-in PS4532A 0.01-5GHz, No Manual Hence	£600	
TEKTRONIX SPECTRUM ANALYSER ALS1 4MHz-1GHz	£1,200	
HP VECTOR METER SAGA	£1,000	
HP O METER type 4312A 2KHz-20MHz	£1,000	
HP REFLECTOR IMPEDANCE METER type 4815A	£1,500	
TEKTRONIX CURVE TRACER type C71	£325	
FERROGRAPH RTS2 Recorder Text Set	£275	
WOLKE Wind & Flutter Meter ME108	£100	
LEADER LMV16A Two channel Voltmeter 5Hz-500KHz	£125	
TRIO S602 AM Sig Gen 100MHz-30MHz un used	£75	
LEVEL TESTER 0009 1MHz Swe Square	£125	
MARCONI ATTENUATOR TF216 10MHz/600 Ohm 0.1dB/0.1dB/1dB Steps	£35 (p&p £7)	
HATEDD ATTENUATOR DC 250MHz/50 Ohm 0.100dB	£60 (p&p £4)	
BRUEL & KJER Audio Frequency Spectrometer type 2113	ONLY £650	
Shielding Angles & Filter. Un used		
Other B&K Equipment available - please enquire		
<b>MULTIMETERS</b>		
AVO B Complete with batteries and leads from	£50	
AVO B With Complete with batteries, leads	£90	
AVO TEST SET No. 1 (Military version of AVO B) Complete with batteries and leads	£65	
TEST LEADS suitable for AVOMETERS Red & Black with 2 Crocodile Clips and 2 Prods	£5 (p&p £3)	
Black Ever Ready case for AVOs unused	£15 (p&p £4)	
AVO VALVE TESTER CT160 Suitcase style 22 bases	ONLY £25ea (p&p £7)	
AVO TRANSISTOR ANALYSIS M2 CT446 suitcase style complete with batteries and operating instructions	ONLY £25 ea (p&p £7)	
MARCONI AF POWER METER TF893A 20Hz-35kHz 20W/10W with manual	only £35 (p&p £7)	
MARCONI RF POWER METER TF1152A/1 DC 500MHz, 0.5 to 15W 50 Ohm with manual	only £45 (p&p £7)	
<b>NEW EQUIPMENT</b>		
HAMEG OSCILLOSCOPE 604 Dual Trace 60MHz Delay Sweep Component Tester - 4 prods	£575	
HAMEG OSCILLOSCOPE 2036 Dual Trace 20MHz Component Tester with two probes	£314	
All other models available		
BLACK STAR COUNTER/TIMERS (p&p £5)		
APOLLO 10-100MHz Ratio/Timed Time interval etc	£222	
APOLLO 100-100MHz (As above with more functions)	£295	
BUCK STAR FREQUENCY COUNTERS (p&p £4) Meteor		
100-100MHz	£99	
Meteor 600-600MHz	£129	
Meteor 1000-1GHz	£178	
BLACK STAR JUPITER 500 FUNCTION GENERATOR Swe/Square Wave 0.1Hz-500KHz (p&p £4)	£110	
ORION COLOUR BAR GENERATOR PAL/Video	£209	
HAMEG CHANG DMM 7030 3 1/2 digit Hand held 28 ranges including 10 AC DC 0.2		
Complete with battery and leads (p&p £4)	£30.50	
As above DMM 6010 0.25%	£33.50	
Carry case given for above	£39.00 ea	
OSCILLOSCOPES PROBES Switched X1 X10 (p&p £3)	£11	

**STEWART OF READING** Tel: 0734 68041 Fax: 0734 351696

110 WYKEHAM ROAD, READING, BERKS RG6 1PL

Callers welcome 9am to 5.30pm, MON-FRI. (UNTIL 8pm, THURS)

ENTER 45 ON REPLY CARD

## PINEAPPLE SOFTWARE

### BBC PCB SOFTWARE

PCB is a powerful Rom based printed circuit board design programme suitable for all BBC computers. A second option is optionally available to add a powerful auto track routing facility to the program. This utilises a 'rats-nest' input routine and allows any component to be 'picked up' and moved around the board without having to respect component interconnections. The full autoroute facilities are available even on a standard unexpanded model 'B'.

PCB auto-route is remarkable. No similar software comes near the price.			
PCB manual track routing	£85.00	PCB auto-routing	Acorn User Aug 88
PCB Plotter driver	£35.00	P&P free	£185.00

### IBM PCB Software

**EASY PC** EASY PC is a powerful PCB design program combined with a schematic drawing package. Up to 8 board layers plus upper and lower silk screens. Board size up to 17" x 17". Powerful zoom and pan features. Suitable for IBM PC/XT/AT and compatibles with 512K RAM. £270.00 P&P free.

**PCB TURBO V2** unbeatable full feature auto-routing IBM PCB designer. Boards up to 32" x 32" with 6 layers. Output to plot, photoplotter, dot-matrix printer or laser printer. Minimum requirements: IBM/XT/AT compatible (286 or 386 processor) with 640K Ram and 10mb hard disc. CGA, EGA or VGA colour graphics adapter. £675.00 P&P free.

### ROLAND PLOTTERS

New 1000 series plotters at unbeatable prices! All with A3 paper handling B pens and 420mm/sec plotting speed. Parallel and serial interfaces and soft pen landing with automatic grain setting on all models. 1200 model has addition of electrostatic paper hold and X-Y coordinate display. 1300 model also has manual pen speed adjustment and a 1Mb buffer.

DXY 1100	£775.00	DXY 1200	£1050.00	DXY 1300	£1250.00	P&P £10.00
----------	---------	----------	----------	----------	----------	------------

### MARCONI TRACKERBALLS

We now have an adaptor available to link the trackerball to the Archimedes, to enable it to directly replace the Archimedes mouse.

Bare Trackerball (No Software)	£45.00	
BBC Model with software	£59.00	P&P on
Adaptors to drive BBC mouse software	£8.00	Trackerballs
Archimedes Adaptor	£19.95	£1.75
IBM Model (serial interface)	£199.95	

Trackerballs also available for other computers, please phone for details.

### MITEYSPICE, SPICE AGE AND ECA - 2

Three very powerful circuit analysis packages. Miteyspice is available for the BBC range of computers, and Spice, Age and ECA-2 for the IBM and compatibles. Spice, Age is a new product for the IBM range which provides facilities for transient and Fourier analysis as well as DC and freq. response performance.

Miteyspice (For BBC and Archimedes)	£119.00	
Spice Age (IBM PC/XT/AT 512K Ram)	from £70.00	
ECA-2 (IBM PC/XT/AT 256K Ram)	£675.00	
LCA-1 (Logic Analyser for IBM's)	£350.00	P&P free

Pineapple Software, Dept WW, 39 Brownlea Gardens, Seven Kings, Ilford, Essex IG3 9NL. Telephone: 01-599 1476. Add 15% VAT to all prices 01-599 1476



ENTER 27 ON REPLY CARD

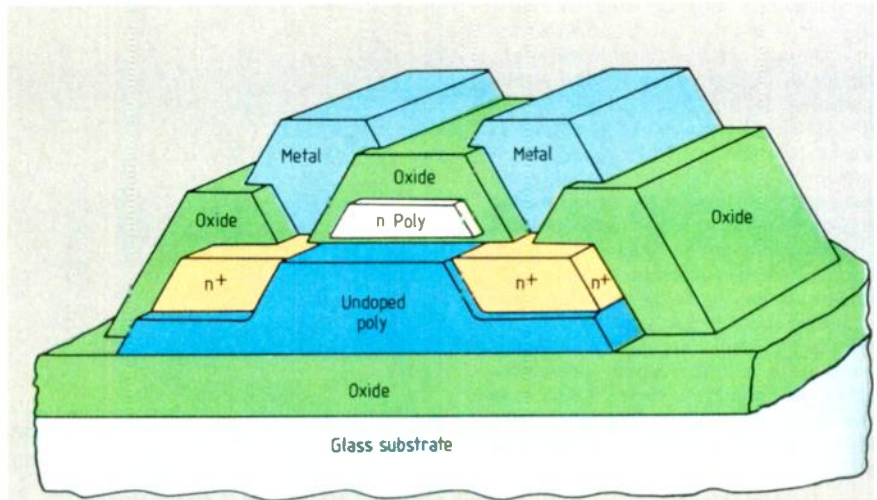
## Low pressures create giant LCDs

Imagine an A4 sheet of silicon upon which you can build translucent fet devices of good quality. Because the light will shine through, you could harness the photosensitive properties of the transistors for direct imaging on this enormous silicon target. Alternatively, packed into hermetic plastic, an A4 piece of silicon would produce a real monster of a chip. It becomes possible to implement neural networks, parallel processing and memory without ever having to leave the wafer.

The idea of placing polysilicon on glass isn't new; semiconductor companies have repeatedly experimented with alternative substrates. Monocrystalline silicon produces devices with highly repeatable and excellent electronic properties. Because electrons can move freely about the silicon lattice, mobility is very high and the conducting state resistance accordingly low. Monocrystalline silicon also has the inherent advantage of the excellent surface smoothness necessary for repeatable submicron geometries. When you try to place silicon on glass by a chemical decomposition of gases such as silicon hydride, the silicon deposits as regular, small crystals or even takes an amorphous form. This is because the glass substrate interferes with the formation of the crystalline lattice. The resulting fractures in the silicon structure drastically reduce mobility within the polysilicon layer.

Display manufacturers in Japan have produced LCD display products for the commercial market up to around 35cm diagonal size which use amorphous silicon. However, the very high resistance of the amorphous silicon pixel-switching transistors means that the display is very slow to refresh. The new polysilicon on glass substrate technology from Rytrak promises high quality silicon display screens up to 35cm with acceptable refresh rates.

There isn't anything spectacularly new in the Rytrak CVD (chemical vapour deposition) process. It does little more than carefully control the deposition pressure and the accompanying thermal gradient within the deposition chamber. The manufacturing principle is straightforward. The process exposes high purity glass to  $\text{SiH}_4$  gas at a temperature of around  $600^\circ\text{C}$ . The gas decomposes to form a layer of silicon on the glass sheet. Traditionally this process would involve a chamber pressure of around 200mtorr. This results in a silicon deposition rate in the region of 100Å per minute requiring a total process time of around 10 minutes to an hour to reach the desired silicon thickness. This type of silicon is characterized by very small crystals of relatively poor electrical performance for the intended application. As a first pass at solving the problem Rytrak reduced the pressure to around 40mtorr resulting in a much



Above: three dimensional representation of a fet-on-glass structure.

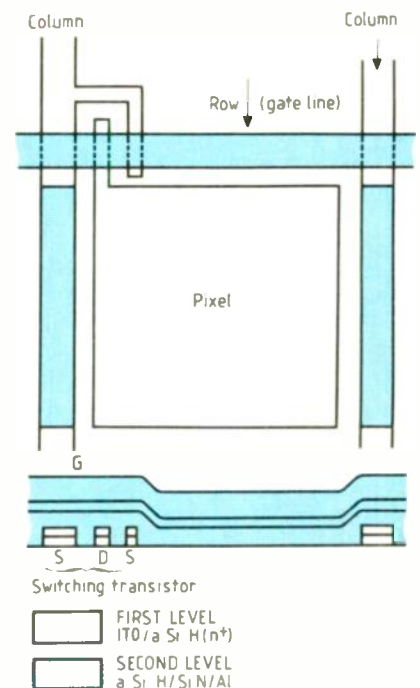
Right: a pixel from a thin film transistor display uses essentially the same structure as dynamic memory. The transistor in the top left of the structure switches the capacitance of the pixel element.

Upper photograph: a cross-section of a polysilicon-on-glass film produced with a standard CVD process at 200mtorr process pressure. Note the fine grain of the crystals leading to high surface resistance.

Bottom right: a cross-section of polysilicon film deposited at 2.5mtorr using the Rytrak process. It clearly demonstrates that ultra low pressure CVD produces crystals of very large size and almost perfect uniformity.

better crystal structure but with a deposition rate which fell to 10Å per minute, insufficient for a commercial process. It is thus very surprising to learn that the secret of the new CVD process is to reduce the process gas pressure to just 2mtorr, a reduction of two orders of magnitude from the traditional industry norm. One would expect the deposition rate at this very low pressure to be virtually zero but indeed the opposite appears to happen. The deposition rate actually rises to around 50-70Å per minute, a figure compatible with a commercial process. It comes as an even bigger surprise that Rytrak does not know why this should occur.

One can speculate on why the massive pressure reduction should lead to an increase in deposition rate. The traditional CVD process has much lower gas flow rates even though the pressure is much higher. Whatever the reason, the company expects to deliver its first 35cm in substrates by the time you are reading this, and it seems assured of a bright future providing it can protect its patented process from the giant industry predators.



# UPDATE

## Research profile: transport and road research Martin Eccles

Department of Transport research into all aspects of Britain's highways and vehicles is carried out at the Transport and Road Research Laboratory in Crowthorne, Berkshire.

Electronics is responsible for two significant advances in traffic-flow efficiency – we could be feeling the effects of both of them in the near future. One is an interactive computer system called Autoguide that can guide drivers effortlessly to their destination and the other a traffic-light controller called Mova. A new traffic-light controller might seem unexciting to you until you learn that the ones currently used have been based on the same principles for about 50 years.

Surprisingly, one of the most electronics-intensive areas at TRRL is setting safety standards for the country's vehicles. Crash tests involve the use of many types of sensors, analogue and digital processors, and data recorders.



Inefficient traffic routing is thought to cost the nation £2400 million a year. According to TRRL, that represents some 6% of all vehicle mileage. This photograph is a demonstration of TRRL's Autoguide system that could save not only fuel and road wear, but also some 12% of driving time.

Unlike earlier attempts to route traffic efficiently, which include Prestel software and in-vehicle route-planning experiments, Autoguide looks promising. Some 15 cars in London are already equipped with Siemens Autoguide hardware as part of a practical evaluation and a number of consortiums including companies such as Plessey, Rover, the AA and Ferranti are interested in bidding for a pilot scheme which will provide London with some 300 information transmitting beacons and

some 400 Autoguide equipped vehicles.

This demonstration illustrated to us Autoguide's ingenious ability to determine, rather than simply look up, the best route. If roadside beacons detect that drivers are taking longer than predicted to negotiate a particular route, Autoguide assumes that there is a delay on that route and gives subsequent drivers a modified route. Should, say, an accident have occurred on a particular route, beacon control centres can also insert route-modifying data into the beacon-control computer.

We are assured that although Autoguide knows whether Autoguide-equipped vehicles passing its beacons are *bona fide* users, it will not inform the police when a driver takes less than the predicted time to cover a given route!



Within the car are five main units relating to Autoguide, one of which is the display panel shown here. Besides verifying the destination that you have entered, the display panel gives directions – turn left, follow the road, etc. – and it even helps you when you are confronted with two or three left turns very close to each other. Looking at a display distracts the driver's attention and so each direction change is also announced by a voice synthesizer.

Information arrives at this display unit from infra-red beacons at strategic positions on the roadside with a range of about 50m. In central urban areas, it should be possible to direct drivers to within 50m of their destination.



entered on the control unit will depend on the amount of software within the vehicle. In a basic system, grid references would be required but more sophisticated systems could easily accept street names.

Stopwatch information derived from the speedometer/odometer tells the control centre whether or not you have encountered delays on your route. If many drivers encounter the same delays to the extent that another route could result in a shorter travel time, subsequent drivers are sent along the alternative route.

Autoguide's in-vehicle control computer not only communicates between the roadside beacons and the driver but it also processes data from the speedometer/odometer and a magnetic heading sensor which is used to determine whether you have deviated from the prescribed route. This means that – in theory at least – you can never get lost.



Roadside beacons transmit routing information continuously at 125kbit/s through an infra-red link; information travels from the car to the beacon too, but more slowly. Just behind the rear-view mirror you can see the unit that receives the route information and also sends 'stopwatch' information derived from the vehicle's speedometer/odometer back via the roadside beacon to the control computer.

You can also see the remote-control unit used to enter destination data and the display unit in this picture. In the interests of safety, the remote-control unit only functions while the vehicle is standing still. How data is





# UPDATE

## British automatic arms firm establishes Russian base

One of the first British companies to embark on a joint venture with a Russian firm in the post-*glasnost* era is the Cambridge robot manufacturer Sands Technology. Sands has agreed to form a new Soviet-British company which will supervise robot production in Sverdlovsk's Scientific and Engineering Centre. The centre is backed by United Turbo Works and closely allied to the Urals Polytechnic.

For Sands Technology, the agreement involves supervision of SEC's robot production and advice on production and management techniques. Sands robots will be produced under licence in the USSR and marketed in the Comecon and Soviet sphere countries. David Sands, director of Sands technology, says, "There are many opportunities for British technology in the USSR and the Soviets urgently need Western technology".

As a result of one of the first joint ventures between a Russian and British company, robot arms like this one are to be produced under licence in the USSR. The agreement involves advice to Russia on both production and management.



## Green cells – battery makers clean up their act

These zinc chloride cells are described by their manufacturer, Panasonic, as "environment-friendly". Unlike conventional dry batteries they contain no mercury, and so there is no risk of the highly poisonous metal leaking into the soil when the cells are thrown away.

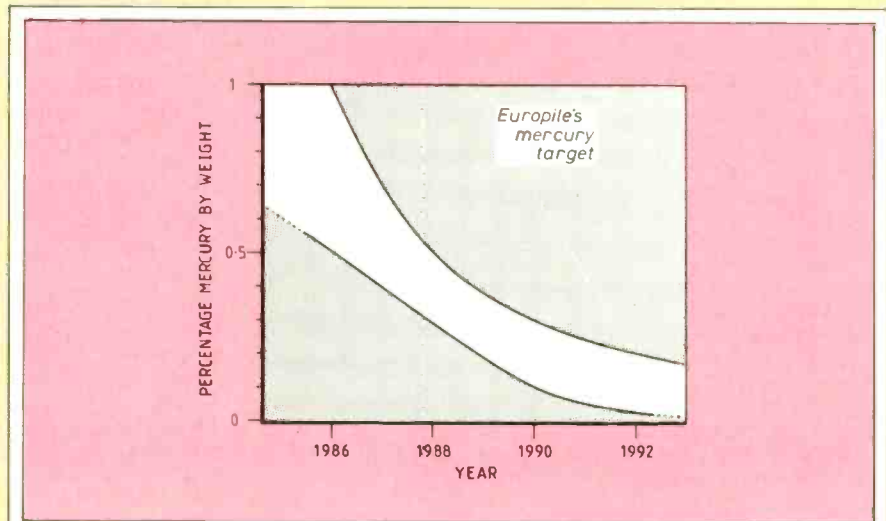
Other battery manufacturers which have announced "green" zinc chloride cells are Varta, Philips and Ever Ready. But removing mercury from the popular

long-life alkaline cells is proving harder and progress has been slower. But Europile, the joyously-named consortium of European battery manufacturers, has

By 1992, European battery makers hope to reduce the mercury content of their alkaline cells to well below one part in 1000 by weight.

agreed a programme for mercury reduction and most manufacturers – including Duracell in Britain – claim to be ahead of the targets.

Eliminating mercury altogether from alkaline cells entails quite a challenge for the battery chemist: without mercury, corrosion occurs inside the cell, gassing takes place and pressure builds up. Safety rather than performance is the reason given for retaining it.



Update continues on page 410

# OPEN LEARNING TECHNICIANS & ENGINEERS

Telecommunications

Analogue & Digital

Telephony

Radar

**SOLUTIONS!**

**Lab-Volt® (U.K.) LTD.**

4A Harding Way, St Ives,  
Huntingdon, Cambs PE17 4WR  
Tel: 0480 300695. Fax: 0480 61654

ENTER 19 ON REPLY CARD

## COMMERCIAL QUALITY SCANNING RECEIVER



The IC R7000, advanced technology, continuous coverage communications receiver has 99 programmable memories covering aircraft marine, FM broadcast, Amateur radio, television and weather satellite bands. For simplified operation and quick tuning the IC-R7000 features direct keyboard entry. Precise frequencies can be selected by pushing the digit keys in sequence of the frequency or by turning the main tuning knob. FM wide, FM narrow, AM upper and lower SSB modes with 6 tuning speeds: 0.1, 1.0, 5, 10, 12.5 and 25kHz. A sophisticated scanning system provides instant access to the most used frequencies. By depressing the Auto M switch the IC R7000 automatically memorises frequencies that are in use whilst it is in the scan mode: this allows you to recall frequencies that were in use. Readout is clearly shown on a dual-colour fluorescent display. Options include the RC 12 infra red remote controller, voice synthesizer and HP 1 headphones.

**ICOM** Icom (UK) Ltd. Tel: 0227 363859. Telex: 965179 ICOM G  
N.B. Authorised Welsh distribution by  
M.R.S. Communications Ltd. Cardiff Tel: 0222 224167

Please send information on Icom products & my nearest Icom dealer.

Name/address/postcode: .....

.....

.....

Status: ..... Tel: .....

Post to: Icom (UK) Ltd. Dept. WW, FREEPOST, Herne Bay, Kent CT6 8BR

ENTER 23 ON REPLY CARD

**FREE  
of charge**

**The New  
FFD Catalogue.**

**150 pages of Components, Cables,  
Equipment and Accessories for Broadcast,  
Audio & Video Installations; with prices.**

**FFD FUTURE FILM DEVELOPMENTS**

<p><b>SALES OFFICE</b> 11, The Green, Brill, Aylesbury HP18 9RU, England. Tel: 0844 238444. Fax: 0644 238106. Telex: 837896 BRILL G.</p>	<p><b>SALES COUNTER</b> 112-114 Wardour St, London W1V 3LP, England. Tel: 01-434 3344 &amp; 01-437 1892. Fax: 01-437 9354. Tlx: 21624 ALOFFD G.</p>
--	---

ENTER 11 ON REPLY CARD

# Designer's guide to RS-232

GRAHAM STEPHENS

For better or worse, the RS-232 data communications interface standard based upon the 25 way 'D' connector has been with us for many years, and will no doubt continue to dominate the field. It is simple to implement, versatile, international, extremely well documented and excellently supported throughout the industry.

To function correctly, there must be agreement on the mechanical, electrical and functional characteristics. International agreement is contained within various specifications from the International Organization for Standardization (ISO) and the International Telecommunications Union (via its CCITT arm's 'V' recommendations). These bodies have worldwide authority, unlike the Electronic Industries Association (EIA) which is a trade association of equipment manufacturers in the USA under ANSI.

While all this may seem unimportant, it is necessary to maintain a realistic perspective on the position and status of EIA recommendations within world standards (although this in no way denigrates the major and pioneering contributions made by EIA to world standards). However, some people insist on quoting just EIA standards as though there is some kudos in doing so. Users are therefore confused and may consider 'RS232' to be superior in some way to international standards, without knowing if this is being used in a valid shorthand, legally evasive or 'semi-professional' manner. Whatever its mode of use, conformity claims which prove false arouse great interest among those well versed in trading legislation.

Another area where RS-232 is often quoted is modems. Regardless of manufacturer or supplier, a claim to conform to a CCITT 'V' modem recommendation also implicitly entails conformity to ISO 2110, V.24 and V.28. Nowhere is there any mention of RS-232. A 'V' modem interface has a 25-way 'D' socket (female contacts) with V.28 electrical characteristics and with pin allocation according to ISO 2110 functioning to V.24.

The most recent EIA '232' standard is "EIA-232-D" published in January 1987, which, to quote its foreword, is "a revision to RS-232-C, which brings it in-line with international standards CCITT V.24, V.28 and ISO IS 2110." (V.24, V.28 and IS 2110 refer to the functional, electrical and physical characteristics respectively; 232-D covers all three in broadly equivalent terms.) Presumably references to 'RS-232' must mean these latest standards, and 'RS-232-C' is not in-line with these international standards and may therefore need further clarification.

The remainder of this article is concerned with the electrical characteristics of the interface which are defined in CCITT V.28 and also within 232-D. The differences between them are of no practical significance.

The communications boom has led to many products which make interface conformity claims by quoting 'RS232'. Subsequent purchasers are often disappointed and confused when this interface does not appear to be compatible with other 'RS232' implementations, or, even worse, when other standards such as 'RS423' are introduced as being virtually the same thing. However, some users are beginning to fight back by taking action against suppliers whose claims, a condition of purchase, are invalid. Other users regard interface conformity as indicative of product quality, and test it early on in their evaluation. Those who merely assume that all is well are taking significant short and long-term risks.

## ELECTRICAL CHARACTERISTICS

Measurements are made with respect to signal ground (or common return) which is the zero volt reference point. This appears on pin 7 only on the 25 way 'D' connector, and is the middle pin for both plug and socket so there should be no confusion. The actual point of measurement must also be determined. A terminal (DTE) and modem (DCE) connect together via an interface cable which may be sufficiently long to affect some of the characteristics. (Earlier recommendations - both EIA and CCITT - limited cable length to 15 metres or 50 feet. The only time that a 'scope was used was to wind a cable around it to measure its length!) This often brings a third supplier into the fray. Although 232-D is not helpful on this point, V.28 states that it is commonly accepted that the cabling is provided by the DTE, and that the interface point is at the junction of the DTE plus cable, and where this plugs into the DCE.

**Generator (driver):** space/zero/on/active/start, +5 to +15V; mark/one/off/idle/stop: -5 to -15V.

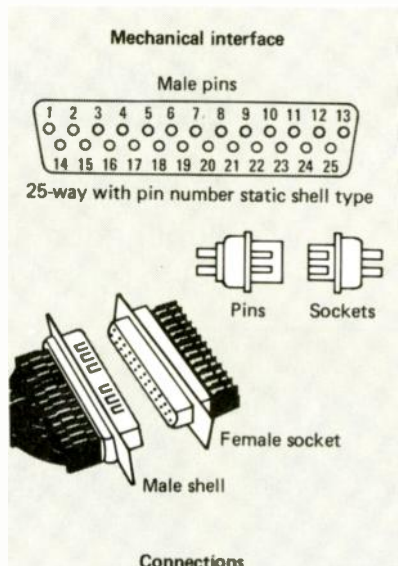
These voltages are measured with a load of 3k to 7k ohms (which is within  $\pm 2V$  of signal ground) and a maximum capacitance of 2500pF.

The output resistance is not specified other than as not less than 300 $\Omega$  in a power-off condition, and a maximum current of 500mA without driver damage when shorted to any other conductor within the cable.

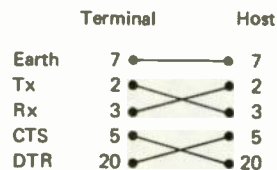
These characteristics alone preclude the use of +5 or -5V power supplies to the driver device's output stage, and several claims have been seen where nominal TTL levels are said to be practically the same as 232. Not so much logic levels as hodge-it levels!

The maximum (instantaneous) slew rate is 30V/ $\mu$ s, and is often ignored by designers. The minimum slew rate is measured as the maximum time to cross the 6V transition region. For clock and data circuits this time is the lesser of 1ms or 3% of the nominal bit period, e.g. 1.5 $\mu$ s for the maximum allowed data rate of 20kbit per second (1ms is only significant for rates below 30 bit/s and may therefore be ignored). For control circuits, the maximum time is 1ms.

Remember that these signals may be measured before or after passage through a long interface cable, and data rate becomes very significant. This cable may also pick up interference from outside, or, if screened, quickly reach the 2500pF limit. If the screen is incorrectly terminated then even relatively short cables can cause major problems, and only circuits in use should be wired. 25-way ribbon cable may not be a good choice.

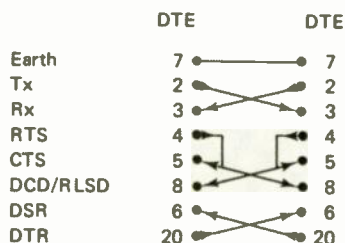


### Connections

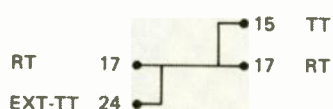


### Cross connections or null modem connection

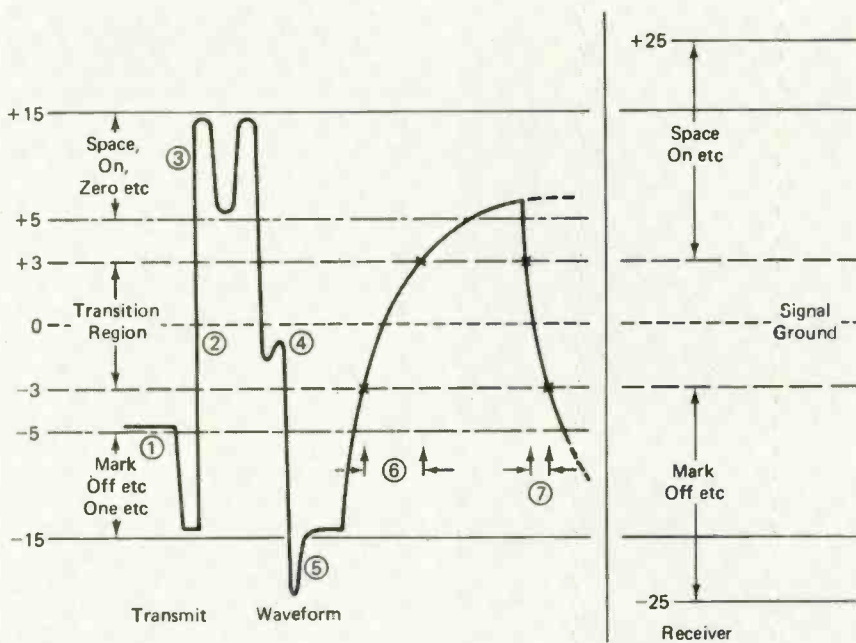
Connections between DTE's with no modems or DCE's



### Timing for synchronous comms



Timing from this DTE



1. Fail — steady state not in range
2. Fail — slew rate greater than 30 volts per microsecond
3. Pass — lots of mains hum from psu, but steady state within range
4. Fail — change of direction within transition region
5. Fail — spike out of range (could be cable problem)
6. Fail — transition time too long (probably driving cable with too much capacitance)
7. Pass — smaller voltage excursion through same cable

Electrical characteristics of an RS-232 link, showing good and bad signals.

**Receiver (load):** greater than +3V is the equivalent of space/zero/on/active/start; less than -3V is the equivalent of mark/one/off/idle/stop.

The maximum test input voltage swing is  $\pm 25V$ .

The input resistance is 3k to 7k ohms to within  $\pm 2V$  of signal ground and over the range of  $\pm 3$  to  $\pm 15V$ . The effective capacitance must not exceed 2500pF.

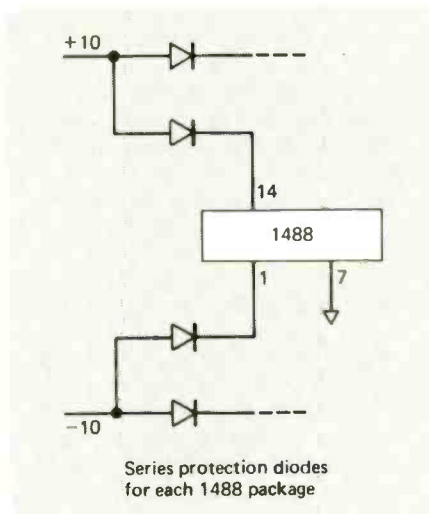
(It would appear that the resistance may be outside the 3k to 7k ohm range when within the transition region, and presumably allows for diode forward voltage drops).

The point of change (threshold) in the  $\pm 3V$  transition region is not defined. There may be two points to allow for hysteresis. These actual threshold voltage(s) may be varied according to application. Those close to zero may be too susceptible to interference. The most common threshold range is between +1 and +2V, and so a disconnected cable defaults to a detected '1'. However, it is sometimes useful to have a negative switching threshold so that a disconnection results in a detected '0' — to instigate a V.54 loop for example. Note that a power-off condition in the attached device may also appear as a disconnection.

### GENERATOR IMPLEMENTATIONS

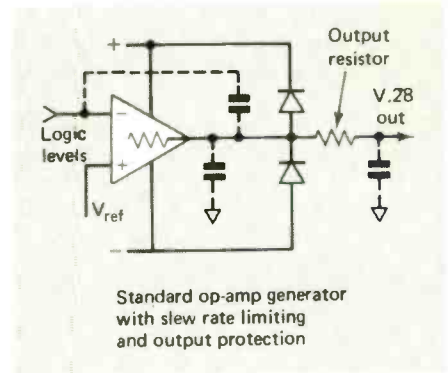
As has been mentioned earlier, driver output stages powered from five volt rails cannot conform even though they may work under favourable circumstances.

The simplest method of implementing a driver stage is to use a purpose-designed

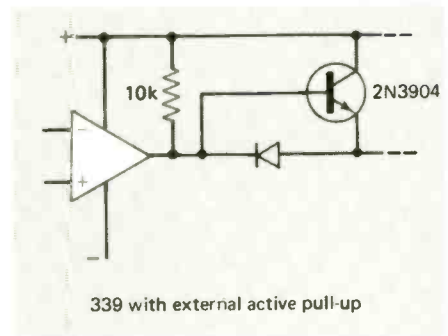


Protecting the 1488 RS-232 driver.

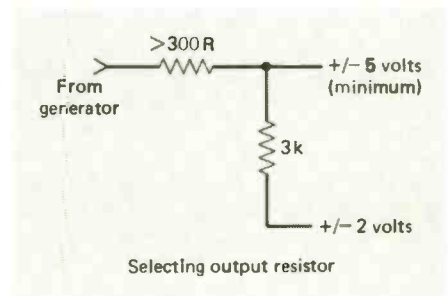
V.24/232-compliant integrated circuit, although a manufacturer's claim to conform to V.24 is meaningless. The most common device is the multi-sourced quad driver — the '1488'. Three of the drivers appear as a 2-input Nand, with the fourth as a simple inverter. The Nand function is rarely used as it gates the output ON rather than the more useful OFF. The inputs are TTL compatible, and should be tied high if unused. A pull-down resistor of 1k $\Omega$  may be necessary if driven by unbuffered 4000 cmos. As over 90% of data comms equipment failures are in the interface (usually the driver), this device should be socketed. This does not mean that the device itself is unreliable,



Standard op-amp generator with slew rate limiting and output protection



339 with external active pull-up



Selecting output resistor

merely that it is exposed to the unsuitable by the uneducated!

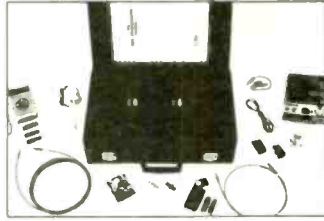
Power supplies are uncritical and do not require close regulation or matching. However it is advisable to insert series diodes (1N4001) in the supply leads to guard against hostile interface conditions, especially during power-up or while in power off. (This applies to all drivers, not just the 1488.) Power consumption tends to be proportional to the supply voltages but these should not be less than  $\pm 9V$  to ensure a safe margin on the output swing and correct short-circuit operation. Note also that a lower voltage swing usually permits the use of longer interface cables. Slew rate limiting is usually needed, and 330pF from output to signal ground is normally sufficient. In some instances, this value should be increased to prevent local interference, especially in rack-mounted applications. There is no consistent failure mode, although a fairly common one is where the output swings from near the positive supply to just above ground, rather than negative. This may look valid on some of the elementary interface monitors and cause an incorrect diagnosis.

Other specialist devices are available. These include cmos versions of the 1488, mixed drivers and receivers, and those that generate the necessary power supply voltages internally. Should PTT approval be necessary, it has proved worthwhile to use



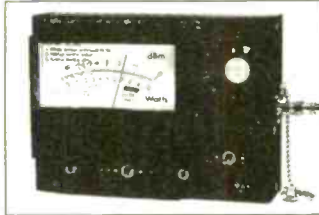
## FIBRE-OPTICS EDUCATOR

Versatile training equipment for education and industry.



For more information 31

## FIBRE-OPTICS POWER METER

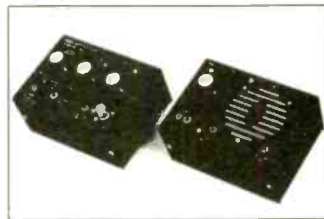


dBm and  $\mu\text{W}$  scale; battery life 500 hours.

For more information 63

## FIBRE-OPTICS MONITOR

For continuity testing and voice comms.



For more information 62

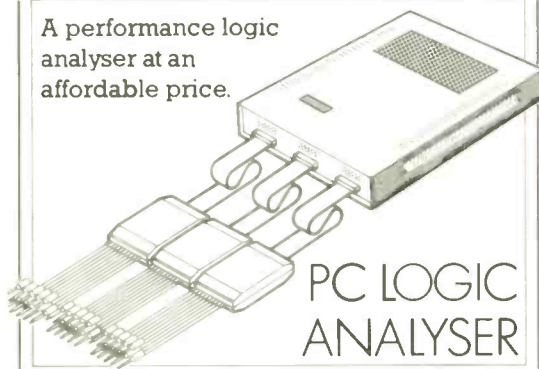
For further details contact:

**ELLMAX ELECTRONICS LTD.,**  
Unit 29, Leyton Business Centre,  
Etloe Road, Leyton, London, E10 7BT.  
Telephone: (01) 539 0136.

**ELLMAX  
ELECTRONICS**

ENTER 14 ON REPLY CARD

A performance logic analyser at an affordable price.



PC LOGIC  
ANALYSER

The Compedex logic analyser brings together the computing power of the PC, together with a 100MHz logic analyser, featuring:

- Up to 100MHz int. clk.
- 24 data channels.
- 4 trigger words with logical operators.
- 8 channel data qualification.
- Disk storage of parameters and traces.
- Simple operation via pull down menus.
- PC AT/XT, EGA/VGA system compatible, DOS shell for filing and retrieving traces and setups.

CALL FOR A DEMO DISKETTE, you can evaluate the Compedex logic analyser using our free demo software. The Compedex logic analyser costs £1,295 + VAT.

Compedex Ltd.

21 Alston Drive, Bradwell Abbey, Milton Keynes MK13 9HA  
Tel (0908) 322177 Tlx 827570 COMPON G Fax (0908) 320350

ENTER 28 ON REPLY CARD

COM  
PON  
NE  
DEX



# LOGIC ANALYSERS

**TA3000 from £3745**    **TA2500 £4595**

- Up to 112 channels. 100MHz Timing: 20MHz State.
- State/Timing Cross triggering and Correlation.
- FS232, IEEE-488 and Centronics interfaces.
- Multi level conditional triggering.

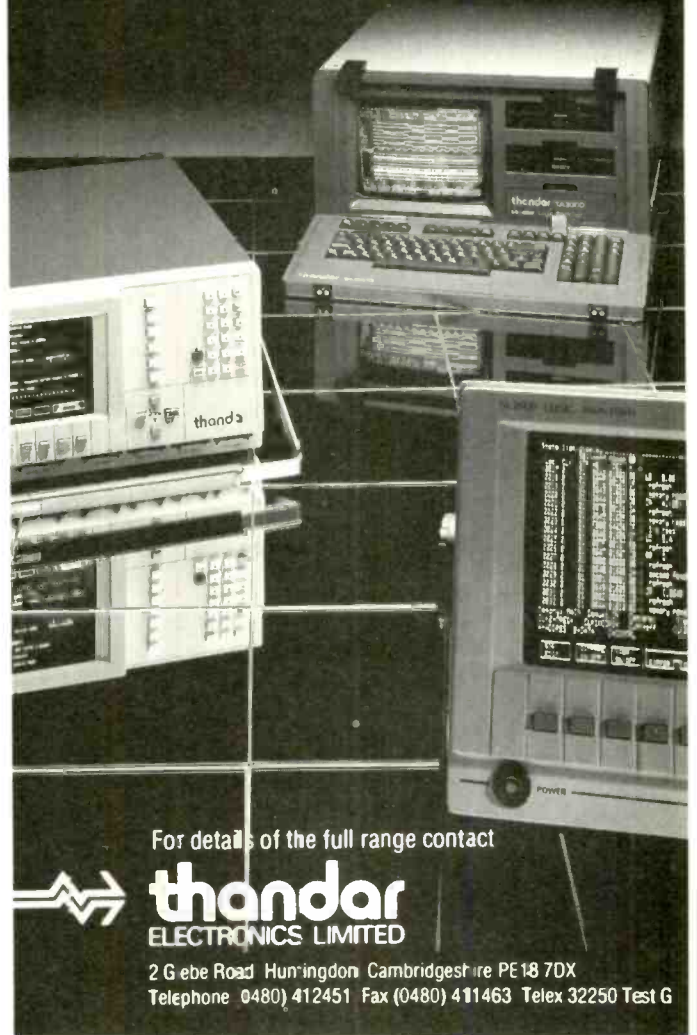
**TA2000 £2495**    **TA1000 £1595**

- 32 channels. 100MHz sampling rate.
- Ens glitch capture. Glitch triggering.
- 4 level sequencer with event count and delay.
- RS232, IEEE-488 and Centronics interfaces.

**Options from £195**

Disassemblers for 68000, 8086/88, 80185/188, 80286, Z8C, 8085, 65C2, 680C, 6809, 64180, 8031/51, 8048/49, 63/68XX, RS232, IEEE-488.

PC Data transfer software.



For details of the full range contact



**thandar**  
ELECTRONICS LIMITED

2 Gebe Road, Huntingdon, Cambridgeshire PE18 7DX  
Telephone 0480 412451 Fax (0480) 411463 Telex 32250 Test G

ENTER 13 ON REPLY CARD

# High CMRR—no matching

An advance on the conventional three-op-amp instrumentation amplifier which needs no component matching for a high common-mode rejection ratio.

JOHN LIDGEY, CHRIS TOUMAZOU and COSTAS MAKRIS

Analogue differential (difference) amplifiers are generally based on a structure of resistive feedback around one or more op-amps and the ability of the circuit to reject common-mode signals relies on resistor ratios being precisely matched.

Figure 1 shows the conventional three-op-amp instrumentation amplifier which is widely used in applications requiring high differential gain, wide bandwidth and good common-mode rejection properties. The part of the circuit to the right of the broken line AA is a simple, single-op-amp, differential amplifier that will reject common-mode signals well if the resistance ratios  $R_2/R_1 = R_4/R_3$ .

The differential-mode gain of this stage is equal to  $R_2/R_1$ . The differential input/output pre-amplifier to the left of the line AA has unity common-mode gain and a differential-mode gain of  $(1 + 2R_5/R_6)$ . The complete circuit is effective in operation, but good CMRR performance means that  $R_1$  to  $R_4$  must be trimmed accurately to reduce the common-mode gain as much as possible. This trimming process adds considerable production costs in the manufacture of a practical amplifier.

To return to the input stage of the circuit of Fig 1, it is interesting to note that the current  $I$  in the  $R_5, R_6, R_7$  network is directly proportional to the input voltage difference, that is

$$I = (V_2 - V_1)/R_6$$

and so this part of the circuit could be used to provide common-mode rejection if current  $I$  were made available as an output parameter rather than the output voltages of  $OA_2$  and  $OA_1$ . The new instrumentation amplifier, based on this concept, is shown in Fig. 2. Current-mirror symbols have been used to simplify the circuit diagram, the driven side of the mirrors ( $CM_1$  and  $CM_2$ ) being shown by the arrows, which also indicate the driving current directions. In practice, we have used high quality four-BJT current-mirrors, as we did previously when using the same supply-current sensing technique<sup>1,2</sup>.

The operation is very straightforward and can best be understood by considering the node voltages and branch currents indicated on the diagram. Assuming that  $V_2 > V_1$ , then current flowing through  $R_1$  is

$$I = (V_2 - V_1)/R_1$$

and, assuming that the current-mirrors

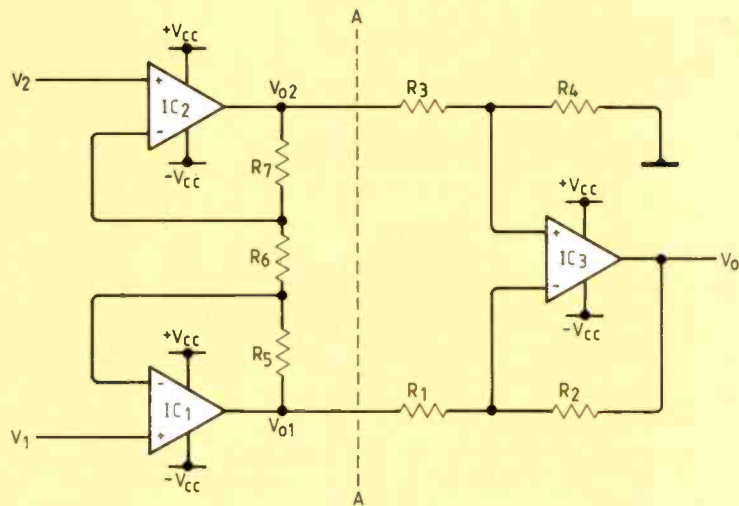


Fig.1. Standard form of the three-op-amp instrumentation amplifier, which requires attention to matching of resistors  $R_1$  to  $R_4$  to achieve good common-mode rejection.

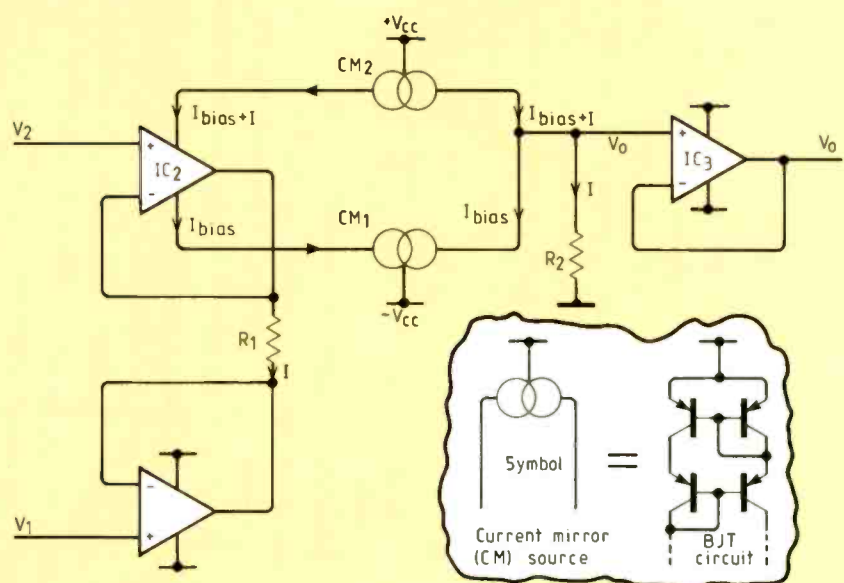


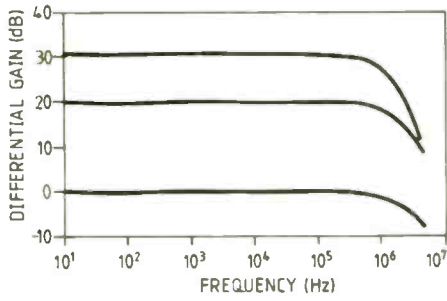
Fig.2. The new amplifier, which is well suited to integrated-circuit design. No matching of components is needed.

operate with unity reflection, this same value of current is driven by  $CM_2$  into resistor  $R_2$ ,  $CM_1$  merely cancelling the  $OA_2$  bias current. Op-amp 3 is a voltage-follower used to provide a low-output-impedance drive. The role of  $CM_2$  and  $CM_1$  swap over when  $V_2 - V_1$  changes polarity. The output voltage is given by  $V_0 = IR_2 = (V_2 - V_1)R_2/R_1$  or  $A_{VD} = R_2/R_1$ , this being the differential

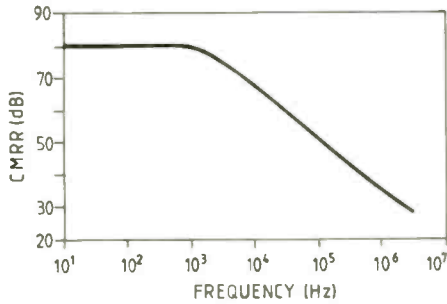
mode voltage gain.

In practice, the amplifier does not give zero common-mode output, this mainly being due to mismatches in the gain-bandwidth products of  $OA_1$  and  $OA_2$ . However, the CMRR performance is good and no resistor matching is needed. Slight departures from unity in the current-mirrors  $CM_1$  and  $CM_2$ , together with relative





(a)



(b)

Fig.3. Differential gain of the new circuit, which offers constant gain/bandwidth at gains of 0dB, 20dB. Shown at (b) is the CMRR. An IC version of the design is being made, which will improve CMRR bandwidth.

imbalances between them, do contribute to some differential-mode distortion at the output, but these mirror imperfections do not degrade the CMRR figure at all.

We have built a test amplifier using a variety of single-chip op-amps with BJT current-mirrors. Figure 3(a) shows the differential-mode gain for  $R_2/R_1$  set at 1000, 100 and 1. It is interesting to note that the gain bandwidth product is virtually constant<sup>1</sup>. Figure 3(b) shows the CMRR with unity differential-mode gain, which gives a respectable figure of 80dB up to about 1kHz. AD711 op-amps were used in the circuit for these measurements and the current-mirrors were constructed with CA3096 BJT arrays.

The amplifier is really no more complex than the standard three-op-amp instrumentation amplifier of Fig.1 and is ideally suited to integration. Recent developments have involved design and fabrication of an integrated-circuit version of the amplifier, which will improve both the CMRR low-frequency figure and the CMRR bandwidth, as  $OA_2$  and  $OA_1$  will be better matched than the two separate op-amps used in our tests.

#### References

1. Toumazou C. & Lidgley F. J. Accurate current-follower. *Electronics & Wireless World*, April 1985, Vol. 91, No 1590, pp 17-19.
2. Toumazou C. & Lidgley F. J. Fast current-mode precision rectifier. *Electronics & Wireless World*, Nov. 1987, Vol. 93, No 1621, pp 1115-8.
3. Toumazou C. & Lidgley F. J. 'Novel current-mode instrumentation amplifier'. *Electronics Letters*, 2 Feb. 1989, Vol. 25, No 3, pp 228-230.

Dr Lidgley is at the School of Engineering, Oxford Polytechnic. Dr Toumazou and Costas Makris are both at the Department of Electrical Engineering, Imperial College

# NEW SUBSCRIBERS



# SAVE 25%

## on a years subscription with the leading electronics journal

Here's a chance to subscribe, on very special terms, to the Electronics journal with the most respected editorial in the business, essential reading for the serious and professional electronics engineer.

Now includes a new feature 'Industry insight' which deals in depth with one particular sector of the electronics industry.

Take advantage and send the coupon TODAY

### SUBSCRIPTION ORDER FORM

Please send me *Electronics & Wireless World* for 1 year at the special price of £17.55\*

\*Includes postage & packing

I enclose a cheque/PO to the value of £ \_\_\_\_\_ made payable to Reed Business Publishing Limited.

Please debit my credit account:

Access  Barclaycard/Visa

American Express  Diners Club

Expiry date:

Please invoice me/my company

Name \_\_\_\_\_

Signed \_\_\_\_\_

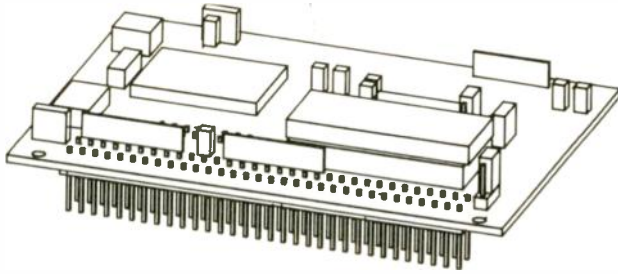
Address \_\_\_\_\_

Please return to *Electronics & Wireless World*, Room H316, c/o R. Ferguson, Reed Business Publishing, Quadrant House, The Quadrant, Sutton, Surrey SM2 5AS

CALL SUBS HOT LINE  
0273 227202  
QUOTE REF 666

# TDS9090 COMPUTER

This is a general purpose card for building into products. You put software for the job into PROM and this starts to run as soon as power is applied to the computer.



- LOW POWER C-MOS DESIGN
- LCD AND KEYBOARD INTERFACES
- 35 PARALLEL INPUT/OUTPUTS
- TWO SERIAL PORTS USING PROPER VOLTAGES
- WATCHDOG TIMER
- FORTH HIGH LEVEL LANGUAGE
- ON-CARD



Send for more information

SMALL, ONLY 100 x 72mm  
AFFORDABLE AND WELL SUPPORTED  
£194.95 FOR ONE, DROPPING QUICKLY WITH QUANTITY.

# Triangle Digital Services Ltd

100a Wood Street, London E17 3HX. Tel: 01-520 0442. Fax: 01-509 3263

ENTER 32 ON REPLY CARD

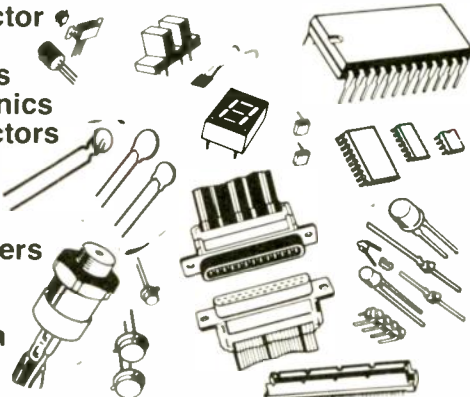
## MEMORIES

EPROM · SRAM · DRAM · EEPROM · 2716 · 2732 · 2764 · 27128 · 27256 · 27512 · 4116 · 4164 · 41256 · 2114 · 6116 · 6264 · CMOS AND LOW POWER

## MICROPROCESSORS

NEC · INTEL · MOTOROLA · AMD  
8085 · 68000 · Z80A · 80186 · 8086

- Semiconductor Sensors
- Ferrite Cores
- Optoelectronics
- Semiconductors
- Thermistors
- Integrated Circuits
- Potentiometers
- LEDs
- Connectors
- Suppression Switches.



Lowest prices worldwide for memories, digital, linear IC's.

Send for complete components catalogue  
UK - £1.50. Export - £2.50

## PVS ELECTRONIC COMPONENTS

244 Deansgate Court  
Deansgate Manchester  
M3 4BQ

Phone 061-831 7086 & 0860 399945 24 Hrs. Telex 668986 Fax 061 832 6394

ENTER 21 ON REPLY CARD

## VALVES

\*SPECIAL QUALITY Prices are correct at time of press but may fluctuate  
Please phone for firm quotation V.A.T. included

A1065 1.40	EF80 0.65	PCL86 0.80	Z900T 4.30	6CL6 2.75	12A6 1.00
A2293 7.00	EF83 3.90	PL82 0.70	A3 3.80	6CW4 7.40	12A6 3.50
AZ900 12.75	EF85 0.40	PL82 0.70	A4 0.65	6CX8 4.60	12A7 1.95
AF8 1.15	EF86 1.45	PL200 1.10	1H5 1.00	6CY5 1.15	12A7 1.25
ARP3 1.15	EF88 1.60	PL200 2.80	1S4 1.00	6D6 2.50	12AU7 0.95
ARP35 1.15	EF91 1.60	PL30 1.60	155 0.75	6F6G 2.90	12AX7 1.10
ATP4 0.90	EF92 2.15	PL81 1.30	114 0.75	6F6GB 1.10	12BA6 1.80
B12H 6.90	EF95 1.90	PL82 0.70	1U4 0.80	6F7 2.80	12BE6 2.95
CY31 2.40	EF96 0.60	PL83 0.90	2X2A 3.80	6F8G 1.75	12BH7A 4.35
DAF70 1.75	EF100 0.75	PL83 0.90	3A4 1.30	6F12 1.60	12E1 19.95
DAF96 1.35	EF183 0.75	PL83 0.90	3A7 3.40	6F14 1.15	12J5GT 0.55
DE T22 32.80	EF184 0.75	PL83 0.90	3A7 3.40	6F15 3.40	12K7G1 1.15
DF92 0.65	EF200 0.75	PL509 5.65	3B2B 19.50	6F17 3.10	12K8GT 1.25
DF96 1.15	EH90 0.85	PL519 5.85	3C6 0.60	6F23 0.75	12SC7 0.80
DH76 1.15	EL32 0.85	PL802SE 3.45	3E29 21.85	6F24 1.15	12SH7 1.25
DI92 1.20	EL32 0.85	PY80 0.70	354 1.70	6F33 10.50	12SJ7 1.40
DY80 0.65	EL33 3.25	PY81 800 0.85	4B32 40.25	6FH8 18.80	12SK7 1.45
DY80 0.65	EL34 5.95	PY82 0.75	5H4GY 4.85	6GA8 0.55	12SQ7GT 2.20
E92CC 2.80	EL82 0.70	PY88 0.60	5U4G 1.85	6GH8A 0.90	12Y4 0.70
E180CC 11.50	EL84 1.35	PY500A 2.70	5V4G 1.90	6H6 1.60	13D3 2.80
E1148 0.75	EL88 1.45	QV003 10 5.95	5Y3GT 2.20	6J4 1.95	13D6 0.90
E175 1.50	EL90 1.75	QV03 10 27.50	5Z3 4.85	6J4WA 3.10	19A05 1.85
EB34 1.15	EL91 6.50	QV03 20A 27.50	5Z4G 1.25	6J5 2.30	19G3 11.50
EB91 0.60	EL95 1.80	QV06 40A 28.50	5Z4GT 2.20	6J5T 1.50	19G6 10.35
EB33 2.20	EL519 7.70	QV06 40A 54.10	630L2 0.80	6J6 2.20	19H5 38.00
EB90 0.90	EL821 8.05	QV03 12 5.75	6AB7 0.70	6J6W 2.80	20D1 0.80
EB91 0.90	EL822 9.95	SP61 2.50	6AC7 1.15	6JE6C 8.45	20E1 1.30
EB90 0.95	EL822 9.95	T21 45.00	6AG5 0.60	6J5G 3.10	20P1 0.60
EBF89 0.80	ELL80SE 4.50	T122 45.00	6AK5 1.90	6J6 6.35	25L6GT 1.60
EC52 0.65	EM80 1.35	UABC80 0.75	6AK6 2.85	6K7 1.45	25Z4G 0.75
EC91 4.80	EY51 0.90	UBF80 0.70	6AL5 1.60	6KD6 12.90	85A2 1.40
EC92 1.85	EY81 1.10	UBF89 0.70	6AL5W 1.50	6L6 7.10	85B2 2.55
ECC81 1.25	EY86/87 0.75	UC84 0.85	6AM6 6.50	6L6GT 9.60	87 3.45
ECC82 0.95	EY88 0.65	UC85 0.70	6AM6 1.60	6L6GT C 2.90	87 4.30
ECC83 1.10	EY88 0.65	UCH42 2.50	6AN8A 3.80	6L8 9.70	811A 13.50
ECC84 0.60	EZ80 0.80	UCH81 0.75	6AQ5 1.75	6LD20 0.70	812A 32.00
ECC85 0.75	EZ81 0.80	UCL82 1.60	6A05W 2.90	6L06 8.45	813 28.50
ECC88 1.10	GMM 6.90	UF41 1.85	6AS6 1.15	6Q7G 1.30	813 44.00
ECC189 1.20	GMM 6.90	UF85 1.45	6AS7G 4.95	6Q7G 1.80	829B 16.00
ECC804 0.55	GY501 1.50	UF85 1.45	6AL6 0.90	6SG7 1.80	829B 24.00
ECF80 1.25	GZ33 1.90	UL84 1.50	6AX5GT 1.30	6SJ7 2.75	866E 14.95
ECF82 1.15	GZ33 4.20	UM80 1.80	6AX5GT 1.30	6SK7 1.85	931A 13.95
ECF80 1.80	GZ34 2.45	UM80 2.00	6BA6 1.40	6SL7GT 3.50	931A 19.80
ECH42 1.65	GZ34 4.40	UM80 0.95	6BA6 2.20	6SG7 0.95	954 1.10
EC81 1.25	GZ37 3.95	UY82 0.70	6BE6 1.75	6SH7 4.60	955 1.10
EC84 0.90	K177 14.00	UY85 0.85	6BE6 2.20	6SH7 4.60	956 1.20
ECL80 0.65	K188 25.00	VR105 30 2.45	6BG6G 1.60	6V6GT 1.40	956 5.75
ECL82 0.75	ML4 3.20	VR150 30 2.45	6B6 1.75	6V6GT 1.40	6080 1.95
ECL85 0.75	ML6 3.20	X66 4.95	6B07A 0.85	6X5GT 0.75	6080 7.30
ECL86 1.10	MX12001 29.50	Z749 0.75	6B7 4.80	6V6G 2.80	6136 2.80
EF22 3.90	N78 9.90	Z759 19.90	6BW6 6.10	6Z4 1.75	6146B 12.70
EF37A 2.15	OB2 1.80	Z800U 3.45	6BW7 1.50	7Z4 1.90	9001 1.40
EF39 1.10	PCL82 0.95	Z801U 3.75	6C4 1.20	9D6 2.15	9002 8.50
	PCL84 0.85	Z803U 21.15	6CH6 7.50	11E2 19.50	9003 8.50

## VALVES AND TRANSISTORS

## NEW HEADSETS with built-in microphones

FIELD TELEPHONE, CABLE TYPE D10  
FIELD TELEPHONE TYPE 'J', Tropical in metal cases  
10-line MAGNETO SWITCH-BOARD. Can work with every type of magneto telephones

CAROL HP-339M at £10.00  
Headphone imp 4-16 ohms. Microphone imp at 600 ohms  
E-80 at £15.00  
Headphone imp 4-16 ohms. Microphone imp at 200 ohms  
Surplus VIDICON P8211 and others at £18.00

POSTAGE AND PACKING CHARGES: £1-£3 65p, £3-£5 85p, £5-£10 £1.07, £10-£15 £1.20, £15-£20 £1.75  
Over £20 £2.30 but below 2kg. Parcels over 2kg at Cost.

COLOMOR (ELECTRONICS LTD.) 170 Goldhawk Rd, London W12  
Tel: 01-743 0899 Fax: 01-749 3934. Open Monday to Friday 9 a.m. - 5.30 p.m.

ENTER 17 ON REPLY CARD

# Single-chip digital panel meters

The profusion of instruments on the market can make decision difficult. Mr Wyre of Lascar Electronics discusses the differences.

SIMON WYRE

More and more original-equipment manufacturers are fitting digital panel meters (DPMs) to their products in preference to the older moving-needle, or analogue, instruments. The reasons are many and are concerned with accuracy, freedom from scale reading errors, ease of scaling, simple calibration, auto-zeroing and low cost.

In many DPM applications, little or no signal conditioning is needed, in contrast with those using analogue types, which often need amplifiers to match impedances. Any cost advantage in using analogue meters is quickly eroded in these circumstances.

There are other, less technical reasons for their adoption. The design of test equipment does not stop with the circuit diagram: ergonomics, physical appearance and the overall product "image" must also be considered by the designer and by those who market the equipment.

The techniques of A-to-D conversion and digital frequency conversion have been well known for many years, but the construction of digital meters using discrete components

and small-scale ICs was not financially feasible. The appearance of large-scale ICs changed the picture.

In the ten years since the first single-chip meter/display drives emerged, they have revolutionized the design of panel instruments and made possible new designs that were not possible with earlier components. Most of them need only a few passive components and a display to provide an accurate, reliable and low-cost instrument.

By the term "single-chip", I mean an integrated circuit which can accept an analogue or frequency input and convert it to drive a digital display directly. I have excluded microcontrollers with A-to-D inputs and LCD drive, since they need to be programmed and I do not regard them as "off-the-shelf" components.

Panel meter ICs can be categorized by their type of display and by the number of digits in the display. The somewhat bizarre expression "4½ digit display" refers to the fact that it will read up to 19999, while 3¾ types will read 3999. In the list of currently available equipment, I have not entered into

details of specification, since makers' data sheets provide full information.

## A-to-D CONVERSION

Conversion in panel instruments is almost exclusively performed by means of the dual-slope technique, which possesses a number of advantages over other methods.

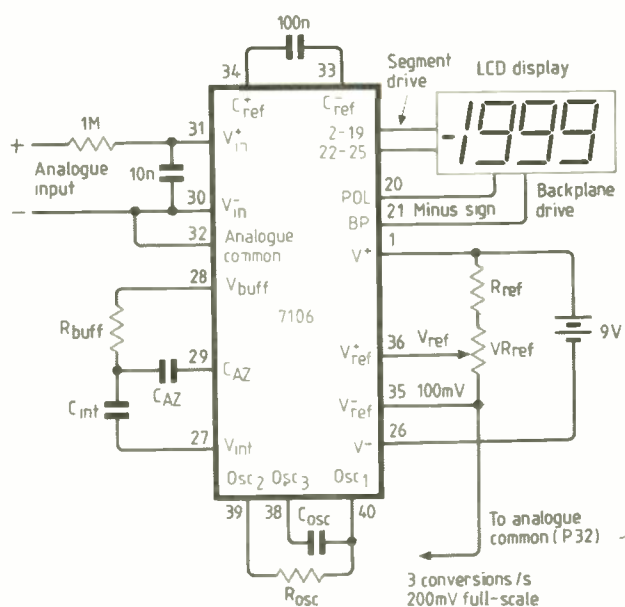
- it is accurate
- external passive devices are not critical
- most ICs have bipolar inputs, accepting negative or positive inputs
- resolution can be up to 15 bits plus sign (19999)
- measuring and reference inputs are differential
- noise immunity is high
- auto-zero operation
- rejection of supply-borne disturbances is good
- common-mode rejection is high

The most popular meter ICs were introduced by Intersil following a development for Fluke, who needed low-cost, reliable multimeters for which the best solution was a custom-designed chip for A-to-D conversion and display drive; a spin-off from this work was the 71XX series of DPM ICs. In its basic form, a 3½ digit chip, it is still the most popular; other makers have second-sourced many of the original Intersil chips and have gone on to make their own. The table lists the available DPM chips and their manufacturers.

One other method of A-to-D conversion is charge balancing, used in the Ferranti ZN451E. This device operates as low as 1.999mV full scale. In this design, the input is applied to a voltage-controlled oscillator whose output frequency is measured by a digital frequency meter.

The choice of devices is so extensive as to be bewildering and the small print in IC specifications will repay study. Figures quoted mostly relate to the analogue inputs and, since the inputs encounter linear (op-amp) circuitry, it is not surprising that they bear a close resemblance to op-amp specifications. The most important thing to remember is the limitation imposed on the common-mode range of the inputs: I have seen very embarrassing attempts to measure the output current of high-voltage supplies

Fig.1. A basic ICL7106 meter application circuit.



by placing the shunt in the positive rail, when the meter is referred to 0V!

## GLOSSARY

One or two of the terms used in manufacturers' data sheets might need explanation.

**Auto zero.** During the conversion cycle, the chip disconnects the inputs and applies a short circuit to the converter input. Any offset reading is stored in a capacitor or in the output counter and added or subtracted from the reading to give true zero. The ZN451 can drive external switches to include any conditioning circuit in the auto zero action.

**Common-mode range.** Most meter ICs must keep their analogue inputs between the supply rails to give stable and linear results. The CMR specifies how close the inputs may approach the rails.

**Differential input.** Measuring and reference inputs are normally taken to two pins, the difference between them being the voltage to be measured. The meter will operate correctly provided that the voltages on the inputs are within the common-mode range of the meter. This facility is particularly useful for measurements on bridge circuits.

**Ratiometric operation.** A typical application is the comparison of a voltage against a known reference, which may itself be a variable. If the same current passes through known and unknown resistors, the meter will measure the voltage drop across each and give a direct reading of the ratio of their values.

**Ratiometric operation.** A typical application is the comparison of a voltage against a known reference, which may itself be a variable. If the same current passes through known and unknown resistors, the meter will measure the voltage drop across each and give a direct reading of the ratio of their values.

**Single-ended operation.** Most meters will only operate within their specified CMR, but for many applications the input must be referred to power supply ground. One method of overcoming the problem is to use  $\pm 5V$  supplies and another is to use a negative-rail generator such as in the ICL 7660. MAX138 and MAX139 devices have this facility built in.

## A-TO-D CONVERTER TYPES

**ICL7106.** All types in this group are pin-compatible and need only slight changes in the values of passive components. The 7136 can be recommended for new designs; it uses less power, offers fast recovery from over-range and employs higher-impedance passive components, which are therefore smaller. **Figure 1** shows the core of a typical application.

The MAX 138 is almost pin-compatible with the 7106 but, with two extra capacitors, will operate from a single 5V supply with the instrument connected to 0V.

**ICL7116.** This is virtually pin-compatible with the 7106, but has a DISPLAY HOLD input to maintain the reading indefinitely

**Table 1. A/D converter ICs**

TYPE	VARIANT	MAKER	DISPL	RANGE	SUPPLY (Excluding LED drive current)	SPECIAL FEATURES
ICL7106	ICL7106	INTERSIL	LCD	3½	9V 1mA	The original LCD meter chip
	ICL7106	MAXIM				ICL7106 with low drift internal reference. Tempco. 50ppm/degC max.
	TSC7106	TDYNE				As 7106 but with lower power and precision bandgap reference
	TSC7106A	TDYNE				Low power version of ICL7106
	MAX130	MAXIM			9V 250µA	
	ICL7126	INTERSIL			9V 100µA	ICL7126 with low drift internal reference. Tempco. 70ppm/degC max. As ICL7126 but with fast recovery from overrange inputs. Replaces the 7126
ICL7136	ICL7136	MAXIM				As 7136 but with low drift internal reference. Tempco. 75ppm/degC max.
	TSC7136	TDYNE				As 7136 but with precision bandgap reference. Like ICL7136 but with on-board-ve rail generator for 'single ended' operation.
	TSC7136A	TDYNE				ICL7106 but with digital hold in place of Ref LO input
	MAX131	MAXIM			5V 200µA	
MAX138	MAXIM					
ICL7116	ICL7116	INTERSIL	LCD	3½	9V 1mA	ICL7116 with low drift internal reference. Tempco. 50ppm/degC max.
	ICL7116	MAXIM				ICL7116 but with digital hold in place of REF LO input
	TSC7116	TDYNE			9V 100µA	Low drift reference 75ppm/degC max. Similar to TSC810 but with differential reference and digital hold.
	TSC7116A	TDYNE				The original LED meter IC with 8mA direct segment drives
ICL7107	ICL7107	MAXIM				ICL7107 with low drift internal reference. Tempco. 50ppm/degC max.
	TSC7107	TDYNE				Low power version of the 7107
	TSC7107A	TDYNE				Like ICL7137 but with on-board-ve rail generator for 'single ended' operation
ICL7137	ICL7137	INTERSIL			+5V 100µA	ICL7107 but with digital hold in place of REF LO input
	ICL7137	MAXIM			-5V 50µA	
	MAX139	MAXIM			5V 200µA	
ICL7117	ICL7117	INTERSIL	LED	3½	+5V 1mA	ICL7117 with low drift internal reference. Tempco 50ppm/degC max.
	ICL7117	MAXIM			-5V 1mA	Full scale 1.9mV. Display hold, offset null inputs. Full scale can be as low as 1.9mV. External auto zero loop, overrange/underrange outputs, digital auto zero.
	TSC7117	TDYNE				4½ digit resolution, overrange and underrange o/ps, digital selection of 200mV or 2V full scale, digital hold, low bat indicator, continuity indicator 110dB CMRR, digital auto-zero operation needs no auto-zero capacitor. As ICL7129 but with lower power and no need for integrator snubber.
TSC7117A	TDYNE				Very low noise inputs (3µV typ.). No need for integrator snubber. Low noise (7µV typ.). Very low input leakage current (1.3pA typ.). Similar to TSC7129 but with each digital signal brought out separately. Also a continuity buzzer output and µP interface. Available only in a 60 pin flat pack.	
ZN450	ZN450	FERRANTI	LCD	3½	5V 4.5mA	
ZN451E	ZN451E	FERRANTI		3½	5V 4.5mA	
ICL7129	ICL7129	INTERSIL	LCD	4½	9V 1mA	4½ digit resolution, overrange and underrange o/ps, digital selection of 200mV or 2V full scale, digital hold, low bat indicator, continuity indicator 110dB CMRR, digital auto-zero operation needs no auto-zero capacitor.
	TSC7129	TDYNE			9V 0.5mA	As ICL7129 but with lower power and no need for integrator snubber.
	ICL7129A	MAXIM			9V 1mA	Very low noise inputs (3µV typ.). No need for integrator snubber.
	MAX7129	MAXIM				Low noise (7µV typ.). Very low input leakage current (1.3pA typ.).
	TSC829	TDYNE				Similar to TSC7129 but with each digital signal brought out separately. Also a continuity buzzer output and µP interface. Available only in a 60 pin flat pack.
AUTORANGERS	TSC805	TSC805	LCD	3½	9V 1mA	Autoranging with 22 operating ranges, continuity buzzer drive, low drift ref, range/function annunciators. Available in 60 pin surface-mount only.
	TSC815	TDYNE				Very similar to TSC805 but with digital hold.
	TSC816	TDYNE				Very similar to TSC805 but with digital hold and 24 operating ranges.
ICL7139	ICL7139	INTERSIL	LCD	3¾	9V 1.5mA	Autoranging with 13 operating ranges, continuity buzzer drive, display annunciator, display hold. Available in 40 pin DIL.
	ICL7149	ICL7149				As ICL7139 but with 18 ranges.
BARGRAPH CHIPS	TSC826	TSC826	LCD	40 BAR	9V 125µA	Bar or dot display, overrange and polarity indication, hold input, precision reference, 20mV to 2V full scale. Available in flat pack only.
ICL7182	ICL7182	INTERSIL	LCD	101BAR	5V 350µA	Single ended operation, overrange and polarity indicators, precision reference, internal oscillator, user selectable annunciators. Available in 40 DIL or flat pack.
	TSC827	TSC827	LCD	101 BAR	9V 1.4mA	Two set points with annunciators and outputs, overrange and underrange annunciators and outputs. 1000 resolution serial data output. PLCC pack.

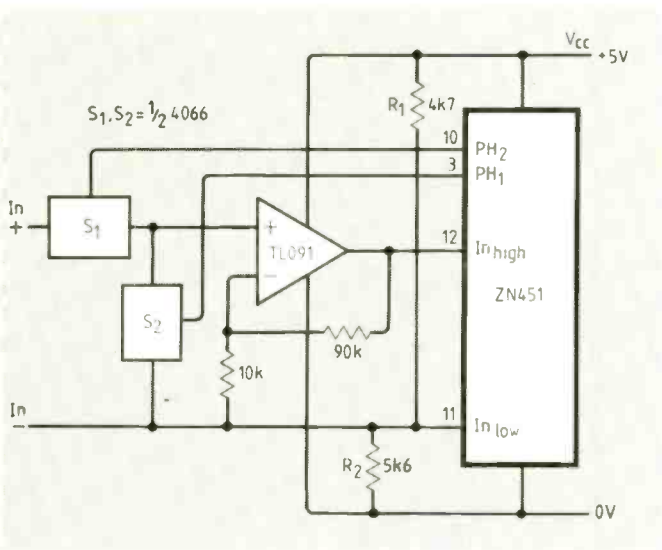


Fig.2. Auto zero in the ZN451, using series and shunt switches to disconnect the inputs and short circuit the device inputs.

Fig. 3. ICL7129 application circuit.

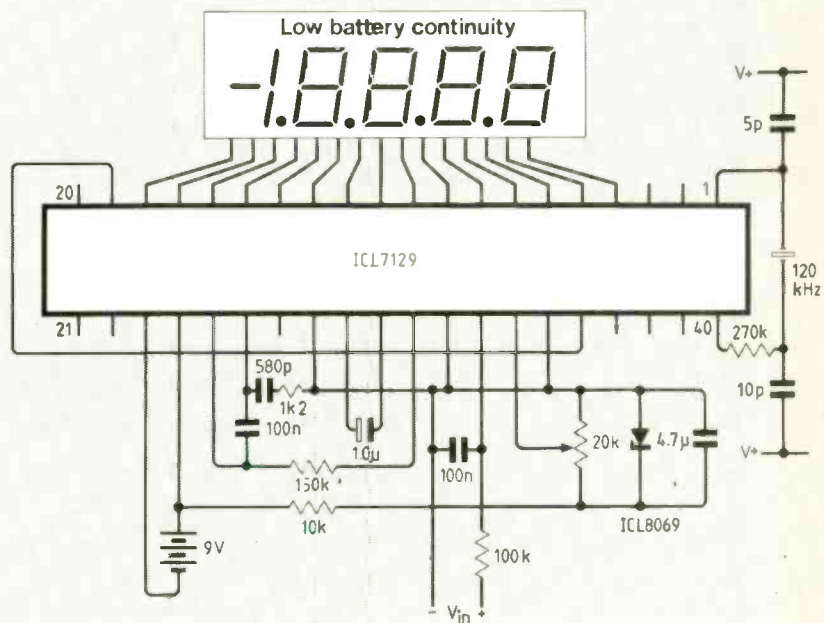
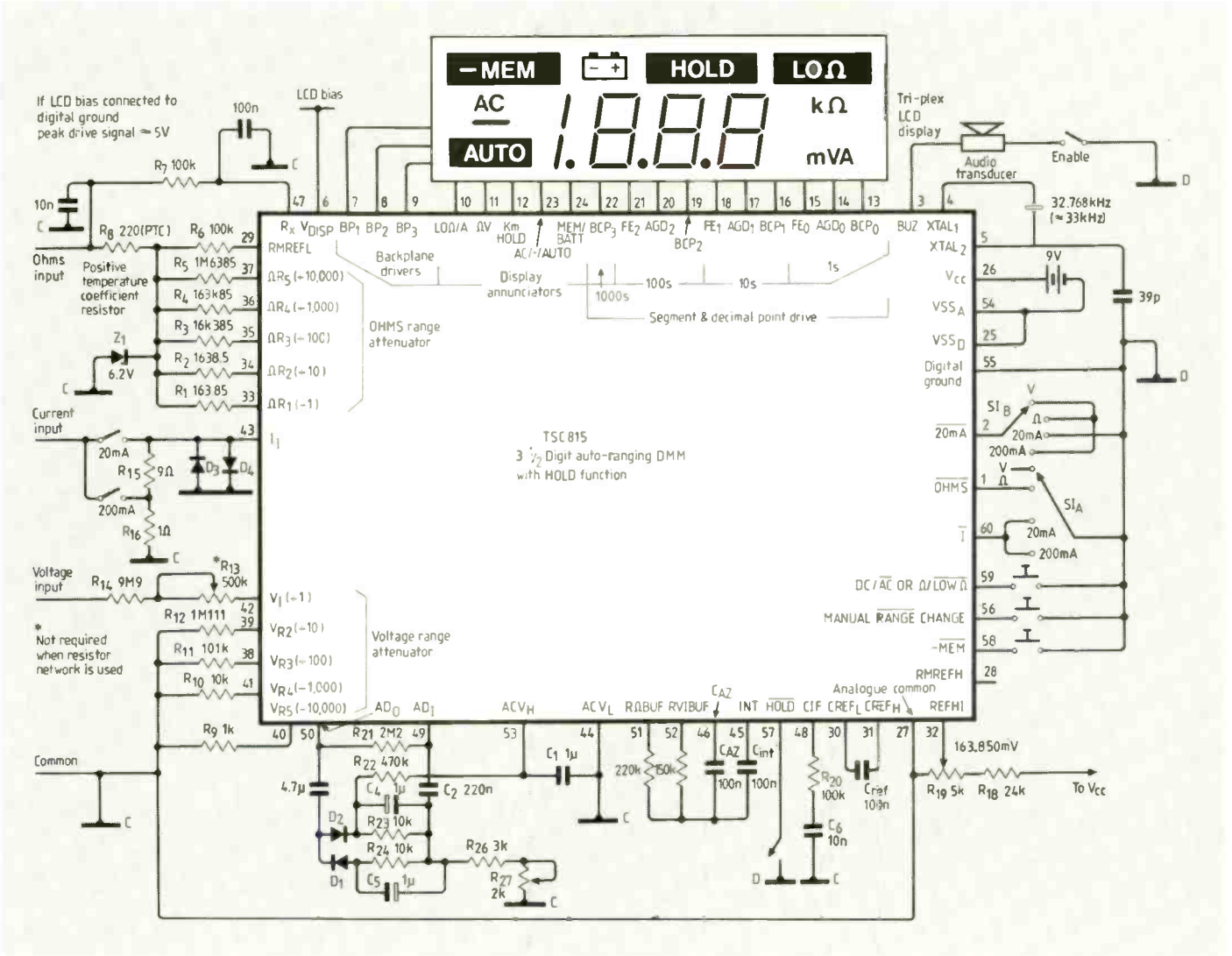


Fig.4. TSC815 autoranging IC with digital hold.



when connected to the positive line; the meter free-runs if this input is disconnected or taken to the TEST pin. The MAX136 does not have an internal pull-down to TEST (which doubles as digital ground in LCD meters) and needs an external resistor.

**TSC811.** Since only 40 pins are available, the 7166 type has REF LO connected to COM to free a pin for the HOLD input. The TSC811 keeps the differential reference but loses one of the oscillator pins: it therefore needs a crystal to set the clock timing.

**ICL7107.** This is nearly pin-compatible with the 7106, but has a digital ground instead of the LCD backplane signal. 7107s drive common-anode, seven-segment LEDs directly, each driver having a constant-current output of 8mA. Power dissipation is high and temperature has a tendency to increase, affecting the internal reference, so that it might be necessary to use an external reference. Types with low-drift internal references present less of a problem. The 7137 is only fortuitously a low-power version: the means whereby this is obtained also provides fast over-range recovery and low noise.

**MAX139** is intended for single 5V operation.

**ICL7117.** As 7107, but with the HOLD feature.

**ZN450.** This uses the charge-balancing method of conversion and operates down to less than 2mV full scale. Provision of an offset null allows tare removal in weighing equipment. Connection to the LCD is similar to that of the 71XX chips.

**ZN451.** Similar to the 450, but with the addition of outputs to include external cir-

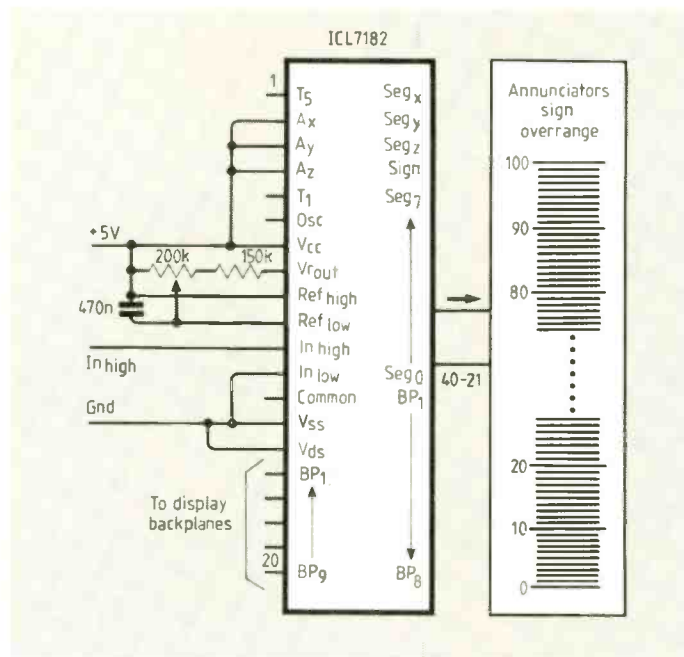


Fig.5. ICL 7182 with bargraph indicator.

cuitry in the auto-zero process. **Figure 2** shows the circuit.

**ICL7129 (Fig.3).** As a 4½ digit instrument, this uses two successive integrations to achieve a 5½ digit internal conversion, which is used to give the final result. The use of a triplex display frees many pins for hold, over-range and other uses. There are two logic-selected ranges.

**TSC829.** The pin saving referred to in the 7129 needs careful use, since some pins have

a dual function. The TSC829 avoids the problem by means of a 60 pin package, which also provides outputs for a processor interface and a continuity buzzer.

#### AUTORANGING CIRCUITS

The principle of autoranging is to connect a series of mos switches to a set of precision external resistors, the set in use being selected by the function input. As an out-of-range condition occurs, the range is changed by the attenuator/shunt selected.

Fig.6. ICI7216 frequency meter.

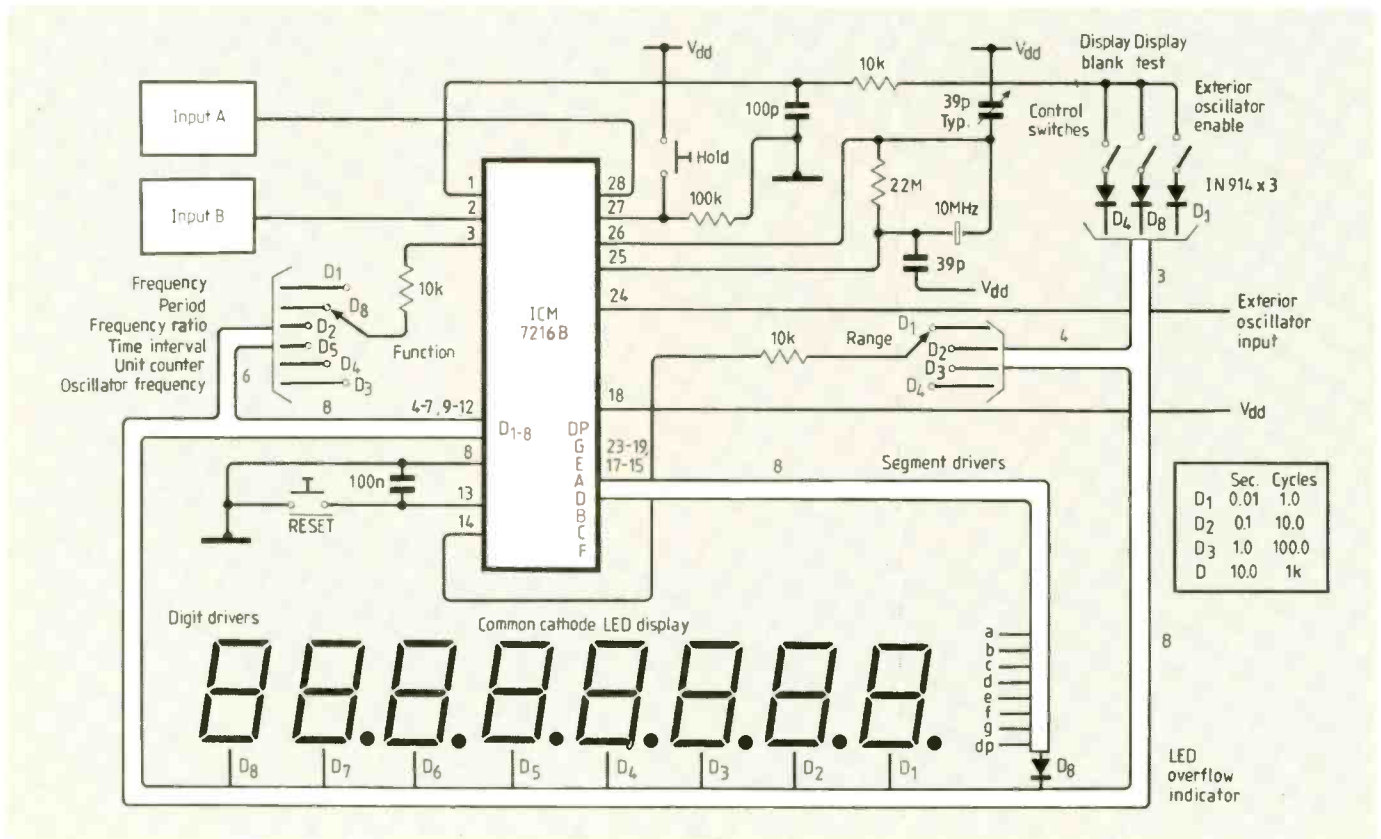


Table 2. Frequency meter ICs

FREQUENCY METER CHIPS		DISPL. SIZE	SUPPLY (Excluding LED drive current)	
ICL7216	ICL7216A	INTERSIL LED 8 Digit	5V 2mA	Common anode. Counts frequency, time, frequency ratio, unit and period. As 7216A but common cathode.
	ICL7216B	INTERSIL		Common anode. Frequency counter only. As 7216C but common cathode.
	ICL7216C	INTERSIL		Common anode. Counts freq., time, freq. ratio, unit and period. BCD outputs. As ICL7226A but for common cathode.
	ICK7216D	INTERSIL		
ICL7226	ICL7226A	INTERSIL LED 8 Digit	5V 2mA	Common anode. Counts freq., time, freq. ratio, unit and period. BCD outputs.
	ICL7226B	INTERSIL		As ICL7226A but for common cathode.

The devices also need display outputs to drive decimal points and function indicators. This technique entails the use of very stable resistors in very odd values. Figure 4 shows a typical application circuit.

### BARGRAPH CIRCUITS

In most respects, these resemble ordinary 3½ or 4½ digit ICs with their outputs in the form of a bar or moving dot.

**TSC826** will drive a 40 segment bar with polarity and over-range indication.

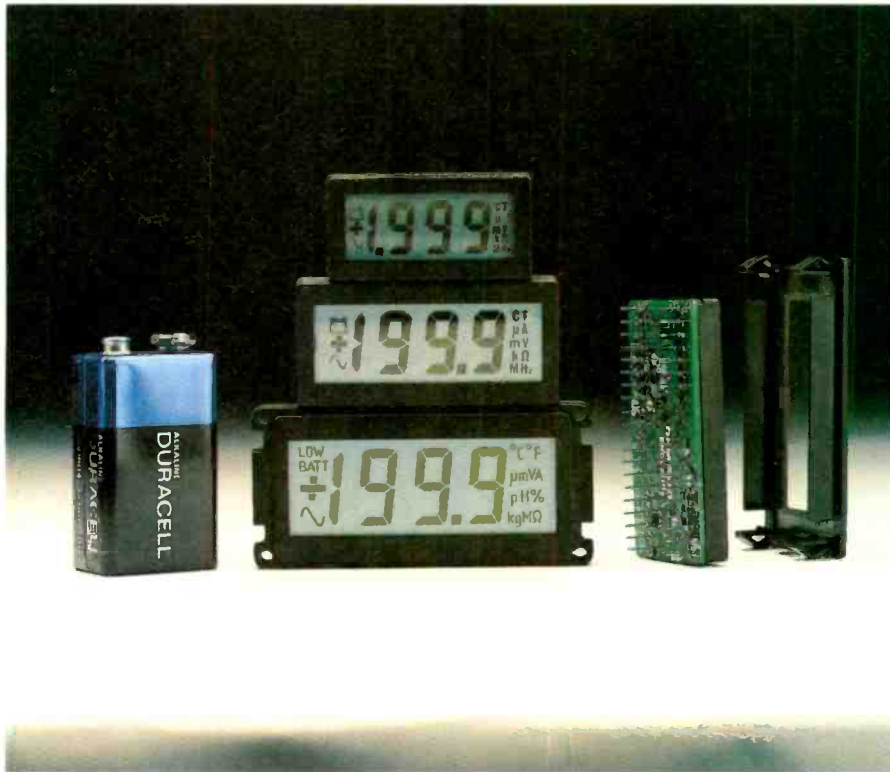
**ICL7182**. This uses a multiple backplane duplex drive to give 101 segments with polarity, over-range and three user-selectable segment inputs. Figure 5 shows the arrangement.

**TSC827**. In a 60 pin flat pack, this has a triplexed 101 unipolar display but with two programmable set-points (with indicators) and a serial data output.

### FREQUENCY METERS

There are fewer of these A-to-D types available, since not only is there less demand, but also most of the counter/driver ICs can be

DFMs from Lascar Electronics. Top to bottom: DPM 400; DPM 500; and DPM 2000. All use the ICL 7136 fast-recovery chip



fitted with gating circuits to convert them to frequency meters.

**ICL7216/7226** are similar in operation, both accepting two inputs for frequency, frequency ratio, period, elapsed time and count. The 7226 is in a larger package and has BCD outputs. The 7216 is shown in Fig. 6.

#### Further information

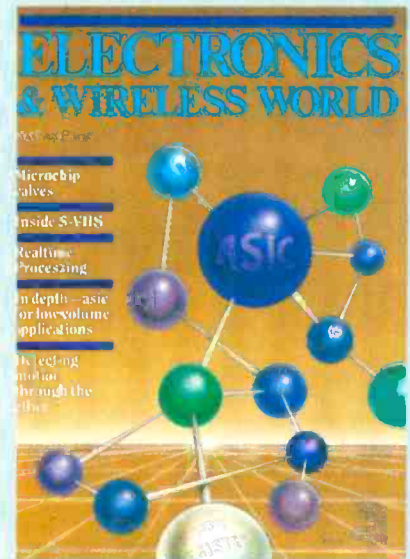
The Intersil Component Data Catalog. GE/RCA Solid State International Ltd. Beech House, 373 London Road, Camberley, Surrey GU15 3HR. Telephone 0276 685911

Ferranti Semiconductors ZN450/451 data sheets. Ferranti Electronics Ltd. Gem Mill, Fields New Road, Chadderton, Oldham, Manchester OL9 8NP. Telephone 061 624 0515

Maxim Data Converters and Voltage References. Maxim Integrated Products UK Ltd. 2 Whitchurch Road, Pangbourne, Reading, Berks RG8 7BP. Telephone 07357 5255

Teledyne Data Acquisition IC Handbook. Teledyne Semiconductor, The Harlequin Centre, Southall Lane, Southall, Middlesex. Telephone 01-571 9596

Digital Panel Meter Handbook. Lascar Electronics Ltd. Module House, Whiteparish, Salisbury, Wiltshire. Telephone 07948 567



# NEXT MONTH

**Getting into ASIC.** Custom chips were once the preserve of Hewlett-Packard, IBM and other industry heavies. Designer chips can now find a place in your product – or your competitors' – for under £1000 with samples thrown in. These are true custom metallised gate array products, not just a programmable standard logic array. Our in-depth look at ASIC concentrates on custom chips for small companies. We consider both programmable logic and true gate array processes.

**Inside S-VHS.** Dr Johnson once said "A woman preaching is like a dog walking on its hind legs. It is not done well but you are surprised to find that it is done at all". The good doctor would surely have been equally damning in his praise of the old VHS standard. S-VHS represents a genuine improvement in the picture quality of domestic video, possibly the first in ten years.

**Running realtime I/O with the Z80 and Z80 processors.** Concurrent subroutines form the basis of a real improvement in the efficiency of realtime task execution. This article is a must for programmers with an intellectual investment in Z80 code.

**Integrated high vacuum valve circuits.** Valve technology has been brought up to date and seems set to make a comeback. You probably wouldn't recognise it: no glowing cathodes, glass envelopes or lethal voltages. Look for multiple cold cathode valves integrated onto a micro chip structure, CRTs without heaters and a new generation of flat panel display technology. The new valves also promise microchip performance in the most hostile environments.



## COOKE INTERNATIONAL SERVICES

ELECTRONIC TEST & MEASUREMENT INSTRUMENTS

### TEST EQUIPMENT

GOOD USED EQUIPMENT ALWAYS AVAILABLE & WANTED

ANALYSERS, SCOPES, SIG GENS, BRIDGES, POWER METERS, DC - MICROWAVE EQUIPMENT

#### Sample of current stock:

Airmec 304 HF Oscillators 50KHz-100MHz 10+v output (1)	£200
Bird Model 4310 Thru-line wattmeter + 2 inserts 400-1000MHz	£325
Bryans Model BS272 - 2 channel - 2 pen chart recorder (1)	£285
Dana Model 4600 5 1/2 digit auto DMM (2)	£65
Dana Model 8110, Auto time & frequency 8 digit counter, 0-20MHz	£250
Fluke 871A Differential voltmeter (1)	£170
HP 214A Pulse generator high power 100 volt/50 ohms (1)	£185
HP 431B RF Power meter with lead + mount (6)	£250
HP 606A HF Signal generator 50KHz-65MHz 3v output (1)	£95
HP 608D VHF Signal generator 10-420MHz with mod. (1)	£150
HP 1740A 100MHz General purpose oscilloscope with delay (1)	£750
HP 3300A Function generator 0.01-100KHz all modes (1)	£150
HP 3406A Broad band RF sampling voltmeter >1GHz (1)	£265
Marconi TF 1313A universal LCR bridge (1)	£250
Northern Scientific NS-710 pulse height analyser ECON11	£1,250
Philips PM3370 DC-60MHz dual trace scope with delay (1)	£175
Philips PM8235 Multipoint recorder up to 12 channels (2)	£375
Rohde & Schwarz SMA1 UHF Signal gen 500-1800MHz (1)	£2,500
Rohde & Schwarz SMB1 SHF Signal gen 1.7-5.0GHz (1)	£2,000
Rohde & Schwarz SMC1 SHF Signal gen 4.8-12.5GHz (1)	£3,000
Tektronix 8002 development system inc: Z80, and 8085 IC emulators with 4024 video terminal, manuals, software and spare discs	£2,000
Tektronix 611 storage display (1)	£200
Tektronix 465 DC-100MHz dual trace with delay (3)	£750
Wayne Kerr B642 Universal autobalance bridge (1)	£245

Wide range of items available send for lists.

Competitive prices ★ Bargains to callers ★ Bulk & Trade Terms.

Hours of Business: Mon-Fri 9.30-5.00.

## Cooke International

Unit Four, Fordingbridge Site, Main Road, Barnham, Bognor Regis, West Sussex PO22 0EB.  
Telephone: 0243 54511 1/2 Fax: 0243 542457

ENTER 55 ON REPLY CARD

With 40 years' experience in the design and manufacture of several hundred thousand transformers we can supply:

## AUDIO FREQUENCY TRANSFORMERS OF EVERY TYPE

### YOU NAME IT! WE MAKE IT!

OUR RANGE INCLUDES:

Microphone transformers (all types), Microphone Splitter/Combiner transformers. Input and Output transformers. Direct Injection transformers for Guitars. Multi-Secondary output transformers. Bridging transformers. Line transformers. Line transformers to B.T. Isolating Test Specification. Tapped impedance matching transformers. Gramophone Pickup transformers. Audio Mixing Desk transformers (all types). Miniature transformers. Microminiature transformers for PCB mounting. Experimental transformers. Ultra low frequency transformers. Ultra linear and other transformers for Valve Amplifiers up to 500 watts. Inductive Loop transformers. Smoothing Chokes. Filter, Inductors, Amplifiers to 100 volt line transformers (from a few watts up to 1,000 watts), 100 volt line transformers to speakers. Speaker matching transformers (all powers), Column Loud-speaker transformers up to 300 watts or more.

We can design for RECORDING QUALITY, STUDIO QUALITY, HI-FI QUALITY OR P.A. QUALITY. OUR PRICES ARE HIGHLY COMPETITIVE AND WE SUPPLY LARGE OR SMALL QUANTITIES AND EVEN SINGLE TRANSFORMERS. Many standard types are in stock and normal dispatch times are short and sensible.

OUR CLIENTS COVER A LARGE NUMBER OF BROADCASTING AUTHORITIES, MIXING DESK MANUFACTURERS, RECORDING STUDIOS, HI-FI ENTHUSIASTS, BAND GROUPS AND PUBLIC ADDRESS FIRMS. Export is a speciality and we have overseas clients in the COMMONWEALTH, EEC, USA, MIDDLE EAST, etc.

Send for our questionnaire which, when completed, enables us to post quotations by return.

## SOWTER TRANSFORMERS

Manufacturers and Designers

E. A. SOWTER LTD. (Established 1941). Reg. No. England 303990

The Boat Yard, Cullingham Road, Ipswich IP1 2EG.

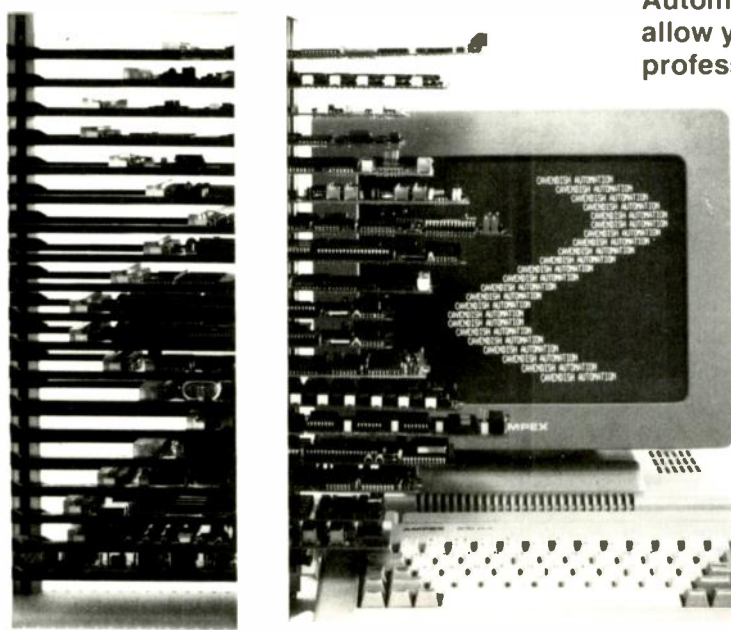
Suffolk. PO Box 36, Ipswich IP1 2EL, England.

Phone: 0473 52794 & 0473 219390 -

Telex: 987703G

ENTER 51 ON REPLY CARD

# 8051 Project....?



From simple minimum chip solutions through to complex turnkey multiprocessor systems, Cavendish Automation has the hardware and tools to allow you or us to design rapid and professional implementations.

Off-the-shelf hardware includes numerous DACs, ADCs, bus-drivers and decoders, and many other forms of analogue and digital I/O cards, together with power supplies, backplanes, card cages and equipment cases.

Software development couldn't be easier. Our 7034 card's text editor enables software development for the 8051/2 in either assembler or MCS-52 BASIC. Programs are simply blown into EPROM or EEPROM on the card itself. When writing in assembler, both source and/or assembled code may be saved in this way.

For further information contact

## Cavendish Automation

**Cavendish Automation Limited**

Oak Park, Barford Road.

St Neots, Huntingdon, Cambs PE19 2SJ

Telephone 0480-219457

FAX 0480-215300 TELEX 32681 CAVCOMG

ENTER 38 ON REPLY CARD



# ACTIVE

## ASIC

**Linear array.** The flexible Linear Array (FLEXAR) from EXAR offers the fast turnaround and flexibility of semicustom and the low unit cost of full custom. The series also includes thin-film resistors and Schottky diodes and operates at an  $f_t$  of 1GHz. Microlog Ltd 04862 29551

## A-to-D and D-to-A converters

**8-bit A-to-D converters.** Monolithic c-mos A-to-D converters feature a 6 microsecond conversion rate – including sample-and-hold acquisition – to allow digitization of a 0V-5V sine wave at 40kHz with better than 45dB SN ratio. Ambar Cascom Ltd 0926 434141

**12 bit A-to-D converter.** Comlinear CLC925 is a 12 bit converter with a conversion rate of over 10 million samples/s. It has a differential linearity of 0.5LSB and in-band harmonic distortion of  $-70\text{dBc}$  at 5MHz and  $-72\text{dBc}$  at 2MHz. Anglia Microwaves Ltd 0277 630000

## Development and evaluation

**V25 development and evaluation.** This V25 D and E system allows applications to be developed on the NEC V25 processor using a PC, together with the Hexatron 'Appcom' environment. Hexatron Ltd 0462 675530

## General microprocessors

**32 bit processor board.** The CC118 works in hostile conditions and is a 32 bit 68020 processor, with an optional 32 bit 68881 floating-point co-processor, both working at 16MHz. The internal bus is 32 bits wide and attaches to up to 4 Mbyte of on board eeprom for application software and 1 Mbyte of zero wait state ram for data. Compcontrol Ltd 040 124955

## Interfaces

**12 bit data acquisition.** A complete 12 bit system, the DAS862 or 863, is packaged in a 1 in square leadless chip carrier or 1 in pin grid array. It comprises an input multiplexer and instrumentation amplifier with selectable gain, a sample-and-hold amplifier and an A-to-D converter with a microprocessor interface and tri-state buffers. Microelectronics Technology Ltd 084468781

The XR-511 is a high speed, low noise head interface IC for hard-disc drives and the XR-541 a disc-drive pulse detector IC for use with RLL and MFM coding schemes. XR-511 performs both read and write and is compatible with 3.25 to 1.4 in multi-platter drives. XR-541 is for application in Winchester disc drives and removable cartridge drives. Microlog Ltd 04862 29551

## Microwave devices

**Comb generator.** The FE1A9G series step-recovery diode coaxial comb generator provides a spectrum of pulses from 0.1 to 18GHz of 120ps width at a rep. rate equal to that of the drive signal. Anglia Microwaves Ltd 0277 630000

## Crystal oscillator

**Ovened oscillator.** Perhaps the smallest oven-controlled crystal oscillators yet developed, Oscilloquartz 8760 VC-OXCO devices are about a quarter of the size of traditional types. Phase noise spectral density at 10Hz and 100Hz is  $-70\text{dBc}$  and  $-105\text{dBc}$  respectively. Frequency range is 10MHz to 24MHz. Stability from  $-30\text{deg C}$  to  $70\text{deg C}$  is 1 part in  $10^7$ . Chronos Technology Ltd 0494 716146

**ECL clock oscillators.** The Vectron CO-450 hybrid dip ECL clock oscillators cover the range 5MHz to 400MHz. They provide complementary 10k ECL compatible outputs with a supply voltage of  $-4.5\text{VDC}$  or

$5.2\text{VDC}$ . Standard stability from 0 to  $70\text{deg C}$  is 25 ppm, with a higher-stability option. Lyons Instruments Ltd 0992 467161

**Surface-mount crystals.** The Mtron SX2550P series combine advanced strip-cut technology with high-temperature epoxy packaging. The series covers microprocessor frequencies between 4MHz and 24MHz with a frequency tolerance of 50 ppm at  $25\text{deg C}$  and a stability of 100 ppm maximum. Quartet Technology Ltd 01-449 2700

HZ Technology Inc. GFS203 temperature-compensated crystal oscillator is 18.5mm by 12.5mm. It is available in the range 5-20MHz to a tolerance of 3ppm over  $-30$  to  $+60\text{deg C}$ . Stability with voltage variation is 0.5ppm max for a supply change of 0.25V. Total Frequency Control Ltd 09066 5513

## Programmable logic arrays

**High-density 24-pin pals.** PALCE29M16H and MA16H high-speed electrically erasable c-mos pal devices for glue and general-purpose logic replacement in TTL and c-mos systems. Advanced Micro Devices (UK) Ltd 04862 22121

**Reprogrammable c-mos.** The Cypress Semiconductor PAL C 22V10, which uses second generation c-mos PAL architecture, incorporates a programmable macro cell and draws 55mA in the low-power L version. The device has 22 inputs and 10 outputs, each of which is individually specified. Pronto Electronic Systems Ltd 01-554 6222

## Power semiconductors

**High-voltage, high-speed bridge driver.** Bridge driver IR2110 is a monolithic power IC designed as a high-voltage, high-speed dual driver to drive the gates of a pair of n-channel power mosfets or insulated-gate bipolar transistors. Hitek Electronics Ltd 0223 213333

**HEXFETS for automotive electronics.** The IRL family of HEXFET power mosfets reduces the cost and complexity of electronics in cars. All devices in the family are driven directly from logic and provide an alternative to smart-power ICs. International Rectifier Ltd

**Power mosfets.** With a low supply current of 2.5mA and 4 ohm output impedance, the Maxim dual power mosfet drivers, MAX 626/627, 628 turn large power mosfets on and off quickly. They operate from 4.5V to 18V and are compatible with TTL and c-mos input signal levels. Outputs drive  $\text{In}^-$  with rise and fall times of 20ns. Thame Components Ltd 084421 4561

## Standard logic circuits

**Analogue switches.** Three analogue switches, DG421, 423 and 425, with on-board data latches, are silicon-gate devices with on-resistances of 40 ohms and leakage currents of 0.25nA maximum. Siliconix Ltd 0635 30905

## Task oriented processors

**STDbus dual-axis indexer.** STD 22 intelligent dual axis indexer allows users of STD computers to implement low-cost motion control for microstepping drives. It supports drive/motor resolutions of up to 50,000 steps/rev and employs ASCII commands, allowing the use of high-level languages such as Basic. Parker-Diplomat Ltd 0202 690911

**Colour lookup table.** IMS G178 from Immos integrates the function of a colour lookup table, RGB D-to-A converters, microprocessor interface and display driver. The D-to-As can be switched for either six or eight-bit resolution and pixel rates of up to 30MHz are supported. Rapid Silicon 0494 442266



NEW PRODUCTS CLASSIFIED

# PASSIVE EQUIPMENT

## Passive components

**EMI filters.** The ST range of miniature EMI filters is designed primarily for power supply application. They provide high attenuation over the range 10-100MHz and are available in capacitance values of 270pF to 22,000pF. The filters are rated at 16, 25 or 50V and 7A maximum. ECC Electronics (UK) Ltd 0628 810727

**High-voltage resistors.** These high-voltage high-value resistors have operating voltages from 1 to 40kV and resistances from 1kiloohm to 1000megohm, with tolerances of 0.5% to 10%. The thick-film process confers low inductance and the voltage coefficient of the top two models is 0.2 ppm/V. Menvier Hybrids Ltd 0295 56363

**Crystals.** As replacements for standard M-tron crystals over the 3.579545 to 20MHz band, M-tron ATS-49 series crystals offer a maximum frequency tolerance of 50ppm at  $25\text{deg C}$  and a stability of 50ppm. Quartet Technology Ltd 01-449 2700

**Snap-in electrolytics.** The Philips Type 054/055 series of "snap-in" capacitors offers a capacitance range of 47 to 33,000 microfarads, with a tolerance of 20%, in ratings of 10V to 385V. RR Electronics Ltd 0234 270272

**Multi-capacitor arrays.** The SIP series of epoxy-coated ceramic capacitors is available in NPO, X7R and Z5U dielectrics, with tolerances of 5%, 10% or 20%. Capacitance range is 10pF to 22,000pF. Vitramon Ltd 06285 24933

**High-density backplanes.** Dage has developed custom backplanes which overcome size and mating-force problems

posed by large Eurocard DIN connector buses. They are AMP's HDI press-fit PCB connectors and offer up to 564 connections on a standard triple-height Eurocard. Dage (GB) Ltd 0296 393200

## Circuit protection

**Resettable over-current protection.** The MultiFuse range of devices is a series of positive temperature coefficient solid-state components which behave as fuses under over-current conditions but which return to a low-resistance state when cooled below a trip point. They will also trip under over temperature conditions. Bourns Electronics Ltd 0276 692392

The XR-1543/2543 3543 supervisory circuits contain the functions needed to monitor and control the output of a power supply, including over-and-under-voltage sensing and current limiting, with provision for external crowbar triggering. The internal reference is accurate within 1%. Microlog Ltd 04862 29551

## Displays

**Digital indicator/controllers.** Models D450, 350 and 351 display the signals from analogue measuring instruments in several units, for example those of pressure, load, displacement or torque. Control Transducers 0234 217704

**Information display modules.** These 16 by 16 dot-matrix displays run at video speeds (20MHz) and are available in mono and tricolour led combinations. They are made in 3.5 and 8mm dot sizes. Panasonic Industrial (UK) Ltd 0753 824851

## Instrumentation

**Power meter.** Boonton's Model 4220 low-cost power meter occupies 3.5 in half-rack space and can be used over the range 100kHz to 110MHz. It accepts interchangeable power sensors of coaxial or waveguide, diode or thermocouple types, for 50 or 75 ohm operation. Sensors cover the range -70dB to 30 dBm. Aspen Electronics Ltd 01-868 1311

**Real-time clock.** Real-time clock unit 10374 is a self-contained unit accurately to retrigger up to 16 programmable pulsed outputs at set times up to 64 times during a week. Eeprom storage for event time settings ensures data security during loss of power. Cescom Electronics Ltd 01-534 7613

When used with an IBM PC or compatible, this **logic analyser** presents information and user prompts simply. It has 24 input data channels, can operate at sample rates of up to 100MHz and has an acquisition memory of 8K. Compomedex Ltd 0908 322177

**Digital chart recorder.** The PL16 recorder converts almost any printer into a multi-channel recorder - monitoring up to 16 channels of analogue data. The choice of characteristics includes number of channels, sensitivity of each, plot type, speed and printer type, all set up using keypad, LCD and internal menu. Eidawn Biosensors Ltd 0792 295573

**Analogue/digital oscilloscope.** The ITT OX750B oscilloscope is a dual-trace instrument with digital storage capability. Any event from 100 to 200 microseconds per division can be captured and displayed. The preceding instant's trace is retained to allow the origin of the event to be seen. Analogue bandwidth is 20 MHz. Feedback Instruments Ltd 0892 653322

**PC-instrument counter/timer.** This multi-channel instrument is intended for the automatic evaluation of power supplies and is an add-on board for Interpro's Micro-Series ATE system. Applications include adjustment of switching oscillator, checking power-up time or monitoring recovery times. Interpro Systems Ltd 0425 471421

**Logic analyser.** This PC-based instrument, the Pc/La, is a 32-channel, 100MHz analyser with 32 data channels and 4K samples of buffer per channel. It is on a full-size PC expansion card with a test prod and clips. Multi-way branch and loop triggering is provided. MA Instruments Ltd 0822 853585

**Time interval analyser.** The TIA 3100 from Kode measures bit shift, margin and error rate with 100ps resolution. Maximum sampling rate is better than 1MHz and the instrument will detect faults in tape and disc drives, whether Winchester, floppy or optical. Time interval measurement range is from 5ns to 440ms. Steatite Insulations Ltd 021 634 6888

**Signal-processing analyser.** The Tektronix 3052 digital spectrum analyser has a 2MHz real-time signal-processing capability. The system includes a high-resolution colour monitor with disc drives and is operated from a detachable front-panel/keyboard. Thirteen frequency display spans cover 1 kHz to 10MHz or, with downcounters, up to millimetric frequencies. Narrowest resolution is 1.25Hz in the 1kHz span. Tektronix (UK) Ltd 06284 6000

**V/I/R calibrator.** This portable calibrator provides voltages from 1.0nV to 100V, current from 100nA to 100mA and resistance from 10 milliohms to 10 kilohms at accuracies within 0.005%. Resolution is 1 ppm and control is digital, enabling output to be adjusted in steps of 0.999%. Time Electronics Ltd 0732 355993

## Materials

**Ferrite RF chokes and filters.** SEI/Thomson announce a grade of ferrite material for use in mains RFI chokes and filters. T8 ferrite combines a permeability of 3500 with a saturation flux density of 0.48 Tesla. Salford Electrical Instruments Ltd 0706 67501

## Power supplies

**Triple-output DC-DC converters.** Known as UW Triples, Models 48T5 12UW and 48T5 15UW accept any DC input between 18 and 72VDC and provide three DC outputs, a single 5V rail at 800mA; a positive/negative supply at 185mA; or positive/negative 15V at 150mA. Calex Electronics Ltd 0525 373178

**Voltage regulator for micros.** SGS-Thomson's TEA7105 is a voltage regulator suited to microprocessor-based digital systems. Reset, watchdog, store and on/off functions are included, enabling the activity of a dedicated microprocessor to be controlled. Impulse Electronics Ltd 0883 46433

**DC-DC converters.** Single and dual-output mosfet converters with an output power of 20-150W, the KIP series use switching techniques at a frequency of 1 MHz. Efficiency is about 84%. Kingslo Ltd 0635 32585

**DC power supplies.** The Condor medical DC power supply range now comprises 18 single-output, 6 dual-output and 2 triple-output models, providing power to 50W and voltages from 2 to 28V. The units are of the linear open-frame type and meet the VDE 0871 level B RFI standard. Gresham Powerdyne 0722 413080

## Computer board level products

**Faxcards for PCs.** New versions of the C-Fax Plus and C-LAN Fax add-on faxcards for IBM PCs and compatibles handle incoming multi-page fax messages much more quickly. Each page is individually converted and immediately displayed on screen. C-Fax Plus provides full Group 3 facilities to CCITT standards. Communicate Distribution Ltd 01-390 6802

**DSP board.** A VME digital signal processing board based on the INMOS IMS A100 DSP is available from T-Cubed. The VME-T3A4 is the first in a range of VME products for low-cost signal and image processing application. Hawke Systems Ltd 0753 686686

## Data communications products

**Transient protection for modem lines.** The MP modem protector from General

## Radio communications products

**Miniature VCO.** The MQC500 series of voltage-controlled oscillators operate from a supply voltage of 5V, have a current consumption of 5mA and measure 20.1 by 12.5 by 7.5mm overall. They provide a minimum output of -2dBm, a s/n ratio of 45dB and carrier-to-noise ratio of 75dB. Murata Electronics (UK) Ltd 0252 522111

**Mobile radio.** Fleetmaster is a compact, dash-mounted, FM two-way radio operating on up to six fixed, crystal-controlled frequencies in the ranges 66-88MHz and 156-174MHz. The RF performance meets current UK and CEPT specifications. Pace Communications (UK) Ltd 0489 788122

## Switches and relays

**Dip relay.** The ITT MT2 is a dual in-line relay which, with two changeover contacts and a nominal power consumption of 150mW at 20 deg C, has a high dielectric strength and can switch currents of up to 1.25A. ITT Multicomponents Ltd 0753 824212

## Transducers and sensors

**Thermocouple trip amplifier.** Internal hysteresis ensures positive switching and immunity to noise, whilst cold-junction

compensation is implemented close to the input terminals to eliminate the need for large isothermal blocks. The devices can be wire-Ored to drive a common load. Klippon Microsystems Ltd 0732 460066

**Hand-held character reader.** The Soricon Pencilwand is designed for selective data entry and is capable of being passed across machine printed text for entry to PC, XT, AT and compatibles. Package includes "wand" full-size PCB, diskette and manual. Bar-code software is available. Micro-Marketing (Electronics) Ltd 06285 29222

**Pressure transmitter.** This is a device for power-loop applications, where two-wire telemetry systems are used. It is available in pressure ranges from 0 to 100 psi at an accuracy within 1% or up to 10 000 psi at better than 0.25%. The BP16E interfaces with all types of 4-to-20mA current-loop instruments. Pioden Controls Ltd 0227 463641/463072

**Load transducer.** The UFI load transducer has a sensitivity of 4mV/V with an accuracy better than 0.5% and an overload capacity of 2.5kg in all ranges. The device measures steady and fluctuating tensile or compressive forces in the range 25kg to 1000kg with an armature displacement of 0.05mm. Pioden Controls Ltd 0227 464641/463072

# COMPUTER

## Computer board level products

**Faxcards for PCs.** New versions of the C-Fax Plus and C-LAN Fax add-on faxcards for IBM PCs and compatibles handle incoming multi-page fax messages much more quickly. Each page is individually converted and immediately displayed on screen. C-Fax Plus provides full Group 3 facilities to CCITT standards. Communicate Distribution Ltd 01-390 6802

**DSP board.** A VME digital signal processing board based on the INMOS IMS A100 DSP is available from T-Cubed. The VME-T3A4 is the first in a range of VME products for low-cost signal and image processing application. Hawke Systems Ltd 0753 686686

## Data communications products

**Transient protection for modem lines.** The MP modem protector from General

Semiconductors is designed to guard modem lines from transients caused by lightning, inductive switching and electrostatic discharge. The units will clamp transients up to 10kV and 2.5kA per wire in less than 10ns. Hunter Electronic Components Ltd 0628 75911

## Mass storage devices

**200 Mbyte 3.5in disc drive.** Swift is a range of 3.5in drives which is available in capacities of up to 200 Mbytes (unformatted), with an average seek time of 15ms. The drives can be used with an industry standard interfaces such as SCSI, ESD<sup>2</sup> and 06 Rapid. Systems 0494 450244

## Software

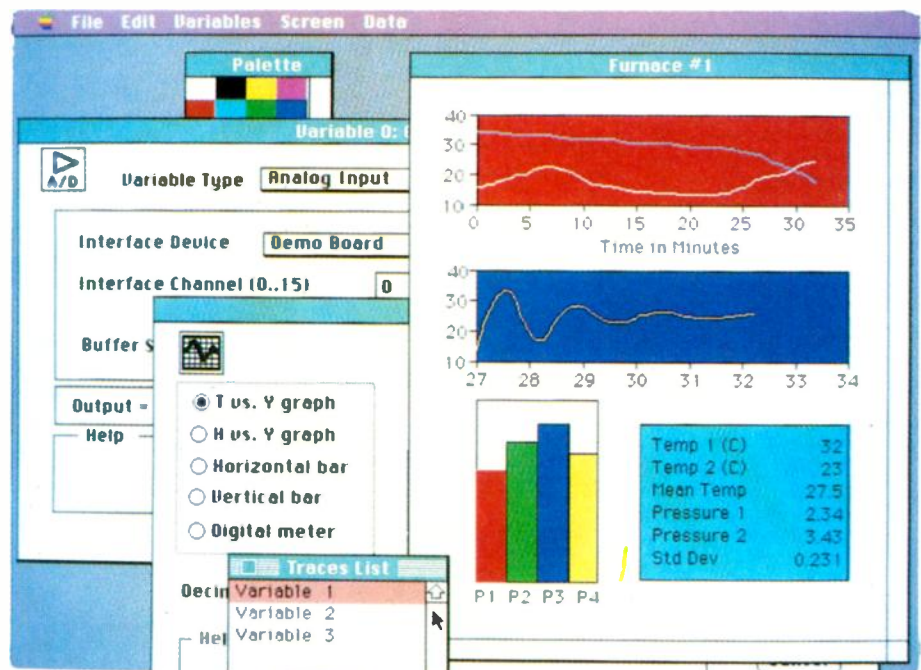
**Labtech Notebook.** The Apple Macintosh version of Labtech Notebook software for data acquisition, monitoring, control and analysis runs on Apple Macintosh II, SE or MacPlus computers. Data acquisition interface cards are available from several

sources. Adept Scientific Systems Ltd 0462 480055

**Logging and display.** A software package enables PCs and compatibles to log, store and graphically display data collected from the AIP-24 analogue input card. It can sample up to 24 channels at up to 3500 samples per second into a 64Kb ram buffer. Blue Chip Technology 0244 520222

Cadnetix has introduced a series of enhancements to existing CADM software for SMT. These include alternate shapes, multiple clearances, fixed via grid, inner pad and via removals, automatic stringer generation and a macro capability. Cadnetix Ltd 0793 513400

**Low-cost GPIB interface.** Asystant GPIB provides a menu-driven control package to control GPIB instrumentation. Data is displayed in a number of ways, including bar charts, graphs and windows. Mathematical facilities include statistics, polynomial and differential equations and array and matrix operations. Roalan International 0202 86 1512



# RF MODULES AND SYSTEMS



TYPE 9006



TYPE 9002

## LOW NOISE GASFET PREAMPLIFIERS

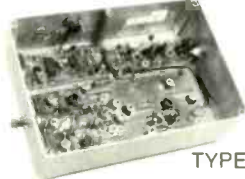
Aligned to your specified frequency in the range 30-1000MHz. Masthead or local use.

- TYPE 9006. NF 0.6dB. Gain 10-40dB variable. In the range 30-250MHz ..... £78 + £3 p&p  
 TYPE 9006FM. As above. Band II 88-108MHz ..... £78 + £3 p&p  
 TYPE 9002. Two stage Gasfet preamplifier. NF 0.7dB. Gain 25dB adjustable. High Q filter. Tuned to your specified channels in bands IV or V ..... £102 + £3 p&p  
 TYPE 9004. UHF two stage Gasfet preamplifier. NF 0.7dB. Gain 25dB adjustable. High Q filter. Aligned to your specified frequency in the range 250-1000MHz ..... £102 + £3 p&p  
 TYPE 9035. Mains power supply for above amplifiers ..... £30 + £4 p&p  
 TYPE 9010. Masthead weatherproof unit for above amplifiers ..... £12 + £3 p&p

## WIDEBAND AMPLIFIERS

Monolithic microwave integrated circuits in a fully packaged microstrip module format. Full-wave shottky diode protected inputs. Temperature compensated bias circuitry. Voltage regulated local or remote operation.

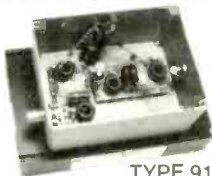
- TYPE 9007. 1-900MHz. NF 2.3dB at 500MHz. Gain 20dB ..... £150 + £3 p&p  
 TYPE 9008 Gasfet. 100MHz-2GHz. NF 2.5dB at 1GHz. Gain 10dB. Power output +18dBm, 65mW ..... £150 + £3 p&p  
 TYPE 9009 Gasfet. 10MHz-2GHz. NF 3.8dB at 1GHz. Gain 20dB. Power output +20dBm, 100mW ..... £150 + £3 p&p  
 TYPE 9253. 40-860MHz. NF 6dB. Gain 30dB. Voltage output 100mV, 100dBuV, -10dBm ..... £94 + £3 p&p



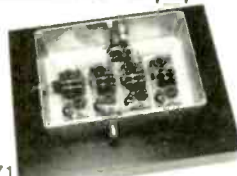
TYPE 9113

## PHASE LOCKED LOOP FREQUENCY CONVERTERS

TYPE 9113 Transmitting. Converts your specified input channels in the range 20-1000MHz to your specified output channels in the range 20-1000MHz. 1mV input, 10mW output (+10dBm) AGC controlled. Gain 60dB adjustable -30dB. Will drive transmitting amplifiers directly ..... £356 + £6 p&p  
 TYPE 9114 Receiving. Low noise Gasfet front-end. NF 0.7dB. Gain 25 dB variable ..... £356 + £6 p&p



TYPE 9176



TYPE 9271

## TMOS WIDEBAND LINEAR POWER AMPLIFIERS

- TYPE 9246. 1 watt output 100KHz-175MHz 13dB gain ..... £108 + £4 p&p  
 TYPE 9247. 4 watts output 1-50MHz 13dB gain ..... £108 + £4 p&p  
 TYPE 9051. 4 watts output 20-200MHz 13dB gain ..... £108 + £4 p&p  
 TYPE 9176. 4 watts output 1-50MHz 26dB gain ..... £254 + £6 p&p  
 TYPE 9177. 4 watts output 20-200MHz 26dB gain ..... £254 + £6 p&p  
 TYPE 9173. 20 watts output 1-50MHz 10dB gain ..... £308 + £20 p&p  
 TYPE 9174. 20 watts output 20-200MHz 10dB gain ..... £308 + £20 p&p  
 TYPE 9271. 40 watts output 1-50MHz 10dB gain ..... £616 + £20 p&p  
 TYPE 9172. 40 watts output 20-200MHz 10dB gain ..... £616 + £20 p&p  
 TYPE 9235. Mains power supply unit for any of the above amplifiers ..... £164 + £12 p&p

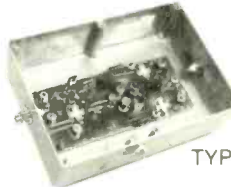
## PHASE LOCKED SIGNAL SOURCES

Very high stability phase-locked oscillators operating directly on the signal frequency using a low frequency reference crystal. Phase noise is typically equal to or better than synthesized signal generators. Output will drive the Types 9247 and 9051 wideband linear power amplifiers and the Types 9252 and 9105 tuned power amplifiers.

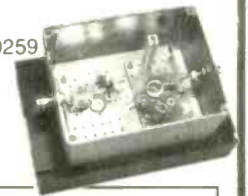
- TYPE 8034. Frequency as specified in the range 20-250MHz. Output 10mW ..... £120 + £2 p&p  
 TYPE 8036. Frequency as specified in the range 250-1000MHz. Output 10mW ..... £170 + £3 p&p  
 TYPE 9182. FM or FSK modulation. 20-1000MHz. Output 10mW ..... £248 + £3 p&p

## FM TRANSMITTERS 88-108MHz. 50 watts RF output

- TYPE 9086. 24V + DC supply ..... £945 + £30 p&p  
 TYPE 9087. Includes integral mains power supply ..... £1,110 + £40 p&p  
 TYPE 9182FM exciter ±75KHz deviation. Output 10mW ..... £248 + £2 p&p



TYPE 9252



TYPE 9259

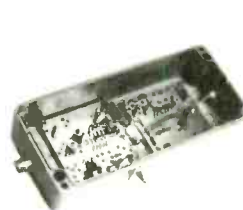


TYPE 9263

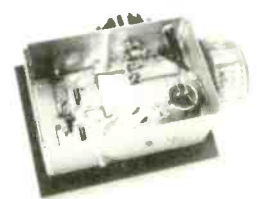
Complete television retransmission systems available, including connectors.

## TELEVISION LINEAR POWER AMPLIFIERS

- Tuned to your specified channels in bands IV or V. 24V + DC supply.  
 TYPE 9261. 100mV input, 10mW output ..... £218 + £10 p&p  
 TYPE 9252. 10mW input, 500mW output ..... £254 + £10 p&p  
 TYPE 9259. 500mW input, 3 watts output ..... £290 + £10 p&p  
 TYPE 9263. 2-3 watts input, 15 watts output ..... £400 + £12 p&p  
 See below for Television Amplifiers in bands I & II.



TYPE 9105



TYPE 9158/9235

## TMOS RF LINEAR POWER AMPLIFIERS

- Tuned to your specified frequency in the range 20-250MHz, or your specified channels in bands I or II. 24V + DC supply.  
 TYPE 9105. 10mW input, 1 watt output ..... £230 + £10 p&p  
 TYPE 9106 500mW input, 10 watts output ..... £284 + £10 p&p  
 TYPE 9155. 1 watt input, 30 watts output ..... £327 + £12 p&p  
 TYPE 9158. 5 watts input, 70 watts output ..... £448 + £15 p&p

Please add 15% VAT on total.

# RESEARCH COMMUNICATIONS LTD

Unit 1, Aerodrome Industrial Complex, Aerodrome Road, Hawkinge, Folkestone, Kent CT18 7AG.  
 Tel: 0303 893631. Fax: 0303 893838

ENTER 15 ON REPLY CARD

# The intriguing ball-bearing motor

Whether or not one can accept the author's contention that it delivers energy produced from nothing, the novel electric motor he describes certainly deserves to be better known.

STEFAN MARINOV

It is almost unknown that if direct or alternating current passes through the ball-bearings of an axle, it is set in rotation. In the few papers where this effect is discussed, the torque is explained as an electromagnetic effect. Yet the torque is due to thermal extension of the balls in their bearings at the points of contact with the bearing races.

The arrangement of the simplest ball-bearing motor is given in Fig.1, where the inner races rotate. With the same ball-bearings, a bigger torque can be obtained by rotating the outer races. In such a case the axle must be made of two electrically insulated parts, and the current goes through a metal cylinder connecting the outer races of both ball-bearings. Such are the small and big ball-bearings motors presented in Fig.2.

I have established that the ball-bearing motor is *not* an electromagnetic motor but a thermal engine. Here the expanding substance leading to mechanical motion is steel, while the expanding substance in all thermal engines used by humanity is gaseous. There

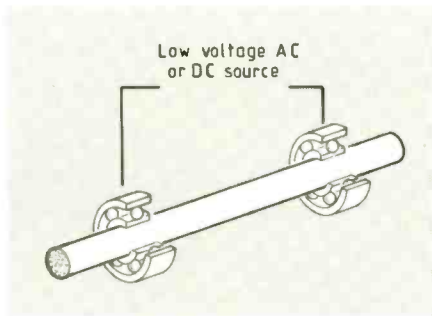


Fig.1. The ball-bearing motor rotates in either direction, on AC or DC supplies. Its mode of operation is thermal, not electromagnetic.

is, however, another much more important difference: the motion in the conventional thermal engine is along the direction of expansion of the heated substance, while in the ball-bearing thermal engine it is *at right angles* to the direction of expansion of the heated substance. Consequently, in gaseous

thermal engines, the gas cools during the expansion and the kinetic energy acquired by the "piston" is equal to the heat lost by the expanding gas. This is *not* the case in the ball-bearing motor. Here not the whole ball becomes hot but only that small part of it which touches the race, at a "point contact" where the ohmic resistance is much higher than the resistance across the ball. Only this small "contact part" of the ball dilates; and the dilatation is very small, only a few microns. (Of course, I have not measured the dilatation, I only *presume* that it is a couple of microns.) Since the balls and the races are made of very hard steel, a slightly ellipsoidal ball produces a huge torque when one of the races rotates with respect to the other.

Usually a push is needed to start the ball-bearing motor. However, on occasions it does start spontaneously (with a greater probability at greater bores) because the surface of the races is not absolutely smooth. With absolute smoothness and geometrical perfection, spontaneous starting is im-

## Great balls of fire

The contents of Dr Stefan Marinov's travel-weary holdall did little to dispel the scepticism which greeted the man and his theories during a visit to our editorial offices. We politely listened to a rambling discourse on ball-bearing electric motors which rotated without magnetism and provided work in defiance of energy conservation theory. Dr Marinov unburdened himself as a man proselytising a deeply held yet widely ridiculed conviction.

The two ball races, one set into each end of a tube, didn't look to be the starting point from which new theories are forged. Neither did the thin PVC-covered wire connecting up to the blocks at each end of the tube supporting the ball race inner sections. "Stefan, how much current do you need to make the races turn... Would 5A be enough?"

"No, you need a lot more than that".

"25A?..."

"No. Much more."

"How much more?"

"Have you got a car battery?"

"Only the one fitted in my car."

"Get it. I show you..."

"Stefan, if you connect up a car battery to your machine using those wires, the ball races will present an almost perfect short

circuit and the wire will vaporise in a puff of acrid smoke..."

"They get warm, sure. But I show you. Where is your car?"

"In the multi-storey..."

But Dr Marinov never heard the rest of my protests. He was already down the corridor and halfway out of the building. I headed him off at the revolving doors in the lobby.

"Stefan, the multi-storey is no place to advance science. Let's see if we can borrow a battery from the motor transport department."

We set off across the road, Marinov clutching his holdall. I went upstairs to get permission from the garage manager. When I returned Dr Marinov was nowhere to be seen. I went into the garage to enquire of the duty mechanics the whereabouts of my Bulgarian friend.

"Have you seen a foreigner with a battery fixation?"

The huddle of mechanics pointed to a figure crouched over a stack of batteries in a corner of the garage. The figure looked up without surprise.

"I think this should work. Put your thumb on the bearing tube and, when I connect up to the battery, give it a flick."

I looked doubtfully at the battery, the machine and the wires in turn.

"I'm telling you, Stefan, those wires will simply melt." He didn't answer. He forced the bare ends of the wires hard against the battery terminals. There was a shower of sparks and an eruption of smoke from the blistering cable ends. I gave the tube a flick. It took up a life of its own which all but had the skin off my thumb. The tube connecting the bearing outers spun up to what must have been at least 1500 rev/min before the connecting wire, unequal to the enormous current, disintegrated.

"You see it turn?"

I looked at the burgeoning friction burn on my thumb.

"Yes."

I also looked at the acrid blue haze of PVC smoke which was rolling across the floor towards the group of curious mechanics.

"Your bearing motor certainly works but I shall need a bit more convincing about it being a net producer of energy."

Dr Marinov simply gave me a look which suggested that all his efforts had been in vain.

Frank Ogden

possible.

During rotation the ball's "bulge" moves from the one race to the other, the local overheating is absorbed by the ball and the radius of the "bulge" becomes equal to the radius of the whole ball. At the new point of contact, when current passes and ohmic heat is produced, the radius of the contact point becomes again bigger than the radius of the whole ball and again a driving torque appears. Thus, as a result of the mechanical motion, the ball is *not* cooled; and consequently, in the ball-bearing thermal engine, heat is *not* transformed into kinetic energy. The whole heat which the current delivers remains in the metal substance of the machine and increases its temperature. If the ohmic resistance between balls and races is the same both at rest and in rotation, the heat produced and stored in the metal of the machine will be the *same* at rest and rotation. This resistance, however, increases in rotation; but with further increase of the velocity the increase of resistance is very slight.

I established that the ball-bearing motor produces the same amount of heat at rest and rotation in the following manner. I measured for a definite time the temperature increase in a calorimeter in which the motor was maintained at rest, applying a tension  $U$  and registering the current  $I$ . Thus the resistance of the whole motor was  $R = U/I$ . Then I started the motor and applied a tension  $U'$  such that at the new resistance  $R'$  the current  $I' = U'/R'$  was such that  $UI = U'I'$ ; i.e., in both cases I applied exactly the same electric power. According to the energy conservation law, in both cases the temperature increase of the calorimeter had to be the same, as in both cases the same amount of electric energy was put in the machine.

I recorded, however, that in the second case the temperature increase of the calorimeter was higher. Thus I concluded that in both cases the ohmic produced heat was the same; however in the second case there was also heat coming from the friction of the rotating ball-bearings. The temperature increase in the second case was about 8%, while the mechanical energy produced was about 10% of the input electrical energy.

One can see immediately that the ball-bearing motor has no *back tension* because there are no magnets, and the magnetic field of the current in the "stator" cannot induce electric tension in the metal of the "rotor".

Thus the firm conclusion is to be drawn that the mechanical energy delivered by the ball-bearing motor is *produced from nothing*, in a drastic contradiction to the energy conservation law.

With a direct current supply, the ball-bearing motor can rotate either *left or right*. Thus it cannot be an electromagnetic motor, since a DC electromagnetic motor rotates only in one direction, with a given direction of the current. The ball-bearing motor rotates with DC as well as with AC. With a greater current it rotates faster. It is interesting to note that the resistance of the ball-bearing motor depends on the current, and for higher current it is *lower*. If the current doubles, say, the applied tension

In 1966 I was imprisoned in a psychiatric clinic in Sofia and 'cured' by horse-doses of neuroleptics (Mageptil), of my unorthodox political thinking. Also imprisoned in the institution to be forcibly cured was another seemingly absolutely normal man. He was a very able mechanic who, refusing to work for a salary in a state plant, had executed special work on his own lathes and milling tools installed in his living room and the apartments of relatives. He had earned good money, but evidently the envy of his neighbours had brought him to the loony-bin to be purged of his vicious individualistic behaviour.

This man asked me once in the toilet (as a very dangerous lunatic I was kept locked the whole day in isolation and watched by a policeman, and so it was only in the toilet that I could speak with other human beings). "Well, Stefan, if you are a physicist, explain why an axle on ball-bearings rotates when current flows through it".

I could not give an answer, and the mechanic shook his head: "What are the professors in the universities teaching, if they cannot explain such a simple thing?"

At that time I did not know that this simple experiment was unknown to the professors; the first publication on this effect<sup>1</sup> was to appear a year later. Ergo, when this extreme-

increases only, say, 1.3 times. Here I wish to avoid any confusion between the increase of resistance because of the increase of the rate of rotation, and the decrease of resistance because of the *increase of current*; although, obviously, a higher current leads to a higher rate of rotation. The torque disappears if the ball-bearings are replaced by box-bearings.

At equal applied electrical powers and equal number and size of the balls (i.e., at equal resistance), the torque is bigger for a ball-bearing with bigger bore. A ball-bearing with two times bigger bore has two times bigger torque. Fig.2 shows two ball-bearing motors with a small and a large bore which have almost equal ohmic resistances (of course, the mechanical friction of the bigger motor is greater). By touching both motors, one can immediately feel the difference in their torques. The bigger ball-bearing has greater number of balls and consequently a bigger torque; however, its current (and power) consumption are higher.

#### IMPROVING PERFORMANCE

Methods of improving efficiency in the ball-bearing motor include the following:

- The use of balls which are harder and where a smaller amount of heat leads to larger thermal extension. We know that normally a harder solid body has a lower coefficient of thermal dilatation, so that one has to find the optimal solution which nature offers.
- Tighter ball-bearings have a better pushing force. However, at the same time they will have more friction. A compromise is needed. But even if friction is very low, there is always a maximum velocity which the motor cannot surpass. At this maximum velocity, heat from the "bulge" cannot be absorbed by the ball, and the ball retains

ly important effect was discussed by the idiots in the toilet of a Bulgarian psychiatry, it was not yet registered in the scientific annals of the physical world.

Milroy<sup>1</sup> describes the effect without giving an explanation for the torque. Eleven years later Gruenberg<sup>2</sup> repeated Milroy's experiment and tried to give an explanation. Although he used very sophisticated mathematics, Gruenberg's starting hypotheses are physically nonsensical. A further three years later, Weenink<sup>3</sup>, in a big article proceeding from the same nonsensical starting hypotheses, drew the conclusion that "the non-zero torque in first order found by Gruenberg is shown to be due to an algebraic error" (p.171)."

Another theoretical paper dedicated to the ball-bearing motor was published a further two years later by van Doorne<sup>4</sup> who tried to explain the torque by electrostatic forces, but concluded that "this torque, however, is too small to keep a ball-bearing motor running" (p.327). In 1980 A. Mills<sup>5</sup>, in a popular journal, showed a photograph of a ball-bearing motor constructed by him and reported almost the same effects as Milroy and Gruenberg. Not once, though, was Mills able to self-start the motor, though this can be done very often (10% probability) when the ball-bearings have a greater bore.

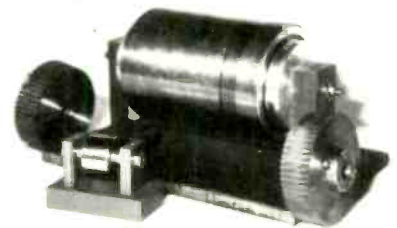


Fig.2. Small and large ball-bearing motors. A low-voltage, high-current supply is suitable.

more or less a spherical shape. It is obvious that the maximum velocity is higher for larger balls.

- The driving force is higher for bigger bores, as the curvature of the races is less.
- The driving force is greater for bigger balls, as their curvature is less.

#### References

1. Milroy, R.A. Discussion. *J. Appl. Mechanics*, vol. 34, 1967, p.525.
2. Gruenberg, H. The ball bearing as a motor. *Am. J. Phys.*, vol. 46, 1978, p.1213.
3. Weenink, M.P.H. The electromagnet torque on axially symmetric rotating metal cylinders and spheres. *Appl. Sc. Research*, vol. 37, 1981, p.171.
4. van Doorn, M.J.M. The electrostatic torque on a rotating conducting sphere. *Appl. Sc. Research*, vol. 40, 1983, p.327.
5. Mills, A.A. The ball-bearing electric motor. *Phys. Educ.*, vol. 15, 1980, p.102.
6. Marinov, S. The perpetuum mobile is discovered. *Nature*, vol. 317, 26 Sept. 1985, p.xii.
7. Marinov, S. The Thorny Way of Truth, Part II. East-West, Graz, 1st edition 1984, 3rd ed. 1986.

Dr Marinov is at the Institute for Fundamental Physical Problems, Morellenfeldgasse 16, A-8010 Graz, Austria.



# CIRCUIT IDEAS

## Digital i/o for PC compatibles

If your PC compatible has a bus-expansion system, this digital i/o interface developed for the Amstrad PC will provide you with three parallel ports.

An 8255 interface chip controls the three eight-bit ports designated A, B and C; all three are bidirectional. Signal  $\overline{IOR}$  determines the direction of the LS255 bus transceiver and address decoding, carried out by Nand gates, places port A at  $1FC_{16}$ , port B at  $1FD_{16}$ , and port C at  $1FE_{16}$ . Adding the LS05 and leds allows the port lines to be monitored; this small routine sets bits on port B according to input data.

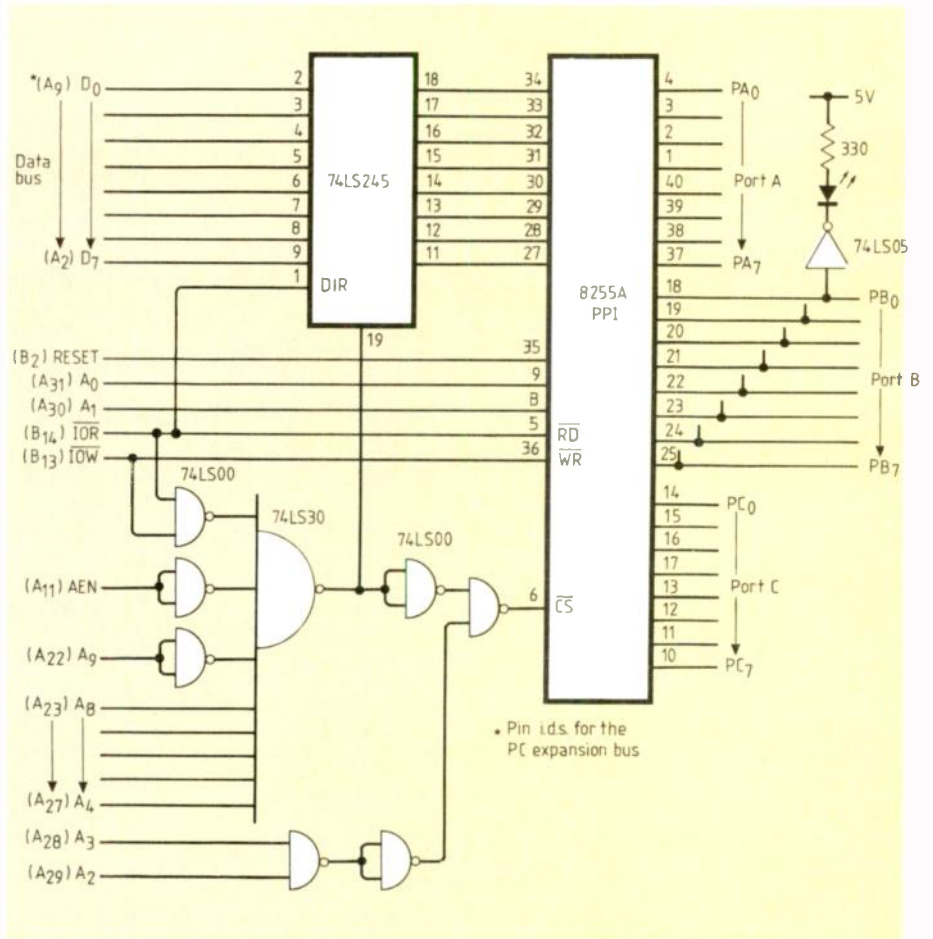
```
10 OUT 1FFH, 90H
20 INPUT A: OUT 1FDH, A
30 GOTO 20
```

A.J. Crispin  
Leeds

## Amplitude modulator using electronic potentiometer

I designed this amplitude modulator for signals of less than 1Hz but it works satisfactorily at much higher frequencies. Three main elements of the circuit are a digitally-controlled potentiometer, a programmable crystal oscillator and a variable-gain op-amp.

A TTL-level clock feeds the external clock input of the programmable crystal oscillator

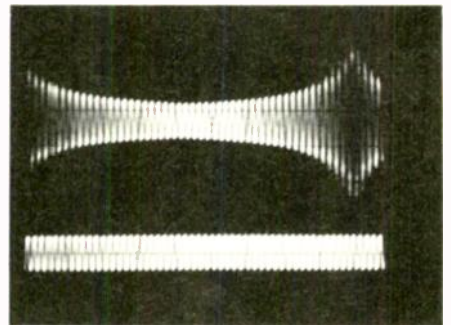
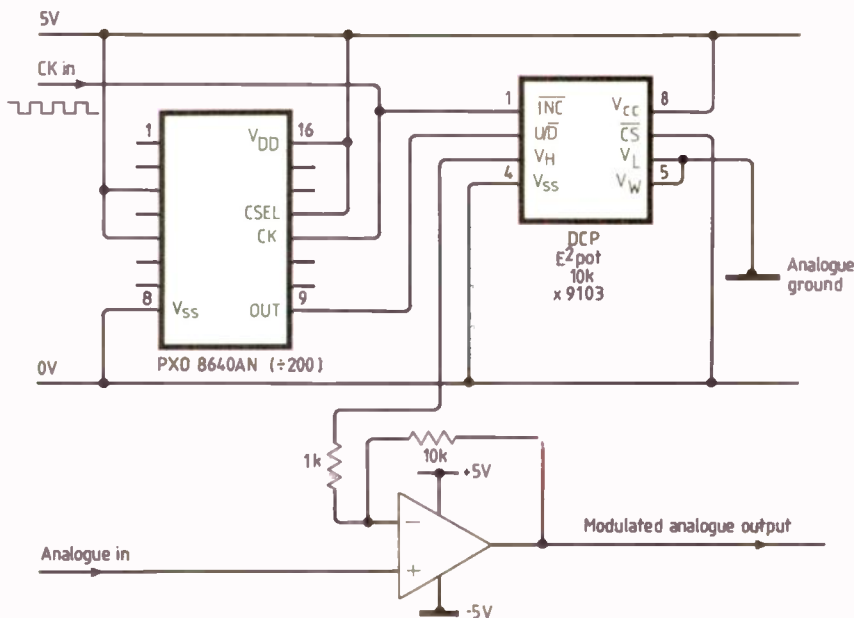


and the increment input of the digitally-controlled potentiometer. Division ratio of the oscillator is set at 200 so the up/down input to the potentiometer changes direction every 100 cycles.

Since the digital potentiometer is confi-

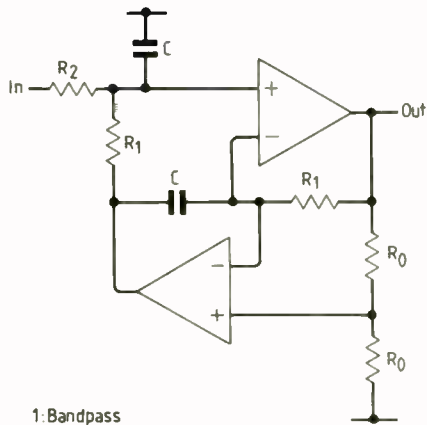
gured as a simple resistor, gain, and hence modulation depth, of the amplifier varies at a rate determined by the clock frequency. The potentiometer is available in three versions, 10k, 50k and 100k $\Omega$ .

T.G. Barnett  
London



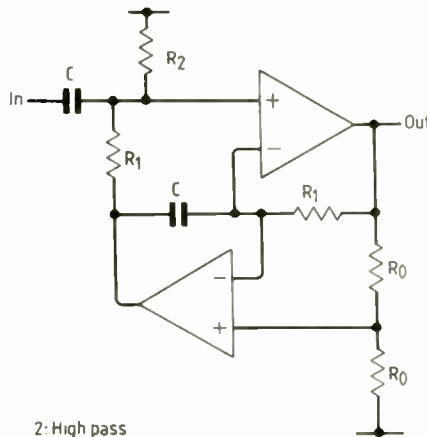
Typical waveforms. Output is the top trace. Input in the bottom trace is a 1kHz sine-wave at 0.5V pk-pk, and the clock frequency is 4kHz.

SSZ  
LM604



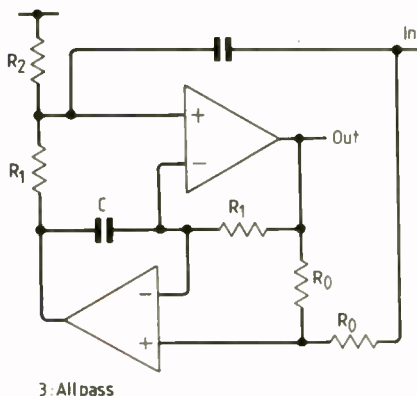
1: Bandpass

$$\frac{V_{out}}{V_{in}} = 2 \frac{sCR_1^2/R_2}{K}$$



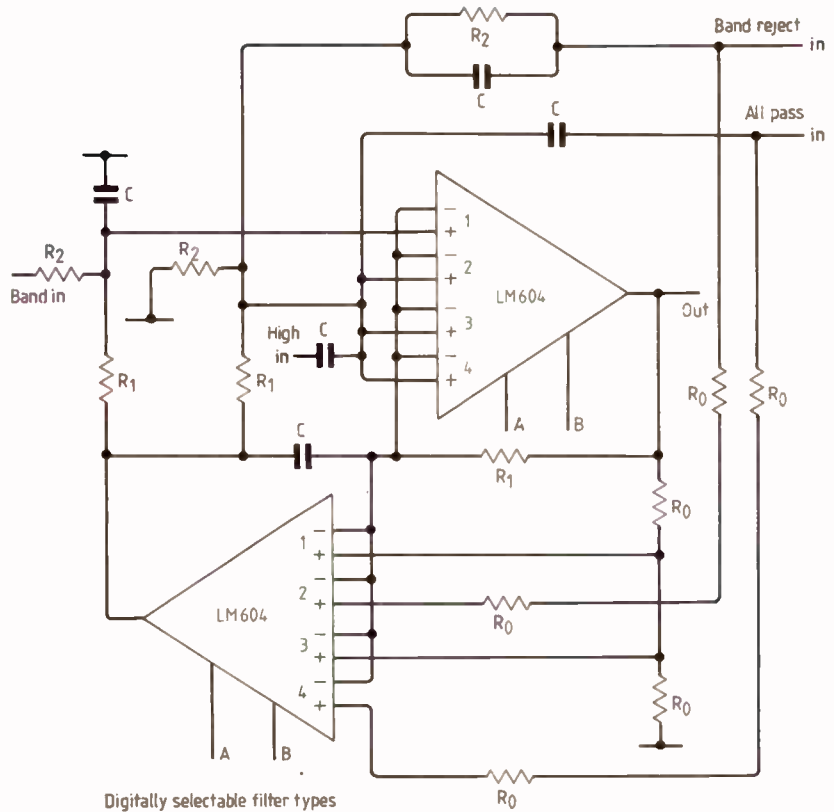
2: High pass

$$\frac{V_{out}}{V_{in}} = 2 \frac{s^2C^2R_1^2}{K}$$



3: All pass

$$\frac{V_{out}}{V_{in}} = \frac{1+s^2C^2R_1^2}{K}$$



Digitally selectable filter types

## Digitally-programmable filter functions

A recently developed multiplexer op-amp – the LM604 – can be configured to provide

four digitally-selectable filter functions, namely band-pass, high-pass, all-pass and band-reject.

Four binary values at inputs A and B each select one of the four filter operations. In all four cases both the cut-off frequency  $\omega_c$  and Q factor are given by these expressions,

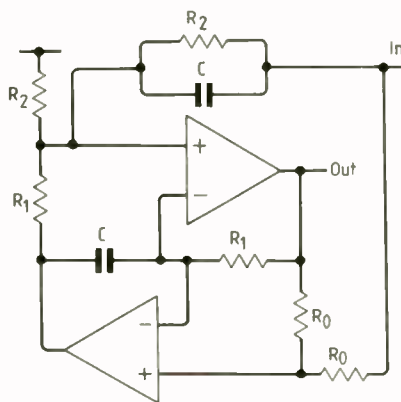
$$\omega_c = 1/R_1 C$$

and

$$Q = R_2/R_1.$$

Supposing that C and  $R_0$  are fixed at  $0.1\mu\text{F}$  and  $100\text{k}\Omega$  respectively, the circuit comprises only several external components with a value of either  $R_1$  or  $R_2$ . These can easily be chosen according to requirements, which makes the configuration suitable for further integration.

Kamil Kraus  
Rokycany  
Czechoslovakia



4: Band reject

$$\frac{V_{out}}{V_{in}} = \frac{1 - sCR_1^2/R_2 + s^2C^2R_1^2}{K}$$



RACKS  
CABINETS  
& FANS

SURPLUS  
BOUGHT &  
SOLD

ELECTRONIC  
COMPONENTS &  
OBSOLETE IC'S

MONITORS  
VDU'S  
& PLOTTERS

1000'S OF  
ITEMS  
IN STOCK

COMPUTER  
SYSTEMS &  
PERIPHERALS

RELAYS  
MOTORS &  
STEPPERS

POWER  
SUPPLIES &  
INVERTORS

ALL TYPES  
OF TEST  
EQUIPMENT

PRINTERS  
DISK DRIVES &  
KEYBOARDS

VIDEO  
EQUIPMENT  
& CAMERAS

# THE 'ALADDINS' CAVE OF ELECTRONIC & COMPUTER EQUIPMENT

## COLOUR MONITORS

16" Decca 80 series budget range colour monitors features include PIL tube attractive leak style case, guaranteed 80 column resolution, only seen on monitors costing 3 times our price, ready to connect to a host of computer or video outputs. Manufacturers fully tested surplus, sold in little or hardly used condition with 90 day full RTB guarantee. 1000's Sold to date.  
DECCA 80 RGB - TTL + SYNC Input for BBC type interface etc.  
DECCA 80 COMP 75 (1 composite video input with integral audio amp & speaker ideal for use with video recorder or TELEBOX ST or any other audio visual use.  
Only £99.00 (E)

## HIGH DEFINITION COLOUR

BRAND NEW CENTRONIC 14" monitors in attractive style moulded case featuring hi res Mitsubishi 0.42 dot pitch tube with 669 x 507 pixels, 28MHz bandwidth. Full 90 day guarantee.  
Order as 1004-N2 for TTL + sync RGB for BBC etc £159.00 (E)  
1003-N1 for IBM PC etc fully CGA equiv £189.00 (E)  
1005-N2 RGB interface for QL 85 columns £169.00 (E)

## 20" & 22" AV Specials

Superbly made, UK manufacture, PIL tube, all solid state colour monitors, complete with composite video and sound inputs, attractive leak style case. Ideal for a host of applications including Schools, Shops, Disco's, Clubs etc. Supplied in EXCELLENT little used condition with 90 day guarantee.  
20" Monitor £165.00 (F) 22" Monitor £185.00 (F)

## MONOCHROME

MOTOROLA M1000-100 5" CRT black & white compact chassis monitor measuring only cm 11.6h, 12w, 22d. Ideal for CCTV or computer applications. Accepts standard Composite video or individual H & V syncs. Operates from 12v DC at approx 0.8a. Some units may have minor screen marks, but still in very usable condition. Fully tested with 30 day guarantee & full data. Only £29.00 (C)  
Fully cased as above, with attractive moulded, desk standing swivel and tilt case Dim. cm 12h, 14.5w, 26d £39.00 (C)  
JVC type 751-7 5" ultra compact black & white chassis monitor for 12v 0.7a DC operation Dim cm 11h, 14w, 18d. Simple DISS circuit data included to convert data and separate sync input to composite video input. Ideal portable equipment etc. Supplied with full data.  
Brand New £65.00 (B)  
KGM 324 9" Green Screen, Little used fully cased, mains powered high res monitors with standard composite video input. Fully tested and in excellent condition £49.00 (E)  
20" Black & White monitors by AZTEK, COTRON & NATIONAL. All solid state, fully cased monitors, ideal for all types of AV or CCTV applications. Units have standard composite video inputs with integral audio amp and speaker. Sold in good, used condition - fully tested with 90 day guarantee. Only £85.00 (F)

## FLOPPY DRIVE SCOOP Drives from Only £39.95

A MASSIVE purchase of standard 5.25" disk drives enables us to offer you prime product at all time super low prices. All units unless stated are removed from often BRAND NEW equipment, fully tested and shipped to you with a full 120 day guarantee. All units offered operate from +5 and +12 volts DC, are of standard size and accept the common standard 34 way interface connector.  
TANDON TM100-2A IBM compatible 40 track FH double sided £39.95 (B)  
TANDON TM101-4 FH 80 track double sided £49.95 (B)  
JAPANESE Half Height double sided drives by Canon, Tec, Toshiba etc. Specially 40 or 80 track. Only £75.00 (B)  
TEAC FD55-F 40-80 track double sided Half Height £115.00 (B)  
Brand New £115.00 (B)

## DISK DRIVE ACCESSORIES

34 Way interface cable and connector single £5.50, Dual £8.50 (A)  
5.25" DC power cable £1.75. Fully cased PSU for 2 x 5.25" Drives £19.50 (A) Chassis PSU for 2 x 8" drives £39.95 (B)

## 8" DISK DRIVES

SUGART 800/801 single sided refurbished £175.00 (E)  
SUGART 851 double sided refurbished £260.00 (E)  
MITSUBISHI M2894-63 Double sided switchable Hard or Soft sector. BRAND NEW £275.00 (E)  
SPECIAL OFFER Dual 8" drives with 2mb capacity in smart case with integral PSU ONLY £499.00 (F)

## COMPUTER SYSTEMS

TATUNG PC2000. Big brother of the famous EINSTEIN, the TPC2000 professional 3 piece system comprises: Quality high res GREEN 12" monitor, Sculptured 92 key keyboard and plinth unit containing the Z80A CPU and all control electronics PLUS 2 Integral TEAC 5.25" 80 track double sided disk drives. Many other features include Dual 8" IBM format disk drive support, Serial and parallel outputs, full expansion port, 64k ram and ready to run software. Supplied complete with CPM, WORDSTAR, BASIC and accounts package. BRAND NEW  
Full 90 day guarantee.  
Original price OVER £1400  
Only £299(E)

EQUINOX (IMS) S100 system capable of running either TURBO or standard CPM. Unit features heavy duty box containing a powerful PSU, 12 slot S100 backplane, & dual 8" double sided disk drives. Two individual Z80 cpu boards with 192k of RAM allow the use of multi user software with up to 4 RS232 serial interfaces. Many other features include battery backed real time clock, all IC's socketed etc. Units in good condition and tested prior despatch, no documentation at present, hence price of only £245.00 (F)  
S100 PCB's IMS A465 64k dynamic RAM £55.00 (B) IMS A930 FDC controller £85.00 (B). IMS A862 CPU & I/O £65.00 (B)  
SAE for full list of other S100 boards and accessories.

## PRINTERS

Bulk purchase brings you incredible savings on a range of printers to suit all applications. Many other 'one off bargains' can be seen at our South London Shop.

HAZELTINE ESPRINT Small desktop 100 cps print speed with both RS232 and CENTRONICS interfaces. Full pin addressable graphics and 6 user selectable type fonts. Up to 9.5" single sheet and tractor paper handling. Brand New Only £199.00 (E)  
CENTRONICS 150 series. A real workhorse for continuous use with tractor feed paper, either in the office, home or factory, desk standing, 150 cps 4 type fonts and choice of interfaces. Supplied BRAND NEW

150-SN up to 9.5" paper handling £185.00 (E)  
150-SW up to 14.5" paper handling £225.00 (E)  
150-GR up to 14.5" paper plus full graphics £245.00 (E)  
When ordering please specify RS232 or CENTRONICS interface.

## Ultra Fast 240 cps CENTRUBURY DATA NDR 8840 High Speed Printers Only £449 !!

A special purchase from a now defunct Government Dept enables us to offer you this amazing British Made quality printer at clearance prices. SAYING YOU OVER £1500 !! The NDR 8840 features high speed 240 cps print speed with integral, fully adjustable paper tractor, giving exceptional fast paper handling for multi part forms etc. The unit features 18 selectable type fonts giving up to 226 printable characters on a single line. Many other features include Internal electronic vertical and horizontal tabs, Self test, 9 needle head, Up to 15.5" paper, 15 million character ribbon cartridge line and standard RS232 serial interface. Sold in SUPERB tested condition with 90 day guarantee. Only £449.00 (F)  
EPSON model 512 40 column 3.5" wide paper roll feed, high speed matrix (3 lines per second) printer mechanism for incorporation in point of sale terminals, ticket printers, data loggers etc. Unit features bi directional printhead and integral roll paper feed mech with tear bar. Requires DC volts and simple parallel external drive logic. Complete with data. RFE and tested. Only £48.95 (C)  
EPSON model 542 Same spec as above model, but designed to be used as a slip or flatbed printer. Ideal as label, card or ticket printer. Supplied fully cased in attractive, small, desk top metal housing. Complete with data. RFE and tested. Only £55.00 (D)  
PHILIPS P2000 Heavy duty 25 cps bi directional daisy wheel printer. Fully DIABLO, QUME, WORDSTAR compatible. Many features include full width platen - up to 15" paper, host of available daisy wheels, single sheet paper handling, superb quality print. Supplied complete with user manual & 90 day guarantee plus FREE dust cover & daisy wheel. BRAND NEW ONLY £225.00 (E)

Most of the items in this Advert, plus a whole range of other electronic components and goodies can be seen or purchased at our  
**\*\* South London Shop \*\***  
Located at 215 Whitehorse Lane, London SE25. The shop is on the main 68 bus route and only a few miles from the main A23 and South Circular roads. Open Monday to Saturday from 9 to 5.30, parking is unlimited and browsers are most welcome. Shop callers also save the cost of carriage.

## MODEMS

Modems to suit all applications and budgets. Please contact our technical sales staff if you require more information or assistance.

## SPECIAL PURCHASE V22 1200 baud MODEMS ONLY £149 !!

MASTER SYSTEMS type 2/12 microprocessor controlled V22 full duplex 1200 baud. This fully BT approved modem employs all the latest features for error free data comms at the staggering speed of 120 characters per second, saving you 75% of your BT phone bills and data connect time !! Add these facts to our give away price and you have a superb buy !! Ultra slim unit measures only 45 mm high with many integral features such as Auto answer, Full LED status indication, RS232 interface, Remote error diagnostics, SYNC or ASYNC use, SPEECH or DATA switching, integral mains PSU, 2 wire connection to BT line etc. Supplied fully tested, EXCELLENT slightly used condition with data and full 120 day guarantee.

LIMITED QUANTITY Only £149 (D)

CONCORD V22 1200 baud as new £330.00 (E)  
CONCORD V22 1200-2400 BIS £399.00 (E)  
RIXON EX BT Modem 27 V22 1200 £225.00 (E)  
DATEL 4800 / RACAL MPS 4800 EX BT modem for 4800 baud sync use. £295.00 (E)  
DATEL 2412 2780/3780 4 wire modem unit EX BT fully tested. £199.00 (E)  
MODEM 20-1 75-1200 BAUD for use with PRESTEL etc EX BT fully tested. £49.00 (E)  
TRANSDATA 307A 300 baud acoustic coupler with RS232 I/O. Brand New £49.00 (E)  
RS232 DATA CABLES 16 ft long 25w D plug to 25w D socket. Brand New Only £9.95 (A)  
AS above but 2 metres long £4.99 (A)  
BT plug & cable for new type socket £2.95 (A)

## RECHARGEABLE BATTERIES

Maintenance free, sealed long life LEAD ACID  
A300 12v 3 Ah £13.95 (A)  
A300 6v 3 Ah £9.95 (A)  
A300 6-0-6 v 1.8 Ah RFE £5.99 (A)

## NICKEL CADMIUM

Quality 12 v 4 Ah cell pack. Originally made for the TECHNICOLOUR video company, this unit contains 10 high quality GE nicad, D type cells, configured in a smart robust moulded case with DC output connector. Dim cm 19.5 x 4.5 x 12.5. Ideal portable equipment etc. BRAND NEW £24.95 (B)  
12v 17 Ah Ultra rugged, all weather, virtually indestructible reliable NICAD stack by ALCAD. Unit features 10 x individual type XL1.5 cells in wooden crate. Supplied to the MOD and made to deliver exceptionally high output currents & withstand long periods of storage in discharged state. Dim cm 61 x 14 x 22. Cost over £250. Supplied unused & tested complete with instructions. £95.00 (E)  
EX EQUIPMENT NICAD cells by GE. Removed from equipment and believed in good, but used condition. 'F' size 7Ah 6 for £8 (B). Also 'D' size 4Ah 4 for £5 (B)

## BRAND NEW 85 Mb Disk Drives ONLY £399

End of line purchase enables this brand new unit to be offered at an all time super low price. The NEC D2246 8" 80 Mb disk drive features full CPU control and industry standard SMD interface, Ultra high speed data transfer and access times leave the good old ST506 interface standing. Supplied BRAND NEW with full manual. Only £399.00 (E)  
Dual drive, plug in 135 Mb sub system for IBM AT unit in case with PSU etc. £1499.00 (F)  
Interface cards for upto 4 drives on IBM AT etc available. Brand new at £395.00

## POWER SUPPLIES

All power supplies operate from 220-240 v AC. Many other types from 3v to 10kV in stock. Contact sales office for more details.

PLESSEY PL12/2 Fully enclosed 12v DC 2 amp PSU. Regulated and protected. Dim cm 13.5 x 11 x 11. New £16.95 (B)  
AC-DC Linear PSU outputs of +5v 5.5a, -5v 0.6a, +24v 5a Fully regulated and short proof. Dim cm 28 x 12.5 x 7. New £49.50 (C)  
POWER ONE PHC 24v DC 2 amps Linear PSU fully regulated. New £19.95 (B)

BOSHERT 13088 switch mode supply ideal disk drives or complete system. +5v 6a +12 2.5a -12 0.5a -5v 0.5a Dim cm 5.6 x 21 x 10.8. New £29.95 (B)

BOSHERT 13090 same as above spec but outputs of +5v 6a +24v 1.5a +12v 0.5a -12v 0.5a. RFE Tested £24.95 (B)

GREENDALE 19AB0E 60 Watt switch mode outputs +5v 6a +24v 1a -12v 1a +15v 1a D 11 x 20 x 5.5. RFE Tested £24.95 (B)

CONVER AC130-3001 High grade VDE spec compact 130 watt switch mode PSU. Outputs give +5v 15a, -5v 1a +8-12v 6a. Dim 6.5 x 27 x 12.5. Current list price £190. Our price New £59.95 (C)  
FARNELL G6/40A Compact 5v 40 amp switch mode fully enclosed. New £140.00 (C)

FARNELL G24 5S Compact 24v 5 amp switch mode fully enclosed. New £95.00 (C)

## Special Offer EXPERIMENTORS PSU ONLY £16.95 (C)

Made to the highest spec for BT this unit gives several fully protected DC outputs most suited to the Electronics Hobbyist. +5v 2a, +8-12v 1a, +24v 1a and +5v fully floating at 50ma. Ideal for school labs etc. Quantity discount available. Fully tested with data. RFE = Removed From Equipment

## The AMAZING TELEBOX Converts your monitor into a QUALITY COLOUR TELEVISION

Brand new high quality, fully cased, 7 channel UHF PAL TV tuner system. Unit simply connects to your TV aerial socket and video monitor turning same into a fabulous colour TV. Don't worry if your monitor doesn't have sound, the TELEBOX even has an integral audio amp for driving a speaker plus an auxiliary output for Headphones or Hi Fi system etc. Many other features: LED Status indicator, Smart monitored case, Mains powered, Built to BS safety specs. Many other uses for TV sound or video etc. Supplied BRAND NEW with full 1 year guarantee. Carriage code (B)



TV SOUND & VIDEO TUNER ONLY £29.95

TELEBOX ST for monitors with composite video input £29.95  
TELEBOX STL as ST - but fitted with integral speaker £34.95  
TELEBOX RBG for use with analogue RGB monitors £59.95

Colour when used with colour CRT RGB version NOT suitable for IBM-XT/NT type colour monitors. DATA sheet on request. PAL overseas versions CALL.

## COOLING FANS

Keep your hot parts COOL and RELIABLE with our range of IBM AND NEW cooling fans.

AC FANS Specify 240 or 110 v  
3" Fan dim 80 x 80 x 38 £8.50 (B)  
3.5" ETR1 slimline 92 x 92 x 25 £9.95 (B)  
4" Fan Dim 120 x 120 x 38 £9.95 (B)  
As above - TESTED RFE Only £4.95 (C)  
10" round x 3.5" Rotron 10v £10.95 (B)  
DC FANS  
Papst Miniature DC fans 62x62x25 mm  
Order 812 6-12v or 814 24v £15.95 (A)  
4" 12v DC 12w 120 x 120 x 38 £12.50 (B)  
4" 24v DC 8w 120 x 120 x 25 £14.50 (B)  
BUHNER 12v DC 62 mm £12.95 (A)

1000's of other fans and blowers in stock CALL or SAE for more details

## SPECIAL INTEREST

Please call for availability or further info.  
RACAL-REDAC real time, colour drafting PCB layout system £3950  
DEC VAX11/750 Inc 2 Mb Ram DZ, and full doc etc. Brand New £8500  
HP7580A 8 pen digital A1 drum plotter with IEEE interface. As New £4750  
CHEETAH Telex machine £995  
1.5 kh 115v 60 Hz power source £950  
500 watt INVERTER 24v DC to 240v AC sine wave 50 Hz output £275  
SOLDER SYSTEMS tin lead roller tinning machine for PCB manufacture £350  
CALLAN DATA SYSTEMS multi user INTEL based UNIX system complete with software and 40 Mb Winchester disk drive £2750  
WAYNE KERR RA200 Audio, real time frequency response analyzer £3000  
TEKTRONIX 1111R PAL TV test signal standard £6900  
TEKTRONIX R140 NTSC TV test signal standard £6750  
HP 3271A Correlator system £350  
PLESSEY portable Microwave speech data link 12v DC, 70 mile range The pair £275.00  
19" Rack cabinets 100's in stock from £15.00

All prices for UK Mainland. UK Customers must ADD 15% VAT to total order value. Minimum order, cash £5, Credit Card £10. Official account orders from Government Depts, Universities, Schools & Local Authorities welcome - minimum account order value £25. Carriage charges (A) £10, (B) £3.50, (C) £6.50, (D) £8.50, (E) £10.00, (F) £15. (G) Call. All goods are supplied subject to our standard conditions of sale. All guarantees given on a return to base basis. We reserve the right to change prices & specifications without prior notice. Bulk trade & export enquiries most welcome.

# DISPLAY ELECTRONICS

MAIL ORDER & OFFICES  
Open Mon-Fri 9.30-5.30  
32 Buggin Way,  
Upper Norwood,  
London SE19 3XF

LONDON SHOP  
1000's of Bargains for callers  
Open Mon-Sat 9.30-5.30  
215 Whitehorse Lane,  
South Norwood, London SE25

DISTEL © The ORIGINAL  
FREE of charge dial up data base  
1000's of items + info ONLINE NOW!!  
300 baud 01 679 1888, 1200/7501 679  
6183, 1200 FDX 01 679 8769

ALL ENQUIRIES  
01 679 4414  
FAX 01 679 1927  
TELEX 894502



ENTER 36 ON REPLY CARD

# Scrambling television

Eurocrypt and Eurocypher are the latest in a series of conditional access systems used for satellite and cable transmissions in Europe. Frank Huntingford of Hi Tech Xtravision reviews the principles on which television scrambling systems work.

**F**our analogue encryption systems widely used in Europe are described here. Many others are used in America, but these seem unlikely to cross the Atlantic. The decoders are illustrated only in their most basic form: much extra complexity may be needed in the decoder to distinguish a legitimate signal from real garbage.

## SAVE

This system is used by Première, the BBC and was used by the now defunct Spanish 'Canal 10'. Encryption involves inverting the video, reducing its level by 6dB and adding an interfering sine wave of approximately 95kHz.

SAVE is a fairly low-security encryption system: a watchable picture can easily be created by simply inverting the received signal, amplifying it by 6dB and filtering out the sine wave. But this filtering leads to a certain loss of video performance. A far superior method is shown in block form in Fig. 1.

The received signal is first amplified. A synchronous detector, forming part of a phase-locked loop locks an oscillator to the interfering signal. The output of the oscillator is fed in antiphase but at the correct level to a summing amplifier together with the amplified and non-inverted signal. The output of the summing amplifier is a descrambled video signal.

## MATSUSHITA

This system is used by Filmnet, a film channel intended for the Low Countries and Scandinavia, though more than 90% of the films are in English with a variety of languages available as sub-titles on teletext (Filmnet has now moved to the medium-power Astra satellite.)

The present method of encryption consists of inverting alternate fields of the signal and shifting the DC level of the blanking signal to raise the sync and colour burst signals into the active video area. This very effectively disables the sync separator in the television set or video recorder. An addition signal is transmitted on a subcarrier at 7.56MHz, which is frequency-modulated with the composite blanking signal. A further subcarrier at 7.02MHz is modulated with subscriber data information to enable or disable registered subscribers' decoders for various subscription levels.

Decoding consists of recovering the transmitted blanking information to restore the correct DC level in the blanking area, and

Satellite broadcasters are now adopting conditional access systems which offer a level of security much higher than anything seen previously in Europe. Much is at stake: a subscription to Sky Television's pair of pay-tv channels will cost more than twice what viewers now pay for their terrestrial licence fee, which supports the BBC's entire domestic radio and television output. For other pay-tv channels, viewers will have to pay still more.

The temptation to would-be pirates is obvious. Receiving hardware for the new conditional access systems will soon be

installed in millions of homes across the continent, affording interested parties the opportunity to mount an assault on these systems on a scale which has never been possible with other high-security hardware – for example, that used by banks for keeping intruders out of our personal accounts. The cut-and-rotate scrambling systems adopted by the new broadcasters are of daunting, seemingly impenetrable complexity. But if the future funding of good-quality television broadcasting is to depend on them, they need to be.

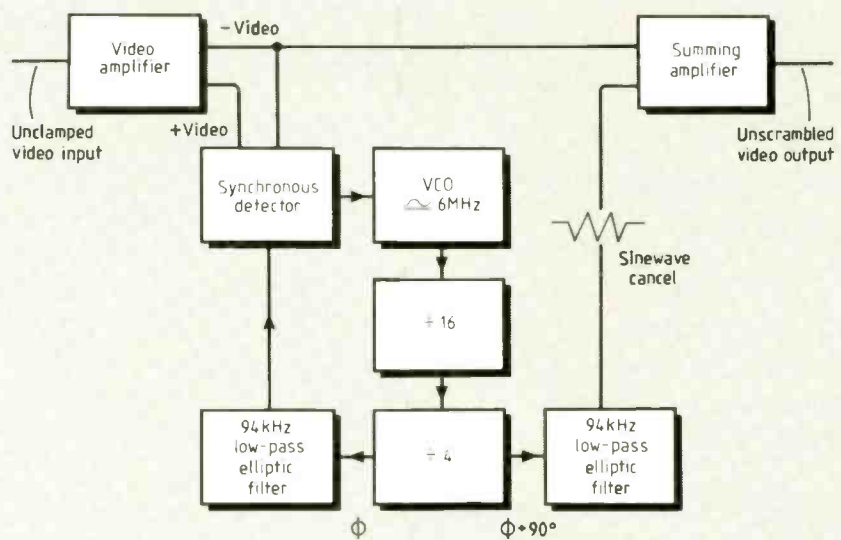


Fig.1. SAVE: decoding this low-security system entails cancelling an interfering sine wave.

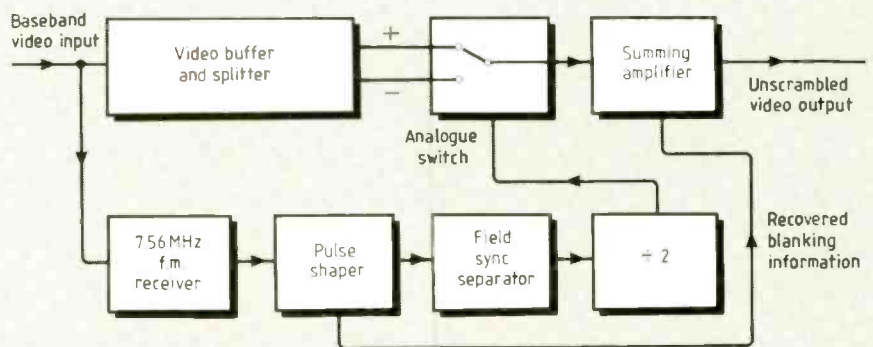


Fig.2. Decoding the Filmnet channel: in this system by Matsushita, syncs are corrupted and alternate video fields inverted.

re-inverting alternate fields (Fig. 2). This signal is easily derived from the field blanking information. A pulse occurring in the blanking of every fourth field enables field inversion to be synchronised at the correct polarity.

A weakness of this system is that blanking information is essentially redundant and can easily be reconstructed from the scrambled video without the complexity of a subcarrier receiver. But the system can make several tiers of encryption available at the flick of a switch – perhaps including active video inversion.

### LINE SHIFTING

This system is used by the BBC for late-night terrestrial broadcasting to doctors, by *Canal Plus* in France and a growing number of other continental stations. It consists of leaving the syncs and colour burst unaltered but selectively delaying the active part of the video waveform, on a line-by-line basis. Delay time is selectable between 900ns and 1.8µs. The specific delay is controlled on transmission and reception by a predetermined algorithm. The resulting picture is recognisable (with a lot of squinting) but visually quite disturbing.

Encryption of this system is completed by scrambling the audio by frequency inversion using a single-sideband technique, with a suppressed carrier at 12.8kHz.

Decoding (Fig. 3.4) consists of delaying all lines to the same total – approximately 1.8ms – by using a stored algorithm in an eeprom on the decoder, and recovering the audio using single-sideband detection. Addressing for the eeprom is derived from a counter using line frequency as its clock and synchronised to the frame pulse.

### LINE DICING OR CUT-AND-ROTATE

This is the system proposed by Sky Television as Eurocrypt. It consists essentially of partitioning the line into two, three or possibly more segments and interchanging the information in those segments. Cut-and-rotate is certainly the most secure analogue

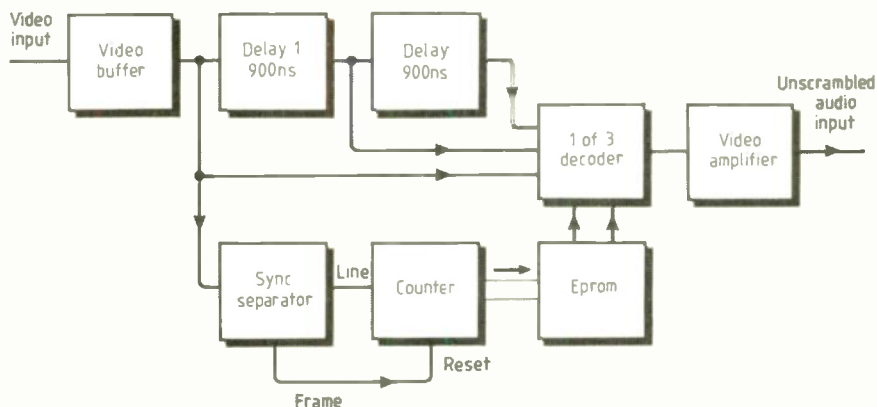


Fig.3. Line-shifting: for this system, now used during the night on BBC transmitters for programmes from British Medical Television, individual lines are delayed by differing amounts.

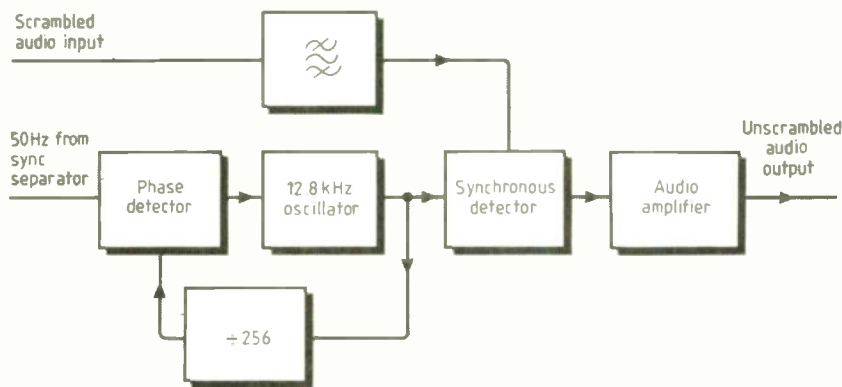


Fig.4. Line-shifting: in this scheme, the audio is made unintelligible by simple frequency inversion.

encryption system yet proposed for broadcasting television programmes to the public.

The cut point or points on the line and the interchange order are determined by a stored algorithm. Basic information for the algorithm is stored in a "smart card" – this is like a credit card but has rom, ram and a processor included. The card will probably

give controlled serial information to the decoder and will be changed at regular short intervals, perhaps three months or less.

Hi-Tech XtraVision is at Camberley, Surrey.

It is not the author's intention, or that of his company, to encourage the infringement of copyright in encrypted television programmes.

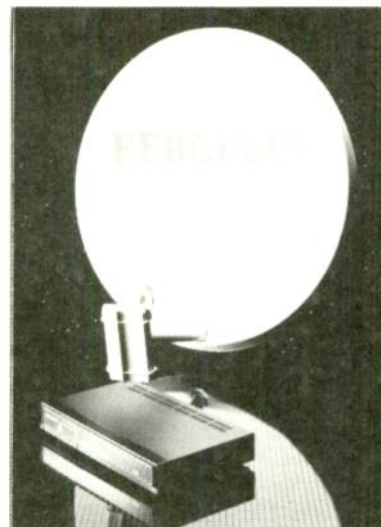
## RECEIVERS FOR SATELLITE TELEVISION

Scores of companies all over Europe are producing home terminals for suitable for Astra's 11GHz transmissions, but the list of manufacturers of 12GHz equipment for BSB's service is for the first three years restricted by BSB to just three: Ferguson, part of the French-owned Thomson group, Salora, a large Scandinavian receiver maker, and the Taiwanese company Tatung.

Ferguson, having a foot in both camps, has launched a range of receivers capable of giving access to both Astra and BSB. For Astra, a 60cm dish and receiver for Astra will be offered from late March at £300 (an

80cm version for viewers north of Manchester will cost an extra £30). Features include remote control, on-screen graphics and electronic polarization switching. Two Scart (peritel) sockets will be provided for add-on decoders. Later in the year, a further £100 will buy versions ready-equipped with a decoder for Sky Television's Eurocrypt channels.

For BSB, Ferguson will have – from September – a remote-controlled receiver with digital stereo decoder and RGB or PAL output at about £300, including a "squarial" flat plate antenna. A Eurocypher conditional access module is included.



# ANALOGUE DE-SCRAMBLER

Experimental de-scrambler for the Matsushita encryption scheme.

MICHAEL GREATOREX

This analogue decoder is intended for use with more versatile receiving equipment than the Astra-only variety, i.e. that having Ku-band coverage with polarity control and a dish diameter of the order of 1m. Filmnet's original home, Eutelsat F1, gives an EIRP at the centre of its footprint of 41dBW and covers most of the UK. Astra offers a marginally stronger signal of 51dBW for the whole of Europe.

In Filmnet's Matsushita analogue encryption scheme, alternate frames contain either inverted frame syncs with non-inverted line syncs, or non-inverted frame syncs with inverted line syncs. The sense is reversed for odd and even fields. Further reversals of polarity occur randomly in bursts lasting from several seconds to a few minutes.

Several modes of operation are reported to be possible with the Matsushita scrambler and there are possibly more combinational corruptions to overcome, but during the last couple of years the decoder illustrated here has taken all that has been thrown at it.

Video and sync pulses arrive from the composite baseband signal of the satellite receiver. A phase-splitter stage provides positive and negative-going video. In switch posi-

tion 1 (clear) the composite video is switched straight through. In positions 2,3 and 4, the TBA 920 horizontal combination i.c. comes into operation. This complex i.c. uses a stable PLL line oscillator to provide line syncs at pin 2. These pulses eventually control the analogue switch to allow composite syncs through to the sync separator. Field sync pulses from the separator trigger the dual D-type bistable, which switches the video polarity for alternate fields via the analogue switches and triggers the 555 timer to produce field timing. The re-formed composite video and sync signal is then de-emphasised (the transmitted signal has high-frequency pre-emphasis to help maintain picture definition) and passed to the NE592 video amplifier.

## ADJUSTMENT

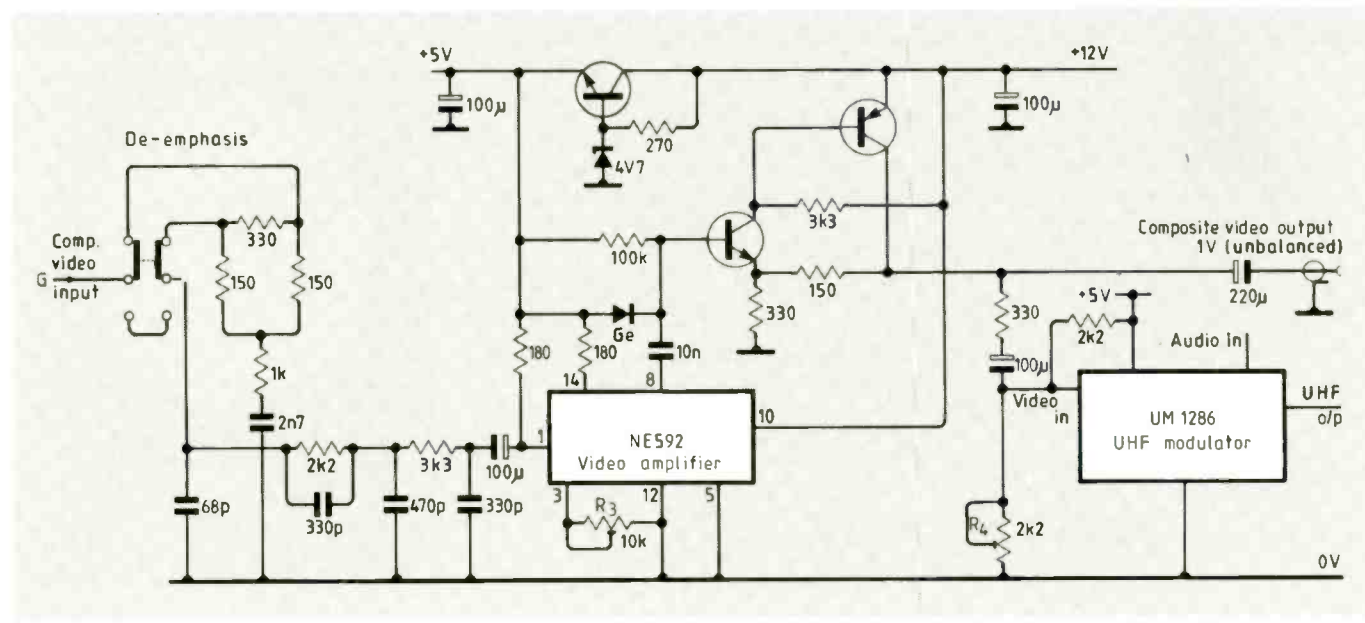
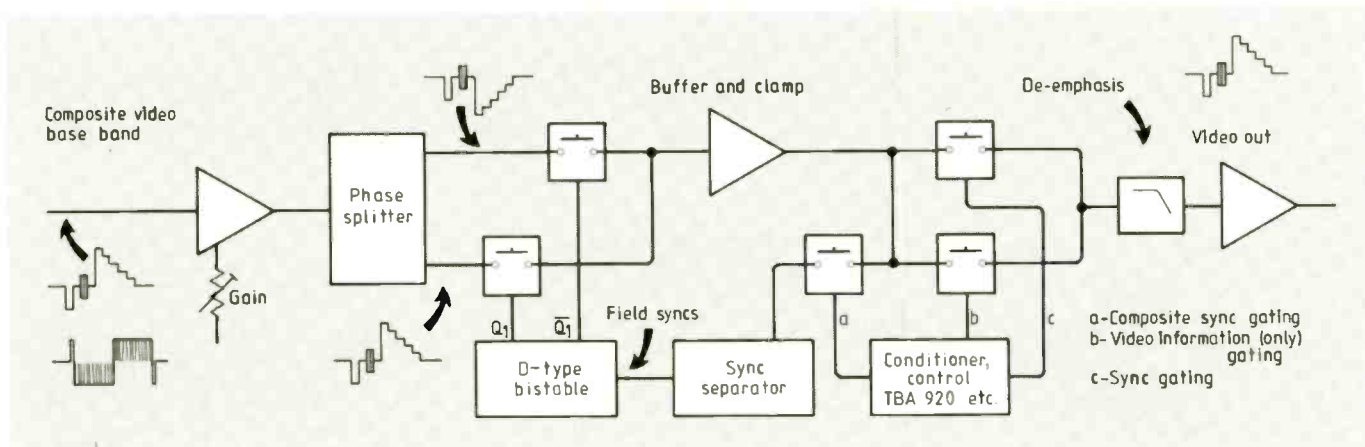
With the switch at position 1 (clear), load the video output of the decoder with a tv set, video recorder or 75 ohm resistor. Connect an oscilloscope at TP and adjust  $R_1$  for a noise-free sync pulse. Adjust  $R_2$  for approximately 1V pk-pk video output. If you are using the UHF modulator, then  $R_4$  should be adjusted for best peak whites with no glowing or audio buzzing.

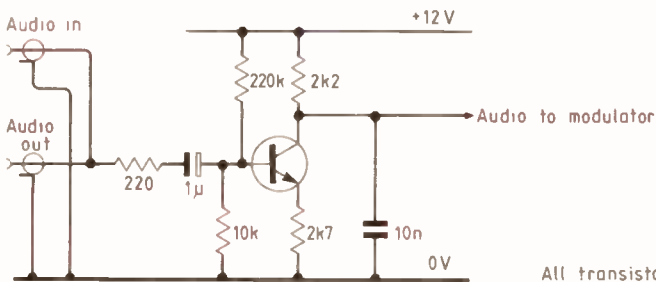
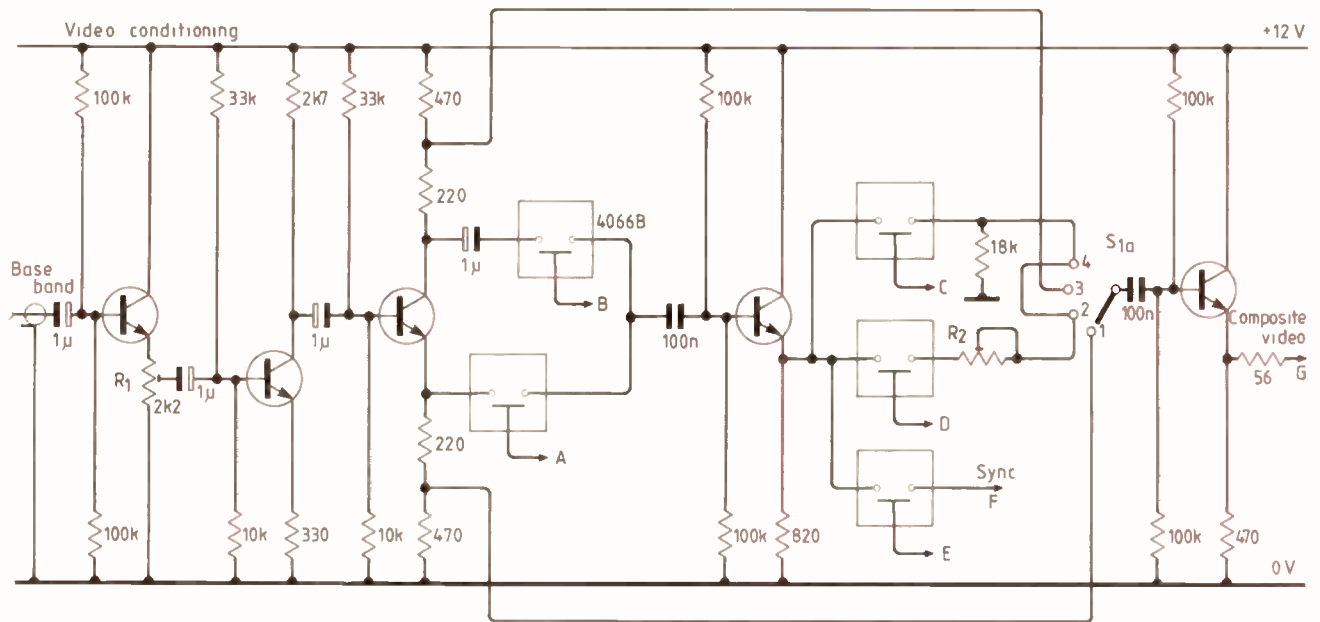
It may be necessary to back off  $R_1$ .

Now tune to ATN-Filmnet and switch to position 2 or 4. Whilst examining the video output on the oscilloscope, adjust  $R_5$  (line phase) until the switching pulse is half-way along the back porch, whilst adjusting  $R_6$  (line hold) to prevent horizontal picture tearing. Next adjust  $R_7$  until the picture stops bouncing or rolling vertically. For best effect it may be necessary to return once more to  $R_5$  and  $R_6$ . Finally adjust  $R_2$  for correct black level on the oscilloscope.

To test adjustment of  $R_6$ , tune slightly off channel on the receiver and rapidly back; the picture should synchronise in less than half a second.

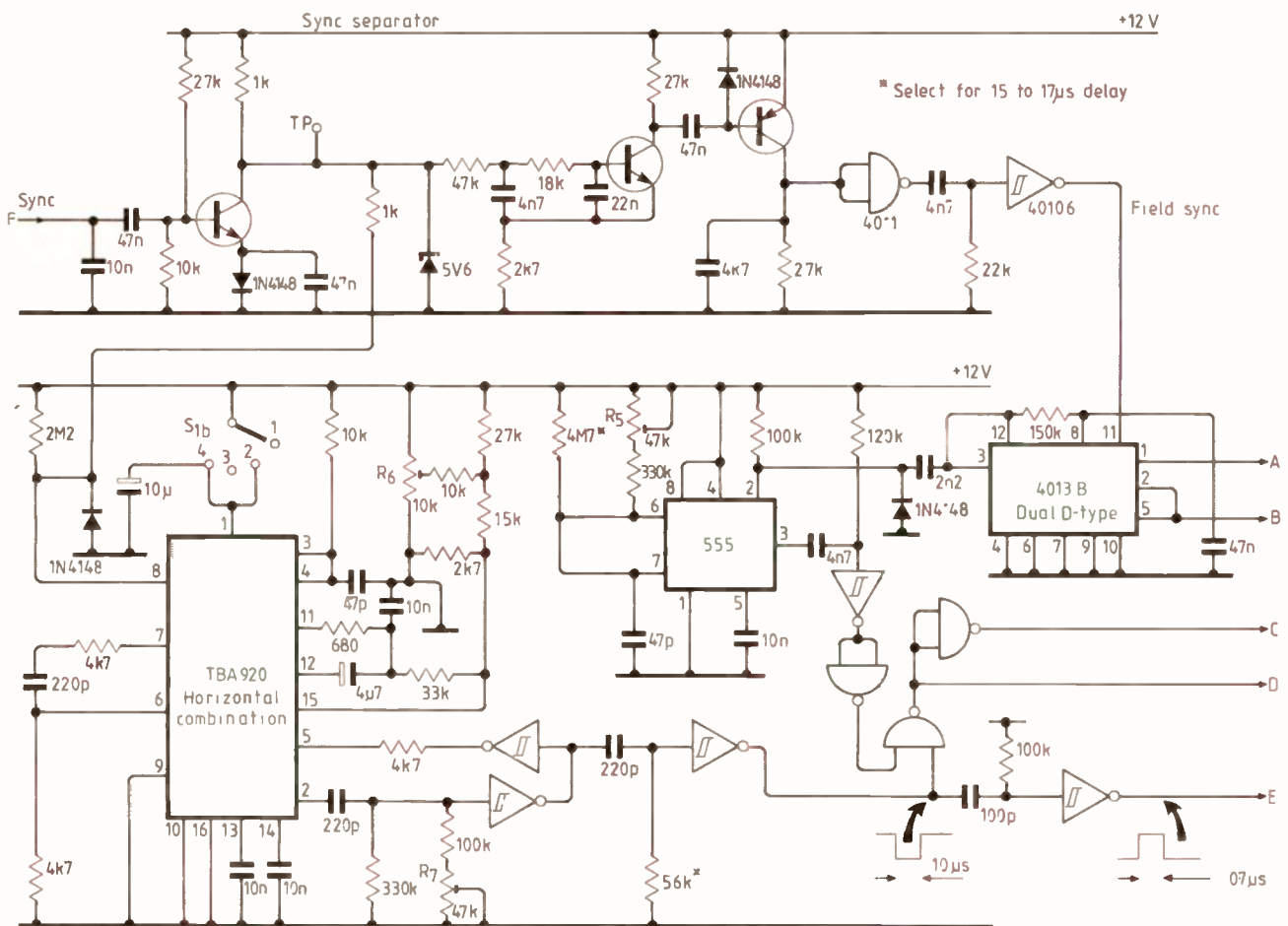
Position 3 on the switch is provided for encryption where the video is inverted. This type of signal is now rare, but with this position Premiere and Channel 10 can be very nearly decoded save for a disturbing pattern of broad stripes of varying brightness rolling down the screen. These stripes are due to the AC component (100kHz for Premiere) of the composite scrambled information. It should be possible to insert a notch filter or some phase cancelling network to remove it.





- Switch position
- 1 Normal
  - 2 Filmnet
  - 3 Première (Ch 10 etc)
  - 4 Filmnet

All transistors BC183 or equivalent



# Eurocypher

**With the spread of satellite broadcasting will come the routine use of conditional access techniques. British Satellite Broadcasting has adopted the Eurocypher system, based on General Instrument's Videocypher II.**

DAVID EGLISE

Conditional access allows the introduction of subscription and pay-per-view (PPV) television services, which will augment the income from traditional advertising revenues. For the broadcaster, conditional access also simplifies the purchase of programme rights, since the regions and countries in which the programme will be available can be clearly defined. It is widely believed that successful, high-quality satellite broadcasting can only be achieved with the support of a secure and flexible conditional access system.

It was against this background that Eurocypher was devised. The future of satellite broadcasting lies with the D-MAC transmission format, which has been developed to match the characteristic of the FM satellite broadcast channel. D-MAC is ideally suited to conditional access since the audio and video components are in a form that can be readily processed (or 'scrambled') to make them unintelligible to a normal receiver. Plenty of spare data capacity exists within the D-MAC signal to deliver the authorising signals that allow specific receivers to descramble the signals.

## CONDITIONAL ACCESS

A conditional access system can be considered as two separate processes. The first step is to scramble the broadcast signal. Here Eurocypher uses the standard D-MAC techniques of modulo-2 addition of a scrambling sequence for sound and data components, and cut-and-rotate scrambling for the video component. Both of these methods use scrambling sequences produced by pseudo-random binary sequence (PRBS) generators, which are initialised every few seconds with a new control word. The control word determines that start point in the pseudo-random sequence and its frequent changing ensures that the television signal is highly protected against unauthorised use.

The second process is to deliver the control words to specific receivers. This is accomplished by the conditional access system.

The control word is sent in a stream of repeated messages, known as entitlement checking messages, or ECMs. These are provided in a special data service in the digital sound/data multiplex of the D-MAC signal. To derive the control words, the receiver must be in possession of a hierarchy of keys which culminates in a key known as the *session key*. This changes every few weeks, which allows time for the next session key to be delivered to authorised receivers. To do this the session key is acquired

from a key that is unique to each individual receiver. The message so formed is included in another stream of messages, known as entitlement management messages, or EMMs. Each receiver is periodically sent an EMM containing the session key encoded with its own *unique key*. Unique keys are programmed into the receiver during manufacture and a secret list of receiver identities and their unique keys is kept by the authorising authority.

Overlaid upon this basic system structure are additional features which protect the security of the system and enhance its flexibility. Information about the programme being transmitted is included within the accompanying ECM. This includes information such as the programme name and how long it has left to run, together with data relating to conditional access, describing the price of the programme (for PPV) or maturity level of the programme content.

## ADDITIONAL SERVICES

A D-MAC signal can carry a number of other services in addition to television. Eurocypher can provide independent scrambling for these with parallel ECM streams, carrying the conditional access data for their associated service.

EMMs also contain more than just conditional access information. Each EMM is intended for a specific receiver and contains information relevant to the viewer associated with that receiver. This would include details of the various services that the viewer is entitled to, the geographical location of the viewer's home, and possibly an electronic credit signal for PPV systems.

## PAY-PER-VIEW

Eurocypher allows two forms of PPV operation. The simpler version requires the viewer to decide in advance whether to pay for a particular programme item. This would typically be an international sporting event such as a football or boxing match. Orders for the event would be taken by telephone and post in the days before the event is transmitted, and the individual receivers authorised via an EMM. Although this method is practicable for small audiences, a rush of last-minute purchases would quickly overwhelm the booking system.

A more sophisticated version is impulse pay-view, or IPPV. Here EMMs are used to transfer credit to an electronic money box in the Eurocypher receiver. ECMs for a PPV event then provide the purchase price of the programme. Details of the event, its purchase price, and how much is in the receiver's money box are shown on the television

screen. If the viewer wants to buy the programme, he or she enters a personal identification number (PIN) via the remote control unit. This can be done on impulse at the start of the event or shortly after. The cost is deducted from the credit total. When credit eventually runs out the viewer must contact the authorising agency and arrange for a further EMM to be sent.

A complication of IPPV is the need for statistics on the number of people purchasing it. Eurocypher accommodates this by providing a report-back facility. Periodically it uses the telephone network to download records of what has been purchased to a computer system at a PPV centre.

## GEOGRAPHICAL BLACKOUTS

It is possible to deny access to a programme item according to the geographical location of the receiver. This can be used to advantage when purchasing programme rights, since the owner of the rights knows that the event will be seen only in specific countries. A further refinement is to "black-out" an area surrounding the site of a sporting event, so that the promoter can sell the rights for television coverage without fear of harming the attendance figures.

Yet another feature is the ability to black-out specific items, such as an advertisement, from a region where it may be considered unacceptable. Throughout Europe, a host of different rules apply to products such as tobacco, alcohol, contraceptives, and advertisements directed towards children.

The requirements of Europe form a strong thread running through the Eurocypher system. Provision is made for displaying text messages in different languages, depending on which country the receiver is in. Prices of PPV events can be assigned the appropriate currency symbols (£, Dm, Fr etc.) whilst displayed times will take account of time-zone differences and daylight-saving adjustments. Even the parental control function can have the programme rating displayed in a manner consistent with the cinema rating system for that country (e.g. X, PG, U for the United Kingdom).

EMMs sent to particular viewers have the capacity to control authorisation for up to 512 different programme packages. Such a package could include programmes on one particular channel or on several channels having a common ownership.

## Further reading

IBA Technical Review 24, The D-MAC/packet System for Satellite and Cable. Independent Broadcasting Authority, November 1988.

David Eglise is Director of Technical Services, British Satellite Broadcasting.

# High-resolution frequency counter

High-stability clock, display protection and PC interface for the instrument described in the January 1988 issue

STEPHEN THEOBALD

The clock oscillator described in the January issue was a standard design built around a single 74HC-type inverter. This circuit is reliable and simple, but its performance is far from ideal. HC type c-mos gates have input currents and capacitances which are both heavily voltage dependent when they are used as amplifiers with DC feedback, and the output from such an oscillator is easily seen to be a far cry from a pure sinewave. These factors, together with temperature-dependent propagation delay and the temperature coefficient of the external capacitors, make it seem unlikely that this simple oscillator will show good frequency stability. In an attempt to confirm this supposition, a few tests were carried out on similar oscillators built using c-mos gates and small ceramic capacitors. One oscillator showed a remarkably small temperature dependence of less than  $-2 \text{ Hz}/^\circ\text{C}$  in the region  $10-40^\circ\text{C}$ , while another was poorer at about  $-7 \text{ Hz}/^\circ\text{C}$ . A commercial oven-stabilized oscillator was used to drive the frequency counter while these tests were performed.

These figures are probably not particularly accurate, since the equipment used for temperature cycling was rather primitive (ice-cubes and large transistors mounted on a heatsink inside an insulated box) and the time-consuming nature of these experiments prevented further investigation. The results do, however, indicate that if the full seven-figure accuracy of the counter is to be realised, then some better clock source is required, bearing in mind too that the temperature rise inside the case of the counter can easily exceed  $20^\circ\text{C}$  even with good ventilation. It is at any rate wise to position the oscillator components as far from the power supply as possible, since this is the main heat source within the instrument.

When the clock-inhibit switch,  $S_3$ , is closed, the internal oscillator is disabled and the instrument can then be operated with an external clock source when greater precision is needed. An ovened crystal oscillator providing tight temperature control and using flow-temperature-coefficient capacitors should be capable of maintaining an accuracy of about 1 part in  $10^9$  or better. Suitable units can be built, which is difficult, or bought, which is expensive. They are also

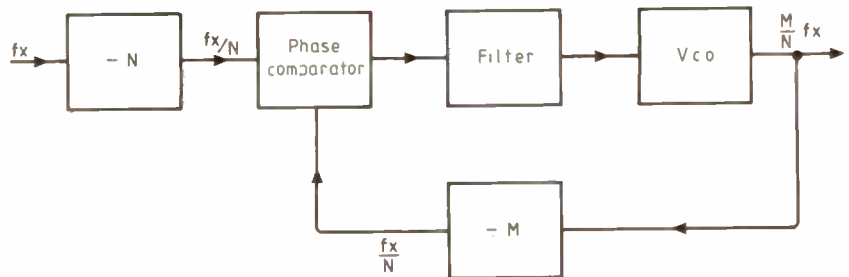


Fig.1. Phase-locked-loop clock source to provide 5MHz from unhelpful carrier frequencies.

unfortunately rather bulky and consume a fair amount of power because the oscillator runs at an elevated temperature;  $70^\circ$  to  $80^\circ\text{C}$  seems to be typical. Long-term ageing effects will also mean that periodic, though infrequent, calibration will be necessary.

Where the ultimate in accuracy is required, a clock source derived from, and phase-locked to one of the highly stable LF transmitters such as Rugby, Drøitwich and Kalundborg (Denmark), provides the very best solution. These stations transmit frequencies accurate to better than 1 part in  $10^{10}$ , which is at least two orders of magnitude more precise than we in fact need. Designs for suitable receivers have appeared in the pages of *Wireless World* and other electronic journals from time to time,<sup>1,2</sup> and these can supply the reference input to a phase-locked frequency multiplier. Integrated circuit manufacturers have taken most of the problems out of the design of phase-locked loops these days, and data sheets usually contain helpful advice, or even complete design examples.<sup>3</sup>

The transmitters mentioned above have slightly unfortunate carrier frequencies which cannot simply be multiplied up to exactly 5 MHz. This means that the carrier must first be divided down to some convenient frequency, say 5 or 10 kHz, before being multiplied. A block diagram of such a system is shown in Fig. 1, and it is clear that large division ratios may be required in the feedback path.

The microprocessor-based frequency counter can, however, simplify the design of the PLL stages owing to its in-built computing capability. Although designed to work

with a 5 MHz clock, the instrument can be arranged to work with any clock frequency in the range of 4 to 6 MHz, provided that a few minor changes are made in the contents of the rom. When these changes are made, the input divider in Fig. 1 can be omitted, and only relatively small divisors appear in the feedback path. The changes necessary are the writing of a four-byte floating-point number and its reciprocal at certain addresses, and the resetting of a flag. The microprocessor uses the numbers to adjust the results obtained on the assumption of a 5 MHz clock if the flag is reset. The process is perhaps best explained by the use of an example. Consider that we wish to use the Rugby transmitter broadcasting on 60 kHz.

We first choose a convenient multiplier which will bring this frequency up to somewhere in the vicinity of 5 MHz. The figure of 80 is decided upon, which will increase the LF signal to 4.8 MHz.

$$X = 5/4.8 = 1.0416667 \quad \text{and} \quad Y = 4.8/5 = 0.96$$

These are converted into binary form, giving

$$X = 0.1000101010101010101 \times 2^1$$

$$Y = 0.111110101110000101001000 \times 2^0$$

Note at this point that all working must be done to an accuracy of 8 decimal digits and 25 bits, the 25th bit being rounded up or down as necessary, and that X and Y both have a fractional part, F, such that  $0.5 \leq F < 1$ . X has been post-multiplied by 2 in the example to achieve this.

These are now converted into hexadecimal, four-byte values, the fourth byte being the power to which 2 has been raised. Thus

$$X' = 85\ 55\ 55\ 01 \text{ and } Y' = FA\ E1\ 48\ 00$$

These bytes are now written as a string in reverse order, 00 48 E1 FA 01 55 55 85, and stored in the rom at addresses OFF0 to OFF7, in the given order. Doing this will also automatically reset the necessary flag. The bytes at these addresses are all FF originally.

Anyone considering using this technique should note the following points:

- The frequency decided upon must not lie below 2.5 MHz or above 6 MHz. Frequencies under 5 MHz will slow the instrument down, and 4 MHz is probably a usable lower limit.
- The 5 MHz crystal in the internal oscillator should be replaced by one having the same frequency as the external source.
- Lowering the clock frequency will also lower the maximum PRR which may be applied to the input in the event mode without pulses being missed.
- The counter will perform normally on all functions except the `CLOCK` function. This one function is interrupt driven and demands a 5 MHz oscillator.

### PROTECTING THE DISPLAY

The multiplexed display of the frequency counter is run at a much higher current than the devices can stand during static operation. Each segment is driven with a current in excess of 30mA, but this is quite safe provided that each digit is only turned on for one eighth of the time. However, if the multiplexing action should cease for any appreciable length of time, there is a great danger that some of the segments may be damaged, resulting in reduced brilliance from that part of the display henceforth. If the worst comes to the worst, one of the digits may even burn out completely.

The instrument has been designed to ensure that this cannot happen during normal operation, but there is the ever-present risk of disturbances on the mains upsetting things. Noise spikes, for example, can quite easily propagate through the power supply and either cause the microprocessor to malfunction for a short time or cause incorrect data to appear on the busses. If the microprocessor, by this or any other means, gets out of step with its program, it is highly

probable that the scanning of the display will stop with one of the digits turned on. The instrument has not shown itself to be unduly prone to such problems, but some means of protecting the display is obviously desirable.

A simple LC filter on the mains input will be able to reduce the effect of spikes and of course can be recommended, but this does not offer complete protection, nor will it guard against short-term drop-outs which can occur from time to time.

A better solution, one which guarantees full protection against all malfunctions caused by external influences, is a watch-dog circuit. This is standard equipment in a great many microprocessor designs nowadays, and is simple to implement. It works by monitoring some recurrent behaviour of the system and resetting the system to some well-defined state if the expected behaviour fails to occur. In the case of the frequency counter, it is clear that we should monitor one of the anode drive circuits of the display, the PA7 output of IC<sub>4</sub> being particularly suitable. This output does not drive any digit, but is multiplexed along with the other seven output lines all the same. A rectangular wave with an 87% duty-cycle is available at this point.

Figure 2 shows a simple circuit that may be used to implement the watch-dog function. The PA7 output is capacitively coupled to the input of the first inverter so that only dynamic multiplexing can affect the inverter. Diode D<sub>1</sub> restores the DC level of the waveform. So long as multiplexing takes place, the output of the first inverter will also be a square wave with the same frequency as the input. Each time that the inverter's output goes low it will discharge C<sub>2</sub> via D<sub>2</sub>, maintaining the second inverter's input at a low level and its output high. This point is connected to the NMI input of the Z80B, which is active-low, so that in this condition the processor is not interrupted.

However, if the multiplexing should fail at any time, resulting in a static output from PA7, the input of the first inverter rapidly falls low, its output goes high, and D<sub>2</sub> disconnects it from the following circuitry. The second inverter is now able to function as a low-frequency oscillator, providing short negative pulses at its output which interrupt the microprocessor. The microprocessor will always respond to these interrupts, jumping to the routine starting at address 0066. This routine first of all blanks the display completely and then pulses the PA7 output rapidly up and down for about

200 ms. This then puts an end to the interrupting signals and the routine finishes by restarting the microprocessor at address 0000, which is the normal starting point of the program. Even prolonged and very irregular disturbances of the system will not prevent the instrument from eventually starting up normally again because the watch-dog will go on oscillating and interrupting the microprocessor until multiplexing is re-established. The chances of an AC signal appearing on the PA7 line if the program is not running correctly are very remote, perhaps almost impossible.

The inverters for the circuit could be the two spare ones in IC<sub>12</sub>. This circuit was specified as a 74LS14 in the January article, but may be replaced by a 74HCT14. The NMI input was also shown connected to the +5V rail, but must of course be disconnected from this if the watch-dog circuit is to be incorporated in the instrument.

### INTERFACING THE COUNTER TO A COMPUTER

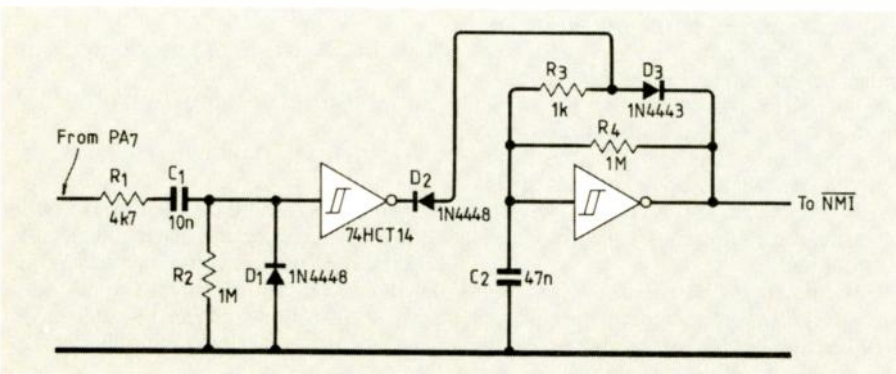
It is quite some time ago now that design work first started on the frequency counter, and no thought was then given to equipping the instrument with a computer interface. It should be possible to do this, however, providing not only for the transmission of measurements from the counter to a computer or data-logger, but also allowing the counter to be completely remote-controlled. Note that the interface design which is presented here has not been built, but it is straightforward and should work without difficulty. The design will not prove suitable for all computers, but enough information is given to allow the reader to adapt it to his/her needs.

The well-known 8255 24-bit I/O port has been chosen for the immediate interface to the computer. This device can operate in three main modes, mode 0 being chosen for this application. In this mode ports A and B operate as two independent 8-bit input or output ports, while port C operates as two 4-bit ports. In the diagram, Fig. 3, port A is output while B and C are inputs. It is not intended to deal with the detailed working and control of the 8255 here, and would-be users are recommended to refer to Intel's data sheet<sup>4</sup>.

Let us consider port A first; this controls the functioning of the frequency counter. Bits A6 and A7 are used to switch the two relays governing gain and coupling in the preamplifier. Bits A4 and A3, clocked through the latch IC<sub>2</sub>, replace switch S<sub>2a</sub>/S<sub>2b</sub> in the diagram in the January issue, while the lowest three bits of the port and the associated circuits IC<sub>3</sub> and IC<sub>4</sub>, an 8-input multiplexer and a 3-to-8 line decoder respectively, replace S<sub>1a</sub>/S<sub>1b</sub>. All of these switches should be removed from the counter entirely. The accompanying table in Fig. 3 shows which control word the computer should write to port A to obtain any particular function.

Synchronization of data transfers between two asynchronous systems is nearly always a difficult matter, as witnessed here by the presence of IC<sub>5</sub> and the use of bit 6 of port A. When a new function is to be selected in the

Fig.2. Watchdog circuit avoids damage to the display in case of multiplex failure.





frequency counter, the appropriate control word should be sent to bits A0 – A4 with A5 low. It should then be sent again about 1 ms later with A5 high, and once again 1 ms later with A5 low. The clock signal for IC<sub>5</sub>, a dual D-type flip-flop, is the same signal used to clock the display output ports. This clock occurs about every 820 microseconds. The net effect of the above procedure and the flip-flop delay line is to ensure that data is stable on A0-A4 before IC<sub>2</sub> is clocked from the pulse out of A5, at a time when the display is being refreshed; i.e. when the new data is not being examined by the counter. This allows the counter to change cleanly from one state to another without passing through any undesired states. If this procedure is not followed, it would be possible to overwrite the stored frequency in the counter's memory by accident.

If the counter is switched from one function to another, it reacts rapidly in most cases to perform the new function. This is not always the case however. In particular, moving horizontally in the upper four rows of the table of Fig. 3, it may take up to a second before the counter reacts, plus another second before a reliable reading becomes available. Moving vertically between rows 101 and 100 the reaction is very fast, and a valid reading is available within 10 ms. The same applies for vertical movement between rows 011 and 010, and for transi-

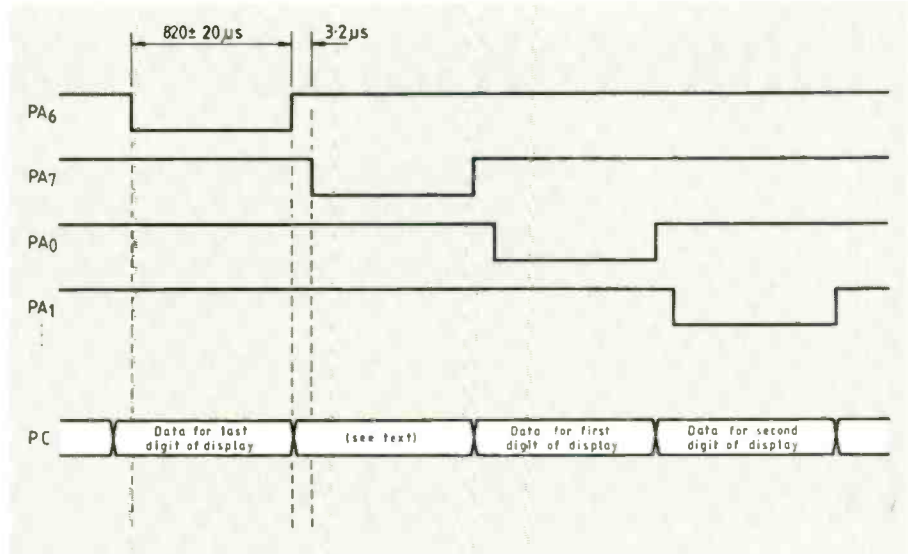


Fig.4. Timing of data on display output ports.

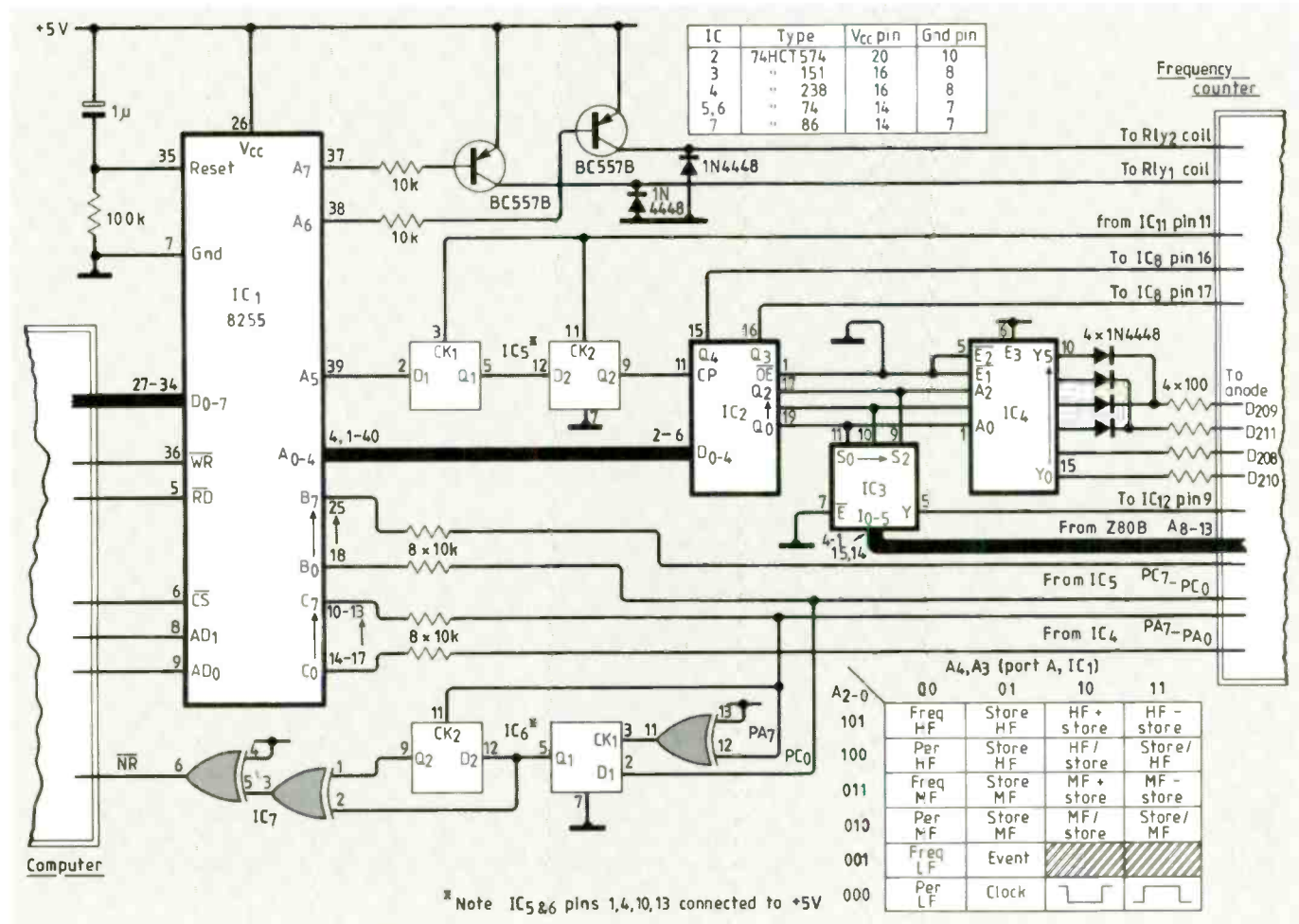
tions in any direction in the lowest two rows.

Ports B and C transmit the results from the display out onto the computer bus. Data received by the computer is obviously in the same format as that used by the display, and if the data must be mathematically manipulated, the computer will have to be programmed to convert the data to some more amenable form.

There are a couple of points worth noting in connection with the display. The first is illustrated in Fig. 4, which shows the timing of data on ports PA and PC in the counter. We see that the anode drives of the separate digits do not overlap, and that data is valid on PC 3.2 microseconds before the associated line of PA goes low. The second point concerns the data on PC. The lower nibble

continued on page 379

Fig.3. Interface between counter and computer.



# Object-oriented programming

Structured languages promote modular programming, but the modules that result have their data held remotely. Rupert Baines describes the advantages and disadvantages of a programming 'environment' that allows only completely self-contained modules.

RUPERT BAINES

Of all the areas of high technology, that of software seems especially subject to sudden enthusiasms and fashions. Ideas seem to arrive from nowhere and become established as common knowledge almost immediately. Others fall from favour just as fast. Who had even heard of C five years ago, let alone used it? Yet today it is perhaps the single most popular language.

The idea attracting attention at the moment is that of object-oriented programming, or oops. Despite (or possibly because of) all the ballyhoo about oops, it is surrounded by confusion and misunderstanding. I hope that this article will describe the subject and clear some of the confusion.

So, just what are oops and why are they so controversial? What is all the fuss about and is any of it justified?

An oops is simply a programming language. The reason that oops are important is that they work in a slightly different way from normal languages. By offering a subtly different set of tools to the programmer an oops provides a different way of solving problems. Enthusiasts claim that this new approach makes software clearer, shorter and more reliable while making the programmer more efficient.

Over the four decades that people have been using computers there have been many different ways of programming them, progressing from hard wiring and machine code to high-level and fourth-generation languages.

Despite apparent diversity in the many different languages that exist now, most of them conform to the same philosophy, i.e.

they are organized in basically the same way.

Until twenty years ago, computers were real computers, filling large rooms with their air-conditioned extravagance. And the languages with them were cryptic monstrosities like Cobol or Fortran 66, which seem terribly restrictive nowadays. You are only allowed short variable names, the control structures are very limited and there is very little flexibility or modularity. There were few data types, and no way of defining more.

With these older languages the only control structure was GOTO so the programs were totally controlled by a network of jumps and re-jumps which would (perhaps) be documented and analysed using flow diagrams. It is possible to write clear, well structured programs in them – although they don't make it easy. But what did that

## SON OF C

The C++ programming language is the work of Dr Bjarne Stroustrup at Bell Labs (where C was born). It started as a project to correct some of the perceived failings in C by providing various enhancements and expansions to the original language. However, development progressed until a whole new language evolved.

The compiler was first released outside the lab in 1984 and shortly afterwards Dr Stroustrup published his book *The C++ Programming Language* which is very much the definitive specification (thorough and comprehensive it is; clear and readable it isn't!).

The simplest way to describe C++ is as a superset of C; the old language is all there, complete with the cryptic commands and standard libraries that C programmers are used to. However a vast number of new facilities and functions have been added.

Since the standard language is still supported, any code written in C will run under the new environment (always assuming that it ran before). This means that investment in systems, software or programming skills can be transferred without waste.

A programmer could start by using only the conventional functions, gain familiarity with the system and gradually use the powerful object-oriented aspects of the language when they became relevant.

Since the 'learning curve' for pure languages like Smalltalk is notoriously gradual, this easy entry can be very attractive. The benefits of starting from the secure base of an already popular language and then building on that to offer the power and flexibility of an oops explain why, despite its youth, C++ is so successful.

The language supports a number of minor

extensions to the original C as described by Kernighan and Ritchie. This isn't to devalue the extensions; they improve the language significantly. They include having genuine constants from within the language, function prototypes and more rigorous type checking (I can hear the gasps of horror). These may all seem familiar; having originated in C++ they've been adopted and used by many compiler writers including the committee which specified ANSI C.

There are also the object-oriented aspects of the language, allowing the programmer to define new classes and redefine existing ones. These can work happily with the rest of the system, allowing us to enhance our existing programs. To prove how useful objects can be, C++ includes some predefined classes, just waiting to be applied. The most useful of these to the novice C++ programmer will be the stream classes, which radically simplify i/o operations.

In conventional C the programming relates to the real world using five streams; stdin, stdout, stderr, stderr and stderr. These have now been simplified to only two classes; istream and ostream, which (obviously enough) deal with input and output respectively (for example stdout is part of the ostream class).

If an object is to be printed, all the programmer has to do is send the data to this stream using the '<<' operator. If the source code for this is examined all the usual 'putchar' output routines are found but the user needn't access them; the definition of the object chooses which routine is to be used.

At last a programmer has a general-purpose print function without needing to worry about a tortuous set of Printf() masks.

In the past all C++ systems have been written as code translators, which interpret the code and translate it into standard C to run on your existing compiler. This isn't the quickest way of doing things (although it does guarantee that your code is truly upwards compatible with the usual language).

A better way of doing things is to write a genuine C++ compiler, which has now been done by Zortech (as far as I know this is the only one available – if you know differently please tell me). It is a fast and powerful system, being the latest development of their deservedly popular C compiler, and apparently is selling very well.

There are several translators available at a range of prices. Rumour tells of an excellent shareware version (which would be an ideal way of testing the language to see if you liked it). Unfortunately I haven't been able to find any details of this mythical bargain. If you know of it I'm sure there are plenty of readers who'd appreciate the information.

The definitive book on the language is obviously Bjarne Stroustrup's *The C++ Programming Language*, but it is definitely not an easy read. It is only to be tackled if you know your C and take your time. There are other books which will be easier going: one I found particularly good was *The Waite Group's C++ Programming* by John Berry, published by Howard Sams, which is a good introduction to the language. These should be available from most of the bigger software distributors or any good computer bookshop.

Their C++ compiler costs £95 from Zortech on 01-316 7777. C++ translators can be obtained from any good software dealer – just have a look through their advertisements.

matter when the only programmers were a rare breed of specialists who could cope with it all?

As more and more people became involved with programming, the new philosophy of structured programming, which is now almost universally accepted, began to appear. The principle is to adopt a 'top down' approach to program writing. You start by considering the problem as a whole, with the aim of dividing it into separate parts. These sections are continually divided and subdivided until you reach a stage where each module performs a single discrete task.

As a result, the total program is divided into a tree structure with the initial problem at the top and the fundamental modules at the bottom. The program will be a series of procedures and function calls, with the emphasis on a well defined structure and logical layout.

Languages like Pascal, C and Modula-2 that follow this philosophy (procedural languages) are designed to put an emphasis on program flow and therefore support lots of control structures including Repeat-Until, Do-While, For-Next, Begin-End, If-Elseif-Then-End-If, and Case-Esac. These structures, defining the skeleton on which the program is built up, determine how the algorithm is constructed.

Data is different from the structure and the two are carefully segregated; data is purely passive as it gets passed between the active modules. This style of procedural language dominates today's software scene.

It is here that object-oriented programming differs from the more conventional procedural style. An oops starts from a 'bottom up' principle with emphasis on the data structures within the program rather than the control structures of it.

During the design process, the language is extended by defining new data types and new operations that directly relate to the needs of the application. These objects are fundamental to any oops: as they are combined and built upon, the application develops.

The crucial point about objects is that they contain code as well as pure data within the one definition. There is no distinction between the data and the code which will manipulate that data – both are needed to make up that object.

Smalltalk was the first oops to be developed and it is still the best. The Smalltalk environment (it is far, far more than just a language) was developed at the Xerox Palo Alto Research Centre during the late 1970s and early 1980s. It is based on a 'What If' structure; ignoring conventional wisdom the Xerox team followed their own ideas to produce a totally innovative view of computers and how humans can relate to them.

Many of the ideas that were developed as part of Smalltalk fifteen years ago are now making their mark on the computing mainstream; examples including windows, mice and HyperText. Often the versions we see now are only pale shadows of the originals. All these ideas are firmly based on Smalltalk, which is still the object-oriented language. There are other object-oriented languages but it is Smalltalk that they emulate.

In a Smalltalk environment there are only

Smalltalk is the oops that really matters. If you're interested in the subject then it is well worth getting hold of a copy and giving it a try – but be warned it can be addictive!

There are three dialects in common use. One is Xerox Smalltalk 80. More than just a language, this system really is a complete environment complete with incremental compiler, windows support, debuggers, source code browsers, application programs and a vast library of application code and predefined classes. This is a direct implementation of the original Xerox PARC research project, and is therefore the richest implementation available. It is also the largest and requires some serious computing power – packages are available for Xerox, Sun and Tektronix workstations, the Apple Mac II; there are also versions for PC compatibles but I wouldn't bother unless you have a 386 model.

A better dialect for PCs and compatibles is Smalltalk/V, written by DigiTalk. This excellent system is based on the Xerox environment and is reasonably compatible with it. However it is a stripped-down version and better suited to the limited power of 8086-based machines. It still needs at least 512K of ram and a hard disk, though.

Finally there is Little Smalltalk, developed as a teaching package by Dr Tim Budd at Arizona University. Like the Tiny Basics on microcomputers of yesteryear, Little Smalltalk is a highly cut-down version of the genuine language, lacking the powerful graphics and many of the more sophisticated features.

Little Smalltalk isn't a professional development language and was never intended to be one. However it is an excellent entry into Smalltalk, capturing the essence of the language brilliantly. It supports all the functions that you need and enough of the luxuries to make using it great fun!

The Little Smalltalk package places much more modest demands on hardware than a full implementation. It is available for most micros including the PC, the Archimedes and the Atari ST. Finally it is in the public domain so the price is right too – what more do you need?

The genuine Xerox package is expensive. It is aimed at professional developers who can afford to pay good prices for good software. If you need to ask the price you cannot afford it.

Smalltalk/V for any PC with 512K of memory and a hard disk is available at the very reasonable price of £70. There is also an enhanced version called Smalltalk/V286 which needs a 286 processor and 2Mbyte of ram to give you surprisingly good results. This costs £135 and is worth every penny in my view. If you are serious about using Smalltalk then I doubt if you can do better than these packages. Digtalk deserves to dominate the Smalltalk market in the way that Borland has captured the Pascal one, and for the same reason. These are quality products at very reasonable prices.

Finally, Little Smalltalk is available very cheaply, thanks to Dr Budd's generosity in releasing it into the public domain. The cost you pay covers the price of the disks and the documentation. You can expect to pay £20-30 for an excellent introductory package – which is well worth the money if you are curious about the subject.

This package (and various others) are available from any of the good software distributors. There is a company who deal exclusively in the language – Smalltalk Express 01-200 0220. They run a bulletin board on the subject too; this is on 01-205 0512 and runs at 300/300, 1200/75 and 1200/1200 baud. There's a wide variety of applications, hints and support for all dialects of the language.

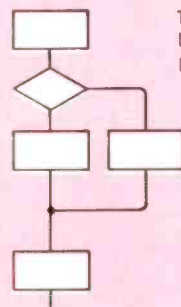
objects. Everything is an object, from an integer to the compiler, and they are all treated the same way. Everything is consistent in its approach in that everything happens by one object sending a message to another, and that is the *only* way that things can happen.

There is no distinction between the applications program, the language itself and the operating system. They are all objects and can be treated in the same way. If you do not like anything in the system it is just as easy to modify the source code of the

compiler as it is to change your own programs (it would be a good idea to keep back up copies though!). It is this consistent, open attitude that makes a Smalltalk system so flexible.

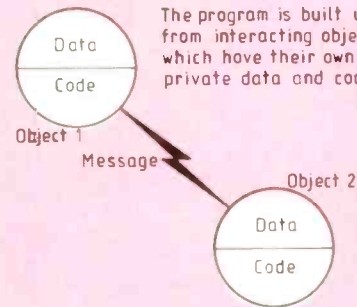
Of the other object-oriented languages around most are 'hybrids', being based on a conventional procedural language which has been extended to include some object-oriented features. They are, for example, Object Pascal, the intriguingly named trio of LOOPS, SCOOPS and FLAVOR (which are object-oriented versions of LISP) and finally

In conventional languages, like Pascal and C, a program is built up from procedures but in an object-oriented environment the program consists of interacting objects each with their own private data and code.



The program is built up from procedures

(a)



The program is built up from interacting objects which have their own private data and code

(b)

C++ which is an extension of everyone's favourite language (see panel).

Even ADA, the cumbersome monstrosity of a language designed by the US Department of Defense, is rumoured to support some object-oriented features (along with just about everything else!)

Logically enough, objects are the fundamental item in an object-oriented programming service. Each object is a complete sealed unit – it contains all the data it needs as well as the procedures to manipulate that data (its 'methods' in oops parlance). In a way an object is an extension of the Pascal record or the C structure, but not only do you specify the data structure but you can also define what operations are relevant and how they are to work.

Objects essentially have a public part and a private part; their public face relates to the outside world and to all the other objects by sending and receiving 'messages', which are then conveyed to the private body. This private body decides for itself whether or not it understands that message and, if it does, what to do with it.

When a message is received and recognised a method is triggered; this executes a section of code which processes the data and sends further messages on to other objects – computing happens. This is the *only* way that things can interact, by passing messages to each other – there is no way of directly accessing the inside of an object. Once an object has been defined you need never know how it is actually implemented, merely what messages to send to it.

This ability to keep objects totally self-contained and independent is one of the biggest attractions of object-oriented programming. For code to do anything at all a message has to be explicitly sent to an object that knows how to understand it and has an appropriate method ready. This means that it is virtually impossible to write a piece of code that has unexpected side effects – an extremely attractive feature.

Once a class of objects has been defined and tested the objects can be used in a variety of programs just by sending the appropriate messages. As time goes on and the program-

## “Unlike data types in normal languages, Smalltalk classes do not exist in isolation.”

mer builds a stock of useful objects they can be built into any future projects without worries about interference or side effects.

Developing re-usable code is one of the ways that oops makes programming more efficient. Most languages encourage you to re-invent the wheel; it is often easier to write a procedure from scratch than it is to modify an existing one to suit the rest of the program. An object doesn't need to be modified – it can be used directly. If messages are necessary these are easily added, without risk of altering the behaviour of any other objects.

Obviously, when you define a new type of object you can have more than one of them. Objects that represent the same type of thing and arise from the same definition are grouped together as members of a class. Every object in the environment is a member of a class (an 'instance' of that class).

Classes act as the template for all their instances (all the objects of that class that exist in the program) and they represent the definition of them. Accordingly a class stores all the information that is common to all – the directory of methods that are used when the object receives a message, the code associated with them and the details of data structures that each object will contain. Once a class has been defined new objects of

that class, which can be created at will, can draw upon that same definition.

Unlike data types in normal languages, such as integers and characters, for example, Smalltalk classes do not exist in isolation. Instead they are arranged in a tree structure with parents and children. Objects which are instances of classes lower in the tree not only have their own definitions but they inherit those of their parents.

The tree diagram (p374) shows the built-in classes of a commercial Little Smalltalk system; instances of the class Float have methods and data as defined by their own class definition (Class Float) as well as those defined by all the parents – Class Number, Class Magnitude and Class Object.

When a message is received by an object the system looks for method in that object's class. If it finds one then that is executed. If it doesn't find a match the system will then move up one level and check the method directory of the parent mode. Again if the method is found, it will be executed.

This process repeats until either a match is found, in which case the message is run, or the system hits the top of the tree without finding any acceptable method for that message. In that case it generates an error, since the object has been sent a message that it cannot understand.

'Inheritance' of classes is the fundamental method of code re-use in all oops and it is amazingly powerful. Features can be defined higher up in the tree and then be used painlessly from the lower levels. This means that there is no occasion for any duplication of coding – objects can understand any message defined for their parent class.

Once you have a class which works reliably you can extend it by defining a new class as its descendant. This daughter class can use all of its parent's functions as well as its own. Because we know that the parent's code is reliable, opportunities for bugs are greatly reduced.

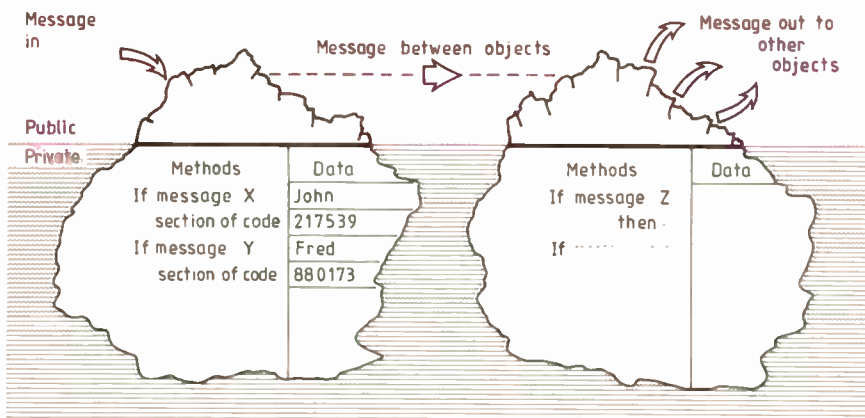
For example, suppose that you were to develop a program for architectural cad purposes. You might define a class of object called BUILDING, which will understand messages such as 'print plan' or 'show elevation'. This might have two sub-classes of HOMES and OFFICES; these would still accept the earlier messages but would have ones specific to their application (perhaps "Print number of bedrooms").

Sub-classes could have further sub-classes (e.g. bungalow, terraced house, semi-detached) with their own specific methods and messages depending on the needs of the system, but they would still simply use the already defined and tested routines from higher up the tree whenever necessary. Ultimately the classes could divide to give individual objects.

As a simple example of how an oops might be used in practice, imagine writing a program for increasing desk-top productivity. Part of this program is an address book, which can be represented by a single object. This will understand messages like 'Find Fred Bloggs' or 'Include Joan Smith'. Of course Fred and Joan will be objects in their own right elsewhere in the program.

Other objects might be a modem or a word

**Objects are like icebergs in that most of their bulk is below the surface. The rest of the program can only see the 'public' face of the object; the private section is set up by the class definition.**



processor that will use the address book by sending these messages, and getting other ones back. Because of the information-hiding aspect of objects the programmer who wants to use that address book need never know how the data inside it is organized – it might be a list or complex B-tree, or it may be plain ASCII or some compressed format – it doesn't matter. All the programmer has to do is send the appropriate message and the methods within the object will do the rest.

If the people stored within the address book fall into different groups then it would be a simple matter to set up different sub-classes to handle them. A business address file could understand a request like 'get Fred's fax number' for example.

As another example of how oops can help programming, imagine writing a program for manipulating complex numbers. In a conventional language you would have to decide how numbers would be stored – in a rectangular form as  $a+jb$  or in polar form as  $r,\theta$ .

Whichever method you chose would be followed throughout the program consistently, with routines needed to handle conversions explicitly. Even worse, you would have to define a whole suite of procedures to handle the operations on these numbers since you cannot say

complex  $x,y,z$ ;  
 $z = x + y$ ;

because the '+' operator is not defined for the type complex, and there is no way to redefine it. Instead we are forced to use expressions like

complex  $x,y,z$ ;  
 complex add( $z,x,y$ );

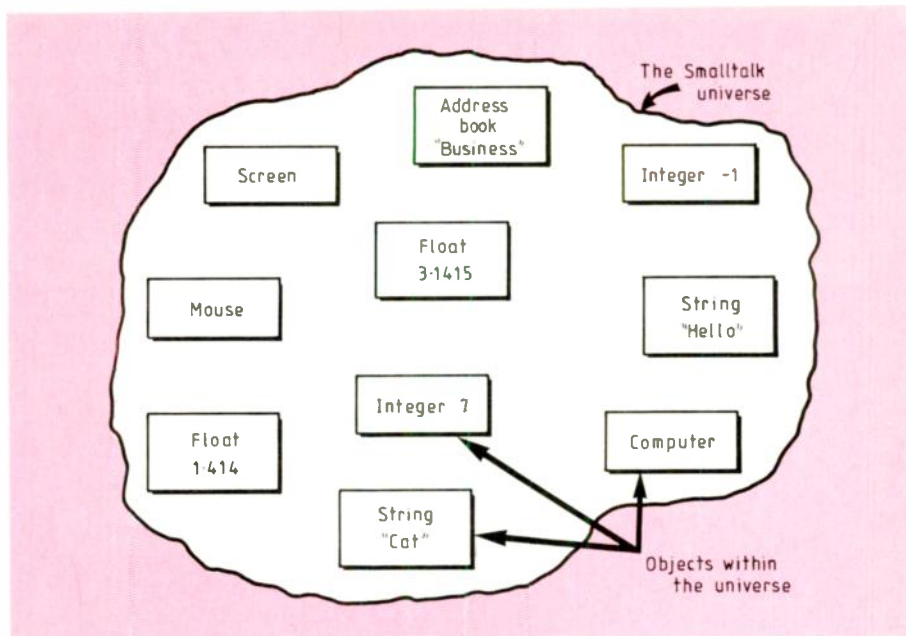
which is clumsier and less clear.

In contrast, an oops would allow us to define the object to represent a complex number in any way you choose, so that it can understand the conventional + symbol and react appropriately. The methods and internal data of the object would know which representation had been used (polar or rectangular) but it is irrelevant to the user who can send four messages to access  $a,b,r$  or  $\theta$  at whim, allowing easy use of the information in either form. The conversions are done automatically and transparently by the object itself without the user ever knowing.

The object-oriented approach not only makes the code clearer (which of the code sections above would you find easier to understand?) but it makes it more versatile too by eliminating the need for conversion routines.

As a final thought, this idea of information hiding and message passing means program objects behave in a way that is akin to real world objects. When we use something physical we send it a signal and then expect it to handle the precise implementation.

For instance when you change the volume of a radio you neither know nor care what amplifier configuration it has or what is the value of the variable resistor. Most people are happy to leave the radio as a box that accepts messages at one end, converts them in the middle, and sends them out at the other end.



Smalltalk philosophy is very consistent, with everything in its universe being treated as an object.

The benefits of oops are that programs can be built up easily from independent, self contained objects. These can be sealed off from each other, only communicating through predefined messages and interacting in a known way. This makes bugs far less likely (and easier to trace if they do occur).

Once objects have been defined and tested it is trivially easy to re-use them for any other applications as building blocks – saving time and effort.

The concept of inheritance means that defining the classes that objects belong to can be a painless task too, since you can draw upon earlier definitions and make use of previous work. If there is a problem then it can only be in the newly defined item, since we know that the existing objects are error-free and there is no way that the two can interact except by deliberate passing of a message.

The way that objects reflect the real world makes designing an application simpler and easier to understand.

It is inevitable that any topic as new and as controversial as object-oriented programming has been attacked as well as praised. Many of these criticisms are unfair or unsub-

stantiated. Many more are fair as far they go, but tend to be criticising one particular implementation, rather than the idea as a whole.

It is undeniable that learning to use an oops can be hard work; many of the concepts are strange or unfamiliar and things are done in differently in relation to a conventional language.

It takes time to grasp the intentions behind the system and why things are done in a particular way. Compared with those of conventional languages, the concept of oops is so different that newcomers to programming often have an easier time with object-oriented systems than experienced software writers.

One way to shorten the learning curve would be to start with a hybrid language like OBJECT PASCAL or C++ (see panel). Initially, you could write all your programs only using the mainstream language in a conventional procedural style. Then you could gradually start to use the powerful object-oriented facilities as part of the main program.

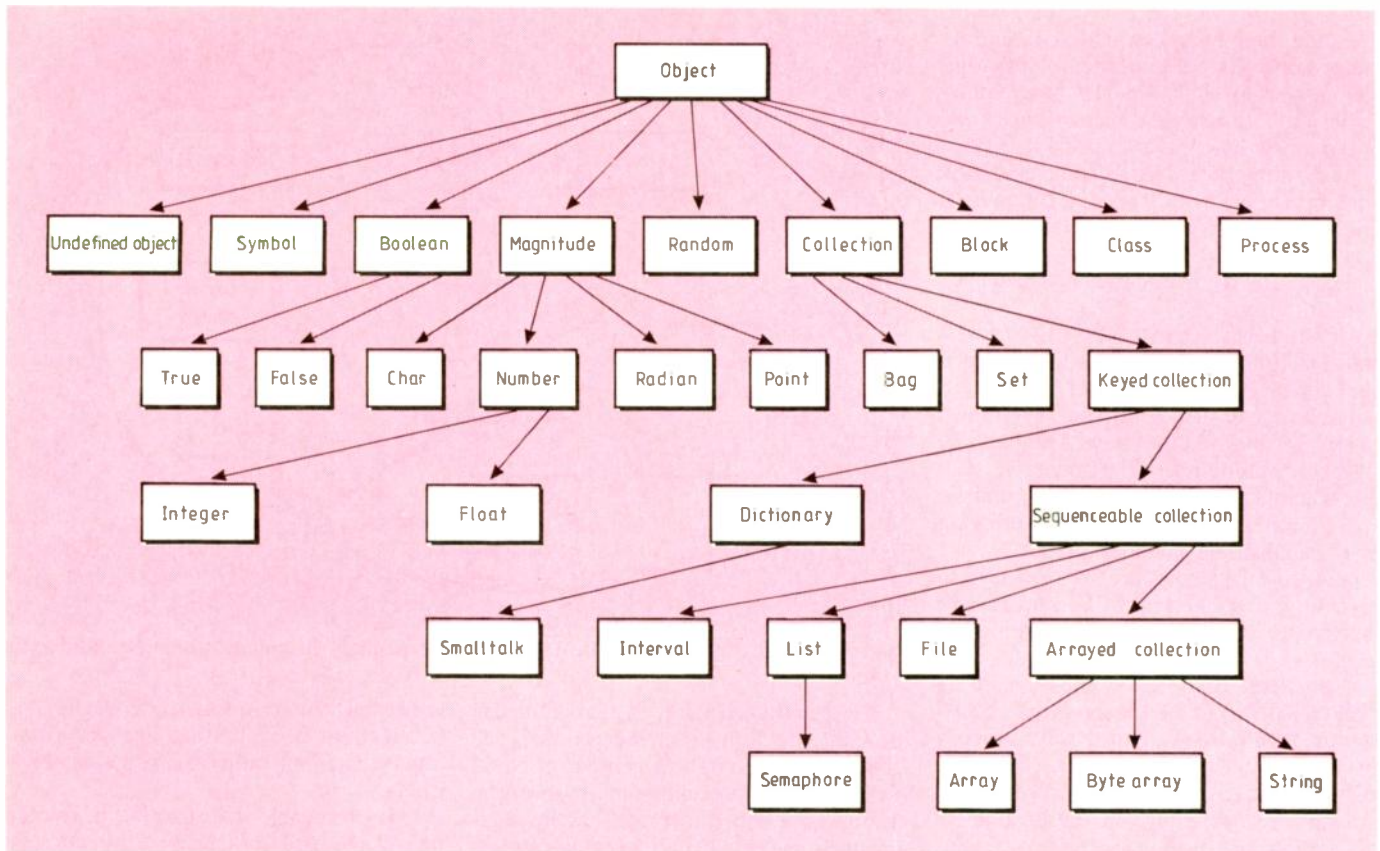
In theory, as you gain familiarity with the ideas and appreciate the benefits, you will gradually end up writing exclusively in an object-oriented style. Once familiar with the concepts of object-oriented programming it would be a comparatively easy matter to transfer to another system like a full Smalltalk implementation.

Some people complain that they feel constrained and isolated from the machine when using an oops. Hackers and some old style programmers feel unhappy and alienated if they cannot fiddle with absolutely everything and anything within the system.

Since one of the key themes of the philosophy is that of containment it is hardly surprising that direct access to the raw innards of your machine is definitely not encouraged. For the majority of applications this won't matter, since the programmer will only be working on high-level functions.

Things that are very machine-specific or very time-critical – arcade games and real

“ . . . imagine writing a program for increasing desk-top productivity.”



Objects in Little Smalltalk. In Smalltalk, all objects are members of classes, which are built up as a tree. For example, the object representing the real number 3.1416 is a member of the class 'Float', which is in turn a subset of the class 'Number'. Ultimately, everything belongs to the class of 'Object.'

time control for example – are probably not suited to being written within the oops environment but would be better coded in a low-level language. Any application that can be written in a conventional high-level language could be coded using an object based language – and would probably be better written for it!

Finally if you ever did need direct access to the internal system then you can always extend the object definitions to allow it!

Similarly it is claimed that programs written in an oops will be larger and slower than those written in a conventional language. The size penalty arises because of the

“...defining the classes that objects belong to can be a painless task too.”

need for extra libraries and extra code to cope with the newly-defined data structures and operators; these may mean that the program is perhaps 10 or 20% larger than it would be if coded in another language. This won't matter for any real applications; most computers nowadays have hard discs, and programs typically are split into several sections, which are called as and when necessary so the total size of that program is essentially irrelevant.

The relative speed issue is harder to settle though, because of the different attitude of an oops. For example, object-oriented programs tend to do badly in benchmarks, but this is more a reflection on the test procedure than the relative speeds of the compilers.

Typically the benchmarks for testing a compiler are some fairly trivial procedures, for example counting to 1000, finding the first 100 prime numbers or sorting a few integers. These are of course well suited to conventional, procedural languages with their simple data types, but they are hardly fair tests for an object-oriented language.

The only realistic (worthwhile) test is to ask how well they compare in real applications that people actually want to use, and inevitably the answer is not clear-cut. The language used is of far less importance than the quality of the compiler and the skill of the programmer.

Quality of the implementation of the compiler makes a huge difference – the excellent Digitalk compiler for Smalltalk will outpace anything but the very fastest C compilers.

“One way to shorten the learning curve is to start with a hybrid language. . .”

# SHANNON, CODING AND SPREAD SPECTRUM

In this third article, the author examines error-correction coding techniques, concentrating on hard decision decoding

L. C. WALTERS

Both the linear and logarithmic exchanges (when not used for bandwidth compression), involve use of redundancy (see March article); but unlike the spread-spectrum case, the "redundant" information in error-correction schemes is essentially related to the true information. Coding gain  $G_c$  was defined (equations 7 and 8) as the additional gain theoretically attainable (by use of suitable coding) over and above the linear "gain" due to simple expansion of the bandwidth. In other words,  $G_c$  is the extent to which the logarithmic exchange out-performs a linear exchange, or to which error correction schemes could, in theory, out-perform DSSS schemes.

Figure 7 shows a plot of  $G_c$  (dB), as given by equation 8 for various values of the bandwidth expansion factor  $n$  and as a function of the "output signal-to-noise ratio". This last, perhaps, requires a little clarification.

Equations 7 and 8 showed a dependence of  $G_c$  upon an initial arbitrary reference signal-to-noise ratio  $r_0$  and the bandwidth expansion factor  $n$ . Now since we are concerned with theoretical bounds on performance we may make the optimum assumption that the effective output signal-to-noise ratio is the input signal-to-noise ratio multiplied by the processing gain. The epithet "effective" is used so as to cover two types of optimum receiver. The first is one in which an analogue output is obtained which literally exhibits the enhanced signal/noise ratio as described. The second is one in which the output is reconstituted data having a bit error rate which, for the chosen modulation technique, corresponds to that enhanced signal-to-noise ratio.

With this assumption, and reverting to equations 7 and 8, we may now let  $r_0$  be also the output signal-to-noise ratio for the reference system which by definition must have unity processing gain (0dB). Hence in Fig. 7, the abscissa corresponds to  $10\log_{10}r_0$ .

It is convenient to relate the gain to the output signal-to-noise ratio in this way since, from experience or from standard analytical results, we can assess error rates and/or the utility of the system from this. Thus, for most purposes, the threshold of acceptable performance corresponds to an output bit error rate of between  $10^{-2}$  and  $10^{-7}$ , and for almost all practical modulation schemes subjected only to additive gaussian noise, this corresponds to an out-

In the first article of this series (January), I showed that it is always possible in theory to effect, for a given communication performance, a linear exchange of bandwidth for operating signal-to-noise ratio. I also indicated that for input signal-to-noise ratios above some threshold level,  $r_T$  say, one could do rather better than this and in fact achieve a logarithmic exchange ( $r_T=1/4$  or  $-6$ dB was suggested as a practical criterion).

The second article (March) was primarily concerned with means of achieving the linear exchange (applicable in principle for any  $s:n$  ratio), with especial consideration of a simple form of direct sequence spread-spectrum system.

This article considers basic ideas underlying error correction schemes; that is, means of approaching a logarithmic exchange.

put signal-to-noise ratio between about 4.5dB and 15dB.

Consequently, when considering the advantages attainable by coding, we may restrict our attention to that region; for it is not really of much use to have, say, a 10dB enhancement of signal-to-noise ratio if the system is working in a region where the error rate is so low that one would not notice the enhancement. Equally, whatever processing gain is achieved is of little avail if the output error rate is still unacceptable.

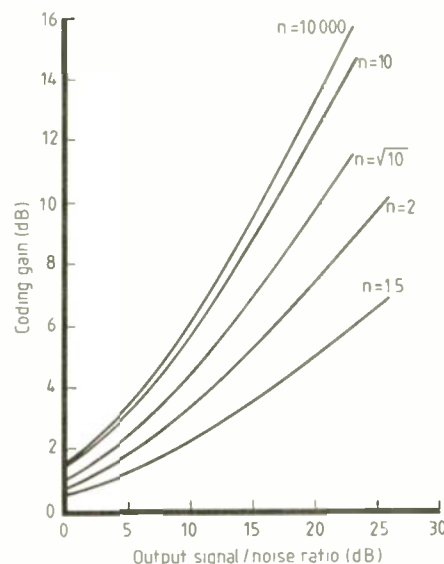


Fig.7. Coding gain  $G_c$  for various values of the bandwidth expansion factor  $n$ .

With these considerations in mind, it is instructive to examine Fig.7 in some detail. We first notice that relatively small increases in the factor  $n$ , when  $n$  is itself small, give rise to significant increases in coding gain. For example, for 10dB output signal-to-noise ratio, a change from the reference system ( $n=1$ ) by only 50% to  $n=1.5$  allows a coding gain of 2.28dB (in addition to the 1.76dB due to the linear exchange). A further increase by a factor of 2.1 to  $n=10$  permits a further coding gain of 2.28dB (in addition to a further 3.22dB due to the linear exchange).

In contrast, for the same 10dB output ratio, an increase in  $n$  by a factor of 1000 from  $n=10$  to  $n=10\,000$  allows only a 0.4dB coding gain (in addition to the 30dB due to the linear exchange). The reason for this phenomenon is clear. For 10dB output ratio, a value of  $n$  much greater than about 10 implies that the input signal-to-noise is much less than unity (negative dB), and hence that the logarithmic and linear exchanges are almost the same. That is, the coding gain  $G_c$  is small. For  $n$  less than 10, however, the implied input signal-to-noise ratio is greater than unity, so that the difference between the logarithmic and linear exchanges is appreciable.

This gives rise to the concept of a "practical ideal" system, in which a linear exchange is sought (e.g. by use of spread-spectrum techniques) to bring the worst-case effective output signal-to-noise ratio to about  $-6$ dB and then a further logarithmic exchange is sought (by error correction schemes) to recover the remaining 10.5 to 21dB required for satisfactory operation. This is a concept of coding within coding.

It is worth noting that for large values of  $n$  and for output signal-to-noise ratios of 10 to 15dB, coding gains of between 6 and 9dB are potentially available (in addition to the  $10\log_{10}n$  dB due to the linear exchange).

## IMPLEMENTATION

We shall now consider, in general terms, how one might attempt to achieve such performance. But before doing so, we should emphasise the underlying equivalence of bandwidth expansion and redundancy. Thus for a given improvement in performance in terms of bit error rates for example, we may either retain the same information rate and provide redundancy by increasing bandwidth; or we may reduce the information

rate and then provide redundancy to restore the bandwidth to its original value. From the point of view of coding gains, error rates and the like, the two schemes are identical. As practical communication systems, however, they are very different; but since we are here concerned only with the effects of redundancy, we deem them wholly equivalent.

To simplify the presentation I shall confine my discussion to binary data systems; and for the present I shall restrict it to systems in which, at the receiver, each bit is individually evaluated as 0 or 1 and the resulting binary sequence forms the raw material for error correction and detection. Such schemes are called **hard decision** schemes since a firm or "hard" decision is made on each received bit *before* the data is decoded.

The reader, by the way, may have encountered what I call the "bureaucrat's delight" principle of information theory: that decisions should be delayed until the last possible moment – see the final article. It follows that hard decision systems, which essentially make decisions on each bit as it arrives, are non-optimum. They are, however, often rather easier to implement and historically were the first to achieve widespread application.

### SINGLE PARITY

All error correction and detection schemes involve the use of redundancy; that is to say, the *effective* repetition of information. However, this does not necessarily imply *actual* repetition. For example, a single parity check bit provides redundancy. Thus, if we have, say, a seven-bit binary sequence of 1s and 0s (e.g. an ASCII character), we may add an eighth bit so as to make the total number of 1s odd (odd parity) or even (even parity). The choice is fundamentally irrelevant, though for some systems there may be small advantages in one or other. For example, choice of odd parity implies that an all-0 sequence is inadmissible, which is convenient to exploit in some instances.

Ignoring any extra bits required to establish frame sync or character sync, (which would be necessary for both systems) our simple parity scheme involves one additional bit for every block of seven "information" bits in the reference system. The bandwidth expansion factor in this case is  $\frac{8}{7} = 1.143$ . As a result of such expansion, and assuming that the transmitter power and the information rate are unchanged, each bit is transmitted with less total power (by a factor of  $\frac{7}{8}$ ) than in the reference case, and has to be detected against a larger noise power (by a factor of  $\frac{8}{7}$ ) due to the increased receiver bandwidth. Thus the bit error rate resulting from adding redundancy is increased. Provided, however, that the correction/detection capability of the coding system more than compensates for this increased error rate, the coding is worthwhile.

Single parity bit schemes do not normally provide scope for error correction, but permit *detection* of an odd number of errors. An even number of errors would leave the parity "correct"; but such schemes are used chiefly under conditions in which the bit error probabilities are very small and the probabili-

ties of two or more errors in a block are negligible. Nevertheless, in many systems bit errors are due primarily to brief bursts of noise (or equivalently, to brief fading of signal strength). In such instances, provided the noise bursts or fading periods are shorter than a bit period, even single parity schemes can be used for *error correction*: if the parity of the received signal is incorrect, and if one can detect one particular bit for which reception conditions were "abnormal", one may surmise that this is the bit in error, logically invert it to restore parity, and output the amended data. Such a scheme is known as Wagner coding after its inventor; and it is a curious, though by no means unique, exception to the more general rules of error correction which normally assume that there is no *a priori* reason to distinguish between bits regarding their susceptibility to error. In other words we usually assume that the source of all errors is, or is equivalent to, additive gaussian noise.

There are some special codes which have been devised specifically to deal with errors which occur in bursts, a common phenomenon in practical systems. Many of these can give enhanced performance if combined with information (such as is used in Wagner coding) as to those bits or symbols which are especially likely to have been subject to error. Their discussion is outside the scope of this series; but if you are interested in pursuing the matter further, you should consult any standard text on error-correcting codes and particularly the sections on Fire codes and Reed-Solomon codes. However, for reasons which will be given in my concluding article, most such codes are rarely used. A major exception to this is provided by Reed-Solomon codes which are effective against both bursts and uniformly distributed errors and are becoming increasingly popular.

### REPETITION

Reverting to the main theme of this article, we here assume, as implied above, that the only evidence that any particular bit is more likely to be in error than any other is derived from the structure of the code itself.

On this basis, a single parity bit can only *detect* errors, and can detect only an odd number of errors, since an even number would leave the parity unchanged. Single parity is therefore the most primitive error detection coding scheme, capable in reality of detecting only single errors in each block, since if the error rate is such that there is any significant probability of two or more errors occurring then it cannot be relied upon at all.

Any scheme which applies redundancy to discrete blocks of data in this sort of manner is known as a "block coding" scheme. There are other types of codes such as convolutional and punctuation-free codes which are not necessarily block codes at all; these too are outside the scope of these introductory articles.

Before considering more sophisticated block codes for error correction I shall briefly discuss the other extreme of actual data repetition, which in many implementations is also a block coding system.

### ARQ REPETITIONS

If the probability of receiving a message in error is  $p$  and we have  $J$  messages to send, then after sending them we shall on average find that  $pJ$  have been received incorrectly and must be sent again, making a total of  $J(1+p)$  transmissions so far. But a fraction  $p$  of these  $pJ$  repeats (i.e.  $p^2J$ ) will be received in error and so will need to be repeated, making a total so far of  $J(1+p+p^2)$  transmissions. For a determination of average performance we must assume that  $J$  is very large and hence that this process needs to be continued a very large number of times overall. Thus the total number of transmissions required will be

$$J(1+p+p^2+p^3+\dots) = J/(1-p)$$

Repetition is a very old concept for correction in the case of two-way communication systems. We all instinctively invoke it if we fail to understand some spoken information. The word "pardon" is commonly used as a request for repetition in such cases.

In data communication systems, some form of error detection scheme (such as a single parity bit) is required if the receiver is to request repetition. Then when an error is detected, a request for a repeat is issued automatically. Such systems are called Automatic Repeat reQuest systems, or in the technical jargon, ARQ systems. They are very efficient provided the probability of error is very small; that is to say, provided that the error detection scheme is not too complex (e.g. does not itself involve too much redundancy) and the time spent in requesting and receiving repeats is a very small fraction of the total transmission time. On the other hand, their efficiency drops dramatically as the error rate increases (or if the transmit-receive delay time is long, as in the case of communications with spacecraft).

ARQ involves overheads in the form of time and channel capacity necessary to make the requests and to implement the house-keeping system required. These overheads can be quite considerable when ARQ is frequently invoked. But, ignoring these factors for a moment, if  $p_m$  is the probability of a *message* error (only groups of bits or "messages" are normally repeated), then the average number of repeats required for a group of  $J$  messages is  $j = J/(1-p_m)$  – see box.

Thus if  $p_m$  is less than, say, 50%, then ARQ could conceivably be more efficient than a more sophisticated error correction scheme with 100% redundancy ( $n=2$ ). However, this ignores the overhead factor. This factor can be potentially small for long messages and very high for short messages. On the other hand, the error probability  $p_m$  will be much higher for long messages than for short ones. For example, with a bit error rate of 1 in 10 000, the probability of an error in a message of eight bits is 0.08%, but the probability of an error in a message of 1600 bits is 14.8%. If  $p_m$  becomes too large there is a significant probability that the repeat will itself have to be repeated, though this is taken into account in the above formula.

It is apparent that when  $p_m$  greatly exceeds 0.5 the system is unlikely to be viable



even if the overheads are negligible, a condition which is itself unlikely to apply in these circumstances. As an example, with a bit error rate of  $10^{-3}$  and a message length of 1600 bits, the message error probability  $p_m$  will be 80%; so that on average, each message will need to be repeated five times, equivalent to a bandwidth (or time) expansion factor of  $n=5$  in addition to any overheads. Other techniques could achieve good performance under these conditions with a much smaller time or bandwidth penalty. (It is clear that time and bandwidth are linearly interchangeable since repetitions can be made serially, using just one channel, or in parallel, using two or more channels.)

The preceding discussion should have clarified the main issues and explained the difficulties of making definitive statements on the operability of ARQ systems. Clearly they become increasingly unattractive as the bit error rates increase.

Finally, although it is one of the oldest correction schemes, ARQ shares with some of the most modern schemes the property of being "adaptive". That is to say, the amount of redundancy employed is not fixed, but adapts itself to the reception conditions.

### FORWARD ERROR CORRECTION (FEC)

ARQ is a scheme for providing corrective redundancy adaptively, on the basis of observed errors. We now consider schemes for providing redundancy in advance (usually on a non-adaptive basis). These are called forward error correction (FEC) schemes. They have the disadvantage that the redundancy is always provided even when it is not necessary; but the advantage that no return link or "handshake" is necessary, and within the capabilities of the coding, correct messages are output with minimum delay.

Again, before considering more sophisticated systems, I shall briefly discuss simple data repetition, but this time without request.

### DATA REPETITION

In general, simple data repetition schemes involve repeated transmission, and, in the case of hard decision decoding, "majority voting". The majority vote can be applied to blocks of data such as characters, or to each information bit. The latter is more powerful and is usually adopted in practice.

We shall here assume that the "voting" is applied to each bit. Clearly, if a data bit is transmitted an even number of times there is a possibility that, at the receiver, half of the samples represent a "one" and the other half a "zero". In this case the receiver will be uncertain as to which to choose and for this reason most (but not all) repetition schemes employ an odd number of repetitions.

Thus, in general, a technique of this type involves at least a three-fold redundancy and hence bandwidth expansion (or data rate reduction) by a factor of at least three. Such expansion (or reduction) is frequently unwelcome, so that more subtle approaches are often preferred. However, when bit error rates become very high (e.g. 20% or more) simple repetition may be as efficient as or

## ERROR RATE WITH MAJORITY VOTING

If the bit error probability (often called the bit error rate or ber) is  $p$  then  $p$  is the probability that any particular bit is received in error and  $(1-p)$  is the probability that it is received correctly. The probability that in a message of  $m$  bits a particular set of  $r$  of them will be received in error and the remaining  $m-r$  received correctly is  $p^r(1-p)^{m-r}$ . If the number of ways in which groups of  $r$  can be selected from  $m$  is  ${}_m C_r$ , then the total probability that exactly  $r$  bits are received in error is

$$P(m,r) = {}_m C_r p^r (1-p)^{m-r}$$

The probability that an  $m$ -bit message will be received with  $s$  or more bit errors is therefore

$$\sum_{r=s}^m {}_m C_r p^r (1-p)^{m-r}$$

With majority voting, an output error will occur if more than half the repetitions are incorrectly received, so if  $m=2n+1$  the output error probability is given by letting  $s=n+1$  in the above with  $m$  replaced by  $2n+1$  ( ${}_m C_r = m!/[r!(m-r)!]$  where  $r!$  means factorial  $r$  and  $0! = 1.2.3 \dots r$ , with  $0! = 1$ ; thus  $5! = 1.2.3.4.5 = 120$ ).

## BIT ERROR RATES

The probability that a bit is received in error cannot exceed 0.5 because if we imagine for a moment that it does, we merely have to invert it to improve the error rate to less than 0.5. An alternative way of looking at this is to note that on average, any purely random sequence of bits will have half of them in agreement with any selected message sequence of the same length. In other words, if half the bits are in error there need be no connection whatsoever with the transmitted message. This is exemplified in table 1 by the last row, where for an input error rate of 0.5 the output error rate is also 0.5 regardless of the number of repetitions. However, no such constraint applies to other probabilities such as message error probabilities. This is quite consistent with the above since, as I have indicated, if half the bits in a message are in error the message could be a purely random one, thus giving a message error probability of almost unity! In fact, in this case, if the message contains  $n$  bits, there will be only one chance in  $2^n$  of the received message being "correct", and so the message error probability will be  $1 - 2^{-n}$ .

even more efficient than these other approaches.

In fact, systems have been designed which use repetition to reduce such error rates to levels at which further, more subtle coding can be effective. This implies "coding within coding", rather as I suggested coding within DSSS in the earlier sections of this article.

Suppose the bit error rate is  $p$  and that each bit is repeated  $2n+1$  times; then with majority voting on a bit-by-bit basis the output bit error rate (see upper box) will be

$$p_o = \sum_{r=n+1}^{2n+1} {}_{2n+1} C_r p^r (1-p)^{2n+1-r}$$

The table below shows the output error rate  $p_o$ , as a function of  $p$  for various values of  $2n+1$ .

Clearly, when error rates become large, very considerable redundancy is required to produce much improvement. (Incidentally, for those unfamiliar with bit errors, the highest possible bit error rate is 0.5 - see lower box.)

In most practical cases a very large redundancy factor is unacceptable, but there is at least one type of system where it may often be encountered. This is the case in which, for

example, a radio channel is wholly occupied by a data system. A good example is a military VHF radio system which may typically carry binary data at 16kbit/s. This may be used for digitised speech for example, but in some conditions the users may be prepared to use data at rates as low as 50bit/s. Clearly, one could repeat 50bit/s data 320 times with a 16kbit/s transmission, which would give extremely powerful error correction. In fact, majority voting on a 319-fold repetition, even for an input error rate of 45%, would give an output error rate of 3.66%. At an input error rate of 40% this would be reduced to 0.015% and at 35% to  $2 \times 10^{-5}$ . For binary signalling schemes such as frequency shift keying (FSK), commonly used in such applications, error rates of 45% and 35% correspond respectively to signal-to-noise ratios of the order of  $-6.7$ dB,  $-3.5$ dB and  $-1.5$ dB.

In the first part of this series we considered a bandwidth expansion scheme in which the same data was sent in parallel in a number of frequency channels. I pointed out that that particular approach gave a linear exchange of bandwidth for signal-to-noise ratio but that it was not a very practical implementation of a spread spectrum sys-

Table 1: majority voting. Output error rate for various numbers of repeats.

2n+1	Number of repeats								
	3	5	7	9	11	19	29	39	79
0.05	0.007	$1.2 \times 10^{-3}$	$1.9 \times 10^{-4}$	$3.3 \times 10^{-5}$	$5.8 \times 10^{-6}$	$1.2 \times 10^{-12}$		Negligible	
0.10	0.028	$8.6 \times 10^{-3}$	$2.7 \times 10^{-3}$	$8.9 \times 10^{-4}$	$3.0 \times 10^{-5}$	$3.9 \times 10^{-6}$	$2.0 \times 10^{-8}$	$1.0 \times 10^{-10}$	Neg'ble
0.15	0.061	0.027	0.012	$5.6 \times 10^{-3}$	$2.7 \times 10^{-3}$	$1.4 \times 10^{-4}$	$4.1 \times 10^{-6}$	$1.0 \times 10^{-7}$	Neg'ble
0.20	0.104	0.058	0.033	0.020	0.012	$1.6 \times 10^{-3}$	$1.4 \times 10^{-4}$	$1.3 \times 10^{-5}$	$1.2 \times 10^{-9}$
0.25	0.156	0.103	0.071	0.049	0.034	$8.9 \times 10^{-3}$	$1.8 \times 10^{-3}$	$3.7 \times 10^{-4}$	$9.0 \times 10^{-9}$
0.30	0.216	0.163	0.126	0.099	0.078	0.033	0.012	$4.3 \times 10^{-3}$	$9.8 \times 10^{-5}$
0.35	0.282	0.235	0.200	0.172	0.149	0.088	0.048	0.027	$3.1 \times 10^{-3}$
0.40	0.352	0.317	0.290	0.267	0.247	0.186	0.136	0.102	0.036
0.45	0.425	0.407	0.392	0.379	0.367	0.329	0.293	0.264	0.186
0.50	0.500	0.500	0.500	0.500	0.500	0.500	0.500	0.500	0.500

tem. Now sending the same data simultaneously in several channels is conceptually identical to repeating the data; and so one might expect that a redundancy factor of, say, 319 as considered above, might yield an improvement of the order of  $10 \log_{10} 319$  i.e. 25dB. But binary signalling techniques such as FSK typically give quite negligible error rates (less than  $10^{-7}$ ) at say 15dB signal-to-noise ratio, and with 319 repetitions one might expect excellent performance at  $(15-25) = -10$ dB signal-to-noise ratio. So why do we get such performance only at about -1.5dB with a rather dismal performance even at -6.7dB? The answer lies in the means of utilising the repetitions.

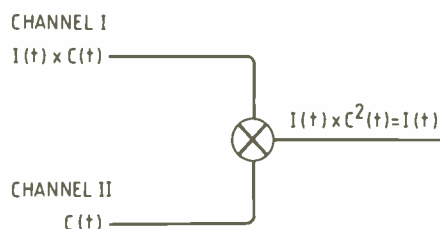
You may recall that in the parallel channel system described in the first article, I made a point of combining the outputs of all channels *coherently*. That is to say we got them all coincident in time and phase before adding them linearly and then extracting the information from the combined signal. The spread spectrum system described in my second article effectively combines all the energy in the wide transmission bandwidth coherently into the narrow information bandwidth at the despreader output prior to extracting the information. With the repetition scheme and majority voting however, we are effectively combining outputs *incoherently*. It is as if, in the parallel channel system, we were to demodulate each narrow band channel independently and then perform majority voting. Because of the low signal-to-noise ratio in each channel, each output will have a high error rate, so that even with the power of a 319-fold repetition the result is still far short of that attainable with coherent addition.

#### OTHER FEC TECHNIQUES

Virtually all other FEC techniques use parity checks in some form or other and this implies the generation of redundant bits from some sort of logical function applied to a block of data. Note, however, that the input bits to this logical function may include not only the information bits but also the redundant bits themselves. Thus a common technique for generating block error-correcting codes is to start with a block of information bits and enter them into a binary shift register with "taps" at various stages. The tap outputs are fed to a logical combining network (usually exclusive-or gates) and the resulting output used to provide a redundant bit, which may, of course, change with each clock cycle. Often these bits are fed back as input to the register so that it becomes a feedback shift register similar to that described in the second article for generating m-sequences. Such schemes lead to codes with cyclic properties which are therefore known as cyclic codes.

Although we have considered code generation in terms of shift registers, equivalent procedures can be implemented in software on digital computers and with the advent of cheap and powerful microprocessors this is now the most common method, except where extremely high bit rates are involved.

The study of codes involves some quite subtle mathematics, usually invoking the theory of Galois Fields, and I shall not



**Fig. 8. One of the very early ideas for direct sequence spread spectrum (DSSS) was the so-called transmitted reference system, in which problems of signal acquisition and code lock were avoided by transmitting the spreading code also, on another channel. These schemes gave, theoretically, an improvement by a factor  $n^{1/2}$  instead of  $n$ . Thus for  $n=319$  they would have given 12.5 dB rather than 25 dB improvement; but you will notice from Table 1 that the majority voting scheme does better than this.**

discuss this here. Instead, I shall consider one or two simple examples in a small amount of detail and merely mention some examples of other types of coding.

#### BLOCK CODES

One of the earliest examples of a block code was the Hamming single error correcting code. This code employs a block of four information bits to which it appends three parity bits, making a total code block length of seven bits. It is usually important in code design that parity checks complement but do not duplicate each other. The Hamming single error correcting code is constructed as follows (though the ordering can clearly be changed):

- Bits numbered 3, 5, 6 and 7 are information bits.
- Bit 1 gives a parity check on bits 1, 3, 5, and 7.
- Bit 2 gives a parity check on bits 2, 3, 6, 7.
- Bit 4 gives a parity check on bits 4, 5, 6, 7.

On receipt, we perform the parity checks on the received word in the above order. In other words we check the parity in succession of bits (1, 3, 5 and 7), (2, 3, 6 and 7) and (4, 5, 6 and 7), indicating correct or successful parity checks by a 0 and unsuccessful checks by a 1. These bits then form a three bit word which is called the "syndrome", since it is indicative of the "disease". In the case of the Hamming code as described above, this syndrome, if interpreted as a binary number, gives the number of the bit in error. Hence all we have to do to correct the data is to invert that particular bit and then extract the information bits (3, 5, 6 and 7) from the amended word.

The above Hamming code is particularly simple in this respect and most syndromes are not so readily interpreted. In fact, since the Hamming code checks every one of the seven bits it is clear that it will permit correction whichever four bit positions are chosen to represent the information. These positions are therefore chosen so as to ease the encoding and decoding. That is, they are chosen so that each parity bit is immediately calculable from the data bits, or in other words, each parity bit involves three in-

formation bits. If different positions were chosen for the data bits, parity bits would depend partly on some data bits and partly on other parity bits. Thus if bit number 7 became a parity bit, its determination would involve some iteration (or trial and error) since it would be involved in, and would itself involve, all the other parity bits.

Note, however, that if two or more bits are in error, the system falls apart and is likely to result in even more bit errors in the output than we started with. This is the Achilles heel of block error correcting codes with hard decision decoding: they have a strictly limited error correction capability. Note also that in this, as in most FEC codes, the corrected errors may be in the check bits themselves rather than the information bits. Thus, contrary to some naive notions on FEC, correction *does not* depend upon the correct reception of the check bits. Finally, we should note that in some coding systems the information bits themselves are encoded and do not appear explicitly in the transmitted code-word. Codes in which the data bits *do* appear explicitly are called systematic codes.

Here I should mention that the reciprocal ( $1/n$ ) of what we have hitherto termed the bandwidth expansion (or data compression) factor  $n$ , is - in the case of FEC systems - called the rate of the code. Thus the rate of the Hamming code discussed above is  $4/7$ .

#### CODEWORD DISTANCE

If a block code or "word" contains a total of  $n$  bits of which  $k$  are information bits it is described as an  $(n, k)$  code. If this code is capable of correcting up to  $s$  errors it is sometimes called an  $(n, k, s)$  code. Clearly there are  $2^n$  possible words of  $n$  bits, but only  $2^k$  are legitimate codewords. Hence for *each* legitimate codeword there are  $2^{n-k}$  possible *received* words. Now consider the complete block of  $n$  bits, there are  ${}^n C_r$  ways in which precisely  $r$  errors can occur. Hence the number of ways  $m(s)$  in which  $s$  or fewer errors can occur is:

$$\sum_{r=0}^s {}^n C_r = 1 + n + \frac{n(n-1)}{2} + \frac{n(n-1)(n-2)}{6} + \dots + \{n(n-1)\dots(n-s+1)\}/s!$$

Note that for large  $n$  and likely values of  $s$ , i.e.  $s \ll n/2$ , the last term dominates so that  $m(s) \approx n^s/s!$

If the code is to be capable of correcting up to  $s$  errors, then each of the  $m(s)$  possibilities must be uniquely defined by one of the  $2^{n-k}$  "illegitimate" words. It is therefore necessary that  $2n - k \geq m(s)$ .

Note that codes for which the equality sign applies are called "perfect" codes. The Hamming (7,4,1) code described above is therefore a perfect code since  $n=7$ ,  $k=4$ ,  $s=1$  giving  $n-k=3$  and  $2^{(n-k)}=8$  while  $m(s)=1+n=1+7=8$ .

Similarly the Golay (23,12,3) code is described as perfect with  $2^{(n-k)}=2^{11}=2048$  and  $m(s)=1+23+253+1771=2048$ . Codes which are not perfect, i.e. for which  $2^{(n-k)} > m(s)$ , can be used to correct or detect *some* instances in which the number of errors exceeds  $s$ .

It is often convenient to consider error-correcting codes in geometrical terms. This involves the concept of  $n$ -dimensional spaces, but this need not dismay readers whose mathematics is severely limited since, at least at the level required here, the idea is very simple and almost intuitive. We are all familiar with the idea of graphs or two-dimensional spaces in which a point  $(x,y)$  is represented by two coordinates  $x$  and  $y$ . If these are each allowed to assume only the values 0 or 1, (i.e. to represent bits) then the only permissible points on the graph are the origin  $(0,0)$  and the points  $(0,1)$ ,  $(1,0)$  and  $(1,1)$ . Thus this set of four points represents all possible two-bit words. We may extend the idea to three dimensions where a point is represented by three co-ordinates  $(x,y,z)$  and obtain the set of eight points  $(0,0,0)$ ,  $(0,0,1)$ ,  $(0,1,0)$ ,  $(0,1,1)$ ,  $(1,0,0)$ ,  $(1,0,1)$ ,  $(1,1,0)$ ,  $(1,1,1)$  to represent all possible three-bit words.

Suppose now we restrict the "permissible" words to those with odd parity; i.e. to the set  $(0,0,1)$ ,  $(0,1,0)$ ,  $(1,0,0)$ ,  $(1,1,1)$ . Each of these differs from each of the others in exactly two coordinates; and because only the values 0 and 1 are permitted this means that to move from one point to another one must move a distance 1 parallel to one axis and a further distance 1 parallel to another axis – a total of two movements each of unit magnitude. Each of the above odd-parity three-bit words is therefore described as having a "distance" of two from each of its fellows. One does not need much mathematical skill to extend the idea to  $n$  dimensions and to the concept that any two ordered bit sequences of the same

length whose bits differ in  $m$  positions are at a distance  $m$  from each other. (This is often known as the Hamming distance).

In the  $n$ -dimensional world appropriate to an  $n$ -bit  $(n,k)$  code, only  $2^k$  of the possible  $2^n$  points represent legitimate codewords, and any particular bit error on reception will "move" the perceived point a distance 1. If there are  $s$  bit errors, the perceived point will be at a distance  $s$  from its correct position. If every legitimate codeword is distant  $2s+1$  or more from every other such codeword then the "correct" codeword will still correspond to the legitimate point nearest to the perceived word point, and hence error correction will be possible.

It follows in general that if all genuine codewords differ from all other such codewords by  $2s+1$  or more bits, then it is possible to correct up to  $s$  errors. Conversely, if a code is required to correct up to  $s$  errors then each valid codeword must differ from each other such codeword in at least  $2s+1$  bit positions. Clearly, a good set of codewords will be one for which the distance between all pairs is maximised. This is equivalent to minimising the cross-correlation between members of the set.

#### ERROR DETECTION

From the above, it is apparent that code sets having a minimum distance  $M$  would need to have at least  $M$  bits in error before a corrupted codeword would be mistaken for a genuine (but incorrect) one, provided no attempt at error correction is made. Consequently one could forego the luxury of

correction and instead use the code to provide a powerful error-detection capability. This can be even more valuable than correction in some instances because the error-detecting power of a code is much greater than its correcting power.

An  $(n,k,s)$  code can correct only  $s$  or fewer errors but can detect up to  $2s$  errors. In fact, if used only for error detection, it will detect any number of errors which do not result in production of an incorrect valid codeword. Thus for a code set for which all codewords are equidistant by  $2s+1$ , the code will detect any number of errors other than multiples of  $2s+1$ .

Thus if it is more important to be sure there are no errors than to reduce their number, the detection scheme may be preferable. A possible example is a case of a nuclear alert!

Alternatively, one may adopt a combination of both detection and correction. It is easily seen from the geometrical model above that in general, for a code set of minimum distance  $M=2s+1$ , one may correct up to  $z$  bit errors (provided  $z$  is less than  $s$ ) and detect any number of errors between  $z+1$  and  $M-2z-1=2(s-z)$ . If  $M$  is even (e.g.  $M=2m$ ) one may again correct up to  $z$  errors (provided  $z \leq m-1$ ) and detect any number of bit errors between  $z+1$  and  $M-2z-1$ . This flexibility can be very useful in some circumstances.

*In the concluding article the author will consider soft decision decoding and some further oddments of information.*

## High-resolution frequency counter continued from page 369

contains the BCD value of the figure in the result being refreshed. The LSB of the higher nibble is low only if that digit has its decimal point lit. The remaining three bits indicate the range, which the computer must interpret as the exponent of ten by which the result must be multiplied. The highest bit will therefore mean a multiplier of  $10^6$  (MHz) or  $10^{-9}$  (ns), according to the function being measured. On the 1F and pulse ranges this bit indicates mHz and s, giving multipliers of  $10^{-3}$  and unity.

Let us now look at the NR output. This is an extra output from the interface to the computer and goes low each time the counter has just made a new reading. The circuit consisting of IC<sub>6,7</sub> is basically a two-bit delay line. The input to the delay line is the LSB of port PC and the flip-flops are clocked by PA7, the anode drive for the last, non-existent digit. The circuit operates on the following principle.

Throughout any one complete measuring cycle the sequence of data put out on PC as PA sends its lines low in turn remains constant. When the counter obtains a new result at the end of a measurement, the new data sequence on PC is dependent upon the actual result obtained and can not be predicted. PA7 drives no digit however, and the microprocessor of the counter is able to guarantee that the data on the LSB of PC, when PA7 is active, will change state from one measuring cycle to the next. It is this

transition that we detect.

The negative edge of PA7 clocks PC0 into the first flip-flop, and the positive edge copies it into the second. In the interval between these two edges then, the first flip-flop holds the new value of PC0, while the second holds the value from the previous refresh cycle of the display which occurred about 6.5 ms ago. The ex-Or gate connected to the output of the flip-flops can therefore compare the two samples and will give a high output if they are different. This is inverted by the next gate to produce NR. NR is therefore about 820 microseconds in length, but this may be increased in steps of the same length by clocking the second of the flip-flops from the anode drive lines PA0, PA1, etc. The behaviour of the NR line is not to be counted upon in the EVENT and CLOCK modes of operation. The results here change too rapidly for the NR signal to have any meaning. Once the computer receives a pulse on NR, perhaps on its interrupt pin, it may obtain the new result from the display in the course of the next 6.5 ms approximately, by reading each digit in turn via the interface.

Another solution to the interface problem which appears attractive is the use of one of the many single-chip microcontrollers that are on the market today. Some of these have a large number of I/O pins, 20 or more, allowing them to replace the 8255 in the above circuit. The part of the circuit built

around IC<sub>2</sub>, IC<sub>3</sub>, IC<sub>4</sub> and IC<sub>5</sub> can be used unchanged, although it ought to be possible to do away with IC<sub>5</sub>. To save on I/O pins, only one line of PA, say PA7, need be monitored. This may be used to synchronize data transfers into the microcontroller as each line of this port is low for a period of 800 – 840 microseconds in turn. The controller could also provide a serial rather than parallel link to the computer, allowing the counter to be placed very remotely from the computer. One controller which looks promising for this application is the 8400 from Phillips. This has 19 I/O pins and an in-built serial interface intended for I<sup>2</sup>C bus working. It is available in a 28-pin piggy-back version which allows an eprom to be mounted directly on top of the controller. Although its working is rather leisurely when run with a clock frequency of 5 MHz, its instruction set, being very similar to that of the 8035/39 series of microprocessors, is also suitable for mathematics so that it could perform the necessary data conversion to binary, for example, if this was required.

#### References

1. J.M. Osborne. "High-standard, low frequency source". *Wireless World*, January 1973, pp. 20-21.
2. G. Jackson. "C-mos 60 kHz receiver". *Circuit Ideas*, *Wireless World*, May 1980, p. 78.
3. Phillips Limited. *Integrated Circuits*, Book IC06, 1988. High Speed Cmos, pp 755-782 and 1041-1070.
4. Intel Corporation. Data sheet AFN-00744C.

# PROGRAMMING PRODUCTIVITY

Mr Frost makes a plea for a wider use of easy-to-read software and illustrates his point by indulging his cat

BRIAN FROST

In this article, I set out to highlight the advantages of certain programming languages, particularly for use in real-time control applications using the IBM PC, although much of the discussion also applies to general programming requirements on any system. It is with due humility and not a little trepidation that I embark on such a discussion, since I feel I am liable to unleash the wrath of many programmers who have no reason to be at all unhappy with the programming language and style that they currently employ, but I am hoping that this is outweighed by the benefit of the stimulus and any thought that it may provoke.

My qualifications for initiating such a discussion are hardly academic, since I am primarily a hardware designer (and analogue at that) who has learnt about software over some 15 years of 'on-the-job' training, working on various real-time systems since mini-computers began to become extinct. As did many others, with the rise of micro-processors in the early 1970's I began to use machine code out of necessity and the result was fast, tight programs that seemed easy to debug and which demonstrated time after time that many 'software' problems involving direct control over hardware or mechanics were often related to timing, or simply hardware faults hiding within a software 'cloak'.

As customers began to require a higher level of data presentation and as complete computer systems became available at very low cost, many engineers changed to writing control software using the basic interpreters supplied with these systems, experiencing the advantages of the fast editing, mathematical manipulation and file handling that machine code did not have. However, it soon became apparent that the execution speed of the programs left a lot to be desired and that hardware or machine timing problems which had already been solved during programming would often recur when the addition of more program code slowed the interpreter's operation.

As is now widely appreciated, the advent of the IBM PC family heralded a new era of standardization in computer system design where, for the first time, software companies were able to produce products for one machine without its architecture becoming dated even before the software products had matured. The maturing of the PC technology means that now many popular computer

languages have become available in PC format and the user may now choose from a number of implementations rather than having to accept only the limited software tools that were supplied by the computer system manufacturer. With the PC as a platform, it is now a more straightforward task to assess programming languages for use in real-time control (or any programming task of course) and to discuss just how closely any of them can approach an 'ideal' tool for the busy engineer or programmer.

## HIGH-LEVEL LANGUAGES

Programming in high-level languages has changed remarkably over the last few years, with great benefit to real-time programmers. Firstly, languages such as Basic using interpreters now run several times faster than older versions due to better coding and faster hardware (although, interestingly, the change from 8-bit machines to 16-bit types has nothing like doubled speed performance). Secondly, the environment within which the programmer writes the code, runs it and debugs it has matured to provide tools that greatly improve programmer productivity within any one language.

Despite these advances, programmers working on real-time systems find that the 'old' problems don't really change. Software execution speed can often limit the performance of a product, and the difficulty of subsequent maintenance or upgrading of software can be very dependent on the ease with which it was written and its presentation to another programmer reading the listing some time later. Indeed, as the general complexity of software rises in line with the increased expectations of its customers, it becomes increasingly important for bugs not to be created, rather than relying on their later removal.

Before trying to highlight those conditions under which 'good' software has the best chance of being created, the limitations of the English language make it necessary to clarify exactly what is meant by 'good'. I believe that 'good' software can be created in any language and is the result of using as many as possible of the following ingredients, not necessarily in this order.

- The programmer should be very experienced with the particular language.
- The programmer must have a detailed knowledge of the control-system task on which he is working.

- The software being generated must be easy to create and modify.
- The software being generated must be easy for others to read.

This list does not have priorities, and most would agree that known software successes have included at least one of these attributes. In some cases, the definition of 'good software' is hazy since, if an experienced programmer is working with thorough knowledge of the task, then initially the result will be successful software, but software which may be judged poor when given to another programmer, or when re-examined much later when its original features can less easily be seen.

Where it is possible, I now believe that writing software that is easily read should be given great importance, because a case can be made that the other items in the list are

## POPULAR LANGUAGES IN USE

### MACHINE CODE (ASSEMBLER)

This is the level of programming that is closest to the hardware and processor involved and whose use almost always results in the fastest performance and smallest final program. Used extensively for small control systems, often within eproms, it is used where accurate timing, single-step debugging and 'hand-crafting' combine to achieve very specific software/hardware interactions and where processor systems have little user I/O such as disks, keyboard and CRT. An assembler is used to translate user machine-code mnemonics entered using an ordinary text editor or word-processor. Unless provided from libraries of existing machine-code routines, operations such as mathematical functions and disk handling are not available to the machine-code programmer, since only the processor instructions can be used.

### BASIC

The old favourite usually provided with all boxed computer systems and available for all processors in one form or another. It is a good language on which to learn the first programming principles, but the traditional Basic interpreters can limit program structure and are slow with larger programs. The newer Basic compilers used to their capability can give excellent performance.

### C

This language is often used as a bridge between assembler programming and the

strongly connected to it. If software is easily read, then it is likely to be easy to write since, given that changes can be made quickly, iterations around the 'write-test-modify' loop are encouraged and converge quickly toward successful listings.

Again, if the essential features of a piece of software are immediately apparent, the correspondence between the software and the task in hand are also clear. A useful by-product is that any grey areas in the programmer's knowledge of the task are visible to himself, and (vitaly important) to others.

The programmer's competence within a given language cannot be aided, except with a combination of tuition and experience, and this is where the choice of language can often become a personal one. Indeed, it is as easy to become partisan about one's favourite language as about one's favourite processor or make of car. However, many programmers are now realising that, if a language is presented within an 'integrated environment', the 'write-modify-test' loops become particularly short, resulting in a boost to productivity.

### INTEGRATED ENVIRONMENTS

To programmers, this phrase has taken on the significance that 'what you see is what you get' (WYSIWYG) had for word processors when they became popular a few years ago.

The traditional programming method of using a compiler is based on the so-called 'edit-compile-crash' loop, where a separate editor and compiler are used, with the

programmer typing in the program, compiling it, running it and then doing his best to diagnose faults from any resulting symptoms. At best, this process is time consuming because there is constant movement between editor and compiler but, at worst, the compiler error messages can make for a significant amount of referral to manuals and cross-referencing with source code.

'Integrated environments' provide the programmer with everything necessary to produce and test a program in one package. Source code for the program is retained in memory within an editor and can be compiled in a few seconds at a key press. Any errors will be flagged, but will also put the cursor at the erroneous statement to allow immediate editing corrections to be 'context-sensitive' (for example 'expected').

When the program is run (another key-press from within the editor), a run-time check allows logical program faults to be highlighted to the programmer in the same way as syntax errors; an example would be trying to use the 11th element of a 10-element array.

Several of these environments also include a 'debugger' that operates at run-time. This is extremely powerful and provides the same facilities as machine-code programmers have had in a monitor. The programmer can single-step instructions, execute instructions up to specific points, execute loops a selected number of times, and all whilst 'watching' variables to see the effect on them. This powerful feature replaces the need to continually insert PRINT statements at

strategic places in your code to determine logical faults.

### COMPILER VERSUS INTERPRETER

When I get a piece of I/O or memory-mapped hardware running, I often turn to a simple Basic interpreter to check it. This is because it is still the quickest way to create the few instructions that can send a value to a defined address. If you type the program incorrectly, or introduce some other mistake, a Basic interpreter is almost uncrashable, since each line is checked as the operations are performed.

However, as most people have found when they try to write control programs using an interpreter, they are painfully slow at a typical speed of around 1ms per program line. This can be irksome when you need to examine a front-panel push-button from within a loop of some 100 lines or so, and you are then amazed for just how short a time someone can press a button. To solve the problem the engineer in us creates wonderful mechanisms to either latch or lengthen such pulses until the program will see them; and of course this kind of problems is the reason that interrupts are so popular. Unfortunately, many find out the hard way that the apparent sophistication of interrupts is bought for the price of careful hardware design – especially in noisy shop-floor surroundings.

Many of these problems slide out of sight if the program can be made to execute faster, and advocates of machine-code have used these very arguments to justify its use. If tamed, the compiler is an excellent happy medium, where 'lines' often take only 10-20µs to execute with a complete program appearing some 20 to 50 times faster than an equivalent Basic program using an interpreter. This speed advantage increases as programs become larger, since compilers do not show the interpreter's dependence of execution speed upon program size.

### STRONGLY-TYPED LANGUAGES

In using the early microprocessors for intensive real-time control tasks, I used to be very proud of my machine-code programs and it became a personal challenge to produce code that worked efficiently and elegantly. Occasionally, some of it even worked first time! Any question of whether my productivity could be improved by the use of other tools or techniques would have been regarded in the same way as a slur on a favourite football team, with a strenuous denial and pointing to the success of my existing approach.

The situation that existed then was rather special when viewed with the '20-20 vision' of hindsight. The control systems were relatively small and the performance of one piece of machine code amazed many. Because that code was often relatively small, one programmer could keep its entire structure (if it had any) within his brain for long enough to produce a very elegant result, even though many repeat listings were required during its construction for cross-reference. Even more importantly, continual use of the same machine-code pro-

'high-level' languages. With C instructions it is possible to generate programs that perform in a similar manner to their machine-code counterparts, yet at the same time C has many 'high-level' features and conveniently provides libraries of disk handling, mathematical operations and other commonly required routines. As with machine-code, the level of programming freedom within C can introduce logical programming errors in the hands of the less experienced and the language is not the best for conveying meaning out of listings to those less familiar with its syntax. Despite this, it is probably the language most widely used by experienced professional programmers working with hardware.

#### PASCAL

Pascal began as a language for teaching program structure to students, but has now gathered a solid following of programmers who appreciate the error-correcting discipline of its stricter structure and also its high level of readability. Because of its strict structure, it can be more difficult to learn than the more free-form languages.

#### FORTRAN

Fortran compilers are available for the PC, but their application is, in the main, restricted to scientific processing and running programs brought across from larger mainframes where the language is well established.

#### FORTH

Forth continues to increase rapidly in popularity, especially amongst real-time users who point to its ease of learning and the direct correspondence between its own instructions and those of its host processor. It has a unique structure that allows the language to be 'extended' by the creation of definitions which allow it to be applied efficiently in place of machine-code, whilst offering high-level constructions. Because of this efficiency, the small size of Forth compilers has allowed several manufacturers to offer processors that contain a 'built-in' Forth optimized on-chip to provide high execution speed. Unfortunately, the readability of its stack-oriented listings can be impaired, for those less familiar with the language, by its syntax.

#### MODULA-2

This is a development from the Pascal language, with which it shares many instructions, but Pascal's poorly defined areas have been strengthened by standardization. Modular programming has been encouraged, allowing a programming project to be broken down into logical modules, particularly effective where more than one programmer is working on the project.

#### OTHERS

Other languages are available, but are often specific to areas removed from real-time control, for example disk-file processing, graphics or artificial intelligence.

duced a level of comprehension of his program by the programmer that was far in excess of any meaning conveyed to others by his listings.

Today, that same programmer may only be creating part of a large program suite, where additional tools become necessary to ensure that his work is consistent with that of his team members, but even where he can work unaided it is now unusual for the application to be so straightforward that machine-code is as appropriate as the other options that are available. Rather the pressure now is to produce sophisticated results quickly, not relying on de-bugging, but writing bug-free code.

Putting aside science-fiction computers to which the programmer can say "write me a program", present-day programs that are closest to aiding the programmer to write bug-free code do so by being 'strongly-typed'. In other words, their syntax checking is so strict that, at first sight, much programming ease seems to have vanished. By contrast, Basic is 'freely-typed', allowing a very free and easy programming style, but also permitting mistakes.

A particularly good example is the use of simple variables in a program. In Basic, a perfectly acceptable program could include

```
100 A__variable = 3
110 PRINT A__variable
```

At first sight this looks correct, but notice that the variable that was PRINTed is not the same variable as was set to '3': the 'a' is missing from the word 'variable'. The result printed would be the value '0', being the value assigned to all fresh variables in Basic. Clearly, subsequent program operations based on that variable would be in error; indeed, as many programmers testify, the effect of such a 'bug' often appears long after its cause! Because the use of long names improves readability within a program, it is obviously desirable to have the program perform some checking on our use of these variables. The strongly-typed Pascal language prevents this happening by requiring that variables are 'declared' before being used. For example,

```
var A__variable : integer; {this is the
                           declaration part}
.
A__variable := 3; {now we use it
                  correctly}
Write(A__variable); {and then get it
                    wrong}
```

Compilation of this program would produce an immediate message highlighting the typing mistake 'A\_\_variable', since it does not agree with any declaration.

Such declarations have other advantages too. As with machine code programming, it forces the programmer to think early about the kind of data that is needed and thus to create variable types appropriately. For example a screen column position variable does not require 15-digit floating-point precision when an integer value will suffice. With data types appropriately used, subse-

quent program bugs that may incorrectly manipulate such data often result in the compiler being able to help in detecting them. For example, shifting four single bits left eight times because bits 0-3 are needed in bits 8-11 might erroneously operate on a wrongly supplied value of (say) 128. The excessive value that would result from the shift would be trapped by the compiler when it checks that the result did not overflow the data type specified (maximum integer is 32767). Ordinary Basic would be quite happy with the result, however excessive its value.

For constructing programs to run on a fixed piece of hardware (the PC), and with significant experience in machine-code and Basic programming, I began to look for a language that would allow me to concentrate less on the detail of programming, but yet would give me as much of the flexibility of machine-code as possible.

The closest that I have achieved to this is Pascal, a choice that I would have rejected vehemently five years ago, had it been suggested. In the manner of all converts, let me try to justify its use to sceptics by means of a real-time control example.

#### PASCAL PROGRAMS CONVEY 'MEANING'

If you have never used Pascal before the initial appearance of the program is strange,

```
program Cats;
uses Crt;

const
    Forever = False;

function CatIsPresent : boolean;
var
    Ch : char;

begin
    Delay(100);
    CatIsPresent := False;
    If KeyPressed then
        begin
            Ch := ReadKey;
            CatIsPresent := True;
        end;

end;

procedure OpenCatFlap;
begin
    GotoXY(1,1);
    ClrEol;
    Writeln('Open cat flap');
end;

procedure CloseCatFlap;
begin
    GotoXY(1,1);
    ClrEol;
    Writeln('Close cat flap');
end;
```

```
(-----)
() begin                                (O)
()   ClrScr;                             (O)
()   Repeat                               (O)
()     If CatIsPresent then OpenCatFlap (O)
()     else CloseCatFlap;               (O)
()     until Forever;                   (O)
() end.                                  (O)
(-----)
```

Fig.1. Cat-flap control program in Pascal. Even without comments, the meaning is clear.

because of the simple rules that govern its layout. In reality, they are a great aid to creating the structure behind programs that often do work first time.

As you start to write your program, Pascal only knows the commands that are built-into the language, such as screen commands, keyboard commands and mathematical functions. Using these, you create neatly partitioned sections of program that are either 'procedures' (any general piece of program) or 'functions' (pieces of program that always return a result). These procedures and functions are given any name that you wish.

As the program builds up, any of these procedures or functions can make reference to earlier ones, as if by being placed earlier in the program their names had added extra facilities to the language itself. This structure has the effect of placing the main part of the program at the *bottom* of a file rather than – as would seem more logical – at the top. However, this ordering does ensure a program structure that is consistent.

I am not impressed by programs that are structured nicely, but I am impressed when I can read a program listing and understand immediately what is happening; I believe this is the most important single attribute that a real-time control program can possess – for two reasons. Firstly, the discipline imposed on the programmer to create this explanation does ensure that the program has been well thought through rather than having simply been allowed to evolve; and secondly, ease of future maintenance will depend upon the level of clarity that the program can exhibit to anyone, even to its author some time later.

This need to make the program operation 'obvious' is often increased by the chosen language structure hiding any inherent meaning, the only recourse being to add comments to aid the process. The use of machine-code is an example where the instructions used with comments are individually very obvious, powerful and fast, but when used without comments become almost meaningless. Of course, a good machine-code programmer recognises this and generates such comments, but now finds that he has a double burden. Real-time systems very often require optimization during which program timings are changed, low-level drivers are changed or even significant modifications are made to the entire control program in the light of unforeseen hardware/software interactions. These modifications are often accompanied by last-minute panic over the impending visit of the Managing Director or a customer and, in such circumstances, it is natural to leave the task of updating the comments until the

heat has died down and face the attendant difficulties of re-aligning comments with code

For any programming task this burden can be greatly reduced by using code that is 'self-documenting'. This may seem an idle dream, but have look at Fig.1 which shows the listing of a hypothetical, real-time control system that controls your high-tech, controlled-entry feline-access mechanism (cat-flap). Look directly at the section of the program in the box; it has no comments at all, and yet the meaning is perfectly clear at a glance.

Now have a look at Fig.2, which is the same program, but coded in Basic. Although the program has been laid out to separate the subroutines, and comments have been added, the essential program operation is at least clouded.

The secret behind the clarity of the Pascal program in Fig.1 is that any section of program can use names that you have 'created' using smaller sections of program earlier; and these names do not need explicit prefixes such as SUB, GOSUB or CALL. This is very powerful feature and is now accepted as being the closest approach to 'self-documentation' of code. In this language, comments are still required, but far less often and then only when the essential program operation is clouded.

There are several implementations of Pascal now and I can recommend 'Turbo-PASCAL' by Borland, which is offered within the integrated environment mentioned earlier and contains extensions to the Pascal

```

100 CLS
110 GOSUB 1000 REM Test for cat present
120 IF CATISPRESNT = 1 THEN GOSUB 2000 ELSE GOSUB 3000
130 GOTO 110
140 REM
150 REM
1000 REM Tests for cat present. Sets 'CatIsPresent' = 1 if so.
1005 CATISPRESNT = 0
1010 FOR A=1 TO 10000 : NEXT
1020 IF INKEY$ = "" THEN 1100
1030 AS = INKEY$
1040 CATISPRESNT = 1
1100 RETURN
1110 REM
1120 REM
2000 REM Open cat flap.
2010 LOCATE 1,1
2020 PRINT "Open cat flap "
2030 RETURN
2040 REM
2050 REM
3000 REM Close cat flap.
3010 LOCATE 1,1
3020 PRINT "Close cat flap"
3030 RETURN

```

Fig.2. The same program as shown in Fig.1, but written in Basic; its meaning is to some extent obscure.

language which allow programmers to use machine-code where the ultimate speed is required. To a large extent, this language has become a *de facto* standard with many libraries of routines available. Anyone who is interested in continuing to learn this or any other implementation of the Pascal language can easily obtain one of the many excellent introductory books available. Adherents of Basic can benefit from Microsoft's Quick-BASIC, which is offered within a powerful integrated environment and offers

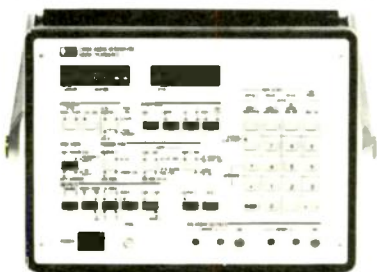
additional features that make it more strongly-typed. Other languages are now being offered within integrated environments and the development is certain to continue toward the aim of maximizing a programmers' productivity.

Whilst I am sure that this discussion has not swayed more than a few from their favourite language, the message is to keep an eye on tools and techniques that continue to evolve since careful selection of the right tool can make the task a lot easier.

# AUDIO TESTING

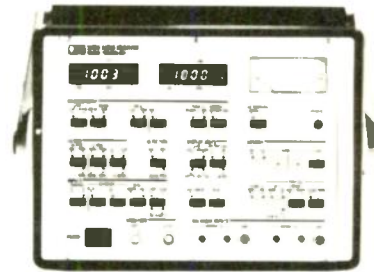
FROM BEGINNING...

... TO END



For,

- Analogue Signal Lines
- Professional Digital Audio Systems
- High Quality Satellite Circuits
- Communication Links
- Broadcast Satellite Sound



THE SOUND TECHNOLOGY 3000 SERIES MULTI-FUNCTION AUDIO TEST SYSTEM IS AS FLEXIBLE AS YOUR TEST NEEDS.

Sound Technology features:

- Entirely manual or fully automatic control
- Programming from the front panel or external computer
- Self contained test set or separate generator and analyzer with full communications between the two halves via the test circuit — no extra lines or modems.

# PRECO

21 SUMMERSTOWN  
LONDON SW17 0BQ  
Telephone: 01-946 8774  
Telex: 8954667 VBSTLX G Ref PRE  
Fax: 01-944 1326

*The Professional  
recording equipment  
company limited.*

ENTER 8 ON REPLY CARD

# TAYLOR RF/VIDEO MEASUREMENT INSTRUMENTS

## MEASUREMENTS MADE EASY



### UNAOHM EP741FMS FIELD STRENGTH METER/SPECTRUM ANALYZER

<b>Frequency Range:</b>	Continuously adjustable via a geared-down vernier as follows: IF 38.9MHz Band I 46 to 106MHz FM Band 88 to 108MHz Band III 106 to 290MHz Band H 290 to 460MHz Band U 460 to 860MHz
<b>Frequency Reading:</b>	TV Bands — 4 digit counter with 100kHz resolution FM Band — 5 digit counter with 10kHz resolution Reading Accuracy: reference Xtal +/-1 digit.
<b>Function:</b>	NORMAL: picture only
<b>TV Monitor:</b>	ZOOM : 2 to 1 horizontal magnification of picture : picture + line sync pulse [with chromaburst if TV signal is coded for colour]
<b>Panorama:</b>	panoramic display of the frequency spectrum within the selected band and of tuning marker.
<b>Panorama Expansion:</b>	Adjustable expansion of a portion of the spectrum around the tuned frequency.
<b>Analogue Measurement:</b>	20 to 40dB. Static measurement of received signal. Scale calibrated in dBuV (at top of picture tube) to rms value of signal level.
<b>DC/AC Voltmeter:</b>	5 to 50V.
<b>Measurement Range:</b>	20 to 130dBuV in ten 10dB attenuation steps for all bands; -60 to 130dBuV in nine 10dB steps for IF.
<b>Measurement Indication:</b>	ANALOGUE: brightness stripe against calibrated scale superimposed on picture tube. The stripe length is proportional to the sync peak of the video signal.
<b>Video Output:</b>	BNC connector: 1Vpp max on 75 ohm.
<b>DC Output:</b>	+12V/50mA max. Power supply source for boosters & converter.
<b>TV Receiver:</b>	tunes in and displays CCIR system I TV signals. Other standards upon request.
<b>Additional Features:</b>	[1] Video input 75 Ohm. [2] 12V input for external car battery. [3] Output connector for stereo earphones.
<b>Price:</b>	<b>£1344.00</b> exc. VAT and Carriage.

### UNAOHM FSM5987 T.V. FIELD STRENGTH METER

<b>INPUT Sensitivity:</b>	from 20dBuV to 110dBuV [-40dBmV to 50dBmV] or 10uV to 0.3V, in eight 10dB steps.
<b>Reading:</b>	d8 reading proportional to peak value for video signals; proportional to mean value for AM or FM sound signals. For both signals scale calibrated to rms value and expressed in dBuV. Two more scales are available: volt from 0 to 50, and ohm from 0 to 2000 ohm. Battery status is also provided.
<b>Accuracy:</b>	+/- 3dB for bands I & III +/- 6dB for bands H & IV/V
<b>Impedance:</b>	75 ohm unbalanced; OC component blocked up to 100V.
<b>FREQUENCY Range:</b>	46 to 860 MHz as follows: Band I 46 to 106MHz III 106 to 206MHz H 206 to 460MHz IV/V 460 to 860 MHz
<b>Reading:</b>	4 digit LCD readout. 100kHz resolution.
<b>Price:</b>	<b>£378.00</b> exc. VAT and Carriage.



### UNAOHM EH 1000 TELETEXT AND VIDEO ANALYZER

<b>Function:</b>	Eye Pattern: display of RF and video-frequency teletext signals by means of eye pattern diagrams, selectable. Indication: directly on the picture tube. A calibrated scale shows percentage of eye pattern aperture. Error: the instrument introduces an error of <math>\leq 5\%</math> with video input and 20% with RF input. Jitter on regen'd clock: <math>\leq 25\text{ns}</math>. Line selector: Selection of any TV line between the 2nd and the 625th scanning cycle by means of a 3 digit thumbwheel switch.
<b>RF Input:</b>	Freq. Range: 45 to 860MHz. Frequency synthesis, 99 channel recall facility, 50kHz resolution, 30 channel digital memory. Level: 40 to 120dBuV; attenuator continuously adjustable. Indication of the minimum level for a correct operation of the instrument. Impedance: 75 ohm. Connector type: BNC.
<b>Video Frequency Input:</b>	Minimum Voltage: 1Vpp. Impedance: 75 ohm or 10K ohm in case of a through-signal. Connector type: BNC.
<b>Teletext Input:</b>	Voltage: 1Vpp/75 ohm.
<b>Teletext Clock Input:</b>	Voltage: 1Vpp/75 ohm. Measurement: Aperture of eye pattern: linear or Lissajous figures, selectable.
<b>Oscilloscope:</b>	VERTICAL CHANNEL: Sensitivity: 0.5 to 2Vpp/cm. Frequency Response: OC to 10MHz. Rise time: pre & overshoot <math>\leq 2\%</math>. Input Coupling: AC. Input Impedance: 75 ohm/50pF. TIME BASE: Sweep Range: 20 to 10ms [1/2 frames]; 32; 64/192us [1/2; 1; 3 lines]. Linearity: +/-3%. Horizontal Width: 10 divisions; x5 magnification.
<b>Price:</b>	<b>£1670.20</b> exc. VAT and Carriage.

**TAYLOR BROS (OLDHAM) LTD.**  
BISLEY STREET WORKS, LEE STREET,  
OLDHAM, ENGLAND.

TEL: 061-652 3221 TELEX: 669911 FAX: 061-626 1736

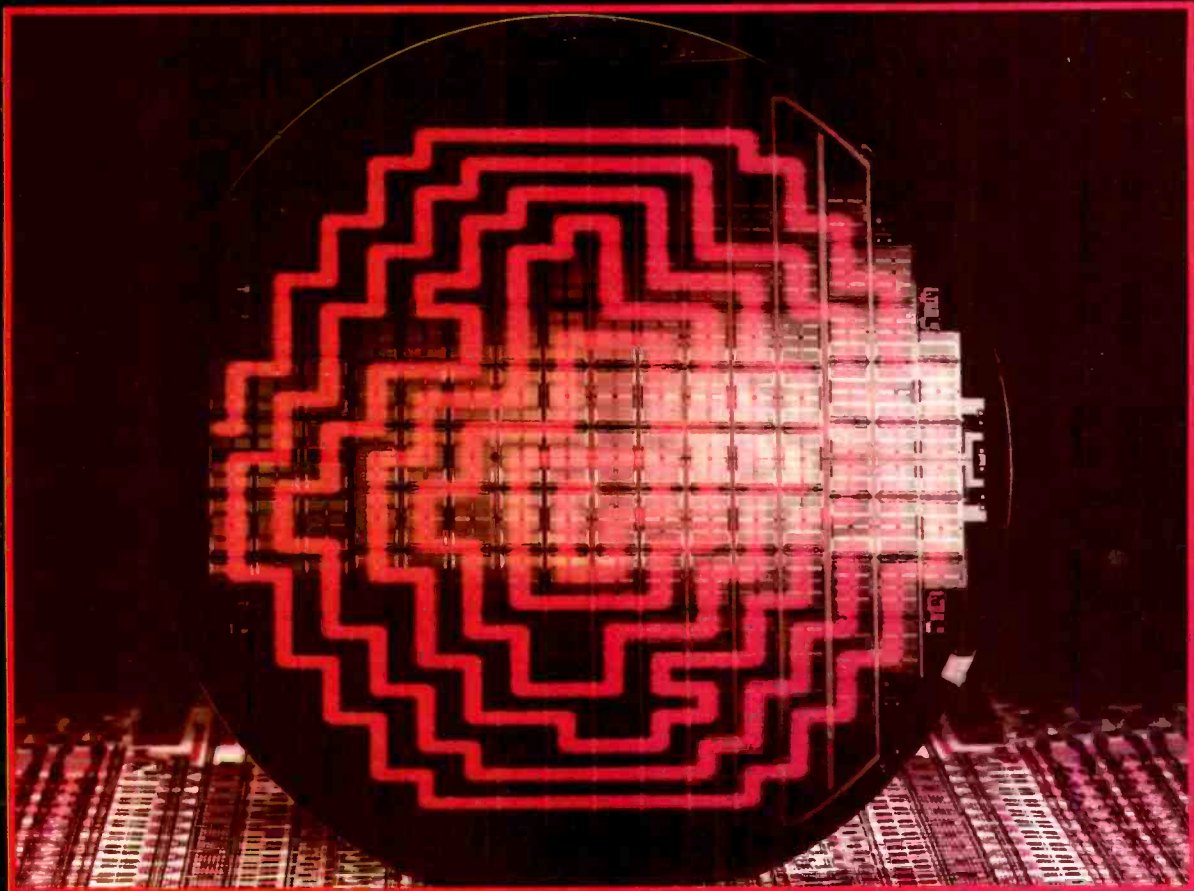


ENTER 7 ON REPLY CARD



APRIL 1989

# INDUSTRY INSIGHT



How to make **audio** measurements on digital signals without converting to **analogue** ● can faulty **wafer circuits** be made to work by pouring in more circuitry? ● **topical issues** in test structures for wafer process control ● **kernel logic** – Catt's new built-in test scheme for fault-tolerant **wafer scale** ● how **VXI and RTSI** instrumentation architectures simplify **system timing** ● changing role of digital oscilloscopes

# Carry our new Digital Storage Oscilloscope away with you – and weigh up the arguments for yourself.



The new Gould 400 offers the ultimate price/performance ratio in digital oscilloscope technology. **For just £1,795**, you get 100 Megasamples per second performance to 8 bit, 10ns resolution . . . all in an instrument weighing 12lbs. Its 12-33V DC

operation enables you to capture high speed transient signals in virtually any environment – on a ship or an oil rig, in a plane or even up a telegraph pole – and take the data back to the laboratory for analysis in a DSO that's as easy to carry as your briefcase!

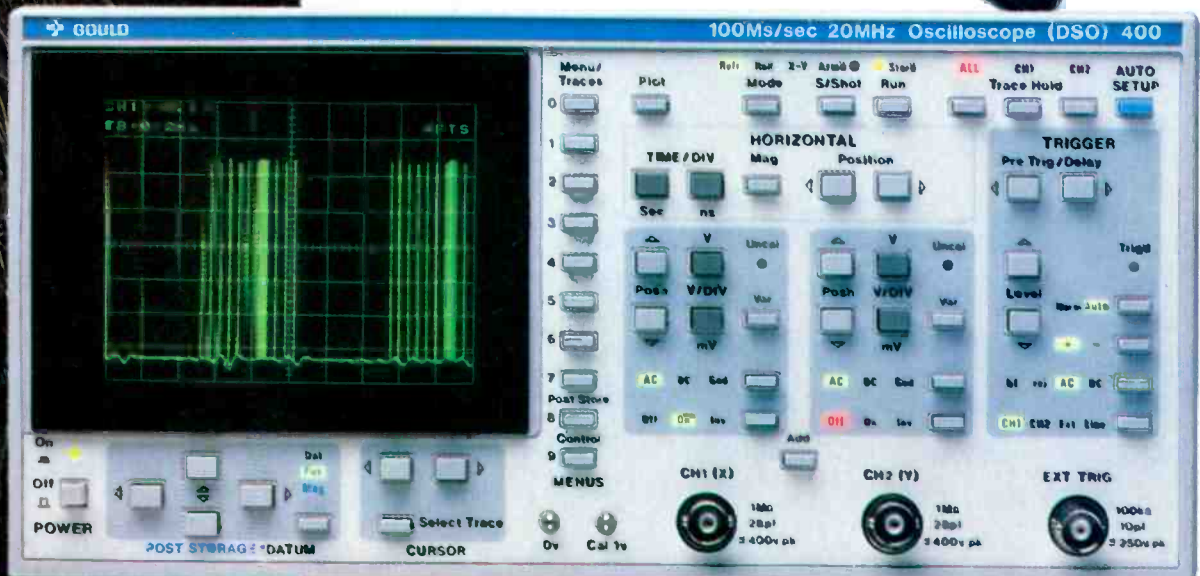
Because we're so confident you'll like the 400, we are prepared to give you: A **FREE** demonstration video; a one week **FREE** trial to let the 400 speak for itself; and our **FREE** phone number so you can order your trial instrument without delay. Just dial 100 and ask the operator for Freephone Gould Electronics.

Once you've weighed up the arguments for yourself, you'll never want to give it back!

Gould Electronics,  
Test & Measurement Sales Division,  
Roebuck Road, Hainault, Ilford, Essex IG6 3UE  
Tel: 01-500 1000. Telex: 263785.  
Fax: 01-501 0116.

## TECHNICAL SPECIFICATIONS AT A GLANCE

- 100 Megasample/second, 8 bit, 10ns time resolution for single shot waveforms
- 500 Megasample/second, 8 bit, 2ns time resolution for repetitive waveforms
- Cursor measurements
- RS423 serial interface
- 12-33V DC operation
- 90-130V, 190-265V 45-400Hz AC operation
- Auto Setup
- X-Y display
- 5.25 in (H) x 15.3 in (D) x 11 in (W)



**Special Offer**  
**1 WEEK FREE TRIAL\***

**GOULD**  
Electronics

\*SALE OR RETURN OFFER AVAILABLE  
IN MAINLAND BRITAIN ONLY

ENTER 54 ON REPLY CARD

# HOW TO TEST SURFACE-MOUNT CIRCUITS

**T**here is a limit to the ability of present-day automatic test equipment to cope with the continuing increases in the number of integrated circuit packages and in the complexity of integrated circuits themselves. Manufacturers of assembled printed circuit boards use either high pin-count in-circuit test systems or functional board testers or both. Either way, test technology is faced with increasing difficulties as surface-mount technology develops. Besides the high cost of specialised test fixtures, probing is near impossible where components are densely packed.

The way forward was recognised by Harry Blacker of Philips some years ago in initiating the Joint Test Action Group. What was needed was a design structure to be included

in all the integrated circuits involved in a product so that it can detect defects, such as those introduced by solder splashes, incorrect components, and open circuits. 'Boundary scan' does just that.

The technique involves the inclusion of a shift register latch next to each component pin so that signals between chips can be controlled and observed using scan testing methods. The paths for boundary-scan cells in the individual i.cs are connected serially to form a path through a complete design. data is either loaded into the scan register from the input port, or driven from the register through the output port.

The Joint Test Action Group has brought together users and IC manufacturers; membership has grown from the original ten to 36, taking in the major ATE and semicon-

ductor manufacturers. The group's specification for boundary scan has been submitted to the IEEE Testbus subcommittee, whose March San Francisco meeting is expected to ratify its inclusion into the P1149 spec and the 1149.1 protocol. (P1149 covers Test bus at the sub assembly and system levels as well as integrated circuits.) Already implemented in custom silicon circuits produced by members of the group, production of semi-custom with boundary scan is at last getting under way now that suitable cell have been incorporated into asic libraries.

Some standard parts have been sampled by Texas Instruments. But what about the rest of the industry's output? How many boundary-scan systems have you seen?

## 388

**Changing role of digital oscilloscopes** Over the past 12 years developments have made the oscilloscope acceptable in many applications that were previously unacceptable. John Bryan of Gould Electronics charts the features that have made this instrument so successful.

## 393

**Digital audio testing in the digital domain** Dr Richard Cabot, *en route* from the Hamburg AES Convention, stops off in London to discuss how to make standard audio measurements on digital signals without converting to the analogue domain, and illustrates the techniques with measurements on commercial A-D and D-A converters.

## 397

**Test structures in wafer fabrication.** Dr Andrew Walton, organiser of this month's Edinburgh IEEE conference on microelectronic test structures, explains how different structures are

## INSIDE

used to test wafer parameters, and highlights the topical issues in wafer process control.

## 401

**Wafer-scale kernel testing,** by Ivor Catt. Can fault-tolerance be made to work correctly by pouring in more and more circuitry? Improved reliability in semiconductor process technology means that Catt's Spiral Algorithm – the basis of Insight's cover picture – may be superfluous when products using it finally reach the market.

## 403

**After modularity and automation, what next?** The newer system architectures – VXIbus and RTSIbus – provide for precise timing at the

system level, but there is still a need for a software spec that deals with timing in a top down way.

**Cover story.** This superposition of a computer-generated display for the routing of 'soft' connections between the 1Mbit rams on this Anamartic wafer is due to Gordon Neish and Neil MacDonald. The photograph, which readers may have first seen in last June's Industry Insight, is reproduced here to mark February's joint Anamartic/Fujitsu announcement of their 200Mbit wafer at the IEEE's annual solid-state circuits conference in February.

The success from this little-known British company – in the face of some spectacular industry failures – is due largely to the alternative, software approach to fault-tolerant wafer-scale integration of Ivor Catt (WW July 1981), and to the foresight of Clive Sinclair at Sinclair Research's Metalab. The wafer memory is also self-repairing, the spiral routing being formed each time the wafer is powered up.

# THE CHANGING ROLE OF DIGITAL OSCILLOSCOPES

**D**uring the 1970s a whole new range of sophisticated test equipment came on to the market and in its light the oscilloscope was seen as being primitive and difficult to use. It was not regarded as a measuring instrument in many applications but simply that of a viewing device for the visual comparison of signals. To a certain extent, the oscilloscope of twelve years ago was a primitive device and gave less than satisfactory results on transient or low repetition rate signals.

A major technological advance came in the form of the digital storage oscilloscope which gave a digital representation of an analogue waveform. Users immediately saw the advantages of having a clear, stable display of any waveform and they soon realised that as the signal was now stored in a digital form there was a lot more information that could be gleaned from the signal.

Gradually the move away from the simple digital storage oscilloscope was made as more features were included to increase the use and range of applications. The chart shows how this change has evolved from the simple 'view-only' products to the modern sophisticated instruments used to capture the signal of interest exactly and perform complicated measurement and analysis of the signal.

## Overview of user requirements

User needs can be broken down into five main areas

Acquisition	For most users the traditional triggering system is not elaborate enough to cope with modern requirements.
Analysis	Signals captured by a scope are not always in the form needed to understand the measurement.
Measurements	Customers want to measure the range of signal parameters traditionally measured using an oscilloscope, but because measurements are made by eye, accuracy is low and repeatability poor.
Archiving	Providing a permanent record of a scope trace

Significant developments in the past twelve months have made the oscilloscope acceptable in new fields of application – and even more acceptable in existing areas

## Automation

was by using a scope camera is difficult and expensive – users want to be able to transfer traces to remote locations for further analysis.

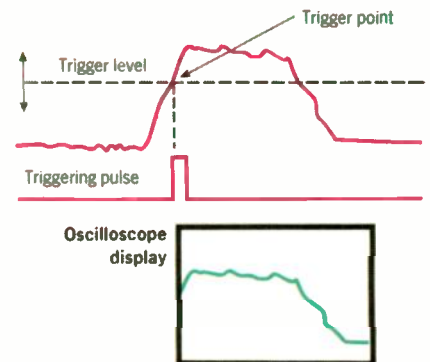
Traditional instruments have been labour intensive, needing a skilled operator to use and interpret results. Now the need is for scopes that can be incorporated into computer-driven test systems, and perform series of tests and measurements with the minimum of operator involvement.

This discussion looks at the latest developments in each area.

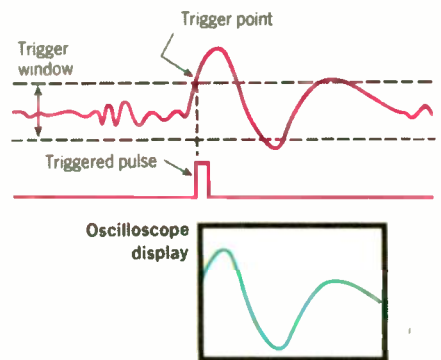
## Acquisition

The traditional oscilloscope would only capture a signal if it passed through a threshold in a positive or negative direction. This was later extended to window triggering – where the oscilloscope would capture a signal if the trigger voltage left a pre-defined band. These modes of operation were essentially hardware-based triggering systems. With the arrival of the digital scope, the need for a more sophisticated triggering system was established.

Basically there are two types of triggering now seen as essential in modern oscilloscopes: pattern triggering and variation capture. Both are similar in that they are either capturing a signal which deviates from an established pattern, or capturing variations in a signal – for example drift or glitches.



*Traditional oscilloscopes would only capture a signal if it passed through a threshold in a positive or negative direction.*



*In window triggering the oscilloscope would capture a signal if the trigger voltage left a pre-defined band of voltages.*

## Pattern triggering

Pattern triggering is a very powerful mode, especially in digital electronics. As most signals are visually similar, it is difficult to find a unique point at which to trigger the scope as all the pulses are identical.

To capture deviations from a pattern, the oscilloscope compares the captured signal against a predefined pattern. If the signal falls within the limits of the pattern the scope will not trigger, but if not it will capture the signal (see diagram).

Mask testing is another type of pattern test where the need is to compare the captured signal with a predefined mask to ensure that

**THE FUTURE  
OF  
INSTRUMENT  
SUPPLY**

**iR**  
**G R O U P**

*I.R. Group works for you by bringing together a wide range of services under one banner. Instrument Rental, Ex-rental Sales, New Equipment Sales and Leasing.*

*It's the future of instrument supply, and it's available to you today.*

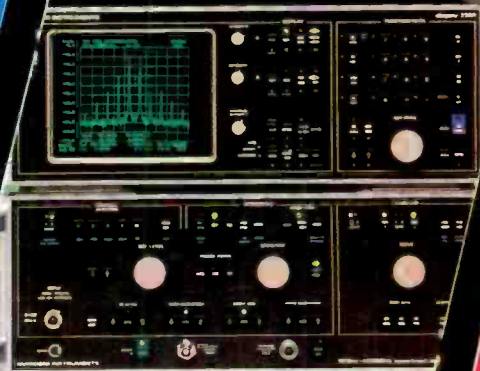
*I.R. Group – the complete instrument supply company. Call us today for our new catalogues on:*

**HOTLINE**

**0753 580000**

**Dorcan House, Meadfield Road, Langley, Slough, Berkshire SL3 8AL**

**ENTER 4 ON REPLY CARD**



the signal falls within a parameter set. This is common in production testing and the mask is either production – specific, or an international standard.

This has been a very labour intensive task and one prone to many errors in both measurement and interpretation. The use of limits testing simplifies this tremendously, as the mask can be defined from a computer and the comparison performed quickly and easily. If there should be a need to adjust the test system, the scope can display a fail message while still performing the test so that it is possible to make interactive adjustments while testing.

### Variation acquisition

The traditional tube storage oscilloscope provided a capability for monitoring a signal for variations with a variable persistence mode. Here the physical process would retain a trace for a certain time and build up several sweeps – each trace would then fade a certain time after the trace had been written. This provided the capability to capture drift within a signal, intermittent signals or to capture the envelope of a signal where the basic signal components were of too high a frequency to view, see diagram.

This mode of operation was difficult to implement in digital storage oscilloscopes and this type of application was the only one remaining for tube storage scopes. Now this acquisition is catered for by envelope mode, which will build up a trace over several sweeps and then store alternate maximum and minimum values, as shown on this page.

### Analysis

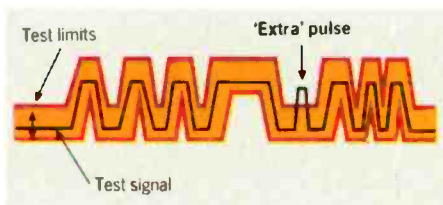
There has been a gradual move within the digital storage oscilloscope that has allowed facilities that were once external to the unit to be incorporated into it. External implementation was either via a computer or visual comparison by the operator. The areas of analysis are

- signal transformation
- comparison analysis
- signal processing.

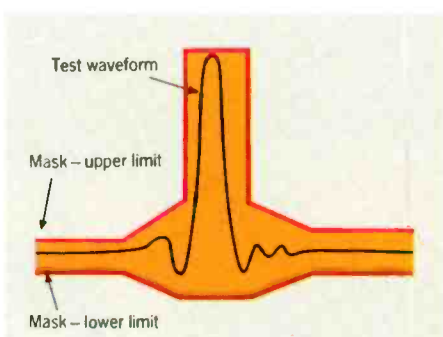
### Signal transformation

One of the principal transformations is from the time domain to the frequency domain. The frequency domain shows the amplitude of the signal against the frequency domain rather than the time domain. The most common way to do this is by using the fast Fourier transform (FFT), a special case of the discrete Fourier transform (DFT) which uses an integral power of two points (e.g. 128, 256, 512 or 1024). Because of this, the speed of operation is greatly increased with no degradation of accuracy.

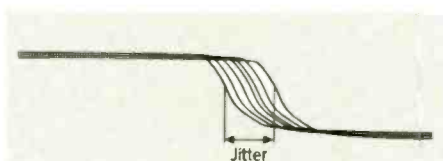
Originally an external computer or a dedicated FFT analyser would be used, but the first solution is inconvenient with two units to move, interfacing problems and software. The second solution could be expensive if all that was needed was a quick



**Pattern triggering uses limits testing to capture a glitch within a pattern if it falls outside the pattern limits.**



**Computer generation of masks for pattern testing makes for quick and easy comparison as well as interactive adjustment while testing.**



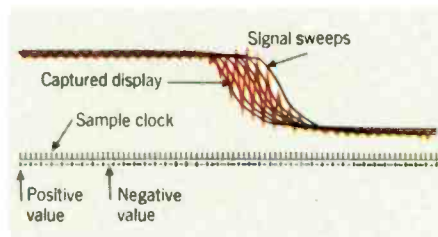
**Trace retention in storage tubes provided the capability to capture intermittent signals, drift or the envelope of signals too high in frequency to view, functions now provided by an envelope mode.**

look at the frequency domain to examine the extent of the problems without the cost and inconvenience of a separate FFT analyser.

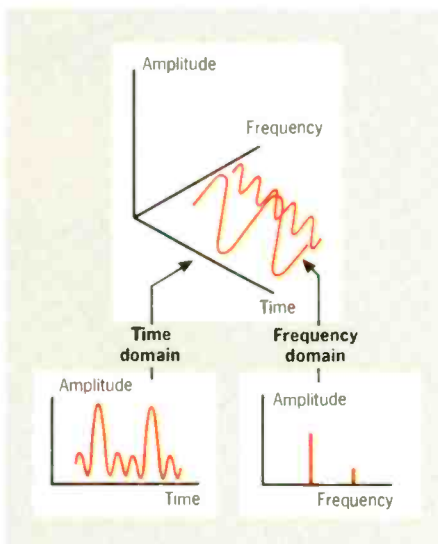
Of course, FFT analysers are essential to make high resolution measurements on wide dynamic range signals, but the vast majority of oscilloscope users will only need the FFT capability infrequently. There are advantages and disadvantages to both – the FFT analyser will usually offer a wide dynamic range (>70dB) with a comparatively slow a to d converter (< 1 megasample/second), whereas the scope will have a lower dynamic range (40dB) but a higher digitizing rate and more powerful triggering.

An FFT facility allows selection of

- the number of points – fewer points give faster results. The disadvantage is that frequency resolution is degraded.
- window function. The nature of the FFT algorithm requires that a transient signal needs a different window function from a repetitive waveform. The window function



**In digitizing oscilloscopes, envelope mode stores the most positive or negative values in alternate memory locations and builds up an envelope over a period.**



**In oscilloscopes with a built-in FFT capability for frequency domain display the limited dynamic range 4 dB is adequate for many applications. The Fourier transform is a special case of the discrete transform with points at 128, 256, 512, . . . to increase speed.**

basically multiplies the captured data points by a function.

- logarithmic scaling. To be able to view both high and low level frequency components it is important to scale the amplitude axis as a log scale.

### Comparison analysis

It is difficult to determine whether a current trace is the same as either a previously captured trace or a reference trace. This is easiest if the trace is repetitive and traces can be superimposed, but if the signal is a transient that may not be possible. There can be many changes in the trace that will not affect the comparison, but can make a visual comparison impossible.

Both horizontal and vertical position differences are easily corrected in a digital storage oscilloscope (DSO) as the digital data can be moved. With a conventional scope, a facility such as this is impossible once the signal has been captured. Even differences in

amplitude can be eradicated using post-storage magnification and attenuation which are, again, not possible with a conventional oscilloscope.

Conventional scopes also had difficulty in making easy comparisons between the current trace and one that was previously captured. The only technique that made this possible was the use of a scope camera and to visually compare the two signals – the advent of the DSO overcame this problem entirely.

Traces can be stored in either non-volatile ram or an external computer and then recalled for comparison. To make this comparison simple, trace arithmetic gives the differences between two traces. Coupled with the post-storage shift features, this makes it easy to compare a current trace with one previously captured.

**Signal processing**

A captured trace can be processed to give the effect of a low-pass filter. The algorithm is formed so that the cut-off frequency varies with timebase range and there are several steps of filtering per timebase range. The immediate application of this is to filter the high frequency noise from a captured signal, an extension being to perform 'What if?' analysis.

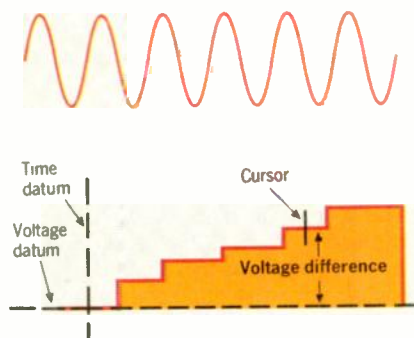
It is thus possible to capture a signal that may need some form of filtering and see the effect that different values of filtering will have on the signal. This means that with the minimum of effort it is possible to obtain a quick preview of the type of effect a hardware filter might have upon the signal – even before it has been designed.

**Measurements**

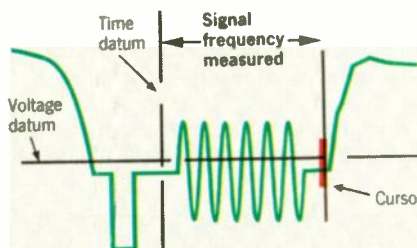
As the basic function of an oscilloscope is to give a time-domain display, the standard measurements are voltage and time differences. To the majority of engineers, the main instruments for these functions are the digital voltmeter and the time-interval and frequency counter. These give excellent results for the measurements of simple waveforms – a DVM can measure voltages with resolutions of nonovolts, and a counter can measure time intervals with resolutions of picoseconds. Problems arise when the waveform is more complex.

The DVM will give a measurement of the overall waveform. It is possible to make several tens of readings per second or, at a lower resolution, several thousand, but it is impossible to make spot readings between points on the waveform, as illustrated. For that particular application a DSO is the best instrument, although it has a lower resolution.

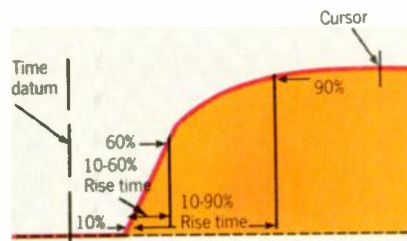
Again, with a counter, the resolution achieved on a simple signal greatly exceeds that obtained on a DSO. It is impossible to make measurements on a complex signal because it's not possible to see which part of the signal is being measured. A DSO makes it



*DVMs are accurate for simple, constant signals but oscilloscopes view the signal and measurement point, and change the reference point after capture.*



*The microprocessor makes it easy to incorporate routines to measure a wide range of waveform parameters.*



*Sometimes it is useful to select point other than the 10 and 90% points when measuring rise or fall times.*

possible to select the exact part of the signal to measure.

Simple measurements of voltage and time have been available for a long time and with the arrival of the microprocessor it is an easy task to incorporate a range of routines to measure a wide range of waveform parameters, as indicated on this page.

As signals can be easily viewed, the operator can quickly select the waveform of interest, leaving the scope to calculate the parameters. Rise and fall time have generally been performed on oscilloscopes but they needed a skilled operator and were prone to

poor accuracy and repeatability. Today, measurements such as these can be performed quickly and easily. To make a measurement more useful, it is now possible to select different points from the usual 10 and 90% points on a signal.

Other measurements such as area and RMS are not usually made on an oscilloscope. These are only possible because of the digital nature of the trace. A scope makes it easier to select the part of the trace to measure and then the processor can calculate the waveform parameters.

The ability to view and select part of a trace makes it possible to contemplate replacing some of the test equipment items such as counters and digital voltmeters.

**Archive**

Information is stored to have a permanent record of the signal, to monitor changes in a parameter, and for analysis at a more convenient time. A permanent record was usually achieved with a camera. Once a result had been obtained, the display was photographed. Though this method gave good results it could be expensive and didn't easily lend itself to any further analysis techniques. Once the signal was digitized – the number of options increased. The signal could be converted into a slow-speed analogue signal with the output recorded on an analogue X-Y recorder. When low-cost digital plotters appeared on the market, offering colour plots with full annotation, the analogue recorders were superseded.

Digital plotters changed from being external to internal devices giving integral plotting of the captured trace. Again this is faster, more convenient and cheaper than an oscilloscope photograph, but still only gives a record with no further analysis capability.

In terms of analysis there are two requirements: to compare two traces, and to analyse them further. Most digital scopes have a computer interface, but it is not always possible to transfer data to the computer for further analysis immediately. Often signals are captured away from the laboratory and it is not possible to use a computer with the oscilloscope.

To simplify this situation, oscilloscopes can now store several traces for analysis at a more convenient time. In some cases these are automatically saved on the receipt of a trigger signal. When the scope is at a site remote from the laboratory a memory module can be detached and sent back to the main site for analysis on another oscilloscope.

**Automation**

To make the task of automation easier, most digital scopes can now use their internal processor to provide a sequence of tests and measurements that can be performed automatically. The length of sequence is kept short as there is a limit to the number of separate tasks that can be undertaken before

it becomes more cost effective to use an external computer. An extension to the technique is for the computer to store several sequences and then incorporate them within a larger test program. This approach makes it much easier to write large test programs.

The writing of a sequence should be as easy as possible. The most natural way is for the user to perform the test sequence and the scope to learn it. This is an effective method as the user may know the best way to carry out a task but not necessarily be able to write it down. A sequence can also be entered using the 'Edit' mode to either edit a learned sequence or enter an established one. The main advantage of using a programmable sequence is that it can give the most appropriate amount of automation, without the engineer having to learn how to program a computer.

### Operator interface

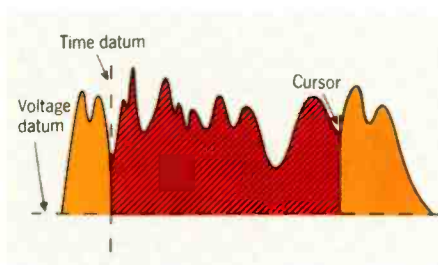
Control for added facilities are provided in three ways – additional front panel buttons, menu functions, a through an external keypad. There are several problems in adding more buttons to the front panel. The

trend is to move towards a smaller front panel. Extra buttons add to the clutter and make the instrument more complicated to operate.

The menu system always seems an attractive idea because the extra hardware cost is minimal, particularly when the product already uses a menu system for the operation of the scope. The disadvantage is in the terms of the usability of the oscilloscope. They tend to be used by several people in a particular environment, and most will be 'occasional' users. The difficulty with menu systems is that no matter how much effort is put into arranging the system – the wrong function is always in the wrong menu!

The external keypad is by far the best solution for many reasons. For the user who only needs the basic oscilloscope features the front panel is uncluttered, but for the user who needs the extra facilities the keypad gives one key per function for ease of use. The unit can also be upgraded when further enhancements to the software are made.

*By John Bryan, product marketing manager at Gould Electronics Ltd of Hainault, tel 500 1000.*



**Digital nature of the trace makes it easy to select parts of waveforms for measurement and calculate areas under curves. It is thus possible to contemplate replacing counters and digital voltmeters, say Gould.**

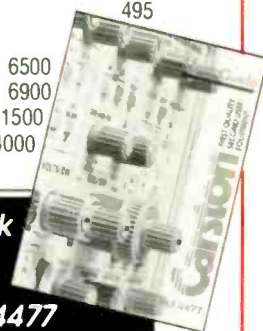
## FIRST QUALITY SECOND USER EQUIPMENT

**Carstonsell Carstonbuy Carstonsell Carstonbuy**

CENTRONICS	Guide Price £
353 180 CPS Line printer	250
DEC Q4 Microvax/16-user licence from	14500
SUN 360 Workstation, 14" colour, 4Mb mem	12000
SOLARTRON	
3530D Data logger	3950
35301B Solid state card	250
35302A Event status module	200
HEWLETT-PACKARD	
4951A-001 Protocol analyser	1500
1630G Logic analyser	4500
16500A Logic analyser mainframe	4100
16510A 80 channel card	2950
16515A 16 channel, 1 GHz card	6100
16521A 48 channel pattern gen. card	3500
FLUKE 9000A-Z80 Z80 POD for 9010A	450
PHILIPS PM3267 100 MHz oscilloscope	650
MARCONI	
6960 Digital power meter	1500

MARCONI	Guide Price £
TF893B Power meter	495
PHILIPS PM8252 2 pen recorder	495
HEWLETT-PACKARD	
8754A Network analyser	6500
8901B/001 Audio analyser	6900
8620C Sweeper mainframe	1500
86290B Sweeper plug-in	4000

**Is your Carston Stock  
Guide Up-to-Date?  
If not Phone 01-943 4477**



Carston Electronics Limited

2-6 Queens Road, Teddington, Middx TW11 0LR Tel: 01-943 4477  
Fax: 01-977 9232 Telex: 938120 (Carlec G)



**HEWLETT-PACKARD 8350A Systems**  
Various configs. available on request



**PHILIPS PM3295 Scope** £2900



**TEKTRONIC 577**  
Curve tracer  
£4500

ENTER 34 ON REPLY CARD



# DIGITAL AUDIO TESTING IN THE DIGITAL DOMAIN

**W**hen digital devices perform functions previously available in analogue form they may be tested as black box replacements for the corresponding analogue device using the conventional analogue measurement range of hardware.

However if the device only interfaces in the digital domain, if the purpose of testing is to provide detailed design feedback, or if it performs functions not previously available in analogue form, this approach is not adequate.

To isolate the performance of portions of the device under test designers often employ high quality AD or DA conversion systems to convert their test equipment into the digital domain. This technique also requires, or takes on faith, that the conversion system used to interface to the device under test is of higher performance.

Digital gain can be introduced in the device under test to help separate the effects of conversion achieved by shifting bits of digital words to the left or right by N bits which produces a gain or loss of 6N dB. Any application of digital gain or attenuation limits the dynamic range of the measurements. This approach does nothing to solve the other inaccuracies of conversion: anti-alias and reconstruction filtering, sample and hold problems, deglitcher problems, and clock jitter. Another problem is that some parameters of interest to digital audio designers are difficult to measure in the analogue domain: differential nonlinearity, integral linearity, missing codes, error rates, error correction efficiency and interpolation accuracy for instance.

A means of measuring digital audio signals in the digital domain is required to eliminate these inaccuracies in conventional tests and to facilitate specialized testing. The solution cannot focus solely on the digital portion of the problem since the equipment under test transcends the analogue and digital domains. Audio Precision has developed the concept of dual domain testing, allowing testing of hybrid systems with equivalent methods directly in the appropriate domain.



## How to make standard audio measurements on digital signals without converting to the analogue domain

### Digital measurement hardware

Audio Precision developed the DSP-1 to make the measurements directly in the digital domain. It provides a digital signal processor core with both analogue and digital input and output capabilities. It is one module in a larger computer-based test system, Audio Precision's System One, which includes conventional analogue measurement hardware. The DSP-1 module provides direct digital measurement capability and enhances the analogue measurement functions of the existing analogue system. It is built around three digital signal processors, one for the DSP core functions, one for the analogue interface, and one for the digital interface. The DSP core and analogue circuitry are on one board, the digital interfaces are on an optional second board.

*Digital audio testing was the subject of the March lecture to the British section of the Audio Engineering Society.*

Hardware is built around three Motorola DSP56001 24-bit digital signal processors. Program memory is 8K words of 0-wait-state static ram and data memory is 32K words of 1-wait-state static ram. The option board adds another 64K words of static data ram, split equally between X and Y memory. The main board also contains a hardware random number generator and simple real-time clock.

The decimator DSP receives signals from two on-board converters and decimates the data to lower sampling rates. The ADCs are always run at 192kHz or 176.4 kHz and reduced if desired by decimation filtering to 48, 44.1 or 32 kHz. Analogue signals from the various portions of the System One measurement modules or from dedicated front-panel inputs are routed to 80kHz anti-alias filters before feeding the AD converters.

The third processor is for serial audio communications over an AES-EBU format port. Data encoding and decoding, synchronization, parity checking and extracting the serial status bit stream are accomplished by dedicated logic circuits. The additional DSP provides sample counts, time-of-day clock, pre-emphasis flags, channel allocation information, and source and destination codes. Additionally, it pre-emphasizes and de-emphasizes data from this interface via recursive (IIR) filters.

Parallel input and output ports are also provided for connection to external test circuits and DSP devices. Each port handles two channels of 24-bit data.

### Dual Domain Testing®

To allow comparisons between signals at arbitrary points in a digital audio device requires that the measurements be made digitally in a manner similar to that in the analogue domain. Suppose an unacceptably high value of THD+N is measured at the analogue output of a digital tape recorder. A measurement of distortion on the digital signal out of the recorder will indicate whether the problem is in the record or reproduce sections of the machine. However, measuring distortion with an FFT of the

digital data will provide incomplete results since it cannot be correlated with the reading on the analogue signal. To avoid this problem the measurements in the two domains must be made with comparable methods.

By downloading signal processing code to the DSP module for the desired measurement the same digital hardware may be used for many different types of measurement. One of these programs is described below. Others, for performing FFTs or displaying digital audio signals in oscilloscope fashion are also available.

In a conventional analogue signal generator and audio analyser test scheme one or more signal sources are summed to create the test signal. For harmonic or intermodulation distortion tests these are very low distortion sinewave oscillators; for other tests one of these may be a random noise generator or squarewave generator. After summation these signals are attenuated to the desired level and sent through a balancing amplifier or transformer to the device under test input.

The signal received from the device under test is buffered and converted to a ground-referenced signal for processing by the measurement hardware. The signal at this point is used by many different measurement circuits: an rms level meter, frequency counter, noise weighting filter and notch filter. The rms level meter provides the fundamental level reference for distortion measurements or may be used for general purpose level and amplitude response measurements. If THD+N is being measured the notch filter removes the fundamental.

The remaining signal is amplified and drives high-pass and low-pass band-limiting filters. This filtered signal goes to a second level meter for display of the distortion component amplitudes. A frequency counter will typically determine the incoming frequency. The measured value tunes the notch filter frequency and informs the operator as to the signal being measured. When noise measurements are needed a weighting filter and special ac to dc converter is used to simulate the frequency response of the human ear and correlate the measured value with the audible nature of the noise.

In the digital signal generator and analyser architecture, there is a strong similarity to the analogue implementation. Again, one or more signal sources are summed to create the test signal. Many digital signal generators have been developed in the past which simply read a sinewave or other test signal out of rom. This limits the resolution of the test signal to submultiples of the sampling frequency, inversely proportional to the rom address size. A 64K-word rom would be needed to obtain resolution of better than 1Hz. This integer frequency relationship also limits the number of different addresses read from rom, limiting the number of

## MEASUREMENTS ON COMMERCIAL CONVERTERS

For an alias rejection test an oversampling A/D converter, the ADC is driven with a sine wave and the output is measured digitally with the DSP-1 operating as a digital RMS meter (see diagram). The sinewave amplitude is set at 6dB below full scale to prevent overdriving the input filters of the converter. The sinewave frequency is swept from 10 to 200kHz and the RMS level of the digital signal shown. This provides a plot of the response of the converter to in-band and out-of-band signals. The alias products that the converter lets through show quite clearly in the graph at about 50dB below full scale or 44dB below the input, and are mirrored around 96 and 192kHz.

Level linearity on DA converters may be measured by generating a digital sinewave using the DSP. The output of the converter under test is measured with an analogue bandpass filter followed by an rms meter. Sweeping the amplitude of the digital signal and graphing the measured amplitude results in the plot shown above. Subtracting the best fit straight line from the data and re-graphing gives the deviation from linearity plot – within 1dB down to 95dB.

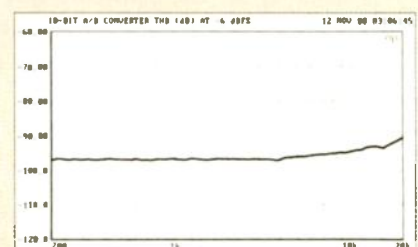
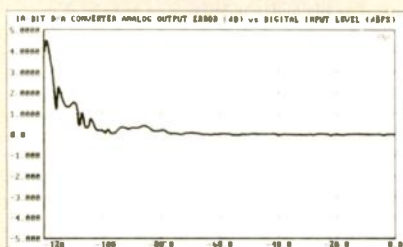
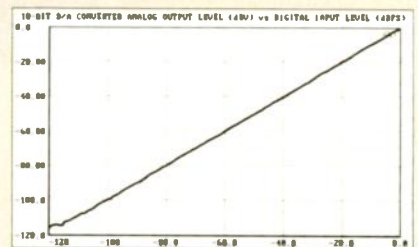
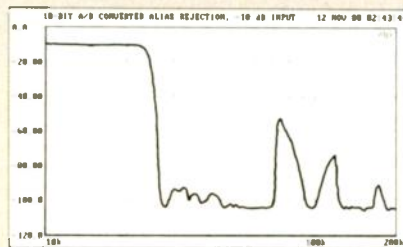
Inverting the functions of the analogue and digital portions of the measurement equipment allows linearity measurements on AD converters. The low distortion analogue

generator stimulates the AD with a sinewave. The DSP is programmed to filter the digital signal from the converter with a passband centred at 997Hz and to compute the rms amplitude of the filter output. The amplitude of the analogue sinewave is swept and the digital rms level recorded. Converter is an oversampling 18 bit design with exceptional low-level linearity performance.

Using the DSP to generate a properly dithered low distortion digital sinewave, THD+N measurements may be performed on the DA converter measured earlier. The analogue distortion analyser measures and tracks the frequency out of the DA and tunes its notch filter appropriately. By sweeping the frequency or amplitude of the digital sinewave plots of the converter distortion may be obtained.

The digital and analogue functions of the system may again be interchanged to obtain measurements of an AD converter. The DSP measures the frequency and rms amplitude of the received data.

It computes the necessary coefficients to form a notch filter centered on the incoming sinewave. The filter output is measured with a second rms computation. A typical THD+N vs frequency plot of a professional audio grade converter is shown.



different codes tested in the DAC under test.

The DSP-1 computes the values of the output signal from equations and coefficients are stored in the program. This allows any sinewave to be generated with 24-bit resolution and accuracy in both frequency and amplitude. The waveforms are free from rom-size limitations and suffer no degradation in accuracy when set to non-integer frequency values. These signals are correctly dithered before being quantized to the desired output resolution, preventing

erroneous results at low signal levels.

The analysis portion of the DSP measurement system is less complicated than the corresponding part of the analogue measurement system. The signal is processed by an rms level measurement routine, a frequency counter routine and a filter routine. Instead of having a bank of filters that are switched in and out there is one multistage filter – a ten-pole design composed of five second-order stages in cascade. The coefficients are programmed approp-

riately for any of the measurements to be made. When measuring THD+N this is programmed as an eight-pole notch filter. Two additional poles are used as a high pass filter to block incoming direct current. The notch filter is then tuned by the frequency counter that measures the input frequency.

There is an additional routine which computes the necessary coefficients of the digital filter for the measurements being made. When performing THD+N measurements the frequency value is used to derive the 20 coefficients required for the four sections of filter. The five coefficients to program the two poles of highpass are set by the desired high-pass frequency. For noise measurements the filter is converted to a weighting filter by re-programming these coefficients with the appropriate values.

The process has 250 instructions available between samples at a 48kHz sampling rate. The real-time tasks are allocated 200 of these instructions and operate in a loop. The remaining 50 instructions are allocated to background tasks which run in a separate loop. The signal generation, scaling, and dither must all be done in real time. On the measurement side, the rms computation of the input signal, filtering, amplitude detection of the filtered signal and zero crossing



detection for the frequency counter must also be done in real time. Frequency computation, coefficient computation, coefficient loading, housekeeping tasks and communication with the PC happen in the background.

By Dr Richard Cabot, vice-president and principal engineer with Audio Precision Inc. of Beaverton, Oregon. The company was formed in 1984 by former Tektronix engineers specializing in high-tech audio test equipment, and is represented in the UK by Scenic Sounds of London, telephone 01-387 1262

## Turn your Apple Mac or IBM PC into a storage oscilloscope and spectrum analyser.



Phone or FAX orders also accepted with VISA BANKCARD or MASTERCARD  
Phone (64) 4 835183 FAX (64) 4 838046

The Strokes Signal Acquisition System when attached to your Apple Macintosh or IBM PC (or compatible) will provide you with all the software and hardware required to emulate a two channel, variable time base, variable trigger Storage Scope PLUS a two channel 40kHz Spectrum Analyser.

### FEATURES

- 0 to 100kHz sample speed at up to 16384 samples per channel
- 14 bit resolution A to D converter.
- Automatic notification of software and hardware upgrades and accessories (eg Noise source for transfer responses)
- Low cost. System includes all software and hardware to get you going.

Please rush me: (tick box or boxes)

- More information about the Signal Acquisition System
  - Sample disk at \$NZ25.00ea Qty.....Format.....
  - Signal Acquisition System at \$NZ1395.00 incl freight
- Number of systems..... Disk format reqd .....

Special Instructions: .....

PAYMENT BY Cheque(encl) VISA MASTERCARD BANKCARD

NAME \_\_\_\_\_ Phone \_\_\_\_\_

Deliver to: \_\_\_\_\_

SIGNATURE

Card Number \_\_\_\_\_ EXP DATE EWW 4/89

POST TO: Strokes Engineering Ltd  
28-30 Happy Valley Road, PO Box 7349  
WELLINGTON NEW ZEALAND

DEALER ENQUIRIES WELCOME

ENTER 31 ON REPLY CARD



# Farnell

## Dual trace oscilloscopes

A RANGE OF 20, 40 AND 60MHz OSCILLOSCOPES FOR USE  
IN EDUCATIONAL, TEST, SERVICE AND DEVELOPMENT APPLICATIONS

**DTV20** – 20MHz, 1mV sensitivity. Component test, variable trigger with hold-off, single sweep, Add/invert/XY/Z mod, TV trigger, illuminated graticule – useful for educational or general purpose applications.

**DTV40** – 40MHz, 1mV sensitivity. All the features of the DTV20 (except component test) plus fully calibrated delayed timebase – useful for R and D and Test applications in both Industry and Higher Education

**DTV60** – 60MHz, 1mV sensitivity. As the DTV40 but with a faster timebase and additional input channel – useful for the majority of R and D, QA, Test and Inspection or Service applications.



send now for detailed information



# Farnell

Farnell Instruments Limited  
Sandbeck Way, Wetherby, West Yorkshire, LS22 4DH  
Tel: 0937 61961 Telex: 557294 Fax: 0937 66908

ENTER 35 ON REPLY CARD 71

# TEST STRUCTURES IN WAFER FABRICATION

**W**hen integrated circuits are fabricated the manufacturing process is first parametrically checked before any of the chips are functionally tested. This monitors the engineering parameters, while the functional testing which follows provides information on the yield of the process. Parametric testing provides the process engineer with the first confirmation that each of the process steps has performed within specification and the decision can then be made about whether the wafers should proceed to functional test.

The measurement of test structures provides an insight into the fabrication process which would not otherwise be available. Not only does it give information about device performance but also supplies additional data on individual process step. This gives the process engineer the ability to not only identify the exact process step that caused a problem but also to monitor the uniformity of processing across wafers and batches.

Parametric testing is performed on devices and test structures which have been designed to measure specific parameters. These structures are located either on a process control chip which is dropped into the wafer at a few sites or in the scribe channel. The smaller-geometry processes which expose each chip individually tend to locate the test structures in the scribe channel.

The dilemma for the manufacturer is the decision on how much area should be devoted to test structures at the expense of product chips. If too much area is used for test structures profitability is reduced. On the other hand, too few test structures is potentially dangerous, since the performance of the process cannot be properly monitored and drifts in device parameters may not be detected except by catastrophic failures at functional test. If this is the case there is then the further problem that the specialist test structures will not be available for use in a diagnostic mode. There is no straightforward answer to this issue of area ratios, and while the experience gained from present day technologies may be transferred

*The IEEE International Conference on Microelectronic Test Structures is the main forum where issues are debated and the latest developments in test structure design and measurement methodology reported. The second conference with this title, organised by Dr Walton, was held in Edinburgh, March 13, 14.*

Andrew Walton, of the  
Edinburgh Microfabrication  
Facility, highlights the  
topical issues in wafer  
process control

to technically more advanced processes there is no guarantee that this approach will be successful.

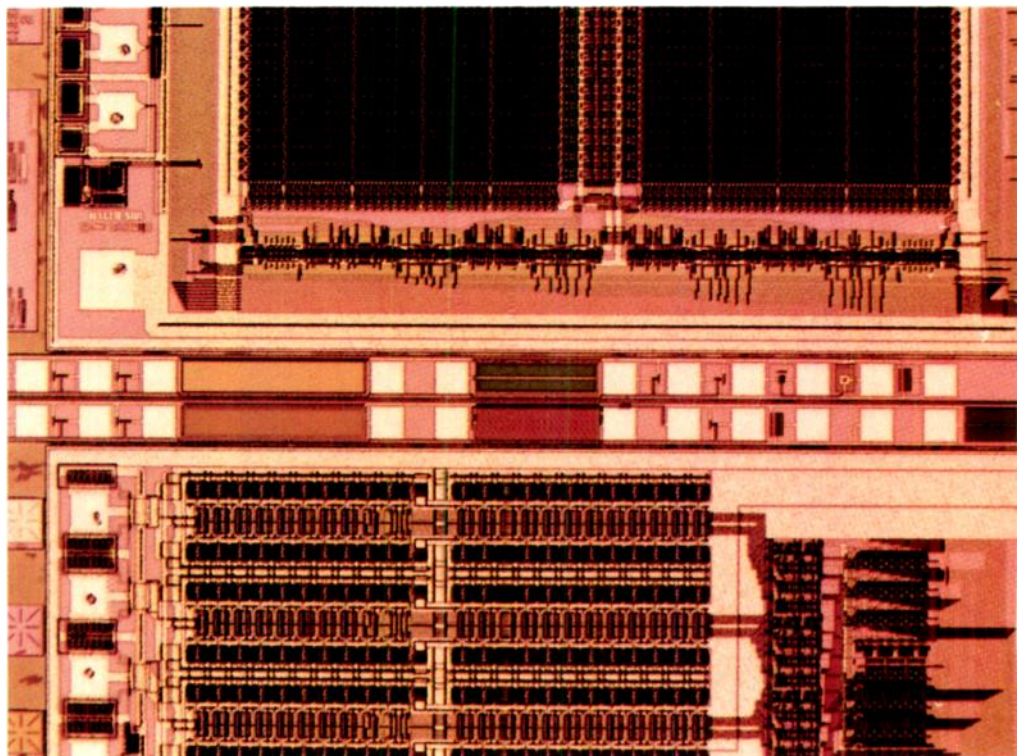
There is much discussion throughout the semiconductor industry trying to determine the minimum number of structures required to fully characterize a process. This problem is also related to the problem of data storage and collection. A fabrication line that starts 5,000 wafers each week with every one requiring 100 measurements on all 100 sites produces  $10^7$  items of data per week. This is in addition to the measurements that are made during the process and conse-

quently data reduction techniques must be employed.

#### Future tendencies

Parametric testing is an important part of integrated circuit process control. As manufacturing systems develop, all the information relating to wafers is now being stored on the same database. This includes in-process measurements, facilities information, parametric and functional test together with the processing history of each wafer. This makes the efficient use of the information much simpler giving engineers the option of posing questions which examine what batches of wafers have in common when their parameter spread is outside specification. Perhaps more importantly they can also ask the same question about the batches that have a very low spread in parameter values to help in the identification of the procedures which give the best control of the process. This type of analysis requires a high degree of skill and work is now being undertaken to develop expert systems to help diagnose processing problems and devise measurement strategies to automate operations.

*Wafer test structures can be dropped into a scribe channel, as in this Inmos wafer (centre).*



HOW PARAMETERS ARE MEASURED

**Sheet resistance.** The Greek Cross shown is used for measuring the sheet resistance of conducting layers. The measurement is simple with current being forced between pads 1 and 2 and voltage measured between pads 3 and 4. The sheet resistance is then calculated using

$$R_s = 4.53 \frac{V_{34}}{I_{12}} \Omega/\square$$

The calculation has no dimensions involved and consequently does not depend on the accurate control of dimensions.

**Linewidth.** The structure shown below can be used for electrically measuring the linewidth of conducting tracks. On the left hand side is a Greek cross from which the sheet resistance is derived. Current is then forced along the main track between pads 1 and 2 and the voltage measured between pads 3 and 4. Linewidth is then calculated from

$$W = R_s L \frac{I_{12}}{V_{34}}$$

**Misalignment.** A structure that can be used to measure the degree of misalignment between two layers consists of a conducting track with taps for voltage measurements spaced at equal distances. One of these taps is a contact and provided that it is perfectly aligned, the voltages measured between adjacent taps will be equal. But if the contact is misaligned the voltages will be unequal and the value of misalignment

$$c = \left[ \frac{(V_1 - V_2) - (V_2 - V_3)}{(V_4 - V_3)} \right] S$$

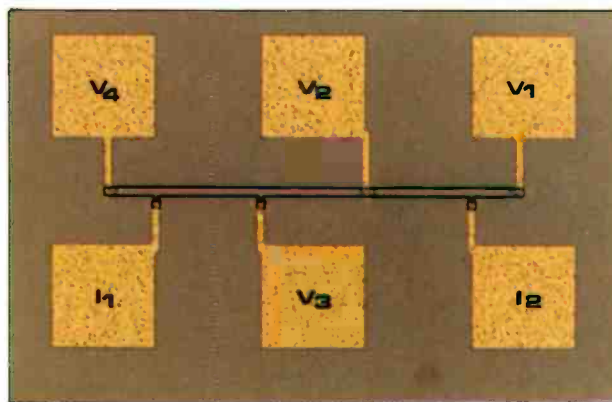
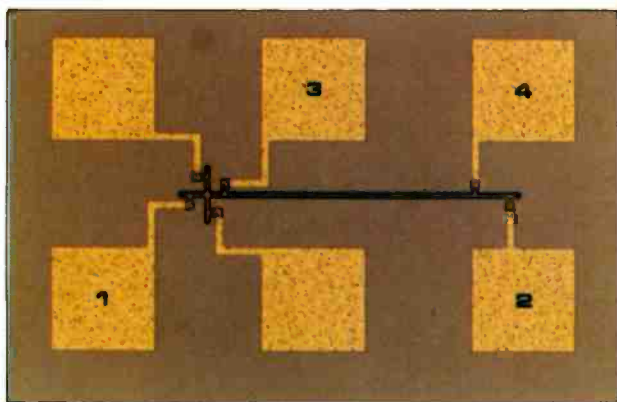
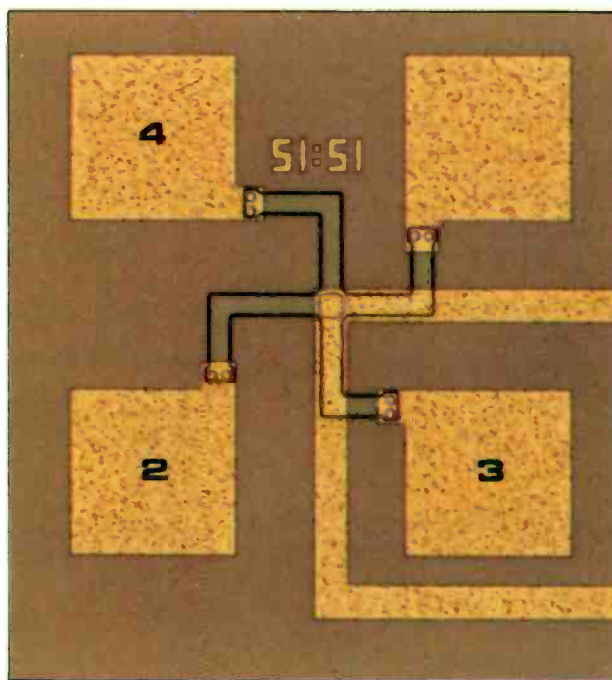
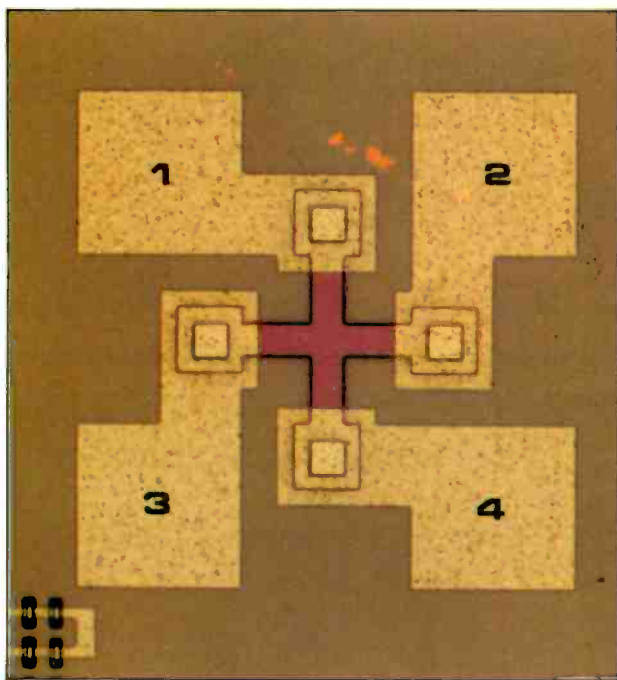
This structure only gives misalignment along one axis and an identical one at 90° is required to obtain the full misalignment vector.

**Contact resistance.** To monitor contact resistance between two conducting layers current is forced between pads 1 and 2 and voltage sensed between pads 3 and 4. The interfacial contact resistance is simply

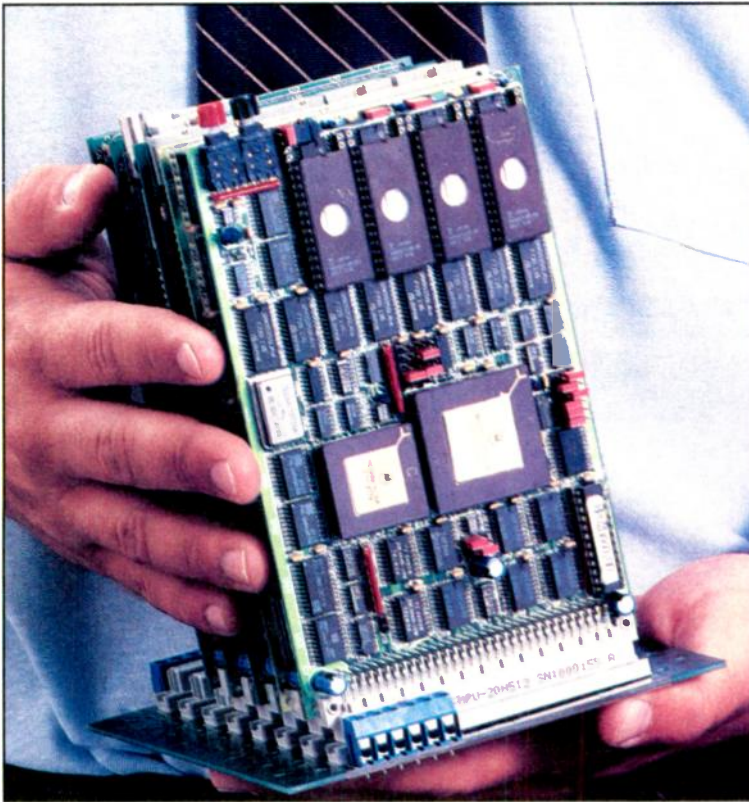
$$R_c = \frac{V_{34}}{I_{12}} \Omega$$

**Data display.** Further aids are wafer maps which show the variation of different parameters over a wafer. A vector map shows misalignment across a wafer while a shaded map gives the variation of transistor threshold voltage. Information displayed in these formats is of great value to the process engineer.

*The Greek Cross measures resistivity by forcing current through two adjacent pads and measuring voltage between the other two – top left. This enables linewidth to be determined from the ratio of current along the main track to the voltage drop across the two right-most upper pads (bottom left photo). Bottom right structure tests for misalignment between layers along one axis and an identical one at 90° is required. Kelvin structure, top right, measures contact resistance between conducting layers.*



# Stop, Look, Compare and Make The Right Choice



## Just look at the facts:

The single height Eurocard and DIN connector is the most rugged packaging system, and the easiest to integrate into an embedded system.

The G-64 bus is the only architecture that gives you full 32-bit capability on a single height Eurocard.

Yet the G-64 bus is also the simplest to interface to, with as little as five TTL devices, and therefore, the least expensive of all modern industrial OEM buses.

GESPAC is the world's largest producer of single height Eurocard microsystems, with 10 years of design and manufacturing experience, and with the largest selection of state-of-the-art hardware and software products.

Don't you think then that the company that makes the most single height Euroboards should also be providing you with the best microsystem products?

Let us show you the facts. Call to receive your free GESPAC catalog with over 300 hardware and software system components, and a factual comparison of the G-64 bus with other popular architectures.

### DISTRIBUTED IN THE U.K. BY:

Altek Microcomp. Ltd. 3 The Courtyard Denmark Street Wokingham Berks RG11 2AY Tel. 0734 772345	Pronto Elec. Syst. Ltd. Heyes Lane Alderley Edge Cheshire SK9 7LW Tel. (0625) 582 637
---	--

	<b>G-64</b>	<b>Single VME</b>	<b>Double VME</b>
<b>Data bus</b>	32-bit	16-bit	32-bit
<b>Address bus</b>	32 Mbytes	16 Mbytes	4 Gbytes
<b>Bandwidth</b>	40 Mbytes/s	20 Mbytes/s	40 Mbytes/s
<b>Memory transfers</b>	Async	Async	Async
<b>I/O transfers</b>	Sync & Async	Async Only	Async Only
<b>Address modifiers</b>	2	6	6
<b>Min. address lines</b>	10	16	16
<b>Min. data width</b>	8-bit	8-bit	8-bit
<b>Interrupt levels</b>	6	7	7
<b>Vectored Interrupts</b>	Yes	Yes	Yes
<b>Autovectors</b>	Yes	No	No
<b>Multiprocessor</b>	Yes	Yes	Yes
<b>Arbitration type</b>	Parallel	Doisy Chain	Doisy Chain
<b>Priority levels</b>	31	4	4
<b>Typ. arbitration time</b>	200 ns	1.4µs	1.4 µs
<b>Max. arbitration time</b>	220 ns	3µs	3µs
<b>Position dependent</b>	No	Yes	Yes
<b>DMA</b>	Yes	Yes	Yes
<b>Message passing</b>	Yes	No	No
<b>Eurocard</b>	Yes	Yes	Yes
<b>Connector</b>	96 Pin DIN	96 Pin DIN	2 x 96 Pin DIN
<b>Board Dimension (mm)</b>	100 x 160	100 x 160	233 x 160
<b>Average CPU board price</b>	\$350	\$700	\$1500



ENTER 53 ON REPLY CARD

**INTERNATIONAL**  
18, chemin des Aulx  
CH-1228 Geneva  
Tel. (022) 713 400  
Fax. (022) 713 834  
Telex 429 989

**USA-CANADA**  
50 West Hoover Ave.  
Mesa, Arizona 85210  
Tel. (602) 962-5559  
Fax. (602) 962-5750  
Telex 386 575

**FRANCE**  
Z.I. Les Playes  
83500 La Seyne  
Tel. 94 30 34 34  
Fax. 94 06 30 56  
Telex 430 727

# Panasonic VP-5610P

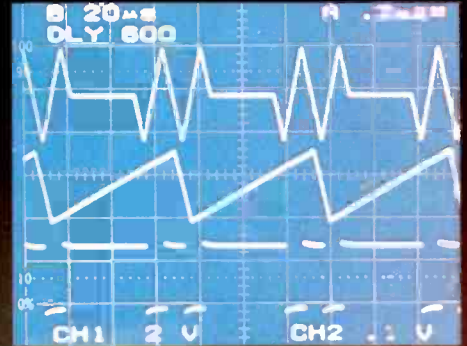
— the little 'scope that goes a long way



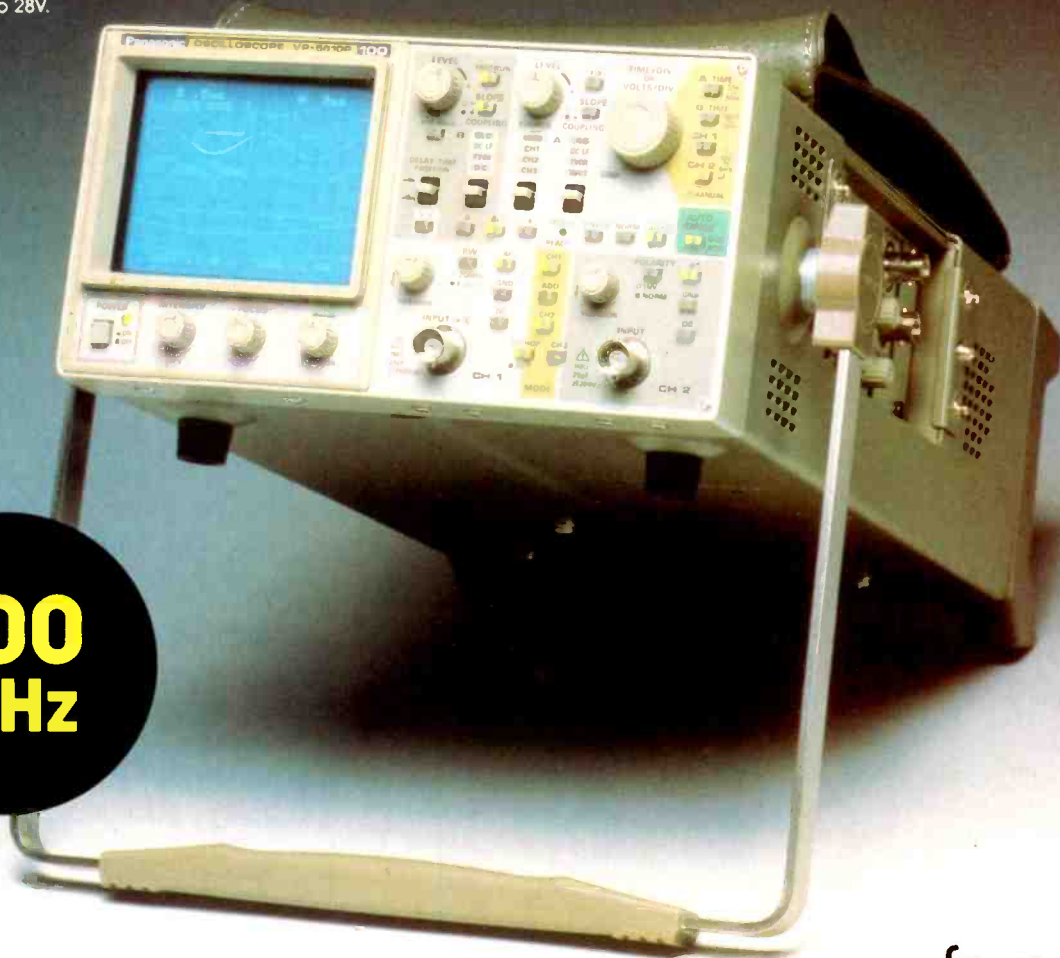
**Mobility:** Measures about 7½" × 4" × 14" and weighs in at only 11 lb. Operates from line voltages in range 90 to 250V a.c. without switching. Optional d.c. operation from 11 to 28V.



**Autoranging:** Eliminates need for resetting sweep range and sensitivity for each measurement. Quick and easy to use in the field.



**Digital display:** Main parameters displayed on CRT.



**100  
MHz**

The VP-5610P gives you many of the most valued features of a bench 'scope. With three independent channels and six traces, microprocessor control, digital readout, a.c. or d.c. operation and optional GP-IB interface it goes a long way to meeting your most exciting lab. needs and is perfect for trouble shooting out in the field. It handles dual X-Y operations and offers solid state switching that's virtually impervious to moisture and contact noise. It's competitively priced too.

Just how many features can you pack into a 100MHz scope of this size? To help you find out we would be happy to send you a six page colour leaflet or arrange a demonstration without obligation.

...from



**Farnell  
International**

ENTER 30 ON REPLY CARD



# WAFER-SCALE KERNEL TESTING

Can we make faulty circuitry work properly by pouring in more and more circuitry? Improved reliability suggests that Catt's Spiral Algorithm may be superfluous

**T**he conventional way of getting integrated circuits made and installed into a computer system is tortuous, expensive, and damages some of the circuits involved. It increases the size and weight of the resulting system far beyond that of the tiny active chips that it contains.

A nearly perfect product, a processed semiconductor wafer with 300 identical circuits each containing some one million interconnected components is manufactured at a cost of 500 pounds. It is then subjected to a testing procedure where it is established which of the 300 circuits are perfectly sound – some 50% of them – and which are faulty. This information is recorded, and the wafer broken up (diced) into 300 chips, which are sorted into good and bad. Each of the good chips is then assembled into a package with leads coming out of it and again tested to see if something went wrong during assembly. The chips that are still good, having survived the assembly into packages, are then delivered to another manufacturer who plugs them into printed circuit boards and solders them in. The boards are then tested and the good boards retained and assembled into a complete computer system.

There are many hidden costs in this process of repeated testing, rewiring, testing, rewiring. Some area on an integrated circuit is taken up by the pads which are first used by the expensive tester as it moves across the wafer to probe each chip and test it, and which are then used as sites for wire bonding. Failure of the probe tester to make good contact to a pad will lead to a good chip being adjudged faulty, and rejected. Faults will be introduced during the wire bonding process. Printed circuit boards can be faulty, and in any case they are expensive and bulky. The edge connector introduces expense and also faults, especially later on, due to corrosion of contacts.

This tortuous procedure is a technique for checking out the performance of each segment ('chip') of the semiconductor wafer and recording the test results in the form of hard wiring between the good circuits. It adheres to ancient procedures, going back to the manufacture and use of thermionic valve (and earlier) computers, and makes no concessions to the peculiarities of semiconduc-

Turn to page 406

## A QUARTER CENTURY OF WAFER INTEGRATION

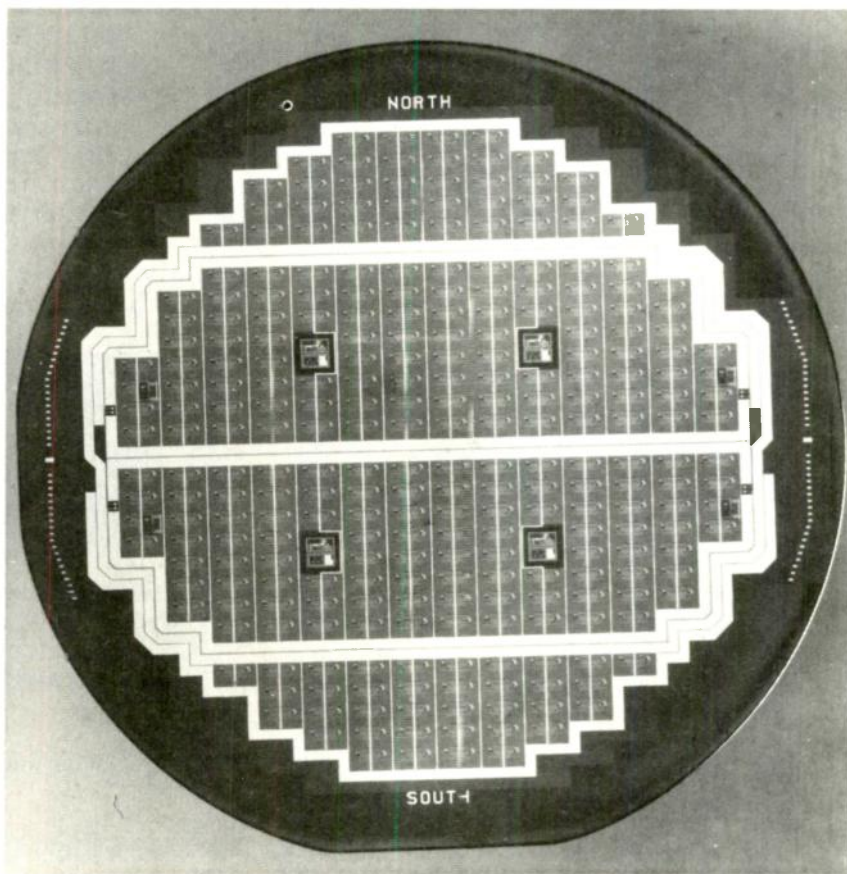
One of the first things that Ivor Catt did when he left the computer industry and joined Motorola Semiconductor Products in Phoenix, Arizona, in 1964 was to propose wafer-scale integration. He still has a copy of the memo he sent to Walt Seelbach, then deputy head of R&D for integrated circuits, who said he was amused by it. Much to Catt's frustration it was regarded as a spoof. One of its problems, besides getting industry interested in the first place, was how to distinguish between good and bad 'chips' on the wafer and how to connect up only the good ones.

The solution to this had to wait until 1972, when Catt patented the Spiral Algorithm. This later gained reluctant support from the NRDC and ACTP, a section of the DTI, who funded projects at Middlesex Polytechnic, Brunel University and RSRE Malvern. The guiding principle in all these projects seemed, according to Catt, to be that Catt himself should be kept at

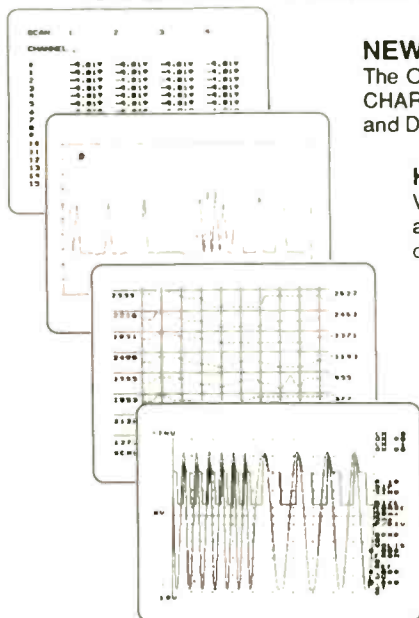
arms length!

In the early 1980's Burroughs, Cumbernauld, built working wafers using the spiral algorithm – see photograph – but the project was frozen by new top management imported from IBM. In the mid 80's, Catt brought the Burroughs team to Sir Clive Sinclair, at Milton Hall, Cambridge. Working 0.5 Mbyte wafers were produced in time for the biggest slump ever in the ram market.

This year, 20 Mbyte wafers will be produced by the company, renamed Anamartic, which is half owned and largely funded by Fujitsu, a major chip manufacturer, and Tandem, a major manufacturer of fault-tolerant computers. Total funding so far is of the order of ten million pounds. The wafers are being manufactured by Fujitsu, whose engineers assisted in the presentation of the new wafer to last month's IEEE Solid-State Circuits Conference in New York.



## OASIS VIRTUAL INSTRUMENT SYSTEM



For fast delivery, phone your order on 0603 747887. Technical queries answered and requests for further information on this number.

### NEW VERSION – NEW INTERFACES – HIGH SPEED OPTION

The OASIS Virtual Instrument System (VIS) emulates conventional OSCILLOSCOPE, CHART RECORDER, PROCESS MONITOR, MULTI-CHANNEL DVM, XY PLOTTER and DATA LOGGER in one easy to use package. Also Spectrum analysis.

### HARDWARE

VIS includes a precision 16 channel A-D converter, with programmable ranges and read rates of 50k R/s at 8 bit, 25k at 12 bit (100k and 60k with high speed option). This simply installed unit has proven long term stability and reliability.

### SOFTWARE

The Menu-driven acquisition, analysis and display programs combine on-screen set up of measurement parameters, SPREADSHEET data manipulation and a range of display formats, with ZOOM and ON-SCREEN MEASUREMENTS.

Total data mobility from measured information to memory, disk, screen and HARDCOPY output, including screen dumps.

The OASIS VIS carries full documentation to allow the beginner or professional programmer to create new interface applications or personalised instrument emulations.

### PRICE

The price of the complete system is less than any one of the instruments it replaces. Prices exclude VAT, P&P (£8). High speed option add £160.

The Virtual Instrument System is supplied complete – no further components are required – just plug in to your laboratory computer.

Digital to Analogue and industrial interface options – POA

PC-XT/AT – £499, Nimbus – £499, BBC/Master – £399, New ArchImedes Version – £499

The Street, Old Costessey, Norwich NR8 5DF.  
Tel: 0603 747887

## Design Consultancy

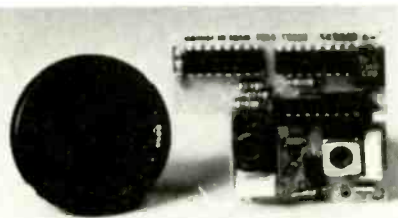
ENTER 39 ON REPLY CARD

## STEVE CIARCIA'S FAMOUS BYTE PROJECTS NOW AVAILABLE AS TRIED AND TESTED KITS

### ULTRASONIC RADAR

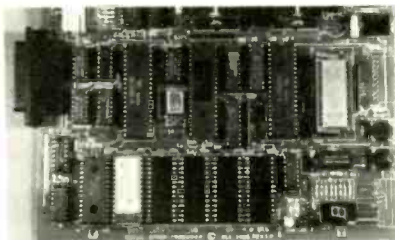
An easy to construct Ultrasonic Ranging system complete with transceiver module and Polaroid ultrasonic transducer.

System easily connects to any computer to measure distances from 18" to 35 ft with a resolution of 1.2".



### SERIAL EPROM PROGRAMMER

Use stand-alone or with computer/Term. Programs standard or fast algorithm mode. menu selectable, no jumpers. Programs all 5V 27xxx Eproms from 2716 to 27512.

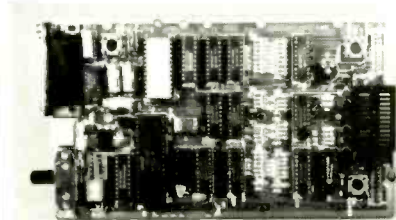


Intel Hex file Upload/Download.

### SUPER IC TESTER

Tests over six hundred 7400-series TTL, L, S, H, C, HC, HCT, F, AS, and ALS devices, 4000-series CMOS and PALS. Identifies un-marked

chips and bad IC pins. User definable test sequence and user expand-able ROM library. Operates stand-alone with LCD display, or with PC or terminal.



### VIDEO DIGITISER

True "Frame Grabber", gets picture in 1 frame time. Bus independent digitiser. Serial output, transmits 300 bps to 57.6 kbps. Resolution is 256x244 64 grey

level. Accepts any B&W or colour composite video signal. Optional Rec/Display makes up a video telephone. Images can be stored and displayed on IBM PC. Comprehensive IBM image-processing software available.

### MORE...

Other kits, and a wide range of fully-built computer boards, interfaces and other products also available.

FOR FULL PRODUCT CATALOGUE CALL J.B. DESIGNS 0285 658122  
15 Market Place, Cirencester, Glos, GL7 2PB



ENTER 42 ON REPLY CARD

# AFTER MODULARITY AND AUTOMATION, WHAT NEXT?

**F**or some time, co-ordinating the timing signals of instruments in a test station has been a hidden problem. While the issues of modularity and automation have been successfully addressed system-level timing has suffered from the lack of hardware timing architectures, and as a result timing control has been largely relegated to software. Previous architectures, such as the IEEE 488 bus and IBM PC-based plug-in card systems, have contained few provisions for system timing. Newer architectures, however, such as the VXI bus and RTSI bus, provide mechanisms for precise hardware system-level timing. But there is still a need for a software specification that deals with system timing issues in a top-down fashion.

The demands placed on a hardware timing architecture are rigorous; it must allow the system timing to be reconfigured dynamically and centrally controlled, provide a mechanism for routing timing signals between test devices, and provide mechanisms for synchronizing devices and controlling timing sequences. Another requirement is a highly accurate timebase or clock that acts as a source for device timing signals.

Though newer architectures – VXIbus and RTSIbus – provide for precise system-level timing, there is still a need for a software spec that deals with timing issues in a top-down way.

The timing characteristics of the signal routing mechanism must be carefully controlled to minimize skew and propagation-delay effects on the system timing precision. A system-level timing architecture that provides flexible reconfiguration and well-understood timing characteristics can improve both the synchronization accuracy and throughput of the test and measurement system.

Three of the mechanisms that have been

used to deal with system timing measurement problems are the IEEE488 bus, point-to-point cabling of timing signals, and PC-based systems with plug-in instrumentation cards. Initially, instrumentation-based ATE consisted of large custom systems with internal hardwired timing. These systems, however, brought with them considerable drawbacks, including a lack of flexibility and standards, and adverse timing effects due to ad-hoc configuration and cable lengths.

The advent of the 488 standard provided a modular standard for automatic system control. Though it includes mechanisms for remotely programming and controlling devices and obtaining data from devices, with some provisions for system timing, the GPIB does not really address precision timing and synchronization needs, nor the need to route triggers, clocks, and other timing signals between the modular devices.

The bus provides a general-purpose trigger mechanism with devices addressed and sent the group execute trigger command, which allows multiple devices to be triggered simultaneously by the bus controller. Devices can also be selectively triggered at different times. But triggering in this type of system is causal, with the timing precision

## IT'S ABOUT TIME

Within the test process of system configuration, stimulus application, and response measurement, the timing requirements include controlling a sequence of events, starting and stopping measurements, co-ordinating stimulus and response activities, and synchronizing measurements between two or more instruments. During system configuration, signal sources and acquisition instruments are connected to the device under test, and the instruments must then be reset. Before a stimulus can be applied the test system has to settle, switches must be closed and signals must reach a steady state.

The application of the stimuli dictate the co-ordination of response measurement timing; the occurrence of the response may be fixed and well known, or devices may need to be triggered by the response. The timing components to control this process include a master clock for centralised control (the resolution of which determines the degree of synchronization precision), and a number of clocks derived from the master clock to acquire and generate signals. If all signal generation and acquisition clocks are derived from the same master clock, synchronous and simultaneous sampling can be used to en-

hance the test process.

Within the system timing scheme, there are other concerns, namely repetition periods, triggering and gating, and delays. Repetition periods may appear at several levels, determining the execution rate for each measurement step or the rate at which the entire process is repeated. In addition, instruments must be or triggered to take measurements or generate signals during a given time interval. Gates and triggers are used to synchronize signal generation and acquisition between multiple instruments. Delays allow devices to respond to the same triggers, performing their functions at programmable time intervals after the trigger is received – important in controlling the time between stimulus application and response measurement.

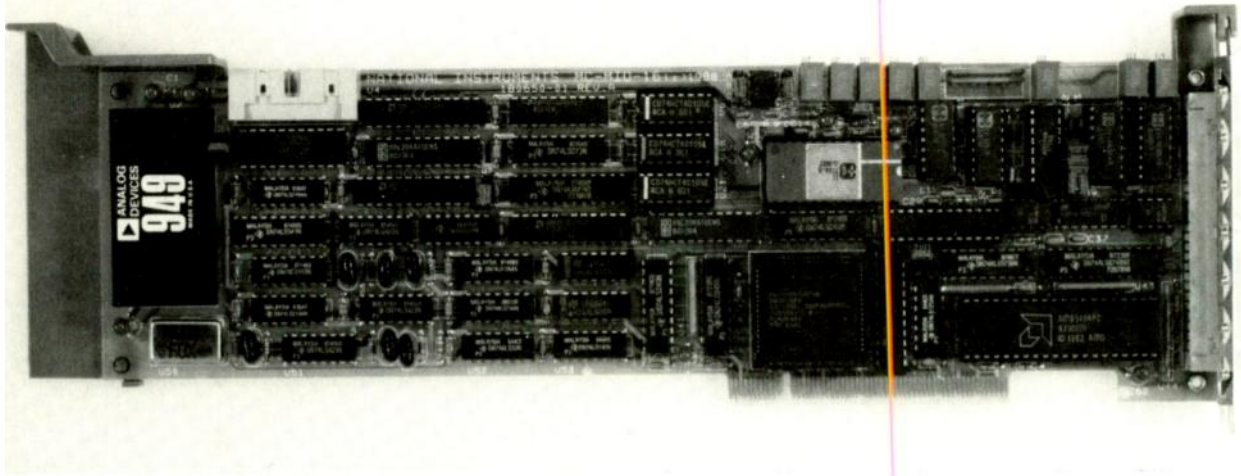
Synchronization between devices is critical for even the simplest automated test. For example, the process of powering up a power supply and taking voltmeter readings on to measure gain and current of an amplifier carries with it a number of timing requirements: waiting for the system to settle after power up, switching different points of the amplifier to the voltmeter input, waiting for the voltmeter to settle each time, and trigger-

ing the voltmeter for each reading.

Timing requirements for waveform capturing are even more complex. Pulse measurements in the time domain require precise quantification of propagation delays; rising edges must be captured and quantified for frequency domain measurements such as spectrum analysis and distortion.

Another class of timing requirements involves the sequencing and synchronization of multiple instruments to perform a test. This class of measurement requires an emphasis on triggering, delays, routing of timing signals, and switching instruments. Multiple instrument measurements also frequently require setting time before invoking stimuli or collecting data.

Combinations of linear and digital instruments form another class of test that cannot be performed without centralized timing. In many systems, both analogue and digital signals must be generated and measured concurrently, and frequently one instrument can't do the whole job. In this situation, linear and digital instruments must be triggered together, and in some cases, it may be necessary for all devices to run off of the same sampling clocks or timebase.



limited by both the slowest device in the system (due to asynchronous handshaking protocol) and the speed with which the controller can issue commands. In addition, system timing is not referenced to a clock, making timing control highly system-dependent and best relegated to systems that require millisecond-level precision.

Another drawback of message-based GPIB systems is the fact no provision exists for controlled timing sequences. If the get command to a device must be delayed, the device must generate the delay itself. This is particularly true in stimulus and response tests and many instruments are incapable of generating their own delays. The alternative is to individually trigger each instrument over the bus, but this degrades the precision of the timing control sequence. Many systems attempt to solve the timing precision problem by discretely hooking timing signals and triggers between instruments. This ad hoc approach meets the timing constraints, but each hookup is a custom job and can't be reconfigured via programming. In addition, cable lengths have an impact on timing accuracy in discrete hookup systems. Since signal propagation time is around 5 ns/m, cable lengths must be carefully matched for high timing precision.

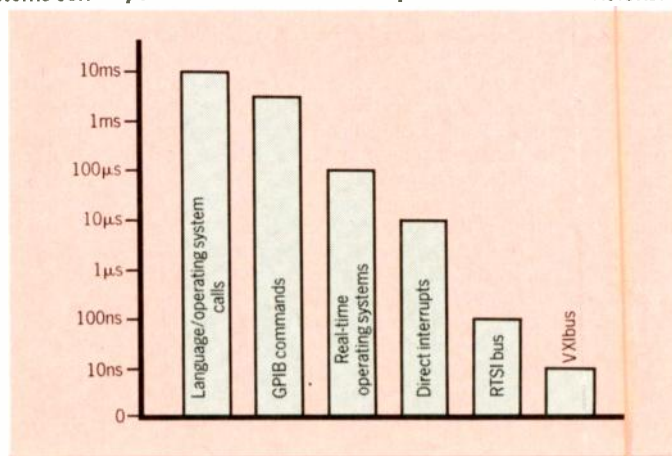
While test and measurement systems constructed from PC-based plug-in instrumentation cards tend to be more primitive at the system level, because of this timing can usually be controlled much more tightly. In theory the precision for the processor in controlling individual boards is tied to the speed of the bus cycles, making microsecond resolution possible. Plug-in boards typically have some on-board timing capabilities, and some have external timing controlled. Other plug-in systems support several modules on one board, and some limited timing (usu-

ally a fixed configuration) can be shared between modules. But multiple plug-in boards must often work together to make measurements, and system configuration must be flexible.

In PC-based test and measurement systems, system-level timing is definitely an afterthought. PC buses are designed to send data between boards, and while the bus may have a clock, there is no provision for sending timing signals from the processor to cards. To send hardware signals between cards, both external timing signals and an external hookup is required. For these systems, the processor controls system-level timing. And while processors can now execute i/o instructions within a few hundred nanoseconds, the timing accuracy of the hardware bus in a PC isn't even close to the capability of the processor.

In addition, the PC processor is dedicated to running the operating system and managing screen, disk and user interface

**Achievable timing precision depends on how the timing is implemented. Hardware architectures that include timing allow much higher timing precision than software. This figure gives a general view of the performance of different implementations.**



activity, not controlling system timing. And in a PC, the efficiency of the operating system determines the precision of system timing. Once system timing is controlled via software there is no access to the bus clock, only access to the system clock, which limits timing precision to hundredths of seconds. While some system software languages support extended instruction sets for instrumentation that include timing instructions the resolution of these instructions is limited to system clock resolution of ten milliseconds.

Some users invest in real-time operating systems, but the interrupt latency and context switching required by these systems limit the timing precision of this solution to hundredths of microseconds. Since there is no standard real-time operating system on the IBM PC, users typically develop interrupt-driven applications written in assembly language to meet their timing requirements. Bypassing the operating system and using dedicated interrupts may improve the performance to a few tens of microseconds.

#### VXIbus timing precision

Current architectures emphasize system modularity and data and control connectivity, with no hardware system timing provisions. This relegates timing to software, with timing precision limited to just over 1ms for general software. But new instrumentation architectures such as the VXIbus implement stringent specifications that allow system synchronization to within 10 ns, and inter-module synchronization to within 2ns.

The VXI bus timing architecture allows high-precision timing co-ordination of instrument modules, and offers a timing interconnection system that can be easily reconfigured. One of the most useful contributions of the VXI bus standard is

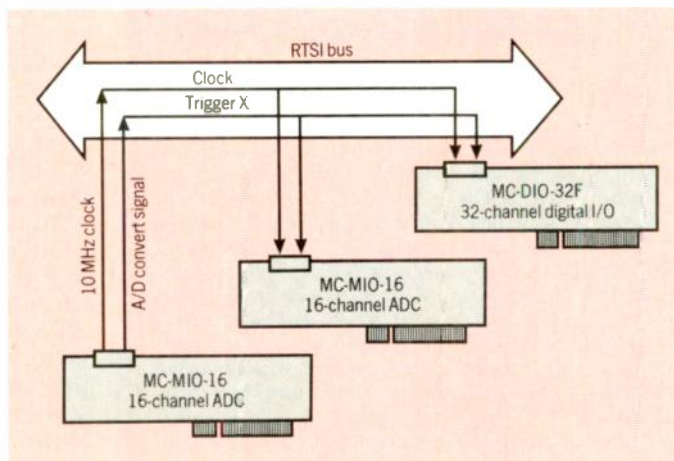
the definition of a backplane architecture that allows timing signals to be routed between modules and timing precision. The VXI bus timing architecture includes a 10MHz timing system and a 100MHz timing system and modules can support either or both. The 100MHz clock is synchronized with the 10MHz clock, and protocols for synchronizing modules using either system are defined.

The 10MHz timing system consists of system clock and eight t.t.l. trigger lines. The source of the clock is the Slot-0 card, and the clock is buffered in the VXI backplane and distributed separately to each module. The clock accuracy must be within at least 0.01% of 10MHz. The t.t.l. trigger lines are open-collector and can be driven by any module, can carry triggers, clocks or data, or be used for handshaking between modules. Trigger connections can be programmed; for example, any device capable of sending or receiving a trigger can connect to any of the eight lines.

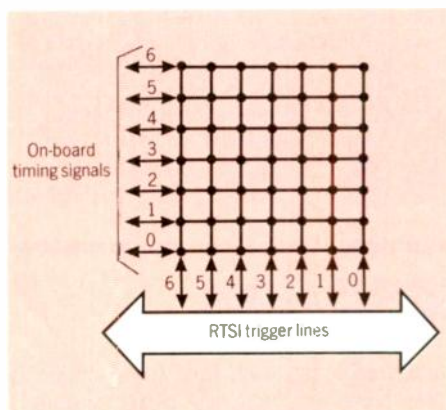
The 100MHz timing system consists of system clock, a clock-edge qualifier signal named sync100, and e.c.l. star bus and a trigger bus. The source of the clock and the sync100 signal is the Slot-0 card. Both signals are buffered and routed separately to each module, with matched distribution delays that limit the clock skew to a maximum of 2ns between any two modules. The clock accuracy must be within 1% of 100MHz  $\pm$  0.01%. The sync100 signal is used to synchronize multiple modules with respect to a given 100MHz clock rising edge.

Several protocols that specify timing requirements are defined for using the trigger lines. These protocols can broadcast triggers to modules, provide handshaking between modules for co-ordination the start and completion of activities, send clocks and data, and synchronize multiple module clusters. For synchronizing multiple modules, a start/stop protocol is defined that requires the slot-0 module to drive a t.t.l. trigger line synchronously with the 10MHz clock. In this protocol, an asserted state signifies 'start' and a generated state signifies 'stop'. Participating modules respond to this signal at the next 10MHz clock rising edge.

Other sources of timing precision in the VXI bus include the e.c.l. star bus and trigger bus. Star bus consists of two bidirectional lines (starX and starY) that are sent separately to each module from the slot-0 module. Any module can route a timing signal to the slot-0 module via one of the star trigger lines, and can then selectively route the signal onto the star lines of any other module using a crossbar switch. The backplane allows a maximum timing skew of 2ns between any



**The RTSI bus makes it possible for two or more data acquisition boards to sample incoming analogue and digital data simultaneously by using the same clocks.**



**In the RTSI switch data acquisition boards are connected to the bus trigger lines through a 7x7 bidirectional crossbar switch that is completely software programmable. This general approach make system configuration and reconfiguration very easy.**

two star signals, and a maximum delay of 5ns between the slot-0 module and other modules. The trigger bus consists of six parallel e.c.l. trigger lines, with protocols similar to the t.t.l. lines. An extension to the protocols allows the lines to be synchronized with modules using the 10MHz timing system.

### The RTSI bus

The RTSI\*bus, National Instruments' timing architecture, facilitates interconnection of timing signals between boards plugged into PC backplanes. This architecture compensates for the lack of timing signal interconnection in conventional PC buses with the bus implemented on instrumentation boards for NuBus, MicroChannel and PC/AT bus. The RTSI bus allows the timing synchronization of several plug-in instrumentation boards, with the boards interconnected via a cable run across the top of the boards.

\*Real-Time System Interface.

The timing section of the RTSI bus consists of a 10MHz clock and seven general-purpose t.t.l. trigger lines that can send any t.t.l. signal from one board to any other board. Each board is equipped with a crossbar switch that allows various signals from each board to be connected to any one of the seven trigger lines under software control. Because of the close proximity of the PC plug-in boards, the length of the timing signal is minimized, with propagation delays from the input of the crossbar switch on the sending board to the output of the crossbar switch on the receiving

board around 50ns.

A common timebase of 10MHz is provided for all boards. In some systems, such as the NuBus, this clock is part of the computer bus; on others, the clock is sent across the RTSI bus. This clock allows multiple boards to operate off a common timebase. Since three trigger and timing protocols on the RTSI bus are undefined, a variety of different protocols can be used. The bus also allows multiple boards to share timing signals in a programmable system.

### The future is software

Both the VXI bus and the RTSI bus provide the centralized timing control that has been missing in previous hardware architectures. But timing control should also be spelled out in software, with a specification that makes the details of the buses and hardware transparent. System interconnection could be specified by an interconnection table for each experiment, or a sequence of required test interconnections. Similarly, a graphics-based timing mechanism for specifying signal connections between modules could be used. (Summation uses this type of software-programmable trigger bus in their VME bus-based modular system.) At the driver level, each board could have a list of signals that connect to the bus, with a simple call used for connection and disconnection (the RTSI bus uses this type of format). But the system software must be smart enough to automatically interconnect devices once the system timing is specified.

Ways to specify system timing include a timing diagram or by assigning time values to critical components of an execution diagram or program. Device synchronization, timing relationships between devices, timing sequences, repetition rates and delays also must be specified.

A top-down timing specification would be preferable to the current bottom-up method. The key issue in this argument is timing translation. With current software, users must translate between their timing diagram and the actual timing implementation specified in the hardware. An intuitive

**SYNCHRONIZING THE INSTRUMENTS**

Many current state-of-the-art test and measurement systems consist of rack-and-stack modular instrumentation in which each instrument is a specialized measurement or stimulus device with its own configuration, timing and synchronization needs. As integration and automation of these instruments has become more popular the ability to control the internal timing of these instruments has increased. These instruments include waveform digitizers, voltmeters, counters, logic analysers and waveform generators.

Digitizers capture waveforms both before and after trigger events, with the information they gather usually passed to some other device for processing. Timing parameters consist of sample rate, sample record length, trigger and delays. They offer both internal and external triggering options; in an ATE system, external triggering can be used to co-ordinate digitizer synchronization and signal acquisition with other devices. Digitizers also allow a programmable delay from trigger, which is useful for synchronizing the capture/measurement phase after test initiation. Digitizers can be programmed to acquire a specific number of samples at a set sampling rate, resulting in a "time window" for acquiring a waveform. In some systems, this sample rate

can be externally controlled and synchronized with other devices. Controlling the sampling frequency allows the digitizer to sample synchronously with the device generating the signal. This eases the measurement process by guaranteeing that the digitizing will capture the peak of a waveform or capture an integer.

Counters are synchronized with stop and start triggers. Pulse and waveform generators provides the test stimuli, and must be co-ordinated with the data acquisition and time-measuring devices to perform a measurement. Some pulse and waveform generators allow the signal output update rate to be externally controlled, and triggering and gating of signal generation is also often possible. In addition, many of these devices generate timing signals that allow synchronization with other test devices.

Voltmeters are often allowed to run free, making it difficult to determine the precise instant during which the measurement will be made, or making it necessary to allow extra time in the measurement window for the instrument. The problem is solved by synchronizing the measurement to a voltmeter trigger. Both the sampling rate and the required settling time of the voltmeter must be taken into account.

method, in which users specify timing as a 'time window', may be preferable. For example, to generate a signal for a certain time duration and then sample a signal for another time duration and sampling frequency. This can in turn be translated into sampling frequency or period and number of points required to program the device.

The top-level software should be intuitive in nature, performing all the necessary translations to program the devices, as well as automatic error checking of system timing constraints. Timing violations must be reported, and it makes sense to let hardware drivers be responsible for verifying that the timing requirements are met. Finally, some devices, such as data acquisition systems, typically have their own timing system and can be synchronized at a high level solely with the use of triggers. So any timing specification must take into account the self-timing capability of these types of devices and system timing hierarchies.

*By James J. Truchard and Audrey F. Harvey, National Instruments, Austin, Texas. National Instruments UK office is at 34 Eden Street, Kingston-upon-Thames, tel 01-549 3444.*

**WAFER SCALE INTEGRATION**

tor technology. Nearly all approaches to wafer scale integration, including that of Texas Instruments in the 1960's and Trilogy in the 1980's, conformed rigidly to this manufacturing/testing sequence, which has remained unaltered in computer systems from the 1950's. All such approaches to wafer-scale integration have been unsuccessful.

**Self-organising, fault-tolerant w.s.i.**

The only proven successful approach to wafer-scale integration, the spiral algorithm (*Wireless World*, July 1981), breaks away from this tradition. Kernel Logic (*EW* March 1989) also breaks with tradition. Two points arise:

- There is a more reliable way to interconnect good circuits on the wafer; one that does not increase the cost of the final product so dramatically.
- It is not necessary to hard-wire in the information as to which circuits are good and which are bad. Notice that if we do, then the failure of a single component in service leads to the need for manual intervention to repair the system.

In the successful approach to wafer-scale integration, the good circuits are connected electronically (logically) rather than by hard wiring. These soft connections are volatile,

and are broken each time the machine is powered down, and a new, perfect system is built, using spare circuits on the wafer. This repairing process is automatic, and does not require human intervention.

In the 1972 spiral algorithm, all the testing procedures are off-wafer. Test routines are fed into the wafer at one point only, and routed to the chip currently under test through other, perfect, chips. In the 1988 kernel algorithm, a tiny portion of each chip is assumed to be perfect and dedicated to testing.

**The Fubini Syndrome**

In the 1960's, in a lecture in Phoenix Arizona, Fubini stated what he called 'The American Syndrome'. Whereas in the past, technical limitations prevented the USA from doing many things, a watershed had now been passed, and the USA had become all-powerful, with the technical capability to do anything. The American Syndrome was that the Americans always said, "Since we can do it, we will do it." With the realisation that now anything could be done, a new approach was needed. It was now important to decide which mountains we really wanted to have moved into which new positions, rather than just to move them all, all of the time.

A revolution of the same magnitude is

happening in the field of system testing. The Spiral/Kernel experience in wafer scale integration points the way to what might be coming more generally in the future. In the case of spiral, extra configuration logic, dedicated to machine repair, is included in each chip at no extra cost. In the later case of Kernel, a segment of each chip is dedicated to testing the chip, again at no extra cost. This segment is itself unreliable, but in the move from Spiral to Kernel, its reliability improves.

The 1972 spiral algorithm was prompted by the appearance of chips of reasonable yield with 10,000 components. The 1988 kernel algorithm was prompted by the appearance of chips of reasonable yield with 1,000,000 components. It is difficult to think in terms of a chip with 1,000,000,000 components and the kind of algorithm that would be appropriate at that time.

Try to picture a future time when we will be able to add unlimited circuitry at no significant cost, this circuitry being dedicated to diagnosis and repair. The fact that the amount of circuitry is unlimited will modify the idea that it is faulty. Can we make faulty circuitry function properly by pouring in more and more circuitry? The answer is unclear, and difficult to think about, because we do not normally think in terms of unlimited hardware. The kernel algorithm indicates that perhaps we can make circuitry self-repairing.

*By Ivor Catt, Kernel Consultants, PO Box 99, St Albans.*

**MOBILE RADIO TEST SETS**



SCHLUMBERGER 4021 'Stabilock' transceiver test sets, comprises AM/FM/PM signal gen, mod meter, frequency counter, RF power meter, AF generator, AF mV-meter, distortion meter £1,950

**MARCONI INSTRUMENTS**

- TF1152A/1 RF power meter 0.25W 250MHz £75
- TF1245/1246 Q-Meter and oscillator £500
- TF2015/2171 UHF AM/FM signal generator with synchroniser £750
- TF2162 MF attenuator 0-111db in 0.1db steps £100
- TF2001 AF signal source/monitored attenuator £200
- TF2300 modulation meter AM/FM to 1GHz £250
- TF2300A as above with deviation to 1.5KHz fsd £350
- TF2300B modulation meter as above £450
- TF2356 level oscillator 20MHz £400
- TF2501 power meter 0.3W fsd DC-1GHz £150
- TF2600 millivoltmeter AF 1mV-300V fsd £75
- TF2600B video voltmeter 1mV-300V fsd £150
- TF2604 electronic multi-meter £400
- TF2807A PCM multiplex tester £275
- 2828A/2829 digital simulator/analyser £1,500
- 2833 digital in-line monitor £250
- TF2908 blanking & sync mixer £350
- 6460 RF power meter £495
- 6460/6420 power meter/microwave head £75
- TF893A audio power meter 1mW-10W fsd £250
- TF955B/5 AM/FM signal generator 0.2-220MHz £100
- TF2213A XY crt display £595
- TF2015 AM/FM sig. gen. 10-520MHz £100
- 500W 50ohm RF load with power meter £500
- 2092C noise receiver, many filters available £750
- 2091/2092A noise gen/receiver & filters £3,500
- TF2370 110MHz spectrum analyser £125
- TF2100 audio oscillator £295
- TF1066B AM/FM sig. gen. 10-470MHz £750
- 6600A/6646 sweeper 8-12.4GHz £125
- 2123 function generator 200kHz £350
- 893B AF power meter £2,950
- 2019A synthesized signal generator 80kHz-1040MHz £2,250
- 2018 synthesized signal generator 80kHz-520MHz £850
- 6056B signal source 2-4GHz £250
- TF1313A 0.1% universal LCR bridge £195
- TF2011 FM signal generator 130-180MHz £195
- TF2012 FM signal generator 400-520MHz £500
- 2438 (303J) 520MHz universal counter-timer £325
- TF2303 modulation meter

**RALFE · ELECTRONICS**

36 EASTCOTE LANE, S. HARROW, MIDD. ESEX HA2 8DH  
TEL: 0-422 3593, FAX: 01-423 4009

EST  
35  
YEARS



**TEST & MEASUREMENT EQUIPMENT**

- AVO B151 LCR universal bridge £250
- AVO RM215F2 Insulation tester 0-6KV £350
- AVO RM160/3 megohmmeter £150
- LYONS PG73N Bipolar pulse generator £295
- DRANETZ 305 digital phase-meter 2Hz-700KHz £400
- PHILIPS PM5590 TV IF Modulator £1,500
- PHILIPS PM5597 VHF TV Modulators £250
- PHILIPS PM1590 1mHz-2mHz synth. function gen. £950
- PHILIPS PM8235 multipoint pec recorder £495
- STOLTZ A.G. prom programmer M2 Maestro £250
- RACAL 9911 120MHz counters in carrying cases £125
- RACAL 9102 DC-1GHz 30W power meter £150
- RACAL 9083 2-tone signal source £300
- RACAL 9084 104MHz synthesized sig. gen. GPIB £1,500
- WAVETEK 1503 sweeper 450-950MHz £450
- WAYNE KERR B642 Auto Balance bridge £295
- VALRADIO Inverters 24V DC-230V AC from £75
- RHODE & SCHWARZ 1kW 50 ohm load, N-types £250
- BRUEL & KJAER 4428 noise dose-meter £295
- RIKADENKI 3 pen chart recorder £450
- SCHLUMBERGER SRTG-GA63 selective call test set £1,750
- TEKTRONIX OS245PU oscilloscope system. Brand new £1,250
- TEKTRONIX 465 100MHz oscilloscope £650
- TEKTRONIX 475 200MHz oscilloscope £1,000
- TEKTRONIX 7D12M/2 A/D converter plug-in £350
- TEK 2901 time-mark gen £250
- 7S11 sampling plug-in £600
- TEKTRONIX 178 IC fixture £250
- Tek' 606 XY monitor £250
- TEXSCAN WB713 0-950 sweep generator £950
- TEXSCAN 9900 300MHz sweeper/display £350
- PHILIPS PM2554 AF milli-volt meters £125
- PHILIPS PM5165 LF sweep generator 0.1Hz-1MHz £325
- PHILIPS PM5324 RF generator 0.1-110MHz AM/FM £450
- PHILIPS PM8043 XYT Plotter A4 £750
- PHILIPS PM3256 oscilloscope 75MHz portable (LP £1,875) £750

ALL OUR EQUIPMENT IS SOLO IN EXCELLENT, FULLY FUNCTIONAL CONDITION AND GUARANTEED FOR 90 DAYS. MAIL ORDERS AND EXPORT ENQUIRIES WELCOMED. PLEASE TELEPHONE FOR CARRIAGE QUOTE. ALL INSTRUMENTS ARE AVAILABLE EX-STOCK AS AT COPY DATE. GOOD QUALITY TEST EQUIPMENT ALWAYS WANTED FOR STOCK. PRICES QUOTED ARE SUBJECT TO ADDITIONAL VAT.

**HEWLETT PACKARD**

10KHz-350MHz Spectrum Analyser. Type 8557A 10KHz-350MHz in 1821T mainframe. Plug-in perfect. crt a little low so JUST £1,500

- 1122A power unit for fet probes £195
- 11602B transistor fixture £395
- 8007B pulse generator £495
- 8733A pin modulator £250
- 400F milli-voltmeter £275
- 529A Logic comparator £295
- 10529A/10526T Logic troubleshooter £750
- 331A distortion meter £950
- 334A distortion meter £295
- 3400A millivoltmeter £175
- 382A(P) P-band attenuator 0-50db £250
- 415E swr meter £295
- 4204A decade audio oscillator £295
- 431B&C/478A microwave power meters from £250
- 6516A power supplies 0-3KV 6mA £250
- 7046B(07) 2-open XY plotter high-speed £1,000
- 8018A(01) serial data generator £1,200
- 5011T logic troubleshooting kit complete £500
- 400FL mV-meter £325
- 3438A digital multimeter HP1B £450
- 8165A function 1MHz-50MHz £2,250
- 8444A (opt05B) 0.5-1300MHz tracking generator £1,750
- 8565A 22GHz spectrum analyser £8,000
- 435A/B#81A RF power meter & head. (Other heads available) £750
- 3581A AF wave analyser £1,250
- 2871G thermal graphics printer £250
- 8620C Sweeper mainframe & plug-in 0.01-2.4GHz £2,250
- HP8552B/8556A spectrum analyser plug-ins Pair £1,950
- HP3571A Gain/phase meter 1Hz-13MHz £1,500
- HP400EL AC Voltmeter £250
- HP7563A Log Voltmeter/Amplifier £250
- HP8640A/002 Signal generator 0.5-1024MHz AM/FM £1,500
- HP86254A sweeper plug-in 5.9-12.4GHz £850

**ADDITIONAL EX-STOCK T & M KIT**

- PHILIPS PM667 High-res' 120MHz counter (LP £582) £195
- PHILIPS PM8220 single pen chart recorder £195
- ROHDE & SCHWARZ SMS synthesized sig gen' 0.4-520 MHz £1,500
- IFR (Field Tech) Spectrum analyser A-7550 with tracking generator and receive options (LP £7K) £4,950
- LEADER signal generator LSG216 0.1-30MHz & 75-115MHz AM/FM £600
- FLUKE 37 digital multi-meter £130
- BRUEL & KJAER 3347 Real time 1/3 Octave analyser £2130
- frequency analyser + 4710 display unit) £950
- LYONS PG71 pulse generator £100
- TEKTRONIX D701/DF1 logic analyser (no probes) £100
- VARIACS (Claude Lyons) 0-270V 20A £100. 15A £75. 8A £45
- GOULD DSA600 digital synthesizer analyser £250
- PHILIPS PM3263 100MHz oscilloscope £750
- TEKTRONIX 521 TV Vectorscope £1,750
- NEUTRIK TP401 audio test set £2,500

ENTER 40 ON REPLY CARD

**ELECTRONIC JOYSTICK CONTROLS**

Our wide range of Joysticks, backed by 25 years' experience, volume production and a proven reliability allows us to offer versions for almost any application. Delivery of standard samples or small quantities is just a few days and large scheduled orders can be phased in within a week or two. No exorbitant low volume surcharges, no 8-12 week lead time – just what you want when you want it – at very competitive prices.

POTENTIOMETER	1, 2 or 3 AXGS
CONTACTLESS	PWM Solenoid Drivers
MICROSWITCH	Specials
HEAVY DUTY	1 PC to 10,000 per annum

Write or phone for details to:

**FLIGHT LINK CONTROL**

Unit 12, The Maltings, Turk Street, Alton, Hants GU34 1DL.  
Tel: (0420) 87241/4. Fax: (0420) 84203.  
Telex: 858628 TELBURG

ENTER 52 ON REPLY CARD

**RACKMOUNT CASES**



19" Self-Assembly Rack Mounting Case with lift off Covers. Front Panel 10 gauge, Brushed Anodised Aluminium, Case 18 gauge, Plated Steel with Removeable Rear & Side Panels. In 1U & 2U Types, a Subplate Chassis is Mounted to Bottom Cover. In 3U Type the Subplate is located on two Rails Mounted Between The Side Plates.

- 1U (1¾) height, 230m depth ..... £28.30
- 2U (3½) height, 308m depth ..... £33.60
- 3U (5¼) height, 230m depth ..... £41.00

Width Behind Front Panel 437m (All Types).

All prices include Postage & VAT. Cheques, Postal Orders Payable to:

**J. D. R. Sheetmetal, 131 Grenfell Road, Maidenhead, Berks SL6 1EX. Maidenhead 29450.**

ENTER 47 ON REPLY CARD

# APPLICATIONS SUMMARY

## Clock driving

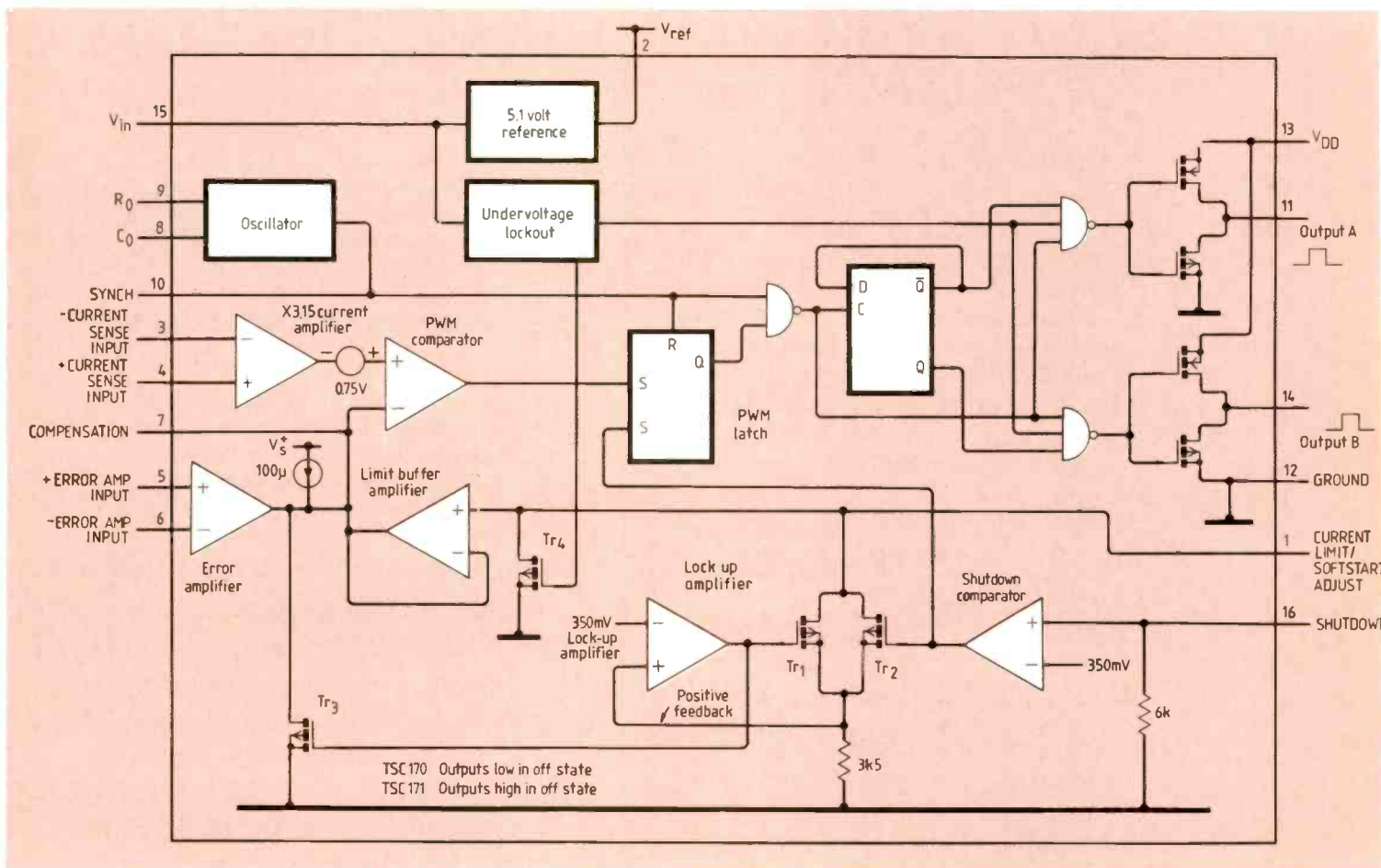
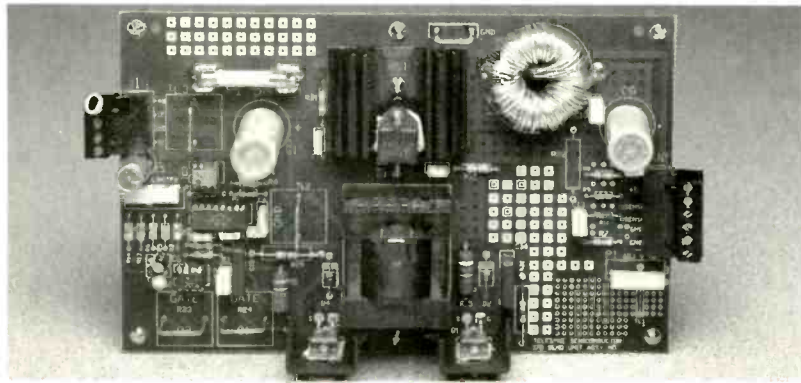
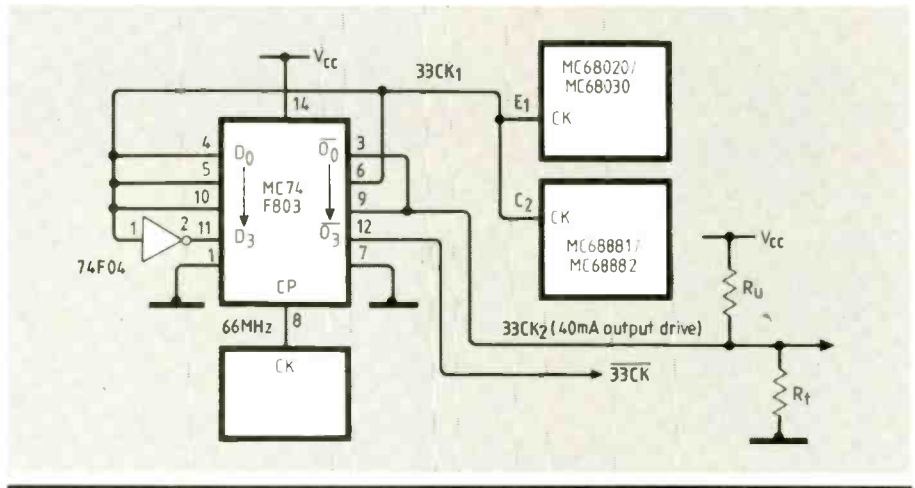
Closely matched outputs of the MC74F803 provide an ideal interface for the clock inputs of high-speed processors and peripherals. This circuit is from Motorola's BRE272R3/D data sheet. Motorola, Macro Marketing Ltd., Burnham Lane, Slough, Berkshire. 06286 4422

## CMOS SMPS controller

According to one of two recent notes on the TSC170 CMOS PSU controller from Teledyne, current-mode control in pulse-width modulation is still not well understood.

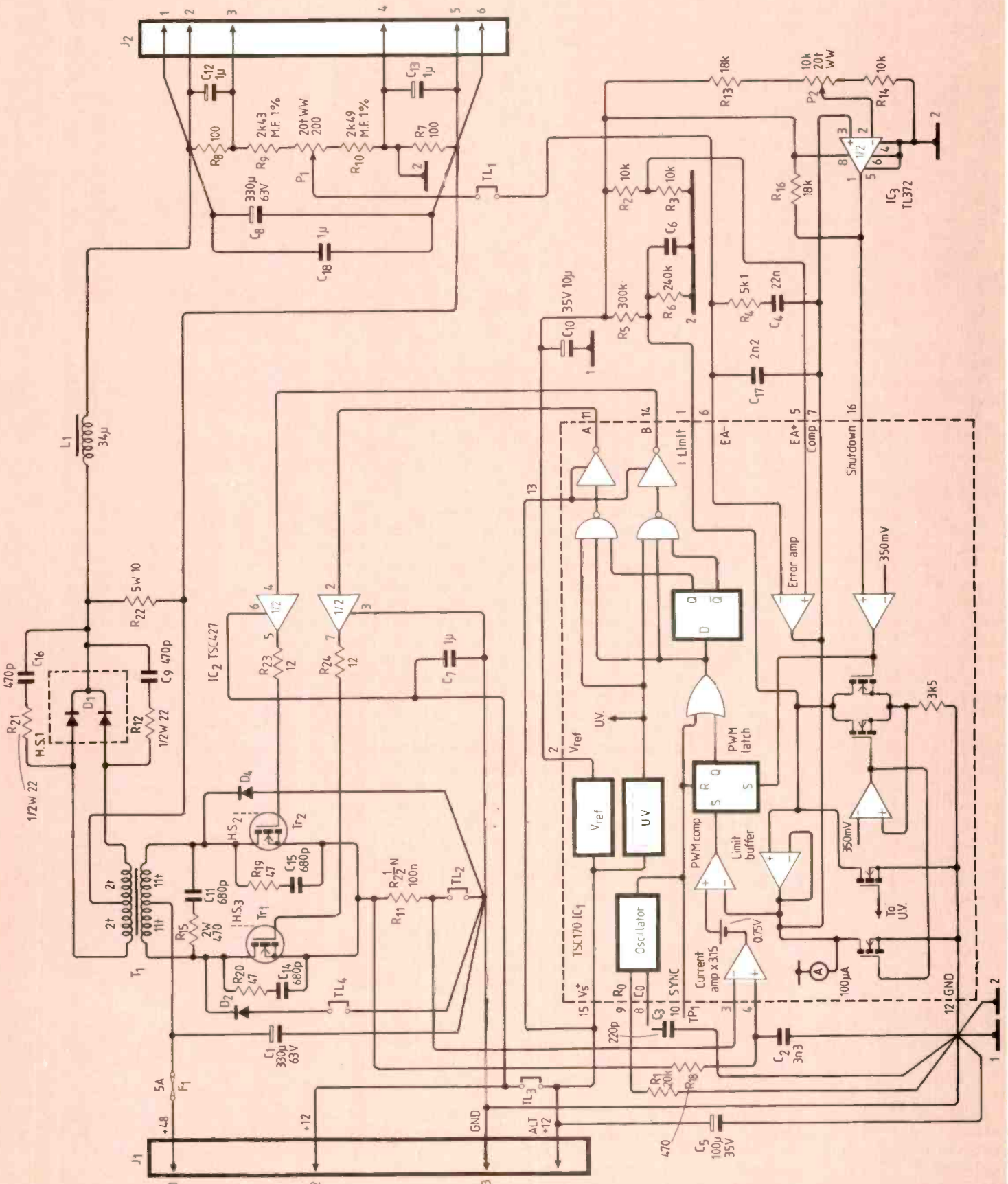
Application note 32 discusses current-mode control, particularly in relation to the TSC170 controller, and note 34 details a demonstration/evaluation board designed around the 170.

This circuit, from note 32, is that of the evaluation board. It is a 100kHz switching power converter delivering 25A at 5V and its efficiency at 15A is 80%. The converter is a DC-to-DC type using a push-pull configuration; its oscillation frequency is fixed and the control scheme is current mode with p.w.m. Teledyne Semiconductors, SSI, Dawson House, 128-130 Carshalton Road, Sutton, Surrey SM1 4RS. 01 643 1126





# APPLICATIONS SUMMARY



## UK licences for public cordless telephones

MARTIN ECCLES

Services providing what the Industry Secretary Lord Young likens to "having a 'phone box in your pocket" should be operating before the summer. Lord Young has announced four Telepoint licences that will go to Ferranti and three consortiums involving Philips, BT and Mercury.

In the interests of getting the systems operational as soon as possible, the licence holders will be allowed to use their existing proprietary equipment but there is a stipulation that all the services must be operating to the same standard by 1991. Both BT and Mercury, being controllers of telephone lines, have been allowed only minority interests in the licences granted to their consortiums to ensure that they do not have an unfair advantage.

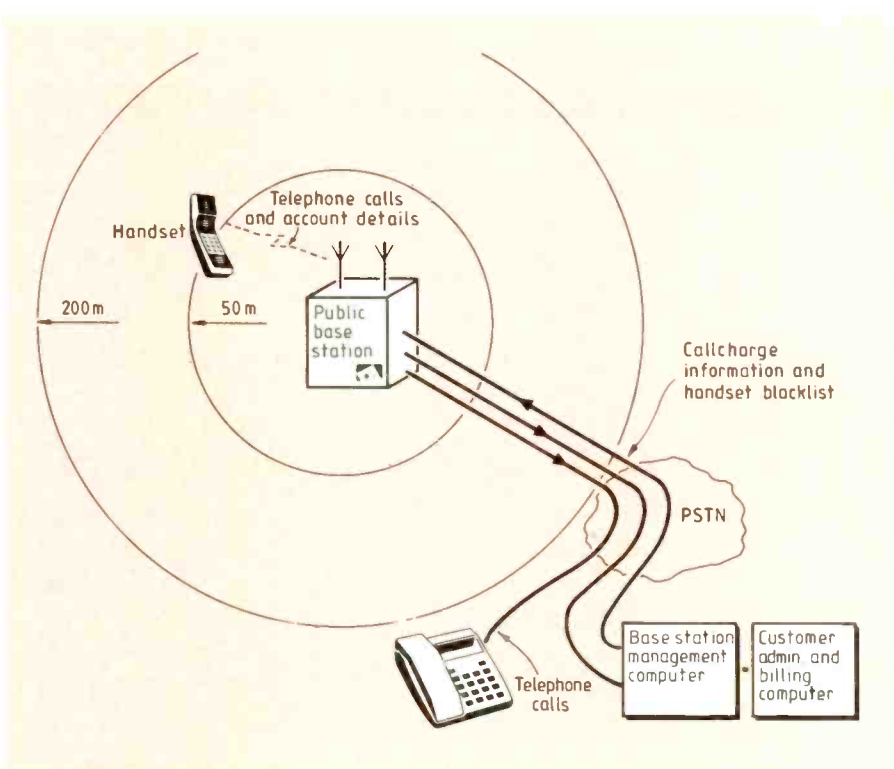
Ferranti, the only single-company licence winner and one of the pioneers of Telepoint technology, is to bring its Phonezone cordless-telephone service initially to London's M25 orbital area and then expand it into a national network along feeder routes.

Operating under the DTI's CT2 regulations for second-generation cordless telephones, the Phonezone service consists of microprocessor-controlled base stations connected to the public switched network and specially-designed cordless handsets for making outgoing calls within a 50 to 200m radius of the base station; there is no facility for receiving incoming calls in any of the Telepoint systems.

Since the radio link between the handset and Phonezone operates within a 4MHz section of the 900MHz band, the coverage radius will depend on the environment. Being digital though, there is no reason why the speech quality should not be excellent, except of course that it could be degraded by the public telephone network. Within the base stations, diversity is used to reduce the fading associated with multi-path environments.

In Ferranti's system, each base station links to a central terminal-management computer through the public telephone network. This link is not permanent; it is only made for example to update the base station's handset 'blacklist' or to update the central-computer's billing information. Should a fault occur in a base station, or if the zone becomes overloaded, the base station can call the terminal-management computer and off-load its data.

Each handset transmits its own code number, readable by the base station, and status information relating to that code is held within the base station microcomputer. This feature's main purpose is to determine who pays for which calls, but it also means that stolen handsets can be barred complete-



ly from use and individual company-owned handsets can be restricted for, say, inland calls only.

Ferranti says that to decode the digitised speech illicitly you would need a sophisticated decoder and a scanning receiver. Handshaking protocols prevent eavesdropping and unintentional overhearing of conversations and the handset is designed to transmit its code once every second while in use; if the base station does not see this code, calls cannot be made.

In relation to cellular telephones the Zonephone, with its relatively small microcell (zone) and frequency-division multiple access scheme, has a spectral efficiency 100 times greater. As a result, each square kilometre could accommodate up to 7700 users says Ferranti. In the future, user density could be increased even further by dividing microcells into picocells with a much smaller operational radius of about 5m.

Although the Zonephone's 4MHz spectrum between 864 and 868MHz divides into 40 channels, the user sees only one channel. Within the system's self-managing allocation system, the FM channels are allocated dynamically and are reallocated during calls to maintain optimum efficiency. This dynamic reallocation also complicates eavesdropping and accidental overhearing of conversations.

For a given caller, only one channel carries speech in both directions at any one time. This full-duplex speech path is achieved using time-division duplexing where alternate 1ms time slots carry digitised speech packets in each direction. Transmissions are restricted to 10mW.

In operation, the base-station/handset combination is like a large domestic cordless telephone but it works only for outgoing calls. The central computer, responsible for collecting status and billing information from the base station, updates the handset blacklist and requests all call information since the last poll.

## CT-2 coming soon

RICHARD LAMBLEY

By April you could have this Forum CT-2 cordless telephone in your pocket. Not only would you be able to use it at home or in the office like a conventional cordless, you could also dial calls when out and about in public places (see *E&W* December 'A cordless future' and *Industry Insight* page 1212). Its manufacturer, Shaye Communications, together with Mercury Communications and Motorola Ltd, will operate one of the four nationwide networks of public base stations (telepoints) and will call them Callpoints.

The Forum handset will also be used by the British Telecom consortium; and in addition, Shaye will supply the Forum for a pilot telepoint service in France.

Shaye and Motorola plan to install 2300 Callpoints in the first year, in airports, railway and underground stations, shopping centres, motorway service areas, hospitals and other public buildings. Price of the handset will be £150 + VAT and the domestic base unit another £150. Calls placed through a

## Largest colour liquid crystal display

Thin-film transistors on glass have now been used to produce a prototype 14-inch liquid-crystal display with a resolution of 770 by 550 dots. The display is the result of a two-year joint research and development programme between Toshiba and IBM Japan. It is an active-matrix type similar to the one discussed in last month's issue but it has four dots per pixel instead of three – red, green, blue and white – and it is intended for 16-colour computer display rather than television.

In monochrome mode, the screen's resolution is 1440 by 1100 dots giving a total of 1.58 million pixels; pitch between each element is just 200µm.

## Real-time i/o links into Lotus

Intelligent input/output hardware for getting data in and out of the Lotus spreadsheet in real time has been produced by Cambridge Microprocessor Systems. The PC plug-in i/o card, with its own microprocessor and language, is supplemented by enhancements to the Lotus 123 package.

Lotus enhancements, in the form of extra @ commands, not only allow reading of data into a cell but also allow writing of data from a cell to the i/o system in real time. A cell can be set to provide a conditional action; for example a cell can be set so that an action is taken if the numeric value within the cell is greater than 99. "With these enhancements, Lotus almost becomes a language," says MD Phil Taylor.

Conditional actions are useful in factory environments for, say, giving a warning output when a tank level falls outside prescribed limits. It is possible to link the system output to a radio pager that will send out blip an engineer when, say, the tank is overfilled or empty.

Besides three serial ports, analogue input and digital i/o, the card has a network system that supports up to 255 remote stations. Radio-paging and modem interfaces combined with the board's real-time clock can be configured to allow remote monitoring at preset time intervals.

Controlling the board is a microprocessor running under a real-time event-driven language in rom that is programmed on the PC. An optional real-time data manager provides access to the board via pop-up menus regardless of the application running on the PC.

Running under its own control language, this PC board links into Lotus so that data from an input port can be read, processed and sent out again through an output port, all in real time.

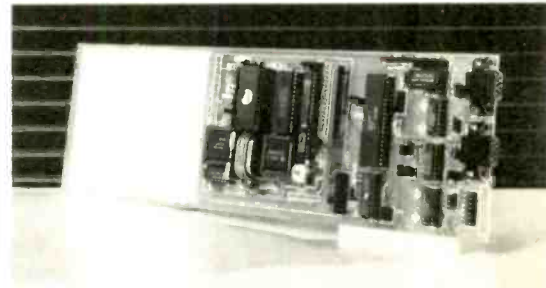
## NCR joins 88000 risc group

A non-profit organization involved with promoting open standards for Motorola's 88000 risc processor now has NCR as a member.

The 88open Consortium, chartered in 1988, is pioneering a new type of business that relies on portability of 88000-based applications across a variety of hardware including fault-tolerant systems, file servers and workstations.

NCR is currently active in two 88open software development groups – one involving binary compatibility standards and the other a software initiative committee dedicated to the development of applications.

So far, the consortium has around 40 members, including America's Jet Propulsion Laboratory, Data General and Convergent Technologies.



Callpoint will cost about one-third of the price of cellular.

Unlike most cellular handsets, the Forum is produced entirely in the UK, by Philips Components at Dunfermline. Shaye designed the unit with automated manufacture in mind and has made extensive use of surface mounted devices. It weighs only 130g. A replaceable lithium battery allows up to 50 hours of speech; or the user can opt for a NiCd battery giving three hours of speech. Range is up to 200m.

The domestic base station can handle up to six handsets, each of which must be registered with the unit to prevent use of the line by unauthorised callers. Every handset has a unique electronic serial number with an accompanying four-digit PIN, programmed into it during manufacture. To ensure good performance with the UHF signal (864-868MHz) diversity reception is employed in the base station. One antenna is hidden inside, but the other plugs into a socket on the case: this allows the user to plug in an antenna with gain, giving additional outdoor coverage if required.



CT-2 telephones in their first months will operate to proprietary transmission standards. Although a common air interface (CAI) has been agreed by the manufacturers involved, products meeting the standard will not reach the consumer until 1990. The switch to CAI involves both software and hardware changes and there is no possibility of upgrading early handsets; but Shaye and other manufacturers have undertaken to provide con-

tinued support for non-CAI products. This will involve the fitting of dual-standard equipment in Callpoints. The shape of CAI telephones is still being discussed, but one feature under active consideration is the inclusion of a radiopager, which would go a long way towards overcoming the restriction imposed by telepoint's inability to accept incoming calls. Shaye Communications is at Winchester on 0962-55925.

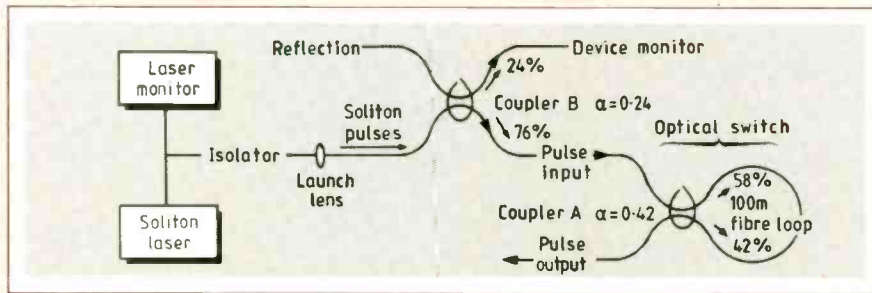
## First complete optical switching

Scientists at BT's Martlesham Heath research laboratories have performed the world's first complete optical switching of short light pulses known as optical solitons, which can behave as particles, in a partially transmitting, optical-fibre Sagnac loop. The success indicates that the loop might become the optical equivalent to the transistor switch in conventional electronic logic.

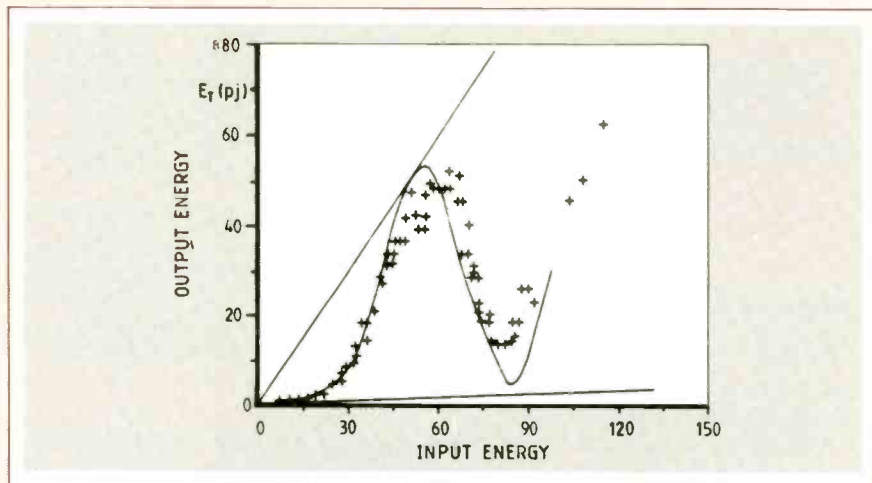
In **Figure 1**, the loop takes the form of 100m of York polarization-preserving fibre, with its input and output arms coupled together in a 58:42 ratio fused-fibre coupler (A). The solitons, which are light pulses 0.4ps wide and not subject to dispersion, are launched into the loop via the lens and coupler B (76:24), which enables the input level to be monitored.

Since input and output of A are coupled, 42% of the input energy transfers from input to output, thereafter travelling in an anti-clockwise direction round the loop; the rest of the energy moves round in a clockwise direction. Since the coupler is unbalanced, the device possesses an intensity-dependent, non-linear response.

At low powers, transmission through the coupler is linear but, as the power increases, the transmitted energy increases steeply until at an input of 46pJ, transmission reaches 93% of the input. The ratio of soliton transmission to linear transmission is 36. At higher input energies, transmission falls and begins to



**Fig. 1.** Experiment to demonstrate complete switching of solitons. Pulse output is 93% of energy input to fibre loop.



**Fig. 2.** Periodic behaviour of device. As input power increases, transmission increases, falls and increases again at 46pJ intervals of input energy.

increase again as the second cycle of non-linear response takes place.

This is the first time that all-optical, high-contrast switching of complete

pulses at an energy of 46pJ has been reported, and indicates the feasibility of using solitons for extremely fast optical processing in fibres.

## Beyond VLSI

**Frank Ogden reports from New York on a 32-bit processor from Inmos and on Anamartic's US debut.**

The International Solid State Circuits Conference held last month at the Hilton Hotel, New York City, is a meeting point for the world's semiconductor industry. It is an odd event, one never to be taken at face value. The industry's giants wave learned papers around, each the sum of many man years of work into semiconductor technology. But they are always half-truths published mostly for corporate image making, without giving too much away to the competition.

This year's event enjoyed a slight difference: the IEEE papers committee would only accept presentations on working silicon. Thus when Intel presented first details of a new general purpose microprocessor with a million transistors on a chip, the electronics world had to take notice.

The presented facts are these. The company proposes a million-device single-chip general purpose microprocessor with a risc processing core, 64-bit data bus, separate data and instruction caches together with

on-chip floating point processing. Christened the 80860, it additionally provides a graphics management area for pixel interpolation and separate, directly implemented adder and multiplier units. The principal internal data pathways are 32 bits wide while the three separate computational areas of the chip - FPU, adder and multiplier - can execute instructions in parallel to provide up to three operations per clock. All this, says Intel, results in a chip measuring  $10 \times 15$ mm which achieves 105 000 dhrystones, 21 million floating point operations per second at a clock rate of 50MHz. This is about five times the performance of an 80386.

What does it all mean? Firstly, the architecture is a complete departure from

everything which Intel has offered up until now. The instruction set is new and specific to the device; the only similarity with the 80X86 family is an ability to crunch 32-bit data words, albeit at a prodigious rate. This means that prospective users will have to develop a device-specific operating system. DOS and OS/2 go out of the window unless running under an emulation program.

The heavily pipelined architecture implies fast execution of multitasking operations given a suitable operating system. This, and the extremely powerful concurrent graphics and floating point computational mechanisms would make the architecture ideal for workstations running under Unix and other multi-user environments. In the past, semiconductor companies have been inclined to talk glibly about "mainframe power in a microchip" when, all along, you have known the claim owes more to public relations than performance. We can begin to believe on this occasion though. It is no exaggeration to say that the workstation world, having messed

# UPDATE

about with SPARC and other multi-chip risc architectures will probably be grateful for this one if Intel proves capable of making the enormous die in volume. Intel's architecture will give the DEC minicomputer market much to think about.

If the Intel processor announcement held the greatest significance for systems design engineers, numerous papers on devices fabricated from a mix of bipolar and cmos technology indicated a process technology trend initiated by the semiconductor industry itself. A 500 000-device 32-bit micro-processor from Hitachi has been shown to operate up to 70MHz clock rate by virtue of a mere 8000 bipolar transistors strategically placed at critical nodes. Power dissipation was said to be just over 2W at 40MHz clock.

The theory behind bicmos is simple. Standard mos devices require very little power, particularly in the quiescent state. Their small geometry allows large arrays to be manufactured - for instance memory sections of processor chips. However, the very limited drive capability inherent in small fets tends to slug signals coupled into long runs across the chip or, even worse, when coupled to the outside world. The exponential base-emitter voltage rela-

tionship found in bipolars enables very high output currents to be generated from very small voltage swings. Combine the two sorts of devices and you have an almost ideal solution to designing VLSI and beyond: low power consumption without speed penalties. But there are other penalties. Bicmos requires significantly more process steps with a consequent decrease in yield and an increase in production costs.

The Anamartic wafer scale paper played to a full house drawn by the prospect of the world's first viable whole wafer product. The specification has undoubted commercial appeal: 200Mbit of serial memory organised as 50 million four-bit parallel words. The company quotes an average access time of 10µs with a worst case of 20µs to any individual bit. This represents a data transfer rate of 20Mbit/s with an active power consumption of around 3W/wafer.

The wafer uses 1 Mbit rams interconnected by a network of self-configuring, fault-tolerant control logic blocks. These blocks interact with each other to form a spiral of good memory.\* The configuration process automatically maps bad sectors of

memory within the individual drams to an external eprom. Each ram also contains a DC power switch to remove devices which present short circuits to the power rails. Taken together, the redundancy techniques allow the use of partially operational ram die within the memory spiral. The configuration system will also automatically bypass areas of the wafer caused by defective logic blocks.


The wafer uses common power rails, clock line (20MHz) and a single command line. It is essentially a seven-pin serial device. It wire-bonds to a PCB which also contains external control logic and the error map eprom.

The dynamic refresh of the individual ram chips would normally cause power spikes if an attempt were made to refresh all parts simultaneously. Each control logic block contains a refresh counter which provides a skewed output in relation to neighbouring blocks.


The ram core and logic blocks have been produced on a Fujitsu process using 1.3 micron design rules: individual ram dice are some 20 per cent larger than standard 1Mbit drams. Each control logic block is equivalent to around 1200 gates.

Full ISSCC report next month.

\* Pictured in Industry Insight, page 385.



## KESTREL ELECTRONIC COMPONENTS LTD.



\* All items guaranteed to manufacturers spec.  
 \* Many other items available.  
 'Exclusive of V.A.T. and post and package'

	1+	100+		1+	100+
74LS00	0.15	0.08	2.4576 MHz Crystal	0.75	0.55
74LS32	0.15	0.08	4 Meg Crystal	0.45	0.26
74LS125	0.15	0.11	6 Meg Crystal	0.45	0.26
74LS241	0.30	0.18	8 Meg	0.45	0.26
74LS244	0.30	0.18	1488	0.25	0.16
74LS245	0.30	0.19	1489	0.25	0.16
74LS373	0.30	0.18	2732A	2.50	2.30
74HC00	0.14	0.09	2764A	2.20	1.90
74HC02	0.14	0.08	27C64-20	2.80	2.10
74HC147	0.25	0.14	27C128-25	3.40	3.10
74HC153	0.24	0.12	27128A-25	2.80	2.50
74HC194	0.25	0.15	27256-25	3.30	3.00
74HCT04	0.16	0.13	27C256-25	3.80	3.25
74HCT32	0.16	0.08	8259AC-2	1.60	1.20
74HCT74	0.16	0.12	8255-5	1.90	1.30
74HCT123	0.23	0.16	82C55	1.50	1.10
74HCT138	0.23	0.16	80B5	1.60	1.00
74HCT373	0.35	0.28	6522P	2.80	1.85
74HCT374	0.35	0.28	Z80ACPU	1.00	0.65
74HCT574	0.40	0.32	Z80AP10	1.00	0.65
74HCT643	0.42	0.30	Z80ACTC	1.00	0.65

All memory prices are fluctuating daily, please phone to confirm prices.

**178 Brighton Road,  
 Purley, Surrey CR2 4HA  
 Tel: 01-668 7522. Fax: 01-668 4190**

ENTER 18 ON REPLY CARD

## ELECTRONIC TUBES/VALVES R.F. AND MICROWAVE COMPONENTS

### PRODUCT RANGE

CRT's CAMERA TUBES COAXIAL ISOLATORS & CIRCULATORS DIODES IGNITRONS IMAGE INTENSIFIERS INTEGRATED CCTS KLYSTRONS MAGNETRONS MICROWAVE TUBES NOISE GENERATORS OSCILLATORS PHOTOMULTIPLIER TUBES PLANAR TRIODES	R.F. CAPACITORS R.F. TRANSISTORS RECEIVING TUBES RECTIFIERS SILICON CONTROLLED RECTIFIERS SPARK GAP TUBES TR/PRE TR TUBES TETRODES THYRATRONS TRANSMITTING TUBES TRIODES TUBE ACCESSORIES WAVE GUIDE CIRCULATORS
---	--

### MAIN MANUFACTURERS

ACRIAN AMPEREX EEV EIMAC GENERAL ELECTRIC MACHLETT MOTOROLA	MULLARD NATIONAL PHILIPS RCA SIEMENS SYLVANIA THOMSON
---	---

For more information on any type of Electronic Tubes/  
Power Transistors:

## RAEDEK ELECTRONICS

BANNERLEY ROAD, GARRETT'S GREEN, BIRMINGHAM B33 0SL  
 Tel 021-784 8655. Telex: 333500 CROSAL G.  
 Fax: 021-789 7128

ENTER 20 ON REPLY CARD

# FEEDBACK

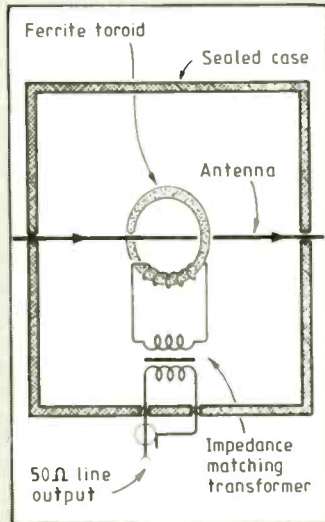
## Faster than light?

I would like to reply to the numerous letters in the March issue of *EW* on the article by Alexis Obolensky and myself which appeared in the December 1988 issue.

Despite the criticism resulting from the almost unbelievable outcome of the experiment, the findings withstand all scrutiny. The main conclusion is effectively without error and is that certain electrical signals propagating in wires exceed the speed of electromagnetic waves propagated in the same wires, that is that they exceed the velocity of light (by definition) propagated in wires; the velocity of fast signals in one case exceeds the velocity of light by a factor of at least 100.

All the critics agree that the received signals are not an artefact of the oscilloscope, but are indeed signals transmitted from the source to the oscilloscope. Alternative explanations offered varied greatly, contradicting each other in the process. Some attributed the results to an undetermined propagation mechanism, while others asserted that the signal took a short cut through the air rather than along the lines. Some respondents disputed the propagation path, others the transformer coupling and still more said that the received signals were not emitted simultaneously by the source, or even mentioned many sources.

In reply, I should point out that the impetus for the experimental method, used for the first time in August 1988, was to determine the velocity of signals using one clock, that of the oscilloscope, and several one-way routes. This "one clock, many routes" method seems paradoxical since relativity teaches that, to measure the one-way velocity of a signal, one has to use at least two synchronized clocks and one "one-way" route. However, elementary considerations show that, since speed is the distance of propagation over the time lapse, it can be determined by an analysis of the relative delays of signals travelling different routes of known



lengths.

The first lemma established in 1988 was that the relative delays in various propagation trials were always proportional to certain path lengths in the experiment. This is the most fundamental relation established in the experiments, because it shows beyond any doubt that the conclusion reached, that the speed of the signal was faster than light *in vacuo*, is correct. However, a gremlin crept into the article and caused the proportionality to be expressed incorrectly as an "inverse" proportionality. I apologize for the error, but the method and the data stand correct.

The proportionality lemma (PL) guarantees that all the signals were emitted simultaneously, or the result would have been linear, rather than proportional. Similarly, the PL proves that the source of the signal is one point – the energized relay. It excludes the possibility that the signals took a common short cut for both channels, since the delays varied in proportion to the lengths of the lines; and also the possibility that the signals were surface signals, penetrating at the first random loss of shielding. The transformers imposed no practical delay or any other adverse effect; they were high-quality, sealed, fixed units made by Tektronix (CT1 and CT2), connected according to specification. The remark that the coupling might have been capacitive is irrelevant, since a totally capacitive coupling would

not change the analysis.

The shielding of the coaxial lines and of the oscilloscope were normally grounded at the oscilloscope. Unplugging one cable and taking no other precaution made the corresponding trace flat, the other remaining unaltered. This proves that the two simultaneous signals had no common path and that each arrived via its own cable. If the inner of either cable was broken at any point, the connections remaining, the corresponding signal was lost.

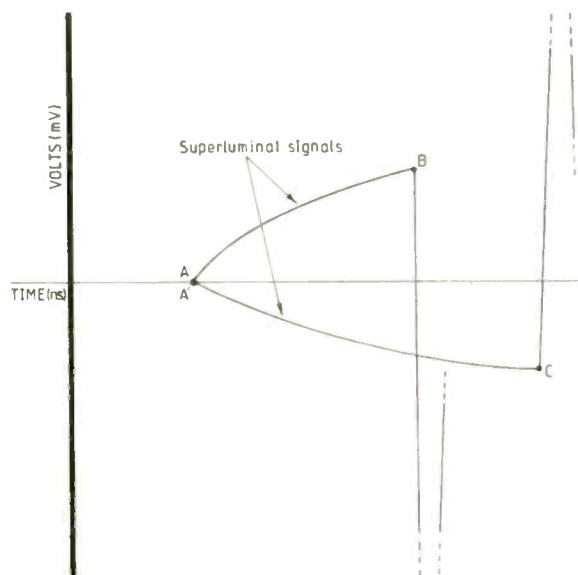
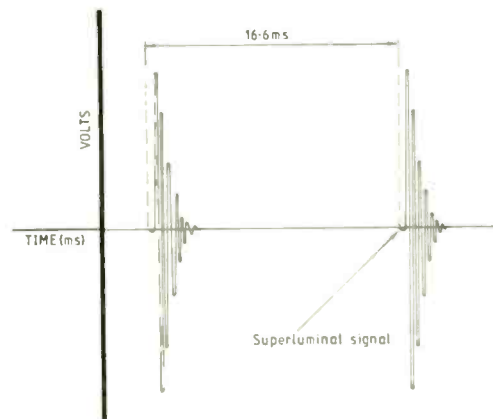
The exact value of  $2c$  derived for the second, faster-than-light velocity, though smaller than the first velocity of over  $100c$ , seems to be the only error in the text and is solely my responsibility. The exact value of this velocity depends on the velocity  $C_1$  of the waves propagating in the

coaxial lines, for which the article provided limited data and accuracy. This value  $\hat{C}$  is given by

$$1/\hat{c}' = 1/C_1 - 1/c_1$$

the  $c_1$  on the right-hand side being the value given in the article. The value of  $\hat{c}'$  can be anything from the ordinary signal velocity  $C_1$  to infinity, depending on the characteristics of the line. My improper definition of  $c_1$  can be attributed to an effort to prove its inherent identity to the PL. This definition proves this fact and consequently the two simultaneous signals may be considered as two (somethings) that propagate at a constant velocity before the main pulse. The major conclusion of the article remains correct.

P.T. Pappas  
Athens  
Greece



# FEEDBACK

## Instrumentation amplifier

The circuit described by Nanno Herder (Broadband Instrumentation Amplifier, *EWV*, September, 1988) deserves a more complete analysis.

If all three operational amplifiers have gains  $\alpha_0$  and bandwidth  $\omega_0$  the differential gain is

$$g_d = \frac{a+1}{1+j\frac{\omega(a+1)}{\omega_0\alpha_0}}$$

and the common mode gain is

$$g_c = \frac{\frac{a+1}{a\alpha_0} \left(1+j\frac{\omega}{\omega_0}\right)}{1+j\frac{\omega}{a\omega_0\alpha_0} + \frac{\omega^2(a+1)}{\omega_0^2\alpha_0^2 a}}$$

where it is assumed that  $\alpha_0 \gg a$ .

The differential bandwidth is therefore  $\omega_0\alpha_0/(a+1)$  but at this frequency the common mode gain has reduced to  $(a+1)/[(a^2+a-1)^2+1]^{-1/2}$  which is 3dB for  $a=1$  and so does not have the advantage that Mr Herder claims.

The standard instrumentation amplifier (Fig. 1 in the article quoted) uses the first stage for gain and the second for CMR. Mr Herder's development of this circuit improves the CM rejection ratio of the first stage and so makes the resistance values of the second stage less critical.

K.G. Barr  
University of the West Indies  
Bridgetown  
Barbados

## High-definition TV

In all the talk about HDTV it seems to be forgotten that, after World War II, France had a monochrome TV system with 819 lines. After visiting France in 1956 I wrote a note in *Wireless World* (May 1956, pp 239-240) in which I commented favourably on the system but was critical of French studio and camera technique: at that time the argument in Britain was whether we should scrap the 405-line system! The French system of monochrome HDTV used channels of 10 MHz, whereas most of the systems with lower definition, with or

without colour, used 5 MHz. It was probably the pressure on availability of channels which caused the abandonment of this system at the same time as colour was being introduced, since any of the interleaved colour systems could have been tailored to any number of lines per picture. At present there seems to be enough bandwidth available on satellite transmitters (DBS) to provide more lines and non-interleaved colour; but if with increasing usage there is eventually pressure on frequency allocations, the answer next time might be frequency-compression of the picture information, via digital processing, without reducing the number of lines per picture.

D.A. Bell  
Wilmington  
Beverly

The current use of high-brightness, large-screen TV receivers causes artefacts such as cross colour and cross-luminance patterning, which are due to the frequency multiplexing of the luminance and chrominance components, to become obvious to viewers. But are they worried by this? The quality of reproduction achieved by many mass-produced VCR's, combined with video library tapes, seems to suggest not.

Does the viewer want HDTV? Market research in Canada and the United States, though somewhat confused on this point, suggests that HDTV is acceptable if the cost is right. From Japan, it seems that a nationalistic interest might drive their market. However, one point is quite clear: programme material has to be something special to encourage the consumer interest.

The artistic need for better-definition television is not in doubt. But which of the many proposed systems would produce the best results? The oneupmanship concept will always ensure that a small minority will purchase even non-compatible systems. Perhaps if suitably nurtured, this small, select customer base could ultimately expand to provide a wider acceptance for a new service. Whilst not in quite the same category, this hap-

pened with the VCR, but not with the video disc player that gave far better video quality.

The two main contenders for a world HDTV standard are the Japanese NHK Hi-vision and the European MAC systems. Both avoid the cross colour/luminance problem by time-multiplexing the video components. With a video bandwidth in excess of 30 MHz, both produce high-quality images when displayed on full-bandwidth, high-definition equipment. That either system is suitable for use as a production standard is not in doubt. It has been adequately demonstrated by the NHK system that quality can be as good as 35mm film and is economical even when transferred to standard cine film. However, major problems arise when bandwidth compression has to be employed to force these signals through a normal TV channel.

The NHK Muse system that has been demonstrated many times uses sub-sampling during encoding and interpolation and motion compensation at the receiver. After viewing many of these demonstrations, it is obvious that artefacts are present. When multiple-direction movements are present and accompanied by signal-level changes, a defocussing effect is shown, whilst diagonal movement of striped material produces a strobing effect. At times these can be more annoying than the cross-colour/luminance problems in PAL.

The European HDMAC system was first publicly demonstrated at IBC'88. This also uses sub-sampling, but includes a digital assistance signal that helps the receiver to cope with motion decoding. These pictures were judged to be good, particularly since the demonstration was mounted after only two years of European cooperation. However, these images were not as artefact-free as those previously demonstrated using 625 line C-MAC or D-MAC. It is therefore important that this system should be carefully viewed to ensure that it does produce better results.

It is well known that image impairment is context sensitive.

Viewers are less critical of poor quality in scenes that carry a lot of movement, or in images where the interest is concentrated into a small area. The experts subjectively judge image quality using a viewing panel, placed at a distance of three or four times picture height. Is this realistic when the average family group views the screen from about twice this distance? Before we judge standards, should we not also judge the way in which practical comparisons are made?

One final question that should be addressed involves the programme material so far presented at demonstrations. How much preselection was applied to avoid the known artefacts that might have been seen under more normal conditions? Unless demonstrations can be seen to be free from such bias, there is a good chance that we shall simply exchange one set of artefacts for another and pay dearly for the privilege.

Geoff Lewis  
Canterbury  
Kent

## Anti-gravity

In the box on page 30 of January's *E&WV* H. Aspden described the force-processed gyroscope. His final sentence is "The fact that the machine develops a sustained lift force in defiance of Newton's Third Law is undisputable, owing to the placement of the demonstration machine on a balance with a knife edge support and the use of counter weights."

Oh yes it certainly is disputable! From his description (which I could not understand) of the machine, it seems that the 'lift' force is of a pulsed nature. Weighing machines are designed to measure a steady force. Their behaviour when subjected to a pulsed force of large 'form factor' could be anywhere between peak-rectification and peak-ignorance. The latter case might well apply if an electronic balance was used, giving rise to an apparent weight reduction.

David Williams  
Epsom  
Surrey

# Those Engineers Ltd

## The UK's leading suppliers of circuit simulation software

Product	Functionality	M/c	O/S	Recommendation	Price
ECA-2	Analogue circuit simulator. Allows effects of different components to be investigated - more effectively than by bench testing. Very high specification program includes Monte Carlo & Worst Case tolerancing. Fourier analysis of transients. Non-linear components characterised by breakpoints or polynomial functions.	PC XT AT 386 256k RAM Mac	DOS 2.0 or later	Believed to be the most powerful PC based analogue circuit simulator available. Regularly upgraded. Interfaces to many schematic drawing packages.	£675 (special terms for education - ask for ECA-2S)
Plot-D	HP & Houston plotter driver for ECA-2 high quality output.	As ECA	As ECA	Lets ECA-2 produce your brochure curves before you have even built the circuit.	£50
EC-ACE	Sub-set of ECA-2; retains DC, AC, and transient analysis with non-linearities modelled by diodes.	As ECA	As ECA	Low-cost intro to ECA-2. Upgrade path to ECA-2 available.	£199
LCA-1	Logic Circuit Analyser; a new sister program to ECA-2. Produces logic analyser-style output traces (up to 68 signal traces) and incorporates delay and nestable macros.	As ECA	As ECA	This new program from Those Engineers will encourage thorough investigation of problem areas in circuits. True cost saver.	£350
MITEY SPICE	Analogue circuit simulator incorporates non-linear quiescent handling and small-circuit AC analysis. Full Ebers-Moll bi-polar transistor representation, new transformer model and graphics display - up to 26 parameters.	BBC-B Archimedes des (ext. spec.)	DFS ADFS Native OS	Established teaching standard. Mitey Spice on Archimedes is startling. 200+ node capacity, almost instant calculation, immediate development of complex circuits.	£119 (special terms for education - please ask us)
SPICE*AGE	Analogue circuit simulator in GEM environment. Available in modular form covering: 1 - Frequency response 2 - DC quiescent analysis 3 - Transient analysis 4 - Fourier analysis	PC XT AT 386 512k RAM mouse des ble	DOS 2.0 or later	Licensed GEM supplied at no extra cost. Module 1 Additional modules Full program Multi-user Pro version	£70 £70 £245 Please ask us
MIMA NET	Small-signal analogue circuit analysis with schematic entry of circuits & extensive output options including synthesis of transfer function polynomial, Smith chart, Bode, etc. Butterworth and Chebyshev filter design incorporated.	HP 200 300 400 series w/s	Basic 2, 3 or 4	Outstanding program for RF designers or control engineers who need to trim transfer functions. Program is quite exceptional for its ease-of-use.	£850
Program A	Systems design aid analysis program with numeric entry of transfer functions or direct link to MIMANET. Multiple inputs, noise rejection modelling, and graphical outputs are provided.	As MIMA NET	As MIMA NET	Use Program A with MIMANET to develop your PLL filters, and so on.	£850
CODAS	Single input control system simulator represents non-linearities and transport delays. Transient response, root locus, Nyquist, Nichols and Bode plots all available.	BBC Archi PC XT AT	DFS emul DOS 2.0 or later	Ideal for control engineers. Very illuminating program for teaching control theory.	£220 to £350 (ask for details)
PCBAR	Auto-routing printed circuit board drawing program output to a plotter (driver extra) or to Epson FX compatible printer. Very easy to use.	BBC Archi	DFS ADFS emul	Ideal for prototyping, hobbyists, and teaching. Excellent quality prints (double size) from dot-matrix printer.	£85 (manual) £185 (auto route)
VUTRAS & A	A multi-sheet schematic drawing system with special features for drawing validation. May be used for entry of circuits into ECA-2.	PC XT AT 640k 8087/ 80287	DOS 2.0 or later	A very powerful schematic circuit drawing program with extensive features much favoured by professional users.	New low price £500 (1/face to ECA-2 extra)

Those Engineers have been providing circuit designers with micro-based simulation and pcb layout software since 1983. We now have a broad range of packages covering many applications and running on machines from the BBC Micro to 386-based PCs. The chances are, if you want computer-based analysis software or a layout system, we have a cost-effective CAD package to suit your needs. When you telephone Those Engineers, you will be speaking to an engineer who will see it as his duty to advise you - our reputation is built on service and not opportunistic sales. Access payment accepted - please add VAT to above prices.

**Those Engineers Ltd**

100a Fortune Green Road • West Hampstead • London NW3 1DS  
Tel: 01-435 2771; Fax: 01-435 3757; Tlx: 8950511 (ansbk ONEONE G) Quoting box 23332001



ENTER 41 ON REPLY CARD

# R.S.T. LANGREX R.S.T. SUPPLIES LTD

One of the largest stockists and distributors of electronic valves, tubes and semiconductors in this country.

Over 5 million items in stock covering more than 6,000 different types, including CRT's, camera tubes, diodes, ignitrons, image intensifiers, IC's, klystrons, magnetrons, microwave devices, opto electronics, photomultipliers, receiving tubes, rectifiers, tetrodes, thyratons, transistors, transmitting tubes, triodes, vidicons.

All from major UK & USA manufacturers.

Obsolete items a speciality. Quotations by return. Telephone/telex or fax despatch within 24 hours on stock items. Accounts to approved customers. Mail order service available.

## LANGREX SUPPLIES LTD

1 Mayo Road, Croydon, Surrey CR0 2QP.

Tel: 01-684 1166

Telex: 946708

Fax: 01-684 3056

ENTER 12 ON REPLY CARD

# STEREO MICROPHONE AMPLIFIER



- 50 or 200 Ohm balanced microphones to balanced lines.
- Variety of low frequency characteristics for improving the clarity of recording
- Inputs filtered against radio interference
- Complete boxed unit or double mumetal screened amplifier module alone. Suits direct connection to digital line inputs.

Stereo Disc Amplifier 3 and 5 ★ Moving Coil Preamplicifier ★ 10 Outlet Distribution Amplifier 4 ★ Stabilizer and Frequency Shifter for Howl Reduction ★ Peak Programme Meters, Drive Circuits, Illuminated Twin Box and Rack Units ★ Stereo and Ambisonics Coder ★ Stereo Variable Emphasis Limiter 3 ★ Advanced Active Aerial 4kHz - 40MHz ★ Broadcast and Communications Receiver 2 150kHz - 30MHz ★

Surrey Electronics Ltd.,  
The Forge, Lucks Green,  
Cranleigh, Surrey GU6 7BG, England.  
Tel: 0483 275997



# PIONEERS

## 28. Russell and Sigurd Varian: "One day, he'll make the big invention"

**E**lectronics laboratories do not usually manufacture blackberry jam. But when the first official visitor arrived at the newly-founded Varian Associates in August 1948 he found the jam pot merrily bubbling on an electric cooker and sterilized jars waiting to be filled. The Varian brothers, Russell and Sigurd, already had a reputation for their invention and development of the klystron and they were known to do things in unusual ways.

The visitor, a government official sent to survey the company's facilities, later said that he would not have been surprised if the jam making had been one of Russell's experiments. The truth was more prosaic. Sigurd's wife, Winnie, did not want to waste a good harvest of blackberries.

About Christmas, the same official received a jar of jam through the post, the last of Varian Associates' first product line. Sorry, he was told, but re-orders could not be accepted though they would be happy to discuss any requirements for klystrons or travelling-wave tubes.

So began the corporate life of Varian Associates, an international company now just over 50 years old and long famous for its klystrons which are used in such diverse applications as television broadcasting, defence, medicine and industrial production. Like the cavity magnetron, the klystron as a device of high power and high frequency came along at the right time to help the Allied cause in the Second World War.

### CHILDHOOD

Ever since childhood Russell had made inventions and Sigurd had built them. As adults they went their separate ways but were united by strong family ties; Russell struggled to follow an academic career, Sigurd became a dare-devil pilot. Throughout, however, both dreamed and made inventions with Sigurd never losing faith that one day Russell would invent "the big one" which would put them on the path to riches and independence. Eventually, he did.

Russell Harrison Varian was the eldest son of John Varian and his Australian-born wife, Agnes. It was Agnes who bonded the family together. John and Agnes emigrated to America from Dublin before the turn of the century and settled first in California before moving to Washington DC, where Russell was born on April 24, 1898.

From Washington they moved to Syracuse, New York, and Sigurd was born there on May 4, 1901. John suffered from asthma and bronchitis and the family's fortunes went up and down. After four years on the East Coast John lost his job and for a while it looked as if the children would have to be cared for by Agnes's sister. Friends and relatives persuaded them back to California where they settled in Palo Alto in 1902. It was there that their third son, Eric, was born on June 16, 1904.

An elderly aunt provided a house, John became a masseur, and life improved. The boys developed a healthy outdoor life-style –

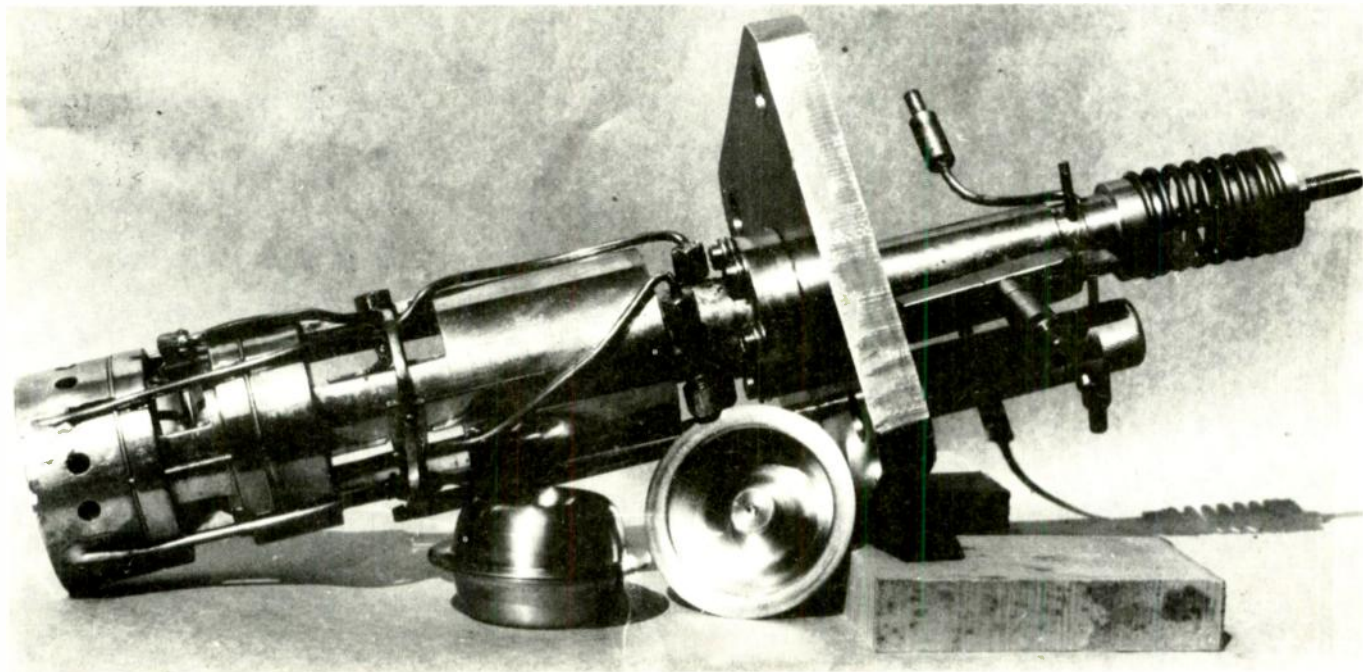
and the usual indoor one too, as a letter from their mother reveals: "When I got home from San Jose the boys had the house as if a cyclone had gone through it, leaving the dirt from the entire neighbourhood. They had taken it into their heads to make doughnuts and spilt grease all over the floor in great patches, had pillow fights in the parlor and generally played Old Harry." Training the family dog to pull them along on roller skates was another indication of their adventurous spirit<sup>1</sup>.

But their spirit of adventure must have been satiated on the night of April 18, 1906, the night of the San Francisco earthquake. The entire family escaped unscathed; but cycling around to see the damage, and particularly the displacement at the San Andreas fault, made a big impression on Russell.

When the boys were in their teens, life once more became hard. A new law required all masseurs to be registered, but John was self-taught and could not get a licence. His clientele dried up. In 1914 the family moved to Halcyon, also in California, where they took over the post office and general store – taking with them the family dog, Russell's beehives and two donkeys. Through inheritances, gifts and loans they bought the shop, its stock and, eventually, a house. "They managed", wrote Dorothy Varian, "but the income from the post office and store was barely enough to keep food on the table."<sup>1</sup>

The house took on a cosmopolitan atmosphere as various guests, paying and non-

**Model A, the first klystron, August 30, 1937. It gave continuous output at 13cm. Pictures by courtesy of Varian Associates Inc.**



paying, moved in from time to time, some for treatment from John. All were treated with love and some were considered as members of the family. Nan, a lonely Irish girl, was regarded as an adopted niece until her death from tuberculosis – from which Sigurd was later to suffer repeatedly.

Meanwhile the boys made things for amusement, Sigurd stripping old car engines and Russell learning about the audion bulb (the original thermionic triode).

---

## RUSSELL

The Varian boys attended grammar school in Palo Alto and high school near Halcyon. Russell left to work his way through Stanford University to a bachelor's degree in physics, which he received in 1925. Two years later this was followed by a master's degree – a considerable achievement for someone who, as a boy, had been held back by a few years at school because of his appallingly bad reading and spelling, caused possibly by dyslexia. This awful spelling was to stay with him for life. It was sheer persistence and a refined intelligence that saw him through. Even his career as a student got off to a bad start as surgery and illness wrote off his first year.

Ideally the next step would have been a Ph.D., and a life in academic research, but that was not to be. Sigurd was ill with tuberculosis and his parents needed financial help from their eldest son. Bell Labs turned him down but he got a job, for six months, with Bush Electric in San Francisco. This was followed by a research post with an oil company in Texas. After five months he was dismissed, almost certainly because of personality clashes with his employer. It was some compensation, however, that he had been awarded his first patent.

Back in San Francisco he was offered a position with the Farnsworth Television Laboratory. This was 1930, and America's economic structure was in chaos. But television research was progressing in several places and Philo T. Farnsworth's image dissector was acknowledged as one of the leading contenders. Russell Varian was delighted to join in the fun, even when a change of financial backer meant a move to Philadelphia. By mid-1933, though, problems between Farnsworth and Philco, the new backer, led to Farnsworth's pulling out and shutting down. RCA went on to win the race to produce electronic television in America and Russell returned to Stanford. He applied to study for his long-awaited Ph.D. and was astonished when he was turned down.

At 36 years of age, his future had collapsed. He trained as a teacher but never took up the profession. Instead, at the university he did some tutoring here, some marking there, and what research he could. This prompted Sigurd to ask, "Is Russell figuring on making money out of scientific papers, or is he just going to advance the cause of science for nothing?"

---

## SIGURD

Sigurd Fergus Varian left school in 1920 and registered at California Polytechnic but

### VELOCITY BUNCHING

"Just picture a steady stream of cars from San Francisco to Palo Alto; if the cars left San Francisco at equal increments and at the same velocity, then even at Palo Alto they would be evenly spaced and you could call this 'a direct flow of cars'. But suppose somehow the speed of some cars as they left San Francisco could be increased a bit, and others could be retarded. Then, with time, the fast cars would bunch into groups. Thus, if the velocity of cars was sufficiently different or the time long enough, the steady stream of cars would be broken and under ideal circumstances would arrive in Palo Alto in clearly defined groups. In the same way, an electron tube can be built in which the control of the electron beam is produced by this principle – bunching – rather than by the direct control of the grid of the triode."

*Russell Varian's description was recalled by Edward Ginzton.*

quickly dropped out. He was far too adventurous for the academic life. His contribution was not to be the original researcher but the developer and implementer of ideas, the man who got them to work. With a friend, he set up his own business as an electrician, but then joined the Southern California Edison Company. When stringing high power lines near a small airfield, Sig (as he was known) became fascinated by the aeroplanes. Soon he was receiving flying lessons at \$4 each. It was the start of a life-long love affair. After two months he could write home, "I can make a peach of a landing".

In August 1924 Sigurd bought a wartime biplane. Soon the plane was earning money with stunt flying, advertising, selling lessons and giving joy rides. But by now tuberculosis had struck for the first of several times and six months' rest was needed to clear his lungs. The next year he hired himself out to an electricity company as a flying serviceman and used his plane in other ways to earn a living. By 1926 regulations for flying were being introduced and Sig, and his plane, were duly licensed.

The life he was leading took its toll, however, and tuberculosis struck again. This time it was severe and Sigurd spent a year in a sanatorium, a severe trial for one with a driving, adventurous nature. When he finally accepted his fate he used some of his invalid time to plan for the future and study aerial navigation. He also made his first request to Russell to help improve aircraft navigation instruments: a radio compass was their first serious project, though it did not work out.

Sigurd decided it was time to get a regular job with an airline. He was an excellent pilot and was signed up by Pan American for its subsidiary in Mexico. The job turned out to be extremely well paid and had more than its fair share of excitement, with hunts for emergency landing sites, revolutions and other thrills. He also met and married Winifred Hogg, the daughter of the British consul in Vera Cruz and who, years later, was to make that blackberry jam. Mexico was also where Sigurd learned about the hazards of aircraft navigation and the need for aids, especially for blind landings. The threat of

another war in Europe worried him and he pondered how approaching aircraft could be detected. Meanwhile the postmen carried letters to and fro between the brothers as they exchanged ideas for inventions and businesses.

By 1935, Sigurd was ready for a change. He took six months' leave and he and Winnie headed for Halcyon and a home laboratory which he set up and shared with Eric and Russell.

---

## THE KLYSTRON

During his time at Stanford, Russell and built up friendships; and one especially, with a physicist called Bill Hansen, was to blossom. Hansen worked on X-ray phenomena and microwaves. Early in the Second World War his teaching notes were classified and used at the famous MIT Radiation Laboratory, where much of the American work on radar was performed and co-ordinated. Before that, however, with Russell Varian he speculated on how to get "high velocity electrons without spending a lot of money".<sup>2</sup> The result of Hansen's work was the rhumbatron (named after the rhumba dance), a cavity resonator which was to feature in the invention of the klystron.

When Russell arrived at the home laboratory, Sigurd and Eric were busy developing earlier ideas and still hoping that Russell would invent "the big one". Cities were being bombed in Spain and China, and aircraft detection was high on Sig's list of priorities. They knew that short wave radiation would be suitable but there was no way of generating the high powers required. Of course they did not then know of the secret military work on pulsed radar.

Russell recognized the need for a resonator and thought of Bill Hansen's rhumbatron. He and Hansen talked it over in May 1936 and Russell developed his ideas further. In February 1937 he had the design for a microwave tube and sought permission to use Hansen's resonator and one of Farnsworth's inventions (which was later dropped). Other ideas developed and Russell came to realise that completion of the project was beyond the resources of their little laboratory.

Sigurd's drive and determination saved them. He believed this was the "big one". In the past he had obtained the facilities he had needed for the ill-fated radio compass by enrolling on a course at California Polytechnic and using its workshop, and he had also fixed the occasional plane there. Now he proposed to use the laboratories of Stanford University. Russell hesitated, Sig did not. By the end of April they had an agreement with the university that it would provide facilities, the right to consult with staff, a research grant of \$100, but no salaries. In return, Stanford got equal shares of any financial return. It was a good deal all round.

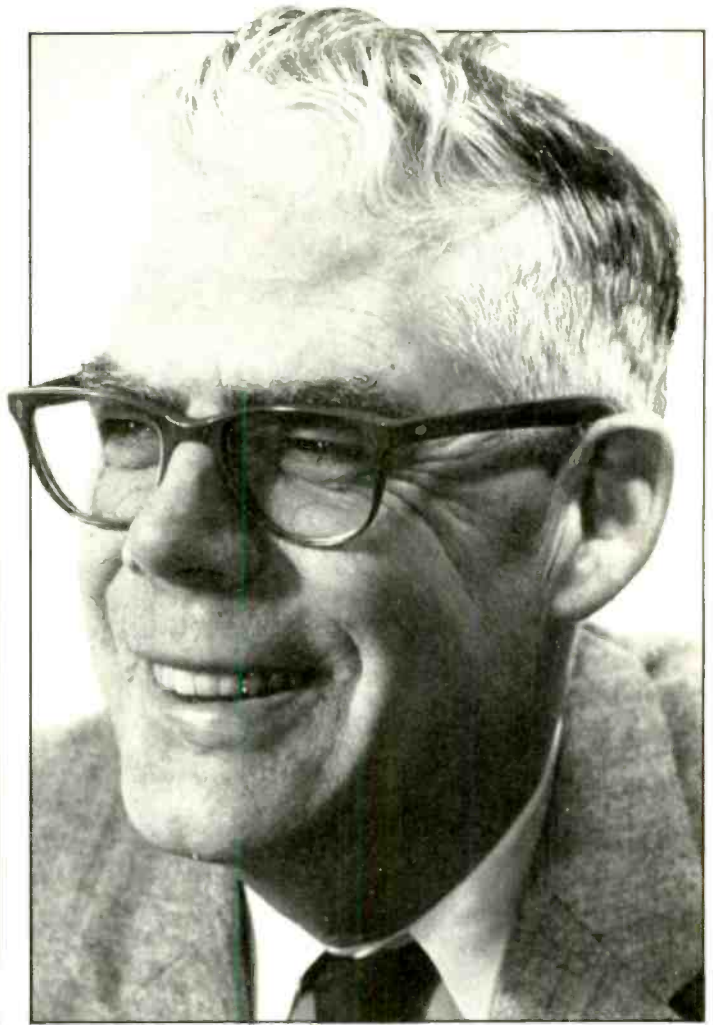
---

## A HAMBURGER CELEBRATION

Once they had started, many ideas and variations on ideas tumbled out of their minds. So much so that on June 5, 1937, Russell decided to sit down and classify them



Russell Varian



Sigurd Varian

all to ensure nothing was overlooked. It was whilst doing his classification that the fundamental idea for the klystron, the velocity grouping or bunching principle, struck him. Sig remembered the date clearly: it was the day he blew the main breaker in the university power house.

With a determined struggle they completed the design and built the first klystron, overcoming many problems on the way. The completion of the first hand-filed hexagonal grids called for a hamburger celebration. Building their own detection and measuring equipment proved to be another important problem; and solved it was. In two months the Model A 10cm klystron, encased in a vacuum bell jar, was working – intermittently – on August 19, 1937. By the 30th the device had been rebuilt and gave continuous operation at 13cm. It had cost \$50 of Stanford's money.

Up to then the device had been known as the "thing", the "can" and the "spittoon". A respectable name was needed. "Tron" was a common suffix for a vacuum tube and "klyso" was chosen as representing the bunching of waves on a beach, hence klystron.

Further detailed development work was needed. Instead of just three men (Russell, Sigurd and Bill Hansen) a whole team was now involved and a lot more effort and money was needed. Sperry Gyroscope agreed to fund the work with up to \$25 000 a year. Suddenly it was big business.

The relationship with Sperry, industrial

production and war-time use of klystrons are stories in themselves. The brothers were not cut out to accept direction of their ideas and their work from others and the relationship with their new employer involved several conflicts. Facilities were moved from California to the East Coast. Russell was engrossed in the vital patent applications and Sigurd's terrier approach to his work brought more tuberculosis and wrote him off for almost another year. At one stage, it was rumoured that Sperry wanted to buy the patents and sack the pair of them. It is not surprising that the brothers and their friends laid plans for their own post-war research laboratory.

In mid-1946 Russell returned to Palo Alto, depressed by the failure of his five-year-old marriage. But things were about to improve. He took great joy from hiking and camping and in 1946 he married a fellow camper, Dorothy. This marriage lasted until his death in the great outdoors of Alaska on July 28, 1959.

The time had come for the long-discussed laboratory to become a reality. Russell found a suitable building measuring 30 by 40 feet on an unpaved street in San Carlos. It was cheap. On April 20, 1948, Varian Associates became a legal reality. Sigurd arrived in May "full of energy and enthusiasm".<sup>1</sup> A sum of about \$45 000 was needed of which the partners could contribute only \$23 000. A new recruit added \$5000 but that still left them \$17 000 short. Their distrust for big business ruled out going to financiers and it

was Bill Hansen who once again stepped in to help. Hansen was then a sick man and would not live another year, but he provided the remaining money, possibly by mortgaging his house. Varian Associates was established.

Honours came their way, including medals from the Franklin Institute and an honorary doctorate for Russell, who had been denied the chance to work for one. Sigurd continued to be plagued by poor health and in later years he spent more and more time in semi-retirement at his home in Mexico, building a workshop and inventing.

On 18 October, 1961, he was flying parts for his workshop back to his Mexican home. It was dark and the airport lights were out. He decided to land on the beach, crashed and was killed. It was probably the way the great adventurer would have wanted to go.

#### References

1. Dorothy Varian. *The Inventor and the Pilot*. Pacific Books, 1983.
2. E.L. Ginzton. *The \$100 Idea*. *IEEE Spectrum*, 30-39, February 1975.

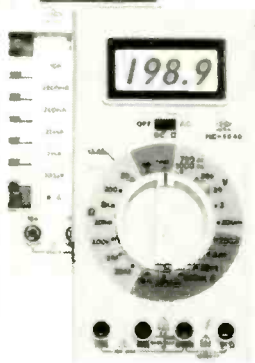
The author expresses his thanks to Varian Associates Inc. for contributing information for this article.

*Tony Atherton works at the IBA Harman Engineering Training College, Seaton, Devon.*

*Next in his series of pioneers of electrical communication will be J.F.K. Gauss and W.E. Weber.*

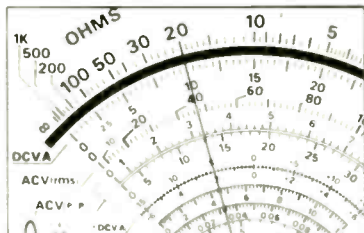
**A NEW SERIES OF QUALITY  
HAND-HELD MULTIMETERS**

198.9



from **Armon**

retailing between £6 to £40 plus VAT



Series includes an AUTORANGE and two HEAVY-DUTY DIGITAL models plus a POCKET SIZE and a SOLID-STATE ANALOGUE model.



For details of these and our full range contact:

**Armon** Electronics Limited  
Heron House,  
109 Wembley Hill Road, Wembley,  
Middx. HA9 8AG England

Telephone: 01-902 4321 (3 lines) Fax: 01-902 5984 Telex: 923985

ENTER 30 ON REPLY CARD

**IN VIEW OF THE EXTREMELY  
RAPID CHANGE TAKING PLACE  
IN THE ELECTRONICS  
INDUSTRY, LARGE QUANTITIES  
OF COMPONENTS BECOME  
REDUNDANT. WE ARE CASH  
PURCHASERS OF SUCH  
MATERIALS AND WOULD  
APPRECIATE A TELEPHONE  
CALL OR A LIST IF AVAILABLE.  
WE PAY TOP PRICES AND  
COLLECT.**

**R. Henson Ltd.**

21 Lodge Lane, N. Finchley,  
London, N12 8JG.

5 mins. from Tally Ho Corner

**Telephone:**

**01-445 2713/0749**

ENTER 13 ON REPLY CARD



**Field Electric Ltd. Tel: 01-953 6009.**  
3 Shenley Road, Borehamwood, Herts WD6 1AA.  
Fax: 01-207 6375, 0836 640328

- EC 12" Green Screen Monitor 7501 comp video input, black plastic case, 20MHz bandwidth, 240V AC input. £23.95 c/p 5.50
- NEC 9" Green Screen Monitor 7501 comp video input, black plastic case with built in handle, 20MHz bandwidth, 240V AC. £21.95 c/p 4.50
- Motrola TTL Monitor Chassis 7" Green Screen 27MHz bandwidth, 12V DC input. New & boxed. Complete with circuit diagram and data, compatible to BBC/IBM computers. £25 c/p 4.00
- Mitsubishi 5 1/4" 1/2 height floppy disk drive, 80 track double sided, high density 1.6MB capacity new uncased IBM/BBC compatible. £55.00 c/p 2.00
- Aster Switch/Mide PSU. 240V AC input, uncased, new, +5V at 2.5A, +12V at 2.0A, -12V at 0.1A. £17.50 c/p 2.00
- Cherry TTL Alpha Numeric ASCII Coded Keyboard including 8 colour coded graphic keys, 108 keys form X-Y matrix, full cursor control, 6 encode keys, 5V rail, new. £16.00 c/p 3.00
- Tabor Corp 3 1/2" floppy disk drives, 34 way IDC edge pin connector. Some data ava. £24.00 c/p 2.00
- Power supplies, Switch mode units. 240V AC input. 5V 20A. £18.50, 5V 40A. £25.00, 5V 60A. £22.00, Farnell 6V 5A ultra small. £25.00, 12V, 2.5A ultra small. £38.00. Multi rail units in stock. If you cannot see your requirement please ring, we have vast stocks of PSU.
- Variable PSU, all 240V AC input, all metered. Kingshill 501. 0.50V 0.1A. £35, 0.40V 0.3A x 2. £115, 0.20V 0.10A. £115, 0.50V 0.3A. £85, 0.40V 0.2A x 2. £125, Minireg 762 0.60V 0.2A. £140, Lambda 0.40V 1A. £98, 0.40V 0.1A x 2. £125, Solartron 0.30V 0.1A x 2. £45, H.P. 6824A. 0.50V. 1A. £75, Ultrona B401. 0.40V 0.1A. £50, 881.75V 10V 0.1A. £98, Sorensen 5R14012 0.40V 0.12A. £345, 60-40-60V 0.4A. £260, Lambda 1 M6. £129.99, 1.5k 65A DC. £1. £345 c/p details please ring.
- Farnell Fan Cooled 5M PSU 240V AC 1N + 5V at 10A, -5V at 1A, +12V at 1A, -12V at 1A. £35 inc. c/p
- Finlay Microfilm FM1, portable micro fiche reader, 240V AC or 12V DC input, c/w 6V 1.6A AC adpt, 12V DC 6V AC adpt, fiche inc lens, gates or Nat Plan sealed lead acid cells, x3, we cannot offer guarantee cells, 6V 9 watt Quartz halogen bulb, carrying case, size B2 x 7 1/2 x 5 1/2 hard vinyl. £24.95 new and boxed.

- TEST AND MEASUREMENT EQUIPMENT**  
Please ring for quote on carriage and packing
- Tektronix 7603 D'scope 100MHz c/w 7A18N dual trace amp 7853A dual time base CRT. Readout. £890.00
  - Tektronix plug in type 7853. £295.
  - Tektronix plug in type 7892. £295.
  - Tektronix plug in type 7870. No guarantee. £120.
  - Hewlett Packard 5000A Logic state analyser. £100
  - Hewlett Packard 1600A Logic state analyser. £295
  - Hewlett Packard 1607A Logic state analyser. £230
  - Hewlett Packard 1611A Logic state analyser. £800
  - Hewlett Packard 693D Sweep Oscillator 4 to 8GHz. £550
  - Hewlett Packard 1900A Power Generator mainframe c/w 1905A rate gen. 1915 variable transition time output 25MHz, 1908A delay gen. £460.
  - Hewlett Packard 432A Power Meter. £175
  - Hewlett Packard 651B Test Oscillator 10MHz. £230
  - Exact Digital Variable Phase Gen 337. £200
  - Advance Inst. PG52A Pulse Generator. £150
  - SE Labs Oscilloscope EM102 15MHz dual trace. £185
  - Tektronix 7403N D'scope mainframe. No guarantee. £85
  - Hewlett Packard Multi-function Meter 3450B. £150
  - Hewlett Packard 3330B Auto synthesizer 0.1-3MHz. £850 + VAT
  - Tektronix 53A Sampling Head. £120
  - Rikadenki 3.24 Pen Chart Recorder. £65
  - Watanabe MC611 521 Multi-corder. £65
  - Marconi TF1313A Universal Bridge. POA
  - Advance OS2000 30MHz Dual Trace O'scope. £160
  - Philips PM3212 25MHz Dual Trace O'scope. £325
  - Wayne Kerr Universal Bridge B224. POA

**We would like the opportunity to tender for surplus equipment**  
Official Orders/Overseas Enquiries Welcome/Order by phone or post. Open 6 days. Postal rates apply U.K mainland only. All test equipment carries warranty. All prices include 15% VAT unless stated. Phone your order for quick delivery. Access: Amex, Diners, Visa accepted. We can supply telephone and some audio equipment, electrical and aerial equipment, much more than is shown in our ad. Please ring.

ENTER 48 ON REPLY CARD

**DID YOU KNOW?**

**AUDIO ELECTRONICS ARE  
DISTRIBUTORS FOR**

**▶ TEST INSTRUMENTS ◀**

HAMEG: METEX: BLACKSTAR: GW: HITACHI  
CROTECH: TEST LAB: THURLBY: ALTAI  
THANDAR: Scopes, Generators, PSU's,  
Counters, DMM's, MM's, Pattern Gen, etc.

**▶ AUDIO PRODUCTS ◀**

SOUND LAB: SEAS: MCKENZIE: PHONIC  
ALTAI: ADASTRA: Microphones, Mixers,  
Speakers etc.

**▶ SECURITY ◀**

Control Panels, PIR's, Sirens, Doorphones,  
Intercoms, CCTV etc.

**▶ TV-VIDEO ◀**

Distribution Amplifiers, Cables, Dubbing Kits,  
Enhancers, Aerials etc.

**▶ SUPPLIERS TO ◀**

**TRADE • RETAIL • EXPORT • EDUCATION**

OPEN 6 DAYS A WEEK - CALLERS WELCOME

**AUDIO ELECTRONICS**

TELEPHONE 01-724 3564  
301 EDGWARE ROAD, LONDON W2 1BN  
SALES 01-258 1831 FAX: 01-724 0322

INSTRUMENT  
CATALOGUE  
Ref TG UK Send  
SAE A4 with  
£1.50 STAMP

ENTER 25 ON REPLY CARD



## COCOM: Arguments for change

The Co-ordinating Committee for Multi-lateral Export Controls (COCOM for short) is an informal NATO body which imposes constraints on the export of electronics to the Eastern Europe. The idea behind COCOM is simple: how can the West maintain its lead in strategically sensitive technology, if the Russians can buy similar technology on the open market?

Thus, every export to the Warsaw Pact countries must be checked against the COCOM rules; this can take a minimum of twelve weeks and any member country in COCOM can veto a particular sale. The results can be bizarre: in one case the spares for a teleprinter were banned, whilst the teleprinter itself received the go-ahead; in



another, a microchip used to dispense vodka automatically received the 'thumbs down'.

However, as East-West tension relaxes, the economic stakes are becoming increasingly high. Over the past five years, several MPs have raised in Parliament the suspicion that the USA, the most influential country in the COCOM structure, uses the rules to give USA companies first chance at the new and potentially lucrative markets.

All these issues were considered in a

## Visual display units: a hazard?

Can VDUs damage your health? The answer is 'Yes' if the relevant European Community proposals are studied in Brussels<sup>1</sup>, but 'No' when studied by a Committee of the House of Lords<sup>2</sup> in London.

A year ago, the European Commission (EC) proposed a Directive outlining minimum, community-wide health and safety requirements for working with a VDU. For example, they proposed that employers should monitor the employees who use VDU workstations, give information and training to staff to minimize the possible health risks, provide all VDU operatives with eye tests and pay for special spectacles when necessary. More importantly, the proposal specified minimum health requirements in relation to the safe working environment surrounding a VDU, including those covering display screens, lighting, noise and seating.

The House of Lords Committee was established to examine the Directive in detail. They heard estimates from the UK's Health and Safety Executive that the proposals would cost between £119 million and £168 million to implement and received mountains of evidence that the proposals were unnecessary and would not work.

In the end, the Committee agreed with objectors. They reported that the scientific evidence, which demonstrates the health

hazards associated with VDUs, particularly in pregnancy, was too weak or inconclusive. Consequently, the Committee concluded that 'there is at present inadequate justification for an EC Directive on VDUs'.

The Committee's report did throw a bone to trades union supporters of the Directive. For example, the Committee accepted that there was widespread concern on health hazards and that VDU use may reveal previously hidden eyesight or stress problems. Most of these problems, the lords concluded, could be solved by good office management and proper staff training.

In short, those who are in favour of the Directive have to provide firm evidence that VDUs can be a risk. Without such evidence, the strong nature of the Lords' rejection and the fact that the Directive forms part of the 'social dimension' of 1992 (a taboo subject for the British Government), means that the UK's political resistance to implementing the Directive will be vigorous.

### References

1. 5211/88 COM (88) 77 Proposal by the European Commission for six Council Directives on safety and health of workers at the workplace.
2. House of Lords, 22nd Report of the Select Committee on the European Communities, Visual Display Units, HL Paper 110, £8.80 from HMSO.

public examination of civil servants, Government and representatives of companies such as Ferranti, ICL and Rank Xerox. The result, a report<sup>1</sup> from the Trade and Industry Committee of back-bench MPs, made important suggestions for improving COCOM.

To save delay, the Committee recommended that COCOM must object to export licences within six weeks and, to avoid accusations of unnecessary restrictions, COCOM members who object to the export should prove that damage will occur. At the moment the burden of proof is reversed and some exports of electronics can only proceed if the exporter proves that damage will not occur. In short, the Committee concluded that the Government should review the impact on trade of all the COCOM restrictions.

Finally, the Committee suggest that every year there should be a debate on the subject of restrictions on East-West trade. That will give Parliamentary authority to the COCOM restrictions, and allow MPs with electronics firms in their constituency the ability to vent their anger. At the moment, ministers have unquestioned power to delay, defer and veto and, according to several MPs, are all too ready to impose needless restrictions.

### Reference

1. House of Commons Trade and Industry Committee. Second Report. Trade with Eastern Europe. HC 51. £11.30. HMSO.

*On The House is written by Chris Pounder.*

# RF COMMENTARY

## European SSB broadcasting

Back in June 1947, I made the first 14MHz CW (A1A) contact with OIX-7, a 600-watt experimental station of the Finnish Broadcasting Company (Oy Yleisradio Ab). My self-built transmitter was used for testing simple directional antennas and observing the maximum usable frequency. It was then more often active on 28MHz phone (AM). At that time, the Finnish short-wave centre near Helsinki comprised OIX-1 (6120kHz, 15kW), OIX-2 (9500kHz, 10kW), OIX-4 (15190kHz, 10kW) and OIX-5 (17800kHz, 1kW).

In 1983 FBC began to design a new transmitter centre about 15km west of Pori, now equipped with six high-power units, including three automatic 500kW HF transmitters, a 100kW fixed-frequency HF transmitter, a 250kW HF transmitter from the original site and a 600kW MW (963kHz) transmitter.

Of particular interest are the regular experimental SSB transmissions with 1000kW peak envelope power on 15325kHz, made daily during the German-language programmes between

1100 and 1145GMT, and targeted at Europe. Brown Boveri has developed a broadcast SSB system able to use an unmodified, high-efficiency Class C power output stage and suitable for use with the carrier reduced by 6dB or 12dB. The SSB signal amplitude information is fed to the pulse step modulator (PSM) and the phase information, in the form of phase modulation, is imposed on the output from the frequency synthesizer. Both modulations sum in the output stage producing a 1000kW PEP signal.

Jukka Vermasvuori, head of planning, has produced two technical reports on the SSB experiments: TKLA 6E/88 "Comparison between transmission modes AM and SSB using Brown Boveri 500kW SW transmitter" and TKLA 7/88 dealing with the

basic problem of SSB demodulation in consumer receivers.

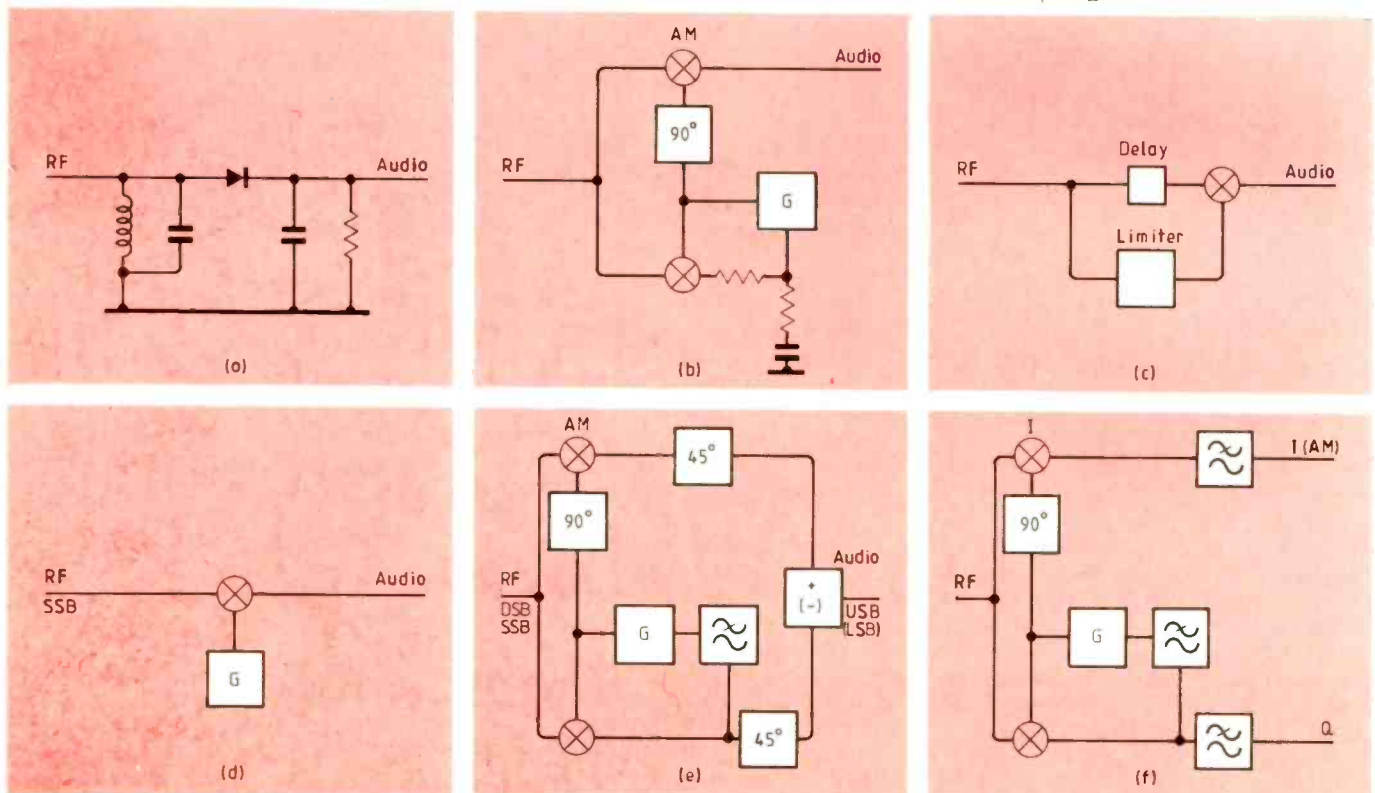
He stresses that the important advantage of SSB for broadcasters is the significant saving in power costs (a large HF transmitting centre can have energy costs of the order of £5000 or more an hour). With a receiver using synchronous demodulation phase-locked to an incoming signal having the carrier reduced by 6dB, the receive signal-to-noise ratio stays the same (IF bandwidth halved) and there is a 43 percent saving in energy costs compared to conventional AM. With the carrier reduced by 12dB the receiver's SN is increased by 3.5dB and the energy saving compared to conventional AM is 69 percent. If comparison is made to AM with dynamic amplitude modulation (DAM) or dynamic carrier con-

trol (DCC) the energy saving decreases to about 45 percent. However, although the static characteristics of DCC/AM (as used at Pori) give a theoretical energy saving of about 50 percent compared with normal AM, in practice this is nearer 25 percent because of the heavy compression of programme material and the finite attack and decay times.

In Report TKLA 7/88, Vermasvuori points out that conventional envelope detection is not suitable for -12dBc reduced carrier SSB. A detector suitable for broadcast reception thus needs to be developed capable of use with four AM-based transmission modes: (1) normal AM-DSB with full carrier; (2) DSB with envelope dependent carrier (DAM or DCC); (3) SSB with -6dB carrier; and (4) SSB with -12dB carrier.

Broadcast USB transmission, for the foreseeable future, will incorporate a reduced (pilot) carrier to which a synchronous detector can be locked. A synchronous mode of detection is essential (Fig. 1) to prevent distortion of music due to frequency shifting. The re-inserted carrier must be within at most 5Hz of the original carrier.

Fig.1. Six demodulators reviewed by Jukka Vermasvuori of the Finnish broadcasting company Oy Yleisradio: at (a) envelope detector; (b) synchronous detector with phase-locking; (c) quasi-synchronous detector with exalted carrier; (d) non-synchronous product detector as used for amateur SSB speech, but requiring extremely precise tuning and high oscillator stability for receiving music; (e) phasing-method demodulation, which is more suitable for integration than the filter methods; and (f) realisation of an I/Q demodulator suitable for checking and measurement applications, including measurement of DAM/DCC envelope-based modulation etc. (Report TKLA 7/88).



# RF COMMENTARY

## Direct digital frequency synthesis

Until recently, direct digital frequency synthesis (DDS or DDFS) was regarded as essentially suitable only for generating low frequencies, below about 100kHz. In his 1982 book "Digital PLL frequency synthesizers", Dr Ulrich L. Rohde notes that "DDS consists of generating a digital representation of the desired signal, using logic circuitry and/or a digital computer, and then converting the digital representation to an analogue waveform using a digital-to-analogue converter (DAC). Recent advances in microelectronics, in particular the microprocessor, make DDS practical at frequencies  $\leq 100$ kHz. Systems can be compact, low power and can provide very fine frequency resolution with virtually instantaneous switching of frequencies. DDS is finding increased application, particularly in conjunction with PLL synthesizers." DDS was then regarded as noisier than other methods, achieving adequate spectral purity only if sufficient low-pass filtering was used at the output.

Since then, progress has been rapid. Within the past year, DDS systems have begun to be incorporated in some of the Japanese-built amateur-radio HF transceivers. DDS is being increasingly recognized as a viable new option except, at present, for the lowest-cost consumer-type receiver synthesizers. DDS is now seen as capable of providing less phase noise than low-cost PLL synthesizers.

In the USA a particular form of digital oscillator the Numerically Controlled Modulated Oscillator (NCMO) has been developed by, and is a registered trademark, of Digital RF Solutions Corporation. A useful series of application notes and technical articles featuring the NCMO have been written by Robert J. Zavrel advocating DDS as a means of reducing the excessive near-in phase noise of low-cost PLL synthesizers and stressing that recent advances in DAC technology, LSI controllers and memory circuits

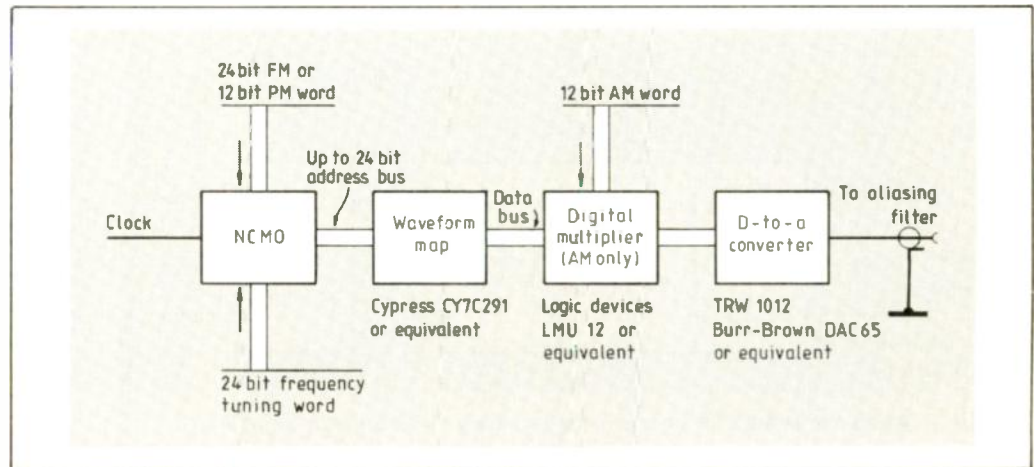


Fig.2. Four-chip DDS system using a Digital Solutions NCMO.

have improved DDS performance and raised the possible operating frequencies.

DDS systems, it is claimed, can be configured with close-in spurious signals 75dB below the main signal ( $-75$ dBc) with clock speeds up to 20MHz. This does not mean, however, that DDS has no current application at VHF or UHF. While the first instinct for raising output frequency from DDS is to raise the system clock frequency, Robert Zavrel in AN3002 points out that "this is not always the best technique for minimizing spurious signals, as much lower response is possible at HF (typically  $-75$ dBc) when compared with VHF DDS. The HF DDS is then up-converted to the desired operating frequency by one of several possible methods. The combination of DDS, PLL, mixer and filter technologies can offer great flexibility to the synthesizer designer. DDS should not be regarded as a direct replacement for PLLs. Rather it should be regarded as a powerful technique affording the designer with numerous new options for synthesizer design."

Zavrel has also pointed out (*Ham Radio*, October 1988) that "the DDS offers some attractive features over the analogue or PLL synthesizer. DDS is digitally controlled. Tuning is regulated by either memories or counters which, in turn, are controlled by rotary optical couplers. Unlike PLL, DDS does not use a VCO, loop filter, phase detector, or digital divider and prescaler. Waveform information is generated using digital information

only. The last step uses a DAC to generate the RF signal."

The NCMO was designed by Earl McCune Jr and is a highly integrated CMOS phase accumulator with interface and modulation facilities. It uses a 24-bit phase accumulator counter and with a 24-bit tuning word gives 16 million equally-spaced discrete frequencies. The NCMO can be tuned in three ways: (1) parallel mode; (2) a strobed mode for three eight-bit words; and (3) a serial mode allowing direct connection to a rotary optical coupler to give knob tuning akin to analogue tuning.

It is claimed that a NCMO-DDS system (Fig. 2) can provide a phase-noise and spurious signal performance approaching that of the best free-running permeability-tuned oscillators of the 1950s, yet remains suitable for microprocessor control. Assembled NCMO-DDS boards suitable for use in HF transceivers are being offered by the firm at a price in the region of \$(US)900, putting the system at present in the professional rather than amateur home-construction price range.

A detailed article on DDS and the NCMO by Robert Zavrel appears in *RF Design*, March 1988. Together with a number of data sheets, the following application notes have been published by Digital RF Solutions Corporation, 3080 Olcott Street, Suite 200D, Santa Clara, CA95054-3209, USA:

AN1007, Quadrature signal generation using direct digital synthesis by Robert J. Zavrel Jr;

AN1008, Numeric synthesis of square waves by Earl McCune Jr; AN3002, HF low spurious DDS architectures, and AN3007, Audio to RF: a completely digital FM broadcast system by Robert J. Zavrel Jr (see below); AN8001, Doppler radar reference synthesizer by John S. Brewer Jr; AN8002, Chirp pulse signal generation by John S. Brewer Jr; and AN8003, Phased array radar using direct digital synthesis by Robert J. Zavrel Jr. There is also a publication by Zavrel and McCune, Low spurious techniques and measurements for DDS systems.

## Direct digital stereo generator

In application note AN3007, Robert Zavrel discusses potential uses of direct digital synthesis in broadcasting, claiming that the high level of integration afforded by the numerically-controlled modulated oscillator (NCMO) could simplify the design of a completely digital stereo radio broadcast system for pilot-tone FM transmission.

He outlines a studio and digital signal processing system (Fig.3) using a low sampling rate (e.g. 88kHz) resulting in lower cost A/D converters and DSP FIR filters. A high clock speed (e.g. 12.8MHz) used for the stereo generator and exciter moves the alias signals well outside the exciter's SAW filter bandpass. FIR filters are used for the 15kHz low-pass filter and the

# RF COMMENTARY

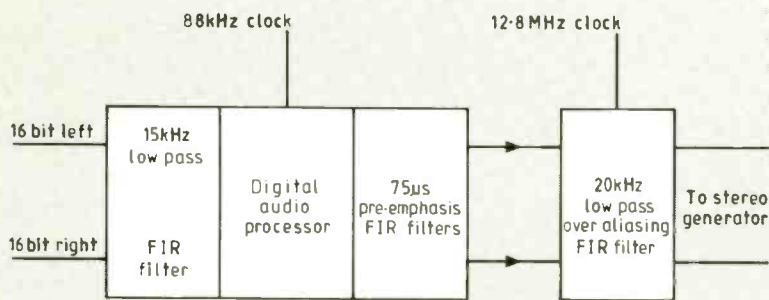


Fig.3. Studio and audio DSP system using relatively low frequency sampling.

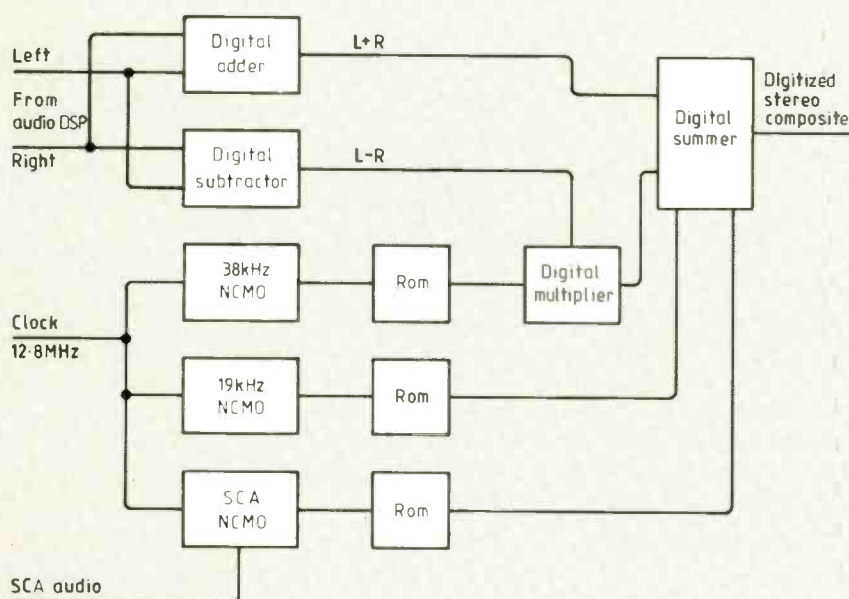


Fig.4. Direct digital stereo generator.

(American) 75µs pre-emphasis circuits.

Figure 4 shows the block diagram of a DDS stereo generator with L+R signals achieved with a digital adder and L-R with a digital subtractor. The three digitized sub-carriers for the broadcast stereo and (if required) an SCA channel are synthesized using the NCMO system, the 38kHz subcarrier being digitally modulated by the L-R signal. With a 16x16-bit four-quadrant multiplier, a double-sideband suppressed-carrier signal is generated with carrier suppression exceeding 80dB and with L-R subcarrier linearity comparable to that of a 16-bit CD player. A second NCMO-rom generates the 19kHz pilot tone.

Since the 38kHz and 19kHz synthesizers are run off the same clock they are automatically phase-locked. The digitized signals are fed to a digital summer from which they emerge as a digitized FM stereo composite signal.

## Mission HF in the Third World

Last year's IEE international conference on rural telecommunications drew attention to the many areas in Africa and some parts of Asia where there are virtually no conventional telecommunications facilities and few prospects of their early installation. As I mentioned in

the August 1988 Radio Communications column, even a thin-line facility is better than none. At the IEE conference Dr S. A. G. Chandler (University of Warwick) described a 27MHz village network using CB transceivers powered by solar arrays, now being established in Sierra Leone. It was suggested that even a simple, largely user-maintained and operated village network, though far from "new technology", can provide a minimum but worthwhile facility.

At a rather more advanced level, a number of missions and aid agencies in developing countries have already or are planning to set up individual HF links with their base centres. This can involve the question of initiating

non-technical personnel into the whys and wherefores of HF systems and choice of HF equipment.

A new publication "Where there is no telephone" gives sound advice on medium-distance HF communications links for mission and aid agencies in developing countries. Published by the Baptist Missionary Society in conjunction with the Communauté Baptiste du Fleuve Zaire (CBFZ), it has been written by John Corbett, a professional communications engineer who holds the amateur-radio callsign G3TWS and has practical experience of HF communications in Zaire.

His 100-page, low-cost booklet provides simple but sound explanations of: how radio waves travel; aerials; transceivers and power supplies; how to plan radio networks; costs and choices; how to install a system; how to operate a radio network; how to maintain a radio network; and additional facilities.

In a foreword, Jon Lewis (Area Director, Central Africa, of the Mission Aviation Fellowship) writes: "It is often difficult for the uninitiated to imagine life in the jungles of Zaire. Oh, certainly the imagination can soar to think of great rain forests, pygmy natives, river boats etc. But it is easy to take many things for granted such as good, or at least adequate, communications. Six years of living in Zaire, where virtually no telephone link exists outside the capital city of Kinshasa, has made me appreciate what a precious commodity this is. HF radio fills the crucial gap but careful attention must be paid to its installation and operation. For most of us without formal electronics education, the successful operation of an HF unit seems more akin to art than science."

This thoroughly practical booklet will help both technical and non-technical personnel. Costs discussed assume the use of semi-professional equipment rather than the extreme low-cost short-range CB units of the Sierra Leone village network. In the UK, the book is available from the Baptist Missionary Society, 93 Gloucester Place, London W1H 4AA for the modest cost of £2.50.



## Micro valves on microchips

Martin Eccles

Albeit in a microelectronics form, valves came a step nearer their revival recently when a breakthrough in the production of metal cathodes was made at GEC's Hirst Research Centre in Wembley.

Microelectronics manufacturing techniques are used to produce the minute valves which have heaterless pointed cathodes with 'field-emitting' tips only a few tens of angstroms across. When negative with respect to the top of the hole in which it sits, the pointed cathode emits electrons at its tip into the field created by the potential difference; emission increases as the tip becomes sharper. The effect is caused by electron crowding at the tip akin to the corona discharge observed at high voltage point sources.

One of the main advantages of these cold-cathode field-emission valves is that they are capable of being used at very high temperatures limited only by the point at which reactions take place on the emitting tips. Up to this reaction point, their performance can improve as temperature rises, given the right construction.

It is relatively easy to produce cathodes made from silicon, but cathodes made from metals such as molybdenum and niobium, although more difficult to produce, allow a higher current density and work much better. One of the main researchers in this field, Charles Spindt of SRI International, has been experimenting with molybdenum cathodes for many years but the method he is using to make them does not lend itself readily to the production line: it involves complex thin-film deposition, and electron beam lithography.

Dr Rosemary Lee of Hirst Research leads a team that has developed a metal-tip processing sequence that is much more appropriate for the production line since it involves the use of existing semiconductor fabrication technology.

Field-emission valves are still in their early stages and they might disappear if their manufacture proves unpractical. Should they prove viable though, they might first appear as compact radiation-resistant diode arrays for transient protection in electronic circuits since such arrays are easy to make,

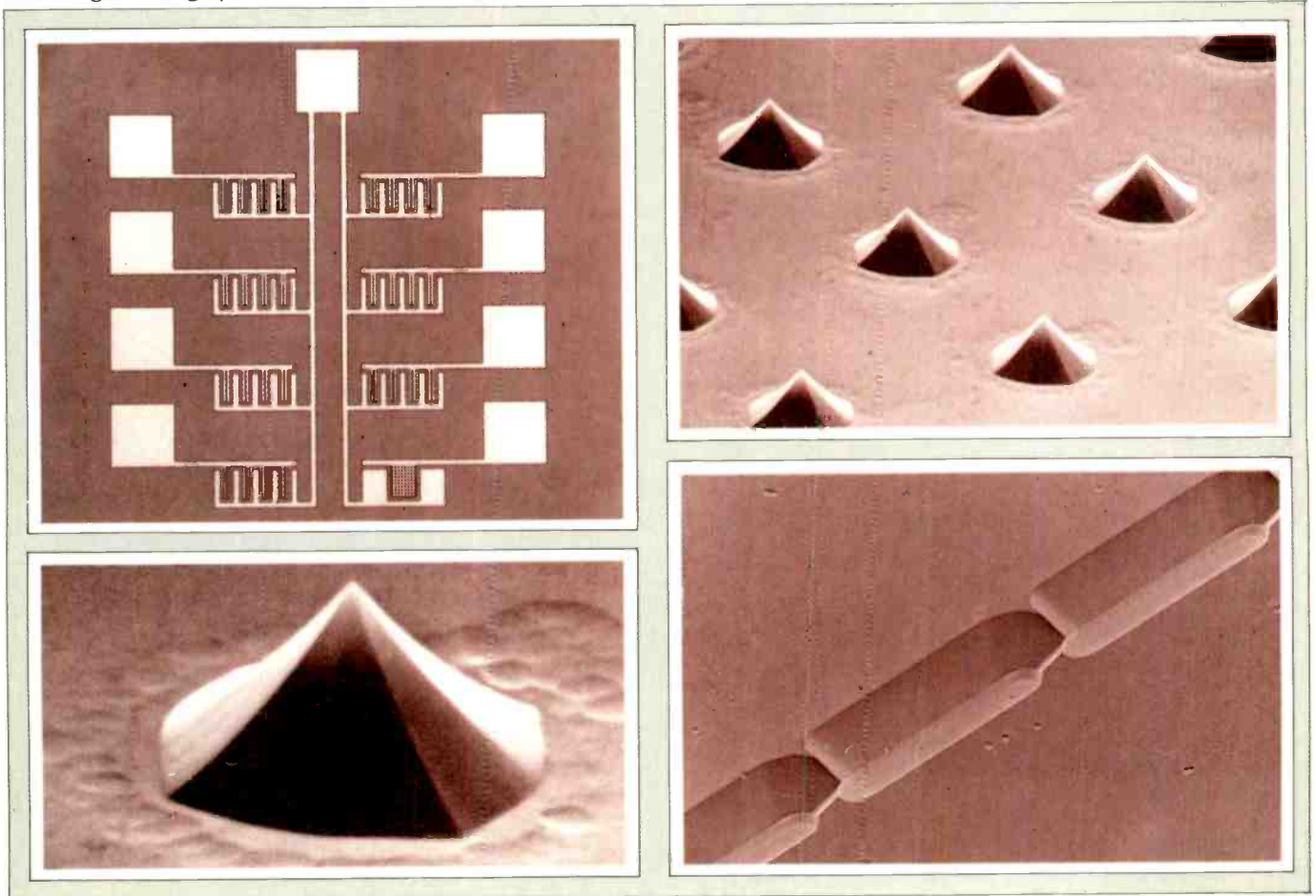
they are fast, they can handle high peak currents and current sharing between elements in the array is very good.

Cathode technology of field-emission valves could be applied as an efficient alternative in any area where 'hot' cathodes are now used. In current thermionic valve applications, which include cathode-ray tubes and transmitting valves, heating the cathode is wasteful.

Field-emission valves could even work at temperatures as high as those in the turbine chamber of a jet engine, making possible direct rotation sensing for example. This high-temperature operation coupled with radiation resistance also suggests aerospace applications. Flat-screen displays could benefit from the technology, and should it prove possible to introduce a control grid into the current cathode/anode structure they might become everyday devices.

● Rosemary Lee of Hirst intends to give more details of this technology in our next issue.

Eight different triodes on one 2mm<sup>2</sup> chip, top left. With this experimental chip, produced at Hirst Laboratories, effects of emission area can be investigated; it not only has pyramid shaped emitters, but also wedge-shaped emitters like the partially-etched ones shown bottom right. Photographs from GEC Hirst Research.



# PROFESSIONAL QUALITY PATCHING AND SWITCHING EQUIPMENT

FOR DIGITAL AND ANALOGUE SYSTEMS.

"NORMAL THROUGH" PATCHING AND SWITCHING EQUIPMENT FOR  
THE FOLLOWING INTERFACE TYPES:

V11, V24, V35, X21, X27, G703, RS232, RS422, RS449 VF AND COAXIAL.

NATO, MIL STANDARD AND BABT APPROVED SYSTEMS.

DISTRIBUTED MATRIX SYSTEMS FOR UP TO 4000 USER PORTS.

FULL CATALOGUES AVAILABLE ON REQUEST.

*THE SWITCHING SPECIALISTS. . . .*

## FESHON SYSTEMS

PINDEN, DARTFORD, KENT DA2 8DX.

TEL: 04-747 8111 (SIX LINES) FAX: 04-747 8142 TELEX: 96395 (FESHON G)

ENTER 37 ON REPLY CARD

### SMALL SELECTION ONLY LISTED

RING US FOR YOUR REQUIREMENTS WHICH MAY BE IN STOCK

**Latest bulk Government release – Cossor Oscilloscope CDU150(CT531/3)** £150 only. Solid state general purpose bandwidth DC to 35MHZ at 5MV/Cm – Dual Channel – High brightness display (8-10cm) full delayed time base with gated mode – risetime 10NS illuminated graticule – Beam finder – Calibrator 1KHZ squarewave power 100 – 120V 200V – 250 volts AC – size W 26CM – 14CM deep – WT 12.5 KG – carrying handle, colour blue, protection cover front containing polarized viewer and camera adaptor plate – probe (1) – mains lead. Tested in fair condition with operating instructions – £150.00.

**Racal RA17L Communications Receivers.** 500KC/S to 30MC/S in 30 bands 1MC/S wide from £175. All receivers are air tested and calibrated in our workshop supplied with dust cover operation instructions circuit in fair used condition – **Racal Ancillary Units** for all receivers mostly always in stock – **Don 10 Telephone Cable** ½ mile canvas containers or wooden drum new from £20 – **Army Whip Aerials** screw type F sections and bases large qty available now P.O.R. – **Test Equipment** we hold a large stock of modern and old equipment. **RF and AF Signal Generators** – **Spectrum Analysers** – **Counters** – **Power Supplies** – **Oscilloscopes** – **Chart Recorders** all speeds single to multipen – **XY Plotters A4 A3** – **Racal Modern Encryption Equipment** – **Racal Modern Morse Readers and Senders** – **Clark Air Operated Heavy Duty Masts** P.O.R. All items are bought direct from H M Government being surplus equipment price is ex-works. S.A.E. for enquiries. Phone for appointment for demonstration of any items, also availability or price change V.A.T. and carriage extra.

**EXPORT TRADE AND QUANTITY DISCOUNTS  
JOHNS RADIO, WHITEHALL WORKS,  
84 WHITEHALL ROAD EAST, BIRKENSHAW,  
BRADFORD, BD11 2ER TEL NO. (0274) 684007.**

**WANTED: REDUNDANT TEST EQUIPMENT – VALVES – PLUGS – SOCKETS,  
SYNCHROS ETC. RECEIVING AND TRANSMITTING EQUIPMENT**

ENTER 22 ON REPLY CARD

COMPSTOCK

## Hobbyline

NOW AVAILABLE

FREE TO HOBBYISTS  
LATEST STOCK LISTING

INCLUDING

RECEIVING VALVES  
RECTIFIERS AND DIODES  
THYRISTORS & I.C's  
PLUS A SELECTION OF DISCRETE SEMI's

EITHER PHONE (0375) 360062

OR SEND A LARGE SAE TO:

**COMPSTOCK (HOBBY) ELECTRONICS LTD,  
COMPSTOCK HOUSE, LONDON ROAD,  
STANFORD-LE-HOPE, ESSEX SS17 0JU.**



**COMPSTOCK**

ENTER 49 ON REPLY CARD

# Community radio finds its voice

RICHARD LAMBLEY



**T**hrough a shortage of enthusiasm in Whitehall, community radio stations in Britain now seem unlikely to be on the air before the middle of next year. But listeners in Brighton have already had an opportunity to sample the kind of reception quality we can expect.

An experimental station set up in the town by a local equipment manufacturer, Wireless Workshop, has been radiating a low-power VHF/FM signal under an experimental licence to a potential audience of some 25 000 spread over an area of about 4.5km<sup>2</sup>. Transmissions from the station took place over a period of nearly three months, up to the expiry of the licence at the end of February.

The aim of the experiment was to explore some of the practical problems of local radio on a very small scale. "I'm trying to show what a neighbourhood radio service would be like", said Norman McLeod of Wireless Workshop. So compact discs, stereo and RDS were *out* and McLeod's low-tech attic studio was *in*. Audio sources during the tests were a single microphone, a cartridge machine and a turntable (the rights to transmit music were granted by the copyright protection societies, the Home Office and the DTI), all plugged into an eight-channel Alice mixer on a table. However, even the mixer had been victim of the station's keep-it-simple philosophy, and had suffered the indignity of being stripped of most of its knobs – so eliminating a temptation to twitchy fingers.

Across the room, on a "Workmate" do-it-yourselfer's bench, stood a 25W transmitter. From there, a fat coaxial feeder snaked up and away to a vertical folded dipole 20ft above roof level. According to the CCIR formula for determining antenna height, says McLeod, his is actually negative: the ground slopes upwards in nearly every direction and mostly lies above the station. Coverage is strictly confined by the terrain, a factor which community radio operators could exploit by re-using the same frequency more intensively than would be usual in BBC or ILR practice.

**Radio consultant Norman McLeod at the controls of Wireless Workshop's experimental station. To distinguish himself from Brighton's radio pirates, he liked to sign off by playing Fats Waller's recording of *Ain't Misbehaving*.**

McLeod has been using the station to assess efficiency of coverage both in terms of listeners served per watt of radiated power, and in the distance at which frequencies can be re-used under such conditions. On both scores the low-power station appears to perform well. With an e.r.p. of 10W on 97.7MHz (a few dB are lost in the feeder) and a potential audience of one-sixth of the town's population, it delivers about 2500 listeners per watt: the BBC's nearby Whitehawk Hill relay station, with 1kW per channel, works out at only 500 per watt.

However, McLeod is far from sold on FM: he would much prefer a long or medium wave channel for community radio. "There's nothing wrong with the AM band", he says: "the problem is international mismanagement." AM's main drawbacks, narrow bandwidth and television timebase interference, need never have arisen, he believes: "The European situation is a disaster and whoever is responsible for it should be shot, and you can quote me on that."

Other work at the station has been in defining studio practice for an entirely new class of unskilled operator. "Because we're

not from the IBA or BBC tradition, we can re-invent radio from the ground up", says McLeod. With his technical assistant Matt Bisson, he has set about purging studio equipment of its technical complexities. Audio leads other than (for the moment) microphone leads are of white television coaxial cable, terminated normally with quarter-inch jack plugs and driven at a standard level; mains leads are of black cable fitted with three-way IEC connectors. Level mismatches cannot occur and wrong connections are unlikely to be hazardous. Another simple idea to be explored is the

possibility of doing phone-ins using a loud-speaking telephone, picked up acoustically, in place of a telephone balance unit.

Wireless Workshop specializes in supplying equipment for hospital and student radio, drawing on experience its partners gained in setting up an induction-loop station at the University of Sussex in 1976.

Today, working from its base in a former chocolate factory in Brighton, the group also provides broadcasting facilities for pop shows and other outdoor special events. For these it has a caravan equipped with a low-power MF transmitter and a 10m telescopic tower. With a capacity hat and a loading coil, this yields about 50mW of e.r.p. for 2-3W of drive and can cover a radius of about 1km. However, frequent re-tuning has proved to be necessary. "We have problems in getting a single frequency which stays with us", says McLeod. "The DTI's computer is not geared up for this." One recent example arose over a three-day show in the London docklands when he had to move off one of Wireless Workshop's usual low-power channels because BBC Radio Nottingham was due to open a relay station on the same channel a month later.

*Wireless Workshop is on 0273-671928.*

● The technical case for community radio was put by Norman McLeod in a *Wireless World* article in 1980 (June/July issue, pages 38-41).

# APPOINTMENTS

Advertisements  
accepted up to  
12 noon 30th March  
for May issue.

DISPLAYED APPOINTMENTS VACANT: £27 per single col. centimetre (min. 3cm).  
LINE ADVERTISEMENTS (run on): £6.00 per line, minimum £48 (prepayable).  
(Please add on 15% V.A.T. for prepaid advertisements).  
BOX NUMBERS: £15.00 extra. (Replies should be addressed to the Box Number in the advertisement, c/o Quadrant House, The Quadrant, Sutton, Surrey SM2 5AS).  
PHONE: CHRISTOPHER TERO on 01-661 3033 (Direct Line).  
Cheques and Postal Orders payable to REED BUSINESS PUBLISHING and crossed.

## Establish your career with Panasonic Broadcast - Slough Based

Panasonic Broadcast has now secured a firm foundation on which to build an unrivalled reputation in the broadcast industry. Although still relatively new, the future of our organisation is extremely bright. Continued success is dependent on the recruitment of enthusiastic and highly dedicated staff and positions are now available in the following areas:

### Product Engineer - Cameras

A liaison role co-ordinating the clients needs with the capability of a design team. Your knowledge should cover tube and CCD cameras, camera technology, including electronics and optics. A company car is provided.

### Sales Engineer

An active problem-solving role involving client contact at all levels, this position calls for excellent communication skills in addition to technical knowledge of broadcasting or related field. A company car is provided.

### QA Engineer

Responsible for quality assurance of our current range of products with the possibility of progression into other technically related fields.

### Technical Writer

Responsible for the accurate translation of technical training manuals and service bulletins into clear concise copy. You should be an experienced technical writer with an immediate grasp of new data.

Each of these positions offer real scope for individual achievement, and an excellent salary and benefits package. If you feel you meet our requirements, please contact Barry Marshall on Slough (0753) 34522. Panasonic Europe Ltd., 300-318 Bath Road, Slough, Berkshire SL1 6JB.

**Panasonic Broadcast Europe**

A Division of Panasonic U.K. Ltd.

## CLIVEDEN

Technical  
Recruitment

ATE ENGINEERS c£16K

Develop ATE fixtures, write functional test programmes for analogue, digital and communications boards, using Atlas, Beaver and Gazelle. Also to prepare test schedules and documentation. £16K

TEST ENGINEERS W. Surrey  
Test and fault find to component level on digital tape drives, using special-to-type test equipment. ONO plus 1 year's experience. c£9K

INSTALLATION ENGINEERS Thames Valley  
To install and provide customer support for PC systems; IBM compatible and Apple based. Experience in PCs, peripherals, Ethernet and X25. c£12K

RF ENGINEERS Various locations  
Several opportunities exist within commercial and military companies for design engineers with experience of one or more of the following: cellular radio, speech synthesis, VHF/UHF comms, radar and telephones. £11K to £17K

TEST ENGINEERS Middx  
Fault find and repair on electro optic PCBs and systems. c£11K

FIELD SERVICE ENGINEER Berks  
Working on computer based security control products. Experience in PCs and peripherals and microprocessor controls required. Some telephone support and in-house repair work. c£10K + car

Hundreds of other Electronic vacancies

Roger Howard, C. Eng, M.I.E.E., M.I.E.R.E.  
CLIVEDEN TECHNICAL RECRUITMENT  
92 The Broadway, Bracknell, Berks RG12 1AR  
Tel: 0344 489489 (24 hour)

When replying to  
classified advertisement  
readers are recommended  
to take steps to protect  
their interest before  
sending money.

**ecm**

## ALWAYS AHEAD

### IN DESIGN, TEST & SERVICE

### £10,000 - £30,000

FREE  
CASSETTE  
GUIDE!

- With the most successful companies and consultancies - both large and small - throughout the UK: Offering first class salary/benefit packages - several include company car - plus excellent career advancement opportunities.

Interest and experience in any of these fields:

DIGITAL SIGNAL PROCESSING; ADVANCED PROCESSOR ARCHITECTURES; IMAGE ANALYSIS; GRAPHICS / SPEECH PROCESSING; LASER / FIBRE OPTICS; PARALLEL PROCESSORS; REAL-TIME CONTROL / C-1 SYSTEMS; RADAR; SONAR; COMMUNICATIONS; OSI / X400 NETWORKS; AI & IKB SYSTEMS; ANALOGUE & DIGITAL VLSI / ASIC DESIGN; SIMULATION; MILLIMETRIC SYSTEMS; SOFTWARE - C, PASCAL, ADA, OCCAM, 68000 ASM, MODULA, UNIX / VMS; CAD TOOLS.

ECM offers confidential and professional guidance: we will listen to your requirements and identify opportunities to suit your plans.

Phone now for your FREE CASSETTE "Jobsearch Technology" and hear how ECM can help you to develop your career.

Call ECM on 0638 742244 - until 8.00 p.m. most evenings - or send your cv by FAX (0638 743066) or mail to:

**ELECTRONIC COMPUTER AND MANAGEMENT APPOINTMENTS LIMITED**

THE MALTINGS, BURWELL, CAMBRIDGE, CB5 0HB.

**ARTICLES FOR SALE****G.W.M. RADIO LTD**

40/42 Portland Road  
Worthing, Essex  
Tel: 0903 34897

Receivers, Test Equipment,  
Components available - also  
purchased.

Many bargains for callers. 733

**SATELLITE TV BOOKS**

**WORLD SATELLITE ALMANAC**  
Contains over 650 pages with full details on satellites  
footprints, charts, tables etc Price: £15.00 + corr

**THE WORLD OF SATELLITE TV**  
over 200 pages on everything you need to know about  
selecting, installing, operating and maintaining your  
satellite earth station Price: £9.95 + corr

**HARRISON ELECTRONICS**

Century Way, March, Cambs. PE15 8QW  
Tel: (0354) 51289

735

**LABORATORY  
ENGINEER**

Engineering  
Research Department



We are an equal  
opportunities employer

The BBC Research Department, situated at Kingswood Warren, Tadworth, Surrey now has an opportunity for a Laboratory Engineer to be involved, under the guidance of a Research Engineer, in the construction and testing of experimental equipment and in some design and investigation work. The work will involve the origination of video, sound and data signals, using analogue and digital techniques. In addition, it will involve the use of computers, microprocessors and the manipulation of associated software.

You should possess a degree in Electrical Engineering, Electronics or Physics; HNC/HND (Electrical), Higher TEC; or City and Guilds Full Technological Certificate in Telecomms; and have a good knowledge of electronic technology. An interest in broadcasting engineering and computer techniques is desirable.

Salary range (according to experience): £10,274 - £14,437.

For further information contact Colin Smith on Mogador (0737) 832361.

For an application form contact (quote ref. 3188/WL and enclose s.a.e.) BBC Corporate Recruitment Services, London W1A 1AA. Tel. 01-927 5799.

Completed application forms should be returned by Monday, April 10th.

**SCOTTISH OFFICE  
DIRECTORATE OF TELECOMMUNICATIONS****TELECOMMUNICATIONS  
ENGINEERING TECHNICIAN  
UP TO £11,557**

Applications are invited for one post of Telecommunications Engineering Technician in the Central Services Department of the Scottish Office. The post is based at Montreatmont, near Forfar.

Candidates must have a sound theoretical and practical knowledge of Radio Communications Systems both fixed and mobile, in the frequency range HF and 2GHz. They must also be able to use test equipment and simple machine tools. A sound basic knowledge of digital techniques would be an advantage. They should have a minimum of 3 years' appropriate experience and should hold an Ordinary National Certificate in Electronic or Electrical Engineering or a City and Guilds of London Institute Certificate in an appropriate subject or a qualification of higher or equivalent standard.

A valid UK driving licence is essential.

For full details and an application form (to be returned by 7 April 1989) write to Scottish Office Personnel Division, Room 110, 16 Waterloo Place, Edinburgh EH1 3DN (or telephone 031 244 3854/3857). Please quote ref PM(PTS)1/2/89.

The Civil Service is an equal opportunities employer. It is government policy to provide equal opportunity for employment, career development and promotion in the Civil Service to all who are eligible, on the basis of ability, qualifications and fitness for the work. Applications are welcome from all qualified individuals of race, sex or marital status.

735

**ARTICLES FOR SALE****B-Sweep**

Micro-controlled frequency sweep generator with response plotting, all from one compact unit plugged into your BBC B, B+ or Master

- 50 Hz to 20KHz
  - Up to 1v rms output
  - AC to DC converter
  - Full listing details for your own easy modifications
- £115 includes: 40/80 5 1/4" disc  
VAT & P & P

**MELFORD DESIGNS LTD**

5 Bucknalls Drive, Bricket Wood,  
St. Albans, Herts. AL2 3XJ  
Telephone:  
Garston (0923) 672008  
Fax: 0923 679184

721

**HAVING DIFFICULTY OBTAINING AN  
OBSOLETE VALVE/TRANSISTOR/IC?**

(or magnetron, Klystron, CRT, Trav wave tube etc)

We specialise in obsolete types and stock all popular types at competitive prices! All good quality brands, guaranteed by us. Special prices for orders over £50. Official orders from gvt depts, military, PLCs, overseas etc welcome.

**PHONE/FAX/TELEX FOR UP TO DATE PRICES ON YOUR  
REQUIREMENTS**

Visa-Barclaycard telephone orders welcome.

**WE WISH TO PURCHASE VALVES (esp EL34, KT66, KT88, PX4, PX25)  
TRANSISTORS, ICs, PLUGS, SOCKETS, CONNECTORS**

If possible send written list for offer by return

**BILLINGTON VALVES**

Good quality - Low price - Rarities a speciality

39 Highlands Road, Horsham, Sussex, RH13 5LS, UK.

Phone: 0403 210729. Fax: 0403 40214. Telex: 87271

Office hours Mon-Fri 9am-5.30pm. Callers welcome by appointment only

**LEYTON HOUSE  RACING TEAM**

Have a vacancy for a

**GRADUATE ENGINEER**

with software and microprocessor design experience.

Excellent salary and conditions.

Join a dynamic team dedicated to winning the World Formula 1 World Championship.

Please send CV to:

Mr Simon Moss, March Racing, Unit C5, Telford Road,  
Bicester, Oxon.

730

**SALES PERSON**

Sales person wanted, preferably with technical background or understanding of communication systems, to sell communication products to both the commercial and government sectors.

The applicant must have sales experience in landmobile radio communication products. The applicant need not be based in London as a large portion of the time will be spent on travelling.

Salary plus commission and company car  
Realistic earning potential up to £27,000+

Please write with CV to

Mrs C. Webster, Communique UK Ltd,  
Communications House, Purley Avenue,  
London NW2 1SB.

731

**COMMUNIQUE****OFFICE BASED SALES PERSON**

required for busy Landmobile/Marine radio communications company to administer the sales of the same. Experience of sales in one or both areas is preferable. Some exhibition work and travelling in connection with sales (up to 6 weeks a year) will form part of this job.

Salary negotiable according to experience

Please write to

Mrs C. Webster, Communique UK Ltd,  
Communications House, Purley Avenue,  
London NW2 1SB.

729

**COMMUNIQUE****TO MANUFACTURERS, WHOLESALERS,  
BULK BUYERS, ETC.****LARGE QUANTITIES OF RADIO, TV AND  
ELECTRONIC COMPONENTS FOR DISPOSAL**

SEMICONDUCTORS, all types, INTEGRATED CIRCUITS, TRANSISTORS, DIODES, RECTIFIERS, THYRISTORS, etc RESISTORS, C/F, M/F, W/W, etc CAPACITORS, SILVER MICA, POLYSTYRENE, C280, C296, DISC CERAMICS, PLATE CERAMICS, etc ELECTROLYTIC CONDENSERS, SPEAKERS, CONNECTING WIRE, CABLES, SCREENED WIRE, SCREWS, NUTS, CHOKES, TRANSFORMERS, etc ALL AT KNOCKOUT PRICES

- Come and pay us a visit ALADDIN'S CAVE

TELEPHONE: 445 0749/445 2713

R. HENSON LTD.

21 Lodge Lane, North Finchley, London N12.

(5 minutes from Tally Ho Corner)

1613

**\* SOLAR PANELS**

Solarex USA 28 Volts at 37.5  
Watts Size 22 x 24, x 3 inches ex-  
Navy £230 each

**\* MICROWAVE HEAD UNITS**

2/11Gz with 3 x TWT's followed by  
3 crystal video receivers, part of  
ARAX-10 equipment £95.00 each

**\* X-RAY SOURCE TESTING PORTABLE**

200/250 volts variable 140kv.  
5ma POA

**A. H. SUPPLIES**

Unit 12, Bankside Works, Darnall Road,  
Sheffield 9. Tel: 444278

7

**173 MHZ FM TELEMETRY +  
TELECOMMAND RADIO  
LINKS**

- Remote Switching
- Voltage Monitoring
- Serial Data Transmission

**ADENMORE LTD**

27 Longshot Estate, Bracknell RG12 1RL  
Tel: (0344) 861886

549

## ARTICLES FOR SALE

**GOLLEDGE**

**ELECTRONICS**

QUARTZ CRYSTALS OSCILLATORS AND FILTERS of all types. Large stocks of standard items. Specials supplied to order. Personal and export orders welcomed - SAE for lists please. OEM support thru: design advice, prototype quantities, production schedules. Golledge Electronics, Merriott, Somerset TA16 5NS. Tel: 0460 73718. (2472)

VARIABLE VOLTAGE TRANSFORMERS From 1 amp to 15 amp 0260 volts from stock. SAS to Service Trading Co. 57 Bridgman Road, London W4. Tel: 01-995 1560. 736

## ARTICLES WANTED

### WANTED

Test equipment, receivers, valves, transmitters, components, cable and electronic scrap and quantity. Prompt service and cash.

**M & B RADIO**  
86 Bishopgate Street,  
Leeds LS1 4BB.  
Tel: 0532 435649  
Fax: 0532 426881

9956

### WANTED

Surplus components, panels, finished items.

**GOOD PRICES PAID**  
**GREENWELD**  
443G Millbrook Road,  
Southampton SO1 0HX.  
Tel: (0703) 772501  
Fax: (0703) 787555

## WANTED

### STEWART OF READING

110 WYKEHAM ROAD,  
READING RG6 1PL.  
TEL: 0734 68041.  
FAX: 0734 351696

**TOP PRICES PAID FOR ALL  
TYPES OF SURPLUS TEST  
EQUIPMENT, COMPUTER  
EQUIPMENT, COMPONENTS  
etc. ANY QUANTITY.**

103

## WANTED

VALVES TRANSISTORS ICs WANTED also IC sockets, plugs, connectors, factory clearance etc. Valves types PX4 PX25 KT66 & KT88 especially wanted. Billington Valves See above.

## SERVICES

### TURN YOUR SURPLUS

ICs transistors etc into cash. Immediate settlement. We also welcome the opportunity to quote for complete factory clearance.

Contact:

**COLES, HARDING & Co**  
103 South Brink, Wisbech, Cambs.  
Tel: 0945 584188 Fax: 0945 588844

• ESTABLISHED OVER 15 YEARS • 692

# NATO

## HEADQUARTERS ALLIED FORCES CENTRAL EUROPE

Candidates are sought for the civilian post of:

# PRINCIPAL TECHNICIAN

(Mobile Calibration)

Nato Grade B-6

at HQ. AFCENT, Brunssum, The Netherlands

The successful candidate will have:

- An MTS/Fachoberschule/A2/HNC/ONC-diploma, or equivalent.
- Thorough theoretical knowledge of electronics, including transistors, solid state device digital theory and data techniques.
- At least three years' practical experience in major maintenance, repair, overhaul, modification and calibration of electronic and electrical precision measuring instruments.
- Proficiency in:
  - using general and standard test equipment.
  - supervising and direction of technical staff.
  - experience in training staff.
- The incumbent must be prepared to travel and be away from base up to 80% of the working time.

Applicants who meet these requirements are invited to request an application form and further information from the

**Civilian Personnel Section,  
Headquarters AFCENT, Post Box 270,  
6440 AG Brunssum, The Netherlands.**

The completed application (with CV) must reach the Civilian Personnel Section not later than **6 April 1989.**

**Candidates may be expected to undergo a written test and interview.**

719

## A CAREER IN HI-FI ENGINEERING?

NAD Electronics Ltd., the world-renowned producer of specialist hi-fi products is re-organising and expanding its Engineering Department. As a result a number of new posts are being offered.

### RF Project Engineer

You will be working on the design and development of state-of-the-art FM and AM radio and TV tuners and all their associated circuitry. This will include FM demodulator, stereo decoder and frequency synthesiser design together with microprocessor control of the whole system.

Experience in RF design, up to at least 100MHz, is essential and some experience in FM systems would be preferred. Familiarity with microprocessor systems would also be useful.

The candidate should be qualified to degree level and have three to four years' relevant experience. He/she should be self-motivated and able to work with the minimum of supervision.

A salary in excess of £20,000 is on offer to the candidate who has the right combination of experience, abilities and potential.

### Senior Technician - Product Evaluation and Quality Control

You will be testing and evaluating sample products from our factories around the world. This will involve operational, mechanical, electronic and listening tests on a variety of hi-fi products. You will be responsible for helping to maintain NAD's reputation for Quality.

A broad experience of Hi-Fi products and their operation is essential. Experience in product service would be very valuable.

Some electronics qualification (e.g. ONC, HNC, TEC, HTEC) would be preferred, but experience, enthusiasm and the "knack" to find the bugs that everyone else has missed are much more important. Salary is likely to be in the range of £12,000-£15,000, but there can be some flexibility for an exceptional candidate.

Further new posts may be created in the near future. Anyone with a background in any aspect of electronic engineering and who may be interested in working with our engineering team is invited to get in touch.

# NAD

Please send CV to:-  
Chris Evans  
Chief Engineer  
NAD Electronics Ltd.  
Adastra House  
401-405 Nether Street  
London N3 1QG  
or telephone 01-349-4034  
for further information.

725

# FOR MORE INFORMATION

## CALL:

# CHRIS TERO ON 661 3033

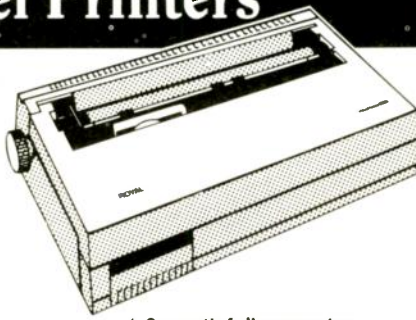


# TRIUMPH ADLER ROYAL Daisy Wheel Printers

Our purchase of nearly 2000 T/A Royal Office Master Printers direct from West Germany enables us to offer them at enormous savings!

Features include:

- ★ 20 cps operation
- ★ Full DIABLO 630 and IBM compatibility
- ★ CENTRONICS compatible parallel interface
- ★ 132 column with variable pitch capability including micro proportional spacing
- ★ Subscripts, superscripts, bold type, underline etc.
- ★ Manufactured to highest standards (rigid steel chassis etc) in West Germany by Europe's largest typewriter manufacturer



- ★ 6 month full guarantee
- ★ Ribbon & typewheel included

FROM  
**£89.50**  
FOR 10

NEW LOW PRICES!

**£99.50**  
FOR ONE  
£6.50 carriage  
ALL PRICES  
+ VAT

## Hitachi 3" Drives

Last chance to get these 250K single-sided 3 inch drives standard interface work with BBC, Tatung, IBM PC etc but NOT Amstrad 6128  
Cases for above.

Single £2.99, double £3.99 (carriage £1.50)

VAT must be added to all prices.

**matmos**

Matmos Ltd. 1 Church Street, Cuckfield, W. Sussex RH17 5JZ. Tel: (0444) 414484/454377

## Modem

Plessey 2400 Baud V22/V22 bits. Compact 1200/2400 baud featuring auto-call, auto-answer and auto-bit rate recognition. With manual and connection details for high speed Prestel for BBC, including software for IBM PC. Originally priced over £700.  
£119.50 or £99.50 for 5 or more (carriage £3.50)

## Keyboard

High quality sculptured keyboard. 133 key.  
£6.95 (carriage £2.50)

## 5 1/4" Disc Drives

Two genuine Shuggart 40 track double-sided (360K IBM) in a cabinet with Switch Mode PSU and fan.  
£69.00 (carriage £5.00)



## Hitachi CD Rom Drive 550MB

New or ex-dem - few only  
Complete kit to add this high capacity 5 1/4" drive to an IBM PC, reads standard CDs. Complete with controller card, cables and manual.  
£199.00 (carriage £5.00)

## Hitachi High Resolution Colour Monitors

A selection of 12", 14", 15" and 20" quality monitors including CGA, EGA, PGA and some ULTRA HIGH RES 20" (CAD) models. Lowest ever prices,  
ring for details

## Acoustic Coupler

Transdata 307. RS232 modems. Mains powered, 300 Baud. Fits all 'phones.

ENTER 29 ON REPLY CARD

# INDEX TO ADVERTISERS

Appointments Vacant Advertisements appear on pages 428-431

PAGE	PAGE	PAGE	PAGE
Armon Electronics .....420	Ellmax Electronics.....343	J.B. Designs & Technology .....402	PVS Electronic Components...346
Carston Electronics.....392	Farnell Instruments Ltd.....396	JDR Sheetmetal .....407	R Henson .....420
Cavendish Automation Ltd .....352	Farnell International.....400	Johns Radio .....426	Raedek Electronics Co. ....413
Colomor Electronics.....346	Feshon Systems.....426	Kestrel Electronic Components .....413	Ralfe Electronics .....407
Componedex Ltd .....343	Field Electric .....420	Lab-Volt (UK) Ltd.....339	Research Communications .....355
Compstock Electronics.....426	Future Film Developments .....339	Langrex Supplies Ltd .....416	Solex International ... Loose Insert
Computer Plus .....358	Gespac S.A.....399	MQP Electronics .....334	Stewart of Reading.....334
Cooke International.....407	Henry's Audio Electronics 358/420	Matmos Ltd .....432	Strobes Engineering .....395
Dataman Designs.....OBC	I R Group ..... IFC/389	National Instruments .....Insert	Surrey Electronics Ltd.....416
Design Consultancy .....402	ICOM (UK) Ltd .....339	Number One Systems Ltd.....330	Taylor Bros. (Oldham) Ltd ..... IBC/384
Display Electronics Ltd .....361	JAV Electronics .....358	Pineapple Software .....334	Thandar Electronics Ltd.....343
E.A. Sowter .....352		Preco .....383	Those Engineers Ltd .....416
			Triangle Digital Services.....346

### OVERSEAS ADVERTISEMENT AGENTS

France and Belgium: Pierre Mussard, 18-20 Place de la Madeleine, Paris 75008.

United States of America: Jay Feinman, Reed Business Ltd., 205 East 42nd Street, New York, NY 10017 - Telephone (212) 867 2080 - Telex 23827

Printed in Great Britain by E.T. Heron (Print) Ltd, Crittall Factory, Braintree Road, Witham, Essex CM8 3QO, and typeset by Graphac Typesetting, 181/191 Garth Road, Morden, Surrey SM4 4LL, for the proprietors, Reed Business Publishing Ltd, Quadrant House, The Quadrant, Sutton, Surrey SM2 5AS. © Reed Business Publishing Ltd 1989. *Electronics and Wireless World* can be obtained from the following: AUSTRALIA and NEW ZEALAND: Gordon & Gotch Ltd, INDIA: A. H. Wheeler & Co. CANADA: The Wm Dawson Subscription Service Ltd, Gordon & Gotch Ltd. SOUTH AFRICA: Central News Agency Ltd; William Dawson & Sons (S.A.) Ltd. UNITED STATES: Worldwide Media Services Inc., 115 East 23rd Street, NEW YORK, N.Y. 10010. USA. *Electronic and Wireless World* \$5.95 (74513).



# TAYLOR

## R.F. EQUIPMENT MANUFACTURERS

### PERFORMANCE & QUALITY

#### 19" RACK MOUNT CRYSTAL CONTROLLED VESTIGIAL SIDEBAND TELEVISION MODULATOR

PRICES FROM £214.13 (excluding VAT & carriage)

Prices CCIR/3 £214.13  
CCIR/3-1 £273.67

#### 19" RACK MOUNT VHF/UHF TELEVISION DEMODULATOR

PRICE AT ONLY £198.45 (excluding VAT & carriage)



#### WALLMOUNT DOUBLE SIDEBAND TELEVISION MODULATOR

PRICES FROM ONLY £109.76 (excluding VAT & carriage)



Prices

CCIR/3-1	1 Modulator	£109.76
CCIR/3-2	2 Modulators	£167.99
CCIR/3-3	3 Modulators	£237.59
CCIR/3-4	4 Modulators	£307.19
CCIR/3-5	5 Modulators	£376.79

CCIR/3 SPECIFICATION	
Power requirement	- 240V 8 Watt (available other voltages)
Video Input	- 1V Pk-Pk 75 Ohm
Audio Input	- .8V 600 Ohm
FM Sound Sub-Carrier	- 6MHz (available 5.5MHz)
Modulation	- Negative
IF Vision	- 38.9MHz
IF Sound	- 32.9MHz (available 33.4MHz)
Sound Pre-Emphasis	- 50us
Ripple on IF Saw Filter	- .6dB
Output (any channel 47-860MHz)	- +6dBmV (2mV) 75 Ohm
Vision to Sound Power Ratio	- 10 to 1
Intermodulation	- Equal or less than 60dB
Spurious Harmonic Output	- 40dB (80dB if fitted with TCFL1 filter or combined via TCFL4 Combiner/Leveller)

CCIR/3-1	- Specification as above but output level 60dBmV 1000mV Intermodulation 54dB
----------	--

Other Options Available	- I.F. Loop/Stereo Sound/Higher Power Output
-------------------------	--

Alternative Applications	- CCTV Surveillance up to 100 TV channels down one coax, telemetry camera control signals, transmitted in the same coax in the reverse direction.
--------------------------	---

802 DEMODULATOR SPECIFICATION	
Frequency Range	- 45-290MHz, 470-860MHz
A.F.C. Control	- +/- 1.8 MHz
Video Output	- 1V 75 Ohm
Audio Output	- .75V 600 Ohm unbalanced
Audio Monitor Output	- 4 Ohms
Tunable by internal preset Available for PAL System I or BG	

Options	- Channel selection via remote switching Crystal Controlled Tuner. Stereo Sound.
---------	--

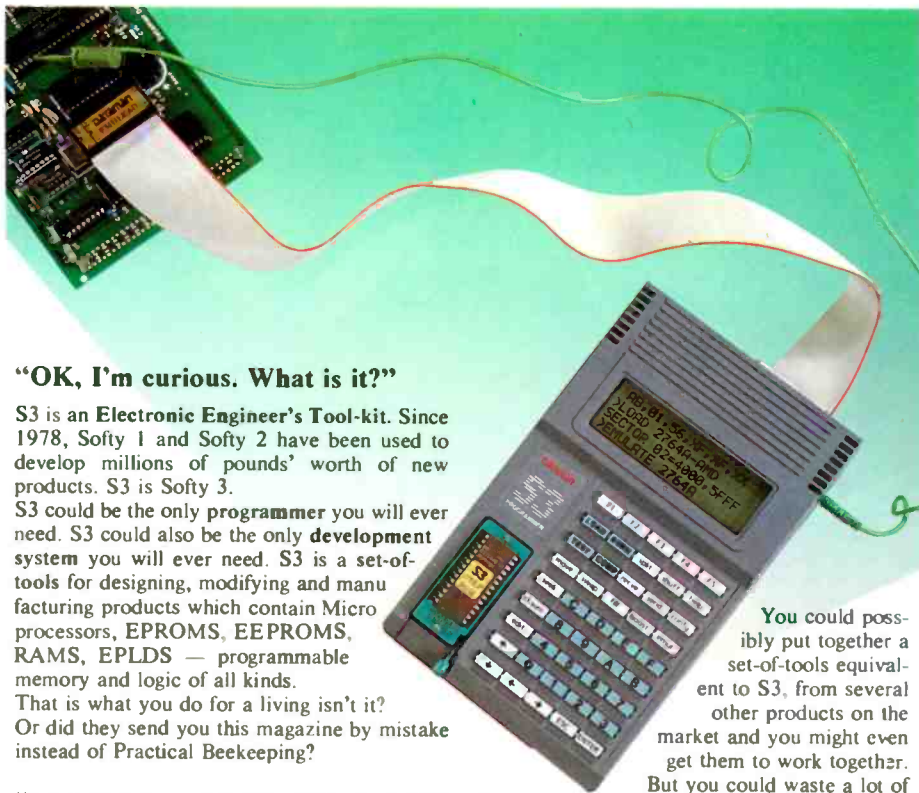
CCIR/5 MODULATOR SPECIFICATION	
Power Requirement	- 240V
Video Input	- 1V Pk-Pk 75 Ohms
Audio Input	- 1V rms 30K Ohms Adjustable 4 to 1.2
Vision to Sound Power Ratio	- 10 to 1
Output	- 6dBmV (2mV) 470-860MHz
Modulation	- Negative
Audio Sub-Carrier	- 6MHz or 5.5MHz
Frequency Stability	- 25 Deg temperature change 150KHz
Intermodulation	- less than 60dB
Sound Pre-Emphasis	- 50us
Double Sideband Modulator (unwanted sideband can be suppressed using TCFL4 Combiner/Leveller)	

CHANNEL COMBINER/FILTER/LEVELLER to combine outputs of modulators	
TCFL2	2 Channel Filter/Combiner/Leveller. Insertion loss 3.5dB
TCFL4	4 Channel Filter/Combiner/Leveller. Insertion loss 3.5dB
TSKO	Enables up to 4x TCFL4 or TCFL2 to be combined.

ENTER 2 ON REPLY CARD

**TAYLOR BROS (OLDHAM) LTD.**  
BISLEY STREET WORKS, LEE STREET,  
OLDHAM, ENGLAND.

TEL: 061-652 3221    TELEX: 669911    FAX: 061-626 1736



# £495 buys S3, a programmer with knobs on

## "OK, I'm curious. What is it?"

S3 is an **Electronic Engineer's Tool-kit**. Since 1978, Softy 1 and Softy 2 have been used to develop millions of pounds' worth of new products. S3 is Softy 3.

S3 could be the only programmer you will ever need. S3 could also be the only development system you will ever need. S3 is a set-of-tools for designing, modifying and manufacturing products which contain Micro processors, EPROMS, EEPROMS, RAMS, EPLDS — programmable memory and logic of all kinds.

That is what you do for a living isn't it? Or did they send you this magazine by mistake instead of Practical Beekeeping?

## "I think I have all the tools I need"

Engineers have discovered lately that they are more productive in a windowing, multitasking computer environment. The PC workstation is now fashionable. Coffee-stained notebooks, boxes of tangled wire and two-legged-transistors are going out-of-style. Today you can sit down at a computer keyboard and tackle everything from design to documentation. At a keystroke you can re-assemble your source-file, download to your memory-emulator and run your program. The

*"Unbelievably good, obviously designed by working engineers for working engineers"*

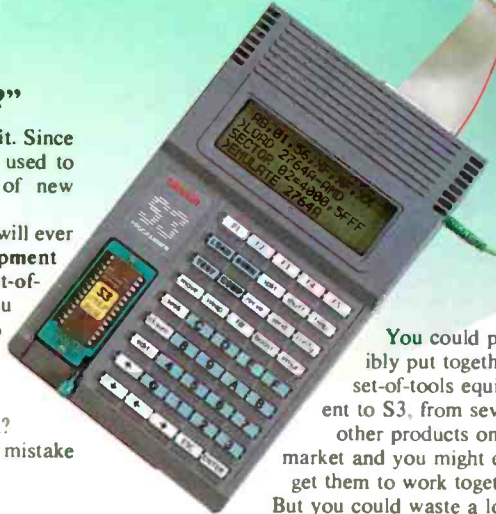
prototype of your new product will work exactly like the real thing, except that you can set breakpoints, examine variables and stack, debug the code and so forth. Logic Analysers, Storage Scopes, lots of instruments these days have RS232 or IEEE interfaces, and can be controlled in another task-window, to provide insight into what's going on. S3 fits in well, needing only a single RS232 port for complete remote control. In short, if you value your time, isn't it time you bought yourself some proper equipment?

## "I wonder — would I use it much?"

S3 is a small computer which uses PROMS for storage like other computers use disks. A PROM in the front panel socket can be loaded as a working program or as data. S3 can make this data-memory externally available, taking the place of any 25 or 27 series PROM in your prototype. If the Flying Write Lead is connected to the microprocessor's write-line, it can emulate RAM too, by providing the WRITE input missing from PROMS. This is a real advantage over simple ROM-emulators, because variables and stack can be inspected and the target system can feedback data. Memory is permanent, in effect,

*"I wouldn't dream of parting with it"*

because in standby mode only a tenth of a milliamp is drawn from the battery. S3 is ready for work next morning or next month — even if you're not.



You could possibly put together a set-of-tools equivalent to S3, from several other products on the market and you might even get them to work together.

But you could waste a lot of time and spend a lot of money doing it. S3 is a solution, ready-made, here-and-now and cheap enough for engineers to have one each.

## "Why should I spend hard-earned cash?"

Presumably to help you make some more cash, a little easier.

## "What's it like as a programmer?"

S3, as it comes, will program any 24/28 pin EPROM/EEPROM that goes in the socket. Of course, the manufacturers, bless their little hearts, are always bringing out PROMS which use new programming methods. But not-to-

## "I'll bet you sell thousands of these"

worry, upgrading is usually a simple matter of installing the latest software which takes only a few seconds. We supply up grades at nominal cost in a PROM — or you can get 'em FREE by calling our Bulletin Board.

## "It's a bit of a risk. Does it work?"

Yes! Do be careful; other makers go on about performance, yield, dire-consequences and peace-of-mind to frighten you into buying their big, expensive Prommers. Why not buy one of these on approval and compare it with S3? The

*"It beats the socks off the two \*\*\*\*s we've got"*

PROM makers supply free data-sheets which set-out the way to program their devices. You can check voltages and signals with an oscilloscope. Speed comparisons — theirs, not ours — prove S3 to be faster. 14 secs to Program an Intel 27C256, 3 secs to Load or Verify. Compare features, price, performance, decide which Prommer you like best and send the other one back.

## "What are the odds I will like it?"

Better than 100 to 1. We know that because our products have a 28 day money-back trial-period and we get less than 1 in 100 back.

*"Best bit of kit we've bought this year"*

## S3 ..... £495

DISPLAY: 80 character Liquid Crystal Display.  
KEYBOARD: 45 "real click keys" — metal domes with buttons.  
PROGRAMS: 28/24 pin 25/27 series (E)EPROMS to 512k.  
EMULATES: 28/24 pin 25/27 series (E)EPROMS to 512k.  
PROGRAM RAM: 8k bytes — program loads from socket.  
EMULATION RAM: 64k bytes of 100ns static CMOS RAM.  
INTERFACE: Bi-directional remote control by serial RS232 300, 600, 1200, 2400, 4800 or 9600 baud DB25 socket with CTS/DTR handshake. (Actually, S3 will receive files at 9600,N,8,1 at full speed without handshake).

SIZE: 7.3 x 4.4 x 1.8 ins. WEIGHT: 18oz. approx.  
BATTERY: 8.4 volt 500ma/hr rechargeable nicad.  
WORKLOAD: With mains-supply connected you can edit or program continuously. A fully charged battery will do several days' work e.g. EDIT for 45 hours. EMULATE for 6 hours. PROGRAM 1000 fast or 100 slow PROMS or RETAIN program & data for several weeks.  
CHARGING: 3 hrs on BOOST or 14 hrs on TRICKLE. Charging ends when battery-temperature rises 5°C. You can use S3 when charging.  
INCLUDES: Mains-Charger, ROM Emulator Lead, Flying Write Lead and Help ROM.

## S3 Editor/Assembler ..... £195

Runs on IBM type PC/AT. Development Environment i.e. Two-Window Editor, Very Fast Macro-Assembler, Linker, Loader, S3 Remote-Control Serial Interface. AVAILABLE IN UK ONLY. Choose your micro from the following list:

1802	1805	TMS370	TMS32010
TMS320C15	TMS320C17	TMS32020	TMS320C25
F8/3870	COP400	COP440	HMC5400
64180	65C02	6502	65C812
65C816	6800	6801	6301
6802	6803	6303	6804
6805	6809	6309	68HC11
68000	68010	TMS7000	uPD7500A
uPD7500B	uPD7800	uPD7806	uPD7810
uPD7811	M740	77P20	8048
8039	8035	8031	8031
8080	8085	8086	8088
80188	80286	TMS9900	TMS9995
TS94110	Z8	Z80	

## S3 Developer's Package ..... £195

Inside information for engineers wishing to change S3 and develop their own applications. Environment as above, with 78C06 Assembler, S3 BIOS calls and Circuit-Diagram.

## EPROMS 32 or 40 pins... £75 each

Two modules cover 1meg and 2meg 8 & 16 bit EPROMS.

## 8748/8749 ..... £125

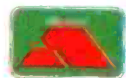
## XICOR 2212 ..... £45

## EPLDS ..... £295

Handles Erasable Programmable Logic Devices. Works with PLPL and other manufacturer's design software (mostly free on request) to provide complete development package. Receives, translates, creates and transmits JEDEC files. Loads, burns and copies: 22V10, 16R4, 16R6, 16R8, 16L8, 20G10, EP300, EP310, EP320, EP600, EP900, EP910, 18CV8, 50C30, 50C31, 50C32, 50C60, 60C90 from MMI, Atmel, Cypress, Altera, Gould, Intel, Texas, etc.

*Quotations in italics are typical unsolicited customers' comments*

28 days money-refund trial period  
Guarantee — both parts & labour  
3 yrs on S3, 1 yr on other hardware  
UK customers please add VAT



# DATAMN



Lombard House, Cornwall Rd,  
DORCHESTER, Dorset DT1 1RX  
England

Phone ..... 0305 68066  
Telex ..... 418442 DATAMN G  
Fax ..... 0305 64997  
Modem ..... 0305 251786  
V21, V22, V23, V22bis N 8 1 24hr