

Radio & Electronics

The communications and electronics magazine **World**

USER REVIEW:
WXSAT WEATHER
SATELLITE STATION

UP IN THE AIR:
SECONDARY
SURVEILLANCE RADAR

ATTENUATORS:
COMPUTING WITH
THE AMSTRAD PCW

CONSTRUCTION:
LONG RANGE
LW RECEIVER





RAYCOM for: Scanners, Handhelds, HF, VHF and UHF Transceivers, Receivers. Before you purchase anything, call us last! For that special deal!

YAESU



SONY

International House, 963 Wolverhampton Road, Oldbury, Warley, W Mids B69 4RL

Tel: 021-544 6767 (PBX)

STOCKTAKING SALE

Now that RAYCOM has taken over Ray Withers Communications, our annual stock check has revealed excess stock levels on many lines. We are therefore offering the following items at unbelievable prices. All equipment is new unused with full warranty. The following items are offered on a first come first served basis, some items are end of lines and cannot be repeated, hence the low prices.

ACT NOW TO AVOID DISAPPOINTMENT.

Please add p&p £5.00 or carrier £10.00.

	NORMAL	SPECIAL
YAESU FT726 Base Station with 2 mtrs	£899.00	£695.00
UNIDEN-BEARCAT UBC-50XL new 10 ch H/H Scanner	£99.99	£90.00
UNIDEN-BEARCAT UBC70XL new V-UHF Scanner	£239.00	£199.00
UNIDEN-BEARCAT UBC-100XL 20 ch H/H Scanner	£229.00	£189.00
UNIDEN-BEARCAT UBC-175XL Desk-Top Scanner	£199.00	£179.00
Colour-Rotator 40kg loading. 3-core cable	£42.50	£37.50
Alignment Bearing for above Rotator. (1.5)	£14.50	£12.50
CTE1600 2 mtr Handheld (same as ICOM IC2E)	£199.00	£169.00
KENPRO KT400EE 70cm Handheld (same as IC4E)	£279.00	£199.00
RAYCOM 6E Discone Antenna (air band + VHF)	£19.50	£10.00
SO239 Guttermount assy. C/w 6 mtrs RG58CU	£12.50	£10.00
YAESU FT77 120W PA Unit (1-30MHz .5W input)	£149.00	£75.00
YAESU Horn Relay Unit with 555 Timer IC	£12.50	£4.50
YAESU YD844A 600 ohm/50K Desk Mic	£39.95	£19.95
RAYCOM 13.5V 5A Power Supply Unit	£29.50	£22.50

Please send large SAE for: Bargains List, Used List, Scanner Catalogue, or any other Information/Leaflets.

Full range of SONY Receivers now in stock, RAYCOM now appointed SONY dealers. SONY products post free.

SONY Air 7, famous Air/VHF Radio	£49.00
SONY PRO80 Short Wave/VHF Radio	£349.00
SONY 2001D Package including Active Antennas	£399.00

Now in stock: CUSHCRAFT, BUTTERNUT and HY-GAIN Antennas.

Why not visit our spacious new showrooms, 200 mtrs from M5 J2 on the Wolverhampton road, plenty of car parking and coffee!

SPECIAL CLEARANCE PYE W15FM Dash Mount Westminsters, 15W 3 ch, ideal for conversion to 2 mtrs/ Packet Radio. Supplied as seen untested, with copy of conversion details @ £37.50 inc post.

FAX 021 544 7124

TELEX 336483 IDENTI-G

A division of Ray Withers Communications

CONTENTS

Editor

Jane Berry

Editorial Assistants

Lisbeth Stedman
Nicola Woodford

Advertisement Manager

Marian Vidler

Publisher

Peter Williams

Published by

Radio & Electronics World
Magazines
Sovereign House
Brentwood, Essex.
CM14 4SE, England
Tel: (0277) 219876

ISSN

0262-2572

Printed

In Great Britain

Newstrade sales

S M Distribution
16/18 Trinity Gardens
London SW9 8DX.
Tel: 01-274 8611

Subscriptions

Tel: 01-760 0409

© Copyright 1988
Radio & Electronics World Magazines

Safety in the shack

Some of the constructional projects featured refer to additions or modifications to equipment; please note that such alterations may prevent the item from being used in its intended role, and also that its guarantee may be invalidated.

When building any constructional project, bear in mind that sometimes high voltages are involved. Avoid even the slightest risk - safety in the shack please, at all times.

Whilst every care is taken when accepting advertisements we cannot accept responsibility for unsatisfactory transactions. We will, however, thoroughly investigate any complaints.

The views expressed by contributors are not necessarily those of the publishers.

Every care is taken to ensure that the contents of this magazine are accurate, we assume no responsibility for any effect from errors or omissions.

Cover Photographs

Top - the FAX-1 weather facsimile package from ICS Electronics Ltd. Photo courtesy of ICS (p9)

Bottom - a testing time for the Harrier GRS on the antenna test range turntable at Bristol - details next month

SPECIAL FEATURES

- 19 Build a Long Range Long Wave Receiver**
Richard Marris encourages you to listen in on the long wave band on your own purpose-built LW receiver
- 24 A Simple AM/FM Tuning Head**
Sir Douglas Hall presents his design for a tuner which is easy to build from readily available parts
- 28 Data File**
Ray Marston looks at practical audio processing ICs in this first part of a new mini-series
- 32 Attenuators**
A program written in Hisoft Pascal 80 for the Amstrad PCW, by A M Tucker
- 36 Aviation Electronics Part 5**
Brian Kendal's series continues with a look at Secondary Surveillance Radar
- 42 User Review**
The WXSAT weather satellite receiving station is discussed this month by Ken Michaelson G3RGD

REGULARS

- 4 Product News**
12 News Desk
14 Amateur Radio World
16 ATV on the Air
17 Network 934
48 Latest Literature
52 Medium Wave DXing
54 DX-TV Reception Reports
58 QSO
60 Short Wave News
62 Free Classified Ads

READER SERVICES

- 27 Newsagents Order Form**
39 Back Issues Order Form
53 Subscription Order Form
66 Advertisers Index
66 Advertising Rates and Information

NEXT MONTH

47 What's in store for you

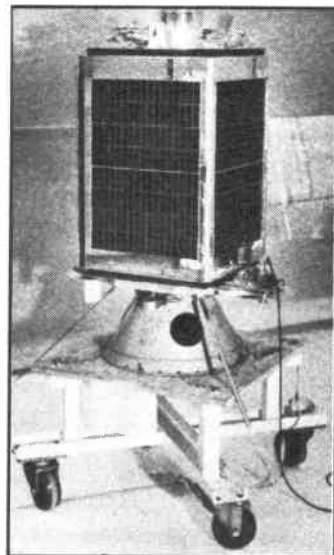
- Next Issue**
Cover Date May 1988, on sale Thursday 14 April
- Publication Date**
Second Thursday of the month preceding cover date



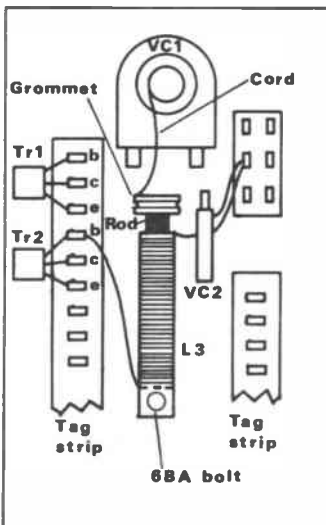
Hog heaven? - p37



Weather news - p42



Spaced out - p13



In tune - p26

PRODUCT NEWS

Featured on these pages are details of the latest products in communications, electronics and computers. Manufacturers, distributors and dealers are invited to supply information on new products for inclusion in Product News.

Readers, don't forget to mention **Radio & Electronics World** when making enquiries

30MHz DUAL TRACE SCOPE

With dc to 30MHz bandwidth and 11.7 rise time, the Type 3337 dual trace oscilloscope can display the rising edges of rapidly changing waveforms. This unit, available from ECW, is ideal for maintenance and servicing, as well as laboratory and educational establishments. Its display is enhanced by the inclusion of a built-in signal delay line that operates on both channels and provides sufficient delay to capture fast leading signal edges.

Input sensitivity is 5mV/div and the two inputs can be algebraically added or subtracted. X-Y operation is possible. The timebase range is from 40ns to 1s/div with triggering to 50MHz. The trigger circuit gives a reliable display with ac/dc coupling,

composite trigger and single shot modes.

The Type 3337 is fitted with a bright, 10kV 5-inch CRT that gives a clear image for performing measurements and signal analysis. Offered with a two-year guarantee, the Type 3337 costs £425.00, excluding VAT.

*Electronic & Computer Workshop Ltd,
Unit 1,
Cromwell Centre,
Tepfield,
Witham,
Essex CM8 3TH.
Tel: (0376) 517413.*

SINGLE FUNCTION INSTRUMENTS

New from ITT Instruments is the MX series of single function instruments, suit-

able for a wide range of applications.

The range comprises the MX029 voltmeter, the M039 ammeter and the MX038 centre zero ammeter. A major feature of these instruments is that they can be used in dedicated applications, thereby avoiding the need for a more complicated, more expensive multimeter.

The MX series is easy to use and has just two input terminals and a single slide switch on the side for all ranges displayed on the dial. The dial has large, clearly divided colour scales and an anti-parallax mirror, enabling the measured value and the chosen range to be viewed from the same angle.

Other features include an accuracy of 1.5% dc and 2.5% ac, a range overlap with a ratio of 3 to 1 for the current ranges up to 10A, and overload protection.

Measuring just 170 x 127 x 44mm and weighing only 400g, the MX series is ideally suited for use in small working areas. It is ruggedly constructed to withstand the harshest conditions and is fitted with a rubber shock absorber for added protection.

*ITT Instruments,
346 Edinburgh Avenue,
Slough,
Berkshire SL1 4TU.
Tel: (0753) 824131.*

60MHz OSCILLOSCOPE

The Kenwood CS1065 three channel oscilloscope with delayed timebase is now available ex-stock from Thurlby Electronics. An alternate sweep function allows simultaneous display of main and delayed waveforms on each channel, thereby enabling up to six traces to be displayed.

Sensitivity of 5mV/div is available up to 60MHz with 1mV/div up to 20MHz, which enables observation of complex low level signals. The rectangular, dome mesh, post accelerator type CRT fea-

tures high intensity and high resolution with 12kV accelerating potential. A maximum sweep speed of 5ns/div is achieved using the x10 magnification and a signal delay line gives approximately 20 nanoseconds (ns) visible delay on the screen. This feature gives accurate observation and measurement of the leading edge of high frequency signals.

Vertical axis sensitivity and timebase accuracy are guaranteed to within ±3% over a temperature range of +10 to +35°C and up to 85% relative humidity. A second (B) timebase provides magnification of an intensified portion of the main (A) waveform. The trace separation control can shift the B waveform down four divisions with respect to the A waveform.

A useful feature is the trigger fix mode, whereby the trigger level automatically tracks the amplitude of the waveform to maintain trigger without the need for adjustment. Other features include variable hold-off, single shot, vertical axis signal output and automatic syncing of video signals using a special video clamping function.

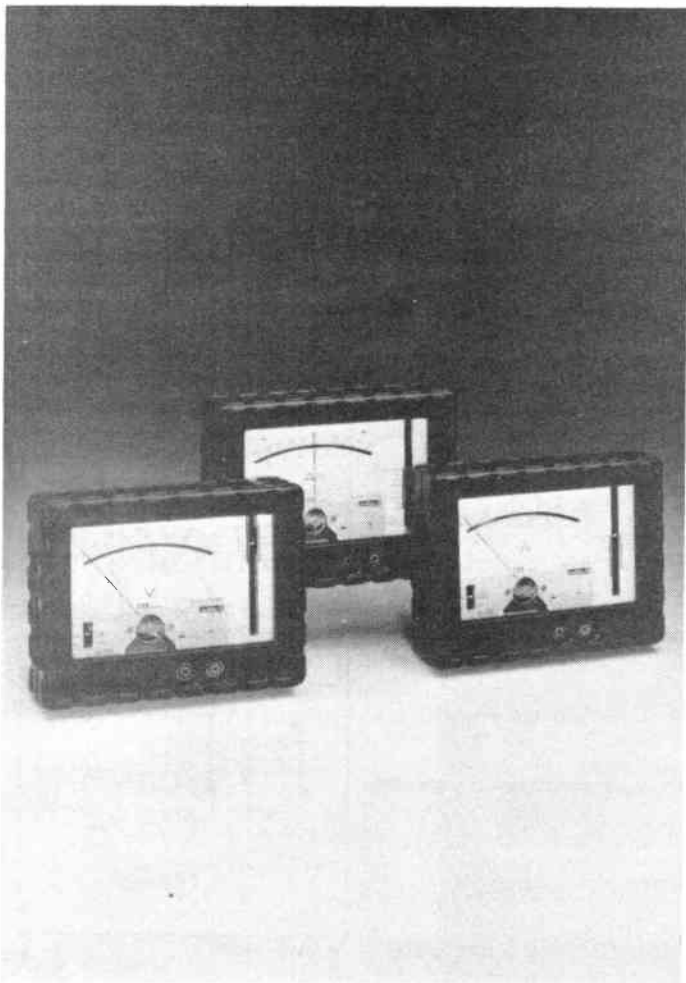
The CS1065 comes complete with two probes and costs £795.00 + VAT.

*Thurlby Electronics Ltd,
New Road,
St Ives,
Huntingdon,
Cambs PE17 4BG.
Tel: (0480) 63570.*

DIGITAL FUNCTION GENERATOR

The new, low cost GFG-2D digital function generator from Flight Electronics offers five different waveform outputs.

The instrument generates sine, triangle and square waveforms which are push-button selectable. A separate terminal provides TTL pulse and CMOS outputs. A built-in counter allows outputs to be modulated by applying a signal voltage to a dedicated



input terminal. The large 0.5in LED display provides clear 4-digit indication of output levels. Seven push-buttons split the frequency range, which spans 0.2Hz to 2MHz.

The compact unit provides a cost-effective and flexible waveform generation source. The output modulation facility is useful for RF applications. Amplitude is 20V peak-to-peak (open circuit) and 10V peak-to-peak (into a 50 ohm load). A dc offset facility is provided. Overall dimensions are 284 x 237 x 85mm.

*Flight Electronics Ltd,
Flight House,
Ascupart Street,
Southampton SO1 1LU.
Tel: (0703) 227721.*

LOW COST SCOPE

The Kenwood CS8010 digital storage oscilloscope (pictured below) is now available from Thurlby Electronics. The product includes many features previously unavailable in an oscilloscope at this price.

The sampling rate of 10MHz enables easy observation of single shot events and transients. Each channel includes an 8-bit resolution A/D converter and a 2048 word memory. Pretriggering enables observation of events occurring before the trigger point. In the storage mode the trigger point can be set at the left edge of the screen.

A 10x magnification function allows expansion of the waveform even after storage, a useful function for detailed waveform observation. High speed writing at 100ns per

word is possible into both channels simultaneously.

Also included is a cursor measurement system which measures voltage, time, frequency, ratio and phase difference. The on-screen readout allows clear unambiguous presentation of measured data plus set-up conditions. The 'real time' and 'stored' function permits comparison of real time and stored waveforms.

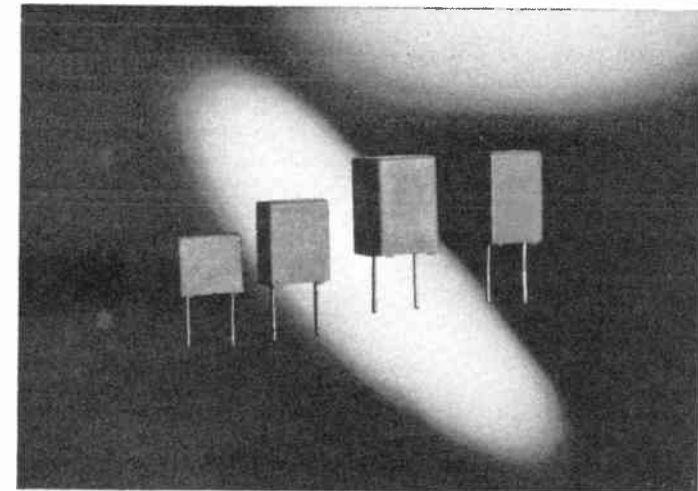
As with a conventional 20MHz real time oscilloscope, the capabilities of the CS8010 include 1mV/div sensitivity, X-Y function and T-V line and frame triggering. The CS8010 costs £1195 + VAT.

*Thurlby Electronics Ltd,
New Road,
St Ives,
Huntingdon,
Cambs PE17 4BG.
Tel: (0480) 63570.*

MONOLITHIC OP-AMPS

The CLC400 and CLC401 amplifiers from Comlinear give a choice of low gain (CLC400) and high gain (CLC401) characteristics and are well suited to all types of precision analogue equipment design in ADCs and DACs, line driving, IF processing and general amplification. Applications include instrumentation, ATE, radar, EW systems, communications equipment, digital radio, medical electronics, electronic imaging and computers/peripherals.

Performance figures for the CLC400 include a gain from ± 1 to ± 8 and a bandwidth of 200MHz. Rise time for a 0.5V



SIEMENS CAPACITORS

The Siemens B32529 encapsulated polyester capacitor range has been extended. It covers from 1000pF (0.001 μ F) to 1.5 μ F, and the full range is available from RR Electronics.

These 5mm pitch self-healing units are encapsulated in a flame-retardant plastic case to UL94 V-0, epoxy-sealed for humidity resistance. The voltage range is 63V dc (40V ac) with an IEC climatic category

55/100/56. The range conforms to CECC 30401-043.

The device has spacers for better solderability. Leads are parallel and tinned. The units are suited to space-saving assembly at high packing density on any PC board.

*RR Electronics Ltd,
St Martins Way,
Cambridge Road,
Bedford MK42 0LF.
Tel: (0234) 47211.*

input step is 1.6ns with a slew rate of 700V/ μ s. The high gain CLC401 has a ± 7 to ± 50 gain range and a 150MHz bandwidth. For a 2V step, rise time is 2.5ns and slew rate is a fast 1200V/ μ s. Both types share an output drive capability of ± 3.5 V and 50mA. Capacitive loads can be driven happily and the power dissipation is 150mW.

Packaging options are an 8-pin plastic DIP (available now), with standard and Hi-Rel hermetically sealed ceramic 8-pin DIPs, dice and surface mount versions. Both amplifiers are overload and short circuit protected and remain stable without the use of external compensation components.

*Anglia Microwaves Ltd,
Radford Business Centre,
Billericay,
Essex CM12 0BZ.
Tel: (0277) 630000.*

FLUSH MOUNT BEZELS

New from Highland Electronics is a range of flush mount bezels which are suitable for

use with the Swisstac range of 18 x 24mm size switches, push-buttons and pilot lamps.

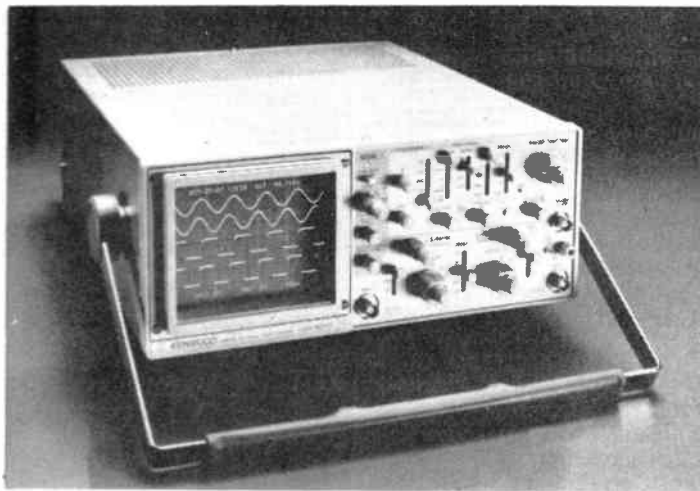
With low profile, the bezel enhances the readability of engravings on the panel between the switches and offers improved protection of the frame against damage and accidental operation.

The bezels comprise a grey or black Celanex front frame with a stainless steel mounting bracket. A new range of transparent lenses, compatible only with the flush mount bezel, can be supplied in orange, red, green, blue, white and yellow.

*Highland Electronics Ltd,
Albert Drive,
Burgess Hill,
West Sussex RH15 9TN.
Tel: (04446) 45021.*

DOUBLE-BALANCED MIXERS

With a frequency coverage from 1 to 18GHz, LO power rating from +7 to +16dBm and a choice of six package styles, the Triangle double-balanced mixer series from Anglia Microwaves Ltd offers a highly



efficient solution to virtually any RF circuit requirement.

More than 70 different models are available, including wide and narrow bandwidth versions. For example, customers can select from several types in the 8 to 16GHz range: 8 to 16, 8.5 to 9.6 or 9.3 to 9.7GHz. Each model has low conversion loss, VSWR and high isolation figures.

There are three power bands: Low Level, with LO ratings from +7 to +10dBm; Medium Level, with LO up to +13dBm; and High Level, up to +16dBm. Package options are circular and square drop-ins, and SMA versions with male or female connectors.

Anglia also supplies double-balanced mixers to meet customers' special requirements. Combinations of RF, LO and IF frequency ranges may be specified to give optimised performance in the customer's particular application.

*Anglia Microwaves Ltd,
Radford Business Centre,
Radford Way,
Billericay,
Essex CM12 0BZ.
Tel: (0277) 630000.*

ILLUMINATED SWITCHES

IMO Electronics have introduced a new range of UK-manufactured illuminated push-button switches, indicators and key switches.

With a matt finish to complement any panel design, the switches have silver inlaid contacts and high pressure switch action. This ensures negligible bounce, accuracy of sequencing and renders them suitable for low voltages and currents.

All the switches share a uniform behind panel dimension regardless of whether double or single pole, or momentary/alternate switch action. Their terminals are suitable for faston, solder or PCB assembly.

The anti-glare buttons come in a choice of 6 colours, and may be easily legended either by direct engraving techniques or by the insertion of printed film behind the diffuser.

The lamps, from IMO's range of miniature long-life

filament devices, are available in seven voltages from 6V to 240V ac.

*IMO Electronics,
1000 North Circular Road,
Staples Corner,
London NW2.
Tel: 01-450 6444.*

CIRCULAR CONNECTORS

Highland Electronics have recently introduced the R series of circular connectors, featuring a screw coupling. Each connector comprises a UL-94-VO precision engineered housing fabricated in nickel-plated copper alloy with fibreglass reinforced thermoplastic inserts.

A choice of three termination styles is available - straight, solder pin and crimp. Cable entries are to DIN 46320 and are neoprene multiple split seals. Plugs and sockets are fully interchangeable and have gold contacts.

The R series is offered in a choice of five body styles. Options include 9, 12 and 16 pin configurations and three possible coding positions. Chassis and in-line versions are available with or without cable entry gland and protection caps. Polarisation is also available as an option.

Other features include a rated current of 7.5A for a 1mm contact and 16A for a 2mm contact, IP65 protection and an operating temperature range of -40°C to +100°C. The contact resistance is 2.5 or 3.0mΩ, dependent on the plating.

*Highland Electronics Ltd,
Albert Drive,
Burgess Hill,
West Sussex RH15 9TN.
Tel: (0446) 45021.*

PERSONAL SCANNER

The Microscan hand-held PC personal scanner from AMS features a 105mm wide scanning head and produces dithered half tones. The new system delivers extremely good copies of photographs (half tones and grey scans), logos and signatures, as well as text and other images at a resolution of 200 DPI. It will retail at £249 + VAT.

The scanner includes software running under the Digi-



tal Research Gem Environment to cater for programs such as Ventura and Gem DTP, while AMS is also including scanning software under Microsoft Windows for Aldus Pagemaker, and an MS-DOS facility for art programs such as PC Paintbrush, Dr Halo and numerous others.

Specifications of the AMS Microscan are as follows: scanning width - 105mm, 840 dots per line; resolution - 200 DPI horizontal and vertical; scanning modes - B/W and dithered half tones; interface - half card for IBM PC-XT-AT plus compatibles; software - MS-DOS, MS Windows, DR Gem.

*Advanced Memory Systems,
166-170 Wilderspool Causeway,
Warrington WA4 6QA.
Tel: (0925) 413501.*

CIRCUIT ANALYSIS

Number One Systems' popular PC circuit analysis package, Analyser II, has been the subject of a major revision to include analysis of microwave strip lines and transmission lines.

This addition will offer design engineers at RF and higher frequencies the facility of rapid evaluation of designs that include these elements for gain, phase, input and output impedance, and group delay.

Circuit designs may still include active and passive components such as transistors, FETs, amplifier blocks, R, C, L and transformers. Expensive test and measuring equipment can be

avoided, as well as continued breadboarding during circuit development.

Results of the analysis are presented in tabular or graphic form so the user can spot and measure response peaks and notches, phase reversals and impedance changes where matching is important.

Transmission lines are modelled as ideal loss-free lines specified by the characteristic impedance, the length and the percentage velocity factor. Each line has three connections: input, output and common.

Strip lines are modelled as ideal loss-free lines separated from a single continuous common surface by a layer of dielectric. The line is specified by its input, output and common nodes, and by the width of the strip, its length, the thickness and the relative permittivity of the dielectric.

Analyser is supported by free updates for 6 months, and a telephone query hotline. The operating system is PC-DOS or MS-DOS. The analyser has a 192K minimum memory and uses 5¼in discs. The cost of the analyser is £195 plus VAT.

*Number One Systems Ltd,
Harding Way,
Somersham Road,
St Ives,
Huntingdon,
Cambs PE17 4WR.
Tel: (0480) 61778.*

FLEXIBLE PROGRAMMER

The GP XR16, a cost effective, high-volume EPROM/

EEPROM programmer, is now available from STC Instrument Services. The sophisticated design, which combines specialised circuitry with a comprehensive self-checking facility, allows simultaneous support for up to 16 of the latest devices.

Ruggedised for industrial use, the system incorporates ultra-fast algorithms, including Quick Pulse (INTEL) and Flashrite (AMD), and is designed to support 24, 28, 32 and 40-pin EPROMs and EEPROMs up to 1Mbit and beyond.

The XR16 is expandable for device support and throughput, offering a choice of 4 plug-in modules which allows the handling of 8 or 16 devices with either 32 or 40 pins. In addition, the 32-pin module supports 24 and 28-pin devices.

Set programming for 8, 16 and 32-bit data is standard, whilst a split data bus on the 32-pin module provides a 50% improvement on programming times compared to conventional programming systems. Other features include a comprehensive menu-driven editor, a one-key production mode for speed and flexibility, a 2 x 40 character LCD, internal fault diagnosis and simple interfacing via the RS232 or Centronics ports.

*STC Instrument Services,
Dewar House,
Central Road,
Harlow,
Essex CM20 2TA.
Tel: (0279) 641641.*

MEMORY CARD

Hero Electronics have announced the addition of the 128Kbyte SHB3112B1A to the company's range of CMOS SRAM memory cards. Others in the series are 32K and 64Kbyte types, with a 256Kbyte planned for introduction shortly.

All cards are in the standard credit card format of 54x85.6x3mm, and incorporate a two-part connector which offers high contact reliability. The card operates from a single 5V ± 10% supply, and is designed to ensure high resistance to static discharge.

Memory cards obviate the

need for floppy disc drives in many applications, and the smaller size allows use in hand-held instrumentation, computer or communications equipment. Significant cost reductions have already been made on the 32Kbyte, which was introduced only six months ago.

*Hero Electronics Ltd,
Dunstable Street,
Amphill,
Beds MK45 2JS.
Tel: (0525) 405015.*

MATHCAD

New MathCAD Version 2.0, introduced by MathSoft International, not only understands mathematics and solves problems, it also has the capability to solve simultaneous equations.

This computer program is already widely used by electronic/electrical engineers, designers, draughtsmen, accountants, statisticians and academics.

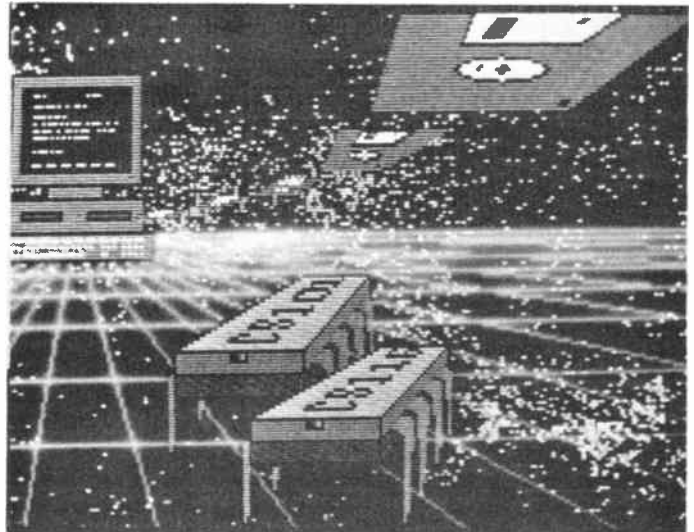
All of the features of the previous MathCAD V1.1 are included in the new release. These include over fifty built-in functions, automatic plotting with logarithmic scaling and handling complex numbers.

Units of measurements, fast fourier transforms and calculus operators are also retained as standard.

Other features of the new MathCAD V2.0 include solving any number of simultaneous linear and non-linear equations and inequalities, with any number of unknowns; expanded plotting capabilities, with automatic axis scaling and histograms, and performance enhancements which result in most applications being two to four times faster.

MathCAD V2.0 operates on IBM PC, XT, AT and PS/2 or compatibles with 512K RAM and DOS 2.0 or later. The cost of MathCAD V2.0 is £345 + VAT and is available directly from MathSoft International and leading dealers throughout the UK.

*MathSoft International Ltd,
Freepost,
Tamworth,
Staffs B79 7BR.
Tel: (082786) 239.*



AMPLIFIER CIRCUITS

The CS-101A and CS-116 from Cherry Semiconductor are high performance differential amplifier circuits, designed for use as a preamplifier for the magnetic servo head of a Winchester disc drive. The CS-116 has a 50MHz bandwidth and is specifically for thin film heads. The CS-110A has a bandwidth of 30MHz. Both ICs will operate from 8.3, 10.0 or 12.0V.

Operating at 8.3V, the CS-

116 is compatible with IBM 3370 and 3380 system requirements. The CS-101A is compatible with IBM 3340 system requirements. Both are available in an 8-pin plastic DIP package or a 10-pin flatpack. The CS-101A is also available as an SO-8.

*Clere Electronics Ltd,
Kingsclere,
Newbury,
Berks RG15 8NL.
Tel: (0635) 29874.*

LIFELONG PARTNER

The AR Environmental Partner is a full-range loudspeaker system with a four-inch polypropylene-coned woofer and 1 1/4in liquid-cooled tweeter. It is housed in a wedge-shaped cast aluminium case, finished in scratch-resistant black.

The versatility of these loudspeakers makes them ideal in the home. Their angular shape enables them

to be fixed in corners, on the floor pointing upwards, or on the wall held by swivel brackets.

They can even be stacked or mounted on car roll-bars, using the integral bracket for fixing to 1 1/4in tubing. They are also weather-resistant and can be mounted in sheltered out-of-doors positions. Sensitivity is 88dB for one watt and they are suitable for use with amplifiers rated at



PRODUCT NEWS

between 7 and 75 watts per channel.

The suggested retail price of the Environmental Partners is £149.99 per pair.

*Teledyne Acoustic Research,
High Street,
Houghton Regis,
Dunstable,
Beds LU5 5QJ.
Tel: (0582) 867777.*

SMALL ANTENNA

APL Antennas have recently introduced a new 3dB gain cellular antenna. This new high performance antenna gives less than half the wind load of APL's previous 900 series model.

It is for use on a glass-mount or standard body-mount and comes in matt black.

*APL Antenna Products Ltd,
Gatehouse Way,
Aylesbury,
Bucks HP19 3DB.
Tel: (0296) 42445.*

DISCONE ANTENNA

South Midlands Communications have recently launched a new wideband discone antenna, the DSC77.

The new antenna covers frequencies from 70 to 700MHz, with a gain of 3.5dB. It is designed for use either in receiving or transmitting up to 500 watts pep.

The top centre disc, cone

and elements are all manufactured from high grade aluminium alloy. The elements screw directly into the cone and disc to prevent them vibrating loose in the wind. A stub mast of 1½in diameter is supplied with the antenna, as well as a mast clamp to fit a 1¼ to 2in mast. The stub mast protects the input connector from the ingress of moisture.

The antenna is available from most specialist shops, at a cost of £55.75 including VAT.

*South Midlands
Communications Ltd,
S M House,
School Close,
Chandlers Ford Industrial
Estate,
Eastleigh,
Hants SO5 3BY.
Tel: (0703) 255111.*

SOCKET STRIPS

Rainford Racks has recently launched a range of 13 amp and IEC socket strips. In total, 30 models are available.

The strips fit standard racks and cabinets, and can also be mounted on desks and work-tops or used as trailing sockets.

Housed in ribbed extruded aluminium, the socket strips are light, yet strong. They come in various lengths, with up to 10 ways (13A type) or 15 ways (IEC type). Mains filters and circuit breakers are an optional extra.

The circuit breaker models have an earth leakage trip and come complete with both 16A and 32A circuit breakers. A simple wiring modification selects the desired rating.

Mains filter models give up to 60dB attenuation of mains-borne interference. The 13A strips come in straight and angled versions. The angled type has its socket outlets offset left or right-handed to eliminate cable kinks.

*Rainford Racks Ltd,
Mill Lane,
Rainford,
St Helens WA11 8LS.
Tel: (074488) 4721.*

LINEAR POWER

Recently introduced by Cirkit Distribution, the Bulgin 5 watt encapsulated EP linear power supplies are designed for mounting directly onto printed circuit boards. They measure 3.5 × 2.5 × 1.2in (89 × 63 × 32mm) and feature industry standard footprint pin-outs.

The power supplies are housed in ABS boxes which are encapsulated with flame retardant polyurethane and fitted with two M3 bushes for mechanical support.

Available with two input ranges (210 to 250V ac and 100 to 120V ac), they cover most popular voltages in single, dual and triple format. Custom requirements can easily be catered for with 1-3 outputs and 6 watt as the maximum load.

The design provides 3.75kV RMS input to output isolation with all outputs being short circuit protected.

*Cirkit Holdings plc,
Park Lane,
Broxbourne,
Herts EN10 7NQ.
Tel: (0992) 444111.*

POWER SUPPLY

STC Instrument Services has introduced the BNOS PR Series of 19in rack-mounted power supplies which offer full RF protection.

The PR Series is based on the popular BNOS P range and provides power up to 600W continuous. The series offers output voltages in three ranges: 2-7V, 10-15V and

20-30V, with output currents up to 40A.

An automatic shutdown facility ensures protection against short circuit, overvoltage, and overcurrent. The series features stability of better than 0.01% for 10% line change, 50Hz input frequency, 240V input voltage (ac), 500µV at maximum continuous output, and incorporates Power On LED indication.

*STC Instrument Services,
Dewar House,
Central Road,
Harlow,
Essex CM20 2TA.
Tel: (0279) 641641.*

RETROFIT BATTERIES

PMS Instruments have in stock an extensive range of low cost, high quality Mercury Retrofit Batteries from Alexander Manufacturing Ltd. Although designed primarily for the Bio-Medical and Laboratory Industries, they have many applications in other areas.

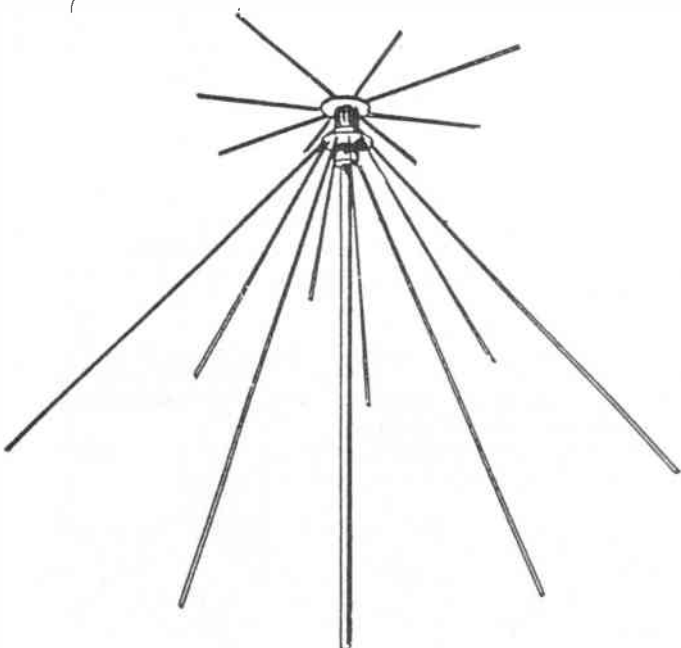
These products vary in size from 0.47mm to 1.36mm in diameter, and in length from 0.63mm to 3.9mm, with a power capacity from 1.4V/1000mAh to 8.4V/720mAh. This range can cater for almost every battery requirement from hearing aids and paging to small portable instrumentation.

*PMS Instruments Ltd,
Waldeck House,
Reform Road,
Maidenhead.
Tel: (0628) 38036.*

PROGRAMMABLE PSUs

The Thurlby PL-GP range of fully programmable power supplies offers high performance at low cost.

All models in the range can be controlled via the IEEE488 (GPIB) bus and they send back measured values of actual current flowing to give talker/listener operation. The range comprises models with output ranges of 0-15V/0-4A and 0-30V/0-2.2A, with twin versions of both available. All models can be used on the bench or mounted in a 19in rack with the optional rack mount kit.



Both voltage and current can be independently controlled via the bus to resolutions of 10mV and 10mA. Full service request facilities are incorporated with serial and parallel poll modes. Each supply is fully floating and can operate in constant voltage or constant current mode with automatic crossover. The twin supplies can be operated in series or parallel to provide higher voltage and current levels. Remote sensing terminals, damping and high resolution digital meters for reading both voltage and current are provided as standard.

A local/remote switch on the front panel enables control to be manual via front panel potentiometers or via the GPIB bus.

Line regulation is less than 0.01% of maximum output for a 10% line change and load regulation is less than 0.01% of maximum output for a 90% load change. Ripple and noise are less than 1mV and for constant current less than 1mA.

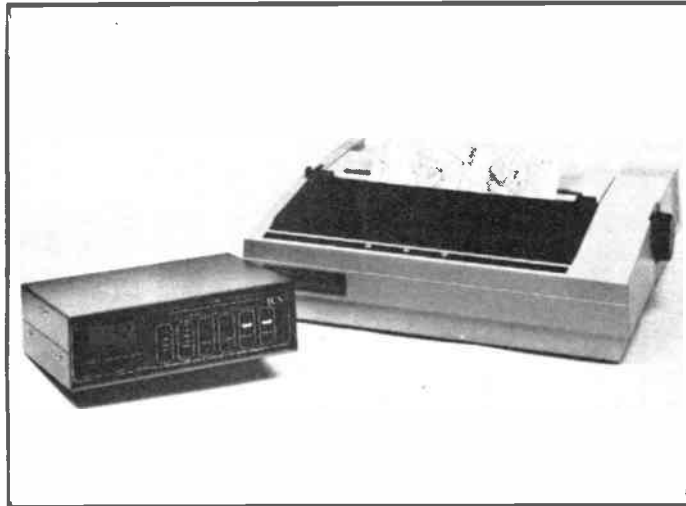
The PL-GP single supplies cost £445 + VAT and the twin supplies cost £650 + VAT.

*Thurlby Electronics Ltd,
New Road,
St Ives,
Huntingdon,
Cambs PE17 4BG.
Tel: (0480) 63570.*

COMMUNICATION TESTERS

The Comtest Series 200 range consists of three models: the 212, 225 and 250. They are designed with function and convenience in mind and are complete data communication troubleshooters for engineers, computer salesmen and those who install, repair or use RS232C/V24 equipment.

The state of the interface is easy to read, as the breakout system, monitors and signal description are all on the same line. The line monitors show signal strength and function without battery power. The pulse trap/current loop option for all Series 200 models enables the user to display short pulses impossible to detect with standard monitors. The current loop function makes it possible to



WEATHER FAX

ICS Electronics Ltd recently announced the availability of a low cost package for weather facsimile, Navtex and radio teletype reception.

For £399.95 inc VAT, ICS will provide their enhanced FAX-1 decoder, a mains power supply, an Epson compatible printer, all connecting leads, paper and a ribbon. The user must plug the cable supplied into the extension loud-speaker socket of any HF SSB communications receiver to obtain detailed weather maps, satellite cloud pictures, navigational warnings

and news bulletins.

The FAX-1 incorporates a built-in tuning indicator and timer, and is fully automatic in operation. No computer skills are needed to operate it.

The system components are available separately if required, and ICS can also offer a complete dc-powered marine system with inbuilt Navtex receiver. This permits concurrent Navtex and facsimile reception.

*ICS Electronics Ltd,
PO Box 2,
Arundel,
West Sussex BN18 0NX.
Tel: (024 365) 590.*

test short haul modems.

The testers can break and crosspatch all 25 lines by means of the dual in-line switch, the jumper cables and the contacts on both sides of the switch.

Model 212 offers all functions needed to locate RS232 interface problems, it monitors the 12 most important lines and has one extra undedicated monitor to test secondary signals.

Model 225 monitors all 25 signals and has cable and parallel test capabilities.

Model 250 monitors all 25 signals on both interfaces and has convenient null modem switching and the pulse trap option built in as standard.

The Comtest Series 200 testers are housed in a sturdy ABS plastic case and the contact system is gold-plated. Each model comes with jumper cables and user manual.

*M-Trade (UK) Ltd,
PO Box 35,
London SW1W 8TX.
Tel: 01-730 0681.*

BRIGHTSTAR EXPANSION

BrightStar have announced plans to expand the configuration of the BrightStar transatlantic system.

The main feature of the new system is a dual-channel operation allowing access to Washington or New York and on into North America, or Washington or New York into Europe simultaneously using the 332.5 satellite.

The core system will operate between Washington, New York and London and in the near future will expand into Europe.

The main gateways in each area are as follows:
1) Washington DC, BrightStar TOC at Washington International Teleport.

- 2) New York, AT&T Switching Centre in New York (NR).
- 3) London, BrightStar TOC Park Royal (as before).

The only change regarding price is that customers will be billed for line costs incurred in Washington or New York unless they have made special arrangements, and this will be the responsibility of the customer.

*BrightStar,
Visnews House,
Cumberland Avenue,
London NW10 7EH.
Tel: 01-965 6511.*

SATELLITE RECEIVER

A new Paltec GS-2 satellite receiver has been introduced by Tratec as a successor to the A-1000.

The receiver features a lifetime memory back-up, 99 channels and 99 positions, MAC output and all parameters are individually store-able.

The GS-2 also has an auto-focus mode, the eye catcher, in which the positioner will focus automatically at the chosen satellite position. There is also an auto-timing feature.

*Tratec BV,
PO Box 385,
3900 AJ Veenendaal,
The Netherlands.
Tel: (8385) 21984.*

DIM-WITS

A fully protected dimmer/controller kit, the K613, handles mains voltages of up to 5A is available from Electronic & Computer Workshop.

The dimmer is a high Q device that adjusts the power supplied to a load with minimum hysteresis. This makes it suitable for dimming lights, adjusting ac motor speed and the output of heating elements, etc.

The K613 is offered at a mail order price of £14.33, including VAT and posting/package.

*Electronic & Computer
Workshop Ltd,
Unit 1,
Cromwell Centre,
Stepfield,
Witham,
Essex CM8 3TH.
Tel: (0376) 517413.*



PHONE

0474 60521

FAX NO.0474 333 762

A SELECTION FROM OUR

STOCK OF BRANDED VALVES (Contd)

Table listing various valve types and their prices, including models like DL35, DL36, DL37, etc.

P.M. COMPONENTS LTD
SELECTRON HOUSE
SPRINGHEAD ENTERPRISE PARK, SPRINGHEAD ROAD
GRAVESEND, KENT DA11 8HD

TELEX
966371
TOS PM

Main table listing various electronic components and their prices, including models like 4-250A, 4-400A, 4-400B, etc.

Table listing various electronic components and their prices, including models like 3P1L3, 3P1L4, 3P1L5, etc.

NEWS DESK

Battery survey

The latest market survey on batteries, carried out by Euro-monitor, has concluded that long-life alkaline batteries are gaining a larger share of the battery market at the expense of zinc carbon and saline batteries.

The market is divided into four sectors: zinc carbon batteries, alkaline-manganese batteries, silver or mercury oxide specialist batteries and nickel-cadmium rechargeable accumulators.

The number of batteries sold in France, Italy, the UK, the USA and West Germany is estimated in the report at 3.9bn in 1986, a substantial increase on the figure for 1985.

The US market has grown by 42%, with US consumers overtaking the French in 1986 as the biggest per capita consumers of batteries. The United Kingdom and West German markets grew by 14% and 17% respectively, while the French market shows particularly rapid growth in the market share of longer-life alkaline batteries, which are approaching maximum penetration in the US.

The coincidental growth of the alkaline battery sector and the growth in high-drain applications is likely to encourage closer co-operation between battery manufacturers and producers of portable electronics and electrical equipment. This has already begun to happen with the launch of Kodak's 9V lithium battery in conjunction with the production of applications for its use by Black & Decker.

The trend towards alkaline batteries is strong among younger consumers who tend to purchase a larger proportion of high-drain battery driven products, such as personal stereos and portable hi-fi equipment.

In the less well developed European markets there is scope for the continual

growth in alkaline batteries, particularly in Italy where they account for less than a quarter of unit sales.

The expected growth in the rechargeable battery sector has more immediate significance, according to the report, and is already evident in the UK and US markets. In time this development is expected to dominate the market as a whole.

Market Direction Report 11.15 'Batteries' is available in its complete form on request to Euromonitor Market Direction, 87-88 Turnmill Street, London EC1M 5QU. Tel: 01-251 8024.

Satellite TV lecture

A lecture for the public entitled 'Satellite TV: A Larger Diet From Small Dishes' is to be held at the Royal Society on Tuesday 12th April at 6pm.

The speaker is Dr J R Forrest, F Eng, who is the Director of Engineering at the Independent Broadcasting Authority. Dr Forrest will discuss the three new television channels to be launched in Britain next year, and the influence these will have on the pan-European Satellite Services and the fibre-optic grid. The lecture will address the technology, politics and structure of future broadcasting.

Tickets for the lecture will not be issued and seats cannot be guaranteed. All are welcome, although parties of six or more should inform the Society beforehand. For more information, write to The Royal Society, 6 Carlton House Terrace, London SW1Y 5AG, or telephone 01-839 5561 ext 219.

Residual current devices

The Institution of Electrical Engineers (IEE) has spoken out in the wake of recent publicity promoting the use of residual current devices (rcd), noting with considerable concern the assertions that total or complete safety

is assured by their inclusion in electrical installations.

An Institute spokesman emphasised that placing sole reliance for shock protection on residual current devices is fundamentally wrong. People must not be misled into a belief that whatever the state of their electrical installation and equipment, an rcd will provide complete protection.

An rcd of the correct type can give additional protection against dangerous electric shock if electrical equipment is faulty or develops a fault in service. However, there are circumstances, for example if contact is made simultaneously with the phase and neutral conductors, where no protective device will be effective. Electricity must be treated with respect and applied and used correctly. This is the only true safeguard.

The recognised standard for electrical installations in the UK is the *Regulations for Electrical Installations* (The Wiring Regulations) published by the IEE. These are accepted as providing standards of safety not exceeded anywhere in the world.

Blinded by science

Obscurity has, in the past, been a problem for the National Listening Library. Now there are many more people who know that books on cassette are available not only to the blind, but to anyone who due to physical handicap, illness or learning difficulties is unable to read a book.

The charity, which is based at 12 Lant Street, London SE1 1QH (tel: 01-407 9417) offers a postal library of 2,000 titles and a range of aids designed to make life easier and more pleasant for people with different disabilities. The most recent addition is the induction loop, for users of hearing aids. Library members can either buy one at a 50% subsidised price or receive DIY instructions.

Volunteers, both to service the Library's specially designed tape-players and to produce home-made induction loops, would be greatly welcomed. If you know of anyone who might benefit by having talking books, tell

them about the Library—don't let it return to its former obscurity.

Radio testing

C & S Antennas of Rochester in Kent claim to have the best facilities in the country for testing radio antenna systems.

Based at Cooling between the rivers Medway and Thames on a 10 acre site, the permanent test range is used by broadcasting authorities and the Ministry of Defence. It is also available for use by mobile radio equipment manufacturers and network operators for private testing purposes.

The CSA facilities at Cooling include a vehicle turntable capable of supporting a three ton vehicle. The turntable is fitted with a flying jib for measurement of elevation radiation patterns. There are also a wide variety of masts and towers for mounting antennas and a thirty metre rotatable tower which is capable of supporting large structures, and each structure is provided with computer-interfaced azimuth-rotation control.

The range offers testing facilities from 500kHz to 2.5MHz and other microwave bands subject to site calibration. Facilities for far-field measurement incorporate a laboratory fitted with the latest test equipment. Customers can also bring their own specific test equipment if preferred.

CSA's own team of experienced engineers and riggers is available to provide assistance or to carry out trials under customer supervision.

For more information, contact: C & S Antennas Ltd, Knight Road, Rochester, Kent ME2 2AX. Tel: (0634) 715544.

Phase 3C

AMSAT has launched a campaign to tell the amateur radio community how to make use of the Phase 3C after its launch.

Informative articles will be published in all the domestic ham radio magazines and AMSAT are looking for potential authors to contribute to this high profile project.

If you are interested in writing an article on the

Phase 3C, AMSAT are providing a useful package to help you. It consists of information on technical specifications, recommended typical ground station requirements plus a stock of photographs and tables. Unfortunately, these packages are in short supply so authors must promise in advance to write on an agreed topic.

Suitable topics for articles include: Phase 3C operating practices, bandplans, schedules, ground stations, orbital topics and spacecraft hardware.

Due to the limited time available, prospective authors are asked to call AMSAT HQ immediately on 301-589-6062. Leave your name, call-sign and telephone number and arrangements will be made as soon as possible.

UoS phone service

Two telephone lines are currently available at the University of Surrey, giving recorded messages with orbit data and news, on (0483) 61707 for UoSAT-1 and (0483) 61202 for UoSAT-2.

The Mission Control Centre is reviewing the use and continued support of this service – if you use it or anticipate using it, write UoSAT a brief note indicating the nature of service you would find most useful (eg, recorded messages giving orbit equator crossings, keplerian data, s/c news or a computer bulletin board, etc) – the service may have to be discontinued due to rising costs!

Phase-3

The Phase-3C satellite has completed its program of testing in Marburg, West Germany. After some last minute fine-tuning, the satellite will soon be prepared for shipment to Paris and then on to the airport at Cayenne, French Guiana. From there it will be trucked by special vehicle to the ESA launch site at Kourou.

Phase-3C will be launched on the first Ariane-4 rocket from the ELA-2 – designated flight V-22. There will be three satellites aboard V-22; in addition to AMSAT's Phase-3C, there will be the METEOSAT and PANAMSAT

spacecraft. The V-22 launch will take place on or about April 15th at about 12:30UTC.

As the countdown proceeds, AMSAT planners are organising a major launch support project to bring the excitement of the live launch countdown to AMSAT members and members-to-be across the globe.

The AMSAT Launch Information Network Service, ALINS, will provide extensive pre-launch, launch countdown and post-launch coverage on a world-wide radio and telephone hook-up.

Recall of Taylor DMs

Taylor Electrical Instruments Limited are asking all owners of Taylor digital multimeters, models TD22 and TD23, to return them to the company for a slight modification to be made.

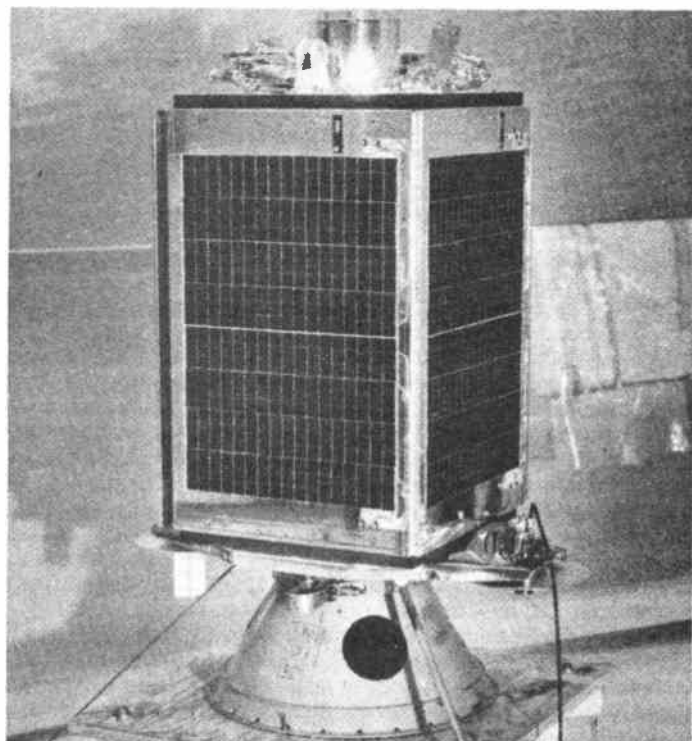
A potential fault has been identified which could result, in certain circumstances, in the screw which fixes the battery cover of the instrument becoming 'live' and therefore dangerous to the user.

The modification will be carried out free of charge and modified instruments will be returned as quickly as possible. Instruments should be returned to Taylor Electrical Instruments Ltd, Parts and Service Centre, Archcliffe Road, Dover, Kent CT17 9EN, with packages clearly marked on the outside 'for modification'.

Design award winners

Twenty-two companies have won 1988 British Design Awards for products ranging from a quiet roadsweeper and a computer software flight planning programme, to a revolutionary electronic guitar and an instrument to detect glaucoma.

Awarded annually by the Design Council, the British Design Awards are recognised as Britain's premier awards for product design. They are judged by specialist independent panels in these seven categories: engineering products; engineering components; motor industry products; medical equipment; computer software; durable consumer and contract goods;



UoSAT-C

There is an opportunity for an experienced RF engineer to work at the University of Surrey alongside the UoSAT team on UO-C.

Anyone interested should contact Dr Martin Sweeting at the UoSAT Spacecraft Engineering Research Unit, University of Surrey, Guildford, Surrey GU2 5XH.

and decorative consumer products.

The manufacturers and designers of the winning products will be presented with their awards by HRH The Duke of Edinburgh at a ceremony to be held in April.

Many of the 1988 awards have gone to small companies. Proving that the best audio equipment is not always made abroad is the Huntingdon based company of Boothroyd Stuart Ltd, which has won an award for its advanced Meridian digital audio system.

AB Electronic Products from South Wales has won an award for its microprocessor control system for the Jaguar XJ6 series cars.

Another high technology and world-beating machine that has won a 1988 British Design Award is the Precision Implant 9000 machine by the Implant Division of Applied Materials in Horsham, Surrey which enables silicon chips of a uniformly high quality to be mass produced on a scale not previously possible.

Finally, one of the most glamorous winners is the Ford Sierra RS Cosworth – a car with race track capabilities but designed as an 'executive express for the road'.

Peace of mind

The Amateur Radio Maintenance Service – ARMS – was specially devised by an operator of many years' experience. It offers complete cover against the costs of repairs (including parts, labour and carriage) in return for an annual fee, based on a small percentage of the current new retail price of the equipment.

However, this is not an insurance policy.

A quotation will be sent by return if you send details of the equipment you would like cover for, including make, model, number, year of manufacture and whether it is for home use only or mobile/portable use.

For further information, write to ARMS, Freepost, Ormskirk, Lancs L39 3AB.

AMATEUR RADIO WORLD

Compiled by Arthur C Gee G2UK

Way back in 1913, when there were no televisions, no computers, no electronic communications as we know them today and certainly no amateur radio, there appeared in the magazine *English Mechanic* a letter from one Rene Klein. This letter drew attention to the fact that there was no wireless club in London. As an experimenter in the newly emerging techniques of wireless communication, he felt that the creation of such a club would be a great boon to the many other experimenters in and around London, enabling them to share their experiences and help each other in the problems they encountered.

A number of readers of Rene Klein's letter responded and a meeting was held at Klein's home in Hampstead on 5th July 1913. Shortly afterwards the Wireless Club of London was formed. Two months later, just before WW1 broke out, this became the Wireless Society of Great Britain. After the war, it became the Radio Society of Great Britain. This year, the RSGB is celebrating its 75th anniversary.

The main events will take place in late July, starting with the National Convention at Birmingham's National Exhibition Centre. This will be a three-day event on Friday, Saturday and Sunday, 15th to 17th July. There will be a large trade exhibition, a display of amateur radio equipment through the 75 years and social events. A special 75th anniversary luncheon will be held on the first day of the convention.

During the following week events will transfer to London, where the RSGB's headquarters in Potters Bar will be open for visits to enable members to see how the Society operates and what work is involved. This will be on Tuesday, Wednesday and Thursday, 19th to 21st July. There may be a chance for members to operate the Society's HQ station, using the callsign GA75HQ and GB75HQ.

This will be followed on Friday 22nd and Saturday 23rd by a data symposium, which will be held at Harrow School, London. It is hoped to provide a comprehensive lecture programme and a number of demonstrations of all the various forms of data communications in use by radio amateurs. Sunday 24th July has been designated 'Families and Activities Day', for which various activities likely to appeal to families and

groups are being planned.

On the following Thursday, 28th July, the Society will host an International Satellite Seminar at the University of Surrey's Space Engineering Centre at Guildford. On Friday, Saturday and Sunday, 29th to 31st July, this year's AMSAT-UK colloquium will be held at the same location. The meetings on the Friday will be for space engineers only and will be strictly by invitation. This aims to help meaningful discussion as to future policy and planning in the amateur satellite field.

At the time of writing, some of the events require finalising and the RSGB will be publishing a special 4-page pull-out programme and booking forms with costs of accommodation, etc in due course.

Young amateur award

The Department of Trade and Industry (DTI) has arranged an award to be presented in recognition of a major contribution made by young radio amateurs to the art of radio communication.

This award is one of the Department's initiatives to celebrate the 75th anniversary of the RSGB. The prize, £250 and a day out to view the work being done by the DTI's Radiocommunications Division, will be awarded to the person judged to have made an individual contribution of outstanding merit in any area of amateur radio, and who is under the age of eighteen by the closing date of March 31st 1988.

The objectives of the award are to demonstrate the DTI's interest in promoting technological awareness and education and to draw attention to the many aspects of amateur radio in the minds of the public. This will hopefully encourage more young people to take advantage of the privileges and benefits of this unique activity. Nominations should be sent as soon as possible to the Secretary, RSGB, Lambda House, Cranborne Road, Potters Bar, Herts EN6 3JE. Envelopes should be marked 'Young Amateur of the Year'.

Virus infected computers!

Glancing casually over the front page of my daily newspaper, scanning the headings for something interesting to read, I could hardly believe my eyes

when I read 'Viruses Invade Computer Games!' Had it been April 1st, I'd have thought it was a leg-pull! Its author had used such words as 'infect' and 'a lingering illness', where something more scientifically correct might have been better if his intention had been solely to give an accurate indication of this latest example of the 'hacker's' art!

It seems that someone has come up with some software which distorts the magnetic properties of computer program discs and this distortion can be passed from one disc to another on contact. They are ruined instantly, 'inducing a lingering illness'. This 'illness', it is claimed, 'can spread from disc to disc like wild-fire!' When an 'infected' disc is inserted, the electronic virus aims for the computer's random access memory. Then, when another disc is inserted, the virus appears sooner or later to have been copied on to it. The latest type of virus appears on screen with the message 'Something wonderful has happened - your machine has come alive!'

It reminds me of a story told by a friend about his computer. It had some software which, if a fault developed in the computer, could be played through and would indicate where the fault was. If it failed to find the fault a message came up on the screen: 'There is no fault in your computer!' Helpful advice!

Avoidance of such electronic 'viruses', however, is easier than preventing virus infection in human beings. You just switch the computer off!

Raynet honour

Doug Willies, the well-known Raynet County Controller for Norfolk, has just been honoured by the St John's Ambulance Brigade on his recent retirement from Raynet (the amateur radio emergency radio communication network).

Doug was a founder member of Raynet, which was formed in 1953 after the extensive floods which occurred that year.

The Norfolk branch of Raynet has around 200 volunteer members and provides emergency radio communications for the Police, Red Cross, St John's Ambulance Brigade and the County Emergency Planning Officer. He was made a Serving Brother of the Order of St John for his work within this sphere.

A warning

One of the more pleasant uses of amateur radio is for expatriate Britons to keep in contact with their friends at home.

During a QSO between one such station in Spain and contacts in his home town, a discussion arose as to the whys and wherefores of withholding one's QTH from the amateur radio callbooks. It is very irritating when you look up a station's callsign to find 'Particulars withheld at licensee's request'.

The reasons why some folk do this have been aired in the amateur radio press from time to time, but I do not recall anyone pointing out the *dangers* of doing this before. The above mentioned QSO was particularly interesting to the writer because, during the course of it, the amateur in Spain recounted a personal experience of his. He has told of the episode in letters to one or two amateur radio magazines in this country, but, he says, it needs as much publicity as possible.

It appears that, being an Englishman living in a very popular tourist location in Spain, he gets quite a number of visiting amateurs looking him up – usually without prior warning. Sometimes the visitors turn out to be most unwelcome. On one occasion, a rather plausible chap turned up at his QTH saying he had a UK G6 licence. On checking his callsign in the *RSGB Callbook*, the particulars of this G6 call were entered as 'Particulars

withheld'. After the usual courtesies he asked if he could borrow an HF rig, which was spare. This was lent to him and it subsequently transpired that he had borrowed an antenna from another UK amateur resident in Spain and money from yet another. He finally left Spain in a hurry!

He was eventually traced to France where he had repeated the process, even managing to defraud the police, one of whom was a French amateur! So unless you have very good reasons for withholding your particulars, it's better to put your name and address into the callbook. You are less likely then to have your call pirated – or worse.

Phase 3C

One of AMSAT-UK's objectives is to raise money to help in the satellite development programme. This they have been singularly successful in doing. They recently donated £10,000 to help with the re-equipping of the Satellite Control Centre at the University of Surrey. They have also made considerable donations to AMSAT-DL and to AMSAT in the USA for the construction of earlier satellites, and now they have made the largest contribution in this field of their activity by donating £13,500 to help with the cost of transporting the Phase 3C satellite to its launch site at Kourou and providing the ancillary equipment required for its launch.

Whilst the amateur radio aspects of the


UoSAT satellites are pretty well-known, the extent to which they have been used by schools and technical colleges is less so. There are about 1,000 such establishments making use of the facilities provided by these satellites. Not only do these experiments provide a much more attractive classroom exercise than might be obtained from the more traditional ways of teaching, but they are leading to an improved interest in scientific and technical subjects, and students are going on to take degree courses at university level.

Skitrek

The Russian/Canadian Skitrek's latest date for their departure is, at the time of writing, around the beginning of March. Their cross-polar trek is expected to last about three months.

An information pack about the expedition and the communication and navigational aspects using amateur radio is available from Richard Ensign N8IWJ, AMSAT Science Education Advisor, 421 North Military, Dearborn, MI, 48124, USA.

FO13 delay

The second of Japan's amateur radio satellites, FO13 or JAS 2, which was planned to be launched some time in 1988, will not now be ready until 1989. It was to have been a replica of JAS 1, but may now have increased solar panels and other improvements. 

ICS



Incredible value at ONLY £399.95 inc VAT
Carriage and packing (Securicor) £12.50

Send large SAE for details, print sample and product review. Printer and FAX-1 available separately if required

WEATHER FAX/RTTY/NAVTEX: COMPLETE RECEIVE SYSTEM

Operates with any HF SSB Receiver.
Easy to use. No computer knowledge needed.
Fully automatic operation. Built in timer and tuning indicator

Gives superbly detailed weather maps, satellite cloud cover printouts, printed weather forecasts, navigation warnings and news bulletins from around the globe

Includes FAX-1 demodulator, mains power unit, Epson compatible printer, paper, ribbon and all connecting cables. **Nothing more to buy.** Just connects to receiver loudspeaker output

Hundreds of FAX-1s already in use world wide by professional and amateur weather forecasters, yachtsmen, aviators and enthusiasts. British designed and manufactured

ICS Electronics Ltd

PO Box 2, Arundel,
West Sussex. BN18 0NX

Telephone: 024 365 590. Facsimile: 024 365 575

12 months parts and labour warranty, Price includes VAT at 15%



ATV ON THE AIR

Andy Emmerson G8PTH puts you in the picture

The British flag will be waving at this year's Dayton Hamvention, the USA's largest amateur radio get together. This three-day national event in Dayton, Ohio spreads its trade stalls and open-air flea market over a ten acre site, which rather puts the NEC Birmingham into the shade.

Speciality modes take over hotels and hold lecture programmes, and their specialist magazines often open hospitality suites there. ATV is no exception and in fact separate hotels this year will minister unto the slow-scan and fast-scan contingents. Yes, they do things bigger over in the USA!

Whether they do it better is another matter; certainly they do it differently. Apart from a few repeaters, technical development is a little behind European practice and, although 24cm is just beginning to be exploited, much of this new activity is low powered AM and destined to remain short-range. In the mid-West, where settlements are further apart, people are looking into FM.

There are more commercial transmitters and receive converters on the market, but there is no technical support. Neither are there non-commercial supplies of printed circuit boards, or of hard-to-find parts such as the British Amateur Television Club offers here. There is also a dearth of handbooks such as the BATC's publications on SSTV, micro-computer projects and video techniques for beginners.

For this reason the British are invading America this year, taking with them supplies of all the goodies mentioned above. The BATC has signed an agreement with an American representative, the respected Don Miller W9NTP, who will handle membership applications and sell the BATC's supplies. A two-man team will try to sell the British way of doing ATV and, well, we shall see what happens! You'll read it here first...

Advance warning

Britain's only annual ATV convention

and rally takes place this year on 24th April at the Post House Hotel, Crick (near Rugby). This spot is very close to junction 18 on the M1 motorway (about 300 yards east), about an hour from London and conveniently placed for the Midlands. Watling Street (the A5) passes nearby as well.

Visitors using public transport should take an Inter-City train to Rugby Midland. There are a few buses but a taxi would be a more realistic proposition for the five mile journey. One visitor always walks, though!

The hotel usually offers special half-price deals to guests who have come for the BATC convention - telephone (0788) 822101 for details. If you decide to stay over night, you will find the bar crowded with ATVers during Saturday evening, so you can speak your other language (ATV) then.

The formula is the successful one of years gone by, which has attracted visitors from Holland, France, Belgium, Switzerland and Germany (the Swiss are coming again this year!). Lots of trade stands (mainly the smaller firms with video-related equipment), a giant bring-and-buy stall, demonstrations of television equipment and techniques plus a lecture programme. There is also the biennial general meeting of the BATC this year. Everything opens at 10am and the real bargains tend to go early, so come in good time!

For ATVers this event is the only rally where you can be sure of finding video equipment to make your journey worthwhile, yet there is enough of general radio and electronic interest to attract all comers. There is plenty of car parking space (if you come early) and being a hotel in the country there is room for children to wander in safety (a fun castle is also planned). There is a licensed restaurant (booking advised) as well as a pub and an all-day buttry/bar/coffee shop, so you should not starve or die of thirst! If it's fine, you could try picnicking

in the grounds, of course.

The BATC intends to have a stand at other rallies during the year. Though things are not absolutely definite yet, watch out for us at the RSGB VHF Convention, the Lincoln Hamfest, the Sussex Mobile Rally and possibly the RSGB's National Exhibition at the Birmingham NEC and their Woburn Mobile Rally. We expect to be at the autumn Leicester thrash at the Granby Halls, too, and this time we should have the saleable goodies with us!

Prestel and repeater news

For a long time an ATV database has been included in Prestel, the online information service of British Telecom. The service provides all the latest news, reports on the status of repeaters and verifications of convention dates. A recent change around meant that the BATC's section has had to move, together with the rest of ClubSpot of which it formed a part.

ClubSpot has now been absorbed in Micronet, meaning that if you do not subscribe to this section of Prestel you will no longer be able to see us. Sorry about that, but since we get these pages for nothing, there was little we could do. If nothing else, it gives you more reason to subscribe to Micronet, where you will find lots of other amateur radio and personal computing interest.

The licence for GB3RT, the Rugby repeater, is expected any day now, while those for GB3ET (Emley Moor, Yorks) and GB3NV (Nottingham) are being processed at the DTI. If GB3RT is licensed in time for the Crick show on 24th April, it will be piped round the hotel.

The end of amateur video

There is one big difference between amateur video and professional productions and that's in picture quality. Until now, the kind of video cameras and recorders used by hobbyists were no

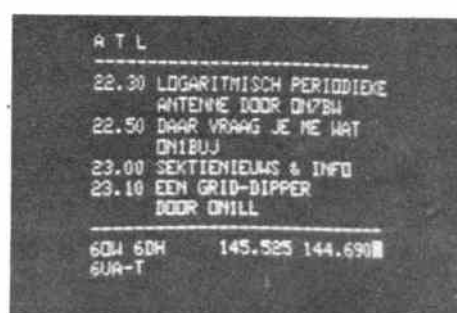
Belgian screen shots



ON600: Computer-generated display



ON4JS: Traditional caption card



ON6VAT: Schedule

match for those of the broadcasters, and only rarely would tape shot by amateurs be accepted by the major TV stations. Now things are changing.

Video-8 and, even more so, Super VHS (S-VHS) have caused this: Video-8 gives very acceptable pictures and S-VHS can match the quality of U-Matic. As a result, local TV stations and some of the major networks in the USA are now accepting material shot on consumer video formats for use on air.

S-VHS has not yet hit our shores (it should do later this year), but it promises to make all existing home video equipment look like toys.

Ardell Hill, director of operations and engineering for WXFL-TV, a local station in Tampa, Florida, was interviewed on this subject in *World Broadcast News*.

'If you take an image shot with a high-quality professional camera on S-VHS,' Mr Hill is quoted as saying, 'I don't think you'd be able to tell the difference between that picture and one shot with a comparable quality camera on 3/4 inch'.

Of course, this does not mean that the BBC and ITV companies are now going to ditch their 3/4 inch and 1 inch equipment over night.

However, the new technology will enable good pictures to be taken in emergency situations such as plane crashes and natural disasters, when regular news crews with full-blown equipment cannot be on the scene in time.


It will also mean that viewers will have a better chance of selling material they

have shot on their own equipment to the big stations.

Last year a British doctor on holiday in Moscow happened to be standing in Red Square when the young German, Rust, landed his plane there. The doctor had been shooting home movies on his VHS Camcorder and his footage was purchased by NBC and flashed to the world by satellite. The ABC channel also uses video-8 in some programmes now.

Last word

Remember WB8ELK's ATV-in-a-balloon experiment? We reported that the balloon was tracked for several miles and then disappeared out of sight.

Strangely enough, it was found in a nearby cornfield, so it must have floated back to its launch site. Weird. 

Awelcome phone call from Clive G9BWZ, near Stroud in Gloucestershire, brings the message that 934MHz activity is very much alive and kicking in his neck of the woods. Every night two or three nets can be heard in progress on the air. Four new stations have come on the air in his area; to an extent they have taken the place of other stations who have gone QRT for one reason or another.

One of those reasons is that people have taken the RAE and abandoned 934MHz for the rival delights of two metres or another of the amateur bands. Why not keep both bands? Anyway, it means that some 934 rigs have come on the market at attractive prices and have popped up again elsewhere.

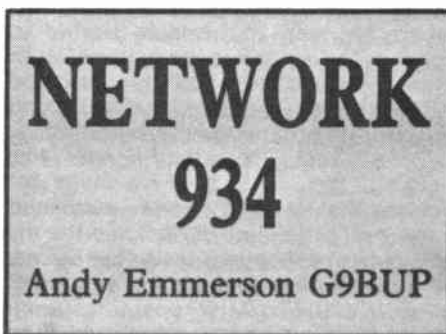
Clive's antenna take-off is not too brilliant in some directions, being shielded by hills. To the south he has no difficulty in getting out and he keeps up a regular sked with his QSO partner Reg on Guernsey. This is definitely DX with a capital D – about 260km – yet most nights they get through. Incidentally, the 'big signal' station on Jersey, run by Barry JY808, has left the air.

Experience with antennas

Clive has tried out several designs and makes of antenna, but his favourite is the Tonna. It is well made and has low wind-resistance. In fact, Clive finds it trouble free and the best value on the market, and I agree!

Loop yagis look a bit more impressive and have some advantages, but performance tends to go off in the rain. The mechanical construction of some on the market tends to corrode badly and seems unable to stand up to the weight of our larger feathered friends. This is not intended as criticism of the design itself, nor of *all* makes of loop yagi, but some of the flimsier ones seen in the shops are none too brilliant.

Using his Tonna, Clive has no difficulty in hooking up with Carmarthen (150km) under flat conditions, while in last autumn's lift he managed to work stations on the Isle of Dogs and the north Kent coast, directions normally barred to him by the local landscape. In his opinion



934MHz is definitely very lively – in fact in terms of band occupancy or QSOs per megahertz, the 934MHz band is used much more than 70cm.

Now there's a thought...

New products for 934

Yes, two new products and British made as well. Jako Electronics of Shirley, near Southampton, is a new brand-name, though the brains behind it are not. I think I had better rephrase that! Let's just say the Jako people have been involved with 934MHz since the start.

The offering is the CAS-A2 coaxial antenna switch, looking like the usual Japanese products but at a lower price and to the same performance specification. Jako describe it as a high quality, weatherproof coaxial antenna switch, featuring low insertion loss and N-type connectors (naturally).

It can be used up to 1000MHz, so it will be ideal for 934MHz as well as the 70cm amateur band and commercial use. It can handle 150 watts of RF power (but don't try switching while you're transmitting please!) and the insertion loss at 934MHz is quoted as 0.25dB, which is negligible. It comes with a V bolt and saddle clamp, which will fit masts of up to 2in in diameter. The three N-type connectors are silver-plated and just a single power feed/control wire is needed (10 metres of wire are supplied).

Power supply requirements are a flea-sized 80 milliamps at 11 to 14 volts and Jako offer switches and power supply units if you don't want to use existing equipment. Comprehensive fitting instructions are given, which mention

the need to waterproof all cable/connector joints with self-amalgamating tape. All in all, a competent and workmanlike product sensibly priced at £59 retail.

A lower cost version, fitted with SO-239 connectors and rated for use up to 185MHz is available at £39. This would be fine for two metres, 27MHz CB and HF amateur bands, though not for 934MHz. In case you're asking what the purpose of these switches is, they are most useful when you have both a collinear and a beam antenna. The collinear with its all-round coverage is fine for local hook-ups and contacting a mobile which may be changing location all the time.

For DX work, though, you will want to concentrate on one direction only, and for this you need a beam antenna (perhaps one of those Tonna yagis). Some people run a separate feeder from the shack to each antenna and have either a switch next to the rig or else they unplug one feeder and connect up the other when changing aerials. These schemes are not ideal though, and running a single feeder out of the shack and up the mast is usually simpler than having to deal with two. A single downlead is also the only way of using a single masthead preamplifier.

Time files

This year I shall have been on 934MHz for six years and I was by no means in at the beginning – are there any readers who reckon they were? I thought we could take a quick look at the early days and note how far we have come since then.

You will probably remember a lot of interest in citizens' band in the late 1970s, sparked off mainly by American films. People started to use 27MHz AM equipment, illegally of course. The pressure was mounting for the Government to legalise the situation which has been described as the country's largest ever consorting group of law breakers.

In 1980 the authorities realised that CB was not going to go away, and published a booklet called *Open Channel – a discussion document*. This agreed with the concept of a short-range personal radio system, but fell short of calling it

NETWORK 934

CB. Instead the authors named it Open Channel, a name which survived only in the trading titles of a few companies. Everyone else, including the Government after a while, called it CB.

Included in this document was the proposal that the new Open Channel service should use a UHF frequency, 928MHz, which would avoid any risk of interference to domestic radio and TV reception. For obvious reasons, this frequency did not appeal to the existing 27MHz users and indeed many 'well informed' technical people pronounced that radio did not and could not work at 928MHz.

In the end a good old British compromise was reached, under which a 27MHz service was permitted (but on FM rather than AM) and a UHF band was also made available, at 934MHz.

To begin with, there was no equipment on the market for 934MHz, though magazines predicted the arrival of dual-bander sets. Early in 1982, however, the first commercial rig appeared on the market, the little Reftec MTR-1. Several of the CB magazines (yes, there were lots of titles then!) ran feature articles on 934MHz, complete with colour pictures of the Reftec transceiver.

Supplies of this rig were less easy to

find, though. The manufacturer had difficulty in producing enough sets to meet the demand as well as having problems with one distributor. I remember I had to drive 50 miles to buy a rig, and even then I had to accept a second-hand demonstration set.

Rogues and vapourware

Articles made optimistic predictions about range and coverage of the new band, though there was some doubt over the sensitivity of the Reftec rigs. There were not many people on the air and it was a year before I made a single contact on 934MHz! Jeff Smith of Reftec showed a prototype hand-held rig, and advertisements for long yagi beams started to appear. The antennas themselves often didn't materialise, though, and the 934MHz market was beset by rogues and second rate products in those early days.

During 1983, Fred Judd - who was holding the test and development licence G9BTN on 941.9MHz - published a two-part article in *CB Radio* on the ins and outs of repeaters, including details of a fascinating scheme for a national network of 934/936MHz repeaters. (Amazingly, the same article was re-published without change two years later in *Citizens' Band* - by this time 936MHz had

been allocated to cellular radio).

The magazines started publishing the names of 934MHz 'breakers' looking for contacts on the air, and the first DX record (135 miles) was claimed.

Several 'vapourware' products (existing only in the mind of the advertiser) caught the attention of potential users, but one which did get sold (in small quantities) in 1984 was Grandstand's LS83 transverter, which turned a 27MHz rig into a 934MHz one. Too bad it wouldn't talk properly to a Reftec! Two British made dual-banders were advertised too, the Uniace Minster and the Warlock, but heaven knows if they ever existed in fact; I never saw one.

Sanity came in 1985, when the first Japanese made transceiver arrived on our shores. One was excellent and is still on sale, and the other was, shall we say, variable and is not. In the same year this magazine published its first treatment of 934MHz equipment and our sister title, *Amateur Radio*, had an appreciation of recommended equipment by Angus McKenzie G3OSS. Following these two initial articles, *Network 934* became a regular feature and the rest is history!

That's it for this month. Still no QSL cards; what about yours and your activity report?

THE PERFECT COMPLEMENT TO RADIO & ELECTRONICS WORLD

Amateur RADIO

With regular features like:

- ☆ **DX DIARY:** Don Field G3XTT with all the news of rare DX, contests and DXpeditions
- ☆ **G3OSS TESTS:** Angus McKenzie - the fairest, most comprehensive reviews available anywhere

MORE NEWS, MORE FEATURES, MORE FUN, MORE STYLE

Make sure of your copy by placing a regular order at your newsagents or by taking out a post free, inflation proof subscription, with early delivery to your door each month

AMATEUR RADIO SUBSCRIPTION ORDER FORM

To: Subscription Department • Amateur Radio •
1 Clarendon Road • Croydon •
Surrey • CR0 3SJ Tel: 01-760 0409

PLEASE SUPPLY: (tick box) for 12 issues, all rates include P & P

Inland £17.40 World Surface £19.30 Europe-Air £23.05 World-Air £28.10

NAME.....

PAYMENT ENCLOSED: £ Cheques should be made payable to Amateur Radio. Overseas payment by International Money Order, or by credit card

ADDRESS.....

CREDIT CARD PAYMENT Card expiry date

.....

..... Postcode.....

Signature

A LONG RANGE LONG WAVE RECEIVER

by Richard Marris G2BZQ

The concept of designing and using receivers and antennas for long range long wave reception will possibly be greeted, by many, with sheer astonishment. After all, as everybody (?) knows, there is nothing much heard except BBC 4 and Radio Luxembourg and that's your lot! Or is it?

In actual fact the LW band is teeming with activity. There are many European BC stations, but to these BC stations in N Africa and the Near East, Asiatic Russian BC stations right across to Siberia and across to the Pacific coast, worldwide marine and aircraft beacon navigational stations, weather and information stations *plus* the 1750 metre USA amateur lower power Tx band can be

added. In all this you can find AM, MCW, CW and other modes.

Many modern transistor radios do not even include the LW band. The latest *Wireless World* wallchart of frequency allocations shows the LW band, covering from 148.5kHz (2020 metres) to 283kHz (1052 metres). However, there are USSR lowish power stations up to about 400kHz (750 metres) apparently relaying programmes.

There is a bandplan for LW BC stations of 9kHz spacing, which is very much infringed. Also, under many of the higher power stations, such as BBC 4, there are lower power local stations, many located in eastern Europe, but quite a number elsewhere. In the case of BBC 4, on 1500

metres, it is unfortunate that even when the BBC 4 programme packs up around midnight, the station seems to spend the rest of the 24 hours with the overseas programme and/or test signals. In between times it is sometimes possible to hear other low power minnows on the same frequency, eg between 5.30 and 5.50am in the morning – especially when it is dark.

To listen and search the LW band had always meant the writer employing receivers used for other purposes, entailing various connecting and disconnecting procedures, so it was decided to organise a receiver solely for LW reception. It would need to have high RF gain, plus facilities for using external

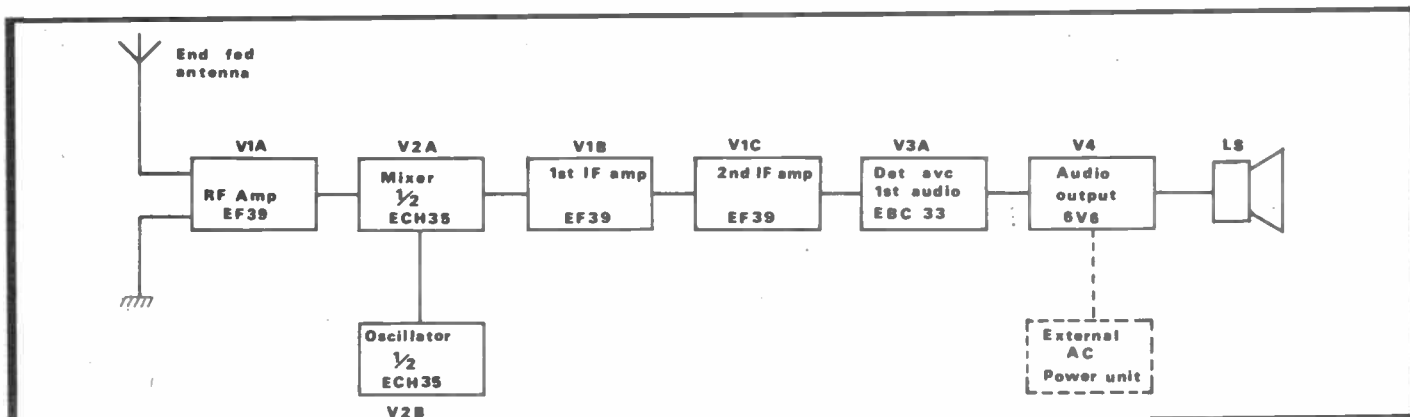


Fig 1 The PCR receiver – original block diagram

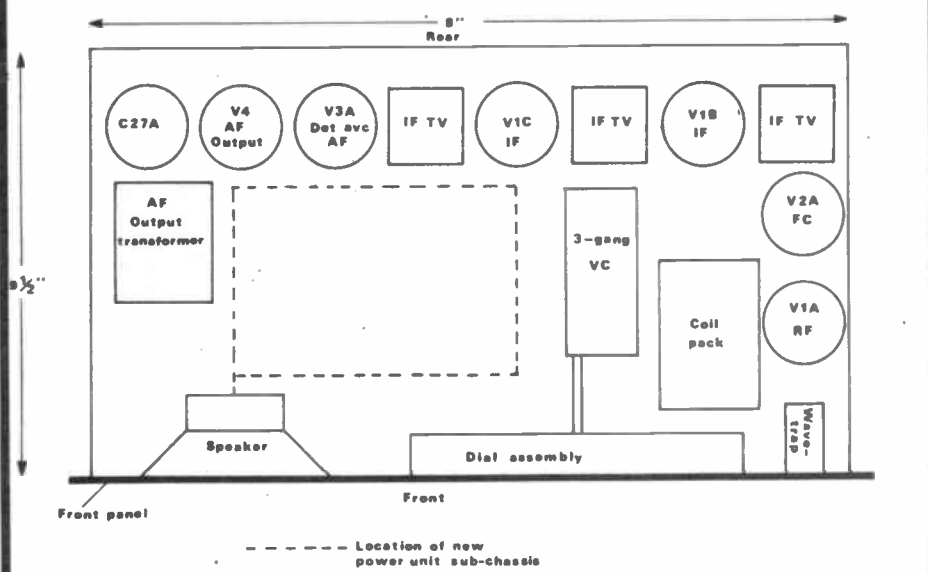


Fig 2 Chassis layout – top view

loop antennas, and must not be fitted with an internal ferrite rod antenna. It also had to be repairable and modifiable at the QTH.

The choices were:

1. Buy a new one. Well, there are not many good ones about and those few are quite expensive. Most have in built ferrite rod antennas.
2. Find an older communications Rx, such as an AR88LF, the HRO or Mercury – excellent, not expensive, but very large and very heavy, and although very repairable they are not easy to modify.
3. Try and find an older type Rx with the major components well spaced out to facilitate anticipated modifications and easy repairs – the result would be a 'cocktail' of old and new.

The 'cocktail' idea was adopted in the shape of a PCR receiver. The PCR was made by PYE and appeared in the 1940's. They are all valve and come in several guises:

1. Type PCR, PCR1, PCR2 (with variations): 800-2100 metres; 190-570 metres; 6-18MHz.

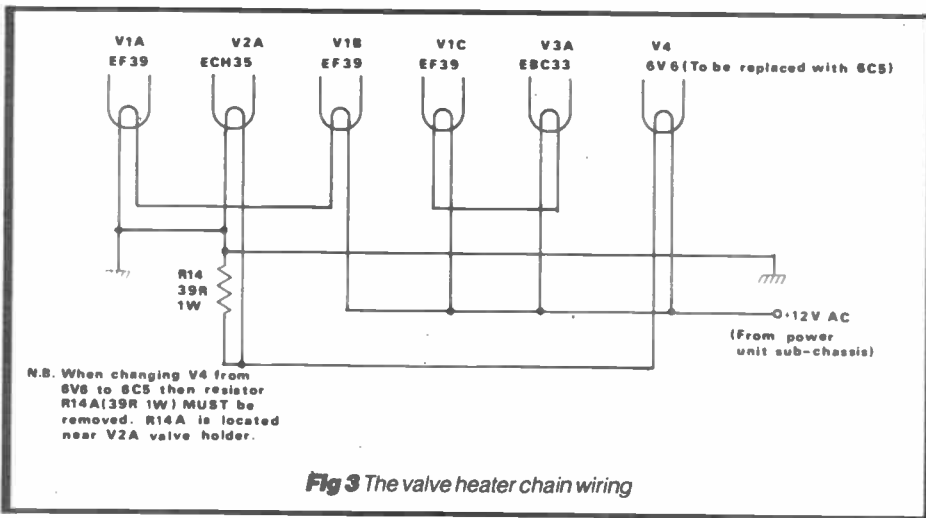


Fig 3 The valve heater chain wiring

2. Type PCR3: 190-570 metres; 2.3-7.5MHz; 7-23MHz.

Obviously the PCR3 is not suitable.

To make life even more interesting variations appeared, presumably to fill special needs.

The PCRs were lively receivers and originally came with an external ac power unit plus other supply units. Many PCRs were released from active service, mostly without the external ac power unit. Some have since been modified with an internal ac PSU. Some models had an internal speaker and two extension speaker sockets. The chief components are well spaced, and therefore ideal for modifications. All valves are readily available from advertisers, and the slow motion dial has a reduction ratio of about 70:1.

Two PCRs were purchased via the Free Classified Ads:

1. No 1 was an unmodified PCR – dirty but intact – for £10. Its metal case was missing. It had a built-in speaker, and no internal or external ac power unit. This is how you usually find them.

2. No 2 had been modified with an internal power unit. It cost £20, and was very heavy because of its steel case and a large mains transformer.

No 1 was selected for the present exercise and No 2 confined to the garage for future projects.

The result is, after modifications, a long range LW receiver, with MW DX facilities (east coast N America has been received) and useful SW monitoring facilities (6-18MHz). The block circuit diagram of this Rx is shown in Figure 1. A full circuit diagram is available from the Vintage Wireless Company for £3. It consists of 4 x A4 size photocopies which, if carefully cut, can be taped

together into one large circuit of the PCR2. The circuit differences between the various models are minimal, and mostly consist of tone control circuit variations and the inclusion of an Rx internal or external speaker.

Therefore, for the purpose of this article, circuits only appear for those stages where changes are made, and additional circuitry. Anyone embarking on this project would be well advised to get the full circuit.

A careful study and survey of the Rx and the circuit indicated that the following action/modifications/additions would be needed:

1. Give the Rx a thorough clean after first removing the dust.
2. Check for breakages and disconnections.
3. Design and build a small inbuilt ac power unit sub-chassis.
4. Reduce the audio output of around 5 watts (with internal speaker and two external speaker sockets) to around 1 watt. Add headphone 'plug-in/LS off' facilities. After all, who in the dead of night needs 5 watts of audio to wake up the household and neighbours?
5. Provide an AVC 'on/off' facility.
6. Provide BFO facilities for unmodulated beacons and CW.
7. Design and build an antenna matching unit (AMU) to facilitate the use of a 50 ohm terminated loop antenna in lieu of the existing end fed wire antenna facility.

All very simple if approached step by

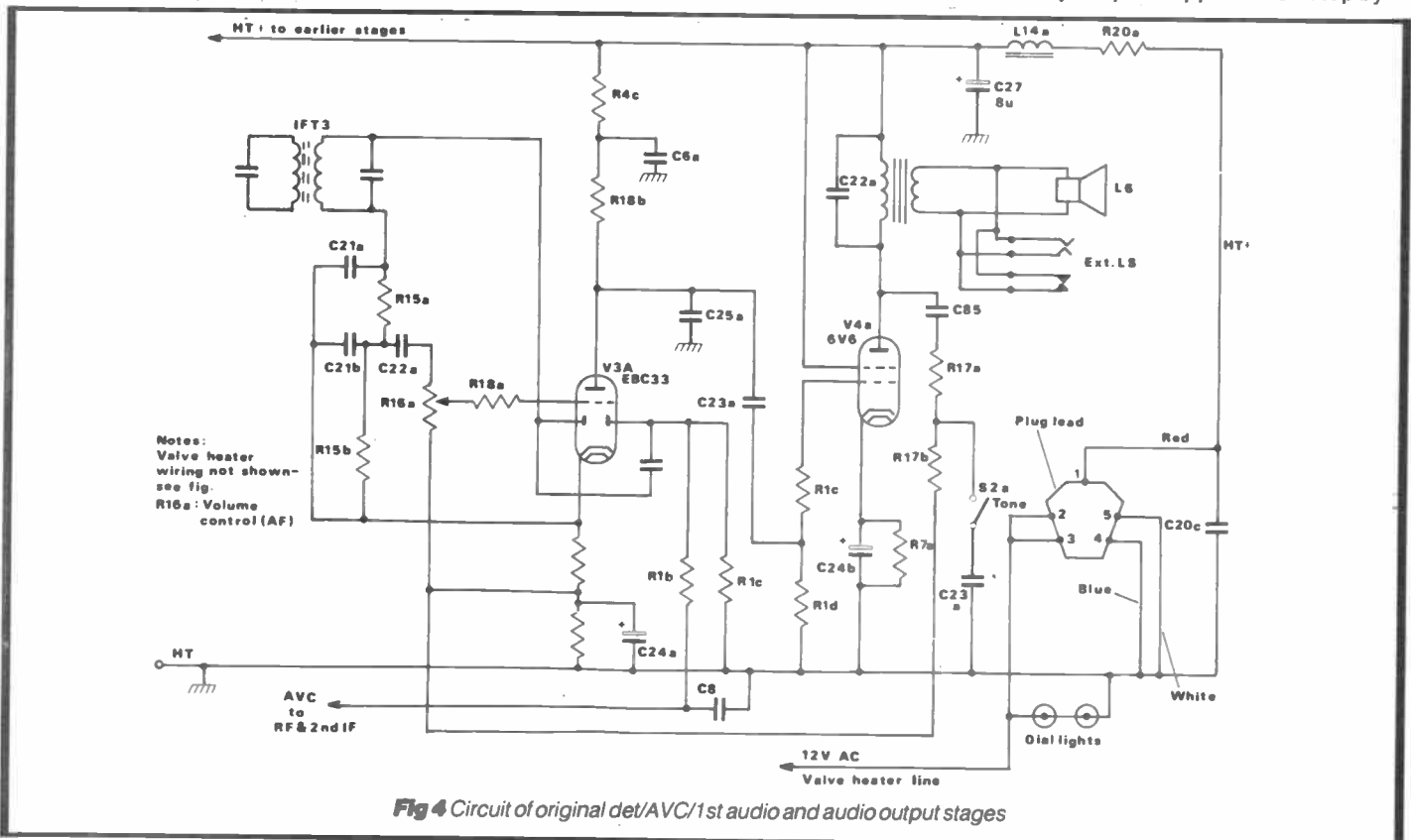


Fig 4 Circuit of original det/AVC/1st audio and audio output stages

step – one move at a time! *Figure 2* shows a top view of the chassis layout, *Figure 3* is the valve heater chain wiring. The octal valve heaters are wired into a series/parallel arrangement to operate from 12.6 volts ac or dc. All valves have a 6.3 volt 0.15 amp ac heater rating, except for the output valve (V4) (6V6), which takes 0.45 amps. V4 heater (0.45 amps) is wired in series with V1A (0.15 amps) with a 39 ohm loading resistor (R14A) wired across the V1A heater. Total consumption is just under 1 amp at 12.6 volts ac.

It should be noted that all circuit references are as they appear on the original circuit diagram.

Figure 4 shows the circuit of the detector/AVC/1st audio and AF output stages (V3A and V4A) before modification. It will be seen that the HT and heater supply is fed via a plug/socket lead which comes out from the left hand bottom corner of the front panel. It is a large typical services ugly plug/socket cable affair.

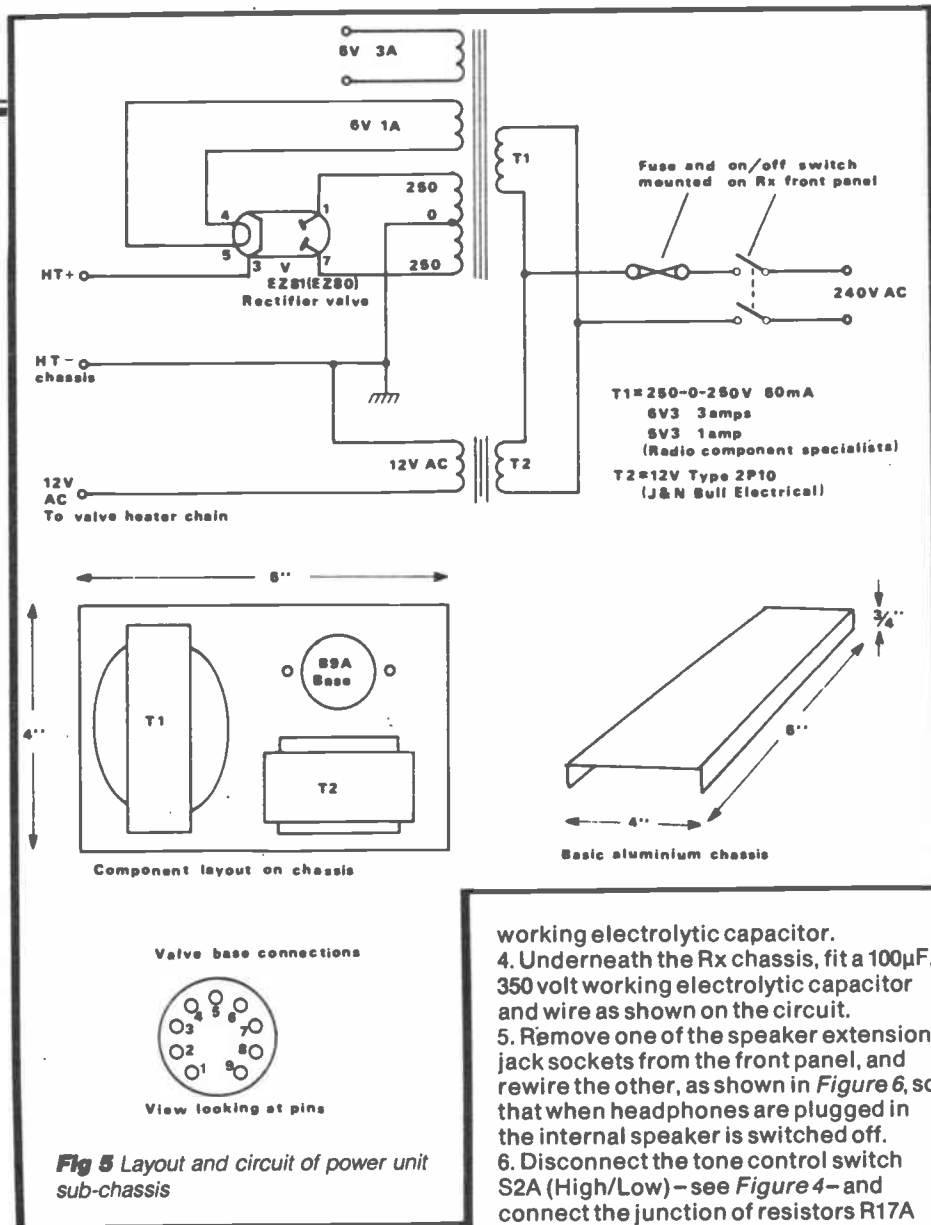
AC power unit sub-chassis

This new chassis is intended to be ultimately fitted, with a couple of screws, onto the main Rx chassis in the rectangular space indicated with dotted lines on *Figure 2*. As can be seen from *Figure 5*, the circuit of this unit is very simple. It consists of a simple aluminium 6in x 4in chassis with two 3/4in sides bent down at 90°. Onto this are mounted the two mains transformers T1 and T2 plus a B9A valve socket for the rectifier valve.

The actual transformers used (and suppliers) are shown adjacent to the circuit. Some readers may already have suitable transformers. The HT transformer is under-run, which means that it runs 'cool' and has spare voltage capabilities for any future additions. T2 is a 12 volt 5 amp ac transformer and has to supply the valve heater chain, the dial lights and anything which may be added later; it also runs 'cool'. Hot transformers, in enclosed cabinets, can produce RF oscillator drift and other overheating problems, so they are not recommended.

The rectifier valve can be either type EZ80 or EZ81. They are both readily available from advertisers at under £1 each. The EZ81 was selected because it is more robust. If you have an EZ80, then use it – it is satisfactory. The pin connections of the EZ80 and EZ81 are identical, and are shown in the 'Valve Base Connections' diagram, as seen from underneath the B9A valveholder (ie looking at the valve pin ends).

The main fuse and DPST on/off switch shown on the circuit are mounted on the Rx front panel in the bottom left hand area – see *Figure 7*. The Rx dial illumination bulbs indicate when the Rx is switched on. The necessary HT smoothing is located on the main Rx



chassis, and is a modification of the existing one. Good quality 2 amp PVC covered flex should be used for all wiring connections taken from this sub-chassis to the main Rx. Red was used for HT, yellow for the 12V ac, black for HT and earth (ie in addition to the sub-chassis being bolted to the main Rx chassis metalwork). 2 amp mains cable was used for connecting the transformers to the fuse and switch, robustness, reliability and safety being the watchwords!

Modifications

Figure 6 shows the revised circuit and should be compared with the original circuit in *Figure 4*. The following modifications are required and are marked:

1. Remove the 6V6 valve from V4A socket and replace it with a 6C5 triode valve. No wiring change is needed to the valve socket.
2. Change R7A from 470 ohms to 1000 ohms (1/2 watt). This will mean that this stage will now only draw about 8 milliamps at just under 300 volts HT.
3. Replace C27A with a 32µF, 350 volt

working electrolytic capacitor.

4. Underneath the Rx chassis, fit a 100µF, 350 volt working electrolytic capacitor and wire as shown on the circuit.

5. Remove one of the speaker extension jack sockets from the front panel, and rewire the other, as shown in *Figure 6*, so that when headphones are plugged in the internal speaker is switched off.

6. Disconnect the tone control switch S2A (High/Low) – see *Figure 4* – and connect the junction of resistors R17A and R17B (both 15k) to C23A.

7. Switch S2A is now used to switch the AVC on/off. It is connected to the switch and the junction of resistors R1B (470k) and C8P (0.1µF) to earth. The switch can be relabelled 'AVC ON/OFF'.

8. Fit a double pole ON/OFF mains rated toggle switch to the front panel, as shown in *Figure 7*, with a fuseholder located to the right of the switch. Wire both to the power supply unit sub-chassis.

9. Later it was found that, due to sheer old age, the LS reproduction was a bit rough, so it was replaced with one of the same diameter taken from a defunct transistor radio.

Testing

After carefully rechecking the wiring accuracy and ensuring that the earth pin on the mains plug is connected to the chassis/earth, a piece of wire should be connected to the aerial terminal. Turn the audio gain control to about 75% clockwise, select the LW band and tune to BBC 4 on 1500 metres. Switch on the Rx (the dial lights should be illuminated), and after a short warm up period Radio 4

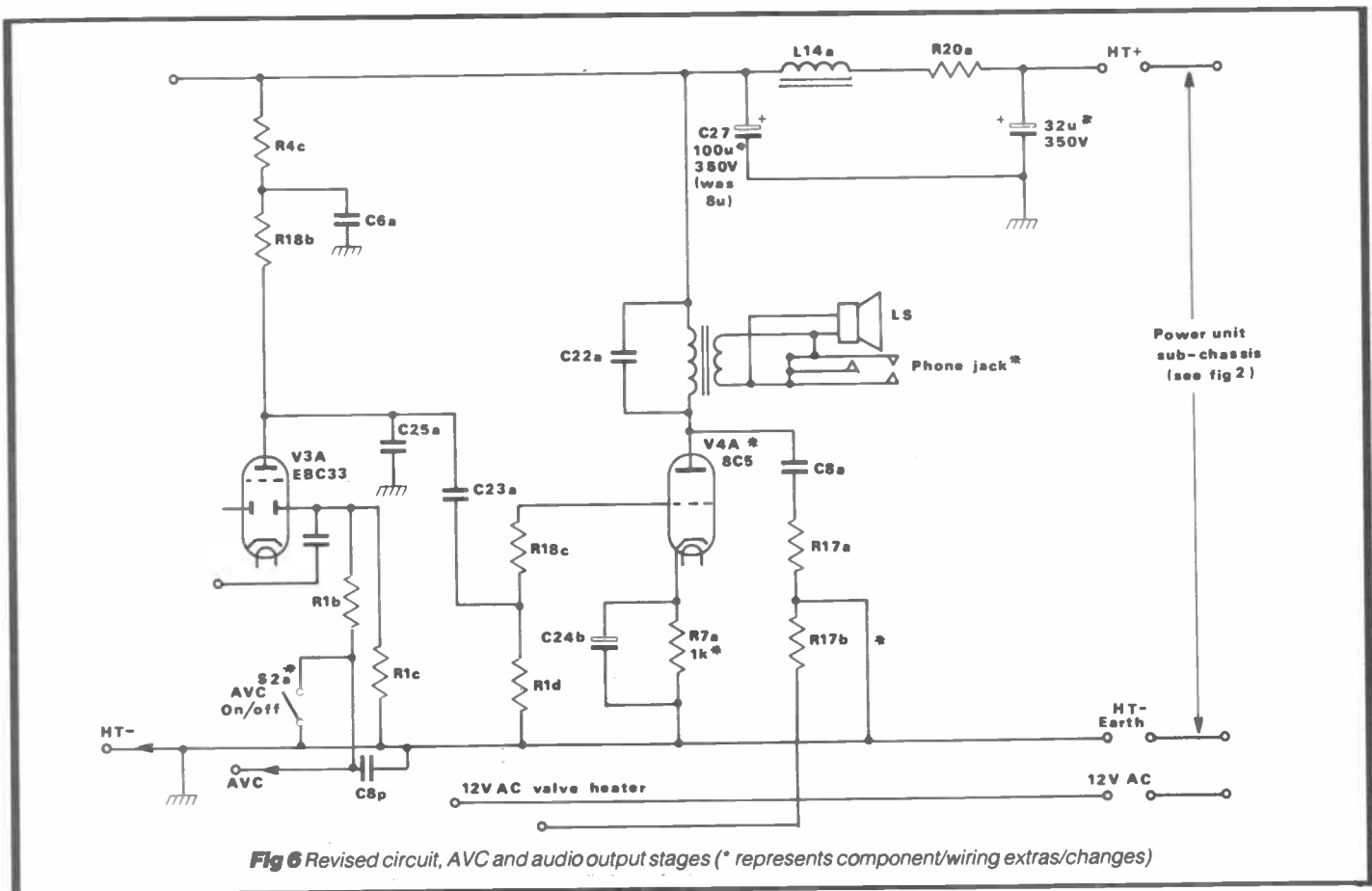


Fig 6 Revised circuit, AVC and audio output stages (* represents component/wiring extras/changes)

should be heard loud and clear. Check that the MW and SW bands are working.

The HT voltage should be measured at the most convenient point, which is between the audio output transformer primary and the chassis. On the writer's Rx this was 290 volts, but anything between 160 and 320 volts should be OK. Consequently, if it is ever necessary to replace any capacitors, they must have a minimum working voltage of at least 350 volts.

The IF frequency is 465kHz and is difficult to adjust, so should definitely be left alone. The writer's measurement with a crystal reference source was

467kHz! Not bad after over 40 years.

The LW, MW and SW band ranges were also checked and were remarkably close to the dial readings (which are in metres on LW and MW and in MHz on SW). If an accurate signal source is not available, then spot checks can be made against stations of known frequency/wavelength.

BFO facility

A BFO is sometimes required for LW beacon and CW reception, and should be injected with the AVC 'off'. The writer uses a BC221 with a probe near the antenna input to measure the frequency

of strange stations. A ± 1 kHz movement of the BC221 dial beats with the beacon or CW station signal, ie a simple primitive BFO at RF frequency. For anyone interested, a more conventional BFO circuit is shown in the Maxi-Q (Denco) Technical Bulletin DTB4, which uses a Maxi-Q, BFO transformer. The 6.3 volts needed for the valve heater could be taken from the spare 6 volt winding on T1. There is also a design for a transistor BFO using a Maxi-Q coil. The voltage for this circuit could be taken from across R7A (8 volts dc) - see Figure 6.

Ongoing options

If the reader intends to use this Rx with a long wire end fed antenna plus earth, then no further modifications are needed. If, however, the reader really wants to get into the DX, then a good loop antenna is essential. The loop will eliminate/reduce other station interference, directional static and man-made electrical noise. It is therefore necessary to modify the existing RF/antenna input circuit as shown in Figure 8.

The wavetrap should be removed (see Figure 2 for location) and a phono socket fitted (see Figures 2 and 7), it is also necessary to use a LW/MW loop antenna matching unit. The following loops can be used with this RX:

- 1 The Mini-Loop Antenna on MW (*R&EW* November 1986).
- 2 The LW Rod Loop DXer (*R&EW* March 1987).
- 3 An existing wire antenna for SW monitoring.

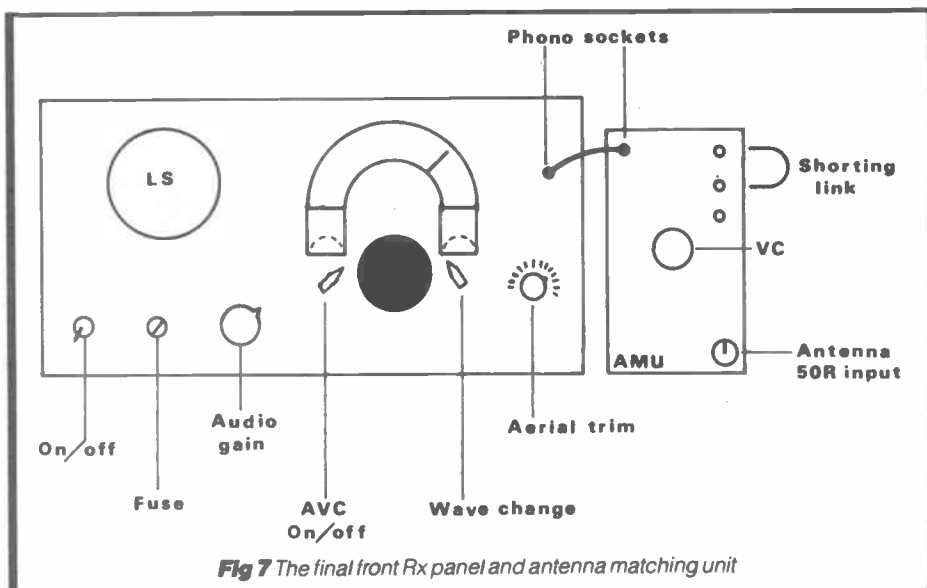


Fig 7 The final front Rx panel and antenna matching unit

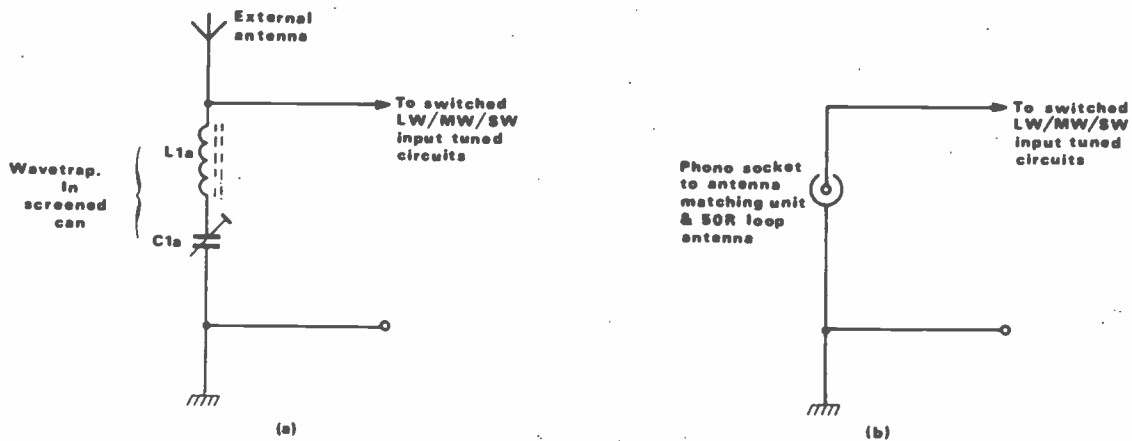


Fig 8 Revised antenna input arrangement for loop (50Ω)

LW/MW loop AMU

The trouble with LW/MW receivers designed for use with end fed long wire aerials is that the input impedance is generally considered to be between 300 and 600 ohms, with 400 ohms being the generally accepted figure. A further problem is that, in practice, there is a difference in the Rx input impedance from one end of the band to the other. This does not really matter for general BC reception from high power stations within a few hundred miles. However, the above does produce problems when trying to use such a receiver with a loop antenna for long distance reception, as loops usually terminate at 75 or 50 ohms impedance. There are various ways of matching the low impedance loop to these receivers, but again, even if this is done accurately at one end of the band, there will be a mismatch at the other end. This does not matter much for entertainment reception, but it is not acceptable for long range reception where it is absolutely essential that the low impedance loop is matched correctly at all frequencies at the Rx end. Textbooks being of no help, experiments were tried, with various variable arrangements to completely cover LW and MW in one simple matching unit.

The resulting design (see Figure 9) is a variation of our old friend the L-network, usually met on the SW bands to match end fed assorted wire antennas to a transmitter with 50 or 75 ohms input impedance. The LW/MW AMU has an L-match turned the other way round from that normally found in HF Tx/Rxs (ie the

loop has 50 ohms impedance and the Rx has a much higher input impedance). The circuit shows that the AMU consists of an inductance (L1 plus L2) mounted on a ferrite rod. L1 and L2 and the ferrite rod are commercially available at low cost. The rod is cut down to 3½in with a junior hacksaw. The coils are mounted at ¼in from each end of the rod, wired in series and sealed in position with hot candle wax. The rod ends are supported by plastic mounting clips. The 1000pF variable capacitor is made by wiring both sections of a 2 × 500pF VC in parallel.

Socket SKT1 is a phono socket, from which a 6in long coaxial lead is taken to the Rx. Socket SKT2 is the usual coaxial socket, into which is plugged the 50 ohm coaxial feedline from the loop. Banana sockets SKT 2, 3 and 4 are, in effect, taps, into which the shorting link (plugs PL1 plus PL2) can be inserted. The AMU works from the HF end of the MW band to well over 2100 metres (142kHz) below the LF end of the LW band. The whole inductance, L1 plus L2, can be used, or L1 or L2 can be shorted out with the plug shorting link.

The 1000pF variable capacitor, plus combinations of L1 and L2, enable any of the loops to be matched into various

LW/MW receivers designed for using higher impedance end fed antennas, irrespective of the actual input impedance. The control VC is not critical when tuning the Rx and loop, but when peaked to the impedance matching point, gives a dramatic increase in signal strength.

The whole AMU is mounted on a vertical circuit board panel, 7in high × 3in wide, and stands alongside the Rx, being connected to it with a short 6in coaxial lead. The AMU can be used for connecting loops to other MW/LW receivers currently requiring end fed antennas.

Conclusion

This 'cocktail' LW long range Rx uses loop antennas very effectively. Its MW-DX facilities are useful and its SW monitoring facilities are used for quick checking of band conditions and activity. Many of the ideas and modifications used can be adapted for 'cocktailing' other similar receivers.

Remember

Mains and HT voltages can HURT! They can also be LETHAL! The utmost care should be exercised.

- SKT 1: phono socket
- SKT 2/3/4: banana socket
- SKT 5: coaxial socket
- PL1/2: banana plugs
- VC: 2 gang by 500pF variable capacitor, 1000pF
- L1: type MWC2 coil (Circuit)
- L2: type LWC1 coil (Circuit)
- F: ferrite rod FRA (Circuit) cut to 3½in long
- 2 × rod mounting clips FRPC (Circuit)

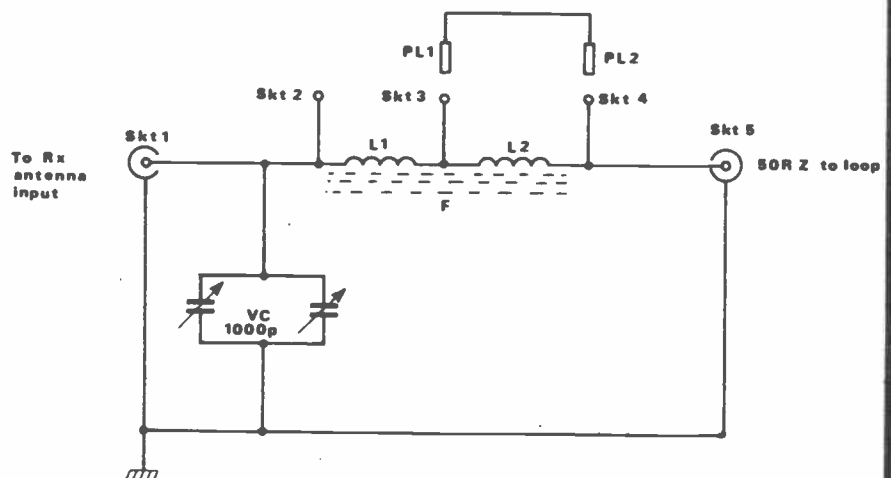


Fig 9 The LW/MW antenna matching unit

A SIMPLE AM/FM TUNING HEAD

With optional doubling as a portable receiver
by Sir Douglas Hall

This article describes a very simple AM/FM tuning head design which is easy and cheap to build. It will give good results with an external amplifier or, as will be described later, with an internal amplifier which makes the tuner double up as a portable receiver. The FM coverage is of VHF Band II, and the medium wave band is covered on AM. It will be assumed that the would-be constructor has some previous experi-

ence, but this need not mean that he has necessarily built an FM tuner before.

In a previous article, which described a short wave receiver and was published in the December 1987 edition of this magazine, I pointed out that my Spontaflex circuit was used. I said that this circuit could be used in various forms to suit the broadcast bands, the short wave bands and FM signals in the VHF Band II.

Figure 1 shows the basic circuit for

reception of FM signals. It is very similar to the short wave version, but with a different form of reaction control and with different component values. Although the circuit is so similar, its way of functioning as an FM receiver is different from that used when receiving AM signals.

The signal is applied to the emitter of Tr1, which amplifies as a common base device and passes the signal to Tr2 which is in the Spontaflex configuration. Here it amplifies the signal as a common collector amplifier; Tr2 is kept gently oscillating at the central frequency of the incoming signal.

Oscillation takes place through the Colpitts configuration, the capacitor across the diode, in conjunction with the internal capacitances of Tr2, acting as a capacitance tap into the tuned circuit. The signal, being frequency modulated, has a variable frequency depending on the modulation. The local oscillation will lock to this signal, and the amplitude of the local oscillation will vary, becoming less as the incoming signal becomes out of tune with the fixed tuned circuit. The frequency modulation is therefore changed to amplitude modulation, and the resulting signal is detected by the diode, the result being amplified again by Tr2 as a common base audio amplifier.

The signal then passes back to Tr1, which gives further amplification as a common emitter amplifier with some negative feedback due to the resistor in the emitter circuit, which cannot be bypassed as it is also the load for the incoming FM signal. Five stages have taken place with the use of only two active devices. The degree of oscillation is controlled by varying the current passed through Tr2. R7 produces a Vernier effect over the central part of the track.

Figure 2 shows the configuration for the broadcast band. In this case, Tr1 acts as a common collector amplifier and the signal then passes to Tr2, which acts as a further common collector amplifier, a super alpha effect being brought about which results in a very high input impedance for the incoming signal. As a result, internal capacitances in Tr1 are very low, and the medium wave band can be covered by a tuning capacitor of only 100pF. This results in an unusually high inductance/capacitance ratio for the

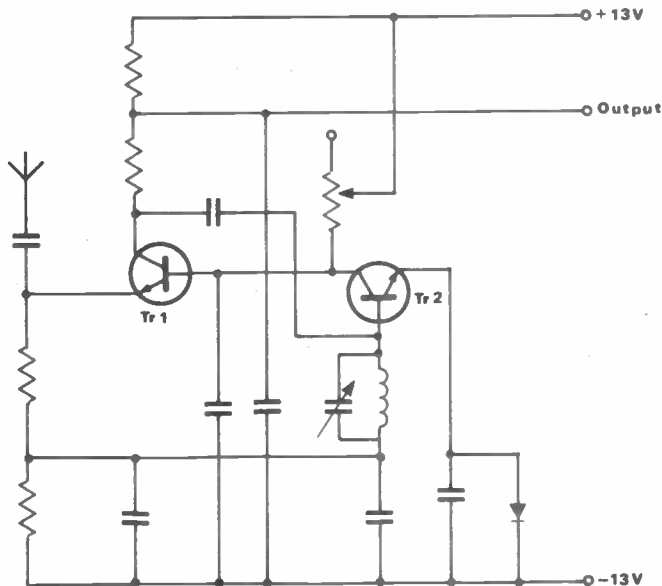


Fig 1 Basic circuit for reception of FM signals

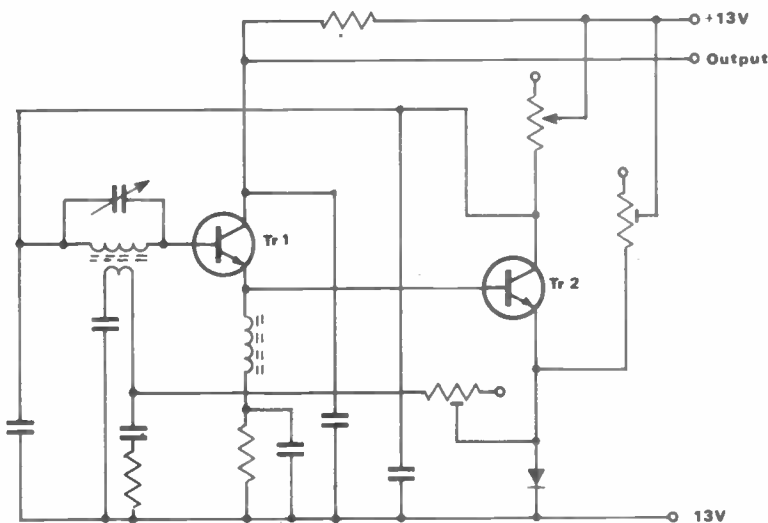


Fig 2 Circuit configured for the broadcast band

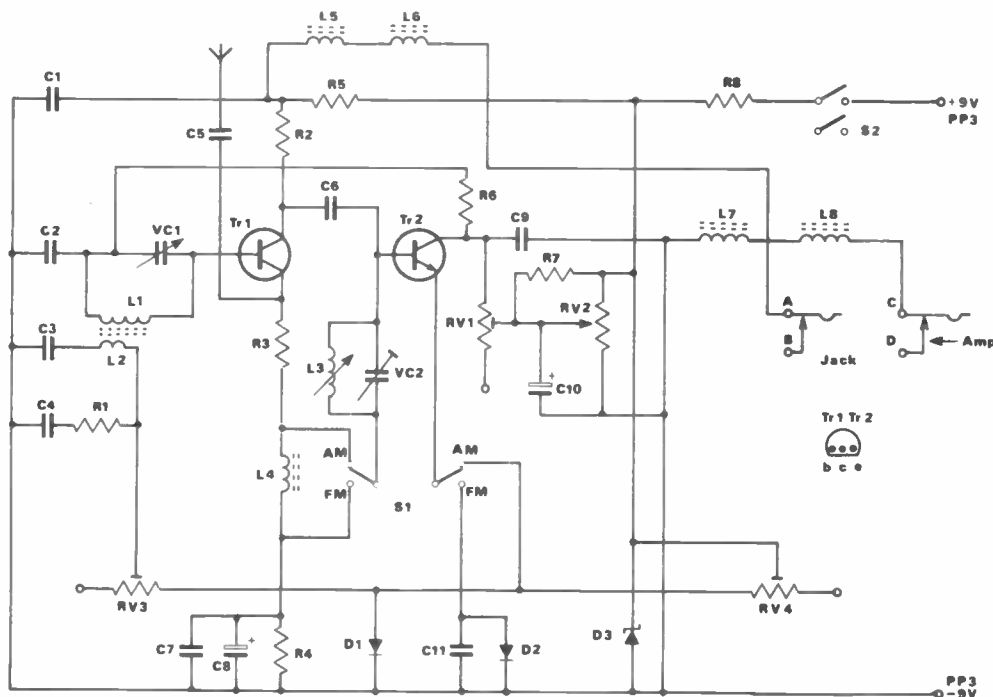


Fig 3 Method by which the two previous circuits can be combined

tuned circuit, providing a very high degree of sensitivity and selectivity.

As in Figure 1, detection takes place and the signal is then amplified in audio form by Tr2 and passes back to Tr1 for further amplification by the common emitter method. Feedback takes place through a coil coupled to the tuning coil, and is controlled by varying the collector current passed by Tr2, as in the FM circuit.

Figure 3 shows how the two circuits described can be combined using the same two transistors in each case, wave change being obtained by use of a simple two pole two-way slide switch. One of these poles is used to change over the diodes. For the VHF band, a high impedance, low capacitance diode is needed. On the medium wave band a low impedance diode will function, and this allows for greater AF amplification by Tr2, as the gain given by a common base amplifier varies in inverse proportion with the impedance of its input load.

The VHF coil consists of 4 turns of wire of about 24swg - 'wiring up wire' of the solid variety will do nicely - wound on a sleeve with an internal diameter which makes an easy fit for a piece of 3/8in ferrite rod, 1in long. The sleeve should be about 2in long, and can be made by cutting a piece of Fablon 2in wide and 3in long, leaving all the paper backing on except for 1/2in at one of the narrow ends. Wrap it, not too tightly, around the rod, using the uncovered strip to seal the tube. The rod should ride smoothly inside, but without wobbling.

A piece of 3/8in dowling, 3/8in long, is inserted at one end, and the coil is then wound with four evenly spaced turns,

starting 3/8in from one end and finishing 3/8in from the other end. The dowling is drilled through the sleeve, and the coil is then secured to the panel with a 6BA bolt and nut. The nut at the end of the spindle through VC1 is then removed, and two washers are placed over the spindle.

A short length of nylon cord is trapped between the washers by the nut and then wrapped over them. The other end of the cord passes through a grommet of a suitable size to grip the cord over the end of the rod. The length of the cord which is passing through the grommet is then adjusted so that, with the vanes of VC1 fully closed, the rod is as low in the coil as the grommet will allow. Then, as the vane of VC1 is opened, the rod will be slowly pulled out of the coil, and tuning by variable inductance will take place, as in Figure 5.

Figure 5 shows the suggested positioning of the major components carrying VHF currents, as it is important to keep the wiring short. Wiring and layout details are left to the constructor, but it would be useful to have an extension rod on VC1 to remove hand capacitance effects on weak VHF signals. The method used in the prototype is shown in Figure 4.

This arrangement also allows for a telescopic aerial to be arranged at about 45°, although one which suits both horizontally and vertically polarised signals without the need to buy a rather expensive, and sometimes rather rare, swivelling type of aerial, can of course be used if available.

The space created as a result of the use of an extension rod, and the way the telescopic aerial is mounted, leaves

room for a small internal amplifier complete with 6in by 4in speaker, fitted to increase the usefulness of the apparatus. If this is to be done, it is wise to fit VR2 with a short extension rod and coupler and mount it as shown in Figure 4, on a bracket, which can be made from a small piece of aluminium or even plywood. This will keep the hands well away from the metal of the speaker and amplifier battery, which may find themselves charged with eddy currents that, at VHF, cannot be removed by earthing and which can cause annoying hand capacitance effects. These eddy currents may even appear in the metal

AMPLIFIER COMPONENTS

Resistors

All fixed resistors, 10% 1/4 watt
 R9 10k
 R10 1k
 R11 220k
 VR5 1k preset

Capacitors

C12 0.1µF polyester
 C13 1nF ceramic
 C14 0.01µF polyester

Semiconductors

Tr3 BC308C
 Tr4 BC168C
 D4, 5, 6 silicon, ie 1N194

Loudspeaker

LS 6in by 4in (see text)

Inductor

T1 Tandy 273 1381 (see text)

AM/FM TUNING HEAD

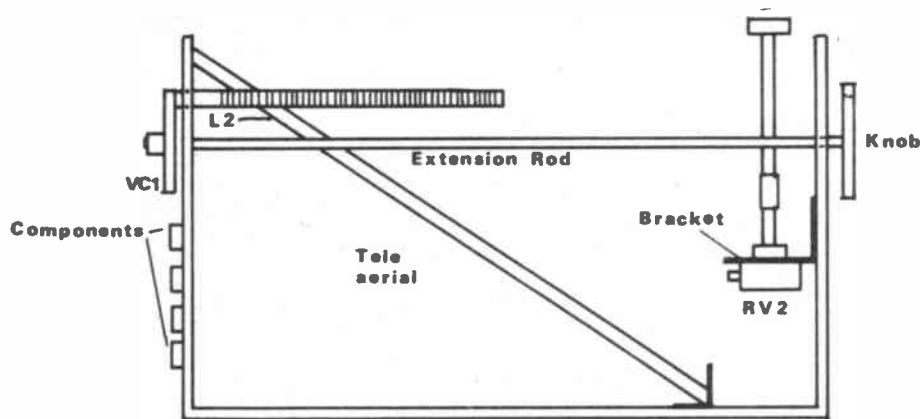


Fig. 4 Side view, showing extension rod fitted to VR2

casing of VR2 – hence the recommended extension rod.

The medium wave coil L1 consists of 130 turns of 34swg enamelled wire, close wound on a 3/8in ferrite rod, from 4 to 5 inches in length. If a 6in rod is obtained, 1in may be snapped off for the VHF rod, after filing a notch. L2 has 10 turns of the same wire wound about 1/2in away from the main coil's 'earthy' end.

It will be seen from Figure 3 that there are two capacitances in parallel at one point, C7 and C8. This is because some electrolytic capacitors offer quite a high impedance at VHF. It will also be noticed that there are two 4.7mH chokes in series, in each of the output leads of the tuner. These are to prevent the tuner being earthed when connected to a mains-driven amplifier, which has the effect of removing the useful directional effect of the ferrite rod aerial, and introduces too large a signal on medium wave, with a consequent loss of selectivity.

To set the tuner up, switch first to VHF. Set VC1 to half-way and, starting with VR1 at the half-way position, see whether

advancing VR2 will produce a slight hiss at a particular position, which will indicate that oscillation is taking place.

If necessary, adjust VR1 until that state of affairs occurs, with VR2 set about two thirds of the way towards maximum. Then adjust VC2 so that the three BBC stations come in with VC1 at about the half-way setting. (VC1 is not operative at VHF but, as stated before, its adjustment acts as a drive for the variable inductance tuning at VHF). Re-set VR1 if that should prove necessary. Stations should be tuned in with the receiver oscillating gently. There will be two possible settings on either side of a central setting, at which there will be severe distortion. Sometimes one setting gives better results than the other.

Next, switch to medium wave. Adjust VR3 and VR4 for the most satisfactory combination of settings for good results. Reducing the value of VR3 increases the feedback effect, while reducing the value of VR4 lessens it. If VR4 is reduced too far there will be a severe loss of selectivity. C4 and R1 help to keep the critical setting for VR2 at a constant position throughout the tuning scale on medium wave, which ideally will be about two-thirds of the way to a maximum setting, as for VHF. It is legitimate, though probably not necessary, to experiment with the value of C4.

Most of the components used for the tuner are widely available from many suppliers, including Electrovalue, of 28 St Judes Road, Englefield Green, Egham who, incidentally, stock a suitable Dilecom tuning capacitor for VC1. This is probably the best component to use owing to its shaped vanes, which prevent crowding of stations at the end of the scale near minimum capacitance. But Radio Component Specialists, of 337 Whitehorse Road, Croydon, Surrey, are currently advertising a 100pF solid dielectric component at a modest £1.50 and this can be used, though it has straight line capacitance characteristics, which will make tuning tricky at the high frequency end of the scale.

Brian Reed, of 161 St John's Hill,

Clapham Junction, London SW11, can supply the semiconductors and the tubular trimmer for VC2. Maplin, of PO Box 3, Rayleigh, Essex, can supply an inexpensive telescopic aerial, 925mm long, and also a suitable ferrite rod. I have not fitted a reduction drive, though one could be used, especially when listening to VHF. These are now expensive items, but a ball drive from the spares box would be easy to fit at the knob end of the extension rod. A 6mm

TUNER COMPONENTS

Resistors

All fixed resistors, 10% 1/4 watt

R1	560
R2	1k
R3	100
R4	3k9
R5	5k6
R6	10k
R7	22k
R8	1k
R9	10k
R10	1k
R11	220k
VR1	47k preset
VR2	100k wire or bonded
VR3	2k2 preset, carbon
VR4	22k preset

Capacitors

C1	1nF ceramic
C2	1nF ceramic
C3	0.01µF polyester
C4	1.5nF ceramic
C5	22pF ceramic
C6	1pF ceramic
C7	1nF ceramic
C8	100µF 10V electrolytic
C9	1nF ceramic
C10	2.5µF 10V electrolytic
C11	6.8pF ceramic
VC1	100pF solid dielectric
VC2	10pF tubular preset

Inductors

L1, 2, 3	(see text)
L4	2.2mH choke, Siemens
L5, 6, 7, 8	4.7mH choke, Siemens

Semiconductors

TK1,2	2N3663
D1	OA10
D2	OA81
D3	Zener, 7.5V 400mW

Switches

S1,2

Miscellaneous

6in by 3/8in ferrite rod
Telescopic aerial
1/2in jack, mono switched
Extension rod
Knobs, plywood, screws, bolts, nuts, tag strips, Fablon, etc

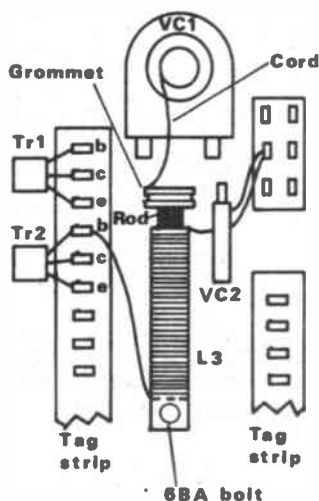


Fig. 5 Positioning of major components

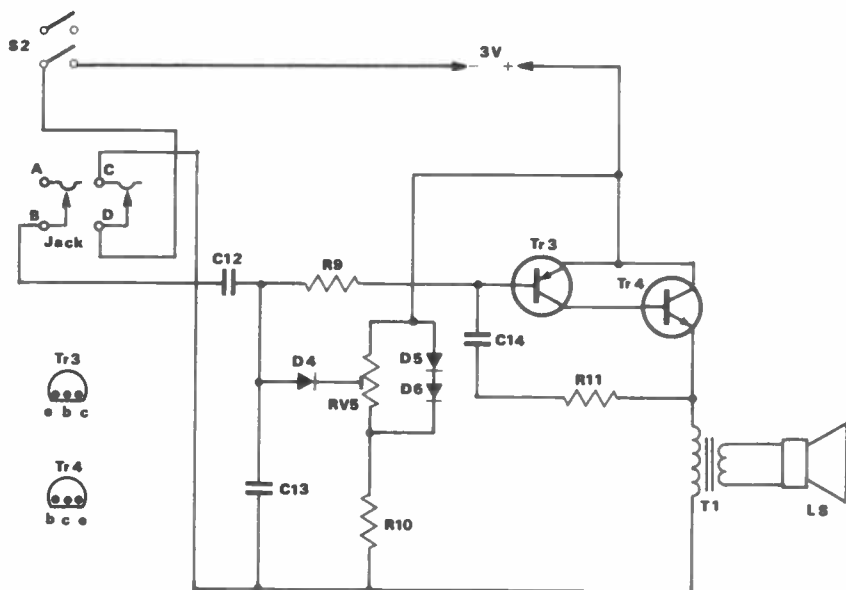


Fig 6 Circuit diagram of sliding bias amplifier

knitting needle makes a good extension rod. It should be made of plastic and not metal.

To return to the internal amplifier, many may wish to build a tuner only, but I have found the apparatus useful as a portable receiver and have incorporated the amplifier shown in theoretical form in *Figure 6*. It is a sliding bias amplifier, described in one of my articles in this magazine's predecessor many years ago. It uses two large 1½ volt cells for power, which it can deliver to the tune of about 100mW. Standing bias is set by the position of the positive end of D4 on the potentiometer VR5, across which D5 and D6 stabilise the voltage.

Part of any incoming signal is rectified by D4, which makes the base of Tr3 more negative so that the collector current is increased; this increase is in proportion to the amplitude of the incoming signal. The circuit functions, therefore, in a similar way to a Class B amplifier, though in fact Class A amplification is taking place. To set it up, first ensure that no

signal is being received by the amplifier.

Set the slider of VR5 to the end connected to D6, and then adjust VR5 until 7mA is passed by Tr4. If the specified transformer is used for T1, this will be represented by a voltage of 0.05V across its primary. Otherwise, a meter can be inserted in one of the battery leads. The small current passed by Tr3 can be ignored. After about 20 hours use, when the battery voltage will have settled down, it is useful to check the setting of VR5, which can be left alone after this.

There is a snag, however, in that the specified transformer is no longer easily available. What is required is a transformer with a primary having a direct resistance of about 7 ohms, a secondary to match an 8 ohm (or 4 ohm if appropriate) speaker, and a ratio of about 4 to 1 for an 8 ohm secondary, or about 6 to 1 for a 4 ohm secondary. Advanced constructors will, no doubt, wind their own component.

The alternative is to use a speaker of

from 15 to 35 ohms speech coil resistance, without a transformer, and with a 9V battery for power. Tr4 will need to be a BFY50, 51 or 52 to handle the extra power. This will provide greater output power than the specified arrangement but, as the largest battery which can be accommodated will be a PP7, economy will suffer.

Suitable 6in by 4in speakers with 4 ohm, 8 ohm, 15 ohm or 25 ohm speech coils are available from Radio Component Specialists. Brian Reed stocks the semi-conductors.

The case can be a simple affair, consisting of a top, with suitable holes for the knob of VR2 and the telescopic aerial, a front, with a cut-out for a speaker, and a back. The two ends and the base are already there as part of the chassis.

In conclusion

A final note on operation. When listening to AM signals, the most sensitive and selective setting for the reaction control will normally be just short of the oscillating point.

However, if attempts are made to receive a weak signal close in frequency to a very strong signal, increased selectivity (accompanied by a slight drop in sensitivity), can be obtained by pushing the tuner into a gently oscillating condition, by means of a small increase in reaction.

The apparatus will then operate as a homodyne, and very accurate tuning will be needed to avoid whistles and distortion. However, the interfering signal will probably disappear, or at least be much reduced in nuisance value.

When listening to FM signals the tuner is operating as a type of FM homodyne in any case and, as stated earlier, it is necessary for the reaction to be set for a gently oscillating condition for the proper reception of signals. An excellent description of the method of operation of a homodyne for AM signals was given by M Slifkin and G Abbott in the December 1987 edition of this magazine.

NEWSAGENT ORDER FORM

Radio & Electronics World

To (name of newsagent)

Please order a copy of **Radio & Electronics World** for me every month

NAME.....

ADDRESS.....

Newstrade distributors: S M Distribution, 16/18 Trinity Gardens, London SW9 8DX. Tel: 01-274 8611

SURPLUS/REDUNDANT STOCKS ELECTRONIC COMPONENTS

We offer cash for your surplus components including integrated circuits, transistors, memories, microprocessors, I/C sockets, connectors, caps etc, etc. Top prices paid, collection no problem. Please contact us today with your lists by , fax, telex, telephone or letter to:

MARLOW MARKETING

ELECTRONIC COMPONENT SURPLUS DEALERS
151A Milton Road, Gravesend, Kent, DA12 2RG, England

Fax: 0474-327-960 Telex: 940-16512 (NWWO G),
Tele: 0474-320062

ALSO: COMPLETE FACTORY CLEARANCES UNDERTAKEN

DATA FILE

Ray Marston looks at practical audio processing ICs in this first part of a new mini-series

An audio processor can be defined as any circuit that takes an audio input signal and generates an audio output that is directly related to, but not necessarily the same as, that signal. The processor may, for example, simply invert the original signal and/or provide it with a fixed amount of voltage gain, as in the case of a linear amplifier. Alternatively, it may give it an amount of gain that varies with the signal frequency, as in an active filter circuit, or it may provide it with an amount of gain that varies with the mean amplitude of the signal, as in a non-linear amplifier, an expander/compressor circuit or a so-called 'constant volume' amplifier, etc.

Practical examples of all these types of processor circuit will be described over the next few months in this new audio processing circuits mini-series.

In this instalment we will deal with general purpose linear amplifier circuits based on readily available operational amplifier (op amp) ICs. Later parts of the series will deal with active filter circuits, operational transconductance amplifier (OTA) ICs (which can be used in a variety of voltage controlled amplifier, or VCA, applications, etc), and a variety of non-linear amplifiers and dedicated VCA ICs and their application circuits.

Note that dedicated audio preamplifier and power amplifier ICs are not

described in this mini-series, since they have already been dealt with in great detail in previous issues.

Op amp basics

The best known and most versatile type of audio signal processing IC is the ordinary op amp, which can be simply described as a high gain direct-coupled voltage amplifier 'block' that has a single output terminal but has both inverting and non-inverting high impedance input terminals, thus enabling the device to function as either an inverting, non-inverting, or differential amplifier. Figure 1a shows the circuit symbol of the conventional op amp.

Op amps are very versatile devices. When coupled to suitable feedback networks they can be used to make precision ac and dc amplifiers, active filters, oscillators, and voltage comparators, etc.

They are normally powered from split supplies (as shown in Figure 1b) with +ve, -ve and common (zero volts) supply rails, enabling the op amp output to swing either side of the zero volts value and to be set at zero volts when the differential input voltage is zero. They can, however, also be powered from single-ended supplies, if required.

Note that the output signal voltage of an op amp is proportional to the differential signal voltage between its two input terminals and, at low audio frequencies, is given by

$$e_{out} = A_0(e_1 - e_2),$$

where A_0 = the low frequency open loop voltage gain of the op amp (typically 100dB, or $\times 100,000$), e_1 = the signal voltage at the non-inverting input terminal, and e_2 = the signal voltage at the inverting input terminal.

Thus, an op amp can be used as either a high gain inverting ac amplifier, by grounding its non-inverting terminal and feeding the input signal to its inverting terminal via C1 and R1, as shown in Figure 2a, or as a non-inverting ac amplifier, by reversing the two input connections, as shown in Figure 2b, or as a differential amplifier, by feeding the two input signals to the op amp, as shown in Figure 2c. Note in the latter case that if identical signals are fed to both input terminals the op amp should, ideally, give zero signal output.

The voltage gains of the Figure 2 circuits depend on the individual op amp open loop voltage gains and on the actual frequencies of the input signals. Figure 3, for example, shows the typical frequency response graph of the well-known type 741 op amp. Note here that the device gives a low frequency (below 10Hz) voltage gain greater than 100dB, but that the gain falls off at a 6dB/octave

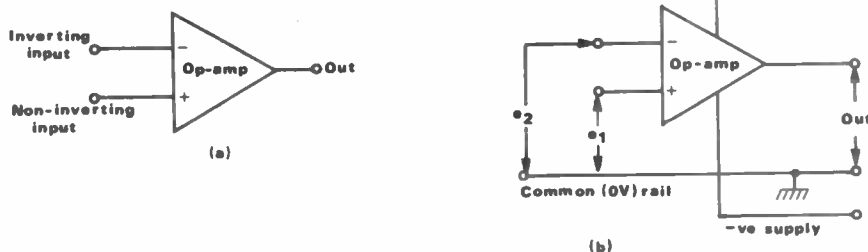


Fig 1 a) symbol and b) supply connections of a conventional op amp

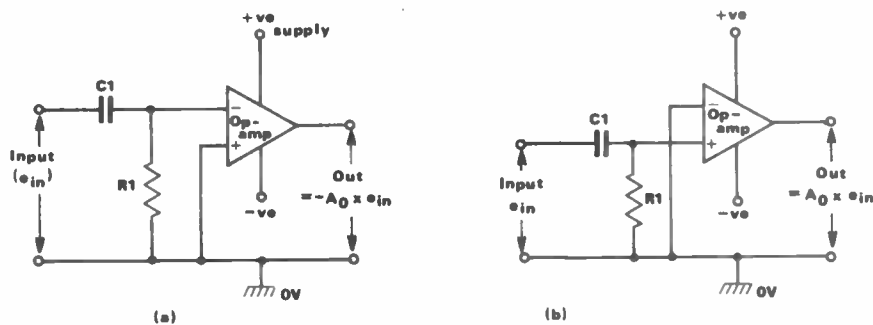


Fig 2 Methods of using the op amp as a high gain open-loop ac amplifier (above, and below left)

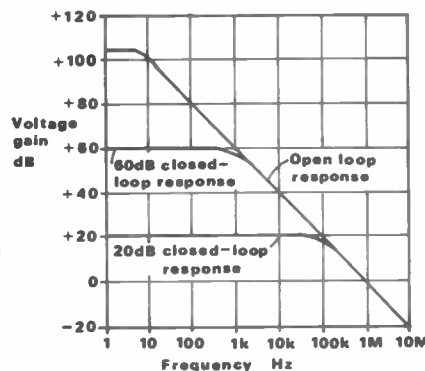
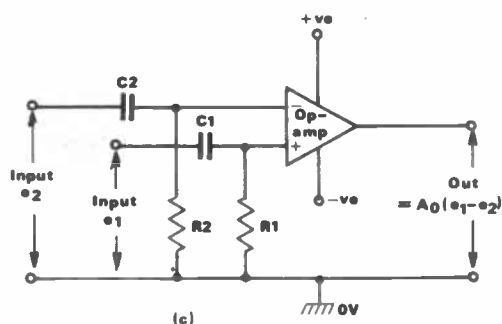


Fig 3 Typical frequency response curve of the 741 op amp

(=20dB/decade) rate at frequencies above 10Hz, eventually falling to unity (0dB) at an f_T 'unity gain transition' frequency of 1MHz. This graph is typical of most modern op amps, although individual op amp types may offer different values of low frequency gain and f_T .

Closed loop amplifiers

The best way of using an op amp as an ac amplifier is to connect it in the closed loop mode, with negative feedback applied from output to input as shown in the circuits of *Figure 4*, so that the overall gain of each circuit is precisely determined by the values of the external feedback components, almost irrespective of the individual op amp characteristics (nb this is provided that the open loop gain, A_o , is large relative to the closed loop gain, A).

Note from *Figure 3* that the signal bandwidth of such circuits approximately equals the IC's f_T value divided by the circuit's closed loop voltage gain value. Thus, the 741 gives a bandwidth of 100kHz when the gain is set at $\times 10$ (=20dB), or 1kHz when the gain is set at $\times 1000$ (= 60dB).

Looking at the closed loop ac amplifier circuits of *Figure 4*, *Figure 4a* shows the op amp wired as a fixed gain inverting ac amplifier. Here, the voltage gain (A) is determined by the ratios of R_1 and R_2 and equals R_2/R_1 , and the circuit's input impedance equals the R_1 value; the circuit can thus be easily designed to give any desired gain and input impedance values.

Note in the above circuit that, although R_1 and R_2 control the gain of the complete circuit, they have no effect on the voltage gain of the actual op amp, so the signal voltage appearing at the output is A_o times greater than that appearing on the op amp's input terminal. Consequently, the signal current induced in R_2 is A_o times greater than that caused by the input terminal signal alone, and this terminal thus acts as though it has an impedance of R_2/A_o connected between the terminal and ground, ie like a low impedance 'virtual ground' point.

Returning to *Figure 4*, *Figure 4b* shows how to connect the op amp as a fixed gain non-inverting ac amplifier. In this case, the voltage gain equals $(R_1+R_2)/R_2$. The input impedance, looking into the input terminal of the op amp, approximately equals $(A_o/A)Z_{in}$, where Z_{in} is the open loop input impedance of the op amp. This impedance is shunted by R_3 , however, so the input impedance of the actual circuit is less than the R_3 value.

Note that the above circuit can be made to function as a precision ac voltage follower by wiring it as a unity gain non-inverting amplifier, as shown in *Figure 4c*, where the op amp operates with 100% negative feedback. In this

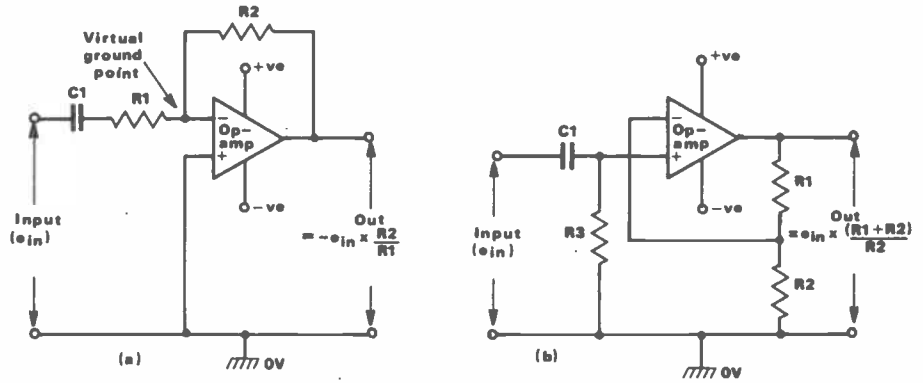


Fig 4 Closed loop ac amplifier circuits:
a) inverting ac amplifier

b) non-inverting ac amplifier

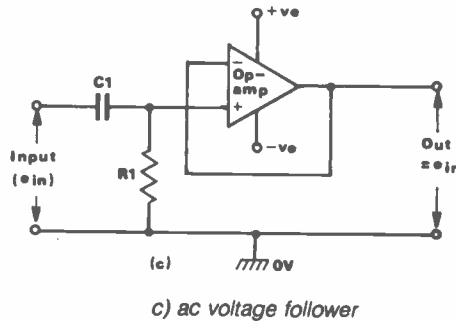


Fig 5 Outline details of popular 'single' op-amp types (see table for parameters)

circuit, the input impedance of the op amp is very high, approximating $A_o \times Z_{in}$, but is shunted by R_1 , which thus determines the circuit's input impedance value.

Practical op amps

Practical op amps are available in a variety of types of integrated circuit construction (bipolar, MOSFET, JFET, etc), and in a variety of types of packaging styles (plastic DIL, metal can TO5, and so on).

Some of these packages house two or four op amps, all sharing common supply line connections. *Figure 5* gives the parameter and outline details of eight popular 'single' op amp types, all of

which use a standard type 8-pin DIL (dual in-line) packaging.

The 741 and NE531 are bipolar types. The 741 is a very popular general purpose type featuring internal frequency compensation and full overload protection on inputs and output. The NE531 is a high performance type with a very high output slew rate capability. An external compensation capacitor (100pF), wired between pins 6 and 8, is needed for stability, but can be reduced to a very low value (1.8pF) to give a very wide bandwidth at high gain.

The CA3130 and CA3140 are MOSFET-input op amps that can operate from single or dual power supplies, can sense inputs down to the negative supply rail

DATA FILE

value, have very high input impedances (1.5 million megohms) and have outputs that can be strobed. The CA3130 has a CMOS output stage; an external compensation capacitor (typically 47pF) between pins 1 and 8 permits adjustment of bandwidth characteristics. The CA3140 has a bipolar output stage and is internally compensated.

The LF351, 411, 441 and 13741 are JFET type op amps with very high input

impedances. The LF351 and 411 are high performance types, while the LF441 and 13741 are general purpose types that can be used as direct replacements for the popular 741. Note that the LF441 quiescent current consumption is less than one tenth that of the 741.

Linear amplifier circuits

Figures 6 to 12 show a variety of ways of using op amps to make practical linear

amplifier circuits. Note that although type 741 op amps are specified in the diagrams, any of the op amp types listed in Figure 5 can be used in these circuits.

Figure 6 shows the op amp wired as an inverting ac amplifier with a $\times 10$ overall voltage gain. Note that the pin 3 non-inverting input terminal is tied to ground via resistor R3, which has the same value as R2 in order to preserve the dc balance of the op amp.

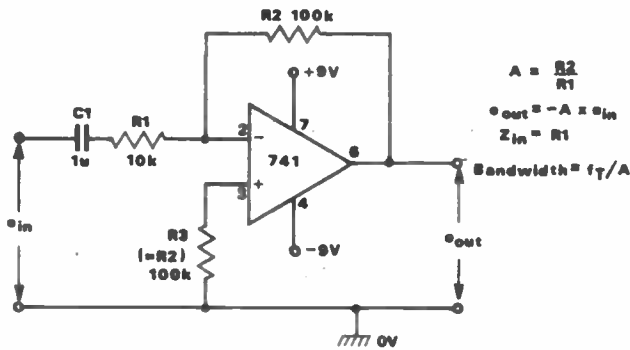


Fig 6 Inverting ac amplifier with $\times 10$ gain

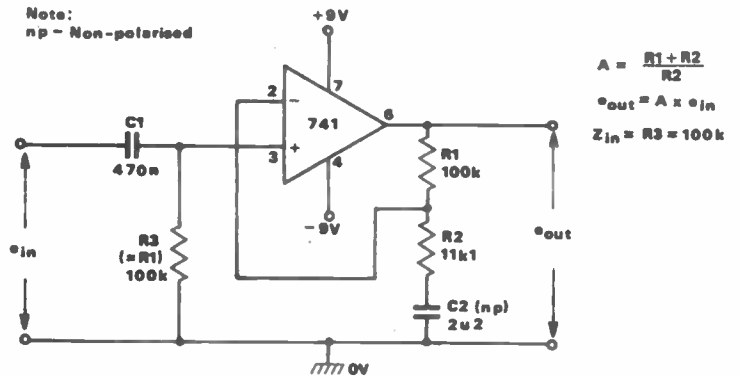


Fig 7 Non-inverting ac amplifier with $\times 10$ gain

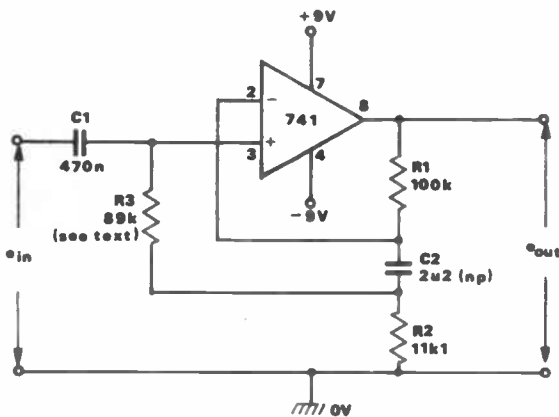


Fig 8 Non-inverting $\times 10$ ac amplifier with 50M input impedance

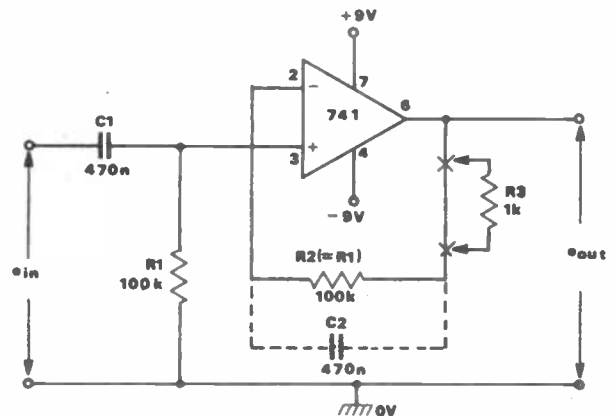


Fig 9 ac voltage follower with 100k input impedance

PARAMETER	BIPOLAR OP AMPS		MOSFET OP AMPS		JFET OP AMPS			
	741	NE531	CA3130E	CA3140E	LF351	LF411	LF441	LF13741
Supply voltage range	$\pm 3V$ to $\pm 18V$	$\pm 5V$ to $\pm 22V$	$\pm 2V$ to $\pm 18V$ or $5V$ to $16V$	$\pm 2V$ to $\pm 18V$ or $4V$ to $36V$	$\pm 5V$ to $\pm 18V$			
Supply current	1.7mA	5.5mA	1.8mA	3.8mA	800µA	1.8mA	150µA	2mA
Input offset current	1mV	2mV	8mV	5mV	5mV	0.8mV	1mV	5mV
Input bias current	200nA	400nA	5pA	10pA	50pA	50pA	10pA	50pA
Input resistance	1MΩ	20M	1.5TΩ	1.5TΩ	1TΩ	1TΩ	1TΩ	0.5TΩ
Voltage gain, A_o	106dB	96dB	110dB	100dB	88dB	106dB	100dB	100dB
C_{mnr}	90dB	100dB	90dB	90dB	100dB	100dB	95dB	90dB
f_T	1MHz	1MHz	15MHz	4.5MHz	4MHz	4MHz	1MHz	1MHz
Slew rate	0.5V/µs	35V/µs	10V/µs	9V/µs	13V/µs	15V/µs	1V/µs	0.5V/µs
8 pin DIL outline	b	a	c	c	b	b	b	b

Figure 7 shows the op amp connected as a non-inverting ac amplifier with an overall $\times 10$ voltage gain. Note that R1 and R2 are isolated from ground via C2; at normal operating frequencies C2 has a low ac impedance, so voltage gain is still set by the R1 and R2 ratios, but the op amp's inverting terminal is subjected to 100% dc negative feedback via R1, giving the circuit excellent dc stability. For optimum biasing, R3 has the same value as R1.

The op amp's input impedance, looking directly into pin 3, is several hundred megohms, but is shunted by R3, which reduces the circuit's input impedance to a mere 100k.

Figure 8 shows how the above circuit can be modified to give a 50 megohm input impedance. Note that the C2 position has changed, and that the low end of R3 is taken to the C2-R2 junction,

rather than directly to ground. The ac feedback signal appearing on this junction is virtually identical to the pin 3 input signal, so near-identical signal voltages appear on both ends of R3, which thus passes negligible signal current.

The apparent impedance of R3 is thus raised to near infinity by this 'bootstrap' feedback action. In practice, this circuit's input impedance is limited to about 50 megohms by PCB leakage impedances.

Note in Figure 8 that, for optimum biasing, the sum of the R2 and R3 values should equal R1, but that in practice the R3 value can differ from the ideal by up to 30%, enabling an actual R3 value of 100k to be used if required.

Voltage follower circuits

An op amp non-inverting ac amplifier will function as a precision ac voltage follower if designed to give unity voltage gain, and Figure 9 illustrates some of the design possibilities of such a circuit, which has 100% negative feedback applied from output to input via R2. Ideally, R1 (which determines the circuit's input impedance) and R2 should

have equal values, but in practice the R2 value can usually be varied from zero to 100k without significantly influencing circuit accuracy.

If an op amp with a low f_T value (such as the 741) is used, the R2 value can usually be reduced to zero. Note, however, that high f_T op amps tend towards instability when used in the unity gain mode, and in such cases stability can be assured by either giving R2 a value of 1k Ω , or by replacing it with a 1k Ω and 100k resistor wired in series (as shown in Figure 9), with a 470nF capacitor wired across the 100k resistor to reduce its ac impedance.

If a very high input impedance is wanted from an ac voltage follower it can be obtained by using the configuration shown in Figure 10, in which R1 is 'bootstrapped' from the op amp output via C2, so that the R1 impedance is increased to near infinity. In practice, this circuit will usually give an input impedance of about 50 megohms from a 741 op amp, this limit being set by the leakage impedances of the op amp's IC socket and the PCB.

If even greater input impedances are needed, the PCB area surrounding the

op amp input pin must be provided with a printed 'guard ring' that is driven from the op amp output, as shown, so that the leakage impedances of the PCB, etc, are also bootstrapped and raised to near infinite values.

In this case, the Figure 10 circuit will give an input impedance of about 500 megohms when using a 741 op amp, or even higher if an FET-input op amp is used. Figure 11 shows an example of a guard ring etched on a PCB.

An audio mixer

When describing the basic inverting amplifier circuit of Figure 4a I pointed out that its voltage gain equals $R2/R1$; it thus follows that the signal currents flowing in R1 and R2 are always exactly equal (but are opposite in phase), irrespective of the R1 and R2 values.

If this circuit is modified as shown in Figure 12, where four identical input networks are wired in parallel, it follows that the signal current flowing in feedback resistor R6 will inevitably equal the sum of the input signal currents flowing in resistors R1 to R4, and that the circuit's output signal voltage is thus proportional to the sum of the audio input signal voltages. It also follows that if (as in the diagram) the input and feedback resistors have equal values, the circuit will give unity voltage gain between each input and the output.

It can thus be seen that the Figure 12 circuit actually functions as a unity gain 4-input (or 4-channel) audio mixer that gives an output equal to the sum of the four input signal voltages. If desired, this simple circuit can be converted into a practical audio mixer by feeding each input signal to its input network via a 10k 'volume control' pot.

If desired, the circuit can be made to give a voltage gain greater than unity by increasing the value of feedback resistor R6, and the number of available input channels can be increased (or reduced) by adding (or deleting) one new C1-R1 network for each new channel.

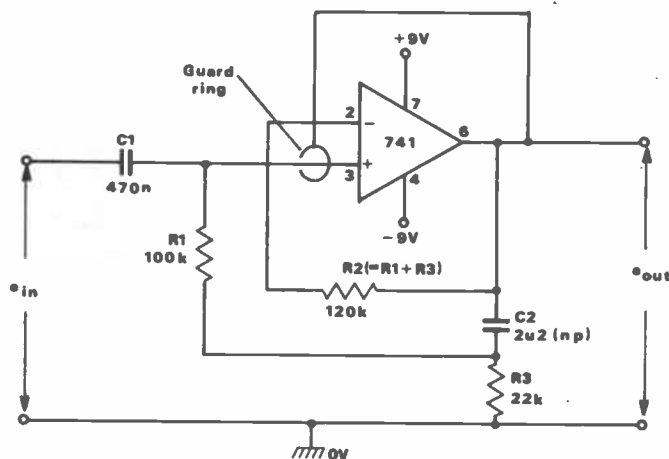


Fig 10 ac voltage follower with 50M input impedance without the guard ring, or 500M with the guard ring

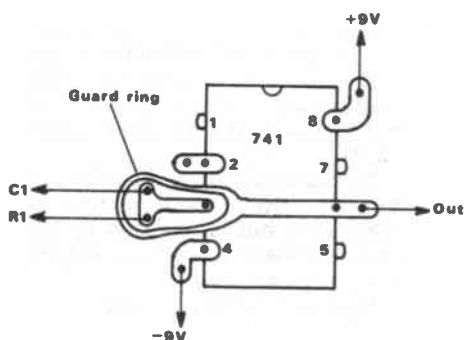


Fig 11 Guard ring etched on a PCB and viewed through the top of the board

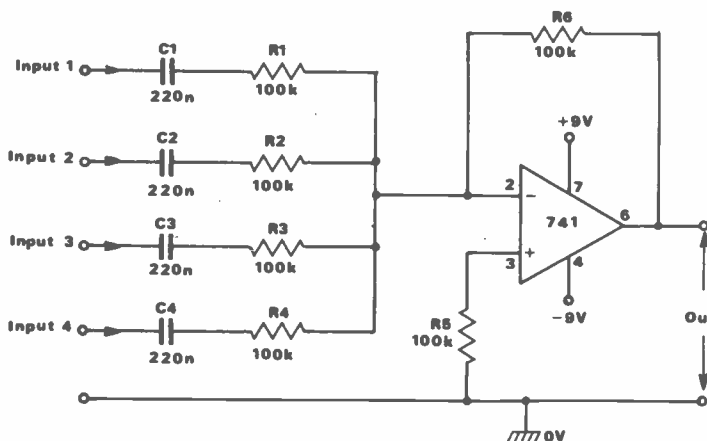


Fig 12 Four-input audio mixer

ATTENUATORS

By A M Tucker

This program is written in Hisoft Pascal 80 for the Amstrad PCW, and is developed from the Basic program by Jeff Howell and Brian Kendal in the November 1984 issue. The same

formulae are used, but the arithmetic has been changed around in places. A choice of four configurations is available (see diagram on the facing page).

For practical details of construction,

readers may refer to the original article.

After a choice of type has been made, the program asks for the input and output impedances in ohms, then for the minimum attenuation (greater than zero), the attenuator step and the maximum attenuation. The required resistance values for each step are then listed. If at any stage the resistance values are impractical, a message 'Configuration not possible' is shown.

Owners of PCWs with other Pascal compilers should encounter no difficulties, provided floating point routines are included, except perhaps for 'INCH', which is similar to 'INKEYS' but only allows character input.

Two other points are worth mentioning. I notice that I have called one variable 'type'. This is a reserved word in upper case typing, but my compiler does not object (in this program anyway!) to its use in lower case. The second point concerns the use of 'Writeln' where 'Write' would seem to be sufficient. The PCW has a counter which keeps track of the cursor position and is reset by a carriage return. The counter has a maximum count of 255, so if this is exceeded by, say, a series of 'WRITE' commands, the cursor returns to the beginning of the next line, no matter how one tries to prevent it. Making sure that 'Writeln' is used at frequent intervals prevents this. The same trouble can occur in Basic, where there are a number of PRINT commands terminated in a semicolon, perhaps in a FOR...NEXT loop.

Owners of other machines may have problems with the escape codes. ESC E + ESC F are equivalent to 'CLS'; ESC f and ESC e disable and enable the cursor blob; ESC K clears a line (note that the K can be tagged on to following text); ESC Y (y,x) positions the cursor and ESC J clears from the cursor to the bottom of the screen.

I should be happy to send PCW owners a copy of the compiled program on receipt of a formatted disc with at least 7K free space, a stamped self-addressed padded envelope for its return, and £1 in first/second class stamps, cash or cheque, as a donation to the Royal Commonwealth Society for the Blind.

If there is a further 8K free, I will also include a program to find how to make up a resistor value by using two in parallel. The address is: A M Tucker, Coombe Barton, 18 North Street, Charminster, Dorchester, Dorset DT29QZ.

```
PROGRAM ATTR;
(*%C-%*)

LABEL 99;

VAR
  esc,ans,typechr : CHAR;
  a,low,high,step,range,type : INTEGER;
  n,r,r1,r2,r3,i,j,zin,zout : REAL;

PROCEDURE loc(x,y:INTEGER); (*Position cursor*)
BEGIN
  WRITE(esc,'Y',CHR(32+y),CHR(32+x));
END;

PROCEDURE T;
BEGIN
  r3:=zin/i; r2:=zout*j-r3; r1:=zin*j-r3;
END;

PROCEDURE Pi;
BEGIN
  r3:=zout*i; r2:=r3/(j*i-1); r1:=1/(j/zin-1/r3);
END;

BEGIN
  esc:=CHR(27);

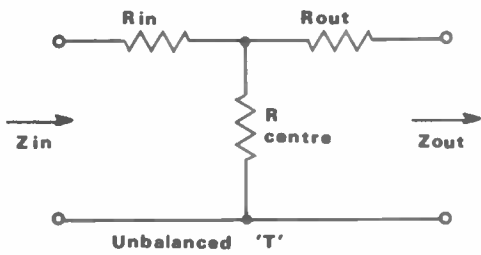
  WRITE(esc,'E',esc,'H',esc,'f'); (*Clear screen & delete cursor*)
  Writeln('ATTENUATOR NETWORK DESIGN':55); Writeln;
  Writeln('1. UNBALANCED-T NETWORK':54);
  Writeln('2. UNBALANCED-Pi NETWORK':55);
  Writeln('3. BALANCED-T NETWORK':52);
  Writeln('4. BALANCED-Pi NETWORK':53);

  REPEAT
    loc(30,28);Writeln('Select network (1-4)');
    REPEAT typechr:=INCH UNTIL typechr IN ['1'..'4'];
    type:=ORD(typechr)-48;
    loc(29,type+1);Writeln('x'); loc(5,28);
    WRITE('Enter input and output impedances (ohms) [with space between]:- ');
    READ(zin,zout); loc(5,28);
    WRITE(esc,'KEnter db range: low, step & high [with spaces between] :- ');
    READ(low,step,high); loc(5,28);Writeln(esc,'K');
    loc(14,8);Writeln('Attenuation Input res. Centre res. Output res. ');
    Writeln('db Ohms Ohms Ohms':68); Writeln;

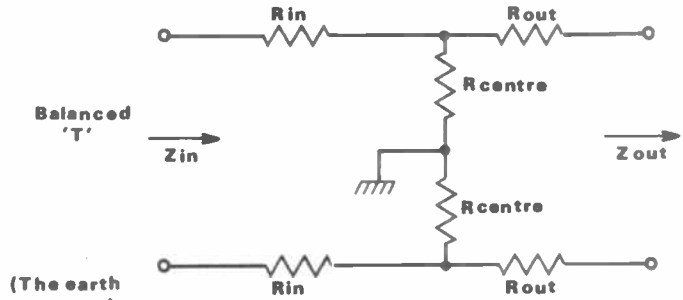
    a:=low; r:=zin/zout; IF type>2 THEN BEGIN zin:=zin/2; zout:=zout/2; END;

    REPEAT
      IF a=0 THEN GOTO 99;
      n:=SQRT(EXP(LN(10)*a/10)*r); i:=n*n-r; j:=(n*n+r)/i; i:=1/2/n;
      IF ODD(type)=TRUE THEN T ELSE Pi;
99 : IF (a=0) OR (r1*r2*r3<0) THEN Writeln('Configuration not possible':44)
      ELSE Writeln(a:20,r1:17,2,r3:16,2,r2:16,2);
      a:=a+step;
    UNTIL a>high;

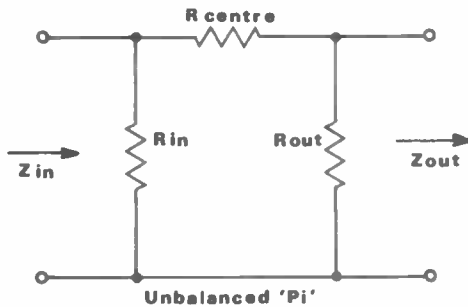
    loc(30,28);Writeln('Another network ? (y/n)');
    REPEAT ans:=INCH UNTIL ans IN ['y','Y','n','N'];
    IF ans IN ['y','Y'] THEN
      loc(0,8);Writeln(esc,'J');loc(29,type+1);Writeln(' ');
    UNTIL ans IN ['n','N'];
    WRITE(esc,'E',esc,'H',esc,'e');
  END;
```

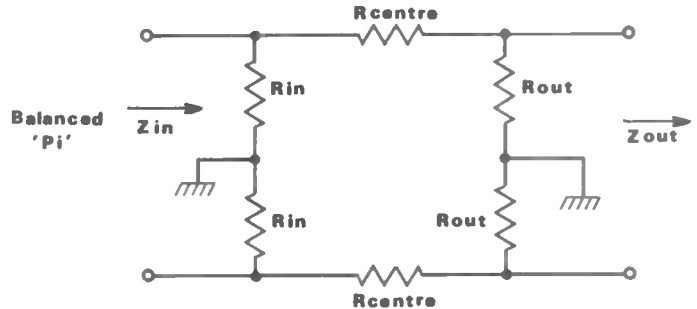
Unbalanced 'T'



Balanced 'T'
(The earth connections may be omitted)



Unbalanced 'Pi'



Balanced 'Pi'

The figures above show the attenuations

SECURITY

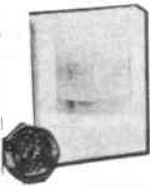
Modules
Systems
Accessories

SAVE ££££'s
BY INSTALLING YOURSELF

MINIATURE PASSIVE INFRARED SENSOR

ONLY
£23.95
Plus VAT

Size only 80x60x40mm. Detects intruders up to 12 metres away.



- 12 metre detection range.
- Size only 80x60x40mm.
- 24 Detection zones.
- Wide 85° coverage.
- Switchable LED indicator.

This advanced new intrusion detector operates by detecting the body heat of an intruder moving within the detection field. The use of a dual element pyroelectric sensor means that changes in ambient temperatures are ignored, thus providing a stable and reliable performance. Easily installed in a room or hallway, the unit will provide effective detection of any intrusion. Operating from a 12V supply and consuming only 15mA, it is ideal for use with the CA 1382, CA 1250 or any equivalent high quality control unit. Supplied with full instructions, its performance compares with detectors costing more than twice the price.

CA 1382 ADVANCED CONTROL UNIT that's simple to install and operate.



- Fully automatic alarm re-set.
- Audible entry/exit warning.
- Alarm Sounded memory.
- 2 separate loop inputs + 24hr circuits.
- Built-in electronic siren.
- Easily installed, full instructions supplied.

The latest control panel provides effective and reliable control for all types of security installations. Its advanced circuitry checks the loop circuits every time it is switched on, preventing incorrect operation. Using a simple 'on/off' key switch, it is easily operated by all members of the family. In addition it provides 24 hr. personal attack protection. Housed in a steel case, it is supplied with full operating instructions.

Only **£44.95 + VAT** Available in kit form with fully-built electronics, **£30.95 + VAT**.

CA 1250 LOW COST ALARM CONTROL MODULE



This tried and tested control unit represents the finest value for money in control systems, providing the following features:

- Built-in electronic siren drives 2 loud speakers
- Provides exit and entrance delays together with fixed alarm time
- Battery back-up with trickle charge facility
- Operates with magnetic switches, pressure pads, ultrasonic or LR units
- Anti-tamper and panic facility
- Stabilised output voltage
- 2 operating modes full alarm anti tamper and panic facility
- Screw connections for ease of installation
- Separate relay contacts for external loads
- Test loop facility.

Price **£19.95 + VAT**

HW 1250 - ATTRACTIVE HOUSING plus HARDWARE FOR CA 1250

An attractive steel case designed to house the Control Unit CA 1250 together with the appropriate LED indicators and key switch (available separately). Supplied with the necessary pillars, fixings, and punched front panel, the unit is given a professional appearance by the adhesive silk screened label. Size: 200x180x70mm.

Only **£9.50 + VAT**



MON-FRI 9-5
CLOSED ALL DAY SAT & SUN

DP 3570 LIGHTING CONTROLLER

This versatile module provides timed switching of loads up to 3A for pre-set times between 10 secs and 5 mins, the timed period being triggered by the opening or closing of an external loop or switch. The built-in 12V 250mA power supply is available for operating external sensors. Suitable plastic enclosure **£2.85 + VAT**.

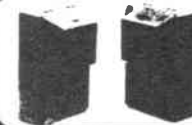
Only **£13.95 + VAT**

FL 500 QUARTZ HALOGEN FLOOD LIGHT



Whilst intended for security lighting applications, this unit is suitable for lighting patios, pathways and gardens etc. Supplied complete with 500W lamp, priced **£1.95 + VAT**.

Only **£14.95 + VAT**



IR 1470 - 50ft. INFRARED BEAM SYSTEM

Consists of a separate transmitter & receiver, the system provides an invisible modulated beam which when broken operates the built-in relay. For use with security systems, but also ideal for photographic purposes and industrial applications. Size: 80x50x35mm.

Only **£25.61 + VAT**



US 5083 DIGITAL ULTRASONIC DETECTOR

- 3 levels of discrimination against false alarms
- Crystal control for greater stability
- Adjustable range up to 25ft
- Built-in delays
- 12V operation.

This advanced module uses digital signal processing to provide the highest level of sensitivity whilst discriminating against potential false alarm conditions.

Only **£13.95 + VAT**



ULTRASONIC MODULE ENCLOSURE

Suitable steel enclosure for housing the US 5083 supplied with the necessary mounting pillars and fixings.

Only **£2.95 + VAT**

RISCOMP LIMITED
Dept RE3
Poppy Road
Princes Risborough, BUCKS
HP17 9DB.

The Security Specialist

ORDER BY MAIL OR TELEPHONE

P&P UK ORDER 75p EXPORT ADD 10%

Visa logo

Tel: (084 44) 6326

ICOM

THE NEW



IC-761, HF TRANSCEIVER with General coverage receiver.

The new ICOM IC-761 H.F. Transceiver has many features making it probably the best top of the line Amateur transceiver available today. This all mode transceiver features an internal tuning unit and A.C. power supply. The A.T.U. boasts a 3 second band selection and tune up with a VSWR matching of less than 1.3:1. For the serious operator the 100kHz-30MHz general coverage receiver and 105dB dynamic range make it ideal for DX chasing. Frequency selection is by the main VFO or via the front panel direct access keypad. And for when reception is difficult, pass band tuning, I.F. shift, notch filter, noise blanker, pre-amp and attenuator should enable you to copy even those weak DX stations whether amateur or broadcast. The C.W. operator will appreciate the electronic keyer, 500Hz filter and full break in (40wpm) other filter options are available. The IC-CR64 high stability crystal is standard as is the CI-V communications interface for computer control. Twin VFO's and split mode for cross band contacts, the IC-761 features program scanning, memory scan and mode select scan and the 32 memories can store frequency and mode. The transceivers operating system is held permanently in ROM and is not dependant upon the lithium battery. The cell is used for memory back up only. A new style meter gives P.O., A.L.C., IC, VC, COMP and SWR readings.

Icom (UK) Ltd.

Dept REW, Sea Street, Herne Bay, Kent CT6 8LD. Tel: 0227 363859. 24 Hour.

Count on us!

FACE OF HF.

You can count on Icom HF Transceivers to give superior performance, take a close look at the Icom range and see for yourself. Authorised dealers throughout the U.K.



IC-751A.

Features:

- All mode.
- 100kHz-30MHz General Coverage Receiver.
- 100 watts.
- 12v Operation.
- 105dB Dynamic Range.
- 32 Memories.
- Electronic Keyer.
- Full Break In (40wpm).
- 500 Hz CW Filter.
- HM36 Microphone.



IC-735.

- Small Compact Size.
- 100kHz-30MHz General Coverage Receiver.
- 100 watts.
- 105dB Dynamic Range.
- FM Standard.
- 12v Operation
- Large LCD Readout.
- 12 Memories.
- CI-V Communications Interface
- HM12 Microphone.

STOP PRESS. Later in 1988 Icom are launching a terrific new HF transceiver, similar in size to the IC-735 but simpler to operate. This new HF rig is also realistically priced and aimed at a large section of Ham operators. The introduction of this new HF transceiver emphasises Icom's positive approach to market requirements.

Helpline: Telephone us free-of-charge on 0800 521145, Mon-Fri 09.00-13.00 and 14.00-17.30. This service is strictly for obtaining information about or ordering Icom equipment. We regret this cannot be used by dealers or for repair enquiries and parts orders, thank you.

Datapost: Despatch on same day whenever possible.

Access & Barclaycard: Telephone orders taken by our mail order dept, instant credit & interest-free H.P.



SECONDARY SURVEILLANCE RADAR

BY BRIAN KENDAL G3GDU

AVIATION ELECTRONICS Part Five

In my last article, I described primary radar. Efficient as this may be, however, it has certain disadvantages, for although it will indicate that a target is present, that is all it will show.

There is no means of identifying the target and hills, tall buildings, rain and certain types of cloud will produce returns which may mask a wanted target. These problems are largely overcome by the use of Secondary Surveillance Radar.

The problem of identifying a radar target was anticipated as early as 1935

when the use of radar was first proposed in a paper by Sir Robert Watson Watt.

Soon after the first returns were received at the experimental site at Orfordness, an experiment was carried out in which a half wave dipole at the radar frequency was strung between the

struts of the target aircraft, and the centre was alternately short and open circuited. The theory was that, as the aircraft at that time were made predominantly of wood, the wire dipole with the centre short circuited would greatly enhance the return, but when the centre was open circuited the return would be reduced. It was thought that the fluctuating strength of the radar return would readily identify friendly aircraft. Unfortunately, this did not prove successful, but it did lead to the development of a simple transponder for the same purpose.

Known as IFF (Identification Friend or Foe), this equipment, or its successors, have been carried on all RAF aircraft since that time.

The principle of the original equipment was that a pulse of RF on about 200MHz was radiated simultaneously with the main radar pulse. This was received by the airborne equipment and triggered a transmitter, which sent a pulse several times longer than that of the main radar. This was received by the ground station and displayed on the main radar display. The effect was that returns from friendly aircraft showed up as a much thicker target than those not equipped with IFF.

The next development was that, instead of just sending a single pulse, the aircraft replied with a series of coded pulses which could provide more positive identification.

In the period after the war, primary radar gradually became an essential aid to air traffic control and, with increasing traffic levels, identification became a serious problem.

At first, aircraft were requested to perform a 90 degree turn to the left or right for identification, but later an automatic VHF direction finder was used

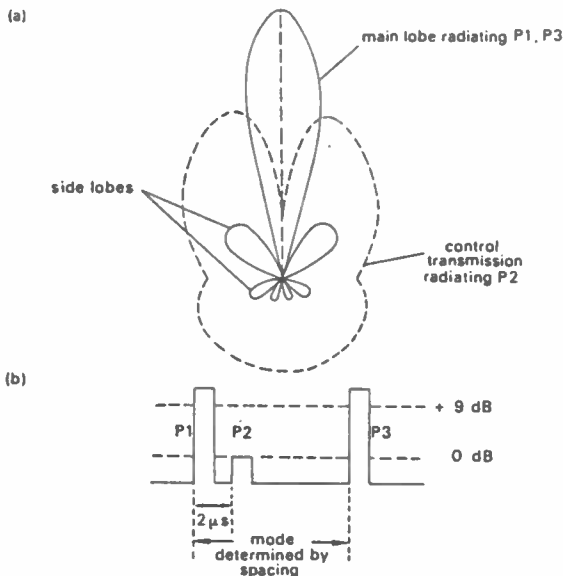


Fig 1 SSR radiated (a) horizontal polar diagrams, (b) interrogate pulse pattern

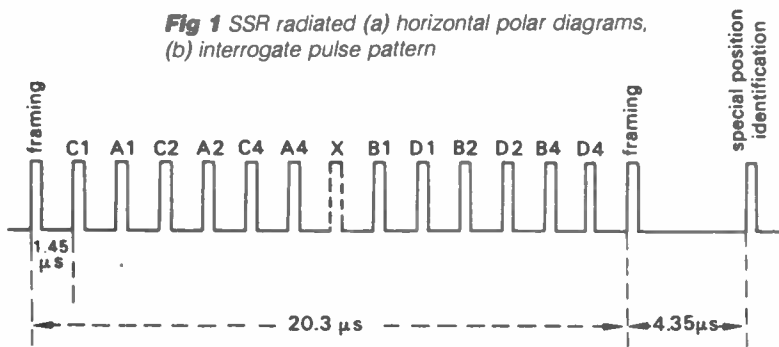


Fig 2 SSR reply pulse patterns

Table 1 Definition of SSR modes by P1 to P3 spacing

Mode	P1 to P3 spacing (μ s)	Application
A	8 ± 0.2	ATC
B	17 ± 0.2	ATC
C	21 ± 0.2	Pressure altitude
D	25 ± 0.2	Unassigned

to correlate a radar return with the R/T transmission.

In the meantime, however, considerable development work had taken place and the International Civil Aviation Organisation had agreed the parameters for a civil form of IFF, to be known as Secondary Surveillance Radar (SSR).

Secondary Surveillance Radar

International agreement defined that the post-war SSR system should operate on L band with all ground stations (interrogators) operating on a frequency of 1030MHz, with the aircraft replying on 1090MHz.

The wartime development of IFF had shown that secondary radar has four main advantages over primary:

- 1) The transmitter need be of only relatively low power compared with primary radar equipment.
- 2) The returns, not being dependent on reflection but consequent to a transmission from the aircraft, are of superior signal strength and improved reliability.
- 3) The returns from the aircraft may be coded to pass information to the radar station.
- 4) As transmissions from the aircraft are used, the system cannot be degraded by weather returns.

These very advantages, however, gave rise to a series of problems. As the overall efficiency of the system was much higher, aeriels tended to be as small as possible so that they could be mounted on top of the associated primary aerial.

As anyone who has used a beam knows, all aeriels produce sidelobes, and the smaller the aerial the stronger these are. Furthermore, small aeriels radiate wide main lobes.

The sidelobes could interrogate the aircraft transponder as well as the main lobe, whilst the wide main lobe could cause poor target definition. Further problems were caused by the aircraft replying to interrogation pulses reflected from mountains or even high buildings.

But as the aircraft could provide a coded reply, how was the ground station to indicate to the aircraft which question it wanted answering? This was the next problem.

These setbacks have been gradually overcome by a combination of aerial design and signal processing techniques.

The Interrogation

The means for requesting specific information from the aircraft and overcoming difficulties due to sidelobes were determined in the basic concept of the SSR interrogation.

This comprises three pulses, designated P1, P2 and P3. Each of the pulses is 0.8 microsecond wide and the leading edge of P2 is 2 microsecond after that of P1. The position of P3 is variable, for reasons which will be given later.

P1 and P3 are radiated on the main beam of the array and P2, known as the SLS (Side Lobe Suppression) control transmission pulse is radiated omnidirectionally at such an amplitude that it is equal to, or stronger than, the strength of the strongest lobe of the aerial radiating P1 and P3. Furthermore, the level of P2 is arranged to be at a level lower than 9dB below the radiated amplitude of P1 within the desired arc of interrogation.

The design of the aircraft transponder is such that no reply will be given unless P1 exceeds P2 by at least 9dB, and if P2 exceeds P1 the transponder will be muted for thirty-five microseconds. This effectively eliminates any possibility of interrogation by sidelobe radiation.

As previously mentioned, the position of P3 is variable, this being the means by which the ground station indicates to the aircraft which information is required in the reply. This can be in one of four positions, either 8.0, 17.0, 21.0, or 25 microseconds after the leading edge of P1, these being known as Modes A, B, C and D respectively.

The reply

On receiving a valid interrogation, the aircraft transponder will radiate two framing pulses spaced 20.3 microseconds apart, between which, at 1.45 microsecond intervals after the first framing pulse, are the information pulses, of which up to thirteen may be present. These comprise four groups of three pulses and an additional position, designated X, which is at present unused.



A Corsor 'hog trough' aerial. This type is now being superseded by LVA aeriels (photo: Corsor)

The three pulses in each group correspond to values of 1, 2 and 4, enabling numbers from 0 to 7 to be coded in binary notation. Thus, with four groups, the numbers from 0000 to 7777 may be coded in Binary Coded Octal (BCO), corresponding from 0 to 4096 in the more common decimal notation.

The meaning of these codes is entirely dependent on the SSR mode in operation. For example, a Mode A reply represents the aircraft identification as allocated by air traffic control, whilst Mode C reply is completely automatic, giving an altitude readout from a pressure capsule within the equipment.

I mentioned earlier that, compared with the primary radar, the beam is relatively wide. In order to determine the

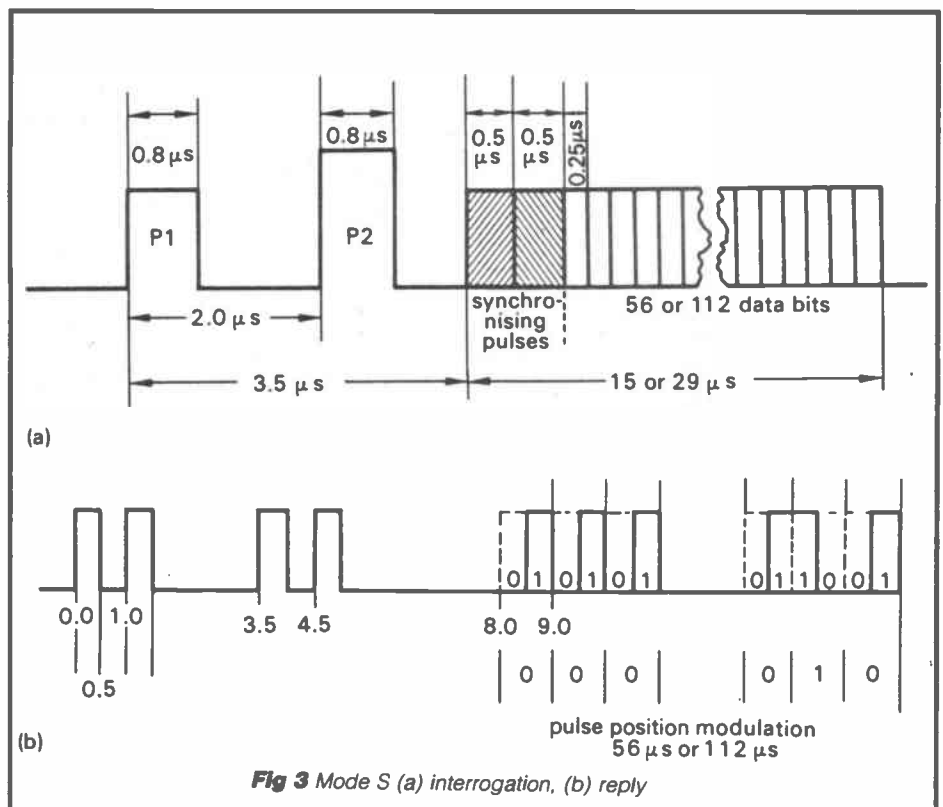
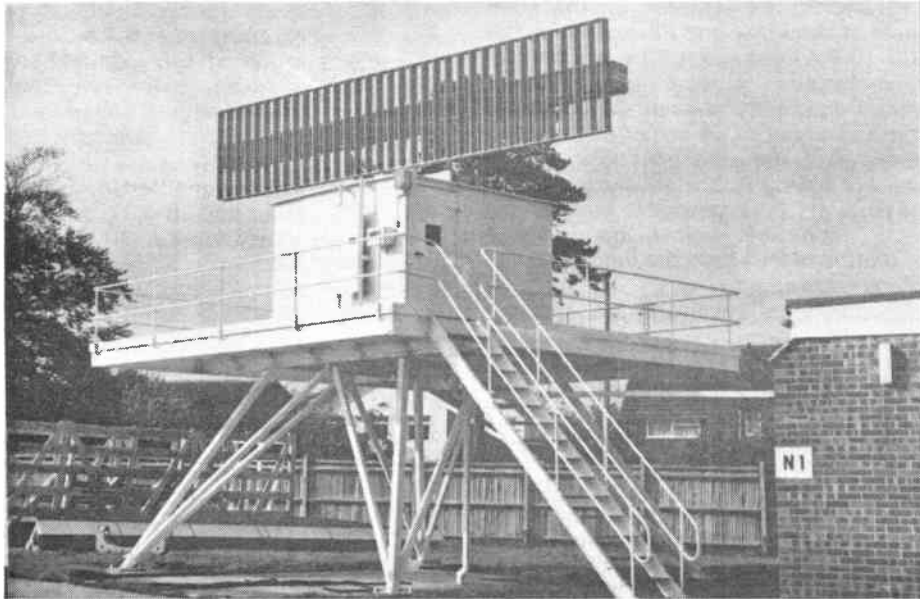


Fig 3 Mode S (a) interrogation, (b) reply

Secondary Surveillance Radar



An LVA aerial (photograph courtesy Cossor)

position of the target, the signal processing equipment derives a mean position for the target as it is illuminated by successive strikes from the interrogator. This is known as the Sliding Window method.

Unfortunately, for a number of reasons, the strength of the return is not necessarily constant and the derived position may be inaccurate. If this happens on a number of successive aerial rotations, the track of the target may appear to be an irregular zig-zag, even though the aircraft is flying a perfectly straight course.

This effect is known as track wander and was a problem for many years. Recently, however, the monopulse technique has been introduced which largely eliminates this effect.

With this technique, on reception, the radar aerial is effectively divided into two halves from which two separate

outputs are derived, one corresponding to both parts in phase (sum) and the other, antiphase (difference). These are fed to separate receiver chains, the phase and amplitude of the outputs being compared to derive the off-bore-sight bearing of the target.

As the bearing of the target is derived for every interrogation instead of only the first and last of each aerial rotation when using this method, a very considerable improvement in accuracy results compared with the Sliding Window.

LVA aeriels

Another disadvantage of using relatively small aeriels is that the beam is very wide in the vertical plane. Consequently, a proportion of the signal hits the ground and is reflected. This combines with the direct radiation and may interfere with the vertical polar diagram, causing heavy lobing. As the aircraft

passes through successive lobes and nulls, returns vary widely in strength and may be lost altogether from time to time.

This problem has been largely overcome by the use of Large Vertical Aperture (LVA) aeriels. In these, the height of the aerial is in the order of six wavelengths, resulting in a considerable reduction in vertical beamwidth, the effect being to reduce ground irradiation and consequent lobing effects. All current LVA aeriels are capable of Monopulse operation.

Signal processing

As all SSR interrogators and transponders operate on the same frequency, it is quite possible for an aircraft to be simultaneously interrogated by more than one radar station. Under such circumstances spurious returns, known as 'fruit', would be displayed at each of the radar displays.

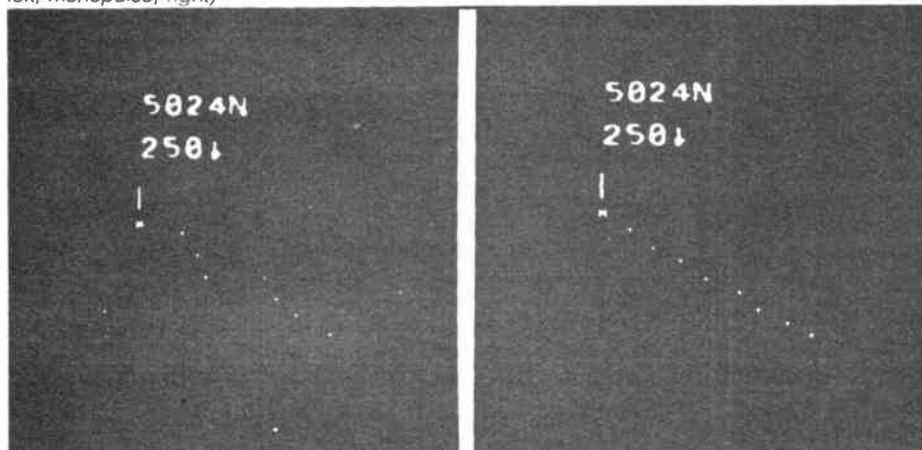
Circuits are therefore included at each station to eliminate any of these returns which may be present. The method used is a pulse to pulse comparison of returns. If valid, a return will appear sensibly at the same range for each scan. By comparing several scans, a pattern is established and the equipment can readily derive the valid plots. Not surprisingly, this equipment is known as the 'defruiter'.

At remote radar stations, the plots are then converted from bearing-range format into a digital word representing the position in Cartesian co-ordinates together with the coded aircraft reply. These are then transmitted by landline to the Air Traffic Control Unit or Centre.

Mode S

Effective though present SSR may be, its capacity to handle traffic is obviously limited. Although this point has not yet been reached, it will happen in extremely busy airspace within the foreseeable future, for even now London Air Traffic Control Centre is handling approaching a million aircraft movements per year.

The photographs clearly show the reduction in track-wander, by use of monopulse (sliding window, left; monopulse, right)

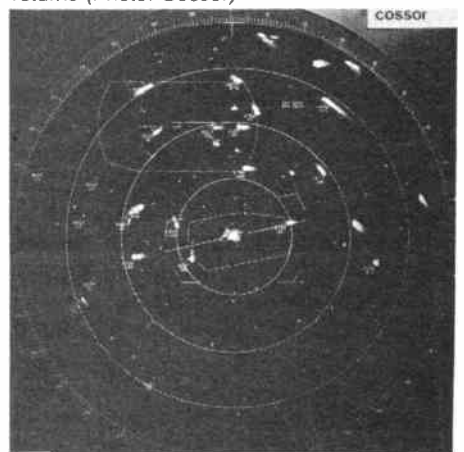


Conventional SSR

Cossor monopulse SSR

(Simultaneous plots of a real aircraft)

The end result – a high definition radar display showing both primary and secondary radar returns (Photo: Cossor)



Secondary Surveillance Radar

This problem was recognised over fifteen years ago and development work took place both in the United States and in the United Kingdom. In the US, the system was known as Discrete Address Beacon System (DABS) whilst in the UK it was called Address SElective SSR (ADSEL).

In 1974, both countries joined in a series of discussions, with the result that both systems were made compatible and further development was on a co-operative basis. The system is now called Mode S.

In this, the ground equipment operates on the same frequencies as SSR. Monopulse techniques are invariably employed, resulting in an accuracy of bearing in the order of five minutes of arc. Improved transponder design is predicted to result in a ranging accuracy of approximately 100ft.

In addition to the Mode S operation, the ground interrogator will also radiate standard SSR modes for aircraft not specially equipped.

The mode S interrogation differs from standard SSR because P2 is of greater amplitude than P1. This is followed by two synchronising signals and a data stream of either 56 or 112 bits. As this will include the aircraft identification, only

one aircraft will reply at any one time.

The aircraft reply begins with a synchronising preamble of two pairs of 0.5 microsecond pulses, followed by a data block of 56 or 112 bits using pulse position modulation.

From time to time, the ground station will transmit a special interrogation known as SSR/Mode S ALL CALL. This takes the form of a normal SSR interrogation with an additional P4 pulse radiated 1.5 microseconds after P3. P4 will be ignored by SSR-only equipped aircraft, who will give a normal SSR reply. Mode S transponders will recognise P4 as a roll call request and will reply with an 'all call' response, comprising the aircraft identity and the capability of the onboard equipment.

Initially, two main advantages will accrue from the introduction of Mode S. As aircraft will only reply when they are specifically interrogated, many spurious emissions will be eliminated, thus giving the system the capability of handling far higher traffic levels.

Secondly, there is sufficient capacity allocated within the aircraft address data block to enable every aircraft in the world, within the foreseeable future, to have a discrete identification.

The uses to which the data handling

capability of the system may be put have not, as yet, been standardised. This may well include much of the information which is, at present, given over the already overcrowded VHF R/T channels, thus providing additional benefits.

Mode S is not as yet in common use, but trial equipment has been fitted in several British aircraft and has been on test for several years. Furthermore, all the SSR equipment currently being installed in the United Kingdom's current radar re-equipment programme use Monopulse, are fitted with LVA aerials and are capable of being upgraded to Mode S operation when required.

In my next article I shall describe the operation of an Air Traffic Control Centre, how the primary radar and SSR signals are processed and displayed, and how these combine with the R/T networks which I described in my first article.

If you have missed the first four instalments of this series, contact our Back Issues Department at the address on page three.

RADIO & ELECTRONICS WORLD BACK ISSUES

TO: Back Issues Department • Radio & Electronics World • Sovereign House • Brentwood • Essex • CM14 4SE

NAME

ADDRESS

.....

..... POSTCODE

PLEASE SUPPLY: (state month and year of issue/s required) NOTE: Jan & Feb '82, Dec '83, Mar and Aug '86 are not available

..... at £1.45 each

PAYMENT ENCLOSED: £

Cheques should be made payable to Radio & Electronics World. Overseas payment by International Money Order or credit card.

CREDIT CARD PAYMENT:

EXPIRY DATE /

SIGNATURE.....

C P I

Prices below normal trade. Some 1/10 quantity rate. Send 18p SAE or label for free catalogue. (OVERSEAS 2 REPLY COUPONS)

Millions of components: thousands of different lines

Rechargeable Nickel Cadmium batteries (ex unused equipment) AA(HP7) 1.25 volt 500 mA..... Set of four £2
ITT Mercury Wetted relay 20-60 VDC Coil. SPCo, 2A..... 79p. 10-£5
LED illuminates Red, Green or Yellow depending upon polarity/current. 5 x 2½mm Face
..... 25p or 100 for £23 or 1000 for £200
10,000 Resistors. ½ to 2 watt. 1Ω to 22meg. ½% to 10% NOT a jumbled mass, but ready sorted into values
..... £25 collected £29 Mail Order
5mm Red Flashing LED 25p or 10 for £2.25
Watch/Calculator/Lighter etc Mercury Batteries Made by Ray-O-VAC 10 mixed popular sizes £1.50, 50 for £5.00
IN4004 or IN4006 Diodes..... 300 for £6.50
KBS005/01/02 3 amp 50 V/100 V/200 V/bridge rectifiers, 35p/36p/40p. 10 off £3.20/£3.40/£3.70. 100 off £30/£31/£34
Plessey SL403 3 Watt amp, From Bankrupt source, hence sold as untested..... 4 for 60p or 10 for £1.20p
5mm LED, clear, lighting hyperbright (600mcd), red up to 200 times brighter (gives beam of light) 25p, 100/£20, 1000/£150
Mullard 5mm LED, 40 red, 30 green, 30 yellow = 100 mixed £7
'HARVI' Hardware packs (nuts-bolts-screws-self tappers, etc) marked 35p retail, 100 mixed packs for £11.
Modern silver/black/aluminium, etc knobs 50 mixed, £6 (sent as 10 sets of 4 + 5 sets of 2 - 15 different type/sizes).

SEND PAYMENT PLUS 18p SAE

Postal orders/cash - prompt dispatch.
Cheques require 9 days from banking to clear.

**Cheques drawn on Barclay's Bank not accepted.
Prices you would not believe before Inflation!**

BRIAN J REED

**TRADE COMPONENTS, ESTABLISHED 31 YEARS
161 ST JOHNS HILL, CLAPHAM JUNCTION
LONDON SW11 1TQ.**

Open 11am till 6.30pm Tues to Sat. Telephone 01-223 5016

ELMASSET INSTRUMENT CASE

300x133x217mm deep £10.00 ea (£2.20)

REGULATORS

LM3177 Plastic T0220 variable £1
LM317 Metal £2
7812 Metal 12v 1A £1.00
7805/12/15/24 plastic 80p 100 + 27p
7905/12/15/24 plastic 80p 100 + 27p
CA3085 T099 Variable regulator £1
LM338 5A variable £5

COMPUTER ICs

27128 250n³ NEW £3.50
68008 Processor Ex-Equip £5
27256-30 ex-eqpt £3.00
2764-30 USED £2
1702 EPROM ex equip £5.00
2732-45 USED £2 100+ £1.50
2114 EX EQPT 60p 4116 EX EQPT 70p
6264LP15 8K static ram £2.80
6116-3 (TC5517AP) £1.50
4416 RAM £3.50
ZN427E-8 £4.00
ZN428E-8 £4.00

SURFACE MOUNTED TRANSISTORS

BCW31 BCW72 NTAV70 152836 min 50/type 100/£2.50

TRANSISTORS

BC107 BCY70. Pre formed leads full spec
20/£1 100/£4 £30/1000

POWER TRANSISTORS

POWER FET IRF9531 8A 60V P channel to 220 2/£1
2N3055 RCA Home numbered 5/£2
2SC1520 sim BF259 3/£1 100/£22
TIP141, 142/146, E1 ea, TIP112, 125, 42B 2/£1
TIP35B E1.30 TIP35C £1.50
SE9302 100V 10A DARL SIM TIP121 2/£1
2N3055 Ex eqpt tested 4/£1
Plastic 3055 or 2955 equily 50p 100/£35
2N3773 NPN 25A 160V £1.80 10/£16
BD132 5/£1

QUARTZ HALOGEN LAMPS

A1/216 24v 150w £2.25
H1 12v 55w (car spot) £1.50

NICKEL CADMIUM BATTERIES

7.2 Volts 1.8A/hr C Cells in packs of 6 £5 P&P £1

ZIF SOCKETS

TEXTOL single inline 32 way. Can be ganged for use with 24, 28 and 40 way DIL devices, Dual inline 2/£1.50

MISCELLANEOUS

Small Microwave Diodes AEI DC1028A 2/£1
Moulded Inductor 47 OuH size of a 1 watt film resistor 5/£1.00
To - 220 Heat Sink sim RS 403-162 10/2.50
D.I.L. Switches 10 Way £1 8 Way 80p. 4/5/6 Way 50p
180 Volt 1 watt ZENERS ALSO 12V 20/£1
Miniature coaxial cable RG316U £0.50/metre
Olivetti logos calculator keyboard (27) key plus 12 Digit fluorescent display on driver board (ie calculator less case, transformer and printer) £1.30
Plastic Equipment case 9x6x1.25" with front and rear panels containing PCB with eprom 2764 -30 and ICS 7417 LS30 LS32 LS74 LS367 LM311 7805 Reg. 9 way D plug, push button switch, din socket £1.90
VNIOLM 60V 1/25ohm TO-92 mosfet 4/£1. 100/£20
MIN GLASS NEONS 10/£1
RELAY 5v 2 pole changeover looks like RS 355-741 marked STC 47WBO5T 2/£1
OMRON RELAY 3.6volt coil 2p c/o contacts marked G4D-287P-BT2 2/£1
MINIATURE CO-AX FREE PLUG RS 456-071 2/£1
MINIATURE CO-AX FREE SKT RS 456-273 2/£1.50
STRAIN GAUGES 40 ohm Foil type polyester backed balco grid alloy £1.50 ea 10+ £1
DIL REED RELAY 2 POLE n/o CONTACTS £1
Zettler 24v 2p c/o relay 30x20x12mm sim. RS 348-649 £1.50 100+ £1

ELECTRET MICROPHONE INSERT £0.90
Linear Hall effect IC Micro Switch no 613 SS4 sim RS 304-267 £2.50 100+ £1.50
Hall Effect IC UGS3040 + MAGNET £1.00
OSCILLOSCOPE PROBE SWITCHED X1X10 £10
CHEAP PHONO PLUGS 100/£2 1000/£18
1 pole 12 way rotary switch 4/£1
AUDIO ICS LM380 LM386 £1 ea
555 Timer 5/£1 741 Op AMP 5/£1
COAX PLUGS nice ones 4/£1
4 x 4 MEMBRANE KEYBOARD £1.50
15,000uF 40V SPRAGUE 36D £2.50 (£1.25)
INDUCTOR 20uH 1.5A 5/£1
NEW BT PLUG + LEAD £1.50
1.25" PANEL FUSEHOLDERS 5/£1
CHROMED HINGES 14.5 x 1" OPEN £1 ea
TOK KEY SWITCH 2 POLE 3 KEYS ideal for car/home alarms £3
12v 1.2W small wire ended 1 amps fit AUDI VW TR7 SAAB VOLVO 10/£1
12V MES LAMPS 10/£1
STEREO CASSETTE HEAD £2
MONO CASS. HEAD £1 ERASE HEAD 50p
THERMAL CUT OUTS 50 77 85 120C £1 ea
THERMAL FUSE 121C 240V 15A 5/£1
TRANSISTOR MOUNTING PADS TO-5/TO-18 £3/1000
TO-3 TRANSISTOR COVERS 10/£1
STICK ON CABINET FEET 30/£1
PCB PINS FIT 0.1" VERO 200/£1
TO-220 micas + bushes 10/50p 100/£2
TO-3 micas + bushes 20/£1
Kynar wire wrapping wire 2oz £1
PTFE min screen cable 10m/£1
Large heat shrink sleeving pack £2
CERAMIC FILTERS 6M/9M/10.7M 50p 100/£20
TOKIN MAINS RFI FILTER 250v 15A £3
IEC chassis plug rfi filter 10A £3
Potentiometers short spindles values 2k5 10k 25k 1M 2M5 new value 5/£1
500k lin 500k log 4/£1
40Khz ULTRASONIC TRANSDUCERS EX-EQPT NO DATA £1/pr
PLESSEY INVERTER TRANSFORMER 11.5-0-11.5v to 240v 200VA £6 (£3)

ZENERS

5.6V IW3 Semikron 50K available £25/1000

DIODES & RECTIFIERS

3 amp 100v Recs short wire ended
SIM IN5401 25/£1 £30/1000
BAW76 Equiv IN4148 £60/10,000
1N4148 100/£1.50
1N4004/SD4 1A 300V 100/£3
1N5401 3A 100V 10/£1
BA158 1A 400V fast recovery 100/£3
BA159 1A 1000V fast recovery 100/£4
120v 35A stud 65p
12FLO 12A 200V small stud 4/£1.50 100/£25
BY127 1200V 1.2A 10/£1
BY254 800v 3A 8/£1
BY255 1300v 3A 6/£1
6A 100V Similar MR751 4/£1
VM88 800mA 100VDIL b/REC 5/£1
1A 800v bridge rectifier 4/£1
4A 100V bridge 3/£1
6A 100v bridge 50p
8A 200V Bridge 2/£1.25
10A 200v bridge £1.50
25A 200v bridge £2 ea 10/£18
25A 400v bridge £2.50 10/£22

SCRs

2P4M equiv C106D 3/£1 100/£20
MCR71-6 10A 600v SCR £1
35A 600v stud £2
TICV106D .8A 400v SCR 3/£1 100/£15
MEU21 Prog. unijunction 3/£1
TRIACS
NEC Triac ACO8F 600V TO 220 5/£2 100/£30
NEC Triac 150L Tab TO220 6A 400V 2/£1
ACOV8FGM 800mA 400V T092 TRAC 3/£1
Diacs 4/£1
TXAL225 8A 400V 5mA gate 2/£1 100/£35

diacs 25p

TRAL 2230D 30A 400V isolated stud £4 each

CONNECTORS

34 way card edge IDC CONNECTOR (disk drive type) £1.25
Centronics BBC Printer lead £3.00
Centronics 36way IDC plug £4 10+ £3.50
Centronics 36way IDC skt £4
Centronics 36way plug (solder type) £4
USED Centronics 36W plug & socket £3
'D' 9-way £1; 15-way £1.50; 25-way £2
37-way £2; 50-way £3.50; covers 50p ea

WIRE WOUND RESISTORS

W21 or Sim 2.5W 27R 10 of one value £1
R10 0R15 0R22 2R0 2R7 3R9 4R7 5R0 5R6 8R2 10R 12R 15R 18R 20R 22R 27R 33R 36R 47R 56R 62R 75R 91R 100R 120R 180R 390R 430R 470R 560R 680R 820R 910R 1K15 1K2 1K5 1K8 2K4 2K7 3K3 3K0 5K0 10K R05 (50 milli-ohm) 1% 3W 4 for £1 W22 or Sim 6W 7 of one value £1
R47 R62 1R0 1R5 1R8 3R3 6R8 9R1 10R 12R 20R 24R 27R 33R 51R 56R 62R 68R 100R 120R 180R 220R 270R 390R 560R 620R 910R 1K0 1K2 1K5 1K8 2K7 3K3 3K9 4K7 8K2 10K
W23 or Sim 9W 6 of one value £1
R22 R47 1R0 1R1 15R 56R 62R 68R 100R 120R 180R 220R 300R 390R 680R 1K0 1K5 5K1 10K W24 or Sim 12W 4 of one value £1
R50 1R0 2R0 6R8 9R1 10R 18R 22R 27R 56R 68R 75R 82R 100R 150R 180R 200R 220R 270R 400R 620R 6K8 8K2 1K0 10K 15K

PHOTO DEVICES

BPW50 Infra red photo Diode 3/£1
Slotted opto-switch OPCOA OPB815 £1.30
2N5777 50p only
TIL81 T018 Photo transistor £1
TIL38 Infra red LED 5/£1
OPI2252 Opto Isolator 50p
Photo diode 50p 6/£2
MEL12 (Photo darlington base n/c) 50p
RPPY58A LDR 50p ORP12 LDR 70p
GREEN or YELLOW 3 or 5mm 10/£1 100/£6.50
FLASHING RED OR GREEN LED 5mm 50p 100/£35

SUB MIN PRESETS HORIZONTAL

1K 4K7 10K 22K 47K 1M 10M 15/£1 100/£5

MULTI TURN PRESETS

10R 20R 100R 200R 250R 500R 50p
2K 5K 10K 22K 50K 100K 200K 2K2 2K5 47K 500K 2M2

IC SOCKETS

6-pin 15/£1 8-pin 12/£1; 14-pin 10/£1.00; 18/20-pin 7/£1; 22/24/28 pin 4/£1 40 pin 30p

TRIMMER CAPACITORS

Grey larger type 2 to 25pF Transistors 2N4427 60p
Feed Thru Ceramic Caps 1000pF 10/£1

SOLID STATE RELAYS NEW 10A 250v AC

Zero voltage switching Control voltage 8-28v DC £2.50
40A 250V AC Solid State relays £18

POLYESTER/POLYCARB CAPS

1n/3n/5n/6n/2/10n 1% 63v 10mm 100/£6
2u2 160v rad 22mm 100/£10
33n/47n 250v AC X rated rad 15mm 10/£1.00
1u 600V Mixed dielectric 50p

STC NTC BEAD THERMISTORS

G22 220R G13 1K G23 2K G54 50K G25 200K G16 1M Res@20°C directly heated type £1 each
FS22BW NTC Bead inside end of 1" glass probe res @ 20°C 200R £1.00

BEAD TANTALUM CAPS

8 25V 47u 3V 12/£1 100/£6
2u2 20V 8/£1 100/£8

MONOLOTHIC CERAMIC CAPS

10n 50V 2.5mm 100/£4.50
100n 50v 2.5mm or 5mm 100/£6
100N 50V axial Shortleads 100/£3
100n ax long leads 100/£6

STEPPER MOTOR 4 PHASE 2 9v WINDINGS

£3.50 10/£30

KEYTRONICS

MAIL ORDER ONLY

P.o. Box 634

Bishops Stortford, Herts, CM23 2RX

TELEPHONE: 0279 505543

ELECTRONIC COMPONENTS BOUGHT FOR CASH

MIN CASH ORDER £3.00 OFFICIAL ORDERS WELCOME
UNIVERSITIES COLLEGES SCHOOLS GOVT DEPARTMENTS
MIN. ACCOUNT ORDER £10.00

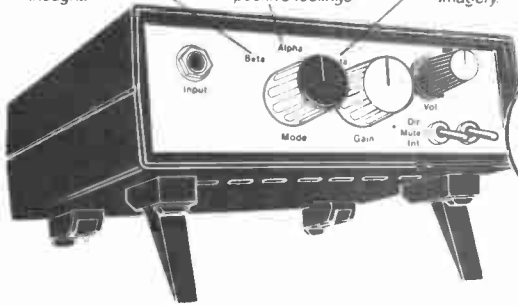
P&P AS SHOWN IN BRACKETS (HEAVY ITEMS)
65p OTHERWISE (LIGHT ITEMS)

ADD 15% VAT TO TOTAL



Brainwave monitor

- B** BETA - Concentration, problem solving, active thought.
- A** ALPHA - Relaxation, pleasure, tranquility, positive feelings.
- T** THETA - Imagination, creativity, hypnotic imagery.



BRAINWAVE MONITOR PARTS SET ONLY
£36.90
 + VAT

This unique project will allow you to hear your own brainwaves! Through a simple training program you can learn to control them and achieve peak performance in all situations. It will revolutionise your life!

The approved parts set contains two PCBs, all components, including three PMI precision amplifiers; shielded box for screening the bio-amplifier, attractive instrument case with tilting feet; controls, switches, knobs, plugs, sockets; leads and brass electrodes, full instructions for assembly and use.

Parts are available separately. We also have a range of accessories, professional electrodes, books, etc. Please send a stamped, self-addressed envelope if you just want the lists. Otherwise, an SAE + £2 will bring you lists, construction details and further information.



THE ALPHA PLAN

Can you really train your mind to think more effectively? Can you really excel at things you're no good at? The Alpha Plan has all the answers! £2.50 (no VAT)



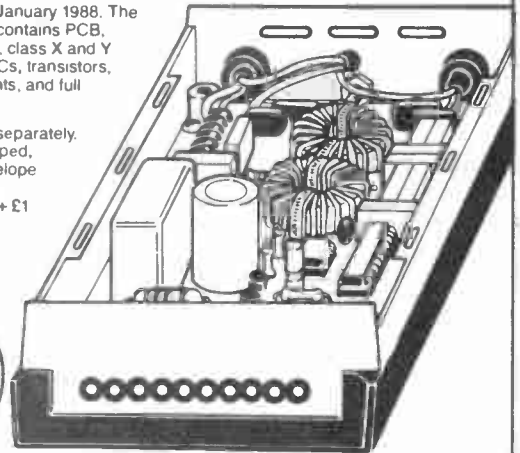
SILVER SOLUTION

Just wipe on with a cloth to plate PCB tracks, connectors, wire component leads, coins or household ornaments with a layer of pure silver. It must be magic! LARGE BOTTLE (150ml) SILVER SOLUTION £11.20 + VAT

POWER CONDITIONER

As featured in ETI, January 1988. The approved parts set contains PCB, case, toroidal cores, class X and Y capacitors, VDRs, ICs, transistors, LEDs, all components, and full instructions.

Parts are available separately. Please send a stamped, self-addressed envelope if you want the lists. Otherwise, an SAE + £1 will bring you lists, construction details and further information.



POWER CONDITIONER PARTS SET ONLY
£28.50
 + VAT

- For those who will only be satisfied with the best
- Use with Hi-Fi, computers, radios, TV sets to eliminate mains-borne interference
- 10 LED logarithmic display shows the amount of interference removed
- Massive filter section with thirteen capacitors and two current-balanced inductors
- Bank of six VDRs to remove transients and spikes
- Suppresses common mode and differential mode interference

Complete Parts Sets for ETI Projects

MAINS CONTROLLER

FEATURED IN ETI, JANUARY 1987

Have you ever wondered what people do with all those computer interfaces? Put your computer in control, say the ads. The Spectraebec has eight TTL outputs. What on earth can you control with a TTL output? A torch bulb?



The ETI Mains Controller is a logic to mains interface which allows you to control loads of up to 500W from your computer or logic circuits. An opto coupler gives isolation of at least 2500V, so the controller can be connected to experimental circuits, computers and control projects in complete safety. Follow your computer interface with a mains controller and you're really in business with automatic control!

The mains controller connects directly to most TTL families without external components, and can be driven by CMOS with the addition of a transistor and two resistors (supplied).

Your mains controller parts set contains: high quality roller lined PCB, MOC3021 opto coupler, power track with heatsink, mounting hardware and heatsink compound, all components, including snubber components for switching inductive loads, transistor and resistors for CMOS interface. Full instructions.

MAINS CONTROLLER PARTS SET £6.20 + VAT



KNIGHT RAIDER

FEATURED IN ETI, JULY 1987

The Knight Raider brings direct to you the most brilliant, Master, RMW, and any other light for the night. Picture this: lights in the sky, the sun in the night, the stars. You look at a switch on the dashboard, and a beam of light moves away from left to right, lighting a corner of the room. Picture this with a push and the power light returns a life, pointing backward and forward, and so on. Picture this, and try to imagine the main lights are there.

The Knight Raider is a brilliant, and it makes an excellent light for the night, with top powered built-in control, any other pedal or remote control is optional. The light is...

The Knight Raider parts set includes: switches, LEDs, PCB components, hardware and materials. The required board includes PCB, to provide PE to components, hardware and instructions.

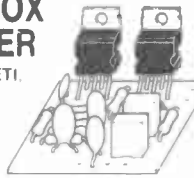
KNIGHT RAIDER CONTROL BOX ONLY £6.90 + VAT

KNIGHT RAIDER SEQUENCE BOARD ONLY £13.90 + VAT

MATCHBOX AMPLIFIER

FEATURED IN ETI, APRIL 1986

No ordinary amplifiers these. When our first customers took an interest in was for the diminutive size (both modules will fit in a matchbox!), the total disregard for power supplies and speaker impedances, and the impressive power output from these little amplifiers. When they re-ordered, it was for the sound quality.



Two amplifier modules were described, both based on the powerful L165V IC. The single IC version will deliver over 20 Watts with a suitable speaker and power supply. The bridge version can provide up to 50W! Although the specified supply voltage and speaker impedance must be used to achieve maximum power, both modules are quite happy to work from any voltage between 12V and 32V and will accommodate any type of speaker. The bridge version is ideal for giving a boost to car Hi-Fi systems, driving two 4 Ohm speakers in parallel on each channel for best effect.

Both designer approved parts sets consist of a roller lined printed circuit board and all components. The L165V ICs are also available individually, with a free mini data sheet giving specifications and suggested circuits.

SINGLE MATCHBOX BRIDGE L165V IC
AMPLIFIER SET AMPLIFIER SET WITH DATA
£6.50 + VAT £8.90 + VAT £3.90 + VAT

POWERFUL AIR IONISER

FEATURED IN ETI, JULY 1986

Ions have been described as vitamins of the air by the health magazines, and have been credited with everything from curing hay fever and asthma to improving concentration and putting an end to insomnia. Although some of the claims may be exaggerated, there is no doubt that ionised air is much cleaner and purer, and seems much more invigorating than dead air.



The DIRECT ION ioniser caused a great deal of excitement when it appeared as a constructional project in ETI. At last, an ioniser that was comparable with (better than?) commercial products, was reliable, good to build, and fun! Apart from the serious applications, some of the suggested experiments were outrageous!

We can supply a matched set of parts fully approved by the designer, to build this unique project. The set includes a roller lined printed circuit board, 66 components, case, mains lead, and even the parts for the tester. According to one customer, the set costs about a third of the price of the individual components. What more can we say?

DIRECT ION PARTS SET WITH BLACK CASE £11.50 + VAT Instructions are included.
WITH WHITE CASE £11.80 + VAT

SPECIAL OFFERS

- AD7541 Precision 12 bit multiplying DAC £1.20 + VAT
- LM3524 Switch mode regulator IC £0.80 + VAT
- CF585 Calculator IC £1.00 + VAT
- LM339 Quad comparator IC 3 for £1.00 + VAT
- MC1458 Dual op amp 3 for £1.00 + VAT

All ICs supplied with FREE DATA. Prices apply only while stocks last.

LM2917 EXPERIMENTER SET

Consists of LM2917 IC, special printed circuit board and detailed instructions with data and circuits for eight different projects to build. Can be used to experiment with the circuits in the 'Next Great Little IC' feature (ETI, December 1986).

LM2917 Experimenter Set £5.80 + VAT

RUGGED PLASTIC CASE

suitable for mains conditioner and mains controller

ONLY £1.65 + VAT



LEDs

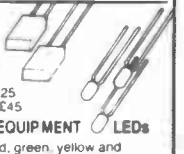
Green rectangular LEDs for bar-graph displays

50 for £3.50 500 for £25

100 for £6 1000 for £45

DIGITAL AND AUDIO EQUIPMENT LEDs

Assorted 3mm LEDs, red, green, yellow and orange, 25 of each (100 LEDs) for **£6.80**



Prices shown are exclusive of VAT, so please add 15% to the order total. UK postage is 70p on any order. Carriage and insurance for overseas orders £4.50. Please allow up to 14 days for delivery.

Specialist
SEMICONDUCTORS
 LIMITED

SALES DEPT.
 ROOM 109
 FOUNDERS HOUSE
 REDBROOK
 MONMOUTH
 GWENT

USER REVIEW

THE SPACETECH WXSAT

WEATHER SATELLITE RECEIVING STATION

by Ken Michaelson G3RDG

Having run an efficient FAX system giving printouts of weather transmissions on the HF bands for some years, I enjoyed reviewing this complete high specification weather satellite system based on the BBC computer. The system receives and displays pictures transmitted from the orbiting satellites in the frequency range 136-138MHz. As supplied it is suitable for working with the BBC 'B' computer and consists of a receiver, a BBC interface, an EPROM, a BBC software disc, a ROM and a test tape. A circularly polarised crossed dipole with reflectors and masthead preamplifier are supplied as standard.

The receiver under scrutiny is the well-known Martelec MSR20 VHF receiver. It measures approximately 230mm (9in) wide by 65mm (2.5in) high by 133mm

(5.5in) deep. The case is in two 'U' shaped halves, the lower one containing the PCB and switches, etc, with the top 'U' acting as a cover. The lower half is finished in gloss black enamel while the top piece is covered in black Rexine. The lettering channel indications and control knobs are in yellow.

The receiver is a high performance, dual conversion job providing coverage of the numerous orbiting satellites which transmit signals in this band. It features very low noise, automatic adjustable audio mute, automatic cassette recorder switching and electronic crystal switching. A scanner facility and a signal strength meter are available as optional extras, although neither were fitted to the review unit. There is a brief specification of the MSR20 in the table.

In order to achieve good quality pictures, a receiver must have low noise, high sensitivity and adequate bandwidth. This model differs slightly from most scanning receivers in that it has a 50kHz bandwidth. This is because the transmitted signal has an FM deviation of ± 17 kHz, and a further 4kHz is necessary to take account of the Doppler shift of the passing satellite. The data would be seriously degraded if this bandwidth were reduced, but unnecessary noise would be introduced if the bandwidth

were increased beyond 50kHz.

The receiver has good front end sensitivity, provided by two stages of RF amplification, using a BF981 MOSFET and a 3SK88 MOSFET in that order. The local oscillator is of standard Colpitts design, running at about 14MHz. The six channels which are available are selected electronically by applying a current to one of the switching diodes. Only two channels were available on the review receiver, NOAA 9 on 137.62MHz and NOAA 10 on 137.5MHz. Each of the crystals can be trimmed by adjustment of individual trimming capacitors.

The second IF is produced within IC1, an SL6601, and the amplified signal is then demodulated by the on-board phase locked loop detector, passing through a lowpass filter to the TBA820M audio amplifier via the volume control. The loudspeaker provides an ample audible output of about 500mW. The SL6601 chip also features a noise mute output on pin 6 which goes 'low' in the presence of a strong signal. This facility is used to provide three things:

- Audio muting of the loudspeaker output
- Automatic cassette recorder switching
- A 'stop' signal for the scanner (optional).

The 'mute' threshold is adjusted using a preset control and incorporates a dropout delay of about 2.5s to loss of sync when the signal fades temporarily. A relay is used to switch on a cassette recorder when remotely recording a satellite pass; a second pair of contacts on the relay is used to open circuit the audio signal path to the TBA820M amplifier in the absence of a signal.

The SL6601 IC has a signal strength output on pin 4. This can be utilised to operate an optional signal strength module, which was not supplied with the review unit. There is also provision on the board for a 12 volt power supply to be fitted; all that is needed is a mains transformer.

The next unit is the interface. Its purpose is to enable the user to display live pictures on any BBC computer - with the exception of the Compact - whilst they are being transmitted from polar orbiting satellites. The case is of the

MSR20 SPECIFICATIONS

RF bandwidth	2MHz (136-138MHz)
IF bandwidth	50kHz
IFs	10.7MHz (1st IF) 300kHz (2nd IF)
Image rejection ratio	>100dB
Sensitivity (12dB quieting) (fully quieting)	0.15 μ V 0.6 μ V
Audio output (8 ohm load)	500mW
Supply voltage (direct)	9-15V
(via regulator)	14-20V
Supply current (with $V_s = 12V$) (dependent upon relay state)	125-165mA



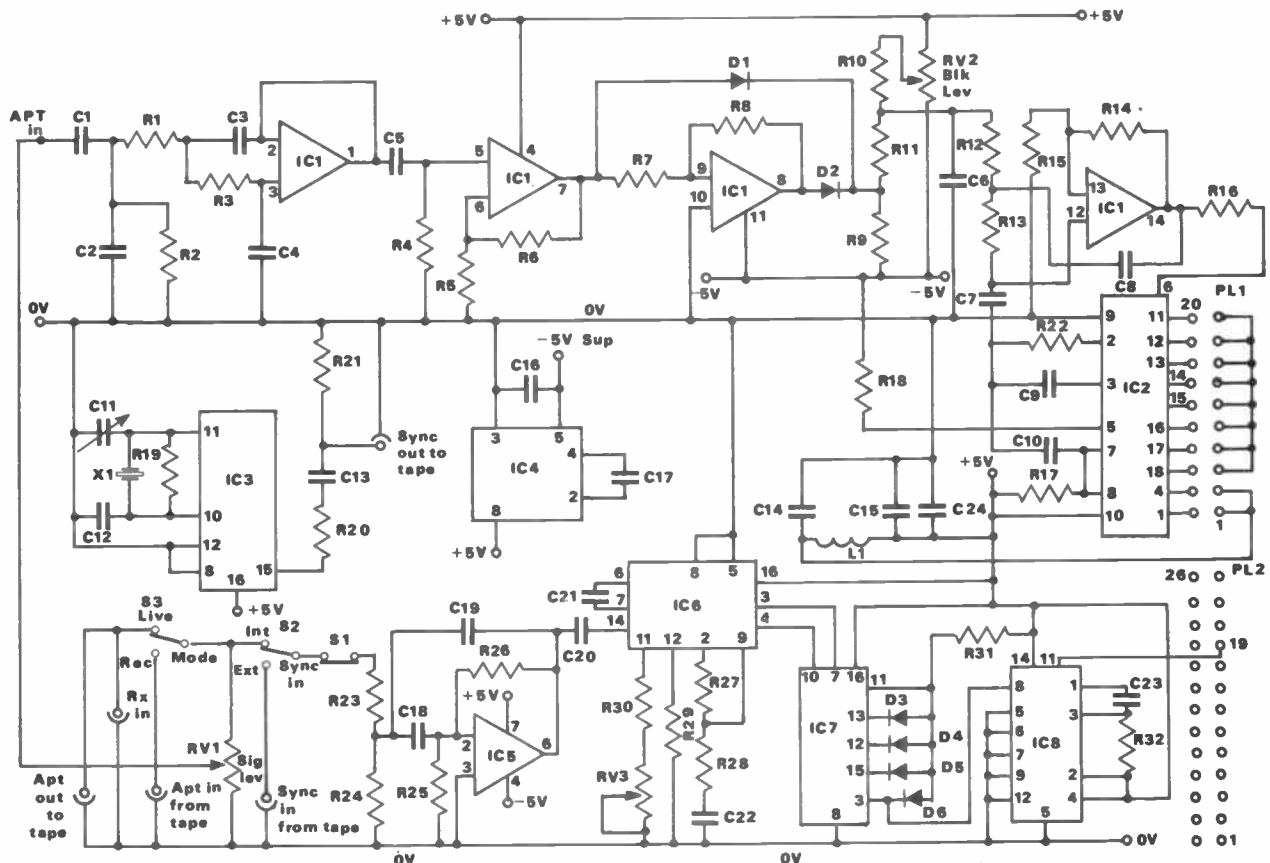


Fig 1 MS520 WXSAT interface circuit diagram

same design as the receiver. It has six controls on the front panel, two 'LEVEL' pots (white/black), two 'MODE' switches (live/tape), 'SYNCH' (int/ext) and two push-on switches labelled 'SLIP' (left/right). It measures 155mm (6.1in) wide by 50mm (2in) high by 110mm (4.4in) deep and can comfortably sit on top of the MSR20 receiver.

The operator is able to set it up for operation with the test tape provided. The interconnections are relatively straightforward. Three lengths of cable are provided, one having a 5-way 180 degree DIN plug at one end and three phono plugs at the other: white (signal), yellow (remote tape switching) and red (which is spare, and may be used for an external speaker). The DIN end of this cable plugs into the rear panel of the MSR20 receiver.

At the rear of the interface case two lengths of ribbon cable emerge, one being a 20-way with a female IDC plug on the end fitting into the 'user' port of the BBC. The other is a 26-way with a similar plug to be inserted into the printer port of the machine. At the same time the white lead from the receiver is plugged into the 'RX IN' socket of the interface. Here, one of the other two cables comes into use. It is a twin lead and has 3.5mm plugs fitted at either end, coloured red and black.

This is used to connect from the 'tape

in' and 'tape out' sockets at the rear of the interface unit to the 'mic' and 'ear' sockets of the tape recorder. I used a normal Thorn-EMI mono tape recorder with 'mic', 'ear' and 'remote' sockets, and now the yellow phono plug on the DIN lead (which has the necessary 2.5mm plug on the end) is plugged into the remote socket of the recorder.

The next operation is to install the ROM into the BBC computer. Care must be taken to ensure that all the pins are inserted in the socket and not bent over underneath. The ROM can be inserted into any empty socket with the notch orientated in the same direction as the other ROMs. The utility disc is then placed in the disc drive and loaded into the Beeb by pressing 'SHIFT-BREAK'. The software can also be supplied on cassette. It is not necessary to use the utility disc at all if you don't want to get too involved.

The ROM has many powerful features; all you need to do is connect up the hardware as mentioned above and then type '*DECODE<RETURN>'. The screen will then clear and a picture will start to build up from the bottom, line by line.

I first used the test tape, playing the pre-recorded 'grey scale' and moving the MODE switch to 'tape' and the SYNCH switch to 'int'. It is necessary to temporarily remove the remote plug

from the tape recorder, otherwise the cassette motor will not run. The black and white levels can then be adjusted by means of the controls on the interface until a satisfactory graduation from black to white across the picture is achieved. The controls might require slight adjustment later, depending on which satellite is being received.

Since the review receiver only contained crystals for the two channels NOAA9 and NOAA 10, I only had to press function key F5 (for NOAA satellites) and F6 (for X1 zoom), followed by F1 to start. One has to remember to change the mode switch from 'tape' to 'live'; I forgot the first time! If a mono tape recorder is used, the SYNCH switch has to be left in the 'int' (internal) position.

I am fortunate in having a copy of the Satfoot program, which gives a graphic display of satellite footprints. This is the area of the Earth's surface from which the satellite is visible at any given moment. The program can display up to ten satellites at the same time in addition to the sun. All that is necessary is to enter, from time to time, updated orbital parameters (known as Keplerian elements, these are published by RIG and AMSAT-UK periodically). With the use of this program, I was able to determine the time that either NOAA9 or NOAA 10 would be in range for reception.

Having checked the orbital parameters

in the program, I ran it and noted the necessary information. That being done, I waited, setting up the hardware without using the utility disc but just pressing '*DECODE<RETURN>'. In due course, the signal from the approaching satellite opened the squelch and the tones were heard. Immediately the cassette recorder started running and the picture rec'd up line by line from the bottom of the screen.

It was obvious after the first few lines that I had started with the edge of the

picture somewhere towards the middle of the screen, so using the left SLIP button I moved the picture over until the edge was in the correct position. The unit then functioned until the screen was full, building up a complete picture.

When the frame was full (this takes about four minutes) the BBC gave a beep. I then disconnected the recorder and restarted it using F1. A restart can be achieved without clearing the screen using either F0 or Exit using SHIFT F9.

A few words about the ROM itself. It

adheres to the standard BBC service ROM format. This means that the collection of routines are accessible via '*' commands. To see what is available, one just types '*HELP WXSAT'. One can use the abbreviation '*H.WX.' to achieve the same result. There are fifteen routines available, in addition to Spacetech's help line used to get information about the unit. Having started operation by keying in '*DECODE', the default condition sets up the status of: NOAA satellite (120

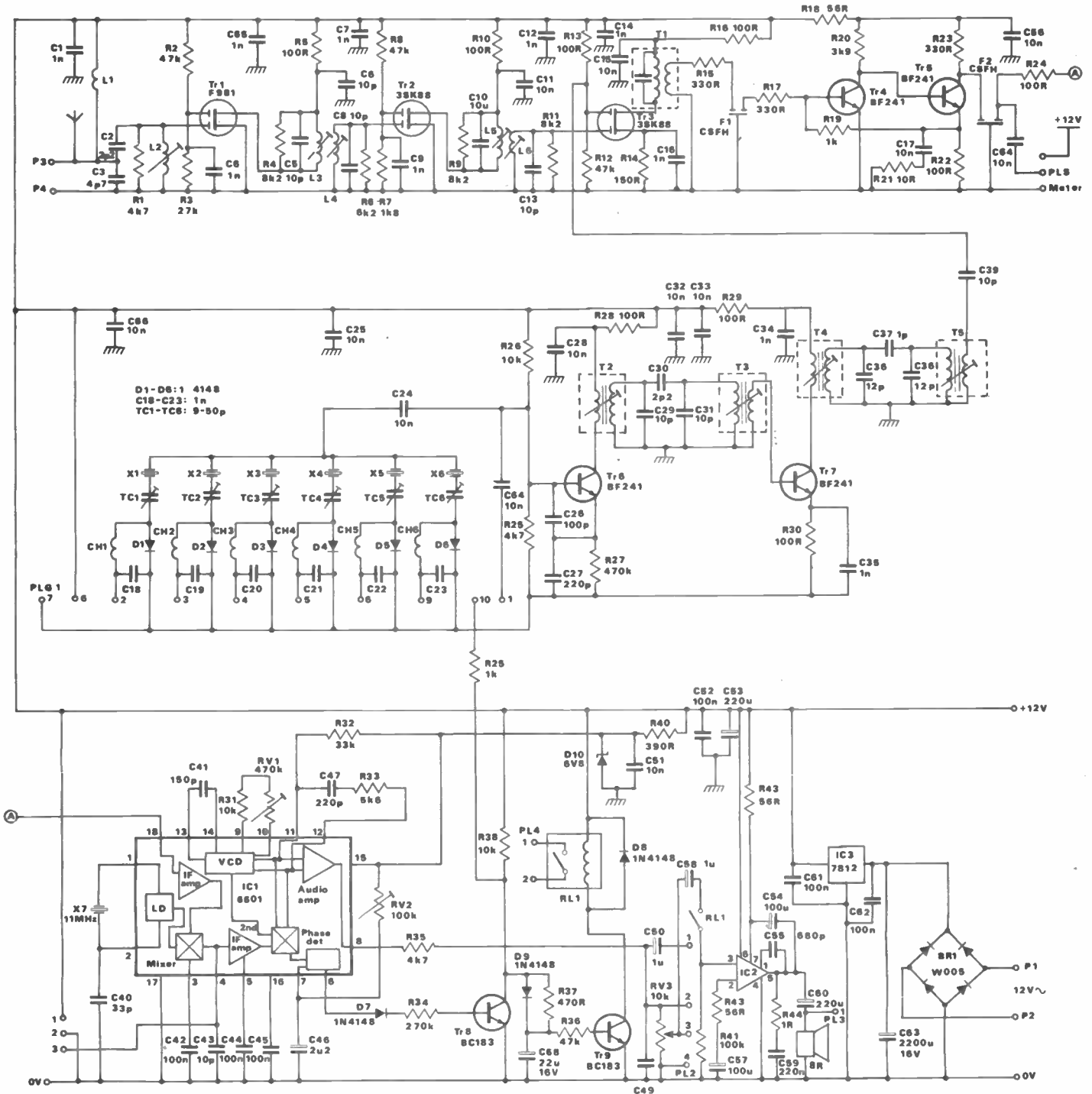


Fig 2 MSR 20 weather satellite receiver circuit diagram

lines/min), true colours (not inverted), south to north pass, go (ready to decode not waiting on pause), visible light grey scale and X2 zoom.

All these commands can be reversed by the ***** commands in the ROM. For example, the default status of the decoder is to translate visible light frames as a positive image (clouds are white, the sea is dark, etc). This will mean that an infra-red picture will show hot as black and cold as white. A true thermal scale gives black as cold and white as hot. Typing ***IR** will ensure that an infra-red picture is decoded in the correct sense. Or another example, ***METEO** (***MET**), changes the line rate from 2Hz (120 lines/minute used by NOAA) to 4Hz (240 lines/minute used by METEOSAT and METEO/COSMOS). Again, ***SIDESCROLL** (***SID**) allows a graphics screen to be rapidly scrolled in any direction using the arrow keys.

It would take some considerable time to become familiar with the fifteen commands available from the ROM, but in addition to these there are 34 other different facilities available. The majority of these are displayed on the function key strip. Any picture can be saved to disc and recalled by pressing **CTRL F0** (marked 'Load picture').

We now come to the utilities disc. This complements the WXSAT ROM but, as I have mentioned, is not necessary for its operation. It is loaded by pressing **SHIFT/BREAK** and one is presented with a menu on the screen showing four options: **DECODE**, **GRAPHICS**, **EXIT** and **PREPARE NON-WX FRAME**.

By pressing the space bar each option is highlighted in turn, and options are chosen by pressing **RETURN**. Selecting **Q** or **ESCAPE** at any time brings the main menu back. If the **DECODE** option is chosen, a second menu is displayed,

the space bar highlighting each in turn. When **RETURN** is pressed the decoder status changes according to which option is currently selected. The status line is displayed along the top of the screen in mode 2, and any alterations to it are shown immediately.

The **GRAPHICS** option, selected from the first menu, enables the operator to draw outlines, latitude, longitude, isobars, etc and also to add text and/or grid overlays to the picture. All the features are accessed by single key presses. There are eighteen different routines available, and they are described in detail in the manual. The routine which operates a 'cross-hair' cursor for drawing can be used either with an AMX mouse (plus ROM) or a joystick, giving 'pen down' or 'pen up' commands with either **D** or **U**.

The unit will plot a temperature gradient scaled over the whole screen for 256 conversion levels (for IR pictures it is proportionately scaled, the peaks being the high temperatures). One can either load a picture from disc by pressing **L**, when a catalogue will be presented asking for a file name, or save a picture by pressing **S**. In this case you will also be asked for a file name, not exceeding seven letters.

Incidentally, it is much better if the picture is saved to a disc other than the utilities disc, so that no over-writing takes place.

T will allow you to write text on the picture, and **P** calls an Epson screen dump. If you have a more elaborate screen dump, such as Printmaster, and you wish to use it, then **Y** is pressed. First, however, you will have to load the program WXSAT, list 'line 3192' and insert whatever the call command for your own printer dump is, such as ***GDUMP** for the Printmaster. Then save WXSAT to

disc and every time **Y** is pressed your own dump will be called. Finally, **Q** will return you to the main utilities menu.

I have used the WXSAT receiving station for a number of weeks and have been able to display very satisfactory pictures. I have used both colour and monochrome monitors, and there is no doubt in my mind that a monochrome one gives a far better picture, due to the fact that the picture is really a difference in grey scales.

I have been tied, of course, to NOAA 9 and NOAA 10 as they were the only channels in the receiver. The scanner option was not included in the review equipment, but in my opinion it would have made copying the transmissions much simpler, and would be a necessary option if more channels were fitted. As it was, I was dodging from one channel to the other hoping that I wasn't missing a pass.

My impressions of the WXSAT receiving station are somewhat conflicting. On the one hand, it comprises a complete weather satellite receiving station with many options (routines) available, but these routines need to be studied and digested in order to achieve good results from the unit. However, the fact that a relatively inexpert operator can just call the ROM up by typing ***DECODE** and carry on from there makes it extremely good value for money and suitable for many beginners.

Conclusions

I have reviewed four different makes of weather satellite receiving stations in the past two years, varying in price from £400 to around £800, but this one must surely beat the lot. A more expert operator will be able to make use of the utilities disc, and even use the ROM commands from within his/her own program to process the digitised pictures – this gives some idea of the flexibility of the basic program.

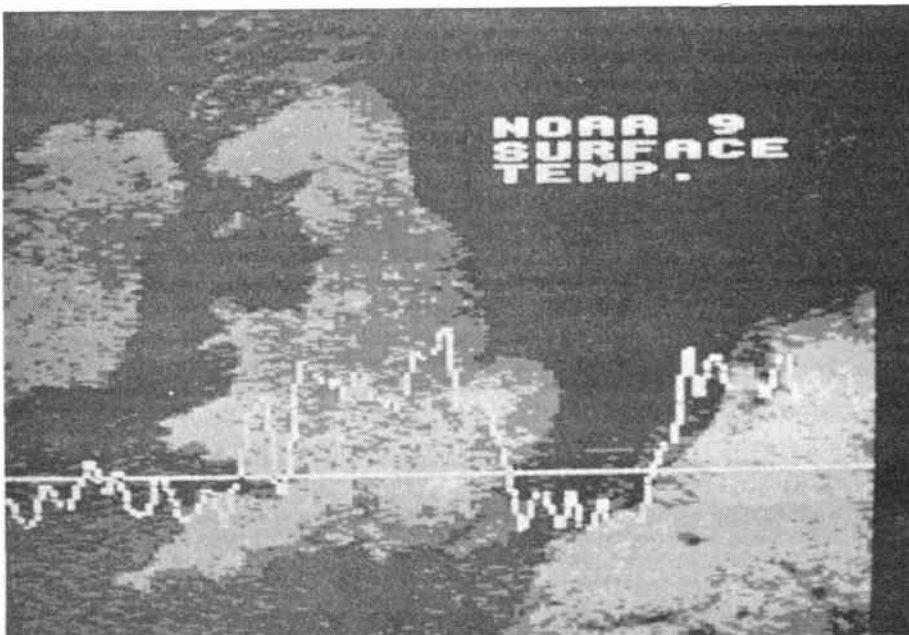
I feel that the units offer the most reasonable way, in terms of cost, of entering the exciting world of satellite reception and endorse them thoroughly. The price of the MSR20 receiver and interface (both available as ready-built units), utilities disc, ROM, test tape, antenna and all cables, together with the explanatory manual, is £209.35 at the time of going to press.

Thanks are due to LE Hornby, Spacotech, 21 West Woods, Portland, Dorset DT5 2EA, tel: (0305) 822753 for the loan of the equipment for this review.

Addresses

The Secretary, AMSAT-UK, 94 Herongate Road, Wanstead Park, London E12 5EQ.

The Secretary, Remote Imaging Group, 14 Nevis Close, Leighton Buzzard, Beds LU7 7XD.



Carbon Film resistors 1/4W 5% E24 series 0.51R to 10M0..... 1p
 100 off per value - 75p, even hundreds per value totalling 1000 £7.00
 Metal Film resistors 1/4W 10R to 1M0 5% E12 series - 2p, 1% E24 series 3p
 Mixed metal/carbon film resistors 1/2W E24 series 1R0 to 10M0..... 1 1/2p
 1 watt mixed metal/Carbon Film 5% E12 series 4R7 to 10 Megohms 5p
 Linear Carbon pre-sets 100mW and 1/4W 100R to 4M7 E6 series 7p
Miniature polyester capacitors 250V working for vertical mounting
 .01, .015, .022, .033, .047, .068-4p, 0.1-5p, 0.15, 0.22-6p, 0.33, 0.47-8p
Mylar (polyester) capacitors 100V working E12 series vertical mounting
 1000p to 8200p - 3p, .01 to .068 - 4p, 0.1 - 5p, 0.12, 0.15, 0.22-6p, 0.47/50V-8p
Subminiature ceramic plate capacitors 100V wkg vertical mountings. E12 series
 2% 1.6 pf to 47 pf - 3p, 2% 58 pf to 330 pf - 4p, 10% 390p - 4700p 4p
 Disc/plate ceramics 50V E12 series 1P0 to 1000P, E6 Series 1500P to 47000P 2p
Polystyrene capacitors 63V working E12 series long axial wires
 10 pf to 820 pf - 3p, 1000 pf to 10,000 pf - 4p, 12,000 pf 5p
 741 Op Amp - 20p, 555 Timer 22p
 cmos 4001 - 20p, 4011 - 22p, 4017 40p
ALUMINIUM ELECTROLYTICS (Mkds/Volts)
 1/50, 2.2/50, 4.7/50, 10/25, 10/50 5p
 22/16, 22/25, 22/50, 47/16, 47/25, 47/50 6p
 100/16, 100/25 7p; 100/50 12p; 100/100 14p
 220/16 6p; 220/25, 220/50 10p; 470/16, 470/25 11p
 1000/25 25p; 1000/35, 2200/25 35p; 4700/25 70p
Submin, tantalum bead electrolytics (Mkds/Volts)
 0.1/35, 0.22/35, 0.47/35, 1.0/35, 3.3/16, 4.7/16 14p
 2.2/35, 4.7/25, 4.7/35, 6.8/16 15p; 10/16, 22/16 20p
 33/10, 47/6, 22/16 30p; 47/10 35p; 47/16 60p; 47/35 80p
DIODES (piv/amps)
 75/25mA 1N4148 2p, 800/1A 1N4008 6p, 400/3A 1N5404 14p, 115/15mA OA91 6p
 100/1A 1N4002 4p, 1000/1A 1N4007 7p, 60/1.5A S1M1 5p, 100/1A bridge 25p
 400/1A 1N4004 5p, 1250/1A BY127 10p, 30/45mA OA91 6p, 30/15A OA47 8p
 Zener diodes E24 series 3V3 to 33V 400 mW - 6p, 1 watt 12p
 Battery snaps for PP3 - 6p for PP9 12p
 L.E.D.'s 3mm, & 5mm, Red, Green, Yellow-10p, Grommets 3mm - 2p, 5mm 2p
 Red, flashing L.E.D.'s require 5V supply only 50p
 Mains indicator neons with 220K resistor 10p
 20mm fuses 100mA to 5A O/blow 5p, A/surge 6p, Holders pc or chassis 5p
 High speed pc drills 0.6, 1.0, 1.3, 1.5, 2.0m - 30p, Machines 12V dc £6.50
 HELPING HANDS 6 ball joints and 2 croc clips to hold awkward jobs £4.50
 AA/HP7 Nicad rechargeable cells 80p each, Universal charger unit £6.50
 Glass reed switches wih single pole make contacts - 6p, Magnets 12p
TRANSISTORS
 BC547/8/9-8p, BC557/8/9-8p, BC182L/4L-10p, BC183,183L-10p, BC212,212L-10p,
 BC337,337L-12p, BC727/737-12p, BD135/6/7/8/9-25p, BCY70-15p, BFY50,52-20p,
 BFX88-15p,2N3055-50p, TIP31,32-30p, TIP41,42-40p, BU208A-£1.20, BF195,197-12p
 All prices are inclusive of VAT. Postage 20p (free over £5). Lists Free.

THE CR SUPPLY CO
127 Chesterfield Rd, Sheffield S8 0RN
Return posting

STATE OF THE ART SPECTRUM SOFTWARE

G1FTU SSTV TX/RX

8, 16, 24, 32, 48 and 96 second SSTV. Colour text and graphics transmit. Brightness and contrast controls. Frame stores for saving and printing. 9 text memories. Good RX performance on HF and VHF. £12 on cassette, £14 on microdrive or Opus disc.

G1FTU RTTY TX/RX

The classic RTTY program, still going strong. Split screen, type ahead operation 45-110 baud amateur and commercial reception. Reverse tones, unshift-on-space, tuning indicator, etc, etc... £10 on cassette, £12 on microdrive or Opus disc.

G1FTU CW TX/RX

The ultimate morse transceiver program. Split screen, type ahead, software filters, QSO review, print, re-send. Variable speed and tone. INCLUDES A BUILT-IN LAMBIC KEYS. This program has it all. £10 on cassette, £12 on microdrive or Opus disc.

Write or phone for full details. Return of post despatch on all orders. (Please include your callsign with the order).

PEARSONS COMPUTING
42 Chesterfield Road, Barlborough
Chesterfield, Derbyshire S43 4TT
Tel: 0246 810652



NEW MONTHLY RADIO MONITORING PUBLICATION

MONITORING TIMES is the famous US radio monthly publication, and easily the best guide for expanding your radio listening horizons. **MONITORING TIMES** is the publication dedicated to providing full-spectrum coverage of both broadcasting and utilities communications around the globe.

From VLF to microwave, BBC to satellites, law enforcement radio to pirate broadcasting, and aircraft to ships at sea, **MONITORING TIMES** consistently brings you the most up-to-date schedules of international broadcasters as well as loggings of intriguing radio signals worldwide!

New product and book reviews, worldwide monitoring news reporting - from satellites to submarines, **MONITORING TIMES** take you where the listening action is in over 70 pages. Their extensive reporting network consistently scoops the publishing industry with late-breaking stories. The last issues have included how to tune into the shipping in the Gulf and listen into all the action, radio astronomy, tropical DXing, Greenpeace's and the Swiss army's radio communications, and much, much more.

INTERBOOKS will be distributing it monthly in the UK, and subscription discount details are given in the magazine.

Price: Only £1.85 in UK, or £2.45 for Eire and overseas

ORDER YOUR COPY TODAY

INTERBOOKS, RE488, Stanley, Perth PH1 4QQ, Scotland. Tel: 0738 828575



COMMUNICATION SATELLITES

by Larry Van Horn **NEW**

GREATLY EXPANDED THIRD EDITION

Communication Satellites has rocketed to an international reputation as THE source of information regarding orbiting active satellites.

Chapters cover spy and surveillance, US and Russian manned space missions, military tactical and scientific satellites, oceanography and weather satellites, navigational and communications satellites, private and direct broadcasting satellites; if it is in orbit, **Communication Satellites** tells you all about it!

This ultimate directory of space communications includes chapters on channelization band plans, transponder identification, international satellites, even a history of earth satellite development.

SPECIAL BONUS! An exhaustive frequency cross reference allows you to quickly identify the source of unknown transmissions from space. Ground tracking networks are also listed.

Illustrations and tables are included for better understanding of space technology. Special chapters provide insights into satellite operation, much of which has never been revealed to the public before in the 255 pages (A4) of such an informative book.

Whether you are a casual or serious listener to the spectrum, this book is for you!

Price: £13.25 + £1.25 p&p in UK

Overseas post Eire, Europe and seasmall £2, airmail worldwide £6.75

Ask for our FREE CATALOGUE of all radio books

NEXT ISSUE

Radio & Electronics

The communications and electronics magazine **World**

DIODES REVISITED

Joe Pritchard investigates some of the lesser known applications of simple diodes

MORSE CODE PRACTICE PROGRAM

A simple program in Amstrad Locomotive BASIC, aimed at prospective Class A licencees

PLUS ALL THE USUAL FEATURES!

On sale 14 April

To be sure of your copy, why not take out a subscription?

TELECOMMUNICATIONS ENGINEERS

Thamesway – one of the fastest growing operating districts within British Telecom, is looking for Telecommunications Engineers in Reading, Basingstoke, Aldershot, Guildford, Slough, Bracknell and surrounding areas.

We are looking for people who, ideally, have electronic/electrical experience or who have an academic background, preferably in maths and science subjects. There are also vacancies for people without qualifications who can demonstrate a practical aptitude as training will be provided.

You must be at least 18 years of age, in good health and hold a current driving licence.

Starting salary will range from £5,649-£8,806 depending on age and experience. We offer the first class benefits of a large progressive company, including excellent training, a good pension scheme and every opportunity for advancement.

To apply, just complete the coupon and return it to:

The Engineering Recruitment Manager
British Telecom DP112
Thamesway District
49 Friar Street
Reading RG1 1BA

Name
Tel No: Day Evening
Address

Date of birth
Type of Driving Licence: HVG/CAR/NONE*
Currently Employed Yes/No*
When could you start work

*Delete which is not applicable

Qualifications: (GCE; City & Guilds; BTEC; HNC etc)

Job History (last 4 jobs)
From: To: Employer: Type of work: Reason for Leaving:
.....
.....
.....

Please state why you wish to be considered for a Technician Post:
.....
.....

British Telecommunication plc is an Equal Opportunities Employer. Applications are welcome from Male and Female applicants.

British
TELECOM
It's you we answer to

Latest Literature

MORE ADVANCED POWER SUPPLY PROJECTS

by R A Penfold

Mr Penfold, vying with Isaac Asimov for the title 'most prolific author', has produced a follow up to his earlier book entitled *Power Supply Projects*.

Since the second title is a continuation of this theme it is assumed that the reader either has a reasonable knowledge of power supplies or has read the earlier book.

Despite this warning, in-depth knowledge of electronic circuit design is not a prerequisite, and both the practical and theoretical aspects are examined in some detail.

Not all of the circuitry examined could be classified as being genuinely advanced; some topics covered are recent developments which could not be included in the original publication, such as three-terminal adjustable voltage regulators.

Switched mode power supplies are covered, and are treated very sensibly. Mr Penfold's vast experience in the field is reflected in his ability to judge the best use for the item under discussion.

Other subjects pursued include precision regulators, dual tracking regulators and computer controlled supplies. This book is a worthy sequel to its predecessor.

*Bernard Babani Ltd, £2.95.
ISBN 0-85934-166-6*

BASIC AND LOGO IN PARALLEL

by S J Wainwright

This is an interesting comparison: two languages derived from others in the 1960s with the intention of providing a more user-friendly version of the original. The difference is that BASIC comes ultimately from Fortran and Logo descends from LISP, the powerful AI language.

The contrast between the applications of the two languages is highlighted. For

those who already use BASIC, Logo is both fascinating and unusual. Turtle Graphics, for instance, is a thought-provoking concept which is obviously an integral part of Logo, although the processes involved go far beyond this engaging idea.

Clearly, the differences between the two languages are considerable, but this text compares them by juxtaposing particular functions. For example, arithmetic in BASIC is discussed, followed by a section on arithmetic in Logo; thus rather than attempting to teach one language and then the other, the reader's understanding of both systems is developed simultaneously – hence the title.

The BASIC discussed is BBC BASIC Z80, the version which runs on Z80 based machines such as Torch and Tatung Einstein computers. This language was selected because it is a modern version of BASIC, using procedures to which parameters can be passed and within which local variables exist, making it more suitable for comparison with Logo.

Digital Research Inc's Dr Logo is the version of Logo referred to in the text. It is most interesting to be able to make this kind of direct comparison between two such useful languages, and this inexpensive book will clearly be a great help to anyone needing to deal with both of these at the same time.

*Bernard Babani Ltd, £2.95.
ISBN 0-85934-171-2*

Number One Systems Ltd

Number One Systems has just produced the first edition of a newsletter which explains the full range of this versatile company's products.

Best known for 'Analyser', the circuit analysis package, the firm also has a thriving electronics and consultancy arm, where 'Analyser' was



originally evolved to meet in-house needs.

Two new software packages are now available, called 'Z-Match' and 'First Edition'. Z-Match uses enhanced Smith Chart methods to find solutions to RF design and analysis problems – versions are available for the BBC micro and IBM PC. A PCB designer is also available now, called 'Lintrack'. First Edition is a text editor designed to be used by programmers.

*Number One Systems Ltd,
Harding Way,
Somersham Road,
St Ives,
Cambs PE17 4WR.
Tel: (0480) 61778.*

Schlumberger Instruments

A new manual detailing how an engineer may use an IBM PC to communicate with and control Schlumberger Instruments' 3530 Series of Orion data loggers has been published.

The illustrated 54-page manual describes a software program which enables an Orion data logger to operate under the control of an IBM PC.

The publication highlights software features which enable the user to use the IBM PC to send commands to an Orion logger; display or print measurement data direct from Orion; save

measurement data from Orion to a disc file; and also how to display or print saved data.

There is a description of how to install and get the data logger up and running using the IBM PC, as well as explaining the various communications and display facilities available.

The manual is available from Schlumberger Instruments on request, with a demonstration copy of the program from a local data acquisition sales engineer.

*Schlumberger-Solartron,
Victoria Road,
Farnborough,
Hants GU14 7PW.
Tel: (0252) 544433.*

ITT Instruments

ITT Instruments has published a six-page, full-colour brochure on the MX40 series of professional hand-held autoranging digital multimeters, which offer a rugged design combined with a range of advanced measuring features.

The brochure provides full technical information on the MX40 series. The major features of the instruments are presented in a clear, easy to understand format whilst the electrical characteristics are given in tables. One page of the brochure is devoted to

the probes, ac current clamps, and shunts for dc current, all of which extend the ranges, and functions of the multimeters.

The brochure is well illustrated, with plentiful photographs, many of which illustrate the features of the MX40 series of hand-held digital multimeters.

ITT Instruments,
346 Edinburgh Avenue,
Slough,
Berkshire SL1 4TU.
Tel: (0753) 824131.

David Bisset Ltd

A new brochure entitled *Product Guide: Communications Testing* is available from David Bisset Ltd. This shows a comprehensive range of instruments for testing communications apparatus and computer networks. It includes testers for data communications (both digital and analogue), instruments for testing telephones, telecommunications line monitors, cable testers, factory test equipment and field servicing diagnostic testers.

Hard-to-find communications instruments are featured, including fax line monitors, telecommunications line simulators, hand-held protocol analysers for computer networks, dial testers, DTMF (multi-frequency) testers, wow-and-flutter meters and BERT/BLERT (bit and block error rate) modem testers.

New products in the guide are the menu-driven audio test set, model ATS-2, for measuring the quality of communications lines; the updated data communications test set, model CTS-3 with V.35 BERT adaptor (for high speed international links); extended ASYNC test facilities for PC communications and asynchronous systems; the LAN cable fault locator and a range of hand-held instruments for maintenance or installation of telecommunications cables and equipment.

The product guide aims to help network users,

communications managers, service engineers, network controllers, purchasing managers (since it includes prices) and technical support engineers in public utilities, local authorities, education and communications companies.

David Bisset Ltd,
65 High Street,
Redbourn,
Herts AL3 7LW.
Tel: (058285) 2637.

Highland Electronics

A new 282-page catalogue has been produced by



Highland Electronics, which gives details of the company's extensive range of electromechanical, interconnection and display products.

Product categories in the new catalogue include beacons, illuminated push-button switches and indicators, keypads, dual-inline switches, digital and rotary switches, input/output modules, multiple-screen indicators, lamps and LEDs, insulation-displacement and industrial connectors, audible buzzers and alarms, modular alarm systems, axial fans and rail-mounted terminals.

Selection data and

applications information is also included.

Highland Electronics Ltd,
Albert Drive,
Burgess Hill,
West Sussex RH15 9TN.
Tel: (04446) 45021.

Schlumberger Instruments

A full colour brochure for Schlumberger Instruments' new 1202 structural analyser describes how the instrument offers complete facilities for four-channel modal analysis in a single compact, rugged package.

suited to problem-solving applications in the field but powerful and versatile enough for the laboratory.

Schlumberger-Solartron,
Victoria Road,
Farnborough,
Hants GU14 7PW.
Tel: (0252) 544433.

British Aerospace

BAe's in-house technical journal *Aerospace Dynamics* was originally produced to assist technical communication in the company and to promote technical recruitment. To that end, distribution has been mainly to BAe staff, universities and higher education establishments. It has also been a feature of the magazine that articles are written by employees working in the subject area, mainly in their own time.

The increasing number of requests for the journal from people who are outside these categories but still interested in the technical activities of British Aerospace, has made the company realise that a slightly wider circulation would be useful.

This is a fascinating magazine, and well worth enquiring after.

British Aerospace PLC,
11 Strand,
London WC2N 5JT.
Tel: 01-930 1020.

NEC Electronics

A collection of technical papers on ASIC design has been published by NEC Electronics in an A4 magazine format. Covering CMOS, ECL and BiCMOS technologies, the papers are fully supported by tables, charts and illustrations.

The 30-page book is free upon request to both existing and potential ASIC engineers. Enquiries should be directed to the address below.

NEC Electronics (UK) Ltd,
Cygnus House,
Linford Wood Business
Centre,
Sunrise Park Way,
Milton Keynes MK14 6NP.
Tel: (0908) 691133.

COMPUTER WAREHOUSE

1000's OF BARGAINS FOR CALLERS

THE "ALLADIN'S" CAVE OF COMPUTER AND ELECTRONIC EQUIPMENT

HOT LINE DATA BASE

DISTEL

The ORIGINAL FREE OF CHARGE dial up data base. Buy, browse or place YOUR OWN AD for goods or services to sell. 1000's of stock items, spares and one off bargains. Updated daily. ON LINE NOW. CCITT, 8 bit word, no parity. For 300 baud modems call 01-679 1888 For 1200-75 baud modems call 01-679 6183



DON'T MISS THE CPM Deal OF THE CENTURY

The FABULOUS CPM TATUNG PC2000 Professional Business System

A cancelled export order and months of negotiation enables us to offer this professional PC CPM system, recently on sale at OVER £1400, at a SCOOP price just over the cost of the two internal disk drives!! Or less than the price of a dumb terminal!!

Not a toy, the BIG BROTHER of the EINSTIEN computer, the DUAL PROCESSOR PC2000 comprises a modern stylish three piece system with ALL the necessities for the SMALL BUSINESS, INDUSTRIAL, EDUCATIONAL or HOBBYIST USER. Used with the THOUSANDS of proven, tested and available CPM software packages such as WORDSTAR, FAST, DBASE2 etc, the PC2000 specification, at our prices, CANNOT BE BEATEN!!

The central processor pinth contains the 64K, Z80A processor, DUAL TEAC 55F 5 1/4" 8" disk drives, either in double density or IBM format. The ultra slim 92 key, detachable keyboard features 32 user definable keys, numeric keypad and text editing keys, even its own integral microprocessor which allows the main Z80A to devote ALL its time to USER programs, eliminating "lost character" problems found on other machines. The attractive, detachable 12" monitor combines a green, anti-glare etched screen, with full swivel and tilt movement for maximum user comfort. Supplied BRAND NEW with CPM 2.2, user manuals and full 90 day guarantee. Full data sheet and info on request

FREE

Your monitor from its computer!! For only £29.95 it becomes a **SUPERB HIGH QUALITY - COLOUR - TV SET**

The fabulous TELEBOX, an INVALUABLE MUST for the owner of ANY video monitor with a composite input, colour or monochrome. Made by a major UK Co. as a TOP QUALITY, stand alone UHF tuner and costing OVER £75 to manufacture, this opportunity to give your monitor a DUAL FUNCTION must not be missed!! The TELEBOX consists of a compact, stylish two tone charcoal, moulded case, containing ALL electronics tuner, power supply etc to simply plug in and convert your previously dedicated computer monitor into a HIGH QUALITY COLOUR TV SET, giving a real benefit to ALL the family! Don't worry if your monitor doesn't have sound - THE TELEBOX even has an integral 4 watt audio amplifier for driving an external speaker, PLUS an auxiliary output for superb quality television sound via your headphones or HI FI system etc. Other features include: Compact dimensions of only 15.75" w x 7.5" d x 3.5" h, latest technology, BRITISH manufacture, fully tuneable 7 channel push button tuner, Auto AGC circuit, SAW filter, LED status indicator, fully isolated 240v AC power supply for total safety. Mains ON-OFF switch etc. Many other users...

PC2000 System with CPM Etc. COST OVER £1400

PC2000 Business System with CPM and 'Ready to Run' FAST Sales and Purchase ledger, supports up to 9000 Accounts, VAT etc. COST OVER £1700

PC2000 Wordprocessor System with CPM and TEC FP25 daisywheel printer

NOW only £399

NOW only £499

Carriage & Insurance £12.00

NOW only £799

MODEMS

LIMITED QUANTITY - DON'T MISS THIS OFFER!!

ONLY £29.95 OR £24.95 if purchased with ANY of our video monitors. Supplied BRAND NEW with full instructions and 2 YEAR warranty. Post and packing £3.50 *When used with colour crt.

COLOUR & MONOCHROME MONITOR SPECIALS

'SYSTEM ALPHA' 14" COLOUR MULTI INPUT MONITOR
Made by the famous REDIFFUSION Co. for their own professional computer system this monitor has all the features to suit your immediate and future requirements. Two video inputs: RGB and PAL Composite Video, allow direct connection to BBC/IBM and most other makes of micro computers or VCR's, including our very own TELEBOX. An internal speaker and audio amp may be connected to computer or VCR for superior sound quality. Many other features: PIL tube, Matching BBC case colour, Major controls on front panel, Separate Contrast and Brightness - even in RGB mode. Separate Colour and audio controls for Composite Video input. BNC plug for composite input, 15 way 'D' plug for RGB input, modular construction etc.

This Must Be ONE OF THE YEAR'S BEST BUYS. PC USER Supplied BRAND NEW and BOXED, complete with DATA and 90 day guarantee. ONLY £149.00 as above OR IBM PC Version £165.00

15 Day 'D' sct £1.00, BNC sct 75p BNC interface cable £5.50

DECCA 80 16" COLOUR monitor, RGB input.
Little or hardly used manufacturer's surplus enables us to offer this special converted DECCA RGB Colour Video TV Monitor at a super low price of only £99.00, a price for a colour monitor as yet unheard of!! Our own interface, safety modification and special '16" high definition PIL tube, coupled with the DECCA 80 series TV chassis give 80 column definition and quality found only on monitors costing 3 TIMES OUR PRICE. The quality for the price has to be seen to be believed!! Supplied complete and ready to plug direct to a BBC MICRO computer or any other system with a TTL RGB output. Other features are: Internal speaker, modular construction, auto degaussing circuit, attractive TEAK CASE, compact dimensions only 52cm W x 34 H x 24 D, 90 day guarantee. Although used, units are supplied in EXCELLENT condition. ONLY £99.00 + Carriage.

DECCA 80, 16" COLOUR monitor, Composite video input. Same as above model but fitted with Composite Video input and audio amp for COMPUTER, VCR or AUDIO VISUAL use. ONLY £99.00 + Carr.

REDIFFUSION MARK 3, 20" COLOUR monitor. Fitted with standard 75 ohm composite video input and sound amp. This large screen colour display is ideal for SCHOOLS, SHOPS, DISCOS, CLUBS and other AUDIO VISUAL applications. Supplied in AS NEW or little used condition. ONLY £145.00 + Carr.

BUDGET RANGE EX EQUIPMENT MONOCHROME video monitors. All units are fully cased and set for 240v standard working with composite video inputs. Units are pre tested and set up for up to 80 column use. Even when MINOR screen burns exist - normal data displays are unaffected. 30 day guarantee.

12" KGM 320-1 B/W bandwidth input, will display up to 132 x 25 lines. £32.95
12" GREEN SCREEN version of KGM 320-1. Only £39.95
9" KGM 324 GREEN SCREEN fully cased very compact unit. Only £49.00

Carriage and insurance on all monitors £10.00

DC POWER SUPPLY SPECIALS

GOULD OF443 enclosed, compact switch mode supply with DC regulated outputs of +5v @ 5.5a, +12v @ 0.5a, -12v @ 0.1a and -23v @ 0.02a. Dim 18 x 11 x 6 cm. 110 or 240v input. BRAND NEW only £18.95

GOULD G6-40A 5A amp switch mode supply NEW £130.00

AC-DC Linear PSU for DISK drive and SYSTEM applications. Constructed on a rugged ALLOY chassis to continuously supply fully regulated DC outputs of +5v @ 3 amps, -5v @ 0.6 amps and +24v @ 5 amps. Short circuit and overvoltage protected. 100 or 240v AC input. Dim 28 x 12.5 x 7 cm. NEW £49.94

Carriage on all PSUs £3.00

KEYBOARDS

Manufacturer's BRAND NEW surplus DEC LA34 Uncoded keyboard with 87 quality gold plated switches on X-Y matrix - ideal micro conversions etc. £24.95

AMKEY MPNK-114 Superb word processor chassis keyboard on single PCB with 116 keys. Many features such as On board Micro, Single 5v rail, full ASCII coded character set with 31 function keys, numeric keypad, cursor pad and 9600 baud SERIAL TTL ASCII OUTPUT!! Less than half price. Only £69.00 with data. Carriage on Keyboards £3.50

SURPLUS SPECIALS ON PRESTEL - VIEWDATA - TELEX

PLESSEY VUTEL, ultra compact unit, slightly larger than a telephone features A STANDARD DTMF TELEPHONE (tone dial) with 5" CRT monitor and integral modem etc. for direct connection to PRESTEL, VIEWDATA etc. Designed to sell to the RECURRING at over £600!! Our price BRAND NEW AND BOXED at only £99.00

DECCAFAX VP1 complete Professional PRESTEL system in slimline desk top unit containing Modem, Numeric keypad, CPU, PSU etc. Connects direct to standard RGB colour monitor. Many other features include: Printer output, Full keyboard input, Cassette port etc. BRAND NEW with DATA. A FRACTION OF COST only £55.00

ALPHATANTEL. Very compact unit with integral FULL ALPHA NUMERIC keyboard. Just add a domestic TV receiver and you have a superb PRESTEL system and via PRESTEL the cheapest TELEX service to be found!! Many features: CENTRONICS Printer output, Memory dialling etc. Supplied complete with data and NEW only £125.00

Post and packing on all PRESTEL units £8.50

EX-STOCK INTEGRATED CIRCUITS

4164 200 ns D RAMS 9 for £11 4118 ns £1.50 2112 £10.00 2114 £2.50 2102 £2.00 8116 £2.50 EPROMS 2716 £4.50 2732 £3.00 2764 £4.95 27128 £5.50 6800 £2.50 8821 £1.68A09 £8 68B07 £10 80B54 £5.50 80B8 £15 80B8 £8 NEC765 £8 WD2793 £28 8202A £22 8251 £7 8748 £15 Z80A DART £6.50 Z80A CPU £2.00. Thousands of IC's EX STOCK send SAE for list.

DISK DRIVES

Japanese 5 1/4" half height, 80 track double sided disk drives by TEAC, CANON, TOSHIBA etc. Sold as NEW with 90 day guarantee. ONLY £85.00

TEC FB-503 Double sided HH 40 TRK NEW £75.00

SUGART SA400 SS FH 35 TRK £55.00

SIEMENS FDD100 SS FH 40 TRK £65.00

Carriage on 5 1/4" drives £5.50

Brand New metal 5 1/4" DISK CASES with internal PSU.
DSK1 for 2 HH or 1 FH drive £29.95 +pp £4.00
DSK2 for 1 HH drive £22.95 +pp £3.50
DKSC 3 As DSK1 LESS PSU £12.95 +pp £2.50
DSK4 As DSK2 LESS PSU £10.95 +pp £2.00

8" IBM Idemat TESTED EX EQUIPMENT.
SHUGART 800/801 SS £175.00 +pp £8.50
SHUGART 851 DS £250.00 +pp £8.50
TWIN SHUGART 851* a2 Mb total capacity in smart case, complete with PSU etc. £595.00

MITSUBISHI M2894-63 8" DS 1 Mb equiv. to SHUGART SA50R. BRAND NEW at £275.00 +pp £8.50

DYLAN 8" Alignment disk £29.00 +pp £1.00

Various disk drive PSU's Ex Stock SEE PSU section.

HARD DISK DRIVES
DRE/DIABLO Series 30 2.5 Mb front load £525.00
Exchangeable version £295.00. ME3029 PSU £95.00

DIABLO 44/DRE4000A, 8 5+5 Mb from £750.00

CDC HAWK 5+5 Mb £795.00. CDC 9762 80 MBRM03 etc. £250.00

PERTEC D3422 5+5 Mb £495.00

RODIME 5 1/4" Winchester ex-stock from £150 CALL Clearance Items - Sold as seen - No guarantee.

ICL 2314 BRAND NEW 14" Mb Removable pack hard disk drive, cost over £2000 with data ONLY £99.00

BASF 6172 8" 23Mb Winchester £199.00

Unless stated all drives are refurbished with 90 day guarantee. Many other drives and spares in stock - call sales office for details.

Join the communications revolution with our super range of DATA MODEMS, prices and specifications to suit all applications and budgets...

BRAND NEW State of the art products

DACOM D5L2123 Multi standard 300-300, 1200-75 Auto answer etc. £268.00

DACOM D5L2123AQ Auto dial, smart modem with multi standard AUTO SPEED detect, and data buffer with flow control etc. £365.00

DACOM D5L2123GT The CREAM of the intelligent modems. auto dial, auto call, index, buffer etc etc. £498.00

Steebec SB1212 V22 1200 baud FULL DUPLEX, sync or async, optional auto dial £465.00

TRANSDATA 307A Acoustic coupler 300 baud full duplex, originate only, RS232C interface £49.00

Ex BRITISH TELECOM full spec, CCITT, ruggedised, bargain offers. Solid TESTED with data. Will work on any MICRO or system with RS232 interface.

MODEM 13A 300 baud unit, only 2" high fits under phone. CALL mode only £45.00

MODEM 20-1. 75-1200 baud. Compact unit for use as subscriber end to PRESTEL, TELECOM GOLD, MICRONET etc. £39.95 +pp £5.50

MODEM 20-2 1200-75 baud. Same as 20-1 but for computer end. £65.00 +pp £6.50

DATTEL 2412. Made by SE Labs for BT this two part unit is for synchronous data links at 1200 or 2400 baud using 2780/3780 protocol etc. Many features include 2 or 4 wire working, self test, auto answer etc. COST OVER £800. Our price ONLY £199 +pp £8.00

DATTEL 4800, RACAL MP3800 baud modem, EX BT good working order. ONLY £295.00 +pp £8.00

SPECIAL OFFER

MODEM TG2393, Ex BT, up to 1200 baud, full duplex 4 wire or half duplex over 2 wire line. ONLY £85.00 PER PAIR +pp £10.00

MATRIX PRINTERS

For more information contact our Sales Office.

SPECIAL BULK PURCHASE of these compact, high speed matrix printers. Built in Japan for the Hazeltine Corporation this unit features quality construction giving 100cps bidirectional, full pin addressable graphics, 6 type fonts, up to 9.5 single sheet or folder paper handling, RS232C and CENTRONICS parallel interface. Many other features. BRAND NEW and BOXED COST £420. Our price ONLY £199.00

RECHARGEABLE BATTERIES

Dry Fit MAINTENANCE FREE by Sonnenschein & Yuasa.

A300 07191315 12v 3Ah NEW £13.95

A300 07191312 6v 3Ah NEW £9.95

A300 07191202 6-0-6v 1.8Ah TESTED Ex Equip £5.99

VDU TERMINALS

Standard VDU data entry terminals at giveaway prices!!

QUME QVT108. Current product, state of the art terminal with detachable keyboard, 12" Green screen, 2 page RAM, TVI 925, Hazeltine, ADMSA emulations, software setup, 25 x 80, Clock, Swivel and tilt base, Printer port, Function keys etc. BRAND NEW and BOXED AT ALMOST HALF PRICE ONLY £425.00

AJ150 - EX RENTAL, Z80 controlled, 15" green screen 24 x 80 display, graphics, cursor addressing, printer port etc. Very good condition TESTED complete with manual only £225.00

ADDS 520 - Dumb terminal, used, 12" b/w screen, RS232C interface and printer port TESTED. ONLY £125.00. Carriage on terminals £10.00

100's of other terminals in stock. CALL for more details.

All prices quoted are for U.K. Mainland, paid cash with order in Pounds Sterling PLUS VAT. Minimum order value £2.00. Minimum Credit Card order £10.00. Minimum BONA FIDE account orders from Government Depts., Schools, Universities and established companies £20.00. Where post and packing not indicated please ADD £1.00 + VAT. Warehouse open Mon-Fri 9.30-5.30. Sat 10.30-5.30. We reserve the right to change prices and specifications without notice. Trade, Bulk and Export.

32 Biggin Way, Upper Norwood, London SE19 3XF
Telephone 01-679 4414 Telex 894502 Data 01-679 1888

ERS — PRINTERS — PRINTERS — PRINTERS

SUPER DEAL? NO - SUPER STEAL THE FABULOUS 25 CPS "TEC STARWRITER"

Made to the very highest spec the TEC STARWRITER FP1 500-25 features a very heavy duty die cast chassis and DIABLO type print mechanism giving superb registration and print quality. Micro-processor electronics offer full DIABLO/QUIME command compatibility and full control via CPM WORDSTAR ETC. Many other features include bi-directional printing, switchable 10 or 12 pitch, full width 381mm paper handling with up to 163 characters per line, friction feed rollers for single sheet or continuous paper, internal buffer, standard RS232 serial interface with handshake. Supplied absolutely BRAND NEW with 90 day guarantee and FREE daisy wheel and dust cover. Order NOW or contact sales office for more information. Optional extras RS232 data cable £10.00. Tech manual £7.50. Tractor Feed £140.00. Spare daisy wheel £3.50. Carriage & Ins. (UK Mainland) £10.00.



Save over £400
a fraction of its original cost.

SUMMER OFFER ONLY £399.99!!

DIY PRINTER MECH

Brand New surplus of this professional printer chassis gives an outstanding opportunity for the Student, Hobbyist or Robotics constructor to build a printer - plotter - digitiser etc. entirely to their own specification. The printer mechanism is supplied ready built, aligned and pre tested but WITHOUT electronics. Many features include all metal chassis, phosphor bronze bearings, 132 character optical shaft position encoder, NINE needle head, 2 x two phase 12V stepper motors for carriage and paper control. 9.5" Paper platen etc. etc. Even a manufacturer's print sample to show the unit's capabilities!! Overall dimensions 40 cm x 12 cm x 21 cm.

Sold BRAND NEW at a FRACTION of cost ONLY £49.50 + pp £4.50.

TELETYPE ASR33 DATA I/O TERMINALS

Industry standard, combined ASCII 110 baud printer, keyboard and 8 hole paper tape punch and reader. Standard RS232 serial interface. Ideal as cheap hard copy unit or tape prep. for CNC and NC machines. TESTED and in good condition. Only £235.00 floor stand £10.00. Carr & Ins. £15.00.

EX NEWS SERVICE PRINTERS

Compact ultra reliable quality built unit made by the USA EXTEL Corporation. Often seen in major Hotels printing up to the minute News and Financial information, the unit operates on 5 UNIT BAUDOT CODE from a Current loop, RS232 or TTL serial interface. May be connected to your micro as a low cost printer or via a simple interface and filter to any communications receiver to enable printing of worldwide NEWS, TELEX and RTTY services.

Supplied TESTED in second hand condition complete with DATA, 50 and 75 baud xtals and large paper roll.

TYPE AE11	ONLY £49.95
50 Column	
Spare paper roll for AE11	£4.50
TYPE AF11R 72 Col.	
+ Ribbon	£65.00
TYPE AH11R 80 Col.	
ASCII/BAUDOT	£185.00
Carriage and Insurance	£7.50

GE TERMIPRINTER



A massive purchase of these desk top printer terminals enables us to offer you these quality 30 or 120 cps printers at a SUPER LOW PRICE against their original cost of over £1000. Unit comprises of full QWERTY, electronic keyboard and printer mech with print face similar to correspondence quality typewriter. Variable forms tractor unit enables full width - up to 13.5" 120 column paper, upper - lower case, standard RS232 serial interface, internal vertical and horizontal tab settings, standard ribbon, adjustable baud rates, quiet operation plus many other features. Supplied complete with manual. Guaranteed working GE30 £130.00. GE1200 120 cps £175.00. Untested GE30 £65.00 Optional floor stand £12.50. Carr & Ins. £10.00.

SEMICONDUCTOR 'GRAB BAGS'

Mixed Semis amazing value contents include transistors digital, linear, IC's, triacs, diodes, bridge recs, etc. etc. All devices guaranteed brand new full spec with manufacturer's markings, fully guaranteed.

50+ £2.95 100+ £5.15
TTL 74 Series A gigantic purchase of an "across the board" range of 74 TTL series IC's enables us to offer 100+ mixed "mostly TTL" grab bags at a price which two or three chips in the bag would normally cost to buy. Fully guaranteed all IC's full spec. 100+ £6.90, 200+ £12.30, 300+ £19.50

CENTRONICS 710 PRINTERS

Ex RENTAL Heavy duty full width carriage printer up to 132 columns on 17" fan fold sprocket fed paper. 60 cps print speed with standard RS232 or 20 mA loop interface. Supplied in TESTED used condition with data ONLY £85.00 carriage and insurance £1D.00.

MAINS FILTERS

CURE those unnerving hang ups and data glitches caused by mains interference with professional quality filters. SD5A match-box size up to 1000 watt 240 V Load ONLY £5.95. L12127 compact completely cased unit with 3 pin fitted socket up to 750 watts ONLY £9.99.

EPROM COPIERS

The amazing SOFTY 2 The "Complete Toolkit" for copying, writing, modifying and listing EPROMS of the 2516, 2716, 2532, 2732 range. Many other functions include integral keyboard, cassette interface, serial and parallel i/o UHF modulator ZIF socket etc. ONLY £195.00 + pp £2.50.

"GANG OF EIGHT" intelligent Z80 controlled 8 gang programmer for ALL single 5v rail EPROMS up to 27128. Will copy 8 27128 in ONLY 3 MINUTES. Internal LCD display and checking routines for IDIOT PROOF operation. Only £395.00 + pp £3.00.

"GANG OF EIGHT PLUS" Same spec as above but with additional RS232 serial interface for down line loading data from computer etc. ONLY £445.00 + pp £3.00

Data sheets on request

20,000 FEET OF ELECTRONIC AND COMPUTER GOODIES ENGLAND'S LARGEST SURPLUS STORE - SEEING IS BELIEVING!!

DEC CORNER

PDP 1140 System comprising of CPU, 124k memory & MMU 15 line RS232 interface. RP02 40 MB hard disk drive. TU10 9 track 800 BPI Mag tape drive, dual track system. VT52 VDU. etc. etc. Tested and running. £3,750.00

BA11-MB 3.5" Box, PSU, LTC	£395.00
DH11-AD 16" x RS232 DMA interface	£1,900.00
DLV11-J4 x EIA interface	£350.00
DLV11-E Serial. Modem support	£190.00
DUP11 Synch. Serial data i/o	£650.00
OQ200 Dialog - multi RK controller	£495.00
DZ11-B 8 line RS232 mux board	£650.00
KDF11-B M8189 PDP 1123 PLUS	£1,100.00
LA30 Printer and Keyboard	£80.00
LA36 Decwriter EIA or 20 mA loop	£270.00
MS11-JP Unibus 32kb Ram	£80.00
MS11-LB Unibus 128kb Ram	£450.00
MS11-LD Unibus 256kb Ram	£850.00
PDP11/05 Cpu Ram, i/o etc	£450.00
PDP11/40 Cpu, 124k MMU	£1,850.00
RT11 ver 3B documentation kit	£70.00
RK05-J 2.5 Mb disk drives	£650.00
KL8 JA PDP 8 async i/o	£175.00
M18E PDP 8 Bootstrap option	£75.00
VT50 VDU and Keyboard	
- 20 mA	£175.00
VT52 VDU and RS232 interface	£250.00

Give your VT100 a Birthday!!
Brand New VT100 Keyboards
only £85.00

1000's of EX STOCK spares for DEC PDP8, PDP8A, PDP11 systems & peripherals. Call for details. All types of Computer equipment and spares wanted for PROMPT CASH PAYMENT

MAG TAPE DRIVES

Many EX STOCK computer tape drives and spares by PERTEC, CIPHER, WANGO, DIGIDATA, KENNEDY etc. Special offer this month on DEI Cartridge tape drives ONLY £450.00 each.

CALL FOR DETAILS

COMPUTER/SYSTEM CABINET & PSU

All in one quality computer cabinet with integral switched mode PSU, mains filtering, and twin fan cooling. Originally made for the famous DEC PDP8 computer system costing thousands of pounds. Made to run 24 hours per day the psu is fully screened and will deliver a massive +5v DC at 17 amps, +15v DC at 1 amp and -15v DC at 5 amps. The complete unit is fully enclosed with removable top lid, filtering, trip switch, power and run leds mounted on all front panel, rear cable entries, etc. etc. Units are in good but used condition - supplied for 240v operation complete with full circuit and tech. man. Give your system that professional finish for only £49.95 + carr. 19" wide 16" deep 10.5" high. Useable area 16" w 10.5" h 11.5" d.

Also available less psu, with fans etc. Internal dim. 19" w, 16" d, 10.5" h. £19.95. Carriage £8.75

66% DISCOUNT ON ELECTRONIC COMPONENTS EQUIPMENT

Due to our massive bulk purchasing programme, which enables us to bring you the best possible bargains, we have thousands of ICs, Transistors, Relays, Caps, PCBs, Sub-assemblies, Switches etc. etc. surplus to OUR requirements. Because we don't have sufficient stocks of any one item to include in our ads we are packing all these items into the BARGAIN OF A LIFETIME. Thousands of components at giveaway prices. Guaranteed to be worth at least 3 times what you pay. Unbeatable value and perhaps one of the most consistently useful items you will ever buy!! Sold by weight.

2.5kls £5.25 + pp £1.25
10kls £11.25 + pp £2.25

5 kls £6.90 + £1.80
20kls £19.50 + pp £4.75

1000's of other EX STOCK items including POWER SUPPLIES, RACKS, RELAYS, TRANSFORMERS, TEST EQUIPMENT, CABLE, CONNECTORS, HARDWARE, MODEMS, TELEPHONES, VARIACS, VDU'S, PRINTERS, POWER SUPPLIES, OPTICS, KEYBOARDS etc. etc. Give us a call for your spare part requirements. Stock changes almost daily.

Don't forget, ALL TYPES and QUANTITIES of electronic surplus purchased for CASH



Although not strictly medium wave, the long wave band (150kHz-290kHz) is often lumped together with the former under the term medium frequencies. It is now a relevant time to revisit this band, since a number of significant frequency changes have recently taken place.

The 1979 World Administrative Radio Conference (WARC) decided that the arrangement of channels in the LF band should be standardised along the same lines as those on MF; that is all channels should be harmonic multiples of 9kHz. It was decided that the first five LF channels (originally 155, 164, 173, 182 and 191) would move in 1986 to 153, 162, 171, 180 and 189kHz respectively. The next five channels were due to shift on February 1st this year and the remaining five are scheduled to move in exactly two years' time.

Checking the LW band in January revealed that even two years after the first frequency shift not every station was adhering to the agreed plan. Most significantly, the French language station Europe 1 kept its 2000kW German-based transmitter on the non-standard frequency of 183kHz. It was, therefore, not entirely surprising to find the central portion of the LW band suffering from more interference when I checked it on February 1st.

The most apparent problem was a distinct heterodyne interfering with BBC R4, which had moved from 200 to 198kHz whilst other stations had remained unaltered.

This case exemplifies the necessity for an internationally agreed bandplan, which should minimise interference if all parties agree to follow the rules. Currently, the modified LW band is arranged as in the table.

Although a loop aerial would be a desirable accessory for listening to LW stations, it is perfectly possible to get good reception from a portable radio, using the directional properties of the internal ferrite rod aerial to optimise reception from a particular direction. Well, what can you hear? The table is a fairly comprehensive summary of sta-

MEDIUM WAVE



DXING

by Steve Whitt

tions in Europe, North Africa and the USSR which operate on the band. Outside this area the LW band is not generally used for broadcasting. As a guide to what you'll hear, I've highlighted those stations which I received using just the internal aerial with my portable Sony ICF2001D.

Signals on the LW band behave much like their counterparts on the MW band, and during daylight hours propagation is via the ground wave, which is augmented by a sky wave signal at night. If you recall the item on MW propagation in this column a while back, you'll remember that the lower the frequency is, the greater the range of the ground wave signal. It is for this reason that the BBC can provide coverage of most of the UK for its 198kHz Radio 4 service from just one transmitter (extra transmitters are needed to ensure coverage of Scotland). In addition, propagation via the sky wave is subject to less fluctuation than for MW signals.

Consequently, it is possible to provide good reception over large areas throughout the day and night.

The principal drawbacks associated with LW broadcasting are two-fold. Firstly, there is only a limited amount of

radio spectrum available – in fact, only 15 channels – which restricts the number of users, and secondly the long wavelengths involved (1000-2000 metres) require the use of either massive (and expensive) aerials or smaller, less efficient aerials and very powerful (and expensive) transmitters.

'World Radio TV Handbook'

Back in the January issue I mentioned the forthcoming 1988 edition of this most valuable book. I was surprised by the speed with which the *WRTVH* became available, since copies were being delivered in February. This is considerably earlier than in previous years, when publishing and distribution delays were the norm. In terms of layout, the new edition is very similar to previous years, but this year the specialist articles cover the subjects of receiver specifications and active antennas. Both articles are thorough and well worth reading.

News desk

United Kingdom: On January 19th Douglas Hurd, the Home Secretary, announced in Parliament plans for a major change to broadcasting in the UK. He intends to authorise three new national independent broadcasting networks and up to 300 local commercial/community radio stations. This will probably result in the BBC having to surrender some MW frequencies.

Additionally, it is intended to deregulate the existing ILR stations. The IBA will have less control over the ILR stations and a new radio authority will be set up to oversee all these changes and radio broadcasting in general. It is unlikely that these changes will be implemented before 1989, but they have already had significant impact on the development plans of both the BBC and the IBA.

The IBA originally intended to advertise 6 more ILR franchises during 1988 (of a total of 11 approved by the Home Office), but only two will now definitely go ahead.

The remainder will be treated individually. The franchises for Eastbourne/Horsham and Cambridge/Newmarket have been advertised and, if

kHz	STATIONS	NOTES
153	Algeria, West Germany*, Norway, Romania, USSR	
162	France*, Turkey and USSR	Still off channel
171	Morocco* and USSR*	
177	East Germany*	Still off channel
180	Turkey and USSR	
183	West Germany*	Moved Feb 1988
189	Italy, Sweden* and USSR	Still off channel
198	Poland, UK* and USSR (ex 200kHz)	Moved Feb 1988
200	Algeria*	Moved Feb 1988
207	Morocco* and USSR* (ex 209kHz)	Still off channel
216	Norway* and USSR (ex 218kHz)	Moved Feb 1988
218	Monaco*	Moved Feb 1988
225	Poland* (ex 227kHz)	No change
234	Luxembourg* and USSR* (ex 236kHz)	No change
245	Denmark*	No change
254	Algeria*, Finland and USSR	No change
263	Bulgaria, East Germany and USSR	No change
272	Czechoslovakia* and USSR	No change
281	USSR	

(* = heard at Ipswich during Feb '88)

everything goes according to plan, the stations will be on air by the end of the year. These two stations are the first to be specified as using 'single frequency' operation, which strictly speaking means 'single waveband'; the applicant has to choose either MW or VHF operation and cannot operate on both.

Meanwhile, over at Broadcasting House, the BBC has just produced a five year plan in response to the recent proposals. The BBC has suggested that it could relinquish the existing R3 frequency, 1215kHz (maybe 1197kHz as well?), together with one of the R1 channels (1053 or 1089kHz), thereby making space for independent national radio. A distinct shift in emphasis is likely to ensure that the music services are carried mainly on VHF, whereas the MW band would carry the spoken voice (eg, sports and news).

Away from the national scene, the BBC is proposing major changes to the operation of its major local stations in London, Manchester and the West Midlands. The latter two are to put a greater emphasis on news and information programmes, whilst R London is planned to concentrate on communities within London. It will almost certainly increase its ethnic programming content and it may well split its service between MW (1458kHz) and VHF (94.9MHz) in order to provide independent programming for areas north and south of the Thames.

At the time of writing, many issues were still unresolved and it will take some time for the dust to settle. In the immediate future, plans for special event radio in 1988 are undecided, and looking towards the 1990s it is still unclear where the 300 new local stations will operate (MW or VHF?). Indeed, if all of these proposals eventually see the light of day, 1988 could well prove to be a major watershed for broadcasting in Britain.

Offshore: Two contrasting developments in the troubled waters of the North Sea have recently occurred. Firstly, Radio Caroline appears to be slowly on the mend following its disastrous aerial collapse towards the end of last year. For a while it used a temporary wire aerial which used a plastic washing basket as its main feed insulator; unfortunately, this had a tendency to catch fire if wet and if too much power was used. Recently, however, a new mast about 60 feet high has been erected and the power has been increased to about 1000W.

Despite the slow recovery, Radio Caroline is still only heard well in the Thames Estuary during daylight, although it stays on the air (558kHz only) throughout the evening.

In contrast, the situation at Laser seems to go from bad to worse; on 3rd February storms broke the sea anchor of the silent *mv Communicator*. As a result, the ship entered Harwich harbour where she is now berthed and allegedly waiting

to be sold off for scrap.

Pirates: In the Merseyside area, several listeners have reported that unlicensed activity remains at a high level. Currently, the following stations can be heard, mainly at weekends: North Coast R, 1350kHz; R Atlantis, 1197kHz and 1521kHz (v); Liverpool City R, 1616kHz (v); R Merseywaves, 1242kHz; Liverpool Pirate R, 1386-1404kHz (v); Kirby Community R, 1521-1530kHz (v), (v) meaning variable or unstable frequency.

Interestingly enough, this is the only area of the UK with significant, even predominant, activity on MW; elsewhere pirates tend to use VHF-FM in preference.

QSL cards

In the absence of a DX file this month, I've included a quick tip for the DXer keen to maintain his collection of prized QSL cards in pristine condition. Since the majority of QSL cards are, in fact, postcard-size, they can be safely stored in postcard albums.

The most widely available example is the Collecta Postcard album (available from W H Smith), which is a looseleaf system that stores cards in individual pockets.

I'm afraid that's where I must sign off for another month. Feel free to drop me a line with your reception logs or any queries or problems you may have with medium wave listening. Till next time, good listening.

THE COMMUNICATIONS AND ELECTRONICS MAGAZINE



- Regular well-informed columns on various aspects of amateur communication
- Up-to-date news on the latest technology
- Simple and useful constructional projects, plus clear explanations of the theory behind them
- Delivery to your door by publication date each month
- Inflation proof - price guaranteed for 12 months

On sale NOW at your newsagent and at equipment dealers

RADIO & ELECTRONICS WORLD SUBSCRIPTION ORDER FORM

To: Subscription Department • Radio & Electronics World • 1 Clarendon Road • Croydon • Surrey • CR0 3SJ
Tel: 01-760 0409

PLEASE SUPPLY: (tick box) for 12 issues, all rates include P & P

Inland World-Surface Europe-Air World-Air
 £17.40..... £19.30..... £23.05..... £30.00.....

NAME.....
 ADDRESS.....

 Postcode

PAYMENT ENCLOSED: £ - Cheques should be made payable to Radio & Electronics World. Overseas payment by International Money Order, or credit card.

CREDIT CARD PAYMENT **EXPIRY**
 []

Signature

DX-TV RECEPTION REPORTS

Compiled by Keith Hamer and Garry Smith

In addition to that annual institution, *The Wizard of Oz*, there were a few other events which kept DX-TV enthusiasts glued to their screens during December. Checking back through the logs over the last few months has revealed plenty of intense periods of tropospheric enhancement, with several minor lifts too. Tropospheric DX was in the limelight again during December with a lift on the 5th and 6th, followed by a much larger and more intense one on the 23rd. The latter was indeed a welcome Christmas bonus with many significant examples of DX signals. We even had a report of Poland in Band III, which is considered to be a fairly rare visitor to the UK.

A few small sporadic-E openings materialised during the first half of the month but the anticipated late December ones just didn't seem to happen.

Quick bursts

Meteor shower DX via the Geminids over the mid-December period proved bitterly disappointing when compared

with results from other years. At Derby, some activity occurred early on December 14th, commencing with a brief glimpse of a PM5544 test card on channel E5 in Band III at 0654GMT. Band I activity consisted of the GTE test pattern from Spain at 0656GMT and the Norwegian 'NORGE MELHUS' PM5534 pattern at 0853. Both of these signals appeared on channel E2.

Christmas crackers

Where did all the BBC's enthusiasm evaporate to this Christmas in producing the traditional Christmas captions? It seems that all the effort was made by Dutch TV. In the top rectangle of the 'PTT NED-1' PM5544 test card, Christmas greetings in many different languages (including English) were sequentially superimposed.

Talking of test cards, the West German Hessischer Rundfunk FuBK has undergone some interesting changes. On December 23rd, the digital clock was seen superimposed *below* the central identification block rather than in its

usual place across the colour bar portion of the pattern.

Other observations during the tropospheric opening on the 23rd included almost a full complement of Dutch NED-3 outlets on test, showing the FuBK with transmitter information. The following were received: Lopik E30, Roermond E34, Wieringermeer E42, Smilde E44 and Markelo 51.

DX-TV log for December

The reception log for December has been kindly submitted by Simon Hamer of New Radnor in Powys:

06/12/87: NED-1 (Netherlands) with PM5544 seen over several channels; WDR-1 (Westdeutsches Fernsehen - West Germany) on channels E9 (Langenberg) and E11 (Teutoburger Wald) - reception was identified by the clock caption; DDR-1 (East Germany) on channels E11 and E12 showing programmes with corner identification; RTBF-1 (Belgium - French language network) on channel E8 (Wavre) with the PM5544 test pattern; BRT-1 (Belgium - Flemish language

PHOTO FILE ● PHOTO FILE ● PHOTO

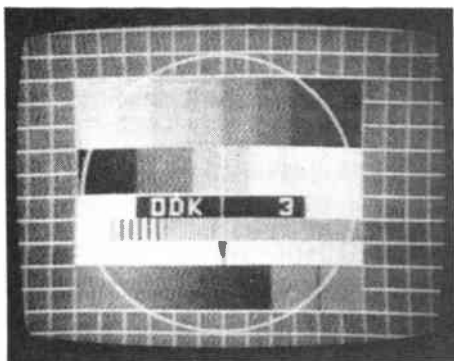


Fig 1 FuBK test card from the Czech CST-1 network, received on channel R10 (Pizen)



Fig 2 CST-1 announcer photographed during last November's tropospherics on R10

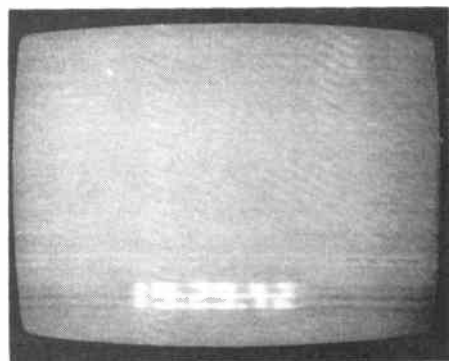


Fig 3 CST-1 clock caption noted in Band III. An analogue clock is also used

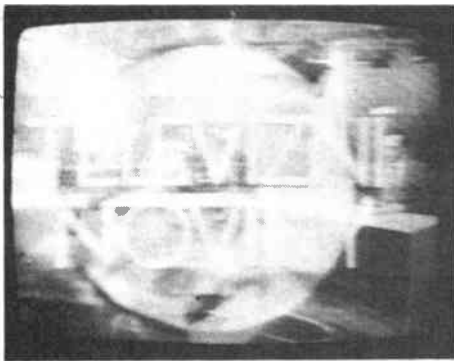


Fig 4 Televizni Noviny news programme from Czechoslovakia

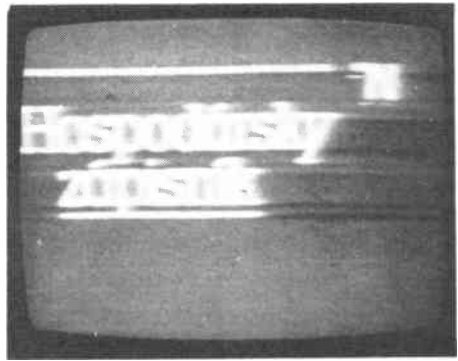


Fig 5 Caption received from CST-1 during the evening's news programme

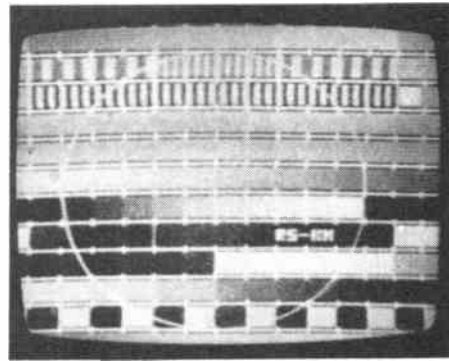


Fig 6 RS-KH electronic test card received on channel R35 from a CST-2 outlet

network) on channel E10 (also Wavre) showing the 'BRT-1' PM5544; TDF Canal Plus (France) on Band III channels L5, L7, L8 and L9; RTE-1 (Eire) on channels B, D, F and H; RTE-2 on channels G, I and J; RTL Plus (Luxembourg) on channel E7 from the Dudelange transmitter; DR (Denmark) with the 'DR DANMARK' PM5534 test pattern on channels E5 and E10.

07/12/87: SVT-1 (Sweden) with the 'KANAL 1' PM5534 test pattern on channel E2; NRK (Norway) E2 showing the PM5534 pattern with 'NORGE GREIPSTAD' transmitter identification; TVP-1 (Poland) R1 showing the dark background PM5544 test card; DR E3 on 'DR DANMARK' PM5534 from the Fyn transmitter; RUV (Iceland) on channel E4 radiating the 'RUV ISLAND' PM5544 test pattern. All reception via sporadic-E.

13/12/87: TVE-1 (Spain) on channel E2 with the GTE test card via sporadic-E.

16/12/87: NRK E3 with the 'NORGE BAGN' PM5534; NRK E4 with the 'BREMANGER' PM5534.

22/12/87: TDF Canal Plus L5, L6, L7, L8 and L9; TDF (tf1, A2 and FR3) on channels L21, L22, L23, L25, L28, L29, L35 and L37; NED-1 E4, E5, E6, E7 and E29; RTBF-1 E8; BRT-1 E10; RTL in French on channel E27.

23/12/87: NED-1 E4, E5, E6, E7, E29, E39 and E50; NED-2 E27, E45 and E54; NED-3 E34 with the FuBK test pattern showing the 'ROERMOND' transmitter identification; unidentified colour bars on channel E44 at 0730GMT; BRT-1 on E2 (Antwerp low power relay), E10, E43 and E49; BRT-2 on E46, E55 and E62; RTBF-1 radiating the PM5544 on channels E3 (Liège), E8, E11 and E52; RTBF-2 on channel E42 with the 'TELE 2' PM5544; RTL-Plus showing a Western film; DR on E7 and E10 with a Danish language programme; SVT-1 on channel E8 (Emmaboda) with the 'KANAL 1' PM5534 test pattern; TVP-1 on channel R8 (Katowice, Bialystok or Koszalin) showing the dark background PM5544; NRK on channels E5, E8 and E9 showing 'Dagsrevyen'; WDR-1 airing the FuBK test pattern on channels E9, E11 and E30; NDR-1 (Norddeutscher Rundfunk) E10;

ZDF (Zweites Deutsches Fernsehen) on channels E21, E24, E27, E30, E34, E35 and E37; WDR-3 E39, E40, E45, E46, E48, E53, E55, E57, E58 and E60; NDR-3 showing the 'NDR 3 HMBG' FuBK on channels E53 and E57; DDR-1 showing the test card on channels E11, E12, E27 and E37; DDR-2 on channel E34 from Brocken; RTE-1 channels B, D, F, H, I, 29 and 40; RTE-2 G, H, I, J, 33 and 43; TDF Canal Plus on channels L5, L6, L7, L8, L9 and L10; TDF (tf1, A2 and FR3) on channels L21, L22, L23, L24, L25, L27, L28, L29, L34, L35, L37, L38, L45, L48, L60, L61, L62 and L65.

Reception reports

Band I activity consisted chiefly of Scandinavian DX reception throughout December for Bob Brooks of South Wirral. On the 3rd and 4th, Norway was in evidence with the PM5534 test pattern displaying 'NORGE TELEVERKET' and 'BREMANGER' identifications on channel E4. Swedish signals on channels E2, E3 and E4 were noted on December 8th and 12th, all identified by the test card, while on the 1st, the Polish PM5544 was spotted (perhaps *noticed* would be a better word!) on channel R1.

Tropospheric DX was detected on the 6th with RTBF-1 on E8 and also Canal Plus on L5. Belgium appeared again on the 23rd with transmissions from the Dutch NED-1 service present during the same opening. A smaller lift on the 14th procured West Germany in Band III, while from the west Bob received RTE-1 on channel H from the Kippure transmitter.

Simon Hamer of New Radnor reports an exciting month with many new stations to add to his log. The 23rd proved the most exciting day with at least three surprises, namely Belgium E2, Poland R8, Sweden E8 and several Band III Norwegian outlets.

Mystery reception

The reception of the low power Belgian E2 outlet for BRT-1 is rather a mystery. This is the third time in a matter of only weeks - could it have increased in power? There are three high power transmitters sharing channel R8 in Poland, namely Katowice, Bialystok and Koszalin. The latter is the most likely to have been received, because it is the nearest outlet to all the others logged during the opening.

At lunch-time on December 5th, John Bray of St Neots telephoned to report the reception of the Swedish test card on channel E42. A quick flick through the UHF band here in Derby proved fruitless, although an extremely weak PM5544 test pattern was located on channel E10 in Band III when the aerials were beamed to the north-east. Unfortunately, there was no further improvement in signal level, so its origin remains a mystery.

The East German UHF outlet at Brocken on channel E34 was seen on the

CST-2 NETWORK

Map ref	Transmitter	Channel	Pol	ERP
39	Košice-Město	R21	H	2kW
35	Modrý Kameň	R21	H	100kW
38	Rožnava	R22	H	100kW
6	Klatovy	R22	H	100kW
26	Gottwaldov	R22	H	100kW
16	Hradec Králové	R22	H	600kW
30	Trenčín	R23	H	300kW
17	Trutnov	R23	H	1000kW
10	Praha-Město	R24	H	100kW
41	Košice	R25	H	600kW
19	Mikulov	R26	H	300kW
9	Praha	R26	H	1000kW
28	Bratislava	R27	H	1000kW
18	Rychnov Nad Kněžnou	R28	H	100kW
15	Třebíč	R28	H	300kW
32	Námestovo	R29	H	100kW
20	Brno	R29	H	600kW
37	Poprad	R30	H	600kW
24	Ostrava	R31	H	600kW
12	Liberec	R31	H	100kW
3	Plzeň	R31	H	600kW
8	Vimperk	R32	H	
34	Banská Bystrica	R32	H	600kW
36	Lučenec	R33	H	300kW
22	Olomouc	R33	H	300kW
11	Ústí Nad Labem	R33	H	600kW
5	Plzeň-Město	R34	H	100kW
23	Nový Jičín	R34	H	100kW
20	Brno-Město	R35	H	100kW
7	Sušice	R35	H	100kW
31	Zilina	R35	H	680kW
1	Cheb	R36	H	100kW
21	Jeseník	R36	H	600kW
40	Bardějov	R37	H	100kW
27	Borský Miluláš	R37	H	100kW
25	Frydek/Místek	R37	H	300kW
2	Jáchymov	R38	H	300kW
29	Nové Město	R39	H	600kW
13	České Budějovice	R39	H	600kW

CST-1 NETWORK

Map ref	Transmitter	Channel	Pol	ERP
24	Ostrava	R1	H	100kW
9	Praha	R1	H	150kW
13	České Budějovice	R2	H	100kW
28	Bratislava	R2	H	150kW
40	Bardějov	R4	H	1kW
32	Námestovo	R4	H	1kW
21	Jeseník	R4	H	10kW
37	Poprad	R5	H	70kW
6	Klatovy	R6	H	1.6kW
16	Hradec Králové	R6	H	100kW
41	Košice	R6	H	100kW
2	Jáchymov	R7	H	2kW
10	Praha-Město	R7	H	3.5kW
34	Banská Bystrica	R7	H	100kW
12	Liberec	R8	V	30kW
7	Sušice	R9	H	1kW
33	Ružumberok	R9	H	1kW
35	Šturovo	R9	H	1.5kW
20	Brno	R9	H	150kW
30	Trenčín	R10	V	1.5kW
3	Plzeň	R10	H	100kW
17	Trutnov	R11	V	0.2kW
14	Jihlava	R11	H	5kW
31	Žilina	R11	V	30kW
29	Nové Město	R12	V	1.5kW
11	Ústí Nad Labem	R12	V/H	100kW
27	Uherský Brod	R21	H	8kW
4	Domažlice	R24	H	100kW
1	Cheb	R26	H	100kW
26	Gottwaldov	R41	H	9.5kW

6th by Chris Howles of Lichfield. The electronic test pattern with 'DDR-2' ident was being shown at the time.

Notes on propagation

Joop Prosée of the Netherlands has written commenting on the many long haul signals received by enthusiasts from Canada and the Middle East, supposedly via multi-hop sporadic-E. Joop comments that the maximum distance attainable for sporadic-E reception is 5000km, and propagation consisting of more than a double-hop is considered impossible. Understandably,

he feels that some of the 6m amateur reception from North America last summer, with distances in excess of 6500km, could be aided by other forms of propagation similar to TEP or LDE (Long-Delayed Echo).

Alternatively, such reception could be a combination of different modes of propagation, such as tropospheric assisted sporadic-E reception. Joop reckons that this could apply to the many instances of Jordanian DX, because anticyclonic weather conditions which exist in the Mediterranean area for most of the year result in tropospheric

enhancement. In other instances only single-hop sporadic-E may occur, caused by a shallow refraction angle, despite the long distance involved.

Joop also comments on the enthusiastic stories found in various magazines which suggest that the next F2 season is 'knocking on our front doors'. Scientists expect the sunspot maximum to occur in 1991, four years after the minimum. Apparently, the 1979 maximum occurred 3 years after the minimum. Joop says that the longer the time period between the minimum and maximum sunspot count, the weaker the maximum will be. The trend since the early thirties certainly suggests that exceptional F2 activity, with a high MUF, occurs only every 22 years. He concludes that there are strong reasons to believe that the next peak will prove a disappointment, with the MUF rarely rising above 47MHz.

Service information

West Germany: The upper region of the UHF band between channels 61 and 69 is to be used by private TV services in the near future. The preparation is going more quickly than expected and the first transmissions could take place at the end of this year or early in 1989.

Two more private TV transmitters for SAT-1 and RTL-Plus broadcasts have entered service in the Schleswig-Holstein region. These are:

Network 1 (SAT-1) Garding on channel E25, 6kW. Süderlügum on an unknown channel, 5kW.

Network 2 (RTL+) Garding on channel E58, 6kW. Südelügem on channel E56, 5kW.

Westdeutsches Fernsehen has introduced a new logo for the ARD-3 network. It is now 'WEST 3'. However, the identification on the test pattern remains the same as before, namely 'DBP WDR 3' or 'WDR 3'.

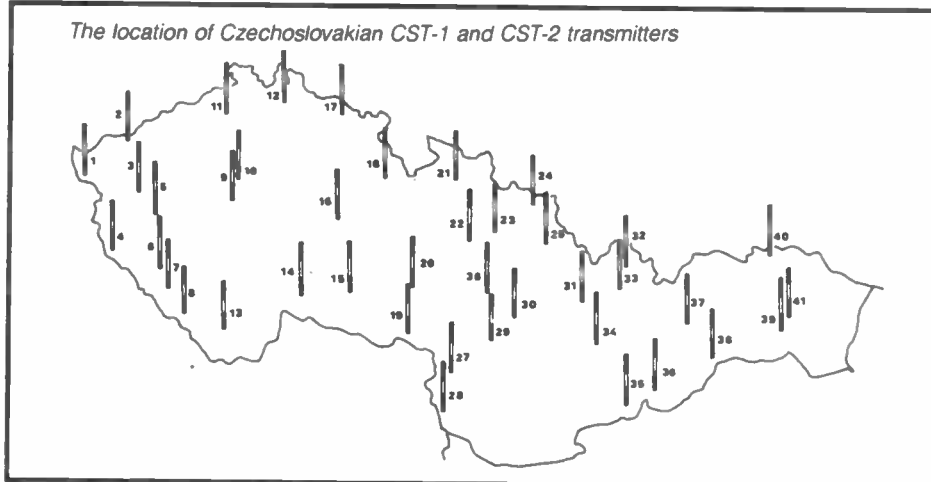
Netherlands: The Dutch 3rd TV network will officially come on-air on April 4th. Most main transmitters are already showing test transmissions and the sequence is as follows:

From 0745-0800GMT the FuBK test card without the circle is shown incorporating the transmitter location; for example, 'WIERINGERMEER', 'LOPIK', etc. This is followed by an FuBK test card with a circle and the identification 'AVVC-HVS'. From 0800 until 1600GMT the PM5544 test card is radiated with 'PTT NED 3' in the lower black rectangle, although occasionally the FuBK with transmitter identification is screened.

A teletext service called 'NOS TT' is available via the new network. When the service was undergoing tests, page headings were in the English language. Now they are in German, so page 100 is shown as 'S 100' (Seite 100).

This month's service information was kindly supplied by Gösta van der Linden (Rotterdam) and the Benelux DX Club (Netherlands).

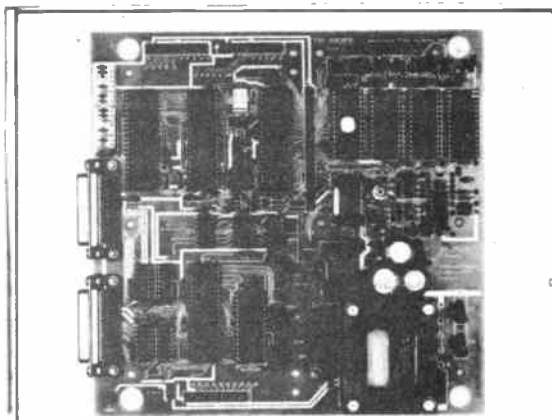
The location of Czechoslovakian CST-1 and CST-2 transmitters



The Archer Z80 SBC

The SDS ARCHER – The Z80 based single board computer chosen by professionals and OEM users.

- ★ Top quality board with 4 parallel and 2 serial ports, counter-timers, power-fail interrupt, watchdog timer, EPROM & battery backed RAM.
- ★ **OPTIONS:** on board power supply, smart case, ROMable BASIC, Debug Monitor, wide range of I/O & memory extension cards.



The Bowman 68000 SBC

The SDS BOWMAN – The 68000 based single board computer for advanced high speed applications.

- ★ Extended double Eurocard with 2 parallel & 2 serial ports, battery backed CMOS RAM, EPROM, 2 counter-timers, watchdog timer, powerfail interrupt, & an optional zero wait state half megabyte D-RAM.
- ★ Extended width versions with on board power supply and case.



Sherwood Data Systems Ltd

Sherwood House, The Avenue, Farnham Common, Slough SL2 3JX. Tel. 02814-5067

WE WOULD LIKE TO VIEW ALL OUR PRODUCTS!!!



**SEND FOR
OUR 22 PAGE
CATALOGUE PRICE 75p**

Send for a copy of our glossy covered illustrated **CATALOGUE**. We've got some surprises for you with the introduction of new Multi-standard Televisions/Monitors, a new range of Aerial Rotators and many, many more items. We've retained all of the well established and popular products, but have taken this opportunity to introduce lots of exciting new items for you the enthusiast. Our extensive listings cover domestic, fringe and DXing installations within Bands 1 to 5 inclusive. **AERIAL TECHNIQUES** provide a complete and comprehensive consultancy service for ALL reception queries and problems. **WOULD YOU LIKE TO RECEIVE AN EXTRA ITV CHANNEL AT LITTLE EXTRA COST? IF SO, SEND FOR OUR CATALOGUE AND INCLUDE AN SAE TOGETHER WITH DETAILS OF PRESENT ITV REGION RECEIVED.**

For a speedy dispatch, ACCESS and VISA Mail and Telephone orders may be placed for any of the products listed in our illustrated Catalogue. We are active TV/FM DXing specialists – your guarantee of honest and knowledgeable advice

**AERIAL TECHNIQUES IS UNIQUE –
OUR HIGH QUALITY CATALOGUE COSTS ONLY 75p**



AERIAL TECHNIQUES (RE)
11, Kent Road, Parkstone,
Poole, Dorset, BH12 2EH. Tel: 0202 738232.



TX-3 RTTY/CW/ASCII TRANSCIVE

The high performance, low cost system

Split-screen, type-ahead operation, receive screen unwrap, 24 large memories, clock, review store, call sign capture, RTTY auto CR/LF, CW software filtering and much more. Needs interface or TU. **BBC-B and Master, CBM64** tape £20, disc £22. **Spectrum** tape £35, +3 disc £37 inc adapter board (needs interface/TU also). For **VIC20** we have our RTTY/CW transceiver program. Tape £20.

RX-4 RTTY/CW/SSTV/AMTOR RECEIVE

This is still a best-selling program and it's easy to see why. Superb performance on all 4 modes, switch modes at a keypress to catch all the action. Text and picture store with dump to screen, printer or tape/disc. An essential piece of software for trawling the bands. Needs interface. **BBC-B and Master, CBM64** tape £25, disc £27. **VIC20** tape £25. **Spectrum** tape £40, +3 disc £42 inc adapter board (needs interface also). The Spectrum software-only version (input to EAR socket) is still available, tape £25, +3 disc £27.

TIF1 INTERFACE

Perfect for TX-3 and RX-4, it has 2-stage filters and computer noise reduction for excellent reception. Transmit outputs for MIC, PTT and KEY. Kit £15 (assembled PCB + cables, connectors) or ready-made £25, boxed with all connections. State rig for transceiver.

MORSE TUTOR, LOGBOOK, LOCATOR, RAE MATHS programs also available for BBC-B, Master, CBM64, Spectrum, VIC20.

Prices include VAT and p&p, 1st Class inland, airmail overseas, normally by return. Eire, CI, BFPO deduct 13%.

Technical Software (REW)

Fron, Upper Llandwrog, Caernarfon LL54 7RF

Tel 0286 881886



On these pages we present details of interesting contacts from clubs and individuals. We would be happy to receive any similar items from readers

To err is human

Ahem. One always likes to make mistakes in style, and apparently the West Devon Repeater Group (eagle-eyed lot!) have spotted a few in our recent item about their situation.

Fortunately the club has contacted the chap who implemented their aerial design – not G3VEH (who was the actual designer) as stated in the previous article. The poor chap was probably sitting quite innocently at home when our faithful reader (!) came baying to his door claiming the finder's reward. What fun...

The club secretary is now Trevor G3ZYY, not G4KXQ, and G1VKZ, whose name was mentioned hopefully as a contact, is just a blameless author of an article. Fame for a day!

Please direct enquiries of all sorts to Trevor, at 46 Beatrice Avenue, Saltash, Cornwall PL12 4NG. Membership is only £3 per year renewable on the date of joining, and lots of goodies will come your way when you do become a member. Incidentally, the group has made a tiny mistake-ette itself – calling us OM. Last time we looked we were YLs – easy mistake to make...

Princetown rally

Staying in the same neck of the woods, the Dartmoor Radio Club's annual mobile rally is to be held at Princetown Hall on Monday, May 2nd, from 10.30am to 5pm. The local repeater groups will be there – if you see WDRG, say hello for us!

Also in attendance will be the usual traders and Raynet; there will be bring-and-buy stands and refreshments – all for a small entrance fee. Parking is plentiful, and talk-in is on S22. A particularly scenic day out, we think.

For details, contact Dave Stokes G1YPB at 322 Tavy House, Duke Street, Devonport, Plymouth, Devonport, Plymouth, Devon P11 4HL, or phone (0572) 551955.

From bard to verse

Reading and District ARC, having acquired a talented scribe in the shape of David Silvester (sometime author in these hallowed pages), is now sending us wonderful newsletters. Shakespeare beware!

The first brings news of an appointment – the club has a new secretary, Mike Anthony G4THN. Details are given of the club's main meeting for the month – a junk sale on March 29th, which will take place at the White Horse pub, Emmer Green, Reading.

Yes, we know that this is the April issue, but for those eager beavers who snap the magazine up hot from the presses, March 29th is still to come. Which just goes to show that the early bird gets the junk. What a moral!

Reading and District ARC meets on alternate Tuesdays, from the above date, at the White Horse pub – everyone is welcome. For further details, contact the club secretary, Mike, on (0734) 774042.

Paddington takes off

We have had news from darkest Peru – or could it be Paddington College Amateur Radio Society? Deprived of their aunt Lucy during term time and being too over-worked to have tea and biscuits with Mr Gruber, they have turned to the airwaves.

In fact, this is their second year, and the club has decided to open its membership to all radio amateurs and SWLs. Don't forget the blue duffle coat and marmalade sandwiches, though, as a quick flick through the club newsletter *Bearest Fax*

reveals a startling penchant for crawling around on rooftops. At times like that, the old marmalade sarnie comes in handy.

What with impromptu antenna erecting sessions and frantic Txing from the Biology lab, this sounds like an interesting club to join!

The club meets from 7pm on the first Wednesday of each month at Paddington College, Paddington Green, London W2, and to find out the grizzly facts you should contact Don G1UCT on 01-723 3847, after 7pm. Life without the club could become unbearable...

Pecked pippers

Tongue twisters are the order of the day at the Midland Amateur Radio Society, as John Harris G8HJS is going to talk about chassis bashing on April 18th. Try saying that after you've had a few!

As regular readers will know, this club is more active than a volcano, and a detailed explanation of the multitude of goings-on would fill a small novel. Suffice members to say that it meet *three times a week*, though the venue is still in doubt as far as we know.

To find out details of meetings, which start at 7.30pm, or classes, which start at 7pm, contact Norman G8BHE on (021) 422 9787. Prepare to be exhausted!

Love IRTS

This heading is the Editor's fault, folks – the Grand Personage is obviously getting interested in corny titles. We didn't realise they were infectious...

The object of this mysterious title is the Irish Radio Transmitters Society, which produces a regular newsletter with all the latest info from EI.

A new man is in charge of the printed stuff – Charlie EI2EM. Rod EI7DF, who has very ably overseen this newsletter for two years, has decided to concentrate on operating. Making cutting comments over the air, mayhap? Txing with tonsillectomy included?

Anyway, the best of luck to Rod, and Charlie; remember that the newsletter needs

material from members – you too could become an author!

To find out more about the IRTS, write to PO Box 462, Dublin 9.

Spectrum watch

The Bristol Radio Society is fooling about with frequencies this month – Steve Walsh G8KVV of Hewlett Packard will be hosting an RF test equipment evening.

There will be a short talk and demonstration, followed by an opportunity to test your rig on a spectrum analyser. The moment of truth approaches...

The club's meetings are held every month on the last Monday, at 7.30pm in the Small Lecture Theatre, Queens Building, University of Bristol. For further information, please contact Dr C Newton, 13 Ridge Close, Portishead, Avon BS20 8RQ.

Mercury rally

On to things nautical now – the Royal Naval Amateur Radio Society is holding its annual mobile rally on June 12th. The rally site is HMS Mercury, near Petersfield, Hants.

This popular rally tries to cater for the whole family; besides the multitude of goodies for the radio amateur, toys, novelties and costume jewellery will also be for sale.

There will be rides and amusements for children, exhibitions and demonstrations of crafts, do-it-yourself archery, vintage steam machines and fire engines, and lots more.

Talk-in will be on two metres and 70cm, and all details can be obtained from Cliff G4UJR on (0703) 557469.

Smashing time

Things are hatching in the Wirral and District Amateur Radio Club – April 27th brings a Great Egg Race. Visions of hard-boiled amateurs scrambling to poach ideas from each other – these are the yolks, folks!

Earlier in the month, the members will be holding a film night – on April 13th. All meetings take place at the Irby Cricket Club, Irby Mill Road, Irby, Wirral, at 8pm. For further information, please

contact Alan G1XYP, on (051) 677 7517.

Crossed wires

How many members of Binstead Amateur Radio Society does it take to change a lightbulb? Hopefully just one after Mike G0EHR's lecture on basic house wiring on April 25th.

If you have a short fuse when it comes to the electrical foibles of your house, or if you are feeling ambitious and fancy trying your hand at re-wiring, then this could be your chance to become enlightened.

The lecture starts at 7.30pm and will be held at 'Brickfields', Newnham Road, Binstead, Isle of Wight. So why keep yourself in the dark? Contact Bob G0ISB, 29 Dubbers, Godshill, Isle of Wight for more information.

TARS AGM

'Torbay or not Torbay? that is the question. Whether it is nobler in the mind to suffer the slings and arrows of the Annual General Meeting...'

Yes, Torbay Amateur Radio Society's AGM will be held on April 25th at 7.30pm. The society also boasts a packed schedule of events and lectures which take place at the English China Clay Social Club, Highweek, near Newton Abbot.

New members and visitors are always welcome. One incentive might be the club stations which operate on both HF and VHF; the other is definitely the licensed bar. Bob McCreadie is the man to contact if you are interested, on (03646) 233.

Stay(a)Wakefield

If you're in the Wakefield area, there's no excuse to be bored. North Wakefield Radio Club offers some sort of entertainment every week.

This month, Mike G3JME is prepared to teach you all you ever wanted to know about cavity wavemeters on the 7th, the club is on the air with the callsign G4NOK on the 14th, there is a visit to Leeds Poly's computer room on the 21st and the month is rounded off nicely on the 28th with the monthly meeting.

For more details, get in touch with Steve Thompson

G4RCH on Leeds 536633. The club meets every Thursday from 8pm onwards at the White Horse Public House, Fall Lane, East Ardsey.

Happy birthday

Many happy returns to the Barry College of Further Education Radio Society, which will be 21 years old this year. The celebrations for this month include a video film presentation entitled 'The Story of Electrons' on April 14th and a tape slide presentation 'DXpedition to St Pierre et Miquelon Island' to be shown on the 28th.

There are many more treats in store (though, sadly, no jelly and ice-cream is offered). If you would like to know more about the programme of events, which includes lectures, demonstrations, club outings, activities and social functions, write to Dr Kevin Johnston GW4BCB, Barry College of Further Education, Colcot Road, Barry, South Glamorgan CF6 8YJ.

Coventry insomniacs

If at the end of this month you notice a lot of people with dark rings under their eyes wandering the streets of Coventry, it would be worth having a bet (with a non-R&EW reader, of course) that they are members of Coventry Amateur Radio Society.

These insomniac amateur radio enthusiasts will have spent three sleepless nights on the air on the 1st, 8th and 22nd of April.

A mini lecture evening is also planned for the 15th, and the (indoor) direction finding contest will be held on the 29th.

If you are interested in attending any of these events or fancy losing some sleep during the nights on the air, get in touch with club secretary Jonathan Ward G4HHT on Coventry (0203) 610408.

Rugby rally

Satellite TV is coming to the Crick Rally this year, as well as all the usual lectures, demonstrations, trade stands and ideal opportunities to pick up a few bargains.

The rally, organised by the British Amateur Television Club, will be held on Sunday

Notes from the Past

Amateur radio in the fifties

Secret Society

I was pleased to see that the Administrative Committee of IARU recommended to the plenary assembly that it should declare its sympathy with the radio amateurs of Austria in that the restoration of their transmitting licences is still withheld. True, there are quite a number of OE amateurs to be heard on the air, but they are nevertheless 'pirates' despite a pre-war call. When I was in Austria I could not quite get the system they use in sorting out their own call signs to avoid duplication. Apparently, it works out all right, each area working as a cohesive body in such matters. Indeed, the speed and efficiency of the liaison within and between the groups once or twice literally shook me.

They QSL too, but, of course, no address other than the town or district appears on the card. What is equally important, they get the cards sent to them. In all call books you will find the Austrian QSL Bureau shown as 'care of RSGB'. Cards sent via that means, like the Canadian Mounties, get their man. The Austrian amateurs are grateful for, and will long remember, this service.

Underground

Amateur radio in Austria has all the romance of a secret society and a friendliness and camaraderie that is really heart-warming. You simply find one amateur and he links you up with the man from whom he gets his QSL cards, and he in turn puts you in touch with 'sub-managers' of whatever districts you intend visiting. Thus you find yourself looking for George - except that George isn't his real name but simply his radio name. His real name is Anton. He in turn introduces you to Ed. Ed's proper name is Josef, and so on. A bit perplexing at first, but I found I soon got used to it.

24th April at the Northampton/Rugby Post House Hotel, just up the road from exit 18 of the M1 motorway.

You can catch up on the socialising in the bar and restaurant, and admission to the whole event is free. If you would like more details, contact Trevor G8CJS on (0532) 670115.

The rules

Fareham and District ARC members are about to learn that there is more to measurements than just feet and inches...

The demonstration on 13th April is concerned with radio measurements as a follow-up to the lecture of the same name which took place on 30th March.

If you are interested in attending this demonstration or the lecture on HF aeriols on 17th April, make sure you contact club secretary Alan Chester G3CCB on (0329) 288139.

The club meets every Wednesday at 7.30pm in the Portchester Community Centre, Westlands Grove, Portchester, Hampshire.

SHORT WAVE NEWS

FOR DX LISTENERS

By Frank A Baldwin

All times in UTC, **bold** figures indicate the frequency in kHz

Brazilian stations abound on the 60 metre band (**4750 to 5060**), those relatively easy to receive being sometimes reported by short wave listeners. DXers in the main tend to forage for those buried deep in near, or co-channel, interference for most of their transmission periods, or patiently await the onset of favourable conditions or a clear channel. The latter occurs when other Latin American transmitters vacate the respective frequencies at the termination of their schedules.

On the 60 metre band, European listeners are provided with a much better chance of logging Brazilians than that provided by the 90 and 120 metre bands, details of which were published in our previous issue.

It will be noted from the following that some Brazilian stations are co-channel. Whilst causing the minimum, if any, interference in so vast a country, where these transmissions are intended solely for local consumption (being radiated via an omni-directional aerial at relatively low powers), such a twinning presents the DXer with an additional difficulty: that of correctly deciphering station identifications announced in the same language, Portuguese, and often simultaneously. Should the reader be a newcomer to the hobby, resort should be made to those frequencies on which a singular Portuguese language transmission is apparent.

Start here

To get the flavour, as it were, of a Brazilian transmission on the band, it is suggested that readers first tune to **4805**, where signals from Radio Difusora do Amazonas in Manaus are frequently heard by UK listeners. At 5kW it operates from 2030 to around 0200, the close-down time being variable.

Regularly reported on **4755** are the signals emanating

from Radio Educacao Rural in Campo Grande. With a power of 10kW, it is on the air in Portuguese from 0700 through to 0400 (Saturday until 0500). Co-channel, however, is another Brazilian. Radio Difusora do Maranhao, Sao Luiz, works around the clock but, with a power of 2kW, it is obviously less reported by European DXers than Radio Educacao Rural.

Another frequently heard Brazilian is Radio Rural, Santarem on **4765**. The schedule is from 0800 to 0300 with a power of 10kW. However, trouble may ensue for the unwary in that on or near this channel is the Brazilian station Radio Nacional, Cruzeiro do Sul, a Radiobras station which varies slightly with respect to frequency. Its power is 10kW, the schedule from 0900 to 0400. Listen for this one therefore after the Radio Rural sign-off at 0300 to the 0400 close-down of Radio Nacional.

On **4775** is the rarely heard Radio Portal da Amazonia in Cuiaba, from where it transmits around the clock with a power of 1.5kW. Co-channel, however, is the 1kW Radio Congonhas, Congonhas (ex **3385**), which is on the air from 0900 to 2200.

Brazilian co-channel problems are also apparent on **4785**. The oft reported 5kW Radio Ribamar, Sao Luis, which transmits from 0800 to 0300 and sometimes to 0400, shares this frequency with the lesser heard 1kW Radio Caiara in Porto Velho, scheduled from 0800 to 0400 with an occasional 0500 sign-off.

The seldom heard 1kW Radio Difusora, Aquidauana is listed on **4795** from 0800 to a variable sign-off around 0300.

Radio Difusora Londrina operates from 0800 to 0300 daily with a power of 10kW on **4815**, but is co-channel with fellow Brazilian Radio Nacional Tabatinga at 10kW, the latter working from 1000 to 0300 (Saturday and Sunday around the clock).

Not often heard, owing to

other Latin American co-channel occupants, is Radio Educadora, Braganca on **4825**. At 5kW it is on the air from 0900 to 0200.

Easily and regularly logged are the signals of Radio Nacional de Manaus, Manaus on **4845**, probably not surprisingly as the power is 250kW. The schedule is from 1030 to close-down at 0215, although this is variable to 0400.

There are two seldom heard Brazilians operating on **4865**, the first being the 5kW Radio Verdes Florestas, Cruzeiro do Sul, operating from 2300 to 0300 (Sunday until 0200), and the second being the 1kW Radio Sociedade, Feira de Santana, which closes at 0300.

Radio Nacional, Boa Vista is on **4875**. At 10kW, it transmits from 0930 through to 0315 but on occasions to 0400. Co-channel is the more often heard Radio Jornal do Brasil in Rio de Janeiro radiating from 0900 to 0500 with a power of 10kW. The 5kW Radio Difusora Acreana in Rio Branco on **4880** is a regular visitor to many listening posts here in the UK. It operates from 0900 to 0400. The often logged Radio Clube do Para in Belem is on **4885**, at which frequency it transmits from 0800 to 0400 at 5kW. On **4905** another Brazilian co-channel problem is evident. The 5kW Radio Relogio Federal, Rio de Janeiro closes at 0330 and is easily identified by its transmission of time signal pips superimposed on programme material. The 1kW Radio Araguaia in the town of that name closes at 0300.

Regularly heard is Radio Anhanguera in Goiania at 10kW on **4915**. Scheduled around the clock, it is now reportedly closing around 0700. The co-channel Radio Nacional in Macapa is not so often logged. At 10kW, it closes at 0300. On **4945** the Radiobras station Radio Nacional in Porto Velho signs off at 0200 (Sunday at 0100) and has a power of 50kW, being regularly heard here in the UK.

The 1kW Radio Poti, Natal, closes at 0400 but can vary to **4962**, whilst Radio Alvorada, Parintins at 5kW signs off at 0200. For a Portuguese language transmission from Radio Poti, listen after 0200. Radio Brasil Central, Goiania, has a 24-hour schedule on, or near, **4985**, the frequency being variable. The power is 10kW and it is regularly heard in the UK.

The 2.5kW Radio Cultura, Campos, closes around 0400 on **4955**. Also on or near this frequency is another Brazilian in the shape of Radio Marajoara, Belem. At 10kW, it signs off at 0300, but can vary to **4955.4**.

In Teresina, Radio Pioneira is on the air from 0700 to 0400 at 1kW. The frequency is **5014.6** and it is regularly reported by European DXers. Radio Jornal de Transamazonica, Altamira, is scheduled from 0800 to 0200 at 5kW on **5025**, but this can vary to **5027**. Also on **5025** is Radio Borema in the town of that name, being active from 0800 to 0430 with a power of 1kW. The former is that most often listed in SWL reports. Yet another Brazilian now reported on this channel is the 5kW Radio Morimoto in Ji-Parana, schedule unknown.

The 2.5kW Radio Aparecida, Apariceda, transmits from 0800 to 0300 on **5035** but is only occasionally heard in the UK. In Belem, the now reactivated Radio Cultura do Para on **5045** radiates from 0800 to 0300 with a power of 10kW, but does sometimes work around the clock. The rarely heard 1/5kW Radio Continental, ex-Radio Maua, Rio de Janeiro, is on **5055** from 0800 to 0300.

AFRICA

Angola

Emisora Regional da Huila on **4820** at 2015, a talk in Portuguese with several mentions of Savimba, this being followed by some martial music then the station identification as Radio Nacional. Radio Nacional, Luanda was

SHORT WAVE NEWS

heard at 1953 on **4952**, a talk in Portuguese being followed by the station identification at 2000.

Chad

N'Jamena on **4918** at 1930, announcements then play theatre in French. At 2156 retune, some announcements, identification, choir, then an orchestral rendition of the National Anthem and off at 2200. At 100kW, N'Jamena is on the air in French and vernaculars from 0500 to 0730 (Sunday until 0600) and from 1600 to 2200 (Saturday until 2300).

N'Jamena has also been heard on **4905** at 0454 with the interval signal, orchestral National Anthem, then a choir with a patriotic song, only to be wiped out by a jamming transmission, presumably emanating from Libya.

Kenya

The Voice of Kenya, Nairobi on **4885** at 1851, OM with a talk in vernacular including mentions of Angola, Zambia and Zimbabwe. Six pips at 1900 were followed by the station identification and a newscast in vernacular. At 100kW, Nairobi transmits in vernaculars and Somali from 0200 to 0600 (Sunday from 0330 to 0600) and from 1400 to 2000 (Saturday until 2110) in vernaculars and English.

Mali

Bamako on **4783.8** at 2400, OM with the station identification in French then a martial band with the National Anthem. At 18kW, Bamako radiates in French and vernaculars from 0600 to 0800 Monday to Saturday and from 1800 to 2400 daily.

Niger

Niamey on **3260** at 2200, YL with announcements in French then a choral version of the National Anthem. Voix de Sahel is scheduled in French from 0530 to 0700 and from 1630 to 2300 with a power of 4kW.

Nigeria

Lagos on **3266** at 2235, piano jazz music then a pop song in English. Lagos on this channel operates in English and vernaculars from 0430 to 1045 and from 1700 to 2305 with a

power of 50kW.

Rwanda

Kigali on **3330** at 1942, OM with a news bulletin in French. The schedule is from 0300 to 0600 and from 0900 to 2100 (Sunday from 0300 to 2100) at 5kW.

Swaziland

Trans-World Radio, Manzini on **3200** at 1934, OM with a USA taped religious talk in the English programme timed from 1900 to 2015. The power is 25kW.

CENTRAL AMERICA

Costa Rica

Radio Reloj, Irazu on **4832** at 0735, OM with the full station identification, YL with announcements, songs in Spanish. This 3k transmitter is on the air from 2200 to 1000.

Radio Impacto, San Jose on **5030** at 0042, OM and YL with local news items in Spanish mentioning Samoja and Costa Rica, with the station identification following at 0048.

SOUTH AMERICA

Brazil

Radio Cultura do Para, Belem on **5045** at 0730, OM announcements in Portuguese, a song, cock crow and more announcements then folkloric songs and music. At 10kW, the schedule is Monday to Friday from 0700 to 0300 (Saturday and Sunday from 0800 to 0400).

Ecuador

Radio Quito, Quito on **4920** at 0440, OM with a newscast in Spanish, various promotions, then the station identification as Radio Quito, La Voz de la Capital.

Peru

Radio Tacna, Tacna on **6570** at 2253, OM with a sports commentary in Spanish, the daily schedule being from 0900 to 0500 and the power at just 0.2kW.

Venezuela

Radio Capital, Caracas on **4850** at 0656, OM with the station identification followed by a programme of local pops in Spanish. This 1kW station is on the air from 1000 to 0400 (Saturday and Sunday around the clock),

being regularly heard here in the UK.

ASIA

China

Zhejiang PBS, Hangzhou on **2475** at 2248, a seemingly interminable talk in Chinese.

Guangxi PBS on **5049.7** at 1541, OM with announcements then a programme of lovely songs sung by a YL.

India

AIR Simla on **3223** at 1605, OM with a talk in Hindi. AIR Guwahati on **3235** at 1600, announcements, OM with a talk in vernacular, songs and music. AIR Kurseong on **3355** at 1550, YL with a talk in English about local affairs. AIR Delhi on **3365** at 1553, in parallel with Kurseong. AIR Delhi on **4860** at 1538, YL in English with news of local events. AIR Delhi on **4990** at 0035, songs and music, announcements in Tamil, also in parallel on **3905**.

Taiwan

A relay of WYFR on **6300** at 2341, hymn 'Onward Christian Soldiers' in English, YL with announcements in Chinese then a bible reading in English, read at slow speed. All in a programme for China timed from 2300 to 2400.

North Yemen

San'a on **4853** at 0300 when signing on, OM with the station identification, orchestral rendition of the National Anthem and news headlines followed by recitations from the Holy Koran, all in Arabic. Previously inactive, this one was first heard in early January, but at that time listed by the writer as unidentified. Radio San'a is on the air in Arabic from 0300 to 0730 (Friday until 2100) and from 1500 to 2100. The power is 20kW.

SOUTH-EAST ASIA

Indonesia

RRI Sibolga on **5256.3** at 1522, OM with a talk in Indonesian, the transmission being wiped out by interference a few minutes later. The 1kW RRI Sibolga is scheduled in Indonesian from 1000 to 2200 and from 2300 to 0100.

North Korea

Radio Pyongyang on **2849.8**

at 1533, orchestral music then OM with a talk in Korean. At 120kW, this one operates in Korean from 2000 to 1800.

Laos

Savannakhet on **7383.7** at 1328, OM with a talk, announcements, YL with some songs, plucked string music, announcements in Lao and off without the National Anthem at 1358. Logged on several occasions.

Mongolia

Ulan Bator on **4080** at 2242, OM with a talk in Mongolian, YL with announcements, the station identification and a newscast at 2300.

Thailand

Bangkok on **9655.5** at 1230, chimes interval signal, OM with the station identification 'This is HSK9 Radio Thailand', an announcement of the parallel **11905** channel, all in English, then into the announced Kmer programme for Cambodia.

DIAL SEARCH

The fifth edition of *Dial Search*, the listener's checklist and guide to European broadcasting, published biannually, is now available at booksellers at £3.25 or direct from the publisher, George Wilcox, 9 Thurrock Road, Eastbourne, East Sussex BN20 9NF, at £3.60 post paid (overseas £4.00 or 18 IRCs).

A quality paperback production of 46 pages of text plus two maps, *Dial Search* will be invaluable by all who are actively engaged in the radio listening hobby. Medium and long wave station lists, complete with broadcast schedules and languages, are a feature of this publication, there being a separate list of stations located within the British Isles and Eire. The included VHF (FM) range lists all the BBC and IBA local transmitters in frequency order, with some accompanying programme data. Complete with an index, the book also features a selection of short wave stations likely to be heard by European listeners.

I have found this a very useful publication, a good investment to have at hand on the operating desk.

FREE CLASSIFIED ADS

FREE CLASSIFIED ADS CAN WORK FOR YOU

We are pleased to be able to offer readers the opportunity to sell your unwanted equipment or advertise your 'wants'.

Simply complete the order form at the end of these ads, feel free to use an extra sheet of paper if there is not enough space on the order form. We will accept ads not on our order form.

Send to: **Radio & Electronics World**, Sovereign House, Brentwood, Essex CM14 4SE.

DEADLINE AND CONDITIONS

Advertisements will be inserted in the first available issue on a first come first served basis. We reserve the right to edit and exclude any ad. Trade advertisements are not accepted.

FOR SALE

- Trailer: brand new, 5ft x 18in deep, c/w all-weather cover, cost £259. I would prefer to swap for old type HF tcvr preferably with 160m, but anything considered, or very good GC or ham only Rx with digital readout. Please phone any time or write. All letters answered, all offers considered. Peter, 2 Mayes Close, Norwich, Norfolk NR5 9AR. Tel: (0603) 748338
- Sony ICF2001 FM/AM PLL synthesized receiver with 21 wavebands, digital tuning and eight programmable frequencies, comes with mains unit, £125 ono. Tel: 01-940 3923
- Panasonic GX80 M/L/SW, excellent, £25. KW 2000B tcvr, excellent condition, complete overhaul by KW electronics, performance excellent, £195 ovno. Eddystone 940 gen coverage, 480kHz-30MHz, complete overhaul, very good condition, £135 ono. Manuals with both. Reason for sales: bought another Eddystone, going low power. Wood, 143 Station Road, Burgess Hill, W Sussex RH15 9ED. Tel: G4MIZ (04446) 41567 evenings
- Selection of mixed electronic components: Includes resistors, capacitors, transistors, diodes etc, over 1,000 parts, only £4.50. Send to J N Karajos, 42 Priory Road, Peterborough, Cambs PE3 6ED
- Photographic and electronic items for sale. ICS transistors etc. All new, cheap. Photographic items and models, latex clothes, glamour photos etc. Send sae for complete list to Mr Lawrence, 7 Griffin Crescent, Littlehampton, Sussex BN17 7LH, by post only
- VHF airband, 118 to 138MHz converter to AM short wave set (10 to 30MHz), for extra sensitivity just plug in a suitable pre-amp, 12V, £25 inc postage. Have 2 of these. 144MHz to 164MHz converter to VHF car radio (88 to 108MHz) 12V. Fed up with local radio? Listen to hams, taxis, etc, £25 as above. Have 3 of these. Chris Barker, 52 Spode Street, Stoke-on-Trent, Staffs ST4 4DY
- Yaesu FT7B HF mobile tcvr, excellent working order, £295. FC707 ATU, as new, £80. MC80 desk mic with scan facility, £35. Realistic communications receiver, good working order, £35. CM Howes, home brew ATU, ideal budget priced ATU, £25. Full size G5RV, £10. Buyer to arrange collection. Chris. Tel: (0482) 825719
- Maplin keyboard with metal case, £20. Service manuals TR3200, TR3500, TR2500, TR2400, TR9500, TR9000, each £8. Operating manual TR3200, £3. Heathkit service oscilloscope 0.52 plus spare tube valves rectifier and two capacitors, requires slight attention to correct horizontal positioning hence price, £35. Heathkit RC, bridge model C-3V, £30. Phillips push-button car radio, £10. Collection or post, carriage extra on all items. Des Thompson G8SBU, 131 St Johns Road, Exmouth, Devon EX8 4EW. Tel: (0395) 26 5059
- BARTG ST5C RTTY kit 80% built, PCB, 90% populated case, fitted tuning meter, LEDs, switches, plugs, sockets plus regulator, PCB built. Requires wiring/testing to complete unit, £55 ovno. Des Thompson G8SBU, 131 St Johns Road, Exmouth, Devon EX8 4EW. Tel: (0395) 265059
- Magazines, large collection of back issues for sale, as one lot or individual copies. Includes *Amateur Radio*, *Citizens Band*, *Datacom*, *Everyday Electronics*, *Elektor*, *Maplin*, *ETI*, *Ham Radio Today*, *Morsum Magnificat*, *Monitor*, *PE*, *PW*, *RadCom*, *REW*, *RNARS Newsletter*, *Sprat* etc. Send SAE for list. Also many books and oddments on amateur radio. Mr M Small G0HJC, 8 Cherry Tree Road, Chinnor, Oxon OX9 4QY
- Ex-lab PSU 40A 0-20V (240V ac input). Twin metres, large heavy unit. Buyer to collect. Tel: (0642) 456327 daytime
- Visual display unit, optical projection screen

- and built in audio cassette player on pull out tray. Mains operated, an interesting and unusual item, £10. Large bargain pack of components, boards, circuits, etc, weight 10lbs, only £5. Electronic noise-maker PCB add 800 LS, few switches, and 9 volts to get train, siren, trimphone, piano etc, data included, new, £1.50. All sent post free! Mr Bailey, 40 Seymour Close, Selly Park, Birmingham B29 7JD
- HF Station Yaesu FT77 with FM board and N/filter plus FC700 ATU and FP757 HD power supply, all boxed and mint condition, sell £600 or exchange for TS430s, FT757 Icom or WHY. Please tel: (0475) 706451
- TM221E 45W 2m FM mobile rig, 14 mems, priority channel, scan, etc, plus Daiwa 10 amp PSU 3-15V variable fully metered and protected, both new from Lowe, g'teed, exchange for FT77 plus PSU FP700, FC700, FTV700 or similar. I also have FT203R hand-held plus speaker mic. Keith. Tel: (0543) 360372 any time
- Bird Thru-line elements, 400-850MHz 2.5W, 300-500MHz 5W, 2-30MHz 100W, 2-30MHz 1kW, £15 each. Shure hand mic 401B unused, £15. AKG goose neck mic, new, £10. SX200 scanner receiver £50. 8 EPROMS 27128 (blank unused), £10, or the job lot for £120. No offers please. Des G6LPH. Tel: Basingstoke (0256) 56985 after 6pm
- Pye Cambridge complete and working, £15. 4 metre receiver, £40. Low band Tx chassis with 6/40 PA, ideal for 4 metres, £20. PSU by Farnell with +12V, -12V, +5V and -5V outputs, £25. AVO 47A multimeter, £50. Electronic keyer with twin iambic paddle and sidetone, £15. Packs of new semi-conductors, £2.50. EPROMS 2708, 2716, 2732, ex-computer, 3 for £2.50. All prices inc postage and packing. Gino G4NNZ. Tel: Melton Mowbray (0664) 500228
- Sony AN1 antenna, £30. Scooper VHF mini scanner, £20. Combi control 8000, £10. Steeplestone MBR7, £30. Grundig Satellit 1400SL, £200. Skywood CX-203, offers. All in good working order. No reasonable offer refused. Colin Whitehead, 118 Dovedale Road, Sunderland. Tel: (091) 5486871
- New, surplus solder tags, 4BA hole, ready tinned, 500 for 75p, 1000 for £1.25, 2000 for £2. Red LED displays, two, 0.5in height numerals, ±1 and 8 (7 segments), both with decimal point, 50p each, 5 for £2, 10 for £3.50. Free datasheet included. Add 20p towards post and packing. Cheques or POs to Mr K Bailey, 40 Seymour Close, Selly Park, Birmingham B29 7JD
- Two RCA 8005 valves. Offers. Tel: 01-747 1635
- ARA 30 active antenna, excellent cond, £85. ARA 500 vgc, £85. Zenith speech processor, £15. All post paid. S P Martin, 24 Collingwood Close, Worle, Weston-s-Mare, Avon BS22 9PQ
- 2m 10XY antenna, boxed unused, £30 ono. Jaybeam FM-95, 6-ele, VHF, broadcast receiving antenna (88-108MHz), high gain, high front to back ratio. Unused, boxed (retail price, £55 approx), £35 ovno. Leak point one amplifier chassis and through-line tuner chassis, offers? 144MHz % whip no base, offers? Brenell tape deck mechanics plus Stuart tape recorder, circuit boards, offers? Horsley, 7 Northlands Gardens, Southampton, Hants SO1 2NL. Tel: (0703) 36943
- New Cybernet Delta I 934MHz R16, plus two aeriels. All couple of months old, £275 or straight swap for good hand-held scanner, but must be in good condition and include air band. Contact Chas G4WIE. Tel: 01-240 1277 work, or 01-987 2296 after 7pm
- Lowe HF125 Rx with direct entry keypad, new, vgc, boxed, very little used, £275, carriage extra. V Doe, 9 Woodlea Square, North Shields, Tyne & Wear NE29 6AW. Tel: (091) 2585289
- NATO 2000 with extra bands, in perfect condx, £150. Havard 27.60125-99125, 26.515-26.995, 26.995,

- 26.405, vgc, £75. Tel: (0283) 221870
- Philips world receiver D2935, PLL synthesized, AM, 146-29999, FM, 87.5-108MHz SSB, keyboard, tuning and manual. Also preset MEMS, £100 or exchange for Crusader X receiver. Mr B Collins, 5 Railway, Macfin, Ballymoney, Co Antrim BT53 8QU, N Ireland
- Hitachi V-203F oscilloscope, as new, 20MHz bandwidth, delayed sweep, TV synchronization, high sensitivity - 1mV/div, large 5.5in screen, two 1x10 probes, power cord and instruction manual. Hardly used, immaculate condition, cost over £450. Offers around £350. Tel: (091) 2511304, ask for Martin. Answerphone if not available
- Philips B3G75U Rx, 1957, 8 valves LW/MW/FM, with service sheets. Ideal restoration project, works and crackles, grubby, £18. Two EL34 valves with push-pull transformer, £12. Howes ST2, unused, £4. Richard Marris, 35 Kingswood House, Farnham Road, Slough, Berks SL2 1DA
- *Radio and TV Servicing*, 1953-1973, offers. 1974-1983, £10 each. 1984-1986, £15 each. Collect or plus carriage. Trader sheets, 1500-4050 (1961-1983), RER sheets, 1950-1981, ERT 1965-1987. Some missing, offers. Edwards, 2 Beach Road, Burton, Bradstock, Dorset DT6 4RF. Tel: (0308) 897625
- FT780R 70cm multimode, mobile, 10 watts. In excellent condition - has not been used as a mobile, only used as a base station, £350 ovno. NATO 2000 on 10 metres AM, FM, LSB, USB, CW, 12 watts, 28.000MHz to 29.700MHz in 10kHz steps, ±5kHz with RIT on Tx and Rx, £150 ovno. Mike. Tel: (0895) 443524 9am to 8pm any day
- Trio R2000, boxed, mint cond, complete with phones, £375. Rascal RA17L, £90. Datron D17 oscilloscope, 17MHz, dual trace, £150. Sinclair DM450 digital multimeter with case and adaptor, £25. Thandar PFM200 frequency meter, £15. Atari 800 computer with data recorder, £30. Tel: (08894) 79830

FREE CLASSIFIED ADS FREE CLASSIFIED ADS CAN WORK FOR YOU

We are pleased to be able to offer readers the opportunity to sell your unwanted equipment or advertise your 'wants'.

Simply complete the order form at the end of these ads - feel free to use an extra sheet of paper if there is not enough space. We will accept ads not on our order form. Send to **Radio & Electronics World**, Classified Ads, Sovereign House, Brentwood, Essex CM14 4SE.

WANTED

- Exchange Akai GX4000 D/DB reel to reel stereo tape deck in mint condition, for an FRG7 or what have you? WRTV handbooks for 1984, 1985 and 1987, £5 each or all three for £14. Taylor, 1 Cadley Close, Blandford Forum, Dorset DT11 7RY. Tel: (0258) 53933
- High impedance headphones, SH airband receiver. Mr Bayley, 174 Grafton Road, Oldbury, Warley, W Midlands B68 8BL. Tel: (021) 559 6788
- Collins 51J Rx handbook, circuit drawing, valves etc. Any service information for the above please. Bill Hall, 1 Crookhill Terrace, Ryton, Tyne and Wear NE40 3ER. Tel: (091) 4132707
- Realistic DX400 or Uniden CR2021 receiver. Tel: 01-998 43336
- Electronics expert willing to repair old valve-type hearing aid to working order. Please write to

Tarby, 38 Quantock Road, Watchet, Somerset TA23 0DY

■ Cobra 148GTL, must be in perfect condition, pay £80-90. Also 9600 or FRG7700 receiver, plus additional equipment. Tel: (0283) 221870

■ Concord 3. Good price paid for one which has not had screwdrivers inside it, or equivalent. Tel: (0283) 221870

■ Would like urgently information/circuit diagram of TV aerial and booster to receive Band III and UHF programmes. Details regarding specification and construction required as import of the same is at prohibitive cost. I will pay a reasonable price. Any help appreciated. Please write to Victor Fernandez, 1 Pushpawadi, IC Colony Road, Borivilli, Bombay 400103 India

■ 20-25A PSU 6m linear (or design) TS670S Kenwood quadbander or 680S. Bob G8ZGI. Tel: (0277) 354378 any time

■ Info on wireless station A510 rx. Also has Marks Z1/TSE (W) 8-4. Separate rx for above station would be apprec with any info on same. Circuit diag. All costs refunded. Pierce Dunphy, Foxtown, Summerhill, County Meath, Eire, or EI2FO QTHR

■ Receivers, Collins R388/URR, GEC RC 410R, Plessey PR155. In very good and original condition. Tel: (0521) 41681

■ Icom 144MHz 290H all mode transceiver with JMC power unit. Transmitter never been used. Will exchange for Nordmende Galaxy Mesa 9000ST receiver, must be in new condition, would consider any other first class full general coverage digital readout receiver or would purchase. Tel: (0472) 358896 any time

■ Circuit diagrams, info etc on Eagle TPA30 short wave receiver. Can photocopy, will refund all costs etc. Your help would be most appreciated. Please contact Roy G0BZT QTHR. Tel: (09073) 78792

■ Single sideband unit for Grundig Satellit 2100. Also small oscilloscope. R P Wood, 44 Highcombe Close, Motingham SE9 4QJ. Tel: 01-857 1251

■ Can anyone please help my Australian friend? He has sent me a tape which he wants altered but I cannot print it out as it has been recorded on a Dick Smith computer (in England, a Genie computer) which is compatible with the Tandy I or Tandy II computers. It is a horse racing program. I will meet all costs you require. Thanks. Brian Marshall, 32 Fairfield Approach, Wraysbury, Nr Staines, Middx TW19 5DS. Tel: (078) 481 2289

■ Complete ZX81 ROM disassembly book by Ian Logan required, also thermal paper for Alphacom 32 printer, and Forth Program for the ZX81. Ian Pepper, Chandos Hall, Granby Row, Manchester M1 3QJ. Tel: (061) 236 5601 ask for Ian, Room J5, evenings only

■ Constructor to make a Band III pre-amp for TV/DXer, construction details on page 384 of *Television*, April 1987. Portavision 50 Rx also wanted. For details, tel: 01-505 6303 during the day or evening

■ Icom 24G 2m FM mobile 25/12.5kHz 1/10W handbook vgc, £140 ono. Pye Westminster 70cm, 5 channels, fitted tone burst control box, cable, spkr, mic, £35 ono. Above items, inspect and collect. Barry. Tel: Corby (0536) 60598

■ Any new boxed valves of any type numbers. If possible, send list of numbers and price required. Thanks. Mr K Bailey, 40 Seymour Close, Selly Park, Birmingham B29 7JD

■ Wanted by disabled short wave listener. Any out of date callsign books of USA and Europe, willing to pay small fee and post and package. Mr Brown, 37 Mary Street, Kirkby-in-Ashfield, Notts NG17 7JS

■ Cheap UHF aircraft band down converter for my Sony ICF 2001D. Will pay carriage or collect if local. Roger, 17 Wimbourne Close, Llantwit Major, South Glam CF6 9QW. Tel: (04465) 3466

■ Data circuit diagram for Taylor model 31A oscilloscope. Plug-in and external units for Telonic SM2000 sweeper. Low noise head amplifier and dish feed for Meteostat II. R C Taylor,

Bwlch Glas, Penrhyndeudraeth, Gwynedd. Tel: (0766) 770637

■ Super 360 or Cobra 148, must be in good condition. Tel: (0283) 221870

■ Oscilloscope: dual-channel, 15MHz bandwidth, will pay carriage costs. Contact John Coughlan, 19 Hawthorn Avenue, Ballincollig, Co Cork, Ireland. Tel: (010) 353 021 871910

■ We are proposing to start a ham radio club at our school next year. We ask readers to help us by donating good books, articles, circuit diagrams. We are sorry we cannot reply in terms of money, but will quote their names on donor's list. Shatavahana Residential School, Jagtial Dist Knr, State AP India 505 327

■ Pre-1950 ARRL Handbooks. Also, for spares, any condition Codar AT5s, Heathkit RA1, RG1, Rx's. Details and prices to Richard Marris, 35 Kingswood House, Farnham Road, Slough, Berks SL2 1DA

■ Satellit 2100, stereo FM in, quality audio world zone Rx and SSB adaptor. A1 condition. Direct exchange for Sony CRF220 onward model Rx. Also wanted: Sony CRF330K Rx and 1986 or '87 *World Radio TV Handbook*. Cash paid for sensibly priced, mint examples. Tel: (061) 7431570 any time

■ Internal PSU for BC342 rec. Also service manual for above receiver. Redhan G8DUB, 46 Tukes Avenue, Gosport, Hants PO13 0SEP

■ Information on Lafayette 1200 FM 120 ch transceiver. PLL out of lock. Also want to change frequencies to 10m band. Any help gratefully appreciated. Colin Town G3WLS, 15 Knollbeck Crescent, Brampton Wombwell, Barnsley, Yorks S73 0TT. Tel: Barnsley 750671

■ Eddystone receivers: either 870A or 840C. Must be in mint working order and condition. Manual with instructions and circuit for either, also required. High price and carriage paid. Only immaculate sets considered. Ring Dr Milego on Windsor 869464, after 8pm

FREE CLASSIFIED AD ORDER FORM

Send to: Radio & Electronics World Classified Ads-Sovereign House · Brentwood · Essex · CM14 4SE

Classification: (tick appropriate box) If you want to insert ads under more than one classification use separate sheets for second and subsequent ads

For Sale Wanted.....

USE BLOCK CAPITALS (One word per box)

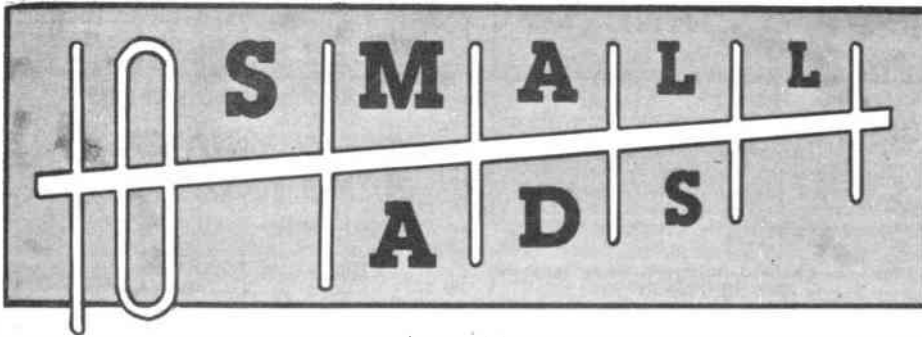
To avoid mistakes please write clearly and punctuate your ad

Name/Address							
Postcode/Telephone							

USE SEPARATE SHEET FOR MORE WORDS

Ensure that you have included your name and address, and/or telephone number

CONDITIONS: Your ad will be published in the first available issue. We will not accept trade advertisements. We reserve the right to exclude any advertisement.



VINTAGE WIRELESS CO
 1914-1966. For circuits, service sheets, manuals, handbooks on all valve and early transistor equipment including audio, military (British & foreign), radio and TV. Quotation by return via 'phone or letter (SAE), brochure supplied with SAE. Credit card orders taken over the 'phone

VINTAGE WIRELESS CO.
TUDOR HOUSE, COSSHAM STREET,
MANGOTSFIELD, BRISTOL BS17 3EN.
PHONE: 0272 565472

G4 DXX
Video Electronics
 For Icom, Dray, Wells, DAIWA, Datong, N934 MHz equipment, logbooks, rotators, cable, etc.
 OPEN 9-5pm, Closed Wednesdays
 141 Lancaster Road, Morecombe, Lancashire LA4 5QJ
Phone (0524) 418873

Selectronic
 The UK's leading suppliers of 934MHz personal radio equipment
203 High Street
Canvey Island, Essex,
Tel: 0268 691481
 (Open Mon-Sat 9-5.30)
 Amateur radio equipment also in stock

NEXT ISSUE
ON SALE
14th APRIL
1988

RF DEVICES AT ROCK BOTTOM PRICES!
Nobody beats us!
 Over 30,000 RF devices at low prices
REPLACEMENT RF TRANSISTORS

MRF454 HF/SSB 80W	£24.50
MFR450 HF/SSB 50W	£11.60
MRF238 VHF/FM 25W	£12.80
MRF475 HF/SSB 20W	£3.25
2SC1969 HF/SSB 18W	£2.75
2SC2043/1307 HF 16W	£2.00
2SC1947 VHF 3.5W	£7.60
2SC1946A VHF 32W	£15.30
BLW 60R HF/VHF 50W (Special)	£7.50

ETESON ELECTRONICS
E.E. 155 Lower Green,
 Poulton-le-Fyde, Blackpool
Tel: (0253) 885107
 Open: 9.45am - 1.00, 2.00 - 5.30. Closed Wed & Sun.
 Electronic Component Specialists.
 A wide range of electronic components, IC's, capacitors, transistors, resistors, plugs and sockets etc.

JAPANESE IC's (PART OF OUR RANGE)

AN7178 £2.95, BA5406 £2.20, HA1377 £2.20, HA1392 £2.50, HA1394 £2.95, HA1397 £2.75, HA1398 £2.75, HA13001 £2.95, LA4460 £1.60, LA4461 £1.80, LA4607 £4.25, LC7137 £2.75, M51517 £2.80, MB3705 £1.80, MB3712 £1.50, MB3722 £3.50, MB3730 £2.50, MB3731 £3.50, STK461 £7.50, STK463 £3.40, TA7205AP £1.00, TA7222AP £1.30, TA7240 £2.95, TA7241 £2.95, TA7270 £2.75, TA7271 £2.75, TA7274 £2.95, TA7280 £3.50, TA7281 £2.95, TA7282 £2.95, TA7283 £2.95, TA7285 £2.95, TA7611 £3.20, UPC575 £1.00, UPC1156 £2.95, UPC1181 £1.10, UPC1182 £1.10, UPC1185 £2.50, UPC1189 £2.75, UPC1230 £2.50, UPC1263 £2.50, UP1277 £2.75, UPC1278 £2.75, UPC1365 £3.60, UPC1384 £1.95.
 ADD 60p POST AND PACKING AND THEN ADD 15% VAT TO TOTAL
T POWELL 16 PADDINGTON GREEN LONDON W2 1LQ
 OPEN MON-FRI 10AM-5PM, SAT 9AM-12 NOON.
 TELEPHONE: 01 723 9946
 ACCESS/VISA. TELEPHONE ORDERS ACCEPTED OVER £5.00

REPLACEMENT RF POWER MODULES

M57704/SAU3 UHF 15W	£39.20
M57712/37 SAV7 VHF/FM 25W	£39.50
M57713/SAV8 VHF/SSB 15W	£39.00
M57716/SAU4 UHF/SSB 15W	£39.00
M57716/SAU4 UHF/SSB 15W	£49.50
M57719 VHF/PMR 15W	£31.20
M57727 VHF/SSB 38W	£47.50
M57749/SAU11 934/FM 7W	£39.20

Send £1.00 p&p. SAE for full list
 All prices inc. VAT
 Many IC's and other types in stock
 Equivalent for most devices available

RAYCOM LTD
DEPT RE International House,
963 Wolverhampton Road,
Oldbury, W. Midlands
B69 4RL
021 544 6767

Radio & Electronics
 The communications and electronics magazine World

This method of advertising is available in multiples of a single column centimetres — (minimum 2cms). Copy can be changed every month.

RATES
 per single column centimetre:
 1 insertion £9.65, 3 — £9.15, 6 — £8.65, 12 — £7.75.



AGRIMOTORS
MERTON CB AND RADIO CENTRE
MERTON GARAGE AND POST OFFICE, MERTON.
Nr OAKHAMPTON, DEVON EX20 3DZ
 OPEN 6 DAYS 9-6 LUNCH 1-2pm
 EARLY CLOSING THURSDAY 1.00pm
 (SUNDAYS BY APPOINTMENT)
 SPECIALIST IN 934 MHz
 SUPPLIERS OF ALL 27MHz AND 934 MHz EQUIPMENT
 AMATEUR ACCESSORIES CATERED FOR
 08053 200

PROJECT BOXES
 Sloping front & bench instrument types. Quality, low price. SAE or phone for details.
CADDIS SYSTEMS LTD
 PO Box 858, Bealton, Essex SS15 6JE
 Tel: 0268 414802

RADIO & ELECTRONICS WORLD SMALL AD ORDER FORM

TO: Radio & Electronics World · Sovereign House
 Brentwood · Essex CM14 4SE · England · (0277) 219876

PLEASE RESERVE.....centimetres by.....columns

FOR A PERIOD OF 1 issue..... 3 issues..... 6 issues..... 12 issues.....

COPY enclosed..... to follow.....

PAYMENT ENCLOSED:..... £ — Cheques should be made payable to Radio & Electronics World. Overseas payments by International Money Order + Credit Card

CHARGE TO MY ACCOUNT..... CREDIT CARD EXPIRY DATE

COMPANY

ADDRESS

SIGNATURE **TELEPHONE**

C P I

**VALUABLE
SPACE FOR
SALE!**

**Telephone
the advertising
department on:
0277 219876
for details**

AMATEUR TELEVISION

IS TELEVISION YOUR INTEREST? Then you need the BRITISH AMATEUR TELEVISION CLUB, only £6 per year - super magazine. Send SAE to:

**'Grenehurst', Pinewood Road
High Wycombe, Bucks HP12 4DD**

THE SCIENTIFIC WIRE COMPANY

811 Forest Road, London E17. Telephone 01-531 1868

ENAMELLED COPPER WIRE				
SWG	1lb	5oz	4oz	2oz
8 to 34	3.83	2.09	1.10	0.88
35 to 39	3.82	2.31	1.27	0.93
40 to 43	6.00	3.20	2.25	1.61
44 to 47	8.67	5.80	3.49	2.75
48	15.96	9.58	6.36	3.69
SILVER PLATED COPPER WIRE				
14 to 30	9.09	5.20	2.93	1.97
TINNED COPPER WIRE				
14 to 30	3.97	2.41	1.39	0.94

Please add 15% VAT. Orders under £3 add 50p. SAE for list of copper and resistance wire. Dealer enquiries welcome.

HEATHKIT U.K.

Spares and service centre.
Cedar Electronics, Unit 12, Station
Drive, Bredon, Tewkesbury,
Glos. Tel. 0684 73127

TURN YOUR SURPLUS

IC's TRANSISTORS etc. into cash, immediate settlement. We also welcome the opportunity to quote for complete factory clearance.

CONTACT:

COLES-HARDING & CO
103 South Brink, Wisbech, Cambs
TEL: 0945 584188/Fax. No. 0945-588844
Est Over 10 years

Please mention
Radio & Electronics World
when replying
to any
advertisements

JAYCEE ELECTRONICS LTD

JOHN GM30PW

20 Woodside Way, Glenrothes,
Fife KY7 5DP

Tel: 0592 756962

Open: Tues-Sat 9-5

Quality secondhand equipment in stock. Full range of TRIO goodies. Jaybeam - Microwave Modules - LAR.

BEAM VIDEO

Throughout the house on Channel 36.
Price £10.50 + P&P £1. Phone for leaflet:

Electronic Mailorder A
62 Bridge Street, Ramsbottom
Lancs BLO 9AG
Tel: 070682-3036 (24hrs)

**2 METRE
COLLINEAR
UVRAL X2⁵/₈over 5⁵/₈**

An omni directional antenna giving low angle radiation. The ideal base station vertical. Ruggedly constructed for long life

Technical Specification

Gain	: 6 dB
Impedance	: 50 Ohms
Max Power	: 100 Watts
Length	: 3.14 metres
SWR 144 to 148Mhz	: Less than 1.5
Wind Loading	: 4.6 Kgf at 100mph
Weight	: 1.2 Kgs
Mounting Diameter	: 25mm
Termination	: Free 'N' Socket

N Plug extra, costs **£3.93**

Send cheque or postal order for
£29.95 plus £2.60 postage to:

BUCKLEYS (UVRAL) LTD

Beta Works, Range Road
Hythe, Kent CT21 6HG
Tel: (0303) 60127/60128

Various Frequencies Available

PSSS....

**ALL THE SUPER
BARGAINS ARE
ON THE
INSIDE-FRONT
COVER OF THIS
MAGAZINE!!**



**Booth
Holdings
Bath**

**GOLF CLUBLANE
SALTFOED
BRISTOL**

Tel: 02217 2402

Open Tues-Sat 9am-9pm
Closed Monday

WANTED

Valves (especially types PY4, PY25, KT66 and equivalents) klystrons, transistors, RF plugs, valve amplifiers eg quad, Radford leak 5/9/60, Decoia and associated speakers eg Tannoy 15 inch, and associated record decks eg Garrard 301, Thorens TD124 Mark II.

**ALSO, WE SUPPLY TO TRADE AND INDUSTRY,
VALVES, KLYSTRONS, TRANSISTORS**

BILLINGTON VALVES

**39 HIGHLANDS RD, HORSHAM WEST,
SUSSEX RH13 5LS. PHONE 0403 864086
FAX 0403 210108 TELEX 87271**

**COUNTY
GUIDE**

RATES
BOXES ad sizes
20mm x 59mm single
40mm x 59mm double

Total	Ad space	3 issues	6 issues	12 issues
prepayment	single	£47.00	£88.00	£158.00
rates	double	£94.00	£176.00	£316.00

RADIO & ELECTRONICS WORLD COUNTY GUIDE ORDER FORM

TO: Radio & Electronics World · Sovereign House · Brentwood · Essex
CM14 4SE · England · (0277) 219876

print your copy here

.....

.....

.....

NUMBER OF INSERTIONS REQUIRED

Single County Guide	3	£47.00	6	£88.00	12	£158.00
Double County Guide	3	£94.00	6	£176.00	12	£316.00

PAYMENT ENCLOSED

£ —

Cheques should be made payable to Radio & Electronics World. Overseas payments by International Money Order

Conditions — Payment must be sent with order form. No copy changes allowed. Ads accepted subject to our standard conditions, available on request.

Registered No 2307667 (England)

C P I

ADVERTISERS INDEX

Aerial Techniques	57	Marlow Marketing	27
Bi-Pak	68	Pearsons Comp.....	46
British Telecom.....	47	Brian Reed	39
J Bull.....	67	Riscomp.....	33
P M Components.....	10,11	Sherwood Data	57
Display Electronics	50,51	Specialist Semi Conductors ..	41
ICOM	34,35	C R Supply.....	46
ICS Electronics	15	Technical Software.....	57
Interbooks.....	46	R Withers.....	2
Keytronics.....	40		

Radio & Electronics
The communications and electronics magazine **World**

ADVERTISING RATES & INFORMATION

DISPLAY AD RATES		series rates for consecutive insertions			
depth mm x width mm	ad space	1 issue	3 issues	6 issues	12 issues
61 x 90	1/8 page	£91.00	£86.00	£82.00	£73.00
128 x 90 or 81 x 186	1/4 page	£160.00	£150.00	£145.00	£125.00
128 x 186 or 263 x 90	1/2 page	£305.00	£290.00	£275.00	£245.00
263 x 186	1 page	£590.00	£560.00	£530.00	£475.00
263 x 384	double page	£1140.00	£1070.00	£1020.00	£910.00

COLOUR AD RATES		colour rates exclude cost of separations	series rates for consecutive insertions		
depth mm x width mm	ad space	1 issue	3 issues	6 issues	12 issues
128 x 186 or 263 x 90	1/2 page	£420.00	£395.00	£375.00	£335.00
267 x 210	1 page	£810.00	£760.00	£730.00	£650.00

SPECIAL POSITIONS	Covers:	Outside back cover 20% extra, inside covers 10% extra
	Bleed:	10% extra [Bleed area = 307 x 220]
	Facing Matter:	15% extra

DEADLINES					*Dates affected by public holidays
issue	colour & mono proof ad	mono no proof and small ad	mono artwork	on sale thurs	
May 88	12 Mar 88	23 Mar 88	25 Mar 88	14 Apr 88	
Jun 88	14 Apr 88	20 Apr 88	22 Apr 88	12 May 88	
Jul 88	12 May 88	18 May 88	20 May 88	9 Jun 88	
Aug 88	16 Jun 88	22 Jun 88	24 Jun 88	14 Jul 88	

CONDITIONS & INFORMATION			
<p>SERIES RATES Series rates also apply when larger or additional space to that initially booked is taken. An ad of at least the minimum space must appear in consecutive issues to qualify for series rates. Previous copy will automatically be repeated if no further copy is received. A 'hold ad' is acceptable for maintaining your series rate contract. This will automatically be inserted if no further copy is received. Display Ad and Small Ad series rate contracts are not interchangeable.</p>	<p>If series rate contract is cancelled, the advertiser will be liable to pay the unearned series discount already taken.</p> <p>COPY Except for County Guides copy may be changed monthly. No additional charges for typesetting or illustrations (except for colour separations). For illustrations just send photograph or artwork. Colour Ad rates do not include the cost of separations.</p>	<p>Printed — web-offset.</p> <p>PAYMENT Above rates exclude VAT. All single insertion ads are accepted on a pre-payment basis only, unless an account is held. Accounts will be opened for series rate advertisers subject to satisfactory credit references. Accounts are strictly net and must be settled by publication date.</p> <p>FOR FURTHER INFORMATION CONTACT Radio & Electronics World, Sovereign House, Brentwood, Essex CM14 4SE (0277) 219876</p>	<p>Overseas payments by International Money Order. Commission to approved advertising agencies is 10%.</p> <p>CONDITIONS 10% discount if advertising in both Radio & Electronics World and Amateur Radio. A voucher copy will be sent to Display and Colour advertisers only. Ads accepted subject to our standard conditions, available on request.</p>

