

morgan

Radio & Electronics

JANUARY 1987 £1.35

AUSTRALIA
HOLLAND
NEW ZEALAND
NORTH AMERICA \$2.95
D71699

The communications and electronics magazine

World

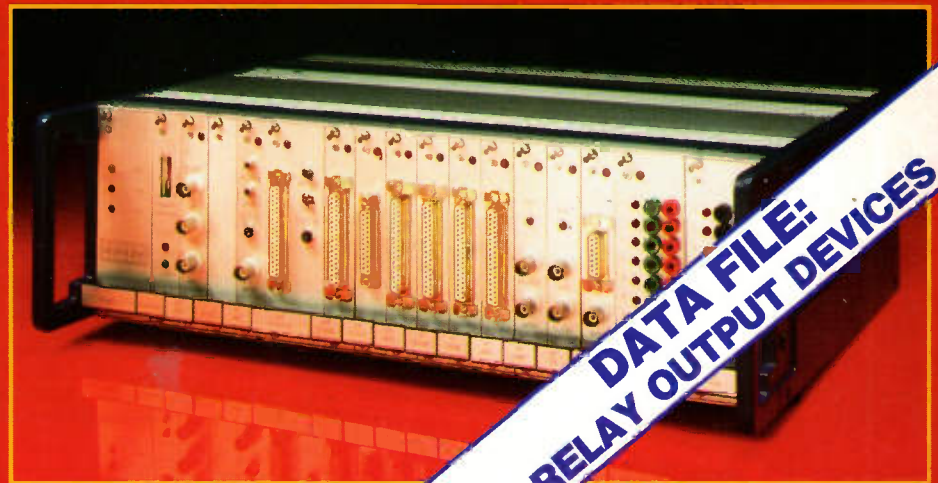
**XMAS
QUIZ**

**WIN A HIGH
QUALITY SCOPE**

**BT SOCKETS:
DO IT YOURSELF
EXTENSION WIRING**

**COMPUTERTALK:
A MINIATURE LINE-
POWERED MODEM**

**HF ATU:
A RECEIVE ATU
FOR SHORT WAVE**



**DATA FILE:
RELAY OUTPUT DEVICES**

CONTENTS

Editor

Duncan Leslie

Advertisement Manager

Marian Vidler

Advertisement Executive

Karen Turner

Publisher

Peter Williams

Published by

Radio & Electronics World
Magazines

Sovereign House

Brentwood

Essex CM14 4SE

England

Tel: (0277) 219876

ISSN

0262-2572

Printed

In Great Britain

Newstrade sales

Argus Press Sales &

Distribution Ltd

12-18 Paul Street

London EC2A 4JS

Tel: 01-247 8233

Subscriptions

Tel: 01-760 0409

© Copyright 1986
Radio & Electronics World Magazines

Safety in the shack

Some of the constructional projects featured refer to additions or modifications to equipment; please note that such alterations may prevent the item from being used in its intended role, and also that its guarantee may be invalidated.

When building any constructional project, bear in mind that sometimes high voltages are involved. Avoid even the slightest risk - safety in the shack please, at all times.

Whilst every care is taken when accepting advertisements we cannot accept responsibility for unsatisfactory transactions. We will, however, thoroughly investigate any complaints.

The views expressed by contributors are not necessarily those of the publishers.

Every care is taken to ensure that the contents of this magazine are accurate, we assume no responsibility for any effect from errors or omissions.

Cover Photographs

Top - Reach for the sky (p9)

Bottom - The missing link (p8)

SPECIAL FEATURES

16 Spectrum Watch

Nigel Cawthorne examines plans for African TV as well as pan-European mobile radio

21 Interlaser

No, it's nothing to do with President Raygun's SDI. This is much more sensible

22 Wise up to Phone Wiring

Install your own extension wiring under the guidance of Ralph Walker

26 Communications Satellites

Alan Pickard outlines the reception of signals on an amateur basis

30 A Line-powered Transformerless Modem

Avoiding problems of approval with Bob Redding

34 The R&EW Christmas Quiz

A fiendish test from Brian Kendal, with a Crotech oscilloscope up for grabs

37 Data File

Ray Marston with a further selection of relay devices

41 An ATU and Noise Source

A novel ATU for HF listening, complete with tuning aid, from R A Penfold

REGULARS

4 Product News

14 News Desk

19 Amateur Radio World

46 DX-TV Reception Reports

50 ATV on the Air

51 Network 934

53 MW DXing

57 QSO

59 Short Wave News

62 Free Classified Ads

64 Small Ads

READER SERVICES

56 Amateur Radio Sub Order Form

61 Subscription Order Form

63 Free Classified Ad Form

66 Advertisers index

66 Advertising Rates and Information

NEXT MONTH

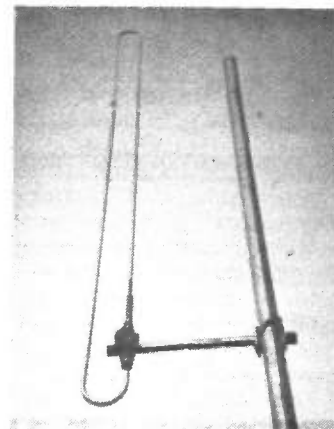
56 What's in Store for You

Next Issue

Cover date February 1987 on sale Thursday, 8 January

Publication Date

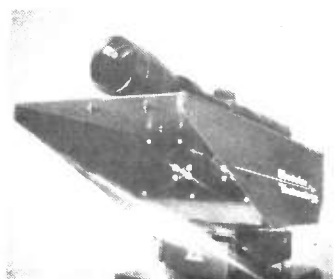
Second Thursday of the month preceding cover date



Regal melancholy? - page 52



Unhampered hi-fi - page 10



Beam me up, Scottie - page 21

We regret to inform readers that owing to continually rising production costs and to enable us to maintain the high standard of content in **Radio and Electronics World**, the price of the magazine will be £1.35 from this issue

PRODUCT NEWS

Featured on these pages are details of the latest products in communications, electronics and computers. Manufacturers, distributors and dealers are invited to supply information on new products for inclusion in Product News.

Readers, don't forget to mention **Radio & Electronics World** when making enquiries

INTELLIGENT DMM

The 1905a from Thurlby Electronics is a low cost intelligent bench multimeter particularly suited to use on a simple programmable test system within production, quality assurance or component inspection areas.

The instrument incorporates a wide range of keyboard programmable calculating and data logging functions which greatly extend its measurement capabilities. The scale length is $\pm 210,000$ counts (5½ digits), the resolution $1\mu\text{V}$, $1\text{m}\Omega$ or 1nA , and the basic one year accuracy is 0.015%. AC functions are included as standard, and current measurement extends up to 5A.

Examples of the intelligent functions include linear scaling with offset ($Ax+b$) enabling, for example, the output of a load cell to be displayed directly in kilogrammes



rather than in terms of the electrical output.

The $\Delta\%$ function enables the percentage deviation from an entered nominal to be displayed to a resolution of 0.001% up to $\pm 400\%$. The limits comparison function allows high and low limits to be entered via the keyboard following which the display will show (in addition to the measurement result) a two-letter code of HI, LO or PA (pass) depending on whether the result is above, below or between the two limits.

The 1905a is a highly compact instrument measuring only $9 \times 9 \times 3$ inches and weighing only 4 pounds. Its price is £349 + VAT.

*Thurlby Electronics Ltd,
New Road,
St Ives,
Huntingdon,
Cambs PE17 4BG.
Tel: (0480) 63570.*

VAW/dB MULTIMETER

Now available from PPM Instrumentation is the Ballantine 3501A, a four-function 4½-digit multimeter which gives true rms measurement of ac and dc voltage, current, power and dB levels.

There is a wide range of dB measurement options, the standard scale being 0dB to 1mW in 600 ohms. Further characteristic impedance levels between 50 ohms and 1k are available, making conversion tables redundant. Relative gain/loss levels are thus simplified and outputs can be read directly.

When used as a wattmeter real load delivery is computed using applied voltage,

load current and power factor data. Power ranges cater for measurements from microwatt level to a maximum 7.5kHz. Power ranging is semi-automatic.

Voltage and current functions give selectable ac or ac/dc coupling, floating-input and true rms measurement. Voltages are autoranged between 200mV and 750V. Current ranges are push-button selected and are between $200\mu\text{A}$ and 10A.

*PPM Instrumentation Ltd,
Hermitage Road,
St Johns
Woking
Surrey GU21 1TZ.
Tel: (04867) 80111.*

SPECTRUM ANALYSER

The Avcom PSA-35 portable spectrum analyser is a light-weight instrument which operates from ac line or internal rechargeable batteries. The frequency coverage is from less than 10MHz to over 1500MHz and from 3.7 to 4.2GHz in 6 bands (including the current 12GHz for LNBS). The instrument has a built-in power block and power for LNAs and BDCs.

The PSA-35 will accurately measure wideband signals commonly used in the TVRO industry. Optional extras include a signal sampler, a terrestrial interference survey horn and a portable carry case.

*Fieldtech Heathrow Ltd,
Huntavia House,
420 Bath Road,
Longford,
Middlesex UB7 0LL.
Tel: (01) 897 6446.*

of general purpose oscilloscopes.

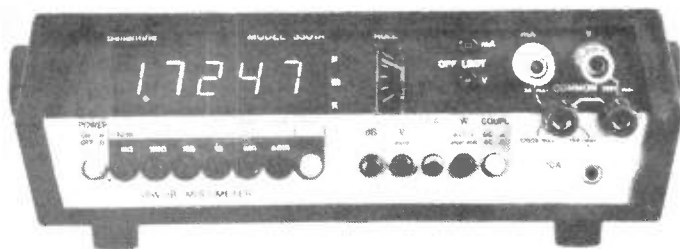
The new range, designated the COS 5000TM series, encompasses bandwidths from 20MHz to 100MHz in seven models. Top of the new range is the COS 5100TM, a 200MHz 3-channel (two main input channels plus one auxiliary) dual timebase oscilloscope with sweep delay.

Vertical sensitivity covers the range 1mV/div to 5V/div on both the main input channels, whilst channel 3 provides sensitivities of 0.1V/div to 0.5V/div . Vertical display modes are CH1, CH2, CH3, individually or simultaneously, add, and trigger view. CH2 has an invert facility. Internal trigger source may be either CH1, CH2 or both alternately, which would enable two asynchronous signals to be displayed simultaneously.

*Telonic Instruments Ltd,
Boyn Valley Road,
Maidenhead,
Berks SL6 4EG.
Tel: (0628) 73933.*

REVISED SCOPES

Telonic Instruments is introducing updated versions of the Kikusui COS 5000 range





HAND-HELD DMM

A recent addition to the Levell Electronics range of instruments is a 4½-digit hand-held DMM, type HC4510. This meter has a 0.4 inch high liquid crystal display with polarity and low battery indication.

The dc ranges are from 200mV to 1000V and 2mA to 10A with a basic accuracy on dc volts of 0.05%. The ac ranges are from 200mV to 750V and 2mA to 10A with a response from 45Hz to 1kHz. Resistance ranges are from 200 ohms to 20M.

Ranges for testing continuity (with buzzer) and diode forward voltage drop are also incorporated. A further feature is the data hold switch which locks the display.

The instrument is housed in a robust ABS case 170 × 87 × 42mm and weighs 360g.

The HC4510 costs £69 + VAT including mainland UK delivery.

*Levell Electronics Ltd,
Moxon Street,
Barnet,
Herts EN5 5SD.
Tel: (01) 449 5028.*

REAL-TIME SCOPE

New from Advance Bryans Instruments is the DS-1520 series oscilloscope which features a 20MHz bandwidth for normal dual-channel real-time applications, as well as an advanced 2MHz digital storage specification.

A feature of the DS-1520 is the 2048 × 8-bit memory for each channel, which allows for greater expansion than is possible with most conventional storage oscilloscopes. When plotting out waveforms, the DS-1520 memory gives twice the length of plot compared to an ordinary 1K memory.

The instrument has six operating modes: real-time; refresh; single-shot; roll (pre-trigger and split memory); gating; and external start. Two separate, custom-designed 2MHz A/D converters are provided to ensure no



jitter and high accuracy.

The DS-1520 series is available in four versions to meet most output requirements. Systems requiring hard copy graphics are easily achieved by interfacing the oscilloscope to X-Y recorders or digital plotters. The oscillo-

scope can also be used as part of a measuring system via an IEEE-488 controller.

*Advance Bryans Instruments Ltd,
14-16 Wates Way, Mitcham,
Surrey CR4 4HR.
Tel: (01) 640 5624.*

SIGNAL ANALYSIS

Gould Electronics Ltd has introduced a new advanced data acquisition/signal analysis system. Combining a powerful, specially programmed, general purpose micro-computer with a multi-channel signal digitiser, the new DASA 9000 aims to provide the measurement instrumentation industry with an advanced, modular, user-orientated measurement tool.

The heart of the DASA 9000 subsystem is a Gould-enhanced IBM personal computer with a 13-inch colour monitor, complete system software and an optional A4 or A3 Gould multi-pen plotter. The system accepts up to eight analogue inputs which can be sampled simul-

taneously. Each channel's dedicated 8-bit converter and intermediate memory storage, switch-selectable up to 32K, support 10 user-selectable sample rates from 500 to 333,000 samples per channel.

The DASA offers expanded graphics capability which includes scrolling and page jumping and instantaneous display of signal levels and time-from-trigger position. PC/XT versions include a 360K floppy drive and 10M hard disc, while PC/AT versions have a 1.2M floppy drive and 20M hard disc.

The DASA 9000 supports up to 14 multi-channel waveform digitisers, providing a maximum of 112 channels. The triggering capability of the waveform digitisers is enhanced by pre-trigger data capture in five steps from 0 to 100% of memory.

Gould's new proprietary IOS (Instrument Operating System) 2.0 software integrates all communications, data storage, display and analytical functions of the system from the keyboard.

*Gould Electronics Ltd,
Instrument Systems,
Roebuck Road,
Hainault,
Ilford,
Essex IG6 3UE.
Tel: (0925) 815950.*

POWER MONITOR

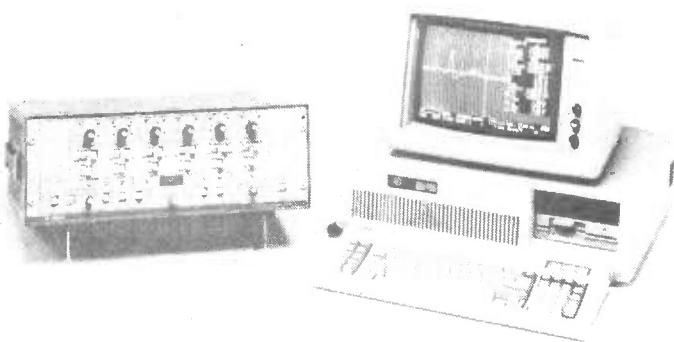
The new DCC 2000 battery power monitor, now available from Sait Marine Limited, gives comprehensive, accurate and up-to-date information on levels of available power in an electrical system.

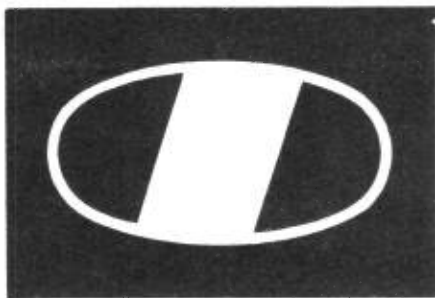
The DCC 2000 is a hermetically sealed unit which uses its own computer to monitor the input of power from the alternator and consumption by the electrical system. It displays the difference as available amp-hours on a digital counter. Also featured is an accurate digital system which provides volt/amp measurement at the push of a button.

The accuracy of the monitoring function also means that the user is able to assess energy conversion potential within the installation.



*Sait Marine Ltd,
Wireless House,
31 River Road,
Barking,
Essex IG11 0BX.
Tel: (01) 594 5642.*





VHF/UHF FM Handportables.

If you want a handheld with exceptional features, quality built to last and a wide variety of interchangeable accessories, take a look at the ICOM range of FM transceivers. All ICOM handhelds come with an IC-BP3 nicad battery pack, flexible antenna, AC wall charger, belt clip, wrist strap and personal earpiece as standard.

IC-2E/4E, 2 metre and 70cm thumbwheel handportable.

These popular handhelds from ICOM are still available. For those Amateurs who require a simple but effective FM transceiver the IC-2E and 4E take some beating. Frequency selection is by means of thumbwheel switches (with 5kHz up-switch) and duplex or simplex facility. Power output is 1.5 watts or 150 milliwatts (2.5 watts possible with IC-BP5A battery pack).

IC-02E/04E 2 metre and 70cm keypad handportable.

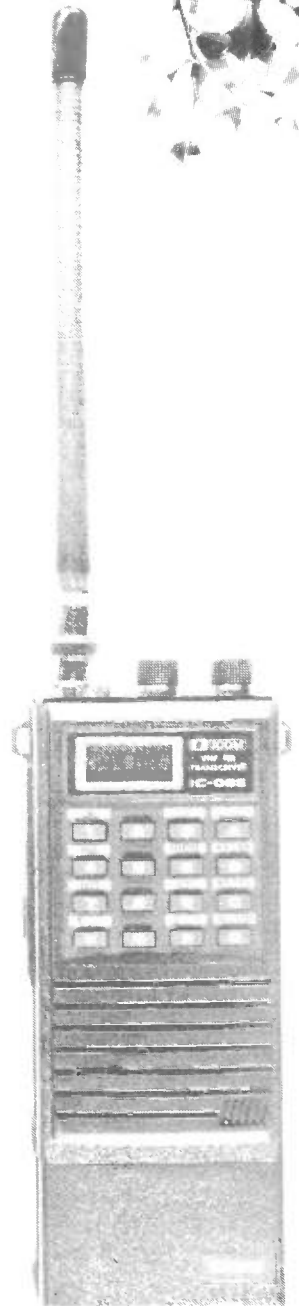
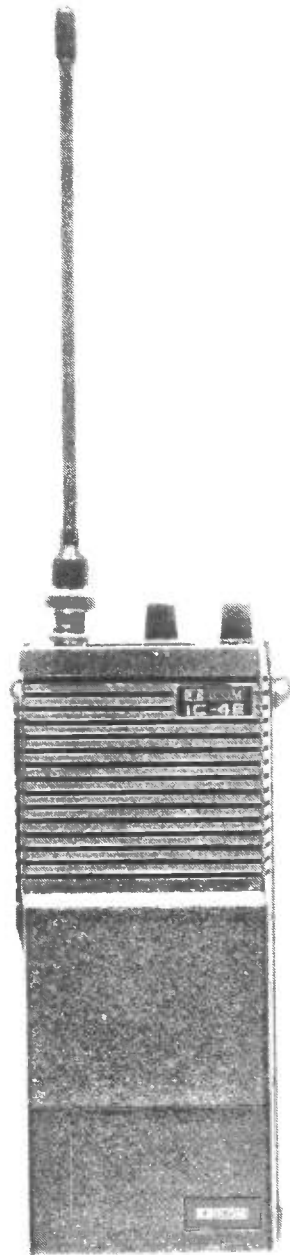
These direct-entry CPU controlled handhelds utilize a 16-button keypad allowing easy access to frequencies, memories and scanning. Ten memories store frequency and offset. Three scanning systems, priority, memory and programmable band scan, (the IC-02E now with an improved CPU retains duplex offset). These handhelds have an LCD readout indicating frequency, memory channel, signal strength, transmitter output and scanning functions. Power output is 3 watts or 0.5 watt in low power position for the IC-02E and 2.5 watts or 0.5 watt for the IC-04E. (5 watts is possible with the IC-BP7 battery pack or external 13.8V.DC.)

IC-12E 23cm Keypad Handportable.

The IC-12E has a 16 button Keypad allowing direct access to frequencies, scanning and memories. Ten memory channels store operating frequency as well as simplex/duplex and duplex offset. A priority function allows another frequency such as a repeater or calling frequency to be monitored. The IC-12E is equipped with a 1750Hz tone generator for repeater access. Frequency coverage 1260-1299-9875MHz with 5 frequency step rates. An internal power module provides 1 watt or low 100mW as standard.

Also available for ICOM handhelds are a large range of optional extras including a variety of rechargeable nicad power packs, dry-cell battery pack, desk charger, headset and boom mic, speaker mic, leatherette cases and mobile mounting brackets.

For more information on these handportables and other ICOM Amateur equipment contact your local authorised ICOM dealer or Thanet Electronics Ltd.





Seasons Greetings to ICOM users the world over

NEW! IC-MICRO TWO, Mini-handportable.

This is the smallest handportable transceiver from ICOM. The MICRO-TWO, 2 metre FM measures only 148 x 61 x 31mm. with BP22 battery pack (not shown here). The MICRO-TWO is a hand-size transceiver which will equally fit most pockets.

On the top panel a clear LCD readout gives frequency and memory channel number. Tuning is made easy using up/down toggle switches to select 1MHz, 100kHz or 12.5kHz steps as well as the 10 memory channels. Full repeater and reverse duplex operation facilities are featured including repeater access tone. An automatic power saving function reduces battery power consumption when in receive mode. Output power is 1 watt or 100 milliwatts (low) with the BP22 nicad pack.

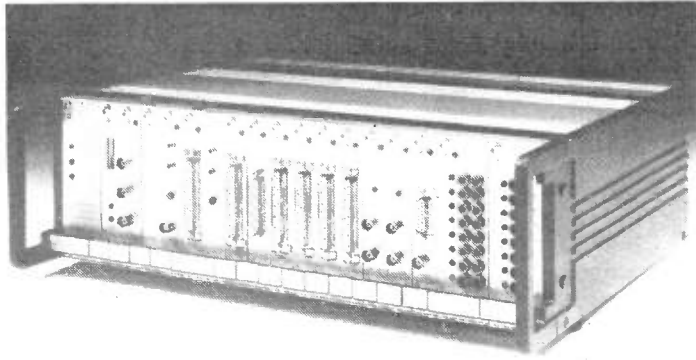
The ICOM MICRO-TWO is the ultimate in 2 metre miniature handheld transceivers, yet despite it's small size the receiver sensitivity and performance has not been compromised. This handy transceiver comes complete with the BP22 nicad pack (not shown here), A.C. wall charger, helical antenna. Most existing ICOM accessories can also be used.

An optional extra, the BC50 desk charger will rapidly charge the BP22 battery in just one hour. Other options include the BP23 long-life, low-power and BP24 medium-life, high-power nicad battery packs. Contact us or your local ICOM dealer for more details on this exciting new product.

Actual Size Photograph.
This shows the non-standard low capacity battery pack. N.B. Standard battery pack is normally the higher capacity BP22 as mentioned in text.



PRODUCT NEWS



DATA ACQUISITION

Microlink, the modular data acquisition system for use with the IBM PC and compatibles, has been enhanced with the release of new hardware and software.

With the addition of 20 new modules Microlink now offers a choice of more than 50 modules, meaning that almost any instrument or transducer can be connected through Microlink to a computer. New modules include units for slow speed data acquisition, for high speed waveform capture and synthesis, for strain gauge inputs and for the most complex timing and counting applications.

In high speed data acquisition, new modules are available with specifications that were previously only available in expensive dedicated systems. Modules are avail-

able which can capture up to 1 million samples per second per channel, with up to 128K of memory per channel, and up to 16 channels of data can be collected in a single Microlink cabinet.

New Microlink scientific software packages are also available. The transient capture package incorporates programs for waveform analysis, for waveform comparison and for Fast Fourier Transforms. The data logging package provides printer and plotter outputs, and data conversion to dBase II or III, Lotus 1-2-3 and DIF formats. Microlink software can also be customised to meet specific laboratory or process monitoring applications.

*Biodata Ltd,
10 Stocks Street,
Manchester M8 8QG.
Tel: (061) 834 6688.*

RF SIG GEN

The SMX signal generator from Rohde & Schwarz is an economical signal generator which provides RF signals with fine resolution in the frequency range 0.1 to 1000MHz. The maximum total error of the level adjustable between -137dBm and $+13\text{dBm}$ in 0.1dB steps is as low as $\pm 1.5\text{dB}$.

Ease of operation, accurate output level and high grade modulation characteristics as well as the low spurious FM ($<3\text{Hz}$ at 250MHz) make the SMX ideally suited for all in-channel measurements on narrowband communications systems, eg mobile radio.

The SSB phase noise at 20kHz offset from the carrier remains below -118dBc at 500MHz (1Hz test bandwidth) and is further reduced

towards lower frequencies (-130dBc at 125MHz). The two modulation modes, AM and FM, can be set independently on the SMX. An automatic software correction provides for high accuracy of the FM deviation setting. A deviation of up to 800kHz can be set as a function of the carrier frequency. The modulation frequency response with FM is smaller than $\pm 0.5\text{dB}$ up to a modulation frequency of 100kHz. The distortion is 0.1% for 1kHz. Internal and external modulation sources can be switched on simultaneously for two-tone modulation.

*Rohde & Schwarz,
Mühldorfstrasse 15,
D-8000 München 80,
W Germany.
Tel: (0 89) 41 29 26 25.*

RADIO TEST SET

The Stabilock 4040 radio communication test set manufactured by Solartron Instruments, which offers a two-way radio measuring capability ranging in frequency from 0.4 to 960MHz, is now NATO approved.

The 4040's adjacent channel power meter allows test routines such as harmonics, spurious signals, selective power and adjacent-channel power to be measured simply and accurately without the need to use a spectrum analyser or a separate selective RF millivoltmeter.

The basic 4040 model features a continuous carrier frequency range up to 960MHz, extendable to 1.85GHz, a selective call tone coder/decoder plus automa-

tic measuring sequences for all principal two-way radio set properties such as sensitivity, centre frequency, bandwidth, squelch and modulation sensitivity.

The test set may also feature an optional mini-cassette drive for the storage of complete radio-set test programs up to 900 steps to cater for fully automatic testing applications.

Measurements on cellular radio and radio data systems can be undertaken using the 4040 in association with Solartron's 4922 radio code analyser and a 4040 duplex FM demodulator.

*Solartron Instruments,
Victoria Road, Farnborough,
Hants GU14 7PW.
Tel: (0252) 544433.*



VHF/UHF RECEIVERS

The latest series of compact Reaction Instruments surveillance receivers offers fast scanning capabilities in the frequency range 20MHz to 1200MHz. Facilities include search, step and scan operation with the ability to monitor active channels and hand off to slave receivers.

System configuration is highly flexible: one model, the 685 receiver, can be used as a hand-off receiver, or linked to the companion IF pan display 695. From this basic building block, optional search controller and signal activity monitor units can be

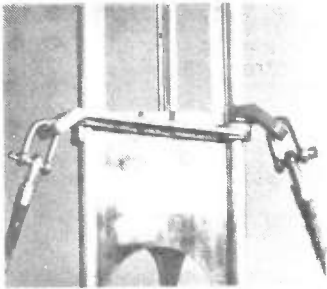
added.

The spec provides for 1kHz tuning resolution, and up to 4 IF bands with simultaneous AM/FM detection, as well as SSB and pulse detection, an excellent noise figure (8dB), and low phase noise performance. Other features include full external control via IEEE-488 or RS232, and extremely small panel size with a height of 44mm.

*Tony Chapman Electronics
Ltd,
Electron House,
Hemnal Street, Epping,
Essex CM16 4LS.
Tel: (0378) 78231.*



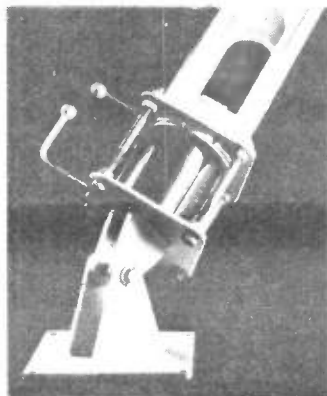
RADIO MASTS



A new way of building antenna or floodlight support masts rapidly on site has been developed by Francis & Lewis Ltd. Their new Ex-Masts are built of standard aluminium sections that pack flat for ease of transport and storage. Enough sections for a complete 30-metre four-sided mast pack into a volume of just 0.43m³, facilitating transport by air freight, light truck or roof-rack.



The sections slide together without needing bolts to construct three or four-sided guyed masts up to 30 metres high. Besides supporting many different configurations of lightweight VHF/UHF



antennas and small microwave dishes, the masts are suitable for carrying temporary floodlighting installations and instruments such as anemometers.

The interchangeable aluminium sections come in four standard lengths, allowing joints to be staggered. The sections have weight-saving holes designed as climbing steps at 381mm intervals and the same components are used for both three and four-sided (triangular or square cross-section) masts.

Guy wires can be attached at any height using guy-cleat bars developed for use with the Ex-Mast. Slotted in between the mast sections, the cast aluminium bars overlap each other at the ends and automatically lock their neighbours into position as soon as stress is applied. Again there are no bolts to lose, damage or drop.

Stainless steel spring clips that fasten the guy-cleat bars to the mast sections are available for extra security where required. Guy wires can be anchored to the ground using duckbill anchors of heat-treated tenz-alloy aluminium.

Footings for the masts are completed by a universal compact baseplate suitable for both three and four-sided masts. There are also pivoting baseplates with porcelain insulators and earthing spark gaps to protect against lightning strikes.

With standard configurations, design windspeed is 45 metres/second, and maximum horizontal loading is 70kg at the top of a four-sided mast. Masts can be constructed to withstand higher windspeeds and loads by modifying stay sizes, span lengths etc.

Ex-Masts can be supplied custom-engineered to meet particular environmental and imposed-loading specifications or as standard packs for masts designed to carry a certain number of VHF antennas.

*Francis & Lewis Ltd,
The Runnings,
Kingsditch Industrial Estate,
Cheltenham,
Gloucestershire GL51 9NJ.
Tel: (0242) 513882.*

MINIMAL RADIO

Now available from Thanet Electronics is Icom's latest compact mobile transceiver, the IC-48E. This rig, similar to the miniscule IC-28E 2m transceiver, operates on 70cm FM with a power output of 25/5 watts.

There is a 21-channel memory and duplex and memory skip functions, with scanning possible via the hand mic controls.

Also new from Icom is the IC- μ E, a 2m FM hand-held transceiver measuring 148 x 61 x 31mm (approximately 5 $\frac{3}{4}$ x 2 $\frac{1}{2}$ x 1 $\frac{1}{4}$ inches) including the BP22 nicad pack supplied with it. It features 10 memories, with an LCD showing the frequency and memory channel number.

Tuning is in 1MHz, 100kHz or 12.5kHz steps, and repeater and duplex facilities are pro-



vided. The output power is 1W/100mW.

The IC- μ E is supplied complete with BP22 battery pack, ac wall charger and helical antenna.

*Thanet Electronics Ltd,
Unit 9, Sea Street,
Herne Bay,
Kent CT6 8LD.
Tel: (0227) 363859.*



DRAGON/TANDY AX25

Grosvenor Software have produced some new software for the Dragon 32/64 and Tandy Color computers to allow packet radio operation using the AX25 protocol (a data transmission format that includes error checking and automatic retransmission, with any station able to operate as a digital repeater).

The software is available on ROM cartridge or on disc, and eliminates the need for a terminal node controller (TNC), thus reducing costs considerably. All that is additionally required is a modem (Bell tones, 300 baud for HF and 1200 baud for VHF).

It supports AX25 Version 2, Level 2 and can also communicate in Version 1. Up to eight intermediate stations can be specified as relays, and six contacts can be conducted simultaneously. The text for any contact is individually selectable on the display.

Text files and programs can be reliably transferred to disc under DragonDOS, and received text can automatically be spooled to disc. The software 'listens' on frequency before transmitting to avoid collision. The operator can choose whether to delay transmission while any carrier is heard, or only while valid AX25 signals are heard.

AX25 systems comprising software and a 1200 baud modem are available for £99, with an HF modem adaptor promised soon. The software alone costs £49 for those who want to build their own modems.

For more details of this and other G4BMK software (RTTY, ASCII, AMTOR, SSTV etc), send an sae to the address below.

*Grosvenor Software,
2 Beacon Close,
Seaford,
East Sussex BN25 2JZ.
Tel: (0323) 893378.*

PRODUCT NEWS

LOW NOISE PREAMP

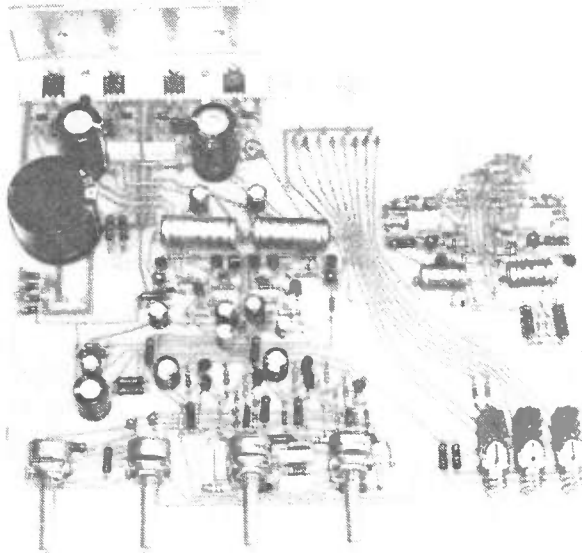
New from Camtech Electronics is a low noise, low cost mast-head preamp for 1200-1350MHz. The circuit is based on two noise matched NEC bipolar RF transistors and makes extensive use of strip-line techniques.

The preamp offers a gain of 14dB with a noise figure of less than 2dB. The on-board tunable image rejection filter offers a 3dB bandwidth of

85MHz. Power consumption is 18mA at 12V dc.

The Camtech 23cm preamp is available in kit form for £22.50 + £1 p&p or built and tested for £29.75. A boxed version complete with BNC connectors costs £41.75 + £2 p&p.

*Camtech Electronics,
8 Wortham Place, Haverhill,
Suffolk CB9 0HP.
Tel: (0440) 62779.*



HI-FI AMP

Audiokits Components, specialists in audio circuit design and components, have released the Audiokits Module, a high quality stereo hi-fi audio amplifier. Supplied as a ready-built board, this amp will provide up to 30W rms per channel from a 40V ac supply, and will work well on supplies down to 15V ac.

It features a cascode drive stage for improved linearity

and high frequency response, a two-transistor constant-current source and diode-stabilised biasing in the preamp.

The Audiokits Module is available for £37.50 + £2 p&p, with discounts available for orders of five or more.

*Audiokits Components,
6 Mill Close,
Borrowash,
Derby DE7 3GU.
Tel: (0332) 674929.*

HIGH CLASS HI-FI

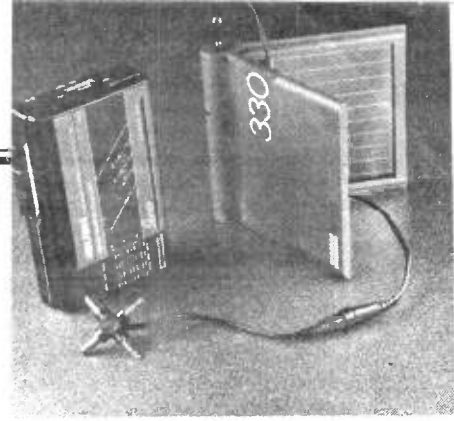
Revox have combined a number of their established hi-fi units with a new timer controller to produce the 200 System, described in the publicity material "the ultimate in hi-fi systems."

The new B203 timer controller will link up to 8 units to allow control from an infra-red remote control handset or from a home computer. The B203 is programmed to perform complex procedures at the touch of a single button.

The units it controls in the 200 System include the B225 CD player, B215 micro-processor controlled cassette deck, B285 programmable scanning AM/FM receiver and B291 linear tracking turntable. The whole system is engineered to the highest standards to appeal to "the very top end consumer", and weighs no less than 115 pounds.

The ultimate hi-fi also has a price to appeal to the over-the-top end consumer. Systems range from £4750 excluding speakers from a selected range of hi-fi specialists.

*FWO Bauch Ltd,
49 Theobald Street,
Boreham Wood,
Herts WD6 4RZ.
Tel: (01) 953 0091.*



SOLAR CHARGER

The Chronar MiniCharger provides a means of battery charging for users of personal stereos, cameras, portable shavers, etc. Supplied with two AA (or HP7) size rechargeable nickel cadmium batteries, the MiniCharger can also be used to run a radio or cassette directly.

Using the two nicads supplied, the solar cells will recharge in about the same time (12-14 hours) as a conventional mains charger, even in artificial light (although best results are obtained by placing the panel in direct sunlight).

The MiniCharger is small and light enough to fit into a pocket. Its construction is rugged and versatile, the front cover doubling as a tilted stand. Also included is a connector lead with multi-way adaptor to suit a range of products.

*Chronar Ltd,
Sales & Marketing Office,
49 Albemarle Street,
London W1X 3FE.
Tel: (01) 491 0535.*

CORDLESS HEADPHONES

The new AR980 TRX from Kewmode is an infra-red transmitter/headphone combination that provides a 'spatial sound' (ie simulated stereo) effect for mono sound signals from a TV.

The transmitter plugs into the audio output socket of the TV, video recorder or hi-fi unit, and is powered from the mains supply. The IR signal it produces is effective up to a range of 40 feet.

The Kewmode AR980 TRX retails for around £39.95.

*Kewmode Ltd,
Unit C,
Faircharm Industrial Estate,
Evelyn Drive,
Leicester LE3 2BU.
Tel: (0533) 893158.*



Radio & Electronics World smart blue binders, each holding up to 12 issues keeping them in prime condition

BINDERS!

Only
£4.75
inc p&p

Overseas readers please add 30p
Please allow 28 days for delivery

Send your orders to

Edwardschild Ltd, 28 Shenfield Cres
Brentwood, Essex CM15 8BN

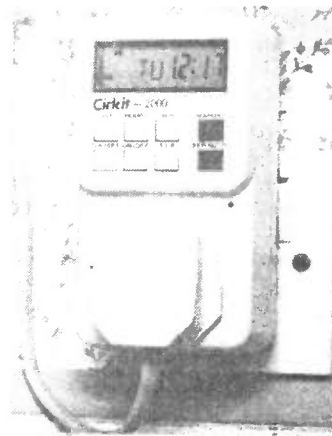
PLUG-IN TIMER

Electrical appliances rated at 3kW or less can be programmed to switch on and off automatically, as many as six times per day for each day of the week, by means of a new plug-in electronic time-switch from Cirkit.

Called the Cirkit 2000, the new product features a digital display to show the day of the week and the time as well as selected settings, which can be programmed for periods as short as one minute by means of push-button controls.

In the event of mains power failure a built-in battery back-up facility is brought in automatically to avoid interruption to the programme, and there is a manual override button which enables subsequent switching to be brought forward, again without any disruption to the programme.

Accuracy of the Cirkit 2000 is within ± 1 second, enabling



it to be used to control critical timing functions such as photographic and laboratory processes.

The new timer has a retail price of £32.95 + VAT.

*Cirkit Distribution,
Park Lane,
Broxbourne,
Herts EN10 7NO.
Tel: (0992) 444111.*

TIMESHARE

The M806 from Fernwood enables up to 8 personal computers or terminals to automatically share one RS232 printer or plotter.

An optional buffer of 6 to 256K improves computer utilisation and the choice of XON/XOFF or handshake line control offers maximum flexibility.

In mode 1, control is by detection of data or handshake signal from the computer, with queuing if the printer is busy. In mode 2 each port is polled sequentially by raising

one handshake line and checking for data response. Disconnection is by timeout, control characters or handshake line.

Protocol and interface conversion can be provided by customised firmware to match users' requirements.

The free-standing version is housed in a metal case and requires 240 or 120V ac mains.

*Fernwood Electronics Ltd,
Kingwood,
Henley-on-Thames,
Oxon RG9 5NB.
Tel: (0491) 7549.*

SPEECH ICs

A new family of speech processing ICs from NEC covers both speech recognition and speech synthesis. Some 30 devices, including complete modules and evaluation boards, offer the design engineer a choice of approaches to speech processing technology. Speech synthesis devices cover bit rates from 8k to 32kbits/second, using adaptive differential pulse code modulation (ADPCM) and repeated phoneme (RP) algorithms. Speech recognition devices provide both speaker-dependent and

speaker-independent operation. RAM storage of pattern matching programs allows a variety of DP algorithms to be implemented for recognition of connected or isolated words.

The family also includes a speech compression codec, allowing bit rates to be minimised whilst retaining acceptable speech quality.

*NEC Electronics (UK) Ltd,
Cygnus House,
Linford Wood Business
Centre, Sunrise Park Way,
Linford Wood,
Milton Keynes MK14 6NP.
Tel: (0908) 691133*

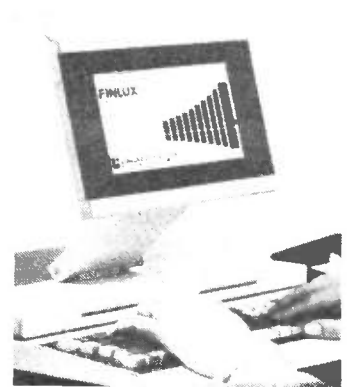
ULTRA-THIN SCREEN

An ultra-thin half page solid-state display uses a new electroluminescent technique developed by the electronic division of the Finnish Lohja Corporation.

The display screen, known as the Finlux MD 640.200, is primarily intended for use in portable computers, desk-top terminals and process instrumentation. It is easily interfaced to MS/DOS systems of the type used in the IBM PC.

The MD 640.200 is a half-page screen with 640 x 200 picture elements to support both text (25 lines of 80 characters) and high resolution graphics. The picture is crisp, stable and free from flicker, with contrast and readability close to text on paper quality. The image is yellow on black or vice versa.

The dimensions are 228 x 158 x 35mm, which includes the display panel, drivers, a control board and a power converter. These modest dimensions allow manufacturers incorporating the display in their equipment more space for their own



electronics without increasing the overall size. The completely solid-state display is well able to withstand shocks and vibration.

Lohja manufactures these screens using a patented atomic layer epitaxy process, a technique evolved by the company itself. The resulting extremely uniform thin-film layers on the surface of the glass screen base ensure outstanding reliability of the finished display.

*Lohja Corporation,
Olarinluoma 9,
SF-02200 Espoo,
Finland.
Tel: +358 0 42 001.*

THICK-FILM POT

Interlink Electronics has developed a thick-film linear potentiometer which provides a unique solution for a low cost, very low profile position and pressure sensor. Measuring only 0.015 inches high, the linear potentiometer may be integrated within a membrane panel or into any design where space is critical.

The device employs Interlink's proprietary force sensing resistor technology to measure both the position of

an object and its pressure upon the surface. Simple interface electronics convert the resistance change to dc voltages which may be used to control external circuitry or equipment.

The new device has a maximum working voltage of 1.5V, with a maximum dc current of 1mA. The typical force range is 20g/cm² to 10kg/cm², with a resistance range of 10M Ω to 1000 Ω .

A linear pot kit for evaluation purposes is offered by Interlink for \$30 ppp. The kit includes three formats of the linear pot, a sample electronic schematic for interfacing circuitry, and a data sheet.

*Interlink Electronics,
535 E Montecito Street,
Santa Barbara,
California 93103.
Tel: (805) 965 5155.*



COMPUTER WAREHOUSE

1000's OF BARGAINS FOR CALLERS

THE "ALLADINS' CAVE OF COMPUTER AND ELECTRONIC EQUIPMENT

HOT LINE DATA BASE

DISTEL

The ORIGINAL FREE OF CHARGE dial up data base. Buy, browse or place YOUR OWN AD for goods or services to sell. 1000's of stock items, spares and one off bargains. Updated daily. ON LINE NOW. CCITT, 8 bit word, no parity. For 300 baud modems call 01-679 1888. For 1200-75 baud modems call 01-679 6183

FREE

Your monitor from its computer!! For only £29.95 it becomes a SUPERB HIGH QUALITY - COLOUR - TV SET

The fabulous TELEBOX, an INVALUABLE MUST for the owner of ANY video monitor with a composite input, colour or monochrome. Made by a major UK Co as a TOP QUALITY, stand alone UHF tuner and costing OVER £75 to manufacture, this opportunity to buy your monitor for DUAL FUNCTION must not be missed! The TELEBOX consists of a compact, stylish two tone charcoal moulded case, containing ALL electronics tuner, power supply etc to simply plug in and convert your previously dedicated computer monitor into a HIGH QUALITY COLOUR TV SET, giving a real benefit to ALL the family! Don't worry if your monitor doesn't have sound - THE TELEBOX even has an integral 4 watt audio amplifier for driving an external speaker, PLUS an auxiliary output for superb quality television sound via your headphones or Hi FI system etc. Other features include: Compact dimensions of only 15.75" w x 7.5" d x 3.5" h, latest technology, BRITISH manufacture, fully tuneable 7 channel push button tuner, Auto AGC circuit, SAW filter, LED status indicator, fully isolated 240v AC power supply for total safety, Mains ON-OFF switch etc. Many other uses.

LIMITED QUANTITY - DON'T MISS THIS OFFER!!!

ONLY £29.95 OR £24.95 if purchased with ANY of our video monitors. Supplied BRAND NEW with full instructions and 2 YEAR warranty. Post and packing £3.50 *When used with colour crt.

COLOUR & MONOCHROME MONITOR SPECIALS

'SYSTEM ALPHA' 14" COLOUR MULTI INPUT MONITOR

Made by the famous REDIFFUSION Co. for their own professional computer system this monitor has all the features to suit your immediate and future requirements. Two video inputs: RGB and PAL Composite Video, allow direct connection to BBC/IBM and most other makes of micro computers or VCR's, including our very own TELEBOX. An internal speaker and audio amp may be connected to computer or VCR for superior sound quality. Many other features: PIL tube, Matching BBC case colour, Major controls on front panel, Separate Contrast and Brightness - even in RGB mode. Separate Colour and audio controls for Composite Video input, BNC plug for composite input, 15 way 'D' plug for RGB input, modular construction etc.

This Must Be ONE OF THE YEAR'S BEST BUYS. PC USER

Supplied BRAND NEW and BOXED, complete with DATA and 90 day guarantee. ONLY £149.00 as above OR IBM PC Version £165.00 15 Day 'D' sct £1.00, BNC sct 75p BBC interface cable £5.50

DECCA 80 16" COLOUR monitor. RGB input.

Little or hardly used manufacturer's surplus enables us to offer this special converted DECCA RGB Colour Video TV Monitor at a super low price of only £99.00, a price for a colour monitor as yet unheard of!! Our own interface, safety modification and special 16" high definition PIL tube, coupled with the DECCA 80 series TV chassis give 80 column definition and quality found only on monitors costing 3 TIMES OUR PRICE. The quality for the price has to be seen to be believed! Supplied complete and ready to plug direct to a BBC MICRO computer or any other system with a TTL RGB output. Other features are: internal speaker, modular construction, auto degaussing circuit, attractive TEAK CASE, compact dimensions only 52cm x 34cm x 24cm, 90 day guarantee. Although used, units are supplied in EXCELLENT condition. ONLY £99.00 + Carriage.

DECCA 80, 16" COLOUR monitor. Composite video input. Same as above model but fitted with Composite Video input and audio amp for COMPUTER, VCR or AUDIO VISUAL use. ONLY £99.00 + Carr.

REDIFFUSION MARK 3, 20" COLOUR monitor. Fitted with standard 75 ohm composite video input and sound amp. This large screen colour display is ideal for SCHOOLS, SHOPS, DISCOS, CLUBS and other AUDIO VISUAL applications. Supplied in AS NEW or little used condition ONLY £145.00 + Carr.

BUDGET RANGE EX EQUIPMENT MONOCHROME video monitors. All units are fully cased and set for 240v standard working with composite video inputs. Units are pre tested and set up for up to 80 column use. Even when MINOR screen burns exist - normal data displays are unaffected. 30 day guarantee.

12" KGM 320-1 B/W bandwidth input will display up to 132 x 25 lines. £32.95
12" GREEN SCREEN version of KGM 320-1. Only £39.95
9" KGM 324 GREEN SCREEN fully cased very compact unit. Only £49.00

Carriage and insurance on all monitors £10.00

DC POWER SUPPLY SPECIALS

GOULD OF443 enclosed, compact switch mode supply with DC regulated outputs of +5v @ 5A, +12v @ 0.5A, -12v @ 0.1A and -23v @ 0.02A Dim 18 x 11 x 6 cm 110 or 240v input. BRAND NEW only £16.95
GOULD G6-40A 5v 40 amp switch mode supply NEW £130.00
AC-DC Linear PSU for DISK drive and SYSTEM applications. Constructed on a rugged ALLOY chassis to continuously supply fully regulated DC outputs of +5v @ 3 Amps, -5v @ 0.6 amps and +24v @ 5 Amps. Short circuit and overvoltage protected. 100 or 240v AC input. Dim 28 x 12.5 x 7 cm NEW £49.94
Carriage on all PSU's £3.00

KEYBOARDS

Manufacturer's BRAND NEW surplus DEC L434 Uncoded keyboard with 67 quality gold plated switches on X-Y matrix - ideal micro conversions etc. £24.95
AMKEY MPNK-114 Superb word processor chassis keyboard on single PCB with 116 keys. Many features such as On board Micro, Single 5v rail, full ASCII coded character set with 31 function keys, numeric keypad, cursor pad and 9600 baud SERIAL TTL ASCII OUTPUT! Less than half price
Only £69.00 with data. Carriage on Keyboards £3.50



Double sided 40/80 track disk drives (1Mb per drive). PSU, 4K of memory mapped screen RAM, disk controller, RS232, CENTRONICS 8 and system expansion ports, and if that's not enough a ready to plug into STANDARD 'DRIVE' port for up to FOUR 8" disk drives, either in double density or IBM format. The ultra slim 92 key, detachable keyboard features 32 user definable keys, numeric keypad and text editing keys, even its own integral microprocessor which allows the main Z80A to devote ALL its time to USER programs, eliminating 'lost character' problems found on other machines. The attractive, detachable 12" monitor combines a green, anti-glare etched screen, with full swivel and tilt movement for maximum user comfort. Supplied BRAND NEW with CPM 2.2, user manuals and full 90 day guarantee. Full data sheet and info on request.

PC2000 System with CPM etc. COST OVER £1400

NOW only £399

DON'T MISS THE CPM Deal OF THE CENTURY

The FABULOUS CPM TATUNG PC2000 Professional Business System

A cancelled export order and months of negotiation enables us to offer this professional PC CPM system, recently on sale at OVER £1400, at a SCOOP price just over the cost of the two internal disk drives!! Or less than the price of a dumb terminal!!

Not a toy, the BIG BROTHER of the EINSTEIN computer, the DUAL PROCESSOR PC2000 comprises a modern stylish three piece system with ALL the necessities for the SMALL BUSINESS, INDUSTRIAL, EDUCATIONAL or HOBBYIST USER. Used with the THOUSANDS of proven, tested and available CPM software packages such as WORDSTAR, FAST, DBASE2 etc. the PC2000 specification, at our prices, CANNOT BE BEATEN!!

The central processor plinth contains the 64K, Z80A processor, DUAL TEAC 55F 5 1/2" floppy disk drives, 4K of memory mapped screen RAM, disk controller, RS232, CENTRONICS 8 and system expansion ports, and if that's not enough a ready to plug into STANDARD 'DRIVE' port for up to FOUR 8" disk drives, either in double density or IBM format. The ultra slim 92 key, detachable keyboard features 32 user definable keys, numeric keypad and text editing keys, even its own integral microprocessor which allows the main Z80A to devote ALL its time to USER programs, eliminating 'lost character' problems found on other machines. The attractive, detachable 12" monitor combines a green, anti-glare etched screen, with full swivel and tilt movement for maximum user comfort. Supplied BRAND NEW with CPM 2.2, user manuals and full 90 day guarantee. Full data sheet and info on request.

PC2000 Business System with CPM and 'Ready to Run' FAST Sales and Purchase ledger, supports up to 9000 Accounts, VAT etc. COST OVER £1700

NOW only £499

PC2000 Wordprocessor System with CPM and TEC FP25 daisywheel printer

NOW only £799

MODEMS

Join the communications revolution with our super range of DATA MODEMS, prices and specifications to suit all applications and budgets.....

BRAND NEW State of the art products:
DACOM DSL2123 Multi standard 300-300, 1200-75 auto answer etc. £268.00
DACOM DSL2123AQ Auto dial, smart modem with multi standard AUTO SPEED detect, and data buffer with flow control etc. £365.00
DACOM DSL2123GT The CREAM of the intelligent modems, auto dial, auto call, index, buffer etc etc. £498.00
Stebeck SB1212 V22 1200 baud FULL DUPLEX Sync or async optional auto dial etc. £465.00
TRANSDATA 307A Acoustic coupler 300 baud full duplex, originate only, RS232 interface £49.00

Ex BRITISH TELECOM full spec, CCITT, ruggedised, bargain offers. Sold TESTED with data. Will work on any MICRO or system with RS232 interface.
MODEM 13A 300 baud unit, only 2" high fits under phone. CALL mode only. £45.00

MODEM 20-1, 75-1200 baud Compact unit for use as subscriber end to PRESTEL, TELECOM GOLD, MICRONET etc. £39.95 + pp £6.50
MODEM 20-2 1200-75 baud Same as 20-1 but for computer end. £65.00 + pp £6.50
DATEL 2412. Made by SE Labs for BT this two part unit is for synchronous data links at 1200 or 2400 baud using 2780/3780 protocol etc. Many features include 2 or 4 wire working self test, auto answer etc. COST OVER £800. Our price ONLY £199 + pp £8.00
DATEL 4800, RACAL MPS4800 baud modem. EX BT good working order. ONLY £295.00 + pp £8.00

SPECIAL OFFER

MODEM TG2393. Ex BT, up to 1200 baud, full duplex 4 wire or half duplex over 2 wire line. FULL £85.00 PER PAIR + pp £10.00

For more information contact our Sales Office.

MATRIX PRINTERS

SPECIAL BULK PURCHASE of these compact, high speed matrix printers. Built in Japan for the Hazeltine Corporation this unit features quality construction giving 100cps bidirectional full pin addressable graphics, 6 type fonts, up to 9.5" single sheet or parallel interface. Many other features. BRAND NEW and BOXED COST £420. Our price ONLY £199.00

RECHARGEABLE BATTERIES

Dry Fit MAINTENANCE FREE by Sonnenschein & Yuasa.
A300 07191315 12v 3Ah NEW £13.95
A300 07191312 6v 3Ah NEW £9.95
A300 07191202 6-0-6v 1.8Ah TESTED Ex Equip £5.99

VDU TERMINALS

Standard VDU data entry terminals at give away prices!!

QUME QVT108. Current product, state of the art terminal with detachable keyboard, 12" Green screen, 2 page RAM, TVI 925, Hazeltine, ADMSA emulations, software setup, 25 x 80, Clock, Swivel and tilt base, Printer port, Function keys etc. BRAND NEW and BOXED AT ALMOST HALF PRICE ONLY £425.00
AJ510 - EX RENTAL, Z80 controlled, 15" green screen 24 x 80 display, graphics, cursor addressing, printer port etc. Very good condition TESTED complete with manual only £225.00
ADD 520 - Dumb terminal, used, 12" b/w screen RS232 interface and printer port. TESTED. ONLY £125.00. Carriage on terminals £10.00
100's of other terminals in stock, CALL for more details.

SURPLUS SPECIALS ON PRESTEL - VIEWDATA - TELEX

PLESSEY VUTEL, ultra compact unit, slightly larger than a telephone features A STANDARD DTMF TELEPHONE (tone dial) with 5" CRT monitor and integral modem etc. for direct connection to PRESTEL, VIEWDATA etc. Designed to sell to the EXECUTIVE at over £600!! Our price BRAND NEW AND BOXED at only £99.00

DECCA FAX VP1 complete Professional PRESTEL system in slimline desk top unit containing Modem, Numeric keypad, CPU, PSU etc. Connects direct to standard RGB colour monitor. Many other features include: Printer output, Full keyboard input, Cassette port etc. BRAND NEW with DATA A FRACTION OF COST only £55.00

ALPHA NUMERIC keyboard. Just add a domestic TV receiver and you have a superb PRESTEL system and via PRESTEL the cheapest TELEX service to be found!! Many features: CENTRONICS Printer output, Memory dialling etc. Supplied complete with data and DIY mod for RGB or Composite video outputs. AS NEW only £125.00

Post and packing on all PRESTEL units £8.50

EX-STOCK INTEGRATED CIRCUITS

4164 200 ns D RAMS 9 for £11 4116 ns £1.50 2112 £10.00 2114 £2.50 2102 £2.00 6116 £2.50 EPROMS 2716 £4.50 2732 £3.00 2764 £4.95 2712B £5.50 6800 £2.50 6821 £1.1 68A09 £8 68B09 £10 8085A £5.50 8086 £1.5 8088 £8 NEC765 £8 WD2793 £28 8202A £22 8251 £7 8748 £15 Z80A DART £6.50 Z80A CPU £2.00. Thousands of IC's EX STOCK send SAE for list.

DISK DRIVES

Japanese 5 1/4" half height 80 track double sided disk drives by TEAC, CANON, TOSHIBA etc. Sold as NEW with 90 day guarantee ONLY £85.00
TEC FB-503 Double sided HH 40 TRK NEW £75.00
SUGART SA400 SS FH 35 TRK £55.00
SIEMENS FDDI00 SS FH 40 TRK £65.00

carriage on 5 1/4" drives £5.50
Brand NEW metal 5 1/4" DISK CASES with internal PSU.
DSK1 for 2 HH or 1 FH drive £29.95 + pp £4.00
DSK2 for 1 HH drive £22.95 + pp £3.50
DKS3 AS DSK1 LESS PSU £12.95 + pp £2.50
DKS4 AS DSK2 LESS PSU £10.95 + pp £2.00

8" IBM format TESTED EX EQUIPMENT.
SHUGART 800/801 SS £175.00 + pp £8.50
SHUGART 851 DS £250.00 + pp £8.50
TWIN SHUGART 851*2 Mb total capacity in smart case, complete with PSU etc. £95.00

MITSUBISHI M2994-638" DS 1 Mb equiv. to SHUGART S850R. BRAND NEW at £275.00 + pp £8.50
DYSAN 8" Alignment disk £29.00 + pp £1.00
Various disk drive PSU's Ex Stock SEE PSU section.

HARD DISK DRIVES
DRE/DIABLO Series 30 2.5 Mb front load £525.00
Exchangeable version £295.00. ME3029 PSU £95.00
DIABLO 44/DRE4000A, B 5+5 Mb Mb £750.00
CDC HAWK 5+5 Mb £795.00. CMC 9762 80 Mb RMQ3 etc. £2500.00.

PERTEC D3422 5+5 Mb £495.00
RODIME 5 1/4" Winchester ex-stock from £150 CALL
Clearance items - Sold as seen - No guarantee.
ICL 2314 BRAND NEW 14" Mb Removable pack hard disk drive, cost over £2000 with data ONLY £99.00
BASF 6172 8" 23Mb Winchester £199.00

Unless stated all drives are refurbished with 90 day guarantee. Many other drives and spares in stock - call sales office for details.

RADIO & ELECTRONICS

All prices quoted are for UK. Mainland, paid cash with order in Pounds Sterling PLUS VAT. Minimum order value £2.00. Minimum Credit Card order £10.00. Minimum BONA FIDE account orders from Government Depts, Schools, Universities and established companies £20.00. Where post and packing not indicated please ADD £1.00 + VAT. Warehouse open Mon-Fri 9.30-5.30. Sat 10.30-5.30. We reserve the right to change prices and specifications without notice. Trade, Bulk and Export

32 Biggin Way, Upper Norwood, London SE19 3XF
Telephone 01-679 4414 Telex 894502 Data 01-679 1888

ERS — PRINTERS — PRINTERS — PRINTERS

SUPER DEAL? NO - SUPER STEAL THE FABULOUS 25 CPS "TEC STARWRITER"

Made to the very highest spec the TEC STARWRITER FP1500-25 features a very heavy duty die cast chassis and DIABLO type print mechanism giving superb registration and print quality. Micro-processor electronics offer full

DIABLO/QUME command compatibility and full control via CPM WORDSTAR ETC. Many other features include bi-directional printing, switchable 10 or 12 pitch, full width 381mm paper handling with up to 163 characters per line, friction feed rollers for single sheet or continuous paper, internal buffer, standard RS232 serial interface with handshake. Supplied absolutely BRAND NEW with 90 day guarantee and FREE daisy wheel and dust cover. Order NOW or contact sales office for more information. Optional extras RS232 data cable £10.00. Tech manual £7.50. Telex Feed £140.00. Spare daisy wheel £3.50. Carriage & Ins. (UK Mainland) £10.00.



SUMMER OFFER ONLY £399.99!!

DIY PRINTER MECH

Brand New surplus of this professional printer chassis gives an outstanding opportunity for the Student, Hobbyist or Robotics constructor to build a printer - plotter - digitiser etc, entirely to their own specification. The printer mechanism is supplied ready built, aligned and pre tested but WITHOUT electronics. Many features include all metal chassis, phosphor bronze bearings, 132 character optical shaft position encoder, NINE needle head, 2 x two phase 12V stepper motors for carriage and paper control, 9.5" Paper platten etc. etc. Even a manufacturer's print sample to show the unit's capabilities!! Overall dimensions 40 cm x 12 cm x 21 cm.

Sold BRAND NEW at a FRACTION of cost ONLY £49.50 + pp £4.50.

TELETYPE ASR33 DATA I/O TERMINALS

Industry standard, combined ASCII 110 baud printer, keyboard and 8 hole paper tape punch and reader. Standard RS232 serial interface. Ideal as cheap hard copy unit or tape prep. for CNC and NC machines. TESTED and in good condition. Only £235.00 floor stand £10.00. Carr & Ins. £15.00.

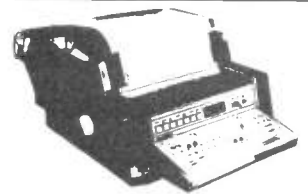
EX NEWS SERVICE PRINTERS

Compact ultra reliable quality built unit made by the USA EXTEL Corporation. Often seen in major Hotels printing up to the minute News and Financial information, the unit operates on 5 UNIT BAUDOT CODE from a Current loop, RS232 or TTL serial interface. May be connected to your micro as a low cost printer or via a simple interface and filter to any communications receiver to enable printing of worldwide NEWS, TELEX and RTTY services.

Supplied TESTED in second hand condition complete with DATA, 50 and 75 baud xtals and large paper roll.

TYPE AE11
50 Column ONLY £49.95
Spare paper roll for AE11 £4.50
TYPE AF11R 72 Col
+ Ribbon £65.00
TYPE AH11R 80 Col.
ASCII/BAUDOT £185.00
Carriage and Insurance £7.50

GE TERMIPRINTER



A massive purchase of these desk top printer terminals enables us to offer you these quality 30 or 120 cps printers at a SUPER LOW PRICE against their original cost of over £1000. Unit comprises of full QWERTY, electronic keyboard and printer mech with print face similar to correspondence quality typewriter. Variable forms tractor unit enables full width - up to 13.5" 120 column paper, upper - lower case, standard RS232 serial interface, internal vertical and horizontal tab settings, standard ribbon, adjustable baud rates, quiet operation plus many other features. Supplied complete with manual. Guaranteed working. GE30 £130.00. GE1200 120 cps £175.00. Untested GE30 £65.00. Optional floor stand £12.50. Carr & Ins. £10.00.

SEMICONDUCTOR 'GRAB BAGS'

Mixed Semis amazing value contents include transistors digital, linear, IC's, triacs, diodes, bridge recs, etc. etc. All devices guaranteed brand new full spec with manufacturer's markings, fully guaranteed.

50+ £2.95 100+ £5.15
TTL 74 Series. A gigantic purchase of an "across the board" range of 74 TTL series IC's enables us to offer 100+ mixed "mostly TTL" grab bags at a price which two or three chips in the bag would normally cost to buy. Fully guaranteed all IC's full spec. 100+ £6.90, 200+ £12.30, 300+ £19.50

CENTRONICS 710 PRINTERS

Ex RENTAL Heavy duty full width carriage printer up to 132 columns on 17" fan fold sprocket fed paper. 60 cps print speed with standard RS232 or 20 mA loop interface. Supplied in TESTED used condition with data. ONLY £85.00 carriage and insurance £10.00.

MAINS FILTERS

CURE those unnerving hang ups and data glitches caused by mains interference with professional quality filters. S05A match-box size up to 1000 watt 240 V Load ONLY £5.95. L12127 compact completely cased unit with 3 pin fitted socket up to 750 watts ONLY £9.99.

EPROM COPIERS

The amazing SOFTY 2 The "Complete Toolkit" for copying, writing, modifying and listing EPROMS of the 2516, 2716, 2532, 2732 range. Many other functions include integral keyboard, cassette interface, serial and parallel i/o UHF modulator ZIF socket etc. ONLY £195.00 + pp £2.50
"GANG OF EIGHT" intelligent Z80 controlled 8 gang programmer for ALL Single 5v rail EPROMS up to 27128. Will copy 8 27128 in ONLY 3 MINUTES. Internal LCD display and checking routines for IDIOT PROOF operation. Only £395.00 + pp £3.00.
"GANG OF EIGHT PLUS" Same spec. as above but with additional RS232 serial interface for down line loading data from computer etc. ONLY £445.00 + pp £3.00

Data sheets on request

20,000 FEET OF ELECTRONIC
AND COMPUTER GOODIES
ENGLAND'S LARGEST SURPLUS STORE - SEEING IS BELIEVING!!

DEC CORNER

PDP 1140 System comprising of CPU, 124k memory & MMU 15 line RS232 interface. RPO2 40 MB hard disk drive.
TU10 9 track 800 BPI Mag tape drive, dual track system VT52 VDU, etc. etc. Tested and running. £3,750.00
BA11-MB 3.5" Box, PSU, LTA £395.00
DH11-AD 16" x RS232 DMA interface £1,900.00
DLV11-J4 x EIA interface £350.00
DLV11-E Serial Modem support £190.00
DUP11 Synch. Serial data i/o £650.00
DQ200 Dilog - multi RK controller £495.00
DZ11-B 8 line RS232 mux board £650.00
KDF11-B M8189 PDP 1123 £1,100.00
PLUS £80.00
LA30 Printer and Keyboard £80.00
LA36 Decwriter EIA or 20 mA loop £270.00
MS11-JP Unibus 32kb Ram £80.00
MS11-LB Unibus 128kb Ram £450.00
MS11-LD Unibus 256kb Ram £850.00
PDP11/05 Cpu Ram, i/o etc £450.00
PDP11/40 Cpu, 124k MMU £1,850.00
RT11 ver 3B documentation kit £70.00
RK05-J 2.5 Mb disk drives £650.00
KL8 JA PDP 8 async i/o £175.00
M18E PDP 8 Bootstrap option £75.00
VT50 VDU and Keyboard - 20 mA £175.00
VT52 VDU and RS232 interface £250.00

Give your VT100 a Birthday!!
Brand New VT100 Keyboards only £85.00

1000's of EX STOCK spares for DEC PDP8, PDP8A, PDP11 systems & peripherals. Call for details. All types of Computer equipment and spares wanted for PROMPT CASH PAYMENT

MAG TAPE DRIVES

Many EX STOCK computer tape drives and spares by PERTEC, CIPHER, WANGO, DIGIDATA, KENNEDY etc. Special offer this month on DEI Cartridge tape drives ONLY £450.00 each.

CALL FOR DETAILS

COMPUTER/SYSTEM CABINET & PSU

All in one quality computer cabinet with integral switched mode PSU, mains filtering, and twin fan cooling. Originally made for the famous DEC PDP8 computer system costing thousands of pounds. Made to run 24 hours per day the psu is fully screened and will deliver a massive +5v DC at 17 amps, +15v DC at 1 amp and -15v DC at 5 amps. The complete unit is fully enclosed with removable top lid, filtering, trip switch, power and run leds mounted on all front panel, rear cable entries, etc. etc. Units are in good but used condition - supplied for 240v operation complete with full circuit and tech. man. Give your system that professional finish for only £49.95 + carr. 19" wide 16" deep 10.5" high. Useable area 16" w 10.5" h 11.5" d.

Also available less psu, with fans etc. Internal dim. 19" w, 16" d, 10.5" h. £19.95. Carriage £8.75

66% DISCOUNT ON ELECTRONIC COMPONENTS EQUIPMENT

Due to our massive bulk purchasing programme, which enables us to bring you the best possible bargains, we have thousands of ICs, Transistors, Relays, Caps, PCBs, Sub-assemblies, Switches etc. etc. surplus to OUR requirements. Because we don't have sufficient stocks of any one item to include in our ads we are packing all these items into the BARGAIN OF A LIFETIME. Thousands of components at giveaway prices. Guaranteed to be worth at least 3 times what you pay. Unbeatable value and perhaps one of the most consistently useful items you will ever buy!!! Sold by weight.

2.5kls £5.25 + pp £1.25
10kls £11.25 + pp £2.25

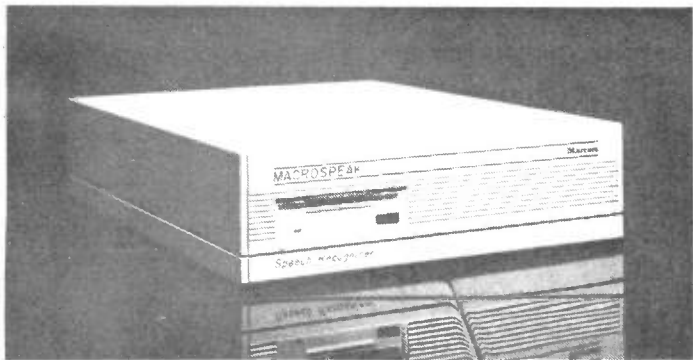
5 kls £6.90 + £1.80
20kls £19.50 + pp £4.75

1000's of other EX STOCK items including POWER SUPPLIES, RACKS, RELAYS, TRANSFORMERS, TEST EQUIPMENT, CABLE, CONNECTORS, HARDWARE, MODEMS, TELEPHONES, VARIACS, VDU'S, PRINTERS, POWER SUPPLIES, OPTICS, KEYBOARDS etc. etc. Give us a call for your spare part requirements. Stock changes almost daily.

Don't forget, ALL TYPES and QUANTITIES of electronic surplus purchased for CASH



NEWS DESK



Say what?

Marconi Defence Systems has launched a new speech recognition computer peripheral. Macrospeak is the product of eighteen months development conducted at the company's Portsmouth-based Speech Systems Division. It surmounts many of the problems that have, to date, limited the widespread use of commercial speech recognisers.

The spoken word has long been viewed as the ultimate replacement for the computer keyboard in man-machine operations, yet the human voice has been notoriously difficult to recognise. The nature of speech is a poorly-understood process, a problem compounded by the voice pattern that is unique to each and every individual. For this reason speech recognisers of the past have suffered severe practical limitations.

Macrospeak benefits from twenty years of work by Marconi in speech processing. Since 1981, this work has focused on the company's SR-128 equipment, the world's first stand-alone connected speech recogniser.

Macrospeak uses a spectral technique known as 'whole word dynamic time warping pattern matching' to compare spoken with stored words. The algorithm is implemented on two custom 3-micron silicon-on-sapphire LSIs designed by the Speech Division and produced by

Marconi Electronic Devices.

The first is an arithmetic processor which calculates the distance between the acoustic input and the stored spectral patterns on a frame-by-frame basis. The second contains the algorithm which undertakes the pattern matching process. A 68000 32-bit processor completes the heart of the system.

In simplified terms, the recognition process compares the spoken words against the spectrogram, or three-dimensional voice template, compiled during the initial teaching session. Inputs are matched against time, frequency and energy parameters that have been loaded into memory from disc. Recognised words are passed to the internal macro processor which converts them into output characters. The entire process is performed in real-time, even in the continuous speech mode.

Although Macrospeak responds directly to a large vocabulary of user-defined words, its capability can be further enhanced by using the built-in macro facility. This feature can be programmed by the user who initially types in each macro command against menu-driven prompts. These are then stored in memory and may be saved and loaded from the disc. Macro capacities for the 160 word standard and 640 word upgrade models are 200 and 800 commands.

Engineering trials

British Telecom is to start engineering trials next year of advanced modulation equipment which could increase the capacity of its digital microwave radio network by up to a third. Four contracts worth a total of £1.5 million have been awarded to GEC Telecommunications, STC Telecommunications, the Italian firm Telettra, and to NEC of Japan.

The equipment operates in the lower 6GHz frequency band and uses a technique known as 64 QAM – quadrature amplitude modulation. It will be installed on three radio links and is due to start operating by June 1987. BT will then evaluate the performance of the equipment for general use in the network (it will enter service in 1988).

The microwave network forms a major part of BT's trunk system. Together with optical fibres and coaxial cables, it forms the country's high capacity communications highways, carrying phone calls, computer data and TV pictures between the main centres of population.

BT is converting the network to digital operation as part of its modernisation programme. Digital operation will bring many benefits, including clearer speech and faster call set-up. It also enables the network to carry other services – data, text, facsimile, etc – together with speech on the same microwave, cable or fibre carrier.

BT's present methods of superimposing speech or data in digital form on a radio link enable the main microwave bands allocated to the company to each carry six digital channels. These channels operate at 140 million bits per second, giving an equivalent total band capacity of nearly 12,000 simultaneous phone calls.

The 64 QAM equipment to undergo trials next year will allow eight channels, equivalent to 16,000 calls, to be fitted into one band, increasing its capacity by 33 per cent. The price per channel of 140Mbit/s 64 QAM equipment is less than two-thirds that of earlier systems.

64 QAM is the latest evolution in the development of

digital modulation techniques aimed at making more efficient use of the radio spectrum. Early digital systems used by BT employed 4-phase modulation called quadrature phase shift keying (QPSK) and this is used on the 11GHz equipment. To improve efficient use of the spectrum the 4GHz band will use a QPSK technique where the bandwidth is deliberately restricted to less than the theoretical requirement (reduced bandwidth QPSK). This requires elegant techniques to compensate for the inevitable distortions due to the reduced bandwidth.

An alternative is to modulate the carrier not only in phase but also in amplitude – generally termed quadrature amplitude modulation (QAM). In 16 QAM the carrier can take any one of 16 discrete states, and this reduces the symbol rate (which determines the amount of radio spectrum bandwidth required for transmission) to one quarter of the bit rate to be transmitted. 16 QAM will be used in the upper 6GHz frequency band.

The 64 QAM technique again makes use of amplitude and phase modulation to produce 64 discrete carrier states, thereby reducing the transmission symbol rate to one sixth of the channel bit rate and hence reducing the required transmission bandwidth to about 23MHz.

Capitalism rules, OK?

At Comex '86, the mobile radio conference held by the Federation of Communications Services during November, details were revealed of a DTI-commissioned report prepared by CSP International Ltd. This report recommends that the allocation of radio frequencies for all forms of communication should be handed over to the private sector and be run on a profit-seeking basis.

The response from conference delegates was reported as being 'guarded', with some reservations being expressed about likely increases in costs and the possible detrimental effects on pan-European standards. It is worth noting that no other European country is proposing similar 'privatisation'.

MAP standards

The subject of the IEEIE Measurement, Control & Automation Professional Group lecture on 19th January will be *Manufacturing Automation Protocol (MAP) Standards*. On this occasion the speaker will be Mr G Brocklebank, BSc, MInstMC, MBCS, Manager of the Process Computing Group of Unilever Engineering.

MAP is a specification for an interfacing process designed to enable the implementation of communications between programmable equipments of differing manufacture with a minimum of purpose-written software. Based on established or emerging international standards, MAP was originally conceived by General Motors as a means of containing the escalation of costs associated with installation of communications for automation projects.

This IEEIE lecture will be held at 6.00pm on Monday, 19th January 1987, in the Faraday Room, IEE, Savoy Place, London WC2.

Electronic symbols

The BSI has published a revision of *Electrical and electronic graphical symbols for schools and colleges*, which makes available to teachers and students a selection of symbols from BS 3939 (*Graphical symbols for electrical power, telecommunications and electronics diagrams*).

This hand-held radio terminal is the latest addition to the 'Computatruk' paperless warehouse control system from Process Computing Ltd (tel. 01-900 6466)



This booklet, together with an associated wall chart, brings the 1981 edition into line with BS 3939: 1985, which is itself identical with IEC 617 published by the International Electrotechnical Commission. Although in this revision the actual symbols are unchanged, they are shown with one thickness of line in most cases, often simplified (eg by omitting envelopes on semiconductor devices), and are designed on a grid pattern. These changes should prove helpful to those using the symbols in computer-aided design.

While all BSI publications are subject to copyright, schools and colleges are permitted to reproduce pages from the booklet only for use within single educational establishments.

The price is £7.50 +VAT for the booklet and wall chart. The BSI is at 2 Park Street, London W1A 2BS. Telephone (01) 629 9000.

Fifty farad caps

ERA Technology has constructed and tested a prototype wound capacitor of extremely high capacitance per unit volume. This type of construction can deliver 50 farads from a package the size of a cotton reel (approximately 16cm³ or 1 cubic inch).

The prototype is capable of retaining its charge over many months or it may be charged continuously at a very low current drain, and will display stable discharge characteristics.

The energy storage density of about 6 joules/cm³ at low direct voltages has been obtained by making use of the capacitance of the double layer of charge formed when an electrode is immersed in an electrolyte. If the electrode material has a large specific surface, the capacitance and stored energy can be increased accordingly. Electric double-layer capacitors are already commercially available in capacitances of a few farads.

Companies interested in capacitor development should contact Mike Weller at ERA Technology, Cleeve Road, Leatherhead, Surrey KT22 7SA. Telephone: (0372) 374151, extension 278.

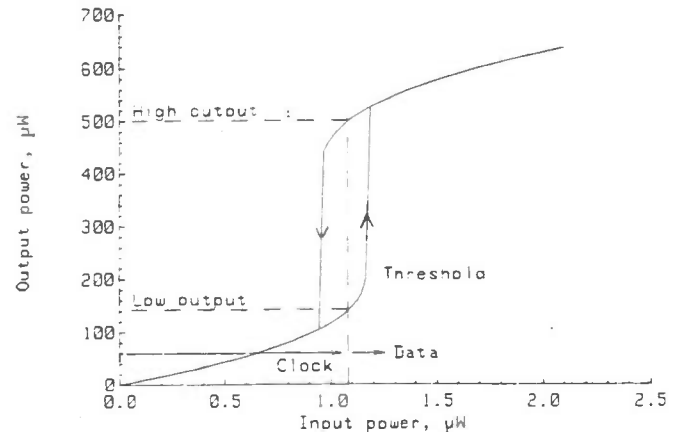


Fig. 1. Bistable amplifier characteristic (theoretical).

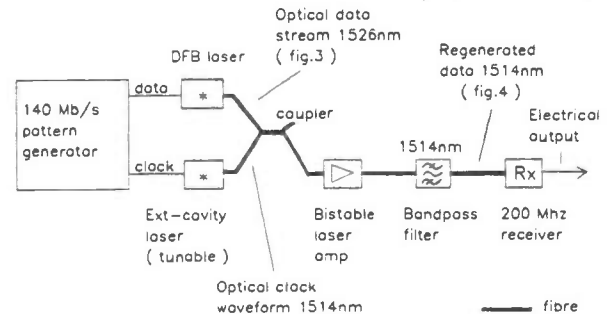


Fig. 2. Experimental all-optical regenerator.

All-optical regenerator

The world's first all-optical light regenerator for use in optical communications has been successfully demonstrated by British Telecom Research Laboratories at Martlesham Heath.

The regenerator, still in the experimental stage, both amplifies and re-times light pulses directly without converting them from light to electricity, as occurs in conventional repeaters.

In present long-distance optical links regenerators are installed every 30km or more to recover and reproduce the pulses of laser light which travel along the fibres of glass.

All-optical regenerators, when developed commercially, promise considerable savings in the cost of optical communications links, especially for undersea systems. Regenerators will be significantly cheaper and simpler to make, and their power requirements will be reduced.

The all-optical regenerator was developed by two BT research engineers, Rod Webb and John Devlin. Its key component is a microlaser

which under certain conditions can behave like an optical logic switch. An optical clock signal is fed to the laser to hold the switch state just in the 'off' condition.

When a pulse of light from the incoming fibre arrives at the laser it has sufficient optical energy to switch on the laser, but only when the optical clock signal is also present. This triggers the laser to generate a more powerful burst of light in synchronism with the clock which is then injected into the outgoing fibre.

The BT all-optical regenerator differs from previously demonstrated optical amplifiers in two important respects: bistable operation leads to a signal output level which is relatively constant over a range of input levels; and the signal is re-timed by an optical clock.

The all-optical regenerator has been operated at 140 million pulses a second. Its inventors are now working to improve performance and achieve higher rates by ensuring that all the components in the equipment are working at their most effective operating conditions.

SPECTRUM WATCH

NIGEL CAWTHORNE G3TXF

It's been more than twenty years since a TV channel frequency plan was drawn up for broadcasters in Africa. Since then many new African sovereign states have emerged and TV broadcasting in Africa has developed considerably, with an ever increasing demand for frequencies.

The first session of the African (and neighbouring countries) Broadcasting Conference (AFBC) was held in Kenya in October to start work on a new TV plan for Africa. Most Middle East and African nations were represented among the 49 countries and 200 delegates attending AFBC(1) in Nairobi.

The purpose of the two-session conference is to revise parts of the 1963 plan relating to TV. The current plan, which provides for the installation of 10,604 stations for Africa (4,969 FM and 5,635 TV), was drawn up in Geneva in 1963. Not all African countries were able to participate in the 1963 conference. In addition, VHF/UHF propagation data applicable to the African region was either incomplete or totally non-existent then. It is therefore high time that a thorough review was made of broadcasting frequency plans in Africa.

A new plan for sound broadcasting was drawn up for the whole of ITU Region 1 (Europe, Africa, Middle East and USSR) and certain Region 3 countries (Afghanistan and Iran) in 1984. The 1984 FM plan covering 53,000 FM stations (13,000 for Africa alone) will come into force in July 1987.

Technical bases

The first session of the African Broadcasting Conference was to prepare the technical bases and propose planning methods to assist the second session in establishing a new frequency assignment plan for the VHF/UHF TV bands between 47MHz and 960MHz.

Algeria, Oman and the UAE were three countries which were reported by conference observers as making particularly positive contributions to the conference. Delegates were from both broadcasting authorities and PTTs. The Libyan delegation, however, were unfortunately unable to attend the conference as they had been barred from entering Kenya.

IARU observer

Although the conference was not directly concerned with frequencies of direct interest to radio amateurs, the International Amateur Radio Union (IARU) was present at the conference as

an observer. The IARU representative was Dick Baldwin W1RU. The IARU makes a point of attending all the major frequency planning conferences, as this gives an excellent opportunity to make contact at senior level with officials who may have some direct influence on the well-being or otherwise of amateur radio in their home countries. Frequency planning discussions which may concern amateurs can also be monitored.

The Nairobi session of the TV conference lasted for three weeks. During the inter-session period before the second part of the conference the ITU will undertake a number of studies, particularly into the VHF/UHF propagation conditions in the Gulf and African regions. An accurate understanding of the different propagation phenomena in the area is essential to plan the efficient use of frequencies so as both to optimise use of the spectrum within a country and to avoid undue interference between broadcasters in neighbouring countries.

For Bands I and III the conference recommended that planning be based on 7 or 8MHz channel spacing without overlapping the adjacent bands not allocated to broadcasting. A 'theoretical lattice' planning method, which provides a maximum density of stations on a logical frequency re-use basis, will be used for the UHF bands IV and V.

Individual administrations' frequency requirements have to be submitted to the International Frequency Registration Board (IFRB) in Geneva by February

1988. These will be fed into the IFRB's computer to produce the first draft, which will be sent to administrations early in 1989. The second, detailed planning session of the African Broadcasting Conference is scheduled for October 1989.

Cellular saturation

Predictions of when the present generation UK cellular networks (Cellnet and Vodafone) will saturate vary, but by some time in the early '90s the quality of service on the networks will probably have started to deteriorate because of overloading. With cellular systems there is no magic point beyond which the network is overloaded. Once the maximum cell infrastructure (in terms of base stations and radio channels) has been implemented, as further subscribers use the service the average quality of service will progressively deteriorate.

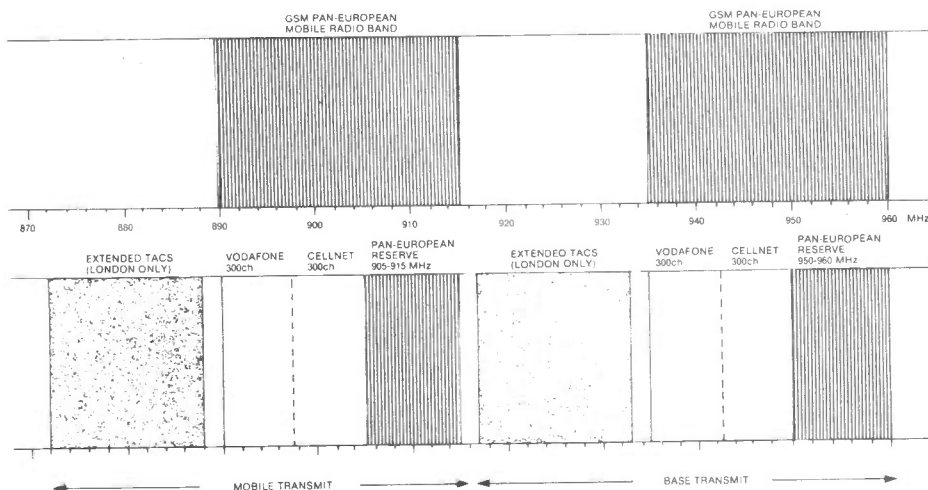
The mobile radio industry and PTT administrations are already making plans for the next generation of cellular networks in Europe. Unlike today's patchwork of incompatible networks, for the next generation the hope is that the same system will be used across all of Europe.

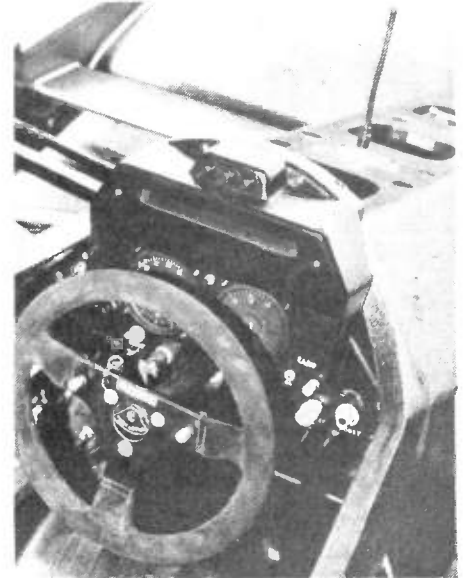
Stockholm seminar

Major decisions on pan-European cellular are to be made over the next few months. The goal is simple. It is to define the outline technical parameters of a common European cellular radio network. The second Nordic Digital Mobile Radiocommunications Seminar (DMR II) in Stockholm in October coincided with an unprecedented level of activity within both European industry and the Groupe Spéciale Mobile (GSM). The GSM was set up by the European PTTs to co-ordinate the drafting of technical specifications for pan-European cellular.

The GSM's Tomas Haug, in opening the

Fig 1 The allocation of additional cellular frequencies (for the London area only) at the lower end of the existing Vodafone and Cellnet bands takes pressure off the Pan-European reserve bands (905-915 MHz and 950-960 MHz)





Mobile radio on the move: Ayrton Senna keeps in touch with his pit crew using a Philips Pocketfone system

conference, underlined the two major advantages of a pan-European network: international roaming throughout Europe and a Europe-wide market.

Today's 450,000 European cellular subscribers operate in a number of water-tight compartments. The largest common area is the Scandinavian NMT-450 network, which, including Iceland, now has 300,000 subscribers. The UK's 110,000 TACS subscribers form the second largest piece of the European patchwork. International roaming (apart from within Scandinavia and between the Netherlands and the Benelux countries) is not a feature of the present generation, but it is a primary goal of the next.

Common frequencies

A pre-requisite to pan-European cellular is the availability of common frequencies. The GSM's Haug warned that one of the major risks to the present GSM activity is that first generation cellular operators start to use the pan-European 900MHz reserve frequencies.

The GSM, said Haug, has to be seen to be sticking to its timetable if the European countries are not going to break ranks. If the GSM's timetable slips dramatically, cellular operators would be under overwhelming pressure to encroach, at a national level, into the GSM reserve in order to meet the growing domestic demand for car telephones.

Haug's other major concern was that the CEPT's consensus approach in decision making might lead to an over-complicated solution, by virtue of 'trying to please everyone'. According to the GSM's own timetable an outline specification has to be agreed at the GSM meeting in February 1987 and a detailed

specification by the end of 1987.

The GSM's task is to establish specifications for key system interfaces. These are the interfaces between the user and the mobile, between the mobile and the base station, between the base station and the mobile switching centre (MSC), between MSCs, and finally between the MSCs and other external networks. The GSM is not concerned with the specifications of individual items of equipment. That will be left to manufacturers.

The GSM is currently undertaking a programme of tests aimed at providing data on which to select the key technical parameters. The tests, which are scheduled to run into early 1987, will analyse each of the eight digital radio systems proposed.

Digital mobile

Today's analogue mobile radio systems work on the basis of one signal per carrier and of carrier frequencies being spaced evenly across the operating band. This is 'frequency division multiple access' or FDMA. A station is identified by the frequency it is transmitting on. However, in 'time division multiple access' or TDMA systems a large number of stations transmit on the same frequency but at different time intervals. A TDMA station is identified by using a synchronised clock.

The eight systems currently under discussion for pan-European cellular all use variants of TDMA. One proposal from Philips, called MATS-D, uses different transmission techniques for mobile-to-base and base-to-mobile. The mobile-to-base link uses narrowband FDMA with 25kHz carrier spacing, whereas the base-to-mobile link uses a wideband 64 channel per carrier code division TDMA

technique with carriers spaced at 1.25MHz. Philips argues that this type of hybrid solution is essential if the majority of the system costs are to be in the base station equipment and not in the mobile unit. Economically priced mobiles are one of the keys to the success of pan-European cellular.

All in all, there are a total of five narrowband and three wideband TDMA proposals being studied. Among these are four proposals from Scandinavia. The others are from consortia involving companies from France, Germany and Italy. The eight proposals (nine, if the MATS-D proposal is considered as two) do not include any from the UK. The UK would like to see itself as an 'honest broker' in the selection of an appropriate system for pan-European cellular.

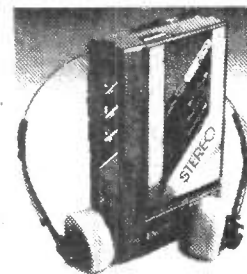
UK companies are currently undertaking a series of DTI-sponsored digital mobile radio test projects to obtain practical measurement data which will be made available to the GSM to assist in the evaluation of proposals. Test measurements have already been done on a 'simple TDMA' system in both Chelmsford and London by a combined BT/Racal/GEC team. A second phase of tests will be on a 'complex TDMA' system using a coherent receiver with adaptive equalisation and frequency hopping at 160 hops/sec.

Test-bed tigers

British Telecom Research Labs' David Cheeseman, on behalf of the BTRL/Racal/GEC cellular 'test-bed' project team, warned the Stockholm conference delegates that "there are tigers in the dark". Cheeseman urged delegates to "get out on the road" and do practical tests and not to rely solely on computer simulations of mobile radio systems. REW

WEST LONDON COMMUNICATIONS

**61 FAIRFIELD ROAD
WEST DRAYTON
West Drayton
447767 (STD 0895) 10 LINES
3 MILES FROM LONDON AIRPORT**



STORNO 800 PMR SETS EX MET POLICE CHOICE OF 20
£100 EA
DYMAR LYNX CHOICE OF 20..... **£20 EA**
CB RADIO CHOICE OF 20 **£10-£16 EA**
AERIALS FROM **£2.50 EA**
STORNO CAR PHONES 900SA CHOICE OF 20 **£100 EA**
ASS BASE STATION AERIALS CHOICE OF 20 FROM
..... **£20 EA**

PYE MOTORPHONE CHOICE OF 10..... **££15 EA**
PYR CAMBRIDGES AM/FM CHOICE OF 20..... **£3-£5 EA**
PYE 27 BASE STATION HIGH BAND-LOW BAND AM
CHOICE OF 10..... **£25 EA**
PYE WESTMINSTER AM/FM CHOICE OF 25 **£25 EA**
PYE F30 BASE STATION CHOICE OF 5..... **£50 EA**
PYE CAMBRIDGES HAND-HELD CHOICE OF 5 **£10 EA**
PYE VANGUARDS CHOICE OF 25 **£3-£5 EA**
STORNO 700 EX CAR PHONES CHOICE OF 10..... **£20 EA**
PYE UHF U450 CHOICE OF 10 **£10 EA**
DYMAR BASE STATION CHOICE OF 10..... **£5-£20 EA**
DYMAR HAND-HELD CHOICE OF 10 **£15 EA**
STORNO 600 EX CAR PHONES CHOICE OF 20..... **£15 EA**
STORNO 600 FM LOW BAND SETS CHOICE OF 10.. **£25 EA**
OLYMPIC AM HIGH BAND **£30 EA**
EUROPAS HIGH BAND FM **£30 EA**
PYE REPORTERS HIGH BAND AM CHOICE OF 50.. **£35 EA**

**Please note it is illegal to operate a transmitter without a licence.
The following equipment does not meet DTI approval, all sets are sold without
crystals and sold as seen and without warranty.**

SEE WHAT YOU CAN HEAR... WITH **RADIO DATABASE INTERNATIONAL** NEW 1987 EDITION NOW IN STOCK



Turn on your radio, open your **RADIO DATABASE INTERNATIONAL**... and your set to conquer the world of shortwave listening.

This new, expanded 1987 edition of **RADIO DATABASE INTERNATIONAL** features the world's most up-to-date Worldscan schedules presented in clear, easy-to-read graphics in handy frequency order. It's all world radio and it's all there at a glance without page-turning or thumbing through text.

In convenient frequency order from 2 to 26 MHz, **RADIO DATABASE INTERNATIONAL** displays station names, locations, frequencies, operating times, languages, jamming, intended reception areas and transmitter powers. It's all in one place, all at a glance. What were formerly separate International and Tropical Editions are now combined into one great book.

And there's more. **RDI** has added a number of new features and articles designed to help you make the most of your listening moments. Additionally - by popular request - major stations have been listed alphabetically, by country, with quick-access schedules.

The **1987 RADIO DATABASE INTERNATIONAL** also features a hard-hitting Buyer's Guide with ratings of dozens of models sold throughout the world. **RDI** veteran team of award-winning reviewers provides you with the world's most trusted advice on radios from portables to high-performance receivers.

With your radio and you **RDI**, you'll be ready to enjoy the wide world of shortwave listening as you never have before.

Price £12.50 + £1 post & packing in UK & Eire. Overseas: £8 airmail or £2 sea mail worldwide.

GUIDE TO UTILITY STATIONS 1987



★ Lists 14,817 frequencies ★ 1,759 Frequencies
★ 4,593 RTTY Stations ★ 2,931 Callsigns

Tune into the world's Utility Stations, such as airlines, commercial, shipping, military. Met with the just published 1987 edition of Guide to Utility Stations. A massive 14,817 frequencies from 0-30 MHz including RTTY, CW, SSB, AMTOR, FAX, SITOR, VFT, etc., giving full details of each station. That's not all! There are chapters on Q-codes, Z-codes, SIMPO reporting, Met stations, 3 maps and much more. All stations have been monitored making this book (485 pages) the most comprehensive and accurate.

Price £19.95 plus £1.65 p&p UK & Eire. Overseas £2.45 by sea £7.25 airmail worldwide.

OTHER RADIO BOOKS

COMMUNICATION SATELLITES New expanded 2nd edition covers Ham, weather, navigation, DBS, Russian, US satellites plus much more. £13.25 + £1.55 p&p.

SCANNERS a VHF/UHF Listener's Guide with frequency lists £7.95 p&p FREE

AIR TRAFFIC RADIO New edition. Guide to UK air traffic VHF & UHF frequencies. £2.25 + 35p p&p

RADIO HACKER'S CODEBOOK Decoding codes and cyphers with home computers. £9.95 + 65p p&p

Two or more book Post & Packing FREE (UK and Eire only)
ASK FOR OUR NEW FREE CATALOGUE OF MANY OTHER BOOKS
Delivery normally from stock within 14 days



INTERBOOKS RED19, Stanley, Perth PH1 4QQ, Scotland
Tel: (0738) 828575 & (073883) 708

K T ELECTRONICS

The first Radio Amateur equipment manufacturers in the Republic of Ireland - presents

AMPLIFIER LIST

MHA 186 UHF Broad Band Masterhead Amplifier 27dB
Gain **IRE£17.50**
UVA 186A UHF/VHF Masterhead Amplifier Channel 38-69
27dB Gain **IRE£19.25**
LA 186 UHF Line Amplifier 30dB **IRE£22.60**
MA 2137 Grouped UHF Masterhead Amplifier CH 21-37
27dB Gain **IRE£18.00**
MA 3869 Grouped UHF Masterhead Amplifier CH 38-69
27dB Gain **IRE£18.00**

POWER SUPPLY LIST

PS 286 12v-60mA Power supplies with 1 output **IRE£8.00**
PS 386 12v-80mA Power supplies with 2 output **IRE£12.55**
PS 486 12v-180mA Power supplies with 2 output **IRE£14.00**
PS 886 15v-80mA Power supplies with 2 output **IRE£12.55**
PS 986 15v-180mA Power supplies with 2 output **IRE£14.00**

All power supplies are short protected and stabilised
All items are RF-shielded, and all Masthead amplifiers are water protected.
Also in our range - TV low noise Masthead amps and power supplies.

FOR FURTHER INFORMATION AND CATALOGUE CONTACT:

K T ELECTRONICS
Attn: Tina Keil - E19FW
Newbawn, Rathdrum
Co Wicklow. Tel: 0404 46521
From England: 010-353 40446521

AMATEUR RADIO WORLD

Compiled by Arthur C Gee G2UK

The editorial comment in the October issue of the RSGB's journal, *Radio Communication*, announced measures being taken to update the society's administration. Reading through it, your scribe cannot but help contemplate the quite fantastic progression which has taken place in the society since he first became a member some fifty or so years ago. Even in the last ten years the membership has increased from 19,600 in 1976 to 37,500 today. The financial turnover over the same period has increased from £106,000 to £1,085,000! These figures alone indicate the tremendous amount of work that has to be tackled.

Over this period there has been steady upgrading of the administration to keep up with all the developments which have come along with ever increasing rapidity. This includes such matters as the transfer of records from manual sorting to a computerised system, a move of HQ from a small terraced building in central London to the present modern self-contained site at Potters Bar, where all the society activities can be integrated, and a change of staff from primarily clerical to a mainly technical bias.

The bovine years

Fifty years ago the society's affairs were mainly devoted to producing its monthly journal (the famous old 'Bull' as it was affectionally called), keeping up a meagre few thousand membership records, arranging meetings around the country, and such routine matters as a small specialist society needed to keep it running. As is the case today, much of the society's work was done by voluntary committees, but the number of topics requiring such administration was indeed small.

There was a Contest Committee and some specialised technical committees and so on, but just think what is needed to cover today's interest. Apart from the usual run of interests there are a whole host of topics of a specialist nature; TV, RTTY, the new data communication specialities, VHF/UHF, microwaves, satellites, computing, emergency services, mobile activity and so on. Then there are the committees required to sort out such matters as licence regulations, international co-operation, and so on and so on!

So, if you are one of those members who criticise the society without thinking, or one who gets many of the benefits for our hobby without being a member, just take a look at what the RSGB does do for you and see if you can help in some way either on the local or national scene. If you are not a member, just have a good think about whether or not you really ought to join. At least you would then be helping the society financially.

The 10MHz band

When the 10.100 to 10.150MHz band was first released to radio amateurs on 1st January 1982, there was great rejoicing at the acquisition of a new band for amateur activities. As the band was an extremely narrow one and as it was to be shared with commercial stations for some while to come, use by radio amateurs was limited to the CW mode only. There was much harsh comment about this from the SSB fraternity and much discussion on this took place in the amateur radio media.

However, as experience of the band's characteristics was gained its attractions were found to fall somewhat short of what had been hoped for. As time passed there seemed to be no sign of the commercials beginning to move out. Propagation conditions were not exactly encouraging. QSB was severe and DX openings were mostly during 'unsocial hours'. So it is not surprising that the band is now thought to be 'greatly under-used'.

This has encouraged the SSB lobby to renew their request for the band to be opened for some SSB activity. This, it is said, would encourage a much greater use to be made of the band. However, the 'anti-SSB' lobby seem to have reacted sharply to this suggestion! Reading the various comments on the subject in the amateur radio literature, one cannot but feel that allowing SSB would be a very retrograde move indeed, with things as they are at present.

'55 - Heil Hitler?'

In a recent issue of *The Westlink Report* your scribe came across a reference to an old radio amateur friend, Evert Kaleveld PA0XE/DL0XJ. The reference was eye catching not only because it is many years since I last heard of him but also because of the title to the

paragraph referring to him, viz '55 - Heil Hitler?'

It seems Pat Hawker G3VA, in his *Technical Topics* feature in *Radio Communication* for June last, referred to some correspondence he had had with Evert relating to the origins of such amateur radio abbreviations as '73' and '88', which apparently date back to 19th century American telegraph codes.

A less well-known abbreviation which is favoured by German radio amateur operators is '55', which means 'vielle Erlug' - 'much pleasure'. Why '55' asks Evert? He suggests the explanation is that in the immediate post war years, when all amateur radio operation by German nationals was covert, some misguided humourist took pleasure in simply modifying the 'HH' (Heil Hitler) abbreviation, which had apparently been obligatory for German amateurs from 1933 right up to May 1945, adding an extra dit to the four dits of each H, thus creating 55!

Strange that the Russian amateur satellite which occasionally reappears should be sending nothing but a series of 55s from its 10 metre beacon!

Operation Raleigh

We have referred previously in this column to the 'Operation Raleigh' project.

You may recall that Operation Raleigh is a follow-up to Operation Drake, which was a four year round-the-world self-training project aboard a sailing vessel called *The Eye of the Wind*. This project went off so well that Operation Raleigh was mounted as a follow-up. It takes young people from all walks of life and of various nationalities on world-wide cruises visiting islands and remote parts of the world, participating in numerous scientific and community projects. The vessel is equipped with full radio as well as amateur radio services.

The vessel used is the *Sir Walter Raleigh* and the amateur radio callsign allocated to her is GB2SWR/MM. Amateur radio operators were called for to provide back-up ship-to-shore communications with field parties.

The ship will be visiting the Funafuti Atoll area during the period September 1986 to April 1987, and the New Zealand Director of Telecommunication Operations has authorised the special callsign

AMATEUR RADIO WORLD

ZL6OR for use by the expedition during their stay there.

Solar cycle sunspot predictions

The prediction of natural phenomena is at best a chancy business, particularly when the phenomenon concerned is the sunspot cycle. There are many predictions as to when the present cycle - number 21 - will give way to the beginning of the next. The latest prediction from American forecasters is based on the following considerations.

Predicted times of solar sunspot minima are based on the length of previous sunspot cycles. Over the last 136 years the cycle appears to fall into a bimodal distribution of about 123 months and 140 months, averaging 133 months. Using this, the minimum smoothed mean monthly sunspot value for the current cycle should occur about July 1987. A cycle of 140 months would result in a minimum sunspot number for February 1988.

Prediction time for the next solar maximum is based on average time between minimum and maximum, which is about four years. Forecasters put the maximum for the next cycle (22) as being in mid-1991, with a maximum sunspot number of 100, which is somewhat below

average. Last June was the tenth anniversary of the beginning of cycle 21, but it is not necessarily the beginning of cycle 22.

For news and info on all aspects of communication, amateur and professional, read R&EW every month. You know it makes sense! Don't leave home without it. If you see Sid, tell him...

Raynet earthquake activity

Raynet was able to participate in the aftermath of the El Salvador earthquake. Information on damage to communications and messages on behalf of the International Red Cross were passed. Raynet was able to inform the British Foreign Office that there were no British Casualties.

Indian radio amateurs have recently been active in two Raynet-type situations. VU2SUS heard a distress call on

14.164MHz from a Himalayan mountaineering team, which had lost contact with its base in Nepal. The team's radio amateur operator, HB9CUN/9NI, asked for the Nepal Ministry of Tourism to be contacted requesting a rescue helicopter to be sent to their location at Mekalu.

The second incident in which numerous radio amateurs took part concerned severe flooding in the state of Andhra Pradesh. Amateur radio was the only means of communication which proved to be reliable. Flood relief officers were quick to express their gratitude to the many amateurs who took part in the emergency operations and have presented special certificates to those who took part (RSGB news bulletin).

Israel special event stations

The Israel Amateur Radio Club is planning an event to take place during the Easter season next year. During Easter 1987 special event stations will be established at five historic and Biblical sites, viz Bethlehem, Jerusalem, Nazareth, Mount Tabor and Mount Beatitudes. Amateurs from around the world are invited to participate.

Further details from The Israel Amateur Radio Club, PO Box 4099, Tel Aviv, Israel 61040. REW

AKD

TEL. 0438 351710

Unit 5
Parsons Green Estate
Boulton Road
Stevenage
Herts SG1 4QG

MAIL ORDER DEPT.
Stock Items Normally
Despatched within 48 hours,
21 days latest.

People said we had disappeared from the face of the earth. They were wrong
WE MOVED!!

Our new larger premises allow us to hold bigger stock and to introduce **NEW** products.
Watch this space over the coming months.

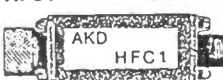
Still going strong in its 4th year at the original price. How do we do it?

WA1 WAVEMETER £24.95



Our Waveabsorption meter for 2 Mtre transmitters meets licensing requirements range 120MHz to 450MHz, very sensitive, can also be used as field strength meter within its range. Requires PP3 type battery (not supplied).

HFC1 **NEW** CONVERTER £49.00



For the FRG 9600/965 our new HF Converter, connects to the aenal socket, and powered direct from the 8 Volt o/p of the FRG 9600. Tune from 100, 1Mhz to 160Mhz, gives tuning range of 100Khz to 60Mhz, uses double balanced mixer, with low pass filter on input.
* Can be supplied with BNC termination for other scanners *

GPA1 PRE-AMP £24.95



2 Mtre RF Pre-amp using BF961 dual gate FET 18 db gain; Low noise, 2Mhz Bandwidth SO 239 termination 25 watts through power. Failsafe switching, can be left in line when not required, auto RF sensing even at 1/2 watt, can be factory tuned between 28-170Mhz.
* Can also be tuned for 6-4 mtrs *

A SELECTION OF OUR MOST POPULAR FILTERS (SEND SAE FOR FULL RANGE DATA SHEET)

RBF1

A range of UHF notch filters (for inner only) stocked at the following frequencies: 435MHz (70cms) channel 36 (for radar blips), 846MHz (RAF Boulmer interference) can be factory tuned from 420MHz to 890MHz. £6.75 each

To order quote RBF1/ followed by type.

HPF1

Low insertion loss high pass filter with capacitive braid breaker for use with UHF TV, VIDEO & PRE-AMPS. £6.75 each

HPFS

High pass filter with transformer braid breaker, better performance than HPF1 but the insertion loss is a little higher. 1-2db best for severe problems for UHF only. £7.00 each

TNF2

A range of notch filters specifically tuned for the frequency of interference on inner and outer bandwidth >1Mhz (2Mhz above 100Mhz). VERY LOW INSERTION LOSS TYPICALLY <0.5db. Stocked for the following frequencies: 14Mhz, 21Mhz, 27.5Mhz (CB), 29Mhz, 50Mhz, 71Mhz, 145Mhz. Also spot tuned at any frequency to 300Mhz. £6.75 each

To order quote TNF2/ and the frequency.

BB1

Transformer braid breaker >25db at 30Mhz, often used with other filters in our range for very severe interference. Ideal at the input of VCR and PRE-AMPS. £6.75 each

IDEAL FOR CLUBS OR EMC GROUPS FOR EVALUATION OF INDIVIDUAL SITUATIONS

DK1 FILTER KIT

Kit of all filters in our range (11 in all) except for RBF1/846Mhz. £41.70

WE ALSO STOCK TORROID RINGS @ £2.50 PER PAIR.

RSGB NOW STOCK OUR FILTERS AND MEMBERS CAN OBTAIN THEM AT A DISCOUNT FROM RSGB HQ.

ALL PRICES QUOTED ARE CORRECT AT TIME OF GOING TO PRESS AND INCLUDE VAT, POSTAGE & PACKING

ALL OUR PRODUCTS CARRY THE USUAL 2 YEAR GUARANTEE

ALSO AVAILABLE FROM LEADING AMATEUR RADIO DEALERS

* EMC PROBLEMS *

PHONE OUR TECHNICAL HELPLINE ON THE ABOVE PHONE NO. BETWEEN 10am & 12 NOON ANY WEEKDAY.

Props; R T & V E L Wagstaffe Technical Adviser: John Armstrong

A new communications device launched in September by Modular Technology, a subsidiary of Zygol Dynamics, uses an infra-red beam to transmit information by line of sight over a range of up to 1 kilometre.

The idea is not new, of course. There is a direct parallel with the Aldis lamps used for many years to communicate between ships at sea, which used an on/off 'binary' coding (morse), albeit at fairly low data rates by today's standards. The German 'Hellschreiber' system of World War 2 was an even closer relation, this making use of electronics to modulate a light beam.

The modern development which makes high speed data transmission using such techniques feasible is the semiconductor laser. Such devices are easy to modulate (unlike earlier gas lasers) and their output can be detected using PIN or avalanche diodes. They are widely used in the now familiar optical fibre transmission systems, to which Modular Technology's new product is comparable. It is, if you like, an optical fibre transmission system without the fibre.

The main advantages over competitive routes of communication are cost and convenience. A line leased from British Telecom is subject to rental charges and may take some time to arrange, while a privately installed cable run involves a high set-up cost. Microwave links, although very similar, require licencing which may be restrictive, and can be subject to interference.

This is not to say that there aren't disadvantages. The most obvious is that this system can only be used where a direct line of sight exists between the locations to be linked. Temporary interruptions such as birds crossing the beam might be regarded as acceptable, since such a break will be of little importance where error-correcting techniques are used.

There is also a certain amount of noise due to ambient light, the effects of which must be filtered. The effects of scintillation must also be minimised. This is a twinkling effect caused by variations in temperature between different air molecules (and is why the stars twinkle at night).

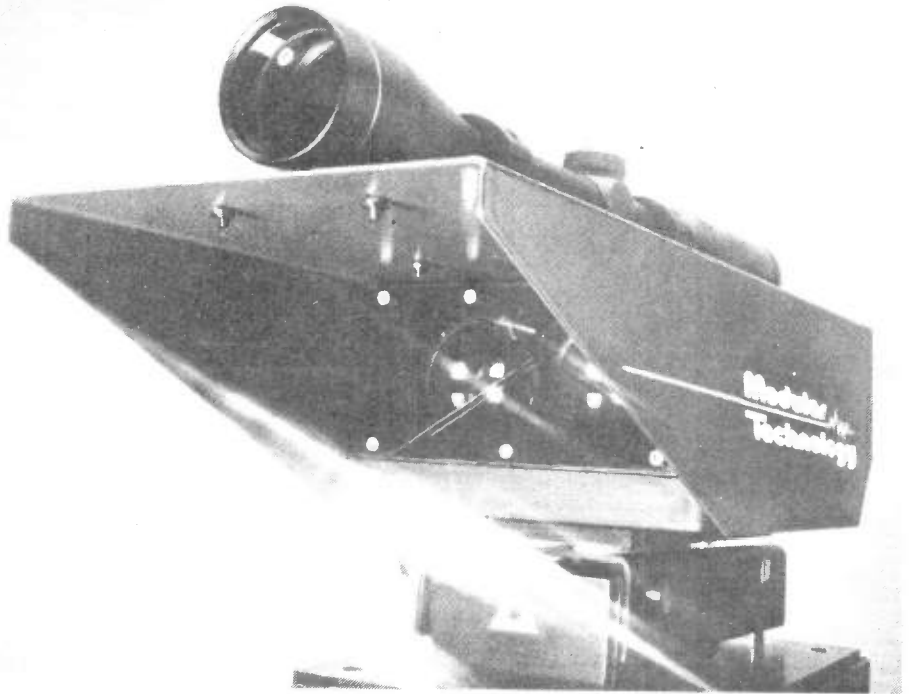
The weather could pose a few problems. Fog and rain will cause some scattering of the beam, reducing the level of power reaching the receiver. This is not, apparently, the problem one might expect, since it takes a very heavy fog to seriously degrade performance. Modular Technology suggest a link availability over 1km of 95%, and the rule seems to be that if you can see down a link you can communicate down it.

The system is available in two forms, the LH50 Laserhead and LH550 Ledhead. The first uses a diode laser to provide a range of up to 1km, while the second offers a shorter range (200m) and lower price using an LED. Both units are, apart from this, essentially the same.

The unit incorporates a receiver and transmitter in one package. The light

INTERLASER

It may look like something lethal out of *Star Trek*, but it's actually a communications system



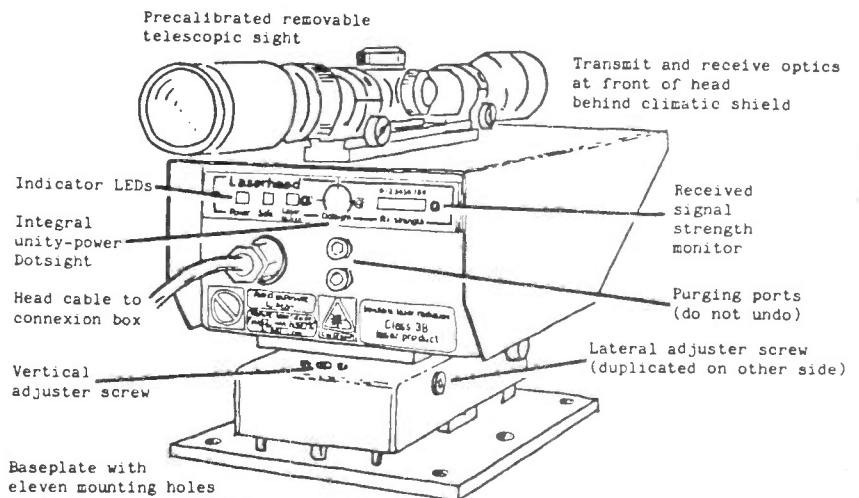
output is collimated using lenses, and this provides a spread (or beam width) of around 1m at 1km (any tighter and there would be less leeway to allow for slight distortion of the mounts). Alignment is by telescopic sights.

The link will happily handle data transmission rates of up to 2.5 megabits per second, and is ideal for use with statistical multiplexers. A bandwidth of around 6MHz allows video links and a 'talk-back' channel for camera control. Using PCM (pulse code modulation) 30 audio channels per link are possible, while 60 are possible using ADPCM

The unit is housed in a weatherproof case for mounting on the outside of buildings.

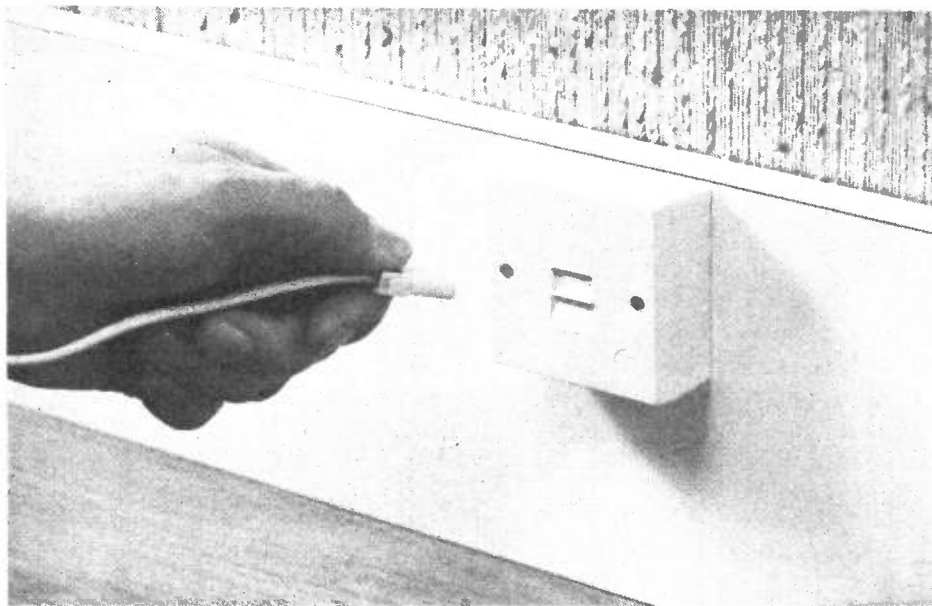
The LH50/550 would seem to be ideal for applications where a cable run is too costly or impractical, since it is versatile and immune to RFI. At a cost of £2500 for the Ledhead and £5000 for the Laserhead the costs are not excessive in comparison either, as long as the system can provide the required reliability.

Modular Technology, in case you're interested, are at Zygol House, Telford Road, Bicester, Oxon, OX6 0XB. Telephone: (0869) 253361. 



WISE UP TO PHONE WIRING

Ralph Walker



At last it's legal... from 1st December you are allowed to install your own telephone extensions! You can now put telephones just where you want them, whenever you want to, and of course you can save a lot of money as well. All the same there is some skill involved, and it is as well to know the exact rules of the game too. So, if you want to get hooked up, read on...

What's legal...

Liberalisation applies to extension wiring only: the first or 'master' socket must still be installed by your telephone company. For most of us this is British Telecom, but Mercury Communications also have a number of public network customers, and if you live in Hull you'll know that it's the municipal telephone department that runs the network there. Channel Islands readers had better consult their local administrations – the OFTEL announcement makes no mention of liberalising either Guernsey or Jersey.

The extension wiring that you may now install must be plugged into an existing BT socket (it doesn't have to be the master if you already have other sockets). This means that you are not allowed to 'hard-wire' your new wiring into BT's master socket, and if you do not have the new-style sockets you will have to have the installation changed over (for a charge, at the time of writing, of £28.75).

Network termination point

That's the fancy name given to the point at which the network provider's maintenance responsibility ends, and currently this is the master socket. For this reason master sockets are still installed by the network provider and you cannot wire directly into them. This may change in due course.

Any faults which occur on wiring you install yourself are your own responsibility, and there will be no friendly 'GPO man' to fix them. So if you make a mess of the job BT will charge you to sort it out!

Incidentally, this article is concerned only with telephones connected to a direct exchange line. Government liberalisation has a different effect on phones connected to switchboard extensions and so-called 'key systems', and purely private internal networks (unconnected to BT) are not bound by these rules. A free booklet, *Telecommunications Wiring in Business Premises and Homes*, explains all this, and you can get a copy from OFTEL, Atlantic House, Holborn Viaduct, London EC1N 2HQ.

Incredible but true

You could be £60 better off over the next five years! That's what Maplin Electronics say in their catalogue. Having a phone socket fitted by BT costs £28 + VAT, while the quarterly rental for a standard telephone is £3.74 (£14.96 a year): you can buy a smart new telephone

from Maplin for £11.50. In less than a year, then, you have saved money, and the savings look just as impressive if you install your own sockets and wiring.

So, is it easy? Well, er, yes... I imagine most people can plug in a telephone, and even the wiring is straightforward enough if you can follow instructions.

Most people are familiar with the new-style phone plugs and sockets. They are similar to the Western Electric design used in America and Eire, but include a number of improvements. The socket incorporates a shutter to stop little fingers entering and being zapped by the 75 volts ringing voltage, while the plug is designed to pull out of the socket if snatched hard enough – like when you trip over the phone lead!

The plugs, sockets and wiring are designed to have six conductors, although only four are used for standard phone wiring. All the same, if you choose to install six-wire cable you could use the spare lines for, say, a baby alarm or hi-fi distribution system, and wire up plugs for the alternative plug-ins accordingly.

Series or parallel

There is a limit to the number of bells that a telephone exchange can ring simultaneously, and this is not helped by having lots of low impedance bells in parallel. That, however, is the effect of wiring several old-style phones across the line, and another drop-off is the 'bell tinkle' effect you get on all the phones except the one dialling out. In the past, extension wiring required rewiring the bells in series to avoid bell tinkle.

All these defects are cured with the New Plan wiring system. Bells and ringers, now wired in parallel, are high impedance, allowing at least four to be plugged in simultaneously (there is no limit to the number of sockets on a system). Speech and ringing wires are effectively separate, so you don't suffer from bell tinkle. The bell circuit capacitor and line testing resistor are kept in the master socket, reducing component count in the phones.

By the way, New Plan wiring is not applicable to shared service ('party') lines and certain other special arrangements.

Look out for the green spot

Only approved phones and answering machines can be used in phone sockets: they carry a green circle approval sticker to show they have been through the testing procedures. Prices are coming down so fast now that there is little point in buying unapproved apparatus; very often the latter is not so well made and gives poorer speech transmission. What's more, its two-wire circuitry is not properly compatible with the New Plan wiring. The parts you use for extension wiring must also be approved, but there is no shortage of these.

Again, no matter what anyone else tells you, it is not technically legal to fit new plugs and cords on old-style phones, even if they are genuine BT or Post Office models. Absolute legality may not worry you, but you may well consider it worth buying new electronic phones anyway. They tend to have more features and they are not expensive now.

What you need

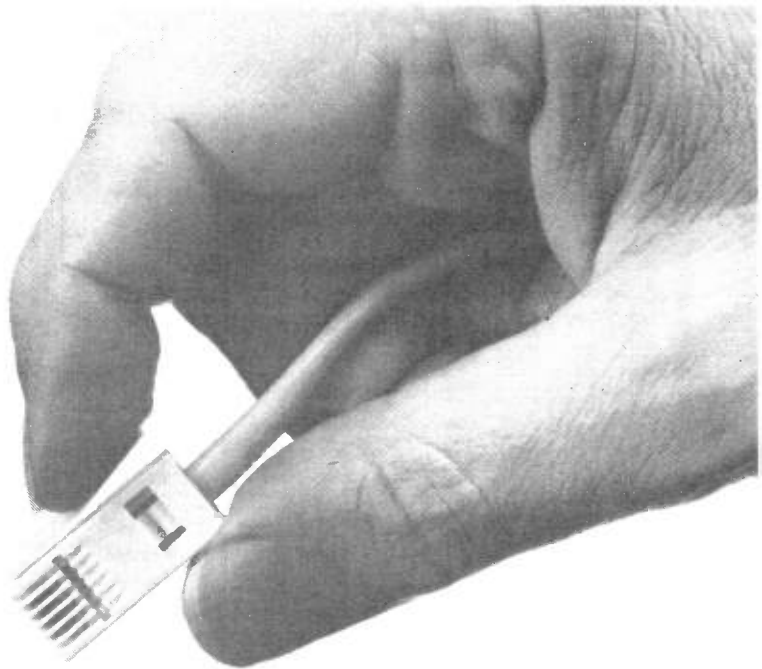
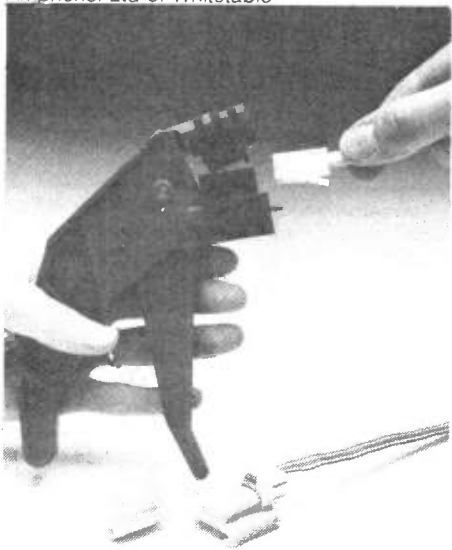
To wire your own home you will require:

- one or more extension ('secondary') sockets, with which will be supplied wiring instructions.
- some approved cable, which can be cut to length as required. The cable will probably have a plug fitted at one end, ready to fit your existing socket.
- cable clips and similar accessories.

Many shops will sell complete kits of all the parts you need, though you may want extra 'loose' components to complete your job.

The sockets will use either screw terminals or IDCs (insulation displacement connectors). The latter are a new(ish) type of terminal which slices through the plastic insulation of the wire and then grips the metal conductor. IDCs are far quicker to hook up but need a special tool to push the wire into the connectors. The plastic tools are throw-away ones and that's about all they are fit for; a professional version is also available, but as its cost approaches £20 it is really only for the enthusiast who intends to wire up homes as a spare-time occupation (it is perfectly legal to wire other people's extensions for reward. What is illegal is to install or wire into the master socket, unless you are an 'official' telephone engineer and doing this as part of your official work).

The latest phone plug and IDC jack tool from Amphenol Ltd of Whitstable



Connecting the sockets involves wiring terminal 2 to terminal 2, 3 to 3, and so on, following the colour code shown in the table. If you are using four-core cable ignore terminals 1 and 6.

Socket terminal	Cable Colour Code	
	The principal colour is shown in capitals, followed by the stripe	
	NEW	OLD
1	GREEN/white	
2	BLUE/white	BLUE
3	ORANGE/white	BROWN
4	WHITE/orange	GREEN
5	WHITE/blue	ORANGE
6	WHITE/green	

The total length of wiring between the master socket and each extension must not exceed 164 feet (50 metres), and the total length of wiring installed cannot exceed 328 feet (100 metres). This is to prevent misoperation.

Sockets should not be put in damp places such as bathrooms or in unprotected locations outside, as the sockets may corrode internally and cause high resistance faults. Avoid putting sockets in dangerous places too; often the skirting board is not the best place and waist level will be easier to reach.

Normal telephone cable is not 100 per cent waterproof even though it is sheathed in PVC, so it should not be run outdoors bare. It is also unwise to run phone wires close to mains wiring or to share conduits or back boxes with this. Phone sockets should be placed at least 2 inches (50mm) away from mains outlets.

The actual wire itself is not overly flexible and you should take care not to kink it when bending. The individual cores are fairly brittle and will not stand up to repeated flexing. Instead they tend to break inside their sheathing – but who knows where?! For this reason I wouldn't recommend this kind of wire for model railway layouts and the like. The instructions recommend the use of cable clips every 300mm (about 12 inches).

Suspicious sockets?

There are no other restrictions on how you lay the cable, and spurs are perfectly permissible. BT sells a special terminal block which enables you to cut into existing wiring, add a spur and reconnect everything.

Many shops will be selling BT components and these are a guarantee of quality, though there are many other good quality parts around. Note that BT sockets will carry the word 'Wiring' as well as the (T) symbol: sockets with the (T) symbol alone are used only by BT itself and are probably stolen if offered for sale!

Apart from phone shops and DIY stores there are many other places to buy wiring components. By mail order you can get all the parts you need from RS Electromail and Maplin, for instance, or if you prefer to pick and choose visit a Tandy shop or an amateur radio rally (where you'll probably find the lowest prices!). In any case, do shop around; ordinary secondary sockets should not cost more than £3 and cable no more than 25p a metre.

Technical risks

If you stick to the rules and follow the instructions nothing should go wrong. When you have plugged in your new extension ring a friend to ensure that all is well. Make sure, too, that incoming calls work by having your friend ring you back. The voltages involved – 50V dc and 75 to 100V ac – are not usually lethal, but they are not pleasant either. Miswiring will mean at worst that you will lose calls and have to call in the professionals to sort out your misdeeds.

Mixing in mains is quite another matter, and telephone linemen up their poles prefer safety belts to belts of mains voltage. The electronics back at the exchange don't take too kindly to mains either.

Good luck, even if you don't think you need it!

REW

PHONE
0474 60521



P.M. COMPONENTS LTD

(SELECTRON HOUSE, SPRINGHEAD ENTERPRISE PARK
GRAVESEND, KENT DA11 8HD)

TELEX
966371
TOS PM

INTEGRATED CIRCUITS

AN124	2.80	MC1351P	1.80	STK437	7.85
AN210	2.80	MC1357	2.35	STK439	7.85
AN239	2.80	MC1358	1.80	STK461	11.50
AN240P	2.80	MC1451BCP	1.80	TA7061AP	1.50
AN264	2.80	7.80	TA7108P	1.50	
AN612	2.18	MC1495	3.00	TA7120P	1.85
AN32L	2.80	MC1496	1.50	TA7129P	2.50
AN7140	3.80	MC145108P	1.50	TA7130P	1.50
AN7145	3.80	7.85	TA7137P	1.00	
AN7150	3.80	MC1723	0.50	TA7176AP	2.95
AN7150	3.80	MC3357	2.75	TA7193P	3.95
BA521	3.80	MC3401L	2.80	TA7203	2.95
CA1352E	1.78	ML231B	1.75	TA7204P	2.15
CA308E	0.48	ML232B	2.50	TA7205AP	1.15
CA3123E	1.88	MSM5807	8.75	TA7222AP	1.80
CA3140T	1.18	PLL02A	8.75	TA7227P	4.25
ET76016	2.50	SAA500A	3.50	TA7310P	1.80
HA1329A	2.50	SA1025	7.25	TA7313AP	2.95
HA1365W	2.75	SN7550A	1.75	TA7314P	2.95
HA1377	3.80	SAS5705	1.75	TA7340	1.25
HA1155W	1.80	SAS580	2.85	TA7314P	2.95
HA1551	2.85	SA/SB/T/U		TA7321P	2.25
LA120	1.85	SL301B	1.00	TA7609P	3.95
LA1402	2.85	SL317B	7.95	TA7611AP	2.95
LA1404	1.85	SL3170	1.80	TA8310A	1.95
LA4031P	1.85	SL1310	1.80	TA8310A	1.95
LA4420	1.85	SL1327	1.10	TAA350A	1.95
LA4430	2.80	SL1327Q	1.10	TAA570	1.95
LA4400	4.18	SN76003	3.95	TAA670	1.95
LA4422	2.80	SN76031	3.95	TAA700	1.70
LA4461	3.95	SN76023	3.95	TBA120AS/J	
LC7120	3.25	SN76033	3.85	TA1327	1.70
LC7130	3.80	SN76110N	0.95	TA2002	2.95
LC7131	8.80	SN76115N	1.25	TA2020	2.95
LM1011	3.18	SN76131N	1.30	TA2020	2.95
LM324N	0.48	SN76227N	1.05	TA2030	2.95
LM3804N	1.80	SN76533N	1.65	TA2140	3.95
LM3808N	1.75	SN76544N	2.65	TA2150	3.95
LM3909	2.85	SN76570N	1.00	TA2151	3.95
M5113L	2.30	SN76580A	1.15	TA2190	3.95
M5151L	2.95	SN76600N	0.95	TA2221	3.25
M5152L	1.80	STK014	7.95	TA2252	1.95
MB3712	2.00	STK015	5.95	TA2524	2.95
MB3756	2.80	STK028	11.95	TA2524	2.95
MC1307P	1.00	STK043	8.50	TA2532	1.95
MC1310P	1.80	STK078	11.95	TA2540	1.95
MC1327	1.70	STK415	7.95	TA2541	2.18
MC1327Q	0.95	STK433	5.95	TA2560	2.18
MC1349P	1.80	STK435	7.95	TA2571	2.95
MC1350P	0.48				

SEMICONDUCTORS

AAV12	0.25	BC182	0.10	BD238	0.40	BFX58	0.25
AC126	0.45	BC182B	0.10	BD242	0.65	BFY50	0.21
AC127	0.20	BC183	0.10	BD466	0.75	BFY52	0.35
AC128	0.28	BC183L	0.00	BD376	0.32	BFY90	0.77
AC128K	0.32	BC184BL	0.00	BD410	0.65	BLY48	1.75
AC141	0.28	BC204	0.10	BD434	0.65	BR100	0.28
AC141K	0.34	BC207B	0.13	BD437	0.75	BR101	0.47
AC142K	0.45	BC208B	0.13	BD438	0.75	BR103	0.88
AC176	0.22	BC212	0.00	BD520	0.65	BR303	0.95
AC176K	0.31	BC212L	0.00	BD538	0.65	BRC4443	1.18
AC187	0.25	BC212LA	0.00	BD597	0.65	BRY39	0.65
AC187K	0.28	BC213	0.00	BD701	1.25	BT100A/O2	0.85
AC188	0.25	BC213L	0.00	BD702	1.25	BT106	1.40
AC188K	0.27	BC214	0.00	BD707	0.90	BT116	1.20
AD142	0.79	BC214C	0.00	BDX32	1.90	BT119	3.18
AD143	0.52	BC214L	0.00	BF115	0.35	BT120	1.50
AD149	0.79	BC237B	0.00	BF119	0.65	BU105	1.95
AD161	0.39	BC238	0.00	BF127	0.39	BU108	1.90
AD162	0.39	BC239	0.12	BF154	0.20	BU124	1.25
AD161/2	0.90	BC251A	0.12	BF158	0.22	BU125	1.25
AF106	0.50	BC252A	0.16	BF160	0.27	BU126	1.90
AF114	1.95	BC258	0.25	BF167	0.27	BU204	1.66
AF121	0.80	BC258A	0.39	BF173	0.22	BU205	1.30
AF124	0.85	BC284	0.30	BF177	0.35	BU208	1.39
AF125	0.35	BC300	0.30	BF178	0.29	BU208A	1.62
AF126	0.32	BC301	0.30	BF178	0.34	BU208B	1.65
AF127	0.85	BC303	0.26	BF180	0.29	BU326	1.50
AF139	0.40	BC307B	0.09	BF181	0.29	BU326S	1.50
AF150	0.80	BC327	0.10	BF182	0.29	BU407	1.24
AF178	1.95	BC328	0.10	BF183	0.29	BU500	2.25
AF239	0.42	BC337	0.10	BF184	0.29	BU508A	1.95
AU106	4.50	BC340	0.13	BF185	0.28	BU526	1.90
AJ107	3.50	BC347A	0.10	BF194	0.11	BU807	2.25
AU110	3.50	BC461	0.38	BF196	0.11	BY989B	1.70
AU102	2.95	BC478	0.20	BF197	0.11	MJ300	0.40
BC107A	0.11	BC527	0.20	BF198	0.10	MJE340	0.40
BC107B	0.11	BC547	0.10	BF199	0.14	MJE350	
BC108	0.10	BC548	0.10	BF200	0.40	MJE520	0.48
BC108A	0.11	BC549A	0.10	BF241	0.15	MJE2955	
BC108B	0.11	BC550	0.14	BF245	0.30	MPSA13	0.39
BC109	0.10	BC557	0.08	BF257	0.28	MPSA92	0.30
BC109B	0.12	BC557B	0.08	BF258	0.28	MRF237	
BC109C	0.12	BC558	0.10	BF259	0.28	MRF450A	
BC114A	0.09	BC639/10	0.30	BF271	0.28	MRF453	12.95
BC116A	0.15	BCY33A	1.60	BF273	0.18	MRF454	26.50
BC117	0.19	BD115	0.30	BF336	0.34	MRF455	17.50
BC119	0.24	BD124P	0.89	BF337	0.29	MRF475	2.95
BC125	0.25	BD132	0.42	BF338	0.32	MRF477	14.95
BC139	0.20	BD132	0.42	BF355	0.37	OC159V	1.95
BC140	0.31	BD133	0.40	BF362	0.35	OC29	2.95
BC141	0.26	BD135	0.30	BF363	0.85	OC29	2.95
BC142	0.21	BD136	0.30	BF371	0.28	OC29	2.95
BC143	0.24	BD137	0.32	BF394	0.19	OC36	3.25
BC147A	0.12	BD138	0.30	BF422	0.32	OC42	0.78
BC147B	0.12	BD139	0.32	BF423	0.28	OC44	0.78
BC148A	0.09	BD144	0.30	BF427	0.32	OC45	0.85
BC148B	0.09	BD144	1.10	BF457	0.32	OC70	0.48
BC149	0.09	BD150C	0.28	BF458	0.36	OC71	0.85
BC153	0.30	BD159	0.85	BF467	0.65	OC75	0.95
BC157	0.12	BD160	1.80	BF495	0.25	OC81	0.80
BC158	0.09	BD166	0.85	BF597	0.35	OC159W	2.90
BC159	0.09	BD179	0.72	BF599	0.33	R2008B	1.48
BC161	0.28	BD182	0.70	BF599	0.33	R2010B	1.48
BC161B	0.18	BD201	0.83	BF599	0.33	R2010B	1.48
BC171	0.09	BD202	0.83	BF599	0.33	R2010B	1.48
BC171A	0.10	BD203	0.78	BF599	0.33	R2010B	1.48
BC171B	0.10	BD204	0.70	BF599	0.33	R2010B	1.48
BC172	0.10	BD222	0.48	BF599	0.33	R2010B	1.48
BC172B	0.10	BD223	0.59	BF599	0.33	R2010B	1.48
BC172C	0.10	BD225	0.48	BF599	0.33	R2010B	1.48
BC173B	0.10	BD232	0.38	BF599	0.33	R2010B	1.48
BC174	0.09	BD233	0.38	BF599	0.33	R2010B	1.48
BC174A	0.09	BD234	0.38	BF599	0.33	R2010B	1.48
BC177	0.19	BD236	0.48	BF599	0.33	R2010B	1.48
BC178	0.18	BD237	0.40	BF599	0.33	R2010B	1.48

TDA2581	2.95	TDA2582	2.95	TDA2583	2.95
TDA2584	2.95	TDA2585	2.95	TDA2586	2.95
TDA2587	2.95	TDA2588	2.95	TDA2589	2.95
TDA2590	2.95	TDA2591	2.95	TDA2592	2.95
TDA2593	2.95	TDA2594	2.95	TDA2595	2.95
TDA2596	2.95	TDA2597	2.95	TDA2598	2.95
TDA2599	2.95	TDA2600	2.95	TDA2601	2.95
TDA2602	2.95	TDA2603	2.95	TDA2604	2.95
TDA2605	2.95	TDA2606	2.95	TDA2607	2.95
TDA2608	2.95	TDA2609	2.95	TDA2610	2.95
TDA2611	2.95	TDA2612	2.95	TDA2613	2.95
TDA2614	2.95	TDA2615	2.95	TDA2616	2.95
TDA2617	2.95	TDA2618	2.95	TDA2619	2.95
TDA2620	2.95	TDA2621	2.95	TDA2622	2.95
TDA2623	2.95	TDA2624	2.95	TDA2625	2.95
TDA2626	2.95	TDA2627	2.95	TDA2628	2.95
TDA2629	2.95	TDA2630	2.95	TDA2631	2.95
TDA2632	2.95	TDA2633	2.95	TDA2634	2.95
TDA2635	2.95	TDA2636	2.95	TDA2637	2.95
TDA2638	2.95	TDA2639	2.95	TDA2640	2.95
TDA2641	2.95	TDA2642	2.95	TDA2643	2.95
TDA2644	2.95	TDA2645	2.95	TDA2646	2.95
TDA2647	2.95	TDA2648	2.95	TDA2649	2.95
TDA2650	2.95	TDA2651	2.95	TDA2652	2.95
TDA2653	2.95	TDA2654	2.95	TDA2655	2.95
TDA2656	2.95	TDA2657	2.95	TDA2658	2.95
TDA2659	2.95	TDA2660	2.95	TDA2661	2.95
TDA2662	2.95	TDA2663	2.95	TDA2664	2.95
TDA2665	2.95	TDA2666	2.95	TDA2667	2.95
TDA2668	2.95	TDA2669	2.95	TDA2670	2.95
TDA2671	2.95	TDA2672	2.95	TDA2673	2.95
TDA2674	2.95	TDA2675	2.95	TDA2676	2.95
TDA2677	2.95	TDA2678	2.95	TDA2679	2.95
TDA2680	2.95	TDA2681	2.95	TDA2682	2.95
TDA2683	2.95	TDA2684	2.95	TDA2685	2.95
TDA2686	2.95	TDA2687	2.95	TDA2688	2.95
TDA2689	2.95	TDA2690	2.95	TDA2691	2.95
TDA2692	2.95	TDA2693	2.95	TDA2694	2.95
TDA2695	2.95	TDA2696	2.95	TDA2697	2.95
TDA2698	2.95	TDA2699	2.95	TDA2700	2.95
TDA2701	2.95	TDA2702	2.95	TDA2703	2.95
TDA2704	2.95	TDA2705	2.95	TDA2706	2.95
TDA2707	2.95	TDA2708	2.95	TDA2709	2.95
TDA2710	2.95	TDA2711	2.95	TDA2712	2.95
TDA2713	2.95	TDA2714	2.95	TDA2715	2.95
TDA2716	2.95	TDA2717	2.95	TDA2718	2.95
TDA2719	2.95	TDA2720	2.95	TDA2721	2.95
TDA2722	2.95	TDA2723	2.95	TDA2724	2.95
TDA2725	2.95	TDA2726	2.95	TDA2727	2.95
TDA2728	2				

PHONE
0474 60521
3 LINES

P.M. COMPONENTS LTD
SELECTRON HOUSE
SPRINGHEAD ENTERPRISE PARK, SPRINGHEAD ROAD
GRAVESEND, KENT DA11 8HD

TELEX
966371
TOS PM



A SELECTION FROM OUR STOCK OF BRANDED VALVES

A1714 24.50	EBC91 0.60	EL95 1.75	M8163 5.50	QV03-20A 25.00	U50 2.00	2C39A 29.50	6AK6 2.50	EGK5 1.50	12BH7A 2.50	404A 10.95
A1998 11.50	E991 0.00	EL153 12.15	M8190 4.50	QV03-25 32.00	U91 0.70	2C39B 29.50	6AL5 0.85	6GK6 1.95	12BL6 1.75	425A5 8.00
A2067 11.50	EBF80 0.85	EL183E 3.50	M8195 6.50	QV06-40A 27.50	U93 0.65	2C40 37.00	6AM4 3.25	6GM6 0.95	12BY7A 2.75	431U 4.50
A2134 14.95	EBF83 0.85	EL183P 3.50	M8196 5.50	QV07-50 63.50	U251 1.00	2C42 29.50	6AM5 6.00	6GS7 2.15	12CA5 1.95	572B 55.00
A2293 6.50	EBF85 0.95	EL500 1.40	M8204 5.50	QV07-50 63.50	U801 0.75	2C51 0.75	6AM6 1.95	6GV7 2.50	12CX6 1.20	5636 1.50
A2426 35.00	EBF89 0.70	EL504 1.40	M8223 4.50	QV07-50 63.50	U801 0.75	2CY5 1.50	6AN5 4.80	6GW8 0.80	12DQB6 3.50	6166A 7.50
A2569 37.50	EBL1 2.50	EL509 3.25	M8224 2.00	QV07-50 63.50	U801 0.75	2D21 1.95	6AN6A 3.50	6H1 9.50	12DW4 2.50	6158 3.20
A2792 27.50	EBF93 0.95	EL519 6.95	M8225 3.50	QV07-50 63.50	U801 0.75	2E27 1.50	6A05 2.15	6H3N 2.50	12E7 2.50	6386 14.50
A2900 11.50	EBL21 2.00	EL602 3.65	M8225 3.50	QV07-50 63.50	U801 0.75	2E26 7.95	6A08 0.85	6H6 1.95	12E11 17.95	6683B 9.95
A3042 24.00	EC52 0.75	EL821 8.50	M8225 3.50	QV07-50 63.50	U801 0.75	2E26 7.95	6A55 1.50	6H6GT 1.95	12E14 38.00	6973 5.95
A3283 24.00	EC70 1.75	EL822 12.95	M8225 3.50	QV07-50 63.50	U801 0.75	2E26 7.95	6AS6 2.50	6H7 0.95	12G7 4.50	705A 8.00
AC/7TH 4.00	EC80 9.50	EM1 8.00	M8225 3.50	QV07-50 63.50	U801 0.75	2E26 7.95	6AT6 0.75	6H8 2.50	12H7A 4.50	706A 8.00
ACT12 6.75	EC81 7.95	EM4 9.00	M8225 3.50	QV07-50 63.50	U801 0.75	2E26 7.95	6AT6 0.75	6H8 2.50	12JG7 3.50	715C 45.00
AC/52PEN 8.50	EC86 1.00	EM40 0.70	M8225 3.50	QV07-50 63.50	U801 0.75	2E26 7.95	6A05 2.15	6H3N 2.50	12K5 1.95	725A 275.00
AM221 36.00	EC90 1.10	EM81 0.70	M8225 3.50	QV07-50 63.50	U801 0.75	2E26 7.95	6A08 0.85	6H6 1.95	12K7G 1.50	7527 89.50
AM238 36.00	EC91 5.50	EM85 3.95	M8225 3.50	QV07-50 63.50	U801 0.75	2E26 7.95	6A55 1.50	6H7 0.95	12K8 1.95	7703 395.00
AL90 6.00	EC92 1.95	EM87 2.50	M8225 3.50	QV07-50 63.50	U801 0.75	2E26 7.95	6AS6 2.50	6H8 2.50	12M7 4.50	805 39.00
AN1 14.00	EC93 1.50	EM9 18.50	M8225 3.50	QV07-50 63.50	U801 0.75	2E26 7.95	6AT6 0.75	6H8 2.50	12Q7 3.50	807 1.95
AZ11 4.50	EC95 7.00	EN91 1.95	M8225 3.50	QV07-50 63.50	U801 0.75	2E26 7.95	6A05 2.15	6H3N 2.50	12Q7G 3.50	810 85.00
BL63 2.00	EC97 1.10	EN92 4.50	M8225 3.50	QV07-50 63.50	U801 0.75	2E26 7.95	6A08 0.85	6H6 1.95	12R1 17.95	883B 9.95
BS450 67.00	EC157 475.00	ESU150 14.95	M8225 3.50	QV07-50 63.50	U801 0.75	2E26 7.95	6A08 0.85	6H6 1.95	12S14 38.00	6973 5.95
BS810 55.00	EC8010 12.00	ESU872 25.00	M8225 3.50	QV07-50 63.50	U801 0.75	2E26 7.95	6A08 0.85	6H6 1.95	12S17 4.50	705A 8.00
BS814 55.00	EC832 3.50	EY51 0.80	M8225 3.50	QV07-50 63.50	U801 0.75	2E26 7.95	6A08 0.85	6H6 1.95	12S17 4.50	705A 8.00
CK1 19.00	EC833 3.50	EY81 2.50	M8225 3.50	QV07-50 63.50	U801 0.75	2E26 7.95	6A08 0.85	6H6 1.95	12S17 4.50	705A 8.00
CK3A 20.00	EC834 3.50	EY83 1.95	M8225 3.50	QV07-50 63.50	U801 0.75	2E26 7.95	6A08 0.85	6H6 1.95	12S17 4.50	705A 8.00
CK4 19.00	EC835 3.50	EY84 5.95	M8225 3.50	QV07-50 63.50	U801 0.75	2E26 7.95	6A08 0.85	6H6 1.95	12S17 4.50	705A 8.00
CK5 19.00	EC836 3.50	EY86/87 0.50	M8225 3.50	QV07-50 63.50	U801 0.75	2E26 7.95	6A08 0.85	6H6 1.95	12S17 4.50	705A 8.00
CK6 19.00	EC837 3.50	EY88 0.55	M8225 3.50	QV07-50 63.50	U801 0.75	2E26 7.95	6A08 0.85	6H6 1.95	12S17 4.50	705A 8.00
CK7 19.00	EC838 3.50	EY91 5.95	M8225 3.50	QV07-50 63.50	U801 0.75	2E26 7.95	6A08 0.85	6H6 1.95	12S17 4.50	705A 8.00
CK8 19.00	EC839 3.50	EY92 1.50	M8225 3.50	QV07-50 63.50	U801 0.75	2E26 7.95	6A08 0.85	6H6 1.95	12S17 4.50	705A 8.00
CK9 19.00	EC840 3.50	EY93 0.70	M8225 3.50	QV07-50 63.50	U801 0.75	2E26 7.95	6A08 0.85	6H6 1.95	12S17 4.50	705A 8.00
CK10 19.00	EC841 3.50	EY94 2.75	M8225 3.50	QV07-50 63.50	U801 0.75	2E26 7.95	6A08 0.85	6H6 1.95	12S17 4.50	705A 8.00
CK11 19.00	EC842 3.50	EY95 1.95	M8225 3.50	QV07-50 63.50	U801 0.75	2E26 7.95	6A08 0.85	6H6 1.95	12S17 4.50	705A 8.00
CK12 19.00	EC843 3.50	EY96 0.75	M8225 3.50	QV07-50 63.50	U801 0.75	2E26 7.95	6A08 0.85	6H6 1.95	12S17 4.50	705A 8.00
CK13 19.00	EC844 3.50	EY97 2.75	M8225 3.50	QV07-50 63.50	U801 0.75	2E26 7.95	6A08 0.85	6H6 1.95	12S17 4.50	705A 8.00
CK14 19.00	EC845 3.50	EY98 0.75	M8225 3.50	QV07-50 63.50	U801 0.75	2E26 7.95	6A08 0.85	6H6 1.95	12S17 4.50	705A 8.00
CK15 19.00	EC846 3.50	EY99 2.75	M8225 3.50	QV07-50 63.50	U801 0.75	2E26 7.95	6A08 0.85	6H6 1.95	12S17 4.50	705A 8.00
CK16 19.00	EC847 3.50	EY100 0.75	M8225 3.50	QV07-50 63.50	U801 0.75	2E26 7.95	6A08 0.85	6H6 1.95	12S17 4.50	705A 8.00
CK17 19.00	EC848 3.50	EY101 2.75	M8225 3.50	QV07-50 63.50	U801 0.75	2E26 7.95	6A08 0.85	6H6 1.95	12S17 4.50	705A 8.00
CK18 19.00	EC849 3.50	EY102 0.75	M8225 3.50	QV07-50 63.50	U801 0.75	2E26 7.95	6A08 0.85	6H6 1.95	12S17 4.50	705A 8.00
CK19 19.00	EC850 3.50	EY103 2.75	M8225 3.50	QV07-50 63.50	U801 0.75	2E26 7.95	6A08 0.85	6H6 1.95	12S17 4.50	705A 8.00
CK20 19.00	EC851 3.50	EY104 0.75	M8225 3.50	QV07-50 63.50	U801 0.75	2E26 7.95	6A08 0.85	6H6 1.95	12S17 4.50	705A 8.00
CK21 19.00	EC852 3.50	EY105 2.75	M8225 3.50	QV07-50 63.50	U801 0.75	2E26 7.95	6A08 0.85	6H6 1.95	12S17 4.50	705A 8.00
CK22 19.00	EC853 3.50	EY106 0.75	M8225 3.50	QV07-50 63.50	U801 0.75	2E26 7.95	6A08 0.85	6H6 1.95	12S17 4.50	705A 8.00
CK23 19.00	EC854 3.50	EY107 2.75	M8225 3.50	QV07-50 63.50	U801 0.75	2E26 7.95	6A08 0.85	6H6 1.95	12S17 4.50	705A 8.00
CK24 19.00	EC855 3.50	EY108 0.75	M8225 3.50	QV07-50 63.50	U801 0.75	2E26 7.95	6A08 0.85	6H6 1.95	12S17 4.50	705A 8.00
CK25 19.00	EC856 3.50	EY109 2.75	M8225 3.50	QV07-50 63.50	U801 0.75	2E26 7.95	6A08 0.85	6H6 1.95	12S17 4.50	705A 8.00
CK26 19.00	EC857 3.50	EY110 0.75	M8225 3.50	QV07-50 63.50	U801 0.75	2E26 7.95	6A08 0.85	6H6 1.95	12S17 4.50	705A 8.00
CK27 19.00	EC858 3.50	EY111 2.75	M8225 3.50	QV07-50 63.50	U801 0.75	2E26 7.95	6A08 0.85	6H6 1.95	12S17 4.50	705A 8.00
CK28 19.00	EC859 3.50	EY112 0.75	M8225 3.50	QV07-50 63.50	U801 0.75	2E26 7.95	6A08 0.85	6H6 1.95	12S17 4.50	705A 8.00
CK29 19.00	EC860 3.50	EY113 2.75	M8225 3.50	QV07-50 63.50	U801 0.75	2E26 7.95	6A08 0.85	6H6 1.95	12S17 4.50	705A 8.00
CK30 19.00	EC861 3.50	EY114 0.75	M8225 3.50	QV07-50 63.50	U801 0.75	2E26 7.95	6A08 0.85	6H6 1.95	12S17 4.50	705A 8.00
CK31 19.00	EC862 3.50	EY115 2.75	M8225 3.50	QV07-50 63.50	U801 0.75	2E26 7.95	6A08 0.85	6H6 1.95	12S17 4.50	705A 8.00
CK32 19.00	EC863 3.50	EY116 0.75	M8225 3.50	QV07-50 63.50	U801 0.75	2E26 7.95	6A08 0.85	6H6 1.95	12S17 4.50	705A 8.00
CK33 19.00	EC864 3.50	EY117 2.75	M8225 3.50	QV07-50 63.50	U801 0.75	2E26 7.95	6A08 0.85	6H6 1.95	12S17 4.50	705A 8.00
CK34 19.00	EC865 3.50	EY118 0.75	M8225 3.50	QV07-50 63.50	U801 0.75	2E26 7.95	6A08 0.85	6H6 1.95	12S17 4.50	705A 8.00
CK35 19.00	EC866 3.50	EY119 2.75	M8225 3.50	QV07-50 63.50	U801 0.75	2E26 7.95	6A08 0.85	6H6 1.95	12S17 4.50	705A 8.00
CK36 19.00	EC867 3.50	EY120 0.75	M8225 3.50	QV07-50 63.50	U801 0.75	2E26 7.95	6A08 0.85	6H6 1.95	12S17 4.50	705A 8.00
CK37 19.00	EC868 3.50	EY121 2.75	M8225 3.50	QV07-50 63.50	U801 0.75	2E26 7.95	6A08 0.85	6H6 1.95	12S17 4.50	705A 8.00
CK38 19.00	EC869 3.50	EY122 0.75	M8225 3.50	QV07-50 63.50	U801 0.75	2E26 7.95	6A08 0.85	6H6 1.95	12S17 4.50	705A 8.00
CK39 19.00	EC870 3.50	EY123 2.75	M8225 3.50	QV07-50 63.50	U801 0.75	2E26 7.95	6A08 0.85	6H6 1.95	12S17 4.50	705A 8.00
CK40 19.00	EC871 3.50	EY124 0.75	M8225 3.50	QV07-50 63.50	U801 0.75	2E26 7.95	6A08 0.85	6H6 1.95	12S17 4.50	705A 8.00
CK41 19.00	EC872 3.50	EY125 2.75	M8225 3.50	QV07-50 63.50	U801 0.75	2E26 7.95	6A08 0.85	6H6 1.95	12S17 4.50	705A 8.00
CK42 19.00	EC873 3.50	EY126 0.75	M8225 3.50	QV07-50 63.50	U801 0.75	2E26 7.95	6A08 0.85	6H6 1.95	12S17 4.50	705A 8.00
CK43 19.00	EC874 3.50	EY127 2.75	M8225 3.50	QV07-50 63.50	U801 0.75	2E26 7.95	6A08 0.85	6H6 1.95	12S17 4.50	705A 8.00
CK44 19.00	EC875 3.50	EY128 0.75	M8225 3.50	QV07-50 63.50	U801 0.75	2E26 7.95	6A08 0.85	6H6 1.95	12S17 4.50	705A 8.00
CK45 19.00	EC876 3.50	EY129 2.75	M8225 3.50	QV07-50 63.50	U801 0.75	2E26 7.95	6A08 0.85	6H6 1.95	12S17 4.50	705A 8.00
CK46 19.00	EC877 3.50	EY130 0.75	M8225 3.50	QV07-50 63.50	U801 0.75	2E26 7.95	6A08 0.85	6H6 1.95	12S17 4.50	705A 8.00
CK47 19.00	EC878 3.50	EY131 2.75	M8225 3.50	QV07-50 63.50	U801 0.75	2E26 7.95				

AN INTRODUCTION TO COMMUNICATIONS SATELLITES

PART 2

Alan Pickard continues his series with an outline of two systems receivable on an amateur basis

In the previous introductory article we surveyed the overall satellite scene, concentrating on definitions, telecomms principles and also engineering, scientific, astronomical and navigational implications.

We will now look in detail at some specific systems at an amateur level rather than at commercial systems, as these are by definition beyond the scope of the home enthusiast on economic and technical grounds, and also restricted in a security sense. The two systems to be examined are the UoSAT series of satellites and the NOAA series.

Objectives

Whether wishing to set up a system at home or in a school/college department, the reasons for doing so may vary. In the case of weather satellites the reasons may be a genuine interest in the study of weather conditions or simply the fascination of 'taking pictures' at 100km altitude, however poor the resolution! A further reason could be the sense of satisfaction in receiving weather pictures independently of the BBC and putting the home computer to yet another good use (this will appeal to the many radio amateurs who already use their machines as tools for receiving RTTY etc).

The UoSAT system may not be considered to be as glamorous or as novel as the weather systems series, but it represents a realistic scientific application. These craft can provide interesting and useful scientific data from space, for example data on magnetic fields, temperature and regular readings concerning voltages and currents related to the on-board electronics.

The recent accident at Chernobyl was also 'investigated' by UoSAT-1's radia-

tion detector, and although nothing conclusive was recorded it could have been a case of 'no news is good news' - there is no incentive for hoping for a more interesting or tangible result! It is, however, interesting to consider a scientific satellite's potential usefulness in this area (a limitation of course is the much higher altitude of the UoSATS, ie 500km for UoSAT-1 and 700km for UoSAT-2. However, these altitudes are still more useful than the commercial geostationary orbits at 36,000km).

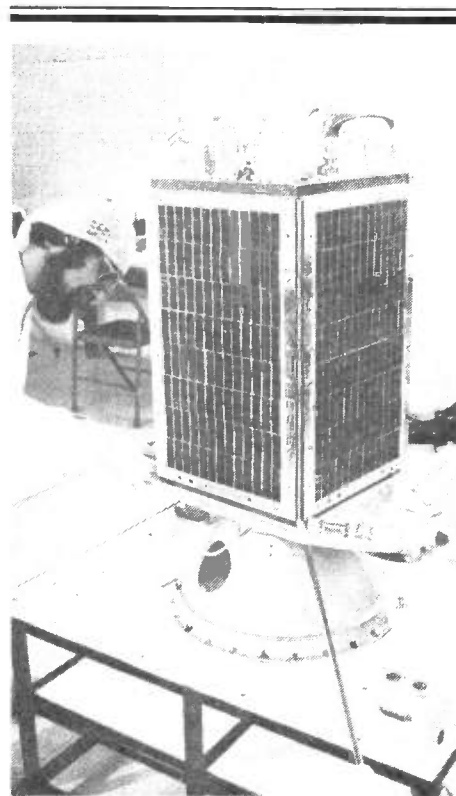
Having convinced ourselves of both the 'necessity' of building a satellite receiving station and of its technological and scientific merit, we can now think about what each type of system entails.

The intention of this article, incidentally, is to encourage readers to set up a basic system and use it to learn about the subject, rather than spending too much time on unnecessary or excessive theory. Once established, the practical operation will provide the incentive to find out more.

UoSAT series

The UoSAT series were designed and built by the University of Surrey. There are currently two in orbit, UoSAT-1 (also known as OSCAR-9) and UoSAT-2 (OSCAR-11). OSCAR stands for Orbital Satellite Carrying Amateur Radio.

UoSAT-1 was launched on 6th October 1981 at 1127 GMT from the Western Space and Missile Centre, Vandenberg Air Force Base, California. The launch vehicle used was a Delta 2310 rocket, but the UoSAT was a secondary payload to a somewhat more sophisticated spacecraft, the Solar Mesosphere Explorer Mission Spacecraft, launched by NASA (at least UoSAT keeps good company!).

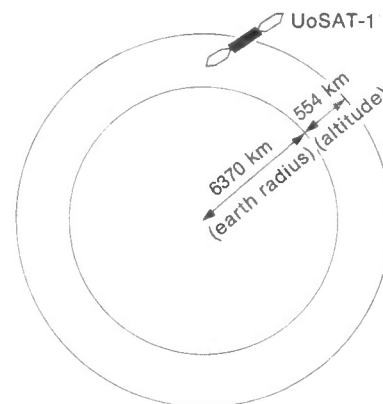


UoSAT-1 maintains an altitude of 554km and takes 95 minutes for one (polar) orbit. Its speed can therefore be calculated using the Earth's radius to find the length of one complete orbit. Taking this radius to be 6,370km, the distance covered is 43,505km (from $\pi \times d$) and therefore the speed can be calculated as approximately 7.6km/sec (see Figure 1).

Work on this satellite was begun in January 1979 and its cost was around £100,000, mostly funded by British industry, which also provided a lot of technical assistance. NASA launched the satellite free of charge.

The lifetime of this craft was projected to be about four years, which puts its capital cost at something like £68 per day! The craft's lifetime can be defined as the time after which it is unable to

Fig 1 Information required to calculate speed of UoSAT knowing orbit time



maintain its speed and therefore its orbit. At this point it will re-enter the Earth's atmosphere and burn up.

UoSAT-2 was launched on 1st March 1984 at 1759 GMT from the same launch site as UoSAT-1. This time a Delta 3920 rocket was used and the satellite was a secondary payload to the LANDSAT-5 Earth resources satellite, again launched by NASA.

UoSAT-2 orbits at 700km altitude with a polar orbit time of 98 minutes. As before the speed may be calculated from this information and is about 7.5km/sec.

This craft was completed in only five months. Its lifetime is longer, because of its higher altitude.

Technical summary

Both UoSATs provide facilities for measuring near-Earth electromagnetic fields and also the relationships between solar and geo-magnetic disturbances. This is done in order to investigate the effects on radio-wave propagation between HF and microwave frequencies.

Major systems on board UoSAT-1 provide telemetry information which is beamed to Earth in digital form and can be decoded by (home) computer. It is also equipped with a CCD (charge-coupled device) slow-scan TV camera for taking pictures of the Earth's surface. Unfortunately, this has not been very successful so far due to the spacecraft's spin.

UoSAT-2 is similar, but beams down more data in a form which can be readily decoded by the BBC micro.

Both UoSATs transmit telemetry information at 145.825MHz. Other frequencies are transmitted, from 7.050MHz to 10.47GHz. Obviously the higher frequencies require highly directional dish aerials. To receive telemetry at 145MHz requires a 2m narrowband FM receiver which must be able to cope with a Doppler shift from 145.830MHz (approaching) to 145.810MHz (receding).

UoSAT-1 transmits 'Digitalker' information (synthesized speech) on this frequency, plus a bulletin board transmitted as ASCII text at 1200 baud. This binary information is encoded as 1200/2400Hz phase-synchronous AFSK (this is similar to the BBC micro's cassette interface format, except inverted in sense).

UoSAT-2 transmits telemetry in the same way but its signals are directly compatible with the BBC micro (no inversion required).

Figure 2 is a block diagram showing the equipment needed to receive UoSAT signals.

Figure 3 shows a system specifically for OSCAR-10 (non-UoSAT) using a hardware decoder (a *Wireless World* design). An interesting comparison between these two systems is that the UoSAT decoding is carried out exclu-

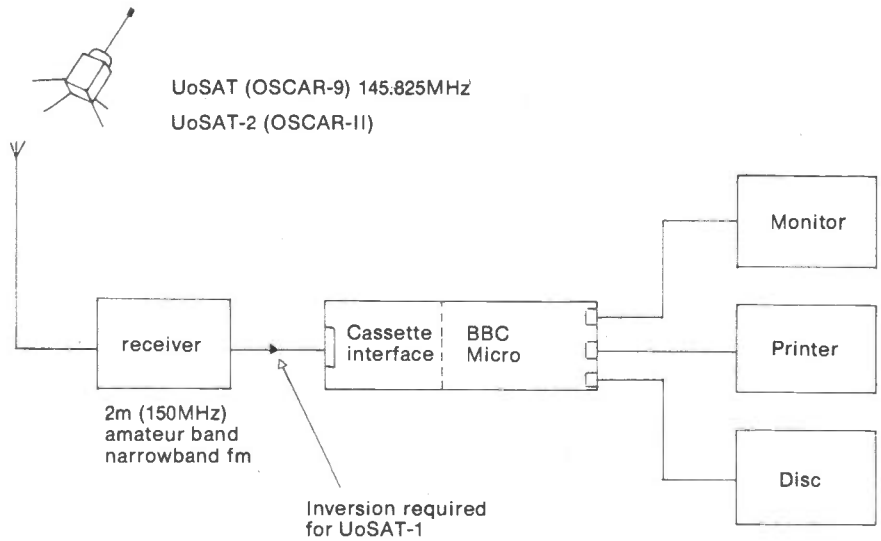


Fig 2 A suitable system for decoding UoSAT signals

sively by software, whilst the OSCAR-10 system uses a hardware decoder and software for display purposes.

In the next article I hope to give more details of specific products and complete systems available which can be bought/built to achieve reception, decoding and display. Details will also be included concerning alternative micros.

NOAA series

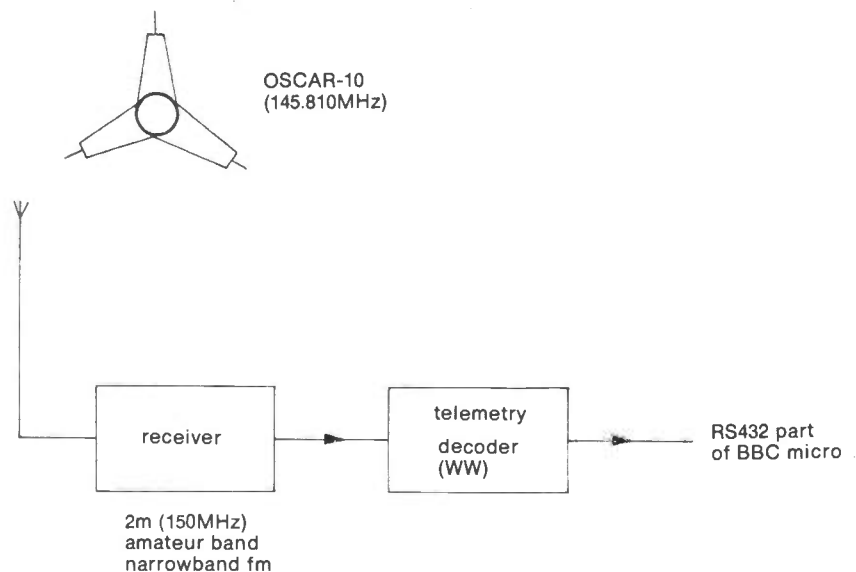
The term NOAA stands for 'National Oceanic and Atmospheric Administration', which is the name of the organisation which controls these birds. The actual name of this series of satellites is TIROS (Television Infra-Red Orbital Satellites).

There are currently four satellites available, NOAA-6, 7, 8 and 9. Each of these spacecraft have 101-minute orbits, spread around the globe such that they do not interfere with each other.

NOAA-6, 8 and 9 transmit at 137.5MHz, whilst NOAA-7 transmits at 137.62MHz. Each NOAA transmits weather pictures in the APT (Automatic Picture Transmission) format. This format produces one visible and one infra-red image side by side, transmitted at 120 lines per minute. The lines of picture information build up a picture in a slow raster form, but the picture is a continuous strip following the path of the satellite over the ground. To receive these weather pictures a wideband AM receiver is required tuned to 137.5 or 137.62MHz.

Figure 4 shows the equipment needed to track NOAA satellites. Again, more detail concerning each system will be given in the next article. In the meantime, a decision needs to be made by the reader as to which system type is of interest. The UoSAT series provides a means of receiving scientific data direct from space as well as the facilities for

Fig 3 An alternative system for OSCAR-10 signals



COMMUNICATIONS SATELLITES

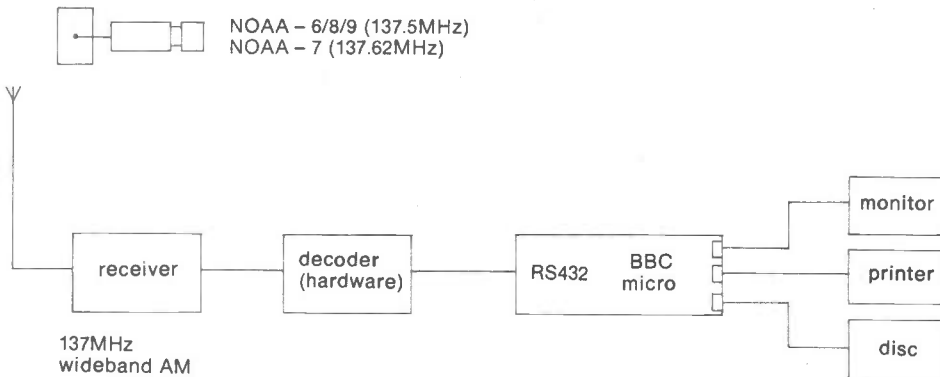


Fig 4 Requirements for the NOAA weather satellites

two-way amateur radio communication via space. The NOAA series is limited to weather information, but has the potential for spectacular results on screen and printer. There is also tremendous scope for using or developing sophisticated tracking and display software.

The next stage

In the first article in the series we looked at what satellites were in functional terms. In this one we have focussed on two systems receivable on an amateur basis and their technical specifications.

The next article will concentrate on hardware and software details in connection with commercially available systems and packages.

There are currently several organisations, especially in the educational sector, dealing with satellite tracking. There are also a large number of firms which deal with the hobbyist market. In short, there is already a rather large and complex infrastructure in existence which the potential newcomer may find difficult to penetrate. One of the aims of this series is to alleviate this.

Satellite tracking and the reception (and transmission) of signals is a fascinating and growing part of micro-electronic and radio technology, as well as being educational in other spheres. It is therefore worth taking the trouble to establish the most effective methods of obtaining the most useful information which is currently available from a number of sources. Future articles will therefore attempt to explain system detail and provide appropriate references to organisations and suppliers.

References

Satellites in Education
by Craig Underwood,
UK Co-ordinating Committee in Education,
Department of Electronic and Electrical Engineering,
University of Surrey,
Guildford GU2 5XH.
Price £3.50.

R J C Broadbent,
AMSAT-UK,
94 Herongate Road,
Wanstead Park,
London E12 5EQ.
Send an sae for enquiries about membership or general information. **REW**

STUART TAPE RECORDER CIRCUITS

Complete stereo record, replay and bias system for reel-to-reel recorders. These circuits will give studio quality with a good tape deck. Separate sections for record and replay give optimum performance and allow a third head monitoring system to be used where the deck has this fitted. Standard 250mV input and output levels.
Full details are in our lists.
Reprint of original articles..... **£1.30 no VAT**

VFL600 VERTICAL FRONT LOADING CASSETTE MECHANISM



This latest addition to our range fulfils the need for a reasonably priced front loading cassette mechanism. This unit comes complete with stereo R/P and erase heads having standard mountings so that they may be exchanged for others in our range of heads if required. The mechanism also has a 3-digit counter, chrome operating keys, mechanical auto stop and a removable decorative cassette door with central window and key functions marked below. Cassette door/carrier has a hydraulically damped 'soft eject' feature. Motor is internally governed and only needs a 12v DC supply with an average current of 80mA. Overall size 160mm wide including counter, 100mm high and 85mm deep including motor and keys. A robust and thoroughly useful deck for many purposes. **VFL600 Vertical Front Loading Cassette Deck..... £24.30**

LINSLEY-HOOD CASSETTE RECORDER CIRCUITS



Complete record and replay circuits for very high quality low noise stereo cassette recorder. Circuits are optimised for our HS16 Super Quality Sendust Alloy Head. Switched bias and equalisation to cater for chrome and ferric tapes. Very easy to assemble on plug-in PCBs. Complete with full instructions.

Complete Stereo record/play kit..... **£33.70**
VU Meters to suit..... **£2.30 each**
Reprints of original articles..... **75p no vat**

HIGH QUALITY REPLACEMENT CASSETTE HEADS



Do your tapes lack treble? A worn head could be the problem. Fitting one of our replacement heads could restore performance to better than new! Standard mountings make fitting easy and our TC1 Test Cassette helps you set the azimuth spot-on. We are the actual importers which means you get the benefit of lower prices for prime parts. Compare us with other suppliers and see! The following is a list of our most popular heads, all are suitable for use on Dolby machines and are ex-stock.

HC20 Permalloy Stereo Head. This is the standard head fitted as original equipment on most decks..... **£7.66**
HS16 Sendust Alloy Super Head, the best head we can find longer life than Permalloy, higher output than Ferrite, fantastic frequency response..... **£14.86**
HQ551 4-Track Head for auto-reverse or quadrophonic use. Full specification record and playback head..... **£14.80**
Please consult our list for technical data on these and other Special Purpose Heads.
MA481 Latest version Double Mono (2/2) Record/Play head replaces R484..... **£3.90**
SM166 Standard Mounting 2/2 Erase head. Compatible with above or HQ5514 Track head..... **£5.90**
H524 Standard Erase Head. Semi double gap, high efficiency..... **£2.25**
H561 Metal Tape Erase Head. Full double gap..... **£7.35**
Please consult our list for technical data on these and other special purpose heads and MA481

HX100 Special offer stereo R/P heads..... **£2.49**
HRP373 Sendust alloy stereo combination head..... **£36.50**
HRP373 Technical specification..... **£1.50**
HS9510 2/4 Stereo DC erase head..... **£6.70**
HQ751E 4/4 Erase compatible with HQ551..... **£39.70**

HART TRIPLE-PURPOSE TEST CASSETTE TC1

One inexpensive test cassette enables you to set up VU level, head azimuth and tape speed. Invaluable when fitting new heads. Only **£4.66** plus VAT and 50p postage.

Tape Head De-magnetiser. Handy size mains operated unit prevents build up of residual head magnetisation causing noise on playback..... **£4.34**
Curved pole type for inaccessible heads..... **£4.85**

Send for your free copy of our LISTS. Overseas please send 2 IRCs to cover surface post of 5 IRCs for Airmail.
Please add part cost of post, packing and insurance as follows

INLAND Orders up to £10 - 50p
Orders £10 to £49 - £1
Orders over £50 - £1.50

OVERSEAS Please send sufficient to cover Surface or Air Post as required

Miniature PCB with 10.7MHz ceramic filters, 2-transformer ratio detector, AX010 noise suppression IC and TCA4500A advanced stereo decoder IC. Only needs front end to make FM tuner or car radio. Complete with circuit. Incredible value at..... **Only £1.99**

Personal callers are always very welcome but please note that we are closed all day Saturday

24hr SALES LINE
(0691) 652894

ALL PRICES EXCLUDE VAT UNLESS STATED

HART
HART ELECTRONIC KITS LTD
2 PENYLAN MILL
OSWESTRY, SHROPSHIRE
SY10 9AF



£1 BAKERS DOZEN PACKS

Price per pack is £1.00.* Order 12 you may choose another free. Items marked (sh) are not new but guaranteed ok.

1. 5 - 13 amp ring main junction boxes
2. 5 - 13 amp ring main spur boxes
4. 5 - surface mounting
5. 3 - electronic switches intermediate type, will also replace 1 or 2 way switches, white flush mounting
7. 4 - in flex line switches with neon
9. 2 - mains transformers with 6V 1A secondaries
10. 2 - mains transformers with 12V 1/2A secondaries
11. 1 - extension speaker cabinet for 6 1/2" speaker
- 12 - glass reed switches
17. 2 - ultra transmitters and 2 receivers with circuit
19. 2 - light dependent resistors
25. 4 - water switches - 6p 2 way, 4p 3 way, 2p 6 way, 2p 5 way, 1p 2 way small one hold fixing and good length 1/2 spindle your choice
28. 1 - 6 digit counter mains voltage
30. 2 - Nicad battery chargers
31. 1 - key switch with key
33. 2 - aerosol cans of ICI Dry Lubricant
34. 96 - 1 metre lengths colour-coded connecting wire
39. 1 - long and medium wave tuner kit
41. 8 - rocker switch 10 amp mains SPST
45. 1 - 24 hour time switch mains operated
49. 10 - neon valves - make good night lights
50. 2 - 12V DC or 24V AC, 3 CO relays
51. 1 - 12V 2 CO miniature relay very sensitive
52. 1 - 12V 4 CO miniature relay
53. 2 - mains operated relays 3 x 8 amp changeover (s.h.)
54. 10 - rows of 32 gold plated IC sockets (total 320 sockets)
55. 1 - locking mechanism with 2 keys
56. 1 - miniature unselector with circuit for electric jigsaw puzzle
60. 5 - ferrite rods 4" x 5/16" diameter aerials
61. 4 - ferrite slab aerials with L & M wave coils
63. 1 - Mullard thyristor trigger module
66. 1 - magnetic brake - stops rotation instantly
67. 1 - low pressure 3 level switch can be mouth operated
69. 2 - 25 watt pots 8 ohm
70. 2 - 25 watt pots 1000 ohm
71. 4 - wire wound pots - 18, 33, 50 and 100 ohm your choice
77. 1 - Time reminder adjustable 1-60 mins clockwork
85. 1 - mains shaded pole motor 1/2" stack - 1/2 shaft
89. 1 - mains motor with gear box 1 rev per 24 hours
91. 2 - mains motors with gear box 16 rpm
96. 1 - thermostat for fridge
98. 1 - motorised stud switch (s.h.)
101. 1 - 2 1/2 hours delay switch
102. 1 - mains P.S.U. 9V DC
103. 1 - mains power supply unit - 6V DC
104. 1 - mains power supply unit - 4 1/2 V DC
107. 1 - 5" speaker size radio cabinet with handle
111. 2 - musical boxes (less keys)
112. 1 - heating pad 200 watts mains
114. 1 - 1W amplifier Mullard 1172
115. 1 - wall mounting thermostat 24V
118. 1 - teak effect extension 5" speaker cabinet
120. 2 - p.c. boards with 2 amp full wave and 17 other reeds
121. 4 - push push switches for table lamps etc.
122. 10 - mtrs twin screened flex white p.v.c. outer
124. 25 - clear plastic lenses 1 1/2" diameter
127. 4 - pilot bulb lamp metal clip on type
128. 10 - very fine drills for pcbs etc
129. 4 - extra thin screw drivers for instruments
132. 2 - plastic boxes with windows, ideal for interrupted beam switch
134. 10 - model aircraft motor - require no on/off switch, just spin to start
136. 2 - car radio speakers 5" round 4 ohm made for Radiomobile
137. 1 - 6 1/2" 4 ohm 10 watt speaker and 3" tweeter
142. 10 - 4 BA spanners 1 end open, other and closed
145. 2 - 4 reed relay kits 3V coil normally open or c/o if magnets added
146. 20 - pilot bulbs 6.5V 3A Philips
154. 1 - 12V drip proof relay - ideal for car jobs
155. 3 - varicap push button tuners with knobs
169. 4 - short wave air spaced trimmers 2-30f
171. 1 - shocking coi kit with data - have fun with this
172. 10 - 12V 6W bulbs Philips m.e.s.
178. 3 - oblong amber indicators with lilliputs 12V
180. 6 - round amber indicators with neons 240V
181. 100 - p.v.c. grommets 3/8 hole size
182. 1 - short wave tuning condenser 50 pf with 1/2" spindle
184. 1 - three gang tuning condenser each section 500 pf with trimmers and good length 1/2" spindle
188. 1 - plastic box sloping metal front, 16 x 95mm average depth 45mm
193. 6 - 5 amp 3 pin flush sockets brown
195. 5 - B.C. lampholders brown bakelite threaded entry
196. 1 - in flex simmerstat for electric blanket soldering iron etc
197. 2 - thermostats, setting settle - adjustable range for ovens etc
199. 1 - mains operated solenoid with plunger 1" travel
200. 1 - 10 digit switch pad for telephones etc
201. 8 - computer keyboard switches with knobs, pcb or vero mounting
206. 20 - mtrs 80 ohm, standard type co-ax off white
211. 1 - electric clock mains driven, always right time - not cased
212. 1 - stereo pre-amp Mullard EP9001
216. 2 - 12V solenoids, small with plunger
236. 1 - mains transformer 9V 1 amp secondary C core construction
241. 1 - car door speaker (very flat) 6 1/2" 15 ohm made for Radiomobile
243. 2 - speakers 6" x 4" 4 ohm 5 watt made for Radiomobile
244. 1 - mains motor with gear-box very small, toothed output 1 rpm
245. 4 - standard size pots, 1 meg with dp switch
249. 1 - 13A switched socket on double plate with fused spur for water heater
266. 2 - mains transformers 9V 1/2A secondary split primary so ok also for 115V
267. 1 - mains transformers 15V 1A secondary p.c.b. mounting
291. 1 - ten turns 3 watt pot 1/2" spindle 100 ohm
296. 3 - car cigar lighter socket plugs
298. 2 - 15 amp round pin plugs brown bakelite
300. 1 - mains solenoid with plunger compact type
301. 10 - ceramic magnets Mullard 1" x 3/8 x 5/16
303. 1 - 12 pole 3 way ceramic wave charge switch
304. 1 - stereo amp 1 watt per channel
305. 1 - tubular dynamic microphone with desk rest
308. 1 - T.V. turret tuner (black & white T.V.)
310. 2 - oven thermostats
311. 1 - Clare Elliot sealed relay 12V
312. 1 - pressure pad switch 24 x 18 (Trigger Mat)
313. 5 - sub miniature micro switches
314. 1 - 12" 8 watt min fluorescent tube white
315. 1 - 6" 4 watt min fluorescent tube white
316. 1 - round pin kettle plug with moulded on lead
453. 2 - 2 1/2 in. 80ohm loudspeakers
454. 2 - 2 1/2 in. 80ohm loudspeakers

MULLARD UNILEX ADAPTERS

We are probably the only firm in the country with these now in stock. Although only four watts per channel, these give superb reproduction. We now offer the 4 Mullard modules - i.e. Mains power unit (EP9002) Pre amp module (EP9001) and two amplifier modules (EP9000) all for £8.00 plus £2 postage. For prices of modules bought separately see TWO POUNDERS.

CAR STARTER/CHARGER KIT

Flat Battery! Don't worry you will start your car in a few minutes with this unit - 250 watt transformer 20 amp rectifiers, case and all parts with data £16.50 or without case £15.00 post paid.

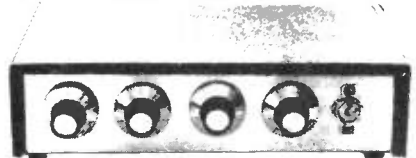


VENNER TIME SWITCH

Mains operated with 20 amp switch, one on and one off per 24 hrs. repeats daily automatically correcting for the lengthening or shortening day. An expensive time switch but you can have it for only £2.95 without case, metal case - £2.95. adaptor kit to convert this into a normal 24hr. time switch but with the added advantage of up to 12 on/off's per 24hrs. This makes an ideal controller for the immersion heater. Price of adaptor kit is £2.30.

Ex-Electricity Board. Guaranteed 12 months.

SOUND TO LIGHT UNIT



Complete kit of parts of a three channel sound to light unit controlling over 2000 watts of lighting. Use this at home if you wish but it is plenty rugged enough for disco work. The unit is housed in an attractive two tone metal case and has controls for each channel, and a master on/off. The audio input and output are by 1/2" sockets and three panel mounting fuse holders provide thyristor protection. A four pin plug and socket facilitates ease of connecting lamps. Special price is £14.95 in kit form.

12 volt MOTOR BY SMITHS

Made for use in cars, etc. these are very powerful and easily reversible. Size 3 1/2" long by 3" dia. They have a good length of 1/2" spindle - 1/10 hp £3.45 1/8 hp £5.75, 1/6 hp £7.50

25A ELECTRICAL PROGRAMMER

Learn in your sleep. Have radio playing and kettle boiling as you wake - switch on lights to ward off intruders - have a warm house to come home to. You can do all these and more. By a famous maker with 25 amp on/off switch. A beautiful unit at £2.50.

THIS MONTH'S SNIP

4 High quality 7-segment I.e.d. displays, high brightness, high contrast, yours for only £2 - Ideal for LIGHT RIDER (Oct '86) projects. Our reference 2P121.

MAKING SUBNEDS?

CHOKE AND STARTER for 6" 100uVa tube £2, post £1 for 1 or 50p each in quantity. TUBE HOLDERS. Canopy type spring loaded, 4 pairs for £1, 100 pairs £20, 1,000 pairs £150, post paid.

TANGENTIAL HEATERS?

We again have very good stocks of these quiet running instant heat units. They require only a simple case, or could easily be fitted into the bottom of a kitchen unit or book case etc. At present we have stocks of 1-2kw, 2kw, 2.5kw, and 3kw. Prices are £5 each for the first 3, and £6.95 for the 3k. Add post £1.50 per heater if not collecting. CONTROL SWITCH enabling full heat, half heat or cold blow, with connection diagram, 50p for 2kw, 75p for 3kw.

FANS & BLOWERS

Woods extractors 5" £5 + £1.25 post. 6" £6 + £1.50 post 4" x 4" Muffin equipment-cooling fan 115V £2.00 4" x 4" Muffin equipment-cooling fan 230/240V £5.95 5" Plannair extractor £5.50 9" Extractor or blower 115V supplied with 230 to 115V adaptor £9.50 + £2 post. All above are ex computers but guaranteed 12 months 10" x 3" Tangential Blower. New. Very quiet - supplied with 230 to 115V adaptor on use two in series to give long blow £2.00 + £1.50 post or £4.00 + £2.00 post for two.

IONISER KIT

Refresh your home, office, shop, work room, etc. with a negative ION generator. Makes you feel better and work harder - a complete mains operated kit, case included. £11.95 plus £2.00 post.

TELEPHONE BITS

Master socket (has surge arrester - ringing condenser etc) and takes B.T. plug £3.95 Extension socket £2.95 Dual adaptors (2 from one socket) £3.95 Cord terminating with B.T. plug 3 metres £2.95 Kit for converting old entry terminal box to new B.T. master socket, complete with 4 core cable, cable clips and 2 BT extension sockets £11.50

MINI MONO AMP

on p.c.b. size 4" x 2" (app.) Fitted volume control and a hole for a tone control should you require it. The amplifier has three transistors and we estimate the output to be 3W rms. More technical data will be included with the amp. Brand new, perfect condition, offered at the very low price of £1.15 each, or 13 for £12.00

J & N BULL ELECTRICAL

Dept. E.E., 128 PORTLAND ROAD, HOVE, BRIGHTON, SUSSEX BN3 5QL

MAIL ORDER TERMS: Cash, P.O. or cheque with order. Orders under £20 add £1 service charge. Monthly accounts orders accepted from schools and public companies. Access & B/card orders accepted. Brighton 0273 734648. Bulk orders: write for quote.

£2 POUNDERS*

- 2P2 - Wall mounting thermostat, high precision with mercury switch and thermometer
- 2P3 - Variable and reversible 8-12v psu for model control
- 2P4 - 24 volt 5 amp mains transformer for stereo made for Mullard UNILEX
- 2P6 - 100W mains to 115V auto-transformer with voltage tapping
- 2P8 - Mains motor with gear box and variable speed selector. Series wound so suitable for further speed control
- 2P9 - Time and set switch. Boxed, glass fronted and with knobs. Controls up to 15 amps. Ideal to program electric heaters
- 2P10 - 12 volt 5 amp mains transformer - low volt winding on separate bobbin and easy to remove to convert to lower voltages for higher currents
- 2P12 - Disk or Tape precision motor - has balanced rotor and is reversible 230v mains operated 1500 rpm
- 2P14 - Mug Stop kit - when thrown emits piercing squeak
- 2P15 - Interrupted Beam kit for burglar alarms, counters, etc.
- 2P17 - 2 rev pr minute mains driven motor with gear box, ideal to operate mirror ball
- 2P18 - Liquid/gas shut off valve mains solenoid operated
- 2P19 - Disco switch-motor drives 6 or more 10 amp change over micro switches supplied ready for mains operation
- 2P20 - 20 metres extension lead, 2 core - ideal most Black and Decker garden tools etc.
- 2P21 - 10 watt amplifier, Mullard module reference 1173
- 2P22 - Motor driven switch 20 secs on or off after push
- 2P26 - Counter resettable mains operated 3 digit
- 2P27 - Goodmans Speaker 6 inch round 8ohm 12 watt
- 2P28 - Drill Pump - always useful, couples to any make portable drill
- 2P31 - 4 metres 96 way interconnecting wire easy to strip
- 2P32 - Hot Wire amp meter - 4 1/2 round surface mounting 0-10A - old but working and definitely a bit of history
- 2P34 - Solenoid Air Valve mains operated
- 2P35 - Battery charger kit comprising mains transformer, full wave rectifier and meter, suitable for charging 6v or 12v
- 2P38 - 200 R.P.M. Geared Mains Motor 1" stack quite powerful, definitely large enough to drive a rotating aenail or a tumbler for polishing stones etc.
- 2P43 - Small type blower or extractor fan, motor inset so very compact, 230V
- 2P46 - Our famous drill control kit complete and with prepared case
- 2P49 - Fire Alarm break glass switch in heavy cast case
- 2P51 - Stereo Headphone amplifier, with pre-amp
- 2P55 - Mains motor, extra powerful has 1 1/2" stack and good length of spindle
- 2P62 - 1 pair Goodmans 15 ohm speakers for Unilox
- 2P64 - 1 live bled fan 6 1/2" with mains motor
- 2P66 - 1 2kw tangential heater 115V easily convertible for 230V
- 2P67 - 1 12v-12v 2 amp mains transformer
- 2P68 - 1 15v-0-15v 2 amp mains transformer
- 2P69 - 1 250v-0-250v 60 mA & 85.3v 5A mains transformer + 50p post
- 2P70 - 1 E.M.I. tape motor two speed and reversible
- 2P72 - 1 115v Muffin fan 4" x 4" approx. (s.h.)
- 2P75 - 1 2 hour timer, plugs into 13A socket
- 2P82 - 9v-0-9v 2 amp mains transformer
- 2P84 - Modem board with press keys for telephone redialler
- 2P85 - 20v-0-20v 1/2A Mains transformer
- 2P88 - Sangamo 24 hr time switch 20 amp (s.h.)
- 2P89 - 120 min. time switch with knob
- 2P90 - 90 min. time switch with edgewise engraved controller
- 2P94 - Telephone handset for EE home telephone circuit
- 2P95 - 13A socket on satin chrome plate
- 2P97 - mains transformer 24V 2A upright mounting
- 2P98 - 20m 4 core telephone cable, white outer
- 2P99 - 500 hardened pin type staples for telephone cable
- 2P101 - 15V mains transformer 4A upright mounting
- 2P105 - capillary type thermostat for air temperature with c/o switch
- 2P107 - membrane keyboard, telephone type
- 2P108 - mains motor with gear box giving 110rpm
- 2P109 - 5" wide black adhesive pvc tape 33m, add £1 post if not collecting

OVER 400 GIFTS YOU CAN CHOOSE FROM

There is a total of over 400 packs in our Baker's dozen range and you become entitled to a free gift with each dozen pounds you spend on these packs.

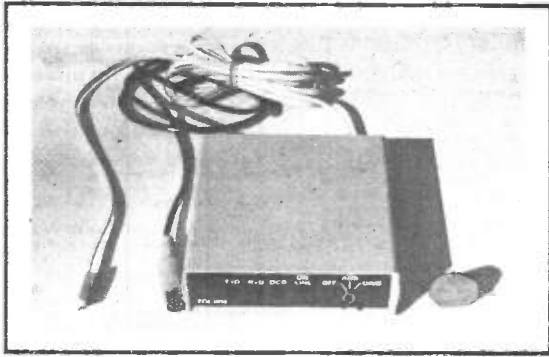


A classified list of these packs and our latest "News Letter" will be enclosed with your goods, and you will automatically receive our next news letters.

£5 POUNDERS*

- 5P1. 12 volt submersible pump complete with a tap which when brought over the basin switches on the pump and when pushed back switches off, an ideal caravan unit
 - 5P2. Sound to light kit complete in case suitable for up to 750 watts
 - 5P3. Silent sentinel ultra sonic transmitter and receive kit, complete
 - 5P5. 250 watt isolating transformer to make your service bench safe, has voltage adj. taps, also as it has a 115V tapping it can be used to safely operate American or other 115V equipment which is often only insulated to 115V. Please add £3 postage if you can't collect as this is a heavy item
 - 5P6. 12V alarm bell with heavy 6" gong, suitable for outside if protected from direct rainfall. Ex GPO but in perfect order and guaranteed.
 - 5P12. Equipment cooling fan - minn snail type mains operated.
 - 5P13. Ping pong ball blower - or for any job that requires a powerful stream of air - ex computer. Collect or add £2 post
 - 5P15 - Uniselector 5 pole, 25 way 50 volt coil
 - 5P18 - motor driven water pump as fitted to many washing machines
 - 5P20 - 2 kits, matchbox size, surveillance transmitter and FM receiver
 - 5P23 - miniature (appr 2 1/2" wide) tangential blow heater, 1-2kw
 - 5P24 - 1/2 hp motor, ex computer, 230V, mains operation 1450rpm. If not collect add £3 post
 - 5P25 - special effects lighting switch. Up to 6 channels of lamps can be on or off for varying time periods
 - 5P26 - Audax woofer 8" 8ohm 35 watt
 - 5P27 - cartridge player 12V, has high quality stereo amplifier
 - 5P28 - gear pump, mains motor driven with inlet and outlet pipe connectors
 - 5P32 - large mains operated push or pull solenoid. Heavy so add £1.50 post
 - 5P34 - 24V 5A toroidal mains transformer
 - 5P35 - modem board from telephone auto dialler, complete with keypad and all ICs
 - 5P37 - 24 hour time switch, 2 on/off's and clockwork reserve, ex Elec. Board loading up to 50A. Add £1 post
 - 5P41 - 5" extractor fan, very quiet runner (s.h.), gntd 12 mths.
 - 5P45 - pack of 6 cooker clock switches
 - 5P48 - telephone extension bell in black case, ex-GPO
 - 5P50 - box of 20 infra red quartz glass enclosed 360W heating elements
 - 5P51 - 200W auto transformer 230V to 115V toroidal
 - 5P52 - mains transformer 26V 10A upright mounting, add £2 post
 - 5P54 - mains motor with gear box, final speed 5rpm
 - 5P58 - Amstrad stereo tuner FM and LM and S. AM
 - 5P60 - DC Muffin type fan 18 to 27V, only 3W
 - 5P61 - drill pump mounted on frame, coupled to mains motor
 - 5P62 - 2 1/2 kw tangential blow heater, add £1.50 post if not collecting
- LIGHT CHASER KIT motor driven switch bank with connection diagram, used in connection with 4 sets of xmas lights makes a very eye catching display for home, shop or disco, only £5 ref 5P56.

A LINE-POWERED &



TRANSFORMERLESS MODEM

R J Redding G3VMR

In the space of five years the modem has changed from being an exotic item rented from the telephone company to an accessory in the High Street computer shops. At one time the great worry was safety and approval of mains equipment, but units are now available which require no power supply at all. The impetus has been the need to link computers, and the home computer and electronic mail trends have consolidated it into a very large market. This is by no means the end, since modem techniques extend to radio and satellite operation and undoubtedly the transmission of newspapers in data form will come.

As the term 'modem' is now on so many lips, it pays to look at how it arose. With 50 years of hindsight, I proffer the following.

The mathematician Fourier showed that any wave shape or energy pulse is made up of a series of sine waves of different frequency and phase. If energy is imparted into a medium or transmission line, distortion will upset the shape but the fundamental frequency will remain. Of all the parameters that could be used for the transmission of information, the most convenient and the one least likely to be lost is the frequency.

By the way, frequency has a number of other interesting properties, eg it is both analogue and digital and we can add, subtract, multiply and divide with absolute precision. This has barely been recognised in some circles, eg industrial measurements and process control, which persist in dealing in milliamp signals!

When we have on/off signals for binary (digital) data, then the effect of transmission is that we lose the higher frequency components of the square waves, and end up with an indefinite sine wave. There is a limit to how far we can reconstitute the original pulse, as process control engineers have discovered. A better way is to represent the two (or more) digits by the presence or absence of individual frequencies within the available spectrum, since any frequency that can be recovered out of the noise will be authentic.

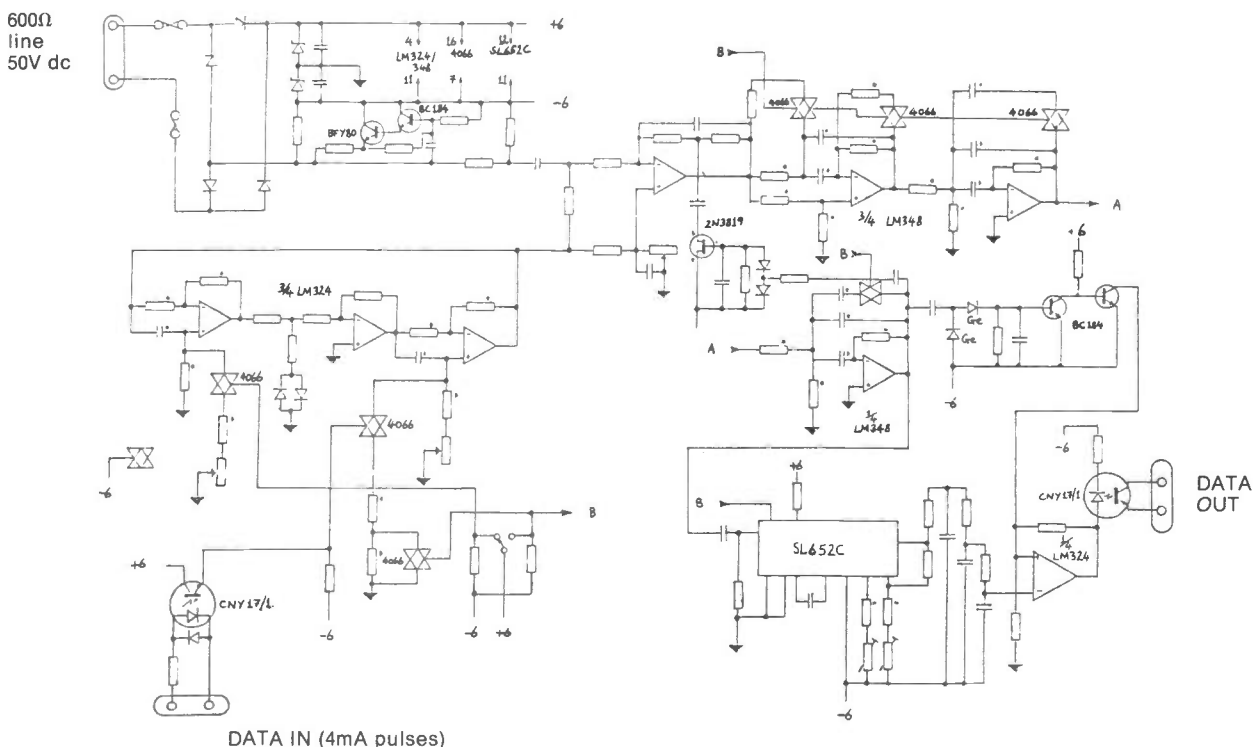
This is the modulate-demodulate principle. It is not strictly limited to binary data, for the same tricks are useful for slowly moving and randomly changing analogue quantities. Chopper stabilisation of dc amplifiers, high frequency bias in magnetic recording, and the superheterodyne principle are all variations of the same theme – the higher frequency carries the information better.

Approval problems

However, to revert to computers and modems, the original aura of Post Office monopoly and the approval of modems is losing its impact.

The design described below evolved from an attempt to avoid the problems of approval by eliminating the power supply. In the event it resulted in a unit which, having no inductors or transformers, became a single electronic circuit which could be made on a chip of silicon. The implication of an inductorless system seems far reaching, in the fields of line theory, avoiding

Fig 1 The original circuit diagram (vintage 1983)



switching surges and radio practice.

Origins

The origins of the unit follow true amateur tradition. The writer was tolerated in a special interest group of a home computer club who were struggling with translating programs from one machine to another. This ran into trouble because no two cassette recorders were alike. The next idea – to transfer memory dumps by a serial output – involved communication, unless the machines could be brought into the same room, hence an interest in modems.

Acoustic type units were built but simply caused too many errors to be of any value. I suggested using radio, and this led to a group sending data by radio, but more about this later.

The risk of invasion of the telephone line by a power supply could be tackled by a variation on the 'Safety Barrier' technique that I had invented 25 years ago for electronic process control in hazardous areas. So I induced people to make a direct-connect modem, saying that barriers could look after the safety aspects.

In the event this was unnecessary, because we could reduce the power requirements to the level which one has to maintain anyway in order to hold-in the line relay in the telephone network, roughly 9 volts and 10 milliamps minimum. The circuit, 1983 vintage, is shown in *Figure 1*.

Line-powering

People still think that line-powering is illegal or stealing when, in fact, it is an economy measure! The ordinary telephone is line-powered, the carbon granules (and they are still used!) modulating the current which has to be sufficient to hold-in the line selector's relay.

When we substitute a modem for the telephone to send data, we are not necessarily increasing the consumption. It can in fact be argued that adding a conventional modem brings in a transformer for isolating purposes. This transformer must have a primary of low impedance and, even if the telephone is replaced to avoid noise on the line, the modem is a low impedance across the circuit and hence the current must rise! The design of such a line-isolating transformer is largely a matter of dissipating the heat so generated.

Line-powering is not in itself patentable but the means by which it is done may be, and it happens that the writer is well versed in the problem of inductive surges in connection with 'intrinsic safety'. The elimination of the transformer seemed well worth the effort, and in fact an inductorless modem was evolved and became the basis of a patent specification which has now been granted in a number of countries.

One particular claim is that the entire modem can be made as a single electronic chip, to include the interfacing to both the telephone line and the terminal for computer equipment.

The significance of having no inductors is considerable. Firstly, it means that the surges and risks to semiconductor devices in circuits is avoided at source.

Secondly, the circuit can be manufactured by modern integrated circuit techniques and in fact virtually becomes a single slice of silicon. It is important to realise that this refers to the entire modem as a connection between the telephone line and the interface of computer or terminal unit, because there have been for many years a number of integrated circuits called 'single chip modems'. These are, however, the modulate/demodulate part of the circuit and usually also require a separate filter chip and an interface both with the telephone line and with the terminal unit.

Practical design

Circuitry currently in production for modems is now fairly standard and usually employs one of a number of available single chip modems. However, a practical modem has to have a considerable number of additions, as shown in *Figure 2*, and the biggest practical problem is meeting the requirements for approval by the telephone authorities.

Although this ought to be just a technical exercise, it often becomes a costly and lengthy battle which occasionally hits the headlines. It would seem that the original Post Office monopoly has now turned into a public one which is even more expensive. However, the

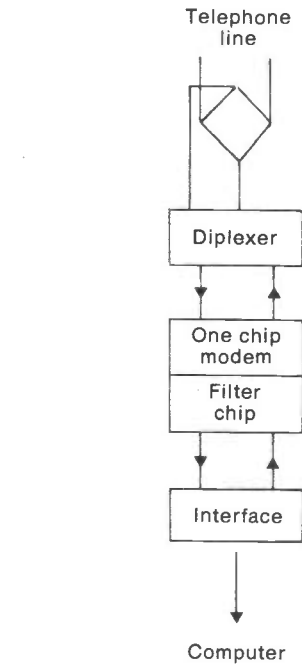
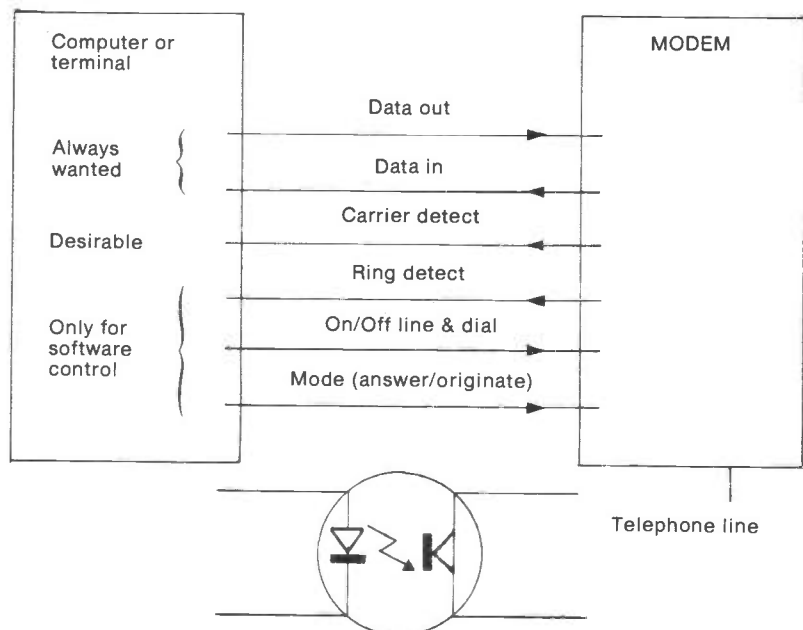


Fig 2 Essential features of a modem

cause of the problem is commercial – we won't make up our own minds what is good and sensible – we must have an authority to approve or certify that it conforms to a 'Standard' (after my S5/8 interface article, I refrain from further comment).

The salient points for approval are highlighted in *Figure 2*. Firstly, the diplexer, which gets signals into and out of the line, must be a highly insulating transformer so that no power in the modem can get onto the telephone line. Secondly, the power supply must be designed to limit the power into the

Fig 3 Connections and opto-isolation



LINE-POWERED MODEM



circuit. Thirdly, the data interface must have some isolating feature, since it might be used with a cathode-ray VDU with a high voltage on it. One has to legislate for the worst case; it is no good saying it is only for use with a hand-held computer!

Such isolation has now become standard, and uses opto-isolators as shown in *Figure 3*, one for each boundary crossing.

Benefits of line-powering

In the line-powered modem, we avoided the mains transformer and went to a lot of trouble to eliminate the usual hybrid transformer, for reasons that will be discussed later. The circuitry outlined in *Figure 1* is based on an 'inductance simulation circuit' using the gyrator principle of simulating an inductance by an amplifier, and means that the entire circuit can be made as an electronic assembly of semiconductors, resistors and capacitors and there are no inductors or transformers at all. This in turn means that the unit can be small in size and, in principle, can be made in the form of a single chip of silicon.

Two versions which are now on the market are shown in the photos. One is an economical unit using standard sized components in a plastic box, and the other is a surface mount assembly contained in a small plastic case. The latter is only 10mm high so that it can be included inside a computer, the box ensuring that there is no breakthrough from any of the contents to the modem circuitry. BABT approval is well advanced for both designs.

At one time many people felt that the idea of line-powering would offend the Post Office etc, with the suggestion that

we were stealing power. In practice, it is turning out that because the unit has to work with the minimum current on the worst line, that is all it needs, and in fact the drain on the telephone line is less than with a conventional modem if it includes a transformer because that draws a heavy dc load! The design of such an isolating transformer is mainly concerned with dissipating the heat that results and avoiding saturation! Perhaps this shows that an elegant elimination can be good for all concerned.

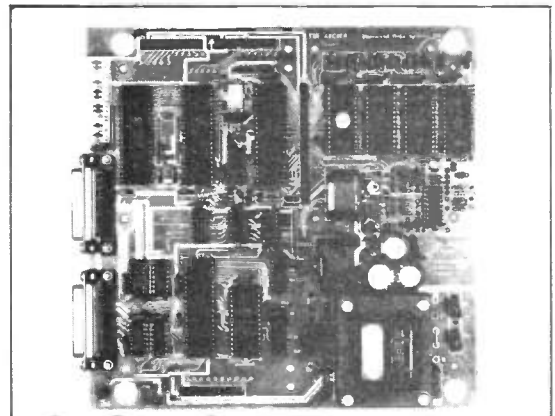
The absence of a transformer has a further significance, namely that there are no inductive surges as a result of variations in the line current. Since these include dialling pulses, the absence of inductance is a real boon, and in fact when one of the line-powered units was investigated by one organisation, it tried to wreck it by pulses but couldn't. The reason is that, without inductors, any current surges are taken by Zener diodes.

There is reason to believe that because the system is linear the performance is enhanced accordingly. It is worth remembering that the *raison d'être* of modems is the non-linearity of a telephone line over the audio frequency range. REW

The Archer Z80 SBC

The **SDS ARCHER** – The Z80 based single board computer chosen by professionals and OEM users.

- ★ Top quality board with 4 parallel and 2 serial ports, counter-timers, power-fail interrupt, watchdog timer, EPROM & battery backed RAM.
 - ★ **OPTIONS:** on board power supply, smart case, ROMable BASIC, Debug Monitor, wide range of I/O & memory extension cards.
- from £185 + VAT.



The Bowman 68000 SBC

The **SDS BOWMAN** – The 68000 based single board computer for advanced high speed applications.

- ★ Extended double Eurocard with 2 parallel & 2 serial ports, battery backed CMOS RAM, EPROM, 2 counter-timers, watchdog timer, powerfail interrupt, & an optional zero wait state half megabyte D-RAM.
 - ★ Extended width versions with on board power supply and case.
- from £295 + VAT.



Sherwood Data Systems Ltd

Sherwood House, The Avenue, Farnham Common, Slough SL2 3JX. Tel. 02814-5067

HIGH GRADE COMPONENT PACKS

The packs below are all £1 each. If you order five packs, you can select one extra pack FREE. If you order ten packs, you can have three extra packs FREE. This is only a small selection from our full list - send a large SAE for your copy.

PASSIVE COMPONENTS

- PACK 1 200 RESISTORS. Mostly 1/4 to 1/2W carbon film. Loads of different values.
- PACK 2 100 CAPACITORS. Ceramics, polyester, polycarbonate, all types.
- PACK 3 30 ELECTROLYTICS. 1 μ F to 500 μ F.
- PACK 4 15 LARGE ELECTROLYTICS. Values to 6,000 μ F.
- PACK 8 20 CARBON AND CERMET TRACK PRESETS. Mixed types and values.

OPTO ELECTRONICS AND DISPLAYS

- PACK 11 10.5mm LEDs: 4 red, 2 Yellow, 2 orange, 2 green.
- PACK 12 10.3mm LEDs: 4 red, 2 yellow, 2 orange, 2 green.
- PACK 13 2 CQ89A HIGH POWER INFRA-RED EMITTERS.
- PACK 15 2 FND10 MINIATURE 7-SEGMENT LED DISPLAYS. Common cathode. 0.1".
- PACK 16 2 MAN3640A 7-SEGMENT LED DISPLAYS. Common cathode. 0.3".
- PACK 22 4 HIGH SENSITIVITY OPTO COUPLERS.

SEMICONDUCTORS

- PACK 26 4 CR106-4A THYRISTORS.
- PACK 29 20 ASSORTED ICs. CMOS, TTL, linear, all sorts. Don't miss this one!
- PACK 31 20 RECTIFIERS. High current, IN400 series, top Hat etc.

MISCELLANEOUS

- PACK 43 100 MYSTERY PACK of at least 100 components. The most popular pack of all!

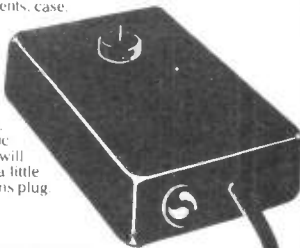
All components are new, marked, tested and guaranteed to full manufacturers specifications.

POWERFUL AIR IONISER KIT

Ions have been described as 'vitamins of the air' by the health magazines, and have been credited with everything from curing hay fever and asthma and reducing high blood pressure, to improving concentration, increasing vitality, curing insomnia, and even speeding up the healing of burns! Although some of the benefits may be exaggerated, there is no doubt the ionised air is much cleaner and purer and seems much more invigorating than 'dead' air.

One of the tangible results of using an ioniser is that dirt, dust, pollen and smoke particles become charged and are precipitated to the ground, where they will be swept up during normal household cleaning. You can test this for yourself by inverting a smoke filled jar over the ioniser - the smoke disappears in seconds. Just what you need if you share an office with smokers (or if you are a smoker with unsympathetic colleagues!) The action of precipitating particles from the air is of immediate benefit to asthma and hay fever sufferers, of course, no matter how beneficial the ions themselves may be.

The kit can be assembled in three to four hours, and includes a roller tinned printed circuit board, 66 components, case, mains lead, components for a tester so that you can be sure the



ioniser is working, and full instructions. All you will need to supply is a little Araldite and a mains plug.

IONISER KIT, with case, ONLY £9.50!


JUNK

Components, boards, panels, sometimes almost complete pieces of equipment. Transformers, capacitors, resistors, ICs, Ferraris (spot the deliberate mistake); in short - JUNK. Switches, pots, relays (is he never going to stop?), fuses... one of our legendary JUNK parcels can be yours for as little more than the price for posting it. If you're feeling particularly reckless, have two. IT'S CRUNCHY!

SUPER ECONOMY FAMILY JUNK PARCEL, 10kg (approx. 22lbs) for £11.50!



CMOS AND TTL MONSTER PACK

Delightfully logical 4000-series CMOS and 7400-series TTL. This is their song. Clock, toggle and pulse:  Clockin', togglin', pulsin' all night long. Yeah!

I can thoroughly recommend these chaps - they deal with their signals in a brisk and efficient way, and, unlike others, they often sing in tune. Where are my little green tablets?

Aaaaaah that's better. What I meant to say was that I can quite safely guarantee that you'll be paying less than a third of the usual price from magazine advertisements - a more realistic estimate is that you would pay about five times as much if you bought the ICs individually. What more could you ask?

PACK OF 50 ASSORTED CMOS AND TTL ICs ONLY £6.00!

ELECTROLYTIC CAPACITORS MONSTER PACKS

Mega-parcels of high grade electrolytic capacitors. Values from a few μ F to at least 3,000 μ F. You'll love the colours: green, yellow, blue, orange, silver and black (to match your eyes). Brighten up your circuits, or open a shop!

**400 ELECTROLYTICS for £5
1,000 for £10 2,500 for £20!!**

LISTS

MICROPROCESSORS (from £1.60!), MEMORY, INTERFACE, LINEAR, AUDIO ICs...

FREE DATA ON VARIOUS ICs, KITS, PROJECTS...

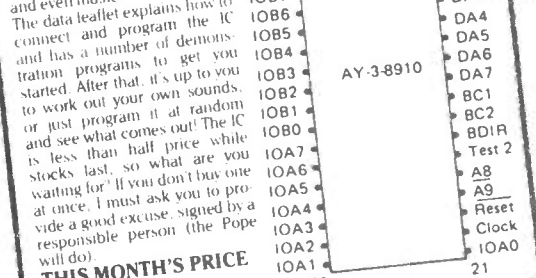
SPECIAL OFFERS, BARGAINS and MONSTER PACKS...

Any order over £5 puts you on our mailing list for three months. Regular orders put you on the list for ever! Leaflet collectors - send a large, stamped, self-addressed envelope for this month's selection, or £5 for a year's subscription.



IC OF THE MONTH AY-3-8910 PROGRAMMABLE SOUND GENERATOR

You can have great fun experimenting with this IC, which will interface with any microprocessor or home computer (details and circuits in the data leaflet) and will produce an astonishing variety of sounds. There are three output channels which can be used separately or mixed (just by connecting the pins together) and a noise source which can be added to any of the channels. Control of pitch, duration and envelope shape allows all kinds of effects - explosions, gun shots, police sirens, helicopter noises and even music!



THIS MONTH'S PRICE ONLY £2.50! DATA LEAFLET 50p



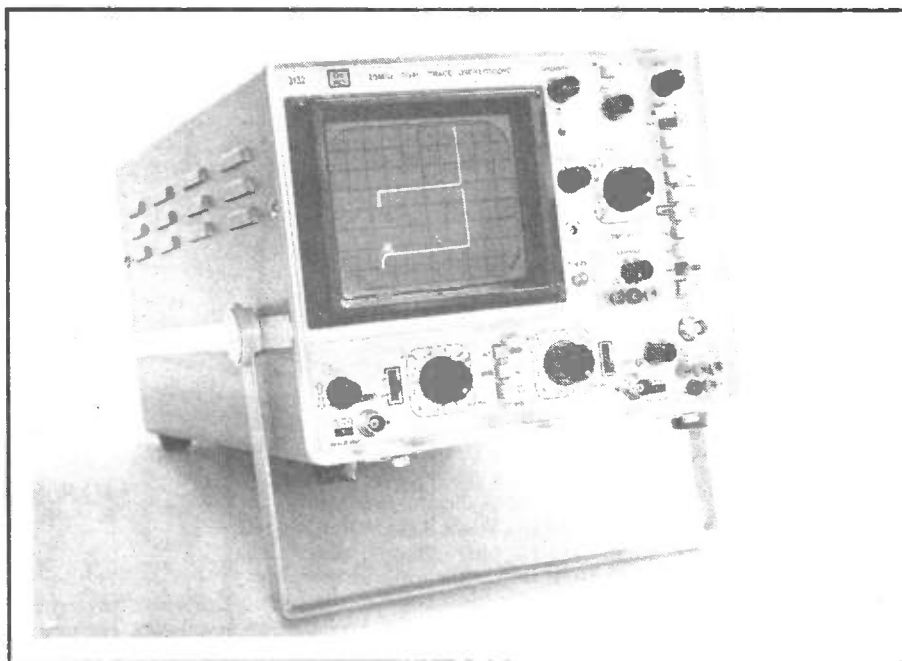
Please send your order to the address above. There is no VAT to be added, but please include a 60p contribution towards postage and packing.

THE *Radio & Electronics World* CHRISTMAS HISTORY QUIZ

————— Compiled by Brian Kendal G3GDU —————

Why not exercise the old grey matter as well as the drinking arm over the festive season? Brian has put together a challenging little series of questions (too clever by half, that bloke), and the star prize of a 'scope has been donated by Brian Hollingworth of Crotech.

Entries are invited for scores of 100 or more on a sheet of paper with your name and address, and you've got until 31 January. We might even throw in a few more prizes if we're feeling generous. Oh, by the way, your genius of an editor scored less than 100. A lot less . . .



At Christmas time we all tend to reminisce, so this quiz is designed to let you do just that. Some of the questions are very easy whilst others are intended to make you look hard into the history books. The subjects covered include personalities, technical developments and events of the 100-year history of radio.

The marks for each question are given in brackets and the highest possible score is 220. The editor has promised to provide a small prize for the winner, so we will not be giving the answers until the issue after next. In the event of more than one winner, we shall arrange a special (very difficult) tie-break.

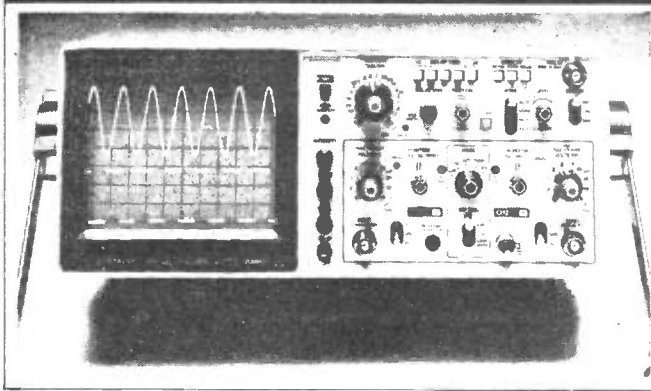
1. What had Heinrich Hertz to do with pitch? (5)
2. What was the significance of Lavernock Point and Steepholme Island? (3)
3. Why tap the coherer? (2)
4. Who was G Kemp's employer? (3)
5. What was and who invented the 'Telemobiloscope'? (5,5)
6. Which famous doctor had cause to regret the invention of wireless? (3)
7. What ever happened to the Wireless Society of London? (2)
8. What was the 'Grid Audion' and who invented it? (3,3)
9. Who was the first man to transmit a wireless signal from an aeroplane in flight to ground and where? (5,5)
10. What wavelength did Marconi use for his Salisbury Plain demonstration? (4)
11. What is a Nipkow disc? (2)
12. What was a 'Round' valve? (3)
13. For what was Paul Godley famous? (3)
14. What was and who now holds the callsign of Hiram P Maxim? (3,3)
15. Who lived at 'Coombe Dingle' and how did he affect British broadcasting history? (2,2)
16. A man whose name is well known in modern semiconductor terminology developed a four-electrode valve during World War 1; who was he? (5)
17. Who or what was 'Armstrong's nightmare child'? (3)
18. Alan Blumlein, one of the greatest geniuses in radio history, patented a device in about 1930 which did not become generally available until nearly ten years after his death, but is now used in almost every home. What was it? (5)
19. Under what circumstances did Blumlein die? (5)
20. Who is normally credited with the invention of the superheterodyne receiver? (3)
21. What was a 'Catkin' valve? (5)
22. The Marconi-Osram KT series of valves were well known - what did 'KT' stand for? (3)
23. Who manufactured the 'Melody Maker' receiver? (2)
24. Which is the odd one out: ML4, PM2, UX4, PX4? (3)
25. In what context was Mazda not International? (3)
26. Why would the Baird high definition TV system, which competed with that of EMI, have had problems giving time-checks? (5)
27. Where did the experiment take place which demonstrated to the British Government that radar was feasible? (3)
28. Before World War 2, what condition was specifically associated with amateur transmitting licences in the G2 + 3 letters series? (3)
29. Who developed what radio device at Birmingham University in 1940? (3,3)
30. When and why did World War 2 British bomber crews play with cat and mouse? (4,4)
31. Who or what were VIs? (3)
32. Who or what was Colossus? (3)
33. Why did British World War 2 bomber crews find that if Monica failed they might have to get assistance from Walter, and if so then Rebecca was no help? (10)
34. We've all heard of a Drake TR4 - but what was a TR9? (4)
35. Why should Crowborough have been proud of its Aspidistra? (5)
36. Which amateur band was the first to be withdrawn after World War 2? (3)
37. Which is the odd man out and why: Dynatron; Magnetron; Phantastron; Sanatron? (3)
38. What was Taylor Supermodulation? (3)
39. In the late 1940s, many amateurs built the 'Inexpensive Televisor' from wartime equipment. Which equipment was used and what was its original purpose? (4,4)
40. The Clapp oscillator was developed independently by a British engineer. What was his name and company? (4,4)
41. What were the operational limitations placed on a newly licenced radio amateur in the United Kingdom in 1950? (2,2)
42. What was the 80 metre 'Pond'? (3)
43. What is, or was, a Wobulator? (3)
44. What are 1/2th second echoes? (2)
45. Using 'Q' code, encode: 'The time is'; 'What is the tone of my transmissions?' and decode: QBA?; QTE. (2,2,2,2)
46. Name two heads of state who hold radio amateur transmitting licences. (2,2)
47. What is a 'red spot'? (3)
48. The term picofarad has been in use for many years, but what was it called before? (2)
49. Loran disappeared from Top Band several years ago. What frequency does the latest version use? (5)
50. Experiments by Canadian scientists using an amateur satellite led to a major United States/USSR co-operative space venture. For what purpose is this and what is the name of the system? (4,4)

73s de Brian **REW**



Hitachi Oscilloscopes

the highest quality from **£299**
the most competitive prices + VAT



Hitachi Oscilloscopes provide the quality and performance that you'd expect from such a famous name, with a newly-extended 14 model range that represents the best value for money available anywhere.

V-212/222	20MHz Dual Trace	V-650	60MHz Dual Timebase
V-223	20MHz Sweep Delay (illustrated)	V-1050	100MHz Quad Trace
V-209	20MHz Mini-Portable	V-1070	100MHz Four Channel
V-422	40MHz Dual Trace	V-1100	100MHz DMM/Counter
V-423	40MHz Sweep Delay	V-134	10MHz Tube Storage
V-509	50MHz Mini-Portable	VC-6015	10MHz Digital Storage
		VC-6041	40MHz Digital Storage

Prices start at £299 plus vat (20MHz dual trace) including a 2yr. warranty. We hold the range in stock for immediate delivery.

For colour brochure giving specifications and prices ring (0480) 63570 Thurlby-Reltech, 46 High Street, Solihull, W. Midlands, B91 3TB.



ELECTRO SUPPLIES NORTHERN COMPONENT SPECIALISTS

**Test Equipment,
Computers, Peripherals**

SEND FOR CATALOGUE. Trade Enquiries Welcome

45 LOWER HILLGATE, STOCKPORT, CHESHIRE. also at **SHAWCLOUGH ROAD, WATERFOOT, ROSSENDALE BB4 9JZ.**
061 477 9272 **0706 215556**

Deansgate Electronics

We stock a large range of electronic components, test equipment, telephone accessories, computer accessories, microphones, mixers, meters, stylus, so call in and have a look around

263 Deansgate, Manchester
Telephone: 061-834 1185



**MERRY CHRISTMAS AND A PROSPEROUS
NEW YEAR TO ALL OUR CUSTOMERS**



COMEX SYSTEMS LTD

**COMET HOUSE, UNIT 4
BATH LANE, LEICESTER LE3 5BF**
TEL: (0533) 25084



TVRO Receiver motherboard kit.....	£35.00
AT1020 Tuner module	£35.10
New Wideband Module now available	
AT3010 I F Demodulator	£54.65
'F' Plugs each	£00.50
Power Supply kit.....	£32.50
'S' Meter kit	£17.00
Tuneable Sound I.F. kit	£30.00
R F Modulator kit	£25.00
Digital Tuning & Display kit.....	£56.75
6.5 Mhz sound kit	£1.10
Video Clamp kit	£2.75
Low Noise wideband preamp kit.....	£35.00
Case for TVRO kits.....	£20.00
STS LNB	£178.25
Scaler Horn	£49.00
1.6m Fibreglass Dish.....	£97.75
1.2m Fibreglass Dish.....	POA
LNB Tripod assembly	£16.68
Polar Mount.....	£109.25

★ NEW ★

CR100 SATELLITE RECEIVER

Full band receiver with dual dish inputs, switched bandwidth, auto set up, tuneable sound and built in polar rotator control

CC25 SMATV RECEIVER

A rack mounted receiver with synthesized frequency tuning and multi-function control

SF1000 SYNC PROCESSOR

The processor analyses the video signal and replaces poor or non-existent sync whilst preserving the colour and sound information

TRADE ENQUIRIES WELCOME

**PRODUCTS FOR SATELLITE TELEVISION, AMATEUR RADIO
AND PROFESSIONAL USE**

In the last two editions of *Data File* we have taken a fairly detailed look at the four best-known types of electro-mechanical and electronic relay devices. In this edition of 'The File' we continue this theme by looking at a further selection of useful relay-output circuits.

LDR basics

Light-sensitive relay circuits can easily be made to activate when light intensity goes above or below a preset value, or when a light beam is broken by a person or object, or when a light source is reflected onto the face of a light sensor by particles of smoke or fog, etc. The best-known and easiest to use type of light-sensitive device (photo-sensor) is the light sensitive resistor (LDR), which uses the symbol shown in *Figure 1*.

LDR operation relies on the fact that the conductive resistance of a film of cadmium sulphide (CdS) varies with the intensity of light falling on its face; the resistance is very high under dark conditions, and low under bright conditions. *Figure 2* shows the basic construction of the LDR, which consists of a pair of metal film contacts separated by a snake-like track of cadmium sulphide film that is designed to give the maximum possible contact area with the two metal films. The structure is housed in a clear plastic or resin case that gives free access to external light.

Practical LDRs are sensitive, inexpensive and readily available devices that have good voltage and power handling capabilities, similar to those of a normal resistor. They are available in a variety of sizes and package styles, the most popular size having a face diameter of roughly 10mm. Typically, such a device has a resistance of several megohms under dark conditions, falling to about 900Ω at a light intensity of 100 lux (typical of a well lit room) or about 30Ω at 8000 lux (typical of bright sunlight).

Figures 3 to 11 show a selection of practical light-sensitive relay-output switching circuits that use LDRs as their opto-sensors; each of these circuits will work with virtually any LDR with a face diameter in the range 3 to 12mm.

Light-activated relays

Figures 3 to 7 show a selection of relay-output light-activated 'switch' circuits based on the LDR. *Figure 3* shows a simple non-latching circuit that is designed to activate when light enters a normally-dark area such as the inside of a safe or cabinet, etc.

Here, LDR and R2 form a light-sensitive potential divider that determines the base bias of Tr1. Under dark conditions the LDR resistance is high so zero base bias is applied to Tr1, and Tr1 and the relay are off. When a significant amount of light falls on the LDR face its resistance falls to a fairly low value, applying bias to the base of Tr1, which

Ray Marston presents a further selection of relay-output circuits



Fig 1

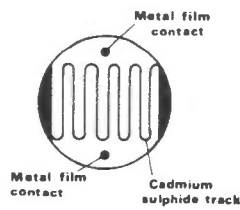


Fig 2

Symbol and structure of the LDR

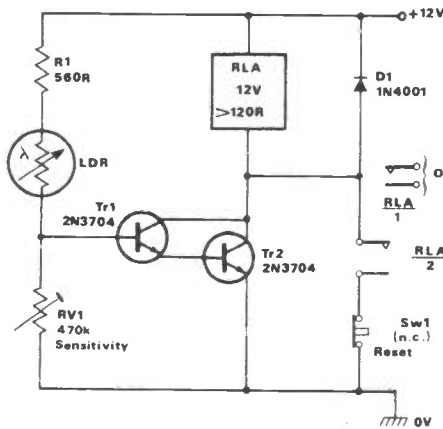


Fig 4 Sensitive self-latching relay switch

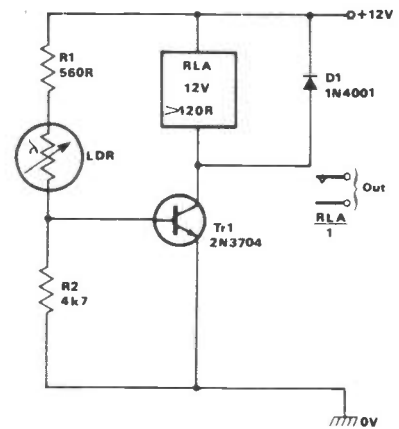


Fig 3 Simple light-activated relay switch

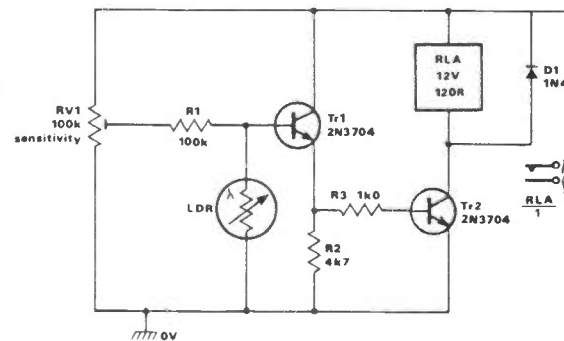


Fig 5 Simple dark-activated switch

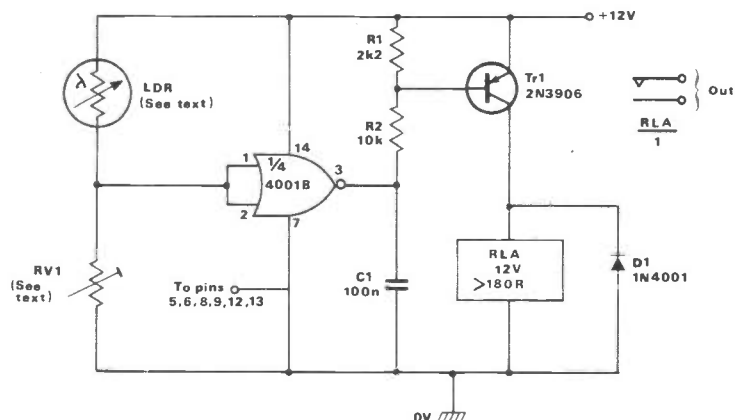


Fig 6 CMOS-aided light-operated relay switch

thus turns on and activates the RLA/1 relay contacts.

The simple *Figure 3* circuit has a fairly low and non-adjustable sensitivity. *Figure 4* shows how these defects can be overcome by using a Darlington-connected pair of transistors in place of Tr1 and by using sensitivity control RV1 in place of R2. The diagram also shows how the circuit can be made self-latching via relay contacts RLA/2; normally-closed push-button switch SW1 enables the circuit to be reset (unlatched) when required.

Figure 5 shows how an LDR can be used to make a simple 'dark-activated' relay switch that turns on when the light

level falls below a value preset by RV1. Here, potential divider R1-LDR generates an output voltage that rises as the light level falls, and this voltage activates Tr2 and RLA via emitter-follower Tr1.

The light 'trigger points' of the *Figure 3* to *5* circuits are fairly susceptible to changes in supply voltage and ambient temperature. *Figure 6* shows a CMOS-aided light-operated relay circuit that does not suffer from this susceptibility. Here, one of the four available NOR gates of a 4001B CMOS IC is used as a linear inverter between the light-sensitive LDR-RV1 network and the input of relay-driving transistor Tr1.

When the 4001B CMOS NOR gate is

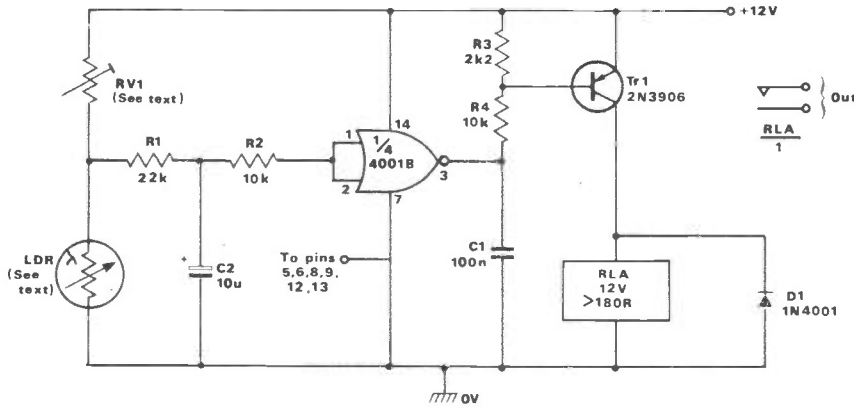
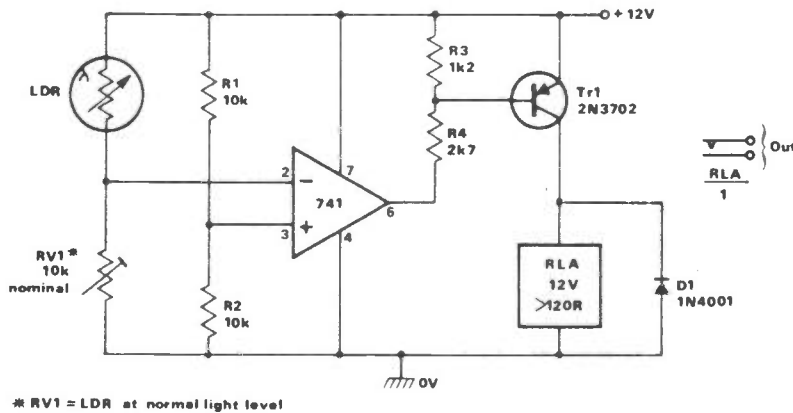
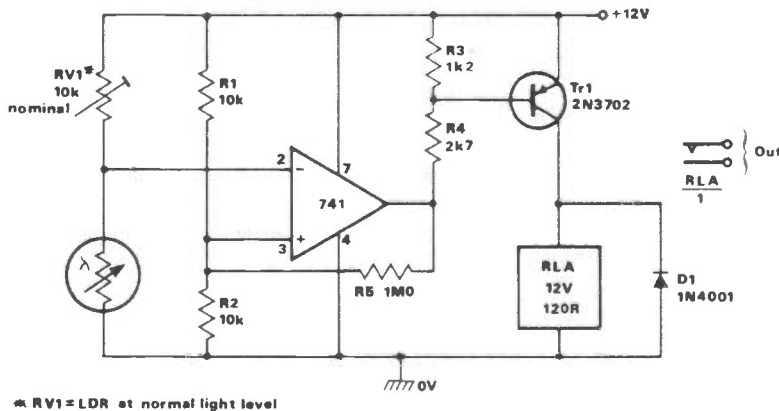


Fig 7 CMOS-aided dark-operated switch with transient suppression



* RV1 = LDR at normal light level

Fig 8 Precision light-activated relay switch



* RV1 = LDR at normal light level

Fig 9 Precision dark-activated switch with hysteresis

wired as an inverter it gives 'linear' action only when its input is within a few dozen millivolts of a value known as the 'threshold voltage' point; at all other times the gate output is saturated (driven to either ground or positive supply voltage). This threshold point is actually a fixed fraction of the supply voltage value (the value is typically 50%, but may vary from 30% to 70% between individual devices), and is very stable.

Thus when it is wired in the configuration shown in *Figure 6* the inverter input acts like the 'fixed potential divider' side of a Wheatstone bridge (with LDR-RV1 forming the 'variable' side of the bridge),

and as a bridge-balance detector that goes into the linear mode when the bridge is very close to its 'balance' point. Note that this balance point is not greatly influenced by variations in supply voltage or ambient temperature.

The action of the *Figure 6* circuit is such that when the light level is below the desired 'trip' value the gate input is low, so the gate output is driven to the positive supply rail value and Tr1 and the relay are off. When the light level is above the trip value the gate input is high, so the gate output is driven to ground voltage and both Tr1 and RLA are driven on. When the light level is very

close to the desired trip level the gate is driven into the 'linear inverter' mode, and minute changes in light level can cause the relay to switch on or off. The trip level can be preset via RV1.

The action of the above circuit can be reversed, so that the relay goes on when the light intensity falls below a preset level, by simply transposing the RV1 and LDR positions as shown in *Figure 7*. This circuit also shows how a simple transient suppressing network can be wired between the output of the light-sensitive divider and the input of the CMOS gate, so that the circuit responds to mean light levels but is unaffected by sudden light transients (such as are caused by lightning flashes, etc). This circuit can be used to turn porch lights or car parking lights on at dusk and off at dawn.

Note in the *Figure 6* and *7* circuits that the LDR can be any type that gives a resistance in the range 2k to 2M at the desired 'trip' level, and that (when adjusted) the RV1 value should balance that of the LDR. Also note that C2 is used to ensure stability of the CMOS inverter when it is operating in the linear mode.

Precision circuits

The CMOS-aided circuits of *Figures 6* and *7* give a semi-precision light-sensitive switching action that is adequate for most practical purposes. Greater precision can be obtained, if necessary, by using the op-amp circuits of *Figures 8* to *10*.

In *Figure 8*, LDR-RV1 and R1-R2 form a light-sensitive Wheatstone bridge that has its output fed to a very sensitive 741 op-amp 'balance' detector; R1-R2 feed a fixed half-supply voltage to the non-inverting input of the detector, and LDR-RV1 feed a light-dependent voltage to the inverting input of the detector. If these two voltages differ by more than a few millivolts the op-amp output is driven to saturation (to near-zero or near-positive rail values), thus driving Tr1 and RLA either on or off. If the two voltages are within a few millivolts of each other, the state of the relay depends on the direction of bridge imbalance.

The actual balance point can be preset via RV1, and is independent of variations in supply voltage or temperature. Because of the very high gain of the op-amp, the *Figure 8* circuit has a far greater sensitivity than the CMOS-aided circuits described earlier.

The *Figure 8* circuit is configured so that the relay turns on when the light goes above a preset level. It can be modified to give the reverse action, so that it acts as a precision dark-activated switch, by either transposing the inverting and non-inverting input connections of the op-amp or by transposing the LDR and RV1, as shown in *Figure 9*.

This diagram also shows how a small amount of hysteresis can be added to the circuit via feedback resistor R5, so that

the relay turns on when the light level falls to a particular value but does not turn off again until the light intensity rises a substantial amount above this value. The hysteresis value is inversely proportional to the R5 value, and is zero when R5 is open circuit.

A precision combined light/dark switch that activates a single relay if the light level goes above one preset value or below another can be made by combining op-amp 'light' and 'dark' switches in the manner shown in *Figure 10*. To set up this circuit, first adjust RV1 so that roughly half-supply volts appear on the RV1-LDR junction when LDR is illuminated at the 'normal' or mean level. RV2 can then be set so that RLA turns on when the light falls below the desired 'dark' level, and RV3 can be set so that RLA turns on when the light rises above the desired 'light' or brightness level.

'Light-beam' alarms

One popular application of the LDR is as a light-beam alarm or switch which activates when the passage of a beam of light is interrupted by an object or person. *Figure 11* shows a simple circuit of this type; the two lenses focus the lamp-generated light-beam onto the LDR face, and the LDR circuit acts like a dark-operated relay switch.

Normally, with the light-beam uninterrupted, the LDR face is illuminated by the beam and presents little resistance, so little voltage appears at the RV1-LDR junction and Tr2 and the relay are off. When the light-beam is broken the LDR resistance increases, so a significant voltage appears on the RV1-LDR junction and thus activates the relay via Tr2. Note that in practice most modern 'beam' alarms use a modulated infra-red signal to generate the light-beam, and use an infra-red photo-diode or transistor to detect the beam.

'Smoke' alarms

Another popular application of the LDR is as a 'smoke' alarm which activates when smoke causes a light source to reflect onto the face of an LDR. *Figure 12* shows a sectional view of a reflective-type smoke detector, which consists of a lamp and an LDR mounted in an open-ended but light-excluding box with an internal screen that prevents the lamp-light from falling directly onto the LDR face.

The lamp is a source of both light and heat, and the heat causes convection currents of air to be drawn in from the bottom of the box and to be expelled through the top. The inside of the box is painted matt black, and the construction lets air pass through the box but excludes external light.

Thus if the convected air currents are smoke-free no light falls on the LDR face, and the LDR presents a high resistance. If the currents do contain smoke,

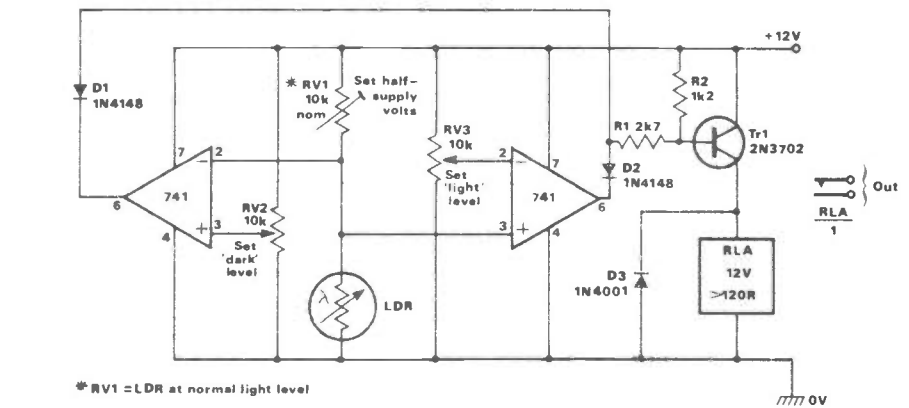


Fig 10 Combined light/dark-activated single-relay switch

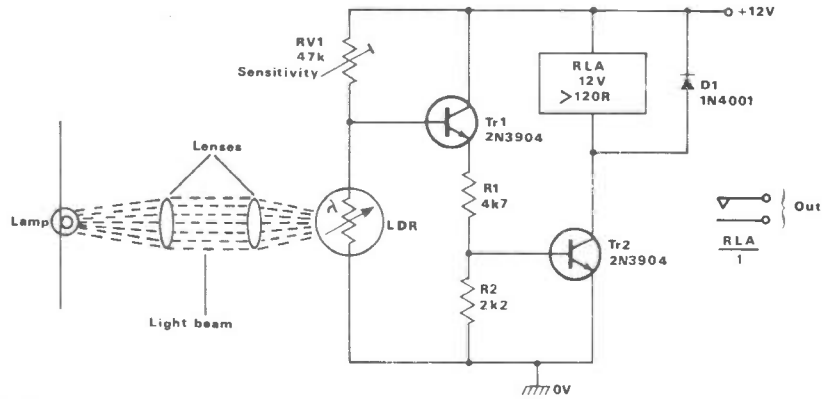


Fig 11 Simple light-beam alarm with relay output

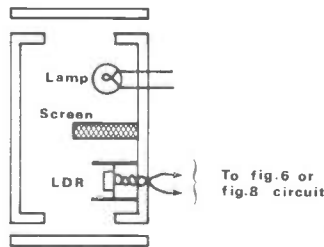


Fig 12 Sectional view of reflection-type smoke detector

however, the smoke particles cause the light of the lamp to reflect onto the LDR face and so cause a great and easily detectable decrease in the LDR resistance. The detector circuitry thus needs to act like a light-operated circuit, and can take the form shown in *Figure 6* or *8*.

Heat-sensitive circuits

Each of the light-sensitive switching circuits of *Figures 3* to *10* can be converted into a temperature-sensitive switch by simply replacing its LDR with a negative temperature coefficient (ntc) thermistor. These are simple resistor-like devices that present a resistance value that is inversely proportional to temperature, ie the resistance falls as temperature rises and vice versa.

Figure 13 shows how the precision

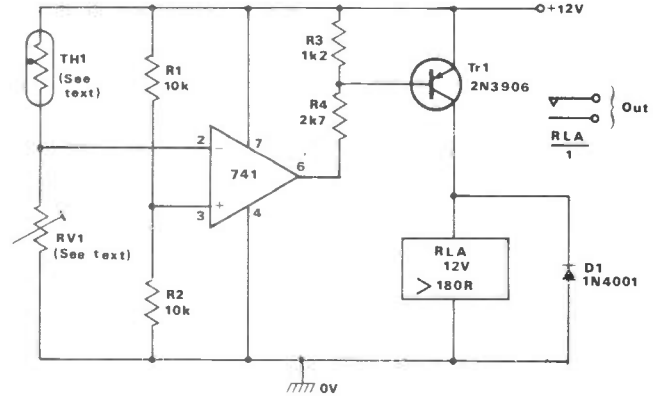


Fig 13 Precision over-temperature switch

light-activated relay switch of *Figure 8* can be converted into a precision over-temperature switch. The thermistor used here can be any ntc type that presents a resistance in the range 1k to 20k at the required trigger temperature, and the RV1 resistance should equal this value at the same temperature. The above circuit can be made to act as an 'ice' or under-temperature switch by simply transposing TH1 and RV1.

Ordinary silicon diodes can also be used as temperature-sensing elements when forward biased. Typically, they give a forward voltage drop of about 600mV at a forward current of 1mA; if this current is held constant, the voltage drop changes by about -2mV for each degree Celsius

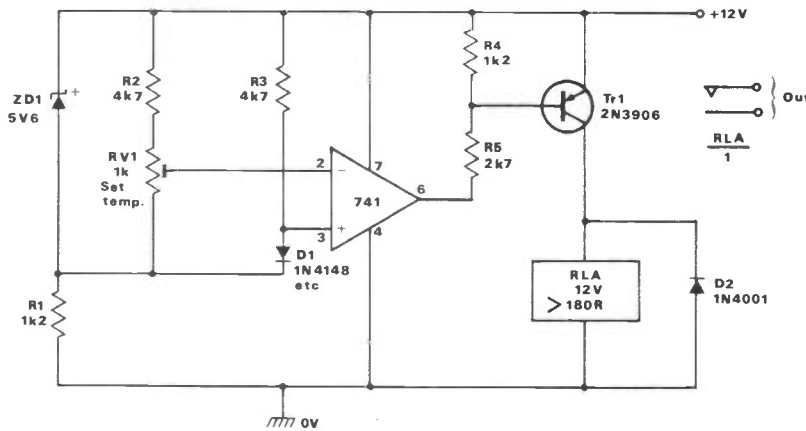


Fig 14 Over-temperature switch with silicon diode sensor

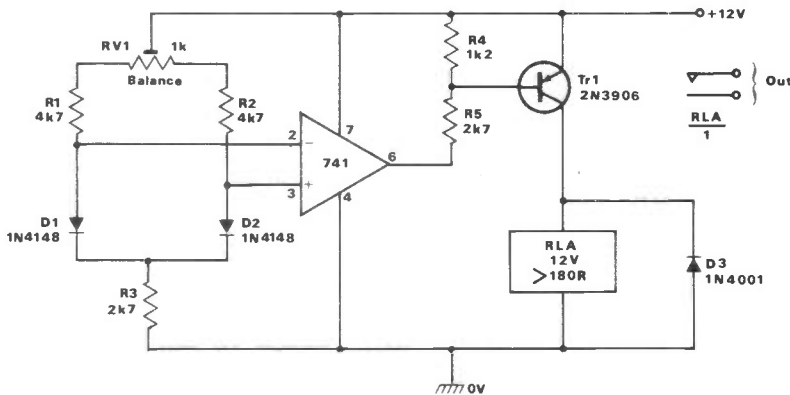


Fig 15 Differential temperature switch

increase in diode temperature. All silicon diodes have inherently similar thermal characteristics, and *Figure 14* shows how such a diode can be used as a sensor in an over-temperature switch.

In *Figure 14*, ZD1 and R1 are used to generate a constant 5.6 volts across the R2-RV1 and R3-D1 potential dividers, causing a virtual constant current to flow in each divider. A constant reference voltage is thus developed between the

ZD1-R1 junction and pin 2 of the op-amp, and a temperature-dependent voltage with a coefficient of $-2\text{mV}/^\circ\text{C}$ is developed between the ZD1-R1 junction and pin 3 of the op-amp. Thus a differential ntc voltage appears between pins 2 and 3 of the op-amp.

To set up the *Figure 14* circuit, simply apply the desired 'trip' temperature to D1 and then carefully adjust RV1 so that the relay just turns on. The circuit has an

'on/off' sensitivity of about 0.5°C , and can be used as an over-value switch at temperatures ranging from sub-zero to above the boiling point of water. Note that the operation of the circuit can be reversed, so that it acts as an under-temperature switch, by simply transposing the pin 2 and pin 3 connections of the op-amp.

Finally, *Figure 15* shows how a pair of silicon diodes can be used as temperature-sensing elements in a differential-temperature switch that turns on only when the D2 temperature is more than a preset amount greater than that of D1, and is not influenced by the absolute temperatures of the two diodes. The magnitude of this differential temperature trip is fully variable from zero to about 10°C via RV1, so the circuit is quite versatile. It can be set up by simply raising the D2 temperature the required amount above that of D1 and then carefully adjusting RV1 so that the relay just turns on under this condition.

Miscellaneous circuits

To complete this edition of *Data File*, *Figures 16* and *17* show two miscellaneous types of relay-switching circuits. The *Figure 16* design is that of a simple relay pulser, which repeatedly switches the relay on and off at a rate variable (via RV1) between 26 and 80 cycles per minute via the CMOS astable multivibrator circuit built around the two 4001B NOR gates.

The *Figure 16* circuit can be used as an emergency lamp flasher by using the relay contacts to switch power to the lamps. *Figure 17* shows how the circuit can be modified so that it starts pulsing or 'flashing' automatically when the ambient light level falls below a level preset via RV2. Note that if this circuit is used as a lamp flasher care must be taken to ensure that the LDR face points away from the lamps, so that a photo-coupled feedback loop is not set up.

Fig 16 Relay pulser circuit

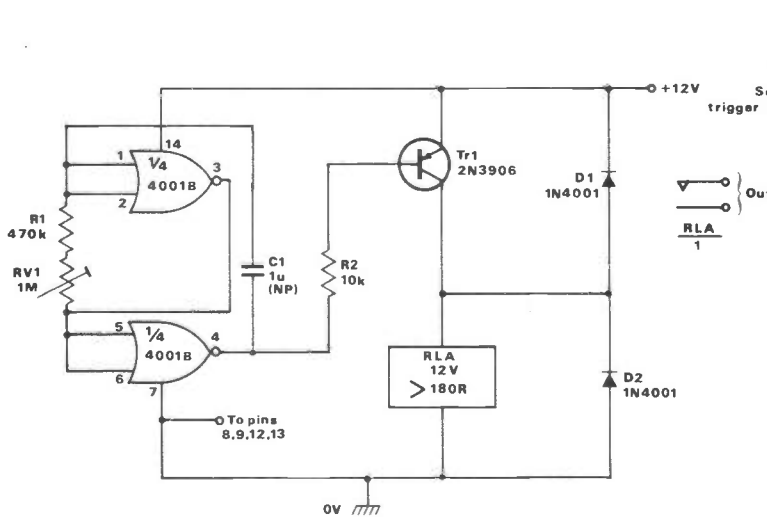
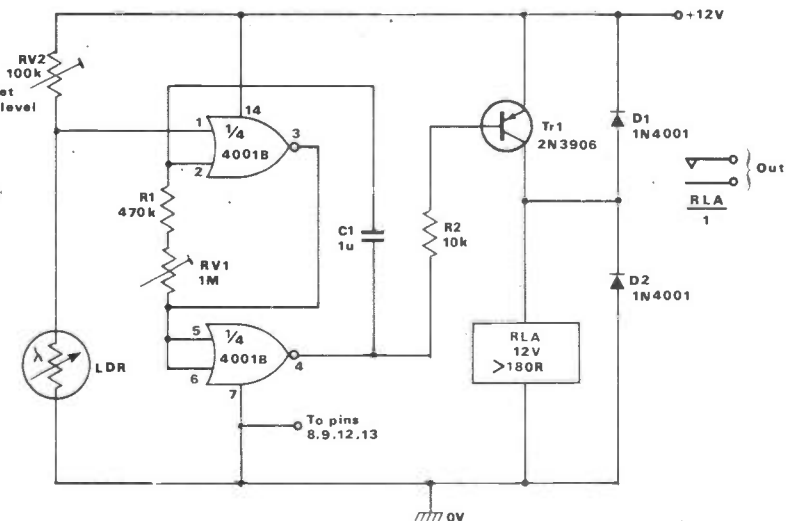


Fig 17 Light-activated relay pulser



Although there is a multitude of alternatives to choose from these days, the so-called 'long-wire' antenna still seems to be the most popular type amongst short wave listeners. This type of aerial has in its favour that it can be installed in any but the most confined of spaces, and it will work reasonably well over a wide frequency range. The main drawback of a long-wire antenna is that it works no more than reasonably well at most frequencies, and for most of the time users of these aerials are getting somewhat less than optimum results. This slight lack of efficiency is not of great importance for much of the time, but can make all the difference when chasing weak DX stations.

Boosting the signal

The standard approach to optimising results with a simple wire antenna is to use an aerial tuning unit (ATU). The claim that a device of this type, which is purely passive, can boost signal strengths by two or three 'S' points is often treated with scepticism by those who have never used one. In fact an ATU can often boost signal strengths by about two S points, but it does not genuinely provide any gain. It is an impedance matching device, and is really just a form of matching transformer. The gains in signal strength are obtained by providing a more efficient signal transfer from the aerial to the receiver, and strictly speaking it is more a matter of reducing losses than providing gain.

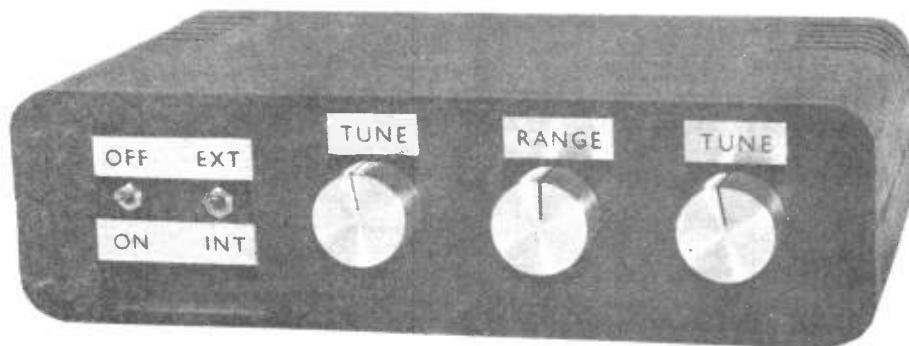
To the user this is all academic, and either way an ATU often gives a useful boost in signal strengths, and as an added bonus it gives improved RF selectivity with an attendant reduction in spurious responses.

The usual approach

A conventional ATU is based on a large, air-cored, multi-tapped inductor. This can be rather awkward from the constructional point of view, and building the present design has been simplified by the use of ten ordinary inductors of appropriate values. This seems to give good results, with a level of performance which is comparable to a conventional ATU. However, it has to be stressed that the unit is only intended for use with receivers, and the use of small ready-made inductors (with their limited voltage and current ratings) makes it unlikely that the unit would function satisfactorily with anything but a true QRP transmitter.

An unusual feature of the circuit is the inclusion of a noise generator. The main purpose of this is to provide a signal which can be used when adjusting the ATU for peak sensitivity. The noise signal gives a reasonably strong output right across the short wave spectrum, and it gives a virtually constant output amplitude at any given frequency. Therefore it can always be used to provide a stable signal for adjustment purposes, unlike most short wave stations which are prone to severe QSB of one type or another.

AN ATU AND NOISE SOURCE



An aerial tuning unit from R A Penfold which includes a noise generator as a tuning aid

A noise output is provided, and the unit can double as a general purpose RF noise source. A noise source can often be useful when aligning receivers, and it is especially useful in cases where peaking the RF circuits 'pulls' the oscillator and causes detuning. With an RF signal generator or a radio station as the signal source, peaking the RF circuits is virtually impossible since the detuning effect has a more profound effect on signal strengths than do the RF adjustments. In a severe case, significant adjustment of the RF tuned circuits results in the receiver being 'pulled' right off the alignment signal.

A noise source provides an output level which is not constant over the full short wave spectrum, but which will not vary significantly over a restricted range of frequencies. Any detuning is therefore irrelevant when using a noise source for alignment purposes, and the RF tuned circuits can be adjusted for peak signal strength easily.

Aerial matching

While it may seem strange to talk in terms of a length of wire having source impedance, like any signal source the output from a long-wire aerial reduces when it is connected to a load. In this case the load is the input impedance of the radio receiver, which can be as little as 50 Ω or 75 Ω , and is not usually more than a few hundred ohms. The output impedance of the aerial depends on its length, and on the frequency involved. Optimum signal transfer is obtained

when the output impedance of the aerial equals the input impedance of the receiver.

Short long-wires

Most long-wire aerials are, strictly speaking, only genuine long-wire types at the high frequency end of the short wave range. A long-wire aerial is one that is more than half a wavelength long, but in practice most are only about 10 to 20 metres in length, and are less than a half a wavelength long on the LF bands, or even on some of the HF bands. The practical outcome of this is that the aerials tend to have a much higher output impedance than the load impedance provided by the receiver, and an inefficient signal transfer is obtained.

In addition to the normal low impedance input some modern receivers are equipped with a high impedance input which is designed specifically for use with simple wire antennas. Provided no problems with overloading are experienced these will work well with virtually any simple wire aerial. Even where a high impedance input is available, the use of an ATU plus the low impedance input may well give superior results by ensuring an optimum signal transfer, regardless of what impedance mismatch is present. Of course, at certain frequencies a given receiver and aerial will provide a good impedance match, and it is only fair to point out that an ATU can give no improvement in signal strengths at frequencies where a good impedance match is already present.

AERIAL TUNING UNIT

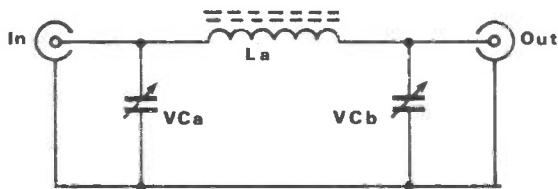


Fig 1a Most ATUs are based on this pi-network circuit

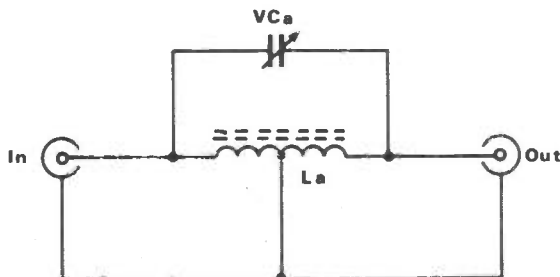


Fig 1b It is a form of single-wound transformer analogous to this circuit, which is only usable in practice if the tapping point can be varied

The conventional ATU configuration, and the one adopted for this design, is the well-known pi network shown in Figure 1(a). At first sight this tends to look as though it can only hinder the aerial signal rather than aid it, and it has to be considered as a single-wound tuned transformer. What tends to make this configuration look a little strange is the use of a capacitive tapping rather than an inductive type. If it is redrawn with an inductive tapping, as in Figure 1(b), the circuit is then a straightforward (tuned) single-wound matching transformer. A capacitive tapping is used in practice simply because it is easier to have variable capacitors than variable inductors.

The input impedance is controlled by CV1, while the output impedance is adjusted by means of CV2. Adjusting an ATU of this type for optimum results is slightly more time consuming than one might think, and this is due to the fact that it is a tuned circuit. For optimum results the combined series capacitance of CV1 and CV2 must bring L1 to resonance at the reception frequency.

Circuit operation

Referring to the complete circuit diagram of the unit which appears in Figure 2, the aerial tuning unit circuit is essentially the basic pi network just described. It differs only in that a range of ten switched inductors (L2 to L11) is

utilized in place of the single type of Figure 1(a). This enables a wide range of aerials, input impedances and operating frequencies to be accommodated, and the unit will match virtually any aerial to practically any short wave receiver. A somewhat reduced range of values would probably give acceptable results, but including a comprehensive range of values gives the best chance of achieving a perfect match between any given aerial and receiver over a wide range of frequencies.

Turning to the noise generator, probably the cheapest noise source suitable for the frequency range involved here is an ordinary Zener diode. In a Zener diode stabilizer circuit the noise spikes generated across the diode are suppressed by a capacitor, but in this case they are left unbypassed and are coupled to the input of a common-emitter amplifier based on Tr1. From here they are fed to a second common-emitter stage, this time using Tr2, and then finally to the emitter-follower output stage (Tr3).

A small noise

The noise voltage generated by D1 is quite small, typically only about a millivolt or less peak to peak. However, after two stages of amplification this is boosted to about 150mV peak to peak (as measured using a 20MHz oscilloscope). The output voltage over a restricted range of frequencies (such as the few kilohertz of a short wave receiver's passband) is very much less than this, but the unit will provide a strong S meter reading at any frequency within the short wave range on any reasonably sensitive receiver.

S2 enables the noise signal to either be

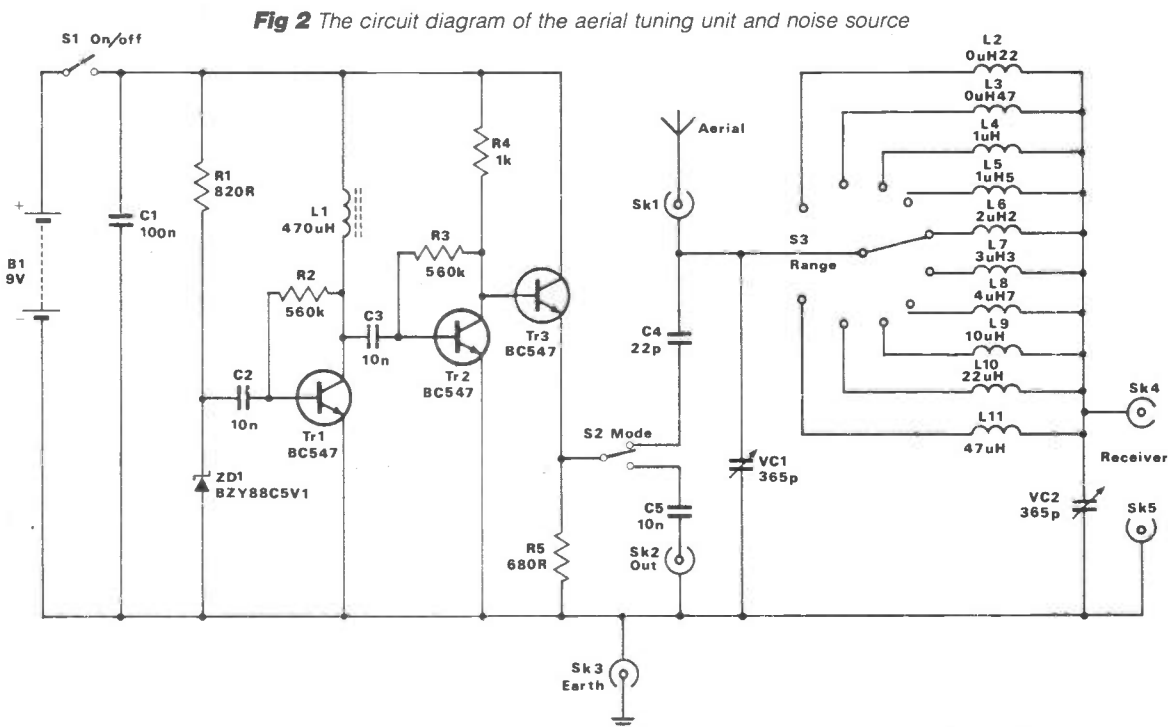


Fig 2 The circuit diagram of the aerial tuning unit and noise source

coupled through to the noise output socket (SK2) by way of C5, or loosely coupled to the aerial input socket via C4. A loose coupling here ensures that the noise signal is not radiated from the aerial at a significant strength, but the coupling is tight enough to give good signal strengths over the 1.6 to 30MHz range. In fact the noise source gives a strong output from the VLF range to frequencies of 50MHz or more.

Although one might not expect CV1 and CV2 to peak the noise signal at the same settings which peak aerial signals, there does seem to be an exact correlation here.

The current consumption of the noise source is fairly high at around 18mA, but assuming that it will not be used for prolonged periods a small (PP3 size) 9 volt battery is suitable as the power source.

Construction

A printed circuit board is used as the constructional basis of the noise generator, but the ATU is hard-wired. Details of both the printed circuit board and the hard-wiring are provided in Figure 3. Neither the board or the wiring should

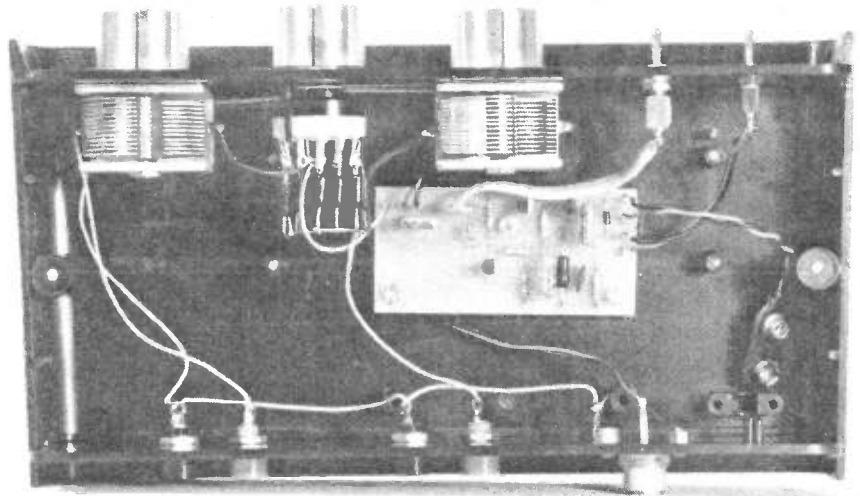
present any real difficulties, but try to keep all the wiring in the ATU circuit as short and direct as possible, otherwise inductance in the wiring could comprise results at high frequencies.

Mounting the inductors on S3 is quite easy provided the tags of the switch and the ends of the lead-out wires are tinned with solder prior to making the connections. It is easier to use axial rather than PCB-mounting inductors, but the latter can be fitted to S3 and wired up without too much difficulty. It is probably easier if the inductors are fitted to S3 before this component is mounted on the front panel.

The case for the prototype is a plastic type which has approximate outside dimensions of 230 x 123 x 64mm, but this is somewhat larger than is really needed, and a metal case is equally suitable. The exact layout of the unit is not too important, other than that CV1, CV2 and S3 should be positioned close together so that the ATU wiring can be kept suitably short.

SK2 is a coaxial socket, while the other sockets are 4mm types, but this arrangement could obviously be changed to one more appropriate for your particular set-up if necessary.

CV1 and CV2 are Jackson type 'O' air-



PARTS LIST

Resistors All 1/4 watt 5% carbon

R1	820Ω
R2,3	560k
R4	1k
R5	680Ω

Capacitors

C1	100nF ceramic
C2,3,5	10nF polyester
C4	22pF ceramic
CV1,2	365pF air-spaced

Semiconductors

Tr1,2,3	BC547
D1	BZY88C5V1 (5.1V 400mW Zener)

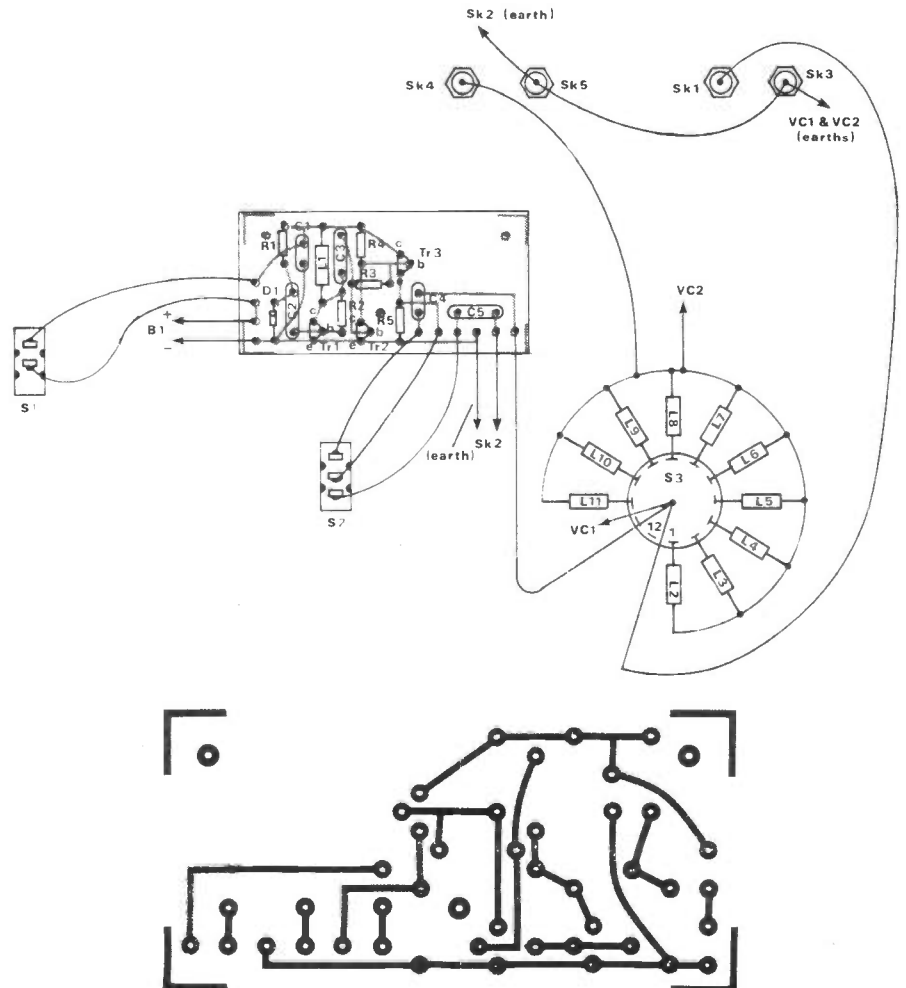
Inductors

L1	470μH
L2	0.22μH
L3	0.47μH
L4	1μH
L5	1.5μH
L6	2.2μH
L7	3.3μH
L8	4.7μH
L9	10μH
L10	22μH
L11	47μH

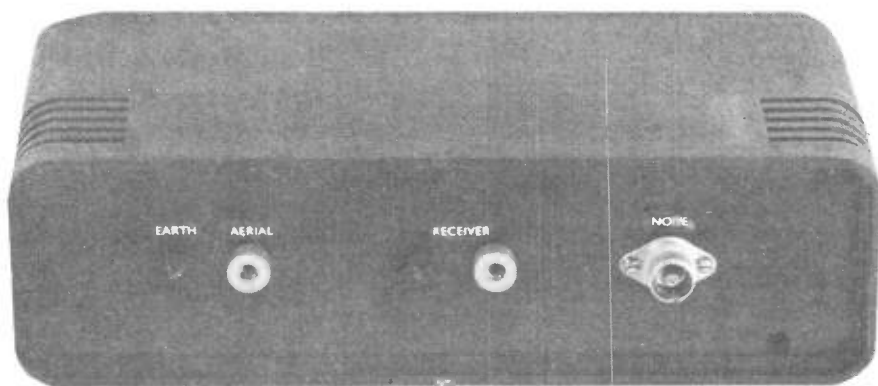
Miscellaneous

S1	SPST miniature toggle
S2	SPDT miniature toggle
S3	12-way 1 pole with end stop
SK1,3,4,5	4mm sockets
SK2	Coaxial socket
B1	9 volt battery (PP3 etc)
Case	about 230 x 123 x 64mm
Printed circuit board	
Three control knobs	

Fig 3 Details of the wiring and the printed circuit board



AERIAL TUNING UNIT



spaced variable capacitors. These require three short 4BA countersunk fixing screws which fit through holes drilled in the front panel and into the ready-made threaded holes in the front plate of each capacitor. It is important that these mounting screws are suitably short so that they do not penetrate the front plates and damage the moving vanes of the capacitors. A safer method of mounting is to simply glue them in place using a good quality general purpose adhesive.

Of course, it is not essential to use the specified types for CV1 and CV2, and any air-spaced capacitors having maximum

values of around 350 to 500pF should be suitable. It is worthwhile using inexpensive surplus types if you can find them, since doing so will probably cut the cost of the unit by around 50%.

In use

SK4 and SK5 connect to the aerial and earth sockets (respectively) of the receiver, and the earth connection must be included. The connecting cable, which can be coaxial or just ordinary twin cable, should be no longer than is absolutely necessary. The aerial connects to SK1, and if an earth is used this should connect to SK3.

In general, small inductances are required on the high frequency bands and large inductances are needed for the low frequency bands. However, it is really a matter of experimenting with various settings of CV1, CV2 and S3 to see what gives the best results for each band, using the noise source as a tuning aid where required. The tuning of CV1 and CV2 is always quite broad, and in some cases there might be a wide range of settings of these (and S3) which give good results. This occurs where there is already a reasonably good impedance match, and the unit is not able to effect any substantial improvement.

If you set up the unit for peak performance at the centre of a band, it should not be necessary to alter the settings when operating at the band edges. It is a good idea to try out the unit on each band, making a note of the correct settings for the controls on each one. The unit can then be quickly set to suit the desired band on future occasions, without having to go through the whole trial and error business to find the optimum settings.

The unit will work well with the vast majority of long-wire aerials, but tuners of this type are often ineffective with very short antennas.

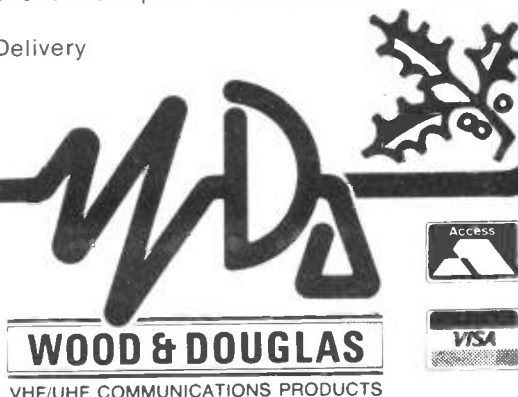
REW

IF YOU BUY a kit or module from us the chances are it will be from the top best sellers listed below. We are pleased to say that they just sell and sell and sell... **Shouldn't you have at least one in your shack?**

70cms Modules	Assembled	Kit	24cms Modules	Assembled	Kit
70FM05T4 500mW NBFM Transmitter.....	£63.40	£39.85	1250DC50 TV Down Converter	£79.95	-
70 FM05R5 NBFM Receiver	£79.40	£59.95	1250PA2 TV Preamplifier	£49.95	-
70 FM10 10W Power Amplifier	£56.45	£45.50	1240TVT Frequency Locked Transmitter...£145.00		
70LIN3/LT 500mW Linear Amplifier	£39.90	£30.55	UFM01 420MHz FMTV Exciter	£41.25	£28.25
70PA2/S RF-switched Preamplifier.....	£30.56	£19.10	VIDIF IF Processor/Demodulator	£63.75	-
70PA5 GaAs FET Preamplifier	£23.60	£14.75	SCT-2 Transmit Sound Modulator	£16.50	-
TVUP2 70cms TV Converter	£38.40	£28.75	SCR-2 Receive Sound Demodulator	£24.95	-
TVM1 70cms Modulator.....	£11.60	£ 7.25	VD/P1 Pre-emp/De-emp Module	£10.50	-
2m Modules			General Accessories		
144PA4 2m MOSFET Preamplifier.....	£17.20	£10.75	B2 Toneburst.....	£7.50	£4.70
144PA4/S RF-switched Preamplifier.....	£31.20	£19.50	PT3 Piptone.....	£8.45	£5.10
144LIN25B RF-switched 25W Linear.....	£49.20	£35.75	MPA2 Microphone Preamplifier	£6.25	£4.60

All prices include VAT but please add £1.00 for postage and handling. Delivery is usually from stock or with in 28 days. A copy of our full list of modules and kits for practising amateurs is available for the cost of an A4 size SAE.

Unit 12-13
Youngs Industrial Estate
Aldermaston, Reading
Berkshire RG7 4PQ
Telephone: (07356) 71444 Telex: 846630

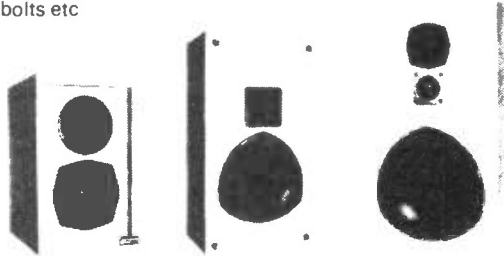




CONSTRUCTOR SERIES SPEAKER KITS

Based on the famous Kef Reference Series, these three DIY designs give the home constructor the opportunity to own an upmarket pair of loudspeakers at a very down-to-earth price!

With a Wilmslow Audio Total Kit it's so easy — no electronic or woodworking skill is necessary. Each kit contains all the cabinet components (accurately machined from smooth MDF for easy assembly), speaker drive units, crossover networks, waoding, grill fabric, terminals, nuts, bolts etc



Model CS1 is based on the Reference 101, CS3 is equivalent to the Ref. 103.2 and CS9 is based on the Reference 105.2 (but in a conventionally styled encl.).

CS1 £116 pair inc. VAT plus carr/ins £6

CS3 £138 pair inc. VAT plus carr/ins £10

CS9 £383 pair inc. VAT plus carr/ins £18

We also offer a kit (less cabinet) for Elector PL301

DIY Speaker catalogue £1.50 post free (export \$6)

WILMSLOW AUDIO LTD.

35/39 Church Street, Wilmslow, Cheshire SK9 1AS

Tel: 0625 529599

Call and see us for a great deal on HiFi. (Closed all day Mondays.)

Lightning service on telephoned credit card orders!

NEW BBC LOCATOR AND WORLD MAP

Shows world map with daylight and darkness zones continually updated with dual time clock. Automatically accepts any input of lat/long, either locator, NGR or one of nearly 250 worldwide placenames and gives you the distance, heading, contest score, long path details and plots the great circle from you to the other station. **Tape £7**

For CBM64, VIC20, SPECTRUM we have our original locator program (no map) at the same price.

TX-3 RTTY/CW/ASCII TRANSCEIVE

The most comprehensive transceive program around with so many features we can't list them all here (see previous adverts). Can use an interface or a terminal unit. For **BBC-B** and **CBM64**. **Tape £20**. If you have our RTTY/CW transceive program, return it with your order for a **£10 discount**.

For **VIC20** we still have the RTTY/CW transceive program at the same price.

RX-4 RTTY/CW/SSTV/AMTOR RECEIVE

This bestselling program has all the features and performance for the discerning listener. Full printer support. Uses interface or T.U. on CW and RTTY for **BBC-B**, **CBM64**, **VIC20**. **No hardware needed for SPECTRUM**. **Tape £25**.

You don't need an expensive terminal unit for these programs, our **TIF1 INTERFACE** has 2-stage RTTY and CW filters for excellent performance. Kit (assembled and tested PCB, connectors, cables) £15. Boxed with all connections £25.

We also have **MORSE TUTOR**, **RAE MATHS**, **LOGBOOK** programs for **BBC-B**, **ELECTRON**, **CBM64**, **VIC20**, **SPECTRUM**. All BBC and CBM64 programs are available on **disc at £2 extra**.

Prices include VAT and p&p, 1st Class inland, airmail overseas, normally by return. Eire, C.I., BFPO deduct 13%.



technical software (RE)



Fron, Upper Llandwrog, Caernarfon LL54 7RF.

Tel: 0286 881886

Carbon Film resistors ¼W 5% E24 series 0.51R to 10MΩ..... 1p
100 off per value — 75p, even hundreds per value totalling 1000 £7.00
Metal Film resistors ¼W 10R to 1MΩ 5% E12 series — 2p, 1% E24 series 3p
Mixed metal/carbon film resistors ½W E24 series 1R to 10MΩ..... 1½p
1 watt mixed metal/Carbon Film 5% E12 series 4R7 to 10 Megohms 5p
Linear Carbon presets 100MW @ ¼W 100R to 4M7 7p

Miniature polyester capacitors 250V working for vertical mounting
0.1, .015, .022, .033, .047, .068-4P, 0.1-5P, 0.15, 0.22, 0.33 & 0.47-6P6p

Mylar (polyester) capacitors 100V working E12 series vertical mounting
1000p to 8200p — 3p, 0.1 to .068 — 4p, 0.1 5p, 0.12 & 0.15 6p

Subminiature ceramic plate capacitors 100V wkg vertical mountings. E12 series
2% 1.8 pf to 47 pf — 3p, 2% 56 pf to 330 pf — 4p, 10% 390p — 4700p 4p
Disc/plate ceramics E12 series 1P0 to 1000P, E6 Series 50V 1500P to 47000P 2p

Polystyrene capacitors 63V working E12 series long axial wires
10 pf to 820 pf — 3p, 1000 pf to 10,000 pf — 4p, 12,000 pf 5p
741 Op Amp — 20p, 555 Timer 22p
cmos 4001 — 20p, 4011 — 22p, 4017 40p

ALUMINIUM ELECTROLYTICS (Mfda/Volts)
1/50, 2.2/50, 4.7/50, 10/25, 10/50 5p
22/16, 22/25, 22/50, 47/16, 47/25, 47/50 6p
100/16, 100/25 7p; 100/50 12p; 100/100 14p
220/16 8p; 220/25, 220/50 10p; 470/16, 470/25 11p
1000/25 25p; 1000/35, 2200/25 35p; 4700/25 70p

Submin, tantalum bead electrolytics (Mfda/Volts)
0.1/35, 0.22/35, 0.47/35, 1.0/35, 3.3/16, 4.7/16 14p
2.2/35, 4.7/25, 4.7/35, 6.8/16 15p; 10/16, 22/6 20p
33/10, 47/6, 22/16 30p; 47/10 35p; 47/16 60p; 47/35 80p

DIODES (piv/amps)
75/25mA 1N4148 2p, 800/1A 1N4006 6p, 400/3A 1N5404 14p, 115/15mA OA91 6p
100/1A 1N4002 4p, 1000/1A 1N4007 7p, 60/1.5A S1M1 5p, 100/1A bridge 25p
400/1A 1N4004 5p, 1250/1A BY127 10p, 30/45mA OA90 6p, 30/15A OA47 8p
Zener diodes E24 series 3V3 to 33V 400 mW — 8p, 1 watt 12p
Battery snaps for PP3 — 6p for PP9 12p
L.E.D.'s 3mm, & 5mm, Red, Green, Yellow-10p, Grommets 3mm — 1½p, 5mm 2p
Red, flashing L.E.D.'s require 5V supply only 30p
Mains indicator neons with 220K resistor 10p
20mm fuses 100mA to 5A Q/blow 5p, A/surge 8p, Holders pc or chassis 5p
High speed pc drills 0.8, 1.0, 1.3, 1.5, 2.0m — 25p, Machines 12V dc £6.50
HELPING HANDS 6 ball joints and 2 croc clips to hold awkward jobs £4.50
AA/HP7 Nicad rechargeable cells 80p each, Universal charger unit £6.50
Glass reed switches wih single pole make contacts — 8p, Magnets 12p
All prices are inclusive of VAT. Postage 20p (free over £5). Lists Free.

THE CR SUPPLY CO

127 Chesterfield Rd,
Sheffield S8 ORN

Return posting

The prices quoted in my Catalogue are below normal trade price — some at only one tenth of manufacturers quantity trade. Just send large 26p stamped addressed envelope for free copy. (OVERSEAS SEND 2 INTERNATIONAL REPLY COUPONS)

Millions of components: thousands of different lines

Rechargeable Nickel Cadmium batteries (ex unused equipment)

AA(HP7) 1.25 volt 500 mA Set of four £2
ITT Mercury Wetted relay 20-60 VDC Coil. SPCo, 2A

..... 79p or 10 for £7
Clear LED illuminates Red, Green or Yellow depending upon polarity/current. Oblong 5 x 2½mm Face

..... 25p or 100 for £23 or 1000 for £200
5mm Red Flashing LED 25p or 10 for £2.25

Watch/Calculator/Lighter etc Mercury Batteries Made by Ray-O-VAC 10 mixed popular sizes £1.50, 50 for £5.00
IN4004 or IN4006 Diodes 300 for £6.50

KBS005/01/02 3 amp 50 V/100 V/200 V/bridge rectifiers, 35p/36p/40p, 10 off £3.20/£3.40/£3.70, 100 off £30/£31/£34

Plessey SL403 3 Watt amp, From Bankrupt source, hence sold as untested 4 for 60p or 10 for £1.20p

5mm LED, clear, lighting hyperbright (600mcd), red up to 200 times brighter (gives beam of light) 25p, 100/£20, 1000/£150

Mullard 5mm LED, 40 red, 30 green, 30 yellow = 100 mixed £7
'HARVI' Hardware packs (nuts-bolts-screws-self tappers, etc) marked 35p retail, 100 mixed packs for £11.

Modern silver/black/aluminium, etc knobs 50 mixed, £6 (sent as 10 sets of 4 + 5 sets of 2 — 15 different type/sizes).

SEND PAYMENT PLUS 18p SAE

Postal orders/cash — prompt dispatch.

Cheques require 9 days from banking to clear.

Crossed postal orders and cheques — add 20p handling due to Bank's increasing 'commission' on business accounts.

Cheques drawn on Barclay's Bank not accepted.

Prices you would not believe before inflation!

BRIAN J REED

TRADE COMPONENTS, ESTABLISHED 30 YEARS

161 ST JOHNS HILL, CLAPHAM JUNCTION

LONDON SW11 1TQ.

Open 11am till 6.30pm Tues to Sat. Telephone 01-223 5016

Early September normally signals the end of the sporadic-E season. However, this year was an exception. A lull at the end of August was followed by a dramatic upsurge in activity. In fact the month was most unusual, with exotics and other rare stations continuing to fill our screens. The most notable days for intense openings were the 4th, 5th, 7th and 20th. The latter opening lasted for most of the day and, in fact, heralded the end of the 1986 sporadic-E season.

Tropospheric DX was also exceptional. The 20th marked the beginning of settled anticyclonic conditions over a large area of Europe. This created a seemingly endless supply of DX on all bands, notably from East Germany, Czechoslovakia, West Germany and Switzerland.

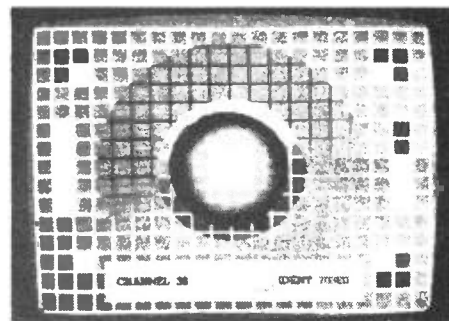
Sporadic-E conditions

The sporadic-E opening on the 4th produced mid-morning activity featuring the USSR, Finland, Sweden and Norway. Kevin Jackson of Leeds spotted the 'NORGE VARANGER' PM5534 test card at 1053 GMT on channel E2. This was a remarkable achievement since the transmitter is located in the far northern tip of Norway, well within the Arctic Circle. During the same opening the Russian UEIT test pattern was observed carrying the identification 'Leningrad' but, of course, in the Cyrillic alphabet.

Signals from the USSR were also noted on the 5th, when Simon Hamer of Powys resolved the EESTI TV programme schedule on channel R2. Unfortunately he just missed the PM5537 colour

DX-TV RECEPTION REPORTS

Compiled by Keith Hamer and Garry Smith



blockboard pattern. A little later Polish signals took over, and their 'dt' news programme carried a report on the TUC conference in Brighton.

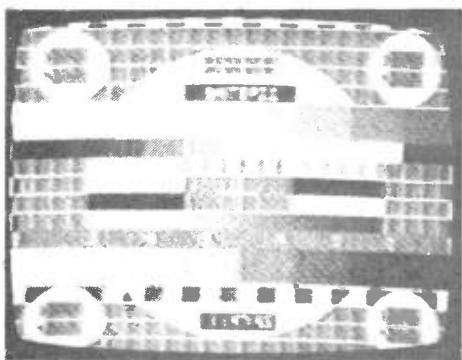
DX-TV signals appeared from central Europe during the morning of September 7th. Here in Derby the Italian PM5544 test card from RAI was resolved on channel 1A shortly after 0800 BST. Also noted were Czechoslovakian and Russian programmes (including cartoons) on channels R1 and R2. The Austrian PM5544 appeared on channel E2a at 0935 followed by reception on channel E3 from the 100W Birkfeld relay, which radiates the ORF-1 service.

The opening on the 20th was a real whopper and an interesting one at that! DX via sporadic-E and enhanced tropospherics was present for most of the day. The main highlights, brought to our attention by Kevin Jackson and Mark

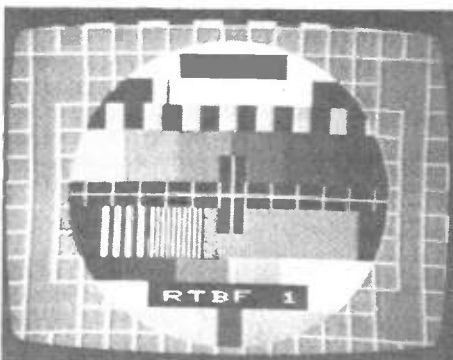
Dent, included test transmissions from Rumania (noted on colour bars and the FuBK test card) and a mystery in the form of the 'JRT BGRD 1' PM5544 from Yugoslavia on channel E4 at 0825 BST. The test card which carries that particular identification is normally only seen via the Kapaonik transmitter on channel E3. We can only suggest that the pattern had been accidentally introduced into the Zagreb network by a switching error. Alternatively a low power relay may have been received, such as the one at Niksic-Ostrog (sounds more like an unappetising Yugoslavian dish!) to the south-east of Belgrade radiating 20W ERP.

Unidentified signals of Arabic origin were noted by Chris Howles of Lichfield on the 20th. Reception occurred on channel E3 and could well have been late-season DX transmissions from JTV in Jordan.

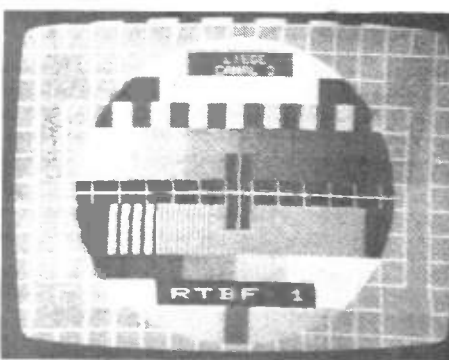
PHOTO FILE ● PHOTO FILE ● PHOTO



UEIT test card from the USSR outlet at Ozhgorod



Belgian PM5544 from the French language service



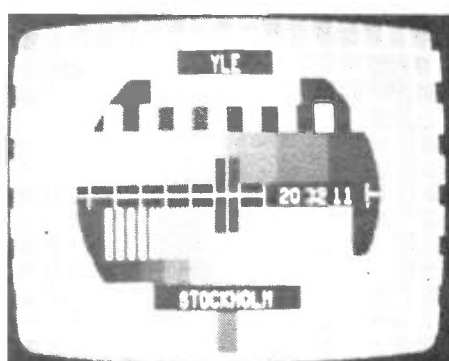
Test card including transmitter identification and channel information



A 'Senderdia' radiated by ZDF in West Germany



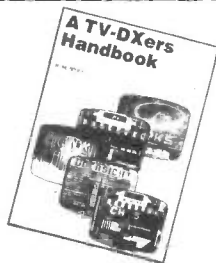
Can anyone identify this mystery caption?



PM5534 used by the new Finnish transmitter located near Stockholm, Sweden.

Pics: Thomas Graf, Jukka Kotovirta, Sándor Rottenbacher and HS Publications

NEW EDITION
Large Format
10"X8"



£5.95

At last – **'A TV-DXers Handbook'** the new edition by Roger Bunney has been published! Extensively revised, enlarged and completely updated from its earlier editions, with new and expanded sections covering all aspects of TV-DXing – channel allocations, transmission standards, signals propagation, aerials, amplifiers, filters, test cards, satellites and lots, lots more. The essential book for all TV-Dxers, being a practical guide for the beginner and a source of reference for the established enthusiast, published by the Babani Press in October 1986 and with the stocks being despatched immediately to Aerial Techniques.

The **'TV-Bildkatalog'** is the ideal companion volume, detailing test cars, captions, logos and regional maps from all the European TV networks, we are the sole UK outlet appointed by the publishers.

Our comprehensive range of aerials and equipment are unbeatable for value and technical excellence, all detailed in our **65p Catalogue**. Why not send for your copy today.

- 'A TV-DXers Handbook' – hot off the press..... **£5.95**
- 'TV-Bildkatalog' – the definitive and up to date test card book..... **£5.95**
- LABGEAR CM6022RA** UP CONVERTERS incorporates built in preamplifier complete with gain control, used but guaranteed in good working order..... **£22.50**
- NEW!** – Ant-Game Switch **EU-AB 17** changeover unit for switching aerial leads etc..... **£2.95**
- PHILIPS AFC (U700)** Module for use as Signal Strength Meter..... **£4.25**
(SAE for details)
- YOKO** model F1 Multiband VHF/UHF 5' screen Television, System B/G/I operation (5.5/6MHZ sound) for UK & Continental use, ideal for TV-Dxing, covers Band 1, 3 & UHF, 12 volt, battery and mains operated (SAE leaflet)..... **£89.95**

(Carriage & Insurance on above television £4.95)
All prices inclusive of VAT and Carriage Delivery 7-10 days
ACCESS & VISA Mail and Telephone orders welcome



AERIAL TECHNIQUES
11 Kent Road, Parkstone
Poole, Dorset BH12 2EH. Tel: 0202 738232



**THE START
OF
SOMETHING
NEW**

If you are leaving College and planning a career in modern communications or if your present job lacks interest and challenge... why not join us in GCHQ?

We are recruiting

COMMUNICATIONS AND CYPHER OFFICERS (CCO) – London Area

To operate a modern 24-hour Communications Centre we require people aged 18 or over on 31 December 1986 and who have the following qualifications:

5 GCE 'O' levels or equivalent (inc Eng Lang, Maths and a science) or City and Guilds Certificate 777 in Telecommunications Operations or 3 years relevant experience such as computer-based message switching, data communications or digital multiplexing techniques.

Keyboard experience is preferable, CCO's work shifts (including weekends) and as a mobile grade may be required to work in Cheltenham after 3-5 years in London.

We offer 3 months initial training in Cheltenham, and job security, good career prospects and opportunities for overseas service.

Salaries: £8726-£12171 (including London weighting of £1465).

The Civil Service is an equal opportunities employer.

Closing date for receipt of completed applications: 2 January 1987.

Application forms from the address below.

For full details and application form phone 0242 32912/3 or write to:



The Recruitment Office A/1108
Priors Road
CHELTENHAM
Glos GL52 5AJ
(2806)

Trop activity

Tropospheric DX was extremely active until the 30th, although the good conditions persisted for several days more depending upon how far south one was located. John Bray of St Neots telephoned to query an FuBK noted on channel E7 sporting no less than 15 letters of identification across the centre. We can confirm that reception was from Bayerischer Rundfunk in West Germany radiating the test card with the transmitter name 'BROTJACKLRIEGEL'. This outlet is located close to the border with Czechoslovakia and Austria. Many of the trop signals noted by enthusiasts were, in fact, from this general area. Kevin and Mark noted Bayerischer Rundfunk (BR) transmissions at over 1164km (about 720 miles) from Wendelstein (channel E10), Grünten (E43), Bamberg (E56) and Hof (E57).

There were many reports of sustained colour signals in SECAM from East Germany on E5 (Inselberg), E6 (Brocken) and E12 (Sonneberg). There were two reports of Czechoslovakian reception in Band III. Roger Pates of Nottingham telephoned to query an FuBK test card carrying 'DDK 2' identification on channel R9. This was CST just prior to the station opening sequence. Kevin Jackson also noted Czechoslovakia on channel R12 originating from the vertically polarised outlet at Usti Nad Labem. This was on September 30th. Needless to say, DX from Belgium,

the Netherlands and France was also present. Canal Plus signals from France were so strong day after day that eventually they were regarded as a pain in the array!

Vertically polarised transmissions were noted by Simon Hamer thanks to the excellent tropospheric conditions. They originated from Denmark on channel E11. This was confirmed by the PM5534 test card carrying the identification 'DR DANMARK'. There are at least five vertically polarised relays in Denmark operating on this channel, all with 50W ERP.

Log for September

This month we are featuring parts of the very impressive log sent in by Kevin Jackson. The period between the 5th and 19th is covered by Mark Dent (also of Leeds) while Kevin was having a break from DXing, hiking through Yorkshire.

4/9/86: SVT (Sweden) E2 showing the 'TV1 SVERIGE' PM5534 test pattern at 1006, also noted on E4 at times and seen on E3 at 1015. Two E4 SVT transmissions were resolved at 1017 from Oestersund and Alvsbyn; TSS (Russia) R1 with the UEIT test pattern bearing the identification 'LENINGRAD' in the Cyrillic alphabet at 1018; NRK (Norway) E3 transmitting the 'NORGE HEMNES' PM5534 at 1028; RAI (Italy) IA on teletext pages at 1054; YLE (Finland) E3 (Tervola transmitter) radiating the 'YLE TV1' FuBK at 1059; NRK E2 'NORGE VARANGER'

PM5534 at 1153. All via sporadic-E.

5/9/86: TSS R1 on the UEIT test card at 1032 via sporadic-E.

11/9/86: TVE1 E2 with teletext pages at 1214; RAI IA programmes at 1214; TVE1 E3 with 'VALENCIA REGION' programmes at 1332; TVE1 E3 with 'ASTURIAS REGION' programmes at 1333; TDF (France) Canal Plus L3 programmes at 1334; TVE1 E4 (2 stations) on programmes at 1343; RTP (Portugal) E3 with the 'RTP LISB1' FuBK at 1416; MTV (Hungary) R1 radiating a multiburst pattern (frequency gratings) at 1449; CST (Czechoslovakia) R2 on 'CST BRATISLAVA' PM5544 at 1454; CST R1 showing the EZO pattern with 'RS-KH' identification.

16/9/86: TVE1 E2 with teletext pages at 1230 but regional programmes on E3 and 4; TVE2 E2 using a vertical stripes test signal at 1255.

19/9/86: BRT1 (Belgium, Flemish speaking network) E10 and 43; RTBF1 (Belgium, French speaking network) E8 and 11; NOS1 (Netherlands) E6; TDF Canal Plus L5; RTL (Luxembourg) E7; SWF1 (Südwestfunk, West Germany) E9; ZDF (West German 2nd network) E30, 34, 35 (2 stations), 37 (2 stations); SWF3 E40, 48, 56. All via tropo DX.

20/9/86: RTU (Italy, Radio-Tele-Uno) IA on test pattern at 0903. Lots of Yugoslavian FM radio stations noted too; RAI IA (2 stations) with programmes at 0903; BR1 (Bayerischer Rundfunk) E2 with 'ARD-ZDF' caption at 0923; TDF Canal Plus L3 programmes at 1005; TVR (Rumania) R2

DX-TV RECEPTION REPORTS

on colour bars at 1027 and later seen using the FuBK pattern; CST R2 'PRAHA' caption at 1039; MTV R1 programmes at 1040; TVE2 E2 programmes at 1050; MTV R2 programmes at 1058; RAI IB with 'TG1' news logo at 1104; JRT (Yugoslavia) E4 (Zagreb network) on programmes and later the FuBK test pattern showing 'JRT ZGRB1' identification; JRT E3 on 'JRT BGRD' PM5544 at 1135; TVE2 E2 with 'tve2' GTE test card at 1221; ORF (Austria) E2a, 3 and 4 showing 'ORF FS1' PM5544 at 1245; JRT E3 displaying the 'JRT RTV - LJNA' PM5544 (Ljubljana network) at 1346 - all SpE.

Reception reports

The recent trop opening certainly impressed Simon Bryant of Farnham in Surrey. He logged no fewer than 16 transmitters located in Belgium, the Netherlands and West Germany in the space of about four hours. Reception in colour was logged from Westdeutsches Fernsehen on channel E9 (from the Langenberg transmitter), BRT-1 from Belgium on E10 (Wavre) with the 'BRT TV1' PM5544 test card followed by the opening sequence, RTBF-1 (Belgium) on E8, NOS-2 (Netherlands) on E27 (Lopik) and E45 (Wieringermeer) and NOS-1 on channel E39 (also from Wieringermeer).

Simon's equipment consists of a Contec KRB 1542 VHF/UHF colour receiver fed from an Antiference XG 14 array fitted with a mast-head amplifier. He has managed to identify a number of signals, including the mystery 'RTC' captions seen between commercials during sporadic-E openings. They originate from RTP in Portugal.

David Oliver of Kings Heath (Birmingham) has been active during the summer with various sporadic-E successes. An opening on September 7th brought Czechoslovakia flooding in on channel R1 and programmes from Spain on channel E2 from the TVE-1 Navacerrada outlet situated near Madrid.

Frame jitter and frame roll are two problems currently being encountered by David. This is even more pronounced on weak DX signals. He has been considering the use of a video sync processor circuit which he hopes may help. Unfortunately David doesn't feel confident enough to undertake the construction of such a unit and wonders if anyone could assist him. The BATC design published in issue 129 of *CQ-TV* takes his fancy, so perhaps a willing ATVer might like to help out or offer advice. David can be contacted at the following address: 100 Mays Lane, Kings Heath, Birmingham B14 4AG.

Spanish TV signals in Band I have plagued Iain Menzies at his location in Aberdeen during the past season, much to his disgust and horror. Reception has even dared to continue well into September. Well, we all have our pet hates. To compensate, he did note a couple of rare

stations in the form of a 35W Portuguese channel E4 relay on the 6th and the Italian channel IC outlet at Torino on the 20th. The latter was destined for closure more than a year ago but evidently it's still going strong! The MUF rose as high as 144MHz on that particular day. No doubt there were a few exceptional 2m contacts via a combination of enhanced tropospheric conditions and sporadic-E propagation.

Bob Brooks of South Wirral logged the Icelandic PM5544 test card twice on channel E3 during September. The identification was the usual 'RUV ISLAND'. The first sighting occurred on the 11th during a good opening which lasted from 1150 until 1600. Also noted were Portugal on the 'RTP LISB 1' FuBK test card from the E3 outlet at Lousa (the RTP opening sequence was logged at 1500 BST), NRK (Norway) with the 'NORGE GAMLEM' PM5534 and Switzerland (SRG-1) showing programmes from the E3 transmitter at Uetliberg. Spanish programmes from TVE were also received on E3 during the morning period. Other Band I channels revealed transmissions from Italy (RAI), Czechoslovakia (CST) and Austria (ORF).

Bob's second glimpse of Icelandic TV occurred on the 21st with a solo appearance at 1145. It is interesting to note that DX reception from RUV is usually regarded as a late evening phenomenon. Perhaps test transmission hours have been extended? Maybe the BBC should take note of less well financed TV services such as RUV!

Radio (Tele-Uno) activity

The 20th was an extremely active day, with DX from stations in Italy (RAI and Radio-Tele-Uno), Yugoslavia, Spain and West Germany. Bob has queried a news programme or presenter with the logo 'TTT' in the background. This was noted on channels R1 and R2 at 0823. We feel sure that this was from TVP in Poland.

Despite Bob's location many miles from the east coast, tropospheric DX provided some interesting catches, especially on the 30th. The pick of the bunch included the Danish Vestjylland channel E10 outlet, which was positively identified by the 'DR DANMARK' PM5534, and the Hessischer Rundfunk 1st network transmitter at Grosser Feldberg in West Germany. This was identified by the FuBK test card which carried the inscription 'HR1 FFTM'.

Finally, Sandor Rottenbacher has written from Göd-Felső in Hungary with a mystery. He noted a caption on June 20th which included a large stylised 'AL' symbol in the centre with the letters 'CHF' to the right of centre. Unfortunately Sandor has not included any details about the channel or time of reception. If anyone can identify this station please write in and we will pass on all the information.

Service information

Tunisia: The RTT transmitter at Remada, which operates on channel E4, has an ERP of 40kW. The FuBK test card has been received by several enthusiasts in the UK.

Sweden: The new SVT-1 transmitter at Vislanda on channel E39 has an ERP of 1000kW. The YLE outlet in Stockholm, which relays programmes from Finland, also operates on E39 with 1000kW ERP.

France: The old transmitter at Buttes de Chaumont has been replaced by an outlet at the Fort of Romainville near Paris. The identification on the TDF PM5544 test card now reads 'CENACO' at the top (an abbreviation for 'Centre National de Communications') and 'ROMAINVILLE' at the bottom. The previous identification, 'CENEX-BCH', signified 'Centre Nodal d'Exploitation des Buttes de Chaumont'.

France's first TV network, TF-1, is to be privatised from January 1st, 1987. There are rumours that the new services of 'La Cinq' (TV 5) and 'TV 6' will be discontinued. Antenne 2, FR-3 and Canal Plus are to remain unchanged.

Netherlands: The following main transmitters are to be used for the planned NOS-3 service: Arnhem (channel E43); Goes (E35); Lopik (E30); Markelo (E51); Roermond (E34); Smilde (E44); Wieringermeer (E42).

The following relay stations are also to be used: Eys (E48); Hulsberg (E43); Losser (E34); Wolder (E59); Noorbeek (E52); Pietersberg (E23); Slenaken (E32); Wijk aan Zee (E21).

Norway: The first main high power UHF transmitter to be used by NRK is located at Gulen. It operates on channel E29 with 1000kW ERP. The transmitter is currently being used for measurement purposes by the Norwegian PTT and is not always operational. The identification 'NORGE' appears at the top of the PM5534 test card with 'GULEN' in the lower black rectangle.

Regional news bulletins are being radiated by NRK between October 31st and December 19th from ten local studios. Transmissions are on Fridays at 1715 local time, although not all regional centres will broadcast every week. A full regional service is expected to be introduced by Norsk Rikskringkasting following further trials.

Italy: A new Italian private TV station has been noted on channel IA. It is known as 'Radio-Tele-Italia'.

There is yet another private station on channel IA. Enthusiasts in the Netherlands have noted programmes on this channel carrying the identification 'TAI' in the corner of the picture. Photographs confirm that reception was not from the state-owned TV service, 'RAI'.

This month's service information was kindly supplied by Gösta van der Linden (Rotterdam) and the Benelux DX Club (Netherlands).

REW

The Liniplex[®] F1-

Sounds Good



The Liniplex is designed and manufactured in England and it is used extensively by the British Forces Broadcasting Service.

The Liniplex F1 is available directly or from appointed distributors from £625 (exc VAT) in the UK. Distributors: Radio West, 850 Anns Way Dr. Vista, CA92083 USA. Tel: 619 726 3910

Alltronic, Sonnenallee 95, 1000 Berlin 44, West Germany. Tel: 030 681 1095

O & C Alexander Sales (Pty) Ltd, PO Box 1713, Johannesburg, RSA. Tel: 724 9366

Philip Collins & Associates Pty, PO Box 295, Artarmon, NSW 2064, Australia. Tel: 02 412 2797

PHASE TRACK LTD, Unit 16, The Robert Cort Industrial Estate, Elgar Road, Reading, Berks, United Kingdom. Tel: 0734 752666

Because it is the first shortwave receiver to successfully realise the full potential of shortwave broadcasting. Operating continuously synchronised to the signal, even during fading, the Liniplex sounds remarkably clear with none of the distortion and little of the fading usually associated with conventional shortwave reception. Enjoy music on shortwave in a way that has not been possible before, especially when using your Hi-Fi system.

Without any reduction in fidelity, the listener can also for the first time select upper or lower sidebands, or both, at will, to relieve adjacent channel interference. This also makes the receiver compatible with any future use of single sideband broadcasting.

Crystal controlled to avoid synthesiser noise the receiver otherwise follows a regular communications receiver design. The plug-in crystals, one for each of the nine pre-set channels, are initially all BBC frequencies best suited to your particular location. Simply switch on and select the best channel for the time of day — synchronisation is fully automatic i.e. no tuning is required.

An indoor antenna is supplied but whilst ordinary transistor receivers generally gain no benefit from an external wire antenna due to overloading, the Liniplex receiver, with its excellent large signal handling capability, will on the contrary only sound even better.



BIPAK BARGAINS

Pack No	Qty	Description	Price
VP1	300	Assorted Resistors mixed values & Types	£1.00
VP2	300	Carbon Resistors 1/4-1/2 watt pre-formed mixed	£1.00
VP3	200	1/8 watt Min Carbon Resistors mixed values	£1.00
VP4	200	1/2-1 watt Resistors mixed values & types	£1.00
VP16	50	Wirewound Resistors mixed watt values	£1.00
VP112	1	Sub Resistance Box 36 values 5 ohms-1K ohms	£4.75
VP140	50	Precision Resistors 1% Tol	£1.00
VP181	100	1 and 2 watt Resistors, assorted values	£1.00

Pack No	Qty	Description	Price
VP5	200	Assorted Capacitors all types	£1.00
VP6	200	Ceramic Capacitors Min. mixed values	£1.00
VP8	100	Mixed Ceramic Disc 66pf-015pf	£1.00
VP9	100	Assorted Polyester/Polystyrene Capacitors	£1.00
VP10	60	C280 Capacitors Metal/Foil, mixed values	£1.00
VP11	50	Electrolytics all sorts	£1.00
VP12	40	Electrolytics, 47mf-150mf, mixed volts	£1.00
VP13	30	Electrolytics, 150mf-1000mf, mixed volts	£1.00
VP15	25	01/250V Min Layer Metal Caps	£1.00
VP146	25	Solid Tantalum Caps, mixed values	£1.00
VP180	25	Tantalum Bead Caps, assorted values	£1.00
VP182	4	1000µf 50V Electrolytics	£1.00
VP192	30	Min Electrolytics mixed values, 47mf-1000mf 6-16V	£1.00
VP193	6	Sub Min Electrolytics 2 x 1000/2200/3300mf 10-16V	£1.00

Pack No	Qty	Description	Price
VP24	10	125in Clear showing red LEDs	£1.00
VP25	10	Mixed shape and colours LEDs	£1.00
VP26	15	Smart 125in red LEDs	£1.00
VP27	15	Large 2in red LEDs	£1.00
VP28	10	Rectangular 2in red LEDs	£1.00
VP57	25	Ouro Special Pack, assorted, super value	£5.00
VP130	6	RED 7 Seg CC 6in x 7.5mm RDP FND353 LED Display	£2.00
VP131	4	GREEN 7 Seg CA 6in LDP XAN6520 LED Display	£2.00
VP132	5	RED 7 Seg CC 6in LDP XAN6940 LED Display	£2.00
VP133	6	RED Overflow 6in x 3 CA 3x CC 6630/50 LED Display	£2.00
VP134	5	GREEN Overflow 6in CA XAN6530 LED Display	£2.00
VP135	5	RED 7 Seg CA 3in XAN3061 LED Display	£2.00
VP136	3	DUAL RED 7 Seg 5in CA DL527 DPR LED Display	£2.00
VP137	3	DUAL RED 7 Seg 5in CA DL727 DPR LED Display	£2.00
VP138	20	Assorted LED Displays. Our mix, with date	£2.00
VP147	1	Pair Opto Coupled Modules	£0.50
VP199	4	DL707 LED Displays CA	£1.00
VP203	15	Triangular shape LEDs, Mixed colours	£1.00
VP204	10	Large Green LEDs, 5mm	£1.00
VP205	10	Small Green LEDs, 3mm	£1.00
VP206	10	Large Yellow LEDs, 5mm	£1.00
VP207	10	Small Yellow LEDs, 3mm	£1.00
VP208	10	Large LEDs Clear showing red 2in	£1.00

Pack No	Qty	Description	Price
VP29	30	Assorted volts Zeners, 50mW-2W	£1.00
VP30	10	Assorted volts Zeners, 10W, coded	£1.00
VP31	10	5A SCRs TO66 50-400V, coded	£1.00
VP32	20	3A SCRs TO66 up to 400V, uncoded	£1.00
VP33	200	Sil Diodes like IN4148	£1.00
VP34	200	Sil Diodes like OA200/BAX13-16	£1.00

Pak No	Qty	Description	Price
VP35	50	1A IN4000 Diodes, all good, uncoded	£1.00
VP49	30	Assorted Sil Rects 1A-10A, mixed volts	£1.00
VP141	40	IN4002 Sil Rects 1A 100V, preformed pitch	£1.00
VP142	4	40A Power Rectifiers, silicon, TO48 300PIV	£1.00
VP143	5	BY187 12KV Sil Diodes in carriers 2.5MA	£1.00
VP184	3	4A 400V Triacs, plastic	£1.00
VP187	10	SCRs 800MA 200V 2N5064 plastic TO92	£1.00
VP194	50	OA91 point contact Germ Diodes uncoded	£1.00
VP196	40	OA47 gold bonded Ger Diodes uncoded	£1.00
VP196	50	OA70-79 detector Diodes, Germ	£1.00
VP197	50	OA90 type Germ Diodes, uncoded	£1.00
VP198	40	BX248 Sil Diodes, 350V 2A, fast recovery	£1.00
VP222	20	3A Stud Rectifiers, 30-400V	£1.00

Pack No	Qty	Description	Price
VP38	100	Sil Trans NPN plastic, coded With data	£3.00
VP39	100	Sil Trans PNP plastic, coded With data	£3.00
VP45	50	BC107/8 NPN Transistors Good, uncoded	£1.00
VP46	50	BC177/8 PNP Transistors Good, uncoded	£1.00
VP47	10	Sil Power Trans Similar 2N3055 uncoded	£1.00
VP48	5	Pairs NPN/PNP plastic Power Trans, 4A, data	£1.00
VP50	60	NPN Sil Switching Trans, TO-18 and TO-92	£1.00
VP51	60	PNP Sil Switching Trans, TO-18 and TO-92	£1.00
VP60	100	All sorts Transistors, NPN/PNP	£1.00
VP50	20	BC193B Sil Trans NPN 30V 200mA Hfe240+ T092	£1.00
VP51	25	BC171B Sil Trans NPN 45V 100mA Hfe240+ T092	£1.00
VP52	15	1T590 Sil Trans NPN 40V 400mA Hfe100+ T092	£1.00
VP53	15	1T591 Sil Trans PNP 40V 400mA Hfe100+ T092	£1.00
VP54	15	ZTX500 series Sil Trans PNP plastic	£1.00
VP55	20	BF595 Sil Trans NPN EQVT BF184 HF T092	£1.00
VP56	20	BF495 Sil Trans NPN EQVT BF173 HF T092	£1.00
VP57	15	ZTX500 series Sil Trans PNP plastic	£1.00
VP58	15	ZTX107 Sil Trans NPN EQVT BC107 plastic	£1.00
VP59	15	ZTX108 Sil Trans NPN EQVT BC108 plastic	£1.00
VP61	25	BC183L Sil Trans NPN 30V 200mA T092	£1.00
VP62	5	SJE5451 Sil Power Trans NPN 80V 4A Hfe20+	£1.00
VP63	2	NPN/PNP pairs Sil Power Trans, like SJE5451	£1.00
VP64	4	2N6289 Sil Power Trans, NPN 40V 40W 7A Hfe30+	£1.00
VP65	6	BT133 NPN Sil Trans 80V 5A Hfe50-200 T039	£1.00
VP66	5	BF134 NPN Sil Trans 100V 5A Hfe50-200 T039	£1.00
VP67	1	BUY69C NPN TO3 VCB 500 10A 100W Hfe15-	£1.00
VP68	10	BC478 eqvt BCY71 PNP Sil Trans TO18	£1.00
VP69	10	BX521 eqvt BC394 NPN Sil Trans 80V 50mA TO18	£1.00
VP70	10	Assorted Power Trans, NPN/PNP coded & data	£1.00
VP71	10	BC355 NPN TO-39 Sil Trans eqvt BF258 225V 100mA	£1.00
VP72	10	SM1502 PNP TO-39 Sil Trans, 100V 100mA Hfe100+	£1.00
VP200	30	OC71 type Germ AF Transistors, uncoded	£1.00
VP201	25	OC45 type Germ FT Transistors, uncoded	£1.00
VP202	15	BFY51 type Sil-TA Transistors	£1.00

Pack No	Qty	Description	Price
VP40	40	TTL ICs all new gates - Flip Flop - MSI. Data	£4.00
VP41	40	CMOS ICs all new Data	£4.00
VP55	10	ICs 4116 memories	£2.00
VP59	20	Assorted ICs linear, etc all coded	£2.00
VP60	2	74LS20	£2.00
VP210	12	74LS74	£2.00
VP211	10	CD4001B	£2.00
VP212	10	CD4011B	£2.00

Pak No	Qty	Description	Price
VP213	10	CD4011B	£2.00
VP214	10	CD4069B	£2.00
VP215	10	74P8-pin	£1.50
VP216	10	555 Timers 8-pin	£1.50

Pack No	Qty	Description	Price
VP102	1	13-piece Tool Set Screwdrivers, pliers, etc	£7.50
VP103	1	6-piece STANLEY Screwdriver set Flat & Crosspoint	£3.50
VP104	1	Ratchet Screwdriver Set 4 blades, real value	£1.75
VP139	1	Pick-Up Tool, spring loaded	£1.75
VP217	15	Helping Hand, soldering, TO13/5/18/220	£1.00
VP218	1	Watchmakers Screwdriver Set 6-piece	£1.75
VP219	1	Miniature Side cutters	£1.55
VP220	1	Miniature Bent-nose Pliers	£1.55
VP221	1	Miniature Long-nose Pliers	£1.55

Pack No	Qty	Description	Price
VP17	50	Metres PVC Single Strand wire, mixed colours	£1.00
VP18	30	Metres PVC Multi-Strand Wire, mixed colours	£1.00
VP19	40	Metres PVC Single/Multi-Strand Wire	£1.00
VP21	10	Assorted Switches, slider, push, etc	£1.00
VP22	200	50 inches total Copper Gland Board	£1.00
VP23	10	40mm track Slider Pots, 100K Lin	£1.00
VP36	100	50 inches total Copper Fibreglass Board	£1.00
VP37	8	Black Pointer Knobs, 1/4W Std	£1.00
VP42	10	Black Heatsinks, 1T TO3 and TO20 drilled	£1.00
VP43	4	Power-Fin Heatsinks, 2x TO3, 2x TO66	£1.00
VP44	15	50 inches total Copper Gland Board	£1.00
VP54	20	Assorted IC DIL Sockets, 8-40 pin	£2.50
VP56	100	Semiconductors from around the world Mixed	£4.00
VP81	1	Echant & Drill Kit, PCB inc Drill, Transfers, etc	£10.50
VP83	1	Electronic Buzzer, 12V 25MA	£0.95
VP84	1	Electronic Buzzer, 9V, 25MA	£0.95
VP85	1	Electronic Buzzer, 12V 25MA	£0.95
VP86	1	TECASBOTY 86 Component and Semiconductor Pack	£10.50

Pack No	Qty	Description	Price
VP87	1	Telephone Pick-up Coil with 3.5mm Jack Plug	£9.00
VP88	1	Pillow Speaker with 3.5mm Jack Plug	£1.25
VP89	1	2in Metric/Inches Tape	£1.00
VP95	1	Smart Antenna Switch, 3-way	£1.75
VP97	1	Signal Injector, push button operation	£2.50
VP97	1	Logic Probe/Tester Supply 4.5V-18, DTL, TTL, CMOS	£10.50
VP99	1	Universal Tester, with ceramic buzzer	£5.00
VP100	1	Electrical Circuit Tester for cars, electrical, TV	£1.00
VP107	1	Prezo Buzzer, miniature, 12V	£1.25
VP108	1	Prezo Buzzer, miniature, 240V	£1.25
VP110	30	Co-ax Antenna Switch 2-way	£4.50
VP111	1	Smart Antenna Switch, 3-way	£1.75
VP115	1	High Pass Filter, VHS/TV Band	£0.50
VP116	1	Low Pass Filter, VHS/TV Band	£0.50
VP128	1	Miniature FM Transmitter/Babyphone	£5.00
VP144	4	100K Lin Multi turn Pots Ideal vari cap tuning	£1.00
VP145	18	Assorted Pots, inc dual and switched types	£1.00
VP174	5	Presets, horizontal and vertical, mixed values	£1.00
VP175	30	DIL Switches 1/2-way slide 6-way SPST, assorted	£1.00
VP176	5	Pairs 20mm & 11mm glass assorted valves	£1.00
VP177	1	Pairs Assorted Hardware nuts, bolts, etc	£1.00
VP178	5	Assorted Battery Holders & Clips, PP3/9, AA, D, etc	£1.00
VP179	3	Pairs Croc Clips, insulated, 2 small, 1 large set	£1.00

BIPAK

Send your orders to Dept RE, BI-PAK, PO BOX 6, WARE, HERTS

TERMS CASH WITH ORDER, SAME DAY DESPATCH, ACCESS, BARCLAYCARD ALSO ACCEPTED, TEL 0763-448851, GIRO 388 7006

ADD 15% VAT AND £1.00 PER ORDER POSTAGE AND PACKING

Use your credit card. Ring us on 0763-448851 NOW and get your order even faster. Goods normally sent 2nd Class Mail

Remember you must add VAT at 15% to your order Total Postage add £1.00 per Total Order

ATV



ON THE AIR

Andy Emmerson G8PTH puts you in the picture

Europe now has its own international ATV organisation, called EATWG. Its full title, European Amateur Television Working Group, means that apart from AMSAT this is probably the first time that a speciality mode has organised itself internationally. EATWG is an umbrella organisation which will promote and protect the interests of ATVers. It seeks to gain official recognition from national radio societies and also from the International Amateur Radio Union (IARU), and it may serve as a model for similar interest groups for other modes.

As I have said before, ATV finds itself threatened from several directions, not only by governments who wish to confiscate parts of the amateur spectrum for other uses (look at Belgium) but also by misguided amateurs who consider that a wideband mode is not in the interest of amateurs as a whole. They do not realise that wideband modes are the sole justification for a full 10MHz allocation at 70cm, for instance, even to the point that in Switzerland it is the national radio club, USKA, and not the official authorities, who have banned ATV on 70!

In many European countries there are, and have been for decades, significantly more ATVers than satellite enthusiasts, and it is therefore vital that when IARU decisions are made they must be based on full information and data.

Together at last

This kind of task is exactly what EATWG will undertake, together with the promotion of ATV operation and maintaining co-operation between the different users of the amateur UHF and microwave bands. Co-ordination of bandplans, technical standards and also contests will now be carried out on an international basis. We have a healthy financial base and a strong organisation incorporating all the active ATV groups of Europe. Meetings will now be held annually and a regular newsletter will be circulated in the meantime.

To Basel and back

The first meeting of EATWG was held over the weekend of 20/21st September in Basel, Switzerland among extremely

pleasant surroundings. Our host was USAT, the Swiss ATV club, and the conference was held in purpose-built rooms at an exhibition centre surrounded by beautiful parkland. There was even a greeting and good wishes on the programme from the Gemeindepraesident, the leader of the local council.

Proceedings went out live over the local DB0RV television repeater as well as being recorded on tape. Organisation was first rate, and trips were also arranged to a TV facilities company, the repeater site, an electronics training centre and radio and electronics emporia. The hospitality of our Swiss hosts was also magnificent – we were wine and dined in superb fashion and each speaker was given a hand-painted plate as a memento of this auspicious occasion.

Personalities

A total of 35 amateurs attended the proceedings and representatives had come from Britain, France, Belgium, Holland, Italy, Austria, Germany and, of course, Switzerland. The British contingent numbered Trevor Brown G8CJS, Graham Shirville G3VZV and myself. For my sins I was elected chairman of the new working group and as a result my head has swollen even larger than before!

The BATC is the largest ATV group in Europe (probably the world), and we therefore offered to support the costs of EATWG by up to £1,000, a small sum to protect the interests of ATVers. Other organisation of EATWG is being undertaken by our German ATV partners in AGAF.

It was particularly pleasant to see Marc Chamley F3YX, who has done so much for ATV in Europe and who designed our 24cm FM TV system, at the meeting. Some people have seen the video of his complete mobile TV studio and 70/24cm relay station in an estate car... well, this is no longer. Marc now has a set-up twice the size in a red Peugeot diesel van, still complete with rotator mast on top! Output is 100W on 70 and 10W on 24, all from batteries (no generator is used).

Other technically gifted people came

too: Hansruedi Schaer HB9TJ brought his point-to-point TV relay system which requires no licence – it uses LED lasers! With just 5mW output he can cover a 3km path: the only tricky bit is finding the narrow beam at the distant end. Another fellow had brought a QRO transmitter for beaming the conference proceedings up to the repeater on 70cm. Using a Thomson TH308 triode this beast easily produced 300 or 400 watts power – even the blower had another blower trained on it to keep it cool! With a normal gain antenna this chap had many kilowatts of output on 70cm...

State of the nations

Apart from the discussions relating to the organisation of EATWG (which predictably went on well past midnight), each of the national groups gave a presentation on the situation concerning ATV in their country. Many interesting points came out in these talks, and some details follow.

F3YX reminded everyone that the international TV calling frequency, 144.750MHz, is a repeater input in France and 144.17MHz SSB is used instead. He also made the point that this frequency gives no disturbance to a 70cm TV picture: its third harmonic is lost in the sound rejection trap. On 70cm he said that one can achieve an apparent gain of 6 to 8dB by narrowing the receiver bandwidth to 1.0 or 1.5MHz.

More than 50% of French stations can now receive PAL colour as well as SECAM, though not necessarily in negative modulation. PAL gives up to 6dB improvement on weak colour signals.

The French ATVers hold a convention called SITRA every two years at Poitiers, on the third weekend of September. Marc pointed out that the next will take place in 1987, and several people got out their diaries immediately. The normal French vision frequencies are 438.5MHz (AM) and 1255MHz (FM). A second 24cm channel might be used at 1245MHz: this would replace the 1227.5 used in the days when the French 24cm band extended only as far as 1260MHz.

Robert Zak OE1RZB explained that FM-ATV is not yet permitted in Austria despite the arguments of amateurs that they should exploit new technologies. There is one TV repeater in Austria, OE5XLL, located a thousand metres above sea level 10km north of Linz. It has already been worked from Munich under good conditions. Currently it operates under remote control on two metres, with an input on 434.25MHz and output on 1280MHz. Additional inputs planned include 23cm AM and FM, and 13cm FM.

No international bandplan

It was clear that no single bandplan for TV would suit all countries, either on 70cm or 23cm. The different systems for FM voice repeaters and the activities of

primary users rule this out, and Paul Veldkamp PA0SON pointed out that the official IARU scheme for 70cm is unworkable. In this, 439.25MHz is given as a vision carrier centre and the upper sidebands would clearly exceed the band. And if our plans don't make technical sense, how on earth can we expect national licensing authorities to listen to us?

Being positive

Moving to FM television, the meeting agreed that sync should occupy the lowest frequency (positive modulation). This is what is already observed by all ATVers (and by video recorders!). Holland and Germany follow the CCIR-405 pre/de-emphasis norms, but F3YX found that you need pre-emphasise only the colour subcarrier and then only by 6 to 8dB. For best signal to noise ratio French stations employ ± 3.5 MHz deviation and occupy a bandwidth of 10 to 12MHz. The Dutch by contrast use a bandwidth of 22 to 25MHz. Luckily our receive systems can tolerate these variations for international DX!

F3YX added that he devised his FM system in 1976 and there are now 150 stations using it in France. On 70cm there are about 1000 ATVers. Three repeaters are planned, at Marseilles, Toulouse and Paris. These will be 1255MHz FM in and 438.5MHz AM out (they may have 24cm outputs later).

Egbert Zimmerman DD9QP gave a graphic explanation of FM television and proved how you need less power for a noise-free picture than with AM. Originally they had settled on 1275MHz as

the FM frequency, but this is now 1260MHz because of radar interference. He mentioned an unconfirmed proposal to put an FM TV transponder on the D2 flight of the space shuttle. The equipment, to be built by Bremen University, would have its uplink on 1267 ± 2 MHz and a 10W downlink on 2425 ± 25 MHz. Many questions are still open, but using computer-controlled antennas contacts would be perfectly feasible.

HB9TJ said his laser TV system is perfectly safe and can carry one TV signal with stereo audio or several audio signals multiplexed together. The only problems are rain, air turbulence and birds flying across the beam. Wavelength is 800-900nm, using an infra-red semiconductor laser, and he gave out a block diagram of the system (send me an sae for a copy).

In Holland PA0SON said their first TV repeater, PI6ATR, is now operational. Input is 1252MHz FM and output 1285MHz (AM). It is located at Aalten but will move to Raalte. Another FM in and out machine is being built at Eindhoven, and more will follow if these are successful. They suffer only one 23cm radar, on 1297.5MHz about 20km south of Utrecht.

Their 13cm band is shared with other users, including private point-to-point TV links - interesting! ATV has in fact come a long way since the first experiments in 1953, when they radiated on two metres (there's an ideal!). Activity soon shifted to 70cm, where the bulk remains. The normal ATV frequency is 434.25MHz, though 439.25 is used in the west of the country due to QRM from English voice repeaters.

Dutch amateurs have successfully asked the government to move Syledis out of the amateur band above 440MHz, but they still suffer some interference from Syledis systems of Belgium and Britain. In general they have very good relations with the authorities.

Trade scene

On the Continent most amateurs build their own ATV equipment. Indeed, PA0SON said only three of the 500 or so ATVers in Holland used commercial equipment and they were laughed off the air when they came on!

For 24cm some interesting Japanese made equipment was on sale: unfortunately it is for AM, not FM. There was a 1W transmitter by Raly Tusinki, and receive converters by this firm and the more well-known Adonis. From Prokom in Denmark came a superb looking vestigial sideband filter for 70cm. It has an insertion loss of under 2dB at 434MHz and greater than 60dB of attenuation at 430MHz. Fitted with either BNC or N-type connectors, it costs around £100.

Contest calendar

The Winter Cumulatives are for all modes (TV, that is) and all bands, from 1900 to 2359 local time each session. The dates are Thursday 8th January, Friday 16th, Saturday 24th and Sunday 1st February. More dates next month. There is not enough room for pictures this time but I hope to have some photographs of Switzerland ready for the next issue. Until then have lots of fun, watch out for openings and send in some letters and photos for the column! REW

The Tonna antenna company is as well-known in France as, say, Jaybeam is here. They make a wide range of TV aerials as well as a broad selection of antennas for radio amateurs. Less well-known is the fact that they also make beams for 934MHz, for the Swiss market. I understand that these are now to be imported to Britain, so a user report might not be out of order.

The Tonna products are deservedly popular in amateur circles, combining gain with lightweight construction. The latter means that the antennas are not quite as robust as some English products, but many users are prepared to accept this compromise.

For 934MHz, Tonna make two yagi beams, a short one (96cm long, for rear mounting) and a long one (2.10m, with normal trombone clamp mounting). The smaller job has 13 elements and a gain of 14.7dBi, while the longer one offers 18.3dBi gain with 23 elements. These figures are for isotropic gain, so you should subtract 2.15dB to get the gain over a normal dipole. Neither of these is licensable for transmitting at present, though there are persistent rumours that

NETWORK 934

Andy Emmerson G9BUP

the DTI will relax the antenna regulations shortly. Let's hope so!

Tonna antennas come unassembled, so you will spend an interesting hour making up the parts in the box. First job is to press the elements into the plastic insulators: these are a tight fit and it is best to do this over a hard surface. The elements are made of something like copper welding rod and are relatively soft, so try not to bend them!

The rods are colour coded (on their ends) and this code will enable you to snap them into the holes in the aluminium boom in the correct order. Unfortu-

nately no instruction sheet was enclosed with my samples, but I have made up Tonna aerials for 1250MHz and the coding was identical.

The active element is pressed into place and requires an N-type plug to be attached. Tonna supply one but unfortunately it is of the MIL-spec, non-captive type. These do not always grip the braiding of the cable properly, and my advice is to give (or throw) it away. Use a Greenpar, Coline or Radiospares plug with the 'top hat' ferrule which you know will stay in constant touch with the braiding. You don't want to fix another plug in a year's time, do you?

Both antennas make up into neat and efficient aerials, and if they become available at a reasonable price I would consider them two of the best buys on the market, far better than the TV aerial types. Watch this space for more information.

Testing, testing

Our friend Mitch MDC01 of Milton Keynes is the latest 934 enthusiast to acquire a test and development call. Now the proud possessor of G9CBE (citizen's

band experimentation?), he intends to carry out further investigation into the design of the antennas he sells under the Marksman name.

A test and development licence is a useful thing, allowing you to carry out all kinds of research which for one reason or another might not be allowed with a normal CB licence. Up to now the price of a 'T&D' as it's called has been little more than the normal ticket, but the price is about to go up to much closer to the £50 mark. This may deter some experimenters, though for a commercial organisation the price is a small one for the opportunities it gives.

A number of 934ers hold T&D calls and you may hear them on the air from time to time. A test and development licence is not used for normal communications, so you should not interrupt stations obviously engaged in commercial work. Apart from G9CBE, other holders of G9 calls on 934MHz include Clive G9BWZ in Gloucestershire, Fred Judd G9BTN in Norfolk, Jim Finch G9BSP in Southampton, the Citizen's Band Association (G9BRY), G9BWB in Kent – and myself. Many other G9 calls have been issued, but they are for other frequencies and many were for experiments now completed.

Commercial break

LMW Electronics of Ratby, near Leicester, has a new range of 934MHz preamplifiers which are selling like hot cakes. Unlike hot cakes, you will not get your fingers burnt if you try one of these jobs: Chris Smith (LMW 01) is a microwave engineer by profession and produces good kit. The new products are based on the NE41137 dual-gate GaAs-FET, which gives a gain of typically 16dB with a noise figure typically better than 2.5dB.

As I have said before, too much gain is worse than insufficient, and a variable gain control is highly desirable. The LMW products offer a number of options so you can choose the features you need in your preamp. The 934PP1 module is a simple 'gain block' intended for installation inside the rig. There is no on-board

switching and it is intended for the qualified enthusiast. It comes as a 1 x 2 inch PCB, ready-built and aligned, and the price is £22.45. You can also have an outboard version, which goes behind the rig. This contains switching to bypass the preamp on transmit, and if you wish you can also have variable gain and a switch to select one of two antennas.

There is also a mast-head version in a waterproof housing, which will give greater sensitivity as it overcomes the signal loss in the feeder cable between rig and twig. N-type connectors are used for minimum loss.

For people suffering interference from cellular radio this new preamp will come as a blessing. For a start the preamp is far less prone to overload than a previous product from East Anglia, while the variable gain facility will enable you to find a setting which gives the best compromise between most sensitivity and least interference. This option is not available on the mast-head unit, however.

RF switching is employed, so the preamp is entirely automatic in operation and you can transmit through it with no risk of damage. If you forget to connect the 12 volts, no problem – the preamp will 'fail safe'. You may choose to switch out the preamp anyway and the unit will then operate in 'straight-through' mode, with a through-loss of around 1dB. If you have both a collinear and a beam, then you will want the antenna switch option.

Prices, including VAT, are £82.75 for the set-side unit and £92.75 for the mast-head version. Add £7 for the antenna switch option and £3.00 for the variable gain facility (not on mast-heads). Postage is £1.00. LMW Electronics live at 102 Stamford Street, Ratby, Leicester LE6 0JU and can be reached on (0533) 386364.

By the way, if you wonder why I plug some firms' products and not those from some others, the explanation is simple. I like to report on all new goodies for the 934MHz operator but I can only talk about the things I know of. These firms are enlightened enough to send me product information and samples, and if you

would like to see your gear featured as well please get in touch! A letter care of the editor will do the trick.

SWL corner

I don't normally mention short wave equipment in this column, but I have just tried out an interesting new antenna which I thought I would mention. Many 934 people are also keen short wave listeners, and if you are... read on!

One of the hassles of the HF bands is the size of the aerials necessary to get a good signal, and many SWLs who want something a bit better than a (so-called) long-wire try a (so-called) compact antenna such as the G5RV design or a Joystick. Well, here's something different, a folded dipole about 6 feet long.

I must admit I am no connoisseur of HF antennas, so all I can say is that it looks well made, with a sealed loading coil, and comes from a firm with some experience in antenna manufacture. Rated from 2 to 30MHz, it can be used indoors or outside, with or without an ATU (antenna tuning unit). Obviously it will work much better with an ATU.

When I tried one it did a good job across the full 2-30MHz range, and the manufacturer has letters from users saying it outperforms inverted Vs, long-wires, G5RVs and Joysticks. Obviously the results you get will depend on circumstances, but if you are looking for something compact this might just be the job.

The name of the antenna is the Royal Blue and you can get it for £25 from Photo Acoustics in Newport Pagnell or from their stand at rallies. Alternatively you can send £25 plus an additional £3 for post and packing to the manufacturer, Marksman Products, PO Box 40, Milton Keynes, Bucks MK6 2UT. The telephone number is (0908) 668916.

Sign-off

That's it again for another month. Keep alert for tropo lifts in case we have a fine spell, don't let the short days and dark evenings get you down, and get those letters and photos rolling in – I'd like to hear from you!

REW

PLEASE NOTE

As you will by now have discovered, this month's cover price has increased from last month, although we believe this still represents excellent value for money. The subscription price will not rise until next month, so make a bee-line for the subscription order form on page 61.

MEDIUM WAVE



DXING

by Steve Whitt

Welcome to the final issue of the year and to a MW DXing column that this month will be concentrating on the latest news from Europe affecting the MW DX scene. For some reason this month sees quite a lot of activity in this area, and in particular some of the better heard European stations are undergoing significant change.

Belgium: BRT, which is the Flemish language service in Belgium, has adjusted the times of its English programmes in order to incorporate new German programming. *Brussels Calling* can now be heard daily on 1512kHz at 1830-1855 and 2200-2225, with the DX programme *Radio World* now being aired on Saturdays.

Finland: During the winter period and until 28/03/87 R Finland is broadcasting in English at 0730-0755 daily, 0830-0930 Saturdays, 1930-2000 not Saturdays, 1955-2000 Saturdays, 2030-2055 daily, 2200-2225 not Saturdays, and 2200-2300 Saturdays using 254, 558 and 963kHz. As reported in previous issues of *R&EW*, work still continues on the new 600kW transmitter for 963kHz that is due on early in 1987.

Germany (FRG): After just one year on the air VOA Europe is expected to close down at the end of the year due to budget cutbacks. It started programmes aimed specifically at Europe in October 1985. Normal English language programming is likely to continue, however, from the Munich transmitter on 1197kHz.

R Free Europe now has telephone talk shows for listeners in Hungary, Bulgaria and Czechoslovakia since these countries have recently acquired direct dial access to international phone lines.

United Kingdom: A few months back I reported that Red Dragon R in Swansea was airing a special DX programme; well, now it seems that Radio 210 in Reading is also active in this area. It has a DX programme on Tuesdays at 2130hrs local time on 1431kHz/97MHz. I've not been able to hear this so I'd appreciate information or comments from any readers in the Reading area.

Viking R is planning to join up with R Hallam and Pennine R in an agreed merger, but local programming will continue. The three stations will probably share their news gathering facilities and marketing departments in an attempt to reduce overheads. In a related vein, the IBA has announced that it will be reducing the transmitter rental fees that ILR stations have to pay by around 30%, thus helping some of the less profitable (and indeed loss making) local stations in the UK. The two perennial problems that face ILR stations are firstly the fact that they cannot operate their own transmitter facilities (they must rent from the IBA), and secondly the difficulty in attracting sufficient high paying advertisers, who still find television to be the more effective medium.

International waters: R Monique, the Dutch station operating on 963kHz via the R Caroline transmitters, has a new address: PO Box 600, Gerona, Province of Gerona, Spain. Whilst on the subject of Caroline, it is reported that metal fatigue has been discovered affecting the 300 foot mast aboard their ship, the *Ross Revenge*, caused no doubt by the ravages of the North Sea. Meanwhile, reception reports for the other maritime station, the Voice of Peace, should be personally addressed to a specific individual at the station otherwise they are thrown away!!

World Radio TV Handbook

Undoubtedly the most essential reference book for any DX shack (for either the MW or the SW listener) is the *World Radio TV Handbook* published by Billboard. The 1986 edition is still in the shops but the new 1987 version is just being compiled and I am informed that there is intended to be no price rise in 1987. This means that when this book hits the bookstands around March or April it should cost £17.95. This is quite expensive, but a number of radio clubs usually band together to obtain a specially negotiated pre-publication price for their members, and it would probably be worth joining such a club for this reason alone.

Try contacting the Secretary of the British DX Club at 54 Birkhall Road, Catford, London SE6 1TE (mainly a SW club but also covers MW and VHF) or the Medium Wave Circle (Club Secretary) at 69 Alderley Way, Cramlington, North-

umberland NE23 9UQ (specialises in MW DX only).

Special event stations

One aspect of local or community radio in the UK that has gone largely unreported is special event radio. This is part of a two-year experiment by the Home Office to provide an extremely local radio service for festivals, conventions, county shows, sporting events and the like, and it is intended that during 1986 and 1987 around 25 licences per year will be issued in circumstances where radio would form the best means of communication at a particular site.

Special event radio stations are presently allocated MW frequencies and are only permitted to use an absolute maximum power of 50 milliwatts (yes, 50mW) effective monopole radiated power. This very low power coupled with the fact that stations will not be on the air for more than a fortnight at a time (in fact stations have operated for periods ranging from a few hours up to two weeks) makes them rather difficult DX targets.

There are currently no stations operating, but the Home Office will soon be deciding on permits for 1987 of which I hope to bring you details in the near future. In the meantime, below is a list of all the stations that operated this year.

DX File

Some of the finest MW DX in a long time occurred from the 10th - 13th and around the 24th - 26th October, during which period the DX path was open to the

Spring Harvest
Capital Venture Day
Motor racing
Greenbelt Festival
Race meetings
Motor racing
Air Fete 1986
International Air Show
TVS Airshow South
Cowes Week
East of England Show
Faith 86
R Thamesmead Festival

Butlins, Minehead, Somerset
Battersea Park, London
Silverstone, Northants
Castle Ashby, Northants
Santa Pod Raceway, Bedfordshire
Brands Hatch, Kent
RAF Mildenhall, Suffolk
Army Air Corps Centre, Hampshire
Hurn Airport, Hampshire
Cowes, Isle of Wight
East of England Showground, Peterborough
East of England Showground, Peterborough
Southmere Park, Thamesmead, London

CJVR RADIO

P.O. Box 1420, Melfort, 1420

WISHES TO THANK YOU FOR MONITORING THIS STATION AND WE HEREBY CONFIRM YOUR RECEPTION AT 1420 kc.

ON September 17, 1986

AT 9:45 pm CST

QTH N. Lat. 52°47'57" W. Long. 104°35'25"

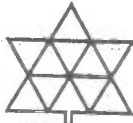
Power—10,000 watts NITE & DAY

Two Towers 231.1 ft. in line 8° true.

- Height of 346.6 ft.
- Phasing 0° & —104°.
- Field Ratio 1. & .86

Xtmer—C.G.E. 'Ultrasound' 4BTC83B

—Efficiency 87%.



1887/1987

— Continental 316F (main)

Ben G. Smith
For Radio CJVR Ltd.

The first QSL card to be received from the Anglesey DX-pedition reported in this column last month

west coast and prairie states of the USA and Canada.

As luck would have it I completely missed the first event, but looking at what other MW DXers heard as well as my own log there were certainly some gems around. For example:

590 VOXM, St John's NF was heard as early as 1930hrs

780 WBBM, Chicago IL

870 WWL, New Orleans LA

930 CJYQ, St John's NF heard on a standard car radio and whip aerial

1010 WINS, New York NY as late as

0730hrs

1090 KAAY, Little Rock AR; first time for this station and state in many years

1090 KING, Seattle WA; also first time in many years

1200 WOAT, San Antonio TX

1510 WMRE, Boston MA as late as 0830hrs

In addition, KBC in Seoul, South Korea was heard on 1566kHz around 2000hrs and even as I write this column I managed to hear R Caribbean in St Lucia on 840kHz with a mixture of Caribbean soca music and European pop hits.

Finally, to round off this section I'll return briefly to the Anglesey DXpedition reported last month. In the aftermath of the trip quite a few tape recordings were analysed and reception reports sent off to a variety of stations. Indeed, on closer inspection of some tapes a couple of unnoticed station identifications were unearthed; for example, the first UK reception of CHIN, Toronto on 1540kHz was found this way. The very first QSL card to be received was from CJVR in Melfort, Saskatchewan.

That's it for 1986, so I'll look forward to your letters, comments and queries and any MW news items you care to send in during the forthcoming year. **REW**

THREE ACES FROM ALCON!

ELECTRO TESTER

20kV ac and dc
40 RANGES — with diode and fuse protection plus 30A for the power men!
Accuracy: dc ranges and ohms 2.5% ac 3% of fsd

40 RANGES: dc V 100mV, 300mV, 1-0V, 3-0V, 10V, 30V, 100V, 300V, 1000; dc I 50µA, 100µA, 300µA, 1-0mA, 3mA, 10mA, 30mA, 100mA, 1-0A, 3-0A, 30A; ac V 10V, 30V, 100V, 300V, 1000V; ac I 3-0mA, 10mA, 30mA, 100mA, 1-0A, 6-0A, 30A
Ohms 10kΩ, 100kΩ, 1MΩ
dB from -10 to +61 in 5 ranges
Dimensions: 105 x 130 x 40mm

ONLY £32.00

SUPER 20

20kV dc & ac
39 RANGES —
INDESTRUCTIBLE
Electronically protected on all ranges but 10A

Accuracy: dc ranges 2%, 1% on ohms, 3% ac
39 RANGES: dc V 100mV, 1-0V, 3-0V, 10V, 30V, 100V, 300V, 1000V; dc I 50µA, 100µA, 300µA, 1.0mA, 3-0mA, 10mA, 100mA, 1-0A, 10A, ac V 10V, 30V, 100V, 300V, 1000V; ac I 3-0mA, 10mA, 30mA, 100mA, 1-0A, 10A; Ohms 0-5.0kΩ, 0-50kΩ, 0-500kΩ, 0-5.0MΩ, 0-50MΩ; dB from -10 to +61 in 5 ranges.
Dimensions: 130 x 105 x 40mm

ONLY £33.50

MINI 20

20kV dc & 4kV ac
28 RANGES WITH
PROTECTIVE FUSE
Accuracy: 2% dc and
resistance 3% ac (of fsd)
28 RANGES: dc V, 100mV, 3V, 10V, 30V, 100V, 300V, 600V; dc I 50µA, 100µA, 300µA, 60µA, 60mA, 30mA, 300mA, 3-0A; Ohms 0-2Ω, 0-2MΩ, dB from -10 to +62 in 6 ranges.
Dimensions: 105 x 130 x 40mm

ONLY £23.50

3 HIGH QUALITY TEST INSTRUMENTS AT SUPERDEAL PRICES

EACH INSTRUMENT HAS A CLEAR MIRRORED SCALE AND COMES COMPLETE WITH ROBUST CARRYING CASE, LEADS & INSTRUCTIONS

PRICES: Our prices include VAT and postage and goods are normally despatched by return Please write or telephone for details of these and many other instruments in the Alcon range, including multimeters, components, measuring, automotive and electronic instruments

ALCON Instruments Ltd.

19 MULBERRY WALK LONDON SW3 6DZ. TEL: 01-352 1897
TELEX: 918867

For the latest thoughts about the communications of the future and to find out what's happening now, buy **DIRECT LINE** and make it your guide to the new communications age



- D**esigned for easy reading
- I**ntroduces new communications systems
- R**ead all about it in the first issue
- E**lectronic mail and shopping from home
- C**ellular mobile telephones
- T**elevision by cable and satellite
- L**atest technology explained
- I**nteractive computing
- N**ews of all the latest products
- E**xceptional value for money

**MAKE A DIRECT LINE TO
YOUR NEWSAGENT NOW**

NEXT ISSUE

Radio & Electronics The communications and electronics magazine **World**

THE MF10 FILTER CHIP

James Dick takes a look at a versatile filter IC

LOGIC CIRCUITS

The start of a series from D Stewart about the mysteries of AND, OR, NOT, NAND etc

PLUS ALL THE USUAL FEATURES!

On sale 8 January

To be sure of your copy, why not take out a subscription?

THE PERFECT COMPLEMENT TO RADIO & ELECTRONICS WORLD



With regular features like:

- ☆ **DX DIARY:** Don Field G3XTT with all the news of rare DX, contests and DXpeditions
- ☆ **G3OSS TESTS:** Angus McKenzie – the fairest, most comprehensive reviews available anywhere

MORE NEWS, MORE FEATURES, MORE FUN, MORE STYLE

Make sure of your copy by placing a regular order at your newsagents or by taking out a post free, inflation proof subscription, with early delivery to your door each month

AMATEUR RADIO SUBSCRIPTION ORDER FORM

To: Subscription Department • Amateur Radio •
1 Clarendon Road • Croydon •
Surrey • CR0 3SJ Tel: 01-760 0409

PLEASE SUPPLY: (tick box) for 12 issues, all rates include P & P

Inland £15.60 World Surface £17.40 Europe-Air £21.50 World-Air £26.50

NAME

PAYMENT ENCLOSED: £

Cheques should be made payable to Amateur Radio. Overseas payment by International Money Order, or by credit card

ADDRESS

CREDIT CARD PAYMENT Card expiry date

Postcode

Signature

Synthesis in Southgate

If you've recovered from the New Year revelries by 8th January (*You're joking! I'm always hung-over 'til at least February - Ed*), you might like to stroll along to the Southgate ARC's meeting on that day, where Brian Oughton G4AEZ will be unravelling the mysteries of phase-locked loops and frequency synthesis. The place to be is Holy Trinity Church Hall (Upper), Green Lanes, Winchmore Hill, London N21 at 7.30pm.

The good old days

The latest issue of the British Vintage Wireless Society's bulletin includes a lengthy and illuminating dissection of the 'Television in the Home' exhibition mentioned in last month's QSO. It seems that there were a fair few mistakes in the show catalogue, and the bulletin's editor Robert Hawes makes some interesting points about the perpetuation of myths through the medium of the printed word.

The BVWS bulletin is one of the best-produced around, having undergone a major revision recently. It always contains a wealth of

authoritative material on old radio equipment, and is well worth reading if you've even a casual interest in this field. For further details contact Gerald Wells, BVWS Membership Secretary, Vintage Wireless Museum, 23 Rosendale Road, West Dulwich, London SE21. Please bear in mind that if you want to visit the museum you should make arrangements with Gerald beforehand (telephone: (01) 670 3667).

2m contest

The Derby and District ARS has organised what is hoped will become an annual VHF contest. This 144-145MHz event will take place on 15th March 1987 between 1300 and 1700 GMT, on all modes permitted by an operator's licence (the band plan must be observed).

Contestants will exchange call signs, RS(T) reports, serial number (starting at 001) and administrative county. Contacts with the club station, G3ERD, will count as 10 points, with all others 2 points. The final score will be the total number of contact points multiplied by the number of counties. Contacts on

On these pages we present details of interesting contacts from clubs and individuals. We would be happy to receive any similar items from readers

recognised calling frequencies and via repeaters are not allowed.

The awards will be in three sections: full legal limit; low power (25W maximum output); and SWL. Certificates will be awarded to the winner and runner-up in each section.

For a copy of the rules send an sae to DADARS at 119 Green Lane, Derby DE1 1RZ.

Down Wimbledon way

On the calendar for the Wimbledon and District ARS are a couple of meetings which should prove popular. On 30th January the Metropolitan Police are giving some instruction in crime prevention, so that you can retain possession of that shiny new black box you got for Christmas.

A month later, Pat Hawker G3VA, author of the excellent *Technical Topics* column in *RadCom*, will be giving a talk about IBA TV broadcasting on 27th February.

WDARS meetings are held on the second and last Fridays of each month at 7.30pm in St Andrews Church Hall, Herbert Road, Wimbledon, London SW19.

Enquiries should be directed to George Cripps, 115 Bushey Road, Raynes Park, London SW20 8DG.

Crawley TV

News from the Crawley ARC: the licence for the video repeater, GB3CT, has come through and it went live on 2nd November. If you want more details there is a club net every Friday at 2030hrs on S22, 145.550MHz, or contact

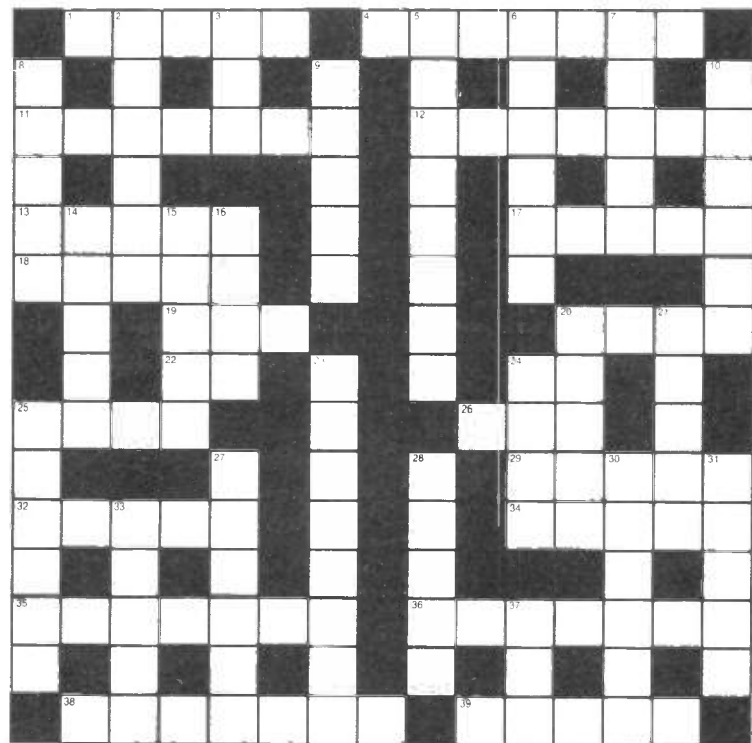
Test your radio knowledge with this crossword by Jack Burrows. Turn the page for the answers.

ACROSS

1. Amateur's messages can be expressed in (5)
4. Channel watcher (7)
11. Figure of eight (7)
12. Components in group (7)
13. Audio frequency gives (5)
17. Record data (5)
18. Acid and alcohol form this compound (5)
19. Smoothies and is insoluble in water (3)
20. Simultaneous signal (abbrev) (4)
22. Direction of electron flow (2)
24. Electric current (2)
25. Energy can be expressed in (4)
26. A TV ruling body (3)
29. No QRM (5)
32. Raise aerial (5)
34. Disc opening program (5)
35. Use SINPO code for this (7)
36. Turned outward (7)
38. Make unidirectional (7)
39. Wavelength uses poet's measure? (5)

DOWN

2. Radiated signal (6)
3. Heart waveforms measure (3)
5. Measured in farads (8)
6. cadmium (6)
7. Absolutely accurate (5)
8. Result of interference (5)
9. A diode has this electrode (5)
10. Containing iron (6)
14. Amateur radio in space (5)
15. Lamps containing gas (5)
16. Evidence of a leak (4)
20. Shows meter reading (5)
21. Miniature valve base (5)
23. Attenuation of sound frequency (6,2)
24. Non-artists do this to circuit boards (4)
25. Work capability (6)
27. Licence conditions are (6)
28. Time between lead and lag (5)
30. Reflects radio waves (1,5)
31. Mobileers use them (5)
33. Wipe out (5)
37. Put in place (3)



Dave G4IQM on Crawley 882641.

Calling all CARS?

The initial meeting of the Clacton Amateur Radio Society (CARS) will be held at 7.30pm (for 8.00pm) on Wednesday 14th January 1987 at The Eldorado Club, The Broadway, Jaywick, Essex.

For further information contact Reg Taylor, 14 Meadow Way, Jaywick CO15 2SQ.

Good ideas dept

Brian G3CVI of Chelmsford Amateur Radio Society has instigated a practice well worth emulating. He has offered to run a library service for club members, with the nominal sum charged for the loan of a book contributing towards the purchase of new books. Give this man a pat on the back.

Barry rally

The 7th Welsh Amateur Radio Rally organised by the Barry College of Further Education Radio Society will be held on 1st March at the Barry Leisure Centre (telephone (0446) 744770).

As well as the many trade exhibitors there will be the usual bring and buy stand, at

which a nominal display charge is made (no commission), the RSGB book stall, and Morse testing facilities. The Leisure Centre's swimming pool, licensed bar (extended hours) and cafeteria will all be available.

The rally will open at 11am (10.30 for the disabled), with talk-in on S22. For more info contact Mike Adcock GW8CMU on (0446) 711426.

Packet demo

Exponents of packet radio in the Harpenden area might like to wet their whistles in the Silver Cup Public House, St Albans Road, Harpenden on Tuesday 3rd February, where Stan G4OAV will be talking about AX25 on the BBC B. This pub is the venue for meetings of the Harpenden ARC twice a month, and on Tuesday 17th February they will be holding a practical AX25 meeting.

The club also runs 'on-air' Morse classes every Sunday courtesy of Keith G0CXP and Ian G0CPN. Further details from EP Simons G1BJC, Bedford Farm, Common Lane, Harpenden, Herts AL5 5DN.

More packet

Martin Stubbs G8IMB will be talking to the City of

Bristol RSGB Group about packet radio on 23rd February at the Small Lecture Theatre, University of Bristol, University Walk, Clifton, Bristol. Meetings start at 7.30pm and

are usually held on the last Monday of each month. Further info from Colin Holister G4SQQ, 34 Battersby Way, Henbury, Bristol BS10 7SU. Telephone (0272) 508451.

LETTERS

Letter from America

Dear Sir

On a recent holiday in England, and through an advert in *Radio & Electronics World* (Anchor Surplus), I bought an MK328 receiver. This is an excellent set, and has provided hours of enjoyment.

I was not able to find the TR165 battery in England (Tandy) or in the States (Radio Shack). My receiver is now working on a battery pack made up of two Mallory RM640R cells and two Mallory PX32 batteries, which fit nicely in the battery compartment. The RM640s must be insulated: I used heat-shrinkable tubing.

I wonder if readers of *R&EW* can tell me, by a short note, who manufactured the set, whether schematics are available, some of the MK328's history, and where one can get L & MO plugs from.

Thank you
Eugene P Reed WB7NGI
6120 Shenandoah Avenue
Las Vegas
Nevada 89115 USA

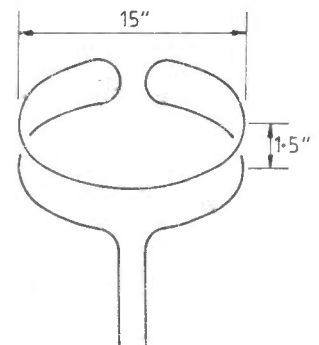
(Goliath Research Project)
Teesside Polytechnic
Borough Road
Middlesbrough
Cleveland TS1 3BA

There's always one . . .

Dear Sir

Having borrowed one of your magazines from a colleague from the local university I note the plethora of very expensive commodities and services.

Thus this design was 'stolen' from the local Tandy store which your readers might like to construct.



The measurements were by eye and there was absolutely no attempt at construction exactness and the materials used were old 15 amp cable.

I received adequate reception with one in stereo (FM - hardly AM and not PM (?)), thus I made a second and voltage added the whole lot indoors.

The reason for these extremes is that I be one of Maggie's Army or Maggie's Millions thus cannot afford the cost of £12 for an aerial.

The other reason - I design in electronics and have sent all the concepts abroad: money cannot be made in England.

Hence the name
Davy Jones Locker

Is this man serious? Has he suffered brain-death? Is this the general level of our readership these days? (It's certainly about the level of our editorial staff . . .)

Ring any bells?

Dear Sir

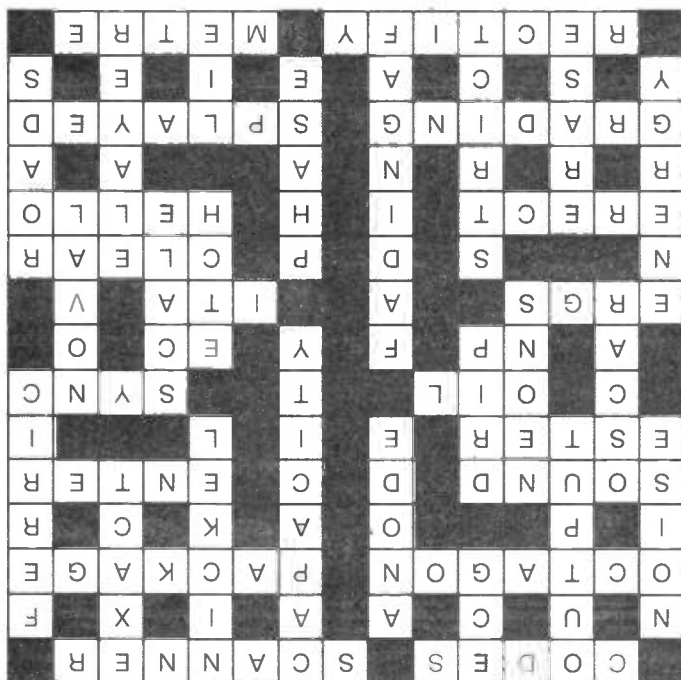
I am engaged on a programme of research into a very low frequency, transmitting radio station established in Germany during late autumn 1941.

The station, called Goliath, was near the village of Kalbe (Saxony, Prussia) and partially straddled the river Milde.

I seek any information, no matter how small or seemingly trivial. Any drawings, photographs, technical details or personal memories by German or Allied personnel would be especially welcome. Any documents loaned to me would be treated with care and postage refunded.

Yours faithfully
TF Bernascone

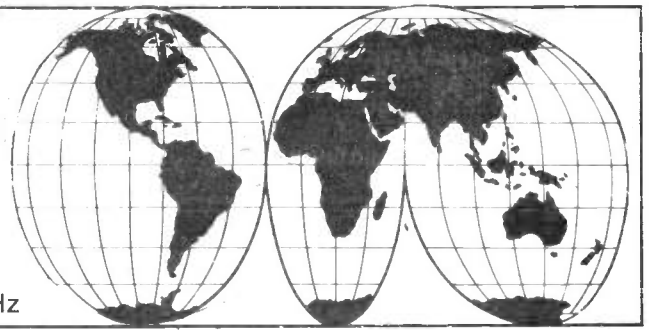
Answers. How many did you get right?



SHORT WAVE NEWS FOR DX LISTENERS

By Frank A Baldwin

All times in UTC, **bold** figures indicate the frequency in kHz



Continuing our review of some of the Indonesian stations currently operating on the 60 metre band (**4750 – 5060**), the attention of interested readers is drawn to **4875**, at which frequency RRI (Radio Republik Indonesia) Sorong in Irian Jaya (West Irian) at 5kW is on the air from 0800 to 1515. This includes an English programme on Saturdays timed from 1200 to 1230. The frequency can, however, vary to **4870.5**. With good conditions for the reception of signals from Indonesia prevailing, together with a little luck, some of us may manage to log part of the afternoon transmission during this winter, the most favourable time of the year for South-East Asian and Far Eastern transmissions to reach these shores.

The recently reactivated RRI Bukittinggi, located in the Padang Highlands of Sumatera (Sumatra) and listed on **4910** with a power of 10kW (formerly 1kW) has, until now, rarely been reported in the European SWL press. It is on the air from 1700 to 2315 and from 0330 to 0600.

Often reported

RRI Jambi in Propinsi Jambi (Province Jambi), Sumatra is to be heard on **4927**, where it operates with a power of 7.5kW from 2200 to 0100 (Sunday until 0445) and from 1000 to 1500. The final closing time, however, can vary from that shown up to 1700, and it is these occasions that provide the most favourable opportunity for hearing the signals from Jambi, often being reported world-wide.

Another Indonesian transmitter often appearing in DXers' reports is RRI Surakarta, Jawa (Java) on **4931.6**. With a power of 10kW it is scheduled from 2230 to 0200, from 0500 to 0800 and from 1000 to 1705 but is often on the air around the clock.

Rarely heard here in the UK or in Western Europe is RRI

Bandung, Java on **4945.8**. It transmits from 1730 to 2200 and from 0500 to 0800. At 1.5kW its signals seldom filter through those emanating from co-channel occupants such as the 250kW RSA Johannesburg with the Lozi programme from 1500 to 1956 wrecking the late afternoon opportunity, and the many Latin American stations including the 20kW Colombian Caracol putting paid to the late evening chance of success. Nevertheless, the channel is visited from time to time in the hope – it springs eternal – that a logging will eventually result.

Quite often recorded in many a DXer's logbook are the occasions on which the transmissions of RRI Banda Aceh, Sumatra have been heard. This 10kW transmitter is on the air from 2200 to 0200 (Sunday through to 0500), from 0500 to 0800 and from 1000 to 1525 but sometimes signing off at 1700 or 1805 on **4954.7**. This channel is an alternative to that of **3904.8**, this latter frequency being less reported than **4954.7**.

Tuning up to **5046** around 1530 may result in a logging of RRI Yogyakarta in Java. With a power of 20kW it is regularly logged here in the UK. The schedule is from 0800 to 2200 and from 0200 to 0500 with an English newscast timed from 1130 to 1145.

Out of band transmitters

Having commenced this 60 metre band Indonesian update in the previous issue with an out of band transmitter (RRI Ujung Pandang on **4719.2**), we end by calling attention to two Indonesian stations outside the high end of the band. The oft-reported RRI Sibolga on a variable **5256** is on the air from 1000 to 2200. Despite its low power rating of 1kW it is regularly heard world-wide, and was logged by the writer and other European DXers during the 1985 season.

Finally, to exit with a test of DX ability and a gift of good fortune, try **5500.5** from around 2200 to 2300 in an effort to hear the signals from RRI Biak in West Irian. At 1kW it is scheduled from 2100 to 2300 and from 0900 to 1600.

Next month

An update of the Indonesian transmitters operating on and around the 90 metre (**3200 to 3400**) band, last reviewed in our February 1984 issue, and some details of the nusantaras (networks).

AROUND THE DIAL

The drums of Africa and the local style music of other areas of the world are but a few of the multifarious sounds to be heard if you tune to some of the frequencies at the times indicated below.

AFRICA

Botswana

Radio Botswana, Gaborone on **4820** at 0357, the sounds of cow bells, cows lowing and the herdsmen's cries, these all being part of the tuning signal which can be heard prior to the choral rendition of the National Anthem. The subsequent station identification and frequency announcements in SeTswana were made at 0400. The schedule of this 50kW transmitter is from 0400 to 1100 and from 1500 to 2100 with newscasts in English timed at 0510 and 1110 Monday to Friday inclusive (Saturday and Sunday at 1125), and at 1610 and 1910 Monday to Friday inclusive.

Egypt

Cairo on **9475** at 1803, quotations from the Holy Quran in the Arabic service for Europe, scheduled from 1800 to 2350. The city of Cairo, in Arabic *El Kohera* (the victorious), is the capital of the Arab Republic of Egypt and the largest city in Africa. At the head of the Nile delta it is the commercial, manufacturing and transportation centre of Egypt. It was founded by the Fatimite General Jauhar in the year 969.

Kenya

The Voice of Kenya, Nairobi on **4885** at 1824, OM with a talk in vernacular during a transmission of the North-Eastern

and Coastal Service which is in vernaculars and Somali during the period 0200 to 0600 and in vernaculars, Somali, English and Swahili from 1430 to 1800. The power is 100kW.

Liberia

ELWA, Monrovia on **3230** at 2019, OM with a talk in vernacular. The Home Service on this channel is scheduled from 1810 to 2220 daily and additionally on Sunday from 0615 to 0800, the power being 10kW.

VOA (Voice of America), Monrovia on **15445** at 1950, YL with the VOA identification, this being a VOA relay, during the English transmission to central Africa, scheduled from 1600 to 2300.

Madagascar

Radio Nederlands Relay, Talata Volon on **15575** at 1450, OM with an interesting talk all about musical boxes in the English Service directed to the Far East and timed from 1430 to 1525.

South Africa

RSA (Radio South Africa), Johannesburg on **4945** at 1816, YL and OM with a drama in the Lozi programme which is radiated on this frequency from 1500 to 1956 with a power of 250kW.

RSA, Johannesburg on **4990** at 0407, OM with a newscast about local affairs in an English programme aired daily from 0300 to 0426, with a power of 250kW.

Swaziland

TWR (Trans-World Radio), Mpangela on **3200** at 1815, OM with a religious song in vernacular, some piano

SHORT WAVE NEWS

music, choir with a hymn then OM with a sermon. This 25kW transmitter is on the air from 0400 to 0530 in German and English, from 1600 to 1645 in English, from 1700 to 1745 in Zulu, from 1745 to 1845 in Xhosa, Shona and Ndebele and from 1900 to 2015 in English.

NORTH AMERICA

USA

VOA, Greenville on **15410** at 1908, OM with the news and a commentary in the English presentation to West Africa, scheduled from 1600 to 2200.

AFRTS (Armed Forces Radio and Television Service), Greenville on **15430** at 1905 featuring a broadcast by the President about the drugs situation in the USA. This was a transmission in the English programme for the North Atlantic area timed from 1100 to 2200.

SOUTH AMERICA

Brazil

Radio Nacional de Manaus, Manaus on **4845** at 0303, OM with local news items followed by some announcements and the station identification in Portuguese. This 250kW Radiobras station is on the air from 0900 to 1400 and from 1800 to a variable closing time around 0300 (Sunday until 0100).

Ecuador

Radio Rio Amazonas, Macuma on **4870** at 0243. OM with a talk in Spanish. The schedule is from 1000 to 0405 and the power is 5kW.

Radio Federation, Sucua on **4960** at 0008, YL with a folk song presumably in Shua, a local vernacular (at any rate it was not in Spanish), OM with announcements in Spanish at 0015 then some local style folk music. The power is 5kW.

HCJB, Quito on **6230** at 0433, OM with a religious song during the English transmission for North America timed from 0200 to 0700 daily.

Peru

Radio Inca del Peru, Lima on **4762.4** at 0228, pop records in the local style then OM with the station identification in Spanish at 0230 followed by more pops. This station operates from 1100 through to 0410 (Saturday and Sunday around

the clock) and is rated at 5kW. Well worth logging.

Venezuela

Radio Tachira, San Cristobal on **4830** at 0429, OM with a folk song in Spanish, some piano music then OM with the station identification at 0432. Radio Tachira works to a 24-hour schedule at 10kW.

PACIFIC

Australia

Radio Australia, Melbourne on **7205** at 1442, OM with announcements and recorded pops in the English programme directed from the Carnarvon transmitter to southern Asia from 1430 to 2040. The English transmission for Europe on this channel is timed from 1530 to 2040.

Radio Australia on **15415** at 0925, a programme of recorded pops then YL with the station identification at 0930, followed by more pops in the English presentation to the southern part of the Far East timed from 0900 to 1100.

NEAR AND MIDDLE EAST

United Arab Emirates

Dubai on **17775** at 1439, Arabic type music and YL with some songs in an Arabic language programme for Europe timed from 1400 to 1500. Dubai currently features English to Europe and North Africa on this channel and in parallel on **11940**, **17865** and **21605** from 1030 to 1100 and from 1330 to 1400. Between 1600 and 1645 Dubai transmits in English on **9640**, **11955**, **15320** and on **15435**.

Pakistan

Radio Pakistan, Karachi on **4815** at 1805, local style music complete with songs in Urdu. At 10kW this transmitter is on the air with programmes in Urdu from 0215 to 0545 and from 1400 to 1900. After Karachi came under British control in 1843 it became the major port of north-west India. It was the capital of Pakistan from 1947 until 1959, when Rawalpindi became the seat of government. Islamabad, the present capital of Pakistan, lies below the Himalayas to the north of Rawalpindi.

Radio Pakistan, Islamabad on **17660** at 1457, OM with a song in Urdu during the

Arabic/Urdu/English series of programmes directed to the Middle East from 1215 to 1615. OM with the station identification at 1500, pips time-check then OM with a newscast of local affairs.

Syria

Damascus on **9950** at 0554, OM with a song, YLs with the chorus and some local style music in an Arabic programme for the Middle East, scheduled from 0230 to 0600.

EUROPE

Albania

Radio Tirana on **9500** at 0530, the interval signal, YL with the station identification and a newscast in Spanish during the French/Spanish/English transmission to Europe, timed from 0500 to 0655. Tirana in central Albania is the capital city. Founded in the 17th century by the Turks, it has many fine mosques of the 17th and 18th centuries. The modern city was built in 1920, when it became the capital.

Spain

REE (Radio Exterior de España), Madrid on **9650** at 0644, OM talk about local industry in the Spanish offering to eastern Australia, scheduled from 0600 to 0800.

Madrid on **15375** at 1910, YL with announcements of prevailing temperatures at various Spanish cities and resorts then OM with a local pop song in the English programme for Africa timed from 1830 to 1930.

CLANDESTINE

Radio Venceremos on **6556** at 0207, local style music followed by OM with a harangue in Spanish. This clandestine has been operating on and around this channel since early 1981, claiming to be located within El Salvador. The policy is one of support for the Farabundo Marti National Liberation Front, which is hostile to the government of El Salvador. Programming in Spanish, it is best heard here in the UK during the 0000 to 0115 and the 0200 to 0315 slots.

Radio Camilo Cienfuegos on **9940** at 0202, YL with the station identification followed by a talk in Spanish.

Radio Camilo Cienfuegos is a CID (Cuba Independent and Democratic) transmitter which broadcasts to Central America on a 24-hour basis, during which some air-time is provided for the programmes of the Surinam Liberation Council (Radio Free Surinam) which are radiated in Dutch and Sranan Tongo. These latter transmissions are timed from 0720 to 0750 and 2230 to 2300.

NOW HEAR THESE

Reykjavik, Iceland on **11855** at 1308, OM with a newscast in Icelandic, the signal being lost under co-channel interference at 1318. The schedule is unknown at the time of writing. On the Faxe Fiord in south-west Iceland, Reykjavik is the capital city. Founded in 874 and chartered in 1786, it is Iceland's chief port, fishing and fish processing centre. A hot water supply system completed in 1945 uses the natural hot water springs.

Radio Andina, Huancayo, Peru on **4996** at 0450, OMs with a folk song, OM with the station identification in Spanish at 0500, some announcements then an orchestral rendition of the National Anthem after which the folk songs continued. By government decree, the National Anthem must be radiated by all Peruvian radio stations at 0600, 1200 and 0000 local time.

NOW LOG THESE

Schulungssender des Osterreichischen Bundesheeres, Fleckendorf, Austria on **3378** at 1010, OM with a pop song in German, this also being logged on the parallel channel of **5035**. This Austrian Army 10kW transmitter is on the air Monday to Friday inclusive from 0930 to 1430 and features morse code lessons during the schedule.

Radiodiffusion Television Togolaise (*La Voix de la Nouvelle Marche*) Togblekope, Togo on **5047** at 2026, OMs with a song in vernacular complete with local style orchestral music. This 100kW transmitter carries Home Service programmes in French and vernaculars from 0528 to 0805 and from 1710 to 0005 and features an English newscast at 2000.

REW



THE COMMUNICATIONS AND ELECTRONICS MAGAZINE

- Regular well-informed columns on various aspects of amateur communication
- Up-to-date news on the latest technology
- Simple and useful constructional projects, plus clear explanations of the theory behind them
- Delivery to your door by publication date each month
- Inflation proof – price guaranteed for 12 months

On sale NOW at your newsagent and at equipment dealers

RADIO & ELECTRONICS WORLD SUBSCRIPTION ORDER FORM

To: Subscription Department • Radio & Electronics World • 1 Clarendon Road • Croydon • Surrey • CR0 3SJ
Tel: 01-760 0409

PLEASE SUPPLY: (tick box) for 12 issues, all rates include P & P

Inland £15.60 World-Surface £17.40 Europe-Air £21.50 World-Air £28.45

NAME

PAYMENT ENCLOSED:

£ —

Cheques should be made payable to Radio & Electronics World. Overseas payment by International Money Order, or credit card.

ADDRESS

CREDIT CARD PAYMENT

EXPIRY

.....

..... Postcode

Signature

BEST EVER VALUE END-OF-LINE BARGAINS!

● COMPUTER SYSTEMS

SAMURAI-S-16 MSDOS COMPUTER SYSTEM 8086 based true 16 bit machine with high-res green screen, 128K memory (do-it-yourself expandable to 512K), twin DSDD 8" floppy disc drives (total 2.3 MB); CENTRONICS parallel interface; 2 → RS232 interfaces, MSDOS with full manuals INCLUDED in the price are PEACHTEXT word processing software, PEACHCALC spreadsheet and PEACHTREE TELECOMMUNICATIONS. All BRAND NEW with original manuals £299.00

TRIUMPH-ADLER P40 COMPUTER. 128K dual processor machine (8085 & 8088) with high res monitor, single DSDD 80 track floppy, 12.5 MB half height WINCHESTER drive. CP/M & MSDOS are included in the price. BRAND NEW £295.00

TRIUMPH-ADLER P30 COMPUTER. As above, but with twin floppy disc drives BRAND NEW £195.00

PYRAMID Model 501 CP/M MICROCOMPUTER SYSTEM (Manufactured by HTE Ltd) With 4MHz Z80A processor, 64K memory & twin TEAC Model FD-55F DSDD 80 track half height 5 1/4" floppy disc drives (total 1.5 MB) With serial RS232 & CENTRONICS parallel interfaces & provision for a second serial interface. These very compact (2 1/4" high) machines are S-100 based (with one spare slot), and are software compatible with NORTH STAR HORIZON. CP/M Ver 2.2 & some TELEX software is included in the price. BRAND NEW or EX DEMO condition (requires terminal) £195.00

MATMOS PC. Available without disc drives only. 64KB Z80A based machine with RGB, composite video outputs & UHF modulator. Serial, parallel, cassette & peripheral bus interfaces are provided. MICROSOFT BASIC is in ROM. A terminal emulation ROM is available at £20.00 £49.00

● PERIPHERALS

HITACHI Model 305S 3" disc drives. With SHUGART compatible interface (34 way edge connector) & suitable for BBC with DFS, AMSTRAD 664 6128, TATUNG EINSTEIN & many others. 250K (double density unformatted) per side reversible, 40 track, standard power connector for 12V & 5V, overall power consumption typically 3.7W. Supplied BRAND NEW with connector pin-out details etc. but uncased. Data cables only are available for AMSTRAD & BBC (£7.50) and TATUNG (£10.00) £29.95

HITACHI Model 3050 double sided 3" disc drives. As above, but double sided (500KB unformatted accessible without turning disc over). Not suitable for AMSTRAD 664 6128 £39.95

HITACHI COLOUR MONITOR Model 1480P. High resolution 14" monitor with RGB, intensity & sync inputs at positive TTL levels. Horizontal frequency is 15.75kHz & resolution is 640 × 200 IBM compatible. BRAND NEW £149.00

HITACHI COLOUR MONITOR Model CD2053 high resolution (720 × 416) 20" colour monitor with RGB & sync input at positive TTL levels. Horizontal frequency is 24.2kHz. Suitable for Olivetti M24. BRAND NEW UNCASSED (We have various other new uncased colour monitors still available at £95.00) £195.00

HITACHI MONO MONITOR. All BRAND NEW but uncased and for 12VDC. 15.625kHz 15.75kHz horizontal frequency, 50.60Hz vertical. Positive TTL video & sync. 9, 12 & 14" available £18.50

● WORD PROCESSOR

ITT SCRIBE III WORD PROCESSING SYSTEM. Dual processor (Z80H & TI 9995) machine with 128K memory, QUME printer interface & RS232 comms interface. With dual 5 1/4" floppy disc drives (double density, double sided), high resolution green screen monitor & low profile keyboard. Excellent professional word processing software with many advanced features including extensive help files, slow scrolling, mail-merge, information retrieval, integrated data base, etc. is included in the price together with BASIC. Originally selling at over £5000.00. BRAND NEW £295.00

ITT SCRIBE III as above with 10MB Winchester & single floppy, 256K & NEC Model 7700 SPINWRITER 55cps daisy wheel printer. All BRAND NEW £995.00

Please note: VAT & CARRIAGE must be added to all items. Carriage is £3.00 - VAT for 3" disc drives, and £10.00 - VAT for all other items. *A complete stock list (which includes test equipment & other items) is available on request

AVAILABLE ONLY FROM

MATMOS Ltd., 1 Church Street, Cuckfield, W. Sussex RH17 5JZ.
Tel: (0444) 414484 454377

Visa & Access accepted



COMPUTER APPRECIATION, 111 Northgate, Canterbury, Kent CT1 1BH. Tel: (0227) 470512 Telex: 966134 COMPAP

matmos and Computer Appreciation

FREE CLASSIFIED ADS

FREE CLASSIFIED ADS CAN WORK FOR YOU

We are pleased to be able to offer readers the opportunity to sell your unwanted equipment or advertise your 'wants'.

Simply complete the order form at the end of these ads. Feel free to use an extra sheet of paper if there is not enough space on the order form. We will accept ads not on our order form.

Send to: **Radio & Electronics World**, Sovereign House, Brentwood, Essex CM14 4SE.

DEADLINE AND CONDITIONS

Advertisements will be inserted in the first available issue on a first come first served basis. We reserve the right to edit and exclude any ad. Trade advertisements are not accepted.

FOR SALE

■ Thandar 600MHz freq counter, TF200, TP600, case, service manual, all new. Will sell or swap for UHF h/port, any model but not xtal type. UK limited edition freq journals 25-1000MHz 1986. Costs hundreds of pounds, just what scanner hunters have been looking for. Beats the rest of the market. Ring in confidence any time: (0473) 85526 totally private

■ HF Rx, Eddystone 830/9 300kHz to 30MHz AM, CW, USB, LSB, 100kHz cal. Very good condition, mains operation, 1kHz read-out, £170 ono or exchange for Racal RA17L Rx. Can deliver at cost of petrol. May also exchange for old HF Tx/Rx, WHY. Tel: Leeds 677101

■ Silver Eagle microphone, boxed, mint condition, £40. Pair of small speakers, £15. Two Garrard record decks; DD75, £35 and belt drive, £15. Teleton tuner/amp, 40 watts rms, needs attention, £10. Tel: 804 0865, ask for Dave, Mon to Fri only

■ National Panasonic RF8000 broadcast receiver, 1979. VHF 30-230MHz continuous coverage, LW/MW, 14x1MHz bands 1.5-30MHz. Touch button selectors, clock, 2x8 section VHF aerials, one SW rotating loop aerial. Original price £1,800, will exchange for good communication receiver. H M J Carroll, 4/135 Newbridge Road, Bath, Avon BA1 3HG. Tel: (0225) 337143

■ Grove Scanverter, converts any scanner with airband 118 to 136MHz to military airband 225 to 400MHz, £35. Pair hand-held transceivers, crystalised 29MHz, £15. 12-digit printing calculator, fully electronic, large green display, includes box of printer paper rolls, £45 ovno. 3M slide projector, 35mm, with sound on slide facility. Includes slide carriers and sound disc slides, £50 ovno. Answer-call answering machine less tapes, £45 ovno. K L Phillips, 3 Linden Court, Frithville Gardens, London W12 7JJ. Tel: (01) 743 0811

■ Oscilloscope, Scopex 4D10A. Dual-channel, dc-10MHz, dual-gain probes, service manual, £100. Tel: Stoke (0782) 503301

■ GEC BRT402 comm Rx, 15kHz-30MHz 6 bands, ex-BBC monitor. Set of spare valves and manual, £70. Tel: (091) 5344952

■ Trio R2000, SSB, CW, AM/FM modes with memory store/scan features etc, two clocks. Only six months old. Boxed with manual, hardly used, bargain at £350. Dressler active antenna, good specifications, ARA30, also hardly used, £80. If both items purchased as one package deal, will sell complete package for £400. Genuine reason for sale. Carriage extra. N Porter, 23 Calder Court, Surbiton, Surrey. Tel: (01) 390 2650

■ Sommerkamp TS788DX, 26-30MHz, 100W output, £180 ono. Daiwa infra-red mike RM940, £25 ono. Codar CR70A AM/SSB general coverage receiver, £30 ono. Farnell 5V 30A PSU, £20 ono. Write to S Mohan, 75 Pennine Road, Glossop SK13 9UL

■ Yaesu FT209R h/held, boxed in v.good condition, plastic cover still on control panel. Tx/Rx 140 to 150MHz. With stand-in quick charger, speaker mic, vox headset and car door mount. Sensible offers only. Tel: (0202) 515993 after 6pm

■ Complete HF station comprising Trio TS130V, CW/SSB WARC bands HF transceiver, digital read-out, fitted narrow CW filter, 10W o/p all bands, ideal QRP, £375. VFO 120, £30. Digital frequency controller DFC30, £40. Trio PS20 PSU for above, £50. Also Yaesu solid-state linear FL110, 10W input 100W output, 80m to 10m, £80. All ono and all manuals supplied. Price for lot, £500. Andy Clarke GOAYZ, 22 Vale Grove, Gosport, Hants. Tel: (0705) 589560 any time

■ Morse tutor prog for Atari 400/800, 600XL or 800XL, variable speed sending, cassette, £3. RA17 Rx, 0-30MHz, in 19 inch case, with cct, £100. 2m base stn, 12W Tx, 6-ch fitted with mic, £20. Aerials: 70cm

9-el + 18-el + 6-el 2m + rotator + mast + cables, £60 lot. Phone during office hours (021) 553 6096 or write B Nock, 62 Cobden St, Kidderminster, DY11 6RP

■ RTTY Tx/Rx station comprising ZX81 micro with hard-wired 16K RAM, installed in DK Tronics keyboard with RF proofing, complete with hardware and software from Scarab Systems, plus tone decoder and superb filter with software for morse Rx - an excellent package which will decode CW at almost any speed under very noisy conditions. Also included are numerous tapes containing many amateur radio programs, £60. Gordon Jackson, 109 Culver Grove, Stanmore, Middx HA7 2NG. Tel: (01) 907 2253

■ Currah Micro Speech synthesizer, £15. Also large collection of software for Spectrum. Robert Jackson, 109 Culver Grove, Stanmore, Middx HA7 2NG. Tel: (01) 907 2253

■ Vintage US Army Signal Corps frequency meter, type BC-221-AH. In mint condition, complete with canvas field hoods, calibration charts and phones, £50. Signal Corps telephone test set EE-65-B, looks new, £40. Tel: Bookham 52569 evenings

■ Professionally built dc power supply unit, complete with plugs and leads, switchable in 50 volt steps from 200 to 400 volts. Dimensions 8x12x7 inches, weight 22 pounds. New condition, £50. R D Mitchell, 33B Hollicondane Road, Ramsgate, Kent. Tel: Thanet 587243

■ Atlantis cordless telephone set, with 2-way intercom. Up to 700ft range, memory, automatic redial and mute switching facilities. Brand new, unused, boxed, £79. W M Saleh, 20 Deburgh Street, Riverside, Cardiff CF1 8LD. Tel: (0222) 40659

■ Pye Pocketphone PF1 Tx, £7. 70cm ATV Tx with off-air probe and add-on PA unit DJ4LB design, £40. Dish, Marconi Radar type, 4ft diameter, slight damage, £35. Resonator/wavemeter 10 to 19GHz with calibration charts in metal box, £30. Tel: Worthing (0903) 40072

■ GEC Selectest multimeter, very similar to AVO8 but higher amps test (30 amps) and bigger. Good working condition, must be cheap at £20 or will swap for 27-28MHz multimode for winter conversion to 10 metres, must be complete, but not essentially working. Terry G1FFH, 126 Tombridge Crescent, Kinsley, Pontefract, West Yorks WF9 5HE. Tel: Pontefract 612413

■ 350 electronics magazines, all types: EE, PW, PE, Hobby Electronics, Elektor, ET, Radio & Electronics World, £60 or exchange for mixer, general coverage receiver, Spectrum hardware. Mr Ferreira, 13 Danhurst St, London SW6 5AA. Tel: (01) 731 1509

■ Computer bits: Tandy TRS-80 Model 1 plus VDU, 16K RAM, Level 1 & 2, offers please. Colecovision, plus 23 cartridges, Pole Position steering wheel, Atari VCS module, boxed, absolutely mint condition, £150 ono. Vectrex, 3 cartridges, uses vector graphics. Boxed, absolutely mint, offers. Epsom LX-80 dot matrix printer, boxed, mint, inc cable, £200. Call Mike on (04023) 45969 (nights)

■ Meccano No.10 set, complete (except case), all original 'Binns Road' parts, vgc. Won't split, will sell to best offer over £700. Call Cyril on (04023) 45969 any time

■ BBC Model B microcomputer, OS1.2, Basic 2, fitted with Pace Amcom DFS, 62 files per disc. Complete with manuals, £250. Tel: (051) 355 9325

■ Logic analyser. Thurlby LA-160A, three buffer pods and logic grabber sets, still in box and unused. Originally cost over £500. offers. Paul Beldom, 3 Manor Road, Hunstanton, Norfolk PE36 5AY. Tel: (0853) 2940

■ AOR2002, as new, boxed, a few weeks old, £350. J Wingrove, 114 Wakehurst Rd, London SW11 6BT.

Tel: (01) 228 4835

■ 2m base stn, 12 watt, 6ch fitted, 240V ac, with mic, suit beginner, £25. RA17 Rx, 0-30MHz with cct, £100. Atari progs, morse tutor, variable speed, £3. Radio calculations inc Maidenhead calc, £3. For 600/800XL. N-type plugs, new, £2 ea. Cirkit servo driver kits, £2.50 ea. All collect or post extra. Ben. Tel: Kidderminster 743253

■ PCB for PW Meon trvtr, 2,4,6 to 10m, drilled with cct, £3.50. Collect or post xtra. Ben. Tel: Kidderminster 743253

■ AOR2001 scanning Rx, 25-550MHz no gaps, as new, £200. Heath HW-101 trncvr, 80-10m SSB/CW, 100W out. Superb rig, includes PS-23 ac PSU, Heath desk mike, manual, spares, all for £200. Sony ICF2001 FM/AM/SSB/CW Rx, 150kHz-30MHz plus 76-108MHz FM, as new, £75. Buyers to collect or arrange transport. Steve GM4GTU. Tel: (0224) 743039 evenings (QTHR)

■ Yaesu FT480R 2 metre multimode, 1/10 watts, vgc with manual, stand, mobile bracket, £270 ono. Tel: Hastings (0424) 437513 evenings/weekends

■ Creed 444 teleprinter, 50 baud cogs, v.good cond plus several rolls paper tape, £45. Tel: (01) 660 5689

■ Trio TS130V HF transceiver, SSB, CW, RIT, notch fitted narrow CW filter, WARC bands, digital read-out 10W o/p. Ideal QRP caravan mobile etc, £375. Also Yaesu linear for above, FL110 100W o/p, £75. Plus remote VFO 120, £30. Remote digital frequency controller DFC30, £40. PSU 20, £50. New mobile mount, never used, £15. All handbooks and manuals available, all mint condition, all ono. Andy GOAYZ QTHR. Tel: (0705) 589560 any time

■ Communications receiver, Heathkit Mohican, 5 bands 580kHz to 30MHz, extending tubular aerial, instruction manual, nice condition, bargain at £35. Panasonic RF4800 comm receiver, 3MHz to 27.3MHz plus LW/MW/FM SSB/BFO, 10 bands, instruction manual, mint condition, £110. Tel: (0246) 410545 evenings

■ Have latest American CB 'walkie-talkie', 5 watts 40-ch PLL on USA FCC frequencies, rugged metal-cased model, LED read-out. Will swap for Tandy PRO22 hand scanner, or receiver covering 225 to 400MHz AM, or sell £40. Tel: (0207) 544342 eves/weekends

■ ZX81 with 16K RAM, new, no PSU. PFM200A frequency meter, new. ZL1LH SSTV boards with ICs. Bill Doherty, 68 Shelbourne Road, Ballsbridge, Dublin 4

■ Yaesu 2m hand-held, NC7 charger, YM244 speaker/microphone, PA3 car adaptor, £140 ono the lot. Tel: (0842) 61523

■ Oscilloscope, British made Calscope 10MHz dual-beam, with switchable probes and accessories. As new, boxed with instructions, half cost price, £175. Tel: (0491) 680941 (Berkshire)

■ Westinghouse W1620 Extel terminal, 40x40x40cm comprising video monitor, full ASCII keyboard with numeric pad and logic board with aux/line/printer ports. Switch selection of half/full duplex at 110/150/300/600/1200/1800/2400 baud Tx/Rx with odd/even/no parity. Separate composite video output. Monitor display 80-column, 24 lines. With spare picture tube and LOPT, £45. Buyer collects. Eric Keeley, 11 Sprattling St, Manston, Ramsgate, Kent CT12 5AW. Tel: (0843) 89383

■ Yaesu FT290RH hand-held rig, complete with FNB4 FBA5 and MMB21, £200 plus delivery. Might consider swap for hand-held or other scanner with cash balance. Mr D Garland, 15 Durban Road, Peverell, Plymouth. Tel: 263276

■ ST5MC RTTY terminal, Creed 444 plus manual, paper, ribbons, plinth, £95. Fax machine, Casio Fax 80, £40. DX-TV Band III aerial, £10. John Haywood, 191 Allesley Old Road, Coventry CV5 8FL. Tel:

(0203) 72253

- PCB CAD program for Electron/BBC B. Auto-positioning and auto-routing track drawing of double-sided board with up to 9 24-pin ICs on each board, more boards by headers. Discrete components catered for. Strictly for non-disc versions, quick and easy to use, you supply data, program computes tracks! Can be used manually, £14.60 cassette. Eric Keeley, 11 Spratling St, Manston, Ramsgate, Kent CT12 5AW
- PSUs, lots of them, all adj voltage covering 12-13.8V dc with O/L and short circuit protection: 15 amp, £28. 20 amp, £40. 30 amp, £55. 40 amp, £69. 100 amp, £110. All g'eed working OK. Size 10x10x10 inches. Can be posted OK. P/x WHY? Tel: (0245) 324555

WANTED

- Stingey father desperately needs cheap 2m hand-held or 2m mobile multimode for son's 18th birthday. Tel: Berkhamsted (04427) 71386, ask for Jeremy
- User's manual and circuit diagram for Telequipment S51E oscilloscope or any info or photostat. Mr K E Appleyard, 5 Queen Street, Barton-on-Humber, Sth Humberside DN18 5QP
- Vega 215 or 210 in exchange for a Sony ICF7600 FM/MW/SW 1-5 bands. Also wanted, FRG7 digital or Lowe SRX30D in exchange for a Grundig 1400SL. Both my radios are in 1st class condition. L J Taylor, 1 Cadley Close, Blandford Forum, Dorset DT11 7RY. Tel: (0258) 53933
- Quality comm receiver, for up to £100 cash, will collect in the north-west area. Please phone Rob on (051) 260 3026
- Circuit diagram for WS 2.9 and S8. Andy. Tel: Plymouth 261635
- Photocopy of circuit diagram for Sanyo VCM-700 'Camera-Talk' video monitor. Will pay all costs. Also Pye Pocketphone pair needed, PF2UH

- preferred but any others considered. Again, diagram needed. Phil. Tel: (0892) 29221 after 6pm
- Doctor DX cartridge for C64, must be gwo with instructions. Phone after 6pm. Andrew Adey G1SKT. Tel: Wolverhampton 753567
- Microwave Modules MML144/30LS. Write to S Mohan, 75 Pennine Road, Glossop SK13 9UL
- ECC808 twin triodes, Mullard or Ampere made, must be new and boxed. Also data sheet for ECC808. Graham. Tel: Scunthorpe (0724) 857787
- Any info or circuit for Chapman tuner, MW/SW model S6/BS made by Resound Ltd. It is valved, and any info would be welcome. Mr Butt, 3 Rutland Street, Ashton-under-Lyme, Lancs OL6 6SB
- Please help. Old broken or working multimode transceiver, 27-28MHz for winter conversion to 10 metres. Must be cheap (condition unimportant), complete if possible. Write or phone, ask for Terry G1FFH. Also wanted: IC audio chip No.AN7131 for Realistic FM27/81 home base or rig with chip in, must be cheap; desperate. (Model No.3000FM). T S Firth, 126 Tombridge Crescent, Kinsley, Pontefract, W Yorks WF9 5HE. Tel: Pontefract 612413 any time
- Service sheets and/or circuit diagram with valve numbers for receiver type R1155A, 75kHz to 18MHz, duplicate or original. All monies reimbursed. Also circuit diagram for cathode ray oscilloscope No.32A (Taylor). Terry G1FFH, 126 Tombridge Crescent, Kinsley, Pontefract, W Yorks WF9 5HE. Tel: Pontefract 612413 any time
- Bremi BRL500 or similar (must be 700 watts +) 11 metre linear amplifier. Call Steve on (04023) 49987
- Grundig Yachtboy 700 International with manual, must be in good working order. A Woodroffe, 19 First Avenue, Amersham, Bucks HP7 9BJ. Tel: (02403) 7146
- Wanted in good condition, Joystick antenna with tuner. Will pay fair price + postage. Mr V Webster, 20 Dundela View, Belfast BT4 3DB, Northern Ireland. Tel: (0232) 655653

■ Video sync processor design as published in BATC (British Amateur TV Club) CQTV magazine No.129, ready constructed and in full working order. Would also be interested in a commercially produced video sync processor unit. Details and asking price please to Mr DJ Oliver, 100 May Lane, Kings Heath, Birmingham B14 4AG

■ Reward! For circuit diagrams, handbooks, WHY for following items to enable repair: Sony open reel VTR type AV3700 (spares/non-worker required, worker considered), Raca DFM type 806-R2, AVO sig gen type CT378B, MPIO 40TSS 5¼ f/height disc drive type 51/SOR92A. Has anyone had problems mating a 5¼ Shutgart drive with a PNP Communications Dragon 32 i/face? All letters/costs refunded, info appreciated. G1AGM QTHR. Tel: (0229) 29152 evenings 5-9 or weekends

■ Service information, circuit manual, any help with the following: P58 VHF/UHF receiver, also R1132A receiver. Will buy or borrow to copy and return promptly. Please help, expenses reimbursed. The P58 receiver as far as I can make out was made by BTH so any info on the maker would be welcome. Mark G1RGL, 107 Spicer Close, Brixton, London SW9 7UE. Tel: (01) 733 2338

■ Amateur interested in DXTV and amateur TV is interested in items for these hobbies such as aerial amps etc. I am also looking for a video sync processor to reduce picture jitter/roll when receiving/recording weak signals from abroad when using a standard domestic TV. Details please to D J Oliver, 100 May Lane, Kings Heath, Birmingham B14 4AG

■ Urgently wanted: *Television and Electronics* & *Wireless World* magazines, 1975 onwards. Good price paid. Contact immediately. J G M Andrew, 738 Pershore Road, Birmingham B29 7NJ. Tel: (021) 471 4084

■ Crystals wanted 8MHz range: 8.700, 8.600, 8.775, any size up to FT243, HC25U preferred, any help appreciated. Ron G3VCJ. Tel: (042) 43 4726

FREE CLASSIFIED AD ORDER FORM

Send to: Radio & Electronics World Classified Ads-Sovereign House · Brentwood · Essex · CM14 4SE

Classification: (tick appropriate box) If you want to insert ads under more than one classification use separate sheets for second and subsequent ads

For Sale Wanted.....

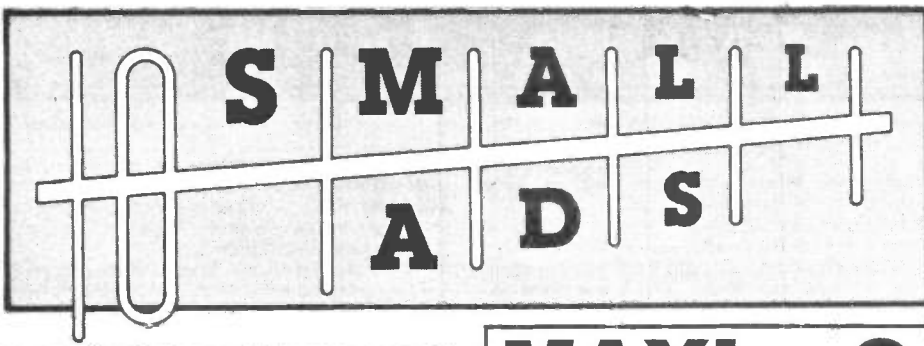
USE BLOCK CAPITALS (One word per box)
To avoid mistakes please write clearly and punctuate your ad

Name/Address							
Postcode/Telephone							

USE SEPARATE SHEET FOR MORE WORDS

Ensure that you have included your name and address, and/or telephone number

CONDITIONS: Your ad will be published in the first available issue. We will not accept trade advertisements. We reserve the right to exclude any advertisement.



AGRIMOTORS
MERTON CB AND RADIO CENTRE
MERTON GARAGE AND POST OFFICE, MERTON,
Nr OAKHAMPTON, DEVON EX20 3DZ

OPEN 6 DAYS 9-6 LUNCH 1-2pm
 (SUNDAYS BY APPOINTMENT)
 SPECIALIST IN 934 MHz
 SUPPLIERS OF ALL 27MHz AND 934 MHz EQUIPMENT
 AMATEUR ACCESSORIES CATERED FOR
 08053 200

JAYCEE ELECTRONICS
 JOHN GM30PW
20 Woodside Way, Glenrothes,
Fife KY7 5DP
Tel: 0592 756962

Open: Tues-Sat 9-5

Quality secondhand equipment in stock. Full range of TRIO goodies. Jaybeam - Microwave Modules - LAR.

SERVICE SHEETS
 For most Makes, Models and age of electronic equipment
 Audio, Video, TV, Test, Amateur Radio, Vintage etc.
 Thousands stocked
 SAE Enquiries

MAURITRON TECHNICAL SERVICES
 Dept REW, 8 Cherry Tree Road, Chinnor, Oxon OX9 4QY

TELEBOX
 turns any colour monitor with a composite video input into a QUALITY 7 channel off air COLOUR UHF TV set. Brand new self contained mains powered. Integral 4 watt audi amp ONLY £27.50. Plus £2.50 p&p. Send cheque/PO to

Dept RE, CHILTERN COMMUNICATIONS COMPANY, 8 CHILTERN STREET, LONDON W1

Computer Aided Design PCB Layout from your schematic drawings. Single and double sided. Output as either pen-plot, photo-plot or prototype PCB's. Includes component overlay, solder mask and computer drawn schematic. Further details from

Trucount Ltd,
PO Box 11, Burntwood, Walsall, WS7 0LS,
or Phone (05436) 75588

★ **WORK IT OUT** ★

Having problems converting dBW to watts? Working out resonant frequency? Then work it out for the BBC micro is for you. It has 24 functions, including:

- dBW to watts
- Shunts and multipliers
- Resonant frequency
- Capacitive/inductive reactance

Easy to use, and compatible with BBC model A & B, work it out is supplied on a 16k Eprom, with fitting instructions, and a full worked example of each of its functions. Only £10 including postage and packing from:

KING RADIO SOFTWARE
PO Box 243, Flitwick, Bedford
MK45 1EN

MAXI - Q

COILS AND CHOKES
 PREVIOUSLY MADE BY
 DENCO SAE PRICE LIST

8 BRUNEL UNITS, BRUNEL ROAD, GORSE LANE IND ESTATE, CLACTON, ESSEX CO15 4LU.
TEL: (0255) 424152

GROSVENOR SOFTWARE (G4BMK)
AX25 Packet Radio
Dragon 32/64 and Tandy Color

A breakthrough in Packet Radio - AX25 stand-alone software in ROM cartridge, plus a built VHF 1200 Baud modem for just £99!

Full AX25 implementation with up to 6 simultaneous connections, optional beacon, and digipeater operation. HF kit available soon. Send an SAE for full details of this and RTTY CW SSTV and AMTOR.

2 Beacon Close, Seaford,
East Sussex BN25 2JZ
Tel: (0323) 893378

ETESON ELECTRONICS

E.E. **15B Lower Green,**
Poulton-le-Fyde, Blackpool
Tel: (0253) 885107

Open: 9.30am - 12.30, 1.30 - 5.30. Closed Wed & Sun.
 Electronic Component Specialists.

A wide range of electronic components, IC's, capacitors, transistors, resistors, plugs and sockets etc.

* MICROCOMPUTERS
 * PERIPHERALS
 * INSTRUMENTATION

For fastest, best CASH offer, phone

COMPUTER APPRECIATION
Canterbury (0227) 470512
Telex: 966134

PNP COMMUNICATIONS
Test Equipment

Check your SSB power output and linearity with our two-tone test oscillator type T30 Kit **£28.50**
 Built **£39.50**

Built in watch-dog timer
 (Requires dummy load and Oscilloscope)

Send a large (A4) SAE for full Cat.
 Please add VAT at the current rate.
 Access Barclaycard (VISA) welcome.

62 Lawes Avenue,
Newhaven
East Sussex BN9 9SB.
Tel: (0273) 514465.

COMPONENTS TESTER

Turns any OSCILLOSCOPE WITH X-Y INPUT Facility into a valuable component Tester. TESTS all types of semi-conductors, capacitors, resistors etc. in or out of circuit and displays result on CRT. Ideal fault finding tool complete with test leads and instructions. Only £19.95 + £2.00 p&p. Send cheque/PO to

DMR Electronics (RE)
23 Regent Street, Queensbury, Bradford, W Yorkshire BD13 1AU
TELEPHONE (0274) 892992

Radio & Electronics
The communications and electronics magazine **World**

This method of advertising is available in multiples of a single column centimetres - (minimum 2cms). Copy can be changed every month.

RATES
 per single column centimetre:
 1 insertion £9.65, 3 - £9.15, 6 - £8.65, 12 - £7.75.

SMALL ADS

RADIO & ELECTRONICS WORLD SMALL AD ORDER FORM

TO: Radio & Electronics World · Sovereign House
 Brentwood · Essex CM14 4SE · England · (0277) 219876

PLEASE RESERVEcentimetres by.....columns

FOR A PERIOD OF 1 issue..... 3 issues..... 6 issues..... 12 issues.....

COPY enclosed..... to follow.....

PAYMENT ENCLOSED:..... £ -

CHARGE TO MY ACCOUNT.....

CHECKS should be made payable to Radio & Electronics World. Overseas payments by International Money Order + Credit Card

CREDIT CARD EXPIRY DATE

COMPANY

ADDRESS

SIGNATURE **TELEPHONE**

C P I

**VALUABLE
SPACE FOR
SALE!**

**Telephone
the advertising
department on:
0277 219876
for details**

JAPANESE Ic's (PART OF OUR RANGE)

AN301 £3.50, AN7140 £2.20, AN7145 £1.95, AN7146 £2.20, BA532 £1.60, BA536 £2.40, HA1377 £2.20, HA1398 £2.75, HA13001 £2.95, LA4460 £1.80, LA4461 £1.80, LA4507 £4.25, LC7137 £2.75, M51515 £2.50, M51517 £2.80, MB3705 £1.80, MB3712 £1.50, MB3722 £3.50, MB3730 £2.50, MB3731 £3.50, MB3756 £2.60, MB8719 £3.85, STK461 £7.50, STK463 £8.40, TA7205AP £1.00, TA7222AP £1.30, TA7229 £3.25, TA7240 £2.95, TA7607 £2.95, TA7614 £2.75, TA7628 £2.95, TA7640 £1.75, UPC575 £1.00, UPC1001 £2.20, UPC1031 £1.95, UPC1158 95p, UPC1181 £1.10, UPC1182 £1.10, UPC1185 £2.50, UPC1188 £2.75, UPC1230 £2.50, UPC1277 £2.75, UPC1365 £3.60, ADD 60p POST AND PACKING AND THEN ADD 15% VAT TO TOTAL

**T POWELL 16 PADDINGTON GREEN LONDON W2 1LG
OPEN MON-FRI 10AM-5PM, SAT 9AM-12 NOON.
TELEPHONE: 01 723 9246
ACCESS/VISA. TELEPHONE ORDERS ACCEPTED OVER £5.00**

FALCON DIY SPEAKERS

Send for our FREE price list
PL16 all we ask is a large SAE
(24p stamp) (Overseas US \$2 bill)

(Europe - 2 International reply coupons)

SYSTEM DESIGNS (Total Kits): Focal, KEF Constructor Series, etc

DRIVE UNITS Focal, KEF, Audax, Celestion, Coles, Peerless, Seas, Siare, Scanspeak, etc Also Group/Disco Units

CROSSOVER NETWORKS - Active & Passive Components, Accessories etc Expert advice via our enquiry service.

ELEKTOR/KEF PL301

Units, Networks & Components

Full details from

FALCON ELECTRONICS

Dept RE, Tabor House, Mulbarton, Norfolk NR14 8JT

(Proprietors: Falcon Acoustics Ltd)

**NEXT ISSUE
ON SALE
8th JANUARY
1987**

**RF DEVICES AT ROCK
BOTTOM PRICES!**

Nobody beats us!

Over 30,000 RF devices at low prices

REPLACEMENT RF TRANSISTORS

MRF454 HF/SSB 80W	£18.20
MFR450 HF/SSB 50W	£11.60
MRF238 VHF/FM 25W	£12.80
MRF475 HF/SSB 20W	£2.99
2SC1969 HF/SSB 18W	£2.50
2SC2043/1307 HF 16W	£2.00
2SC1947 VHF 3.5W	£7.60
2SC1946A VHF 32W	£14.30

**REPLACEMENT RF POWER
MODULES**

M57704/SAU3 UHF 15W	£36.00
M57712/SAV7 VHF/FM 25W	£39.00
M57713/SAV8 VHF/SSB 15W	£39.00
M57716/SAU4 UHF/SSB 15W	£49.00
M57719 VHF/PMR 15W	£29.00
M57727 VHF/SSB 38W	£45.00
M57749/SAU11 934/FM 7W	£29.00

Send £1.00 p&p and SAE for full list
All prices inc. VAT
Many Ic's and other types in stock

**RAYCOM LTD
DEPT RE 584 HAGLEY RD WEST
QUINTON BIRMINGHAM**

B68 OBS

021 421 8201-3

(24hr answer phone)

**G4 DXX
Video Electronics**

For Icom, Dray, Wells, DAIWA, Datong. N934 MHz equipment, logbooks, rotators, cable, etc.

OPEN 9-5pm, Closed Wednesdays

141 Lancaster Road, Morecombe, Lancashire LA4 5QJ

Phone: (0524) 418873

**COUNTY
GUIDE**

**RATES
BOXES ad sizes**
20mm x 59mm single
40mm x 59mm double

Total	Ad space	3 issues	6 issues	12 issues
prepayment	single	£47.00	£88.00	£158.00
rates	double	£94.00	£176.00	£316.00

RADIO & ELECTRONICS WORLD COUNTY GUIDE ORDER FORM

TO: Radio & Electronics World · Sovereign House · Brentwood · Essex
CM14 4SE · England · (0277) 219876

print your copy here

.....

.....

.....

NUMBER OF INSERTIONS REQUIRED

Single County Guide	3	£47.00	6	£88.00	12	£158.00
Double County Guide	3	£94.00	6	£176.00	12	£316.00

PAYMENT ENCLOSED £

Cheques should be made payable to Radio and Electronics World. Overseas payments by International Money Order

Conditions - Payment must be sent with order form. No copy changes allowed. Ads accepted subject to our standard conditions, available on request.

Registered No 2307667 (England)

C P I

SPECIAL OFFER

Universal Nicad Charger with 4 AA/HP7 rechargeable batteries **£6.95**
Charges any combination PP3, AA, C and D cells

NEW Nicads available send for price list

Above items add 80p p&p goods sent by return.

**CROYDON DISCOUNT
ELECTRONICS (RE)**

**40 Lower Addiscombe Road
Croydon CR0 6AA**

BEAM VIDEO

Throughout the house on Channel 36.
Price £10.50 + P&P 50p. Phone for leaflet:

**Electronic Mailorder A
62 Bridge Street, Ramsbottom
Lancs BLO 9AG**

Tel: 070682-3036 (24hrs)

G.W.M. RADIO LTD

**40/42 PORTLAND ROAD, WORTHING, SUSSEX.
Tel: 0903 34897**

Eddystone EC1838/1 (Marconi Marine Atlantic) digital readout 1.5 to 31MHz in 5 ranges USB/AM solid state 115/230V AC supply, 19 inch rack mount, unused condition quantity available **£380 inc p&p**. Also Nebula EC958, Pacific EC1837 and Apollo receivers in stock. GEC multimeters **£30 inc p&p**. Signal generator advance type B4B directly calibrated from 30kHz to 30MHz **£35 inc**. Pye 460/461 UHF base **£40 inc**. Fantavox public-address Amps, 20 watts, 4-8 or 16 ohm OT 70 Volt line output 230V. AC, or 12V DC. **£29 inc p&p**. Pye Bantam HP1 AM mid band, example frequency TX 107MHz Rx 139MHz. Will mod to air band sets only no mics, or battery but with dry battery tray **£25 inc p&p**.

MORSE CODE PREPARATION

Cassette A 1-12 wpm for amateur
Cassette B 12-25 wpm for professional examination preparation.
Each cassette is type C90
Price of each cassette (including booklets) **£3.95**.
Morse key with separate battery (PP3) driven solid-state oscillator and sound transducer produces clear tone for sending practice. Price of key with electronic unit **£8.95**.
Price includes postage etc. Europe only
MH ELECTRONICS (Dept AR)
12 Longshore Way, Milton, Portsmouth PO4 8LS

ADVERTISERS INDEX

Aerial Techniques.....	47	Icom.....	6,7
AKD Armstrong.....	20	Interbooks.....	18
Alcon.....	54		
Bi-Pak.....	49	Matmos.....	61
Brian Reed.....	45	Phase Track.....	49
J Bull.....	29		
Comex Systems.....	36	Reltech.....	36
P M Components.....	24,25	Sendz.....	68
Deansgate.....	36	Sherwood Data.....	32
Display Elec.....	12,13	Specialist Semi-Conductors.....	33
		C R Supply.....	45
Edwardschild.....	10	Technical Software.....	45
Electro-Supplies.....	36	Telecomms.....	67
K T Electronics.....	18		
G C H Q.....	47	West London Com.....	18
Hart Electronics.....	28	Wilmslow Audio.....	45
		R Withers.....	2
		Wood & Douglas.....	44

Radio & Electronics
The communications and electronics magazine *World*

ADVERTISING RATES & INFORMATION

DISPLAY AD RATES		series rates for consecutive insertions			
depth mm x width mm	ad space	1 issue	3 issues	6 issues	12 issues
61 x 90	1/8 page	£91.00	£86.00	£82.00	£73.00
128 x 90 or 61 x 186	1/4 page	£160.00	£150.00	£145.00	£125.00
128 x 186 or 263 x 90	1/2 page	£305.00	£290.00	£275.00	£245.00
263 x 186	1 page	£590.00	£560.00	£530.00	£475.00
263 x 394	double page	£1140.00	£1070.00	£1020.00	£910.00

COLOUR AD RATES		colour rates exclude cost of separations	series rates for consecutive insertions			
depth mm x width mm	ad space	1 issue	3 issues	6 issues	12 issues	
128 x 186 or 263 x 90	1/2 page	£420.00	£395.00	£375.00	£335.00	
297 x 210	1 page	£810.00	£760.00	£730.00	£650.00	

SPECIAL POSITIONS	Covers: Bleed: Facing Matter:	Outside back cover 20% extra, inside covers 10% extra 10% extra [Bleed area = 307 x 220] 15% extra
-------------------	-------------------------------------	--

DEADLINES		*Dates affected by public holidays			
issue	colour & mono proof ad	mono no proof and small ad	mono artwork	on sale thurs	
Feb 87	11 Dec 86	16 Dec 86	18 Dec 86	8 Jan 87	
Mar 87	15 Jan 87	21 Jan 87	23 Jan 87	12 Feb 87	
Apr 87	12 Feb 87	18 Feb 87	20 Feb 87	12 Mar 87	
May 87	12 Mar 87	18 Mar 87	20 Mar 87	9 Apr 87	

CONDITIONS & INFORMATION	
<p>SERIES RATES Series rates also apply when larger or additional space to that initially booked is taken. An ad of at least the minimum space must appear in consecutive issues to qualify for series rates. Previous copy will automatically be repeated if no further copy is received. A 'hold ad' is acceptable for maintaining your series rate contract. This will automatically be inserted if no further copy is received. Display Ad and Small Ad series rate contracts are not interchangeable.</p>	<p>If series rate contract is cancelled, the advertiser will be liable to pay the unearned series discount already taken.</p> <p>COPY Except for County Guides copy may be changed monthly. No additional charges for typesetting or illustrations (except for colour separations). For illustrations just send photograph or artwork. Colour Ad rates do not include the cost of separations.</p>

Printed — web-offset.
PAYMENT
Above rates exclude VAT.
All single insertion ads are accepted on a pre-payment basis only, unless an account is held.
Accounts will be opened for series rate advertisers subject to satisfactory credit references.
Accounts are strictly net and must be settled by publication date.

FOR FURTHER INFORMATION CONTACT
Radio & Electronics World, Sovereign House, Brentwood, Essex CM14 4SE.
(0277) 219876

Overseas payments by International Money Order. Commission to approved advertising agencies is 10%.

CONDITIONS
10% discount if advertising in both Radio & Electronics World and Amateur Radio. A voucher copy will be sent to Display and Colour advertisers only.
Ads accepted subject to our standard conditions, available on request.

TELECOMMS BUMPER CATALOGUES



CB £1
 934 MHz £1
 29 MHz £1

Each catalogue is packed full of info. and includes a £2 voucher.

2 MTR EQUIPMENT

2 MTR HANDHELD CTE. CT1600

A superbly sensitive new handheld covering 142-149MHz
 ● Repeater shift
 ● Highflow power 15/05 Watt
 ● Thumbwheel selector

£199



VHF MOBILE AMP

B110 144MHz 110 Watt W/Pre Amp
 B42 144MHz 40 Watt
 LA05435 144MHz 45 Watt

£169
 £64.66
 £69.75

934 MHz PERSONAL RADIO

CYBERNET DELTA 1 TRANSCEIVER

- Scan
- Memories

£355



NPR 900 934 MHz Handheld
 We are the UK's leading distributor of 934MHz equipment. Send £1 for our full catalogue containing technical info and details of this exciting New Radio Band. Catalogue includes £2 voucher

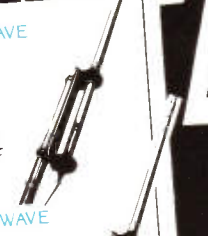
£459

29 MHz BASE ANTENNAS

NEVADA TC52 1/2 WAVE

This top class half wave uses high grade aluminum and a low loss coil handling up to 1 KW
 WIND RESISTANCE:-75 MPH
 GAIN:- 2.5 dB
 FREQ:- 28-30MHz

£27.82



NEVADA TC58 5/8 WAVE

Using high grade aluminum and a low loss coil complete with small radials this antenna is our most popular amongst the 29MHz fraternity
 POWER:- 1kW
 GAIN:- 3.5 dB
 FREQ:- 28-30MHz
 LENGTH:- 66 MTRS

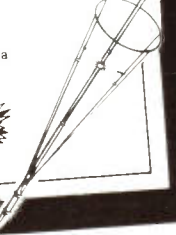
£29.75



SALIUT 3/4 WAVE

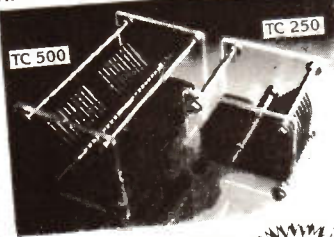
Using a unique base hoop this antenna offers exceptional ground wave coverage on 10 FM
 POWER:- 2kW
 GAIN:- 4.5 dB
 FREQ:- 28-30MHz
 LENGTH:- 91 MTRS

£49.72



NEVADA AMATEUR PRODUCTS

HIGH QUALITY BRITISH MADE
 HIGH POWER VARIABLE CAPACITORS



IDEAL FOR ATU'S OR AMPLIFIERS

TC 500
 (13-500) pF variable cap
 2mm air gap 78kV B/Down voltage

£27
 plus £2 p&p

TC 250
 (13-250) pF variable cap
 2mm air gap 78kV B/Down voltage

£19.95
 plus £1 p&p

NEVADA PSDL PROFESSIONAL DUMMY LOAD

FREQ:- DC to 3,000 MHz
 POWER:- 15 Watts
 Made to the highest standards. This unit is a must for UHF, VHF and HF operators offering wide Freq. coverage at an affordable price

£36



NEVADA

HIGH QUALITY BRITISH MADE
 29MHz FM PRODUCTS

NEVADA TC35 DX

R.F. POWER AMP WITH HARMONIC FILTER

INPUT:- 1-4 Watts
 OUTPUT:- 25-30 Watts
 SUPPLY:- 13.8V DC
 FREQ:- 26-30 MHz

Can be centred on 29.6 MHz or 28.5 MHz (state which) A new top quality amp which now features harmonic filter to reduce harmonic O/P

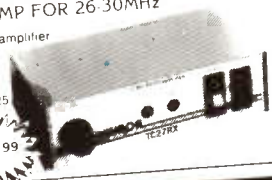


£23.75

NEVADA TC27 RX

RECEIVER PRE-AMP FOR 26-30MHz

A superior low noise pre-amplifier for 29MHz FM operation
 Variable gain -6dB's to -18dB's suitable for use with transceivers up to 25 Watts output



£23.99

NEVADA TM27 ANTENNA MATCHER

Ideal for both home and mobile use this matcher really works allowing full coverage of the 10 MTR band and handling 100 Watts

£11.64



TC2

2 WAY ANTENNA SWITCH

A robust unit with unique double screening handling up to 200 Watts and exceptionally low insertion loss
 FREQ:- 1-100MHz

£6.81



NEVADA TC27 RXM

MOBILE PRE-AMPLIFIER FOR 29MHz FM

An FET low noise pre-amplifier with variable gain. Designed to improve reception on even the best transceiver
 GAIN:- -6 to +20dB's

£19.95



TELECOMMS

HOTLINE (24 HOURS)
0705 662145
 189 LONDON ROAD, PORTSMOUTH,
 HANTS, PO2 9AE,
 TELEX 869107 TELCOM G

USE YOUR CREDIT CARD (AMERICAN EXPRESS ACCESS OR VISA) FOR IMMEDIATE DESPATCH

TRADE ENQUIRIES WELCOME.

WORLDWIDE DISTRIBUTORS OF AMATEUR & PERSONAL RADIO EQPT.

Table with multiple columns listing electronic components such as resistors (SA5000A, SA5012A), capacitors (R2443-BD124), diodes (BY127, BY133), and integrated circuits (TMS1000N, TMS1000). Each entry includes a part number, description, and price.

Table listing electronic components including resistors (10 Mixed, 2x Hi-Fi Philips), capacitors (TTC CV45), and other parts (48R, TDA2590).

PHILIP Philips stereo headphones min £3.50 Philips solderirons 25w mains £4.00 Automatic Telephone GEC answering machine with new plan plug £35.00

MODEM Line Terminal Unit VM6501 £4.00 Designed to work at 1200/75 or 1200/1200. Diagram and Connection Data Supplies

Indicator Tube ITT 58705 £1.00 8Seg Display FND500 £2.00 ITT Micro Phone M5 50p

Philips headphones, stereo, electrodynamic £10 Philips CD Headphones SBC482 £10

Various Tools and Accessories Philips microphone SBC466 £6.00 Philips The Credit Card calculators, solar powered £1.00

Transistors A1222 15p A1223 15p AC106 15p AC121 15p

Mixed Packs TO66 12 Power Trans RCA 16182 NPN Replacement for BD124 and Mounting Kits

SENDZ COMPONENTS 63 Bishopsteignton, Shoeburyness, Essex SS3 8AF SAME DAY SERVICE All items subject to availability. No Accounts: All Credit Cards, Postal Order/Cheque with order