

# TELEVISION

SERVICING PROJECTS VIDEO DEVELOPMENTS

## *Build this Signal Tracer*



**Also: Solid-state Image Sensors  
Laser Power Meter Test Report  
DX-TV • Grundig's Satellite TV Rx  
VCR Clinic • TV Fault Finding**



# MANOR SUPPLIES

MKV PAL COLOUR TEST GENERATOR  
FOR DOMESTIC TV & VCR.

TEST  
DEMONSTRATIONS  
AT 172  
WEST END LANE



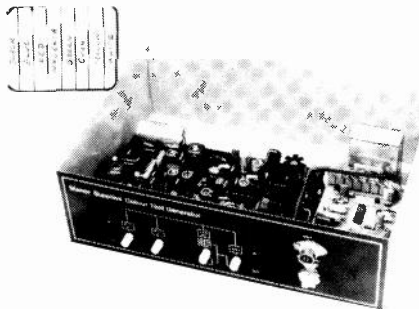
- ★ 40 different patterns and variations.
- ★ Fully interlaced sync pulses with correct picture blanking.
- ★ EBU colour bars, BBC colour bars, whole rasters & split bars (specially useful for VCR service), white, yellow, cyan, green, magenta, red, blue and black.
- ★ Chequerboard.
- ★ Mono outputs with border castellations, cross hatch, grey scale, vertical lines, horizontal lines and dots. UHF modulator output plugs straight into receiver aerial socket.
- ★ Additional video output for CCTV & VCR.
- ★ Facilities for sound output.
- ★ Easy to build kit, standard parts. Only 2 adjustments. No special test equipment required.
- ★ Mains operated with stabilised power supply.
- ★ All kits fully guaranteed with back-up service.
- ★ Also available with VHF Modulator.

Price of Kit **£70.00**  
Case (10"×6"×2¼") app. **£8.60**  
Optional Sound Module (6MHz or 5.5MHz) **£3.90**  
Built & Tested in Case including Sound Module **£108.00**



Post/Packing £3.00  
Add VAT 15% TO ALL PRICES

## PAL COLOUR BAR GENERATOR (Mk4)



- ★ Output at UHF, applied to receiver aerial socket.
- ★ In addition to colour bars R-Y, B-Y etc.
- ★ Cross-hatch, grey scale, peak white and black level.
- ★ Push button controls, battery or mains operated.
- ★ Simple design, only five i.c.s on colour bar P.C.B.
- ★ Backup service available.

PRICE OF MK 4 COLOUR BAR GENERATOR KIT **£30.00**. CASE **£8.60**. BATT HOLDERS **£4.20**. MAINS SUPPLY KIT **£4.20** (Combined P&P **£3.00**).

MK 4 (BATTERY) BUILT & TESTED **£58.00** + **£3.00** P & P.  
MK 4 (MAINS) BUILT & TESTED **£68.00** + **£3.00** P & P.  
VHF MODULATOR (CH 1 to 4) FOR OVERSEAS **£5.75**.  
EASILY ADAPTED FOR VIDEO OUTPUT & C.C.T.V.

ADD  
VAT  
15%

## KITS & PROJECTS

SAW IF AND TUNER UNIT complete and tested for video & audio outputs **£28.50** p.p. **£1.80**.  
PAL DECODER KIT (Video to RGB) for Monitors **£27.00** p.p. **£1.00**.  
PAL ENCODER KIT (RGB to Video) **£18.50** p.p. **£1.30**.  
CROSS HATCH UNIT KIT. Aerial Input type, incl. T.V. sync, and UHF Modulator, Battery Operated, also gives Peak White & Black Levels, can be used for any set. **£13.50** p.p. **80p.** (Alum. Case **£3.20** p.p. **£1.40**).  
ADDITIONAL GREY SCALE Kit **£2.90** p.p. **45p.**  
UHF SIGNAL STRENGTH METER KIT **£22.00** Alum. Case **£3.20**. De Luxe Case **£8.60** (Built & Tested **£48.00**) p.p. **£2.50**.  
CRT TESTER & REACTIVATOR KIT For Colour & Mono complete with Case, Panel Meter Indicator - can be adapted for latest CRTs **£29.50** p.p. **£3.00**.

# TV SERVICE SPARES

## SATELLITE T.V.

ON DEMONSTRATION AT 172 WEST END LANE  
NOW! - ENQUIRIES WELCOME

### PHILIPS SPARES

G8 PANELS (Tested) Power **£12.50**, Scan **£15.00**, Signals **£15.00** p.p. **£2.50**.  
KT3, K30 PANELS, tested, exchange, sound, power, bridge rect, frame, RGB **£7.50** each. Decoder (Non-text) **£10.00** p.p. **£1.50**.  
G11 PANELS (tested), frame, IF, decoder **£12.50** each p.p. **£2.00**, Scan **£15.00** p.p. **£2.80**. Power tested exchange **£18.00** p.p. **£2.80**.  
G11 PANELS EX-RENTAL (untested) Scan, Frame, Decoder **£2.50** p.p. **£2.00**.  
G11 IF PANEL (new) less Tuner **£2.50** p.p. **£1.30**.  
G11 6POS Touch Tune Channel Selector (replaces old type) incl. instructions **£20.00** p.p. **£1.80**.  
G9 POWER SUPPLY UNIT **£5.00** p.p. **£2.30**.  
G8 6 Position Channel Selector (sloping buttons) **£2.50** p.p. **£1.00**.  
HANDSETS EX-RENTAL, TEXT UNTESTED, KT, TEXT/VIDEO TYPE **£3.50** p.p. **£1.00**.  
MANUALS p.p. 80p, G11, K35, 2A **£3.50**, KT3 **£4.50**, CTX-E, CTX-S, CF1 **£1.50**, KT4/K40 SYSTEM 4 **£3.50**.

### THORN/FERGUSON SPARES

8000, 8500, 8800, 9800 PANELS tested, exchange, Power **£8.80**, Frame, Decoder **£10.00** p.p. **£2.30**.  
9000 Series IF/Decoder tested **£10.00**, Line/Power **£20.00**, Frame **£18.00** p.p. **£2.80**.  
9500/9600 Line Scan **£25.00**, Power **£20.00** p.p. **£2.80**.  
TX9 Panels complete & tested **£28.00** exchange (shop only)  
TX9 Panels ex-factory for small spares includes IC's & semiconductors, etc. **£3.00** p.p. **£2.00**.  
TX9 panels salvaged ex-factory for spares incl. electronic & mains transformer. **£8.50** p.p. **£3.00**.  
TX9/TX10 Facia, control panel incl. infra-red receiver **£8.50** p.p. **£2.00**.  
TX10 Focus control **£8.50** p.p. **£1.00**.  
TX9/TX10 Saw filter IF panel **£5.00** p.p. **80p**.  
TX9/TX10 Remote & tuning control panel 1515 (incl. SAA5012) **£7.50** p.p. **£1.80**.  
TX10/TX90/TX100 Chassis complete & boxed (untested) **£20.00** p.p. **£2.80**.

ITT SPARES: CVC30 series convergence & purity panels **£2.50** p.p. **£1.50**.  
CVC30 series panels surplus (untested) **£2.50** each, CMP31, CMF31, CMA30, CMS32 p.p. **80p**, CMD33 p.p. **£1.80**.  
CVC20/30 series chassis for small spares (shop only) **£2.50**.

BUSH SPARES: T20/T22 panels, tested, exchange, power scan drive **£18.00**. Scan **£25.00** p.p. **£2.50**. T20/T22 touch tune panels + controls **£3.50** p.p. **£1.50**.

GEC SPARES: 20AX MKII line time base **£18.00** p.p. **£2.00**. Power (PC778) tested exchange **£18.00** p.p. **£2.00**.

SONY SPARES: ON/OFF SWITCH 21mm or 26mm, spaced holes, universal Sony on/off **£4.20** each p.p. **80p**.

HANDSETS (New Replacement) RM-604, 606, 613, 615, 630, 632, 635 **£19.50** p.p. **£1.00**.

TELETEXT DECODER PANELS (tested) - Mullard VM6101 Type **£25.00**, Philips KT3, K30 **£20.00** p.p. **£2.30**.

MULLARD VM6230 teletext decoder (similar to VM6101) plus additional Prestel unit, VM6330 & Line Coupler **£20.00** p.p. **£3.00**.

VARICAP TUNERS: Grundig 8630 series **£5.00** p.p. **£1.00**, U321, U322/NSF204, ELC1043 (equiv), SC4, VHF NSF203 **£7.80** p.p. **£1.80**, UHF/VHF UV411 **£10.80** p.p. **£1.00**.

LOPTS New and guar. P/P **£1.50**, Bobbins **80p**.

FERG., HMV, MARCONI, ULTRA	R.B.M. T20, T22 Bobbin	£5.60
1590, 1591, 1612, 1613, 1712	DECCA Bradford (state Mod No)	£8.80
FERGUSON 3787 (Normende)	DECCA 100	£8.80
THORN 1600, 1615, 1690, 1691, 1790	FIDELITY ZX2000, 3000 (Not 22?)	£15.50
THORN 3000/3500 SCAN, FITT	GEC 2110 series	£10.60
THORN 8000	ITT CVC 5 to 9, CVC20	£9.80
THORN 9000 to 9600	ITT CVC 25, CVC 30 series	£8.80
THORN TX9	ITT CVC 45	£9.80
THORN TX10	ITT CVC 1200/1201	£12.50
	PYE 725 (90P) 731 to 741	£9.20
	PHILIPS G8	£8.80
	PHILIPS G9	£7.80
	PHILIPS K13	£9.80
	PHILIPS K30, K35	£27.00
	PHILIPS CTX-E	£22.50
	PHILIPS KT4/K40	£22.90
	PHILIPS 2A	£26.80
	PHILIPS CF1	£32.80

OTHERS AVAILABLE. PRICES ON REQUEST.

TRIPLERS: THORN 9000 **£8.80**.

UNIVERSAL (best quality) **£7.80**.

CONTINENTAL TVK & BG RANGE (quote exact no.) replacements **£13.80**

DECCA/TATUNG **£7.80** p.p. **£1.50**.

THORN 1500 30R5 stick **£1.50** p.p. **80p**. Others available.

6-3V CRT Boost Transformers for Colour & Mono **£5.90** p.p. **£1.40**.

455 CRYSTALS for Remote Control Handsets, 4 for **£1.00** p.p. **50p**.

VHF to UHF Converters **£26.50** p.p. **£2.50**.

CALLERS WELCOME AT SHOP PREMISES

THOUSANDS OF ADDITIONAL ITEMS, ENQUIRIES INVITED  
LARGE SELECTION TESTED COLOUR PANELS POPULAR MODELS

Goods available if in stock immediately over shop counter (Mail order between 3 days and 1 week from receipt of order) ADD VAT 15%

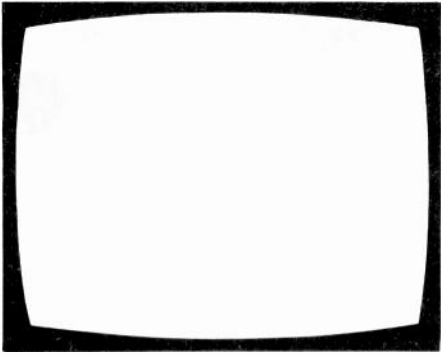
Telephone 01-794 8751, 794 7346



## MANOR SUPPLIES

172 WEST END LANE, LONDON, NW6 1SD

PLEASE ADD VAT 15% TO ALL PRICES INCL P+P



# TELEVISION

May  
1989

Vol. 39, No. 7  
Issue 463

On sale April 19th

## COPYRIGHT

© IPC Magazines Limited, 1989. Copyright in all drawings, photographs and articles published in *Television* is fully protected and reproduction or imitation in whole or in part is expressly forbidden. All reasonable precautions are taken by *Television* to ensure that the advice and data given to readers are reliable. We cannot however guarantee it and we cannot accept legal responsibility for it. Prices are those current as we go to press.

## CORRESPONDENCE

All correspondence regarding advertisements should be addressed to the Advertisement Manager, "Television", King's Reach Tower, Stamford Street, London SE1 9LS. Editorial correspondence should be addressed to "Television", IPC Magazines Ltd., King's Reach Tower, Stamford Street, London SE1 9LS.

## INDEXES

Indexes to Vols. 36 and 37 are available at 80p each from the Editorial Office (address above).

## SUBSCRIPTIONS

An annual subscription costs £18 in the UK, £21 overseas (by surface mail). Send orders with payment to Quadrant Subscription Services Ltd., Oakfield House, Perrymount Road, Haywards Heath, Sussex, RH16 3DH.

## BACK NUMBERS

Subject to availability, copies of issues published during the last 12 months are available at £1.80 each from Television, Vouchcheck Services, Unit A6, Poplar Business Park, Prestons Road, London E14 9LR. Please make cheques/postal orders payable to IPC Magazines Ltd.

## QUERIES

We regret that we cannot answer technical queries over the telephone nor supply service sheets. We will endeavour to assist readers who have queries relating to articles published in *Television*, but we cannot offer advice on modifications to our published designs nor comment on alternative ways of using them. Correspondents should enclose a stamped addressed envelope. Requests for advice on dealing with servicing problems should be directed to our Queries Service. For details see our regular feature "Service Bureau". Send to the address given above (see "correspondence").

## this month

- 485 Leader**
- 486 Long-distance Television** *Roger Bunney*  
Reports on DX conditions and reception and news from abroad. Increasing sunspot activity has produced some startling F2 reception.
- 488 Test Report: Leader Laser Power Meter** *Nick Beer*  
Use of a power meter is the simplest way to check the condition of a CD or LaserVision player's laser. The Leader LPM8000 is the most widely available unit.
- 491 Letters**  
Including details of a simple satellite TV dish alignment tool for elevation adjustment.
- 494 Teletopics**  
News, comment and developments.
- 498 Camcorder Servicing Part 3, Solid-state Image Sensors** *Steve Beeching, T. Eng.*  
Such is the rate of progress that there have already been several types of solid-state image sensor. How they work, including the colour system, and basic signal processing.
- 501 The Party's Over – Well Almost** *Les Lawry-Johns*  
Les prepares to shut down and move to a bungalow not far away.
- 502 Grundig's Satellite TV System** *Steve Beeching, T. Eng.*  
Steve has fun trying out Grundig's 62cm offset dish and STR20 tuner unit. They worked very well – except when the chicken got in the way.
- 503 Next Month in Television**
- 504 TV Fault Finding**  
Reports from Philip Blundell, Eng. Tech., Nick Beer, Eugene Trundle, Roger Burchett, Ian Bowden, Paul Hardy, Brian Renforth and George Lithgow.
- 506 Op Amp Signal Tracer Unit** *David Botto*  
An old idea brought up to date. You'll find this tracer useful for more than just audio circuits. With guidance on circuit checking.
- 510 LocoScript 2 Update** *Vivian Capel*  
The latest versions and notes on upgrading the Amstrad PCW8256.
- 511 CD and Videotext Developments** *Peter Marlow, B.Sc. (Hons.), C. Eng.*  
The CD-ROM, interactive TV and proposals for videotext services.
- 512 A Day in the Life of . . .** *Nick Beer*  
The daily round at Nick Beer's North Devon establishment.
- 514 A Look at Operational Amplifiers, Part 2** *Keith Cummins*  
Some ways of using op amps and a design exercise – a microphone interface circuit.
- 518 VCR Clinic**  
Reports from Philip Blundell, Eng. Tech., Alan Shaw, Eugene Trundle, David Botto, Alfred Damp, Ian Bowden and E.M. Beddow.
- 520 Servicing Compact Disc Players, Part 3** *Joe Cieszynski*  
Ways of testing laser units, fault symptoms, precautions and adjustments.
- 523 Cable and Satellite '89** *Harold Peters and Alan Sidall*  
The satellite scene in early 1989.
- 524 Service Bureau**
- 525 Test Case 317**

OUR NEXT ISSUE DATED JUNE WILL  
BE PUBLISHED ON MAY 17





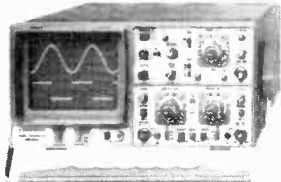
# HOW TO INCREASE YOUR PROFITS, IMPROVE YOUR SERVICE, WITH COST EFFECTIVE TEST EQUIPMENT.

## HAMEG OSCILLOSCOPES

HAMEG are Europe's top selling DUAL TRACE OSCILLOSCOPES. Select from four superb models. All, with the exception of the HM 1005, incorporate a useful COMPONENT TESTER. Size - all models - 285mm x 145mm x 380mm. Clear display 8 x 10cm. Mains supply: 110/125/220/240V AC 50/60Hz.

All supplied with 2 PROBES, a COMPREHENSIVE MANUAL and a 2 YEAR WARRANTY.

### HM203-6 20MHz STANDARD



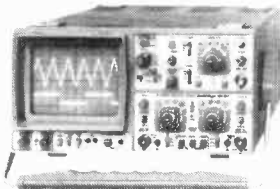
Price £314.00 + £47.10 V.A.T.

#### SPECIFICATION

- \* 2 Channels
- \* Bandwidth: DC-20MHz
- \* Sens: Ch1, Ch2, 2mV/cm
- \* Timebase: 0.2s-20ns/cm
- \* Triggering: DC-40MHz
- \* Active TV-Sync-Separator
- \* Variable hold-off
- \* Trigger LED indicator
- \* Calibrator: 1KHz Square wave
- \* Component tester
- \* Plus many features

FREE Securicor Delivery

### HM604 60MHz UNIVERSAL



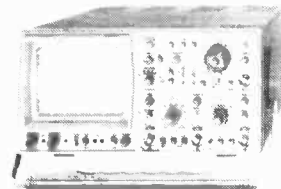
#### SPECIFICATION

- \* 2 Channels
- \* Bandwidth: DC-60MHz
- \* Sens: Ch1, Ch2, 1mV/cm
- \* Timebase: 2.5s-5ns/cm
- \* Triggering: DC-80MHz
- \* Active TV-Sync-Separator
- \* After delay trigger
- \* Sweep delay
- \* Delay line
- \* Trigger LED indicator
- \* Calibrator: 1KHz & 1MHz Sq. Wave
- \* Component tester
- \* Plus many more superb features

Price £575.00 + £86.25 V.A.T.

FREE Securicor Delivery

### HM1005 100MHz UNIVERSAL



Price £726.00 + £108.90 V.A.T.

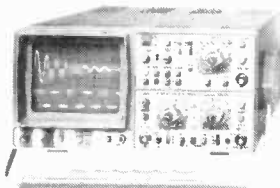
#### 3 CHANNELS-UP TO 6 TRACES

#### SPECIFICATION

- \* 3 Channels
- \* Bandwidth: DC-100MHz
- \* Sens: Ch1, Ch2, Ch3, 1mV/cm
- \* Timebase A: 2.5s-5ns/cm
- \* Timebase B: 0.2s-5ns/cm
- \* Triggering: DC-130MHz
- \* After delay trigger
- \* Delay line
- \* Trigger LED indicator
- \* Overescan LED indicator
- \* Active TV-Sync-Separator
- \* Calibrator: 1KHz & 1MHz Sq. Wave
- \* Plus many more excellent features

FREE Securicor Delivery

### HM205-2 20MHz DIGITAL STORAGE



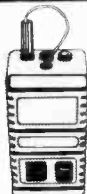
#### SPECIFICATION

- \* Digital Storage
- \* Analogue real time (Same as 203-6)
- \* Bandwidth: DC-20MHz
- \* Sens: Ch1, Ch2, 2mV/cm
- \* Timebase Analogue: 0.2s-20ns/cm
- \* Timebase Digital: 5s-2μs/cm
- \* Triggering: DC-40MHz
- \* Active TV-Sync-Separator
- \* Max sampling rate: 2x5MHz
- \* Memory: 2x1024x8 Bit
- \* Dot joiner
- \* Printer/plotter output
- \* Component tester
- \* Plus many more useful features

Price £527.00 + £79.05 V.A.T.

FREE Securicor Delivery

### B.K.'s CRT TESTER-REJUVENATOR



Tests and rejuvenates blue, green & red guns separately. Fitted with delta and P.I.L. sockets. Compact size 120x65x60mm. Supply 240V AC

Price £32.00 + £4.80 V.A.T.

### B.K.'s REVOLUTIONARY DYNAMIC 'LOPT' TESTER

Revolutionary L.O.P.T. tester. Operates in dynamic mode which actually tests the L.O.P.T. under high voltage conditions without de-soldering or removal. Size 75x100x40mm. Supply 240V AC

Price £25.99 + £3.90 V.A.T.



### THANDAR SC110A PORTABLE OSCILLOSCOPE



- \* Full trig. fac. inc TV frame etc.
- \* Only 2 1/4" thick
- \* Battery or mains adaptor
- \* Fits in a brief case
- \* Size 255mm x 148mm x 50mm
- \* Sens. 10mV
- \* Bandwidth 10MHz

Price £195.00 + £29.25 V.A.T.

#### ACCESSORIES

Carry Case £6.25 + £0.93 V.A.T  
Probe £7.50 + £1.30 V.A.T  
Mains Adaptor £7.30 + £1.09 V.A.T

### DIGITAL LCR METER

- \* LCD Display
- \* 18 Ranges
- \* Inductance 1μH - 2H
- \* Capacitance 1pf - 200μf
- \* Resistance 1ohm - 20Mohm
- \* High accuracy

Price £95.00 + £14.25 V.A.T.



### INSULATION TESTER 500V



- \* Electronic battery operated
- \* Measuring Voltage 500V DC
- \* Measuring Range 0-100Mohm
- \* Centre scale 2Mohm

Price £65.00 + £9.75 V.A.T.

## B & K PRECISION CRT ANALYSER-RESTORER

The number one CRT Test Instrument. Over 5000 U.K. Television engineers wouldn't be without it.

\* All CRT's checked identically including all in-line and one gun types \* Tests all three guns of colour CRT's simultaneously under actual operating conditions (model 467) \* Exclusive multiplex technique (model 467) \* Measures true dynamic beam current that actually passes through G1 aperture to screen \* Measures all shorts and leaks - preserving more CRT's \* Tests focus electrodes lead continuity finding faults that other Testers miss \* Uses most powerful restoration method known with minimum danger to CRT \* Rejuvenated CRT's guaranteed as new for two years \* Obsolescence proof: Perpetual set up chart up-dated and new adaptors development \* Tests and rejuvenates VDU's and Oscilloscope tubes \* A range of over 40 CRT base adaptors available \* Increases profit \* Pays for itself in months.

#### PRICES

Model 467 Tri-dynamic three meter instrument Inc. 6 common adaptors	£395.00 + £59.25 V.A.T.
Without adaptors	£344.00 + £51.60 V.A.T.
Model 470 Single meter instrument Inc. 6 common adaptors	£294.00 + £44.10 V.A.T.
Without adaptors	£244.00 + £36.60 V.A.T.

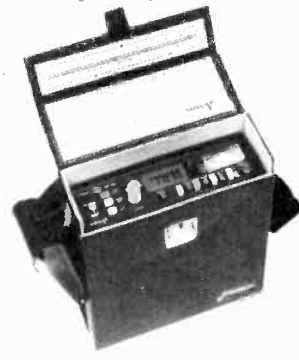
Technical leaflets available: GET INTO PROFIT NOW!

## SADELTA FIELD STRENGTH METER TC-402

THE SADELTA FIELD STRENGTH METER TC-402 has been designed to measure the signal levels delivered by the antenna to a TV or FM receiver. In order to test the performance of the antenna and evaluate the best conditions during installation etc. To facilitate measurements, the tuning frequency readout is shown on a digital display.

#### FEATURES

- \* Covering FM and all TV bands (UHF/VHF) including CATV freq.
- \* Digital tuning display (3 digits) for direct frequency readout.
- \* Accurate 10 turn tuning potentiometer.
- \* Built-in loudspeaker enables monitoring of sound in AM/FM.
- \* Meter measurement in voltage and dB from 20μV (26dB/μV).
- \* Continuity tester 0-500 ohms.
- \* Fully portable (battery).
- \* Sturdy carry case.



Price £249.00 + £37.35 V.A.T.

## SADELTA COLOUR PATTERN GENERATORS

THE SADELTA RANGE OF HAND HELD COLOUR PATTERN GENERATORS is intended for use in production, installation and service of both colour and monochrome TV sets, video and computer monitors. In order to control and adjust the various parameters eight switchable patterns are provided. The technician has ready access to Laboratory, workshop and field use as the Generator has been designed using the latest micro-technology to achieve truly pocket size instruments. Internal re-chargeable Ni-Cd's. Supplied with 9V power supply charger. Size 131mm x 81mm x 23mm.

#### T.V. PATTERN GENERATOR PAL MC11B UK

- \* Band IV (21-34)
- \* O/Put 10mV into 75ohms
- \* Band III (5-12)
- \* Sound output
- \* PAL I

Price £124.95 + £18.74 V.A.T.

#### PAL VIDEO COMPOSITE GENERATOR

- \* PAL B.G.1
- \* Audio O/Put 10mV
- \* O/Put 1V p.p. @ 75ohms
- \* Switching 12V @ 4K7ohms

Price £124.95 + £18.74 V.A.T.

#### SECAM VIDEO COMPOSITE GENERATOR

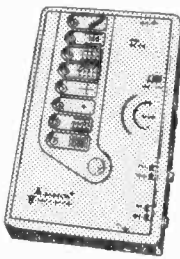
- \* SECAM B.G.D.K.L
- \* Audio O/Put 10mV
- \* O/Put 1V p.p. @ 75ohms
- \* Switching 12V @ 4K7ohms

Price £124.95 + £18.74 V.A.T.

#### R.G.B. PATTERN GENERATOR

- \* O/Put sigs Pos RGB
- \* Neg. Composite
- \* O/Put TTL 5V P-P
- \* Blank Pulse etc. CCIR

Price £111.95 + £16.79 V.A.T.



### DIGITAL THERMOMETER



- \* Pocket Size
- \* -50°C to +75°C
- \* 1°C Resolution
- \* 0.5" LCD
- \* Supplied with thermocouple

Price £59.50 + £8.92 V.A.T.

### 200MHz DIG. FREQ. METER



- \* Pocket Size
- \* 8 Dig. LED Display
- \* Freq. Range 20Hz to 200MHz
- \* Resolution 0.1Hz
- \* Sensitivity 10mV

Price £75.50 + £11.32 V.A.T.

### DIGITAL CAPACITANCE METER



- \* High Accuracy
- \* 8 Ranges
- \* 0.1pf-2,000μf
- \* Accuracy ±0.5%
- \* LCD display
- \* Full scale ±1 digit

#### PRICE

£38.00 + £5.70 VAT  
Case Included



The THANDAR TP1 LOGIC PROBE and TP2 LOGIC PULSER are effective and economical tools for checking both TTL and CMOS circuits. TP1 can show 14 different circuit conditions and can detect pulses down to typically 10ns. TP2 can inject a signal directly into a circuit without damaging sensitive components. Together they can stimulate and monitor responses of components 'in circuit', greatly aiding fault finding.

Price £23.00 + £3.45 V.A.T. each



U.K. POST PAID, export enquiries welcome. Visa/Access or cheque with order payable B.K. Electronics. Official Orders welcome from Govt. Depts, Colleges, P.L.C.'s etc. Large S.A.E. for technical leaflets of complete range. Delivery normally within seven days.



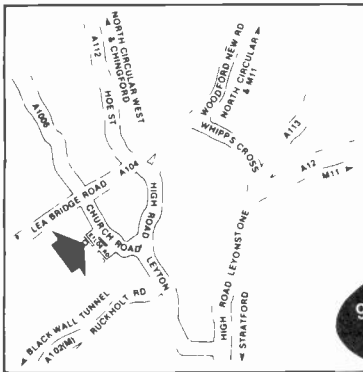
**B. K. ELECTRONICS DEPT. T**  
UNIT 5, COMET WAY, SOUTHEND-ON-SEA,  
ESSEX. SS2 6TR TEL: 0702-527572

# EX-RENTAL VIDEO & TV WHOLESALERS

## VISIONS

LONDON

- More Thorn and non-Thorn stock than ever before in London
  - VCRs, 3V23-3V48 & various late Thorn
- All working stock professionally serviced.



Contact:  
Neil Patel  
**Visions GB Ltd**  
Unit 3, Leyton  
Business Centre  
Etloe Rd  
Off Church Rd  
Leyton E10 7BT.

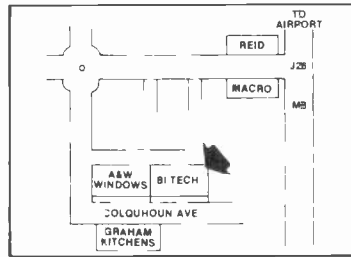
OPEN:  
9-5.30 MON to FRI.  
9-1 SATURDAY  
10-1 SUNDAY

TEL: 01-556 4199

## BI-TECH

SCOTLAND'S LARGEST  
WHOLESALERS

- ★ A good range of text working and off the pile including Decca 80's and 100's, Doric 3's, 3A's and 4's, Finlandia, GEC, K30, KT3, G11's, Grundig, Hitachi, ITT, JVC, Panasonic, Philips KT30-3-45 stand and text.
- ★ Various makes of video always in stock
- ★ Working TVs from £20



Contact:  
Jack Swan  
**BI-Tech**  
**(Scotland) Ltd**  
Unit 9  
Colquhoun Ave  
Hillington  
Industrial Estate  
Glasgow GS2 4BN

TEL: 041-883 2610

UNIVERSAL VIDEO HEADS ONLY £15 PLUS VAT

W. TREE · TRADE TV  
TEL 0532 638804

FERGUSON  
TX9-10  
TELETEXT  
MINIMUM QUANTITY 10

WORKING  
INCLUDING  
HAND-UNIT  
PLUS VAT @ 15%

£54

UNIT ONE SUNSHINE MILLS  
WORTLEY ROAD, WHINGATE  
LEEDS 12

LIMITED OFFER ONLY

WHILE STOCKS LAST

## MAKE YOUR

## INTERESTS PAY!!

Train at home for one of these Career Opportunities

More than 8 million students throughout the world have found it worth their while! An ICS home-study course can help you get a better job, make more money and have more fun out of life! ICS has over 90 years experience in home-study courses and is the largest correspondence school in the world. You learn at your own pace, when and where you want under the guidance of expert 'personal' tutors. Find out how we can help YOU. Post or phone today for your FREE INFORMATION PACK on the course of your choice.

- GCSE/GCE/SCE
- Electronics
- Basic Electronic Engineering (City & Guilds)
- Electrical Contracting/ Installation
- TV, Video & Hi-fi Servicing
- Radio Amateur Licence Exam (City & Guilds)
- Car Mechanics
- Computer Programming
- Motorcycle Repair



Course of Interest .....

Name .....

Address .....

P.Code

**ICS**

International Correspondence Schools, Dept. EGS59  
312/314 High Street, Sutton, Surrey SM1 1PR  
Tel: 01-643 9568 or 041-221 2926 (both 24 hrs)







ALL CONTAINERS TO BE CLEARED THE SAME DAY

**EX-RENTAL MIXED LOADS  
THORN/NON THORN – ALSO NEW  
'B' GRADED LOADS AVAILABLE  
NO REASONABLE BID REFUSED!**

*You Collect or We Will Deliver*

**FOR SALE DATES CONTACT OUR LEEDS  
WAREHOUSE OR RING OUR**

**24-HOUR SERVICE NUMBER  
0836 329700**

**SUPERVISION**

UNIT 16, TOWER WORKS,  
2 GLOBE ROAD, LEEDS LS11 5QG.  
(off Water Lane, near Hilton Hotel (formerly Dragonara))

***RING OUR HOTLINES NOW!***

***NORTH***

***0532***

***444795***



***SOUTH***

***01***

***769 1029***

# SPECIAL OFFER THIS MONTH

UNIVERSAL TRIPLER, NEW TYPE.....	£4.00	4-6 Volts Relays.....	25p
VIDEO LEADS.....	80p	G11 6 touch unit with cable form & sockets	£13.00
AMSTRAD Line O.P. Transistors with Diode.....	£1.00	Send for list of video spare heads	£15.00 to £40.00
BU208A.....	85p or 20 for £12.50	<b>THORN PANELS</b>	
VIDEO LAMPS, Long Lead.....	24p	Thorn Panel with SAA5012 IC	£2.00
HITACHI & GEC FRAME, Thick Film.....	£6.00	515/753 509/12 515/357 564/03 508/161 515/553 515/173 515/357	£3.50
FIDELITY SPLIT DIODE.....	FCC2215AE.....£20 FCC2015BE.....£10 FCC2215BE.....£10	TX9 TX10 - TX100	
K30 FRONT PANEL TEL-TEX TYPE.....	£5.00	<b>THORN MAIN CHASSIS</b>	
NEW G11 LINE OF PANEL.....	£9.00	TX9 TX10 TX90, TX100, TX925	£15.00
PHILIPS YEARS AHEAD		TX10 Anode Cap and Lead	£1.00
THE CREDIT CARD CALCULATOR Solar Powered.....	£3.75	TEXT DECODER TX10	£8.00
NEW PHILIPS SBC 1833 Solar & Battery Powered Calculator.....	£8.00	TEXT DECODER VM6101/2 TRX	£10.00
THORN PANEL TX9 REC & REMOTE PANELS with Mains Trans.....	£5.00	PANELS VM6101/2 TRX	£6.00
TX10 REC & REMOTE PANELS with Mains Trans.....	£5.00	<b>PHILIPS VIDEO TAPE</b>	
TX100 FRONT PANEL.....	£5.00	NEW TYPE VHS 180	£2.50
TX10 TUBE BASE ON PANEL.....	£3.00	Philips Stereo headphones SBC3160's	£12.00
TX9 IF.....	£2.00	Philips Travelling alarm clock calculator	£7.50
THORN PANEL No. 515-353, 548.02, 564.01, 509/102, 515/173, 508/161	£5.00	Philips Travel Printer calculator SBC1888	£26.00
THORN TX STEREO SOUND O.P. PANEL (I.C. TA7227P).....	£1.00	<b>AUTO RANGE</b>	
THORN VIDEO AERIAL AMP 01 M4-597-001.....	£6.00	DC and AC and Resistance Pocket 3000 Philips	£12.00

K13-K30-K4-K40 CTA ETC Mains Switch	75p each	CVC 40 Cabinets	£15.00
G8 LOPTS PHILIPS	£6.00	NEW IN - IIT BOXES	Post £5.00
G11 LOPTS	£3.00	LINE TRANSFORMER Philips TX 12" and 14" Portable	£12.00
PHILIPS DESK TYPE Dual Power Calculator SBC1704	£7.00	WANDER PHONES Key Pad and Hand Set No Case	£1.00
K40 FOCUS POT	£1.00	TV AERIAL AMPS 1 way £9; 2 way £11; 3 way £15; 4 way £40; 6 way £50; 4 way 6dB each	£30
4.7µ K13 W/W	10 for £1.00	VIDEO HEAD SHISS made in UK JVC	
FOCUS POT HDK TPA6006	£2.00	SCIENTIFIC CALCULATOR SBC1704 Philips In case	£7.00
K13 Impliers	£6.00	THORN 8500 I OPT	£2.00
RECEIVER K3 Tex. Front Panels with I.C.'s (SAA3027P/SAB3013/IO448328)	£5.00	NEW GEC 2110 LOPT	£2.00
G8 100K Pots on Panel & Lead for 6 Push Button Unit	£2.00	DX-TUNER VIII-UHF SEND FOR DATA	50p
K30 Mains Switch remote	£1.00	TUNER	75p
K35 Mains Switch remote	75p	GEC 20AX POWER SUPPLY Mark 2	£10.00
K35 Aerial Socket and Plug in Lead to Tuner	£1.50	THORN 9000 4.7m 400V	40p
K13-K30 Slider Pots 4.7ku	20p each	12 VOLT BATTERY PACK Nicad A A	£5.00
LARGE Focus Pots, Fits Pye, GEC, IIT, Decca	75p	G8 TUNER V/CAP on Panel	£3.50
4 PUSH BUTTON UNIT for CTA Chassis	£1.50	G8 SPEAKER	75p
G8 Power Supply Panel	£4.00	9,000 SPEAKER	£1.00
EX DECCA 80-100 Decoder	£5.00	THORN 9000 Sound OP Panel	£30p
EX DECCA 80-100 Frame	£5.00	ONE I.C. K35 Decoder	£7.00
THORN 8000-8500-8800 Decoder	£6.00	K30 IF/K35 IF	£2.00
GLASS BEADS Diodes 2006/1 2A	50 for £1.00	THORN Lopt 8500-8800	£4.00
G11 Tip Switch	£20.00	TX9 THORN Tuner Panel with ICS Pots & mains trans.	£3.00
G11 IF Panel	£8.00	THORN CHASSIS 1600-1700 Series Mono	£10.00
G11 Decoder Panel	£8.00	THORN 1600 Rec. & Anode Cap	50p
JVC HEADS 3185	£20	K13-K30 Slider Pots 4.7k	£1.00 for 10
G11 Condenser 470/250V IIT	£2.00	K35 20 Turn Pots	6p each
G9 Power Panel	£3.50	HITACHI & GEC 20k Pots and 100K and 69K Philips	20 for £1.00
G8 Transductor	£1.25	100K POT & 20K v/cap type with band switch	5p
G8 Push Button Unit	£2.00	K13 K30 Speaker	30p
G8 Con/Panel New Back Type	£4.00	K30 Push Button Switch 6 Way	£1.00
KT4-KT3-K30 Handset Replacement	£12.00	K35 Sound O/P Panel Plug in and KT3 sound o/p	£3.00
HT1520 METER 20,000 Fuse Diode Protector Logic Test Facility	£15.90	K35 12 way Push Button Unit	£1.50
HT420	£12.00	K35 L.O.P.T. Split Diode	£6.00
9000 SERIES Decoder 01 929 014 080 Thorn	£5.00	RANK T20 Front Panel	£6.00
LATEST VIDEO	£6.00 NEW	G8 6 Button Unit, New Type	£2.00
For Latest Philips, GEC, Pye and Hitachi Front panel with memory chip and push button and pots and LEDs		6 off LED DISPLAYS, Mixed	£1.00
20AX GEC LOPT Panel with Split Diode	£4.00	HAND SET TESTER, Infra Red	£3.00
RANK 120 Focus Pot	75p	AERIAL SPLITTER with filter	£1.00
RANK 718 Focus Pot	£1.00	UNI DIRECTIONAL Dynamic Microphone	£2.00
16" LOPT Split Diode 2433481	£6.00	20 TURN POTS with Band Switch	10p
Ex Panel Split Diodes 2432871/2432981	£5	PUSH BUTTON Mains Switch with Screw Holes Fixing	4 for £1
Split Diode 2433752	£6	PYE 731 Line Trans	£3.50
1700A LOPT Transformer Rank with Focus Pots and Diode	£2.00	PYE 731 New Power Supply	£4.00
HITACHI Mains Switch	50p	8005 DIODES at 3 amps Glass Beads	6p each, 20 for £1.00
HITACHI AE Socket	30p	K13 Line Output Transformer	£5.00
1 CONDENSER Axial Leads 450 A/C 1200 D/C	15p	9000 THORN Front Panel with POIs & Push Buttons	£4.00
MAINS TRANSFORMER 240v in/240v	£1.00	THORN 8500 Time Base	£3.00
GREEN FLAT, NEC, LEDs	3p each 100 for £2	7 SEG DISPLAYS 4 Bank Displays Z-642T	25p
15V015V 1 Amp Print Type	£1	SPLIT DIODE FBST245AK	£5.00
12+12V 2.8VA Print 1"x1"	75p	PHILIPS K13 4R7 W W Resistor	15 for £1.00
8+8V 1 Amp Print	75p	GEC TEXT PANEL PC895A7	£10
E1596 G11 V/CAP Tuner, small	£2.50	SEND FOR LIST OF VIDEO SPARES	£13 to £46 HEADS
FIDELITY Panels with I.C.	£1.00	A12036/00	AT2076/55
FIDELITY LOPT Split Diode AT2076/80	£3.00	A12038/11	A12076/711
AT 2076/80	£5.00	A12055	AT2180/15
IIT CVC20 to 45 PANELS Send for list		AT2076/35	RCO ST CT3325
MULLARD TEL-TEX DECODER Type VM6103	£7.00	A12076/38	O12041
WE HAVE OVER 1,000 6 DIODE TRIPLER AT £1 EACH		A12076/51	1B165KA Orion
THORN main TV chassis complete TX9-TX10-TX90-TX925-TX100	£15.00	CVC 820	2076/51
TX10 8 way button unit	£8.00	CVC 300	2432461
TX900 with PRR-SR7	£6.00	REGULATED POWER SUPPLY.	VIDEO MOTOR for VTS68 type
PHILIPS VHS Tape 180	£2.25	Size 6"x5"x2 1/2" 0-3V 0-4.5V - 0-6V VCR/D88	AMP TUNER IF for VT S68 Hitachi & GEC

2431851 2433052	CTK Lopt	A12036/00	AT2076/55	SHARP
2432211 2432984	36212	A12048/11	A12076/711	MSHFC100
2432301 K4 L O P I	33651	A12055	AT2180/15	
2432491 K40	36072	A12076/35	RCO ST CT3325	
2432871 2434274	36362	A12076/38	O12041	£10 EACH
2432981	36383	A12076/51	1B165KA Orion	
2432984	36382	CVC 820	2076/51	
2433212	36764	CVC 300	2432461	
2433481	36831			
2433581	36832			
2433751	36833			
2433452 TX10 THORN	36921/79			
IIT Tuner IF CMR890/3 £20	36922/79			

**SPLIT-DIODE**  
£6 EACH

**L.O.P.T.**  
SPLIT DIODE  
PHILIPS  
£5 EACH

**TRANSFORMERS**

3112-338-30942 £1.00

3112-338-30633 £1.00

3111-268-30650 £1.00

3112-138-98094 £1.00

3112-338-30634 £2.00

3122-138-99044 £1.00

3122-138-53861 £1.00

3122-138-98094 £1.75

**£10 EACH**

REGULATED POWER SUPPLY. VIDEO MOTOR for VTS68 type

Size 6"x5"x2 1/2" 0-3V 0-4.5V - 0-6V VCR/D88

AMP TUNER IF for VT S68 Hitachi & GEC

£8.00

£5.00 Post £2.00

£9.00

**SENDZ COMPONENTS**

63 BISHOPSTEIGNTON, SHOEBOURNESS, ESSEX SS3 8AF.

**SAME DAY SERVICE**

All items subject to availability. No Accounts: No Credit Cards. Postal Order/Cheque with order.

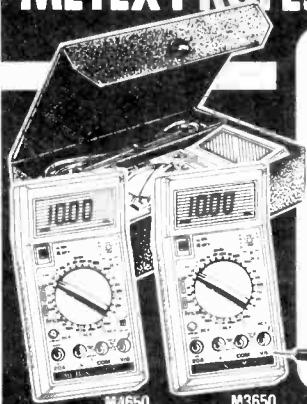
Add 15% VAT, then £1 Postage. Add Postage for Overseas.

**Callers: To shop at**

**212 LONDON ROAD, SOUTHEND. Tel. 0702-332992. Fax. 0702 338805**

Open 9-1/2.30-6. GVMT + school orders accepted on official headings. Add 10% handling charge.

# METEX PROFESSIONAL DMM'S



## EDUCATION AND QUANTITY PRICES ON REQUEST

3½ and 4½ 12mm LCD Digital multi-meters: 5 ranges AC and DC volts: 6 Resistance Ranges to 20M ohm: AC/DC to 20 Amps: Hfe Transistor test: Diode Test: Continuity: Auto polarity and zero: Plus extra features as below. Size 176 x 90 x 36 mm (3800 172 x 88 x 36): All with Test Leads Fused: Hard carry case and instructions.

**PRICE REDUCTIONS LIMITED PERIOD ONLY**

MODEL	DIGITS	RANGES	EXTRA FEATURES	BASIC	PRICE
3800	3½	32	Low AC/DC 0/20 micro amp ranges	0.5%	<b>£31.50</b>
3610	3½	30	LED continuity indicator	0.3%	<b>£35.18</b>
3630	3½	30	5-Range Capacitance Test	0.3%	<b>£40.65</b>
3650	3½	30	2-Range frequency counter 5-Capacitance	0.3%	<b>£46.92</b>
4630	4½	30	Data Hold 5-Range Capacitance	0.05%	<b>£54.75</b>
4650	4½	30	Data Hold, 2-Range Freq 5-Capacitance	0.05%	<b>£62.57</b>

Add 15% VAT UK only - UK POST/INS etc. FREE (EXPORT EXTRA)

OPEN 6 DAYS A WEEK — CALLERS WELCOME

## AUDIO ELECTRONICS

TELEPHONE 01-724 3564  
301 EDGWARE ROAD, LONDON W2 1BN  
ORDER BY POST OR TELEPHONE

**INSTRUMENT CATALOGUE**  
Ref TG  
UK Send SAE A4  
£1.00

# FIRST IN TUBE REBUILDING TECHNOLOGY

## 30AX; 540 SERIES!

**REDUCED SERVICING COST,  
FIT A DIRECT REPLACEMENT**

**AVAILABLE ONLY FROM CHROMAVAC.  
PRE CONVERGED AS ORIGINAL.  
EXTERNAL MULTIPOLE UNIT NOT REQUIRED.**

# QUALITY REBUILDS

**SPECIAL OFFERS**  
ON  
INLINE



Get on the hot-line today!

### SAVE £££s

KEEP THAT OLDER SET  
PURCHASE A NEW 56-410  
OR 47-342/3 TUBE  
FOR ONLY £5 + CARRIAGE  
Also NEW 560 AKB22 £35  
NEW 670 XB22 £37.50

061  
**681 2959**

most types of  
Inline Re-builds  
or new ex-stock  
PRICES SUBJECT TO  
GLASS EXCHANGE

### Delta Rebuilds

Up to 19" ..... £28  
Up to 22" ..... £30  
Up to 26" ..... £34  
110° up to 22" ..... £34  
110° up to 26" ..... £38  
Low focus ..... +£2  
A47 342 New ..... £28  
17FHP New ..... £30  
470EHB New ..... £30  
Delta only. Less 5% 5+

### Inline Rebuilds

Up to 22" From £40  
Up to 26" From £45  
A56 - 540x ..... £56  
A66 - 540x ..... £58  
Bonded Coil ..... +£5

ALL SIZES OF NEW AND  
REBUILT MONO TUBES  
AT COMPETITIVE PRICES

### IN LINE TYPES (NOT REBUILDS) PHONE RE STOCK POS.

Please enquire types not listed

370 HFB-A37-590	£50	AXT 56-001	£67
370 HUB	£50	670 CZB	£80
AXT 37-001	£50	A66-540	£125
420 CSB	£50	420FSB	£60
420 EDB-A42-590	£50	14" (A34); 16" (A38); 21" (A51); FST now available at special low prices	
420 EZE	£50		
420 ERE	£50		
470 KUB	£50		
510 UFB	£67		
510 VSE	£67		
AXT51-001	£67		
560 DYE-560 DTB	£67		
560 EGE	£67		
560 CGB	£67		
560 DMB	£67		

NOTE  
Surcharge  
without  
exch. glass.

★ WE PURCHASE SURPLUS STOCKS  
OF INLINE TUBES: ALSO A56/  
66 - 510/540 ETC. OLD GLASS  
DELIVERY: By return on all stock items.

### THE COMPANY WHO PUT HIGH STANDARDS FIRST

# CHROMAVAC

CHROMAVAC LTD., PUMP STREET,  
HOLLINWOOD, OLDHAM OL9 7LR

Ask for Mr Butterworth ON: 061-681 2959

## LONDONS NEW EX-RENTAL WAREHOUSE

### RELIABLE WHOLESALE TV

# SALE TIME!

TV's from **£3** VIDEOS from **£30**

WE STOCK THE LOT - 10p WILL SAVE ££s

TO NAME A FEW

### TV's

PHILIPS G8 - G11 - KT3 - KT30 - KT35 CTX  
DORIC MK2 - MK3 - MK4 - MK5  
FERGUSON TX9 - TX10 - 9600 - 8800

Plus Pye, Sony, Finlandia, GEC, Hitachi, National Panasonic, Mitsubishi, Toshiba, Grundig, ITT & MORE, MORE, MORE

### VIDEOS

3V22 - 5000 - 8000 - 3V29/35/36/37/38/39/45  
SHARP 9500 - 9600 - 9700 + MORE, MORE, MORE  
PANASONIC NV333/366/370/2000/7200/3000

VAT Prices exclude VAT.

HANDSETS - Handsets are included with working sets but are charged extra in 'off the pile' sales.

WE ARE JUST OFF A406 (BARKING)  
2 ROADS AWAY FROM EAST HAM TUBE  
RELIABLE WHOLESALE TV  
UNIT 2  
2A LATHOM ROAD  
EAST HAM, LONDON E6

**01-471 9622**  
**01-590 2715**  
TV & VIDEO PANELS  
SUPPLIED

# URGENT ANNOUNCEMENT!

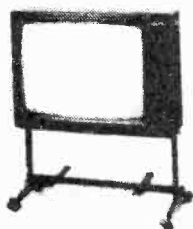
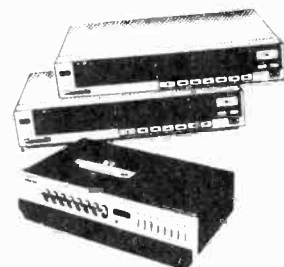
*“New Company” NOW trading  
in Chepstow, South Wales*

## **ERATIME LTD**

Unit 4, Bulwark Industrial Estate,  
Chepstow, Gwent  
Telephone: (0291) 271000

is fresh on the scene with *unbeatable*  
introductory offers:

3V29/30 — from £57  
text — from £35  
stereotext — from £65  
(H/sets optional)



Full working CTVs from *ONLY £6* —

Plus hundreds of other BARGAINS in stock NOW!!

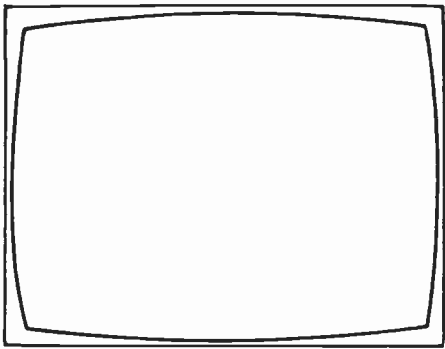
*HURRY!!* this offer is for *ONE MONTH ONLY*

Complete Range of Working  
and off the pile CTVs and VCRs  
**NOW AVAILABLE FROM MANY SOURCES**

**ALL PRICES SUBJECT TO VAT**







# TELEVISION

## The Broadcasting Debate Continues

When the government published its white paper on the future of broadcasting last November it invited comments on the proposals and options outlined in the paper. The deadline was early March, and by that time some 2,500 responses had been received. Those that attracted most attention in the press were the submissions made by the ITV Association and the IBA. They would be the ones to have most to say, since the white paper's proposals relate mainly to changes in the ITV sector.

Also naturally enough the main question that exercised the minds of those who prepared these responses was the method of awarding franchises for ITV or, as we must learn to call it, Channel 3. A great deal of ingenuity has gone into working out ways of assessing franchise applications. Let's hope that some good comes of this, though the fact will remain that no system can satisfy everyone. The IBA has itself been highly critical in the past of the burden placed upon it each time the franchises have come up for renewal, and of the difficulties involved in making a rational choice. The tendency has been to renew existing franchises — few holders have ever had their licences taken away. There is logic in this: after all, at least there's a track record on which to base a decision. It has nevertheless always involved an element of guesswork and chance. This is inevitable however: one could never be sure that group A will make a better job than group B of providing a complex service over a number of years. It's a matter of compromise and will remain so whatever is done.

The government's original view seems to have been that to shift the criteria for assessment of the worthiness to fulfill the responsibilities of holding an ITV franchise to primarily financial ones — who's prepared to pay the most for the right to broadcast — would at least have the merit of being simple, understandable and unambiguous. But there is more to broadcasting than having a deep pocket, so the white paper provided for an initial assessment of suitability to run a service. The argument now is mainly about how all this should be done, with some very sophisticated schemes being put forward. George Russell, the IBA's chairman who was appointed to supervise the transition from the ITA to the new Independent Television Commission, has made a considerable impact on the debate by threatening to resign if the awarding of ITV franchises is made too much of an auction.

Instead, the IBA has suggested an alternative that involves setting, with the help of City advice, a minimum lease price for each licence, to be paid in annual instalments. In addition the applicant would bid by offering to pay a specific percentage of its net advertising revenue. The aims here seem to be (a) to establish an applicant's financial standing and (b) to satisfy the government's wish to see an element of bidding for franchises introduced. Applicants would be required to submit their plans in two main ways. An open dossier to be made public would contain details of the company's structure and programme plans. A sealed bid would include a confidential business plan. In addition the applicant would be required to post a bond for a substantial amount as an indication of serious commitment to pay the minimum lease price.

All very clever. The IBA says: "We consider that the applicant with the soundest business plan by these criteria would yield the highest value to the Independent Television Commission/Exchequer in terms of the tender and corporation taxation over time and also have the necessary staying power to provide a programme service of the requisite quality serving viewer's interests." Well yes, one hopes that the scheme would do so. But is this elaborate procedure really likely to be any better than the present system? It meets the government's wish to make programme contractors pay more for the privilege of running a broadcasting service, but whether the public will be any better served is another matter.

The government's initial reaction has been to welcome these ideas. One can't help feeling that the government originally simply concluded that change was essential but then, despite setting up the Peacock Committee to report on the possibilities, failed to think the problem through and in its white paper produced a rather feeble alternative. So it could well be that the IBA will, in one last dying flourish, get its way in laying down how its successor is to go about the job. One hopes that it will get its way in other respects. What the IBA's regulation of commercial broadcasting has been all about has been the quality of broadcasting and the diversity of programmes offered to the public, in particular an insistence on public service obligations. The government seems to have thought that this approach was unduly patronising, and that simply by deregulation and extra competition the public will be given the service it really wants. Perhaps, but it doesn't necessarily follow. There will always be the temptation to fill the airways with the sort of trivial video wallpaper that is acceptable to the undemanding. Without some sort of schedule supervision it's hard to see that standards will be maintained and money spent of programme making, whether for general or specialist audiences, when cheap imports can be used to fill the hours.

One has an uneasy feeling that at the end of the day an awful lot of people will have wasted an awful lot of time on this exercise to please the government, and that things will end up much as they are at present only marginally worse.

Meanwhile the government's plan to increase its income from the ITV companies by moving the levy from profits to advertising revenue could again be to the detriment of standards. Put simply, less revenue means less to spend on making programmes. An understanding of the delicate balance that underlies successful broadcasting is something this government lacks.

### EDITOR

John A. Reddihough

Please note that the telephone numbers below are for contact with the advertisement departments only. Editorial enquiries should be sent to the editor at the address given on page 473.

### ADVERTISEMENT MANAGER

David W.B. Tilleard  
01-261 6671

### SECRETARY

Janet Reeve  
01-261 6671

### CLASSIFIED ADVERTISEMENTS

Pat Bunce  
01-261 5942

### ADVERTISEMENT COPY AND MAKE-UP

Ron Scorey  
01-261 6035

### SUBSCRIPTION ENQUIRIES

(0444 440) 421

### COVER PHOTO

This month's cover photograph shows David Botto's operational amplifier based signal tracer on the bench. See article on page 506-9.

# Long-distance Television

**Roger Bunney**

The excellent tropospheric conditions of January continued into early February, but the main factor this month has been the increased sunspot activity. It made February 1989 an exciting month for really long-distance TV reception. Fortunately many of these long-distance signals have been identifiable. They show that with appropriate conditions really long-distance reception can be achieved using relatively simple equipment. Band I signals from distant parts of the USSR (at plus 8 hours GMT), from Malaysia, Iran and Dubai were seen in the UK during the month.

A slight tropospheric lift on the 6/7th produced reception of West German and Benelux signals and on the 19th RTE (Eire) stations were received. Auroral reception was noted in Scotland on the 13th and 17th and there was a certain amount of SpE reception during the month, the SpE log being as follows:

- 5/2/89 TVE (Spain) chs. E2, 3.
- 8/2/89 TVE E2, 3.
- 13/2/89 TVE E2.
- 14/2/89 RTP (Portugal) E3; TVE E4.
- 15/2/89 TVE E2, 3.
- 16/2/89 TVE E2; TSS (USSR) R1 (during an F2 period, but definitely SpE).
- 19/2/89 RUV (Iceland) E3, 4.
- 26/2/89 TSS R1.
- 27/2/89 RAI (Italy) IA.

There was improved F2 reception on many days during February, the signals sometimes being exceedingly strong. The most dramatic day was the 26th, which was fortunately a Sunday, enabling many enthusiasts to participate. The first signs of F2 improvement occurred on the 10th, when unidentified ch. E2 signals were present after 0900. Things then developed, as follows:

- 12/2/89 RTM (Malaysia) ch. E2 received in Sussex at 1030-1040 GMT.
- 13/2/89 Iran ch. E2 received in Derby, using the FUBK test pattern. Arabic mobile radio noted at above 48MHz.
- 14/2/89 Iran ch. E2 FUBK pattern received again.
- 15/2/89 TSS (USSR) R1 plus floater signals, very strong; variation to TSS programme material or maybe TSS-2

or China; Dubai E2 with EBU bar pattern; Iran E2 with FUBK pattern again; unidentified African ch. E2 signal received from due south at 1220.

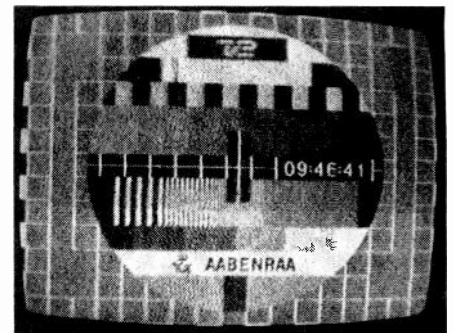
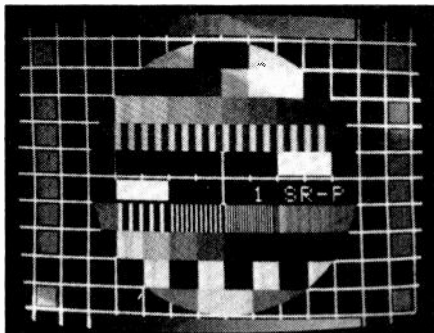
- 16/2/89 Unidentified E2 signal plus TSS R1 from the east at 0900.
- 17/2/89 Similar to the 16th.
- 18/2/89 TSS R1; Iran E2; Dubai E2; unidentified colour bars seen on ch. E2 at 0940.
- 19/2/89 Iran ch. E2; unidentified ch. E2 signals.
- 20/2/89 Unidentified teletext pages going on to the PM5544/34 test pattern, 0920-0940 – thought to be Dubai.
- 21/2/89 TSS R1; unidentified E2 signal at 0815.
- 22/2/89 TSS R1.
- 25/2/89 TSS R1 – very strong; unidentified E2 signal at 0900.
- 26/2/89 The peak day for F2 reception during the period. Details as follows:

0830-0930 Iran E2 with later an unidentified female oriental presenter, the latter co-channel with Dubai teletext pages then Dubai going on to programme at 1200 (local time). Additional Arabic programme at 0930-0950. Arabic signals present this day until approximately 1400 GMT. Keith Hamer reports an E2 end of programme at 1145, not Arabic but with the announcer bowing (in sitting position), the following male announcer also bowing to the camera. Could this be RTM (Malaysia)? Information from overseas readers please to confirm one way or the other. Thoughts are that this could be RTM with a possible third network transmitter on ch. E2. Simon Hamer's log at midday notes several programmes including Dubai on teletext, a panel game with white contestants, Arabic news, advertisements and at 1220 a logo with an eagle/bird on top! At 1500 GMT Simon logged weak ch. A2 525-line signals from the west, probably Canada. Typically, yours truly was away working in London over this period.

F2 conditions have fallen off somewhat since the 26th, and although the m.u.f. has approached 48MHz no video has been seen since then (at the time of writing, March 3rd).

Ryn Muntjewerff writes to tell us of his tropospheric reception on the 2nd with TVP-1 (Poland) chs. R8, 9, 10, 12, TVP-2 R29 and TSS (USSR) R8, 9, 10, the former two being from Latvia and the latter the old 0249 monoscope pattern but the origin unknown. Ryn noted good F2 reception on the 15th, with TSS R1 and Dubai E2.

A letter just to hand from Anthony Mann (Perth, Australia) reports reception of Norway and Sweden ch. E2 on a scanner, between 0715-0930 GMT on the 25th. From 0805-0819 Sweden was received on a TV receiver with the PM5534 test pattern followed by programme material. More details next month.



Left: The new Czechoslovakian test pattern, with CST-1 identification. Photograph courtesy Karel Honzik. Centre: F2 reception on January 15th at 0840 GMT. A ch. E2 signal possibly from Malaysia. Photograph courtesy Garry Smith, Derby. Right: Denmark TV-2 Hedensted ch. E27, received by Tim Anderson (St. Leonards) during the January tropospheric opening.



My thanks to the following for sending in reception reports: Peter Schubert (Rainham), Tim Anderson (St. Leonards), Garry Smith and Keith Hamer (Derby), Roger Fussell (Torpoint), Simon Hamer (Powys), Iain Menzies (Aberdeen), Ryn Muntjewerff (Holland) and Anthony Mann (Perth, W. Australia).

Paul Barton (Harrogate) writes that he has been experimenting with a couple of Datong AD370 active aerials in shortened form spaced four feet apart, giving a forward pickup lobe and two rear lobes, the latter being perhaps 3dB down. The gain is higher than a dipole. The system is mounted in the loft and is aligned towards the south east, giving coverage from east to south with the main lobe and one lobe directed towards N. America. In conjunction with an outside discone aerial this system provided excellent F2 reception on the 25/26th. We would be interested in hearing from anyone who is using any form of active aerial.

Dalibor Frkovic (Sisak, Croatia, Yugoslavia) writes to tell us about the new Czechoslovakian test pattern (see accompanying photograph) which carries the identification 1SR-P for the first programme or 2SR-P for the second. It replaces the familiar EZO test pattern. CST Bratislava still uses the PM5544. The FUBK pattern is also still in use, with identification DDK 3 for the first network and DDK 1 for the second. Dalibor often receives Band III/u.h.f. signals from CST, also TVP and Bulgaria BT-1 ch. R30 and BT-2 chs. R36, 46. He mentions that TV Zagreb and TV Beograd (the latter chs. E12, 30) have for over a year been transmitting a third programme experimentally at low power. Contents have included a film festival and various downlinked satellite TV programmes including at different times Super Channel, Sky, RAI-1, 3-SAT and even TSS-1 and CNN.

David Martin of Aerial Techniques tells us that his company can now supply what he describes as the ultimate VHS multi-standard VCR, the National Model NV-G500EM. It has a multi-band tuner and can process PAL B/G/I, SECAM B/G/D/L and NTSC M signals with colour coverage of PAL, SECAM, MESCAM, and NTSC at 3.56 and 4.43MHz. The sorts of features you would expect in an upmarket machine, such as variable speed (up to eight hours playing time) and bar code scanning, are included. Cost of the machine is £685 inclusive of VAT. For the address see the accompanying advertisement.

### News Items

**France:** Local TV channels have been set up in Toulouse, Lyons and the Mont Blanc area. The contracts provided by the National Committee for Communications are for eight year periods. The TF1 and La 5 networks have been fined substantial amounts for failure to observe French regulations on the length of advertising and the European content of programmes.

**Spain:** Further local commercial TV operations are to be

## AERIAL TECHNIQUES

**MULTI-SYSTEM TV**  
**AM/FM RADIO**  
**DIGITAL CLOCK/ALARM**

£99.00




Featured above is the very latest black & white multi-system small screen television combination from YOKO International. Model TVC-8M is a must for every serious TV-DXing enthusiast and it's also ideal for Continental travel and home use. The YOKO 'Euro TV' features full VHF/UHF TV coverage and incorporates **SYSTEM I** (6MHz sound for UK/Eire/South Africa), **SYSTEM B/G** (5.5MHz sound for Europe, Middle East, Australasia and other parts) AND **SYSTEM L FRENCH** standard (6.5MHz sound). The 5.5/6MHz sound switching is automatic, the switching for French standard is situated on the back of the TV. This versatile model also has a high quality AM/FM radio section and a digital clock/alarm on the front panel. The alarm can be selected to switch the television or radio on or off at any given time; the clock is equipped with a 24 hour memory alarm, which can be reset instantly to sound at the exact time the following day.

This fabulous little TV has a sturdy black case, seven section telescopic whip antenna, 75 ohm coaxial aerial input socket and will operate from AC mains or a 12v DC supply. Completely compatible for use in the UK and throughout Europe (including FRANCE).

With the 1989 Sporadic-E season soon upon us, don't delay, order today, the YOKO TVC-8M 4.5" screen multi-system TV combination costs just **£99.00** inclusive of VAT. Carriage & insurance to any UK destination is £5.50.

Our full range of aerials, amplifiers, aerial rotators, filters, multi-standard televisions and all aerial technology is fully detailed in our comprehensive 22 page illustrated **Catalogue at 75p**, send for your copy today. A customer advisory service is also available, please telephone or write (include SAE).



All prices inclusive of VAT  
Delivery normally 7-10 days



ACCESS & VISA Mail and  
Telephone orders welcome.

**11, KENT ROAD, PARKSTONE, POOLE, DORSET BH12 2EH**  
**Tel: 0202 738232**

started in San Roque, Algeciras and Los Barrios.

**Denmark:** Hadsten ch. E26 at 600kW e.r.p. is amongst the increasing number of TV-2 transmitters now in operation. Further planned openings for this year are listed in Table 1.

**Belgium:** Canal Plus Belgium, a cable operation, is to start in late September with coverage restricted to French speaking areas. A commercial cable operation Vlaamse Televisie Maatschappij provides a service in Flemish speaking areas. During non-programme hours Telebruxelles transmits colour bars with its own name as an inlay identification. RTBF has stopped using the Antiope teletext system: there's a suggestion that the UK teletext system may be adopted.

**Ireland:** Further ATV licences in the 434-440MHz band are to be issued. By the end of 1988 six operators had been licensed.

### Satellite TV

The Japanese Yuri 2B DBS craft may end its transmissions earlier than expected as a result of a telemetry

**Table 1: Planned Danish 1989 TV-2 Openings**

Transmitter	DR-TV	TV-2	E.R.P.	Date	Area
Nibe	E29	E35	600kW	1 April	Nordjylland
Tolne	E57	E37	22kW	1 April	Nordjylland
Varde	E53	E33	500kW	15 May	Ribe
Jyderup	E51	E48	600kW	1 July	Vestjylland
Vordingborg	E42	E58	600kW	15 August	Storstrom
Nakskov	E34	E52	100kW	15 August	Storstrom
Ro	E59	E56	800kW	1 October	Bornholm

encoder fault. The same fate took Yuri 2A out of operation.

A new satellite radio distribution system known as Radikal-3V is to be brought into operation in the USSR this year, with downlinking in the 11GHz band. It will provide for up to twenty radio programmes.

Thirteen new domestic satellites have been authorised in the USA, bringing the number to 42. NBC is now scrambling its C band (4GHz) network feeds though its 11GHz feeds remain clear. A satellite dealer in Cartersville, Georgia has been fined \$3,000 with a suspended jail sentence and forfeiture of equipment for selling illegal satellite TV decoders.

Galavision is now well established, providing a Mexican originated service targeted mainly at Spain via the Atlantic beam of the ECS satellite at 13°E. Uplinking is via Miami and transponder 19 on PanAmSat 1 at 45°W to the London teleport.

Ian Waller reports that the new Moroccan TV service "2M International" is now on test via the Intelsat craft at

53°W in band C, using Canal Plus type scrambling. The signal is very strong and the programme content appears to be compiled from RTM (Morocco), TF1 and Videotron (Canada).

### **The 405-line Society**

Andrew Emmerson (71 Falcutt Way, Northampton NN2 8PH) has started a club for those interested in 405-line TV equipment, programmes, etc. The first newsletter will be available as a free sample (send a large stamped s.a.e.) and membership is expected to be about £5 a year. The club is to operate on informal lines, the policy being to discuss, inform and propagate news on 405-line TV. It's worthy of support.

Finally if anyone has any 405-line equipment for disposal please write in – good homes can be found. In addition to TV sets test equipment, telerecordings, films, magazines, servicing data and anything else relating to the early days of UK TV is required.

---

## **Test Report: Leader Laser Power Meter**

**Nick Beer**

Several new items of test equipment have appeared on the market over the last few years to facilitate servicing the ever increasing range of brown goods available. Over the next few months I will be discussing some of these units and reviewing selected examples. The first to come under the spotlight is the laser power meter. Its applications are obvious enough – there aren't many manufacturers of consumer electronics products who don't now market compact disc players, and the market is a steadily growing one.

The meter chosen for review is the Leader LPM8000, simply because it appears to be the most widely available one from the usual electronics parts/test gear suppliers.

The LPM8000 is able to measure the output from gallium arsenide or helium neon lasers, being calibrated for both with selection by means of a switch. There are three ranges, 0.3mW, 1mW and 3mW. The sensor probe is separate from the meter itself, connection being via a lead with a fairly sturdy plug of d.c. connection type at one end. No battery is required to power the meter: as soon as the protective cover is removed from the sensor you can see the needle move – provided one of the two lower ranges is selected – as the sensor picks up various ambient light frequencies. The sensor should never be pointed at direct light sources other than laser radiation of the type the meter is intended to measure. This means sunlight and artificial indoor lighting. So the protective cover should always be put back on the sensor when it's not in use.

The whole assembly fits into a case that appears to be too big. It's certainly flimsy, and as a result the securing popper is virtually impossible to do up. This may well improve as the case becomes more supple. The overall impression is that a fortune hasn't been spent on the cosmetic features of the meter: in addition to the poor case the meter's cabinet appears to have been designed for something else – there's a battery cover that isn't used, being just glued shut. Being a typical engineer I tried to open this without first reading the instruction book. It was while subsequently looking through the book that I

realised the cover shouldn't open!

The meter performs the tasks required of it very well, though the durability of the case under typical workshop conditions is suspect. Some manufacturers now insist that a workshop has a laser power meter before they will appoint a CD player dealership, but unless you handle a massive number of players I don't personally see the need for one. An experienced engineer can evaluate the optical pickup unit by looking at the r.f. waveform – anyone other than an experienced engineer shouldn't be working on these players. If the r.f. waveform is of low amplitude the optical unit needs replacement – turning up the output to provide compensation staves off replacement for only a very short time. Buying a laser power meter will however undoubtedly speed up CD player fault finding. You always have at the back of your mind the possibility that the laser's output could be low, and a laser power meter will provide quick confirmation one way or the other.

I suspect that many smaller service departments will be able to list more urgent calls upon an investment of some £200. But if you do handle CD players in any numbers a meter will save time by quickly condemning the laser unit or confirming its innocence. It's a fact that a surprising proportion of disc playability faults, particularly where the optical unit seems to drift off alignment, are due to faulty lasers. This sort of thing can cost you precious time and money as you try setting up the servos for skipping, slow access times, etc., and can sometimes result in a callback only a couple of weeks later for the same trouble. A check with the meter will establish the root cause of the problem first time.

### **Availability**

The test meter was kindly supplied by Willow Vale Electronics Ltd. of 11 Arkwright Road, Reading, Berks RG2 0LU. It's available from them under order code 12-800 at a trade price of £174 plus VAT.

For further information on laser unit servicing, see Joe Cieszynski's article on page 520.

**MINIATURE PASSIVE INFRARED SENSOR RP33**

Detects intrusion up to 12 Metres Away

ONLY **£23.95** + VAT

Quantity discounts start at 3 units

Size: only 80x60x40mm. Wide 85° coverage. Switchable detection indicator.

This advanced intrusion detector operates by detecting the body heat of an intruder moving within the detection field whilst ignoring ambient changes. Easily installed in a room or hallway, the unit provides reliable detection of any intruder. Operating from a 12V supply and returning only 15mA, it is ideal for use with the CA 1382 or any equivalent high quality control unit. Supplied with full instructions its performance compares with detectors costing more than twice the price

**INFRA-RED SYSTEM IR 1470**

Consists of a separate transmitter & receiver, the system provides an invisible modulated beam which when broken operates the built-in relay. For use with security systems, but also ideal for photographic purposes and industrial applications. Size: 80x50x35mm

Only **£25.61** + VAT

**DIGITAL ULTRASONIC DETECTOR US 5063**

This advanced module uses crystal control transmitter and digital signal processing to detect movement at distances of up to 20ft or more. With built-in timing and 12V operation, it is ideal for a wide range of security applications.

Only **£13.95** + VAT

Suitable steel enclosure complete with necessary mounting pillars and fixings. Only **£2.95** + VAT

**LIGHTING CONTROLLER DP 3570**

This versatile module provides timed switching of loads up to 3A for pre-set times between 10 secs and 5 mins, the timed period being triggered by the opening or closing of an external loop or switch. The built-in 12V 250mA power supply is available for operating external sensors. Suitable plastic enclosure £2.85 + VAT

Only **£13.95** + VAT

**SECURITY SYSTEMS, MODULES, COMPONENTS**

**SAVE ££££'s**  
BY INSTALLING YOURSELF

**CPU 9000 SELF-CONTAINED ALARM SYSTEM**

Immediate Security Without Installation For Homes, Storerooms, Clubhouses, Caravans, etc.

■ Detects intruders up to 30ft. ■ Penetrating 103db Siren with auto reset ■ Compact size only 203x180x75mm ■ Easily extended for coverage of additional rooms or large areas.

This exciting new System which contains a Passive Infra-Red Sensor Control Unit and Power Supply together with a high output Siren all housed in the one compact steel case provides immediate protection of a chosen area without the need for costly wiring and expensive installation costs. Operating from a standard 240V supply, provision has been made to incorporate a re-chargable 12V battery which is capable of operating the System for up to 10 days before re-charging becomes necessary, and which is carried out by the built-in charger. Where protection of more than one room is required, additional sensors may be wired to the main unit. An external siren unit may also be fitted to warn neighbours. Supplied with 2 keys and full operating instructions, the unit is fully guaranteed for 12 months. Immediate protection for only

Priced **£67.72** + VAT



TELEPHONE OR SEND FOR FREE LITERATURE TODAY

**CA 1382 ADVANCED CONTROL UNIT that's simple to install and operate.**



- Fully automatic siren re-set
- Audible entry/exit warning
- Alarm sounded memory
- 2 separate loop inputs + 24hr circuits
- Built-in electronic siren driver
- Easily installed, full instructions supplied

The latest control panel provides effective and reliable control for all types of security installations. Its advanced circuitry checks the loop circuits every time it is switched on, preventing incorrect

operation. Using a simple 'on/off' key switch, it is easily operated by all members of the family. In addition it provides 24hr personal attack protection. Housed in a steel case, it is supplied with full operating instructions.

Only **£44.95** + VAT

Available in kit form with fully-built electronics, £39.95 + VAT.

**CA 1250 LOW COST ALARM CONTROL MODULE**

This tried and tested control unit represents the finest value for money in control systems, providing the following features:

- Built-in electronic siren drives 2 loudspeakers
- Provides exit and entrance delays together with fixed alarm time
- Battery back-up with trickle charge facility
- Operates with magnetic switches, pressure pads, ultrasonic or I.R. units
- Anti-tamper and panic facility
- Stabilised output voltage
- 2 operating modes full alarm anti-tamper and anti-panic facility
- Screw connections for ease of installation
- Separate relay contacts for external loads
- Test loop facility

Price **£19.95** + VAT

**HW 1250 - ATTRACTIVE HOUSING plus HARDWARE FOR CA 1250**

An attractive steel case designed to house the Control Unit CA 1250 together with the appropriate LED indicators and key switch (available separately).

Supplied with the necessary pillars, fixings and punched front panel, the unit is given a professional appearance by the adhesive silk screened label. Size 200x180x70mm

Only **£9.50** + VAT

**POWER SUPPLY & MAINS SWITCHING UNIT PS 1265**

In addition to providing 12V stabilised output of 700mA, this module may be used to provide a switched 240V output for operating security lighting etc., when used in conjunction with the CA 1382 CA 1250 CPU 9000 etc.

Suitable plastic enclosure £2.85 + VAT

Priced at **£12.95** + VAT.

**RISCOMP LIMITED**

Dept. TV5, 51 Poppy Road, Princes Risborough, Bucks, HP17 9DB

**The Security Specialist**

ORDER BY MAIL OR TELEPHONE



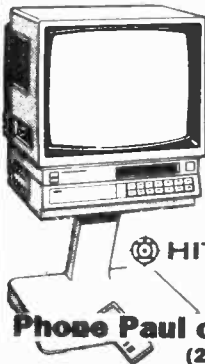
P&P U.K. Orders 75p per order. Export add 10%. Tel: (084 44) 6326. Fax: 08444 7102

**NOTICE**

**TO ESSEX TV TRADERS**

**NEW WAREHOUSE**  
Ex-rental TVs and VCRs plus new manufacturers 'B' graded goods available now!

- ★ Fully serviced, ready for the showroom
- ★ VCR toploaders/front loaders
- ★ TVs — Ferguson, Philips Professionals, TX stereo, National Panasonic, Grundig, Decca, Toshiba, JVC, Samsung and a lot more



Phone Paul on **0375 640800** (2 lines)

GRAB SOME ACTION NOW — Strictly TRADE ONLY

**CLEARVISION**

30A CORRINGHAM RD. STANFORD-LE-HOPE, ESSEX

OPEN MON-SAT 9AM-6PM

APPROX. 5 MINS FROM DARTFORD TUNNEL. TAKE A13 TILBURY ROAD FROM JUNCTION 30/31. M25

**VIDEO HEADS AT UNBEATABLE PRICES**

AKAI VS109/201/202/203/301, 303 (Just Arrived)	£25.00
AMSTRAD VCR4500, 4600/5200/9000	£21.00
AMSTRAD VCR7000	£22.00
FERGUSON/JVC/AKAI UNIVERSAL 3H/SSV	£15.50
FERGUSON 3V32/JVC HR7655	£40.99
FERGUSON 3V42/44/45/46/47/50	£22.00
FERGUSON 3V48/JVC HRD565	£40.99
FISHER UNIVERSAL FVHD720/520/530 ETC	£21.00
HITACHI VT4000/5000	£21.00
HITACHI VT6500/7000/8000/8500/8700/9000 ETC	£21.00
HITACHI VT11/14/33/34/330/340 ETC	£21.00
PANASONIC NV333/2000/7000/8600 UNIVERSAL 3HSSN	£15.50
PANASONIC NV370/NV380/NV100-PHILIPS VR6460	£24.00
PANASONIC NV77/NV330 3HEAD	£27.00
PANASONIC NV230/NV250/NV260 NV270/NVG-9/10/11	£34.50
PANASONIC NV430/NV460	£27.00
PANASONIC NV366 4 HEADS	£39.50
PANASONIC NV730 4 HEADS	£39.50
PANASONIC NV180 4 HEADS	£42.00
PANASONIC NVG-21 (Just Arrived)	£42.50
SAISHO VR605/705/805/905	£21.00
SHARP VC300/381/382/3300/3500/9600/9700/9800 ETC	£20.00
SHARP VC500/581/582/583/584/651/681/682 ETC	£21.00
SONY UNIVERSAL 1 PIN C5/6/7 AND 2 PIN ETC	£17.00
SONY SLF-1/C20/30/40/F40/SLT20ME/30ME	£20.00
SONY SLC-8/9/60/80/SLF60/SLT50/SLF60/SLT200	£27.00
TOSHIBA V9600	£22.00

**VIDEO MOTORS**

CAPSTAN MOTOR JVC/FERG PUS5371V	£19.50
DRUM MOTOR JVC 3V22 PU46414P	£19.50
REEL MOTOR SHARP RMOTV-1008-GEZZ ORIGINAL	£15.00
REEL MOTOR SANYO VTC5000 4.529V. 10600 ORIGINAL	£7.50
REEL MOTOR PANASONIC NV333-366/MYN13V5L ORIGINAL	£14.00

**SONY ORIGINAL MAINS SWITCHES**

1-554-966-11 26MM PLAIN BRKT REMOTE	£2.90
1-554-965-11 26MM THREADED BRKT REMOTE	£2.90
1-552-588-00 21MM THREADED BRKT NON-REMOTE	£2.40

**MATSUSHITA CASSETTE MOTORS 2400 RPM 25MM LOW PROFILE TYPES**

12V CLOCKWISE	£2.50
12V COUNTERCLOCKWISE	£2.50
9V CLOCKWISE	£2.50
9V COUNTERCLOCKWISE	£2.50

ALL ABOVE HEADS ARE BRAND NEW AND OF JAPANESE ORIGIN. ALL EX-STOCK ITEMS DESPATCHED SAME DAY. NO MINIMUM ORDER VALUE. PLEASE ADD £1.00 R&P PLUS V.A.T. TO ALL PRICES. ORDERS BY ACCESS AND VISA ACCEPTED.



EXPORT & OVERSEAS ENQUIRIES WELCOME.

**OMEGA ELECTRONICS**

252A HIGH STREET HARLESDEN, LONDON NW10 4TD  
Tel: 01-965 5748 Fax: 01-963 0351

**SAVE US!**

***WE ARE SINKING IN A WAVE OF BARGAINS***



GARY WINTERTON OFFERS A  
FULL RANGE OF EX-RENTAL  
TV & VIDEOS  
NO ORDER TOO LARGE OR TOO SMALL  
YOU COLLECT OR WE WILL DELIVER

**T.E.S.D. LTD.**  
**UNIT 6, 68 BAYTON ROAD**  
**EXHALL, COVENTRY CV7**

Ring Gary on 0203 368437

# Letters

## THE TECHNOLOGY JUNGLE

Anyone who has worked in a high-tech company will be familiar with the salesmen who knock on the door almost daily, an IBM under one arm and a "new" software package under the other. The basic reason for this seems to be the endless output from those little geniuses who grew up on keyboards whilst playing Space Invaders. The belief is around that what we need is ever more graphics, CAD, word-processing and accounting packages. Engineers, scientists and managers alike are being baffled by the daily inception of new acronyms.

There's nothing new about this. In the TV world copywriters thirty of forty years ago were quoting features like APC in sales literature in the hope of impressing prospective purchasers. Unfortunately today the punter expects to be impressed. We need improved technology, but we also need it to be described in a language understood by all. That way the danger of purchasing incompatible equipment might be avoided. To give one example. Three years ago we bought a very good CAD package. The following year evaluation of a desk-top publishing (DTP) package was entrusted to the same employee who, in retrospect, was obviously inexperienced and reluctant to admit being blinded by science. The result was that we purchased the DTP system and then experienced considerable problems with transferring graphics from the original CAD system - complex drawings were often lost, wouldn't convert or lost the text originally placed upon them. Here was a fine example of a software expert without experience of the real world creating a finished product that caused problems. Both systems were extremely good in their own way, but the incompatibility factor ended up by providing ammunition for management politics with the result that the whole system was shelved.

Returning to TV, we had perhaps the best system in the world with 405 lines. If it had been given f.m. sound it would today have been the system to which the world converted. Why? Because it was economical of bandwidth. But, I hear you say, the definition was inferior. The horizontal definition was in fact very good, comparable (with a good set) to modern 625-line receivers. One way of making the coarse line structure less visible was to use spot wobble. Some Ekco models featured this, but viewers, who had no idea what the toggle switch was for, invariably switched it off permanently. Besides, the average viewer was happy with his 17in. box until somebody told him he was missing something.

Pictures can now be digitally reprocessed within the receiver. Yet we are still threatened with a multiplicity of systems. The Japanese HDTV system offers over 1,100 lines and 60 fields per second, which overcomes interlace flicker, but it's incompatible with existing systems. MAC offers compatibility (via a converter) but retains the interlace flicker. Meanwhile we are getting PAL signals from Astra, again via a converter. Soon we'll need another converter for BSB. When you sit back with a sigh of relief after getting that lot someone will be telling you that you are missing something because the new wide-screen TV sets are in the shops.

There are several lessons to be learned. In particular

that customers don't want to be baffled by science — they just want to watch Coronation Street. Here's an example. I was called to a set one day to correct a no-picture fault, then readjusted it and left. Next day I was called back for slight hiss on sound. It was almost imperceptible and was resolved by slightly reducing the setting of the treble control which I'd inadvertently left at maximum. The user had no idea what the control was for! Here's another example. The purchaser of an expensive (for its day) VCR, the Ferguson 3V23, was asked why he'd paid £750 when he used it only to watch videos from the local video shop and to make the occasional off-air recording. He replied that he'd come into some money and wanted the "latest thing". Totally confused by the search tuning and remote control handset, he'd no intention of using the assemble edit, freeze frame, variable slow motion or even the Dolby noise reduction. He just wanted a video!

There's a great danger in technology for the sake of it. Will the ultimate user want or understand it? If current predictions are fulfilled and our children inherit our property and blow the proceeds on new gadgets, perhaps they'll have the time to gen up. But will the service engineers of the day?

*Malcolm Burrell,  
Romford, Essex.*

## ELECTRON COMPUTER PROGRAM

Owners of Acorn Electron computers will probably wish to try out J.T. Beaumont's program for satellite dish alignment (March issue). Although written for BBC B series computers which use the same BASIC language as the Electron, because of certain electronic differences between the two machines the part of the program that relates to drawing an ellipse won't work. The following modifications and additions to this excellent program will enable Electron users to get going.

```
1200 GCOL 1,3
1210 PROCellipse
1220
1230
1240
1870
1890 DEFPROCellipse
1900 x=620:y=800:xrad=400:yrad=150
1910 FOR n=0 TO 360 STEP 10
1920 a=RAD(n)
1930 X=SIN(a)*xrad+x:Y=COS(a)*yrad+y
1940 IF n=0 MOVE X,Y ELSE DRAW X,Y
1950 NEXT
1960 ENDPROC
```

*D.R. Isham,  
Buckingham, Bucks.*

## TROUBLES WITH NICAM?

ITV and Channel 4 have been broadcasting NICAM stereo test transmissions from Crystal Palace since the beginning of March. During the morning of March 4th I noticed that the music seemed to be interspersed with occasional random loud clicks (decoder switching?). This has continued since the start of the tests but doesn't seem to occur with the BBC's NICAM transmissions.

A call to IBA Engineering at Winchester on March 13th confirmed that I was not the only one to hear this noise, and that the phenomenon had been reported by viewers with JVC, Sony, Panasonic and Ferguson equip-

ment. I was told that the IBA engineers were scratching their heads! These might be teething troubles and I don't want to be alarmist, but it was inferred that the trouble could be caused by the decoder chip in current use.

There must be quite a lot of homes now with expensive VCRs and TV sets fitted with NICAM decoders. The thought of them all requiring modification or new chips is cause for concern. Can anyone shed more light on this matter?

Andrew H. Sykes,  
Sutton, Surrey.

## REMOVING HARDENED PVC

The PVC sheath covering wires with single or multistrand cores will harden when subjected to heat over a period of time. If you have to strip such wire, try the following method. Place the wire to be stripped against a hard surface – see Fig. 1 – then press the body of the bit of your soldering iron on top of the PVC sheath, at a suitable distance from the end to be stripped. Leave for a couple of seconds then, while applying pressure with the iron, pull the wire from the other end so that it passes under the bit. This will remove part if not all of the PVC sheath without damaging the core.

M.K. Hayter,  
Moseley, Birmingham.

## USEFUL TIPS

Here are some tips which I have used myself. I hope the ideas will prove of use to other readers.

(1) A degaussing coil would probably cost you £20 or more, yet many engineers carry one with them without realising it. I refer to the "instant heat gun" many of us carry in our kits. It does a first rate job and can be even better than a degaussing coil in stubborn cases. Always check the degaussing resistor and the continuity of the circuit of course.

(2) Rather than carry a large bottle of isopropyl or whatever you use for cleaning upper drum assemblies try this tip. Cut half a dozen kitchen towels into quarters (24 pieces) and completely soak them in the cleaning fluid, then put them in a plastic bag to prevent evaporation. It can save a lot of room in the tool case.

(3) If you want a cheap 30V supply for fault finding (tuners etc.) and you have a scrap Rediffusion Mark 3 chassis, the little PCB mounted mains transformer 6T1 (Hinchley type 21861) on the power supply panel is ideal. Fig. 2 shows a suitable circuit.

(4) A budget variable stabilised power supply giving 1-2A at 5-15V can be built easily using a 7805 regulator secured to a good-sized heatsink and a mains transformer obtained from a scrap monochrome portable. Fig. 3 shows a basic circuit – the 10kΩ potentiometer sets the output. For a higher output voltage use a 7812 regulator with a higher-voltage transformer.

(5) There have been some excellent articles in the magazine on converting Sony sets from GCS to transistor operation in the chopper and/or line output stage. I recently carried out such a conversion with a 20in. set and noticed that the output transistor was getting excessively hot. After trial and error the perfect device was found. Instead of a BU208A, use an R2540 (the Syclops transis-

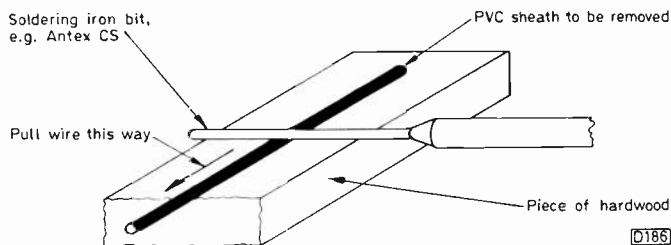


Fig. 1: Method of stripping hardened PVC wire covering.

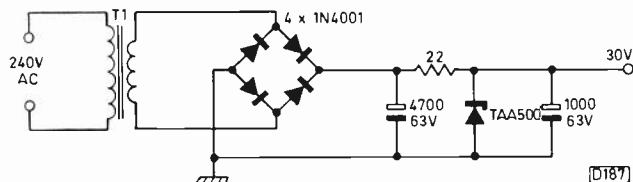


Fig. 2: Simple stabilised 30V supply circuit.

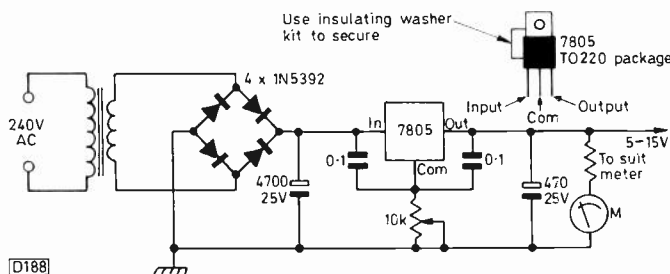


Fig. 3: Simple 5-15V regulated power supply circuit.

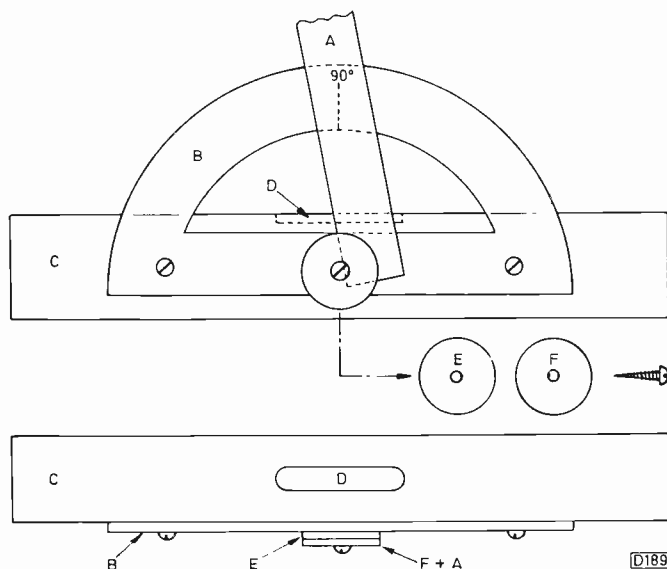


Fig. 4: Simple satellite dish alignment tool.

tor in the Thorn 9000 chassis). It runs as cool as a cucumber! This transistor is also an excellent replacement for the rather expensive 2SC1942 regulator used in the Sony KV1612UB colour portable.

Graham Richards,  
Rochdale, Lancs.

## SATELLITE TV ALIGNMENT TOOL

The "poor-man's" satellite TV alignment tool shown in Fig. 4 can be made at very little cost. It consists of a straightedge A which can be of any material with a good edge (look around your local DIY store); a protractor B which can be obtained from W.H. Smith for about 45p; a wooden base spirit level C or a suitable piece of machine-

planed wood with a bubble D attached (from DIY stores or Maplin order no YP56L, £2.80 plus 50p post and packing on orders below £5); a friction washer E—rubber etc.); a washer F suitable for gluing to material A (steel etc.); and three woodscrews.

To use for elevation alignment, move the straightedge to the degree reading required, placed the straightedge on the face of the dish and adjust the dish until the spirit level is centred. The straightedge should be of suitable length for the job.

*J. Johnson,  
Gloucs.*

**Editorial note:** Would Mr. Johnson please send us his full address so that payment can be made for this contribution?

## HELP WANTED

I'm seeking a replacement mains transformer for an Elizabethan LZ32 open-reel audio tape recorder. As far as I'm aware the secondary windings are 6.3V to supply the heaters and 240V isolated to feed a bridge rectifier. The one fitted is a Grundig Netztrafto 9078-003 – unfortunately the primary winding is open-circuit. Any help in obtaining a new or ex-scrap machine transformer would be appreciated.

*Brian Renforth, 174 Helmsley Road,  
Sandyford, Newcastle-upon-Tyne,  
Tyne and Wear NE2 1RD.*

Can anyone supply a circuit diagram for the Thandar (formerly Sinclair) DM450 multimeter?

*G. O'Brien, 105 Roxborough Road,  
Harrow HA1 1NT.*

Can anyone supply a line output transformer for an Orion Plustron Model CTV55?

*R. F. Maynard, 7 Phillips Avenue,  
Exmouth, Devon EX8 3HY.*

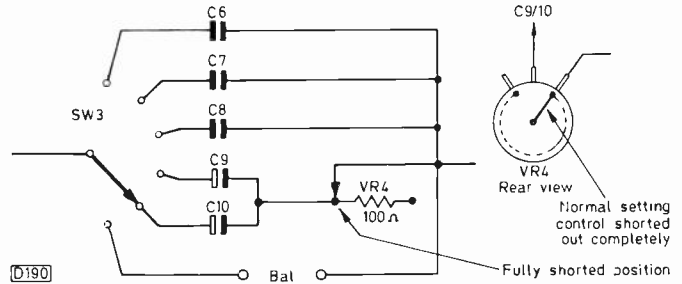
Small portables seem to be ever more popular yet their owners often make very little use of them. I have two in for repair. Both have seen little use and their cabinets are perfect, yet I have to tell customers that such sets are scrap as the parts are no longer available. As a last ditch, can anyone help with the following? First an AN239Q chip for a Panasonic model. Secondly a line output transformer for a Contec Model KT8135.

*Richard Hammon, 17 Knightcote Drive,  
Leamington Spa EV32 5FA.  
Telephone 0926 428 534.*

## WIDE-RANGE CAPACITANCE BRIDGE

Several readers have written to me about the wide-range capacitance bridge (March 1988). The following notes cover the various points raised.

Ranges D and E will not operate correctly unless the power factor control VR4 is of the type that shorts out *completely* to zero ohms. Use a 100Ω control of the type that has a positive shorting out position. A suitable control can be obtained from Forester's National Radio Supplies, 36 Ashley Road, Boscombe, Bournemouth, Dorset BH1 4LR (telephone 0202 302 204). Order as an "open wirewound panel mounting pot meter 100Ω of type that shorts out completely at the end positions". The price is £1.95 cash with order (includes post, packing and



**Fig. 5:** Use of the correct type of power factor control in the wide-range capacitance bridge is important.

VAT). The lower value than originally specified (1kΩ) gives a better power factor balance with large-value capacitors. In normal use, i.e. when measuring capacitance values, VR4 is turned fully anti-clockwise so that it is completely shorted out (see Fig. 5). C9 and C10 should be ordinary small electrolytics as originally specified, connected with the polarity shown in Fig. 5.

As stated in the article, it's important to ensure that the leads from the secondary winding of transformer T1 to VR1 are twisted together (like twisted flex) and that there is no unwanted coupling between the connecting leads.

Set the gain control VR3 as low as possible. You don't need a lot of sound, just a clear, sharp balance.

Range A (C6, 100pF 1% standard) should give a clear, sharp balance with capacitors down to a few pF in value. Don't change the specification for C6 (RS silver mica type 124-780). The range switch SW3 should be a good quality type, e.g. the RS Components type specified.

Make sure that there is no direct coupling between the squarewave oscillator circuitry and the audio amplifier section. All leads should of course be as short as possible.

If these simple points are observed you should get many years of useful service from your wide-range capacitance bridge.

*David Botto,  
Poole, Dorset.*

## INCORRECT COLOURS

So Les has also been caught out by a Ferguson TX9 (April issue) – I refer to the set that needed the RGB leads to be swapped around. Next time the set comes in and you've put all the leads back in their original positions, check the thermistor in the degaussing circuit and all the connections here! I had the same thing happen some months ago, during the snooker finals. It made the programme more interesting though – they were getting breaks of 500 or more!

On the cost of spares etc., I've just received from Philips a small sponge-rubber cap to go over a camcorder microphone, priced at £18.69. Is this a record or can anyone beat it? Go on, surprise me!

*Chris Plaice,  
Swansea, Glam.*

Some years ago I had two or three cases of the type described by Les in the April issue – sets with interchanged colours. They were all Grundig models. When the first set came in a check with colour bars suggested that swapping the leads around would cure the fault. This turned out to be so and I assumed that the set had been incorrectly assembled. It came back a few days later however, again with the colours interchanged. Restoring the leads to their original positions put matters

right. It then began to dawn on me: I switched the colour-bar generator to give a red raster and found that there were impurity patches. The dual-positistor in the degaussing circuit was charred, with its guts loose.

For years I've identified with Les – even in the cases of seductive ladies, two in pyjamas, one after insisting on a 9

a.m. call by the senior engineer. . . Also over 60 now, I too suffer from loss of memory and concentration and often add to my difficulties by carefully arriving at wrong conclusions.

*J.R. Armagh,  
Craigavon, Co. Armagh.*

# Teletopics

## **SONY LAUNCHES VIDEO WALKMAN IN UK**

The Sony Video Walkman Model GV-8E is now available in the UK at a suggested price of around £800. It's a remarkable piece of equipment, incorporating a full-feature VCR, an LCD colour TV display and a tuner/timer in a package measuring approximately 5in. in width, 2¾in. in height and 8¾in. in depth, the weight being 1.5kg. There's a comprehensive range of input/output sockets – for video in and out, audio in and out, camera and external speaker. Playing time is 90 minutes in the SP mode and a maximum of three hours in the LP mode. The TV screen has a diagonal measurement of 3in. and has 92,160 pixels, driven by a thin-film transistor active matrix. Consumption is 7.1W at 6V and the Walkman comes with a battery pack, an a.c. power adaptor and a lithium battery. There's a built-in telescopic aerial and the timer setting is for one event/24 hours. The aim is to give the user a TV/VCR facility no matter where he is. For full video capability there's a partnering camera, Model GV-8E, that weighs just 455g with optical viewfinder and 400g without. It has a three-position focus lens and microphone. No price for this item has been announced.

To coincide with the UK launch of the Video Walkman Sony has released a new package of prerecorded software – over thirty movies ranging from recent feature films to special items for children and music lovers. Some titles are for rental only but most are available for purchase.

There are also two new camcorders, Models CCD-V88 and CCD-F335. The CCD-V88 is claimed to be the world's smallest and lightest full-feature camcorder, measuring approximately 12 × 4¼ × 4½in. and weighing 0.9kg. The CCD-F335 is a replacement for the CCD-F330. It incorporates a number of extra features including a high-speed shutter (up to 1/4,000sec.). The suggested price is around £800.

## **BBC STEREO TV SOUND SERVICE**

Regular BBC-1 and BBC-2 stereo TV sound transmissions are to start in the autumn of 1991, using the BBC-developed Nicam 728 digital stereo system. Test transmissions from Crystal Palace started on July 18th 1986 and will continue, with programme sound originated in mono or stereo on the digital sound channel. The following main stations and many of their dependent relays, covering 60-70 per cent of the population, will carry stereo sound at the start of the service: Black Hill, Crystal Palace, Emley Moor, Pontop Pike, Sutton Coldfield, Wenvoe and Winter Hill.

## **SATELLITE TV AERIALS**

Sir Clive Sinclair's company Cambridge Computer Ltd. showed the smallest aerial yet designed for reception from

the Astra satellite at the recent Cable and Satellite Exhibition. The new aerial is a 45cm square (approximately 17in.) device with a depth of 12.75cm. Deliveries are expected to start in the autumn.

The new aerial was being shown alongside Cambridge Computer's previously announced 60cm square aerial. Sir Clive commented that "the original 60cm aerial/receiver design has performed significantly better than expected, and for this reason the technology has been adapted to produce a still smaller and shallower design. It's known to work in the Midlands and the South, but until further tests have been carried out people to the north of this region are advised to use the 60cm aerial."

There's been a certain amount of speculation in the press as to whether BSB's Squarial will be available in time for the launch of the service this autumn. What is not in doubt is that the development programme is behind schedule. It shouldn't matter unduly since a conventional dish can as well be used, but BSB has made an advertising/promotional feature out of the Squarial and there is also the fact that planning regulations allow only one dish of under 90cm to be installed within sight of neighbours. That dish could be for Astra! With this in mind BSB has been seeking a ruling from the Department of the Environment that the Squarial is not a dish.

The Squarial was devised by John Collins who set up a small company called Fortel to develop it. The story goes that John Collins had seen a similar type of aerial in military use – on fighter aircraft – and decided to adapt the principle for domestic satellite TV reception. If, as we suspect, the technology uses phased arrays of elements in PCB form, it's not one that is easy to apply to mass production. BSB has now bought out the rights to the



*The Sony Video Walkman Model GV-8E combines a full-feature 8mm VCR, a colour LC display, a v.h.f./u.h.f. tuner and a timer for one programme in a 24-hour period.*



# ATTENTION

**...SATELLITE T.V. IS HERE NOW**

**SUCCESSFUL TRAINING  
MEANS**

**⚡ PROFIT ⚡ PERFORMANCE ⚡ PRODUCTIVITY**

A.S.I. TRAINING ANNOUNCE THAT DUE TO THE OUTSTANDING SUCCESS OF THEIR REVISED BASIC SATELLITE TELEVISION TRAINING COURSE, EXTRA DATES HAVE BEEN ARRANGED TO COVER THE THEORY & PRACTICAL OF...

**⚡ SATELLITES  
⚡ SITE SURVEYS  
⚡ PROGRAMMING  
⚡ ASTRA**

**⚡ INSTALLATION  
⚡ MARKETING  
⚡ MAINTENANCE  
⚡ SALES**

*For Full Details Of Our Centrally Located Courses Contact:*



**T • R • A • I • N • I • N • G**

**Tel.: 01-550 2256**

or Write To: 137 Beehive Lane, Ilford, Essex IG4 5DR.

**AS SEEN ON  
BBC T.V.**

*Also advanced  
3 day courses  
available*

*'The Future  
Has Arrived'*



Squarial patents, for which Fortel had applied, and has also acquired the marketing rights to the aerial in the EBU region, Australia and New Zealand. It's understood that Marconi Defence Systems and Dow Chemicals will be producing aerials for BSB – Marconi's will probably be of the conventional dish variety.

Some concern has been expressed about the safety of wall-mounted satellite TV dishes. The problem lies not so much with the method of securing the dish but with the strength of the material, e.g. masonry or brickwork, into which wall plugs are inserted. To overcome this problem Hydrajaws Ltd. (Unit 3, Tile Cross Trading Estate, Birmingham B33 0NW) has introduced a fixings tester. The self-contained tester consists of a hand-wheel tensioner which transmits applied loadings through a hydraulic cylinder that incorporates a maximum load indication pointer for visual monitoring. A selection of attachments enables a variety of fixing ends to be accommodated, including fired masonry nails. In operation the tester can be used either to provide assurance that the estimated loadings imposed by the dish and supporting metalwork are within the strength provided by the fixings and wall or alternatively a full pull-out test can be imposed using a sample area of wall.

Advanced Satellite Installations Ltd. (137 Beehive Lane, Ilford, Essex – 01 550 2256) is running regular dish installation courses at Hornchurch, Essex. The company has plans to start courses at other centres.

### **FERGUSON SERVICE DEPARTMENT MOVES**

Ferguson's Service department has moved to new purpose-built premises at Enfield, completing a £2m project. The new address is: Ferguson Limited, Service Division, PO Box 1594, Crown Road, Enfield, Middlesex EN1 1DY. Telephone number is 01-804 7979, fax number 01-443 1899 and telex number 264 905.

### **SATELLITE TV SCRAMBLING**

Sky Television and The Disney Company have announced that the design of the VideoCrypt (previously referred to as Palcrypt) system to be used for their pay-TV services has been completed and that tests via the Astra satellite have been carried out successfully. As mentioned last month a smart card system will be used to give subscribers access to scrambled programmes. The smart cards will initially be produced in France by Gemplus Card International S.A., but a joint venture between Gemplus and the News Group is being set up to produce the cards, at a rate of over a million a month, at Livingston, Scotland. Production will start during the first quarter of 1990 and the facility will create over 100 jobs. Sky Television also hopes to establish its subscriber management centre at Livingston, creating a further 250 or more jobs. The centre would contain the computer database of subscribers and smart card preparation facilities. An electronic link between Livingston and Sky's studios at Isleworth, West London would enable control of subscribers' smart cards to be exercised via the Astra satellite.

VideoCrypt decoders are already being produced by Ferguson and Philips and it's expected that further manufacturers will be licenced this summer to produce decoders and/or integrated receiver-decoders. The Ferguson decoder was on display at the recent London trade shows. In appearance it's similar to a satellite tuner unit, with a slot at one end to take the smart card. It's expected to cost around £80.

Card payment will probably be based on two principles: for a three-month period and/or for a number of "viewing units". Since the viewing units may not be used up at the end of a three-month period they will be transferable to the next card.

British Telecom's cable and satellite TV division BT Vision has completed successful trials of a MAC encryption system. The system was developed in BT's research laboratories for pay-TV use.

### **TUNER DEVELOPMENTS**

Philips Components has announced the availability of a divide-by-two prescaler chip, type SAB8726, for use in satellite TV tuners. The chip has a frequency range of 1-2.6GHz and contains an amplifier, a divide-by-two section and an output stage. It accepts a sinusoidal input from the local oscillator and provides an output that drives a frequency synthesis loop. The package is an 8-pin plastic DIL (SOT97) and the power requirement is typically 35mA at 5V.

Hitachi has introduced a gallium arsenide MESFET chip, type HA21001MS, for TV/VCR tuner use. It contains two local oscillators, a mixer and an i.f. amplifier. Frequency coverage is 50-470MHz and 470-900MHz, with separate oscillators and output pins for the v.h.f. and u.h.f. bands. A logic-control input determines which input signal is routed to the mixer section, which employs a double balanced circuit.

### **ASTRA-2**

Astra's owner SES has agreed to buy a second satellite which will be placed in the same orbital position as the first one some time next year, doubling the number of Astra channels to 32. The General Electric Astro type satellite was originally built as a joint venture by GE and Time, which owns the US Home Box Office pay-TV channel.

### **HINARI'S UK CTV PRODUCTION**

Hinari is setting up two production lines at the company's Cumbernauld plant near Glasgow to produce 14in. colour TV sets, the aim being to make it less dependent on imports. Initially most components will be imported and the production capacity will be 120,000 sets a year. Efforts will be made to obtain components from local sources. Hinari claims to have 10 per cent of the 14in. CTV market in the UK at present. The Cumbernauld plant was originally intended for VCR production. This plan was abandoned when it was discovered that the company's VCR imports would not be subject to anti-dumping duties.

### **ONE-FOR-ALL RC UNIT**

More TV remote control handsets are lost or damaged through the antics of household pets or toddlers than for any other reason. Replacement units can be difficult to obtain and expensive. As few retailers hold stocks they have to be ordered, which results in delays. Celtel's One-for-All unit provides the solution. It's capable of controlling virtually every wireless remote control product – cable and off-air TV sets, CD players and a pair of VCRs – and is easily programmed to perform entire sequences of functions. There's a facility for upgrading to control future products and the unit can be used with such infra-red

activated items as driveway gates, garage doors, security systems, curtains, hi-fi equipment and so on. It comes with an easy to use instruction book, a practical users' guide, a function code appendix and a directory of manufacturers' blink codes, ensuring universal brand applicability. The retail price is £79.95. A review of this interesting device will appear in a future issue. It's available from Celtel at 18 Central Trading Estate, Staines, Middlesex TW18 4XE.

## **VIDEO SCENE**

The European Commission has accepted price undertakings from four Far Eastern VCR manufacturers charged with dumping and has imposed duties on a fifth. Samsung, GoldStar, Daewoo and Funai have agreed to raise their EC prices while Orion has elected to pay a 13 per cent duty instead. Either way EC consumers will be faced with higher VCR prices. Last September the Commission set provisional levies on the companies of between 11.5-29.2 per cent.

The British Videogram Association expects the UK video business to be worth over £1.3bn this year. Prerecorded tape rentals are expected to generate income of £540m, sales of prerecorded tapes should exceed £200m while sales of 45m blank cassettes should produce £135m. The VCR market is put at £240m – 800,000 machines at an average price of £300 each. The Association expects camcorder sales to increase to over 200,000.

A couple of interesting items of hardware have been released recently. Panasonic's Model NV-L28 VCR is unusual in having the capability to play back NTSC VHS tapes via a PAL TV receiver with perfect colour and, in most cases, correct height. The suggested price of the machine, which incorporates digital features such as picture-in-picture, is £450. Philips has announced the first CD/CD-V player, Model CDV185, designed to play the CD-V "clip" discs. The machine handles 3in. and 5in. discs but not the larger 8in. and 12in. discs. The suggested price is around £350.

TDK has released what is claimed to be the first national study of the blank audio and video tape market in the UK. We'll summarise briefly the video aspects. In 1987 over 88 per cent of households possessed a colour TV set while 52 per cent of homes had a VCR. This suggests that there is still considerable potential for growth – VCR ownership is expected to rise to around 57 per cent of households in 1990. In 1984 VHS had 73 per cent of the market, Betamax 25 per cent and the V2000 system 2 per cent. The figures for 1987 were 91 per cent for VHS, 7 per cent for Betamax and one per cent each for 8mm and VHS-C. Some 52.4m blank video cassettes were sold in 1987, with a value of £223m. This compares with £206m spent on photographic film. Estimated blank cassette sales in 1988 were put at 55m, with stiff competition reducing the value to £194m. This makes an interesting comparison with the BVA forecast for 1989 given above.

According to TDK's consumer profile the market is biased towards males in the 25-54 age group. Overall this group owned 61 per cent of VCRs and bought 64 per cent of blank tapes. The average household apparently owns around 14 video tapes, spends about 3.5 hours per week making recordings and about 4 hours a week watching them.

There appears to be a move towards the use of higher-grade tape and four hour (E240) cassettes. Three and four hour tapes accounted for 73 per cent and 6 per cent of the market respectively in 1984, rising to 80 per cent and 16

per cent in 1987. High-grade tapes account for 5 per cent of the market at present. A breakdown of brand shares shows that four brands account for 43 per cent of the market and 46 per cent of market value. The "big four", with volume and value figures given in brackets, are Scotch (18/19 per cent), Sony (9/10 per cent), BASF (9/9 per cent) and TDK (7/8 per cent).

## **HD-TV**

American Telephone and Telegraph and Zenith Electronics have announced plans to develop a compatible high-definition TV system for use in NTSC countries. The companies are to spend some \$24m on the project, one aim being to re-establish the US TV industry – Zenith is the last US owned TV receiver manufacturer.

The start of regular experimental HD-TV transmissions in Japan has been delayed by a couple of months due, according to NHK, to a shortage of programme material. Regular Hi-vision transmissions via satellite are due to start next month to around eighty public sites. The full service is expected to come into operation some time next year. NHK proposes to add approximately £4 a month to the TV licence fee to cover the cost of the service.

## **A WELCOME SPARES SERVICE**

In last month's leader we commented on the difficulty individuals face in obtaining TV/VCR spares. We have since heard from AGS Electronics of 49 Farringdon Road, Plymouth, Devon PL4 9ER (0752 225 946) whose aim is to provide a personal service for individual customers whether in the trade or not. The company was started fifteen years ago and is staffed by technically minded engineers who are willing to offer advice and spares for anything connected with audio/video equipment. The firm also has a trade repair service. Components can usually be supplied within 24 hours.

## **PAL ENCODERS FOR COMPUTER USE**

Interactive Media Resources (8 North Street, Wolverhampton, West Midlands WV1 1RD – 0902 25 444) has introduced a range of PAL encoders for use with various popular computers. The Datavid series accepts an RGB input (TTL level or linear depending on the computer) and gives a near broadcast quality PAL composite video output suitable for recording purposes or for feeding into video mixers or monitors. The encoders incorporate their own power supply and the recommended price is £179.99 including VAT. There are models for use with Atari ST, Commodore Amiga, Acorn Master and Archimedes computers.

## **IN BRIEF**

Dates for the 1990 brown goods trade shows at London hotels are April 22-25th . . . The Newport Amateur Radio Society will be holding its second "grand surplus equipment and junk sale" at Brynglas House, Newport on Sunday July 2nd, from 11 a.m. to 4 p.m. . . Maplin Electronics (PO Box 3, Rayleigh, Essex SS6 8LR – 0702 554 161) has introduced two crimping tools, one for coaxial cables and the other for heavy duty work, at £24.95 each including VAT. Dies for RG58 and RG59 cables are provided with the coaxial tool. You simply place the connector to be crimped in the appropriate die in the jaws and squeeze the handles together until the tool reopens. A ratchet with override latch prevents the tool opening until the crimp is complete.

# Camcorder Servicing

## Part 4: Solid-state Image Sensors

Steve Beeching, T.Eng.

Last month we described the techniques used to produce a composite colour signal in a camera employing a single tube of the Saticon type. Most video cameras and camcorders use solid-state image sensing instead. The rate of progress is such that there have already been various types of solid-state image sensor. Most of them use CCD (charge-coupled device) technology. The basis of all solid-state image sensors however is an array of photosensors each of which generates, during the 50Hz field period, a charge proportional to the light that falls on it. The advantages of the solid-state image sensor are compactness, low power consumption, resistance to burn-in effects, and long life without ageing. There is no heater element of course, and no adjustments are required for installation, temperature variation, ageing or use.

### CCD Image Sensors

Solid-state image sensors vary in the way in which the charges built up during each field are read out of the device as a sequential video signal. With CCD technology, CCD shift registers are used to extract the signal. The idea is depicted in Fig. 1. During the field flyback period the charges built up on the photosensitive section of the device – the array of photosensors – are rapidly transferred to the CCD shift-register section. This consists of a series of vertical shift registers that feed a horizontal shift register, shown at the bottom. Clock pulses applied to the vertical shift register elements move the charges down into the horizontal shift register, which is clocked at a faster rate to provide the sequential output consisting of the charge packets originally generated by the photosensitive elements. Clocking consists of applying higher voltage pulses to adjacent elements to move the charges along the shift register. Once per video line the horizontal shift register receives a fresh set of charges which are then clocked out to provide the next line of the picture. The vertical shift registers are clocked at line rate so that the charges move down line by line. Thus at the end of the field the vertical shift registers are empty, ready to receive the next set of charges from the photosensors.

There are two main types of CCD solid-state image sensor, referred to as the frame- and line-transfer types. With the frame-transfer type the vertical CCD shift registers are situated beneath the photosensors. In the line-transfer type the shift registers are arranged alongside the photosensors. Although frame transfer is fine for monochrome displays it is not suitable for colour. The advantage of the line-transfer arrangement lies in the more efficient charge transfer from the photosensors to the shift registers. The method of clocking out the signal is the same for both types of CCD image sensor.

The line-transfer CCD image sensor is the type generally used for colour portable cameras and camcorders and has itself undergone considerable development during its comparatively short production life. One of the first image sensors of this type consisted of a large-scale integrated circuit with over 250,000 picture elements (pixels), more than 450 shift registers and the pulse control circuitry required all on a 7mm square substrate.

Basic details are shown in Fig. 2. The photocell array has 454 horizontal by 582 vertical elements, that is 582 rows which form the TV lines and 454 pixels per line. Only part of the array is used, consisting of 575 lines by 418 pixels. The part not used is held at lack level for clamping purposes. A later version offers higher definition with 725 pixels per line, 668 of which are active, giving a total active array of 384,100 pixels. It also has an extra memory section at the bottom for high-speed shutter use.

The scene being recorded is inverted by the camera's lens. Thus when it reaches the surface of the CCD it's a

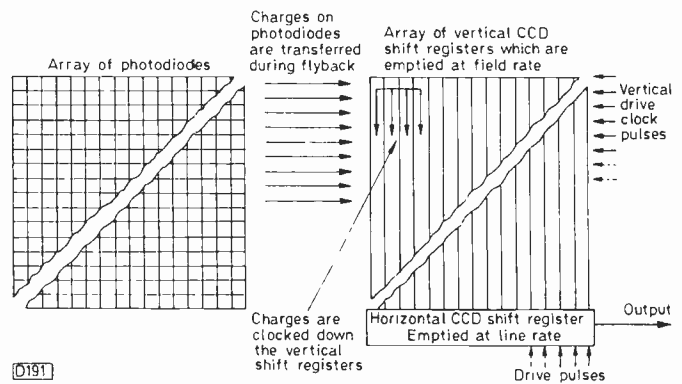


Fig. 1: Principle of the CCD solid-state image sensor.

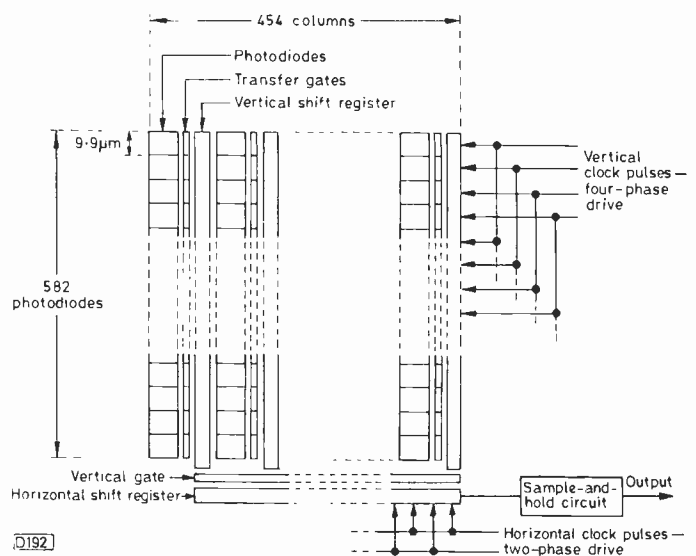


Fig. 2: Basic details of an early type of line-transfer CCD image sensor. The active imaging section, with 418 columns and 575 rows (lines), has a diagonal dimension of half an inch.

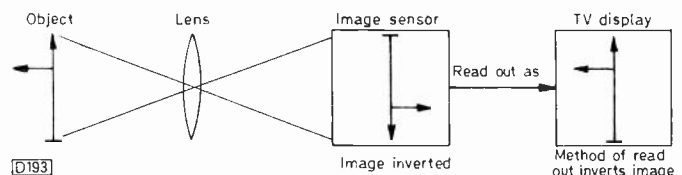


Fig. 3: The lens produces an upside-down mirror image at the surface of the image sensor. As the image sensor reads the information from the bottom right to the top left it provides correction for the effect of the lens.

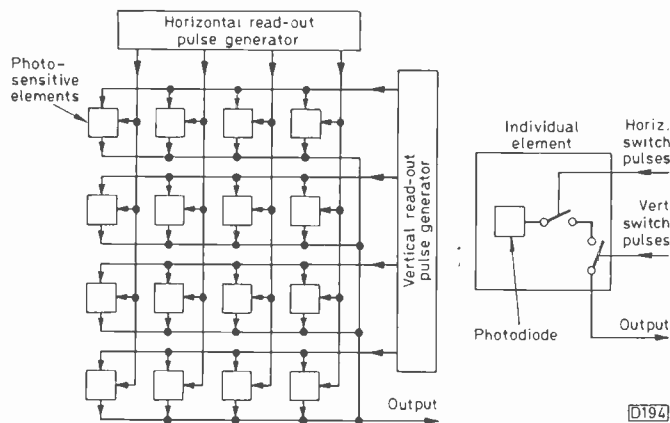


Fig. 4: Principle of the MOS type image sensor, which uses a switching matrix to produce the sequential signal.

mirror image which is upside down – see Fig. 3. It's necessary to bear this in mind in order to understand how the imager reads out the signal.

With a TV screen the scanning of the raster starts at the top left-hand corner and ends at the bottom right hand corner, the beam scanning from left to right. With a CCD image sensor the start of the picture is at the lower right hand corner, finishing at the top left-hand corner (the last pixel to be read out). This is because the horizontal shift register is at the bottom, beneath the vertical shift registers, so that the first pixel to be read out is the one at the bottom right-hand corner.

As shown in Fig. 2 the photosensitive elements (photodiodes) are mounted in columns adjacent to the vertical shift registers. Transfer of the charges from the photodiodes to the vertical shift registers is via MOS

transistors. There's a MOS switching transistor for each photodiode, transfer gating (TG) pulses being used to switch the MOS transistors on briefly during the field flyback period. Driving alternate MOS transistors in each column with a different TG pulse in each field enables the control programme to allocate alternate rows to odd and even fields and to determine the colour signals for matrixing.

With the high-definition image sensor mentioned some 668 charges are read out per line. As the active line period is  $52\mu\text{sec}$  the stepping frequency is around 13MHz. The charges read out of the horizontal shift register are converted to an analogue video signal voltage by means of a sample-and-hold circuit.

### MOS Image Sensors

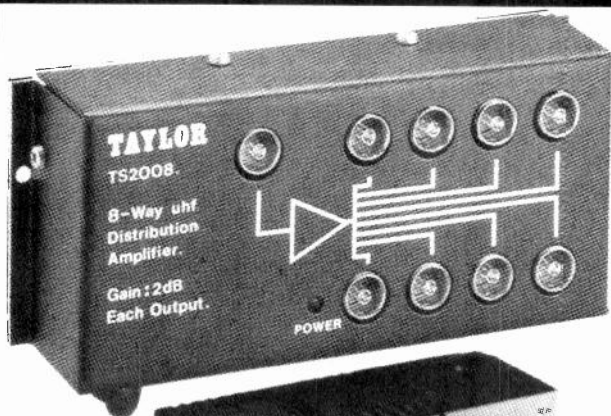
In the alternative MOS type of image sensor shift registers are not used. Instead each pixel is individually addressed once per field by using a matrix switching system. Fig. 4 shows the basic idea. The vertical read-out pulse generator selects lines sequentially, the horizontal read-out pulse generator then connecting each pixel in turn to the common output line. The advantage of individual pixel access will become obvious when we consider colour and also high-speed shutter use.

### Colour System

A complex colour system is used with solid-state image sensors. The colour filter associated with the photodiode array has magenta, cyan, green and yellow sections as shown in Fig. 5. Note the way in which the pattern occurs on successive rows – from the top M, G M, G etc.

# TAYLOR

**U.H.F. TELEVISION DISTRIBUTION AMPLIFIERS**



T.S. 2008 8-Way U.H.F. Distribution Amplifier

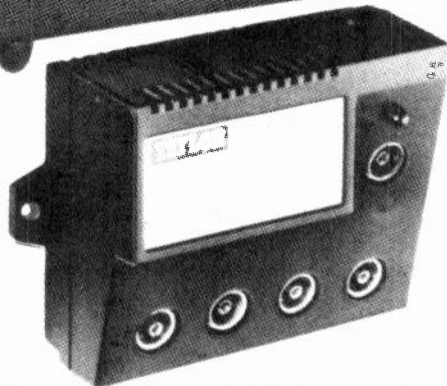
Price

**£19.95** each + Carriage & VAT (Total £24.68)

10+ £17.22 + Carriage & VAT

20+ £15.84 + Carriage & VAT

**Specification:** Frequency: 470 - 860 MHz  
Minimum Gain per outlet: 2dB  
Mains: 240V A.C.



T.S. 2004 4-Way U.H.F. Distribution Amplifier

Price

**£14.95** each + Carriage & VAT (Total £18.93)

10+ £13.23 + Carriage & VAT

20+ £12.17 + Carriage & VAT

**Specification:** Frequency: 470 - 860 MHz  
Minimum Gain per outlet: 2dB  
Mains: 240V A.C.



**TAYLOR BROS. (OLDHAM) LIMITED**  
Bisley Street Works, Lee Street,  
Oldham, Lancs., England. OL8 1EE

Telephone: 061-652 3221  
Fax: 061-626 1736  
Telex: 669911 Taylor G



followed by C, Y, C, Y etc. then G, M, G, M etc. and next back to C, Y, C, Y etc. The first part of the signal processing takes place within the image sensor. Each row of pixels is used twice, once in each field, as shown at the bottom of Fig. 5. Successive rows are added within the sensor. Thus in field 1 rows A and B are added to give line  $1n$  and rows C and D are added to give line  $1n + 1$ . In field 2 rows B and C are added to give line  $2n$  and so on. This is done by using the alternate row TG pulse switching previously mentioned. Say that transfer pulse TG1 has moved row B into the vertical shift registers (also row D etc.). The next vertical shift register clock pulse moves row B down the registers so that it is adjacent to the row A photodiodes. Transfer pulse TG2 then transfers row A into the registers so that rows A and B are superimposed. The output on line  $1n$  will thus be

$$G + C, M + Y, G + C, M + Y \text{ etc.}$$

The following line  $1n + 1$  will consist of

$$M + C, G + Y, M + C, G + Y \text{ etc.}$$

Note that the M and G pixel sequence differs in rows A and C. Thus the pattern shown in Fig. 6 is set up.

In another type of image sensor a slightly different technique is used. Say row A has just been transferred to the vertical shift registers (also row C etc.). The shift register is then "backspaced" so that row A is alongside row B. The second transfer pulse then moves row B into the shift registers to provide the addition. The net effect is exactly the same as before.

With the MOS image sensor where the pixels can be addressed individually or together it's simple enough to program the vertical read-out pulse generator to address pairs of rows to get the same effect.

What we have said so far overlooks the fact that the filters act by blocking light, i.e. the magenta filter section blocks green light, allowing red and blue to pass, cyan blocks red allowing blue and green to pass, yellow blocks blue allowing red and green to pass while green blocks red and blue allowing just green to pass. Thus  $M = R + B$ ,  $C = B + G$ ,  $Y = R + G$  and  $G = G$ . In consequence our lines  $1n$  and  $1n + 1$  give

$$G + (B + G), (R + B) + (R + G) \text{ etc.}$$

and  $(R + B) + (B + G), G + (R + G)$  etc. respectively.

Simplifying, in line  $1n$  we have

$$2G + B, 2R + B + G \text{ etc.}$$

while in line  $1n + 1$  we have

$$2B + G + R, 2G + R \text{ etc.}$$

There is no need to spell out in fine detail the rest of the process, which is carried out in the camera's signal processing department. The principle is similar to that outlined for the Saticon tube camera last month. Use of filtering, addition networks and a one-line delay line sorts out the signals to produce the components of a conventional composite colour signal, i.e. full-bandwidth luminance ( $Y = G + B + R$ ) plus the narrow-bandwidth  $R - Y$  and  $B - Y$  colour-difference signals. The processes are shown in block diagram form in Figs. 7-9.

### Circuit Arrangements

As with the Saticon tube, the output obtained from the image sensor consists of a luminance signal plus a high-frequency carrier containing the chroma information. The filtering shown in Fig. 7 provides separate full-bandwidth luminance (YH), narrow-bandwidth luminance (YL) and, from the bandpass filter, the chroma carrier. In the chroma signal path detection is followed by a low-pass filter whose output consists of  $2R - G$  and  $2B - G$ . By

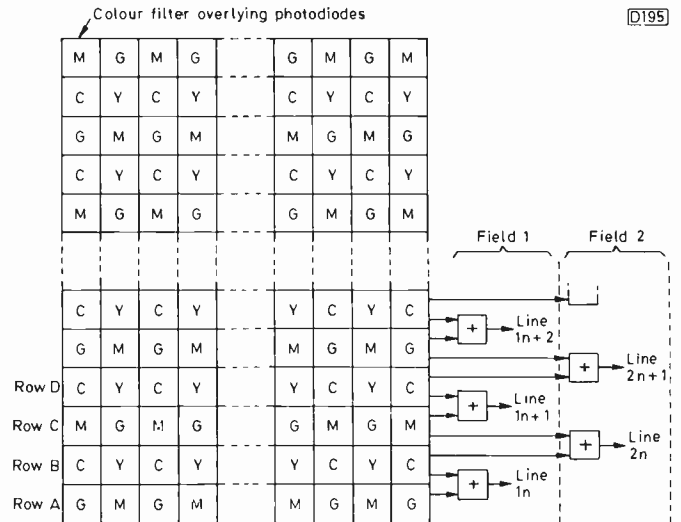


Fig. 5: Arrangement of the colour filter.

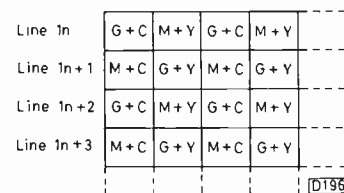


Fig. 6 (left): Colour pattern set up by the processing in the image sensor.

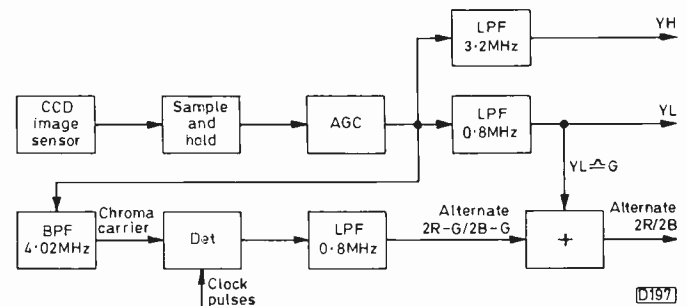


Fig. 7: Filtering system used to separate the luminance and colour components of the complex output signal produced by the image sensor.

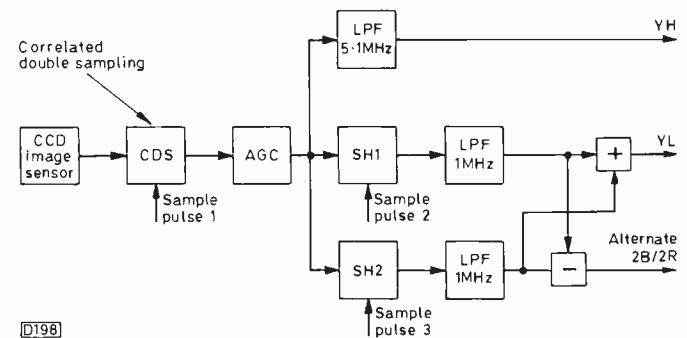


Fig. 8: Sampling system used instead of simple filters in the later high-resolution system.

adding  $YL (\pm G)$  we get  $2R/2B$  outputs, i.e.  $2R$  on one line and  $2B$  on the next.

Instead of the low-pass and bandwidth filters the later high-resolution system employs sampling to separate the low-frequency luminance and the chroma signals - see Fig. 8. The sampling frequency is around 16MHz. In a given line  $n$  sample-and-hold circuit SH1 will sample only the  $M + Y$  pixel output while sample-and-hold circuit SH2 samples only  $G + C$ . This gives rise to the following outputs:  $2R + G + B$  and  $2G + B$ . On the following line we get  $2B + G + R$  and  $2G + R$ . These outputs are

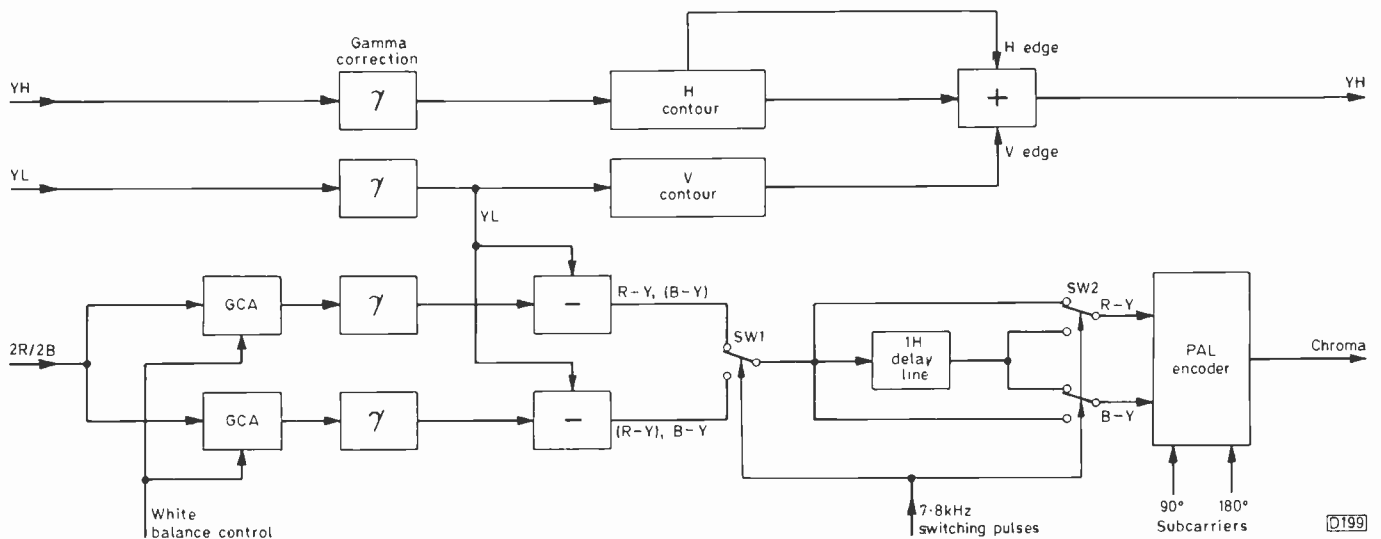


Fig. 9: Block diagram of the circuitry used to produce Y plus simultaneous colour-difference signals.

applied to add and subtract circuits which produce YL and, on alternate lines, 2R/2B as in the previous example.

The line-sequential R and B signals must next be converted to simultaneous R - Y and B - Y colour-difference signals. This is where the one-line delay line comes in. Fig. 9 shows the arrangement used. The two luminance signals are passed through individual gamma correctors to ensure linear light input/output voltage characteristics. Horizontal and vertical edge correction is then applied to the full-bandwidth luminance signal to crisp the picture. The 2R/2B information is fed to two separate paths each incorporating gain-controlled amplifiers for white balance and gamma correction. Subtract circuits then introduce the low-frequency Y signal, resulting in line-sequential colour-difference outputs (R - Y/B - Y). Use of a delay line and half line-frequency switches SW1

and SW2 finally provides simultaneous R - Y and B - Y inputs for the colour encoder. A point to note when servicing is that the two 2R/2B channels are designated the red and blue channels respectively, which could be confusing.

Our account of the colour signal processing in this article has been somewhat simplified to make it more readily understandable on first acquaintance. Those who would like to follow through a more detailed account may refer to pages 178-183 of the present (third) edition of my book "Videocassette Recorders - a servicing guide", published by Heinemann Professional Publishing at £20. Another point to note is that a four-phase clock pulse drive system is used for the vertical shift registers in CCD-type solid-state image sensors. Again you will find more on this in the book.

## The Party's Over - Well Almost

Les Lawry-Johns

It's time to call it a day. Not only the song goes like that. We don't get any younger and the health problems are very persistent. As far as the business is concerned the party is over and we have to pick up the pieces and pay our debts, if we can. Us careful ones haven't got much to worry about but I know that there are a lot who have. Some years back I wrote about my Grandad. He was the skipper of a ferry boat and it was only when he bumped into Tilbury landing stage that it came out he couldn't see. After that my mum had to go across the road to get his pint of beer. The last act was on for him then, and it seems like only yesterday. Some sixty years ago I think. If anyone wants to look up the issue where I wrote up the story it was in October 1979. Yes the party is finally over as far as this shop is concerned. We're moving out soon, into a small bungalow not too far away. So we'll get a bit of a rest, but I'll still do my bit of writing to keep in touch with you.

### More Sets

In the meantime the sets keep coming in.

Take the Philips CTX-E for example. The note said "no go". So I immediately dived for the switch-mode

power supply. The BUX84 chopper transistor was open-circuit. I replaced it and plugged the set into the mains again, having left it switched on. Nothing happened. I checked around the BUX84 and found that it wasn't being driven. So I checked through the circuit but couldn't find anything wrong. When the owner came for it I had to tell her that I hadn't been able to find the fault. She left with the set and it was only later that I realized it had been a remote control model without the remote control unit. I hadn't done anything other than plug it into the mains. What kind of fool am I?

To show you what kind of fool, I've been looking through past issues of the magazine to try to refresh my failing memory. What about this? In the March 1982 issue I was rabbling on about the weather and mentioned about my friend Ridley coming in. "If we keep burning fossil fuels at this rate Leslie, the greenhouse effect will become so serious we'll all be dying of heat."

Ridley was a solicitor, and that was back in 1982. How did he know then?

Well, that's all I can think of at the moment. People keep calling in to look around the shop and the accommodation upstairs. If we didn't own the joint the party would probably have been over some time back.

# Grundig's Satellite TV System

Steve Beeching, T.Eng.

When I unpacked it my first impression of the Grundig STR20 satellite TV receiver was of its smallness and neatness. It's of midi system size, being 320mm wide and 70mm high on its little feet. The depth is about 290mm including the connectors that stick out.

On the front panel there are channel change up and down pushbuttons, an on/off switch, the channel display and remote control receiver. The tuning and setting controls are behind a panel that's almost hidden. Within this panel there are the usual Grundig P and C type buttons. P is for programme: there are 49 of these buttons, each one of which can be programmed for the appropriate channel parameters. C is the channel number, from 00 (954MHz) to 99 (1,746MHz). This means that with a 10GHz LNB the satellite frequency coverage is 10.954-11.746GHz, which is adequate for Astra's intention to provide up to 48 channels in the future.

The channel parameters just mentioned are f.m. deviation, i.f. bandwidth, fine tuning, audio carrier frequency and de-emphasis. Deviation can be set for 25MHz or 16MHz – for Astra it's 25MHz. I.F. bandwidth is specified as wide (24MHz) or narrow (16MHz): if the signal is good you use the wide bandwidth; if the signal is not so good and spots are evident narrowing the bandwidth can sometimes reduce the sparklies. Audio detection is by means of a phase-locked loop, the coverage being 6.5-6.65MHz with 62µsec de-emphasis, 6.5-6.65MHz with the J17 de-emphasis characteristic or 5.8MHz with J17 de-emphasis. Although the de-emphasis with Astra is 50µsec the sound is quite acceptable with 62µsec de-emphasis. All the above characteristics, including polarisation, can be stored in the non-volatile memory. Full remote control is available for channel selection, and there's a special AV selector switch.

There are two inputs at the rear to provide for twin-dish working without the need for motorised dish drive. A

four-way logic system enables the input from either LNB to be selected, with horizontal or vertical polarisation in each case.

## Outputs

U.H.F. and baseband outputs are provided. The output from the r.f. modulator can be tuned over the range of channels 24-40. This gives a wide scope for avoidance of any patterning that could arise due to beats with the r.f. modulator in an adjacent VCR. Video plus an audio output that can be preset are available from either a scart connector or a 6-pin DIN socket. Both carry an AV switching voltage, the scart connector at pin 8 and the DIN socket at pin 1. If the TV set has provision for these inputs, AV switching occurs when the satellite receiver is powered. With some sets the presence of the switching voltage will enforce the AV mode. The situation could thus occur that the satellite TV programme is being taped and the set won't switch to u.h.f. reception. To avoid this a button on the remote control handset can be used to inhibit the AV switching voltage. A baseband output is also provided for connection to a de-scrambler or MAC decoder.

## Installation

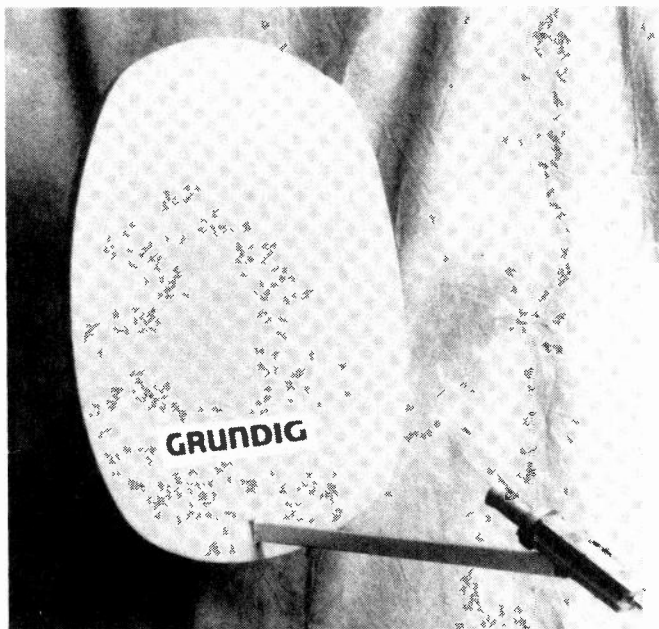
DIY installation is not advisable as it must be done to the manufacturer's specifications regarding accuracy and safety along with lightning or electrostatic protection.

The dish arrives as a flat pack and can be assembled on site. It's very light, consisting of a metal screen sandwiched between PVC to give a corrosion free life. Once assembled correctly the elevation is preset then apart from azimuth adjustment and setting it close to a wall very little fine adjustment remains to be done. This fine adjustment is made easy by using the polariser rotator feed wire to send an a.g.c. output up to the dish. A cheap meter with a 2V range to cover the a.g.c. voltage is all that's required for final alignment – no expensive test gear is called for.

The receiver comes pretuned to six satellite channels. These settings can be over-written at a later date. Programme number one is set to Astra Vertical (Sky Channel), which means that you just switch on and line up. Once the dish is aligned in the vertical plane the polariser rotator wire can be reconnected to the 0/12V output at the receiver and the rotator input at the dish. In practice you might find it easier to use a separate cheap twin cable to the test meter, as the rotator input connector and r.f. cable are internal to the LNB support for weather protection.

## The Head End

The LNB is a high-specification type with a magnetic polariser that doesn't introduce any significant attenuation. The high signal-to-noise ratio gives a high rain margin for clear pictures in the grotty English weather. The polariser and feed horn are a single assembly which is secured to the LNB by means of four screws and an O



Grundig's distinctive offset dish. With an offset dish the feedhorn has a flare instead of scalar rings at the input.





The Grundig STR20 satellite TV tuner unit.

ring. The whole assembly is secured to the support strut by means of a plastic clamp and earthing strip. Sensitivity is aided by the 0.62m offset dish with its 3° capture range – this is the equivalent of an 0.75m round dish with prime-focus LNB. Use of an offset dish has other advantages: the snow slides off it more easily and it can have a flat profile when wall mounted.

**On Test**

Before the start of the Astra transmissions I had a certain amount of fun receiving the transmissions from other satellites such as ECS1-F4. Although there was some noise the programmes were watchable, which is quite a feat with such a small dish. When Astra kicked off I compared the results with those obtained from three other receivers – one the earlier Grundig STR200 – and a much larger dish. Comparison between the small offset dish with about 10m of cable and a large 1.5m dish with 30m of cable showed that there was no degradation with any of the receivers. The small Grundig offset dish performed a treat despite being lashed to a wooden bench and subjected to very high winds, also chickens through which satellite signals do not pass when they are roosting on the LNB support . . .

The only criticism I have relates to the video outputs. I would have preferred the scart and 6-pin DIN sockets to have had separate drives instead of being just coupled together. This would have allowed for direct connection to the VCR and TV set together, but it doesn't prohibit other combinations and the cost would have been greater. Well, you can't have everything.

A receiver with an in-built stereo decoder, Model STR22, is to be introduced shortly.

The family has been very happy with the results obtained – BBC and ITV never got a look in. Even on our Cinema 9050 with 45in. screen visitors all remarked on the super picture quality with live transmissions. This was so even in foul weather conditions – and boy did we get some, high winds and heavy rainfall. Such conditions degraded reception only slightly, with the odd few sparklies and crackles during the worst periods of rain. Maybe Mr. Sugar was right when he said who needs MAC? I don't, and when scrambling starts in the autumn we'll see how secure it is or whether "digital video equalisers" start to appear in *Exchange and Mart* . . .

**The Public**

I'm not convinced however that the great British public will be prepared to pay £12 a month – that's £144 a year – for the two scrambled Sky channels, then perhaps more for other scrambled services. Also once a household has one type of descrambler there will probably be reluctance to get a second one, with the result that each subsequent broadcaster using scrambling will have successfully fewer viewers. We shall have to see.

**next month in**

**TELEVISION**

**FREE NEXT MONTH!**

The June issue of *Television* comes with another cover-mounted gift, this time an assorted resistor pack.

● **SERVICING THE PANASONIC NV370, NV830 AND NV850**

These popular VCRs were Panasonic's first front-loaders. They are not old and the majority can be expected to give excellent results for the foreseeable future after a mechanical service. Head wear is particularly good with these machines. Nick Beer covers the mechanical set-up and operation, the circuits that tend to give trouble and the more common faults.

● **PRACTICAL GUIDE TO ASTRA INSTALLATIONS**

There are already many stories about botched dish installations for the Astra satellite, although the job is simplicity itself – provided the right equipment is to hand. D.J. Stephenson's practical guide is based on experience gained from carrying out many installations. If you're considering whether to add satellite TV to your activities, read on! Equipment required, site surveys, cables and practical installation work are all covered.

● **STILL VIDEO**

Back in August 1981 Sony unveiled a prototype of its first electronic still-image video camera, the MAVICA. There's been much progress since then, and still video could be on the brink of mounting a major challenge to the world of conventional photography. George Cole reviews developments and the present state of the art.

● **CD PLAYER SERVICING**

Now for the signal that comes off the disc! With the emphasis once more on the practical aspects, Joe Cieszynski explains how to set up a monitoring scope and what to expect to see, then takes a look at early signal processing.

**PLUS ALL THE REGULAR FEATURES**

**ORDER YOUR COPY ON THE FORM BELOW:**

TO..... (Name of Newsagent)

**Please reserve/deliver the June issue of TELEVISION (£1.50), on sale May 17th, and continue every month until further notice.**

NAME .....

ADDRESS .....

# TV Fault Finding

Reports from Philip Blundell, Eng. Tech., Eugene Trundle, Ian Bowden, Roger Burchett, Nick Beer, George Lithgow, Paul Hardy and Brian Renforth

## Philips CP110 Chassis

This set was dead apart from the fact that the fuse hadn't blown and there was 300V at the collector of the BUT11 chopper transistor. A scope check at the base of this transistor showed that the control chip was providing drive for a split second, but of too large amplitude. The BUT11 was found to be open-circuit base to emitter. **P.B.**

## Sony KV2062/2066

High-value resistors have always been a problem in TV sets, especially after several years' service. For no power, failure to come out of standby or intermittent operation of the on-off switch in sets using the XE-3 chassis check R632 (2.2M $\Omega$ ) in the power supply section of panel A. **E.T.**

## Rediffusion 365138 (SP2 Chassis)

No colour with "twitchy" line lock over the top quarter of the raster is caused by a high-resistance connection at pin 3 of the line output transformer. **R.B.**

## Rediffusion Mk 1 Chassis

Many of these excellent sets are still in use. Unfortunately the thermal trips fitted are becoming very "touchy", tripping off at the slightest hint of trouble. Some have simply given up. Linking out the trip is all very well but can have unfortunate consequences – molten plastic from the tripler dropping on to the carpet. The correct course of action – the modification used by Rediffusion – is to link out the trip and insert a fusible 18 $\Omega$  resistor in the h.t. line. Details are shown in Fig. 1. Mount the fusible resistor on a tagstrip bolted to the screw that holds the strap for the l.t. smoothing capacitors. In this position it can be easily seen and resoldered and is away from combustible material. Note that with the rare 20in. version of the chassis, which is physically quite different though electrically identical in most respects, block electrolytic C603/4/5 is mounted on the main frame. In these sets the fusible resistor should be mounted on choke

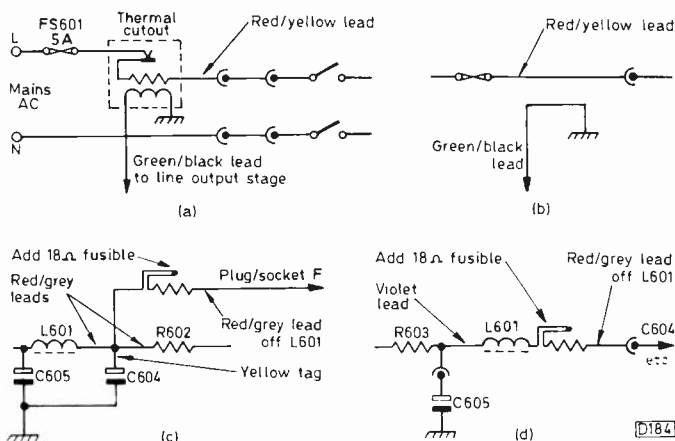


Fig. 1: The original thermal trip arrangement used in the Rediffusion Mk. 1 chassis is shown at (a). Modifications to make it unnecessary are shown at (b) and (c). The 20in. model is somewhat different – see (d) for modifications.

L601, the red/grey lead being moved to the other end of the fusible resistor. Drill a hole in the plastic mounting for the choke's end tags and bolt on an extra tag for the new connections. The circuit is then as shown in Fig. 1(d). **R.B.**

## Decca 80 Series Chassis

A small-screen set fitted with this excellent chassis came in recently with the fault loss of line sync. The obvious thing to do was to change the TDA920 sync/line generator chip but this didn't improve matters. After much checking on the timebase panel we eventually moved to the i.f. panel and replaced the TCA270 demodulator chip. This gave us a steady picture – the faulty chip had produced a messed up video signal and passed this on to the TBA920. The picture was spoilt by flyback lines however. There appeared to be text information on the top six of these lines. They were eventually cleared by replacing C333 (1 $\mu$ F, 63V) on the timebase panel. This capacitor couples the field blanking pulses to the decoder. **G.L.**

## Ferguson TX9 Chassis (1044 Series)

This set would lose the sound and raster very intermittently, due to loss of the 18V and 12V supplies. Another engineer had replaced the sound and 12V regulator chips and put the set on soak test, but after several days the fault returned, this time permanently. Checks in the power supply circuitry led us to a dry-joint/poor connection at one end of L103 which is in the feed to the 18V supply rectifier D70. The joint didn't look dry, but there was no continuity between the winding on the chopper transformer and the rectifier. We removed the coil, cleaned off both connections and refitted it. **I.B.**

## Ferguson TX9 Chassis (1040 Series)

There were two problems with this set. First at switch on there was a burst of sound then the 1.6AT mains fuse blew. This was due to the "efficiency diode" D77 (1N4007) in the power supply being short-circuit. When this had been replaced we found the second fault, lack of contrast. The contrast control had an effect over only the first eighth of its movement from minimum, any higher setting making no difference. This suggested a fault in the beam limiter circuit, which operates via the contrast and brightness controls. When we checked the beam sensing network we discovered that R262 (18k $\Omega$ ) was open-circuit. **I.B.**

## Sony KV27XRTU

This six-month old set didn't look very well. The tale started when a field engineer called with a job card that read "excessive red". He had been confident of being able to cure that, but when he examined the set there were in fact severe convergence errors. He adjusted the HSTAT control to improve the convergence in the central area of the screen and then found that the dynamic convergence controls had little or no effect. So the set came back to the workshop.

With the set on the bench I found that the errors were

equal at either side of the screen and that perfect convergence could be obtained at the centre using the HSAT control. A scope check then showed that the drive to the dynamic convergence coils was severely distorted, with tremendous harmonics (see Fig. 2). The collector voltage of the HAMP driver transistor Q1504 was finally found to be high at 32.7V as it had a 13.5Ω leak from base to emitter. Faults in the convergence section of these Sony sets are rare, so this was an interesting one of us. **N.B.**

### Sanyo CTP5103

The fault with this set was EW bowing out. In these sets the fault is usually caused by C451 (330μF) but another engineer had already tried replacing this and most of the obvious things. After a lot of checking I found that C455 (330nF) and C456 (180nF) were open-circuit. **N.B.**

### Grundig 6415

Intermittent loss of sync was traced to the TMS3755 chip in the "abstimm baustein" control module. **N.B.**

### Sony KV2090/2092/2096

A weakness with these sets seems to be dry-joints on the high-wattage resistors on stand-off pillars. Sony recommend resoldering with RS high-melt solder and checking for this whenever you see one of these sets. **N.B.**

### Panasonic TC800G

There was no field scan and during a check around I noticed that the centre of the field hold control was missing. As it was accessible through the cabinet I assumed that someone had used too large a screwdriver to adjust it. A replacement made no difference however. I eventually found that C407 (3.3μF, 16V tantalum) read 82Ω. Replacing this restored the field scan. On examination the capacitor was seen to have a pinprick black burn mark on its top. **N.B.**

### Hitachi CPT1474

There was very, very intermittent loss of sound, the fault being sensitive to movement of the board around the audio output area. Everything here was soldered but this was no good. Use of a scope then showed loss of signal from the output transformer, the input being o.k. The problem wasn't dry-joints on the leadout wires but an open-circuit secondary winding inside the housing. A new transformer puts an end to the trouble. **J.R.A.**

### Thorn 1400 Chassis

The modifications to alleviate vision buzz with these sets are well known. They don't always rectify the problem however. What next? Simply adjust the i.f. output coil in the u.h.f. tuner with a buzzy signal (pages from Ceefax



Fig. 2: Faulty (a) and correct (b) convergence coil drive waveforms, Sony Model KV27XRTU.

are ideal!). One or two turns will remove the buzz without affecting the picture quality. Doing this with an unmodified set completely cleared the trouble. **B.R.**

### Sony KV1810 (Mk I and II)

A fault that's becoming quite common in these elderly sets is failure of C520 (10μF, 16V reversible electrolytic) in the field output stage. The symptoms are slight field non-linearity which can be corrected by means of the linearity control. The give-away is that with the vertical bias control set correctly there's only about 0.1V across the base and emitter of Q504 and slight crossover distortion which is not noticeable without a signal. Two 22μF capacitors connected back-to-back will provide a cure. **P.H.**

### Fidelity ZX3000 Chassis

The line output transformer in one of these sets was arcing from near the e.h.t. outlet to the adjacent support bracket. Judicious use of silicone rubber sealant put an end to the arcing. **P.H.**

### Sony KV1820 and KV2000

Intermittent failure of the line output GCS in these sets can be caused by the diode in this device's gate circuit. This diode is either D805 or D808 depending on chassis and goes open-circuit when hot. Sometimes the power supply will protect the GCS but more often than not the GCS fails.

When working on these sets it's worth referring to David Botto's excellent articles in the August and September 1984 issues. Note also that three different chassis (SCC-99A-A, SCC-132A-A and SCC-132A-B) were used in Model KV2000 and two different chassis (SCC-115A-A and SCC-132B-B) in Model KV1820. **P.H.**

### Fidelity F14 (ZX4000 Chassis)

If it's not possible to store channels or there's a problem with the tuning, check the following: R514 should be 2.7kΩ (old value 1.8kΩ); R315-9 inclusive should all be 1.8kΩ (R319 was 1.5kΩ); ZD1 (TAA550) may be faulty; an 0.1μF capacitor (C303 in later versions) should be connected in parallel with ZD1 on the print side of the panel; finally add a 100Ω resistor and a 10μF, 50V electrolytic in parallel with ZD1 (negative terminal of the electrolytic to chassis). Check for a 25V squarewave at pin 2 of IC201; if this is absent IC201, TR304 or TR305 could be faulty. **P.H.**

### Panasonic TC2203 (U1 Chassis)

The problem with this set was intermittent colour. Much time was wasted on the decoder before we finally proved that the customer colour control was intermittent internally. Now the rub! Panasonic no longer supply this part. Eventually a Ferguson slider was pressed into service after slight modification.

I find that this problem of parts is getting worse and worse. Sets are becoming more reliable but at the same time the provision of spares is in some cases getting more difficult. Unfortunately it's not the manufacturers but us in the servicing profession who have to tell Joe Public that spares for their 8-9 year old tellys (younger in some cases) are no longer available. What do other readers think? **P.H.**

# Op Amp Signal Tracer Unit

David Botto

The sound sections of TV sets and VCRs can present some awkward problems, especially when the fault is intermittent. You suspect various components and replace them only to find that the fault persists. The best solution is to use a signal tracer to check through the circuitry involved. It's an invaluable aid in speeding up the fault-finding process. As a result your profits will be boosted and you'll be saved from a great deal of tension and frustration.

The signal tracer described in this article has been designed for fast fault location in the sound sections of modern solid-state TV sets and VCRs. It's also handy for making quick checks in other sections of the circuitry. There are two test probes, one for r.f. and the other for a.f. signals. They are used to follow the signal path through the circuitry stage by stage, starting if necessary at the tuner. Provided the signal path has not been interrupted the signal will be heard at each successive test point. This signal tracing procedure gives you the feeling of being able to "ride around the circuitry", enabling you to establish quickly the exact point where the sound ceases or becomes distorted.

## Design Evolution

Fig. 1 shows a typical valve signal tracer of the type that was extensively used in the fifties and sixties for servicing radio receivers and 405-line TV sets. Some of these tracers are still to be found in workshops – they can be readily used for trouble-shooting in transistor radios and audio amplifiers. The circuit is basically a high-gain, two-stage audio amplifier. For audio signal tracing a screened lead with a probe and earth clip plugged into the a.f. input jack. For signal tracing in the r.f. and i.f. stages an r.f. probe with a flexible screened connecting lead plugged into a four-pin socket on the tracer's front panel. This was a fairly hefty probe containing a triode valve – typically a 6C5 – which operated as a leaky-grid detector. The complete instrument occupied considerable bench space and, with its mains transformer, was fairly heavy. Modern solid-state equipment calls for an improved design.

Since bench space is generally limited the tracer featured in this article has been designed for compactness. It measures only 7.54 × 2.9 × 6.89in. Being battery operated it can be carried around easily for field servicing or moved around the workshop. Mains operation would

increase the size, weight and cost considerably. It would also cause problems when testing certain types of circuitry. Front panel LEDs have been included to give an indication so that the tracer will not be left switched on when not in use.

The new tracer is far more sensitive than the old valve type was. It has also been designed so that the probes cause the minimum circuit disturbance.

## Circuit Description

Fig. 2 shows the new signal tracer circuit – the circuit of the r.f. probe is shown separately. Because of their high gain and excellent linearity, operational amplifiers are used for the two amplifying stages IC1 and IC2. The use of two operational amplifiers provides very high gain, enabling the tracer to respond to extremely low-level signals.

The LM386 operational amplifier IC2 functions as a high-gain audio amplifier with an output of almost 0.4W. Its output, at pin 5, drives the speaker via C6 and the switched contacts of jack socket J3. An external speaker, oscilloscope or meter can be plugged into J3, switching off the tracer's internal speaker. The jack plug of the audio signal tracer probe is connected to J2 which feeds the signal via C4 and gain control VC2 to the non-inverting input of IC2. Being intended for audio amplifier use, the LM386 has d.c. feedback within the chip; external feedback can be applied via pins 1 and 8.

The LM386 provides high sensitivity on its own. With very low signal voltages however the 741 operational amplifier IC1 can be used to provide additional gain. The

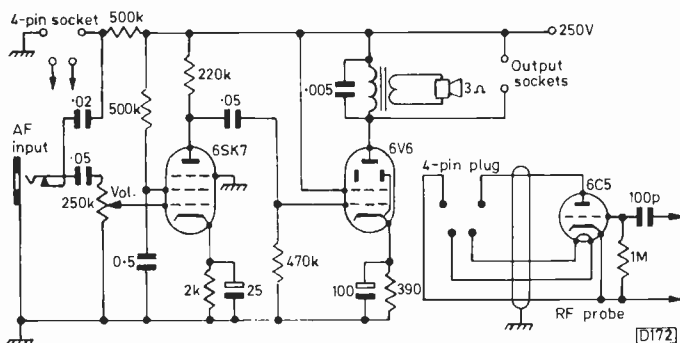


Fig. 1: Typical valve type signal tracer circuit – mains power supply omitted.

## Components list

IC1	741	VC1	100kΩ lin.
IC2	LM386	VC2	10kΩ log.
D1, 2	OA90	VR1, 2	10kΩ flat-mounting presets
R1	1kΩ	C1	3.3μF 250V electrolytic
R2	4.7kΩ	C2	100pF mica
R3	1kΩ	C3	10μF 50V electrolytic
R4	1kΩ	C4	10μF 63V electrolytic
R5	100kΩ	C5	10μF 25V electrolytic
R6	1MΩ	C6	100μF 50V electrolytic
R7	47kΩ	C7	22μF 50V electrolytic
All	¼W	C8, 9	220pF ceramic tubular

J1 Stereo jack socket, 3.5mm open-circuit type, e.g. Tandy 274-249A

J2, 3 Miniature closed-circuit phone jacks, e.g. Tandy 274-296

Plastic case for tracer, Tandy 270-9503 or similar

Two subminiature d.p.d.t. toggle switches, e.g. Tandy 275-614

Experimenters' i.c. PERF board, Tandy 276-162

Two subminiature red LEDs, e.g. Tandy 276-068

Two moulded knobs, e.g. Tandy 274-416

8Ω loudspeaker, 2¼-2½in. diameter

PP9 and PP3S batteries plus snap-on connectors

Two pen cases for probes (see text)

Two lengths (about 1.3m) twin screened audio cable

Two 3.5mm stereo jack plugs

Veroboard/PCB for r.f. probe

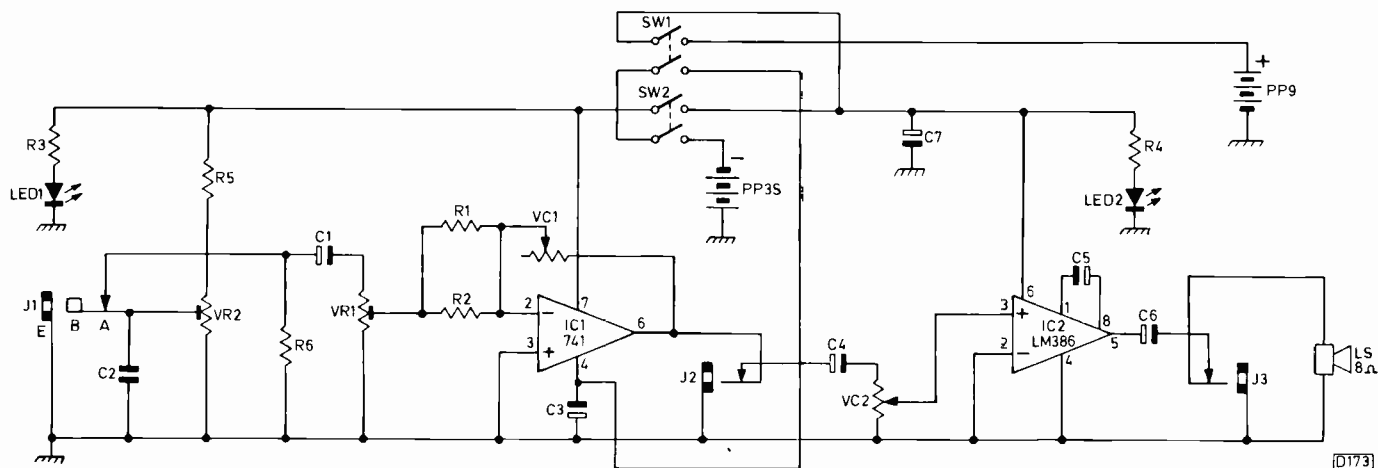


Fig. 2: Circuit of the operational amplifier signal tracer.

audio signal tracer probe is this time inserted in jack socket J1, the signal passing via C1, the preset gain control VR1 and resistors R1/2 to the inverting input of IC1. The output from this chip is fed to IC2 via the contacts of J2 and VC2. VC1 acts as a gain control for IC1, varying the amount of d.c. feedback between pins 6 and 2. The network R5/VR2 provides bias for the r.f. probe – we'll come to this shortly.

Two batteries are used, a PP9 (9V) to power the LM386 and provide the positive supply for the 741 and a PP3S (9V) Extra-Life battery to provide the negative supply required by the 741. To ensure long battery life two on/off switches are provided along with two front-panel LED indicators. When SW1 is closed power is supplied to the LM386 and LED2 lights. If SW1 is then closed the 741 is also powered and LED1 lights. With SW1 in the off position there is no power to the two chips.

### The RF Probe

To obtain the maximum output from the r.f. probe a voltage-doubling detector circuit is used. How this works is illustrated in Fig. 3. Half the circuit is shown at (a). The input is applied between points X and E, charging C8 during the positive-going signal excursions. On negative-going signal excursions D2 conducts. Thus only the positive-going part of the input signal appears across the load resistor R6. The values of C8 and R6 are such that the signal across D2 is directly related to the strength of the input signal. In the section of the circuit shown at (b), D1 conducts during the positive-going input signal excursions, charging C9. Once again the positive-going parts of the input appear across the load resistor R6. By combining

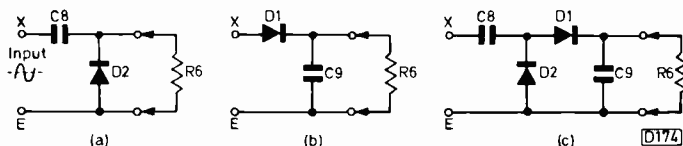


Fig. 3: The r.f. probe's detector circuit. See text.

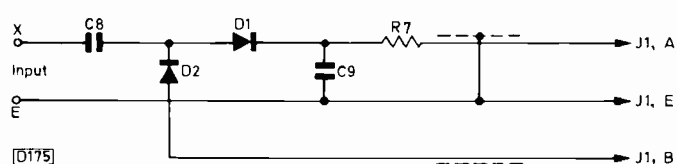


Fig. 4: R.F. probe – practical circuit.

these two circuits to give the arrangement shown at (c) twice the audio output is obtained across R6.

Because of the junction barrier voltage of a semiconductor diode – about 0.7V with a silicon device and some 0.3V with a germanium type – the input signal must reach a minimum level before the diodes will conduct. To compensate for this, bias from R5/VR2 is fed to the anode of D2. VR2 is adjusted so that D1 and D2 are biased at just below their junction barrier voltages. As a result the incoming r.f. signal "floats" on top of this fixed bias voltage. The idea dates back to the days of the crystal set! Fig. 4 shows the complete r.f. probe circuit.

### Construction

There's nothing critical or difficult about the construction of the tracer and its probes and the parts required are all readily available. The accompanying photograph shows the internal layout of the finished unit. A Tandy electronic instrument box (catalogue no. 270-9503) was used for the prototype. Any similar case will do – but use a plastic one. It's advisable to fit four small self-sticking cushion feet to the bottom of the case (the Tandy case comes complete with these). The cushion feet grip the bench and thus stop the unit sliding around.

Fig. 5 shows the recommended front panel layout. Hole sizes depend on the components used. The 8Ω loudspeaker, of 2¼ or 2½in. diameter, is mounted on the front panel. You may find that with the Tandy case you need to file away a section of the ribs on the top and bottom plastic covers to accommodate the speaker.

Use of a Tandy 276-162 predrilled board makes it unnecessary to make a PCB. One end of this board fits into slots at the side of the case. The other end is secured to the bottom of the case by means of double-sided sticky pads. Don't fit these pads until you've tested the in-

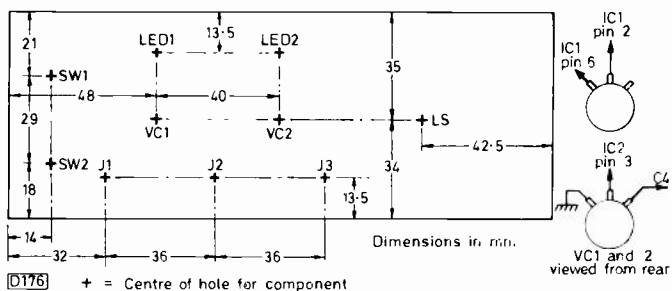
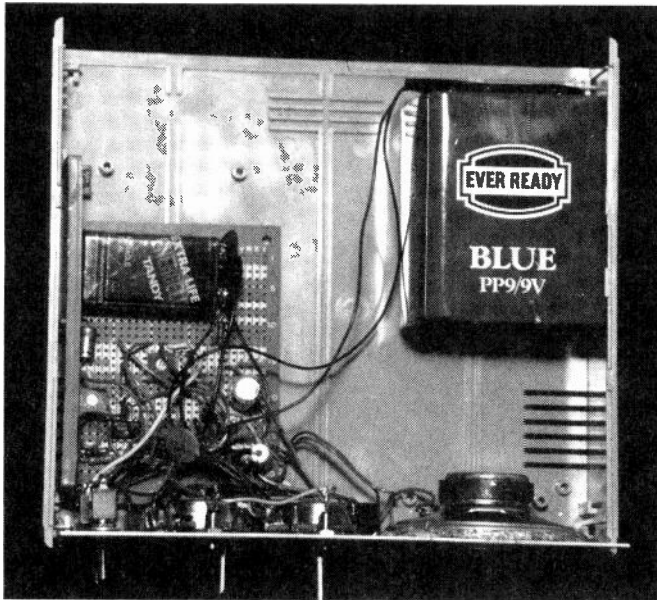


Fig. 5: Suggested front panel drilling details, sizes in mm. Loudspeaker hole size depends on type of speaker used.



Internal layout of the signal tracer.

strument. I mounted the PP3S battery on the board using a little Blu-Tack: the PP9 battery can be fixed to the bottom of the case by means of heavy-duty, double-sided sticky pads – or you could fit a battery holder clip.

Mount the two on/off switches on the front panel so that they are switched off in the upwards position. There's no need for on and off labels as the two LEDs give indication of the on positions. When you solder the two leads to the linear gain control VC1 remember that maximum gain is obtained from IC1 when the control is set to its high-resistance position.

The cases of two Berol roller pens were used for the test probes – they make neat, professional-looking probes. Small sections of suitable insulated plastic tubing could however be used. Fig. 6 shows the construction of the audio probe. Use good-quality flexible screened audio leads for both probes – a handy length is about 1.1m (about three foot six inches). The tips were taken from old test probes and fit well into the ends of the pens. Stereo jack plugs are used for both probes. The components inside the r.f. probe are mounted on a thin strip of Veroboard or PCB – see Fig. 7. It's useful to fit test prods to the flexible "ground" leads: push-on miniature alligator clips can be slipped over the tips when you want to connect the ground leads to a chassis point.

### Setting Up

It's worth making a careful check after all the wiring and soldering of the probes and tracer have been completed to make sure that no mistakes have been made. Setting up, which is quite straightforward, can then be carried out. Start by turning both front panel gain controls to their minimum positions and VR1 almost fully clockwise. Plug the audio test lead into jack J2. Fit the batteries and switch SW1 on. LED2 should light. Turn up VC2 and touch your finger to the end of the probe. If all is well you'll hear a buzz.

Turn VC2 to its mid-position, transfer the audio test probe to socket J1 and switch SW2 on. Both LEDs should now be alight. Turn up VC1 and touch your finger to the probe tip. A buzz should again be heard. When SW1 is switched off both LEDs should go out.

Remove both test probes, connect a digital voltmeter

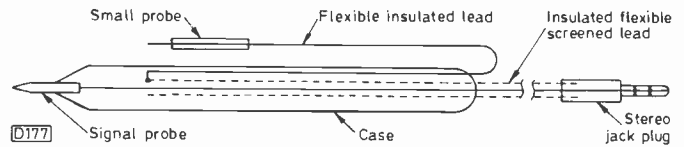


Fig. 6: Constructional details of the audio probe.

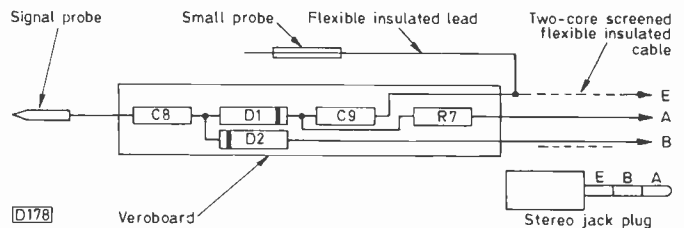


Fig. 7: Layout of components on Veroboard inside the r.f. probe. Internal cable wire A connects to the jack tip, wire B connects to the centre section and the screen E connects to the section that goes to "ground".

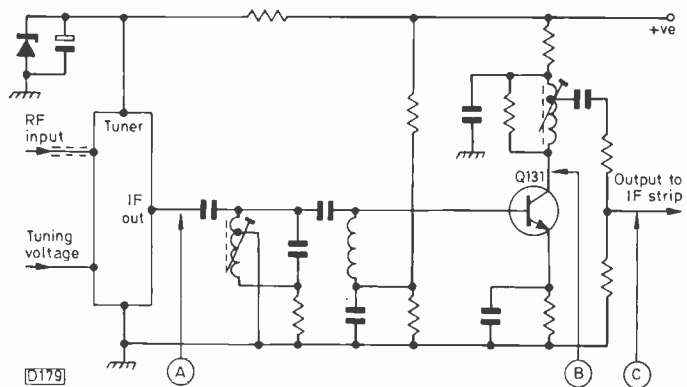


Fig. 8: Tuner and i.f. preamplifier circuit used in the Sony Model KV1810UB, showing test points.

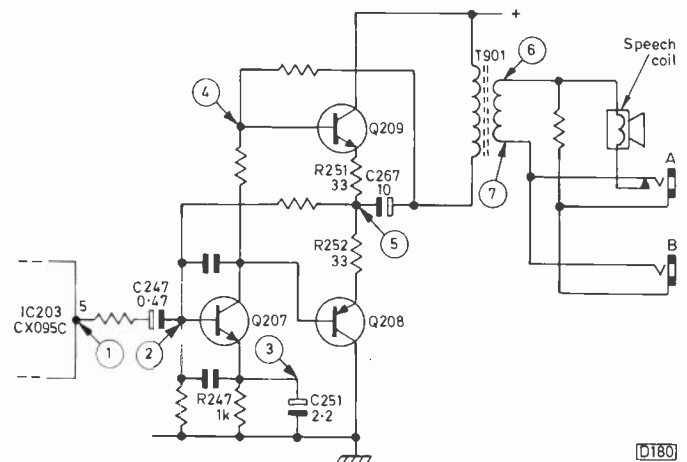


Fig. 9: Audio circuit used in the Sony Model KV1600, showing test points.

across C2 and adjust VR2 for a reading of 0.5V. Any final adjustment of VR2 that may be needed must be carried out while monitoring a very weak modulated r.f. signal. Preset VR1 will not normally require any further adjustment.

Plug the r.f. probe into socket J1. To check that it's working, touch the probe tip to the inner conductor of the coaxial cable from a TV aerial (the aerial must not be connected to a TV set or VCR). You should hear signals – the tracer is operating as an untuned radio receiver.

Before finally assembling the signal tracer give the underside of the panel and the panel connections a coat of

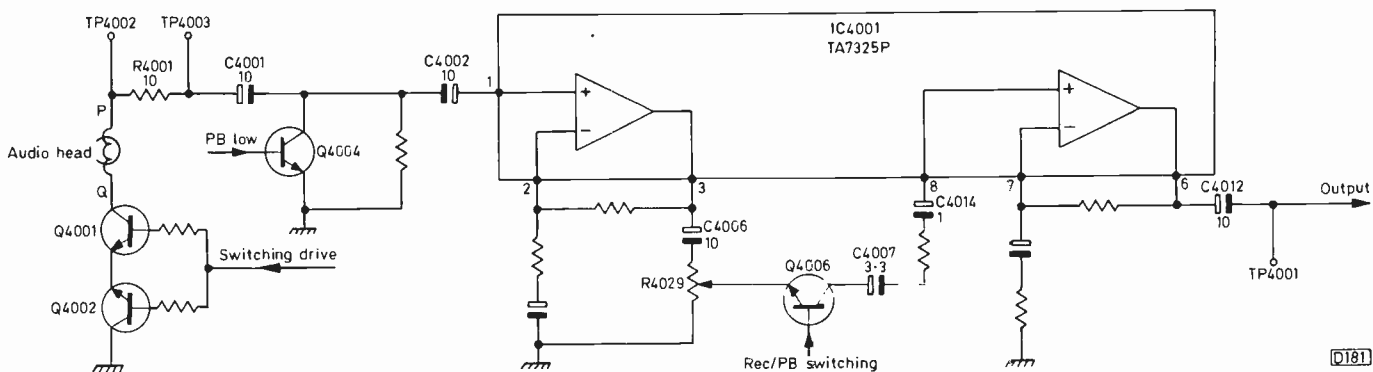


Fig. 10: Simplified circuit of the audio section of the Panasonic Model NV333 VCR, in the playback mode.

circuit varnish – use a very small brush. This will help to ensure trouble-free use.

### Test Procedures

The instrument is extremely versatile and can be used to trace signals through quite a variety of different types of circuits. We'll consider just a few examples.

Fig. 8 shows the tuner panel circuit in the Sony KV1810UB Mark II colour receiver. The tracer can be used to provide a handy check on the tuner. An oscilloscope could be used for this test but it would need to have a Y response of at least 35MHz – and you might be in a customer's house without a scope at all. First check that the tuner is receiving the correct voltages, then connect the r.f. probe to the i.f. output connection – point A – with the earthing prod to chassis. The composite TV signal that should be present at the tuner's i.f. output pin should give an audible indication that changes as different channels are selected. Set the tuner slightly off station and you'll hear the programme sound.

This test can be made on any TV or VCR tuner. You'll soon get to know what signals to expect from a good tuner and a defective one. In the absence of a scope the tracer can be used to make quick checks at points B and C. It's best to use a scope and colour-bar generator to trace the composite signal through the i.f. stages but if these items aren't to hand the tracer will provide a handy means of following the signal through the circuitry, using the TV signal itself.

Fig. 9 shows the audio circuit used in the Sony Model KV1600. If the sound is absent or distorted, apply the audio probe tip – plugged into jack socket J1 or J2 – to point 1, i.e. output pin 5 of the CX095C intercarrier sound chip. Connect the earthing prod to chassis. If all is in order music or speech will be heard through the tracer's loudspeaker. Next check at the base of driver transistor Q207. If the electrolytic coupling capacitor C247 (0.47µF) has dried out you might hear only a very weak signal or even no signal at all at this point. A check at the emitter of Q207 – point 3 – should produce some sound: if the volume is loud, suspect that the decoupling capacitor C251 (2.2µF) has gone open-circuit. Good sound should be heard at the collector of Q207 and the base of Q209.

Turn down the gain control(s) and check at the junction of R251/2 where a strong signal should be heard. Connect the two test probes to each side of the audio output transformer's secondary winding – points 6/7 – to ensure that the signal is present here. Finally connect the probes across the loudspeaker's speech coil. If no sound is heard here, suspect jack A. If sound signals are present at the speech coil connections but not from the set's loudspeaker

the latter is obviously faulty.

In the event of distorted sound these tests tell you at which point in the circuit the distortion appears.

The signal tracer really proves its worth when checking the audio circuitry in VCRs. Fig. 10 shows a simplified circuit of the audio section of the Panasonic NV333 VCR, in the playback mode. For tests here the audio probe must be connected to jack socket J1, with both switches closed. Switch the VCR to playback and connect the test probes across the audio head – points Q and P. With the cassette tape running you should hear the recorded sound track. Transfer the earthing test probe to chassis, leaving the signal probe at point P. If point Q is being earthed by Q4001/2 you should still hear the sound. Transfer the signal probe's tip to test point TP4003 and then to pin 1 of IC4001. The signal should be louder at pin 3 of IC4001 and can then be traced through C4006 etc. to pin 8 of IC4001. It should emerge from pin 6 and be present at TP4001. As you trace through the circuitry the volume should, after each stage of amplification, become progressively louder.

In the record mode the signal being applied to the tape's audio track should be heard with the probes connected to points Q and P. The control pulses being played back or recorded should be heard when the probes are connected across the control head winding.

Intermittent sound faults are simpler to locate using the signal tracer either with an off-air input signal, a steady signal from an audio generator or a VCR test tape signal. A multimeter set to a suitable a.c. range can be connected to jack socket J3 when a steady signal is used: with the test probe connected to specific points in the circuit the meter will indicate variations in signal strength. A scope can also be connected to J3.

Decoupling electrolytics are easy to check for the open-circuit condition. An electrolytic of 25µF or more with one side connected to chassis should not have any appreciable audio signal across it. If it does, the electrolytic is faulty. Defective coupling capacitors will stop or attenuate the signal.

The signal tracer is also handy when working on the audio sections of TV cameras/camcorders. It can save you quite a lot of component unsoldering when tracing a fault.

Quick checks across smoothing capacitors for hum can be made when a scope is not to hand. If the d.c. voltage present exceeds 250V, connect an extra capacitor of suitable working voltage in series with the audio test probe.

Breaks in signal carrying printed circuit tracks can be speedily located using the tracer and its probes. If you also carry out repairs to audio and hi-fi equipment you'll find the tracer invaluable.

# LocoScript 2 Update

Vivian Capel

The version of LocoScript I used as a basis for my article in the March issue was an early one which, as I said, I wanted to try out thoroughly before preparing a review. Since then a large number of new versions have been released, reaching 2:12, i.e. the twelfth version of LocoScript 2, by September 1987. While the intervening versions incorporated various minor changes this one was a milestone in that several of the built-in features of LocoScript, such as the keyboard layout, were made user changeable by adding files from separately available discs. Thus the keyboard can now be redefined to the French AZERTY or a number of other layouts, in addition to individual keys being redefinable.

After LocoScript 2:12 the pace slowed down, but another ten months saw a further four versions and LocoScript 2:16 was reached in July 1988. Not all these versions were successful. A few contained bugs which meant that the new version was one step forward and several backwards. These were mercifully not released.

Things have pressed on since then and, in particular, support has been built in for the ever increasing number of different printers that have flooded the market. LocoScript 2 now has support for some 250 different printers. These are not entirely problem-free however, as will be seen from an account of my attempts to upgrade, to be described in a later article.

The versions have continued until reaching 2:22 at the time this article was written. This version includes a choice of two type styles which can be selected by a menu during document set up. There is also a facility for designing one's own characters.

## Compatibility and Updating

There are two ways of looking at this veritable avalanche of versions. The owner of an early version might consider that it has become obsolete after too short a time and feel somewhat disgruntled about this. He might think that if he updates the new version will soon suffer the same fate. The other view is that unlike many producers the LocoScript team is not resting on its laurels and is working continually to make the system even better. Apparently most of the improvements come as a result of users' reported problems or suggestions. One can hardly grumble at that – would that certain other manufacturers did the same!

In fact there's no question of an earlier version becoming obsolete: all LocoScript 2 versions are compatible and documents originated with one can be edited or printed using another, provided the supplied printer is used. The only incompatibility is between LocoScript 1 and 2, as described in the previous article. Anyone wishing to update to the latest version can return his disc and have it updated for a handling charge of £5, so an occasional return can keep one up-to-date with the latest improvements at no great cost.

## Support Discs

In addition to the extra facilities contained in the latest versions there are now a number of support discs that

considerably enlarge the scope of LocoScript 2. There is LocoMail, which permits names and addresses from a list to be automatically inserted into standard letters and can discriminate between various entries if this is required. It will also process invoices and perform basic arithmetic, cross reference entries and maintain records.

The LocoSpell disc offers a spelling check similar to those provided by other word-processing programs. It contains three dictionaries. The main 77,000 word dictionary needs a PCW8512 or an upgraded PCW8256. The smallest 17,000 word dictionary can be accommodated in the smaller PCW8256 memory. There's a facility for adding words, such as technical terms. It also incorporates a word count, but as I suggested in the previous article this should be included in the word-processor program and not be classed as an extra. This is the one glaring omission that has yet to be corrected in the LocoScript 2 series.

LocoFont is an interesting pair of discs. The first has ten different fonts that can be used to print any document on the built-in printer. The fonts are standard, roman, script, copper plate, definite, sans serif, capitals, deco, finesse and modern. Considering the £19.95 cost of the disc this is very good value. The second disc, which costs £14.95, has four fonts – penman, mini 15/17, mini PS and old English. The sans serif style which eliminates the serifs (the small horizontal projections from letters) is claimed to have the same character widths as the standard font so that document layout is the same for both. This is not actually so: many of the sans serif letters are narrower, so the words occupy less space and the line layout is different. Fonts cannot be mixed in the same document, but the same document can be printed in a different font at different times.

The latest disc is LocoFile, which is a database. Entries can be transferred to and from LocoScript 2 documents and the system can be indexed in eight different ways at the same time. It will also work with LocoMail.

## Upgrading the PCW8256

For some time kits have been available for upgrading the PCW8256 to the PCW8512 specification, and the prices have fallen considerably. There are two stages that can be carried out. The first is to increase the internal M drive memory from 256 to 512 kbytes. All that's necessary is to plug in eight additional memory chips into the empty sockets on the main processing board and either reverse two internal switches or, in earlier models, resolder a wire link from one point to another. This conversion is well worthwhile as it permits very large documents to be handled in the M drive without danger of it becoming full. Also the large LocoSpell dictionary can be loaded. The only effect on the screen is the listing of the larger memory capacity, the indicated length of all M drive documents being rounded up to the nearest 2k instead of 1k. When these are copied to the A drive their length is given to the nearest 1k as before.

## Second Disc Drive

The other stage of conversion is to fit a second, B disc



drive. This too is a simple job, necessitating removal of the metal nameplate below the first disc drive and connection of leads already wired inside the PCW8256 to the points indicated in the instruction leaflet on the drive unit. B drive discs can be formatted to give a total of 720k (1Mbyte unformatted) compared with the 180k A drive. The B drive is double sided, so you do not need to remove the disc and turn it over to use both sides as you do with drive A. This means however that the rated 720k is what you get on both sides, whereas the A drive's 180k is available on both sides. B drive discs thus store twice not four times the amount of A drive.

A B drive written disc cannot be read in A drive and vice versa, although access to each is readily available when loaded in the correct drive. When considered solely for economy, the B drive is of questionable value, especially when the comparative costs are considered. Conversion to M drive costs around £20, but the extra disc drive costs around £135. With discs now costing about £2 you could buy 60 or more for the cost of the extra drive. The advantage comes when running large programs or using a number of lengthy support files such as LocoSpell and several fonts. These may not all fit on to a single-sided A drive start-up side. In this case they can be put on a B-drive disc thus making good use of its double capacity. Even this is not absolutely necessary now as the latest LocoScript 2:22 version allows more than one start-up disc to be used consecutively in drive A. This is done by creating an empty file named ET.AL and putting it on the first start-up disc. The computer is then instructed to wait for a second disc before finishing the loading operation.

### **Alternative B Drive**

There's an alternative to fitting an internal, second B drive. At one time it was hoped that the 3in. Amstrad discs would become a recognised standard, taking over from the rather clumsy 5¼in. ones. This didn't happen, and instead the 3½in. format seems to be taking the place of the 5¼in. discs. As a result few programs outside the LocoScript series are distributed on 3in. discs. So there

are a large number of useful and interesting programs, such as desk-top publishing and many others, that cannot be run on the PCW8256 because they are available only on 3½ or 5¼in. discs.

This suggests a practical alternative to fitting an internal 3in. B drive – fitting an external 3½in. drive. One of these can be connected to the PCW8256 using the same wiring and will behave in the same way except that it will give a choice of 3 or 3½in. operation. Several makers supply such units. Most are housed in neat horizontal cases that can be used as a base for the PCW8256 and thus take up no more desk room.

### **Hard Discs**

Another possible upgrade is the hard disc which provides prodigious amounts of memory – from 10-60Mbytes. There are two forms. One is called hard card. It contains a 3½in. Winchester hard disc, drive and the control electronics, all in a slim assembly that slots into an expansion port at the back of the PCW8256. It's a permanent fixture, and when fitted is recognised by the machine as drive C. So it's in addition to rather than in place of drive B. The other is described as "hard disk". It's really another disc drive that must be wired in and used in place of drive B.

The hard card usually goes up to 32Mbytes while hard discs go higher. The hard card has more than enough capacity for most users however. It can conveniently store all operating and start-up software, files, addresses, references and much more, all available at switch on without having to search through a pile of floppy discs to find the one you want. It's really like a massive internal memory that doesn't disappear when you switch off. With such attractive features there's bound to be a catch – the price. The cheapest hard cards are around £200 and they go up to £500. For the professional user with large start-up files and masses of information required to be instantly available a hard card or disc will no doubt prove to be a boon. At these prices however the rest of us will have to make do with what we have.

---

## **Disc and Videotext Developments**

*Peter Marlow, B.Sc. (Hons.), C.Eng.*

Some interesting issues relevant to the future of domestic television were raised at two recent events at the Institution of Electrical Engineers. The first was a colloquium on CD-ROM while the second dealt with the future of videotext.

### **Videotext**

The future of videotext in the UK should be considered in the light of French experience. In 1984 the French Telephone Company gave away four million Minitel terminals to save the cost of printing telephone directories. By 1990 the number of terminals should reach eight million. The availability of these domestic terminals has brought about an explosion in videotext services, mainly games orientated and dominated by large groups. There are at present some 2,200 service providers, offering over 7,000 services. During last September a total of 5.6 million hours of connection time was recorded. Sixty per cent of this time was accounted for by only twelve per

cent of terminal owners however.

In comparison Prestel, launched in 1979 as a residential service designed to make fuller use of the telephone network in the evenings and at weekends, never took off. By 1983 there were only 30,000 subscribers, 87 per cent of which were business users. After a rethink several professional services were launched, covering subjects such as travel, insurance, finance etc. Micronet, providing electronic mail, did attract some 20,000 domestic users. But the scale of the business has not inspired manufacturers to make low-cost equipment for home use. British Telecom is not even able to give away terminals because of provision 18 of its charter — it would be unfair to competitors.

One proposal that has been put forward is a plan to start a home shopping service called Keyline, with a hoped for quarter of a million terminals installed in homes by the end of next year. The service would be free apart from a small registration fee. Unlike the Minitel ones, the terminals would be intelligent, battery operated, would

use a 4 × 40 character LCD, and would be of rugged A4 size construction with a built-in 1,200 baud modem. Encrypted data would be used so that credit card information could be transmitted. Users could enter information without having to connect up: when ready the terminal could be plugged into the phone socket, calling shops automatically to place orders. The cost of the service would be covered by making a small charge on each transaction. One wonders how far this proposal will get.

### **The CD-ROM**

A CD-ROM is an audio compact disc used for storing computer data. 550Mbytes can be put on one disc, equivalent to 200,000 full A4 pages. The technology can also be used to store picture, graphical and audio information in digital form with the computer data. For moving pictures however the LaserVision analogue coding technique is used to get a reasonable running time. As previously reported here Philips has launched CD-V discs that give five minutes of moving pictures and twenty minutes of CD quality audio. The audio can be played

back through a conventional CD player but a special unit is required to handle the video sequences. There's pressure to produce CDs with much longer playing times. This could lead to a considerable increase in the amount of recorded video available. For example the BBC has plans to publish documentaries in disc form including unused material.

### **Interactive TV**

Also previously mentioned (March) is interactive TV using CD-I discs. Playing equipment will once more have to be upgraded for CD-I use. Forms of interactive television are in experimental use in America. In Canada for example a company called ACT is sending four cable feeds to its subscribers, giving the customer four choices during programmes. This is particularly useful during sports events where the viewer can choose different camera angles. People in New York can program their personal computers with a "user profile": TV programmes supplied to their homes via cable are then automatically selected according to the profile.

---

# *A Day in the Life of . . .*

**Nick Beer**

Following Mick Dutton's very entertaining article in the December issue I thought I'd write a similar piece, but from a slightly different perspective. The difference is that I'm a purely workshop based engineer whereas Mick and I suspect many of you do a mixture of field and workshop servicing. It's my opinion that if at all practical it is far more successful and efficient to have engineers allocated to particular types of work. This is the system we employ and I'd better start by describing our organisation. We have three workshop based engineers, three field engineers and a number of field engineers/installers. One of these installers is workshop based, the others doubling as salesmen.

Installation and field service work obviously overlap, for example where an engineer is heading towards Exmoor and a VCR has to be delivered in that area. It also works the other way round, when a repair falls amongst a number of demonstrations.

Workshop paperwork, bills, spares ordering, labour claims and spares supervision are handled by a two-man workshop administration team. This arrangement allows us workshop engineers to get on with the job we want to do – repairs. Having a clearly established staffing arrangement of this type would obviously be of little point if we didn't also have well thought out workshop conditions.

The day's work starts at 9 a.m. Well, around then anyway. The nine mile journey to work can take me up to three quarters of an hour – we have severe traffic problems even here in north Devon, but they should improve when a new bypass is opened.

### **Visit to the Bill**

On this particular morning I'd left late to call in at the police station. They'd found a Salora SV6600 VCR that had been stolen from one of our rental customers twelve months earlier. They wanted me to identify it and didn't think it funny when I commented that I knew it didn't

have a beard . . . The desk sergeant took me to a ramshackle old building at the side of the station, inserted a security pass into a slot at the door and then used two keys to let us in. By the look of the door it would have fallen open had there been a gust of wind. Once the identification was over and statements were signed he asked me about hi-fi and was B and O worth the extra money. I explained the differences but this only raised further questions which seemed to be rephrased versions of the ones he'd just asked. In short he kept me talking for ages.

On arrival at the workshop I was greeted by the customary "good evening", suggesting that I was maybe a minute or two late, and a field engineer wondering whether his vehicle would ever turn up.

### **A Morning of Video**

First job of the day was to reassemble a Sony CCD-V200 pro camcorder that had been on soak test following head replacement. This completed it was dumped on the next salesman to enter the workshop so that he could put it back on display. A Panasonic NV-G21 was the next job on the clip, a rental machine brought in by a field engineer as the video heads were faulty. But there were a number of other faults. This is common with earlier versions of these machines that have been out for a while. The video heads were soon replaced (VEH0343) along with the barrelled pinch roller (old brass type VXL1743) and the capstan motor (VXP0777) which was causing a loud knocking noise while lacing. The machine was tested, the new heads were set up and the sound level was then found to be low and varying. Another stock fault. The VBR0116 head was replaced with a VBR0125, then the capstan brake, whose pad had virtually disintegrated and was causing a cyclic scraping sound, was renewed. With the new head aligned and the new improved parts fitted I didn't expect to see the machine for a long time. These

machines are very reliable electrically: it's only the weak design of the early mechanical parts that lets them down. The old parts were taken to the appropriate box in the storeman's office to be sent back if required.

The next job was one I'd been putting off for a while, a Sony CCD-F330 camcorder. I'd found the cause of no auto focus to be a break in the FPC from the auto focus sensor below the lens to the AF32 auto focus processing PCB. After confirmation with Sony I obtained a lens from the stores as the only way of replacing the offending item. Now those of you who know Sony camera head design will sympathise with the job of lens replacement. Suffice to say that it took until lunch time to reassemble the camcorder to a state in which it could be soak tested. The alignment was checked in the camera workshop and the camcorder was left soak testing until I felt like putting the case back on! By now it was lunch time and we adjourned to the tranquility of the audio room for some nourishment and to watch the news and Neighbours . . .

One of the field engineer/installers had been asked to call in on a B and O VHS82-2 VCR that wouldn't accept a cassette. He'd been advised to "collect and loan" but, being an intrepid soul, he came in to ask about the viability of trying anything while at the house. Now this machine has the plastic Philips mechanism, so I didn't want it brought in. I got a cassette carrier from the stores, showed him how to do the job (wiggling the insert switch etc.), handed him a manual in case he got stuck and opened the door for him as he and the other field engineers left to make their afternoon calls.

### **Afternoon's Mixed Bag**

Television servicing in the workshop is limited to over the counter jobs and the real nasties, most of it being done in the field. This makes for more interesting work for us. My colleague Ian Bowden and I share the TV sets and we're lucky in that we prefer dealing with different types of fault. I'm more than happy with a dead Sony or B and O, something that many people would run a mile to avoid, while he prefers signal faults – decoders etc., the nastier the better. Salora Ipsalo faults are another of his favourites. He's also got more patience than the rest of us. He'll stick at an intermittent fault forever whereas we tend to put such problems aside a few times. Our third workshop engineer tends to stay in his audio room most of the time, away from the TVs, listening to his weird music.

Anyway I next turned attention to a brand new Salora 24K67, the last one in stock and booked to go out next day. It had multiple purity errors, discovered by one of our administrators while he was fitting teletext. He'd degaussed the c.r.t. but on switching off and on again the errors returned. I checked the degaussing circuit, found that it was working and after much deliberation accused the tube. The salesman involved was summoned and told the good news. He suggested sending the identical Luxor model of which we apparently had plenty in stock. But it has a wood coloured cabinet and the customer particularly wanted the grey Salora colour. It was then suggested that we take a tube from a new Luxor set and fit it in the Salora one. My next few words don't bear repeating, but 'twas duly done and the set worked fine. The Luxor set was put in the parts on order area.

A colleague asked for my advice on a dead Sony KV1400 and was given some. Next came a Panasonic NV333 whose card said it was repaired a month ago for the same fault. I checked the old card and found that it

had been repaired just over three months ago. The work done had been to clean clogged heads and replace the belts and idlers etc. following the customer's acceptance of our two estimates (one for head cleaning and one for attending to the very worn belts etc.). Another note had been made on the card that a lot of oxide seemed to have been shed into the mechanism, and administration had advised the customer about the use of poor quality tapes. The heads were again clogged. They were cleaned, then the machine was soak tested for a few days after which the customer was phoned and asked to collect it.

A few days later (I must follow this one through!) the machine appeared again, along with four of the owner's tapes as instructed by administration after he'd rung to say "it's gone again". Indeed the heads were clogged and cleaning restored normal operation. A look at the tapes revealed the source of the problem. They were four-hour Scotch tapes with which we've had more than a little trouble, usually resulting in this type of fault though sometimes the cassettes themselves have broken. In one I remember the front flap had snapped off in a brand new rental Panasonic NV-G40, ruining both heads. Customers buy them because of the life guarantee. A phone call to the customer finally sorted the job out. If Scotch are reading this, it happens on all makes of machine we sell and not only with your tapes. This particular machine was one of three that came in with identical troubles during the week. What we do is to advise customers of the problem and give them a Panasonic tape to use exclusively for a trial period. When this proves to be trouble free they promise to do as they are told and not buy on price.

The field engineer/installer returned with the cassette carrier still wrapped up. He said the machine was outside and seemed to have a nasty fault. When I asked about this he laughed and admitted he'd done the job and had carefully rewrapped the carrier. As if I haven't enough troubles.

### **The Last Job**

The next job turned out to be the last of the day, another Sony CCD-V200. It appeared to have intermittently clogged heads, but this wasn't so. When it was in the fault condition the drum phasing appeared to be incorrect. This was confirmed by lightly touching the drum with a finger then releasing it – a momentarily perfect picture was then seen. The speed was correct and a check on the circuit revealed that the ATF LOCK wasn't operating. So the signal was traced from the preamplifier. After a lot of checking through all the various paths and Ian having a nose around – it being a nasty – we jointly resigned ourselves to the fact that we would have to get to a certain test point on a small PCB in the middle of the PCB sandwich across the bottom of the mechanism.

So I gently removed the right-hand side case and while gradually lifting everything out I found the cause of the trouble – the earthing strap to the case of the narration microphone was not connected, instead being lodged across the print side of the connector, to the head amplifier area. After putting this to rights the machine performed flawlessly – we've had a number of faults that could be classed as production errors on stock Sony camcorders. I have to confess that this job was not completed until the following morning. Six p.m. came just before confirmation of the fault, and I decided to leave the excitement for another day!

# A Look at Operational Amplifiers

## Part 2

Keith Cummins

In Part 1 last month we dealt with the basic inverting, summing and non-inverting operational amplifier circuits. There are several other ways in which the operational amplifier can be put to use and we'll now take a look at these.

### Circuit Applications

Fig. 1 shows the linear integrator circuit which enables a virtually perfect triangular waveform to be produced. The junction of R and C is the amplifier's virtual earth point. Application of a fixed voltage produces a constant current flow through R and also charges C. Integration fails when the input is held at a positive or negative potential for too long – the output from the operational amplifier then “hits the rail” and no further linear charging of C is possible. A sawtooth instead of a triangular waveform can be produced by placing a diode across R and applying drive from a low-impedance source.

Fig. 2 shows the linear voltage-to-current converter. A meter connected in series with the transistor's collector will give a current reading directly proportional to the input voltage. Since the operational amplifier has a high-impedance input, we have here the bare bones of an electronic voltmeter. The value of resistor R determines the voltage-to-current transfer ratio: a 1k $\Omega$  resistor in this position will give rise to a constant 1mA for a 1V input.

Use a Darlington transistor with an output transformer connected to its collector, bias the d.c. input level for an appropriate standing current and what have you got? A class A audio power amplifier!

Fig. 3 shows a simple field output stage using a power operational amplifier such as the TDA2030. We need a linear voltage-to-current conversion and the easy way to achieve this is to connect a “tail” resistor in series with the field scan coils and feed the voltage developed across this resistor back to the operational amplifier's inverting input. The operational amplifier then takes the necessary action to drive a linear current through the tail resistor and, of course, the scan coils. The linearity is as good as the driving sawtooth. I've used this idea successfully to drive small monochrome picture tubes without the need for a linearity control.

The Schmitt trigger circuit shown in Fig. 4 looks like an inverting amplifier, but the inverting and non-inverting inputs have been transposed. Thus the feedback is positive, giving the circuit two thresholds that depend on whether the output is high or low. The difference between these thresholds is known as the hysteresis, and is a function of R1 and R2. If you want to design this sort of electronic toggle the sums are once again easy. It's a very useful circuit for light/dark daylight sensing to control lights etc. The ratio of R2 to R1 is generally not less than 10:1.

Fig. 5 shows a balanced input amplifier. This circuit arrangement, where R1a = R1b and R2a = R2b, employs the operational amplifier's common-mode rejection characteristic – the amplifier ignores common-mode noise or hum on the input lines while responding to a differential input. The circuit is particularly useful where microphones, sensors etc. have to be connected via long input

leads, and can often allow the use of unscreened leads.

The gain obtained by applying the input to terminal A is  $-R2/R1$ . Via terminal B we first have an attenuation of  $R2/(R1 + R2)$  followed by a gain of  $(R1 + R2)/R1$ . The actual gain obtained by applying an input to terminal B is thus  $[R2/(R1 + R2)] \times [(R1 + R2)/R1]$ , i.e.  $R2/R1$ , the same as with input A but non-inverted. The total gain achieved by using both inputs is thus  $-2R2/R1$ , assuming that input A is going positive and B negative from a *low-impedance balanced source*.

There's a snag however. The input impedances don't match, which is why a low-impedance source is specified. Seen from input A the impedance is R1, while input B sees an impedance of  $R1 + R2$ . This can be bad news. An easy solution is to use two separate inverting-input amplifiers for inputs A and B (the input impedance is then R1 in both cases) and to follow these by the common-mode rejection stage. The gain required can be distributed between the three operational amplifiers. Since up to four operational amplifiers can be obtained in a single i.c. package it's easy to organise an arrangement of this type. Alternatively, the two input stages can be non-inverting, enabling a high input impedance to be achieved. With some elaboration this sort of arrangement is the basis of medical equipment such as the electrocardiograph, where common-mode rejection of hum and noise is important to enable the differential heartbeat signal to be recovered and amplified.

What about the use of operational amplifiers at video frequencies? The first point to note here is that the gain-bandwidth product and the slew rate must be very high if signals of any appreciable amplitude at up to 5MHz are to be handled. There are operational amplifiers with spectacular characteristics of this type, but their prices also tend to be spectacular! Very often a traditional transistor amplifier circuit will work well for video applications and be much more economical.

Like most manufacturers of anything, the makers of consumer electronics products are expert at selecting “horses for courses”. This is why you tend to find operational amplifiers in the servo, power and audio circuits rather than in video drive circuits. If you look hard enough you'll find some operational amplifiers in video

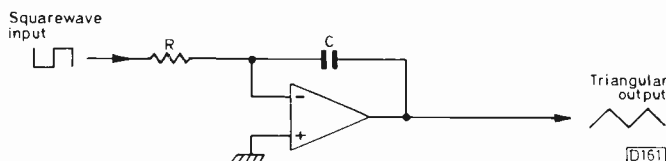


Fig. 1: The linear integrator circuit.

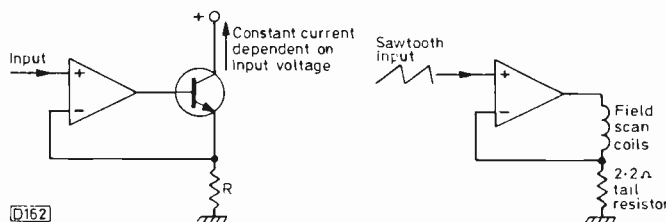


Fig. 2 (left): The linear voltage-to-current converter.

Fig. 3 (right): Operational amplifier field output stage.

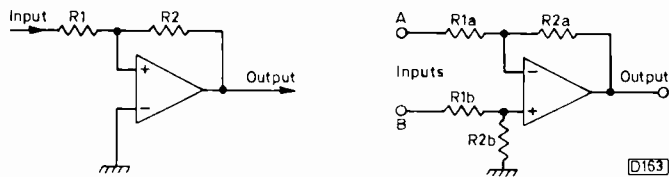


Fig. 4 (left): Operational amplifier Schmitt trigger.

Fig. 5 (right): Balanced input amplifier circuit.

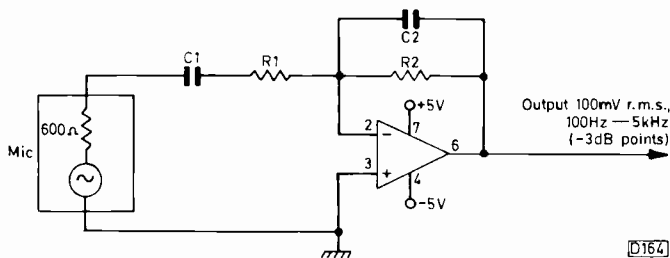


Fig. 6: Design exercise - microphone interface circuit.

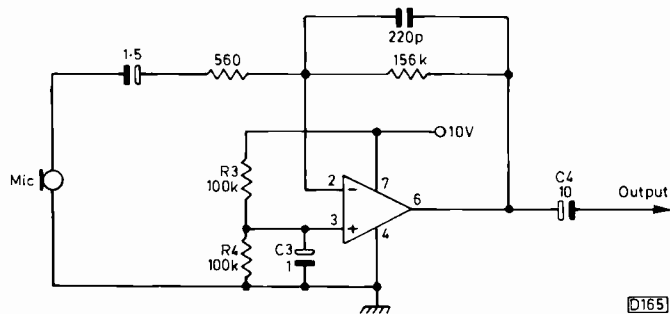


Fig. 7: Practical circuit with half-rail biasing - network R3/R4/C3 sets the output at half the rail voltage when a single supply is used.

circuitry, but they tend to be hidden away in chips designed for decoding etc.

## Summing Up

Operational amplifiers are today widely used in active filters, instrumentation and medical electronics and digital-to-analogue converters, to mention just a few applications. The aim of these two articles has been to present the basics of operational amplifier use without submerging readers under a heap of information some of which would be of specialist interest only to those involved in the design side of the business. We've tried to present the operational amplifier as a functional device, so that if you come across one in a circuit you'll know what to expect of it.

If you clip your scope probe on to a virtual earth point you won't see much signal! I've often wondered how many innocent operational amplifier chips have been replaced by people who have not appreciated the subtlety of the virtual earth ("the signal's o.k. at the input resistor, but when it gets to the chip it has all gone!").

Also, if an operational amplifier overloads and its output hits the rails there'll be no feedback once the signal has squared off. Under these conditions a signal will appear at the virtual earth point, which has become "unstuck". This is another pitfall for the unwary, who might think the presence of this signal indicates that all is o.k. at the input to the chip.

To finish off we'll go through a little design exercise, just to prove how easy it is to use an operational

amplifier. In the case in question the use of transistors would be a lot more difficult. The problem could well arise where microphones are used in connection with video recording and/or public address systems.

Here's the problem then. We have a 600Ω dynamic microphone which produces a peak-to-peak output of about 2mV, measured unloaded across the input terminals of a scope, when used for normal speech at a distance of some 1 ft. Speech reproduction only is required, so the bandwidth can be 100Hz to 5kHz, giving good speech reproduction without "opening the window" wide enough to allow out-of-band sounds to receive unwanted amplification. The equipment to be used with the microphone requires an input of 100mV r.m.s. Design an amplifier to provide an interface between the microphone and the 100mV input.

Fig. 6 shows the basic circuit. To match the microphone R1, which is connected to the virtual earth point, has to be of the same value as the microphone, i.e. 600Ω - 560Ω will do! Since the microphone has a source impedance of 600Ω, its output when loaded will be 1mV peak-to-peak instead of the 2mV peak-to-peak measured on the scope. To obtain an output of 100mV r.m.s. we must calculate the value of R2 after converting the 100mV r.m.s. to peak-to-peak (same as the input), i.e.  $2\sqrt{2} \times 100\text{mV} = 280\text{mV}$ . From this we can say that  $R2 = 560 \times 280\text{mV}/1\text{mV} = 156.8\text{k}\Omega$  to give us the required gain of 280. So we could use 100kΩ plus 56kΩ in series or go for 180kΩ and get a bit more gain.

What chip are we going to use? We know what the gain-bandwidth product in this particular example is - the gain is 280 and the bandwidth 5kHz, so the gain-bandwidth product is 1.4MHz. The TL071, a reasonably low-noise, general-purpose BIFET input device, has a gain-bandwidth product of 3MHz and will thus do fine in this application (note that it would be of marginal use if the upper frequency limit was 10kHz).

All we need to do now is to set the -3dB points. C1 sets the lower 100Hz point when its reactance 100Hz is equal to the total input impedance, i.e. the source plus termination. This is 1,200Ω, or should we be strict and say 1,160Ω - no, 1,200Ω is fine! So  $1,200 = 10^6/2\pi \times 100C$  where C is in microfarads, i.e.  $C = 10^6/2\pi \times 100 \times 1,200 = 10^6/24\pi = 1.32\mu\text{F}$ . What a rotten value! We have three choices, use 1μF, 1.5μF or make the value up from capacitors connected in parallel. I'd use 1.5μF - after all 1.5μF minus 10 per cent is 1.35μF, which is not far adrift. You can use a tantalum capacitor: the fact that it won't be polarised doesn't matter.

C2 sets the upper, 5kHz -3dB point when its reactance is equal to 156kΩ. That is,  $C = 10^6/2\pi \times 5,000 \times 156,000 = 1/1,560\pi \mu\text{F} = 204\text{pF}$ . 220pF is o.k. If 180kΩ had been used for R2, 180pF would be a better value.

So there we have our little amplifier. It can be supplied with say + and -5V, or if you prefer the circuit can be biased for single-rail working as shown in Fig. 7. This calls for four more components, as shown.

Finally, I hope you've found this discourse on operational amplifiers useful. It has at least scratched the surface. For anyone who wants to look at the subject (or electronic circuits in general) in greater depth I would recommend "The Art of Electronics" by Horowitz and Hill, published by the Cambridge University Press. It's a bit pricy, even in the soft-back edition, so get someone to give it to you for your birthday! Several books on the specific subject of operational amplifiers are listed in the Technical Library section of the RS catalogue.





# VCR Clinic

Reports from Philip Blundell, Eng. Tech., Eugene Trundle, David Botto, Alfred Damp, Ian Bowden, E.M. Beddow and Alan Shaw

## Philips VR6561

This machine wouldn't play as the head didn't rotate. It would begin to turn but couldn't manage a full rotation. This pointed to one of the motor's coils not being driven. D.C. checks in the drive circuit revealed that transistor T7113 (BD135) was open-circuit.

Another of these machines had the same fault but in this case it was intermittent. There was a broken wire in the loom from the PCB to the drum motor. **P.B.**

## Grundig VS200

Tape path problems, such as the sound going off after a few seconds, are often caused by a faulty pinch roller.

No sound or no control track recording/playback can be caused by an open-circuit head winding.

Intermittent failure to initialise, especially from cold, is often caused by poor connections on the ribbon edge connectors to the sequence control module. **P.B.**

## Philips VR6362

The symptom with this machine looked like faulty video heads – until I tried the tape in another machine and found that it had been erased! The +11.8d record supply was present all the time as transistor T7701 (BC328) was short-circuit. **P.B.**

## Philips VR6561

If the idler wheel doesn't flip across to contact the reel discs, check that the block (item 257 4822 466 81643 that fits under the top plate) hasn't fallen off. **P.B.**

## Sharp VC7300

An increasingly common problem with these machines is tape slack at the end of a rewind. The loop of tape then gets crunched by the cassette flap when the tape is ejected. Much time can be spent on the reel brakes if you don't realise that the cause of the trouble lies elsewhere. At eject the loading motor, under the deck, kicks to take up the slack, via a belt coupling to the spool turntable. If the latter doesn't move, check the loading (short) belt for slippage and the clutch on the loading block assembly for excessive friction. **E.T.**

## Hitachi VT220

This machine uses a multi-legged slab type chip (STK5471) to produce the regulated power supplies. We've had several of these fail, giving the following symptoms: operate light comes on, no deck functions and a noisy "r.f.-through" picture to the TV set, this picture disappearing altogether when the VCR is switched on. It's the 12V line that fails. Use plenty of heatsink compound when replacing this device. **E.T.**

## Panasonic NV333

This fault gave us a few headaches. The machine, an older version, had no clock display. Probably IC7501 on the front panel we thought. However as soon as we removed

the screws that hold the front and main PCBs and swung these out the clock display lit up, went out, lit up and went out again. A dry-joint we concluded, wrongly. We finally got to work with our trusty component tester and found that diode D1015 (MA165), marked D15 on the print, was leaky though not short-circuit. This diode is connected to the emitter of transistor Q1002 in the power supply section, feeding a regulated 17V supply to the clock PCB. A 1N4148 is a suitable replacement. **D.B.**

## Hitachi VT130

The problem with this machine was very bad audio flutter. When an alignment tape was played a scope hooked to the audio output socket produced a display with marked wobble at the right-hand side. We found that the capstan motor drew about 140mA off load and that the waveform generated across its input connections was rough. A new motor drew 85mA and produced a much smoother waveform. When it was fitted in the machine the sound returned to normal. **E.T.**

## JVC GR-C1

The reported symptom with this early camcorder was no sound. In fact the playback audio was fine but during record no sound reached the tape and there was no output via the E-E monitor channel. We found that the audio E-E mute line was in operation. For the machine to be brought out of mute the line needs to drop below 1V. In this case it fell to only 2.3V. The cause of the problem was on the mechacon board: the cure was to remove a big blob of yellow glue in the area of Q30. **E.T.**

## Sanyo VHR3300

We've had a couple of these machines that intermittently failed to come out of standby: the clocks worked fine but there was sometimes no response from the on button. If you get this problem check the fitting of the front PCB and the clearance between it and the plastic front cover. If one of the control switches is held in the others don't work. **E.T.**

## Hitachi VT11

The fault with this machine looked very like dirty video heads but after several attempts at cleaning them it was obvious that we had to look elsewhere for the answer. A check at the playback f.m. test point produced the waveform shown in Fig. 1(a). Assuming that the heads were o.k., we decided to check the drum flip-flop waveform which was as shown in Fig. 1(b). This signal is produced by the drum pick-up pulses which were then found to have the correct mark-space ratio. So the servo chip which contains the multivibrators that generate the drum flip-flop signal was accused of being faulty. Unfortunately replacing it made no difference. Time to look closer at the drum pick-up pulses. The waveform was as shown in Fig. 1(c) – Fig. 1(d) shows the correct waveform. The small positive-going overshoot pulse circled in Fig. 1(c) was of sufficient amplitude to make the positive



monostable trigger, thus creating the incorrect drum FF signal. Replacing the Hall i.c. on the drum motor cured the fault. **A.D.**

### Hitachi VT64

The drum motor had stopped and voltage checks around the drive chip IC601 revealed that the supply voltage at pin 10 was low. This i.c. is supplied via D642 and a cold check suggested that the diode was o.k. Replacing it restored drum motor operation however. **A.D.**

### Hitachi VT17

The drum ran at full speed because there was no FG signal at the servo board. We found that there were dry-joints on the FG board within the drum motor. **A.D.**

### Panasonic NV-G21

The customer's complaint was that the cassette wouldn't eject. In fact the machine was very sluggish in lacing the tape. If the capstan motor was given a helping hand everything worked. A new capstan motor put matters right. **A.D.**

### Panasonic NV430

We at first thought that this machine had dirty video heads, but cleaning made no improvement. When the scope was connected to the head preamplifier module to check for head wear the fault cleared itself. A check on the inside of the module revealed dry-jointed connectors and earthing connections. Resoldering the faulty joints cured the fault. It's worth checking that the module fixing screws are tight and thus providing good earthing. **A.D.**

### Panasonic NV788

The fault reported by the customer was a poor picture which was worse in pause and slow motion. A field engineer had visited the house and cleaned the heads. This had improved the playback picture but didn't help very much in the still/slow-motion modes, so the machine was brought into the workshop for further investigation.

We found that the top third of the picture was noisy in the still mode, the rest of the picture looking all right. The back tension was checked and adjusted without producing any improvement and new heads made no difference. A slight improvement was obtained by adjusting the inlet

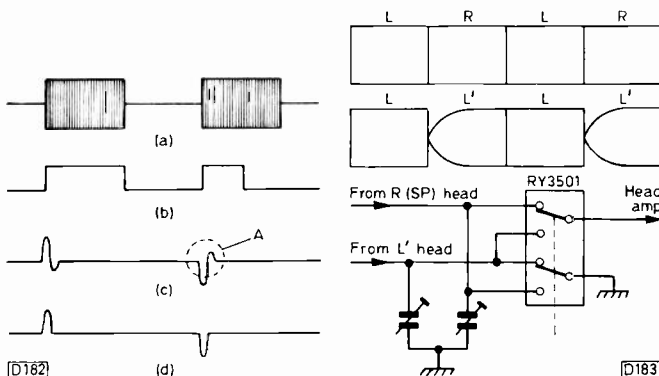


Fig. 1 (left): Waveforms associated with the Hitachi VT11 fault described above.

Fig. 2 (right): F.M. output waveforms and head switching relay, see the Panasonic NV788 fault.

guide. We then looked at the f.m. output waveform at TP3512 – see Fig. 2. In the playback mode the normal L and R heads are used and the output was correct. In the still/slow modes however a fifth head L' is switched into circuit, replacing head R. As shown in Fig. 2 it was the output from this head that was causing the problem. Since heads R and L' share the same playback amplifier the only cause of the difference could be in the switching, which is done by relay RY3501. We didn't have a replacement in stock so the relay was removed, its cover was opened and the contacts were squirted. When the relay was refitted the fault had gone and the machine gave perfect stills and noise-free slow motion – despite the fact that the heads were the original ones. **I.B.**

### Salora SV8300/Mitsubishi HS304

This machine would ignore any tape operation function after a couple of hours' use, e.g. if the machine was in the playback mode you couldn't stop a tape without switching the machine off. If rewind was selected and the tape was allowed to rewind fully you would then find that the machine wouldn't eject. The cause of the problem was a poor leaf switch contact, FL-SW-2, which is the inner of the two leaf switches on the right-hand side of the cassette loading housing. It's the one that makes when a cassette is pushed in and is held closed by the loading cam, going open again only when the tape is fully ejected. **I.B.**

### Grundig VS200

We see a lot of these machines. They seem to be very reliable electronically but the mechanics are not so hot. Failure to initialise is often due to a faulty brake switch which is located between the reel motors. If it has a plastic cover this must be discarded and the switch changed, not just cleaned.

The reel motors are suspect if the machine chews tapes or shuts off. A light tap on the top of the reels will sometimes free a tight motor. The feed motor causes the worst problems – when it becomes tight it will jam the mechanics. Changing the motors over will often cure the problem.

We've also had a few sound heads go open-circuit recently. You need to take note of the pink slip that comes with the new head as the wiring is different. If you get this wrong you'll still have no sound. **E.M.B.**

### Grundig VS310

Faulty or worn heads can be responsible for poor reverse search. For sound wow check whether the capstan belt has split. To get to this you have to hinge out the electronics chassis – don't remove the deck or you'll never dress the wires in the right place again. If you have a different fault when it's back together check all the plugs – they are of very poor quality. **E.M.B.**

### Amstrad VCR6000/VCR6100

This fault has fooled several of our field technicians: the remote control handset can be programmed on its liquid crystal display but the VCR won't accept its commands.

When the first machine with this complaint was brought into the workshop our trusty remote control handset checker proved that the unit was transmitting something. A further check revealed that the batteries produced only 5.6V. New 6V batteries cured the problem. **A.S.**

# Servicing Compact Disc Players

Part 3

Joe Cieszynski

Last month we considered in some depth the various different types of laser assembly used in domestic CD players. Having done so we can deal with the servicing aspects. The laser optical unit is a throw-away item, so the only thing you can do is to replace it. Since the trade price of such units is in the region of £35-£120 however it's essential that your diagnosis of a faulty laser unit is correct! Training officers I've spoken to tell me that a sizeable proportion of the units returned under guarantee prove to be in working order when tested. There are probably several reasons for this. Some units may have been replaced simply to rule out the laser as the cause of player failure; in other cases a quick diagnosis under pressure of work may have led to the unit being returned. As more players come out of the guarantee period however it's going to be essential that such mistakes are avoided.

There's another problem that could arise in practice. With older players the cost of a replacement laser unit is generally at the higher end of the range. The customer might well decide that he doesn't want to pay out such a large sum of money to have his player repaired. If you have spent several hours before finally deciding that the laser unit is defective you could well find yourself out of pocket. This is not a new problem with domestic equipment servicing of course, but it's one that must be avoided wherever possible. So this month we'll look at methods of checking the laser in a CD player.

## Safety

The safety aspects must first be made clear. All service manuals contain a warning about damage to the retina of the eye if the laser is looked at directly. There's a temptation to do this when attempting to establish whether the laser is lit – although the output is infra red, some visible light in the red spectrum can be seen in the lens. We must be adamant however that the warnings are taken seriously. Thus another method must be found to ascertain whether the laser is lit.

Many players contain safety switches that allow the laser to light only when a disc has been inserted. It's usually necessary to override such switches while carrying out service checks. When you have done so, take great care not to look at the laser accidentally or allow the beam to touch your skin. Warning labels should be present on

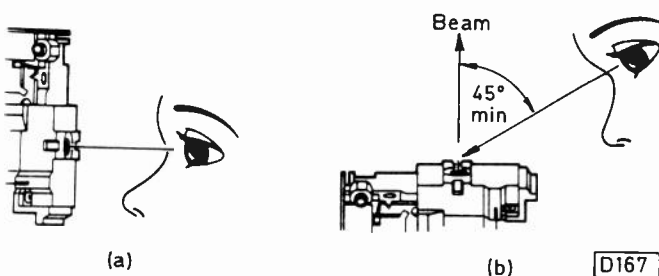


Fig. 1: (a) Never look at the laser beam directly. To do so will damage the eye. (b) It's permissible to view the beam at an angle of at least 45° and a distance of at least twelve inches.

all CD decks, but it's possible that with time some of them will go missing.

There is also the possibility of damage to the laser, which is prone to damage by static charges. Although the problem is not as great as with unprotected CMOS devices, certain precautions should be taken when replacing a laser unit. These are as follows:

- (1) The new laser unit will come packed in an anti-static bag. Don't remove it until necessary.
- (2) Ensure that the laser unit, yourself and the deck are at the same static potential by touching the deck whilst handling the laser unit (the use of earthed bracelets and the like is not necessary).
- (3) Put the suspect laser unit in the bag as soon as possible – after all it may not be faulty.
- (4) Don't touch the laser unit lens as this would not only put grease on the surface but could damage the rubber suspension of the two-axis mounting.
- (5) Don't place the laser unit close to large magnets that could affect the strength of the permanent magnets in the two-axis mounting.
- (6) The new unit may have a shorting link or clip across the terminals to keep the laser's anode and cathode shorted during transit. Make sure that you remove this. It's not always obvious unless you take the trouble to read the fitting instructions enclosed with the new unit, something engineers don't always do . . .

## Laser Checks

One of the first things you must do when servicing a CD player is to establish whether the laser is lit. A quick way of doing this is to see if the front display shows the usual information, such as the number of tracks, playing time etc., once a disc has been inserted. If this data is picked up the laser must be emitting light. This doesn't however mean that its output is high enough to ensure correct reproduction from all discs, and you may have to check this. If the player doesn't show even the front display data there are several possible causes, only one of which is the laser unit. So how can you check whether the laser is lit and that its output power is correct?

By far the simplest method is to use a laser power meter. This will tell you not only whether the laser is emitting light but also whether the output is within specification – around 300µW. There's one drawback: the cheapest meter I've come across costs over £200. If your workshop is a large one that services numerous CD players the purchase of a meter may well be a worthwhile investment. If the number of players that come in is small however you will probably be reluctant to buy a meter. The good news is that there are other simple ways of determining whether the laser is emitting light. Unfortunately it's not so easy to determine whether the output is adequate.

A simple method that some engineers have adopted is

to view the laser at an angle of about 45° and a minimum distance of twelve inches (see Fig. 1). You can usually see the red glow in the lens from this angle. This technique is suggested in some service manuals, the theory being that the laser light is dangerous only when viewed directly from above: when viewed from the side you are seeing diffused light at a low power level. Although I've used this technique, with no adverse affects, I personally favour the use of an infra-red detector circuit instead. Fig. 2 shows a circuit suggested by Hitachi. It can be assembled easily and is also useful for checking the output from infra-red remote control handsets and the stop sensors in VCRs. If you already possess one of the IR remote control unit testers available from various trade suppliers it would be worth trying it, but remember that the laser unit's output is far more intense, so don't hold the tester too close. With a 9V PP3 battery the circuit shown in Fig. 2 should sense the beam when held at a distance of about twelve inches. I use the RS Components IR sensor in my own unit but there's no reason why you shouldn't try an IR end sensor from a scrap VCR.

Another alternative is to use the technique suggested by Jim Littler on page 420 of the letters section in the April 1988 issue of *Television*. He connects a phototransistor across an ohmmeter and measures the resistance. A word of warning however. He uses this method to test IR remote control handsets: when used with a CD laser unit you may encounter some difficulty in locating the 1.7µm beam.

### Fault Finding

As mentioned earlier, with many players the laser is enabled only when a disc has been inserted. Don't be caught out by thinking that the laser is dead when in fact it has not been turned on by the control microcomputer chip. With many of the more expensive players this chip has a service or test mode which, when selected, will permit the laser to light. If the player doesn't have this facility you will have to locate the disc-inserted sensor and fool the microcomputer into thinking that a disc has been inserted.

Some players keep the laser lit permanently, using the disc clamp arm as protection against accidental eye damage. Obviously this arm will have to be removed before carrying out the tests suggested. Having done so, be careful that you don't view the laser accidentally.

A laser that gives no output at all is perhaps one of the simplest faults to diagnose in a CD player. On insertion of a disc the first thing a player does is to perform the focus search routine: the object lens is pulled fully backwards and is then moved progressively forwards until correct focus is achieved. When this has been done the control microcomputer proceeds with the tracking search and disc rotation run-up routines. Clearly if the laser is not lit the focus search will be unsuccessful. Thus the disc will not even start to rotate and the front display will show some form of error message. A number of other faults could also produce these symptoms, but as a first step when you

encounter them a check on whether the laser is lit is a logical starting point.

### Low Output

The more difficult problems arise when the laser's output is low and you don't have a power meter with which to check it. In this case it's a good idea simply to clean the lens – in most cases this will cure the problem. When the laser points upwards dust tends to settle on the lens, causing diffusion of the light. The problem is particularly likely to occur when the user smokes.

Cleaning the lens is a simple task but you must observe similar precautions to those followed when cleaning video heads. The best method is to wipe the lens gently with a cotton swab damped in isopropyl alcohol: don't press too hard or you may damage the two-axis mounting device. Other types of cleaning fluid are not recommended as the lens is coated with a plastic-based material that could dissolve during the cleaning process, leaving the lens with a "foggy" surface.

If the problem is simply dust the lens can be cleaned with an air brush.

Various symptoms will be encountered when the light output is low, either because the lens is dirty or because the laser diode is failing. In most cases the player will fail to achieve initial focus and will thus not operate. There are occasions however when the complaint is of intermittent operation, or that the player will play only certain discs. In these cases lens cleaning is the first step to take. If this fails to cure the problem it's really necessary to check that the laser's output power is correct.

The procedure given in the service manual for setting the laser's output power usually involves the use of a power meter. It's unwise to attempt adjustment without a meter, bearing in mind the point made last month about laser damage due to excessive current. There are those who may be particularly familiar with a certain model and know of a safe though unofficial way of carrying out this adjustment without damaging the laser, but such techniques can be learnt only through experience. What else can be done?

In many players the r.f. waveform (the name given to the modulated off-disc signal after amplification) will be of reduced amplitude when the laser's output is low. This can be used as an indication of the laser's output power. In fact one of the unofficial techniques I've used for setting the output power is to adjust it until the amplitude of the r.f. waveform is correct. But beware – I've noticed that once the correct amplitude has been reached you can turn up the output power still further without the r.f. amplitude being increased. This is possibly due to some form of a.g.c. in the r.f. amplifier i.c., but the action of the a.g.c. in adjusting the signal amplitude doesn't alter the fact that the laser is operating at an excessive power level.

When the laser's output power is low the player will in many cases manage to achieve correct focus and will proceed with the disc run-up and tracking search routines. The player will then attempt to read the table of contents at the start of the disc. If successful, it will indicate the number of tracks, the playing times, etc. For the disc to attain its correct speed however the servo must receive data from the disc. If for any reason whatsoever it doesn't the disc will usually take off at high speed before the control microcomputer finally steps in and initiates the stop mode. During this brief period it's possible to scope

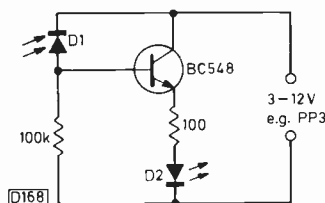


Fig. 2: Simple laser radiation sensor circuit suggested by Hitachi. The circuit can also be used to check IR sources. D1 is an RS Components IR sensor, order no. 306-083. D2 is a standard 0.2in. LED, e.g. RS 586-475..

the r.f. waveform as a check on whether the laser's output power is adequate – but you have to be quick, and I mean quick!

### More Symptoms

Another fault symptom is when the player gets as far as reading the table of contents, the disc doesn't take off, but the player fails to read the table and stops after about ten seconds. This is very rarely caused by a low output laser, but again you can use this ten second period of rotation to scope the r.f. and ascertain the laser's output.

Other difficulties arise when the player refuses to play at all and you are thus unable to obtain an r.f. waveform display. In this case the best approach to adopt is to establish first that the laser is at least lit, then check that the focus o.k. (FOK) logic level changes during the focus search routine. The FOK logic will be discussed in more detail when we look at the focus servo. Suffice it to say here that if the FOK logic is correct the player must have attained correct focus and the reason for failure of the disc to rotate must lie elsewhere.

### Service Mode

The above suggestions for briefly scoping the r.f. output apply to players that don't have a service mode facility. One of the reasons for including a service mode is to enable the control microcomputer to operate the machine under fault conditions, thus giving access to many of the waveforms including the r.f. You generally require the service manual to discover how to enter the service mode. Some of you may wonder why all players don't include this facility. The answer is simple. Because this is an aid to the serviceman and not the customer it doesn't help to sell players. There is also the need for extra programming in the microcomputer's ROM. Thus the makers of some cheaper players don't bother with it.

### Laser Adjustments

No adjustments after replacement are required with most of the latest laser units. This is not the case with many earlier players, where adjustments are required before an r.f. output can be obtained. The adjustments most commonly found are the laser position switch, the grating adjustment and the tangential screw. The latest production technology seems to have made them largely unnecessary.

The laser position switch is a deck adjustment that sets the point at which a leaf switch or microswitch closes when the laser carriage returns to the disc centre. If misadjusted the player will not be able to find the table of contents when a disc has been inserted. We'll look at this in more detail when we cover player mechanisms.

The grating adjustment rotates the diffraction grating in the laser assembly. Last month we explained that this grating splits the beam into three, the two side beams being used to produce a signal for the tracking servo. The object of this adjustment is to rotate the position of the side beams so that they fall evenly on either side of the data track – see Fig. 3.

If this adjustment is not set correctly the signal sent to the tracking servo will move the laser forwards or backwards at quite a high speed. Until this adjustment has been carried out correctly the player will not be able to perform any functions and attempts to carry out other

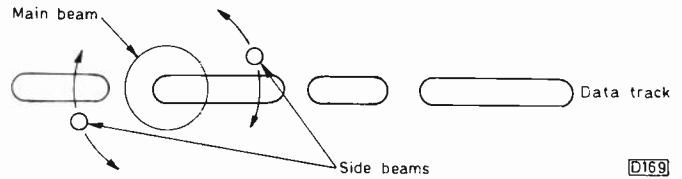


Fig. 3: The principle of diffraction grating adjustment. The side spots should be equidistant from the data track.

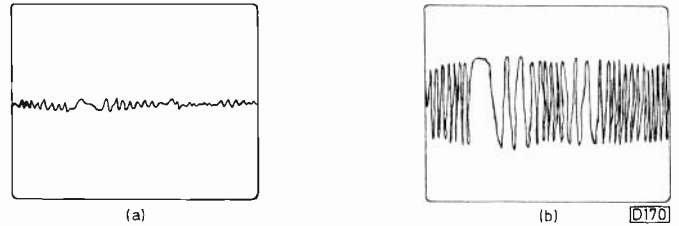


Fig. 4: Diffraction grating adjustment. (a) TE signal at null, (b) TE signal at peak.

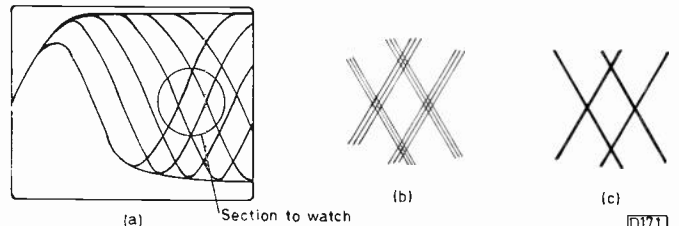


Fig. 5: Tangential adjustment. (a) A good waveform with minimal jitter. (b) An r.f. waveform with jitter. (c) An r.f. waveform without jitter.

adjustments will result in all sorts of problems. The only correct way of carrying out this adjustment is to do it by the book, but even so you may encounter difficulties at first.

One manufacturer who still incorporates this adjustment is Pioneer. Anyone who has dealt with these machines will know that grating adjustment is one thing you shy away from where possible. For the benefit of those who work on these players however I can offer some useful advice.

The method of grating adjustment laid out in the manual is to scope the tracking error (TE) signal and turn the screw (a special eccentric screwdriver is required) that rotates the grating until the signal reaches a peak — see Fig. 4. The problem arises when you've managed this quite successfully but the player still doesn't operate. Quite naturally you go on to attempt other adjustments to clear the fault. What the manual doesn't tell you is that there is more than one peak – in fact there are on average ten peaks, and only one of them is the correct one! The key to success is to turn the grating screw to one extreme and then rotate it slowly to the other extreme, counting the peaks as you go. The correct peak is the centre one. So if for example you count eleven peaks, turn the grating screw back until you are at the sixth peak. In the case of ten peaks being counted take a guess at five or six – it will be one of the two. Credit for this time-saving method must go to Ken Clements, Pioneer UK's technical training officer, who spent some time working on the problem before he came up with this simple solution. I've not had the opportunity to see if it will work with other makes of player, but I would certainly attempt it if I found myself in difficulties with the grating adjustment.

When is it necessary to carry out grating adjustment? There are basically three occasions when the adjustment may be required: when fitting a new laser unit, when the

unit has been subjected to a severe shock – or when someone has decided to have a go.

The tangential adjustment sets the optical assembly so that the beam is at right angles to the disc. If this adjustment is not correct the beam will be eccentric instead of circular at the disc's reflective surface, causing problems in both the focus and the tracking servos. In most players this adjustment is done by scoping the r.f. signal and setting the screw so that the signal has minimum jitter – see Fig. 5. Next month we will be looking at the r.f. signal in detail. It will then be clearer just what you have to look for.

### **In Conclusion**

In this instalment we've concentrated on ways of estab-

lishing that the laser's output power is correct, with or without the use of a power meter. It's far simpler with a meter, but cost and circumstances have to be taken into account. The other methods of checking a laser really amount to dodges that can be adopted in the absence of a meter. Suppose you've tried these dodges and still find yourself chasing your tail? The cause of the problem could of course lie elsewhere, and we'll be looking at other possibilities in later parts of the series. This month we've outlined the CD player's initial start-up routines and emphasised the importance of establishing that the laser is lit, that its output is adequate and that any mechanical adjustments have been made correctly.

One final point. If the laser isn't lit, don't assume that the cause has to be the laser itself. In all probability the fault will lie in the power supply to the laser assembly.

---

## **Cable and Satellite 89**

**Harold Peters and Alan Sidall**

This year's Cable and Satellite event was held at Olympia on March 16-19th. Last year, reporting from the event at its Wembley venue, the conflict between the various impending satellite TV systems was so obvious that we expanded the article to give readers an update on the situation. A year later TV from space has indeed got itself into a mess, as predicted, but not quite in the way the writer expected. The "Murdoch factor" had not then entered the equation, but now that it has it was bound to dominate the show.

From an engineer's point of view there was little to be gained from looking at the set-up converters for Sky as most are on allocation. The dishes and their substitutes were interesting however. The ones for Astra, with an average 55cm diameter and mostly with offset LNBS, were of note particularly for the flimsiness of their fixing bracketry. We who live near the coast and have experience of dishes of over 1.5m diameter drew in our breath sharply at the prospect of them being able to stand up to equinoctial gales.

The Squarial for BSB was in evidence, the mock-ups being mostly under 12in. square. Now that BSB's power could be divided between five transponders instead of three as initially planned, surely something bigger than a foot square will be needed? Nobody was prepared to say.

A further type of aerial was introduced by Sir Clive Sinclair's Cambridge Computers, for reception of the Astra transmissions in the Midlands and the South. It's a 17in. (45cm) square device which is only five inches deep and has a circular concave section in the centre. Deliveries are expected to start in the autumn and the price should match the Amstrad offerings.

BSB used MAC transmissions from the French TDF-1 satellite to demonstrate the quality of MAC pictures. Pity they had to use D2-MAC. A pity too that Aerospatiale is having to advertise the satellite in the trade magazines in an effort to find users for the three vacant transponders. Overheard conversation leads us to believe that TDF-1's signals are so strong that an LNB pointed at 19°W will produce a picture without a dish.

The signals from Astra are quite powerful too. On the Alston Barry stand an 0.9m dish locked an Astra picture direct, despite the screening provided by all the steel that supports Olympia's roof. The last time the writer spotted anyone breaking through the Olympia screening was in 1939, when Radiolympia was struggling against the approach of World War Two and we were all listening to the news from outside on battery portables, so as to find out where our families had been evacuated. But back to this year.

"Bird finders" were to be seen in profusion, mostly based on the humble compass. A device from the USA used three spirit levels to set the elevation, azimuth and declination of polar mounts without having to refer initially to true south.

Most of the big boys amongst the TV receiver manufacturers were conspicuous by their absence. Perhaps they are waiting until they can offer the user a TV set that will receive everything without the need for black boxes on top. Philips was there however, mostly because of the SMATV activities of its associated Portseigne company and the fibre-optic cabling of the Pope wire and cable subsidiary. I often wonder what the outcome would have been if earlier this century Mr. Pope, who supplied Mr. Philips with the wire for his lamps, had won the takeover battle instead. I wonder too what this show will be like in a few years' time, when there will be two Astras, two BSB satellites, two TDF satellites, some high-power Eutelsat 2 birds and lots more. Could we end up with more broadcasters than viewers?



*Sir Clive Sinclair with the Cambridge 45cm square satellite TV aerial announced at the Cable and Satellite Exhibition.*

# Service Bureau

*Requests for advice in dealing with servicing problems must be accompanied by a £2 cheque or postal order (made out to IPC Magazines Ltd.), the query coupon and a stamped addressed envelope. We can deal with only one query at a time. We regret that we cannot supply service sheets nor answer queries over the telephone.*

## BACK TENSION

Is it possible to convert the tentelometer back-tension figures specified in certain service manuals to the figures of a back-tension cassette gauge, e.g. the JVC PUJ48076-2?

Yes. The cassette gauge is calibrated in gm whereas the tentelometer readings are "tension units". Torque is tension times the radius of the reel pack. Thus 40g is equivalent to 120 grams-force per cm in a 3cm radius reel -  $120 = 40 \times 3$ .

## TATUNG 160 SERIES CHASSIS

There seems to be a compatibility problem between this set and a Panasonic NV7200 VCR. Are there any modifications that can be tried?

Tatung suggest the following modifications for improved operation of 160 series chassis sets with VCRs: increase the value of C004 to 22 $\mu$ F, change R114 to 2.7k $\Omega$ , R106 to 150k $\Omega$  or 180k $\Omega$ , R117 to 1.2k $\Omega$ , R116 to 1.2k $\Omega$  and C111 to 0.2 $\mu$ F.

## PANASONIC NV7200

This machine won't operate though the voltages from the power supply panel are o.k. and the front panel indicators light.

In our experience the most common cause of this problem is failure of the cassette-down microswitch. With the cassette down there should be 12V at connector D6010. If this voltage is present, suspect an open-circuit tape sensor LED.

## VIDEO LINK

We have a Hitachi Model CPT2188 with a 6-pin DIN input/output socket, the connections being as follows: 1 VTR switch; 2 video input/output 1V/75 $\Omega$ ; 3 ground; 4 audio input/output L 0.7V/10k $\Omega$ ; 5 12V; 6 audio input/output R 0.7V/10k $\Omega$ . This is to be used with a Sanyo VHR-D500E VCR that has a scart input/output socket. How does one go about this?

Link pins 1 and 5 of a 6-pin DIN plug. Connect the other pins as follows: 2 to pin 19 of the scart connector; 3 to pins 17 and 4 of the scart connector; 4 to pin 3 of the scart connector; 6 to pin 1 of the scart connector. The link-lead will need to contain three screened cores.

## FERGUSON TX90 CHASSIS

A very faint patch has developed on the left-hand side of the screen, about half way down. On a blue raster this shows up as a slightly darker shade of blue. Vertical lines on the left-hand side bend around this patch and veer

towards the bottom left-hand corner of the screen. A slow ripple effect runs up the lines adjacent to the patch. Vertical lines on the right-hand side of the screen remain straight and steady.

We have known this effect to be caused by an over-strong magnetic field around the mains transformer as a result of half-wave operation. Check diodes D120 and D123 and their connections to the transformer. Then if necessary check the dual-posistor Z102, C183 and the setting of the set-h.t. potentiometer RV224.

## HITACHI VT33

There is no playback though fast forward and rewind are all right. On completion of loading the machine stops within a few seconds then the tape is returned to the cassette.

Check whether the head drum and take-up reel are rotating at loading completion in play. If they are the reel sensor is suspect - check whether the pulses from this are present at pin 50 of IC901. If necessary check for flip-flop pulses at pin 49. If the take-up reel is not rotating the fault could be due to the idler slipping or the reel motor.

## FIDELITY F14 (ZX4000 CHASSIS)

The problem with this set is no line sync. The TDA4503 signals/timebase generator chip has been replaced and the voltages around it seem to be about right. During service work the BU508D line output transistor went short-circuit. This has been replaced but there is still no line sync - also no sound.

With this set the sound is muted until the picture is correctly synchronised. Feedback from the line output stage for sync purposes is via R109 (ten separate 5.6k $\Omega$  resistors) and C25 (0.1 $\mu$ F). These items should be checked, also if necessary R30 (5.6k $\Omega$ ), C24 (22nF) and the horizontal shift control PR18 (100 $\Omega$ ).

## HITACHI VT9500

When returning to play after reverse picture search the capstan continues to run in the reverse direction before gradually slowing down and resuming the correct direction and speed. This has the effect that tape is spewed out of the cassette for three-four seconds before it's eventually reeled back on to the take-up spool. The problem is also present with forward search, but is not so noticeable. The picture quality is very good.

To prevent this effect the microcomputer chip IC905 was changed from type HD38800A50 to type HD38800A74. At the same time R955 was changed to 27k $\Omega$ , R420 to 5.6k $\Omega$  and a 47 $\mu$ F, 10V capacitor (C461) was added from pin 11 of IC402 to chassis. If the tape is not actually being damaged you might decide that the trouble and expense of carrying out this modification are not worthwhile.

## SONY KV2706

This five year old set shows horizontal flyback lines on the picture. Any ideas on clearing the fault?

First check the level of the 12V line at the emitter of Q291. If it's wrong check D291, Q291 and C855. If the level is correct check the setting of the screen control on the c.r.t. base panel. Sometimes the fixed resistors associated with this control can drift in value, altering the screen (A1) voltage.

# TEST CASE

317

Each month we provide an interesting case of TV/video servicing to exercise your ingenuity. These are not trick questions but are based on actual practical faults.

It's some years since TV chassis with thyristor regulated power supplies were last designed but many sets of this type continue to come into the workshop. Amongst the last thyristor-based power supply systems were those used in early versions of the Ferguson TX9 chassis and in the Philips G11 and Bang and Olufsen 20AX chassis. It's the latter chassis that concerns us here. Models using this chassis include the 3502, 3602, 3702, 3802, 4002, 4402 and 6002. The basic elements of the circuit are shown in Fig. 1. It has the virtue of drawing current on both halves of the mains supply cycle since the two thyristors 5SCR1/2 are used in a full-wave bridge configuration (with 5D3/4).

Certainly the fault symptom suggested that the power supply section of the set was faulty: a hum-bar effect travelled slowly up or down the screen, affecting both the signal and the deflection. Sometimes the whole picture would flutter in size, as though the power supply was unstable. On the assumption that excessive mains-rate ripple was present on the main h.t. rail, two items came under suspicion: the large reservoir capacitor 5C3 and the active filter circuit consisting of transistor 0TR1 and the associated components. 5C3 and 0TR1 were both checked by substitution, but this produced very little change in the on-screen symptom. So — should this perhaps have been done before? — an oscilloscope was brought into action to check the level of ripple on the h.t. line.

The manual indicates that the mains-rate ripple at the emitter of 0TR1 should be around 30mV peak-to-peak, riding on about 300mV of line-rate hash. In this set the amplitude of the 50Hz ripple could be measured in volts. Further attention was therefore paid to the active filter

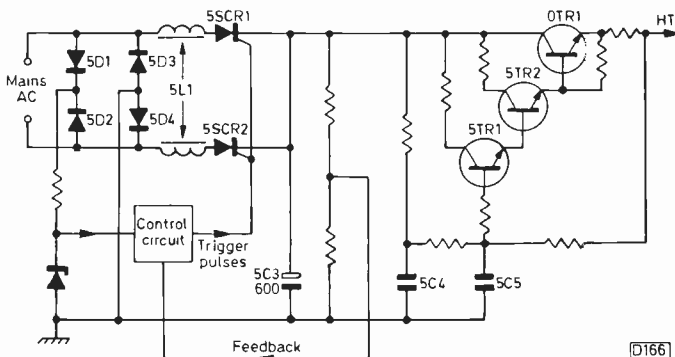


Fig. 1: Basic elements of the full-wave thyristor regulated power supply used in the B and O 20AX chassis.

circuit — to the two transistors 5RT1 and 5TR2, capacitors 5C4 and 5C5, and the associated resistors. No faults could be found in this area, but a further scope check showed that a huge 30V sawtooth waveform was present at the common cathode connection of the two thyristors. The reservoir capacitor had already been checked, and the scope showed that drive pulses were present at the gates of the two thyristors. We next fitted a new pair of thyristors, which didn't alter the situation one bit. That something was wrong in this area seemed certain. What it could be was less clear.

What had been overlooked — in both the fault symptom and the oscilloscope's display? Which component had failed? Answer next month.

## ANSWER TO TEST CASE 316 — page 441 last month —

John's efforts with the Ferguson TX9 chassis last month provided him with an instructive insight into TV fault-finding techniques. The set concerned wouldn't start up, though the power supply was working and h.t. was present in the line driver and output stages. It didn't take him long to find that there was no line drive and that the sync/line oscillator chip was inactive as its 12V supply was absent. He came unstuck however in trying to establish the cause of its absence.

The supply for the line oscillator is derived from the line output transformer, so at switch-on something has to be done to kick-start the line timebase. Once it comes into operation pulses from the line output transformer are rectified and fed to the 12V regulator which provides the supply for the low-voltage sections of the set, including the TDA9503 sync/line oscillator chip. For start-up purposes the line driver transistor VT67 is biased on and the voltage at its emitter is used to power the TDA9503. Once the latter gets going it produces a squarewave output to switch VT67 off and on. The forward bias for VT67 is obtained from the h.t. line, two zener diodes and a resistor being used for the purpose.

In this case the 68V zener diode W86 had gone open-circuit, leaving VT67 without base bias. Failure of VT67 or the resistor involved (R222) due to an open-circuit, or a short-circuit in the other zener diode W87 (15V) or C176 (100µF), could as easily have caused the problem. The key to diagnosis however is knowledge of how the circuit is supposed to work rather than the availability of elaborate test equipment or a degree in electronics!

## QUERY COUPON

Available until 17th May 1989.  
One coupon, plus a £2 (inc. VAT) cheque or postal order, must accompany EACH PROBLEM sent in accordance with the notice on page 524.

TELEVISION MAY 1989

Published on approximately the 22nd of each month by IPC Magazines Limited, King's Reach Tower, Stamford Street, London SE1 9LS. Filmsetting by Trutape Setting Systems, 220-228 Northdown Road, Margate, Kent. Printed in England by the The Riverside Press Ltd., Thanet Way Whitstable, Kent. Sole Agents for Australia and New Zealand — Gordon and Gotch (A/sia) Ltd.; South Africa — Central News Agency Ltd. Subscriptions: Inland £18, overseas (surface mail) £21 per annum, payable to Quadrant Subscription Services Ltd., Oakfield House, Perrymount Road, Haywards Heath, Sussex RH16 3DH. "Television" is sold subject to the following conditions, namely that it shall not, without the written consent of the Publishers first having been given, be lent, resold, hired out or otherwise disposed of by way of Trade at more than the recommended selling price shown on the cover, excluding Hire where the selling price is subject to currency exchange fluctuations and VAT, and that it shall not be lent, resold, hired out or otherwise disposed of in a mutilated condition or in any unauthorised cover by way of Trade or affixed to or as part of any publication or advertising, literary or pictorial matter whatsoever. ISSN 0032-647X.

**AVS**

# THE A.V.S. GROUP

## AUDIO VISUAL SERVICES

AVS  
SUMMER  
SALE  
●  
AVS  
SUMMER  
SALE  
●

THE BOSS HAS HAD A FIT OF MID-SUMMER MADNESS — OVER 4000 PIECES OF NEW & EX-RENTAL STOCK MUST BE CLEARED!

YOU NAME YOUR REQUIREMENTS AND WE PROBABLY HAVE IT, AND WE WILL TRY TO MATCH ANY DEAL YOU ARE GETTING ELSEWHERE!

*EX-RENTAL TV's, EX-RENTAL VCR's, NEW VCR's, MIDI SYSTEMS, MICROWAVE OVENS — WE DO THE LOT.*

**SO TRY US — WE'RE NOT AFRAID OF DOING A DEAL**

### HEAD OFFICE



08444 3226

08444 2995

36 WYCOMBE ROAD, PRINCES RISBOROUGH, BUCKS.

### HUMBERSIDE OFFICE



0652 660242

0652 660243

UNIT 8, ST. MARY'S WORKS, MARSH LANE, BARTON-ON-HUMBER, SOUTH HUMBERSIDE

**N.B. SWINDON CUSTOMERS PLEASE CONTACT →**

AVS SUMMER SALE ● AVS SUMMER SALE ● AVS SUMMER SALE

LOOK OVER  
LOOK OVER  
LOOK OVER  
LOOK OVER  
LOOK OVER



# HERE'S JUST A SELECTION OF OUR SUMMER PRICES TRY US ONCE AND YOU WILL BE HOOKED — THAT'S A PROMISE!

# AVS

EX-RENTAL				NEW MANUFACTURERS RETURNS		BRAND NEW
UN-SERVICED	SERVICED	UN-SERVICED	SERVICED	UN-SERVICED	SERVICED	NEW
9000 ETC £8	9000 ETC £12	MECH VCR's £25	MECH VCR's £40	VCR's FROM £70	VCR's FROM £100	VCR's FROM £120
TX9/10 £20	TX9/10 £29	3V30 £45	3V30 £65	CTV's FROM £40	CTV's FROM £70	CTV's FROM £85
TX9/10 TEXT £39	TX9/10 TEXT £49	F/LOAD £50	F/LOAD £65	Midi Hi-fi with C.D. FROM £50	Midi Hi-fi with C.D. FROM £65	Midi Hi-fi with C.D. FROM £85
TX9/10 STEREO £59	TX9/10 STEREO £69	STEREO VCR's £60	STEREO VCR's £80	Microwave Ovens (not available)	Microwave Ovens From £40	Microwave Ovens From £45
NON THORN TV's FROM £10	NON THORN TV's FROM £15	NON THORN VCR's FROM £40	NON THORN VCR's FROM £50	<b>SPECIAL ON B/W</b> 12" Black & White Portables <b>£22 ea.</b> <small>MINIMUM QTY 10</small>		

## BARGAIN CORNER!

WE HAVE MANY  
CTV's & VIDEOS

FOR SPARES OR REPAIR FROM JUST £5

22B5 PROF SERIES T.V.  
SPECIAL FROM £60

## PRICES

ALL PRICES ARE SUBJECT TO 15% VAT. PRICES ARE ALSO BASED ON QUANTITY AND AVAILABILITY — HANDSETS CHARGED EXTRA.

PRINCES RISBOROUGH BRANCH ON 08444 3226 or 08444 2995

AVS SUMMER SALE ● AVS SUMMER SALE ● AVS SUMMER SALE

AVS SUMMER SALE ● AVS SUMMER SALE ●

★ SALE ★ SALE ★ SALE ★ SALE ★ SALE ★ SALE ★ SALE ★ SALE ★ SALE ★ SALE ★ SALE ★ SALE ★ SALE ★  
**S A L E** **VASCORT LTD – LEEDS** **S A L E**  
 ★ SALE ★ SALE ★ SALE ★ SALE ★ SALE ★ SALE ★ SALE ★ SALE ★ SALE ★ SALE ★ SALE ★ SALE ★

**ANNOUNCING**  
**THE SALE TO BEAT ALL SALES**  
**BIGGEST & BEST SELECTION OF THORN & EX-GRANADA STOCK IN THE WHOLE OF YORKSHIRE**



**LOOK AT OUR FANTASTIC BARGAINS**

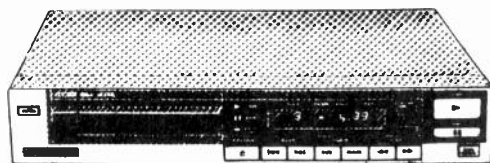


**WORKING VCR**

- |                       |        |
|-----------------------|--------|
|                       | From   |
| Hitachi/Nat-Pan ..... | £55.00 |
| Infra-Red VCR .....   | £70.00 |

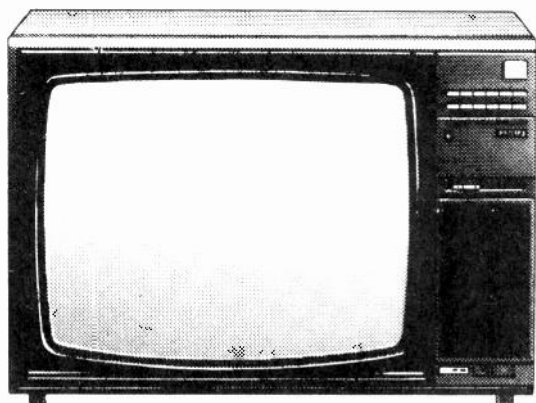
*Many more varieties of V.C.R.'s  
 in stock to choose from*

- |                       |        |
|-----------------------|--------|
| Non-working VCR ..... | £15.00 |
|-----------------------|--------|



**CTV**

- |                       |        |
|-----------------------|--------|
|                       | From   |
| Basic (Various) ..... | £5.00  |
| Remote .....          | £10.00 |
| Text .....            | £15    |



**STEREO SUPERSOUND** (working, excellent condition) – from £75.00  
 (Note: VAT & H/sets extra)

**PLUS MANY, MANY MORE BARGAINS IN STOCK NOW!**

**ANY QUANTITY, LARGE OR SMALL**

**VASCORT LTD., UNIT 2,**  
**COPLEY HILL TRADING ESTATE, WHITEHALL RD., LEEDS.**  
**TEL: 0532 422774**

TELEVISIONS &  
VIDEOS  
FROM HOTELS AND  
PRIVATELY OWNED  
RENTAL COMPANIES  
— HITACHI, GRUNDIG  
ITT, SONY,  
PANASONIC  
PLUS MANY OTHER  
MAKES

STILL ARRIVING  
Latest  
DECCA/TATUNG  
MICRO-MONITORS  
STANDARD, REMOTE,  
TELETEXT  
ALSO LATE MODEL  
FRONT LOADING  
VIDEOS

ALL OUR STOCK  
IS SOLD IN  
SHOWROOM CONDITION  
QUALITY AND  
EXCELLENCE COME  
AS STANDARD  
PLEASE GIVE US  
A CALL!  
10.00 AM - 5.30 PM

# PRO-VISION

BREEDON CROSS STORAGE  
DALE ROAD  
SELLY OAK  
BIRMINGHAM  
B29 6AQ

021 471 5116

THE PROFESSIONALS  
THE PROFESSIONALS

WE ARE HERE



FROM M6 Junc 6

FROM M5 Junc 4



## TESTLAB WORLDWIDE SPECIAL OFFER

B.K. ELECTRONICS OFFER A SUPERB QUALITY PEN STYLE PROBE  
AUTORANGING 3½ DIGIT MULTIMETER TO THE READERS OF  
"TELEVISION" SAVING UP TO £15.00 ON SIMILAR PRICED INSTRUMENTS.  
**LOW WORLDWIDE PRICE:** U.K. POST PAID £26.00 + £3.90 U.K. V.A.T. TOTAL £29.90  
OVERSEAS £26.00 + £3.90 AIRMAIL TOTAL £29.90



ORDER AS: - TESTLAB PEN PROBE TYPE YF120

### FEATURES INCLUDE:-

- ★ THUMBWHEEL FUNCTION SELECTOR
- ★ FIVE D.C. VOLT AUTO RANGES
- ★ FOUR A.C. VOLT AUTO RANGES
- ★ SIX RESISTANCE AUTO RANGES
- ★ AUTO POLARITY
- ★ AUTO ZERO
- ★ DATA HOLD
- ★ CONTINUITY TEST - AUDIBLE & VISUAL
- ★ DIODE TEST
- ★ OVER RANGE INDICATOR
- ★ LOW BATTERY INDICATOR
- ★ OVER VOLTAGE PROTECTION
- ★ HIGH INPUT IMPEDANCE
- ★ SUPPLIED WITH BATTERIES & CARRY CASE
- ★ SIZE ONLY 160 x 35 x 20 mm

**BRIEF SPEC:** INPUT IMPEDANCE:— 10MΩ ★ D.C. VOLTS:— 0 - 200mV - 2V - 20V - 500V ★ A.C. VOLTS:— 0 - 2V - 20V - 200V - 500V ★ RESISTANCE:— 0 - 200Ω - 2KΩ - 20KΩ - 200KΩ - 2000KΩ - 20MΩ.

HOW TO ORDER: U.K. SEND CHEQUE, POSTAL ORDERS, CREDIT CARD NO. ETC. FOR £29.90.  
OFFICIAL ORDERS WELCOME FROM GOVT. DEPTS., COLLEGES, PLC'S, ETC. **OVERSEAS** -  
SEND BANK DRAFT FOR £29.90 STERLING OR CREDIT CARD NO. ALL CHEQUES, BANK DRAFTS  
TO BE MADE PAYABLE TO B.K. ELECTRONICS.  
CREDIT CARD ORDERS ACCEPTED BY LETTER, FAX, OR PHONE.

**B.K. ELECTRONICS**  
UNIT 5 COMET WAY, SOUTHEND-ON-SEA, ESSEX SS2 6TR, ENGLAND  
TEL: 0702-527572 FAX: 0702-420243

Table listing electronic components such as diodes, transistors, and integrated circuits, organized into columns with various part numbers and specifications.



# W. TREE TRADE T.V.

UNIT 1 SUNSHINE MILLS  
WORTLEY ROAD LEEDS 12  
TEL: 0532 638804

**THORN 'STEREO' VHS VIDEOS**  
ALL FRONT LOADERS  
ALL STRAIGHT FROM SOURCE

**6 FOR ONLY £485**

**B  
A  
R  
G  
A  
I  
N  
S**

**MIXED VHS VIDEO'S**  
ALL TOP LOADERS  
ALL STRAIGHT FROM SOURCE

**10 FOR ONLY £517**

**B  
A  
R  
G  
A  
I  
N  
S**

**THORN 3V29 TOP LOADERS**

STRAIGHT FROM SOURCE

**20 FOR ONLY £1115**

**B  
A  
R  
G  
A  
I  
N  
S**

**SAVE - SAVE - SAVE**

**PHILIPS K30 - PYE K30**

6 BASIC 1 REMOTE

**THE LOT ONLY £95**

**B  
A  
R  
G  
A  
I  
N  
S**

**PHILIPS G11 TEXT - PYE G11 TEXT**

OFF THE PILE - MIXED LOT

**10 FOR ONLY £150**

**B  
A  
R  
G  
A  
I  
N  
S**

**FERGUSON RC02 RADIO CASSETTE**  
4 BAND - TWIN TAPE - STEREO  
ALL BOXED

**ONLY £25 EACH**

**B  
A  
R  
G  
A  
I  
N  
S**

**TV/VIDEO STANDS**  
NEW - BOXED

**ONLY £5 EACH**

OR 10 FOR £40

**ALL PRICES PLUS VAT**

**B  
A  
R  
G  
A  
I  
N  
S**

## TV LINE OUTPUT TRANSFORMERS

PRICES INCLUDE VAT & CARRIAGE

VIDEO HEADS, TRANSISTORS, IC's, ALSO STOCKED.

<b>BAIRD:</b> 8290, 8752, 8773, 8180	12.00	<b>ITT:</b> VC200 to VC402	9.20
<b>RANK BUSH MURPHY</b>		CVC1, CVC2 (FORGESTONE)	11.50
A774 with stick rectifier	9.78	CVC5, CVC7, CVC8, CVC9, CVC20	10.35
A816, T16, T18, Z712, Z715	10.35	CVC25, CVC30, CVC32, CVC45	9.20
T20, T22, T26, Z179, A823	11.50	CVC800, 1100, 1150, CVC40	P.O.A.
Z718 Basic unit	13.50	CVC1200, 1204, 1210, 1215, 2600	P.O.A.
<b>DECCA:</b> 1210, 1211, 1511	11.50	<b>PYE:</b> 169, 173, 569, 368	9.20
1700, 2001, 2020, 2401, 2404	9.20	CT200, CT200/1, CT213	10.35
CS1730, 1733, 1830, 1835	9.20	725-731, 735, 737, 741	9.78
30, 70, 80, 90, 100	9.20	<b>PHILIPS:</b> 170, 210, 300	9.20
120, 130, 140, 160	P.O.A.	320 series	9.78
<b>FERGUSON, THORN:</b> 1590, 1591	9.20	TX, T8, TX2, TX3 mono	P.O.A.
1690, 1691, built in rect.	9.78	G8 and G9 Series	9.20
1600, 1615, 1700, 1790	P.O.A.	KT2, KT3 series	9.20
3000, 3500, 8000, 8500, 8800	P.O.A.	CTX G11, K30, K4, K40, split diode	P.O.A.
9000, 9200, 9300 series	12.00	K12, CFI, 2A, 2B, 3A, NC3	P.O.A.
9500, 9600, 9650 series	12.00	<b>REDIFUSION</b> Mk1 to 5	P.O.A.
TX9, TX10, TX90, TX100, TXP5	P.O.A.	<b>DORIC</b> Mk3, Mk1	11.50
<b>MOVIESTAR</b> 3781, 3787, 8180	12.00	<b>SONY</b> KV 1400, 1612, 2000	P.O.A.
TX10 focus unit	10.87	<b>GRUNDIG:</b> most models in stock	P.O.A.
<b>FIDELITY:</b> FTV12 mono	10.35	<b>NORDMENDE:</b> 8290, Z206, Z306	P.O.A.
ZX2000 ZX3000 14", 16", 20"	16.43	<b>SANYO:</b> 5101, 5103, 7118, 7130	P.O.A.
ZX3000 22"	27.28	<b>SHARP:</b> C1851H, C2051H, 1405	P.O.A.
<b>G.E.C.</b> 2047 to 3135 mono	9.20	<b>HINARI:</b> CT4, CT5	P.O.A.
1201H, 1501H, 2114, 3133, 3135	9.20	<b>TANDBURG:</b> 190, CTV2, CTV3	P.O.A.
DUAL & SINGLE hybrid col.	10.00	<b>TELEFUNKEN:</b> most models in stock	P.O.A.
SINGLE STD solid state	12.00	<b>HITACHI:</b> 1471, CPB260, 2501	P.O.A.
SINGLE STD split diode	P.O.A.	<b>SAISHO MATSUI</b> SENTRA	P.O.A.
<b>INDESIT:</b> 24EGB, 12LGB, 12SGB	10.35		
<b>WINDINGS</b>			
<b>TYNE:</b> main winding	6.80		
<b>RBM:</b> T20, T22, T26, Z179	6.33		
<b>WALTHAM:</b> W125 eht winding	2.37		
<b>KORTING:</b> hybrid winding	6.90		
<b>THORN:</b> 8000, 8500, 8800 eht	6.70		

Delivery by return of post.

**Tidman Mail Order Ltd.,**  
236 Sandycombe Road,  
Richmond, Surrey TW9 2EQ.  
Approx. 1 mile from Kew Bridge.

Phone: 01-948 3702

Mon-Fri 9 am to 12.30 pm &

1.30-4.30 pm

Sat 10 am to 12 noon.

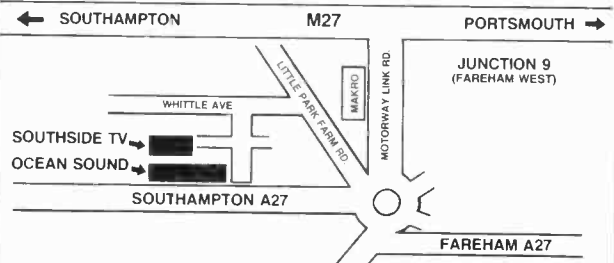
# SOUTHSIDE TV

**UNIT 8, APPLE IND. EST.,**  
**WHITTLE AVE.,**  
**SEGENSWORTH WEST,**  
**FAREHAM** OFF JUNCTION 9, M27  
LOCKSHEATH  
**HANTS. TEL. (04895) 77251**

- ★ TOP QUALITY ex-rental TV's & Videos
- ★ Fresh stock deliveries EVERY week
- ★ All items complete with original handsets
- ★ Working stock always available in quantity
- ★ 24 hr ansaphone service

Opening times: Mon-Fri 10am-5.30pm.

Sat Mornings 10am-1pm.



# TELEPRICE

LIMITED

**SIMPLY THE BIGGEST  
WHOLESALE SUPPLIER  
OF THE BEST EX-RENTAL  
T.V.'s & VIDEO RECORDERS  
IN THE UNITED KINGDOM**

**RING OUR LOCAL MANAGER FOR DETAILS**

## FARNBOROUGH WAREHOUSE



**CLIFF PARSONS**  
0252 540814

7/8 KINGSGROVE INDUSTRIAL EST.  
INVINCIBLE ROAD  
FARNBOROUGH  
HANTS. GU14 7QS

**5 MAJOR  
REGIONAL  
WAREHOUSES  
AT YOUR SERVICE**

## AVONMOUTH WAREHOUSE



**KARLA HEATH**  
0272 235093

5 PORTVIEW ROAD  
AVONMOUTH  
BRISTOL BS11 7LQ

## AINTREE WAREHOUSE



**IAN McCLELLAND**  
051 530 1285

UNIT 2, RACECOURSE IND. EST.  
ORMSKIRK ROAD  
AINTREE  
LIVERPOOL L9 5AL

## LINWOOD WAREHOUSE



**IAN DORAN**  
0505 29284

1a LYON ROAD  
LINWOOD INDUSTRIAL ESTATE  
LINWOOD  
RENFREWSHIRE PA3 3BQ

## SUNDERLAND WAREHOUSE



**BRIAN CADE**  
091 523 5554

9A/B  
94 CARRMERE ROAD  
LEECHMERE INDUSTRIAL EST.  
SUNDERLAND SR2 9TE

# West Midlands TV & Video

Wholesale

## NOW OPEN IN WALSALL

OVER 3000 TV's & VIDEO's IN STOCK AT UNBEATABLE PRICES – HURRY NOW.

HUGE STOCKS WORKING & GENUINE UNTESTED TV's & VIDEO's

LOTS OF SPECIAL OPENING OFFERS WHILST STOCKS LAST

### CTV's

	Working	Non-Working
PHILIPS G11	£18	£10
KT3/K30	£30	£20
BUSH T20	£18	£10
TX9	£35	£25
G11 TEXT	£50	£30
TX TEXT	£60	£45
STEREO TEXT	£90	£75

### VIDEO's

	Working	Non-Working
FERGUSON 3V29/3V30	£65	£50
JVC 7200	£75	£60
PANASONIC	£75	£60
SHARP	£80	£65
MECHANICAL	£45	£35
3V31/3V35	£90	£70
HITACHI VT11	£80	£65

### TEST YOUR OWN SETS

NEW INFRA RED HAND SETS FROM £10

VHS VIDEO HEADS FROM £15

BLOCKS OF 10 SETS FROM £40

★ DELIVERY CAN BE ARRANGED ★

ALL PRICES SUBJECT TO V.A.T. AND QUANTITY

### TRADE SHOWROOM

LARGE QUANTITY OF READY TO SELL VIDEO's & TV's

Call in – you will be delighted

2 MINUTES FROM JUNCT. 9-M6

WAREHOUSE IN PASSAGE

OFF LITTLE LONDON

CALDMORE, WALSALL

TEL. 0922 724542

Open Monday-Saturday 9am – 7pm Sunday 10am – 2 pm

## ARE YOU FED UP OF BUYING WORKING STOCK THAT DOESN'T WORK PROPERLY?

If so come to Teletraders

We believe we have the best range and display of working stock that you are likely to see anywhere.

Why not come along and see for yourself  
You won't be disappointed

★ Guarantee's available on all sets ★

### TELETRADERS

Brunel Industrial Estate

Newton Abbot, Devon

Tel. 0626 60154

## TELEVISIONS – VIDEOS – TELEVISIONS

# VIEW-TEL

CO DURHAM

A NEW NAME IN

## TRADE SURPLUS TV's

Large selection mainly

THORN — GRANADA STOCK

Discount ten or over

### ALL SIZES AVAILABLE

Thousands in stock. Good quality.  
Fresh stock every week.

Portables, Teletext, VHS Videos, STD 20", 22", 26"

Complete loads at discount prices

All stock collected from source by our transport and handled with care.



## VIEW-TEL TELEVISIONS

(0388)

SWAN STREET, EVENWOOD,  
832832 Nr. BISHOP AUCKLAND, CO. DURHAM.



# BOLTON COMMUNICATIONS PROJECT

## SATELLITE TELEVISION COURSES

TO BE HELD AT BOLTON METROPOLITAN COLLEGE.

- One Day **CITY AND GUILDS COURSE ON FIXED DISH SATELLITE INSTALLATION** (offered on behalf of the Confederation of Aerial Industries). Course dates: 8th May, 5th June and 3rd July, 1989.
- Four Day **SATELLITE TELEVISION INSTALLATION COURSE** One day a week for 4 weeks. Start dates: 4th May & 1st June. Cost £150.
- One Day **INTRODUCTION TO SATELLITE TELEVISION** 4th May & 1st June. Cost £45.
- Three Day **SATELLITE RECEIVER SERVICING COURSE** One day a week for 3 weeks. Start date: 12th June. Cost £110.

For further information please contact:

Terry Tudor (Project Manager),  
Bolton Metropolitan College, Manchester Road, Bolton BL2 1ER.  
Tel: (0204) 31411 Ext. 3371/3395

	<h1>SuperTronics</h1>	
	<p>TEST FACILITIES SPECIAL DEALS ON NEW STOCK</p> <p><b>QUALITY EX-RENTAL STOCK</b></p> <p><b>SPRING SALE</b></p> <p><b>WORKING ELECTRONIC VHS From £60</b></p> <p><b>WORKING COLOUR TVs From £15</b></p> <p>TOP BRAND NAMES JVC, HITACHI, PANASONIC, PHILIPS, FERGUSON, GRUNDIG etc.</p> <p>OFF THE PILE STOCK AVAILABLE</p>	
	<p><b>247-249 HIGH ROAD, SEVEN SISTERS TOTTENHAM, LONDON N15 5BT</b></p>	<p>CONTACT PAUL ANDREAS <b>01-809 4866</b> OPEN 9.00 AM – 7.00 PM MONDAY-SATURDAY <small>ALL PRICES SUBJECT TO V.A.T.</small></p>

# £1 BARGAIN PACKS — BUY 10 GET 1 FREE

Please state pack(s) required. No. = Order No. Qty = Quantity per pack

No	Qty	
BP010	2	6 1/2" Speaker 8Ω 10 watt
BP012	2	6 1/2" Speaker 4Ω 10 watt
BP013	3	8" x 5" Speaker 4Ω 6 watt <i>made by E.M.I.</i>
BP014A	4	5" x 3" 2 watt 4Ω Speaker
BP015	2	3 1/2" Tweeters 8Ω 5 watt before crossover (30 watts after crossover)
BP016	6	2200µf can type Electrolytic 25V d.c. computer grade <i>made in UK by PHILIPS</i>
BP017	3	33000µf 16V d.c. electrolytic high quality computer grade <i>UK made</i>
BP018	3	2000µf 50V d.c. electrolytic high quality computer grade <i>made in USA</i>
BP019	20	20 ceramic trimers
BP020	4	Tuning capacitors, 2 gang dielectric a.m. type
BP021	10	3 position, 8 tag slide switch 3 amp rated 125V a.c. <i>made in USA</i>
BP022	5	Push-button switches, push on push off, 2 pole change over. PC mount. <i>JAPAN made</i>
BP023	6	2 pole 2 way rotary switch
BP024	2	Right angle, PCB mounting rotary switch, 4 pole, 3 way rotary switch <i>UK made by LORLIN</i>
BP025	4	3 pole, 3 way rotary switch with one extra position off (open frame YAXLEY type)
BP026	4	4 pole, 2 way rotary switch <i>UK made by LORLIN</i>
BP027	30	Mixed control knobs
BP028	10	Slide potentiometers (popular values)
BP029	6	Stereo rotary potentiometers
BP030	2	100k wire wound double precision potentiometers <i>UK made</i>
BP031	6	Single 100k multitune pots, ideal for varicap tuners <i>UK made by PHILIPS</i>
BP032	4	UHF varicap tuner heads, unboxed and untested <i>UK made by PHILIPS</i>
BP033	2	FM stereo decoder modules with diagram <i>UK made by PHILIPS</i>
BP034	3	AM IF modules with diagram <i>UK made by PHILIPS</i>
BP035	6	All metal co-axial aerial plugs
BP036	6	Fuse holders, panel mounting 20mm type <i>JAPAN made</i>
BP037	6	In line fuse holders 20mm type <i>UK made by BULGIN</i>
BP038	20	5 pin din. 180° chassis socket
BP039	6	Double phono sockets, paxolin mounted
BP040	6	Single phono to phono screen leads 1.2m long <i>JAPAN made</i>
BP041	3	2.8m lengths of 3 core 5 amp mains cable
BP042	2	Large VU meters <i>JAPAN made</i>

BP043	30	4V miniature bulbs, wire ended, new untested
BP044	2	Sonotone stereo crystal cartridge with 78 and LP styli <i>JAPAN made</i>
BP045	2	Stereo cassette record and play heads <i>JAPAN made</i>
BP046	4	6-0-6 4VA mains transformers. P.C. mount <i>UK made</i>
BP047	1	24V 750mA mains power supply. Brand new boxed <i>UK made by MULLARD</i>
BP048	1	Car rear window heater demister. Self adhesive panel, size 24"x9", complete with switch and cable <i>UK made</i> <i>(Ideal for your old "Moggy 1000" etc)</i>
BP049	10	OC44 transistors. Remove paint from top and it becomes a photo-electric cell <i>UK made by MULLARD</i>
BP050	30	Low signal transistors n.p.n., p.n.p. types
BP051	6	14 watt output transistors. 3 complimentary pairs in T066 case <i>(Ideal replacement for AD161 abd 162s)</i>
BP052	8	3 watt audio output ics. No TA7205P <i>JAPAN made by TOSHIBA</i>
BP053	5	5 watt audio ICs. No TBA800(ATES)
BP054	10	Motor speed control ICs, as used with most cassette and record player motors
BP055	1	Digital DVM meter I.C. <i>made by PLESSEY</i> as used by <i>THANDAR</i> with diagram
BP056	4	7 segment 0.3 LED display (R.E.D.)
BP057	8	Bridge rectifiers, 1 amp, 24V
BP058	200	Assorted carbon resistors

Hi-Fi stereo cassette deck transport mechanism, complete with 3 digit rev counter and tape heads. 12V d.c. operation. Unused manufacturers surplus *JAPAN made*

£6.20 + £1.50 P&P 2 for £10.00 + £2.50 P&P

Garrard stereo record player deck, manual auto operation, 3 speed (78, 45, 33 1/3), 240V operation. Unused but store soiled.

£6.50 + £1.50 P&P 2 for £10.00 + £3.75 P&P

**RADIO and TV COMPONENTS ACTON LTD**  
21 HIGH STREET, ACTON, LONDON W36 9NG  
MAIL ORDER TERMS. POSTAL ORDERS and or CHEQUES with orders. Orders under £20 add £3.00 service charge. Nett monthly accounts to Schools, Colleges and P.L.C. only. ACCESS + VISA. Phone orders between 9.30 & 12pm please

Phone: 01-723 8432 or 01-992 8430

Callers: 323 Edgware Road, London W2

## HI-FI STEREO INTEGRATED AMPLIFIER KIT



- 30W x 2 (Din 4 ohms) ■ CD/AUX input
- Separate Bass and Treble ■ LED power indicator
- Headphone jack. Size HWD, 75 x 400 x 195

PROJECT INC. Pre-drilled case, back printed P.C.B. with ALL components.

ALL YOU NEED IS solder, wire and £36.80 plus £3.50 for postage

*(full instructions in EVERYDAY ELECTRONICS APRIL 1989 issue)*  
*(Re-print free with kit)*

## 100 WATT SPEAKER KIT £60 + £3.50 P&P



### RTC MONITOR II

RESPONSE	55Hz - 20kHz
BASS POLYMER CONED	22cm
DOME TWEETER	14mm
OVERALL SIZE (HWD)	382, 252, 209
RECOMMENDED AMP POWER	10-100 Watt

The performance standard achieved in this compact design is distinctively superior to anything else available at the price. The drive units used are of sophisticated design and have been carefully integrated with a complex crossover. Stereo performance is exceptionally good with a well focused sound stage and sharp resolution of detail. Distortion throughout the frequency range is low even at quite high power input and this gives a great sense of dynamic range and openness especially when used in bi-wired mode.

Supplied with: 2 Ready Cut Baffles, All Crossover Components, 2 Bass Midrange, 2 Dome Tweeters, Hook Up Wire, Grill Cloth, Screw Terminals + Screws

*(Featured project in EVERYDAY ELECTRONICS MAY 1989 issue)*  
*(Re-print free with kit)*

Velleman kits in stock. Send for Catalogue.  
Repair your own Hi-Fi Speakers, send stamped addressed envelope for Catalogue.

# CREWE WHOLESALE TELEVISION

## CHESHIRE'S LARGEST WHOLESALEERS — OVER 18,000 SQ. FT.

15 MINUTES FROM JUNCTION 17, M6

(Including hundreds of text working and off the pile) G11's, G11 Text, Bush T-20 upwards, Finlandia, G.E.C., K30, KT3, Grundigs, ITT's, Trimlines, 800, CVC 40 and 30's, Decca 80's and 100's, Doric 3's, 3A's and 4's, and cable with translators. Philips KT30 — 3 — 45 stand & text.

## LORRY LOADS DIRECT FROM SOURCE

### VIDEOS

VHS — Mechanical Hitachi  
Electronic Nat/pan, Hitachi  
Sharp and Thorn

BETAMAX — Sony, Sanyo,  
Toshiba, etc.  
(Working or untouched)

50 Mixed of your choice  
ITT30/32  
Decca 80's and 100's  
Doric series 3  
GEC 2110/2111

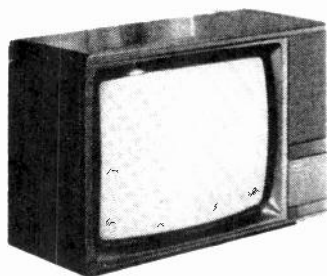
AT £250.00 + VAT  
GUARANTEED UNTOUCHED

RING NOW FOR THE LATEST PRICES ON TV's & VIDEOS

## CREWE WHOLESALE TELEVISION

Williams Street Warehouse, Crewe, Cheshire. ☎ 0270 582924

(2 lines)

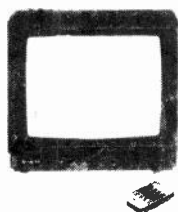


**NEWS  
FLASH**

# SUMMER SALE NOW ON AT HUSSAIN CENTRAL TV

*Exclusive to Birmingham Warehouse*

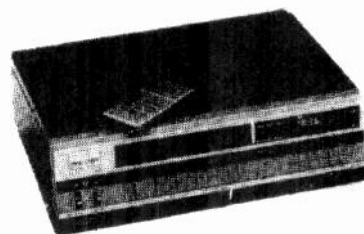
**MASSIVE SAVINGS ON THORN/GRANADA STOCKS**



	<i>From</i>
KT3	— £20
K30	— £25
ITT (trimline)	— £25
Full text	— £35

	<i>From</i>
HIT 8000/8300/9300	— £49
NAT PAN 333/366	— £55
HIT I/R rem	— £65

3V43/3V47/3V48/3V53/3V59 AVAILABLE



**FANTASTIC CHOICE:**

**FERGUSON – PHILIPS – PYE – HITACHI – NAT PAN – SHARP – GRUNDIG  
JVC – ITT – GEC – REDIFFUSION – BUSH – DECCA – FINLANDIA  
FIDELITY – SONY – TOSHIBA**

**★ ★ LORRY LOADS OF NON-THORN STOCK AT REASONABLE RATES ★ ★**

*Head Office:*

48-52 Pershore St, Birmingham B5 4RR. Tel: (021) 622-1023/1517

*Preston:*

Unit 439, Oakshott Place, Walton Summit Industrial Estate,  
Preston (M6, Junction 29). Tel: (0772) 312101

**Note:** Above prices subject to VAT and quantity. Handsets extra.

**— EXPORT ENQUIRIES WELCOME —**

# ALL YOUR CCTV REQUIREMENTS

<b>CCTV CAMERAS</b>		<b>SEQUENTIAL VIDEO SWITCHERS</b>		<b>CAMERA 'C' MOUNT LENSES</b>	
10 Lux CCD 180 Line	£225.00	2 Camera Auto Switcher	£52.50	1/2" 12mm F1.4 No Iris	£21.49
CCD2 Camera 0.3 Lux	£356.25	4 Camera Auto Switcher	£72.50	1/2" 12mm F1.4 Focus & Iris	£52.97
CCD Camera Auto Iris Adaptor	£17.50	6 Camera Auto Switcher	£81.25	1/2" 6mm F1.4 Focus & Iris	£60.78
CCD Camera Power Supply	£25.66	8 Camera Auto Switcher	£85.00		
2 Lux 240V AC Vidicon Camera	£119.44	12 Camera Auto Switcher	£115.00		
Dummy Camera	£31.25	4 Camera Auto/SW Looping/Bridging	£93.75		
		8 Camera Auto/SW Looping/Bridging	£131.25	<b>2/3" LENSES</b>	
<b>CAMERA HOUSINGS</b>		4 Camera Auto/SW Digital/Bridging	£150.00	12.5-100mm F2.8:1 Manual Zoom	£259.89
Outdoor Housings 240V AC	£115.00	8 Camera Auto/SW Digital/Bridging	£156.25	12.5-75mm F1.8 6:1 Manual Zoom	£153.94
Outdoor Housings 24V AC	£133.31			18-108mm F2.5 6:1 Manual Zoom	£309.87
340mm Indoor Painted Housing	£35.00	<b>ALARMED AND SPECIALS</b>		11-110mm F1.8 10:1 Manual Zoom	£534.78
340mm Indoor Stainless Housing	£48.75	Alarmed 8 Way 8 Zone	£437.50	4.0mm F1.4 Focus & Iris	£126.25
370mm Indoor Painted Housing	£31.25	Quad 4 Way Compressor Alarmed	£500.00	4.8mm F1.8 Focus & Iris	£91.25
370mm Indoor Stainless Housing	£53.12			6.0mm F1.8 Focus & Iris	£90.00
		<b>VIDEO TIME AND DATE GENERATOR</b>		6.5mm F1.4 Fixed Prism	£149.94
<b>1000 LINE METAL CASED MONITORS</b>		Time and Date Generator	£146.25	8.0mm F1.4 No Iris	£37.49
9" Black/White Monitor	£87.49	Time/Date/Message/Stop Watch	£120.50	8.0mm F1.3 Focus & Iris	£53.12
12" Black/White Monitor	£99.99			16.0mm No Iris	£19.45
		<b>BRACKETS</b>		16.0mm F1.6 Focus & Iris	£41.25
<b>PAN &amp; TILTS</b>		Short Camera Bracket	£9.12		
240V Outdoor Unit with Cont/Box	£406.25	Long Camera Bracket	£10.62	<b>AUTO IRIS &amp; PINHOLE LENSES</b>	
As above but 24V AC	£437.50	90 Degree Camera Bracket	£10.62	8.5mm F1.3 Auto Iris	£137.50
24V Indoor Unit with Cont/Box	£218.75	Camera Scanner Mount	£10.62	16.0mm Auto Iris	£136.25
As above but 24V AC	£218.75	Camera Scanner U-Hinge Mount	£14.75	9.0mm F3.5 Pinhole with Iris	£207.50
		Pan & Tilt Corner Bracket	£56.25	As above but Right Angle	£267.50
<b>INDOOR PANNING UNITS</b>		Pan & Tilt Flat Corner Adaptor	£56.25	9.0mm F3.5 Auto Iris Pinhole	£374.99
Fixed Sweep Scanner	£24.07			As above but Right Angle	£443.75
240V Indoor Panning Unit	£66.87	<b>VIDEO AMPLIFIERS</b>		11.0mm Short Pinhole with Iris	£132.50
As above but 24V AC	£66.87	240V Camera Amplifier	£39.37	W/A Auto Iris Attachment	£65.00
1 Camera 240V Panning Cont/Box	£36.25	240V Camera Distribution Amplifier	£57.81	Special 2x Range Extender	£50.00
As above but 24V AC	£36.25	24V Camera Amplifier	£39.37	Special Extension Tube Kit	£27.50
5 Camera 240V Panning Cont/Box	£90.00	24V Camera Amplifier PCB	£26.50	Camera Lens Sizing Viewer	£131.25
As above but 24V AC	£90.00				

IF IT'S CCTV - WE CAN SUPPLY IT

THIS IS JUST A SMALL SELECTION OF OUR STOCK ITEMS

ALL THE ABOVE PRICES ARE SUBJECT TO VAT & CARRIAGE

## Crofton Creates Terrific Value

ORDER YOUR REQUIREMENTS TODAY BY PHONING 05448 557 NOW - WE ACCEPT ALL MAJOR CREDIT CARDS

CROFTON ELECTRONICS, KINGSHILL HOUSE, LYONSHALL, HEREFORDSHIRE HR5 3HZ FAX: 05448 558

WE ARE NOW STOCKING PHILIPS OBSERVATION KITS. - PLEASE RING FOR DETAILS

## ZonePort TV & VIDEO WAREHOUSE

ONE OF SOUTHERN ENGLAND'S FOREMOST TRADE SUPPLIERS

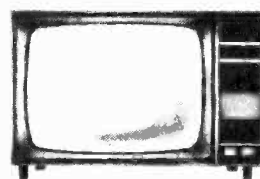
We are one of the South's leading Trade suppliers of top quality ex-rental TV and Videos. A good range held in Philips, JVC, Sony, Toshiba, Hitachi and National Panasonic colour TVs including portables, teletext and remote control models. Now In Stock: Ex-Granada Models, Finlandia/Rediffusion Mk 3, 4 & 4A. Basic, remote & teletext versions.

**NEW B GRADE**

**ASSORTED STOCK  
FST TEXT MODELS,  
MIDI SYSTEMS, VCR's  
(Single & dual speed)  
PHONE WHILE  
STOCKS LAST**

### CUSTOMER READY STOCK

We specialise in supplying working stock that has been professionally refurbished to a high standard. Our engineers pay special attention to the cosmetics as well as the electronics, so come to us for competitively priced stock that is *genuinely* ready for your showroom and your customers.



### RING OUR HOT LINES NOW!

**SPECIAL OFFER**  
REDIFFUSION TRANSLATOR  
NO. 847038  
£3.99 plus £3 P&P inc. VAT

**BRIGHTON  
CUSTOMERS**  
CONTACT SIMON HEALY

**ZONEPORT**  
UNIT N2, LONDON ROAD TRADING ESTATE,  
SITTINGBOURNE, KENT  
CONTACT BRIAN MOLLETT

**EAST GRINSTEAD  
CUSTOMERS**  
CONTACT DAVID FARR

☎ (0273) 571672

☎ (0795) 28166

☎ (0403) 732966

# FAST VIDEO SPARES FAST

ALL STOCK ITEMS ARE DESPATCHED BY RETURN OF POST

<b>VIDEO HEADS</b>		<b>GENUINE</b>	<b>BELT KITS</b>	<b>REPLACEMENTS</b>		
<b>REPLACEMENTS</b>		<b>GENUINE</b>				
All our replacement heads are brand new precision Japanese heads not refurbished.						
<b>Panasonic</b>		<b>Panasonic</b>				
3HSS(N).....	£19.90	NV2000, NV2010.....	£6.50	NV2000, NV2010.....	£3.50	
Fits model numbers: NV2000, NV2010, NV7000, NV7200.		NV7000, NV7200.....	£6.50	NV7000, NV7200.....	£3.00	
<b>Ferguson</b>		NV333, NV366.....	£6.50	NV333, NV366.....	£3.00	
3HSS(U)(N).....	£29.90	NV370, NV830, NV850.....	£2.80	NV8600, NV8610.....	£3.95	
Fits model numbers: NV370 & Philips VR6460.		NV688.....	£6.50	<b>Ferguson</b>		
<b>3HSS(4N)</b> .....		NV777, NV788.....	£4.70	3V00, 3V16, 3V22.....	£3.50	
£46.50		NV9600, NV8610.....	£6.50	3V23.....	£2.90	
Fits model number: NV366		NV730.....	£2.80	3V29, 3V30.....	£3.50	
<b>3HSS(4NB)</b> .....		NV230, NV430, NV870.....	£2.80	3V35, 3V36, 3V38, 3V39.....	£2.90	
£54.60		NV870, NV810.....	£2.60	<b>Sanyo</b>		
Fits model number: NV730		<b>Ferguson</b>			VTC5000, VTC5150.....	£1.00
<b>Ferguson</b>		3V00, 3V16, 3V22.....	£6.50	VTC5300, VTC5400.....	£2.50	
3HSS(V).....	£19.90	3V23.....	£3.90	VTC9300.....	£4.25	
Fits model numbers: 3V00, 3V16, 3V22, 3V29, 3V30, 3V31, 3V35, 3V36, 3V38, 3V39, HR2200, HR3300, HR3360, HR3366, HR7200, HR7300, HRD120, HRD130		3V29, 3V30.....	£2.90	<b>Sony</b>		
<b>3HSS4VB</b> .....		3V32.....	£4.90	SLC5, SLC7.....	£3.60	
£54.60		3V35, 3V36, 3V38, 3V39.....	£2.90	SLC6.....	£4.95	
Fits model numbers: 3V32		<b>Sharp</b>			SL8000, SL8080.....	£4.25
<b>Sharp</b>		VC7300, VC7700, VC7750.....	£69.90	<b>Sharp</b>		
3HSS(SP).....	£29.90	VC8300.....	£69.90	VC7300, VC7700, VC7780.....	£3.50	
Fits model numbers: VC9100, VC9300, VC9500, VC9700, VC381, VC8381, VC388, VC482.		VC9300, VC9500, VC9700.....	£62.00	VC8300.....	£3.90	
<b>Toshiba</b>		VC381, VC383, VC386.....	£62.00	VC9100, VC9300, VC9500.....	£3.90	
PS3B(T).....	£31.90	VC482.....	£62.00	VC381, VC383, VC386.....	£3.90	
Fits model numbers: V9600, V31B, V33B		All others available P.O.A.			<b>Hitachi</b>	
<b>Hitachi</b>		<b>Sanyo</b>			VT5000, VT5500.....	£4.50
3HSS(H).....	£26.50	VTC5000, VTC5150.....	£39.90	VT8000, VT8300, VT8500.....	£1.50	
Fits model numbers: VT8000, VT9300 etc.		VTC5300, VTC5400.....	£39.90	VT9300, VT9500, VT9700.....	£1.50	
<b>Sony</b>		VTC9300.....	£39.90	VT11E, VT14E, VT17E, VT19.....	£3.90	
PS3B(S).....	£24.90	<b>Sony</b>			VT33E.....	£3.90
Fits model numbers: SLC5, SLC6, SLC7, SL3000 also various NEC models		SLC5, SLC6, SLC7.....	£49.50	<b>Akai</b>		
<b>P84B(2S)</b> .....		SL8000, SL8080.....	£49.50	VS9700.....	£3.90	
Fits model numbers: SLC20, SLC30, SLC40, SLF1		SLC20, SLC30.....	£54.50	VS2, VS3, VS4, VS5.....	£3.95	
<b>PS5B(3S)</b> .....		SLC9.....	£54.50	VS9300, VS9500, VS9800.....	£3.50	
Fits model numbers: SLC9, SLT50, SLC8, SLF60.		<b>Toshiba</b>			Many others available	
<b>Amstrad/Saisho</b>		V9600.....	£59.90	<b>SENSOR LAMPS</b>		
3HSS(R).....	£29.50	V8600.....	£69.90	All Panasonic.....	£1.80	
Fits model numbers: VCR7000 and all models using Orion chassis		V31, V33.....	£59.90	All Ferguson/JVC.....	£2.90	
<b>3HSS(FI)</b> .....		V55, V56.....	£59.90	Sharp VC9300 etc.....	£1.80	
Fits model numbers: VCR4500, VCR5200, VCR9000 etc.		<b>Hitachi</b>			Amstrad 7000.....	£2.30
<b>Fisher/Fidelity</b>		VT5000, VT5500.....	£49.50	All Hitachi.....	£1.80	
3HSS(SF).....	£29.90	VT6500, VT8000, VT8300.....	£49.50	<b>SENSOR L.E.D.'s</b>		
Fits model numbers: FVHP615, FVHP710, V1000.		VT8500, VT8700.....	£49.50	All Panasonic.....	£2.90	
		VT9300, VT9500, VT9700.....	£49.50	All Ferguson/JVC.....	£2.90	
		VT11E, VT14E.....	£45.50	All Hitachi.....	£5.75	
		VT17E, VT19E.....	£54.60	<b>END SENSORS</b>		
		VT33E.....	£49.50	Hitachi VT64E.....	£1.20 each	
		<b>Philips</b>			<b>REEL MOTORS</b>	
		VR6450.....	£44.00	Sharp VC9300, VC381 etc.....	£18.20	
		VR6462.....	£44.50	Amstrad/Saisho etc.....	£18.20	
		Please call if your model is not listed.			Panasonic NV333, NV366.....	£16.80

**CREDIT CARD  
ORDERS BY  
TELEPHONE  
RECEIVED BY  
4 PM. ARE  
DESPATCHED  
SAME DAY**



## THIS MONTH'S SPECIAL

### VIDEO HEADS 3HSS(V) FITS FERGUSON & JVC

3V00 - 3V16 - 3V22  
3V29 - 3V30 - 3V31  
3V35 - 3V36 - 3V38  
3V39 - HR3300  
HR2200 - HR3360  
HR7200 - HR7300  
HRD120 - HRD130

**£16.00 + VAT**  
**ADD 70p POST & PACKING**

**WE CARRY HUNDREDS OF VIDEO SPARES  
INC. PLAY IDLERS, CLUTCHES, MOTORS,  
SERVICE MANUALS, TENSION BANDS,  
BELTS AUDIO/CONTROL HEADS,  
ALIGNMENT TOOLS AND TAPES ETC.  
\*\*SPECIAL ORDER FACILITIES\*\*  
\*\*FOR NON-STOCK ITEMS\*\***

#### PINCH ROLLERS

<b>Panasonic</b>		NV2000, NV2010, NV7000, NV7200.....	£4.95
		NV333, NV366, NV370, NV430.....	£4.95
		NV730.....	£7.95
<b>Ferguson/JVC</b>		3V00, 3V16, 3V22, 3V23, 3V24.....	£4.95
		HR3300, HR3360, HR3660, HR2200.....	£4.95
		3V29, 3V30, HR7200, HR7300.....	£4.95
		3V35, 3V36, 3V38, 3V39, HRD120.....	£4.95
<b>Sanyo</b>		VTC9100, VTC9300.....	£4.95
		VTC5000, VTC5150, VTC5300.....	£4.95
<b>Sony</b>		SLC5, SLC7.....	£5.95
		SLC6.....	£5.95
		SL3000, SL8080.....	£5.95
<b>Sharp</b>		VC7300, VC7700, VC7750.....	£4.95
		VC8300.....	£4.95
		VC9100, VC9300, VC9500.....	£4.95
		VC381, VC383, VC386.....	£4.95
		VC651 etc.....	£4.95
<b>Hitachi</b>		VT5000, VT5500.....	£5.95
		VT8000, VT8300, VT8500.....	£4.95
		VT9300, VT9500, VT9700.....	£4.95
		VT11E, VT14E, VT17E, VT19.....	£4.95
		VT33E.....	£5.95
<b>Akai</b>		VS9700.....	£6.95
		VS2, VS3, VS4, VS5.....	£6.95
		VS9300, VS9500, VS9700.....	£4.95
<b>Amstrad</b>		VCR4500, 4600 Pinch Roller mod kit.....	£9.95

LARGE RANGE  
OF IC'S  
& SEMI-  
CONDUCTORS  
AVAILABLE  
FOR TV,  
AUDIO &  
VIDEO

#### IDLER WHEELS

<b>Panasonic</b>	NV2000, NV2010.....	(Replacement).....	£0.95
	NV2000, NV2010.....	(Genuine).....	£2.90
	NV7000, NV7200.....	(Genuine).....	£2.90
	NV333, NV366.....	(Genuine).....	£2.90
	NV370, NV230, NV430.....	(Genuine).....	£4.50
	NV777, NV788.....	(Genuine).....	£4.50
	NV730.....	(Genuine).....	£4.50
<b>Ferguson/JVC</b>			
	3V00, 3V16, 3V22 (Large clutch).....		£5.95
	3V00, 3V16, 3V22 (Small clutch).....		£6.95
	3V29, 3V30, HR7200, HR7300.....		£3.90
	3V35, 3V36, 3V38, 3V39, HRD120.....		£3.90
<b>Sanyo</b>			
	VTC9100, VTC9300.....		£1.90
	VTC5000 Reel drive pulley.....		£6.50
	VTOM10 Reel drive pulley.....		£9.90
<b>Sony</b>			
	SLC5, SLC7.....	Rewind kit.....	£4.95
	SLC6.....	Rewind kit.....	£4.95
<b>Sharp</b>			
	VC9100, VC9300, VC9500 (Genuine).....		£3.90
	VC381, VC383, VC386 (Genuine).....		£3.90
	VC482, VC483, VC581 (also Saisho) (Genuine).....		£2.98
	VC482 etc. (Equivalent).....		£2.98
	VC9300, 381 etc. (Equivalent).....		£2.98
<b>Hitachi</b>			
	VT8000, VT8300, VT8500.....		£4.72
	VT9300, VT9500, VT9700.....		£4.75
	VT11E, VT14E, VT17E, VT19.....		£3.96
	VT33, VT63, VT64, VT65.....		£3.96
<b>Akai</b>			
	VS2, VS3, VS4, VS5.....		£4.50
<b>Fisher</b>			
	FVHP615, FVHP710, FVHP725, etc.....		£6.90

We also carry all play idlers and clutches etc. for models listed plus many more

## TELEVIDEO SERVICES

UNIT 3, PLESSEY BUSINESS PARK, TECHNOLOGY DRIVE, BEESTON, NOTTINGHAM NG9 2ND  
 TEL: 0602-226070 FAX LINE: 0602-431097  
 24HR ANSWERING SERVICE FOR ORDERS PLACED AFTER 5.30 p.m.  
 Please add 70p post & packing and then add 15% VAT to total  
 OFFICIAL ORDERS ACCEPTED FROM SCHOOLS, COLLEGES, ETC. EXPORT ENQUIRIES WELCOME.  
 ALL ENQUIRIES SHOULD BE ACCOMPANIED BY STAMPED ADDRESSED ENVELOPE

# AV AMRICK VISIONS WHOLESALE AV

## THE WORKING SET WHOLESALE YOU CAN RELY ON

WE SPECIALISE IN SUPPLYING TRADE CUSTOMERS WITH TOP QUALITY WORKING EX-RENTAL TV'S & VIDEO'S. WE OFFER GOOD PRODUCT, FRIENDLY SERVICE & KEEN PRICES

### TV'S

PHILIPS G11 .....	£20
PHILIPS G11 TEXT.....	£50
PHILIPS KT3/30 .....	£35
PHILIPS KT3/30 TEXT .....	£70
THORN TX9/10 .....	£35
THORN TX9/10 TEXT.....	£70
THORN STEREO TEXT.....	£90
BUSH T20/22/26 .....	£20

### VIDEOS

THORN 3V23.....	£80
THORN 3V29/30 .....	£70
THORN 3V31.....	£90
JVC 7200/7300 .....	£70
HITACHI 8500/9300.....	£70
HITACHI VT11 .....	£80
HITACHI VT33 .....	£100
SHARP 9300/381 .....	£90
AMSTRAD 7000 .....	£70

*We also stock Hitachi, Sony, Panasonic, Sanyo, Toshiba, etc.*

**PRICES** All prices subject to VAT. Most sets given with brand new handsets  
**SPECIAL DISCOUNTS & DELIVERY ON LARGE QUANTITIES**

**AMRICK VISIONS WHOLESALE**

**☎ 0533 551711**

**113 NARBOROUGH ROAD, LEICESTER**

APPROX 5 MINS  
FROM JUNC 21 M.1.

(OPEN MON-SAT)  
9AM-6PM

DECCA • ITT • **TELTECH** • SHARP • AKAI

## TELTECH QUALITY EX-RENTAL TV & VIDEO

	<b>NON WORKING</b>	<b>WORKING</b>
G11	£12.00	£20.00
KT3 K30	£25.00	£40.00
GEC STAR	£15.00	£25.00

**TELETEXT FROM ONLY £25**  
**COLOUR PORTABLES**  
**FROM ONLY £30**

WHAT YOU DONT BUY  
YOUR COMPETITORS  
WILL!

**OLDER TV'S £3**

**CALL BRIAN ON THE HOTLINE**  
**051-5254529**

11A FAZAKERLEY ROAD, LIVER-  
POOL 9  
(BY WALTON HOSPITAL)  
20 MINS M57 — 30 MINS M62  
ALL PRICES EXCLUDE V.A.T.

• FINLANDIA • **TELTECH** • SONY • GEC •

## IMPORT OPPORTUNITY

German manufacturer of Specialist TV Repair Equipment seeks Distributor in UK. A keen approach to Marketing the product is sought together with In House Technical Capabilities.

### INTERESTED?

Write with details to the:

**MACARTHUR BENUSSI PARTNERSHIP**  
 61 YORK ROAD, ERDINGTON, WEST MIDLANDS B23 6TG  
 Tel: 021 377 7440 Fax 021 377 7451

## POST-A-PART

ELECTRONICS

TRANSISTORS  
 DIODES  
 CAPACITORS  
 TRANSFORMERS  
 RESISTORS  
 VIDEO SPARES  
 TUNERS  
 INTEGRATED CIRCUITS

SEND FOR CATALOGUE (S.A.E. PLEASE)  
 TELEPHONE ORDERS, MAIL ORDER, OR CALL AT SHOP  
 126 HIGH STREET, CANVEY ISLAND, ESSEX. SS8 7SH  
**0268 690868**



AUDIO TELEVISION VIDEO  
TRADE EXPORT

ELECTRONICS SERVICES  
UNIT 18  
TILE CROSS TRADING ESTATE  
TILE CROSS ROAD  
MARSTON GREEN  
BIRMINGHAM B33 0NW  
Telephone: 021 779 5734

FOR GUARANTEED CTV & VIDEO'S  
TRADE SERVICE AVAILABLE  
ON ALL MAKES  
EXPORT ENQUIRIES WELCOME  
COURTEOUS SERVICE

# A Link with Europe

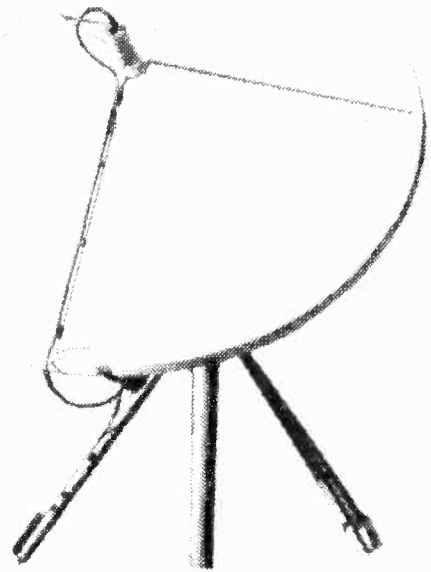
Ring Norman - Gloria - Paul on new number

**021 779 5465**

**021 779 5466**

**Fax: 021 779 4701**

\* TRADE ONLY SATELLITE ENQUIRIES



## Satellite

AN103	£1.95	AN6610	£1.95	BA1320	£1.25	HA11749	£4.75	LA4440	£2.75	STK082	£7.75	STR6026	£6.75	TA3540	£3.80
AN1270	£2.20	AN6676	£7.50	BA1330	£1.75	HA11750	£5.00	LA4455	£7.50	STK084	£7.50	TA7063P	£1.50	TA3541	£3.60
AN203	£2.20	AN6677	£6.30	BA5102A	£2.75	HA11753	£8.50	LA4460	£2.50	STK430	£5.50	TA7066P	£1.50	TA3560	£4.50
AN210	£1.75	AN6811	£1.60	BA5204	£2.75	HA11768	£4.50	LA4500	£2.50	STK431	£5.95	TA7073AP	£2.75	TA3561A	£4.95
AN211A	£2.20	AN6873	£4.50	BA5402A	£2.75	HA11788	£4.50	LA4505	£2.50	STK433	£5.25	TA7074P	£1.95	TA3562A	£6.00
AN228W	£2.90	AN6875	£2.50	BA5406	£3.20	HA11816	£6.50	LA4507	£4.25	STK435	£5.50	TA7122AP	£0.90	TA3651	£2.70
AN236	£2.50	AN6884	£2.50	BA5408	£2.75	HA11828	£9.50	LA4508	£2.85	STK436	£5.25	TA7136P	£1.00	TA3652	£3.30
AN240P	£1.50	AN7105	£2.50	BA6104	£2.80	HA12001	£6.50	LA4520	£2.85	STK437	£6.50	TA7140P	£1.75	TA4420	£3.75
AN241P	£1.50	AN7110	£1.50	BA6208	£2.95	HA12002	£2.95	LA4570	£3.75	STK441	£7.95	TA7193P	£4.00	TA4500	£3.95
AN259	£2.75	AN7111	£1.50	BA6209	£3.75	HA12035	£9.50	LA5527	£1.85	STK443	£1.85	TA7205AP	£1.00	TA4600/2	£2.95
AN260P	£2.20	AN7112E	£2.95	BA6304	£2.20	HA12038	£6.75	LA6324	£2.50	STK457	£6.50	TA7207P	£1.75	TA4600/2D	£2.95
AN262	£1.60	AN7114E	£2.50	BA6342	£5.00	HA12402	£2.95	LA6358S	£1.20	STK461	£7.50	TA7217AP	£1.50	TA7270	£2.20
AN264	£3.75	AN7115E	£1.60	HA1384A	£2.75	HA12402	£2.95	LA7151	£1.20	STK463	£8.40	TA7220P	£2.50	UPC575C	£1.00
AN271A	£2.50	AN7116	£1.00	HA11240S	£1.50	HA13001	£2.95	LA7016	£2.75	STK465	£8.50	TA7222AP	£2.20	UPC1001H	£2.20
AN272	£2.75	AN7120	£1.50	HA1125	£1.75	HA13007	£4.95	LA7031	£2.75	STK501	£6.25	TA7223P	£3.20	UPC1018E	£1.95
AN277	£2.50	AN7130	£1.30	HA1137W	£1.75	HA13402	£4.95	LA7032	£4.50	STK0025	£4.95	TA7225P	£3.20	UPC1025H	£1.95
AN295	£3.60	AN7131	£2.75	HA1144	£4.25	HA13432	£4.50	LA7215	£2.75	STK0029	£4.75	TA7227P	£2.20	UPC1031H	£2.90
AN301	£3.50	AN7140	£1.15	HA1151	£2.50	LA1111	£9.95	LA7224	£2.95	STK0039	£4.75	TA7229P	£3.25	UPC1032H	£0.60
AN302	£3.30	AN7143	£2.95	HA1156W	£1.20	LA1130	£2.75	LA7505	£2.95	STK0040	£6.25	TA7230P	£1.95	UPC1158H	£0.95
AN303	£2.75	AN7145M	£2.80	HA1167	£3.75	LA1140	£2.20	LA7507	£2.95	STK0049	£6.50	TA7232P	£2.95	UPC1181H	£1.10
AN305	£3.50	AN7146M	£2.50	HA1199	£1.75	LA1222	£1.00	LA7520	£3.25	STK0059	£7.00	TA7233P	£2.95	UPC1182P	£1.10
AN313U	£2.95	AN7149N	£1.90	HA1197	£3.70	LA1230	£1.00	LA7521	£4.50	STK0060II	£9.50	TA7240AP	£2.95	UPC1185H	£2.50
AN315	£2.30	AN7154	£2.95	HA1199	£1.85	LA1231	£2.50	LA7571	£4.75	STK0080	£7.75	TA7244P	£2.95	UPC1188H	£2.75
AN316	£3.75	AN7156N	£2.50	HA1310	£2.50	LA1240	£1.50	LA7575	£2.50	STK0080	£7.75	TA7245P	£2.20	UPC1225H	£2.75
AN318	£4.95	AN7160	£2.50	HA1366WR	£1.85	LA1366	£2.50	LA7800	£1.95	STK0205	£5.70	TA7270P	£2.75	UPC1230H	£2.50
AN337	£3.25	AN7166	£3.75	HA1367	£3.25	LA1365	£1.50	LA7806	£2.75	STK0208	£7.50	TA7271P	£2.75	UPC1263C	£2.50
AN340P	£1.50	AN7168	£2.75	HA1368	£1.90	LA1368	£2.50	LA7808	£2.95	STK0209	£5.75	TA7272P	£2.95	UPC1277H	£2.75
AN360	£1.30	AN7178	£2.75	HA1368R	£1.95	LA1365	£1.50	LA7820	£2.75	STK2038II	£9.50	TA7273P	£3.20	UPC1278H	£2.75
AN362L	£1.60	AN7213	£1.95	HA1372	£3.70	LA1387	£3.70	LA7820	£2.75	STK1235	£6.75	TA7274P	£2.95	UPC1279H	£2.75
AN363N	£3.50	AN7218	£1.75	HA1374	£2.50	LA1460	£1.95	LA7920	£1.75	STK1060	£5.50	TA7280P	£3.50	UPC1363C	£4.75
AN366P	£1.70	AN7222N	£3.50	HA1377	£2.20	LA1464	£3.20	LB1405	£2.20	STK2025	£5.70	TA7282AP	£2.95	UPC1364C	£3.60
AN374P	£2.20	AN7223	£3.95	HA1384	£3.95	LA2101	£2.95	LB1409	£2.95	STK2220	£6.50	TA7283AP	£2.95	UPC1365C	£3.56
AN377	£2.00	AN7224	£3.95	HA1388	£3.50	LA2110	£3.30	LC7068	£2.95	STK2250	£9.50	TA7283AP	£2.95	UPC1382C	£2.95
AN610P	£1.80	AN7256	£3.50	HA1389	£2.20	LA3201	£1.50	LC7130	£3.50	STK3041	£6.50	TA7289P	£2.95	UPC1387C	£2.50
AN612	£1.80	AN7273	£3.95	HA1389R	£2.20	LA3210	£0.75	LC7132	£4.00	STK3042	£6.50	TA7317P	£2.75	UPC1391H	£1.95
AN5010	£4.75	AN7310	£1.20	HA1392	£2.50	LA3220	£2.95	LC7136	£3.75	STK3044	£6.75	TA7323P	£2.20	UPC1391C	£1.95
AN5151N	£6.50	AN7311	£1.20	HA1394	£2.95	LA3300	£1.65	LC7137	£4.50	STK3062III	£6.75	TA7329P	£2.95	UPC2002	£0.80
AN5265	£2.20	AN7410	£1.30	HA1396	£3.75	LA3301	£1.30	LC7800	£3.95	STK4026	£5.75	TA7334P	£2.95	UPC4558C	£0.95
AN5410	£3.50	AN7415	£2.95	HA1397	£2.75	LA3310	£2.75	MS134P	£3.95	STK4060	£6.50	TA7338P	£2.80	RC639	£0.22
AN5411	£3.50	AN7420	£3.25	HA1399	£2.75	LA3350	£1.30	MS159P	£3.25	STK4131II	£6.75	TA7607AP	£2.95	BRV56	£0.22
AN5430	£2.95	BA301	£0.80	HA1457W	£2.75	LA3361	£1.30	MS1510L	£1.85	STK4141II	£7.50	TA7608CP	£3.95	BC640	£0.22
AN5510	£2.75	BA311	£0.95	HA1457W	£2.75	LA3361	£1.20	MS1102L	£3.95	STK4151II	£7.50	TA7609P	£2.70	BRF90	£0.78
AN5512	£2.95	BA313	£0.95	HA1457W	£2.75	LA3361	£1.20	MS1102L	£3.95	STK4332	£5.75	TA7613AP	£2.75	BRF91	£1.20
AN5515	£2.95	BA313	£0.95	HA14215W	£3.25	LA3370	£2.80	MS1104L	£3.95	STK4332	£5.75	TA7628P	£2.95	BRF90	£1.50
AN5516	£3.75	BA314	£1.20	HA14219	£4.35	LA4030P	£2.00	MS1513	£1.80	STK4392	£7.50	TA7628P	£2.95	BRV303	£0.24
AN5612	£3.50	BA318	£2.50	HA14221	£3.70	LA4031P	£1.95	MS1514	£1.95	STK4803	£8.50	TA7658P	£1.75	BRV56	£1.00
AN5620X	£1.80	BA328	£2.50	HA14233W	£2.80	LA4032P	£1.95	MS1515BL	£2.50	STK4803	£9.50	TC91056P	£4.95	BT106	£1.00
AN5701	£1.60	BA333	£1.50	HA14235	£2.50	LA4100	£1.00	MS1516BL	£2.80	STK4843	£9.50	TO6105P	£3.50	BU208A	£1.20
AN5722	£1.60	BA333	£1.50	HA14236	£2.50	LA4101	£1.00	MS1517L	£2.80	STK5211	£6.75	TD1101A	£2.25	BU208D	£1.80
AN5730	£1.85	BA335	£3.60	HA14235	£2.30	LA4102	£1.40	MS1518L	£2.20	STK5315	£6.75	TD1101A	£2.25	BU326A	£1.95
AN5732	£1.85	BA340	£2.50	HA14251	£2.75	LA4110	£1.75	MS1521H	£1.90	STK5324	£5.75	TD1074A	£2.75	BU500	£1.80
AN5750	£1.85	BA343	£2.75	HA1401	£2.80	LA4112	£1.75	MB3705	£1.80	STK5325	£6.75	TD11151	£1.20	BRV56	£1.80
AN5753	£1.95	BA402	£0.95	HA14403	£3.75	LA4120	£1.75	MB3712	£1.50	STK5421	£6.50	TD1170N	£1.50	25C2166	£1.40
AN6250	£2.70	BA403	£1.95	HA14403	£3.95	LA4125	£2.20	MB3713	£1.60	STK5451	£6.75	TD1170S	£1.50	25C2580	£2.75
AN6326N	£2.95	BA511A	£1.85	HA11701	£3.50	LA4126	£2.60	MB3714	£2.95	STK5471	£6.75	TD1170S	£1.50	25C2581	£2.50
AN6327	£4.75	BA514	£1.90	HA11703	£4.50	LA4137	£2.50	MB3722	£3.50	STK5471	£6.75	TD11510	£4.50	25A733	£1.40
AN6328	£4.20	BA516	£1.90	HA11704	£5.20	LA4140	£0.90	MB3730	£2.50	STK5476	£6.75	TD1515A	£4.50	25A1106	£2.75
AN6330	£2.95	BA521	£1.80	HA11705	£6.95	LA4145	£1.70	MB3731	£3.50	STK5730	£4.25	TD1196A	£1.75	25B536	£1.00
AN6341N	£4.50	BA524	£2.75	HA11706	£4.75	LA4160	£2.40	MT016	£6.50	STK440	£5.80	TD12002	£1.50	25B546A	£1.50
AN6342N	£2.50	BA527	£1.75	HA11710	£4.75	LA4170	£3.50	MB3759	£2.30	STK7216	£6.50	TD2003	£0.80	25C461	£1.95
AN6344	£4.75	BA532	£1.60	HA11711	£9.50	LA4178	£2.50	MB8719	£3.85	STK7404	£6.95	TD2004	£2.20	25C461	£1.95
AN6350	£7.50	BA536	£2.50	HA11713	£6.50	LA4182	£2.20	STK011	£3.95	STK8250	£9.50	TD2005	£2.20	25C1942	£2.95
AN6356N	£2.95	BA536	£2.50	HA11714	£5.95	LA4183	£2.95	STK014	£7.25	STK8250II	£10.75	TD2006	£1.50	25C1969	£1.75
AN6357N	£4.95	BA547	£2.50	HA11716	£4.75	LA4201	£1.60	STK015	£5.20	STR380	£15.00	TD2007	£1.50	25C2166	£1.40
AN6360	£4.50	BA612	£1.80	HA11718	£4.75	LA4220	£1.60	STK016	£6.25	STR440	£5.80	TD2008	£1.50	25C2580	£2.75
AN6362	£5.50	BA631A	£5.75	HA11724	£9.50	LA4230	£2.25	STK025	£7.50	STR441	£5.80	TD21870	£2.75	25C2581	£2.95
AN6363	£8.50	BA656	£4.50	HA11727	£9.50	LA4420	£1.75	STK077	£6.50	STR451	£5.80	TD21870	£2.75	25C3156	£3.50
AN6371	£4.25	BA843	£4.50	HA11745	£9.50	LA4422	£1.75	STK078	£6.75	STR2012	£6.75	TD2611A	£1.30	25D401A	£1.40
AN6387	£5.95	BA1310F	£1.75	HA11747	£9.50	LA4430	£1.50	STK080	£7.50	STR4090	£6.75	TD2653A	£3.80	25D1338	£2.95
										STR4211	£6.75	TD43505	£5.20	25D1453	£1.85

# VIDEO "REFURB" KITS

<b>FERGUSON</b> <b>3V29</b> Take Up Idler 1.85 Reel Idler 2.75 Take Up Clutch 2.75 Belt Kit 1.95 Pinch Roller 4.95 Total <del>14.85</del>	<b>FERGUSON</b> <b>3V35</b> Take Up Idler 1.85 Reel Idler 3.75 Take Up Clutch 2.80 Belt Kit 1.75 Pinch Roller 4.95 Total <del>14.80</del>	<b>HITACHI</b> <b>VT11</b> F/F Rewind 2.75 Belt Kit 2.95 Pinch Roller 4.95 Total <del>10.65</del>	<b>PANASONIC</b> <b>NV333</b> VXP0433 Idler 4.95 VXP0401 Idler 0.95 Belt Kit 2.95 Pinch Roller 4.95 Total <del>13.80</del>
<b>KIT 1</b> £11.50	<b>KIT 2</b> £11.85	<b>KIT 3</b> £8.50	<b>KIT 4</b> £11.50
<b>PANASONIC</b> <b>NV2000</b> VXP0329 IDLER 0.95 VXP0331 IDLER 0.95 Belt Kit 2.25 Pinch Roller 4.95 Total <del>9.10</del>	<b>PANASONIC</b> <b>NV7000</b> VXP0343 4.95 VXP0344 0.95 Belt Kit 1.95 Pinch Roller 4.95 Total <del>12.80</del>	<b>SANYO</b> <b>5000</b> Reel Drive 6.95 Reel Motor 7.95 Belt Kit 0.95 Total <del>15.85</del>	Prices shown are <b>TRADE ONLY</b> Please add 50p post & packing + 15% VAT <b>C.W.O. ONLY</b> Current video spares list available on request to bona-fide engineers ONLY
<b>KIT 5</b> £7.95	<b>KIT 6</b> £9.95	<b>KIT 7</b> £13.50	
<b>TAPE SENSOR LAMPS</b> <b>FERGUSON/JVC</b> Suitable for 3V00 - 3V29 <b>£2.50</b> Pack of 5 <b>£3.95</b> Pack of 10			
		<b>IRWIN ELECTRONICS</b> UNIT 200, J.C. ALBYN COMPLEX, BURTON RD., SHEFFIELD S3 8BX. Telephone Sheffield (0742) 739622 V.A.T. Reg. No. 127 2207 01 (Est. 1973)	

## LRC (SPARES)

VIDEO SPARES FAST ex-stock!

**ORDERS BEFORE 4.00 P.M. - SAME DAY DESPATCH!**

LIST PRICES EXCLUSIVE OF VAT

ORDERS UNDER £50 ADD £1.00 P&P

# 01-388 1714

90B CLEVELAND STREET, LONDON W1P 5DR



<p><b>VIDEO HEADS REPLACEMENT HEADS</b></p> <p>JVC/FERGUSON/ETC 3HSS-V 18.50                  TOSHIBA 9600 25.10                  PANASONIC NV-366 (4 HEAD) 44.50                  PANASONIC NV-330/777 38.45                  PANASONIC NV-333/2000/7000 ETC 19.10                  SHARP UNIVERSAL 25.60                  SONY SLC5/6/7/8000 18.10                  SONY SLC9 38.42                  SONY SLC20/30/40/F1 25.50                  FISHER FVH-615 ETC 34.10                  SANYO VTC3000/5150/5300 31.60                  SANYO VTC9300 31.60</p> <p>Many More Replacement Heads in Stock</p> <p><b>HITACHI ORIGINAL HEADS</b></p> <p>V75000 5458109 41.65                  HT8000/9000 5458161 41.65                  VT11/14/33 5458415 44.71                  VT3364 5459152 41.65                  VT65 5459282 60.84                  VT120 5457471 48.15                  VT130 5457472 48.16                  VT150 5457473 48.15</p> <p><b>PANASONIC ORIGINAL HEADS</b></p> <p>NV1000/200 41.40                  NV180 VEH0252 62.10                  NV230 VEH0296 41.40                  NV333 VEH0103 41.40                  NV366 VEH0174 62.10                  NV70/688 VEH0210 62.10                  NV777 VEH0177 62.10                  NV430 VEH0286 62.10                  NV730 VEH0267 62.10                  NV788 VEH0201 70.38                  NV810 VEH0294 69.11                  NV830 VEH0266 70.38                  NV850 VEH0265 70.38                  NV870 VEH0298 93.84                  NV2000/2010 VEH0103 41.40                  NV3000/7000/7200/8610 VEH0121 41.40                  NV650 VEH0115 41.40                  NV67 VEH0296 41.40                  NV610 VEH0287 62.10</p> <p><b>SONY ORIGINAL HEADS</b></p> <p>V01810/2630/5030 ETC RV5 89.46                  EVA300/EV5700 (RED OR BLUE) DVR-04R 88.82                  EVA300/EV5700 (GREEN OR BLACK) DVR-04R(0) 88.82                  SL-HF50 DSR-78R 132.26                  SL-HF100 DSR-49R 52.95                  SL-F1C20/30/40 DSR-36R 48.60                  SL-C9 DSR-21R 48.60                  SL-C5/6/7/8000 DSR-36R 48.60</p>	<p><b>SONY '5' SERIES UMAT SERVICE KIT</b> 127.60</p> <p><b>ORIGINAL PANASONIC VIDEO SPARES</b></p> <p>NV333/366 IDLER VXP0401 1.24                  NV333/366 (PLAY/TAKE UP) VXP0433 3.06                  NV370/430 IDLER VXP0521 2.56                  NV1000/30/70 IDLER VXP0521 3.18                  NV600/688 IDLER VXP0515 3.18                  NV730 IDLER VXP0581 3.18                  NV777/778 IDLER VXP0463 3.18                  NV2000 SERIES IDLER VXP0329 1.24                  NV2000 (PLAY/TAKE UP) VXP0331 1.24                  NV7000 SERIES IDLER VXP0344 1.24                  NV7000 (PLAY/TAKE UP) VXP0343 5.76                  NV270 IDLER VXP0521 2.56                  P. ROLLER NV333/366 VXP0432 8.51                  P. ROLLER NV730 VXL1154 7.93                  P. ROLLER BV730 VXL1209 7.58                  P. ROLLER NV2000 VXP0330 10.66                  P. ROLLER NV7000 VXL0776 7.85                  TENS BAND NV333/66/77 VZ0129 2.08                  TENS BAND NV370/730 VZ0165 1.95                  TENS BAND NV2000/2020 VZ0076 5.92                  TENS BAND NV7000/7200 VZ0078 3.00                  REEL MOTOR NV333/366 MVN13VSL 15.03</p> <p><b>ORIGINAL SONY VIDEO SPARES</b></p> <p>F.F. &amp; REW ASSY SLC20/30/40/HF100 5.40                  GUIDE PIN KIT SLE1C93/20/30/40 6.66                  DC-DC CONVERTOR SLC9 22.53                  CARRIAGE MOD KIT SLC9 6.40                  CARRIAGE COMPLETE SLC9 69.10                  UPPER DRUM UNIT SLC9/SLE1 22.75                  CAPSTAN MOTOR SLC5/7 33.56                  IDLER KIT SLC5/7 4.80                  IDLER KIT SLC6 4.80                  FWD LIMITER ASSY SLC5/7 3.58                  FWD LIMITER ASSY SLC6 3.58                  PINCH ROLLER SLC5/6/7 2.48                  PINCH ROLLER SLC9/20/30/40/F1/F25/HF100 ETC 7.85                  TENSION BAND ASSY SLC5/6/7 3.48                  LOADING PULLEY SLC6 1.80</p> <p>PLEASE ASK FOR ANY PARTS NOT LISTED</p> <p><b>OTHER MANUFACTURER'S ORIGINAL PARTS</b></p> <p>SANYO REEL MOTOR VTC5000 8.97                  SANYO REEL DRIVE PULLEY VTC5000 6.50                  FISHER IDLER ASSY FVHP15 5.97                  HITACHI F/F REW ARM VT11/33 2.85                  HITACHI HM6251 FRAME O/P MOD 4.50                  SHARP REEL MOTOR VC9300 ETC 17.70                  SHARP REEL DR IDLER VC9300 ETC 2.56                  SHARP REEL DR IDLER VC481 ETC 2.85</p>	<p><b>ORIGINAL JVC VIDEO SPARES</b></p> <p>CAPSTAN MOTOR HR3660/3V22 24.75                  CAPSTAN MOTOR HRD120/3V35 24.75                  DRUM MOTOR HR3660/3V22 5.50                  T/UP IDLER (LARGE) HR3660 5.50                  T/UP IDLER (SMALL) HR3660 5.50                  T/UP IDLER HR7200/3V29 1.20                  T/UP CLUTCH HR7200/3V29 2.36                  REEL IDLER HR7200/3V29 2.80                  REEL IDLER HRD120/3V35 2.80                  T/UP CLUTCH HRD110/120/125 2.20                  CASSETTE CARRIAGE 3V45 ETC 31.20                  PINCH ROLLER (ALL MODELS) 3.90</p> <p><b>VIDEO BELT KITS (ORIGINAL)</b></p> <p>PANASONIC NV333/366 3.65                  PANASONIC NV777/788 2.32                  PANASONIC NV230/430/870 1.45                  PANASONIC NV370/830/850 1.52                  PANASONIC NV688 4.18                  PANASONIC NV-2000 SERIES 3.65                  PANASONIC NV-7000 SERIES 3.65</p> <p><b>VIDEO BELT KITS (REPLACEMENT)</b></p> <p>SANYO VTC-5000 1.65                  SANYO VTC-5300 2.10                  SANYO VTC-5500 1.78                  SANYO VTC-6500 2.20                  JVC HR-3330/3360/3660/3V16/22 2.50                  JVC HR-7700 2.10                  JVC HR-7650 1.78                  HITACHI VT11 1.70                  HITACHI VT5000 2.50                  HITACHI VT8000 1.31                  SHARP VCT300 2.20                  SHARP VC8300 2.20                  SHARP VC9300 2.20                  TOSHIBA 7540 2.50                  TOSHIBA 9600 1.50                  SONY SLC6 1.85                  SONY SLC5/7 2.25</p> <p><b>REMOTE CONTROL UNITS (SONY)</b></p> <p>RM604B KV1612 MK1/2204 28.59                  RM615P NV2056/2212/16/27/05 ETC 37.50                  RM616P NV2056/2212/16/27 ETC 28.59                  RM641A KV2092/2096 28.59                  RM651 KV1442 19.38                  RM651A KV21XRU 28.59                  RMT11 SL F1 37.50                  RMT1213 SLC9 37.50                  RMT1216 SLC20/30/40/HF100 GREY 30.44                  RMT216 SLC20/30/40/HF100 SILVER 32.43                  RMT230 SLC30 37.50                  RMT405 EVS600/700 37.50</p> <p>ALL OTHER SONY REMOTES AVAILABLE</p>	<p><b>REMOTE CONTROL UNITS</b></p> <p><b>PANASONIC</b></p> <p>NV333/370 BLACK OR SILVER 10.39                  NV366 VS00257 11.21                  NV730 VS00357 30.58                  NV777 NV-A17E 30.58                  NV7000 VS0017B 36.87                  NV7200 BLACK OR SILVER 40.66</p> <p>ALL OTHER PAN. REMOTES AVAILABLE</p> <p><b>GOODIES SELECTION</b></p> <p>SONY BETAMAX ALIGNMENT TAPE 36.55                  PANASONIC VHS ALIGNMENT TAPE 88.10                  SONY V B BATTERY PACKS NP22H 29.86                  SONY ECENTRICITY GAUGE - JIGS 66.51                  SONY OPK2038 TEXT BOARD 66.64                  DPK113 TBOARD+LEADS - KV1442 60.64                  DPK202A SECAM ADAPTOR 53.20                  SONY REM RUBBER PAD-RM6326 6.40                  TELESCOPIC AERIAL KV1400/1612 7.85                  TELESCOPIC AERIAL KV1412/1430 9.34                  VIDEO COPYING KIT (UNIV.) 4.25                  SCART KIT (UNIV.) 5.60</p> <p>STYL! AVAILABLE FOR MOST MODELS</p> <p><b>MANUALS (0 VAT RATED)</b></p> <p>SONY TV MANUALS 6.30                  SONY VIDEO MANUALS 10.86                  PANASONIC &amp; JVC MANUALS P.O.A.</p> <p><b>SONY SWITCHES</b></p> <p>POWER TV REMOTE (QUOTE MODEL) 4.98                  POWER TV NO-REMOTE (QUOTE MODEL) 4.10                  POWER KV1442/1862 SOLENOID 21.84                  TIMER SWITCH C5/7 1.03                  RELAY SOUND SLC5/7 4.98</p> <p><b>SONY SEMICONDUCTORS</b></p> <p>S0613/S06533 9.95                  S06864 4.98                  PSU KIT SLC7 15.26                  25C867A 4.15                  25C1114 = 25C1454 6.40                  25C1316 TRS ASSY 7.85                  25C1413A 17.47                  25C3153 5.20                  25D1396/25D1397 4.15                  25D1398 5.20                  25D1497-02/25D1497-06 5.20                  SI1225 17.46                  SIK2129 17.46                  TDK2578A 3.58                  TDK3652 4.98                  TDK4600 6.40                  UPC1365C 10.86                  UPC1394C 3.98</p>
---	---	---	--



# TV RENTAL FINANCE

for the independent  
dealer

on new or reconditioned  
**TV Receivers,  
Video Cassette Recorders  
and Satellite  
Reception Equipment.**

For details and quotations contact



**BROUGHFAME LTD**

Colonnade House, High Street,  
Worthing, Sussex, BN11 1NZ  
Tel. (0903) 820968

# BARGAINS IN SOUTH WALES

## VIDEO

	Working	Non-working
Electronic	From £75	£40
LP Electronic	From £95	£45
Beta	£20 as they come	
Philips	£8 as they come	

## COLOUR TV

	Working	Non-working
Pil	From £20	£10
R/C	From £35	£18
Text	From £65	£40
Colour Portable	From £65	£35
FST when available	From £115	£75

RANGE OF NEW  
HANDSETS IN STOCK

REDIFFUSION TRANSLATORS  
£3 each inc VAT. Carriage extra

**BITEL**

UNIT 11, TAVERNER TRADING EST. CAERLEON, NEWPORT, GWENT

Leave M4 Junct 25. B4236 to Caerleon. 3 miles from M4.

**RING BOB ON 0633 430040  
FOR QUANTITY DISCOUNTS**

*Prices inclusive of VAT*

**DISPLAY  
ELECTRONICS LTD.**

- ★ Do you use cathode ray tubes?
- ★ Can't find a replacement or shocked by the cost?
- ★ It may well be that a rebuilt tube will solve your problem.

Come to one of the most experienced firms in the business. We have been rebuilding cathode ray tubes for industry, broadcasting authorities, major airlines, M.O.D. universities, and, of course, the TV trade in general since the '60's.

**WHY NOT TELEPHONE UXBRIDGE (0895)  
55800 TO DISCUSS YOUR  
REQUIREMENTS. DAVE DYSON WILL  
HELP YOU WITH DOMESTIC TV TUBES.  
TERRY SMITH DEALS WITH  
COMMERCIAL/PROFESSIONAL TYPES.**

## SPECIAL OFFER

56 540s .....	£42
20" & 22" SONY .....	£58
27" SONYs .....	£65

We are currently redeveloping our factory and have temporarily transferred production facilities to a factory unit in nearby Iver (Bucks). We have made arrangements for the Uxbridge 55800 telephone to be rerouted to the Iver factory at the exchange, but if you should wish to dial directly, the Iver number is (0753) 630137. During the temporary period of relocation we shall maintain goods handling facilities at Uxbridge. It would be appreciated if intending visitors telephone us first to be sure that technical staff are available at Uxbridge if required. We greatly appreciate the confidence placed in us by our customers which has enabled our business to grow and look forward to being of continued service in the future.

**DISPLAY ELECTRONICS LTD.**

SWAN WHARF,  
WATERLOO ROAD,  
UXBRIDGE, MIDDLESEX.



# TODD TRADING

## NEW WAREHOUSE OPEN! HIGH QUALITY TELEVISIONS & VCR's

Specialists in 'ready to retail' televisions and VCRs (packed with handbook and patch lead). Mostly Ferguson but all models stocked.  
NEW 'B' GRADED EQUIPMENT AVAILABLE.

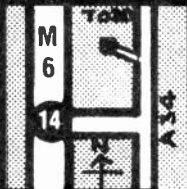
### ITEMS USUALLY IN STOCK

Ferguson Non Text, Text and Stereo Text & New F.S.T. B Grade. Ferguson, JVC, Sharp, Hitachi, Sony, etc., etc. V.C.R.s working: Ferguson 3V29/30 V.C.R.s ready for retail in fives £75 + VAT. Ferguson Compact Disc Units, A Grade and B Grade, from £40 + VAT. Sony C9 Beta in top condition, back to spec, plenty in stock. Ferguson V.C.R.s for spares: 3V16/3V22/3V23/3V24/3V29/3V31/3V35/3V43/3V45/3V55.

**NATIONWIDE DELIVERY**  
EVEN ON SMALL ITEMS - MIN OF 5 UNITS  
**PHONE FOR DETAILS**

**TODD  
TRADING**

UNIT 16  
STONE BUSINESS PARK  
STONE · STAFFS



**SITUATED  
APPROX  
3 MILES  
FROM  
JUNC. 14,  
M6**

 **0785 43447** Fax **0785 223137**  
**0785 48202**  **0785 48202**   
**OPEN 6 DAYS A WEEK, CALLERS BY APPOINTMENT PREFERRED**

## CENTREVISION

SLOPER ROAD, LECKWITH, CARDIFF. Exit 33 off M4

**SOUTH WALES' LARGEST AND  
BEST WHOLESALER WITH  
20 YEARS' EXPERIENCE**

**INCREASE YOUR PROFITS!  
PHONE: 0222 344754**

**EX-RENTAL TV's & VIDEOS**

## TUBES

New and rebuilt for most makes of T.V.

*including:* Hitachi, Panasonic, Philips, Thorn, Toshiba, Sharp, Sony Mullard 20AX, 30AX etc.  
Thorn New Life now in stock

Two year guarantee with a four year option.  
Cash or credit allowed for certain types of In-line glass.  
Price list available on request.

### EXPRESS T.V. SUPPLIES

The Mill, Mill Lane,  
Rugeley, Staffs.  
0889-577600  
(9.00-6.00 Mon-Sat)

Bristol  
0454-316285  
(After 4pm)

## VHS VIDEOS

### FERGUSON

3V00, 3V22, 3V23, 3V16, 3V29,  
3V30, 3V31, 3V32, 3V35

### HITACHI

5000, 8000

### NATIONAL PANASONIC

NV8600, 8610, 2000, 7000,  
370, 333, 2010

### SHARP

620, 630, 640, 2300 H T/P  
Untested from £70

## BETAMAX VIDEOS

SANYO VTC 9300, 5300

SONY C5, C6, C7

Untested from £25

HITACHI VHS TUNER/TIMER £10,  
HITACHI VHS BATTERY CHARGER  
£10, ROBERTS VHF RADIOS £5

VHS/Beta tapes used -  
from 40p each

Sorry must collect as we do not send  
through the post.

### PLUS

17" 18" 20" 22" 26" Hybrid/  
Solid State from £8. Also available  
CTVs Remote Control & Teletext  
All prices subject to 15% VAT

Discount for Quantities

Complete loads delivered from pick up point

**JOHN CARTER  
(Electrical) LTD  
FURNACE ROAD,  
GALLOW'S INN,  
ILKESTON**

**Phone: 0602 303124**

# BRITAIN'S LARGEST SUPPLIERS OF EX-RENTAL TV SPRING SALE CTVs FROM **£3**

Makes inc. PHILIPS, GEC,  
HITACHI, ITT, BUSH,  
PANASONIC, SONY,  
DECCA, FERGUSON,  
GRUNDIG etc.

MANY TELETEXT

CALL & SEE OUR SELECTION  
DELIVERY ARRANGED FOR  
BULK PURCHASES  
LOAD DIRECT FROM SOURCE  
AT VERY KEEN PRICES

**FRANK FORD**  
(TV TRADE DISPOSALS)  
SCHOOL LANE, GUIDE,  
BLACKBURN, LANCS.  
TEL: 0254 64489

## OSCILLOSCOPES

TEKTRONIX 2215 Dual Trace 60MHz Delay Sweep Dual TB	£475
TEKTRONIX 465 Dual Trace 100MHz Delay Sweep	£500
TEKTRONIX 454 Dual Trace 150MHz Delay Sweep	£400
TRIO CS 1065 Three Trace 60MHz Delay Sweep	£550
HITACHI V1050F Dual Trace 100MHz Delay Sweep	£550
THANDAR TQ315 Dual Trace 150MHz Mains/Battery Unused	£300
TELEQUIPMENT D755 Dual Trace 50MHz Delay Sweep	£275
KIKUSUI S530A Dual Trace 35MHz	£250
HAMEG 203 J Dual Trace 20MHz	£240
H P 1220A Dual Trace 15MHz	£200
GOULD/ADVANCE OS 1100 Dual Trace 30MHz	£210
TELEQUIPMENT D51 Dual Trace 10MHz Solid State	£250
COSSOR CDU150 Dual Trace 15MHz Delay Sweep Solid State	£180
Portable 8 x 10cm Display	£10
SE LABS SM111 Dual Trace 1.5MHz Solid State Portable AC or external DC operation 8 x 10cm Display	£150
SCOPEX 4010B Dual Trace 10MHz	£150
TELEQUIPMENT S54A Single Trace 10MHz Solid State	£90
TELEQUIPMENT 061 Dual Trace 10MHz Solid State	£150
PHILIPS PM3206 Dual Trace 15MHz	£250
PHILIPS PM3233 Dual Trace 10MHz	£200
MARCONI TF2006 AM-FM 10MHz - 1GHz Sig Gen	£500
MARCONI TF2008 AM-FM 10MHz - 510MHz Sig Gen	£375
MARCONI TF2015 AM FM 10 - 520MHz Sig Gen with Synchroniser TF217	£450
MARCONI TF2015 without Synchroniser	£425
MARCONI TF2016 AM-FM 10MHz - 120MHz with Synchroniser TF2173	£400
MARCONI TF2016 without Synchroniser	£300
MARCONI SANDERS SIG SOURCE 6055B 850 - 2150MHz	£500
DYMAR 1525 AM-FM 10 - 184MHz Sig Gen	£200
H P 694 SWEET OSCILLATOR 7-12 GHz	£500
H P 620 Signal Generator 7 - 11 GHz	£400
H P 614A Signal Generator 600 - 2100MHz	£450
FERROGRAPH RTS2 Recorder Test Set	£275
WOLKE Wow & Flutter Meter M1 108	£100
LEADER LMV186A Two channel Millivoltmeter 5Hz - 500kHz, 100V - 300V	£100
LEVELL TG2000M 1Hz - 1MHz Sine/Square	£125
MARCONI Automatic Distortion Meter TF2337A 400Hz or 1KHz Measures down to 0.01%	£150
MARCONI TF2700 UNIVERSAL LCR Bridge Battery Operated	From £150
PHILIPS PM6456 FM Stereo Generator	£95
PHILIPS COLOUR BAR GENERATOR PM5519 UHF VHF Video Over 20 Test Patterns	£400
SADELTA MCG31 COLOUR BAR GENERATOR RF Bands 1.3 & 4 Functions Sound Carries Unused (P&P £7)	£125
SADELTA COLOUR BAR GENERATOR PAL MC101 8 Patterns Pocket Size Rechargeable Batteries Complete with Battery Charger Adaptor. Unused (P&P £1)	£175
DECCA/KÖRTING Colour Bar Generator Type 82514	£125
Labgear Colour Bar Generator KG1 8 Test Patterns (P&P £4)	ONLY £40 each
LABGEAR FIELD STRENGTH METERS (30) (P&P £7)	£30
LABGEAR CROSSHATCH GENERATOR Type CM6038-0B Cross-hatch Grey Scale/Blank Raster Mains or BATTERY Unused £18	£18
User £12 (P&P £3)	
TRIO RF SIGNAL GENERATOR Type SG402 100kHz-30MHz Unused (P&P £7)	ONLY £75
ADVANCE SG626 AM 150kHz-210MHz	£45 (P&P £7)

## SPECIAL OFFER

### HAMEG MODULAR SYSTEM

HM8001 Main Frame with HM8032 Sine Wave Generator 20Hz - 20MHz, HM8030 2 Function Generator 0.1 - 1MHz Sine sq Triangle and HM8011 2 Digital Multimeter 4 1/2 digit

ONLY £400

DISK DRIVE PSU 240V in 5V 1.6A & 12V 1.5A Out Cased Unused ONLY £10 ea (P&P £3)  
FARNEL SWITCHED MODE PSU 5V 40A & - 12V 5A £30 ea. (P&P £4)  
Other Switched Mode PSUs available. Please enquire  
DISK DRIVES 5 1/4" DS DD 80 track  
Some Keyboards available. Please enquire

## MULTIMETERS

(P&P All AVDs £10)	
AVO 8 Complete with Batteries & Leads	From £50
AVO 8 MKV Complete with Batteries & leads	£90
AVO TEST SET No 1 (Military version of AVO 8) Complete with batteries & leads	£85
TEST LEADS suitable for AVO METERS Red & Black with 2 Croc Clips & 2 Prods	£5 (P&P £3)
Black 'Ever-Ready' case for AVOs Unused	£15 (P&P £4)
AVO VALVE TESTER CT160 Suitcase style 22 Bases (P&P £7)	ONLY £25 each
AVO TRANSISTOR ANALYSIS MK2 CT446 Suitcase style complete with batteries and operating instructions ONLY £25 EACH (P&P £7)	
MARCONI AF POWER TF893A 20Hz - 35kHz 20mW - 10W with manual	ONLY £35 (P&P £7)
MARCONI RF POWER METER TF1152A 1 DC 500MHz 0.5 to 25W 50 Ohm with manual	ONLY £45 (P&P £7)

## NEW EQUIPMENT

HAMEG OSCILLOSCOPE 604 Dual Trace 60MHz Delay Sweep Component Tester + two probes	£575
HAMEG OSCILLOSCOPE 203 B Dual Trace 20MHz Component Tester with two probes	£314
All Other Models Available	
BLACK STAR COUNTER TIMERS (P&P £5)	
APOLLO 100 - 100MHz Radio/Period/Tme interval etc	£222
APOLLO 100 - 100MHz (As above with more functions)	£295
BLACK STAR FREQUENCY COUNTERS (P&P £4) Meteor 100 - 100MHz	£99
Meteor 600 - 600MHz	£129
Meteor 1000 - 1GHz	£178
BLACK STAR LUPITOR 500 FUNCTION GENERATOR Sine Square/Triangle 0.1Hz - 500kHz (P&P £4)	£110
ORION COLOUR BAR GENERATOR Pal TV Video	£209
HUNG CHANG DMM 7030 3 1/2 digit Hand held 28 ranges including 10 Amp AC/DC 0.1% Complete with batteries & leads (P&P £4)	£39.50
As above DMM 60100 25%	£33.50
Carrying cases for above	£3 each
OSCILLOSCOPES PROBES Switched x1 x10 (P&P £3) £11	

USED EQUIPMENT - WITH 30 DAYS GUARANTEE. MANUALS SUPPLIED IF POSSIBLE. This is a VERY SMALL SAMPLE OF STOCK. SAE or Telephone for Lists. Please check availability before ordering. CARRIAGE all units £16. VAT to be added to Total of Goods & Carriage.

## STEWART OF READING

110 WYKEHAM ROAD, READING, BERKS RG6 1PL

Telephone: 0734 68041 Fax: 0734 351696

Callers welcome 9 am-5.30 pm Mon.-Fri. (until 8 pm Thurs.)

## APOLLO LANCASHIRE

### NATIONWIDE MAIL ORDER

#### LOCAL DELIVERY - 2 YR GUARANTEE

A47 342/343X - 470 BCB22/CTB22/BGB22/	£39
470-ESB22/EFB22/ERB22/FTB22	£56
A51-220X/192X	£39
A51-161X/162/163/168	£56
510-JKB22/JEB22/JDB22/JGB22/ALB22/GLB22	£56
510-VLB22/DTB22/001/RFB22/RCB22/SFB22	£56
A51-590	£56
A51-570X/580/001/210/241	£56
A56-120X/123/140/410	£39
560-DZB22/HB22/AKB22/B22/AWB22	£56
560-ETB22/DTB22/CSB22/DNB22/DNB22	£56
A56-611X/615X	£56
A66-120X/A67-120X/140/150/200/410	£39
20AX - A56-500X/510X - A66-500X/510X	£56
30AX - A56-540X - A66-540X	£56

#### PHONE FOR QUOTE

SONY TYPES £69  
470DLB22/FVB/KHB/KTB  
KLB-520SB22/NB/RB/XB  
A49JHT00X-570DB22/EB/HB  
GB/JB-A53JBW01X/JCG00X  
JB00X-680CB22/DB/EB (£79)

14" PORTABLES £59  
3708UB-AXT3001-  
37-550/2/3/4-A37-570/580/590

CASH PAID FOR ALL  
SIZES SONY GLASS +  
66-510/540 560 DZB  
PIL TYPES

PLEASE PHONE BEFORE CALLING  
LOCAL DELIVERY FROM ACCRINGTON, LANCS.

Phone enquiries and letters to:

**Apollo, The Potters Wheel,**

Mullion Cove, Mullion, Nr. Helston, TR12 7ET.

0326 240781

## RELAY

OMAGH LTD

COMPUTER SOFTWARE

## DO YOU RENT TELEVISIONS?

### DO YOU STILL USE A CARD SYSTEM?

### DO YOU FIND IT DIFFICULT TO KNOW YOUR ARREARS TOTAL AT ANY GIVEN TIME?

If you do then we recommend our new computer TV and Video Rental package. This package includes

- \* automatic updating of each customer's record
- \* alphabetical print-out of each customer's arrears and payments missed
- \* total arrears immediately available
- \* easy to use and operate

Operates on all IBM compatibles running under MS-DOS. Free demonstration disc available.

## CONTACT

**WILLIAM J THOMPSON**  
Donaghane Post Office  
Beragh Co. Tyrone  
Telephone Beragh 214 (0662 72)

**WE ARE:**

# **JENHUT LTD**

**SOUTHAMPTON'S TOP QUALITY  
EX-RENTAL TV & VIDEO WHOLESALER**

**WORKING**

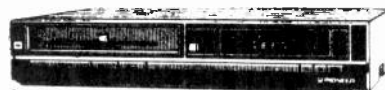
**CTV's**

**FROM ONLY £6 EACH**

*PLUS VAT*

★ ★ ★ ★ ★ ★ ★ ★ ★ ★ ★ ★ ★ ★ ★ ★ ★ ★  
★ ALL THE TOP NAMES ★  
★ ★ ★ ★ ★ ★ ★ ★ ★ ★ ★ ★ ★ ★ ★ ★ ★ ★  
★ FERGUSON – PANASONIC ★  
★ ★ ★ ★ ★ ★ ★ ★ ★ ★ ★ ★ ★ ★ ★ ★ ★ ★  
★ JVC – SONY – HITACHI ★  
★ ★ ★ ★ ★ ★ ★ ★ ★ ★ ★ ★ ★ ★ ★ ★ ★ ★  
★ TOSHIBA – PHILIPS – PYE ★  
★ ★ ★ ★ ★ ★ ★ ★ ★ ★ ★ ★ ★ ★ ★ ★ ★ ★  
★ + MANY MORE ★  
★ ★ ★ ★ ★ ★ ★ ★ ★ ★ ★ ★ ★ ★ ★ ★ ★ ★

**BARGAINS GALORE!!**



**SAY NO MORE!!**



**COME DOWN AND SEE FOR YOURSELF!!**

**WORKING OR OFF PILE**

**EXCELLENT CHOICE & QUALITY**

**At: UNIT 1  
500 MILLBROOK ROAD,  
MILLBROOK,  
SOUTHAMPTON.**

**Telephone: 0703 777254**



**STAY  
INTUNE**



*Wiltsgrove Ltd*

**TV and Video Trade Centre**

★ **EX-RENTAL TV & VIDEO** ★

**SPARES**

★ THORN	8.8/9K		
THORN	9.6/9.9		
★ THORN	TX9/TX10 REMOTE & TEXT		
★ PHILIPS	KT3 K30 REMOTE & TEXT		
★ ITT	TRIMLINE BASIC/REMOTE/TEXT	★ FERGUSON	3V29/30
★ GRUNDIG	BASIC/REMOTE/TEXT	★ FERGUSON	3V23
★ TOSHIBA	BASIC/REMOTE/TEXT	★ HITACHI	VT11
★ PORTABLES		★ JVC	7200/7300

VIDEO TRIMS — TV TRIMS — REMOTE TRIMS  
VIDEO HEADS — REMOTES — IDLERS  
BELT KITS LOPTS — FOCUS UNITS  
LEADS — PINCH ROLLERS  
★★★★★ SCRAP BOARDS AVAILABLE ★★★★★★  
**SPECIAL OFFER FERGUSON 22" 9600 TUBES (a56 610) £15 + VAT**

★ **GRADE 'B' STOCK!!!!**

**EX RENTAL N.E.C.**  
Complete Satellite Systems 1.8M DISH

**ALL AT VERY COMPETITIVE**

**NEW!!! \* \* \* PRICES \* \* \***

PORTABLE CTV UHF-VHF £90 + VAT

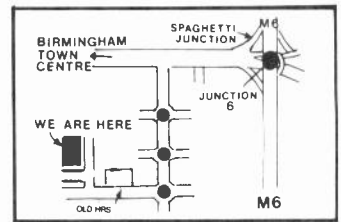
PORTABLE FERGUSON 3C01 CAMCORDERS

TELEVISIONS ★ ★ ★

VIDEOS ★ ★ ★ POA

AUDIO EQUIPMENT ★ ★ ★

Quality  
Stock  
at your  
PRICES  
£ £



☎ **021 772 2733**

★ ★ **EXPORT ★ ENQUIRIES ★ WELCOME ★ ★**

ALL OFFERS ARE SUBJECT TO VAT & AVAILABILITY CASH ONLY

**28/29 RIVER STREET DIGBETH BIRMINGHAM B5 5SA FAX: 021-766 6100**

**VIDEO MACHINE REPLACEMENTS**

We Specialize in all types at

**UNBEATABLE PRICES!!!**

**VIDEO HEADS**

**WE SUPPLY WORLDWIDE... FAST!!**

3HSS-V	15.30	3HSS-U1N	16.40	PS3BS-1	16.60
3HSS-N	15.30	3HSSU-N	30.00	PS3BS-2	16.60
3HSS-A	15.30	3HSS-3N	28.30	PS3BT	21.20
3HSS-B	20.00	3HSS-SP	21.45	PS4B-2S	23.35
3HSS-H	20.80	3HSS-R	21.50	PS5B-3S	37.75
3HSS-(A)	15.30	3HSS-Y	31.20	PSF-1	21.13
3HSS(SP)B	27.95	3HSS-SF	21.45	VT5000	20.80
3HSS-PB	20.00	3HSSU-2N	30.85	VT9300	20.80
3HSS4-NA	37.50	3HSS6-NA	64.35	VT33E/	20.80
3HSS4N-C	48.10	3HSS4V-A	31.20	3HSS4V-B	50.30
3HSS4V-C	50.70	3HSS3-SY	51.38	3HSS L/J	15.30

AND MANY MORE... PLEASE ENQUIRE... DISCOUNTS FOR TRADE ACCOUNTS

**BELT KITS**

**PLEASE ASK FOR OUR FULL LISTS**

SONY C6	0.96	SHARP 7300	1.50	SANYO 5000	0.37
SONY C7	1.43	SHARP 8300	1.50	SANYO 5300	0.78
SONY C9	1.38	SHARP 9300	1.38	SANYO 5500	1.04
SONY SL	1.87	TOSH. 7540	1.08	SANYO 9300	1.63
FERG.3V22	1.46	TOSH. 9600	0.66	N.PAN 300	1.25
FERG.3V23	0.56	HIT. VT11	0.83	N.PAN 777	1.16
FERG.3V29	0.88	HIT. 5000	1.50	N.PAN 7000	1.28
FERG.3V31	0.75	AMST. 7000	0.60	N.PAN 8600	1.28

AND MANY MORE... SINGLE BELTS... CAPSTAN BELTS... DRUM BELTS... ETC...

**PINCH ROLLERS**

**IDLERS**

**MOTORS**

**ALL MAKES**

**ALL OUR COMPONENTS ARE NEW AND GUARANTEED**

**VIDEO DISPLAY CORPORATION**

Griffronic Emission Limited  
Unit 2, Avenue Farm Ind. Est.  
Stratford-upon-Avon  
Warks. CV37 0HU.

Minimum Order **£5.00**  
Phone (0789) 295883  
298510  
Telex 31470  
Fax (0789) 415243

please add 75p per order for Postage Charges plus VAT

**INCREASE YOUR PROFITS**

by saving hours & hours POSSIBLY DAYS OF FRUSTRATION locating faults on VHS VIDEO RECORDERS.

WE OFFER YOU THE HELP YOU NEED with HUNDREDS & HUNDREDS of 'STOCK' and the 'HARDER' faults along with their SYMPTOMS. All experienced and collated from MANUFACTURERS/SERVICE DEPTS/WORKSHOPS/CONSULTANTS and TECHNICIANS.

Covering

ALL POPULAR MAKES & MODELS including:-

**FERGUSON/PHILIPS/JVC/PYE/PANASONIC/HITACHI/AKAI/MITSUBISHI/SHARP/SANYO/FIDELITY etc etc etc.**

**SYMPTOMS/DIAGNOSTICS/FAULTS/PROCEDURES/MODIFICATIONS**

All well tried & PROVEN as a great TIME SAVER & ESSENTIAL for ALL service departments & personnel. Collated & indexed in UP-DATING binders for QUICK & EASY reference.

Will immediately recover the outlay costs.

ATTRACTIVE up-to-date BINDERS covering MANY HUNDREDS of FAULTS & their SYMPTOMS.

**YOU WILL WONDER HOW YOU MANAGED WITHOUT THIS**

**ONLY £73.00 (inclusive)**

Regular monthly updates just £30 per year. Also available on COMPUTER DATA-BASE

Payment with order to:-

**TECHNICAL ADVISORY SYSTEMS  
33 FOXCOTE, ASTLEY VILLAGE,  
CHORLEY, LANCASHIRE PR7 1XE.  
Telephone: (02572) 75667**

# CENTRAL

LONDON  
LEICESTER

TV & VIDEO WHOLESALERS (UK) LTD.  
BIGGEST SELECTION - KEENEST PRICES

BIRMINGHAM  
BOLTON

# SALE

HUGE REDUCTIONS  
TO MAKE ROOM FOR NEW STOCK

## THORN - GRANADA

EX-RENTAL T.V. & VIDEO  
MOST MAKE & MODELS V.C.R.  
AT ROCK BOTTOM PRICES

FRESH STOCKS EVERY DAY. WORKING OR OFF THE LORRY  
LOADS AVAILABLE DIRECT FROM SOURCE

H/SETS  
FROM £8.00

PHONE NOW FOR DETAILS

DELIVERY  
SERVICE

**C.T.V. LONDON**  
Eley Estate, Noble Rd,  
Edmonton N.18  
01-807 4090, 01-884 1314

**C.T.V. BOLTON**  
Nile St., Unit 1,  
Bolton, Lancs.  
0204 384 868

**C.T.V. LEICESTER**  
St. Georges Mill,  
Humberstone Rd. LE1  
0533 515299

**C.T.V. BIRMINGHAM**  
369 Stratford Rd,  
Sparkhill B11  
021 772 1591

## REBUILT COLOUR TUBES

Delta - 20AX - 30AX - In Line  
**N.G.T. ELECTRONICS LTD.**  
120, Selhurst Road, London SE25 6LL  
**PHONE: 01-771 3535**

*First Independent Rebuilder with B.S.I. Certification*

### TV LINE OUTPUT TRANSFORMERS

PRICES INCLUDE CARRIAGE. VAT NOT APPLICABLE.

DECCA	PHILIPS	WINDINGS
CS1730 1733 colour 10.00	G8 & G9 series colour 8.50	<b>RANK BUSH MURPHY</b>
CS1830 1835 colour 10.00	PYE 725-741 CT 200 KT2 8.50	T20a T22. T26 Pri & Sec 6.00
'30' series Bradford colour 10.00	REDIFFUSION Doric Mk.3 9.00	Z718 primary state 18" or 22" 6.00
80 series colour 8.50	TANDBERG	Z718 EHT overwind 8.00
100 series colour 8.50	CTV 2-4-126 15.00	<b>SOVEREIGN FARA</b> £15.00
<b>KB - ITT</b>	CTV 3-1-156 3-3-164 15.00	14" colour overwind
CVC5 CVC7 CVC8 CVC9 col 10.00	<b>E. PAPWORTH</b>	1615 EHT with Rectifier 9.00
CVC20 series colour 9.00	120 Risegate Road,	1690-1691 EHT overwind 7.00
CVC30 CVC32 series colour 8.50	Gosberton, Risegate,	<b>VISUAL DISPLAY UNITS</b>
CVC45 8.50	Nr. Spalding,	We can Rewind the L.O.P.T.s
FT100 FT110 state p/no 10.00	Lincs PE11 4EY	for the I.B.M.LCE FB1 and the
<i>All lopts and windings are new and guaranteed</i>	<b>0775 840778</b>	Digital VT100 £20.00 old unit Required.
		Delivery by return of post.

## MARSTALL LTD

TV & VIDEO WHOLESALERS  
38 HORNSBY SQUARE SOUTHFIELDS IND. ESTATE, LAINDON, ESSEX

FOR A LARGE SELECTION OF  
RECONDITIONED EX-RENTAL  
THORN TVs + VIDEOS  
PLUS MANY OTHER MAKES AT  
MOST COMPETITIVE PRICES

NEW & SECOND HAND SPARES ALSO AVAILABLE

QUANTITY  
DISCOUNTS

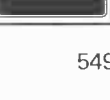
OPEN 9 a.m. - 6 p.m.  
MONDAY - SATURDAY

DELIVERY SERVICE  
THROUGHOUT UK

COME AND PAY US  
A VISIT AT OUR  
NEW LARGER  
PREMISES

(JUST OFF M25 JUNCTION 29)

Don't Delay Phone TODAY!  
**0268-412711**



## SETS & COMPONENTS

**OCHRE MILL TECHNICAL SERVICES.** Are now on 0666 (Malmesbury) 823228. Grundig TV spares all models to 1983. Fast friendly, helpful service, sensible prices. Gt. Lype Farm, Charlton, Nr Malmesbury, Wilts SN16 9DR.

### LINCOLNSHIRE AREA

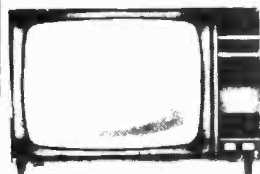
FED UP WITH TRAVELLING FAR AND WIDE FOR YOUR EX-RENTAL TV AND VIDEO'S?



THEN WHY NOT TRY US FIRST?

#### BUDGET TV

Unit 4,  
Exchange Road  
Lincoln LN6 3JZ  
Tel.  
Lincoln 500413



### JOMILL ENTERPRISES

173 Dalston Lane, Hackney, London E8  
Tel: 01-533 2229

VHF/UHF TELEVERTAS £14.50 TRADE ONLY. Quantities P.O.A. ceramic filters for UK and export conversion NTSC decoder for replacement of chip TDA3560/1 £47.50 add cost of posting and packing. All prices plus VAT.

# TELEVISION

No other consumer magazine in the country can reach so effectively those readers who are wholly engaged in the television and affiliated electronic industries. They have a need to know of your products and services.

The prepaid rate for semi display setting £8.50 per single column centimetre (minimum 2.5cms). Classified advertisements 55p per word (minimum £10)

### WIZARD DISTRIBUTORS MANCHESTER TV & VIDEO SPARES

We stock spares for PHILIPS, PYE, RANK, GEC, SHARP, SONY, HITACHI, SCHNEIDER, HINARI & DECCA  
And also THORN & ITT

#### FIDELITY SPARES MAIN DISTRIBUTOR.

Did you know we also stock

FUSES	I.Cs
TUBES	TOOLS
AERIALS	VIDEO LEADS
AEROSOLS	AUDIO LEADS
RESISTORS	SEMICONDUCTORS
CAPACITORS	SERVICE MANUALS
VALVES	TEST EQUIPMENT
HANDSETS	TV/VIDEO TROLLEYS
VIDEO HEADS	TELEPHONE ACCESSORIES

Counter open Monday-Friday 9am-4.45pm  
Mail Order-Access/Visa

#### TRADE ONLY

EMPRESS STREET WORKS,  
EMPRESS STREET,  
MANCHESTER M16 9EN.  
Tel: 061-872 5438; 061-848 0060.

### PANASONIC'S ETC.

#### EXAMPLES

TC2205 remote .....	£50
TX2200 22 inch text .....	£110
NV333 elect. Video .....	£90
Slim front loaders .....	£105

*Superb and working  
Many other models/makes  
More profit, less headaches  
Regular supply - Quality Discount*

#### Reprocessed TV Centres Ltd

Daisy Works  
345 Stockport Road,  
Longsight, Manchester.  
(A6 between M/c and Stockport)  
Mr Poole or Mr Ricketts  
Tel. 061-273-2854/274-3409

### T.V. SPARES, PANELS AND MANUALS PHILIPS

TELEVIEW 01-994 5537  
194, Acton Lane, London W.4.

Colour TVs from  
*Clean and tidy*

**£5 each**

**Video 2000 system FROM £15**

*Phone for availability*

**G11s**

20" 22" & 26"

FROM

**£12**

**Video Beta**

FROM

**£8**

**KT3**

FROM

**£25**

*Philips and Pye types*

**VHS Video**

FROM

**£20**

*Spares machine electronic*

**Teletext**

FROM

**£30**

**Electronic VHS**

FROM

**£50**

*Various makes - changing daily*

Always around 200+ fully working colour TVs and Videos available. All in clean condition and ready for immediate sale or rent.

*Phone us for models available today.*

**Cash sales only**

Prices based on quantity plus VAT

## GENERAL FACTORS

UNION STREET, DONCASTER, SOUTH YORKS  
Excellent motorway access from M1, M18, A1M

**0302-349583**

(24 hour Ansaphone Service)



# SERVICE PAGES

box number £1.00 extra. All prices plus 15% VAT. All cheques, postal orders etc., to be made payable to Television, and crossed "Lloyds Bank PLC". Treasury notes should always be sent registered post. Advertisements, together with remittance, should be sent to the Classified Advertisement Dept., Television Room 2331, IPC Magazine Limited, Kings Reach Tower, Stamford Street, London SE1 9LS. (Telephone 01-261 5942).

## SUFFOLK TV & VIDEOS

Large stocks always available

GEC, Fineline KT3, KT30, Hitachi, Nat Pan, working stocks in our showroom from £20.00. Text £85.00 with handset.

**0394 670115**

Bridge Road, Felixstowe, Suffolk 1P11 7FL

**COLOUR TV'S  
VHS VIDEOS  
BETA VIDEO**

FROM £5  
FROM £20  
£10

**BUDGET TELEVIDEO  
HERNE BAY (0227) 740240**

### D.I.Y. SCRATCH REMOVAL + TUBE POLISHING KIT



First class results can be obtained every time with this kit. The kit, which comes with full instructions is especially useful on ex-rental work for those sets with excellent cabinets and good but scratched tubes which may be

had at very much reduced prices. The kit could pay for itself with your first job!

£36.00 + £2.50 pp Electric drill required

### PC TV SERVICES

8 ORCHARD CLOSE Tel. 0920 871474 \* MAIL ORDER \*  
Stanstead Abbots, Herts SG12 8AH \* CALLERS STRICTLY BY APPOINTMENT \*

**NEW FERGUSON SPARES**, original Ferguson heads £10.50, 3V23 original handsets £16.00 plus many other items e.g. idlers etc. Ring for details 0532 44195 prices exclude VAT.

### RCS VARIABLE VOLTAGE D.C. BENCH POWER SUPPLY

1 to 24 volts up to 1/2 amp 1 to 20 volts up to 1 amp 1 to 16 volts up to 1 1/2 amps D.C. Fully stabilised. Twin panel meters for instant voltage and current readings. Overload protection.

Fully variable. Operates from 240V A.C. Compact Unit. size 9x5 1/2 x 3ins.



£39 incl. VAT + Post £2

### RADIO COMPONENT SPECIALISTS

337 WHITEHORSE ROAD, CROYDON SURREY, U.K. Tel: 01-684 1665 \* ACCESS \* VISA \*  
List, Large S.A.E. Delivery 7 days Callers Welcome Closed Wednesday

## MERSEYSIDE & NORTH WEST DEALERS TRADE WORKING PRICE LIST

### STANDARD

DECCA 80 · 100 · Mk III ..... £15.00  
ITT 32 · 45 .....  
G11 PHILIPS ..... £16.00  
G11 PYE + GEC PIL ..... £18.00  
K30 ..... £25.00  
PAN 2205 ..... £25.00  
ITT TRIMLINES ..... £35.00  
MANY OTHERS AT ..... £10.00

### REMOTES

Mk III ..... £20.00  
G11 ..... £25.00  
ITT TRIMLINES ..... £35.00  
K30 ..... £35.00

### TEXT

PAN 2285 ..... £80.00  
G11 IF ..... £70.00  
ITT TRIMLINES ..... £80.00  
Mk III ..... £70.00  
Mk IV ..... £80.00

### DISCOUNT TV SERVICES

29 CHURCH ST., RUNCORN  
Tel: (0928) 577203

Thorn 9000/3500  
Thorn 9000  
UNIVERSAL  
1 year guarantee

### TRIPLERS

**£4.95** inc. p&p

The UNIVERSAL TRIPLER can be used in most G.E.C., I.T.T., Pye, Rank, Decca & Continental sets.

WING ELECTRONICS

15 Watlands, off Tudor Rd., Hayes End, Middlesex

**SALE SALE SALE SALE SALE SALE SALE**

## INDEPENDENT TELEVISION & VIDEO COMPANY

**SUPER SPRING SALE — SUPER SPRING SALE**

WE HAVE A LARGE SELECTION OF EX-RENTAL TELEVISION & VHS VIDEO RECORDERS. TESTED TO A VERY HIGH STANDARD AT THE LOWEST PRICES POSSIBLE

**GET INTO SPRING 89 WITH EXCELLENT STOCK**

WE'VE CHECKED THE REST NOW VISIT THE BEST

**BEAT THIS**

FERG TX TESTED  
£35 —

IN-LINE TESTED CTVs  
£18 —

KT3 TESTED  
£35 —

VHS  
VIDEO  
TESTED

**£75**

TOSHIBA TESTED  
£40 —

CTVs FROM  
£5 —

LARGE SELECTION OF  
TELETEXT T.V.'s AVAILABLE

**MANY MORE LATE TVs TO CHOOSE FROM**

WE ARE EXPERIENCED AND CURRENTLY EXPORTING REFURBISHED TELEVISIONS & VIDEOS — ENQUIRES WELCOME C.I.F. & F.O.B. PRICES

TELEX 378414 BLBIRDG — FAX 0602 861027

NO ONE'S OR TWO'S — BULK PRICES

ALL PRICES ARE SUBJECT TO 15% V.A.T.

### NOTTINGHAM

(10,000 SQ. FEET WAREHOUSE)  
UNIT 3-3A MEADOW TRADING EST.  
MEADOW LANE  
NEAR NOTTS. COUNTY FOOTBALL GROUND  
IN NATIONAL TYRE YARD, NOTTINGHAM NG2 3WQ.  
TELEPHONE: **(0602) 864627**

### SHEFFIELD

(6,000 SQ. FEET WAREHOUSE)  
2 MIN FROM JJNC. 34 OF THE M1  
UNIT 17, MEADOWHALL TRADING EST.  
27 AMOS ROAD, SHEFFIELD 4

TELEPHONE: **(0742) 422633**

# NORTH WEST ELECTRONICS

## STOCK CLEARANCE

### YOU WON'T BETTER OUR PRICES OR QUALITY

**WORKING STOCK**  
ALL THOROUGHLY CHECKED BY  
OUR OWN ENGINEERS

#### TV'S

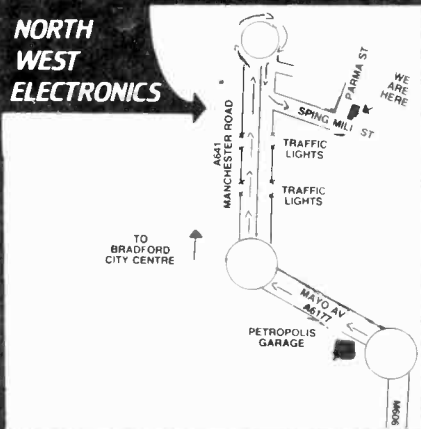
Bush T20/22,T24/6 .....	£20
Pye G11 .....	£20
Pye KT3 .....	£30
Pye K30 .....	£30
Ferguson TX .....	£30
Hitachi .....	£20
Hitachi 226 upwards from	£35

#### VIDEO's

Sharp Electronic 7300 ...	£55
Ferguson 3V29 .....	£75
Sharp 8300 .....	£80
National Panasonic .....	£70
Ferguson 3V30 .....	£85
Sharp 9300 .....	£85
Hitachi VT11 .....	£75

## BRADFORD

SPRING MILL STREET,  
MANCHESTER ROAD,  
BRADFORD 5  
5 MINS FROM MOTORWAY



**PX MICROWAVES**  
£15

**IN STOCK NOW**  
**TELETEXT BARGAINS**  
from  
**£35.00**  
G11, K30/K35 Text  
9.6 TX 9/10 Text  
and Hitachi Text

#### TRADE SHOWROOM

LARGE QUANTITY  
OF READY TO SELL  
TV's & VIDEO's

Also **BRAND NEW!!**  
TOWER SYSTEMS,  
MIDI SYSTEMS,  
PERSONAL STEREO'S ETC.

CALL IN  
YOU WILL BE DELIGHTED!

WORKING EX-EQUIPMENT  
PANELS

100's PX  
HOOVER JUNIOR VACS  
ALL MODELS  
AND OTHER MAKES IN STOCK

WE ALSO STOCK LATE  
MODEL VIDEOS

3V35/44/55/65  
Hitachi VT33 etc.  
Philips 6660/64/UR60  
AND MANY MORE

**RING OUR HOTLINES**  
**NOW FOR PRICES**

**UNTESTED STOCK**

#### TV'S

Bush T20/22/24/6 .....	£15
Pye G11 .....	£15
KT3 .....	£20
K30 .....	£20
Ferguson TX9/10 .....	£15
Hitachi .....	£10
Hitachi 226 upwards from	£25

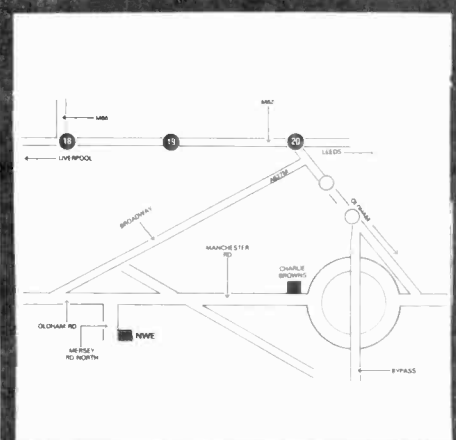
MANY MORE GEC, ITT,  
THORN etc. from .....

#### VIDEO's

Sharp Electronic 7300 ...	£35
Ferguson 3V29 .....	£50
Sharp 8300 .....	£50
National Panasonic .....	£45
Ferguson 3V30 .....	£55
Sharp 9300 .....	£55
Betamax all makes .....	£10

## MANCHESTER

UNIT 3,  
MERSEY ROAD NORTH  
INDUSTRIAL ESTATE,  
FAILSWORTH



Tel (0274)

308186

ALL PRICES ARE PLUS VAT & BASED ON QUANTITY

CHEQUES  
ACCEPTED WITH  
BANKERS CARD

VISA  
WELCOME

OPEN

6 DAYS  
SAT 9-5.30

Tel

(061-683)  
4612

# Sonic TV Distributors

Unit 4a, Abberley St., Smethwick Birmingham B66 2QU  
Tel: 021-565 1727 Fax: 021-555 5367

**WORKING SETS  
FROM £8**

**FULL R-C  
FROM £15**

**T  
E  
X  
T**

**TOSHIBA – HITACHI – PANASONIC – J.V.C.  
SONY – ALL OTHER JAP ARE IN  
STOCK NOW**

**FROM £40**

**STEREO TEXT ..... P.O.A.  
COLOUR PORTABLE P.O.A.**

\*\*\*\*\*  
★  
★ **DIRECT LOADS AVAILABLE** ★  
★  
\*\*\*\*\*

**PLEASE PHONE FOR PRICE LIST**

**WORKING VIDEOS  
FROM £40**

**VIDEOS FOR SPARES  
FROM £10**

## **AUDIO**

**MIDI SYSTEM – MUSIC CENTER – TWIN DECK STEREO – STEREO RADIO  
CASSETTE – MONO RADIO/C – CLOCK RADIO – CAR STEREO – CAR ALARM  
– AND MANY OTHER AUDIO ITEMS ARE IN STOCK NOW.  
PHONE FOR PRICE LIST**

# **EXPORT ENQUIRIES WELCOME**

*All prices are subject of 15% VAT and based on quantity*

**ELC EAST LONDON COMPONENTS**  
**AUDIO TELEVISION VIDEO**  
**COMPONENTS AT VERY KEEN PRICES**  
**TEL: 01-472 4871**

**LOOK AT THESE PRICES**

**VIDEO HEADS**

JVC 3 HSSV	£15.95p
PANASONIC 3HSS N	£15.95p
HITACHI VT 8000-9000	£20.95p
HITACHI VT 11/33	£20.95p

**VIDEO IDLERS**

JVC	£4.75p
VT 9300	£2.95p
VT 11 14 17	£1.95p
VC 0005GEZZ	£2.95p
VC 0006GEZZ	£1.95p
NV 2000	£1.50p
NV 333	£1.50p
IDLER TYRES FOR MOST MODELS	£1.50p
UNIVERSAL LAMPS	30p
JVC LAMPS	60p
SHARP LAMP	50p
UNIVERSAL TRIPERS	£5.00p
PINCH ROLLERS FOR MOST MODELS	£2.95p

**ON/OFF SWITCHES**

SONY ON/OFF SWITCH	£2.25p
G11 ON/OFF SWITCH WITH REMOTE	£2.00p
TX10 ON/OFF SWITCH WITH REMOTE	£2.00p

**CASSETTE MOTORS**

6-9-12-13.2 VOLTS	£3.00p
-------------------	--------

**CASSETTE HEADS**

MONO CASSETTE HEAD	95p
STEREO CASSETTE HEAD	£1.80p
AUTO REVERSED HEAD	£2.55p
DRIVE BELTS FOR AUDIO CASSETTE RECORDERS	FLAT 40p
to 60 x 0.5 x 3	40p
to 80 x 0.5 x 3	40p
to 122 x 0.5 x 5	80p
to 189 x 0.5 x 5	80p
to 195 x 0.5 x 5	80p
to 135 x 1.2	20p
to 195 x 0.5 x 5	80p
to 205 x 0.5 x 5	80p

**ELC EAST LONDON COMPONENTS**  
**63 PLASNET GROVE, EAST HAM,**  
**LONDON E6 1AD. TEL: 01-472 4871**  
**OPEN 9AM TO 7PM.**

two minutes walk from Upton Park Tube Station

PLEASE PHONE US IF WHAT YOU NEED IS NOT LISTED AS WE HOLD THOUSANDS OF ITEMS IN STOCK

ADD 70p P/P ADD 15% VAT

ALL GOODS DESPATCHED SAME DAY

PRICE SUBJECT TO CHANGE WITHOUT NOTICE

VISA ACCESS ACCEPTED

**COMPUTER IC'S**

4116	220p	STR50103	595p	STK043	1000p	DA2020	160p	25B-556	150p	ZSC-1212	60p	ZSC-2537	450p
4164	70p	HA13505	500p	STK080	750p	DA2030	160p	25B-557	225p	ZSC-1213	65p	ZSC-2546	20p
2806CPU	150p	HA1370	375p	STK082	750p	DA2170	300p	25B-560	40p	ZSC-1214	45p	ZSC-2550	75p
6502	125p	HA1372	350p	STK084	800p	DA2571	450p	25B-562	40p	ZSC-1222	35p	ZSC-2555	175p
6510	350p	HA1374	230p	STK430	500p	DA2593	300p	25B-566	120p	ZSC-1226	80p	ZSC-2564	280p
6526	495p	HA1377	230p	STK431	600p	DA2581	300p	25B-568	40p	ZSC-1231	25p	ZSC-2565	250p
6581	695p	HA1388	400p	STK433	525p	DA2600	975p	25B-568	80p	ZSC-1318	30p	ZSC-2575	25p
6569	1695p	HA1389	230p	STK435	550p	DA2633A	400p	25B-595	85p	ZSC-1327	25p	ZSC-2579	125p
6264	350p	HA1389R	230p	STK436	525p	DA3505	550p	25B-596	40p	ZSC-1328	25p	ZSC-2579	130p
8701	525p	HA1392	250p	STK437	650p	DA3540	400p	25B-647	40p	ZSC-1345	30p	ZSC-2611	50p
906114	450p	HA1394	300p	STK441	775p	DA3560	400p	25B-648	65p	ZSC-1368	40p	ZSC-2651	280p
901225	350p	HA1396	395p	STK443	775p	DA3561A	525p	25B-649	65p	ZSC-1383	40p	ZSC-2944	150p
901226	795p	HA1397	275p	STK457	825p	DA3562A	450p	25B-681	250p	ZSC-1384	40p	ZSC-3078	40p
901227	495p	HA1398	260p	STK459	660p	DA3650	625p	25B-688	125p	ZSC-1403	150p	ZSC-3182	250p
2732	300p	HA13001	275p	STK461	750p	DA3652	280p	25B-705	40p	ZSC-1413	300p	ZSC-3284	150p
2764	325p	LA4230	225p	STK463	825p	DA4420	400p	25B-717	70p	ZSC-1445	125p	ZSC-3298	150p
27128	350p	LA4420	200p	STK465	800p	DA4500	495p	25B-718	80p	ZSC-1447	60p	ZSC-3506	230p
27256	425p	LA4422	150p	STK0600I	125p	DA4600	300p	25B-757	130p	ZSC-1454	350p	ZSC-3519	150p
27512	995p	LA4430	150p	STK2025	750p	DA7270	295p	25B-837	50p	ZSC-1538	45p	ZSC-8050	25p
8255	325p	LA4440	275p	STK2028	750p	2SA-473	40p	25B-837	60p	ZSC-1567	50p	ZSC-198	200p
HITACHI	500p	LA4460	180p	STK2029	550p	2SA-489	55p	25C-352	70p	ZSC-1568	60p	ZSC-200	310p
HM6251	500p	LA4461	180p	STK2129	675p	2SA-490	60p	25C-372	70p	ZSC-1577	770p	ZSC-235	40p
AN5732	175p	LA4500	250p	STK2240	950p	2SA-495	45p	25C-380	25p	ZSC-1580	550p	ZSC-288	80p
AN5736	125p	LA4505	280p	STK2250	950p	2SA-564	25p	25C-458	20p	ZSC-1584	550p	ZSC-299	150p
AN6248	125p	LA4507	280p	STK3040	650p	2SA-608	15p	25C-497	150p	ZSC-1667	140p	ZSC-325	50p
AN6249	125p	LA4508	280p	STK3041	650p	2SA-673	20p	25C-536	20p	ZSC-1670	85p	ZSC-357	40p
AN6250	240p	LA4520	250p	STK3044	650p	2SA-677	60p	25C-596	40p	ZSC-1675	20p	ZSC-358	40p
AN6320	350p	LA7800	195p	STK3044	650p	2SA-677	60p	25C-681	195p	ZSC-1722	60p	ZSC-381	90p
AN6338	600p	TA7205AP	100p	STK3020	650p	2SA-683	25p	25C-693	100p	ZSC-1756	60p	ZSC-386	80p
AN6341	400p	TA7207P	180p	STK4026	650p	2SA-684	40p	25C-710	25p	ZSC-1760	85p	ZSC-388	100p
AN6342	250p	TA7208P	170p	STK4026	650p	2SA-720	20p	25C-717	45p	ZSC-1775	15p	ZSC-389	100p
AN6360	450p	TA7214P	280p	STK4131I	650p	2SA-726	25p	25C-733	30p	ZSC-1815	15p	ZSC-400	20p
AN6551	200p	TA7215P	250p	STK4141I	700p	2SA-733	20p	25C-741	195p	ZSC-1845	20p	ZSC-401	50p
AN6651	100p	TA7217P	160p	STK4151	700p	2SA-748	100p	25C-783	110p	ZSC-1875	240p	ZSC-426	150p
AN6804	250p	TA7220P	250p	STK3088	600p	2SA-755	300p	25C-789	50p	ZSC-1890	20p	ZSC-428	150p
AN7060	250p	TA7223P	230p	STR440	575p	2SA-769	150p	25C-790	90p	ZSC-1906	35p	ZSC-438	50p
AN7105	250p	TA7225P	340p	STR441	575p	2SA-771	150p	25C-828	25p	ZSC-1913	100p	ZSC-468	30p
AN7110	150p	TA7227P	320p	STR451	575p	2SA-794	60p	25C-829	25p	ZSC-1914	30p	ZSC-476	60p
AN7116	150p	TA7229P	330p	STR2012	675p	2SA-808	150p	25C-839	30p	ZSC-1922	250p	ZSC-478	100p
AN7117	100p	TA7230P	200p	STR4090	575p	2SA-817	25p	25C-929	20p	ZSC-1941	65p	ZSC-525	75p
AN7118	100p	TA7232P	290p	STR6020	500p	2SA-844	15p	25C-930	20p	ZSC-1942	65p	ZSC-526	75p
AN7130	130p	TA7233P	290p	UPC1010H	250p	2SA-850	30p	25C-941	20p	ZSC-1986	60p	ZSC-620	90p
AN7140	20p	TA7240AP	290p	UPC1018C	200p	2SA-893	30p	25C-945	25p	ZSC-2003	50p	ZSC-612	40p
AN7143	25p	TA7241AP	290p	UPC1025H	250p	2SA-896	35p	25C-959	65p	ZSC-2022	60p	ZSC-613	100p
AN7145	250p	TA7269P	550p	UPC1031H	200p	2SA-916	10p	25C-998	60p	ZSC-2073	75p	ZSC-669	45p
AN7146	250p	TA7270P	275p	UPC1032H	80p	2SA-921	10p	25C-1012	90p	ZSC-2120	15p	ZSC-718	125p
AN7156	275p	TA7271P	275p	UPC1158H	90p	2SA-930	50p	25C-1038	220p	ZSC-2236	30p	ZSC-733	230p
AN7161	325p	TA7272P	300p	UPC1181H	150p	2SA-950	25p	25C-1050	320p	ZSC-2240	25p	ZSC-745	250p
AN7168	295p	TA7273P	325p	UPC1182H	150p	2SA-958	75p	25C-1060	90p	ZSC-2274	30p	ZSC-748	150p
AN7213	150p	TA7274P	300p	UPC1185H	275p	2SA-968	75p	25C-1066	150p	ZSC-2275	60p	ZSC-828	450p
AN7218	125p	TA7280P	375p	UPC1188H	280p	2SA-985	65p	25C-1102	290p	ZSC-2320	25p	ZSC-837	90p
AN7220	175p	MB3705	180p	UPC1225H	250p	2SA-992	30p	25C-1115	290p	ZSC-2335	125p	ZSC-838K	475p
AN7222	350p	MB3712	150p	UPC1230H	250p	2SA-1048	20p	25C-1121	190p	ZSC-2371	50p	ZSC-845	275p
AN7223	150p	MB3713	160p	UPC1263H	250p	2SA-1060	150p	25C-1162	40p	ZSC-2427	80p	ZSC-850	260p
AN7224	150p	MB3714	300p	UPC1277H	270p	2SA-1062	120p	25C-1172	190p	ZSC-2482	50p	ZSC-859	100p
AN7310	125p	MB3722	350p	UPC1278H	270p	2SA-1094	190p	25C-1173	50p	ZSC-2501	85p	ZSC-869	320p
AN7311	125p	MB3730	250p	UPC1363H	275p	2SA-1102	190p	25C-1195	250p	ZSC-2502	90p	ZSC-880	50p
AN7410	300p	MB3731	250p	UPC1364H	275p	2SA-1104	200p	25B-546	100p				
TIP42C	25p	AN7812	175p	UPC1365H	360p	2SA-1109	20p	25B-548	40p				
2N4305	30p	BA527	175p	UPC1387H	275p	2SA-1110	45p	25B-555	150p				
2N3773	115p	BA532	175p	UPC1391H	175p	2SA-1142	290p						
BT119	115p	HA1199	180p	TD1515A	400p	2SA-1145	60p						
BT151	60p	HA1319	275p	STK011	175p	2SA-1147	190p						
BR303	125p	HA1366W	180p	STK014	725p	2SA-1156	60p						
2SD725	350p	HA1366WR	180p	STK015	550p	2SB-545	150p						
2SD1397	200p	HA1368	180p	STK020	575p	2SB-546	100p						
2SD1398	200p	HA1368R	180p	STK025	750p	2SB-548	40p						

25B-556	150p	ZSC-1212	60p	ZSC-2537	450p
25B-557	225p	ZSC-1213	65p	ZSC-2546	20p
25B-560	40p	ZSC-1214	45p	ZSC-2550	75p
25B-562	40p	ZSC-1222	35p	ZSC-2555	175p
25B-566	120p	ZSC-1226	80p	ZSC-2564	280p
25B-568	40p	ZSC-1231	25p	ZSC-2565	250p
25B-595	80p	ZSC-1318	30p	ZSC-2575	25p
25B-596	85p	ZSC-1327	25p	ZSC-2579	125p
25B-647	40p	ZSC-1328	25p	ZSC-2579	130p
25B-648	65p	ZSC-1345	30p	ZSC-2611	50p
25B-649	65p	ZSC-1368	40p	ZSC-2651	280p
25B-681	250p	ZSC-1383	40p	ZSC-2944	150p
25B-688	125p	ZSC-1384	40p	ZSC-3078	40p
25B-705	250p	ZSC-1403	150p	ZSC-3182	250p
25B-717	40p	ZSC-1413	300p	ZSC-3284	150p
25B-718	80p	ZSC-1445	125p	ZSC-3298	150p
25B-757	130p	ZSC-1447	60p	ZSC-3506	230p
25B-837	50p	ZSC-1454	350p	ZSC-3519	150p
25B-857	60p	ZSC-1538	45p	Z	

# REBUILT TV TUBES

DIRECT FROM THE FACTORY  
WHERE THE BEST COSTS LESS

## FINEST QUALITY LOWEST PRICES

SPECIAL DISCOUNTS FOR  
BULK BUYERS

2 YEAR GUARANTEE, 4 YEAR OPTIONAL

ALL MAKES INC. SONY

NATIONWIDE DELIVERY

**PHONE NOW FOR FREE LISTS**

**SHERWOOD TUBES LTD**

60A PEVERIL STREET, NOTTINGHAM NG7 4AH.

Tel. 0602 786896

LET  
TELEVISION  
SELL  
YOUR  
PRODUCT  
FOR  
YOU  
RING  
NOW  
FOR  
DETAILS  
01-261  
5942

## ADMIN TELEVISION

K30 KT3	£20 INC
GEC BOW/FRONT	£20 INC
ITT TRIMLINE	£20 INC
TOSHIBA	£20 INC
MK 4 DORICS	£20 INC
ALL TEXT	£45 TO £65 INC
PORTABLES	£40 INC
PYE G11 BASIC	£14 INC
	£14 INC
TX9s/10s	£18 INC
PHILIPS G11 BASIC	£12 INC
JAPS	FROM £10 INC

MK3. GEC T20. ITT. DECCA  
80s/100s  
**£10 INC**

PHONE

**051-548 4414**

UNIT J, ADMIN BUILDINGS,  
KIRKBY, LIVERPOOL L33 7JX

## ANY SPARE SENT ANYWHERE

Whether you're professional or doubler, your mail order answer for that hard to get component AGS THE small order specialist

(0752) 224369.

AGS, 49 Farringdon Road, Plymouth PL4 9ER

FOR SALE

For All  
**SHARP GRUNDIG PHILIPS**

**Fidelity and Thorn**

Genuine replacement spare parts  
you need only one phone call on

**0734-876444**

or

**061-682-1415**

Same day despatch before 2.30 pm.

Over 55,000 parts in stock

**Willow Vale Electronics Ltd**

Sole UK Parts distributor for Grundig and Sharp. Main Philips UK Distributor

FREE BAGFULL COMPONENTS with 26 page Components Catalogue. Including valves (rare & modern). SAE: KENZEN (TV), Unit 9, 16/20 George Street, Birmingham BL2 9RG.

TWO DC-15MHz OSCILLOSCOPES. Solatron CD1400 and Telequipment D43. Both with service data and working to specification. £75 each. Farnham (0252) 711060.

TEXTRONIX OSCILLOSCOPE 465/B. 475 dead? free quotation. Same bought for cash. Phone 0793 528383

## THE NEW 80 CENTIMETERS OFF SET DISH FROM EURO SAT

Designed and developed in the UK Astra, BSB, DCF 2 and telecom. Dish antenna from 80cm to 3 meters.

Phone or write for details:

SAE: Euro Sat, 107 Cross St., Sale, Cheshire M33 1JN, England.  
Tel: 061 437 2631/061 881 4249.

EX GRUNDIG POWER SUPPLIES 0-15 volt 1.5 amp. Cased with meter/overload protection £14.95 inc p&p. ISOLATION TRANSFORMERS 240 volt 300 watt £6.95 inc p&p. SAE for lists. S.H. ELECTRONICS, 5 St Josephs Park, Ballycruttle, Downpatrick BT30 7EN.

## REPAIR SERVICE

AVO'S OSCILLOSCOPES & TEST EQUIPMENT Repaired. Manuals available. J.R. COAD ELECTRONIC SERVICES Phone 01-340 0230.

## METERS

METERS. Reconditioned 10p/50p available from stock. Contact THE METER CO. (Poole) LTD. (0202) 683498.

**TO FILL THIS SPACE  
RING US NOW ON**

**01-261 5942**

## SERVICE SHEETS

### ACCESS

## TECHNICAL INFO SERVICES (T) MASTERCARD EUROCARD

76 Church St., Larkhall, Lanarkshire ML9 1HE

Phone 0698 884585 Mon-Fri 9-5, 0698 883334 any other time FOR FAST QUOTES

IMMEDIATE DESPATCH of all Phone Orders by ACCESS, etc. or to Listed Customers

WORLD'S LARGEST COLLECTION OF SERVICE MANUALS . . . from £3.50 to £50 . . . Most unobtainable elsewhere

Every issued FULL SIZE SERVICE SHEET in stock; CTV's or Combinations £3.50/Singles £2.50; Plus LSAE

LSAE for any Quotation, plus FREE large Catalogue, STREE Review, Pricelists, etc.

Almost any original Video Service Manual from J.V.C. or Siemens at £15 each

A small selection from titles in stock . . . many only obtainable from TIS via mailorder POST FREE:

Practical TV Repairs by Tunbridge	£12.95	Newnes Guide to TV & Video Technology	£8.95
Mobile Radio Servicing Handbook	£25.00	IEE Wiring Regs Explained & Illustrated	£7.95
Practical Radio, Repair & Service Course	£9.95	Servicing Personal Computers by Tooley	£20.00
Video Recorders, Servicing by Beeching	£20.00	Spectrum Repair & Service Guide	£5.00
Oscilloscopes, How to Use/How they Work	£6.95	Servicing Radio, HiFi, TV Eqpt by King	£9.95
Servicing Mono Portable TV by Wilding	£20.00	Video Techniques 2nd ed by G White	£30.00
Computer Engineers Pocketbook	£9.95	Refrigeration & Air Conditioning	£7.95
1987 Brit CTV Repair Manual by Tunbridge	£8.95	Domestic Eqpt Repair & Service	£16.95
Principles of Compact Disc	£2.95	VHS Common Faults	£3.50
The PAL System from Thorn Research	£6.50	Practical Transistor (Clearance offer)	£1.95
Audio & HiFi Engineers Pocketbook	£9.95	TV & Video Engineers Pocketbook	£9.95
Questions & Answers on Radio Repair	£4.95	Audio Equipment Tests by King	£12.95
Video Service Manuals	each £15.00	Colour TV Service Manuals	each £9.50
Integrated Circuits Technical Data Manuals	from £5 to £7.50 each, full list on application		

12 Big Colour TV Repair Manuals covering the British & many Foreign from 1970 to 1988	£99.95
20 Fault Finding Booklets covering most Videos from 1979 to 1986 to match circs below	£48.00
The Set of Thorn's own 10 Video Circuit Description Manuals from 3V00 to 3V43	£40.00
10 Giant Binders containing Circuits & Layouts for Brit & Foreign CTV from 1974-1989	£225.00
4 Giant Binders containing Circuits & Layouts for most Videos from 1979 to 1986	£95.00

Send now for

Full details of our Famous Complete Integrated Repair Systems for TVs, Videos & Domestic Equipment

These systems contain all the circuits & data needed to cover repairs and servicing for anyone in business or wishing to start up their own business. All the Diagrams, Repair, Service & Technical Data needed. At a fraction of the normal cost of buying such data. Terms are also available.

The Circuit/Layout Set for almost any Video . . . £7 each, CTVs . . . £4 each

For £3 . . . Comprehensive Service Manuals & Sheets Catalogues PLUS 1988 Chassis Guide & £4 Vouchers

## WORKSHOP SERVICE MANUALS

Video Recorders – £12.50

Most other equipment, Colour Television, Mono, Audio, Music Systems, Test Gear, Vintage Valve, Military surplus etc. etc. £6.00.

Please state Make/Model/Type with order.

Most available from stock or obtainable to order.

FREE Catalogue Unique Repair and Data Guides with all orders or LSAE for your copy.

MAURITRON ELECTRONICS (TV)

8 Cherry Tree Road, Chinnor, Oxon. OX9 4QY.

Telephone: (0844) 51694

## BUSINESS FOR SALE

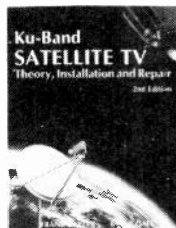
TV/VIDEO/AUDIO Retail and Repair Business, West Yorks area. Ill health forces sale. Offers. Telephone 0924 363143.

TELEVISION REPAIR SHOP/FLAT for sale. East Birmingham, including stock, carpets. £48k. Tel. 021 786 1969 evenings.

TV/VIDEO/AUDIO BUSINESS in Thornton Heath, Surrey. Large shop/workshop on main road. Location needs vigorous management to increase turnover. No debts. Rent £7,150 p.a. 7 years lease £35,000 secures all. Tel: 01-684 7313.

## KU BAND SATELLITE TV THEORY, INSTALLATION AND REPAIR

This 383 page manual by Baylin & Gale of USA covers dish theory, uplinks, footprints, site survey, installation and adjustment, descrambling, cable TV, even includes a computer program for finding your satellite. Second Edition £23.



Price includes P&P UK. Airmail Europe £2. Outside Europe £6.00 extra per item. Pay by cheque, ACCESS MASTERCARD, or COD J. VINCENT TECHNICAL BOOKS, 24 RIVER GARDENS, PURLEY, READING RG8 8BX. TEL: 0734 414468 (Answerphone)

## SERVICE MANUALS

VCR – CTV – MTV – AUDIO etc.

Examples – VCR

VSP10X = Saisho VR1200HQ/Matsui VX820 £12.75  
Memorex VR1200/Casio VCR6500 – Daewoo £14.75  
VCR30/50 – Funai VCR4000 £14.75  
Sharp VC581-582-583-585 – VC.5F3 £10.50

CTV manuals for

NEC/Loewe/Metz/Seisho/Casio  
Orion/Otake/Admiral etc. from £4.50

Manuals for many other makes and models well known or obscure – some unobtainable elsewhere.

Prices are all inclusive. No VAT or P/P.

For list send £1.00. No SAE required.

DATA-GO 112 AMEYSFORD RD., FERNDOWN, DORSET BH22 9QE. Tel: 0202 894207

## GERMAN SERVICE SHEET SPECIALISTS

Our connections are world-wide. We furnish any kind of German, European and Japanese service sheet or manual. Thousands of different sheets and manuals in stock. For any enquiries:

DÖNBERG ELECTRONICS

Schoolmasters House, Rannafast,

Co. Donegal, Republic of Ireland.

Phone: 075 48275

## BOOKS AND PUBLICATIONS

## Satellite TV Installers



"Well produced and extensively illustrated ... a thorough, practical guide ..." TELEVISION

"... an invaluable guide ... takes the reader methodically through how systems work and are installed ... in our opinion, this is a most valuable reference book ... We highly recommend it ..." INDEPENDENT ELECTRICAL RETAILER

"... presented in an approachable and understandable way ... plenty of easy to follow illustrations ... adopted by the Confederation of Aerial Industries as the study manual for approved City & Guilds courses ..." WHICH SATELLITE

"... Covers all practical aspects of getting direct-to-home satellite pictures ... written specifically for European installers ... includes angle settings covering the whole of Europe." ELECTRICAL RETAILING

'Satellite Television-Installation Guide' by John Breeds. Price £11.95 p&p paid UK (Europe +£1.00)

Swift Television Publications, 17 Pittsfield, Cricklade, Swindon, Wilts. SN6 6AN.

SATELLITE AND CABLE SCRAMBLING AND DESCRAMBLING. Basic theory. 2nd Ed. 280p	£19
VIDEO SCRAMBLING & DESCRAMBLING. Advanced theory and circuits, 246 pages by Graf & Sheets	£21
EUROPEAN SCRAMBLING SYSTEMS. Circuits, Tactics & Techniques, by J. McCormac, fascinating information for the service engineer	£29
HOME SATELLITE TV INSTALLATION VIDEOTAPE, 40 minutes. VHS PAL	£27
HIDDEN SIGNALS ON SATELLITE TV. Teletext, telephone channels, teletype	£20
SATELLITE, OFF-AIR & SMATV. By F. Baylin	£25
WORLD SATELLITE ALMANAC. All footprints, 650 pages, second edition by M. Long	£32
COMMUNICATION SERVICES VIA SATELLITE. By G.E. Lewis. Microwave, TVRO, Encryption	£45
SATELLITE TV INSTALLATION GUIDE. 2nd edition by John Breeds	£12.00

FOR SALES, SERVICE DATA, Amplifiers and Radios. Try the Vintage Wireless Co. First send for free information package. 1989 Catalogue available April £4.00, Cossham Street, Mangotfield, Bristol BS17 3EN. Tel. 0272 565472.

## THE DOMESTIC VIDEO RECORDER SERVICING BOOK

3rd EDITION IN HARDBACK — THE ENGINEERS BIBLE —

With chapters on Hi-Fi, Digital Servos, Fieldstores, Luminance & Chrominance Signal Circuits, CCD's, Camcorders, 8mm, S-VHS & VHS 'C' Formats, Auto Focus Systems, Camera Signal Processing.

A MUST FOR ALL VIDEO REPAIRERS AND STUDENTS. THE COMPLETE REFERENCE TO VIDEO CIRCUITS.

ORDER YOUR COPY NOW (while stocks last)

£21.00 inc. P&P (UK + N.I. only)  
From: NEWARK VIDEO SERVICES  
GROVE FARM ESTATE, LONG LANE,  
BARNBY-IN-THE-WILLOWS, NEWARK,  
NOTTS. NG24 2SG.  
Access & Visa

Tel. 0636 84327.

## The Theory and Practice of PAL Colour Television in three important Video Cassette Programmes

- Part 1. The Colour Signal  
Part 2. The Receiver Decoder  
Part 3. Receiver Installation

VHS★★★★V2000★★★

BETAMAX★★★★UMATIC

For full details telephone

0253 725499 (Day)

0253 712769 (Night)

Or send for precise details

FLINTDOWN CHANNEL 5  
339 CLIFTON DRIVE SOUTH,  
LYTHAM ST ANNES FY8 1LP  
(enclosing this advert)

NAME.....

ADDRESS.....

TEL.....

## SITUATIONS VACANT

## In-House Engineering Excellence

Bring your Bench Engineering skills to a more progressive technical environment

- Comprehensive delivery, installation and repair service to a number of leading electrical retail clients including Rumbelows.
- Young, progressive and fast-growing company
- A team of 400 skilled engineers
- Nationwide network of service centres
- Advanced workshop and bench facilities
- Varied and stimulating work on the widest range of products
- Sophisticated in-house computer support systems
- Integral part of the Thorn EMI Group.

Based at the Oxford Centre, you will use the very latest engineering technology in carrying out the more complex service and repair jobs on the variety of electrical goods returned to the centre.

Industrious, reliable and thorough, you will be able to manage your time well and work confidently on your own initiative.

A C&G in Electronic Servicing or the equivalent is a pre-requisite together with substantial experience in either colour T.V. and video, or audio. A clean driving licence would also be advantageous.

With Solutions you can look forward to an attractive salary and a generous set of benefits which includes staff discount, 4 weeks' holiday and a contributory pension scheme. Plus, of course, the outstanding opportunities you will enjoy at a company with our outlook and stature, an important part of the internationally renowned Thorn EMI Group.

# S.O.L.U.T.I.O.N.S

ELECTRONIC SERVICES

We have the answer

Bring your skills to where they'll work hardest for you by calling Colin Smith on 0865 340995, Oxford Service Centre, Tower Road, Berinsfield, Oxford OX9 8QF.

## TV SERVICE ENGINEERS

Due to our involvement in satellite TV, we urgently require experienced bench and field TV engineers. Bench engineers will work in fully equipped workshops in Mitcham and field engineers service areas in Greater London and home counties. Top salaries are offered and a 'better-than-average' estate car provided for field engineers. Existing holiday arrangements will be honoured.

Write or telephone:  
Dennis Fairweather,  
Triadcolour TV Service Limited,  
189/191 London Road,  
Mitcham, Surrey CR4 2JB  
Telephone: 01-640 5521/2

**Triadcolour**

TV SERVICE LTD

# TV & VIDEO ENGINEER

Required by a small independent business situated in a small rural town in

# ALBERTA, CANADA

The applicant must be flexible, have City & Guilds qualifications or the relevant experience. A work permit is available.

For further details concerning job description, the attractive salary etc please apply to:

WAINWRIGHT TV & VIDEO SERVICES  
F.A.O. MR. M. JORDAN,  
BOX 1574, WAINWRIGHT,  
ALBERTA, CANADA T0B 4P0

SKILLED TECHNICIAN WANTED. Good pay rates apply. JOMILL ENTERPRISES, 173 Dalston Lane, E8. Tel. 01-533 2229.

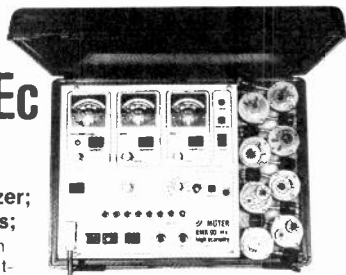


## MÜTER BMR

## NEW BMR-90-Hi-Ec

Europe's most frequently bought CRT-Regenerator-Analyzer; pays itself within 4 weeks;

regenerates picture tubes even better; removes shorts filament-cathode, cathode - grid 1, grid 1 - grid 2; carries gas to getter; 131 adaptors available; has 11 heating-voltages; new adaptor-list with more than 8000 tubes-types; also available: BMR 107 Regenerating-Computer and BMR 44 Regenerating-Automatic-Machine. Please, ask for catalogue.



BLENDOWN LIMITED, Bank House, 17 Rhos Road, Rhos on Sea, Clywd, Wales  
Fax No (0492 47880) Phone 0492-49246

RING NOW FOR FURTHER INFORMATION ON SERIES DISCOUNTS AND CURRENT RATES



# MIDLAND TELEVISION



QUALITY SETS SINGLES OR QUANTITY SUPPLIED AT THE BEST PRICES

## C.T.V.

Phillips	Non Working	Working
KT3 Basic	£15.00	£25.00
K30 Basic	£20.00	£30.00
KT3 Text	£50.00	£68.00
KT30 Text	£55.00	£75.00

## BUSH

T20	} £10.00	} £20.00
T22		
T24		
T26		
T26		

## THORN

8800	£5.00	£9.00
9000 R/C	£12.00	£18.00
9600 R/C	£14.00	£20.00
TX9-TX10 Basic	£25.00	£35.00
TX9-TX10 Text	£55.00	£70.00
TX9-TX10 R/C	£30.00	£40.00

## VHS

Ferguson	Non Working	Working
3V23	£55.00	£80.00
3V30	£55.00	£80.00
R/C 3V31	£60.00	£85.00
R/C 3V35	£65.00	£90.00

SHARP, HITACHI, ETC FROM:  
Non Working £55.00, Working £80.00

Buy 15 or more of any item and receive 10% reduction

i.e. 15 x 3V30 in full working order £72.00 each + VAT

TRADE REPAIR SERVICE  
CTV & VHS Securicor collection & delivery available. Also panel exchange service - ring for details.

ALL REMOTE & TEXT SETS SUPPLIED WITH HANDSETS

15 MIN M1 JUNC. 22  
Nationwide Delivery Service Available  
UNIT 11, MARKET STREET,  
COALVILLE, LEICESTERSHIRE  
TEL: 0530-810836/7

ALL PRICES SUBJECT TO VAT AT 15%

FOR FURTHER DETAILS CONTACT CLASSIFIED ON 01-261 5942

## AERIALS

## SATELLITE TV RECEPTION EQUIPMENT



LNB's, Receivers, Dishes, polar mounts and accessories

Japanese LNBS from £95.00  
Japanese RX from £169.00  
Ku Band feedhorns from £5.99  
F Connectors only 0.20  
N - F Adaptors only £1.40  
10db line amps only £12.00  
Prices excl VAT SAE for leaflets



KESH ELECTRICS LTD.

Main St., Kesh, Co. Fermanagh, N.I.  
Tel: 03656 31449 Tlx: 747412

## WANTED

## SURPLUS/REDUNDANT ELECTRONIC COMPONENTS WANTED

I/Cs - Tuners - Transistors - Valves - Diodes etc, any quantity considered - immediate payment.

ADM Electronic Supplies

Tel. 0827 873311.

Fax 0827 874835

## STOCKS ARE GETTING LOW ORDER NOW 1987-88 TELEVISION SERVICING BOOK

80 colour TV circuits condensed down to a manageable 3 kilos

Apart from essential circuitry we have included setting up information fault finding trees, oscilloscope readings etc.

Printed on big A4 keep clean glossy pages, which then open up each side to even bigger A3 (no split circuits)

Then superbly presented in a maroon and gold top quality hard cover with a main index covering 100s of models brought out since January 1987.

The book has been produced with the invaluable help of the following manufacturers and contains the number of circuits below. Covering over 400 models.

AMSTRAD	1	HITACHI	3	SALORA	3
FERGUSON	3	ITT	9	SAMSUNG	4
FIDELITY	6	DAEWOO	2	SANYO	5
FINLUX	1	N.E.C.	2	SHARP	5
FISHER	1	NIKAI	5	TATUNG	2
GOLDSTAR	3	PANASONIC	7	TOSHIBA	7
GRUNDIG	7	PHILIPS	5		

Plus references to: AKAI, BOOTS BRAND, ETRON, G.E.C., KINGSLEY, LUXOR, MURPHY, OLYMPIC, PYE, REDIFFUSION, SOLAVOX.

To order send £55 which includes packing:

INTERNATIONAL STANDARD BOOK No. IS: ISBN 0 9513897 0X

## 1987-88 VIDEO SERVICING OUT THIS SUMMER

NEW - REGUNS - USED

# TUBES

F.S.T.s PORTABLE 14" & 16" PLUS ALL OTHER SIZES

BROKEN TUBE WE CAN HELP

## RADIO TELEVISION SERVICING

76-77-77-78 £19 79-80 £19  
84-85 £29 85-86 £25

INCLUDES DELIVERY

## JVC/FERGUSON UNIVERSAL NEW THORN

# VIDEO HEADS £14.75

PLUS VAT =  
£16.96 each

ONE YEAR  
GUARANTEE

INCLUDES  
POST & PACKING

ALL OTHER MAKES RING

# U-VIEW

29 WARMSWORTH ROAD, DONCASTER, YORKSHIRE, ENGLAND DN4 0RP.  
0302 855017 7 DAYS



# INDEX TO ADVERTISERS

ADM Electronic Supplies	558
Admin Televisions	555
Aerial Techniques	487
AGS Electronics	555
Amnck Visions Wholesale	540
Apollo	546
ASI Training	495
Audio Electronics	481
Audio Visual Services	526 527
A-Z Electronics	544
Bi-Tel	543
B.K. Electronics	476 529
Blendown Ltd	557
Bolton Metropolitan College	535
Broughtfame Ltd	543
Budget TV	550 551
Bull, J & N Electrical	483
Campion Wholesale Ltd.	559
Carter, John (Electrical) Ltd.	545
Central TV & Video Wholesalers Ltd	549
Centrevision	545
Chromavac Ltd	481
Cleavision	489
Crews Wholesale TV	536
Crafton Electronics	538
C.T.V.	554
Data-Go	556
Discount TV Service	551
Display Electronics	543
Donberg Electronics	556
East Cornwall Components	484
East London Components	554
Economic Devices	516 517
Electron TV & Audio	559
Electrosmart	559
Eratime Ltd.	482
Euro-Sat	555
Express TV Supplies	545
Flintdown Channel 5	557
Ford, Frank	546
General Factors	550
G.G.L. Components	478
Grandata Ltd	530 531
Griffon Emission Ltd.	548
Hussain Central TV Ltd	537
ICS	477
Irwin Electronics	542
I.T.V.C.	551
Jenhut Ltd	547
Jomil Enterprises	550
Kesh Electronics	558
LRC (Spares)	542
Macarthur Benussi Partnership, The	540
Manor Supplies	Cover II
Marshall Ltd	549
Mauritron Electronics	556
Midland TV's	558
Newark Video Services	557
NGK	541
N.G.T. Electronics Ltd	549
North West Electronics	552
Omega Electronics	489
Papworth, E	549
PC TV Services	551
Phoenix TV Wholesale	544
Post a Part Electronics	540
Powell, T	541
Pro-Vision	529
P.V. Tubes	474 475
Radio and TV Components Acton Ltd	536
Radio Components Specialist	551
Relay Omagh Ltd	546
Reliable Wholesale TV	481
Repossessed TV Centres	550
Riscomp Ltd.	489
Satellite Televisions	556
Senz Components	480, 560, Cover III, Cover IV
Sherwood Tubes Ltd	555
Solutions	557
Sonic TV Distributors	553
Southside TV	532
Stewart of Reading	546
Suffolk TV & Video	551
Supertronics	535
Supervision	479
Taylor Bros (Oldham) Ltd	499
Technical Advisory Systems	548
Technical Information Services	556
Teleprice Ltd	533
Teletraders	534
Televideo Services	539
Television	550
Teletech	540
T.E.S.D. Ltd	490
Tidman Mail Order Ltd.	532
Todd Trading	545
Tree, W., Trade TV's	477 532
Triad Colour	557
Vascort Ltd	528
View-Tel	534
Vincent, J. Technical Books	556
Visions G.B. Ltd	477
Wainwright TV & Video	557
West Midland TV & Video	534
Willow Vale Electronics	555
Wiltsgrove Ltd	548
Wing Electronics	551
Wizard Distributors	550
Zoneport	538

## NEW PRODUCT ANNOUNCEMENT introducing the UNIVERSAL



VHS

### ELECTRON VIDEO REPAIR CASSETTE

A great time saving device for the bench or field service engineer for hands free video inspection or repairs. Simply insert the cassette and experience its many advantages to aid fault diagnosis.

**No** need to remove the tape carriage for routine servicing

**No** more taping of sensors and transmitters during servicing

**No** need for manual operation system switches etc. during servicing or repair

## PRICE: £9.99

Supplied with cleaning buds and fluid

To obtain your cassette please send cheque or p.o. to:

**ELECTRON T.V. & AUDIO**  
36 Gifford Road, Stratone Village,  
Swindon, Wilts.  
Tel. 0793-39363

**CAMPION  
WHOLESALE LTD.**

### QUALITY USED T.V. & VIDEO

**PHILIPS/PYE G11, KT3/30.  
LARGE QUANTITIES OF  
STD., REMOTE AND TEXT  
CTVs ARRIVING DAILY.**

**Free Delivery Service  
to Most Areas of the U.K.**

**CAMPION  
WHOLESALE LTD.**

**UNIT 80, BARRACKS ROAD,  
SANDY LANE INDUSTRIAL ESTATE,  
STOURPORT-ON-SEVERN,  
WORCESTERSHIRE DY13 9QB**

**Just 10 Mins from  
M5 Junct. 6 Worc's North**

## 02993-79642 & 79643

# CAT 'B' NEW STOCKS

**TOP BRANDS — LARGE QUANTITIES — SPECIAL DISCOUNTS**

**COLOUR TV'S FST — PORTABLE — AC/DC — ALARM**

**VIDEOS HQ — I.R.R./C. — TWIN SPD — 14 DAY TIMER**

**HI-FI SYSTEMS MIDI — 16 TRACK CD — RADIO CASS RECS**



**ELECTROSMART**

**PLEASE REQUEST PRICE LIST  
ENGLAND  
TEL (0274) 660196/665670  
SCOTLAND  
TEL (0698) 282 141  
TLX 517733 FAX (0274) 665246**



Table listing various electronic components, their prices, and technical specifications. Includes categories like Hill Intercom, Philips small stereo headphones, Rank UHF 4 push button tuner, and Regulated Power Supply.

SENDZ COMPONENTS TO ORDER SEE BACK PAGE

# SENDZ COMPONENTS

TO ORDER SEE BACK PAGE

Matsushita PY34220 Tuner	£7	K35 Decoder	£8.00
C. Cam Decoder with TDA3591	£5	K35 Sound OP	£4.00
Toshiba VHF/UHF EG522F	£6	Thick Film Daughter K13 3122-127-4891	£3
Mitsumi MEC1-151	£5	12 C.H. K30 Tex Rec Front Panel with IC	£5
		K35 IF	£5.00
<b>Thorn Spares</b>			
New 9000 Decoder	£8.50		
9000 Frame panel	£8		
9000 Cyeckups panel	£1.50		
8800 convergence panel	£6		
8500 convergence panel	£6		
4000 Power supply	£3		
1600 Mains lead, switch			
T605 1V1NPN T066 80V/6A	10p		
9000 Sound output panel	£1		
3500 Focus unit	£1.50		
3500 Mains Trans	£6		
3500 cut outs	10 for		
3500 IF panel	£4		
3500 Frame panel	£2		
3500 Line panel	£3		
3500 A1 Diode	20p		
Export 3500 IF panel	£2		
IC board with set of SN74LS	£1		
4000 Tube base	£4		
3500 A1 pots	50p		
Beam limiter panel	£1.50		
3500 Power panel with Y969	£1		
3 Way regulated adaptor 240V/6V/7.5V/300mA	£3.50		
Rank/Toshiba preh unit 0354	£9.50		
4 Push button unit preh	£1.00		
6 Push button VHF/UHF for v/cap. GEC-Decca type	£7.00		
7 Push button for CVC5 FTT	£8.00		
K13 12 Push button unit	£2.00		
K13 (Export) 12 P.B.U.	£2		
6 Push button Unit Thorn	£1.00		
6 Push button GRC	£6.00		
6 Push button PYE 731	£6.00		
Hearing aid unit	£3		
Rank Z718 4 P/B Unit MEC14	£4		
7 Button Unit GEC with Lamps	£7		
697 Push Button Unit	£6.00		
Z916B panel	£5.00		
T513AP panel	£5.00		
<b>Mains Droppers</b>			
Py 731 3+5+27R	50p		
Thorn 50/17/1K5	£1.00		
120/20/20/48/117	£1.00		
270/106 for Thorn 4000	50p		
18320/70/39	£1.10		
Thorn 50-40R-1K5	50p		
Ae Socket & Lead			
GEC, ITT, Philips, Pye	25p		
7x3/4 Thorn	£1		
Thorn 1600-1700	£1.50		
Rank Toshiba Tube Bases	30p		
20,000 Per Volt			
HT-200 Hills Meter			
10 Amp AC/DC			
1,000 and ohms range			
4 ohms ranges 0-1000 volt AC/DC			
AEG KT2000641-0015			
<b>Hand Sets</b>			
Fidelity All Types	£15 to £35		
<b>KT3-K30</b>			
OF-425			
OF-550			
OF-513			
OF-557			
<b>DIODES</b>			
BY 126	10p		
BY 127	10p		
BY 133	10p		
BY 134	10p		
BY 176	25p		
BY 179	25p		
BY 184	25p		
BY 187	10p		
BY 190	40p		
BY 198	8p		
BY 204/4	8p		
BY 206 - BY 407 Eqv	8p		
BY 208/80	8p		
BY 210/400	5p		
BY 210/800	5p		
BY 223	60p		
BY 224/600: 4.8A/600n bridge	50p		
BY 226	15p		
BY 227	15p		
BY 228/1500n	20p		
Flat BY 229 black	15p		
BY 299 Rcd	15p		
BY 229/400	30p		
BY 299/60p Tag	30p		
BY 232	10p		
BY 254	5p		
BY 255	10p		
BY 298	10p		
BY 299	10p		
BY 406	8p		
BY 527	20p		
BY 407a	10p		
BY 448	10p		
BY 527	10p		
BY 602	10p		
BY V 26C	10p		
F 247	10p		
GP20G	5p		
GRP90G (TX10)	30p		
XK 3102	50p		
BY V 28/200	20p		
Bridge TX10 800/3 amps	10p		
KBP35-02 Bridge	£1.50		
Bridge Rec. D35B10	40p		

G8 LOPI Panel	£12.00
Rank T20 Z136 Panel	£6.00
NEW GEC 20AX Power Supply Switch Mode	£12.00
Field + Jungle panel for GEC 3133/3135	£1.50
GEC 2110 line panel with transformer	£7.00
GEC 2110 tuner unit + IF Panel	£12.00
Pvc/Chelsea Line on panel	£12.00
Pye 205 T/unt	£3.00
Pye 713 IF panel and tuner	£7.00
Pye 713 Chroma	£10.00
Pvc/Chelsea Timebase panel with LOPTI	£10.00
Pye 731 Frame Panel	£5.00
Pye 731 Convergence Panel	£5.00
Pye 731 Chroma	£10.00
Pye 731 IF panel + tuner	£10.00
GFC portable chassis + LOPTI 2114 New	£4.00
GF Power Panel	£4.00
Mono RANK Chassis 127A NEW	£10.00
NFW G9 Frame Panel	£4.00
NFW G11 IF Panel	£10.00
G8 Tuner Unit + Panel	£4.00
G8 IE & Chroma	£6.00
G8 Chroma	£3.00
G11 IF Detector	£3.00
G11 Selector gain module	£3
Complete CVC 825 Chassis	£15
AEG V/Cap Resistor Unit UHF with IC	£3.00
SAS6601 SAS670	£3.00
Z718 RANK IF Panels 6MHz I.L.C.	£3.00
SI 437F	£3.00
Z909B RANK IF Panels	£3.00
Export 5 MHz 2 L.C.'s	£2.50
TBA1205B TCA2705G	£2.50
K35 IF	£6.00
Z743 RANK IF Panel	£10.00
Export 5 MHz 3 L.C.'s	£1.50
TBA750+SC9504P + SC9503P	£1.50
Pvc. G11 front panels with transducer.	£5.00
Pvc. G11 tuner pots, 6 pb switch + lead	£5.00
Pvc 6 button switch portable	£1.00
GFC V/Cap VHF/UHF tuner and IF + sound O/P PC 706B3 (Export)	£12.00
GEC Line O/P PC 659B3	£6.00
2110 GEC Power Panel	£8.00
CVC 20 Front panel with sliders + mains input panel	£4
CVC 40 PUSH BUTTON ASSY with sliders: complete with lamp assy + pots	£9.00
8 button units	£9.00
CVC 9 slider pots panel	50p
Universal Focus, Frits Pye, Thorn and Decca Units	
T147 Rank tube base on panel	£1.00
Z718 Focus Unit	£5.00
T20 Focus Unit	£1.00
Large Type	75p
Decca Small	75p
K13 Focus Unit	75p
K30 Focus Poi	75p
K30 Tube base on panel	£8.50
TX10 Focus Units	£8.50
CVC 32 Focus Unit	75p
Fidelity Focus Unit 14R-14S	£40/p/400
3500 Thorn Focus Unit	£1.00
ITT Small for use with Splug	8/400
Z718 Bush Focus	£2.00
Diode	50p
Rena 1V12SP	50p
1600 Thorn EHT Rec and Lead	£7.50
TV14	£1.00
TV20	£1.00
TV45	50p
Thorn 14/1500 rec stick	50p
TX10 8 Button Unit	£10.00
TX10/TX100 16 Button	£10.00
G11 drawer ASS 3 pots Mains switch and lead	£2.00
K30 Drawer Ass with pots cable forme	£1.00
TX10 Drawer with 8 way pots. ass	£2.50
TX10 Ex. port with band switch (drawer)	£2.50
<b>PHILIPS BATTERIES (Small Types) HAND SETS</b>	
SR41	25p
SR43	25p
SR44	25p
SR54	25p
LR43	25p
LR44	25p
LR54	25p
KT3103	25p
10 500PF 2KV	20p
22/1000	20p
1AA7750	£1.00
1AA41485	£1.00
UPC1373	50p
M50143	£1.00
M491BB1	£1.00
M58657P	25p
M5044/1550	3p
M58658P	£1.00
Delay Line TDK Small Gray	10p
TDK Blue Type	50p
CVC 20-25-30 Mains Switches	
Infra Red and Ultrasonic G11 Teletext Decoder Panel	
RANK & ITT Mains Remote On-Off Switch (720R)	
RANK & ITT Remote Switch 2800 ohm	
G11 Mains Switch	
4 amp Mains Switch	
GEC Mains Switch 4 amp	
K13 Mains switch	
G8 Mains Switch	
G11 Preh Red LED P/Button for C.H. Change	
RANK/TOSHIBA Transducers TPC-211	
Mains Switch ITT Long Type P/nt	
Mains Switch Philip Long Type TAG	
Mains Switch GEC Long Type TAG	
2000 Chassis Fidelity Mains Switch (4 T.A.G)	
250V/4A White Lorin Mains Switch	
K13-K30-K35 Full Remote Mains Switca (6 TAG)	
Teletext Adaptor Kit TY-500 Panasonic	
Philips Battery Tester All Types and charger vis	

**25% OFF ALL PANELS**

<b>Multi-Caps</b>	
220 MFD Sprague 385V	50p
350V 400M + 38M	£1.00
400V 400M	60p
350V 400M	60p
Thorn 3500	£12.00
175/100/100/350n	£1.00
KT3200/25/25/385V	£1.00
K13-K30 220+40+40	75p
300+200+75+25M 325V	£2.00
300+300+150+100+50MFD	£1.00
350V	£2.00
G11 CAP 470/250	£2.50
472/20/350v	60p
150/150/100/100/100/320n	£2.00
2500/2500/63v	50p
150/200/200/300v	70p
300/100/100/16/275v	£1.50
150/150/100/375v	£1.50
200/200/75/25M 375V	£1.00
Thorn TX9 Caps 500+500M 475V	£1.00
300/300/250/252/300n	2.00
1500/2000/34v	50p
150/150/100/100/320n	£2.00
100/350 + 300/200/100/16/275v	£2.00
225+25/300 GFC	70p
200/100/100/350v	£1.50
500/500/25v	50p
150/150/100 400v	75p
200/150/150/300v	1.00
ITT 8 and 6 Push Button	£1.00
ITT 725 L.O.P.T.s	£6.00
Pye 731 L.O.P.T.s	£6.00
Thorn 8500-8800 L.O.P.T.s	£5.00
CMC 301 front panel	£5.00
CMC 303 front panel	£5.00
CMC 302 Panel with TC mains switch etc	£5.00
CMD 800 Decoder	£8.00
G11 Hassett Tester	£1.50
L.I.C. Receiver Panel	£3.00
3 L.I.C. Power Supply G11 Full Remote Receiver Panel	£3.00
PHI IPS SBC 469 Stereo Microphone	£23.00
Meters Hills 520	£17.00
Meters Hills 420	£10.00
Hills HD500 Digital Meter 1000V D.C.	£29.00
750AC 10 Amp 20 MRG Cagers	£28
ITT100 Multimeter	£6.75
ITT 300 Multimeter	£7.75
ITT500 Multimeter	£9.00
ITT750 Multimeter	£15.00
HD1000 Digital	£20.00
HD3000 Digital	£25.00
HD500 Digital	£25.00
HD9000 Digital	£32.00
HD9800 Digital	£37.00
HD9800 Digital with capacity Temp Trans Voltz Ohms and Amps ranges	£60
<b>Infra Red</b>	
Works at 24 feet - Sound repeater	
Works off 9 volt battery	£8.00
Fits in top pocket	
Handset Tester with LED	£4.50
<b>Repaired Handsets</b>	
Philips K4-K35, RC5350-RC5300, RC5370, RC5375, repaired same day	£10.00
RC4001 Full Remote KT3 K30 Teletext Handsets exchanged	£15.00
NEW Type RC4001 9 CH not 12	£6.00
GEC Full Remote Infra-red, 1983 models	£15.00
Timers, 60 mins, small	£1.00
<b>TOSHIBA HAND SETS</b>	
24 Button CT938 Fullremote	£5.00
32 Button CT983 Videotext	£6.00
<b>THORN</b>	
VCR Front Display Panel	£7.00
Large type ITT TV and V.C.R. Handset	£15.00
GEC Ultrasonic 8CH Full Remote	£10.00
G11 Full Remote Ultrasonic	£32.00
G11 Ultrasonic Teletext Handset	£20.00
8 C.H. Ultrasonic GEC Full Remote	£25.00
C20141/C221914	£19.00
New Replacement for G11 Ultrasonic Full Remote	£2.00
Thorn 4000 insert with 7 buttons	£5.00
Decca RC 11	£14.00
Decca RC 12	£14.00
G11 Infra-red full teletext	£20.00
Dynatron-Full remote CTV 62, 63, 64	£19.00
Hatch infra red handset	£18.00
Philips full remote KT3, 164, 928,206,934, 7228/7324, K12 26G 797/151 66K 1826	£18.00
G11 Full remote top button assy	£12.00
G11 Full remote repair service (exchange unit)	£18.00
GEC infra red full remote 8 channel (1 C.S.A.A1250)	£14.00
Philips infra red full remote 9 channel for 60 CP2605	£6.00
Philips infra red full remote 12 channel for 60 CP2605	£12.00
K35	£15.00
K13/K30 T-Text	£15.00
KT3/K30 Full remote	£15.00
KT3 Power supply	£4.00
GEC infra red 226-2026	£15.00
GEC 8 button full remote	£4.00
GEC push pad handset button blobs	10p each
Pye & Philips handset KT3-K30 chassis. No RC5150-RC5176-RC5171-RC5177.	
Special Price	£13.00
RC4001 KT3 and Teletext	£14.00
ITC CVC 32 handset repaired	£15.00
CVC 32 Hand Set	£15.00
CVC 45 3 and 2 Pin	£12.50
ITX10 Hand Set Text	£12.50
TX9 with Text	£12.50
TX9 & TX10 button print	£2.00
<b>ITT</b>	
I/V & Video Processor, 1200 Type	£10.00
<b>PHILIPS UNIVERSAL HAND SET £12.00 RC5 K13 - K45</b>	
<b>We have all parts for Philips Handsets</b>	
RC5353	£15.00
RC5300	£12.00
Philips RC5	£15.00
<b>TEXT TYPE</b>	
Replace Hand Set for Philips KT3-K30, K4 etc	£12.50
<b>THORN HAND SETS</b>	
9000	

# SENDZ COMPONENTS

63 Bishopsgate,  
Shoeburyness, Essex SS3 8AF  
**SAME DAY SERVICE**

**All items subject to availability. Technical Information by telephone only. No Accounts - no Credit Cards**  
**Postal order/cheque with order**  
**Add 15% VAT, then £1 Postage**  
**Add Postage for overseas**

**Callers: To shop at 212 London Rd.,**

**Southend, Tel. 0702 332992, Fax 0702 338805**

**Open 9-12.30.6p GMT + school orders accepted on official headings add 10% handling charge.**

UHF Tuner GTR Sylvania F4714A £2	BD646 50p
VHF Tuner GTR Sylvania F3720B £2	BD676A 30p
Sylvania UHF F4720B £6.00	BD707 20p
Sylvania VHF 900 £6.00	BD826 50p
Small Turner DX 175-220MHz Auto Changeover £5.00	BD933 30p
9000 Thom Tuner on Panel £7.00	BD939 20p
Change over switch co-ax type box with lead 50p	BD948 30p
I THORN 1590 4P.B. Mech. Tuner THORN 3500 4P.B. Mech. Tuner All new & boxed. £4.00 each	BDT31A 50p
Delay Lines	BDT75 20p
DL700 £1.00	BDV64B 50p
KT 3 Luminence 75p	BDV65 50p
Luminance Delay Line (CVC 45) £1.00	BF761 30p
Co-Ax Joint 15p	BF769 20p
Co-Ax Belling Lcc Plug 12p	BF788 20p
Co-Ax Splitter £1.00	BF819A 30p
UHF Modulator CCTR £3.00	BF858 30p
UHF Modulator Astec 1286 £2.50	BF869 30p
Infra Red Emitting Diode NE28614 Small Neon Lamps GEC & Philips 5p	BF871 30p
Mullard 5 Watt Amps. 1 P1162 New 75p	BF852 7p

### T.V. Tubes

12" 90% black and white £10	BT1822 20p
12" 110% (No Post) £10	BTA601 50p
12" 110% 31/510 Post £2.50-£5	BT16016 12p
12" A31/300 Hitachi £10.00	BT16018M1.237B 1.50
	BT16218 1.50
	BT18124 1.00
	BT1822A 1.00
	CA1301A 50p
	CA2700W 50p
	CA2700E 1.00
	CA310 30p
	CA340 30p
	CA396 50p
	CA396A 50p
	CA3123 40p
	CA3146 1.00
	CA3189 40p
	CA3194 50p
	CA4130 30p
	CA4137 2.00
	CA4143 1.00
	CA4144 1.00
	CA4148 1.00
	CA4149 1.00
	CA4152 1.00
	CA4157 1.00
	CA4158 1.00
	CA4159 1.00
	CA4160 1.00
	CA4161 1.00
	CA4162 1.00
	CA4163 1.00
	CA4164 1.00
	CA4165 1.00
	CA4166 1.00
	CA4167 1.00
	CA4168 1.00
	CA4169 1.00
	CA4170 1.00
	CA4171 1.00
	CA4172 1.00
	CA4173 1.00
	CA4174 1.00
	CA4175 1.00
	CA4176 1.00
	CA4177 1.00
	CA4178 1.00
	CA4179 1.00
	CA4180 1.00
	CA4181 1.00
	CA4182 1.00
	CA4183 1.00
	CA4184 1.00
	CA4185 1.00
	CA4186 1.00
	CA4187 1.00
	CA4188 1.00
	CA4189 1.00
	CA4190 1.00
	CA4191 1.00
	CA4192 1.00
	CA4193 1.00
	CA4194 1.00
	CA4195 1.00
	CA4196 1.00
	CA4197 1.00
	CA4198 1.00
	CA4199 1.00
	CA4200 1.00
	CA4201 1.00
	CA4202 1.00
	CA4203 1.00
	CA4204 1.00
	CA4205 1.00
	CA4206 1.00
	CA4207 1.00
	CA4208 1.00
	CA4209 1.00
	CA4210 1.00
	CA4211 1.00
	CA4212 1.00
	CA4213 1.00
	CA4214 1.00
	CA4215 1.00
	CA4216 1.00
	CA4217 1.00
	CA4218 1.00
	CA4219 1.00
	CA4220 1.00
	CA4221 1.00
	CA4222 1.00
	CA4223 1.00
	CA4224 1.00
	CA4225 1.00
	CA4226 1.00
	CA4227 1.00
	CA4228 1.00
	CA4229 1.00
	CA4230 1.00
	CA4231 1.00
	CA4232 1.00
	CA4233 1.00
	CA4234 1.00
	CA4235 1.00
	CA4236 1.00
	CA4237 1.00
	CA4238 1.00
	CA4239 1.00
	CA4240 1.00
	CA4241 1.00
	CA4242 1.00
	CA4243 1.00
	CA4244 1.00
	CA4245 1.00
	CA4246 1.00
	CA4247 1.00
	CA4248 1.00
	CA4249 1.00
	CA4250 1.00
	CA4251 1.00
	CA4252 1.00
	CA4253 1.00
	CA4254 1.00
	CA4255 1.00
	CA4256 1.00
	CA4257 1.00
	CA4258 1.00
	CA4259 1.00
	CA4260 1.00
	CA4261 1.00
	CA4262 1.00
	CA4263 1.00
	CA4264 1.00
	CA4265 1.00
	CA4266 1.00
	CA4267 1.00
	CA4268 1.00
	CA4269 1.00
	CA4270 1.00
	CA4271 1.00
	CA4272 1.00
	CA4273 1.00
	CA4274 1.00
	CA4275 1.00
	CA4276 1.00
	CA4277 1.00
	CA4278 1.00
	CA4279 1.00
	CA4280 1.00
	CA4281 1.00
	CA4282 1.00
	CA4283 1.00
	CA4284 1.00
	CA4285 1.00
	CA4286 1.00
	CA4287 1.00
	CA4288 1.00
	CA4289 1.00
	CA4290 1.00
	CA4291 1.00
	CA4292 1.00
	CA4293 1.00
	CA4294 1.00
	CA4295 1.00
	CA4296 1.00
	CA4297 1.00
	CA4298 1.00
	CA4299 1.00
	CA4300 1.00

BF694 10p	25C2229 15p	BC365 10p
BF758 30p	25C2688 20p	BC368 10p
BF760 30p	25C3795 30p	BC369 10p
BF734 15p	25C7350 15p	BC384 10p
BF784 30p	25D180 TO3 Rev/ 6A 15p	BC394 10p
BFW11 20p	25D200 2.00	BC413 10p
BFX29 20p	25D401 1.00	BC414 10p
BFX84 25p	25D716 1.00	BC440 30p
BFY50 15p	25D787 30p	BC454 30p
BFY52 20p	25D789 30p	BC455 30p
BFY90 25p	25D820 1.00	BC456 30p
BLY49 20p	25D868 75p	BC460 25p
BPW41 25p	25D870 1.00	BC462 10p
BRC116 25p	25D880 30p	BC478 10p
BRC443 15p	25D1266 1.00	BC479 10p
BRC48X 10p	25D1415 1.00	BC483 10p
BRY55 30p	25D1576 1.00	BC485 10p
BSS68 10p	25K307A 1.00	BC488 10p
BSY79 10p	25K307A 1.00	BC547 10p
BSY95a 10p	25K307A 1.00	BC548 10p
BTY80 20p	BC107 10p	BC556 10p
BXS19 17p	BC108 10p	BC557 10p
BXS20 17p	BC109 5p	BC558 10p
FT3055 30p	BC113 10p	BC559 10p
TCE82 30p	BC114 10p	BC635 10p
TCE520 30p	BC115 5p	BC636 10p
2N830 5p	BC116 10p	BCX31 25p
2N8221 20p	BC117 20p	BCX32 25p
2N8206 10p	BC119 20p	BD116 25p
2N8055 40p	BC125 10p	BD124 30p
2N8366 10p	BC126 10p	BD124 (metal) 30p
2N8370 10p	BC129 10p	BD130Y 25p
2N8371 10p	BC140 30p	BD131 25p
2N8380 15p	BC141 25p	BD132/238 1.00
2N8390 15p	BC143 25p	BD135 25p
2N8355 10p	BC147 10p	BD136 30p
2N8442 1.00	BC148 10p	BD138 10p
2N8444 1.00	BC149 10p	BD140 30p
2N8578 20p	BC153 10p	BD176 10p
2N8526 20p	BC154 10p	BD183 10p
2N8583 30p	BC157a 10p	BD202 10p
2N8099 30p	BC158 10p	BD204 30p
2N... 20p	BC159 10p	BD207 60p
2N8131 20p	BC160/16 25p	BD221 25p
2N8348 20p	BC172 20p	BD222 25p
2N8399 10p	BC173 5p	BD228 20p
2X 2N8099 on heat sink 50p	BC174 5p	BD226 20p
2SA437 20p	BC183 30p	BD233 30p
2SA4673P 10p	BC184 25p	BD234 25p
2SA484P 10p	BC207 5p	BD235 25p
2SC643A 1.00	BC212 5p	BD239 15p
2SA992 1.00	BC213 5p	BD240 50p
2SB407 Sanyo TO3 10p	BC214 5p	BD243c 50p
2SC474 30p	BC215 5p	BD244 50p
2SB866 10p	BC238 5p	BD250a 50p
2SB868 75p	BC239 5p	BD252 20p
2SC515A 1.00	BC250 5p	BD253B 50p
2SC772 20p	BC251 5p	BD331 20p
2SC781 10p	BC252 5p	BD373b 25p
2SC458 50p	BC262 10p	BD416 25p
2SC491 50p	BC263 10p	BD433 25p
2SC732 10p	BC294 30p	BD477 20p
2SC733 10p	BC298 10p	BD438 30p
2SC940 1.00	BC300 30p	BD439 50p
2SC1030 1.00	BC301 30p	BD544D 50p
2SC1061 30p	BC303 30p	BD580 50p
2SC1162 C718 1.00	BC307 30p	BD678 30p
2SC1514 30p	BC308 7p	BD681 30p
2SC1520 25p	BC309 10p	BD682 30p
2SC1546 20p	BC327 10p	BD507 50p
2SC1617 1.00	BC328 10p	BD508 50p
2SC1725 20p	BC328/338 pair 15p	BD517 30p
2SC1740 20p	BC337 10p	BD519 30p
2SC1756 50p	BC338 10p	BD534 30p
2SC1942 1.00	BC340 10p	BD539 30p
2SC2027 1.00	BC347 10p	BD544D 10p
2SC2068 20p	BC349b 10p	BD562 30p
2SC2073 8p	BC350 20p	BD610 20p

BD646 50p	DI124 30p
BD676A 30p	DI124 30p
BD707 20p	DI124 30p
BD826 50p	DI124 30p
BD933 30p	DI124 30p
BD939 20p	DI124 30p
BD948 30p	DI124 30p
BDT31A 50p	DI124 30p
BDT75 20p	DI124 30p
BDV64B 50p	DI124 30p
BDV65 50p	DI124 30p
BF761 30p	DI124 30p
BF769 20p	DI124 30p
BF788 20p	DI124 30p
BF819A 30p	DI124 30p
BF858 30p	DI124 30p
BF869 30p	DI124 30p
BF871 30p	DI124 30p
BF852 7p	DI124 30p
BF881 15p	DI124 30p
BF890 10p	DI124 30p
BF142 20p	DI124 30p
BF157 20p	DI124 30p
BFW11 30p	DI124 30p
BFX85 100V, lamp 30p	DI124 30p
BSD215 50p	DI124 30p
MR1366 20p	DI124 30p
AN8350 1.00	DI124 30p
BRC-M-200 40p	DI124 30p
BRC-M-300 50p	DI124 30p
BRC 1693 1.00	DI124 30p
BRC 3064 1.00	DI124 30p
BT1822 20p	DI124 30p
BT16016 12p	DI124 30p
BT16018M1.237B 1.50	DI124 30p
BT16218 1.50	DI124 30p
BT18124 1.00	DI124 30p
BT1822A 1.00	DI124 30p
CA1301A 50p	DI124 30p
CA2700W 50p	DI124 30p
CA2700E 1.00	DI124 30p
CA310 30p	DI124 30p
CA340 30p	DI124 30p
CA396 50p	DI124 30p
CA396A 50p	DI124 30p
CA3123 40p	DI124 30p
CA3146 1.00	DI124 30p
CA3189 40p	DI124 30p
CA3194 50p	DI124 30p
CA4130 30p	DI124 30p
CA4137 2.00	DI124 30p
CA4143 1.00	DI124 30p
CA4144 1.00	DI124 30p
CA4148 1.00	DI124 30p
CA4149 1.00	DI124 30p
CA4152 1.00	DI124 30p
CA4157 1.00	DI124 30p
CA4158 1.00	DI124 30p
CA4159 1.00	DI124 30p
CA4160 1.00	