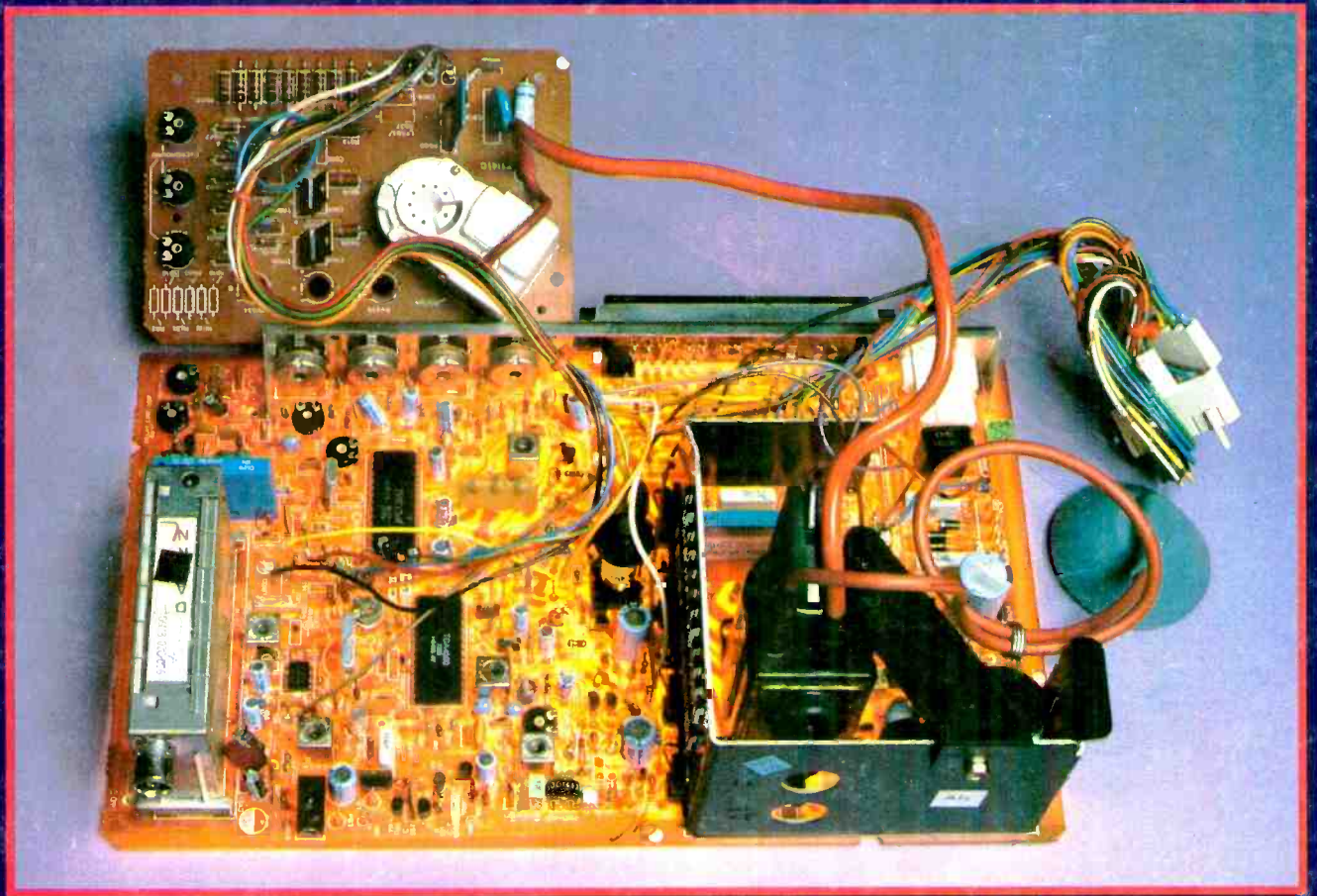


APRIL 1986

Australia \$2, New Zealand \$2.50, Malaysia \$5.75 **£1.20**

TELEVISION

SERVICING·PROJECTS·VIDEO·DEVELOPMENTS

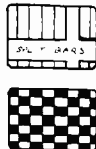


New Series:
Modern Receiver Circuitry
VCR Picture Enhancement
Quick Checks: Fidelity CTV14R
Vintage TV • VCR Clinic
TV Fault Finding • DX-TV

MANOR SUPPLIES

**MKV PAL COLOUR
TEST GENERATOR FOR TV & VCR.**

TEST
DEMONSTRATIONS
AT 172
WEST END LANE



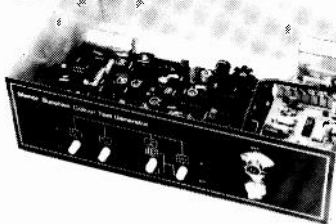
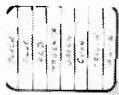
- ★ 40 different patterns and variations.
- ★ Broadcast transmission accuracy (fully interlaced sync pulses with correct picture blanking).
- ★ EBU colour bars, BBC colour bars, whole rasters & split bars (specially useful for VCR service), white, yellow, cyan, green, magenta, red, blue and black.
- ★ Chequerboard.
- ★ Mono outputs with border castellations, cross hatch, grey scale, vertical lines, horizontal lines and dots. UHF modulator output plugs straight into receiver aerial socket.
- ★ Additional video output for CCTV & VCR.
- ★ Facilities for sound output.
- ★ Easy to build kit, standard parts. Only 2 adjustments. No special test equipment required.
- ★ Mains operated with stabilised power supply.
- ★ All kits fully guaranteed with back-up service.
- ★ Also available with VHF Modulator.

Price of Kit **£70.00**
 Case (10"×6"×2¼") app. **£8.60**
 Optional Sound Module (6MHz or 5.5MHz) **£3.90**
 Built & Tested in Case including Sound Module **£106.00**

SPECIAL TEST
REPORT
'TELEVISION'
DEC. 1982

Post/Packing £2.50
 Add VAT 15% TO ALL PRICES

PAL COLOUR BAR GENERATOR (Mk4)



- ★ Output at UHF, applied to receiver aerial socket.
- ★ In addition to colour bars R-Y, B-Y etc.
- ★ Cross-hatch, grey scale, peak white and black level.
- ★ Push button controls, battery or mains operated.
- ★ Simple design, only five i.c.s on colour bar P.C.B.

**PRICE OF MK 4 COLOUR BAR GENERATOR KIT
£30.00. CASE £7.90. BATT HOLDERS £4.20. MAINS
SUPPLY KIT £4.20 (Combined P&P £2.20).**

MK 4 (BATTERY) BUILT & TESTED £58.00 + £2.20 P & P.
 MK 4 (MAINS) BUILT & TESTED £68.00 + £2.20 P & P.
 VHF MODULATOR (CH 1 to 4) FOR OVERSEAS £5.75.
 EASILY ADAPTED FOR VIDEO OUTPUT & C.C.T.V.

ADD
VAT
15%

THORN TX9 MK2/3, TX10, teletext
 Mullard Decoder panel + Interface **£35.00** p.p. £1.80
THORN TX10, PHILIPS G11 PRESTEL, TELETEXT
 Mullard Units VM 6230, 6330 plus Line Coupler & Interface **£48.00**
 p.p. £2.50

SPECIAL OFFER (shop customers only).
SURPLUS 'AYR' TELETEXT EXTERNAL ADAPTOR UNITS.
 Ideal for experimental use **£50.00.**

TV SERVICE SPARES

BACKED BY TWENTY YEARS EXPERIENCE & STAFF OF
 TECHNICAL EXPERTS

LOPTs, TRIPLERS, PANELS, TUNERS, SELECTORS ETC.
SPECIAL OFFER Mullard/Philips quality UHF modulator (audio & video
 input) ex new equipment **£5.00** p.p. £1.00.

PHILIPS G11 PANELS (tested).
 Power, frame, IF, decoder **£18.00** each p.p. £2.00. Scan Panel **£28.00** p.p. £2.80.
PHILIPS G11 PANELS ex rental (untested).
 Power, frame, IF, decoder **£10.00** each p.p. £2.00.

PHILIPS HANDSETS ex rental (untested) CTX, K4, K35 etc. Teletext +
 Video **£5.00** p.p. 80p.
THORN 9000 Fault Finding Guide **£1.00** p.p. 30p.
THORN REMOTE CONTROL HANDSETS
8800/9800 (2-button) **£10.00**; **TX9 ULTRASONIC** (3-button) **£15.00**; **TX9,**
TX10 Infra red **£18.00**; **TX9, TX10** Infra red Teletext **£20.00**, p.p. £1.20.
TX10 Remote & Tuning control panel (1515) **£9.40** p.p. £1.50
TX9/TX10 Teletext interface panel (1524) **£5.00** p.p. 80p.

THORN TX10 Facia Control Panel incl. Infra Red Remote Control receiver
£7.50 p.p. £1.50.
THORN TX10 Series Facia Control Panel with 8 position Channel Selector
£6.50 p.p. £1.50.

SAW FILTER IF AMPLIFIER PLUS TUNER complete and tested for T.V.
 Sound & Vision. **£28.50** p.p. £1.20.
THORN TX9, TX10 Saw Filter IF Panel. **£5.00** p.p. 80p.

PAL DECODER KIT (Video to RGB) for Monitors **£27.00** p.p. £1.00.
PAL ENCODER KIT (RGB to Video) **£18.50** p.p. £1.30.
TELETEXT DECODERS New & Tested Mullard VM 6101 **£30.00**, Texas
 XM11 **£40.00**, K³ Tested **£30.00**, Untested **£5.00** p.p. £1.60

CROSS HATCH UNIT KIT, Aerial Input type, incl. T.V. sync. and UHF
 Modulator. Battery Operated, also gives Peak White & Black Levels, can be
 used for any set. **£12.00** p.p. 80p. (Alum. Case **£2.90**, De Luxe Case **£6.80**
 p.p. £1.40.) **ADDITIONAL GREY SCALE Kit** **£2.90** p.p. 45p.

UHF SIGNAL STRENGTH METER KIT **£22.00** (VHF version **£24.00**).
 Alum. Case **£2.90**, De Luxe Case **£6.60** p.p. £1.80.

CRT TESTER & REACTIVATOR KIT For Colour & Mono complete with
 Case, Panel Meter Indicator - can be adapted for latest CRTs **£28.60** p.p.
£2.80.

BUSH A823 Convergence, Time Base Panels **£5.00** each, p.p. £1.80.
BUSH Z718 BC6.00 series IF Panel **£5.00** p.p. 90p.
BUSH A816 IF Panel (Surplus) **£1.00** p.p. 90p, 5 for **£4.00** p.p. £1.40.

GEC 2040 Decoder Panels, **£1.50** p.p. £1.80.
GEC 2110 PANELS Frame **£8.50** p.p. £1.40, Sound **£2.50** (tested) p.p. 80p.
GEC 20AX Line Time Base **£18.00**, IF-Decoder **£12.50** p.p. £2.00.
PYE 691-7 CDA Panels, Makers tested stock. **£6.00** p.p. £1.45.

THORN TX9 Panels ex factory for small spares. Includes I.C.s &
 Semiconductors etc. **£3.00** p.p. £1.80.
THORN TX9 Panels salvaged ex factory for spares incl. LOPT & Mains
 Transformers. **£10.00** p.p. £2.80.

THORN TX9 Panels ex factory salvaged complete cond. **£20.00** p.p. £2.80.
THORN 3000/3500 Power supply P.C.B. **£3.50** p.p. £1.00.
THORN 8000, 8500, 8800 IF Decoder Panels Tested **£10.00** p.p. £2.30.
THORN 8000/8500 IF/Decoder Panels salvaged **£3.20** p.p. £1.80.

THORN 9000 IF/Decoder Panels Salvaged. For spares **£2.50** p.p. £1.80.
THORN 9000 Frame Time Base **£8.50** p.p. £1.80.
PHILIPS G8/G9 IF/Decoder Panels for small spares incl I.C.s **£2.50** p.p. £1.60.

G11 PANELS, Ex Rental SCAN (incl LOPT) **£28.00** p.p. £2.50 (tested).
G11 PANELS, Power, Frame, IF, Decoder, **£18.00** each, p.p. £2.00 (tested).
GRUNDIG 8630 Series Varicap Tuners **£5.00** p.p. £1.00.

U321, ELC1043/5 **£7.80** p.p. 80p. Makers Controls **PYE CT200** 4PSN **£7.50**,
BUSH 4PSN **£4.80**, **DECCA 4PSN** **£5.80**, **6PSN** **£6.80** p.p. 80p. etc.
BUSH "TOUCH TUNE" Varicap Control Z585, 710 **£3.80** p.p. £1.00.
VARICAP UHF-VHF ELC 2000S **£9.80** p.p. £1.00.

UHF/625 TUNERS, many different types in stock. **DECCA** Bradford 5
 position, **MULLARD** 4 position **£2.50**, **JAP Rotary** **£4.80** p.p. £1.80.
TV SOUND IF Panels **£6.80** p.p. £1.00.

LOPT TESTER, Service Dept approved **£15.90** p.p. £1.20.
LOPTS New and guar. P/P Mono **£1.35**, Colour **£1.50**, Bobbins **80p.**

BUSH MURPHY 774 series **£9.80**
BUSH MURPHY A816 series **£9.80**
FERG., HMV, MARCONI, ULTRA **£4.80**

1500, 1590, 1591, 1612, 1613, 1712 **£4.80**
THORN 1600, 1615, 1690, 1691 **£9.15**
GEC series 1 & 2 **£8.00**
INDESIT 20/24-GB **£7.65**
ITT/KB VC 200, 300 **£7.90**
PHILIPS 170, 210, 300 series **£7.65**

PYE, INVICTA, EKCO **£7.65**
 368, 169, 569, 769 series **£7.65**

SPECIAL OFFER
DECCA 1700, 2001, 2020, 2401, 2420 **£3.80**
GEC 2114/Junior Fineline **£2.80**
PHILIPS 320 **£2.80**
RBM A823 **£4.80**
GEC 2028, 2040, 2100 **£4.80**
PYE 713, 715 **£6.80**
PHILIPS 570, 571 **£6.80**

R.B.M. 120, T22 **£9.80**
R.B.M. 120, 122 Bobbin **£5.60**
DECCA Bradford (state Mod No.) **£8.80**
DECCA 80, 100 **£8.80**
FIDELITY ZX 3000, 3000 **£16.00**
GEC 2110 series **£10.60**
ITT CVC 5 to 9, CVC 20 **£9.80**
ITT CVC 25, CVC 30 series **£8.80**
ITT CVC 45 **£9.80**
PYE 691-697 (state model no.) **£10.00**
PYE 725 (9P) 731 to 741 **£9.20**

PHILIPS G8 **£8.80**
PHILIPS G9 **£9.80**
PHILIPS KT3 **£9.80**
THORN 3000/3500 SCAN, EHT **£6.90**
THORN 8000, 8500, 8800 **£12.80**
THORN 9000 to 9600 **£12.90**
THORN 9800 **£19.80**
THORN TX9 **£14.80**

OTHERS AVAILABLE, PRICES ON REQUEST.
TRIPLERS Full range available. Mono & Colour.
Special Offer: **GEC 2040/2100** EHT Tripler **£2.50** p.p. £1.30.
THORN 8000 EHT TRAY (2 lead) **£2.80** p.p. £1.00
6-3V CRT Boost Transformers for Colour & Mono **£5.90** p.p. £1.40.
THORN TX10 focus control **£8.80** p.p. 80p.

CALLERS WELCOME AT SHOP PREMISES
THOUSANDS OF ADDITIONAL ITEMS, ENQUIRIES INVITED
LARGE SELECTION TESTED COLOUR PANELS POPULAR MODELS
 Goods available if in stock immediately over shop counter (Mail order
 between 3 days and 1 week from receipt of order). ADD VAT 15%

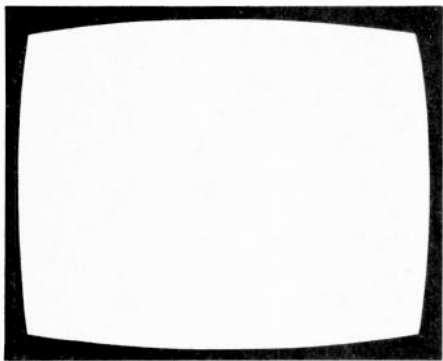
Telephone 01-794 8751, 794 7346

MANOR SUPPLIES

172 WEST END LANE, LONDON, NW6 1SD
 NEAR: W. Hampstead Tube Stn. (Jubilee) Buses 28, 159, C11 pass door
 W. Hampstead Brit. Rail Stn. (Richmond, Dalston, Stratford, N. Woolwich)
 W. Hampstead Brit. Rail Stn. (St. Pancras, Bedford)

Access from all over Greater London.

Mail Order: **64 GOLDERS MANOR DRIVE, LONDON NW11 9HT**
 PLEASE ADD VAT 15% TO ALL PRICES INCL. P+P



TELEVISION

April
1986

Vol. 36, No. 6
Issue 426

COPYRIGHT

© IPC Magazines Limited, 1986. Copyright in all drawings, photographs and articles published in *Television* is fully protected and reproduction or imitation in whole or in part is expressly forbidden. All reasonable precautions are taken by *Television* to ensure that the advice and data given to readers are reliable. We cannot however guarantee it and we cannot accept legal responsibility for it. Prices are those current as we go to press.

CORRESPONDENCE

All correspondence regarding advertisements should be addressed to the Advertisement Manager, "Television", King's Reach Tower, Stamford Street, London SE1 9LS. Editorial correspondence should be addressed to "Television", IPC Magazines Ltd., King's Reach Tower, Stamford Street, London SE1 9LS.

SUBSCRIPTIONS

An annual subscription costs £13 in the UK, £15 overseas (by surface mail). Send orders with payment to Quadrant Subscription Services Ltd., Oakfield House, Perrymount Road, Haywards Heath, Sussex, RH16 3DH.

BINDERS AND INDEXES

Send orders for binders (£4.50) and indexes (75p) to the Editorial Office, Television, IPC Magazines Ltd., King's Reach Tower, Stamford Street, London SE1 9LS. Prices include VAT and postage. Add 60p for overseas orders.

BACK NUMBERS

Some back issues published during the last six months are available from the Editorial Office at £1.40 inclusive of postage and packing. Address as above.

QUERIES

We regret that we cannot answer technical queries over the telephone nor supply service sheets. We will endeavour to assist readers who have queries relating to articles published in *Television*, but we cannot offer advice on modifications to our published designs nor comment on alternative ways of using them. All correspondents expecting a reply should enclose a stamped addressed envelope.

Requests for advice on dealing with servicing problems should be directed to our Queries Service. For details see our regular feature "Service Bureau". Send to the address given above (see "correspondence").

this month

- 357 Leader**
- 358 Teletopics**
News, comment and developments
- 360 Checking ICs** *Eugene Trundle*
Tandy have introduced an adaptor to make checks on i.c.s easier.
- 363 Modern Receiver Circuitry, Part 1** *J. LeJeune*
This new series will look at current TV receiver techniques. A start is made with switch-mode power supplies, with particular reference to the i.c. version of the Siemens self-oscillating circuit.
- 366 Quick Checks: The Fidelity CTV14R** *S. Simon*
The faults on these sets are fairly predictable. How to tackle the usual problems. The information provided also applies to the Mk. I version of the CTV14S.
- 368 Letters**
- 369 Next Month in Television**
- 370 Developments in VCRs, Part 3** *Steve Beeching, T. Eng.*
This time picture sharpening and noise reduction techniques.
- 372 TV Fault Finding**
Reports from Les Grogan, Alan Shaw, J.R. Armagh, Philip Blundell, Eng. Tech., Mick Dutton and Roger Burchett.
- 374 Servicing Teletext Receivers, Part 4** *Mike Phelan*
Operation of the memory i.c.s and the TROM character generator chip.
- 378 Horror Stories** *Les Lawry-Johns*
Bitter experiences with a Fidelity CTV14S and a Thorn 9800 chassis that ticked.
- 379 Vintage TV: US Sets of the 50s** *Chas E. Miller*
Vintage US sets differ quite a lot from ours. A look at two contrasting sets - a 3in. table model and a 19in. console monster.
- 381 IR Remote Control Handset Tester** *George Bagley*
An easy to make tester to enable the operation of IR transmitters to be checked.
- 382 VCR Clinic**
Reports from Steve Beeching, T. Eng., Derek Snelling, Steve Illidge and Philip Blundell, Eng. Tech.
- 384 Long-distance Television** *Roger Bunney*
Reports on DX reception and conditions plus news. Details of a Band III log-periodic aerial design that's inexpensive to build.
- 387 Service Bureau**
- 388 Test Case 280**

OUR NEXT ISSUE DATED MAY WILL
BE PUBLISHED ON APRIL 16

LINEOUT TRANSFORMERS

Table listing various lineout transformers including DECCA 1730/1830, DECCA MS1700-2420, FIDELITY TV121/TV120, and FIDELITY ZX3000 ZZ.

VALVES

Table listing various vacuum tube valves such as 2Y802, 6X4, 6X5, 6X6, 6X8, etc.

THORN SPARES

Table listing Thorn spares including 1590 MAINS TRANSFORMER, 1590 MAINS TRANSFORMER, and 1590 MAINS TRANSFORMER.

HT TRAYS

Table listing HT trays such as 801885-841, 801897-842, and 802097-842/333.

GECC SPARES

Table listing GECC spares including 1401 CHOPPER TX, 1401 INPUT CHOKE, 1501 MAINS TX, etc.

GRAND SPARES

Table listing Grand spares including 5010 FOCUS VDR, 5010 CONTROL TX, 5010 CONTROL TX.

REMOTE CONTROL UNITS

Table listing remote control units such as 1590 REMOTE CONTROL UNIT, 1590 REMOTE CONTROL UNIT.

PUSH BUTTON UNITS

Table listing push button units including 4 WAY DECCA ETC, 4 WAY HITAHI ETC, 4 WAY DECCA, etc.

PHILIPS G11 CHASSIS

Table listing Philips G11 chassis parts including 1271, 1272, 1273, 1274, etc.

RANK RADIO SPARES

Table listing Rank radio spares including 1720 SPEAKER, 122E ON/OFF + VOL SH, etc.

PHILIPS PYE SPARES

Table listing Philips Pye spares including 128711 4K VOL+SH, 300 470L VOL+SWITCH, etc.

THORN VIDEO SPARES (OVER 450 PARTS)

Table listing Thorn video spares including 3292 CAPSTAN BELT, 3292 CAPSTAN MOTOR, 3292 CASSETTE LAMP, etc.

QUICK SALE TV SPARES

Table listing quick sale TV spares including 400H UPPER CYLINDER, 400H RELAY, 400H PINCH ROLLER, etc.

TV ELECTROLYTICS

Table listing TV electrolytic capacitors including DECCA 100 420/250V, DECCA 100 420/350/250V, etc.

MIXED DIALECTRIC CAPACITORS

Table listing mixed dielectric capacitors including 001 800V X5, 022 1KV X5, 033 1KV X5, etc.

SLIDE CONTROLS

Table listing slide controls including 100K LIN STD TV, 150K LIN STD TV, 470K LIN STD TV, etc.

PRESETS

Table listing presets including 2940 CHOPPER TX FIDELITY CTV14R, 2942 DRIVER TX FIDELITY CTV14R, etc.

TUNER UNITS

Table listing tuner units including DECCA 300 SERIES MECHANICAL, 10430S EXCH TUNER, etc.

RESTORERS

Table listing restorers including STANJOARD RANGES, 1/4 WATT X 10, 1/2 WATT X 10, etc.

OTHER RESISTORS

Table listing other resistors including 2M2 HV FOCUS RESISTOR, 2M2 HV FOCUS RESISTOR, etc.

MAINS DROPPERS

Table listing mains droppers including 3025 MAINS DROPPER RANK A640, 3013 MAINS DROPPER DECCA 80/100, etc.

UNIVERSAL CONVERGENCE POTS

Table listing universal convergence pots including 5R, 10R, 22R, 2R, 25R, 50R, 75R, 100R, etc.

FIDELITY SPARES

Table listing Fidelity spares including 2940 CHOPPER TX FIDELITY CTV14R, 2942 DRIVER TX FIDELITY CTV14R, etc.

STANJOARD RANGES

Table listing Stanjoard ranges including 1/4 WATT X 10, 1/2 WATT X 10, 1 WATT X 10, etc.

FUSES

Table listing fuses including STANJOARD RANGES, 20MM 1/4B FUSE X 10, 20MM 1/8B FUSE X 10, etc.

SERVICE MANUALS

Table listing service manuals including DECCA 101/100, DECCA 80 CHASSIS, DECCA/TUNING 120, etc.

PHILIPS G11 CHASSIS

Table listing Philips G11 chassis parts including 1271, 1272, 1273, 1274, etc.

PHILIPS G11 CHASSIS

Table listing Philips G11 chassis parts including 1271, 1272, 1273, 1274, etc.

PHILIPS G11 CHASSIS

Table listing Philips G11 chassis parts including 1271, 1272, 1273, 1274, etc.

PHILIPS G11 CHASSIS

Table listing Philips G11 chassis parts including 1271, 1272, 1273, 1274, etc.

PHILIPS G11 CHASSIS

Table listing Philips G11 chassis parts including 1271, 1272, 1273, 1274, etc.

PHILIPS G11 CHASSIS

Table listing Philips G11 chassis parts including 1271, 1272, 1273, 1274, etc.

PHILIPS G11 CHASSIS

Table listing Philips G11 chassis parts including 1271, 1272, 1273, 1274, etc.

PHILIPS G11 CHASSIS

Table listing Philips G11 chassis parts including 1271, 1272, 1273, 1274, etc.

PHILIPS G11 CHASSIS

Table listing Philips G11 chassis parts including 1271, 1272, 1273, 1274, etc.

PHILIPS G11 CHASSIS

Table listing Philips G11 chassis parts including 1271, 1272, 1273, 1274, etc.

PHILIPS G11 CHASSIS

Table listing Philips G11 chassis parts including 1271, 1272, 1273, 1274, etc.

PHILIPS G11 CHASSIS

Table listing Philips G11 chassis parts including 1271, 1272, 1273, 1274, etc.

PHILIPS G11 CHASSIS

Table listing Philips G11 chassis parts including 1271, 1272, 1273, 1274, etc.

PLEASE ADD £1.25 POST & HANDLING THEN 15% VAT TO TOTAL.

QUICK SALE TV SPARES THE COACH HOUSE, MUXTON LANE, TELFORD, SALOP

FULL LIST OF OVER 3000 ITEMS SENT WITH ORDER OR SEND 9" x 4" SAE. PLEASE USE STOCK NUMBER WHEN ORDERING, OR USE SET MAKER'S PART NUMBER. ACCESS AND VISA ACCEPTED. OFFICIAL ORDERS FROM GOVERNMENT OR SCHOOLS WELCOMED. ALL GOODS ARE STOCK ITEMS.

FERGUSON VHS VIDEOS

in lots
of 10 -

£69.50
each

Access

HUGE

VISA

DISCOUNTS

on **100's of CTV's**

OPEN 6 DAYS WEEKLY AND SUNDAY BY APPOINTMENT AT

Kent Ledgerwood Wholesale Ltd.



BRADFORD
TRITEL TV
1043 Leeds
Road
Thornbury
Roundabout
BRADFORD

Tel: 0274 665670

LEEDS
TRITEL
DISCOUNT
STORES
Long Row
Horsforth
LEEDS

Tel: 0532 590252

SCOTLAND
TRITEL TV
Unit 4
Peacock Cross
Industrial Estate
Burnbank Road
HAMILTON

Tel: 0698 282141

Now Open in London at:-

**TRITEL HOUSE, UNIT E1,
WATERLOO ROAD,
STAPLES CORNER,
LONDON NW2**

Tel: 01 903 7587



WE WILL ONLY SUPPLY TOP QUALITY, BRANDED COMPONENTS. REPUTATION COUNTS WITH US

G.G.L.COMPONENTS

108 SCOTLAND ROAD, CARLISLE, CUMBRIA CA3 9EY
PHONE (0228) 20358/39693

BUY WITH



DECCA 80	7.20
DECCA 100	7.35
ITT CVC 20/30	6.85
PHILIPS G8-550	7.90
PHILIPS KT3	7.95
RBM T20/T22A	7.35
THORN 8500/8800	7.60
THORN 9000	8.70
Universal	5.95

TYPE	PRICE (£)
AN214	1.95
AN301	3.45
AN303	3.45
AN305	3.50
AN7110	1.93
AN7114E	2.33
AN7115	2.37
AN7116	2.35
AN7145	3.25
BA312	1.25
BA511A	1.25
BA521	1.85
BA532	1.95
BA536	2.55
HA1166	2.65
HA1322	2.10
HA1338	2.78
HA1377	2.40
HA1378	2.75
HA1379	2.80
HA1388	4.20
HA1397	3.90
LA1201	1.75
LA1230	2.30
LA1365	2.45
LA3350	1.65
LA4031	2.45
LA4032	2.30
LA4101	1.50
LA4102	1.95
LA4400	2.50
LA4430	2.45
LA4440	3.55
LA4460	2.95
LA4461	2.95
MB3712	2.30
MB3713	2.25
ML231B	2.35
ML232B	2.55
ML237B	2.50
SAA1124	3.45
SAA1125	4.70
SAA1250	3.85
SAA1251	4.95
SAA5010	5.10
SAA5012	5.70
SAF1032P	3.25
SAF1039P	4.55
SAS560S	1.95

TYPE	PRICE (£)
SAS570S	1.95
SAS580S	2.40
SAS590S	2.40
SL1430	1.95
SL1432	1.75
STK0039	6.45
STK0040	5.95
STK0050	7.50
STK0077	7.25
STK0078	7.45
STK0822	9.75
STK415	9.66
STK430	7.75
STK433	6.50
STK435	6.75
STK437	7.25
STK439	7.55
STK441	8.50
STK459	7.35
STK461	7.95
STK463	9.30
STK465	9.95
TA7193P	4.30
TA7202	2.25
TA7203P	2.25
TA7204P	1.90
TA7205AP	1.40
TA7208P	1.95
TA7222AP	1.85
TA7232P	2.85
TA7310	1.55
TA7313	1.45
TAA550	4.3
TBA120AS	95
TBA120SB	90
TBA120T	1.25
TBA120U	1.00
TBA520	1.30
TBA530Q	1.00
TBA540	1.37
TBA550	2.45
TBA560	1.60
TBA720A	2.65
TBA750	2.45
TBA800	.80
TBA810	1.35
TBA820	1.40
TBA890	2.95
TBA920	1.50
TBA950	2.65
TCA270	1.55
TCA800	5.45
TCA940	1.55

TYPE	PRICE (£)
TDA440	3.25
TDA1002	1.50
TDA1003	2.80
TDA1006A	2.95
TDA1035T	2.75
TDA1037	1.95
TDA1044	3.10
TDA1170	1.80
TDA1270	2.20
TDA1470	3.65
TDA2002	1.85
TDA2003	2.33
TDA2004	3.15
TDA2006	2.25
TDA2020	2.95
TDA2190M	4.95
TDA2522	1.80
TDA2523	2.25
TDA2530	2.10
TDA2532	2.20
TDA2540	1.95
TDA2560	1.80
TDA2578A	3.25
TDA2581	2.15
TDA2582	2.20
TDA2591	2.30
TDA2593	2.30
TDA2594	2.95
TDA2600	6.35
TDA2611A	1.50
TDA2640	2.40
TDA3560	5.10
TDA3561A	5.35
TDA3562A	5.50
TDA4500	5.85
TDA4600	2.85
TDA4600-16PIN	3.95
TDA9503	2.35
UPC555C	.70
UPC566C	2.10
UPC585C	1.40
UPC1031H	2.95
UPC1032H	2.95
UPC1156H	2.45
UPC1181H	2.20
UPC1182H	2.20
UPC1185H	3.30
UPC1230H	3.95
UPC1238H	2.35
UPC1350C	4.50
UPC1353C	2.60
UPC1365C	5.05
UPC2002H	1.85

TYPE	PRICE
BD439	.70
BD707	1.05
BF337	.28
BF338	.30
BF458	.30
BF459	.36
BF757	.75
BFR90	1.60
BR100	.18
BR101	.32
BR103	.55
BR303	2.95
BT106	1.15
BT116	1.30
BT151	.25
800R	1.10
BU126	1.78
BU205	1.42
BU208A	1.45
BU208D	1.85
BU326A	1.48
BU407	1.12
BU407D	1.45
BU508	1.80
BU508A	1.95
BU526	2.00
BU807	1.30
BU826A	3.20
R2010B	1.45
R2540	2.35
TIP31C	.46
TIP32C	.47
TIP33	.80
TIP34	.95
TIP41C	.48
TIP42C	.48
TIP47	.75
TIP2955	.70
TIP3055	.70

TYPE	PRICE
2N3055	.50
2N3773	3.45
15/80H	2.25
15/85R	2.25
2SA 771	2.35
2SA 835	1.55
2SB 618	2.45
2SC 867A	3.25
2SC 1034	4.85
2SC 1061	1.15
2SC 1114	4.75
2SC 1124	.97
2SC 1316	3.20
2SC 1413A	3.95
2SC 1739	2.45
2SC 1942	2.95
2SC 1962	1.65
2SC 1969	1.95
2SC 2078	1.55
2SC 2335 (Kit)	7.55
2SC 2369	3.25
2SC 257	2.45
2SD 588A	1.97
2SD 725	7.95
2SD 870	5.95

TYPE	PRICE
DECCA 80	7.95
DECCA 100	8.50
ITT CVC 20	7.75
ITT CVC 25/30/32	8.00
ITT CVC 45	8.45
PHILIPS G8	8.75
PHILIPS G11	13.50
PHILIPS KT3	9.95
PHILIPS K30	16.50
RBM T20A	11.50
THORN 1615	12.35
THORN 1690/1	9.65

TYPE	PRICE
BY127	.10
BY133	.15
BY164	.40
BY179	.65
BY210/600	.30
BY223	.86
BY227M	.23
BY239/600	.87
BY298/400	.24
BY299/800	.25
BYX10	.20
BYX55/600	.26
BYX715/600	.53
SK5F206	.30
SK5F310	1.45
W005	.55
1N4001-7	.07
1N5401-8	.16

TYPE	PRICE
G8 TRANSUDCTOR	2.25
G8 ON/OFF SW	1.40
G11 EHT Coil	1.65
G11 Lin Coil	1.80
G11 Bridge Coil	1.35
G11 EHT Lead	2.25
PYE IF Gain MDO	7.85
ITT On/Off SW	1.10
THORN On/Off SW	1.00
CUT OUT 2A	1.95
TX10 FOCUS UNIT	8.95
VCR Pilot Bulb	.70

THORN/SONY
LARGE RANGE OF SPARES FOR ABOVE MAKES OF TV/VIDEOS INCLUDING INSTRUCTION AND SERVICE MANUALS. PHONE OR WRITE FOR NEW LISTS. WE CAN ALSO SOURCE & SUPPLY OVER THREE THOUSAND ICS & SEMI CONDUCTORS.

SONY SPARES
C5/C7 Rewind Kit...4.65
C5/C7 Belt Kit...3.50
C6 Rewind Kit...4.35
C7 Pinch Roller...4.85
SG 613/6533...8.95
CX 143A...6.95
TDA 3652...4.35

Large range of Sony spares available

VALVES
PCF802...1.09
PCL82...97
PCL85...1.03
PCL86...1.07
PL504...1.99
PL508...2.99
PL509/519...5.99
PY500A...2.25

HITACHI ICs
STR 441...8.95
STR 451...8.95
STR 6020...7.90

SUNDRIES
G8 TRANSUDCTOR 2.25
G8 ON/OFF SW 1.40
G11 EHT Coil 1.65
G11 Lin Coil 1.80
G11 Bridge Coil 1.35
G11 EHT Lead 2.25
PYE IF Gain MDO 7.85
ITT On/Off SW 1.10
THORN On/Off SW 1.00
CUT OUT 2A 1.95
TX10 FOCUS UNIT 8.95
VCR Pilot Bulb .70

TV ELECTROLYTICS
DECCA 30(400/400)350V 3.99
DECCA 80-80/100(400)350V (800)250V 3.99
PHILIPS G8(600)300V 2.65
PHILIPS G9(2200)63V 1.45
PHILIPS G11(470)250V 2.20
RBM A823(2500/2500)30V 1.65
RBM T20A(220)400V 2.35
THORN 1690/1(4700)25V .94
THORN 3500(1000)70V .99
THORN 9000(400)400V 3.10

PUSH BUTTONS/ NEW TUNERS
DECCA/ITT 6 way 8.50
PHILIPS G8 S/L 14.90
PHILIPS G8 S/O 14.75
PYE G11 P/B 8.50
HITACHI 4 way 8.95
ITT CVC'S 7 Button 10.40
ITT CVC'S 9 12.80
1043/05 8.95
U321 8.75
U322 7.40

Available also a range of 2SA/B/C/D Transistors. Phone or write for lists.

ORDERING
Please Add 50p For P/P U.K.
Add 15% VAT To This Total.
Export Orders - Cost.
DELIVERY BY RETURN ON ALL STOCK ITEMS.

INCREASE YOUR PROFITS IMPROVE YOUR SERVICE WITH RELIABLE COST EFFECTIVE TEST EQUIPMENT

LEADER LCT-910A C.R.T. TESTER-REJUVENATOR

Our top selling instrument is designed to readily test the various characteristics and rejuvenation of both colour and B/W C.R.T.s.

- ★ Tests for shorts and leakage between electrodes.
- ★ Tests cathode emission characteristics.
- ★ Separately checks condition of guns.
- ★ Removal of shorts and leakage between electrodes.
- ★ Checks heater warm-up characteristics.
- ★ Rejuvenation of low emission cathodes with automatic timing.
- ★ Super rejuvenation with manual control.
- ★ Complete with tube base adaptors.

Size: H 230mm W 330mm D 120mm.

LOPT TESTER

BK's REVOLUTIONARY DYNAMIC 'LOPT' TESTER
Revolutionary L.O.P.T. tester. Operates in dynamic mode which actually tests the L.O.P.T. under high voltage conditions without de-soldering or removal.
Size 75x100x40 mm. Supply 240V AC

PRICE £26.00 + £39 VAT

THE VERY LATEST SC110A LOW POWER, FULLY PORTABLE OSCILLOSCOPE.

The new Thandar SC110A represents a break-through in oscilloscope development. The SC110A is ONLY TWO INCHES thick and weighs under two pounds, yet retains the standard features and controls of a bench oscilloscope.

Full Sized Performance

- * 10 MHz bandwidth.
- * 10 mV per division sensitivity.
- * Full trigger facilities are provided including TV frame, or TV filtering adaptor.
- * Runs on 4 to 10V DC via disposable batteries, re-chargeable cells, or AC adaptor.
- * Size 255mm x 148mm x 50mm.

PRICE £165.00 + £24.75 VAT

ALSO AVAILABLE
Analogue Multimeters
Digital Multimeters
Oscilloscopes
Signal Generators
Digital Frequency Meters
Pattern Generators
CRT Tester/Rejuvenator
T.V. Field Strength Meter
Digital Capacitance Meter
LARGE S.A.E. FOR COMPLETE LIST.

LEADER HIGH VOLTAGE METER EHT PROBE

Measures up to 40 K.V. D.C. with SAFETY BUILT IN METER

PRICE £32.00 + £4.80 VAT

* FULLY GUARANTEED

CRT TESTER-REJUVENATOR

BK's C.R.T. TESTER-REJUVENATOR
Tests and rejuvenates blue, green & red guns separately. Fitted with delta and P.I.L. sockets. Compact size 120x65x60 mm. Supply 240V AC

PRICE £32.00 + £4.80 VAT

HAMEG HM 203-5 20MHz DUAL TRACE OSCILLOSCOPE:

SPECIFICATION:

- * BANDWIDTH DC-20MHz
- * SENSITIVITY CH1, CH2 2mV-50V/DIV
- * TIMEBASE 40ns to 0.2S CM
- * TRIGGER DC-40MHz Auto-Normal-TV
- * CALIBRATION OUTPUT
- * CH1 ADD AND INVERT FACILITY
- * ALT/CHOP SWITCH
- * LARGE RECTANGULAR SCREEN 8 x 10 cms.
- * BUILT IN SEMICONDUCTOR COMP. TESTER
- * SIZE 285mm x 145mm x 380mm.
- * SUPPLY 110-125-220 240V AC 50-60Hz

2 YEAR WARRANTY

WITH COMPONENT TESTER

PRICE £270.00 + £40.50 VAT
Optional probes as above

WITH COMPONENT TESTER

PRICE £270.00 + £40.50 VAT
Optional probes as above

U.K. Post Paid, Export orders welcome, please deduct V.A.T. and enquire for Overseas carriage cost. Barclaycard/Access orders welcome, or Cheque, Bank Draft, etc., with order please. Large S.A.E. for technical leaflets of complete range. Delivery normally within 7 days.

HUSSAIN CENTRAL T.V. LTD.

If you are serious about your business you must visit one of our warehouses where you will find the best quality stock at the lowest prices in the U.K.

SEEING IS BELIEVING

Late Late Model VHS Video's

Hitachi VTO14E, Panasonic NV777, Ferguson 3V31, JVC, Sharp, ITT, Toshiba.

Portable VHS Video's complete with camera in stock.

Hundreds of Beta Video's to clear.

Late Model TV's, Remote Control and Teletext.
Grundig, Toshiba, ITT, Sanyo, Sony, Pye, Philips, Thorn TX.

Plus our usual stock of high quality ex rental T.V.'s.

PRESTON
UNIT 439
OAKSHOTT PLACE
WALTON SUMMIT IND. EST.
M6 JUNCTION 29
0772 312101

BIRMINGHAM
48-52 PERSHORE ST.
021-622 1023
021-622 1517

CHEPSTOW
UNIT 4
BULWARK IND. EST.
GWENT
0291 271000

HITACHI VHS COLOUR CAMERAS

**Mains Only Tested/
Working**

VHS VIDEOS

FERGUSON

**3V00, 3V22, 3V23, 3V16, 3V29,
3V30, 3V31, 3V32, 3V35**

**NATIONAL PANASONIC
NV8600, 8610, 2000, 7000,
370, 333, 2010**

SHARP

620, 630, 640, 2300 H T/P

BETAMAX

SANYO VTC 9300, 5000, 5300

**SONY C5, C6, C7, C9
and SL F1UB T/P**

Also Bush, Toshiba, Hitachi and Blau Punkt

PLUS

**17" 18" 20" 22" 26" Hybrid/
Solid State CTVs**

Remote Control & Teletext

Discount for Quantities

Complete loads delivered from pick up point

**JOHN CARTER
(Electrical) LTD
FURNACE ROAD,
GALLOWS INN,
ILKESTON**

Phone: 0602 303124

CINEMAVISION PROJECTION UNITS

★ ★ ★ ★

Philips, Grundig,
Toshiba, National
Panasonic and ITT. 40",
45" and 78" screens.
Floor and suspended
models. New boxed and
used. Quantity of test
equipment.

Oscilloscopes, cross
hatch – pattern – colour
match – colour bar –
and signal generators.
Avo and Taylor test
meters. Televerters slot
meters.

RADIO TELEPHONE SYSTEMS

★ ★ ★ ★

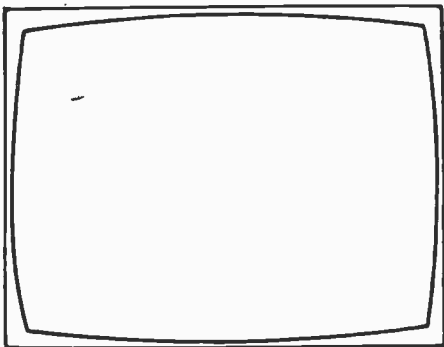
**John Carter (Electrical) Ltd.,
Furnace Road,
Gallows Inn,
Ilkeston,
Derbyshire.
Phone 0602 303124**

EAST CORNWALL COMPONENTS



NEW 1986 CATALOGUE is now available - range of components greatly increased - over 136 pages fully illustrated. Price £1.00 per copy (free upon request with orders over £15). Includes 50p Credit Note, Special Offer Sheets, Order Form and Pre-Paid Envelope. Order your copy now - will be sent within 7 days.

VALUE	KT88(G.E.C.)	19.00	TRANSISTORS + DIODES				Type	Price (£)	Type	Price (£)	Type	Price (£)	Type	Price (£)	Type	Price (£)
Enquiries are welcome for any other value not listed here	PC92	3.00	AC127	0.28	BC118	0.16	BC156	0.48	BF178	0.26	BU126	1.40	ORP12	1.20	25K135	3.80
	PC900	1.40	AC128	0.30	BC119	0.28	BC157	0.10	BF180	0.27	BU133	1.90	R2008R	1.20	3N211	3.52
	PC88	0.80	AC129	0.34	BC122	0.14	BC158	0.12	BF181	0.27	BU204	1.30	R2010B	1.20	35K88	0.60
	PC1C89	0.85	AC141	0.58	BC140	0.27	BC159	0.10	BF182	0.32	BU205	1.50	R2540	0.71	40K36	0.60
	PC1F81	1.98	AC141K	0.38	BC141	0.24	BC160	0.10	BF184	0.30	BU208A	1.40	TIP30A	2.32	40K37	1.80
	PC1F82	0.95	AC142	0.56	BC142	0.24	BC161	0.10	BF185	0.28	BU209	1.70	TIP30A	0.39	40K38	1.75
	PC1F84	0.75	AC142K	0.38	BC143	0.26	BC162	0.10	BF194A	0.15	BU407	1.10	TIP33A	0.55	40K39	1.50
	PC1F86	1.25	AC151	0.45	BC147	0.18	BC165	0.10	BF195	0.12	BUX80	3.70	TIP34A	0.70	40K40	1.40
	PC1F87	0.50	AC152	0.45	BC147B	0.10	BC169	0.10	BF224J	0.20	BUY20	2.75	TIP41C	0.42	40K41	1.50
	PC1F88	1.95	AC153	0.57	BC148	0.10	BC171A/B	0.16	BF240	0.16	BUY698	2.60	TIP42	0.44	40K42	1.40
	PC1F201	1.95	AC153K	0.46	BC148B	0.30	BC172	0.33	BF241	0.30	BUY698	1.98	TIP47	0.42	40K43	1.30
	PC1F202	0.66	AC154	0.66	BC149	0.10	BC173	0.10	BF242	0.30	BUY698	0.80	TIP47	0.42	40K44	1.40
	PC1F201	0.66	AC155	0.66	BC149B	0.10	BC174	0.10	BF243	0.30	BUY698	0.80	TIP47	0.42	40K45	1.40
	PC1F202	0.66	AC156	0.66	BC149C	0.10	BC175	0.10	BF257	0.22	BY103	0.50	TIP2955	0.70	40K46	1.50
	PC1F801	1.05	AC176K	0.30	BC149D	0.14	BC176	0.10	BF258	0.26	BY122	0.60	TIP3065	0.58	40K47	1.64
	PC1F802	1.05	AC187	0.28	BC157	0.10	BC177	0.10	BF259	0.30	BY126	0.10	TIS88	0.50	40K48	1.70
	PC1F805	1.60	AC187K	0.38	BC158	0.12	BD130Y	0.68	BF262	0.34	BY127	0.08	TIS90	0.27	40K49	1.80
	PC1F806	1.20	AC188	0.38	BC159	0.12	BD131	0.36	BF263	0.38	BY133	0.06	Y728	2.84	40K50	1.90
	PC1F806	1.20	AC188K	0.38	BC160	0.10	BD132	0.36	BF270	0.36	BY135	0.35	Y869	0.10	40K51	2.00
	PC1F807	1.60	AC188K	0.38	BC161	0.10	BD133	0.36	BF271	0.36	BY139	0.48	IN4001	0.04	40K52	2.10
	PC1L82	1.00	AC222	1.50	BC160	0.30	BD135	0.28	BF271	0.28	BY179	0.56	IN4003	0.05	40K53	2.20
	PC1L83	2.50	AD142	0.88	BC161	0.30	BD136	0.28	BF272	0.22	BY182	0.80	IN4004	0.05	40K54	2.30
	PC1L84	1.00	AD143	1.10	BC162	0.20	BD137	0.26	BF274	0.24	BY184	0.38	IN4006/7	0.07	40K55	2.40
	PC1L86	0.90	AD149	0.72	BC169C	0.12	BD139	0.30	BF294	0.46	BY187	0.65	IN4148	0.04	40K56	2.50
	PC1L88	2.50	AD161/176Z	1.20	BC170A/B/C	0.16	BD139	0.30	BF296	0.32	BY189	6.75	IN5400	0.12	40K57	2.60
	PC1L95	1.95	AD162	0.52	BC171A/B	0.10	BD140	0.28	BF297	0.32	BY198	0.64	IN5402	0.13	40K58	2.70
	PC1L95	1.95	AD162	0.52	BC172/B/C	0.12	BD141	0.28	BF298	0.32	BY199	0.72	IN5405	0.16	40K59	2.80
	PC1L95	1.95	AD162	0.52	BC173A/B/C	0.24	BD142	0.28	BF300	0.32	BY206	0.14	IN5406	0.17	40K60	2.90
	PC1L95	1.95	AD162	0.52	BC182A/B/C	0.10	BD150A	0.72	BF371	0.27	BY207	0.16	IN5408	0.19	40K61	3.00
	PC1L95	1.95	AD162	0.52	BC182L	0.12	BD160	1.58	BF450	0.38	BY210	0.21	IN5408	0.19	40K62	3.10
	PC1L95	1.95	AD162	0.52	LA LD LC	0.10	BD165	0.45	BF457	0.36	BY210/400	0.24	IN5408	0.19	40K63	3.20
	PC1L95	1.95	AD162	0.52	BC183A/B/C	0.10	BD183	0.70	BF457	0.36	BY210/400	0.24	IN5408	0.19	40K64	3.30
	PC1L95	1.95	AD162	0.52	BC183B	0.10	BD183	0.70	BF457	0.36	BY210/400	0.24	IN5408	0.19	40K65	3.40
	PC1L95	1.95	AD162	0.52	BC184	0.10	BD183	0.70	BF457	0.36	BY210/400	0.24	IN5408	0.19	40K66	3.50
	PC1L95	1.95	AD162	0.52	BC184A/B/C	0.10	BD183	0.70	BF457	0.36	BY210/400	0.24	IN5408	0.19	40K67	3.60
	PC1L95	1.95	AD162	0.52	BC184B	0.10	BD183	0.70	BF457	0.36	BY210/400	0.24	IN5408	0.19	40K68	3.70
	PC1L95	1.95	AD162	0.52	BC184C	0.10	BD183	0.70	BF457	0.36	BY210/400	0.24	IN5408	0.19	40K69	3.80
	PC1L95	1.95	AD162	0.52	BC184D	0.10	BD183	0.70	BF457	0.36	BY210/400	0.24	IN5408	0.19	40K70	3.90
	PC1L95	1.95	AD162	0.52	BC184E	0.10	BD183	0.70	BF457	0.36	BY210/400	0.24	IN5408	0.19	40K71	4.00
	PC1L95	1.95	AD162	0.52	BC184F	0.10	BD183	0.70	BF457	0.36	BY210/400	0.24	IN5408	0.19	40K72	4.10
	PC1L95	1.95	AD162	0.52	BC184G	0.10	BD183	0.70	BF457	0.36	BY210/400	0.24	IN5408	0.19	40K73	4.20
	PC1L95	1.95	AD162	0.52	BC184H	0.10	BD183	0.70	BF457	0.36	BY210/400	0.24	IN5408	0.19	40K74	4.30
	PC1L95	1.95	AD162	0.52	BC184I	0.10	BD183	0.70	BF457	0.36	BY210/400	0.24	IN5408	0.19	40K75	4.40
	PC1L95	1.95	AD162	0.52	BC184J	0.10	BD183	0.70	BF457	0.36	BY210/400	0.24	IN5408	0.19	40K76	4.50
	PC1L95	1.95	AD162	0.52	BC184K	0.10	BD183	0.70	BF457	0.36	BY210/400	0.24	IN5408	0.19	40K77	4.60
	PC1L95	1.95	AD162	0.52	BC184L	0.10	BD183	0.70	BF457	0.36	BY210/400	0.24	IN5408	0.19	40K78	4.70
	PC1L95	1.95	AD162	0.52	BC184M	0.10	BD183	0.70	BF457	0.36	BY210/400	0.24	IN5408	0.19	40K79	4.80
	PC1L95	1.95	AD162	0.52	BC184N	0.10	BD183	0.70	BF457	0.36	BY210/400	0.24	IN5408	0.19	40K80	4.90
	PC1L95	1.95	AD162	0.52	BC184O	0.10	BD183	0.70	BF457	0.36	BY210/400	0.24	IN5408	0.19	40K81	5.00
	PC1L95	1.95	AD162	0.52	BC184P	0.10	BD183	0.70	BF457	0.36	BY210/400	0.24	IN5408	0.19	40K82	5.10
	PC1L95	1.95	AD162	0.52	BC184Q	0.10	BD183	0.70	BF457	0.36	BY210/400	0.24	IN5408	0.19	40K83	5.20
	PC1L95	1.95	AD162	0.52	BC184R	0.10	BD183	0.70	BF457	0.36	BY210/400	0.24	IN5408	0.19	40K84	5.30
	PC1L95	1.95	AD162	0.52	BC184S	0.10	BD183	0.70	BF457	0.36	BY210/400	0.24	IN5408	0.19	40K85	5.40
	PC1L95	1.95	AD162	0.52	BC184T	0.10	BD183	0.70	BF457	0.36	BY210/400	0.24	IN5408	0.19	40K86	5.50
	PC1L95	1.95	AD162	0.52	BC184U	0.10	BD183	0.70	BF457	0.36	BY210/400	0.24	IN5408	0.19	40K87	5.60
	PC1L95	1.95	AD162	0.52	BC184V	0.10	BD183	0.70	BF457	0.36	BY210/400	0.24	IN5408	0.19	40K88	5.70
	PC1L95	1.95	AD162	0.52	BC184W	0.10	BD183	0.70	BF457	0.36	BY210/400	0.24	IN5408	0.19	40K89	5.80
	PC1L95	1.95	AD162	0.52	BC184X	0.10	BD183	0.70	BF457	0.36	BY210/400	0.24	IN5408	0.19	40K90	5.90
	PC1L95	1.95	AD162	0.52	BC184Y	0.10	BD183	0.70	BF457	0.36	BY210/400	0.24	IN5408	0.19	40K91	6.00
	PC1L95	1.95	AD162	0.52	BC184Z	0.10	BD183	0.70	BF457	0.36	BY210/400	0.24	IN5408	0.19	40K92	6.10
	PC1L95	1.95	AD162	0.52	BC185	0.10	BD183	0.70	BF457	0.36	BY210/400	0.24	IN5408	0.19	40K93	6.20
	PC1L95	1.95	AD162	0.52	BC186	0.10	BD183	0.70	BF457	0.36	BY210/400	0.24	IN5408	0.19	40K94	6.30
	PC1L95	1.95	AD162	0.52	BC187	0.10	BD183	0.70	BF457	0.36	BY210/400	0.24	IN5408	0.19	40K95	6.40
	PC1L95	1.95	AD162	0.52	BC188	0.10	BD183	0.70	BF457	0.36	BY210/400	0.24	IN5408	0.19	40K96	6.50
	PC1L95	1.95	AD162	0.52	BC189	0.10	BD183	0.70	BF457	0.36	BY210/400	0.24	IN5408	0.19	40K97	6.60
	PC1L95	1.95	AD162	0.52	BC190	0.10	BD183	0.70	BF457	0.36	BY210/400	0.24	IN5408	0.19	40K98	6.70
	PC1L95	1.95	AD162	0.52	BC191	0.10	BD183	0.70	BF457	0.36	BY210/400	0.24	IN5408	0.19	40K99	6.80
	PC1L95	1.95	AD162													



TELEVISION

EDITOR

John A. Reddihough

ADVERTISEMENT MANAGER

Roy Smith
01-261 6671

CLASSIFIED ADVERTISEMENTS

Pat Bunce
01-261 5942

Please note that the telephone numbers above are for contact with the advertisement departments only. Editorial enquiries should be sent to the editor at the address given on page 345.

FRONT COVER

This month's front cover photo shows the Thorn TX90 as an example of a modern TV chassis. See new series starting on page 363.

CORRECTION

A correction is required to the list of French fifth TV service channel allocations on page 248 of the February issue: the Paris allocations (first quarter, 1986) should have been shown as 33, 36 and 56.

The Problem of Spares

The problem of finding sources of spares for the very wide range of TV sets and VCRs that have been sold in the UK in recent years has become quite a bugbear for many shops and service departments. We certainly get more enquiries about this than anything else. It can be very time consuming ringing round various firms in the hope of being able to get hold of say a line output transformer for a set bearing one of the less well known brand names. And that's time which can't be spent on the main matter in hand – getting the sets repaired and out.

There's been a great change in the UK radio and television trade over the last twenty or so years, brought about by the ending of retail price maintenance and the change to 625-line operation. The cozy days of 405 lines, and prices and profit margins that were known and kept to, have long since gone. Twenty years ago the vast majority of sets sold in the UK were locally produced by firms that had very often been in the business since the earliest days of radio, and there was a certain annual ritual – a new range of models incorporating the latest wonders from Mullard and others would be announced to coincide with the annual show at Earls Court. Nowadays few setmakers bother with formal trade announcements of new models – most new sets seem to enter the range when it suits the production line. One result of this is that it's much more difficult to keep tabs on new models and chassis. Then there's the fact that the larger high street multiples have, following the end of retail price maintenance, long since abandoned the traditional trade arrangements. They buy in bulk and often put their own brand name on the set, be it UK produced or brought in from abroad – the Continent, Japan, Korea, Hong Kong, Taiwan, Singapore or elsewhere. This is all very well, the customer no doubt gets a good deal, but sooner or later the set is likely to arrive on the workbench of someone who's not familiar with it. What does the independent shopkeeper or repairer do when confronted by a Saisho, Matsui or Seismo? He won't find any reference to it in any of the usual trade lists, which seem to reflect the trade scene of twenty years ago rather than today. He may well be able to establish the source of the set by asking the owner, but he's still got to track down any spares that might be required.

Mindful of all this we decided to produce a TV/VCR spares guide that comes with the present issue (it not included with export copies since we assume that overseas readers will have their own local sources of supplies). We think that most of the major and also many of the more obscure makes and brands have been included but there are probably quite a few that haven't, especially when it comes to imported monochrome portables. Some of these have been brought into the country by small importers who may have stopped dealing with electrical goods or ceased to trade, leaving no trace of themselves. There are probably many readers who will be able to spot an omission or provide additional information. We'd welcome any comments or further information readers can supply. If a firm has gone out of business it may well be that parts are simply not available. There's also the case of sets imported by individuals – in particular those who've worked abroad or frequently visit foreign parts. These may be converted to UK standards but are often unrepairable thereafter.

The problem of spares is not only a matter of knowing the correct address or telephone number. Since they can't hold stocks for vast numbers of models dating back over many years setmakers impose time limits on what they are prepared to supply. While the setmaker's problem is understandable, it can still cause distress to the owner of say a ten year old set that's had little use. It sometimes comes as a surprise to learn what's now considered to be obsolete. The latest issue of *Ferguson Feedback* for example tells us that Ferguson can no longer supply spares for the 1613 monochrome range and the 9000 series colour chassis – unless parts are common to later chassis. I'm sure that I'm not the only one who regards these sets as being fairly up to date – they're not hybrids, after all! Fortunately this doesn't necessarily mean that spares can no longer be obtained. Advertisers in this magazine can often supply common parts long after the setmaker has ceased to hold stocks. There are other spares stockists who may well be able to provide what's required, such as HRS Electronic Components Ltd. (100 Great Barr Street, Bordesley, Birmingham B9 4BB – 021 771 2525), SEME Ltd. (Units 2E and 2F, Saxby Road Industrial Estate, Melton Mowbray, Leics. LE13 1BS – 066 465 392) and Willow Vale Electronics Ltd. (11 Arkwright Road, Reading, Berks. – 0734 876 444). HRS list spares for some Indesit sets in their catalogue – Indesit themselves can no longer supply spares for brown goods.

Our spares guide is up to date at the time of publication, but one of the things that was brought home to us while compiling it was the considerable changes constantly taking place in the trade. Even large, well known setmakers move their spares/service departments from time to time – Tatung, Toshiba and Sony have all done so in recent months. Then there are the mergers and closures continually taking place. The takeovers of Telefusion and Currys and Rediffusion's withdrawal from TV manufacture are recent examples.

We have our own problems too! Our Post Sales department was closed down recently, which is causing difficulties – particularly with back issues. We are having to impose a six months' limit on back issues and even with this time scale some issues are in very short supply.

Teletopics

IBA's DBS PLANS

The IBA is proceeding with plans to advertise for contractors to provide up to three DBS TV services for the UK. This follows an announcement by the Home Secretary that sections 37-41 of the Cable and Broadcasting Act are being brought into operation. The IBA's Director General John Whitney commented that "we are enthusiastic at the prospect. DBS will take the UK into television's new space age, introducing wider choice for viewers and opening up new opportunities in the entertainments and electronics industries. We shall be proceeding with all speed while aiming to ensure that the firmest possible basis is laid for the new services." If suitable contractors are found the IBA feels that satellite TV services could be in operation before 1980. The nature of these additional services will be discussed with applicants for the franchises: the IBA says it will be looking for a variety of programming to supplement the comprehensive output already provided by the ITV and Ch. 4 services. Funding could be by advertising, subscription or a combination of the two. Under the 1984 Cable and Broadcasting Act the contractors will be responsible for providing the satellite transponders, subject to specifications laid down by the IBA which, as broadcaster, will be responsible for the quality of the services. The government has made it clear that prospective contractors will be given freedom in the choice of a satellite system.

MIRRORVISION AND PREMIERE TO MERGE

Robert Maxwell, publisher of *The Mirror*, is to take over the 41.2 per cent stake held by Thorn-EMI and Goldcrest's 9.8 per cent stake in the satellite film channel Premiere. The rest of Premiere's equity is held by US film companies. MirrorVision, which superseded the original movie channel TEN, and Premiere will be merged to form a single satellite film channel for UK cable services.

Thorn-EMI has also sold its interest in the pop music channel Music Box to Richard Branson's Virgin Records group.

It seems that Sky Channel is being affected by transmitter problems on the Eutelsat I-F1 satellite. Some loss of power is attributed to partial failure of the travelling-wave tube output devices used by the transponders. Uplink power has been increased to compensate but will lead to overloading and distortion beyond a certain point. It was TWT failure that put the initial Japanese TV satellite out of action.

CABLE FRANCHISES

As mentioned in last month's leader, the Cable Authority has awarded further franchises. Cable Camden is to provide a service for the London borough of Camden, Robert Maxwell's British Cable Services will run the Cardiff-Penarth service, Lancashire Cable Television is to operate the central Lancashire service and Cablevision (Scotland) has been awarded the Edinburgh franchise. There's been a delay in the announcement about the Southampton area franchise due to an ownership change of one of the members of the consortium applying for this. The Authority is to advertise a further franchise covering South Bedfordshire, including Luton, Dunstable and Leighton Buzzard. This will be the first franchise to be

advertised by the Authority since its decision last November to defer advertising a further group of franchises in view of cable TV's financial difficulties.

British Telecom has reached agreement to purchase Thorn-EMI's 51 per cent interest in Coventry Cable and its total shareholding in Swindon Cable.

RANK BIDS FOR GRANADA

The Rank Organisation has made a £753m bid for the Granada Group whose largest component is the Granada TV rental chain – in the last financial year this contributed a profit of £48.3m out of a total group profit of £65.9m. It seems that the cash flow generated by the rental group was of prime interest to Rank. It also seems that the bid could be blocked by the IBA which has objected on the grounds that it will not agree to a change of ownership of the Granada Television broadcasting franchise.

FRENCH FIFTH AND SIXTH CHANNELS

France's fifth and first commercial TV network started transmissions in late February. A sixth service has been approved by the government. This will again be commercial and will concentrate on music programmes. The franchise to run the sixth network has gone to a group that includes Films Gaumont, a private radio station and two French advertising groups.

GEC ISSUES TELETEXT WRITS

GEC has served writs on UK TV setmakers and importers claiming infringement of teletext patents held by the company. This seems a strange move considering that teletext services started ten years ago, with an initial agreement to waive patent rights in the interests of getting the service started, but GEC now wants a royalty of £3 on every teletext set sold. The industry is not very happy with the prospect of lengthy litigation.

COLOUR LCD DEVELOPMENTS

Matsushita and Casio have both announced new colour receivers using liquid-crystal displays – the sets are expected to be on sale in Japan later this year. Matsushita's 3in. Panacrystal set will have a display with 89,000 pixels, compared to a present limit of about 50,000 in this size, giving improved definition. Production will initially be at around 20,000 a month and the retail price is expected to be in the region of £230. Casio intends to introduce a 12in. model.

TVRO EQUIPMENT

Connexions Satellite Systems Ltd., 125 East Barnet Road, New Barnet, Herts EN4 8RF (01-441 1282) have announced a TVRO system at £999 to include installation, VAT and a 1.6m dish. It's being made available through approved distributors and dealers and is an addition to Connexion's range of TVRO systems.

Armstrong Electronics, the specialist Irish distributor of satellite TV receiver systems, aerials and electronics, has announced a new range of dish aerials, both solid and perforated, in sizes ranging from 1.5m to 4m. The dishes are supplied with polar or fixed mounts, with the facility to fit a motor or hand crank if required. Each polar mount is supplied with comprehensive alignment instructions. The dishes are made of spun aluminium and Armstrong say they have reports of excellent reception from customers throughout the UK and particularly in the West of Ireland, where the Intelsat signal levels are lower. Match-

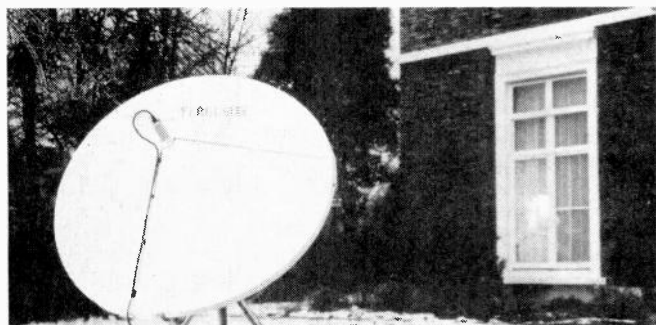
ing WR75 and C120 (NEC type) feedhorns and Houston Tracker motors and control units are available. Additional information on the range can be obtained from the Marketing Distributor, Armstrong Electronics Ltd., 4/9 Blessington Court, Dublin 7, Ireland. From the UK phone 0001-309322.

The major TV manufacturers are now getting into the TVRO field. Philips is to launch a range of domestic and professional satellite TV receiving equipment manufactured by its French subsidiary Portenseigne S.A. About 200 domestic and 100 larger systems a month are at present being produced. Philips intend to introduce an adaptor for MAC-encoded DBS signals next year. Ferguson has introduced the ES01 TVRO package at an initial suggested price of £1,495, or around £1,700 installed. The standard dish size is 1.5m but 1.2m or 1.8m dishes are available as options. The equipment is being supplied to Ferguson by Satellite TV Antenna Systems. Ferguson has carried out a survey to determine interest in satellite TV reception in the UK. It found that seventy five per cent of households would like to sample satellite TV provided the cost is less than £15 a month, and estimates that to date there are only some 2,000 domestic TVRO installations in the UK – it expects this total to rise to 30,000 within two years irrespective of the start of DBS services.

Thorn-EMI subsidiary DER has announced a new TVRO deal – its customers can now either rent or buy a TVRO system. The initial DER rental arrangement was mentioned in Teletopics, January. The rental is £50 a month for the first year, falling to £45 and £15 a month in the second and third years, plus a monthly charge of £12 as a programme subscription. Alternatively the equipment can be supplied and installed for £1,500 which includes VAT and the DTI licence required. Installation takes around six hours. The equipment is manufactured by NEC. The cost is increased if reception of both vertically and horizontally polarised signals is required since an extra LNC has to be fitted. DER has installed over thirty TVROs to date – the vast majority of customers have opted for rental agreements.

IN-CAR VIDEO SYSTEM

Blaupunkt has introduced an in-car video system comprising a monitor with 4½in. screen, a portable VTR and an interfacing box. Price is around £1,500 plus VAT. For legal reasons the monitor is for backseat viewing only, being intended for installation between the car's front seats. The system can be used with a camera or, via a modem and Cellnet, as a computer terminal. Headphones and remote control are available and a TV tuner is expected later. Details from Robert Bosch Ltd., PO Box



The Ferguson SD01 dish aerial with SB01 low-noise block (converter/amplifier). Polarisation can be adjusted by remote control.



The Ferguson SM01 satellite receiver module features full infra-red remote control, digital clock and channel display and a 99 programme channel memory. It's compatible with standard system I UK TV receivers and has been specified so that it can be adapted for use with future satellite TV transmissions.

98, Broadwater Park, North Orbital Road, Denham, Middx UB9 5HJ (0895 833 633).

RUMBELOWS TO END RENTALS

Thorn-EMI's electrical retail chain Rumbelows is to pull out of TV and VCR rentals. Rumbelows' 350,000 rental contracts will be transferred to other Thorn subsidiaries – DER, Radio Rentals and Focus TV. The move could involve a loss of up to 650 jobs, mainly in the service and administration departments.

BATC RALLY

Sunday May 4th is this year's date for the annual BATC rally, which will again be held at the Post House Hotel, Crick near Rugby – at turn off 18 on the M1. The doors open at 10.30 a.m. and admission is free. The biennial BATC AGM will be held after the rally, at 4.30 p.m.

The latest issue of the BATC's excellent magazine *CQ-TV* includes, amongst many other things of interest, a complete 1.3GHz ATV transmitter project – it's emphasised that this is not suitable for those with little experience in this field.

SALORA-LUXOR JOINT OPERATIONS?

It's reported that talks have been held between Salora and Luxor with a view to merging some of their UK operations. The talks have been held in Finland: Salora has a 70 per cent interest in Luxor.

CEEFAQ ON SIX LINES

BBC teletext signals are now being transmitted on six lines instead of four, giving users a much faster service. The improvement has been brought about by the use of new computer software, which should also ensure a more reliable service.

A new system of network transmission of subtitles for the deaf and hard of hearing has also been introduced on Ceefax. This allows simultaneous broadcasting of subtitles on BBC-1 and BBC-2: page 888 carries subtitles on all channels.

MAINS PLUG-FILTERS

The problem of providing sensitive equipment such as microcomputers with protection against mains-borne interference has led to the introduction of two mains plug-filters. The LCR Components plug (LCR Components, Woodfield Works, Tredegar NP2 4BH) sells at around £16 and incorporates a filter consisting of twin chokes on a

ring core and three capacitors. The Duraplug mains filter-adaptor is available for £17.90 including VAT from IML, Blair House, High Street, Tonbridge, Kent. It incorporates a metal-oxide varistor to provide protection.

V2000 SYSTEM OFFICIALLY DEAD

Philips has announced that it will not be producing any further V2000 system VCRs. Production was suspended eighteen months previously but Philips had kept open the option to resume manufacture. Four V2000 machines will continue to be sold in the UK while stocks last. Service and spares will be continued in accordance with the seven year rule and Philips is to ensure that blank and prerecorded cassettes will continue to be available. Between 250,000 and 300,000 V2000 VCRs have been sold in the UK.

SINCLAIR TVs DIRECT FROM TIMEX

Sinclair Research Ltd. and Timex have announced that Timex are now handling the worldwide marketing, sales and distribution of Sinclair flat-screen pocket TV sets, which will in future be packed and despatched direct from the Timex plant in Dundee where they are produced. At the same time a substantial price reduction, from £99.95 to £79.95 including VAT, has been announced. The flat-screen TV set was launched in September 1984: a u.h.f./v.h.f. export model is to be announced shortly.

NEW MULLARD SYNC CHIP

Mullard have announced a new sync/timebase generator chip, type TDA2579, which can handle TV and VCR signals automatically without need for external identification and switching. It's an improved version of the TDA2578A and in addition incorporates a field frequency divider circuit compatible with 50 and 60Hz signals, eliminating the need for manual field frequency adjustment. The chip is intended for use with the Mullard

TDA3653/3654 field output i.c.s. It separates the field and line sync pulses and uses them to synchronise an internal line oscillator and a triggered divider system for the field signal. The ability to adapt the time-constant for TV/VCR signals is based on a built-in circuit that measures the noise at the middle of the line sync pulse to determine the type of source: this information is used to set the time-constant of the line phase detector automatically to the optimum value. The i.c. also generates a three-level sandcastle pulse for the colour decoder. An 18-pin plastic DIL encapsulation is used and the chip requires a 12V supply, consuming typically 68mA.

INTERMITTENT CHANNEL SELECTION

Intermittent channel selection problems have been reported with Preh channel selector units used in the Thorn TX9, TX10, TX90 and TX100 chassis. The problem is generally due to oxidised contacts. These are accessible after a certain amount of dismantling that looks more awkward than it is. Full details of how to go about it are given in the current issue of *Ferguson Feedback*.

ADVERTISEMENT CORRECTION

We must apologise to Chromavac and to readers for an error that occurred in the Chromavac advertisement last month, on page 288. The words "free 10 year guarantee on all our tubes" should have been omitted.

DORIC-REDIFFUSION SPARES

Spares for Doric, Murphy and Rediffusion colour TV sets fitted with the Rediffusion Mk. 3, Mk. 4 and Mk. 4A chassis are available from Brian Jack Buckle, Hillcrest, Roughton, Nr. Woodhall Spa, Lincoln LN10 6YJ (065 823 247). Now that Rediffusion has ceased TV manufacture the supply of spares could become a problem. We are informed that Brian Jack Buckle holds large stocks supplied by Rediffusion.

Checking ICs

Eugene Trundle

Your need for special probes and prods for i.c. testing depends very much on the vintage of the equipment that comes your way. Chips are found in some quite ancient TV sets. The spacious board layouts used in such sets made checks at i.c. pins an easy matter. With much modern TV equipment however, especially VCRs and cameras, the boards are tightly packed, making it difficult to gain access to the printed tracks – particularly with double-sided boards. It's sometimes necessary to diagnose and repair a fault without ever getting to see the underside print pattern. . . .

Teletext decoder servicing is another example – less frustrating – of a situation where much chippery is involved. It may be necessary to hook voltmeters and oscilloscopes to the i.c. pins: with this there's considerable danger of shorting from one pin to the next. I get away with this amazingly often, but the practice can hardly be recommended! A range of test clips that enable i.c. pin connections to be brought out to a row of test points well clear of the board is available – notably from RS Components. This is very useful, but unless some specially

prepared, small insulated socket is available to push over these test points the risk of an accidental short is still present. Another point is that the i.c.s nowadays found in consumer electronics products come in a tremendous range of shapes, sizes and configurations: test clips are not available for all of these.

To overcome such problems Tandy is now marketing a special i.c. testing adaptor, catalogue number 270-335. It consists of a single-point probe in a two-pronged insulating plastic shroud. In use, the two plastic lugs slip into the gaps between the i.c. pins. This not only prevents the possibility of shorts, it also positively positions the metal probe tip on to the required pin.

I've recently been trying one out and found that it works well on all types of i.c.s with standard 0.1in. (2.54mm) pin spacing, though there can be a problem in gaining access to the inner pins with a QUIL configuration. Good contact was made even to tarnished i.c. pins – it's quite common to find that i.c. pins have a black oxide coating after exposure to the atmosphere for a year or two.

The very small pin spacing used with some LSI chips precludes the use of this adaptor: how about a tiny version, Tandy/Archer/Radio Shack? Otherwise I was very happy with the device, which costs less than a pound inclusive of VAT. It may not fit your existing multimeter or scope probe tip – the split socket inside didn't fit mine. Tandy sell compatible prod/lead sets however. . . .

Table listing various electronic components such as resistors (AA117, AA119), capacitors (AC107, AC126), transistors (2N1131, 2N1132), integrated circuits (7818, 7824), and tubes (6BE6, 6BE7). Each entry includes a part number, a quantity, and a price. The table is organized into multiple columns and includes sub-sections like 'VALVES', 'ZENERS', 'TRANSISTORS', 'JAPANESE', 'DODES', 'LOW PROFILE SOCKETS', 'REGULATORS', and 'LINEAR IC'S'.

CHROMAVISION

MANCHESTER and BIRMINGHAM

061-736 6333 021-784 2561

★ WORKING VIDEOS
100's IN STOCK

WORKING, NON WORKING + UNTESTED TV's
AT LOW, LOW PRICES THORN, ITT, BUSH, PHILIPS, ETC.
WORKING SETS FROM £25.00
TELETEXT, REMOTES, BASICS
ALSO COLOUR PORTABLES, NORDMENDE, T.X. ETC.

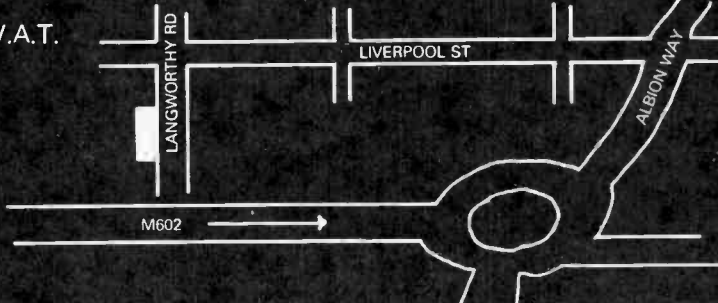
CLOCK TRIMS FOR 3V16/22 VCRs £2.00

CASH ONLY

CHROMAVISION, 95 LANGWORTHY RD, SALFORD, MANCHESTER M6 5PH

All prices subject to V.A.T.

WE ARE HERE
Only 2 minutes from end of motorway



Open 6 days a week
9.30 a.m. - 6.30 p.m.
Sundays by appointment

Modern Receiver Circuitry

Part 1: Power Supplies

J. LeJeune

Over the last decade the switch-mode power supply has come into general use in TV sets for mains only operation. The advantage over alternative systems, for example the use of a series or parallel regulator or a thyristor circuit, is increased efficiency. There are two basic versions of the switch-mode power supply, the series and the shunt type.

Series Chopper

The series type was the first to be adopted in TV sets, starting with the Thorn 3000/3500 series chassis. Fig. 1 shows the basic circuit. Chopper transistor Q1 is switched on and off at a comparatively high frequency, usually at line rate. Its collector is connected to an unregulated d.c. supply derived from the mains by rectification. When Q1 is switched on current flows through the reservoir inductor L1 and the load. When it's switched off the magnetic field built up around L1 collapses and a negative voltage pulse appears at the emitter of Q1. Diode D1 conducts, maintaining the flow of current through L1 and the load. C1 is present to provide smoothing. Regulation is achieved by varying the chopper transistor's on/off times, i.e. the mark-space ratio of the squarewave drive waveform applied to its base. Turning the chopper transistor on for a shorter time during each cycle of operation (duty cycle) reduces the energy transferred to the load. Thus the h.t. falls. Increasing the transistor's on time increases the energy transferred to the load so that the h.t. rises. A resistive network is used to sense the h.t. (via R2) and adjust the on/off timing so that the h.t. is kept constant despite variations in the load demand and the mains input. The series chopper circuit has now fallen into disuse. The alternative shunt circuit has a number of advantages, mentioned below.

Shunt Chopper

The shunt version (see Fig. 2) became popular because of its flexibility and high efficiency. It's also safer in the event of the chopper transistor going short-circuit. The use of a transformer is a bonus in that several secondaries can be used to provide various regulated supplies: it also offers the possibility of mains isolation. Early shunt-type circuits operated synchronously with the line timebase and were difficult to isolate from the mains because of the voltage sensing and synchronising requirements. More recent designs use asynchronous switching and incorporate the highly desirable feature of mains isolation. Most of these later designs are based on the use of the Siemens TDA4600 chopper control chip. We'll look at the operation of this device in greater detail later.

A major difference between the series and shunt circuit is that in the former energy is supplied to the load when the chopper transistor is switched on whereas in the shunt circuit energy is stored in the reservoir inductance when the chopper transistor is switched on and is supplied to the load, after transformation if a transformer is used, when the chopper transistor is switched off – this type of circuit is sometimes referred to as a flyback converter.

Fig. 3 shows the basic shunt circuit with transformer. A

squarewave drive waveform with variable mark-space ratio is applied to the base of the chopper transistor Q1. When Q1 is switched on, current flows in the transformer's primary winding. Because of the winding's inductance, the current flow builds up in the form of a ramp (see Fig. 4). If the chopper transistor was left on for too long the current would, after a short while, settle at a steady value: this is not allowed to happen in a switch-mode power supply. At some point during the ramp the chopper transistor is switched off: since this interrupts the flow of current in the transformer's primary winding there's nothing to maintain the magnetic flux in the transformer. The flux collapses, at a rate determined mainly by the inductance of the primary winding, self- and stray-capacitances and the loading on the secondary winding(s). The phasing of the secondary winding is arranged so that rectifier diode D1 then conducts, charging its reservoir capacitor C1. The greater the flux density in T1's core at the instant when Q1 is switched off the greater will be the rate of change of its collapse and hence the greater will be the output from the circuit. Since the flux density established in T1 is directly proportional to Q1's on time, the output obtained can be adjusted by varying the mark-space ratio of Q1's base drive waveform.

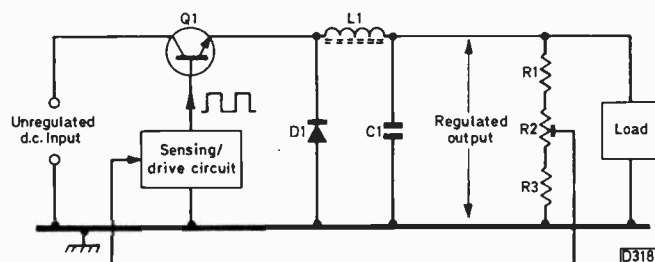


Fig. 1: Basic elements of a series chopper circuit.

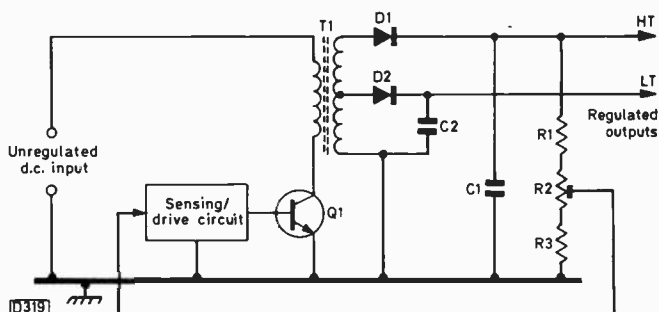


Fig. 2: Shunt chopper circuit with transformer.

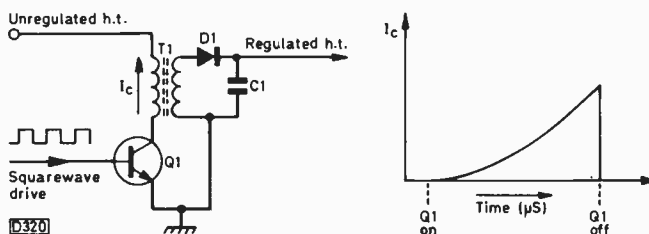


Fig. 3 (left): Operation of the shunt chopper.

Fig. 4 (right): Rise of primary winding current.

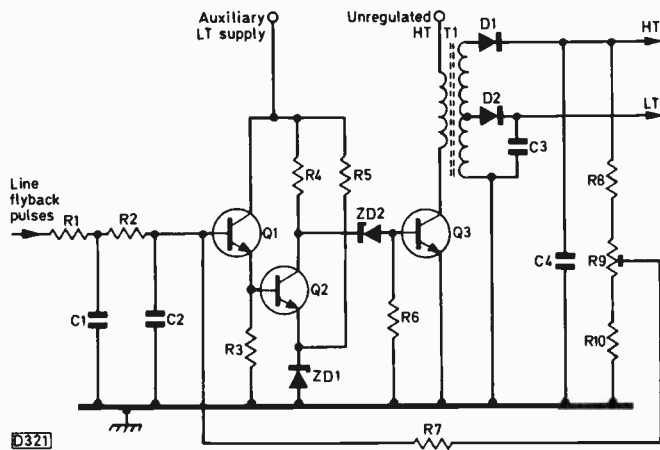


Fig. 5: Synchronous chopper circuit.

By feeding a proportion of the output voltage to a sensing circuit the system will provide self-regulation within limits.

Synchronous Chopper Circuit

In a line-frequency synchronised system it's convenient to use a sawtooth waveform as the basis of the control system since this can be conveniently obtained by integrating the line flyback pulses. The sawtooth waveform is applied to the base of a switching transistor along with a bias voltage which consists of d.c. feedback from the circuit's output. The point at which the transistor switches on during the sawtooth depends on the feedback bias. Regulation is thus achieved. Fig. 5 shows a way of going about this.

Line flyback pulses are integrated by R1, C1, R2, C2 to produce a sawtooth signal at the base of the transistor Q1. The base bias for Q1 is obtained from the slider of the set-h.t. control R9. Q1 is connected as an emitter-follower, providing current gain and a medium input impedance; it drives the base of the amplifier/inverter transistor Q2. The voltage at the base of Q2 required to turn this transistor on is set by zener diode ZD1 in its emitter circuit: this is usually a 6.2V type as these have a near-zero temperature coefficient and are thus ideal as reference elements. The base of the chopper transistor Q3 is forward biased by R4 and ZD2. When Q2 is turned on by Q1 when this transistor conducts, its collector voltage will fall and both ZD2 and Q3 will switch off. ZD2 is included to make Q3's switching action sharper: its value can be chosen for the correct drive amplitude at the base of Q3.

The line-frequency sawtooth waveform and the feedback bias together provide a variable mark-space ratio squarewave drive for Q3. Fig. 6 clarifies this. The sawtooth waveform sits on top of the bias obtained from R9. As the bias rises or falls, in accordance with a rise/fall in the output from the switch-mode regulator, so the point at which Q2 conducts during the sawtooth is either

advanced or retarded. Fig. 6(a) shows the case where the output and the d.c. bias have fallen: only the peaks of the sawtooth cross Q2's turn-on voltage, with the result that Q3 conducts for a longer period to restore the output voltage to the correct level. Fig. 6(b) shows the normal operating conditions, with a 50-50 mark-space ratio setting the control circuit at the centre point in its regulation range. In a well-designed circuit this would be the operating point with a standard mains input voltage and average load current demand. Though d.c. coupling is shown between the driver transistor Q2 and the chopper transistor Q3 transformer coupling is normally used to improve circuit efficiency and reliability.

The type of circuit considered so far has fixed-frequency drive. D.C. feedback is required, so that mains isolation is not possible. In some circuits the drive for the line output transistor is obtained from a winding on the chopper transformer, eliminating the need for a line driver stage.

Self-oscillating Chopper

Most recent TV receiver switch-mode power supplies are of the self-oscillating type, using a separate sensing winding on the chopper transformer to provide information on the output conditions. The widely used TDA4600 chopper control chip was developed by Siemens for use in this application. Both isolated and non-isolated versions of this type of circuit are found: Fig. 7 shows a non-isolated circuit. The oscillation frequency is nominally 25kHz but varies under different load conditions.

Q1 is the chopper transistor and T1 the chopper transformer. Pin 9 is the i.c.'s d.c. supply pin. A start-up supply is provided by R1, D1 which charge C4 at switch on – some setmakers provide a more elaborate system for goading the i.c. into life. When the voltage at pin 9 is sufficient to operate the internal stabilisers the chip will come into operation, driving Q1 from pins 7 and 8. The turn-on drive is via R9 and C3: turn-off occurs when the voltage at pin 7 falls below 2V. Once the circuit has got going the output from pin 4 of the transformer will be rectified by D3, producing a higher voltage across C4 than the start-up voltage: D1 is then reverse biased. The i.c. now operates from a supply stabilised by itself: all the internal systems within the i.c., apart from the output amplifier connected to pin 8, are fed from an internal stabiliser. This feature makes the i.c. independent of mains supply voltage variations over a wide range.

Winding 3-5 on the transformer provides the feedback for regulation. The signal at pin 5 is rectified by D2 to produce a negative voltage across C2. This is applied to the bottom of the set-h.t. control VR1. An internal 4V reference supply is available at pin 1 of the i.c. and is applied via R5 to the other end of the control network. As a result pin 3 receives a voltage which is set by VR1 and depends on the output provided by the transformer – under normal operating conditions the voltage at pin 3 is

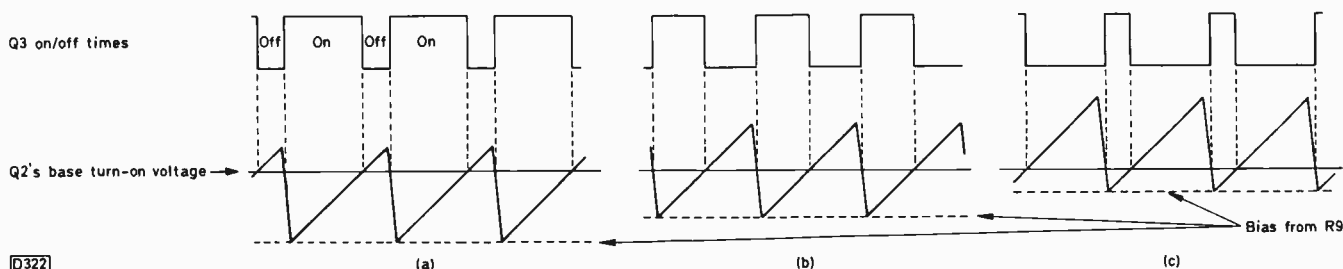


Fig. 6: Production of a variable mark-space ratio drive waveform.

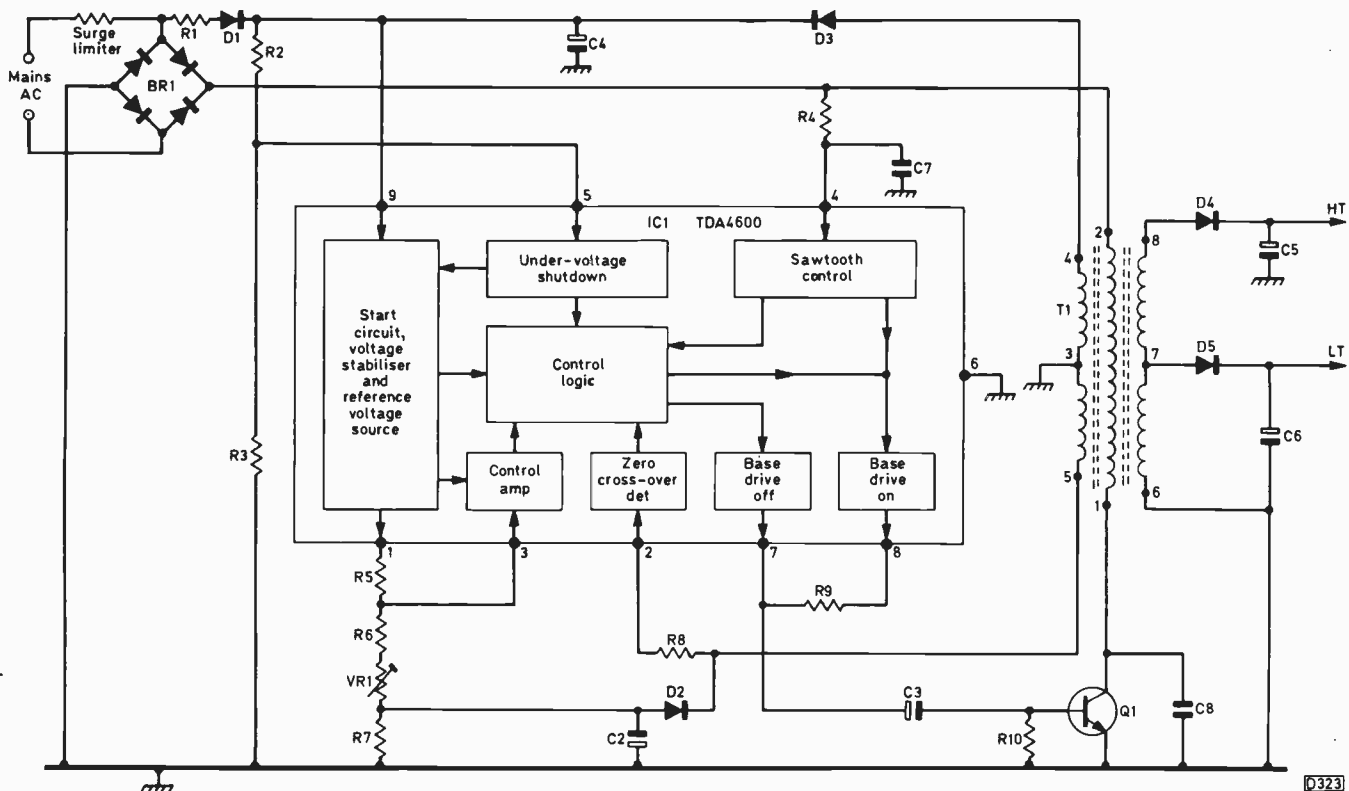


Fig. 7: Self-oscillating chopper circuit of the Siemens type, using a TDA4600 control i.c.

nominally 2V.

An increase in the output provided by the transformer will increase the negative voltage across C2. The reduced voltage at pin 3 is sensed by the control logic within the chip and the mark-space ratio of the drive waveform for Q1 is adjusted accordingly.

When Q1 is switched off the interruption to the flow of current through winding 1-2 of the transformer results in a collapse of the flux developed in the transformer. Positive-going outputs appear at pins 1, 4, 7 and 8. The rectifiers connected to pins 7 and 8 provide the supplies for the receiver, across C5 and C6. D3 provides the supply for the chip, as we've seen. C8 is included to delay the rise time of the voltage at the collector of Q1: this reduces the transistor's dissipation at switch off.

The output at pin 5 of the transformer is also fed to pin 2 of the chip via R8 to provide zero-crossover information for the control circuitry within the i.c. Zero voltage at pin 2 of the chip corresponds with zero energy in the transformer: the zero-crossover detector within the i.c. delivers an output to the control logic which in turn switches Q1 on again. This method of detecting the zero transition has the advantage that Q1 acts as a damping element. Thus the transistor's off period is determined by the time taken for the energy stored in the transformer to decay to zero, the zero-crossover point signalling that Q1 should be turned on again.

Should a short-circuit occur on the output side of the power supply the output at pin 5 of the transformer will fall, as will the negative-going voltage produced by D2. The voltage at pin 3 of the chip will rise and at 2.3V an internal bistable will be set, putting the chip's control logic in the short-circuit mode. In this condition the mark-space ratio falls to 1:244, the frequency of operation is reduced to 1.4kHz and the power consumption is just 4W. The unit can operate in this mode indefinitely.

The RC network R4/C7 produces a sawtooth at pin 4 of

the chip when Q1 is conductive – when Q1 is off pin 4 is at chassis potential. The sawtooth has a dual purpose. The rising portion provides the base drive for Q1, via the base drive amplifier. This holds Q1 in the saturated condition during its conductive period, preventing excessive dissipation. The amplitude of the sawtooth is also sensed within the i.c. to gauge the transistor's dissipation limit: should the peak-to-peak amplitude of the sawtooth exceed 4V the drive will be clamped to a safe level by the control logic, protecting the transistor and the transformer. This arrangement relies on the stability of R4 and problems with failed chopper transistors in sets employing a TDA4600 can often be traced to this resistor having increased in value from its usual 270kΩ or so to something much higher.

Pin 5 of the chip is concerned with under-voltage protection. If the voltage at pin 9 is low the TDA4600 may not operate correctly: pin 5 is supplied from pin 9 via potential divider R2/3 and when the voltage at this pin falls below 2V the under-voltage shutdown circuit comes into operation.

As previously mentioned the nominal operating frequency of the circuit is 25kHz. Under no-load conditions the frequency rises to in excess of 76kHz. Although this is well outside the normal operating limits no harm will result provided the chopper transistor and transformer are suitable for operation at this frequency. Under stand-by conditions, with consumption of 5-10W, the operating frequency is around 60kHz: some designers include a pre-load resistor on one of the main supply rails to limit the frequency rise in this condition to a value acceptable to the whole circuit.

With a typical efficiency of 83 per cent, low dissipation and temperature rise, high stability, ability to handle a wide range of input voltages and an economical component count it's no wonder that this type of circuit has proved to be so popular.

Quick Checks: Fidelity CTV14R

S. Simon

These sets continued in production for some time. Apart from a few common faults they've given good service. The weak link is undoubtedly the type of line output transformer originally fitted. The type of transformer used in a set can be immediately ascertained by noting where the focus and first anode preset controls are situated. If they are on the tube's base panel the transformer is of the original type. With later types and replacements the controls are integral with the transformer: two knobs are present to prove the point and there are no controls on the tube base panel.

Symptoms

The symptoms when line output transformer trouble is brewing are many and varied. The usual initial warning comes when it's reported that the screen flashes and the receiver goes off intermittently, the channel selector returning to 1. This could mean something other than transformer trouble of course. It could mean nothing more than a dry-joint, the location of which may call for the removal of the main panel from the plastic frame as the faulty connection may be under one of the struts of the frame. Fortunately however the trouble may well be in full view when the chassis is upended: it's often around the BUX84 chopper transistor or one of the wire-wound resistors.

When we first started to sell these sets the main troubles seemed to centre around the front control panel, with cracked tracks and the like. Since then the real villain has turned out to be the line output transformer.

We've mentioned that replacement line output transformers have the focus and first anode controls built in. This is not the only difference. They also have a different base, so that a subpanel has to be added when fitting. The existing focus and first anode preset controls have to be removed from the tube base and the wires from the transformer fitted directly to the panel. Unfortunately the replacement type of transformer, though far more reliable, seems to be particularly sensitive to dampness. If a set is constantly used in the kitchen, which is quite common, the transformer tends to arc and spark to nearby chassis mounted components etc. This is more often the case with the Mk. II version of the similar CTV14S, where the transformer is situated farther to the rear and closer to other items.

Chain Reactions

It's often the case that other components will fail when there's a short in the line output transformer. The h.t. feed resistor R901 (4.7 Ω , 5W) very rarely fails; the preceding h.t. smoothing resistor R828 (10 Ω , 2W) often does, as its rating would suggest. If this resistor is found to be open-circuit, with h.t. at one end and nothing at the other, switch the set off and measure the resistance to chassis, using the low ohms range. If the reading is very low, check also at R901 to see whether the reading here is lower. If it is, suspect the BY127 efficiency diode D29 or the BU208 line output transistor TR14 (disconnect to test) before condemning the line output transformer.

To check the BU208, remove the collector lead (body) and measure the resistance between the collector (black probe) and the emitter or base (red probe). Any reading should condemn the transistor. If the transistor is in order, disconnect one end of the BY127 and check this (black probe to the cathode). If these two items are o.k. it's likely that the transformer is at fault with a short between windings.

Troublesome Controls

The focus control contacts are a frequent cause of intermittent channel changing and a dry-joint will quite often be found at one end – we refer to the original type of focus control mounted on the tube's base board. Other causes of this trouble include faults on the front control board – the cracked tracks etc. previously mentioned.

The on/off switch (100 Ω relay at rear end) can give trouble, sometimes going completely open-circuit to give the no results symptom, sometimes arcing to give the symptoms described for a defective line output transformer. This is a separate item secured by two screws: it has four contacts for the mains supply and two on the rear for the "off" relay.

The Signals Panel

The right side signals panel produces its share of faults: problems include cracked tracks and poor connections. One connection problem we've had on several occasions concerns the supply to the TDA3190 sound channel chip IC7. The supply comes via a 10 Ω resistor (R509), through the flexi lead on the front end. It's our habit to run a short lead on the underside from the edge connector direct to the resistor. This seems to overcome the problem, despite there being no visible sign of a break in the track.

Field Timebase

The TDA1170S field timebase chip IC9 is heatsinked and mounted on the rear edge. Its 25V supply is derived from the line output transformer via rectifier diode D35 (RGP10B). If the chip shorts, which it can do, the resultant load can shut the receiver down or perhaps result in the rectifier diode going open-circuit. If the receiver continues to operate there will be a white line across the centre of the screen and the somewhat tedious task of removing first the heatsink and then the chip must be undertaken.

Power Supply

The regulated power supply is of the series chopper type, with a secondary winding on the chopper transformer providing the drive for the line output transistor. The BUX84 (or BUV46) chopper transistor is at the rear left side. The chopper and line timebase circuits are controlled by a TDA2581 chip. There's also a BF460 chopper driver transistor (TR11).

The TDA2581 is occasionally the cause of faulty operation – but in our experience not as often as rumour would have it. We've more often found that the associated

65% pay-cut:

MASSIVE pay-cuts of up to 65% pose a serious threat to the future livelihood of several million workers throughout Britain.

Ironically, those at greatest risk from the sudden, and usually permanent, income plunge, include the vast majority of this country's best generators of wealth - the 2.6m self-employed businessmen and women, and the valued professionals among the 10m people who have no access to a company pension.

According to the latest available Government Family Expenditure Survey figures, most of these people will take an average income drop of two-thirds from their final earnings the moment they retire. For, if they haven't made any arrangements of their own, they will be relying largely on the basic State pension of less than £40 a week - a fraction of what they have been used to; a fraction of what they are worth.

Apathy

Yet, despite the sheer scale of this very real threat, a recent national opinion survey by British Market Research Bureau reveals an astonishing degree of apathy and ignorance among Britons about pensions.

The survey, commissioned by Abbey Life, shows that nearly half (45%) of the people in Britain are refusing to let themselves worry about what retired life will be like - with one in three couples admitting they've never even discussed old age with their partners at all.

Help the Aged, a leading national charity for the elderly, applauded

millions of professionals and self-employed at risk

Abbey Life's research activities and special promotional efforts towards heightening public awareness of the problems people can face in later life.

"Many of the hardships with which Help the Aged deals on a daily basis might well have been avoided by an early understanding of the dangers of being without an adequate pension or other financial security in retirement," said Mr. John Mayo, the charity's Director-General.

Abbey Life's research has also highlighted a severe case of the "rose-tinted glasses" syndrome, with most people expressing their belief that they'll be as well off in retirement as they are now - yet few were able to say how that would come about.

And literally millions of people clearly never got around to finding out 'how' either. There are currently about 2.5m retired households largely dependent on a State pension that can only provide a mere subsistence standard of living.

Burden

Government projections indicate that the situation will worsen considerably in the coming decades. As people

born in the post-war baby boom reach pensionable age, it will place a far heavier burden for provision from the State - or rather, from the relatively small working population who will then be funding the State.

In an effort to head off the problem at least partially, the Government is currently proposing a major overhaul of State welfare and pension benefits.

Illogical

This was a topical subject included in the BMRB survey - and it ended up confirming the British people's general ignorance about pensions, with one in four saying they didn't have a clue as to what the proposals comprise.

Mr. Michael Hepher, Chairman and Chief Executive of Abbey Life, is seriously concerned about the vulnerability of people who either don't appreciate or refuse to accept the hardship they face in old age as a consequence of not taking the simple steps available to secure adequate provisions for themselves.

"The survey indicates that there's a very large proportion of people in this country - particularly among those

who work in firms without a pension scheme, and the self-employed - who wander through life apparently blissfully unconcerned - or just woefully apathetic - about how they'll manage when they retire," Hepher said.

"It's a picture made all the more disturbing in that it's changed little from the one painted two years ago when we last asked the same questions.

"It's also illogical, with many of the best business minds in Britain failing totally to take care of their own personal future security. They ignore the obvious benefits of making their own pension arrangements, such as a totally tax-free cash sum, and a regular income which will see them through their final years in the style they've worked hard to achieve.

"Some lay the blame at the feet of companies like ours for not doing enough about it. All we can do, though, is help people understand the subject properly so that they make the choice that best suits them.

"In the end, the individual must make his own plans, his own decisions. And that's something this survey suggests the average Briton is not very good at doing."

Don't despair. Here's your £250,000* lifeline.

If you are self employed or your company doesn't have a company pension scheme, Abbey Life has a range of pension plans designed especially for you.

And they offer a great opportunity for you to look forward to a happy and wealthy retirement.

For example, if you are 30 now, you could expect the handsome sum of at least £250,000* at 65 - for just £50 a month (and a modest annual increase of only £5 a month).

The plans are also extremely flexible

to cope with the ups and downs of a working life. And you can stop your payments if you need to or increase them when you want.

In addition, if you get ill, there is a disability income benefit available covering both permanent and temporary illness - something you will find sorely lacking in any other pension plan.

So send off the coupon now for details. And don't give up living when you give up work.

*Based on 10% growth.

 **Abbey Life**

Please tell me more about Abbey Life's range of Pension Plans.

To: Jennie Paterson, Abbey Life Assurance Company Ltd., FREEPOST, Bournemouth BH8 8XH. Tel: 0202 292373. (Not applicable to Republic of Ireland.)

Name

Address

Age

TEL/SEP

Life 
AFTER WORK

BC558 transistor TR12 is the cause of trouble due to its base being dry-jointed. This transistor is located farther to the centre at the rear edge.

The supply to the collector of the BUX84 chopper transistor comes from a bridge rectifier via a 2Ω, 2W resistor (R802 or R830) and a 1A fuse. The supplies for the chopper driver transistor TR11 and the TDA2581 chip are tapped from a point between the 2Ω resistor and the

fuse. A 12V zener diode (ZD5) stabilises the voltage applied to the TDA2581 and also the voltage at the emitter of TR11. The feed resistors for the 12V zener diode and TR11 are those on the rear left edge. They are rated at 8W and although they rarely go open-circuit they can develop dry-joints which give the effects already described, i.e. intermittent operation or a dead set. The mains bridge rectifier consists of four BY133 diodes.

Letters

PHILIPS KT3 SERIES CHASSIS

Further to S. Simon's comments on the Philips KT3 chassis in the February issue there are one or two points I'd like to mention about this and the associated chassis since they cover at least ninety per cent of the faults so far encountered by us.

When replacing the 4.7Ω surge limiter resistor it's worth checking the four mains bridge rectifier diodes since these also suffer occasionally and will shatter the fuse alarmingly if not detected before switching on. This appears to be more prevalent with the CTX chassis. The other major cause of a dead set is the power switch.

Almost inaudible tripping usually indicates that the line output transistor is short-circuit: a BU208 is a suitable replacement. Other causes of tripping are a faulty tripler (where one is used) or breakdown of the e.h.t. lead, anode cap or tube surface, especially when the set is used in a smoky environment. The tripler can be replaced with a universal type: take the pulse and earth leads jointly to C1566.

Both the tuner and i.f. module in the KT3 and K30 can be responsible for a snowy raster. Ensure that the i.f. module matches the tuner when you fit a replacement since more than one type has been used.

*Phil Ireland, Servatron Ltd.,
Paignton, Devon.*

UNCERTAINTY AND COSMIC RAYS

In the 'forties *The Listener* published an article entitled "The Uncertainty Principle". In brief, the article stated that it was impossible to predict accurately the path that an electron would take since the mere act of inspection (by whatever means) to confirm this would deflect it from the path it would otherwise have taken. From this it went on to suggest that it was impossible to predict the precise outcome of any given set of circumstances, and that the only certain thing is that you'll never know for sure what will happen next!

Years after reading the above I was the proud owner of a TV set and a son, and in getting up in the small hours to fetch a drink for the latter was fascinated by the flashes of light appearing from the former, even though it was disconnected from the aerial and supply. These flashes turned out to be cosmic particles - those omnipresent charges that bombard us from outer space.

I never thought to link these two phenomena till recently. In this age of microprocessors however we're beset with VCRs that don't record what they should, tuners with amnesia on odd channels, telephones that dial wrong numbers, petrol pumps that give you more if your CB is on and cashcard machines that swear they gave you money they didn't. The respective explanations of finger trouble, hasty installation, BT at it again and blatant

dishonesty (twice) don't ring true at all.

Just think of all those unshielded microprocessors and microcomputers ticking away and of all that energy from cosmic rays arriving by the bucketload: the chances of a zero being turned into a one by external influences are pretty high, and that's all you need to upset a program recirculating in a micro or cancel whole parts of it when you get a parity error. After all the only difference between £10.00 and £1000. is the position of that little black dot.

Add to this the Uncertainty Principle's suggestion that the device won't handle information the same way every time and I begin to wonder whether we can really trust our little silicon friends implicitly! Granted most of them behave most of the time, but even with a 1 in 10⁶ possibility there are so many of them about that there should be a good handful of errors introduced every day to keep us service engineers busy, albeit puzzled. So unless I've got it wrong again, hang on to that old sliderule. It might come in handy again.

*Harold Peters,
Lowestoft, Suffolk.*

SIGNAL QUALITY

Many thanks for Jeff Allan's straightforward and cost-effective signal strength meter (December 1985). I'd just like to expand a little on his last paragraph.

(1) No, the meter won't lie. But it tells you only the signal strength, not its quality. If a customer is getting only 200μV at his aerial and a booster amplifier raises the level of this unsatisfactory signal to 1.2mV at the TV set's aerial socket the meter will not be able to prove the point!

(2) For the same reason it won't help when problems are created by ghosting (teletext breakup etc.).

(3) It's probably not a good idea to blame the aerial (unless you're absolutely sure). The rigger may have done his best already. Advise the customer that he has a reception problem.

*John Pitt-Francis,
Honiton, Devon.*

CONNECTION PROBLEMS

After witnessing another Consumer Electronics Sales Spree (CESS), otherwise known as Christmas though Quertymas would perhaps be a better name this year, I think it's high time that the gods up there in the temples of consumer electronics started to educate Joe Public in the mysterious and sacred art of connecting things together. It used to be that all old Joe (or Mrs. Joe) had to know was how to wire up a mains plug. Life was much simpler then! Nowadays Joe's got a video or two and a stereo or three, not forgetting little Joe's computer(s). And the trouble is that all these things require a spider's web of connections - phone plugs, DIN plugs, coaxial plugs, jack plugs, spades, wire ends, monos, stereos, etc., etc. You can imagine how Joe feels when faced with all these as he unpacks his latest technological wonder. It's

bad enough for us chappies in the business, who've spent possibly years trying to come to grips with all the different connections, levels, polarities and impedances.

Perhaps we should set ourselves up as gurus or connection psychologists, and from the warmth and security of our well padded consulting rooms (while drinking tea that doesn't taste of old rubber belts) pronounce well considered judgements on the folly or wisdom of connecting the "aux in" on an electric toothbrush to the "cass out" of a 32 bit mega-flop. Alternatively perhaps the aforementioned gods could collectively spend a little on a public education campaign. Just the basics - polarity, voltages etc. As you can probably guess this would be called Public Introduction to Technology (PIT). Because as we all know whenever you have a CESS you should also have a PIT . . .

*Alastair J. Downs,
Newtongrange, Midlothian.*

GEC V4000H VCR

I must disagree with the answer given in Service Bureau, February to the problem (intermittent stopping in all modes) with a GEC V4000H VCR. Whilst the answer would be correct for play and record it has no bearing on fast forward or rewind. I think the fault was probably somewhere in the take-up sensor circuit as this operates in all modes. A test for this is to select play and pause as this makes the machine ignore the take-up sensor.

*D. Snelling,
Brownhills, Staffs.*

VCR MAINS FILTER CAPACITOR RATINGS

With reference to John Cahill's comment on a Toshiba V57 (VCR Clinic, February, page 255), switching the machine off and on with the remote control handset is not what caused the mains fuse to blow and the mains filter capacitor to go short-circuit. The capacitor is rated at 250V d.c. and the mains supply is 240V a.c. The actual mains potential is greater than 250V d.c. of course. I've had to replace these items in a number of machines, including the Ferguson 3V35/3V36/3V38/3V39 etc., Baird 8943/8944, Toshiba V55/V57 and the ITT 3905/3975, and find that using an 0.22 μ F capacitor rated at 1kV d.c. results in no further recalls.

*C. Taylor,
Kendal, Cumbria.*

THE HITACHI CPT2024

In later versions of the CPT2024 Hitachi made some improvements to the sound output department but in doing so paid no attention to the correct wiring (polarity) of the speakers, which means that the sound is even worse. Rewiring the woofer SP401 and tweeter SP402 as per the circuit diagram, with positive polarity from the speaker disable switch, gives a marked improvement in the sound quality. On your right, looking from inside, negative polarity is the red wire in the plug connection from the audio output transformer - connection (PL)D2 on the circuit diagram. Remove the tweeter, turn and replace: connect via the 2.2 μ F reversible electrolytic capacitor which should be across the two red tabs on the tweeter, wiring the tweeter across the woofer negative to positive and positive to negative.

*P.C Rowe,
Camborne, Cornwall.*

next month in

TELEVISION

● SERVICING SINCLAIR COMPUTERS

Mike Phelan's "Lid off Microcomputers" series last year evoked considerable interest amongst readers. It became clear that a number of readers already handle microcomputers while others are thinking of taking them on. With the increasing reliability of TV sets and the reduced TV servicing work load it's necessary to seize new opportunities for repair work as they arise. Microcomputers provide an obvious opportunity since most TV engineers have by now dealt with such things as digital tuning and remote control systems, digital control circuitry in VCRs, and teletext decoders. The average microcomputer is not particularly daunting and is certainly more fault prone than the average modern TV set. Time, we felt, for a further foray into this field, and what more obvious a starting point than Sinclair machines which have long been the market leader in the UK?

In a new series Ken Russell will be dealing with the ZX81, ZX Spectrum and ZX Spectrum Plus. It's suggested that a good operating knowledge of microcomputers is desirable before servicing work is undertaken. Hence the inclusion of the ZX81: these machines are available second hand at very low prices, providing a cheap and useful way of making a start.

● TUNERS AND IF ARRANGEMENTS

Back to TV matters! In the second of his articles J. LeJeune looks at u.h.f. tuners in some detail and the modern i.c. i.f. strip with SAW filtering.

● VHF SOUND RECEIVER

Paul Barton developed this receiver in order to be able to monitor the v.h.f. TV channels and avoid the problem of different sound-vision signal spacing standards when a TV set is used. It's a self-contained receiver with a very wide frequency range, covering the usual TV channels and a multitude of non-TV signals.

PLUS ALL THE REGULAR FEATURES

ORDER YOUR COPY ON THE FORM BELOW:

TO (Name of Newsagent)

Please reserve/deliver the May issue of TELEVISION (£1.20), on sale April 16th, and continue every month until further notice.

NAME

ADDRESS

Developments in VCRs

Part 3

Steve Beeching, T. Eng.

The playback luminance signal requires some additional processing after demodulation and adjacent track crosstalk cancellation (see last month). There's still high-frequency tape noise (in audio terms hiss) to be reduced and the picture must be crispened. In earlier machines picture sharpening was done by means of an "aperture correction" circuit. In later machines a similar but not identical technique is used: it avoids the edge noise that's so prevalent when sharpening pictures.

Picture Sharpening Circuit

Fig. 1 shows the sharpening circuit. Q10 is an emitter-follower which in addition has a peaking coil L21 in its collector circuit: the coil has maximum response at 1-2MHz. Light h.f. filtering is used in the emitter path to reduce the h.f. response here. The h.f. component from the collector circuit is added to the signal from the emitter circuit at the junction of R41/42. The amount of h.f. signal added back is determined by the damping of the peaking circuit provided by Q12. Since this is a field effect transistor its source-drain resistance will vary with the gate bias applied: it therefore acts as a voltage-variable resistance, controlling the h.f. signal level and thus the picture

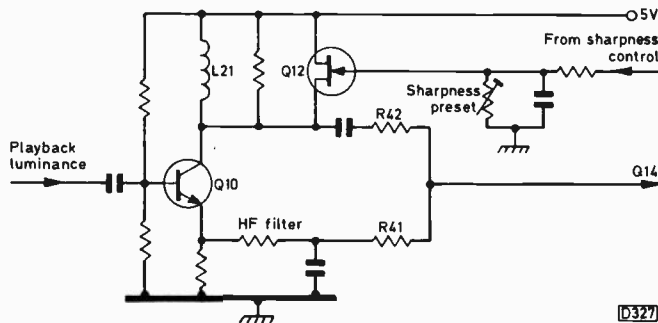


Fig. 1: New sharpness circuit.

sharpness. Since this circuit also adds picture noise it's followed by a noise-reduction system.

Noise Reduction System

This is shown in Fig. 2. The noisy signal shown at A is buffered from the sharpness circuit by the emitter-follower Q14 whose output is split between two paths. The main path is via a low-pass filter and the buffer transistor Q15: this removes the h.f. noise but unfortunately the edges of transients are softened, as shown at E. The second path is to the emitter of Q13 via a high-pass filter: the output from this common-base stage consists of noise and large-value h.f. signal components - see waveform B. The video component has to be reduced to the general noise level to prevent it interfering later with the main path signal. This is done by the following limiter, which produces waveform C.

A portion of this waveform is returned to the base of Q14 as negative feedback, reducing the noise at this point and aiding the action of the low-pass filter. The waveform is also applied to a non-linear filter consisting of the h.f. filter components between pins 14 and 15 of IC5 and the following two diodes which are connected in reverse parallel. The output from the h.f. filter reduces the level of the general noise to less than 0.6V (1.2V peak-to-peak): this is insufficient to pass via the diodes. The wanted video signal spikes, being of higher amplitude, make the diodes to conduct, producing waveform D. When this is added to the main signal by the mixer in IC5 the result is a crispened picture, the softened edges of the video signal having been rebuilt (waveform F).

Techniques Compared

With the earlier type of aperture corrector circuit the spike level can be adjusted by the aperture control but the

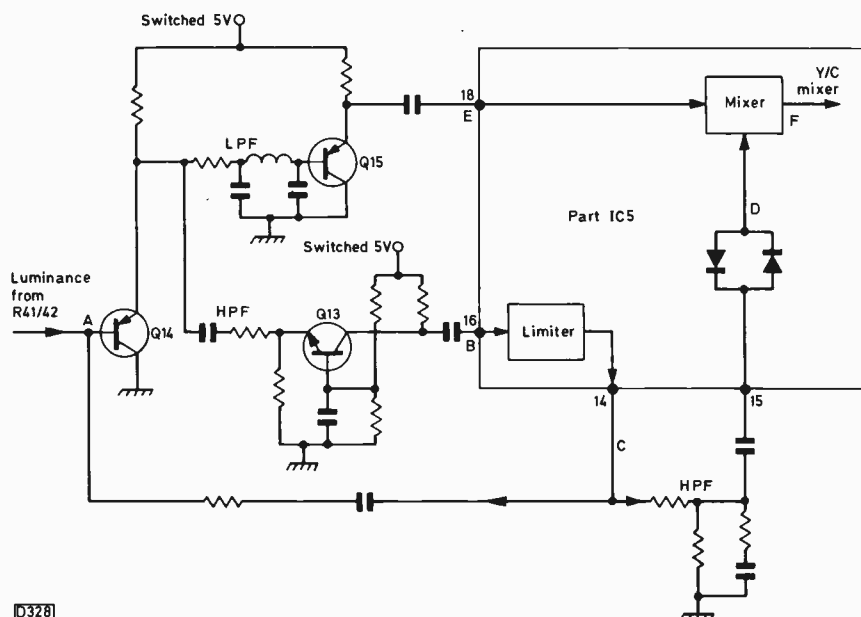
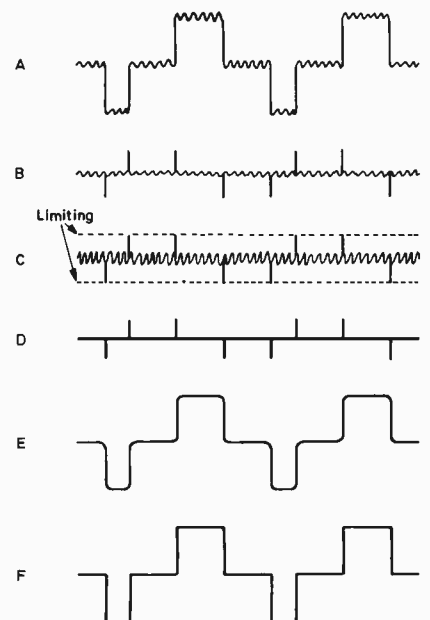


Fig. 2: Noise reduction system.



spikes contain noise which is added back to the signal to a degree where it becomes noticeable as edge noise. The newer technique, by making the h.f. variable and fixing the level of the crispener spikes, gives a greater degree of sharpening with a much reduced level of edge noise.

Dynamic Aperture Correction

A new switch appeared at the rear of the JVC HRD725, labelled "dynamic apercon". In the Ferguson version it's labelled "local/distant", a misnomer if ever there was one. It switches the dynamic aperture control circuit, in principle a record picture crispener, in or out. Before we look at this in greater detail let's consider the effect of a picture crispener on a transition from black to white. Fig. 3 shows the effect we've just been considering - adding a derived video spike to a video signal to recondition it. The spike contains h.f. noise: if the amplitude of the spike is too high the noise will be deposited on the video signal as an overshoot. An improvement would be obtained if we could devise a way of giving emphasis to the transition with a reduced level of noise on the edges. The method that's been developed involves the production and addition during recording of preshoots as well as overshoots: this method is called dynamic aperture control.

Fig. 4 shows the system in block diagram form, with waveforms. The luminance signal to be recorded is, following a.g.c., fed to the junction of C169 and R201. We'll assume it consists of the squarewave A - a portion of white during a line period, e.g. a vertical white bar. The signal path then splits two ways: the direct path via equaliser two and the indirect path starting at R201.

L50 is an unterminated delay line of period $t = 100\text{nsec}$. The signal passes along the delay line to the mixer

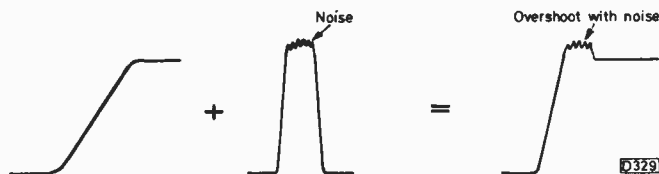


Fig. 3: Edge noise on a sharpened video signal transition.

D330

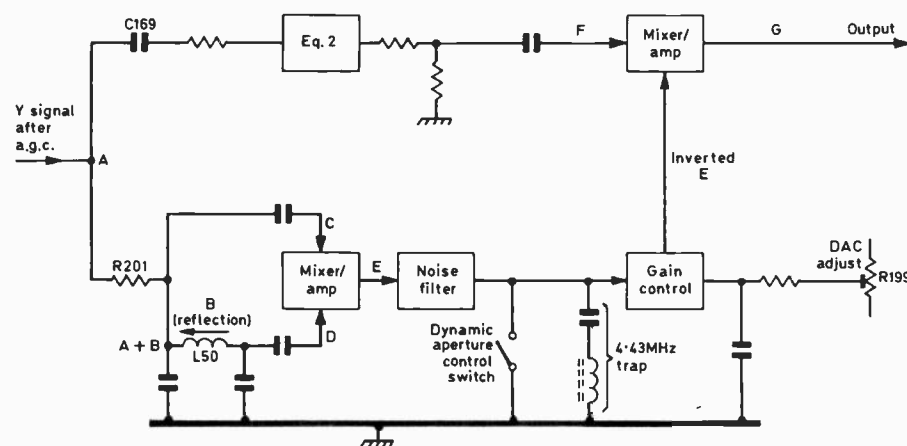


Fig. 4: Dynamic aperture correction.

APOLLO MANCHESTER

FAST MAIL ORDER GB 3-4 DAYS ALL AREAS PLEASE PHONE FOR COST
FREE LOCAL DELIVERY SAME DAY ● FITTING SERVICE £20

2 YR GUARANTEE - QUANTITY DISCOUNTS - PILL GLASS BOUGHT

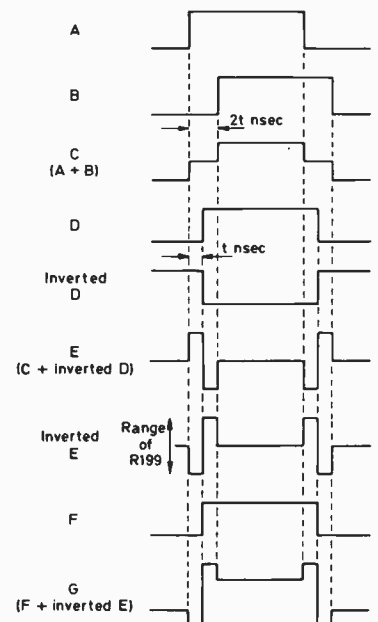
A47 342/343X - 470 BCB22/CTB22/BGB22/DHB22	£39
470-ESB22/EFB22/ERB22/FTB22	£52
A51-220X/192X	£39
A51-161X/162/163/168	£52
510-JKB22/JEB22/JOB22/JGB22/ALB22/GLB22	£52
510-VLB22(E55) DTB22/001/RFB22/RCB22/SFB22	£52
A51-580 New	£96
A51-570X/580/001/210/241	£52
A56-120X/123/140/410	£39
560-DZB22(E53)/HB22/AKB22/TB22/AWB22	£55
560-ETB22/DTB22/CSB22/DMB22/DNB22	£52
A56-611X/615X	£52
A66-120X/A67-120X/140/150/200/410	£39
20AX - A56-500X/510X - A66-500X/510X	£52
30AX - A56-540X - A66-540X	£56

If your tube type is not in stock we can arrange collection - rebuilding + redeliver

PLEASE PHONE BEFORE CALLING
061-799 0854. 24 hour answering service
43 Clarke Crescent, Little Hulton, Worsley, Nr Manchester M28 6XL

amplifier, delayed as shown by waveform D. Since an unterminated delay line reflects a signal like a mirror, the signal also travels back through the delay line. This reflected signal will have undergone a second delay, to $2t$ as shown in waveform B. Thus at the junction of R201/L50 we get $A + B =$ waveform C. D is inverted by the mixer amplifier and added to C: in effect, D is subtracted from C, giving waveform E. This waveform is then passed through a noise filter and is also inverted. In addition, its level is adjusted by the gain control circuit. It's then fed to the mixer in the direct signal path, where it's added to the original signal A which has also been delayed by time t in the equaliser to give us F. When inverted E is added to F the result is waveform G: the output from the circuit is thus the original signal (delayed) to which a preshoot and an overshoot have been added on each positive and negative transition. The edges of the transients have in this way been enhanced and the picture information crispened.

The point to note is that the system works only on low-level rise and fall edges, not on high average picture signals, as inverted E is of low level. If the input is very noisy the action of the dynamic aperture corrector will have an adverse effect by crispening the noise. Hence the facility to switch it out of circuit - I suppose this is why Ferguson call it a local/distant control.



TV Fault Finding

Reports from Les Grogan, Alan Shaw,
J.R. Armagh, Philip Blundell Eng. Tech.,
Mick Dutton and Roger Burchett

Hitachi NP81CQ Chassis

The most common fault on this chassis is intermittent field collapse due to problems with the field output module. Another fault we've had several times recently is severe top cramping: in each case this was cured by replacing C608 (22 μ F, 160V) which smooths the supply to the field output module. L.G.

Philips CTX-S Chassis

The complaint with this colour portable was normal sound, no vision. A careful check on the voltages around the TDA3560 colour decoder chip revealed that pin 7 was at -0.5V instead of 1.7-3V (varies with the setting of the contrast control). Beam limiting is carried out at this pin, which is connected to the earthy side of the e.h.t. system via D6238 and R3239. A line pulse was found to be present at D6238, due to C2565 (0.039 μ F) being open-circuit. As a result the beam limiter was operating at maximum, turning off the contrast. L.G.

Grundig CUC220 Chassis

The 5V regulator IC663 (MC78M05CT) that feeds the microcomputer chip should be replaced if intermittent faults such as the set going into standby and incorrect channel display arise.

Field collapse on one of these sets was - after wasting time replacing the field output chip twice - traced to R2779 (18k Ω) on the field timebase subpanel being open-circuit. This resistor should be removed for test as it reads 18k Ω in circuit. L.G.

Fidelity Audio-Visual Systems

One of the latest "in things" in home entertainment electronics is the audio-visual system. Fidelity have been making and selling such units for some time now. To date there have been three versions, the AVS1600 which has been superseded by the AVS1650, and the AVS2000. The first two models have 16in. c.r.t.s: the AVS2000 has a 20in. tube and a different layout of the tape/radio/record player sections. The TV chassis is basically the ZX3000 as used in many Fidelity 14in. portables.

The most common faults in the TV section are as follows. (1) No sound or vision with faint power supply tripping: h.t. rectifier diode D13 (RGP15J) short-circuit. (2) Power supply inoperative due to the BU508A chopper transistor TR3 being leaky. This could have damaged the TDA4600 chopper control chip. The chopper transistor's base coupling capacitor C93 (100 μ F) should also be checked. (3) Sound and raster but no picture. The main suspect is the TDA3562A colour decoder chip IC7 but if a video signal can be fed into pin 20 of the scart socket with the TV/video switch in the TV position the TEA1014 switching i.c. (IC5) is suspect.

The real nightmare starts when you are faced with no sound on any system and the TV channel LED stuck on ch. 8 which can be tuned in. The 2A audio fuse F2, mounted on a small panel attached to the side of the TV chassis, will probably be found open-circuit due to one of the TDA1908A audio amplifier/output i.c.s (IC4 and IC5

on the main audio PCB) being short-circuit. That's the easy bit. In the case of the AVS1600 remove no less than 18 back screws. Then to gain access to the panel remove five screws in the record storage compartment, one screw at the rear of the record player base assembly and two Allen screws on the cabinet side panels. Disconnect the green earth wire near the mains input socket, then remove the two-pin mains supply to the audio assembly. The entire audio unit, with record and tape decks, can then be slid out of the front of the cabinet - after removing three small plugs from the a.f. panel. The audio chassis can be serviced on the bench after reconnecting the two-pin mains socket.

Measure the resistance between pin 1 of either TDA1908A chip and chassis. A low reading indicates that one of them is short-circuit. Since both i.c.s are connected across the 28V rail it will be necessary to open-circuit pin 1 of one of them to establish which one is at fault.

After carrying out the repair reassemble the unit in the reverse order to that given above. But be warned. When you return the AVS unit to the customer's home, measure the resistance across the loudspeakers before connecting it to the mains supply. The reading should be about 4 Ω . If very low and you haven't checked this you will be back to square one. The point is that some people extend loudspeaker leads with odd pieces of wire, the joints insulated with Elastoplast or Sellotape, then tuck the wires under the carpet where the joints can short together.

Other faults we've had to date are: (1) Severe sound distortion on both channels due to the TDA3810 pseudo-stereo generator chip IC7 (audio board) being faulty. (2) No TV channel change with the remote control inoperative and the receive LED dot permanently lit. This was caused by a leaky stereo balance switch. A.S.

Some Quickies

Rank T24 chassis: Loss of colour can be caused by R229 (3.6k Ω) on main board T144A going high in value. This resistor feeds line pulses to the chroma module.

Pye 713 series chassis: No e.h.t. If disconnecting the e.h.t. tray results in plenty of r.f. from the line output transformer, giving the impression that the doubler is faulty, check C695 (0.001 μ F, 1.6kV) for leakage. This capacitor decouples pin 2 of the doubler.

Grundig CUC series chassis: For repeated failure of the BU208A transistor and TDA4600 chip in the chopper circuit replace the metal film resistor R646 (270k Ω) with a carbon film type. The original tends to go open-circuit, very often intermittently. A.S.

Hitachi NP82CQ Chassis

Tuning drift with these sets is often due to one or more of the 1N4148 blocking diodes D1503-8/D1511-2 being leaky. It's best to replace the lot. If the drift has persisted for some time before being reported it may well be that the first four or six tuning potentiometers are worn/noisy. Check them carefully and replace any that are doubtful. In one case after checking all the above the tuner turned out to be the cause.

Inability to tune above a certain frequency occurs when one of the zener diodes ZD1508-1514 is leaky. Note that the leakage may not measure on an Avo. **J.R.A.**

Mitsubishi CT2101TX

A fault I've had on a number of occasions is no sound and vision and no channel display, with a blank raster on the screen. Each time this has been the result of no 12V supply to the i.f. strip and display, due either to R178 being open-circuit or a crack in the print between R178 and the regulator Q241. **P.B.**

GEC 3135

The picture produced by this portable was dark and a check on the c.r.t. base voltages suggested that something was amiss in the video output stage. R361 (470k Ω) which links the tube's cathode to chassis had gone open-circuit. **M.D.**

ITT CVC45 Chassis

Intermittent loss of raster was the complaint. We eventually found that the tube's heaters went out in the fault condition, due to a dry-joint at pin 1 of the line output transformer. **M.D.**

Sanyo CTP6102

As this set warmed up the screen gradually blanked from the bottom until only the top two inches were visible. A can of freezer was used to check the transistors in the field timebase. One of the transistors in the Darlington driver stage, Q422, was going leaky when warm. **M.D.**

Sharp C1891

These sets seem to have only one fault – no colour. A lot have been sold in our area and they come in for repair after a couple of years. In every case we've had the loss of colour has been due to either I801 (RH-IX0109) or Q407. **M.D.**

More Quickies

Rank T26 chassis: The problem was no luminance. An easy one – the luminance delay line was open-circuit.

Ferguson TX9 chassis: The set concerned was a 14in. portable with no focus. The focus spark gap had gone dead short due to corrosion. It was impossible to clean it and a new c.r.t. base panel had to be fitted.

ITT Model CT3315: The fault was a dark picture. A 270k Ω resistor in the tube's first anode supply had increased in value to over 2M Ω .

Mitsubishi CT2101: We took delivery of a batch of these sets and rigged one up for display in the shop. An hour later the line output transformer went faulty, filling the shop with thick, evil-smelling smoke. **M.D.**

Philips KT3 Chassis

The problem was no picture, just a blank white raster, with normal sound. The 155V rail was low and the -20V rail absent. The two rectifier diodes that provide these supplies are fed by pin 15 on the line output transformer via the surge limiter resistor R1583 (2.2 Ω) which had never been soldered to the panel.

The remote control light on a remote control version of

this chassis was permanently on and none of the control functions worked. This was caused by transistor T768 (BF422) on panel U752 being short-circuit – we've had this problem before.

No teletext was the complaint with a teletext version of the chassis. We proved that the problem was in the text decoder panel by exchanging it with one from another set. Luckily the i.c.s are all pluggable: replacing IC7040 put matters right. Pin 16 of the faulty chip had gone rusty and we wondered whether there had been liquid spillage at some time. **M.D.**

GEC C2110 Series

The complaint with one of these sets was intermittent loss of colour. There was colour when I called of course, and tapping around the decoder produced an unstable picture with line pairing, tearing and field bounce for good measure. It looked like an a.g.c. fault and closer examination revealed that one leg of the a.g.c. reservoir capacitor C117 on the i.f. panel had corroded right through. Its value is 47 μ F or 150 μ F depending on panel. Incidentally a Calor gas heater was working nearby: I hope it's not causing corrosion.

Intermittent loss of colour on these sets is usually due to dirt on the set-a.c.c. control P252.

C411 (0.01 μ F) going short-circuit will stop the line oscillator. This can be intermittent and very confusing: freezer and a hairdryer will prove whether C411 is the culprit.

A dry-joint on the line driver transistor's feed resistor R411 (2.2k Ω) is sometimes the cause of line timebase failure in these sets. If the user has been in the habit of thumping the set to get it going this will finally kill the TBA920 line oscillator chip. **R.B.**

Alba CTV12

A "dead" set with a channel display is usually due to one or more dry-joints on the line driver transformer. The soldering in these sets is poor and a quick visual inspection pays dividends. The set is manufactured in Hong Kong. **R.B.**

Hitachi NP9A Chassis

Here's a tip I've not seen mentioned previously in *Television*. In the event of one of these sets going to standby at switch on, first check whether C919 on the power supply subpanel is 22 μ F. If it is, change it to 220 μ F. This will usually clear the trouble. **R.B.**

Rank T20 Chassis

When faced with excessive brightness and flyback lines check that the set black-level control 3RV13 is working. If it has no effect, 3R76 (1.2k Ω) which is in series with it is either high in value or open-circuit. This problem can be confusing if you start checking back to the TCA800 i.c. as I did: most of the voltages between the chip and the RGB output transistors will be slightly wrong.

Dry-joints on sockets continue to plague these sets. The latest to come my way was at pin 12 of connector 4Z2 on the timebase board. Result: intermittent field collapse. The same set was intermittently stopping due to dry-joints on the chopper transformer – this was in turn due to the power board bending under the weight of the transformer because of the lack of a stiffener at the front. **R.B.**

Servicing Teletext Receivers

Part 4

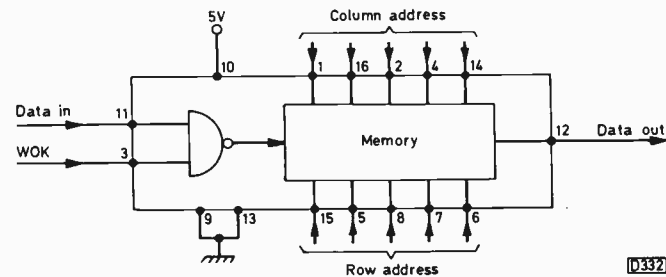
Mike Phelan

This month we'll look at the memory i.c.s used in the early Philips/Mullard teletext decoder and the operation of the SAA5050 TROM (teletext ROM, i.e. the character generator) chip.

Memory Chips

The memory chips used in early teletext decoders such as the one we've taken as our example were the very same types as those used at the time by the computer industry. This was fortunate, since taking advantage of these chips meant much more RAM capacity for a given cost. The decoder in the G11 chassis used type 2102 memory chips, with a 1K or 1,024 bit capacity – seven of these store 1Kbyte, this being equal to one screen of display with the help of the row and column address juggling we described last month.

Fig. 1 shows the essentials of the 2102. As you can see, the idea is very simple. The required address information is presented to the row and column address pins. This gives access to a unique location in the chip, known as a cell – it consists of nothing more than a bistable. If pin 3 is then held low the data signal at pin 11, either a one or a zero, is written into that cell. When pin 3 is taken high the data contained in the addressed cell appears at pin 12. As



D332

Fig. 1: Type 2102 RAM chip block diagram.

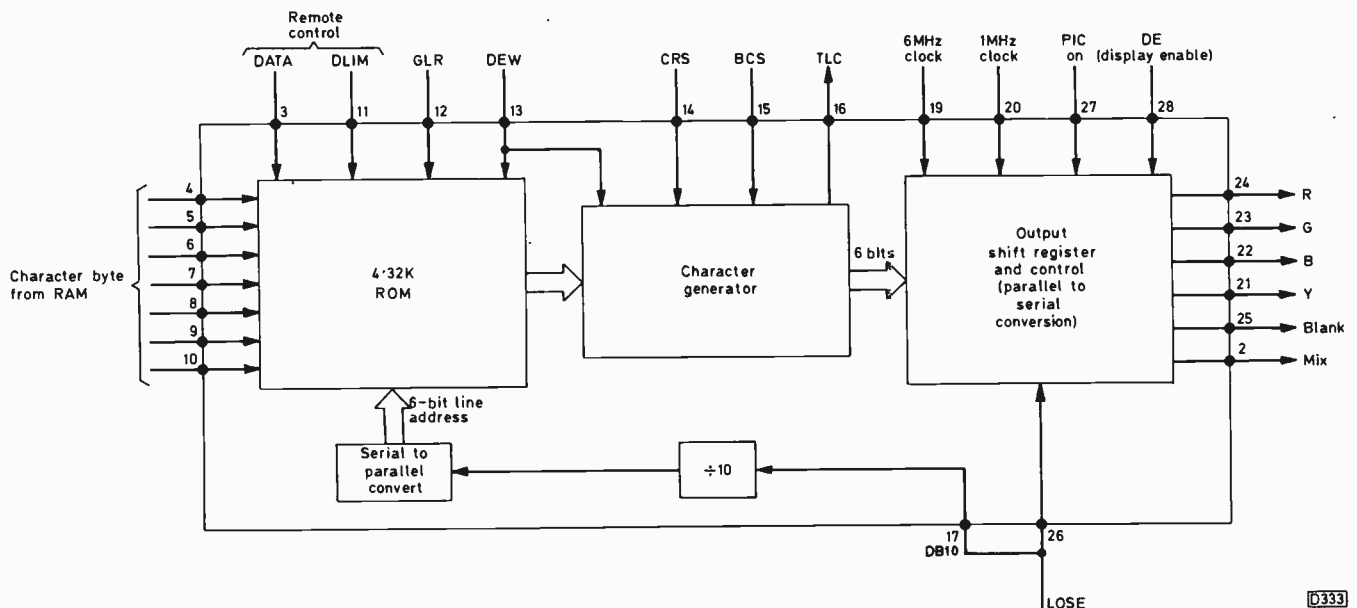
the seven bits of each data byte are stored at like addresses in the seven RAM chips (it would be rather silly not to do this!) all pins of the seven 2102 chips except the data input and output pins can be strapped together.

The TROM Chip

The TROM chip (see Fig. 2) carries out several functions, not the least important of which is conversion of the ASCII code for the required character to the correct pattern of dots for each scanning line of the display. If the code is a control code rather than a printable character this has to be interpreted and the necessary action taken so that the red, green, blue and luminance outputs are at the correct levels to give the colour required in accordance with the colour attribute. The information required to convert from ASCII code to a pattern of dots on ten successive scan lines is held in the ROM within the SAA5050.

During the display period (240 lines from 49 to 288 or 362 to 601) the RACK (read address clock) signal from the TIC chip makes the memory pass one Kbyte of information to the TROM chip, this operation being undertaken by the TTL counter/adder row/column decoder circuit discussed last month. As each character occupies part of ten successive scanning lines (unless in the double height mode), clearly each line of forty characters must be read ten times before we proceed to the next line of characters – hence the 1MHz clock signal. The divide-by-ten section of the TROM gives an output at the end of each line period to clock in the next row of characters.

Since only one dot or pixel can be displayed at a time it's necessary to convert the parallel output from the ROM within the SAA5050 chip to serial information. This is done by the output shift register. The 6MHz dot clock signal is used to read the pixel value from the ROM, a



D333

Fig. 2: Simplified block diagram of the SAA5050 TROM chip.

counter reset by GLR (general line reset) enabling the correct pattern of dots to be read for the current line of ten.

Most of the TROM's output connections were discussed in Part 1 (January), when we considered the buffer/level-shift stages that handle the output from the TROM. The different ways of double-height character operation were also discussed. This leaves only a few connections to this chip to be explained.

Pin 3 receives the data signal from the remote control receiver. This signal is used here only to select functions such as mix and reveal. As with the TAC chip described last month the DLIM signal is required to clock in the remote data signal: this enters at pin 11.

The DEW signal is fed to pin 13 to reset the row counter within the TROM at the start of each display period. It's also divided in the TROM for use when the "flash" attribute is transmitted. The flash effect is achieved by alternately displaying the character and a space (ASCII 32).

Pins 17 and 26 are strapped and receive line frequency information from the TIC chip during the display part of the field only. The DB10 input increments the line counter: it's this input that's divided by ten to provide a row counter. The LOSE (load output shift register enable) signal has two functions. First, it allows information to be displayed only during the part of each line that's used for teletext, i.e. the centre 40msec. Secondly, it cancels the attributes at the start of each display row.

In very early G11s the teletext decoder had chips with type numbers prefaced by M instead of SAA. The TROM chip was an M915. These panels can be instantly recognised by the fact that since the M915 requires a 6.25V supply there's a small subpanel with a voltage regulator on it. This panel takes its supply from the 12V feed to the decoder and plugs in vertically.

Character Rounding

A rather important function of the teletext decoder is character rounding. If we consider the fact that each character is displayed in a 10 x 6 matrix of dots the need for this may not be too clear. Most of the alphanumeric characters use only five pixels horizontally and seven vertically however: this is because we need spaces between the characters and rows. In addition, alternate fields have the displayed characters displaced vertically by the width of one line. If things were left like this the display would look rather ragged, particularly with graphics, i.e. weather maps etc.

To overcome this problem we need to do something to

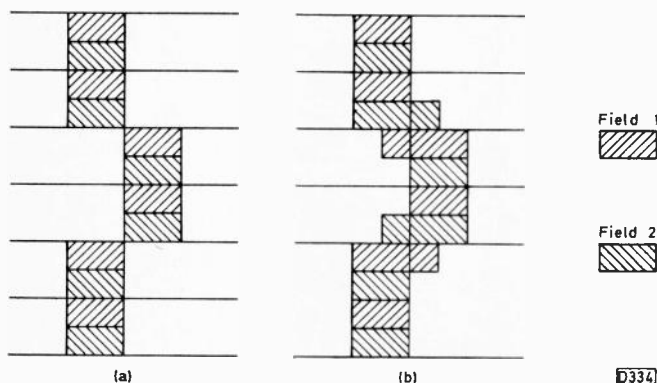


Fig. 3: Principle of character rounding.

TV LINE OUTPUT TRANSFORMERS

PRICES INCLUDE VAT & CARRIAGE

Delivery by return of post.

BAIRD: 8290, 8752, 8773	10.44	ITT: VC200 to VC402	9.20
RANK BUSH MURPHY		CVC1, CVC2 (FORGESTONE)	11.50
A774 with stick rectifier	9.78	CVC5, CVC7, CVC8, CVC9, CVC20	10.35
A816, T16, T18, Z712, Z715	10.35	CVC25, CVC30, CVC32, CVC45	9.20
T20, T22, T26, Z179, A823	11.50	CVC800, 1100, 1150	P.O.A.
Z718 Basic unit	13.50	CVC1200, 1204, 1210, 1215, 2600	P.O.A.
DECCA: 1210, 1211, 1511	11.50	PYE: 169, 173, 569, 368 series	9.20
1700, 2001, 2020, 2401, 2404	9.20	CT200, CT200/1, CT213 series	10.35
CS1730, 1733, 1830, 1835	9.20	725-731, 735, 737, 741 Series	9.78
30, 70, 80, 90, 100, 120, 130	9.20	PHILIPS: 170, 210, 300 series	9.20
FERGUSON, THORN: 1590, 1591	9.20	320 series	9.78
1690, 1691, built in rect.	9.78	TX, T8, TX2, TX3 mono	P.O.A.
1600, 1615, 1700, 1790	P.O.A.	G8 and G9 Series	£9.20
3000, 3500, 8000, 8500, 8800	P.O.A.	KT2, KT3, series	9.20
9000, 9200, 9300 series	12.00	G11, K30, split diode	P.O.A.
9500, 9600, 9650 series	10.99	BINATONE: 9909, 9860, 488	P.O.A.
9800, TX9, TX10 series	P.O.A.	DORIC Mk3, Mk1	11.50
MOVIESTAR 3781, 3787	12.00	FINLUX 9560, 9670	P.O.A.
TX10 focus unit	10.25	GRUNDIG: most models in stock	
FIDELITY: FTV12 mono	10.35	NORDMENDE: 8290, Z206, Z306	P.O.A.
ZX2000 ZX3000	P.O.A.	SANYO: 5101, 5103, 7118, 3104	P.O.A.
G.E.C. 2047 to 3135 mono	9.20	SHARP: C1851H, C2051H	P.O.A.
1201H, 1501H, 2114, 3133, 3135	9.20	TOSHIBA: C800, C800B	P.O.A.
DUAL & SINGLE hybrid col.	10.00	TANDBURG: 190, CTV2, CTV3	P.O.A.
SINGLE STD solid state	12.00	TELEFUNKEN: most models in stock	
SINGLE STD split diode	P.O.A.	HITACHI: 1471, CPB260, 2501	P.O.A.
INDESIT: 24EGB, 12LGB, 12SGB	10.35	SIEMANS: FF series	P.O.A.
WINDINGS			
TYNE: main winding	6.80	Tidman Mail Order Ltd.,	
RBM: T20, T22, T26, Z179	6.33	236 Sandycombe Road,	
WALTHAM: W125 eht winding	2.37	Richmond, Surrey.	
WALTHAM: W190, W191 eht coil	6.00	Approx. 1 mile from Kew Bridge.	
KORTING: hybrid winding	6.90	Phone: 01-948 3702	
THORN: 8000, 8500, 8800 eht	6.70	Mon-Fri 9 am to 12.30 pm &	
		1.30-4.30 pm	
		Sat 10 am to 12 noon.	

the pixels whenever a diagonal line forms part of a character, irrespective of whether the character is alphanumeric or graphic. Fig. 3(a) illustrates the problem. By a diagonal line we mean that the pixels on two successive lines are displaced one pixel to the left or right. The solution is to add smaller dots to fill in the corners - see Fig. 3(b). But, we hear you cry, this will require twice the video bandwidth and twice the dot frequency - 12MHz in fact! Not so.

As with so many good ideas the solution is elegant but simple. First, the vertical resolution must be doubled. This is easy: all we need to do to produce half-height dots is to display them on alternate sides of the pixels on odd and even fields. The CRS (character rounding select) signal from the TIC chip is high on even fields, low on odd ones. The dots are produced by extending the pixel width to one and a half times normal. This is achieved with no requirement for extra bandwidth.

The character rounding process we've described applies only to normal height characters. With double-height characters each dot is actually two pixels, one above the other. When a diagonal occurs in the character a half-height dot can be produced by displaying one pixel instead of two: this is done on both odd and even fields, so the CRS signal is not used. The single pixel dots must still be half width however, but are displayed in right and left mode on all fields.

Trailer

This completes our description of the circuitry used in this decoder. Next month we'll see how simple it is to service this part of the receiver.

ECONOMIC DEVICES, PO BOX 228, TELFORD TF2 8QP

16181	1.04	ZSC1124	1.26	ZSD348	16.13	AN5435	3.08	BC186	0.27	BD222	0.49	BF195	0.14	BSR59	1.29	BZ079 RANGE	0.10
16182	1.04	ZSC1151A	4.72	ZSD350	5.20	AN5610	7.43	BC187	0.28	BD225	0.49	BF196	0.14	BSS38	0.59	BZ288 RANGE	0.10
16334	0.96	ZSC1152	4.68	ZSD350A	2.80	AN5612	3.51	BC204	0.16	BD228	0.63	BF197	0.16	BSTBD140G	4.98	C106D	0.46
16335	0.94	ZSC1162	1.05	ZSD353	7.50	AN5613	3.80	BC207	0.14	BD229	0.63	BF198	0.16	BSTC0146	2.48	CI129	0.58
16446	0.96	ZSC1172	2.22	ZSD389	2.41	AN6320N	4.20	BC212	0.11	BD231	0.50	BF199	0.50	BSTC0246	6.89	CA1310E	2.70
16600	1.38	ZSC1172Y	2.20	ZSD401	3.55	AN6326	3.96	BC212B	0.26	BD232	0.50	BF200	0.50	BSTC0253	6.12	CA3044	3.50
16799	2.99	ZSC1195	3.26	ZSD551	2.42	AN6342	1.61	BC212L	0.10	BD234	0.42	BF216	0.42	BSTC1233	4.39	CA3046	2.06
16801	0.54	ZSC1213	0.89	ZSD588A	1.59	AN6344	5.87	BC212LB	0.26	BD237	0.47	BF218	0.47	BSTC03146	3.07	CA3060	1.85
16802	1.27	ZSC1226	1.46	ZSD600	3.25	AN6363	16.00	BC213	0.10	BD238	0.53	BF222	0.45	BSTC03143	3.37	CA3065	1.29
16803	5.30	ZSC1306	1.98	ZSD621	12.67	AN6651	1.35	BC213L	0.10	BD239	0.45	BF224	0.45	BSTC03643	3.07	CA3089	0.83
16905	0.86	ZSC1307	1.98	ZSD636	0.40	AN6652	0.68	BC213LB	0.15	BD240	0.37	BF227	0.37	BSV57B	3.49	CA3089E	1.43
17074	9.50	ZSC1316	4.10	ZSD657	2.80	AN7115	2.50	BC214	0.10	BD241	0.39	BF241	0.39	BSV68	0.60	CA3090	2.38
17127	3.31	ZSC1364	0.49	ZSD679	3.35	AN7145	2.82	BC214L	0.14	BD242	0.39	BF241	0.39	BSX19	0.34	CA3094	2.20
1N4001	0.06	ZSC1383	1.20	ZSD731	2.11	AN7146	9.90	BC214LB	0.26	BD243	0.50	BF244	0.50	BSX20	0.34	CA3131EM	3.12
1N4002	0.06	ZSC1398	0.84	ZSD787E	0.82	AN7150	2.45	BC225	0.45	BD244A	0.37	BF245A	0.37	BSX21	0.87	CA3131EM	6.80
1N4003	0.06	ZSC1410	2.39	ZSD811	5.54	AN7151	2.26	BC237	0.10	BD244	0.51	BF255	0.51	BSY52	0.50	CBF768Z3N	1.56
1N4004	0.04	ZSC1413	3.55	ZSD823	1.38	AN7156	2.78	BC238	0.10	BD244	0.85	BF256	0.28	BSY57	0.51	CD4001	0.38
1N4005	0.08	ZSC1505	1.00	ZSD856	6.81	AN7158	6.75	BC238A	0.13	BD245C	0.99	BF256LC	0.42	BT100A	1.61	CD4002	0.27
1N4006	0.08	ZSC1578	0.74	ZSD869	7.17	AN7218	1.64	BC239	0.12	BD246C	0.89	BF257	0.34	BT106	1.55	CD4006	1.06
1N4007	0.07	ZSC1617	3.89	ZSD898 TR	5.46	AS98076	4.68	BC239B	0.25	BD253	1.05	BF258	0.36	BT108	1.45	CD4011	0.29
1N4148	0.04	ZSC1670	3.13	40408	0.50	AS560S	1.59	BC251A	0.12	BD278A	0.80	BF259	0.34	BT109	1.46	CD4012	0.24
1N4448	0.05	ZSC1678	1.98	40594	1.53	AU113	2.97	BC252	0.12	BD317	2.60	BF262	0.57	BT112	2.46	CD4013	0.47
1N5401	0.14	ZSC1810	1.70	40595	1.53	AY105K	2.08	BC258	0.25	BD318	2.59	BF263	0.57	BT113	2.46	CD4015	0.45
1N5402	0.15	ZSC1815	0.66	40636	1.43	AY106	1.09	BC261A	0.22	BD375	0.42	BF264	0.37	BT116	1.76	CD4017	0.82
1N5403	0.16	ZSC1829	2.22	40671	1.53	BA130	0.14	BC262	0.22	BD377	0.26	BF271	0.34	BT119	1.20	CD4020	1.23
1N5404	0.15	ZSC1855	1.88	40672	1.53	BA1310	1.98	BC287	0.50	BD379	0.76	BF273	0.20	BT120	2.17	CD4021	0.39
1N5408	0.35	ZSC1875	4.77	60857	1.21	BA1320	1.38	BC294	0.90	BD380	0.76	BF274	0.20	BT121	2.46	CD4023	0.28
1N914	0.04	ZSC1891	3.69	74LS30	0.32	BA1330	0.75	BC301	0.45	BD410	0.52	BF284	0.23	BT122	1.98	CD4025	0.64
1S44	0.09	ZSC1893	3.02	7805 TD-Z20	1.16	BA145	0.19	BC302	0.36	BD412	0.27	BF336	0.33	BT123	1.38	CD4028	0.84
1S5012A	0.01	ZSC1929	2.25	7805 TD-3	1.16	BA148 DIDD	0.33	BC303	0.10	BD418	0.87	BF337	0.36	BT125	2.48	CD4047	1.06
1S921	0.06	ZSC1942	5.70	7806	0.73	BA154	0.40	BC307	0.14	BD433	0.47	BF338	0.40	BT126	2.48	CD4049	0.46
2N1302	0.27	ZSC1945	4.53	7808	2.39	BA156	0.05	BC307A	0.18	BD434	0.49	BF355	0.49	BT128	2.48	CD4050	0.55
2N1303	0.38	ZSC1963	1.93	7812 TD-3	2.85	BA157	0.22	BC308	0.14	BD436	0.49	BF362	0.69	BT129P	3.07	CD4052	0.75
2N2218	0.42	ZSC1967	0.95	7812 TO-Z20	1.16	BA159	0.12	BC308A	0.11	BD436	0.60	BF363	0.60	TBA970	3.05	CD4053	0.80
2N2219A	0.40	ZSC1969	0.31	7815	0.64	BA182	0.19	BC309	0.17	BD437	0.49	BF371	0.50	BT151-800R	1.16	CD4069	0.29
2N2222	0.38	ZSC1962	1.93	7818	0.64	BAZ22	1.86	BC317A	0.13	BD438	0.40	BF381	0.59	BT151-500R	1.38	CD4081	0.35
2N2646	0.80	ZSC1969	2.92	7824	0.64	BA284/2	0.17	BC327	0.15	BD441	1.42	BF393	1.25	BT16018	2.42	CD4083	0.70
2N2904	0.36	ZSC1985	0.55	AC107	0.73	BA301	0.07	BC328	0.11	BD442	0.66	BF418	1.84	BT16218	2.51	CD4511	1.12
2N2905	0.43	ZSC1983 TR	7.00	AC117	0.43	BA302	1.24	BC337	0.09	BD507	0.60	BF418	0.87	BT18024	4.43	CP521	17.83
2N2906	0.38	ZSC2009	0.34	AC123K	0.43	BA311	1.32	BC338	0.12	BD509	1.42	BF423	1.29	BT18124	4.89	CV12E	3.07
2N3053	0.27	ZSC2029	2.33	AC128	0.34	BA312	0.97	BC360	0.34	BD510	1.07	BF423	0.19	BT18214	5.59	CO334	11.83
2N3054	0.99	ZSC2027	1.42	AC138	0.09	BA313	0.76	BC368	0.12	BD518	1.50	BF435	0.54	BT18224	2.57	CO95D	3.14
2N3055	0.61	ZSC2028	2.11	AC141	0.29	BA317	0.04	BC440	1.09	BD519	1.50	BF450	0.35	BU105	1.50	CX104	9.64
2N3055H	0.85	ZSC2057	1.18	AC142K	0.43	BA318	0.09	BC441	0.44	BD529	1.32	BF451	0.29	BU106	2.46	CX108	9.16
2N3442	1.16	ZSC2073	1.54	AC151	0.28	BA328	4.77	BC455	0.36	BD530	1.10	BF457	0.41	BU108	1.50	CX109	7.86
2N3702	0.14	ZSC2078	2.39	AC153	0.34	BA333	1.37	BC460	0.42	BD533	0.67	BF458	0.39	BU109	2.25	CX121	11.83
2N3703	0.14	ZSC2091	1.30	AC176	0.30	BA401	0.64	BC465	0.36	BD534	0.53	BF459	0.52	BU110	5.89	CX130	8.76
2N3704	0.14	ZSC2122A	5.12	AC179	0.28	BA511 (IC)	2.92	BC461	0.47	BD535	0.77	BF460	1.56	BU111Y	4.16	CX131	11.83
2N3705	0.14	ZSC2141	1.86	AC183	0.72	BA521	2.02	BC462	0.30	BD536	0.61	BF469	0.31	BU124	1.38	CX134	11.83
2N3706	0.14	ZSC2166	1.98	AC187	0.39	BA524	8.94	BC463	0.64	BD537	0.74	BF470	0.35	BU125	0.50	CX136	11.83
2N3707	0.16	ZSC2216	0.89	AC187K	0.43	BA526	7.98	BC464	0.84	BD538	0.67	BF471	0.31	BU134S	4.57	CX137	11.83
2N3711	0.11	ZSC2233	2.20	AC188	0.25	BA532	2.67	BC465	0.64	BD544B	0.83	BF472	0.33	BU204	1.58	CX139	11.83
2N3771	2.04	ZSC2271	4.01	AC188-01	0.49	BA536 (IC)	2.95	BC477	0.32	BD580	1.17	BF479	0.61	BU206	1.08	CX157	4.84
2N3772	1.71	ZSC2278	1.14	AC188K	0.43	BA6304A	2.92	BC478	0.32	BD590	1.17	BF480	0.60	BU206	1.27	CX158	4.04
2N3773	2.29	ZSC2314	0.87	AC193K	0.66	BA843	3.96	BC479	0.41	BD598	1.25	BF491	0.32	BU207	1.65	CX170	7.62
2N3819	0.41	ZSC2335	10.41	AC194K	0.65	BAV18	0.21	BC532	0.28	BD677	0.53	BF495	0.64	BU208	1.12	CX177	6.75
2N3823	1.17	ZSC2526	1.87	AD140	1.06	BAV19	0.11	BC546	0.17	BD679	0.57	BF506	0.43	BU208A	1.57	CX506	9.33
2N3904	0.62	ZSC2551	1.26	AD145	1.80	BAV20	0.11	BC547	0.10	BD680	0.76	BF509	0.41	BU208A	1.12	CX507	7.62
2N3908	0.62	ZSC2570	2.39	AD149	0.90	BAV21	0.34	BC548	0.10	BD681	1.46	BF523	0.20	BU208D	1.95	CX755	12.95
2N4101	1.33	ZSC2570A	1.05	AD161	0.56	BAV12	0.11	BC549	0.10	BD685	2.30	BF594	0.27	BU209	1.93	CX758	7.62
2N4240	3.30	ZSC2578	6.75	AD162	0.45	BAV13	0.11	BC550	0.40	BD686	2.47	BF595	0.27	BU226	2.95	D1893	2.59
2N4444	0.90	ZSC2644	4.82	AD262	1.05	BAV16	0.11	BC556	0.16	BD687	3.60	BF596	0.18	BU312	2.38	DC1	2.20
2N4914	0.72	ZSC2671	1.59	AF114	2.47	BB119	0.17	BC557	0.16	BD688	1.85	BF597	1.05	BU326	2.00	DEC7	2.20
2N5064	0.71	ZSC2728	0.95	AF115	1.24	BC107	0.13	BC558	0.10	BD709	3.70	BF618	1.05	BU326A	2.20	ET222	0.40
2N5293	0.50	ZSC2785	0.75	AF117	0.50	BC107B	0.15	BC560C	0.14	BD702	3.70	BF618	1.05	BU326S	2.40	E5024	0.28
2N5294	0.50	ZSC372	1.40	AF118	1.20	BC108	0.15	BC560	0.16	BD707	1.06	BF658	0.22	BU402	1.89	E5286	0.25
2N5296	0.49	ZSC373	1.16	AF127	0.50	BC108B	0.15	BC565	0.24	BD708	1.06	BF757	0.59	BU407D	0.82	E5829	0.25
2N5297	0.50	ZSC383	1.33	AF139	0.53	BC109	0.12	BC566	0.20	BD710	1.12	BF758	0.65	BU407D	1.10	E8021	1.29
2N5298	0.61	ZSC388	0.50	AF178	1.45	BC109B	0.15	BC567	0.20	BD710	0.80	BF759	0.47	BU412	5.29	E9003	0.46
2N5490	1.49	ZSC394V	0.81	AF179	0.55	BC113	0.14	BC568	0.14	BD707	0.34	BF760	0.65	BU426	1.50	E9005	

ECONOMIC DEVICES, PO BOX 228, TELFORD TF2 8QP

HA1338	7.50	M1130	5.35	NE646N	2.90	SAS560	1.85	SN76620	2.59	TA7109	3.71	TC40538P	4.34	TDA2611AQ	2.98	TIP30C	0.30
HA1339	2.33	M191	6.32	NE650N	4.34	SAS560S	2.26	SN76622	1.65	TA7120P	0.64	TCA150	1.79	TDA2612Q	1.58	TIP31A	0.34
HA1342	2.05	M193	18.55	NE654BN	4.18	SAS560T	5.25	SN76623	0.69	TA7122B/P	0.92	TCA160B	1.79	TDA2620	1.96	TIP31B	0.38
HA1350	3.65	M51102L	6.35	NP1106	5.61	SAS570	1.78	SN76630	2.55	TA7124P	2.34	TCA270Q	1.71	TDA2630	1.96	TIP31C	0.50
HA1365	4.02	M5115P	5.24	OA200	0.11	SAS570S	2.61	SN76640	4.24	TA7130P	1.27	TCA270S	1.75	TDA2631	2.73	TIP32B	0.69
HA1365WR	1.86	M51221P	3.04	OA202	0.11	SAS570T	0.42	SN76651	2.57	TA7136AP	1.27	TC4270SQ	1.85	TDA2640	2.59	TIP32C	0.40
HA1367	4.32	M5124P	4.82	OA47	0.14	SAS580	2.85	SN76660N	2.48	TA7137P	0.98	TCA290A	1.69	TDA2643	12.12	TIP33C	0.80
HA1368	1.90	M5134-93A1	4.13	OA90	0.08	SAS5800	2.09	SN76665N	1.49	TA7141AP	3.87	TCA420A	1.16	TDA2651	4.65	TIP3A	1.18
HA1368R	4.32	M51394P	11.97	OA91	0.09	SAS590	2.85	SN76666N	1.41	TA7146P	4.23	TCA440	2.13	TDA2652	6.95	TIP41A	0.49
HA1370	3.71	M5142P	5.49	OA95	0.09	SAS5900	2.57	SN76705N	1.34	TA7148P	1.67	TCA4500A	2.15	TDA2653	5.65	TIP41B	0.65
HA1374	4.80	M5143P	7.33	OC28	2.52	SAS600	2.96	SN76707N	4.39	TA7149P	3.26	TCA530	2.16	TDA2654	6.18	TIP41C	0.45
HA1377	3.96	M5144P	3.77	OC29	2.15	SAS6600	1.33	SN76709N	5.15	TA7161P	5.45	TCA640	10.26	TDA2655B	5.44	TIP42A	0.49
HA1389	2.05	M51513L	2.55	OC35	1.06	SAS660S	1.33	SN76709N	5.15	TA7162P	2.59	TCA650	2.04	TDA2660	2.47	TIP42B	0.79
HA1389R	2.29	M51515BL	3.23	OC36	1.28	SAS6610	1.36	SN76730	0.56	TA7169	9.54	TCA660B	3.30	TDA2661	2.47	TIP42C	0.53
HA1392	3.90	M51517L	2.95	OC44	0.35	SAS670	1.33	SN76810N	6.30	TA7171P	2.79	TCA730	3.81	TDA2670	2.48	TIP47	0.65
HA1394	3.95	M5152L	3.71	OC45	0.18	SAS6700	1.33	SN76820N	2.90	TA7172P	1.41	TCA740	2.28	TDA2670A	1.94	TIP48	0.92
HA1397	3.76	M51522	2.88	OC75	0.44	SAS670S	1.33	SN94041	5.54	TA7176P	2.48	TCA750	2.40	TDA2680	3.20	TIP49	3.61
HA1398	3.98	M5191P	4.77	ON189	1.87	SAS6710	1.33	SN94042	4.35	TA7193AP	6.67	TCA800	5.95	TDA2690A	5.15	TIP55A	3.65
HA1406	2.07	M5192	5.74	ON236	1.06	SAS6800	2.53	SP9385	0.55	TA7193Q	5.50	TCA800Q	5.95	TDA2780AQ	2.64	TIS43	1.34
HA1452	1.63	M5194AP	2.20	OT112	1.08	SAS6810	1.43	STA441C	2.75	TA7201P	2.71	TCA830S	2.38	TDA2790Q	6.52	TIS50	0.28
HA17723	5.94	M53273P	1.82	PD144	2.24	SBA750	1.61	STK0029	5.35	TA7202P	2.47	TCA900	2.04	TDA2791	2.50	TISS1	0.29
HBFA030AF	2.48	M53274P	1.33	PT2014	0.89	SC9488P	2.08	STK0050	7.67	TA7204P	2.18	TCA900E	1.65	TDA2795	2.55	TMS1000NL	11.86
HD38750A53	8.71	MA06	1.07	PT5006	2.48	SC9503	1.65	STK0059	9.13	TA7205	1.38	TCE330	3.89	TDA2800	2.47	TMS3748NS	14.95
HD4480	17.16	MA8001	0.82	PT6042	1.79	SC9504P	1.95	STK0064	7.16	TA7206	6.25	TCE527	1.86	TDA2810	2.68	TMS4116	2.06
HD44801A05	17.49	MB3705	1.85	R1038	2.19	SC9511P	2.08	STK011	3.96	TA7207P	3.34	TCE83	1.08	TDA2810B	4.25	TU06	1.76
HEF4001P	0.67	MB3712	1.89	R1039	1.33	SC9511P	1.33	STK013	9.25	TA7208P	2.15	TCE83	1.08	TDA2820	7.25	TU6108	2.97
HEF4001BP	0.67	MB3713	1.59	R2008B	1.33	SG264A	5.26	STK014	8.84	TA7218P	3.58	TCE84	1.08	TDA2830	9.98	U05G	1.14
HEF4011	0.29	MB3730	3.25	R2009	1.98	SG608	0.75	STK015	6.91	TA7219P	2.58	TCEP100Q	10.25	TDA2830A	9.61	U143M	3.08
HEF4528	0.00	MC13002	6.00	R2010B	1.33	SG613	0.27	STK016	5.25	TA7221P	1.37	TCEP100	9.61	TDA2840	6.55	U370Q3	0.49
HM6231	0.89	MC1303P	2.16	R2029	1.33	SG629	0.27	STK022	12.50	TA7222P	1.95	TCEP100	9.61	TDA2850	9.71	UA723CA	5.53
HM6232	8.89	MC1307P	1.92	R2030	1.33	SG6533	10.31	STK025	12.50	TA7227	1.80	TCEP100	9.61	TDA2860	13.39	UA758PC	5.29
HM9102	3.22	MC1310P	1.30	R2257	2.38	SI-1125HD	13.86	STK040	8.70	TA7229P	4.45	TCEP100	9.61	TDA2870	2.98	UA763P3C	3.38
HM9104	3.24	MC1327P	1.33	R2265	1.49	SI1125H	13.86	STK043	10.48	TA7232P	4.65	TCEP100	9.61	TDA2880	5.00	UA768P	2.31
HM9105	3.24	MC1330P	0.99	R2305	1.15	SK2F 104	1.39	STK054	7.13	TA7233P	5.32	TCEP100	9.61	TDA2890	5.00	UA770P	1.89
HT4207	17.16	MC1349P	1.89	R2306	1.36	SK2E5 2/04	0.95	STK070	22.31	TA7240AP	7.83	TCEP100	9.61	TDA2900	6.50	ULN2158	7.10
ITT2003	0.22	MC1350P	1.61	R2322	0.59	SK2E5 3/04	0.98	STK077	7.67	TA7245P	7.50	TCEP100	9.61	TDA2910	6.24	ULN2216F	2.15
K1749P	3.46	MC1351P	1.33	R2323	1.33	SK4F 102P	1.39	STK078	8.52	TA7245P	5.94	TCEP100	9.61	TDA2910	2.83	ULN2216F	7.00
KA2101	2.92	MC1352P	1.12	R2348	2.01	SK4F 1/08	0.73	STK082	11.86	TA7246P	1.85	TCEP100	9.61	TDA2910	2.83	ULN2216F	6.32
KC581C	6.32	MC1357P	1.15	R2354A	2.01	SK4F 2/06	0.85	STK086	13.59	TA7246P	3.17	TCEP100	9.61	TDA2910	1.15	ULN2216F	6.32
KC582C	3.97	MC1358P	1.30	R2354B	2.01	SK4F 2/08	0.85	STK2101	6.32	TA7249P	2.81	TCEP100	9.61	TDA2910	2.40	ULN2216F	6.32
KC583C	5.54	MC14001	2.40	R2441	0.49	SK4F 2/08	0.85	STK2101	6.32	TA7249P	2.81	TCEP100	9.61	TDA2910	2.40	ULN2216F	6.32
L129V	0.25	MC14013	0.41	R2443	0.88	SK4E4 2/02	1.24	STK415	7.73	TA7250P	3.17	TCEP100	9.61	TDA2910	2.40	ULN2216F	6.32
L200CV	1.89	MC14016CP	0.84	R2461	1.50	SK5F 3/10	1.80	STK433	4.95	TA7250P	2.81	TCEP100	9.61	TDA2910	2.40	ULN2216F	6.32
LA1111AP	0.88	MC14011	0.26	R2477	1.02	SL1310	1.14	STK433	4.95	TA7250P	2.81	TCEP100	9.61	TDA2910	2.40	ULN2216F	6.32
LA1201	1.02	MC14025	0.60	R2501	1.28	SL1327E	1.39	STK436	5.24	TA7250P	2.81	TCEP100	9.61	TDA2910	2.40	ULN2216F	6.32
LA1210	1.56	MC14049UBC	1.05	R2540	1.38	SL1430	2.31	STK436	5.24	TA7250P	2.81	TCEP100	9.61	TDA2910	2.40	ULN2216F	6.32
LA1230	2.87	MC1438R	0.58	R2540X	3.30	SL1430T	2.25	STK439	8.31	TA7250P	1.74	TCEP100	9.61	TDA2910	2.40	ULN2216F	6.32
LA1352	1.54	MC14439P	2.82	R2615	0.67	SL414	3.68	STK441	11.28	TA7250P	1.74	TCEP100	9.61	TDA2910	2.40	ULN2216F	6.32
LA1357N	11.07	MC14556BPC	3.47	RCA195NB	2.16	SL432A	3.44	STK443	10.40	TA7250P	4.24	TCEP100	9.61	TDA2910	2.40	ULN2216F	6.32
LA1363	6.21	MC1712	3.08	RCA16083	5.30	SL437	7.43	STK459	9.40	TA7250P	1.00	TCEP100	9.61	TDA2910	2.40	ULN2216F	6.32
LA1364	3.02	MC7724CP	3.49	RCA16029	2.01	SL439	2.48	STK460	10.20	TA7250P	2.59	TCEP100	9.61	TDA2910	2.40	ULN2216F	6.32
LA1365J	3.44	MC7818C	4.18	RCA16334	1.32	SL480	3.14	STK461	9.58	TA7250P	4.80	TCEP100	9.61	TDA2910	2.40	ULN2216F	6.32
LA1378	6.52	MC7824CP	2.68	RCA16335	1.06	SL490	2.37	STK461	9.58	TA7250P	2.59	TCEP100	9.61	TDA2910	2.40	ULN2216F	6.32
LA1385	1.94	MC78M12	0.83	RCA16600	1.38	SL901B	0.32	STK463	11.53	TA7250P	2.53	TCEP100	9.61	TDA2910	2.40	ULN2216F	6.32
LA1387	7.80	MC78M24	2.38	RCA16799	2.38	SL917B	11.96	STK465	10.31	TA7250P	2.82	TCEP100	9.61	TDA2910	2.40	ULN2216F	6.32
LA3155	1.25	MCR100	0.38	RCA16801	0.95	SL918A	9.07	STK466	11.77	TA7250P	2.82	TCEP100	9.61	TDA2910	2.40	ULN2216F	6.32
LA3300	1.54	MCR101	0.67	RCA16802	1.08	SN16861N-07	2.72	STR441	9.45	TA7250P	1.06	TCEP100	9.61	TDA2910	2.40	ULN2216F	6.32
LA3301	1.41	MCR105-5/6	0.65	RCA17028	2.48	SN16880N	3.63	STR443	8.16	TA7250P	1.74	TCEP100	9.61	TDA2910	2.40	ULN2216F	6.32
LA3350	1.43	MCR220/7	2.28	RCA17074	6.60	SN16965	8.95	STR6020	8.31	TA7250P	1.05	TCEP100	9.61	TDA2910	2.40	ULN2216F	6.32
LA3361	1.23	MED402	0.17	RCA17376	1.98	SN16966N	10.25	T8007V	0.95	TA7250P	1.05	TCEP100	9.61	TDA2910	2.40	ULN2216F	6.32
LA4030P	4.20	MED404	0.26	RCA60857	4.95	SN29715N	6.04	T8007	0.62	TA7250P	1.24	TCEP100	9.61	TDA2910	2.40	ULN2216F	6.32
LA4031P	3.20	MED404/2	0.47	RGP10	1.90	SN29716N	3.86	T8016	0.70	TA7250P	0.85	TCEP100	9.61	TDA2910	2.40	ULN2216F	6.32
LA4032P	2.35	MED411	0.28	RT905A	0.12	SN29717N	7.19	T8017	0.42	TA7250P	1.24	TCEP100	9.61	TDA2910	2.40	ULN2216F	6.32
LA4050P	1.57	MED412	0.50	RT905A	2.18	SN29722	11.95	T8018V	0.70	TA7250P	2.50	TCEP100	9.61	TDA2910	2.40	ULN2216F	6.32
LA4051P	1.79	MED4102	0.24	SO280	2.34	SN29723AN	7.85	T8021	0.42	TA7250P	2.03	TCEP100	9.61	TDA2910	2.40	ULN2216F	6.32
LA4100	1.25	ME545B	10.02	SO281	2.14	SN29744N	2.29	T8022V	3.92	TA7250P	1.40	TCEP100	9.61	TDA2910	2.40	ULN2216F	6.32
LA4101	1.30	ME6002	0.26	S1299	4.74	SN29764AN	1.38	T8026	0.58	TA7250P	1.62	TCEP100	9.61	TDA2910	2.40	ULN2216F	6.32
LA4102	2.81	ME6102	0.28	S175	31.48	SN29767	4.98	T8027	0.61	TA7250P	1.05	TCEP100	9.61	TDA2910	2.40	ULN2216F	6.32
LA4112	4.83	ME8001	0.29	S2062D	2.07	SN29770BN	4.24	T8028V	0.								

Horror Stories

Les Lawry-Johns

This lady brought in a Fidelity CTV14S colour portable. "It's hissing" she said, "it doesn't belong to me – it's my neighbour's."

I removed the rear cover and plugged the set in. The line output transformer started to hiss and sparks came from it. "Leave it with me" I said, "I'll dry it out and see whether that stops the problem. Call back later this afternoon."

The Arc Over

So I dried it out with a hairdryer and sprayed it with Plastic Seal. Switching on, I was quite pleased to hear that there was no hissing. I plugged in an aerial and a good picture appeared. A nasty arc over then suddenly occurred around the line output transformer and the field collapsed to a line across the screen. I assumed that the spark had damaged the field output chip and was surprised to find that this was a TDA3561 – it was the later version of the CTV14S. I looked through my chips and couldn't find one. No one I phoned seemed to have one either. So I phoned SEME and got one the next day. I fitted it in the portable and was most annoyed with myself when it didn't clear the problem. Oh yes, in the meantime I'd fitted a new line output transformer which I had in stock. I now had a hissless set but there was still no field scan.

I must confess that I didn't have the complete circuit for this fairly recent set, so I was in some doubt. I phoned Fidelity and received some good advice. "If the voltage at the scan coil plug is less than 13V, change the TDA2578A sync/timebase oscillator chip." Again I couldn't find one and again no one locally seemed to have such a thing. Feeling a bit sheepish I phoned SEME again and they didn't shout at me. I got the chip the next day and fitted it. Glory be, a nice blank raster.

I plugged in the aerial and the sound was loud and clear but the blank raster remained blank, with the brightness and contrast controls having no effect. In fact the only way to control the raster was by means of the first anode preset, which is part of the line output transformer. I started to panic. The brightness and contrast controls worked on the TDA3562A decoder i.c., which has twenty eight pins, so I checked everything else.

All this would have been avoided if I'd replaced the line output transformer in the first place instead of trying to rescue the old one. Mrs. Clearwater wasn't going to be too pleased with her bill. When the set had come in it had showed a good picture and I had told the lady who'd brought it in that I'd phone the set's owner when I'd got it sorted out. I'd better get permission to proceed. So I did this first. Now to proceed . . .

The signals went into the TDA3562A but didn't come out. The voltages were present but the output voltages were high. So I looked for a replacement chip which I knew I didn't have. Now don't get me wrong. We keep lots of chips in stock – all those I think we'll need. I just didn't think we would need these so soon and we wouldn't have done if I'd only fitted a replacement transformer in

the first place instead of drying the old one.

I felt terrible when I phoned SEME again, but luckily this time a different girl took the order. All those girls must be nice – efficient too. In no time she told me that the chip was in stock, then proceeded to tell me where I lived. Something to do with the computer, Stan said. And I've always hated those things. Live and learn.

Anyway the next day the chip arrived and was fitted after a bit of a struggle. At last I was able to phone Mrs. Clearwater to tell her that the set was ready. "Funny" she said, "all it did here was to hiss, and you've had all that trouble". This may seem a trifle to you but it was a nightmare to me, feeling guilty all the time because I'd taken the wrong action in the first place. I'll know next time.

It Ticks

Eddie brought in his Thorn 9800. "There's not much wrong Les, it just ticks." I scowled at him. "When these sets tick you're in trouble, and so's the bloke who has to sort it out."

"Never mind Les, just have a look."

So when I had a chance I looked. It just stood there ticking. I brought my 25V power supply into action and fed 25V to the mauve lead on plug 4 on the decoder panel – these sets tick when the internal 25V supply is missing. Sound burst out but there was no sign of life in the line timebase – no e.h.t. I checked the line output transistor (VT851) and it said it was all right. I removed the screws and turned the line output panel up. The base-emitter readings didn't seem right, so I removed the plug from the right side panel and checked again. R858 (8-2Ω), which is in series with VT851's base, was open-circuit. I didn't have an 8-2Ω resistor so I put in two 4-7Ω resistors (KT3 type) in series. The set then worked beautifully, displaying a nice picture, but channel six was on instead of channel one. I touched selector one: the set hesitated then reverted to six. I touched all the other selectors and it still came back to six. I cleaned the front and this made no difference. So I removed the internal screws that hold the selector unit and pulled this out, away from the plug pins. I sprayed the front panel inside and the result, when the unit was refitted, was that position three was displayed and couldn't be shifted. I put the set to one side as I was fast losing patience.

I polished off a G11 and a Pye 725, then returned to the 9800. I pulled out the selector panel, leaving the front unit still secured to the front moulding by three screws. With these off it could be removed from the front and stripped down. The plastic strip needed a thorough clean and after doing this I refitted the unit to the cabinet, pushed the selector unit back on and put the screws back. It now came on with channel one displayed (fancy that): 3, 4 etc. could be selected but not channel 2.

My spirits were beginning to get low after all this. I replaced neon two and that didn't make any difference, so I checked the voltages and found that two differed quite a bit. My eyes strayed downwards and immediately caught sight of a red lead snipped off the panel that held the ML237 chip: the two ends were visible and were quickly soldered together. Channel two could now be selected and the job was done – except for an odd dry-jointy noise on the sound. Disconnecting the audio plug from the top of the signals panel stopped the noise so I concluded that the output stage, which is on the power supply panel, was in order. I spent some time replacing suspect items, includ-

ing the MC1358PQ intercarrier sound chip and associated components. The noise had then gone, but came back after a while. I eventually had to admit that the trouble could be in the audio output stage so I replaced the output transistor, using an MJE340 turned round: the trouble stopped and the sound remained clear.

What an ordeal! I know it doesn't sound much, but it

damages my confidence – which has always been sadly lacking – and I feel a bit let down when I'm tackling jobs that won't go right. When the thing is eventually done I feel a lot better, but I still have this feeling that it shouldn't have taken so long.

Eddie got a ticking off when he came to collect his 9800.

Vintage TV: US Sets of the 50s

Chas E. Miller

Since American design tends to reflect the "big is beautiful" school of thought (cars, buildings, etc.) one might think that their TV sets have all been on large and opulent lines. In fact the range of sets on offer around 1950 extended from some genuine monsters to sets that were much smaller than anything to be found in the UK at that time. But whatever the picture and cabinet size, there were certain design features common to all US sets – dictated by the different conditions in the States.

From the start American TV had been organised on commercial rather than public service lines. This meant that in large centres of population viewers could receive programmes from several different stations while in more remote, rural areas viewers required very sensitive receivers if they were to get acceptable pictures (the situation mirrored that of the early thirties, when powerful, selective radio sets were developed to provide reception of the proliferating number of radio stations on air).

Thus from the start all US sets had to be capable of receiving twelve channels (2 - 13, ch. A1 never being used for scheduled TV transmissions). This made the use of superhet tuning essential (in the UK the BBC's monopoly in the early days made it possible for many setmakers to opt for t.r.f. designs). To provide sufficient gain and selectivity, the tuner units and i.f. strips employed large numbers of valves compared to the designs with which UK servicemen were familiar.

The sets had to work from mains voltages between 110V and 120V – no problem with an a.c. supply since a mains transformer could be used, but liable to cause problems if the designer opted for the a.c./d.c. type of power supply. Those unfortunates who had d.c. supplies were likely to remain only would-be viewers since most sets eschewing a mains transformer tended to use a voltage-doubling circuit that would not, of course, work on anything other than an a.c. supply.

Pilot Table TV

We'll take a look at a couple of sets that illustrate opposite extremes of US TV receiver design of the period. First a small-screen set. The Pilot Model TV37 was a small table model fitted with a tiny three-inch c.r.t. with electrostatic deflection. It used a total of twenty valves, many of them double-triodes, and was suitable for use with 105-125V, 60Hz supplies.

The tuner unit employed three 12AT7 double triodes. Three triodes were used for low-band (55-25-87MHz) operation and the other three for high-band (175-25-215-75MHz) operation. Tuning across the bands was continuous, by means of ganged capacitors, the front band selection and tuning knobs being concentric. Each r.f. amplifier triode was used in the earthed-grid mode, with the input to its cathode via broadband transformer cou-

pling. Similarly the other two double-triodes were split between the two bands, as local oscillators and mixers. This arrangement enabled a commendably simple band switching system to be used: only the aerial input circuit and the h.t. supplies to the two local oscillators were switched.

The tuner was followed by a four-valve i.f. amplifier using 6AU6 r.f. pentodes. These were similar to but not as sensitive as the EF91 found in many contemporary UK sets. The vision detector used the only solid-state device in the set, a 1N34 diode. The following video amplifier stage employed a 6BA6 pentode, a valve more commonly employed as an i.f. amplifier in radio sets – it had a vari-mu characteristic. Its output was a.c. coupled to the tube's cathode, with the brightness control setting the d.c. level here. Intercarrier sound was a feature of many US sets from the start. In this one the intercarrier sound signal was tapped from the video amplifier's anode and fed to a single 6AU6 i.f. pentode. This was followed by a 6AL5 in a ratio detector circuit and a 35B5 as the output beam tetrode. Negative feedback was provided by returning the output valve's cathode to chassis via the secondary winding on the output transformer. The video output valve also provided the input signal for the sync separator pentode, a 6AU6 which was operated under unusual conditions – upside down in effect!

The technique used in this set to get round the low mains voltage was to obtain both negative and positive h.t. rails from the mains supply. The sync separator valve was operated from the negative rail: its anode load resistor and screen grid were taken to chassis while its cathode bias network was connected to the negative h.t. line.

The two timebases were basically similar, each using two 12SN7GT double triodes. Both oscillators consisted of cathode-coupled multivibrators, but while the field oscillator was operated from the positive h.t. rail, with the cathodes returned to chassis, the line oscillator was operated in the upside down mode, like the sync separator, its anode load resistors being returned to chassis. The two output 12SN7GTs were used as push-pull amplifiers to drive the deflection plates, and to get an adequate voltage swing both stages were connected between the negative (-120V) and positive (112V) lines. Even this wasn't quite enough for the field output stage, where the anode load resistor of one of the triodes was connected to a potential divider network across the e.h.t. supply. Fig. 1 shows the line output stage – the likes of which we've not seen before in this long-running series! A d.c. supply was connected across the deflection plates to provide centring (the same technique was used with the field deflection plates).

The negative supply was useful for several other reasons. It provided the supply for the contrast control,

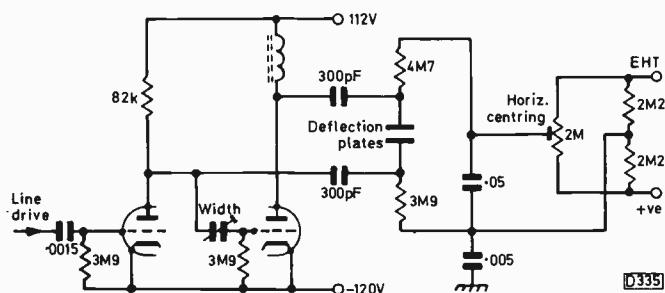


Fig. 1: Line deflection circuit, Pilot Model TV37. The c.r.t. used in this set employed electrostatic deflection.

which set the bias at the control grids of the first three i.f. amplifier valves, and also for the volume control which likewise provided a variable bias for the audio output valve's control grid. These were both front-mounted controls, as was the brightness potentiometer which was part of a resistive network connected across the negative and positive h.t. lines. The negative rail also provided the bias voltage for the control grid of the video output valve where, in the absence of cathode bias, it was most helpful in preserving the response and gain in harmony.

A 25Z6GT with its anodes and cathodes strapped together was used to provide the positive h.t. line: the speaker's field coil was employed as the h.t. smoothing choke. A 35W4 rectifier provided the negative h.t. rail, this time with resistive smoothing. The valve heaters were arranged in an intricate series/parallel configuration that would undoubtedly have excited the admiration of that arch-exponent of the method in the UK, the gentleman who designed Ekco TV receivers. His opposite number at Philips would probably have liked the cord-drive used for the TV37's tuning system!

A 25L6GT beam tetrode and a 1B3GT rectifier were used to provide the 2.5kV e.h.t. Fig. 2 shows the circuit. The 25L6GT was employed as an r.f. oscillator and, like the sync separator, was operated from the negative h.t. supply. Note that the feedback to the 25L6GT's control grid was obtained from the glass of the 1B3GT, where pulses were picked up. The variable capacitor in the tuned circuit was used to set the e.h.t.

The Dumont Bradford

The TV37 used quite a lot of electronics to produce its three inch picture. It was nevertheless cheap and cheerful – no vision a.g.c. for example and no flywheel sync, features that were common in the USA long before they came to be adopted in the UK. At the opposite end of the scale was the mighty Dumont RA108A Bradford – odd how that fair city seems to inspire TV setmakers, even

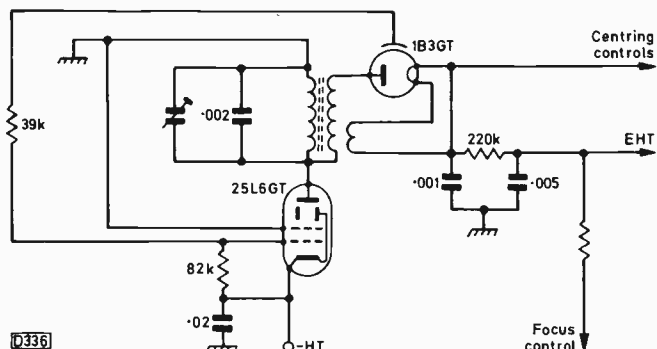


Fig. 2: The e.h.t. generator stage used in the Pilot TV37 was operated from the negative h.t. line.

those 3,000 miles away! Dumont also used names like Mansfield and Sussex. The Bradford was a 19in. set in a huge console cabinet of colonial style. Its 36-valve chassis had just about every feature including those just mentioned. The cabinet also housed an a.m.-f.m. radio and a record player.

The tuner unit was common to TV and radio – it covered 44-216MHz continuously by means of ganged variable inductors. It employed three valves, a 6J6 double triode with the two sections strapped, again used in the earthed grid mode; a 6AK5 pentode as mixer; and a 6AB4 triode as the local oscillator. Three vision i.f. amplifier stages using 6AG5 valves were followed by a 6AL5 as the vision detector (only one half of this double diode was used). Not quite as many i.f. amplifier stages as in the little Pilot set – but the i.f. strip was followed by a string of three video amplifier stages: first a 6AB6 pentode; then half a 12AU7 double triode as a cathode follower, with the contrast control as its cathode load; and finally a 6AG7 pentode. The latter was a metal octal valve that operated with the low anode load resistance of 2.35kΩ: one shudders to think how many service engineers seared their fingers on this hot little number! The video output was a.c. coupled to the grid of the picture tube, with the other half of the video 12AU7 strapped as a d.c. restorer diode. The brightness control set the voltage at the c.r.t.'s cathode.

This upmarket set didn't use the intercarrier sound technique. The sound i.f. was tapped from the coupling between the first and second vision i.f. stages and fed to a two-stage sound i.f. amplifier using two 6AU6 valves. This was followed by a further 6AU6 as a limiter then a 6AL5 in a Foster-Seeley f.m. discriminator circuit. The audio section consisted of a 6AT6 triode amplifier and 6V6 output stage. A special type of "magic-eye" tuning indicator (6AL7GT) was used to ensure accurate tuning of the f.m. radio stations.

The a.g.c. and flywheel sync arrangements were quite different from anything seen in UK sets and elaborate indeed. The starting point in this area is a 6AU6 in a tuned amplifier stage fed from the final vision i.f. amplifier stage. It was referred to as the sync amplifier and was used to optimise the sync output. Its tuned circuit fed a couple of rectifier diodes (a 6AL5). One provided the a.g.c. voltage, which was used to control the first and second vision i.f. stages (remember that negative-going vision was a feature of the US TV transmission system from the start, so a sync tip rectifier could be used for a.g.c. purposes). The second diode fed a conventional 6AG5 sync separator. This was followed by a buffer stage (half a 6SN7GT double triode) which provided the sync pulse outputs to the line and field timebases via differentiator and integrator circuits.

The field timebase at any rate was fairly conventional. The second half of the 6SN7GT just mentioned was

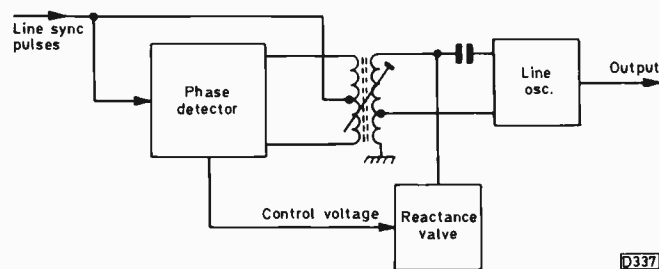


Fig. 3: The Dumont Bradford used a sinewave line oscillator that was phase locked to the off-air sync pulses.

employed as a blocking oscillator. The sync input was to a tertiary winding on the blocking oscillator transformer. A further 6SN7GT was used as the field output valve, with the two sections strapped together in parallel. Transformer coupling was used to the scan coils, with a d.c. component added for centring.

If the field timebase was conventional the line timebase was anything but. It was wondrous to behold! A sine-wave line oscillator (6K6GT power pentode) was employed. This was controlled by a 6AC7 reactance valve in the tuned circuit, the latter being controlled by a 6AL5 phase detector which compared the phasing of the oscillator with the incoming sync pulses – no feedback from the output stage, so the feedback loop was much shorter than what we're used to (until chips with double loops came along). Assuming that it worked correctly this must have been a very stable system. Fig. 3 shows the basic idea in block diagram form.

The oscillator was followed by a triode (half a 12AU7) which acted as a discharge valve, providing a sawtooth drive for the 6BG6G line output valve. A secondary winding on the line output transformer drove the line scan coils, a d.c. component being added for centring. The e.h.t., a comparatively measly 10kV, was provided by a voltage doubling circuit (two 1B3GT rectifiers) driven by the line output stage.

A conventional boost diode was used, except that it consisted of a 5V4G double diode. Since this valve lacked the highly insulated cathode of say the PY81 its heaters had to be fed from a separate small mains transformer (which also provided the heater supplies for the other valves in the line output stage). The boost obtained in this way was only 140V, from the 400V h.t. rail to 540V, which wasn't considered sufficient. Two 6X4 double diodes with their anodes strapped were used to produce a negative bias voltage for the line output and discharge valves, raising the effective voltage across the line output stage to some 730V.

A 6AS7G double triode with the two sections paralleled

was connected across the line output transformer's secondary winding as a damper: its grids were fed by an RC phase shift network which included a line linearity control (there was also a conventional inductive linearity control). This seemed an odd sort of valve to use for such a job so I looked it up in the RCA handbook of 1949. Lo and behold, the 6AS7G is described as being suitable for regulation work in power supplies, as a booster valve in TV scanning circuits, and as a push-pull output stage in hi-fi amplifiers. A versatile device!

This highly complex line timebase must have presented problems when anything went wrong. I dread to think what it must have been like trying to service one of these sets after an exhausting day at the bench.

In case you're wondering what the other half of the 12AU7 was used for, the circuit describes it as the "time delay rectifier". It took its supply from the negative bias provided by the 6X4s and was used to actuate a relay in the main h.t. line. The idea was to prevent the valves coming into operation until they had fully warmed up.

The main power transformer supplied 460-0-460 to a pair of 5U4G double-diode rectifiers connected in parallel. It was tapped at 190-0-190 to feed the previously mentioned 6X4 rectifiers. The valve heaters were all supplied in parallel from one or other of the two power transformers, which provided mains isolation.

The tube was a 19AP4, a kind of transatlantic cousin of the Mullard MW41-1, with metal-cone construction. The 16in. Mullard type, operated at 12kV, provided a reasonably bright picture. One wonders what the 19in. 19AP4 was like at 10kV. Still, even that potential was dodgy with a metal envelope that had to be insulated from everything else in sight.

The Pilot TV37 and Dumont RA108A provide quite a contrast in TV technology. It seems that US TV engineers of the period were likely to encounter a very considerable diversity of circuit techniques. In conclusion, my thanks to Anthony Bullock for his invaluable assistance in providing data on these sets.

IR Remote Control Handset Tester

George Bagley

Infra-red remote control is now being used with an increasing amount of equipment of different types. Inevitably, faults occur. It's not always practical to have the equipment brought into the workshop when the problem concerns just the handset. I found that a remote control handset tester that would work with a wide range of remote control transmitter units was required so I decided to make my own. Its design was kept as simple as possible, with adjustable sensitivity to match the output of any unit under test.

The circuit is shown in Fig. 1. To simplify construction a ready-made IR receiver unit was adopted – the Philips IR receiver part no. 4822 218 20293, though it's possible that other units will work just as well. The output from the receiver unit goes directly to the base of transistor Tr1 which drives a meter giving deflection over a wide range of handset outputs. Control VR1 sets the meter's range. The meter used in the prototype is a battery-level type but any small meter should do – adjust the value of R2 to suit (in the prototype the value is 10kΩ). D2 is included to suppress any back-e.m.f. produced by the meter.

The LED D1 provides visual indication when testing

handsets for range: a clear LED is used since it's easier to see at up to thirty feet. The test socket enables an oscilloscope to be connected to monitor the receiver's output.

The tester has proved to be a very useful and valuable addition to my test gear.

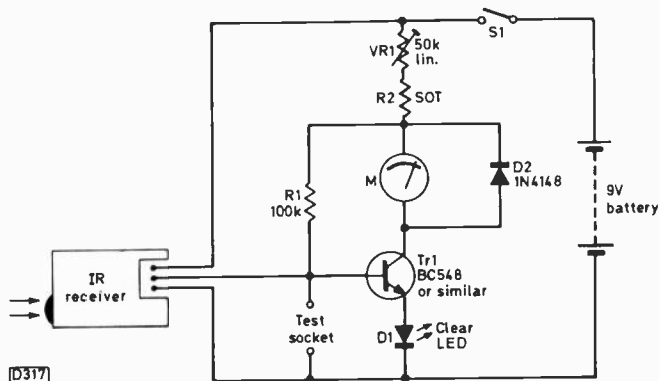


Fig. 1: Circuit diagram of the handset tester.

VCR Clinic

Reports from Steve Beeching, T. Eng.,
Derek Snelling, Steve Illidge and
Philip Blundell, Eng. Tech.

Mitsubishi HS318 and HS306

Just before Christmas we took delivery of some Mitsubishi HS318 VCRs. This model replaces the HS306. It has similar features though with infra-red instead of wired remote control. Construction inside is similar, with most of the components on the main board across the top of the machine and the clock/timer/counter on a small subpanel at the front. Access to the heads and fuses is no easier – slightly fewer screws but it's necessary to unclip three small subpanels, one with the tracking control, one with the operate switch and light, and the other with the function buttons. Locating the main panel in the upright position is a bit easier however. A couple of these machines had no sound in playback or E-E. In both cases the cause was a crack in the print near a screw hole at the rear left of the main board.

A problem that's beginning to show up on the HS306 is failure of the wired remote control system. This can usually be cured by replacing the lead and plug. Some 2.5mm plugs are slightly shorter than the ones originally fitted however, and you may find that they don't work. The solution is to file the front of the socket down slightly. D.S.

Mitsubishi HS304

The problem with an HS304 was instability on the lower channels. The machine would appear to drift off tune on these stations, but when an attempt at retuning was made the machine refused to lock on the station, preferring to be just above or below the correct tuning point. A replacement tuner cured the problem. D.S.

Toshiba V31

We're finding that these machines are beginning to come in with worn heads as they approach twelve months old. D.S.

Hitachi VT8000 series and Ferguson 3V35/6

For those of you who like to codge the odd repair, here are a couple of tips. The first concerns the Hitachi VT8000 series, which tends to have a dry-joint on the i.f. can (see Fig. 1). To fix, burr the joint on top by hitting with a screwdriver, then solder with a high-wattage iron. This dodge should last at least six months and saves removing the i.f. can from the machine.

The second codge concerns the Ferguson 3V35/3V36. If you get one where the front loading doors keep going out of sequence, rather than replace the mechanism or the doors try burring the door hinges as shown (Fig. 2). This will force the doors over slightly to the right and stop them going out of mesh with the operating gears. D.S.

Finlux/Philips VR6462

We've recently had two Finlux machines with the same fault, failure to eject the cassette. The model concerned is the equivalent to the Philips VR6462, so presumably the fault could occur on these machines as well. The cause of the fault is mechanical: a small pin comes out of one of

the operating levers. The lever in question is located under the main cam (see Fig. 3). To repair, remove the three circlips, then arm assembly A and cam B. Find the pin and refit it into the hole in the end of arm C. Use pliers to ensure a tight fit. Next find the small hair spring and refit it to the pin. Now for the tricky bit, reassembly. Push lever D as far towards the centre spindle as it will go. Fit the small metal block on to the pin and then hold arm C in such a position that as the cam is refitted the metal block locates in the slot beneath the cam, directly under hole E. The cam should push home fully with slight movement of lever F. If not, recheck the position of lever D. Refit the circlip to the cam and then refit arm A, ensuring that the pin locates in the metal block in the slot on top of the cam, then refit the remaining two circlips. Switch on and check for correct operation of the front loading and unloading mechanism. D.S.

Mitsubishi HS304 and HS7000

We had an interesting fault recently with a Mitsubishi HS304. The complaint was that it took a long time to return to normal speed after visual search, particularly in the forward direction. In fact it took up to ten seconds instead of one-two seconds for the capstan to return to the normal playback speed after search. IC4A0 contains a braking circuit amongst other things, but checks around this were rather inconclusive without another machine for comparison. We found however that pin 24, the reverse output, was permanently high, varying only slightly between forward and reverse search. The pin remained high when disconnected, so the chip was suspected. I should have realised when I found we'd got one in stock that fitting it wouldn't cure the fault, and it didn't.

Further investigation around the i.c. showed that the two Hall element inputs from the capstan motor were different. One was pulsing (as it should). The other was high and steady. A quick check showed that we didn't have a motor in stock so this was bound to be the cause of the trouble. When a replacement was obtained it cured the fault.

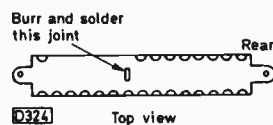


Fig. 1 (left): Dry-joint problem with the i.f. can in Hitachi VT8000 series machines.

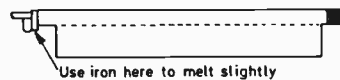


Fig. 2 (right): A way of dealing with the front loading door problem on Ferguson 3V35/36 VCRs.

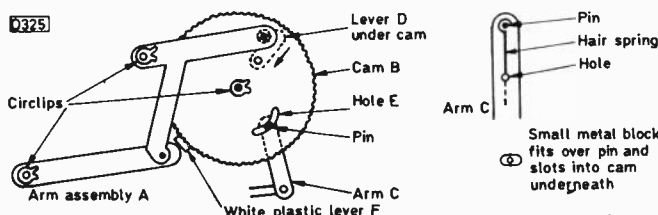


Fig. 3: Finlux/Philips eject failure problem – the small pin comes out of arm C.

Since then a colleague has had an HS700 with a similar fault. In this case the trouble occurred only in reverse search, which was slow when selected but speeded up when released before returning slowly to the play speed after about twenty seconds. Again the inputs to the i.c. (IC4A0) from the Hall elements were very different and a replacement motor cured the problem. D.S.

Ferguson 3V35

The problem was no functions. After removing the top the machine was tilted over in order to remove the bottom cover. A 2p piece then slid out from the component side of the mechacon PCB. Panic stations! How many dead bits will there be? The main microcomputer chip was working but didn't respond other than to power on, i.e. there was no output to the cassette motor although "cass in" was present. Now one would normally have a check round to ascertain the status of other inputs, but as the 2p piece could have damaged the chip this had to be eliminated from the search first. Naturally fitting a new one made no difference, so a check around the pins was called for. The housing up and housing down inputs were both high which is not at all correct: in fact the cassette housing had overshot its stop position in the eject mode. It had to be wound back and then repowered to reset the microcomputer chip, after which correct operation was restored. Of course that may have been the original problem, in which case the housing switches are suspect, or the presence of the 2p piece could have held pin 37 high. We shall never know! S.B.

Toshiba V65

This machine is equivalent to the JVC HRD140, but without remote control. The problem was no functions. Although new stock, the machine had a short history of peculiar problems. It had intermittently failed to respond to "power up", then subsequently to play, fast forward, rewind etc., though the "instant record" function always worked. It eventually failed completely while out on rental (clapped out as dealer Pete put it).

This time there was no power up, though the capstan motor ran for a long time before stopping. Operation code data reached pin 21 of IC601, the mechacon control i.c. The output at pin 1 didn't go fully to 0V, but when it was earthed the capstan motor didn't run. After replacing the i.c. all was expected to be well. Pin 1 went to zero, the capstan remained still but the power light stayed off. Over on the power supply the regulator wasn't switching on for a number of reasons: zener diode D3 was leaky, Q10 was also leaky from collector to base while circuit protectors CP1 and CP4 were open-circuit. Q10 must switch off to allow the supply regulator Q7/8 to come on. The junction of R12/D3 is earthed via 2.2k Ω by the microcomputer chip so the voltage here is about 1.9V: this reverse biases the zener diode and Q10 switches off.

I don't know why so many components in this part of the circuit were damaged. Stop press: Pete has just phoned to say that it keeps doing silly things like suddenly coming on or ejecting cassettes. . . S.B.

Grundig VS200/VS220

A short note that may save a few headaches.

If the customer reports the display of "7" in rewind, sometimes accompanied by tape damage, the take-up motor is suffering from tight bearings when hot. It tends

to occur with motors date coded before 06/84, but later motors have been known to fail. When replacing the motor, remove the plastic cover from the brake solenoid rear mounted switch. It's not fitted on all machines: dust gets trapped here and can lock up the control micro.

If the customer uses high-grade tapes the cassette exit guide (the one on the front left corner) can unscrew due to static build up in rewind. Check the setting so that there's no tape edge curling and that the tape path is compatible, then seal it with "lock tight" or nail varnish (Passion Red is best. . .). S.B.

Panasonic NV2000

The timer couldn't be programmed. The cause was that the clock i.c. failed when hot. Fixed up a can of freezer with a hole through the front panel so the customer could operate the machine – or did I change the chip on that one? S.B.

Sharp VC381

The unusual problem with this machine was picture rolling on E-E and record. If it had been a VC7300 I'd have homed in on the i.f. packaged circuits. The signal at the output from the i.f. section was fine however. We followed it through IC201 but found that the field sync pulses were missing by the time the signal reached IC402. Coupling capacitor C438 (47 μ F) was low in value. P.B.

Philips VR6660

The customer complained that the machine didn't pull the tape back into the cassette every time. It worked fine until I tried to eject the tape after running in rewind search. Then the jockey wheel jammed half way and tape spilled everywhere. A new jockey wheel was needed. P.B.

Toshiba V8600

This machine came in for no E-E operation. The audio and video signals were both present at the input to the r.f. modulator, but there was no r.f. output. The supply to the modulator was found to be low because the modulator supply switching transistor Q661 was leaky. Fitting a replacement cured the fault.

A quick way of checking the signal from the r.f. modulator to the r.f. converter is to connect an "isolated" lead from the r.f. modulator's output to the aerial socket of a TV set. This normally gives some indication as to whether the modulator is working. S.I.

Hitachi VT14

The problem with this machine was intermittent loss of sound in the E-E mode. The sound would disappear for several seconds a day, which was most irritating. Armed with a signal tracer – and a lot of patience! – we checked whenever possible the audio to and from audio board PG405 and chroma board PG751. We were eventually able to eliminate these boards. This brought us to the tuner/i.f. board, where checks on the voltages around IC881 suggested that the audio defeat circuit was operating when the fault was present. We eventually arrived at the programme PCB where we found that the programme chip IC721 was faulty, intermittently operating the audio defeat circuitry. S.I.

Long-distance Television

Roger Bunney

The first month of 1986 was unfortunately yet another quiet one for DX-TV reception. Even the January Quadrantids meteor shower produced little. A few minor Sporadic E signals confirmed that the E layer still existed, but the few reception reports indicate how bleak the period has been. The SpE log is as follows:

5/1/86 ORF (Austria) ch. E2a.
 9/1/86 ARD (W. Germany) E2.
 11/1/86 SR-1 (Sweden) E3; MTV-1 (Hungary) R1.
 12/1/86 TVE-1 (Spain) E2.
 21/1/86 NRK (Norway) E2; TSS (USSR) R1.
 22/1/86 RAI-1 (Italy) IA.
 26/1/86 RAI-1 IB.
 29/1/86 TSS R1.

Ian Menzies (Aberdeen) noted an interesting aurora on January 6th. It apparently had three phases (they usually have two). This evening event produced mainly NRK/TSS signals between 2020-2030, 2130-2140 and 2300-2320 (all times GMT). A "mainly Scottish" aurora was also logged during the evening of January 21st. Intensive auroral activity occurred during the evening of February 8th. It was visible in the southern UK and produced Radio Kent (104.2MHz) and French/Dutch Band II f.m. signals in Scotland.

Ray Davies (Norwich) reports an intense SpE opening during "mid-January", with JRT (Yugoslavia), RAI and ORF amongst others – but he forgot to log the date! My thanks also to Simon Hamer (Powys), Iain Menzies and Tim Anderson (St. Leonards) for reporting on their reception – or rather lack of it – during January. Incidentally Tim (2 Burry Road, Silverhill, St. Leonards, Sussex) would like to get in touch with other local DX-TV enthusiasts with a view to establishing an informal club/early warning reception network – write to him directly. He mentions that the local 23cm ATV repeater GB3SX should be on-air at Easter, accepting either a.m./f.m. video in with a.m. video out on RMT1: ATV, both 70 and 23cm, is expanding in his area.

Alan Reekie (Brussels) reports that the first test transmissions of the new French fifth TV network started

in early February: at present transmissions are from 0900-1700 CET daily, but should increase later. The PM5544 test pattern is used with identification "MV5". The fifteen transmitters reported to be on-air include Paris ch. E30, Lyons ch. E28, Marseilles ch. E32, Lille (town) ch. E65 and Lille (Bouvigny) ch. E51.

A new RTE TV transmitter listing is available from RTE, Reception Investigation, Dublin 4, Eire (dated January 1986).

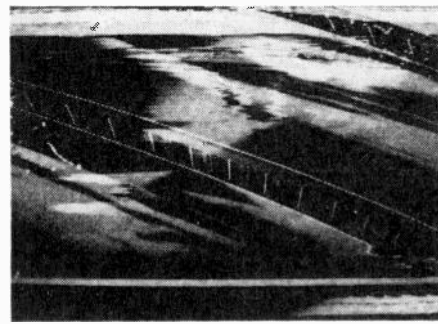
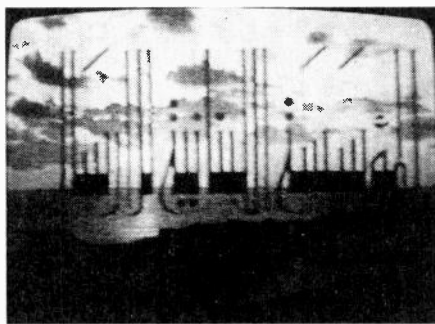
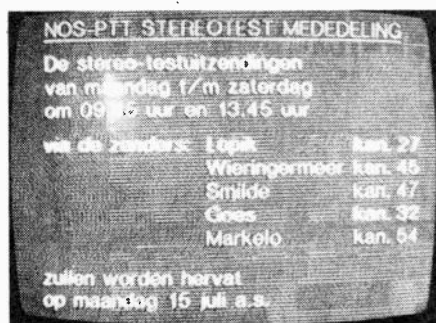
If all is gloom in W. Europe those in Australia are having a ball. With the closure of the ch. 0 SBS-TV transmitters the opportunities for DXing have increased, particularly in congested areas such as Sydney and Melbourne. Robert Copeman (Victoria) has sent us several letters reporting the wide open conditions across Australia to the north and west, also to New Zealand. He has received many DX f.m. radio signals in Band II (Band II f.m. radio is relatively new in Australia): one good catch was Alice Springs 8KIN-FM (100.5MHz) on January 2nd.

Anthony Mann (near Perth, Western Australia – home after a period in the USA) reports reception of multi-hop SpE signals from the north. On December 29th he received China ch. R1 and Malaysia chs. E2/3/4 at upwards of 4,000 miles, along with Eastern Australian and New Zealand transmitters – the opening lasted for some three hours. Intense openings to the east occurred on the following day (30th), reaching as far as American Samoa (ch. A2) at 4,700 miles for about an hour and a quarter at mid-day Perth time. The Samoan signals are at plus five hours – both vision and sound were received. There were many short-skip openings during the period end December/early January. Let's hope that this is a foretaste of the 1986 European SpE season!

There have been no undue problems to date with ch. E2/R1 reception following allocation of the 50-50.5MHz band to Amateur Radio, though it's early days yet. For the record the maximum e.r.p.s allowed are 25W (14dBW) for f.m./c.w./a.m. and 100W (20dBW) for s.s.b. (peak envelope power). We would welcome any reports from readers on problems experienced with DX-TV reception in this band and any remedial measures (if any) taken.

Ryn Muntjewerff (Holland) was featured in a Nederland-1 programme transmitted by Veronica TV from 1530-1600 CET on February 1st. Typically, appalling weather prevented even those in East Anglia resolving the programme.

Planning regulations have been relaxed to allow dish aerials with diameters up to 1m to be mounted at the fronts of houses – apart from in conservation areas.



Left: Caption for stereo sound test on NOS-2 (Holland). Note the locked, floating PM5544 test pattern from TDF (France), with inverted transmission standard (L). Photo from Tim Anderson. Centre: RTT (Tunisia) station identification slide received by Marios Colocassides in Cyprus. Right: An example of the scrambling system now used by HBO and Cinemax in the USA – the VideoCipher II system manufactured by M/A-Com.

Previously dishes could be erected only at the rear of premises.

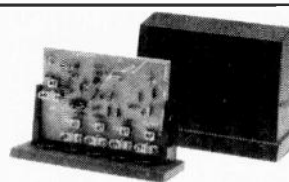
News Briefs

The Swiss "Telecineromandie" pay-TV channel (E69) is now in operation. The descrambler costs 150 Swiss francs and the monthly subscription is 20 Swiss francs, giving access to mainly film material. There are plans for a relay network . . . More NOS-2 (Holland) transmitters are being equipped with the two-carrier sound system, for either dual-language or stereo broadcasting . . . There's a suggestion that a new Italian transmitter in the South Tyrol region may be used to transmit UK material – the Music Box pop programme – to Bavaria . . . The Dutch Army is installing relay transmitters in W. Germany for the NOS output – Lunenburger-Heide is thought to be using ch. E41 (an NOS transmission has been received in Holland from the direction of Bremen).

Satellite TV Terms

With the increasing number of TVRO systems in use in the UK for reception of satellite TV transmissions in the 10.9-11.7GHz band, the following short glossary of common terms may be helpful to readers.

- Aperture.** The "square area" or size of a parabolic dish.
- Az/el mount.** Dish support system that allows for separate adjustment of azimuth and elevation.
- Azimuth.** Horizontal rotation of a dish, expressed as a compass bearing relative to true north and measured in a clockwise direction.
- Beamwidth.** Dish aerial polar response, indicating the narrowness of the forward pickup lobe. Beamwidth decreases with increased gain and frequency. Dish aerial gain is usually expressed in dBi (dB isotropic): a given dish size will give higher gain with increase in frequency.
- Boresight.** The part of the Earth's surface at which a satellite's transmitting aerial is aimed and where the strongest field strength (dBW) will be found.
- C Band.** 3.7-4.2GHz. Widely used for satellite TV transmissions in N. America.
- Cassegrain aerial.** Aerial system with a hyperbolic subreflector mounted at the focal point of the dish to direct the signal to the centre of the dish where the feedhorn connection is made.
- Dish efficiency.** Dish performance figure with respect to gain. Usually in the region 60-65 per cent.
- Dish illumination.** Part of the dish "seen" by the feedhorn. The feedhorn has to be arranged so that when positioned at the focal point of a given F/D dish it doesn't see too much over the edge of the dish or enough of the dish surface.
- Downlink.** Signal transmitted from a satellite to the Earth's surface.
- EIRP.** Effective isotropic radiated power. A measure of the signal strength transmitted towards the Earth.
- Elevation.** Vertical movement of a receiving dish, expressed in degrees above the horizon.
- F/D ratio.** Indication of dish depth. Calculated by dividing the focal length by the diameter. A higher ratio means a shallower dish.
- Focal length.** Distance from the focal point to the centre of the dish.
- Footprint.** Area of the Earth's surface covered by a satellite's transmitting aerial. Shown as a contour map expressed in dBW. A good guide to the size of receiving dish required at any location within the contours.



LABGEAR 'MULTI-4' AMPLIFIER ONLY £29.95

NEW 'MULTI-4' FROM LABGEAR – This UHF Wideband Amplifier is designed to serve directly up to 4 UHF Television sets with a four times (12dB) increase in signal strength on each of its four outlets, with a low noise figure of only 1.8dB. This unit is fully weatherproof and may be installed outside at the masthead or inside the home, it is line powered up the coaxial cable and comes complete with a separate power supply unit which can be located near to any convenient power point indoors. The 'MULTI-4' incorporates by means of a spring link, the facility of through-line powering for the fitting of an additional masthead amplifier if required.

'NEW' LABGEAR 'MULTI-4' Fourway UHF Wideband Masthead Distribution Amplifier. One input, four outputs @ 12dB Gain; Noise figure only 1.8dB. Fitted in weatherproofing housing, complete with separate Power Supply Unit **£29.95**
'NEW' UNISON 'offset' Aerial Rotator, complete with latest type of Control Console, features continuous indication of beam heading, uses 3 core cable **£39.95**
SB100 Alignment/support Bearing. Allows greater head loads, fitted above rotator **£13.80**

COMING SOON – Multi-Standard 15" screen PAL/SECAM colour TV, covering System B/G (for Europe), System I (for UK) and System L (for France), latest design, Infra-red remote control, all for around £300.

AERIAL TECHNIQUES provide a complete and comprehensive consultancy service for ALL TV/FM reception queries/problems, for local, fringe and DXing. We can offer an attractively priced 11GHz Satellite System for the reception of ECS 1, INTELSAT V and other Satellites, separate leaflets are available on request (SAE please).

**AERIAL TECHNIQUES IS UNIQUE –
OUR HIGH QUALITY CATALOGUE COSTS ONLY 65p.**

Why not send for your copy today – please include an SAE with all enquiries.
All prices inclusive of VAT and carriage Delivery 7-10 days.
ACCESS & VISA Mail and Telephone orders welcome

AERIAL TECHNIQUES



11 Kent Road, Parkstone,
Poole, Dorset BH12 2EH.
Tel: 0202 738232



- Ku Band.** 11.7-12.7GHz.
- Offset angle.** Tilt (in degrees) of a polar mount aerial from its polar axis to ensure correct tracking (horizon-to-horizon) of satellites in geostationary orbit. The angle increases the farther north the receiving location is from the Equator. Also known as **declination angle**.
- Offset-fed aerial.** Reflector system in which the focal point is offset or stood to one side of the dish so that the feedhorn and its support do not block the signal path, giving increased efficiency.
- Parabolic dish.** Dish with specific (logarithmic) curved surface to reflect all incident signals to a common, small focal point along the axis.
- Polar mount.** Dish support system that provides simultaneous adjustment of elevation and azimuth.
- Polarisation.** Signal sense, either vertical, horizontal or circular (left- or right-hand).
- Prime-focus feed.** Dish aerial system with the feedhorn/LNA assembly mounted at the focal point.
- Transponder.** Satellite receiver/amplifier/transmitter receiving from and transmitting back to the Earth.

Satellite TV

Confusion in W. Germany! The "3 SAT" service to parts of E. Europe via the Eutelsat I-F1 satellite's east spot beam has been declared unconstitutional by the federal government. The service uses ZDF/ORF/SRG material and has been run by ZDF-Mainz. The government claims that it alone has the authority to organise/transmit programmes outside W. German borders. It seems that a lawsuit to terminate the service is pending. There has also been argument about the SAT-1 service via

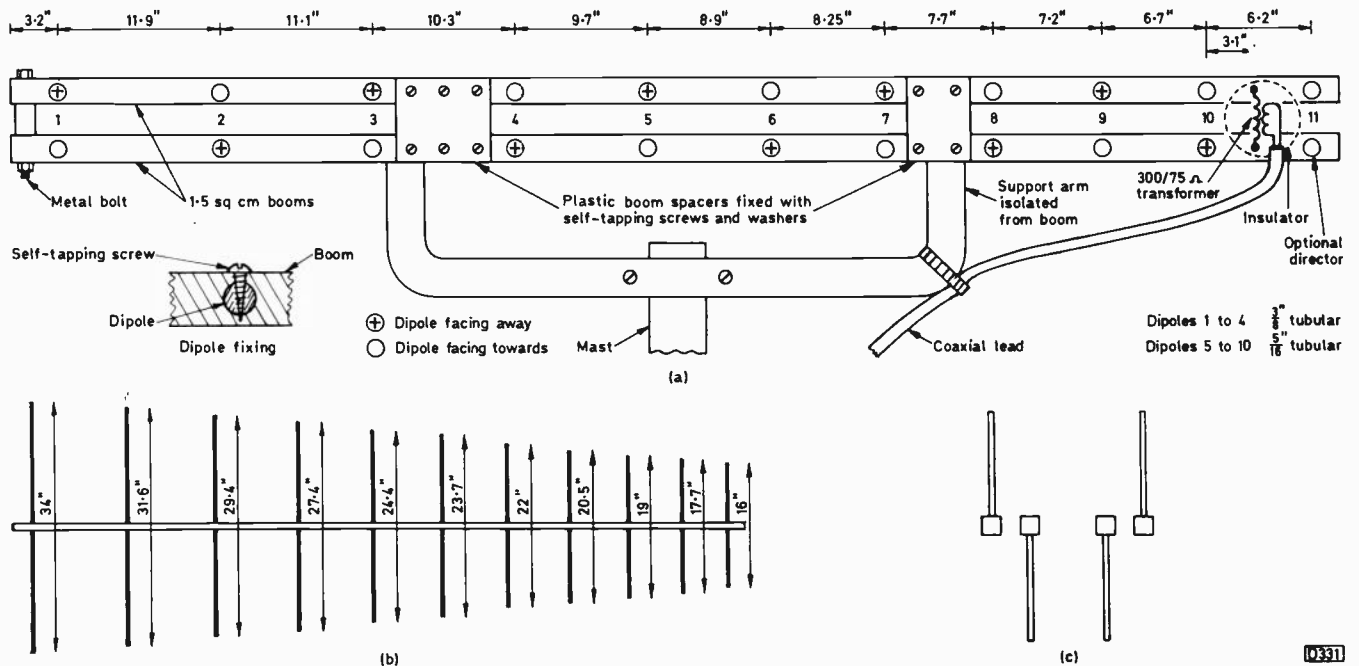


Fig. 1: Band III log-periodic aerial designed by Roger Pates. (a) Constructional details; (b) element dimensions; (c) arrangement of alternate dipoles on the boom.

the Eutelsat I-F1's west spot beam.

In the USA CBS, HBO and Cinemax have all started to use scrambling for their satellite distributed programmes. The HBO and Cinemax programmes, intended for cable operators, have been viewed by users of some 1.2 million TVRO systems.

The 50MHz Band

The information that was published in support of the 50MHz Amateur Radio allocation suggested that possible interference to TV would be limited to eight ch. E2 transmitters in mainland Europe. No mention was made of ch. R1 nor of the re-engineered French ch. L2, both of which spread through the allocation. In total, allowing for two projected French stations, some 73 transmitters in Europe and the Western USSR could experience interference via SpE. Letters outlining the situation have been sent to the DTI and the RSGB but to date no response has been forthcoming.

There's been a report of 50MHz interference from a digital telephone exchange, consisting of wideband digital hash and pulse modulation. The hash runs up to 20dB above threshold and the pulse interference to 40dB, depending on exchange loading. If anyone knows of a cure or would like to comment, please write in.

Band III Log-periodic Aerial

Log-periodic aerials are quite widely used in the UK for u.h.f. reception. Their advantages lie in a clean polar response and substantially flat gain across the intended bandwidth (a standard wideband Yagi array has a rising gain over the bandwidth). Since there's been little need for wideband Band III arrays in the UK few log-periodic aerials for use in this band have been manufactured here.

Roger Pates (Nottingham) has designed a wideband Band III log-periodic aerial that's given most encouraging results. By way of confirmation Tony Mancini (Derby) is using one of these aerials, made for him by Roger, and reports a noticeable improvement in comparison with the eight-element wideband Band III Yagi he'd previously

been using, particularly at the lower end of the band.

Details of the array are shown in Fig. 1. It was constructed from salvaged u.h.f. aerials, using 1.5 sq cm booms and plastic spacers cut from a 1/8in. thick polythene bucket, so the cost is minimal. Drill 3/8in. holes through the booms for dipoles 1-4 and 5/16in. holes for dipoles 5-10, securing the dipole elements from the top by means of self-tapping screws - use plated or aluminium screws to minimise corrosion. A standard 300/75Ω matching transformer is used to connect the coaxial feeder to the output - such transformers are available from hi-fi shops for use with imported f.m. tuners etc. Alternatively a suitable transformer can be wound on a toroid. An additional director some 6.2in. ahead of the first dipole (at the transformer end) will enhance the performance at the h.f. end of the bandwidth (ch. E12). The dipole spacings given are element centre to centre: the lengths are overall measurements which must be halved for each element fixing point. It's essential to avoid any metal mast passing through the dipole chain (use a fibreglass mast if it has to pass through the array). Roger uses a Fringe Electronics Band III amplifier at the masthead.

If the array is well constructed the gain could be 8.5-9dBd across the 175-220MHz bandwidth. The beamwidth will be around 60° at the -3dB points and the front-back ratio some 20dB maximum.

From our Correspondents . . .

A reader in Rastanura, Saudi Arabia writes that he constructed his own four-bay bowtie aerial, which he installed at 40ft. A surprise reception was an AFRTS (American Forces service) programme on ch. E27, carrying the identification "SEB Italy". This identification ("Southern European Broadcasting") is used with transmissions sent via Intelsat V at 1°W. Can anyone suggest the Arabian source of this signal?

An excellent tropospheric opening in the Eastern Mediterranean during November 12/13th gave Marios Colocassides in Nicosia, Cyprus an impressive sunset logo identification from Tunisian TV ch. E33 Zaghoun (1.4kW e.r.p., location south of Tunis) - see photo.

Service Bureau

Requests for advice in dealing with servicing problems must be accompanied by a £1.50 cheque or postal order (made out to IPC Magazines Ltd.), the query coupon and a stamped addressed envelope. We can deal with only one query at a time. We regret that we cannot supply service sheets nor answer queries over the telephone.

HITACHI NP9A CHASSIS

The line output transistor Q702 keeps blowing. The original one was very leaky: the set would try to work, but the resistor module CP702 that supplies the line driver and output transistor burnt up. After replacing the module and the line output transistor the set worked all right for several weeks, then Q702 blew at switch on. A BU208A was tried for test purposes and the set again worked – CP702 o.k. this time. It worked for a while then Q702 once more failed.

It's advisable to use the correct type of line output transistor in this chassis. We would suggest that you replace the bunch of 0.039 μ F flyback tuning capacitors C715/C716/C732/C749 after carefully checking the entire line output stage for dry-joints, especially around the transformers T701 and T703 – it's worth retinning and resoldering each pin even if the joints look all right. We have heard of Q702 failing as a result of the HM9105 thick-film module CP901 in the power supply producing jitter.

TANDBERG CTV1 CHASSIS

The problem with this set is weak video. The set is unusual in using RGB drive to the tube's grids – a check reveals that these are highly negative. Any idea of the cause?

The signal coupling to the grids is capacitive, with diode clamps. If there's excessive ripple on the h.t. line the clamp diodes will rectify this to produce the negative voltages you mention. Try replacing the large electrolytic cans C405 and C406 (200 + 200 μ F each).

FERGUSON 3V22

This machine intermittently records in monochrome. Could you suggest likely checks for this?

The usual cause of this fault is incorrect adjustment of the record colour killer control on the Y/C board. Turn it to the end of its travel at which colour is recorded – the other way will give permanent monochrome recordings. Less likely causes are the following, in this order: IC202 (AN305); the 4.433169MHz crystal; the 4.435571MHz crystal; misadjustment of the colour a.f.c. and a.p.c. loops – a frequency counter and scope are required to set these up.

SONY KV2000 Mk II

The problem with this set is no results – no sound and the tube's heaters out. There's a 1Hz thumping sound from the speaker and a coincident squeak from the chopper transformer. No shorts can be found. Disconnecting the output plugs from the power supply remove the thump but the

1Hz squeak from the chopper transformer continues. There's 320V across the mains bridge rectifier's reservoir capacitors.

The power supply doesn't seem to work unloaded and the thump suggests that the audio side is o.k. The fault is almost certainly in the line output stage. If there's no leakage in the SID30-15 efficiency diode D806 it's safe to assume that the line output GCS has failed. These symptoms can arise when its gate is open-circuit.

SHARP VC9300

After half an hour or so on playback the machine stops. When play is pressed the machine starts up again but stops intermittently after different lengths of time.

There can be several possibilities for this type of fault – even pinholes in the tape oxide. If the fault occurs in play and record but not fast wind the usual culprit is the drum pickup head mounted near the drum motor flywheel – it's probably going open-circuit intermittently or positioned too far from the flywheel.

SANYO CTP6112

This set has touch tuning but the channels keep changing of their own accord. We checked for h.t. and e.h.t. discharges and cleaned all relevant areas and have changed the chips on the preset tuning board but the problem remains.

This sort of thing is very often due to conduction on the touch tune assembly itself. Prove this by disconnecting the touch pads from the chip inputs. If this clears the problem and thorough cleaning of the touch surfaces doesn't help, fit a new sensor panel.

SONY C5

Pressing the record button also activates the pause function: pressing the pause button then cancels pause and initiates record. The fault doesn't occur with a timed recording. All other functions operate normally.

Remove the front panel to gain access to switch board SY14. Check carefully for signs of corrosion or moisture ingress on the board and in the function switches, also for print faults or damage. Check D4 for leakage. If it's o.k. there's probably a fault on the syscon panel (SY15). Items to check here are D30, IC1 and the microcomputer chip IC7 (μ PD547C-049).

GRUNDIG 6010TD

The problem is that the volume will not stay low. When the control is set for low sound the level gradually rises on its own.

The problem is becoming increasingly common on this set. It's generally due to leakage in the paddle-switch

QUERY COUPON

■ Available until 16th April 1986. ■
■ One coupon, plus a £1.50 (inc. VAT) ■
■ cheque or postal order, must accom- ■
■ pany EACH PROBLEM sent in accor- ■
■ dance with the notice above. ■

TELEVISION APRIL 1986

assembly which adjusts the volume level. A less common cause is the "memory cell" for the sound level (SB29.40741-1101) – this becomes leaky. Spares are now hard to obtain in view of the set's age.

TEST CASE

280

Each month we provide an interesting case of TV/video servicing to exercise your ingenuity. These are not trick questions but are based on actual practical faults.

By way of a change, this month a monochrome set. In practice there's little difference between colour and monochrome sets these days unless one's considering the decoder or RGB drive circuits – the power required for scanning and the e.h.t. differ of course. Our subject this time is at the lower end of the power-consumption league, a small-screen portable Pye Rambler, fitted with the Philips TX chassis.

The shop assistant had written "frame collapse" on the job card, an expressive misspelling conveying perhaps the last dying breath of the field timebase . . . ? There was certainly no field scan, also an imminent danger of burning the screen phosphors since the single horizontal line across the screen was very bright indeed, even at the lowest setting of the brightness control. The simplest way of overcoming this problem was to remove the tube's base socket and dress it clear of mischief. This was done and attention was turned to the field timebase, a d.c.-coupled seven-transistor circuit with a complementary-symmetry class B output stage.

The field oscillator and output stages are supplied by the 26V boost line which is derived from the line output stage in the traditional manner. These supplies were found to be present and correct. Since the output stage midpoint voltage was found to be about 7V low at 2.7V instead of just over 10V it was decided, to save time, to disconnect two of the legs of each of the field amplifier, driver and output transistors (TS520, TS523 and TS521/2 respectively) and cold check them with an ohmmeter. This technique will often expedite fault finding: not this time however! The transistors all measured correctly, as did the three diodes in the output stage, D508-510. An oscilloscope hooked to the midpoint of the output stage – the emitter of TS521 – showed that there was virtually no activity here, eliminating the possibility of open-circuit scan coils or connections. Time to move a step back, to the driver stage.

The voltage at the collector of the driver transistor and the base of the lower output transistor was also found to be very low, 2.5V instead of around 9.5V, so the oper-

ation of the field oscillator was investigated. This appeared to be running at full bore – there was a 9.5V peak-to-peak sawtooth at the collector of TS515 and the voltages in this area were all correct. The oscillator's output is coupled to the base of the amplifier transistor TS520 via two high-value resistors and the height control. The two fixed resistors were unhooked in order to make resistance checks but both were found to be within tolerance. The height control also seemed to be o.k., but TS520's base voltage was only around 0.3V and the waveform here, a most unhealthy clipped sawtooth, was a mere 0.22V peak-to-peak, far short of its normal 1.3V peak-to-peak value sitting on 2.4V d.c.

The amplifier transistor's emitter voltage is taken from the output stage's midpoint – this is the usual d.c. stabilising feedback loop. It was realised that the correct operation of TS520 was crucial to the operation of the amplifier/driver/output stages so a new BC559 was fitted in this position. It made no difference at all. The other transistors and the associated resistors were then checked, all to no avail – replacement of the tube's base revealed that the bright line was still obstinately present.

Having run out of ideas the young man with the AVO and soldering iron consulted one of his senior colleagues. This worthy studied the screen symptom, then the circuit diagram. He then chastised the young man for not taking into account all the displayed symptoms. What had been overlooked? See next month.

ANSWER TO TEST CASE 279 – page 326 last month –

The Expert-branded GEC/Hitachi set (NP8CQ chassis) last month produced no sound or raster – not with the normal mains voltage applied anyway. If you recall, supplying it via a variac produced results of sorts at low mains input voltages. What was found to be happening was that the chopper circuit was running virtually out of control, trying to establish an h.t. voltage way in excess of the normal 108V. As the h.t. built up at switch on the set would momentarily come to life, only to trip out when the h.t. rose to around 120V, due to the action of the over-voltage crowbar trip. This accounted for the lack of h.t. voltage, the "purr" from the chopper transformer and the burst of life again at switch off as the voltages fell. Why was the power supply failing to regulate?

The chopper transistor Q901 is connected in a blocking oscillator circuit. There are two other transistors, the error detector/amplifier Q902 and Q903 which controls the chopper transistor's base drive conditions. You'll remember the sudden increase in Q902's collector voltage as the h.t. line rose above its correct 108V. This should increase Q903's base current. Q903 acts as a variable impedance in the chopper transistor's base circuit: reducing this impedance reduces the self-oscillating chopper's duty cycle. The cause of the trouble was that the 2SC2060 transistor in the Q903 position had low gain. We've found that "equivalents" don't work well in this critical position – you have to fit the real McCoy.

Published on approximately the 22nd of each month by IPC Magazines Limited, King's Reach Tower, Stamford Street, London SE1 9LS. Filmsetting by Trutape Setting Systems, 220-228 Northdown Road, Margate, Kent. Printed in England by The Riverside Press Ltd., Thanet Way, Whitstable, Kent. Distributed by IPC Magazines Ltd., Lavington House, 25 Lavington Street, London SE1 0PF. Sole Agents for Australia and New Zealand – Gordon and Gotch (A/sia) Ltd.; South Africa – Central News Agency Ltd. Subscriptions: Inland £13, overseas (surface mail) £15 per annum, payable to Quadrant Subscription Services Ltd., Oakfield House, Perry Mount Road, Haywards Heath, Sussex RH16 3DH. "Television" is sold subject to the following conditions, namely that it shall not, without the written consent of the Publishers first having been given, be lent, resold, hired out or otherwise disposed of by way of Trade at more than the recommended selling price shown on the cover, excluding Eire where the selling price is subject to currency exchange fluctuations and VAT, and that it shall not be lent, resold, hired out or otherwise disposed of in a mutilated condition or in any unauthorised cover by way of Trade or affixed to or as part of any publication or advertising, literary or pictorial matter whatsoever. ISSN 0032-647X.

3 WEEK FULL-TIME

Tuition Fee £575.
(Grants available – see below)

Next 2 Courses commence on MAY 12th & JUNE 30th

VIDEO CASSETTE RECORDER SERVICING COURSE

INTENSIVE COURSE INTENDED FOR QUALIFIED TELEVISION SERVICE ENGINEERS OR APPLICANTS WITH SIMILAR BACKGROUND. THE COURSE COMBINES THE ADVANTAGES OF INDUSTRIAL AND ACADEMIC TRAINING WITH A HIGH PERCENTAGE OF PRACTICAL WORK.

(MSC grants available on JTS/ATS training schemes, subject to approval. If you are unemployed, or are currently employed and require retraining, or updating, you or your employer may be eligible for financial assistance under one of the above schemes.)

Further details from:

LONDON ELECTRONICS COLLEGE (VCR Dept.)
20 Penywern Road,
Earls Court, London SW5 9SU
Tel: 01-373 8721

T.V. SOUND TUNER

SERIES II
BUILT AND TESTED

In the domestic TV set, the most common failing is poor sound quality. Small speakers and no tone controls are common and all this is really quite sad as the TV companies do their best to transmit the highest quality sound. Given this background a compact and independent TV tuner that connects direct to your Hi-Fi is a must for quality reproduction. This TV SOUND TUNER offers full UHF coverage with 5 pre-selected tuning controls. It is mains operated and can also be used in conjunction with your video recorder. Dimensions: 10½" x 7½" x 2½". Supplied complete with case.



£29.50 + £2.00 p&p.

With built-in headphone amp **£35.90** + £2.00 P&P.

ACE-TELCOM VIEWDATA DECODER

£59.95 + £2.50 p&p.

Sport, business, travel, weather and much more. The Viewdata Decoder, linked to your telephone gives you access to literally thousands of pages of information from viewdata services such as Prestel. The viewdata computer banks supply colour signals but all the pages can be viewed on either a standard colour or monochrome TV set.

All mail to RTVC, 21A HIGH STREET, ACTON W3 6NG.
Callers to above address and:

323 Edgware Rd, London W2
Tel: 01-992 8430. ACCESS



TV LINE OUTPUT TRANSFORMERS

FAST RETURN OF POST SERVICE

RANK BUSH MURPHY A816 solid state mono 8.00 CROWN 14CX25 15.00	PHILIPS 170 series dual std mono 8.00 210 300 series mono 8.00 G8 & G9 series colour 8.00 KT2 8.00 PYE 368, 169, 569, 769 mono 8.00 725-741 colour 8.00 SANYO 5101 & 5103 10.00 REDIFFUSION Doric Mk.3 10.00
DECCA MS1700200120202401 mono 7.00 MS2404 2420 2424 mono 7.00 CS1730 1733 colour 9.00 CS1830 1835 colour 9.00 '30' series Bradford colour 9.00 80 series colour 8.00 100 series colour 8.00	WINDINGS Autovox 2282 2693 8.00
FERGUSON HMV MARCONI 1600 8.00	RANK BUSH MURPHY A640, A793, A774 overwind 6.00 T20a T22, T26 Pri & Sec 6.00 Z718 primary state 18" or 22" 6.00 Z718 EHT overwind 8.00 SONY 1320UB overwind 15.00
G.E.C. 2047 to 2105 7.00 2000 to 2064 dual std mono 7.00 2147 single std 9.00	SOVEREIGN FARA £15.00 14" colour overwind
Indesit 20EGB 24EGB mono 8.00	ULTRA THORN 1690-1691 EHT overwind 7.00 1590 EHT overwind 5.00 Waltham 190 EHT overwind 6.00
KB - ITT VC200 VC205 VC207 mono 8.00 CVC5 CVC7 CVC8 CVC9 col. 9.00 CVC20 series colour 8.00 CVC30 CVC32 series colour 8.00 CVC45 8.00 FT100 FT110 state p/no. 10.00 TXV80 10.00	PRICES INCLUDE P.P. & 15% VAT

All lopts and windings are new and guaranteed

Open Mon.-Fri. 9 to 5.30 pm
Delivery by return.

**PAPWORTH
TRANSFORMERS**

80 Merton High Street,
London SW19 1BE

REWIND SERVICE
S.A.E. all enquiries
Barclaycard and
Access welcome



01-540 3955

For orders placed at the post office
Trans cash 506 4856

SPECIAL OFFER THIS MONTH

PHILIPS YEARS AHEAD THE CREDIT CARD CALCULATOR SOLAR POWERED £6.00

NEW PHILIPS SBC 1833 Solar & Battery Powered Calculator £10.00

NEW PANELS

THORN 4000 LOPT Panel	£15.00
THORN 9000 Line Panel	£12.00
G11 IF Panel	£8.00
THORN 9600 Line Panel	£12.00
G11 Decoder Panel	£8.00
POWER SUPPLY 731	£6.00
G11 611 Condenser 470/250V ITT	£1.50
G9 Power Panel	£3.50
G8 Line Panel	£12.00
G8 6 Push Button	£9.00
KT4-KT3-K30 Handset Replacement	£8.00
HT520 METER 20,000 Fuse Diode Protector Logic Test Facility	£15.90
9000 SERIES Decoder 01 929 014 080 Thorn	£5.00
THORN TX remot panel. 51.C. ML923-SL490-MC14528B-MC14493P-SL470 & Main Trans	£5.00
LOPT Split Diode 2432871	£7.00
RANK T20 Fouces Pot	75p
RANK 718 Fouces Pot	£1.00
THORN 9000 LOPT Panel	£12.00
26" LOPT Split Diode 2432301	£8.00
16" LOPT Split Diode 2433481	£6.00
HITACHI AE Socket	30p
-1 CONDENSER Axial Léads 450 A/C 1200 D/C	15p
MAINS TRANSFORMER 240v in/20v/8v	£1.00
GREEN LED Flat 1000 For	£20.00
240V 50HZ	
12+12V 2.8VA Print 1"×1"	75p
8+8V 1 Amp Print	75p
MICROPHONE with Switch	25p
HITACHI 6 x 4 - 8Ω Speaker	50p
ET596 UHF V/CAP Tuner, small	£2.50
FIDELITY Panels with I.C.	£1.00
FIDELITY LOPT Split Diode AT2076/80	£3.00
FIDELITY FBS 1245AE LOPT Mono	£1.00
FIDELITY Split Diode FCC2015BE	£5.00
HI-FI MICROPHONE N8501 Philip	£8.00
G8 TUNER V/CAP on Panel	£3.50
4000 TRIPLERS	£3.50
THORN 9000 Sound.OP Panel	£30p
THICK FILM, Hitachi RB-32 4A	£2.00
THICK FILM, Hitachi Frame	£5.00
THORN Lopt 8500-8800	£4.00
K9 THORN Tuner Panel with ICS Pots	£3.00
80 Ω THORN Speaker	15p
9000 Speaker	£1.00
Split Diode 2433752	£6.00
THORN CHASSIS 1600-1700 Series Mono	£10.00
THORN 1600 Rec- & Anode Cap	50p
ET-614 UHF V/CAP Tuner	£2.00
6 x 2½ SPEAKER 5W Hitachi 8Ω	50p
K35 20 Turn Pots	6p each
K35 12 way Push Button Unit	£1.50
K35 L.O.P.T. Split Diode	£6.00
RANK T20 Front Panel	£6.00
G8 6 Button Unit, New Type	£9.00
6 off LED DISPLAYS, Mixed	£1.00
HAND SET TESTER, Infra Red	£8.00
PHILIPS SBC 471 2 Way Stereo Headphone with Volume Controls	£17.00
DYNAMIC STEREO HEADPHONE EM 6146	£10.00
UNI DIRECTIONAL Dynamic Microphone	£10.00

SENDZ COMPONENTS

63 BISHOPSTEIGNTON,
SHOEBURYNESSE, ESSEX SS3 8AF.

SAME DAY SERVICE

All items subject to availability. No Accounts: No Credit Cards. Postal Order/
Cheque with order. Add 15% VAT, then £1 Postage. Add Postage for Overseas.

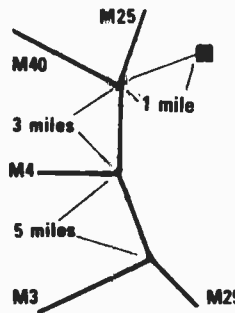
Callers: To shop at

212 LONDON ROAD, SOUTHEND. Tel. 0702-332992

Open 9-1/2.30-6. GVMT + school orders accepted on official headings. Add 10% handling charge.

REBUILT TUBES?

Come to one of the most experienced firms in the business. We have been rebuilding cathode ray tubes for industry, broadcasting authorities, major airlines, M.O.D. universities, and, of course, the TV trade in general since the '60's.



WE ARE LOCATED IN ◀ UXBRIDGE

At probably the most accessible part of S.E. England. The nearest junction of the M25 is only about 1 mile away and we are less than 10 minutes from the interchanges on the M25/M3, M25/M4, M25/M40.

LOCAL AREA MAP AND PRICE LIST
AVAILABLE ON REQUEST

DISPLAY ELECTRONICS LTD.

UNIT 4, SWAN WHARF,
WATERLOO ROAD,
UXBRIDGE, MIDDLESEX.
UXBRIDGE (0895) 55800.

CentreVision

TEL: 0222-44754

SLOPER ROAD

LECKWITH

CARDIFF CF1 8AB

OPPOSITE CITY FOOTBALL GROUND

5 MINS FROM M4

FERGUSON

VHS VIDEO

£75

MANY TOP QUALITY REMOTE
CONTROL WORKING TV'S.

PHONE FOR LATEST PRICES

PRICES SUBJECT TO VAT

OPENING HOURS:

MONDAY - FRIDAY 9.00 - 5.30

SATURDAY 9.00 - 1.00

MANTEL

No 1 for Quality TVs & Videos 100s of V.H.S. Videos in stock

Large Quantities of Late Model Thorn TVs. All with first class cabinets.

TELE-TEXT/ULTRASONIC/INFRARED/REMOTES

All at UNBEATABLE PRICES for QUANTITY & QUALITY

Also Philips G11/Pye G11/Basic/Remote/TELE-TEXT

Some examples of **QUALITY** working TVs

THORN 8800 ★★★★★★★★★★★★★★★★★★ £25
 THORN 8800 (remote) ★★★★★★★★★★★★★★★★★★ £30
 THORN 9000 ★★★★★★★★★★★★★★★★★★ £30
 THORN 9000 (remote) ★★★★★★★★★★★★★★★★★★ £35
 THORN 9600 ★★★★★★★★★★★★★★★★★★ £40
 THORN 9600 (full feature remote) ★★★★★★★★★★★★★★★★★★ £45

THORN 9600 TELETXT ★★★★★★★★★★★★★★★★★★ from £75
 (VARIOUS MODELS)
 THORN 9900 ★★★★★★★★★★★★★★★★★★ £50
 THORN 9900 f/f remote ★★★★★★★★★★★★★★★★★★ £60
 PHILIPS G11 ★★★★★★★★★★★★★★★★★★ £55

(prices quoted are based on quantity)

NO DEALER TOO LARGE OR SMALL. SINGLES SOLD

Brand New Remote Control Hand Sets Available for the majority of British & European TV sets.

1000s of UNTESTED Colour TVs

I.E. DECCA 30s, GEC 2110, GRUNDIG, TANBERGS, G8s 520s-550s, Thorn 3500/8000/8500, TT, PYE, ETC.

(Many of these untested TVs just switch on)

ALL AT LOW LOW PRICES

VAN LOADS DELIVERED DIRECT FROM SOURCE RING FOR QUOTE

New TV Trolley Stands

£4.95

Also Video Stands

POA

Colour TV panels & tubes available

All prices subject to V.A.T.

CALLERS WELCOME

Export Orders Welcome for those Countries using the P.A.L. System

**419 BARLOW MOOR ROAD,
 CHORLTON, MANCHESTER M21 2ER.**

TEL: 061-861 8501

D.I.Y. TV TUBE POLISHING

with our DIY Polishing Kit

The Kit includes everything you need to polish approx. 25* tubes to a high standard. Detailed instructions on how to do the polishing. All you require is an Electric Drill.

Kit Price £49 inc P&P and VAT. Available from Luton only.
 *Depends on depth and area to be polished.

TV TUBES FREE DELIVERY*

5% DISCOUNT ON TUBES COLLECTED FROM LUTON
 Quality, High Temperature Reprocessing

TUBE SIZE	DELTA i.e. A51-110X A56-120X A66-120X A67-120X	DELTA SPECIALS i.e. A47-342X 470CTB22 510GLB22 A56-410X A66-410X A67-150X A67-200X	IN LINE & PIL i.e. 470ESB22 470ERB22 A51-161X A51-570X 510JKB22 560AKB22 560BYB22 A56-510X A66-510X	HITACHI IN LINE etc. AXT37-001 AXT51-001 AXT56-001 510VLB22 510VSB22 560DZB22 560EB22 A56-540X A56-711X A66-540X A67-711X	SONY TRINITRON 330AB22 400FB22 470BEB22 470DLB22 520KB22 520SB22 570EB22 570HB22 680DB22
UP TO 20"	£30	£32	£40	£44	£58
UP TO 22"	£34	£36	£42	£46	£64
UP TO 26"	£36	£38	£44	£48	£70

All tubes sold with 1 or 2 year guarantee, with optional extension by extra 2 years. Prices shown are for 12 months guarantee.

All tubes exchange glass required.

Your good, working tubes with scratches or small chips, can be **POLISHED** with our purpose built polishing equipment. **From £7 per tube.**

Delivery charge on colour tubes: Within 40 miles of Luton.

1 or 2 tubes **£6. 3** or more tubes **FREE DELIVERY***

Nationwide delivery available, charges on application.

Please add 15% VAT to all prices. Callers welcome. Please phone first.

WELL VIEW

114-134 Midland Rd,
 Luton, Beds.

Open Mon-Fri 8am-6pm, Sat 9am-1pm. Tel. 0582-410787.

Your Local Tube Stockist:

Well View, Southampton. Tel. 0703 331837.

H. K. Television, London, E.2. Tel. 01-729 1133.

West One Distributors Ltd., Gt. Missenden, Buckinghamshire.

Tel. 024 06 3609

Rushden Rentals Ltd., Rushden, Northants. Tel. 0933 314901

Daventry Rentals, Daventry, Northants. Tel. 03272 77436

Rea & Holland, Ipswich, Suffolk. Tel. 0473 827562

WANTED A56/A66-510X/540X and Sony. Old glass for cash



SADELTA

**FIELD STRENGTH METER
 MODEL TC-402**

THE SADELTA FIELD STRENGTH METER TC-402 has been designed to measure the signal levels delivered by the antenna to a TV or FM receiver, in order to test the performance of the antenna and evaluate the best conditions during install on etc. To facilitate measurements, the tuning frequency readout is shown on a digital display.



FEATURES

- Covering FM and all TV bands (UHF/VHF) including CATV freq.
- Digital tuning display (3 digits) for direct frequency readout.
- Accurate 10 turn tuning potentiometer.
- Built-in loudspeaker enables monitoring of sound in AM/FM.
- Meter measurement in voltage and dB from 20uV (26dB/uV).
- Continuity tester 0-500 Ohms.
- Fully portable (battery).
- Sturdy carry case.

PRICE £249 + £37.35 VAT

U.K. POST PAID, export enquiries welcome, Visa/Access or cheque with order, payable to B.K. Electronics. Official orders welcome from Govt. Depts., Colleges, P.L.C.s etc. Large S.A.E. for technical leaflets of complete range delivery normally within 7 days.

B. K. ELECTRONICS Dept. 'T'

UNIT 5, COMET WAY, SOUTHEND-ON-SEA,
 ESSEX. SS2 6TR TEL: 0702-527572

OSCILLOSCOPES	
TELEQUIPMENT D67 Dual Trace 25 MHz Delay Sweep with manual.....	£250
COSSOR CDU150. Dual Trace 35MHz Solid State. Portable 8x10cm display. With Manual.....	£200
ADVANCE OS250TV. Dual Trace 10MHz With Manual.....	£160
S.E. LABS SM111. Dual Trace 18MHz Solid State. Portable AC or External DC operation 8x10cm display. With Manual.....	£150
TELEQUIPMENT D43. Dual Trace 15MHz. With Manual.....	£100
TELEQUIPMENT S54A. Single Trace 10MHz. Solid State. With Manual.....	£110
TELEQUIPMENT S43 Single Trace 25MHz With Manual.....	£75
PHILIPS DIGITAL MULTIMETERS	
4 digit, auto ranging. Complete with batteries and leads (p&p £5)	£75
TYPE PM2517X (LCD).....	£75
MULTIMETERS	
AVO 8 Mk 4 Complete with batteries & leads.....	£60
AVO 8 Mk 2 Complete with batteries & leads.....	£50
AVO TEST SET No 1 (Military version of AVO 8) Complete with batteries, leads & Carrying Case.....	£65
AVO Model 7x. Complete with batteries, leads & carrying case.....	£40
AVO Model 73. Pocket Multimeter (Analogue) 30 ranges. Complete with batteries & leads.....	£18
AVO 72 - Similar to above but no AC current range. With batteries & leads.....	£10
ELEMIC Multimeters. Un-used. Supplied with leads & batteries.....	£10
EBM 20 - 37 ranges.....	£20
SUPER 50 - 57 ranges (incl. Carrying Case. 20 Other models available.....	£20
PROFESSIONAL 9" GREEN SCREEN MONITORS	
made by KGM for REUTERS Gives quality 80 column x 24 line display. Composite video in. Cased. Good condition.....	ONLY £32 each
DISK DRIVE PSU.240V 1N; 5V 1.6A & 12V 1.5A out. Size: W125mm, H75mm, D180mm. Cased. Un-used. Only £10.00 each (P&P £2).	
Qwerty keyboard (as in Lynx Micro). Push to make. Cased.....	£5 each (P&P £2)
Various 5 1/4" Floppy Disk Drives and Stepping Motors Available.	
This is a VERY SMALL SAMPLE OF STOCK. SAE or Telephone for Lists. Please check availability before ordering. CARRIAGE all units £12. VAT to be added to Total of Goods & Carriage.	
STEWART OF READING	
110 WYKEHAM ROAD, READING, BERKS RG6 1PL	
Telephone: 0734 68041	
Callers welcome 9 am-5.30 pm Mon.-Fri. (until 8 pm Thurs.)	

QUALITY COLOUR T.V./AUDIO

Large quantities now available of new BRAND NAMED STOCKS

Various Stacking/Hi-Fi's A & B grade.....	£55.00
Portables 14" & 16" Text.....	P.O.A.
20" Text, R/C, Basic.....	P.O.A.
22" Stereo Text - R/C - Basic.....	P.O.A.
26" Text, R/C.....	P.O.A.
Videos.....	From £120.00
3V26 Power Supply.....	£20.00
Radios etc.....	P.O.A.

(P.O.A. price on application)

NEW STOCK AT SECOND HAND PRICES!!!!!!!!!!!!!!!!!!!!!!

COLOURTRADE
221 Bridge Street West,
Hockley, Birmingham B19.
Tel: 021-359 0449

TVS TRADE SERVICES BROMSGROVE

Large selection of quality clean TV & Video always in stock, including:

BUSH T20/24	DECCA 80/100
GEC STARLINE	
HITACHI	ITT (full remote)
PHILIPS G8	
PHILIPS GII	PHILIPS KT3
THORN 9600 including TELETEXT	
THORN 8800 (remote)	THORN 9000 (remote)
THORN TX	

VHS VIDEO from £85 (working)

We specialise in working sets, fully serviced and ready to deliver to your customer's home. Spares back up service available to customers. You've seen the junk, so why not now come and pay us a visit - we think you will be pleasantly surprised by our prices and the quality of our equipment. Delivery service available.

STOP PRESS

Electronic Video including Ferguson 3V29/30, Amstrad 7000, Sharp 9300, now in stock at unbeatable prices. We also specialise in direct loads delivered to your door direct from source.

For further details phone:
COLIN BROOMFIELD,
UNIT 7, STATION STREET,
BROMSGROVE, WORCS.
(0527) 37037/71186

SPRING SPECIALS

10 BUSH 2 CHIP	£50
10 BUSH T20	£250
10 REDIFFUSION MARK 3	£250
10 REDIFFUSION MARK 1	£120
REVAMP	£150
10 THORN 8000 17"	£150

LARGE QUANTITIES OF BETA VIDEOS RING FOR SPECIAL PRICES

ALL + VAT

TELETRADERS

Forde Road, Brunel Industrial Estate,
Newton Abbot, Devon
Telephone: (0626) 60154
THE NO. 1 WHOLESALE IN THE SOUTH

★★ CHANGE OF ADDRESS ★★

ALL ORDERS SHOULD NOW BE SENT TO OUR NEW ADDRESS SHOWN BELOW

TOP 50 VIDEO SPARES

CASSETTE LAMP (FERG/JVC).....	£1.00	PINCH ROLLER (SANYO).....	£7.95
CASSETTE LAMP (PANASONIC).....	£1.00	PINCH ROLLER (SONY C5/C7).....	£5.95
CASSETTE LAMP (SHARP, 9300 ETC).....	£2.15	VIDEO HEAD DRUM (FERG).....	£37.50
BELT KIT SONY (STATE MODEL).....	£6.50	VIDEO HEAD DRUM (PANASONIC).....	£39.50
BELT KIT FERGUSON (STATE MODEL).....	£6.50	VIDEO HEAD DRUM (PAN NV366).....	£56.95
BELT KIT SHARP (STATE MODEL).....	£6.50	VIDEO HEAD DRUM (HITACHI).....	£39.95
BELT KIT PANASONIC (STATE MODEL).....	£6.50	VIDEO HEAD DISC (SONY C5/C6/C7).....	£39.50
BELT KIT SANYO (9300, 5300, 5400).....	£6.50	VIDEO HEAD DISC (SONY SL8000).....	£44.50
BELT KIT SANYO (5000).....	£1.99	VIDEO HEAD DISC (SANYO).....	£49.50
BELT KIT HITACHI (STATE MODEL).....	£6.50	VIDEO HEAD (SHARP 7300, 7700).....	£51.58
REWIND KIT SONY C5/C7.....	£6.95	VIDEO HEAD (SHARP 9300, 381 ETC).....	£49.90
REWIND KIT SONY C6.....	£6.95	VIDEO HEAD (TOSHIBA 9600).....	£49.95
REEL IDLER (SHARP, 9300, 381, ETC).....	£3.90	VIDEO HEAD (TOSHIBA 8600).....	£54.60
FF/REW IDLER (HITACHI VT-11, ETC).....	£6.50	REEL DRIVE PULLEY (SANYO 5000).....	£3.88
FF/REW IDLER (HITACHI VT8000).....	£4.72	REEL MOTOR (SANYO 5000 ETC).....	£14.20
FF/REW IDLER (HITACHI VT9300).....	£4.75	REEL MOTOR (SHARP 9300, 381, ETC).....	£15.30
REEL IDLER (FERG, 3V29/30).....	£3.45	CAPSTAN MOTOR (SONY C5/C7).....	£39.85
PLAY IDLER (HITACHI 9300).....	£6.50	A.C.E. HEAD (SONY C5/C7).....	£26.45
FF/REW IDLER (NAT/PAN NV370).....	£4.50	CAPSTAN MOTOR FERG/JVC 3V22 ETC.....	£36.45
REEL IDLER (NAT/PAN) STATE MODEL.....	£3.45	DRUM MOTOR FERG/JVC 3V22 ETC).....	£36.60
PLAY IDLER (NAT/PAN) STATE MODEL.....	£4.72	TAKE-UP CLUTCH (FERG/JVC).....	£6.95
PLAY CLUTCH (PAN NV7000).....	£5.50	CLUTCH ASSY (FERG 3V29/30).....	£4.50
PINCH ROLLER (FERG).....	£5.95	AUDIO RELAY (SONY C5/C7).....	£3.95
PINCH ROLLER (SHARP).....	£7.90	HEAD CLEANING STICKS.....	£0.50
PINCH ROLLER (PANASONIC).....	£5.95	HEAD CLEANING FLUID.....	£1.50

MOST SPARES AVAILABLE FOR HITACHI, PANASONIC, SONY, SANYO, SHARP ETC. RING FOR AVAILABILITY.

TELEVIDEO SERVICES

NOTTINGHAM (0602) 226070

145 STATION RD, BEESTON, NOTTINGHAM.

Please add 50p post & packing and then add 15% VAT to the total.

ALL STOCK ITEMS ARE DESPATCHED BY RETURN OF POST

Send 17p stamp for full list

PHILEX REPLACEMENT INFRA RED REMOTE CONTROLS



DISTRIBUTORS

CGS (MASTERCARE) LTD - High Wycombe
CPC LTD - Preston
COOPERS - Dublin
COMPONENT BUREAU - Cambridge
CHARLES HYDE & SON LTD - York
DOUBLE 'D' DISTRIBUTORS - Poole
HRS ELECTRICAL CO. LTD - Birmingham
KILROY BRÖS - Dublin
MONOLITH ELECTRICAL CO. LTD - Somerset

NORTHERN IRELAND ELECTRONICS

Belfast
PV TUBES - Accrington
NORMAN ROSE - London
PACT - Peterborough
RADIO SUPPLIES - Hartlepool
SEME - Melton Mowbray
TAIT COMPONENTS - Glasgow
J&F COMPONENTS - Middlesbrough
WILLOWVALE ELECTRICAL LTD - Reading
WIZARD - Manchester
McLELLAND - Leeds

PHILEX

01-631 0985

UNTESTED EX-RENTAL CTVs

OVER 1500 WEEKLY

WITH THIS QUANTITY WE DO NOT HAVE TIME TO PLAY ABOUT.

NO BUMPED TUBES

BEST SOURCE IN U.K.

COLOUR TVs FROM £3

VIDEO RECORDERS FROM £60

TANDBURG S/S CTVs
DUAL TUNERS IDEAL FOR EXPORT

VIDEO RECORDERS FROM £50:
SONY C5: C6: C7 & C9
PANASONIC : SHARP
FERGUSON : GRUNDIG ETC.

CALL & SEE OUR SELECTION
DELIVERY ARRANGED FOR
BULK PURCHASES
LOAD DIRECT FROM SOURCE
AT VERY KEEN PRICES

22"/26" TELETEXT VIEWDATA
COLOUR IN STOCK NOW

CASH ONLY

FRANK FORD

(TV TRADE DISPOSALS)

SCHOOL LANE

GUIDE

BLACKBURN, LANCs

TEL: 0254 64489

W. TREE CASH & CARRY
 UNIT 9, STONEBRIDGE MILLS,
 STONEBRIDGE LANE,
 LEEDS 12.
 Tel: 638804

TRADE WAREHOUSE.

**PYE PHILIPS
 TELETEXT
 £100 each**

All in good working orders.
 Untested £70 each.

VIDEOS

- FERGUSON 3V22, working £110
- SONY C5, working £85
- SONY C5, off pile £35
- SONY 8080's £55
- SANYO 9300's £55
- SONY C6's off pile £45

**B Grade Hi-Fi Systems, Music Centres,
 Stack Systems and Radios, etc.**

NOW IN STOCK

Top grade fully remote T.V.s from £65

Mint condition cabinets

**Makes include PHILIPS, NATIONAL
 PANASONIC, HITACHI, SONY and
 SALORA**

CREWE WHOLESALE TV
 77 COLERIDGE WAY, CREWE
 Tel: 0270 582924

G11s working..... **£50**

GEC from **£11**

Delivered in Bulk

BUSH T20 T22 and 24s

ITT CVC 20 Upwards

Series 3 DORIC

working from **£40**

Remote + Text Available

Large range of

THORN from 8800 upwards.

Price and availability on request

**CASH ONLY UNLESS BY
 PRIOR ARRANGEMENT**

ALL PRICES + 15% VAT

LONDON'S LARGEST
 TELEVISION WHOLESALE . . .
 with over 4½ thousand sq. feet

"TELEMANN"

8-10 RHODA STREET (off Bethnal Green Road)
 LONDON E2. FREE CAR PARK

SPECIAL OFFER!!

- Parcel of 25 Monos £1.00 each
- Parcel of 10 Philips 22" G8 550 £15.00 each
- Parcel of 10 Decca Bradfords (6 buttons) £12.00 each
- Parcel of 10 Japs Colour £20.00 each

**LORRY LOADS DELIVERED DIRECT FROM SUPPLIERS
 NO CHARGE FOR DELIVERY IN THE LONDON AREA!**

01-739 2707 → LINES ← 01-739 3123

FREE CAR PARK + NO YELLOW LINES OUTSIDE!

TUNERS + TUNERS

- ★ If you repair sets regularly – phone us today and we will dispatch immediately – no need to send cash 'up front'.
- ★ All tuners dispatched by first class post for receipt by you the next day.
- ★ All popular tuners/tuner repairs supplied 'off the shelf'.
- ★ Unusual types repaired same day as received (subject to spares availability).

TELEPART

32 Temple Street,
 Wolverhampton WV2 4LJ.
 Phone: (0902) 773122.

JUNCTION 11

A NEW COMPANY IN THE NORTH WEST
OFFERING A FRIENDLY, FIRST CLASS SERVICE
TO THE TRADE AT COMPETITIVE PRICES

OUR RANGE INCLUDES

G.E.C. PYE PHILIPS I.T.T. DECCA R.B.M.

Now in stock V.H.S. V.C.R.s from £60 plus full range of Thorn remote control including T/Text

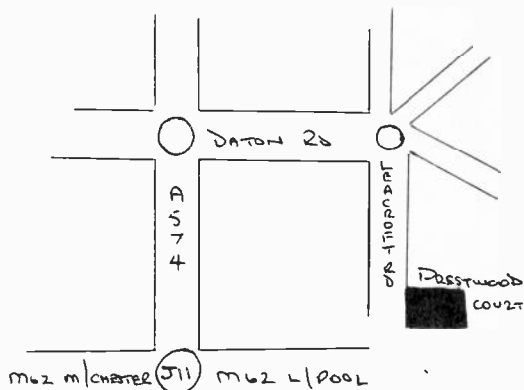
★ **DISCOUNT FOR QUANTITY** ★

The directors of this new company assure all our prospective customers of a warm welcome, and a fair deal.

**COME TO JUNCTION 11, M62,
YOU'LL FIND US HERE**

**JUNCTION 11
TV TRADE DISPOSALS LTD.,
Unit 11, Prestwood Court,
Leacroft Road,
Birchwood, Warrington.
Phone 0925 826387.**

Open 6 days 9 - 5.30 (later by appointment)



SPECIAL ANNOUNCEMENT

From:

**NORGROVE TV TRADE SERVICES
Water Street, Birmingham B4 6BJ.**

**Hundreds of TVs and Videos arriving weekly.
Available for sale to the trade.**

Most makes in stock including the full
Thorn range, RBM, Philips, Pye, ITT,
Hitachi, Sony, Panasonic, Sharp, Sanyo,
Decca and many others.

Spares available. Deliveries arranged.
Export enquiries welcome.

OPEN SUNDAYS BY APPOINTMENT.

Full quotation. Please ring:

021 236 9616

LOOK AHEAD!

WITH MONOLITH MAGNETIC TAPE HEADS

DOES YOUR VCR GIVE WASHED OUT NOISY
PICTURES - ITS PROBABLY IN NEED OF A NEW
HEAD - FAST FROM OUR EX-STOCK DELIVERIES.
SAVE £££'s ON REPAIR CHARGES.

Our replacement video heads
fit most models of VHS or
Betamax VCR's. Following our
replacement guide and with a
practical ability, you can do the
whole job in your own home
with our head replacement kit.

**VIDEO HEADS
AT LOW LOW
PRICES!**

VIDEO HEAD REPLACEMENT KIT



VMC-02 KIT ONLY £19.95 inc. VAT. + £2.50 p&p
(Kit does not include video head)

TELEPHONE US NOW FOR INFORMATION OF THE
REPLACEMENT HEAD FOR YOUR VIDEO RECORDER.
CATALOGUE: For our full Catalogue of Replacement
Video and Audic Cassette/Reel to Reel Heads, Motors,
Mechanisms, etc. Please forward 50p p&p.

THE MONOLITH ELECTRONICS CO. LTD.
5-7 Church Street, Crewkerne, Somerset TA18 7HR, England.
Telephone: Crewkerne (0460) 74321 Telex: 46306 MONLTH G

HOCKLEY DISCOUNT TELEVISIONS

We give "The Best Deals"
that's why we have the
cleanest reputation in the
trade!!!

Prices start Working sets
From £6.00 From £12.00

OR

Lorry loads delivered
from SOURCE

We have huge stocks of
TV's + V.H.S. Videos
to offer, including:-

Philips G8's, G11's Thorn 8000, TX9,
Pye Solid State 9000, 9600, TX10,
Pye Chelsea Latest Hitachi
G.E.C. Solid State I.T.T. CVC30, CVC45,
Rediffusion MkI, MkIII Bush T20, T22

ALSO

VIDEO + T.V. STANDS AVAILABLE!

**DON'T HESITATE TO CONTACT US
BECAUSE YOU WILL NEVER LOOSE!!**

MIDLANDS BRANCH:-

Hockley Discount Televisions,
94 Soho Hill, Hockley, Birmingham B19 1AE.
021-551-2233 - Ask for Jazz



NORTH-EAST BRANCH:-

Northern TV Distributors, Unit 2, Pert Court,
11th Ave, Team Valley,
Gateshead, Tyne & Wear.
091-487-5389 - Ask for Joe



CELTEL

RING FOR SPRING SPECIALS

EX RENTAL TVs AND VIDEOS.
TELETEXT, PORTABLES,
B GRADE AUDIO ETC.
PANELS, REMOTES AND
FRIENDLY SERVICE.
ONLY 2 MINUTES FROM
DARTFORD TUNNEL.
THORN TELETEXT HANDSETS
£15 + VAT
9600 LINE PANEL **£8+**.
JVC VIDEO BELT SET **£3.50+**

2 BREACH ROAD

WEST THURROCK

PURFLEET 0708
861404

M25 JUNCTION 30

JUST OPENED

FOR

South Yorkshire/Derbyshire Dealers

Come and see our range of
Colour TVs from £6

BARGAINS GALORE

South Yorks Trade Supply, Anderson House, Cally-
white Lane, Dronfield, Sheffield, S18 6XR.

PHONE 0246 411325
Chesterfield

SATELLITE RECEIVING SYSTEMS

1m and 2m Parabolic Dishes, other sizes available.

A range of other components available, eg, LNAs,
Downconverters, receivers, for both 4 and 11 GHz.
Complete Terminals for ECS and Intelsat, both
single channel and tunable versions.

Terminals for other frequencies available.

Demonstration by appointment.

L & S Bear Electronics Ltd
Yeo Lane, Colley Lane,
Bridgwater, Somerset.

Telephone: Bridgwater (0278) 421719

THE WORLD OF **"TELEPANELS"**
 P+P 1 PANEL £1.50
 2 PANELS OR MORE
 £3.00 52 Mount Pleasant Road, Chigwell, Essex, 1G7 5ER. Tel: 01-729 0506.

**WORKING
 PANELS
 GALORE!**

	IF	TUNER	DECODER	G8/G9 DECODER IF COMBINED	LINE OUTPUT	POWER	CONVERG	FRAME	VIDEO	6 WAY TUNER SWITCH BANK
PHILIPS G.8	5.00	4.50	7.00	15.00	14.00	8.00	5.00	8.00		3.50
THORN 3000/3500	2.00	5.75	4.00		8.00	8.00	5.00	6.00	5.00	1.75
GEC 2110	10.00		5.00		12.00	6.00	5.00	5.00	5.00	5.00
PYE 731			10.00		18.00	10.00	7.00	8.00		4.50
BUSH Z/718	7.50	6.50	14.00		24.00	3.00	5.00	14.00		
BUSH T/20	7.50	6.50	14.00		19.00	19.00	5.00	14.00		
DECCA BRADFORD	3.00		7.00			4.00		4.00		
DECCA 80	12.00	POA	14.00		12.00	10.00		14.00		POA

POST OFF YOUR CHEQUE NOW! AND YOUR PANELS SENT BY RETURN OF POST!!!

IRISH T.V. TRADE NOTICE

Large stocks of Ferguson 9000s and 9500s. Philips G11s and G8s. Decca 80s and 100s. Ferguson and Nordmende Portables. Video Recorders and Regunned CRTs.

Sets off the pile from £30.
 Working from £60.

VAT inclusive.

TELE SPARES LTD.

Unit 113, Elm Road,
 Western Industrial Estate,
 Dublin 12, Ireland.

Telephone: Dublin 521211/521756.

N.G.T. COLOUR TUBES

First Independent Rebuilder with
B.S.I. CERTIFICATION

DELTA - IN-LINE - PIL - BONDED YOKE
 including

AXT Series, DZB series 20AX - 30AX
 A56 610/67 610 series, A51 570/580/590X
 A51 161X, Sony types etc.

- ★ Rebanded with new adhesives
- ★ Excellent high voltage clean-up
- ★ Accurate alignment of Gun and Yoke for optimum convergence

N.G.T. ELECTRONICS LTD.,
 120 SELHURST ROAD, LONDON SE25
 Phone: 01-771 3535.

25 years experience in television tube rebuilding.

V.H.S. VIDEOS

PIANO KEY & ELECTRONIC

SONY BETAMAX VIDEOS WORKERS
£68.50 EACH + V.A.T.
MINIMUM LOT OF 5

COLOUR T.V.s

WORKERS OR NON-WORKERS

DECCA FERGUSON
 G.E.C. DORIC
 PHILIPS ETC.

PANELS AND VALVES ALSO AVAILABLE

SOUTHPARK DISTRIBUTORS

Unit 4 Rubastic Road
 Brent Park Industrial Estate
 Southall, Middlesex UB2 5LL
 01-574 4631 Ext. 28

BOLTEN LTD

45/46 London House,
 271, King Street, London W6 9LZ
 Tel: 01-748 4137 (2 lines)
 Telex: 262421 BOLTEN G

Video Heads

Ferguson/JVC (Universal)	£29.50
National Panasonic (Universal)	£29.50
Sony C5/C7/T7	£29.50
Toshiba 5470	£29.50
National Panasonic 370/380	£32.95
Hitachi	£32.95
Sanyo	£44.95

Belt Kits (Most Models) £3.99

Pinch Wheels (Various Models) £5.95

Remote Controls

Grundig/Philips)

Video Cable Kit

(any model to any model)

Cutters/Minipliers/Snipper/Microshear/

Wire strippers

Solder Pumps Midsize

Solder Pumps Large

Please add 15% VAT plus £2.00 p&p per order.

Delivery within 7 days.



SETS & COMPONENTS

TELEVISION TUBE REBUILDING? Complete professional plants from £10,000. Finance available, also all accessories. Tel. 0278 722816 - 425690.

OCHRE MILL TECHNICAL. Genuine GRUNDIG spares, massive stocks, sensible prices, fast helpful service. **OSCILLOSCOPES** manuals testgear **TELEQUIPMENT PHILIPS.** 0785 814643.

PHILIPS G11 AND BUSH T20 regular supplies. For prices phone 01-845-2036.

XM 11 - £20 NEW. Tested repair spares XM12 transistors - lowest prices. SAE for list **BURLINGTON TV,** 17 High Street, Bridlington, E. Yorks. (0262) 673374.

TURN YOUR SURPLUS capacitors, transistors, etc., into cash. Contact **COLES-HARDING & CO,** 103 South Brink, Wisbech, Cambs. 0945 584188. Immediate settlement.

HITACHI, MITSUBISHI, Panasonic, Sony, Toshiba, JVC, Sharp, fully refurbished. **PEARSON TELEVISION,** 0484 863489. Delivery arranged.

THORN, GEC, DECCA's stripped for spares. Panels, Tuners from £2.50. Phone for prices: **WELLINGTONS,** Dartford 0322 337212.

FLUKE PROBES - A wide range of active and passive temperature, current, voltage probes. All unused, full details contact: **Mr I. ROBINSON (UG),** Dept. of Physics, University of Aston, Birmingham.

PHILIPS VIDEO SPARES

Model VR 2324. Brand new unused includes power supply tuner, timer clock, R.F. panels, cabinet, all electronics, no mechanism £35 inc VAT and postage.

EFJAY PRODUCTS
13 Placehouse Lane, Old Coulsdon, Surrey
Phone: Downland (07375) 55287

WORKING CTVs THE BEST & CHEAPEST IN LANCASHIRE SPECIAL OFFER

Working Decca Bradford Including
Black Fronts

18" 20" 22" 26" **ONLY £20.00 each** in 6 units

Working GEC Plastic & Wooden. All models
20" 22" 26" **ONLY £22.00 each** in 6 units

Working Bush 20" 22" 26"
ONLY £15.00 each

Philips G8 (520) 22" & 26"
ONLY £20.00 each

Plus many more makes & sizes in stock,
inc. Tanburg, Nordmende, Thorn.

1st COME 1st SERVED

ALL SETS TESTED & WORKING

CALL

JOHN POWNEY

TRADE TV SALES & SERVICE

Unit 31 Progress Industrial Estate,

Kirkham, nr Preston

(0772) 683392

UNTESTED PANELS FOR ALL MAKES OF TV
£1.25 per panel plus post & packing

TELEVISION

No other consumer magazine in the country can reach so effectively those readers who are wholly engaged in the television and affiliated electronic industries. They have a need to know of your products and services.

The prepaid rate for semi display setting £6.78 per single column centimetre (minimum 2.5 cms). Classified advertisements 40p per word

FYLDE T.V. AND VIDEO DISTRIBUTORS

Unit 7, Arkwright Court.

Blackpool/Fylde Industrial Estate
Very End of M55 left at roundabout.

UNLIMITED SELECTION OF

THORN 8800	PHILIPS G11
8800 R/C	G11 R/C
9000	G11 TTX
9000 R/C	GEC S/S
9600 R/C	JVC 20"
9600 TTX	MONO's 20" + 24"

AND MANY MORE

TRADE WORKERS TO ORDER

PHONE BLACKPOOL

(0253) 64413

COLOUR TV PANELS Fully Tested & Working

	IF	CDA/ Video	Decoder	LTB	Line Board	Power
GEC 2040	3.50	3.50	4.00	5.00	-	-
DECCA 13/30	3.00	-	7.00	5.00	-	4.00
BUSH A823	4.00*	-	10.00*	5.00*	2.50	4.00
THORN 8/8½	-	-	10.00	5.00	-	5.00
PYE 205	3.00	3.50	5.00	10.00	-	-
THORN 3/3½	5.00	5.00	5.00	8.00	-	10.00
G8	6.00	-	8.00	7.00	15.00	5.00

*Please specify prefix A or Z.

Please add 15% VAT to above prices, then add post + packing.
Post + Packing: 1 panel £1.50; 2 panels £2.25; 3 panels £3.00 etc.

Hybrid panels do not include valves.

fitted with
brand new
transformer

Terms cash with order.

Also a vast selection of modern working and non-working TVs at low prices. Please ring for current stock.

GOLCAR T.V. SERVICES (formerly LAVITE LTD.),

Old C of E School, Church Street, Golcar, Huddersfield. Tel.: 0484 643273

Callers by appointment only.

Thorn 3000/3500

Thorn 9000

UNIVERSAL

1 year guarantee

The **UNIVERSAL TRIPLER** can be used in most G.E.C., I.T.T., Pye, Rank, Decca & Continental sets.

WING ELECTRONICS

15 Waylands, off Tudor Rd, Hayes End, Middlessex

TRIPLERS

£4.95 inc. p&p

CLEARANCE SALE

of new spares for Rediffusion/Doric MK1 L.O.P.T. - £5. TRIPLER £3 (both suitable for early Decca) most other spares in stock - big discounts on larger orders.

UNDERWOOD ELECTRONICS

0902 714773 24 hrs.

SERVICE PAGES

(minimum 12 words), box number 70p extra. All prices plus 15% VAT. All cheques, postal orders etc., to be made payable to Television, and crossed "Lloyds Bank PLC". Treasury notes should always be sent registered post. Advertisements, together with remittance, should be sent to the Classified Advertisement Dept., Television Room 2612, IPC Magazines Limited, Kings Reach Tower, Stamford Street, London SE1 9LS. (Telephone 01-261 5942).

★ STAR BUYS ON QUANTITY

FREE, FREE CASE OF WINE
WHEN YOU SPEND OVER ON OUR
SUPER APRIL DEALS ON SELECTED
PRODUCTS CAN'T BE BAD **£250**

★ Philips G8s £7, Clearance Colours £5, G11s, G8s, 550-520, GEC, 2002, 2242, 2202, 2220. Finelines, Decca BDFDS 80/88/100, Grundig, Tandberg, Korting, from £7. ITT CVC 20/23/30 Remotes. Thorn 9000, 9200, 8800, 960C TX older types from £8. Panasonic, Hitachi, Mitsubishi, Sony. Small Screen Colours from £8 ★ 17" & 18" Screens, Sony, Panasonic, Pye, Decca, Philips, Hitachi Videos, as available, from £8, VHS, Beta, 2020. Slot Meters from £2, Panels, all types call & go through them, from 50p, Stands from £2, legs 50p, Valves from 10p, sort through, many new & boxed.

GENERAL FACTORS

UNION ST., DONCASTER

0302-49583 WE ARE DOUBLING OUR SIZE SOON

CASH ONLY, NO CHEQUES
ONLY 2½ MILES FROM
(A1M) FOR M18-M1

AT LAST!

QUALITY USED TELEVISIONS & VIDEOS

EXCELLENT CABINETS & GOOD WORKERS
TELETEXT & REMOTES (BOTH WITH HANDSETS)

THORN TX 9600, 9000, 9200, 8800 & 8000
BUSH T20 & Z TYPE PHILIPS G11

WORKING VHS VIDEOS FROM £90

MONITEC

The Heathlands, Kidderminster Road, Bewdley, Worcs. Tel. 0299 400233/400933

SCREENPLAY Your Friend in the
TV Business

COLOUR SETS FROM £5.00

MONOS FROM £3.00

PANELS BY POST - PRE-CALIBRATED

WORKING SETS TO ORDER

Phone Baldock 894905

SECTION 3, UNIT 4,

SERL COMPLEX,

LONDON ROAD,

BALDOCK, HERTS.

OPEN 6 DAYS 10-6.30pm/10-5pm SAT.

INDEPENDENT TELEVISION AND VIDEO COMPANY

LARGE STOCKS TO CLEAR
EVERY WEEK

COMPETITIVE PRICES

EXAMPLES:
B&W 20"-24" From £1.00
COLOUR:
Bush 1-2 I.C. £4.00
Philips 520-550, 26" £6.00
Thorn 3500 £6.00
GEC-Decca-ITT £6.00

Philips 550 22" £10.00
Pye 18"-20"-22" £10.00
GEC 20"-22" 26" £12.00
Thorn 8800-9000-9800 £15.00

Many Other Modern Sets
and VHS Videos

PHILIPS G11 - ITT - Bush T20-T22-
T26, Hitachi, Nat. Pan. - Sony
Off Pile from £40

Phone Frank: Nottingham
(0602) 864627

Unit 3

Meadow Trading Estate,
Meadow Lane,
Nottingham NG2 3HO.

EXPRESS PANELS

A highly skilled staff using specialized service jigs and some of the most up to date techniques and test equipment available means we can save you time, money and heartache.

EXAMPLES FROM OUR RANGE (exch. basis)
Bush T20/22/26 power supply £14.75
G11 power supply £14.60
Sony 1820/2000/2204 power supply £16.75
GEC 20AX/30AX power supply £14.75

All prices subject to VAT, P&P FREE (if orders over £10.00). Panels also available for outright sale, discount for quantities (any mix) all panels guaranteed 3 months, are chemically cleaned and print re lacquered, and have no damaged print etc, so they not only work they look good too. Send S.A.E. for NEW CATALOGUE or ring with your requirements.

TRADE SERVICE AVAILABLE for VCR's.
Callers by appointment only. Telephone orders accepted using Access & Visa.

021-359 3753

ARGO SERVICES (B.HAM) 53,
Lawley St, B.Ham B4 7XH

IRISH T.V. DEALERS

Brand new re-gunning plant

- TOP CLASS TUBES -

B/W - Delta - In-line - P.I.L.

CHRIS KELLEHER'S T.V.

Kanturk, Co. Cork

Large stock G.8 - Decca TVs

029-50046

LOOK!

IMPORTANT

DON'T FORGET WE SPECIALISE IN PHILIPS

PHILIPS 2020/21
 TESTED, WORKING AND BAGGED.
 WITH INSTRUCTION BOOK & CABLES.
£45.00 (in 10s)

COMPLETE Machines for Spares **£10.00**

TELEVISIONS

Tested Working

Off Pile

Cleaned

G8's	£15.00	£22.00
BUSH T20/22	£35.00	£55.00
PYE G11's	£35.00	£55.00

TELEVISION WORLD,

Thornton Road, Bradford, West Yorkshire
 Telephone 0274 722499

Why Waste Time *Ring in an order and it will be waiting.*

SPECIAL OFFER

ALL INCLUSIVE PRICES

JVC/FERG.		TV Idler	5.75
Head	36.95	TV Idler	5.95
A/C Head	36.50	Pinch Roller	5.50
Cap. Motor	36.95	3V30 Booster	21.50
Drum Motor	33.95		

Also I.C.s, Transistors, Motors etc. for all JVC/Ferguson models at discount prices. C.W.O. Min. £7.

EURO IMPEX

31 Hyde Cres, London NW9 7EY

RE-GLOW TUBES

(ESTABLISHED 1959)

INLINE TUBE

20AX SPECIALISTS 30AX
 INLINE - PIL - BONDED
 DELTAS FROM £28 INLINE FROM £36
 (VAT EXTRA)

RE-GLOW TUBES 33-37 MILES PLACE
 (off DELCE RD.) ROCHESTER, KENT
 Tel: MEDWAY 43952 (STD 0634)

BOURNEMOUTH

LARGE STOCKS OF WORKING
 NON-WORKING SETS, MOST
 MAKES AND SIZES.

FAIR PRICES - TRADE ONLY

WAREHOUSE OPEN:
 Mon-Fri 9-1, 2-5; Sat 9-1

HILLIER'S, UNIT 2A,
 11-15 FRANCIS AVENUE,
 WALLISDOWN. TEL: 0202 581932

PLEASE
 MENTION
 TELEVISION
 WHEN
 REPLYING
 TO
 ADVERTISEMENTS



- * Britain's most reliable source of quality TVs.
- * Hundreds of working polished TVs.
- * GEC Starline
- * Decca 80
- * Decca 88
- * Decca 100
- * Pye G11
- * Thorn 8800
- * Pye 222 Series

All working and polished. These are not from major companies. A lot are from hotels and have had very little use. Excellent reliable sets for rental.

Krystal Marketing Ltd.
 Breedon Cross
 Storage,
 Dale Road, Selly Oak,
 Birmingham B29 6AQ.

Phone 021-471 3023
 Telex 335540-G
 Ask for Les

TUBES

£29.00 INCLUSIVE, REGUNS TWO YEAR GUARANTEE, QUANTITY DISCOUNTS SIX MONTH GUARANTEE SLIGHTLY USED

£14.50 A56-120 A56-140 A51-110 A49-191 A47-342 or 343 A44-270-1 A66-120 A66-140 (410) A67-120 (All 26" add £5)

No need to spend £5 returning old delta tube. Slightly used in-line tubes from £29. Six months guarantee.

IN-LINE 1 YEAR GUARANTEE	PORTABLE TV TUBES	From £45
51-575 510KB 51-161	370 - KR8 - LHB - HGB - HFB	
51-580 56-611 51-510	- JRB - HUB - EGB - EFB -	£45
51-590 56-615 51-570	BCB - MEB - GUB - GVB -	
51-001AXT 56-001AXT 56-500 inclusive	AXT 37-001, AXM 37-001, 37-585, 420 EDB, 42-001,	
56-540 56-540 56-500	inclusive	£55

SONY £66 (Cash & Carry only)

HITACHI	
490DKB22 £34	490DUB £49
560DZB22 £49	510ULB £49

PROFESSIONAL STICK
DE-GAUSSING COILS
£19.50 (1 YEAR GUARANTEE)

Philips G11 AND DECCA 100
 Panels from £10.00. Breaking for spares, Push button units, Tube bases. All good working order.

RADIO AND TELEVISION SERVICING BOOKS
 (MacDonalds), New 74/75 £15; 75/76, 76/77, 77/78, 78/79, 79/80, 80/81, 84/85, 82/83, 83/84 £22.50.

FREE DELIVERY

Except Tubes £5 each. All prices are inclusive

U-VIEW

29, Warmsworth Road, Doncaster,
 Yorkshire DN4 0RP. Tel: 0302 855017.

Callers ring first, open every day including Sunday
 1/2 a mile from A1

LOOK HEAR TV

THE BEST TRADE WAREHOUSE IN THE EAST
 MIDLANDS FOR QUALITY TV'S AND VIDEOS

- * HUGE SELECTION COLOUR TV'S
- * ALL MAKES, SUBJECT TO AVAILABILITY
- * VHS VIDEOS, ANY QUANTITY
- * MOST STOCK CLEAN, TESTED AND WORKING
- * OFF THE PILE ALSO AVAILABLE
- * NO MINIMUM QUANTITY
- * PANEL REPAIR SERVICE AVAILABLE, PLEASE ENQUIRE

OPEN: Mon-Sat 10-5.30, Sunday 10-12.30

CASH ONLY PLEASE

Unit 4, King Street Buildings,
 King Street, Enderby, Leicester.
 Only 5 mins from Junction 21, M1
 Ring ADRIAN BALMER on
 LEICESTER (0533) 867530

PRICE BUSTERS IN BIRMINGHAM FOR

TESTED AND UNTESTED
TV's AND VIDEO's

ALSO AVAILABLE DIRECT LORRY LOAD

RING - 021-772 2733

WILTSGROVE LIMITED

(Next Door to UNCLE'S DISCOUNT STORE)

128-130 Ladypool Road,
Sparkbrook, Birmingham B12 8JA.

CASH ONLY

"STOP PRESS"

**NOW IN STOCK ELECTRONIC VIDEO'S AT
UNBEATABLE PRICES**

STARLITE ELECTRONICS

WILLOWS FARM,
A13 RAINHAM, ESSEX.
Rainham 23225 also
Hornchurch 50238.

**EX RENTAL TVs
UNTESTED FROM £15.00
WORKING TVs £20.00
RE-GUNNING TUBES**

2 year guarantee
Most types available
including Sony



COLOUR BAR GENERATOR

Pal Colour Generator with 11 patterns plus sound. Grey scale, Colour Bars, Red, Green & Blue Raster, Cross-hatch, Dots, Chequer Board, Black Raster, White Raster, Half Black & White, Mains Powered. **£75.90**

OUTPUTS PROVIDED
UHF OUTPUT
VIDEO OUTPUT
SOUND OUTPUT
LINE PULSE
FIELD PULSE



Same as above plus RGB output **£81.50**
Line Output Transformer Tester **£11.50**
B/W Generator, Crosshatch, Peak White, Dots, Half Black & White and Grey Scale UHF output **£18.50**
Same as above but with Video Output **£20.50**
Capacitance Meter measures 10pF to 1µF complete with moving coil meter **£14.75**

CRT TESTER/REJUVENATOR SEND S.A.E.

S.A.E. for details. Prices include VAT.
Postage on Colour Bars £1.75, others 75 pence.

C.M.J. ELECTRONICS

Unit 8, 16 Union Mill Street, Horseley Fields,
Wolverhampton WV1 3DW.
Tel: (0902) 871563

NORMAN ENTERPRISES LTD

Weston-Super-Mare, Avon.
Tel: 413991/418545

Colour TVs fully engineered
with a special care on tubes

Hitachi 217 Remote Control **£85**
Thorne 9000 Remote Control **£42.50**
Pye G11 **£47.50**
Rank T20 **£42.50**
Pye Chelsea 6 Button **£27.50**
Pye 725 **£37.50**
Pye 721 **£27.50**
Thorne 9600 **£45**
Thorne 9200 **£42.50**
Bush T20 Remote Control **£49.50**
Bush T24 **£55.50**

All above prices include hand
sets if available
Ready for sale.

Phone now, limited number each month. All
the above off the pile, less a 3rd

T.V. SPARES, PANELS AND MANUALS PHILIPS · GRUNDIG

TELEVIEW 01-994 5537
194, Acton Lane, London W.4.

WOODSDALE COMPONENTS RANK BUSH MURPHY TRANSFORMERS

Line Output
Z718 (T703A, T706A)
New (Complete) **£19.00**
Less Focus Module and
Rectifier **£10.50**
T20, T22 (T705A) **£11.00**
T26 (T705B) **£11.00**
TDA2190 Plug-in Replacement
module suitable for Bush T22/26 and
any set using same device **£6.00**
Switch Mode
T114A **£6.00**

Genuine RBM Units.

Prompt Postal Service P&P Paid.

Add 15% VAT to all prices.
DISCOUNT for QUANTITIES.

34 Field End Road, Eastcote,
Pinner, Middlesex. HA5-2QT.

Tel: 01-868 5580.

N. Skehan

Agents Office. Callers by appointment only.

VIDEO & HI-FI ELECTRONICS

379 EDGWARE ROAD
LONDON W2
TEL 01-258 0328

ALL VHS PARTS AVAILABLE. EXAMPLES:

VIDEO HEADS
JVC, Ferguson, Akai, Saba, Telefunken **£35.00**
Sony (Betamax) **£45.00**
National Panasonic **£45.00**
All Hitachi heads from **£42.00**
INTEGRATED CIRCUITS
UPC 1365C **£6.30**
UPD 553C **£10.20**
UPD 552C **£9.56**
HA 11711 **£10.50**

All makes of idlers, pressure rollers, clutch assembly
and motors in stock.

Many other parts available. Send SAE for list.

ALL PRICES INCLUSIVE OF VAT
ADD £2.00 FOR P&P

WIZARD DISTRIBUTORS MANCHESTER TV & VIDEO SPARES

We stock spares for THORN, PHILIPS,
PYE, RANK, GEC, SHARP, SONY,
DECCA + I.T.T.

FIDELITY SPARES MAIN DISTRIBUTOR.

Did you know we also stock

FUSES I.Cs
TUBES TOOLS
AERIALS VIDEO LEADS
AEROSOLS AUDIO LEADS
RESISTORS SEMICONDUCTORS
CAPACITORS SERVICE MANUALS
VALVES TEST EQUIPMENT
HANDSETS TV/VIDEO TROLLEYS
AND MUCH MORE

Counter open Monday-Friday 9am-4.45pm

TRADE ONLY

EMPRESS STREET WORKS,
EMPRESS STREET,
MANCHESTER M16 9EN.

Tel: 051-872 5438; 061-848 0060.

HALTON TV TRADE DISPOSAL

Wide range of TVs available.
Working and non-working.

TRADE ONLY

(We have NO retail outlet)

St Michaels Industrial Estate, Widnes

Tel. 051 423 1577

**BESCO LTD T/A
NORTH WEST ELECTRONICS
25 YEARS SUPPLYING THE TRADE**



**WE HAVE
MOVED**

**To Laurel St, Leeds Road
Bradford Tel (0274) 660995**

**H.P. REPOS AND EX. RENTALS
COLOUR TV'S AND VIDEOS**

Refurbished TV's

BUSH T20/T26
..... £45
G11..... £50
PYE KT3.....£70

Others done to
order.
**DISCOUNT FOR
QUANTITY**

**Annual Clearance
Rock Bottom Prices**

PYE G11 EXC CAB. £40	PYE KT3£50
BUSH T20/26 CH£35	GEC 2213£30
HITACHI 191£20	THORN 3000£7
FERGUSON TX	GRUNDIG G415/4206
(NOT D.E.R. Etc.)£65	Best Stock in Country
GEC 2010£20	over 2000 in stock (90%
PYE 222£20	of our TV's Switch on)
PHILIPS 550£15	Special Price Quoted
BUSH 718£20	For Bulk Purchases
BUSH 2 CHIP£8	From Source.
GRUNDIG 5010£10	

Video

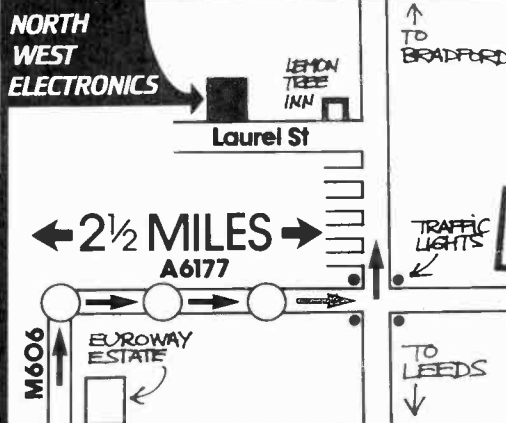
**SHARPS 7300, 8300
9300, HITACHI,
VT11, FERGUSON
3V29**

(Not Ex D.E.R. etc.)

**SANYO, SONY,
BETA**

**100's PX
HOOVER JUNIOR
VACS**
All models in stock

**Tel (0274)
660995**



HOOVER JUNIORS
Fully reconditioned
(Like new) £27

CASH ONLY

**OPEN 6 DAYS
SAT 9-5.30**

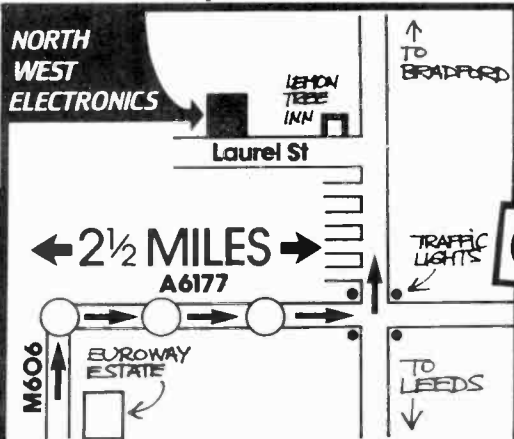
**BESCO LTD T/A
NORTH WEST ELECTRONICS
25 YEARS SUPPLYING THE TRADE**

**NEW PREMISES
NOW OPEN AT
LAUREL STREET
LEEDS ROAD
BRADFORD
Tel 660995**

**NEW TRADE SHOWROOM NOW
OPEN. WORKING TVS AND VIDEOS
ON SHOW. BARGAIN BASEMENT
PRICES. OLD AND NEW CUSTOMERS
WELCOME. 5 MINS FROM MOTORWAY**

**100's PX
HOOVER JUNIOR
VACS**
All models in stock

**Tel (0274)
660995**



HOOVER JUNIORS
Fully reconditioned
(Like new) £27

CASH ONLY

**OPEN 6 DAYS
SAT 9-5.30**

Trent Tubes

31 RADCLIFFE ROAD, WEST BRIDGFORD, NOTTINGHAM
PHONE: (0602) 813329

TWO year guarantee extendable to FOUR years
THE PROFESSIONAL REBUILDER

ALL STD DELTAS
ONE PRICE £32.00

A51-161 - A51-163 £43.00

A51-A56-A66/500/510 (20AX)
One price £43.00

560DZB 510VLB etc £48.00

A56-A66/540 (30AX) £49.00

560DZB22 £46.00

SONY TYPES FROM £55.00
SPECIALIST SONY SERVICE

1000's more types available. VDUs, MONOs, Industrials etc.

Suppliers to Broadcasting Authorities
& National Companies and Manufacturers

ALL PRICES EX WORKS + VAT & EXCHANGE

WE SPECIALISE IN JAPANESE TYPES

INSURED DELIVERY SERVICE AVAILABLE

QUANTITY DISCOUNTS

TECHNICAL ADVICE SERVICE AVAILABLE

Agents, wholesalers required high discount rates

PRECISION VISION LTD.

For:

- ★ LATE MODEL USED COLOUR TVs
- ★ REFURBISHED TO HIGH STANDARDS
- ★ BECOME ONE OF OUR REGULAR
HIGHLY SATISFIED CUSTOMERS
- ★ EARLY COLOUR TVs FROM £5

Unit 10, Chiltern Business Centre,
Garsington Road, Cowley, Oxford
(next to B.L. Works).
Phone 0865 711966

EAST ANGLIA SUPPLIES

For your fully serviced colour televisions
ready for sale or rent at realistic prices
with free delivery (just petrol charged)
anywhere for sensible sized orders.

G11s from £70 + VAT

KT3s from £85 + VAT

K30s from £95 + VAT

ITTs from £50 + VAT

Decca from £50 + VAT

T20s from £50 + VAT

9000s from £35 + VAT

VHS Videos.

Ferg 3V29, 3V30

NatPan NV2000, NV2010

Contact John, Dave or Steve for personal

friendly attention on

0223 69215 or 0353 61462

MANY OTHER
MAKES
REGULARLY
STOCKED AND
CHEAPIER FROM
ONLY £25 + VAT
FULLY SERVICED.

BOOKS AND PUBLICATIONS

MACDONALDS R&TV BOOKS. New 74/75 £15. 75/
76, 76/77, 77/78, 78/79, 79/80, 80/81, 82/83, 83/84, 84/85
£22.50. Free delivery. U-VIEW, 29 Warmsworth
Road, Doncaster. 0302 855017.

"RADIO AND TELEVISION SERVICING" books,
new editions for the last 6 years usually in stock. Prices
on request. BELLS TELEVISION SERVICES, 190
Kings Road, Harrogate, N. Yorkshire. Tel. (0423)
505885.

TELEVISION

SERVICE SHEETS

TECHNICAL INFO SERVICES (T) - 76 Church St., Larkhall, Lanarkshire ML9 1HE.

World's Sole Publishers of Comprehensive TV/Video Repair Manuals & Largest Known Stockists of Service
Manuals and Service Sheets for all kinds of equipment both British and Foreign from 1935 to latest issues.

Big Catalogues of thousands of Service Sheets & Manuals + Chassis Guide + £4 Vouchers - saves time and
expense £3.

Any published single service sheet for £2.50 + Isae except ctv/music/combis from £3.50 + Isae.
A selection from our stocks of thousands of Service Manuals ready for despatch by return post.
Any Sony: Hitachi ctv from £8.50. Thorn 3000/3500 £9.50. Thorn 8000/8004/8500/8600 £9.50. Philips G8
complete £9.50. Decca 30/31 £8.50. Ferguson/JVC 1st video £19.50 or 3V00 types basic manual £19.50. Any
Finlandia: CTV Tyne 5221 £9.50 each. Rank A823 complete £9.50.

COMPREHENSIVE PRACTICAL TV REPAIR MANUAL £9.50 PRACTICAL RADIO SERVICING & REPAIR COURSE £9.50
THE 11 TUNBRIDGE REPAIR MANUALS ONLY £88 THE 5 MCCOURT REPAIR MANUALS ONLY £55
ANY SET OF 5 INDIVIDUAL VIDEO REPAIR MANUALS FOR £12.50 OR ALL 3 SETS (15 MANUALS) FOR £36.

UNIQUE COLLECTIONS OF CIRCUITS, LAYOUTS, ETC. . . . FANTASTIC VALUE

British ctv from hybrids to modern (3 binders) £55 Videos, all types (3 binders) £58 . . . any 1 for £20
Mono TV (2) £35 Foreign ctv (2) £35 Domestic Eqpt (2) £35 Portable British ctv (1) £20.

COMPLETE REPAIR SYSTEMS . . . huge savings from published prices

British ctv 3 binders of Circuits plus 6 Repair Manuals plus ref books, etc. for only £140
Foreign ctv 2 binders of Circuits plus 4 Repair Manuals, etc. for only £65
Videos 3 binders plus 15 individual Repair Manuals cover all the commonest models for only £85
Complete Integrated T.V. Repair System only £250 or in 12 sections at £25 per section.
Contents: 8 binders of circuits/16 Repair Manuals/dozens of other manuals . . . Any new publications from us
within 1 year of ordering 1st section.

NEW - PRACTICAL TRANSISTOR - **NEW** - VIDEO REPAIR SYSTEM 3 £28 - **NEW**
From beginners/student elementary theory to more Binder of Circuits alone £20
advanced. Huge section British/Foreign equivalents/ 5 Repair Manuals £12.50
alternatives/other data. £4.50 + £1 P&P. 3V31/32 3V35/36/38 Pan 7200 etc.

Repair data/Circuits/Service data almost any individual mono tv £12.00 basic ctv £16.00 video £25.00
Repair data/Circuits almost any individual mono tv £10.50 ctv £12.00 video £10.50

LSAE BRINGS ANY REQUESTED QUOTATION - FULLER DETAILS - FREE MAGAZINE - PRICE LISTS ETC.
PHONE 0698 884585 Mon-Fri before 5pm or 0698 883334 any other time - FOR FAST QUOTES

TELEVISION SERVICE SHEET SPECIALISTS

Thousands of British, European and Japanese models in stock.

Colour £3.00 Mono £2.00

Manual prices on request.

All our prices include post and packing costs.

Send stamped envelope for free catalogue and any enquiries.

SANDHURST TV SERVICES (MAIL ORDER)

57 High Street, Sandhurst, Camberley, Surrey GU17 8HB.

BELL'S TELEVISION SERVICES for service sheets
on Radio, TV, etc. £1.50 plus S.A.E. Service manuals
on colour TV and Video Recorders, prices on request.
S.A.E. with enquiries to B.T.S., 190 Kings Road,
Harrogate, N. Yorkshire. Tel. (0423) 505885.

REPAIR SERVICE

PRINTED PANEL REPAIR SERVICE

Printed panels and remote control handsets
repaired. Most makes and models serviced.

RING 0934 418545
for Price List or Quotation.

GERMAN SERVICE SHEET SPECIALISTS

We furnish any kind of German service sheet and manuals.
Also thousands of different sheets and manuals available.

For any enquiries:

DONBERG ELECTRONICS
Schoolmasters House, Ranafast,
Co. Donegal, Republic of Ireland
Phone: Annagry 175.

FOR FURTHER
DETAILS
Ring Pat
01-261 5942

BRISTOL - SOUTH WEST SOUTH WALES

Scratched and chipped CRTs
can be Re-polished.

Tel: 0454 778635 for details

SERVICE PAGES

MISCELLANEOUS

GET SHARP PARTS FAST

TELEPHONE
0734 - 876444
TELEX 848953



SHARP
Main U.K. Spare Parts Distributor

Audio-TV-Video ★ Microwave ★ Photo-copier ★ Typewriter

All U.K. model spares available. Same day despatch of orders received before 1pm.

Microwave, photocopier and typewriter spares to authorised service dealers/centres only.

WILLOW VALE ELECTRONICS LTD.,
11 Arkwright Road, Reading, Berks.

TEST EQUIPMENT. Marconi models. Signal generator TF801B/1 12-470MHz. Television sweep generator TF 1104. RF attenuator TF 1037A. Circuit magnification meter TF 1245. £320 for lot or will sell separately. 01-989 3306.

VCR 1500 ENTHUSIASTS. Used tapes for sale. mixed makes all at £2.50 each including postage. C.W.O. WORRELL, 34 Curlew Close, Beverley, HU17 7QN.

BURGLAR ALARM EQUIPMENT. Latest discount catalogue out now. Phone C.W.A.S. ALARM 0274 731532.

SPARES/MANUALS

**BURROWS
SERVICE**

SAE QUOTES
AND CREDIT
DETAILS

415a WHITEHORSE ROAD,
THORNTON HEATH, SURREY
CR4 8SD. 01-683 1911 (2 lines)

VINTAGE TELEVISION (including pre-war) complete with programme material for private party hire. **RADIOCRAFT** 0386 881988.

SOLE SUPPLIERS TV/VIDEO Repair manuals/circuits, 1000s s/manuals supplied by return. S/sheets £2.50 except CTV/m.centres/stereos £3.50. LSAE with every order/query please brings free price list/magazine inc s/sheet - or phone 0698 884585 (883334 outside business hours) TIST, 76 Church Street, Larkhall, Lanarkshire.

C.R.T. REBUILDING PLANT AND EQUIPMENT

Installation, commissioning, training and technical after sales assistance.

C.R.T. INTERNATIONAL
136 Badmington Road,
Coalpit Heath,
Bristol BS17 2SZ
Tel: 0454 778635

The Theory and Practice of PAL Colour Television in three important Video Cassette Programmes

Part 1.

The Colour Signal

Part 2.

The Receiver Decoder

Part 3.

Receiver Installation



VHS★★★V2000★★★
BETAMAX★★★UMATIC



For full details telephone
0253 725499 (Day)
0253 712769 (Night)

Or send for precis details
FLINTDOWN CHANNEL 5
339 CLIFTON DRIVE SOUTH,
LYTHAM ST ANNES FY8 1LP
(enclosing this advert)

NAME

ADDRESS

TEL:

BUSINESS OPPORTUNITIES

SUPERB OPPORTUNITY

For 2/3 TV/Video Engineers to acquire service/sales/rental business in Southend On Sea. Fine showroom in main road position, established 11 years. Long lease at £63 p.w. Turnover £60,000 p.a. service, plus Rental income £8,000 p.a. plus £2,000 p.a. from s/c flat.

For quick sale **£35,000 S.A.V.**
BOX NO. 210

T.V. - VIDEO - Hi-Fi SALES & RENTAL SOUTH HUMBERSIDE

Retirement sale of old established business with freehold premises producing substantial profits.

Main agencies Sony, Panasonic, Finlux - Quad, Revox, Nakamichi and many others.

£115,000 freehold plus S.A.V.

William H. Brown Business Sales
Abbey Walk, Grimsby.
(0472) 361535

METERS

METERS. Reconditioned 10p/50p available from stock. Contact THE METER CO. (Poole) LTD. (0202) 683498.

AVON METERS

We buy and sell and repair TV coinmeter. Reasonable prices, one year guarantee.

213 Cheltenham Road,
Redland, Bristol.
0272-425281

FOR SALE

2 SETS OF FULLY RECONDITIONED tube re-gunning plants for sale. Training provided. From only £3,995. Tel. 0582-410787.

TUBE TESTER/ACTIVATOR. Leader LCT910A complete and as new half price at £125 inclusive. 0749 76095.

DEVONICS

Quality Rebuilt Tubes
2 YEAR WARRANTY

470 ERB22	£43
510 KCB22	£45
A51-161/500/510/ 570/580/590X	£45
560 AKB/DZB/TB22	£45
A56-500/510X	£45
A56-540X	£53
A66-500/510X	£46
A66-540X	£53
670 XB22	£46

Deltas from £30
Plus carriage and VAT
2A BARTON HILL ROAD,
TORQUAY TQ2 8JH
0803 - 33035

NOW TOTAL SPARES SUPPORT FOR



FROM



ALL from STOCK

(Subject to availability from Fidelity)

CABINETS ★ KNOBS ★ TUNERS ★ CONTROLS ★ CRT'S ★ TRANSFORMERS
SEMI'S ★ I.C.'S ★ CAPACITORS ★ REMOTES ★ TRIMS ★ END USER PARTS

Tel:
0734
876444

Willow Vale Electronics Ltd

11 Arkwright Road, Reading, Berkshire RG2 0LU

Tel:
0734
876444

GENUINE FIDELITY PARTS AT STANDARD FIDELITY TRADE PRICES

 **Sabaco** For a great deal!

**TRY US YOU'LL LIKE US
TOP QUALITY TV'S & VIDEO'S AT
ROCK BOTTOM PRICES**

**VAN LOAD DIRECT FROM SOURCES
ALL SETS & VIDEO'S OFF THE PILE
(Mostly switch-ons)**

**Largest selection of 4000/8800/9000/9200/
9600/Ferg TX9/TX10 Stereo Teletext
Colour Portables**

Mainly teletext and remote with handset.

**Also Pye KT30/G11/T20/T26/Hitachi/
Philips 550/Grundig & many more.**

BRAND NEW SETS AT LOW PRICES

VHS VIDEO'S

**Good Working Order from 3V22, 3V23,
3V29 Portable Video's etc.**

**Also a selection of brand new video &
E180 video tapes**

OPENING HOURS:

MONDAY TO SATURDAY 9am to 5.30pm

SUNDAY 10am to 4 pm

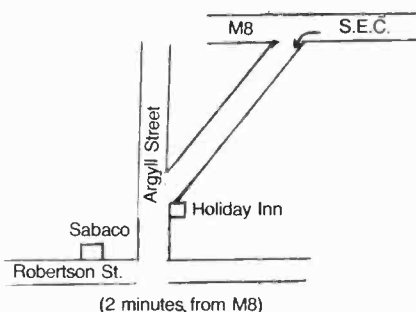
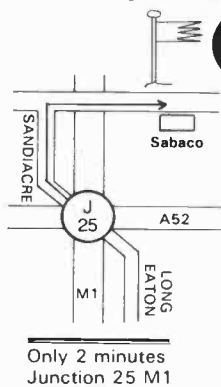
CASH ONLY All goods subject to VAT & availability

PHONE NOW FOR UP TO DATE COMPUTERISED PRICES

AND DELIVERY DAYS, BE HERE WHEN LORRY ARRIVES

FOR FIRST CHOICE — PHONE US NOW ON:

(0602) 397555



**Head Office:
Sabaco
Saba House,
46A Derby Road,
Sandiacre, Nottingham
(0602) 397555**

**Sabaco
75 Robertson Street,
Glasgow
(041) 221-2146**

WANTED

ENTHUSIAST SEEKS PRE-WAR TELEVISION.
Chassis and case preferred in fair condition. GOING,
58 Cambridge Road, Southend, Essex, SS1 1ES.
(0702) 334391.

WANTED - BUSH REMOTE CONTROL handsets.
Z918, T524A. Also C.T.V. Z718, T20, T22, T26.
070541 2464.

WANTED VIDEO'S, Portables, colour TV etc. Any
quantity. Immediate collection, cash paid. Tel. Stoke
on Trent 416401.

WANTED

**Ex RENTAL COLOUR
TVs IN BULK
QUICK COLLECTION
Phone 0742 312832
(Sheffield)
IN STRICTEST CONFIDENCE**

VIDEO

V.H.S. VIDEO'S 100'S IN STOCK

Famous brands:

JVC · PANASONIC · FERGUSON
Also stockists of Grade B Units, Micro-
waves, Hi-Fi, Radio/Cassettes etc. etc.

CONTACT MICK ON:

021-772 1591

SITS VACANT

MANAGER/ESS REQUIRED for wholesale & retail ex
rental T.V. & Video business. Applicant must be
skilled T.V. engineer with flair for selling. Excellent
opportunity for the right person. (London area). Write
box no 206.

VIDEO ENGINEERS

Two trainee engineers are required
to assist the senior shift engineers at
our Brentford facility.

Please call:

01-568 4311

ask for Mr Hall
or write to the address below:

**RANK VIDEO SERVICES
Phoenix Park, Great West Road,
Brentford, Middlesex, TW8 9PL.**

AERIALS

SATELLITE T.V. RECEPTION EQUIPMENT



Complete systems 10.9-12.7 GHz. Low noise block downconverters. Demodulators, splitters and line amplifiers. Dishes, polar mounts and brass scalar feeds.

SAE for details to:

KESH ELECTRICS LTD
MAIN ST, KESH, CO FERMANAGH, N. IRELAND
PHONE KESH (03656) 31449

MULTI-OUTLET/MULTI-CHANNEL Installations. Large or small distribution systems. Equipment and/or consultancy by post or on site. Catalogue (full of trade know-how and trade equipment) £1 (refundable). **WRIGHTS AERIALS**, 43 Greaves Sike Lane, Micklebring, Rotherham. (0709) 813419.

AERIAL BOOSTERS

B45H/G-UHF TV next to the set fitting. Gain 10dbs (trebles gain), works off PP3 type battery or 8V to 14V working. Price complete (excluding battery) £5.70.

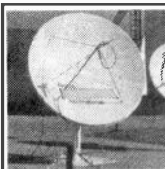
Beam Video This will beam good quality pictures and sound more than 30ft. Price complete (excluding battery) £10.50.

We also make aerial boosters for VHF/FM radio £7.70, and VHF television, prices £7.70 & £8.70. p&p 50p per order.

ELECTRONIC MAILORDER,
62 Bridge Street, Ramsbottom,
Lancashire, BL0 9AG.

Tel: Ramsbottom (070 682) 3036 (24 hr).

S.A.E. for leaflets. Access/Visa Welcome.



Euro-Sat

Parabolic Dish Antennas
(Parent company est. in
TV communications since 1969)

SATELLITE TVRO ANTENNAS
TOP QUALITY SOLID
GLASSFIBRE DISH ANTENNAS

TRADE PRICES	
1M. DIA 11-12.4 GHZ BANDS	£77.00
1.2M. DIA 11-12.4 GHZ BANDS	£93.00
2M. DIA 11-12.4 GHZ BANDS	£215.10
3M. DIA 11-12.4 GHZ BANDS	£437.00

Trade & Export Enquiries Welcome
Prices do not include delivery

Euro-Sat

107 Cross Street, Sale, Cheshire, England.
Tel. 061-437 2631 061-881 4249

SATELLITE TELEVISION

Buy direct from the manufacturers, low cost, full band satellite TV systems.

Agents/Distributors required

Write or telephone for details or call in at our factory showroom

NETWORK SATELLITE SYSTEMS LTD.

Unit 7-8, Newburnbridge Ind. Estate,
Hartlepool, Cleveland
Tel. 0429 74239

When replying to Television Classified Advertisements please ensure:

- That you have clearly stated your requirements.
- That you have enclosed the right remittance.
- That your name and address is written in block capitals, and
- That your letter is correctly addressed to the advertiser.

This will assist advertisers in processing and despatching orders with the minimum of delay.

REPOSSESSED T.V. CENTRES LTD.

061-273-2854

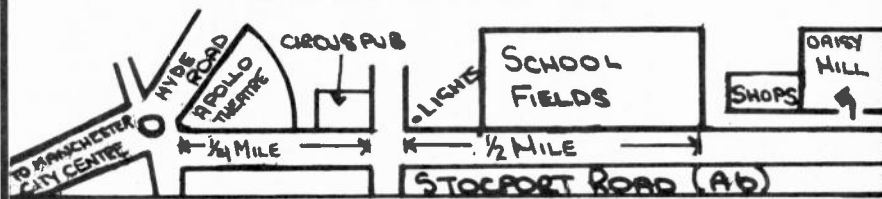
YOUR CHOICE

MINT WORKING SETS. These arrive at our premises in A1 working order, cabinets are superb. £45 to £70

GUARANTEED UNTESTED SETS. These are just as they arrive, in good condition with plenty of plug in workers. We do not sort them as we have our separate source of working sets. £10 to £35

VHS Videos in stock.

Well stored in large centrally heated premises. Ample viewing space and stored only four high!
Come and have a look round.



TRADE WAREHOUSE,
DAISY WORKS,
345 STOCKPORT ROAD,
LONGSIGHT,
MANCHESTER M13 0LF

ALSO AT
335-341 STOCKPORT ROAD
(NEXT DOOR)

IRISH T.V. DEALERS

(PLEASE NOTICE)

LARGE SELECTION OF RECONDITIONED PRECISION-IN-LINE UHF-VHF COLOUR TV's, SOME WITH RE-GUN TUBES FITTED, "CABINETS RESTORED TO A1 CONDITION". PRICES START @ £60.00 VAT INCLUDED. ALSO 20" & 22" RE-GUN TUBES IN STOCK, QUANTITY DISCOUNT, DELIVERY ARRANGED. VIDEO HEADS ALSO IN STOCK.

(EXPORT SPECIALISTS)

T.V. TRADE SALES

E.D.I. HOUSE

KYLEMORE PK. WEST

DUBLIN 10.

Tel: 0001-264139 (Local calls 01-)

T.V.T.S.

CLOVER PLACE

COLLEGE ST.

KILLARNEY.

Tel: 064-33655

EMCO - EUROSONIC - GRUNDIG - TELETON + ALL BRITISH MAKES
ETC. ETC. ● ALL SPARES READILY AVAILABLE ●

IMMEDIATE CREDIT AVAILABLE — TRADE ONLY

If you are a trader simply phone for the part you require and we will send it - no quibble - no hold up for status check. Satisfy us over the phone that you are a trader and we will supply almost any TV component by return "off the shelf", e.g. LOPTZ - EHT trays - droppers - OSC coils - switches - cans - smoothers - I.C.'s, etc. etc.

**YOU CAN BE 95% SURE WE CAN SUPPLY ANY
TV COMPONENT BY RETURN
IF YOU NEED SPARES FAST — RING NOW!**

ACCESS AND BARCLAYCARD ACCEPTED.

Applies to U.K. only.

TELEPORT (W'TON)

32 TEMPLE STREET,
WOLVERHAMPTON (0902) 773122

SENDZ COMPONENTS

63 Bishopsteigton,
Shoeburyness, ESSEX SS3 8AF
SAME DAY SERVICE

All items subject to availability.
No Accounts : No Credit Cards
Postal Order/Cheque with order
Add 15% VAT, then £1 Postage

Add Postage for overseas
Callers: To shop at 212 London Rd.,
Southend. Tel. 0702-332992

Open 9-12.30-6. GVMT + school orders accepted on official
headings add 10% handling charge.

Tuner Units	£9
G8 6 Button Unit	£9
V/Cap Rank UHF Z776T/Unit	£6
V/Cap Rank VHF Z773T/Unit	£5
NEW G8 Tuner V/Cap	£3.50
T20 6 Push Button Unit	£7
ELC2000 on Panel	£2.50
GEC 6 Push Button Unit	£6
ITT 6 Push Button Unit	£6
DECCA 6 Push Button Unit	£6
GEC or Hitachi 6 push button unit 2110 Conversion	£8
GEC 2110 V/Cap	£5
ELC1043 (Ex Panel)	£3.75
ELC1042 (Ex Panel)	£5.00
ELC2000	£4.00
ELC2004	£3.00
ELC2006	£6.00
GEC Tuner V/Cap Hitachi After 1979 ETS48, ETS47, ETS46, ETS41B	£8.00
ASTEC UM1183	£10.00
U322 (UHF)	£4.00
V314 (VHF)	£5.00
V317 (VHF)	£5
V334 (VHF)	£5
U321	£6
U341 UHF	£7.00
U342 (UHF)	£5
U411 UHF	£7.00
U.V. 411 Tuner	£10.00
U.V. 415	£7.00
U.V. 417	£7.00
ELC1043/05 Thorn	£5.90
ELC1043/06 Thorn	£5.00
Small V/Cap Mitsumi	£4.00
VHF	£3.00
Portable & rotary Tuners Sanyo	£5.00
Mitsumi UHF	£5.00
NSF-UHF/VHF Varicap (old type)	£8.00
Mosfet UHF/VHF (new type)	£8.00
USE-B31 Fidelity V/Cap 7/Unit	£6.00
UHF-VHF V/Caps on panel Thorn Tuner PANEL with 6x100K pots + cursors NO TUNER	£1.00
HITACHI 20 Turn Pot	£4.00
U321 on panel	£6.00
Tuner unit VHS Sylvania GTR	£2.50
Video MTS 900	£2.50
Mullard Video Modulator. Application, video tape recorders, TV cameras, video games, closed circuit TV, C.C.R.K. system, Data supplied.	£10.00
VT 100 Sound Tuner Kit, TV, Viosound. The latest design in low noise fitted with DNR, RF output and audio	£30.00
Sylvania UHF F4720B	£6.00
Sylvania VHF 900	£6.00
Small Tuner DX 175-220MHz Auto Changerover	£5.00
9000 Thorn Tuner on Panel	£7.00

D.P.D.T. switch Black Knob: Chassis or PCB mount	4p
each or 40 for £1.00	
THORN 1400 4P.B. Mech. Tuner	£1.00
THORN 1500 4P.B. Mech. Tuner	£1.00
THORN 1590 4P.B. Mech. Tuner	£1.00
THORN 3500 4P.B. Mech. Tuner	£1.00
THORN 8000 4P.B. Mech. Tuner	£1.00
THORN 8500 Mech. Tuner	£1.00
All new & boxed. £4.00 each	
Delay Lines	
DL20A 80p	D1.600 £1.00
G8 (Old Type)	£1.00
DL600	£1.00
DL710	£1.00
UDL11	30p
KT 3 Luminescence	75p
Luminescence Delay Line (CVC 45)	
10x630ma fuse	25p
10x1 amp	80p
Co-Ax Joint	15p
Co-Ax Belling Lee Plug	12p
Co-Ax Splitter	£1.00
UHF Modulator CC1R	£3.00
Infra Red Emitting Diode	20p
NE2861 Small Neon Lamps	5p
Mullard 5 Watt Amps. LP1162	75p
New	

BT18224	£1.00
BT222A	£1.00
CA270AE	50p
CA270CW	50p
CA270CE	50p
CA920AE	£1.00
CA1310	50p
CA3046	50p
CA3065Q	50p
CA3089Q	50p
CA309AE	50p
CA3123	40p
CA3146	£1.00
CA3189	40p
CBF16848	50p
CD4510	30p
DM7492	£1.00
HA1196	40p
HA1370	£2.00
HA1223	40p
HEF4001	10p
HEF4051AF	10p
HEF4051B	10p
HD3898C	£3.00
K5731D 100112	£1.00
LA3220	50p
LM1011N	£1.00
LM3661	£3.00
ML8361	£2.00
MI024=SAA	£2.00
MI025=SAA	£2.00
MC470p	£1.00
MC1307	75p
MC1312	75p
MC1349	50p
MC1352	£1.00
MC1358	£1.00
MC14002	15p
MC14013	25p
MC14066	25p
MC14066	50p
MC14514	50p
MC1748	80p
MEM4956	£1.00
ML231	£2.50
ET11016	£2.00
ML232	£2.00
ML236E	£1.00
ML237B	£1.00
ML238B	£4.00
ML492	£2.00
ML496	£2.00
MM5387	£1.00
MM5611	£1.00
MM5840	75p
MM5909N-4	75p
MM53108N	20p
MR1366	£1.00
NE64100	£1.00
NE555P	60p
NE555	60p
HD3898C	£3.00
IL1	20p
OPT600	20p
OPT601	20p
SAA611	50p
SAA661	£1.75
SAA1020	£4.00
SAA1021	£4.00
SAA1024	£2.50
SAA1025	£2.50
SAA1073	£3.00
SAA1074	£3.00
SAA1075	£3.00
SAA1124	£2.50
SAA1125	£2.50
SAA1174	£3.00
SAA1250	£3.00
SAA1251	£4.00
SAA1252	£4.00
SAA1276	£3.00
SAA3027P	£4.00
SAA5000A	£1.50
SAB3013	£2.00
SAB4219	£2.00
TB0124	£1.50
SAA5001A	£1.50
SAA5012A	£5.00
SAA5020	£3.50
SAA5030	£5.00
SAA5040	£3.50
SAA5040A	£3.00
SAA5043	£4.00
SAA5050	£3.50
SAF1032p	£2.50
SAF1039	£2.00

TA7120P	50p
TA7315AP	50p
TA7607AP	40p
TA7609P	50p
TBA120A	40p
TBA120AS	50p
TBA120SA	40p
TBA120B	40p
TBA120SB	40p
TBA120T	50p
TBA120SG	£1.00
TBA120U	75p
TBA20Q	40p
TBA120C	50p
TBA1441	£1.00
TBA231	75p
TBA395Q	50p
TBA396Q	50p
TBA396	75p
TBA400A	£1.00
TBA440C	£1.00
TBA480Q	£1.00
TBA520	£2.00
TBA530	£2.00
TBA540	£2.00
TBA570	£1.00
TBA560CQ	£1.00
TBA570	£1.50
TBA625	50p
TBA641	£2.00
TBA651	£2.00
TBA673	£1.00
TBA720A	£1.50
TBA750Q	£1.50
TBA780	50p
TBA800	60p
TBA810AP	60p
TBA810S	60p
TBA820	60p
TBA890	£1.00
TBA900	£1.50
TBA920	£1.50
TBA920Q	£1.50
TBA950	£1.50
TBA990Q	£1.00
TMS1000NL	£2.00
TMS1945 N2L (clockwise)	£1.00
TMS9980	£4.00
TMS9901	£1.00
TMS270RJG45	45p
TMS2716JL	£1.00
TMS3529	£1.00
TMS3720JANS	£3.00
TMS4014	70p
TS4278N	£1.00
TMS9002	£1.20
ULN281A	75p
UPC5661H	£1.00
UPC585C	£1.00
UPC1031H	£2.00
UPC1353C	£2.00
UPC1363C	£2.75
UPC1366C	£1.00
UPC1514C	£3.00
UPC2002	35p
UPD8491HC	£2.00
SN7400	£1.00
SN7401B	£1.00
SN7472B	£1.00
SN7402N	£1.00
SN7478N	£1.00
SN74107	£1.00
SN74167	70p
SN7422N	20p
SN75108AN	20p
SN76001	£1.00
SN76003	£1.00
SN76013	£1.00
SN76013ND	£1.00
SN76018	£1.00
SN76008	£1.00
SN76023N	£1.50
SN76033	£1.50
SN76110N	£1.00
SN76115AN	50p
SN76131	50p
SN76141N	£1.00
SN76226	£1.00
SN76227N	£1.00
SN76228N	£1.00
SN76270	£1.00
SN76532N	50p
SN76544N	£2.00

SN76545N	£3.00
SN76546	£1.00
SN76550	30p
SN76570	30p
SN76573	£1.00
SN76620	50p
SN76650	50p
SN76660AN	40p
SN76620AN	50p
SN76666	£1.00
SN76705N	£2
SN76707N	75p
SN76708AN	75p
SN76720	£1.00
SN76709N	£2.00
UA7833PC	40p
BT100A/02	40p
BT13810A	70p
BT1146	30p
TBA540Q	£1.50
TCA270	£1.00
TCA270Q	£1.00
TCA640	£1.00
TCA660	£1.00
TCA270S	£1.00
TCA270SQ	£1.00
TCA740	£1.00
TCA840	£5.00
TCA830	£1.00
TCE1940	£1.00
TCE120Q	£1.00
TDA440Q	£1.00
TDA1003A	£1.00
TDA1010	£1.00
TDA1012	£1.00
TDA1061A	£1.50
TDA1035T	£3.50
TDA1035SB	£2.00
TDA1072	30p
TDA1151	£1.00
TDA1170	£1.00
TDA1190	£1.00
TDA1210	75p
TDA1260	£1.00
TDA2320	50p
TDA2525	£1.00
TDA2640	£2.00
TDA2522	£1.00
TDA2530	£1.50
TDA2532	£1.00
TDA2540	80p
TDA2541	£1.00
TDA2560	£2.50
TDA2575AQ	£2.50
TDA2575A	£2.50
TDA2577	£2.00
TDA2579	£2.00
TDA2581	£2.50
TDA2590	£1.00
TDA2591	£1.00
TDA2593	£1.00
TDA2594	£1.00
TDA2596	50p
TDA2611A	£1.00
TDA2611AQ	£1.00
TDA2655	£2.50
TDA2653	£4.00
TDA2640	£2.00
TDA2680	£2.00
TDA2690	£1.00
TDA2593	£1.00
TDA3190	£1.00
TDA3560	£4.00
TDA3570	£1.50
TDA3590	£3.00
TDA3591	£1.00
TDA3650	£3.50
TDA3651AQ	£3.50
TDA3650AQ	£2.00
TDA3740	£3.50
TDA9403	£3.00
TEA1039	£2.00
UPC1365	£3.00
UPC1363C	£1.50
TDA3300B	£6.00
SN74LS125AN	30p
SN74LS248	50p
SIL4516	50p
SN16861NG	50p
SN16862AN	£1.00
SN16944N	50p
SN29764AN	£1.00
UA721	40p
UA730	40p
RG340G	10p
MP54A	25p
MJ13045	30p
MJE511	25p
MJE340	28p

MJE660	25p
MJE661	25p
MJE3055	£1.00
MJE2801	30p
MJE2955	50p
MJE13005	50p
Sanikron Diode	30p
Philips Cartridges	
GP412	£6.00
GP412/11	£6.00
GP406	£6.00
Transistors	
AI222	15p
AI223	15p
AC106	15p
AC121	15p
AC124	15p
AC128	15p
AC137	15p
AC151	15p
AC131	15p
AC138	15p
AC152	15p
AC153K	15p
AC142K	15p
AC169	15p
AC176	15p
AC176K	15p
AC178K	15p
AC179	15p
AC186	15p
AC187K	15p
AC188K	15p
AC189K	15p
AC192	25p
AD143	50p
AD149	50p
AD161/162	pair 40p
AF17A	25p
AF139	25p