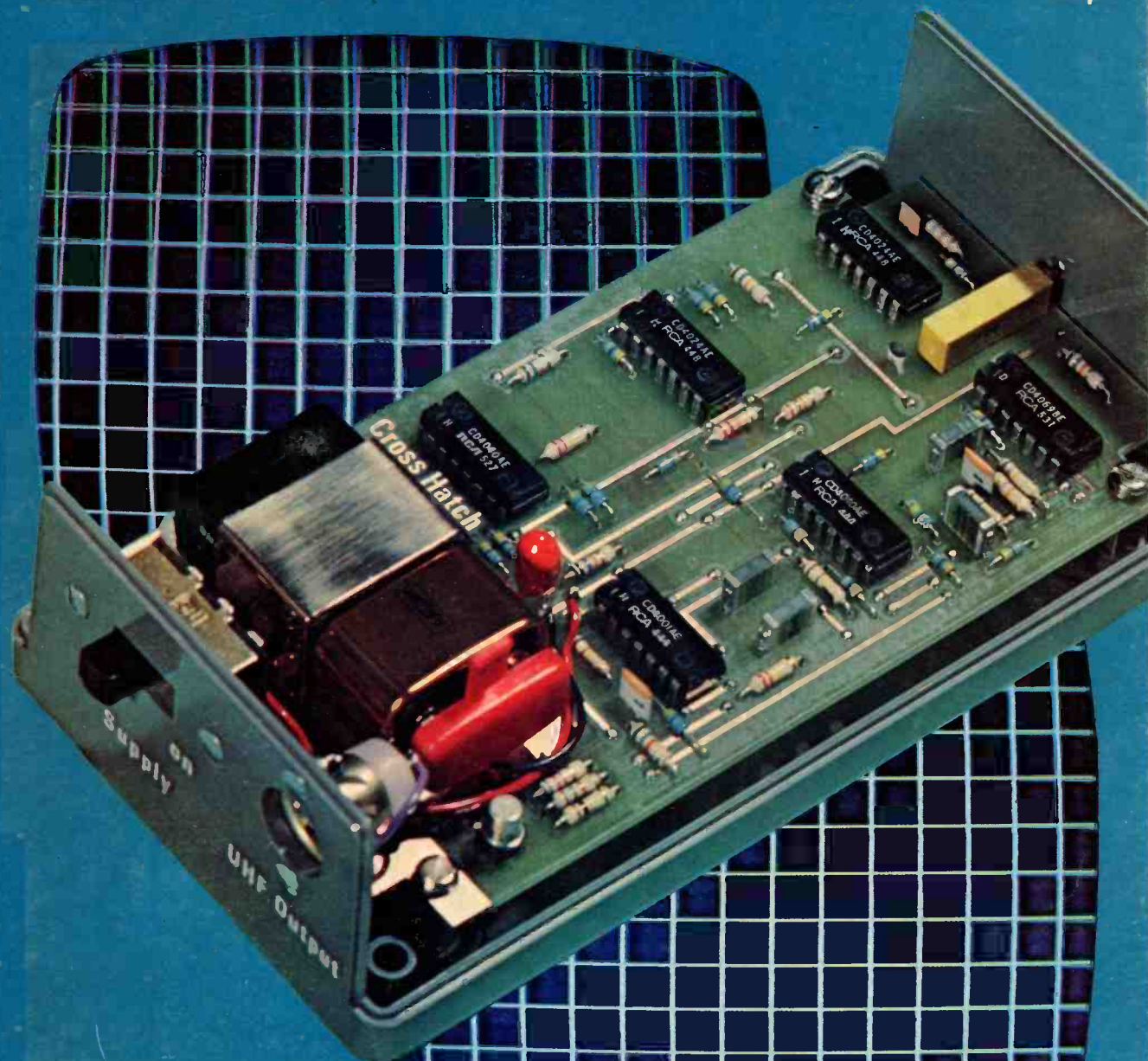


PRACTICAL

# ELECTRONICS

SEPTEMBER 1976

35p



## CROSS-HATCH GENERATOR

ALSO INSIDE . . .

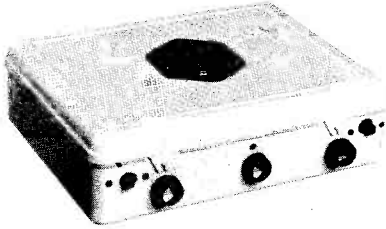
GAS/SMOKE DETECTOR • CAR LIGHT-UP ALARM

# RADIO EXCHANGE LTD.

**ALL PRICES  
INCLUDE VAT**

## NEW EDU-KIT MAJOR

**COMPLETELY SOLDERLESS  
ELECTRONIC CONSTRUCTION KIT  
BUILD THESE PROJECTS WITHOUT SOLDERING IRON OR SOLDER**



- 4 Transistor Earpiece Radio
- Signal Tracer
- Signal Injector
- Transistor Tester NPN -PNP
- 4 Transistor Push Pull Amplifier
- 5 Transistor Push Pull Amplifier
- 7 Transistor Loud-speaker Radio MW/LW
- 5 Transistor Short Wave Radio
- Electronic Metronome
- Electronic Noise Generator
- Batteryless Crystal Radio
- One Transistor Radio
- 2 Transistor Regenerative Radio
- 3 Transistor Regenerative Radio
- Audible Continuity Tester
- Sensitive Pre-Amplifier
- 24 Resistors ● 21 Capacitors ● 10 Transistors ● 3 1/2" Loudspeaker ● Earpiece ● Mica Baseboard
- 3 12-way Connectors ● 2 Volume Controls ● 2 Slider Switches ● 1 Tuning Condenser ● 3 Knobs
- Ready Wound MW/LW/SW Coils ● Ferrite Rod ● 6 1/2 yards of wire ● 1 yard of sleeving, etc.

Complete kit of parts including construction plans

Total building costs **£9.00** P.P. and Ins. 85p

## V.H.F. AIR CONVERTER KIT

Build this converter kit and receive the aircraft band by placing it by the side of a radio tuned to medium wave or the long wave band and operating as shown in the instructions supplied free with all parts.

Uses a retractable chrome plated telescopic aerial, gain control, V.H.F. tuning capacitor, transistor, etc.

All parts including case and plans

**£3.95** P.P. & Ins. 45p



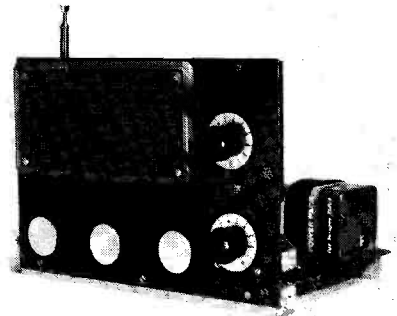
## NEW ROAMER TEN MODEL R.K. 3

**MULTIBAND V.H.F. AND A.M. RECEIVER.  
13 TRANSISTORS AND FIVE DIODES.  
QUALITY 5" x 3" LOUDSPEAKERS.**

WITH Multiband V.H.F. section covering Mobiles, Air, T.V. Sound, Local V.H.F. Stations, etc. And Multiband A.M. section with Airspaced Slow Motion Drive Tuning Capacitor for easier and accurate tuning, covering M.W.1, M.W.2, L.W. Three Short Wave Bands S.W.1, S.W.2, S.W.3 and Trawler Band. Built-in Ferrite Rod Aerial for Medium Wave, Long Wave and Trawler Band, etc., Chrome Plated 7 section Telescopic Aerial, angled and rotatable for peak Short Wave and V.H.F. reception. Push Pull output using 600mW Transistors. Gain, Wave-Change and tone Controls. Plus two Slider Switches. Negative Feedback circuit and SPECIAL POWER BOOSTER SOCKET AND RESISTOR, to virtually double gain if required. Powered by P.P. 9.9 volt Battery.

Complete kit of parts including carrying strap, Building Instructions and operating Manuals. **£13.99** P. & P. 85p.

Case enclosure kit (if required), **£1.80** inc. P.P. and Ins.

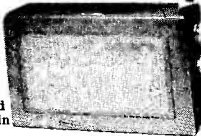


## POCKET FIVE

Now with 3in Loudspeaker 3 tunable wavebands. MW, LW and trawler band. 7 stages, 5 transistors and 2 diodes, supersensitive ferrite rod aerial, attractive black and gold case. Size 5 1/2in x 1 1/2in x 3 1/2in approx.

Complete kit of parts including construction plans.

Total Building Costs: **£3.60** P.P. and Ins. 60p

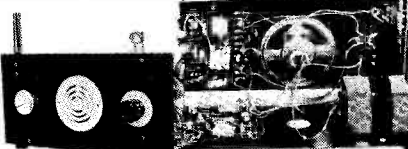


## ELECTRONIC CONSTRUCTION KITS

### E.C.K. 2 Self Contained Multi-Band V.H.F. Receiver Kit.

8 transistors and 3 diodes. Push pull output. 3in loudspeaker, gain control, superb 9 section swivel ratchet and retractable chrome plated telescopic aerial, V.H.F. tuning capacitor, resistors, capacitors, transistors, etc. Will receive T.V. sound, public service band, aircraft, V.H.F. local stations, etc. Operates from a 9 volt P.P. 7 battery (not supplied with kit).

Complete kit of parts **£7.95** P.P. and Ins. 70p



including Construction Plans

### E.C.K. 4

7 Transistors, 6 tuneable wavebands, MW, LW, Trawler Band, 3 Short Wave Bands. Receiver Kit.

With 5in x 3in loudspeaker. Push pull output stage, gain control, and rotary switch. 7 transistors and 4 diodes. 6 section chrome-plated telescopic aerial. 8 in sensitive ready wound ferrite rod aerial, tuning capacitor, resistors, capacitors, etc. Operates from a 9 volt P.P. 7 battery (not supplied with kit).

Complete kit of parts **£7.25** P.P. and Ins. 70p



including Construction Plans

Case enclosure kit (if required), **£1.50** inc. P.P. and Ins.

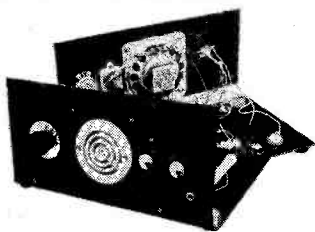
### EDU-KIT JUNIOR

Completely Solderless Electronic Construction Kit. Build these projects without Soldering Iron or Solder.

- ★ Crystal Radio Medium Wave Coverage—No Battery necessary
- ★ One Transistor Radio
- ★ 2 Transistor Regenerative Radio
- ★ 3 Transistor Earpiece Radio Medium Wave Coverage
- ★ 4 Transistor Medium Wave Loudspeaker Radio
- ★ Electronic Noise Generator
- ★ Electronic Metronome
- ★ 4 Transistor Push/Pull Amplifier

All parts including loudspeaker, earpiece, MW ferrite rod aerial, capacitors, resistors, transistors, etc.

Complete kit of parts **£6.55** P. & P. + Ins. 60p



## NEW Everyday Series

Build this exciting new series of designs.

E.V.5. 5 Transistors and 2 diodes. MW/LW. Powered by 4 1/2V battery. Ferrite rod aerial, tuning condenser, volume control, and now with 3in. loudspeaker. Attractive case with red speaker grille. Size 9in. x 5 1/2in. x 2 1/2in. approx. All parts including Case and Plans.

Total Building costs **£4.30** P. & P + Ins. 50p

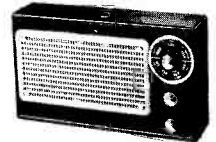
E.V.6. Case and looks as above. 6 Transistors 3 diodes. Powered by 9V battery. Ferrite rod aerial, 3in. Loudspeaker, etc. MW/LW coverage. Push/Pull output.

All parts including Case and Plans.

Total Building costs **£4.95** P. & P. + Ins. 55p

E.V.7. Case and looks as above, 7 Transistors and 3 diodes. Six wavebands, MW/LW, Trawler Band SW1, SW2, SW3, powered by 9V battery. Push pull output. Telescopic aerial for short waves. 3in. Loudspeaker. All parts including Case and Plans.

Total Building Costs **£6.95** P. & P. + Ins. 55p



To: RADIO EXCHANGE LTD.

61A High Street  
Bedford MK40 1SA

Tel.: 0234 52387, REG NO. 788872

- Callers side entrance "Lavelle's" Shop.
- Open 10-1, 2.30-4.30 Mon. Fri. 9-12 Sat

I enclose £..... for .....

Name .....

Address .....

..... PE9/76

# PRACTICAL ELECTRONICS

VOLUME 12 No. 9 SEPTEMBER 1976

---

## CONSTRUCTIONAL PROJECTS

- CROSS-HATCH GENERATOR** *by A. A. Birch*  
A self-contained instrument providing a u.h.f. signal for TV fault finding and adjustment 708
- RADIO CONTROL SYSTEM** *by J. D. Whiteley*  
Full constructional details for a multi-channel on/off system based on tone coding 716
- GAS/SMOKE DETECTOR** *by M. D. Page*  
Invaluable fire alarm/smoke and gas detector for the house, boat or caravan 728
- P.E. DIGISCOPE—3** *by R. W. Coles & B. Cullen*  
Lower deck circuitry and constructional details 736
- LIGHT-UP ALARM** *by M. Plant*  
Don't be a danger to yourself and others on the road: make sure you "light up" at the right time with this simple alarm 742

## GENERAL FEATURES

- SEMICONDUCTOR UPDATE** *by R. W. Coles*  
A look at some recently released devices 723
- CITIZENS' BAND** *by Pat Hawker*  
The pros and cons of radio communications for the man in the street (and his family) 731
- INGENUITY UNLIMITED**  
Heads/Tails Indicator—Square Wave Converter—Simple Servo—Sound-to-Light Converter—Improved Phaser Control—Light Pipe Controller—Sidelight Alarm—Rear Windscreen Wiper Controller—Seat-Belt Alarm—Car Cassette Power Supply 746

## NEWS AND COMMENT

- EDITORIAL**—Tapping the Glass 707
- SPACEWATCH** *by Frank W. Hyde*  
Space Seeds—Salyut Research 720
- HEDA SHOW REPORT** *by G. C. Arnold*  
An impression of the Home Electronics section 724
- PATENTS REVIEW**  
Thought provoking ideas on file at the British Patents Office 727
- POINTS ARISING**  
Shoot—Digital Frequency Meter—P.E. Digi-Probe 730
- NEWS BRIEFS**  
VAT Leaflet—Fog Bound—Microprocessor Symposium—Courses—Sonax Electronics 733
- INDUSTRY NOTEBOOK** *by Nexus*  
What's happening inside industry 734

**Our October issue will be published on Friday, September 10, 1976**  
(for details of contents and special announcement, see page 735)

---

© IPC Magazines Limited 1976. Copyright in all drawings, photographs and articles published in PRACTICAL ELECTRONICS is fully protected, and reproduction or imitations in whole or part are expressly forbidden. All reasonable precautions are taken by PRACTICAL ELECTRONICS to ensure that the advice and data given to readers are reliable. We cannot, however, guarantee it, and we cannot accept legal responsibility for it. Prices quoted are those current as we go to press.

# Sparkrite mk2

## Capacity discharge electronic ignition kit

**VOTED BEST OF 8 SYSTEMS TESTED BY 'POPULAR MOTORING' MAGAZINE**



- \* Smoother running
- \* Instant all-weather starting
- \* Continual peak performance
- \* Longer coil/battery/plug life
- \* Improved acceleration/top speeds
- \* Up to 20% better fuel consumption

Sparkrite Mk. 2 is a high performance, high quality capacitive discharge, electronic ignition system in kit form. Tried, tested, proven, reliable and complete. It can be assembled in two or three hours and fitted in 15/30 mins.

Because of the superb design of the Sparkrite circuit it completely eliminates problems of the contact breaker. There is no misfire due to contact breaker bounce which is eliminated electronically by a pulse suppression circuit which prevents the unit firing if the points bounce open at high R.P.M. Contact breaker burn is eliminated by reducing the current to about 1/50th of the norm. It will perform equally well with new, old, or even badly pitted points and is not dependent upon the dwell time of the contact breakers for recharging the system. Sparkrite incorporates a short circuit protected inverter which eliminates the problems of SCR lock on and, therefore, eliminates the possibility of blowing the transistors or the SCR. (Most capacitive discharge ignitions are not completely foolproof in this respect). All kits fit vehicles with coil/distributor ignition up to 8 cylinders.

### THE KIT COMPRISES EVERYTHING NEEDED

Ready drilled pressed steel case coated in matt black epoxy resin, ready drilled base and heat-sink, top quality 5 year guaranteed transformer and components, cables, coil connectors, printed circuit board, nuts, bolts, silicon grease, full instructions to make the kit negative or positive earth, and 10 page installation instructions.

### OPTIONAL EXTRAS

Electronic/conventional ignition switch. Gives instant changeover from "Sparkrite" ignition to conventional ignition for performance comparisons, static timing etc., and will also switch the ignition off completely as a security device, includes: switch connectors, mounting bracket and instructions. Cables excluded. Also available RPM limiting control for dashboard mounting (fitted in case on ready built unit).

**CALLERS WELCOME.** For Crypton tuning and fitting service - 'phone (0922) 33008.

**PRICES INCLUDE VAT, POST AND PACKING.**

**Improve performance & economy NOW**

**POST TODAY!**

**Quick installation**  
No engine modification required

Electronics Design Associates, Dept. PE9,  
82 Bath Street, Walsall, WS1 3DE. Phone: (0922) 33652

Name .....

Address .....

QTY	DESCRIPTION	PRICE
Mk. 2	DIY Ass. Kit @ £11.80	
Mk. 2	Ready Built Negative Earth @ £14.97	
Mk. 2	Ready Built Positive Earth @ £14.97	
	Ignition Changeover switches @ £4.30	
	R.P.M. Limit systems in above units @ £2.42	

I enclose cheque/PO's for **£** .....

Cheque No. ....

Send SAE if brochure only required.

# H.B. ELECTRONICS

## Semiconductors

AA119	10p	BF194/5/6/7	10p*	TIP32A	55p
AC128/7/8	16p	BF198/9	12p*	TIP41A	70p
AD149/187/8	19p	BF200	30p	TIP42A	85p
AD149/161/2	50p	BFX29/30	28p	TIS43	30p
AF114/5/6/7	25p	BFX86/88	25p	ZTX107/8/9	10p
AF118	45p	BFY50/1/2	18p	ZTX300/500	20p
BA145/8/154	16p	BFY90	75p	IN4148	4p
BC107/8/9	10p	BR101	30p	IN4001/2	4p
BC147/8/9	10p*	BRY39	40p	IN4003/4/5	5p
BC157/8/9	10p*	BY127	15p	IN4006/7	8p
BC177/8/9	18p	E300	55p	2N1613	2p
BC182/3/4L	12p*	MJE340	50p*	2N2646	45p
BC212/3/4L	12p*	MJE341	80p*	2N2926 (BROYG)	10p*
BC237/8/337/8	16p*	MJE2955	120p	2N3053	16p
BC547/8/9	12p*	MJE3055	75p	2N3054	45p
BCY70/1/2	15p*	MPF102	30p	2N3055	50p
BD131/2	40p	TIP31A	50p	2N3819	20p

## Bulk offers

IN4001/2	30p/10
IN4003/4/5	45p/10
IN4006/7	50p/10
BC107/8/9	85p/10
741 8 dil	£2-10/10
NE555	£1-70/4
0-125in LED for P.E.	
Digiscope	£8-50/80
Red LED 0-2in	£1/10
Yellow/Green/Amber	
LED 0-2in	£1-50/10
IN4148	30p/10
Push to make switch	£1-50/10
DPST slide switch	£1-50/10

## TTL

7400	12p	7474	26p
7401	12p	7476	26p
7402	12p	7483	75p
7403	12p	7486	26p
7404	12p	7490	40p
7405	15p	7491	55p
7406	30p	7492	45p
7408	15p	7493	40p
7410	13p	74100	89p
7413	31p	74121	28p
7413	31p	74122	28p
7432	25p	74141	63p
7441	62p	74145	58p
7442	55p	74174	83p
7445	71p	74177	100p
7447	79p	74196	134p

## Other components

Zener diode 400mW 3-3V to 47V E12, 12p;  
Resistors, carbon film 1/8W 5% E12, 2p; Veroboard 0-1in and 0-15in, 2 1/2in x 5in, 40p;  
Sub. min vertical preset, fit 0-1in board, 8p;  
Resistors WW 2-5W 0-22p to 10 ohm E24, 20p; Clock chip special MM5316, £5-50, 80Ω loudspeaker 90p\*

VAT: add high rate to \* items, standard rate to all others.

POST: free on orders over £5 otherwise please add 30p.

DISCOUNT: 10% discount on orders over £15 (excluding bulk offers)

**54 Montagu Street, Kettering, Northants.**

Tel. Kettering 83922

Shop open daily. PAYMENT: C.W.O.. Access and Barclaycard for phone orders. GUARANTEE: All devices are brand new and full spec. Any faulty item returned unused within 7 days refunded or exchanged.



# W:K:F ELECTRONICS

THE P.C.B. SPECIALISTS

PRACTICAL ELECTRONICS "PRINTED CIRCUIT BOARDS"  
NOW AVAILABLE

TYPE 'A': Made in 1.6mm Epoxy/Glass-fibre, supplied Roll-tinned & drilled.  
TYPE 'B': Made in 1.6mm S.R.B.P., supplied Roll-tinned & drilled.

All units available Ex. Stock by return. All prices INCLUDE Post-Pack. and V.A.T.  
TERMS: Cash with order. Cheques & P.O.s payable to W.K.F. Electronics.

ISSUE	PROJECT	QTY of TYPE 'A' PRICE		TYPE 'B' PRICE	
		QTY	PRICE	QTY	PRICE
Sept. 1974	Gas & Smoke Detector	1	—	1.75	
JAN. 1975	ORION STEREO 20W AMPLIFIER	1	3.60	2.20	
May 1975	I.C. Pulse Generator	1	—	1.40	
DEC.-JAN. 1976	50 + 50W GUITAR AMPLIFIER	3	3.25	2.00	
JUNE 1976	DIGITAL FREQUENCY METER	4	4.25	3.50	
June 1976	Audio Millivolt Meter	2	—	1.60	
JUNE-AUG. 1976	RADIO CONTROL SYSTEM	8	5.70	4.30	

### PRODUCTION SPACE ALWAYS AVAILABLE FOR:

P.C.B. PRODUCTION—ELECTROPLATING—SCREEN PRINTING—TINNING  
CONTRACT DRILLING—ANY PHOTOGRAPHIC ART PROCESS

### SERVICE FOR:

P.C.B. MASTER PREPARATION + ANY GRAPHIC ARTS PROCESS

### FROM:

ROUGH COPIES—EXISTING UNITS—CIRCUIT DIAGRAM  
EVEN FELT TIP PEN ON OLD FISH & CHIP PAPER!!

### QUOTATIONS FREE OF CHARGE BY RETURN

Large discounts given for long runs. Run-on's and repeat orders. Also call-off orders accepted

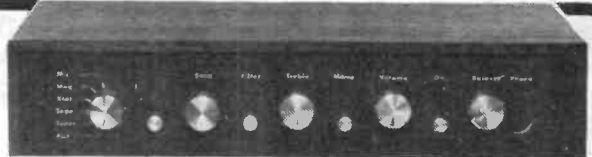
FOR OUTLINE QUOTATIONS PHONE:  
WHITWELL (DERBY'S) 695 (STD 090974)

ALL ORDERS & MAIL TO:  
W.K.F. Electronics,  
Welbeck Street,  
Whitwell, Near Worksop,  
Notts.



## 20x20 Watt STEREO AMPLIFIER

Superb Viscount IV unit in teak-finished cabinet. Black fascia with aluminium rotary controls and pushbuttons, red mains indicator and stereo jack socket. Function switch for mic, magnetic and crystal pick-ups, tape, tuner, and auxiliary. Rear panel features two mains outlets, DIN speaker and input sockets, plus fuse. 20+20 watts rms, 40+40 watts peak.



**HOW YOU CAN SAVE £2990**  
+ p & p. £2.10

### SYSTEM 1B

For only £80, you get the 20+20 watt Viscount IV amplifier; a pair of our 12-watt-rms Duo Type 11b matched speakers; a BSR MP 60 type deck complete with magnetic cartridge, de luxe plinth and cover.

**£8000**  
+ p & p. £6.50

### SYSTEM 2

Comprising our 20+20 watt Viscount IV amplifier; a pair of our large Duo Type III matching speakers which handle 20 watts rms each; and a BSR MP 60 type deck with magnetic cartridge, de luxe plinth and cover.

**£9200**  
+ p & p. £7.60

Carriage surcharge to Scotland: System 1b £2.50, System 2 £5

**SPEAKERS** Two models—Duo 11b, teak veneer, 12 watts rms, 24 watts peak, 18 1/2" x 13 1/2" x 7 1/2" approx.  
+ p & p. £6.50

**£34**  
PER PAIR

Duo III, 20 watts rms, 40 watts peak, 27" x 13" x 11 1/2"

**£48** £7.50  
PER PAIR

**TURNTABLE** Popular BSR MP 60 type, complete with magnetic cartridge, diamond stylus, and de luxe plinth and cover.

**£2400**  
+ p & p. £3.50

**VALUE**



## DIY 30x30 AMPLIFIER KIT



Specially designed by RT-VC for the experience constructor, this kit comes complete in every detail. Same facilities as Viscount IV amplifier. Chassis is ready punched, drilled and formed. Cabinet is finished in teak veneer. Black fascia and easy-to-handle aluminium knobs. Output 30+30 watts rms, 60+60 peak.

**£2900**  
+ p & p. £2.10

## STEREO CASSETTE DECK KIT

Again, this kit is specially designed for the experienced constructor — for mounting into his own cabinet. Features include solenoid-assisted AUTO-STOP, 3-digit counter, record/replay PC board, mains transformer and input and output controls. AC BIAS AND ERASE.

**£3250**  
+ p & p. £1.50



## DIY STEREO SYSTEM

COMPLETE WITH SPEAKERS

Here's real value in DIY! Comprises ready-built amplifier module, 3-speed Garrard auto-return deck, and teak-veneer simulate cabinets with clear plastic top. Easily built by hobbyists.

**£2695**  
+ p & p. £4.05

## TURNTABLES BY BSR

Big value from RT-VC! Two units COMPLETE WITH PLINTHS. First, the popular MP 60 type semi-professional deck.

**£1750** + p & p. £2.50

Second, the lower-cost C141 automatic unit, fitted with a stereo ceramic cartridge.

**£1195** + p & p. £2.55

Both units have plinths finished in superb teak veneer. Either way, you're on to a bargain from RT-VC.

## STEREO AMPLIFIER KIT

Build up a 4-watts rms per channel stereo amplifier with Unisound MK2 modules. For only £9.95 you get pre-amp, power amp, and all the control panel parts. Features include IC power chips for low distortion. For the experienced constructor only.

**£995**  
+ p & p. £1.55

## DISCO EQUIPMENT



### 35-WATT DISCO AMP

Here's the mono unit you need to start off with. Gives you a good solid 35 watts rms, 70 watts peak output. Big features include two disc inputs, both for ceramic cartridges, tape input and microphone input. Level mixing controls fitted with integral push-pull switches. Independent bass and treble controls and master volume.

**£2750**  
+ p & p. £1.50

### 100-WATT DISCO AMP

All the big features as on the 70-watt disco amplifier, but with a massive 100 watts rms, 200 watts peak output power.

**£6500**  
+ p & p. £4.00

Not illustrated

### PORTABLE DISCO CONSOLE with built-in pre-amplifiers

Here's the big-value portable disco console from RT-VC! It features a pair of BSR MP 60 type auto-return, single-play professional series record decks. Plus all the controls and features you need to give fabulous disco performances. Simply connects into your existing slave or external amplifier.

**£5500**  
+ p & p. £6.50

### 70-WATT DISCO AMP

Brilliantly styled for easy disco performance! Sloping fascia, so that you can use the controls without fuss or bother. Brushed aluminium fascia and rotary controls. Five smooth-acting, vertically mounted slide controls — master volume, tape level, mic level, deck level, PLUS INTER-DECK FADER for perfect graduated change from record deck No. 1 to No. 2, or vice-versa. Pre-fade level control (PFL) lets YOU hear next disc before fading it in. VU meter monitors output level. 70 watts rms, 140 watts peak output.

**£4900**  
+ p & p. £3.00

### EASY-TO-BUILD, WITH ENCLOSURE

Specially designed by RT-VC for cost-conscious hi-fi enthusiasts, these kits incorporate two teak-simulate enclosures, two EMI 13" x 8" (approx.) woofers, two 3 1/4" (approx.) tweeters and a pair of matching crossovers. Easily constructed, using a few basic tools. Supplied complete with an easy-to-follow circuit diagram, and crossover components. Input 15 watts rms, 30 watts peak, each unit. Cabinet size 20" x 11" x 9 1/2" (approx.).

**£2550** + p & p. £5.50  
PER PAIR

### 15-WATT KIT IN CHASSIS FORM

When you are looking for a good speaker, why not build your own from this kit. It's the unit which we supply with the above enclosures. Size 13" x 8" (approx.) EMI woofer, 3 1/4" (approx.) tweeter, and matching crossover. Power handling capacity 15 watts rms, 30 watts peak.

**£750** + p & p. PER SET

### 20-WATT HI-FI KIT IN CHASSIS FORM

For extra power, choose this super RT-VC kit! EMI 13" x 8" (approx.) triple-laminate-coned woofer with massive 5" (approx.) magnet, plus 5" (approx.) mid-range unit with concentric 2" parasitic tweeter and 2 1/4" (approx.) magnet. Complete with circuit diagram and crossover components.

**£1050** + p & p. £2 PER SET

## DIY SPEAKER KITS

### 'COMPACT' FOR TOP VALUE

How about this for incredible bookshelf value from RT-VC! A pair of high efficiency units for only £7.50 — just what you need for low-power amplifiers. These infinite baffle enclosures come to you ready mitted and professionally finished. Each cabinet measures 12" x 9" x 5" (approx.) deep, and is finished in simulated teak. Complete with two 8" (approx.) speakers for max. power handling of 7 watts.

**£750**  
p & p. £1.70 per pair



Minimum order on Access and Barclaycards £15

DO NOT SEND CARD Just write your order giving your credit card number

## ALL PRICES INC. VAT AT CURRENT RATES

All items subject to availability. Price correct at 1st July 1976 and subject to change without notice.

For further information, please send stamped addressed envelope



NO GOODS DESPATCHED OUTSIDE U.K.

21D HIGH STREET, ACTON, LONDON W3 6NG  
323 EDGWARE ROAD, LONDON W2  
Personal Shoppers EDGWARE ROAD: 9 a.m.—5.30p.m. Half day Thurs.  
ACTON: 9.30a.m.—5p.m. Closed all day Wed.

**TIMEKEEPING KITS-CMOS-DISPLAYS-MEMORY-BOOKS**

**GUARANTEE:** Telephoned orders received by 4-30 p.m. (Mon.-Fri.) guaranteed dispatched the same day. First Class Post. The same applies to written orders. Telephone Orders: Private customers (min. tel. order £5) quote Access or Barclaycard no. Official orders. No minimum telephone order value.



**GREEN CLOCK KIT**

Four digit 12 or 24 hr. mantel-piece electronic clock with 0-5in GREEN displays in a white slim-line case. Easy to build. Order as "GCK" £12-90

**CRYSTAL CONTROL and BATTERY BACK-UP** can be added to this clock. If mains power is disconnected (through a power cut, accidental switching-off or moving clock) the clock will keep perfect time. Order as "GCK + XTK + GBBK" £19-85

**CCK: Crystal-Controlled, 6 Digit, Car Clock Kit with Independent Journey Timer** (P.E. Feb. '76)

Runs off 12V (car) battery—protected against low voltage drop-out—internal battery back-up allows temporary disconnection—6 digit timer times journeys up to 24 hours in hours, minutes and seconds—automatic intensity control—uses 0-5in Red LED digits. Complete kit including case. Order as "CCK" £39-50

**ATTRACTIVE 6-DIGIT ALARM CLOCK KIT.**

With optional **CRYSTAL CONTROL** for high accuracy and battery back-up—sleep alarm, snooze, automatic intensity control—uses Red 0-5in LEDs—optional "touch-switch" for snooze (extra)—complete kit including case. Order as "ACK" £26-80

Complete kit as above, plus crystal control and battery back-up. Accurate to within a few seconds a month—no need to reset your clock each time power is disconnected—alarm operational while clock is on back-up. Order as "ACK + XTK + BBK" £33-58

50Hz **Crystal Timebase Kit:** provides an extremely stable output of one pulse every 20 msec. Uses: Improving accuracy of digital clocks ● If used with battery back-up also makes clocks power-out or switch-off proof ● Replacing 50Hz signal on battery-powered equipment ● Providing film synchronisation ● Monitoring or improving turntable speed. Complete kit. Order as "XTK" £5-28

50Hz **Crystal Timebase Module:** as above, but built and tested and with output preset to within ± 5 p.p.m. Order as "671-50" £3-80

100Hz **Crystal Timebase Module.** Use as a pulse generator for any system counting in 1/100th sec. units. High stability, low current consumption (3mA typical)—Easily interfaced to TTL (requires 1 transistor)—5 to 14V operation (typical)—Built and tested and output preset to within ± 5 p.p.m. Order as "821-100" £12-70

**ADD VAT at 8%—25p P. & P.** on all orders ● **Access and Barclaycard orders** welcomed, by post or phone (see above) ● **Price List sent with orders or free on request (send S.A.E.)** ● **Export orders welcome.** No VAT but add 10% (Europe), 15% (Overseas) for Air Mail P. & P. (Contact us first for Export rates on books).

**SINTEL** 53b ASTON STREET, OXFORD. TEL. 0865 49791



BARCLAYCARD

**CMOS from the top manufacturers, mainly RCA and Motorola**

CD4000	0-15	CD4028	0-78	CD4053	0-81	CD4086	0-82	Clock Chips	
CD4001	0-15	CD4029	0-99	CD4054	1-01	CD4089	1-34	MK50250	5-00
CD4002	0-15	CD4030	0-48	CD4055	1-14	CD4093	0-69	MK50253	5-60
CD4006	1-02	CD4031	4-92	CD4056	1-14	CD4094	1-82	AY51202	2-19
CD4007	0-16	CD4032	0-82	CD4057	21-56	CD4095	0-81	AY51224	3-50
CD4008	0-83	CD4033	1-21	CD4058	4-77	CD4096	0-81	Flat Cable	
CD4009	0-48	CD4034	1-65	CD4060	0-97	CD4097	3-12	20-w 1m	1-00
CD4010	0-30	CD4035	1-02	CD4061	16-92	CD4099	1-59	10m	0-00
CD4011	0-18	CD4036	2-23	CD4062	7-77	CD4502	1-07		
CD4012	0-18	CD4037	0-83	CD4063	0-95	CD4510	1-18	Verocases	
CD4013	0-48	CD4038	0-83	CD4066	0-81	CD4511	1-26	751410J	2-84
CD4014	0-87	CD4039	2-23	CD4067	1-18	CD4520	1-06	751411D	3-04
CD4015	0-18	CD4040	0-92	CD4068	0-18	CD4515	2-72	751237J	1-72
CD4016	0-48	CD4041	0-73	CD4069	0-18	CD4516	1-18	751680D	2-15
CD4017	0-87	CD4042	0-73	CD4070	0-48	CD4518	1-08		
CD4018	0-87	CD4043	0-83	CD4071	1-18	CD4526	1-06	Sundry	
CD4019	0-48	CD4044	0-81	CD4072	0-18	CD4527	1-37	CA3130	0-88
CD4020	0-87	CD4045	1-22	CD4073	0-18	CD4532	1-25	75461	0-96
CD4021	0-87	CD4046	1-16	CD4075	0-18	CD4555	0-78	75482	1-22
CD4022	0-83	CD4047	0-78	CD4078	1-34	CD4556	0-78		
CD4023	0-18	CD4048	0-48	CD4077	0-48	MC14528	1-01	Memory ICs	
CD4024	0-87	CD4049	0-48	CD4078	0-18	MC14534	6-04	P2102A-6	3-35
CD4025	0-18	CD4050	0-48	CD4081	0-18	MC14553	4-07	P2112-2	4-78
CD4026	1-50	CD4051	0-81	CD4082	0-18	MC14556	1-21	HM5580PE	8-05
CD4027	0-48	CD4052	0-81	CD4085	0-82	MC14552	0-05	MC14552	8-05

**DATABOOKS (all no VAT to these)**

New 1976 RCA CMOS and Linear IC combined Databook	£4-95
New 1976 RCA "Power and Microwave" Databook	£4-95
Motorola McMOS Databook (Vol. 5 Series A), c. 500 pages	£2-77
1976 National Semiconductor 7400 series TTL Databook, c. 200 pages	£3-45
TTL Pin-Out card index. Set of cards with pin-outs (top and bottom views) of T.T.L. range and many other T.T.L. ICs	£2-95
Intel Memory Design Handbook, c. 280 pages	£4-75

**MEMORY IC from Intel:** P2102A-6 (new version of 2102-2) 16 pin, TTL compatible, 1024 x 1 bit Static RAM (Data supplied with IC) £3-35

**8-way BOSS Switch:** 8 ultra-miniature toggle switches in 16 pin DIL £2-60

**5-12MHz Quartz Crystal £4-50.**

**LOW COST IC SOCKETS**

Soldercon IC socket pins are the ideal low cost method of providing sockets for TTL, CMOS, IC's, Displays. Simply cut off the lengths you need, solder into board and snap off the connecting carrier.

Strip of 100 pins for 50p. 1,000 pins for £4. 3,000 pins for £10-50.

**7 Segment Displays**

XAN654	FND500	Red C.C. LED	0-5in	£1-02
	TIL322	Red C.C. LED	0-5in	£1-20
	TIL321	Red C.A. LED	0-5in	£1-30
	XAN652	Green C.A. LED	0-6in	£1-75
	XAN654	Green C.C. LED	0-6in	£1-75
	MAN3M	Red C.C. LED	0-13in	48p
	SLT01	Green Ph. Diode	4 x 0-5in	£5-80

Official Orders Welcomed. Terms: 30 days for written or phoned orders from Companies, Govt. Depts., Nat. Industries, Univs, Polys, etc. Fast delivery for R. & D.



53b ASTON STREET, OXFORD. TEL. 0865 49791



BARCLAYCARD



Official Orders Welcomed. Terms: 30 days for written or phoned orders from Companies, Govt. Depts., Nat. Industries, Univs, Polys, etc. Fast delivery for R. & D.

You can rely on a **CROFTON KIT**

Whether professional, student, teacher or amateur, the field of electronics can open up a new world for you.



**SPECIAL OFFER**

**COMPLETE Camera Kit with lens and tube £90 (including VAT and P. & P.).**

This offer is open for 30 days from publication of this magazine.

Delivery.—We would expect to be 3/4 weeks from receipt of order, but should demand exceed our expectations we could not guarantee such delivery.

All orders will be dealt with strictly in date order, and customers will be advised.

NOTE PCBs for most published projects available to order

**CROFTON ELECTRONICS LTD**  
Dept. E, 35 Grosvenor Road, Twickenham, Middx. 01-891 1923

**PLAIN P.A.K. STRIP**  
(Patents applied for)

Make your own p/c boards without etching

**PLAIN P.A.K. STRIP** is a very thin copper-coated P/C board with a self-adhesive backing. Cut any shape you want with scissors and just stick down. Butt solders perfectly. Use on plain drilled matrix board and you can prick holes in it with a pin.

**TIP OF THE MONTH.** How to turn a plastic box into a screened box—line it with **PLAIN P.A.K. STRIP.**

**PRINT-A-KIT**  
ELECTRONIC SUPPLIES  
408 Sharrow Vale Road, Sheffield S11 8ZP

OVER 2,000 ELECTRONIC COMPONENTS IN A **BIG NEW FREE** 100 PAGE CATALOGUE

**YOURS BY POSTING TODAY**

Please send me the 100 page Tandy catalogue

Name \_\_\_\_\_

Address \_\_\_\_\_

**TANDY**  
Nationwide supermarket of sound!

Tandy Corporation (Branch UK), Bilston Road, Wednesbury, W. Midlands WS10 7JN.

40 PAGES IN COLOUR

# 15-240 WATTS!

## HY5 Preamplifier

The HY5 is a mono hybrid amplifier ideally suited for all applications. All common input functions (mag Cartridge, tuner, etc.) are catered for internally, the desired function is achieved either by a multi-way switch or direct connection to the appropriate pins. The internal volume and tone circuits merely require connecting to external potentiometers (not included). The HY5 is compatible with all I.L.P. power amplifiers and power supplies. To ease construction and mounting a P.C. connector is supplied with each pre-amplifier.

**FEATURES:** complete pre-amplifier in single pack; multi-function equalisation; low noise; low distortion; high overload: two simply combined for stereo.

**APPLICATIONS:** hi-fi; mixers; disco; guitar and organ; public address.

**SPECIFICATION:** Inputs—magnetic pick-up 3mV; ceramic pick-up 30mV; tuner 100mV; microphone 10mV; auxiliary 3–100mV; Input Impedance 47k $\Omega$  at 1kHz. Outputs—tape 100mV; main output 500mV R.M.S. Active Tone Controls—treble  $\pm$ 12dB at 10kHz; bass  $\pm$ 12dB at 100Hz. Distortion—0.1% at 1kHz; signal/noise ratio 68dB. Overload—38dB on magnetic pick-up. Supply Voltage— $\pm$ 15–50V.

Price £4.75 + 59p VAT. P. & P. free

HY5 mounting board B.1. 48p + 6p VAT. P. & P. free



## HY30 15W into 8 $\Omega$

The HY30 is an exciting New kit from I.L.P. It features a virtually indestructible I.C. with short circuit and thermal protection. The kit consists of: I.C., heatsink, P.C. board, 4 resistors, 6 capacitors, mounting kit, together with easy to follow construction and operating instructions. This amplifier is ideally suited to the beginner in audio who wishes to use the most up to date technology available.

**FEATURES:** complete kit; low distortion; short, open and thermal protection; easy to build.

**APPLICATIONS:** updating audio equipment; guitar practice amplifier; test amplifier; audio oscillator.

**SPECIFICATION:** Output Power—15W R.M.S. into 8 $\Omega$ . Distortion—0.1% at 15W. Input Sensitivity—500mV. Frequency Response—10Hz–16kHz –3dB.

Price £4.75 + 59p VAT. P. & P. free

**AVAILABLE  
JUNE 1976**

## HY50 25W into 8 $\Omega$

The HY50 leads I.L.P.'s total integration approach to power amplifier design. The amplifier features an integral heatsink together with the simplicity of no external components. During the past three years the amplifier has been refined to the extent that it must be one of the most reliable and robust High Fidelity modules in the World.

**FEATURES:** low distortion; Integral heatsink; only five connections; 7 amp output transistors; no external components.

**APPLICATIONS:** medium power hi-fi systems; low power disco; guitar amplifier.

**SPECIFICATION:** Input Sensitivity—500mV. Output Power—25W R.M.S. into 8 $\Omega$ . Load Impedance—4–16 $\Omega$ . Distortion—0.04% at 25W at 1kHz. Signal/Noise Ratio—75dB. Frequency Response—10Hz–45kHz –3dB. Supply Voltage— $\pm$ 25V. Size—105 x 50 x 25mm.

Price £5.20 + 77p VAT. P. & P. free



## HY120 60W into 8 $\Omega$

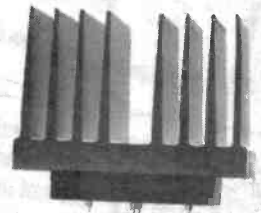
The HY120 is the baby of I.L.P.'s new high power range, designed to meet the most exacting requirements including load line and thermal protection this amplifier sets a new standard in modular design.

**FEATURES:** very low distortion; Integral heatsink; load line protection; thermal protection, five connections; no external components.

**APPLICATIONS:** hi-fi; high quality disco; public address; monitor amplifier; guitar and organ.

**SPECIFICATION:** Input Sensitivity—500mV. Output Power—60W R.M.S. into 8 $\Omega$ . Load Impedance—4–16 $\Omega$ . Distortion—0.04% at 60W at 1kHz. Signal/Noise Ratio—90dB. Frequency Response—10Hz–45kHz –3dB. Supply Voltage— $\pm$ 35V. Size—114 x 50 x 85mm.

Price £14.40 + £1.16 VAT. P. & P. free



## HY200 120W into 8 $\Omega$

The HY200 (now improved to give an output of 120 watts) has been designed to stand the most rugged conditions such as disco or group while still retaining true hi-fi performance.

**FEATURES:** thermal shutdown; very low distortion; load line protection; integral heatsink; no external components.

**APPLICATIONS:** hi-fi; disco; monitor; power slave; industrial; public address.

**SPECIFICATION:** Input Sensitivity—500mV. Output Power—120W R.M.S. into 8 $\Omega$ . Load Impedance—4–16 $\Omega$ . Distortion—0.05% at 100W at 1kHz. Signal/Noise Ratio—96dB. Frequency Response—10Hz–45kHz –3dB. Supply Voltage— $\pm$ 45V. Size—114 x 100 x 85mm.

Price £21.20 + £1.70 VAT. P. & P. free



## HY400 240W into 4 $\Omega$

The HY400 is I.L.P.'s "Big Daddy" of the range producing 240W into 4 $\Omega$ ! It has been designed for high power disco or public address applications. If the amplifier is to be used at continuous high power levels a cooling fan is recommended. The amplifier includes all the qualities of the rest of the family to lead the market as a true high power hi-fidelity power module.

**FEATURES:** thermal shutdown; very low distortion; load line protection; no external components.

**APPLICATIONS:** public address; disco; power slave; industrial.

**SPECIFICATION:** Output Power—240W R.M.S. into 4 $\Omega$ . Load Impedance—4–16 $\Omega$ . Distortion—0.1% at 240W at 1kHz. Signal/Noise Ratio—94dB. Frequency Response—10Hz–45kHz –3dB. Supply Voltage— $\pm$ 45V. Input Sensitivity—500mV. Size—114 x 100 x 85mm.

Price £29.25 + £2.34 VAT. P. & P. free

**POWER SUPPLIES:** PSU36—suitable for two HY30s £4.75 + 59p VAT. P. & P. free. PSU50—suitable for two HY50s £6.20 + 77p VAT. P. & P. free. PSU70—suitable for two HY120s £12.50 + £1.00 VAT. P. & P. free. PSU90—suitable for one HY200 £11.50 + 92p VAT. P. & P. free. PSU180—suitable for two HY200s or one HY400 £21 + £1.68 VAT. P. & P. free.

## TWO YEARS' GUARANTEE ON ALL OUR PRODUCTS

**I.L.P. Electronics Ltd.**  
Crossland House,  
Nackington, Canterbury  
Kent CT4 7AD  
Tel (0227) 63218

Please supply .....  
Total Purchase price .....  
I Enclose: Cheque  Postal Orders  Money Order   
Please debit my Access account  Barclaycard account   
Account number .....  
Name and Address .....

Registered office No. 1032630

Signature .....

# NEW KITS

**EASY TO CONSTRUCT**



**DORAM  
KITS  
CONTAIN  
EVERYTHING  
DOWN TO  
THE LAST  
NUT!**

**AM-FM-MPX Stereo TUNER**

★ Output 100mV ★ Complements audio separates

£44.95 +H

**CAR PUSH-BUTTON MW/LW RADIO**

★ Output 4W  
★ Dual Polarity  
★ Short Circuit Proof

COMPLETE WITH FITTING KIT & SPEAKER

£16.95 +H

**Available NOW!**

**POWER SUPPLY**

0-30V and 0-1A with a variable current limit

£19.95 +S

**TV SOUND-ORIG. TUNER**

Picks up UHF signals from the transmitter and relays this through your hi-fi equipment

£36.95 +H

**TRANSISTOR TESTER**

Measures hFE leakage for PNP or NPN transistor either silicon or germanium transistors - includes battery check facility

£9.95 +S

See coupon on next page

HERE'S JUST A FEW OF THE MANY NEW AND INTERESTING KITS AVAILABLE

- ★ ELECTRONIC IGNITION £9.95 +S
- ★ CASSETTE POWER SUPPLY £3.20 +S
- ★ DARKROOM EXPOSURE METER £4.75 +S
- ★ 6V ACCUMULATOR CHARGER £9.95 +H

S = 8% V.A.T.  
H = 12% V.A.T.

- ★ 60W GUITAR AMP. £29.95 +H
- ★ SOIL MOISTURE METER £1.99 +S
- ★ INTERNATIONAL 25 AMP. £29.95 +H
- ★ MOTORISTS DWELL METER £5.50 +S

FULL BUILDING INSTRUCTION DETAILS OF KITS IS AVAILABLE ON REQUEST PRICE 25p EACH REFUNDABLE IF KIT SPECIFICALLY APPLIED FOR IS PURCHASED



# DORAM

## A PROFESSIONAL DEAL FOR AMATEURS

### Over 50,000 customers REGULARLY SERVICED

LOOK WHAT'S IN IT FOR YOU

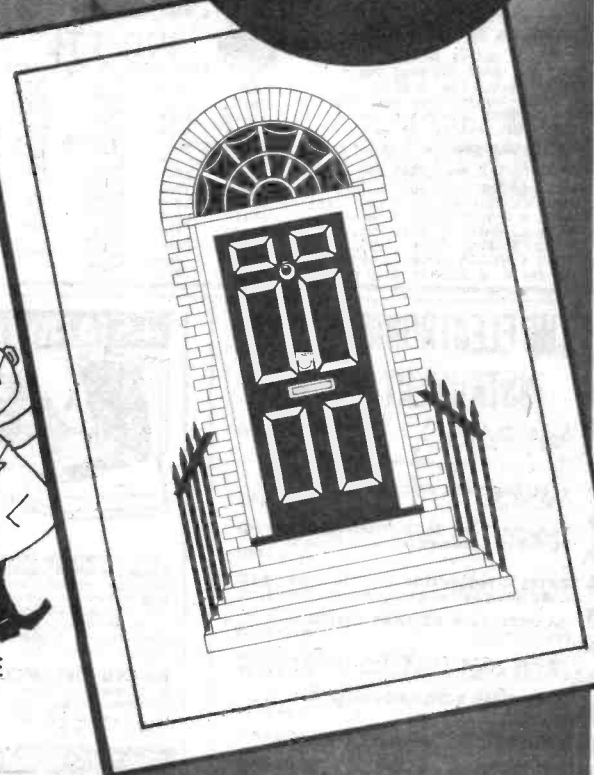
- \* SEMI CONDUCTORS \* CAPACITORS \* IC's \* MINI CERAMICS \* RESISTORS \*
  - POTENTIOMETERS \* THERMISTORS \* BRIDGE RECTIFIERS \* REGULATORS \*
  - RADIO MODULES \* AUDIO AMPS \* TIMERS \* CABLE \* TRANSFORMERS \* FET's \*
  - SUPPRESSION FILTERS \* CRYSTALS \* RELAYS \* CONNECTORS \* PLUGS & SOCKETS \*
  - CASES \* KNOBS & DIALS \* HEAT SINKS \* SCREWS, NUTS, TAGS, GROMMETS \*
  - ADHESIVES & CLEANERS \* DIODES & INDICATORS \* PANEL METERS & BULBS \*
  - ILLUM. PUSH-BUTTON, TOGGLE, ROCKER & PROXIMITY SWITCHES \* SOLDERING IRONS \*
  - NI CADS \* DRILLS \* REPLACEMENT STYLI \* SPEAKERS \* BLANK CASSETTES \*
  - MICROPHONES \* CABINETS \* MULTIMETERS \* LOGIC PROBES
- AND MUCH, MUCH MORE!

**NEW**  
**CATALOGUE**  
**Edition 3**

DORAM'S NEW CATALOGUE HAS BEEN SPECIFICALLY DESIGNED FOR THE AMATEUR RADIO, ELECTRONICS & HI-FI ENTHUSIAST.

DORAM'S SERVICE ALSO INCLUDES -

- ★ MANY PRICE REDUCTIONS - QUANTITY DISCOUNTS ON CAPACITOR, RESISTOR OR SEMI-CONDUCTOR ORDERS
- ★ **FREE** - UP-DATE PRODUCT INFORMATION SERVICE DURING LIFE SPAN OF CATALOGUE
- ★ ALL ORDERS SENT BY RETURN-OF-POST
- ★ NO-QUIBBLE REPLACEMENT PART SERVICE
- ★ POST & PACKING FREE FOR ORDERS OVER £1 (Only applies for Great Britain N.Ireland and B.F.P.O. Nos.- Overseas orders F.O.B.)



SEND FOR YOUR NEW CATALOGUE AND/OR KIT BROCHURE NOW!

### Special Offer

If catalogue ordered (priced 60p) you will receive a refund voucher of 25p.

If catalogue and kit brochure ordered together, price 70p plus 2 x 25p refund vouchers.

DORAM ELECTRONICS LTD.  
P.O. Box TR8,  
Leeds, LS12 2UF.

I enclose ..... Please send me by return my new catalogue and/or kit brochure. (Over seas orders except for N.Ireland please add 30p for post and packing surface only.

PLEASE PRINT BLOCK CAPITALS

NAME: .....

ADDRESS: .....

.....

..... POST CODE.....

An Electrocomponents Group Company.



# TRAMPUS

ELECTRONICS LTD. WINDSOR

58-60 GROVE RD.  
WINDSOR, BERKS. SL4 1HS

ADD 8% VAT TO PRICES MARKED \*  
ADD 12% VAT TO ALL OTHER PRICES  
SEND C.W.O. (EXCEPT GOVT DEPTS)  
POST & PACKING 20p FOR THE UK

NEW FAST SERVICE, LOW PRICES.  
MONEY BACK IF NOT SATISFIED.  
WE BRAND NEW TOP GRADE FULL  
SPEC DEVICES. CALLERS WELCOME  
NEW CATALOGUE LIST FREE BAR.  
BARCLAYCARD & ACCESS BY POST  
OR TELEPHONE ON 45 MINUTES

## FAST SERVICE



ALL FULL SPEC.  
DL707 COM. AMODE &  
DL704 COM. CATHODE  
0.3" 0-9DP 89p ea.  
747 JUMBO 0.6" CA  
LED DISPLAY £1.75  
3015F 0-9DP £1.25

## LEDS red 12P.

DISCO etc STROBE  
ZENON TUBE £5 ea.  
209 STYLE OR 0.2" NO CLIP 11p  
TIL209 OR 0.2" RED & CLIP 13p  
GREEN LARGE/SMALL & CLIP 22p  
ORANGE LARGE/SMALL & CLIP 22p  
ORP12 57p 2N5777 33p 2Tc12 50p  
DIGITAL CLOCKS MM5316 £5  
MM5314 £3.30 MM5311 £5  
AY51224 £3.49 PCB £1

CAPACITORS  
CERAMIC 22p-0.1uf 50v 5p.  
ELECTROLYTIC 10/50/100 uf 10 or  
25V 7P. 50V 9P. 2uf/10V 6p.  
100uf/25V 18p. 200/500uf 9p  
POTENTIOMETERS LIN/LOG 16p ea  
PRESETS 6p. RESISTORS 1 P ea

## IC's LOW PRICES

703 RF/IF	26p	MC1303	£1.47
708 7099	22p	MC1310	£2.09
710 DIL 14	28p	MC1312 SQ	£1.50
710 DIL 14	31p	MC1318	£2.50
DL49	45p	MC1330	75p
741 DIL 8	20p	MC1339	£1.49
741 DIL 14	31p	MC1350/1/2	75p
741 7099	31p	MC1466 /9	£3
3015F 0-9DP £1.25		MPC4000 1W	59p
747 2x741	67p	NE536 FETOPA 12	
748 DIL 8	27p	NE540	£1.10
7805 5V	£1.39	NE550 2VR	£1
7812 12V	£1.39	NE555 TIMER	41p
7815 15V	£1.39	NE556 2x	84p
7800 Series £3		NE560 PLL	£4.00
76013 8W AF	75p	NE561 PLL	£4.00
CA3046	59p	NE562 PLL	£4.00
CA3048	£2.20	NE563	£2.25
CA3054	£2	NE565	£2.50
ICL8038	£2.89	NE566	£1.55
LM300	£1.50	NE567	£2.20
LM301 OPA	41p	SN72741	741 20p
LM304 0-40V	£3	SN76660 IF	75p
LM308 H1 B0	95p	SN76611 IF	£1
LM309K 5V	£1.75	TAD100 AIF	£2
LM372 IF	£2.00	TBA800	89p
LM377 2x2W	£3	TBA810 7WAP	80p
LM380 60745	89p	TBA820	£1.49
LM381	£2	ZN414 RX	99p
LM3900 40PA	63p		

## TRANSISTORS

PRICE EACH:-		MATCHING	20p*
AC127 & 128	10p*	INS. BUSS SET	6p*
AC176	15p*	TIP29 & 30	43p*
AC187 & 188	18p*	TIP31 & 32	54p*
AD149	45p*	TIP41	63p*
AD181 & 182	33p*	TIP42	67p*
BC107	8p*	TIP2955	8p*
BC107B	12p*	TIP3055	67p*
BC108	7p*	TIS43 UJCT	26p*
BC109	12p*	ZTX107/8/9	11p
BC109C	12p*	ZTX300	£304 20p
BC147/8/9	9p	ZTX500	£504 42p
BC157/8/9	12p	2N706 & 708	11p*
BC167/8/9	12p	2N2646 UJT	38p*
BC177/8/9	18p	2N2904 & 5	20p*
BC182/3/4/44/10p		2N2926B PNP	9p*
BC212/3/4/44/12p		2N3053	16p*
BCY10/1/2	16p*	2N3054	42p*
BD131 & 132	39p*	2N3055	115p 37p*
BFY88	250V 35p	2N3055 RCA	60p*
BFY50	14p*	2N3702/3/4/5	8p
BFY51	14p*	2N3706/7/8/9	8p
BFY52 & 53	14p*	2N3710 & 11	8p
BSX19/20/21	16p*	2N3819E	FET 12p
MJ2955 TO3	75p*	2N3820	FET 40p
MJE2955	89p*	2N3822E	FET 16p
MJE3055	84p*	2N3904/5/6	15p
MU313 PUT	49p	2N4289	£161 31p
		2N4527	FET 45p

## TELEPHONE 54525

### DIODES

OAR1 & OAR1 GERMANIUM 5p.  
1N4001 1A50V & 1N4002 5p  
1N4004 6p 1N4007 9p  
1N4148 & 1N914 SILICON 4p.  
ZENERS BZ288 400mW 9p.  
ZENERS 1W 17P. Z1J not set  
BRIDGE RECTIFIER 1A50 18p  
1A400V 25p. 4A100V 45p

### SCR's TRIACS

SCR's TAG1/400 1A400V 50p  
1A50V 38p 1A 600V 70p  
C106D 4A400V SCR ONLY 47p  
TRIAC SC146D 10A400V £1  
TRIAC SC160D 16A400V £1.75  
DIACS: ST2 20p. BR100 25p

### VERO

36PINS 28p FACE CUTTER 49p  
COPPERCLAD 0.1 PITCH VERO  
21"x5" 32p 21"x33" 22p  
31"x5" 37p 31"x33" 39p  
31"x17" £1.70  
31"x17" PLAIN 0.1" £1.06  
DIL BREADBOARD 6x4" £2

### DALO 69P pen

DALO ETCH RESIST PEN 69p  
PEC ETCH PAK 500mg 89p  
6x4" COPPER BOARD 50p  
PCB KIT 3 ITEMS £2  
CASSETTE MECHANISM £9 & A£12  
TGS GAS DETECTORS 308ct£12

## 7400 TTL CMOS LOGIC

FULL SPEC. 5% off 100MIX		NEW MOTOROLA	CD14533	£2.35*
7400	9p*	CD4000	15p*	
7401	10p*	CD4001	16p*	
7402/3	11p*	CD4002	16p*	
7404	13p*	CD4009	45p*	
7405/6/7	25p*	CD4011	17p*	
7408/9/10	9p*	CD4013	45p*	
7413	26p*	CD4016	45p*	
7420/30	12p*	CD4017	82p*	
PAK B 5 741C OP AMP 8 PIN	£1*	CD4018	82p*	
PAK C 4 2N3055 £1*	£1*	CD4022	77p*	
PAK E 10 BC182 £1*	£1*	CD4023	16p*	
PAK G 8 BFY51 £1*	£1*	CD4024	63p*	
PAK J 9 2N3053 £1*	£1*	CD4027	45p*	
NEW PAK M 4 PLASTIC 3055 90W	£1*			

## THE ELECTRONIC MUSICAL INSTRUMENT MANUAL

by A. Douglas Price £8-00

ELECTRONICS POCKET BOOK by P. J. McGoldrick. Price £4-25

TRANSISTOR ELECTRONIC ORGANS FOR THE AMATEUR by A. Douglas. Price £4-80

DESIGNING WITH TTL INTEGRATED CIRCUITS by Texas Instruments. Price £7-60

TRANSISTOR POCKET BOOK by R. G. Hibberd Price. Price £4-20

RAPID SERVICING OF TRANSISTOR EQUIPMENT by G. J. King. Price £2-80

IC OP-AMP COOKBOOK by W. G. Jung. Price £8-75

COLOUR T.V. WITH PARTICULAR REFERENCE TO THE PAL SYSTEM by G. N. Patchett. Price £5-40

SOLID STATE COLOUR T.V. CIRCUITS by G. R. Wilding. Price £6-25

WORKING WITH THE OSCILLOSCOPE by A. C. W. Saunders. Price £1-85

RADIO VALVE AND SEMI-CONDUCTOR DATA by A. M. Ball. Price £2-50

★ PRICES INCLUDES POSTAGE ★  
**THE MODERN BOOK CO.**  
BRITAIN'S LARGEST STOCKIST  
of British and American Technical Books  
19-21 PRAED STREET  
LONDON W2 1NP  
Phone 01-723 4185  
Closed Saturday 1 p.m.

## 4-STATION INTERCOM



£16-95 + VAT £1-36  
Solve your communication problems with this 4-station Transistor Intercom system (1 master and 3 Subs). In robust plastic cabinets for desk or wall mounting. Call/talk/listen from Master to Subs and Subs to Master. Ideally suitable for Business, Surgery, Schools, Hospitals, Office and Home. Operates on one 9V battery. On/off switch. Volume control. Complete with 3 connecting wires each 66ft and other accessories. P. & P. 88p.

**MAINS INTERCOM NEW MODEL**  
No batteries—no wires. Just plug in the mains for instant two-way, loud and clear communication. On off switch and volume control. Price £29-24 per pair. P. & P. 88p.

## NEW! AMERICAN TYPE CRADLE TELEPHONE AMPLIFIER



ONLY £12-95 + VAT £1-04  
Latest transistorised Telephone Amplifier with detached plug-in speaker. Placing the receiver on to the cradle activates on/off switch for immediate two-way conversation without holding the handset. Many people can listen at a time. Increase efficiency in office, shop, workshop. Perfect for "conference" calls: leaves the user's hands free to make notes, consult files. No long waiting, saves time with long distance calls. Volume. Direct tape recording model at £18-95 + VAT £1-12 P. & P. 75p. 10-day price refund guarantee.  
WEST LONDON DIRECT SUPPLIES (P69)  
189 KENSINGTON HIGH STREET, LONDON, W.8

## INTER LOCKING PLASTIC STORAGE DRAWERS



NEW! HANDED! TRY!  
DISCOUNT PRICES  
Newest, neatest system ever devised for storing small parts and components: resistors, capacitors, diodes, transistors, etc. Rigid plastic units interlock together in vertical and horizontal combinations. Transparent plastic drawers have label slots. 1D and 2D have space dividers. Build up any size cabinet for wall, bench or table top.

As supplied to Post Office, Industry and Government Depts.

SINGLE UNITS (1D) (5in x 2 1/2in x 2 1/2in). £2-50 DOZEN.  
DOUBLE UNITS (2D) (5in x 4 1/2in x 2 1/2in). £4-40 DOZEN.  
TREBLE (3D) £4-20 for 8.  
DOUBLE TREBLE 2 drawers, in one outer case (6D2), £8-50 for 8.  
EXTRA LARGE SIZE (6D1) £5-50 for 8.  
PLUS QUANTITY DISCOUNTS  
Orders over £20, less 5%.  
Orders over £60, less 7 1/2%.

PACKING/POSTAGE/CARRIAGE: Add 75p to all orders under £10. Orders £10 and over, please add 10% carriage.  
QUOTATIONS FOR LARGER QUANTITIES  
Please add 8% V.A.T. to total emittance  
All prices correct at time of going to press  
**FLAIRLINE SUPPLIES**  
(Dept. PE9)  
24 Cricklewood Broadway, London NW2  
Tel. 01-450 4844

# RETURN OF POST MAIL ORDER SERVICE

## R.C.S. 10 WATT AMPLIFIER KIT



This kit is suitable for record players, tape play back, guitars, electronic instruments or small P.A. systems. Two versions are available. A mono kit or a stereo kit. The mono kit uses 13 semiconductors. The stereo kit uses 22 semiconductors with printed front panel and volume, bass and treble controls. Spec. 10W output into 8 ohms, 7W into 16 ohms. Response 20c/s to 30k/s, input 100M.V. high imp. Size 9 1/2" x 3" x 2 1/2".

Mono kit **£11.25** Stereo kit **£18.45p**  
Easy to build. Full instructions supplied.



## ELAC 10 inch

Dual cone plasticised roll surround. Large ceramic magnet. 50-16,000 c/s. Bass resonance 55 c/s. 8 ohm impedance. 10W. 9 x 6 1/2 in. model **£3.25**. **£4.95**

## MAINS TRANSFORMERS

ALL POST 50p each.  
250-0-250V 80mA, 6-3, 2A **£2.95**  
250-0-250 80mA, 6-3V 3-5A, 6-3V 1A or 5V 2A **£4.60**  
300-0-350 80mA, 6-3V 3-5A, 6-3V 1A or 5V 2A **£5.80**  
300-0-350 120mA, 6-3V 4A C.T., 6-3V 2A **£7.00**  
MIDGET 220V 45mA, 6-3V 2A, 2 1/2 x 2 1/2 in **£1.40**  
HEATER TRANS. 6-3V 3A, **£1.45** 1/2 amp. 95p  
GENERAL PURPOSE LOW VOLTAGE.  
Tapped outputs at 2A 3, 4, 5, 6, 8, 9, 10, 12, 16, 18, 24 and 30V **£4.80**  
1A 6, 8, 10, 12, 16, 18, 20, 24, 30, 36, 40, 48, 60 **£4.80**  
2A, 6, 8, 12, 16, 18, 20, 24, 30, 36, 40, 48, 60 **£7.00**  
3A, 6, 8, 10, 12, 16, 18, 20, 24, 30, 36, 40, 48, 60 **£8.70**  
5A, 6, 8, 10, 12, 16, 18, 20, 24, 30, 36, 40, 48, 60 **£11.25**  
5, 8, 10, 16V 1A **£2.60** 6-0-6V 500mA **£1.9V 1A** **£1.12V 300mA** **£1.12V 500mA** **£1.12V 750mA** **£1.40V 2A** tapped 10V or 30V **£2.60**. 20V 3A **£2.40V 5A** **£2.50**. 30V 5A + 34V 2A ct. **£3.75**.  
40V-0-20V 1A **£2.30V 1A** **£1.75**.  
AUTO TRANSFORMERS. 115V to 230V or 230V to 115V 150W **£5**; 250W **£6**; 400W **£7**; 500W **£8**.  
FULL WAVE BRIDGE CHARGER RECTIFIERS: 6 or 12V outputs 1A **40p**; 2A **55p**; 4A **85p**.

## R.C.S. STABILISED POWER PACK KIT

All parts including printed circuit and instructions to build this unit. Voltages available: 6V, 7.5V, 9V, 12V. Up to 100mA output. **£2.95** Post. Please state voltage required. **46p**.

## R.C.S. STEREO FM TUNER



This completely cased mains powered Hi-Fi Tuner with brushed aluminium fascia is British made using the latest circuitry. Bargain. Post 45p Stereo Tuner/Amplifier Chassis. Brand new **£38.50**.

BARGAIN 3W AMPLIFIER. 4 Transistor Push-Pull Ready built with volume, treble and bass controls. 16 volt battery operated. **£3.95**

## WAFER HEATING ELEMENTS

Size 1 1/2" x 8 1/2" x 1/4". Operating voltage 200/250V a.c. 250W approx. Suitable for Heating Pads, Food Warmers, Convector Heaters, etc. Must be clamped between two sheets of metal or asbestos.

ONLY **40p** EACH (FOUR FOR **£1.50**)  
ALL POST PAID—Discounts for quantity.

## E.M.I. 13 1/2 x 8in SPEAKER SALE!

With tweeter. And crossover. 10W. **£5.25**  
State 3 or 8 ohm. As illustrated. Post 45p

15W model **£7.95**  
8 or 15 ohms. Post 50p

20W model **£8.95**  
8 or 15 ohms. Post 50p



## BAKER MAJOR 12 £10.35



Post 60p  
30-14,500 c/s. 12in double cone, woofer and tweeter cone together with a BAKER ceramic magnet assembly having a flux density of 14,000 gauss and a total flux of 145,000 Maxwells. Bass resonance 40 c/s. Rated 25W. NOTE: 3 or 8 or 15 ohms must be stated.

Module kit, 30-17,000 c/s with tweeter, crossover, baffle and instructions. As illustrated. **£13**

Please state 3 or 8 or 15 ohms. Post 60p

## "BIG SOUND" BAKER SPEAKERS

Robustly constructed to stand up to long periods of electronic power. As used by leading groups and discos. Useful response 30-13,000 c/s. Bass Resonance 55 c/s.

GROUP "25" **£8.95**  
12in 30W  
3, 8 or 15 ohms. Post 40p

GROUP "35" **£10.50**  
12in 40W  
3, 8 or 15 ohms. Post 40p

GROUP 50/12in **£14.50**  
60W 8 or 15 ohms with aluminium presence dome. Post 80p

GROUP "50" **£19.50**  
16in 76W  
8 or 15 ohms. Post 80p

Disco, Group + PA Cabinets in stock. Send for Leaflet.

## BAKER 150 WATT ALL PURPOSE TRANSISTOR MIXER AMPLIFIER

Ideal for Groups, Disco, P.A. and Musical Instruments. 4 inputs speech and music. 4 way mixing. Output 6/16 ohm a.c. Mains. Separate treble and bass controls. 50 watt model **£49**. **£68** Carr. **£1.00**

## NEW 'DISCO 100 WATT' ALL TRANSISTOR AMPLIFIER CHASSIS

2 inputs. 4 outputs separate volume treble and bass controls. Ideal disco or stage amplifier chassis. WOOD CABINET AVAILABLE **£29**. **£52** Carr. **£1.00**

## PW SOUND TO LIGHT DISPLAY

Complete kit of parts with R.C.S. printed circuit. Three 1,000W channels. As featured in December Practical Wireless. **£12.50** CABINET extra **£3**.

## GOODMANS CONE TWEETER

18,000 c/s. 25W 8 ohm. Price **£3.25**

## R.C.S. 100 WATT VALVE AMPLIFIER CHASSIS



Professional model. Four inputs. Treble, bass, volume controls. Ideal disco, P.A. or groups. S.A.E. for details. 5 speaker outputs. 3 or 8 or 15 ohm. 100V line to order. Suitable carrying case **£16.50**. plus **£2.50** carr. **£85**

## E.M.I. GRAM MOTOR

120V or 240V a.c. 2,400 r.p.m. 2-pole 70mA. Size 2 1/2" x 2 1/2" in. **£1.25** Post 30p

## E.M.I. TAPE MOTOR

4 pole, 240V 150 mA. 1,400 r.p.m. Spindle 1/4 in dia. 120V version 1/2. (Illustrated). Size 3 1/2" x 2 1/2" in. **£2.00** Post 30p

## NEW BSR HI-FI AUTOCHANGER

Plays 12in, 10in or 7in records Auto or Manual. A high quality unit backed by BSR reliability with 12 months' guarantee. A.c. 200/250V. Size 13 1/2" x 11 1/2" in. Above motor board 3 1/2 in. Below motor board 2 1/2 in. With STEREO/MONO CARTRIDGE.



Single Player version **£15.50**. All Post 75p  
GARRARD AUTOCHANGER Model 6300 **£14.95**.

## PORTABLE PLAYER CABINET £4.50

Post 60p.  
Modern design. Size 16 1/2" x 16 1/2" x 7 1/2" in. Fully covered. Large front grille. Hinged lid. Chrome fittings. Motor board cut for Garrard or BSR deck.



## R.C.S. DISCO DECK SINGLE RECORD PLAYER

Fitted with auto stop, stereo/compat. cartridge. Baseplate. Size 11 1/2" x 8 1/2" in. Turntable. Size 7 in diameter. A.c. mains. 220/250V.

3 speeds plays all size records. **£6.25** Post 45p  
Two for **£12**. Post 75p.

## HEAVY METAL PLINTHS

With P.V.C. Cover. Cut out for most B.S.R. or Garrard decks. Silver grey finish. Model "A". Size 12 1/2" x 14 1/2" x 7 1/2" in. Model "B". Size 16 x 13 1/2" x 7 1/2" in. **£5.95** Post 75p.

## TINTED PLASTIC COVERS ONLY

Sizes: "A"—14 1/2" x 12 1/2" x 4 1/2" in. **£2.50**. "B"—20 1/2" x 12 1/2" x 4 1/2" in. **£3**. "C"—17 1/2" x 13 1/2" x 3 1/2" in. **£2.25**. "D"—18 1/2" x 14 1/2" in. 4 in. **£3.50**.  
Ideal for record decks, tape decks, etc. Post 75p.

## BAKER HI-FI SPEAKERS HIGH QUALITY—BRITISH MADE SUPERB

### 12in 25 watts

A high quality loudspeaker, its remarkable low cone resonance ensures clear reproduction of the deepest bass. Fitted with a special copper drive and conical tweeter cone resulting in full range reproduction with remarkable efficiency in the upper register. 25 c/s Flux Density 16,500 gauss Useful response 20-17,000 c/s 8 or 15 ohms models. **£16.30** Post 80p.



### AUDITORIUM 12in 35 watts

A full range reproducer for high power. Electric Guitars, public address, multi-speaker systems, electric organs. Ideal for Hi-Fi and Discoteques. 35 c/s Flux Density 15,000 gauss Useful response 25-16,000 c/s 8 or 15 ohms models. **£15.50** Post 80p.



15in model 45 watts **£19.50**. Post 90p.

BLANK ALUMINIUM CHASSIS, 18 s.w.g. 2 1/2 in sides. 6in x 4in, 70p; 8in x 6in, 90p; 10in x 7in, **£1.15**; 14in x 9in, **£1.50**; 16in x 6in, **£1.45**; 12in x 3in, 87p; 16in x 10in, **£1.70**.

ALUMINIUM PANELS, 18 s.w.g. 6in x 4in, 15p; 8in x 6in, 25p; 10in x 7in, 30p; 12in x 6in, 30p; 12in x 8in, 40p; 16in x 6in, 45p; 14in x 9in, 50p; 12in x 12in, 55p; 16in x 10in, 75p.

ALUMINIUM ANGLE BRACKET, 6in x 4in x 2in, 20p.

# RADIO COMPONENT SPECIALISTS

337 WHITEHORSE ROAD, CROYDON

Open 9-6 Wed. 9-1 Sat. 9-5 (Closed for lunch 1.15-2.30)  
Rail Selhurst. Tel. 01-684 1665

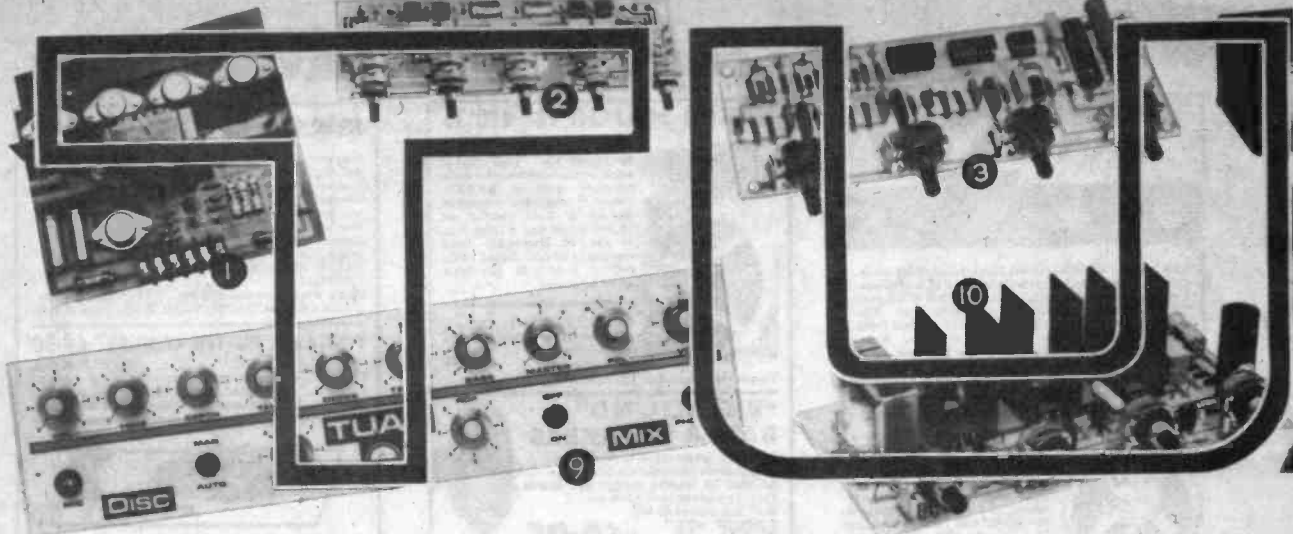
Minimum post 30p.

Access and Barclaycard Welcome.

Radio Books and Components Lists 10p.

Rail Selhurst.

Tel. 01-684 1665



TRANSISTOR UNIVERSAL AMPLIFICATION CO. LTD. PHONE 01-672 3137—672 9080

## 9 MONO DISCO MIXER WITH AUTO FADE

Designed for the discerning D.J. of professional standard. Offering a vast variety of functions. Controls: Mic Vol; Tone, over-ride depth, auto/manual sw; Tape Vol; L & R Deck Faders; Deck Volume; Treble and Bass; H. Phon Vol Selector; Master Vol On/Off sw. Max output 3V RMS.

Specification: Deck Inputs—50mV into 1M $\Omega$ ; Deck Tone Controls—treble total range 36dB at 15kHz—Bass total range 36dB at 50Hz. Mic Input—200 ohms upwards 2mV into 22k. Mic Tone Control—Total range 40dB at 15kHz. Tape Input—100mV into 200 ohms. Power requirements 20–50 volts d.c. at 50mA. R.I.A.A. comp mag inputs available 75p extra.

PANEL SIZE 18 x 4 $\frac{1}{2}$ in. DEPTH 3in.

**£39.75**

## TUAC AMPLIFICATION

- 4 Loline 125 watt with sustain .....£81
- Loline 60-watt with sustain .....£65
- Combo twin 60 reverb .....£140
- Combo 30 .....£75
- 4 x 12 200-watt cabs .....£135
- 2 x 12 100-watt cabs .....£80
- Mini PA Bin .....£125
- Disco Reflex Cab .....£95

## PRE AMPLIFIERS

### VAO8

Designed for use with TUAC power amplifier modules. Extensive research has gone into various wide range tone control circuits to produce superb sound quality. Thousands are already in use in high quality professional amplification systems.

VAO8 Vol, Treb, Mid and Bass controls. HI. IMP. FET. I/P suitable Mid. Guitar, Radio, Crystal/Ceramic P.U. Sensitivity 4mV. Treble +35dB at 16kHz. Mid +20 –15dB at 1kHz. Bass +20 –10dB at 40Hz.

**£8.50**

VAO6 Vol, Treb, and Bass controls. Sensitivity 8mV. Treb +28 –15dB at 12kHz, Bass  $\pm$ 18dB at 40 Hz.

**£7.50**

2 SVAO8 STEREO PRE AMP Vol, Treb, Mid and Bass controls, I/P suitable, Guitar, Radio, Crystal/Ceramic P.U. Sensitivity 4mV. Treble +35dB at 16kHz. Mid +20 –15dB at 4kHz. Bass +20 –10dB at 40Hz Plus Full Balance Control. Full I/C operation supply voltage  $\pm$ 15V DC.

**£15.00**

## AMPLIFIER MODULES

### 7 TL30 D.C. COUPLED POWER AMPLIFIER MODULE.

- Output power 30 watts R.M.S. continuous sine wave into 8 ohms
- T.H.D. at full power 0.5%
- Signal to noise ratio –35dB
- Input sensitivity 60mV into 50k ohms
- Frequency response 25Hz–50kHz
- 8 transistors, 4 diodes

**£12.50**

### 11 TL60\* 5 x 5 x 3in

- 60 watts R.M.S. continuous sine wave output
- 2 R.C.A. 110 watt 15 amp transistors

**£16.75**

### 11 TL100\* 5 x 5 x 3in

- 100 watts R.M.S. continuous sine wave output
- 2 R.C.A. 150 watt 15 amp transistors

**£18.75**

### 1 TL125\* 7 x 6 $\frac{1}{2}$ x 3in

- 125 watts R.M.S. continuous sine wave output
- 4 R.C.A. 150 watt 15 amp output transistors

**£23.25**

- Specification on \* power modules:
- Rugged layer wound driver transformer
  - Short—Open—and Thermal overload protection
  - Only 6 connections

All output power ratings  $\pm$ 0.5dB; Output impedance 8–15 ohms; THD at full power 2% typically 1%; Input sensitivity 60mV into 10k $\Omega$ ; Frequency response 20Hz–20kHz  $\pm$ 2dB; Hum and noise better than –70dB.

## STOCKISTS—CALLERS ONLY

Geo Mathews, 85/87 Hurst Street, Birmingham (Tel. 021-622 1941)  
Arthur Sallis Ltd., 28 Gardner Street (Tel. Brighton 65806)  
Bristol Disco Centre, 26 The Promenade, Gloucester Road (Tel. Bristol 41666)

Socodl, 9 The Friars (Tel. Canterbury 60948)  
Cookies Disco Centre, 132 West Street (Tel. Crewe 4739)  
H.B. Electronics, 54 Montagu Street (Tel. Kettering 83922)  
Leighton Electronics Centre, 59 North Street (Tel. Leighton Buzzard 2316)

A1 Music Centre, 88 Oxford Street, Manchester (Tel. 061-236 0340)  
Damon Electronics, 99 Carrington Street (Tel. Nottingham 53880)  
Electra Centre, 58 Lancaster Road (Tel. Preston 58488)  
Luton Disco Centre, 88 Wellington Street, Luton (Tel. Luton 411733)  
Mitchell Electronics, 64 Winchester Street (Tel. Salisbury 23689)  
TUAC Sound Centre, 163 Mitcham Road, Tooting (Tel. 01-672 3413)  
Mon–Sat, 9.30 a.m.–3.30 p.m.  
Half day Wed. 9.30 a.m.–1 p.m.

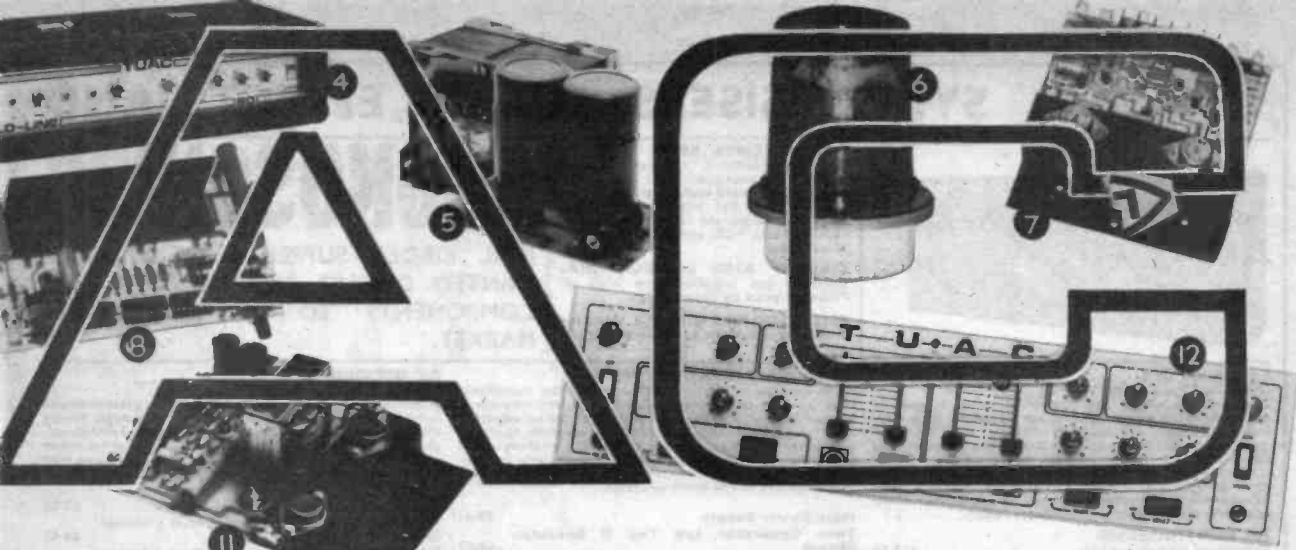
Our Technical and Production facilities are available for special projects to clients' requirements

N.A.D.J. 'DISCO 76' EXHIBITION  
Bloomsbury Centre Hotel, Coram Street,  
Russell Square, London

ALL PRICES INCLUDE V.A.T. POSTAGE AND PACKING FREE

TECHNICAL INFORMATION: TEL. 01-672 3137

TRADE AND EXPORT ENQUIRIES: TEL. 01-672 9080



**MANUFACTURERS OF ELECTRONIC & AMPLIFICATION EQUIPMENT**

**5 POWER SUPPLIES**

Vacuum varnish impregnated. Transformers with supply board incorporating pre-amp supply:

- PS 250 for supplying 2 TP125s **£28.00**
- PS 60/60 for supplying 2 TL60s **£25.50**
- PS 125 ± 45 volts for TP125 **£16.75**
- PS 100 ± 43 volts for TL100 **£15.50**
- PS 60 ± 38 volts for TL60 **£14.50**
- PS 30 ± 25 volts for TL30 **£9.75**
- PSU 2 for supplying disc mixer **£6.50**

**4 CHANNEL SOUND TO LIGHT SEQUENCE CHASER— 4LSMI**

- RCA 8A Triacs
- 1000W per channel
- Fully suppressed and fused
- Switched master control for sound operation from 1W to 125W
- Speed control for fixed rate sequence from 8 per minute to 50 per second
- Full logic integrated circuitry with optical isolation for amplifier protection
- Full wave control
- 13 easy connections

Patents applied for **£18.75**

Model 501 500W per channel as above without sound triggering **£12.25**

**10 3 CHANNEL LIGHT MODULATOR—S1LMB**

- RCA 8A Triacs
- 1000W per channel
- Each channel fully suppressed and fused
- Master control to operate from 1W to 100W
- Full wave control
- 12 easy connections

**£18.00**

(Single Channel Version 1500 Watts **£9.50**)

**ADD SEQUENCE CHASING AND DIMMING EFFECTS TO YOUR TUAC 3 CHANNEL LIGHT MODULATOR**

- Speed Control 3 per min. to 10 per sec.
- Full logic integrated circuitry
- Dimmer control to each channel
- 9 easy connections

**3** Sequence Dimmer Module—3SDM1 **£13.00**

**See you on STAND 39**

We will be demonstrating our full range daily  
Sept. 6-7-8 noon to 9 p.m.

**12 STEREO DISCO MIXER**

With touch sensitive switching and auto fade

**INPUTS:** Four identical stereo inputs available with any equalisation. Two magnetic and two flat supplied as standard. High quality slider control on each channel. Volume, treble and bass controls for each pair of sliders. Sensitivity mag. 3mV (R.I.A.A. comp.). Flat 50mV at 1kHz. Bass controls ± 18dB at 60Hz. Treble controls ± 18dB at 15kHz. **OUTPUT:** Up to 3 volts (+12dB) available. Attenuated output for TUAC Power Modules. Rotary master and balance controls. Band width 15Hz-25kHz ± 1dB.

**P.F.L.:** Output 250mV into 8 ohms. Rotary volume control. Monitoring facility for all 4 channels. Selection via touch sensitive illuminated switches. Switched visual cue indicator.

**Miscellaneous Facilities:** Two illuminated deck on/off switches. Mains illuminated on/off switch. Auto fade illuminated on/off switch. Mains powered with integral screen and back cover. Complete with full instructions.

Size: 25in long x 6in high x 3in deep

**£115**

**FRONT PANELS FOR LIGHTING EFFECT MODULES**

complete with switches, neons and knobs as illustrated



For S1LMB **£6.50**



Size: 6 1/2" x 4 1/2"

For 4LSM1

**£5.50**



Size: 9" x 4 1/2"

For S1LMB combined with 3SDM1

**£7.50**

**FUZZ LIGHTS**

**RED GREEN BLUE AMBER**

240 volt a.c. Long Life Candle Bulb. Revolving Reflector, adds a new dimension to disco lighting effects.

**6** **£19.50**

Suppliers to H.M. Govt. Depts. Manufactured and assembled in Gt. Britain fully tested and guaranteed.

**TO ORDER BY POST**

Make cheques/P.O.s payable to TUAC LTD. (PE9) or quote Access/Barclaycard No. and post to TUAC LTD. (PE9), 119 Charlmont Road, London, SW17 9AB. We accept phone orders from Access/Barclaycard Holders. Phone: 01-672 3137/9080.

Send large stamped addressed envelope with all enquiries for fully illustrated 12 page catalogue

# SYNTHESISERS, SOUND EFFECTS AND PHONOSONICS



MAIL ORDER SUPPLIERS OF QUALITY PRINTED CIRCUIT BOARDS, KITS AND COMPONENTS TO A WORLD-WIDE MARKET.

**COMPONENTS SETS** include all necessary resistors, capacitors, semi-conductors, potentiometers and transformers. Hardware such as cases, sockets, knobs, etc. are not included but most of these may be bought separately. Fuller details of kits, PCBs and parts are shown in our lists.

**CIRCUIT AND LAYOUT DIAGRAMS** are supplied free with all PCBs designed by Phonosonics.

**PHOTOCOPIES** of the P.E. texts for most of the kits are available—prices in our lists.

## P.E. SYNTHESISER

(P.E. Feb. 73 to Feb. 74)  
The well acclaimed and highly versatile large-scale mains-operated Sound Synthesiser complete with keyboard circuits. All function circuits may be used independently, or interconnected. The greater the number of circuits, the greater the versatility. Other circuits in our lists may be used with the Synthesiser to good advantage (notably P.E. Minisonic, Phasing Unit, Wind and Rain, Rhythm Generator, Sound Bender, Voltage Controlled Filter, Guitar Effects Pedal).

### THE MAIN SYNTHESISER

Stabilised power supply £12.05  
Two Linear Voltage Controlled Oscillators £16.38  
and one Inverter—all 3 circuits  
PCB (2 are required) each £1.48  
Two Ramp Generators and Two Input Amplifiers all 4 circuits £5.62  
PCB (holds all 4 circuits) £1.38  
Sample-and-Hold and Noise Generator £6.64  
PCB (holds both circuits) £1.70  
Tone Control £2.43  
PCB 80p  
Reverberation Amplifier £6.36  
Springs Line unit for Reverb. Amp. £4.95  
Ring Modulator £3.93  
Peak Level Meter Circuit £1.50  
100µA Panel Meter £3.75  
PCB to hold Reverb, Ring Mod and Meter Circuits £1.94  
Envelope Shaper £5.35  
PCB £1.46  
Voltage Controlled Amplifier and Differential Amplifier £6.86  
PCB (holds both circuits) £1.32

### THE SYNTHESISER KEYBOARD CIRCUITS

(Can be used without the Main Synthesiser to make an independent musical instrument)  
Two Logarithmic Voltage Controlled Oscillators £14.55  
Component set £2.60  
PCB (holds both circuits) £1.70  
Divider, 2 Hold Circuits, 2 Modulation Amplifiers, Mixer and 2 Envelope Shapers £19.64  
PCB (holds the first 6 circuits) £1.80  
PCB for both Envelope Shapers £1.55  
Keyboard Stabilised Power Supply £7.30  
Printed Circuit Board 94p

### GUITAR EFFECTS PEDAL (P.E. July 75)

Will modify an audio signal not only from a guitar but from any audio source, producing 8 different switchable effects that can be further modified by manual controls. Possibly the most interesting of all the low-priced sound effects units in our range.  
Component Set with special foot operated switches £6.25  
Alternative component set with panel mounting switches £4.60  
Printed Circuit Board £1.30

### SOUND BENDER (P.E. May 74)

A multi-purpose sound controller, the functions of which include envelope shaper, tremolo, voice-operated fader, automatic fader and frequency-doubler.  
Component Set for above functions (excl. 5W) £6.58  
Printed circuit board £1.58  
Optional extra—additional Audio Modulator, the use of which, in conjunction with the above component set, can produce "jungle-drum" rhythms. £2.55  
Component Set (incl. PCB)

### PHASING UNIT (P.E. Sept. 73)

A simple but effective manually controlled unit for introducing the "phasing" sound into live or recorded music.  
Component Set (incl. PCB) £2.50

### PHASING CONTROL UNIT (P.E. Oct. 74)

For use with the above Phasing Unit to automatically control the rate of phasing.  
Component Set (incl. PCB) £3.75

### WAH-WAH UNIT (P.E. Apr. 76)

The Wah-wah effect produced by this unit can be controlled manually or by the integral automatic controller.  
Component Set incl. PCB £2.99

### POST AND HANDLING

U.K. orders—under £15 add 25p plus VAT, over £15 add 50p plus VAT.  
Optional insurance for compensation against loss or damage in post, add 35p in addition to above post and handling.  
Ireland, C.I., B.F.P.O., and other countries are subject to Export postage rates.

## P.E. JOANNA (P.E. May/Sept. 75)

A five-octave electronic piano that has switchable alternative voicing of Honky-Tonk piano, ordinary piano, harpsichord, or a mixture of any of the three, together with facilities including fast and slow tremolo, loud and soft pedal switching, and sustain pedal switching. The power amplifier typically delivers 24 watts into 8 ohms. The PCBs have been redesigned by ourselves making improved use of the space available.

Main Power Supply £9.41  
Tone Generator and Top C Envelope Shaper £9.97  
PCB for Main PSU, Tone Gen & Top C ES £2.10  
Envelope Shapers for all notes (except Top C) £32.16  
Set of PCBs for Envelope Shapers (except Top C) £10.40  
Voicing and Pre-Amp Circuits £8.37  
PCB for Voicing and Pre-amp £2.64  
Power Amplifier (incl. separate Power Supply) £14.50  
PCB for Power Amp and PSU 95p

## RHYTHM GENERATOR (P.E. Mar./Apr. 74)

Programmable for 64,000 rhythm patterns from 8 effects circuits (high and low bongos, bass and snare drums, long and short brushes, blocks and soft cymbal), and with variable time signatures and rhythm rates. Really fascinating and useful.  
Tempo, Timing and Logic circuits £12.57  
PCB for above circuits (double-sided) £2.84  
Component set for all 8 effects circuits £10.49  
PCB for all 8 effects £3.60  
Simple mixer (our design) incl. PCB £3.70  
Alternative mixer with external volume controls, incl. PCB £9.93  
Power Supply for T, T and L, and Effects, incl. PCB £6.42  
(See our list for Power Supplies for Mixers)

## REVERBERATION UNIT (P.W. Nov./Dec. 72)

A high quality unit having microphone and line input pre-amps, and providing full control over reverberation level.  
Component Set (excl. spring unit) £7.55  
Printed Circuit Board £1.76  
9 in. Spring Unit £4.95  
Panel Meter (50µA) (optional) £3.75

## WIND AND RAIN UNIT

A manually controlled unit for producing the above-named sounds.  
Component set incl. PCB £2.83

## P.E. MINIMIX 6 (P.E. Nov./Dec. 75)

Each of the 6 input channels has its own gain, volume and panning controls. The volume of the twin channel outputs are fully manually controllable, as are the head-phones and pre-fade monitoring facilities. Twin VU meters provide visual display of channel audio levels. Ideal for use with effects and synthesiser kits.  
For details see our list.

## 8-INPUT MIXER

A simple mixer having 8 inputs each of which has a preset level control and which are combined into one output channel having a preset over-all level control and a master output volume control. Designed for inter-coupling our various sound effects and synthesiser kits.  
Component set incl. PCB £3.70

## 25 WATT MONO AMPLIFIER (P.E. Sept. 75)

A good general purpose integrated circuit power amplifier typically delivering 25 watts into 8 ohms. Power bandwidth 20Hz to 20kHz, 3dB. Input impedance 20k. Distortion 0.2%. Suitable for use with any of our sound producing kits.  
Component Set incl. power supply £14.50  
Printed Circuit Board 95p  
For stereo use two sets and PCBs are required.

## TREBLE BOOST UNIT (P.E. Apr. 76)

Gives a much shriller quality to audio signals fed through it. The depth of boost is manually adjustable.  
Component Set incl. PCB £2.15

### VAT

Add 12½% (or current rate if changed) to full total of goods, post and handling. (Does not apply to export orders).

## P.E. MINISONIC MK I

(P.E. Nov. 1974 to March 1975)  
A portable, battery or mains operated, miniature sound synthesiser, with keyboard circuits. Although having slightly fewer facilities than the large P.E. Synthesiser, the functions offered by this design give it great scope and versatility. Like the large Synthesiser it too may be advantageously used with other circuits in our lists.

Two Voltage Controlled Oscillators £5.22  
Voltage Controlled Filter and Voltage Reference Circuit £3.41  
Two Envelope Shapers and Two Voltage Controlled Amplifiers £7.25  
Keyboard Controller and Hold Circuits £2.66  
Keyboard Divider Resistors (select type to suit keyboard used) (all are 2% tolerance): 2 Octave £1; 3 Octave £1.48; 4 Octave £1.96; 5 Octave £2.44. £1.66  
H.F. Oscillator and Detector £5.45  
Ring Modulator, Noise Generator and Envelope Inverter £5.55  
Two Power Amplifiers and Two Mixers £5.88  
Battery Eliminator £1.47  
Temperature Stabiliser £2.02  
PCB to hold 2 VCOs, VCF and V-Ref £2.20  
PCB to hold 2 ESs, 2 VCAs, 2 Mixers, Ring Mod, Keyboard Controller and Hold £2.20  
PCB to hold 2 Power Amps., Noise Gen., Envelope-Inverter, H.F. Osc and Detector £1.45  
PCB to hold Battery Eliminator and Temperature Stabiliser £1.35

## P.E. MINISONIC MK 2

Conversion kits and PCBs for updating the MK I version are now available. Details in our list.

## ENVELOPE SHAPERS

Both of the kits below have manual control over their Attack, Decay, Sustain and Release functions. Both kits include PCB (VCA means Voltage Controlled Amplifier)  
Envelope Shaper and VCA (P.E. Apr. 76) £5.43  
Envelope Shaper (without VCA) (P.E. Oct. 75) £4.14

## VOICE OPERATED FADER (P.E. Dec. 73)

For automatically reducing music volume during "ts over"—particularly useful for Disco work or for home movie shows.  
Component Set incl. PCB £3.05

## VOLTAGE CONTROLLED FILTER (P.E. Oct. 74)

An independently designed VCF that can be used with the P.E. Synthesiser.  
Component Set £3.41  
Printed Circuit Board £1.25

## P.E. TUNING FORK (P.E. Nov. 75)

Produces 84 switch-selected frequency-accurate tones. An LED monitor clearly displays all beat note adjustments. Ideal for tuning acoustic and electronic musical instruments alike.  
Main Component Set incl. PCB £14.22  
Power Supply set incl. PCB £6.57

## P.E. SYNCHRONOME (P.E. Mar. 76)

An accented-beat electronic metronome, providing dupe, triple and quadruple times with full control over the beat rate. Can also be used as a simple drum-beat rhythm generator. Includes power supply.  
Component Set incl. loudspeaker £10.20  
Printed Circuit Board £1.70

## PEAK LEVEL INDICATOR (P.E. Mar. 76)

A twin-channel visual display unit for monitoring the peak level of audio signals. Well suited for use when inter-coupling our many sound producing kits to help avoid signal over-loading.  
Component Set incl. PCB (as published) £3.26

**EXPORT ORDERS** are welcome, though we advise that a current copy of our list should be obtained before ordering as it also shows Export postage rates. All payments must be cash-with-order, in Sterling and preferably by International Money Order or through an English Bank. To obtain list for Europe send 20p, for other countries send 40p.

PHONOSONICS • DEPT. PE47 • 22 HIGH STREET • SIDCUP • KENT DA14 6EH

MAIL ORDER AND C.W.O. ONLY DON'T FORGET VAT!

# OTHER PROJECTS

**PHOTOGRAPHS** in this advertisement show two of our units containing some of the P.E. projects built from our kits and PCBs. The cases were built by ourselves and are not for sale, though a small selection of other cases is available.

**LIST**—Send Stamped Addressed Envelope with all U.K. requests for free list giving fuller details of PCBs, kits, and other components.

**OVERSEAS** enquiries for list: Europe—send 20p; Other Countries—send 40p.



## KEYBOARDS AND CONTACTS

Kimber-Allen Keyboards as required for many published circuits, including the P.E. Joanna, P.E. Minisonic, and P.E. Synthesiser. The manufacturers claim that these are the finest moulded plastic keyboards available. All octaves are C to C. The keys are plastic, spring-loaded and mounted on a robust aluminium frame. 3 Octave (37 notes) £20.50. 4 Oct (49 notes) £23.50. 5 Oct (61 notes) £27. Contact Assemblies for use with above keyboards: Single-pole change-over (type SP) as for P.E. Joanna and P.E. Minisonic. Two-pole normally open-make-break (type DP) as for P.E. Synthesiser. Special contact assembly (type 4PS) having 4 poles, 3 of which are normally-open make-break contacts and the fourth is a change-over contact—this special assembly enables THE SAME KEYBOARD to be used with the P.E. Synthesiser, P.E. Minisonic and the P.E. Joanna simultaneously thus avoiding the cost of more than one keyboard.

Contact	Each	3 Octave Set	4 Octave Set	5 Octave Set
SP	20p	£7.40	£9.80	21.20
2P	24p	£8.98	£11.76	£14.64
4PS	48p	£17.76	£23.52	£29.28

**PRINTED CIRCUIT BOARDS** for use with the above contacts and thus eliminating most of the inter-wiring required, are available. Details in our lists.

## SOUND-TO-LIGHT (P.E. Apr./Aug. 71)

The ever-popular Aurora—4 or 8 channels each responding to a different sound frequency and controlling its own light. Can be used with most audio systems and lamp intensities. A MUST for any Disco, and a fascinating visual display for the home.

4 Channel Component Set (excl. thyristors)	£13.05
8 Channel Component Set (excl. thyristors)	£22.56
Power Supply Component Set	£4.96
PCB for 4 frequency channels	£3.32
PCB for power supply and 8 lamp drivers	£1.56
1A 400V thyristors (1 per chan. req.) each	75p
Panel meter (1µA) (optional)	£3.75

## 3-CHANNEL SOUND-TO-LIGHT (P.E. Apr. 76)

A simple but effective sound-to-light controller capable of operating 3 lamps each of approximately 700 watts. Includes power supply, thyristors, and by-pass switches.

Component Set incl. PCB £11.36

## BIOLOGICAL AMPLIFIER (P.E. Jan./Feb. 73)

Multi-function circuits that, with the use of other external equipment, can serve as lie-detector, alphascope, cardiophone etc.

Pre-Amp Module Component Set incl. PCB	£3.71
Basic Output Circuits—combined component set with PCBs, for alphaphone, cardiophone, frequency meter and visual feed-back lamp-driver circuits	£5.38
Audio Amplifier Module Type PC7	£6.75

## TAPE NOISE LIMITER

Very effective circuit for reducing the hiss found in most tape recordings. All kits include PCBs.

Standard Tolerance Set of Components	£2.60
Superior Tolerance Set of Components	£3.22
Regulated Power Supply (will drive 2 sets)	£3.98

## SINE AND SQUARE WAVE GENERATOR (P.E. July 75)

Suitable for audio, digital, or general purpose. Controllable through 4 decade ranges 10Hz to 100kHz, switched attenuation through 10 ranges from 10V to 1mV peak-to-peak.

Component Set	£8.88
PCB for above components	£1.60
Power Supply	£5.70
PCB for Power Supply	96p

## NEW GUITAR EFFECTS UNIT

Practical Electronics, August, 1976

Details in list

## SEMI CONDUCTOR TESTER (P.E. Oct. 73)

Essential test equipment for the enterprising home constructor. While stocks last.

Set of resistors, capacitors, semiconductors, potentiometers, makswitches and PCB	£8.44
Panel meter (500µA)	£3.75

## PHOTOPRINT PROCESS CONTROL (P.E. Jan./Feb. 72)

For colour and B & W, and indispensable dark-room unit for finding exposure, controlling enlarger timing, and stabilising mains voltage. While stocks last.

Component Set (excl. meter)	£10.72
Printed Circuit Board	£1.74
Panel Meter (1mA)	£3.75

## TREMOLO inc. P.C.B.

£2.85
-------

## FUZZ UNIT inc. P.C.B.

£1.80
-------

## TRANSISTORS

AC128	20p
AC176	20p
BC107	13p
BC108	13p
BC109	13p
BC147	12p
BC148	12p
BC149	12p
BC157	13p
BC158	13p
BC159	13p
BC182L	12p
BC184	12p
BC187	25p
BC204	14p
BC209C	14p
BC212L	15p
BC213	15p
BC478	28p
BCY71	22p
BD131	44p
BD132	54p
BFY50	23p
BFY51	22p
BFY52	24p
BSY95A	22p
MJE2955	110p
OC28	60p
OC71	14p
OC72	14p
OCB4	25p
ORP12	66p
ZTX107	12p
ZTX108	71p
ZTX501	13p
ZTX503	15p
ZTX531	23p
2N706	13p
2N914	22p
2N1304	22p
2N2219	27p
2N2905	27p
2N2905A	28p
2N2907	22p
2N3053	18p
2N3054	66p
2N3055	48p
2N3702	12p
2N3703	12p
2N3704	12p
2N3819	35p
2N3820	64p
2N3823E	39p
2N4060	15p
2N4871	36p
2N5245	51p
2N5777	45p

## INTEGRATED CIRTS.

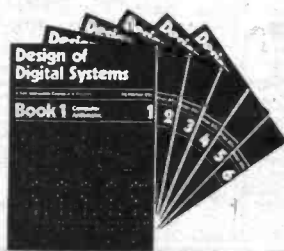
709 T05	40p
709 8-pin DIL	40p
723 T05	95p
741 8-pin DIL	32p
748 T05	63p
748 8-pin DIL	63p
µA7805 T0220	165p
µA7808 T0220	165p
µA7812 T0220	165p
µA7815 T0220	165p
µA7818 T0220	165p
AY-1-0212	622p
AY-1-6721/6	198p
CA3046	71p
MFC4000B	73p
MFC6040	83p
SG3402N	220p

## PHONOSONICS

# Join the Digital Revolution

Understand the latest developments in calculators, computers, watches, telephones, television, automotive instrumentation. . .

Each of the 6 volumes of this self-instruction course measures 11½" x 8½" and contains 60, pages packed with information, diagrams and questions designed to lead you step-by-step through number systems and Boolean algebra, to memories, counters and simple arithmetic circuits, and on to a complete understanding of the design and operation of calculators and computers. Design of Digital Systems.



# £6.20

plus 80p packing and surface post anywhere in the world.

Payments may be made in foreign currencies.

Quantity discounts available on request.

VAT zero rated.

Also available—a more elementary course assuming no prior knowledge except simple arithmetic. Digital Computer Logic and Electronics

In 4 volumes:

1. Basic Computer Logic
2. Logical Circuit Elements
3. Designing Circuits to Carry Out Logical Functions
4. Flipflops and Registers

# £4.20

plus 80p P. & P.

Offer Order both courses for the bargain price £9.70, plus 80p P. & P.

**Designer  
Manager  
Enthusiast  
Scientist  
Engineer  
Student**

These courses were written so that you could teach yourself the theory and application of digital logic. Learning by self instruction has the advantages of being quicker and more thorough than classroom learning. You work at your own speed and must respond by answering questions on each new piece of information before proceeding to the next.

## Guarantee—no risk to you

If you are not entirely satisfied with Design of Digital Systems or Digital Computer Logic and Electronics, you may return them to us and your money will be refunded in full, no questions asked.

To: Cambridge Learning Enterprises (Dept. ENG)  
FREEPOST, St. Ives, Huntingdon, Cambs. PE17 4BR

\*Please send me... set(s) of Design of Digital Systems at £7.00 each, p & p included

\*or... set(s) of Digital Computer Logic and Electronics at £5.00 each, p & p included

\*or... combined set(s) at £10.50 each, p & p included

Name .....

Address .....

\*delete as applicable

No need to use a stamp—just print FREEPOST on the envelope. PE9



# Handy size Reels & Dispensers

**OF THE WORLD'S FINEST CORED SOLDER TO DO  
A PROFESSIONAL JOB AT HOME**

Ersin Multicore Solder contains 5 cores of non-corrosive flux that instantly cleans heavily oxidised surfaces and makes fast, reliable soldering easy. No extra flux is required.



## SAVBIT handy solder dispenser

Contains 2.3 metres approx. of 1.22 mm Ersin Multicore Savbit Solder. Savbit increases life of copper bits by 10 times.  
**Size 5 39p**

For soldering fine joints

Two more dispensers to simplify those smaller jobs. PC115 provides 6.4 metres approx. of 0.71 mm solder for fine wires, small components and printed circuits.  
**PC115 50p**

Or size 19A for kit wiring or radio and TV repairs. 2.1 metres approx. of 1.22 mm solder.  
**Size 19A 43p**



## handy size reels of **SAVBIT,** **40/60, 60/40 &** **ALU-SOL** solder alloys

These latest Multicore solder reels are ideal for the toolbox. Popular specifications cover all general and electrical applications, plus a major advance in soldering aluminium. Ask for a free copy of 'Hints on Soldering' containing clear instructions to make every job easy.

Ref.	Alloy	Diam. mm	Length metres approx.	Use	Price
Size 3	40/60 Tin/Lead	1.6	10.0	For economical general purpose repairs and electrical joints.	£1.49
Size 4	ALU-SOL	1.6	8.5	For aluminium repairs. Also solders aluminium to copper, brass etc.	£1.99
Size 10	60/40 Tin/Lead	0.7	39.6	For fine wires, small components and printed circuits.	£1.49
Size 12	SAVBIT	1.2	13.7	For radio, TV and similar work. Increases copper-bit life tenfold.	£1.49



## BIB WIRE STRIPPER & CUTTER

Fitted with unique 8-gauge selector and handle locking device. Sprung for automatic opening. Strips flex and cable in seconds. **Model 8B 86p**

## SOLDER-WICK



Absorbs solder instantly from tags, printed circuits etc. Only needs 40-50 Watt soldering iron. Quick and easy to use. Non-corrosive.

**Size 18 97p**

Sole U.K. Sales Concessionaires:

### Bib Hi-Fi Accessories Limited,

Kelsey House, Wood Lane End, Hemel Hempstead, Herts. HP2 4RQ.

Prices shown are recommended retail, inc. VAT From Electrical and Hardware Shops. In difficulty send direct, plus 15p P&P. Prices and specifications subject to change without notice.

**Random FLASHER UNIT**  
Wired ready for use. Complete with three 100 watt coloured lamps that flash independently at random.  
**£18.95**

**TWIN BANK 6 LIGHT** (less lamps) LENGTH 14 1/2 inches **UNIT**  
B.C. Fitting **£9.55** EACH  
ES Fitting **£10.35** EACH

**Sound to Light MASTER UNIT** 600 WATTS PER CHANNEL  
**£30.95**  
INCLUDING CHANNEL OUTPUT PLUGS AND MAINS INPUT SOCKET.

**TYPE A SPOT** (less lamp)  
B.C. Fitting **£1.95** EACH | E.S. Fitting **£2.12** EACH

**TYPE B 3 BANK UNIT** (Less Lamps)  
B.C. Fitting **£6.90** EACH | E.S. Fitting **£7.26** EACH

**TWIN BANK 12 LIGHT** (less lamps) Length 31 3/4 **UNIT**  
B.C. Fitting **£15.60** EACH | E.S. Fitting **£17.00** EACH

100 WATT SPOT LAMPS  
RED, YELLOW, GREEN  
BLUE, CLEAR **£1.18** each  
3 lamps **£3.54**  
B.C. or E.S. Fitting

ALL PRICES INCLUDE V.A.T. and POST & PACKING (These prices apply to the United Kingdom only)

Send 26p for illustrated booklet & price list.

**ALBEN ENGINEERING CO. LTD.**  
DEPT. PE THE CRESCENT, WORSTHORNE,  
BURNLEY, LANCs. Tel Burnley 20940

Make light work of wiring with the **NEW SELF ADHESIVE WIRE STAPLES**

Countless uses in industry and offices

- \*QUICK AND EASY TO APPLY - EVEN IN AWKWARD PLACES
- \*SAVES DAMAGE TO WOOD AND PAINTWORK
- \*STICKS ON INSTANTLY: HOLDS WIRE FIRMLY

You'll save enormous time and trouble with the new Brandauer adhesive staple. Just peel off the backing strip and press staple into place. Then bend clips over to hold wire firmly in position. No messing with pins, tacks, soldering or drilling. No damage to woodwork, e.g. skirting boards. Use the Brandauer Staple for any wall, frame or cabinet wiring jobs - it's wonderfully easy for fitting in those awkward corners.

Send now for details to:

**SPECIAL PRODUCTS DISTRIBUTORS LTD.**  
81 Piccadilly, London W1V 0HL. Tel: 01-629 9556.



# DISCOUNTS

THESE DISCOUNTS APPLY TO TOTAL OF ORDER—SPECIALS INCLUDED

**10% OFF ON ORDERS OVER £15**  
**15% OFF ON ORDERS OVER £50**

LARGE QUANTITY PRICING AVAILABLE ON REQUEST  
 PLEASE SPECIFY ITEM AND QUANTITY

TTL		CMOS	
7400 £0-100	7451 £0-13	74154	86
7401 11	7453 13	74155 75	
7402 11	7454 10	74156 71	
7403 11	7460 11	74157 71	
7404 13	7464 21	74161 95	
7405 13	7465 21	74163 90	
7406 22	7472 22	74164 1-10	
7407 22	7473 26	74165 1-25	
7408 14	7474 26	74166 1-15	
7409 14	7475 37	74173 95	
7410 10	7476 23	74175 95	
7411 16	7483 70	74176 95	
7413 29	7485 80	74177 85	
7416 22	7486 24	74180 80	
7417 22	7489 1-50	74181 2-50	
7420 11	7490 40	74182 80	
7422 22	7491 71	74184 1-55	
7423 22	7492 44	74185 1-30	
7425 22	7493 35	74190 95	
7426 23	7494 45	74191 95	
7427 22	7495 49	74192 90	
7430 12	7496 55	74193 85	
7432 22	74100 79	74194 95	
7437 25	74105 60	74195 72	
7438 21	74107 27	74196 1-00	
7440 11	74121 28	74197 75	
7441 60	74122 50	74198 1-70	
7442 55	74123 55	74199 1-70	
7443 55	74125 50	74200 3-90	
7444 60	74126 50		
7445 75	74141 68	74132	-50
7446 85	74145 75		
7447 73	74150 59		
7448 80	74151 60		
7450 12	74153 56		

LOW POWER	
74100 £0-16	74151 £0-16
74102 16	74155 18
74103 16	74171 18
74104 18	74172 27
74106 16	74173 38
74110 16	74174 38
74120 16	74178 44
74130 16	74185 85
74142 89	74186 38

LOW POWER SCHOTTKY	
741500 £-23	741532 25
741502 23	741540 30
741504 23	741542 30
741508 25	741574 40
741510 23	741590 80
741520 23	741593 80

HIGH SPEED	
74100 £0-16	74122 £0-18
74101 16	74130 18
74104 16	74140 16
74108 16	74150 16
74110 16	74152 18
74111 16	74153 20
74120 16	74155 20
74121 16	74160 21

SCHOTTKY	
74500 23	74508 30
74502 30	74510 23
74503 23	74520 23
74504 30	

8000 (NATIONAL)	
8091 £0-33	8214 £0-93
8092 33	8220 93
8095 76	8230 1-42
8121 49	8520 71
8123 88	8551 91
8130 1-20	8552 1-37
8200 1-42	8554 1-37
8210 1-92	8810 44

8000 (SIGNETICS)	
8263 3-79	8267 1-79

8000	
9802 24	9309 56
9301 72	9312 56

IC SOCKETS	
8 pin	£-11
14 pin	£-12
16 pin	£-13
18 pin	£-19

wire wrap - gold plate	
14 pin	£-30

CALCULATOR CHIPS	
CT5002	12 digit, 4 function fixed decimal - battery operation 40 pin
CT500B	12 digit, 4 function plus memory, fixed decimal 28 pin
MMS725	8 digit, 4 function, floating decimal 28 pin
MMS736	6 digit, 4 function, 9V battery operation 18 pin
MMS738	8 digit, 5 function plus memory and constant floating decimal, 9V battery operation 24 pin
MMS739	9 digit, 4 function, 9V battery operation 22 pin

MEMORIES	
1101	256 bit RAM MOS 16 pin
1103	1024 bit RAM MOS 18 pin
1702A	2048 bit static PROM elect. prog. - LV Eras. 24 pin
2102	1024 bit static RAM DTL/TTL comp. 1 ms 16 pin
2103-1	Same as 2101 except 500ns
5203	2048 bit static PROM elect. prog. - LV Eras. 24 pin
5260	1024 bit dynamic RAM MOS 16 pin
5261	1024 bit dynamic RAM MOS 16 pin
5262	2048 bit dynamic RAM MOS 22 pin
7489	64 bit ROM TTL 16 pin
82523	256 bit PROM SCHOTTKY 16 pin
F93410	256 bit RAM bi-polar 16 pin
74187	1024 bit ROM TTL 16 pin
74200	256 bit RAM tri-state 16 pin

TANTALUM CAPACITORS SOLID-DIPPED - 20%	
1 mld	35V 15p 10 mld 16V 21p
.33 mld	35V 15p 10 mld 25V 22p
1 mld	35V 15p 15 mld 10V 22p
2.2 mld	20V 15p 22 mld 16V 22p
2.2 mld	35V 15p 33 mld 10V 25p
4.7 mld	16V 18p 47 mld 6V 25p
6.8 mld	6V 18p 56 mld 6V 25p
6.8 mld	50V 21p

SHIFT REGISTERS	
MMS5013	1024 bit accum. dyn. 8 pin
MMS5016	500/512 bit dyn. 8 pin
SLS-4025	Quad ZS bit 2504
	1024 bit multiplexed dyn. 8 pin

UNIVERSAL BREADBOARD	
Silver plated copper circuit board 3-3/16" x 5-1/16", 2 rows of 27 holes for DIP IC's - space for transistors, resistors & capacitors. Versatile and simple for bread-boarding IC circuitry	

MEMORIES	
4000A	21 4018A 89 4066A 72
4001A	21 4020A 1-22 4068A 36
4002A	21 4021A 1-13 4069A 36
4006A	1-10 4022A 90 4071A 22
4007A	22 4023A 21 4072A 22
4008A	1-46 4024A 72 4073A 39
4009A	47 4025A 21 4075A 32
4010A	44 4027A 48 4078A 22
4011A	22 4028A 81 4082A 39
4012A	21 4030 37 4518A 1-49
4013A	37 4035A 1-04 4528A 1-31
4014A	1-22 4040A 99 4585A 1-71
4015A	1-22 4042A 1-21 4901A 1-31
4016A	46 4089A 48
4017A	98 4050A 48

MEMORIES	
74C00	24 74C74 72 74C162 2-05
74C02	35 74C76 1-07 74C163 2-05
74C04	47 74C107 94 74C164 2-21
74C06	47 74C151 1-83 74C173 1-83
74C10	41 74C154 2-21 74C195 1-90
74C20	41 74C157 1-34 80C95 94
74C42	-1-36 74C160 2-05 80C97 94
74C73	98 74C161 2-05

MEMORIES	
7400	24 74C74 72 74C162 2-05
7402	35 74C76 1-07 74C163 2-05
7404	47 74C107 94 74C164 2-21
7406	47 74C151 1-83 74C173 1-83
7410	41 74C154 2-21 74C195 1-90
7420	41 74C157 1-34 80C95 94
7442	-1-36 74C160 2-05 80C97 94
7473	98 74C161 2-05

MEMORIES	
7400	24 74C74 72 74C162 2-05
7402	35 74C76 1-07 74C163 2-05
7404	47 74C107 94 74C164 2-21
7406	47 74C151 1-83 74C173 1-83
7410	41 74C154 2-21 74C195 1-90
7420	41 74C157 1-34 80C95 94
7442	-1-36 74C160 2-05 80C97 94
7473	98 74C161 2-05

MEMORIES	
7400	24 74C74 72 74C162 2-05
7402	35 74C76 1-07 74C163 2-05
7404	47 74C107 94 74C164 2-21
7406	47 74C151 1-83 74C173 1-83
7410	41 74C154 2-21 74C195 1-90
7420	41 74C157 1-34 80C95 94
7442	-1-36 74C160 2-05 80C97 94
7473	98 74C161 2-05

# SHIPMENT MADE VIA AIR-POSTAGE PAID 3 DAYS FROM RECEIPT OF ORDER

## SEPTEMBER SPECIALS

MEMORIES	LINEAR	TTL
1103 £ 61	301 £-13	7432 £-19
1702 5-75	311 .45	7437 .17
5203 6-00	309K .61	7438 .16
5260 72	340T+5v .82	7446 .60
5261 72	340T+15v .82	7474 .20
5262 84	741 .13	7490 .30
F93410 97	3900 .16	74121 .18
CALCULATOR CHIPS	9602 .37	74123 .34
5002 72	75491 .37	74164 .80
5005 84	1-25	74165 .90
5738 1-21		74193 .50
DISPLAYS		
MAN1 72	JUMBO LED	DVM CHIP 4 1/2 DIGIT
MSN71L 56	Red 7 P	MM 5338 - P channel device provides all logic for 4 1/2 digit voltmeter. 16 pin DIP with data
NSN74 56	Green 7 P	
MAN8 1-08	Yellow 7	

**7001 CLOCK CHIP**  
 6-4 digit, 12-24 hr. alarm, timer & date circuits with data. £2-60

MISC DEVICES	LINEAR CIRCUITS
ULN 2208 FM gain block 34dB mDIP £1-03	300 Pos V Reg (super 723) TO-5 £ 49
ULN2209 FM gain block 48dB mDIP 1-03	301 Perif Op Amp mDIP TO-5 21
2513 64 x 8 s character generator 7-00	302 Volt follower TO-5 49
CA 3046 Transistor array 14 pin DIP 55	304 Neg V Reg TO-5 60
	305 Pos V Reg TO-5 60
	307 Op AMP (super 741) mDIP TO-5 44
	308 Micro Pwr Op Amp mDIP TO-5 69
	309K 5V 1A regulator TO-3 1-25
	310 V Follower Op Amp mDIP 75
	311 Hi perif V Comp mDIP TO-5 67
	319 Hi Speed Dual Comp DIP 82
	320 Neg Reg 5, 12, TO-220 1-12
	320K Neg Reg 5.2, 12 TO-3 1-32
	322 Precision Timer DIP 69
	324 Quad Op Amp DIP 1-23
	329 Quad Comparator DIP 1-06
	340K Pos V reg (5V, 6V, 8V, 12V, 15V, 18V, 24V) TO-5 1-48
	340T Pos V Reg (5V, 6V, 8V, 12V, 15V, 18V, 24V) TO-220 1-23
	370 AGC/Squelch AMPL DIP 92
	372 AF-IF Strip detector DIP 51
	373 AM/FM/SSB Strip TO-5 35
	376 Pos V Reg mDIP 38
	380 2w Audio Amp DIP 93
	380-8 Hi Audio Amp mDIP 1-02
	381 Lo Noise Dual preamp DIP 1-13
	382 Lo Noise Dual preamp DIP 1-13
	531 High Slew rate Op Amp 2-07
	540 Power driver TO-5 1-38
	550 Rec V Reg DIP 62
	555 Timer mDIP 64
	556A Dual 555 Timer DIP 1-02
	560 Phase Locked Loop DIP 2-23
	562 Phase Locked Loop DIP 2-23
	566 Function Gen mDIP TO-5 1-38
	567 Tone Decoder mDIP 1-38
	709 Operational AMP TO-5 or DIP 31
	710 Hi Speed Volt Comp DIP 1-02
	711 Dual Difference Compar DIP 51
	723 V Reg DIP 44
	733 Diff. video AMPL TO-5 63
	739 Dual Hi Perif Op Amp DIP 75
	MAN5 Comp Op Amp mDIP TO-5 29
	747 741 Dual Op Amp DIP TO-5 51
	748 Freq Adj 741 mDIP 31
	1304 FM Multis Stereo Demod DIP 75
	1307 FM Multis Stereo Demod DIP 52
	1456 Op Amp mDIP 91
	Dual Comp Op Amp mDIP 44
	Stereo multiplexer DIP 1-73
	3800 Quad Amplifier DIP 38
	7524 Dual core memory sense Amp 1-20
	7525 Dual core memory sense Amp 1-20
	8038 Voltage contr. osc. DIP 3-48
	8864 9 DIG LED Chk Drv DIP 1-58
	75150 Dual Line Driver DIP 1-27
	75451 Dual Peripheral Driver mDIP 24
	75452 Dual Peripheral Driver mDIP 24
	75453 (3S1) Dual Periph Driver mDIP 24
	75491 Quad Seq Driver for LED DIP 58
	75492 Hex Digit driver DIP 63

**8038 FUNCTION GENERATOR**  
 Voltage controlled oscillator sine, square, triangular output 16 pin DIP with data £2-50

CLOCK CHIPS
MMS511 6 digit multiplexed BCD, 7 seg 12-24 Hr. 50-60 Hz 28 pin £3-07
MMS512 4 digit multiplexed BCD, 7 seg 1 pps. 12-24 Hr. 50-60 Hz 24 pin 2-23
MMS513 6 digit multiplexed BCD, 7 seg 1 pps. 12-24 Hr. 50-60 Hz 28 pin 3-07
MMS514 6 digit multiplexed 12-24 Hr, 50-60Hz 24 pin 3-07
MMS516 4 digit, 12-24 Hr, 50-60 Hz, alarm 40 pin 2-78
CT7801 6 digit, 12-24 Hr, 50-60 Hz, alarm, timer and date circuits 28 pin 4-80

LED'S
ME4 Infra-red TO-18 29p
MV50 Mini red LED emitting - axial 10p
NSL100 Mini red LED - point 10p
NSL102 Mini red LED - diffused 10p
XC205R Jumbo red - diffused 12p
MV5020 Jumbo green - diffused 15p
MV5020 Jumbo clear - diffused 12p
MV5020 Jumbo amber 12p

||
||
||

# SEMICONDUCTORS

## TRANSISTORS

BRAND NEW FULLY GUARANTEED

Type	Price	Type	Price	Type	Price	Type	Price	Type	Price	Type	Price	Type	Price	Type	Price	Type	Price	Type	Price
AC117K	*0.14	AF178	*0.51	BC120	*0.18	BC440	*0.31	BF117	*0.48	BFY53	*0.13	OC75	*0.16	2N706	*0.08	2N2646	*0.34	2N3703	*0.09
AC126	*0.18	AF179	*0.51	BC189C	*0.18	BC460	*0.37	BF118	*0.71	BSY19	*0.18	OC76	*0.18	2N706A	*0.09	2N2904	*0.14	2N3704	*0.08
AC127	*0.14	AF180	*0.51	BC170	*0.09	BD115	*0.63	BF119	*0.71	BSX20	*0.16	OC77	*0.26	2N708	*0.11	2N2904A	*0.18	2N3705	*0.08
AC128	*0.11	AF181	*0.51	BC171	*0.09	BD116	*0.81	BF152	*0.56	BSY25	*0.16	OC81	*0.16	2N914	*0.15	2N2905	*0.18	2N3706	*0.08
AC128K	*0.26	AF186	*0.51	BC172	*0.09	BD121	*0.81	BF153	*0.46	BSY26	*0.16	OC81D	*0.16	2M818	*0.18	2N2905A	*0.18	2N3707	*0.08
AC141	*0.19	AL102	*0.75	BC173	*0.09	BD123	*0.87	BF154	*0.46	BSY27	*0.16	OC82	*0.16	2N1132	*0.18	2N2906	*0.12	2N3708	*0.08
AC141K	*0.00	AL103	*0.75	BC174	*0.15	BD124	*0.78	BF155	*0.71	BSY28	*0.16	OC82D	*0.16	2N1132	*0.18	2N2906A	*0.14	2N3709	*0.08
AC142	*0.19	BC107	*0.08	BC177	*0.16	BD132	*0.46	BF157	*0.46	BSY29	*0.16	OC83	*0.20	2N1302	*0.15	2N2907	*0.15	2N3710	*0.09
AC142K	*0.26	BC108	*0.08	BC178	*0.16	BD133	*0.67	BF158	*0.56	BSY30	*0.19	OC139	*0.20	2N1303	*0.15	2N2907A	*0.18	2N3711	*0.09
AC153K	*0.24	BC109	*0.09	BC179	*0.16	BD135	*0.41	BF159	*0.81	BSY40	*0.20	OC199	*0.26	2N1304	*0.18	2N2923	*0.15	2N3719	*0.14
AC178	*0.11	BC113	*0.16	BC180	*0.25	BD136	*0.41	BF173	*0.15	BSY41	*0.20	OC170	*0.26	2N1305	*0.21	2N2924	*0.15	2N3890	*0.40
AC178K	*0.26	BC114	*0.18	BC181	*0.25	BD137	*0.48	BF176	*0.36	BSY45	*0.13	OC171	*0.26	2N1307	*0.21	2N2925	*0.15	2N3823	*0.16
AC180	*0.20	BC115	*0.18	BC182	*0.09	BD138	*0.51	BF179	*0.31	BSY95A	*0.13	OC200	*0.26	2N1308	*0.24	2N2926G	*0.09	2N3903	*0.12
AC180K	*0.30	BC116	*0.16	BC182L	*0.09	BD139	*0.56	BF180	*0.31	BU105	*1.00	OC201	*0.29	2N1309	*0.24	2N2926Y	*0.08	2N3904	*0.12
AC181	*0.20	BC117	*0.19	BC183	*0.09	BD140	*0.61	BF181	*0.31	MJE521	*0.56	OC202	*0.29	2N1613	*0.16	2N2926O	*0.08	2N3905	*0.14
AC181K	*0.30	BC118	*0.09	BC183L	*0.09	BD155	*0.61	BF194	*0.10	MJE955	*0.88	OC203	*0.26	2N1711	*0.16	2N2926R	*0.07	2N3906	*0.14
AC187K	*0.17	BC119	*0.31	BC184	*0.09	BD175	*0.81	BF195	*0.10	MJE3055	*0.57	OC204	*0.26	2N2255	*0.07	2N2926S	*0.07	2N4287	*0.18
AC187	*0.23	BC120	*0.81	BC184L	*0.09	BD176	*0.81	BF196	*0.92	MJE3440	*0.51	OC205	*0.38	2N2148	*0.58	2N3054	*0.40	2N4289	*0.18
AC188	*0.19	BC137	*0.16	BC186	*0.22	BD177	*0.87	BF197	*0.12	MPF102	*0.28	OC205	*0.38	2N2148	*0.58	2N3055	*0.40	2N4290	*0.18
AC188K	*0.23	BC138	*0.41	BC187	*0.20	BD178	*0.87	BF198	*0.12	MPF104	*0.28	ORP12/		2N2218A	*0.19	2N3402	*0.21	2N4291	*0.18
AD140	*0.49	BC140	*0.31	BC207	*0.11	BD179	*0.71	BF199	*0.12	MPF105	*0.28	NSL4831	*0.46	2N2219	*0.18	2N3403	*0.21	2N4292	*0.18
AD142	*0.55	BC141	*0.31	BC208	*0.12	BD185	*0.67	BF258	*0.36	OC20	*0.80	ORP61	*0.41	2N2220	*0.22	2N3405	*0.43	2N5172	*0.12
AD143	*0.48	BC142	*0.31	BC209	*0.12	BD186	*0.67	BF259	*0.48	OC22	*0.47	TIP29	*0.60	2N2221	*0.18	2N3614	*0.69	2N5457	*0.28
AD149	*0.45	BC143	*0.31	BC212	*0.10	BD186	*0.67	BF262	*0.56	OC23	*0.49	TIP30	*0.45	2N2222	*0.18	2N3615	*0.78	2N5458	*0.28
AD150	*0.65	BC145	*0.48	BC212L	*0.10	BD187	*0.71	BF262	*0.56	OC24	*0.57	TIP31A	*0.52	2N2223	*0.18	2N3616	*0.78	2N5459	*0.28
AD161	*0.36	BC147	*0.09	BC213	*0.10	BD188	*0.71	BF263	*0.56	OC24	*0.57	TIP31A	*0.52	2N2268	*0.18	2N3616	*0.78	2N5459	*0.28
AD162	*0.36	BC148	*0.09	BC213L	*0.10	BD189	*0.77	BF270	*0.36	OC25	*0.39	TIP32A	*0.66	2N2369	*0.12	2N3648	*0.09	40361	*0.38
AD181	*0.49	BC149	*0.09	BC214	*0.10	BD190	*0.77	BF271	*0.31	OC26	*0.38	TIP41A	*0.65	2N2369A	*0.12	2N3702	*0.09	40362	*0.35
AD182(MPF)		BC150	*0.19	BC214L	*0.10	BD195	*0.77	BF272	*0.81	OC28	*0.60	TIP42A	*0.72						
	*0.09	BC151	*0.20	BC225	*0.26	BD196	*0.77	BF273	*0.36	OC29	*0.60	TIS43	*0.25						
AF114	*0.22	BC152	*0.18	BC226	*0.26	BD197	*0.82	BF274	*0.36	OC35	*0.45	UT46	*0.25						
AF115	*0.22	BC153	*0.29	BC251	*0.10	BD198	*0.92	BFX29	*0.25	OC36	*0.51	ZTX107	*0.07						
AF116	*0.22	BC154	*0.29	BC301	*0.28	BD199	*0.98	BFX34	*0.25	OC41	*0.28	ZTX108	*0.07						
AF117	*0.22	BC157	*0.11	BC302	*0.25	BD200	*0.98	BFX85	*0.25	OC42	*0.25	ZTX109	*0.07						
AF118	*0.32	BC158	*0.11	BC303	*0.31	BD205	*0.81	BFX86	*0.22	OC44	*0.16	ZTX300	*0.07						
AF124	*0.28	BC159	*0.11	BC304	*0.37	BD206	*0.81	BFX87	*0.22	OC45	*0.13	ZTX500	*0.09						
AF125	*0.28	BC160	*0.46	BC327	*0.12	BD207	*0.86	BFX88	*0.22	OC70	*0.19	2N695	*0.10						
AF126	*0.28	BC161	*0.46	BC328	*0.12	BD208	*0.86	BFY50	*0.13	OC71	*0.19	2N697	*0.11						
AF127	*0.28	BC162	*0.10	BC337	*0.12	BDY20	*1.02	BFY51	*0.13	OC72	*0.15	2N698	*0.20						
AF139	*0.31	BC168	*0.10	BC338	*0.12	BF115	*0.15	BFY52	*0.13	OC74	*0.15	2N699	*0.38						

### VAT CHAT

Please add 8% to prices marked \*  
Remainder add 12 1/2%. Do not add VAT to prices marked †.

### SUPER UNTESTED PAKS

Pak No. Description Price

- U 1 120 Glass Sub-min. General purpose Germ. diodes \*0.60
- U 4 30 Germanium transistors like OC81, AC128 \*0.60
- U 5 60 200mA sub-min. silicon diodes \*0.60
- U11 20 PNP Sil. planar trans. TO-5 like 2N1132, 2N2904 \*0.60
- U15 20 NPN Sil. planar trans. TO-5 like 2N696, 2N697 \*0.60
- U19 20 Silicon NPN transistors like BC108 \*0.60
- U26 30 Fast switching silicon diodes like IN914 Micro-Min. \*0.60
- U29 10 1 Amp SCR's TO-5 can. up to 600 CR5/25-500 \*1.20
- U32 25 Zener diodes 400mW DO-7 case 3-36 volts mixed \*0.60
- U36 20 Silicon planar NPN transistors TO-5 BFY50/51/52 \*0.60
- U45 7 3A SCR. TO66 up to 600 PIV \*1.20
- U46 20 Unijunction transistors similar to TIS43 \*0.60
- U48 9 NPN Sil. power transistors like 2N3055 \*1.20

Code No's mentioned above are given as a guide to the type of device in the Pak. The devices themselves are normally unmarked.

### DIODES

Type	Price	Type	Price	Type	Price	Type	Price
BA100	*0.10	BB104	*0.15	OA10	*0.14	OA91	*0.07
BA116	*0.21	BY100	*0.18	OA47	*0.07	OA95	*0.07
BA126	*0.22	BY126	*0.15	OA70	*0.07	OA200	*0.07
BA148	*0.15	BY127	*0.18	OA79	*0.07	OA202	*0.07
BA154	*0.12	BY128	*0.16	OA81	*0.07	IN914	*0.06
BA156	*0.14	BY164	*0.51	OA85	*0.08	IN916	*0.06
BA173	*0.15	BYX38/30	*0.43	OA90	*0.07	IN4148	*0.06

### THYRISTORS

PIV	0.6A	0.8A	1A	3A	5A	7A	10A	16A	30A
	TO18	TO8	TO5	TO66	TO64	TO48	TO48	TO48	TO48
10	*0.13	*0.15	—	—	—	—	—	—	—
20	*0.15	*0.13	—	—	—	—	—	—	—
30	*0.19	*0.22	—	—	—	—	—	—	—
50	*0.22	*0.28	*0.20	*0.25	*0.36	*0.36	*0.48	*0.51	*1.18
100	*0.25	*0.30	*0.25	*0.25	*0.48	*0.48	*0.51	*0.57	*1.43
150	—	—	—	—	—	—	—	—	—
200	*0.38	*0.44	*0.25	*0.30	*0.50	*0.50	*0.57	*0.62	*1.63
400	—	—	*0.30	*0.39	*0.55	*0.57	*0.62	*0.71	*1.79
600	—	—	*0.39	*0.48	*0.69	*0.69	*0.78	*0.89	*0.90
800	—	—	*0.58	*0.65	*0.81	*0.81	*0.92	*1.22	*1.39

### SILICON RECTIFIERS

PIV	300mA (DO 7)	750mA (SO 16)	1 Amp Plastic	1.5 Amp (SO 16)	3 Amp (SO 10)	10 Amp (SO 10)	30 Amp (TO 48)
50	0.05*	0.06*	IN4001	0.05*	0.14*	0.19*	1.38*
100	0.05*	0.07*	IN4002	0.06*	0.09*	0.16*	0.21*
200	0.06*	0.09*	IN4003	0.07*	0.12*	0.20*	0.23*
400	0.07*	0.14*	IN4004	0.08*	0.14*	0.28*	0.35*
600	0.08*	0.15*	IN4005	0.09*	0.18*	0.33*	0.42*
800	0.11*	0.18*	IN4006	0.10*	0.18*	0.35*	0.54*
1000	0.13*	0.28*	IN4007	0.11*	0.23*	0.44*	0.60*
1200	—	0.32*	—	0.12*	0.24*	0.54*	0.69*

### SIL. G.P. DIODES

300mW 400 PIV (min) SUB-MIN FULLY TESTED  
Ideal for Organ builders  
30 for \*50p, 100 for \*1.50, 500 for \*5, 1000 for \*8.

### TRIACS

2 Amp	Case	100V	200V	400V
	TO5	*0.31	*0.51	*0.71
	TO6	*0.51	*0.61	*0.77
	TO48	*0.77	*0.92	*1.12

### GP300

115 WATT SILICON TO3 METAL CASE  
Vcbo 100V. Vceo 60V. IC 15A. Ife, 20-100 suitable replacement for 2N3055, BDY11 or BDY20.  
1-25-90 100+  
\*50p \*48p \*46p

### GP Switching Trans

TO18 SIM. TO 2N706/6 BSY27/28/95A  
All usable devices. No open and shorts. ALSO AVAILABLE IN PNP similar to 2N2906, BCY70.  
20 for \*50p, 50 for \*1.10, 100 for \*1.80, 500 for \*8, 1,000 for \*14.  
When ordering please state NPN or PNP

### WORLD SCOOP!!

JUMBO SEMICONDUCTOR PAK  
Transistors-Germ. and Silicon.  
Rectifiers-Diodes Triacs-Thyristors-I.C.s and Zeners.  
All NEW AND CODED  
Approx. 100 pieces only \*1.85p

### ZENER DIODES

FULL RANGE IN STOCK, 2-33 Volts  
400mW \*8p 1.5W \*17p 10W \*30p

### HANDBOOKS

TRANSISTOR DATA BOOK  
DTE 1 227 Pages packed with information on European Transistors. Full specification including outlines. Price †12.95 each


TRANSISTOR EQUIVALENT BOOK  
BPE 75 256 Pages of cross references and equivalents for European, American and Japanese Transistors. This is the most comprehensive equivalents book on the market today and has an introduction in 13 languages. Price †2.68 each

DIODE EQUIVALENT BOOK  
DE 74 144 Pages of cross references and equivalents for European, American and Japanese diodes, Zeners, Thyristors, Triacs, Diacs and L.E.D.'s. Price †1.98 each

THE WORLD'S BROADCASTING STATIONS  
WBS 75 An up to the minute guide for those interested in DX-ing. Contains all the world's broadcasters on SW, MW and LW, as well as European FM/TV stations. Price †3.58 each

TTL DATA BOOK  
DIC 75 Now complete Data book of 74 series TTL (7400-74132). Covering 13 main manufacturers in the U.S.A. and Europe, this book gives full data as well as equivalents. Price †3.74 each

A full range of technical books available on request.



Postage and Packing add 25p unless otherwise shown. Add extra for airmail. £1 minimum order.

# BI-PAK

P.O. BOX 6, WARE, HERTS

# SEMI-CONDUCTORS

## Linear IC's

Type	Quantities	Type	Quantities	Type	Quantities
	1 25 100+		1 25 100+		1 25 100+
72702	0-46 0-44 0-42	SL701C	0-46 0-42 0-37	76003	£1-39 £1-34 £1-30
72709	0-23 0-21 0-19	SL702C	0-46 0-42 0-37	76023	£1-39 £1-34 £1-30
72709P	0-19 0-18 0-17	TAA263	0-74 0-65 0-59	76660	0-88 0-88 0-83
72710	0-32 0-31 0-28	TAA293	0-93 0-88 0-83	LM380	0-93 0-90 0-88
72741	0-28 0-27 0-26	TAA350	£1-71 £1-67 £1-57	*NE555	0-45 0-43 0-40
72741C	0-28 0-25 0-24	µA703C	0-26 0-24 0-22	*NE556	0-88 0-86 0-83
72741P	0-28 0-27 0-26	µA709C	0-19 0-18 0-17	TBA800	£1-39 £1-34 £1-30
72747	0-79 0-74 0-61	µA711C	0-32 0-31 0-28	ZN417	£1-11
72748P	0-35 0-33 0-31	µA712C	0-32 0-31 0-28		
SL201C	0-46 0-42 0-37	µA723C	0-45 0-43 0-40		

## ★ 74 Series TTL IC's

BI-PAK STILL LOWEST IN PRICE. FULL SPECIFICATION GUARANTEED. ALL FAMOUS MANUFACTURERS

Type	1	25	100+	Type	1	25	100+	Type	1	25	100+
7400	0-99	0-99	0-99	7448	0-99	0-78	0-76	74122	0-50	0-48	0-46
7401	0-10	0-09	0-08	7450	0-12	0-11	0-10	74123	0-58	0-56	0-54
7402	0-11	0-10	0-09	7451	0-12	0-11	0-10	74141	0-69	0-58	0-56
7403	0-11	0-10	0-09	7453	0-12	0-11	0-10	74145	0-98	0-94	0-92
7404	0-13	0-12	0-11	7454	0-15	0-14	0-13	74150	£1-98	£1-95	£1-90
7405	0-13	0-12	0-11	7450	0-12	0-11	0-10	74151	0-76	0-74	0-72
7406	0-25	0-24	0-23	7470	0-25	0-24	0-23	74153	0-95	0-93	0-91
7407	0-25	0-24	0-23	7472	0-22	0-21	0-20	74154	£1-50	£1-45	£1-40
7408	0-15	0-14	0-13	7473	0-28	0-24	0-22	74155	0-90	0-78	0-76
7409	0-15	0-14	0-13	7474	0-27	0-25	0-23	74156	0-90	0-78	0-76
7410	0-99	0-99	0-98	7475	0-48	0-46	0-44	74157	0-85	0-83	0-81
7411	0-23	0-22	0-21	7476	0-25	0-24	0-23	74180	£1-90	£1-90	£1-90
7412	0-26	0-25	0-24	7480	0-58	0-48	0-40	74181	£1-90	£1-90	£1-90
7413	0-26	0-26	0-25	7481	£1-02	£1-00	0-98	74182	£1-90	£1-90	£1-90
7416	0-28	0-27	0-26	7482	0-83	0-81	0-79	74183	£1-90	£1-90	£1-90
7417	0-28	0-27	0-26	7483	0-88	0-86	0-84	74184	£1-25	£1-20	£1-15
7420	0-12	0-11	0-10	7484	0-90	0-88	0-86	74185	£1-25	£1-20	£1-15
7422	0-28	0-27	0-26	7485	£1-25	£1-20	£1-15	74186	£1-48	£1-44	£1-39
7423	0-30	0-28	0-26	7486	0-32	0-30	0-28	74174	£1-90	0-95	0-90
7425	0-30	0-28	0-26	7489	£2-90	£2-80	£2-70	74175	0-95	0-93	0-91
7426	0-30	0-28	0-26	7490	0-37	0-35	0-33	74176	£1-16	£1-11	£1-06
7427	0-30	0-28	0-26	7491	0-66	0-58	0-56	74177	£1-16	£1-11	£1-06
7428	0-42	0-38	0-36	7492	0-43	0-42	0-41	74180	£1-10	£1-11	£1-06
7430	0-12	0-11	0-10	7493	0-43	0-42	0-41	74181	£2-00	£1-90	£1-80
7432	0-30	0-28	0-26	7494	0-43	0-42	0-41	74182	0-90	0-88	0-86
7433	0-39	0-37	0-35	7495	0-70	0-68	0-66	74184	£1-87	£1-82	£1-78
7437	0-30	0-28	0-26	7496	0-68	0-66	0-64	74190	£1-39	£1-45	£1-40
7438	0-39	0-28	0-26	7499	£1-90	0-98	0-96	BP9063	0-14	0-13	0-12
7440	0-12	0-11	0-10	74104	0-40	0-38	0-36	BP9094	0-42	0-40	0-38
7441	0-64	0-62	0-60	74105	0-40	0-38	0-36	BP9097	0-42	0-40	0-38
7442	0-85	0-83	0-81	74107	0-38	0-34	0-32	BP9099	0-42	0-40	0-38
7443	£1-10	£1-05	£1-00	74110	0-56	0-54	0-52				
7444	£1-10	£1-05	£1-00	74111	0-83	0-81	0-79				
7445	0-85	0-80	0-85	74118	0-90	0-88	0-86				
7446	£1-10	£1-05	£1-00	74119	£1-25	£1-20	£1-15				
7447	0-87	0-85	0-83	74121	0-26	0-26	0-25				

Devices may be mixed to qualify for quantity price. (1 TL 74 series only). Data is available for the above series of I.C.'s in booklet form. PRICE 35p.

## ★ DTL 930 Series

Type	Quantities	Type	Quantities	Type	Quantities
	1 25 100+		1 25 100+		1 25 100+
BP930	0-14 0-13 0-13	BP944	0-15 0-14 0-13	BP962	0-14 0-13 0-12
BP932	0-15 0-14 0-13	BP945	0-16 0-28 0-23	BP963	0-14 0-13 0-12
BP933	0-15 0-14 0-13	BP946	0-14 0-13 0-12	BP9094	0-42 0-40 0-38
BP935	0-15 0-14 0-13	BP948	0-28 0-28 0-23	BP9097	0-42 0-40 0-38
BP936	0-15 0-14 0-13	BP951	0-85 0-60 0-56	BP9099	0-42 0-40 0-38

## ★ DIL Sockets

	1	25	100+
BP58 8 pin type (low cost)	0-14	0-12	0-10
BP514 14 pin type (low cost)	0-15	0-13	0-11
BP516 16 pin type (low cost)	0-16	0-14	0-12
BP524 24 pin type (low cost)	0-35	0-33	0-30

**VAT**

PLEASE ADD 8%  
TO ITEMS  
MARKED ★  
REMAINDER  
ADD 12½%

## ★ Voltage Regulators

TO.3 Plastic Encapsulation  
 µA.7805/L129 5V  
 (equiv. to MVR5V) £1-25  
 µA.7812/L130 12V  
 (equiv. to MVR12V) £1-25  
 µA.7815/L131 15V  
 (equiv. to MVR15V) £1-25  
 µA.7818 18V  
 (equiv. to MVR18V) £1-25

**POWER POWER!!!**

R.C.A.  
2N5295 NPN  
to 3 Plastic  
Power  
VCE 50V.  
VCB 60V.  
P 36w. Ic 4A  
hFE 30-120  
ONLY  
£1-50\*

for 10

## Untested LIN Paks

Manufacturers 'Fall Outs' which include Functional and part Functional Units. These are classified as 'Out-of-spec' from the makers, vary rigid specifications, but are ideal for learning about I.C.'s and experimental work.

**Untested Audio Pak**  
Comprising 5, I.C.'s:—  
78003/78023 series  
ONLY £1 per Pak  
ULIC709 = 10 x 709 0-60  
ULIC710 = 7 x 710 0-60  
ULIC741 = 7 x 741 0-60  
ULIC747 = 5 x 747 0-60  
ULIC748 = 7 x 748 0-60

ONLY £1-50 per Pak  
Complete with data

## Mammoth IC Pak

APPROX. 200 PIECES

Assorted fall-out integrated circuits, including: Logic, 74 series, Linear, Audio and D.T.L. Many coded devices but some unmarked—you to identify.

OUR SPECIAL PRICE £1-20\*

**P&P**

Postage and Packing add 25p unless otherwise shown. Add extra for airmail. Minimum order £1.

## ★ Indicators

3015F Mintron 7 Segment Indicator £1-11

### L.E.D. DISPLAYS

DL787 Common anode 0-3" 85p. DL747 Jumbo common anode 0-6" £1-70. DL727 Double digit 5" common anode 0-5" £2-00

### L.E.D.'s

Available in 0-125" and 0-2" dia lenses  
RED 10p. GREEN 17p. YELLOW 17p.  
Mounting clips 2p. each

### NIXI TUBE ITT 5870S.

Character height 13.46mm.  
SPECIAL OFFER 5 for £2

## ★ Untested TTL Paks

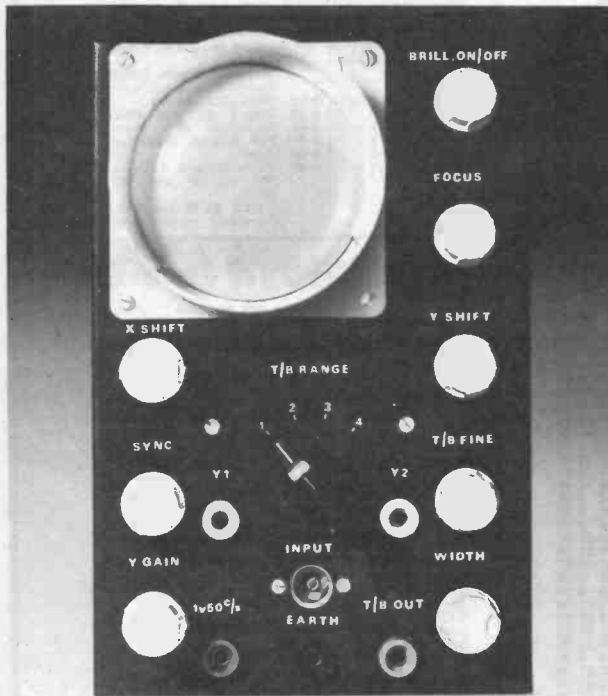
= Pak No.	Contents	Price	Pak No.	Contents	Price
= UIC00	= 12 x 7400 0-60		UIC70	= 8 x 7470 0-60	
= UIC01	= 12 x 7401 0-60		UIC72	= 8 x 7472 0-60	
= UIC02	= 12 x 7402 0-60		UIC73	= 8 x 7473 0-60	
= UIC03	= 12 x 7403 0-60		UIC74	= 8 x 7474 0-60	
= UIC04	= 12 x 7404 0-60		UIC75	= 8 x 7475 0-60	
= UIC05	= 12 x 7405 0-60		UIC76	= 8 x 7476 0-60	
= UIC06	= 8 x 7406 0-60		UIC80	= 5 x 7480 0-60	
= UIC07	= 8 x 7407 0-60		UIC81	= 5 x 7481 0-60	
= UIC10	= 12 x 7410 0-60		UIC82	= 5 x 7482 0-60	
= UIC13	= 8 x 7413 0-60		UIC83	= 5 x 7483 0-60	
= UIC20	= 12 x 7420 0-60		UIC86	= 5 x 7486 0-60	
= UIC30	= 12 x 7430 0-60		UIC90	= 5 x 7490 0-60	
= UIC40	= 12 x 7440 0-60		UIC91	= 5 x 7491 0-60	
= UIC41	= 5 x 7441 0-60		UIC92	= 5 x 7492 0-60	
= UIC42	= 5 x 7442 0-60		UIC93	= 5 x 7493 0-60	
= UIC43	= 5 x 7443 0-60		UIC94	= 5 x 7494 0-60	
= UIC44	= 5 x 7444 0-60		UIC95	= 5 x 7495 0-60	
= UIC45	= 5 x 7445 0-60		UIC96	= 5 x 7496 0-60	
= UIC46	= 5 x 7446 0-60		UIC100	= 5 x 74100 0-60	
= UIC47	= 5 x 7447 0-60		UIC121	= 5 x 74121 0-60	
= UIC48	= 5 x 7448 0-60		UIC141	= 5 x 74141 0-60	
= UIC50	= 12 x 7450 0-60		UIC151	= 5 x 74151 0-60	
= UIC51	= 12 x 7451 0-60		UIC154	= 5 x 74154 0-60	
= UIC53	= 12 x 7453 0-60		UIC193	= 5 x 74193 0-60	
= UIC54	= 12 x 7454 0-60		UIC199	= 5 x 74199 0-60	
= UIC60	= 12 x 7460 0-60		UIC X1 25 Assorted		

74's £1-50

# BI-PAK

P.O. BOX 6, WARE · HERTS

# Bring 'scope' to your interest.

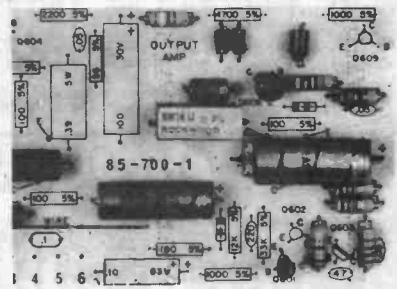
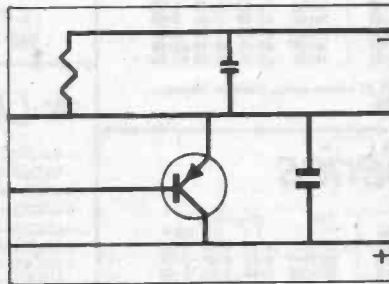
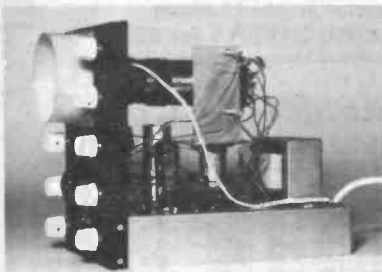


'There's only one way to master electronics... to see what is going on and learn by doing.'

This new style course will enable anyone to have a real understanding of electronics by a modern, practical and visual method. No previous knowledge is required, no maths, and an absolute minimum of theory.

You learn the practical way in easy steps mastering all the essentials of your hobby or to further your career in electronics or as a self-employed electronics engineer.

All the training can be carried out in the comfort of your own home and at your own pace. A tutor is available to whom you can write, at any time, for advice or help during your work. A Certificate is given at the end of every course.



## 1 Build an oscilloscope.

As the first stage of your training, you actually build your own Cathode ray oscilloscope! This is no toy, but a test instrument that you will need not only for the course's practical experiments, but also later if you decide to develop your knowledge and enter the profession. It remains your property and represents a very large saving over buying a similar piece of essential equipment.

## 2 Read, draw and understand circuit diagrams.

In a short time you will be able to read and draw circuit diagrams, understand the very fundamentals of television, radio, computers and countless other electronic devices and their servicing procedures.

## 3 Carry out over 40 experiments on basic circuits.

We show you how to conduct experiments on a wide variety of different circuits and turn the information gained into a working knowledge of testing, servicing and maintaining all types of electronic equipment, radio, t.v. etc.

**FREE GIFT**



All students enrolling in our courses receive a free circuit board originating from a computer and containing many different components that can be used in experiments and provide an excellent example of current electronic practice.

To find out more about how to learn electronics in a new, exciting and absorbing way, just clip the coupon for a free colour brochure and full details of enrolment.

Write to:- British National Radio & Electronics School,  
P.O. Box 156, Jersey, Channel Islands.

NAME \_\_\_\_\_

ADDRESS \_\_\_\_\_

## TAPPING THE GLASS

ONE of the earliest indications of a positive recovery trend in economic affairs should be a resurgence in business amongst the makers of electronic capital equipment. In general, any re-equipping and modernising of factories implies extensive use of electronic products, whether in the form of computers, machine tool and process control systems, or multifarious instruments and devices for equally multifarious uses. Investment in such capital equipment is an essential prelude to the economic miracle we all fervently await.

Thus the fortunes of a sector of the electronics industry are, in a sense, a barometer of the national economic condition. The current reading based largely on comment heard at some trade exhibitions earlier this year is set "Fair". Probably nothing more definite can be interpreted at this stage in our affairs, but this is a reasonably happy state and, in comparison with 12 months ago, gives cause for hope.

But it will take time for any recovery to work its way through to all strata of the economy. In the electronics consumer area for example, home entertainment products are still in the doldrums and may remain there for some time to come. The reduction in the rate of VAT has done little, it appears, to alleviate the general shortage of cash in the pocket. The long hot summer has aggravated the situation, of course.

When the consumer market revives this will be taken as a sure sign of national recovery. Yet it may not herald a full and complete recovery in the U.K. electronics industry, for it cannot be assumed that the home industry will reap most of this trade. On present form, overseas competitors, especially those in the Far East, are set to capture a large and it is feared ever increasing share of the radio, television and audio market.

The real threat to the future of our own electronics industry must not be ignored. Already we have seen the colour tube manufacturing capacity of the U.K. drastically cut, with the resultant loss of self-sufficiency and of jobs, because of the great influx of Japanese television sets. This could extend to other types of components. Our component industry exists essentially to supply the needs of our set and equipment makers. If the latter are hit by increasing imports, our component makers likewise suffer. Any diminution in range or quantity of components made could in turn seriously affect all other parts of our electronics industry including the makers of capital goods. Naturally, any weakening here would give greater opportunities for overseas competitors to get a foothold in that most valuable sector of U.K. electronics which has an eminent position, often leading the field worldwide.

The home constructor's personal interest in the components situation is self-evident.

What is the answer—higher tariffs or some form of limitation of imports by quotas? The latter course has been strongly advocated by Jack Akerman, Managing Director of Mullards, the largest electronic component manufacturers in Britain. It has to be faced that the average person will not take kindly to any restriction on his access to cheaper goods, no matter that they could mean in the long term the death knell for the British electronics industry. Such defensive action by the Government thus seems unlikely. But something so basic to modern life as the electronics industry must somehow be protected so that it can perform its rightful role in the vanguard of our economic affairs and be widely recognised as a genuine barometer of national prosperity.

F.E.B.

### Editor

F. E. BENNETT

### Editorial

G. C. ARNOLD *Assistant Editor*  
D. BARRINGTON *Production Editor*  
G. GOBOLD *Technical Editor*  
R. W. LAWRENCE, B.Sc.

### Art Dept.

J. D. POUNTNEY *Art Editor*  
D. J. GOODING  
R. J. GOODMAN  
K. A. WOODRUFF

### Editorial Offices:

Fleetway House, Farringdon St.  
London EC4A 4AD  
Phone: 01-634 4452

### Advertisement Manager

D. W. B. TILLEARD  
Phone: 01-261 5148

### P. J. MEW

Phone: 01-261 5190

### C. R. BROWN *Classified*

Phone: 01-261 5762

### Advertising Offices:

King's Reach Tower, Stamford St.  
London SE1 9LS



# CROSS-HATCH GENERATOR

By A. A. BIRCH

THE cross-hatch generator is primarily intended for use when correcting colour television receiver convergence errors. However, the generator's usefulness extends to geometry correction of both colour and black and white 625-line receivers. In the design to be described, the squares of the cross-hatch pattern have a height to width error of less than 1 per cent.

## BLOCK DIAGRAM

Referring to Fig. 1a, the heart of the cross-hatch generator is a master oscillator, the output of which is applied to a series of dividers shown in more detail in Fig. 1b. Four frequencies are derived which correspond to the vertical and horizontal components of the cross-hatch video, and also line and field sync. The

mark-space ratios of each of these four waveforms are set by means of timing circuits consisting of C/R differentiators and integrators. Further timing circuits derive line and field blanking pulses which along with the four waveforms previously mentioned are applied to a system of gates. The resulting two waveforms, "mixed and blanked video" and "mixed sync", are themselves mixed in the video/sync mixer. Finally, the composite video waveform thus produced is used to modulate a u.h.f. carrier.

## CIRCUIT OPERATION (Fig. 2)

The master oscillator is formed using two of the six inverting amplifiers in the CD4069 package, IC4a and IC4b. The frequency of this oscillator is adjusted by

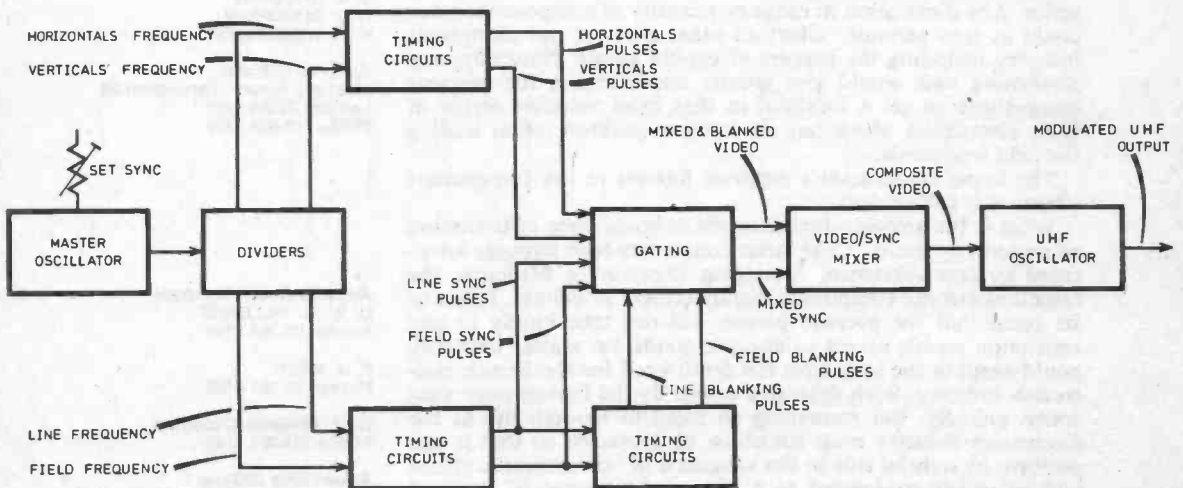
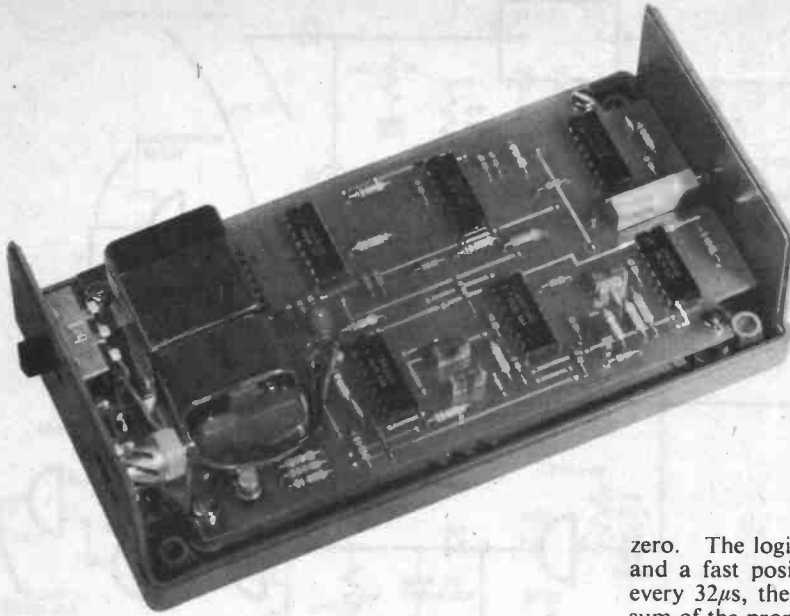


Fig. 1a, Block diagram of the cross-hatch generator

View of the completed cross-hatch generator. Note that the tags of the switch and coaxial socket must be cut back to 4mm to clear the battery case



means of VR1, SET SYNC, and is normally 625.0kHz. The rounded square wave at pin 10 of IC4b is applied to the input of a seven-stage binary counter (only the first five stages are used). The first stage acts as a buffer, providing a more square waveform at half master oscillator frequency at the output Q1. The differentiator formed by C4, R8 and IC6a converts the 312.5kHz, one-to-one mark space square wave to narrow positive-going pulses of approximately 400ns in duration. These define the width of the vertical lines in the cross-hatch pattern. The 2nd, 3rd, 4th and 5th stages in IC1 are arranged to divide by ten. D1, D2 and R2 form an AND gate which detects the binary number 1010 (decimal 10). At this instant the logical 1 is buffered by IC5a and used to reset the counter to

zero. The logical 1 falls to zero as the counter resets, and a fast positive pulse results. These pulses occur every 32μs, the duration of each pulse is equal to the sum of the propagation delays in the loop circuit.

#### MONOSTABLE

Inverters IC4c and IC4d plus associated components form a monostable with a time constant of approximately 48μs, i.e. 1½ times the input pulse rate. The monostable thus acts as a divide-by-two stage, the output frequency being 15.625kHz. This is applied to the differentiator formed by C5, R11 and IC4e. The resulting compressed pulses are 4μs in duration at line frequency. These are line sync pulses. The 15.625kHz waveform is also applied to the input of the counter IC2, again only the first five stages of this binary counter are used. The counter is arranged to divide by 21 by the detection of the binary number 10101 which initiates reset pulses in the same way as IC1.

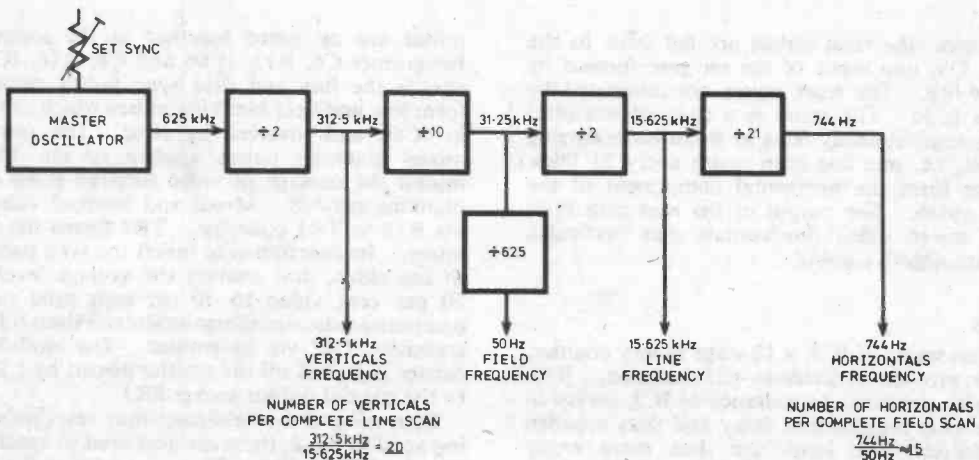


Fig. 1b. Basic arrangement of the frequency divider chain

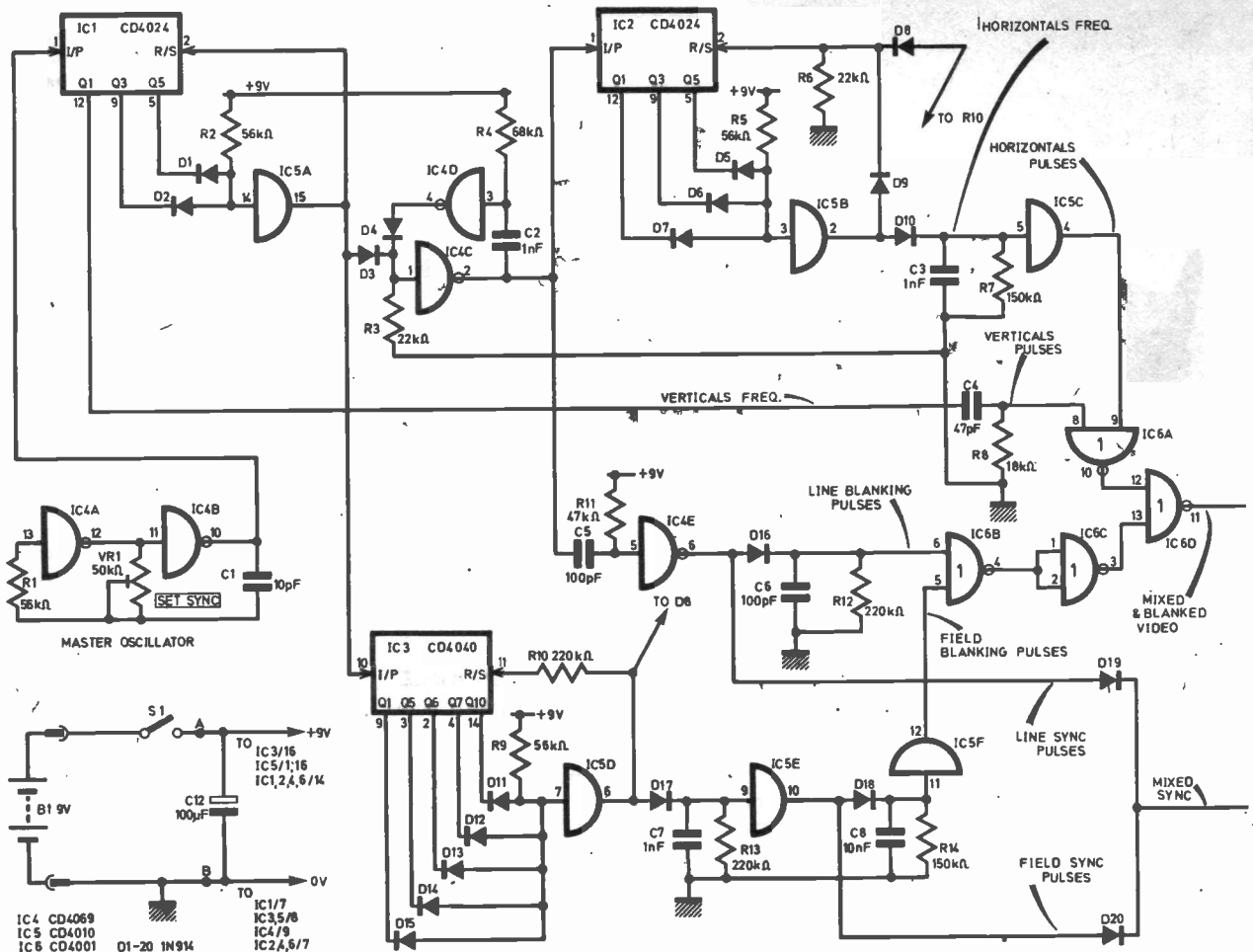


Fig. 2. Circuit diagram of the complete cross-hatch generator

In this instance, the reset pulses are fed back to the counter via D9, one input of the OR gate formed by D8, D9 and R6. The reset pulses are integrated by C3, R7 and IC5c. The result is a train of stretched pulses, each approximately 60µs in duration occurring every 1.34ms, i.e. one line scan width every 21 lines. These pulses form the horizontal component of the cross-hatch video. The output of the NOR gate IC6a consists of mixed video (horizontals plus verticals), the pulses are negative-going.

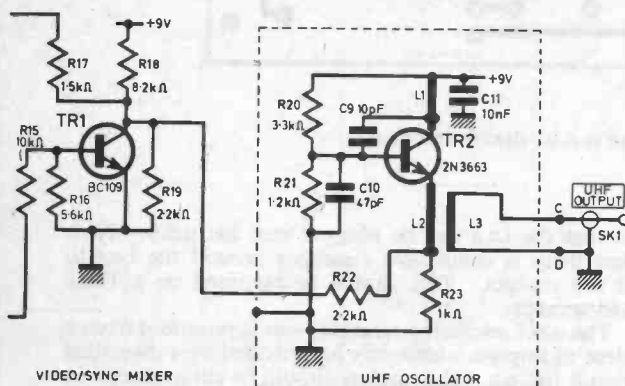
### DIVIDERS

The first ten stages of IC3, a 12-stage binary counter, are used to provide a divide-by-625 function. R10, combined with the input capacitance of IC3, serves to increase the loop propagation delay and thus broaden the reset pulses. The latter are thus more easily stretched by the integrator C7, R13 and IC5e to approximately 300µs. These pulses are at 20ms rate and are the field sync pulses. Line and field sync

pulses are OR gated together at the input of TR1. Integrators C6, R12, IC6b and C8, R14, IC5f further stretch the line and field blanking pulses which are combined in IC6b and inverted by IC6c. The positive-going mixed blanking pulses applied to pin 13 of IC6d inhibit the passage of video through IC6d during the blanking periods. Mixed and blanked video is taken via R17 to TR1 collector. TR1 forms the video/sync mixer. Its function is to invert the sync pulses relative to the video, and convert the voltage levels, giving a 70 per cent video to 30 per cent sync ratio. This composite video waveform modulates the u.h.f. oscillator transistor TR2 via its emitter. The modulated u.h.f. carrier is picked off the emitter circuit by L3 and taken to the coaxial output socket SK1.

Returning to the field-frequency reset pulses appearing at IC5d pin 6, these are also used to synchronise the counter IC2 via D8. This ensures that the horizontal lines in the cross-hatch pattern occur in the same relative position in every field.





## COMPONENTS . . .

### Resistors

R1	56kΩ	R13	220kΩ
R2	56kΩ	R14	150kΩ
R3	22kΩ	R15	10kΩ
R4	68kΩ	R16	5.6kΩ
R5	56kΩ	R17	1.5kΩ
R6	22kΩ	R18	8.2kΩ
R7	150kΩ	R19	2.2kΩ
R8	18kΩ	R20	3.3kΩ
R9	56kΩ	R21	1.2kΩ
R10	220kΩ	R22	2.2kΩ
R11	47kΩ	R23	1.0kΩ
R12	220kΩ		

All  $\frac{1}{4}$ W 5% carbon film

### Potentiometer

VR1 50kΩ linear  $\frac{3}{4}$ in multiturn cermet (RS Components)

### Capacitors

C1	10pF 63V sub. min. plate ceramic
C2	1nF 250V MKM polycarbonate
C3	1nF 250V MKM polycarbonate
C4	47pF 63V sub min. plate ceramic
C5	100pF 63V sub min. plate ceramic
C6	100pF 63V sub min. plate ceramic
C7	1nF 250V MKM polycarbonate
C8	10nF 250V MKM polycarbonate
C9	10pF 63V sub min. plate ceramic
C10	47pF 63V sub min. plate ceramic
C11	10nF 100V Wee-C ceramic
C12	100μF 10V bead tantalum elect

Note: MKM polycarbonate capacitors are available from Electrovalue Ltd. Remainder from RS Components (access through Doram)

### Semiconductors

D1-D20	1N914 (20 off)
TR1	BC109
TR2	2N3663
IC1	CD4024AE
IC2	CD4024AE
IC3	CD4040AE
IC4	CD4069BE
IC5	CD4010AE
IC6	CD4001AE

### Miscellaneous

Plastic instrument case, 150 × 80 × 50mm (RS Components, Inst. Case Code 509-591—or available with transparent top from Vero Electronics Ltd. Code 90-30-081)  
 Double sided copper clad fibreglass laminate, 142 × 72mm (5.6 × 2.85in)  
 Slide switch d.p.d.t. (RS Components)  
 Coaxial socket, flush mounting (RS Components)  
 Battery connector, size PP3/PP6. 4 spacers, 6BA × 10mm (0.375in) (Electrovalue). 6 Soldercon i.c. pins (optional 88 extra pins, see text). Tinplate and battery bracket plus sponge rubber, see Fig. 5.  
 TO18 transistor mounting pad. 4 printed circuit terminal pins. 1 solder tag, 6BA, screws, wire, solder etc.  
 L1, L2 and L3 are formed by adjacent copper tracks

## CONSTRUCTION

A printed circuit board (see Fig. 3) is necessary for this project as the u.h.f. oscillator can most easily be fabricated in this form. The oscillator components are soldered directly to the copper areas on the under side of the p.c.b., see Fig. 4b. No holes are required to be drilled in this area. A screening can is mounted over the u.h.f. oscillator components. A double-sided p.c.b. is required not only to help produce a more condensed and tidy unit, but also to provide an unetched area of copper to complete the screening for the u.h.f. oscillator. This copper screening on the top side of the board also prevents any movement of the battery from detuning the oscillator. Layout of the remaining parts of the board is not excessively critical, therefore deviation from the p.c.b. design or specified components is most likely to result in mechanical rather than electrical difficulties.

Having produced the p.c.b., assembly should start with the 46 through connections; these are represented

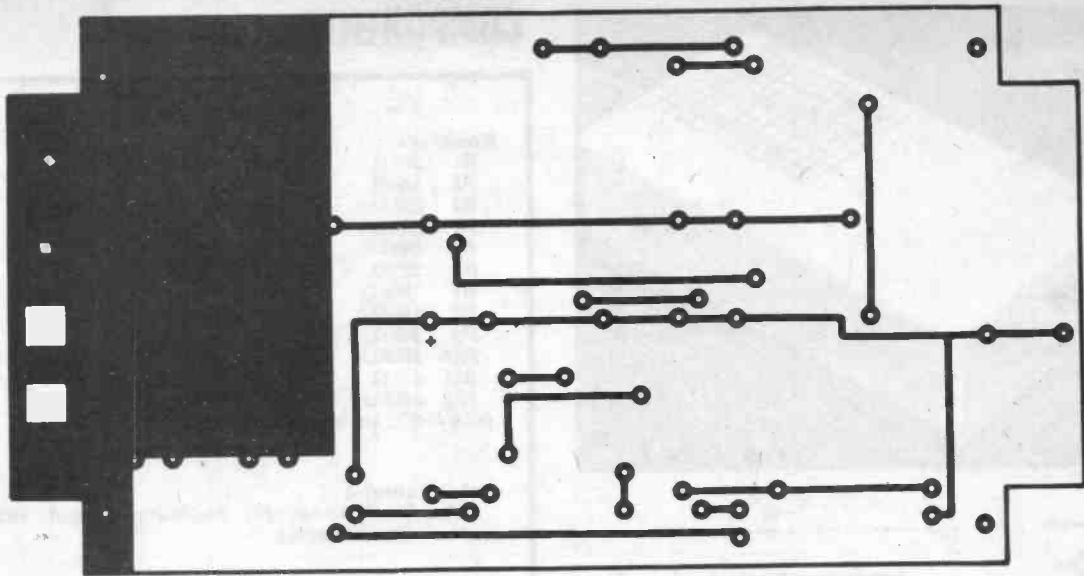


Fig. 3a. Upper side pattern of the p.c.b., drawn full size

by dots in Fig. 4a. All components should be mounted in profile order, that is, starting with the lowest profile components and working up, with the exception of the i.c.s which should be left until last. Reference should be made to Figs. 4a and 4b and the photographs when mounting p.c.b. components. The usual precautions should be taken when handling the CMOS i.c.s to eliminate possible damage caused by static electricity. A properly earthed soldering iron must be used. If the constructor prefers, Soldercon i.c. pins may be used

so that the i.c.s can be plugged into the p.c.b. Note that there is insufficient clearance around the i.c.s to fit full sockets. TR1 should be mounted on a TO18 pad/spreader.

The u.h.f. oscillator screening can is produced from a piece of tinfoil which may be provided by a discarded biscuit tin, etc. The tinfoil should be cut as shown in Fig. 5a and any paint taken off using paint remover. The four sides are bent at right angles. The screening can is held in place on the p.c.b. using six modified

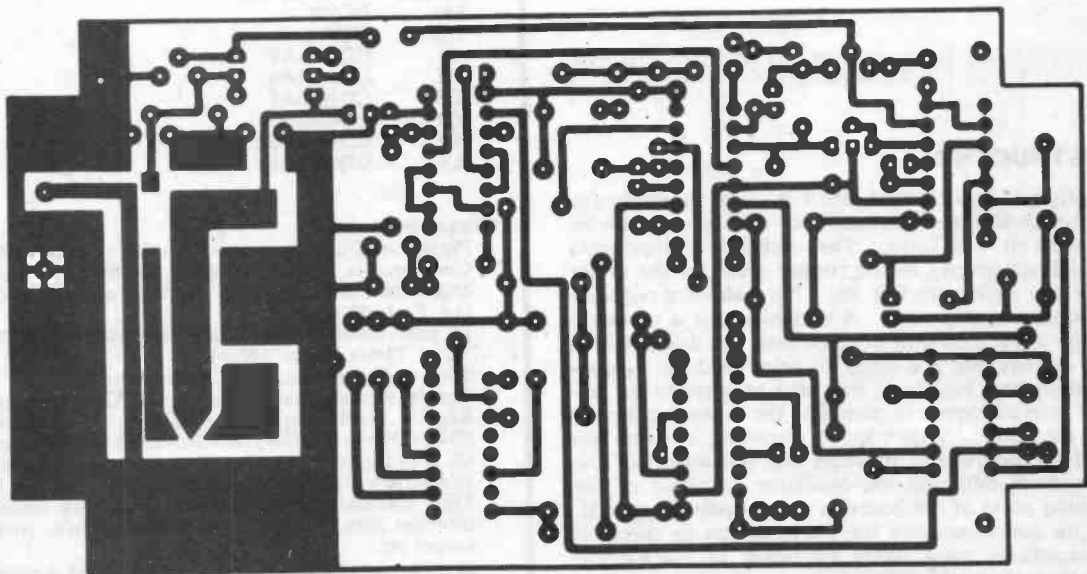
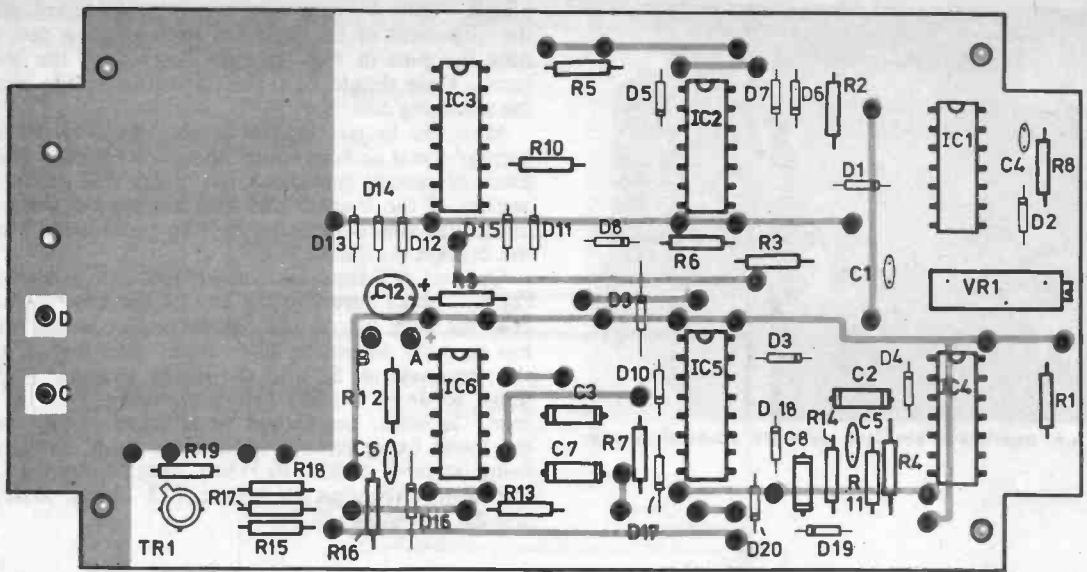
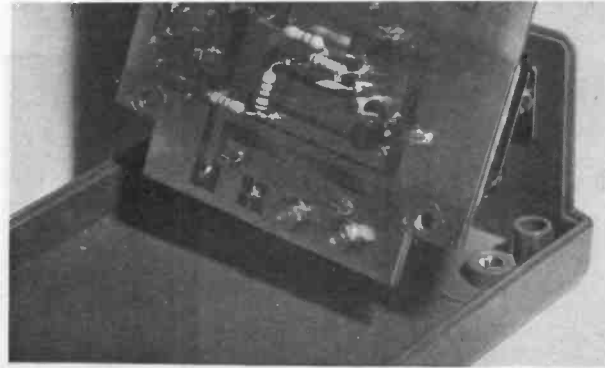


Fig. 3b. Under side pattern of the p.c.b., drawn full size

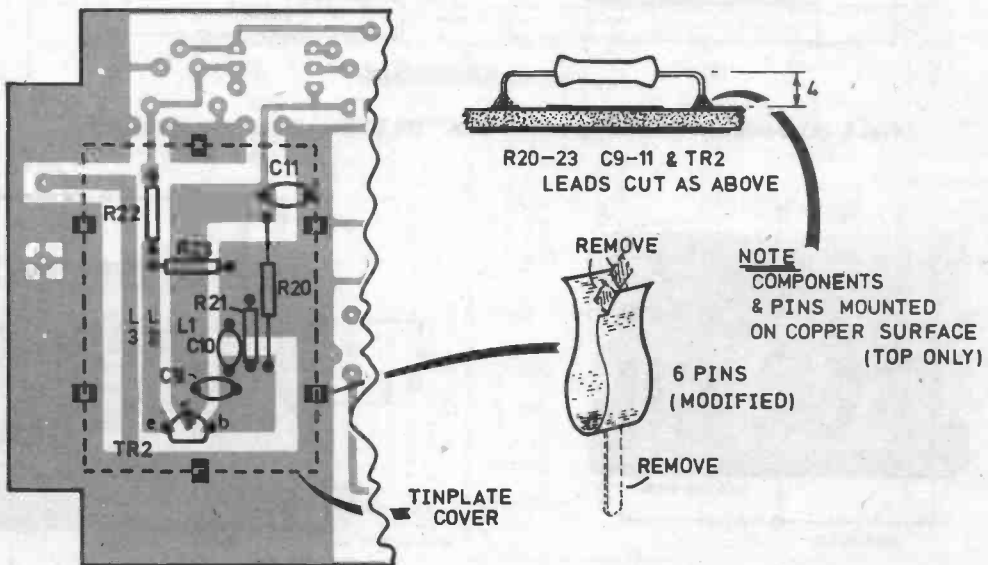


**Fig. 4a. Component layout of the p.c.b. (upper side). Note that the print pattern shown here is that on the upper side of the board. The blobs represent through connections to the underside print pattern (Fig. 3b)**

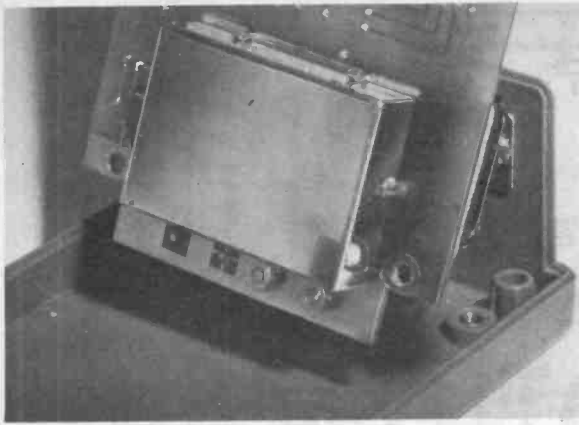
Soldercon i.c. pins. This method of mounting allows rapid access to the oscillator components for any future frequency trimming, and also the screening can edges are raised from the surface of the p.c.b. sufficiently to prevent short circuiting copper tracks. Referring to Fig. 4b, break the two side pieces and the tail off six i.c. pins. Mark the six mounting positions on the p.c.b. as shown, and very lightly tin them with solder. Also tin the bases of the six pins and push them onto the edges of the screening can in the appropriate



**View of the u.h.f. oscillator section**



**Fig. 4b. Component layout and mounting details for the u.h.f. oscillator (p.c.b. underside)**



The u.h.f. oscillator section with its screening can fitted

places. Offer the screening can up to the board, check the alignment of the pins and the screening can, and heat the pins in turn at their bases until the solder runs. Care should be taken not to solder the pins to the screening can.

Make the battery bracket as shown in Fig. 5b from springy metal such as rolled phosphor bronze. Stick a piece of sponge rubber on the under side of the top section of the bracket and also a piece on the p.c.b. in the area where the battery will be positioned. Mount the bracket on the p.c.b.

Cut and drill the ends of the plastic case as shown in Fig. 6. Make sure that the end of the case that will bear the slide switch and coaxial socket is that which has its p.c.b. mounting studs closest together. Cut all the terminals on S1 and the centre terminal of SK1 down to 4mm (0.15in) before mounting them in the case. A solder tag should be attached to SK1 using the lower fixing screw. Mount the p.c.b. in the case using spacers 10mm (0.375in) long; note that the four screws required are metric, M3 15mm. Wire S1, and SK1 as shown in Fig. 2.

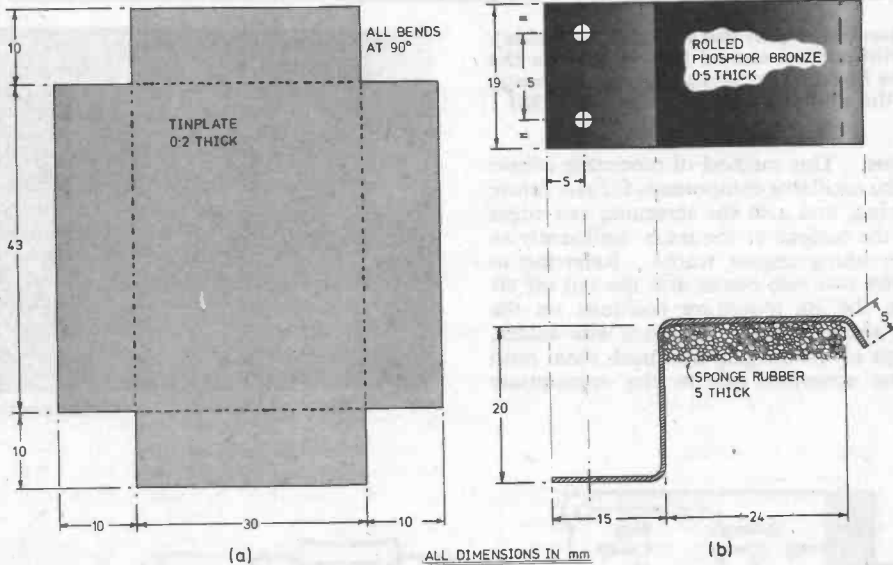


Fig. 5. (a) Oscillator screening can details. (b) Battery bracket dimensions

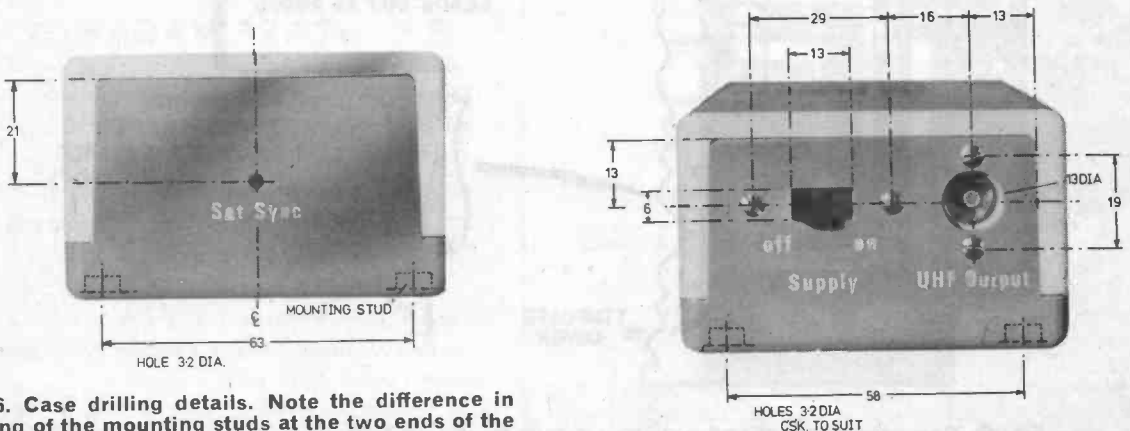
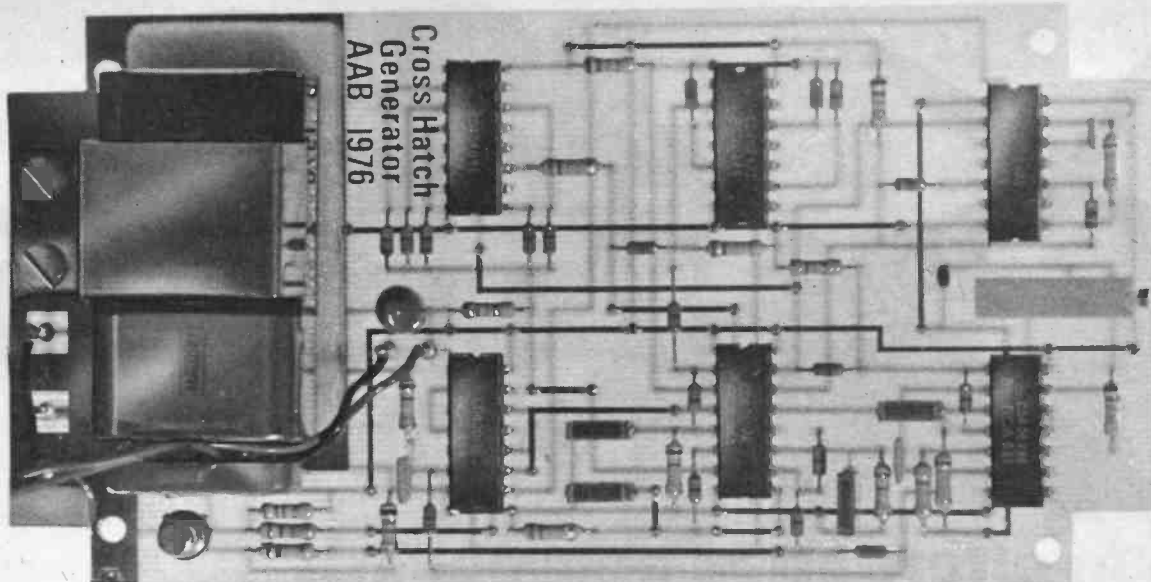


Fig. 6. Case drilling details. Note the difference in spacing of the mounting studs at the two ends of the case



The completed p.c.b. lit from behind to show the relationship of the two track patterns

## TESTING AND ADJUSTMENTS

Install a PP3 battery and bridge the contacts of S1 with a milliammeter. If all is well, a reading of approximately 12mA should be observed. Connect the output of the cross-hatch generator to the aerial socket of a 625-line television receiver and tune the receiver to approximately channel 50, where the signal should be located. If more than one signal is present, the strongest of these should be selected. If the pattern is not locked, adjust VR1, but do not disturb the hold controls of the receiver. Tune the receiver to give optimum definition, a reduction in brightness setting may be necessary.

The CMOS gates used have a spread in input transfer voltage of up to 33 per cent of supply voltage. It may thus be found necessary to trim one or two of the timing circuits in the cross-hatch generator. The following list may be used to identify and correct any observed pattern malformations.

1. Verticals too narrow, or too wide in comparison to the horizontals.  
Remedy—increase or reduce respectively the value of R8.
2. Horizontals not present at right-hand side of screen, or double thickness at left-hand side of screen.  
Remedy—increase or reduce respectively the value of R7.
3. Field flyback lines showing, or no video present at top of screen.  
Remedy—increase or reduce respectively the value of R14.
4. Line flyback lines/striations showing, or no video present at left-hand side of screen.  
Remedy—increase or reduce respectively the value of R12.

Having established a satisfactory cross-hatch pattern, VR1 should be given a final accurate trimming. Most modern television receivers will lock to the output of the cross-hatch generator over a wide range of sync frequency. Care should be taken to set the sync as

near as possible to the correct frequency to minimise possible pattern distortion caused by the generator. For those constructors not having access to an oscilloscope, the following procedure should be carried out. Making bodily contact with a metal object such as a small screwdriver blade, bring the latter into contact with pin 5 of IC5c. This causes the length of the displayed horizontals to be modulated at mains frequency. The observed beat frequency should be reduced to zero by adjusting VR1. This adjustment should be checked periodically, but it will be found that the master oscillator is quite stable under changing conditions of temperature and supply voltage. To improve supply voltage stability and thus prolong optimum performance, a Mallory Duracell battery type MN1604 may be fitted which will give approximately six times the life of the standard battery.

Finally if it is required to alter the frequency of the u.h.f. oscillator, C9 should be changed in value. ★

## P.E. STAFF VACANCY

There is a vacancy for a technical sub-editor on the staff of PRACTICAL ELECTRONICS. An interesting and satisfying job for an electronics enthusiast. Sound technical knowledge and practical experience more important than journalistic experience.

*Write with brief personal details to The Editor, Practical Electronics, Fleetway House, Farringdon Street, London EC4A 4AD.*

# RADIO CONTROL SYSTEM

By J. D. WHITELEY

## An alternative approach... using TONE CODING

THE recent Radio Control series (*Practical Electronics*: June–August) has met with such popularity that we have decided to continue it and publish details of an alternative system which can be used with the same transmitter and receiver, and which provides multi-channel switched output rather than the fully proportional capability of the original system.

This section therefore, is aimed at the constructor who requires a switched output system (e.g. for use with escapement type actuators commonly used in the control of model gliders and light aircraft).

System operation depends on the transmission of tones of different frequencies (one for each channel) which are decoded at the receiver and used to provide on/off control for each channel. The tone generator at the transmitter uses a 566 function generator, and at the receiver decoding is performed by a 567 tone

decoder i.c. The 567 is basically a phase locked loop with additional circuitry to detect the "locked" condition.

### THE TONE GENERATOR

The circuit diagram of the tone generator is shown in Fig. 1. The NE566 (IC1) is a voltage controlled function generator producing a square and triangle wave output from pins 3 and 4 respectively. The oscillator frequency can be adjusted over a 10 to 1 range by selecting the appropriate resistance using the same value of capacitance. The frequency can also be adjusted by altering the voltage to the control terminal pin 5; this is the method adopted in this case.

The triangle wave output is used in preference to the square wave due to the problem of harmonics being generated in the receiver at the frequencies selected.

The frequency can be determined from the following formula:

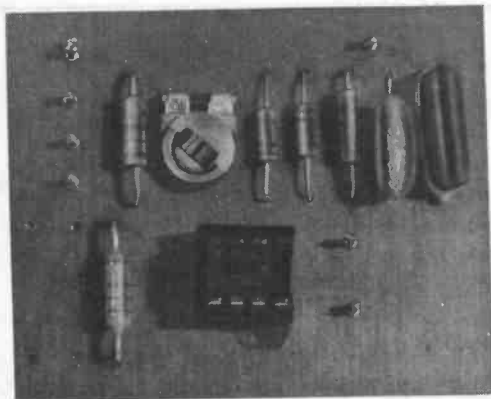
$$f_0 \approx \frac{2}{R C_1} \left[ \frac{V_{cc} - V_c}{V_{cc}} \right] \text{ Hz}$$

where  $V_{cc}$  is the supply voltage  $V_c$  is the voltage at the control terminal  $R$  is the total resistance (between 2k $\Omega$  and 20k $\Omega$ ).

Adjusting VR1 will correct all three frequencies if three channels are selected, thus making alignment a simple process.

### CONNECTION TO THE TRANSMITTER

At this stage it is worth referring to the circuit diagram of the transmitter which was published in the June issue of *Practical Electronics*, page 488. The tone generator is connected to the modulator input (R22 on the transmitter board). Capacitor C2 on the generator board isolates the output d.c.-wise, and resistors R3 and R4 set the bias of the modulator stage TR7 and TR6 (also on the transmitter board).



Tone Generator Board

# STONE GENERATOR

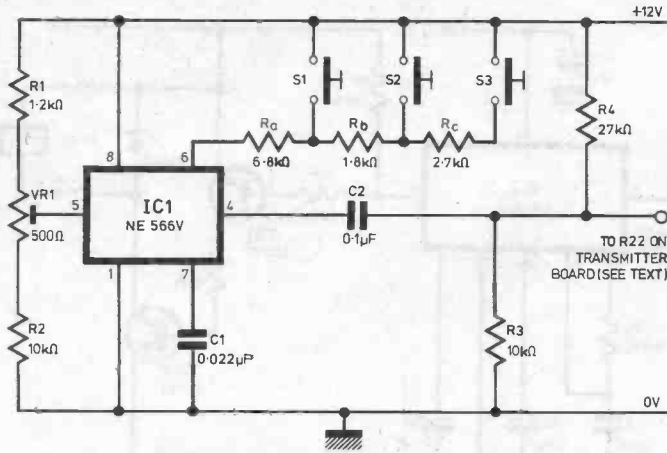


Fig. 1. Circuit diagram of the tone generator

## COMPONENTS . . .

### STONE GENERATOR

#### Resistors

- R1 1.2kΩ
- R2 10kΩ
- R3 10kΩ
- R4 27kΩ
- \*Ra 6.8kΩ 2%
- All resistors 1/8W 5% carbon, unless otherwise stated

#### Potentiometer

- VR1 500Ω min. preset (0.1in. matrix)

#### Capacitors

- C1 0.022μF plastic
- C2 0.1μF plastic

#### Semiconductors

- IC1 NE566V function generator

#### Miscellaneous

- Single sided p.c.b. 55mm × 45mm
- P.c.b. pins
- 8 pin d.i.l. i.c. socket
- S1-3 Single pole switches (push to make, release to break)

\*Given for channel A only (1,860Hz). See Table 1 for values for other channels.

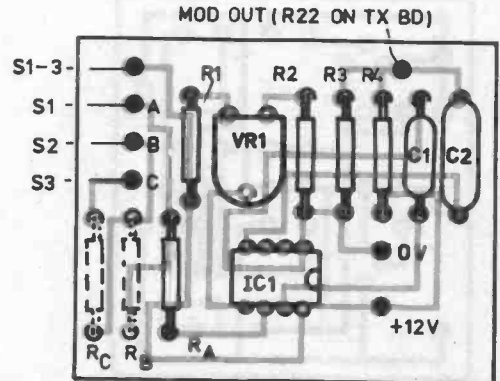
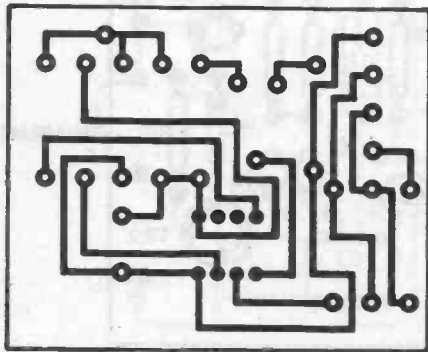


Fig. 2. Tone generator p.c.b. master and component layout

# TONE DECODER

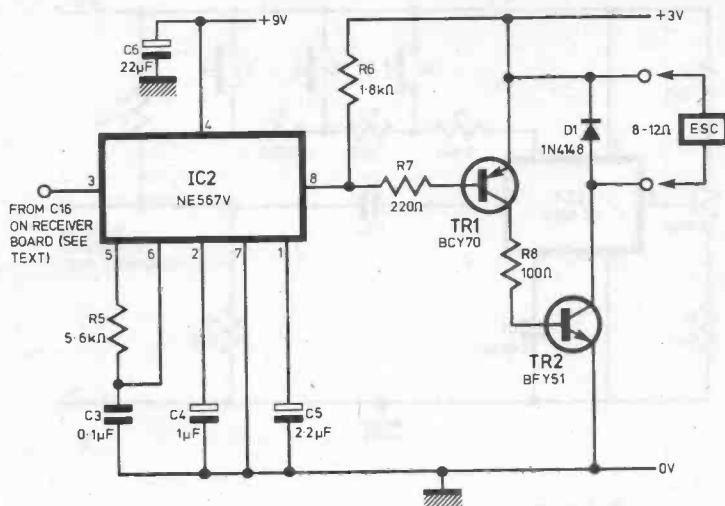


Fig. 3. Circuit of the tone decoder

## COMPONENTS . . .

### TONE DECODER

#### Resistors

- \*R5 5.6k $\Omega$
- R6 1.8k $\Omega$
- R7 220 $\Omega$
- R8 100 $\Omega$

All resistors  $\frac{1}{4}$ W 5% carbon

#### Capacitors

- C3 0.1 $\mu$ F plastic
- C4 1 $\mu$ F 16V tantalum
- C5 2.2 $\mu$ F 16V tantalum
- C6 22 $\mu$ F 16V tantalum

#### Semiconductors

- IC2 NE567V p.i.l tone decoder
- TR1 BCY70
- TR2 BFY51
- D1 1N4148

#### Miscellaneous

Single sided p.c.b. 48mm  $\times$  48mm  
P.c.b. pins

8 pin d.i.l. i.c. socket

\*Given for channel A only (1,860Hz). See Table 1 for values for other channels.

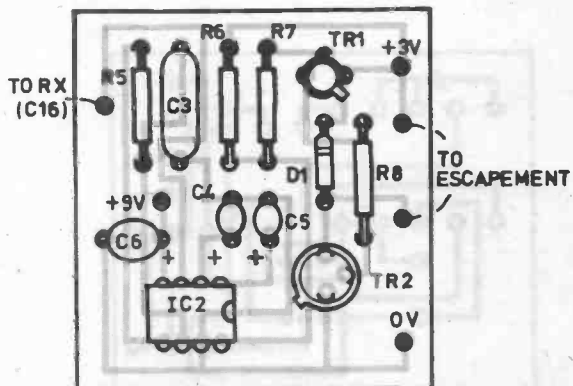
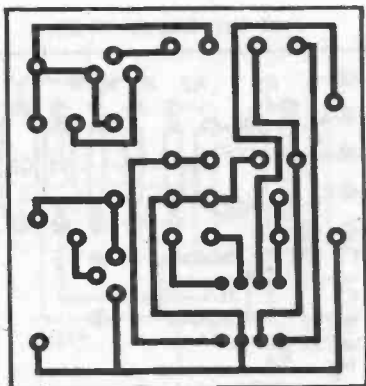


Fig. 4. Tone decoder p.c.b. master and component layout



**Table 1**

Channel operation frequencies and resistor values for generator and decoder circuits. The values in brackets indicate how the resistance given is made from standard resistors

Channel	$f_0$ (Hz)	Tone generator resistor $R_a, b, c$	Decoder resistor $R_5$
A	1860	6.8k $\Omega$	5.7k $\Omega$ (3.9k $\Omega$ + 1.8k $\Omega$ )
B	1438	8.6k $\Omega$ (6.8k $\Omega$ + 1.8k $\Omega$ )	7.6k $\Omega$ (6.2k $\Omega$ + 1.5k $\Omega$ )
C	1109	11.3k $\Omega$ (6.8k $\Omega$ + 1.8k $\Omega$ + 2.7k $\Omega$ )	10k $\Omega$

### THE DECODER

The decoder circuit diagram is shown in Fig. 3, and as can be seen, is built around a NE567 tone decoder. The decoder receives its drive from the output of the receiver (C16 on the receiver circuit diagram shown on page 569 of the July issue).

The 567 is a highly stable phase locked loop which contains additional circuitry to detect when the loop is in a locked condition. When a phase locked loop is locked to an incoming signal, the p.l.l. v.c.o. is in phase quadrature with the input signal, and therefore the locked condition can be detected by a quadrature phase detector monitoring both the v.c.o. output and the input signal. The detector causes pin 8 of the 567 to go low when the loop is locked.

The capture range (bandwidth) of the p.l.l. can be independently controlled and the detection frequency is set by means of an external resistor and capacitor. The maximum voltages which can be applied are 10V to pin 4 and +15V to the resistor connected to the open collector output at pin 8 ( $I_c$  max 100mA).

### CIRCUIT DESCRIPTION

The phase-locked-loop free running frequency  $f_0$  is set by  $R_5$  and  $C_3$  using the formula  $f_0 \approx 1.1/R_5 C_3$ .

The bandwidth for inputs greater than 200mV is a function of  $f_0$  (Hz) and  $C_4$  ( $\mu$ F) and in this case will be about 14 per cent. This can, however, be reduced to

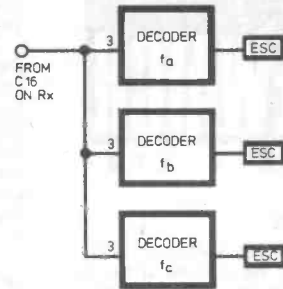


**Tone Decoder Board**

around 7 per cent by increasing  $C_4$  to 2.2 $\mu$ F. The capacitor  $C_5$  (whose value is not critical) is used to prevent chatter at the output (pin 8).

As stated above when the selected frequency is present pin 8 is driven low. This causes TR1 to be switched on which in turn switches on TR2. It will be noted that the supply rail voltage for the output stage is 3 volts and this should not be exceeded otherwise TR1, TR2 may be damaged, since typical escapements have winding resistances of between 8 and 12 ohms. The diode D1 is included for protection of TR2.

Further tone decoders may be connected simply by connecting the inputs in parallel as shown in Fig. 5.



**Fig. 5. Method of connecting three tone decoders. If further channels are required, they should be connected similarly**

### CONSTRUCTION

The circuit boards are etched to the pattern given in Fig. 2 and Fig. 4 and the components soldered in the positions shown. As before, pins are used for wire take-off points. It was felt best to use i.c. sockets on these printed circuit boards since the i.c.s are rather costly and if found to be faulty probably could not be replaced if they have been soldered.

### TESTING AND SETTING UP

The circuits can be tested independently of the transmitter and receiver by connecting the boards together via a 0.1 $\mu$ F capacitor and a 27k $\Omega$  resistor in series. The selected tone is generated by operating a switch, and with an ammeter in the tone decoder supply (0-100mA) a current rise from 10mA to about 18mA should indicate the presence of a tone when VR1 is adjusted. By rotating the pot about the "operate" position, the centre of the capture range of the p.l.l. can be located. From Table 1 the values of  $R_5$  for the other boards can be determined.

### LICENCE

*We would like to warn constructors that a licence is required to operate any Radio Control system. This licence may be obtained from: The Home Office, Radio Regulatory Department, Waterloo Bridge House, Waterloo Road, London SE1 8UA. (A licence for 5 years costs £2.40)*



BY FRANK W. HYDE

### SPACE SEEDS

Seeds of Canadian spruce brought back from space have been sown in the botanical gardens of the Academy of Sciences in Moscow. These seeds were part of the exchange made between the U.S.S.R. cosmonauts and the American astronauts during the joint link up of the *Soyuz-Apollo* mission.

The Americans handed over Canadian spruce seeds and the Russians handed over seeds of pine from the Volga region, larch from Tuva, balsam fir from the north Caucasus and cedar from the banks of the Yenesei river in Siberia.

It was decided that the two crews should on their return home sow the seeds as a commemoration of the first joint Space Flight. The members of the crews were Alexei Leonov and Valeri Kubasov from Russia and Tom Stafford, Vance Brand and Donald Slayton from the USA.

Academician Tsitsin, director of the botanical gardens, said he hoped the Soviet seeds would thrive on American soil. Every seed sent to space was checked with the help of X-rays and the best ones were selected for the flight.

### INTERCOSMOS

The space vehicle *Intercosmos 15* was launched by the Soviet Union on June 19. Its purpose is to conduct large scale scientific research in the field of flight conditions, testing new systems of operation, including telemetry.

A number of countries associated with the U.S.S.R., East Germany, Hungary, Poland, and Czechoslovakia took part in the development and manufacture of the telemetry system. Specialists from the participating countries prepared the

equipment for launching and are controlling its operation. The single system of telemetry will be in action for the first time.

The principal ground stations which are receiving signals are in East Germany, Hungary and the U.S.S.R. This will also extend to Czechoslovakia. Previously only the Soviet ground stations collected the data and processed it, now other countries are participating.

It is seven years since the first Intercosmos was launched and a great deal had been learned during that time. When the whole network is complete there will be nine participants which will include Bulgaria and Cuba.

The scientific research is mainly in the communication field, and space physics. These include meteorology, biology, medicine and allied subjects. During the past experiments new data had been acquired regarding the mechanism of solar terrestrial links and the Earth's atmosphere. The study of radiation round the Earth is enabling the medical researchers to predict more accurately the safe periods for manned flight.

The Satellite orbital period is 94.6min, perigee 487km, apogee 521km and the orbital inclination 74.0 degrees.

### VENUS PROBES

A year has passed since the launching of the *Venus 10* automatic station and eight months since it went into orbit round Venus. A great deal of scientific information has been received from the station during this time. The on-board systems and equipment are operating normally.

The *Venus 9* and *Venus 10* automatic stations fulfilled the main flight programme by March 22 this year, after which each continued their studies under additional individual programmes. *Venus 9* completed the additional programme and has now ceased functioning. *Venus 10*, which is now at a distance of 260 million km from the earth, is continuing its research work.

From the point of view of an observer on Earth the planet is now passing behind the sun. This opens up a rare opportunity to carry out a radio trans-illumination of near-solar space with the aim of studying the solar corona. On June 16, a radio beam sent to earth by *Venus 10* passed within 1½ million km from the surface of the sun.

An analysis of the parameters of radio signals coming from *Venus 10* shows that the streams of near-solar plasma are very heterogeneous and subjected to rapid changes in time.

Subsequent processing of this data will produce quantitative characteristics of these conditions. Also studied during the radio sessions was

the possibility of receiving information and controlling spacecraft which depends on the radio beam condition during its passage near the sun.

### SALYUT RESEARCH

The speed of plasma reaches 50km/sec in the active regions of the sun. This observation, says cosmonaut Dr Konstantin Feoktistov, is among the most interesting results of investigation carried out in the *Salyut* orbital station. The solar telescope installed has helped to obtain hundreds of spectrograms of such active regions on the sun as flares, prominences and flocculi.

The data collected by two expeditions aboard the Soviet station last year are still being processed. The irregularities of radiation have been measured from well-known X-ray sources such as those in the constellations of Scorpius, Cygnus and Virgo.

### CHECK UP ON EINSTEIN

A test of the general theory of relativity has been carried out by the use of a probe launched from Wallops Island, Virginia.

It was named *GP-A* (Gravity Probe-A). The sensitivity of this experiment will be some 500 times more sensitive than any method so far used. The test will be of the principle of gravitational and inertial equivalence.

The principle states that within small regions of space the effect of accelerating a body cannot be distinguished from the effect of a gravitational field on the body. This could be put another way by saying that if an observer is enclosed in a vehicle he has no way to determine whether he is stationary in a gravitational field or is accelerating in the absence of a gravitational field.

The observer in one system observes the changes such as length or time in the other. Checks are made of these parameters and both length and time can be referred to clocks. Such changes, however, are minute and very difficult to measure.

Now a hydrogen maser clock has been devised with a stability of one part in  $10^{15}$ . This means it could gain or lose not more than about 2 seconds in a hundred million years.

It is planned to use the clock developed by the Smithsonian Astrophysical Observatory in this experiment. The clock will fly in a two hour elliptical trajectory over the Atlantic and the readings compared with a similar clock on the ground. The probe borne clock will, because of the weaker gravity field, appear to run faster than the earth based clock.

The accuracy of the synchronisation is about 5 thousandths of one per cent. The cost of the experiment is of the order of 6 million dollars.

#### CBM

**SR7919D** (Illus.)—  
● 8-digit or 5-digit  
+ 2 exp. ● Full trig  
and log functions  
● Sq. root ● Re-  
ciprocal ●  $\sqrt{Y}$ ,  
 $X^2$ ,  $\pi$  ● Register  
exchange ● Memory  
plus ● Store recall  
● Sign change  
● Algebraic logic. **£12.63\***



**SR4190R**, 10-digit, 2 Exp. 90 function  
pre-programmed, metric con-  
versions. Extra functions to the  
**SR4148R**—Perms and com-  
binations. Gamma. Poisson and Bi-  
nomial distributions, factorial,  
complex numbers, hyperbolic func-  
tions, linear regression and  
integration of  $Y = f(x)$ . (R)  
**£30.78(R)**

**796D**—8-digits, % and store. **£5.83**  
**897R**—Rechargeable % and full  
memory. **£11.58(R)**

**4181R**—10-digits, 2 exponents. Full  
log and trig functions.  $X^2$ , Recipro-  
cal,  $\pi$ , X root of Y. Polar rectangular  
co-ordinates. 2-store memory. Re-  
chargeable. Mean and Standard  
deviation. **£30.78(R)**

#### sinclair

**NEW SCIENTIFIC**—  
only  $4\frac{1}{2}$ in x  $2\frac{1}{2}$ in  
yet has 8-digits  
or 5+2 exponents.  
Using the NEW chip,  
it has full algebraic  
logic and many more  
functions. Algebraic  
logic is constant on  
all four arithmetic  
functions.



Functions: C & CE  
key ● sin ● cos ●  
tan ● arcsin  
arccos and tan ● reciprocal ● E to  
the X ● natural log ● antilog ●  
V ● memory + ● memory -  
● memory exchange ● memory  
cancel ● EE exponent ● change  
notation ● PLUS a degree radian  
switch! **ONLY £11.38**

**OXFORD 300**—Larger version of  
above. **£13.48\***

**CAMBRIDGE** **£6.97\***

**CAMBRIDGE MEMORY** **£8.74\***

**OXFORD 150** **£6.97**

#### DECIMO

**VATMAN SCIENTIFIC** (Illus.)—  
Large green display.  
8-digits, 2 expo-  
nents, 4 trig log  
functions, 10  
radian degrees, ex-  
change, memory,  
 $\pi$ , reciprocal,  $X^2$ ,  
etc. Single function  
keyboard, 20 hr  
battery life. **£25.38\***



**MINI-VATMAN**—Green display,  
smaller and slimmer than Vatman.  
8-digits, % key, V. **£7.45\***

**MINI-VATMAN M**—As above but  
with % and full-function memory.  
**£11.34\***

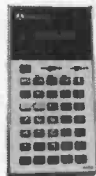
**VATMAN** (Illus.)—8-digit, % key,  
green display. **£8.10\***

**SUPER-VATMAN**—Similar to above  
but with full-function memory,  $X^2$ ,  
reciprocal,  $\pi$ , V. **£12.42\***

#### ROCKWELL

**63R**—8-digit, 2 exponent,  $10^{99}$ ,  
memory, 2-level parentheses, all  
trig and log functions, degree  
radian, factorial, reciprocal,  $\pi$ ,  
V, etc. Rechargeable. **£25.86(R)**

**44RD** (Illus.)—9-digit  
or 5-digit and 2 exp.  
Green display.  
Store. Similar to the  
63R less factorial. **£18.95\***



**64RD**—12-digit or  
8-digit + 2 exp.  
Additional to 44RD:  
polar rec., co-  
ordinates, log, rad or  
grad. **£23.97\***

**61R**—Green display, 8-digits, all  
trig, and log functions **£21.95(R)**

**8R**—8-digits, % key. **£6.95\***

**20R** (Illus.)—8-digits, % key, full-  
function memory. **£9.95**

**31R**—V, memory  
memory exchange,  
reciprocal,  $X^2$ . Re-  
chargeable. **£14.65(R)**



**24RD**—Green display,  
V, 8-digit. **£13.75\***

**24K** (Illus.)—  
Stainless-steel  
slimline, green  
display, beauti-  
ful leather-  
ette wallet to  
hold pen,  
note-pad (all  
included) and  
credit cards.  
Full memory.  
V, click-  
buttons. Re-  
chargeable. **£21.06(R)**



#### CASIO

**FX-20** (Illus.)—Full  
trig and log func-  
tions; 8-digit man-  
tissa or 6-digit  
mantissa and 2-digit  
exponents;  $10^{99}$  to  
 $10^{-99}$ ; bright green  
display; full sin,  
cos, tan, inverse  
sin, inverse cos,  
inverse tan; log X  
and  $\ln x$ , e, X  
V; reciprocal  
degree radian conversion; memory  
and exponent key.

**FX-20 ONLY £15.90\***  
**FX-15**—As above but larger and  
including a larger display,  $X^2$  key,  
 $\pi$  key, reciprocal key.  
**ONLY £9.99\***

**FX-101**—De Luxe model with similar  
functions to the FX-15 but 8-digits  
+ 2 exponents  $10^{99}$  to  $10^{-99}$ .  
**OUR PRICE £25.38\***

**8R**—Memory, % key. **£8.95\***  
**POCKET 8s**—% key. **£7.02.**  
**POCKET MINI-MEMORY**—% key,  
bright green display. **£9.95\***

**ALL ITEMS CARRY A FULL  
YEAR'S GUARANTEE**  
\* Free B.S.I. adaptor. (R) Free re-charger.  
**ALL PRICES INCLUDE VAT.**  
Please add 55p P. & P.

#### NOVUS

**4525**—8-digit, 2 exp.  
100 step pro-  
grammable. R.P.N.  
Full log and trig  
functions. X-Y ex-  
change, exponent  
key, change sign,  
memory, 4 roll stack,  
skip, delete, access-  
ible additional pro-  
grammes within the  
100 step. **£45.95(R)**



**4520**—Non-programmable version  
of the 4525. **£22.90(R)**

**4510**—8-digits, 3 level stack, all  
trig and log function, V,  $\pi$ ,  
reciprocal, memory, etc. **£14.90\***

**4515**—100-step programmable  
version. **£37.90(R)**

**6020**—Financier. **£17.95\***

**6025**—Financier 100-step pro-  
grammable. Rechargeable. **£45.90(R)**

**2030**—Statistician. **£17.80\***

**6035**—100-step programmable  
Statistician. Rechargeable.  
(inc. recharger) **£45.90(R)**

#### TEXAS

**SR50A** (Illus.)—10-  
digit, 2 exponent,  
all trig and log  
functions, hyper-  
bolic, X to the root  
of Y, radian and  
degree, factorial,  
memory, etc. Re-  
chargeable. **£32.34(R)**



**SR51A**—As above but with 3  
independent memories, linear  
regression, mean, variance,  
standard deviation, permutation,  
random number generation plus  
20 basic conversions and their  
inverse. Rechargeable. **£47.41(R)**

**T1200** (Illus.)—8-digit,  
% key. **£8.95\***



**T1250**—As above  
with memory. **£9.95\***

#### NEW FROM TEXAS

**SR56** (Illus.)—100 step  
programmable, 10-  
digit, 2 exp. 10 in-  
dependent memories,  
all log, trig and statis-  
tical functions. Can  
be programmed for  
mathematics, elec-  
tronic engineering,  
statistical, financial  
and navigation. **£70.09(R)**



**SR52**—224 programme steps, 20  
independent memories, 9 level  
parentheses, Card programmable  
Supplied with 20 blank magnetic  
cards and programme manual.  
**FREE** any one of the following  
pre-programme manuals: (1) Statis-  
tics, (2) Electrical Engineering,  
(3) Mathematics, (4) Finance.  
Each worth **£25.2224.99(R)**

#### THE THINNEST L.E.D. ELECTRONIC WATCH IN THE WORLD!

#### quartztron KL10

10 functions:  
Hours ● Mins  
● Secs ● Date  
In letters ● Month  
and Date In letters  
● Day of week ●  
4-yr calendar ● A.M./  
P.M. Set/Indicate ● Incl  
S/Steel bracelet ● 1 yr  
Quar. **£29.97** P. & P.  
55p



#### quartztron KL3

Liquid Crystal Display,  
showing hours,  
minutes and pulsat-  
ing seconds. Stainless  
steel finish with strap.  
**£16.95**  
With stainless steel strap  
add £1.50. P. & P.  
55p



#### DECIMO DIGITAL CLOCK/RADIO

**£33.90 OUR PRICE**  
incl. VAT plus £1 p. & p.

#### LARGE DIGITAL READOUT



This is the most unique clock/radio in the country  
today having a soft 1 1/2in high orange-glow digital  
readout which is completely silent and non-  
pulsating. In a beautiful teak style cabinet with  
up-to-date VHF/MW radio. You can awake to soft  
music or alarm—and if you want up to 10 minutes  
more—just press the "Drowse" button. Automatic  
80 minute "sleep" button in case you drop off  
while the radio's on.

## ORDER FORM

PHONE CALLS AND PERSONAL CALLERS WELCOME MONS TO THURS  
BETWEEN 2 & 5 p.m. 01-458 4755. SUNDAYS 10 a.m. to 1 p.m.  
To: BARCLAY ELECTRONICS Dept. PE9B,  
1115 FINCHLEY ROAD, TEMPLE FORTUNE, LONDON N.W.11

Please send me .....  
with/without optional mains adaptor. I enclose cheque/money order total  
value £..... including 55p to cover P. & P.

NAME .....  
ADDRESS .....

barclay

# Semiconductors from LYNX ELECTRONICS


THYRISTORS	8A	1A	3A	4A	6A	8A	10A	15A
PIV	(TO92)	3(TO5)	(C106)	(TO220)	(TO220)	(TO220)	(TO220)	(TO220)
50	0-20*	0-25	0-35	0-32	0-42	0-41	0-41	0-41
100	0-25*	0-25	0-40	0-37	0-47	0-48	0-54	1-02
200	0-27*	0-35	0-45	0-40	0-58	0-60	0-68	1-14
400	0-30*	0-40	0-50	0-45	0-87	0-88	0-98	1-40
600	—	0-65	0-70	—	1-09	1-19	1-26	1-80

TRIACS (PLASTIC TO-220 PKG ISOLATED TAB)	4A	6.5A	8.5A	10A	15A					
	(a)	(b)	(a)	(b)	(a)	(b)				
100V	0-60	0-60	0-70	0-70	0-78	0-78	0-83	0-83	1-01	1-01
200V	0-64	0-64	0-75	0-75	0-87	0-87	0-97	1-17	1-17	1-17
400V	0-77	0-78	0-80	0-83	0-97	1-01	1-12	1-19	1-70	1-74
600V	0-96	0-99	0-87	1-01	1-21	1-26	1-42	1-50	2-11	2-17

N.B. Triacs without internal trigger diac are priced under column (a). Triacs with internal trigger diac are priced under column (b). When ordering please indicate clearly the type required.

LINEAR ICs		
301A	8 Pin Dii	0-35*
307		0-55*
308	14 Pin Dii	0-60*
381	14 Pin Dii	0-45
555	8 Pin Dii	0-45
565	14 Pin Dii	2-00*
566	8 Pin Dii	1-50*
567	8 Pin Dii	2-00*
709	8/14 Pin Dii	0-35
741	8/14 Pin Dii	0-28
748	8 Pin Dii	0-35
3900	14 Pin Dii	0-70*
CA3045		0-85*
CA3046		0-50*
CA3089E		2-14*
CA3090Q		2-22*
CA3130		0-79
MC1304P		1-63*
MC1307P		1-17*
MC1310P		1-96*
MC1351P		0-91*
MC1352P		0-77
MC1458P		1-10
MC1496L		2-55
SN75324		0-89*
SN75451		0-89*
SN75452		0-89*
TAA263		1-20*
TAA300		1-10*
TAA310A		1-95*
TAA350A		0-45*
TAA550		1-25*
TAA611B12		0-65
TAA861		1-95*
TAD100		1-30*
TDA800Q		1-85*
TBA530		1-90*
TBA540Q		2-10*
TBA550Q		2-20*
TBA560Q		3-05*
TBA570Q		2-80*
TCA270Q		1-95*

**Special Offer**  
Red LED  
MV54  
8p  
Axial lead



OPTOELECTRONICS	
Displays	Discretes
704 0-80	0 125 Red (TIL209) 0-12
707 0-80	0 2 Red 0-13
727 1-20	0 2 Green 0-14
728 1-20	0 2 Yellow 0-14
747 1-50	0 2 Clear 0-14
750 1-50	

NATIONAL CLOCK CHIPS	
MM5314	£3-75
(Basic clock chip giving 6 digit display)	
Socket	0-45
MM5316	£5-25
(Sophisticated device including alarm)	
Socket for MM5316	0-80

**SPECIAL OFFER—LM309K**  
1A TO3 5V 95p

REGULATORS	
723	0-45
725	0-45
7805	1-50
7812	1-50
7815	1-50

IC SOCKETS	
8 Pin	0-12
14 Pin	0-13
16 Pin	0-14

74 Series TTL	
Less 5% for 10+	
Less 10% for 25+	
7400	0-14
7401	0-14
7402	0-14
7403	0-15
7404	0-16
7408	0-16
7409	0-16
7410	0-16
7413	0-29
7417	0-27
7420	0-16
7427	0-27
7430	0-16
7432	0-27
7437	0-27
7441	0-75
7442	0-65
7445	0-85
7447	0-81
7448	0-75
7447A	0-95
7470	0-30
7472	0-25
7473	0-30
7474	0-32
7475	0-47
7476	0-32
7482	0-75
7485	1-30
7486	0-32
7489	2-82
7490	0-49
7491	0-65
7492	0-57
7493	0-45
7495	0-67
74100	1-08
74107	0-35
74121	0-34
74122	0-47
74141	0-78
74145	0-68
74154	1-62
74174	1-00
74180	1-06
74181	3-20
74192	1-35
74193	1-35
74196	1-64

**TO3 HARDWARE INC.**  
1Mica—2 washers  
Solder TA6  
2 Nuts/Bolts Washers  
100 for 45p

TRANSISTORS, DIODES, RECTIFIERS																
AC126	0-15	BC117	0-19*	BC301	0-30	BDY60	0-60	BT109	1-00	CRS3-10	0-45	TIP32A	0-64	2N3954	0-40	
AC127	0-16	BC125	0-18*	BC323	0-32	BDY61	0-65	BT116	1-00	CRS3-20	0-50	TIP34	1-05	2N3955	0-50	
AC128	0-13	BC126	0-20*	BC327	0-31*	BDY62	0-65	BU105	1-80*	CRS3-40	0-50	TIP41A	0-88	2N3440	0-56	
AC128K	0-28	BC141	0-23	BC328	0-16*	BF178	0-28	BU105/02	1-60*	MJ400	0-80	IN2069	0-14	2N3625	0-50	
AC141	0-18	BC142	0-23	BC337	0-17*	BF179	0-28	BU126	1-60*	MJ481	1-05	IN2070	0-16	2N3570	0-80	
AC141K	0-28	BC143	0-23	BC338	0-17*	BF194	0-10*	BU204	1-60*	MJ490	0-90	IN4001	0-64*	2N3702	0-10*	
AC142	0-18	BC144	0-30	BCY30	0-55	BF195	0-10*	BU208	2-60*	MJ491	1-15	IN4002	0-65*	2N3703	0-10*	
AC142K	0-28	BC147	0-09*	BCY31	0-55	BF196	0-12*	BU206	0-15	MJE340	0-40*	IN4003	0-66*	2N3704	0-10*	
AC176	0-16	BC148	0-09*	BCY32	0-60	BF187	0-12*	BU207	0-20*	MJE320	0-60	IN4004	0-07*	2N3705	0-10*	
AC176K	0-25	BC149	0-09*	BCY33	0-55	BF242	0-18*	BYX36		MJE520	0-45	IN4005	0-08*	2N3706	0-10*	
AC187	0-18	BC152	0-25*	BCY34	0-55	BF244	0-17*	300 0-12*	MJE521	0-55	IN4006	0-09*	2N3707	0-10*		
AC187K	0-25	BC153	0-18*	BCY38	0-50	BF257	0-30*	500 0-15*	OA5	0-50	IN4007	0-10	2N3714	1-05		
AC188	0-18	BC157	0-09*	BCY39	1-15	BF258	0-35	900 0-18*	OA90	0-08	2N696	0-14	2N3715	1-15		
AC188K	0-25	BC158	0-09*	BCY70	0-12	BF337	0-32	1200 0-21*	OA91	0-08	2N697	0-12	2N3716	1-25		
AD140	0-50	BC159	0-09*	BCY71	0-12	BF360	0-11	BYX38		OC41	0-15	2N706	0-10	2N3771	1-60	
AD142	0-50	BC160	0-32	BCY72	0-12	BFX29	0-26			OC42	0-15	2N929	0-14	2N3772	1-60	
AD143	0-46	BC161	0-38	BD115	0-55	BFX30	0-30			OC44	0-12	2N934	0-14	2N3773	2-10	
AD149	0-45	BC168B	0-09*	BD131	0-36	BFX84	0-23			OC45	0-10	2N1131	0-15	2N3819	0-28*	
AD161	0-35	BC182	0-11*	BD132	0-40	BFX85	0-25			OC70	0-10	2N1132	0-16	2N3901	0-11*	
AD162	0-35	BC182L	0-11*	BD135	0-36	BFY80	0-20			OC71	0-10	2N1304	0-20	2N3906	0-22*	
AL102	0-95	BC183	0-10*	BD138	0-20	BFY81	0-20			Zeners	0-20	OC72	0-22	2N1305	0-20	
AL103	0-91	BC183L	0-10*	BD137	0-40	BFY51	0-18			BZK83 or	OC84	1-14	2N1711	0-18	2N4290	0-12
AF114	0-20	BC184	0-11*	BD138	0-48	BFY52	0-19			BZK88 Series	SC40A	0-73	2N2102	0-44	2N4346	1-20
AF115	0-20	BC184L	0-11*	BD139	0-58	BFY64	0-35			Zeners	0-11	SC40B	0-81	2N2669	0-14	
AF116	0-20	BC207B	0-12*	BD181	0-85	BFY90	0-65			CI36A	0-40	SC40D	0-95	2N2659A	0-14	
AF117	0-20	BC212	0-11*	BD182	0-97	BFY99	0-40			CI36B	0-45	SC40F	0-45	2N4284	0-16	
AF118	0-50	BC212L	0-11*	BD232	0-60*	BSX19	0-16			CI06F	0-35	SC41B	0-70	2N2905	0-18	
AF139	0-35	BC213	0-12*	BD233	0-48*	BSX20	0-18			CRS10F	0-25	SC41D	0-85	2N2905A	0-22	
AF225	0-37	BC213L	0-12*	BD232	0-60*	BSX21	0-20			CRS110	0-25	SC41F	0-60	2N2926	0-10*	
BC107	0-09	BC214	0-14*	BD237	0-53*	BSY95A	0-12			CRS120	0-35	SI2	0-20	2N2926B	0-09*	
BC107B	0-09	BC237	0-16*	BD184	1-20	BT106	1-00			CRS140	0-40	TIP29A	0-44	2N2929	0-09*	
BC108	0-09	BCY30	0-30	BDY38	0-60	BT108	1-00			CRS150	0-65	TIP30A	0-52	2N2926G	0-10	
BC109	0-09	BCY30	0-30	BDY38	0-60	BT108	1-00			CRS150	0-65	TIP31A	0-54	2N3053	0-15	
BC195C	0-12	BC300	0-34	BDY38	0-60	BT108	1-00			CRS3-05	0-34	TIP31A	0-54	2N3053	0-15	

P. & P. 20p per order—overseas 80p. Matching 20p per pair. VAT 8% except for items which are 12½%. No VAT on overseas.

**LYNX ELECTRONICS (LONDON) LTD**  
Higham Mead, Chesham, Bucks  
Telephone (02405) 75154. Telex 837571

GIRO NO 331 7056 Access and Barclay card accepted  
C W O only terms of business as in our Catalogue  
Export Order enquiries welcome (£5 min)

Official Orders accepted from Educational and Government Departments  
ALL PRICES include VAT and P & P  
SHOP HOURS 9.15 to 5.05 5 DAYS  
CLOSED WEDNESDAY

**1976 ISSUE** 66 PAGES—3,000 ITEMS  
FULLY ILLUSTRATED  
\*20p CREDIT VOUCHERS  
\*ALL NEW STOCK  
\*SATISFACTION GUARANTEED  
\*DISCOUNTS

Boxes — Cases —  
Kit — PC Materials —  
Tools — Resistors — Test  
Meters — Capacitors —  
Hardware — Semiconductors — Books — Pots — Coils  
— Audio Accessories — Screws  
Connectors — Audio — Modules  
— Veroboard — Transformers —  
Knobs — Calculators — Audio Leads  
— Batteries — S dec Storage Units —  
Heatinks, etc., etc.

**SPECIAL CAPACITOR KITS**  
C280 Kit—PC Mounting polyester 250V 5 of each value: 0.01, 0.022, 0.047, 0.1, 0.22uF, 2 of 0.47, 1uF, £1.81 net.  
C296 Kit—Tubular polyester, 400V, 5 of each value 0.01, 0.022, 0.047, 0.1, 0.22uF, 2 of 0.47uF, £2.43 net.  
Ceramic Kit—square plaque, 50V 5 of each value, 22, 33, 47, 100, 220, 330, 470, 1000pF, 220, 4700pF, 0.01uF, £1.71 net.

**SPECIAL RESISTOR KITS (CARBON FILM 5%)** (Prices include post & packing)  
10E12 1W or 1/2W KIT: 10 of each E12 value, 22 ohms—1M, a total of 570 £5.04 net  
25E12 1/2W or 1/4W KIT: 25 of each E12 value, 22ohms—1M, a total of 1425 £11.70 net

**B. H. COMPONENT FACTORS LTD.**

**MULTIMETER U4323**  
22 Ranges plus AF/IF Oscillator 20,000V/ Volt.  
Vdc—0.5—1000V in 7 ranges  
Vac—2.5—1000V in 6 ranges  
Idc—0.05—500mA in 5 ranges  
Resistance—5Ω—1MΩ in 4 ranges.  
Accuracy—5% of F.S.D.  
OSCILLATOR—1KHz and 485KHz (A.M.) at approx. 1 Volt.  
Size—160 x 97 x 40mm.  
Supplied complete with carrying case, test leads and battery.  
PRICE £9.95 net P. & P. 75p

**MULTIMETER U4324**

# SEMICONDUCTOR UPDATE

By R.W. COLES

ICM7205  
A7800

SN76008N  
SN76018

## DOING THE SPLITS

Sports fans will be electrified by the new **ICM7205** from Intersil, because it crams into a 24-pin plastic package all the electronic springwork of a sophisticated two function stopwatch. Not just a modified clock-chip this, but a set of circuit functions optimised for use in the demanding sporting environment, designed to provide accurate interval timing over periods of up to one hour with hundredths-of-a-second precision.

The chip uses CMOS technology for low power battery operation, and will drive a small six digit l.e.d. display without the need for interface components. The internal oscillator is synchronised by an external 3.2768MHz crystal for high accuracy, control inputs are provided for great versatility of timing circuit and display operation, and the thoughtful designers have even added a "low battery" indication output which can drive the display decimal points or a discrete l.e.d.

Two timing modes can be switch selected, "Taylor" or "Split". In the Taylor mode the clock can be reset to zero and will commence counting when the START/STOP switch is pressed; when the START/STOP switch is next pressed the display indicates the time so far,

but the counter is reset to zero and then continues counting. On subsequent presses the display changes to indicate the new "lap" time, but not an overall total.

In the split mode the "lap" times are accumulated and the display updated at each press of the START/STOP switch so that a running total of lap times are recorded. In both modes the display is stationary between presses of the START/STOP switch unless the "DISPLAY UNLOCK" is pressed to allow the display to catch up with the counter, and "RESET" can be activated at any time to restart the process.

To sports fans the promise of this new chip will be obvious but I wouldn't mind betting that a lot more applications will be found for this exciting device.

## FAMILY REGULATOR

Fixed voltage, three terminal, positive regulator integrated circuits have been around for a few years now, and I for one have certainly not stopped appreciating them! When I think of the trouble I had to go to to get a really stable output voltage in the face of varying loads and line voltages before these devices came along, I offer up a silent prayer of thanks.

"Well O.K." I can hear you saying "they're very good, but what's new?" The Signetics micro **A7800** series is new, that's what, and it is not just a single regulator i.c. but a whole family of regulators for different output currents and different voltages.

The 7800 family must cover 90% of regulator requirements; if you want a voltage of 2.6V, 5.0V, 6.0V, 8.0V, 12.0V, 15.0V, 18.0V or 24.0V—no problem, they're all standard. A 1A current rating? no problem either. How about that audio preamplifier though, you only need 20mA at 12V for that, it wouldn't seem right to have to use a TO3 can regulator, would it?

Well, why not use the  $\mu$ A78L12S which comes in the little TO-92 plastic small-signal-transistor package and offers a 100mA current rating. You don't like plastic packages? Then use the A78L12DB, which also has a 100mA rating but comes in a little TO39 metal can.

This plastic/metal can choice is not limited to the 100mA tiddlers either; the 1A versions can be had in the traditional TO3 metal pack, or the TO220 power-tab plastic pack.

## POWER PAK

A couple of new audio amplifier circuits have been introduced by Texas Instruments, and as befits the easy-to-use electronic design, a new easy-to-use plastic package, called Power Pak, has been designed to house them.

The Power Pak package is a simple 5-pin plastic power transistor arrangement which can be easily heat-sunk with a single, central, nut and bolt without the problems associated with the more usual d.i.l. designs.

The new devices are the **SN76008N** and the **SN76018**, each of which will deliver a creditable 10W of audio power at full output. The difference between the two lies in the design load impedance and supply voltage, the **SN76008N** delivering 10W to a 4 ohm load while the **SN76018N** will deliver the same to an 8 ohm load at a higher supply voltage.

These devices are not in the hi-fi class, and the T.H.D. starts to climb rapidly after about 8W, but at less than £3 apiece, what can you expect?

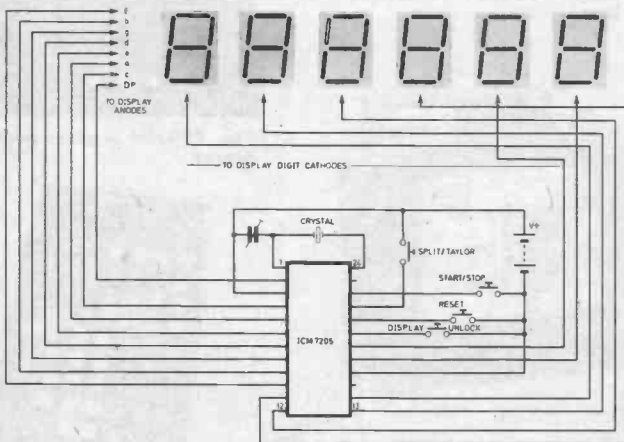
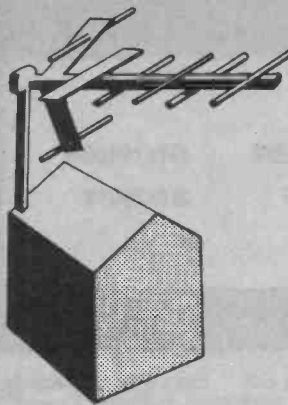


Fig. 1. The ICM7205 as a full-function stopwatch



# HEDA

## SHOW REPORT

By G.C. ARNOLD

**H**EDA—the International Home Electronics and Domestic Appliances Exhibition—was the second big electronics and electricals show to be staged at the new Birmingham National Exhibition Centre. It was open to trade visitors only from May 23–27, but the home electronics section carried on under the name Sound and Vision '76, open to the public from May 28–31.

### TELEVISION

Developments in television were principally in two fields, remote control and teletext reception. Cordless, ultrasonic remote-controlled receivers were displayed by amongst others Rank Radio International (Bush), Thorn Consumer Electronics (Ferguson), Tandberg, Roberts Video, Telefunken and ITT. All of these provide channel selection and most also allow sound muting or volume control from the comfort of your armchair.

Also on some ITT sets is a button called Ideal Colour—otherwise known as a "Granny Button". When pressed, this returns the display to predetermined levels of colour and contrast, regardless of control settings—very helpful for those who are baffled by the multiplicity of controls on a colour TV receiver. On ITT's latest models, this feature is extended even further by the addition of a photo-electric cell which adjusts the Ideal Colour levels to compensate for changes in room brightness.

### TELETEXT

On the teletext front, several manufacturers were showing experimental receivers, and there were also comprehensive exhibits on the BBC and IBA stands. The question mark which has been poised over the future of the teletext services has to a large extent been removed by the recent BBC decision to make a continuing financial provision for the Ceefax service. In fact, a second service, providing a second magazine, was inaugurated on BBC 2 on the HEDA Exhibition opening day.

Two manufacturers have demonstrated their faith in the future of teletext by announcing launch dates for production models of a complete teletext receiver and an add-on adaptor. The receiver, to be sold under the Bush marque, is due to go into production at Rank's Plymouth factory during August. Price for a 22 inch model with full cordless remote control will be about £1,100.

The add-on adaptor comes from Labgear, part of the Pye group, and provides all normal teletext facilities without need of any internal connections or modifications to the TV receiver. The adaptor, which makes use of TIFAX I.s.i. decoder circuits from Texas Instruments, fits into the lead between the aerial and any standard 625-line set, colour or monochrome. The unit is expected to be on sale in 1977 at a price in the region of £200.

### VIEWDATA

Viewdata, the Post Office system for displaying information on TV receivers, was being shown on several setmakers' stands and also on the

*The Labgear Teletext Adaptor in operation*



Post Office Telecommunications stand. Here, two Viewdata terminals were on view, one based on a domestic television receiver and the other a prototype specially designed for office use and known as "View-dataphone". The Viewdata system is now undergoing pilot trials, a full public trial period is planned to commence in the autumn of 1977.

### SOUND

In the hi-fi department there seemed to be little that was really new; generally it was a case of "bigger, better and more features". Telefunken were introducing their TRX2000 AM/FM 4-channel receiver. A digital read-out is included which displays tuned frequency on radio, or otherwise operates as a 24-hour clock. Providing 50W r.m.s. per channel, and with enough knobs and dials to satisfy the most demanding, the TRX2000 incorporates an SQ-matrix decoder. Price is yet to be announced.

From Bib Hi-Fi Accessories Limited comes a natty little instrument called a Cassette Opener. Made of tempered steel and spring operated, this opens welded cassettes safely in seconds. Price including VAT is 48p.

### FIGURES

Coming finally to calculators, CBM Business Machines Limited announced the first of their new range of third generation scientific calculators. This one, the Commodore Statistician, offers a wide range of pre-programmed functions for the statistician, plus all the usual mathematical and trig functions. The display handles a ten digit mantissa and two digit exponent and signs for each. Price is £99.95 including mains adaptor/charger.



*The TRX2000 receiver from Telefunken*



*The CBM Statistician calculator*

Get a great deal from

# Marshall's

Call in and see us 9-5.30 Mon-Fri 9-5.00 Sat

Trade and export enquiries welcome

A Marshall (London) Ltd Dept: PE  
40/42 Cricklewood Broadway London NW2 3ET  
Tel: 01-452 0161/2 Telex: 21492  
Tel: 041-332 4133  
& 1 Straits Parade Fishponds Bristol BS16 2LX  
Tel: 0272-654201/2  
& 27 Rue Danton Issy Les Moulineaux  
Paris 92

Catalogue price 40p (30p to callers)

## TOP 500 SEMICONDUCTORS FROM THE LARGEST RANGE IN THE U.K.

All devices manufacturers branded stock

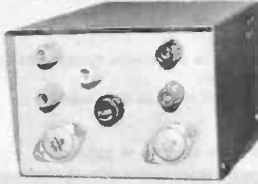
2N456	1-40	2N2926	0-13	2N4922	0-85	AD161	1-70	BC183	0-11	BF152	0-25	CA3130	0-88	NE561	4-48
2N456A	1-54	Green	0-13	2N4923	0-70	AD162	1-70	BC183L	0-14	BF153	0-25	LM301A	0-47	NE565A	1-30
2N457A	1-70	Yellow	0-13	2N5190	0-70	AF106	1-40	BC184	0-12	BF154	0-25	LM308N	1-32	OC28	2-00
2N490	4-60	Orange	0-13	2N5191	0-80	AF114	0-65	BC208	0-10	BF159	0-35	LM309K	1-80	OC45	1-50
2N491	5-00	2N3053	0-25	2N5192	1-00	AF115	0-65	BC212	0-14	BF160	0-30	LM380	0-88	OC71	0-75
2N492	5-75	2N3054	0-50	2N5195	1-10	AF116	0-65	BC212L	0-14	BF166	0-40	LM381AN	2-07	OC72	0-45
2N493	5-98	2N3055	0-85	2N5245	0-29	AF117	0-65	BC214L	0-17	BF170	0-45	LM702C	0-75	OC83	0-50
2N696	0-25	2N3390	0-37	2N5254	0-35	AF118	0-65	BC237	0-17	BF172	0-45	LM709	0-88	ORP12	0-60
2N697	0-16	2N3391	0-34	2N5285	0-40	AF124	0-65	BC238	0-12	BF178	0-45	LM730	0-88	RS3	1-80
2N698	0-82	2N3392	0-14	2N5296	0-36	AF125	0-65	BC239	0-16	BF179	0-48	LM747CN	0-78	SL611C	2-35
2N699	0-55	2N3393	0-15	2N5298	0-40	AF126	0-65	BC251	0-15	BF180	0-36	LM723C	0-60	SL612C	2-35
2N702	0-12	2N3394	0-15	2N5459	0-29	AF127	0-65	BC253	0-22	BF181	0-36	LM741	0-88	SL620C	3-50
2N708	0-21	2N3402	0-30	2N5458	0-26	AF139	0-69	BC257	0-17	BF182	0-35	TO99	0-38	SL621C	3-50
2N709	0-50	2N3415	0-17	2N5492	0-42	AF200	0-70	BC258	0-17	BF183	0-35	8D1L	0-35	SL623	5-75
2N711	0-55	2N3416	0-23	2N5494	0-45	AF239	0-74	BC261	0-21	BF185	0-30	14D1L	0-40	SL640C	4-00
2N718	0-22	2N3417	0-27	2N5496	0-40	AF240	0-80	BC262	0-19	BF189	0-12	LM747CN	0-78	SL641C	4-00
2N718A	0-40	2N3440	0-57	2N5777	0-45	AF279	0-80	BC263	0-30	BF195	0-11	8D1L	0-44	SN76033N	2-30
2N720	0-69	2N3441	0-78	2N8027	0-45	AF280	0-85	BC300	0-45	BF196	0-13	14D1L	0-41	SN76033N-1	1-45
2N714	0-22	2N3442	0-22	AL102	1-50	BC301	0-45	BC302	0-40	BF197	0-14	LM7805P	1-99	SN76033N-2	2-50
2N716	0-43	2N3638	0-16	3N139	1-50	BC302	0-40	BC303	0-60	BF200	0-29	LM7815P	1-99	TA300	2-67
2N718	0-34	2N3638A	0-16	3N140	0-85	BC107	0-14	BC303	0-60	BF200	0-29	LM7824P	1-99	TA305	2-48
2N729	0-25	2N3639	0-30	3N141	0-85	BC108	0-12	BC307	0-20	BF225J	0-25	MC1303	1-44	TA650	0-60
2N730	0-26	2N3641	0-20	3N200	2-60	BC109	0-15	BC308A	0-18	BF244	0-35	MC1310	1-91	TA6611C	2-25
2N1302	0-37	2N3702	0-17	40361	0-48	BC113	0-17	BC309C	0-25	BF245	0-74	MC1330P	0-75	TA6621	2-15
2N1303	0-45	2N3703	0-13	40362	0-48	BC115	0-19	BC318	0-13	BF246	0-74	MC1351P	0-87	TA6641B	2-50
2N1304	0-40	2N3764	0-15	40363	1-00	BC116	0-18	BC318	0-13	BF255	0-37	MC1352P	0-87	TA6641B	2-50
2N1305	0-40	2N3705	0-15	40369	0-60	BC116A	0-20	BC337	0-19	BF255	0-37	MC1466L	3-95	TA6651	1-80
2N1306	0-31	2N3706	0-14	40394	1-20	BC117	0-22	BC338	0-21	BF257	0-37	MC1469R	2-50	TA6800	1-19
2N1307	0-30	2N3707	0-18	40395	0-48	BC118	0-16	BC547	0-12	BF258	0-49	ME0402	0-20	TA6810	1-28
2N1308	0-30	2N3708	0-14	40406	0-48	BC119	0-30	BC548	0-10	BF259	0-49	ME0404	0-15	TA6820	1-20
2N1309	0-60	2N3709	0-15	40407	0-36	BC121	0-25	BC549	0-13	BF273	0-24	ME0412	0-20	TEA320	2-90
2N1671	1-80	2N3710	0-14	40408	0-50	BC122	0-45	BC549	0-13	BF273	0-24	ME0412	0-20	TL220	0-30
2N1671A	1-92	2N3711	0-15	40409	0-55	BC126	0-25	BCY31	1-06	BF521A	1-06	ME4102	0-10	TL220	0-30
2N1671B	2-12	2N3712	1-20	40410	0-55	BC132	0-30	BCY32	1-18	BF528	1-04	ME4102	0-10	TL220	0-30
2N1711	0-27	2N3713	2-30	40411	2-30	BC134	0-15	BCY33	0-90	BF561	0-30	ME4104	0-10	TP129A	0-50
2N1707	0-47	2N3714	2-45	40594	0-75	BC135	0-15	BCY34	0-88	BF568	0-27	MJ481	1-05	TP129C	0-75
2N1202	0-60	2N3715	2-60	40595	0-85	BC136	0-19	BCY36	2-00	BFX29	0-36	MJ481	1-65	TP130A	0-80
2N1247	1-40	2N3716	2-60	40601	0-70	BC137	0-15	BCY37	0-38	BFX30	0-38	MJ490	1-05	TP130C	0-85
2N1248	1-85	2N3717	1-60	40602	0-50	BC140	0-60	BCY58	0-55	BFX84	0-48	MJ491	1-55	TP131A	0-82
2N1260	1-10	2N3772	1-70	40603	0-60	BC141	0-65	BCY59	0-32	BFX85	0-41	MJ2955	1-00	TP131C	0-85
2N218A	0-47	2N3773	2-65	40604	0-60	BC142	0-30	BCY70	0-25	BFX87	0-35	MJE340	0-58	TP132A	1-75
2N219	0-42	2N3789	2-60	40636	1-15	BC143	0-30	BCY71	0-28	BFX88	0-32	MJE2955	1-25	TP132C	1-00
2N2219A	0-52	2N3790	2-75	40673	0-73	BC147	0-10	BCY72	0-24	BFX89	0-35	MJE3055	0-75	TP133A	1-00
2N220	0-35	2N3791	2-75	AC126	0-37	BC148	0-10	BD115	1-20	BFY50	0-30	MJE370	0-68	TP133C	1-45
2N221	0-22	2N3792	2-80	AC127	0-44	BC149	-0-13	BD116	1-20	BFY51	0-28	MJE371	0-81	TP134A	1-50
2N221A	0-26	2N3794	0-26	AC128	0-37	BC153	-0-27	BD121	2-00	BFY52	0-36	MJE520	0-65	TP134C	1-70
2N222	0-25	2N3819	0-26	AC151V	0-35	BC154	-0-27	BD123	2-00	BFY53	0-34	MJE521	0-75	TP135A	1-50
2N2368	0-17	2N3820	0-29	AC152V	0-50	BC157	-0-12	BD124	2-00	BFY90	1-27	MP8111	0-35	TP136A	3-35
2N2369	0-25	2N3823	0-81	AC153	0-40	BC158	-0-11	BD131	0-51	BRV39	0-50	MP8112	0-40	TP141A	0-70
2N2369A	0-21	2N3904	0-21	AC153K	0-42	BC160	0-78	BD132	0-54	BSX20	0-31	MP8113	0-45	TP141C	1-00
2N2646	0-55	2N3906	0-22	AC154	0-45	BC167B	-0-12	BD135	0-34	BSX21	0-32	MPS102	0-30	TP142A	0-90
2N2647	1-10	2N4037	0-55	AC176	0-40	BC168B	-0-12	BD136	0-36	BU105	0-30	MPSA05	0-40	TP142C	1-80
2N2904	0-37	2N4038	0-20	AC176K	0-45	BC168C	-0-12	BD137	0-36	BU205	0-20	MPSA06	0-20	TP12955	1-50
2N2905	0-37	2N4039	0-20	AC187K	0-45	BC169B	-0-12	BD138	0-39	CI06D	0-85	MPSA10	0-20	TP13055	0-50
2N2905A	0-35	2N4061	0-17	AC188	0-42	BC170A	-0-14	BD139	0-42	CA302A	1-80	MPSA55	0-20	TIS43	0-15
2N2906	0-28	2N4062	0-18	AD142	0-65	BC172	-0-12	BD140	0-45	CA302B	1-85	MPSA56	0-20	ZTX300	0-30
2N2906A	0-25	2N4126	0-17	AD143	0-75	BC177	-0-19	BD141	0-45	CA303	0-85	MPSU05	0-40	ZTX301	0-30
2N2907	0-21	2N4289	0-30	AD149	0-74	BC178	-0-18	BD150	0-35	CA3046	0-73	MPSU06	0-40	ZTX302	0-20
2N2907A	0-22	2N4319	0-85	AD150	1-20	BC179	-0-21	BDY20	1-13	CA3048	2-15	MPSU55	0-45	ZTX500	0-15
2N2924	0-15	2N4920	0-80	AD161	0-75	BC182	0-11	BF115	0-38	CA3052	1-82	MPSU56	0-45	ZTX501	0-15
2N2925	0-17	2N4921	0-60	AD162	0-75	BC182L	0-14	BF117	0-70	CA3080A	1-10	NE555V	0-48	ZTX502	0-18
								BF123	0-55	CA3090C	4-25	NE560	1-38	ZTX530	0-22
														ZTX531	0-23

NE561	4-48
NE565A	1-30
OC28	2-00
OC35	1-50
OC42	5-00
OC45	0-75
OC71	0-45
OC72	0-45
OC81	1-75
OC83	0-50
ORP12	0-60
RS3	1-80
SL414A	2-35
SL610C	2-35
SL611C	2-35
SL612C	2-35
SL620C	3-50
SL621C	3-50
SL623	5-75
SL640C	4-00
SL641C	4-00
SN76033N	2-30
SN76033N-1	1-45
SN76033N-2	2-50
TA300	2-67
TA305	2-48
TA650	0-60
TA6611C	2-25
TA6621	2-15
TA6641B	2-50
TA6641B	2-50
TA6651	1-80
TA6800	1-19
TA6810	1-28
TA6820	1-20
TEA320	2-90
TL220	0-30
TP129A	0-50
TP129C	0-75
TP130A	0-80
TP130C	0-85
TP131A	0-82
TP131C	0-85
TP132A	1-75
TP132C	1-00
TP133A	1-00
TP133C	1-45
TP134A	1-50
TP134C	1-70
TP135A	1-50
TP136A	3-35
TP141A	0-70
TP141C	1-00
TP142A	0-90
TP142C	1-80
TP12955	1-50
TP13055	0-50
TIS43	0-15
ZTX300	0-30
ZTX301	0-30
ZTX302	0-20
ZTX500	0-15
ZTX501	0-15
ZTX502	0-18
ZTX530	0-22
ZTX531	0-23

**NEW RANGE TOOLS—HIGH QUALITY MINIATURE ELECTRONIC PLIERS INSULATED HANDLES**  
Round nose box joint 4in long £2.50  
Diagonal cutters box joint 4in long £2.80  
Flat nose box joint 4in long £2.40  
Snipe nose box joint 4in long £2.40  
Desoldering tool £5.00

**P.C. MARKER PEN DALO 33PC, 87p.**  
ZENER DIODES 400MW 11p, 1W 17p, 2-5W 35p.  
IC SOCKETS 8 DIL 14p, 14 DIL 15p, 16 DIL 16p.  
RESISTORS 1/4W 2p (100 per value £1.30); 1/2W 3p (100 per value £2.00)  
SCORPIO CAR IGNITION KIT £12.95  
JUMBO SEGMENT DISPLAYS £2.  
DL 707 £1.75.  
MINITOR £1.50.  
LEDs Red, green and yellow, 0.2in dia. 24p.

## INVERTORS



240v-50Hz from your 12v car battery.

25 watt—£4.75	300 watt (24v)—£26.45
40 watt—£8.27	400 watt (12v)—£39.05
75 watt—£12.03	500 watt (24v)—£48.18
150 watt—£21.27	1kW (50v)—£127.00
300 watt (12v)—£33.03	1.5kW (110v)—£140.00

All above invertors are in kit form but may be purchased built up in metal case & ready for use. Price list sent on receipt of s.a.e. Prices include post & packing.

### P.W. AUTOMATIC EMERGENCY SUPPLY

240v-50Hz-150 watt inverter with built in battery charger. In event of power failure switches over automatically from battery charging to inverter operation. Cct. as appeared in Dec. 72 P.W. Complete kit of parts (excluding meter) £24.50 + £1.70p. & p.

**FLUORESCENT LIGHT INVERTOR KIT**  
8 watt-12v-Fluorescent light, suitable for tents, caravans, houses, boats & secondary lighting for factories, hotels, etc.

12"-8 watt—£3.90 + 35p p. & p. Built up—£4.90 + 35p p. & p.  
21"-13 watt—£4.20 + 52p p. & p. Built up—£5.80 + 52p p. & p.

### TRANSFORMERS & COILS

Both high volume & small order capacity available.

Special offer. Miniature mains transformer 6-0-6v-6V.A.—\$5p plus 10p p. & p.

TRADE & EXPORT ENQUIRIES WELCOMED

## P.E. ORION STEREO AMPLIFIER



20 + 20 Watts r.m.s. into 8 ohm load. Distortion less than 0.01% 100Hz-10kHz. Frequency response  $\pm$  1dB 20 Hz to 20 kHz. Hum level virtually nil with volume full on.

This is a power amplifier of superb quality incorporating the very latest design features. Professional hi-fi enthusiasts have classed it as fantastic and real value for money. The CCT incorporates a low flux transformer and inputs for disc, tape, tuner, etc.

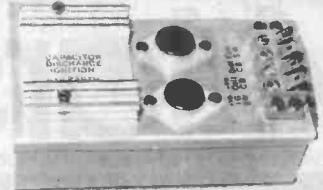
Complete kit of parts including slim line bookend case, silk screened front panel & knobs. £47.30 incl. VAT & p. & p.

The bookend case, I.C.s & semiconductors, P.C. board, Transformer, etc. may be purchased separately if desired. Send S.A.E. for further information

### INSTRUMENT CASES

Bookend Amplifier and attractive styled Instrument Cases available. Send S. and A. envelope for Price List.

## ASTRO IGNITION



### ASTRO IGNITION SYSTEM

Complete kit of parts for this proven and tested system £10.45 incl. VAT. Ready built with only two connections to alter £13.75 incl. VAT. Thousands have used this system both home and abroad. Consider these *advantages* more power, faster acceleration, fuel economy, excellent cold starting, smoother running, no contact breaker burning. Also because of the high energy spark, the fuel mixture can be made weaker giving further economy and fewer plug problems. Fitting time when built 5 minutes approx. Please state whether positive or negative earth. Trade and export enquiries welcomed.

### ASTRO ELECTRONICS

Spring Bank Road, West Park  
Chesterfield.

## PRECISION PETITE LTD.

119a HIGH STREET, TEDDINGTON, MIDDX. TEL. 01-977 0878.

Now with the

## • NEW Mk. II DRILL •

10,000 r.p.m., 120 cmg.

**"MORE  
POWER—  
MORE  
TORQUE"**

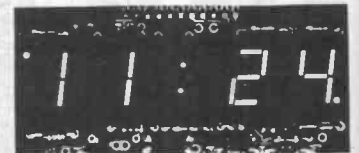
12v.—14v. DC

**DRILL ONLY £8.00**  
(P.P. 35p)

**STAND £4.00**  
(P.P. 35p)  
Including VAT

(Together 50p P.P.)

S.A.E. for illustrated leaflet  
and order form



MA1002F Alarm 12 Hour  
OR  
MA1002H Alarm 24 Hour  
With transformer and Vero  
case

**£12.50**

inclusive.

Only switches and earpiece  
for tone alarm required  
to make a four digit alarm  
clock.

## BYWOOD

68 Ebbens Road,  
Hemel Hempstead,  
Herts HP3 9QRA

VAT: All prices  
exclude VAT (8%)  
P/P: 15p

TEL: 0442 62757



# PATENTS REVIEW...

## COLLARED

A dog collar which emits a signal when the dog has been away from the owner for greater than a preset length of time, and is thus regarded as being lost, is described in a patent (BP 1 418 680) taken out by Herbert, Enid and Mary Corbin together with Mary Nicholas.

The circuit, built in a small box mounted on the collar (Fig. 1), includes a field effect transistor with source and drain electrodes connected, via R2, across the supply and the gate connected to VR1 and S1b. The drain is also connected to a Darlington pair, TR2 and 3, which switches the multivibrator, TR4 and 5, and causes the lamp LP1 to flash. The timing of the multivibrator is determined by C2 and R5.

Before the start of a dog walk the owner closes S2 and S1 to charge C7. The gate and source electrodes of TR1 settle at the same potential, the Darlington conducts and power is supplied to the multivibrator and LP1 flashes on and off.

As the walk commences S1 is switched back to the position in Fig. 1 and C1 begins to discharge, applying a voltage between the f.e.t. gate and source causing it to cease conduction and LP1 to be extinguished. After a predetermined time, set by VR1, the

capacitor C1 has discharged to such a value that the voltage across the gate and source of TR1 is reduced sufficiently to allow conduction to commence again. TR2 and 3 again become conductive and LP1 begins to flash.

The lamp will generally be arranged behind a translucent panel carrying the legend "I am Lost" or similar wording.

## VOICE BOX

There have recently been granted several patents for gadgetry to help would be singers join in with a record in their own homes. In BP 1 427 607, the Sony Corporation, of Tokyo, Japan, patents a sophisticated system of artificially improving the quality of the amateur singer's voice, to make it resemble the sound of a voice recorded in a professional studio.

As shown in Fig. 1, the stereo record player feeds left and right signals through a conventional audio train to left and right loudspeakers. The singer "sings along" into the microphone, Mic. 1, and the signal is amplified and fed direct into a mixer to blend with the left-hand channel sound. But the signal is also fed to an "effects circuit, which adds delay and vibrato to the voice before blending it in the right channel mixer.

## BP 1 427 607

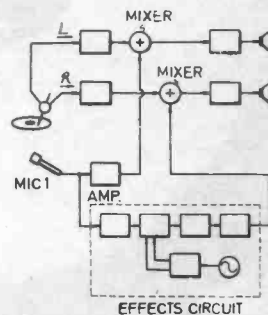


Fig. 1.

The effects circuit includes variable delay, in which the microphone signal is delayed and frequency modulated. This is achieved by using a bucket-brigade device (BBD) in which a series of f.e.t.s are provided with capacitors connected between their source and gate electrodes.

The gate electrodes of the odd-numbered f.e.t.s are connected to a first clock pulse input terminal, and the gate electrodes of the even numbered f.e.t.s are connected to a second clock pulse input terminal. The clock oscillator produces first and second clock pulses which are shifted in phase by 180° relative to each other and applied to the terminals.

The resultant alternate switching of the f.e.t.s causes the charge stored in the first capacitor to be shifted through the capacitor chain. As a result, delayed signals are delivered at the output terminal. The order of delay time envisaged is a few tens of milliseconds, this time being made variable by making the oscillator an astable multivibrator.

In one alternative embodiment, the delayed voice signal is fed to both stereo channels. A further interesting suggestion is a matrix differencing circuit used to eliminate the centre-front (in-phase, equal amplitude) content of the professionally recorded stereo pair and permit its replacement by the injected delay signal.

Most professional recordings place the lead singer centre-front, so this technique enables the amateur singer to replace the professional at sound centre stage.

## BP 1 418 680

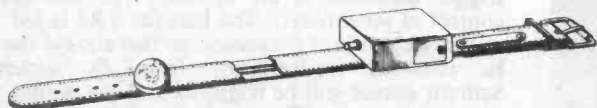
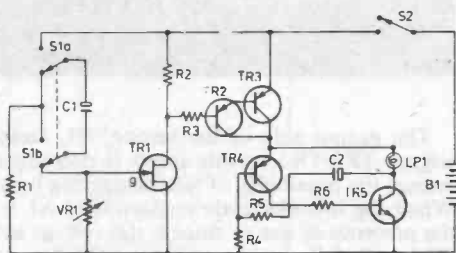
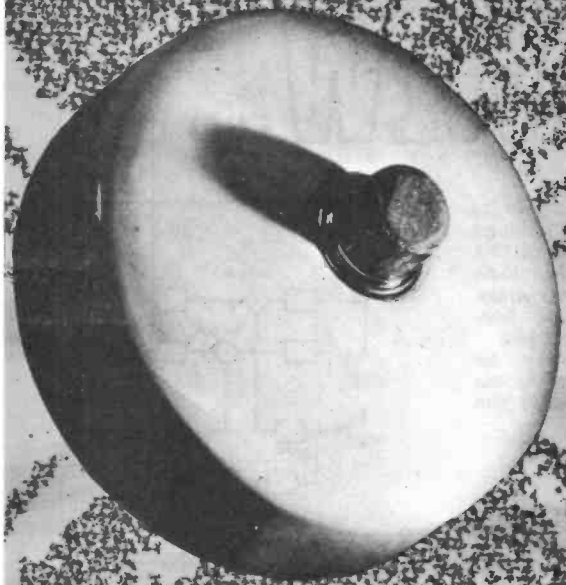


Fig. 1.

Copies of Patents can be obtained from the Patent Office Sales, St. Mary Cray, Orpington, Kent Price 75p each



# Gas/Smoke DETECTOR

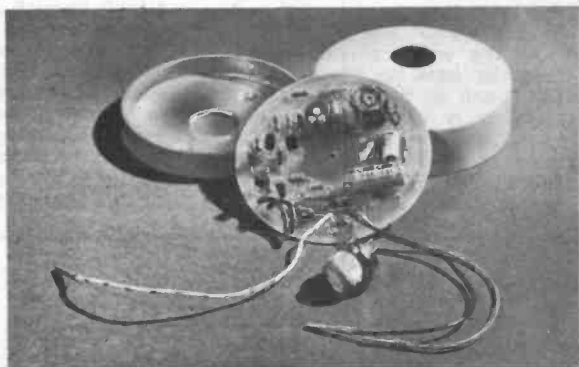
By M. D. PAGE

**T**HIS unit is designed to monitor the level of gas or smoke concentration in an enclosed space, and to operate an external warning device (e.g. lamp or siren) when a predetermined threshold is exceeded. The sensing device is a thermal gas sensor, whose operation was described in detail in *Practical Electronics*, September 1973 (back copies are not available). Briefly, it consists of two electrodes encapsulated in a bead of doped semiconductor material, one of the electrodes acting as a heater. In the presence of oxygen, a high resistance of some 10–50k $\Omega$  exists between the electrodes. In contact with a deoxidising gas or vapour, ionic action increases the number of free electrons in the material, and the interelectrode resistance falls to about 1k $\Omega$ . A flash-proof wire mesh shield surrounds the device, also helping to reduce the cooling effects of draughts.

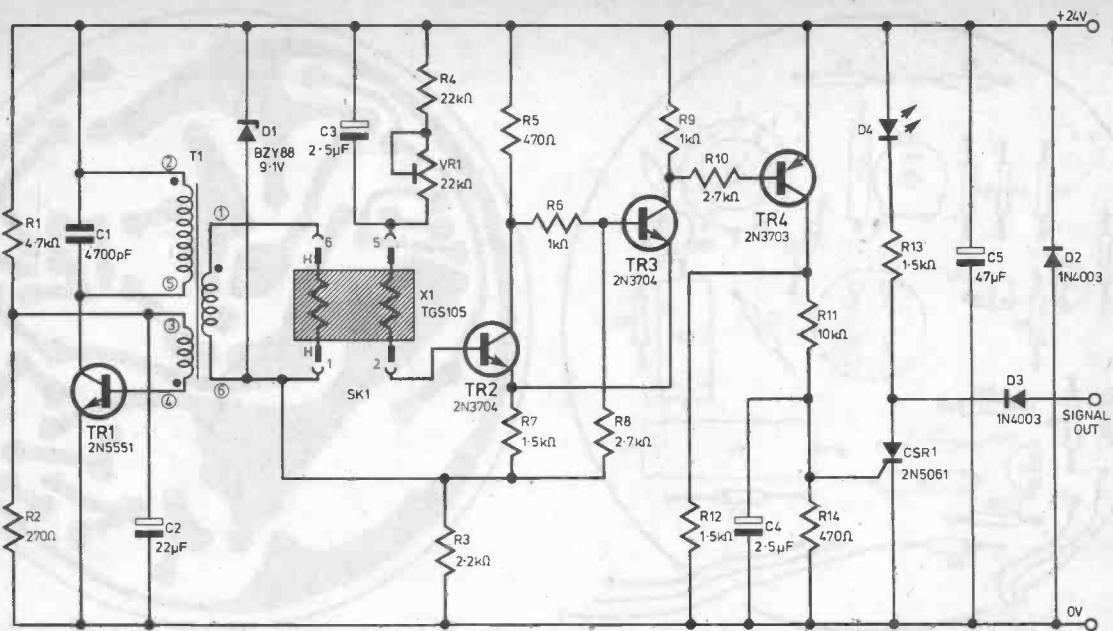
The particular sensor used in this design is the TGS105 made by Figaro Engineering. This was chosen for its fast warm-up time of 1½ minutes, fast response and fast decontamination. It does not respond to steam or dust. Connections are by four pins which are arranged so that the sensor may be mounted in a B7G valve base.

## CIRCUIT DESCRIPTION

The thermal gas sensor requires a heater supply of 1 volt at 600mA which is supplied by a high efficiency sine-wave inverter TR1/T1 (see Fig. 1). Transistor TR1 and C1 have to withstand a voltage several times that of the supply line due to the inductive effects of transformer T1. Therefore C1 should be a good quality, high voltage capacitor, and TR1 the quoted specially chosen high voltage device, though these are less critical for the 12V version. Base bias for TR1 is provided by R1, R2 and decoupled by C2.



The output side of the sensor, X1, feeds a Schmitt trigger TR2/TR3, whose input is decoupled by C3 to reduce the possibility of false triggering by noise spikes. When the interelectrode resistance of X1 is reduced in the presence of gas or smoke, the voltage at the base of TR2 will fall due to potential divider action. The trigger threshold is set by R4/VR1, thus providing control of sensitivity. The bias for TR2 is fed via the output electrode of the sensor, so that should the sensor be removed inadvertently from its socket, the Schmitt circuit will be triggered and the output will go to the alarm state. The unit is thus fail-safe under these conditions, though TR1 may be damaged as a result of the oscillator output being unloaded.



**Fig. 1. Circuit diagram for the Gas/Smoke detector.**  
See components list for changes in 12V version

## COMPONENTS . . .

The output of the Schmitt trigger is taken to TR4 which acts as a driver stage for a miniature thyristor CSR1. The network R11, R14, C4 is for decoupling. When fired, CSR1 completes the circuit to the 0V rail for the external load (which will normally be a relay) and also for the local l.e.d. indicator, D4 with its associated dropping resistor R13. The l.e.d. is included so that when several units are used in an installation, the particular unit which has triggered may be identified. The diode D3 is to isolate the output when units are paralleled.

### Resistors

†R1	4.7kΩ	R5	470Ω	R9	1kΩ	R13	1.5kΩ
†R2	270Ω	R6	1kΩ	R10	2.7kΩ	R14	470Ω
†R3	2.2kΩ	R7	1.5kΩ	R11	10kΩ		
R4	22kΩ	R8	2.7kΩ	R12	1.5kΩ		

All resistors 5% ¼W

†For 12V version, R1 1.5kΩ, R2 120Ω, R3 330Ω

### Potentiometer

VR1 22kΩ miniature horizontal preset

### Capacitors

C1	4,700pF	100V d.c. ceramic
C2	22µF	10V elect.
C3, C4	2.5µF	16V elect. (2 off)
C5	47µF	35V elect.

### Semiconductors

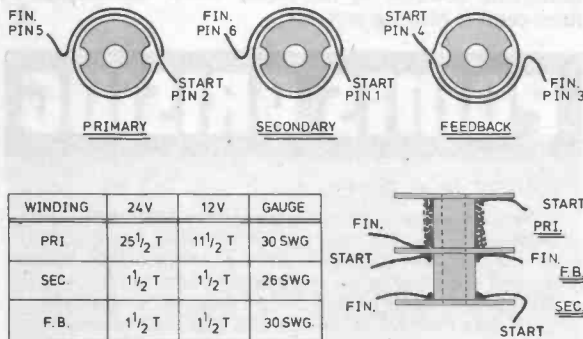
*TR1	2N5551 (Motorola) or ZTX341/342 (Ferranti)
TR2, TR3	2N3704 (2 off)
TR4	2N3703
D1	BZX83 or BZY88 9.1V Zener
D2, D3	1N4003 (2 off)
D4	Min l.e.d. (¼in)
CSR1	2N5061

### Inductor

T1 Pot core transformer using Siemens components:  
Coil former, 2-section Polyacetal GV B65542-A0000-H002  
Pot core, 14 × 8 Siemens Matf. N28 B65541-K025-A028  
P.C.B. mounting assembly (6-pin) B65545-A0010-X000  
For winding details see Fig. 2

### Miscellaneous

\*X1 Sensor, Figaro TGS105  
SK1 B7G valveholder (pins 3, 4 and 7 removed)  
P.C.B. and housing.  
\* These items are available from P.H. Electronics Ltd., Sandwich Industrial Estate, Sandwich, Kent.



**Fig. 2. Winding details for T1**

The supply lines are decoupled by C5, and the circuit protected from damage due to supply polarity reversal by D2. The Schmitt trigger is provided with its own stabilised nine volt supply by D1 and R3, again to provide immunity to supply line fluctuations.

## COMPONENTS

As mentioned above, several of the components around the sine-wave inverter are rather critical, and the types specified in the components list should be adhered to. Winding details for T1 are given in Fig. 2 and the associated table. The printed board layout is shown in Fig. 3.

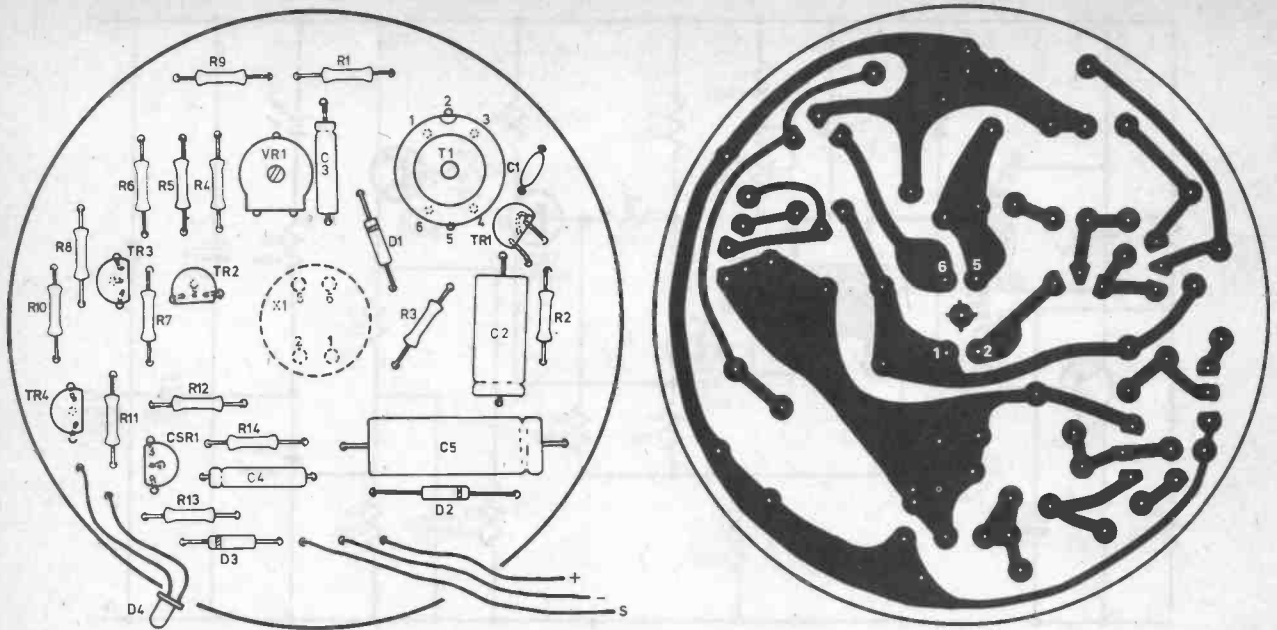


Fig. 3. Component layout and printed circuit board master

## APPLICATIONS

The unit has only three external connections and thus lends itself to an installation using standard three-core mains lead for the wiring. Many units can be wired in parallel. The thyristor specified has a maximum rating of 800mA, and is capable of driving a low power 24V or 12V lamp, or a relay to control higher powered or mains voltage equipment. Care should be taken not to short the output lead to the positive supply rail as this will result in a blown thyristor.

Intending constructors should note that the 24V version has proved to be more reliable in operation,

and is to be preferred where a choice of supplies is available. The total quiescent current consumption is only 45mA on 24V and 90mA on 12V. A cable size of 16/0.2mm (14/0.0076in) should be adequate for runs up to 30m (100ft) on 24V or half this distance on 12V. For reliable operation, the power supply voltage should be maintained within  $\pm 10\%$  of the nominal value.

The unit will find uses in the home, boat or caravan as a fire alarm, gas detector, and also as a carbon monoxide detector in the boiler house of oil or gas fired central heating systems. ★

## POINTS ARISING

### SHOOT (April 1976)

Several readers have reported that their game produces a circulating chain of illuminated l.e.d.s, instead of the pattern described in the article. This would appear to be due to the track break under the top end of R14 (Fig. 2, p. 320) having been missed, so applying a permanent +5.5V to pin 8 of IC3 and thus to one input of IC4a.

### DIGITAL FREQUENCY METER (May 1976)

In the circuit diagram on page 378, the pin connections for IC1 pins 1 and 14 should be transposed (i.e. pin 14 should be connected to GND line).

### P.E. DIGI-PROBE (April 1976)

In Fig. 7, page 292, the component below R3 should be annotated D1. Also, diode D3 anode should be connected to the junction of R3 and D2 (i.e. strip above).

There should be a link from IC2/P11 to IC3/P3. The link from pin 7 to 8 of IC3 should be moved at the right-hand end to allow a break between IC3/P8 and C1 negative (and IC3/P7 via above link).

There should be a link from the negative end of C1 to TR3 emitter



Copper side of board showing mounting of the BT6 (SK1) valveholder base

# CITIZENS' BAND...



## The Pros and Cons By P. HAWKER

**A**NYONE who has crossed the Atlantic recently can confirm the tremendous upsurge in the use being made of the 27MHz Citizens' Band two-way radio in the United States and the corresponding "General Radio Service" in Canada. Or again, in some countries in Europe, including the Federal German Republic, CB operation is legally established; in others it is, in effect, tolerated.

It would be contrary to our curious Wireless Telegraphy Acts for me to describe what anyone in the U.K. can hear on 27MHz whenever "Sporadic E" conditions prevail, since none of those many, many stations are either "authorised broadcasting stations for general reception" or "licensed amateur stations".

Six million U.S. citizens—including innumerable long-distance lorry drivers and ordinary motorists—have two-way radios in their vehicles as an interactive traffic information service; others have "base" units in their homes or offices to talk to the drivers or to one another. Countless others use compact two-way hand-held transceivers which, if the output power is less than 100mW, do not even require registering.

### New Language

A whole new communications industry has been created; a new colourful jargon of CB slang has emerged and one finds, among many other publications for the CBers, "slanguage" dictionaries running into hundreds of pages. The radio shops, department stores, discount houses and auto-suppliers feature CB equipment under the brand names of Regency, Lafayette, Johnson, Panasonic, Sony, Craig, Pace, Radio Shack, Hallicrafters, Cobra, etc. Many equipments are for single-sideband (s.s.b.) operation with synthesiser systems for channel switching, fully as modern in concept and design as current professional and amateur radio equipment, often costing several hundred dollars.

Some of the equipment is made in the United States where even television factories are being converted for CB production; much of it comes

from Japan. Amateur radio enthusiasts complain of the shortage of crystals and components diverted to CB; a new outlet for technicians—servicing CB radio—is blossoming. CB pop songs have made the hit parade. Everyone seems to want a CB radio; some of them are even prepared to acquire a licence to operate!

Is it all a transient craze that, like the yo-yo and the hula hoop, erupts across a nation for a few months or a few years, only to fade away? Or is the present popularity a genuine reflection of the pent-up demand for, and usefulness of, a low-cost (or relatively low-cost) communications facility of an inherently different nature to the orthodox "business radio" service and the long-established amateur radio service?

Then again there is the possibility that the frequencies assigned to CBers will become so congested that effective communications, even at short range, may become virtually impossible so that the whole system could collapse under its own popularity.

There is no provision for authorised CB operation in the United Kingdom. Indeed, under Section 7 of the Wireless Telegraphy Act, 1968, the licensing authority (nowadays this is the Radio Regulatory Division of the Home Office) has specifically prohibited the import or manufacture of such equipment.

Until that Act was passed, CB equipment was widely offered for sale in the U.K. and possibly up to almost 100,000 small hand-held units, mostly from Japan, were sold. Many still exist, and recently such units seem to be reappearing in the shops; certainly they can be bought over the counter in many European countries. But few of the more elaborate base and vehicle s.s.b. units have been seen here.

### How CB developed

Why has CB boomed in some countries while severely frowned upon and harassed in others? Should two-way radio communication be freely available to the ordinary citizen without formality?

To examine such questions it is necessary to go back almost 30 years to the beginnings of the "Citizens' Radio Service", inaugurated in the U.S.A. in 1947 to provide two-way radio for the private citizen in the conduct of his personal affairs or business activities. The FCC authorised this service to use frequencies from 460 to 470MHz, at powers up to 50W. At that time 460MHz was a virtually unexploited band, at least for such applications as land mobile communications.

There was no early rush to take advantage of this new service, and very few firms marketed suitable u.h.f. equipment. Indeed interest remained very slight, and firmly within the United States, until 1958 when a new Class D system was established, using frequencies around 27MHz (currently 23 channels between 26.965 and 27.255MHz).

This new Class D facility quickly registered an appeal to a type of user for which the service was not originally intended, the "hobby" enthusiast; many with a largely frustrated interest in radio communication but who, for various reasons, were not prepared to study for and sit the technical and Morse examinations needed to obtain an "amateur" licence. The CB regulations were intended to discourage hobby operation, by limiting the power to 5W, restricting the height of aerials, prohibiting inter-State operation.

### CB Permit

But even with communication officially limited to around 15 miles, the CB permit seemed a far softer option than the amateur licence. Furthermore, as the American licensing authority (the Federal Communications Commission) quickly found out: it is one thing to try to tell the citizen what he should and should not do with his two-way radio; quite another matter to enforce such regulations.

It would have needed an army of inspectors, equipped with every type of surveillance equipment, to have traced the most flagrant offenders or to limit the amount of interference caused to television in urban centres.

At times of high sunspot activity 27MHz signals are effectively reflected by the F-layer of the ionosphere and bounce down at good strength hundreds and thousands of miles away. At many other times unpredictable "Sporadic E" conditions may allow communication over hundreds of miles.

Soon the number of CB permits had passed the quarter-million mark. From around 50,000 in 1959 to around a million in 1971-72. It was the energy crisis of late 1973 and the subsequent 55 m.p.h. speed limit in the U.S.A. that proved a further turning point: American long-distance truckers began using CB to help colleagues locate petrol supplies and to avoid speed traps.

### Unofficial Service

In no time an unofficial traffic information service was attracting the attention of millions of motorists. Not all the lorry drivers bothered with the formality of a licence. In 1974 a check of 36,000 vehicles revealed that 7,000 were carrying CB equipment, more than half of them unlicensed and many exceeding the power regulations.

### CBers and Radio Amateurs

The Class D Citizens' Band system fell foul of the American amateur radio movement from the outset. The 27MHz frequencies, although not internationally allocated to amateurs, had for some years been made available to them in a number of countries, including the United States. So they felt that CB had deprived them of valuable frequencies. Further, any transgressions by CBers (and there were many) were usually written up in the press as being due to "amateur" or "ham" operators, particularly when it was a matter of interference to television reception.

There was also undoubtedly a strong feeling that CBers had obtained their privileges without personal effort or training, whereas the amateur licence involves months of study. The amateurs soon noted that the so-called "5-watt" CB stations were often running at powers up to 1kW, using beam antennas and operating under virtually the same conditions as the amateurs.

It was also soon obvious that, following the introduction of Class D CB, the growth of amateur radio in the United States slowed down and for many years remained static. CB was clearly absorbing many hobby enthusiasts who might otherwise have persevered and obtained an amateur licence.

A further blow came in 1974 when the FCC proposed a new Class E CB service using frequencies in the 220MHz region that were part of an American amateur band. Again it

looked as though amateur radio would lose frequencies to CB, but strong opposition has apparently caused the FCC to think again, and Class E is at present on the shelf.

More recently the FCC has formally decreed that CB can legally be used "as a hobby or diversion", with interstate contacts and with Channel 11 designated as a national calling frequency.

Very few American amateurs can find a good word to say in favour of CB and the resentment still runs deep, despite recent attempts to patch up the quarrel.

### The International Scene

The international situation of CB was equally fraught with problems. Almost all countries throughout the world are members of the International Telecommunications Union, ITU (an agency of the United Nations), and have agreed that in assigning radio frequencies they will be bound by the "Radio Regulations"—a very formidable treaty document that carefully assigns radio frequencies to specific uses and defines the various services that may use them.

The amateur service is formally defined as "a service of self-training, intercommunication and technical investigations carried on by amateurs, that is, by duly authorised persons interested in radio technique solely with a personal aim and without pecuniary interest".

But nowhere in the current Radio Regulations is there any mention of or any definition of anything resembling a Citizens' Radio Service. What has become numerically the largest of all radio-communication services is entirely ignored, both in the Atlantic City (1947) and the Geneva (1959) Radio Regulations.

If it does not exist officially how can it be assigned any frequencies? The answer is to be found in footnotes to the ITU frequency table. Certain spot frequencies, with an agreed tolerance, have been assigned to "industrial, scientific and medical" (i.s.m.) purposes, including 27,120kHz  $\pm$  0.6%. The Radio Regulations make no attempt to define precisely what it meant by i.s.m. equipment—a low-priority communications service can presumably be regarded as an industrial use of the frequency.

Then again, there is nothing to prevent any country from allocating any frequency for any purpose it chooses if this is deemed incapable of causing interference to the services of other countries. For example, FCC could, within the terms of the Radio Regulations, allocate 220MHz to CB, but would have to ensure either that no such stations were located within range of the Canadian border or alternatively to secure the agreement of the Canadians to this variation of the ITU allocations.

The FCC are now proposing to shift the very low power hand-held transceivers to the frequency band 49.82 to 49.90MHz. It could equally decide to put CB around 40-68MHz, another of the i.s.m. spot frequencies.

There is thus still a lot of power invested in national administrations to set up CB should they wish to do so, even when bound by the Radio Regulations that appear not to recognise such a service.

### CB and the U.K.

So why no CB in the U.K.? The standard reply is that the 27MHz i.s.m. allocation is already in use for radio-paging and by many thousands of radio-control modellers—and that both these services would be seriously jeopardised by CB operation. If anyone attempted to shift CB operation into the amateur 28MHz band it would not only incur the wrath of radio amateurs throughout the world but under Radio Regulations the licensing authority would be obliged to ensure that no harmful interference could be caused to amateurs in any country outside the U.K.—a virtual impossibility with "Sporadic E" and F-layer propagation.

But it would be naive, as the American experience shows, for the Home Office to claim that no frequencies could possibly be found for CB or even for radio-controlled garage door openers. For example, large blocks of frequencies in the U.K. were reserved for military communications at a time when channel-widths were much wider than are now necessary, and when British military commitments were very different from today.

But the will would have to be there. And everything in the history of radio in the U.K. shows the reluctance of the licensing authorities, whether the Post Office or the Home Office, to extend the use of radio by the public unless gradually worn down by external pressures.

In the early 1920s they hesitated long before allowing the man-in-the-street to have "oscillating detector" receivers and delayed the start of broadcasting. In 1925 they attempted to stifle all communication overseas by radio amateurs... the list is a long one.

The Home Office is of course well aware that even low-power CB transmitters can be used for odd purposes or may cause an embarrassing amount of interference. The escape of the Russian double-agent, George Blake, from prison was facilitated by the use of illegal CB equipment. The Baker Street bank robbers of September 1971 used CB radio to their look-out man, unaware that their messages were being intercepted. Some of the smaller CB units can be used as radio "bugs".

## Amateur Opposition

The Radio Society of Great Britain as the body representing British radio amateurs, goes along with the Home Office in opposing the extension of CB to the U.K. saying: "No support can be given to the establishment of a communications band in this part of the spectrum. Reports of CB activities in the U.S.A. show gross violations of the regulations, leading in some cases to heavy fines and prison sentences. The Society has no desire to see the spread of these practices to the U.K."

The author, holder of an amateur licence for 40 years, finds it difficult to support fully this view, though recognising that amateurs have very real reasons to fear and resent some aspects of CB operation. It is easy to imagine how those with a Class B amateur licence, who have had to pass the Radio Amateurs' Examination to use frequencies above 144MHz, would resent the issue of lower-frequency CB licences on request. There is plenty of evidence that licences that are obtained without personal effort are but little respected by the hobbyist.

## Friendly Service

Yet the American Radio Relay League, the national society of American and Canadian amateurs, is currently striving to reduce tensions

between amateurs and CBers, pointing in glowing terms to some of the more socially useful aspects of CB operation and carefully distinguishing between the hobby users of CB (who the League feels should be encouraged to become amateurs) and those who simply want low-priority communications.

Even the much-publicised "Smokey Bear" warnings of police speed traps are now often tolerated and made use of rather than opposed by the American law enforcement agencies. A Channel 9 emergency service—"REACT"—exists in many areas and has been credited with useful services rendered to the public.

Sailing and power-boat enthusiasts often use CB equipment as a safety measure in circumstances where normal marine radio would be far too costly. Mountain rescue teams have made good use of CB radio.

Much of the argument for CB is philosophical. Two-way radio has been developed to the stage where it can be used by the public with only a small element of risk to others. Are we then right to deny such a service to the citizen on the grounds that it would inevitably be abused by a small minority? We do not try to deny the public access to the telephone service because a few people use it to make obscene calls.

If six million transmitters in the U.S. can be accommodated in only 23 channels and yet the public still find

it worthwhile acquiring more CB units, is there not an obligation on the U.K. licensing authorities to find some space for such a service?

The radio spectrum is a national resource but not one that is diminished by use. It is a wasting asset only if it is not well managed and fully utilised for the public good. We need to weigh the pros and cons carefully, not to argue from our prejudices.

## Good Citizen

In brief, the Home Office Radio Regulatory Division should surely be encouraged to explore how modern two-way radio systems could be extended to the public domain for such purposes as traffic information and "companionship", and for the original concept of assisting the private citizen in the conduct of his personal affairs or business activities. On the other hand there is a strong argument for firmly channelling the hobbyist into amateur radio, where he belongs, with its self-training and technical investigations, possibly by provision of temporary novice or beginner licences, but with a built-in incentive to progress to the standard licences.

Short-range two-way radio has reached the stage where the public at large can benefit by the facilities it provides—is it not time that the U.K. licensing authorities recognise this?

# NEWS BRIEFS

## New VAT Leaflet

A VAT Leaflet No. 8/76/VLA, "Higher Rate of VAT: Electrical and Electronic Components" is due to be published at the end of August. This lists recent alterations of rate and changes of interpretation as they affect components. Traders not in receipt of regular VAT bulletins can obtain a copy from their local Customs and Excise office.

## Fog Bound

THE Royal Aircraft Establishment is to research the vertical structure of fog using a new visual range monitoring equipment, MET-1, developed by Marconi Radar Systems Ltd.

Two MET-1 (Marconi Environmental Transmissometer Mk 1) equipments are to be supplied for use by RAE at Bedford and Cardington, for joint Civil Aviation Authority and Ministry of Defence experiments.

The system was developed by Marconi Radar Systems Ltd as a visual range measuring system for use on airfields, motorways, ships and in ports, industrial areas, tunnels and underpasses and in any situation where accurate measurement of visibility is required in the presence of fog, dust, rain, snow, smoke or other pollutants in the atmosphere.

## Microprocessor Symposium

THE Society of Electronic and Radio Technicians is holding a residential symposium on microprocessors and their applications at Sussex University from 26-29 September 1976. Associated with the symposium is a competition for an application of MPUs by the home constructor which is simple, economic, original and useful or entertaining. First prize is £150.

Details from the MPU Secretariat, SERT, 8-10 Charing Cross Road, London, WC2H 0HP.

## Courses

THE Bury Radio Society will be running a RAE course in the 1976/77 session:

Enrol: Tuesday Aug 31 and Sept 7, time, 8.00 p.m. at the Mosses Youth and Community Centre, Cecil Street, Bury.

The Shelburne Radio Club are starting a new RAE course aimed at the December 1977 exams to allow time for practical experience.

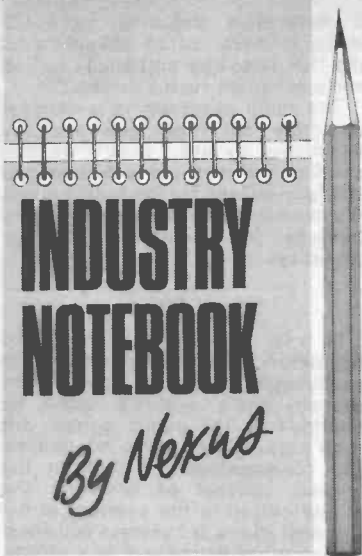
Comm.: Monday Sept 6 at the Shelburne Radio Club, White Lion Street School, London, N.1.

A course for the RAE City & Guilds No. 765 giving tuition in theory, Morse and practical work is being run by the Walsall College of Technology.

Enrol: Wednesday September 8, time, 6.30 p.m. at the Walsall College of Technology, Walsall, WS1 1XN.

## SONAX ELECTRONICS

We are advised that Sonax Electronics are now in liquidation and that all claims outstanding against this company are being handled by the Official Receiver at Atlantic House, Holborn Viaduct, London, EC1N 2HD.



Ploughing in a steady £400,000 a year into new plant and machinery is Marconi Instruments. British Physical Laboratories (Racal Electronics Group) has just opened an extension to its factory at Radlett, part of a £100,000 expansion scheme. Racal Communications has also just moved receiver production to a larger factory—it needed more space.

Flushed with success from world-wide demand for EMI-Scanner X-ray equipment, EMI has had to find new premises for what is virtually a brand new business. The Medical Electronics Group has acquired a £2 million 40,000sq ft. office complex at Slough. By the end of the year some 200 staff will have moved in, increasing to 260 during 1977. The staff will be mainly administration and sales with some engineering support. Building the EMI-Scanner takes half a dozen manufacturing centres, all of which have needed investment in equipment and people.

This, in turn, has caused another spin-off in investment. SE Labs (EMI) Ltd. has increased turnover by £5 million in the past year, some of it coming from the supply of instrumentation to EMI's medical group. So SE Labs has had to expand, too, and has taken over the 40,000sq ft. factory at Frimley previously occupied by Shandon Southern Instruments, who themselves have moved on to Ash Vale.

SE Labs' Frimley plant is additional to SE's existing plants. It's a nice acquisition for SE Labs because they have taken over a number of skilled people already employed on the site who didn't want to move and will be recruiting another 150 people over the next year.

## INVESTMENT/ EXPANSION

Far too much is heard from the groaners about lack of investment in British industry. Investment, of course, is one of those things you can't have too much of but investment doesn't come out of thin air.

The tax-payer foots the bill, like it or not, for nationalised industries, at least for the unprofitable ones which means most. For private enterprise, new investment must come out of profits, which are hard to come by, or from investors who, these days, are more timid than they used to be having suffered from dividend restraint and then being taxed to the hilt on the dividends they get.

Far from grumbling about how little is invested I find it astonishing that, in all the circumstances, there is so much.

Take Mullard, part of the Philips international group. The new clean room facility for the production of N-MOS memory circuits has cost £3 million as a first instalment. Only one third of it is in current use and by the time it is full up the grand total invested will be more like £6 million.

The Mullard semiconductor plant at Southampton is being turned into the main European manufacturing centre for MOS circuits. The products will be marketed as Signetics, the Californian based company which Philips acquired last year and the first product line is to be the Signetics 4k RAM.

The decision to build the new facility was taken, however, before the acquisition of Signetics, taken in fact at the very depth or nearly so of the recession.

colour TV broadcast contract worth £5 million for EMI from Nigeria. Of course there is still anxiety and uncertainty in some quarters of the industry, particularly over the general economic situation, but there is still plenty of business to be had for those who are prepared to go and get it. But the consumer market is still in the doldrums. A rumour that the CTV licence fee is going up to £27 is discouraging buyers and has already nullified the hoped-for boost from the VAT reduction recently made.

## COMMUNICATIONS

I was one of the crowd of 14,000 sweltering in the heatwave which coincided with the Communications '76 Conference and Exhibition at Brighton. Both the conference and the exhibition were a triumph for organiser Tony Davies. There were 160 companies and organisations in the show and the conference attracted 659 delegates from 32 countries. The British Overseas Trade Board did a great job in organising a sponsored tour of British manufacturers for buyers from over 40 countries.

I hope to discuss some of the commercial implications of the communications business in future issues but here are a few statistics to be getting on with. Today's U.K. population of mobile two-way radios, excluding the military, is some 200,000 installations with an anticipated increase to 500,000 by 1985.

London's Post Office public radio paging system, due to open in a few weeks, will eventually cater for 100,000 users although only 20,000 are being allowed for in the first period of operation. A central solid state 100W transmitter is situated atop the Post Office Tower and a ring of at least nine supplementary transmitters will give coverage over the whole of the capital. A user can be paged from anywhere in the U.K. automatically through STD.

But these figures are small fry in comparison to those postulated for Citizens Band radio for the U.K., if it comes, and there is plenty of commercial pressure to make CB come (see *special article elsewhere in this issue—Ed.*). Expect an announcement shortly.

If we look to the United States for the pattern we find over six million CB licences already issued and the authorities now grappling with half a million licence applications a month. Scale down to the U.K. population size and we could have a 1.5 million CB radios in action in a few years. Chaos! But nice revenue for the Government and a bonanza for set manufacturers.

## PLENTY OF ACTION

If you just look at worn-out industries, sure you won't see much movement. Look at electronics where there is a big future and there's still plenty of action.

Trade figures are looking better all the while. ICL, once the slumbering giant of the computer industry, had a record six months to the end of March. Turnover up 23 per cent to £136 million, operating profit up 35 per cent to £10.5 million over the comparable period in 1975. STC, the British end of ITT, reports turnover up 15 per cent at £383 million with exports up 20 per cent from £57 million to £68 million. Net income, however, was down £4 million but, on the other hand, over £4 million extra was spent on R and D.

Order books are firm with some nice single contracts like a £1.25 million flight simulator from Redifon destined for Brazil, and a



# FREE

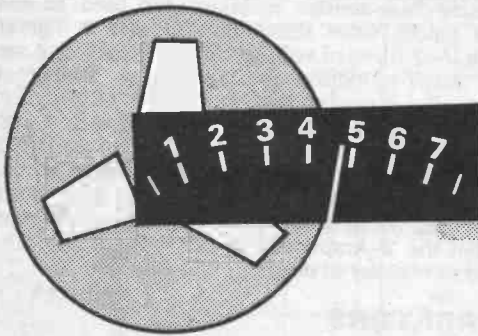
with NEXT MONTH'S ISSUE

## WIRE BENDING GAUGE

A useful workshop aid for the home constructor. Suitable for horizontally or vertically mounted components, with graduated spacing for 0.1 and 0.15 inch matrix layouts

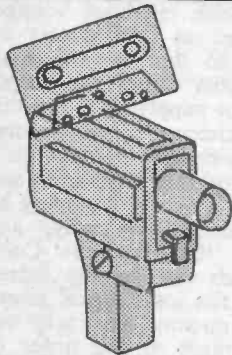


PLUS THESE *SOUND* DESIGNS



## DIGITAL PPM

This l.e.d. Peak Programme Meter possesses the same characteristics as the standard p.p.m. (attack and decay times, etc.), but uses two columns of 16 l.e.d.s for the display rather than the expensive stereo meter movements normally used. An added benefit of the system is that it allows a greater dynamic range to be displayed.



## CINE/TAPE SYNCHRONISER

This circuit uses digital techniques to count and compare trains of pulses coming from the cine projector and the associated tape recorder, which may be either stereo or mono. The article describes how to use the resulting signals to control the speed of various types of projector motor in common use. Automatic starting of the projector is also provided

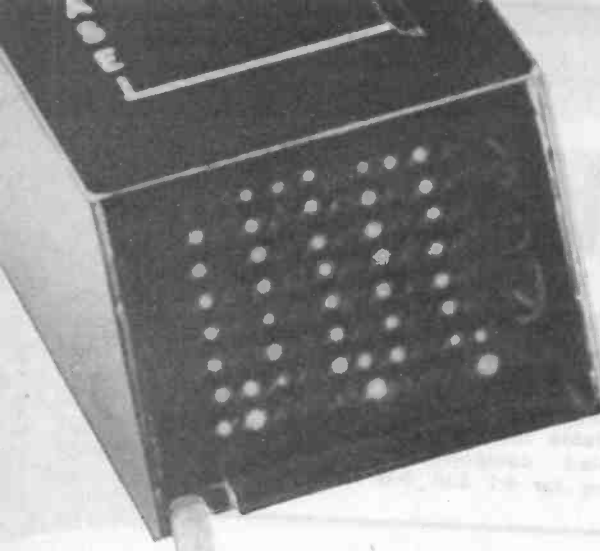
PRICE INCREASE—As from the October issue, the cover price of Practical Electronics will be 40p. This increase is regretted, but rising production costs make this unavoidable

# PRACTICAL ELECTRONICS

OUR OCTOBER ISSUE WILL BE PUBLISHED ON FRIDAY, SEPTEMBER 10, 1976

PLEASE NOTE:

It is in your interest to place a firm order with your newsagent—in advance. Back numbers are not available, so make sure of your copy now!



# PE DIGISCOPE

By R.W. Coles and B. Cullen  
PART 3

**T**HE lower deck of Digiscope is based on a piece of strip board identical to that used for the upper deck and it carries the circuitry which makes up the Reference Generator, Comparators, Row Decoder, Blanking Gates, Row Drivers, Trigger Generator, Trigger Latch and Sweep Generator.

You may remember from Part I that the output of the Y-Amplifier is "digitised" with the aid of a series of comparator circuits each connected to a unique reference voltage differing from its neighbours by about 800mV.

## REFERENCE GENERATOR

The reference voltages required by the Comparators are generated by the Reference Generator circuit which is made up of a series string of forward biased silicon diodes so that the basic reference increment is the  $V_f$  of the diodes or about 800mV.

The choice of reference voltage increment is fundamental to the design of Digiscope since it sets the gain required of the Y-Amplifier and determines the d.c. trace shift error with time and temperature. Using Zener diodes in the Reference Generator could make each increment more precise and increase stability against temperature fluctuations but would require the use of larger voltage increments because Zener diodes start at about 3V and are not much good up to about 5V. Even using 3V devices the voltage required at the Y-Amplifier output would be excessive and difficult to achieve in practice without resort to expensive types of op-amps. Reducing the reference increment below 800mV would be possible if suitable, dependable, reference diodes were available although large reductions would not be possible anyway, because the d.c. drift at the output of the Y-Amplifier would cause a significant shift in trace position with time and temperature. A resistor chain could be used to set these reference increments but the supplies to the chain would have to be floating with respect to other Digiscope supplies because Y-shift is achieved by connecting an appropriate point on the reference chain to 0V via an eight way switch.

In practice the 800mV reference provided by forward biased diodes works very well and gives a cheap and easy to implement system with repeatable results.

Transistor base-emitter junctions are used as the reference diodes since these tend to give a tighter spread on their forward voltage characteristics, and are also in easier-to-handle packages. The Reference Generator circuit can be seen to the left of Fig. 3.1. R42 and R43 set the diode current to between 4 and 7mA depending on the setting of S3. C14 and C15 decouple any h.f. noise which could cause jitter at the Comparator outputs, and S3 is, of course, the Y-shift control. Using S3 to control the reference chain zero means that the Y-Amplifier can run without any d.c. offset and so is easier to design.

## COMPARATORS

The Comparators are required to give a logic-type output indication of whether their common input is above or below their particular reference voltage. 741-type op-amps can be used as comparators by operating them "open-loop" so that a very small voltage difference at their inputs causes the output to switch to one or other of the supply rails, but this solution is not practical for Digiscope for two reasons. First, the output of a standard op-amp operated as a comparator is not compatible with TTL logic levels and so would require level shifting circuitry to achieve an interface with the Row-Decoder. Secondly, and perhaps more fundamentally, the Digiscope Comparators are required to switch very rapidly indeed from one state to another as the input signal passes their threshold, and standard op-amps are really too slow for this job, requiring times in the order of 1 microsecond to switch states. When you consider that an input signal of 1MHz will have completed one whole cycle during the 1 microsecond transition period you will be able to see why a purpose built comparator integrated circuit is necessary with switching times at least an order of magnitude faster.

Fortunately there is a cheap solution to the problem in the form of the 710 high speed voltage comparator which has been around for quite a while now, available in a variety of package styles. The 710 runs from plus 12V and minus 5V supplies and has an output with TTL voltage levels. The response time is a mere 40 ns which guarantees a faithful display of high TTL voltage levels. The response time is a mere

As can be seen in Fig. 3.1, nine 710 devices are used in all, each with its non-inverting input connected to a unique reference voltage from the Reference Generator circuit. The Y-Amplifier output drives all the inverting inputs of the Comparators in parallel, so that the same signal voltage is applied to each. R41 and the back-to-back Zeners form a limiter circuit to prevent the Y-Amplifier output swinging further than about plus and minus 6V from ground, this being necessary to comply with the data sheet ratings for the 710 input voltages during overload conditions, when the Y-Amplifier attenuator is set wrongly, for example.

## ROW DECODER

The nine Comparator outputs drive the Row Decoder inputs, and the operation of these two circuit blocks together is best understood by referring to Fig. 3.2, which is a simplified block diagram. For the sake of this diagram, an instantaneous Y-Amplifier output

voltage of  $5\frac{1}{2} \times V_{ref}$  is assumed, and the Y-shift control is set so that the lowest comparator reference is at 0V. Since the input is equivalent to  $5\frac{1}{2} V_{ref}$  then the outputs of comparators 1, 2, 3, 4, 5 and 6 will switch to give a logic 1 out, and comparators 7, 8 and 9 will give a logic 0 out.

The Row Decoder consists of a series of EXCLUSIVE-OR gates whose purpose is to detect the transition point between Comparator outputs which are 1's and those which are 0's. The EXCLUSIVE-OR gates are of the TTL 7486 type, and unlike familiar NAND and NOR gates each 7486 gate gives a logic 1 output only when its two inputs are different, i.e. 10 or 01, and a logic 0 output when its inputs are the same, i.e. 00 or 11.

For any instantaneous value of input voltage, then, only one of the eight Row Decoder outputs will be a logic 1 and this output will light up a particular row on the I.e.d. matrix. Because only one column of the matrix is enabled by the Sweep Generator, however, only a single I.e.d. in the matrix can be on at any instant.

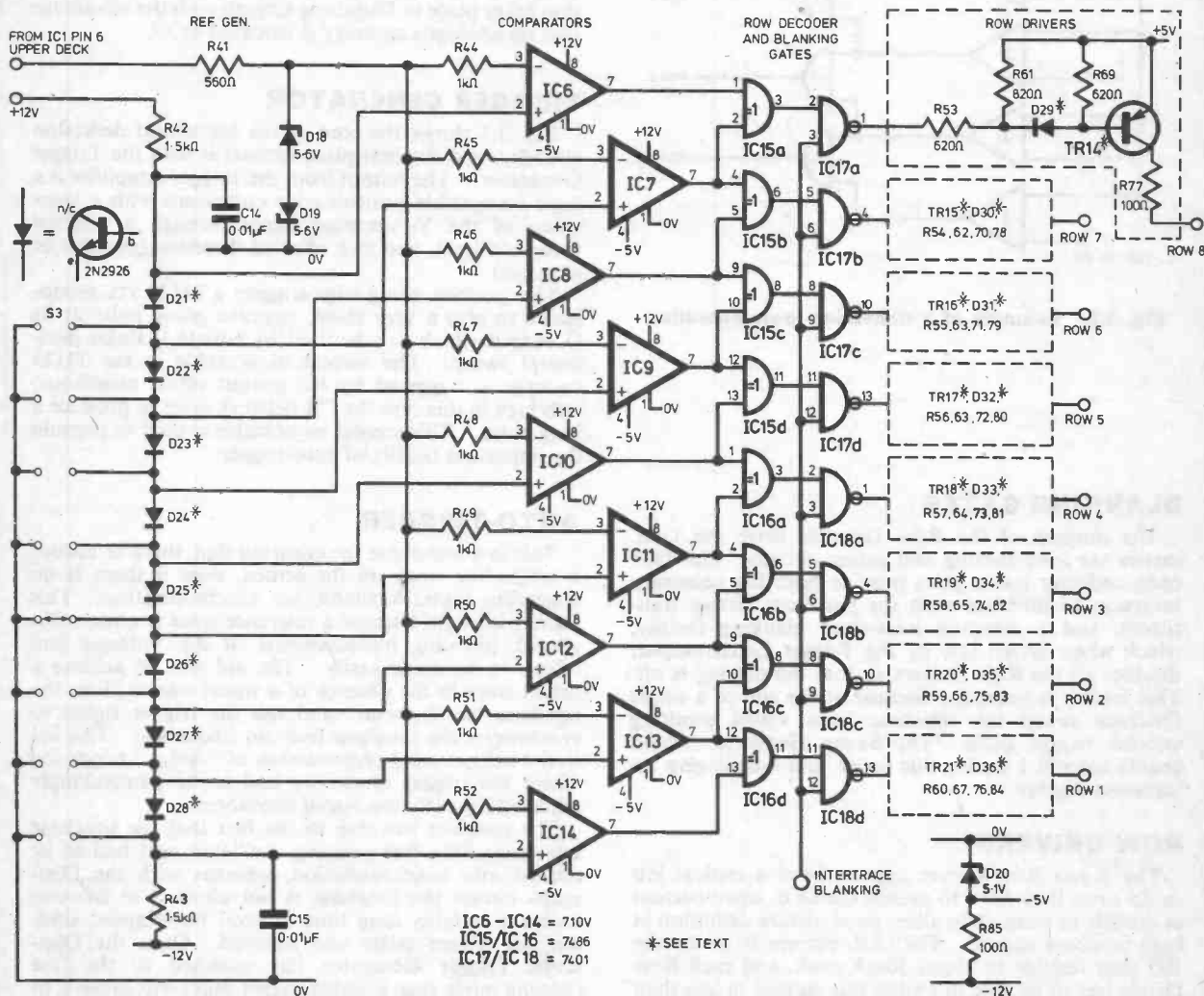


Fig. 3.1. Reference Generator, Comparators, Row Decoder, Blanking Gates, Row Drivers, Trigger Generator, Trigger Latch and Sweep Generator. The diode chain is made up of transistors as indicated

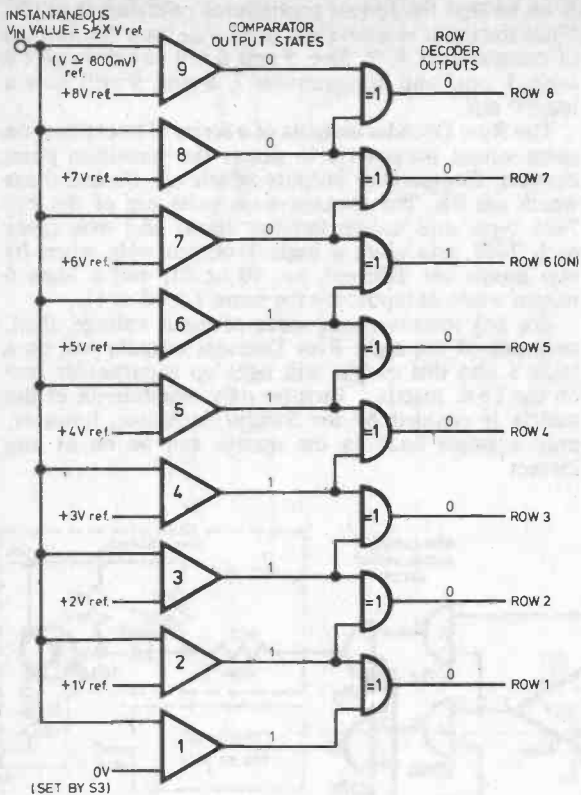


Fig. 3.2. Example of Y deflection logic operation

## BLANKING GATES

The outputs of the Row Decoder drive the i.e.d. matrix via level shifting and gating circuits. The 7401 open collector NAND gates provide both the necessary inversion to interface with the *pnp* Row Driver transistors, and a common inter-trace blanking facility, which when driven low by the Trigger Latch output, disables all the Row Drivers so that the display is off. This facility is necessary because at the end of a single timebase sweep the timebase halts whilst awaiting another trigger pulse. The Sweep Generator would enable column 1 during this pause and would give an incorrect display.

## ROW DRIVERS

The 8 *pnp* Row Driver circuits have a critical job to do since they have to switch the i.e.d. drive current as quickly as possible to allow good picture definition at high timebase speeds. The i.e.d. current is set by the 100 ohm resistor to about 30mA peak, and each Row Driver has to be able to switch this current in less than 100ns. General purpose silicon *pnp* transistors were used to achieve this performance in the prototype, but no doubt an improved performance could be achieved with a transistor optimised as a fast switch.

## HORIZONTAL DEFLECTION

We have now followed the vertical deflection system from the Y-Amplifier to the Row Drivers, and now need to consider the remaining parts of the horizontal deflection system which follow the timebase system described last month. In a conventional oscilloscope, horizontal deflection is achieved by driving the X plates of the c.r.t. with a high voltage, linear, ramp waveform. This has the effect of moving the spot across the tube face from left to right during the linear rising ramp period, and causing it to return rapidly to the left during the fly-back period.

Since Digiscope does not employ an electron beam to drive its display the word "deflection" is really a misnomer, and in fact no high voltage ramp is necessary, only a simple binary counter and decoder. The rising ramp is simulated by the binary counter starting from zero and incrementing on each clock pulse until the terminal count is reached, and the flyback occurs as the counter returns to zero on the next clock pulse.

Initiation of the ramp is of course normally brought about by the triggering circuitry, and a similar operation takes place in Digiscope though with the advantage that no analogue circuitry is involved at all.

## TRIGGER GENERATOR

Fig. 3.3 shows the core of the horizontal deflection circuitry, and the best place to start is with the Trigger Generator. The output from the Trigger Amplifier is a logic compatible positive edge coincident with a transition of the Y-Amplifier signal through a selected threshold level, and in a selected direction (positive or negative).

This positive going edge triggers a 74123 TTL monostable to give a very short, negative going pulse at its Q output which can be used to initiate a single horizontal sweep. The second monostable in the 74123 package is triggered by the output of its neighbour, although in this case the CR network is set to produce a long pulse. This second monostable is used to provide the important facility of auto-trigger.

## AUTO-TRIGGER

This is a technique for ensuring that there is always a bright-line trace on the screen, even if there is no triggering signal available for synchronisation. This facility is useful because a reference trace is always displayed, allowing measurements of d.c. voltages and offsets to be made easily. The old way to achieve a bright trace in the absence of a signal was to allow the timebase to "free-run" and use the trigger signal to synchronise the timebase free-run frequency. This led to the exasperating phenomenon of "dodgy" triggering where the trigger sensitivity had to be painstakingly adjusted for each new signal waveform.

The problem was due to the fact that the timebase was basically a free running oscillator, and had to be coaxed into synchronisation, whereas with the Digiscope circuit the timebase is not allowed to free-run unless a suitably long time interval has elapsed since the last trigger pulse was received. Once the Digiscope Trigger Generator has switched to the free running mode then a single trigger pulse will cause it to switch back instantly to the triggered mode whereupon it will again wait for a period before reverting once more to the free-run mode if no further trigger pulses are received.

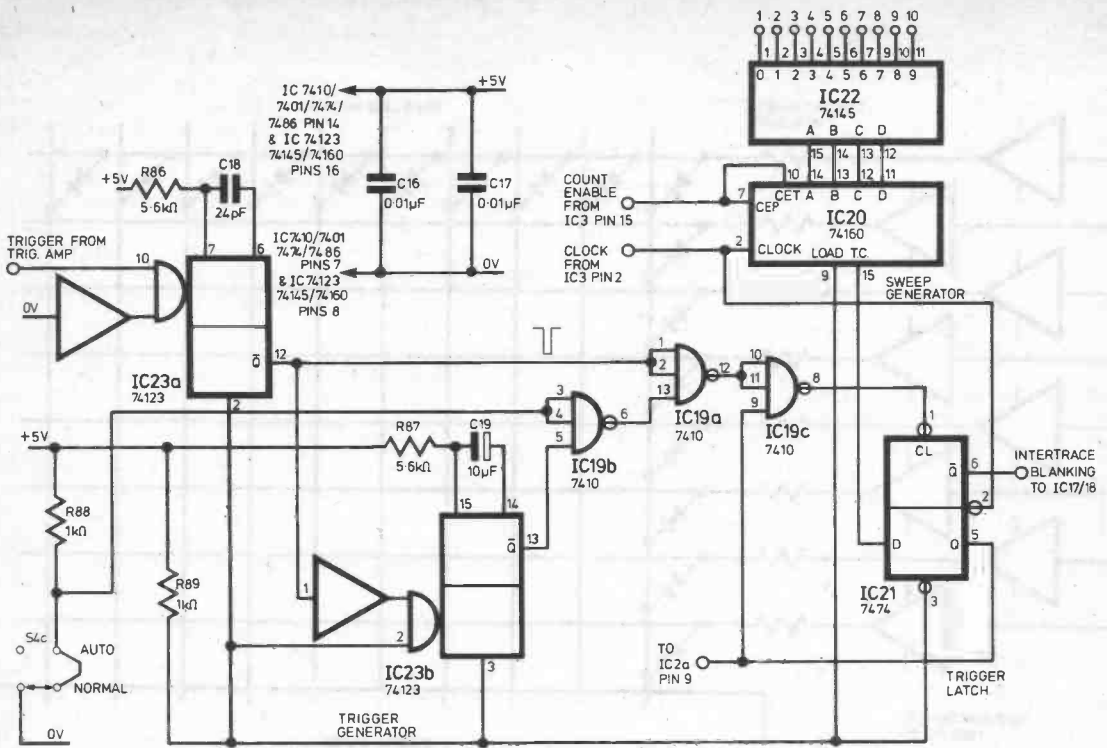


Fig. 3.3. Horizontal display circuitry

## OPERATION

The length of period is set by the time constant of monostable IC23b, and the operation of this novel circuit can be followed with reference to Fig. 3.3.

When a normal input signal is present then each transition causes IC23a to be triggered to produce a single, narrow, negative-going output pulse which is presented to the input of IC19a and to IC23b. The time constant of IC23b is long, at about 40 milliseconds, so that an input frequency of greater than about 25Hz will cause this monostable to retrigger so that its Q output remains in the logic 0 state. The Q output is inverted by IC19b so that the second input to IC19a is a logic one and the trigger pulses from IC23a are allowed through to the Trigger Latch.

If the trigger pulses stop, or their frequency drops below about 25Hz then IC23a and IC23b are not triggered, although of course the Q output of IC23b cannot return immediately to a logic 1 because of its long time constant. When it does go to a logic 1 then the output of IC19a is forced to the logic 1 state, enabling IC19c and initiating another sweep by clearing the Trigger Latch. If no more trigger pulses are generated then IC19c remains enabled so that the Trigger Latch clears itself at the end of each sweep to give a virtual "free-running" timebase.

The circuit will remain in this state until further trigger pulses are detected so that a continuous trace is produced on the screen even with d.c. input signals.

## TRIGGER LATCH

The Trigger Latch is a D type flip-flop and is normally set by the terminal count output of the SN74160 at the end of a sweep and cleared via IC19c on the receipt of a trigger pulse. The outputs of the Trigger Latch control both the Timebase Oscillator and the Blanking Gates as previously described.

## SWEEP GENERATOR

The Sweep Generator consists of a 74160 synchronous TTL decade counter and a 74145 four line to ten line decoder. The clocking of the Sweep Generator is performed by the Timebase Oscillator and is enabled by the output of the Timebase Dividers giving a range of clock periods from 100ns to 10s depending on the control settings. The four line b.c.d. output from the counter drives the decoder inputs to give ten unique outputs per sweep to drive the ten column inputs of the i.e.d. matrix, each output remaining on for one clock period only.

After nine clock pulses the terminal count goes high to prime the Trigger Latch, and on the tenth clock pulse the counter returns to a count of zero and the Timebase Oscillator is gated off by the Trigger Latch until another sweep is initiated by a trigger pulse.

The 74145 decoder has ten high sink-current outputs and is ideal for driving the heavy load represented by the i.e.d. matrix drive current.

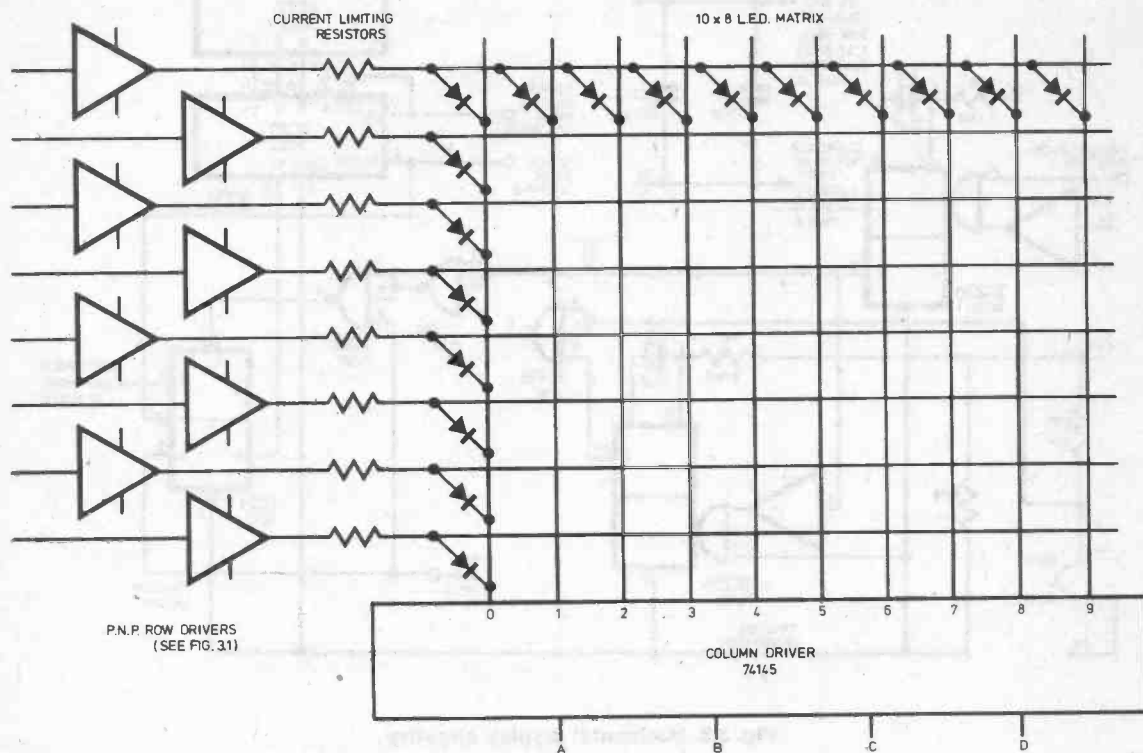


Fig. 3.4. Simplified display schematic

## DISPLAY MATRIX

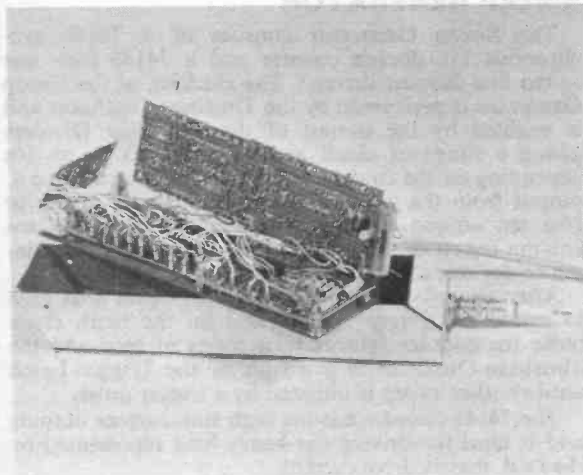
Fig. 3.4 is a simplified schematic of the i.e.d. display and its associated drives, and at this point it is possible to tie together the X and Y deflection systems to see

how the display operates. The essential thing to remember is that at any instant, only one i.e.d. in the matrix can be on, and the particular i.e.d. required is selected by the intersection of a valid row drive and column drive. The Row Drivers are driven asynchronously by the Y input signal, and the Column Drivers are driven synchronously by the Timebase Oscillator so that the combination of these two drives results in a graph of the input signal being plotted, relative to time, on the points of the display matrix.

## LOWER DECK CONSTRUCTION

The construction of the lower deck circuits follows the same pattern as the upper deck, and, as before, the use of fine connecting wire and miniature components is absolutely essential. Terminal pins were used extensively on this board, in particular to allow the distribution of power supply voltages via tinned copper wire buses on the upper side of the board, as shown in Fig. 3.5.

The outputs from the Reference Generator diodes are also terminated on pins, as are the main supply voltage inputs from the power pack. The minus 5V for the 710 comparator circuits is derived from the minus 12V rail by a resistor/Zener network mounted under the board near the main supply inputs, since there is little point in producing a separate minus 5V supply in the power pack when the current drain on this rail is so low.



## COMPONENTS . . .

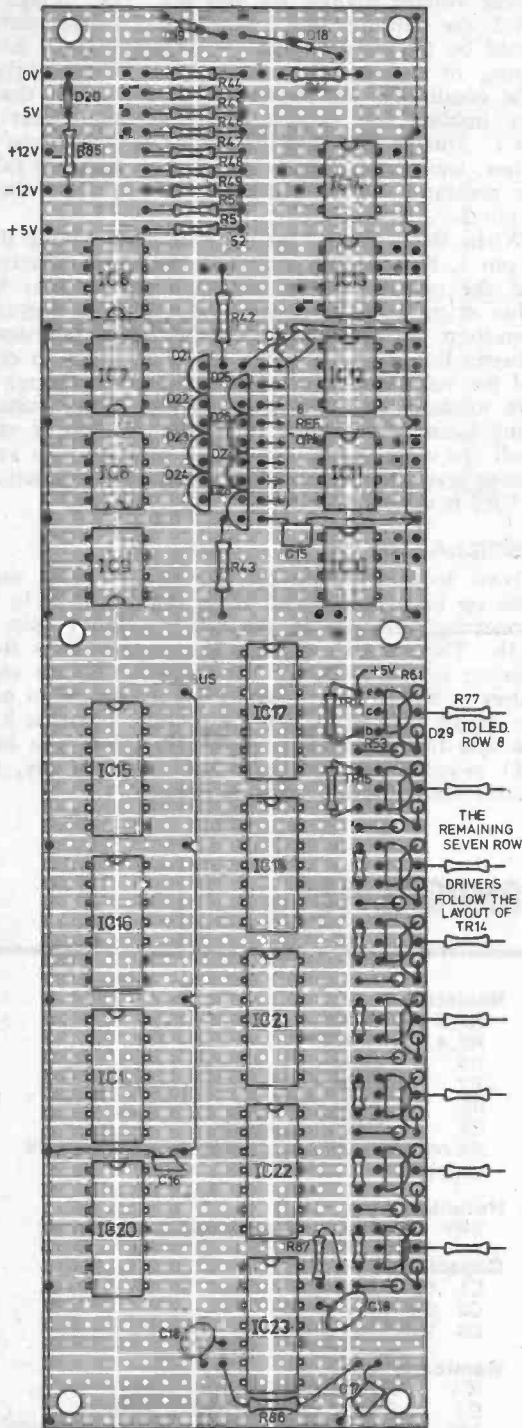


Fig. 3.5 Component layout of lower deck. For interwiring details reference should be made to the appropriate circuits

### Resistors

R41	560 $\Omega$
R42, R43	1.5k $\Omega$
R44-R52	1k $\Omega$
R53-R60	620 $\Omega$
R61-R68	820 $\Omega$
R69-R76	620 $\Omega$
R77-R84	100 $\Omega$
R85	100 $\Omega$
R86	5.6k $\Omega$
R87	5.6k $\Omega$
R88	1k $\Omega$
R89	1k $\Omega$

### Capacitors

C14-C17	0.01 $\mu$ F ceramic
C18	24pF
C19	10 $\mu$ F elect 25V

### Semiconductors

TR14*-TR21*	Any silicon <i>pn</i> p (plastic)
D18-D19	BZY88 5.6V 400mW Zener (2 off)
D20	BZY88 5.1V 400mW Zener
D21*-D28*	2N2926 (8 off) (see text)
(TR6-TR13)	
IC6-IC14	710 d.l.p. (9 off)
IC15-IC16	SN7486 (2 off)
IC17-IC18	SN7401 (2 off)
IC19	SN7410
IC20	SN74160
IC21	SN7474
IC22	SN74145
IC23	SN74123

The 710 circuits themselves can be obtained in a wide variety of package styles some of which are incompatible with the board layout so it is important to shop around for the correct type. The 8 pin mini-d.i.p. style was used in the prototype, coded N5710V from Signetics, but there is no real reason why the TO5 style package should not be used if you don't mind all the lead forming necessary to mate with the "square" hole matrix.

### CIRCUIT TESTING

It is probably best to wait until the overall interconnections (to be detailed next month) are completed before testing the Trigger Generator, Trigger Latch and Sweep Generator, but the Reference Generator, Comparators and Row Decoder can be tested in isolation if desired. The lower end of TR13 should be connected to 0V (to simulate the d.c. level shift control) and voltage source variable between zero and about 8V should be connected between 0V and the left hand end of R41. (A variable power supply or a potentiometer could be used). With appropriate power supplies connected the voltage source can be adjusted while individual comparator outputs are observed with a multimeter.

The performance of the Comparator outputs should conform to the principles described in Fig. 3.2, and of course, using the same test set-up, the Row-Decoder outputs can be checked against this figure also.

Next month: Final construction and power supply details.

# LIGHT-UP ALARM

By M. PLANT

**T**HE "law" is becoming increasingly impatient with drivers who fail to switch on their lights soon enough during the approach of darkness or in conditions of poor daylight generally. Commercially-made units which provide an audible warning of lighting-up time are costly, but the circuit described below shows how to build a low-cost warning system which can be installed in the car simply and unobtrusively. The circuit provides the warning by flashing a lamp and is designed to stop flashing as soon as the lights are switched on.

## CIRCUIT

The circuit uses a dual operational amplifier in integrated circuit form. This is the 747 type which contains two identical op amps of the common 741 variety. As a matter of interest, this dual op amp is good value for money since it can be bought for less than the price of two individual 741s. Note that the two op amps share the same negative supply connection but have independent positive supply pins. Otherwise the two internal circuits are quite separate from each other.

Fig. 1 shows how the two integrated circuit op amps are used to provide the alarm circuit. The dotted line divides that part of the circuit which responds to the failing daylight from that part designed to flash the warning lamp.

First the circuit employing IC1a. This is used to detect the sign of the voltage difference between the midpoints of the bridge of the four resistors VR1,

R9, R1 and R2. The inverting input (pin 1) of IC1a is held at half the supply voltage by means of the voltage divider R1 and R2. The voltage at pin 2, the non-inverting input, is at a voltage determined by the resistance of the photocell for a given setting of the preset resistor VR1. Under bright light conditions, the resistance of R9 is low, therefore holding the voltage at pin 2 below that of pin 1. This ensures that the output voltage at pin 12 is low, usually just above 0V. But as darkness falls, the resistance of R9 increases, raising the voltage at pin 2.

When this voltage reaches a fraction above that at pin 1, the op amp amplifies the small difference and the output voltage rises sharply to near the value of the supply voltage. Since IC1a is operated open-loop, no feedback resistor being connected between the output and the inverting input to control the voltage gain of the amplifier, the change in light intensity required to make the output voltage swing from near zero to the supply voltage is very small. In other words, the circuit operates at a very precise level of light intensity. The required setting of VR1 is described later.

## OSCILLATOR

Now to concentrate on the way IC1b is used. This op amp is powered from pin 12 of IC1a by connecting this pin to the positive supply pin of IC1b. This second op amp is connected as a free-running astable multivibrator providing square wave pulses at pin 10 varying from just above 0V to near the supply voltage. When the output voltage is low, the *npn* transistor TR1 is off, and when it is high TR1 switches on and lights the lamp. Briefly, the astable multivibrator works as follows.

## COMPONENTS . . .

### Resistors

R1, 2	470k $\Omega$
R3, 4, 5	100k $\Omega$
R6	33k $\Omega$
R7	47k $\Omega$
R8	100 $\Omega$ $\frac{1}{2}$ W
R9	ORP12 or similar
All resistors $\frac{1}{8}$ W carbon 10% unless otherwise stated	

### Potentiometer

VR1 47k $\Omega$  min. preset for 0.1in matrix board

### Capacitors

C1	10 $\mu$ F 25V elect.
C2	2.2 $\mu$ F 16V elect.
C3	100 $\mu$ F 16V elect.

### Semiconductors

IC1	747 (SN72747, $\mu$ A747C etc.)
D1	OA200, OA202, OA91, 1N4001 etc.
TR1	BC107, BC108, 2N2926, 2N3704, ZTX3000 etc.

### Miscellaneous

LP1	6V, 60mA LES lamp and holder
0.1in stripboard 3in $\times$ 1.5in	
5-way terminal block	
Suitable case	



If capacitor C1 is initially charged so that the voltage at pin 7 is higher than at pin 6, the output voltage is low. However, C1 will discharge through R6 so that the voltage at pin 7 decreases exponentially. When this voltage falls just below that at pin 6, the op amp immediately drives the output into positive saturation, thereby driving on TR1 causing LP1 to light. Capacitor C1 now begins to charge up through R6 and the voltage at pin 7 rises. When once again this voltage exceeds that at pin 6, the output voltage sharply drops to near zero and the cycle repeats. The repetition rate is determined by the value of C1 and all the values R3 to R6, decreasing for higher values of C1 and of R3, R4 and R6, but for lower values of R5. For the values indicated in the circuit diagram, the lamp flashes at a frequency of about 1.5Hz. The lamp used in the prototype was a generally available 6V, 60mA type in a lamp holder and lens and its voltage necessitated the inclusion of a 100 ohm resistor in series with it in the collector load of the transistor. Capacitor C2 in parallel with the photocell ensures that

the side or headlights. This positive voltage at pin 7 ensures that capacitor C1 remains charged and the lamp remains off.

## ASSEMBLY

As illustrated in Fig. 2, the circuit board can be a 30 × 14 hole 0.1in matrix stripboard. The components may be assembled in a different way to that shown, if their physical size necessitates this.

Once the components are soldered into place and excess component lead showing underneath removed, the stripboard should be cut in the places indicated. Leads are then taken out from this board to the terminal block as also shown in Fig. 2. Having decided where the unit is going to be firmly fixed in the car (e.g. behind the steering column), you must determine the length of leads required for the lamp and the photocell, the lamp being mounted preferably on the dashboard, and the photocell positioned somewhere near a window so that ambient light is caught by it. You should take care to make

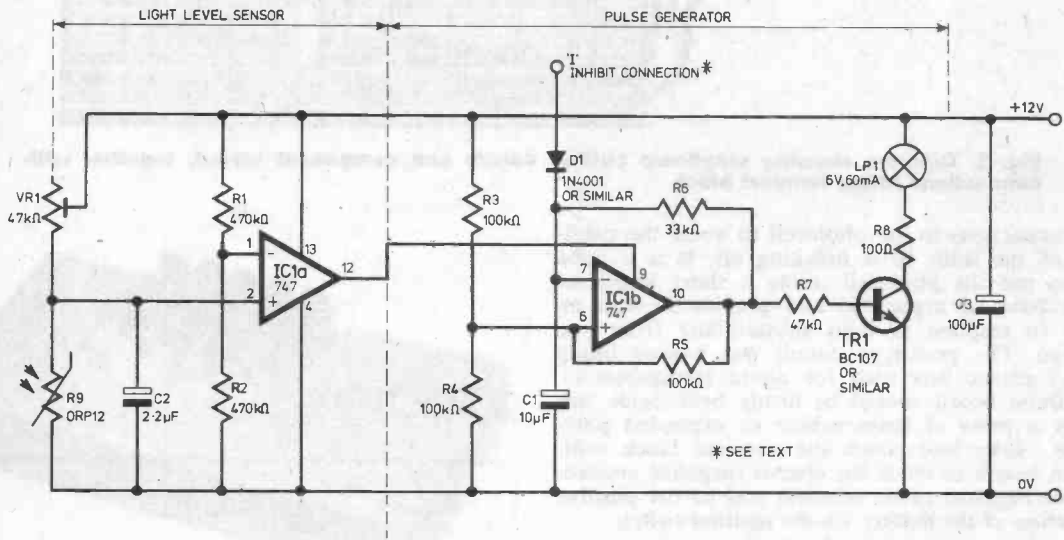


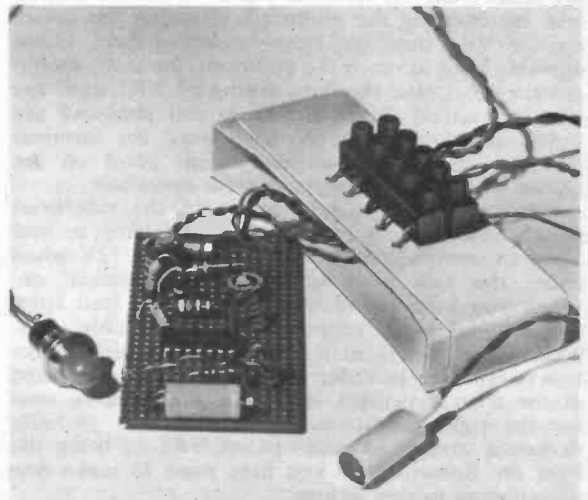
Fig. 1. Circuit diagram of the Car Light-up Alarm

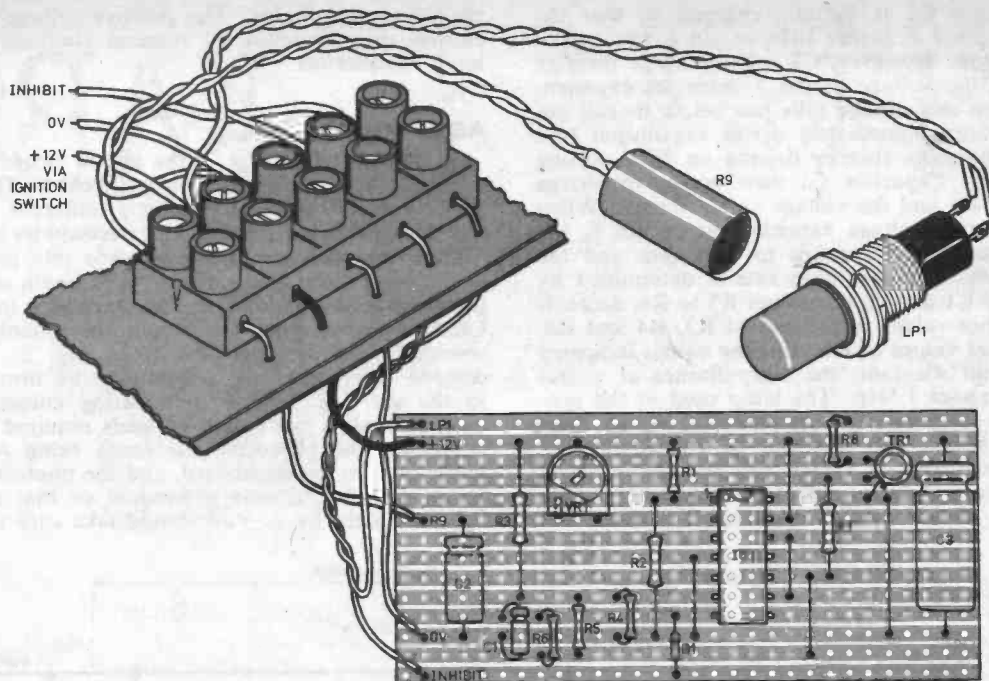
the lamp is not momentarily switched on by sudden changes in light intensity. Capacitor C3 across the supply lines ensures that the operation of the circuit is immune to the effects of voltage spikes on the vehicle's electrical circuitry.

## LAMP CONTROL

There are two methods for ensuring that the lamp ceases to flash as soon as the sidelights or headlights of the car are switched on. The first method requires that the photocell is positioned inside the lamp housing so that it becomes illuminated by the car's lights as soon as they are switched on. This arrangement, however, is only possible if the headlights are not of the sealed-beam type.

The second method relies upon the circuit being able to detect the rising voltage across the lamp which is being switched on. A diode D1 is connected as shown with its cathode to pin 7 and its anode to the switch terminal on the car rising from 0V to 12V when the switch is operated to bring on





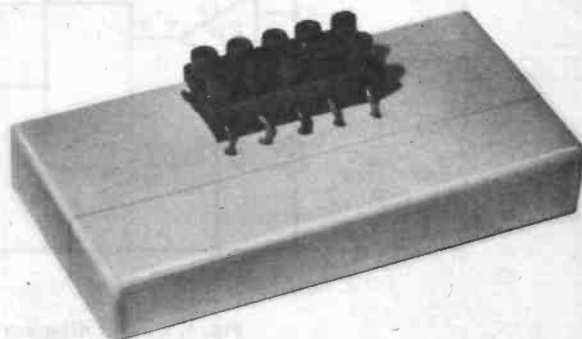
**Fig. 2. Diagram showing stripboard cutting details and component layout, together with connections to the terminal block**

firm connections to the photocell to avoid the possibility of the leads to it breaking off. It is a good idea to put the photocell inside a short length of plastic tube to protect it and provide it with an ability to respond to light substantially from one direction. The prototype circuit was housed inside a small plastic box used for photo transparencies. The circuit board should be firmly held inside this box by a piece of foam rubber or expanded polystyrene. Take leads from the terminal block sufficient in length to reach the chassis (negative connection for negative earth vehicles) and to the positive connection of the battery via the ignition switch.

### INSTALLATION

The circuit should be tested by connecting the supply leads from the terminal block to the car battery and, by covering the photocell, adjusting the preset resistor VR1 until the lamp begins to flash. Upon allowing light to reach the photocell, the lamp should remain off. Leave the final setting of VR1 until the unit is installed. When the lamp and photocell are firmly positioned, the 0V lead from the terminal block is connected to a convenient point on the chassis of the car for negative earth operation.

You will need to gain access to the side/head switch and to use a voltmeter or 12V lamp to find a switch terminal which rises from 0V to 12V when either the side or head lamps are switched on. When you have found this terminal, the lead from the terminal block connected to the "inhibit" connection I is joined to it, ensuring that the connection is reliable. In order to set the circuit to respond at the correct twilight level you will need to wait for the right conditions (or drive into a partially darkened garage) in order to set VR1 to bring the light on. Subsequently you may need to make fine adjustments to this setting.

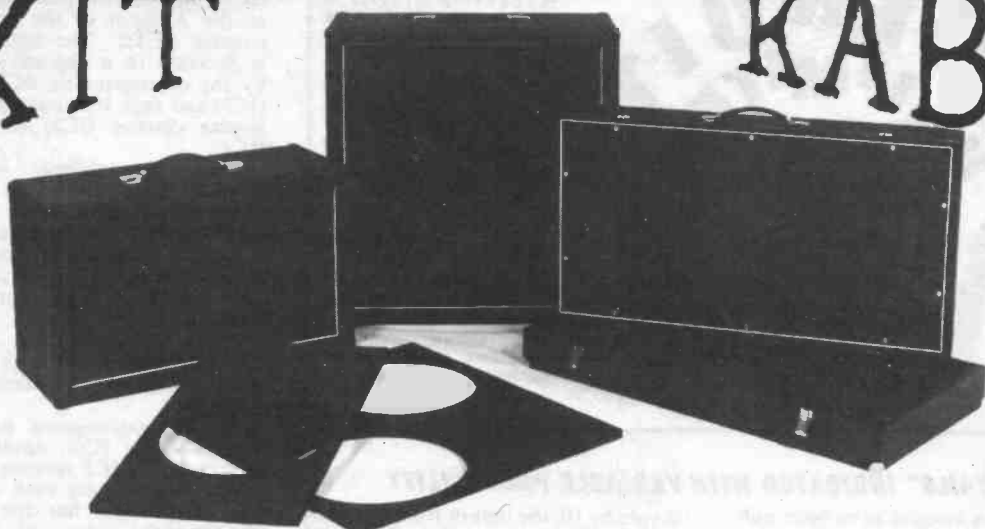


### COMPONENT VALUES

Many of the components in the circuit are not critical although the values used in the prototype are listed. VR1 may range from 100k $\Omega$  to 22k $\Omega$ . R1 and R2 may each be 100k $\Omega$  or 220k $\Omega$ . C3 may be as high as 1000 $\mu$ F if room can be found for it but, to be effective, should not be less than the value listed. Similarly, C2 may be as high as 220 $\mu$ F. D1 may be any general purpose silicon or germanium diode. The values of C1 and R6 are open to experiment since they determine, more significantly than the other components, the rate at which the lamp flashes. However, to obtain approximately the same flashing rate as in the prototype (about 1.5 per second), an increase of R6 to, say, 120k $\Omega$  requires C1 to be decreased to about 2.2 $\mu$ F. The transistor can be any medium current switching transistor capable of handling the maximum filament current of the lamp (i.e. about 100mA). Alternative transistors are listed. ★

# KIT

# KABS



## A RANGE OF STURDY, PRE-FABRICATED WOODEN CABINETS

All these cabinets are accurately machined, rebated and radiused, with all baffle holes cut out and fixing holes drilled. All the cabinet covering, fretcloth and fittings are included, along with detailed assembly instructions.

### ALL YOU PROVIDE IS GLUE AND MANPOWER!

2 x 12" (or 1 x 15") Cabinet Kit—28" x 17½" x 11⅞"	£14.90	(¾" board)	} All prices inc. V.A.T. and carriage
4 x 12" (or 2 x 15") Cabinet Kit—29" x 28" x 11⅞"	£17.90	(¾" board)	
Disco Console Kit—36" x 19" x 9"	£16.90	(¾" and ½" board)	

Cheque or Postal Order to: KITKABS, P.O. Box 41, Stadium Works, Grainger Road, Southend-on-Sea, Essex



THE

## "Manta" Capacitive Discharge Electronic Ignition Unit

### IMPORTANT NEWS:

We are pleased to announce that the "Manta"—one of the highest quality ignition units available—is now supplied in **Kit Form**.

Construct this top performance electronic ignition unit and benefit from improved petrol consumption, smoother running and instant starting for your vehicle.

**ONLY £16.50**  
Kit price (including postage and packing, VAT, full assembly and installation instructions:

(Ready-made unit available at £19.85, including VAT, postage and packing)

Send S.A.E. today for full details of this top quality unit to:

## ELECTRO SPARES

Dept. P.E., 187a Sheffield Road, Chesterfield, Derbyshire  
S41 7JQ. Tel. (0246) 36638

# ELECTROVALUE

## The good components service

In relatively few years, Electrovalue has risen to a position of pre-eminence as mail-order (and industrial) suppliers of semi-conductors, components, accessories, etc. There are wide ranges and large stocks to choose from as well as many worthwhile advantages to enjoy when you order from Electrovalue.

### CATALOGUE 8 ISSUE 2 READY NOW!

Second printing (Green cover) with up-dated information, 144 pages. New items. Opto-electronics. Diagram of components, applications, I.C. circuits, etc. Post free 40p, including voucher for 40p for use on order over £5.00 list value. A must for careful buyers.

### DISCOUNTS

On all C.W.O. mail orders, except for some items marked NETT.  
**5%** on orders list value £5 or more  
**10%** on orders list value £15 or more  
 Not applicable to credit card purchases.

### FREE POST AND PACKING

On all C.W.O. mail orders in U.K. over £2 list value. If under, add 15p handling charge.

### PRICE STABILIZATION POLICY

Prices are held and then reviewed over minimum periods of 3 months. Next review period effective from October 1st.

### QUALITY GUARANTEE

On everything in our Catalogue—No manufacturers rejects, seconds or sub-standards merchandise.

## ELECTROVALUE LTD

All communications to Dept. 9/2, 28 ST. JUDES ROAD, ENGLEFIELD GREEN, EGHAM, SURREY TW20 0HB. Telephone Egham 3603. Telex 284475. Shop hours 9-5.30 daily, 9-1 pm Sats.

NORTHERN BRANCH: 680 Burnage Lane, Burnage, Manchester M19 1NA. Telephone (061) 432 4945. Shop hours Daily 9-5.30 pm; 9-1 pm Sats.

# INGENUITY UNLIMITED



A selection of readers suggested circuits. It should be emphasised that these designs have not been proven by us. They will at any rate stimulate further thought. Any idea published will be awarded payment according to its merits. Why not submit YOUR IDEA?

**Please Note**  
Articles submitted for publication should conform to the usual practices of this journal, e.g. with regard to abbreviations and circuit symbols. Diagrams should be on separate sheets, not inserted in the text.

## "HEADS-TAILS" INDICATOR WITH VARIABLE PROBABILITY

NUMEROUS circuits have been published for "heads/tails" indicators, based on multivibrators. These usually consist of a gated astable multivibrator with a 1:1 mark to space ratio, running at a frequency such that individual states cannot be recognised during the gating period. The 1:1 mark to space ratio ensures equal probability of either state being achieved.

Many games use a random indication of one of two states, but require a weighting to be applied to these states such that there is *not* an equal probability of either state being achieved. An obvious though not very satisfactory way of achieving this uses an astable multivibrator with a variable mark to space ratio.

The circuit shown in Fig. 1 overcomes most of the difficulties and consists of three main blocks:

(a) A resettable binary counter with a decoded decimal output of 0-99. It uses two 7490s, each wired to

divide by 10, the output from the first driving the second. The respective BCD outputs from each are decoded to a decimal form using two 7442s.

(b) A gated astable multivibrator using 3 of the 4 gates of an SN7400. The frequency of the 1:1 square wave output is controlled by the value of capacitor C1 (1nF produces a frequency of approximately 1 MHz).

Oscillation is achieved by the application of a logic 1 signal to the enable gate IC7c.

(c) The gating and parity detecting circuitry of IC6 (SN 7427) together with half of a D-type flip-flop (SN 7473), control the resetting of the BCD counters to zero, and the alternate enabling of two reset gates IC6a and b.

Assume that the "heads" probability is set to 40 and the "tails" probability to 60; the BCD counters IC1 and IC2 to zero ( $Q_A$ ,  $Q_B$ ,  $Q_C$  and  $Q_D$  all at logic 0) and the flip-flop  $\frac{1}{2}$ IC5 with  $\bar{Q}$  at 0 and  $Q$  at 1.

On applying a logic 1 signal to the enable input of the clock generator (IC7c) square wave pulses are applied to the A input of the first decade counter (IC1). The binary output is decoded to a decimal equivalent by the corresponding BCD decoder (IC3) and each 10th pulse passes to a similar counter (IC2) and decoder (IC4).

When the decimal output of IC4=4 and IC3=0 the output of IC6b goes from 0 to 1 (since all three inputs of IC6b are at 0). Any 1 at IC6c produces a corresponding change from 1 to 0 at its output. This produces two simultaneous effects.

(1) After inversion by IC7d the positive pulse resets both IC1 and IC2 to a binary equivalent of zero, and

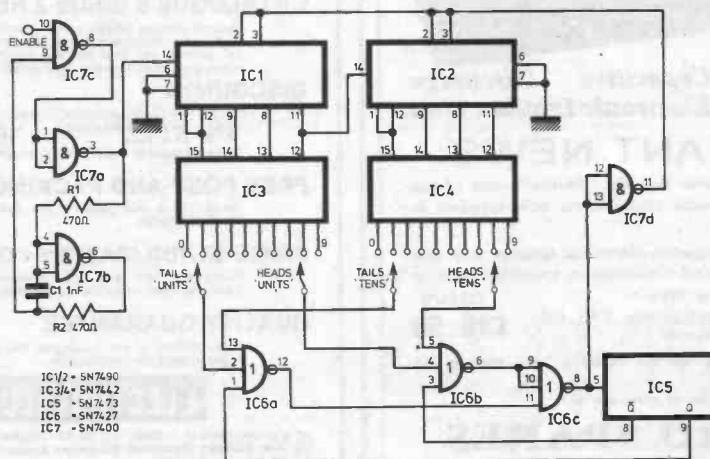
(2) The negative-going pulse from the output of IC6c, applied to the clock input of IC5 reverses the states of the two outputs such that  $Q=0$  and  $\bar{Q}=1$ . This has the effect of disabling the action of IC6b and enabling the action of IC6a.

The counting now continues in a similar fashion until the decimal output of IC3 and IC4 correspond to 0 and 6 respectively, when a similar sequence of events occurs except that the reset pulse is now derived from IC6a.

The net effect is that the  $Q$  and  $\bar{Q}$  outputs of IC5 are alternatively switched on and off with a mark to space ratio of 6:4. Indication may be taken directly from the  $Q$  and  $\bar{Q}$  outputs of IC5 using l.e.d.s or suitable lamp drivers.

No external reset for the 7490s or the 7473 are provided since the gating period is significantly longer than the clock period, and the states at switch on or at the end of a gating period will have little effect on the output obtained.

Dr M. J. Hacker,  
Chirk, Clwyd.



IC1/2 - SN7490  
IC3/4 - SN7442  
IC5 - SN7473  
IC6 - SN7427  
IC7 - SN7400

Fig. 1



## PLEASE ADD 8% VAT UNLESS

## OTHERWISE STATED

## PLEASE ADD 8% VAT UNLESS OTHERWISE STATED

**FREE WELLER 25W (SP25) SOLDERING IRON** (worth £3.24 Inc. VAT) with all orders over £20 Limited period only. Send now.

**VARIABLE STABILISED POWER SUPPLY**, mains input, 0-24V output, stabilised and current limiting at 500mA + 30V at 50mA. Brand new by British manufacturer. Size approx. 7 1/2 x 4 1/2 in. complete with external 5kΩ 3-turn pot for voltage control. Connection data supplied. £7.

**50UA (25-0-25UA) EDGEWISE METERS**, modern type by Sangamo Western. display area 1/2 x 1 1/2 in with 2 mounting lugs. (Can be zeroed left or right hand.) £1.50 each, while stocks last.

**MAINS ISOLATION TRANSFORMERS**. Tapped mains input, 240V at 3A + 12V at 500mA output. New, boxed, made by Gardner, £12.

**FLEXIBLE HEATER STRIP**, 240V a.c., 150W, approx. 1 metre long (insulated with fibreglass) with mains connector block. Many, many uses. 50p each.

**HEAVY DUTY RELAYS**, 24V d.c. operated (will work on 18V) 3 heavy duty make contacts (around 18A rating) + 4 change over contacts + 1 break contact. New, complete with mounting bracket (ideal for switching HT on Linears). Many uses for this high quality unit. £1.50 each.

Good Quality Pressure Gauges, 2 1/2 in dia. flange mounting, 3 models avail. 0-50 lb/sq. in. 0-100 lb/sq. in. 0-200 lb/sq. in. steel which £1.25 each. 2N355 type Transistors. O.K., but unmarked. 50p for £1.

**118V NEONS. SCREW-IN-TYPE**, 4 for 50p. Slow motion motors (suitable for programmers, displays, etc.) 230-240V a.c. input, rotation between 1 and 2 revs per minute. £1.25 each.

**MINIATURE PLIERS** High quality "Crescent" made in USA. £4.35 + VAT (35p).  
**SIDE CUTTERS**, high quality "Crescent", made in USA. £4.45 + VAT (44p).

**MIXED COMPONENT PACKS**, containing resistors, capacitors, switches, pots, etc. All new random sample bag revealed approx. 700 items. £2 per pack, while stocks last.  
**TUNED COILS**, 2 section coils, around 1MHz, with a black smart tuning knob, which moves an internal core to vary the inductance, many uses, easily rewound, 3 for 50p.

**HIGH QUALITY SPEAKERS**, 8 1/2 in x 6 in elliptical, only 2in deep, inverse magnet, 4 ohms, rated up to 10W. £1.50 each or 2 for £2.75 (qty. discount available + 12 1/2% VAT).

**TQG transistor Insulator sets**, 10 for 50p.

**MINIATURE 2 PIN PLUGS AND SOCKETS** (fit into pin hole, pins enclosed, with covers for chassis mounting, or can be used for in-line connectors). Bargain pack of 3 plugs + 3 sockets covers 50p.

**PROGRAMMERS** (magnetic devices). Contain 9 microswitches (suitable for mains operation) with 9 rotating cams, all individually adjustable. Ideal for switching disco lights, displays, etc., or industrial machine programming. (Need slow motion motor to drive cams, not supplied), 9 switch version £1.50.

**HEAVY DUTY HEATSHINK BLOCKS**, undrilled, base area 2 1/2 in x 2 in, with 8 fins, total height 2 1/2 in 50p each.

**RUBBER MAGNETS** 1/2 in square, with mounting hole, 20 for 30p.

**SPERRY 7-SEGMENT P.O.D. DISPLAYS**, digit height 0.3in red, with decimal points, 150V to 200V (nominal 180V) operation. These are high-volt industrial type and therefore brighter than normal displays. All brand new. AT THE BARGAIN PRICE OF 50p PER DIGIT. TYPE 332 (two digits in one mount) £1 each, TYPE 333 (three digits on one mount) £1.50. (Sorry, no single digit available.) Data Supplied.

**BSX20 (VHF Osc/Mult)**, 3 for 50p.  
**BC108 (metal can)**, 4 for 50p.  
**PC200 Transistors**, 6 for 50p.  
**BCY72 Transistors**, 4 for 50p.  
**PNP audio type TOS Transistors**, 12 for 25p.  
**BF152 (UHF amp/mixer)**, 3 for 50p.  
**BA121 Varicap Diodes**, 4 for 50p.  
**1N914 diodes**, 10 for 25p.

**SMALL MAINS SUPPRESSORS** (small chokes, ideal for radio, Hi-Fi inputs, etc.) approx. 1/2 in x 1 in, 3 for 50p.  
**PERSPEX TUNER PANELS** (for FM Band 2 tuners) marked 66-108 MHz and Channels 0-70, clear numbers, red blacked out, smart modern appearance, size approx. 8 1/2 in x 1 1/2 in, 2 for 35p. Lead suppressors (10kohm) for mobile plug leads, 4 for 50p.

**ALU-SOL ALUMINIUM SOLDER** (made by Multi-core). Solders aluminium to itself or copper, brass, steel, nickel or tinplate. 15 s.w.g. with multi-core flux with instructions. Approx. 1 metre coil 30p pack. Large reel (approx. 12 metres) £2.75.

1 1/2 in polythene chassis mounting fuseholders, 6 for 30p.  
Mullard Tubular ceramic trimmers, 1-18pF, 6 for 50p.  
I.C.s, some coded, 14 DIL type, untested, mixed, 20 for 25p.

**Mobile Converters**, 24V DC input 13-8V at approx 3-4A DC output, fully stabilised. £3.50 each (ideal for running 12V car radio from 24V R/S Midget 3 pole 4 way, rotary switches. 40p each.

We now stock Spiraxul Tools for the electronic enthusiast. Screwdrivers, Nut Spanners, BA and Metric sizes, pop rivet guns, etc. S.A.E. for list.

**I.F. Cans**, 1/2 in square, suitable for rewind, 6 for 30p + 12 1/2% VAT.  
Miniature earphones with min. jack plug, 2 for 50p + 12 1/2% VAT.

**TWIN I.F. CANS**, approx. 1 in x 1/2 in x 1 in high, around 3-5MHz, 2 separate transformers in 1 can, internally screened, 5 for 50p + 12 1/2% VAT.

Duobiler Electrolytics, 50uF, 450V, 2 for 50p.  
Duobiler Electrolytics, 100uF, 275V, 2 for 50p.  
Plessey Electrolytics, 470uF, 63V, 3 for 50p.  
TCC Electrolytics, 1000uF, 30V, 3 for 80p.  
Plessey Electrolytics, 1000uF, 180V, 40p each (3 for £1).  
Duobiler Electrolytics, 5000uF, 35V, 50p each.  
Duobiler Electrolytics, 5000uF, 50V, 60p each.  
ITT Electrolytics, 6800uF, 25V, high grade, screw terminals, with mounting clips, 50p each.  
Plessey Electrolytics, 10,000uF at 63V, 75p each.  
Plessey Cathodray Capacitors, 0-0.4uF at 12-5kV DC. Screw terminals, £1.50 each.  
**PLEASE ADD 12 1/2% VAT TO ALL CAPACITORS**

**A LARGE RANGE OF CAPACITORS AVAILABLE AT BARGAIN PRICES. S.A.E. FOR LIST.**

**TV PLUGS AND SOCKETS**  
TV Plugs (metal type), 5 for 50p.  
TV Sockets (metal type), 4 for 50p.  
TV Line Connectors (back-to-back sockets), 4 for 50p. Please add 12 1/2% VAT.

**PLUGS AND SOCKETS**  
N-Type Plugs 50 ohm, 60p each, 3 for £1.50.  
N-Type Sockets (4-hole chassis mounting), 50 ohms (a small coax lead type), 50p each.  
P.259 Plug (PTFE), brand new, packed with reducers, 85p or 5 for £3.  
SO239 Socket (PTFE), brand new (4-hole fixing type), 50p each or 5 for £2.25.  
25-way ISEP Plugs and Sockets, 40p set (1 plug + 1 socket).  
Plugs and sockets sold separately at 25p each. Bulgin Round Free Sits, 3 pin, for mains input on test equipment, etc., 25p each.

**WELLER SOLDERING IRONS**  
**EXPERT**. Built-in spotlight illuminates work. Pistol grip with fingertip trigger. High efficiency copper soldering tip.  
**EXPERT SOLDER GUN**, 25W + VAT (54p)  
**EXPERT SOLDER GUN KIT** (spare bits case, etc.), £3.85 + VAT (78p)

**SPARE BITS**, PAIR, 30p + VAT (2p)  
**MARKSMAN SOLDERING IRONS**  
SP15D 15W £3 + VAT (24p)  
SP25D 25W £3 + VAT (24p)  
SP25DK 25W + bits, etc. kit £3.85 + VAT (31p)  
SP40D 40W £3.44 + VAT (28p)  
**BENCH STAND** with spring for Marksmen Irons, £2.22 + VAT (18p)

**SPARE BITS**  
MT0 for 15W, 46p + VAT (4p).  
MT4 for 25W, 38p + VAT (3p)  
MT10 for 40W, 42p + VAT (3p)  
**TCPI TEMPERATURE CONTROLLED IRON**. Temperature controlled Iron + PSU, £20 + VAT (£1.80)

**SPARE TIPS**  
Type CC single flat. Type K double flat fine tip. Type P, very fine tip. £1 each + VAT (8p).  
**ALL SPARES AVAILABLE**

**MULTICORE SOLDER**  
Size 5 Savbit 18 s.w.g. in alloy dispenser, 32p + VAT (3p).  
Size CISA18 Savbit 18 s.w.g., 50p + VAT (4p).  
Size 12 SAVBIT 18 s.w.g. on plastic reel £1.80 + VAT (15p)

Terms of Business: CASH WITH ORDER. MINIMUM ORDER £1. ALL PRICES INCLUDE POST & PACKING (UK ONLY). SAE WITH ALL ENQUIRIES Please. PLEASE ADD VAT AS SHOWN. ALL GOODS IN STOCK DESPATCHED BY RETURN. CALLERS SATURDAYS ONLY 9.30-12.00, 1.30-5.00.

# New to the UK from PRONTO

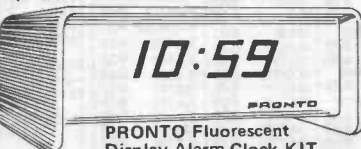
Battery operated LCD read out  
**CALENDAR CLOCK KIT** - crystal accurate -  
Bold Digits - runs on two Penlight Cells.



Now is the time for the hobbyist to move into Advanced Technology with Prontol  
**PRONTO MODEL 301** - The first completely portable liquid crystal display, digital CALENDAR CLOCK KIT offered in the United Kingdom.  
\* Battery operation - two small alkaline cells give a minimum life of 12 months.  
\* Superb accuracy through crystal control - of 3 minutes a year  
\* Wide angle display with 1/2 inch digits  
\* Push Buttons give choice of 3 display modes - hours minutes on 12 hour display with flashing colon, or seconds, or date.  
\* PRONTO 301 comes complete with easy to follow

instructions AT **£29.50** including V.A.T. You save Pounds off the recommended retail price of a comparable made up clock.

**TERMS:** Cash with order - make a cheque and/or postal order payable to PRONTO ELECTRONIC SYSTEMS LIMITED. (P & P - U.K. £0.45 Overseas £1.50)



**PRONTO Fluorescent Display Alarm Clock KIT**  
Wake up to the electronic age with the new PRONTO 304 Alarm Clock  
\* Large Bright Green Display  
\* Alarm with 10 minute 'snooze' feature  
\* AM/PM indication and simple setting  
\* Automatic brightness control on digits governed by room lighting

\* Ingenious gravity alarm - time setting mode switch \* Full assembly instructions

AT **£15.50** including V.A.T.  
With all PRONTO products - enquiries from the Trade, as well as the Hobbyist, are welcome, and you can also buy individual components!  
**PRONTO CONSTRUCTOR'S CLUB**  
When you buy your first Pronto kit you're automatically a Member of the PRONTO CONSTRUCTOR'S CLUB. It will not only keep you in the picture on new ideas and kits... but gives you **FREE a £2 Voucher** against the purchase of your next kit!  
Isn't it time you joined the Club?

Please send me -

PRONTO 301 KIT/S AT £29.50 EACH (Plus P & P)

PRONTO 304 KIT/S AT £15.50 EACH (Plus P & P)

My cheque/P.O. for \_\_\_\_\_ is enclosed

NAME \_\_\_\_\_

ADDRESS \_\_\_\_\_

Pronto Electronic Systems Ltd.  
645/647 High Rd., Seven Kings,  
Essex IG3 8RA. 01-599 3041  
Reg. office No 1081707

## SQUARE WAVE CONVERTER

THE circuit shown has been designed to add extra versatility to the Minisonic synthesiser by way of providing another waveform from the v.c.o.s.

This circuit converts the sawtooth waveform of the integrator to a pulse waveform by means of a differential comparator. The pulse waveform can be varied from very short, through square to a rectangular form; either by manual control or by voltage control. The switching between manual and voltage control proved beneficial when the synthesiser was being used for live performance work.

IC1 is functioning as a differential comparator, the reference voltage level decides the wave shape. In normal operation the comparator is swinging between positive and negative saturation levels; diode D1 serves to clip off the negative cycle and D2 is present in order to attenuate the positive swing to around 0.6V. Capacitor C3 blocks any d.c. which might be present at the output of IC1.

C1 and C2 are necessary in order to prevent any ripple spreading to the v.c.o.s. Voltage control is provided by using an  $n$  channel f.e.t. as a voltage controlled resistor. IC2 is a simple buffer/summing amplifier with unity gain. Its function is similar to that of the control nodes in the v.c.o.s.

The circuit is simple to set up. With a high impedance voltmeter across VR2, VR1 is adjusted so that

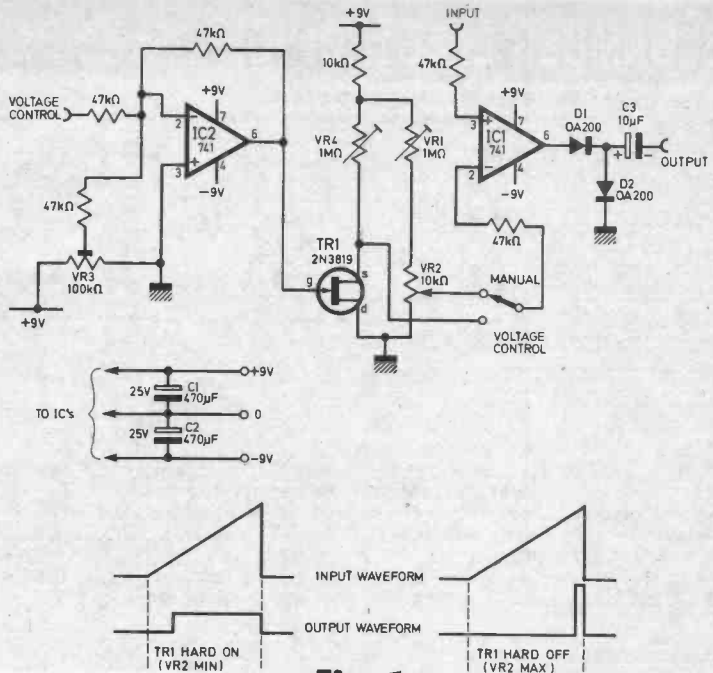


Fig. 1

the potential is 350mV. The voltage control may be set up by applying a slow positive-going ramp from a v.c.o. and adjusting VR3 until the best effect is heard. The setting of VR4 will alter the minimum pulse length available.

By careful adjustment of these two presets, the waveform shapes that are shown may be obtained.

P. R. Symons,  
East Acton,  
London W.12.

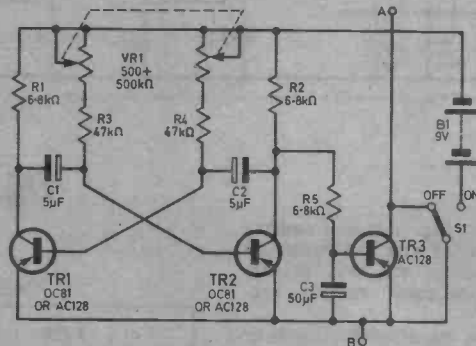
## LIGHT PIPE CONTROLLER

THIS unit can be inserted into the circuitry of the Light Pipe. *Practical Electronics*, January 1975, with connection A attached to the collector of TR3 and connection B attached to pin 1 of IC1. The line connecting these two points must, of course, be broken.

With the unit OFF the Pipe runs normally, but with the unit ON the Pipe runs then freezes, runs then freezes, and so on. The speed control in the original design still controls the running speed of the Pipe, whilst this unit's VR1 controls the number of times that the Pipe starts and stops per minute.

Some experimenting may be necessary with R3 and R4 to get

Fig. 1



the correct start-stop speeds, as the gain of TR1 and TR2 will obviously vary from transistor to transistor.

When the unit is OFF, S1 shorts out TR3 and also removes power from the unit.

S. J. Baxendale,  
South Shields.

## IMPROVED PHASER CONTROL

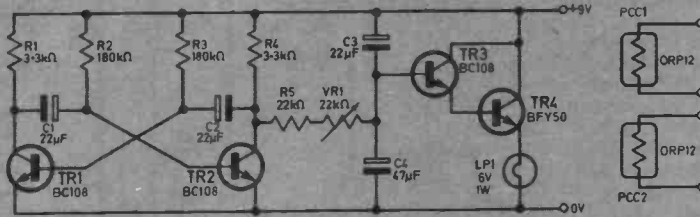


Fig. 1

HERE is an updated design prompted by the Phasing Control (Oct. 1974). This has several advantages over the original circuit. First of all it uses a 9V rail, also it uses fewer, but more-common components.

With the values shown, the circuit has a fixed frequency of 1 cycle per 8

secs. The capacitor C3 enables a fast start at switch on. To set up, adjust VR1 for a reasonable maximum minimum brightness. Since the impedance through VR1 is relatively high, this has no effect on the timing of the multivibrator.

Two things worth noting: TR4 gets hot, and since the unit uses 150mA of current it would be ludicrous to use a battery. A suitable mains unit would suffice as these can be bought for around £2.

Q. A. Rice,  
Mitcham, Surrey.

## 3-CHANNEL SOUND-TO-LIGHT CONVERTER

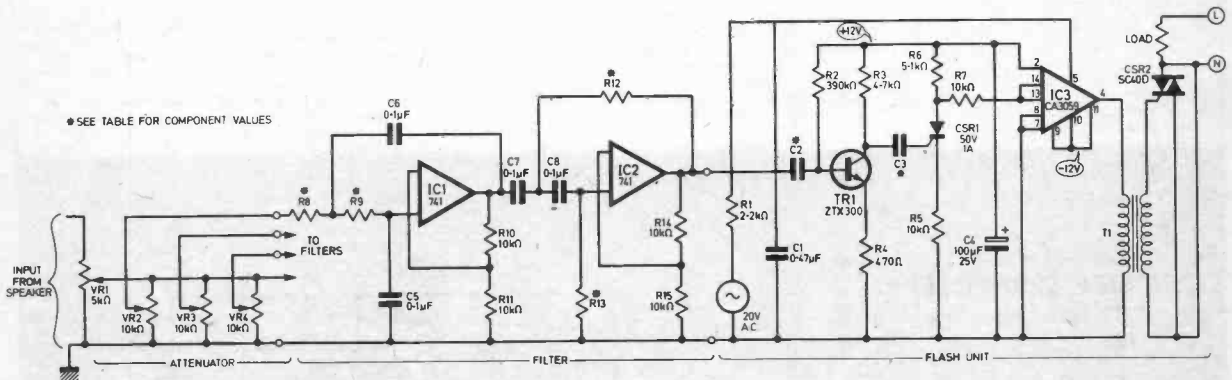


Fig. 1

THE circuit in Fig. 1 is a sound-to-light converter with 3 independent channels handling the low, middle and high frequency ranges respectively.

Signal from an amplifier speaker output is first passed through an attenuator (to allow accommodation of a wide range of input levels). Filters then divide the input into the three separate frequency ranges.

The filter outputs are then fed via an amplifying stage to the gate of CSR1 which is acting as a switch.

Table 1

	Low	Middle	High
R8, 9	12kΩ	3.3kΩ	820Ω
R12, 13	56kΩ	12kΩ	3.3kΩ
C2, 3	10μF	10μF	1μF

The CA 3059 provides an output pulse at the next zero crossing point of the mains after the thyristor is fired. No RFI suppression is therefore required, as all switching is performed at the zero-crossing point.

The output pulse from the CA 3059 then fires the triac via the 1:1 pulse transformer T1.

Component values for the three filters are given in Table 1, the actual circuitry being the same for all three.

D. G. J. Kingsbury,  
Soulbury.





# WILMSLOW AUDIO

## THE Firm for speakers!

### SPEAKERS

Baker Group 25, 3, 8 or 15 ohm	£8-64
Baker Group 35, 3, 8 or 15 ohm	£10-25
Baker Group 50/12 8 or 15 ohm	£14-00
Baker Group 50/15 8 or 15 ohm	£18-62
Baker Deluxe 124, 8 or 15 ohm	£12-38
Baker Major 3, 8 or 15 ohm	£10-96
Baker Superb 8 or 15 ohm	£16-31
Baker Regent 12in 8 or 15 ohm	£9-00
Baker Auditorium 12in 8 or 15 ohm	£14-65
Baker Auditorium 15in 8 or 15 ohm	£19-41
Castle 8RS/DD 4 or 8 ohm	£9-28
Celestion G12M 8 or 15 ohm	£12-95
Celestion G12H 8 or 15 ohm	£15-95
Celestion G12/50 8 or 15 ohm	£16-50
Celestion G12/50TC 8 or 15 ohm	£18-00
Celestion G12/50 2236 s/cone	£16-50
Celestion G12/50 2239 s/cone, alum. dome	£17-00
Celestion G15C 8 or 15 ohm	£26-95
Celestion G18C 8 or 15 ohm	£34-50
Celestion HF1300 8 or 15 ohm	£7-75
Celestion HF2000 8 ohm	£9-50
Celestion MH1000 8 or 15 ohm	£13-50
Celestion C03K	£4-46
Decca London ribbon horn	£28-80
Decca London CO1000/8 crossover	£6-75
Decca DK30 ribbon horn	£17-25
Decca CO/1/8 crossover (DK30)	£4-50
EMI 150 13 x 8in d/cone 8 ohm	£2-94
EMI 13 x 8in 20W bass 8 ohm	£9-00
EMI 14 x 9in bass 8 ohms, 14A770	£11-92
EMI 8 x 5in, 10W, d/cone, roll surr.	£3-56
EMI 6 1/2in d/cone, roll surr., 8 ohm	£3-93
EMI 8in roll surr. bass	£5-73
EMI 5in mid range	£3-50
Elac 59RM 109 (15 ohm), 59RM114 (8 ohm)	£3-38
Elac 6 1/2in d/cone, roll surr., 8 ohm	£3-83
Elac 10in 10RM239, 8 ohm	£3-83
Eagle Crossover 3000Hz 3, 8 or 15 ohm	£1-57
Eagle FR4	£5-51
Eagle FR65	£8-66
Eagle FR8	£11-08
Eagle FR10	£14-06
Eagle HT15	£3-96
Eagle HT21	£6-13
Eagle MHT10	£4-00
Eagle FF28 Multicell, horn	£8-10
Fane Pop 15, 8 or 16 ohm	£5-25
Fane Pop 33T, 8 or 16 ohm	£9-25
Fane Pop 50, 8 or 16 ohm	£12-50
Fane Pop 55, 8 or 16 ohm	£15-50
Fane Pop 60, 8 or 16 ohm	£17-95
Fane Pop 70, 8 or 16 ohm	£18-75
Fane Pop 100, 8 or 16 ohm	£27-95
Fane Crescendo 72A, 8 or 16 ohm	£37-95
Fane Crescendo 12BL, 8 or 16 ohm	£39-95
Fane Crescendo 15/100A, 8 or 16 ohm	£49-95
Fane Crescendo 15/125, 8 or 16 ohm	£59-95
Fane Crescendo 18, 8 or 16 ohm	£67-95
Fane 910 Mk II horn	£15-75

### SPEAKERS

Fane 920 Mk II horn	£36-95
Fane HPX1 crossover 200W	£2-50
Fane 13 x 8in, 15W dual cone	£5-50
Fane 801T 8in d/c, roll surr.	£8-96
Gauss 12in	£95-00
Gauss 15in	£110-00
Gauss 18in	£121-00
Goodmans Axent 100	£7-60
Goodmans Audiom 200 8 ohm	£13-46
Goodmans Axlom 402 8 or 15 ohm	£19-80
Goodmans Twinaxlom 8, 8 or 15 ohm	£9-50
Goodmans Twinaxlom 10, 8 or 15 ohm	£9-66
Goodmans 8P 8 or 15 ohm	£5-95
Goodmans 10P 8 or 15 ohm	£6-25
Goodmans 12P 8 or 15 ohm	£14-95
Goodmans 12PG 8 or 15 ohm	£16-50
Goodmans 12PD 8 or 15 ohm	£16-95
Goodmans 12AX 8 or 15 ohm	£39-00
Goodmans 15AX 8 or 15 ohm	£45-00
Goodmans 15P 8 or 15 ohm	£22-50
Goodmans 18P 8 or 15 ohm	£39-00
Goodmans Hifax 750P	£16-00
Goodmans 5in midrange 8 ohm	£4-05
Jordan Watts Module, 4, 8 or 15 ohm	£15-36
Kef T27	£5-18
Kef T15	£6-25
Kef B110	£6-75
Kef B200	£7-85
Kef B139	£15-08
Kef DN8	£2-08
Kef DN12	£5-39
Kef DN13 SP1015 or SP1017	£4-05
Lowther PM6	£30-80
Lowther PM6 Mk 1	£32-85
Lowther PM7	£48-60
Peerless KO10DT 4 or 8 ohm	£7-25
Peerless DT10HFC 8 ohm	£8-26
Peerless KO40MRF 8 ohm	£9-50
Peerless MT225HCF 8 ohm	£2-95
Richard Allan CA12 12in bass	£19-80
Richard Allan HP8B	£11-93
Richard Allan LP8B	£8-33
Richard Allan DT20	£6-08
Richard Allan CN8280	£16-20
Richard Allan CN820	£3-15
Richard Allan Super Disco 60W 12in	£16-95
Richard Allen CG15 15in bass	£27-45
Richard Allan Super Disco 12in 60 watt	£16-95
Richard Allan Super Disco 10in 50 watt	£13-25
Richard Allan Super Disco 8in 50 watt	£12-95
Radford BD25	£22-00
Radford MD9	£10-50
Radford MD6	£12-50
Radford TD3	£7-25
Radford Cross Over Network	£13-00
STC 4001G	£5-90
Tannoy 10in Monitor HPD	£78-00
Tannoy 12in Monitor HPD	£86-00

Tannoy 15in Monitor HPD	£99-95
Wharfedale Super 10 RS/DD 8 ohm	£13-50

### SPEAKER KITS

Baker Major Module 3, 8 or 15 ohm	each	£13-28
Fane Mode One Mk II 15W	each	£10-35
Fane D40 Disco Kit	each	£19-95
Goodmans DIN 20 4 or 8 ohm	each	£13-28
Goodmans Mezzo Twin kit	pair	£46-50
Heime XLK 30	pair	£21-95
Heime XLK 35	pair	£26-75
Heime XLK 40	pair	£38-50
Heime XLK 50	pair	£55-50
Kefkit 1	pair	£51-00
Kefkit III	each	£46-00
Peerless 1060	pair	£50-40
Peerless 1070	each	£41-40
Peerless 1120	each	£45-00
Peerless 2050	pair	£9-50
Peerless 2060	pair	£53-00
Richard Allan Twin assembly	each	£13-46
Richard Allan Triple 8	each	£20-25
Richard Allan Triple 12	each	£25-18
Richard Allan Super Triple	each	£29-25
Richard Allan RA8 Kit	pair	£37-80
Richard Allan RA82 Kit	pair	£59-40
Richard Allan RA82L Kit	pair	£65-70
Wharfedale Linton II kit	pair	£21-50
Wharfedale Glendale 3XP kit	pair	£47-70
Wharfedale Doveedale III kit	pair	£59-40

## HI-FI ON DEMONSTRATION in our showrooms:

Akal, Armstrong, Bowers & Wilkins, Castle, Celestion, Dual, Goodmans, Kef, Leak, Pioneer, Radford, Richard Allan, Rotel, Tandberg, Trilo, Videotone, Wharfedale; etc.—ask for our Hi-Fi discount price list.

THIS MONTH'S SPECIALS! (Carr. £2)	
Pioneer PL12D	£43-00
Pioneer CT2121	£115-00
Pioneer SX434	£98-95
Videotone Saphir 1	pair £52-00
Videotone Minimax 2	pair £39-00

We stock the complete Radford range of amplifiers, preamplifiers, power amplifiers, tuners, etc., and also Radford Audio Laboratory equipment, low distortion oscillator, distortion measuring set, audio noise meter, etc.

ALL PRICES INCLUDE VAT (PRICES CORRECT AT 8-7-76)  
Send stamp for free 32 page booklet "Choosing a Speaker"

ALL UNITS GUARANTEED NEW AND PERFECT  
Carriage and Insurance: Speakers 55p each (12in and up 85p each); Kits £1 each (£2 per pair); Tweeters and Crossovers 33p each.

# WILMSLOW AUDIO

Dept PE  
Loudspeakers, mail order and export:  
Swan Works, Bank Square, Wilmslow.  
Hi-Fi, Radio and TV: Swift of Wilmslow,  
5 Swan Street, Wilmslow, Cheshire.  
PA, Hi-Fi and Accessories: Wilmslow  
Audio, 10 Swan Street, Wilmslow,  
Cheshire.  
Telephone: Loudspeakers, mail order and  
export—Wilmslow 29599; Hi-Fi, Radio,  
etc.—Wilmslow 26213.

Complete kits in stock for Radford Studio 90, Radford Monitor 180, Radford Studio 270, Radford Studio 360, Hi-Fi Answers Monitor (Rogers), Hi-Fi News No Compromise (Frisby), Hi-Fi News State of the Art, Wireless World Transmission Line (Bailey), Practical Hi-Fi and Audio Monitor (Giles), Practical Hi-Fi and Audio Triangle (Giles), Popular Hi-Fi (Colloms), etc.

On dem. Answers Monitor, State of Art, etc.  
Construction leaflets for Radford, Kef, Jordan Watts, Tannoy, Hi-Fi Answers Monitor, free on request.  
P.A. amplifiers, microphones, etc., by Shure, Linear, Eagle, Beyer, AKG, etc.  
FREE with orders over £10—"Hi-Fi Loudspeaker Enclosures" book.

# ARROW ELECTRONICS LTD.

## NEW EXTENDED COSMOS RANGE

CD4000AE	19p	17p	14p
CD4001AE	19p	17p	14p
CD4002AE	19p	17p	14p
CD4006AE	1.06p	85p	70p
CD4007AE	19p	17p	14p
CD4008AE	87p	70p	58p
CD4009AE	50p	40p	34p
CD4010AE	50p	40p	34p
CD4011AE	19p	17p	14p
CD4012AE	19p	17p	14p
CD4013AE	50p	40p	34p
CD4014AE	94p	74p	61p
CD4015AE	94p	74p	61p
CD4016AE	50p	40p	34p
CD4017AE	94p	74p	61p
CD4018AE	94p	74p	61p
CD4019AE	50p	40p	34p
CD4020AE	1.06p	85p	70p
CD4021AE	94p	74p	61p
CD4022AE	87p	70p	58p
CD4023AE	19p	17p	14p
CD4024AE	72p	56p	46p
CD4025AE	19p	17p	14p
CD4026AE	1.60p	1.25p	1.03p
CD4027AE	50p	40p	34p
CD4028AE	87p	70p	58p
CD4029AE	1.06p	85p	70p
CD4030AE	50p	40p	34p
CD4035AE	1.06p	85p	70p
CD4040AE	94p	74p	61p
CD4042AE	78p	60p	50p
CD4043AE	94p	74p	61p
CD4044AE	87p	70p	58p

CD4046AE	1.24p	99p	80p
CD4049AE	50p	40p	34p
CD4050AE	50p	40p	34p
CD4052AE	87p	70p	58p
CD4056AE	1.24p	99p	80p
CD4060AE	1.24p	99p	80p
CD4066AE	87p	70p	58p
CD4068BE	20p	18p	16p
CD4069BE	20p	18p	16p
CD4070BE	20p	18p	16p
CD4071BE	20p	18p	16p
CD4073BE	20p	18p	16p
CD4077BE	20p	18p	16p
CD4081BE	20p	18p	16p
CD4082BE	20p	18p	16p
CD4085BE	65p	52p	42p
CD4086BE	65p	52p	42p
CD4093BE	75p	65p	60p
CD4099BE	1.65p	1.35p	1.10p
CD4511BE	1.65p	1.35p	1.10p
CD4528BE	1.30p	1.08p	87p

Pricing on this series is calculated on the total pieces ordered regardless of mix.

### DIL SOCKETS—NEW ULTRA LOW PROFILE

8 DIL/UP	13p
14 DIL/UP	15p
16 DIL/ULP	16p
24 DIL/ULP	26p
DIL PINS	
100 FOR	65p

## SOLDERING EQUIPMENT AND TOOLS

DST Mk. 1.	"Solder Sucker" a truly indispensable tool	£4.30
DST Mk. 1.	Spare Nozzle	46p
CCN-15W	Miniature Iron 240V	£2.95
X25-240	25 Watt Iron 240V	£2.95
X50-TC	Temperature Controlled Iron	£9.25
MLX12	12V Battery Iron	£3.50
ST3	Soldering Iron Stand	£1.25
S167	For all models Thermal shunt for delicate components	40p

## THE GREEN GIANT

Jumbo sized Green LED—jump while they last:

5mm	1-12	13-24	25+	100+
	25	22	20	18

## 3 WATT ZENERS

Axial lead, miniature plastic case full 3 Watt Diac. Following voltages only: 6.8, 8.2, 10, 11, 12, 15, 16, 18, 22, 24, 27, 32, 33, 62, 68, 91, 100.

ALL ONE PRICE 40p

741 OP-AMP MINIDIP	30p
301A OP-AMP, 8 PIN DIL	40p
3900 14 PIN DIL	65p
556 8 PIN DIL	£1.08
100 VOLT 7 AMP SCR	50p

## 7 WATT AUDIO CHIP

TBA810S with data £1.40

## TIMER CHIP NE555V

New	Low	Prices:	LM380
1-24	25	100	3 Watt IC
55	49	45	98p*

## SENSATIONAL STOCK

**CLEARANCE**  
PAK: AA1 Twenty assorted transistors *Our choice* £1.00  
PAK: AA2 Ten TAA243 Op. Amps (high gain 702) £1.00  
PAK: AA3 Ten BCW54 300mW 300mHz 64V Transistor NPN £1.00

## GREAT TRIAC

**CLEARANCE**  
SC35A 3A 100V 50p  
SC35B 3A 200V 60p  
SC40B 6A 200V 85p  
SC40D 6A 400V 60p  
SC40E 6A 500V 85p  
SC45A 10A 100V 70p  
SC45B 10A 200V 75p  
SC45E 10A 500V 90p  
SC50D 15A 400V £1.00  
SC50E 15A 500V £1.10  
All stud mounted, fixing nuts supplied.

## SEMICONDUCTORS AND IC'S

Our huge availability of transistors, diodes, Triacs, SCR's, Zeners, etc., is too large to list. See previous catalogues and advertisements for price and availability or Telephone Alan Green on 0277 219435 for a quick price.

COPTFOLD ROAD  
BRENTWOOD ESSEX  
(Thurs. early closing)

74 SERIES TTL  
VEROBOARD  
TRANSISTORS  
SWITCHES

FULL SPEC. DEVICES

VAT Prices are exclusive of VAT. Add VAT at 8%, \* = 12½%. | POSTAGE: 25p; over £5 free.

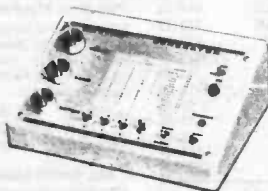
## ANNOUNCEMENT

# RHYTHM GENERATOR.

SWING, WALTZ, ROCK, TANGO, CHA CHA, MARCH, MAMBA, FOX TROT, SHUFFLE.

ALL COMPONENT PARTS ARE AVAILABLE SEPARATELY S.A.E. FOR LISTS, OR FOR PRICING.

Tel. 0246-31475



FULL KIT: £37.50 + £1.00 (includes V.A.T.)  
KIT INCLUDES NEW UPDATED P.C.B.'s

With Printed layout for easy assembly, all components "nice" switches and knobs, case, in fact everything you need to complete this very exciting Project.

P.C.B.'s ARE AVAILABLE SEPARATELY

Set of NEW UPDATED P.C.B.'s with a printed layout, made in first class quality fibre-glass, by a well known national company.

Price on application to:

ASTRO/WKF INC.  
1 QUEEN STREET NORTH  
WHITTINGTON MOOR,  
CHESTERFIELD,  
DERBYSHIRE  
Tel: 0246-31475

SPECIAL OFFER

# CRESCENT RADIO LTD.

164-166 HIGH ROAD, WOOD GREEN, N22  
(also) 13 SOUTH MALL, EDMONTON, N.9

MAIL ORDER DEPT.  
1 ST. MICHAELS TERRACE, WOOD GREEN, LONDON N22 45J  
Phone: 888-4474

## 3 KILOWATTS PSYCHEDELIC LIGHT CONTROL UNIT

Three Channel: Bass, Middle, Treble. Each channel has its own sensitivity control. Just connect the input of this unit to the loudspeaker terminals of an amplifier, and connect three 250V up to 1000W lamps to the output terminals of the unit, and you produce a fascinating sound-light display. (All guaranteed.)  
£18.50 plus 75p. P. & P. + 8%.

## CABLE LESS SOLDERING IRON WAHL "ISO-TIP"

- ★ Completely portable.
- ★ Solders up to 150 joints per charge.
- ★ Recharges in its own stand.
- ★ Fine tip for all types of soldering.
- ★ Only 8in long and weighs just 6 ozs.

OUR PRICE £9.75 + 8%.

(Spare bits are available)

## BARGAIN PROJECT BOX

A plastic box with moulded extrusion rails for PC or Chassis panels with metal front plate fitted with four screws (all supplied).  
An ideal box to give a small project a professional finish.  
SIZE (internal) 81mm x 51mm x 28mm.  
OUR PRICE 40p. + 8%.

## LOW VOLTAGE STEREO AMPLIFIER

8 transistor stereo amplifier with volume, bass, balance and tone controls. Approx. 3W into 8 ohm per channel. Needs a 9/12V d.c. supply and is complete on a 2 1/4in x 7 1/2in P/C board.  
Ideal for domestic record players, etc.  
A BARGAIN AT 25 + 12½% VAT

U.K. CARRIAGE 50p UNLESS OTHERWISE STATED

VAT—All prices are excluding VAT. Please add to each item the VAT rate indicated.

## "CRESCENT" 100 WATT R.M.S. ALL PURPOSE AMPLIFIER U. BUILD IT

We supply the three modules for you to build this Disco-Group-P.A. amplifier into the cabinet of your choice.

★ **THE POWER AMP MODULE**  
170W r.m.s. sq. wave 300W instantaneous peak into 8 ohm (25V into 16 ohm).

★ **THE PRE-AMP MODULE**  
Four control pre-amp, Vol. Bass, Treble. Middle controls. Designed to drive most amplifiers using F.E.T. first stage.

★ **THE POWER SUPPLY**  
Is supplied complete with the mains transformer. Complete fixing instructions are supplied and no technical knowledge is required to connect the three ready wired modules. A fantastic bargain. £27.50, carr. £1.20. Send S.A.E. for further details on this or our ready built amplifiers. + 8%.

## 12-0-12V 500M/A

240V primary transformer bargain. Approx. size: 60mm x 40mm x 50mm; fixing centres: 75mm.  
Our price £1.20. + 8%.

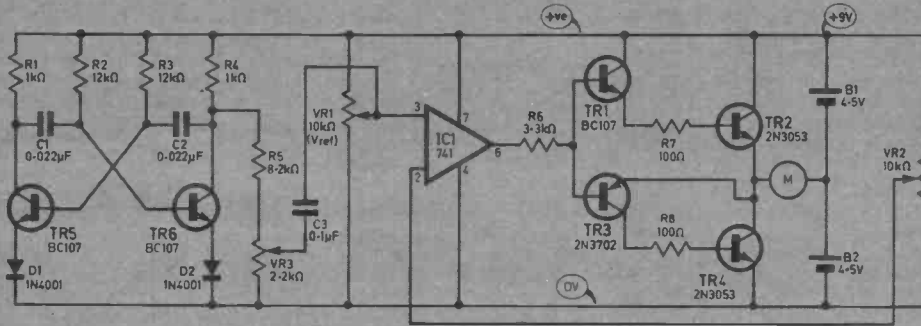
## GOODMANS CROSSOVER

Bargain price Crossovers manufactured by Goodmans for the "Havant" loudspeaker system.  
IMP - 8 OHM. £1 each + 12½% VAT.

## Low Voltage Stereo Amplifier

8 transistor stereo amplifier with volume, bass, balance and tone controls. Approx. 3W into 8 ohm per channel. Needs a 9/12V d.c. supply and is complete on a 2 1/4in x 7 1/2in P/C board.  
Ideal for domestic record players, etc.  
A BARGAIN AT 25 + 12½% VAT

## SIMPLE SERVO



**Fig. 1**

THE circuit in Fig. 1 was originally constructed to control the X and Y axial travel of an X-Y recorder and has since found use as a servo unit for a radio-controlled car.

A voltage at pin 3 of IC1 between 0 and 10V will drive the motor via TR1 and TR2, or TR3 and TR4 and hence adjust the feedback pot VR2 until the slider voltage is identical to that on pin 3.

The purpose of TR5, TR6 and their associated components is to modulate the reference voltage at pin 3 with a 3kHz square wave, its amplitude being adjustable from zero to a few volts with VR3. This modulation effectively creates a "dead-band" region at the operating point of the servo; VR1 being adjusted for maximum positional resolution consistent with good damping.

A side effect of the modulation is that the motor tends to vibrate at the modulation frequency. This reduces hysteresis or stickiness that may be present.

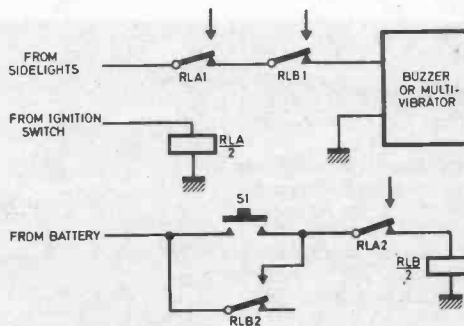
The components as shown will drive any small motor up to a maximum current of about 1A.

J. D. Jardine,  
Dewsbury.

## CAR SIDELIGHT ALARM

How often have readers parked their cars and forgotten to turn off the sidelights, only to return to find the battery flat? This simple circuit can be used to sound a buzzer or to drive a multivibrator connected to a loudspeaker, to give an audible alarm when the ignition is switched off with the lights still on. A push button is provided to override the alarm should it be necessary to park the car with the sidelights on.

The alarm is driven from the sidelight circuit via relay contacts RLA1 and RLB1. When the ignition is on, relay RLA is operated disabling the alarm. Switching off the ignition releases RLA and contact RLA1 closes to sound the alarm. RLA2 makes which allows the override circuit to operate. If the sidelights must be left on, then, pushing S1 will operate relay RLB. RLB1 opening breaks the alarm circuit and RLB2 holds RLB operated.



**Fig. 1**

The next time the ignition is turned on RLA operates, thus releasing RLB. This gives the driver the protection of not leaving the alarm overridden by mistake.

The type of relay used is not critical, except that both relays RLA and RLB should be 2 pole changeover types.

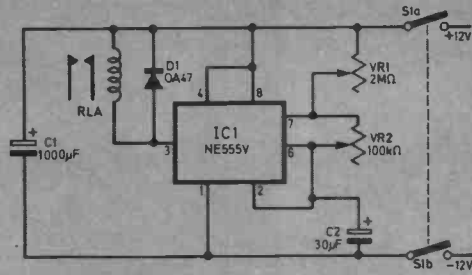
M. Spendley,  
Arnos Grove.

## REAR WINDSCREEN WIPER CONTROLLER

THIS circuit makes use of the well known NE 555V timer chip in an astable mode of operation.

Potentiometer VR1 is linked to S1a and S1b and provides on/off and varies the delay between sweeps (between continuous operation and up to two minutes is available with values shown). VR2 controls the time the relay is closed and therefore the length of the wiper sweep. Careful adjustment of VR2 gives a uniform sweep and a self-parking facility.

Fig. 1



The circuit is contained in a small box approx. 4in wide 2½in high and 1½in deep, and can be used in negative or positive earthed cars

according to relay contact connection. G. T. McDermid, Ramsbottom.

## CAR SEAT-BELT ALARM

Now that it is almost law that you and your front seat passenger wear seat-belts, this circuit was devised to provide a reminder to "Clunk, click every trip". It is loud and shrill in operation so it cannot be ignored, is cheap to build and consumes only 100mA when ON and only 300µA when OFF (at 15V).

The circuit consists of a two transistor oscillator (multi-vibrator) TR1 and TR2, a one transistor amplifier TR3 and a switch TR4. The reed switch is of the normally open type and the speaker is an ex-t.v. 3Ω type. The unit will run on a flat car battery with reduced volume. The reed switch is taped or glued to the buckle unit and a small but powerful magnet is similarly secured to the belt tongue. A seat switch is useful to stop the

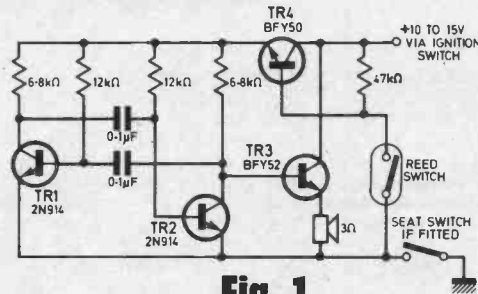


Fig. 1

alarm sounding when working on the car with the ignition on.

If both front seats are to be equipped, a seat switch (normally closed) and a reed switch (normally open) should be fitted to the passenger seat. These two switches

should be connected in parallel and wired in series with the driver's reed switch.

A. R. Knight, Blackbird Leys, Oxford.

## CAR-CASSETTE POWER SUPPLY

THE unit shown here was designed to run a cassette tape recorder in a car. Diode D1 protects the circuit against wrongly connected supply lines. A reference voltage provided by R1/D2 controls the series transistor TR1. C1 removes any noise that may be generated by D2, while C2 deals with any spurious signals at the output.

Overload protection is provided by means of R2/TR2. Because the load current is flowing through R2 there is potential difference across it. Once this p.d. exceeds 0.6V TR2

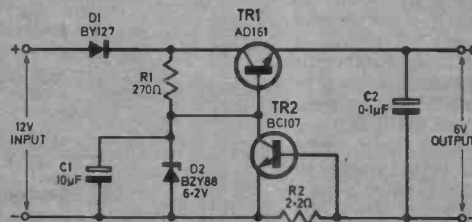


Fig. 1

will begin to conduct. This will turn off the series transistor TR1 by diverting its base current to the negative line, and the output voltage will fall to zero. Once the overload is removed, the supply will return to normal.

The voltage rating of D2 can be chosen to suit the voltage of the cassette player. A 6.2V zener will provide an output of six volts.

G. Luck, Gosport, Hants.



# Stirling Sound Products

FROM BI-PRE-PAK

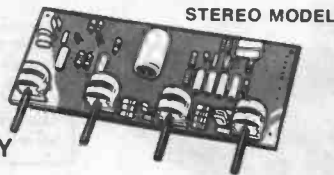
## UNIT 1 PRE-AMP/CONTROL

SUPERB VALUE AT

### £7.80

WITH ACTIVE TONE CONTROL CIRCUITRY

UNIT 1, latest addition in the Stirling Sound range of realistically priced constructional modules is going to assure many, many more constructors of obtaining quality where price has prevented it before. UNIT 1 offers full stereo facilities, is guaranteed and easy to connect up.

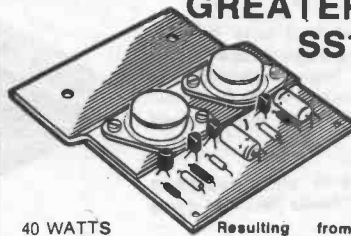


- Input sensitivity—50mV, adjustable
- Output—200mV for 50mV in
- Bass control—±15dB at 30kHz
- Treble control—±15dB at 10kHz
- Balance control; volume control
- Operating voltage—10 to 16V

MADE IN OUR OWN FACTORY IN ESSEX

## MORE POWER—LESS VAT GREATER VALUE SS140 MK.3

POWER AMP  
Built for hard work



40 WATTS  
R.M.S.  
INTO 4Ω

£3.95  
+ 8% VAT

Resulting from research and development, the Mk.3 version of this most popular power amp. now includes built-in output capacitor with improved stability under severest working conditions. Greatly used for P.A., disco and similar work, SS140 offers fantastic value for the price.

## Build and save with Stirling Sound

BASIC MODULES FOR BUILDING UP TO A STEREO TUNER-AMP POWER AMPS

- SS125 De-luxe hi-fi 25W r.m.s. power amp. with a fantastic distortion rating of only 0.04% at all levels. 25W into 8 ohms using 50V supply
- SS103 3W r.m.s. amplifier incorporating I.C./SL60745. With current, short-circuit and thermal protection
- SL103-3 Stereo version of above using 2 I.C.s
- SS105 5W amplifier to run from 12V (3½in x 2in x ½in)
- SS110 Mk. 3 Similar to SS105 but more powerful giving 10W into 4 ohms, using 24V
- SS120 Mk. 3 20W module when used with 34V into 4 ohms

### CONTROL

- SS100 Active tone control, stereo, ±15dB cut and boost with suitable network
- SS101 Pre-amp for ceramic p.u., radio and tape with passive tone control details
- SS102 Stereo pre-amp with R.I.A.A. equalisation, mag., p.u., tape and radio in

### POWER STABILISER

- SS300 Add this to your unstabilised supply to obtain a steady working voltage from 12 to 50V for your audio system, workbench etc. Money saving and very reliable

### F.M. TUNING

- SS201/X Front end, geared drive capacity tuning, 88-108 MHz. AFC facility
- SS202 I.F. amp. A meter and/or A.F.C. can be connected (size 3in x 2in)
- SS203 Stereo decoder
- For use with Stirling Sound modules, or with any other good mono F.M. tuning section. A L.E.D. beacon can be added to indicate when a stereo signal is tuned in (3in x 2in)

£5.00

£1.75

£3.25

£2.25

£2.75

£3.25

£1.60

£1.60

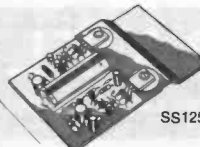
£2.25

£3.25\*

£5.00

£2.85

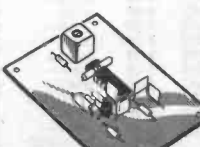
£3.85



SS125

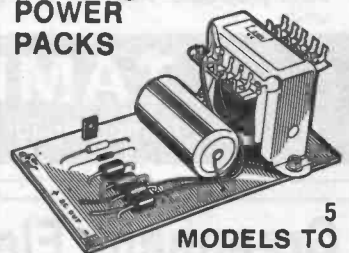


SS203



SS201

## Stirling Sound POWER PACKS



5  
MODELS TO  
CHOOSE FROM

Not only do these excellent power packs stand up unflinchingly to hard work, inclusion of a take off point at around 13-15V adds to their usefulness and once again price value is outstanding. Add 50p for p/p any model.

Made to serve for years

SS312	12V/1A	£3.75*
SS318	18V/1A	£4.15*
SS324	24V/1A	£4.60*
SS334	34V/2A	£5.20*
SS345	45V/3A	£6.25*

Direct from the makers and obtainable only from Bi-Pre-Pak Ltd. Stirling Sound products are designed by professional experts and made in our own factory. They are distributed exclusively through Bi-Pre-Pak Ltd.

## NEW SHOWROOM

We have extended our premises and opened up a new demonstration showroom. All welcome.

### TERMS OF BUSINESS:

VAT at 12½% must be added to total value of order except for items marked \* or (8%) when VAT is to be added at 8%. No VAT on overseas orders. POST & PACKING add 30p for UK orders unless marked otherwise. Minimum mail order acceptable—£1. Overseas orders, add £1 for postage. Any difference will be credited or charged. PRICES subject to alteration without notice. AVAILABILITY. All items available at time of going to press when every effort is made to ensure correctness of information.

Order your Stirling Sound products from

# BI-PRE-PAK LTD

Co Reg No 8,0919

222 224 WEST ROAD, WESTCLIFF-ON-SEA, ESSEX SSO 9DF.

TELEPHONE: SOUTHERN (0702) 46344

CHEQUES/MONEY ORDERS PAYABLE TO BI-PRE-PAK LTD.

TO STIRLING SOUND (BI-PRE-PAK LTD.), 220/224 WEST ROAD, WESTCLIFF-ON-SEA, ESSEX SSO 9DF

Please send .....

for which I enclose £.....

Inc. V.A.T.

NAME .....

ADDRESS .....

PE9C

# TAMBA ELECTRONICS

QUALITY PRODUCTS  
FOR HI-FI, DISCO,  
P.A. GROUP AND CLUB USE

## A BRAND NEW RANGE OF AMPLIFIER MODULES 5 to 100 WATT/RMS

Choose the power you need from these five pure complementary amplifiers  
Two-year guarantee

All amplifiers feature a pure complementary symmetry output stage for low distortion and high reliability—the highest grade components (by Mullard—Texas, Plessey—RCA etc.) used throughout



TAM50 5W RMS 25V supply	£3.20
TAM100 10W RMS 35V supply	£3.75
TAM250 25W RMS 45V supply	£4.25
TAM500 50W RMS 45V supply	£6.95
TAM1000 100W RMS 65V supply	£9.80
(all modules carriage free)	

- Suits loads 4–16 ohms (optimum load 8 ohms, TAM50/100/250, 4 ohms TAM500/1000)
- Low distortion (0.1%)
- 20–20,000 Hz ±1dB
- Silicon circuitry throughout
- Inherently open circuit proof
- Four simple connections

- High sensitivity—100mV
- Low profile (1in high 3½in x 3in)
- 75% efficient
- Glass fibre printed circuit board
- Accepts most mixers/pre-amplifiers

### POWER SUPPLIES

For 1 or 2 TAM50/100	£4.25 (carr 50p)
For 1 or 2 TAM250/500	£6.95 (carr 50p)
For 1 or 2 TAM1000	£9.80 (carr 50p)

You may order as follows: C.W.O. (crossed cheques, P.O.s, M.O.s etc) C.O.D. (50p extra). We accept Access and Barclaycard—send or telephone your number—do not send your card. Add VAT at 8% to orders for 50–100W units and at 12½% for 5–25W units

Hours, 9.30a.m.–5p.m.  
Mon.–Sat. Callers welcome.  
Tel: (01) 684 0098

# TAMBA ELECTRONICS

Bensham Manor Road Passage, Bensham Manor Road, Thornton Heath, Surrey.

## Greenbank Electronics (Established 1970)

DIGITAL CLOCK MODULES, KITS Further details free on request.		DL-750E 0.6in	£1.50	741 Minidip	25p
		DL-747E 0.6in	£1.50		
"E" LED DISPLAYS		CLOCK CHIPS		SOLDERCON PINS	
DL-704E 0.3in	70p	AY-5-1224A	£3.50	100	50p
DL-707E 0.3in	70p	MK 50253	£5.50	1000	£4.00
DL-728E 2 x 0.5in	£1.80	OP-AMPS		DIL SOCKETS	
DL-727E 2 x 0.5in	£1.80	CA 3130 (COS/MOS)	75p	14/16 pin	15p
CMOS WITH DISCOUNTS! (Any mix: disc. 10% 25+ . 25% 100+)					
CA 3130	0.75	4033/—	1.20	4067/—	3.10
4000/14000	0.15	4034/14034	1.65	4068/14068	0.20
4001/14001	0.15	4035/14035	1.00	4069/14069	0.20
4002/14002	0.15	4036/—	2.20	4070/14070	0.45
4006/14006	1.00	4037/—	0.80	4071/14071	0.20
4007/14007	0.15	4038/14038	0.90	4072/14072	0.20
4008/14008	0.80	4039/—	2.20	4073/14073	0.20
4009/14009	0.45	4040/14040	0.90	4075/14075	0.20
4010/14010	0.45	4041/—	0.70	4076/14076	1.30
4011/14011	0.15	4042/14042	0.70	4077/14077	0.45
4012/14012	0.15	4043/14043	0.85	4078/14078	0.20
4013/14013	0.45	4044/14044	0.80	4081/14081	0.20
4014/14014	0.85	4045/—	1.20	4082/14082	0.20
4015/14015	0.85	4046/14046	1.15	4085/—	0.60
4016/14016	0.45	4047/—	0.75	4086/—	0.60
4017/14017	0.85	4048/—	0.45	4089/—	1.30
4018/—	0.85	4049/14049	0.45	4093/14093	0.65
4019/14019	0.45	4050/14050	0.45	4094/—	1.60
4020/14020	0.95	4051/14051	0.80	4095/—	0.90
4021/14021	0.85	4052/14052	0.80	4096/—	0.90
4022/14022	0.80	4053/14053	0.80	4097/—	3.10
4023/14023	0.15	4054/—	1.00	4098/14528	1.00
4024/14024	0.65	4055/—	1.10	4099/—	1.55
4025/14025	0.15	4056/—	1.10	4010/1/—	1.55
4026/—	1.50	4057/—	21.55	40104/—	2.00
4027/14027	0.45	4059/—	4.75	40107/—	0.55
4028/14028	0.75	4060/—	0.95	40109/—	1.90
4029/—	0.95	4061/—	18.92	40108/14580	6.95
4030/14507	0.45	4062/—	7.75	40181/14581	3.55
4031/—	1.90	4063/—	0.95	40182/14882	1.35
4032/14032	0.90	4066/14066	0.60	40257/—	2.00

Terms: C.W.O. Add VAT to all prices at 8%. Post etc., U.K. 10p per order. Orders processed same day. Official govt., varsity, poly, etc. orders welcomed.

## GREENBANK ELECTRONICS (Dept. E9P)

94 New Chester Road, New Ferry, Wirral, Merseyside, L62 5AG, England. Tel: 051-645 3391

## OSMABET LTD

We make transformers amongst other things

LOW VOLTAGE TRANSFORMERS	
Prim. 200/240V a.c., 50/60 Hz	
£2-10; 6A CT £3-75; 12V 1.5A £2-10; 3A £3-75; 6A CT £5-25; 18V 1.5A CT £3-45; 24V 1.5A CT £3-75; 3A CT £5-25; 5A £3; 8A £11-25; 12A £16-50; 40V 3A CT £7-50; 50V 6A CT £18-75; 25V 2A + 25V 2A £7; 12V 4A + 12V 4A £7.	
LT TRANSFORMERS TAPPED SEC. Prim 200/240V	
0-10-12-14-16-18V 2A, £4; 4A, £5-25. 0-12-15-20-24-30V 2A, £4-50; 4A, £8-75. 0-5-20-30-40-80V 1A, £4-85; 2A, £8-75. 0-40-50-60-80-100-110V 1A, £7.	
MIDGET RECTIFIER TRANSFORMERS	
For FW rect. 200/240V a.c., 6-0-6V 1.5A or 9-0-9V 1A £1-80 each; 12-0-12V 1A, or 20-0-20V 0.75A, or 9-0-9V 0.3A, or 12-0-12V 0.25A, or 20-0-20V 0.15A, or 8V 0.5A + 8V 0.5A, or 9V 0.35A + 9V 0.35A, or 12V 0.25A + 12V 0.25A, or 20V 0.15A + 20V 0.15A, all at £2 each.	
LOUDSPEAKERS	
2½in 8 or 75Ω, 2½in 8 or 25Ω, 3in 3, 8 or 35Ω, 3½in 15Ω, £1 each; 8 x 5in 3, 8 or 25Ω, £1-75; Goodmans 8½in twin cone, hi-fi, 4Ω, £3-50; 7 x 4in, 3-8, 15 or 25Ω, £1-50.	
"INSTANT" BULK TAPE/CASSETTE ERASER	
Instant erases any diameter tape spool or cassette. Demagnetises tape heads. 200/240V a.c., £3-75.	
SYNCHRONOUS GEARED MOTORS 200/240V a.c.	
Brand new Smiths, built in gearbox. 6 r.p.m., 75p each.	
PAPER TUBULAR CONDENSERS	
4-7mF, 180V, 3p x 20mm, 20p (100 for £10).	
SPEAKER MATCHING AUTO TRANSFORMER	
12W, 3 to 8 or 15Ω, up or down, £1-85.	
G.E.C. MANUAL OF POWER AMPLIFIER COVERING VALVE AMPLIFIERS OF 30W TO 400W 35P.	
CABLES — CABLES — CABLES	
MICROPHONE TWIN H/DUTY, BRAIDED SCREEN	
Professional cable for stage, studio, outdoor. PVC covered, grey, 20p per metre. Grey: Single cable, black, 10p per metre.	
MULTI WAY SCREENED, PVC COVERED	
36 way £1; 25 way 75p; 14 way 50p; 4 way 14p; 2 way 10p; 1 way 6p per metre.	
LOW LOSS CO-AXIAL CABLE 75Ω	
UHF, white, 12p per metre; VHF, white, 9p per metre.	
FLEXIBLE PVC MINI 3-CORE CABLE, 19/6-10MM	
100 metres £3. Ideal for speakers, intercoms, etc.	
TWIN FIG. 8 CABLE	
Polarised, £2-50/100m. Screened stereo £1/15m.	
ALL TYPES DOMESTIC AND COMMERCIAL CABLES, ALL SIZES AND COLOURS. CONNECTING WIRES, MULTI SCREENED AND UNSCREENED CABLE. TRADE ENQUIRIES INVITED	
Carriage and VAT extra on all orders	
S.A.E. ENQUIRIES. LISTS. MAIL ORDER ONLY	
48 Kenilworth Road, Edgware, Middx. HA8 9YG	
Tel. 01-958 9314	

# LARGE MINISTRY RELEASE

ENABLES US TO OFFER THE FOLLOWING

## MARCONI PORTABLE FREQUENCY METER

TF1026/11  
100-160MHz  
Very fine condition

## THE LATE MODEL MARCONI OSCILLATOR TF885A/1

in superb condition.  
Covering 25Hz to 12MHz sine wave in 3 ranges and 50Hz to 150kHz square wave.  
High output 31.6V.  
Meter scaled in volts and dBs.

## SOLARTRON A.C. MILLIVOLT METER VF252

1-5mV to 150V full scale in 10 ranges.  
6in meter  $\pm 1\%$ .  
GOOD CONDITION.

## AVO R.F. SIGNAL GENERATOR—A.M. MODULATION

Freq. range 2-250MHz  
240V operation.  
Suitcase style.  
Size approx. 15in wide x 10in high x 6in deep.

**ALL ITEMS  
£22.50 each  
OR  
3 DIFFERENT  
UNITS FOR  
£60**

## AVO VALVE TESTER CT160—

"THE SUITCASE",  
Size approx. 15in wide x 10in high x 11in deep.

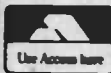
CARRIAGE £2.50 EACH UNIT—EXCESS REFUNDED

VAT: ADD 8%

OPEN 9 a.m. to 5:30 p.m. ANY DAY

**CHILTHEAD LTD**

7/9 ARTHUR ROAD, READING, BERKS.  
(rear Tech. College) Tel. Reading 582655



Electronic Organ with 4 footages, 11 voices and sustain



Super touch sensitive Piano Kit with special effects

A wide range of keyboard instruments for the D.I.Y. enthusiast. Our low prices are based on component costs only, and no extras. Send large S.A.E. for details.

Keyboards: 4-octave £17.50; 5-octave £24. GU500 Top Octave Generator £12.95. GD500/5 Top Octave Generator and Dividers £35.20. Organ I.C.s: AY-1-0212 £6.23; AY-1-5051 £1.34; AY-1-6721/5 £1.45; AY-1-6721/6 £1.62; AY-1-5050 £1.96. Rhythm Generator AY-5-1315 £5.06. Chord Generator AY-5-1317A £8.18. Priority Latching AY-1-1313 £8.18.

All prices include VAT. Callers only. Construction manual for portable organ £2.25. Catalogue 60p available by post. Telephone for Mail Order Service.



*Electronic Musical Instruments*

Organ Centre: 12 Brett Road, Hackney, London E8 1JP (01-986 8455). New Component Shop; 40/42a Dalston Lane, London E8 2AZ (01-249 5624)—1 minute walk from Dalston Junction Station. 8 Putney Bridge Road, London SW18 1HU (01-870 4949).

# constructors guides

This exciting new series provides clear and easily understood descriptions, advice and general help for amateur constructors, students and technicians aimed at breaking down the barriers that often deter beginners in electronics.

AVAILABLE NOW



## PROJECT PLANNING AND BUILDING

Morris A. Colwell

This guide will help the constructor to plan, design and lay out his electronic projects. The book explains planning, use of tools, component board layout, the design and layout of chassis and cases, and assembly and wiring.

There is also an extremely useful Appendix.

128 pages 216 x 138mm Illustrated  
0 408 00229 8 £1.95

## SIMPLE CIRCUIT BUILDING P. C. Graham

This guide provides a logical introduction to general purpose circuits for the home constructor and to converting theoretical circuits into practical layouts. The book covers a wide range of easy to assemble circuits, including switching and logic circuits and their layouts, operational amplifiers, a.c. amplifiers and d.c. power supplies.

128 pages 216 x 138mm Illustrated  
0 408 00230 1 £1.95

## PRACTICAL ELECTRONIC PROJECT BUILDING

Alan Ainslie and Morris A. Colwell

A concise but informative guide to some of the current popular methods of construction and techniques employed in home construction. Contains hints on finishing and fault-finding methods.

128 pages 216 x 138mm Illustrated  
0 408 00231 X £1.95

Other titles published in this series are: ELECTRONIC DIAGRAMS—0 408 00201 8—£1.80; PRINTED CIRCUIT ASSEMBLY—0 408 00203 4—£1.80; ELECTRONIC COMPONENTS—0 408 00202 6—£1.80

For details of all Newnes Technical Books please write for a free catalogue and watch for announcements in following issues of *Everyday Electronics*.



**Newnes Technical Books**

NEWNES-BUTTERWORTHS

Borough Green, Sevenoaks, Kent TN15 8PH

# complete DIGITAL CLOCK KITS TEAK CASES



"DELTA"

NON-ALARM      **£9·60** + £0·76 VAT

ALARM            **£11·95** + £0·96 VAT

prompt order despatch

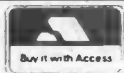
"DELTA" 4 RED 0·5in LEDs. 12hr display  
GENUINE TEAK or PERSPEX CASE

		Alarm £	Std. £
Electronic Module excl. case	Kit	10·50	8·00
Electronic Module excl. case	Built	11·00	8·50
Complete Clock	Kit	12·91	10·36
Complete Clock	Built	16·50	14·00

"ALPHA" 4 GREEN 0·5in DIGITS 12 or 24hr  
PERSPEX CASE ONLY

		Alarm £	Std. £
Electronic Module excl. case	Kit	12·00	9·00
Electronic Module excl. case	Built	13·00	10·00
Complete Clock	Kit	14·00	11·50
Complete Clock	Built	17·00	14·50
Perspex colours: Black, White, Red, Green, Blue, Orange.			

"NOVUS" CALCULATORS: 650 Mathbox £5·40; 850 Mathbox £6·75; 4510 Mathematician £16·20; 6020 Statistician £21·60



Send S.A.E. for complete range

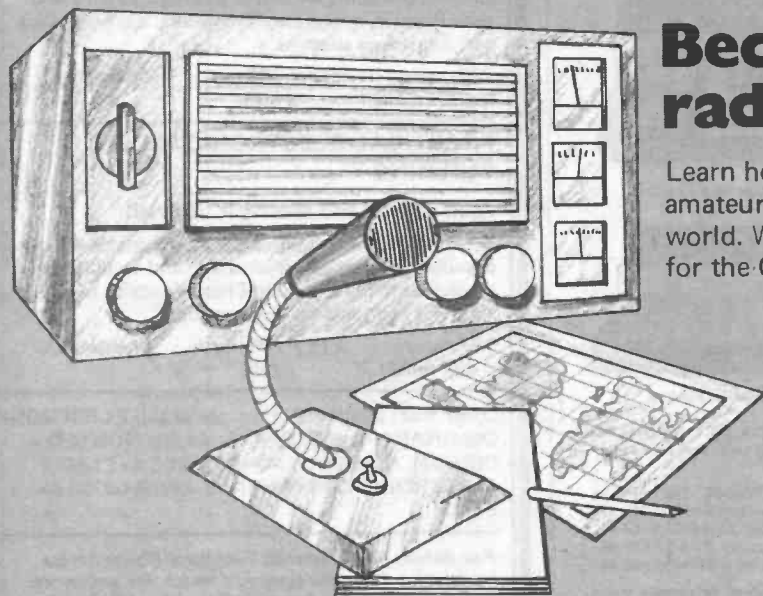


Cash, Cheque or Postal Order, or if you wish to use Barclaycard or Access simply quote name, address and card number when ordering by phone or post.

## PULSE ELECTRONICS LTD

Dept. P.E. 2, 202 SHEFFORD ROAD  
CLIFTON, SHEFFORD, BEDS.

Telephone: Hitchin (0462) 814477



## Become a radio amateur.

Learn how to become a radio-amateur in contact with the whole world. We give skilled preparation for the G.P.O. licence.

**Free!**

Brochure, without obligation to:  
**BRITISH NATIONAL RADIO & ELECTRONICS SCHOOL, Dept. PE96**  
P.O. Box 156, Jersey, Channel Islands.

NAME \_\_\_\_\_

ADDRESS \_\_\_\_\_ Block caps please





4 1/2 in x 3 1/2 in METER. 30µA, 50µA or 100µA, £3.90. 16p P. & P.

**TAPE RECORDER LEVEL METER**



500µA, 80p. 10p P. & P.

**CARDIOID DYNAMIC MICROPHONE**



Model UD-130. Frequency response 50-15,000c/s. Impedance Dual 50K and 600 ohms, £7.50. 26p P. & P.

42 x 42mm meters 1mA, 500mA, £2.76. 16p P. & P.

60 x 45mm meters 50µA, 100µA, 500µA and 1mA VU meter, £3.05. 11p P. & P.

Edgewise meters 90mm x 34mm, 500µA, and 1mA, £3.40. 16p P. & P.

**MULTI-METER**

Model ITI-2  
20,000 ohm/  
volt, £8.10.  
26p P. & P.



**3 WATT STEREO (1 1/2 + 1 1/2) PER CHANNEL AMPLIFIER**  
£4.30. 16p P. & P.

All above prices include V.A.T. LARGE S.A.E. for New List. Special prices for quantity quoted on request.

**M. DZIUBAS**

158 Bradshawgate • Bolton • Lancs. BL2 1BA

- 50 AC128 TRANSISTORS. Branded but untested, 57p.
- SILICON SOLAR CELLS. 0-5V 5MA 35p; 0-5V 50MA 50p; 0-5V 100MA 60p; 0-5V 200MA £1; 0-5V 500MA £1.95.
- 1 WATT AUDIO I.C. TEXAS SN78001, 55p each.
- 5 WATT NPN TO39 DARLINGTON TRANSISTORS, 20p each.
- FERRANTI XTZ104 TRANSISTORS, 6 for 57p.
- 20 ASSORTED TUNING VARACTOR DIODES. Untested, 45p.
- 300µF 25 V.W. P.C. ELECTROLYTICS, 15 for 50p.
- PLASTIC TRIACS. 50 PIV 6A 15p; 400 PIV 6A 80p.
- TV SEMICONDUCTORS. R2008 50p; R2010 80p; AY102 40p.
- VHF DUAL GATE MOS FETS LIKE 40673, 33p each, 4 for £1-10.
- BF180 or BF181 TRANSISTORS, 4 for 57p.
- DISC CERAMICS. 0-1µF 60VW 20p doz.; 0-05µF 30VW, 0-02µF 50VW, 0-01µF 50VW, all 15p doz.
- BRANDED 10 WATT ZENERS. 15, 18, 22, 33, 56, 100V, all 30p.
- 20 AF17-OC170 TRANSISTORS. Untested, 57p.
- PLASTIC SCRE. 50PIV, 6A 15p; 400 PIV 6A 40p.
- GERMANIUM TRANSISTORS. AC141K, AC142K, AC153K, AC176K, AC187K, AC188K, 20p each.
- VHF TUBULAR TRIMMERS. 8pF, 8p each.
- 20 STC 750MA BRANDED DIODE. Assorted, 50p.
- 50 ASSORTED TRANSISTOR ELECTROLYTIC CAPACITORS, 57p.
- 100 RESISTORS. 3, 1W, 17 different values, 57p.
- 100 SUB-MINIATURE DISC CERAMICS. Assorted 3-3pF to 0-01µF, 57p.
- 10 SUB-MINIATURE 10A SILICON BRIDGES. Untested, £1-25.
- 60 ASSORTED WIRE WOUND RESISTORS. 1-10W, 57p.
- 20 SILICON PHOTO TRANSISTORS AND PHOTO DARLINGTONS. Untested, assorted, £1.
- 1,000µF 40VW ELECTROLYTICS. Size 1 1/2 in x 1/2 in, 3 for 35p.
- BD187 4 AMP NPN TRANSISTORS. 40p each; 4 for £1-35.
- 100 MULLARD C280 CAPACITORS. Assorted, 57p.
- TAG-ENDED ELECTROLYTIC CAPACITORS. Size 2 1/2 in x 1 1/2 in, 3,300µF 64VW 50p; 4,700µF 40VW 45p.
- STACKPOLE ROCKER SWITCHES. 5A 240V 15p; 4 for 50p.
- FM ICs LIKE TAA 570. Untested with data, 5 for 57p.
- 25 BC107-4 TRANSISTORS. Untested, 57p.
- TRANSISTOR R. F. CHOKES. 10MΩ, 5 for 57p.
- 30 WATT POWER TRANSISTORS. NPN 22p; PNP 25p; 35p pair.
- TBA 800 AUDIO I.C. With circuits, 85p each.
- NEW BOOKS AVAILABLE. Constructing Simple Short Wave Receivers, 80p; Constructing Simple Test Gear, 75p. Both by G. Dobbs.
- RED LEDs, 6 for 57p.
- TUNING CAPACITORS. 500 + 500 + 17 + 17pF, with SM Drive, 38p.

Please add 20p post and packing on U.K. orders under £2

**J. BIRKETT**

**RADIO COMPONENT SUPPLIERS**  
25 The Strait, Lincoln LN2 1JF

Tel. 20767

**GREENWELD**

443 Millbrook Road Southampton  
SO1 0HX Tel:(0703) 772501

All mail orders and callers to this address please—callers only to 21 Deptford Broadway, SE8 (Tel. 01-692 2009) and 38 Lower Addicombe Road, Croydon

**NEW 44 PAGE CATALOGUE**  
**10P + LARGE S.A.E.**

Free with orders over £2

**DIGITAL I.C.s**

7400 10p	7450 13p	7495 62p
7401 12p	7451 12p	7496 72p
7402 12p	7453 12p	74107 32p
7404 15p	7454 12p	74120 45p
7405 20p	7460 12p	74122 45p
7406 25p	7472 24p	74123 54p
7408 12p	7473 24p	74132 48p
7410 11p	7474 24p	74150 146p
7413 25p	7475 46p	74154 120p
7414 54p	7476 24p	74155 62p
7424 12p	7483 78p	74157 56p
7430 12p	7486 35p	74159 168p
7432 16p	7490 40p	74174 92p
7437 18p	7491 64p	74179 100p
7440 13p	7492 45p	74180 100p
7447 72p	7493 45p	74367 100p

DIL Sockets—8 pin 12p; 14 pin 13p; 16 pin 14p. 100 + less 25%.

**LINEAR I.C.s**

741 25p; 555 40p; 723 (TO99) 50p  
Regulated Voltage Regulators:  
TO126 case 5V 600mA 80p, 12V 500mA 80p

**TRANSISTORS**

AC127 15p	BD132 38p
AC128 15p	BF130 15p
AC176 18p	BFY51 15p
AC187 18p	BFY52 15p
AC188 18p	TIP41A 80p
AD161 35p	TIP42A 75p
AD162 35p	TIP2955 92p
BC107 10p	TIP3055 48p
BC108 10p	2N2219 28p
BC109 10p	2N2369 22p
BC109C 15p	2N2646 42p
BC147 10p	2N2926G 12p
BC148 10p	2N3053 18p
BC149 10p	2N3054 48p
BC157 10p	2N3055 38p
BC158 10p	2N3440 54p
BC159 10p	2N3442 £1-20
BC161 18p	2N3702 10p
BC182 12p	2N3703 10p
BC183 12p	2N3704 10p
BC184 12p	2N3705 10p
BC212 14p	2N3708 10p
BC213 14p	2N3819 22p
BC214 14p	2N4059 10p
BCY70 15p	2N4418 10p
BCY71 15p	2N5294 30p
BCY72 15p	40673 50p

**DIODES AND LEDs AND SCR's**

500V 5A SCR 45p; 400V 2A Triac 80p;  
Diac BR100 25p; 400V 15A Triac £1-50;  
ORP12 45p; MRD450 40p; TIL209 Red LED 15p; 0-2in LED Red 22p; green, Yellow or amber 24p  
1N4002 5p; 1N4004 6p; 1N4007 9p;  
1N4148 4p; BY127 12p; 100V3A 12p;  
400V3A 15p; OA81 5p; OA91 5p;  
50V 1A bridge 22p; 800V 1A 40p;  
250V 2 1/2A 40p  
50V 30A rect. + or - stud 40p  
Zener—400mW BZY88. All voltages from 3V to 30V 10p  
1-3W plastic from 3V to 200V 20p

**RESISTORS**

Carbon film 5% 1/4W miniature. All values in E12 series from 1Ω to 10MΩ (over 1MΩ 10%) 11p each.  
Metal Film 5% 1W. All values in E12 series from 27Ω to 10MΩ 21p. 1% and better—S.A.E. for lists of over 250 values  
Wirewound 2 1/2W 0-25, 0-33, 0-47 1Ω 8p.  
Wirewound 5W all values from 1Ω to 47K 10p each.

**TRANSFORMERS**

6-0-6V 100mA 90p; 9-0-9V 100mA 95p;  
12-0-12V 50mA 90p; 12-0-12V 100mA 11p; 12-0-12V 1A £2-80; 20V 55mA 90p;  
22V 100mA £1; 29V 50mA 85p; 6-3V 1 1/2A £1-95; 6-0-6V 1 1/2A £2-30; 12V 150mA 80p; 17V 1A £1-80; 25V 1 1/2A £2-30; 30-0-30V 1A £3-70.  
Multitapped type to give 3, 4, 5, 6, 8, 10, 12, 15, 18, 20, 24 or 30V, or 12-0-12 or 15-0-15V, 1A version £3-20, 2A version £4-50; 16V 20A £8-50. Bell transformer in white case, gives 4, 8 or 12V 1A £2.55-0-55V 5A £8-50.

**WIRE**

Enamelled copper wire on 2oz reels SWG/price: 16/32p, 18/34p, 20/36p, 22/38p, 24/40p, 26/42p, 28/44p, 30/46p, 32/48p, 34/50p, 36/52p, 38/54p, 40/56p.

**RF CHOKES**

0-75, 6-8, 10, 27, 47, 68µH, all 10p each; 1-5, 2-5, 5-0, 7-5, 10mH, all 30p each.

**CAPACITORS**

Ceramic plate 22pF to 1,000pF 2p; polyester 1,000 to 8,800pF 5p; 0-01F, 0-015, 0-022, 0-033, 0-047, 0-068, 0-1M; 4p; 0-15, 0-22mF 5p; 0-33 6p; 0-47 8p; 0-68 10p; 1mF 12p; 2-2mF 18p; 3-3mF 24p.  
1% 1,000pF, 10,000pF 15p; 0-1µF, 0-2µF, 0-25µF 30p; 2-2µF 55p.  
Polystyrene 10pF to 1,000pF 4p; 1,200pF to 10,000pF 6p. All 2 1/2%.  
Electrolytics:  
All 25V: 0-47, 1, 2-2, 4-7, 10, 22, 47mF 8p; 100mF 7p; 220mF 9p; 470mF 11p; 1,000mF 16p; 2,200mF 27p; 40V: 47mF 7p; 100mF 8p; 220mF 10p; 470mF 11p; 1,000mF 32p; 2,200mF 48p.  
Tantalum bead, mF/V: 0-1/35, 0-2/25; 0-3/35, 0-4/735; 6-8/35; 10/16; 10/25; 15/10; 22/6-3; 22/10; 22/16; 33/10; 47/6-3; 100/3, 11p each.

**VEROBOARD**

100 sq.in good size offcuts. Mixed, or all 0-1 £1-30.

**ALUMINIUM BOXES**

Complete with base and PK Screws.  
AB7 133 x 70 x 38mm 50p  
AB8 102 x 102 x 38mm 50p  
AB9 102 x 70 x 38mm 47p  
AB10 102 x 133 x 38mm 50p  
AB11 102 x 64 x 51mm 47p  
AB12 78 x 51 x 25mm 44p  
AB13 152 x 102 x 51mm 85p  
AB14 178 x 127 x 64mm 85p  
AB15 203 x 152 x 76mm £1-50  
AB16 254 x 178 x 76mm £1-80  
AB17 254 x 114 x 76mm £1-50  
AB18 307 x 128 x 76mm £1-75  
AB19 307 x 203 x 76mm £2-00  
AB23 102 x 102 x 64mm 80p  
AB24 133 x 102 x 64mm 90p  
AB25 152 x 102 x 76mm £1-00

**VEROBES AND CASES**

Professional 2 part boxes made of dark and light grey high impact polystyrene.  
2518 120 x 65 x 40mm £1-90  
2520 150 x 80 x 50mm £2-15  
2522 188 x 110 x 60mm £2-85  
Sloping front version, ideal for mixers  
2523 220 x 174 x 100/52mm £4-95  
Cases, white plastic top and bottom, front and back aluminium panels that slot in. Type:  
1410 205 x 140 x 40mm £2-90  
1411 205 x 140 x 75mm £3-25  
1412 205 x 140 x 110mm £4-80  
1237 154 x 85 x 40mm £1-20  
1238 154 x 85 x 60mm £2-25  
1239 154 x 85 x 80mm £2-75  
Small general purpose plastic boxes:  
1413 71 1/2 x 40 x 24mm 32p  
PB1 115 x 75 x 38mm 42p

**DEVELOPMENT PACKS**





Save £££s by buying a full range of components at one go! All full spec. marked devices, no rejects or old stock.  
50V ceramic plate capacitors 5% 10 of each value, 22pF to 1,000pF. Total 210 capacitors £2-70.  
CR25 carbon film resistors, 1/2 watt 5% 10 of each value 10Ω to 1MΩ, total 610 £8-00.  
Extended range, 1 ohm to 10M 850 resistors £3-30.  
Electrolytics, wire ended 25V working 10 each of: 1, 2-2, 4-7, 10, 22, 47 and 100mF 10 capacitors for £3-20.  
C280 polyesters, 10 of each value: 0-01, 0-015, 0-022, 0-033, 0-047, 0-068, 0-1, 0-15, 0-22, 0-33, 0-47mF, 110 caps £4-00.  
Zeners, 400mW 5% BZY88, 10 each 3V to 30V total 260 £14-00.  
1 pack, 5 of each value £8-20.  
Tantalum Bead caps, 14 values from 0-1-35 to 100-3, 10 of each total 140 caps £11-00.

See Practical Wireless for details of packs of components, surplus goods, etc. All prices quoted include VAT. Add 15p postage on orders under £2. Most orders despatched on day of receipt. SAE with enquiries. Send 10p for Multimeter catalogue—free on request on orders over £3. Official Orders accepted from Schools, etc. Export/wholesale enquiries welcome. Surplus components always wanted.

<p><b>SINCLAIR IC20</b> IC20 10W+10W stereo IC amplifier kit with free booklet and printed circuit. £4-95. PZ20 Power supply kit for the above. £3-95. VP20 Volume, tone-control and preamp kit. £7-95. Send S.A.E. for free leaflet.</p>	<p><b>SINCLAIR BLACK WATCH</b> Fully assembled with black strap. £20-95*. Bracelet. £2*.</p> 	<p><b>Battery Eliminator Bargains</b> <b>STABILIZED POWER UNITS*</b> Millenia series. Switched 1-30V in 0.1V steps. 1A output: Kit £11-45; Kit + case £14-40; Built £18-40. 2A output: Kit £13-95; Kit + case £16-90; Built £20-85. <b>6-WAY SPECIAL £5-20</b> Switched output of 3/4V/6/7/9/12V at 500mA. <b>6-WAY DOUBLE RADIO MODEL £6-20</b> Switched output 3 + 3/4 + 4/6 + 6V/7 + 7/9 + 9/12 + 12V at 250mA. Also 15/18/24V single. <b>3-WAY MODEL</b> Switched output of 6/7/9V at 250mA with 4-way multi-jack plug and free matching socket. £2-95*. <b>RADIO MODELS</b> 50mA with press-stud battery connectors. 9V £3-25. 6V £3-45. 9 + 9V £4-45. 6 + 6V £4-45. 4 + 4V £4-45. Also 9V 300mA £3-95. <b>CASSETTE MAINS UNITS</b> 7/9V output with 5 pin DIN plug. 50mA £3-45. 300mA £3-95. <b>CAR CONVERTERS</b> Input 12V d.c. Output 6/7/9V d.c. 1A regulated. £4-75*.</p> 
<p><b>JC12 AMPLIFIER</b> 6W IC audio amp. with free data and printed circuit. £1-95*. <b>DELUXE KIT FOR JC12</b> Contains extra parts for the pcb and volume and tone controls. Mono version £2-33. Stereo £4-95. <b>JC12 POWER KIT</b> Supplies 25V 1A. £3-55. <b>JC12 PREAMP KITS</b> Personal Mini 6 + 6 digits, squares, powers, reciprocals £4-45. Pocket 8S 8 digits. % const. £8-95. Memory 8R 8 digit. % memory const £8-95. Pocket Mini P-810 £8-95. FX20 £16-95. Mains adaptors £3-95. <b>NOVUS CALCULATORS*</b> 750 6 digit £5-45. 835 8 digit. % const. sq root. 4 function memory £7-60. 4525 10 digit programmable scientific £45-60. 4510 £13-20. 4515 £37-85. 4520 £22-85. Free charger with 4515. 4520 and 4525. Mains adaptors for other models £4-20.</p> 	<p><b>SINCLAIR CALCULATORS*</b> Scientific N/A. Cambridge % £7-35. Cambridge Scientific £11-45. Oxford 100 N/A. Oxford 300 £13-30. Programmable Scientific with free mains unit £24-95. Mains adaptors: for Oxfords £3-19; for Cambridge and Scientific £3-15. <b>CASIO CALCULATORS*</b> Personal Mini 6 + 6 digits, squares, powers, reciprocals £4-45. Pocket 8S 8 digits. % const. £8-95. Memory 8R 8 digit. % memory const £8-95. Pocket Mini P-810 £8-95. FX20 £16-95. Mains adaptors £3-95. <b>MISTRAL 24 HR. DIGITAL CLOCK KITS*</b> Includes pcb, power supply, case, 7in display, chip and all parts. Kit £10-95. Built £12-50. Also Mistral 2, de luxe assembled version with alarm and tilt sleep-over facility £13-95. <b>NATIONAL MA1001H DIGITAL CLOCK MODULE*</b> Complete module including 7in display and clock chip fully assembled on a 1 1/2in x 3in pcb. Just add a power supply, switches, etc., to produce a 24 hr. clock with alarm and auto-dim. £8-55. Send S.A.E. for our Digital Clock leaflet</p>	<p><b>BATTERY ELIMINATOR KITS</b> Send S.A.E. for free leaflet on range. 100mA radio type with press-stud battery terminals. 4/4V £1-95. 6V £1-95. 9V £1-95. 100mA double radio type with press-stud battery terminals. 4/4V + 4/4V £2-60. 6V + 6V £2-60. 9V + 9V £2-60. 100mA cassette type with 5 pin DIN plug. 7/9V £1-95. Stabilized 8-way type transistor stabilized to give low hum. 3/4/6/7/9/12/15/18V 100mA £3-15. 500mA £4-65. Heavy duty 13-way types 4/6/7/8/11/13/14/17/21/25/28/34/42V. 1 amp model £4-40. 2 amp model £8-95. Car Converter kit. Input 12V d.c. Output 6/7/9V d.c. 1A regulated £2-95. <b>MAINS TRANSFORMERS</b> 6-0-6V 100mA 95p. 9-0-9V 100mA 95p. 18V 1A £1-65. 0, 12, 15, 20, 24, 30V 1A £3-60. 12-0-12V 100mA £1-65. 0, 12, 15, 20, 24, 30V 2A £4-95. 20V 2A £2-25. <b>BATTERY ELIMINATOR KITS</b> Send S.A.E. for free leaflet on range. 100mA radio type with press-stud battery terminals. 4/4V £1-95. 6V £1-95. 9V £1-95. 100mA double radio type with press-stud battery terminals. 4/4V + 4/4V £2-60. 6V + 6V £2-60. 9V + 9V £2-60. 100mA cassette type with 5 pin DIN plug. 7/9V £1-95. Stabilized 8-way type transistor stabilized to give low hum. 3/4/6/7/9/12/15/18V 100mA £3-15. 500mA £4-65. Heavy duty 13-way types 4/6/7/8/11/13/14/17/21/25/28/34/42V. 1 amp model £4-40. 2 amp model £8-95. Car Converter kit. Input 12V d.c. Output 6/7/9V d.c. 1A regulated £2-95. <b>MAINS TRANSFORMERS</b> 6-0-6V 100mA 95p. 9-0-9V 100mA 95p. 18V 1A £1-65. 0, 12, 15, 20, 24, 30V 1A £3-60. 12-0-12V 100mA £1-65. 0, 12, 15, 20, 24, 30V 2A £4-95. 20V 2A £2-25. <b>SWANLEY ELECTRONICS</b> Dept. PE, PO Box 68, Swanley, Kent Post 30p on orders under £2, otherwise free. Prices include VAT (Overseas customers deduct 7% on items marked *, otherwise 11%). Official orders welcome.</p>
<p><b>S-DECS AND T-DECS*</b> S-DeC £2-24 T-DeC £4-05 µ-DeCA £4-45 µ-DeCB £7-85 IC carriers— 16 dil. plain £1-07, with socket £2-21. 10TO5 plain 99p, with socket £1-95.</p> 	<p><b>NOVUS CALCULATORS*</b> 750 6 digit £5-45. 835 8 digit. % const. sq root. 4 function memory £7-60. 4525 10 digit programmable scientific £45-60. 4510 £13-20. 4515 £37-85. 4520 £22-85. Free charger with 4515. 4520 and 4525. Mains adaptors for other models £4-20.</p>	<p><b>BATTERY ELIMINATOR KITS</b> Send S.A.E. for free leaflet on range. 100mA radio type with press-stud battery terminals. 4/4V £1-95. 6V £1-95. 9V £1-95. 100mA double radio type with press-stud battery terminals. 4/4V + 4/4V £2-60. 6V + 6V £2-60. 9V + 9V £2-60. 100mA cassette type with 5 pin DIN plug. 7/9V £1-95. Stabilized 8-way type transistor stabilized to give low hum. 3/4/6/7/9/12/15/18V 100mA £3-15. 500mA £4-65. Heavy duty 13-way types 4/6/7/8/11/13/14/17/21/25/28/34/42V. 1 amp model £4-40. 2 amp model £8-95. Car Converter kit. Input 12V d.c. Output 6/7/9V d.c. 1A regulated £2-95. <b>MAINS TRANSFORMERS</b> 6-0-6V 100mA 95p. 9-0-9V 100mA 95p. 18V 1A £1-65. 0, 12, 15, 20, 24, 30V 1A £3-60. 12-0-12V 100mA £1-65. 0, 12, 15, 20, 24, 30V 2A £4-95. 20V 2A £2-25. <b>SWANLEY ELECTRONICS</b> Dept. PE, PO Box 68, Swanley, Kent Post 30p on orders under £2, otherwise free. Prices include VAT (Overseas customers deduct 7% on items marked *, otherwise 11%). Official orders welcome.</p>
<p><b>FERRANTI ZN414</b> IC radio chip £1-44. Extra parts and pcb for radio £3-65. Case 90p. Send S.A.E. for free data.</p>	<p><b>NOVUS CALCULATORS*</b> 750 6 digit £5-45. 835 8 digit. % const. sq root. 4 function memory £7-60. 4525 10 digit programmable scientific £45-60. 4510 £13-20. 4515 £37-85. 4520 £22-85. Free charger with 4515. 4520 and 4525. Mains adaptors for other models £4-20.</p>	<p><b>BATTERY ELIMINATOR KITS</b> Send S.A.E. for free leaflet on range. 100mA radio type with press-stud battery terminals. 4/4V £1-95. 6V £1-95. 9V £1-95. 100mA double radio type with press-stud battery terminals. 4/4V + 4/4V £2-60. 6V + 6V £2-60. 9V + 9V £2-60. 100mA cassette type with 5 pin DIN plug. 7/9V £1-95. Stabilized 8-way type transistor stabilized to give low hum. 3/4/6/7/9/12/15/18V 100mA £3-15. 500mA £4-65. Heavy duty 13-way types 4/6/7/8/11/13/14/17/21/25/28/34/42V. 1 amp model £4-40. 2 amp model £8-95. Car Converter kit. Input 12V d.c. Output 6/7/9V d.c. 1A regulated £2-95. <b>MAINS TRANSFORMERS</b> 6-0-6V 100mA 95p. 9-0-9V 100mA 95p. 18V 1A £1-65. 0, 12, 15, 20, 24, 30V 1A £3-60. 12-0-12V 100mA £1-65. 0, 12, 15, 20, 24, 30V 2A £4-95. 20V 2A £2-25. <b>SWANLEY ELECTRONICS</b> Dept. PE, PO Box 68, Swanley, Kent Post 30p on orders under £2, otherwise free. Prices include VAT (Overseas customers deduct 7% on items marked *, otherwise 11%). Official orders welcome.</p>
<p><b>SINCLAIR PROJECT 80 AUDIO MODULES</b> FM tuner £13-25. Q16 £9-50. PZ5 £3-95. PZ6 £8-70. PZ8 £9-10. Trans for PZ8 £5-80. Z40 £5-75. Stereo 80 £11-95. Project 80S £18-95. Quad decoder £14-95. <b>BI-PAK AUDIO MODULES</b> S450 Tuner £18-95. AL60 £4-33. PA100 £13-45. MK60 audio kit £27-20. Teak 60 £8-95. Stereo 30 £15-95. TC30 £4-60. AL250 £16-15. Send S.A.E. for free data. <b>SAXON ENTERTAINMENTS AUDIO MODULES</b> SA1208 £18-95. SA1204 £13-30. SA608 £11-95. SA604 £10-30. PM1201/8 £11-45. PM1202/8 £14-95. PM1202/4 £14-95. PM1201/4 £11-45. PM601/8 £9-95. PM301/8 £8-70. Send S.A.E. for free leaflet.</p>	<p><b>NOVUS CALCULATORS*</b> 750 6 digit £5-45. 835 8 digit. % const. sq root. 4 function memory £7-60. 4525 10 digit programmable scientific £45-60. 4510 £13-20. 4515 £37-85. 4520 £22-85. Free charger with 4515. 4520 and 4525. Mains adaptors for other models £4-20.</p>	<p><b>BATTERY ELIMINATOR KITS</b> Send S.A.E. for free leaflet on range. 100mA radio type with press-stud battery terminals. 4/4V £1-95. 6V £1-95. 9V £1-95. 100mA double radio type with press-stud battery terminals. 4/4V + 4/4V £2-60. 6V + 6V £2-60. 9V + 9V £2-60. 100mA cassette type with 5 pin DIN plug. 7/9V £1-95. Stabilized 8-way type transistor stabilized to give low hum. 3/4/6/7/9/12/15/18V 100mA £3-15. 500mA £4-65. Heavy duty 13-way types 4/6/7/8/11/13/14/17/21/25/28/34/42V. 1 amp model £4-40. 2 amp model £8-95. Car Converter kit. Input 12V d.c. Output 6/7/9V d.c. 1A regulated £2-95. <b>MAINS TRANSFORMERS</b> 6-0-6V 100mA 95p. 9-0-9V 100mA 95p. 18V 1A £1-65. 0, 12, 15, 20, 24, 30V 1A £3-60. 12-0-12V 100mA £1-65. 0, 12, 15, 20, 24, 30V 2A £4-95. 20V 2A £2-25. <b>SWANLEY ELECTRONICS</b> Dept. PE, PO Box 68, Swanley, Kent Post 30p on orders under £2, otherwise free. Prices include VAT (Overseas customers deduct 7% on items marked *, otherwise 11%). Official orders welcome.</p>

# ELECTROTIME

SPECIALISTS IN ELECTRONIC TIMEKEEPING

<p><b>ELECTRONIC DIGITAL ALARM CLOCK MODEL EC3</b></p>  <p>★ LARGE 4 DIGIT DISPLAY ★ 24 HOUR ALARM ★ A.M./P.M. INDICATOR ★ BRIGHTNESS CONTROL ★ FLASHING SECONDS INDICATOR ★ ATTRACTIVE WHITE CASE ★ 5 MINUTE REPEATING SNOOZE ALARM</p> <p>Complete Built Clock <b>£14 inc. VAT</b></p>	<p><b>LCD MODEL TLC4</b></p>  <p>Continuous Readout utilising Liquid Crystal Display with Backlight for night reading</p> <p>Features: ★ HOURS ★ MINUTES ★ SECONDS ★ DATE</p> <p>Rhodium <b>£39-95 inc. VAT</b> Gold <b>£41-50 inc. VAT</b></p>	<p><b>LED MODEL TLE5</b></p>  <p>Features: ★ HOURS ★ MINUTES ★ SECONDS ★ DATE ★ DAY OF WEEK</p> <p>Gold or Rhodium plated <b>£29-50 inc. VAT</b></p>
<p><b>THE "MISTRAL" 1 DIGITAL CLOCK</b></p>  <p>★ PLEASANT GREEN DISPLAY ★ PULSATING COLON ★ 12/24 HOUR READOUT ★ PUSH BUTTON SETTING ★ FULLY ELECTRONIC ★ BUILDING TIME 1 HOUR</p> <p>Complete Kit <b>£11-07 inc. VAT</b> Built Clock <b>£14-95 inc. VAT</b></p>		
<p>We are proud to announce the opening of our new showroom in which you will find one of the largest ranges of digital electronic clocks and watches available in the U.K. So why not call and see us? One year's guarantee with all models. Electronic accuracy to within seconds per week.</p> <p><b>ELECTROTIME, Dept. 3/7, 11 Shepley's Yard, Shopping Precinct, Town Centre, Chesterfield, Derbyshire. Tel. (0246) 35804</b></p> <p>Please supply ..... I enclose cheque/postal order</p> <p>NAME .....</p> <p>ADDRESS .....</p> <p>.....</p> <p>.....</p>		

# WENTWORTH RADIO

1a Wentworth Court, Alston Road, Barnet

Telephone: 01-440 0409, 01-441 2328

## INTEGRATED CIRCUITS

ETT96016	£2-15	TBA1205	90p	TBA540	£2-10	TBA673	£2-85	TBA9000	£2-90
TAA550	22p	TBA4800	£1-00	TBA5400	£2-50	TBA750Q	£2-25	TCA2700	£2-90
TAA700	£3-25	TBA5300	£2-80	TBA5500	£2-50	TBA8300	95p	TCA2705Q	£2-15
TAA840	£2-30	TBA5300C	£1-50	TBA6600	£2-50	TBA9200	£2-90	TDA440	£2-90

## SEMICONDUCTORS

2N696	12p	2N2369A	15p	BF337	25p	E5386	18p	TIP32C	£1-00
2N697	13p	2N2646	44p	BF742	40p	MJE340	36p	TI990	19p
2N698	23p	2N2904	16p	BF229	28p	0A47	6p	TI991	18p
2N699	34p	2N2904D	19p	BFY50	16p	0A90	6p	BA100	10p
2N706	11p	2N2906	14p	BR100	20p	0A91	6p	BA144	15p
2N708	14p	2N4287	17p	BR101	30p	0L70	12p	BA145	20p
2N914	14p	2N4288	18p	BRY39	40p	IN4002	6p	BA148	14p
2N918	31p	BF160	20p	BSY51	20p	IN4006	9p	BA154	12p
2N1132	21p	BF167	25p	BT106	95p	IN4148	6p	BA155	18p
2N1131	20p	BF173	21p	BU105/02	£2-00	2N697	15p	BAX16	20p
2N1302	14p	BF178	30p	BU105/04	£2-40	2N3055	30p	BC107	8p
2N1303	14p	BF179	30p	BY103	17p	2N6178	60p	BC108	8p
2N1304	18p	BF180	29p	BY126	10p	2SC643A	£1-70	BC108C	9p
2N1305	16p	BF181	27p	BY127	10p	2SC1172Y	£2-24	BC109	9p
2N1306	20p	BF182	35p	BY133	15p	TIP29	60p	BC113	10p
2N1307	19p	BF183	31p	BY164	29p	TIP29A	40p	BC116	16p
2N1308	22p	BF184	18p	BYX10	15p	TIP29B	40p	BC116A	17p
2N1309	24p	BF185	20p	BZK61CB	15p	TIP29C	40p	BC117	17p
2N1618	19p	BF186	25p	BZK61C16	15p	TIP30	48p	BC119	16p
2N1711	20p	BF194	11p	BZK61C43	15p	TIP30A	50p	BC125	16p
2N2147	70p	BF195	12p	BZK61C81	15p	TIP30B	48p	BC138	19p
2N2148	50p	BF196	12p	BZK61C99	18p	TIP30C	50p	BC139	26p
2N2218	20p	BF197	14p	BZY88C12	12p	TIP31	55p	BC142	25p
2N2219	19p	BF198	18p	BZY88C78	12p	TIP31A	48p	BC143	22p
2N2220	23p	BF199	18p	BZY88C8V2	12p	TIP31B	50p	BC147	9p
2N2221	19p	BF256LC	40p	BZY88C11	12p	TIP31C	66p	BC148	9p
2N2222	19p	BF259	28p	BZY88C18	12p	TIP32	60p	BC149	9p
2N2368	17p	BF271	18p	E1222	32p	TIP32A	58p	BC152	18p
2N2369	18p	BF336	33p	E5024	18p	TIP32B	60p	BC154	16p

## SPECIAL OFFER

NEW MULLARD ELC1043/05 U.H.F. TUNERS  
£3-50

All devices top quality. By return service. Trade enquiries welcomed. C.W.O. Minimum order 75p. S.A.E. for complete lists. VAT to be added: 12½% Semiconductors; 8% Integrated Circuits. Postage and packing: add 25p for all orders under £1-50; add extra for airmail.

Prices firm to end of 1976

# express component service same day turn round

QUALITY—SERVICE  
RELIABILITY—CARE  
FULL SPEC DEVICES  
COMPETITIVE PRICES

S.A.E. brings Stock  
List and Freepost  
Order Service plus  
Special Offers of the month

# orchard electronics

Filnt House, High Street  
Wallngford, Oxon

Tel: (0491) 35529. Telex: 4SP WALFRD 849349



# TRAIN FOR SUCCESS

in Radio, Television & Electronics

ICS have helped thousands of ambitious people to move up into higher paid more secure jobs in the field of electronics - now it can be your turn. Whether you are a newcomer to the field or already working in the industry, ICS can provide you with the specialised training so essential to success.

### Personal Tuition and Guaranteed Success

The expert and personal guidance by fully qualified tutors, backed by the ICS guarantee of tuition until successful, is the key to our outstanding record in the technical training field. You study at the time and pace that suits you best and in your own home. In the words of one of our many successful students: "Since starting my course, my salary has trebled and I am expecting a further increase when my course is completed."

### City and Guilds Certificates

Excellent job prospects await those who hold one of these recognised certificates. ICS can coach you for:

- Telecommunications Technicians
- Radio, T.V. Electronics Technicians
- Technical Communications
- Radio Servicing Theory
- Radio Amateurs
- Electrical Installation Work
- Also MPT Radio Communications Certificate

### Diploma Courses

Colour T.V. Servicing  
Electronic Engineering & Maintenance  
Computer Engineering and Programming  
Radio, T.V. and Audio, Engineering & Servicing  
Electrical Engineering, Installations & Contracting

### Other Career Courses

A wide range of other technical and professional courses are available including GCE.

FREE BOOK

Post this coupon or 'phone today for free ICS careers guide.

Name \_\_\_\_\_

Address \_\_\_\_\_

Age \_\_\_\_\_

ICS

To ICS, Dept. 772X, Intertext House,  
London SW8 4UJ  
or telephone 01-622 9911 (all hours)

# TRANSFORMERS

ALL EX-STOCK—SAME DAY DESPATCH

MAINS ISOLATING PRI. 120/240V SEC. 120/240V CENTRE TAP WITH SCREEN Ref. VA (Watts) £	
07*	20 4-06
149	60 5-93
150	100 6-78
151	200 10-57
152	250 12-80
153	350 15-12
154	500 17-41
155	750 23-69†
156	1000 33-01†
157	1500 37-88†
158	2000 42-03†
159	3000 66-40†

\*115V or 240V Sec. only.

30 VOLT RANGE Prim. 200-240V Sec. 0-12-15-20-24-30V Ref. Amps £	
112	0-5 2-75
79	1-0 3-58
3	2-0 4-93
20	3-0 6-10
21	4-0 7-83
51	5-0 8-46
117	6-0 9-47
88	8-0 12-49
89	10-0 12-84

80 VOLT RANGE Prim. 200-240V Sec. 0-24-30-40-48-60V Ref. Amps £	
124	0-5 3-54
126	1-0 4-84
127	2-0 6-78
125	3-0 9-72
123	4-0 11-58
40	5-0 12-54
120	6-0 14-49
121	8-0 17-01†
122	10-0 20-95†
189	12-0 21-87†

12 and or 24 Volt PRIMARY 240-250 VOLTS Ref. Amps			
111	12v	24v	2-95
213	0-5	0-25	2-71
71	1-0	0-5	3-00
68	3	—	4-60
18	4	2	4-07
85	5	—	4-91
70	6	3	5-85
108	8	4	6-52
72	10	5	6-97
116	12	6	7-45
17	16	8	9-27
115	20	10	13-85
187	30	15	17-20
226	60	30	19-08†

HIGH VOLTAGE Mains Isolating Prim. 200/220 or 400/440 Sec. 100/120 or 200/240 VA Ref. P & P £			
60.	243	5-91	
350	247	13-46	
1000	250	28-41†	
2000	252	47-65†	

AUTO TRANSFORMERS Ref. VA Auto Taps £			
113	20	0-115-210-240	2-53
64	75	0-115-210-240	4-16
4	150	0-115-200-220-240	5-54
66	300	0-115-200-220-240	7-82
67	500	0-115-200-220-240	11-59
84	1000	0-115-200-220-240	17-38
93	1500	0-115-200-220-240	20-54†
95	2000	0-115-200-220-240	27-44†
73	3000	0-115-200-220-240	39-46†

CASED AUTO TRANSFORMERS 240V mains lead input & USA 2 pin outlets. Ref. VA £4-42 Ref 133w £ Ref 4W £ Ref 67W £ Ref 84W £ Ref 95W £			
20VA	£4-42	Ref 133w	£
150VA	£7-90	Ref 4W	£
500VA	£13-32	Ref 67W	£
1000VA	£19-86†	Ref 84W	£
2000VA	£31-01†	Ref 95W	£

ON SITE TOOL ISOLATORS 240 to 110V 500VA to 2KVA (to BS3535) Send for details

50 VOLT RANGE Prim. 200-240V Sec. 0-19-25-33-40-50V Ref. Amps £			
102	3-0-3		3-83
102	0-5		4-70
103	1-0		6-37
104	2-0		7-78
105	3-0		9-97
106	4-0		15-21
118	6-0		16-59
119	10-0		19-17†

SCREENED MINIATURES Ref mA Volts £			
238	200	3-0-3	2-27
212	1A, 1A	0-6-0-6	2-66
113	100	9-0-9	2-03
235	330, 330	0-9-0-9	2-12
207	500, 500	0-8-9, 0-8-9	2-82
208	1A, 1A	0-8-9, 0-8-9	4-02
236	200, 200	0-15-0-15	2-63
214	300, 300	0-20-0-20	2-89
221	700 (DC)	20-12-0-12-20	3-27
206	1A, 1A	0-15-20, 0-15-20	4-78
203	500, 500	0-15-27, 0-15-27	4-27
204	1A, 1A	0-15-27, 0-15-27	5-33
S112	500	12, 15, 20, 24, 30	2-83

BRIDGE RECTIFIERS 50V 2A 0-55 100V 2A 0-81 100V 6A 0-85 200V 1A 0-55 200V 2A 0-87 400V 2A 0-72 400V 4A 1-11 600V 2A 0-78 1000V 2A 0-89 500V 10A(PM 7A6) 2-70			
--	--	--	--

TEST METERS AVO 8 MK5 £87-33 AVO 72 £28-86 AVO TT 169 £27-34 AVO MM5 £22-48 AVO U15 £13-83 (USSR) Inc steel carry case			
--	--	--	--

POWER UNIT CC12-05 Output Switched 3-4-5-6-7-5-9-12V at 500mA £5-11

**NO HIDDEN EXTRAS—** Prices include VAT and P & P. EXCEPT WHERE CARRIAGE WILL BE ACCORDING TO WEIGHT AND DISTANCE—BRS Electrodeal Audio accessories, semiconductors, panel meters and multi-meters.

**CALLERS WELCOME (MON.-FRI.) OR SEND STAMP FOR LISTS.**

**ANTEX SOLDERING IRONS**  
15W £3-57 18W £3-31 25W £2-99  
**SOLDERING IRON KIT £4-48**  
**STAND FOR ABOVE £11-49**

**MAGNETIC TO CERAMIC CARTRIDGE CONVERTOR**  
OPERATING VOLTAGE 20-45V only £3-17.

**COMPONENT PAKS**  
200 Mixed value resistors (count by weight)  
150 Mixed value capacitors (count by weight)  
30 Mixed value precision resistors ±2%  
15 Assorted pots & pre-sets  
10 Read switches  
3 Micro switches  
20 Assorted tag strips  
**PLEASE STATE PAK REQUIRED 90p PER PAK**

**SCREENED MINIATURES**  
Ref mA Volts £  
238 200 3-0-3 2-27  
212 1A, 1A 0-6-0-6 2-66  
113 100 9-0-9 2-03  
235 330, 330 0-9-0-9 2-12  
207 500, 500 0-8-9, 0-8-9 2-82  
208 1A, 1A 0-8-9, 0-8-9 4-02  
236 200, 200 0-15-0-15 2-63  
214 300, 300 0-20-0-20 2-89  
221 700 (DC) 20-12-0-12-20 3-27  
206 1A, 1A 0-15-20, 0-15-20 4-78  
203 500, 500 0-15-27, 0-15-27 4-27  
204 1A, 1A 0-15-27, 0-15-27 5-33  
S112 500 12, 15, 20, 24, 30 2-83

**HIGH QUALITY MODULES**  
3 Watt RMS AMPLIFIER £2-78  
5 Watt RMS AMPLIFIER £3-17  
10 Watt RMS AMPLIFIER £3-51  
25 Watt RMS AMPLIFIER £4-87  
125W RMS AMPLIFIER £17-50  
PRE-AMP for 3-5-10W £7-50  
PRE-AMP for 25W £15-79  
POWER SUPPLIES 3-5-10W £11-54  
POWER SUPPLIES 25W £3-56  
TRANSFORMER 3W £2-54  
TRANSFORMER 5-10W £2-99  
TRANSFORMER 25W £3-38

**BSR MINI-DECK**  
4 Speed Auto Changer £7-81  
BSR P12BR  
Single and Auto (Chassis) £20-54  
Garrard SP25 (Chassis) £20-21

**NEW STEREO 30**  
Complete Stereo Chassis Inc.:  
7 + 7w RMS. Amp. Pre-amp, Power Supply, Front Panel, Knobs (only needs Mains Trans.). Stereo 30 £17-99  
Mains Trans £3-56. Teak veneered cab. £4-54.

**STEREO FM TUNER WITH PHASE-LOCK LOOP**  
4 Pre-selected stations supply 20-35V. 90mA Max. £22-72

**Barrie Electronics Ltd.**  
3, THE MINORIES, LONDON EC3N 1BJ  
TELEPHONE: 01-488 3316/7/8  
NEAREST TUBE STATIONS ALDGATE & LIVERPOOL ST

# Dimmit

range of light dimmers and lighting control systems

Illustrated is the popular PMSD1000 module. A 1kW slider control dimmer, interference suppressed, 60mm slider range size 4½ x 2½ in. Ideal for low cost stage and disco lighting. Used by schools, theatres, studios, etc. Complete with scale plate, fixing screws and full instructions. £9.06 inc. VAT and postage and packing.



Complete compact light dimmer systems for stage, club and disco lighting, etc.

DD61M (illustrated). Six 1kW channels, six outlet sockets, master control, mains on/off switch, size 23 x 8½ x 5in. Price £140-40 inc. VAT.

DD61-B. Six 1kW channels, using module PMSD1000, lowest cost system. Size 16½ x 8 x 5in. Price £64-50 inc. VAT.

DD62M. As DD61M but with six 2kW channels, size 25 x 10½ x 6in. Price £205-20 inc. VAT.

Add £2-20 postage and packing for all systems.

The Dimmit range includes rotary and slider control dimmers and sound to light converters for home, entertainment and professional applications. Ratings 1kW, 2kW, 3kW.

All products are guaranteed and are supplied with full instructions and applications. Full after-sales service. Technical advice given.

For full information on all modules and lighting control systems send 15p for our illustrated catalogue and price list. Callers welcome, visit our showroom for a demonstration of any of the modules or systems. Mon.-Fri. 9.30 to 6.0 p.m. Sat. by arrangement.

**YOUNG ELECTRONICS LTD.**  
184 Royal College Street, London NW1 9NN Tel. 01-267 0201

# PE A Volume of Practical Know-how

... can be made using these new-look self binders for PRACTICAL ELECTRONICS to become your most valuable source of reference. With the Easi-Binder current copies can be inserted as they are received, without waiting for the completion of twelve issues.

They are attractively made with the title blocked in gold on the spine with the current (or last) volume number and year. For any previous volume numbers, please advise year and volume and a separate set of gold transfer figures will be supplied.

At £2-10 inc. VAT and postage they are obtainable from:

Post Sales Department, IPC Magazines Ltd.  
Lavington House, 25 Lavington Street  
London SE1 0PF

I enclose P.O./cheque value.....for.....binders at £2-10 each for Practical Electronics Vol. No's.....

Name .....

Address .....

Date .....

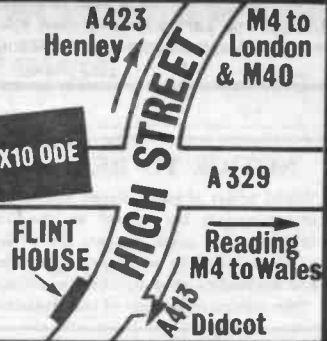


# SAXON ENTERTAINMENTS LTD

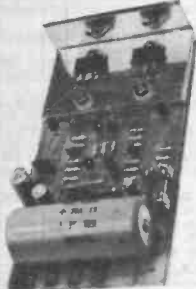
**NOW ALSO AT WALLINGFORD  
WITH SALES & SERVICE 6 DAYS A WEEK**

(BETWEEN READING AND OXFORD)

**FLINT HOUSE HIGH ST  
WALLINGFORD OXON OX10 0DE  
Phone (0491) 35529**



## POWER AMPS AT LOWER\* PRICES MODULE RANGE FROM 30 TO 120 W.R.M.S



- Only 4 connections
  - Distortion typically 0.4%
  - Single supply rail
  - Input—240mV
  - Size—6 x 3 x 1in
  - Individually tested and guaranteed
- |                                       |        |
|---------------------------------------|--------|
| SA1208 120W R.M.S./8Ω                 | £19.50 |
| PM1201/8 supply for one module        | £11.60 |
| PM1202/8 supply for two modules       | £15.30 |
| *SA1204 120W R.M.S./4Ω                | £13.50 |
| PM1201/4 supply for one module        | £11.60 |
| PM1202/4 supply for two modules       | £15.30 |
| SA608 60W R.M.S./8 Ω                  | £12.50 |
| PM601/8 supply for one or two modules | £10.50 |
| *SA604 60W R.M.S./4Ω                  | £10.50 |
| PM601/4 supply for one or two modules | £10.50 |
| SA308 30W R.M.S./8 Ω                  | £9.50  |
| PM301 supply for one or two modules   | £8.50  |

SAXON EQUIPMENT IS DESIGNED AND MADE IN OUR OWN CROYDON FACTORY



## SYSTEM 7000 CONTROL UNIT



- Ready to plug in—no soldering at all
  - Stainless steel front panel
  - Inputs for 2 ceramic cartridges/tape/microphone
  - Individual deck controls AND left/right fader
  - Low noise (−80dB) 20Hz–50kHz ±1dB
  - CONTROLS—Master, Monitor, Volume, Selector, X-fade, etc.
- READY BUILT**
- |        |        |
|--------|--------|
| Mono   | £34.50 |
| Stereo | £49.50 |
- IN MODULAR FORM ON PCBs with all electronics**
- |             |        |
|-------------|--------|
| Mono        | £18.50 |
| Stereo      | £27.50 |
| Front panel | £3.50  |

## SAXON CENTAUR STEREO SOUND-LIGHT MOBILE DISCO

To-day's most challenging value—with sound-light converter, synchronous motor twin turntables, and features that give you professional levels of operation, it still costs under £200 (V.A.T extra). With full-range heavy duty speakers which pack to make a single complete transportable unit. ABSOLUTELY COMPLETE INC. HEADPHONES, CONDENSER MIC. AND CONNECTING CABLES.

- 4-channel sound/light converter, variable speed
- X-fade and P.F.L.
- Tape and microphone inputs
- Strong wood cabinets, Vynide covered

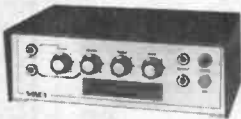
**£199.00**  
Delivered UK



## MINOTAUR 100 100 WATT RMS TOTAL RANGE AMPLIFIER

Compatible with all Saxon System 7000 units, this is a superb amplifier readily adaptable to a wide range of applications.

- 100 w.r.m.s into 8Ω
- Two mixed inputs, wide range bass and treble controls
- May be operated as a slave amplifier
- Extremely compact (27cm x 16cm x 10cm)



- Fully protected against all incorrect loads and short circuits
- Plug isolated terminals
- Silver anodised fascia

£47.50

## SYSTEM 7000 LIGHTING CONTROL

- Full control of 3kW of lights (1kW/channel)
- Audio control plus sequence plus override
- Variable speed sequence
- Stainless steel two tone panel—matches mixer
- Operates from any amplifier
- Attractive Bondene case—free standing or panel mounting



Inc. case and plug—ready to use **£38.00**

**SUPERFACT MODULE**  
On P.C.B. panel mounting **£27.75**  
**SOUNDLITE 3KW CONVERTER**  
Use with any amplifier **£15.50**

## SYSTEM 7000 MODULAR MIXING

UP TO 20 CHANNELS MONO/STEREO/MIXED

- Inputs for all sources inc. mag. cartridge
- Wide range bass and treble controls
- 1W monitor power outlet
- Echo send/return facility
- Feeds most amplifiers
- With front panels, ready to use
- Individual monitor buttons

<b>INPUT</b>		<b>MIXER</b>	
Mono	£8.50	Mono	£8.50
Stereo	£12.00	Stereo	£12.00

<b>PCB Modules only</b>		<b>PCB Modules only</b>	
Mono	£5.50	Mono	£5.50
Stereo	£9.00	Stereo	£9.00



Power Supply  
£7.50

## SAXON STROBES & LIQUID WHEEL

### SUPERSTROBE

- 1 flash/2 secs.—up to 20/sec.
- Compact black Bondene case
- Ideal for mobile disco or smaller club

### PRO-STROBE

- Giant 80 watt tube
- Discharge energy up to 6 Joules
- External trigger—audio up to 240V

### 150 WATT LIQUID WHEEL PROJECTOR

- Complete with wheel and 150 watt tungsten lamp
- Wide range of extra effects may be attached

Spare wheels £4.90

**NOW ONLY**  
£17.50

**NOW ONLY**  
£29.50

£29.20



**Loudspeakers** 12"/50W high grade chassis units.  
14000 gauss: presence dome: £14.50

**Cabinets** Attractive range of speaker and other cabinets at our showrooms. Enquiries welcomed.

### ACCESSORIES

Mics: Headphone: Special Lamps.

PRICES include carr. and packing. VAT must be added to all orders at 8%. C.O.D. 65p extra. S.A.E. all enquiries please.

Send your ACCESS or BARCLAYCARD or phone in your number for prompt attention. After 4.0 p.m. leave your message on our answerphone.

Orders by post—Please make cheques or crossed P.O.'s payable to

## SAXON ENTERTAINMENTS LTD.

327-333 WHITEHORSE ROAD, CROYDON, SURREY CR0 2HS

Telephone: 01-684 6365/0098

Shop Hours 9am–5pm, (Lunch 12.30–1.30); Sat. 9.30am–5pm. Prices and specifications subject to alteration without notice. Mail Order desk 10am–4pm Mon–Fri.

**TRADE ENQUIRIES**  
**NORMAN ROSE**  
**(ELECTRICAL) LTD**  
London 01-837 9111. Birmingham 021-236 4710. Manchester 061-273 1498. Bradford, Yorks. 0274 26104

# Practical Electronics Classified Advertisements

RATES: 15p per word (minimum 12 words). Box No. 40p extra. Semi-Display £12'00 per single column inch. Advertisements must be prepaid and addressed to GMG Classified Advertisement Manager, Room 2337, "Practical Electronics" IPC MAGAZINES LTD., Room 2337, King's Reach Tower, Stamford Street, London SE1 9LS. Tel. 01-261 5918

## RECEIVERS AND COMPONENTS

### NOTICE TO READERS

Whilst prices of goods shown in classified advertisements are correct at the time of closing for press, readers are advised to check with the advertiser both prices and availability of goods before ordering from non-current issues of the magazine.

### TTL SPECTACULAR!

(All famous makes. Prices include VAT)

7400	12p	7447	80p	74107	29p
7401	13p	7448	82p	74109	54p
7402	13p	7450	13p	74121	31p
7403	13p	7451	13p	74122	50p
7404	15p	7453	13p	74123	59p
7405	15p	7454	13p	74141	74p
7406	27p	7460	13p	74145	78p
7408	15p	7472	22p	74150	£1.05
7410	13p	7473	27p	74151	69p
7411	20p	7474	28p	74153	65p
7412	16p	7475	47p	74154	£1.35
7413	33p	7476	28p	74155	74p
7414	65p	7480	44p	74157	86p
7417	26p	7483	76p	74160	£1.10
7420	13p	7484	97p	74164	£1.35
7422	20p	7485	£1.03	74174	£1.30
7425	26p	7486	29p	74175	92p
7427	26p	7489	£2.50	74181	£2.19
7430	13p	7490	43p	74190	£1.25
7432	25p	7491	60p	74191	£1.25
7437	29p	7492	46p	74192	£1.08
7440	13p	7493	46p	74193	£1.08
7441	69p	7495	60p	74195	90p
7442	63p	7496	60p	74196	90p
7445	80p	74100	97p	IN4148	2p
ZTX108	7p	ZTX300	12p	IN4003	4p

Intel 2102 1K Memory £3

DL707E 0-3in. Display 69p

Min. order £2. P. & P. 20p (1st class) C.W.O.

Send S.A.E. for full list

J. C. SONES (Dept. PE21)

46 Burstellars, St. Ives, Cambs.

PE17 4XX

(Mail Order only)

TURN YOUR SURPLUS capacitors, transistors, etc., into cash. Contact COLES-HARDING & CO., P.O. Box 5, Frome, Somerset. Immediate cash settlement.

### R.T. SERVICES

(MAIL ORDER ONLY)

77 Hayfield Rd., Salford 6, Lancs.

Tapped Auto Transformer, 240V-110V, 80 watts, £2 P.P. New.

Heat Sinks 5 x 4in, drilled for 2 TO3 transistors. New 65p.

Transformer 240V primary 25 volts at 1½ amps. New £2 P.P.

FM Tuner with R.F. Stage and A.G.C., 3 transistors, neg. earth, 2½ x 2 x 1½ in with circuit, £1.75 P.P.

Crouzet Geared Motors 240V. 5/6/15/20 r.p.m. New £1.75 P.P.

Panel with 220 approx. marked IC's only £4.50 inc. VAT. P.P.

Memory Array Panel. £1.50 inc. VAT. P.P.

Electrolytic Capacitors, 2,500 at 40V. Size 3 x 1½in. 2 for £1 P.P. NEW.

Transformers. 12-0-12V, 100mA, 9-0-9V, 100mA, 6-0-6V, 100mA, 99p each P.P.

P.C. Board. S/S, 5½ x 5½in, 10 for £1.25 P.P.

Mixed Pack of C280 series Mullard capacitors. 100 for £1.30 inc. P.P.

Very large quantity of Mullard C280 capacitors. In sacks. Mixed values. Also Mullard electrolytics in sacks. Mixed values. Enquiries invited from bulk buyers.

Tel. 061-236 1541

All prices include VAT and P.P.

**VALVES, RADIO, TV, TRANSMITTING, INDUSTRIAL.** 1930 to 1975. 2,200 types in stock, many obsolete. List 20p. Quotation S.A.E. Postal export service. We wish to purchase new and boxed valves. Dealers, wholesalers, etc., stocks purchased. **COX RADIO (SUSSEX) LTD.**, The Parade, East Wittering, Sussex. Tel. West Wittering 2023.

**A-MP 14 PIN DIL IC HOLDERS** with non-rem. clip, 11p each; 10 for £1. Belling Lee Instrument Pointer Knob, 8p; 10 for 20p. Diamond H. 20A, 250v, D.P.S.T. Toggle Switch, 65p each; £5.50 for 10. BZX79 5-1 volts 400mW, 8p each; 10 for 60p. 12.15 15 volt 1 watt, 10p each; 10 for 90p. IN914 50 for £1. Motorola 2N3055, 50p each, 10 for £4.50. Texas Zener Diodes 6v, 7v, 8v, 9v, 10v, 11v, 12v, 13v, 15v, 16v, 18v, 20v, 22v, 39v, all 10w, 20p each. Bush set for T.I.P. transistors, 10 for 20p; 100 for £1.75. Sude Sw. S.P.C.O., 15p each; £1.20 for 10. Minimum post 20p. All prices include VAT. All components full spec. **FIELD ELECTRIC LTD.** 3 Shenley Road, Boreham Wood, Herts. 01-953 6009

### Precision Polycarbonate Capacitors

All High Stability—extremely Low Leakage						
440 V A.C. RANGE		63V D.C. RANGE				
Value (µF)	Dimen- sions (mm)	Price each	Value µF	±1%	±2%	±5%
L	D		0.01-0.2	£1.28	75p	50p
0.1	27	12.7	0.22-0.47	£1.32	77p	51p
0.15	27	12.7	0.56	£1.44	84p	59p
0.22	33	16	1.0	£1.56	91p	60p
0.25	33	16	1.5	£1.74	£1.18	67p
0.33	33	16	2.2	£1.98	£1.32	75p
0.47	33	19	3.3	£2.40	£1.60	99p
0.5	33	19	4.7	£2.58	£1.68	£1.23
0.5	33	19	6.8	£3.48	£2.32	£2.01
0.68	50.8	19	11	£4.98	£3.32	£2.87
1.0	50.8	19	15	£4.98	£3.32	£2.87
1.5	50.8	25.4	15	£7.14	£4.78	£2.88
2.0	50.8	25.4	15	£9.68	£6.44	£3.90

**TANTALUM BEAD CAPACITORS**—Value available: 0.1, 0.22, 0.33, 0.47, 0.68, 1.0, 2.2, 3.3, 4.7, 6.8µF at 15V, 25V or 35V; 10-0.01µF at 16V/20V or 25V; 22-0.01µF at 6V/10V or 16V; 33-0.01µF at 6V or 10V; 47-0.01µF at 3V or 6V; 100-0.01µF at 3V. All at 12p\* each, 10 for £1.10\*, 50 for £5\*, 100 for £9\*.

**TRANSISTORS & I.C.'s**  
 BC107/8/9 8p \*BC212/212L 12p 2N3055 50p  
 \*BC114 12p \*BC213/213L 11p OC71/2 8p  
 \*BC147/8/9 10p \*BC214/214L 11p \*NE565Timer 61p  
 \*BC153 16p \*BF194/4 12p \*741C 8pin DIL  
 \*BC154/7/8/9 12p BFY50/1/2 20p  
 \*BC182/182L 11p AF178 40p ZN414 £1.15  
 \*BC183/183L 11p AF239 38p SN76013ND 32p  
 \*BC184/184L 12p \*2N3702/4 11p £1.60

**POPULAR DIODES**—IN914 6p, 8 for 45p, 18 for 90p; IN918 6p, 6 for 45p, 14 for 90p; 1844 5p, 11 for 50p; 26 for £1.00, IN414, 10 for 50p; 2N3638 12 for 45p; 1N4001 54p; 002 6p; 003 6p; 004 7p; 005 7p; 008 8p; 007 8p.  
**LOW PRICE ZENER DIODES**—400mW, Tol. ±0.5%, 4.7 5mA, 3V; 3V3; 3V6; 4V7; 5V1; 5V6; 6V2; 6V8; 7V5; 8V2; 9V1; 10V; 11V; 12V; 13V; 13.5V; 15V; 16V; 18V; 20V; 22V; 24V; 27V; 30V; 33V. All at 7p each, 5 for 38p, 10 for 65p, 50 for £2.12. **SPECIAL OFFER:** 100 Zeners (may be mixed) for £8.00.

**RESISTORS**—High stability, low noise carbon film 5% ¼W at 40°C, ¼W at 70°C. E12 series only—from 2.2Ω to 2.2MΩ. ALL at 1p\* each, 8p\* for 10 of any one value, 70p\* for 100 of any one value. **SPECIAL PACK:** 15% of each value 2.2Ω to 2.2MΩ (730 resistors) £5\*.

**SILICON PLASTIC RECTIFIERS**—1.5 amp, wire-ended DO27: 100 P.I.V. 7p (4 for 28p); 200 P.I.V. 8p (4 for 30p). **BRIDGE RECTIFIERS**—2½ amp: 200V 40p; 350V 45p; 600V 55p.

**SUBMINIATURE VERTICAL PRESETS**—0.1W only: All at 5p\* each; 60; 100; 220; 470; 680 ohm; 1k; 2k2; 4k7; 6k8; 10k; 15k; 22k; 47k; 100k; 320k; 800k; 1M; 2M; 5M.

**PLEASE ADD 20p POST AND PACKING ON ALL ORDERS. EXPORT—ADD COST OF SEA/AIRMAIL. Add 8% VAT to all items except those marked with \* which are 12½%.**

Send S.A.E. for additional stock lists. Wholesale price lists available to bona fide companies.

**MARCO TRADING (Dept. P.3)**  
 The Old School, Edgastown, Wm. Shropshire  
 Tel: Whixall 464/465 (STD 094 872)  
 (Proprs. Minicost Trading Ltd.)

Bank of 20 Neons, 80p (20p). 5 Figure Resettable Counter, 18/22V, works on 12V, £2.50 (60p). Box with 20 x LA2 Pot Cores + 20 x 1% caps, £1.75 (80p). Copper Glad Fax Panels: 6½ x 6½in, 8 for 85p; 12 x 12in, 80p; 17 x 6½in, 90p; 8½ x 9½in, 3 for £1.35. Fibre Glass: 7 x 8in, 85p; 13 x 6½in, 80p; 13 x 11in, £1.50; double-sided plus 10%. All C.P. 74 Series ICs on Panels, 30 for £1 (20), 100 Ass. S/Mica Caps, 70p c.p. List 15p. refund on purchase. 71b Assorted Components, £2-60 c.p.

J. W. B. RADIO

2 Barnfield Crescent, Sale, Cheshire M33 1NL  
 Postage in brackets Mail order only

### BRAND NEW COMPONENTS BY RETURN

Electrolytic Capacitors 16V, 25V, 50V—0.47, 1.0, 2.2, 4.7 and 10µF 5p; 22, 47 50V 6p; 100 7p (50V 8p); 220 8p (50V 10p); 500 11p (50V 15p); 1,000 (16V) 15p, 1,000 (25V) 18p, 1,000 (50V) 22p. Subminiature Tantalum Bead Electrolytics—0.1, 0.22, 0.47, 1.0, 2.2 at 35V 4-7/26V 11p; 10/20V, 22/16V, 47/6V and 100/3V 12p.  
 Mullard Min. Ceramic E12 Series 63V 2%—10-47/7F 3p; 66-330pF 4p. Ceramic plate 50V E12 series 22-1,000pF and E6 series 1,500-47,000pF 8p.  
 Polytetraene E12 Series 63V Horizontal Mounting—10-1,000pF 3p; 1,200-10,000pF 4p.  
 Mullard Polyester 240V Vertical Mounting E6 Series—0.01-0.1 4p; 0.15, 0.22 5p; 0.33, 0.47 5p; 0.68 11p; 1.0 13p; 1.5 20p; 2.2 22p.  
 Mylar (Polyester) Film 100V Vertical Mounting—0.001, 0.002, 0.005 3p; 0.01, 0.02 33p; 0.04, 0.05 4p. Miniature Resistors Highstab. E12 Series 5%—Carbon Film ¼W 1Ω-2MΩ 14p; Metal Film ¼W 10Ω-2MΩ 14p; Metal Film ¼W 10Ω-2MΩ 1.5p; Metal Film 1W 27Ω-10MΩ 1.75p.  
 IN4148 3p; IN4002 5p; IN4006 7p; IN4007 8p; BC107/8/9, 147/8/9, 157/8/9, BF194/7 9p.  
 Fuses 20mm glass, 1½in glass, 1in ceramic 5p. Post 10p (free over £4). Prices inclusive of VAT.  
**THE C.R. SUPPLY CO.**  
 127 Chesterfield Road, Sheffield S8 0RN

**500 COMPONENTS.** Resistors, capacitors, diodes, transistors, pots, coils, etc. Identified, formed leads, fall-out and surplus. Good value at £1-60. All inclusive (U.K. postal rates only). C.W.O. please to: L. PENNENY (PE), Bankhead Farm, South Queensferry, West Lothian.

LED panel clip 1p	0 125		0 2		INFRARED	
	RED	15p	19p	550uV Axial lead	49p	55p
G Y	27p		33p		OPTO>Data free	
	OR		27p		33p	
ORP12		55p				

**OPTO-ISOLATORS**  
 TL111 1.5kV 150kHz £1  
 4350 2.5kV 5MHz £2.25  
 SCR's 50V 100V 400V Ovac  
 10S 1A 25p 27p 46p BR100  
 TOGG 3A 27p 35p 50p 21p  
 400V TRICAS 2A 80p 10A £1.50

**VOLTAGE REGS.**  
 5V 7805 Plastic  
 12V 7812 1 Amp  
 15V 7815 all  
 18V 7818 £1.50  
 723 DIP14 50p

**BRIDGE RECTS.**  
 2A 50V 30p  
 2A 100V 36p  
 2A 200V 41p  
 2A 400V 46p

**ZENERS 2.7-30V**  
 BY28 or sim 9p  
 555 Timer 80p  
 556 2, 555 £1.10  
 LM380 £1.00  
 ZN414 £1.10  
 7400 16p

**D.I.L. SOCKETS**  
 8-pin 12p  
 14-pin 13p  
 16-pin 14p  
 Mica + bushes TO3 TO66 5p  
 Dialo Pen 70p

**OP. AMPS**  
 709 all 25p  
 741 B-pin 25p  
 748 D.I.L. 36p

PRICES INCLUSIVE + 15p P. & P. (1st class)  
**ISLAND DEVICES, P.O. Box 11, Margate, Kent**

### ELECTRICAL

**STYLIS AND CARTRIDGES.** For the best at keeneast prices send SAE for free illus. list to **FELSTEAD ELECTRONICS (PE)**, Longley Lane, Gatley, Cheshire, SK8 4EE.

**100 POLYESTER CAPACITORS £2-25**  
 100 fully guaranteed electrically tested polyester capacitors. No floor sweepings. All famous makes ITT, MULLARD, ERIE, etc. Mixed pack of YOUR CHOICE from the following values—mainly 250V. Prompt despatch.  
 0.01 mF 0.068 0.22 mF  
 0.015 0.1 0.33  
 0.022 0.1 0.47  
 0.033 0.15 0.33  
 £2-25 includes P. & P. Mail Order Only  
**B. MALLOY (PE)**, 66 Woodvale Avenue, Belfast, BT13 3EX, Northern Ireland.

## FOR SALE

**OSCILLOSCOPE.** Heath 10-18U unused £50. GRANT, 29/5 Hillmeads Road, Kings Norton, Birmingham.

**DISCOLIGHTS.** Summer sale. Soundlights (3-channel) £16. Strobes £22. Free catalogue: AARVAK ELECTRONICS, 12a(L) Bruce Grove, London N17. (01-808 8923).

**LIMITED OFFER.** MM5314 full spec with data £2-65. BC108A (plastic) 10 for 70p; IN4002 10 for 50p. 12-0-12 50MA sub min. 85p. BCY70 7 for £1. MAN3M with data 35p. SP322B (JK flip flop) 15p. Add 10p P. & P. L.B., 43 Westcott, Hayes, Middx. UB4 8AH.

**MINISONIC** part built including keyboard for sale. FISHER, 54 Waterloo Road, Waterloo, Huddersfield.

## WANTED

**TOP PRICES PAID**  
NEW VALVES AND TRANSISTORS  
Popular T.V. and Radio types  
**KENSINGTON SUPPLIES (B)**  
367 Kensington Street  
Bradford 8, Yorks.

## BOOKS AND PUBLICATIONS

**UFO CHARTS:** Prediction Wave; "Anti-gravity"; Propulsion Theory; Daily Flight Pattern; Optical Transistor Detector Circuit; Radiation/Optical; 3-way MOS Detectors; each 75p. DEM; Programmable Clock; 16 Channel Computerised Recorder; Each circuit £1-20. Newsletter (Technology Sightings Reviews) 60p. R & E PUBLICATIONS, Highlands, Needham Market, Suffolk.

## START YOUR OWN BUSINESS REWINDING ELECTRIC MOTORS

This unique instruction manual shows step by step how to rewind motors, working part or full time, without previous experience. Everything you need to know easily explained, including where to obtain materials, how to get all the work you need, etc., etc. A goldmine of information and knowledge. Only £3-65 plus 25p P. & P. From:

**MAGNUM PUBLICATIONS, Dept. PE5**  
Brinkway Trading Estate, Brinkway  
Stockport SK3 0BZ  
Overseas Distributors wanted.

## FREE T.V. CIRCUIT DIAGRAMS

All main British T.V. sets (plus many foreign) comprehensively covered in our easy-to-follow T.V. Repair Manuals—4 mono and 3 colour. Just send model no., if colour (mfrs. chassis type helps) with £4 and receive the manual covering your set—plus your set's circuit diagram on request free. Set of 7 only £25. British T.V. Circuit Diagram Manuals—the main mono (over 37 series) for £9-50 and virtually every colour for £16. Full details of these and other publications from:

**T.V. TECHNIC**  
76 Church Street, Larkhall, Lanarks, ML9 1HE  
Tel. (0698) 883334

## SERVICE SHEETS

**SERVICE SHEETS** for radio, TV, tape recorders, stereo, etc., with free fault-finding guide, 50p and S.A.E. HAMILTON RADIO, 47 Bohemia Road, St. Leonards, Sussex.

**BELL'S TELEVISION SERVICES** for service sheets on radio, TV, etc., 75p plus S.A.E. Colour TV service manuals on request, S.A.E. with enquiries to B.T.S., 190 Kings Road, Harrogate, N. Yorkshire. Tel. 0423 55885.

**SERVICE SHEETS**, radio, TV, etc. 10,000 models. Catalogue 24p plus S.A.E. with orders-enquiries. TELRAY, 154 Brook Street, Preston, PR1 7HP.

## LADDERS

**LADDERS**, varnished, 20ft. 9in. extd., £20-50. Carr. £1-90. Leaflet. Alloy ext. and loft ladders. Immed. despatch. THE LADDER CENTRE (PEE), Halesfield (1), Telford, Salop. Tel. 586644. Order C.O.D.

## EDUCATIONAL

### TECHNICAL TRAINING.

Get the training you need to move up into a higher paid job. Take the first step now—write or phone ICS for details of ICS specialist homestudy courses on Radio, TV, Audio Eng. and Servicing, Electronics, Computers; also self-build radio kits. Full details from: **ICS SCHOOL OF ELECTRONICS, Dept.**

771X, Intertext House, London, SW8 4UJ.  
Tel. 01-622 9911 (all hours).

**RADIO AMATEURS EXAMINATION.** City and Guilds. Pass this important examination and obtain your G8 licence, with an RRC Home Study Course. For details of this, and other courses (GCE, Professional Examinations, etc.) write or phone: **THE RAPID RESULTS COLLEGE, Dept J81, Tuition House, London, SW19 4DS. Tel: 01-974 7272** (Careers Advisory Service) or for a prospectus only ring 01-946 1102 (24 hr recording service).

### CITY & GUILDS EXAMS.

Study for success with ICS. An ICS homestudy course will ensure that you pass your C. & G. exams. Special courses for: Telecoms. Technicians, Electrical Installations, Radio, TV & Electronics Technicians, Radio Amateurs. Full details from: **ICS SCHOOL OF ELECTRONICS, Dept.**

771X, Intertext House, London, SW8 4UJ.  
Tel. 01-622 9911 (all hours).

## TELEVISION TRAINING

**16 MONTHS'** full-time practical and theoretical training course in Radio and TV Servicing (Mono and Colour) for beginners, with GCE (or equivalent) in Maths & English.  
**13 WEEKS'** full-time Colour TV Servicing course. Includes 100 hours practical training. Mono revision if necessary. Good electronics background essential.  
NEXT SESSION commences on September 13th.

Prospectus from London Electronics College, Dept. A9, 20 Penywern Road, London SW5 9SU. Tel. 01-373 8721.

### COLOUR TV SERVICING.

Learn the techniques of servicing Colour TV sets through new homestudy course approved by leading manufacturers. Covers principles, practice and alignment with numerous illustrations and diagrams. Other courses for radio and audio servicing. Full details from: **ICS SCHOOL OF ELECTRONICS, Dept.**

771X, Intertext House, London, SW8 4UJ.  
Tel. 01-622 9911 (all hours).

## MISCELLANEOUS

### H.M. ELECTRONICS

275a Fulwood Road, Broomhill, Sheffield S10 3BD



BEC  
CABINETS

Give your project that professional looking finish. Build it in a BEC. Dry transfer lettering now available.

ORION cabinet still available punched or unpunched. Send 15p (refundable) for leaflets.

## PRINTED CIRCUITS and HARDWARE

Readily available supplies of Constructors' hardware, Aluminium sheet and sections. Printed circuit boards, top quality for individual or published designs.

Prompt service.

Send 15p for catalogue.

**RAMAR CONSTRUCTOR SERVICES**  
Masons Road, Stratford on Avon  
Warwicks. Tel. 4879

**DO-IT-YOURSELF LOUDSPEAKERS** for hi-fi are our speciality. Full range of components and accessories including chassis speakers, cross-overs, sound absorbent, grille fabrics, etc., always available. We stock the fabulous value Helms speaker kits (complete with full and easy instructions), also Peerless and Wharfedale kits. Just about the lowest prices anywhere! Send 8p stamp for bargain list to: **AUDIOSCAN, Dept. PE-976, 4 Princes Square, Harrogate, North Yorkshire.**

### BURGLAR ALARMS Supplies and equipment

Special Offer—Large size  
**PRESSURE MATS 21-20**

**MAGNETIC CONTACTS**  
with magnet. Flush and Surface **75p**

**BELLS, SIRENS, ALARM-UNITS, CABLE, BELL COVERS, WINDOW FOIL, VIBRATION CONTACTS.** Send S.A.E. for free cat.

**COMPLETE KIT. FANTASTIC VALUE**  
Everything you need—only **240**

Please add V.A.T. at 12½ plus 50p P.P.

**A. D. ELECTRONICS, Warbreck Moor**  
Aintree, Liverpool L9 0HU. 051-525 3440



## 12 VOLT FLUORESCENTS

**35% OFF**  
RRP

MADE BY THORN LIGHTING. Ideal for Caravan, Boat, Tent, Emergency Lighting etc. All lamps guaranteed for 12 months.

21 ins  
13 watt

£4-90

12 ins  
8 watt

£4-00

All lamps have On/Off Switch. Wrong Polarity Protection Device and Diffuser.

C60 CASSETTES 32p  
C90 CASSETTES 45p

All Cassettes in Plastic Case with Index and Screwed Assembly.

All prices include VAT. Add Postage 5p in £1.  
Quantity Discounts.  
50 Units 5%  
50 Units 7%  
100 Units 10%  
**SALOP ELECTRONICS**  
23 WYLE COP  
SHREWSBURY  
Tel. 53206

### I.C. EXPERIMENTER'S KITS

Learn about modern electronics with our new series of Kits on digital logic techniques. Each Kit contains specially selected I.C.s, Holders, Veroboard, L.E.D.s, and Instructions.  
Available at £3.50 each (including P. & P.)  
Kit One—Gates Kit Two—Flip-Flops  
Kit Three—Shift Registers  
Kit Four—Counters Kit Five—Displays  
S.A.E. for further details to:  
**AUTOMATED HOMES**  
69 High Street, Ryton, Coventry CV8 3FJ  
(Mail Order Only)



**HELME**  
DO-IT-YOURSELF  
HI-FI STEREO  
SPEAKER KITS  
The best value around!  
Send for details  
**HELME AUDIO  
PRODUCTS LTD.**  
Dept. P.E.  
SUMMERBRIDGE  
HARROGATE YORKS  
Tel. Darley 279 (Std Code 0423 72)

### GLASS FIBRE P.C.B.'s

From your own tape, film or ink master  
Send S.A.E. for quotation  
PRACTICAL ELECTRONICS printed circuit boards in glass fibre, drilled and tinned.  
Radio Control System June to Aug. 76. Complete set of 8 boards £35.00.  
Digital Frequency Meter May to June 76. Complete set of 4 boards £42.00. C.W.O. please.  
PROTO DESIGN, 4 Highliffe Way, Wickford, Essex SS11 8LA

**SUPERS INSTRUMENT CASES** by Bazelli, manufactured from heavy duty pvc faced steel. Hundreds of people and industrial users are choosing the cases they require from our vast range, competitive prices start at a low 75p. Examples: width, depth, height, 8in. x 5in x 3in, £1.55; 10in x 6in x 3in, £2.20; 10in x 8in x 3in, £2.75; 12in x 10in x 3in, £3.60; 8in x 4in x 4in, £1.80; 10in x 6in x 4in, £2.70; 12in x 8in x 4in, £3.60; 7in x 7in x 5in, £2.65; 8in x 10in x 6in, £3.60; 12in x 8in x 7in, £4.40. Plus over 400 models to choose from. Prompt despatch. Free literature (stamp would be appreciated): **BAZELLI**, Dept. No. 23, St. Wilfrid's, Foundry Lane, Halton, Lancaster LA2 6LT.

## TRANSMIT!

- ★ Unique **TRANSMITTER RECEIVER** Kit. No licence examinations or tests required to operate this transistorised equipment. Easy to build. Get transmitting. Send £7.95 plus 20p P. & P.
- ★ 'Psychedelic **MINI-STROBE** Kit. Take a pocket-sized lightning storm to Disco's and parties. 'Brain-freeze' 'em with vari-speed stop-motion flashes. Includes super case too. Send £3.50 plus 20p P. & P.

(All prices include V.A.T.)

Send remittance to:

**BOFFIN PROJECTS**  
4 CUNLIFFE ROAD  
STONELEIGH, EWELL, SURREY  
(Mail order U.K. only)  
Or for more details, send 20p for lists

### ENAMELLED COPPER WIRE

S.W.G.	1lb reel	1lb reel
10 to 19	£2.40	£1.35
20 to 29	£2.45	£1.40
30 to 34	£2.60	£1.50
35 to 40	£2.85	£1.60

All the above prices are inclusive of postage and packing in the U.K.

### COPPER SUPPLIES

102 Parrwood Road, Wingham,  
Manchester 20  
Telephone 061-445 8753

**QUALITY ASSORTED** nuts, screws, washers. Brass and steel. Various sizes. Approx. 6oz 65p inclusive: **BRITTAIN**, The Bungalow, Buckhurst Lane, Sunninghill, Berks. SL5 7QB.

### RADIO-CONTROL JOYSTICKS

XTALS—SERVO MECHANICS—TXCRX CASES—MINIATURE PLUGS/SOCKETS, ETC. S.A.E. OR PHONE EVENINGS FOR DETAILS

**D MODELGEAR**, 58 Lowther Grove  
**J** Garforth, Leeds LS25 1EW  
**&**  
**D** Tel. 097-38 4355 evenings

**COLCHESTER'S COMPONENT SHOP** open Sunday—Friday, 12-6 p.m. **J. K. ELECTRONICS**, 11 Mersea Road. Tel. 64433.

### LOW COST — HIGH EFFICIENCY AUDIO TEST OSCILLATOR £18



RANGE: 10Hz to 100kHz. OUTPUT: 1V sine/sq. DISTORTION: less than 0.02%, 9V battery. Also available in Kit form at £14. Add 8% VAT. P. & P. and ins. 75p. Leaflet available, also F.M. Signal Generator, Millivoltmeter, freq. meter, THD analyser, P.S. Units.

**TELERADIO ELECTRONICS**  
325 Fore Street, London, N9 0PE  
Tel. 01-807 3719

**CLEARING LABORATORY**, scopes, recorders, testmeters, bridges, audio, R.F. generators, turntables, tapeheads, stabilised P.S.U.s, sweep generators, test equipment, etc. Lower Beeding 236.

### PHOTOTECH (EUROPE)

New **Optoelectronic Detectors**  
Type 1: Photodiode, 2 pin Configuration: Photosensitive area 0.85 x 10<sup>-3</sup> square inches.  
Type 2: Photoswitch, 4 pin Configuration, 20V-30V supply. Switching threshold set by external R-C.  
Type 3: Photoswitch with automatic threshold adjustment. 6 pin Configuration 20V-30V supply.  
**LED:** Gallium Arsenide Phosphide red emitting diode.  
Data and operating notes sent with each order. Prices (including VAT, packaging and carriage)  
Type 1: 75p each Type 2: £1.00 each  
Type 3: £1.50 each  
**LED:** 17p each, or free with each optoelectronic detector ordered.  
Please send C.W.O. or S.A.E. for data only to:  
**Phototech (Europe), 23a Upper Elmers End Road, Beckenham, Kent**

**PRINTED CIRCUIT BOARDS.** Supplied complete, glass fibre with a soldering varnish finish. (6p per sq. in. P. & P. 30p). **R. DARLISON**, 1 Valentine Drive, Oadby, Leicester. Tel. (0533) 716273.

**ZN1040E** inc. data £7.50  
Unmarked reject of above £3.50  
Counts/Displays/Resets O.K.  
7489 Fully Functional 64 Bit  
Ram-Speed Failures 90p.

2-Dual/Matched NPN Trans. £1  
4-Tested Silicon Photodiodes £1  
All prices inc. (Mail Order Only)  
**GJD ELECTRONICS**, 105 Harper Fold Road, Radcliffe, Manchester M26 0RQ

**LOW COST I.C. MOUNTING** for any size DIL package. 100 Soldercon sockets 65p. 7- and 8-hole plastic supports 5p/pair. Quantity rates. S.A.E. details and sample. Trial pack 65p. (P. & P. 10p/order): **PKG ELECTRONICS**, Oak Lodge, Tansley, Derbyshire, DE4 5FE.

## PUBLIC ADDRESS ENGINEERING!

Find out more, join the Association of Public Address Engineers—Details from:

The Secretariat  
**APAE**  
47 Windsor Road  
Slough, Berks.

**RECHARGEABLE NIGAD BATTERIES**, Pencil, AA 94p; Sub. "C" £1.16; "D" £1.92; "D" £2.89; PP3 £4.48. Chargers: £4.48, £4.48, £4.99, £4.98, £3.98 respectively. Others available. All prices include VAT. Add 10% P. & P. S.A.E. for price list plus 20p for information booklet. **SANDWELL PLANT LTD.**, 1 Denholm Road, Sutton Coldfield, West Midlands. Tel. 021-354 9764.

## BUILD THE TREASURE TRACER



**MK III Metal Locator**

- Vericap tuning
- Britain's best selling metal locator kit
- Fitted with Faraday shield
- Speaker and earphone operation
- 4,000 already sold
- Prebuilt search coil assembly
- Five transistor circuit
- Thoroughly professional finish
- You only need soldering iron, screw-driver, pliers and emps
- As seen on BBC-1 and BBC-2 TV

Sand stamped, addressed envelope for leaflet!

Complete Kit **£12.50** Built and tested **£17.50**  
Post 85p + £1.00 VAT (8%) Post 85p + £1.40 VAT (8%)  
**MINIKITS ELECTRONICS** 6g CLEVELAND ROAD  
LONDON E18 2AN (Mail Order Only)

## G8CZW DIGITAL FREQUENCY METER



COMPLETE 50MHz KIT £54 Inc. VAT and Post

	£
ZN 1040E Count/Display I.C.	8-90
Integrated Circuit Pack	9-25
Displays and Filter	7-28
Semiconductor and Diode Pack	2-38
Resistor and Capacitor Pack	2-98
Logic and Display P.C.B.s	4-84
5 MHz Crystal	3-45
Transformer 8-0-8V (+ 60p P. & P.)	2-48
I.C. Sockets Pack	2-30
Switches, Knob, BNC Sockets, etc.	4-15
Hardware and Wire Pack	1-45
Case—Two-tone PVC-faced steel punched and lettered (+ 75p P. & P.)	5-75
Spare min. BNC Sockets (50 ohm)	0-65
Spare min. BNC Plugs (50 ohm)	0-70
Complete kit of parts for High Impedance Buffer (includes PCB)	3-62
High Impedance Buffer P.C.B. only	0-80
Complete kit for VHF pre-scaler (includes PCB but less I.C.)	1-78
VHF Pre-scaler printed circuit board only	0-80
SP8531B 500MHz Pre-scaler I.C.	8-96
ZN1034E Precision Timer I.C.	2-97
ZN116E 3 1/2 digit digital voltmeter I.C.	6-48
Digital Voltmeter P.C.B.s and Circuits	3-78
NE592 Wideband video amplifier I.C.	1-43

All prices Inc. VAT at the standard rate. Please add 20p P. & P. for packs. S.A.E. for full lists.

**abc ELECTRONICS (OLDHAM) LTD.**  
83 Lees Road, Oldham OL4 1JW  
Tel. 061-624 8812



# ELECTRONIC DIGITAL CLOCK

## with alarm and snooze features



## SPECIAL OFFER

# £18.95

inc. VAT and P. & P.

Features: ● 0-7 Inch High Digits ● Variable Intensity ● 24-hour Alarm ● 5-minute Repeating, Snooze Alarm ● Alarm Set Indicator ● Snooze Indicator ● Pulsing Second Indicator ● Power Interrupt Indicator ● Alarm Cancel Features—Tilt Operation ● Alarm Tone Output ● A.M.—P.M. Indicator

Size: 130mm x 90mm x 95mm. Weight: 10oz. Power supply: 230V a.c. ±10% 50Hz.

Manufactured to high standards by a major American electronics corporation, this superbly styled solid-state timepiece is made available to all readers fully guaranteed.

Free trial in your home—Try out the clock in your home. If digital time is not for you return it in original condition within 10 days and we'll refund your money without question.

### TIME MICROELECTRONICS

**TM** P.O. Box 29, Brighton Hill Parade,  
Basingstoke, Hants RG22 11EH.

Please send  electronic clocks as illustrated. I enclose cheque  postal order  money order  for £18.95 which includes P. & P.

Name .....

Address .....

Signature .....

## ELECTRONI-KIT

Build, Dismantle and Rebuild  
Over 100 Different Projects  
and Design New Circuits too

Radio Receivers and Transmitters, Telephone Amplifiers, Time Buzzers, Battery Checkers, Computer Circuits, Amplifiers, Directional Transmitters, Metal Detectors, Continuity Testers, Electronics Birds, Guns, Metronomes, Sirens, Roulette, etc. All in one kit

"... educational kits of exceptional quality"  
(Audio mag.)

"... worthwhile... good value for money"  
(Everyday Electronics mag.)

Educational manuals included with each kit. No previous experience required. Suitable for beginners and experts too.

100 project kit £19.60  
45 project kit £15.60  
25 project kit £12.10  
(Add-on kits available too)

Prices include manuals, batteries, VAT and P. & P.

Cheque/P.O. (or 11p for illustrated literature) to Dept. PE

Satisfaction guaranteed

ELECTRONI-KIT LTD, 408 St. John's Street,  
London, E.C.1. (01-278 4579)

## P.E. JOANNA

### Electronic Piano



**ALL PARTS CAN BE SUPPLIED**

Keyboard, Keyswitch, P.C.B.s,  
Hardware, Semiconductors,  
Resistors, Capacitors, Cabinets  
Complete kits or easy stages

Send S.A.E. for details

**Clef Products**  
31 Mountfield Road, Bramhall  
Stockport, Cheshire SK7 1LY



**INSTANT ATMOSPHERE  
SOUND TO LIGHT WITH A.G.C.**

Adds visual impact to sound and beat—Essential for mobile discos—Outperforms all manual control units—Features advanced electronics which automatically set each channel for optimum performance—Infinite combinations of any three coloured lights—Creates the perfect atmosphere for dancing—Functions consistently on any system at any volume from 1/2W to 200W without adjustment—Provides instant atmosphere for any occasion.

- \* AGC range 2V to 40V input (RMS). Suits 4, 8, or 16 ohm systems.
- \* Input impedance greater than 1,000 ohms. Completely isolated for absolute safety.
- \* Full wave operation. Ensures dazzling brilliance.
- \* Total lamp rating 3000W. Allows for future expansion.
- \* Two through-connected input jacks. Ensures tidy wiring to speakers via unit.
- \* Illuminated switch makes controller visible in the dark.
- \* Size: 8 1/2in x 4 1/2in x 2 1/2in Plus non slip feet  
215 x 108 x 58mm

**UNBEATABLE VALUE £32.95**

Inc. VAT, P. & P., 3 plugs plus generous mains lead. Sturdy, reliable, attractively finished and easy to use. Just plug in three sets of lights. Many practical design features. Full details S.A.E. Money back guarantee. Send today to sole distributors:

**A1 FACTORS**

Dept. Ea3, 245 North Sherwood Street, Nottingham. NG1 4EQ. Demonstration to callers. Tel. Nottingham 54694 or 412255.

# PRICES INCLUSIVE OF VAT

Add 20p P. & P.—NO OTHER EXTRAS

MAIL ORDER ONLY

Fully branded devices by RCA, TEXAS, MOTOROLA, MULLARD, etc.

## TTL BY TEXAS

7400	17p	7489	291p	301A	Ext. Comp. 8 pin DIL	40p
7401	18p	7490	40p	709	Ext. Comp. 8/14 pin DIL	36p
7402	18p	7491	81p	710	Diff. Comp. 14 pin DIL	55p
7403	18p	7492	45p	741	Int. Comp. 8/14 pin DIL	25p
7404	22p	7493	40p	747	Dual 741 14 pin DIL	87p
7405	25p	7494	86p	748	Ext. Comp. 8 pin DIL	36p
7406	45p	7495	75p	CA3100	Op. Amp. TOS	160p
7407	39p	7496	84p	CA3130S	CMOS Op. Amp. 8 pin DIL	109p
7408	22p	7497	295p	LM3900	Quad Op. Amp. 14 pin DIL	81p
7409	22p	74100	130p	MC1458	Dual Op. Amp. 8 pin DIL	75p
7410	18p	74107	36p	NE5367	FET Op. Amp. T099	300p
7411	28p	74110	84p	<b>LINEAR ICs</b>		
7412	28p	74118	90p	CA3028	Diff. Cascade Amp.	112p
7413	36p	74121	32p	CA3048	5 Transistor Array	75p
7414	80p	74122	53p	CA3048	Quad Low Noise Amps.	250p
7416	35p	74123	79p	CA3089E	FM IF System 16 DIL	250p
7417	36p	74126	79p	CA3090AQ	FM Stereo Decoder	450p
7420	18p	74128	80p	ICL8038CC	VCO Funct. Gen.	370p
7422	20p	74132	76p	LM300	2W Audio Amp.	115p
7423	36p	74136	81p	LM381	Stereo Pre Amp.	175p
7425	33p	74141	80p	M252	Rhythm Generator	900p
7427	40p	74145	90p	MC1310P	FM Stereo Dec.	175p
7430	18p	74148	173p	MC1495L	Multiplier	380p
7432	30p	74150	135p	BA1496L	Bal. Mod./Demod.	115p
7437	32p	74151	77p	MFC4000B	1W Audio Amp.	75p
7440	18p	74153	92p	MFC6040	Electronic Attenuator	180p
7441	80p	74154	164p	NE555V	Timer 8 pin DIL	40p
7442	75p	74155	82p	NE556	Dual 555 14 pin DIL	90p
7443	130p	74156	82p	NE561B	PLL with AM Demod.	360p
7444	130p	74160	104p	NE562B	PLL with VCO	360p
7445	100p	74161	107p	NE565	PLL	216p
7446	108p	74162	107p	NE566V	PLL Function Gen.	200p
7447	81p	74163	107p	NE567V	PLL Tone Decoder	200p
7448	85p	74164	130p	2567	Dual 567	400p
7450	18p	74166	136p	SN72733	Video Amp.	150p
7451	18p	74174	130p	SN76013N	Pwr. Audio Amp + HS	175p
7453	18p	74175	82p	SN76023N	Pwr. Audio Amp + HS	175p
7454	18p	74176	130p	TBA641B	Audio Amp.	100p
7460	20p	74177	130p	TBA800	5W Audio Amp.	112p
7470	32p	74180	118p	TBA810	7W Audio Amp.	125p
7472	30p	74181	322p	TBA820	2W Audio Amp.	100p
7473	32p	74182	89p	TDA2020	20W Audio Amp.	375p
7474	36p	74185	160p	ZN414	TRF Radio Receiver	140p
7475	48p	74191	180p	MM5314	Clock IC 24 pin DIL	45p
7476	36p	74192	130p	<b>LOW PROFILE SOCKETS BY TEXAS—8 pin</b>		
7480	54p	74193	130p	14p: 14 pin 15p: 16 pin 16p: 24 pin 54p.		
7482	85p	74194	130p			
7483	36p	74195	104p			
7484	103p	74196	130p			
7485	130p	74197	130p			
7486	36p	74198	214p			

## VOLTAGE REGULATORS (PLASTIC)

723	1 amp	+ Ve	- Ve
14 pin DIL 45p	5V 7805	150p	7905 215p
	12V 7812	150p	7912 215p
Data Sheets on	15V 7815	150p	7915 215p
Vol. Regs.	18V 7818	150p	7918 215p
10p each	24V 7824	150p	7924 215p
1488 Dual Vol. Reg. 300p.	Preset at ± 15V.		
Adjustable from ± 8V min. to ± 20V max.			

## OPTO ELECTRONICS

OC70	75p	DL704	160p	(Green)	49p
ORP61	85p	DL702	160p	TIL32	75p
2N5777	43p	DL747	250p	RL50-01	25p

## SCR-TRIACs

1A 50V T05	43p	BT106 1A 700V	150p
1A 100V T05	45p	Plastic: C106D	
1A 400V T05	58p	4A/400V	70p
3A 100V Stud	70p	2N4444 8A/600V	290p
3A 400V Stud	81p	T0566 2N3525	49p
7A 400V	T092 MCR101	5A/500V	107p
T05 + HS	87p	0.5A/15V	25p
16A 100V Plastic	173p	2N5060 0.8A/30V	35p
16A 400V Plastic	195p	2N5062 0.8A/100V	49p
16A 600V Plastic	240p	2N5064 0.8A/200V	45p

## TRIACS

100V	400V	500V	OTHER
3 amp 92p	120p	140p	40430 110p
6 amp 95p	150p	180p	40486 110p
10 amp 117p	180p	200p	40669 110p
15 amp 156p	220p	250p	BR100 27p

## BRIDGE RECTIFIERS

1A 100V 25p	BY100	31p	IN914	4p
1A 50V 23p	BY126	15p	IN4001	6p
1A 100V 25p	QA47	8p	IN4004	7p
1A 400V 27p	OA70	10p	IN4007	8p
1A 600V 35p	OA81	15p	IN4148	4p
2A 50V 35p	OA85	15p	ZENERS	
2A 100V 40p	OA90	7p	400mW	11p
4A 100V 63p	OA91	8p	1W	22p
6A 50V 72p	OA95	9p	AEY11	70p
6A 100V 78p	OA200	7p	BT105	35p
6A 400V 64p	OA202	8p	Z5J	125p

## TRANSISTORS

AC126/7	18p	BFY51	16p	2N2926RB	9p
AC128	18p	BFY52	18p	2N2926D	10p
AC141/2	20p	BR139	45p	2N2926YG	10p
AC176	18p	BSX18/20	20p	2N3053	54p
AC187/8	18p	BU105	175p	2N3054	54p
AD149	46p	BU108	312p	2N3055	54p
AD161/2	39p	MJ2955	108p	2N3442	151p
AF114/5	18p	MJE340	49p	2N3700	14p
AF161/7	18p	MJE345	107p	2N3704/5	14p
AF139	40p	MJE3055	70p	2N3706	12p
AF239	48p	MPSA06	37p	2N3707	14p
BC107/8	10p	MPSA12	56p	2N3708/9	11p
BC109C	11p	MPSU06	70p	2N3773	270p
BC147/8	9p	MPSU56	89p	2N3886	90p
BC149	10p	OC35	70p	2N3904	18p
BC157	11p	OC71	20p	2N4058	17p
BC158/9	13p	OC72	25p	2N4060	17p
BC169C	15p	OC83	35p	40360	40p
BC177	20p	TIP255	85p	40361	43p
BC178	17p	TIP29A	45p	40362	45p
BC179	20p	TIP30A	54p	40410	75p
BC182/3	12p	TIP31A	56p	40411	243p
BC184	14p	TIP32A	63p	40594	87p
BC187	32p	TIP33A	87p	40595	95p
BC212	14p	TIP34A	124p		
BC213	12p	TIP35A	243p	FETs	
BC214	17p	TIP36A	297p	BF244	40p
BCY70	20p	TIP41A	70p	MPP102	40p
BCY71	24p	TIP42A	78p	MPP103/4	40p
BD131	39p	ZTX108	11p	MPP105	40p
BD132	43p	ZTX109	15p	2N3819	30p
BD135	50p	ZTX500	17p	2N3820	50p
BD139	72p	ZTX504	54p	2N3823	63p
BD140	79p	2N697	20p	2N4547	40p
BF115	24p	2N698	32p	2N5458/9	40p
BF167	25p	2N706	20p	3N128	81p
BF173	27p	2N708	20p	3N140	92p
BF194	12p	2N918	40p	3N141	81p
BF195	10p	2N930	19p	3N187	216p
BF196	14p	2N1131/2	19p	3N202	130p
BF197	14p	2N1304/5	36p	40603	63p
BF200	36p	2N1306	40p	40673	63p
BF257/8	24p	2N1615	25p	UJ7s	
BF39/40	37p	2N1711	22p	UJT3	
BF39/80	37p	2N1893	32p	TIS43	40p
BFX84	30p	2N2219	22p	2N2160	95p
BFX85/6	30p	2N2221/2	22p	2N2646	43p
BFX86	30p	2N2369	15p	2N4871	40p
BFY80	18p	2N2484	32p	2N6027	60p
BFY90	18p	2N2904/5	25p	(PUJT)	

GOVT DEPTS COLLEGES  
ETC ORDERS WELCOME

(OFFICIAL ORDER £5)  
VAT INVOICE SUPPLIED

# TECHNOMATIC LTD

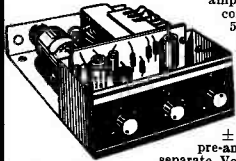
Est 1971 VAT No 227 073263

54 SANDHURST ROAD  
LONDON NW9  
Tel. 01-204 4333

## INDEX TO ADVERTISERS

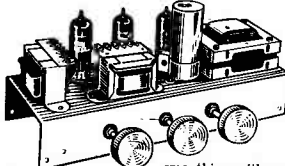
A1 Factors	767	Electrovalve Ltd.	745	Orchard Electronics	761
A.B.C. Electronics (Oldham) Ltd.	766	Elvins Electronics	757	Osambet	756
A.D. Electronics	765	Field Electric Ltd.	764	Phononics	700, 701
Alben Engineering	702	Flairline Supplies	696	Phototech (Europe)	766
APAE	766	GJD Electronics	766	Precision Petite	726
Arrow Electronics	752	Greenbank Electronics	756	Print-A-Kit	692
Astro Electronics	726, 752	Greenwell Electronics	759	Pronto Electronics	748
Automated Homes	766	Harverson's Surplus	cover iii	Proto Design	766
Bamber, B., Electronics	748	H.B. Electronics	690	Pulse Electronics	758
Barclay Electronics	721	Helme Audio	766	Radio Components Specialists	697
Barley Electronics	762	H.M. Electronics	765	Radio Exchange	cover ii
B.H. Components	722	I.L.P. Electronics Ltd.	693	Ramar Constructor Services	765
Bib-Hi-Fi	702	International Electronics Unlimited	703	R.S.T. Valve Mail Order Co.	747
Bi-Pak	704, 705	Intertext ICS	761, 765	R.T. Services	764
Bi-Pre-Pak	755	Island Devices	764	R & TV Components	691
Birkett, J.	759	Jones, J. C.	764	Salop Electronics	765
Boffin Projects	766	J.W.B. Radio	764	Saxon Entertainments Ltd.	763
British National Radio & Electronics		Kensington Supplies	765	Sintel	692
School	706, 758	Kit Kabs	745	Special Products	702
Butterworths	757	London Electronics College	765	Swanley Electronics	760
Bywood Electronics	726	Lynx Electronics	722	Tamba	756
Cambridge Learning	701	Magnum Publications	765	Tandy	692
Childmead Ltd.	757	Mallory, B.	764	Technomatic Ltd.	768
CLEF Products	767	Maplin Electronic Supplies	cover iv	Teleradio Electronics	766
Copper Supplies	766	Marco Trading	764	Time Micro Electronics	767
Crescent Radio Ltd.	752	Marshall, A. & Sons	725	Trampus Electronics	696
Crofton Electronics	692	Milward, G. F.	747	T.U.A.C.	698, 699
C.R. Supply Co.	764	Minikits Electronics	766	TV Technic	765
Doram	694, 695	Model Gear	766	Wentworth Radio	761
M. Dzuibas	759	Modern Book Co.	696	West London Direct Supplies	696
Eaton Audio	747			Wilmslow Audio	751
Electronic Design Assoc.	690			W.K.F. Electronics	690
Electroni-Kit	769			Young Electronics	762
Electrospares	745				
Electrotime	760				

## SUPERSOUND 13 HI-FI MONO AMPLIFIER



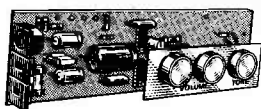
A superb solid state audio amplifier. Brand new components throughout. 5 Silicon transistors plus 2 power out-put transistors in push-pull. Full wave rectification. Output approx. 13 watts r.m.s. into 8 ohms. Frequency response 12Hz-30KHz  $\pm$  3db. Fully integrated pre-amplifier stage with separate Volume, Bass, and Treble control. Suitable for 8-15 ohm speakers. Input for ceramic or crystal cartridge. Sensitivity approx. 40mV for full output. Supplied ready built and tested, with knobs, escutcheon panel, input and output plugs. Overall size 3" high x 6" wide x 7 1/2" deep. AC 200/240V. PRICE £18-75 P. & P. £1-00.

## DE LUXE STEREO AMPLIFIER



A.C. mains 200-240 V.  $\pm$  5% regulation giving adequate mains transformer with full wave rectification smoothing with negligible hum as rectifier. Two dual potentiometers are provided for bass and treble control giving bass and treble boost and cut. A dual volume control is used. Balance of the left and right hand channels can be adjusted by means of a separate 'Balance' control fitted at the rear of the chassis. Input sensitivity is approximately 300mV for full peak output of 4 watts per channel (8 watts mono), into 8 ohm speakers. Full negative feedback in a carefully calculated circuit, allows high volume levels to be used with negligible distortion. Supplied complete with knobs, chassis size 11" w x 4" d. Overall height including valves 5". Ready built and tested to a high standard. £12-40. P. & P. £1-30.

## HARVERSONIC STEREO 44



A solid state stereo amplifier in a metal chassis, with an output of 3-4 watts per channel into 8 ohm speakers. Using the latest technology integrated circuit amplifiers with built in short term thermal overload protection. All components including rectifier smoothing capacitor, fuse, tone control, volume control, 2 pin din speaker sockets and 5 pin din tape rec. play socket are mounted on the printed circuit panel, size approx. 9 1/2" x 1 1/2" max. depth. Supplied brand new and tested, with knobs, brushed anodised aluminium 2 way escutcheon (to allow the amplifier to be mounted horizontally or vertically), at only £7-50 plus 50p P. & P. Mains transformer with an output of 17V 50p P. & P. can be supplied at £1-50 plus 40p P. & P. if required. Full connection details supplied.

**BRAND NEW MULTI-RATIO MAINS TRANSFORMERS.** Giving 13 alternatives. Primary: 0-210-240V. Secondary combinations 0-5-10-15-20-25-30-35-40-60v. half watt at 1 amp, or 10-10-10, 20-0-20, 30-0-30v. at 2 amps full wave. Size 3in. long x 3 1/4in. wide x 3in. deep. Price £2-90. P. & P. 90p.

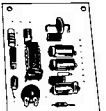
**MAINS TRANSFORMER.** For power supplies. Pri. 200/240V. Sec. 9-0-9 at 500 mA. £1-50. P. & P. 60p. Pri. 200/240V. Sec. 12-0-12 at 1 amp. £1-65. P. & P. 60p. Pri. 200/240V. Sec. 10-0-10 at 2 amp. £2-35. P. & P. 90p. Pri. 200/240V. Sec. 23v. at 1.5 amp, 6v. at 6 amp, 8v. at 50 mA. £2-00 + 65p P. & P.

## GENERAL PURPOSE HIGH STABILITY TRANSISTOR PRE-AMPLIFIER

For P.U. Tape, Mike, Guitar, etc. and suitable for use with valve or transistor equipment. 9-15V. battery or from H.T. line 200/300V. Frequency response 15Hz-25KHz. Gain 26dB. Solid encapsulation size 1 1/2" x 1 1/2" x 1 1/2". Brand new complete with instructions. Price £1-60 P. & P. 15p.

## STEREO-DECODER SIZE 2" x 3" x 1 1/2"

Ready built. Pre-aligned and tested. Sens. 20-500mV for 9-15V neg. earth operation. Can be fitted to almost any FM VHF radio or tuner. Stereo beacon light can be fitted if required. Full details and instructions (inclusive of hints and tips) supplied. £2-68 plus 20p P. & P. Stereo beacon light if required 40p extra.



**QUALITY RECORD PLAYER AMPLIFIER MK. II**  
A top quality record player amplifier employing heavy duty double wound mains transformer, EOC83, EL84, and rectifier. Separate Bass, Treble and Volume controls. Complete with output transformer matched for 3 ohm speaker. Size 7in wide x 3in deep x 9in high. Ready built and tested. PRICE £8-20. P. & P. 90p.

**ALSO AVAILABLE** mounted on board with output transformer and speaker. PRICE £7-30. P. & P. £1-00.

Open 9.30-5.30 Monday to Friday. 9.30-5 Saturday Closed Wednesday. Prices and specifications correct at time of press. Subject to alteration without notice

## HARVERSONIC MAINS OPERATED SOLID STATE STEREO FM TUNER



Designed and styled to match our 10 + 10 amplifier but will suit any other standard stereo amplifier. The design incorporates the very latest circuitry techniques with high-grain, low noise IF stages. Automatic frequency control to "lock on" station and prevent drift. IC stereo decoder for maximum stereo separation. L.E.D. for stereo beacon indicator. Nominal output of tuner 100mV. Approximate size 12 1/2in wide x 5in deep by 2 1/2in high. Supplied ready built, fully tested and fully guaranteed. AC mains 200/240V (not available in kit form).

Special Offer £22-50 + £1-40 P. & P.

**LATEST ACOS GP91/18C mono compatible cartridge with T/O stylus for LP/EP/78.** Universal mounting bracket. £1-80. P. & P. 18p.

**CERAMIC STEREO CARTRIDGE.** Universal mounting brackets and turnover stylus. 70mV per channel output. ONLY £1-90. P. & P. 18p.

**SONOTONE STAB COMPATIBLE STEREO CARTRIDGE T/O stylus Diamond Stereo LP and Sapphire 78.** ONLY £2-36. P. & P. 10p. Also available fitted with twin Diamond T/O stylus for Stereo LP. £2-86. P. & P. 18p.

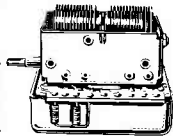
**LATEST CRYSTAL T/O STEREO COMPATIBLE CARTRIDGE for EP/LP/Stereo 78.** £1-80. P. & P. 18p.

**LATEST T/O MONO COMPATIBLE CARTRIDGE for playing EP/LP/78 mono or stereo records on mono equipment.** Only £1-58. P. & P. 18p.

## SPECIAL OFFERS

Mullard LP1159 RF-IF Double Tuned Amplifier Module for nominal 470KHz. Size approx. 2 1/2" x 1 1/2" x 1 1/2" 7-6V + earth. Brand new pre-aligned. Full specification and connection details supplied. £2-25 + P. & P. 12p.

**Pye VHF/FM Tuner Head** covering 88-108M/Hz. 10-7M/Hz IF output 7-8V + earth. Supplied pre-aligned, with full circuit diagram. Connection details supplied. Beautifully made with precision-gear FM Gang and 323 P1 + 323 P1 AM Tuning Gang only £3-16 + P. & P. 35p.



## PRECISION MADE

Push Button Switch bank. 8 Buttons giving 16 S/P C/O interlocked switches plus 1 Cancel Button Plus 3 d/p c/o. Overall size 5" x 2 1/2" x 1 1/2". Supplied complete with chrome finished switch buttons 2 for £1-80 + 20p, P. & P.

## HI-FI LOUDSPEAKER SYSTEM MK II

Beautifully made simulated teak finish enclosure now with most attractive slatted front. Size 16 1/2" high x 10 1/2" wide x 9 1/2" deep (approx). Fitted with E.M.I. Ceramic Magnet 13" x 8" base unit, H.F. tweeter unit and crossover. AVAILABLE IN NOMINAL 4 ohm, 8 ohm or 16 ohm impedance (state which).  
**OUR PRICE £12-00 each. Carr. £1-90**  
Cabinet Available Separately £7-25. Carr. £1-40.  
Also available in 8 ohms with EMT 13" x 8" bass speaker with parasitic tweeter £10-25. Carr. £1-90

**LOUDSPEAKER BARGAINS**  
5in. 3ohm £1-45. P. & P. 35p. 7 x 4in. 3ohm £1-60. P. & P. 48p. 10 x 6in. 3 or 15 ohm £2-50. P. & P. 75p. E.M.I. 8 x 5in. 3ohm with high flux magnet £2-06. P. & P. 60p. E.M.I. tweeter. Approx. 3 1/2". Available 3 or 8 or 15 ohms, £2-00 + 25p, P. & P.

**VYNAIR & REXINE SPEAKERS & CABINET FABRICS**  
app. 54 in. wide. Our price £1-50 yd. length. P. & P. 35p per yd. (min. 1 yd.). S.A.E. for samples.

**"POLY PLANAR" WAFER-TYPE, WIDE RANGE ELECTRO-DYNAMIC SPEAKER**  
Size 11 1/2" x 14 1/2" x 1 1/2" deep. Weight 19oz. Power handling 20W r.m.s. (40W peak). Impedance 8 ohm only. Response 40Hz-20KHz. Can be mounted on ceilings, walls, etc. and used with or without baffle. Send S.A.E. for details. Only £7-25 each. P. & P. 75p for one, 90p for two.

Now also available 8" x 8 ohm. 10 watts r.m.s. 20 watt peak 40 Hz-20,000 Hz. Overall depth 1 1/2". Ideal for Hi-Fi or for use in cars. £4-90 + P. & P. (one 35p, two 65p).

## HARVERSONIC SUPER SOUND 10 + 10 STEREO AMPLIFIER KIT



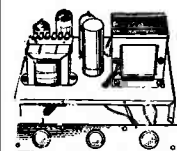
A really first-class Hi-Fi Stereo Amplifier Kit. Uses 14 transistors including Silicon Transistors in the first five stages on each channel resulting in even lower noise level with improved sensitivity. Integrated pre-amp with Bass, Treble and two Volume Controls. Suitable for use with Ceramic or Crystal cartridges. Very simple to modify to suit magnetic cartridge—instructions included. Output stage for any speakers from 8 to 15 ohms. Compact design, all parts supplied including drilled metal work, high quality ready drilled printed circuit board with component identification clearly marked, smart brushed anodised aluminium front panel with matching knobs, wire, solder, nuts, bolts—no extras to buy. Simple step by step instructions enable any constructor to build an amplifier to be proud of. Brief specifications: Power output: 14 watts r.m.s. per channel into 5 ohms. Frequency response  $\pm$  3dB 12-30,000 Hz Sensitivity: better than 80mV into 1M $\Omega$ . Full power bandwidth:  $\pm$  3dB 12-15,000 Hz. Bass boost approx. to  $\pm$  2dB. Treble cut approx. to -16dB. Negative feedback 18dB over main amp. Power requirements 35v. at 1-0 amp. Overall Size 12" w. x 8" d. x 2 1/2" h.

Fully detailed 7 page construction manual and parts list free with kit and send 20p plus large S.A.E.

**AMPLIFIER KIT** £13-50 P. & P. 65p  
3 Magnetic input components 33p extra  
**PACK KIT** £24-85 P. & P. 85p  
**CABINET** £4-85 P. & P. 85p

Special offer—only £22-50 if all 3 units ordered at one time plus £1-00 P. & P.

Full after sales service  
Also available ready built and tested £29-25. P. & P. £1-00.

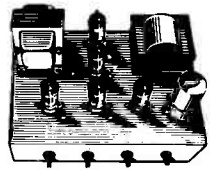


**8-VALVE AUDIO AMPLIFIER H834 MK II.** Designed for Hi-Fi reproduction of records. A.C. Mains operation. Ready built on plated heavy gauge metal chassis, size 7 1/2" w. x 4" d. x 4 1/2" h. Incorporates EOC83, EL84, E280 valves. Heavy duty, double wound mains transformer and output transformer matched for 3 ohm speaker. Separate volume control and now with improved wide range tone controls giving bass and treble lift and cut. Negative feedback line. Output 14 watts. Front panel can be detached and leads extended for remote mounting of controls. Complete with knobs, valves, etc., wired and tested for only £7-80. P. & P. £1-00.

**HSL FOUR" AMPLIFIER KIT.** Similar in appearance to H834 above but employs entirely different and advanced circuitry. Complete set of parts, etc. £7-00. P. & P. £1-00.

## 10/14 WATT HI-FI AMPLIFIER KIT

A stylishly finished monaural amplifier with an output of 14 watts from 2 EL84s in push-pull. Super reproduction of both music and speech, with negligible hum. Separate inputs for mike and gram allow records and announcements to follow each other. Fully shrouded section wound output transformer to match 3-15  $\Omega$  speaker and 2 independent volume controls, and separate bass and treble controls are provided giving good lift and cut. Valve line-up 2 EL84s, EOC83, ESF6 and E280 rectifier. Simple instruction booklet 25p x SAE (Free with parts). All parts sold separately. ONLY £11-25. P. & P. £1-35. Also available ready built and tested £15-20. P. & P. £1-35.



## SPECIAL OFFER

Limited number of the latest BSR C141R1 Auto/Manual changer de-luxe. Lightweight tubular arm cue-ing lever bias compensator £12-60 + £1-40 P. & P.  
Also similar but without cue-ing lever or bias compensator only £11-40 + £1-40 P. & P.  
Latest model Garrard 6300 Auto/Manual changer de luxe unit fitted with cueing lever, bias compensator, counter-balanced low resonance arm. Also Acos 104 diamond ceramic stereo cartridge, only £14-50 + £1-50 P. & P.

**OUR PRICES INCLUDE VAT AT CURRENT RATES**

# HARVERSON SURPLUS CO. LTD.

(Dept. P.E.) 170 HIGH ST., MERTON, LONDON, S.W. 19 Tel.: 01-540 3985

A few minutes from South Wimbledon Tube Station  
SEND STAMPED ADDRESSED ENVELOPE WITH ALL ENQUIRIES

(Please write clearly)

PLEASE NOTE: P. & P. CHARGES QUOTED APPLY TO U.K. ONLY. P. & P. ON OVERSEAS ORDERS CHARGED EXTRA.

Published approximately on the 15th of each month by IPC Magazines Ltd., Fleetway House, Farringdon Street, London EC4. Printed in England by Chapel River Press, Andover. Hants. Sole Agents for Australia and New Zealand—Gordon & Gotch (A/sia) Ltd.: South Africa—Central News Agency Ltd. Subscriptions not available at home or overseas.

International Giro facilities Account No. 5122007. Please state reason for payment, "message to payee". Practical Electronics is sold subject to the following conditions, namely, that it shall not, without the written consent of the Publishers first given, be lent, resold, hired out or otherwise disposed of by way of Trade at more than the recommended selling price shown on the cover, excluding Eire where the selling price is subject to V.A.T., and that it shall not be lent, resold or hired out or otherwise disposed of in a mutilated condition or in any unauthorised cover by way of Trade, or affixed to or as part of any publication or advertising, literary or pictorial matter whatsoever.

# Make it with MAPLIN!

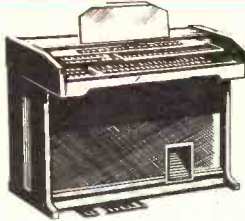
**ELECTRONIC COMPONENTS**  
WIDE RANGE • HIGH QUALITY • FAST SERVICE

## The 4600 SYNTHESISER



We stock all the parts for this brilliantly designed synthesiser, including all the PCB's, metalwork and a drilled and printed front panel, giving a superb professional finish. Opinions of authority agree the ETI International Synthesiser is technically superior to most of today's models. Complete construction details in our booklet now available price £1.50, or send SAE for specification.

## ELECTRONIC ORGAN



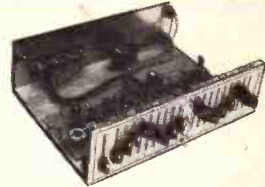
### BUILD IT YOURSELF ... IN STAGES

Get started with a 49 note instrument — features tremulant and reverbation. Ideal to learn on. Leaflet MES 51. Price 15p gives full details to build this complete instrument.

Extend the range of MES 51 by adding another keyboard and several new tone colours. Leaflet MES 52. Price 15p also shows how to use 61 note keyboards.

Fully controllable attack and decay controls (normally found only on the most expensive organs), up to seven footages on each keyboard, up to 70 controls including drawbars, and a 13 note pedalboard, make up the additions described in the step-by-step 32 page instruction leaflet MES 53. Price 35p.

## GRAPHIC EQUALIZER



A really superior high quality stereo graphic equalizer featuring nine octaves per channel. We stock all the parts (except woodwork) including the metalwork drilled and printed. 15p brings you a reprint of the article.

## DIGITAL CLOCK KITS

ONLY **£8.60** INC. VAT  
E/P/P



This is a fully constructed and tested electronic clock module as illustrated. Data sheet supplied.

Simple to connect to alarm and your battery/mains radio. Smart case available.

Data sheet available separately. Please send SAE.

- Bright 4 Digit 0.5" Display
- Flashing Colon (1Hz)
- Switch for Display Seconds
- Alarm Set Indicator
- P.M. Indicator
- Power Failure Indicator
- Sleep Timer
- Snooze Timer
- Time can be set accurately to within one second
- Leading Zero Blanking

SIMPLE ALARM KIT — £9.38 ALARM CLOCK KIT — £10.99.

ALARM CLOCK & RADIO CONTROLLER KIT — £11.51.

SMART PLASTIC CASE with fully punched chassis — £2.49.

Please send SAE for our Clock data sheet.



- Automatic voice operated fader
- Belt drive turntables
- Monitor facilities (Headphones and VU meters)
- Sound operated light show — plus many other advantages.

Send for our leaflet MES 41, giving full details for construction. Price 20p. Soon you'll be the Deejay everyone wants at their party!

## 100 W PER CHANNEL STEREO DISCO

Full construction details to be published in August

## Get our FABULOUS NEW 1977/78 CATALOGUE

PUBLICATION DATE OCT. 28, 1976 ON APPROVAL

All new • Completely re-written • Thousands of new lines  
Lots of exciting new projects to build — PRICE 50p.  
SEND NO MONEY NOW. Overseas send 8 International reply coupons.

### JOIN OUR MAILING LIST NOW!

Published every two months our Newsletter gives full details of our latest guaranteed prices.

- SAVE ££'s ON SPECIAL OFFERS!
- DETAILS OF NEW PROJECTS AND NEW LINES

Please rush me a copy of your brand new 1977/78 catalogue the instant it is published (October 28th 1976). Only if I am completely satisfied that it is worth every penny will I send 50p within 14 days of receipt. If I am not satisfied I may return the catalogue to you within 14 days without obligation. I understand that I need not purchase anything from your catalogue should I choose to keep it.

NAME \_\_\_\_\_

ADDRESS \_\_\_\_\_



MAPLIN ELECTRONIC SUPPLIES

All mail to: P.O. Box 3, Rayleigh, Essex SS6 8LR.  
Shop: 284 London Road, Westcliff-on-Sea, Essex  
(Closed on Monday). Tel: Southend (0702) 44101

If you do not wish to cut magazine, write your request for catalogue on separate sheet  
1975/76 GREEN COVER CATALOGUE STILL  
AVAILABLE — PRICE 40p