

PRACTICAL

ELECTRONICS

JULY 1970

PRICE 3/6



P.E. MARKSMAN

ALSO INSIDE:

WAA-WAA UNIT.....FOR GUITAR EFFECTS

ADCOLA Soldering Instruments add to your efficiency

ADCOLA 64

for Factory Bench Line Assembly

A precision instrument—supplied with standard 3/16" (4.75 mm) diameter, detachable copper chisel-face bit*. Standard temp. 360°C at 23 watts. Special temps. from 250°C—410°C.

*Additional Stock Bits (illustrated) available

COPPER

- B 38** 1/4" — 3.2 mm CHISEL FACE
- B 14** 3/16" — 2.4 mm CHISEL FACE
- B 24** 1/4" — 4.75 mm SCREWDRIVER FACE
- B 12** 3/16" — 4.75 mm EYELET BIT
- B 58** 3/8" — 6.34 mm CHISEL FACE

LONG LIFE

- B 42 LL** 3/16" — 4.75 mm CHISEL FACE
- B 38 LL** 1/4" — 3.2 mm CHISEL FACE
- B 14 LL** 3/16" — 2.4 mm CHISEL FACE
- B 44 LL** 1/4" — 4.75 mm SCREWDRIVER FACE



Don't take chances. We don't. All our ADCOLA Soldering Instruments are of impeccable quality. You can depend on ADCOLA day after day. That's why they're so popular. You get consistent good service... reliability... from our famous thermally controlled ADCOLA Element and the tough steel construction of this ideal production tool.



ADCOLA PRODUCTS LTD.,
(Dept. L.), ADCOLA HOUSE, GAUDEN RD., LONDON, S.W.4.
Telephone: 01-622 0291/3 • Telegrams: Soljoint London Telex • Telex: Adcola London 21851

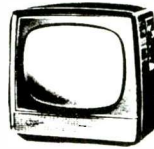
* Write for price list and catalogue

EX RENTAL TV's

17" SLIMLINE 405 ONLY £11.10.0

2 YEARS' GUARANTEE FREE ILLUSTRATED LIST OF TELEVISIONS 17"—19"—21"—23"

19" SLIMLINE 405/625 BBC 2 39 gns.



WIDE RANGE OF MODELS SIZES AND PRICES DEMONSTRATIONS DAILY



CARR. INS. 30/-

RECORD PLAYER CABINET

49/6



Cloth covered. Size 16 1/2" x 14 1/2" x 7 1/2". Takes any modern autochanger. P. & P. 7/6.

TWO-YEAR GUARANTEED REGUNNED TUBES



70 & 90° 14in.—79/6, 17in.—99/6, 21in.—109/6, 110° 17in., 19in. & 21in.—109/6, 23" (not bonded)—129/6. Exchanged Bowls. Carr. 10/6.

SPEAKERS GALORE. BRAND NEW 10.-. P. & P. 1.-. 2 1/2" 8Ω, 3 1/2" 25Ω, 4" 10Ω, 5" x 5" 8Ω, 7" x 4" and 8" x 3" 3Ω.

TRANSISTOR CASES, 4 FOR £1. Cloth covered, many colours. Size 9 1/2" x 6 1/2" x 3 1/2". P. & P. 9/6. Similar cases in plastic.

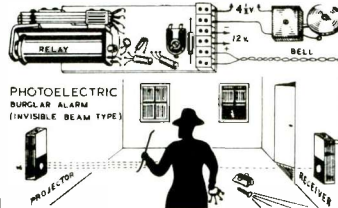
RECORD PLAYER & TAPE MOTORS 10.- BRAND NEW P. & P. 3/6.

TRANSISTORS 2/6 EACH. OC44, OC45, OC71, OC81, OC81D, AF114, AF117, AC128.

DUKE & CO. (LONDON) LTD.
621/3 Romford Road, Manor Park, E.12
Phone 01-478 6001-2-3 Stamp for Free List

PHOTOELECTRIC KIT

CONTENTS: 2 P.C. Chassis Boards, Chemicals, Etching Manual, Infra-Red Phototransistor, Latching Relay, 2 Transistors, Condensers, Resistors, Gain Control, Terminal Block, Elegant Case, Screws, etc. In fact everything you need to build a Steady-Light Photo-Switch/Counter/Burglar Alarm, etc. (Project No. 1) which can be modified for modulated-light operation.



PHOTOELECTRIC KIT 39/6

Postage and Pack. 2/6 (UK)
Commonwealth:
SURFACE MAIL 3/6
AIR MAIL £1.0.0
Australia, New Zealand
S. Africa, Canada and U.S.A.
Also Essential Data Circuits
and Plans for Building
10 Advanced Designs

INVISIBLE BEAM OPTICAL KIT

Everything needed (except plywood) for building: 1 Invisible-Beam Projector and 1 Photocell Receiver (as illustrated). Suitable for all Photoelectric Burglar Alarms, Counters, Door Openers, etc.

CONTENTS: 2 lenses, 2 mirrors, 2 45-degree wooden blocks, Infra-red filter, projector lamp holder, building plans, performance data, etc. Price 19/6. Postage and Pack. 1/6 (U.K.). Commonwealth: Surface Mail 2/-; Air Mail 8/-.

LONG RANGE INVISIBLE BEAM OPTICAL KIT

CONTENTS: As above. Twice the range of standard kit. Larger Lenses, Filter, etc. Price 29/6. Postage and Pack. 1/6 (U.K.). Commonwealth: Surface Mail 2/6. Air Mail 10/-.

JUNIOR PHOTOELECTRIC KIT

Versatile Invisible-beam, Relay-less, Steady-light Photo-Switch, Burglar Alarm, Door Opener, Counter, etc., for the Experimenter.

CONTENTS: Infra-Red Sensitive Phototransistor, 3 Transistors, Chassis, Plastic Case, Resistors, Screws, etc. Full Size Plans, Instructions, Data Sheet "10 Advanced Photoelectric Designs". Price 19/6. Postage and Pack. 1/6 (U.K.). Commonwealth 2/-; Air Mail 4/-.

JUNIOR OPTICAL KIT

CONTENTS: 2 Lenses, Infra-red Filter, Lampholder, Bracket, Plans, etc. Everything (except plywood) to build 1 miniature invisible beam projector and photocell receiver for use with Junior Photoelectric Kit.

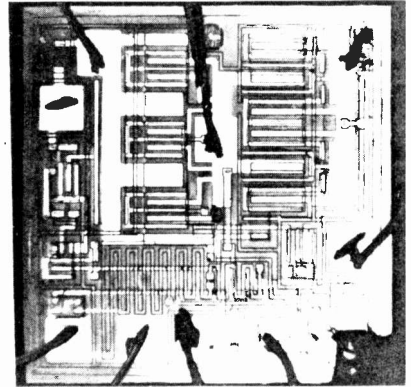
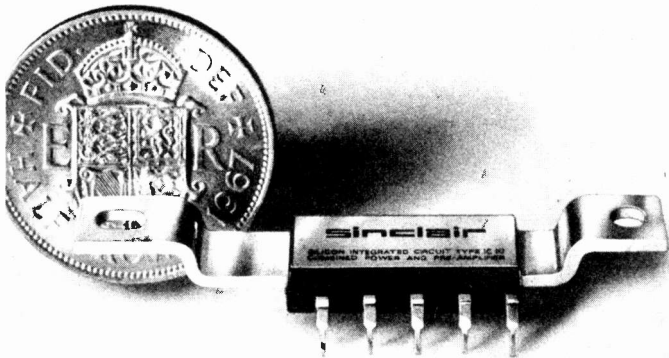
Price 10/6. Post and Pack. 1/6 (U.K.). Commonwealth: Surface Mail 2/-; Air Mail 4/-.

YORK ELECTRICS

335 BATTERSEA PARK ROAD, LONDON, S.W.11

Send a S.A.E. for full details, a brief description and Photographs of all Kits and all 52 Radio, Electronic and Photoelectric Projects Assembled.

MONOLITHIC INTEGRATED CIRCUIT AMPLIFIER AND PRE-AMP



the world's most advanced high fidelity amplifier

The Sinclair IC-10 is the world's first monolithic integrated circuit high fidelity power amplifier and pre-amplifier. The circuit itself, a chip of silicon only a twentieth of an inch square by a hundredth of an inch thick, has an output 5 watts R.M.S. (10 watts peak). It contains 13 transistors (including two power types), 2 diodes, 1 Zener diode and 18 resistors, formed simultaneously in the silicon by a series of diffusions. The chip is encapsulated in a solid plastic package which holds the metal heat sink and connecting pins. This exciting device is not only more rugged and reliable than any previous amplifier, it also has considerable performance advantages. The most important are complete freedom from thermal runaway due to the close thermal coupling between the output transistors and the bias diodes and very low level of distortion.

The IC-10 is primarily intended as a full performance high fidelity power and pre-amplifier, for which application it only requires the addition of such components as tone and volume controls and a battery or mains power supply. However, it is so designed that it may be used simply in many other applications including car radios, electronic organs, servo amplifiers (it is d.c. coupled throughout) etc. The photographic masks required as part of the process of producing monolithic I.C.s are expensive but once made, the circuits can be produced with complete uniformity and at very low cost. This enables us to cover every IC-10 with the Sinclair guarantee of reliability.

■ SPECIFICATIONS

Output	10 Watts peak, 5 Watts R.M.S. continuous.
Frequency response	5 Hz to 100 KHz \pm 1dB.
Total harmonic distortion	Less than 1% at full output.
Load impedance	3 to 15 ohms.
Power gain	110dB (100,000,000,000 times) total.
Supply voltage	8 to 18 volts.
Size	1 x 0.4 x 0.2 inches.
Sensitivity	5mV.
Input impedance	Adjustable externally up to 2.5 M ohms.

■ CIRCUIT DESCRIPTION

The first three transistors are used in the pre-amp and the remaining 10 in the power amplifier. Class AB output is used with closely controlled quiescent current which is independent of temperature. Generous negative feedback is used round both sections and the amplifier is completely free from crossover distortion at all supply voltages, making battery operation eminently satisfactory.

■ APPLICATIONS

Each IC-10 is sold with a very comprehensive manual giving circuit and wiring diagrams for a large number of applications in addition to high fidelity. These include stabilised power supplies, oscillators, etc. The pre-amp section can be used as an R.F. or I.F. amplifier without any additional transistors.

SINCLAIR

IC.10 *with IC-10 manual* **59/6**

POST FREE

sinclair

SINCLAIR RADIONICS LIMITED
22 NEWMARKET ROAD · CAMBRIDGE
Tel. 0223-52731

Project 60

laboratory standard modular high fidelity

Sinclair Project 60 comprises a range of modules which connect together simply to form a complete stereo amplifier with really excellent performance. So good, in fact, that only 2 or 3 amplifiers in the world can compare in overall performance. Now with the addition of three new modules to the range, the constructor has choice of assemblies with either 20 or 40 watts output per channel, with or without filter facilities.

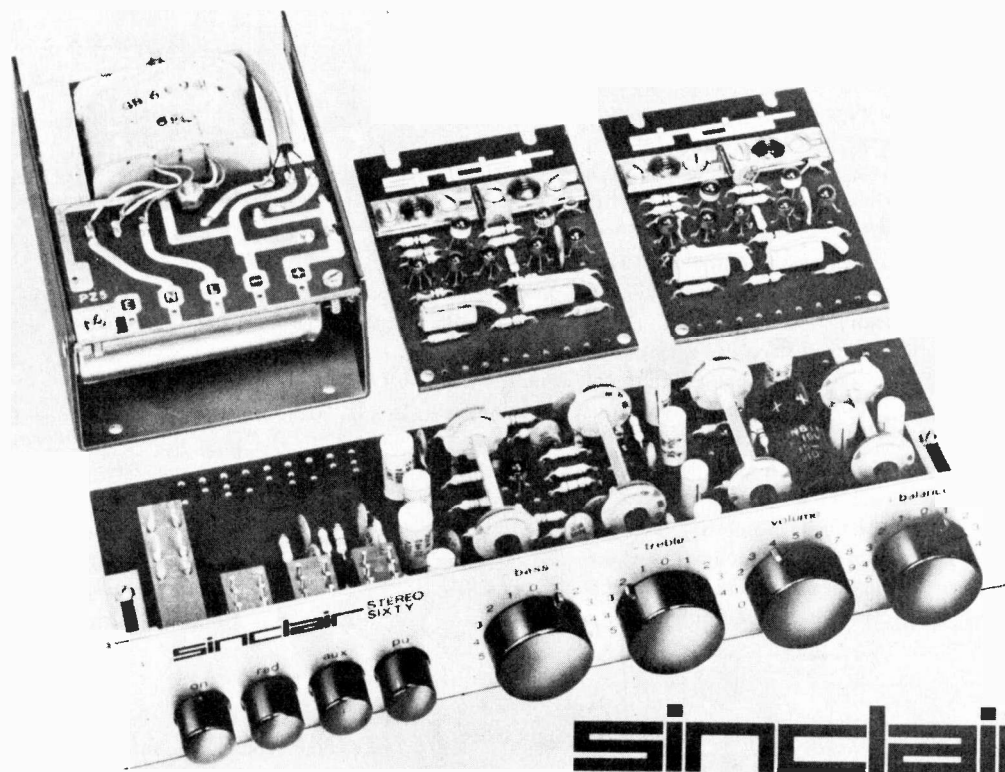
The modules are: 1. The Z.30 and Z.50 high gain power amplifiers, each of which is an immensely flexible unit in its own right. 2. The Stereo 60 preamplifier and control unit. 3. The Active Filter Unit with both high and low audio frequency cut-offs. 4. The PZ.5 and PZ.6 power supplies. A complete system could comprise, for example, two Z.30's one Stereo-60, and a PZ.5. The PZ.6 is stabilised and should be used where the highest possible continuous sine wave rating is required. An A.F.U. may be added as required. In a normal domestic application, there will be no significant difference between PZ.5 or PZ.6 unless loudspeakers of very low efficiency are being used, in which case the PZ.6 will be required. For assemblies using two

Z.50's there is the new PZ.8 supply unit to ensure maximum performance from these amplifiers.

All you need to assemble your Project 60 system is a screwdriver and soldering iron. No technical skill or knowledge whatsoever is required and, in the unlikely event of you hitting a problem, our customer service and advice department will put the matter right promptly and willingly. Project 60 modules have been carefully designed to fit into virtually all modern plinth or cabinets and only holes need be drilled in the wood of the plinths to mount the control unit and A.F.U. Any slight slip here will be covered by the aluminium front panels of the Stereo 60. The Project 60 manual gives all the buildings and operating instructions you can possibly want, clearly and concisely. Perhaps the greatest beauty of the system is that it is not only flexible now but will remain so in the future as the latest additions to the range show. A stereo F.M. tuner is next to come. These and all other modules we introduce will be compatible with those already available and may be added to your system at any time. And because Sinclair are the largest producers of constructor modules in Europe. Project 60 prices are remarkably low.

SINCLAIR RADIONICS LIMITED · 22 NEWMARKET ROAD · CAMBRIDGE

Telephone: 0223 52731



Z.30 20 WATT R.M.S. POWER AMPLIFIER (40 WATTS PEAK)

Z.50 40 WATT R.M.S. POWER AMPLIFIER (80 WATT PEAK)

The Z.30 together with the higher powered Z.50 are both of advanced design using silicon epitaxial planar transistors to achieve unsurpassed standards of performance. Total harmonic distortion is an incredibly low 0.02% at full output and all lower outputs. Whether you use the Z.30 or Z.50 power amplifiers in your Project 60 system will depend on personal preference, but they are both the same physical size and may be used with other units in the Project 60 range equally well. The Z.30 is unique in that it may be used with any power source between 8 and 35 volts without need for adjustment and may thus be driven from a car battery for example. For operating from mains, for the Z.30 use PZ.5 power supply unit for most domestic requirements, or PZ.6 if you have very low efficiency loudspeakers. For Z.50, use the PZ.5, PZ.6 or the PZ.8 described below.

Power Outputs

Z.30 15 watts R.M.S. into 8 ohms, using 35V/20 watts R.M.S. continuous into 3 ohms using 30 volts.

Z.50 40 watts R.M.S. into 3 ohms: 30 watts R.M.S. into 8 ohms, continuous, using 50V.

Frequency response 30 to 300,000Hz \pm 1dB

Distortion 0.02% into 8 ohms

Signal to noise ratio better than 70dB unweighted

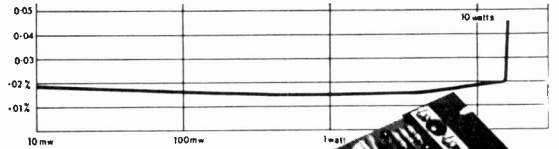
Input sensitivity 250mV into 100 Kohms

For speakers from 3 to 15 ohms impedance

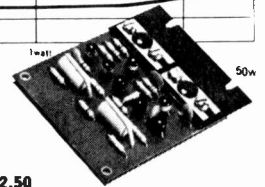
Size 3 1/4" x 2 1/4" x 1"

APPLICATIONS

Hi-fi amplifier; car radio amplifier; record player amplifier fed directly from pick-up; intercom; electronic music and instruments; P.A.; laboratory work, etc. Full details for these and many other applications are given in the manual supplied with the Z.30.



Power versus distortion curve of Sinclair Z.30 amplifier.



STEREO 60 Preamp/Control unit

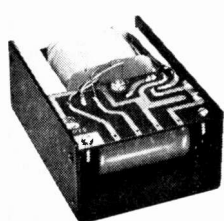
The Stereo 60 is a stereo preamplifier and control unit designed for the Project 60 range but suitable for use with any high quality power amplifier. Again silicon epitaxial planar transistors are used throughout and great attention has been paid to achieving a really high signal-to-noise ratio and excellent tracking between the two channels. Input selection is by means of push buttons and accurate equalisation is provided for all the usual inputs. The tone controls are also very carefully designed and tested.

ACTIVE FILTER UNIT High Pass and Low Pass

For use between Stereo 60 unit and two Z.30s or Z.50s, the Active Filter Unit matches the Stereo 60 in styling and is as easily mounted. It is unique in that the cut-off frequencies are continuously variable, and as attenuation in the rejected band is rapid (12dB/octave), there is less loss of the wanted signal than has previously been possible. Amplitude and phase distortion are negligible by reason of the careful design and generous negative feedback employed.

Two stages of filtering are incorporated—rumble (high pass) and scratch (low pass).
 Supply voltage—15 to 35V. Current—3mA
 H.F cut-off (-3dB) variable from 28kHz to 5kHz
 L.F cut-off (-3dB) variable from 25Hz to 100Hz
 Filterslope, both sections 12dB per octave
 Distortion at 1kHz (35V supply) 0.02% at rate output

Built, tested and guaranteed
£5.19.6



- ### SINCLAIR POWER UNITS
- PZ-5** 30 volts unstabilised **£4.19.6**
 - PZ-6** 35 volts stabilised **£7.19.6**
 - PZ-8** 45 volts stabilised (less mains transformers) for use with Z.50 **£5.19.6**

2.30

Built, tested and guaranteed with circuits and instructions manual

89/6

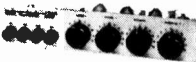
- Input sensitivities—Radio—up to 3mV. Mag. p.u.—3mV; correct to R.I.A.A. curve \pm 1dB; 20 to 25,000Hz. Ceramic p.u.—up to 3mV; Aux.—up to 3mV.
- Output—250mV.
- Signal-to-noise ratio—better than 70dB.
- Channel matching—within 1dB.

2.50

Built, tested and guaranteed with circuits and instructions manual

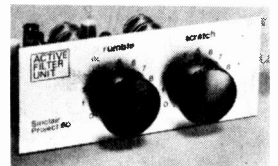
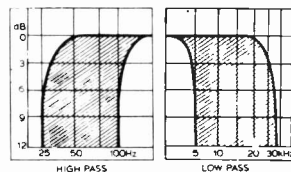
109/6

- Tone controls—TREBLE +15 to -15dB at 10kHz; BASS +15 to -15dB at 100Hz.
- Power consumption 5mA.
- Front panel—brushed aluminium with black knobs and controls.
- Size 8 1/2" x 1 1/2" x 4in.



Built, tested and guaranteed

£9.19.6



BUILDING A PROJECT 60 ASSEMBLY

The illustration here shows quite clearly how easily Project 60 can be contained in one of today's slim, modern plinths. Very little space is required to house these Sinclair units, and within the space of the motor plinth, you can install a stereo amplifier of the very highest quality. If, for example you have already put together an assembly as illustrated here, adding the Active Filter Unit would be very easy.

If at any time within 3 months of purchasing Project 60 modules from us, you are dissatisfied with them, we will refund your money at once. Each module is guaranteed to work perfectly and should any defect arise in normal use we will service it at once and without any cost to you whatsoever provided that it is returned to us within 2 years of purchase date. There will be a small charge for service thereafter. No charge for postage by surface mail. Air-mail charged at cost.



To: SINCLAIR RADIONICS LTD., 22 NEWMARKET ROAD, CAMBRIDGE

Please send

NAME

ADDRESS

.....

.....

P.E.7/70

for which I enclose cash/cheque money order

SINCLAIR

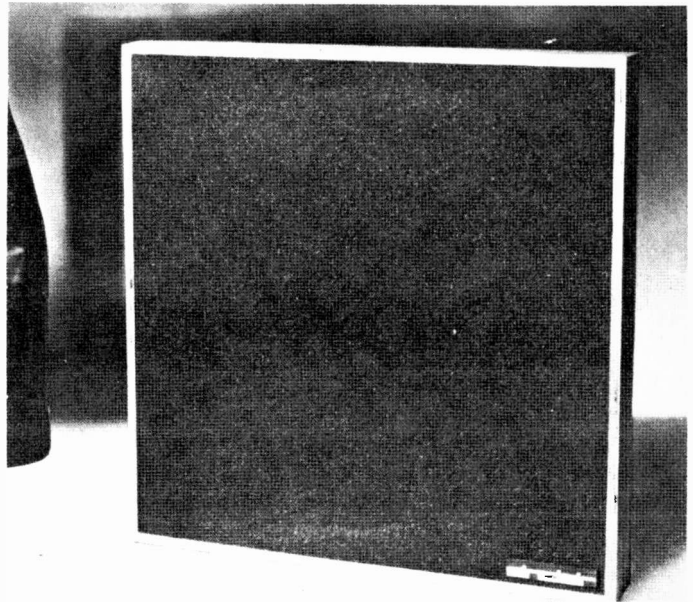
Q.16

new elegance in an outstanding loudspeaker

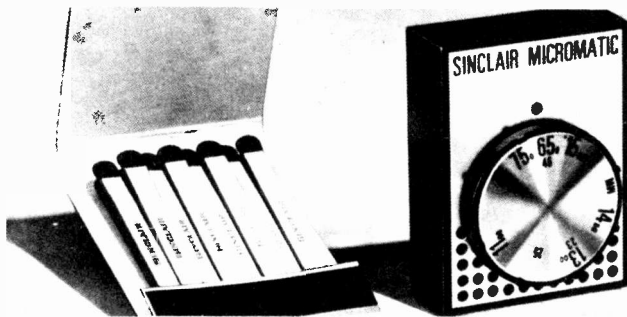
All the superb features which went to make the Sinclair Q.14 have been incorporated in the new Q.16 which gives an exciting new opportunity for you to match your Sinclair equipment with modern decor. Employing the same well proven acoustic system in which materials, processing and styling are used in such a radical and successful departure from conventional design, the new Q.16 presents an entirely new appearance with its attractive teak surround and all-over special cellular foam front chosen as much for its appearance as for its ability to pass all audio frequencies without loss. The Q.16 is compact and slim. Its new styling makes it eminently suitable for shelf mounting, but it is no less versatile than its famous predecessor. Listen to a pair of Q.16s in stereo and marvel at the standards of quality and clarity they give.

The Q.16 will handle loading up to 14 watts R.M.S. and presents an 8 ohm impedance to the amplifier output. Frequency response extends from 60 to 16,000 Hz. with exceptional smoothness. A specially designed driver system is used in a sealed and contoured pressure chamber to ensure good transient response at all frequencies. Size: $9\frac{1}{2}$ " square $\times 4\frac{1}{4}$ " deep from front to back.

£8.19.6
POST FREE



SINCLAIR MICROMATIC The world's most successful miniature radio



Considerably smaller than an ordinary box of matches, this is a multi-stage A.M. receiver meticulously designed to provide remarkable standards of selectivity, power and quality. Powerful A.G.C. is incorporated to counteract fading from distant stations; bandspread at higher frequencies makes reception of Radio 1 easy at all times. Vernier type tuning plus the directional properties of the self-contained special ferrite rod aerial makes station separation much easier than with many larger sets. The plug-in magnetic earpiece which matches exactly with the output provides wonderful standards of reproduction. Everything including the batteries is contained within the attractively designed case. Whether you build your Micromatic or buy it ready built and tested, you will find it as easy to take with you as your wristwatch, and dependable under the severest listening conditions.

Specifications

Size: $1\frac{1}{4}$ " \times $1\frac{1}{4}$ " \times $\frac{1}{4}$ " (46 x 33 x 13mm).
Weight incl. batteries: 1 oz. (28.35gm) approx.
Tuning: Medium wave band with bandspread at higher frequency end.
Earpiece: Magnetic type.
Case: Black plastic with anodized aluminium front panel, spun aluminium dial.

Complete kit incl. earpiece, case, solder and instructions in fitted pack.

49/6

Inc. P/Tax

Ready built, tested and guaranteed, with earpiece.

59/6

Inc. P/Tax

Mallory Mercury Cell RM675 (2 required) each 2/9d.

SINCLAIR GENERAL GUARANTEE

Should you not be completely satisfied with your purchase when you receive it from us, return the goods without delay and your money will be refunded in full, including cost of return postage, at once and without question. Full service facilities are available to all Sinclair customers.

USE THIS COUPON FOR MICROMATIC AND Q.16 ORDERS

To: **SINCLAIR RADIONICS LIMITED, 22 NEWMARKET ROAD, CAMBRIDGE**
Please send

NAME

ADDRESS

.....

.....

For which I enclose cash/cheque/money order.

P.E.4/70

sinclair

SINCLAIR RADIONICS LIMITED

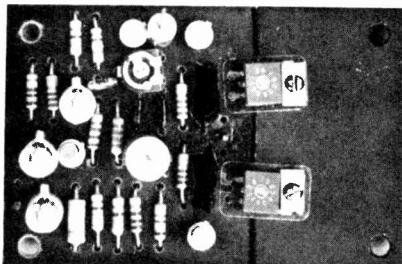
22 NEWMARKET ROAD

CAMBRIDGE Tel. 0223 52731

newbury

SOUND EQUIPMENT

PRESENT THE LATEST MODULE
THE 6T2 — 20 WATTS (RMS)
 AMPLIFIER WITH INTEGRAL PRE-AMP



This amazing unit measures only 3 1/2" x 2 1/2" yet will deliver up to 20 Watts speech and music from a circuit using the latest R.C.A. plastic output transistors

- CONTINUOUS POWER 20 WATTS INTO 4 OHMS
16 WATTS INTO 8 OHMS
- 10-30,000 Hz @ 10 WATTS ± 1dB
- LESS THAN 0.25% DISTORTION @ 100mW & 15W
- POWER GAIN 80dB INPUT 40mV into 10 Kilohms

ABSOLUTE SATISFACTION GUARANTEED

86/- + 2/6 p. & p, 35 VOLT SUPPLY FOR TWO 6T2
 MODULES 86/- + 4/6 p. & p.

ALSO !! FIVE ENCAPSULATED CIRCUITS
 AT LESS THAN £1 EACH !

BRAND NEW FULLY GUARANTEED AND TESTED MODULES

POWER AMPLIFIER MODULE 19/6

Type 3T1
 Ideal for intercoms, baby alarms, record-players, etc. 9-12V operation.

500mW maximum output, 200mW for less than 5% distortion. Power gain 50dB. Input 40mV into 400 ohms. 3-15 ohms load. Frequency response 35-45,000Hz ± 2dB.

ORGAN MODULE 17/6

Type 3TN
 Will make the ideal basis for either monophonic or polyphonic organs. Can be used as a divider, locking in to the correct frequency. Will drive a loudspeaker or can be fed into tone circuits, amplifiers, etc.

Frequency range 30-6000Hz. Power into 80 ohms loudspeaker 100mW, 9V operation.

MULTI-PURPOSE PRE-AMPLIFIER 19/6

Type 3TO
 For use with the 3T1, or as an impedance matcher, high gain pre-amp., headphone amplifier, etc. It may be used as an oscillator or high fidelity preamplifier using the requisite feedback loops.

Input impedance and gain fully variable up to 500 kilohms and 40dB. Output impedance 300 ohms. Will deliver 30mW into 15 ohms. Frequency response 20-35,000Hz ± 2dB. Supply voltage 6-24V. Noise level -60dB.

DUAL-VOLTAGE PRE-AMPLIFIER 17/6

Type IT0
 For increasing the input sensitivity of low gain valve or transistor amplifiers. A high smoothing factor makes operation direct from H.T. lines possible.

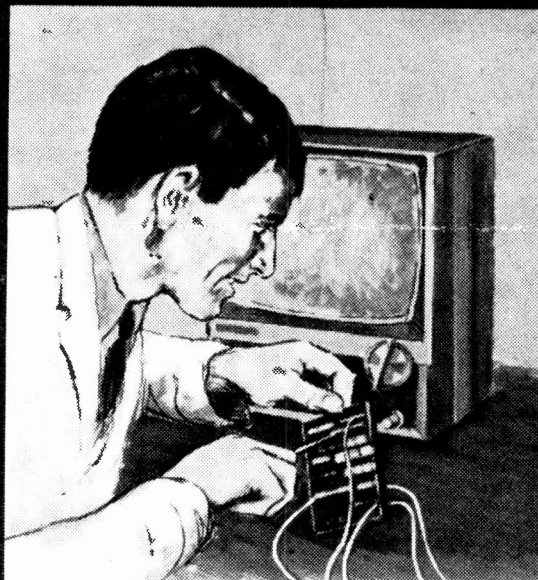
Gain 20-26dB. Input impedance 50 kilohms. Frequency response 30-45,000Hz ± 2dB. Supply voltages 9-24 and 200-500.

TACHOMETER MODULE 18/9

Type 2TN
 For 4 or 6 cylinder, 6 or 12V positive or negative earth vehicles. Will operate 200 microamp to 1mA meters on 12V and 200-500 microamp meters on 6V. Suitable meters from 57/8. This module will provide linear readings up to 10,000 r.p.m. If your car can provide the signal!

Please send S.A.E. with enquiries. We welcome your problems!!

All orders to:—
NEWBURY SOUND EQUIPMENT,
 21 Lancaster Court,
 Lancaster Ave., London, S.E.27
 Cash with order plus 1/- p. & p.
 Please cross all cheques and P.O.s.
 Quantity discounts. Trade enquiries welcomed.
 Callers by appointment.



Train for tomorrow's world in Radio and Television at The Pembridge College of Electronics.

The next full-time 2 year College Diploma Course which gives a thorough fundamental training for radio and television engineers starts on 2nd September, 1970.

The course includes theoretical and practical instruction on Colour Television receivers and is designed to cover the syllabus of the new City and Guilds Radio, Television and Electronics Technicians' Course. Pembridge College diplomas are awarded to successful students.

The way to get ahead in this fast growing industry—an industry that gives you many far-reaching opportunities—is to enrol now. Minimum entrance requirements: "O" Level, Senior Cambridge or equivalent in Mathematics and English.

To : The Pembridge College of Electronics (Dept. PE4), 34a Hereford Road, London, W.2.

Please send, without obligation, details of the Full-time Course in Radio, Television and Electronics.

NAME

ADDRESS

R+TV

RADIO & TV COMPONENTS (Acton) Ltd.

21d High Street, Acton, London, W.3

Also at 323 Edgware Road, London, W.2

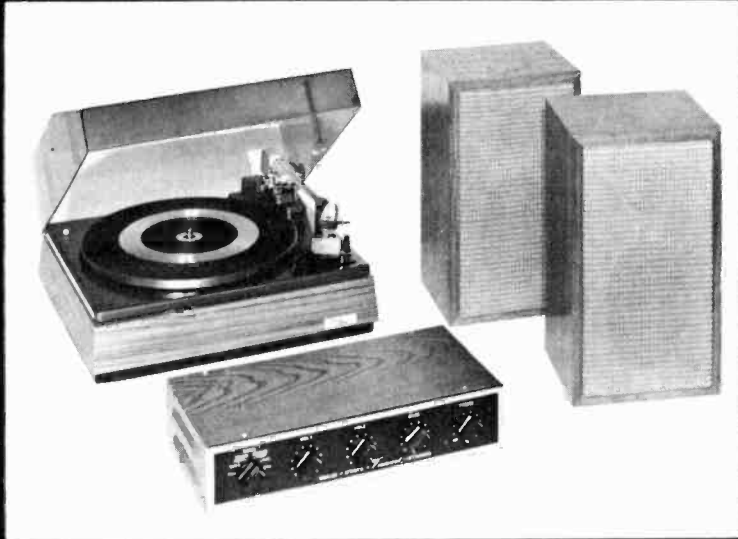
ALL ORDERS BY POST TO OUR ACTON BRANCH

Terms C.W.O.

All enquiries S.A.E.

Complete Stereo System £41

WITH
VISCOUNT F.E.T.
FIELD EFFECT TRANSISTORS
AMPLIFIER



This superb stereo system is a real price breakthrough. It comprises the VISCOUNT F.E.T. amplifier, on which full details are given below, the famous Garrard SP25 Mk. II (including teak veneer base and transparent cover) with diamond cartridge or 2025 TC and the very successful DUO type 2 speakers.

Measuring 17½ in × 10½ in × 6½ in, the Duo type 2 speakers are beautifully finished in teak veneer with matching vinyl grills. They incorporate a 10½ in × 6½ in drive unit and high frequency speaker, both of which are of 3 ohms. impedance. The Duo speaker system is also available separately at

£6.6.0 each plus 15/- P. & P.

Complete stereo system £41 plus £2.10.0 P. & P.



The Classic

Teak finished case

£9.10

Plus P. & P. 7/6

SPECIFICATION :
Sensitivities for 10 watt output at 1KHz into 3 ohms. Tape Head: 3mV (at 3½ i.p.s.) Mag. P.U.: 2mV. Cer.P.U.: 80mV. Tuner: 100mV. Aux. 100mV. Tape/Rec. Output. Equalisation for each input is correct to within +2dB (R.I.A.A.) from 20Hz to 20KHz.

Tone Control Range: Bass: 13dB at 60Hz. Treble: ±14dB at 15KHz. Total Distortion: (for 10 watt output) < 1.5%. Signal Noise: < -60dB. A.C. Mains 200-250V. Size 12½ in long, 4½ in deep, 2½ in high. Built and tested.

THE RELIANT Mk. II

SOLID STATE
GENERAL PURPOSE AMPLIFIER

£7.5.0 Plus P. & P. 7/6
In teak finished case

SPECIFICATION : Output: 10 watts into a 3 ohms speaker.

Inputs: (1) for mike (10mV). Input (2) for gram. radio (250mV) individual bass and treble control.

Transistors: 4 silicon and three germanium. Mains input: 220/250 volts. Size: 10½ × 4½ × 2½ in. Mk. I £6.10.0 plus 7/6 P. & P. Less teak finished case.



ELEGANT SEVEN Mk. III (350mW Output)

7-transistor fully tunable M.W.-L.W. Superhet portable. Set of parts. Complete with all components, including ready etched and drilled printed circuit board —back printed for foolproof construction. MAINS POWER PACK KIT: 9/6 extra.

£5.5.0 Plus P. & P. 7/6. Circuit 2/6. Free with parts.

THE DORSET (600mW Output)

7-transistor fully tunable M.W.-L.W. Superhet portable with baby alarm facility. Set of parts. The latest modulated and pre-alignment techniques makes this simple to build. Sizes: 12 × 8 × 3 in.

MAINS POWER PACK KIT: 9/6 extra.

£5.5.0 Plus P. & P. 7/6. Circuit 2/6. Free with parts.



The Viscount F.E.T. Mk. I £14.5.0

Plus 7/6 P. & P.

High fidelity transistor stereo amplifier employing field effect transistors. With this feature and accompanying guaranteed specifications below, the Viscount F.E.T. vastly surpasses amplifiers costing far more.

SPECIFICATION

Output per channel—10W rms. Frequency bandwidth 20Hz to 20KHz ±1dB @ 1W.

Total distortion @ 1kHz @ 9W 0.5%. Input sensitivities—CER. P.U. 100mV into 3 MΩ; Tuner. 100mV into 100KΩ; Tape 100mV into 100KΩ.

Overload Factor—Better than 26dB. Signal to noise ratio—70dB on all inputs (with vol. max).

Mk. II (MAG. P.U.) £15.15.0

Specification same as Mk. I, but with the following inputs: Mag. P.U. CER. P.U. Tuner.

Controls—6 position selector switch (3 pos. stereo and 3 pos. mono), separate vol. controls for left and right channels. Bass ±14dB @ 60Hz; Treble (with D.P.S. on/off) ±12dB @ 10KHz.

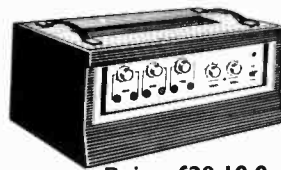
Tape recording output sockets on each channel.

Size 12½ in × 6 in × 2½ in in teak-finished case. Built and tested.

Post & packing 10/- extra.

Spec. on Mag. P.U. 3mV @ 1kHz input impedance 47KΩ. Fully equalised to within ±1dB RIAA. Signal to noise ratio—65dB (vol. max.).

50 WATT AMPLIFIER A.C. Mains 200-250V



Price £28.10.0

Plus 20/- P. & P.

An extremely reliable general purpose valve amplifier. Its rugged construction yet space age styling and design makes it by far the best value for money.

TECHNICAL SPECIFICATIONS 3 electronically mixed channels, with 2 inputs per channel, enables the use of 6 separate instruments at the same time.

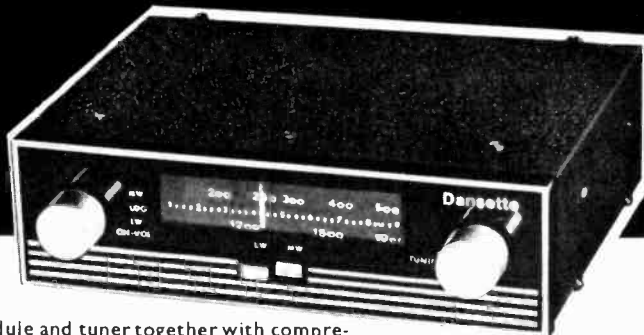
The volume controls for each channel are located directly above the corresponding input sockets. Sensitivities and Input Impedances. Channels 1 and 2 4mV at 470K. These 2 channels (4 inputs) are suitable for microphone or guitar. Channels 3 and 4 300mV at 1M. Suitable for most high output instruments (gram, tuner, organ, etc.).

Input sensitivity relative to 10W output. Tone Controls are common to all inputs. Bass Boost +12dB at 60 Hz/s. Bass Cut -13dB at 60 Hz/s. Treble Boost +11dB at 15 KHz/s. Treble Cut -12dB at 15KHz/s. With bass and treble controls central -3dB points are 30Hz/s and 20 KHz/s. Power output. For speech and music 50 watts rms. 100 watts peak. For sustained music 45 watts rms. 90 watts peak. For sine wave 38.5 watts rms. Nearly 80 watts peak. Total distortion at rated output 3.2% at 1KHz/s. Total distortion at 20 watts 0.15% at 1KHz/s. Negative feed back 20dB at 1KHz/s. Signal to noise ratio 60dB. Mains voltages. Adjustable from 200-250V. A.C. 50-60Hz/s. A protective fuse is located at the rear of unit. Output impedance 3, 8 and 15 ohms.

LIQUIDATED STOCK

DANSETTE

TOURISTE MK3 CAR RADIO



Beautifully designed to blend with the interiors of all cars. Permeability tuning and long wave loading coils ensures excellent tracking, sensitivity and selectivity on both wave bands. R.F. sensitivity at 1 MHz is better than 8 micro volts. Power output into 3 ohm speaker is 3 watts. Pre-aligned I.F.

module and tuner together with comprehensive instructions guarantees success first time. 12 volts negative or positive earth. Size 7" x 2" x 4½" deep.

Originally sold complete for £15.4.6

SET OF PARTS **£6.6.0** plus 7 6 P. & P.

Speaker, baffle and fixing kit 25/- extra plus 4 - P. & P.

Circuit diagram 2/6, free with parts.

RADIO & TV COMPONENTS (ACTON) LTD.

Post orders to:—21d High Street, Acton, London, W.3

Also at 323 Edgware Road, London, W.2

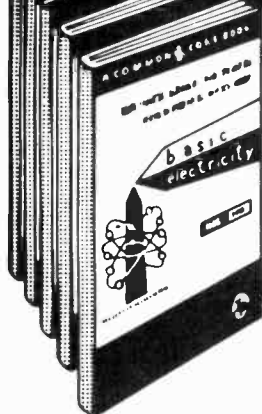
Goods not despatched outside U.K.

Terms C.W.O.

All Enquiries S.A.E.



YOURS FREE FOR 7 DAYS



The 'New Picture-Book' way of learning

BASIC ELECTRICITY (5 vols.)

BASIC ELECTRONICS (6 vols.)

You'll find it easy to learn with this outstandingly successful NEW PICTORIAL METHOD—the essential facts are explained in the simplest language, one at a time, and each is illustrated by an accurate, cartoon-type drawing. The books are based on

the latest research into simplified learning techniques. This has proved that the PICTORIAL APPROACH to learning is the quickest and soundest way of gaining mastery over these subjects.

TO TRY IT, IS TO PROVE IT

The series will be of exceptional value in training mechanics and technicians in Electricity, Radio and Electronics.

WHAT READERS SAY

... carefully written ...

... I am very satisfied with these carefully written and well expressed manuals ... A.W., Shanklin.

... valuable assistance ...

... Your valuable assistance has enabled me to find a good position as a Radio and TV Engineer ... D.S., Bristol.

... they are invaluable ...

... I find that as a base for a course in Electronics they are invaluable and I have yet to find anything even to approach the same standard ... H.N., Rotherham.

A TECH-PRESS PUBLICATION

POST NOW FOR THIS OFFER !!

To The SELRAY BOOK CO., 60 HAYES HILL, HAYES, BROMLEY, KENT BR2 7HP

Please send me WITHOUT OBLIGATION TO PURCHASE, one of the above sets on 7 DAYS FREE TRIAL, I will either return set, carriage paid, in good condition within 7 days or send the following amounts. BASIC ELECTRICITY 75/- . Cash Price or Down Payment of 20/- followed by 3 fortnightly payments of 20/- each. BASIC ELECTRONICS 90/- . Cash Price or Down Payment of 20/- followed by 4 fortnightly payments of 20/- each. This offer applies to UNITED KINGDOM ONLY. Overseas customers cash with order, prices as above.

Tick Set required (Only one set allowed on free trial)

BASIC ELECTRICITY

BASIC ELECTRONICS

Prices include Postage and Packing.

Signature

(If under 18 signature required of parent or guardian)

NAME

BLOCK LETTERS

FULL POSTAL

ADDRESS

CRESCENT RADIO LTD.

11 & 40 MAYES RD. N.22 888-3206

MAIL ORDER DEPT.
No. 11
MAYES RD.
N.22



WESTON MILLIAMMETER
Modern Clear Plastic Design.
1M/A full scale calibration 0-100. 2 1/2in
2 1/2in x 1 1/2in.

45/- Plus 2/6 P. & P.

IMPORTED PANEL METERS

KA-28C 1 1/2in x 1 1/2in. 50µA, 100µA, 500µA, 1M/A, 5M/A. 8 meter
1M/A, 300V. All at 29/6 Plus 1/- P. & P.
KA-65C 3 1/2in x 3 1/2in. 300V, 8 meter
500µA, 1M/A. All at 39/6 Plus 1/6 P. & P.

All modern design and made to high standards.

MICROPHONE STANDS

All have standard fittings for average Mics.
Desk Stand 14in extended length 32/6
MF81. 3-Section floor stand, 4ft 8in E/L 33.10.0
MF811. 2-Section floor stand, 5ft E/L 34.10.0
BM81. 5ft floor stand with 2ft 9in boom 36.19.6
BM82. Super quality boom stand 39.9.0
Plus 5/- P. & P.

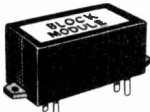


STANDARD GOOSE NECKS

(will fit our mic. stands)
8in 12/9
12in 15/9
Plus 1/6 P. & P.

SOLID STATE BLOCK MODULES

Phono pre-amp E1311: input, 100K; gain, 28db; max. out, 3-volt; max. in, 50M/V; power, 9V.
Tape pre-amp E1312, as above.
Mic. pre-amp E1313, as above.
Power amplifier E1314: input, 1,000 ohms; gain, 20db, 300M/W; power, 9-volt d.c.
Electronic organ, tone osc. E1315: tone freq., 200-1kHz; output, 80M/W; power, 9V; current, 15M/A.
Dual flasher E1316: flasher time, 1/4 sec; power, 6V; current, 150M/A; lamp, 6V 150M/A.
We also stock the morse code practice modules in this range.
ALL AT 25/- Plus 2/- P. & P.



BATTERY ELIMINATOR

Plug your Transistor Radio, Amplifier, Cassette, etc., into the a.c. mains through this compact eliminator. 2 1/2in x 2 1/2in x 3in approx.

41 volt 29/6
6 volt 29/6
9 volt 29/6
7 1/2 volt complete with cable and plug for Philips Cassette

39/6 Plus 2/- P. & P. each

SONOTONE 9TAC

Ceramic cartridge diamond stylus.
47/6 Plus 2/6 P. & P.



EMI LOUDSPEAKER 450

10 watts. 13in x 8in + two 2-2 1/2in tweeters and crossover. All wired and ready for use. This ever-popular 450. In 3-8-15 ohm imp.
65/- Plus 7/6 P. & P.

EMI Loudspeaker Set 350

20 watts. 20-20 k/c. 8 and 15 ohms.
£6-19-6 Plus 7/6 P. & P.



SHELF UNIT

Two teak finish shelves on a black frame (overall size: 28in x 25in x 12in). Ideal for hi fi equipment: amplifiers, speaker cabinets etc. The perfect answer for housing unit audio and equipment. This unit is wall mounting.

50/- Plus 8/6 P. & P.



EMI SET 850

A complete speaker system IN KIT FORM. We supply a modern styled teak finish cabinet with black front. Overall dimensions: 14in x 9in x 9in. Made to a very high standard. A 6in EMI woofer. A 3in tweeter. A crossover network. Acoustic wadding. Output terminals, wire and fixing hardware. Specifications: Max. power, 10 watts; frequency, 65-20kHz; imp 8-15 ohms.

Kit price 9 Gns. Plus 7/6 P. & P.

S. G. BROWN HEADPHONES

Used! But in good working condition. These Type 'F' phones are 4,000Ω imp., and a bargain at

10/- Plus 2/- P. & P. per pair



TTC G1105

High quality imported headphones.

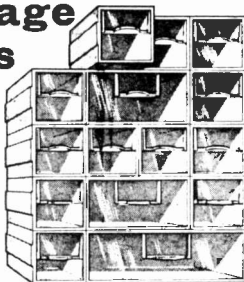
1,000Ω per phone 15/11
2,000Ω per phone 17/6
Plus 2/- P. & P. per pair

COMPONENTS CORNER

8in x 6in one sided printed circuit board 2/- each
BY100 type rectifier 800 p.i.v. 750M/A 3/8 each
4 pin transistor holders 6d each
2 1/2in 80 ohm loudspeaker 5/8 each
2 1/2in 25 ohm loudspeaker 5/8 each
2 1/2in 8 ohm loudspeaker 6/6 each
U2 battery holders (blue plastic) 1/- each
Flick switches 1 1/2in dolly mains type 3/6 each
Model motors 6-12 volt 4/6 each
10 ohm W/W pot loudspeaker control 2/6 each
OC81 double heat clips 6d each
Tape recorder rev counters 5/- each
Please include P. & P.
Send 3/- for our Component Catalogue and Plog Lists

NEW! HANDY! TIDY! multi-drawer I-N-T-E-R-L-O-C-K-I-N-G storage units

A PLACE FOR EVERYTHING EVERYTHING IN ITS PLACE!



Newest, neatest system ever devised for storing small parts and components: resistors, capacitors, diodes, transistors, etc. Rigid plastic units, interlock together in vertical and horizontal combinations. Transparent plastic drawers have label slots/removable space dividers. Build up any size cabinet for wall, bench or table top.

BUY AT TRADE PRICES!

SINGLE UNITS (5ins x 2 1/2ins x 2 1/2ins) Usually 2/6 each, OUR PRICE: 24/- DOZEN
DOUBLE UNITS (5ins x 4 1/2ins x 2 1/2ins) Usually 4/6 each, OUR PRICE: 40/- DOZEN

PLUS QUANTITY DISCOUNTS!

Order £5 and over DEDUCT 1/- in the £
Orders £10 and over DEDUCT 1/6 in the £
Orders £20 and over DEDUCT 2/- in the £

PACKING/POSTAGE/CARRIAGE: Add 6/- to all orders under £3. Orders £3 and over, packing/postage/carriage free.

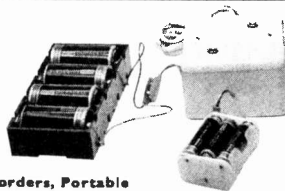
QUOTATIONS FOR LARGER QUANTITIES



(Dept. PE7) 31 ALBERT RD. HENDON, LONDON. NW4

The BATTERIES That Won't Let You Down!

Mallory RECHARGABLE cells in U2 and Penlite U7 sizes
Kestral Battery Charging Unit



Uses:

Tape recorders, Portable radio and TV, Radio controlled model aircraft and boats, Cine cameras, Flashguns, Cordless shavers and other battery appliances.

Whenever you *must* have utterly dependable battery power—then these new Mallory Alkaline-Manganese rechargeable cells will provide it. The cells can be recharged many times, a simple job with the Kestral Charging Unit which has been specially designed for these new type batteries.

PRICES
Batteries U2 equiv. 25/-
Penlite U7 equiv. 10/-

Charging unit 7/6 with one battery holder

Sole Distributors for Chargers and batteries



275 West End Lane, London, N.W.6. 01-794 9611

MULLARD POLYESTER CAPACITORS

All values are in microfarads.
160V, 10%: 0-01, 0-015, 0-022, 0-033, 0-047, 5d, 0-068, 6d, 0-1, 0-15, 8d, 0-22, 9d, 0-33, 1/-, 0-47, 1/2, 0-68, 1/9, 1-0, 2/2, 400V, 10%: 0-001, 0-0015, 0-0022, 0-0033, 0-0047, 0-0068, 0-01, 0-015, 5d, 0-022, 0-033, 6d, 0-047, 0-068, 0-1, 6d, 0-15, 1/-, 0-22, 1/2, 0-33, 1/9, 0-47, 2/2.

MULLARD ELECTROLYTICS

Miniature series. Tolerance -10% to +50%. All 11d each.
4V 8 32 64 125 250 400
6-4V 6-4 25 50 100 200 320
10V 4 16 32 64 125 200
16V 2.5 10 20 40 80 125
25V 1-6 6-4 12-5 25 50 80
40V 1 4 8 16 32 50
64V 0-64 2-5 5 10 20 32

CARBON FILM RESISTORS

High stability, very low noise, carbon film construction. E12 series 4R7 to 1M. Prices—per ohmic value
each 10 100 1,000
0-5W 5% 1 1/2 1/2 10/6 97/6

SKELETON PRESET CONTROLS

Carbon construction. Linear track only available. 100, 250 and 500 ohms to 5m. Horizontal or vertical mounting on 0-1 matrix board. Miniature 0-33W 9d each.

No minimum order charge. Please add 1/- postage and packing per order. Export enquiries particularly welcome. Return of post service. No discount to trade available. Cash with order only. Send your name and address for our catalogue.

L. M. JONES (Electronic Components)
304 Avery Hill Road
London, S.E.9



LIND-AIR AUDIO

BATTERY ELIMINATOR



Enables transistor equipment to be operated from a.c. mains. 6/9/12V output selector switch and on/off switch. Case size 4in x 2 1/2in x 2in, complete with mains lead, connecting leads and instructions. 59/6, P. & P. 3/6.

HI-TONE RECORDING TAPE

BRITISH MADE TOP QUALITY

J1001	3in	L.P.	PVC	225ft	5/6 P. & P. 1/2
J1002	3in	T.P.	Poly	600ft	10/6 P. & P. 1/2
J1003	5in	L.P.	PVC	900ft	10/- P. & P. 1/8
J1004	5in	D.P.	Poly	1,200ft	15/- P. & P. 1/8
J1005	5 1/2in	L.P.	PVC	1,300ft	12/6 P. & P. 2/-
J1006	5 1/2in	D.P.	Poly	1,800ft	22/6 P. & P. 2/-
J1007	7in	S.P.	PVC	1,200ft	12/6 P. & P. 2/6
J1008	7in	L.P.	PVC	1,800ft	17/6 P. & P. 2/6
J1009	7in	D.P.	Poly	2,400ft	25/- P. & P. 2/6
J1010	7in	T.P.	Poly	3,600ft	50/- P. & P. 2/6
C80	Cassette	(Library case)		8/6 P. & P. 1/-	
C90	Cassette	(Library case)		13/- P. & P. 1/-	
C120	Cassette	(Library case)		18/- P. & P. 1/-	



DE-LUXE STEREO HEADPHONES

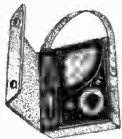
With soft rubber earpieces. Impedance 8-16ohms. Frequency response 23-13,000Hz. With lead and stereo plug. Only 59/6, P. & P. 3/6.

VHF AIRCRAFT BAND CONVERTOR

When placed within 1in of a MW band radio full coverage of VHF Aircraft Band 108-135Mc/s can be obtained. All transistor. 9V battery operation. Fully tunable 18in x 7 section telescopic aerial. Size 4 x 2 x 1 1/2in. 79/6, P. & P. 3/6.



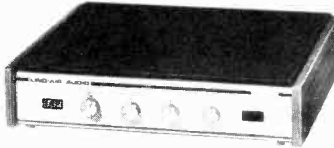
C.1001 MULTI-TESTER



Overload protection 20,000 ohms per volt; a.c. volts 10, 50, 250, 1,000V; d.c. volts 5-25, 125, 500, 2,500V; d.c. current 0-50mA, 0-250mA; Resistance 0-60kΩ, 0-6MΩ; decibels -20 to +22dB. Size of meter 4 1/2in x 3 1/2in x 1in. Complete with leather case. 85/-, P. & P. 3/6.

LIND-AIR LA.20

A fantastic stereo amplifier made exclusively for Lind-Air and represents considerable advance in solid state stereo amplifiers. Inputs for gram and radio tuner and provision for direct tape recording. Attractive and modern front panel with bass, treble balance and volume controls also on/off and stereo/mono switch. Output 5W per channel music power. Frequency response 40-20,000Hz 8-16 ohm speaker matching. Size 16 1/2in x 14in x 4in.



LIND-AIR PRICE **£24** P. & P. 10/-

TRANSISTOR MODULES



E1311. PHONO PRE-AMPLIFIER. Size 2 1/2in x 1in x 1 1/2in. Built-in R.I.A.A. characteristics enabling low output magnetic pick-up cartridges to be amplified up to 1V. Input 100 kΩ Gain 28dB. Max. output 3V. Max input 50mV. Distortion 0.15% (at 1V level). Power supply 9-12V. 29/6, P. & P. 2/-.

E1315. ELECTRONIC ORGAN TONE OSCILLATOR. Used in conjunction with an organ keyboard, variable resistances and a 9V power supply, this module acts as the oscillator unit for an electronic organ. Tone Frequency 200-3,000Hz. Output 80mW. Current 15mA. 25/-, P. & P. 2/-.

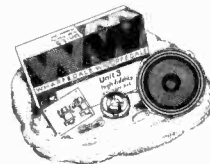
E1316. MORSE CODE OSCILLATOR. A transistorised morse code oscillator (buzzer) to be used in conjunction with an operating key. Suitable for direct connection to a loudspeaker. Tone freq. 400Hz. Power output 80mW. Power supply 3-9V. Current 45mA. 25/-, P. & P. 2/-.

62D. MULTI-TESTER

20,000 ohms per volt; d.c. voltage 5, 25, 50, 250, 500V, 2.5kV (50,000 ohms per volt), a.c. voltage 10, 50, 100, 500, 1,000V (10,000 ohms per volt); d.c. current 0-50mA, 0-250mA, 0-2.5mA, 0-250mA; resistance 0-6kΩ, 0-6MΩ (300 ohms and 30kΩ at centre scale); capacitance 10F to 0.001μF, 0.001μF to 0.1μF; decibels -20 to +22dB. Size 4 1/2in x 3 1/2in x 1in. 71/-, P. & P. 3/6.



WHARFEDALE SPEAKER KITS



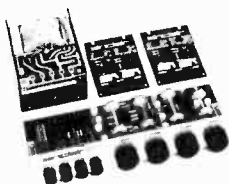
Complete with all components for building into suitable cabinets. Unit 3 Kit £11.19.6 each £21 pair
Unit 4 Kit £16.0.0 each £28 Gns. pair
Unit 5 Kit £23.10.0 each 39 Gns. pair
P. & P. 10/- each, 15/- pair

TELETON SAQ203 TRANSISTOR STEREO AMPLIFIER



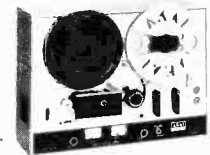
Superb quality hi-fi. 10W per channel music power. Inputs for gram (magnetic and crystal), tuner and auxiliary. Tape record output. Controls: volume, balance, bass, treble. Attractive oiled walnut cabinet with brushed aluminium front panel. List Price £28.7.0. **Our Price 22 Gns.** P. & P. 10/-.

SINCLAIR PROJECT 60



An attractive alternative for the enthusiast prepared to assemble these excellent modules to make a stereo assembly. Z30 24W Power Amplifier, 89/6 (2 required). Stereo Sixty Control/Preamp, £9.19.6. P25 Power Supply Unit, £4.19.6. Project 60 is supplied complete with instruction manual and templates for plinth mounting. **SINCLAIR PROJECT 60 PACKAGE DEAL. PRICE 19 Gns.** P. & P. 12/6. **SINCLAIR 1C-10 INTEGRATED CIRCUIT 10W Amplifier.** Size only 1 1/2in x 0 1/2in. A true hi-fi amplifier complete with manual giving details of a wide range of applications and instructions. Guaranteed 5 years. **ONLY 59/6.** P. & P. 1/6. **SPECIAL TRANSFORMER FOR OPERATING SINCLAIR 1C-10** from a.c. mains 230/250V. Output 13V at 0.5A. 16/6.

SAVE ON AKAI!



AKAI 4000 Stereo Tape Recorder. List Price £124.18.0. **Our Price 99 Gns.** Carr. 30/-

AKAI 4000D STEREO TAPE DECK. (As illus.) List Price £89.19.1. **Our Price 69 Gns.** Carr. 30/-

SPECIAL LIND-AIR OFFER! ROTEL 100 AMP STEREO AMPLIFIER



Fully transistorised with all facilities for the home hi-fi system. List price £45. **Our Price £37.10.0** Carr. 10/-

Garrard HI-FI TURNTABLES



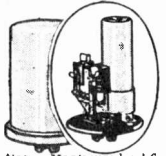
2025 T/C with stereo cartridge £8.19.6
3000 with Sonotone 9TAHCD stereo cartridge £10.19.6
SP25 Mk. II £10.19.6
SL65B £15.19.6
Base and cover for above £5.19.6
AP75 £18.10.0
SL72B £24.19.6
SL75B £28.7.0
SL95B £39.9.0
401 £23.10.0
Base and cover for above £8.19.6
P. & P. Decks, 12/6; Base and Cover, 10/-; Deck/Base/Cover, 17/6.

SPECIAL OFFERS!
SP25 Mk. II with base £14.10.0 P. & P. 15/-
SP25 Mk. II with Sonotone 9TAHCD cartridge and base £15.15.0 P. & P. 15/-
Sonotone 9TAHCD cartridge £2.15.0 P. & P. 1/6

18/19, 25 & 53 TOTTENHAM CT. ROAD, LONDON W.1.
Telephone: 01-580 2255/4532/7679
Open 9-6 pm. Monday to Saturday. Thursday until 7 pm.

All Mail Orders and correspondence to Dept L4/7, Kirkman House, 54 Tottenham Court Road, London, W.1. Tel: 01-580 7041/2.

CAR LIGHT FLASHERS



Heavy duty light flasher employs a condenser discharge principle operating on electro mechanical relay. (As inset.) Housed in strong plastic case. Flashing rate operation 60-100 per minute. 12 volt DC operation. Maximum load 6 amps. Size 2 1/16" dia. x 4". Supplied brand new at a fraction of original cost. 6/6 each. P. & P. 2/6. (3 for 17/6. P. & P. 4/6.)

CLASS D WAVEMETERS



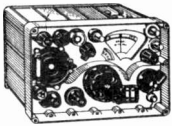
A crystal controlled heterodyne frequency meter covering 1.7-10 Mc/s. Operation on 5V d.c. Ideal for amateur use. Available in good used condition. £5.10.6, Carr. 7/6, or brand new with accessories. £7.19.6, Carr. 7/6.

CLASS D WAVEMETERS No. 2

Crystal controlled. 1.2-19 Mc/s. Mains or 12V d.c. operation. Complete with calibration charts. Excellent condition. £12.10.0. Carr. 30/-.

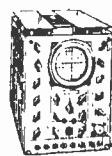
M209 MK II COMMUNICATION RECEIVER

11 valve high grade communication receiver suitable for tropical use. 1.20 Mc/s on 4 bands. AM/CW/FM operation. Incorporates precision vernier driver, BFO. Aerial trimmer. Internal speaker and 12 V d.c. internal power supply. Supplied in excellent condition, fully tested and checked.



£15 Carr. 20/-.

TYPE 13A DOUBLE BEAM OSCILLOSCOPES



An excellent general purpose D/B oscilloscope. T.B. 2 c/s-750 kc/s. Bandwidth 5-5 Mc/s. Sensitivity 33 mV/cm. Operating voltage 0/110/200/250 V. a.c. Supplied in excellent working condition. £22.10.0 or complete with all accessories, probe, leads, lid, etc. £25. Carriage 30/-.



MARCONI CT44/TF956 AF ABSORPTION WATTMETER

1 μwatt to 6 watts. £20. Carr. 20/-.

SOLARTRON CD. 71182 DOUBLE BEAM OSCILLOSCOPES. D.C. to 0 Mc/s. Perfect order. £85. Carr. 50/-.

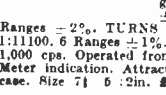
TO-2 PORTABLE OSCILLOSCOPE

A general purpose low cost economy oscilloscope for everyday use. Y amp. Bandwidth 2 CPB-1 MEZ. Input imp. 2 megΩ 25 P.F. Illuminated scale. 2 1/2" tube. 115 x 180 x 230mm. Weight 8lb. 220/240 V. a.c. Supplied brand new with hand-book. £22.10.0. Carr. 10/-.



TRANSISTORISED L.C.R. A.C. MEASURING BRIDGE

A new portable bridge offering excellent range and accuracy at low cost. Ranges: R. 1Ω-11.1 megΩ. 6 Ranges ±1%. L.I. μR. 1-11 HENRY'S 6 Ranges -2%, C. 10pF ±1110 Fd. 6 Ranges -2%. TURNS RATIO 1:1/1000-1:11100. 6 Ranges ±1%. Bridge voltage at 1,000 cps. Operated from 9 volts. 100μA. Meter indication. Attractive 2 tone metal case. Size 7 1/2" x 5 1/2". £20. P. & P. 5/6.



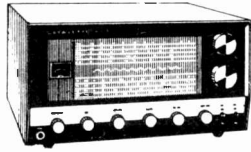
UNR-30 4-BAND COMMUNICATION RECEIVER

Covering 550 Kc/s-30 Mc/s. Incorporates BFO. Built-in speaker and phone jack. Metal cabinet. Operation 220/240V. a.c. Supplied brand new, guaranteed with instructions. Carr. 7/6



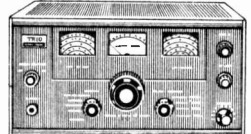
13 gns.

TRIO JR-310 NEW AMATEUR BAND 10-80 METRE RECEIVER. In stock. £77.10.0.



LAFAYETTE SOLID STATE HAGOO RECEIVER

5 BAND AM/CW/SSB AMATEUR AND SHORT WAVE 150 kc/s-400 kc/s and 550 kc/s-30 Mc/s. FET front end ● 2 mechanical filters ● Huge dial ● Product detector ● Variable BFO ● Noise limiter ● 8 meter ● 24in Handread ● 280V a.c./12V d.c. neg. earth operation ● RF gain control. Size 15in 8 1/2in 8 1/2in. Weight 18lb. EXCEPTIONAL VALUE. £45. Carr. 10/- S.A.E. for full details.



TRIO COMMUNICATION RECEIVER MODEL 9R-59DE

4 band receiver covering 550Kc/s to 30Mc/s. continuous and electrical bandspread on 10, 15, 20, 40 and 80 metres. 8 valve plus 7 diode circuit. 4/8 ohm output and phone jack. 88B-CW ● ANL ● Variable BFO ● 8 meter ● Sep. bandspread dial ● 1F 445Kc/s ● Audio output 1.6W. ● Variable RF and AF gain controls. 115/250V A.C. Mains. Beautifully designed. Size: 7 1/2" x 10 1/2" in. With instruction manual and service data. £42 Carriage paid. TRIO COMMUNICATION TYPE HEADPHONES Normally £5.19.6. OUR PRICE £3.15.0 if purchased with above receiver.

TRIO JR-500SE 10-80 Metre AMATEUR RECEIVER £65

TRIO TS 610 AMATEUR TRANSCEIVER with speaker and mains P.S.U. £180

UR-1A SOLID STATE COMMUNICATION RECEIVER

4 bands covering 550 Kc/s-30 mc/s continuous. Special features are use of PET transistors, 8 meter, built in speaker and telescopic aerial, variable BFO for SSB reception, noise limiter, bandspread control, sensitivity control. Output for low impedance headphones. Operation 220/240 volt A.C. or 12 volt D.C. Size 12 1/2" x 4 1/2" x 7". Excellent value. ONLY £24. Carr. 7/6.



LAFAYETTE HA.800 6-BAND AMATEUR RECEIVER. £57.10.0. Carr. Paid.



RCA COMMUNICATION RECEIVER AR88D

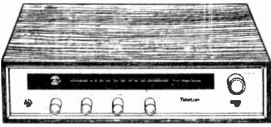
Latest release by ministry BRAND NEW in original cases. 110-280V a.c. operation. Frequency in 6 Bands. 535Kc/s-92Mc/s continuous. Output impedance 2.5-600 ohms. Incorporating crystal filter, noise limiter, variable BFO, variable selectivity, etc. Price £65. Carr. £2.

LAFAYETTE PF-60 SOLID STATE VHF FM RECEIVER

A completely new transistorised receiver covering 192-174 Mc/s. Fully tuneable or crystal controlled (not supplied) for fixed frequency operation. Incorporates 4 INTEGRATED CIRCUITS. Built in speaker and illuminated dial. Squelch and volume controls. Tape recorder output. 75Ω aerial input. Headphone jack. Operation 230V. A.C. 12V. D.C. Neg. earth. £37.10.0. Carr. 10/-.



TELETON MODEL CR 10T AM/FM STEREO TUNER AMPLIFIER



A new model from Teleton. 31 solid state devices. 4+4 watt output. Inputs for ceramic/crystal cartridge. Frequency range AM 540-1600 KHz FM 88-108 MEZ. Automatic FM stereo reception. Stereo indicator. Controls: Tuning, function selector, Tone and R & L volume controls. AFC switch. Stereo headphone socket. Size: 13 1/2" x 3 1/2" 9 1/2" approx. Price £34. Carr. 7/6.

CLEAR PLASTIC PANEL METERS

First grade quality Moving Coil panel meters. Type MR 38P. 1 1/2" in square fronts.

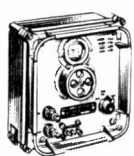
500-0-500μA	27/6	50mA	27/6	150V. D.C.	27/6
1mA	27/6	100mA	27/6	300V. D.C.	27/6
1-0-1mA	27/6	150mA	27/6	500V. D.C.	27/6
2mA	27/6	200mA	27/6	750V. D.C.	27/6
5mA	27/6	300mA	27/6	15V. A.C.	27/6
10mA	27/6	600mA	27/6	50V. A.C.	27/6
750mA	27/6	3V. D.C.	27/6	150V. A.C.	27/6
1 amp	27/6	10V. D.C.	27/6	300V. A.C.	27/6
100μA	27/6	2 amp	27/6	500V. A.C.	27/6
100-0-100μA	25/-	5 amp	27/6	8 meter 1mA 32/-	
200μA	25/-	20mA	27/6	100V. D.C.	27/6
500μA	40/-			VU meter.	42/-

Full range of other sizes in stock. Send s.a.p. for leaflet.

POWER RHEOSTATS

High quality ceramic construction. Windings embedded in vitreous enamel. Heavy duty brush wiper. Continuous rating. Wide range ex-stock. Single hole fixing. 1/4 in. dia. shafts. Bulk quantities available. 25 WATT. 10/25/50/100/250/500/1,000/2,500 or 5,000 ohms, 14/8. P. & P. 1/6. 50 WATT. 10/25/50/100/250/500/1,000/2,500 or 5,000 ohms, 21/- P. & P. 1/6. 100 WATT. 15/10/25/50/100/250/500/1,000 or 2,500 ohms, 27/6. P. & P. 1/6.

CRYSTAL CALIBRATORS No. 10



Small portable crystal controlled wavemeter. Size 7" x 7" x 4". Frequency range 500 Kc/s. 10 Mc/s (up to 30 Mc/s on harmonics). Calibrated dial. Power requirements 300 V.D.C. 15mA and 12 V.D.C. 0.3A. Excellent condition. 59/6. Carr. 7/6.

T.E.40 HIGH SENSITIVITY A.C. VOLTMETER

10 meg. input 10 ranges: -01 / -003 / -1 / -3 / 1 / 3 / 10 / 30 / 100 / 300V. R.M.S. 4c/s. 1.2Mc/s. Decibels -40 to +50dB. Supplied brand new complete with leads and instructions. Operation 230V a.c. £17.10.0. Carr. 5/-.



LELAND MODEL 27 BEAT FREQUENCY OSCILLATORS

Frequency 0-20 Kc/s on 2 ranges. Output 500Ω or 5kΩ. Operation 200/250V. A.C. Supplied in perfect order. £12.10.0. Carr. 10/-.

TE-65 VALVE VOLTMETER



High quality instrument with 28 ranges. D.c. volts 1.5-1,500V. A.c. volts 1.5-1,500V. Resistance up to 1,000 megohms. 220/240V a.c. operation. Complete with probe and instructions. £17.10.0. P. & P. 6/-. Additional Probes available: R.F 35/-, H.V. 42/6.

COSSOR 1049 DOUBLE BEAM OSCILLOSCOPES

D.c. coupled. Band width 1kc/s. Perfect order. £25. Carr. 30/-.

AM/FM SIGNAL GENERATORS



Oscillator Test No. 2. A high quality precision instrument made for the ministry by Alrmec. Frequency coverage 20-80Mc/s. AM CW/FM. Incorporates precision dial, level meter, precision attenuator 1μV-100mV. Operation from 12V d.c. or 0/110/200/250V a.c. Size 12" x 8 1/2" 9in. Supplied in brand new condition complete with all connectors fully tested. £45. Carr. 20/-.

PLESSEY SL 403A 3 watt Integrated Amplifier Circuit 49/6 POST PAID

EDDYSTONE VHF RECEIVERS MODEL 770E. 19-165 Mc/s. Excellent condition. £150



TE-16A Transistorised Signal Generator. 3 ranges 400 kHz-30 MHz. An inexpensive instrument for the handyman. Operates on 9v battery. Wide, easy to read scale. 800 kHz modulation. 5 1/2" x 5 1/2" x 3 1/2". Complete with instructions and leads. £7.19.6. P. & P. 4/-.

HOSIDEN DH-02S STEREO HEADPHONES

Wonderful value and excellent performance combined. Adjustable head-band. 8 ohm impedance. 20-12,000 cps. Complete with lead and stereo jack plug. ONLY 47/6. P. & P. 2/6.

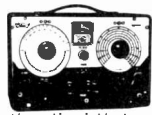


AUTO TRANSFORMERS

0/115/230V. Step up or step down. Fully shrouded. 150 W. £2.2.6. P. & P. 3/6. 300 W. £2.19.6. P. & P. 4/6. 500 W. £4.10.0. P. & P. 6/6. 1,000 W. £6.10.0. P. & P. 7/6. 1,500 W. £7.19.6. P. & P. 8/6. 7,500 W. £15.10.0. P. & P. 20/-

G. W. SMITH & CO (RADIO) LTD.
Also see oppo. page

ARF-100 COMBINED AF-RF SIGNAL GENERATOR



A.F. SINE WAVE
20-200,000 c/s.
Square wave 20-30,000 c/s. O/P.
HIGH IMP. 21V.
P/F600 Ω 3-8 V. P/P.
TF 100 kc/s-300 Mc/s. Variable R.F. attenuation int/ext. modulation. Incorporates dual purpose meter to monitor AF output and % mod. on R.F. 250/240 V a.c. **£32.10.0.** Carr. 7/6.

TE-20RF SIGNAL GENERATOR

Accurate wide range signal generator covering 120 kc/s-260 Mc/s on 6 bands. Directly calibrated variable R.F. attenuator. Operation 200/240V a.c. Brand new with instruction. **£5.15.0.** P. & P. 7/6. S.A.E. for details.

TE22 SINE SQUARE WAVE AUDIO GENERATORS



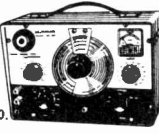
Sine: 20c/s to 200 kc/s on 4 bands. Square: 20c/s to 30 kc/s. Output impedance 5,000 ohms. 200/250V. A.C. Supplied brand new and guaranteed with instruction manual and leads. **£16.10.0.** Carr. 7/6.

MARCONI TF14SE DISTORTION FACTOR METERS.

Excellent condition. Fully tested. **£20.** Carr. 15/-.

LAFAYETTE TE46 RESISTANCE CAPACITY ANALYSER

2pF-2,000 mfd 2 ohms-200 megohms. Also checks impedance, turns ratio, insulation. 200/250V a.c. Brand New **£17.10.0.** Carr. 7/6.



ADVANCE TEST EQUIPMENT

Brand new and boxed in original sealed cartons. **J15. AUDIO SIGNAL GENERATOR.** 15 c/s to 50 Kc/s. Sine wave. Output 600 ohms or 5 ohms. **£30.0.0.**

VM 79. UHF MILLIVOLT METER. 100 Kc/s to 1,000 Mc/s. a.c. 10 mV to 3V. D.c. 10 mV to 3V. Current 0.01 μ A to 0.3 mA. Resistance 1 ohm to 10 megohm. **£125.0.0.**

TT18. TRANSISTOR TESTER. Full range of facilities for testing PNP or NPN transistors in or out of circuit. **£37.10.0.** Carriage 10/- per item.

TO-3 PORTABLE OSCILLOSCOPE

3in. tube. Y amp. Sensitivity 0.1v p-p/CM. Bandwidth 1.5 cps-1.5 MHz. Input imp. 2 meg Ω 25pF X amp. sensitivity 0.9v p-p/CM. Bandwidth 1.5 cps-800 KHz. Input imp. 2 meg Ω 20pF. Time base. 5 ranges 10 cps-300 KHz. Synchronization. Internal external. Illuminated scale 140 x 215 x 330 mm. Weight 15 1/2 lb. 250/240V. A.C. Supplied brand new with handbook. **£37.10.0.** Carr. 10/-

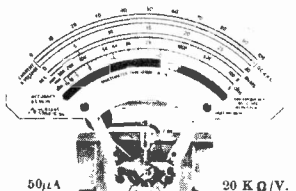
TE111. DECADE RESISTANCE ATTENUATOR

Variable range 0-111dB. Connections. Unbalanced T and Bridge T. Impedance 600 Ω range (0-1dB x 10) + (1dB x 10) + 10 + 20 + 30 + 40dB. Frequency: d.c. to 200KHz. Accuracy: 0.05dB. + indication dB x 0.01. Maximum input less than 4W (50V). Built in 600 Ω load resistance with internal/external switch. Brand new **£27.10.0.** P. & P. 5/-.



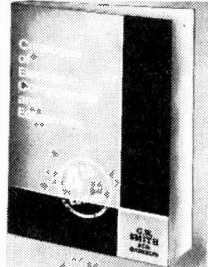
AVOMETER MOVEMENTS

Spare movements for Model 8 or 9. (Fitted with Model 9 scale) or basis for any multimeter. Brand New and Boxed 69/6. P. & P. 3/6.



Latest Catalogue

The latest edition giving full details of a comprehensive range of HI FI EQUIPMENT, COMPONENTS, TEST EQUIPMENT and COMMUNICATIONS EQUIPMENT. ... Over 230 pages, fully illustrated and detailing thousands of items - many at bargain prices. FREE DISCOUNT COUPONS VALUE 10/-.



SEND NOW - ONLY 7/6 P & P 1/-

GARRARD

FULL CURRENT RANGE OFFERED. BRAND NEW AT FANTASTIC SAVINGS

1025 stereo	£7.19.6	SL72B	£25. 0.0
2025T/C stereo	£8.17.6	AP75	£16.19.6
40 MKII stereo	£8.8.0	SL75	£25.19.6
3000 stereo	£9.19.6	SL75B	£28. 0.0
SP25 MKII	£11. 9.6	SL95B	£35. 0.0
SL65	£11.12.6	A70/11	£11.19.6
SL65B	£14.19.6	401	£25. 0.0

Carriage 7/6 extra each item.
TEAK PLINTHS AND PERSEPEX COVERS
1. For SP25, SL65, SL55, 3000, 2025T/C, 2025, 1000. **£4.10.0**
2. For AP75, SL75, SL95. **£5.19.6**
3. For SP25 etc. to operate with lid in place **£5.19.6**
Full range of Garrard accessories available. Carriage 7/6 extra each type.



SPECIAL OFFERS!

Garrard SP25 fitted Goldring G1800 cartridge and wooden plinth. Total list price **£32.8.5.**
OUR PRICE £19.15.0. Carr. 10/-
GOLDRING G1800 fitted Goldring G800 cartridge complete with deluxe base and cover. Total list price **£50.16.0.**
OUR PRICE £39. Carr. 20/-.

RTC 249 4 TRACK TAPE DECK

British made. Speed 1 1/2, 3 1/2, 7 1/2 P.S. Marriott Heads. 7" reel size. Push button controls, fully interlocking. Size 13" x 10" x 11" above unit plate, 4 1/2" below. Full instructions. **£13.19.6.** Carr. 7/6.



MULTIMETERS for EVERY purpose!

TE-51. NEW 20,000 Ω VOLT MULTIMETER with overload protection and mirror scale. 0/6/30/120/1,200V a.c. 0/3/30/60/300/600/3,000V d.c. 0/60A/12/300mA d.c. 0/60K/6 megohm. **£2/6.** P. & P. 2/6.

MODEL AS-100D. 100K Ω VOLT. 5in. mirror scale. Built-in meter protection. 0/3/12/60/120/300/600/1,200V d.c. 0/6/30/120/300/600V a.c. 0/10A/6/60/300MA/12 Amp. 0/2K/200K/2M/200M Ω -20 to +17dB. **£12.10.0.** P. & P. 3/6

MODEL TE-90 50,000 O.P.V. MIRROR SCALE OVERLOAD PROTECTION 0/3/12/60/300/600/1,200V d.c. 0/6/30/120/300/1,200V a.c. 0/0.3/6/60/600MA d.c. 16k Ω / 160k Ω / 1.6/16M Ω . -20 to +63dB. **£7.10.0.** P. & P. 3/-.

MODEL TE-70. 30,000 O.P.V. 0/3/15/60/300/600/1,200V. d.c. 0/6/30/120/600/1,200V. a.c. 0/30A/6/30/300MA. 0/16K/160K/1.6M / 16megohm **£5.10.0.** P. & P. 3/-.

MODEL PT-34. 1,000 O.P.V. 0/10/50/250/500/1,000V a.c. and d.c. 0/1/10/100mA d.c. 0/100 K Ω 39/6. P. & P. 1/6.

TE-900 20,000 Ω VOLT GIANT MULTIMETER 5in. full view meter. 2 colour scale, overload protection. 0/2/10/250/1,000/5,000V a.c. 0/25/125/10/50/250/1,000/5,000V d.c. 0/50A/110/100/500MA/10A d.c. 20K/200K/20 M Ω . **£15.** P. & P. 5/-.

MODEL TE 80. 20,000 O.P.V. 0/10/50/100/500/1,000V. a.c. 0/5/25/50/250/500/1,000V d.c. 0.5A/5/50/500MA 0/6K/60K/600K/6 Meg. **£4.17.6.** P. & P. 3/-.

MODEL TE12. 20,000 O.P.V. 0/0.6/30/120/600/1,200/3,000/6,000V d.c. 1/6/30/120/600/1,200V a.c. 0/60A/6/60/600MA. 0/6K/600K/6meg/60. Megohm 50PF. 2 MPD **£5.19.6.** P. & P. 3/6.

LAFAYETTE 57 Range Super 50,000 O.P.V. Multimeter. D.c. Volts 125V/1,000V A.c. Volts 1.5V-1,000V D.c. Current 25 μ A/10 Amp. Ohms. 0-15 Meg Ω dB. -20 to +81dB. Overload Protection. **£12.10.0.** Carr. 3/6.

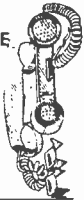
SAVE UP TO 33 1/3% ON HI-FI EQUIPMENT
Send for discount price list

AVO CT471A MULTIMETER

Battery operated, fully transistorised. Sensitivity 100m Ω /v. Measures AC/DC. Voltage 15mV to 1,200V. AC/DC Current 12uA to 1.2 Amp. Resistance 12 ohm to 120 M Ω HF, VHF, UHF. Voltage with multiplier 4v to 400v up to 50 Mc/s, 40mV to 4V up to 1,000 Mc/s. Offered in perfect condition. **£55** each. Carr. 10/-.

TRANSISTORISED TWO-WAY TELEPHONE INTERCOM

Operative over amazingly long distances. Separate call and press to talk buttons. 2-wire connection. 1000's of applications. Beautifully finished in ebony. Supplied complete with batteries and wall brackets. **£6.19.6.** P. & P. 3/6.



SINCLAIR EQUIPMENT

Project 60 range of new models now in stock
Z30 Amplifier 89/6
Stereo 60
Control Unit **£9.19.6**
P25 Power Supply 24.19.6
P26 Power Supply 27.19.6
Q16 Speakers 22.19.6
All Post Paid.

SPECIAL PACKAGE OFFER!
2 x Z30 Amplifiers, Stereo 60 and P25 Power Supply **£19** Carr. 7/6 or with 2 Q16 Speakers **£35** Carr. 7/6.
Micromatic Radio Kit 49/6 Built **59/6**

SINCLAIR IC10 IN STOCK 59/6
2000 Amplifier **£23.10.0.** Carr. 7/6
Neoteric Amplifier **£48.0.0.** Carr. 7/6

PEAK SOUND PRODUCTS

Full range of Amplifiers, Kits, Speakers in stock.

ECHO HS-606 STEREO HEADPHONES

Wonderfully comfortable. Lightweight adjustable vinyl headband. 6ft. cable and stereo jack plug. 25-17,000 cps. 8 ohm imp. **67/6** P. & P. 2/6.



HOSIDEN DH04S 2-WAY STEREO HEADSETS

Each headphone contains a 2in woofer and a 1in tweeter. Built in individual level controls. 8 Ω imp. 25-18,000cps. with cable and stereo plug. **£5.19.6.** P. & P. 2/6.



RECORDING HEADS

COSMOCORD 1-track heads. High imp. record/playback **65/-**. Low imp. erase **20/-**. **MARRIOTT** 1-track heads. High imp. record/playback **65/-**. Low imp. erase **20/-**. Post extra.

RACAL MA.168 TRANSISTORISED DIVERSITY SWITCH.

Brand New Condition **£15.** Carr. 10/-.

AMERICAN TAPE

First grade quality American tapes. Brand new. Discount on quantities.
3in. 225ft. L.P. acetate. **3/6**
3in. 600ft. T.P. mylar **10/-**
5in. 600ft. std. plastic **8/6**
5in. 900ft. L.P. acetate. **10/-**
5in. 1,200ft. D.P. mylar **15/-**
5in. 1,200ft. L.P. acetate **12/6**
5in. 1,200ft. L.P. mylar **16/-**
5in. 1,800ft. D.P. mylar **22/6**
5in. 2,400ft. L.P. mylar **39/6**
7in. 1,200ft. std. acetate. **12/6**
7in. 1,800ft. L.P. acetate **15/-**
7in. 1,800ft. D.P. mylar **20/-**
7in. 2,400ft. T.P. mylar **25/-**
7in. 3,000ft. T.P. mylar **45/-**
Postage 2/- Over £3 post paid.

TAPE CASSETTES

Top quality in plastic library boxes.
C60 90 min 8/6 3 for 24/6
C90 90 min 12/6 3 for 36/6
C120 120 min 18/- 3 for 48/6
Cassette Head Cleaner 11/3. All Post Extra.

G.W. SMITH & CO. (RADIO) LTD

All Mail Orders to -
147, Church Street, London, W.2
Tel: 01-262 6662
(Trade supplied)

3, LISLE STREET, LONDON, W.C.2 Tel: 01-437 8204
34, LISLE STREET, LONDON, W.C.2 Tel: 01-437 9155
31, EDGWARE ROAD, LONDON, W.2 Tel: 01-262 0387
OPEN 9-6 MONDAY TO SATURDAY (EDGWARE ROAD 1/2 DAY THURSDAY)

Available now! The new Mullard data book for 1970

Quick! get up-to-date with the latest information about Mullard semiconductors, valves, television picture tubes and components.

For easy flick-through location, each section of this pocket-sized data book is colour-coded.

just 4/-
(20p)



Get your copy from your local TV retailer, Bookshop or cash with order, including p.p. 4/9 (24p), direct from

Mullard

Mullard Limited, Mullard House, Torrington Place, London, WC1

YUKAN SO PROFESSIONAL THE SELF-SPRAY YUKAN AEROSOL WAY-

Get these NOW! air drying GREY HAMMER OR BLACK WRINKLE (CRACKLE) finishes

Yukan Aerosol spraykit contains 16 ozs fine quality, durable easy instant spray. No stove baking required. Pushers available in grey, blue, gold, bronze. Modern Eggshell Black Wrinkle (Crackle) all at 15/11 at our counter or 16/11, carriage paid, per push-button self-spray can. Also Durable, heat and water resistant Black Matt Finish (12 ozs self-spray cans only) 13/11 carriage paid.

Other Yukan Air Drying Aerosols: 16 ozs air, 11 ozs corr. pad include: Zinc Chromate Clear Lacquer Metallics: Grey, Blue, Bronze and Gold.

SPECIAL OFFER: 1 can plus optional transferable snap-on trigger handle (value 5/-) for 18/11, carriage paid. Choice of 3 self-spray plain colours and primer (Motor car quality) also available.

Please enclose cheque or crossed P.O. for total amount direct to:

DEPT: K/5 YUKAN, 307A, EDGWARE ROAD, LONDON, W.2.

We supply many Government Departments, Municipal Authorities, Institutes and Leading Industrial Organisations. We can supply you too.

Open all day Saturday. Closed Thursday afternoons.

VALVES SAME DAY SERVICE NEW! TESTED! GUARANTEED!

SETS 1R5, 1R5, 1T4, 3R4, 3V4, DAF91, DF91, DK91, DL92, DL94. Set of 4 for 18/6. DAF96, DF96, DK96, DL96, 4 for 27/-

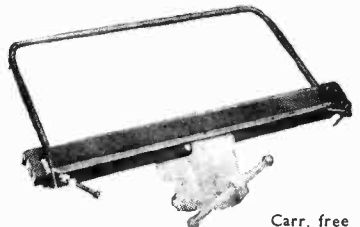
0Z4	4/8	20F2	13/6	DK96	7/8	EL33	9/9	PCL83	12/-	UB41	9/-
1A7GT	7/8	DL93	11/9	DL85	6/-	EL34	9/8	PCL84	7/8	UBP80	8/9
1R6GT	7/8	20P4	18/6	DL92	5/9	EL38	17/8	PCL85	9/-	UBP89	6/9
1N6GT	7/9	25L6GT	5/-	DL94	6/3	EL41	11/-	PCL86	8/3	UC92	5/8
1R5	5/9	25U4GT11/8		DL96	7/3	EL84	4/9	PENA4	12/6	UCC84	7/-
1R5	4/8	30C1	6/8	DY86	5/9	EL90	4/8	PFL20011/9		UCC86	7/8
1T4	2/9	30C15	13/-	DY87	5/9	EL500	12/8	PL36	9/9	UCF80	7/8
3R4	5/9	30C17	16/-	EABC80	6/8	EM80	8/8	PL81	8/9	UCH42	12/8
3V4	6/3	30C18	14/-	EAF42	10/8	EM81	8/8	PL81A	10/6	UCH81	6/8
5Y3GT	5/9	30F5	16/-	EB91	2/3	EM84	6/9	PL82	8/6	UCL82	7/8
6Z4G	7/8	30FL1	12/9	EBC33	8/-	EM87	7/9	PL83	6/6	UCL83	11/9
6/30L2	12/-	30FL1214/8		EBC41	9/8	EY51	7/3	PL84	6/8	UF41	10/8
6AL5	2/3	30FL1414/9		EBF80	6/9	EY86	6/8	PL500	13/-	UF85	6/9
6AM6	2/9	30L1	6/8	EBF89	6/3	EZ40	8/-	PL504	13/6	UF89	6/9
6AQ6	4/8	30L15	13/-	ECL81	6/9	EZ41	8/8	PL608	23/6	UL41	12/-
6AT8	4/-	30L17	15/6	ECC82	4/9	EZ80	4/8	PM64	7/6	UL84	7/-
6AU6	4/8	30P4	12/-	ECC83	7/-	EZ81	4/9	PX25	12/-	UM84	6/6
6BA6	4/8	30P12	13/9	ECC85	5/6	GZ32	8/9	PY32	10/-	UY41	7/9
6BE6	4/9	30P19	12/9	ECC91	3/6	GZ34	9/9	PY33	10/-	UY85	5/9
6BJ6	8/8	30PL1	14/8	ECC80412/-		KT61	9/9	PY81	5/3	W75	10/-
6C3G	4/9	30PL13	17/6	ECP80	6/6	KT66	16/9	PY82	5/8	W77	3/6
6F13	3/8	30PL14	16/6	ECP82	6/6	N78	17/8	PY83	5/9	W119	7/-
6AT8	4/-	35L6GT	8/9	ECH81	5/9	PAB80	7/-	PY88	6/9	Z77	2/9
6F23	14/3	35W4	4/6	ECH42	13/6	PC86	10/3	PY800	7/6	AC107	8/6
6F26	13/-	35Z4GT	5/-	ECH81	5/9	PC88	10/3	PY801	7/6	AC127	7/6
6J5G	4/9	807	9/-	ECH83	8/3	PC96	8/6	R19	6/8	AD140	7/6
6K7G	2/8	6063	12/6	ECH84	7/8	PC97	8/6	R20	12/6	AF116	3/-
6K8G	2/8	AC/VI210/-		ECL80	7/-	PC900	7/6	TH21C	17/6	AF116	3/-
6L18	5/-	AZ31	9/8	ECL82	6/9	PC84	6/6	U25	13/-	AF117	3/6
6SN7GT	4/3	B793	12/6	ECL83	8/3	PC885	6/-	U26	12/-	AF125	3/6
6V6G	3/3	CCH35	13/6	ECL86	8/-	PC888	9/-	U47	13/6	AF127	3/6
6V6GT	6/8	CL33	18/6	EF37A	6/6	PC889	10/6	U49	13/6	OC26	2/6
6X4	4/3	CY31	6/9	EF39	4/9	PC88911/6		U78	4/3	OC44	2/6
6X6GT	5/9	DAC32	7/3	EF41	11/9	PCF80	6/6	U91	12/6	OC45	2/6
10F1	14/-	DAF91	4/3	EF80	4/6	PCF82	6/6	U93	8/6	OC71	2/6
10F18	7/-	DAF96	7/8	EF85	6/3	PCF86	10/6	U251	14/6	OC72	2/6
10P13	12/-	DF33	7/9	EF86	3/9	PCF80013/6		U301	10/6	OC75	2/6
12AT7	3/9	DF91	2/8	EF89	5/3	PCF801	6/9	U329	14/6	OC81	2/6
12AU6	4/9	DF96	7/8	EF91	2/9	PCF802	9/-	U801	19/6	OC81D	2/6
12AU7	4/9	DH77	4/-	EF94	4/6	PCF80514/-		UAHC80	6/6	OC82	2/6
12AX7	4/9	DK32	7/6	EF183	5/9	PCF80612/9		UF42	10/3	OC82D	2/6
12K8GT	7/8	DK91	5/9	EF184	6/6	PCF80814/9		UB41	6/6	OC82D	2/6
19B6GT17/8		DK92	8/8	RF90	6/3	PCL82	7/3	UF41	6/6	OC170	4/6

READERS RADIO (P.E.)

85 TORQUAY GARDENS, REDBRIDGE, ILFORD, ESSEX. Tel. 01-550 7441

Postage on 1 valve 5d. extra. On 2 valves or more, postage 6d. per valve extra. Any Parcel Insured against Damage in Transit 6d. extra.

PARKERS SHEET METAL FOLDING MACHINES HEAVY VICE MODELS



With Bevelled Former Bars

Carr. free

No. 1. Capacity 18 gauge mild steel × 36in. wide £15.0.0
No. 2. Capacity 18 gauge mild steel × 24in. wide £10.0.0
No. 3. Capacity 16 gauge mild steel × 18in. wide £10.0.0

Also new bench models. Capacities 48in. × 18 gauge £40. 36in. × 18 gauge £30.0.0. 24in. × 16 gauge £29.0.0. Carriage free.

End folding attachments for radio chassis. Tray and Box making for 36in. model, 5/6 per ft. Other models 3/6. The two smaller models will form flanges. As supplied to Government Departments, Universities, Hospitals. One year's guarantee. Money refunded if not satisfied. Send for details.

A. B. PARKER, Folding Machine Works, Upper George St., Heckmondwike, Yorks. Heckmondwike 3997

BSR 4-SPEED SUPERSLIM MODEL UA25 RECORD CHANGER

Plays 12", 10" or 7" records. Auto or Manual. A high quality unit backed by BSR reliability with 12 months' guarantee. Size 13 1/2" x 11 1/2" x 4 1/2". Above motor board 3 in. below 2 1/2 in. AC 200/250v.



STEREO/MONO PRICE **£6.19.6** Post 5/6

BSR UA70 Stereo/Mono Transcription Auto Changer. Calibrated Stylus Pressure. **£12.19.6**

BSR Minichanger UA50 Stereo/Mono. Size 12 8/16 in. AC 200/250v. Post 5/6. **£7.19.6**

GARRARD PLAYERS with Sonotone 9TA Cartridges. Stereo Diamond/Mono Sapphire. SP25 Mk II £14.19.6. AT60 Mk II £14.19.6. Model 3000 £12.19.6. Post 5/6.

RECORD PLAYER PORTABLE CABINET Space for amplifier and autochanger. Post 5/- **75/-**

RCS DE-LUXE 3 WATT AMPLIFIER. Ready made and tested. A 2-stage unit using triode pentode valve, giving 3 watts output. Tone and volume controls. Isolated mains transformer. With knobs, loudspeaker and valves ECL82, E230. Frequency response 50-12,000 cps. Sensitivity 200mV. Post 5/6. **89/6**

R.C.S. TEAKWOOD BASE Ready cut out for mounting (state player make and model). **77/6**

R.C.S. PLASTIC COVERS FOR ABOVE BASE. Durable finished attractive appearance. **77/6**

EMI PICK-UP ARM. Complete with mono cartridge 29/6. EMI JUNIOR 4 SPEED RECORD PLAYER. Mains operated motor, turntable and pick up complete. Post 5/6. **59/6**

HI-FI PICK UP CARTRIDGES GP94 55/-; GP93 45/-; GP91 30/-; GP97 19/6; ACOS LP. Only 10/6. All standard fixing complete with stylus.

CRYSTAL MIKE INSERTS 1 1/2" dia. 6/6. ACOS 1 1/2" dia. 12/6. BM3, 1" dia. 9/6

PORTABLE AMPLIFIER

Portable mini p.a. system. Any uses - ideal for Parties, or as a Baby Alarm, Intercom, Telephone or Record Player Amplifier, etc. Attractive rexine covered cabinet, size 12" x 9" x 4 1/2".



Only **75/-** Post 5/-

WEYRAD P50 - TRANSISTOR COILS

RA5V Ferrite Aerial 12/6 Spare Cores 3/6
O.F. P50/1AC 5/6 Printed Circuit LFDTA 9/6
Isc. P50/2CC 470 kc/s 5/7 Spire Circuit, FCA1 9/6
3rd I.F. P50/3CC 6/6 J.B. Tuning Gang 10/6
P51/1 or P51/2 5/7 Weyrad Booklet 10/6
P51/3 6/6 OPT1 10/6
Ferrite Rod 8" dia. 4/- 6" dia. 5/-

VOLUME CONTROLS 80ohm Coax 9d. yd.

Long spindles. Midget Size 5 K. ohms to 2 Meg. LOG or LIN. L/S 3". D.P. 5/-
STEREO L/S 1 1/2". D.P. 15/-
Edgok S.P. Transistor. 5/-
Ideal 825 lines

WIRE-WOUND 3-WATT POTS. Small type with small knob. Values 10Ω to 30 K. 5/-
Carbon 30 K to 2 meg. 5/-

WIRE-WOUND 3-WATT STANDARD SIZE POTS. LONG SPINDLE 8/-
10 OHMS to 100 K 8/-

VEROBOARD 0.15 MATRIX 2 1/2" x 5in. 3/6. 2 1/2" x 3 1/2" 3/6. 3 1/2" x 5in. 5/2. EDGE CONNECTORS 16 way 5/-; 24 way 7/6. PINS 36 per packet 3/4. FACE CUTTERS 7/6.

S.R.B.P. Board 0.15 MATRIX 2 1/2 in. wide 6d. per 3 in. 3 1/2 in. wide 9d. per 1 in.; 5 in. wide 1/- per 1 in. (up to 17 in.). S.R.B.P. undrilled 1/4 in. Board 10" x 8 in. 3/-.

BLANK ALUMINIUM CHASSIS. 18 s.w.g. 2 1/2 in. sides. 7 1/2 in. 6/-; 11" x 3 in. 7/6; 11" 7 in. 9/6; 13" x 9 in. 10/6; 15" x 14 in. 15/-; 9" x 7" x 2 in. 8/6; 14" x 1 1/2" x 14 in. 14/6.

ALUMINIUM PANELS 18 s.w.g. 12" x 12 in. 6/6; 14" x 18 in. 6/6; 12" x 8 in. 4/6; 10" x 7 in. 3/6; 8" x 6 in. 2/6; 6" x 4 in. 1/6.

1 1/2 inch DIAMETER WAVE-CHANGE SWITCHES. 2 p. 2-way, or 2 p. 6-way, or 3 p. 4-way 4/6 each. 1 p. 12-way, or 4 p. 2-way, or 4 p. 3-way 4/6 each. 1 inch DIAMETER WAVE-CHANGE "MAKITS" 1 p. 12-way. 2 p. 6-way, 3 p. 4-way, 4 p. 3-way, 6 p. 2-way, 1 water 12/6; 2 water 18/-; 3 water 24/-; 4 water 30/-; 5 water 36/-.

TOGGLE SWITCHES, sp. 2/6; sp. dt. 3/6; dp. 3/6; dp. dt. 4/6.

ALL PURPOSE HEADPHONES

H.R. HEADPHONES 2000 ohms Super Sensitive... 35/-
1 KW RESISTANCE HEADPHONES 3-5 ohms... 39/6
DE LUXE PADDED STEREO PHONES 8 ohms... 79/6

"THE INSTANT" BULK TAPE ERASER AND RECORDING HEAD DEMAGNETISER. **42/6** Post 2/6



900/250 v. A.C. Leal's S.A.E. Minimum Post and Packing 2/6.

RETURN OF POST DESPATCH. HI-FI STOCKISTS. CUSTOMERS FREE CAR PARK.

RADIO COMPONENT SPECIALISTS

List 1/- Written guarantee with every purchase. (Export: Remit cash and extra postage.) Buses 133, 68 pass door. S.R. Stn. Selhurst. Tel. 01-684-1665

★ ALL PURPOSE TRANSISTOR ★

PRE AMPLIFIER BRITISH MADE. 3-12v. and 200-300V. D.C. operation. Size 1 1/2" x 1 1/2" x 1 1/2". Response 25 cps to 25 Kc/s. 26 db gain. For use with valve or transistor equipment. Full instructions. Brand new. Guaranteed. Full Details S.A.E. **17/6 each**

NEW TUBULAR ELECTROLYTICS		CAN TYPES	
2/350V	2/8	100/25V	2/8
4/350V	2/8	250/25V	2/8
8/450V	3/8	500/25V	3/8
16/450V	3/8	8+5/450V	3/8
32/450V	4/8	8+16/450V	4/8
25/25V	2/8	16+16/450V	5/8
50/50V	2/8	32+32/350V	5/8
		100+50+50/350V	5/8

SUB-MIN. ELECTROLYTICS 1, 2, 4, 5, 8, 16, 25, 30, 50, 100, 200mF 15V 2/-; 500, 1000mF 12V 3/6; 2000mF 25V 7/6. CERAMIC. 1pF to 0.01mF. 8d. Silver Mica 2 to 5000pF. 9d. PAPER 350V-0.1 9d. 0.5 2/6; 1mF 3/6; 2mF 150V 3/6. 500V-0.001 to 0.05 8d; 0.1 1/-; 0.25 1/6; 0.47 5/6. 1.00V-0.001, 0.0022, 0.0047, 0.01, 0.02, 2/6; 0.047, 0.1, 2/6. SILVER MICA. Close tolerance 1%, 2-9 500pF 1/6; 580-2200pF 2/6; 2.70e 5, 600pF 4/-; 6.800pF-0.01, mid 6/- each. TWIN GANG. "0-0" 208pF+176pF, 11/-; 365pF, miniature 11/-; 500pF standard with trimmers. 15/-; 500pF midret less trimmers, 8/-; 500pF slow motion, standard 9/-; small 3-range 500pF 2/-; Single "0" 365pF 8/6. TWIN 11/-; SHORT WAVE. Single 10pF, 25pF, 50pF, 75pF, 100pF, 160pF, 200pF, 300pF each. Chrome Telescopie Aerials 23in. 5/-; TUNING Solid dielectric. 100pF, 300pF, 500pF, 7/- each. TRIMMERS. Compression 30, 50, 70pF, 1/-; 100pF, 150pF, 1/8; 250pF, 1/8; 800pF, 750pF, 2/-; 1000pF, 2/6. RECTIFIERS CONTACT COOLED 1/2 wave 60mA 7/6; 85mA 9/6. SILICON BY213 8/6; BY100 10/6. Full wave Bridge 75mA 10/-; 150mA 19/6; TV rect. 10/-; NEON PANEL INDICATOR. SP25, AC/DC, Amber 5/6. RESISTORS. Preferred value 10 ohms to 10 meg. 2/-; 1 w. 4 w. 1 w. 20% 34/-; 1 w. 8d. 2 w. 1/-; 1 w. 10% 6d. HIGH STABILITY. 1 w. 1% 10 ohms to 10 meg. 2/-; Ditto 5%. Preferred values 10 ohms to 22 meg. 8d. WIRE-WOUND RESISTORS 5 watt, 10 watt, 15 watt, 10 ohms to 100K. 2/- each; 21 watt, 1 ohm to 8-2 ohms. 2/-

Q MAX CHASSIS CUTTER

Complete: a die, a punch, an Allen screw and key. 1 in. 18/-; 1 in. 17/6 1 1/2 in. 19/6 1 1/2 in. 24/- 2 1/2 in. 44/3 1 in. 18/- 1 in. 17/6 1 1/2 in. 20/6 1 in. 29/- 1 in. 67/3 1 in. 16/9 1 1/2 in. 19/6 1 1/2 in. 21/6 2 in. 39/- 1 in. sc. 36/6

TRANSISTOR MAINS POWER PACKS. FULL WAVE 9 volt 500mA. Size 4 1/2 x 2 1/2 in. Metal case. Crackle finish. Output terminals. On/off switch. **49/6**

Half Wave 9 volt 50mA. Size 2 1/2 x 1 1/2 in. Snap terminals 32/6

MAINS TRANSFORMERS

250-0-250 50 mA. 6.3 v. 2 amps, centre tapped 19/6
250-0-250 80 mA. 6.3 v. 4 amp. 28/-
250-0-250 80 mA. 6.3 v. 3.5 v. 6.3 v. 1 a. or 5 v. 2 a. 38/-
350-0-350 80 mA. 6.3 v. 4 amp. 6.3 v. 1 a. or 5 v. 2 a. 38/-
300-0-300 v. 120 mA. 6.3 v. 4 C.T. 6.3 v. 2 a. 45/-
MINIATURE 200 v. 20 mA. 6.3 v. 1 a. 2 1/2 x 2 1/2 in. 15/-
MIDGET 220 v. 45 mA. 6.3 v. 2 a. 2 1/2 x 2 1/2 in. 17/6
HEATER TRANS. 6.3 v. 1 1/2 a. 10/6; 6.3 v. 4 a. 15/6
Ditto tapped sec. 1.4 v. 2.3 a. 4.5. 6.3 v. 1 1/2 amp. 15/6
GENERAL PURPOSE LOW VOLTAGE. Outputs 3, 4, 5, 6, 8, 9, 10, 12, 15, 18, 20, 24, 30, 36, 40, 48, 60, 38/-
AUTO TRANSFORMERS 0-115-230 v. Input/Output, 60w. 18/6; 150w. 38/-; 500w. 45; 1000w. 42.
CHARGER TRANSFORMERS. Input 200/250v for 6 or 12v. 1 1/2 amp. 24/-; 4 amp. 38/-
FULL WAVE BRIDGE CHARGER RECTIFIERS: 6 or 12v. outputs. 1 1/2 amp. 8/-; 2 amp. 11/-; 4 amp. 17/-.

COAXIAL PLUG 1/3. PANEL SOCKETS 1/3. LINE 3/6. OUTLET BOXES. SURFACE OR FLUSH 5/-.

BALANCED TWIN FEEDERS 1/2, 8d. 80 ohms or 300 ohms. JACK SOCKET 5d. open-circuit 2d. closed circuit 4/6; Chrome Lead Socket 7/6. Phono Plug 1/3. Phono Socket 1/3. JACK PLUGS Std. Chrome 3/6; 3 1/2 in. Chrome 2/6. DIN SOCKETS chassis 3-pin 1/6; 5-pin 2/-; DIN SOCKETS Lead 3-pin 3/6; 5-pin 5/-; DIN PLUGS 3-pin 3/6; 5-pin 5/-; VALVE HOLDERS, 9d.; CERAMIC 1/3; CANS 1/3.

E.M.I. 13 1/2 x 8 in. LOUSPEAKERS

With flared tweeter cone and ceramic magnet. 10 watts. Base 45-60 cps. Flux 10,000 gauss. Speech coil, 3 or 15 ohm. **45/-**

Also with twin tweeters. Complete with crossover, 3 or 8 or 15 79/6 ohms. 10 watt.

Recommended Teak Cabinet Size 16" x 10" 8in. **£5**

MINI-MODULE LOUSPEAKER KIT

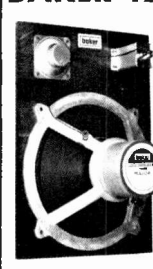
10 WATT 65/- CARRIAGE 5/-

Triple speaker system combining on ready cut baffle. 1 in. chipboard 15 in. x 8 in. Separate Bass, Middle and Treble loudspeakers and crossover condenser. The heavy duty 5 in. Bass Woofer unit has a low resonance cone. The Mid-Range unit is specially designed to add drive to the middle register and the tweeter recreates the top end of the musical spectrum. Total response 20-15,000 cps. Full instructions for 3 or 8 ohm.

TEAK VENEERED BOOKSHELF ENCLOSURE. 16 x 10 x 9 in. Modern Scandinavian fluted front design for Mini-Module. **£5** Post 5/-

ALL MODELS "BAKER SPEAKERS" IN STOCK

BAKER 12in MAJOR £8



30-14,500 c.p.s., 12in double cone, woofer and tweeter cone together with a BAKER ceramic magnet assembly having a flux density of 14,000 gauss and a total flux of 145,000 Maxwells. Bass resonance 45 c.p.s. Rated 20 watts. Voice coils 3 or 8 or 15 ohms.

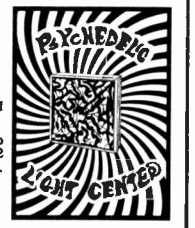
Module kit, 30-17,000 c.p.s. with tweeter, crossover, baffle and instructions. **£10.19.6**

BAKER "GROUP SOUND" SPEAKERS - POST FREE
'Group 25' 12in 25 watt 6gns.
'Group 35' 12in 35 watt 8 1/2 gns.
'Group 50' 15in 50 watt 18gns.

TEAK HI-FI SPEAKER CABINETS. Fluted wood front. For 10 or 12in round Loudspeaker 29.00.
For 13" 8in or 8in round Loudspeaker 25.00.
For 10" 6in or 6 1/2in round Loudspeaker 24.00.
LOUDSPEAKER CABINET WADDING 18in wide, 2 1/2ft

Horn Tweeters 2-16kc/s, 10W 8 ohm 29/6.
De Luxe Horn Tweeters 2-18 Kc/s, 15W, 16 ohm 59/6.
EMI Plastic Cone 2 in 8 horn 17/6.
CROSSOVERS 3 or 8 or 15 ohm 16/6.
SPECIAL OFFER: 80 ohm. 2 1/2 in. dia.; 35 ohm. 3 in. dia.; 6 ohm. 4 in.; 8 ohm. 5 in. 17/6 TYPE 15 ohm. 7 in.; 8 in. 5 in.
8 ohm 8 in. 4 in.; 3 ohm. 2 1/2 in. 3 in. 5 in. 3 in. 7 in. 4 in.
LOUDSPEAKERS P.M. 3 OHMS. 6 in 22/6; 8" 5 in. 21/-; 8" 2 1/2 in 21/-; 8 in 35/-; 10 x 6 in 30/-.
1 in. WOOFER. 8 watts max. 20-10,000 cps. 8 or 15 ohm. 39/6.
ELAC 8 in. De Luxe Ceramic 3 ohm or 15 ohm 50/-.
8 in. LOUSPEAKER. TWIN CORE 15 ohm 35/-.
RICHARD ALLAN 10 or 12 in Twin cone 3 or 15 ohm 39/6.
OUTPUT TRANS. EL84 etc. 5/-; MIKE TRANS. 50:1 5/-.
SPEAKER COVERING MATERIALS. Samples Large S.A.E.

SOUND ACTIVATED PSYCHEDELIC LIGHT



Fascinating light patterns of Green, Blue, Red and Amber. Works with any mono or stereo amplifier. Input required 0.2 watts. A.C. mains operated. Size 18" x 13" x 4 in.

£12.10.0

ALL EAGLE PRODUCTS

SUPPLIED AT LOWEST PRICES. ILLUSTRATED EAGLE CATALOGUE 5/- Post free.

BARGAIN AM TUNER. Medium Wave. Transistor Superhet. Ferrite aerial. 9 volt. **79/6**

BARGAIN DE LUXE TAPE SPLICER Cuts, trims, joins for editing and repairs. With 3 blades. **22/6**

BARGAIN 4 CHANNEL TRANSISTOR MIXER. Add musical highlights and sound effects to recordings. Will mix Microphone, records, tape and tuner with separate controls into single output. 9 volt. **59/6**

BARGAIN FM TUNER 88-108 Mc/s Six Transistor. 9 volt. Print Circuit. Calibrated slide dial tuning. Walnut Cabinet. Size 7" x 5" x 4 in. Chassis only, less cabinet 27.10.0. FM STEREO MULTIPLEX ADAPTOR for above or general use. Ready made with 4 transistors, 6 diodes **99/6**

BARGAIN 3 WATT AMPLIFIER. 4 Transistor Push-Pull Ready built, with volume control. 9v. **69/6**

★ RADIO BOOKS ★ (Postage 9d.)
Practical Transistor Receivers 5/-
Practical Radio Inside Out 4/6
Practical Stereo Handbook 3/6
Supersensitive Transistor Pocket Radio 3/6
Radio Valve Guide, Books 2, 3, or 4 ea. 5/- No. 5 ea. 6/6
Shortwave Transistor Receivers 8/6
Transistor Communication Sets 6/6
Sub-Minature Transistor Receivers 5/-
Wesley World Radio Valve Data 10/-
International Radio Stations Guide 2/6
Transistor Circuits for Radio Controlled Models 7/6
Valves, Transistors and Diodes equivalents Manual 10/6

3 inch MOVING COIL METERS BRITISH MADE Various calibrations/movements. 500 Microamp; 1 Milliamp; 50-500 Microamp, etc. S.A.E. for list. **37/6**

MAINS ELECTRIC MOTORS

(120v. or 240v. AC). Size 2 1/2 x 2 1/2 in. Clockwise 1,800 r.p.m. off load. Heavy duty 4 pole 50mA. Spindle 1/8" B.A. M. PRICE 17/6 Post 2/6
3 for 50/-; 6 for 90/-

CALLERS WELCOME. 337 WHITEHORSE ROAD, CROYDON

Open 9-6 p.m. (Wednesdays 9-1 p.m., Saturdays 9-5 p.m.) Buses 133, 68 pass door. S.R. Stn. Selhurst. Tel. 01-684-1665

Practical Electronics July 1970

VALUE ALL THE WAY

QUALITY-TESTED PAKS

6 Matched Trans. OC44/45/81/SD	10/-
20 Red Spot AF Trans. PNP	10/-
16 White Spot RF Trans. PNP	10/-
5 Silicon Rects. 3 A 100-400 PIV	10/-
2 10 A Silicon Rects. 100 PIV	10/-
2 OC1 140 Trans. NPN Switching	10/-
1 20 A SCR 100 PIV	10/-
3 Sil. Trans. 25303 PNP	10/-
1 120 Mc's Sil. Trans. NPN BS226/27	10/-
3 Zener Diodes 1W 33V 5% Tol.	10/-
4 High Current Trans. OC42 Eqty.	10/-
2 Power Transistors 1 OC26 1 OC35	10/-
5 Silicon Rects. 400 PIV 250mA	10/-
4 OC75 Transistors	10/-
1 Power Trans. OC29 100V	10/-
10 OA202 Sil. Diodes Sub-min.	10/-
2 Low Noise Trans. NPN 2N929/30	10/-
1 Sil. Trans. NPN VCB 100 ZT86	10/-
8 OA81 Diodes	10/-
4 OC72 Transistors	10/-
4 OC77 Transistors	10/-
4 Sil. Rects. 400 PIV 500mA	10/-
5 GET884 Trans. Eqty. OC44	10/-
5 GET883 Trans. Eqty. OC45	10/-
2 2N708 Sil. Trans. 300Mc/s NPN	10/-
3 GT31 LF Low Noise Germ. Trans.	10/-
6 IN914 Sil. Diodes 75 PIV 75mA	10/-
8 OA95 Germ. Diodes Sub-min. IN69	10/-
3 NPN Germ. Trans. NKT773 Eqty.	10/-
1 OC22 Power Trans. Germ.	10/-
2 OC26 Power Trans. Germ.	10/-
4 AC128 Trans. PNP High Gain	10/-
4 AC127/128 Comp. pair PNP/NPN	10/-
3 2N1307 PNP Switching Trans.	10/-
7 OC82H Germ. Diodes Eqty. OA71	10/-
3 AF116 Type Trans.	10/-
12 Assorted Germ. Diodes Marked	10/-
4 AC126 Germ. PNP Trans.	10/-
4 Silicon Rects. 100 PIV 750mA	10/-
3 AF117 Trans.	10/-
7 OC81 Type Trans.	10/-
3 OC171 Trans.	10/-
2 2N2926 Sil. Epoxy Trans.	10/-
7 OC71 Type Trans.	10/-
2 2S701 Sil. Trans. Texas	10/-
2 10 A 600 PIV Sil. Rects. 184GR	10/-
3 BC108 Sil. NPN High Gain Trans.	10/-
1 2N100 NPN Sil. Trans. VCB 100	10/-
2 100 PIV Sil. Rect. 1-5 A R533/1 AF	10/-
3 BBY95A Sil. Trans. NPN 200Mc/s	10/-
3 OC200 Sil. Trans.	10/-
4 GET880 Low Noise Germ. Trans.	10/-
1 AF139 PNP High Freq. Trans.	10/-
3 NPN Trans. 1 RT141 & 2ST140	10/-
4 Madt's 2 MAT101 & 2MAT120	10/-
3 Madt's 2 MAT101 & 1 MAT121	10/-
4 OC44 Germ. Trans. AF	10/-
3 AC127 NPN Germ. Trans.	10/-
1 2N3900 Sil. PNP Trans. Motorola	10/-
2 Sil. Power Rects. BYZ13	15/-
1 Sil. Power Trans. NPN 100Mc/s	15/-
TK201A	15/-
2 2N1132 PNP Epitaxial Planar Sil.	15/-
2 2N097 Epitaxial Planar Trans. Sil.	15/-
4 Germ. Power Trans. Eqty. OC46	15/-
1 Unijunction Trans. 2N2640	15/-
2 Sil. Trans. 200Mc/s 60Vcb ZT83/84	15/-
20 NKT Trans. AF. RF. VHF. Coded + Eqty. List	10/-
2 2N2712 Sil. Epoxy Planar HFE225	15/-
8 BY100 Type Sil. Rects.	20/-
25 Sil. and Germ. Trans. Mixed, all marked, New	30/-

SEMICONDUCTORS FOR "P.E." 50 & 50AMP.			
TYPE	EACH	TYPE	EACH
2N1613	4/6	IN914	1/-
2N3056	12/6	OA200	1/-
2N3703	3/-	BFY51	3/6
2N3704	3/6	BYZ13	4/6
2N3707	3/6	40362	3/6
2N3819	8/-	22V 1/2W Zener	8/-

GIRO No. 388-7006

BI-PAK

500 CHESHAM HOUSE
150 REGENT STREET
LONDON, W.1

KING OF THE PAKS Unequalled Value and Quality

SUPER PAKS NEW BI-PAK UNTESTED SEMICONDUCTORS

Satisfaction GUARANTEED in Every Pak, or money back.
Pak No.

U1	120 Glass Sub-min. General Purpose Germanium Diodes	10/-
U2	60 Mixed Germanium Transistors AF/RF	10/-
U3	75 Germanium Gold Bonded Diodes sim. OA5, OA47	10/-
U4	40 Germanium Transistors like OC81, AC128	10/-
U5	60 200mA Sub-min. Sil. Diodes	10/-
U6	30 Silicon Planar Transistors NPN sim. BSY95A, 2N706	10/-
U7	16 Silicon Rectifiers Top-Hat 750mA up to 1,000V	10/-
U8	50 Sil. Planar Diodes 250mA OA/200/202	10/-
U9	20 Mixed Volts 1 watt Zener Diodes	10/-
U11	30 PNP Silicon Planar Transistors TO-5 sim. 2N1132	10/-
U13	30 PNP-NPN Sil. Transistors OC200 & 2S104	10/-
U14	160 Mixed Silicon and Germanium Diodes	10/-
U16	25 NPN Silicon Planar Transistors TO-5 sim. 2N697	10/-
U16	10 3-Amp Silicon Rectifiers Stud Type up to 1000 PIV	10/-
U17	30 Germanium PNP AF Transistors TO-5 like ACY 17-22	10/-
U18	8 6-Amp Silicon Rectifiers BYZ13 Type up to 600 PIV	10/-
U19	25 Silicon NPN Transistors like BC108	10/-
U20	12 1/2-amp Silicon Rectifiers Top-Hat up to 1,000 PIV	10/-
U21	30 A.F. Germanium alloy Transistors 2G300 Series & OC71	10/-
U23	30 Madt's like MAT Series PNP Transistors	10/-
U24	20 Germanium 1-amp Rectifiers GJM up to 300 PIV	10/-
U25	25 300Mc/s NPN Silicon Transistors 2N708, BSY27	10/-
U26	30 Fast Switching Silicon Diodes like IN914 Micro-min	10/-
U28	Experimenters' Assortment of Integrated Circuits, untested. Gates, Flip-Flops, Registers, etc., 8 Assorted Pieces	20/-
U29	10 1 amp SCR's TO-5 can up to 600 PIV CR51/25-600	20/-
U31	20 Sil. Planar NPN trans. low noise Amp 2N3707	10/-
U32	25 Zener diodes 400mW D07 case mixed Volts, 3-18	10/-
U33	15 Plastic case 1 amp Silicon rectifiers IN4000 series	10/-
U34	30 Sil. PNP alloy trans. TO-5 BCY26, 283024	10/-
U35	25 Sil. Planar trans. PNP TO-18 2N2906	10/-
U36	25 Sil. Planar NPN trans. TO-5 BFY50/51/52	10/-
U37	30 Sil. alloy trans. SO-2 PNP, OC200 2S322	10/-
U38	20 Fast Switching Sil. trans. NPN, 400Mc/s 2N3011	10/-
U39	30 RF Germ. PNP trans. 2N1303/5 TO-5	10/-
U40	10 Dual trans. 6 lead TO-5 2N2060	10/-
U41	25 RF Germ. trans. TO-1 OC45 NKT72	10/-
U42	10 VHF Germ. PNP trans. TO 1 NKT667 AF117	10/-

Code Nos. mentioned above are given as a guide to the type of device in the Pak. The devices themselves are normally unmarked

NEW LOW PRICE TESTED S.C.R.'s

1A	3A	7A	16A	30A		
(TO-6)	(TO-6)	(TO-48)	(TO-48)	(TO-48)		
PIV each	each	each	each	each		
50	4/6	5/-	9/6	10/6	25	20/-
100	5/-	6/6	10/6	12/6	50	23/-
200	7/-	7/6	11/6	15/6	100	28/-
400	8/6	9/6	13/6	18/6	200	32/-
600	10/6	11/6	15/6	25/6	400	38/-
800	12/6	14/6	18/6	30/6	800	40/-

2A POTTED BRIDGE RECTIFIERS.

200V 10/-, 600V 15/-, 800V 20/-.

TRANSISTOR EQVT. AND SPECIFICATION BOOK.

(German Publication.) A complete cross reference and equivalent book for European, American and Japanese Transistors. Exclusive to BI-PAK. 15/- each.

PRINTED CIRCUITS EX-COMPUTER

Packed with semiconductors and components, 10 boards give a guaranteed 30 trans and 30 diodes. Our price 10 boards 10/- Plus 2/- P. & P.

PLEASE NOTE. To avoid any further Increased Postal Charges to our Customers and enable us to keep our "By Return Postal service" which is second to none, we have re-organised and streamlined our Despatch Order Department and we now request you to send all your orders together with your remittance, direct to our Warehouse and Despatch Department, postal address: **BI-PAK SEMICONDUCTORS, Despatch Dept., P.O. BOX 8, WARE, HERTS.** Postage and packing still 1/- per order. Minimum order 10/-

ADI161 NPN

ADI162 PNP

MATCHED COMPLEMENTARY PAIRS OF GERM. POWER TRANSISTORS.

For mains driven output stages of Amplifiers and Radio receivers.

OUR LOWEST PRICE OF 12/6 PER PAIR

HIGH POWER SILICON PLANAR TRANSISTORS TO-3

FERRANTI ZT1487

VCB50 1c 6A

VEE40 Pot. 75W

VEB8 hFE15-45

PRICE 15/- EACH

2N3055 115 WATT SIL. POWER NPN

OUR PRICE 12/6 EACH

FULL RANGE OF ZENER DIODES VOLTAGE RANGE 2-18V, 400mW (D07 Case) 2/6 ea. 1 1/2W (Top-Hat) 3/6 ea. 10W (SO-10 Stud) 5/- ea. All fully tested 5% tol. and marked. State voltage required.

BRAND NEW TEXAS GERM. TRANSISTORS Coded and Guaranteed

Pak No. EQVT

T1 8 2G371A OC71

T2 8 2G374 OC75

T3 8 2G374A OC81D

T4 8 2G381A OC81

T5 8 2G382T OC82

T6 8 2G344A OC44

T7 8 2G345A OC45

T8 8 2G378 OC78

T9 8 2G399A 2N1302

T10 8 2G417 AF117

All 10/- each pack

2N2060 NPN SIL. DUAL TRANS. CODE D1699 TEXAS. Our price 5/- each.

120 VCB NIXIE DRIVER TRANSISTOR.

Sim. BXN21 & C407, 2N1893 FULLY TESTED AND CODED NDI20 1/2 4/3 8 each. TO-5 N.P.N. 25 up 3/- each.

FREE

One 10/- Pack of your own choice free with orders valued 44 or over.

NPN DIFFUSED SILICON PHOTO-DUO-BIODE TYPE IS701 (2N2175) for Tape Readout, high switching and measurement indicators.

50V, 250mW. OUR PRICE 10/- EACH, 50 OR OVER 8/6 EACH. FULL DETAILS.

FET'S

2N 3819 10/-
2N 3820 25/-
MPF105 8/-

LOW COST F.E.T.'s

Fully Tested, Guaranteed Parameters eqvt. to 2N3819, MPF102, 2N-5459, 1-24 7/8 each; 25-99 3/3 each; 100 up 5/6 each. Coded FE19. Full data sent. TO-72 case.

CADMIUM CELLS

ORP12 8/6
ORFP0, ORFP1 8/- each

PHOTO TRANS.

OCF71 Type. 8/6

INTEGRATED CIRCUITS

BI-PAK MONOLITHIC AMPLIFIERS (TO-5 8 lead)

BF709C Operational amplifier. 15/- each.

BF701C Operational amplifier (with Zener output), 12/6 each.

BF702C Operational amplifier (with direct output), 12/6 each.

BF501 Wide band amplifier, 18/- each.

BF521 Logarithmic wide band amp., 14/- each.

BF202C, General purpose amplifier (TO-5 8 lead), (voltage or current amp), 12/6 each.

I.C. Operational Amplifier with Zener output.

Type 701C. Ideal for P.E. Projects. 8 Lead TO-5 case. Full data.

Our price 12/6 each

5 off 11/- each. Large Qty. Prices quoted for.

IC AMPLIFIER

Identical encapsulation and pin configuration to the following: SL402-3, IC10 and IC403. Each circuit incorporates a pre-amp and class A.B. Power amp stage capable of delivering up to 3 watts RMS. Fully tested and guaranteed. Supplied complete with circuit details and data. CODED BP.1010. OUR LOWEST PRICE 30/- each. 10 up 25/- each.

OTHER MONOLITHIC DEVICES

D13D1 Silicon Unilateral switch 10/- each.

A Silicon Planar, monolithic integrated circuit having thyristor electrical characteristics, but with an anode gate and a built-in "Zener" diode between gate and cathode. Full data and application circuits available on request.

FAIRCHILD (U.S.A.) TRUL MICROLOGIC INTEGRATED CIRCUITS

Epoxy case 18-5 lead Temp. range 15°C to 55°C. UL1900 Buffer, 9/9 each.

UL1914, Dual two-input gate, 9/9 each.

UL1923 J-K flip-flop, 13/- each.

Complete data and circuits for the Fairchild I.C.'s available in booklet form priced 1/6

MULLARD I.C. AMPLIFIERS

TAA243, Operational amplifier, 70/- each.

TAA263, Linear AF amplifier, 15/9 each.

TAA293, General purpose amplifier, 21/- each.

CA3020 RCA (U.S.A.) LINEAR INTEGRATED CIRCUITS

Audio Power Amplifier, 30/- each.

BI-PAK MONOLITHIC DIGITAL CIRCUITS (10 lead TO-5)

BF305A, 6-Input AND gate, 9/6 each.

BF314A, 7-Input NOR gate, 9/6 each.

BF315A, Dual 3-Input NOR gate, 9/6 each.

BF316A, Dual 2-Input NOR gate (expandable), 9/6 each.

BF320A, J-K Binary element, 11/6 each.

BF322A, Dual 3-Input OR gate, 9/6 each.

BI-PAK=LOW COST I.C.'s

BI-PAK Semiconductors now offer you the largest and most popular range of I.C.'s available at these **EXCLUSIVE LOW PRICES**. TTL Digital 8N74N Series fully coded, brand new to manufacturers' specifications. Dual in-line plastic 14 and 16 pin packages.



BI-PAK Order No.	Description	Price and qty. prices		
		1-24	25-99	100 up
BP00=8N7400N	Quad 2-Input NAND GATE	6/6	5/6	4/6
BP01=8N7401N	Quad 2-Input NAND Gate—OPEN COLLECTOR	6/6	5/6	4/6
BP04=8N7404N	HEX INVERTER	6/6	5/6	4/6
BP10=8N7410N	Triple 3-Input NAND GATE	6/6	5/6	4/6
BP20=8N7420N	Dual 4-Input NAND GATE	6/6	5/6	4/6
BP30=8N7430N	Single 8-Input NAND GATE	6/6	5/6	4/6
BP40=8N7440N	Dual 4-Input BUFFER GATE	6/6	5/6	4/6
BP41=8N7441AN	BCD to decimal decoder and NIT Driver	22/6	20/-	17/6
BP42=8N7442N	BCD to decimal decode (TTL O/P)	22/6	20/-	17/6
BP50=8N7450N	Dual 2-Input AND/OR/NOT GATE—expandable	6/6	5/6	4/6
BP53=8N7453N	Single 8-Input AND/OR/NOT GATE—expandable	6/6	5/6	4/6
BP60=8N7460N	Dual 4-Input—expandable	6/6	5/6	4/6
BP70=8N7470N	Single JK Flip-Flop—edge triggered	9/-	8/-	7/-
BP72=8N7472N	Single Master Slave JK Flip-flop	9/-	8/-	7/-
BP73=8N7473N	Dual Master Slave JK Flip-flop	10/-	9/-	8/6
BP74=8N7474N	Dual D Flip-flop	10/-	9/-	8/6
BP75=8N7475N	Quad Bistable Latch	11/-	10/-	9/6
BP76=8N7476N	Dual Master Slave Flip-flop with preset and clear	11/-	10/-	9/6
BP83=8N7483N	Four Bit Binary Adder	26/-	22/6	20/-
BP90=8N7490N	BCD Decade Counter	22/6	20/-	17/6
BP92=8N7492N	Divide by 12 4 Bit binary counter	22/6	20/-	17/6
BP93=8N7493N	Divide by 16 4 Bit binary counter	22/6	20/-	17/6
BP94=8N7494N	Dual Entry 4 Bit Shift Register	22/6	20/-	17/6
BP95=8N7495N	4 Bit Up-Down Shift Register	22/6	20/-	17/6
BP96=8N7496N	5 Bit shift register	24/-	21/-	18/6

BRAND NEW. FULL TO MANUFACTURERS' SPECIFICATION

Price each	Price each		
	1-24	25-99	100 up
BP709 Operational Amplifier, dual-in-line 14 pin package — 8N73709 and similar to MIC709 and ZLD709C.	10/6	9/-	8/-

This is a high performance operational amplifier with high impedance differential inputs and low impedance output.

INTEGRATED CIRCUITS

Manufacturers' "Fall outs"—out of spec. devices including functional units and part functional but classed as out of spec. from the manufacturers very rigid specifications. Ideal for learning about I.C.'s and experimental work, on testing, some will be found perfect.

PAK No.	Price	PAK No.	Price
UIC00 = 5 × 7400N	10/-	UIC50 = 5 × 7450	10/-
UIC01 = 5 × 7401N	10/-	UIC53 = 5 × 7453	10/-
UIC10 = 5 × 7410N	10/-	UIC72 = 5 × 7472	10/-
UIC20 = 5 × 7420N	10/-	UIC74 = 5 × 7474	10/-
UIC30 = 5 × 7430N	10/-	UIC75 = 5 × 7475	10/-
UIC40 = 5 × 7440N	10/-	UIC90 = 5 × 7490	10/-
UIC41 = 5 × 7441AN	10/-	UICX1 = 20 × asst'd. 74's.	90/-

Packs cannot be split but 20 assorted pieces (our mix) is available as PAK UICX1. Every PAK carries our BI-PAK Satisfaction or money back GUARANTEE.

MOTOROLA DIGITAL I.C.'s

Price	Price
MDTL dual in-line package	
Type MC844F expandable dual 4-input NAND Power Gate	10/- each
Type MC845P Clocked Flip-flop	15/- each

FULL DATA SUPPLIED WITH UNITS

Data is available for the 8N74N Series of Integrated circuits in booklet form, price 2/6.

Please send all orders direct to our warehouse and despatch department.

Postal address:

BI-PAK SEMICONDUCTORS

P.O. BOX 6, WARE, HERTS.

Postage and packing add 1/-. Overseas add extra for Airmail. Minimum order 10/-. Cash with order please.

SOLDERING IRONS?

Whatever your particular application we are almost certain to have just the tool for the job.

ADAMIN—featherweight instruments with the slip-on bits and the big performance.

LITESOLD—the best-selling seven-model range of top-quality 'conventional' irons.

THERMOSTATIC CONTROL? The new LITESTAT instruments are surely the most advanced available — at not so advanced prices.

You ought to get the whole story. Ask for catalogue L37. Free.

LIGHT SOLDERING DEVELOPMENTS LTD

**28 Sydenham Road, Croydon, CR9 2LL
Telephone 01-688 8589 & 4559**



LOOK!

PRACTICAL!

VISUAL!

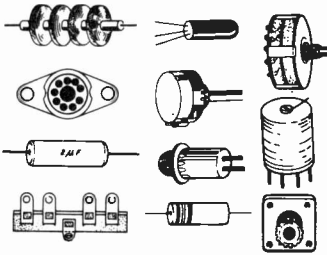
EXCITING!



a new 4-way method of mastering
ELECTRONICS
 by doing — and — seeing . . .

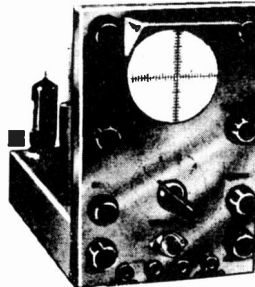
1 ▶ **OWN and HANDLE a**

complete range of present-day **ELECTRONIC PARTS** and **COMPONENTS**



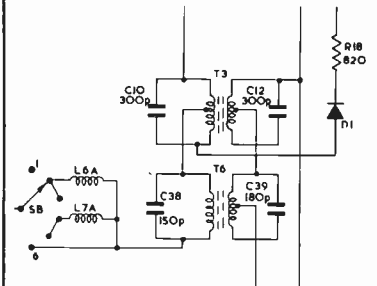
2 ▶ **BUILD and USE**

a modern and professional **CATHODE RAY OSCILLOSCOPE**



3 ▶ **READ and DRAW and**

UNDERSTAND
CIRCUIT DIAGRAMS



4 ▶ **CARRY OUT OVER 40 EXPERIMENTS ON BASIC ELECTRONIC CIRCUITS AND SEE HOW THEY WORK . . . INCLUDING . . .**

- VALVE EXPERIMENTS
- TRANSISTOR EXPERIMENTS
- AMPLIFIERS
- OSCILLATORS
- SIGNAL TRACER
- PHOTO ELECTRIC CIRCUIT
- COMPUTER CIRCUIT
- BASIC RADIO RECEIVER
- ELECTRONIC SWITCH
- SIMPLE TRANSMITTER
- A.C. EXPERIMENTS
- D.C. EXPERIMENTS
- SIMPLE COUNTER
- TIME DELAY CIRCUIT
- SERVICING PROCEDURES

This new style course will enable anyone to really understand electronics by a modern, practical and visual method—no maths, and a minimum of theory—no previous knowledge required. It will also enable anyone to understand how to test, service and maintain all types of Electronic equipment, Radio and TV receivers, etc.

FREE POST NOW
 for
BROCHURE

or write if you prefer not to cut page

To: **BRITISH NATIONAL RADIO SCHOOL, READING, BERKS.** Please send your free Brochure, without obligation, to: *we do not employ representatives*

NAME..... BLOCK CAPS

ADDRESS..... PLEASE P.E.7

Editor F. E. BENNETT Assistant Editor M. A. COLWELL Editorial Assistants D. BARRINGTON G. GODBOLD M. KENWARD
Art Editor J. D. POUNTNEY Technical Illustrators J. A. HADLEY P. A. LOATES
Advertisement Manager D. W. B. TILLEARD

THE LOGIC WAY—OR BIT BY BIT

THOUGH oft satirised and unjustly blamed for human errors, the electronic computer is firmly entrenched as an indispensable functional part of everyday life. Nothing succeeds like success, and ever increasing demands can be expected for faster, yet smaller, more versatile machines to cope with society's expanding needs for facts and figures.

There is thus a great impetus for the electronics industry to strive to improve existing digital techniques and to develop even more advanced ideas in the field of computers and data processing. But while we can be assured of continuing (and possibly, spectacular) advancement in this area, it is well to pause and take stock of certain existing achievements which have resulted from the computer revolution.

The more obvious and significant technological "spin-off" has been the development of semiconductor integrated circuits. Only the huge quantities needed by the computer manufacturers could have made their development and production an economic proposition in the first place. But now the vast outpourings from the IC factories have become a dominant factor in the whole electronics industry. For instance, the inevitable move from analogue to digital methods for measurement and control purposes has been accelerated by the availability of logic IC's.

This fact was well demonstrated at the IEA Exhibition held at Olympia, London, last May, where a wide range of digital instruments and equipments and miniature computers formed a notable part of the display. On this evidence, the extension of automation into the smaller industrial plants is clearly becoming feasible, no doubt much to the joy of the Minister of Technology, who has been advocating this for some time now. And laboratory workers can enjoy the improved readout presentation (and often better performance) of various digital measuring instruments—though at present these are not competitive in price with the traditional analogue type instruments.

In amateur circles, to date, linear IC's have received rather more attention than logic devices. This is understandable, since the kind of projects that can be built around a linear IC (amplifiers, detectors, modulators etc.) fall naturally into the more traditional areas of electronics—like radio and audio. But now, as we have remarked, there is a general shift of emphasis from analogue to digital techniques, with on/off switching of pulses taking precedence over amplitude variation of a.c. and d.c. signals, for many purposes.

Our new series "Making The Most of Logic I.C's" which commences in this issue points the way and indicates the prospects for the enthusiast.

F. E. B.

THIS MONTH

CONSTRUCTIONAL PROJECTS

P.E. COMMUNICATIONS RECEIVER—10	544
P.E. MARKSMAN	558
WAA WAA UNIT	568
TRANSISTOR D.C. MULTIMETER	573

SPECIAL SERIES

MAKING THE MOST OF LOGIC I.C's—1	530
-------------------------------------	-----

GENERAL FEATURES

INGENUITY UNLIMITED	539
---------------------	-----

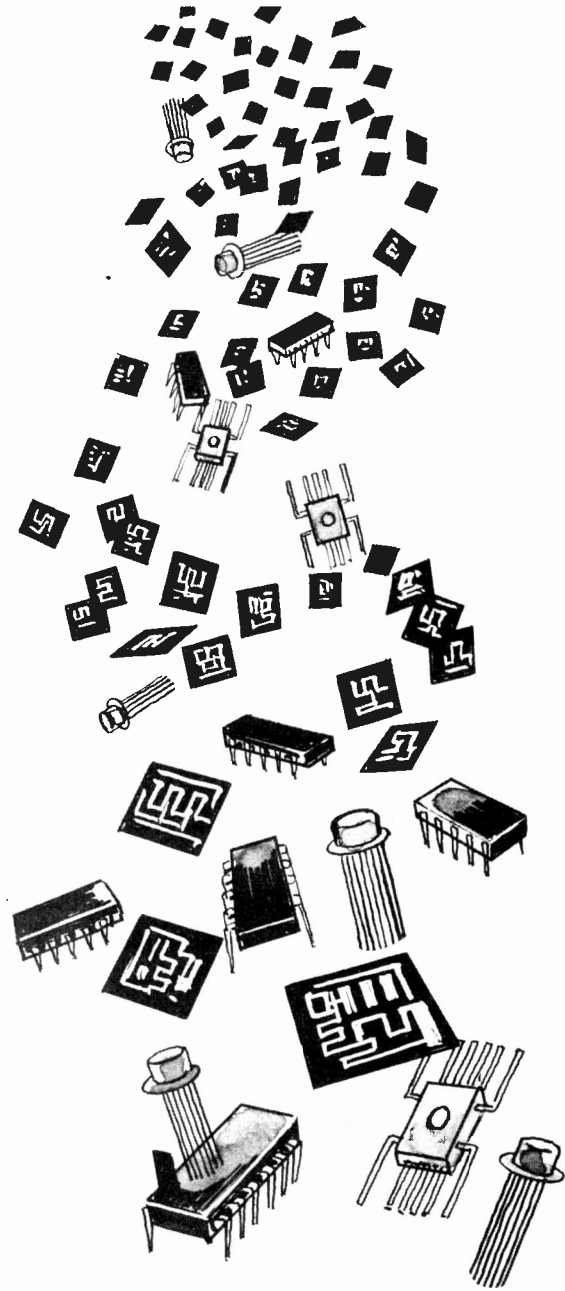
BEGINNERS

THIS WAY TO ELECTRONICS—4	552
------------------------------	-----

NEWS AND COMMENT

EDITORIAL	529
SPACEWATCH	543
AUDIO TRENDS	550
NEWS BRIEFS	582
ON THE FRINGE	557
MARKET PLACE	566
READOUT	581

*Our August issue will be published on
Thursday, July 16*



PART ONE—By R. W. COLES

MAKING THE MOST OF LOGIC IC'S

SILICON monolithic integrated circuits are available at a price that makes them not only a possible alternative to discrete components, but often far cheaper. What can be done to utilise these useful building bricks? This series of articles gives a broad introduction to the various different types of logic i.c.s, explains their modes of operation, and offers some suggestions on how to use them.

THE economics of integrated circuits, as far as the manufacturer is concerned, are simple: a circuit is suitable for integration providing it can be sold in very large quantities, because setting up a production line is extremely expensive while the cost of actually producing the circuits, once the line is running, is comparatively low.

The computer industry lends itself well to this economic climate, as computers and associated data handling equipments use large quantities of a small number of different types of logic elements. These logic i.c.s then, can be produced most cheaply, and it is with the characteristics and uses of the various families of these circuits that this article will concern itself.

Many advertisers in this magazine now supply a range of circuits of this type, some are manufacturers' rejects, but these are not always as bad as they seem because each package usually contains several entirely separate functions, and the manufacturer may have rejected the whole package because one of these was down on specification.

For those who prefer to play safe, circuits are available which conform to a relaxed specification, and are usable over a restricted temperature range; these are quite suitable for amateur use. Of course the full specification ranges intended for professional use are available from their respective manufacturers. These are a little more expensive, but can be used over the temperature range of -55 to $+125$ degrees C.

THREE MAIN GROUPS

Logic i.c.s are available in three main groups of package outlines (Fig. 1.1); the flat pack is the smallest of these, but this very fact makes it less suitable for amateur "breadboard" layouts. The other two are both easily used; the TO-5 can conform to the same outline as a TO-5 transistor can, and may have eight to twelve leads. Spreaders are available to enable these to be inserted in the standard 0.1in matrix perforated s.r.b.p. board, but perhaps the easiest package of all to employ, is the 14/16-lead dual in-line, whose pins conform to the above matrix as supplied. This package is also the cheapest and most versatile.

Logic i.c.s fall into several different "families" which are defined by their design philosophy. These families are usually called by their initial letters (see Table 1.1) and all have their own attendant advantages and disadvantages.

Circuits of one family are usually made by several manufacturers, and are often physically interchangeable. Apart from a brief description some of these families need not concern us here, as they are either too costly for amateur use at present, or they offer advantages which the amateur is unlikely to need, (for example, very high speed of operation).

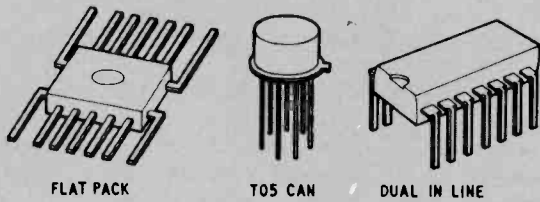


Fig. 1.1 Three basic outline forms used in making logic integrated circuits

The families which may be employed in our projects with most success are:

1. Resistor Transistor Logic—RTL
2. Diode Transistor Logic—DTL
3. Transistor Transistor Logic—TTL

This month's article will concern itself with the first of these, the other two following later.

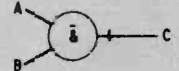
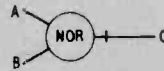
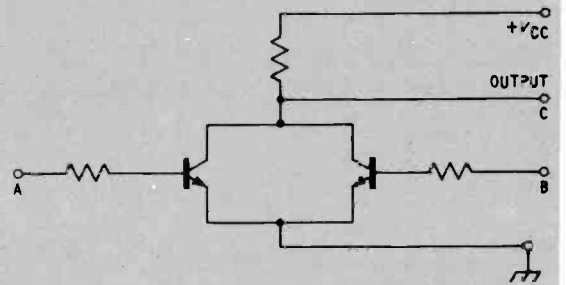
RESISTOR TRANSISTOR LOGIC GATES

RTL was the first family to appear on the market and is still being extensively used. The basic element of any family is the gate, and the one used in RTL is a positive logic NOR type shown in Fig. 1.2. The gate shown has two inputs A and B. If either of these is taken above the threshold voltage, its attendant transistor will saturate, taking the output of the gate down to very nearly zero volts.

Now, if we substitute the logic notation of 1 for a positive voltage, and 0 for a zero voltage, it can be seen that, if any of the gate inputs is a 1, the output will be a 0. Similarly, if both the inputs are 0 the output will be a 1.

In this description we have assumed that a positive voltage represents a 1, but if zero volts represents a 1 and a positive voltage represents a 0 (i.e. negative logic), then from the previous analysis, two inputs (1) will give a 0 output. This gate is now operating as a NAND gate.

This dual function of gates is very important, and needs consideration when attempting to fathom out the operation of some of the more complex integrated circuits. A simple way of setting out the operation of a



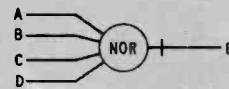
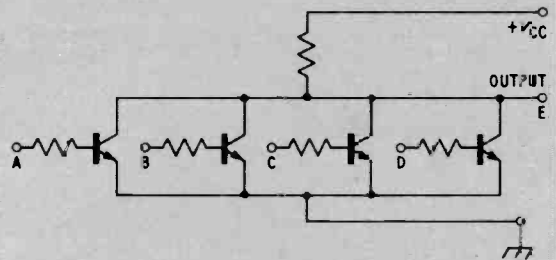
A	B	OUTPUT C
0	0	1
1	0	0
0	1	0
1	1	0

TRUTH TABLE FOR POSITIVE LOGIC (i.e. '1'=POSITIVE)

A	B	OUTPUT C
0	0	1
1	0	1
0	1	1
1	1	0

TRUTH TABLE FOR NEGATIVE LOGIC (i.e. '1'=0V)

Fig. 1.2. Basic two-input RTL gate with truth tables for positive and negative logic



A	B	C	D	OUTPUT E
0	0	0	0	1
1	0	0	0	0
0	1	0	0	0
1	1	0	0	0
0	0	1	0	0
1	0	1	0	0
0	1	1	0	0
1	1	1	0	0
0	0	0	1	0
1	0	0	1	0
0	1	0	1	0
1	1	0	1	0
0	0	1	1	0
1	0	1	1	0
0	1	1	1	0
1	1	1	1	0

Fig. 1.3. Four-input RTL gate with truth table for positive logic NOR. Invert for negative logic

Table 1.1. LOGIC I.C. FAMILIES

Family	Characteristics
ECL	Emitter Coupled Logic, non-saturating, capable of very high speed operation, up to 300MHz
TTL	Transistor Transistor Logic, characterised by the multi-emitter input transistor; high speed of operation and high fan-out
DTL	Diode Transistor Logic, a medium speed family, using conventional circuitry
RTL	Resistor Transistor Logic, the first integrated logic family available; medium speed, low power line voltages
MOS	Metal Oxide Silicon (logic), uses f.e.t. technology; low cost, high density low speed

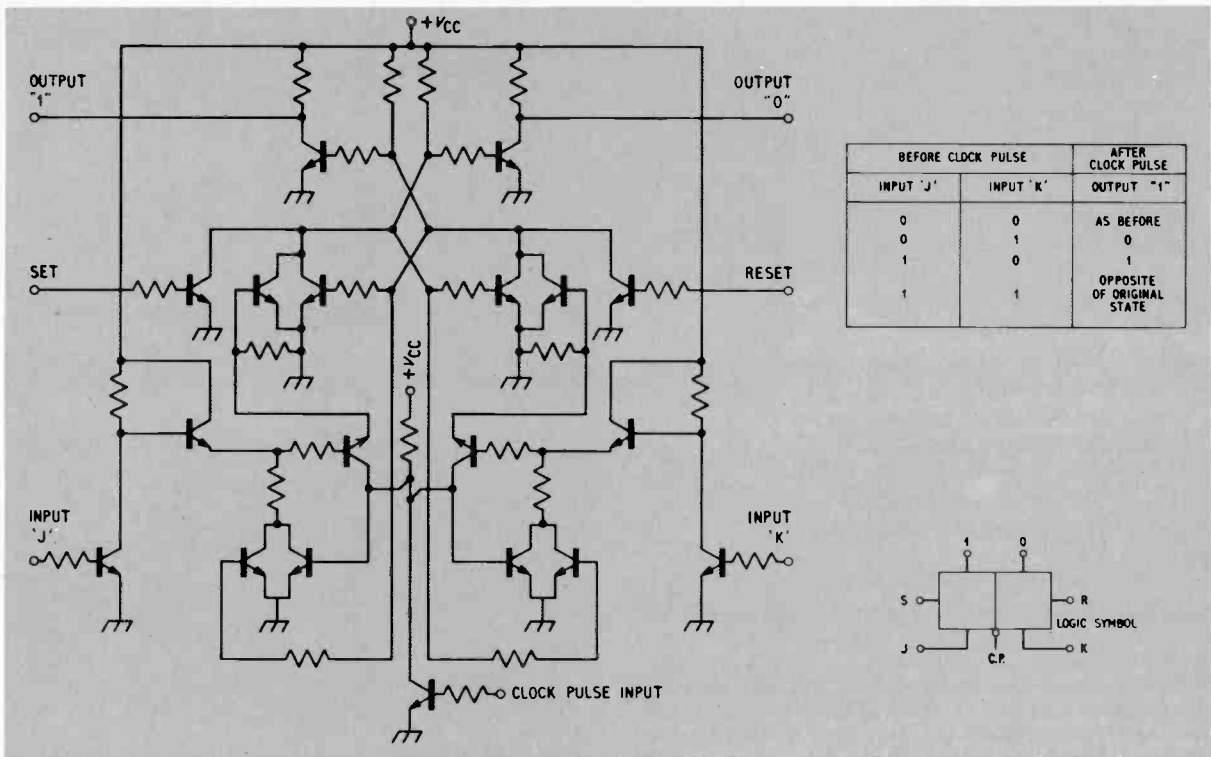


Fig. 1.4. Circuit of a JK flip-flop with logic symbol. The truth table shows negative logic operation, which is best for describing JK characteristics. Note that simultaneous "1" inputs to the flip-flop cause the output state to reverse

gate is by means of a "truth table" which sets out the performance using logic terms, not, it must be remembered, voltage levels.

The truth table for our simple gate is set out beside it in both positive and negative logic notation, just as a maker's catalogue would show it.

This gate is the most simple basic element, but to increase the number of inputs merely entails adding extra transistors and resistors, as in Fig. 1.3. Manufacturers often put more than one logic function in each package, in fact the number of such elements is limited more by the number of leads available than by the physical size of the semiconductor chip.

The 8-lead Fairchild TO-5 can series of resistor transistor logic can be obtained with a 4-input gate or two 2-input gates or four 1-input (NOT) gates.

JK BISTABLE IN ONE CAN

Apart from simple gates, a logic system also requires a storage element, or bistable. Although these may be built up by interconnecting gates, it is simpler to have it in one can, because a bistable which is suitable for use in any application can become very complicated.

The storage element of the RTL family is the JK binary (Fig. 1.4). This really is the complete bistable, performing nearly all functions necessary without extra gating. It can be used in frequency dividers, counters, shift-registers, memories, and as a simple latch.

To describe the action of the JK, reference can be made to the truth table (Fig. 1.4). A bistable of this type has two main inputs, J and K, and a gating or clock pulse input, which allows the data on the J and K inputs into the bistable at the correct time.

There are also asynchronous inputs, "set" and

"clear", which are overriding inputs, independent of the clock pulse, and allow the insertion of parallel data into registers. The "set" input may have been omitted, due to the number of pins available on a particular package, but the "clear" input is always available to allow resetting of counters, registers, and so on, to a state of all 0 before or after a logical operation has been performed.

The way in which the JK differs from simpler RS bistables (rarely used in integrated form) is that the JK has internal feedback to prevent simultaneous 1 inputs from producing indeterminate output states, as can be seen from the truth table.

Inputs of 1 on both J and K inputs cause the outputs to reverse, thus the JK can be made to act as a divider or counter simply by leaving the J and K inputs open circuit (this simulates 1 inputs in this logic system) and connecting the input to the clock pulse connection. The two outputs will be at half the input frequency and in antiphase.

If a further JK were to be connected to the output of the first stage in the same way, its output would be at a quarter of the original frequency and so on. The waveforms produced by three such stages are shown in Fig. 1.5; the binary digits represented by these waveforms are shown superimposed.

Those who are familiar with the binary system will be able to see that the counter has eight states, each of which corresponds to a decimal digit in natural binary. If these binary states are decoded and each output used to switch on a bulb or other indicating device, then at any point in time only one bulb would be lit. Successive input pulses would cause the next bulb in the line to light, and so on, until, on the ninth input pulse, the first bulb would be lit again.

This simple arrangement has been described to demonstrate the way in which RTL i.c.s can be employed in a workable system, and to aid the constructor in grasping the application of these useful elements.

For those interested in building such a system, the logic diagram is shown in Fig. 1.6, the logic notation is negative logic, so as to use the eight 3-input gates as NAND gates. The package count for this arrangement is seven, as three single JKs and four dual 3-input gates are required. A suitable bulb driving circuit is shown using a single *npn* transistor and a resistor; one of these is required for each of the eight outputs.

SYSTEM DESIGN

So much for the basic principles of RTL. Let us now look into the practical aspects of system design based on RTL.

The supply voltage used is usually either 3 or 3.6 volts, depending on the specified temperature range of the device selection in use. The cheap Fairchild range most readily available to use, has a restricted temperature range and uses a 3.6 volt supply. The professional ranges from all manufacturers use a 3 volt supply, which gives the same performance as the restricted range at a lower dissipation, allowing a wider range of operational temperatures.

Manufacturers' data often state a maximum supply voltage as great as 12 volts, but operating these circuits at anything other than the recommended 3 or 3.6V (plus or minus 10 per cent) is definitely not to be recommended, for a variety of reasons which need not be gone into here.

The maximum voltage that may safely be applied to any input pin is generally stated as plus or minus 4V, the positive part being limited by power dissipation considerations. The negative part is limited by the reverse voltage breakdown of the base emitter junction of the transistors used in the package.

This particular rating is unlikely to be of any concern to us if the correct supply voltage is used, unless we wish to interface our RTL logic with another system using higher voltages. In this case, a "go between" or interface circuit, that will convert the input levels to a suitable form, will have to be used.

FAN-OUT

Perhaps the most fundamental and necessary parameter to bear in mind when using RTL (or any of the other families) is the maximum "fan-out" any gate is capable of providing.

Fan-out means the number of inputs to other gates any single gate can drive, and as each input will draw a finite current from the gate output which is driving it, it is only natural that the fan-out will be limited to a certain number of inputs. Exceeding this number will cause the high level output voltage to drop to a level which is below the threshold, and malfunctions will occur.

To prevent us having to work out the possible fan-out with pen and paper, the manufacturers have fortunately worked it all out for us.

An input to the basic gate is called one load, and other inputs are scaled accordingly. The clock input of a JK element, for instance, represents two loads and, although there may be some special cases where an input represents more loads than this, these will be enough to remember for the moment, as they cover 90 per cent of the cases we are likely to encounter.

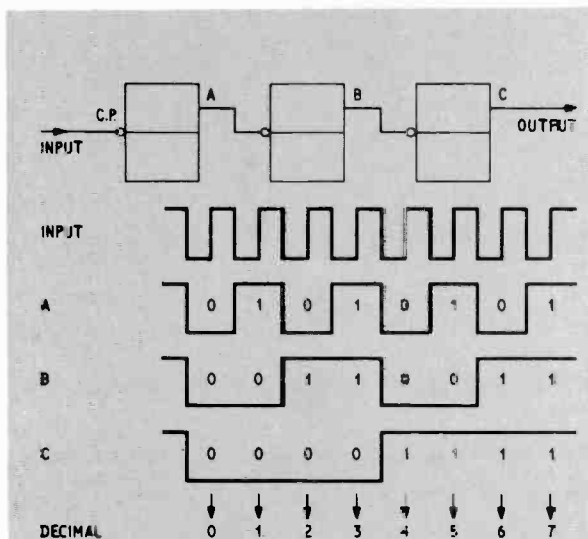


Fig. 1.5. Three cascaded flip-flops used for frequency division. Each bistable changes state on the negative edge of the input pulse. Positive logic is shown

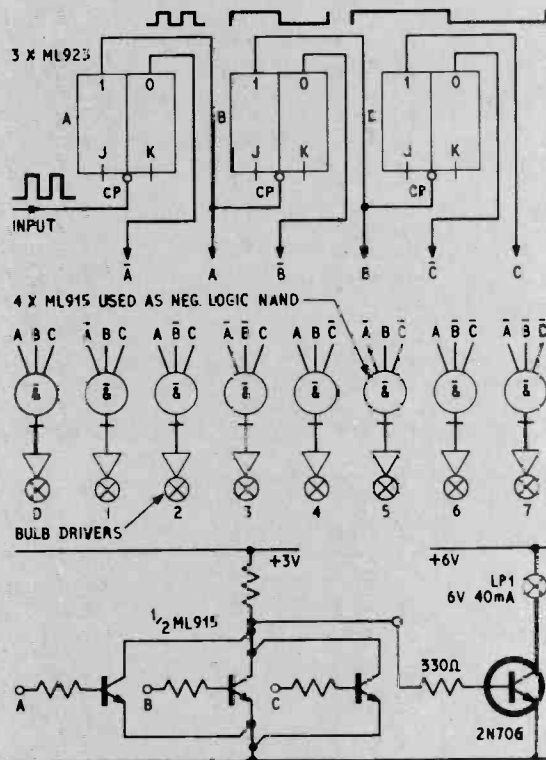


Fig. 1.6. Eight three-input NAND gates are used with the three JK flip-flops to decode the binary states and provide visual indication of these states by using bulb drivers

LOGIC TERMS

ADDER A binary adder is an arrangement of logic gates which will add two binary digits together and produce "sum" and "carry" outputs. A half-adder neither accepts a "carry in", nor produces a "carry out".

AND GATE A circuit that will provide a logic 1 output only when a 1 is fed into all inputs.

ASYNCHRONOUS OPERATION of flip-flops. In this mode, entry of data into a flip-flop does not require a gating, or clock pulse.

BIT One binary digit (0 or 1), which usually forms part of a binary word.

BOOLEAN ALGEBRA The mathematical method of simplifying logic systems in which the expressions are derived from some sort of truth table.

BUFFER GATE A logic gate which has a high output drive capability, or fan-out, which is used when a large number of gate inputs are to be driven by one gate function.

CLEAR INPUT This input to a flip-flop is used to set Q output to logic 0, and is an asynchronous input.

CLOCK PULSE The pulse which is used to gate information into a flip-flop when it is used in the synchronous mode. In JK connected flip-flops it will cause counting if the data inputs are both held at a logic 1.

COUNTER An arrangement of flip-flops producing a binary word, which is increased in value by one each time an input pulse is received. May also be called a divider, because successive stages of the counter divide each input frequency by two.

CURRENT SINKING LOGIC This term collectively describes both DTL and TTL and is used to indicate that the output of these gates "sink" (or earth) the current which would otherwise be holding on the input of the driven gate.

CURRENT SOURCING LOGIC This term describes, among others, RTL, and indicates that the output of this type of gate supplies current to hold on the input transistor of a driven gate.

DECODER A decoder is an arrangement of gates which will change an input word in one code, into a different type of code (for example, binary to decimal).

DIODE TRANSISTOR LOGIC (DTL) This type of logic uses diode inputs and a single transistor as an output current sinker.

EMITTER COUPLED LOGIC This type of logic is the fastest available; may be used at clock rates up to 300MHz. It is non-saturating; the basic gate circuit utilises a long-tailed pair.

EXCLUSIVE OR GATE This type of gate produces an output when the inputs are the same, but not when they are different, i.e. AB or $\bar{A}\bar{B}$.

EXPANDER INPUTS Many logic families contain gates which have this facility, which is used to increase the number of logic performing inputs.

FAN-IN The number of inputs a single gate has.

FAN-OUT The output drive capability of any gate, and is quoted as the number of gate inputs an output will handle.

FLIP-FLOP This is the basic storage element in a binary logic system, and is used to build memories, counters and shift registers. Also called a bistable, toggle, or binary.

HIGH THRESHOLD LOGIC A modified form of DTL specially designed for use in noisy environments where its high input voltage threshold makes it insensitive to transients.

INTERFACE CIRCUIT Circuit used to link one type of logic family with another, or with analogue circuitry. In effect it translates the logic voltage swing of one into the logic swing of the other.

LARGE SCALE INTEGRATION Integrated circuits which contain very large numbers of individual gates (often many hundreds in fact). These gates are interconnected to form such things as memories which compare in size, and may be used to replace, core stores.

LINE DRIVERS AND RECEIVERS When logic signals have to be sent over many yards of cable a simple logic gate will not work properly as a driver, due to reflections and noise pick-up. Under these conditions it is necessary to use these special drivers and receivers, which use very low output impedance drive circuitry, and differential input receive circuitry.

LOAD LOGIC One load, as defined for a particular logic family, usually represents one input to a standard gate of that family. A gate output which will drive ten loads will reliably drive ten gate inputs.

LOGIC POSITIVE AND NEGATIVE Positive logic infers that the more positive voltage logic swing represents a 1, and the more negative swing represents a 0. Negative logic is the converse of this. Therefore any type of logic circuit may be treated as a positive or negative logic building brick.

MEDIUM SCALE INTEGRATION Those i.c.s which form a simple, self-contained logic system, such as a decade counter, or a five-bit shift register. These chips often contain up to 100 gates.

MONOLITHIC I.C. Integrated circuits of this type are made entirely on one very small silicon chip, as opposed to thin or thick film devices.

MONOSTABLE Type of multivibrator with one stable state. The integrated circuit version usually has input gating incorporated, and sometimes a Schmitt trigger. In i.c. parlance they are often termed single-shots, or one-shots.

M.O.S. LOGIC Logic circuits of this type are built entirely from metal oxide silicon field effect transistors, which enables a large number of gates to be built economically on a small chip, due to the small physical area needed for each active device.

NAND GATE A NAND gate is an AND gate followed by an inverter. All its inputs have to be taken to a logic 1 state before the output will fall to a 0. Using the opposite logic polarity, this type of gate becomes a NOR gate.

NOISE IMMUNITY The largest noise voltage transient level on any input which the family is guaranteed to reject, i.e. not respond to.

NOR GATE A NOR gate is simply an OR gate followed by an inverter. If any of its inputs are at the logic 1 level, its output will be a logic 0. Using the opposite logic polarity, this type of gate becomes a NAND gate.

OR GATE A circuit that will provide a logic 1 output when any input is fed with a logic 1.

PRESET The preset input of a flip-flop is an asynchronous input which sets the Q output to a logic 1, and the \bar{Q} output to a logic 0.

PROPAGATION DELAY The finite time delay, in the order of nanoseconds, between a gate receiving an input and setting up an appropriate output. For flip-flops, this delay time is often given in the form of the maximum input frequency at which the device will switch.

RESISTOR TRANSISTOR LOGIC This kind of logic uses resistors at its inputs to drive the output switching transistor directly.

SHIFT REGISTER A series connected string of flip-flops with a common clock line. On the receipt of a clock pulse the information contained by each flip-flop is shifted one place to the right or left. It is a simple type of memory.

SYNCHRONOUS OPERATION of flip-flops. Flip-flops used in this configuration require a gating, or clock pulse to enter information waiting at their inputs.

TEMPERATURE RANGE (OPERATING) There are three distinct temperature ranges for logic i.c.s. This factor determines the cost more than anything else. Circuits for military use are characterised from -55°C to $+125^{\circ}\text{C}$, those for industrial use from 0°C to $+75^{\circ}\text{C}$, and those for "entertainment" use from $+15^{\circ}\text{C}$ to $+55^{\circ}\text{C}$.

TOGGLE Another word for a flip-flop, but it implies that the flip-flop will change state at the receipt of a clock pulse. It is mainly used to describe flip-flops connected as a counter, where the process of changing state is described as "toggling".

TRUTH TABLE A truth table may be used either to describe or design a simple logic element. A list of the input conditions possible is made; the output conditions which will result, or which are required, are arranged alongside. The logic expression may then be read off.

TRANSISTOR-TRANSISTOR LOGIC This logic family, usually termed TTL or T²L, is the most versatile general purpose logic available. It utilises a multi-emitter input transistor, and a "totem-pole" output stage.

V_{CC} This symbol is used to denote the positive or negative supply voltage to an i.c. package, with respect to ground.

WORD A binary word is a collection of binary digits which together represent a complete number or command.

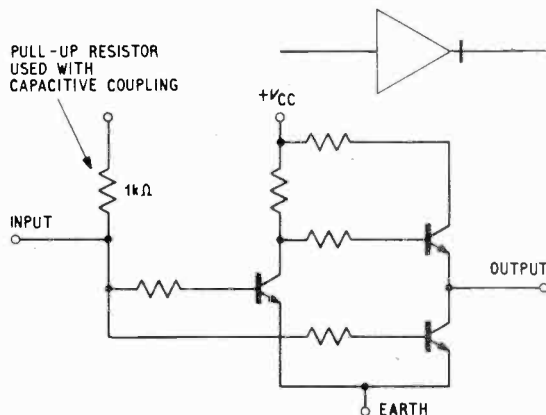


Fig. 1.7. Buffer element logic symbol and circuit

The drive capability of an output is rated as the number of loads it can successfully handle. A basic gate has an output which will drive anything up to five loads. There is one other system used by manufacturers to describe the fan-out of RTL which works in exactly the same way except that the input of the basic gate is stated to represent three loads, and the output drive capability is scaled up accordingly (i.e. 16 for the basic gate).

The obvious question now crops up, what happens when we need to drive more inputs than the gate fan-out allows us to? The answer is that we use a separate RTL package called a "buffer" to provide current amplification of the gate output. This enables us to drive up to 25 input loads, which will be necessary when driving the long "clock" lines of shift registers or certain kinds of counter.

BUFFER

The circuit of the buffer element is shown in Fig. 1.7, and a cursory glance will show us that it differs considerably from the basic RTL circuit from which all the gate and bistable elements are assembled. In fact, it bears a resemblance to the "totem-pole" quasi-complementary output stage much used in audio power amplifiers these days. The circuit operation is very similar, the aim being to provide a very low output impedance in both the high and low logic states.

This element is also very useful for constructing astable and monostable multivibrators, because although these can be made using a dual 2-input gate, the capacitance drive capability is poor due to the relatively high impedances associated with the basic RTL circuit; also the output wave shape will not be very square.

ASTABLE

A circuit for an astable is shown in Fig. 1.8; two buffer elements are required. The only discrete components needed are two capacitors, which set the frequency and mark-space ratio. Note that the "pull-up" resistors R1 and R2 are provided inside the package, and have a value of 1 kilohm.

The astable is a very useful circuit as it can be used as the "clock" of a digital system; it also has a large fan-out and complementary outputs.

Having drifted slightly from discussing system design pointers, let us continue by bringing up another

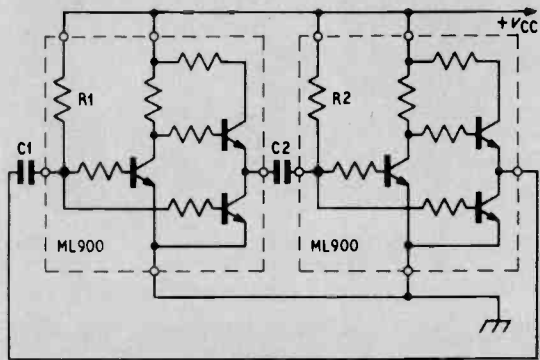


Fig. 1.8. Astable multivibrator made up from two buffer elements. The frequency of operation is defined by the capacitor values and the pull-up resistors R1 and R2. $f_0 = 1/(1.4 \times R_1 \times C_1)$

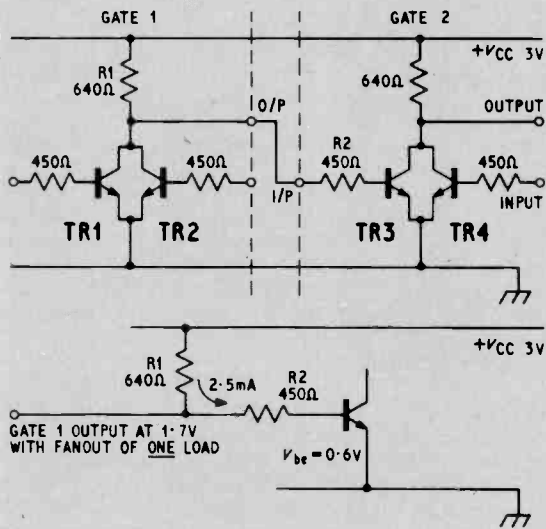


Fig. 1.9. Loaded basic gate circuit with fan-out of one

important point; the voltages or logic levels we can expect to find in a practical system in operation.

SATURATED LOGIC

RTL employs "saturated logic", that is, the output transistor of the basic gate is either fully turned on (saturated) or completely cut-off. The output voltages are therefore either just above earth, or at the full supply potential, for an unloaded gate. The output low voltage will not vary much with loading, but the output high voltage most certainly will, and to see why, let us consider the loaded basic gate circuit (Fig. 1.9).

When TR1 and TR2 are both turned off, TR3 of gate G1 will see a positive potential through R1 and R2 and will turn on. Now the output terminal of G1 is a

point somewhere along the potential divider made up from R1, R2, and the base-emitter junction of TR3. The voltage across this junction V_{be} is essentially the same as that across a forward biased silicon diode; this is usually 0.6V and is independent of the current through it.

Therefore the current through the divider is found from

$$\frac{V_{CC} - V_{be}}{R_1 + R_2} = \frac{3 - 0.6}{640 + 450} \approx 2.2\text{mA}$$

The voltage at the output terminal of G1 is

$$\begin{aligned} V_0 &= V_{CC} - (R_1 \times 2.2 \times 10^{-3}) \\ &= 3 - (640 \times 2.2 \times 10^{-3}) \\ &= 3 - 1.408 \\ &\approx 1.6 \text{ volts} \end{aligned}$$

This lengthy explanation has been given to show that, even with a fan-out of only one, the logic levels will be quite low, and also to show what actually occurs when gates are interconnected, a point easily forgotten in arranging systems. The minimum output high voltage which will always operate another RTL gate, is in the region of 800mV at room temperature, and the maximum output low voltage is in the region of 250mV.

NOISE IMMUNITY

In any electronic circuit there is always present a certain amount of spurious noise, which can be due to anything from mains ripple to switching transients within the circuit itself. In a digital system this noise can cause gates to turn on when they are not intended to, and bistables to change state, if the noise is of sufficient amplitude and duration.

The noise immunity of a logic family is basically defined as the voltage necessary to raise or lower the quiescent input voltage to a gate sufficiently for it to change state. As RTL is associated with very low voltages, it follows that it will have a poor noise immunity, and this is in fact how it turns out in practice.

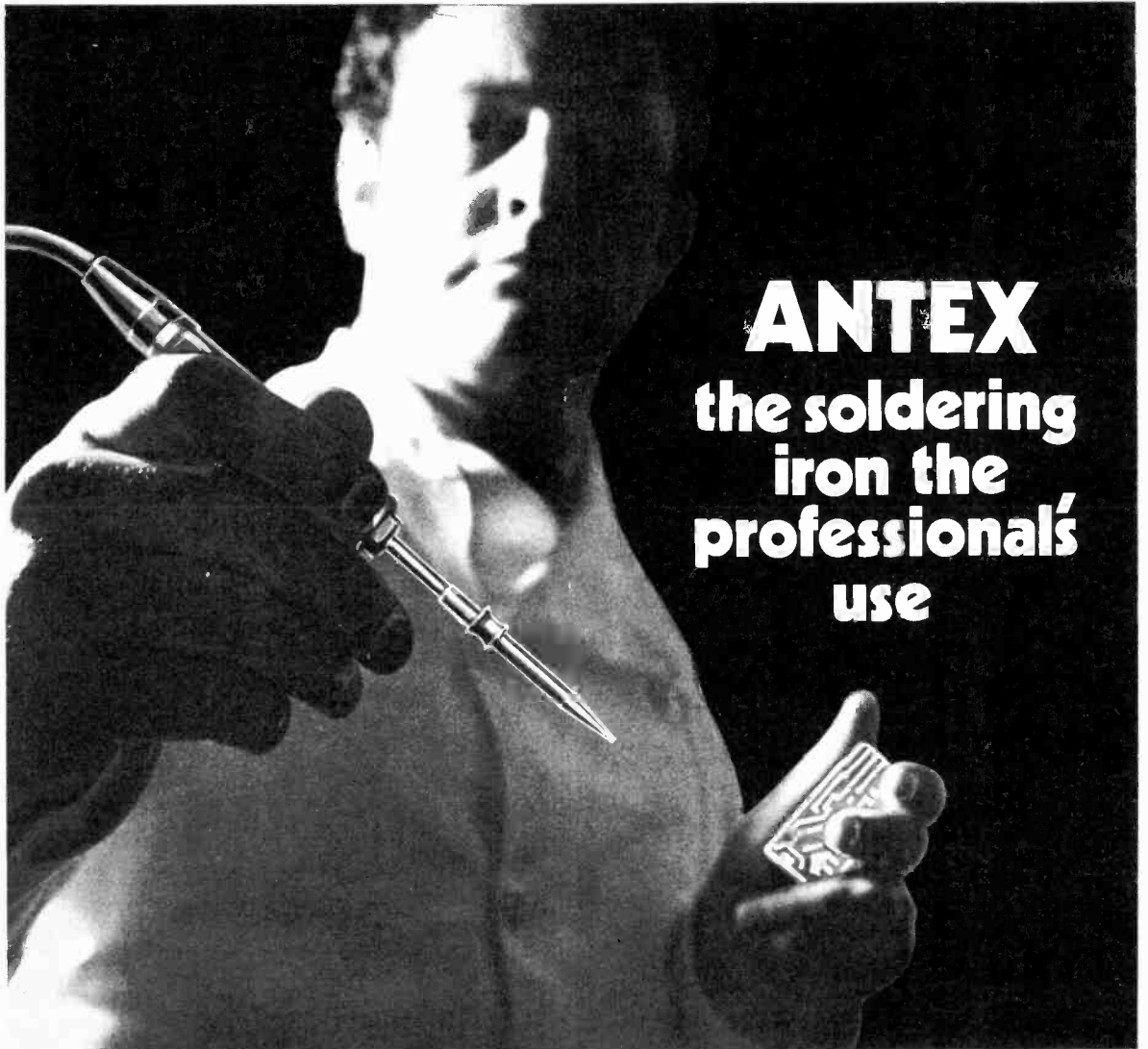
The manufacturers guarantee only a 300mV minimum noise rejection under worst case conditions, so any system we may design using this family will have to have due consideration paid to supply line decoupling and perhaps screening if it is essential to avoid malfunction.

A feature of any family, which industrial or professional users would be most interested in, but which is unlikely to concern us as amateurs, is the speed of operation or propagation delay, which is the frequency at which a bistable will change state, or the delay between a gate receiving an input, and setting up a relative output.

Although RTL is quite a slow family, its minimum frequency capability is 8MHz, and its maximum propagation delay is in the region of 30ns, which should prove more than adequate for our use.

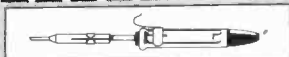
This concludes the design considerations of RTL and it is hoped that readers now have some idea of the uses and limitations of this, the cheapest family.

Next month's article will show an example of how the RTL family can be put together in a practical project. Later articles will deal with the DTL and TTL families.



ANTEX

the soldering iron the professionals' use



G18 watts. Fitted 3/32" bit for miniature work on production lines. Interchangeable spare bits, 1/8", 3/16" and 1/4" available. For 240, 220 or 110 volts. 32/6.



E20 watts. Fitted with 1/4" bit. Interchangeable spare bits 3/32", 1/8", 3/16" available. For 240, 220, 110 volts. From 35/-



ES25 watts. Fitted with 1/8" bit. Interchangeable bits 3/32", 3/16" and 1/4" available. Ideal for high speed production lines. For 240, 220, 110, 24 or 12 volts. From 35/-



F40 watts. Fitted 5/16" bit. Interchangeable bits 1/4", 3/16", 1/8", 3/32" available. Very high temperature iron. For 240, 220, 110, 24 or 20 volts. From 42/6 Spare bits and elements for all models and voltages immediately available from stock.

Complete precision soldering kit



PLUS 36-page booklet on "How-to-Solder"—a mine of information for amateur and professional.

This kit—in a rigid plastic "tool-box" — contains

- Model CN 15 watts miniature iron, fitted 3/32" bit. Interchangeable spare bits 1/8", 3/16"
- Reel of resin-cored solder
- Felt cleaning pad
- Stand for soldering iron

From Electrical and Radio Shops or send cash to Antex. **49/6**



Model CN 240/2
15 watts - 240 volts

Fitted with nickel plated bit (3/32") and in handy transparent pack. From Electrical and Radio Shops or send cash to Antex. **31/6**



PRECISION MINIATURE SOLDERING IRONS

Antex, Mayflower House, Plymouth, Devon.
Telephone: Plymouth 67377/8.
Telex: 45296. Giro No. 2581000.

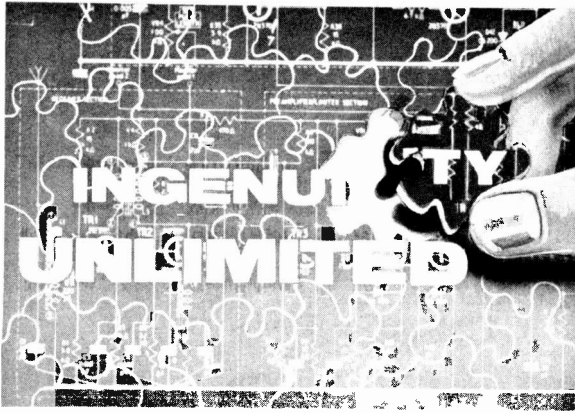
- Please send me the Antex colour catalogue
- Please send me the following irons
- | Quantity | Model | Bit Size | Volts | Price |
|----------|-------|----------|-------|-------|
| | | | | |
| | | | | |

I enclose cheque/P.O./cash value

NAME

ADDRESS

P.E.7



A selection of readers' suggested circuits. It should be emphasised that these designs have not been proven by us. They will at any rate stimulate further thought. This is YOUR page and any idea published will be awarded payment according to its merit.

CAR ANTI-THEFT ALARM

A SIMPLE car anti-theft alarm using three miniature relays is shown in Fig. 1. When triggered, the alarm prevents the engine from being started, sounds the horn continuously, and switches on the interior light. The alarm is normally controlled by a dashboard switch and push-button. Once the alarm is triggered the dashboard controls are rendered inoperative. The alarm can then only be released by the master switch which is mounted on the relay unit. For maximum security the relay unit should be situated in the locked bonnet or boot of the car.

OPERATION

The thief gets no warning that an anti-theft device is fitted to the car until having made his entry he closes the door behind him. The alarm then triggers.

When the owner returns to his car he avoids triggering the alarm by moving the dashboard switch to the "OFF" position before closing the door.

CIRCUIT DESCRIPTION

The complete circuit diagram of the alarm unit fitted to a car is shown in Fig. 1. All relays are shown released and switches S1 and S3 closed. This is the "alarm set" state. Switches S1 and S2 are mounted on the dashboard, the master switch S3 is mounted on the relay unit.

When a thief opens the car door the switch S4 closes and provides a path for relay RLA to operate via RLC1 contact. As the relay operates its contact RLA1 on changing over causes relay RLB to operate. Contact RLB1 provides a holding path for relay RLB independent of contact RLA1. Contact RLB3 short circuits the ignition contact breaker to earth thus preventing the engine from being started. On opening the door, relays RLA and RLB operate and hold in. When the door is closed, relay RLA releases as its holding path via the door switch S4 is interrupted. As the relay releases, contact RLA1 provides a path for relay RLC to operate, via contacts RLB1 and RLB2 which are still made.

The horn is switched on via contacts RLC3, RLA1, and RLB1. The interior light is switched on via contacts RLC1, RLB2, RLA1, and RLB1. Contact RLB3 still disables the ignition circuit. The only possible method of releasing the alarm is by opening the master switch S3 which allows all three relays to release.

SETTING-UP

With the door closed, move S1 to "on". Push button switch S2 is pressed and held in whilst the door is opened. Switch S2 may now be released, and closing the door leaves the alarm set.

The circuit operation for setting the alarm is as follows. Operating S2 causes relay RLC to operate. Opening the door provides a holding path for relay RLC independent of S2, i.e. via RLC1 contact and door switch S4. Closing the door breaks the holding path allowing it to release. Hence when the alarm is set, all three relays are released.

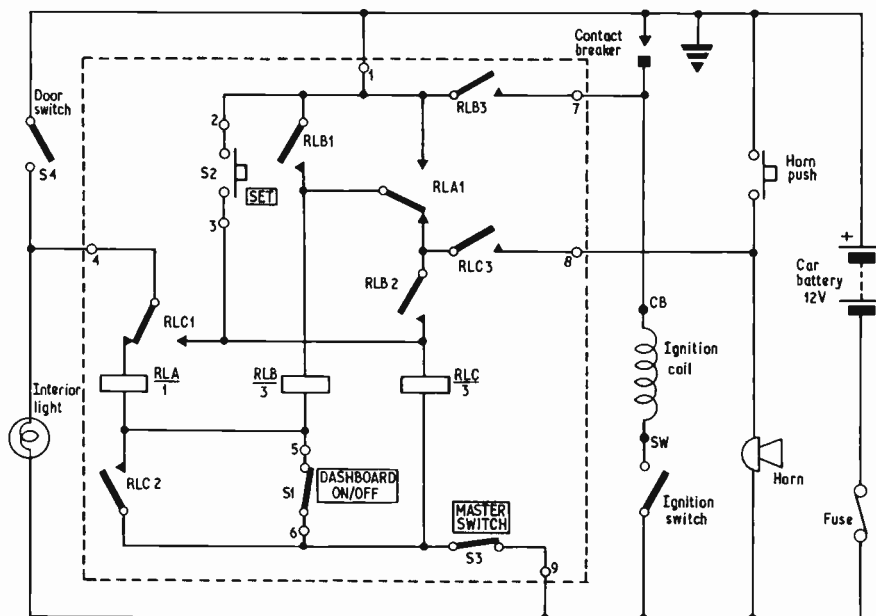


Fig. 1. Circuit diagram of the car anti-theft alarm

CONSTRUCTION

Any type of 12V relays having the required number of contacts may be used, see Fig. 1. Miniature sealed relays are most suitable as they will prevent the entry of dirt and moisture to the contacts. However, it is important that the contacts are heavy duty types and capable of carrying the horn current, which could be as much as 7 amps at switch on. The relays can be mounted on a piece of s.r.b.p. board and then mounted in a metal diecast box. The master switch S3 and a 9-way terminal block should be mounted on the sides of the box.

WIRING

Care should be taken to ensure that connections are made to the correct points on the car wiring. (Refer to Fig. 1.) Terminal 8 is connected to the car wiring. Terminal 7 is connected to the terminal marked CB on the ignition coil.

The alarm may be fitted on cars using either positive or negative earth systems. Terminal 1 must be connected to the earth (chassis) side of the battery and terminal 9 to the other side of the battery via the fuse.

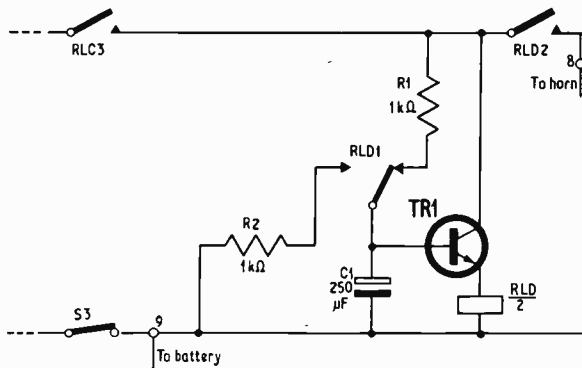


Fig. 2. Additional circuitry for adding an interrupted alarm note to the car anti-theft alarm

MODIFICATIONS

If an interrupted note from the horn is preferred, another relay must be added, see Fig. 2.

The component values may be adjusted to find the preferred interruption rate and on/off ratio. The circuit is a simple charge-discharge system with the coil of relay RLD forming the emitter load of the transistor. The relay coil resistance should be greater than 150 ohms, and the transistor chosen to suit the power requirement of the relay.

The circuit Fig. 2 is drawn for use on cars with positive earth. For negative earth systems a *pnp* transistor should be used and capacitor C1 reversed.

It may be preferred by some motorists to dispense with the ignition cut-out and hooter alert, and to arrange that the alarm condition merely disconnects the petrol pump. This is easily done by omitting RLC3 and RLB3 contacts, and providing a "break" contact on RLC relay connected in series with the petrol pump.

K. L. Spence,
London,
N.W.7.

TEMPERATURE ALARM

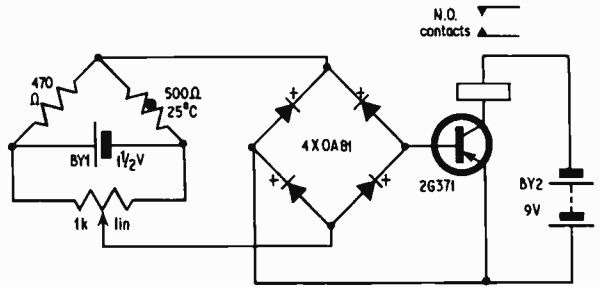


Fig. 1. Simple temperature alarm circuit

WONDER if the temperature alarm circuit shown in Fig. 1 is of interest to your readers. When the temperature of a liquid or solid, etc. must be kept constant the thermistor is inserted into the liquid and the potentiometer set so that there is no voltage applied to the transistor, the relay will not operate.

When there is a temperature change, approximately ± 1 degree depending on the transistor and components used, the relay will operate, ringing a bell or any other suitable alarm.

David G. Warner,
Birmingham, 34.

I.C. HOLDER

SOME time ago I bought a Fairchild μ L914 integrated circuit with the idea of carrying out various simple experiments. As soon as the device arrived it was obvious that constantly soldering and unsoldering would soon ruin it. However, a B9A valve base plug was to hand and the i.c. was soldered to it as in Fig. 1.

The numbers indicate the i.c. terminal numbers. Note that lead 8 is singled out by the flat or spot on the i.c. case. All i.c. leads are wired to the plug following the standard B9A pin numbering, i.e. 1 to 1... 8 to 8. The result is very robust and has stood up to a great deal of wear and tear.

N. Harrison,
Stafford.

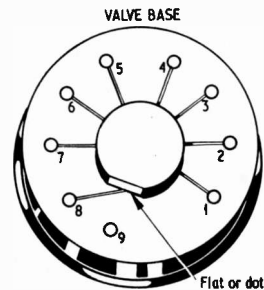


Fig. 1. Wiring details for the B9A valve base plug i.c. holder

why the MULTIMINOR is still the best mini-meter

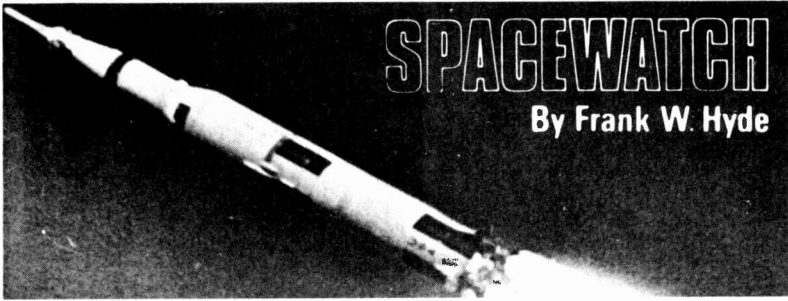
- It's still an Avometer yet fits in the pocket/held easily in one hand
- Has a d.c. sensitivity of $10,000\Omega/V$
- Measures up to 25kV and 25A with optional accessories
- Accuracy conforms to B.S.S. 89/54.

Get your own Multimeter today (complete with plastic case, leads, instruction booklet and a full year's guarantee) from your local supplier, or ask for details direct from Avo.



THORN
A Member of
the Thorn Group

Avo Limited
Avocet House, Dover, Kent
Telephone: Dover 2626
Telex: 96283



NEW RADIO TELESCOPE

India's new radio telescope is in operation and the first results have been released. During the first 14 days of observations the telescope was directed at the southern part of the sky and five new radio sources are reported to have been discovered.

The design of the telescope is based on the cylindrical paraboloid. There are 24 towers of equidistant spacing over a distance of 530 metres. Each tower supports a parabolic arm of 30 metres in length and the 24 arms support the wire reflectors and the aerials. The whole aerial can be steered through 140 degrees elevation.

Sited at Ootacamund in Southern India and being near the equator, it is one of the largest telescopes that is able to track sources for more than two hours a day, and in an east west direction for more than nine hours per day. The operating frequency is 324 to 329MHz and a further system of dipoles is being designed for use at 100MHz.

The new tracking station, under the direction of Dr D. Swarup, who had his training in America, puts India on the map in radioastronomy and will add another observatory to chart the sources from the southern hemisphere with great precision.

It is planned to set up two dishes 13.5 metres in diameter at a point 3.5km to the west of the present site in order to provide interferometer facilities.

There is one unusual task that the observatory will carry out and that is to measure minute changes in the almost non-existent atmosphere of the moon caused by the dumping of terrestrial materials on the surface of the moon.

CARBON MONOXIDE IN SPACE

Hydrogen, water, ammonia, formaldehyde and the hydroxyl radical have already been found in galactic clouds. Using the 35ft microwave telescope, the National Radio Observatory in West Virginia have discovered carbon monoxide at a frequency of 115GHz.

Five main sources have been recorded but the most important are in the sources of Sagittarius A and Orion A. Sagittarius A is in the

direction of the nucleus of the galaxy and Orion A is in a region of star formation. The width of the line is 2MHz in the Orion source and the total extent of the CO is 1 degree in diameter which is larger than the source itself.

The Sagittarius source is a complicated one having several doppler shifted lines over a total bandwidth of 100MHz.

ECHO 1 AND ECHO 2

The two passive satellites *Echo 1* and *Echo 2* both died within a short time of each other and have left the geodesists in a little difficulty. Having magnitudes of $2.5 \times$ they were easily recorded by small cameras. These cameras were able to photograph the satellites against the background of stars as part of the triangulation programme of Western Europe.

Having now to use much fainter satellites the International Association of Geodesy is pressing for another *Echo* satellite. Those being used at the moment, *Explorers 19* and *39*, are often too faint for European cameras. The present accuracy of location is about 30 metres and it is hoped to bring this to 3 metres with standard photographic methods. When the laser methods come into use in 1972 the accuracy will improve to less than 1 metre.

UK-5

In 1973 satellite *UK-5*, which when in orbit will have its name changed to *Ariel 5*, will have a number of interesting experiments to undertake. There will be six experiments altogether and they will all be concerned with cosmic X-rays or X-ray astronomy, and for the second time a British satellite will carry an American experiment.

In the GEC-Marconi design of the *UK-5* satellite, all the sky surveys and precision measurements of point sources can be made from the same vehicle. Two survey instruments are mounted in the cylindrical walls of the spinning satellite and look out sideways. The four measuring instruments which deal with the components of the individual sources, look along the satellite's axis of spin. Fine gas jets are provided so that the axis can be pointed in any direction.

The United States experiment is being prepared by the Goddard

Spaceflight Center and together with Leicester University's experiment will carry out the survey of sources. An experiment of the University College, London, will fix the positions of the sources with an accuracy of one minute of arc.

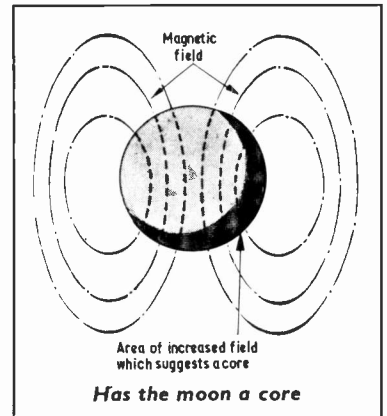
APOLLO 12

The *Apollo 12* has provided one of the most worth while scientific experiments in the moon programme. The magnetometer which the *Apollo 12* crew set up on the moon for the Ames Research Centre, has shown some remarkable results reported Dr C. P. Sonett of Ames, whose group have some considerable experience in this field, when he spoke at a special conference held in Newcastle by the Nato advanced study institute.

In 1967 the magnetometer on board *Explorer 35* which orbited the moon provided some detailed information about the solar wind. This showed that like the earth a "shadow" existed on the side away from the sun. The magnetometer with three sensors showed that there was a relatively large field on the surface of about 350 microgauss.

It is thought that this arises from a large mass of magnetised material at a distance of some 200km from the *Apollo 12* site. It is not possible that this is part of an overall field because it would have been registered on *Explorer 35*. It must therefore be a localised field. This idea fits in with the discovery by *Apollo 12* of "fossil" magnetised material on the moon.

This must mean that at some time the moon was in a much larger magnetic field than at present. Sudden variations which have been noted by *Explorer 35* in the area of the *Apollo 12* magnetometer are due to fluctuations in the solar field and are up to five times as large than elsewhere. From this it follows that there must be a conducting core surrounded by a much less conductive shell. Calculation shows that this shell has a depth of something of the order of a few hundred kilometres. Perhaps here is another important clue to the composition of the moon.



P.E. WIDEBAND H.F. COMMUNICATIONS RECEIVER

By R. HIRST PART TEN CONCLUDING ARTICLE : DIAL CALIBRATION, A.G.C. MODULE, OPERATION SEQUENCE

CONSTRUCTION details of the receiver and local oscillator were completed last month. The local oscillator tuning dial must now be calibrated and the operational sequence learned before the receiver can be used. This final article also gives details of an automatic gain control module which can be easily added to the receiver chassis if required.

DIAL CALIBRATION

The dial specified in the components list last month is calibrated 0 to 500 by the manufacturer and dial calibration is carried out with reference to these markings—using the vernier dial. Table 10.1 shows the received frequencies, corresponding to dial readings in steps of 50. Five frequencies are given for each dial position corresponding to the five ranges selected by the range switch. The dial can be calibrated in MHz, using Letraset numerals for each range.

A.G.C. MODULE

The a.g.c. unit is provided as an additional item and is used in conjunction with the carrier control; the only difference to the operator is that once the carrier level has been set by the carrier control, the gain of the receiver will automatically compensate for any change in the received carrier level. The unit works in the following manner.

CIRCUIT DESCRIPTION

The sideband and the carrier signal is picked up from SK6 on the i.f. unit and fed to SK1 of the a.g.c. module (Fig. 10.1). Capacitors C2, C3, C4 and crystals X1 and X2 act as a sharp sided filter at 2MHz exactly,

the bandwidth being approximately 100Hz, equally displaced about 2MHz. As a result of this filter action, the 2MHz carrier signal is accepted and the sideband information rejected. Transistors TR1 and TR2 amplify the 2MHz carrier signal selectively due to the filter action of L1 and C7 (tuned to 2MHz). Maximum gain is achieved in this two stage amplifier as the feedback, via R2 and R3, is fully decoupled by C8.

All the voltage gain is developed in TR1, TR2 reduces the output impedance to match the following common base amplifier TR3. Transistor TR3 has a similarly tuned collector load, in the shape of L2 and C13, and further voltage gain, at 2MHz, is developed

Table 10.1. DIAL CALIBRATION

Range	A	B	C	D	E
Dial reading	Frequency in MHz				
0	1.8	3.0	5.0	8.5	16.0
50	1.85	3.18	5.04	8.75	16.7
100	1.87	3.25	5.1	8.9	17.0
150	2.07	3.47	5.6	9.5	18.05
200	2.2	3.66	5.9	10.0	18.5
250	2.36	3.88	6.21	11.0	20.3
300	2.53	4.2	7.0	11.91	22.5
350	2.8	4.5	8.01	12.8	24.8
400	3.02	4.9	8.42	13.85	26.0
450	3.38	5.55	9.61	16.0	30.5
500	4.0	6.8	11.8	18.2	35.2

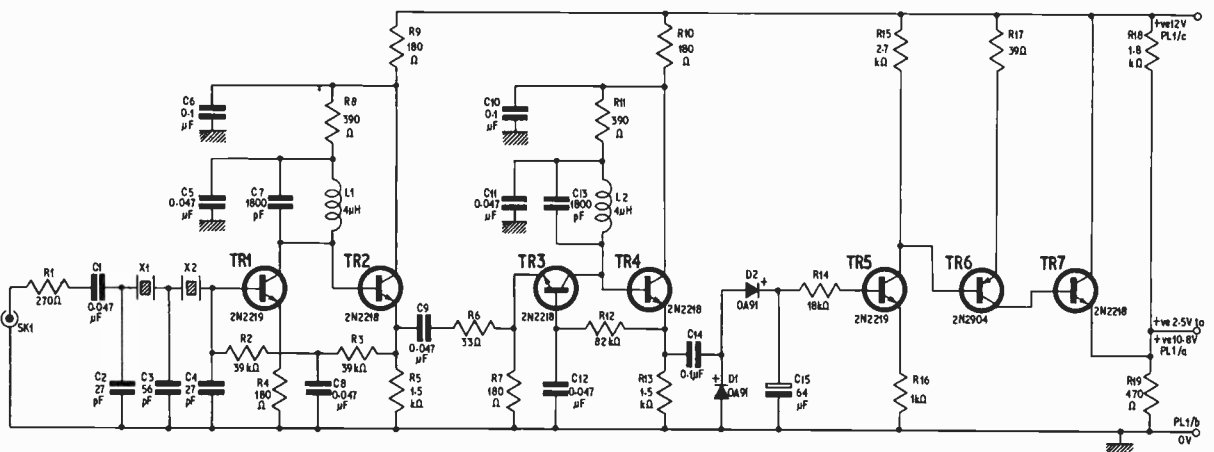
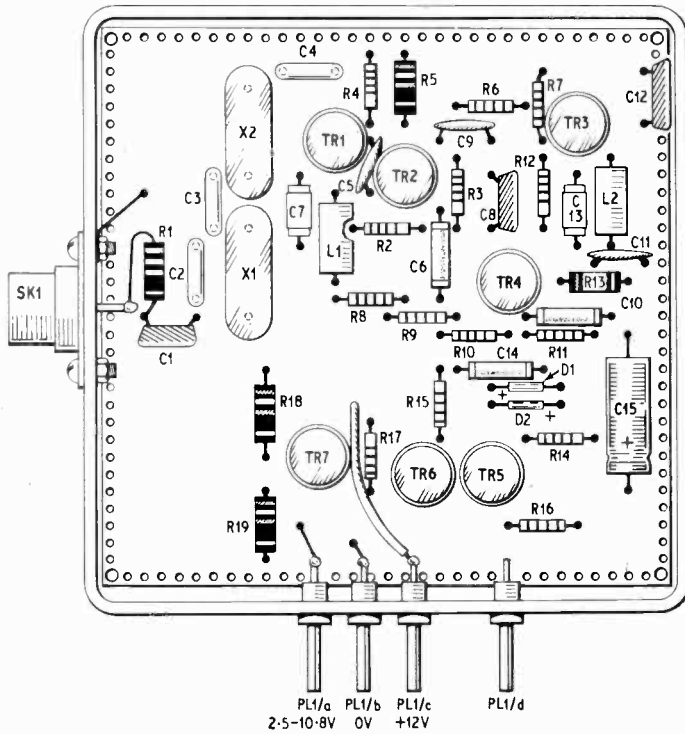


Fig. 10.1. A.G.C. module circuit diagram

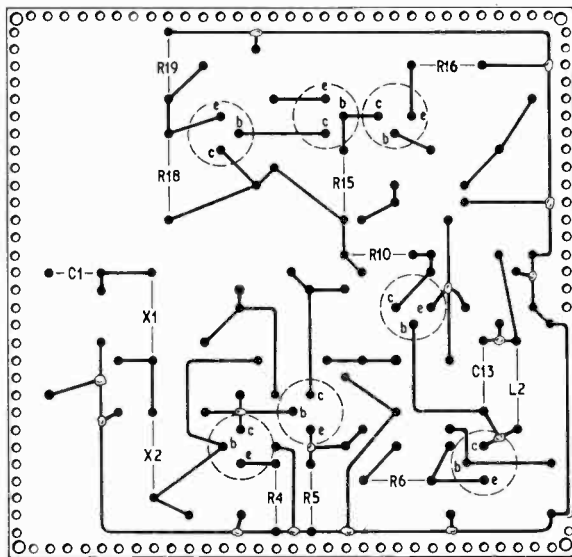
New 1970 prices L.S.T. Electronic Components Ltd.

AC107	14/6	BD124	12/-	NKT141	7/-	OC84	5/-	2N386	12/-	2N3416	7/6	2S306	15/-
AC126	14/6	BF110	13/6	NKT142	6/6	OC123	7/-	2N385A/	15/-	2N3436	15/-	2S320	9/-
AC127	9/6	BF152	13/6	NKT143	5/6	OC139	7/-	2N388A	15/-	2N3521	10/-	2S323	10/-
AC127Z	9/6	BF154	9/-	NKT144	8/-	OC140	7/-	2N404	4/6	2N3528	19/6	2S323	10/-
AC128	4/6	BF159	15/-	NKT161	6/-	OC170	5/6	2N410	6/-	2N3606	5/6	2S701	8/6
AC176	5/-	BF163	9/-	NKT162	6/-	OC171	6/-	2N458A	25/-	2N3607	4/6	2S703	12/6
AC187	12/-	BF167	5/-	NKT163	5/6	OC200	6/3	2N511A	4/9	2N3702	3/3	2S720	25/-
AC188	5/-	BF173	6/-	NKT164	5/6	OC201	9/6	2N513A	3/6	2N3703	3/3	2S732	8/6
AC197	12/6	BF178	10/6	NKT165	6/-	OC202	18/-	2N599	122/6	2N3704	3/3	2S1002	10/-
ACV18	12/6	BF179	6/-	NKT211	6/-	OC203	7/6	2N601	25/-	2N3705	3/3	2S1002	10/-
ACV19	4/5	BF180	6/6	NKT212	6/-	OC204	8/-	2N601	25/-	2N3706	3/3	2S1002	10/-
ACV20	3/7	BF181	12/6	NKT213	6/-	OC205	9/6	2N657	20/-	2N3707	3/3	2S1002	10/-
ACV21	4/-	BF184	7/-	NKT214	4/-	OC206	10/6	2N696	4/-	2N3708	2/-	AA119	2/-
ACV22	2/9	BF185	8/-	NKT215	4/-	OC207	7/6	2N697	4/-	2N3709	3/-	AA119	2/-
ACV40	3/-	BF194	3/6	NKT216	10/-	OC309	12/-	2N698	6/-	2N3710	3/-	AAZ12	6/-
ACV41	4/4	BF200	10/6	NKT217	10/6	OC371	19/6	2N706	2/6	2N3711	3/-	AAZ13	2/6
AF146	6/6	BF211	6/6	NKT218	5/3	ORP60	9/6	2N706A	2/6	2N3818	8/-	BA100	6/-
AD140	11/6	BFX29	8/-	NKT219	6/-	ORP61	8/-	2N708	4/6	2N3820	19/6	BA100	6/-
AD149	11/6	BFX44	8/-	NKT219	6/-	ORP61	8/-	2N711	7/6	2N3826	6/-	BA111	6/-
AD161	6/-	BFX84	7/6	NKT221	5/6	ORP63	9/6	2N711A	7/6	2N3854	5/6	BA112	18/-
AD162	6/-	BFX85	9/6	NKT223	3/6	P346A	5/-	2N715	7/6	2N3854A	5/6	BA115	1/6
ADT140	12/6	BFX86	6/6	NKT224	4/6	RAS310AF	6/-	2N716	7/6	2N3855	5/6	BA130	3/6
AF102	12/6	BFX88	5/6	NKT225	3/6	ST144	6/-	2N743	4/6	2N3855A	6/-	BA131	2/6
AF106	4/6	BF194	3/9	NKT226	10/-	RAS508AF	6/-	2N744	6/6	2N3856	6/-	BA130	3/6
AF114	5/-	BFY51	3/6	NKT227	5/6	S1M	15/-	2N753	4/6	2N3856	6/-	BA130	3/6
AF115	5/-	BFY52	4/9	NKT228	6/-	S1M	19/-	2N914	7/6	2N3858A	5/6	BY124	4/6
AF116	5/-	BFY53	3/2	NKT228	6/-	S1M	33/6	2N929	7/6	2N3859	5/6	BY234	2/3
AF117	5/-	BFW57	6/-	NKT261	4/3	ST140	3/6	2N930	7/6	2N3859A	6/3	BYX10	3/6
AF118	12/6	BFW58	5/6	NKT262	4/3	ST141	5/6	2N930	7/6	2N3860	6/-	BYX36	2/6
AF121	6/-	BFW59	5/6	NKT271	4/-	ST2	9/9	2N1090	6/6	2N3866	25/-	150	2/6
AF124	6/-	BFX13	4/6	NKT272	4/-	TI407	9/8	2N1091	6/6	2N3866	25/-	150	2/6
AF126	3/6	BSX19	4/6	NKT273	4/-	TI31A	19/6	2N1132	6/6	2N3872	6/6	BYX36	2/10
AF127	3/6	BSX20	3/4	NKT274	4/-	TI32A	22/6	2N1132	6/6	2N3877A	9/6	300	2/10
AF139	7/6	BSX21	7/6	NKT274	4/-	TI33A	17/6	2N1302	4/-	2N3900	10/6	BYX36	2/10
AF178	9/6	BSX76	4/-	NKT275	5/-	TI34A	1/9	2N1303	4/-	2N3900A	6/6	BYX36	2/10
AF179	11/6	BSX77	6/-	NKT276	3/6	TI45	1/9	2N1304	5/-	2N3903	11/6	BYX36	2/10
AF180	12/6	BSX78	6/6	NKT276A	2/6	TI45	1/9	2N1305	5/-	2N3903	11/6	BYX36	2/10
AF181	11/6	BSX79	6/6	NKT281	2/6	TI46	3/3	2N1306	5/-	2N3904	7/6	BYX36	2/10
AF186W	9/-	BSY29	5/-	NKT301	16/-	TI47	3/3	2N1307	7/6	2N3907	7/6	BYX36	2/10
AF186G	9/-	BSY32	5/-	NKT302	11/-	TI48	3/3	2N1308	7/6	2N3906	7/6	BYX36	2/10
AFY29	7/6	BSY36	5/-	NKT303	10/-	TI49	3/6	2N1309	7/6	2N4037	15/-	BYZ12	6/6
AFY19	22/6	BSY37	5/-	NKT304	9/6	TI50	5/6	2N1309	7/6	2N4058	4/6	BYZ13	5/6
AFZ11	8/-	BSY38	4/-	NKT351	8/-	TI51	4/-	2N1507	4/6	2N4059	5/-	CG64	2/6
AFZ12	10/-	BSY95A	3/6	NKT352	7/6	TI52	4/-	2N1613	5/6	2N4060	5/-	CG63	2/6
AS126	8/-	BSW70	5/6	NKT401	17/6	TI53	6/6	2N1671A	29/6	2N4061	4/6	CG64	2/6
AS127	6/-	BSW70	5/6	NKT402	24/-	TI56	6/6	2N1711	29/6	2N4061	4/6	CG61	2/6
AS128	5/-	BTX39/600	6/6	NKT403	15/-	TI56	7/6	2N1711	29/6	2N4284	3/6	CG52	2/6
AS129	6/-	120/-	120/-	NKT404	12/6	TSW30C	18/-	2N1893	10/-	2N4285	3/6	EA403	3/6
ASZ21	7/6	BTX40/600	6/6	NKT405	15/-	U23AAA	5/-	2N2147	17/-	2N4286	3/6	EA401	5/6
AUY10	30/-	120/-	120/-	NKT406	15/-	V205	20/-	2N2152	27/6	2N4287	3/6	EA402	4/8
ATZ10	40/-	BTY87/150R	6/6	NKT451	12/6	V405A	9/3	2N2148	12/6	2N4288	3/6	EB383	3/6
B2M	12/6	CI10	3/6	NKT452	12/6	XA102	15/-	2N2160	14/9	2N4289	3/6	GJM45/1	4/6
B3M	15/-	CI06F1	9/6	NKT453	12/6	XA702	15/-	2N2242	26/-	2N4290	3/6	GJM42	3/6
BC107	2/9	CI11	18/-	NKT613F	5/-	ZT86	19/6	2N2368	5/-	2N4291	3/6	OA5	3/8
BC108	2/9	CI11E	12/-	NKT674F	5/-	ZT86	27/6	2N2369	5/-	2N4292	3/6	OA10	6/6
BC109	2/9	C400	9/6	NKT675	5/-	ZT270	19/6	2N2369A	5/6	2N4291	6/9	OA47	1/6
BC113	5/-	C426	8/3	NKT676	5/-	40250	12/6	2N2432	67/-	2N5027	10/6	OA70	1/6
BC115	6/6	C444	9/8	NKT677F	5/-	40309	9/6	2N2484	8/-	2N5028	11/6	OA73	1/6
BC116	10/6	D13T1	3/6	NKT703	8/-	40310	13/-	2N2613	7/6	2N5029	9/6	OA79	1/6
BC118	5/-	GET102	6/-	NKT773	5/-	40311	10/6	2N2646	10/6	2N5030	8/6	OA81	1/6
BC125	11/-	GET113	4/-	NKT773	5/-	40312	13/6	2N2646	10/6	2N5172	3/6	OA85	1/6
BC126	11/-	GET114	4/-	NKT10339	40314	10/6	2N2711	6/-	2N5174	10/6	OA90	1/6	
BC134	5/-	GET120	6/6	6/6	40315	10/6	2N2712	6/-	2N5175	10/6	OA91	1/6	
BC135	6/-	GET880	9/-	NKT10419	40316	13/-	2N2713	5/6	2N5176	9/-	OA95	1/6	
BC136	8/-	GET887	4/-	6/-	40317	11/-	2N2904	8/6	2N5232	5/6	OA200	2/6	
BC137	8/6	GET889	6/6	NKT10429	40319	15/-	2N2904A	8/6	2N5249	13/6	OA202	2/6	
BC138	12/-	GET890	6/6	40320	10/6	2N2905	10/6	2N2905A	8/6	2N5249A	13/6	OD19	7/6
BC140	13/3	GET896	4/6	NKT10519	40322	12/6	2N2923	4/-	2N5305	7/6	IN34A	4/6	
BC147	2/9	GET897	4/6	6/6	40324	10/6	2N2924	4/-	2N5306	8/-	IN60	4/6	
BC148	3/3	GET898	6/-	NKT16229	40326	7/6	2N2925	3/6	2N5309	12/6	IN64	4/6	
BC149	3/-	GEX 45/1	3/-	11/-	40329	9/6	2N2926	2/-	2N5355	5/6	IN82A	9/6	
BC154	12/-	MAT100	5/-	NKT20329	40344	14/6	Green	2/-	2N5356	10/6	IN191	4/6	
BC167	3/6	MAT101	3/6	19/6	40347	14/6	Yellow	2/-	3N84	26/-	IN914	1/9	
BC168	3/9	MAT120	5/6	OC22	8/-	40360	12/-	2N2926	3/6	3N128	18/6	IN4001	2/6
BC182L	3/-	MJ400	21/6	OC23	8/-	40361	16/-	Orange	2/-	3N140	18/6	IN4005	4/6
BC183L	2/6	MJ420	22/6	OC24	8/-	40362	16/-	Brown	2/-	3N142	21/6	IN4007	5/6
BC184L	3/-	MJ421	22/6	OC25	7/6	40370	16/-	2N3011	12/6	3N143	19/6	IS113	4/6
BC212L	1/9	MJ430	20/6	OC26	6/6	40406	14/6	2N3036	39/6	3N152	24/-	IS44	1/9
BCY10	10/6	MJ440	19/6	OC28	12/-	40408	16/6	2N3053	5/-	25001	10/6	IS130	2/6
BCY30	5/-	MJ480	20/6	OC35	12/6	40467	16/6	2N3053	5/-	25001	10/6	IS130	2/6
BCY31	5/6	MJ481	27/-	OC36	12/6	40468A	16/6	2N3054	12/6	25002	12/6	IS131	2/6
BCY32	10/-	MJ490	22/6	OC41	4/6	40602	9/9	2N3055	15/-	25003	12/6	IS132	2/6
BCY33	4/-	MJ491	29/6	OC42	4/6	2G301	3/6	2N3133	6/-	25004	15/-	IS208	8-2 volt
BCY34	5/-	MPP102	8/6	OC43	4/6	2G302	3/6	2N3135	6/-	25005	15/-	IS2100	10 volt
BCY38	6/-	MPP103	7/6	OC44	3/6	2G306	8/6	2N3136	6/-	25006	15/-	IS2110	11 volt
BCY40	4/-	MPP104	7/6	OC45	2/6	2G339A	5/-	2N3233	28/6	25012	25/-	IS2120	12 volt
BCY42	4/-	MPP105	8/-	OC70	3/6	2G371	3/6	2N3234	27/6	25012A	22/6	IS2160	16 volt
BCY43	4/-	MPS3638	6/6	OC71	3/6	2G371B	3/6	2N3391A	6/-	25017	17/6	IS2180	18 volt
BCY54	7/6	NKT0013	9/6	OC72	4/6	2G374	3/6	2N3392	5/-	25018	17/6	IS2270	27 volt
BCY70	4/6	NKT121	11/-	OC75	2/6	2G381	5/-	2N3393	5/-	25019	19/6	IS2300	30 volt
BCY71	8/-	NKT122	8/-	OC76	2/6	2G381	5/-	2N3394	4/9	25024	25/-	IS2310	12 volt
BCY72	6/-	NKT123	6/6	OC77	5/6	2G381	5/-	2N3402	5/6	25104	12/6	IS2320	8/6
BCY87	8/9	NKT125	5/6	OC81	4/6	2N109	11/-	2N3402	5/6	25104	12/6	IS2320	8/6
BCZ11	7/6	NKT127	5/6	OC81D	5/-	2N174	16/-	2N3403	7/6	25302	7/6	IS2320	8/6
BD119	15/-	NKT128	5/6	OC82	5/-	2N217	7/6	2N3404	7/6	25302	7/6	IS2320	8/6
BD121	18/-	NKT129	6/6	OC82D	3/-	2N370	15/-	2N3414	5/6	25303	10/6	IS2320	8/6
BD123	21/6	NKT152	5/6	OC83	4/6	2N384							

FIG. 10.2. A.G.C. MODULE



Component layout of a.g.c. module



Underside wiring of a.g.c. module

COMPONENTS . . .

A.G.C. MODULE

Resistors

R1	270Ω
R2	39kΩ
R3	39kΩ
R4	180Ω
R5	1.5kΩ
R6	33Ω
R7	180Ω
R8	39Ω
R9	180Ω
R10	180Ω
R11	39Ω
R12	82kΩ
R13	1.5kΩ
R14	18kΩ
R15	2.7kΩ
R16	1kΩ
R17	39Ω
R18	1.8kΩ
R19	47Ω
R20	56Ω

All $\frac{1}{2}$ W, $\pm 5\%$ high stab

Capacitors

C1	0.047μF ceramic
C2	27pF
C3	56pF
C4	27pF
C5	0.047μF ceramic
C6	0.1μF polyester
C7	1,800pF polystyrene $\pm 5\%$
C8	0.047 ceramic
C9	0.047μF ceramic
C10	0.1μF polyester
C11	0.047μF
C12	0.047μF
C13	1,800pF polystyrene $\pm 5\%$
C14	0.1μF polyester
C15	64μF elect. 10V

Semiconductors

TR1	2N2219
TR2, 3, 4	2N2218 (3 off)
TR5	2N2219
TR6	2N2904
TR7	2N2218
D1, 2	OA91 (2 off)

Inductors

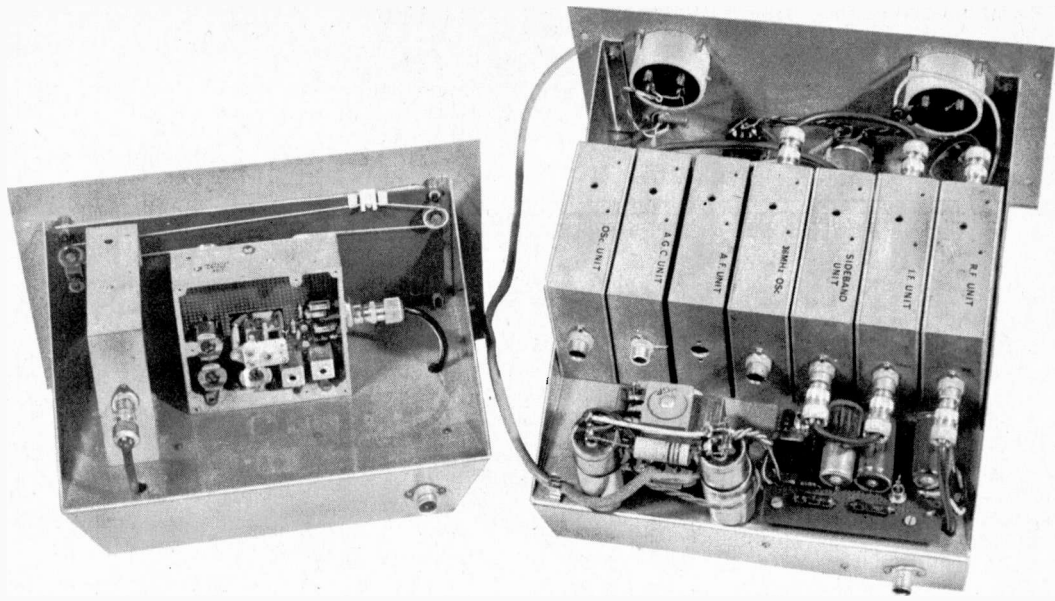
L1	4μH choke $\pm 5\%$
L2	4μH choke $\pm 5\%$

Crystals

X1, 2	2MHz (1.999900 to 2.00010MHz, 2 off)
-------	--------------------------------------

Miscellaneous

SK1 coaxial output socket
 PL1/a-d lead through connectors (4 off)
 Veroboard $3\frac{1}{2}$ in \times $3\frac{1}{2}$ in, 0.1in grid



in this stage. Transistor TR4, acting as an emitter follower, presents a high impedance to the collector load of TR3, thus sustaining the high impedance load required for voltage gain to take place, and presents a low impedance to the diodes D1 and D2.

Diodes D1 and D2 rectify the positive going portion of the signal and the resultant positive d.c. voltage is fed, via R14, to the base of TR5. As the voltage at the base of TR5 becomes more positive and the collector of TR6 is connected to the base of TR7, the emitter of TR7 follows the change in TR5 base voltage and the quiescent 2 to 5 volts at the junction of R18 and R19 starts to go more positive due to the extra current being

drawn through R19. When this voltage becomes more positive the gain of the receiver is reduced, due to the fact that this point is connected back to the r.f. and i.f. units.

A point of equilibrium is reached, and C15 ensures that the overall loop does not oscillate. The charging time of C15 is relatively quick, due to the low source resistance of D1 and D2, and the output impedance of the emitter follower, while the discharge time is a matter of some seconds as a result of the high resistance discharge path via R14 and the input impedance of TR5—in the order of 50 kilohms.

AGC. MODULE CONSTRUCTION

The a.g.c. module is constructed in a case similar to those used for other modules in the main receiver chassis, as shown in Fig. 2.1. All components are mounted on plain perforated Veroboard and wired up on the underside using component leads wherever possible. Component layout and wiring are shown in Fig. 10.2.

Once constructed and tested—as detailed later—the a.g.c. module is fitted in the main receiver chassis in the vacant module position. The module is wired up with reference to the circuits given in Fig. 10.3. It can be

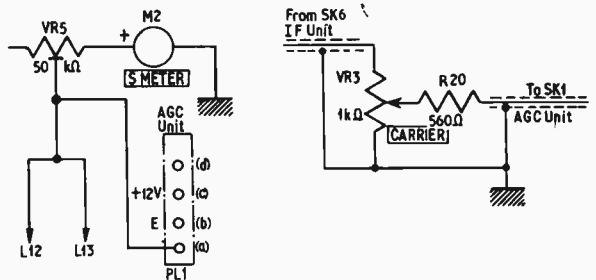
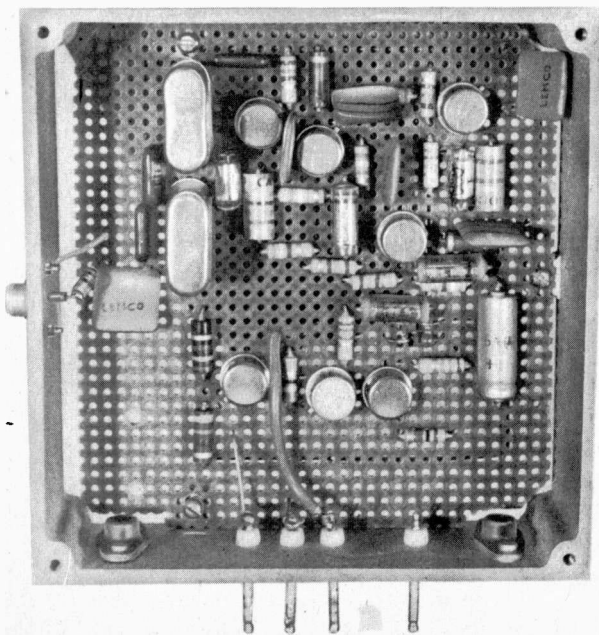


Fig. 10.3. Modified chassis wiring circuit for the a.g.c. module

seen that wiring already connected around M2 and VR3 ("carrier") will have to be modified to incorporate the a.g.c. module.

SETTING UP INSTRUCTIONS

Equipment required

- (a) Power Supply 12V, 100mA.
- (b) Multimeter.
- (c) Signal Generator 2MHz (Crystal controlled) giving an output of up to 10mV.

PROCEDURE

Apply the supply voltage, in the correct polarity, to the correct terminals and check the d.c. potentials to see that they correspond to those indicated in Table 10.2. Having established that the d.c. conditions are correct, apply a 2MHz signal, ± 20 Hz, to SK1 at a level of 0.25mV. Connect a multimeter between pins PL1/a and PL1/b with the positive lead to PL1/a. The voltage at this point should be 2.5 volts ± 0.3 volts. Increase the input signal level to 1mV and the voltage at PL1/a should increase to approximately 10.8 volts. The voltage at PL1/a should start to increase positively as the 2MHz input signal level reaches approximately 0.5mV. If the voltage at PL1/a has not increased to 10.8 volts when the input signal is 1mV at 2MHz reduce the value of R16 until the correct voltage has been established (R16 must not be less than 270 ohms).

If the voltage is more than 4 volts at PL1/a, when the input signal at 2MHz is 0.25 volts, then insert a resistor in series with C8 until the voltage is reduced to approximately 3 volts.

OPERATIONAL SEQUENCE

The sequence for setting the controls, when searching for a station and finally setting the receiver when the required station has been located, would appear, at first sight, to be somewhat complicated. However, this is not the case. For the operation to be simply understood it must be remembered that in single side-band transmission a carrier tone is transmitted at some level below the sideband information. The carrier tone is the information that indicates to the receiver what gain setting it should take up. In the case of automatic gain control (described earlier in this article) the carrier signal is sensed and the r.f. and i.f. gain of the receiver is automatically set. This leaves only the audio output level and the "R.F. Gain" to be individually adjusted.

OPERATION WITHOUT A.G.C.

First of all the "Audio Gain" is set to position 6 (the total sweep of VR1 and VR2 is divided equally into 10 divisions) and the "R.F. Gain" advanced to its maximum gain condition (i.e. fully clockwise). The "Carrier" control is now advanced until the V.U. meter (M1) reads the noise of the receiver fluctuating around -10dB. The local oscillator is set to the required frequency and when the signal is located the "Carrier" control is adjusted until the V.U. meter reads 0 V.U. If the signal strength (S) meter (M2) reads less than 9dB the "R.F. Gain" control is left at its maximum setting. However, if the Signal Strength Meter reads in excess of 9dB the "R.F. Gain" should be reduced and the "Carrier" increased until the signal strength meter reads 9dB and the V.U. Meter reads 0 V.U. It is this final adjustment that may prove to be a little awkward until some experience has been obtained in operating the

Table 10.2. A.G.C. UNIT D.C. VOLTAGES

Stage	Vc	Ve	Vb
TR1	7	1.2	1.9
TR2	10	6.3	7
TR3	7	1.2	1.9
TR4	10	6.3	7
TR5	12	0	0
TR6	0	0	12
TR7	12	2.5 (10.8V max with full input signal—see text)	0

TR5, 6 and 7 voltages are taken with no input to SK1

receiver when it will be found that it only takes two or three seconds to make the necessary adjustment.

CONCLUSION

It was stated in part one of the receiver articles that a b.f.o. unit would be included in the local oscillator. A separate b.f.o. unit has not been described as the "offset A1" system of c.w. reception has been used. To receive keyed c.w., the receiver is tuned to the required frequency and then offset approximately 1kHz by the fine tune control thus giving a 1kHz tone.

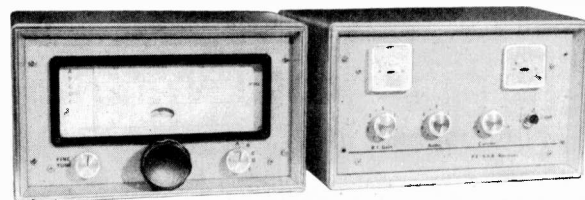
There are various other small alterations from the original description of the receiver, in particular the fitting of the power supply in the receiver main chassis and not in the local oscillator chassis as originally described. This has been altered to provide a self-contained receiver unit that can be used with any signal generator. The power supply can, of course, be fitted in the local oscillator unit to provide a complete signal generator if required. It should be noted that the output frequency of the local oscillator is 34MHz higher than the frequencies indicated on the tuning dial. ★

Note: a kit of Neosid coil parts for the local oscillator unit is now available from Neosid Ltd., Stonehills House, Howards-gate, Welwyn Garden City, Herts. The kit to be called "Wideband Local Oscillator Kit" contains the following parts:

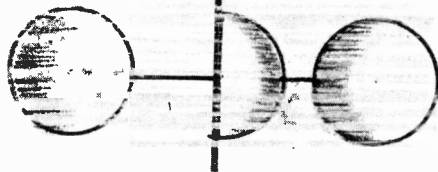
Former 722/1 Bakelite	5 off
Base plate 5027/6PLD	5 off
Aluminium screening can 7100	5 off
Screw core 4 x 0.5 x 10/900	5 off

The "Wideband Local Oscillator Kit" is for the local oscillator only and is in addition to the "Wideband Kit" which is for the main receiver only. The above kit is available from Neosid at the above address on receipt of a 25s postal order—no cheques.

Correction: chassis type numbers given last month should have been—1690C and BC510



ORDER



AUGUST NOW!

ANEMOMETER

An electronic remote reading anemometer, suitable for meteorological use or for the sailor or sailing club. The anemometer gives linear readings of windspeed on a moving coil meter.

DECIMAL CURRENCY CONVERTER

Decimal currency for the U.K. will be implemented in February next year. This novel design, using diode logic circuitry, converts the present British currency into the new decimal equivalents. It makes a useful instructional aid for all types of business where cash transactions are commonplace.

Starting NEXT MONTH

A series of practical projects for the beginner in electronics. Based upon a well-known constructional system, these designs are intended to combine theory with practice to form useful electronic devices.

**PRACTICAL
ELECTRONICS**

August issue on sale July 16

AUDIO TRENDS

By F. C. JUDD

THE introduction and development of two-channel stereo recording and radio has brought about a pleasing and very acceptable new dimension to high fidelity sound reproduction in the home. The latest innovation, and one which is claimed to be an improvement on the two-channel system, is four-channel stereo which has been designed to reproduce the "ambience" as well as the spatial effect of the concert hall.

The latter technique requires a four track tape recording with four separate replay amplifiers and loudspeakers. Two loudspeakers are placed in front of the listener in the normal way and two are placed at the rear to produce the reverberant effect that would normally be experienced in a large hall.

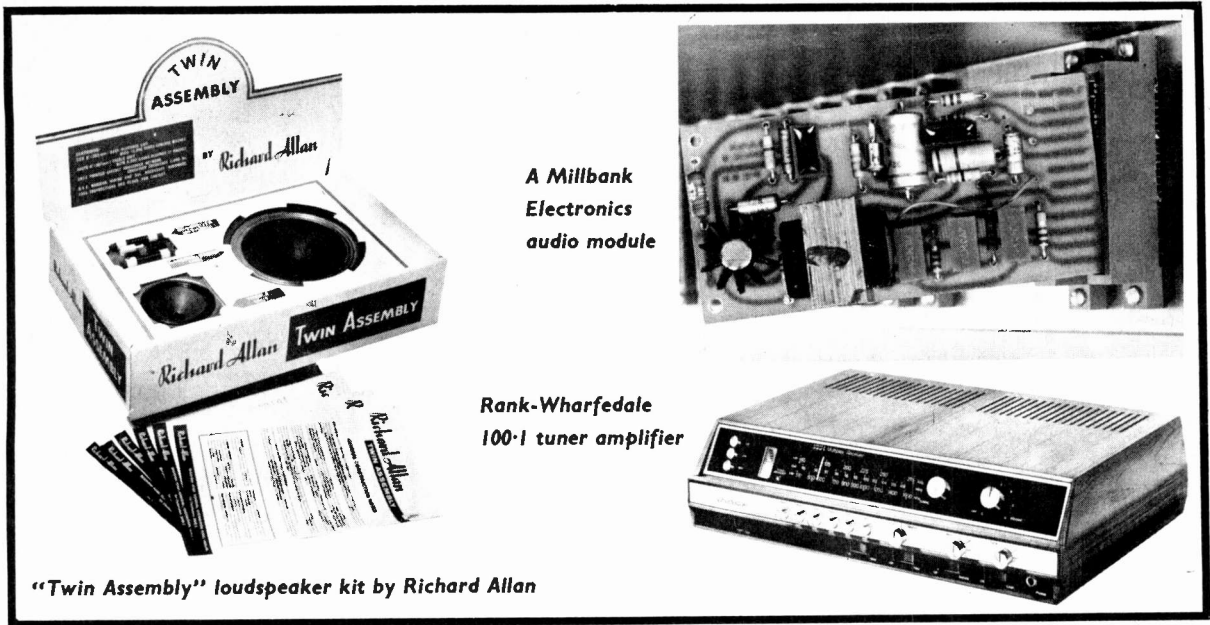
As four separate tracks are required for reproduction, recordings are at present only made on magnetic tape. Whether the system might be extended to disc and even radio, remains to be seen as it would necessitate either four separate recordings in one groove or the use of a parallel groove for the two extra channels. Four-channel stereo radio would involve more complexity.

FOUR-CHANNEL STEREO AT SONEX '70

Demonstrations of four-channel stereo by the American company Acoustic Research, and sponsored by their U.K. agents Bell and Howell Ltd. at the recent "Sonex '70" exhibition, tended to show that in an average size living room, the sound from the loudspeakers at the rear became too confused with sound from those at the front, especially to a listener positioned midway between the speaker systems. The more or less double expenditure for four channels merely to obtain a reverberation effect from the rear hardly seems to be worthwhile.

Four-channel stereo and the extra cost involved might be better used to improve the overall stereo effect from the front. Reverberation could always be added to a small degree by feeding the channel signals into a reverberation unit and taking the output from this to a rear (of the listener) loudspeaker.

Over 160,000 tickets were issued for the Sonex '70 audio exhibition at the Skyway Hotel, Heathrow, the first of its kind to be staged by the industry's own trade association, the Federation of British Audio.



"Twin Assembly" loudspeaker kit by Richard Allan

A Millbank Electronics audio module

Rank-Wharfedale 100.1 tuner amplifier

The exhibitors' original policy of "strictly hi fi equipment only" seems to have been ignored for there was a good deal of equipment on show that could only be rated as "capable of good but otherwise pleasing quality".

LOUDSPEAKER KITS

A loudspeaker can be a fairly expensive item and, for stereo, the cost is doubled, but for those who can successfully carry out the cabinet work at home there are some new loudspeaker kits to choose from.

Richard Allan Limited, a well-known name for loudspeakers, have just brought out three kits which include their "Triple Assembly", a three-unit system for 15 watts at 8 or 15 ohms, and the "Super Triple" assembly (three units) for power up to 20 watts. The smallest kit is a twin speaker system for 10 watts called the "Twin Assembly".

Each kit contains the appropriate bass, mid-range and treble units and crossover network, details for building a suitable enclosure, and there is a choice of Vynair speaker aperture covering materials. Further details from Richard Allan Limited, Bradford Road, Gomersal, Cleckheaton, Yorks.

TUNER AMPLIFIER

A completely new product, featuring integrated circuits, ceramic filters and f.e.t.'s in the v.h.f. tuner section, is the Rank-Wharfedale tuner amplifier called the 100.1 Multiplex Receiver and has an output power rating of 35 watts r.m.s. per channel combining f.m. stereo and medium and long wave a.m. radio channels.

It has inputs for tape recorder replay and magnetic and ceramic pick-up cartridges with outputs for up to four loudspeakers and stereo headphones. The makers claim the very low distortion factor of 0.1 per cent at full power, a weighted signal-to-noise ratio of 90dB at 35 watts from the output stages and 75dB at 35 watts from the pick-up inputs.

Control features include a low pass (whistle) filter, v.h.f. muting and local and remote speaker switching. Further details and the recommended retail price are available from Rank-Wharfedale Limited, Idle, Brad-

ford, Yorkshire, who have incidentally just introduced three loudspeaker unit kits for constructors and will send details on request.

AUDIO AMPLIFIER MODULES

Readers interested in professional fields of recording and public address, and who need to build their own equipment for special requirements, may find the Millbank Electronics' range of audio modules very useful. These modules include microphone pre-amplifiers, equalising amplifiers for tape head and pick-up inputs, a high signal level amplifier for passive mixer networks, a VU meter amplifier, a line-up tone oscillator and many others.

Each unit is pre-assembled on a plug-in printed circuit board and many different combinations can be used to build up complete items of equipment. Suggestions include signal mixers with, say, two low impedance microphone inputs, one magnetic pick-up input, two high level signal inputs, a VU meter and a 600 ohm line output.

The modules are designed for high quality professional equipment and prices range between about £7 10s for a microphone pre-amplifier to £11 for a 600 ohm line amplifier. Suitable power supplies and other accessories are also available. Details from Millbank Electronics, The Square, Forest Row, Sussex.

MONO TAPE RECORDER

Recently introduced at the "Sonex" exhibition, the new Brenell 6M series now includes a complete mono tape record/replay unit known as the MK6 type M. The deck has a three-motor tape transport system and will take up to 8in diameter spools. It runs at 15, 7½ and 3¼ and 1⅜in/second and has a half-track mono three-head system which allows for off-tape monitoring.

The MK6 Type M unit includes separate recording and replay amplifiers and has a 15 watt output stage. Inputs are provided for microphone and magnetic or ceramic pick-up cartridges and high level signals. Other features are bass and treble controls, a built-in loudspeaker and signal mixing facilities. Further details from Brenell Engineering Company Limited, 231/5, Liverpool Road, London, N.1.

A COMPLICATED electronic circuit is usually little more than a collection of familiar sub-circuits or stages, each consisting of just one or two transistors arranged in a special way. With experience these stages, or "building bricks", can be easily recognised at a glance and thus enables a whole circuit diagram to be "read" with ease.

There now follows a short compendium of the more commonly used sub-circuits.

SINGLE TRANSISTOR PHASE-SPLITTER

The "phase-splitter" is widely used in audio amplifier circuits to convert an input signal into two forms of output signal. In Fig. 4.1 these outputs are shown at the collector and emitter. Output 1 from the emitter is an "in-phase" replica of the input signal, i.e. when the

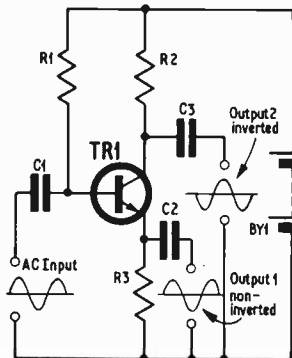


Fig. 4.1. Single transistor phase splitter, two outputs for one input

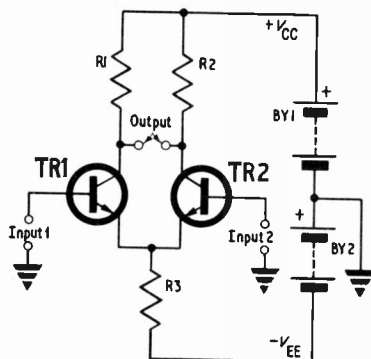


Fig. 4.2. Long-tailed pair, one output for two inputs

A NEW
SERIES FOR
THE BEGINNER

THIS

input signal voltage goes positive, so does the output voltage from the emitter. Output 2 from the collector is phase inverted. (Phase inversion was explained in Part 3.)

The two outputs are of almost equal amplitude if $R_2 = R_3$ but they move in opposite polarity directions. The phase splitter can be regarded as a common-collector combined with a common-emitter configuration in a single transistor stage.

LONG-TAILED PAIR

Fig. 4.2 shows the circuit of the "long-tailed pair", so called because its common emitter resistor R_3 projects downwards like a tail. It is also known as a "differential amplifier".

The action of the long-tailed pair is fairly complicated, with inputs fed into the two bases. Looking at TR1 first in Fig. 4.2, an input signal at the base is amplified and appears in phase-inverted form at the collector of TR1. At the same time, a second in-phase output is fed directly from the emitter of TR1 to the emitter of TR2. Now if a signal is fed to the base of TR2, there will be an output at TR2 emitter combining with that from TR1, and a phase inverted output at TR2 collector.

Fig. 4.3. Compound connected transistors

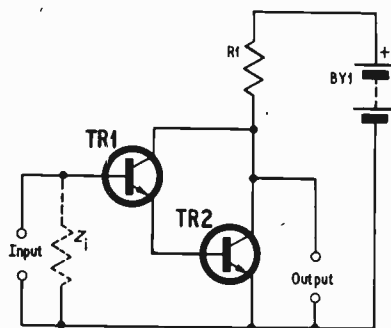


Fig. 4.3a. Super-alpha pair, common emitter mode. Overall gain is equal to the product of the two transistor gains (h_{FE})

If the two inputs are in phase there will be no output at the collectors. An output will only be obtained between the collectors when the two inputs are in opposite phase.

In the form shown in Fig. 4.2 (there are several variants of this circuit) the pair act as a "differential" or "difference" amplifier, producing an output signal which is directly proportional to the difference between the two independent input signals. Notice how the battery centre-tap in Fig. 4.2 is earthed, and forms the common input terminal for both signals; this automatically provides self-bias and allows the circuit to accept a.c. as well as d.c. signals without the need for bias resistors.

One of the main advantages of the long-tail pair is that it is insensitive to changes of temperature, which makes it particularly useful for amplifying small d.c. signals. An increase of TR1 collector current with a rise in temperature is accompanied by a similar increase of TR2 collector current, thus the circuit tends to remain in balance and does not "drift".

DARLINGTON AND COMPOUND PAIRS

Transistors can be coupled together to yield a very large current gain and a high value of input impedance. The "super-alpha pair" shown in Fig. 4.3a is a modified common-collector amplifier TR1 feeding a common-emitter amplifier TR2. Overall current gain is approximately equal to the product of the individual gains of each transistor, typically 2,500.

The input impedance of an amplifier usually falls with increasing frequency of the a.c. signal, due to small amounts of stray capacitance within the circuit. Input impedance Z_i of the super-alpha pair can be more than 50 kilohms below about 5 kilohertz, and voltage gain is around 100. The output is taken from TR2 collector.

Next, the Darlington pair circuit of Fig. 4.3b is made

up of two common-collector amplifiers, and offers an input impedance Z_i which can be several megohms under ideal conditions. Current gain is about the same as for the circuit of Fig. 4.3a, but voltage gain will be slightly less than unity. The output is taken from the emitter of TR2.

Some interesting compound circuits can be devised with complementary arrangements of *npn* and *pn*p transistors. Fig. 4.3c shows one form of complementary compound pair, with TR1 acting as a modified *pn*p common-collector amplifier which drives an *npn* common-emitter amplifier. Because the d.c. collector voltage of TR1 is very low, the overall current gain of the circuit is no more than approximately 1,000, but the input impedance Z_i is high.

When base bias resistors are added to the circuits of Fig. 4.3 they tend to reduce or shunt the input impedance, and this creates problems.

BOOTSTRAPPING

Bootstrapping is a technique used to boost amplifier input impedance to high values, while avoiding the shunting effect of bias resistors. Such a circuit appears to pull up its input impedance "by its bootstraps" so to speak.

In the common-collector circuit of Fig. 4.4, a resistance R3 is inserted between the transistor base and the bias resistors R1 and R2. An input signal is fed via C1 straight to the base of TR1, and reappears as an output signal across the emitter resistor R4 without a change of phase. This output signal is then fed-back through C2 to the other end of R3 so that almost equal in-phase voltages are present at both ends of R3. If the voltages at each end of R3 are equal and in phase there will be no flow of current through R3, and this resistor therefore behaves like a very high impedance, typically several megohms at low frequencies.

WAY TO ELECTRONICS 4

for high input impedance and large current gain

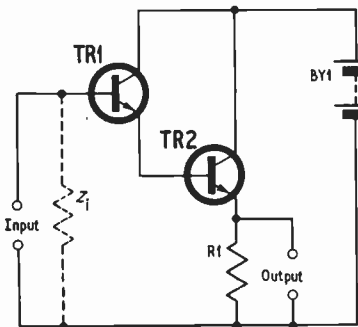


Fig. 4.3b. Darlington pair, common collector mode. Very high input impedance, low output impedance

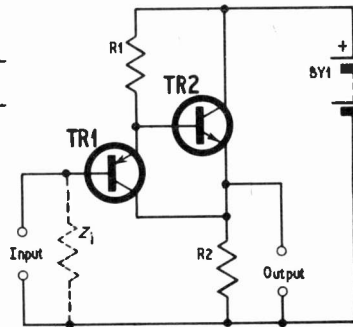


Fig. 4.3c. Complementary pair, *pn*p and *np*n, gives current gain of about 1,000 and high input impedance

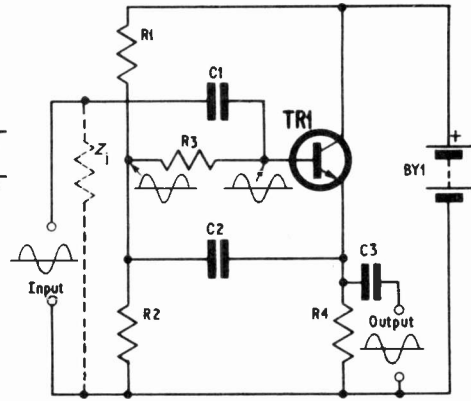
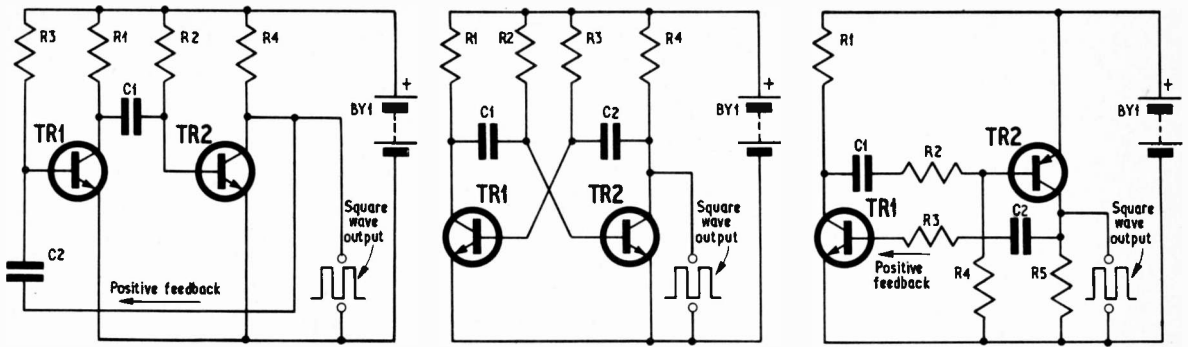


Fig. 4.4. High input impedance can be achieved by using "bootstrap" circuit. R3 is made to appear as a very high impedance to the signal fed into TR1 base

WAVEFORM GENERATORS



(a) Collector coupled astable multivibrator. Frequency is approximately $1/0.7 (C_2 R_2 + C_1 R_3)$

(b) Alternative arrangement of collector coupled astable shown in (a)

(c) Complementary pair astable

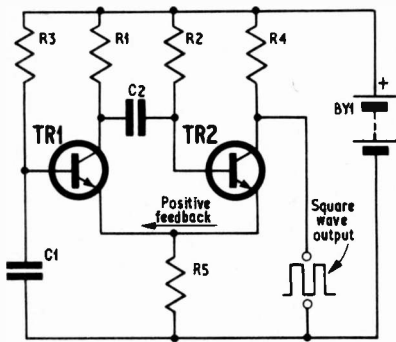


Fig. 4.5. Square wave generators

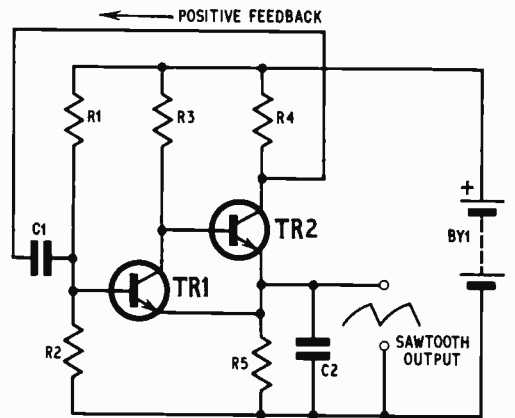


Fig. 4.6. One form of sawtooth waveform oscillator. Positive feedback is applied through C1

SQUARE WAVE OSCILLATOR

The circuits considered so far are frequently used for amplifying or producing signals which vary smoothly with time. Much of electronics, however, is concerned with abrupt transitions of signal level, and the handling of steep-sided pulses of different duration and shape. A square wave oscillator, for example, yields an output consisting of a train of rectangular shaped pulses which can be used to trigger other circuits.

In Fig. 4.5a, two common-emitter amplifiers are coupled together with capacitors. TR1 collector output is coupled via C1 to the base input of TR2, and the collector of TR2 is coupled back to the base of TR1 by capacitor C2, making a closed loop. The result is unrestrained positive (in-phase) feedback which causes the circuit to oscillate vigorously, with each transistor switching on and off alternately. A transistor is said to be "on" when it is passing maximum collector current and its collector is at almost the same voltage as its emitter.

At the start of a pulse, one transistor will be hard on while the other transistor is off or non-conducting. After a time, dependent on the values of R3, R2, C1 and C2, there is a rapid transition when the transistors reverse their roles, i.e. the "on" transistor goes off and vice versa.

The square wave oscillator of Fig. 4.5a is called an "astable multivibrator" (i.e. non-stable), and it belongs

to an important trio of pulse circuits. An alternative (and more common) way of drawing the astable is given in Fig. 4.5b.

An npn and a pnp can be used as a complementary pair as shown in Fig. 4.5c, both transistors conduct at the same time, and turn off simultaneously. However, if the transistors both switch off completely, they will cease to amplify and the circuit will not oscillate. Therefore, TR2 is held slightly on by a high value of base bias resistor R4.

Fig. 4.5d shows an emitter coupled astable. The base of TR1 is held "steady" by C1 decoupling capacitor, and TR1 therefore acts as a common-base amplifier, with an emitter input and a collector output which feeds phase-splitter TR2 via C2. Direct coupling between the two emitters provides a positive feedback path, and a square wave output is taken from R4.

SAWTOOTH OSCILLATOR

Another waveform shape is the "sawtooth"; a train of triangular pulses obtained by alternately charging and discharging a capacitor. The sawtooth oscillator provides a ramp or rising voltage output which is almost directly proportional to time, and is therefore utilised in timing circuits and for the X axis sweep in oscilloscopes.

In the circuit of Fig. 4.6 the feedback from the collector of TR2 to the base of TR1 is positive (in-

PULSE CIRCUITS

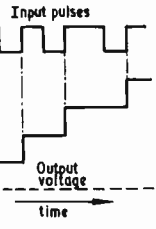
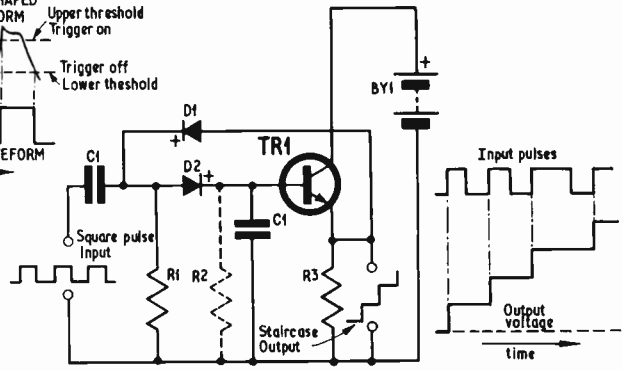
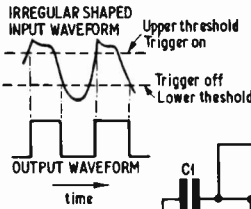
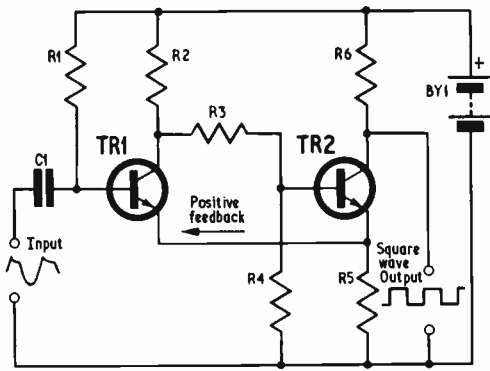
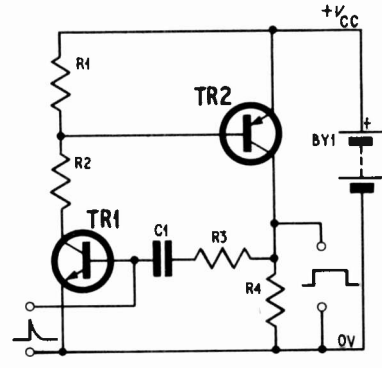
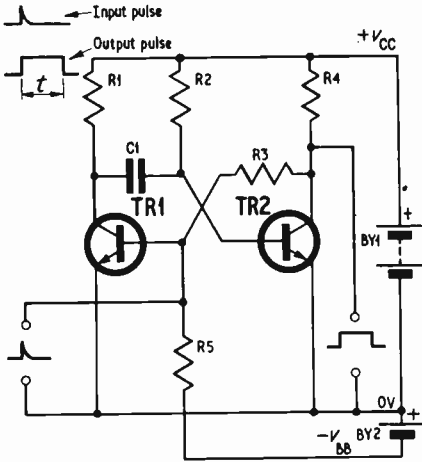


Fig. 4.7 (above left). Schmitt trigger circuit. Square wave output is derived from approximate sine wave input, based on upper and lower threshold voltages that are set by choice of component values

Fig. 4.8 (above right). Staircase generator. Used as a memory store or counter. It registers each input pulse and steps up the output voltage

Fig. 4.9 (left and right). Monostable multivibrators. A short pulse at the input becomes a long pulse or square wave at the output



(a) Collector coupled monostable

(b) Complementary pair monostable

phase), and would give a square wave oscillation if the capacitor C2 was disconnected. This is a form of multivibrator, positive feedback being applied via C1.

When TR2 conducts, C2 is connected to the positive supply rail via TR2 and R4. The capacitor C2 charges up relatively slowly, and the voltage across it increases almost linearly with time. When the circuit switches, TR2 goes off and C2 discharges through R5, giving a downward sloping ramp. So, the output taken from across C2 is a sawtooth waveform.

The working of this circuit depends on critical choice of component values, since the regenerative action depends on the working voltages set by R3 and R5.

SCHMITT TRIGGER

The "Schmitt trigger" fulfills the role of a fast acting switch which is controlled by a change of input voltage.

When the input exceeds a set value (upper threshold), the circuit triggers on, and turns off when the input drops to slightly less than another set value called the lower threshold. The circuit in Fig. 4.7 closely resembles that of a long-tailed pair and has a similar action, except that the bias resistor R3 is connected to the collector of TR1 instead of to the positive battery rail. This arrangement supplies d.c. positive feedback, and causes the circuit to "change state" very rapidly, typically in less than one microsecond.

Among the many applications of the Schmitt is that of converting a sine wave—or any irregular shaped

waveform, into a square wave of the same frequency; see the waveforms of Fig. 4.7 which show the trigger levels.

STAIRCASE GENERATOR

From a pulse input, the "staircase generator" or "pump circuit" of Fig. 4.8 supplies an output which rises in steps, one step per input pulse. The circuit actually "remembers" each input pulse and adds the next to it.

The mode of operation is as follows. A positive input pulse is passed by C1 and D2 to place a positive charge on capacitor C2. Because of D2, the only discharge path for C2 is via the base of TR1. However, TR1 is a common-collector amplifier, and presents a high resistance to C2 which will discharge this capacitor relatively slowly. If the input pulses are not widely spaced in time, the voltage across C2 will remain almost constant between pulses, giving a flat top to each step of the staircase. The purpose of D1 is to keep the height of each step constant by feedback from the emitter of TR1.

If a d.c. voltmeter is placed across the staircase generator output, it will give an indication of the number of input pulses received. The circuit can also be used as a frequency meter if a resistor R2 (shown dotted in Fig. 4.8) is added to discharge C2 quickly. Yet another application is that of frequency divider, if

BISTABLE SWITCH

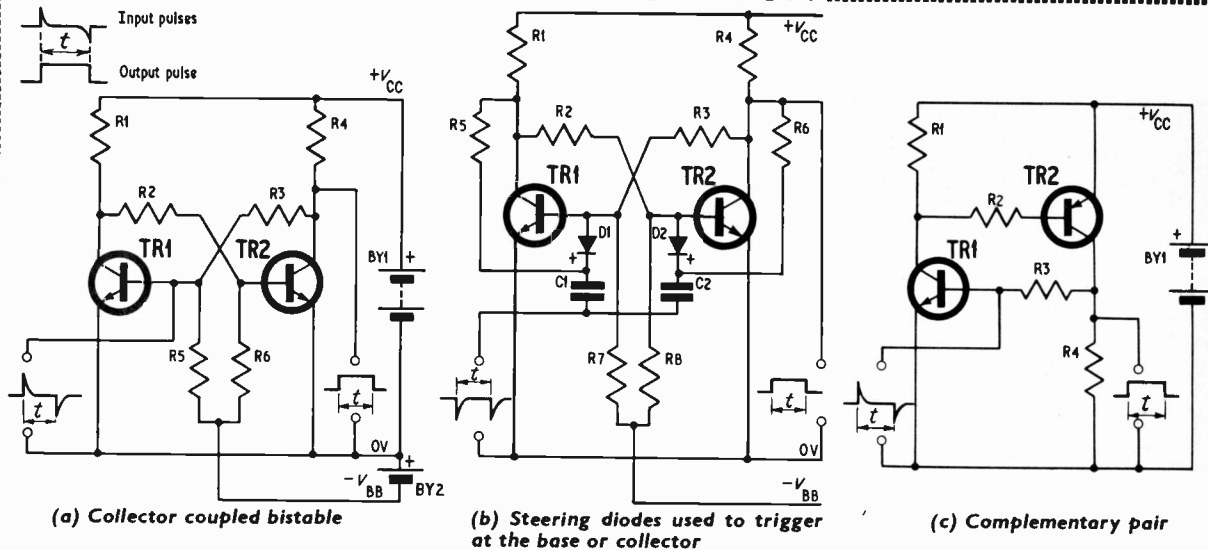


Fig. 4.10. Bistable multivibrators. Two input pulses are required to switch the output on, then off. Outputs can be taken from either collector

some means of discharging C2 is devised, which operates when the output voltage reaches a pre-arranged level.

MONOSTABLE MULTIVIBRATOR

A feature of many pulse circuits is that they have two "states". For example, the "monostable multivibrator" has a stable and a quasi-stable state. When triggered by an input pulse of short or indeterminate duration, the circuit of Fig. 4.9a switches from its stable state (TR1 off, TR2 on) to its quasi-stable state (TR1 on, TR2 off), where it remains for a time dependent on the values of capacitor C1 and resistor R2, thus furnishing an output pulse of precise length or duration. At the end of the timed period, the monostable reverts to its stable condition and is then ready to accept the next input pulse.

The complementary version of the monostable draws hardly any current from the battery when stable, but an input pulse causes both transistors to turn on during the timed period, see circuit Fig. 4.9b.

The monostable can provide a delaying action if the trailing edge of its output pulse is used to trigger a following circuit, and it will also act as a frequency divider.

BISTABLE MULTIVIBRATOR

The third member of the multivibrator family is the "bistable". With its two stable states, the action of this circuit is similar to that of a self-latching toggle switch.

Looking at the basic bistable circuit of Fig. 4.10a, a positive input pulse will turn TR1 on, overcoming the potential $-V_{BB}$. TR2 is held hard off by this action and by $-V_{BB}$. The voltage at TR2 collector will be almost $+V_{CC}$ volts. Further positive input pulses will not change the state, but a negative pulse will reset the circuit to its former condition, by pulling TR1 into a state of cut-off, and turning TR2 on. The voltage at TR2 collector will then drop to near zero volts.

For most purposes it is preferable to use the bistable with input pulses of one polarity, and here diodes can

be added to the circuit to "steer" the pulses to the appropriate transistor base, as shown in Fig. 4.10b. Diodes D1 and D2 alternately steer only negative input pulses to whichever transistor happens to be on at the time, bringing the base of that transistor down to its emitter potential and turning it off. Meanwhile the other transistor turns on and is then ready to receive the next input pulse.

Digital computers depend on the bistable for counting and other mathematical operations. The computer version of the bistable, similar to the circuit of Fig. 4.10b, is usually called a "flip-flop" or "binary stage".

A complementary bistable is given in Fig. 4.10c. A positive input pulse will turn on both transistors at the same time.

Part 5 next month will look at a range of electronic devices, including transducers which are used to translate mechanical and other phenomena into electrical signals.

DON'T MISS . . .

**PROJECT BUILDING
FOR BEGINNERS**

A new series of practical
projects for beginners to make

STARTING NEXT MONTH

Gerry Brown . . . ON THE FRINGE

EMOTIONAL TOMATO

Few would think seriously about the likelihood of a tomato plant owning any kind of emotion, much less consider the possibility of botanical specimens demonstrating a form of telepathy. Nevertheless, Cleve Backster, a research psychologist with the Backster Foundation



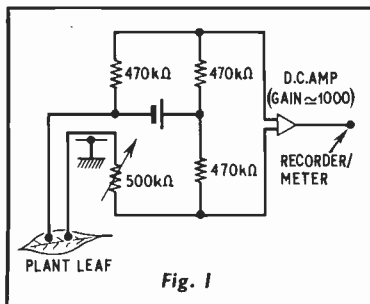
in New York, has very strong reasons for believing so. Backster made his discovery some little while ago when he connected a polygraph (sophisticated lie-detector) across one of the leaves of a tomato plant.

His idea at the time was to try and gain some evidence for a co-relationship between sap movement, after watering the plant, and changes in the plant's tissue resistance at such times.

During his experiments he decided, apparently "for the hell of it", to concentrate his attention on the particular leaf connected to the equipment and make a strong mental impression of his definite intention to burn the plant with a lighted match. Imagine his utter amazement when the polygraph pen took a steep downward swing over the recording paper! Like all sensible experimenters he of course checked the repeatability of the effect. Surprisingly the same down-going trace appeared on the chart on almost every occasion.

Since the early experiments Backster has speculated on what the effects might be for related traumatic experiences of other plant and animal species in the environment of a specimen undergoing test. For example, killing off quantities of brine shrimp by dumping them in boiling water containers resulted in "wild" movements of the pen.

Backster wonders whether there is some kind of signal generated by cell life when it dies that might be sensed by other cells still living. He found



too that violence of virtually any form could produce a reaction. Pricking his finger or even breaking an egg in the vicinity of the test specimen could apparently cause quite remarkable reactions on the machine.

Backster maintains that there were times when if he had harrassed the test plants enough he could be several miles away and on the instant of his intention to return to the laboratory there would be recorded a strong movement on the chart.

Obviously I can only report on Cleve Backster's findings so far but, just for the record, I have performed some simple experiments along the same lines and really the results can be quite staggering! In my short experience of the Backster effect a response was obtained 70 per cent of the time.

Setting equipment up for observation of the effect can be very tricky, since the application required in order to see a response must be high, see Fig. 1. This, if one does not meticulously null out offset voltages and carefully balance the input to the amplifier, can cause such havoc that it may be impossible to obtain any worthwhile results at all. It is not therefore recommended that beginners to electronics should try out such a set-up; the results could be ambiguous at best!

LIT-UP BUGS

The time was when miners had to carry canaries around with them in order to remain in circulation. Since



then things have changed a bit and among the many methods that have come along since the early days is this extremely bright new way of detecting firedamp. The idea is a British patent which, according to the specification, utilises a transparent cell containing a micro-organism called *Photobacterium fischeri*.

This culture has the peculiar property of glowing quite brightly when exposed to air. However, it seems that if air contaminated with some toxic material is passed over the cell the organism's light output drops dramatically until a point is reached when the light from it fails completely. Following an exposure of this kind the culture rapidly regains its previous abilities to emit light when the air is purer.

In its entirety the detector uses a sensitive photocell and amplifier to monitor any changes in the intensity of the emission from the bacteria. This may then be used to signal, either locally or at some distant station, any imminent threat to the lives of those in the hazardous environment.

Over the normal working life of the culture its ability to recover from toxic agents diminishes and so it is necessary to incorporate within the

electronics compensatory circuitry which can adjust the sensitivity of the amplifier at a corresponding rate.

Since the "bugs" appear to be sensitive to other materials in addition to firedamp one can speculate that they may well prove invaluable to researchers connected with atmosphere pollution due to traffic exhaust.

PLATED LEAVES

Although I can recall doing it in the school physics lab' some years back, there are a great number of people who have now joined the craze for electroplating various forms of flora. In fact, it seems, just about any-



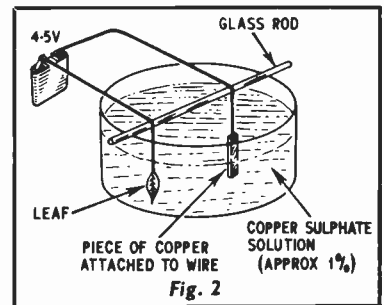
thing from leaves to chrysanthemums have an appeal in this direction!

The technique is fairly simple as you will see. Having obtained your specimen (not, I hope, from Kew Gardens) it must be dunked in warmed petroleum jelly (Vaseline) and any surplus liquid shaken off. When cooler, a thin piece of insulated wire is firmly wrapped round the steam of the leaf.

Powdered graphite must then be carefully sprinkled all over and, assuming the specimen has been completely, covered it is now ready for the plating bath. The electrolyte of course depends entirely on what you intend plating your leaf with; the old favourite copper is a fairly inexpensive beginner and so copper sulphate would be the correct electrolyte to use. Details of the required set-up are shown in Fig. 2.

The plating process needs to be carried on for a fair period of time; over-night is likely to prove sufficient. Following this the plated material must be lifted from the bath with care to avoid removing the coating. After leaving it to dry out during the day it should then have a coating of lacquer applied to protect it.

The number of things that can be plated seems to be pretty well limitless and I have it on very good authority that someone has already electroplated a cabbage! I think this must have been done for posterity, since this particular genus of edible flora will probably cease to exist on the table when we go over to swallowing the Sunday roast in tablet form!



- * **REALISTIC**
- * **PHOTO ELECTRIC**
- * **HIT AND SCORE TARGETS**
- * **COMPLETELY SAFE FOR CHILDREN**

By G. W. JONES



THE P.E. Marksman introduces the skills of real target practice into the home in complete safety. It provides instantaneous "hit" and scoring indications whereupon the system automatically reverts to its initial state. Construction is comparatively simple and the system is flexible since it may be expanded into sophisticated target assemblies which, for example, include sound, physical and flare effects.

The principles of operation may be applied to other projects, however, in order to provide suitable reference whereby such projects may be undertaken, the system to be described is embodied in a miniature rifle range. This range is comprised of an electronic rifle and target assembly, each battery operated and self contained so that interconnections between rifle and target are not needed.

The rifle "shot" is the timed flash of a torch and a unique target arrangement enables light emitted from a standard torch to be accurately evaluated for scoring purposes. This greatly simplifies the construction of the rifle, the necessity for lenses and a projection system being eliminated. A simple adjustment enables ranges of up to 30 feet to be accommodated and the same control satisfies ambient light conditions.

GUN OPERATION

There are many cheap plastics toy guns on the market and one must be selected which will accommodate a small torch at or directly underneath the muzzle. Space must be available for two switches (one to serve as the trigger and the other as the bolt action or "reload" switch), and a miniature electronic circuit.

P. E.

The circuit of the rifle shown in Fig. 1 is such that when the spring loaded "trigger" switch S1 is operated, a flash of light is emitted from the torch and irrespective of the time the switch contacts are made, the duration of the flash is constant. Correct trigger pressure and operation relative to firing a rifle may thus be practiced.

Since the target is a phototransistor, the time period of the flash is also important with respect to range and scoring assessment and providing competitive firing is carried out at the same range, accurate score assessing by the phototransistor is obtained. In practice a time period of approximately 0.25 seconds enables sufficient light to be emitted from the torch but prevents the firer from dwelling on the aim to obtain a false assessment of the original shot.

GUN CIRCUIT

The rifle circuit (Fig. 1) is based on a standard 3 volt torch with the lamp (LPI) electrically isolated from the normal switch and batteries.

Switch S2 is the reload switch and is of the double pole, change over type. In the reload position C1 is charged to the battery potential and since virtually no current is dissipated with the switch in this position, the

COMPONENTS . . .

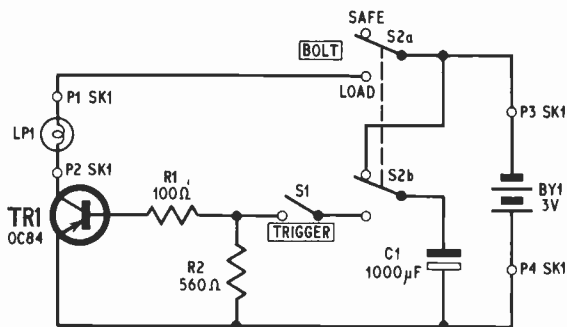


Fig. 1. Circuit diagram of the "Gun"

rifle system may be considered to be switched off for storage purposes (the prototype has stood for months in this condition and is still serviceable).

When the switch is changed to the load position the capacitor charge is ready at S1 for discharge into the base of TR1, hence the term "reload switch". Switch S1 is a single pole spring loaded switch and serves as the trigger; when it is operated the capacitor discharges into the resistor network (R1 and R2) and the base of the transistor TR1 which is switched on for a period of time determined by the CR network. Since lamp LP1 is the collector load of the transistor, the lamp flashes for the time period determined by the network and then switches off to await the next reload operation carried

Resistors

R1 100Ω ¼W carbon ±10%
R2 560Ω ¼W carbon ±10%

Capacitor

C1 1,000pF elect. 6V

Transistor

TR1 OC84

Switches

S1 s.p.s.t. biased off toggle
S2 d.p.d.t. toggle

Miscellaneous

LP1 } small 3V spot torch (used as gun barrel)
BY1 }
SK1 miniature four way connector
Gun—plastics toy gun (see text)
Veroboard 2½in × 1½in, 0.15in matrix

realistic since a physical bolt action is necessary in conjunction with a correct trigger pressure. A reasonable simulation of firing a rifle is thus obtained.

GUN CONSTRUCTION

The flash circuit is constructed on a small piece of Veroboard, as shown in Fig. 2. The circuit is connected to S1 and S2 by insulated flexible leads so that S1 and S2 can be fixed in the gun, as described earlier,

MARKSMAN

out by S2. Resistors R1 and R2 in conjunction with capacitor C1 determine the flash time and typical values are given.

When S2 (the reload switch) is positioned at the right-hand side of the rifle in the approximate location of the rifle bolt, the firing action of the rifle becomes

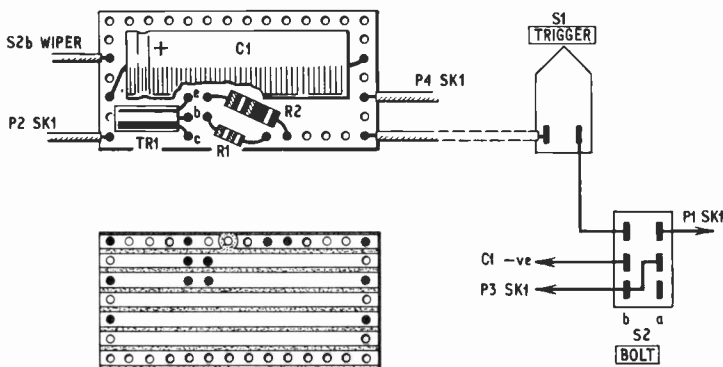
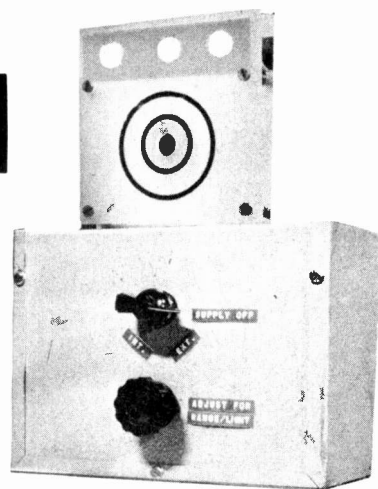


Fig. 2. "Gun" circuit layout and wiring



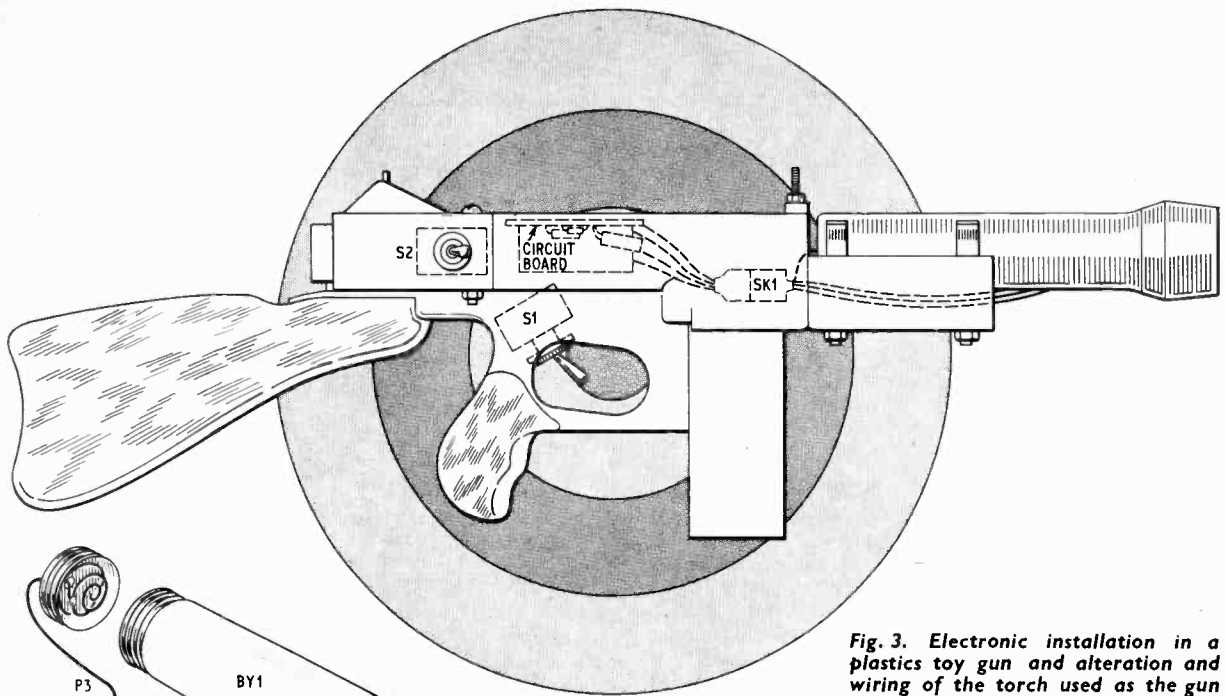
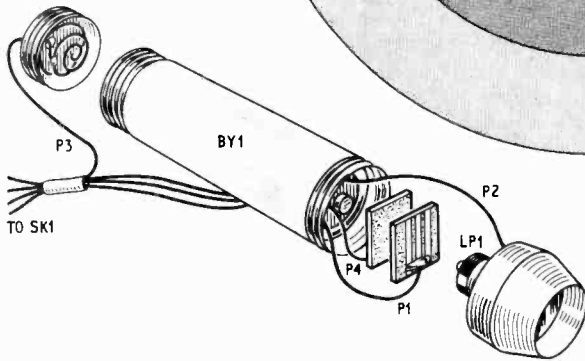
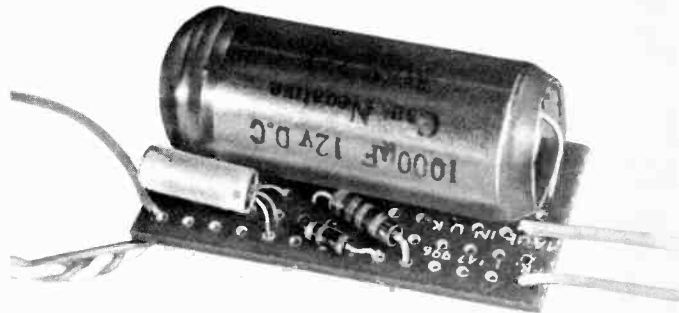


Fig. 3. Electronic installation in a plastics toy gun and alteration and wiring of the torch used as the gun barrel



before the component panel is positioned in the body or handle of the rifle. The board is connected to BY1 and LP1 via flexible insulated leads and a four way mini-ature connector (SK1).

The torch can be removed from the gun to change batteries and LP1 when necessary and, in the prototype, was affixed in place of the gun barrel by two spring clips. Details of the prototype gun are shown in Fig. 3.



FUNDAMENTAL TARGET

The manufacture of suitable targets largely depends on individual approach and imagination. The simplest form of target that may be made and, if required, expanded into more sophisticated systems, is shown in Fig. 4. It will automatically register a "hit" at ranges up to 30ft and then revert to its initial state thus requiring no physical readjustments.

This target can be built into a small space, therefore a cluster may be built if evaluation of aim is required using this method. However, since a phototransistor for each circuit is required, a more economical circuit is detailed for score evaluation at a later stage in this article.

The circuit shown in Fig. 4 will sense an infinitely small change in ambient light and is ideally suited to register and indicate the flash of a torch at ranges dependent upon the power of the light. Ranges of 30 feet can be obtained from small, cheap "spot torches" and far greater ranges are obtainable using more powerful torch beams.

A flash of light from a remote source falling on the phototransistor TR2 will produce a pulse at C2 which switches off TR3 and consequently switches on TR4.



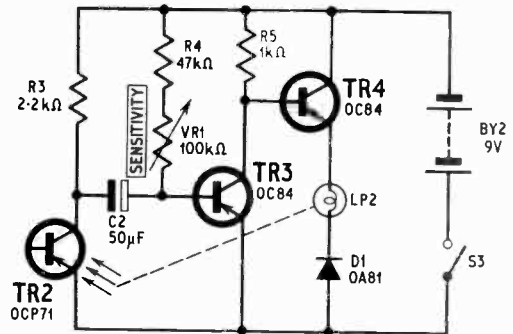
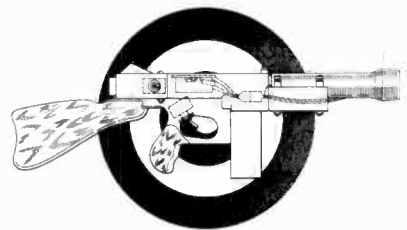
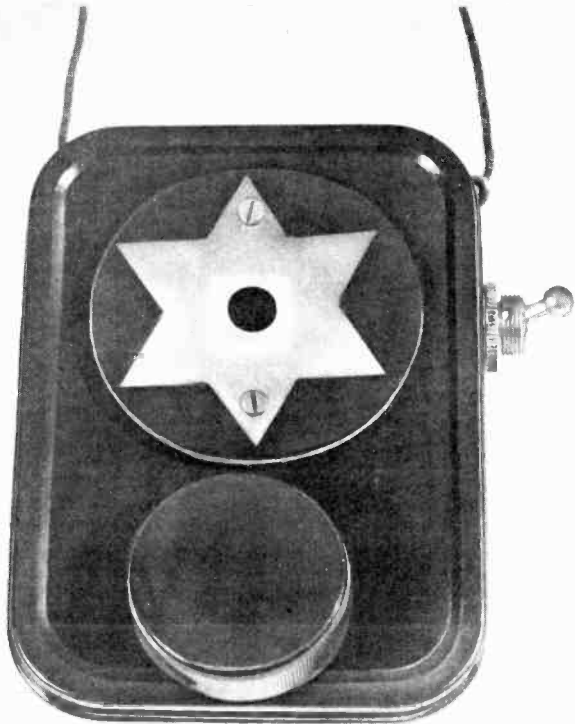


Fig. 4. Fundamental target circuit diagram

Since LP2 is in the emitter line of TR4, a flash of light is emitted from LP2. Lamp LP2 is fitted adjacent to TR2 and hence capacitor C2 receives a further and stronger pulse when TR2 senses the adjacent flash of light, in consequence the lamp remains on. However, since the capacitor C2 discharges at a higher rate than the rate maintained by the now constant light, the filament switches off after a time period determined by the CR network. The filament thus serves as a visual indication of a "hit" on the phototransistor and automatically switches off after a few seconds.

The potentiometer VR1 enables the target to be set up to operate relative to ambient light conditions which includes virtually any light normally experienced indoors. Maximum sensitivity (range) is obtained by rotating the potentiometer knob until the circuit hunts (the lamp operates in a continuous on off sequence) and then retarded slightly so that the lamp is off. A flash from the torch in the rifle assembly accurately aimed at the phototransistor will operate the lamp in the target assembly for several seconds.

It should be noted that the above circuit operates from a "rate of change" of light, and a shadow intercepting light received by the photocell could operate the filament under certain conditions; it is therefore advisable to position the target where the level of light is likely to be reasonably constant.

FUNDAMENTAL TARGET CONSTRUCTION

Layout and wiring of the components, mounted on a Veroboard panel, for the fundamental target is shown in Fig. 5. The target is constructed in a tobacco tin (Fig. 6) and is completely self contained. Holes are cut in the lid of the tin for the potentiometer and "target area" above TR2. A 9V PP4 battery is used as shown in Fig. 6.

This target, although simple, has a variety of applications; as previously stated it can be used, in conjunction with others, to give evaluation of aim; it can also be used as a moving target and affixed to any moving object—including a person.

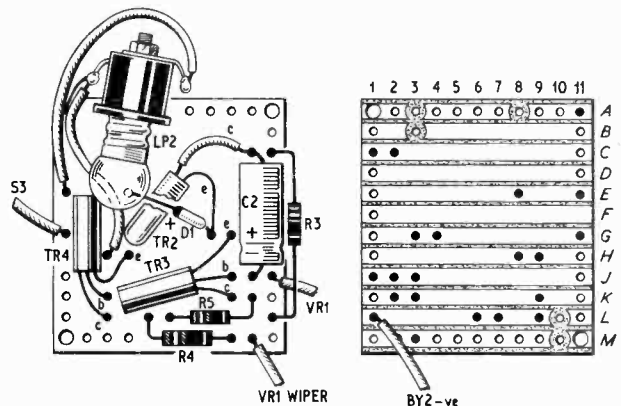


Fig. 5. Layout and wiring of fundamental target

COMPONENTS . . .

FUNDAMENTAL TARGET

Resistors

- R3 2.2kΩ
- R4 47kΩ
- R5 1kΩ
- All $\frac{1}{4}$ W $\pm 10\%$ carbon

Capacitor

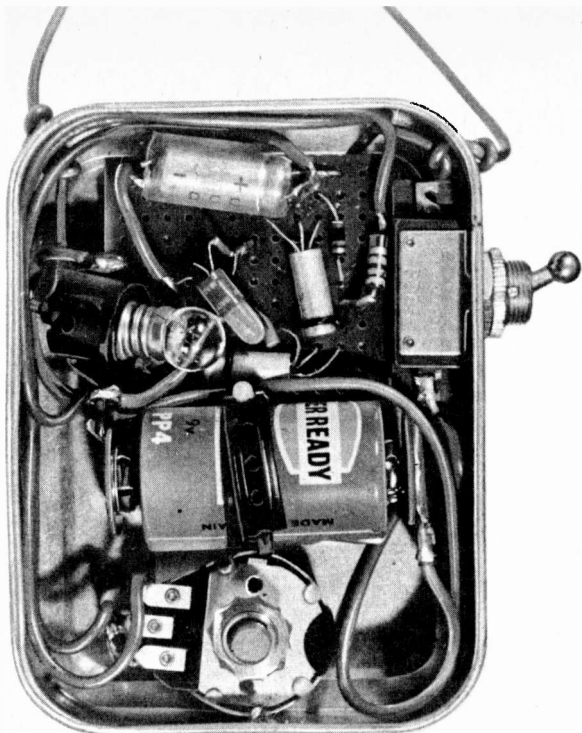
- C2 50μF elect. 12V

Semiconductors

- TR2 OCP71 (phototransistor)
- TR3 OC84
- TR4 OC84
- D1 OA81

Miscellaneous

- VR1 100kΩ potentiometer
- LP2 6V 0.04A bulb and holder
- BY2 9V PP4 battery
- S3 s.p.s.t. toggle switch
- Case, small oblong tobacco tin
- Knob for VR1
- Veroboard 2in \times 1 $\frac{1}{2}$ in, 0.15in matrix



The latter application opens up a new range of ideas for childrens' games and, with small modifications to prevent alteration of controls during use, the target can provide "hit" indication for childrens' "war" or "cowboys" games.

AUTOMATIC SCORE TARGET

In order to provide a target system for competitive scoring, additional circuits are necessary and invariably one must look for the most economic approach with the greatest entertainment potential. The circuit described is designed to obtain maximum facilities with the minimum number of components. The facilities available may be divided into two sections:

- (a) A digital evaluation of the "shot" with respect to an aiming mark on the target
- (b) A flare or cascade of lights which may be adapted to provide dramatic visual effects.

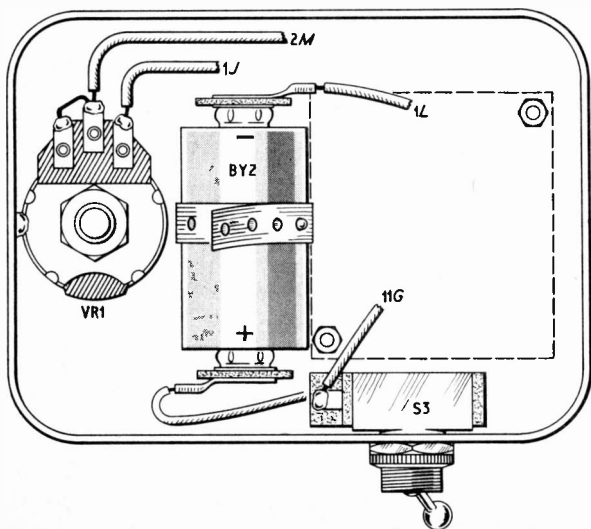


Fig. 6. Complete fundamental target wiring and installation

In either case, sound effects may be included to augment the overall effect.

This particular target consists of a phototransistor and three lamps fitted in line and fairly close together. The three lamps light in sequence or cascade according to the value of light received by the phototransistor and may therefore serve for both digital or flare effect indications relative to aim accuracy. A potentiometer adjusts the threshold of lamp operation so that range or degree of accuracy required is variable.

Digital indication is available when the lamps are identified 1, 2, 3, in left to right sequence, so that a direct hit will light all lamps and a near miss might light only one or two. The flare effect of the filaments may also be adapted to illuminate silhouettes such as the outlines of a tank or an aeroplane; considerable scope is available for similar innovations.

In order to make a fair assessment of each shot the position of the light image obtained from the gun must be evaluated relative to a fixed point at the target. A phototransistor serves as this aiming mark but since the shape and intensity of the image varies when light is emitted from a standard torch, there is every likelihood that when a photocell is used as the aiming mark of the target the same image will probably produce two or three bright spots over its area, each capable of obtaining the direct hit indication from the three lamps. So that this characteristic is largely eliminated a unique target arrangement is constructed.

TARGET ARRANGEMENT

Assuming the rifle range is used in a room where ranges in the region of 10 to 20 feet are required, an area of misted perspex is used as the target surface. It will be found that the image produced by a cheap torch is approximately 4 to 6 inches across at its brightest area when shone on to a wall at a range of 10 feet. By cutting the perspex to a similar size (which may be square or circular) the area of the image and target surface will be roughly the same at operational range.

A phototransistor is fitted into a hole in the centre of the perspex to accommodate the dome of the transistor so that direct light from the torch will not fall on the sensing element. When the torch is shone on to the perspex, some of the light penetrating the target surface travels at right angles to the beam of light and illuminates the edges of the hole in which the photocell is fitted. If the full image from the torch covers the target area, the phototransistor will register maximum light from the torch and any inaccuracy of alignment will reduce the signal derived from the phototransistor. This still leaves a certain margin for error but when it is realised that a control is available to set the threshold of lamp operation, the degree of measurement variation becomes surprisingly consistent as the prototype target has proved. A means for evaluating the accuracy of the beam of a standard torch relative to a fixed point is thus achieved. Fig. 7 illustrates the circuit for such a target and when an oscillator is driven by the last transistor, an effective whine can be obtained from a miniature headphone.

AUTOMATIC SCORE CIRCUIT

The flash from the torch in the gun assembly is sensed by the phototransistor TR5 and amplified by TR6 and 7. Capacitor C3 and resistor R7 provide an initial delay into the circuit which is highly desirable at the next stage. The variable potentiometer VR2 and resistor R6 serve to obtain a threshold to relate the sensitivity of the phototransistor to the ambient light

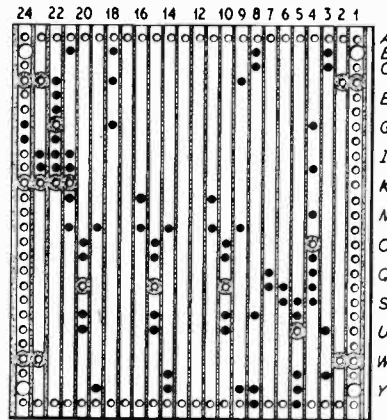
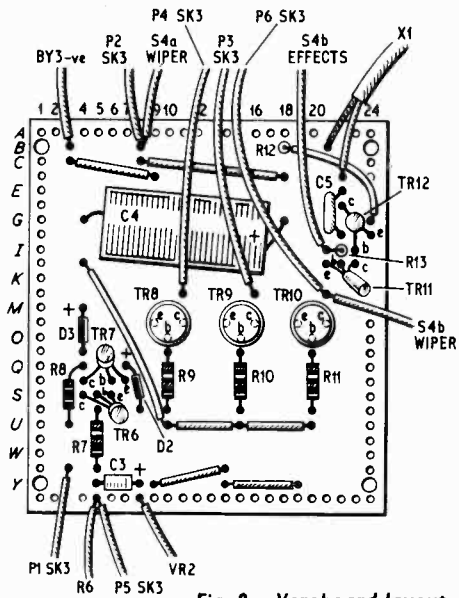


Fig. 8. Veroboard layout and wiring for the score evaluation target

Quite an effective and economical sound effect is obtained when an oscillator is arranged to be driven in parallel with lamp LP5. When a signal reaches this section of the circuit (LP5) it is virtually varying in strength continuously and the result is that a plaintive whine is emitted from the earpiece. The oscillator consists of a *nnp* transistor, TR11 and a *ppn* transistor TR12, operating in conjunction with a $0.01\mu\text{F}$ capacitor, C5. A 2,000 ohm earpiece (X1) is used for sound effects and provides audible whines which are apparent in comparatively quiet conditions; amplification may be added as required.

AUTOMATIC SCORE TARGET CONSTRUCTION

Most of the circuitry for the automatic score evaluation target is mounted on a piece of Veroboard as shown in Fig. 8. Veropins are inserted in the board to provide anchor points for the connecting leads.

The two sockets SK2 and SK3, VR2, S4, X1 and BY3 are mounted on a "U" shaped aluminium chassis and wired to the Veroboard as shown in Fig. 8. The chassis used measures $7 \times 5 \times 3$ inches and is made of two "U" shaped interlocking sections.

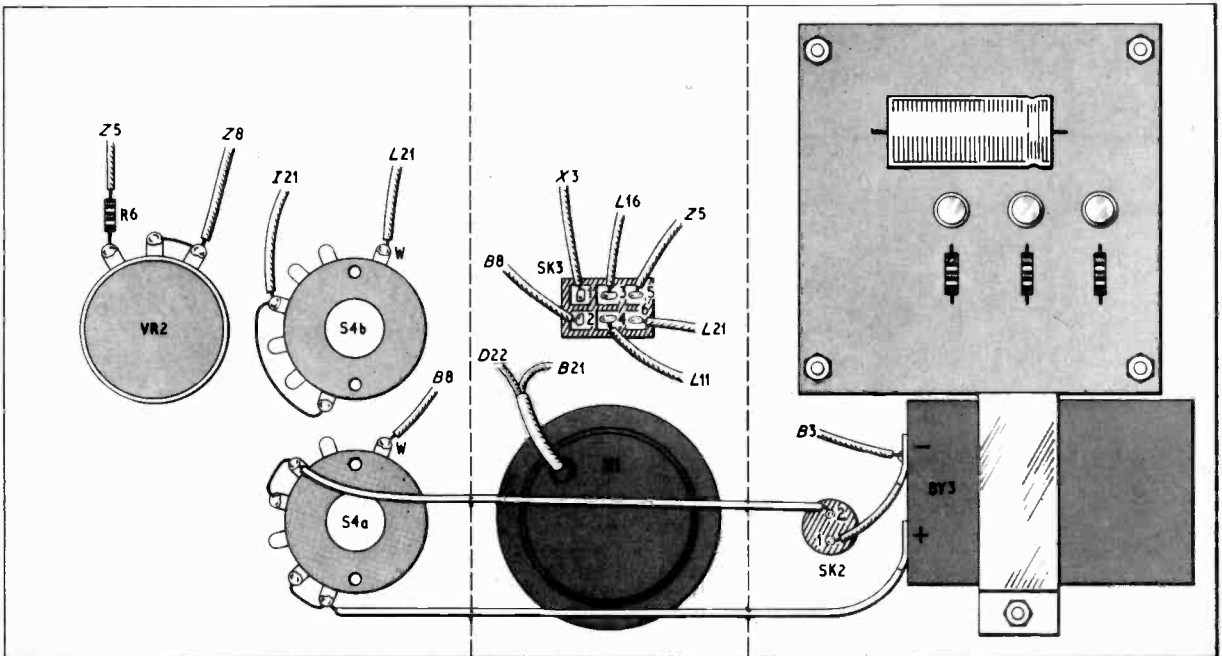


Fig. 9. Chassis details of score evaluation target. Switch wafer S4a has been displaced for clarity

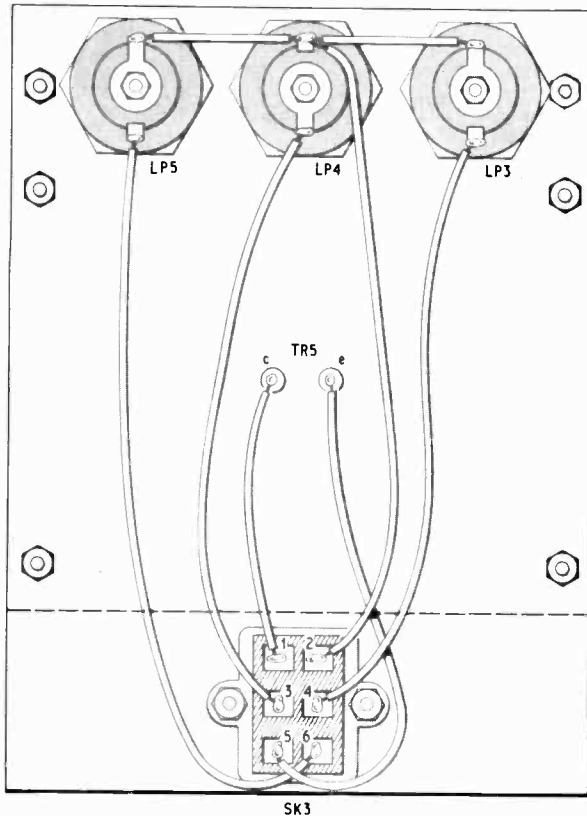


Fig. 10. Target wiring details

The actual target and score indicator assembly is mounted on top of the aluminium chassis and is positioned and held by SK3. Misted perspex sheet that forms the target is fixed to the aluminium mounting by four screws and spacers. Phototransistor TR5 is fitted in a small hole drilled in the perspex so that the junction is covered by the surrounding perspex.

Two feed-through terminals affixed to the aluminium serve to connect the phototransistor leads to the circuit. All target wiring is shown in Fig. 10 and construction details are shown in Fig. 11. The target size will depend on the light image size as indicated earlier.

The misted perspex target area must not be extended to cover the indicator lamps as this will cause the first lamp to trigger the second and third lamps as the light will be transmitted through the perspex. If a covering is required for the lamps a second piece of perspex can be mounted in front of the lamps and the edges of the two pieces painted black to prevent light transmission. A screen should also be placed below the lamps to prevent any stray light from reaching the phototransistor, see Fig. 11

VISUAL EFFECTS

In the prototype, transparent silhouettes are arranged to fit over the three indicators. One is divided into three holes which fit over the three lamps and digital information is obtained when each hole is identified with a number. Another outlines the side section of a fighter aircraft with the nose of the fuselage over the first indicator. The effect of a hit tends to make the aircraft appear to catch fire from the nose rearwards and flames appear to rapidly sweep along the fuselage.

The silhouettes are made from cardboard and may take shapes which may be associated with the sound effect. For example, the eyes of a ghoulish figure may be made to light up when "shot" and this effect may be accompanied by an agonising wail.

The basic circuit could be extended to provide mechanical movements when the target is "hit" and no doubt some readers will add this facility. ★

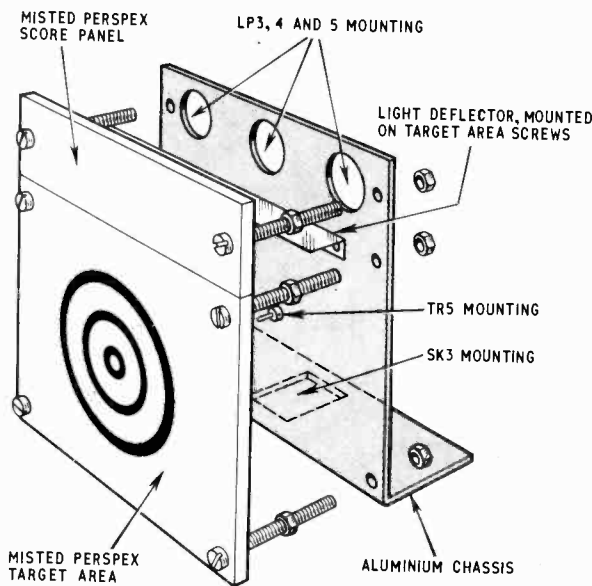


Fig. 11. Target construction details



MARKET PLACE

Items mentioned in this feature are usually available from electronic equipment and component retailers advertising in this magazine. However, where a full address is given, enquiries and orders should then be made direct to the firm concerned.

EDUCATIONAL KITS

Each month the range of educational construction kits available on the market seems to multiply. This month there are two new ranges from Geatronics and Limrose Electronics.

Known as the Mark II Norkit, the Geatronics range of transistor/resistor logic modules consist of *NAND*, *AND*, *NOR* and *OR* gates together with bistable units and lamp and relay drivers.

These modules have solderless connections and the assembly system allows for grouping together of up to 18 modules. There are three busbars which pass through eyelets in the printed circuit boards and serve the dual purpose of holding the assembly rigid and distributing power supplies.

Interconnections are made with patching leads which push into slots in the printed circuit board. Rearrangement of the logic circuit is achieved by removal and reconnection of the patching leads.

Prices of the Norkit Mark II range of kits is obtainable from Geatronics Ltd., 28 Redstock Road, Southend-on-Sea, Essex.

The CompuKit 1 is an educational aid to learning and teaching elements of logic, Boolean algebra and fundamentals of digital computers now being marketed by Limrose Electronics.

Logic circuits are constructed by making soldered, or solderless connections to the terminal pins mounted on the special printed circuit board. Logic states are indicated by miniature wire-ended 4½V bulbs mounted on the board.

Assembly is fairly simple and a 16-page illustrated instruction book is included with the kit. The kit contains: 18 silicon transistors; 18 germanium diodes; 42 carbon film resistors; 2 lamps and plastics clips; a 9½in x 5½in printed circuit board; battery; 2 microswitch push-buttons; terminal pins; wire; solder; wire cutter and stripper.

The kit is aimed at the serious amateur, apprentices, students, and teachers interested in understanding the basic working principles of digital computers and logic operations.

The basic CompuKit 1 costs £7 7s and can be supplied ready assembled for an extra 27s 6d from Limrose Electronics, Lymm, Cheshire.

BUILDING BRICKS

A range of encapsulated modules have been received from Newbury Sound Equipment. Having uniform dimensions and occupying less than two cubic inches of space, these units are: a general purpose 500mW power amplifier suitable for 3-15 ohm loudspeakers. A pre-amplifier with a gain maximum of 40dB and suitable for use in combination with the power amplifier. A square wave generator with a frequency range of 30Hz-6kHz. A tachometer module which will provide a linear indication of engine r.p.m. in 4- or 6-cylinder vehicles whether 6 or 12V. Finally, a pre-amplifier suitable for line voltages of 9-24V or 200-500V, the gain being 26dB.

Bench testing of these various units bore out the specifications given, in fact the power amplifier and pre-amplifier modules have found a permanent place as test gear adjuncts in the workshop.

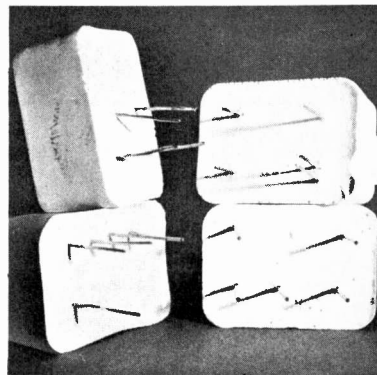
Control and input and output connections on the encapsulations are made via 20 s.w.g. wire leads.

Experiment with these modules proved that any reversal of supply polarity would result in irreparable damage. This problem could have been eliminated by the simple inclusion of a diode in the module supply line.

Further information on these modules may be obtained by writing to Newbury Sound Equipment, 21, Lancaster Court, Lancaster Avenue, London, S.E.27.

AUDIO

First introduced at the Sonex 70 exhibition two new products from Sinclair Radionics may be of interest to readers.



Newbury Sound Equipment encapsulated modules

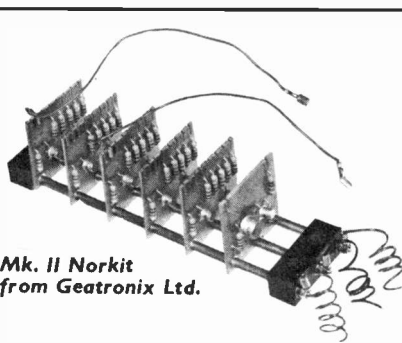
The first is the Sinclair Active Filter Unit which is an addition to their Project 60 range of high fidelity modules. The purpose of a filter unit is to reject frequencies above (scratch) or below (rumble) specific cut-off frequency when these frequencies are likely to contain interference. This unit contains continuously variable cut-off frequency controls for both the scratch and rumble filter circuits.

Designed specifically to complement the other modules in the Project 60 range the active filter can easily be added to other amplifier systems.

The cost of the Sinclair Active Filter Unit is £5 19s 6d.

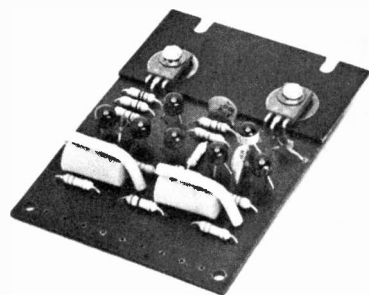
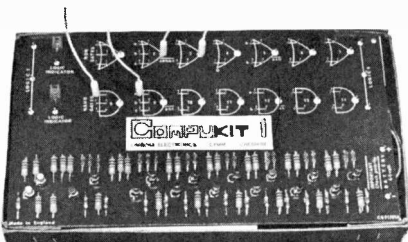
The Z.50 power amplifier is the other new product from Sinclair. This amplifier is similar in design to the Z.30 but, by using higher current power transistors, the output is increased to 40W continuous r.m.s. into 3 or 4 ohms or 30W r.m.s. into 8 ohms. Also, the maximum supply voltage is raised to 50V.

The Z.50 amplifier costs £5 9s 6d built and tested.



Mk. II Norkit from Geatronics Ltd.

CompuKit 1 marketed by Limrose



Sinclair Z.50 amplifier and active filter unit



Audio Tronics 70

The 1970 edition of Lasky's famous Audio-Tronics catalogue is available FREE on request. The 28 tabloid pages—many in full colour—are packed with 1000's of items from the largest stocks in Great Britain of everything for the Radio and Hi-Fi enthusiasts, Electronics Hobbyist, Servicemen and Communications Man. Over half the pages are devoted exclusively to every aspect of Hi-Fi (including Lasky's budget Stereo Systems and Package Deals). Tape recording and Audio accessories plus Lasky's amazing money saving vouchers worth over £25.

SEND TODAY

Send Your name, address and £2/- for the post and inclusion of your name on our regular mailing list.

THIS MONTH'S VOUCHERS WORTH **50/-**



TTC HEADPHONES

MODEL G-III

Yet another outstanding TTC product which gives you exceptional value plus super quality. These stereo phones use two 3in low imp. high flux density dynamic reproducers. Freq. Res. 25-18,000Hz. Fitted with foam cushioned adjustable earpads for super listening comfort, imp. 8 ohms, matching 16 ohms. Max. Input 0.5W. Complete with 36in shielded grey cable. Pearl grey finish with double spring headband.



ONLY **63/-** Post 3/6

AUDIO DEVELOPMENT

AD-309K

PRECISION PICK-UP ARM COMPLETE WITH AD-76K MAGNETIC CARTRIDGE

The new AUDIO DEVELOPMENT precision counter balanced pick-up arm—ready fitted with the outstanding

AD-76K magnetic cartridge is constructed of brass throughout, heavily chrome-plated; uses needle and miniature ballrace bearings; both coarse and fine balance adjustment is provided. The fixed head has standard 4in mounting centres and is finished in black enamel with chrome lifting spur. Completely wired, with all fixing nuts and washers. Arm rest also supplied. Tech. details: Overall length 285mm; needle to pivot length 223mm; offset angle 24°; overhang 10mm. Requires single 7/16in dia. mounting hole.

LASKY'S PRICE **£9.19.6** POST 3/6

AUDIO DEVELOPMENT AD-76K

Stereo Magnetic Cartridge. Frequency response: 20-20,000Hz. Output: 5mV. Stylus: Diamond LP. Tracking force: 2 gms-0.5 gm. Replacement stylus type J8.P1 38/6, post free.

90/- Post Free

AUDIO DEVELOPMENT AD-96K

Stereo Magnetic Cartridge. Frequency response: 20-20,000Hz. Output: 5mV. Stylus: Diamond LP. Tracking force: 2 gms. Replacement stylus type Y.9608 51/6.

£5.18.6 Post Free

Lasky's Radio Limited

207 EDGWARE ROAD, LONDON, W.2. Tel: 01-723 3271
 33 TOTTENHAM CT. RD, LONDON, WIP 9RB. Tel: 01-636 2605
 Open all day, 9 a.m. - 6 p.m. Monday to Saturday
 109 FLEET STREET, LONDON, E.C.4. Tel: 01-353 5812
 152/3 FLEET STREET, LONDON, E.C.4. Tel: 01-353 2833
 Open all day Thursday, early closing 1 p.m. Saturday

HIGH FIDELITY AUDIO CENTRES
 42-45 TOTTENHAM CT. RD, LONDON, WIP 9RD. Tel: 01-580 2573
 Open all day, 9 a.m. - 6 p.m. Monday to Saturday
 118 EDGWARE ROAD, LONDON, W.2. Tel: 01-723 9789
 Open all day Saturday early closing 1 p.m. Thursday



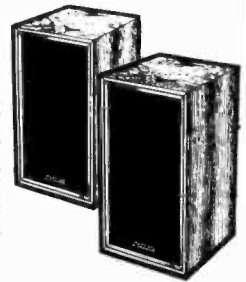
ALL MAIL ORDERS AND CORRESPONDENCE TO: 3-15 CAVELL STREET, TOWER HAMLETS, LONDON, E1 2BN Tel: 01-790 4821

EXCLUSIVE

FOSTER "Criterion" MkII

HIGH FIDELITY 2 SPEAKER TWO WAY BOOKSHELF SPEAKER SYSTEM

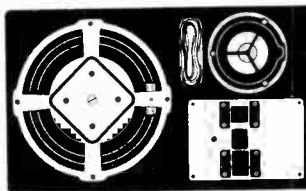
Another high quality bookshelf system from Foster. The "Criterion" Mk. II is a sealed infinite baffle type enclosure using 5in. bass/mid-range woofer with rolled cloth edge and a 2in HF cone type tweeter. The compact cabinet is constructed of 1in laminate with handsome oiled walnut veneer finish and black woven acoustic gauze—front panel with satin chrome edge insert. SPEC: Frequency range 90-20,000Hz. Power Handling 10 watts. Impedance 8 ohms. HF crossover. Screw Tag connections at rear. Size 12 1/2" x 7 1/4" x 6 1/2". The performance of the "Criterion" is superior to many larger and more expensive units and at Lasky's exclusive price offers absolutely unbeatable value.



LASKY'S PRICE **£9.10.0** or **£17.10.0** Post 1-7/6
 2 for 2-10/-

WHARFEDALE

UNIT 3 SPEAKER KIT



3in tweeter uses new Wharfedale "Acoustiprene" dome diaphragm. Crossover unit crossover freq. 1,750Hz. ALL accessories, acoustic wadding, mounting bolts, wire, etc., are supplied, you provide the cabinet to suit your needs.

8in Bass/Mid. range speaker employing a powerful magnet assembly with diecast chassis and Flexiprene roll surround. The Wharfedale Unit 3 speaker kit can be constructed by anybody and with a suitable cabinet

will provide a highly sophisticated system giving true Hi-Fi reproduction from 40-17,000Hz. Impedance 4/8 ohms. Max. power handling 15W.

£11.19.6 each Post 5/- **£20** per pair Post 10/-

UNIT 4 SPEAKER KIT

2 speakers (12in Bass and 3in Treble) to give full range, balanced reproduction. Frequency response of 40-17,000Hz when housed in suitable cabinet. Superior 4-element crossover unit ensures optimum performance from each speaker.

£16 each Post 5/- **£30** per pair Post 10/-

UNIT 5 MONITOR SYSTEM KIT

3 speakers (12in Bass, 5in M.-R. unit, 3in Treble) give clean, smooth performance. Frequency response of 40-20,000Hz when housed in suitable cabinet. Unique mechanical/electrical 6 element crossover unit.

£23.10 each Post 7/6 **£42** per pair Post 15/-

TMK METER KITS

These meter kits by TMK offer the unique opportunity of building a really first-class precision multimeter at a worthwhile saving in cost. The cabinet is supplied with the meter scale and movement and the range selector in position. The highest quality components and 1% tolerance resistors are used throughout. Supplied complete with full constructional, circuit and operating instructions.

MODEL 200

20,000 O.P.V. Multimeter. Features 24 measurement ranges with mirror scale. Large 3 1/2in meter. Full scale accuracy: DCV and current: ±2%, ACV: ±3%, resistance ±3%. Special 0-6V DC range for transistor circuit measurements.

SPECIFICATION
 ● DCV: 0-0.6-6-30-120-600-1,200V at 20K/OPV.
 ● ACV: 0-6-30-120-600-1,200V at 10K/OPV. ● DC Current: 0-0.6-6-600mA. ● Resistance: 0-10-K 100K-1M-10M/ohms (58-580-58K-58K at mid-scale).
 ● Capacitance: 0-002-0.2µF (AC 6V range). ● Decibels -20 to +63dB. ● Output: 0-05µF blocking capacitor. Uses two 1.5V (U7 type) batteries. Black bakelite cabinet. Size 6 1/2" x 3 1/2" in. Complete with test leads.



KIT PRICE ONLY 85/- Post 3/6

WAA-WAA-WAA

..... FOR GUITAR EFFECTS

By D.C.HAMILL

THE "Waa-Waa" effect, much used in pop music, is produced by passing the output from a guitar or organ, etc. through a band-pass filter, the resonant frequency of which can be altered. The rapid changing of this formant, as it is called, produces the Waa-Waa effect.

The unit described in this article obtains this shifting formant by switching different values of capacitance across an inductor, thus changing the resonant frequency of the tuned circuit. This must not be done by mechanical switches, as clicks will be produced; these are objectionable, especially if the tuned circuit rings at all when it is energised by the switching transients.

In this design, the switching is done by transistors controlled by time delay networks, so that the capacitors are switched slowly in and out of circuit.

SWITCHED CAPACITORS

The circuit diagram of the unit is given in Fig. 1. Here the input signal is fed to SK1, the input to the pre-amplifier TR1. Capacitor coupled to the collector is the band-pass filter L1, C3.

To alter the resonant frequency of this filter the capacitors C5 and C8 can be switched in by biasing on the transistors TR2 and TR3.

There are two modes of switching: automatic, which applies negative-going square waves via the footswitch S1, and single-shot, which applies the line voltage to the transistor bases for as long as S2 is depressed.

The automatic pulses are derived from the multi-vibrator comprising TR5 and TR6. These can be varied in their mark/space ratio by adjustment of VR1.

TIME DELAY

With the depression of either of the footswitches there is a small delay before the capacitors C5 and C8 are switched. This is achieved by connecting the resistor-capacitor networks R4, C6 and R5, C7 at the bases of TR2 and TR3 respectively. The time constants are arranged so that TR2 switches on before TR3, so there is a gradual transition of the resonant frequency.

As the formant circuit attenuates the signal, an additional amplifier TR4 is used.

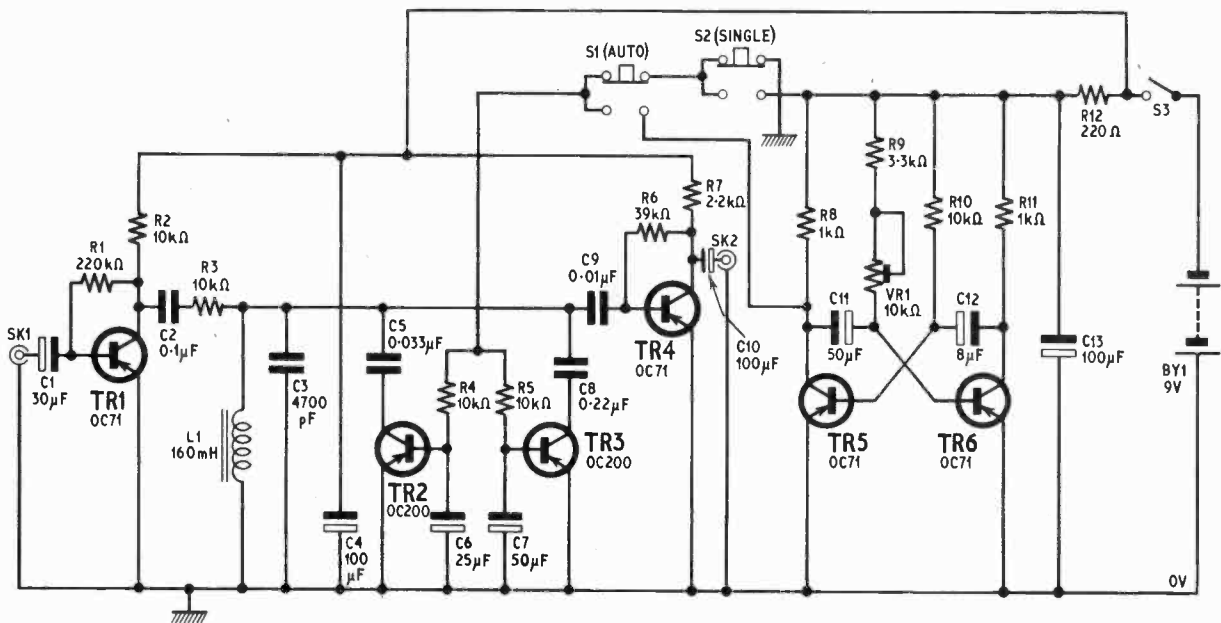
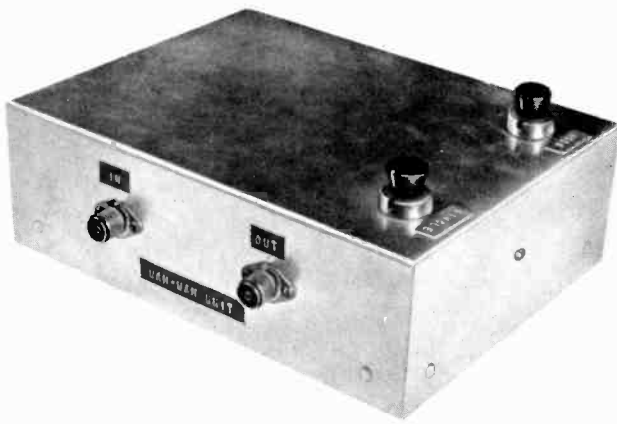


Fig. 1. Complete circuit diagram of the waa-waa unit



COMPONENTS . . .

Resistors

R1	220k Ω	R7	2.2k Ω
R2	10k Ω	R8	1k Ω
R3	10k Ω	R9	3.3k Ω
R4	10k Ω	R10	10k Ω
R5	10k Ω	R11	1k Ω
R6	39k Ω	R12	220 Ω

All $\pm 10\%$, $\frac{1}{4}$ watt carbon

Capacitors

C1	30 μ F elect. 6V
C2	0.1 μ F polyester
C3	4,700pF polystyrene
C4	100 μ F elect. 25V
C5	0.033 μ F polyester
C6	25 μ F elect. 12V
C7	50 μ F elect. 12V
C8	0.22 μ F polyester
C9	0.01 μ F polyester
C10	100 μ F elect. 12V
C11	50 μ F elect. 12V
C12	8 μ F elect. 12V
C13	100 μ F elect. 12V

Inductor

L1 660 turns of 38 s.w.g. enamelled copper wire wound on bobbin of Ferroxcube pot core type LA1

Potentiometer

VR1 10k Ω linear wirewound preset

Transistors

TR1, TR4, TR5, TR6 OC71 (4 off)
TR2, TR3 OC200 (2 off)

Switches

S1, S2 Single pole, changeover press switches (Bulgin S.M.357) (2 off)
S3 On/off toggle switch

Sockets

SK1, SK2 Coaxial sockets (2 off)

Battery

BY1 9V, type PP3 or similar

Miscellaneous

8in \times 6in \times 2 $\frac{1}{2}$ in aluminium chassis, Veroboard, battery clips, 6B.A. nuts, bolts and spacers

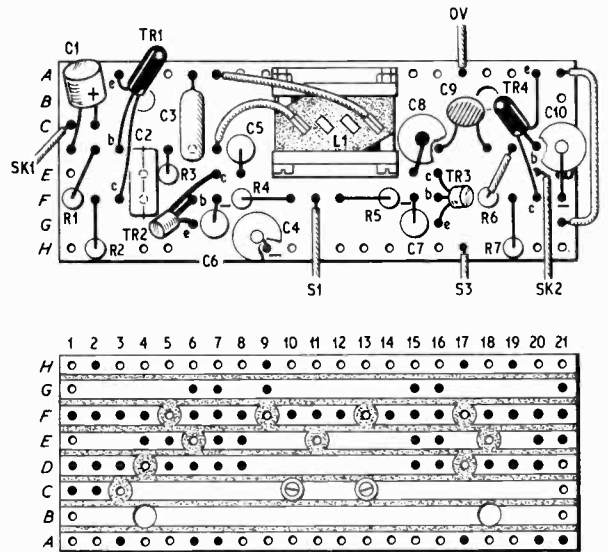


Fig. 2. Waa-waa module layout and wiring

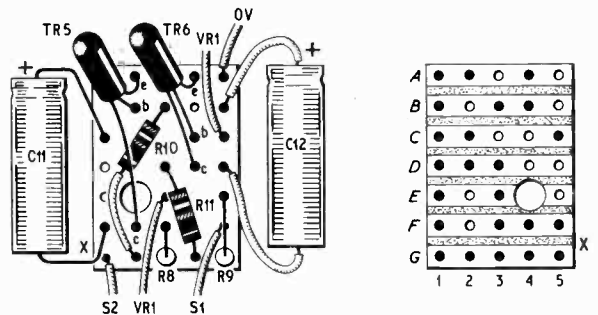


Fig. 3. Multivibrator module layout and wiring

CONSTRUCTION

In the prototype unit two circuit modules are constructed. These consist of the basic Waa-Waa module and the multivibrator module, details of which are given in Fig. 2 and Fig. 3.

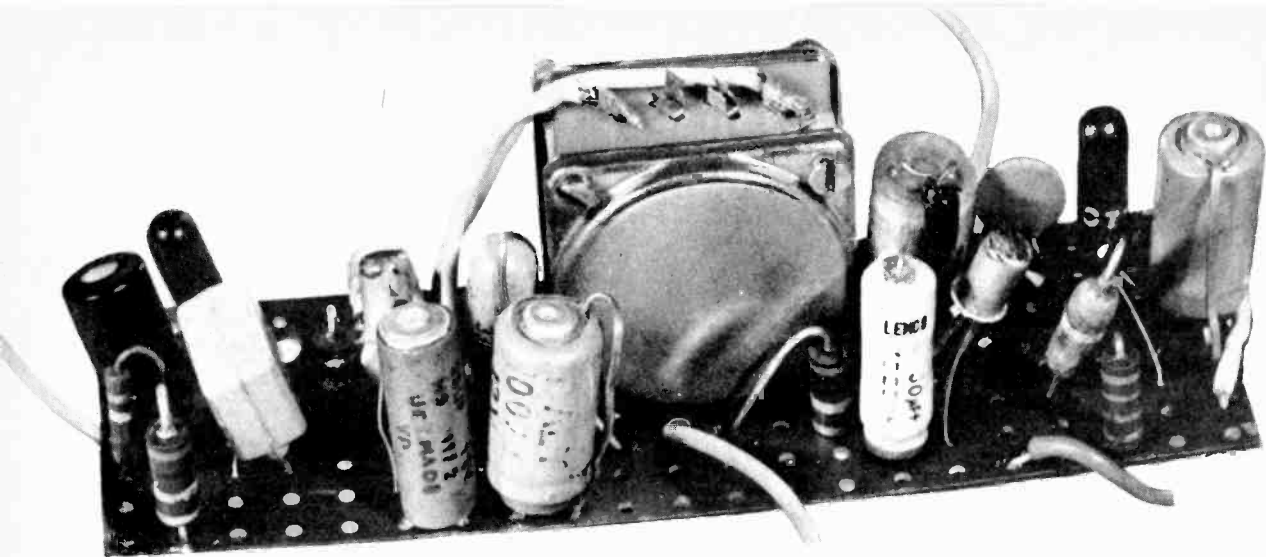
If only the single Waa-Waa function is required, both the multivibrator and S1 can be omitted in the construction.

The inductor L1 is made up by pile winding 660 turns of 38 s.w.g. enamelled copper wire on a Ferroxcube pot core bobbin. When assembled the pot core is mounted on the Veroboard by two $\frac{1}{4}$ in 6B.A. screws. In tightening these up, be careful not to crack the ferrite core.

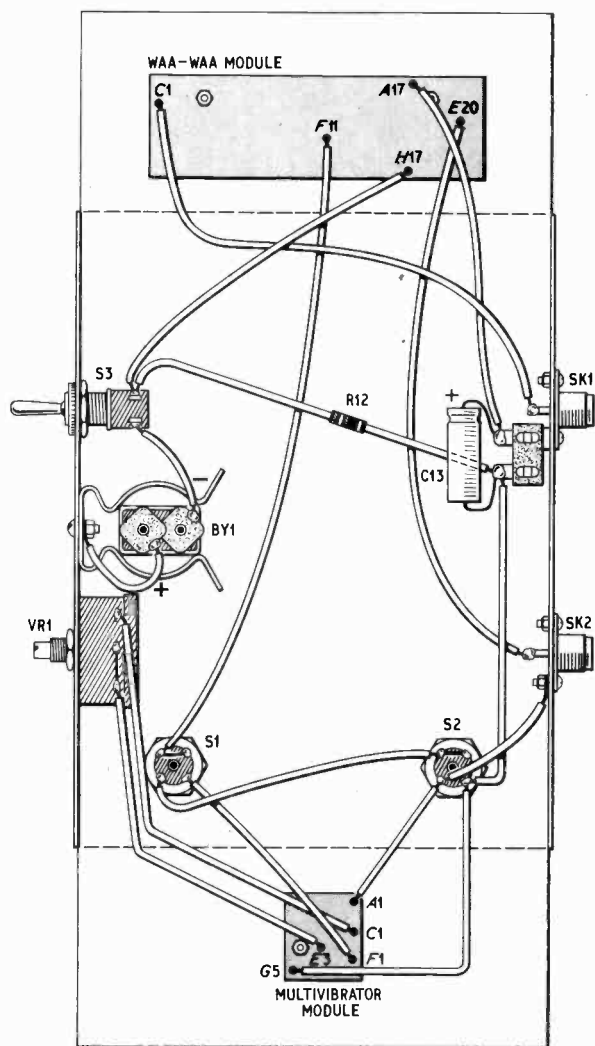
With the modules completed they should be wired and mounted with their associated components in an 18 s.w.g. aluminium chassis, as shown in Fig. 4. The boards should be spaced away from the chassis to prevent short circuits.

USING THE WAA-WAA

The unit may be used with any guitar amplifier as the output impedance is about 600 ohms. When switched on with no footswitches depressed, the unit acts as a treble booster, accentuating the harmonics of the guitar.



Waa-Waa unit circuit board



Depressing the SINGLE footswitch (S2) produces a single "Waa". With a little practice it is easy to add this effect to single notes or chords, then quickly releasing the switch to produce a second "Waa".

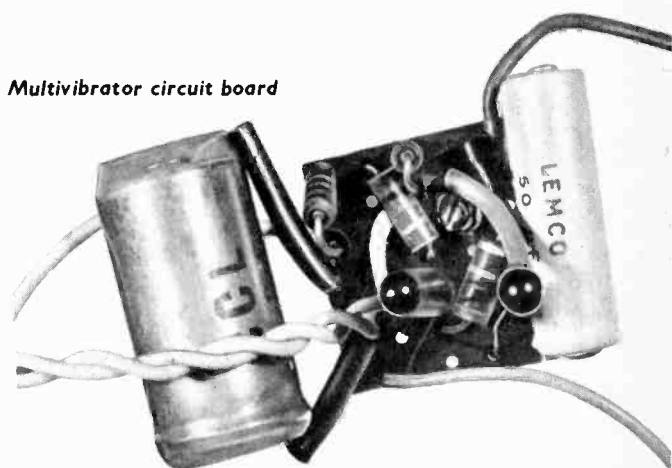
If the AUTO switch (S1) is used, the effect can be produced continuously at a frequency determined by the setting of the potentiometer VR1. This is very effective on rhythm guitars as the Waa-Waa will not always coincide with the beat of the music.

MODIFICATIONS

If the Waa-Waa is used with an electronic organ, where the pitch is generally higher and harmonics more prominent, it would be better to reduce the values of C5 and C8.

If the effect is still too heavy, a resistor can be wired in parallel with L1 to reduce its *Q*-factor. The actual value would depend on experiment and personal requirement.

Again, with other instruments it is necessary to ensure that the first stage is not overloaded. In the prototype, a 16mV signal proved the maximum for the least distortion. If this figure is in fact exceeded a 1 kilohm potentiometer should be interposed between SK1 and C1 to provide signal attenuation. ★



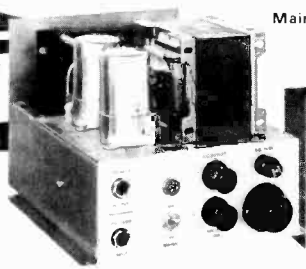
Multivibrator circuit board

Fig. 4. Layout and wiring of the complete waa-waa unit in an aluminium chassis. The end flanges are shown folded flat for clarity

Mainline set the NEW standard in amplifiers



Mainline 70ABD £64.0.0.



Mainline 70AB power amplifier £35.0.0.



Mainline Pre-4 mixer pre-amp control unit £24.0.0.

Mainline 70ABD

The 70ABD is a fully integrated Preamplifier and Power Amplifier to the specifications of the Pre-4 and 70AB. Size $6\frac{3}{4}'' \times 15\frac{1}{2}'' \times 4\frac{3}{4}''$.

Recommended Retail Price £64.0.0.

Mainline 70AB power amplifier

The MAINLINE 70AB is a high fidelity power amplifier, which is in every respect one of the finest units available on the market today, regardless of price. One of the main features of this remarkable amplifier is its elaborate protection against short and open circuit, and we can guarantee that it is virtually indestructible. Allied to this is the very high power output (70 watts RMS) a frequency range that is superb, and distortion well below 1% even at full output. The unit is suitable for use in discotheques, groups, P.A., etc., or anywhere that high quality, high output is required. Coupled to our Pre-4 Control Unit the results are quite remarkable. The Mainline 70AB main amplifier can be used with any other good quality control unit.

Specification

POWER OUTPUT 70 watts RMS ± 1 db at 8 OHMS.
FREQUENCY RESPONSE 20-20,000 HZ ± 1 db.
SIGNAL/NOISE RATIO -70 db at full output.
HARMONIC DISTORTION less than 0.5% at full output.

INPUT SENSITIVITY 700 mV at 20-30 K OHMS.
SIZE 7" - 9" x 6 1/2".
A.C. FUSE 1.5 amps (British Standard).

Recommended Retail Price £35.0.0.

Mainline Pre-4 mixer pre-amp control unit

The MAINLINE Pre-4 is a high quality control unit, which has been designed specifically for use where mixing facilities are essential, and features many facilities not normally found on control units of this type.

The unit has four individual inputs each with its own gain control, plus separate bass, treble and master volume controls, for versatility in use. Inputs 3 and 4 are duplicated on the back panel so that if the unit is panel mounted the two auxiliary inputs (which are suitable for P.U. Tuners, Tape-recorders, etc.) may be connected from the rear. As the Pre-4 is self-powered it can be used with any other Power Amplifier, but has been designed basically as the control unit for our MAINLINE 70AB Amplifier Module.

Specification

INPUTS VOL. 1 8 mV at 50K OHMS (mic).
 VOL. 2 8 mV at 50K OHMS (mic).
 VOL. 3 50 mV at 500K OHMS (aux).
 VOL. 4 50 mV at 500K OHMS (aux).
 50 OHM and 600 OHM Mic inputs may be ordered at £2.0.0. extra per input.
 1 or 2 meg OHM aux inputs may be ordered at no extra cost.
FREQUENCY RESPONSE 30-20,000 HZ ± 3 db.

SIGNAL/NOISE RATIO Better than - 65 db.
HARMONIC DISTORTION Less than 0.5% at 1 volt.
BASS Continuously variable 20 db at 100 HZ.
TREBLE Continuously variable 30 db at 10 KHZ.
SIZE 12 1/2" x 6" x 4 1/2".
CUT OUT REQUIRED 1 1/2" x 5".
FUSE 60 ma internally mounted.

Recommended Retail Price £24.0.0.



5 stops you paying through the nose for your components

You could be paying too much for your semiconductors and electronic components. One *sure* way of saving money is to buy RCA, IR, SGS, Emihus, Semitron, Keyswitch, Plessey, Morganite, Litesold devices (together with manufacturers' application data) direct from us.

For example :-
PLESSEY SL403A

As described in *Practical Electronics*



Integrated Circuit (Dual in Line Package) Audio Amplifier incorporating its own Pre-Amplifier. A Class A-B Power Amplifier stage capable of delivering up to 3.5 Watts RMS. The SL403A can be used to form the basis of a simple Audio Amplifier using a minimum of external components. Complete with Data Sheet. 44/- each.

Build the NEW Mainline Audio Amplifier Kits - up to 70 watts

The results of the combined resources of SGS and RCA, these Universal Quasi Complementary Symmetry Amplifier kits use rugged NPN Hometaxial base output transistors and provide full power to beyond 20 KHz.

The all silicon circuit with nine transistors and eleven diodes provides outstanding performance for the most stringent requirements of Hi-fi equipment manufacturers.

Each kit is supplied complete with all semiconductors, resistors, capacitors, P.C. board and heat sink.

- 12A £7. 0. 0.
- 25A £8. 5. 0.
- 40A £9. 0. 0.
- 70A £10. 10. 0.

Any two will make an outstanding stereo equipment.

To: **MAINLINE ELECTRONICS LIMITED, THAMES AVENUE, WINDSOR, BERKSHIRE.**

- Please send me Mainline Pre-4 mixer pre-amps control unit(s)
- Please send me Mainline 70AB power amplifier(s)
- Please send me Mainline 70ABD integrated pre-amp and power amplifier(s)
- I am interested in Amp Mainline Audio Amplifier kits.
- Please send me kits Please send further data
- Please send me your price-list guide. I enclose 5/-
- Cash or cheques with orders please.
- I would like further data on pre-amplifier and power supply kits before I order.

Name _____
 Address _____

A member of the ECS Group of Companies P. E. 7/70

BI-PRE-PAK LIMITED

FULLY TESTED AND MARKED

AC107	3/-	OC170	3/-
AC126	2/6	OC171	4/-
AC127	3/6	OC200	3/6
AC128	2/6	OC201	7/-
AC176	5/-	2G301	2/6
ACY17	3/-	2G303	2/6
AF114	4/-	2N711	10/-
AF115	3/6	2N1302-3	4/-
AF116	3/6	2N1304-5	5/-
AF117	3/6	2N1306-7	6/-
AF239	12/6	2N1308-9	8/-
AF186	10/-	2N3844A	5/-
AF139	10/-	Power Transistors	
BFV50	4/-	OC20	10/-
BSY25	7/6	OC23	10/-
BSY26	3/6	OC25	8/-
BSY27	3/6	OC26	5/-
BSY28	3/6	OC28	7/6
BSY29	3/6	OC35	5/-
BSY95A	2/6	OC36	7/6
OC41	3/6	AD149	1/9
OC44	2/6	AUY10	30/-
OC45	2/6	2S034	10/-
OC71	2/6	2N3055	15/-
OC72	2/6	AA42	2/-
OC73	3/6	CA95	1/9
OC81	2/6	OA79	1/9
OC81D	2/6	OA81	1/9
OC83	2/6	IN914	1/6
OC139	3/6		
OC140	3/6		

SURPLUS INTEGRATED CIRCUITS

These are brand new genuine surplus stocks, marked and guaranteed to full makers' specification and not re-marked rejects.

NE808A	Single 8 I/P Nand Gate TTL	7/-
NE816A	Dual 4 I/P Nand Gate TTL	7/-
NE825A	D.C. Clocked J-K Flip-Flop TTL	17/6
NE840A	Dual 4 I/P Exclusive OR Gate TTL	7/-
NE855A	Dual 4 Power Gate TTL	7/-
NE870A	Triple 3 I/P Nand TTL	7/-
NE880A	Quad 2 Nand TTL	7/-
SP616A	Dual 4 Nand Gate DTL	7/-
SP631A	Quad 2 I/P Gate Expander DTL	7/-
SP670A	Triple 3 Nand Gate DTL	7/-
SP806A	Dual I/P Expander TTL	7/-
SP808A	Single 8 I/P Nand Gate TTL	7/-
SP816A	Dual 4 I/P Nand Gate TTL	7/-
SP825A	D.C. Clocked J-K Flip-Flop TTL	17/6
SP840A	Dual 4 I/P Exclusive OR Gate TTL	7/-
SP855A	Dual 4 Power Gate TTL	7/-
SP870A	Triple 3 I/P Nand TTL	7/-
SP880A	Quad 2 I/P Nand TTL	7/-
NE500K	Video Amplifier	40/-
NE501K	Video Amplifier 40MHz	40/-
NE806J	Dual 4 I/P Expander TTL	7/-
NE808J	Single 8 I/P Nand Gate TTL	7/-
NE816J	Dual 4 I/P Nand Gate TTL	7/-
NE825J	D.C. Clocked J-K Flip-Flop TTL	17/6
NE840J	Dual 4 I/P Exclusive OR Gate TTL	7/-
NE855J	Dual 4 Power Driver TTL	7/-
NE880J	Quad 2 I/P Nand TTL	7/-
ST620A	J-K Flip-Flop DTL	17/6
ST659A	Dual 4 Buffer/Driver DTL	7/-

Suffix A = DIP 14 lead; K = 10 lead TO5; J = Flat pack.

NEW TESTED AND GUARANTEED PAKS

B2	4	Photo Cells, Sun Batteries. 0.3 to 0.5V, 0.5 to 2mA.	10/-
B77	2	AD161-AD162 NPN/PNP Trans. Comp. Output. Pair	10/-
B81	10	Reed Switches, mixed types large and small	10/-
B89	2	5SP5 Light Sensitive Cells. Light Res. 400Ω Dark 1MΩ	10/-
B91	8	NKT163/164 PNP Germ. TO-5 equivalent to OC44, OC45	10/-
B92	4	NPN. Sil. Trans. AO6 = BSX20, 2N2369 500 MHz, 360mV	10/-
B93	5	GET113 Trans. equiv. to ACY17-21 PNP Germ.	10/-
B96	5	2N3136 PNP Sil. Trans. TO-18, HFE 100-300 I.C. 600mA, 200 MHz	10/-
B98	10	XB112 and XB102 equiv. to AC126, AC156, OC81/2, OC711/2, NKT271, etc.	10/-
B99	200	Capacitors, Electrolytics paper, silver mica, etc. Post and packing, this Pak 2/6	10/-
H4	250	Mixed Resistors. Post and Packing 2/-	10/-
H7	40	Wirewound Resistors. Mixed types and values. Postage 1/6	10/-
H8	4	BY127 Sil. Recs 1000 PIV. 1 amp. plastic	10/-

FREE!

PACKS OF YOUR OWN CHOICE UP TO THE VALUE OF 10/- WITH ORDERS OVER £4

RETURN OF THE UNBEATABLE P.I PAK. NOW GREATER VALUE THAN EVER

FULL OF SHORT LEAD SEMICONDUCTORS AND ELECTRONIC COMPONENTS, APPROX. 170. WE GUARANTEE AT LEAST 30 REALLY HIGH QUALITY FACTORY MARKED TRANSISTORS PNP AND NPN, AND A HOST OF DIODES AND RECTIFIERS MOUNTED ON PRINTED CIRCUIT PANELS. IDENTIFICATION CHART SUPPLIED TO GIVE SOME INFORMATION ON THE TRANSISTORS.

PLEASE ASK FOR PAK P.I ONLY 10/- 2/- P. & P. on this Pak.

LOOK! TRANSISTORS ONLY 6d EACH

TYPE A		TYPE B		TYPE E	
PNP	SILICON TO-5 CAN	PNP	SILICON PLASTIC ENCAPSULATION	PNP	GERMANIUM FULLY MARKED AND TESTED.
SPEC:— ICER AT VCE = 20v 1mA MAX. HFE 15-100 THESE ARE OF THE 2S300 TYPE WHICH IS A DIRECT EQUIVALENT TO THE OC200/205 RANGE		SPEC:— ICER AT VCE = 10v 1mA MAX. HFE 10-200 THESE ARE OF THE 2N3702/3 AND 2N4059/62 RANGE		AF. or RF. PLEASE STATE ON ORDER	

NEW UNMARKED UNTESTED PAKS

B78	12	Integrated Circuits, Data and Circuits of types, supplied with orders	10/-
B80	8	Dual Trans. Matched O/P pairs NPN. Sil. in TO-5 can	10/-
B82	10	OC45, OC81D and OC81 Trans. Mullard glass type	10/-
B83	200	Trans. manufacturer's rejects all types NPN, PNP, Sil. and Germ.	10/-
B84	100	Silicon Diodes DO-7 glass equiv. to OA200, OA202	10/-
B66	150	High quality Germ. Diodes. Min. glass type	10/-
B86	50	Sil. Diodes sub. min. IN914 and IN916 types	10/-
B87	100	Germ. PNP Trans. equiv. to OC44, OC45, OC81, etc.	10/-
B88	50	Sil. Trans. NPN, PNP, equiv. to OC200/1, 2N706A, BSY95A, etc.	10/-
B60	10	7 Watt Zener Diodes Mixed Voltages	10/-
H5	16	1 Amp. Plastic Diodes 50-1000 Volts	10/-
H6	40	250mW. Zener Diodes DO-7 Min. Glass Type	10/-

Make a Rev. Counter for your Car. The 'TACHO BLOCK'. This encapsulated block will turn any 0-1mA meter into a linear and accurate rev. counter for any car. **20/- each**

FREE CATALOGUE AND LISTS for:—

ZENER DIODES TRANSISTORS, RECTIFIERS FULL PRE-PAK LISTS & SUBSTITUTION CHART

MINIMUM ORDER 10/- CASH WITH ORDER PLEASE. Add 1/- post and packing per order. OVERSEAS ADD EXTRA FOR AIRMAIL.

P.O. RELAYS 8 FOR
Various Contacts and Coil Resistances. No individual selection. Post & Packing 5/- **20/-**

SPECIAL OFFER
GERMANIUM BRIDGE RECTIFIERS
GEX 541 FINNED

SINGLE PHASE 12 Amp. 48 Volts
THREE PHASE 18 Amp. 74 Volts

Ideal for Battery Chargers or Power Units

Offered at fraction of makers' cost Only **12/6** Each
Post & Packing 2/6

FREE! A WRITTEN GUARANTEE WITH ALL OUR TESTED SEMICONDUCTORS

BI-PRE-PAK LTD DEPT. A, 222-224 WEST ROAD, WESTCLIFF-ON-SEA, ESSEX
TELEPHONE: SOUTHEND (0702) 46344

TRANSISTOR

By W. CLELAND

D.C. MULTIMETER

BASIC amplifier design, amplifier construction and stabiliser construction were detailed last month. We now move on to describe the remainder of the circuitry and give further construction details.

OVERLOAD PROTECTION

At the amplifier input, steps are taken to reject spurious signals, and also to protect the amplifier against excessive inputs. The high resistances in series with the input (Fig. 2) give some protection against overloads, since the base-emitter junctions of the transistors are able to pass a current of milliamps—sufficient to drop a high voltage across the resistors.

To maintain conduction when one base-emitter junction is reverse biased, the diodes D1 and D2 are added. Under normal conditions, both diodes are reverse biased, and do not affect the working of the circuit. When an excessive voltage is applied, either D1 or D2 will conduct, according to the polarity.

INTERFERING SIGNALS

No connection is made between the amplifier circuit and the earthed metal case in which the meter is housed, but there will still be some leakage resistance and capacitance; common mode inputs are therefore possible, although greatly attenuated. A common mode interfering voltage acts equally on both input terminals, displacing the differential signal asymmetrically relative to zero signal potential.

The high impedance of TR11 (Fig. 2) in the emitter circuit of the input stage, causes any common mode input to be reproduced in the emitter circuit, and not to appear elsewhere in the amplifier. The emitter circuit must be able to cope with the largest common mode signal encountered.

Mains frequency interfering signals could upset the action of the amplifier and cause severe pointer vibration, especially on the more sensitive ranges. This is overcome by restricting the bandwidth of the amplifier; in other words, by lengthening the time constant. Two 0.1 μ F feedback capacitors (C1 and C2) from the emitters of the output transistors, provide a time-constant of 0.13 second, increasing to 0.85 second on the more sensitive ranges. The risk of inaccuracy due to leakage through the capacitors, is decreased with modern humidity resistant dielectrics. A dielectric resistance of 10,000 megohms can be maintained by certain types of capacitor.

RANGE EXTENSION

Various methods of range extension are outlined in Fig. 5. Independent variation of R_L is the simplest method, as it involves only one resistance. As R_L is reduced, the voltage amplification increases. The higher values of R_L provide improved zero stability.

It is convenient to have the milliammeter in series with the load resistance R_L , instead of forming part of it. The resistance of the copper wire of the moving coil increases with temperature, and putting the milliammeter outside R_L avoids temperature errors. To make the arrangement symmetrical, a 75 ohm resistor is connected on the other side of R_L .

The number of ranges that can be provided by varying R_L is limited, but as a complement to other methods, it has an independent multiplicative effect, giving rise to an expanded series of ranges. For complete coverage, another method of range extension is necessary. This is to vary the two series resistances at the input, switching in values of 100 kilohms, 1 megohm, and 10 megohms. Resistances much higher than this are not practicable, so the higher voltage ranges are obtained by switching in a shunt element to produce the attenuation required. This will tend to reduce the accuracy on the upper ranges.

Currents are measured by means of a number of shunt resistances that can be switched across the input terminals. Advantage is taken of the sensitivity of the instrument to provide low potential drops on the current ranges of between 2 millivolts and 50 millivolts—less than the 75 millivolt potential difference of the milliammeter itself. Two pole switching is necessary to avoid switching surges, and double connections are required for the 1 ohm (R_{15}) and 0.1 ohm (R_{27}) resistors to exclude the resistance of the leads.

Some of the higher shunt resistors have to be adjusted in value to allow for the input impedance of the instrument in parallel. These small adjustments are made by means of other resistors in series.

RESISTOR TOLERANCES

Overall accuracy of the multimeter will depend upon resistor tolerances together with the accuracy of the moving coil meter (M1), which is within 2 per cent. When resistors of a particular tolerance are connected in series or parallel, the combined tolerance remains the same. However, when the resistors are used in obtaining ratios or products, the tolerances become additive. Range resistors of ± 0.5 per cent tolerance, used as input, feedback, and load resistors will add 1.5 per cent to the 2 per cent tolerance of the meter, making the overall figure ± 3.5 per cent.

On the higher voltage ranges, the need to introduce an attenuator arrangement will bring this up to ± 4.5 per cent. On the current ranges, the added 0.5 per cent for the shunt resistors, will make the overall tolerance ± 4 per cent.

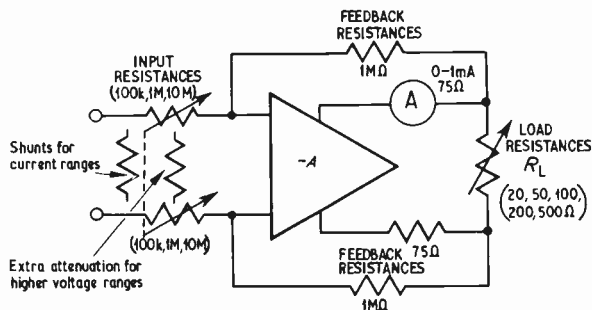


Fig. 5. Methods of range extension used in the d.c. multimeter

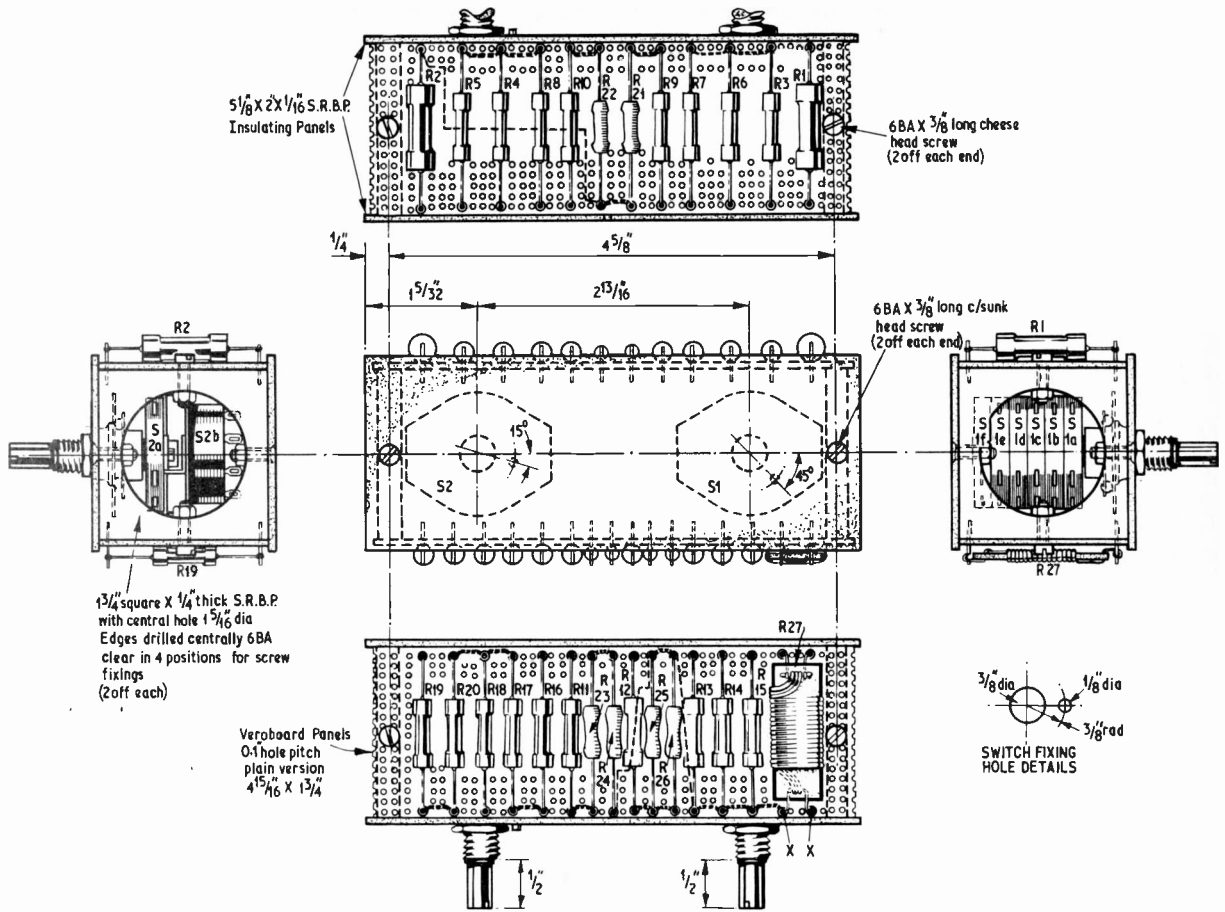


Fig. 6. Range switching assembly and layout details

It can be seen that a close tolerance on range resistors is necessary, and metal film resistors are the obvious choice. These have the best stability of any resistors available, and withstand soldering better than other types of resistors.

LOW VALUE RESISTOR

The 0.1 ohm shunt (R27) has to be specially made; construction is as shown in Fig. 6. The resistor is wound on a rectangle of s.r.b.p., measuring $1\frac{1}{8}$ inches \times $\frac{1}{2}$ inch. At each end of the former twin connections are formed of doubled 20 s.w.g. tinned copper wire passed through a pair of holes drilled at each end of the strip. The resistance consists of three strands of 23 s.w.g. double cotton covered Constantan wire, each 8 inches long. These are bared at one end, twisted round one of the tinned copper wires where it is doubled, and soldered.

Temporary connection is established at the other end, and successive adjustments are made in a bridge circuit until the value is very close to 0.1 ohm. The testmeter can be used on the 2 millivolt range as a null detector, but will only function with the 0.1 ohm resistor omitted if the lower pair of terminal pins (marked XX) are connected together. The bridge circuit, Fig. 7, requires a precision 10 ohm resistor, precision 100 to 1 ratio arms, and a means of varying the current up to about 100mA. Some difficulties are produced by thermoe.m.f.s and by heating of the resistances, and may

result in a lower accuracy than the ± 0.5 per cent aimed at.

Final adjustment is made after winding the three strands of Constantan wire on to the strip of s.r.b.p. and soldering the ends. One turn of three strands can be separated and scraped very carefully to increase the resistance; assuming that the value is only very slightly less than 0.1 ohm. Once the correct value has been reached the resistance can be varnished.

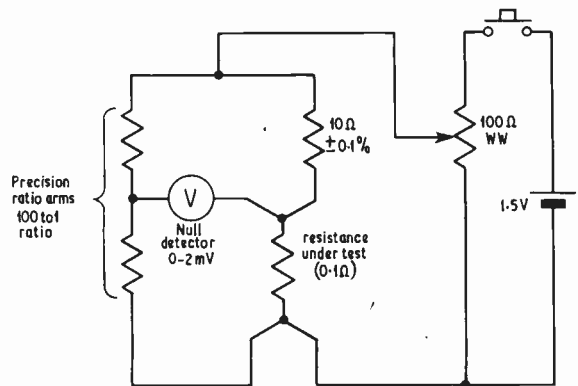


Fig. 7. Bridge circuit for measuring the value of R27

TRANSISTOR RADIOS TO BUILD YOURSELF

Backed by after sales service

NEW! roamer eight mk 1 WITH VARIABLE TONE CONTROL

7 Tunable Wavebands: Medium Wave 1, Medium Wave 2, Long Wave, S.W.1, S.W.2, S.W.3, and Trawler Band. Built in ferrite rod aerial for Medium and Long Waves. 5 section 22in chrome plated telescopic aerial for Short Waves can be angled and rotated for maximum performance. Push-pull output using 600Mw type transistors. Socket for car aerial. Tape record socket. Selectivity switch. Switched earpiece socket complete with earpiece for private listening. 8 transistors plus 3 diodes. Famous make 7 x 4in speaker. Air spaced ganged tuning condenser. On/off switch volume control. Wave change switch and tuning control. Attractive case in rich chestnut shade with gold blocking. Size 9 x 7 x 4in approx. Easy to follow instructions and diagrams make the Roamer Eight a pleasure to build. Parts price list and easy build plans 5/- (FREE with parts).

Total building costs **£6.19.6** P. & P. 7/6



roamer seven mk IV

7 FULLY TUNABLE WAVE BANDS—M.W.1, M.W.2, L.W., S.W.1, S.W.2, S.W.3 and Trawler Band. Extra Medium waveband provides easier tuning of Radio Luxembourg, etc. Built in ferrite rod aerial for Medium and Long Waves. 5 Section 22in chrome plated telescopic aerial for Short Waves—can be angled and rotated for peak S.W. listening. Socket for Car Aerial. Powerful push-pull output. 7 transistors and two diodes including Micro-Alloy R.F. Transistors. Famous make 7 x 4in F.M. speaker. Air spaced ganged tuning condenser. Volume/on/off control, wave change switches and tuning control. Attractive case with carrying handle. Size 9 x 7 x 4in approx. Easy to follow instructions and diagrams make the Roamer 7 a pleasure to build. Parts price list and easy build plans 3/- (FREE with parts).

Total building costs **£5.19.6** P. & P. 7/6 Personal Earpiece with switched socket for private listening, 5/- extra.

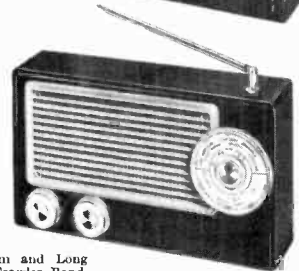


NEW! transeight

SIX WAVEBAND PORTABLE WITH 3in. SPEAKER

Attractive case in black with red grille and cream knobs and dial with polished brass inserts. Size 9 x 5 1/2 x 2 1/2 in. approx. Tunable on Medium and Long Waves, 3 Short Waves and Trawler Band. Sensitive ferrite rod aerial for M.W. and L.W. Telescopic aerial for Short Waves. 8 improved type transistors plus 3 diodes. Push-pull output. Ample power to drive a larger speaker. Parts price list and easy build plans 5/- (FREE with parts).

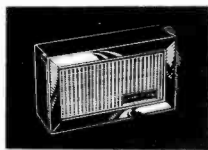
Total building costs **89/6** P. & P. 5/6 Earpiece with switched socket for private listening 5/- extra.



pocket five

MEDIUM WAVE, LONG WAVE AND TRAWLER BAND PORTABLE WITH SPEAKER

Attractive black and gold case. Size 5 1/2 x 1 1/2 x 5 1/2 in. Tunable over both Medium and Long Waves with extended M.W. band for easier tuning of Luxembourg, etc. 7 stages—5 transistors and 2 diodes, supersensitive ferrite rod aerial, fine tone moving coil speaker. Easy build plans and parts price list 1/6 (FREE with parts).



Total building costs **44/6** P. & P. 3/6

transona five

MEDIUM WAVE, LONG WAVE AND TRAWLER BAND PORTABLE WITH SPEAKER AND EARPIECE

Attractive case with red speaker grille. Size 6 1/2 x 4 1/2 x 1 1/2 in. 7 stages—5 transistors and 2 diodes, ferrite rod aerial, tuning condenser, volume control, fine tone moving coil speaker also Personal Earpiece with switched socket for private listening. Easy build plans and parts price list 1/6 (FREE with parts).



Total building costs **47/6** P. & P. 3/9

roamer six

SIX WAVEBAND PORTABLE WITH 3in. SPEAKER

Attractive case with gilt fittings. Size 7 1/2 x 5 1/2 x 1 1/2 in. Tunable on Medium and Long Waves, two Short Waves, Trawler Band plus an extra M.W. band for easier tuning of Luxembourg, etc. Sensitive ferrite rod aerial and telescopic aerial for Short Waves. 8 stages—6 transistors and 2 diodes including Micro-Alloy R.F. Transistors, etc. (Carrying strap 1/6 extra). Easy build plans and parts price list 2/- (FREE with parts).



Total building costs **79/6** P. & P. 4/6

RADIO EXCHANGE LTD

61a, HIGH STREET, BEDFORD. Tel. 0234 52367

I enclose £..... please send items marked

ROAMER EIGHT ROAMER SEVEN
TRANSEIGHT POCKET FIVE
TRANSONA FIVE ROAMER SIX

Parts price list and plans for

Name.....

Address.....

PE19

* Callers side entrance Stylo Shoe Shop

* Open 10-1, 2.30-4.30 Mon.-Fri. 9-12 Sat.

VARIABLE VOLTAGE TRANSFORMERS

LIGHT SENSITIVE SWITCH

Kit of parts, including ORP12 Cadmium Sulphide Photo-cell, Relay, Transistor and Circuit, etc., 6-12 volt D.C. op. price 25/- plus 2/6 P. & P. ORP 12 including circuit, 12/6 each, Post Paid.



A.C. MAINS MODEL. Incorporates Mains Transformer, Rectifier and special relay with 2x5 amp mains c/o contacts. Price inc. circuit 47/6 plus 2/6 P. & P.

LIGHT SOURCE AND PHOTO CELL MOUNTING

Precision engineered light source with adjustable lens assembly and ventilated lamp housing, to take MBC bulb. Separate photo cell mounting assembly for ORP. 12 or similar cell. Both units are single hole fixing. Price per pair £2.15.0. P. & P. 3/6.



UNISELECTOR SWITCHES

NEW
4 Bank 25 Way 24V d.c. operation £5.17.6. P. & P. 2/6.
6 Bank 25 Way 24V d.c. £6.10.0. p.p. 2/6.
8 Bank 25 Way 24V d.c. operation. £7.12.6 plus 4/6 P. & P.



RELAYS

New SIEMENS, PLESSEY, etc. miniature relays at COMPETITIVE PRICES

Coil d.c. Volts	Contacts	Price
52	6-9 6M	12/6
170	9-12 4 c/o H.D.	14/6
170	9-12 3c/o +1 H.D. c/o	12/6
230	6-12 2 c/o	12/6
280	6-12 2 c/o	I.B. 14/6
700	12-24 2 c/o	I.B. 12/6
700	16-24 4 c/o	I.B. 15/6
700	16-24 4M 2B	I.B. 17/6
1250	36-45 6M	12/6
2500	36-45 6M	12/6
5800	80-85 4 c/o	12/6
9000	40-70 2 c/o	I.B. 10/-

H.D. Heavy Duty. POST PAID
I.B. = Including Base

MINIATURE RELAYS

9-12V d.c. 2 c/o 500 M.A. contacts. Size 1 x 1/2 x 1/2 in. Price 11/6 post paid.
24-36V d.c. 2 c/o 500 M.A. contacts. 3,200 ohm coil. Size 1 x 1/2 x 1/2 in. 8/6. Post paid.

230 VOLT AC RELAY LONDEX 4 c/o

3 amp contacts. 18/6 inc. base, post paid.

18-24V. D.C. RELAY

2 c/o 3A contacts 400Ω coil. NEW 9/6. P. & P. 1/6 or 3 for 30/- post paid.



36V 30 amp. a.c. or d.c. VARIABLE L.T. SUPPLY UNIT

INPUT 220/240V a.c. OUTPUT CONTINUOUSLY VARIABLE 0-36V.



Fully isolated. Fitted in robust metal case with Voltmeter, Ammeter, Panel Indicator and handles. Input and output fully fused. Ideally suited for Lab. or Industrial use. £58 plus 40/- P. & P.

RING TRANSFORMER

Functional Versatile Educational

This multi-purpose Auto Transformer with large centre aperture, can be used as a Double wound current Transformer, Auto Transformer, H.T. or L.T. Transformer, by simply hand winding the required number of turns through the centre opening. E.g., using the RT 100VA Model the output could be wound to give 8V @ 12½A, 4V @ 25A, 2V @ 50A, etc.
Price: RT 100VA 3-18 turns per volt, £2.5.0 plus 3/6. P. & P. RT 300VA 2-27 turns per volt, £4.4.0 plus 5/6 P. & P. RT 1kVA 1-82 turns per volt, £6.10.0 plus 6/6 P. & P. RT 2kVA 1-5 turns per volt, £10.10.0 plus 9/6 P. & P. RT 3kVA 1-5 turns per volt, £14.0.0 plus 9/6 P. & P.



INPUT 230/240v. A.C. 50/60—OUTPUT VARIABLE 0-260v.

BRAND NEW
Keenest prices in the country. All Types (and Spares) from 1/2 to 50 amp. from stock.

SHROUDED TYPE
1 amp, £5. 10. 0. 2.5 amps, £6. 15. 0. 5 amps, £9. 15. 0. 8 amps, £14. 10. 0. 10 amps, £18. 10. 0. 12 amps, £21. 0. 0. 15 amps, £25. 0. 0. 20 amps, £37. 0. 0. 37.5 amps, £72. 0. 0. 50 amps, £92. 0. 0.
OPEN TYPE (Panel Mounting)
1 amp, £3.18.6. 1 amp, £5.10.0. 2½ amps, £6.12.6. Carriage extra on open types.



STROBE! STROBE! STROBE!

Build a Strobe Unit, using the latest type Xenon white light flash tube. Solid state timing and triggering circuit. 230/250v. A.C. operation.

EXPERIMENTERS' ECONOMY KIT
Speed adjustable 1 to 36 Flash per sec. All electronic components including Veroboard S.C.R. Unijunction Xenon Tube and instructions £5.5.0 plus S/P. & P.

NEW INDUSTRIAL KIT
Ideally suitable for schools, laboratories, etc. Roller tin printed circuit. New trigger coil, plastic thyristor. Speed adjustable 1-80 f.p.s. Price 9 gns. 7/6 P. & P.

HY-LIGHT STROBE
This strobe has been designed and produced in response to wide public demand, for use in large rooms, halls and the photographic field, and utilizes a silica plug-in tube for longer life expectancy, printed circuit for easy assembly, also a special trigger coil and output capacitor. Speed adjustable 0-30 f.p.s. Light output approx. 4 joules. Price £10.17.6. P. & P. 7/6.

7-inch POLISHED REFLECTOR
Ideally suited for above Strobe kits. Price 10/6. P. & P. 2/6 or Post Paid with kits.

100 WATT POWER RHEOSTATS (NEW)

AVAILABLE IN THE FOLLOWING VALUES:
1 ohm, 10 a.; 5 ohm, 4.7 a.; 10 ohm, 3 a.; 25 ohm, 2 a.; 50 ohm, 1.4 a.; 100 ohm, 1 a.; 250 ohm, .7 a.; 500 ohm, .45 a.; 1 Kohm, 280 mA.; 1.5 Kohm, 230 mA.; 2.5 Kohm, 2 a.; 5 Kohm, 140 mA. Diameter 3 1/2 in. Shaft length 1/2 in. All at 27/6 each. P. & P. 1/6.



50 WATT. 1/5/10/25/50/100/250/500/1/1/5/2-5 Kohm All at 21/- each. P. & P. 1/6.

25 WATT. 10/25/50/100/250/500/1/1/5/2-5 Kohm. All at 14/6 each. P. & P. 1/6.

VEEDER ROOT, 230V a.c. 50 cycle, 5-figure counter (non-resettable). 18/6, P. & P. 1/6.



NICKEL CAD. BATTERY OUTFIT (Ex. W.D.)
Two metal carrying cases each containing 10 x 1-2V 7AH (12V) Batteries, also 10 x 1-2V 22AH (12V) Batteries (40 batteries in all).
One dual voltage, dual meter thyristor controlled charging unit. Designed for charging the 7AH and 22AH batteries simultaneously. Input voltage can be adjusted between 100 and 250V a.c. Built to Ministry specifications. Ideal power supply for field work. Offered at fraction of makers' price. Two sets of batteries, 1 charging unit. The set £45 P. & P. 30/-.



BURGESS MICRO SWITCH
Lever operated c/o contacts. Price 4/- plus 9d P. & P.
10 in makers' carton 35/- post paid.



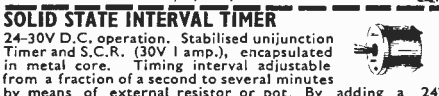
SOLID STATE INTERVAL TIMER
24-30V D.C. operation. Stabilised unijunction Timer and S.C.R. (30V 1 amp), encapsulated in metal core. Timing interval adjustable from a fraction of a second to several minutes by means of external resistor or pot. By adding a 24V Relay many other complex timing Functions are possible. Price: 16/6 incl. circuit. P. & P. 2/6. Suitable relay 10/- post paid.



PARVALUX TYPE SD19 230/250 VOLTS A.C. REVERSIBLE GEARED MOTOR
30 r.p.m. 40lb. ins. Position of drive spindle adjustable to 3 different angles. Mounted on substantial cast aluminium base. Ex-equipment. Tested and in first class running order. A really powerful motor offered at fraction of makers' price. 6 GNS. P. & P. 10/-.



INSULATED TERMINALS
Available in red, white, yellow, black, blue and green. New Price 2/- each.



SERVICE TRADING CO

All Mail Orders—Also Callers—Ample Parking Space
Dept. P.E. 57 BRIDGMAN ROAD, LONDON, W.4
Phone 995 1560 SHOWROOM NOW OPEN CLOSED SATURDAY
Personal callers only
9 LITTLE NEWPORT ST. LONDON, W.C.2. Tel. GER 0576
576

NEW EDITION! COLOUR TELEVISION

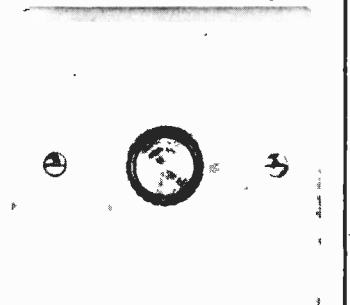
with particular reference to the PAL system
by G. N. Patchett
50/- Postage 1/6

- THE RADIO AMATEUR'S HANDBOOK 1970 by A.R.R.L. 48/- Postage 4/6.
- THE MUSIC LOVER'S ALL IN ONE GRAMOPHONE BOOK by Vivian Capel. 15/- Postage 9d.
- THE PRACTICAL AERIAL HANDBOOK by Gordon J. King. 54/- Postage 1/6.
- BASIC COMPUTER STUDIES by P. J. Barker & W. T. Beveridge. 22/- Postage 1/-.
- 20 SOLID STATE PROJECTS FOR THE HOME by R. M. Marston. 18/- Postage 1/-.
- THE HI-FI AND TAPE RECORDER HANDBOOK by Gordon J. King. 40/- Postage 2/6.
- BEGINNER'S GUIDE TO TRANSISTORS by J. A. Reddihough. 15/- Postage 1/-.
- SCR MANUAL by General Electric Company 25/- Postage 1/6.
- RADIO COMMUNICATION HANDBOOK by Radio Society of Great Britain. 63/- Postage 4/6.

THE MODERN BOOK CO.

BRITAIN'S LARGEST STOCKIST
of British and American Technical Books
19-21 PRAED STREET
LONDON, W.2
Phone: PADdington 4185
Closed Saturday 1 p.m.

DIMMASWITCH



This is a dimmer of standard size in ivory and chrome to replace modern light switches without wiring change—controls 40-600 watts, 200/250 volts at 50Hz of all lights except fluorescents.

Two models are available with on/off switch to control from maximum to zero.

DS500/2 at £3 12s. 6d. with clockwise or reverse dimming, with the switch at full reverse rotation.

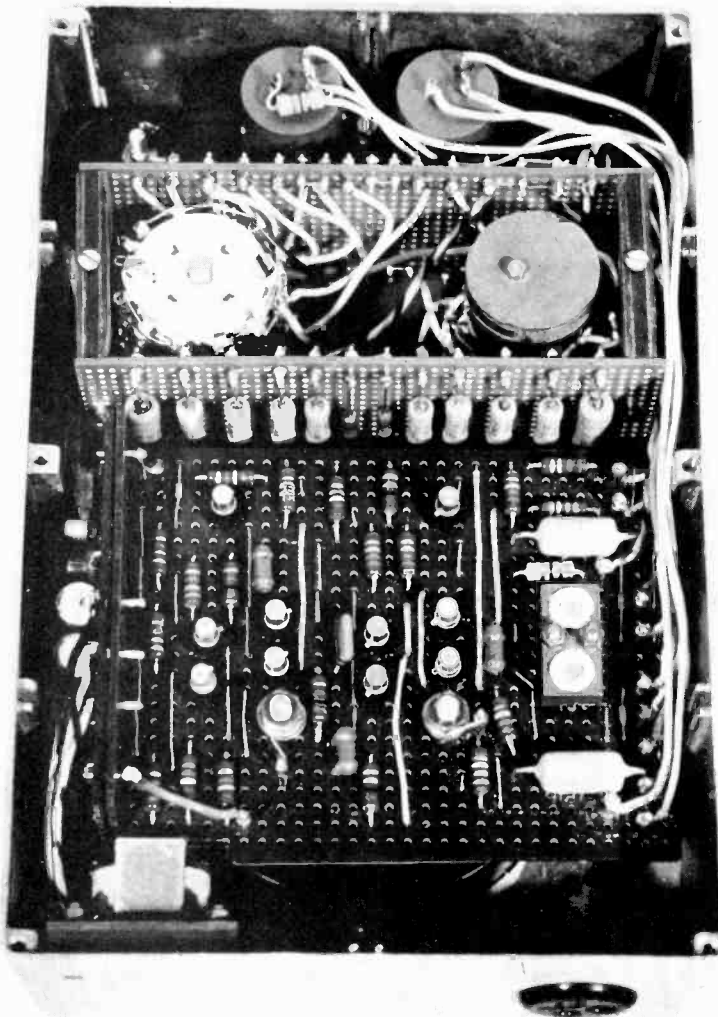
DS500/2/P at £3 18s. uses a patented switch giving on/off control at any position of dimming.

Both are available in D.I.Y. kit form at 10/- less. Fuse protection is available at 2/6 extra.

Please send C.W.O. to:

DEXTER & COMPANY
ULVER HOUSE, 19 KING STREET
CHESTER CHI 2AH
Tel.; Chester 25883

As supplied to H.M. Government Departments, Hospitals, Local Authorities, etc.



COMPONENTS . . .

RANGE SWITCHING

Resistors

R1	10M Ω	R15	1 Ω
R2	10M Ω	R16	30 Ω
R3	1M Ω	R17	20 Ω
R4	1M Ω	R18	100 Ω
R5	1M Ω	R19	300 Ω
R6	1M Ω	R20	200 Ω
R7	100k Ω	R21	220 Ω
R8	100k Ω	R22	4.7k Ω
R9	20k Ω	R23	470 Ω
R10	220k Ω	R24	56 Ω
R11	10k Ω	R25	10 Ω
R12	1k Ω	R26	10 Ω
R13	100 Ω	R27	0.1 Ω \pm 0.5% (see text)
R14	10 Ω		

R1 to R20

\pm 0.5% metal film type 4015D (10M Ω type 4016D—Welwyn) available from The Radio Resistor Co., 9-11 Palmerston Road, Harrow, Middlesex

R21 to R26 \pm 2% metal oxide (Electrosil type TR5)

Switches

- S1 Maka switch assembly and four 12-way single pole wafers
- S2 Maka switch assembly, one 12-way single pole wafer and d.p.s.t. mains switch

Miscellaneous

Veroboard plain perforated 5in \times 1 $\frac{3}{4}$ in, 0.1in matrix (2 off)

S.R.B.P. board 5 $\frac{1}{8}$ in \times 2in \times $\frac{1}{16}$ in (2 off) and 1 $\frac{1}{2}$ in \times 1 $\frac{1}{2}$ in \times $\frac{1}{4}$ in (2 off)

23 s.w.g. d.c.c. Constantan wire (24in)
6B.A. fixings

RESISTOR CONNECTIONS

In Fig. 6, R27 is shown soldered to the two pairs of terminal pins. The separate input and output connections must be preserved so that no part of the connections becomes part of the shunt resistance, and there must be two separate connecting leads to the switch; these can be of flexible p.v.c. covered wire. A somewhat similar arrangement is used for R15, although the resistor itself has single axial leads.

When the testmeter is completed, it is possible to compare the 0.1 ohm resistance with the 1 ohm resistance, by comparing a reading on the 100 \times 0.5mA range with the corresponding reading on the 10 \times 5mA range. It is not a highly accurate check, because, even if the current is kept exactly the same on both readings, there is a tolerance of 2 per cent involved. Used instead of the bridge method, it could make possible a tolerance of 5 per cent on the 100mA range.

RANGE SELECTION

Range selection is by means of two rotary switches, S1 and S2, forming part of an integrated section that can be wired up before final installation. The range-switching assembly combines the switches and range

resistors in a compact unit (Fig. 6) constructed from insulating material. A circular aperture in each end enables the connecting leads to be brought out. The ends are $\frac{1}{4}$ inch thick to take the 6 B.A. bolts holding the assembly together, and can be made, if necessary, by sandwiching a piece of $\frac{1}{8}$ inch thick material between two pieces $\frac{1}{16}$ inch thick. It is convenient to fix the 6B.A. nuts temporarily in position on the inside of the circular aperture by applying some adhesive around them.

The sides of the assembly are formed by the boards on which the range resistors are mounted, consisting of 0.1 inch matrix plain perforated Veroboard.

The range resistors are soldered to rows of terminal pins along the edges of the group boards. The spacing is arranged as in Fig. 6 to accommodate the different sizes of the resistors. Wiring behind the boards is also indicated. Further wiring, shown diagrammatically in Fig. 8 consists of flexible p.v.c. covered leads to the switches, and external leads to the amplifier board, etc.

WAFER SWITCHES

When the range switching assembly is fitted in the testmeter, it is secured in position by the nuts on the

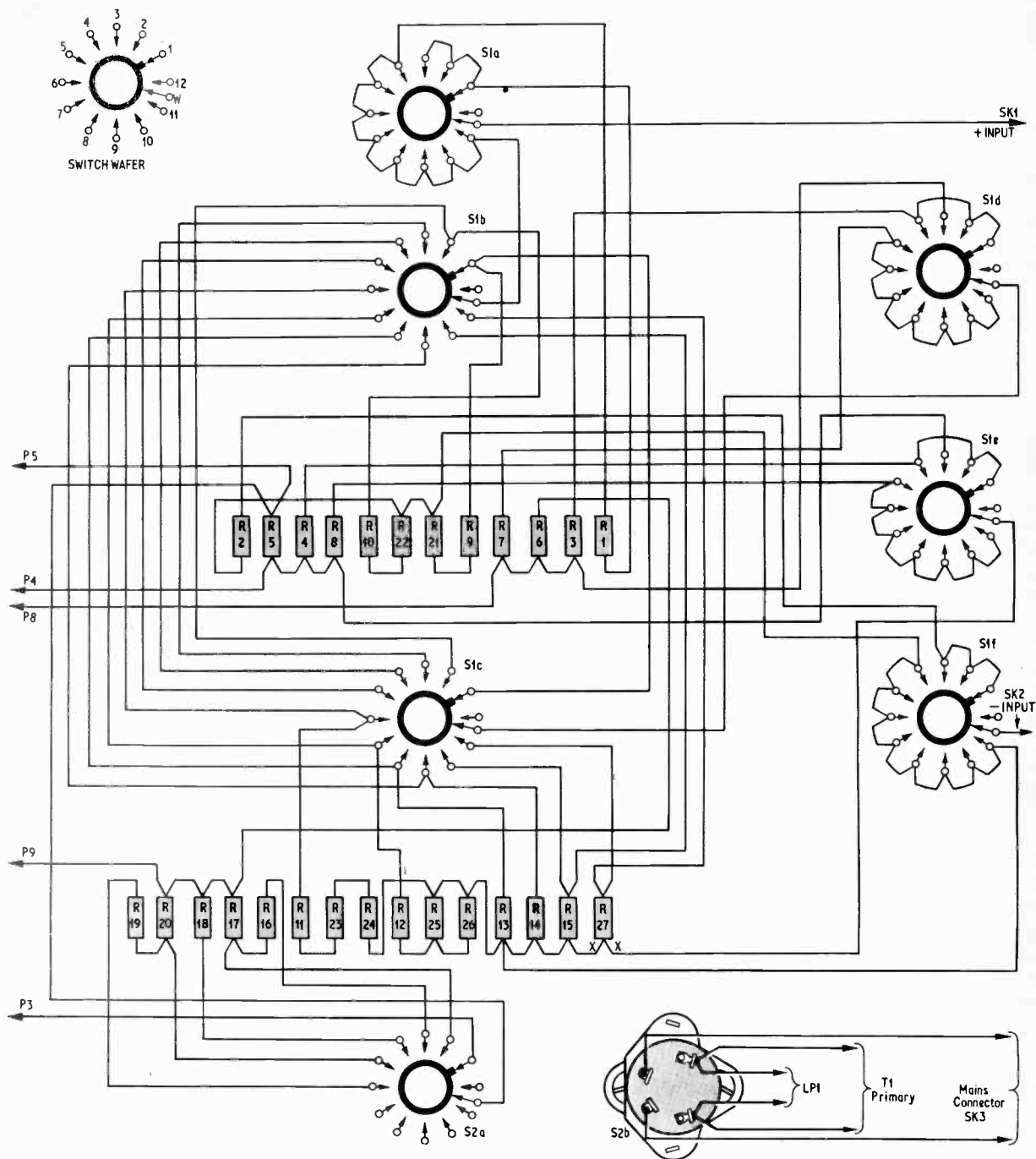


Fig. 8. Range switch wiring details

switch bushes—inserted through the aluminium case. The top and bottom of the range switching assembly are panels of $\frac{1}{16}$ inch insulating material, measuring $5\frac{1}{2}$ inches by 2 inches. The panel that is fixed to the case has $\frac{3}{8}$ inch diameter holes for the switch bushes.

Each switch has to be keyed in position to prevent turning. As shown in Fig. 6, holes of $\frac{1}{8}$ inch diameter are drilled in the insulating panel at the required positions for the spigots that are fitted on the switch bushes. The spigot rings combine limit stops for the switches, and a check should be made to ensure that the switch rotates a total of six positions for S2, and 11 positions for S1.

The wiring of the range switching assembly is carried out with reference to Fig. 8. The circuit diagram of the entire testmeter appeared last month and can be used to check the wiring; all pin numbers were shown on the circuit diagram. A different colour of p.v.c. covered flexible wire can be used for each switch wafer. The external leads to the amplifier pins should also be in different colours. Wires should not be pushed down to the bottom of the switch assembly where they could become jammed in the switch mechanisms.

Next month: final construction and setting up

STEPHENS

ELECTRONICS
P.O. BOX 26
AYLESBURY, BUCKS.

SEND S.A.E. FOR LISTS
GUARANTEE
Satisfaction or money
refunded.

VALVES

AZ31	9/6	EF184	11/3	PL38	18/-	6U4	15/-
DAF91	8/3	EH90	10/3	PL81	10/3	6AT6	9/9
DAF96	8/3	EL34	9/9	PL81A	12/6	6U6A	15/6
DF91	9/-	EL41	10/-	PL82	7/3	6AV6	6/6
DF96	9/-	EL81	9/6	PL83	10/3	6BA6	9/6
DK91	11/6	EL84	7/9	PL84	8/3	6BE6	12/-
DK96	11/6	EL95	9/-	PL500	16/6	6BR7	15/-
DL92	7/6	EM81	11/6	PL504	17/-	6BR8	19/-
DL94	7/6	EM84/7	12/9	PL505	29/-	6BW6	16/6
DL96	9/3	EY51	7/6	PL508	20/-	6BW7	13/9
DY86/7	8/-	EY86/7	7/9	PL509	30/9	6CD6G	28/-
DY802	8/6	EX40/1	7/6	PL802	17/3	6V6G	8/-
EABC80	10/6	EZ80	6/6	PL805	17/3	6X4	7/6
EBC33	11/-	EZ81	5/9	PY32	10/-	6X5	9/6
EBC41	9/6	GY501	14/6	PY33	10/9	12AU6	15/-
EBC81	6/6	GZ30	9/6	PY81	8/3	12BA6	9/6
EBC90	9/6	GZ32/4	11/9	PY800	8/3	12BE6	12/-
EBF80	8/-	GZ33/7	16/3	PY801	8/3	12BH7	14/-
EBF83	8/-	KT66	25/6	PY82	7/-	35W4	9/6
EBF89	8/-	KT88	32/6	PY83	10/-	50C5	12/6
EB91	5/3	N37	15/6	PY88	8/3	6F23	15/6
ECC81	8/-	N339	25/6	PY500	20/-	6F25	12/6
ECC82/3	8/6	PC86/8	10/3	PZ30	16/-	6F26	8/3
ECC84/5	8/6	PC900	10/3	R19	13/-	6F28	11/6
ECC88	11/-	PC95	7/3	R20	15/-	6/30L2	15/6
E88CC	12/6	PC97	8/3	UABC80	10/6	10F1	15/-
EFC80/2	9/6	PCC84	9/3	UBF89	8/-	10F18	10/-
EFC86	11/-	PCC85	8/6	UBC41	9/9	10P13	16/-
ECH35	13/6	PCC88	14/-	UCC85	9/3	10P14	19/-
ECH42	13/3	PCC89	12/3	UCH42	13/9	20P4	20/-
ECH81	10/3	PCC189	12/3	UCH81	10/9	30C1	10/3
ECH83	8/-	PCF80	10/3	UCL82	10/3	30C15	13/9
ECH84	9/6	PCF82	10/6	UCL83	12/3	30C17	15/9
ECLL800	20/-	PCF84	9/6	UF41/2	11/-	30C18	13/6
ECL80	8/-	PCF86	12/3	UF80/5	7/6	30F5	16/6
ECL82	9/9	PCF200/1	16/3	UF89	8/3	30FL1	12/9
ECL83	11/6	PCF801	12/3	UL41	11/6	30FL2	17/6
ECL86	9/9	PCF802	12/3	UL84	11/-	30FL14	13/6
EF39	10/6	PCF805	13/-	UM80/4	9/-	30L1	9/3
EF80	8/-	PCF806	12/3	UY41	8/-	30L15	15/3
EF83	10/3	PCF808	13/6	UY85	6/9	30L17	14/6
EF85	8/3	PC8200	11/6	U25	15/-	30P12	15/6
EF86	13/3	PCL82	10/3	U26	15/-	30PL1	12/9
EF89	8/-	PCL83	12/3	U191	14/6	30P4MR	20/-
EF91	8/6	PCL84	10/3	U193	8/3	30P19	12/9
EF92	10/-	PCL85	10/6	U301	17/-	30PL13	18/6
EF93	9/6	PCL86	10/3	W729	11/-	30PL14	18/6
EF94	15/6	PD500	30/6	Z759	24/6	30PL15	18/6
EF95	12/6	PFL200	14/9	5Y3	8/6		
EF183	11/3	PL36	12/9	5Z4	9/6		

90% B.V.A. BOXED (NORMAL GUARANTEE) OR OWN VALVES SUPPLIED. 1 YEAR'S GUARANTEE. ADD 6d PER VALVE ON ORDERS UNDER 6, OTHERWISE FREE POST AND PACKING.

SEMICONDUCTORS

AC117	12/-	BC115	6/6	BF225	6/-	2N1305	4/10
AC126	4/4	BC117	7/9	BF257	9/6	2N1306	6/2
AC127	4/9	BC118	7/9	BF22A	9/6	2N3055	15/-
AC128	4/6	BC134	11/6	NKT125	5/9	2N3392	5/-
AC176	7/4	BC147	5/8	NKT281	4/-	2N3702	5/6
ACY17	6/-	BC148	4/4	NKT401	17/6	2N3705	4/6
ACY20	6/-	BC152	5/6	OC25	9/6	2N3711	4/9
ADI49	11/8	BC175	5/6	OC44	5/6	2N3819	9/-
ADI61	6/9	BC187	5/8	OC45	5/4	2N3826	6/-
ADI62	6/9	BC213L	5/4	OC71	4/4	2N4062	4/6
AF114	4/8	BDY20	30/6	OC72	5/4	2N4289	4/6
AF115	4/8	BFY50	5/-	OC77	5/6		
AF116	4/9	BFX84	7/-	OC78	5/-		
AF117	4/6	BFX29	7/6	OC81	4/-	RECTIFIERS	
AF118	12/-	BF115	5/6	OC81D	4/-	BY126	4/4
AF126	4/8	BF117	9/6	(GET113)	4/-	BY127	5/-
AF127	4/8	BF163	7/-	OC84	5/-		
AF139	8/8	BF167	6/-	OC169	4/8		
AF178	9/-	BF173	7/-	OC171	6/-		
AF179	9/-	BF178	7/-	OC200	6/6	DIODES	
AF180	12/4	BF180	8/-	OC202	9/6	AA119	2/-
AF181	9/4	BF181	8/-	OC203	6/6	OA47	1/9
AF186	13/4	BF182	8/-	OC207	12/6	OA79	1/10
AF239	8/6	BF184	5/-	P346A	4/6	OA81	1/10
BC107A	5/-	BF194	5/-	2N456A	17/6	OA91	2/-
BC108B	4/6	BF197	6/4	2N697	5/10	OA202	2/-
BC109C	5/-	BF200	7/4	2N698	10/6	BZY88	
BC113	5/6	BF224	6/-	2N1132	11/6	(SERIES)	6/6

ADD 5d. PER ITEM FOR POST AND PACKING FOR ORDERS UNDER 24 PIECES.

CATHODE RAY TUBES

New and Budget tubes made by the leading British manufacturers Guaranteed for 2 years. In the event of failure under guarantee, replacement is made without the usual time wasting forms and postage expense.

Type	New £	Budget £
MW36-20		4.10.0
MW36-21		4.10.0
MW43-69Z		
CRMI71		
CRMI72	6.12.0	4.12.6
CRMI73	6.12.0	4.12.6
CME1702	6.12.0	4.12.6
CME1703	6.12.0	4.12.6
CME1706	6.12.0	4.12.6
C17AA	6.12.0	4.12.6
C17AF	6.12.0	4.12.6
CME1705	6.12.0	4.12.6
AW43-88		
AW47-90		
AW47-91	7.13.4	5. 7.6
A47-14W	CME1901	7.13.4
	CME1902	7.13.4
	CME1903	7.13.4
	C19AH	7.13.4
A47-13W	CME1906	10. 5.6
A47-11W	CME1905	8.17.3
A47-26W	CME1905	8.17.3
A47-26W/R	CME1913R	9. 6.8
A50-120W/R	CME2013	10.17.0
AW53-80		6. 5.0
AW53-88	CME2101	8.18.8
AW59-90		6. 5.0
AW59-91	CME2303	9.11.8
A59-15W	CME2301	7. 4.0
	CME2302	
	CME2303	9.11.8
	CME2305	7. 4.0
A59-11W	CME2306	13.13.0
A59-13W	CME2306	10.19.6
A59-16W	CME2306	13.13.0
A59-23W	CME2306	12.12.0
A59-23W/R	CME2305	12.12.0

PORTABLE SET TUBES
TSD217 6.15.0
TSD282 6.15.0
A28-14W 9. 3.4 Not supplied
CME1601 7.15.0
CME1602 8. 0.0

A discount of 10% is also given for the purchase of 3 or more New tubes at any one time.
All types of tubes in stock. Carriage and insurance 15/-.

TRANSISTORISED UHF TUNER UNITS NEW AND GUARANTEED FOR 3 MONTHS

Complete with Aerial Socket and wires for Radio and Allied TV sets but can be used for most makes.
Continuous Tuning, 90/-; Push Button, 100/-.

STYLI

TC8, GC2, GP59, GC8, DC284, Stereo 105, 106, 208, 2/- each (individually boxed); ST3/5, ST8/9, 9TA, 9TA/HC, GP91, 8/-, Diamond. Post and packing 5d per item for orders under 24.

TAPES (Polyester PVC)

4in L.P., 8/6; 3in L.P., 5/6.
Standard Play: 600ft 5in, 8/6; 900ft 5 1/2in, 10/6; 1,200ft 7in, 12/6.
Long Play: 900ft 5in, 11/-; 1,200ft 5 1/2in, 13/-; 1,800ft 7in, 18/-.
Double Play: 1,200ft 5in, 16/-; 1,800ft 5 1/2in, 19/-; 2,400ft 7in, 28/-.
Philips type Cassettes (in plastic library pack): C60, 10/6; C90, 12/6; C120, 19/6.
Post and packing 1/6 on all orders.

ACOS CARTRIDGES

GP91-1—Medium output Mono Crystal, 21/- inc. P. Tax.
GP91-3sc—High output Mono Crystal (TC8H, TC8M, BSR X3H, X3M), 21/- inc. P. Tax.
GP93-1—Stereo Crystal, 24/9 inc. P. Tax.
GP94-1—Stereo Ceramic, 31/- inc. P. Tax.
GP95-1—Stereo Ceramic, 24/9 inc. P. Tax.
GP96/1—Stereo Ceramic, 31/6 inc. P. Tax.

TERMS, CASH WITH ORDER ONLY. POST AND PACKING PAYABLE ON ORDERS UP TO £3, AFTER THAT, FREE EXCEPT C.R.T.'s.

MICRO SWITCH

5 amp. changeover contacts, 1/9 each, 18/- doz. 15 amp. model 2/- each or 21/- doz.



TOGGLE SWITCH
3 amp. 250V with fixing ring. 1/6 each, 15/- doz.

CONSTRUCTORS PARCEL

1. Plessey miniature 2 gang tuning condenser with built-in trimmer and wave gang switch. 2. Ferrite slab aerial with coils to suit the above tuning condenser. 3. Circuit diagram giving all component values for 6 transistor circuit covering full medium wave and the long wave band around radio 2. The three items for only 7/6 which is half of the price of the tuning condenser alone.

10 AMP 24V BATTERY CHARGER
Ideal unit for garage, boat station, etc., £22.10.0 each plus carriage and cost.

BEHIND THE EAR DEAF-AID

Made by a very famous maker. Thoroughly overhauled, cleaned and re-conditioned. Guaranteed 6 months. Regular price around £50. Our price £10.

SOLUTION TRANSFORMERS

200-250 MAINS
A must if you work on mains equipment. Prevents accidents and shocks even in damp conditions. Input and output separately screened by stainless steel block. 100 watt £23.0.0. 250 watt £5.

SLOW MOTION DRIVES

For coupling to tuning condensers, etc. One end in shaft, the other end fits to a tin shaft with grub screws. Price 4/6 each, 48/- dozen.

LARGE PANEL MOUNTING MOVING COIL METERS

Size 5in. 4in Centre zero 200-0-200 micro amp. made by Rangemaster Weston. Regular price probably £8. Our price 5/6. Ditto but 100-0-100 7/6.

A.C. AMMETER

0-5 amps. flush mounting—moving iron. Ex-equipment but guaranteed perfect 2/6.

CIRCUIT BOARDS

Heavy copper on 3/32 paxolin sheet ideal for making power packs, etc., as sheet is very strong and thick enough to allow copper to be cut away with hacksaw blade. 5in x 5in 1/6 each. 15in 5in 4/6 each.

4kVA AUTO-TRANSFORMER

In ventilated sheet metal case—tapped 110V-140V-170V-200V-230V. Ex-equipment but guaranteed perfect £19.10.0 carriage at cost.

PP3 BATTERY ELIMINATOR

Run your small transistor radio from the mains—full wave circuit. Made up ready to wire into your set and adjustable high or low current. 6/6 each.



REED SWITCHES

(Glass encased, switches operated by external magnet—gold welded contacts. We can now offer 3 types:

Miniature. 1in long x approximately 1/4in diameter. Will make and break up to 1A up to 300 volts. Price 2/6 each, 24/- dozen.

Standard. 2in long x 1/4in diameter. This will break currents of up to 1A, voltages up to 250V volts. Price 8/- each, 18/- per dozen.

Flat. Flat type, 2in long, just over 1/4in thick, flattened out, so that it can be fitted into a smaller space or a larger quantity may be packed into a square solenoid. Rating 1 amp 200 volts. Price 8/- each. 28 per dozen.

Small ceramic magnets to operate these reed switches 1/9 each. 18/- dozen.

0.005Mfd TUNING CONDENSER

Proved design, ideal for straight or reflex circuits 2/6 each, 24/- dozen.

SUB-MINIATURE MOVING COIL MICROPHONE

as used in behind the ear deaf aids Acts also as earphone size only 1in x 1in x 1/4in. Regular price probably £3 or more. Our price 1/6. Note these are ex-equipment but if not in perfect working order they will be exchanged.

CHART RECORDER MOTOR

Small (2in diameter approx.) instrument motor with fixing flange and spindle (1in long 1/4in diameter) integral gear box gives 1 rev per 24 hours. 1/6.

IGNITION (E.H.T.) TRANSFORMER

Made by Parmeco Ltd., Primary 240V 50Hz. Secondary 5kV at 23mA. Size approx. 4 1/2in x 3 1/2in x 2 1/2in thick. 2/6 plus 4/6 P. & P.



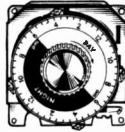
12 VOLT EXTRACTOR FAN BY DELCO

Ideal for ventilation in Caravan, Car or Boat. 6 Bladed 5in diameter fan inside heavy duty cylinder with 3 point fixing flange. 5 1/2in diameter fixing hole. Length approx. 8 1/2in. Exceptional bargain 2/6 plus 5/6 post and insurance.

INTEGRATED CIRCUIT BARGAIN

A PARCEL OF INTEGRATED CIRCUITS MADE BY THE FAMOUS PLESSEY COMPANY

A once-in-a-lifetime offer of Micro-electronic devices well below cost of manufacture. The parcel contains 5 ICs all new and perfect, first-grade device, definitely not sub-standard or seconds. The ICs are all single silicon chip General Purpose Amplifiers. Regular price of which is well over £1 each. Full circuit details of the ICs are included and in addition you will receive a list of 50 different ICs available at bargain price 5/- upwards with circuits and technical data of each. Complete parcel only 10/- post paid; or List and all data 10/- post free. Credited when you order ICs value of 30/- and upward.



24 HOUR TIME SWITCH

Mains operated. Adjustable Contacts give 2 on/off per 24 hours. Contracts rated 15 amps. repeating mechanism so ideal for shop window control, or to switch hall lights (anti-burglar precaution) while you are on holiday. Made by the famous Smiths Company. This month only 3/6 with Perapex cover, plus 3/6 postage and insurance, a real snip which should not be missed.

DISTRIBUTION PANELS

Just what you need for work bench or lab. 4 x 13 amp sockets and on/off switch with neon warning light in metal box. Takes standard 13 amp fused plugs. Supplied complete with 7 feet of heavy cable. 3/6 wired up, ready to work plus 4/6 post and insurance. 5 amp 3 pin model 35/-, 15 amp 3 pin model 45/-.

BARGAIN OF THE YEAR

MICROSONIC RADIOS

7 transistor Key chain Radio in very pretty case, size 2 1/2 x 2 1/4 x 1 1/2in—complete with soft leather zipped bag. Specification:— Circuit: 7 transistor superheterodyne. Frequency range: 630 to 1,600 Kc/s. Sensitivity: 5 mv/m. Intermediate frequency: 465Kc/s, or 455Kc/s. Power output: 40mW. Antenna: ferrite rod. Loudspeaker: Permanent magnet type. In transit from the East these sets suffered slight corrosion as the batteries were left in them but when this corrosion is cleared away they should work perfectly—offered without guarantee except that they are new. Price only 24/6 plus 2/6 post and insurance. Rechargeable batteries 8/6 pair. Plug in mains charger 12/6.



THE 5-5 WATT STEREO AMPLIFIER

Made by one of our most famous makers for a de-luxe player. This amplifier has a quality of reproduction much better than average. Using a total 16 transistors and a generously sized mains power pack. Controls include bass, treble, balance and volume. Suitable for 8-16 ohms impedance speakers with crossovers for tweeter mid-range and bass thus giving option of 1, 2 or 3 speakers per channel. Offered at about one third of its original price only £9.19.6 plus 6/6 post and insurance.

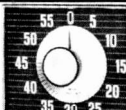
THIS MONTH'S SNIP

The "Princess" 4 speed automatic record changer and player for beauty, long-life. Will take up to ten records which may be mixed, stylus brush cleans stylus after each playing—other features include pick-up height adjustment and stylus pressure adjustment. This truly is a fine instrument, part of a cancelled export order, which has travelled back and forth. The changer, therefore, may need mechanical re-adjustment but we supply service manual. We offer these at less than the price of a single player—only 49/6 plus 6/6 P. & P.



1 HOUR MINUTE TIMER

Made by famous Smiths company, these have a large clear dial, size 4 1/2 x 3in, which can be set in minutes up to 1 hour. After preset period the bell rings. Ideal for processing memory jogger or, by adding simple lever, would operate micro-switch. 22/6.



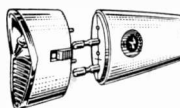
A.C. CONDENSERS

These make good voltage droppers for working low voltage appliances from a.c. mains—the big advantage being there is no heat. Also useful in power factor correction, motor starting and in d.c. circuits where reverse voltage is encountered.

1.5 mfd 400V	3/6	5 mfd 570V	9/6	12 mfd 260V	11/6
2 mfd 440V	4/6	6.25 mfd 260V	8/6	15 mfd 280V	13/6
3.4 mfd 440V	6/6	8 mfd 250V	9/6	20 mfd 275V	16/6
3.6 mfd 250V	5/6	8 mfd 440V	11/6		

RECHARGEABLE TORCH

Neat flat torch. Fits unobtrusively in your pocket, contains 2 Nicad cells and built in charger. Plugs into shaver adaptor and charges from our standard 200/240V mains. American made, sold originally at over 4 dollars. Our price only 1/6 each.



3kW TANGENTIAL HEATER UNIT

This heater unit is the very latest type, most efficient, and quiet running, as fitted in Hoover and hower heaters costing £15 and more. We have a few only. Comprises motor, impeller, 2kW element and 1kW element allowing switching 1, 2 and 3kW and with thermal safety cut-out. Can be fitted into any metal line case or cabinet. Only need control switch. 7/6. Postage and insurance. 6/6. Don't miss this.

3 STAGE PERMEABILITY TUNER

This Tuner is a precision instrument made by the famous "Clydon" Company for the equally famous Radionobile Car Radio. It is a medium wave tuner (but set of longwave coils available as an extra if required) with a frequency coverage 1630 Kc/s-525 Kc/s and intended to operate with an I.F. value of 470 Kc/s. Extremely compact (size only 2 1/2 x 2 1/2 in. thick) with reduction gear for fine tuning. Snip price this month 12/6, with circuit of front end suitable for car radio or as a general purpose tuner for use with Amplifier. Post. Free.



NEED A SPECIAL SWITCH? Double Leaf Contact



Very slight pressure closes both contacts, 1/3 each, 12/- doz. Plastic push-rod suitable for operating, 1/- each, 9/- doz.

50-Way Connector Block

Heavy duty block, size 2 1/2in 1 1/2in approximately. Each of the 50 ways has a multi cable inlet and outlet designed for easy connection. Also, each way has 2 test sockets and a disconnecting plug. Ideal for inserting ammeter or other device without breaking circuit, offered at 6/6 each, which is only a fraction of the regular price, postage and insurance 5/6.

Under-floor Heating Cable

200ft lengths, suitable for dissipating 1,000 watts at 80 volts. Join three in series to make a 240 volt mains operated element of 3kW. Price 30/- per length, 4/6 post on any quantity.

3-Core Leads

Heavy duty 23/36, average length 5ft 10/- per dozen lengths, plus 4/6 P. & I.

Papst Motors

Est. 1/40th h.p. Made for 110-120 volt working, but two of these work ideally together off our standard 240 volt mains. A really beautiful motor, extremely quiet running and reversible, 30/- each.



Instrument Knobs

1/2in dia. head with 1/4in shank for flatted 1/4in spindle, 9d each, 8/- dozen. Ditto but with metal disc, 1/- each, 11/- dozen.



Midget Output Transformer

Ratio 140 : 1. Size approx. 1in x 3/4in. Primary impedance 450 Ohm. Connection by flying leads. 4/6 each, 48/- doz.



Midget Output Transformer

Ratio 80 : 1. Size approx. 1in x 3/4in. Primary impedance 132 Ohm. Printed circuit board connection. 5/6 each, 28 doz.



4-Gang Air Spaced Tuning Condenser

For AM/FM circuits. AM rf section 200 pf each section 80 pf both with trimmers.—FM rf section 9.5 pf one section 11.5 pf—integral slow-motion drive. 9/6 each.



Mains Connector

A quick way to connect equipment to the mains safely and firmly—L, N, and E. coded to new colour scheme; disconnection by plugs prevents accidental switching on; has sockets which allow insertion of meter without disconnection; cable links firmly hold one hair wire on up to four 7.025 cables. 12/6 each.



CONTROL DRILL SPEEDS

DRILL CONTROLLER

Electronically changes speed from approximately 10 revs. to maximum. Full power at all speeds by fingertip control. Kit includes all parts, case, everything and full instructions. 19/6 plus 2/6 post and insurance. Made up model also available, 37/6 plus 2/6 p. & p.

ELECTRIC CLOCK WITH 25 AMP SWITCH

Made by Smith's, these units are as fitted to many top quality cookers to control the oven. The clock is mains driven and frequency controlled so it is extremely accurate. The two small dials enable switch on-and-off times to be accurately set. Ideal for switching on tape recorders. Offered at only a fraction of the regular price—new and insured only 30/6, less than the value of the clock alone—post and insurance 2/6.



MAINS TRANSISTOR POWER PACK

Designed to operate transistor sets and amplifiers. Adjustable output 6V, 9V or 12V for up to 500mA (class B working). Takes the place of any of the following batteries: PP1, PP3, PP4, PP6, PP7, PP9, and others. Kit comprises: mains transformer rectifier, smoothing and load resistor, condensers and instructions. Real snip at only 1/6/6 plus 3/6 postage.

ELECTRONICS (CROYDON) LTD

Dept. PE, 266 London Road, Croydon CRO 2TH
Also 102/3 Tamworth Road, Croydon

Readout —

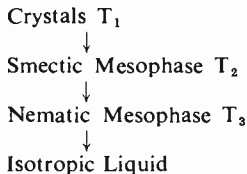
A SELECTION FROM OUR POSTBAG

Correspondents wishing to have a reply must enclose a stamped addressed envelope. We regret we are unable to guarantee a reply on matters not relating to articles published in the magazine. Technical queries cannot be dealt with on the telephone.

Nematic Crystals

Sir—Perhaps the following background comment, on the above subject, may prove of interest to readers G. E. Dunning and L. P. E. Light (P.E. "Readout", January 1970).

The nematic mesophase is a phenomena exhibited by some 0.5 per cent of organic crystals as they are heated through their freezing points to their melting points.



where T₁, T₂ and T₃ are reversible transition temperatures.

Nematic comes from the Greek "Nematos" meaning threadlike. Smectic also comes from the Greek "smectos" meaning soaplike. These intermediate phases, or mesophases, occur within definite temperature ranges, specific for each compound and mostly above ambient temperatures. The threaded texture of the nematic mesophase is clearly visible between crossed polaroids. Only the nematic mesophase is affected by magnetic or electric fields.

The phenomena was first noted in the literature in 1888 (Reinitzer) and there have been sporadic bursts of interest in it to the present day. A good deal of the published work has been carried out with p-Azoxyanisole using conductive glass by the Corning Glass Co. Voltages used were of the order of 1–3kV/cm with frequencies mainly between d.c. and 1kHz (although frequencies up to microwave are recorded). In practice, only thin films of about 50 microns, sandwiched between layers of conductive glass, were used. Excitation was supplied by low frequency oscillators having outputs of 10–20 volts. It is generally accepted that magnetic fields are more effective in lining up the thread-like "swarms" of molecules, than electric fields. Also of interest is the fact that under the conditions outlined above, the nematic mesophase exhibits properties similar to those shown by ferroelectric materials, namely that it

has a "domain" structure and also displays hysteresis effects. It is thought that impurities may affect the alignment direction.

Current interest in these compounds is not confined to their electrical properties. Research is at present being carried out using them in nuclear magnetic resonance techniques where they have proved useful as solvents.

They are also currently being used in the field of gas chromatography as liquid phases, mainly in the separation of meta and para isomers.

The compounds used in the above work can be considered as organic research chemicals. Most have been synthesised by the chemists carrying out the research, but a few of them are marketed by specialised chemical companies to chemical laboratories:—

- (1) 4-n-Butoxybenzoic Acid

Ralph Emmanuel
Cat. No. 12,420-6
Cost 100g = 69/-

Also by:—
Kodak Ltd., Kirkby,
Liverpool.

- (2) p-Azoxyanisole

British Drug Houses
Cat. No. 27888
Cost 10g = 23/-

- (3) Methyl Red (o-Carboxybenzene—azo—dimethylaniline) is a very common indicator. No supply difficulties should be encountered.

In conclusion, may I point out a typographical error in F. J. Stone's reply to G. E. Dunning:—

P-N Butoxy Benzoic Acid should, of course, read:—

p-n-Butoxy Benzoic Acid or
alternatively
4-n Butoxybenzoic Acid.

In chemical nomenclature -N- means that two chemical groups are linked through a nitrogen atom, while -n- means that the Butyl group is straight chained.

I. MacKinnon,
Glasgow.

Best investment

Sir—After teaching for forty-one years at the lower end of the education spectrum, I feel I can add

something to your Editorial about the Electronics Industry's best investment—aid to school leavers.

This is indeed a good idea, but it needs more than an unlimited supply of transistors and resistors to make it work.

In the school staff room, Technology is a forbidden subject, and only woodwork, metalwork and technical drawing are respectable.

The much boasted Nuffield Physics, with its "find out for yourself" doctrine and "Worcester Circuit Board" are not good enough, in fact I would say this kind of approach to electrical science is definitely harmful, remembering that electricity is a good servant but a bad master, and hit and miss methods, especially with beginners, can lead to very bad habits.

Many schools are carrying out worthwhile projects in physics, chemistry and scientific thinking, but these are usually led by enthusiasts who know where they are going, and more often than not at a high level in the school strata, where we find the future scientists; so that the shortage of skilled manpower will still persist.

What is needed is a careful programme of practical teaching, beginning with the ten year olds, not based upon hook-ups and make shift apparatus, and with a status at least equal to the more established subjects.

Then all those enthusiasts and interested youngsters will indeed be ready when they are needed.

G. A. Cozens,
Southampton.

P.E. Organ on television

Sir—I have constructed the P.E. Electronic Organ and the results have been excellent except in so far as I am told that a neighbouring television set picks up my playing! I have reduced this interference by earthing the mains chassis. Could you or any reader please suggest any further modification to lessen the interference?

C. Young,
London, N.8.

Good reception!

Sir—May I congratulate you on the series of articles for the holiday motorist and suggest a further article on constructing a unit to enable an extra car battery to be charged to provide power for camp lighting, and even electric soldering for the enthusiast who cannot leave his hobby at home.

In addition, could someone please suggest how to stop the guitar pick-up featured in April "Ingenuity Unlimited" from acting like a radio receiver?

D. B. Bloomfield,
Lambley,
Nottingham.

Readout —

A SELECTION FROM OUR POSTBAG

Mobile rally

continued

Sir—I wonder if it would be possible for you to publish some of the following information in the July issue of your magazine.

On Sunday, June 21 at 1 p.m., Swansea University Radio Society will be holding its mobile rally, the venue being the University grounds at Singleton Park (on the A4067 road).

There will be talk-in on topband and two meters for those unfamiliar with the area. The usual type of events are being organised, including a mobile/pedestrian d.f. hunt.

This will be an outing suitable for "all the family" as there are many local amenities. Refreshments will, of course, be provided. Further details may be obtained from me at the address below.

Philip Regan (P.R.O.),
Union House,
University College,
Swansea SA2 8PP.

Quod erat corrigendum

Sir—I read your interesting article on your *Chessboard Computer*, where you mention Napier. The enclosed copy is taken from one of my First Editions printed in 1623—Francis Bacon's "De Augmentis Scientiarum", written when he was Lord Chancellor and printed later in 1623.

Bacon actually corrected Napier's logarithms and instigated the publication of them; the actual book with his annotations is in the Folger Library in America.

I am no mathematician, but is this not the binary scale expressed in terms of A and B. The context of this page of the book is part of his illustration of the "Bilateral Cypher" he invented in the 1570's while in France.

If you substitute 0 and 1 for A and B do you not have binary, or am I wrong?

Ewin MacDuff,
Shoreham-by-Sea,
Sussex.

Plate I.

LIBER SEXTVS.		279			
Exemplum Alphabeti Biliterarij.					
A	B	C	D	E	F
Aaaa	aaab	aaaba	aaabb	aaaba	aaab
G	H	I	K	L	M
aaaba	aaabb	abaaa	abaab	ababa	ababb
N	O	P	Q	R	S
abbaa	abfab	abbbb	abbbb	baaaa	baaab
T	V	W	X	Y	Z
baaba	baabb	babaa	babab	babba	babbb
<p>Neque leue quiddam obicit hoc modo perfectum est. Etenim ex hoc uplopatet Modus, quo ad omnem Locum Distantiam, per Obiecta, quae vel Visui vel Audiui subijci possunt, Senfa Animi profertur, & significare liceat, si modo Obiecta illa, duplicis tantum Differentiae capacia sunt, veluti per Campanas, per Buccinas, per Flammicos, per Sonitus Tormentonum, & alia quaecumque. Verum ut Inceptum persequamur, cum ad Scribendam accingens, Epistolam Internam in Alphabetum hoc Diliterarij folues. Sic Epistola interior,</p> <p style="text-align: center;">Fugae.</p>					
Exemplum Solutionij.					
F	V	G	I		
Aabab	baabb	aaaba	aaaba		
Prestit.					

A truly practical man

I have been a reader of PRACTICAL ELECTRONICS for a considerable period of time and derive a great deal of pleasure from studying and building various circuits. However, I find the greatest pleasure in "making do" with transistors and components that are the results of gleaning from various sources.

Making a transformer or coil which actually produces sound or operates a reed switch is very satisfying especially when the wire has been taken off an old choke that was once doing sterling service in dad's first superhet!

In other words, to build a chrome encrusted, mahogany housed, hi-fi amplifier, and to spend twenty or thirty pounds on sophisticated crystals, special non-noise, non-scratch, non-itch transistors, just does not appeal.

I would like to see more articles on the typical sizes, turns, wire data of coils, transformers, relays, etc. etc.

Some considerable time ago, one reader wanted to know where to obtain square copper wire, the idea of making the stuff not appearing to have occurred to him. Why, the old-timers would have softened an old file, drilled it, filed it, hardened and tempered it, and pulled the wire through the die in the time it took to write the letter.

Which reminds me, I must get back to my snuff box. I'm soldering it up to make a transducer for a home-made barometer—I wonder how I can suck some of the air out?

Anybody got a long-winded circuit to replace these new-fangled Zener diodes?

B. Grainger,
Birmingham.

NEWS BRIEFS

Queen's Award to Industry 1970

THE FIFTH list of The Queen's Award To Industry was announced recently. This year there are 104 recipients, 25 of whom are receiving the award for technological innovation. The award has been given to the following 19 firms for technological innovation or exports concerned with electronics:

For technological innovation—

- British European Airways Corporation—automatic landing of aircraft
- Computer Technology—production of a modular computing system
- William Cotton Ltd.—electronic control of knitting machines
- Elliott Flight Automation Ltd.—digital cathode ray tube displays
- Hawker Siddely Aviation Ltd.—automatic landing of aircraft by the Hatfield Division
- Imperial Chemical Industries Ltd.—computerised control of an olefine chemical plant by the Heavy Organic Chemicals Division, Billingham
- Radyne Ltd.—semiconductor manufacturing equipment
- Saunders-Roe Developments Ltd.—self-powered light sources (Betelight)

For Export—

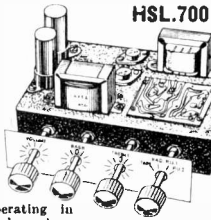
- Brush Clevite Company Ltd.—Electronic components
- Cambridge Scientific Instruments Ltd.—X-ray micro-analysers and scanning electron microscopes
- Coulter Electronics Ltd.—Electronic particle sizing equipment
- Elliott Flight Automation Ltd.—Aviation electronic equipment
- Garrard Engineering Ltd.—Record playing equipment
- G.K.N. Floform Ltd.—Precision components for the electronics industry
- Honeywell Ltd.—Computers, controls and automation systems
- Johnson, Matthey and Co. Ltd.—Refined base and precious metals (Engineering metals)
- K.E.F. Electronics Ltd.—Loudspeakers
- Racal-Mobilcal Ltd.—Radio telephone equipment
- Redifon Ltd.—Electronic equipment
- Short Brothers and Harland Ltd.—Guided weapon systems

Two of the above firms are of particular interest, these are: Imperial Chemical Industries Ltd., and K.E.F. Electronics Ltd. I.C.I. are one of two firms—the other being Rolls-Royce—who have won the award in all five years.— K.E.F. Electronics, a company which was formed only eight and a half years ago, have increased exports by 250 per cent in the last three years.

It is interesting to note that out of 104 companies receiving the award almost one-fifth have received it due to innovations or exports allied to electronics.

MONO TRANSISTOR AMPLIFIER

A really high fidelity mono-aural amplifier with performance characteristics to suit the most discriminating listener. 6 transistor circuit with integrated pre-amplifier assembled on a special printed sub panel. AD161-AD162 operating in symmetrical complementary pair. Output transformer coupled to 3 ohm and 16 ohm speaker sockets. Standard phono input sockets. Full wave bridge rectifier power supply for a.c. mains 200-240v. Controls: bass, treble, volume/on/off. Function selector for PU1, PU2, tape, radio. The HSL700 is strongly constructed on rigid steel chassis bronze hammer enamel finish, size 9 1/2 x 6 1/2 in. high.



Sensitivity—PU1—50mV, 16K input impedance. PU2—110mV, 1 meg input impedance. Tape—110mV, 1 meg input impedance. Output power measured at 1Kc—6.2 watts RMS into 3 ohms, 5.8 watts RMS into 16 ohm. Overall frequency response 30c/s—18Kc/s; Continuously variable tone controls; Bass, +8db to -12db at 100c/s. Treble, +10db to -10db at 10Kc/s. The HSL700 has been designed for true high fidelity reproduction from radio tuner, gramophone deck and tape recorder pre-amp. Supplied ready built and tested, complete with knobs, attractive anodised aluminium front escutcheon panel, long spindles (can be cut to suit your housing requirements) full circuit diagram and operating instructions.

OUR SPECIAL PRICE £7.19.6. P. & P. 7/6.

LOUDSPEAKER BARGAINS

5in 3 ohm 16/-, P. & P. 3/-. 7 x 4in 3 ohm 21/-, P. & P. 4/-. 10 x 6in 3 ohm 27/6, P. & P. 6/-. E.M.I. 8 x 6in 3 ohm with high flux magnet 26/-, P. & P. 4/-. E.M.I. 13 x 8in 3 ohm with high flux ceramic magnet 45/-, (15 ohm 45/-), P. & P. 6/-. E.M.I. 13 x 8in, 3 or 16 ohm with two 1/4 in tweeters and crossover network 4 gns, P. & P. 6/-.
BRAND NEW. 12in 15w H/D Speakers, 3 or 15 ohm. Current production by well-known British maker. Now with HiFlu ceramic ferrobar magnet assembly 45.10.0, P. & P. 7/6. Guitar models: 25w 46.0.0. 35w 53.0.0.

E.M.I. 5in HEAVY DUTY TWEETERS. Powerful ceramic magnet. Available in 3 or 8 ohm 15/- each; 15 ohm 18/6 each. P. & P. 2/6.

12in "BA" TWIN CONE LOUDSPEAKER 10 watts peak handling. 3 or 16 ohm, 37/6, P. & P. 6/-.
35 OHM SPEAKERS 3 1/2 in 14/-, P. & P. 2/6; 7 x 4 in 21/-, P. & P. 4/-.

BALANCED ARMATURE EARPHONE

Approx. 70 ohm impedance. Can be used as ultra sensitive mike or speaker. **ONLY 3/6.** P. & P. 1/6
CRYSTAL MIKES. High imp. for desk or hand use. High sensitivity, 18/6. P. & P. 1/6.

HIGH IMPEDANCE CRYSTAL STICK MIKES. OUR PRICE 21/-. P. & P. 1/6.
HIGH IMPEDANCE DYNAMIC STICK MIKES. High sensitivity. 39/6. P. & P. 2/6.

SPECIAL OFFER! PLESSEY TYPE 20 TWIN TUNING GANG. 400pF + 146pF. Fitted with trimmers and 5:1 integral slow motion. Suitable for nominal 470 kc/s I.F. Size approx. 2 x 1 1/2 in. Only 5/6. P. & P. 2/6.

HONEYWELL MICROSWITCHES 5/P. C/O. Push-button action. Rating 250v. AC at 15 amps. Size approx. 1 1/2 x 1 x 1/2. 5/- each. P. & P. 1/6 (6 or more post free).

TELESCOPIC AERIALS WITH SWIVEL JOINT. Can be angled and rotated in any direction. 12 section Heavy Chrome. Extends from 7" to approx. 56". Maximum diameter 1/2". 10/- each. P. & P. 1/6. 6 section Lacquered Brass. Extends from 6" to approx. 22 1/2". Maximum diameter 1/2". 5/- each. P. & P. 1/6.

TRANSFORMER BARGAINS!

BRAND NEW MULTI-RATIO MAINS TRANSFORMERS. Giving 13 alternatives. Primary: 0-210-240V. Secondary combinations: 0-5-10-15-20-25-30-35-40-60V half wave at 1 amp or 10-10-20-20-30-0-30V, at 2 amps full wave. Size 3inL x 3 1/2 inW x 3inD. Price 32/6. P. & P. 6/-.
MAINS TRANSFORMER. For transistor power supplies. Pri. 200/240V. Sec. 9-0-9 at 500mA. 11/-, P. & P. 2/6. Pri. 200/240V. Sec. 12-0-12 at 1 amp. 14/6. P. & P. 2/6. Pri. 200/240V. Sec. 10-0-10 at 2 amp. 27/6. P. & P. 3/6. Tapped Primary 200-220-240V. Sec. 21-6V at 500mA. 12/6. P. & P. 2/6.

BATTERY CHARGE TRANSFORMERS. 200/240V. input. Nominal output for 6 or 12V. batteries 3 amps. Size approx. 3 x 2 1/2 x 2 1/2 in. Brand New. Price 21/-, P. & P. 6/-.
HIGH GRADE COPPER LAMINATE BOARDS 8 x 6 x 1/4 in. FIVE for 10/-. P. & P. 2/-.

Open all day Saturday
 Early closing Wed. 1 p.m.

A few minutes from South Wimbledon Tube Station

SPECIAL OFFER!!

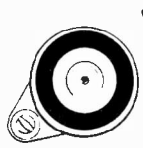
Your opportunity to acquire a first class HI-FI LOUD-SPEAKER SYSTEM at an extremely moderate price! Beautifully made teak finish enclosure with most attractive Tigran front. Size 16 1/2" high x 10 1/2" wide x 6" deep. Fitted with E.M.I. Ceramic Magnet 13" x 8" bass unit, two H.F. tweeter units and crossover. Power handling 10 watts. Available 3 or 16 ohm impedance. **OUR PRICE WHILE LIMITED 8 Gns.** Carriage **STOCKS LAST** 10/-.

TRANSISTOR STEREO 8 + 8 MK II

Now using Silicon Transistors in first five stages on each channel resulting in even lower noise level with improved sensitivity. A really first-class Hi-Fi Stereo Amplifier Kit. Uses 14 transistors giving 8 watts push pull output per channel (16W mono). Integrated pre-amp, with Bass, Treble and Volume controls. Suitable for use with Ceramic or Crystal cartridges. Output stage for any speakers from 3 to 16 ohms. Compact design, all parts supplied including drilled metal work. Clr-Kit board, attractive front panel, knobs, wire, solder, nuts, bolts—no extras to buy. Simple step by step instructions enable any constructor to build an amplifier to be proud of. Brief specification: Freq. response ±3db. 20-20,000c/s. Bass boost approx. to +15db. Treble cut approx. to -16db. Negative feedback 18db over main a.p. Power requirements 25V at 0.6 amp.
PRICES: AMPLIFIER KIT 10.10.0; POWER PACK KIT 23.0.0; CABINET 23.0.0. All Post Free.
 Also available STEREO 10+10. As above but 10 watts per channel. **PRICES: AMPLIFIER KIT 12. POWER PACK KIT 25.10.0.** As above but 10 watts per channel. Circuit diagram, construction details and parts list (free with kit) 1/6. (S.A.E.).

GENERAL PURPOSE HIGH STABILITY TRANSISTOR PRE-AMPLIFIER.

For P.U. Tape, Mike, Guitar, etc., and suitable for use with valve or transistor equipment. Can be operated from 9-18V. Battery supply or direct from H.T. line 200/300V. Frequency response ±3dB. Gain 20dB. Solid encapsulation size 1 1/2 x 1 1/2 in. Brand new—complete with instructions. Price 17/6. P. & P. 2/6.



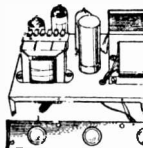
SPECIAL PURCHASE!

E.M.I. 4-SPEED PLAYER Heavy 8 1/2 in. metal turntable. Low flutter performance 200/250 V shaded motor (90 V tap). Complete with latest type lightweight pick-up arm and mono cartridge with 1/6 styli for LP/78. **ONLY 63/-.** P. & P. 6/6.

QUALITY RECORD PLAYER AMPLIFIER MK II

A top-quality record player amplifier employing heavy duty double wound mains transformer, ECC83, EL84, EZ80 valves. Separate Bass, Treble and Volume controls. Complete with output transformer matched for 3 ohm speaker. Size 7in. w. x 3d. x 6h. Ready built and tested. **PRICE 75/-.** P. & P. 6/-. **ALSO AVAILABLE** mounted on board with output transformer and speaker ready to fit into cabinet below. **PRICE 97/6.** P. & P. 7/6.

DE LUXE QUALITY PORTABLE B/P CABINET MK II Uncut motor board size 14 1/2 x 12in. Clearance 2in. below, 5 1/2 in. above. Will take above amplifier and any B.S.R. or GARRARD changer or Single Player (except AT60 and SP25). Size 18 x 15 x 8in. **PRICE 79/6.** P. & P. 9/6.



3-VALVE AUDIO AMPLIFIER H434 MK II

Designed for Hi-Fi reproduction of records. A.C. Mains operation. Ready built on chassis, size 7 1/2 in. w. x 4 1/2 in. d. x 4 1/2 in. h. Incorporates ECC83, EL84, EZ80 valves. Heavy duty, double wound mains transformer and output transformer matched for 3 ohm speaker. Separate volume control and now with improved wide range tone controls giving bass and treble lift and cut. Negative feedback line. Output 4 1/2 watts. Front panel can be detached and leads extended for remote mounting of controls. Complete with knobs, valves, etc., wired and tested for only 44.15.0. P. & P. 6/-.

HSL "FOUR" AMPLIFIER KIT. Similar in appearance to H434 above but employs entirely different and advanced circuitry. Complete set of parts, etc. 79/6. P. & P. 6/-.

HARVERSON'S SUPER MONO AMPLIFIER

A super quality gram amplifier using a double wound mains transformer, E280 rectifier and ECL82 triode pentode valve as audio amplifier and power output stage. Impedance 3 ohms. Output approx. 3.5 watts. Volume and tone controls. Chassis size 7in. wide x 3in. deep x 8in. high overall. AC mains 200/240V. Supplied absolutely Brand New completely wired and tested with valves and good quality output transformer. **FEW ONLY.**

OUR ROCK BOTTOM BARGAIN PRICE 55/- P. & P.

DE LUXE STEREO AMPLIFIER

A.c. mains 200-240 v. Using heavy duty fully isolated mains transformer with full wave rectification giving adequate smoothing with negligible hum. Valve line up—2 x ECL86 Triode Pentodes. 1 x EZ80 as full wave rectifier. Two dual potentiometers are provided for bass and treble control, giving bass and treble boost and cut. A dual volume control is used. Balance of the left and right hand channels can be adjusted by means of a separate "balance" control fitted at the rear of the chassis. Input sensitivity is approximately 300mV for full peak output of 4 watts per channel (8 watts mono), into 3 ohm speakers. Full negative feedback in a carefully calculated circuit, allows high volume levels to be used with negligible distortion. Supplied complete with knobs, chassis size 11in. w. x 4in. x. Overall height including valves 6in. Ready built and tested to a high standard. **Price 8 gns. P. & P. 8/-.**

4-SPEED RECORD PLAYER BARGAINS

Mains models. All brand new in maker's packing. **LATEST B.S.R. C109/AS1 4-SPEED AUTOCHANGER.** With latest mono compatible cartridge 46.19.8, Carr. 6/6. With stereo cartridge 27.19.8, Carr. 6/6.
LATEST GARRARD MODELS. All types available 1025, 2025, SP25, 3000, AT60 etc. Send S.A.E. for Latest Prices!
PLINTH UNITS cut out for Garrard Models 1025, 2025, 2000, 3000, AT60, SP25. With transparent plastic cover. **OUR PRICE 5 gns. complete.** P. & P. 8/6.

LATEST ACOS QP91/18C Mono Compatible Cartridge with 1/6 styli for LP/EP/78. Universal mounting bracket. 30/-, P. & P. 1/6.

SONOTONE 2599 High output Stereo Cartridge. T/O styli for Stereo/LP/78. Complete with universal mounting bracket. List Price 48/7. **OUR PRICE 25/-.** P. & P. 1/6.

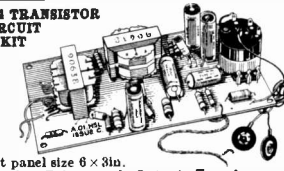
SONOTONE STACH compatible Stereo Cartridge with diamond styli 50/-, P. & P. 2/-.

LATEST BONETTE T/O Stereo Compatible Cartridge for EP/LP/Stereo/78. 32/6, P. & P. 2/-.

LATEST BONETTE T/O Mono Compatible Cartridge for EP/LP/78 mono or stereo records on mono equipment. 30/-, P. & P. 2/-.

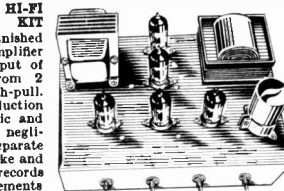
HIGH GAIN 4 TRANSISTOR PRINTED CIRCUIT AMPLIFIER KIT

Type TA1
 ● Peak output in excess of 1 1/2 watts.
 ● All standard British components.
 ● Built on printed circuit panel size 6 x 3in.
 ● Generous size Drive and Output Transformers.
 ● Output transformer tapped for 3 ohm and 16 ohm speakers.
 ● Transistors (GET14 or S1 Mullard AC 128D and matched pair of AC128 op). ● 9 volt operation.
 ● Everything supplied, wire, battery clips, solder etc.
 ● Comprehensive easy to follow instructions and circuit diagram 2/6 (Free with Kit). All parts sold separately. **SPECIAL PRICE 45/-.** P. & P. 3/-. Also ready built and tested, 52/6. P. & P. 3/-.



10/14 WATT HI-FI AMPLIFIER KIT

A stylishly finished monoaural amplifier with an output of 14 watts from 2 EL34s in push-pull. Super reproduction of both music and speech, with negligible hum. Separate inputs for mike and gram allow records and announcements to follow each other. Fully shrouded section wound output transformer to match 3-15 ohm speaker and 2 independent volume controls, and separate bass and treble controls are provided giving good lift and cut. Valve line-up 2 EL34s, ECC83, EF89 and EZ80 rectifier. Simple instruction booklet 5/6 (Free with parts). All parts sold separately. **ONLY 27.9.6.** P. & P. 8/6. Also available ready built and tested complete with std. input sockets, 29.5.0. P. & P. 8/6.



BRAND NEW TRANSISTOR BARGAINS. GET 16 (Matched Pair) 15/-; V15/10p, 10/-; OC71 5/-; OC76 6/-; AF117 3/6; 2G389 (NPN) 3/-. OC44, 2-OC45, AC128D. Set of Mullard 6 transistors—OC44, 2-OC45, AC128D and EZ80 rectifier pair AC128 25/-; ORP12 Cadmium Sulphide Cell 10/6. All post free.

VYNAIR AND BEXINE SPEAKERS AND CABINET FABRICS app. 5 1/2 in. wide. Usually 35/- yd., our price 15/- yd. length. P. & P. 2/6 (min. 1 yd.). S.A.E. for samples.

HARVERSON SURPLUS CO. LTD.

170 HIGH ST., MERTON, LONDON, S.W.19 Tel. 01-540 3985

SEND STAMPED ADDRESSED ENVELOPE WITH ALL ENQUIRIES

(Please write clearly)


PLEASE NOTE: P. & P. CHARGES QUOTED APPLY TO U.K. ONLY. P. & P. ON OVERSEAS ORDERS CHARGED EXTRA.

Never Built a Kit Before?

Why not prove how easy it is the HEATHKIT way. Build one of these beginner kits.




Stereo Record Player
Kit: K/SRP-1 - - £27.6.0
Carr. 11/-



Economy SW Receiver
Kit: K/GR-64 - £24.16.0
Carr. 9/-



Deluxe Car Radio
Kit: K/CR-1 (less Spks.) £12.12.0
Carr. 5/-




Versatile Service 'VVM'
Kit: K/IM-18U - £16.14.0
Carr. 5/-



'SEVERN' AM/FM Radio
Kit: K/SEVERN - £18.18.0
Carr. 5/-



Car Tune-up Meter
Kit: K/ID-29 - £17.8.0
Carr. 5/-



Model Builder's Tacho
Kit: K/GD-69 - - £11.0.0
Carr. Paid



D.I.Y. 2-Speaker System
Kit: K/SCM-3 (less cab.) £12.6.0
Carr. 6/-

Many more kits in the FREE CATALOGUE
★ Please send me FREE Catalogue
NAME
ADDRESS
.....
51/7 POST CODE

DAYSTROM LTD.
GLOUCESTER GL2 6EE

A. Schlumberger Company

YATES ELECTRONICS

RESISTORS
High stability carbon film. Very low noise. 0.5 watt 5% 4.7Ω to 2.2MΩ 2d each. 0.5 watt 10% 4.7Ω to 10MΩ 2d each. 2 watt 20% 100Ω to 100kΩ 10d each.

DEVELOPMENT PACK
0.5 watt 5% resistors 5 off each value 4.7Ω to 1MΩ
325 resistors E12 series 50/-, 650 resistors E24 series 100/-.

MILLAR POLYESTER CAPACITORS ±10%
400V: 0.001μF, 0.0015μF, 0.0022μF, 0.0033μF, 0.0047μF, 6d, 0.0068μF, 0.01μF, 0.015μF, 0.022μF, 0.033μF, 7d, 0.047μF, 9d, 0.068μF, 0.1μF, 10d, 160V: 0.01μF, 0.015μF, 0.022μF, 0.033μF, 0.047μF, 0.068μF, 7d, 0.1μF, 9d, 0.15μF, 0.22μF, 11d, 0.33μF, 1/3, 0.47μF, 1/6, 0.68μF, 2/3, 1.0μF, 2/6, 250V: P.C. mounting miniature ±20%: 0.01μF, 0.015μF, 0.022μF, 7d, 0.033μF, 0.047μF, 0.068μF, 8d, 0.1μF, 9d, 0.15μF, 0.22μF, 1/-, 0.33μF, 1/4.

MYLAR FILM CAPACITORS
100V: 0.001μF, 0.0022μF, 0.005μF, 0.01μF, 0.02μF, 6d, 0.05μF, 0.1μF, 8d, 0.033μF, 0.047μF, 0.068μF, 8d, 0.1μF, 9d, 0.15μF, 0.22μF, 1/-, 0.33μF, 1/4.

CAPACITOR DEVELOPMENT PACK
Selection of ceramic and polyester capacitors 100pF to 1.0μF. Total 100 capacitors, £2.18.0.

MINIATURE ELECTROLYTIC CAPACITORS

50μF	6V	16μF	10V	10μF	12V	40μF	16V	16μF	40V
100μF	6V	64μF	10V	16μF	12V	6.4μF	25V	50μF	40V
200μF	6V	125μF	10V	50μF	12V	25μF	25V	2.5μF	64V
320μF	6V	200μF	10V	100μF	12V	8μF	40V	10μF	64V

1/- each.
250μF 12V, 100μF 40V 1/6, 1000μF 25V 6/-, 2500μF 25V 9/-, 500μF 50V 5/-, 1000μF 50V 8/-.

CERAMIC DISC CAPACITORS
110pF, 150pF, 220pF, 270pF, 330pF, 470pF, 560pF, 680pF, 1000pF, 2000pF, 5000pF, 10,000pF, 5d each.

GANGED STEREO POTENTIOMETERS
± watt carbon track 5kΩ + 5kΩ to 1MΩ + MΩ log or linear, 8/- each.

SKELETON PRE-SET POTENTIOMETERS
Linear: 100, 250, 500 ohms and decades to 5M ohm ±20% ≤ 250kΩ, 30%, -250kΩ. Horizontal or vertical P.C. mounting (0.1 matrix).
Miniature 0.3 watt 1/- each.
Sub-miniature 0.1 watt 10d each.

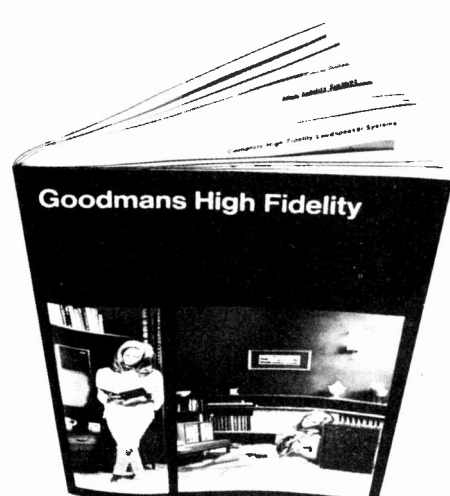
SILICON RECTIFIERS
BY236 800V 0.8 amp 3/- each. BY237 1250V 0.8 amp 3/6 each.

VEROBOARD

2 1/2 x 3 1/2	3/3	0.1 Matrix	0.1 Matrix	0.15 Matrix	0.1 Matrix
2 1/4 x 5	3/9	3/6	Pin insertion tool	9/6	9/6
3 1/2 x 3 1/2	3/9	4/3	Pkt. 36 pins	3/-	3/-
3 1/2 x 5	5/3	5/3	Spot face cutter	7/3	7/3
17 x 3 1/2	14/6	-	-	-	-

C.W.O. please. 1/6 post and packing on orders under £1.
Export Enquiries welcome

YATES ELECTRONICS (FLITWICK) LTD.
29 LYALL CLOSE, FLITWICK, BEDS.



Let us give you the facts
From cover to cover Goodmans Manual is packed with fascinating articles on Stereo; a beginners guide to High Fidelity; Stage-built Systems; complete details of Goodmans High Fidelity Audio products. 28 pages you can't afford to miss... and it's yours FREE!

Please send me a free copy
Name
Address

Goodmans Loudspeakers Limited
Axiom Works, Wembley, Middlesex. Tel: 01-902 1200 P.E. 7

SEMICONDUCTORS & COMPONENTS

BRAND NEW

(Saturday callers only 5% Discount)

GUARANTEED

TRANSISTORS

2G301	4/-	2N3392	5/-	3N140	19/6	BC149	3/6	BFY52	4/6	NKT224	5/-
2G302	4/-	2N3393	5/-	3N141	21/6	BC152	3/6	BFY53	6/6	NKT225	4/6
2G303	4/-	2N3394	5/-	3N142	19/6	BC157	3/6	BFY56A	11/-	NKT229	7/6
2G306	8/6	2N3402	5/6	3N143	19/6	BC158	3/6	BFY75	6/-	NKT237	6/-
2G308	6/-	2N3403	5/6	3N152	24/-	BC159	4/-	BFY76	8/-	NKT238	5/-
2G309	6/-	2N3404	7/6	R.C.A.	4/-	BC160	12/6	BFY77	11/6	NKT240	5/6
2G371	3/-	2N3405	9/-	40050	18/6	BC167	3/6	BFY85	9/-	NKT241	5/6
2G374	4/-	2N3414	5/6	40250	12/6	BC168	3/6	BFY90	12/6	NKT10419	1/-
2G381	4/6	2N3415	5/6	40320	16/6	BC169	3/6	BFW58	5/6		
2N404	4/6	2N3417	7/6	40253	8/6	BC171	3/6	BFW59	5/-	NKT10439	5/-
2N696	4/6	2N3417	7/6	40254	10/6	BC171	3/6	BFW60	5/-		7/6
2N697	5/-	2N3570	17/6	40309	9/6	BC172	3/6	BPX25	37/-	NKT10519	1/-
2N698	5/-	2N3572	17/6	40310	13/-	BC175	6/-	BPX29	3/6		6/6
2N706	2/6	2N3605	5/6	40311	10/6	BC182	4/6	BPY10	29/-	NKT20329	1/-
2N706A	2/6	2N3607	5/6	40312	13/6	BC183	4/6	BSX19	3/6		9/6
2N708	3/-	2N3607	5/6	40314	10/6	BC184	4/6	BSX20	3/6	NKT20339	1/-
2N709	12/6	2N3662	7/6	40355	10/6	BC191	3/6	BSY21	6/-		7/6
2N718	6/-	2N3663	8/-	40316	13/-	BCY10	5/6	BSX26	10/6	NKT80111	15/6
2N726	5/-	2N3702	3/6	40317	11/-	BCY12	5/6	BSX27	10/6		15/6
2N727	5/-	2N3703	4/6	40319	15/-	BCY30	5/6	BSX28	6/-	NKT80112	18/6
2N914	3/6	2N3704	4/6	40320	10/6	BCY31	5/6	BSX60	19/6		19/6
2N916	3/6	2N3705	4/6	40323	10/6	BCY32	7/6	BSX61	12/6	NKT80113	22/6
2N918	6/6	2N3706	4/6	40324	12/6	BCY34	4/6	BSX76	4/6	NKT8021	18/6
2N918	4/6	2N3707	5/6	40325	10/6	BCY33	4/6	BSX77	6/6		18/6
2N930	7/-	2N3708	5/6	40329	7/6	BCY38	4/6	BSY38	6/6		18/6
2N987	10/6	2N3709	3/6	40344	8/-	BCY39	7/6	BSY10	5/6	NKT80212	18/6
2N1090	6/6	2N3710	4/6	40347	9/6	BCY40	6/6	BSY11	5/6		18/6
2N1091	6/6	2N3711	4/6	40348	14/6	BCY42	3/-	BSY24	4/-	NKT80213	18/6
2N1131	5/6	2N3819	9/-	40360	11/6	BCY43	3/-	BSY25	4/-		18/6
2N1132	6/6	2N3823	27/6	40361	12/6	BCY54	7/6	BSY26	4/-	NKT80214	18/6
2N1302	3/6	2N3854	5/6	40362	14/6	BCY58	4/6	BSY27	4/-		18/6
2N1303	3/6	2N385A	5/6	40363	10/6	BCY59	4/6	BSY28	4/-	NKT80215	18/6
2N1304	4/6	2N3855	5/6	40467	16/6	BCY60	19/6	BSY29	4/-		18/6
2N1305	4/6	2N3855A	6/6	40468A	16/6	BCY70	4/6	BSY32	5/-	NKT80216	18/6
2N1306	5/-	2N3856	6/-	AC107	6/-	BCY71	8/6	BSY36	5/-		18/6
2N1307	5/-	2N3856A	7/-	AC126	4/-	BCY72	4/-	BSY37	5/-	OC20	2/6
2N1308	6/-	2N3858	5/-	AC127	5/-	BCZ10	5/6	BSY38	4/6	OC22	8/-
2N1307	6/-	2N3858A	6/-	AC128	4/6	BCZ11	5/6	BSY39	4/6	OC23	8/-
2N1507	5/6	2N3859	5/6	AD149	11/6	BD113	6/6	BSY40	6/6	OC24	8/-
2N1613	5/6	2N3859A	6/6	AC176	5/6	BD118	22/6	BSY51	6/6	OC25	8/-
2N1631	8/6	2N3860	6/-	AC187	12/6	BD121	17/6	BSY52	9/-	OC26	6/6
2N1632	8/6	2N3866	30/-	AC188	12/6	BD123	21/6	BSY53	8/-	OC28	10/6
2N1637	8/6	2N3877	8/-	ACY17	5/6	BD124	12/6	BSY54	10/6	OC29	15/-
2N1638	7/6	2N3877A	8/-	ACY18	5/6	BDY10	27/6	BSY56	18/-	OC30	8/-
2N1639	7/6	2N3900	7/6	ACY19	5/6	BDY11	37/6	BSY78	9/6	OC35	6/6
2N1711	8/6	2N400A	6/6	ACY20	6/6	BDY17	4/6	BSY79	9/6	OC36	6/6
2N1889	6/6	2N3901	19/6	ACY21	5/6	BDY18	49/6	BSY82	10/6	OC38	10/6
2N1893	8/6	2N3903	7/-	ACY22	4/6	BDY19	62/6	BSY90	11/6	OC41	4/6
2N2147	17/6	2N3904	7/6	ACY28	4/6	BDY20	22/6	BSY95A	2/6	OC42	5/-
2N2148	12/6	2N3905	7/6	ACY40	4/6	BDY38	19/6	BSW41	8/6	OC44	4/-
2N2160	11/6	2N3906	7/6	ACY41	5/6	BDY60	36/-	BSW70	5/6	OC45	2/6
2N2193	3/6	2N4058	5/6	ACY44	8/6	BDY61	36/-	D16P1	7/6	OC46	3/6
2N2193A	4/6	2N4059	5/6	AD140	8/6	BDY62	27/6	D16P2	8/6	OC70	2/6
2N2194A	4/6	2N4060	5/6	AD149	11/6	BF115	9/6	D16P3	8/6	OC71	2/6
2N2217	5/6	2N4061	4/6	AD150	5/6	BF117	9/6	D16P4	8/6	OC72	2/6
2N2218	6/-	2N4062	4/6	AD161	7/6	BF163	7/6	GET102	6/-	OC74	4/6
2N2219	6/-	2N4244	9/6	AD162	7/6	BF167	5/6	GET113	4/6	OC75	4/6
2N2220	5/-	2N4255	8/6	AF106	9/-	BF173	7/6	GET114	4/6	OC76	3/-
2N2221	5/-	2N4255	7/6	AF114	5/-	BF177	11/6	GET118	4/6	OC77	5/6
2N2222	5/6	2N4285	6/6	AF115	6/6	BF178	10/6	GET119	4/6	OC81	4/6
2N2287	21/6	2N4286	3/6	AF116	6/6	BF179	14/6	GET120	6/6	OC81D	4/6
2N2297	6/-	2N4287	3/6	AF117	5/-	BF180	7/6	GET873	3/6	OC83	4/6
2N2303	5/-	2N4288	3/6	AF118	12/6	BF181	6/6	GET880	6/-	OC84	5/-
2N2368	5/-	2N4289	3/6	AF119	4/6	BF184	7/6	GET887	4/6	OC139	6/6
2N2369	3/6	2N4290	3/6	AF124	4/6	BF185	5/6	GET889	4/6	OC140	6/6
2N2369A	5/6	2N4291	3/6	AF125	4/6	BF194	5/6	GET890	4/6	OC170	6/6
2N2410	8/6	2N4292	3/6	AF126	6/6	BF195	5/6	GET891	4/6	OC171	6/6
2N2483	5/6	2N5027	10/6	AF127	3/6	BF196	5/6	GET897	4/6	OC200	6/6
2N2484	6/6	2N5028	11/6	AF139	7/6	BF197	5/6	GET898	4/6	OC201	7/6
2N2539	4/6	2N5029	9/6	AF178	12/6	BF198	5/6	MAT100	6/-	OC202	10/6
2N2540	4/6	2N5030	8/6	AF179	11/6	BF200	10/6	MAT101	6/-	OC203	6/6
2N2613	7/-	2N5172	3/6	AF180	12/6	BF224	6/-	MAT120	6/-	OC204	6/6
2N2614	6/6	2N5174	10/6	AF181	8/6	BF225	6/-	MAT121	6/-	OC205	6/6
2N2646	11/6	2N5175	10/6	AF182	8/6	BF227	7/6	MJ400	21/6	OC207	7/6
2N2696	6/6	2N5176	9/6	AF279	16/6	BF238	6/6	MJ420	22/6	OCP71	10/6
2N2711	6/6	2N5232	5/6	AF280	16/6	BFX12	5/6	MJ421	22/6	ORP12	12/6
2N2712	6/6	2N5232A	6/6	AFZ11	5/6	BFX13	5/6	MJ430	20/6	ORP60	10/-
2N2713	5/6	2N5245	12/6	ASV26	5/6	BFX29	8/6	MJ440	19/6	ORP61	10/-
2N2714	6/6	2N5246	12/6	ASV27	8/6	BFX30	8/6	MJ480	20/6	P346A	4/6
2N2865	12/6	2N5249	13/6	ASV28	5/6	BFX43	8/6	MJ481	27/6	TP131A	19/6
2N2904	7/6	2N5249A	13/6	ASV29	5/6	BFX44	8/6	MJ490	22/6	TP132A	22/6
2N2904A	8/6	2N5265	6/6	ASV36	5/6	BFX68	13/6	MJ491	29/6	TS134	17/6
2N2905	8/6	2N5266	6/6	ASV50	5/6	BFX68A	13/6	MJ180	43/6	TS143	8/6
2N2905A	9/6	2N5267	5/6	ASV51	6/6	BFX84	8/-	MJE340	15/-	TS144	2/6
2N2906	6/6	2N5305	7/6	ASV53	5/6	BFX85	10/-	MJE520	19/6	TS145	3/6
2N2906A	6/6	2N5306	8/6	ASV54	5/6	BFX86	8/-	MJE521	19/6	TS146	3/6
2N2907	6/6	2N5307	7/6	ASV62	3/6	BFX87	10/-	MPF102	8/6	TS147	3/6
2N2923	3/6	2N5308	7/6	ASV63	3/6	BFX88	5/-	MPF103	7/6	TS148	3/6
2N2924	3/6	2N5309	12/6	ASV72	5/6	BFX89	12/6	MPF105	7/6	TS149	3/6
2N2925	3/6	2N5310	8/6	ASV83	5/6	BFX92A	12/6	MPF105	7/6	TS150	5/6
2N2926	3/6	2N5354	5/6	ASV86	6/6	BFY10	4/6	MPS3638	6/6	TS151	4/6
.. Green	3/-	2N5355	5/6	ASZ20	7/6	BFY11	4/6	NKT0013	9/6	TS152	4/6
.. Yellow	2/9	2N5356	6/6	ASZ21	7/6	BFY12	4/6	NKT124	8/6	TS153	6/6
.. Orange	2/6	2N5365	6/6	AUJ10	30/-	BFY13	4/6	NKT125	5/6	TS156	6/6
2N3011	12/6	2N5366	10/6	BC107	3/6	BFY17	6/6	NKT126	5/6	TX101	6/6
2N3014	6/6	2N5367	11/6	BC108	3/6	BFY18	4/6	NKT128	5/6	ZTX107	3/6
2N3053	5/6	2N5457	7/6	BC109	3/6	BFY19	4/6	NKT135	5/6	ZTX108	3/6
2N3054	12/6	2N5005	15/-	BC113	6/6	BFY20	12/6	NKT137	6/6	ZTX109	3/6
2N3055	15/-	2N5020	37/6	BC115	6/6	BFY21	8/6	NKT210	6/-	ZTX300	4/-
2N3133	6/6	2N5102	6/6	BC116	12/6	BFY24	5/-	NKT211	6/-	ZTX301	4/-
2N3134	3/6	2N5103	6/6	BC118	6/6	BFY25	5/-	NKT212	6/-	ZTX302	5/6
2N3135	3/6	2N5104	6/6	BC121	4/6	BFY26	4/6	NKT213	6/-	ZTX303	5/6
2N3136	3/6	2N5104	6/6	BC122	4/6	BFY29	10/-	NKT214	4/6	ZTX304	7/6
2N3340	19/6	2N5501	5/6	BC125	11/-	BFY30	10/-	NKT215	4/6	ZTX500	5/-
2N3349	26/-	2N5502	5/6	BC126	11/-	BFY41	10/-	NKT216	7/6	ZTX501	5/-
2N3390	7/6	2N5503	5/6	BC140	7/6	BFY43	12/6	NKT217	8/6	ZTX502	6/-
2N3391	5/-	3N83	37/6	BC147	3/6	BFY50	4/6	NKT219	6/-	ZTX503	5/-
2N3391A	6/-	3N128	18/6	BC148	3/6	BFY51	4/6	NKT223	5/6	ZTX504	12/6

Post & Packing 1/6d per order. Europe 5/-, Commonwealth (Air) 13/-, Send 6d. stamp for price list.

DIOTRAN SALES

P.O. BOX 5
WARE, HERTS
TEL.: WARE 3442

SIL. G.P. DIODES	
300mW	30
40PIV (Min.)	100
Sub-Min.	500
Fully Tested 1,000	
Ideal for Organ Builders.	

Post and Packing costs are continually rising. Please add 1/- towards same. **CASH WITH ORDER PLEASE. GIRO No. 30-102**

OVERSEAS QUOTATIONS BY RETURN SHIPMENTS TO ANYWHERE IN THE WORLD

OVER 2 MILLION SILICON ALLOY & GERM. TRANSISTORS AVAILABLE FOR IMMEDIATE DELIVERY

TRANSISTORS Type and Construction	Qty.	Price	Qty.	Price	Qty.	Price	Qty.	Price
A 1 Germ. A.F. PNP T0-1 = AC127, NKT773, AC157, ASY86	100	£3.10	500	£15	1,000	£25	10,000	£200
A 2 Germ. A.F. PNP T0-5 = ACY17-21, NKT237-245	£1	£3	£3	£5	£5	£40	£40	£40
A 3 Germ. A.F. PNP T0-1 = AC128, NKT271, 2G381	£1	£3	£3	£5	£5	£40	£40	£40
A 4 Germ. R.F. PNP T0-1 = OC44-45, NKT271/25, ASY54	£1.10	£4.10	£1.10	£4.10	£7.10	£60	£60	£60
A 5 Germ. R.F. PNP T0-5 = 2N1303, NKT164-7, 2G301-3	£1.10	£4.10	£1.10	£4.10	£7.10	£60	£60	£60
A 6 Germ. V.H.F. PNP T0-1 = AFI16-7, KNT667, 2G417	£3.10	£15	£2.10	£4	£32	£100	£100	£100
A 7 Assorted Germ. A.F.-R.F. PNP mixed cans, general purpose	15s.	£2.10	£7.10	£12.10	£100	£100	£100	£100
A 8 Germ. A.F. 50-2 PNP = 2G371-89, ACY27-31, OC71-75	£2	£7.10	£7.10	£12.10	£100	£100	£100	£100
A 9 Sil. Alloy PNP T0-5 = 2S301-5, BCY17-29, BCY30-34	£2	£7.10	£7.10	£12.10	£100	£100	£100	£100
A 10 Sil. Alloy PNP 50-2 = 2S321-325, OC200-205	£2	£7.10	£7.10	£12.10	£100	£100	£100	£100
A 1 to A7 Guaranteed 80% Good usable Transistors ideal for low cost production work and experimental use. A8 to A10 are all perfect devices, factory tested, no open or short circuit Transistors in these lots.								

BRAND NEW FULLY TESTED EPOXY CASE UNIJUNCTION TRANSISTORS. Type TIS43 and BEN 3000 and replacement for 2N2646. Full data available. **LOWEST PRICE AVAILABLE ANYWHERE.** 100 off 4/- each = £20; 500 off 3/6 each = £87.10; 1,000 off 3/- each = £150. Sample devices 7/- each on request.

HIGH QUALITY SILICON PLANAR DIODES. SUB-MINIATURE DO-7 Glass Type, suitable replacements for OA200, OA202, BAY38, 1S130, 1S940. 200,000 to clear at £4 per 1,000 pieces. **GUARANTEED 80% GOOD.**

SILICON PLANAR PLASTIC TRANSISTORS. 2N3708A VcB30 Hfc 20-60. All marked, fully tested and guaranteed. 1 off 1/6 each; 100 off 10d. each; 500 off 9d. each; 1,000 off 7½d. each.

OA90 GERM. DIODES 30PW 45MA DO-7 GLASS. 30,000 Available New and Coded. Price £3 per 100. £11 per 500. £17 per 1,000 pieces. Once sold cannot be repeated.

FULLY TESTED DEVICES AND QUALITY GUARANTEED—SURPLUS TO REQUIREMENTS OA202 Silicon Diode. Fully Coded. 150 PIV 250mA Qty. Price £30 per 1,000 pieces.

OA200 Silicon Diode. Fully Coded. 50PIV 250mA. Qty. Price £25 per 1,000. BY100 SIL. RECT'S 800 PIV 550mA. 1-49 2/6 each; 50-99 2/3 each; 100-999 2/- each; 1,000 up 1/10 each. Fully Coded. 1st Qty.

PLASTIC PNP SILICON TRANSISTORS. Manufacturers' seconds from 2N3702-3 family. Ideal cheap trans. for manufacturing, etc. £8.0.0.—500, £13.10.0.—1,000 pieces.

PLASTIC NPN SILICON TRANSISTORS. Manufacturers' seconds from 2N3707-3711 family. Ideal cheap trans. for manufacturing, etc. £7.10.0.—500, £12.0.0.—1,000 pieces.

TO-18 METAL CAN PNP SILICON PLANAR TRANS. High quality, 99% good. Type similar to 2N2906-7, BC186-9, BCY70-1-2, £9 per 500. £13 per 1,000 pieces.

TOP HAT RECTIFIERS. All good. No short or open circuit devices. Voltage range 25-400PIV, 750mA. £3 per 100, £12.10.0 per 500.

S.C.R.'s 16AMP (unplated)
 1-24 25-99 100 up
 100PIV, 9/6 7/6 6/-
 400PIV, 14/- 12/- 10/-
 All tested perfect functional devices guaranteed.

1/6 TESTED TRANSISTORS 1/6 each

ONE PRICE ONLY PNP, NPN, SILICON PLANAR 1/6 EACH

BC108	2N696	2N1332	2N2220	2S733
BC109	2N697	2N1632	2N3707	2N3391
BFY50	2N706	2N1711	2N3711	T1544
BFY51	2N708	2N2904	2S102	2N2906
BFX84	2N929	2N2905	2S103	2N2907
BFX86	2N930	2N2924	2S104	2N2696
BFX88	2N1131	2N2926	2S732	2N3702
			2N3703	2N3707

From Manufacturers' Over-runs—Unmarked Plastic and Metal cases. Devices similar to above Nos.

GERM. PNP AND NPN TRANSISTORS FULLY TESTED, UNMARKED SIMILAR TO 1/6 EACH

AC125	ACY22	ACY36	NKT677	OC81	2G381
AC126	ACY27	NKT141	NKT713	OC82	2G382
AC127	ACY28	NKT142	NKT773	2G301	2G399A
AC128	ACY29	NKT212	OC44	2G302	
AC130	ACY30	NKT213	OC45	2G303	
AC131	ACY31	NKT214	OC71	2G308	
ACY20	ACY34	NKT215	OC72	2G371	
ACY21	ACY35	NKT271	OC75	2G374	

1/6 each

POWER TRANSISTORS

OC25	OC35	NKT403	AS217	
OC26	AD130	NKT404	T13027	5/-
OC28	AD140	NKT405	T13028	each
OC29	AD149	NKT452	T13029	

Manufacturers' Surplus Germ. A.F. All similar to above.

TRANSISTOR EQVT. BOOK
 2,500 cross references of transistors—British, European, American and Japanese. A must for every transistor user. Distributed by DIOTRAN SALES. 15/- EACH.

TEXAS 2G371 A/B
 Eqvt. OC71 Germ. Gen. Purpose Trans. Each
 1-99 1/6
 100-499 1/3
 500-999 1/-
 1000 up 9d.
 All Brand New and Coded.

Vast mixed lot of subminiature glass diodes. Comprising of Silicon, Germ., Point Contact and Gold Bonded types plus some Zeners, 500,000 available at Lowest of Low Price. 1,000 pieces £3.0.0. 5,000 pieces £13.10.0. 10,000 pieces £23.

NEW BOOKS

(Editors and Engineers)
RADIO HANDBOOK
 18th Edition
 by William I. Orr (April)
 105/-

HOW TO USE INTEGRATED CIRCUIT LOGIC ELEMENTS
 by J. W. Streater (March) 28/-
101 QUESTIONS & ANSWERS ABOUT HI-FI & STEREO
 by Leo G. Sands and Fred Shunaman (March) 24/-

SWL & ANTENNA CONSTRUCTION PROJECT
 by Edward M. Noll (June) 25/-

ABC'S VOLTAGE-DEPENDENTS & RESISTORS
 by Rufus P. Turner (June) 22/-

WORKSHOP IN SOLID STATE
 by Harold E. Ennes (July) 65/-

TAPE RECORDER SERVICING GUIDE
 by Robert G. Middleton (July) 35/-

ABC'S OF THERMISTORS
 by Rufus P. Turner (July) 22/-

FOULSHAM-SAMS TECHNICAL BOOKS
 (W. FOULSHAM & CO. LTD.)
 YEOVIL RD., SLOUGH, BUCKS, ENGLAND

NEW RANGE U.H.F. TV AERIALS

All U.H.F. aerials now fitted with tilting bracket and 4 element grid reflectors.

Loft Mounting Arrays, 7 element, 40;- 11 element, 47/6;- 14 element, 55;- 18 element, 62/6. Wall Mounting with Cranked Arm, 7 element, 60;- 11 element, 67/6;- 14 element, 75;- 18 element, 82/6. Mast Mounting with 2in. clamp, 7 element, 42/6; 11 element, 55;- 14 element, 62;- 18 element, 70;- Chimney Mounting Arrays, Complete, 7 element, 72/6; 11 element, 80;- 14 element, 87/6; 18 element, 95;- Complete assembly instructions with every unit. Low Loss Cable, 1/6 yd. U.H.F. Pre-amps from 75;- . State clearly channel number required on all orders.

BBC . ITV AERIALS



BBC (Band 1), Loft, 25;- External S.D., 30;- . "H", £2.15.0.
ITV (Band 3), 3 element loft array, 30;- . 5 element, 40;- . 7 element, 50;- . Wall mounting, 3 element, 50;- . 5 element, 55;- . Combined BBC/ITV, Loft 1 + 3, 40;-; 1 + 5, 50;-; 1 + 7, 60;-; Wall mounting 1 + 3, 60;-; 1 + 5, 70;-; Chimney 1 + 3, 70;-; 1 + 5, 80;- .
VHF transistor pre-amps, 75;- .

COMBINED BBC-ITV-BBC2 AERIALS
 1 + 3 + 9, 70;- . 1 + 5 + 9, 80;- . 1 + 5 + 14, 90;- .
 1 + 7 + 14, 100;- . Loft mounting only.

F.M. (Band 2), Loft S.D. 17.6. "H", 35;- . 3 element, 57.6. External units available. Co-ax cable, 8d. yd. Co-ax. plugs, 1/6. Outlet boxes, 3/- . Diplexer Crossover Boxes, 17/6. C.W.O. or C.O.D. P. & P. 6/6. Send 6d. stamps for illustrated lists.

CALLERS WELCOME
 OPEN ALL DAY SATURDAY

K.V.A. ELECTRONICS (Dept. P.E.)
 40-41 Monarch Parade
 London Road, Mitcham, Surrey
 01-648 4884

4-STATION INTERCOM



Solve your communication problems with this 4-Station Transistor Intercom system (1 master and 3 Subs), in de-luxe plastic cabinets for desk or wall mounting. Call/talk/listen from Master to Subs and Subs to Master. Ideally suitable for Business, Surgery, Schools, Hospital, Office and Home. Operates on one 9V battery. On/off switch. Volume control. Complete with 3 connecting wires each 6ft. and other accessories. P. & P. 7/6.

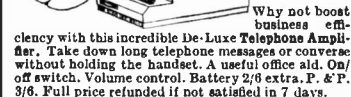
MAINS INTERCOM
 No batteries—no wires. Just plug in the mains for instant two-way, loud and clear communication. On/off switch and volume control with lock system. Price £11.10.6. P. & P. 8/6 extra.

INTERCOM/BABY ALARM



3 Gns.
 Same as 4-Station Intercom for two-way instant communication. Ideal as Baby Alarm and Door Phone. Complete with 6ft. connecting wire. Battery 2/6. P. & P. 4/6.

Transistor TELEPHONE AMPLIFIER



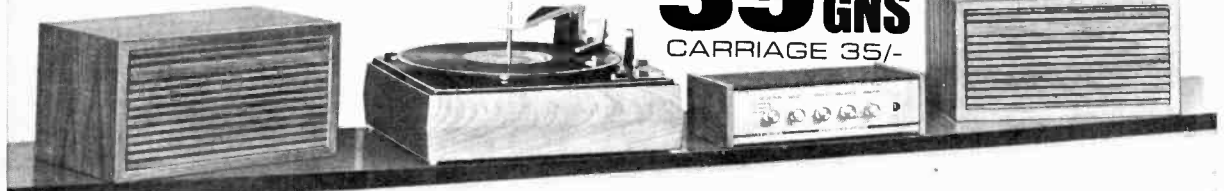
59/6
 Why not boost business efficiency. Take down long telephone messages or converse without holding the handset. A useful office aid. On/off switch. Volume control. Battery 2/6 extra. P. & P. 3/6. Full price refunded if not satisfied in 7 days.

WEST LONDON DIRECT SUPPLIES (PE/3)
 109 KENSINGTON HIGH STREET, LONDON, W.8

COMPLETE STEREO SYSTEM

FOR ONLY

39 GNS
CARRIAGE 35/-



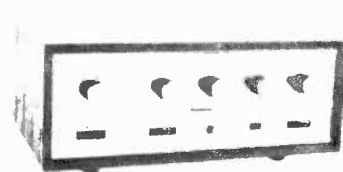
PREMIER STEREO SYSTEM "ONE" Consists of an all transistor stereo amplifier. Garrard 2025 T/C auto/manual record player unit fitted stereo/mono cartridge and mounted in teak finish plinth with perspex cover and two matching teak finish loudspeaker systems. Absolutely complete and supplied ready to plug in and play. The 10 transistor amplifier has an output of 5 watts per channel with inputs for pick-up, tape and tuner also tape output socket. Controls: Bass, Treble, Volume, Balance, Selector. Power on/off, stereo/mono switch. Brushed aluminium front panel. Black metal case with teakwood ends: Size 12 x 5 1/2 x 3 1/2 in. high (Amplifier available separately if required **£14.19.6**. Carr. 7/6).

PREMIER STEREO SYSTEM "TWO"

As system "ONE" above but with Garrard SP25.

PREMIER PRICE 45 Gns. Carr. 35/-

TELETON SAQ203E STEREO AMPLIFIER



A small but powerful amplifier designed for stereo hi-fi reproduction. 10 watts per channel music power. Inputs for Gram (Magnetic and Crystal), Tuner and Auxiliary. Tape Record output. Controls: Volume, Balance, Bass, Treble, Stereo/Mono slide switch. Stereo headphone socket. Attractive oiled walnut cabinet with brushed aluminium front panel. List Price **£28.7.0**.

PREMIER PRICE 22 Gns. P. & P. 10/-

WIDE RANGE OF HI-FI STEREO EQUIPMENT ON DEMONSTRATION

All leading makes available including Rogers, Armstrong, Dulci, Wharfedale, Goodmans, Goldring, Shure, etc., etc.



E.M.I. 13 x 8in. HI-FI SPEAKERS

Fitted two 2 1/2 in. tweeters and crossover network. Impedance 16 ohms. Handling capacity 10W. Brand new.

79/6 P. & P. 7/6.



HI-FI STEREO HEADPHONES

Designed to the highest possible standard. Fitted 2 1/2 in. speaker units with soft padded ear muffs. Adjustable headband. 8 ohm impedance. Complete with 6ft. lead and stereo jack plug.

59/6 P. & P. 5/-



"WELLER EXPERT" SOLDER GUN

Saves time and simplifies soldering in the home and service dept. Two position trigger gives instant dual heat 100/140 watt. 240 volt A.C. 67/6. P. & P. 2/-.

'VERITAS' V-313 TAPE HEAD DEFLUXER

A must for all tape users! Tape heads become permanently magnetized with constant use; this leads to background noise that prevents perfect recordings. Simply applied to recording head the V313 leaves head free of magnetism. Cleans any tape head in seconds.

34/6

"NOVA" 505 STEREO AMPLIFIER



A superb stereo amplifier offering every facility for the hi-fi enthusiast. Output 5 watts per channel. Frequency response 40-20,000 Hz - 3dB. Inputs for radio, P.U. Ceramic, P.U. Magnetic Tape. Separate bass and treble controls, Volume and Balance controls, Mono Stereo Switch. Also features headphone socket and tape output. Teak case with attractive illuminated front panel. Size 14 1/2 x 9 1/2 x 3 1/2 in. A.C. 200/250V.

PREMIER PRICE 18 Gns. Carr. 10/-

PREMIER STEREO SYSTEM "FOUR"

Teleton SAQ203E Amplifier (as above) **£23.2.0**
Garrard SP25 **£11.19.6**
Shure MD3 **£6.19.6**
Teak base and cover **£5.10.0**
Pair of Hi-Fi Enclosures fitted E.M.I. Speakers **£26.5.0**

Total cost if purchased separately **£78.16.0**

PREMIER PRICE 65 GNS. Carr. 35/-

VERITAS V-149 MIXER

Battery operated 4-channel audio mixer providing four separate inputs. Size 6 x 3 x 2 in. suitable for crystal microphone, low impedance microphone with transformer, radio, tape, etc. Max. input 1.5V, max. output 2.5V, gain 6dB. Standard jack plug socket inputs, phono-plugs output. Attractive teak wood grain finish case.



Mono Model **59/6** Stereo Model **69/6** P. & P. 2/6



"VERITONE" RECORDING TAPE

SPECIALLY MANUFACTURED IN U.S.A. FROM EXTRA STRONG PRE-STRETCHED MATERIAL. THE QUALITY IS UNEQUALLED. TENSILIZED to ensure the most permanent base. Highly resistant to breakage, moisture, heat, cold or humidity. High polished splice free finish. Smooth output throughout the entire audio range. Double wrapped - attractively boxed.

LP3 3' 250' P.V.C.	5/6	LP6 5 1/2' 1200' P.V.C.	12/6
TT3 3' 450' POLYESTER	7/6	DT6 5 1/2' 1800' POLYESTER	22/6
DT3 3 1/2' 600' POLYESTER	11/6	TT6 5 1/2' 2400' POLYESTER	37/6
SP5 5' 600' P.V.C.	8/6	SP7 7' 1200' P.V.C.	12/6
LP5 5' 900' P.V.C.	10/-	LP7 7' 1800' P.V.C.	15/-
DT5 5' 1200' POLYESTER	15/-	DT7 7' 2400' POLYESTER	25/-
		TT7 7' 3600' POLYESTER	50/-

TAPE SPOOLS 3" 1/2, 5", 5 1/2, 7" 1/8.
Post and Packing 3" 1/2, 5", 5 1/2, 7" 1/8. (3 reels and over Post Free.)

PREMIER STEREO SYSTEM "THREE"

Nova 505 Amplifier (as above) **£18.18.0**
Garrard SP25 **£11.19.6**
Sonolone 9TAHCD **£2.15.0**
Teak base and cover **£5.10.0**
Pair of Hi-Fi Enclosures fitted E.M.I. Speakers **£26.5.0**

Total cost if purchased separately **£65.7.6**

PREMIER PRICE 55 GNS. Carr. 35/-

TWO STATION TRANSISTOR INTERCOMS

Complete with battery and 50ft connecting wire. Compact size, two way call system. Ideal for home, office, factory, etc.



65/- P. & P. 4/-

TAPE CASSETTES



C60 (60 min.) **7/6**

THREE FOR 21/-

C90 (90 min.) **12/6**

THREE FOR 36/-

C120 (120 min.) **17/6**

THREE FOR 51/-



P. & P. 1/-

CASSETTE HEAD CLEANER

Removes unwanted deposits from delicate tape heads. Fits all cassette recorders.

11/6 P. & P. 1/-

All cassettes can be supplied with library cases at 6d. extra.

PREMIER RADIO

23 TOTTENHAM COURT ROAD, LONDON, W.1 Tel: 01-636 3451



Practical Electronics Classified Advertisements

RATES: 1/6 per word (minimum 12 words). Box No. 1/6 extra. Advertisements must be prepaid and addressed to Classified Advertisement Manager, "Practical Electronics" IPC MAGAZINES LTD., Fleetway House, Farringdon Street, London, E.C.4

MISCELLANEOUS

PHOTO ELECTRIC SWITCH KIT
Light cell transistor, relay etc. Elegant case in hammer blue 5½" x 2½" x 4½" fitted with light hood, ideal counter alarm, dawn/dusk switch, etc. 35/- post paid.

6 OR 12 VOLT FLUORESCENT LIGHTS

12 ins. 8 Watt tube ample light for caravan, tent, etc. Fully transistorised, low battery drain Unbeatable at **65/6** post paid.
or in kit form **57/6**

4 WATT GRAM AMPS.

Volume and tone controls, mains operation, 3Ω output, new and boxed **72/6** POST PAID

SALOP ELECTRONICS Callers welcome
23 Wyle Cop Shrewsbury, Shropshire S.A.E. for lists

SERVICE FOR THE AMATEUR ELECTRONIC ENTHUSIAST. Are you building equipment requiring a transformer? If so send for an immediate quotation, or s.a.e. for our comprehensive price list. Also available on request enamelled copper wire price list. **BANNER TRANSFORMERS**, 84 Old Lansdowne Rd., West Didsbury, Manchester, 20.

CLEARING LABORATORY, scopes, V.T.V.M's, V.O.M's, H.S. recorders, transcription turntables, electronic testmeters, calibration units, P.S.U.'s, pulse generators, D.C. null-potentiometers, bridges, spectrum analysers, voltage regulators, sig-gens, M/C relays, components, etc. Lower Beeding 236.

MUSICAL MIRACLES! Drum, Cymbals, Waa-waa and Fuzz modules. New unique effects units, Percussion, etc. Good waa-waa kits 49/-, Famous "Mister Bassman" bass pedal unit. Also bargain components list of reed switches, etc. Send S.A.E. NOW! D.E.W. LTD., 254 Ringwood Road, Ferndown, Dorset.

MORE ROBOTS

Synthetic Animals with "BRAINS" of their own. The LATEST range of projects include: an electronic "animal" which "LEARNS", and an Electro Chemical device capable of "REPRODUCING" itself! Other projects SURE TO INTRIGUE YOU are a transmitter/receiver which radiates without using r.f. so there's NO NEED TO WORRY ABOUT A LICENCE, also TEN new projects, one of which is an electronic dice machine. HOSTS OF EASY-TO-CONSTRUCT projects, for anyone with a basic knowledge of Electronics. DON'T WAIT. SEND 3/- for your list—NOW!

To: **'BOFFIN PROJECTS'**
4 CUNLIFF ROAD
STONELEIGH, EWELL, SURREY
Designed by GERRY BROWN and JOHN SALMON and presented on T.V.

PARAPHYSICAL LABORATORY, Downton, Wilts, Telekinesis. Magazines. Send S.A.E. for list. Samples 20/-.

CHEAPEST EVER! unmarked transistors, 100% good, similar OC71. Only 3/- for 10! FOX, Ridgeway, Farnfield, Notts.

CASTLE LABORATORIES for printed circuits and semiconductors. Examples: zener diodes, 400mW, 3/-, 1.5W, 3/9, 10W, 5/-, Triacs from 16/-, Design service for printed circuits as well as stock boards for P.E. Projects. Veroboard cut to your exact sizes at no extra charge. Send stamp for full lists. **CASTLE LABORATORIES**, Stapleton Close, Highworth, Wilts.

MISCELLANEOUS (continued)

TOP TRANSISTORS

ACY22 1/9	OC45 1/9	ZTX300 1/9
BC108 1/9	OC71 1/9	2N706 1/9
BFY51 1/9	OC201 1/9	2N2926 1/9
BFY52 1/9	OC202 1/9	2N3708 1/9

All the above types are available at 16 for £1. Brand New. Individually Tested.

ANTEX SOLDER IRON

This is a lightweight iron fitted with a 15 watt nickel plated bit. It has been designed to enable you to weld reliable joints accurately.

Special low price. Model CN240 volts.

ACT NOW 29'11

MONEY BACK GUARANTEE. P. & P. 1/-.

J. M. King (U), 17 Buckridge Portpool Lane, London, E.C.1

A CORNUCOPIA OF COMPONENTS! Scarce valves, selected TV components, speakers and cabinets. Computer panels—long leads, NOT printed circuits. Transistors, resistors—new and recovered. State your requirements. S.A.E. for details MAIL-MAKT, 6 Eastbourne Road, Pevensey Bay, Sussex.

BUILD IT in a DEWBOX quality cabinet 2in x 2½in x any length. DEW LTD., Ringwood Road, Ferndown, Dorset. S.A.E. for leaflet. Write now—right now.

SPEAKER CABINET BARGAIN



Beautifully finished in Straight Grained Teak Veneers with harmonising material front. Spare baffle for any size of speaker up to 10 x 6 ins. Size 16 x 8 x 6 ins. Only 67/6d each or 2 at 62/6d each, carr. free. Send for free and illustrated lists. **ALBION ELECTRONICS SUPPLIES**, 16 Albion Road, Birchington, Kent.

POWER SUPPLIES

Professional grade silicon transistor power supply modules. Units consist of p.c. board assembly size 6" x 3½". 240 Volts AC input. DC Voltage adjustable from 9-13 Volts at max 250mA. No load to full load voltage change less than 1%. Ripple less than 2mV. £5. 2. 6d. each. Also available PEAC Op. Amps. 34/- each. **WESTEK**
P.O. BOX 7, RICKMANSWORTH, HERTS

FOR SALE

NEW CATALOGUE No. 18, containing credit vouchers value 10/-, now available. Manufacturers' new and surplus electronic and mechanical components, price 4/6, post free. **ARTHUR SALLIS RADIO CONTROL LTD.**, 28 Gardner Street, Brighton, Sussex.

MORSE MADE EASY !!

FACT NOT FICTION. If you start RIGHT you will be reading amateur and commercial Morse within a month (normal progress to be expected). Using scientifically prepared 3-speed records you automatically learn to recognize the code RHYTHM without translating. You can't help it, it's as easy as learning a tune. 18 W.P.M. in 4 weeks guaranteed.

For details and course C.O.D. ring S.T.D. 01-660 2896 or send 8d. stamp for explanatory booklet to: **GSHSC (Box 19), 45 GLEANY LANE, PURLEY, SURREY**

WANTED

CASH PAID for New Valves. Payment by return. **WILLOW VALE ELECTRONICS**, 4 The Broadway, Hanwell, London, W.7. 01-567 5400/2971.

"PRACTICAL ELECTRONICS", April 1968, G. WILKINSON, Deepwell House, West Chinnock, Crewkerne, Somerset.

SERVICE SHEETS

LARGE SUPPLIER OF SERVICE SHEETS

T.V., RADIO, TRANSISTORS, TAPES, CAR RADIOS
5/- EACH, MANUALS FROM 10/-
PLUS LARGE S.A.E.

(Uncrossed P.O.'s please, original returned if service sheets not available.)
FREE TV FAULT TRACING CHART OR TV LIST ON REQUEST WITH ORDER

C. CARANNA
71 BEAUFORT PARK, LONDON, N.W.11
MAIL ORDER ONLY

SERVICE SHEETS, Radio, TV, etc., 8,000 models. List 2/-, S.A.E. enquiries. TELRAY, 11 Maudland Bank, Preston.

SERVICE SHEETS (1925-1970) for Televisions, Radios, Transistors, Tape Recorders, Record Players, etc., by return post, with free Fault-Finding Guide. Prices from 1/-. Over 8,000 models available. Catalogue 2/6. Please send S.A.E. with all orders/enquiries. **HAMILTON RADIO**, 54 London Road, Bexhill, Sussex.

RADIO TELEVISION, over 8,000 Models. **JOHN GILBERT TELEVISION**, 1b Shepherd's Bush Rd., London, W.6. SHE 8441.

APPOINTMENTS

LONDON BOROUGH OF EALING

SOUTHALL COLLEGE OF TECHNOLOGY

DEPARTMENT OF ELECTRICAL AND ELECTRONIC ENGINEERING

LECTURER I

Required from 1st September, 1970 to teach, initially, Electronics and Television Servicing to Inter and Final C & G 47/48 Course students. To assist with development of new Radio, Television and Electronics Technicians' Course (C & G 434) and tuition of these students. Recognised qualification to at least Final Certificate C & G Course 47, 48, or 49 level, or a relevant Higher National Certificate and appropriate industrial experience sought. Teaching experience advantageous.

Salary £1,195-£2,165 inc. L.A. subject to qualifications and experience.

Further details and application form (returnable quoting Ref. E/L1/09/21 by 29th June) from Registrar, Southall College of Technology, Beaconsfield Road, Southall.

EDUCATIONAL

ENGINEERS. A technical certificate or qualification will bring you security and much better pay. Elem. and adv. private postal courses for C.Eng., A.M.I.E.R.E., A.M.S.E. (Mech. & Elec.), City & Guilds, A.M.I.M.I., A.I.O.B. and G.C.E. exams. Diploma courses in all branches of Engineering—Mech., Elec., Auto, Electronics, Radio, Computers, Draughts., Building, etc. For full details write for FREE 132-page guide. **BRITISH INSTITUTE OF ENGINEERING TECHNOLOGY** (Dept. 125K), Aldermaston Court, Aldermaston, Berks.

TELEVISION



This private College provides efficient theoretical and practical training in Radio and TV Servicing. One-year day courses, commencing in Sept., January and April, are available for beginners, and shortened courses for men who have had previous training. Write for free prospectus to:—
London Electronics College, Dept. LX/3, 20 Penywern Road, Earls Court, London, S.W.5 Tel. 01-373 8721

GET INTO ELECTRONICS—big opportunities for trained men. Learn the practical way with low-cost Postal Training, complete with equipment. A.M.I.E.R.E., R.T.E.B., City & Guilds, Radio, T.V., Telecoms., etc. For FREE 100-page book, write Dept. 856K, CHAMBERS COLLEGE, College House, 29-31 Wrights Lane, Kensington, London, W.8.

HI-FI EQUIPMENT

SHURE Cartridges, Post Free. M3D £4.19.6. M44/5/7 £7.10.0. M44E £8.17.6. M55E £9.17.6. M75E/2 £18.10.0. GOLDRING G 800 £7.17.6. Garrard SP. 25 Mk. II £10.17.6. AP.75 £16.17.6. ULTIMATE SAQ 203E £19.15.0. P. & P. 7/6. ULTIMATE ELECTRONICS, 38 Achilles Road, London, N.W.6. Mail Order Only.

SITUATIONS VACANT

A.M.I.E.R.E., A.M.S.E. (Elec.), City & Guilds, G.C.E., etc., on "Satisfaction or Refund of Fee" terms. Wide range of Home Study Courses in Electronics, Computers, Radio, T.V., etc. 132-page Guide—FREE. Please state subject of interest. BRITISH INSTITUTE OF ENGINEERING TECHNOLOGY (Dept. 124K), Aldermaston Court, Aldermaston Berks.

BOOKS AND PUBLICATIONS

AMATEUR ORGANIST. Fab. mag. for organ enthusiasts. Send stamp for FREE specimen copy to Dept. G3, Amateur Organist, P.O. Box 9, Romford, RM5 3UT.

SURPLUS HANDBOOKS

19 set Circuit and Notes 7/- P.P. 9d
 1155 set Circuit and Notes 7/- P.P. 9d
 H.R.O. Technical Instructions 6/- P.P. 9d
 38 set Technical Instructions 6/- P.P. 9d
 46 set Working Instructions 6/- P.P. 9d
 88 set Technical Instructions 7/6 P.P. 9d
 BC. 221 Circuit and Notes 6/- P.P. 9d
 Wavemeter Class D Tech. Instr 6/- P.P. 9d
 18 set Circuit and Notes 6/- P.P. 9d
 BC.1000 (31 set) Circuit & Notes 6/- P.P. 9d
 CR.100/B.28 Circuit and Notes 10/6 P.P. 1/-
 R.107 Circuit and Notes 7/6 P.P. 9d
 A.R.88D. Instruction Manual 18/6 P.P. 9d
 42 set Circuit and Notes 7/- P.P. 9d
 52 set Sender & Receiver Circuits 0/- post free
 Circuit Diagrams 5/6 each post free.
 R.1116/A, R.1224/A, R.1355, R.F. 24, 25, & 26.
 A.1134, T.1154, CR.300, BC.342. BC.312.
 BC.348.J.E.M.P. BC.624. 22 set.
 Colour Code Indicator 2/6 P.P. 6d.
 S.A.E. with all enquiries please
 Postage rates apply to U.K. only.

Mail order only to:
Instructional Handbook Supplies
 Dept. P.E., Talbot House, 28 Talbot Gardens
 Leeds 8

RECEIVERS AND COMPONENTS

AMAZING VALUE

ALL NEW FULL SPECIFICATION DEVICES

Integrated Circuits complete with data:
 GE PA230 Audio Preampifier 18/6
 GE PA234 1W Audio Amplifier 17/6
 GE PA237 2W Audio Amplifier 22/6
 Plessey SL402A Preamp and 2W Amp
 equivalent to I.C.10 42/-
 MEL 11 Photo Darlington Amp 9/6

TTL Microcircuits for 5V Supply:
 SN7400, SN7410, SN7420, SN7451 18/8 each
 SN7473 21/8
 Connectors for GE and TTL i.c.'s 7/-

High Quality low cost transistors:
 GE 2N5172 NPN 200mW 1/9
 ME 0412 PNP 200mW 3/9
 TI 2N4059 PNP 250mW 3/6
 MUL BFX 86 NPN 800mW 6/-
 MUL BD124 NPN 15W 12/-
 S 2N3055 NPN 15W 14/6

Triacs for full wave power control:
 RCA 40669 8A 400V 24/-
 RCA 40683 Trigger Diode 5/3

Plastics rectifiers for power supplies:
 1N 4820 1.5A 400V Si Rectifier 2/6
 W005 1A 50V full wave bridge Si 7/6
 PD40 2A 400V full wave bridge Si 15/-

JEF ELECTRONICS

York House, 12 York Green, Grappenhall, Warrington
 Lancs.
 C.W.O. P. & P. 1/- per order. Mail Order Only
 Money back if not satisfied

MAINS POWER PACKS suitable for transistor amplifiers. 240 a.c. input. Nominal 24V d.c. 350 m.a. out. 35/- plus 3/6 P. & P. C.W.O. V.S. AUDIO, 44a High Road, Swaythling, Southampton.

E.M.C. PRODUCTS, BOURNEMOUTH

OUTSTANDING NEW INNOVATION
 FROM E.M.C.

MINI-LEZ

The smallest BIG sound rotary paddle tone cabinet yet. From £39.

S.A.E. for details of above and new illustrated price list including stop tab assemblies, etc.

Department P.E.3

E.M.C. PRODUCTS

22 Norwich Road, Bournemouth

GUARANTEED TUBES AT REDUCED PRICES

We are the area stockists for Display Electronics Re-manufactured Tubes. These tubes have a complete new gun assembly, the glass is the only reconditioned part and that cannot wear out. We invite enquiries from the trade or the public. Daily 9.30-5.30. Fri. 9.30-8. closed Wednesday.

TELEVISION CITY

50 Richmond Road, Kingston, Surrey
 Telephone 01-546 3961 (100 yards from station)

R & R RADIO

51 Burnley Road, Rawtenstall
 Rossendale, Lancs

Tel.: Rossendale 3152

VALVES BOXED, TESTED & GUARANTEED

EBF80	3/-	PCC84	3/-	PY81	3/6
EBF89	3/6	PCF80	3/-	PY82	3/-
ECC82	3/-	PCF82	3/6	PY800	3/6
ECL80	3/-	PCL82	4/-	PY801	3/6
EF80	1/6	PCL83	4/-	UI91	4/6
EF85	3/-	PL36	5/-	30F5	2/6
EY86	4/-	PL81	4/-	30P12	4/6
EZ40	4/6	PL83	4/-	30C15	5/6
EBC41	4/6	PY33	5/-	50CD6G	7/6

POST, ONE VALVE 9d. TWO TO SIX 6d.

OVER SIX POST PAID.



Established 1891

TECHNICAL TRAINING IN RADIO, TELEVISION AND ELECTRONIC ENGINEERING

First-class opportunities in Radio and Electronics await the ICS trained man. Let ICS train YOU for a well-paid post in this expanding field.

ICS courses offer the keen, ambitious man the opportunity to acquire, quickly and easily, the specialized training so essential to success. Diploma courses in Radio/TV Engineering and Servicing, Electronics, Computers, etc. Expert coaching for:

- C. & G. TELECOMMUNICATION TECHNICIANS' CERTS.
- C. & G. ELECTRONIC SERVICING.
- R.T.E.B. RADIO AND TV SERVICING CERTIFICATE.
- RADIO AMATEURS' EXAMINATION.
- P.M.G. CERTIFICATES IN RADIOTELEGRAPHY.

Examination Students coached until successful.

NEW SELF-BUILD RADIO AND ELECTRONIC COURSES

Build your own 5-valve receiver, transistor portable, signal generator, multi-meter and valve volt meter—all under expert guidance.

POST THIS COUPON TODAY and find out how ICS can help YOU in your career. Full details of ICS courses in Radio, Television and Electronics will be sent to you by return mail.

MEMBER OF THE ASSOCIATION OF BRITISH CORRESPONDENCE COLLEGES

**INTERNATIONAL
 CORRESPONDENCE
 SCHOOLS**

**A WHOLE WORLD
 OF KNOWLEDGE
 AWAITS YOU!**

International Correspondence Schools
 (Dept. 152), Intertext House, Stewarts Road,
 London, S.VV.8.

NAME
 Block Capitals Please

ADDRESS

7.7C

EX COMPUTER PRINTED CIRCUIT PANELS 2" x 4" packed with semi-conductors and top quality resistors, capacitors, diodes, etc. Our price, 10 boards 10/-. P. & P. 1/6. With a guaranteed minimum of 35 transistors. Transistor data included.

SPECIAL BARGAIN PACK. 25 boards for £1. P. & P. 3/6. With a guaranteed minimum of 85 transistors. Transistor data included.

PANELS with 2 power transistors sim. to OC28 on each board plus components. 2 boards (4 x OC28) 10/-. P. & P. 1/6.

9 OA5, 3 OA10, 3 Pot Cores, 26 Resistors, 14 Capacitors, 3 GET872, 3 GET872B, 1 GET875. All long leaded on panels 13" x 4".
4 for 20/-. P. & P. 5/-.

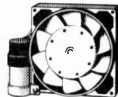
EX COMPUTER "MEMORY" CORE STORE PLANES

160 BITS £1 P. & P. 2/-
4,000 BITS £4 P. & P. 4/-

MIXED RESISTORS
250 1/4 & 1/2 Watt 12/6
P. & P. 1/6

DIODES EXCEPT SILICON
10 Amp 150 PIV 4 for 10/-
20 Amp 150 PIV 4 for £1
35 Amp 450 PIV 4 for 45/-
P. & P. 1/-

EXTRACTOR/BLOWER FANS (Papst)
100 c.f.m. 4 1/2" x 4 1/2" x 2"
2,800 r.p.m.
50/- ea. P. & P. 5/-



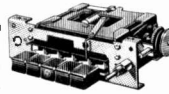
RELAY OFFER

Single Pole Changeover Silver Contacts
-2" x 6" x 7". 2.5KΩ coil operates on
25 to 50V, 8 for 10/-. P. & P. 1/6

KEYTRONICS

PYE CAR RADIO Push Button Tuning Heart

This PRESTOLOCK 5 station Push-Button Tuner Heart with Manual Over-ride is an ideal basis for a quality AM car radio. Size 6 1/2" x 4" x 2". 25/- plus 3/- P. & P.



BUMPER BARGAIN PARCEL

We guarantee that this parcel contains at least 1,750 components. Short-leaded on panels, including a minimum of 350 transistors (mainly NPN and PNP germanium, audio and switching types—data supplied). The rest of the parcel is made up with: Resistors 5% or better (including some 1%) mainly metal oxide, carbon film, and composition types. Mainly 1/2 and 1 watt ... diodes, miniature silicon types OA90, OA91, OA95, IS130, etc. ... capacitors including tantalum, electrolytics, ceramics and polyesters ... inductors, a selection of values ... also the odd transformer, trimpot, etc., etc. These are all miniature, up-to-date, professional, top quality components. Don't miss this, one of our best offers yet! Price 65/- Post and Packing 6/6 U.K.; 20/- New Zealand. Limited stocks only.

150 HIGH STABS 1/2, 1/4 and 1 Watt, 5% and Better 12/6. P. & P. 1/6

LARGE CAPACITY ELECTROLYTICS RIPPLE CURRENT 6A
1,500 mfd 150V. 7/6 each
4,000 mfd 72V P. & P. 1/6
16,000 mfd 12V

EXTENSION TELEPHONES

19/6 ea. P. & P. 5/-
35/- for 2 P. & P. 10/-



These phones are extensions and do not contain bells.

MAILING ADDRESS:
52 EARLS COURT ROAD, LONDON, W.8
WAREHOUSE AND DISPATCH
01-478 8499

SILICON TRANSISTORS 1,000,000 FOR SALE

Clearance of pnp Silicon Alloy Transistors from the 25300 (TO-5) and 25320 (SO-2) range and similar to the OC200-205 and BCY30-34 series. Available only from us at a fraction of the manufacturing cost. All these devices would normally be subject to re-selection for industrial use but owing to company policy change have been made available to us surplus to requirements. Offering these transistors in varied quantities make them ideal for Amateur Electronics, Radio Hams and for experimental use in Schools, Colleges and Industry.

Supplied uncoded (no warranty by the manufacturers). But our assurance given that a minimum of 80% will be found to be good usable Silicon Alloy Transistors. Please state preference of type, i.e., TO-5 25300 or SO-2 25320.

Approximate count by weight:
100 off—15s. (plus p. & p. 2s.)
300 off—£1 15s. (plus p. & p. 3s.)
500 off—£2 10s. (plus p. & p. 3s. 6d.)
1,000 off—£4 (plus p. & p. 5s.)
10,000 off—£35 (plus p. & p. 11s.)

Large quantities quoted for on request.

EXPORT ENQUIRIES WELCOME

All correspondence, cheques, postal orders, etc., to:

DIOTRAN SALES

P.O. BOX 5

63a High Street, Ware, Herts.

Tel.: WARE 3442

POLYESTER CAPACITORS

400V, 0.0068, 0.0047, 0.0033, 0.0022μF, 7d,
160V, 0.01, 0.015, 0.022, 0.033, 0.047, 7d;
0.068, 0.1, 8d; 0.15, 0.22, 10d; 0.33, 1/-;
0.47, 1/4; 0.68, 2/-.

Mica: 350pF, 2kV, 600pF, 240pF, 160pF,
150pF, 100pF, 62pF, 30pF, 27pF, 22pF,
10pF, 8.2pF, 3.3pF, 6d.

Printed circuit type: 470pF, 220pF, 50pF, 6d.

ELECTROLYTIC CAPACITORS
500μF can, 6V; 400μF, 6.4V; 320μF, 10V;
30μF, 6V; 20μF, 6V; 8μF, 6V; 4μF, 4V, 1/-.

RESISTORS
1/2W 200Ω 2.7k, 22k, 30k, 62k, 83k, 150k, 430k;
1/4W 1k, 1.5k, 3.6k, 5.6k, 27k, 47k, 68k,
560k, 24d.

TRANSISTORS
OC200, 6/-; OC201, 7/6; BCY30, 6/-; BCY31,
7/6.

Tested Silicon TOS and SO2, Audio: high gain,
4/-; medium, 2/-; low, 1/-.
Diode IN514, 1/6 Connecting Wire, 25yd, 2/6.
C.W.O. Post and Packing 1/6

VALETRON

LINKS ROAD, LOWESTOFT

TRANSFORMERS. Rewound, Prototypes and specials. To order. Reasonable prices. S.A.E. Enquiries. RATCLIFFE, 18 Beech Avenue, Thongsbridge, Huddersfield, Yorks.

CONNOR SIGNAL TESTER for testing Radios, Record Player, Amplifiers, and T/Vs. Tester consists of Audio Amplifier, Multivibrator, a Detector (AM), and Test Speaker (25z). Speed up your service with a Connor Tester. Battery operated, £15, with probe leads, less battery, Post free. C.W.O. CONNOR ELECTRONICS, 43 Wade Reach, Kirby Road, Walton on Naze, Essex.

AUDIOSCAN-HI-FI loudspeaker systems for the home constructor, cabinet kits, new range of Peerless speakers, speaker kit systems and cross-over networks. BAF wadding and all necessary components. Free speaker fabric samples on request. Send 9d in stamps to: AUDIOSCAN, Dept. PE, 4 Princes Square, Harrogate, Yorks.

PRINTED CIRCUIT BOARDS for P.E. PROJECTS

All boards drilled and roller tinned complete with layout drawing.

EXAMPLES

Marine Tachometer (May 1970) 5/- ea. Musical Stave (May 1970) 8/- ea.
Waa-Waa pedal Vol. 4 No. 7 2/9 ea. Audio Sig. Gen. (Sine and Square on one board) Vol. 5 No. 10 8/6 ea.

S.A.E. for List of over 36 Boards. Trade enquiries welcomed.

P.H. ELECTRONICS, Industrial Estate, Sandwich, Kent. Tel. 2517

NEW MODEL V.H.F. KIT MK2

Our latest Kit, improved design and performance plus extra Amplifier Stage, receives Aircraft, Amateurs, Mobile, Radio 2, 3, 4, etc.

This novel little set will give you endless hours of pleasure and can be built in one evening. Powered by 9 Volt Battery, complete with easy to follow instructions and built in Jack Socket for use with Earphones or Amplifier.

Only 68/-. P. & P. Free U.K. only

Postal Orders, Cheques to:

Dept. P.E.
Galleon Trading Co., 298A Lodge Lane
Romford, Essex

500 MORGANITE 100 KOHM EDGEWISE UNSWITCHED POTENTIOMETERS. Type 56N White. Brand New Surplus to requirements. Ideal for Thyristor dimming circuits. Price 2/- each postage paid or £30 for all 500. WILKINSON & SON, "Carinya", Bell Lane, Nuthampstead, Royston, Herts. Tel. Barkway 553.

TOP PRICES PAID

for new valves and components

Write:

KENSINGTON SUPPLIES

(B) 367 Kensington Street

Bradford 8, Yorks.

BRAND NEW ELECTROLYTICS 15/16V 0.5, 1, 2, 5, 8, 10, 20, 30, 40, 50, 100μF, 8-5d. E12 series 5% resistors, Carbon Film 1/4W 10Ω to 1MΩ, 1.5d. Wirewound 5W 15Ω to 15KΩ, 10d. Postage 1/-. The C.R. SUPPLY CO., 127, Chesterfield Rd., Sheffield, S8 0RN.

RECEIVERS AND COMPONENTS (continued)

dalyne Bargain Corner

COMPONENTS YOU WANT—WHEN YOU WANT THEM

Electrolytics
by General Instruments
20μF 15V 8d 25μF 12V 10d
10μF 12V 10d 40μF 12V 10d
20μF 6V 10d 150μF 15V 1/3
20μF 15V 10d 200μF 25V 2/-

Electrolytics
by C.C.L.
1500μF 25V 3/8
470μF 63V 6/-
8μF 450V 2/6
32μF 250V 2/9

TRANSISTORS
2N3702 3/- MJ481 25/6 BC125 9/- 2N3055 13/-
2N3703 3/- MJ491 28/9 BC126 9/- 2N706 2/9
2N3704 3/3 40381 12/- BC108 2/6 2N2926 2/-
BC169 2/3 40382 14/- BC109 2/8 BFY01 4/-
Rectifiers, wire ended (PIV stated)

Zeners 5% 400mW

100V 0.75A 1/9 100V 1A 2/3 all preferred values
400V 1A 3/- 1000V 1.5A 4/6 3V to 30V 4/- each
200V 1A bridge 10/-

Volume controls lin or log; mono 2/6; stereo 3/-; All preferred values in series 4, 7, 10, 22, 47, etc.—4-7K Ω to 2.2M Ω.

Terms: 10 or more of each item: Deduct 20%.
P. & P. on all orders 2/-; Postal service, U.K. only.
Prompt service and satisfaction guaranteed

dalyne components
Gayton Road
Blisworth, Northants

P.C. RECEIVER BOARDS—PCR 1, 6 transistor type with OC44, two OC91s, or less the audio transistors, i.e. OC81D, and two OC81s. 8jin. 3in. as previously advertised, transformerless output 1 watt to 8 ohm speaker, 1 watt to 20 ohm, with connecting data to clear at 25/- each.

PCR 2, 7 transistors, 3 AF17s, 2 AC127s, 2 AC128s, complementary output pair giving 1 watt to 8 ohm speaker, no oscillator coil but I.F. amp and audio amp complete, size 3in. x 7in. supplied with circuit diagram for 9 volt operation, 35/6 each.

PCR 3, 6 transistors, OC44, 2 OC45s, OC81D, 2 OC81s, transformerless output approx. 400 milliwatts, overall size 3in x 5in. with o.c. coil and edge-wise volume control on board, for 6 volt operation, no data or circuit, only 22/6 each.

NOTE: All boards require ferrite aerial, tuning capacitor, wavechange switch, etc. and are all as new and unused.

Push-pull output transformers to match 2 EL94s, approx. 8 watt rating with negative feedback winding brand, new only 10/- post paid.

250 μF postage stamp type trimmers (new) ceramic insulation, 6d each, 4/6 doz. Ferrite slab aerials 5in. long, M.W. and L.W., requires 250pF tuning capacitor, 3/6 each (despatched only with the above boards).

P.C. Board with 7 transistors, miniature resistors, capacitors, etc. was used as squelch switch but can be used as electronic switch or light sensitive switch, with circuit of board, no details of mods. brand new only 12/-.

Mail Order Only All Items plus 1/6 post.

A. J. H. ELECTRONICS
59 WAYERLEY ROAD, THE KENT
RUGBY, WARWICKSHIRE
RUGBY 71066

ELECTRICAL

240 VOLT
ELECTRICITY
ANYWHERE



BEST EVER 200/240 VOLT "MAINS" SUPPLY FROM 12 VOLT CAR BATTERY

Exclusive World Scoop Purchase. The fabulous Mk. 11D American Heavy Duty Dynamotor Unit with a Massive 220 watt output and giving the most Brilliant 200/240 volt performance of all time. Marvellous for Television, Drills, Power Tools, Mains Lighting, AC Fluorescent Lighting and all 200/240 volt Universal AC/DC mains equipment. Made at tremendous cost for U.S.A. Govt. by Delco-Remy. This magnificent machine is unobtainable elsewhere. Brand New and Fully Tested. Only £5.9.6 + 10/6 postage. C.O.D. with pleasure, refund guarantee. Please send S.A.E. for illustrated details.

Dept. PE, SCIENTIFIC PRODUCTS
Mount Street, Fleetwood

LIFT
1,000lbs!
WITH EASE!

The light way to tackle heavy jobs! a rustproof pulley hoist with super-tough alloy wheels and mild steel construction. Weighs only 1 lb! In blue, brown, or grey. Complete with 80 ft nylon cord (10' lift). Ideal for motorists. (Lifts engines) — D.I.Y. enthusiasts caravanning, homeowners, etc. Virtually indestructible in normal use!

IMMEDIATE DELIVERY.
only 49/6 + p&p 4/6

Money ref. guar.
Or 57/6 + 4/6 p & p
for de luxe model (lifts 2,500 lbs.)

Enclose cutting of ad. with completed coupon and remittance to: SELECT SUPPLIES, Dept (PRE) 5 Blythe Hill Lane, Catford, London, S E 6

Name _____
Address _____
De luxe model _____ (tick) Colour _____

GLASS FIBRE OPTIC

FLEXIBLE LIGHT PIPE now available in any length. 150+ glass fibres in 0.080 in. diam. P.V.C. sheath with 3 times lower loss than plastic fibre.

Used like wire but to convey light to remote or inaccessible positions for inspection, panel indicators, photo-electric and other applications. Prices per ft. (Post free) 1-9, 5/-; 10-49, 4/-; 50-249, 3/- Enquiries S.A.E.

SYSTEM 696 & CO.
15 BELL RD., EAST MOLESEY, SURREY

AUDIO EFFECTS

5 SHAW LANE, HALIFAX, YORKS.

Buy with confidence and obtain the right results. Refunds without question if any of our products fail to give 100% satisfaction.

AMATEUR BANDS ALL TRANSISTOR SUPERHET RECEIVER KIT. No fuses, no drilling. Just fit the components on our printed circuit. Slow Motion tuning. Simple IF alignment. Perspex front panel. Push pull AF amp drives your 8-15 ohm speaker. Amp can be used separately. Designed to accept a BFO signal. Uses Denco plug in coils 2T. 0-5 to 1.54 Mhz 3T. 1-67 to 5-3 Mhz 4T. 5-0 to 15 Mhz 5T. 10-5 to 31-5 Mhz

Range 3T normally supplied with kit. Uses 9 Volt battery. Easy step by step instructions. Complete Kit. £8.19.6 plus 5/6 P.P. & Ins. Extra ranges 12/- per range.

POWER CONTROLLER. Power at your fingertips. Not merely half wave control but full wave. A single variable control gives zero to full power. Uses latest 15 amp 3kV triac and special triggering device. Ideal for all types of lighting, fires, motors, drills, etc. Complete with box, power socket, cables, etc. In kit form with easy to follow instructions £6.9.6. Ready built £8.4.8 plus 5/6 P.P. & Ins.

REVERBERATION AMPLIFIER. Self contained transistorised, battery operated. An entirely different approach to sound reproduction. Normally, sound reproduction from a single source, has a flat one dimensional effect. With this unit, proper sound delay through reverberation, tones, are created with a truly third dimension for concert hall originality. Two controls adjust volume and reverberation. Simply plug microphone, guitar, etc., in, and the output into your amplifier. Supplied in a beautiful walnut cabinet 7jin x 3in x 4jin. £10.4.0. P.P. & Ins. 6/-.

VOX SWITCH. This sound operated switch is ideal for mobile TX work, tape recorder switching, etc. You speak, it switches. High and medium imp. inputs. AF take off point. Drives your 12 volt relay. In kit form with full instructions 42/6. Ready built, tested and guaranteed. 62/6, plus 2/6 P.P.

METRONOME UNIT. Variable beat. Listen while you play and keep in time. Easily built, pocket size with personal mini earphone. In kit form 27/6, post paid. Ideal for built in an attractive black and white polythene case, 37/8 post paid.

MORSE OSCILLATOR. PC board, transistors, high stab. components, battery carrier, ear piece. Adjustable tone. Just attach your key. Drives phones or speaker. In kit form 17/6 post paid. Ready built in similar case as above 25/- post paid.

STRAIGHT FROM THE PRESS. Latest Mullard manual: Audio Amps, FM tuners, Stereo decoder, Receiver circuits, Hi Fi, Tape, etc., etc. 32/6 post paid.

JUST ARRIVED IN STOCK. Texas transistors. Complementary symmetry. Driver, NPN, PNP output. The set of three ONLY 6/8 post paid.

Free lists with every order. For lists only send 1/6 (deductible from first order).

BATTERY ELIMINATORS

The ideal way of running your TRANSISTOR RADIO, RECORD PLAYER, TAPE RECORDER, AMPLIFIER, etc. Types available: 6v, 9v, 12v, 18v (single output) 39/6 each. P. & P. 2/9. 9v + 9v; 6v + 6v; or 4v + 4v (two separate outputs) 42/6 each. P. & P. 2/9. Please state output required. All the above units are completely isolated from mains by double wound transformer ensuring 100% safety.

R.C.S. PRODUCTS (RADIO) LTD.
(Dept. P.E.), 31 Oliver Road, London, E.17

If you have difficulty in obtaining
PRACTICAL ELECTRONICS
Please place a regular order with
your newsagent or send 1 year's
subscription (£2-5-0) to Subscription
Department, Practical Electronics, Tower
House, Southampton St., London, W.C.2.

BUILD YOUR CIRCUITS
on
VEROBOARD

—the Universal Wiring Board—
obtainable from your local Retailer

Trade enquiries to:
NORMAN ROSE (ELECTRICAL) LTD.
8 St. Chad's Place, Gray's Inn Road, London, W.C.1

Technical enquiries to:
VERO ELECTRONICS LTD.
Industrial Estate, Chandler's Ford, Hants

R.S.T. VALVE MAIL ORDER CO.

BLACKWOOD HALL, WELLFIELD RD., S.W.16

SPECIAL EXPRESS MAIL ORDER SERVICE

1N21	3/6	28308	9/-	BCY54	7/3	GET116	6/-	OC20	20/-
1N21B	5/-	28501	5/-	BCY60	19/-	GET118	4/-	OC22	8/-
1N23	4/-	28703	12/6	BCY70	6/-	GET119	4/-	OC23	8/6
1N85	17/6	3N143	19/-	BCZ11	6/-	GET120	6/6	OC24	9/-
1N253	10/-	A13759	4/-	BD121	19/-	GET887	8/6	OC25	7/6
1N256	10/-	AA129	5/-	BD123	22/6	GET872B	6/-	OC26	6/-
1N645	5/-	AAZ12	3/6	BD124	12/-	GET873	3/-	OC28	12/6
1N725A	4/-	AAZ13	3/6	BF130	18/6	GET875	6/-	OC29	14/6
1N4007	4/6	AC107	5/6	BF115	5/6	GET880	8/9	OC30	8/-
18021	4/6	AC126	4/-	BF117	10/-	GET882	6/-	OC35	6/3
18113	3/-	AC127	5/-	BF167	6/6	GET885	10/-	OC36	8/6
18130	2/6	AC128	4/6	BF173	7/3	GEX35	4/6	OC38	10/3
18131	2/6	AC129	7/6	BF181	6/-	GEX44	1/6	OC41	4/6
20220	12/6	AC187	11/-	BF184	7/6	GEX941	6/-	OC42	5/6
20240	3/6	AC188	11/-	BF191	6/-	GJ3M	7/6	OC43	9/-
20201	4/6	ACY17	4/6	BF194	6/3	GJ4M	7/6	OC44	4/6
2G306	8/-	ACY18	4/6	BF196	5/6	GJ5M	7/6	OC45	3/3
2G371B	4/-	ACY19	5/-	BF198	5/6	HG1005	10/-	OC46	3/-
2G381A	4/6	ACY20	5/-	BF197	5/6	MAT100	6/-	OC58	12/6
2G403	10/-	ACY21	4/6	BFX12	5/6	MAT101	8/3	OC59	17/-
2G414	6/-	ACY22	4/6	BFX13	5/6	MAT120	9/9	OC60	3/6
2G417	6/-	ACY23	4/6	BFX29	12/-	MJ420	22/-	OC71	3/-
2N1209	4/6	ACY24	4/6	BFX30	8/6	MJ421	22/-	OC72	4/6
2N404	6/-	ACY39	12/6	BFX35	19/6	NKT129	6/-	OC73	7/3
2N247	9/6	ACY40	4/6	BFX43	8/3	NKT128	6/-	OC74	4/6
2N697	4/-	ACY41	5/-	BFX44	8/3	NKT135	5/3	OC75	4/6
2N698	4/6	ACY44	7/6	BFX68	13/-	NKT210	6/-	OC76	4/6
2N706	3/-	AD140	8/-	BFX68A	13/6	NKT211	6/6	OC78	8/-
2N706A	3/6	AD148	12/6	BFX85	10/-	NKT212	5/4	OC78D	3/3
2N708	4/6	AD150	13/-	BFX93	11/6	NKT213	6/4	OC79	5/6
2N709	12/6	AD181	7/6	BFX87	9/6	NKT214	4/4	OC81	4/6
2N711	7/6	AD182	7/6	BFX88	5/-	NKT215	4/6	OC81D	3/6
2N987	10/6	AF106	10/6	BFY20	12/-	NKT216	6/4	OC82	3/6
2N1090	6/6	AF114	5/-	BFY21	8/6	NKT217	9/4	OC82M	3/6
2N1091	6/6	AF115	5/3	BFY24	9/-	NKT218	22/6	OC81D	3/6
2N1131	6/6	AF116	4/6	BFY41	9/6	NKT219	6/6	OC82	3/6
2N1132	7/6	AF117	4/6	BFY50	12/6	NKT221	5/6	OC82M	3/6
2N1302	4/-	AF118	12/-	BFY50	12/6	NKT223	6/6	OC83	4/6
2N1303	4/3	AF119	4/-	BFY51	6/-	NKT224	4/6	OC84	4/6
2N1304	4/9	AF124	5/-	BFY63	5/6	NKT225	4/9	OC114	7/6
2N1306	5/-	AF126	5/-	BFY77	12/-	NKT227	5/6	OC122	12/6
2N1306	5/-	AF126	5/-	BFY90	12/6	NKT229	5/9	OC123	4/4
2N1307	5/-	AF127	4/6	BSX27	10/-	NKT237	7/9	OC139	7/6
2N1308	6/-	AF128	7/6	BSX29	10/-	NKT238	5/6	OC140	6/6
2N1309	6/-	AF178	12/6	BSX61	12/-	NKT240	6/6	OC141	12/3
2N1420	7/3	AF179	11/-	BSY26	3/6	NKT241	6/6	OC169	6/6
2N1507	5/6	AF180	12/-	BSY27	4/-	NKT251	4/9	OC170	5/6
2N1526	7/6	AF181	8/-	BSY51	10/-	NKT261	4/6	OC171	6/6
2N1909	46/-	AF186	11/-	BSY78	9/3	NKT274	4/9	OC172	7/6
2N2147	16/6	AF189	22/6	BSY79	9/3	NKT275	5/-	OC200	6/6
2N2148	12/-	AFZ11	6/-	BSY82	10/-	NKT277	4/9	OC201	8/6
2N2160	14/6	AFZ12	6/6	BSY83	11/6	NKT403	9/9	OC202	8/6
2N2193	5/6	ASY26	5/6	BSY84	12/-	NKT404	12/6	OC203	6/6
2N2287	20/6	ASY27	7/6	BSY96A	3/6	NKT678	6/-	OC204	5/6
2N2297	6/-	ASY28	5/3	BY100	4/6	NKT713	7/6	OC205	9/6
2N2369A	5/-	ASY29	5/-	BY213	5/-	NKT773	6/-	OC206	14/6
2N2410	10/6	ASY36	5/6	BY211	5/-	NKT777	7/6	OC207	7/6
2N2411	6/6	ASY60	5/-	BY213N	7/6	NKT80113	7/6	OC450	6/6
2N2412	6/6	ASY51	7/6	BY212	6/-	07B	20/-	OC470	8/6
2N2483	9/6	ASY53	4/9	BYZ14	27/6	OA5	3/6	OCPT1	20/-
2N2484	7/6	ASY54	4/9	BYZ15	35/-	OA6	3/6	T8144	4/-
2N2646	11/6	ASY55	6/-	BYZ16	17/6	OA10	3/-	S19T	6/-
2N2696	6/3	ASY62	5/-	C111	13/-	OA47	2/-	SAC40	5/6
2N2865	12/-	ASY96	6/6	C20A	12/6	OA70	1/6	SFT308	7/6
2N2904	7/6	ASZ17	13/6	CRS1/05	5/-	OA71	2/-	SJ052F	7/6
2N2906	8/-	ASZ20	7/3	CS4B	37/6	OA73	2/-	ST722A	5/6
2N2907	8/-	ASZ21	7/6	CB10B	67/6	OA74	4/-	ST7231	12/6
2N2907	7/6	ASZ23	19/6	CV101	5/-	OA79	1/9	SX368	4/6
2N2926	3/-	AUY10	19/6	CV253	20/-	OA81	1/6	SX631	7/6
2N2924	4/6	BC107	3/6	CV2154	32/6	OA85	1/6	SX631UC	10/6
2N3014	7/6	BC108	3/6	CV2155	32/6	OA86	4/6	SX680T	4/6
2N3054	11/6	BC109	3/6	CV2279	10/6	OA89	1/6	SX634WK	8/-
2N3055	14/6	BC113	6/6	CV2923	4/6	OA91	1/6	SX753	15/-
2N3705	4/6	BC115	6/6	CV4073	3/-	OA95	1/6	SZ38C	12/-
2N3706	4/6	BC116	11/6	CV4074	3/6	OA200	2/-	V1610P	15/-
2N3707	4/6	BC118	6/6	CV7108	80/-	OA202	2/-	V1630P	15/-
2N3708	4/6	BC121	4/6	CV7109	75/-	OA210	6/6	V30201P	9/6
2N3709	4/6	BC122	4/6	CV7183	30/-	OA211	10/-	XA122	6/6
2N3710	4/6	BC126	13/-	CV7324	10/-	OA220	11/-	XA124	4/6
2N3819	8/-	BC140	11/-	CV7341	6/-	OA2204	8/-	XA142	5/6
2N3820	20/-	BC145	15/-	CV7347	4/-	OA2207	10/-	XA143	5/6
2N3823	17/-	BC147	4/9	CV7361	12/6	OA2208	6/6	XA152	5/6
2N3900A	11/-	BC148	4/6	D246	7/6	OA2209	6/6	XZ10	8/6
2N6027	10/6	BC157	4/6	DD006	6/6	OA2211	9/6	XZ19	8/6
2N6028	11/6	BC160	12/6	DD008	7/6	OA2222	9/6	XB101	8/6
2N6307	7/6	BCY31	6/-	GD3	6/6	OA2224	9/6	XB121	8/6
2N6308	7/6	BCY32	7/6	GD4	7/6	OA2241	7/6	XK605	5/6
2N6309	11/-	BCY33	5/-	GD5	6/6	OA2242	4/6	XK618	6/6
28005	14/-	BCY34	5/-	GD6	6/6	OA2246	4/6	Z2A92CR	5/6
28013	15/-	BCY38	5/6	GD8	5/6	OA2290	9/6	Z24	12/6
28013A	16/6	BCY39	7/6	GET102	5/-	OC16	15/-	Z83A	6/6
28301	12/6	BCY40	7/6	GET113	5/-	OC16T	16/6	ZT21	6/6
28304	9/-	BCY42	3/-	GET114	4/-	OC19	8/6	ZT43	5/6

TRANSISTORS (POSTAGE, PACKING & INSURANCE) 1/3 PER ORDER

**SEND S.A.E. FOR LIST OF 3,000 TYPES—
VALVES, TUBES AND TRANSISTORS**

TERMS C.W.O. OPEN DAILY TO CALLERS
Mon.-Sat. 9 a.m.-5.30 p.m. Closed Sat. 1.30 p.m.-2.30 p.m.
no C.O.D. Tel. 01-769 0199/1649

VARI-STAT THERMOSTATIC SOLDERING IRON

**HIGH PRODUCTION MINIATURE
MODEL D. 50 WATT**

Weight ... 2 oz.
Heating time ... 50 seconds
Bit Sizes ... 1/16", 3/32", 1/8", 3/16", 1/4"
Nickel or Iron Plated
Voltage ... 250 to 12 volts
Price ... 66/-

**HIGH PRODUCTION INSTRUMENT
MODEL H. 150 WATT**

Weight ... 6 oz.
Heating time ... 1 min. 45 sec.
Bit Sizes ... 3/16", 1/4", 3/8", 7/16"
Nickel or Iron Plated
Voltage ... 250 to 24 volts
Price ... 95/-

OTHER VARI-STAT IRONS:

Miniature Model M 50 watt Push-in Bits 1/32"
1/16", 3/32"
Instrument Model B 70 watt Bit Size 11/64"
Industrial Model I 500 watt Bit Size 5/8"

CARDROSS ENGINEERING CO. LTD.

Woodyard Road, Dumbarton
Phone: Dumbarton 2655



The most accurate
pocket size
CALCULATOR
in the world

The 66 inch OTIS KING scales give you extra accuracy. Write today for free booklet, or send 82/6 for this invaluable spiral slide rule on approval with money back guarantee if not satisfied.

CARBIC LTD. (Dept. PE29)
54 Dundonald Road, London, S.W.19



BAKER 12in. MAJOR £8

The remarkable quality and performance of the "Major" makes possible truly brilliant and rich sound from a single loudspeaker. It recreates the entire musical spectrum from 30 to 14,500 c.p.s. The unit consists of the latest double cone, woofer and tweeter cone together with a special Baker CERAMIC magnet assembly having a flux density of 14,000 gauss and a total flux of 145,000 Maxwells. Bass resonance 45 c.p.s. For Hi-Fi or P.A. Rated 20 watts. Voice coils available 3 or 8 or 15 ohms.

Major Module 30-17,000 cps with tweeter, crossover, baffle £10.19.6
19 12in. and instructions.



Send 4d Stamp for Further Details

Baker Reproducers Ltd

Bensham Manor Road Passage, Thornton Heath, Surrey. 01-684-1665

VALUABLE NEW HANDBOOK FREE TO AMBITIOUS ENGINEERS

Have you had your copy of "Engineering Opportunities"?

The new edition of "ENGINEERING OPPORTUNITIES" is now available—without charge—to all who are anxious for a worthwhile post in Engineering. Frank, informative and completely up to date, the new "ENGINEERING OPPORTUNITIES" should be in the hands of every person engaged in any branch of the Engineering industry, irrespective of age, experience or training.

On 'SATISFACTION OR REFUND OF FEE' terms

This remarkable book gives details of examinations and courses in every branch of Engineering, Building, etc., outlines the openings available and describes our Special Appointments Department.

WHICH OF THESE IS YOUR PET SUBJECT?

ELECTRONIC ENG.
Advanced Electronic Eng.—
Gen. Electronic Eng.—
Applied Electronics—
Practical Electronics—
Radar Tech.—
Frequency Modulation—
Transistors.

ELECTRICAL ENG.
Advanced Electrical Eng.—
General Electrical Eng.—
Installations—
Draughtsmanship—
Illuminating Eng.—
Refrigeration—
Elem. Elec. Science—
Elec. Supply—
Mining Elec. Eng.

CIVIL ENG.
Advanced Civil Eng.—
General Civil Eng.—
Municipal Eng.—
Structural Eng.—
Sanitary Eng.—
Road Eng.—
Hydraulics—
Mining—
Water Supply—
Petrol Tech.

RADIO & T.V. ENG.
Advanced Radio—
General Radio—
Radio & TV Servicing—
TV Engineering—
Telecommunications—
Sound Recording—
Automation—
Practical Radio—
Radio Amateurs' Examination.

MECHANICAL ENG.
Advanced Mechanical Eng.—
Gen. Mech. Eng.—
Maintenance Eng.—
Diesel Eng.—
Press Tool Design—
Sheet Metal Work—
Welding Eng.—
Pattern Making—
Inspection—
Draughtsmanship—
Metallurgy—
Production Eng.

AUTOMOBILE ENG.
Advanced Automobile Eng.—
General Auto. Eng.—
Auto. Maintenance—
Repair—
Auto. Diesel Maintenance—
Auto. Electrical Equipment—
Garage Management.

WE HAVE A WIDE RANGE OF COURSES IN OTHER SUBJECTS INCLUDING CHEMICAL ENG., AERO ENG., MANAGEMENT, INSTRUMENT TECHNOLOGY, WORKS STUDY, MATHEMATICS, ETC.

Which qualification would increase your earning power?
A.M.I.E.R.E., B.Sc.(Eng.), A.M.S.E., A.M.I.P.E., A.M.I.M.I., A.R.I.B.A., A.I.O.B., A.M.I.Ex., A.R.I.C.S., M.R.S.H., A.M.I.E.D., A.M.I.Mun.E., C.ENG., CITY & GUILDS, GEN. CERT. OF EDUCATION, ETC.

BRITISH INSTITUTE OF ENGINEERING TECHNOLOGY
316A, ALDERMASTON COURT, ALDERMASTON, BERKSHIRE

THIS BOOK TELLS YOU

- ★ HOW to get a better paid, more interesting job.
- ★ HOW to qualify for rapid promotion.
- ★ HOW to put some letters after your name and become a key man . . . quickly and easily.
- ★ HOW to benefit from our free Advisory and Appointments Depts.
- ★ HOW you can take advantage of the chances you are now missing.
- ★ HOW, irrespective of your age, education or experience, YOU can succeed in any branch of Engineering.

164 PAGES OF EXPERT CAREER - GUIDANCE

PRACTICAL EQUIPMENT

Basic Practical and Theoretical Courses for beginners in Electronics, Radio, T.V., Etc., A.M.I.E.R.E. City & Guilds Radio Amateurs' Exam. R.T.E.B. Certificate P.M.G. Certificate Practical Electronics Electronics Engineering Practical Radio Radio & Television Servicing Automation

INCLUDING TOOLS

The specialist Electronics Division of B.I.E.T. NOW offers you a real laboratory training at home with practical equipment. Ask for details.

B.I.E.T.

You are bound to benefit from reading "ENGINEERING OPPORTUNITIES"—send for your copy NOW—FREE and without obligation.

POST COUPON NOW!

TO B.I.E.T. 316A, ALDERMASTON COURT, ALDERMASTON, BERKSHIRE.

Please send me a FREE copy of "ENGINEERING OPPORTUNITIES." I am interested in (state subject, exam., or career).

NAME

ADDRESS

WRITE IF YOU PREFER NOT TO CUT THIS PAGE



THE B.I.E.T. IS THE LEADING INSTITUTE OF ITS KIND IN THE WORLD

Published approximately on the 15th of each month by IPC Magazines Ltd., Fleetway House, Farringdon Street, London, E.C.4. Printed in England by The Chapel River Press, Andover, Hants. Sole Agents for Australia and New Zealand—Gordon & Gotch (A/s) Ltd., South Africa—Central News Agency Ltd.; Rhodesia and Zambia—Kingstons Ltd.; East Africa—Stationery and Office Supplies Ltd. Subscription Rate (including postage): For one year to any part of the world £2 5s. 0d. Practical Electronics is sold subject to the following conditions, namely, that it shall not, without the written consent of the Publishers first given, be lent, resold, hired out or otherwise disposed of by way of Trade at more than the recommended selling price shown on the cover, and that it shall not be lent, resold or hired out or otherwise disposed of in a mutilated condition or in any unauthorised cover by way of Trade, or affixed to or as part of any publication or advertising, literary or pictorial matter whatsoever.

HENRY'S RADIO LTD.

ENGLAND'S LEADING COMPONENT AND EQUIPMENT CENTRES

COMPLETE STEREO SYSTEM FOR £39.10.0

HENELEC 5-5 STEREO AMPLIFIER. Inputs for ceramic cartridge, ANX/Tuner. Output for 8 to 15 ohms speakers. Silver with black and wood finish. British made. Size 12½in x 3½in x 6½in. Fitted headphone socket.

Complete system comprises 5-5 amplifier, Garrard 3000 or model 50 with 9TAHC diamond cartridge. Pair E.M.I. 10W speakers; twin tweeters and crossover with polished wood cabinets 18in x 11in x 7in. Also plinth and cover.



- Complete stereo system (Rec. Price £50), £39.10.0, p.p. 20/-
- Amplifier only, £13.19.6, p.p. 7/6
- DHO25 recommended stereo phones, 45/-

BUILD THIS VHF FM TUNER

5 MULLARD TRANSISTORS 300kc/s BANDWIDTH. PRINTED CIRCUIT. HIGH FIDELITY REPRODUCTION. MONO AND STEREO. A popular VHF FM Tuner for quality and reception of mono and stereo. There is no doubt about it—VHF FM gives the REAL sound. All parts sold separately.

PARTS TOTAL COST £6.19.6. ASK FOR BROCHURE No. 3. P.P. 3/6.

DECODER £5.19.6. (FOR STEREO) P.P. 3/-



New printed circuit design with full power output. Fully tuneable on both MW/LW bands. 7 Mullard transistors. Fitted 5in speaker. Room filling power. Easy to build with terrific results. Two colour leathercloth cabinet with silvered front. All local and continental stations. Complete detailed instructions. Total cost £6.19.6, p.p. 6/6.

BUILD YOURSELF A QUALITY RADIO



Ask for Leaflet No. 1.

SINCLAIR EQUIPMENT SPECIAL OFFER

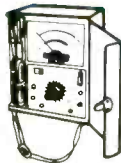
Z30, 75/- each; stereo 60, £8.10.0; PZ5, 79/6; PZ6, £6.19.6; Z50, £5.9.6; PZ8, £5.19.6. Two of Z30, stereo 60, PZ5 (usually £23.10.0) £19; or with PZ6 in place of PZ5, £21.

Complete range of amplifiers and preamplifiers in stock. All detailed in catalogue above.

TEST EQUIPMENT FOR YOUR HOME



AF105 50kV multimeter (illus.), price £8.10.0, p.p. 3/6; leather case, 28/6.
200H 20kV multimeter, price £3.17.6, p.p. 3/-; case, 12/6.
TE20D R.F. Generator (illus.), price £15, p.p. 7/6.
TE22D Matching Audio Generator, price £17, p.p. 7/6.
TE65 Valve Voltmeter, price £17.10.0, p.p. 7/6.
Full details and complete range in catalogue.



HENRY'S STOCK EVERY TYPE OF COMPONENT YOU NEED. A CATALOGUE IS A MUST!

HI-FI equipment to suit EVERY POCKET



FREE STOCK LIST NO. 16/17 ON REQUEST

Choose from 100 complete stereo systems—complete range of individual units also in stock. Demonstrations all day.

100 STEREO SYSTEMS

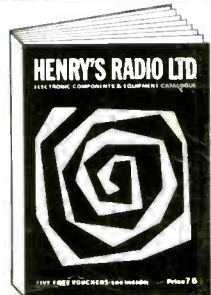
LOW CASH AND CREDIT/HP PRICES (Credit terms from £30 purchase—callers only)



HENRY'S LATEST CATALOGUE

NEW PRINT—NOW 350 PAGES

- ★ COMPONENTS
- ★ EQUIPMENT
- ★ SPECIAL OFFERS
- ★ TESTGEAR
- ★ MODULES



EVERYTHING FOR THE CONSTRUCTOR

Complete with 10/- value discount vouchers for use with purchase. Price 7/6, p.p. 2/-.

WHY NOT SEND AWAY TODAY?

25W and 50W RMS SILICON AMPLIFIERS

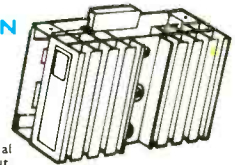
LOOK AT THE SPECIFICATIONS:

- 0.3% distortion at full power.
- -1dB 11c/s to 40kc/s at full power.
- Response -1dB 11c/s-100kc/s.

PA25—10 silicon transistors; differential input; 25W r.m.s. into 8 ohms, 700mV input. Size only 5in x 3in x 2in. Four-hole fixing. Supplied with edge connector and harness.

PA50—12 transistor version, 50W r.m.s. into 3-4 ohms. MU442—power supply for one or two PA25 or one PA50.

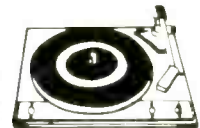
● PA25, £7.10.0. ● PA50, £9.10.0. ● MU442, £6.



NO SOLDERING—JUST PLUG CONNECTORS

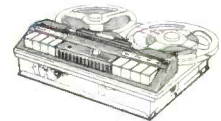
YOU CAN SAVE 25% With brand new GARRARD units (post ext. 7/6).

SP25 Mk. II £11.9.6; AP75, £16.19.6; SL65B £14.19.6; SL72B, £25; A70 Mk. II, £11.19.6. SPECIAL—Above with sonozone 9TAHC diam., add £2; with magnetic, add 70/-; with Goldring G800, add £8.10.0. Also—Fitted with 9TAHC diamond, Model 50, £8.10.0; 3000LM, £9.15.0. Plinth covers: Standard, 99/6, p.p. 4/6; Deluxe, £8.10.0, p.p. 6/-; SL72B type, £8.10.0, p.p. 6/- (Not for A70).



SCOOP—New 1/2" TRACK TAPE DECKS

British made 3-speed mains-operated tape machine. Fitted Marriot XRP517 and XES11 ½in track heads. Piano key operation. Designed for the home constructor. Operates with up to 7in spools vertically or horizontally. Size 13in x 10in x 5½in. PRICE £13.19.6, p.p. 10/6.

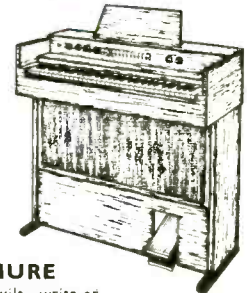


ELECTRONIC ORGANS

- ★ MODERN ALL BRITISH TRANSISTORISED DESIGNS AVAILABLE AS KITS OR READY BUILT
- ★ TEAK VENEERED CABINETS FOR ALL MODELS
- ★ 49 NOTE, 61 NOTE SINGLE MANUAL DESIGNS ALSO TWO 49 MANUAL NOTE
- ★ KITS AVAILABLE IN SECTIONS AS REQUIRED
- ★ HP and CREDIT SALE FACILITIES.

★ FREE 16-PAGE BROCHURE

Covering organs in kit form and ready built—write or phone to ORGAN DEPT. Ask for Peter Elvins.



HENRY'S RADIO LTD.

Mail Order Dept. Electronic Components and Equipment, and Electronic Organ Dept.
303 EDGWARE ROAD, LONDON W2.
Telephone: 01-723 1008/9
Open Mon-Sat. 9am-6pm, Thurs. 9am-1pm

High Fidelity and Audio Centre
309 EDGWARE ROAD, LONDON W2.
Telephone: 01-723 6963
Open all day Saturday.