

March '80
45p

Hobby Electronics

MOBILE MICROELECTRONICS



Short Wave Radio
Full Coverage Receiver
25 Watt Amplifier Modules
Sounds Good

PETting It Together
Bits And Pieces

Touch Switch
Digitally Controlled

PSU Module
Transformer Offer

ambit
INTERNATIONAL

IT'S HAPPENED AGAIN !

THE PART THREE CATALOGUE IS PUBLISHED & WE HAVE MOVED TO BIGGER PREMISES.

Yes, it's here at last - the all new Part Three Catalogue. Fun for all the family, and the usual update on all that is new, worthwhile and exciting in the world of Radio and Communications. A big section on frequency synthesis techniques covering broadcast tuners, to communication quality transmitter systems. More new products than ever - RADIO CONTROL parts, crystal filters, ceramic filters for 455kHz and the new range of TOKO CF5H low temperature coefficient types for 10.7MHz. Details on new radio ICs, including the new HA11225, the CA3189L lookalike with 84dB signal to noise, and adjustable muting threshold. Radio control ICs - and an updated version of the RCM&E 8 channel FM receiver - now with an Ambit designed screened front end, with 27MHz ceramic bandpass filter, LCD panel clock timer modules - the greatest and best LCD panel DVM yet (only £19.45 each + VAT), the new 5 decade resolution DFM3 for LW HF VHF with LCD readout. The DFM6 with fluorescent display to 10kHz resolution on VHF, 1kHz on SW. A 1kHz HF synthesiser with five ICs - the list is endless. Get your copy of the catalogue now. Post publication price is 60p (inc PP etc). The previous two sections are also required for a complete picture: Parts 1 & 2 £1 the pair, All 3 £1.50. And don't miss our spot the gibbon contest, together with a quiz to see if you can spot the differences between a realistic cave drawing and a circuit diagram of one of our competitor's tuners. (* Yes, we still haven't learnt how to spell.)

Updated RCM&E FM radio control RX kit



- 8 Channel RC receiver (FM)
- Single IC RF/IF/Detector
- Single IC decoder
- 27MHz ceramic filter input
- FET RF stage with double tuned bandpass filter
- Dual ceramic filter IF
- Based on RCM&E FM system
- Best quality SLM servo connector block
- ONLY £16.10 inc VAT (kit) (includes new SLM case)

DOES YOUR ONE GLOW GREEN IN THE DARK ??

Our DFM4 does, since it uses a vacuum fluorescent display for direct readout of MW/LW/FM. Basically the same as the DFM2, (LCD Version). £24.45 kit (inc VAT) Transformer with all necessary windings for DFM4 - £2.50 inc VAT.



Not illustrated here - but also now available is the DFM6. This is a vacuum fluorescent display version of our immensely popular DFM3 (LCD). Resolution is 100Hz to 3.9999MHz, 1kHz to 39.999MHz, and 10kHz to 200.00MHz; all standard IF offsets (inc. 10.7MHz on shortwave) are available via diode programming.

New series of radio modules in fully screened cans



UM1181 VHF band 2 VARICAP TUNERHEAD

5 tuned circuit, with image/spurri better than -80dB, buffered LO output, MOSFET RF stage, FET IF preamp, tunes with only 1% to 8v. -9dBm 3rd order intercept. 1off price £12.00 inc VAT. (1000off/ OAI)

911225 FM IF strip with all mod cons for the HiFi tuner: All types use 80+dB S/N Hitachi IC, with muting, AFC, AGC, meter outputs for signal level and centre zero, IF preamp stage.

'A' Dual linear phase ceramic filters, with MOSFET (AGC'd) IF preamp and a 3rd narrow filter with DC filter selection. Dual tuned FM detector stage. £23.95 inc VAT (built)

'B' Dual ceramic filters, single tuned detector stage. £14.95 inc VAT (All 'A' series units are set up with a spectrum analyzer for best THD)

91072 AM RADIO TUNER MODULES - DC TUNED and DC SWITCHED Available February '80

All include buffered LO output, mechanical IF filter (TOKO CFMO) 1-10v tuning bias, switching by a single pole to earth

A MW/LW (150 to 350kHz LW range) with ferrite rod antenna
B As 'A' but also including SW1 or SW2 (specify.)
SW1 - 1.8 to 4MHz SW2 - 5 to 10MHz

C With both SW ranges

Prices - one off INC VAT

'A' £14.43 'B' £15.90 'C' £17.50 (Custom types OAI)

There is a danger - when advertizing in some magazines - that because we do not find space to list everything we sell in every ad., that some readers forget about half the ranges we stock. So to summarize the general ranges:

TOKO
Chokes, coils for AM/FM/SW/MPX, Audio filters etc
Filters: Ceramic for AM/FM, LC for FM, MPX etc.
Polyvaricons
ICs for radio, clock LSI, radio control MPX decoders etc
Micrometals
Dust iron cores for toroids for resonant and EMI filters
Toroid mounts
Hitachi
Radio/audio/mpx linear ICs
100W MOSFETs, small signal FETs, MOSFETs and bipolar

And the following groups of products from a broad range of sources:

Semiconductors - specializing in radio devices, Plessey SL1600, EUROPE's best selection of AM/FM and communications devices. Power MOSFETs, WORLD'S LOWEST NOISE AUDIO small signal transistors, BAR graph LED drivers for linear and log, CD4000 series CMOS, TTL/LPSNTTL, standard linears (741, 301, 3080 etc). MPUs, memories. Small signal transistors from AEG BC237/8/9 families etc. (1000 off BC239C : 5.2p ea)
LEDs: AEG 3mm/5mm round, 2.5x5mm flat, red, green, orange, yellow. The best prices you will find for quality products.
MOSFETs for RF signal processing, including the BF960 UHF device and 3SK51 for VHF. Varicap diodes for 17:1 capacity ratio tuning

FREQUENCY READOUT LSI from OKL with a one-chip answer to most digital frequency display needs (and various modules).

Crystal and ceramic ladder filters from leading manufacturers, ferrite rods, various ferrite beads and a range of crystals for 'standard' frequencies and both AM and FM radio control at 27MHz. Trimmer capacitors.

METERS - a new range of linear movement types, plus many 'indicator' types for VU, all types of tuning indicators etc.

SOCKETS - a new range that are better quality than Texas low profile, yet better priced.

Modules for AM/FM/STEREO, complete kits for tuners, audio amplifiers from Larsholt.

SWITCHES - complete low cost DIY systems for push button arrays, keyboard switches.

DOUBLE BALANCED MIXERS MCL SBL1, replacement for MD108 etc. And cheaper.

OUR LATEST MOVING EXPERIENCE : At last, we have moved to the address below. There is car parking for customers approaching via North Service Road (an extension of North Road Avenue, entrance opposite the Brentwood Fire Station.) Pedestrian access from the High Street (alongside 117 High Street). The new building is six times bigger than our Gresham Road offices, and we will be installing a much expanded sales counter in the fullness of time. NEW TELEPHONE NUMBER (0277) 230909. TELEX NUMBER (as before) 995194 AMBIT G. See you there !

200 North Service Road, Brentwood, Essex.

Hobby Electronics

Vol. 2, No. 5

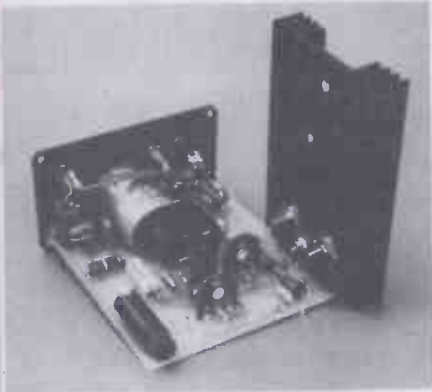
March 1980

PROJECTS

FEATURES

NEWS AND INFORMATION

25 Watt Module 11



Sounds excellent

PSU Module 19

Cheap deal

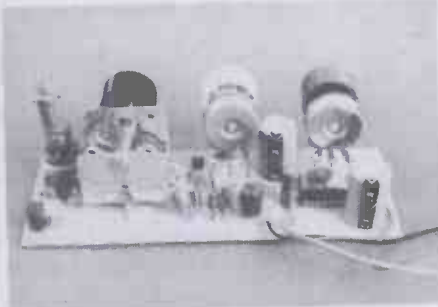
Touch Switch 44

Do it digitally

Miniboard Siren 55

Loud enough?

Short Wave Radio 57



New design

Clever Dick 17

Overseas edition

Short Circuits 23, 33, 36, 52, 72

More novelties

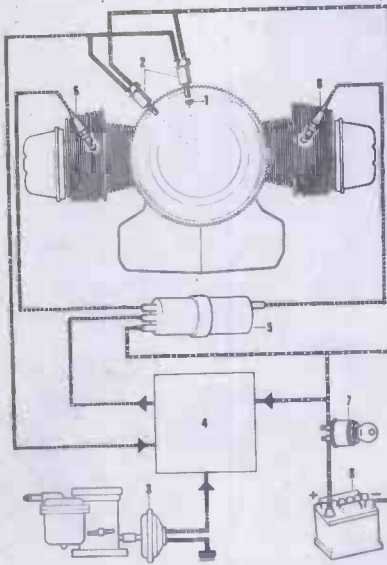
PETting it Together 24

They have the technology

Kit Review 29

Cheap stereo

Electronics on Wheels 38



Roadworthy resistors

Chit-Chat 49

More practical circuits

Breaker One-Four 63

Mike review

Into Electronics Construction 67

Part two

Monitor 6

News, news, news

Books 22

Great reads

Transformer Offer 23

Our primary offer

Market Place 34

Cheaper still

Binders 36

Wrap up well

Next Month's HE 37

Another blockbuster

ETI Coming Soon 48

Big stuff!

Hobbyprints 53

Rubbing down

Back Numbers 54

Still some left

Subscriptions 54

Why miss out?

T-Shirts 55

Adorn yourself

Specials 66

Complete your set

Mini Ads 73

It's all here

Hobby Electronics

145 Charing Cross Road,
London WC2H 0EE
01-437 1002 (4 lines)

Published by Modmags Ltd,

Distributed by Argus Distribution Ltd,

Printed by QB Ltd, Colchester

Hobby Electronics is normally published
on the second Friday of the month prior
to the cover date.

Editor: Halvor Moorshead

Assistant Editor: Rick Maybury

Project Team: Ray Marston, Steve Ramsa-

hadeo, John FitzGerald, Keith Brindley

Production: Diego Rincon, Dee Camilleri

Phil Gerring (Photography)

Technical Artists: Paul Edwards, Tony

Strakas, Joanne Barseghian

Advertising: Chris Surgenor, Steve Rowe,

Sandie Neville, Kate Smith

Admin. Staff: Margaret Hewitt, Bren Good-

win, Tim Salmon, Tracey Campbell, Loraine

Radmore, Lorraine Stout, Halina Di-Lallo, Joan

Brimm

Copyright: All material in this publication is
subject to world-wide copyright protection.
Permission to reproduce printed circuit board
patterns commercially or marketing kits of the
projects must be sought from the Editor. All
reasonable care is taken in the preparation of
the magazine to ensure accuracy but Mod-
mags cannot be held responsible for it legally.



Simply ahead . .

ILP'S NEW GENERATION OF HIGH



I.L.P. modular units comprise five power amplifiers, pre-amp which is compatible with the whole range, and the necessary power supply units. The amplifiers are housed and sealed within heatsinks all of which will stand up to prolonged working under maximum operating conditions.

With I.L.P. performance standards and quality already so well established, any advances in I.L.P. design are bound to be of outstanding importance — and this is exactly what we have achieved in our new generation of modular units. I.L.P. professional design principles remain — the completely adequate heatsinks, protected sealed circuitry, rugged construction and excellent performance. These have stood the test of time far longer than normally expected from ordinary commercial modules. So we have concentrated on improvements whereby our products will meet even more stringent demands such, for example, as those revealed by vastly improved pick-ups, tuners, loudspeakers, etc., all of which can prove merciless to an indifferent amplifier system. I.L.P. modules are for laboratory and other specialised applications too.

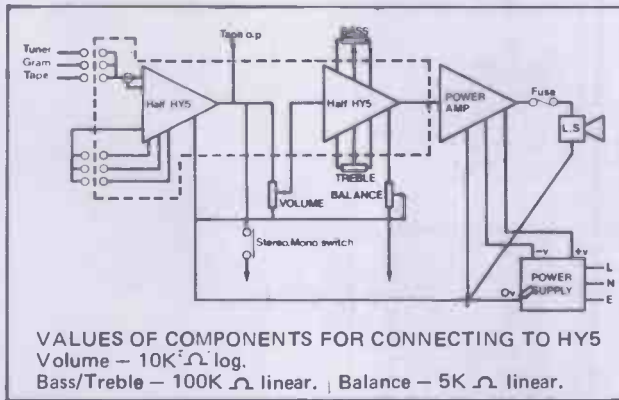
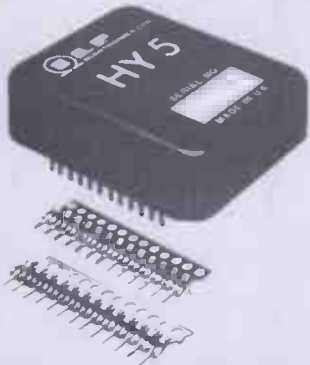
**PRODUCTS OF THE WORLD'S FOREMOST SPECIALISTS
IN ELECTRONIC MODULAR DESIGN**

ALSO AVAILABLE FROM A NUMBER OF SELECTED APPOINTED STOCKISTS

and staying there

PERFORMANCE MODULAR UNITS

HY5 PRE-AMPLIFIER

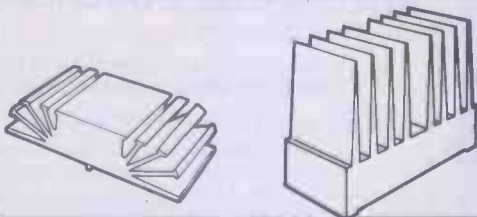
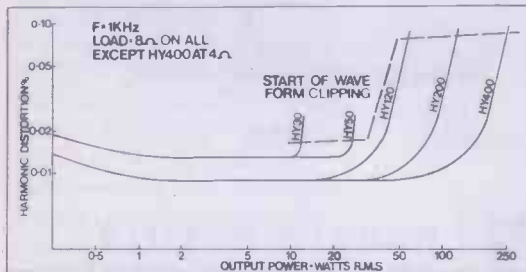


VALUES OF COMPONENTS FOR CONNECTING TO HY5
 Volume - $10K\Omega$ log.
 Bass/Treble - $100K\Omega$ linear. | Balance - $5K\Omega$ linear.

The HY5 pre-amp is compatible with all I.L.P. amplifiers and P.S.U.'s. It is contained within a single pack 50 x 40 x 15 mm. and provides multi-function equalisation for Magnetic/Ceramic/Tuner/Mic and Aux (Tape) inputs, all with high overload margins. Active tone control circuits; 500 mV out. Distortion at 1KHz - 0.01%. Special strips are provided for connecting external pots and switching systems as required. Two HY5's connect easily in stereo. With easy to follow instructions.

£4.64 + 74p VAT

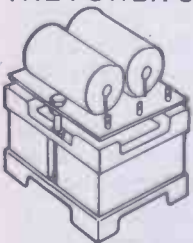
THE POWER AMPLIFIERS



Model	Output Power R.M.S.	Distortion Typical at 1KHz	Minimum Signal/ Noise Ratio	Power Supply Voltage	Size in mm	Weight in gms	Price + V.A.T.
HY30	15 W into 8 Ω	0.02%	80dB	-20 -0 +20	105x50x25	155	£6.34 + 95p
HY50	30 W into 8 Ω	0.02%	90dB	-25 -0 +25	105x50x25	155	£7.24 + £1.09
HY120	60 W into 8 Ω	0.01%	100dB	-35 -0 +35	114x50x85	575	£15.20 + £2.28
HY200	120 W into 8 Ω	0.01%	100dB	-45 -0 +45	114x50x85	575	£18.44 + £2.77
HY400	240 W into 4 Ω	0.01%	100dB	-45 -0 +45	114x100x85	1.15Kg	£27.68 + £4.15

Load impedance - all models 4 - 16 Ω
 Input sensitivity - all models 500 mV
 Input impedance - all models 100K Ω
 Frequency response - all models 10Hz - 45Hz - 3dB

THE POWER SUPPLY UNITS



I.L.P. Power Supply Units are designed specifically for use with our power amplifiers and are in two basic forms - one with circuit panel mounted on conventionally styled transformer, the other with toroidal transformer, having half the weight and height of conventional laminated types.

PSU 30	$\pm 15V$ at 100ma to drive up to five HY5 pre-amps	£4.50 + £0.68 VAT
PSU 36	for 1 or 2 HY30's	£8.10 + £1.22 VAT
PSU 50	for 1 or 2 HY50's	£8.10 + £1.22 VAT
PSU 70	with toroidal transformer for 1 or 2 HY120's	£13.61 + £2.04 VAT
PSU 90	with toroidal transformer for 1 HY200	£13.61 + £2.04 VAT
PSU 180	with toroidal transformer for 1 HY400 or 2 x HY200	£23.02 + £3.45 VAT

**NO QUIBBLE
5 YEAR GUARANTEE**

7-DAY DESPATCH ON ALL ORDERS

INTEGRAL HEATSINKS

BRITISH DESIGN AND MANUFACTURE

FREEPOST SERVICE
-see below

★ ALL U.K. ORDERS DESPATCHED POST PAID

HOW TO ORDER, USING FREEPOST SYSTEM

Simply fill in order coupon with payment or credit card instructions. Post to address as below but do not stamp envelope - we pay postage on all letters sent to us by readers of this journal.



I.L.P.

ELECTRONICS LTD.

FREEPOST 4, Graham Bell House, Roper Close,
 Canterbury, Kent CT2 7EP.
 Telephone (0227) 54778 Telex 965780

Please supply

..... Total purchase price £

I enclose Cheque Postal Orders International Money Order

Please debit my Account/Barclaycard Account No.

NAME

ADDRESS

Signature

Monitor

WHATEVER NEXT?

Ignoring for a moment the young lady (if you can) let us describe to you the object of her obvious affection. It is a TR-1200G (as if you didn't know) Tele-Casseiver. (If that sounded like a new word to you, stay tuned). Panasonic, the people who make the TR etc have made up another word for your. More of that later.

The unit contains, deep breath, a 12 inch monochrome TV, FM stereo radio that will also cover MW, SW, and LW, and of course a stereo tape recorder thrown in for good measure. As you would expect the permutations of recordings are such that you can record something whilst doing something else, confusing, isn't it?

Now for new word number two, the manufacturers say that the TR etc is ideal for making the most of 'Simulcast' productions when the TV soundtrack is additionally transmitted on FM stereo radio. Repeat after me, Tele-casseiver, Simulcast, now on your own. Remember them because we may come round your house to test you.

Usually at this point we get to the painful bit, the price. This time, just to be different, the TR etc seems quite reasonably priced. Considering what you get, a full stereo system (5W per channel) plus a telly, £225 doesn't seem too bad. On the other hand if you're like us it could be £25 and you still couldn't afford it. Ah well, we can all dream.

By the way the young lady is not included in the price, she's an optional extra.



HALVOR GOES WEST

This is the last issue for Hobby Electronics to be edited by Halvor Moorshead. Next month he'll be in ten feet of snow publishing his own magazine in Toronto: the Canadian edition Electronics Today International.

Halvor has been with ETI (HE's big brother) in England since the days when it was a struggling one-year-old. As Editor and Publisher he has been responsible for the phenomenal growth of the magazine and the company. As well as starting the Canadian edition of ETI, back in England Halvor started Hobby Electronics and Computing Today.

Halvor's contribution to the hobby of electronics has been enormous, as any reader of HE, ETI or CT will realise. On behalf of all his friends I wish him success and happiness in North America.

HE's new Editor will be me, Steve Braidwood, currently Assistant Publisher at Modmags. I worked with Halvor on ETI in the old days, and kept in close contact as I did my bit for the colonies on the Australian and Canadian editions of ETI. I returned to London last year and was delighted to work for Halvor once again. So its goodbye Halvor and Hello HE men.

ROBOTS, ROBOTS AND MORE ROBOTS

The long-awaited Robot revolution seems to be finally taking off. First the latest news on HEBOT.

Sales of HEBOT chassis have been phenomenal, several hundred so far are running about, schools and colleges seem to be taking a particular interest. Lansing Bagnall, the fork-lift truck people, are considering using HEBOT to demonstrate their control systems. Our German and Canadian editions of ETI will be featuring HEBOT, orders for chassis are already coming in. On the home front, Nationwide, the BBC TV current affairs programme, are filming HEBOT for a feature that should be transmitted in early February, HEBOT is now a TV star. One of the more surprising aspects of HEBOT sales has been the number of Microdrives sold, almost twice as many drive units as chassis pans. How about sending us some pictures of your HEBOT and any improvements or adaptations you have made. Best pictures and suggestions will be featured in the coming months.

On a more sinister note, we've just heard that Mullard, the TV tubemakers, are to lay off 850 workers over the next two years, guess what will be replacing them? You've got it — Robots. If HEBOT gets any cleverer the next Editor of HE might just be a HEBOT, watch out Steve Braidwood.

PROJECTS SPECIAL

Dotted around the mag you will see references to our latest special. Don't miss next month's issue of HE for the full unexpurgated details!

WATFORD ELECTRONICS

35 CARDIFF ROAD, WATFORD, HERTS., ENGLAND
MAIL ORDER, CALLERS WELCOME. Tel. Watford 40588/9

ALL DEVICES BRAND NEW, FULL SPEC. AND FULLY GUARANTEED. ORDERS DESPATCHED BY RETURN OF POST. TERMS OF BUSINESS: CASH/CHEQUE/P.O. OR BANKERS DRAFT WITH ORDER. GOVERNMENT AND EDUCATIONAL INSTITUTIONS' OFFICIAL ORDERS ACCEPTED. TRADE AND EXPORT INQUIRY WELCOME. P&P ADD 30p TO ALL ORDERS UNDER £10. OVERSEAS ORDERS POSTAGE AT COST, AIR/SURFACE. ACCESS ORDERS WELCOME.

VAT Export orders no VAT. Applicable to U.K. Customers only. Unless stated otherwise, all prices are exclusive of VAT. Please add 18% to all prices.
We stock thousands more items. It pays to visit us. We are situated behind Watford Football Ground. Nearest Underground/BR Station: Watford High Street. Open Monday to Saturday. Ample Free Car Parking space available.

POLYESTER CAPACITORS: Axial lead type.
400V: 1nF, 1n5, 2n2, 3n3, 4n7, 6n8, 10n, 15n 9p; 18n 10p; 22n, 33n 11p; 47n, 68n 14p; 100n 17p;
100V: 22n 24p; 33n, 47n 41p; 68n 52p; 1µF 64p; 2µF 82p.
150V: 33µF, 100n, 150n, 220n 11p; 330n, 470n 18p; 680n, 1µF 22p; 1µ5, 2µ 232p; 4µF 38p.
1000V: 10nF, 15n 20p; 22n 22p; 47n 26p; 100n 35p; 470n 53p; 1µF 175p.

POLYESTER RADIAL LEAD CAPACITORS: 250V:
10n, 15n, 22n, 27n 5p; 33n, 47n, 68n, 100n 7p; 150n 10p; 220n, 330n 13p; 470n 17p; 680n 19p; 1µF 22p; 1µ5 30p; 2µ 34p.

ELECTROLYTIC CAPACITORS: Axial lead type (Values are in µF). 50V: 10 40p; 47 79p; 250V: 100 85p; 63V: 0.47, 1.0, 1.5, 2.2, 2.5, 3.3, 4.7, 6.8, 8, 10, 10p; 15, 22, 47, 32, 50 12p; 63, 100, 27p; 50V: 50, 100, 220, 28p; 470, 32p 1000, 50p; 40V: 22, 33, 10p; 100, 12p; 2200, 3300, 85p; 4700, 98p; 35V: 33, 100, 330, 470, 32p; 1000, 48p; 25V: 10, 22, 47, 6p; 80, 100, 64p; 220, 50p; 13p, 470, 64p, 25p; 1000, 33p; 1500, 35p; 2200, 45p; 3300, 82p; 4700 85p; 18V: 10, 40, 47, 68, 7p; 100, 125, 8p; 220, 330, 14p; 470, 18p; 1000, 1500, 20p; 2200, 34p; 10V: 10, 6p; 64p, 12p; 100, 14p.

TAG-END TYPE: 450V: 100µF 180p; 70V: 4700 185p; 64V: 3300 130p; 2500 98p; 50V: 3300 105p; 2200 98p; 40V: 15000 38p; 4700 120p; 4000 82p; 3300 93p; 2500 85p; 2200 85p; 2000+2000 120p; 30V: 4700 90p; 25V: 6400 105p; 40V 95p; 3300 80p; 2200 80p.

TANTALUM BEAD CAPACITORS 35V: 0.1µF, 0.22, 0.33, 0.47, 0.68, 1.0, 2.2µF, 3.3, 4.7, 6.8, 25V: 1.5, 1.0, 2.0V: 1.5, 1.0V: 1.0µF single each; 47, 50K-2MΩ Single gang 27p 50K-2MΩ Single gang D/P Switch 85p 50K-2MΩ Double gang 75p

MYLAR FILM CAPACITORS 100V: 0.001, 0.002, 0.005, 0.01µF 7p 0.015, 0.02, 0.04, 0.05, 0.055µF 8p 0.1µF, 0.2µF, 0.5µF, 0.47µF 12p

MINIATURE TYPE TRIMMERS 2.5-6pF: 3-10pF: 10-40pF 22p 5-25pF: 5-45pF: 60pF: 88pF 30p

COMPRESSION TRIMMERS 3-40pF: 10-80pF: 25-190pF 33p 100-500pF 45p 1250pF 58p

POLYSTYRENE CAPACITORS: 10pF to 1nF 8p; 1.5nF to 10nF 10p

SILVER MICA (Values in pF) 3.3, 4.7, 6.8, 10, 12, 18, 22, 33, 47, 68, 75, 82, 85, 100, 120, 150, 180 11p each; 220, 250, 270, 300, 350, 390, 450, 500, 560, 620, 680, 750, 820, 900, 1000, 1200, 1800, 2200 26p each.

CERAMIC CAPACITORS 50V: 0.5pF to 100pF 4p; 22n to 100n 6p.

EURO BREADBOARD £6.50.

VOLTAGE REGULATORS

1A	7805	145p	7905	220p
12V	7812	145p	7912	220p
15V	7815	145p		
18V	7818	145p		

1A	TO220	Plastic Casing		
5V	7805	85p	7905	75p
12V	7812	85p	7912	75p
15V	7815	85p	7915	75p
18V	7818	85p	7918	75p
24V	7824	65p	7924	75p

100mA	TO92	Plastic Casing		
5V	78L05	30p	79L05	65p
6V	78L12	30p		
8V	78L12	30p		
12V	78L12	30p	79L12	65p
15V	78L15	30p	79L15	65p

CA3085 85p LM323K 625p TAA550 50p
LM300M 170p LM325N 240p TBA625B 85p
LM305H 140p LM326 240p TDA1412 150p
LM309K 135p LM327 270p 78H05 595p
LM317K 350p LM723 39p

JACKSONS VARIABLE CAPACITORS

Dielectric	0.2	365pF with slow motion Drive	370p
100/300pF	175p		
500pF	205p	00 208/176 with 4511/DAF	125p
6-1 Ball Drive	125p		
Def Drive 4103	125p	motion drive	370p
6.1/36:1	650p	C804-5pF: 10: 15:	75p
Drum 54mm	40p	25: 50p	185p
0.1-365pF	245p	100, 150pF	275p
0.2-365pF	295p	1': 310pF	580p
		0.0, 3x25pF	430p

DENCO COILS RDT2 88p RFC 5 chokes 98p
Range 1 to 5 Bl. 45p 39p 24p
Rd. T. Wh. 85p 13: 14: 15: 16: 17: 82p
1.5 Green 105p 92p
T: 1 to 5 Bl., YL. 18/1.6 104p
Rd. Wh. 99p 18/465 114p
BSA Valve Holder MWSFR 112p
Pin Insertion tool 144p

VEROBOARD 0.1 0.15 0.15 (copper clad) 31p
2 1/2 x 3 1/2" 45p 39p 24p
2 1/2 x 5" 55p 50p 24p
3 1/2 x 3 1/2" 65p 50p -
3 1/2 x 5" 62p 67p 43p
2 1/2 x 1 1/2" 189p 135p 92p
3 1/2 x 1 1/2" 218p 180p 120p
4 1/2 x 1 1/2" 285p - 183p
Pkt of 3 Spins 22p
Spot face cutter 105p
Pin Insertion tool 144p

DIODES AA119 25 20 BA100 10 BY126 12 CR033 148 OA9 7 OA70 12 OA79 18 OA85 14 OA91 7 OA95 8 OA200 9 OA202 8 IN914 16 IN916 16 IN4001/1 5 IN4003 5 IN4004/5 6 IN4006/7 7 IN4148 4 3A/100V 18 3A/400V 20 3A/600V 27 6A/100V 7 6A/200V 6 2A/50V 35 2A/100V 44 2A/200V 48 2A/400V 63 4A/800V 120 6A/100V 73 6A/200V 78 6A/400V 85 12A/100V 68 12A/200V 85 12A/400V 70 12A/500V 85 12A/800V 130 16A/100V 95 16A/200V 110 16A/500V 150 25A/100V 295 2.5 A 1000V 0

ZENERS Range: 20V to 39V 40mW 0.6A/200V 30 0.8A/100V 30 0.8A/200A 35 1A800V 70 5A300V 38 5A600V 43 8A300V 48 8A500V 58 8A600V 88 12A300V 59 12A500V 92 15A700V 195 2N4444 148 2N5602 29 BC117 20 BC108 12 BC109 11 BC107 11 BC108 11 BC109 11 BC110 11 BC111 23 BC112 36 BC113 36 BC114 26 BC115 26 BC116 26 BC117 26 BC118 26 BC119 26 BC120 26 BC121 26 BC122 26 BC123 26 BC124 26 BC125 26 BC126 26 BC127 26 BC128 26 BC129 26 BC130 26 BC131 26 BC132 26 BC133 26 BC134 26 BC135 26 BC136 26 BC137 26 BC138 26 BC139 26 BC140 26 BC141 26 BC142 26 BC143 26 BC144 26 BC145 26 BC146 26 BC147 26 BC148 26 BC149 26 BC150 26 BC151 26 BC152 26 BC153 26 BC154 26 BC155 26 BC156 26 BC157 26 BC158 26 BC159 26 BC160 26 BC161 26 BC162 26 BC163 26 BC164 26 BC165 26 BC166 26 BC167 26 BC168 26 BC169 26 BC170 26 BC171 26 BC172 26 BC173 26 BC174 26 BC175 26 BC176 26 BC177 26 BC178 26 BC179 26 BC180 26 BC181 26 BC182 26 BC183 26 BC184 26 BC185 26 BC186 26 BC187 26 BC188 26 BC189 26 BC190 26 BC191 26 BC192 26 BC193 26 BC194 26 BC195 26 BC196 26 BC197 26 BC198 26 BC199 26 BC200 26

SCRs Thyristors 0.6A/200V 30 0.8A/100V 30 0.8A/200A 35 1A800V 70 5A300V 38 5A600V 43 8A300V 48 8A500V 58 8A600V 88 12A300V 59 12A500V 92 15A700V 195 2N4444 148 2N5602 29 BC117 20 BC108 12 BC109 11 BC107 11 BC108 11 BC109 11 BC110 11 BC111 23 BC112 36 BC113 36 BC114 26 BC115 26 BC116 26 BC117 26 BC118 26 BC119 26 BC120 26 BC121 26 BC122 26 BC123 26 BC124 26 BC125 26 BC126 26 BC127 26 BC128 26 BC129 26 BC130 26 BC131 26 BC132 26 BC133 26 BC134 26 BC135 26 BC136 26 BC137 26 BC138 26 BC139 26 BC140 26 BC141 26 BC142 26 BC143 26 BC144 26 BC145 26 BC146 26 BC147 26 BC148 26 BC149 26 BC150 26 BC151 26 BC152 26 BC153 26 BC154 26 BC155 26 BC156 26 BC157 26 BC158 26 BC159 26 BC160 26 BC161 26 BC162 26 BC163 26 BC164 26 BC165 26 BC166 26 BC167 26 BC168 26 BC169 26 BC170 26 BC171 26 BC172 26 BC173 26 BC174 26 BC175 26 BC176 26 BC177 26 BC178 26 BC179 26 BC180 26 BC181 26 BC182 26 BC183 26 BC184 26 BC185 26 BC186 26 BC187 26 BC188 26 BC189 26 BC190 26 BC191 26 BC192 26 BC193 26 BC194 26 BC195 26 BC196 26 BC197 26 BC198 26 BC199 26 BC200 26

TRIACS BC153 20 BD695A 85 BC154 26 BC155 26 BC156 26 BC157 26 BC158 26 BC159 26 BC160 26 BC161 26 BC162 26 BC163 26 BC164 26 BC165 26 BC166 26 BC167 26 BC168 26 BC169 26 BC170 26 BC171 26 BC172 26 BC173 26 BC174 26 BC175 26 BC176 26 BC177 26 BC178 26 BC179 26 BC180 26 BC181 26 BC182 26 BC183 26 BC184 26 BC185 26 BC186 26 BC187 26 BC188 26 BC189 26 BC190 26 BC191 26 BC192 26 BC193 26 BC194 26 BC195 26 BC196 26 BC197 26 BC198 26 BC199 26 BC200 26

DIAC ST2 25 T28000D 120

7400	11	74126	32	74LS42	98	74LS324	240	4073	21	CA3081	190
7401	11	74128	60	74LS43	63	74LS355	85	4075	23	CA3085	85
7402	11	74131	41	74LS44	24	74LS366	85	4076	85	CA3089E	218
7403	11	74136	55	74LS45	28	74LS367	65	4077	40	CA3090AQ	375
7404	12	74141	45	74LS56	30	74LS368	66	4078	21	CA3123E	150
7405	13	74142	180	74LS63	150	74LS373	180	4081	20	CA3130	85
7406	13	74144	250	74LS74	41	74LS374	150	4082	21	CA3140	48
7407	23	74145	50	74LS75	40	74LS375	160	4085	74	ICL7106E	795
7408	18	74147	90	74LS76	48	74LS378	184	4086	73	ICL7107	975
7409	18	74148	80	74LS78	40	74LS670	248	4089	150	ICM7205	1159
7410	12	74150	50	74LS83	116	7 4 L 5 6 7 3		4093	85	ICM7217A	790
7411	14	74151	37	74LS85	118	1090		4094	190	ICM7555	89
7412	14	74153	37	74LS86	43	7 4 L 5 6 7 4		4095	105	LM339	462
7413	21	74154	59	74LS90	38	1450		4096	105	LM300H	70
7414	21	74155	36	74LS91	104			4097	372	LM301A	23
7415	32	74156	36	74LS92	89			4098	110	LM308	20
7416	26	74157	38	74LS93	99			4099	145	LM318	70
7417	26	74159	20	74LS96	118			4100	13	LM324	45
7418	14	74160	46	74LS98	118			4101	13	LM339	70
7419	14	74161	45	74LS107	44			4102	15	LM348	90
7420	14	74162	45	74LS109	58			4103	87	LM379	375
7421	17	74163	45	74LS112	55			4104	18	LM380	80
7422	17	74164	45	74LS113	50			4105	33	LM381	248
7423	17	74165	45	74LS115	50			4106	38	LM381AN	148
7424	19	74166	60	74LS123	70			4107	28	LM393	125
7425	19	74167	110	74LS124	180			4108	12	LM1458	40
7426	12	74170	59	74LS125	60			4109	41	LM3900	60
7427	12	74172	340	74LS126	60			4110	45	LM3909N	70
7428	19	74173	88	74LS132	95			4111	80	LM3911	125
7429	15	74175	75	74LS138	85			4112	82	LM3914	240
7430	12	74176	75	74LS139	85			4113	82	LM3915	240
7431	12	74177	45	74LS151	96			4114	82	LM3916	240
7432	12	74178	45	74LS153	78			4115	82	LM3917	240
7433	12	74179	45	74LS155	78			4116	82	LM3918	240
7434	12	74180	45	74LS156	78			4117	82	LM3919	240
7435	12	74181	45	74LS157	78			4118	82	LM3920	240
7436	12	74182	33	74LS158	78			4119	82	LM3921	240
7437	17	74183	88	74LS159	96			4120	82	LM3922	240
7438	17	74184	88	74LS161	96			4121	82	LM3923	240
7439	17	74185	88	74LS162	128			4122	82	LM3924	240
7440	11	74186	45	74LS163	128			4123	82	LM3925	240
7441	52	74187	45	74LS164	114			4124	82	LM3926	240
7442	35	74188	53	74LS165	75			4125	82	LM3927	240
7443	35	74189	53	74LS166	75			4126	82	LM3928	240
7444	52	74190	45	74LS167	118			4127	82	LM3929	240
7445	43	74191	45	74LS168	118			4128	82	LM3930	240
7446	43	74192	45	74LS169	118			4129	82	LM3931	240
7447	43	74193	45	74LS170	118			4130	8		

News from the Electronics World

BASICALLY ATARI



Hot on the heels of a couple of other telly game manufacturers Atari have announced their version of the personal computer.

The Atari 400/800 series has been designed with expansion in mind. It will happily connect up to all manner of cassette decks, floppy disc and bubble memory devices. The computer comes complete with a full colour display on your own telly, four sound 'voices' and the capability for working light pens and high speed printers.

The 400 model has 8k RAM, expandable up to 48k when it becomes the 800 series. Similarly the standard 8k ROM will go up to the 40k of the 800 series given time, inclination and money. The machine works in something called Atari Basic and is based on the 6502 Micro-processor IC.

Price wise it looks most attractive, just £400 for the 400 series model and £750 for the 800. Launch date should be in June 1980. Impatient people should contact Ingersoll Electronics Ltd (the importers at 202 New North Road, London N1 7BL).

By the way, it will play games if fed with the appropriate programmes.

TOY CHIPS



Considering the delays we're having getting our single IC radio control system off the ground it was understandably annoying to hear of these new offerings from Plessey.

The pair of ICs in question, (SL490 transmitter and ML928 receiver) were originally developed for remote control systems in TV sets. Much of Plessey's output now ends up in R/C toys, the example shown here is made by a French company, Joustra, who have just ordered half a million of the ICs from Plessey.

These ICs, unlike our proposed system, still need quite a bit of external circuitry, in this respect they are quite versatile, finding a good home in remote control systems using anything from ultrasonics to Infra red.

We have no details of prices as yet but if you would like some more information contact Plessey at: Plessey Semiconductors Ltd, Cheney Manor, Swindon, Wiltshire.

THIMPLE THERMOMETER

Gone are the days when you were required to squint at a near-invisible line of mercury in a thin, fragile glass tube. By that we mean the electronic thermometer has arrived in all its glory. Latest model to blink its LEDs comes from Simwood Ltd. The SM1 covers the range -55 degrees C to +1250°C. The hand-held unit has a three digit display with an accuracy of $\pm 0.15\%$ and a resolution of 1.0°C.

A switch on the side of the unit is operated everytime a measurement is to be made, battery life is expected to ensure around 2000 operations. In the event of a low battery the display will flash.

The SM1 comes complete with a carrying strap and case. Further details from Simwood Ltd., Garrett's Hall, Shalford Green, Essex.



BOOK REVIEW

Still puzzled by integrated circuits? You shouldn't be, not after reading HE all these months. If on the other hand this is your first excursion into the world of micro-electronics then you would be well advised to read a new (ish) book called Integrated Circuits, Questions and Answers. It comes from the pen of R G Hibberd and is published by Butterworth, price £1.55 (ISBN 0408004665).

This little book is probably one of the easiest to follow as it is based on a series of questions and answers. You can literally just pick it up and start anywhere. In the past Q and A books have suffered from poor indexing, a maddening aspect of any book. This one seems to have overcome this problem, making it quite suitable for quick reference. A handy book to have around.

JAWS THE JOB



Have you noticed our new Binders ad? The wording has been changed from the original because of the efforts of one D Bryant. In the original ad we said, (quite lightheartedly)

'Send your cheques, postal order's, gold sovereigns, false teeth or anything negotiable, to.....'

You guessed it, D Bryant sent us his upper set. In return we have sent D Bryant an HE binder, and to discourage anyone else from trying to do the same we have kept his teeth. So if you see a man in the Britsol area walking round with an HE binder in his mouth you'll know why. No more false teeth please, just money (Gold Sovereigns are still OK).

TV EXHIBITION

50 years ago this March Logi Baird's 'Televisor' was finally on sale. The Science Museum in London are celebrating by holding an exhibition called 'The Great Optical Illusion'. It opens in March 1980. Don't miss it. (Look out for our feature on Narrow Bandwidth TV next month).

ERRATA

Now pay attention to this one as it is a bit naughty. On page 32 (Feb HE) Infra Red Remote Control, last paragraph, second column should read:—

(1) The **EARTH'S** of the mains input and output

Not Neutrals, this would be most inadvisable, not to say dangerous. Sorry.

STEVENSON

Electronic Components

CMOS			
4001	13p	4020	50p
4002	13p	4022	50p
4007	13p	4027	13p
4009	30p	4028	45p
4011	13p	4029	50p
4012	13p	4040	55p
4013	28p	4041	55p
4015	50p	4042	55p
4016	28p	4043	50p
4017	47p	4046	90p
4018	55p	4049	25p

FULL DETAILS IN CATALOGUE!

TTL			
7400	10p	7473	20p
7401	10p	7474	22p
7402	10p	7475	25p
7404	12p	7476	20p
7406	22p	7485	55p
7408	12p	7486	20p
7410	10p	7489	135p
7413	22p	7490	25p
7414	39p	7492	30p
7420	12p	7493	25p
7427	20p	7494	45p
7430	12p	7495	35p
7432	18p	7496	45p
7442	38p	74121	25p
7443	38p	74122	35p
7444	45p	74123	38p
7448	50p	74125	35p
7454	12p	74126	35p

OPTO			
LED's	0.125in.	0.2in	each
Red	TIL209	TIL220	9p 7.5p
Green	TIL211	TIL221	13p 12p
Yellow	TIL213	TIL223	13p 12p
Clips	3p	3p	
DISPLAYS			
DL704	0.3 in CC	130p	120p
DL707	0.3 in CA	130p	120p
FND500	0.5 in CC	100p	80p

SKTS			
8pin	8p	18pin	14p
14pin	10p	20pin	16p
16pin	11p	22pin	17p
3 lead T018 or T05 socket	10p	each	
Soldercon pins:	100:50p	1000:370p	

PCBS			
Size in.	0.1in	0.15in.	Vero
2.5 x 1	14p	45p	Cutter 80p.
2.5 x 3.75	45p	45p	
2.5 x 5	54p	54p	Pin insertion tool 108p
3.75 x 5	64p	64p	
3.75 x 17	205p	185p	
Single sided pins per 100	40p	40p	
Top quality fibre glass copper board. Single sided. Size: 203 x 95mm. 60p each.			
'Dato' pens. 75p each			
Five mixed sheets of Affac. 145p per pack			

RESISTORS			
E12 series. 4.7 ohms to 10M. Any mix:			
0.25W	1p	0.9p	1000+
0.5W	1.5p	1.2p	1p
Special development packs consisting of 10 of each value from 4.7 ohms to 1 Meg-ohm (650 res) 0.5W £7.50. 0.25W £5.70.			
METAL FILM RESISTORS			
Very high stability, low noise rated at 1/4W			
1%. Available from 51ohms to 330k in E24 series. Any mix:			
0.25W	each	100+	1000+
	4p	3.5p	3.2p

PLEASE WRITE FOR YOUR FREE COPY OF OUR 80 PAGE CATALOGUE OF COMPONENTS. OVER 2500 ITEMS LISTED.



LINEAR			
LF356	80p	NE531	98p
LM301AN	26p	NE555	23p
LM308	60p	NE556	60p
LM318N	75p	NE567	100p
LM324	45p	RC4136	100p
LM339	45p	SN76477	230p
LM378	230p	TBA800	70p
LM379S	410p	TBA810S	100p
LM380	75p	TDA1022	620p
LM3900	50p	TL081	45p
LM3909	65p	TL084	125p
LM3911	100p	ZN414	80p
MC1468	32p	ZN425E	390p
MM57160	590p	ZN1034E	200p

TRANSISTORS			
AC127	17p	BCY72	14p
AC128	16p	BD131	35p
AC176	18p	BD132	35p
AD161	38p	BD139	35p
AD162	38p	BD140	35p
BC107	8p	BFY50	15p
BC108	8p	BFY51	15p
BC108C	10p	BFY52	15p
BC109	8p	MJ2955	98p
BC109C	10p	MPSA06	20p
BC147	7p	MPSA56	20p
BC148	7p	TIP29C	60p
BC177	14p	TIP30C	70p
BC178	14p	TIP31C	65p
BC179	14p	TIP32C	80p
BC182	10p	TIP2955	65p
BC182L	10p	TIP3055	55p
BC184	10p	ZTX107	14p
BC184L	10p	ZTX108	14p
BC212	10p	ZTX300	16p
BC212L	10p		
BC214	10p		
BC214L	10p		

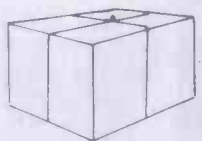
DIODES			
1N914	3p	1N4006	6p
1N4001	4p	1N5401	13p
1N4002	4p	BZY88	8p
ITT Full size product			
1N4148	£1.40	100	

CAPACITORS			
TANTALUM BEAD			
0.1, 0.15, 0.22, 0.33, 0.47, 0.68, 1 & 2.2uF @ 35V			8p
4.7, 6.8, 10uF @ 25V			13p
22 @ 16V, 47 @ 6V, 100 @ 3V			16p
MYLAR FILM			
0.001, 0.01, 0.022, 0.033, 0.047, 0.068, 0.1			3p
			4p
POLYESTER			
Mullard C280 series			
0.01, 0.015, 0.022, 0.033, 0.047, 0.068, 0.1			5p
0.15, 0.22			7p
0.33, 0.47			10p
0.68			14p
1.0uF			17p
CERAMIC			
Plate type 50V. Available in E12 series from 22pF to 1000pF and E6 series from 1500pF to 0.047uF			2p
RADIAL LEAD ELECTROLYTIC			
63V	0.47	1.0	2.2
			4.7
			10
			22
			33
			47
			100
			220
			330
			470
			1000

CONNECTORS			
JACK PLUGS AND SOCKETS			
2.5mm	unscreened	screened	socket
3.5mm	9p	13p	7p
Standard	9p	14p	8p
Stereo	16p	30p	15p
	23p	36p	18p
DIN PLUGS AND SOCKETS			
	plug	chassis socket	line socket
2pin	7p	7p	7p
3pin	11p	9p	14p
5pin 180°	11p	10p	14p
5pin 240°	13p	10p	16p
1mm PLUGS AND SOCKETS			
Suitable for low voltage circuits, Red & black. Plugs. 6p each Sockets: 7p each.			
4mm PLUGS AND SOCKETS			
Available in blue, black, green, brown, red, white and yellow. Plugs: 11p each Sockets: 12p each			
PHONO PLUGS AND SOCKETS			
Insulated plug in red or black			9p
Screened plug			13p
Single socket	7p	Double socket	10p

SPECIAL OFFERS

A range of special offer items valid during February. All orders placed for these items must be received during February.



Pack of 3 x LM380	225p	200p
Pack of 30 x 1N4001	120p	100p
Pack of 4 x FND500	400p	350p
Pack of 15 x 2N3702	120p	100p
Pack of 15 x BC107	120p	100p
Special pack of nuts + bolts containing over 600 4BA + 6BA nuts, bolts and washers	330p	250p
Pack of 4 red + 4 black crocodile clips	64p	50p
Mixer control knobs, per 100 (mixed) colours to suit	1400p	1300p

MULTIMETERS

A really smart looking multimeter with an impressive specification for such a small size. The very clean scale in white and green on a black background makes this meter very easy to read. The D.C. Impedance of this meter is 4K ohms per volt which is exceptionally good compared with the vast majority of multimeters of a similar size. £5.95 each.



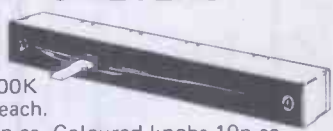
SPECIFICATION	
DC Volts	5V 25V 250V 500V (4K ohms/V)
AC Volts	10V 50V 500V 1000V (2K.ohms/V)
DC Current	250uA 250mA
Resistance	0 - 600K (7K ohms centre)

PANEL METERS

High quality 2" wide view meters. Zero adjustment. Back illumination wiring. Available in 50 uA, 100 uA, 500 uA, 1mA, 100mA, 500mA, 1A. £4.95 ea. VU meter similar style. £1.50 ea.

SLIDE POTENTIOMETERS

Good quality 60mm travel slider with 80mm fixing centres. Available from 5k - 500K in log and linear. 55p each. Suitable black knobs 6p ea. Coloured knobs 10p ea.



We now offer one of the widest ranges of components at the most competitive prices in the U.K. See catalogue for full details. We welcome callers at our shop in College Rd, Bromley, from Mon-Sat, 9am-6pm (8pm on Weds and Fridays). Special offers always available. We also provide an express telephone order service. Orders received before 5pm are shipped same day. Contact our sales office now with your requirements. TELEPHONE: 01-464 2951/5770.

Quantity discounts on any mix TTL, CMOS, 74LS and Linear circuits: 100+ 10%, 1000+ 15%. Prices VAT inclusive. Please add 50p for P & P, no charge for orders over £15. Official orders welcome. All prices valid to April 1980.



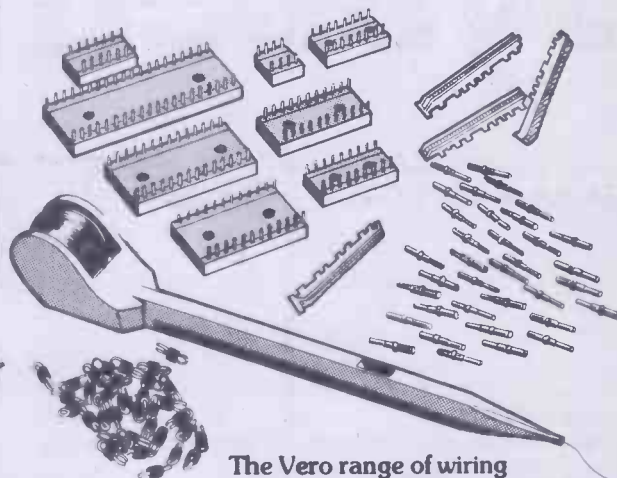
ORDERS DESPATCHED BY RETURN POST

Mail orders to: STEVENSON (Dept HE)

76 College Road, Bromley, Kent BR1 1DE.

vero vero vero

Wiring Accessories



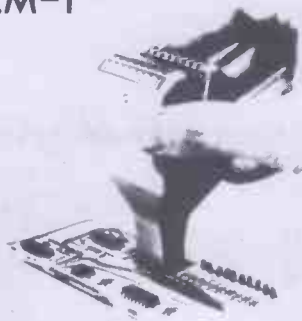
The Vero range of wiring accessories are all highest quality 'professional' products, carefully selected to ease your interconnection problems. There's a full range of pins and DIP sockets (including low-profile) for solder or wire wrapping techniques and the popular Verowire prototype wiring system. Add these to our established range of boards, boxes, frames and cases and you've got all you need for your project. It's all in our catalogue — just send 40p. and it's yours by return.

VERO ELECTRONICS LTD RETAIL DEPT.
Industrial Estate, Chandler's Ford,
Hampshire SO5 3ZR
Tel: (04215) 62829



FASTER THAN A SCOPE — SAFER THAN A VOLTMETER

LOGIC MONITOR
LM-1



ONLY £28.70

plus 15% VAT, plus post and packing
Total £34.44 including box and
instruction manual.



C.S.C. (UK) Limited
Dept 14S Unit 1, Shire Hill Industrial Estate,
Saffron Walden, Essex CB11 3AQ
Telephone Saffron Walden (0799) 21682
Telex 817477

Instant - simultaneous monitoring of the logic state of all IC nodes

Just clip it over your IC.

LM-1 Instantly and accurately shows both static and dynamic logic states on a bright 16 LED display.

LM-1 finds its own power.

LM-1 cuts out guesswork, saves time, and eliminates the risk of short circuits.

LM-1 is suitable for all dual-in-line logic ICs.

LED on = logic state 1 (high), LED off = logic state 0 (low), and each LED is clearly numbered 1 to 16 in the conventional IC pattern.

CSC CONTINENTAL SPECIALTIES CORPORATION		
CONTINENTAL SPECIALTIES CORPORATION, DEPT. 14S Unit 1, Shire Hill Industrial Estate, Saffron Walden, Essex.		
Name		
Address		
QUANTITY REQUIRED	FREE catalogue Tick box <input type="checkbox"/>	I enclose cheque/PO for
LM1. £34.44 inc. p & p and VAT	<input type="text"/>	£
Phone your order with Access, Barclaycard or American Express		
Card No.		Expiry date.

System 5080A

HE introduces a brand new amplifier system beginning with the 5080A POWER AMPLIFIER module.

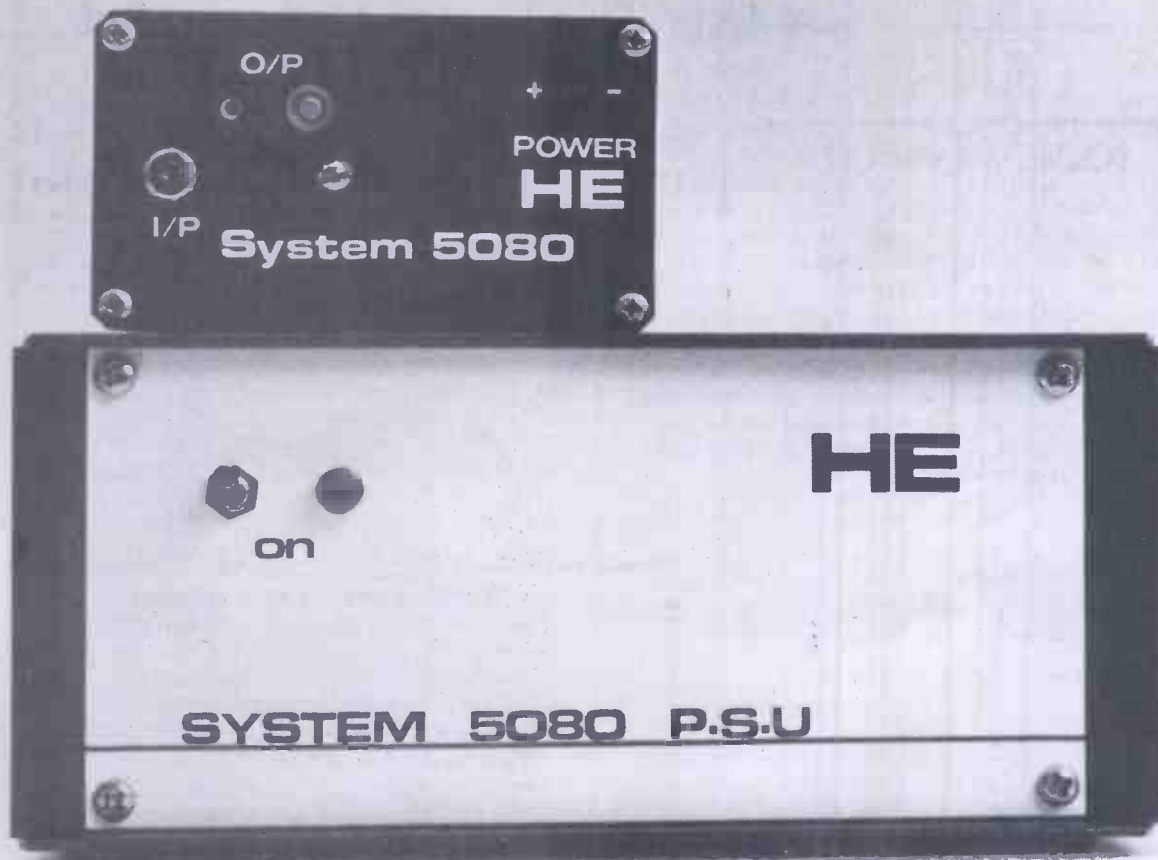
THE HE 5080A POWER AMPLIFIER MODULE is the first part of an exciting new system in modular amplifiers, which on completion will provide the builder with a first rate stereo amplifier of 25 watts per channel into a speaker impedance of 8 ohms. Elsewhere in this issue is the 5080 PSU — the second part of the system and finally, in a couple of months' time the design will be completed with the pre-amplifier module.

The main advantage of a modular amplifier is that each module can be built separately. This suits the builder who cannot afford a complete kit of components all at once, or the builder who is not too sure of his constructional capabilities and who wishes to test each stage as he progresses. An important secondary advantage of such a method of manufacture is the reduction of interference (causing mains hum) from one device to another. The pre-amplifier in any amplifier system is particularly susceptible to pickup from the power amplifier and power supply and the only real way to eliminate this is to separate them — the HE 5080 does this.

The overall objectives of the 5080 are that each module, be self-contained, be easy to construct and look good. These aims do not, however, override the quality of the amplifier as a whole, the specifications and performance being within the criteria of "High Fidelity" audio systems.

To this end, distortion (an amount of which is inevitable in any amplifier) in the 5080A power amp module is so low as to be inaudible and the frequency response of it is well above and below the human hearing range.

To any experienced amplifier constructor, the circuit will look fairly conventional, ie the power stage is a Class AB type and the pre-driver stage is a common collector type to provide a higher input impedance to the source. This is not to say that modern techniques have not been utilised in its design. For example, "state of the art" output stage protection is provided by FS1, which prevents excessive current flow due to faults or short circuits in the speaker connections. In the past, there has been a tendency to use semiconductor type current limits which resume normal operation after the fault has



A fine pair, the 5080 Power Amplifier and PSU modules.

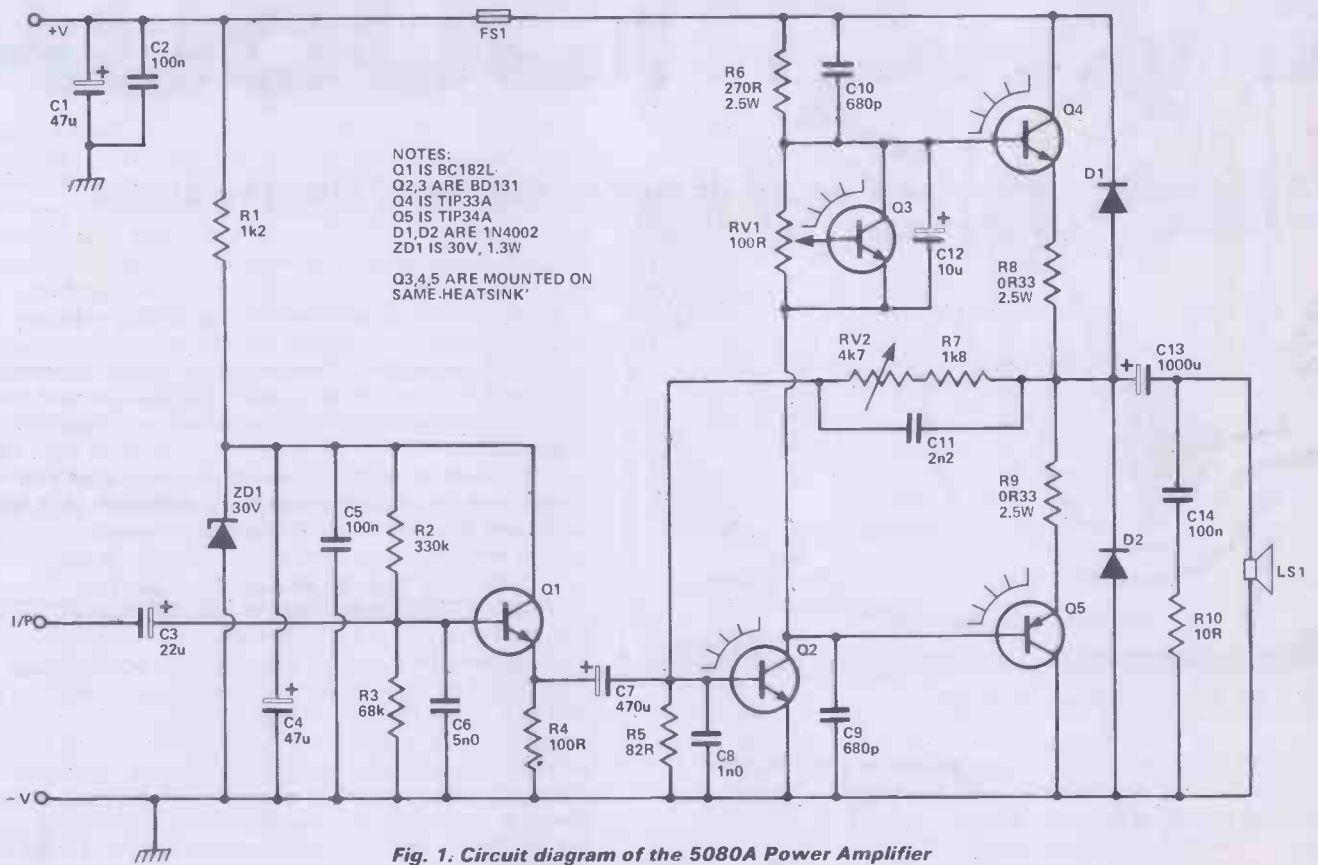
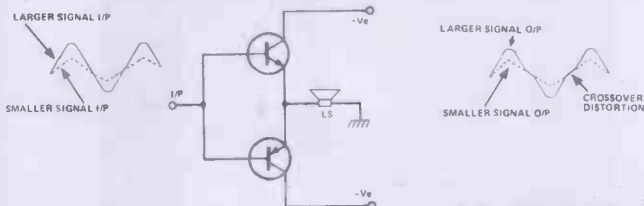


Fig. 1. Circuit diagram of the 5080A Power Amplifier

How it Works

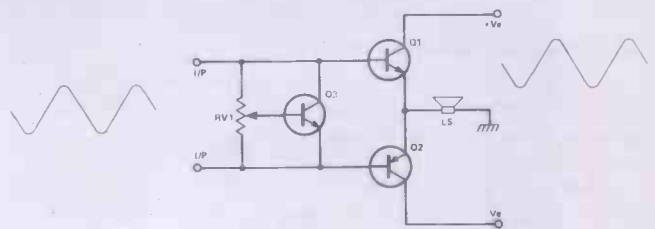
THE 5080A power amp consists of a Class A input stage followed by a Class AB output stage. A class A transistor amplifier is shown in figure 2. As can be seen, a similar configuration is used in the circuitry around Q1 in the 5080A. The transistor is biased permanently half on so that the output waveform is identical to that at the input. Class A amplification is, however, very wasteful of power because the transistor is always conducting a certain amount of current even when there is no I/P signal, ie, under quiescent conditions. This is not normally important except in power amps, where a large amount of power stands to be lost. So, in the power O/P stage we must turn to a more efficient method of amplification.



In a Class B amplifier the transistors are biased to their cut-off point so that they conduct only over one half of the signal waveform. Therefore, without an I/P signal the power loss is zero (meaning greater efficiency). Obviously one transistor is

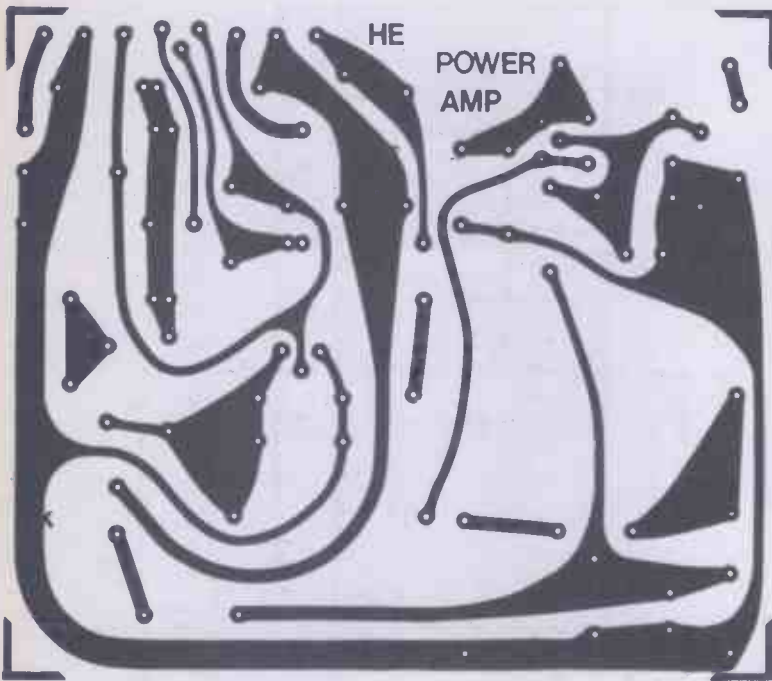
needed for each half of the waveform, as in figure 3.

But, a transistor's characteristic is not linear near the cut-off point, resulting in crossover distortion where the changeover occurs between each transistor. Moreover because the distortion stays the same size irrespective of the signal size, the relative percentage of distortion increases with a smaller signal.

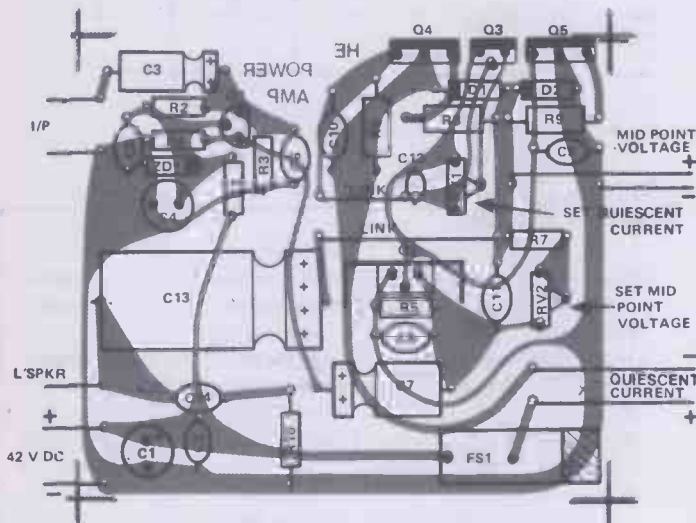


The answer to the problem is to introduce enough bias to eliminate this distortion. The overall effect is a mixture of Class A and Class B amplifications (called Class AB).

The HE 5080A power amplifier does this by means of a simple voltage regulator around Q3 and RV1. Class AB operation does mean that a certain amount of quiescent current is necessary. This is not, however, enough to represent a great heat loss and therefore this mode still maintains a high efficiency.



Above: PCB foil pattern for the 5080 PA



Above: Overlay diagram of the 5080A

been rectified, but consequently the circuit becomes increasingly more complicated. Most amplifier designers are now turning towards fuse protection as the better method.

Another ultra-modern protection technique is in the use of D1 and D2 — included to protect both the output

transistors and the speaker against sharp transients. The loudspeaker being partially a reactive load can cause large back EMFs to occur around the output stage area, which these diodes eliminate.

Also, our designers' minds turned to the problem of appearance — well, what's the use of a gadget if it doesn't look good? You can't show it off to the neighbours if it looks like a tobacco tin radio, can you? And, it has got to be neat — as few wires and cables as possible hanging all over the place, tripping you up and bring the specifications down. No — a compact, good looking module is required, as good as or better than those that can be bought.

The case which we used is just the job, constructed of metal it can be used to shield the amplifier from pickup and also be used as the amplifier's own heatsink. The printed circuit board was, in fact, designed specifically for this case and it does provide the amplifier with very smart and functional protection, although it is by no means essential that the same case is used.

Parts List

RESISTORS (All 1/4W, 5% except where stated)

R1	1K2
R2	330K
R3	68K
R4	100R
R5	82R
R6	270R 2.5W
R7	1K8
R8,9	0R33 2.5W
R10	10R 1W

CAPACITORS

C1	47µF 63V PCB elect
C2,5,14	100n polyester
C3	22µ 25V elect
C4	47µ 40V PCB elect
C6	5n polystyrene
C7	470µ 10V elect
C8	1n polystyrene
C9,10	680p polystyrene
C11	2n2 polystyrene
C12	10µ 16V Tantalum
C13	1000µ 40V elect (see text)

SEMICONDUCTORS

Q1	BC182L
Q2,3	BD 131
Q4	TIP 33A
Q5	TIP 34A
D1,2	1N4002
ZD1	30V 1.3W

MISCELLANEOUS

Heatsink
PCB fuseholder + 1 amp quick blow fuse
Phono socket
2mm sockets — 1 black, 1 red
Rubber grommet
Case — see Buylines.

Buylines

First off, let's get the case out of the way. It is available from West Hyde Developments and is their "Sink Box" of length 100 mm. Their telephone number is Aylesbury (0296) 20441.

PCB mounting electrolytic capacitors are available from Electrovalue.

We cannot foresee any more problems with component supply.

CONSTRUCTION

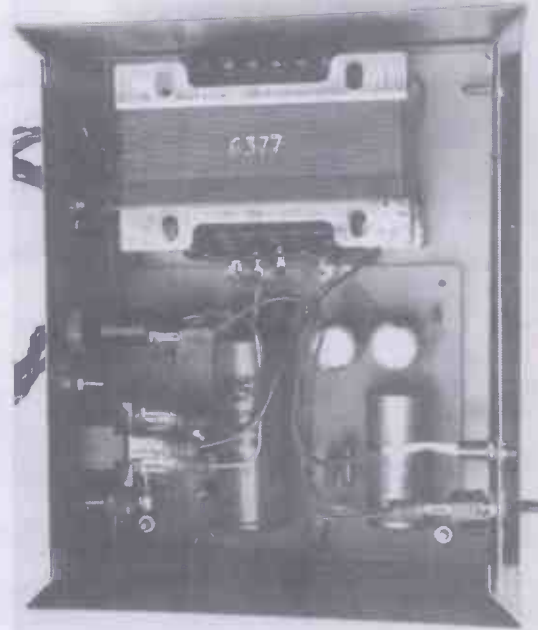
Using our design of printed circuit board, construction is straightforward. Consultation of the layout will tell you that the whole effect is one of neatness. C1 and C4 are PC mounting capacitors — if you have trouble obtaining them a suitable source is mentioned in Buylines. C13 is specified as 100 μ F 40 volt electrolytic, but it does need to be quite small (a maximum of 40mm in length). Various miniature types are available, eg ITT, Plessey etc, but if you cannot obtain one small enough then buy a smaller capacitance value — 680 μ F or 470 μ F — do *not* be tempted to use a capacitor of lower working voltage than 40 volts. By using a smaller capacitance value the only effect will be to slightly diminish the bass response, it will probably not even be noticeable.

Q2 is mounted on its own heatsink (plastic package transistor type — see photographs).

Q3, 4, 5 are all mounted on a large heatsink. If you use the same type case as you will find that the case can be used as the heatsink and does make for a good looking, neat module.

Whatever heatsink is used the transistors must be mounted using mica washers so that each transistor is electrically isolated from each other and also from the case. It is worth checking with a resistance meter that no electrical connections occur before switch on. The PCB can be bracketed to the end panel of the box and I/P phono, speaker O/P plugs and power lead can be made through this panel. Note that all external connections to the board are made from this end, meaning that all leads are kept very short, minimising the possibility of untidy flying leads and pickup. The power supply connection can be made with a small plug and socket as in our modules, or to keep cost down via a long lead with a rubber grommet in the case.

We used a PCB mounting finger release fuse-holder in order that, when the module is cased, the fuse can be



Inside the 5080 PSU module. For constructional details see page 19.

removed or inserted easily. Ordinary PCB types can be used but these make the removal of fuses more awkward. Alternatively a panel mounting fuseholder can be used, connected to the board with flying leads.

SETTING UP

Do *not* attempt to use the amplifier without heatsinks! A heatsink of some description must be fitted before power is applied, either the module case or any ordinary heatsink.

Turn both presets fully anti-clockwise, looking from the end away from the connection panel. Insert a 1 amp quick blow fuse in the fuse holder.

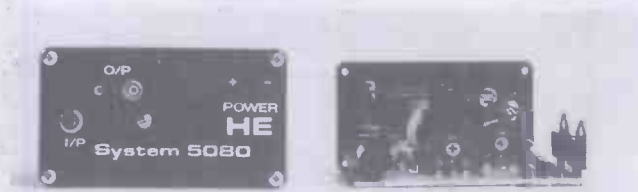
Next, connect the quiescent current test points using a short wire link. There are now two measurements to be taken:

1) The output voltage should be at about half the power supply potential. This is adjustable by RV2 and should be the first test, using a voltmeter connected to the appropriate test points.

2) The quiescent current, adjustable by RV1 and measured using an ammeter connected to the bias current test points (taking the link off first) should be set so that crossover distortion is eliminated. The current with RV1 turned fully anti-clockwise should be no more than 100 mA and is the current through the biasing chain R6, RV1, Q3 and Q2. About 50 mA of quiescent current should be added to the bias current and the final reading should therefore be about 140 to 150 mA, adjusted by RV1.

Finally resolder the link across the test points. If any audible crossover distortion occurs when an audio I/P and a loudspeaker is connected, then turn RV1 a shade further clockwise. But bear in mind that the more the quiescent current is increased the hotter the amplifier will run even with no input signal.

All of these measurements can be made with the board in its case and only the end panel taken off. HE



Two 5080 Amplifier modules removed from their cases.



Close-up of the rear panel of one of the amplifier modules.

Great 1980 Sale

SUPER SOUND SAVING! DINDY LOW NOISE CASSETTES

SJ30	10 C30	15 min per side	£2.00
SJ55	10 C46	23 min per side (LP)	£2.50
SJ31	10 C90	45 min per side	£3.50
SJ32	10 C120	40 min per side	£4.50

ALL REDUCED! CAPACITOR PAKS

16201	18 electrolytics	4.7uf-10uf	
16202	18 electrolytics	10uf-100uf	
16203	18 electrolytics	100uf-680uf	
ALL 3 at SPECIAL PRICE of £1.30			
16160	24 ceramic caps	22pf-82pf	
16161	24 ceramic caps	100pf-330pf	
16162	24 ceramic caps	470pf-3300pf	
16163	24 ceramic caps	4700pf-0.047pf	
ALL 4 at SPECIAL PRICE of £1.80			

RESISTOR PAKS

16213	60 1/4w resistors	100ohm-820ohm	
16214	60 1/4w resistors	1K-8.2K	
16215	60 1/4w resistors	10K-82K	
16216	60 1/4w resistors	100K-820K	
ALL 4 at SPECIAL PRICE of £1.50			
16217	40 1/2w resistors	100ohm-820ohm	
16218	40 1/2w resistors	1K-8.2K	
16219	40 1/2w resistors	10K-82K	
16220	40 1/2w resistors	100K-820K	
ALL 4 at SPECIAL PRICE of £1.80			

IC SOCKET PAKS

SJ36	14	8 pin	2N3819	£0.17
SJ37	12	14 pin	2N5458	£0.18
SJ38	11	16 pin	2N4220	£0.28
SJ39	8	18 pin	2N4860	£0.25
SJ40	7	20 pin		
SJ41	6	22 pin		
SJ42	5	24 pin		
SJ43	4	28 pin		
SJ44	3	40 pin		
ALL at ONLY £1.00 EACH				

F.E.T.s

2N3819	£0.17
2N5458	£0.18
2N4220	£0.28
2N4860	£0.25
(PROGRAMMABLE UNIJUNCTION)	
2N6027	£0.25
BRY56	£0.25

VOLTAGE REGULATORS

Positive	Case	To220	Negative	
uA7805	£0.65	uA7905	£0.70	
uA7812	£0.65	uA7912	£0.70	
uA7815	£0.65	uA7915	£0.70	
uA7818	£0.65	uA7918	£0.70	
uA7824	£0.65	uA7924	£0.70	
uA723 14 pin DIL	£0.35			
LM309K 103	£1.10			

OPTOELECTRONICS

		Price each	£0.70
1510	707 LED display	Price each	£0.70
1511	747 LED Display	Price each	£1.50
1512	727 LED Display	Price each (dual)	£1.55

L.E.D.s

		Price each	
SJ78	.125 LED Diffused	RED	£0.08
SJ79	.2 LED Diffused	RED	£0.08
SJ20	.125 LED Bright	RED	£0.09
SJ21	.2 LED Bright	RED	£0.09
SJ52	.125 LED Diffused	GREEN	£0.11
SJ53	.2 LED Diffused	GREEN	£0.11
SJ54	.125 LED Diffused	YELLOW	£0.11
SJ55	.2 LED Diffused	YELLOW	£0.11
SJ80	.2 LED Bright	YELLOW	£0.14
SJ82	.2 LED Clear Illuminating	RED	£0.10
SJ83	.125 LED Clear Illuminating	RED	£0.10

2nd QUALITY L.E.D. PAKS

1507	10 assorted colours & size	£0.65
SJ22	10 .125 RED	£0.50
SJ23	10 .2 RED	£0.50

L.E.D. CLIPS

1508/ 125	125	5 for £0.10
1508/ 2	2	5 for £0.12

SJ81	1	Infra RED emitter - Fairchild FP100	£0.25
SJ98	5	Photo Detector MEL11 + Oata	£1.00
ORP12		NORP 12 Cad Cell	£0.45
SJ99	4	ITT 5870 ST Nixie Tubes	£1.00

SJ29	Texas NPN silicon transistors 2S503 + BC108 TO-18 metal can - perfect & coded	
50 off £2.50 - 100 off £4.00 - 1,000 off £35.00		

SPECIAL OFFER

SJ100	12v Electric Drill 7,500 RPM for all your PCB drilling complete with 2 drills 1 & 1/8	£5.50
-------	---	-------

SUPER DUPER COMPONENT BOX

Min. 3 lbs in weight consisting of a fantastic assortment of Electronic Components - Pots, Resistors, Condensers, Switches, Relays, Board-Semiconductors, wire, hardware, etc. etc. etc.
This is a large box and is sent separate to your order!
£140 £2.50 including p&p

CALCULATOR CHIP

GOM2-C500	24 pin MOS	£0.50
-----------	------------	-------

IC INSERTION/EXTRACTION TOOL

2015		£0.35 each
------	--	------------

BI-KITS AUDIOMODULES AT PRE-INCREASE PRICES! AMPLIFIERS

AL10	3 watt Audio Amplifier Module 22-32v supply	£2.87
AL20	5 watt Audio Amplifier Module 22-32v supply	£3.74
AL30A	7-10 watt Audio Amplifier Module 22-32v supply	£4.36

AL60	15-25 watt Audio Amplifier Module 30-50v supply	£5.39
AL80	35 watt Audio Amplifier Module 40-60v supply	£8.44
AL120	50 watt Audio Amplifier Module 50-70v supply	£13.74
AL250	125 watt Audio Amplifier Module 50-80v supply	£27.75

STEREO PRE-AMPLIFIER

PA12	Supply voltage 22-32 volts input sensitivity 300mv suit AL10/AL20/AL30	£7.78
PA100	Supply voltage 24-35 volts inputs: Tape, Tuner, Mag P.U., suit: AL60/AL80	£16.05
PS200	Supply voltage 35-70 volts inputs: Tape, Tuner, Mag P.U., suit: AL60/AL120/AL250	£16.59

MONO PRE-AMPLIFIERS

MM100	Supply voltage 40-65 volts inputs: Mag. P.U., Microphone Max output 500mv	£11.30
MM100G	Supply voltage 40-65 volts inputs: 2 Guitars, Microphones Max. output 500mv	£11.30

POWER SUPPLIES

PS12	24v Supply suit 2 x AL10, 2 x AL20, 2 x AL30 & PA12/5.480	£1.50
SPM80	33v Stabilised supply - suit 2 x AL60, PA100 to 15 watts	£4.40
SPM120/45	45v Stabilised supply - suit 2 x AL60, PA100 to 25 watts	£5.80
SPM120/55	55v Stabilised supply - suit 2 x AL80, PA200 £5.80	
SPM120/65	65v Stabilised supply - suit 2 x AL120, PA200, 1 x AL250, PA200	£5.80
SG30	15-0-15 Stabilised power supply for 2 x GE100MKII	£3.80

MISCELLANEOUS

MPA30	Stereo Magnetic Cartridge Pre-Amplifier - input 3.5mv Output 100mv	£2.98
S.450	Stereo FM Tuner supply voltage 20-30v - Varicap tuned	£23.24
STEREO 30	Complete 7 watt per Channel Stereo Amplifier Board - includes amps, pre-amp, power supply, front panel, knobs etc - requires 2050 Transformer	£19.18
BP124	5 watt 12 volt max. - Siren Alarm Module	£3.50
GE100MK11	10 channel mono-graphic equaliser complete with sliders and knobs	£23.00
VPS30	Variable regulated stabilised power supply 2-30 volts 0.2 amps	£7.60
PS250	Consists - 1 capacitor & 4 diodes for constructing unbalanced power supply for AL250 to 125 watts	£3.78

TRANSFORMERS

2034	1.7 amp 35v suit SPM80	£5.40 P&P £1.21
2035	2 amp 55v	£8.35 P&P £1.47
2036	750mA 17v suit PS12	£3.20
2040	1.5 amp 0-45v-65v suit SPM120/45, SPM120/55v	£5.20 P&P £1.21
2041	2 amp 0-55v-65v suit SPM120/55, SPM120/65v	£6.80 P&P £1.47
2050	1 amp 0-20v suit Stereo 30	£3.25 P&P £0.75
1725	150mA 15-0-15v suit SG30	£1.77

ACCESSORIES

139	Teak Cabinet suit Stereo 30, 320 x 235 x 81mm	£6.45
140	Teak Cabinet suit STA15 425 x 290 x 95mm	£7.50
FP100	Front Panel for PA100 & PA200	£1.80
BP100	Back Panel for PA100 & PA200	£1.80
GE100FP	Front Panel for one GE100MKII	£1.75
2240	Kit of parts including Teak Cabinet, chassis, sockets, knobs to build 15 watt stereo amplifier	£19.95

DIODES

Type	Price	Type	Price	Type	Price
AA119	£0.06	OA70	£0.06	IN4004	£0.06
BA100	£0.08	OA79	£0.08	IN4005	£0.07
BA148	£0.13	OA81	£0.08	IN4006	£0.08
BA173	£0.13	OA90	£0.08	IN4007	£0.09
BAX13	£0.05	OA91	£0.08	IN5400	£0.12
BAX16	£0.06	DA95	£0.08	IN5401	£0.13
OA200	£0.06	IN34	£0.06	IN5402	£0.14
OA202	£0.07	IN60	£0.07	IN5404	£0.15
BY100	£0.18	IN4148	£0.05	IN5406	£0.19
BY126	£0.12	IN4001	£0.04	IN5407	£0.23
BY127	£0.14	IN4002	£0.04	IN5408	£0.28
OA47	£0.06	IN4003	£0.05	IS44	£0.03

LINEAR

Type	Price	Type	Price	Type	Price
CA270	£0.95	SL414A	£1.75	TBA810	£0.25
CA3089	£1.70	SN76013N	£1.65	TBA820	£0.85
CA3090	£3.00	SN76023N	£1.60	uA703	£0.20
LM380	£0.80	SN76115	£1.60	uA709C	£0.25
LM381	£1.35	TA8550	£0.30	uA710	£0.25
LM3900	£0.50	TAA621A	£1.80	uA711	£0.26
MC1310P	£0.85	TBA120B	£0.80	741P	£0.16
NE555	£0.18	TBA641A	£1.10	TAA661	£1.25
NE556	£0.65	TBA800	£0.75	TAA661B	£1.25

SPECIAL OFFER COMPONENT PAKS

O/NO	Quantity		£ p.
SJ1	200	Resistors mixed values	0.50
SJ2	100	Carbon resistor 1/4-1/2 watt preformed	0.50
SJ3	100	1/4 watt resistors mixed values	0.50
SJ4	60	1/2 watt resistors mixed values	0.50
SJ5	50	1-2 watt resistors mixed pot values	0.50
SJ6	50	Precision resistors 1-2" tol. mixed	0.50
SJ7	30	5-10 watt wirewound resistors mixed	0.50
SJ11	150	Capacitors mixed types & values	0.50
SJ12	60	Electrolytics all sorts mixed	0.50
SJ13	50	Polyester / polystyrene capacitors mixed	0.50
SJ14	50	C280 type capacitors mixed	1.00
SJ15	40	High quality electrolytics 100-470mf	1.00
SJ16	40	Low volts electrolytics mixed up to 10v	0.50
SJ17	20	Electrolytics transistor types mixed	0.50
SJ18	20	Tantalum bead capacitors mixed	0.50
SJ20	2	Large croc clips 25A rated	0.30
SJ21	1	Large 7 1/2" Mains Neon Tester screwdriver	0.85
SJ22	1	Mains Neon Tester	0.55
SJ23	1	Siemens 220v AC Relay DPDT contacts 10amp rating unmounted in plastic case	1.00
SJ24	1	Black PVC tape (1/4") 15mm x 25m - strong tape for electrical & household use	0.35 per roll 1.50 5 rolls

SJ25	100	Silicon NPN transistors all perfect & coded - mixed types with data & equivalent sheet	2.50
SJ26	100	Silicon PNP transistors all perfect & coded - mixed types and cases data and equivalent	2.50
SJ27	50	Assorted pieces of SCR's diodes & rectifiers incl suit types all perfect - no rejects fully coded - data incl.	2.50
SJ28	20	TTL 74 series gates - assorted 7401 - 7460	1.00
SJ33	1	PC Board - mixed bundle PCB fibreglass paper single & double sided - super value!	0.76
SJ34	200	sq. ins. (approx) copper clad paper board	0.80
SJ36	100	sq. ins. (approx) copper clad fibre glass	0.80
SJ49	8	Dual gang carbon pots log & lin mixed values	1.00
SJ50	20	Assorted slider knobs - chrome/black	1.00
SJ51	1	Switchbank 5 way incl silver knobs	£3.80
SJ52	1	Pak of vero board approx 50 sq. ins mixed	1.00
SJ53	1	Mammoth IC Pack: approx 200 200pcs assorted fall-out integrated circuits including logic 74 series, linear-audio and DTL many coded devices but some unmarked - you to identify	1.00

SJ54	20	Slider pots mixed values & sizes	1.00
SJ56	6	100K lin 40mm slider pots	0.50
SJ57	6	100K log 40mm slider pots	0.50
SJ58	6	1K lin 40mm slider pots	0.50
SJ59	6	5K lin 40mm slider pots	0.50
SJ60	4	5K log 60mm single	0.50
SJ61	4	100K log 60mm single	0.50
SJ62	6	15mm chrome knobs standard push fit	0.50
SJ63	1	Instrument knob - black winged (29 x 20mm) with pointer 1/4" standard screw fit	0.15
SJ64	1	Instrument knob - black / silver aluminium top (17 x 15mm) 1/4" standard screw fit	0.12

METAL CASE DUAL SLIDER POTS: 45mm travel

SJ65	10K log	0.25 each	
SJ66	100K lin	0.25 each	
SJ67	Chrome slider knobs to fit	0.10 each	
SJ68	30	ZTX300 type transistor NPN pre-formed for P/c Board colour coded blue - all perfect	1.00
SJ69	30	ZTX600 type transistor PNP pre-formed for P/c Board colour coded white - all perfect	1.00
SJ70	25	BC107 NPN to 106 case perfect transistors code C1359	1.00</

The professional scopes you've always needed.



Super 6



Super 10

When it comes to oscilloscopes, you'll have to go a long way to equal the reliability and performance of Calscope.

Calscope set new standards in their products, as you'll discover when you compare specification and price against the competition.

The Calscope Super 10, dual trace 10 MHz has probably the highest standard anywhere for a low cost general purpose oscilloscope. A 3% accuracy is obtained by the use of stabilised power supplies which cope with mains fluctuations.

The price £219 plus £17.52 VAT.

The Super 6 is a portable 6MHz single beam model with easy to use controls and has a time base range of 1µs to 100ms/cm with 10mV sensitivity. Price £162 plus £12.96 VAT.

Prices correct at time of going to press

CALSCOPE DISTRIBUTED BY

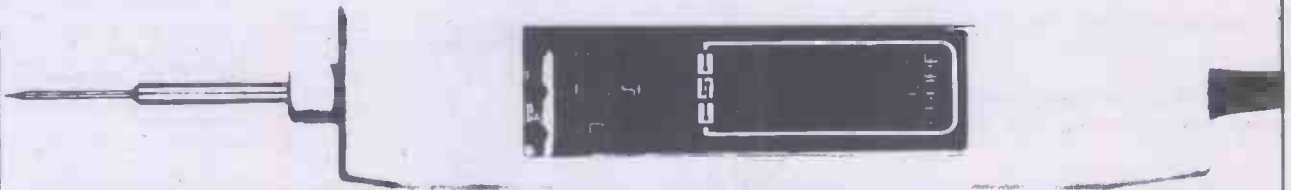
Maplin Electronics Supplies Ltd.
P.O. Box 3
Rayleigh, Essex.
Tel: 0702 715 155
Mail Order

Audio Electronics,
301 Edgware Road, London W.2.
Tel: 01-724 3564
Access and Barclay card facilities
(Personal Shoppers)

Watford Electronics,
33-35 Cardiff Road,
Watford, Herts.
Tel: 0923 40588

CALSCOPE

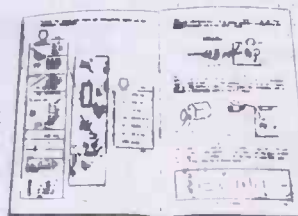
Guess who builds this great



Logic Probe...YOU! for only £11.92

With this easy-to-build Logic Probe Kit from CSC and just a few hours of easy assembly—thanks to our very descriptive step-by-step manual—you have a full performance logic probe.

With it, the logic level in a digital circuit is indicated by light from the Hi or Lo LED; pulses as narrow as 300 nanoseconds are stretched into blinks of the Pulse LED, triggered from either leading edge. You'll be able to probe deeper into logic with the LPK-1, one of the better tools from CSC.



Complete, easy-to-follow instructions help make this a one-night project.

CONTINENTAL SPECIALTIES CORPORATION



C.S.C. (UK) Limited,
Dept. 14Z Unit 1, Shire Hill Industrial Estate,
Saffron Walden, Essex. CB11 3AQ.
Telephone: Saffron Walden (0799) 21682
Telex: 817477.

CONTINENTAL SPECIALTIES CORPORATION. DEPT.14Z
Unit 1, Shire Hill Industrial Estate, Saffron Walden, Essex.

Name _____

Address _____

Inc P&P and 15% VAT
LPK-1 £14.86

I enclose cheque

FREE Catalogue
tick box

Phone your order with Access, Barclaycard
or American Express

Card No _____

Expiry date _____

Clever Dick

Questions from abroad this month. A prize for the correct translation. At the other end of the scale a problem concerning noisy woodworm. Where will it all end?

RIGHTY-HO, brains in top gear, eyes down for another in our series of answers to burning questions. Jonathan Hill is first away this month.

Dear CD,

As issues 1, 2, 3, 6 and 7 of HE are now unobtainable why don't you start a photocopying service for readers. Your sister magazine ETI runs such a service for around 50p per article. If you would consider this idea I am sure many readers would take advantage of this service.

Jonathan Hill,
Northampton

Actually we were considering offering a photocopying service but this was planned for next year. We have been genuinely surprised at the speed at which back numbers have sold out. In response to your request we will be offering photocopies of articles. More details next month.

A quick one from Gavin Cawley now.

Dear Dick,

Is it possible to put the Multi-Siren and R2D2 radio in the same case, sharing the same power supply and speaker?

Gavin Cawley
Coventry

A quick answer for you Gavin, yes. There will have to be a double changeover switch (DP changeover) to switch from one circuit to the other but apart from that it should be OK. By the way, it won't fit into the original R2D2 case, you'll have to find a larger model for that.

Now for something slightly different. Copies of HE reach all over the world, even Belgium. A gentleman called O. Lecoq wrote to us the other day. This is his letter, as he wrote it.

Dear Dick Clever,

In the issue HE of January p.22, you announce projects of negativ ion generators. I made one and I feel no well being, only a weight on the chest when I let, it function during a night in my bedroom.

I think you will be interested by the article "The Invisible Enemy" I join. It was published in the Luxemburgish newspaper "LUXEMBURGER WORT" of the 20.11.79.

O. Lecoq,
Arlon-Frassem, Belgium



Now to the problem. Mr Lecoq writes English much better than we read Luxemburgish. In fact none of us read this or any other language for that matter. (We even have difficulty with English.) The copy of the article is printed below, can any of your read it, if so could you supply us with a translation. First correct entry receives a brand new HE binder.

Incidentally, we are hoping to review a Negative Ion Generator kit in the next month or two. We'll let you know if we feel any well being.

Der unsichtbare Feind:

Ozon ist kein Gesundbrunnen

Unter dem Titel „Ozon ist kein Gesundbrunnen“ veröffentlichte die bekannte „Süddeutsche Zeitung“ am 6. Oktober 1976 einen aufschlußreichen Bericht über ein Symposium, das in Düsseldorf 250 Wissenschaftler und Experten aus 10 Staaten abhielten, um die Gesundheitsrisiken des Ozons zu untersuchen und Schutzmaßnahmen auszuarbeiten.

Wir lesen: „Ozon gilt manchen Menschen noch immer als ‚Gesundbrunnen‘. Wäre dem so, so gäbe es für Ozon keinen MAK-Wert (maximale Arbeitsplatzkonzentration während eines achtstündigen Arbeitstages: 0,2 Milligramm im Kubikmeter Luft) und keinen MTK-Wert. Mengen von 0,15 Milligramm Ozon je Kubikmeter Luft dürfen als halbstündiger Mittelwert nicht überschritten werden.“

Natürlich stellen diese Grenzwerte, vom Gesetzgeber festgelegt, keine wünschenswerten Ozonkonzentrationen dar, sondern geben an, welche Ozonmengen den Arbeitenden überhaupt zugemutet werden können.

Wir lesen weiter: „Ozon beeinträchtigt unmittelbar Mensch, Tier und Pflanze“.

Da Ozon mit in der Luft enthaltenen Kohlenwasserstoffen reagiert, entstehen neue Folgeprodukte, Oxidantien genannt. Wir erfahren:

„Unter diesen (Oxidantien) sind besonders zu nennen die toxischen Stoffe PAN (Peroxyazetylinitrat) und PPN (Peroxypropioninitrat), die unter anderem Aktivitätsstörungen bei Enzymen bewirken, das heißt das Blutbild ändern können. (...) Nur 0,028 Milligramm PAN im Kubikmeter (mg/cbm) Luft genügen, um Pflanzen nach zweistündiger Einwirkung zu zerstören; PPN ist fünfmal so wirksam.“

„Gefährlicher aber ist die unmittelbare biologische Wirkung von Ozon, da es generell schon lange vor den Oxidantien in hohen Konzentrationen auftreten kann und zu 90 Prozent vom menschlichen Organismus aufgenommen wird: 0,16 Milligramm je Kubikmeter schwachen bereits die Infektionsabwehr, bei vorbelasteten Bronchien schädigen Ozon plus Oxidantien bereits im MTK-Wert-Bereich (= 0,15 mg/cbm) das Lungengewebe und die Lungenfunktion.“

Über die Einwirkung auf gesunde Erwachsene erfahren wir: „Akute Ozon-

wirkungen zeigen sich allerdings beim gesunden Erwachsenen spätestens bei Mengen von 0,4 Milligramm je Kubikmeter: ‚trockener Mund und Rachen, Atembeschwerden, Asthma und hartnäckige Kopfschmerzen sind Folgen.“

„Ozon ist nicht nur giftiger als PAN, sondern im Gegensatz zu PAN greift es vor allem die tiefen Atemwege an.“

Interessant ist es, zu erfahren, daß die Riesenstadt Los Angeles (USA) einen Ozonwarnplan für die Bevölkerung praktiziert: „Bei einer Konzentration von 0,2 mg/cbm (in der Außenluft) sind die Fenster zu schließen und Kinder im Haus zu behalten.“

Soweit aus diesem Fachbericht.

Über Ozon erfahren wir weiter im Buch von Prof. Dr. med. Lucas: „Das Neue Große Gesundheitsbuch“, Verlag „Südwest“, Ausgabe 1979, Seite 73, unter dem Kapitel „Wetterfühigkeit.“

„Dem Ozongehalt der Luft (Gehalt an verdichtetem Sauerstoff) besonders in Bodennähe, soll ein entscheidender Einfluß zukommen.“

Die Encyclopaedia Universalis bezeichnet Ozon als giftig, selbst bei schwachen Konzentrationen (Band 19, Seite 1434.)

Schlußfolgernd kann gesagt werden, daß Ozonproduktion in geschlossenen Räumen, besonders aber in kleinen Räumen wie Küche und Badezimmer zu vermeiden ist, da es hier besonders schnell zu hohen toxischen Konzentrationen kommen kann.

Wo Ozon unvermeidlich ist, z.B. beim elektrischen Bogenschweißen, ist für eine gute Belüftung zu sorgen.

The article from Luxemburger Wort

To say we get some unusual requests would be something of an understatement. Take this one from Cliff Robertson for instance.

Dear Dick,

Some time ago I heard about the grubs of woodworm beetles gnawing their way through furniture until they were fat enough to emerge and start on the next lot. One can see the exit holes of the beetles on affected furniture, but there may or may not be younger members of the family still munching away inside. Could you devise a microphone/amplifier/headphone set which would enable a doubtful purchaser of a genuine antique to listen to the ravages of the creatures within? Using my tape recorder microphone and stereo headset, possibly with an adaptor to transfer the sound from the Sheraton to the microphone, or perhaps one of the advertisers in HE might like to adopt the idea!

Cliff Robinson,
Isle of Wight

What a brilliant idea! This was put to the project team who shook their wise heads in disbelief. After picking them up from the floor it transpired there may be one or two practical problems. The first would be calibration, how noisy are woodworm? Would they oblige by holding the microphone? Would they eat the microphone? We have decided to throw this knotty problem over to you. Best suggestions will be published in a month or two.

Our last letter this month comes from one J. F. Button. Getting extremely good value for money has asked three questions. This just goes to prove flattery will get you everywhere.

Dear Dick,

I am writing for three reasons:

- 1) To suggest that every now and then you print the names and photos of various members of the staff at HE and ETI.
- 2) That you design several projects which would all fit onto one big PCB and all use LEDs. (Really just a mini optical effects unit).
- 3) To congratulate you on running the best electronic magazines there are, namely HE and ETI, which I read and enjoy very much. Keep up the good work.

J. F. Button
Winchester

PS: I thought your stand at Breadboard '79 was the best — congratulations.

Letters of this calibre are always given priority treatment. Who can argue with the truth? Seriously though, your first request has to be denied, most of the staff at HE and ETI are either too ugly or are camera shy. You'll just have to be content with the odd pix that creep into articles and projects now and again. Number two is a little easier, we have published several projects along the lines you suggest and will be designing many more in the months to come. Although we have no definite plans for combining them all onto one PCB it is quite possible that it's something we shall consider.

Lastly, thank you very much for number three and the PS. What more can we say **HE**

All these advantages...

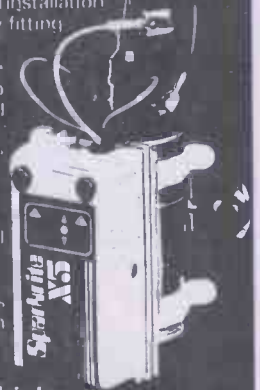
- Instant all-weather starting
- Smoother running
- Continual peak performance
- Longer battery & plug life
- Improved fuel consumption
- Improved acceleration/top speed
- Extended energy storage

..in kit form

SPARKRITE X5 is a high performance, top quality inductive discharge electronic ignition system designed for the electronics D.I.Y. world. It has been tried, tested and proven to be utterly reliable. Assembly only takes 1-2 hours and installation even less due to the patented 'clip on' easy fitting.

The superb technical design of the Sparkrite circuit eliminates problems of the contact breaker. There is no misfire due to contact breaker bounce which is eliminated electronically by a pulse suppression circuit which prevents the unit firing if the points bounce open at high R.P.M. Contact breaker burn is eliminated by reducing the current by 95% of the norm.

There is also a unique extended dwell circuit which allows the coil a longer period of time to store its energy before discharging to the plugs. The unit includes built in static timing light systems function light, and security changeover switch. Will work all rev counters.



Fits all 12v negative-earth vehicles with coil/distributor ignition up to 8 cylinders.

THE KIT COMPRISES EVERYTHING NEEDED

Die pressed case. Ready drilled, aluminium extruded base and heat sink, coil mounting clips and accessories. All kit components are guaranteed for a period of 2 years from date of purchase. Fully illustrated assembly and installation instructions are included.



Roger Clark the world famous rally driver says "Sparkrite electronic ignition systems are the best you can buy."

Sparkrite

HIGH PERFORMANCE
ELECTRONIC IGNITION

Electronics Design Associates, Dept. HE/3
82 Bath Street, Walsall, WS1 3DE. Phone: (0922) 614791

Name _____
Address _____

Phone your order with Access or Barclaycard

I enclose cheque/PO's for

Inc. V.A.T. and P.P.

QUANTITY REQD.

X5KIT £16.95

£

Cheque No. _____

ACCESS OR BARCLAY CARD No. _____

Send SAE if brochure only required.

PSU Module

If you haven't already got a supply for your 5080A power amp modules then you will need one! The 5080 PS is designed for the job.

THERE IS NOT AN AWFUL LOT one can say about a power supply unit. It is a pretty boring project really. Yet most electronic gadgetry just will not work without one. It actually is the work-horse of any mains powered equipment, but is generally forgotten about by most people. The HE 5080 PSU power supply, we hope, will be no exception to the rule. Designed to be trouble free

and easy to build, the supply can be built, tested and used without much fuss.

The 5080 PSU features a dual regulated voltage output of 42 volts DC and 24 volts DC so that it can power two of the 5080A power amplifier modules along with the 5080 Pre-Amplifier module which is still in design stages and will follow in a couple of months time.

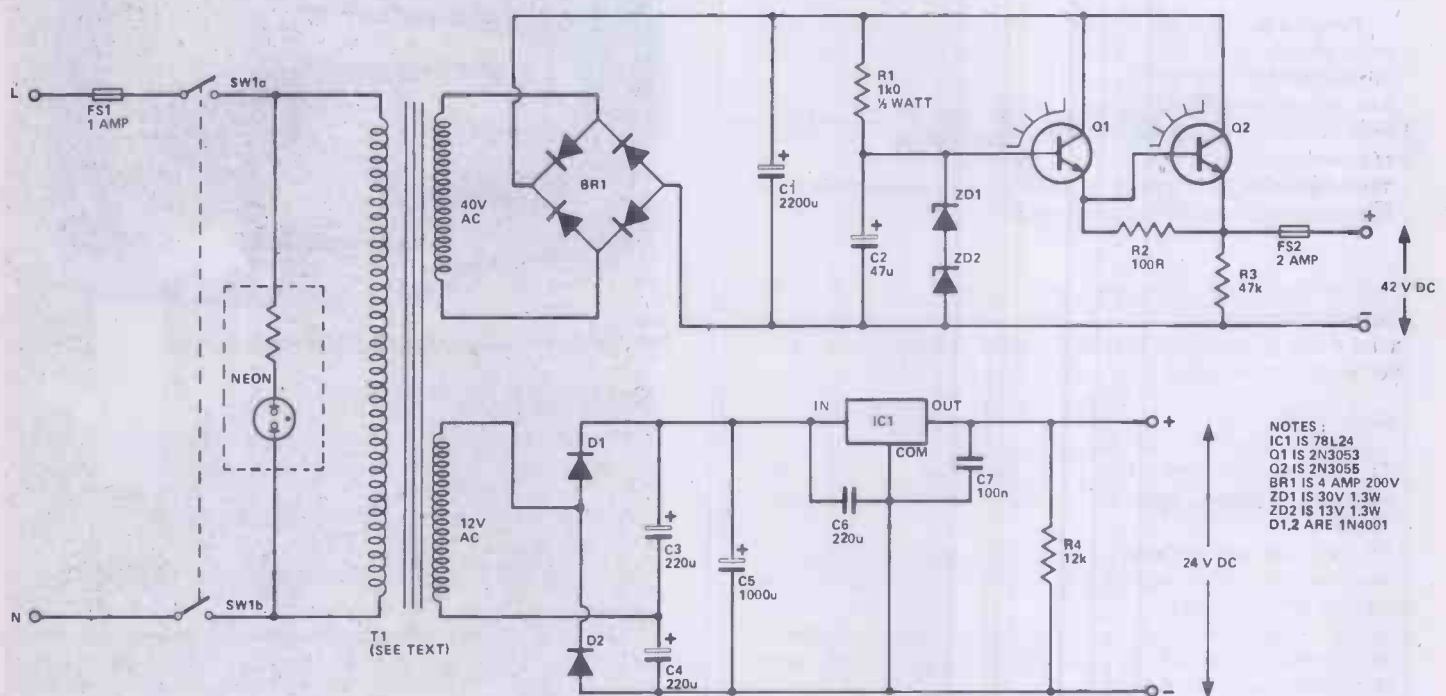


Fig. 1. Circuit diagram of the system 5080 PSU module. Photographs of the module are featured in the 8080 Power Amplifier project on page 11

How it Works

The circuit can be divided into two main parts — the 45 volt DC supply, which is a fairly standard transistorised voltage regulator providing a stable supply for up to two 5080A Power Amplifier modules — and the 24 volt DC supply providing a very stable supply for the future pre-amplifier module in the 5080 system.

The 42 volt supply consists of the usual bridge rectifier and smoothing capacitor. A stable 43 volts is given by the series combination of ZD1 and ZD2. Q1 and 2 form a Darlington pair in a series pass regulator configuration to allow the high current

output necessary with power amps.

The 24 volt supply is somewhat more unusual in that a voltage doubler rectifying stage is used around D1, 2 and C3, 4 so that over 24 volts DC is available from 12 volts AC. IC1 is a 24 volt regulator providing up to 100 mA at that voltage — quite ample for most pre-amplifier applications.

FS2 is quoted as a 2 amp fuse — this is essential when the PSU is to supply two power amplifier modules of the 5080A type. If only one power amplifier is to be run, then lower the fuse rating of the power supply to 1 amp.

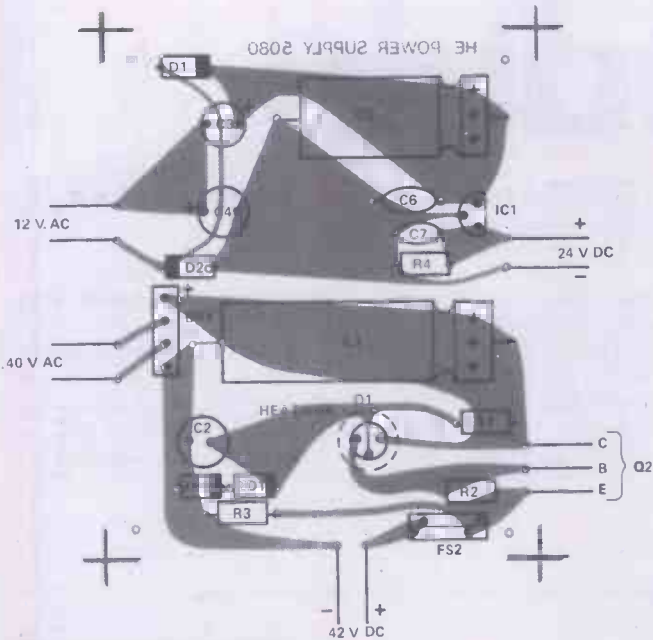


Fig. 2. Component overlay

Parts List

RESISTORS (All 1/4W, 5% unless otherwise stated)

R1	1K0 1/2W
R2	100R
R3	47K
R4	12K

CAPACITORS

C1	2200 u 63 volt Elect.
C2	47 u 63 volt PCB Elect.
C3, 4	220 u 25 volt PCB Elect.
C5	1000 u 40 volt Elect.
C6	220 n polyester
C7	100 n polyester

SEMICONDUCTORS

IC1	78L24
BR1	4Amp 200V bridge rectifier
Q1	2N3053
Q2	2N3055
ZD1	30 V 1.3Watt zener
ZD2	13 V 1.3Watt zener
D1, 2	1N4001

MISCELLANEOUS

Panel mounting fuseholder + 1 amp fuse
 PCB mounting fuseholder + 2 amp fuse
 Neon mains indicator
 Radiating fin heatsink for TO5 transistor
 Case (see Buylines)
 T1 50 VA or 100 VA mains transformer with 40 volt AC and 12 volt AC windings. (See buylines).

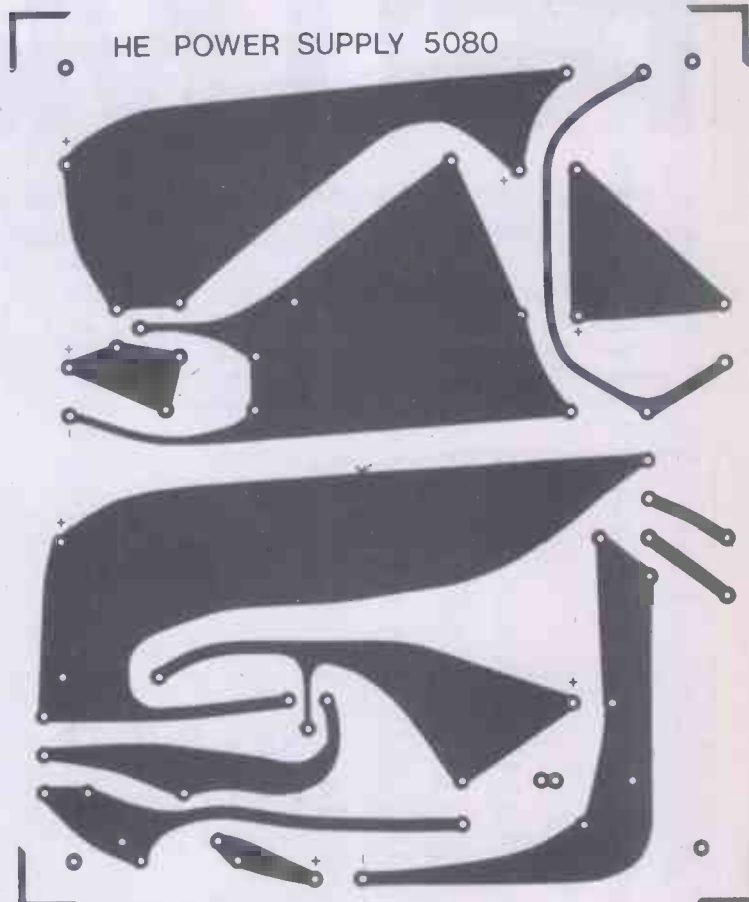


Fig. 3. PCB foil pattern for PSU Module.

CONSTRUCTION

The main construction work concerns the building up of the circuit board, which is fairly spacious and therefore shouldn't be too difficult. C2, 3 and 4 are P.C.B. mounting capacitors and a suitable source in case of difficulty is given in Buylines.

Q1 heatsink is a radiating fin type, to fit a TO5 transistor.

Q2 is mounted on to the metal chassis of the case using the usual mica washer and heat sink compound to provide electrical isolation — check that this is so before you switch on.

SW2 is mounted on the circuit board in fuse clips FS1 however, should be panel mounted on the case, along with SW1 and the neon indicator.

Finally as with any mains powered device, make sure that the chassis case of the power supply is taken to mains earth, with bolt on connection. This is a safety measure in case of any fault.

HE

Buylines

If printed circuit board mounting capacitors are hard to come by, you might try Electrovalue. All other components should be easy to obtain.

Our case was type FP 1B. This is available from Watford Electronics. This case was found to be ideal when a 50 VA transformer was used. If a 100 VA transformer is used, the next case up in the range might be necessary.

Transformer T1, although easily obtainable, may

present some cost problems to your pocket. If this is the case (and even if this is not the case) look at the ad on page 23 of this issue of Hobby Electronics, where lo and behold you will come across the answer to your dreams. Either of these transformers can be used in the 5080 PSU. It would appear that these transformers were purpose-built for the power supply (the truth is that we designed the PSU to suit the transformers).

BY TEXAS		74251	140p	4018	83p	93 SERIES	VERBOARDS	0.1 0.15	TRANSISTORS	BF259	36p	TI292	59p	2N3054	85p	4038/2	45p	10A 400V	200p	
7400	11p	74259	250p	4019	45p	9301	160p	(copper clad)	AC126	25p	BF400	25p	TI303A	43p	2N3054	48p	4038/4	120p	25A 400V	400p
7400	11p	74278	290p	4020	45p	9302	318p	2.5x3.75"	AC127/8	25p	BF401	25p	TI303C	43p	2N3054	48p	4040	80p		
7400	11p	74279	290p	4021	110p	9303	318p	2.5x5"	AC128/8	25p	BF402	25p	TI303A	50p	2N3553	240p	4040	80p		
7401	12p	74283	160p	4022	100p	9310	275p	3.75x3.75"	AC187/8	25p	BF479	25p	TI303C	62p	2N3565	30p	40410	85p		
7402	14p	74293	150p	4023	22p	9311	275p	3.75x5"	AF116	50p	BF480	25p	TI322A	62p	2N3584	250p	40411	300p		
7403	14p	74293	150p	4024	20p	9312	180p	3.75x17"	AD149	45p	BF481	25p	TI333A	62p	2N3702/3	12p	40594	97p		
7404	14p	74298	200p	4025	20p	9314	180p	4.75x17.9"	AD181/2	45p	BF482	25p	TI333A	62p	2N3706/7	12p	40673	75p		
7405	18p	74365	100p	4026	20p	9316	225p	Plat of 100 pins	AJ107	200p	BF484/5	40p	TI334A	110p	2N3706/7	12p	40841	90p		
7406	32p	74367	100p	4027	50p	9321	225p	Spot face cutter	BC108	11p	BF487/7	30p	TI340C	110p	2N3708/9	12p	40871/2	80p		
7407	32p	74368	100p	4029	100p	9334	360p	Pin insertion tool	BC117	8p	BF488	30p	TI355A	225p	2N3773	300p				
7408	11p	74390	200p	4030	55p	9368	200p	Wire/Wireless Test	BC147	8p	BF490	30p	TI355C	250p	2N3820	200p				
7409	18p	74390	200p	4030	55p	9370	200p	+ 2 wire spools	BC149	10p	BF515/2	30p	TI366A	270p	2N3820	200p				
7410	15p	74430	225p	4033	180p	9374	200p	+ combis	BC157	10p	BF516	33p	TI366C	340p	2N3823	70p				
7411	24p	74430	225p	4033	180p	9374	200p	Combs	BC158	10p	BF517	33p	TI366C	340p	2N3866	80p				
7412	20p	74430	225p	4033	180p	9374	200p		BC159	11p	BF518	33p	TI366C	340p	2N3866	80p				
7413	20p	74430	225p	4033	180p	9374	200p		BC162	12p	BF519	33p	TI366C	340p	2N3866	80p				
7414	20p	74430	225p	4033	180p	9374	200p		BC172	12p	BF520	33p	TI366C	340p	2N3866	80p				
7414	20p	74430	225p	4033	180p	9374	200p		BC177/8	17p	BF521	33p	TI366C	340p	2N3866	80p				
7416	27p	74430	225p	4033	180p	9374	200p		BC182/3	10p	BF522	33p	TI366C	340p	2N3866	80p				
7417	27p	74430	225p	4033	180p	9374	200p		BC187	10p	BF523	33p	TI366C	340p	2N3866	80p				
7420	40p	74430	225p	4033	180p	9374	200p		BC212/3	11p	BF524	33p	TI366C	340p	2N3866	80p				
7422	40p	74430	225p	4033	180p	9374	200p		BC214	12p	BF525	33p	TI366C	340p	2N3866	80p				
7423	40p	74430	225p	4033	180p	9374	200p		BC217	12p	BF526	33p	TI366C	340p	2N3866	80p				
7425	30p	74430	225p	4033	180p	9374	200p		BC237	15p	BF527	33p	TI366C	340p	2N3866	80p				
7426	40p	74430	225p	4033	180p	9374	200p		BC237	15p	BF528	33p	TI366C	340p	2N3866	80p				
7427	35p	74430	225p	4033	180p	9374	200p		BC237	15p	BF529	33p	TI366C	340p	2N3866	80p				
7428	17p	74430	225p	4033	180p	9374	200p		BC237	15p	BF530	33p	TI366C	340p	2N3866	80p				
7429	17p	74430	225p	4033	180p	9374	200p		BC237	15p	BF531	33p	TI366C	340p	2N3866	80p				
7432	30p	74430	225p	4033	180p	9374	200p		BC237	15p	BF532	33p	TI366C	340p	2N3866	80p				
7433	40p	74430	225p	4033	180p	9374	200p		BC237	15p	BF533	33p	TI366C	340p	2N3866	80p				
7437	35p	74430	225p	4033	180p	9374	200p		BC237	15p	BF534	33p	TI366C	340p	2N3866	80p				
7438	35p	74430	225p	4033	180p	9374	200p		BC237	15p	BF535	33p	TI366C	340p	2N3866	80p				
7439	35p	74430	225p	4033	180p	9374	200p		BC237	15p	BF536	33p	TI366C	340p	2N3866	80p				
7441	70p	74430	225p	4033	180p	9374	200p		BC237	15p	BF537	33p	TI366C	340p	2N3866	80p				
7442	60p	74430	225p	4033	180p	9374	200p		BC237	15p	BF538	33p	TI366C	340p	2N3866	80p				
7443	60p	74430	225p	4033	180p	9374	200p		BC237	15p	BF539	33p	TI366C	340p	2N3866	80p				
7443	60p	74430	225p	4033	180p	9374	200p		BC237	15p	BF540	33p	TI366C	340p	2N3866	80p				
7443	60p	74430	225p	4033	180p	9374	200p		BC237	15p	BF541	33p	TI366C	340p	2N3866	80p				
7443	60p	74430	225p	4033	180p	9374	200p		BC237	15p	BF542	33p	TI366C	340p	2N3866	80p				
7443	60p	74430	225p	4033	180p	9374	200p		BC237	15p	BF543	33p	TI366C	340p	2N3866	80p				
7443	60p	74430	225p	4033	180p	9374	200p		BC237	15p	BF544	33p	TI366C	340p	2N3866	80p				
7443	60p	74430	225p	4033	180p	9374	200p		BC237	15p	BF545	33p	TI366C	340p	2N3866	80p				
7443	60p	74430	225p	4033	180p	9374	200p		BC237	15p	BF546	33p	TI366C	340p	2N3866	80p				
7443	60p	74430	225p	4033	180p	9374	200p		BC237	15p	BF547	33p	TI366C	340p	2N3866	80p				
7443	60p	74430	225p	4033	180p	9374	200p		BC237	15p	BF548	33p	TI366C	340p	2N3866	80p				
7443	60p	74430	225p	4033	180p	9374	200p		BC237	15p	BF549	33p	TI366C	340p	2N3866	80p				
7443	60p	74430	225p	4033	180p	9374	200p		BC237	15p	BF550	33p	TI366C	340p	2N3866	80p				
7443	60p	74430	225p	4033	180p	9374	200p		BC237	15p	BF551	33p	TI366C	340p	2N3866	80p				
7443	60p	74430	225p	4033	180p	9374	200p		BC237	15p	BF552	33p	TI366C	340p	2N3866	80p				
7443	60p	74430	225p	4033	180p	9374	200p		BC237	15p	BF553	33p	TI366C	340p	2N3866	80p				
7443	60p	74430	225p	4033	180p	9374	200p		BC237	15p	BF554	33p	TI366C	340p	2N3866	80p				
7443	60p	74430	225p	4033	180p	9374	200p		BC237	15p	BF555	33p	TI366C	340p	2N3866	80p				
7443	60p	74430	225p	4033	180p	9374	200p		BC237	15p	BF556	33p	TI366C	340p	2N3866	80p				
7443	60p	74430	225p	4033	180p	9374	200p		BC237	15p	BF557	33p	TI366C	340p	2N3866	80p				
7443	60p	74430	225p	4033	180p	9374	200p		BC237	15p	BF558	33p	TI366C	340p	2N3866	80p				
7443	60p	74430	225p	4033	180p	9374	200p		BC237	15p	BF559	33p	TI366C	340p	2N3866	80p				
7443	60p	74430	225p	4033	180p	9374	200p		BC237	15p	BF560	33p	TI366C	340p	2N3866	80p				
7443	60p	74430	225p	4033	180p	9374	200p		BC237	15p	BF561	33p	TI366C	340p	2N3866	80p				
7443	60p	74430	225p	4033	180p	9374	200p		BC237	15p	BF562	33p	TI366C	340p	2N3866	80p				
7443	60p	74430	225p	4033	180p	9374	200p		BC237	15p	BF563	33p	TI366C	340p	2N3866	80p				
7443	60p	74430	225p	4033	180p	9374	200p		BC237	15p	BF564	33p	TI366C	340p	2N3866	80p				
7443	60p	74430	225p	4033	180p	9374	200p		BC237	15p	BF565	33p	TI366C	340p	2N3866	80p				
7443	60p																			

Hobby Electronics Book Service



POPULAR ELECTRONICS BOOKS

Sinclair, I. R., Introducing Electronic Systems	£1.80
Sinclair, I. R., Introducing Amateur Electronics	£1.55
Sinclair, I. R., Electronic Fault Diagnosis	£3.45
Sinclair, I. R., Repairing Pocket Transistor Radios	£2.50
Sinclair, I. R., Oscilloscope In Use	£3.00
Sinclair, I. R., Understanding Electronic Components	£4.00
Sinclair, I. R., Understanding Electronic Circuits	£4.00
Kitchen, H. T., Handtools For Electronic Workshop	£2.75
Kitchen, H. T., Electronic Test Equipment	£5.00
Capel, V., How To Build Electronic Kits	£2.20
Darr, J., How to test almost everything electronic	£3.50
Brown, R. M., How to read electronic circuit diagrams	£4.10

AUDIO

Earl, J., Audio Technicians Bench Manual	£3.50
Earl, J., Pickups and Loud Speakers	£3.50
Earl, J., Tuners and Amplifiers	£3.00
Earl, J., Cassette Tape Recorders	£5.25
Earl, J., ABC of Hi-Fi	£4.25
Capel, V., Microphones In Action	£3.00
Capel, V., Improving Your Hi-Fi	£3.50
Capel, V., Creative Tape Recording	£4.00
Hellyer, H. W., Tape Recorders	£4.25
Sinclair, I. R., Audio Amplifiers For Home Construction	£2.75

RADIO CONTROL

Aldridge, D., Transistorised Radio Control For Models	£3.50
Drake, J., Radio Controlled Helicopter Models	£3.95
Jeffries, C. R., Radio Control For Model Yachts	£1.85
Safford, E. L., Radio Control Manual	£2.45

COOKBOOKS

Tracton, K., BASIC Cookbook	£4.10
Lancaster, D., TTL Cookbook	£7.00
Lancaster, D., RTL Cookbook	£4.65
Lancaster, D., CMOS Cookbook	£8.20
Jong, W., IC Op Amp Cookbook	£10.00
Lancaster, D., T.V. Typewriter Cookbook	£7.75
Lancaster, D., Cheap Video Cookbook	£7.00
Jong, W., IC Timer Cookbook	£7.50
Lancaster, D., Incredible Secret Money Machine (a how to cook book for setting up your computer or technical business)	£4.95

QUESTIONS AND ANSWERS

SIMPLE AND CONCISE ANSWERS TO MANY QUESTIONS WHICH PUZZLE THE BEGINNER.

Coker, A. J., Q & A On Electric Motors	£1.90
Hellyer, H., Q & A On Radios and T.V.	£1.90
Hibberd, R., Q & A On Integrated Circuits	£1.90
Jackson, K., Q & A On Electricity	£1.90
Brown, C., Q & A On Hi-Fi	£1.90
Brown, C., Q & A On Transistors	£1.90
Brown, C., Q & A On Electronics	£1.90
Reddihough, J., Q & A On Colour T.V.	£1.90
Miller, H., Q & A On Electric Wiring	£1.90

CONSTRUCTOR GUIDES

Graham, P., Simple Circuit Building	£2.60
Colwell, M., Electronic Diagrams	£2.60
Colwell, M., Electronic Components	£2.60
Colwell, M., Printed Circuit Assembly	£2.60
Ainstie, A., Practical Electronic Project Building	£2.60
Colwell, M., Project Planning and Building	£2.60

BEGINNER'S GUIDE

Sinclair, I. R., Beginner's Guide To Tape Recording	£3.35
Sinclair, I. R., Beginner's Guide To Integrated Circuits	£3.35
Sinclair, I. R., Beginner's Guide To Audio	£3.35
King, G. J., Beginner's Guide To Radio	£3.35
King, G. J., Beginner's Guide To Television	£3.35
King, G. J., Beginner's Guide To Colour T.V.	£3.35
Guilou, F., Beginner's Guide To Electric Wiring	£3.35

PROJECT BOOKS

Marston, R. M., 110 Cosmos Digital IC Projects For The Home Constructor	£3.95
Marston, R. M., 110 Wave Form Projects For The Home Constructor	£3.95
Marston, R. M., 110 Op Amp Projects For The Home Constructor	£3.95
Marston, R. M., 110 Semiconductor Projects For The Home Constructor	£3.95
Marston, R. M., 110 Thyristor/SCR Projects For The Home Constructor	£3.95
Marston, R. M., 110 Electronic Alarm Projects for The Home Constructor	£3.95
Marston, R. M., 110 Integrated Circuits Projects For The Home Constructor	£3.95
Marston, R. M., 20 Solid State Projects For The Car and Garage	£3.20
Marston, R. M., 20 Solid State Projects For The Home	£3.20

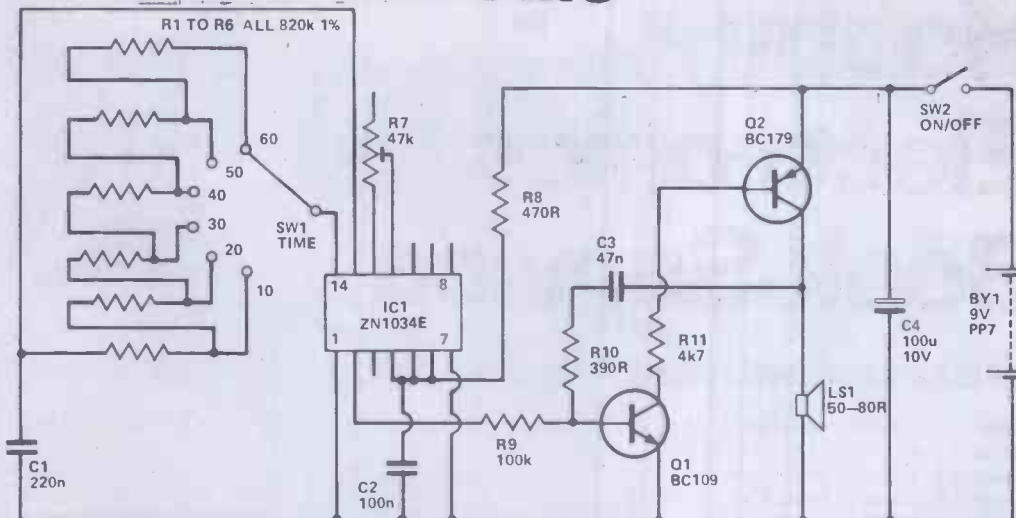
Note that all prices include postage and packing. Please make cheques, etc. payable to Hobby Electronics Book Service (in sterling only please) and send to:

Hobby Electronics Book Service,
P.O. Box 79,
Maidenhead, Berks.

Short Circuit

ZN1034E TIMER

Long timing periods are difficult or even impossible to obtain using most simple timing circuits, such as those using the well-known 555 timer IC. The problem is that such circuits usually provide a timing period of only about 1CR seconds, and times of more than a very few minutes require unrealistically high values for the time resistor and capacitor. The ZN1034E device is specifically intended for applications where long times are required, and using an oscillator, a 14 stage binary divider (divide by 4,096 circuit), and a logic control section, an output time of between about 2,700 and 7,500CR seconds can be attained! This enables times of hours or even days to be obtained, and times of a few minutes to a few hours can be obtained without having to use an electrolytic timing capacitor, giving excellent reliability and accuracy.



This simple timer circuit provides an audible alarm at the end of the timing period which can be varied from 10 to 60 minutes in 10 minute increments. C1 is the timing capacitor, and the timing resistance is formed by whichever of the series of resistors (R1 to R6) is switched into circuit using SW1. The timing resistors all have the same value, and so if one resistor gives a time of 10 minutes, two produce a time of 20 minutes, three give 30 minutes, and so on. The timing period can be varied

from about 2,700CR to 4,100CR seconds using R7, and in practice this is adjusted by trial and error to give a suitability high level of time accuracy.

The ZN1034E has an internal 5V. shunt regulator, and R8 is the load resistor for this. The trigger input (pin 1) is connected to the negative supply so that circuit is triggered at switch on. The not Q output at pin 2 goes low during the timing period, cutting off both Q1 and Q2. These two devices, which form the basis of an audio oscillator

driving LS1, are biased into operation at the end of the timing period when pin 2 goes high, causing the alarm to sound.

The circuit consumes about 8 mA under quiescent conditions, rising to about 16 mA when the alarm is operating. The times provided by the unit can be varied to suit individual requirements by changing the timing component values, but the timing resistance should be no more than about 10 megohms, and the timing capacitance should not be less than 3.3nF.

TRANSFORMER OFFER (PSU)

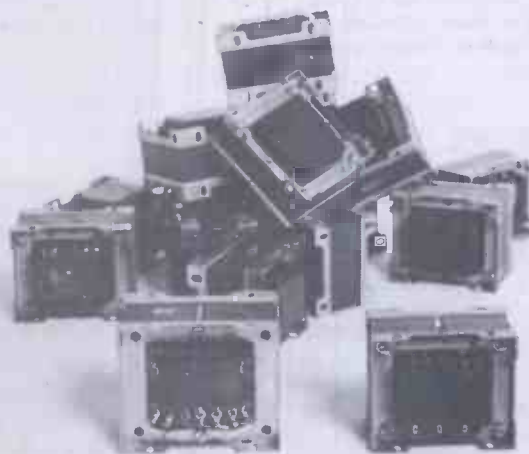
If you are contemplating building the 25 watt amplifier and PSU modules in this month's HE (page 19) then you may be interested in our special Readers Offer this month. We have a fairly limited supply of transformers suitable for the PSU module. These are the same types as used on our prototype. We have two types on offer, the larger of the two is a 100 VA device, it has two 12 V windings and one 40 V winding. The primaries are both rated at 240 V AC. (The smaller model also has a 220 V tapping on the primary).

Both types are available for just £6, that includes VAT and postage and packing. (Postage on the larger one is nearly £1.50!) so as you can see it is a very good deal indeed.

When ordering please specify which type you need (S or L). As stocks may be limited we reserve the right to send you the alternative model, so order early.

Personal callers to the HE offices can purchase the transformers for just £4.50 (inc VAT)

Send cheques, postal orders or gold (not less than 1oz please) to:
HE TRANSFORMER OFFER.
Hobby Electronics,
145 Charing Cross Road,
London WC2H 0EE.



PETting It Together



If you think PETs are small furry animals, then read on. Rick Maybury has been looking around the Commodore factory in California where PETs are made.

'SILICON VALLEY: that conjures up all sorts of images. What the papers and TV programmes fail to tell you is that it is an area some 200 miles long. To locate one particular place requires a little more than a vague map and a tentative invitation.

Heedless of these 'minor' problems HE went in search of the Mecca of microcomputers, that well known manufacturer of watches, calculators and of course PET computers, Commodore.

Commodore, or at least, the place where they make PET are to be found in what might be called the heart of Silicon Valley, Santa Clara. Santa Clara, and particularly the Commodore complex is about as easy to find as a proper English chip (potato that is) in the USA.

Having finally arrived we were greeted by our genial host Neil McElwee who conducted our visit.

Before we launch into graphic descriptions of how PETs get put together some information on other Commodore products. The watch and calculators bearing Commodore badges are mostly built in the Far East, however, LCD displays for which Commodore are justly renowned are put together in their Texas plant. Right, back to sunny California.

PET, or Personal Electronic Transactor, (not sure what it means either) has become synonymous with home computing. They first sprang upon the unsuspecting

world during 1977, bringing computing in real terms into the home. During these past two or three years Commodore have managed to knock out something like 80,000 PETs, surpassed only by the amazing Radio Shack (Tandy to us limeys) who claim an impressive 100,000 TRS 80s on the streets.

SOLAR POWERED

The PET is a rather unholy mixture of modern and 'ancient' technology. On the one hand we have the relatively old fashioned monitor, the telly bit on the top coupled up to the very latest (well, pretty new considering) IC microprocessor technology. Just to complicate matters, a mechanical tape deck is thrown in for good measure. To date the PET is still the only all-in-one computer system on the market. This curious combination is reflected in the factory complex.

The Commodore factory boast one of the most advanced solar heating and air conditioning systems in the world. (Why they should need any kind of heating in California must remain a mystery). Within this ultra-modern complex the PET computers are virtually assembled by hand. In fairness though they hope to be using automatic insertion machines for the main PCBs in

the very near future.

From beginning to end a PET takes about three days to come together, a bit slow when you consider the average family car is built in just a few hours. Much of the three days period is taken up by what the Americans call 'burn time'. We call it 'soaking', it involves putting the various assembled PCBs through a continuous test cycle for up to 36-hours.

BIG SCREEN

Looking round the factory it's surprising to see how many varieties of PET there are. Apart from the various permutations of memory size, 8k, 16k and 32k they also have an intriguing machine called Teachers PET. Far from being designed for whiskey manufacturers it is specifically intended for schools and colleges. To look at it is pretty much the same as a standard PET. Though we're told it has a couple of features that will make teaching the intricacies of computer programming a lot easier. (Classrooms full of sceptical students, we wish them luck). Most of the PETs under construction now sport the green screen, this is the 9 inch, 40 column item. Commodore are currently introducing a 12 inch screen model, capable of displaying 80 columns and supporting up to 64k of memory. That means it will be even smarter. Fascinating as this doubtless is, we tend only to be interested in how good the games are.

Apart from the PET, Commodore also assemble a noisy device called a line printer. In reality they only manufacture the electronics, the mechanics are off-the-shelf items. The same goes for the Floppy Disk units, only the electronics are assembled on-site.

It was interesting to see the PETs undergoing their final checks before packing. A test involves a programme being loaded into the machine from a floppy disk and a trained operator looking at the results on the screen. This must be one of the most boring jobs imaginable, peering day in, day out at rows of meaningless alphanumeric and graphic characters flashing on the screen. Boring or not, their rejection rate and after sales failure rates are impressively low. There is a chance for us humans yet.

The entire factory (the Americans call it a 'facility') is staffed by only 300 people, most of them concerned with PET manufacture. Whilst we were there a lorryload of PETs was being packed up for the UK market, though informed sources at Commodore now predict the next big market to be in Germany.

Commodore are basically a hardware manufacturer, that is to say they have very little interest in the software side, the programmes written for PET. However, at the time of our visit the Gentlemen at the facility were taking great pains to impress us with their new Word Processor package, and most interesting it sounded too. This

Below. The Commodore factory. The sloping roof acts as a solar collector. Inside much of the air-conditioning and heating is also solar-powered. The entire complex is staffed by only 300 employees, most of the component parts of the PET, i.e. metal work is fabricated in other plants.



preoccupation with business use emphasised the current US trends in microcomputing and doubtless the way, we in Europe will be going in the next year or so.

BUSINESS USERS

When PET first came onto the scene most of them went to what we would call the hobbyist market. That is the chap (and probably a good few ladies too) who sit at home writing and running programmes purely for personal use. Today we have the situation where the majority of machines are being brought for business use. Many small companies unable to justify spending thousands of dollars on time sharing or a mainframe system are turning to devices like PET to solve all their paperwork and financial problems. For a very modest outlay a small company can buy a complete package of hardware and software capable of dealing with such diverse subjects as payroll, stock control and invoicing yet still play a creditable game of Star Trek, all at the flip of a cassette tape or floppy disk. Commodore confidently predict this will be the way of minicomputers in the next few years. To this end they are preparing to tool up for the CBM Business system a somewhat serious version of the ordinary PET.

Naturally everyone at Commodore were a little reticent (to say the least) to discussing the future but one helpful gentleman steered us towards a shiny booklet, Commodore's annual report. Without committing himself too heavily he pointed out three very

interesting paragraphs which he assured us might answer one or two burning questions. The first states;

"... and work is moving forward on a large area LCD (Liquid Crystal Display) to be employed in computers and selected consumer products"

Could this be a thin screen TV?

The second paragraph is a little more down to earth.

"Other computer enhancements under development during fiscal 1980 will expand the capability of PET systems to a point where they will be able to talk, listen and draw. Development of a next generation computer is scheduled for completion during 1979-80 and introduction by the end of the fiscal year"

Whatever next? A talking PET. Our office PET could tell a tale or two.

Our last clue to the future is a little more concrete, PET owners will be delighted/frustrated to know that;

"... a low cost colour controller to be introduced in fiscal 1980 with the PET system and available for sale to outside customers by the Electronic Components Division"

We are tempted to ask whether combining all of these features, speech, etc, will produce a PET with an LCD display and some very colourful language. Watch this space.



Above. The sloping roof of the factory acts as a solar collector.

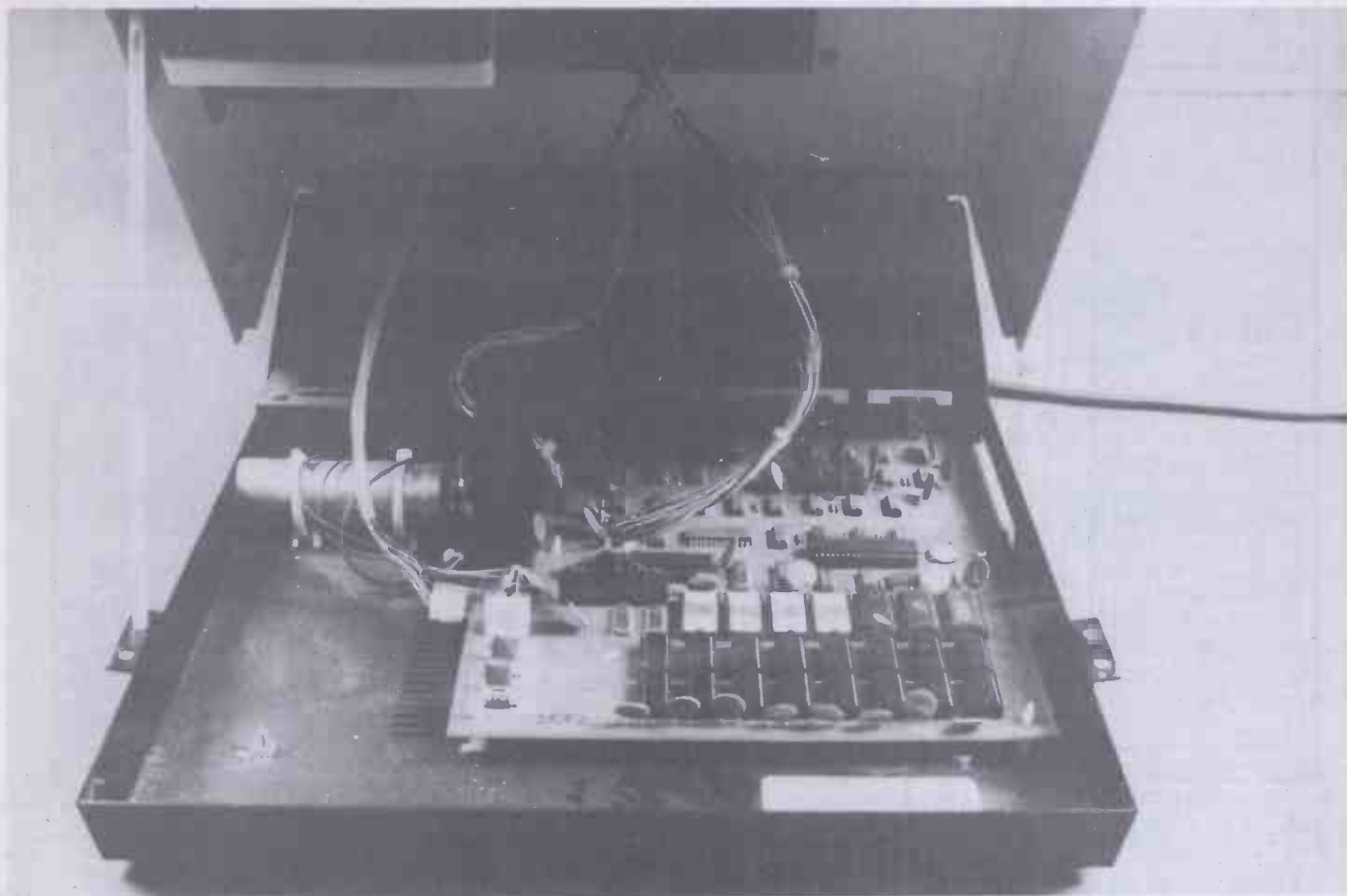


Left. Inside the reception area. The area is space-heated and air-conditioned by the solar system.



Right. Inside one of the assembly shops. The PET's are built on an assembly-line though much of the work is still completed by hand.

PETting It Together



Inside a typical PET. The main processor board can be seen on the right hand side of the cabinet. The rows of ICs at the front are the RAMs. The hefty power supply can be seen on the rear, right hand side. The large smoothing capacitor is just below the mains transformer.

All of the current range of PETs share a common chassis. The case is fabricated from mild steel, making it very robust and unfortunately quite heavy.

The electronics are divided into three sections. The main board, that does all of the clever stuff. It sits in the bottom part of the case. This board holds all of the digital bits, an array of large and small ICs in neat rows just beneath the keyboard.

Sitting next to this is the mains power transformer. The incoming mains is stepped down to the various supply levels needed to drive the electronics. The supply for the monitor circuitry also originates here, so it is a pretty hefty device.

The final section is the monitor. This is housed well away from delicate ICs in the top section of the case. It gives an interesting contrast to the neat digital stuff below, looking somewhat similar to a birds nest, made by a blind bird.

We were interested to ask why Commodore opted for the all-in-one concept. The answer came as something of a surprise. In the US the controls over using UHF modulators are very strict. So rather than

running foul of the all powerful FCC they decided to supply a monitor built in. Incidentally this has a number benefits. Fewer problems arise as a result of poor interconnections between computer and display and the character definition is much better.

As it turned out the in-built monitor was a wise choice. Texas lost several months in getting their computer on the market, purely as a result of having to obtain FCC approval for their modulator.

Another aspect of this unconventional design is the ease of service. Literally everything is readily accessible. The top half of the cabinet tips up into the service position, a very good idea.

It is difficult to comment upon the PETs design, after all 80,000 people can't be wrong. Many lesser computer companies have gone bust building machines with extravagant claims.

The durability of PET is unquestionable though this may work to Commodore's detriment. Newer designs appear almost daily, hopefully PET will also move with the times and a new model should be appearing soon.



10 + 10 AMPLIFIER KIT

An opportunity to buy a 10 watts per channel stereo amplifier kit which is suitable for use with a ceramic cartridge. The amplifier utilises proven Mullard modules and is available at a very competitive price. The amplifier kit comes complete with instructions and includes: a Mullard LP1183 stereo preamplifier module, two LP1173 power amplifiers with integral heatsinks, a power supply, Zobel networks, front and back mounting panels, a finished fascia panel, all control potentiometers (bass, treble, volume and balance) switches, input, output and headphone sockets, wire, and an easily assembled wrap around cabinet to house the finished unit.

Size approximately 9 1/4" x 8 3/4" x 4"

p&p £2.25 **£12.25**



50 WATT MONO DISCO AMP

£30.60
p&p £2.70

Size approx. 13 3/4" x 5 1/4" x 6 3/4"

50 watts rms. 100 watts peak output. Big features include two disc inputs, both for ceramic cartridges, tape input and microphone input. Level mixing controls fitted with integral push-pull switches. Independent bass and treble controls and master volume.



20 x 20 WATT STEREO AMPLIFIER

Vicount IV unit in leak simulate cabinet. Silver finish rotary controls and pushbuttons with matching fascia. red mains indicator and stereo jack socket. Functions switch for mic magnetic and crystal pickups, tape tuner and auxiliary. Rear panel features fuse holder, DIN speaker and input sockets. 20 x 20 watts RMS. 40 x 40 watts peak for use with 8 to 15 ohm speakers.

Size 14 1/2" x 3" x 10" approx. **£31.90**
includes a built in four channel stereo sound facility. £3.00 p&p

Mullard

AUDIO MODULES IN BARGAIN PACKS

ACCESSORIES ARE ONLY AVAILABLE TO THOSE CUSTOMERS WHEN BUYING OUR BARGAIN PACKS.

CURRENT CATALOGUE PRICE AT OVER

£25 PER PACK SEE OUR PRICES

1 PACK 1 2 x LP1173 10w RMS output power audio amp modules. + 1 LP1182/2 Stereo pre amp for ceramic and auxiliary input. **OUR PRICE p&p £1.00 £5.00**

2 PACK 2 2 x LP1173 10w RMS output power audio amp modules. + 1 LP1184/2 Stereo pre amp for magnetic, ceramic and auxiliary inputs. **illust. OUR PRICE £7.65 p&p £1.00**

ACCESSORIES Suitable mains power supply parts, consisting of mains transformer, bridge rectifier, smoothing capacitor and set of rotary stereo controls for treble, bass, volume and balance. **£3.00** plus £1.50 p&p

Two Way Speaker Kit Comprising of two 8" x 5" approx. 4 ohm bass and two 3 1/2" 15 ohm mid-range tweeter with two cross-over capacitors. **£4.05** p&p

AVAILABLE ALSO TO PURCHASERS OF THE 10 + 10 AMPLIFIER KIT. Per stereo pair plus £1.55 p&p

RTVC

**323 EDGWARE ROAD, LONDON W2
21E HIGH STREET, ACTON W3 6NG**

ACTON: Mail Order only. No callers

ALL PRICES INCLUDE VAT AT 15%

All items subject to availability. Price correct at and subject to change without notice.

All enquiries Stamped Addressed Envelope.

NOTE: Persons under 16 years not served without parent's authorisation.

30x30 WATT AMPLIFIER IN KIT FORM

For the experienced constructor complete in every detail, same facilities as Vicount IV, but with 30x30 output. 60x60 watts peak. For use with 4 to 15 ohms speakers. **£31.50** p&p £3.00

EMI SPEAKER BARGAIN

Stereo pair 350 kit. System consists of 13" x 8" approx. woofer with rolled surround. 2 1/2" approx. Audax tweeter, crossover components and circuit diagram. Frequency response 20 Hz to 20 KHz. Power handling 15 watts RMS. 20 watts max. 8 ohm impedance.

£18.25
Per stereo pair **£3.65 p&p**

BSR P200 **£25.50**

Belt drive chassis turntable unit semi-automatic, cueing device. p&p £2.60

Shure M75 6 Magnetic Cartridge to suit **£7.95**

BSR Manual single play record deck with auto return and cueing lever. fitted with stereo ceramic cartridge 2 speeds with 45 rpm spindle adaptor ideally suited for home or disco use. **£12.25** p&p **£2.75**
OUR PRICE

BARGAIN OFFER

Ariston pick-up arm manufactured in Japan. **OUR PRICE £11.95**

Complete with headshell. Listed price over £30.00. **p&p £2.50**

Personal Shoppers EDGWARE ROAD LONDON W2 Tel: 01-723 8432. 9.30am-5.30pm. Closed all day Thursday. ACTON: Mail Order only. No callers. GOODS DESPATCHED TO MAINLAND AND N IRELAND ONLY

CHROMASONIC electronics

56 FORTIS GREEN ROAD
MUSWELL HILL LONDON N10 3HN

TELEPHONE 01-883 3705 01-883 2289

your soundest connection in the world of components

NOW AVAILABLE

Low cost computer in kit form

UK 101

NO EXTRAS NEEDED SIMPLY HIT 'RETURN' AND GO

As seen in P.E. August to November '79

Kit price only **£199 + VAT**

INCLUDED FREE

Sample tape with extended machine code modulator and disassembler

Price includes RF modulator and power supply

ABSOLUTELY NO EXTRAS NEEDED

Also available ready assembled, tested and ready to go only **£249 + VAT**

Build, understand, and program your own computer for only a small outlay

Extra 4K Memory 8 x 2114 only £36.00 + VAT

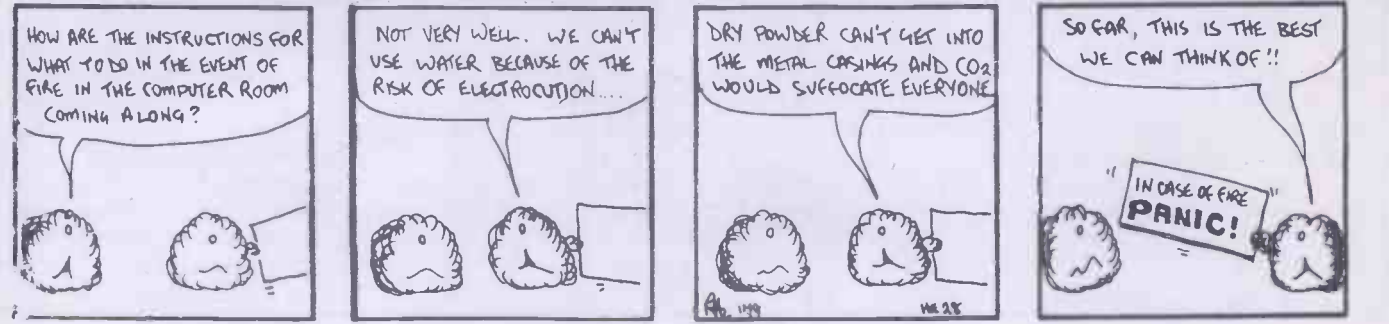
AVAILABLE SOON — COLOUR ADD-ON CARD

Enables you to choose your foreground, the background colour anywhere on the screen. Flash any character on the screen at will. Full documentation and parts in kit form. Phone for details.

STOP PRESS:— The latest edition of our 'STOP PRESS' is now available, and contains an up-to-date price list showing all the items that we stock. Just send an S.A.E or phone for your FREE copy. Our catalogue is still available and if you're one of the few who haven't got a copy, order your FREE copy today.

All prices are EXCLUSIVE of VAT. Postage and packing 30p (computers charged at cost). CALLERS WELCOME. Hours 9.00 am-6.00 pm (enter through stationers). TRADE AND EXPORT inquiries welcome. Phone your orders through our ORDER-RING line quoting your Access or Barclaycard number (Min. tel order £5).

Dynamic RAMS	£	T.V. Controller	£
4027	3.01	SFF96364	14.50
4050 (200ns)	2.50	Buffers	0.52
4050 (350ns)	2.36	74365	0.52
4080 (300ns)	2.39	74366	0.52
4116	0.74	74367	0.52
		74368	0.52
Static RAMS		81LS95	0.88
2102A	1.16	81LS98	0.70
2102A-2	1.16	81LS97	0.88
2111A-1	1.70	81LS98	0.70
2112A-2	1.83	81T26	1.90
21102	1.16	81T28	1.90
2114	5.17	81T95	1.57
4035 (1000ns)		81T96	1.57
		81T97	1.57
		81T98	1.57
4045 (250ns)	0.15		
5257 (TMS4044)	0.93	Interface	
	3.00	8205	3.00
6810		8212	2.00
		8216	2.00
ROMS		8224	2.77
2513 (U.C.)	0.25	8226	4.13
2513 (L.C.)	0.25	8251	5.00
MM5230	4.82	8253	6.83
		8255	5.00
CPU			
6800	5.01	Band Rate	
8080	5.06	Generators	
9800	28.85	MC14411	5.87
Z80	9.00	MM5307	8.38
6502	9.50		
E-PROMS		UARTS	
1702AD	0.16	AY-5-1013	3.53
2708	0.25	MM5303	5.84
2716	24.00	TMS8011NC	4.30



HOW ARE THE INSTRUCTIONS FOR WHAT TO DO IN THE EVENT OF FIRE IN THE COMPUTER ROOM COMING ALONG?

NOT VERY WELL. WE CAN'T USE WATER BECAUSE OF THE RISK OF ELECTROCUTION...

DRY POWDER CAN'T GET INTO THE METAL CASINGS AND CO2 WOULD SUFFOCATE EVERYONE.

SO FAR, THIS IS THE BEST WE CAN THINK OF!!

"IN CASE OF FIRE PANIC!"

Kit Review

INTEGREX 2020 TA

Without doubt the most ambitious and one of the most expensive kits we've ever reviewed. Was it worth it? Read on and find out.

QUITE POSSIBLY the most rewarding kit we've ever built, extravagant claims? We think not, after soldering up some two hundred or so components and to have said kit work first time, how satisfying can you get?

The kit in question is the Integrex S2020 TA Stereo Amplifier Tuner. Integrex are past masters at audio kits, specialising in designs published in a certain 'venerable' electronics journal. Our kit was chosen carefully from their range, taking into consideration cost, specifications and apparent ease of construction. Obviously we had to avoid any previously published designs so we settled for the 2020. The kit will arrive on your doorstep for just £59.95, not bad at all.

BEGINNER BEWARE

From the outset it must be said this kit is not for the faint-hearted or clumsy solderers. It is a kit on the grand scale. The instructions assume a basic familiarity with electronics, quite the opposite philosophy to Heathkit

who reckon that if you can read you can build their kits. (And rightly so for their instruction manuals are the best we've ever seen.)

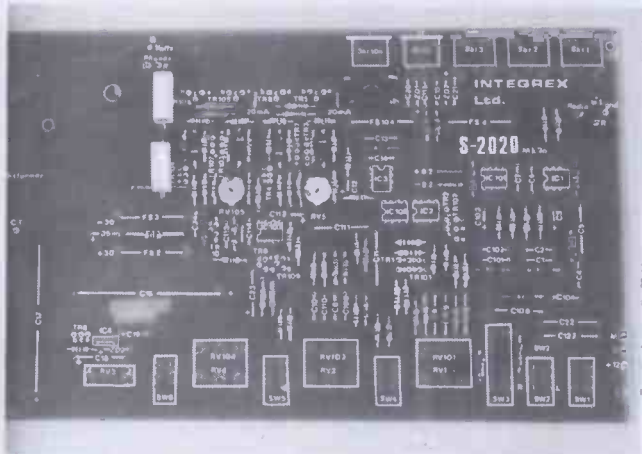
Now for the gripes, the kit arrives carefully boxed, all of the electronic components neatly packaged in the obligatory plastic bag. Unfortunately none of the dozen or so bags bore any identification labels, confusion reigned. Worse was to come. Having warmed up the HE soldering iron and selecting what seemed to be the appropriate plastic bag, construction commenced. About half way through the first hundred or so resistors it appeared that the bag being used had more bits than was necessary for the first stage, indeed several bits did not seem to belong anywhere. We still have a couple of resistors, three transistors and good few nuts, bolts and round things left over. We've often discovered things missing in the past but never a surplus, even allowing for the modifications Integrex suggest for the unit they still remain a mystery. Perhaps they are spares, if this is so then this is a trend we shall encourage.



As it arrives. Unfortunately none of the plastic bags bear any labels, confusing isn't it?

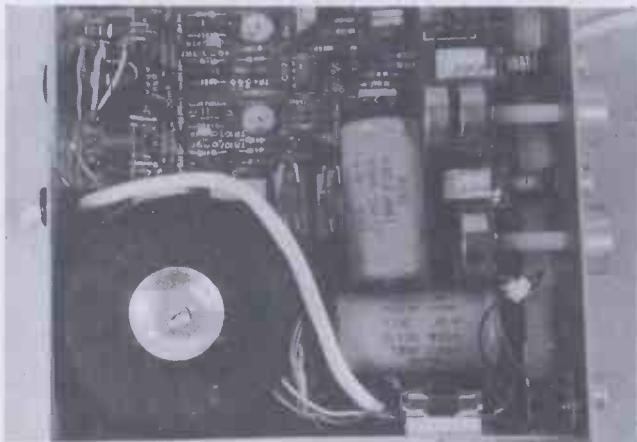
THE ELECTRONICS

Back to business, the electronics are all built up onto two glass fibre PCBs, one for the main amplifier and a much smaller one for the tuner. (Incidentally the amplifier is available as a kit on its own). The PCBs deserve a mention, they are plated, screened and a component legend printed on the topside. All this makes them a positive delight to work with. Construction of the electronics is to work with. Construction of the electronics is the longest job, allow two or three evenings for this and don't forget to tick the bits off as you go along.



The PCB with the first batch of resistors soldered down. Note the excellent component legend.

One or two comments about the electronics before we get to the metal work. The toroidal transformer, a splendidly made device, was just a touch too big, probably this was only the thickness of the covering material but it did necessitate making the mounting hole a shade larger. Secondly, Integrex would be well advised to supply some IC holders in the kit, they would add pennies to the cost but might save hours fault-finding. Lastly the holes for the PCB mounting pots were too small, they had to be opened out at quite a late stage making life a bit difficult. Small points but they are so easily remedied.



The mains supply area. The toroidal transformer was a slightly 'snug' fit.

BOLT UP

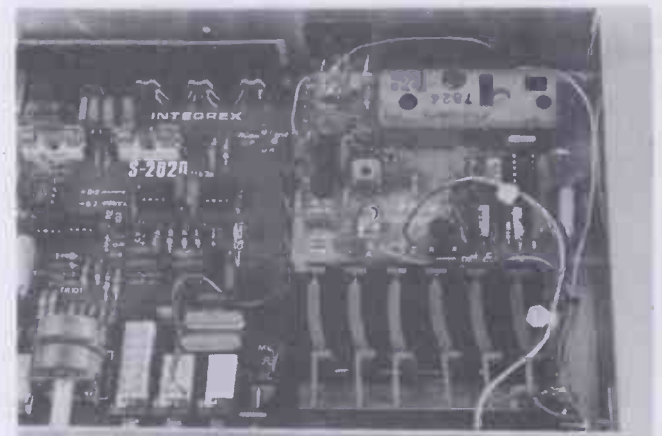
On the home stretch now, the well made aluminium chassis pan accepts all of the various bits and pieces. The channel selector assembly is a trifle fiddly to bolt up

and align with the front panel. Apart from that everything just falls together. Integrex suggest that when mounting the pots the front panel should be used to ensure that everything lines up properly, we didn't, and suffered the consequences accordingly.

Once assembled, and before the tuner section is connected the amplifier is set up. This could not be easier, consisting of about four current and voltage readings and two preset pot twiddlings. Everything checked out OK first time. How about a fault check-list for the not-so-fortunate Integrex?

Next, the tuner section is connected, this is based on a pre-aligned tuner head, the only adjustments to be made are for AFC and background noise. Both are made by ear so no problems here, again a first time success.

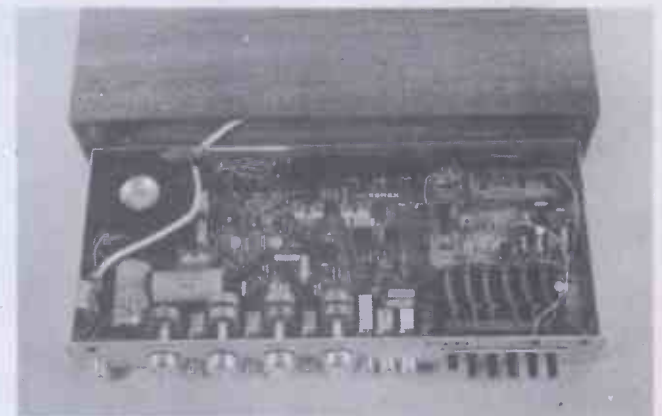
All that remains is to bolt up the front panel and slide the whole unit into its attractive solid mahogany case. Our front panel was just a little too long for a comfortable fit, a couple of strokes with a file soon cured that.



The tuner area. The pre-aligned tuner head saves a lot of trouble.

VALUE FOR MONEY

So, to the important bit. It works extremely well, consensus in the office was most favourable, the claimed 20 watts per channel all seemed to be doing their stuff. Generally it seemed to live up to its



The completed amplifier/tuner prior to sliding into its case.

specifications and produced a very pleasing sound. The tuner section was comparable with any other set we have heard, costing up to three or four times as much. The use of a varicap tuner makes it very convenient to use. How about a little light behind the tuning scale Integrex?

Conclusion? The kit represents very good value for money, if you are in the market for a stereo tuner amplifier look no further. One or two little things outlined earlier need to be looked at by the manufacturers but apart from that we have no hesitation in recommending it. Remember though, it is not for the absolute beginner you at least need to know how to solder. All of the components supplied are of the highest quality and should give years of trouble-free service. In case of problems Integrex offer a repair service. The amplifier specifications are given below. Integrex can be found at: Portwood Industrial Estate, Church Gresley, Burton on Trent.

SPECIFICATIONS

Amplifier Specification

Sensitivity to give 20 watts into 8Ω

Magnetic pick up 2.5mV

Tape input 130mV

Radio 130mV

Input impedance 47k @ 1kHz

Tape output (low level output) 130mV via 4.7kΩ unaffected by tone or volume controls

Tone controls

Treble + 10-12dB at 15kHz

Bass ± 16dB at 30Hz

Balance ± 8dB one channel relative to other

Unweighted signal-to-noise of complete amplifier with full amplifier bandwidth
— 60dB magnetic pickup
— 72dB radio

Power Output (both channels)

> 20+20 watts into 8Ω intermittent sine wave

16+16 watts into 8Ω continuous sine wave

15+15 watts into 15Ω continuous sine wave

Harmonic distortion

15 watts into 15Ω 0.05% at 1kHz

20 watts into 8Ω 0.09% at 1kHz

Low level distortion

0.16% at 1kHz 50mW into 15Ω

0.07% at 1kHz 50mW into 8Ω

Frequency response (16+16 watts into 8Ω)

— 1dB 14Hz to 22kHz

— 3dB less than 7Hz to 35kHz

Stability — will drive electrostatic loudspeakers

Output impedance less than 1 milli ohm

Dimensions (sleeve)

Width 391mm 15.4in

Height 69mm 2.7in

Depth 170mm 6.7in

HE

20Hz to 100MHz - £77.55

(+ VAT 15% & P & P. £90.91) Export + 10%



It's an incredible price for a very credible frequency counter . . . Continental's MAX-100.

It comes to you from a major American corporation and has one operating range, and one only: 20Hz to 100MHz, minimum. (Guaranteed.)

So we've pensioned off the range selector, and fitted the sharpest of LED displays. (Sheer brilliance.)

We've also designed the MAX-100 around the latest in LSI technology; and built-in high sensitivity, with a 30mV trigger level; protection against high transients; and an outstanding accuracy of 3ppm. (What performance!)

But, most importantly, the MAX-100 is totally automatic — and available now. In fact, you could have one tomorrow.

Hesitating? Just take a look at the spec. Then, if you're ready to order immediately, call us on (0799) 21682. And

your MAX-100 could be on its way, today! (Continental are great performers, too.)

For data, please use our enquiry number.

Specification * Frequency range 20Hz to 100MHz * Input impedance 1 megohm shunted by 56pF * Sensitivity 30mV to 300mV r.m.s., from 20Hz to 100MHz * Timebase accuracy 3ppm * Temperature stability 0.2ppm per °C * Max. ageing rate 10ppm per year * Overfrequency indication * Low battery power alarm * Operates from a.c. mains, dry or rechargeable cells, or 12Vd.c. auto battery * Dimensions 45 x 187 x 143 mm. * **Options:** 12V auto. cigar lighter adaptor; battery eliminator/charger; r.f. antenna; low-loss r.f. tap; and carrying case.

Quality. At a low, low, price.



C.S.C. (UK) Limited
Dept 14D Unit 1
Shire Hill Industrial Estate
Saffron Walden Essex CB11 3AQ
Tel Saffron Walden (0799) 21682
Telex 811477

The NEW Marshall's 79/80 catalogue is just full of components

and that's not all . . .

. . . our new catalogue is bigger and better than ever. Within its 60 pages are details and prices of the complete range of components and accessories available from Marshall's.

These include Audio Amps, Connectors, Boxes, Cases, Bridge Rectifiers, Cables, Capacitors, Crystals, Diacs, Diodes, Displays, Heatsinks, I.Cs, Knobs, LEDs, Multimeters, Plugs, Sockets, Pots, Publications, Relays, Resistors, Soldering Equipment, Thyristors, Transistors, Transformers, Voltage Regulators, etc., etc.

Plus details of the NEW Marshall's 'budget' Credit Card. We are the first UK component retailer to offer our customers our own credit card facility.

Plus — Twin postage paid order forms to facilitate speedy ordering.

Plus — Many new products and data.

Plus 100s of prices cut on our popular lines including I.Cs, Transistors, Resistors and many more.

If you need components you need the new Marshall's Catalogue.

Available by post 65p post paid from **Marshall's, Kingsgate House, Kingsgate Place, London NW6 4TA**. Also available from any branch to callers 50p.



Retail Sales: London: 40 Cricklewood Broadway, NW2 3ET. Tel: 01-452 0161/2. Also 325 Edgware Road, W2. Tel: 01-723 4242. Glasgow: 85 West Regent Street, G2 2QD. Tel: 041-332 4133. And Bristol: 108A Stokes Croft, Bristol. Tel: 0272 426801/2.

S-2020TA STEREO TUNER AMPLIFIER KIT

**SOLID MAHOGANY
CABINET**

**A high-quality
push-button FM
Varicap Stereo Tuner
combined with a 24W
r.m.s. per channel
Stereo Amplifier.**

As reviewed in this issue.

Brief Spec. Amplifier Low field Toroidal transformer, Mag. input, Tape In/Out facility (for noise reduction unit, etc.), THD less than 0.1% at 20W into 8 ohms. Power on/off FET transient protection. All sockets, fuses, etc., are PC mounted for ease of assembly. Tuner section uses 3302 FET module requiring no RF alignment, ceramic IF, INTERSTATION MUTE, and phase-locked IC stereo decoder. LED tuning and stereo indicators. Tuning range 88-104MHz. 30dB mono S/N @ 1.2µV. THD 0.3%. Pre-decoder 'birdy' filter.

PRICE: £59.95 + VAT

We guarantee full after-sales technical and servicing facilities ★ High performance Amps, Tuners and Dolby units available.

Prepare for B.B.C. Quadrophonic Broadcasts — Send for details of our Ambisonic H.J. decoder

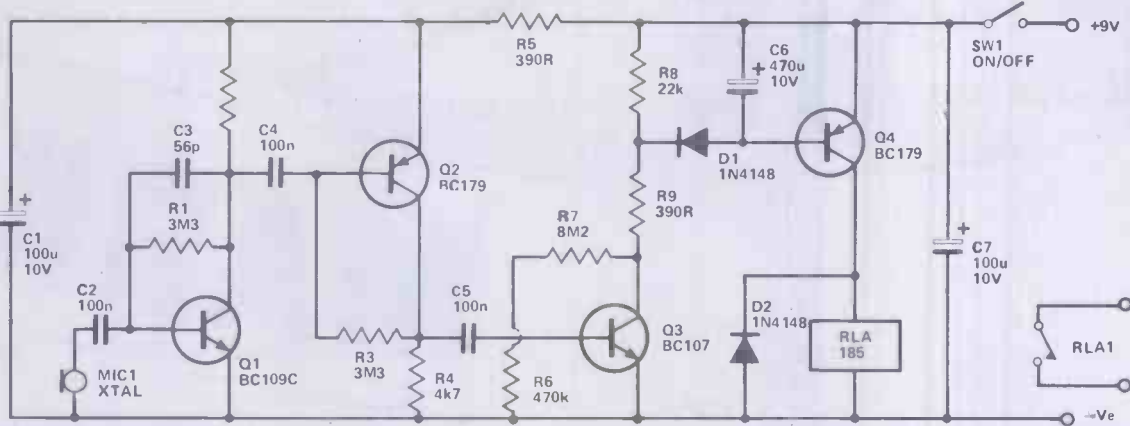
INTEGREX LTD.

Please send SAE for complete lists and specifications

Portwood Industrial Estate, Church Gresley,
Burton-on-Trent, Staffs DE11 9PT
Burton-on-Trent (0283) 215432 Telex 377106



Short Circuits



SOUND OPERATED SWITCH

Sound activated switches are used in many applications, some typical examples being voice operated tape recorders, baby alarms, burglar alarm systems, and VOX (voice operated switching) systems of radio transmitting/receiving installations. The simple circuit shown here will operate at a distance of up to about 2 or 3 metres

from a voice of average volume (slightly less if the xtal microphone insert is replaced by a medium or high impedance dynamic type).

Signals produced by the microphone are amplified by a high gain amplifier which uses two stages of common emitter amplification. These two stages are based on Q1 and Q2 and use a straight forward capacitively coupled arrangement. Both transistors are operated at low collector currents in order to give a low noise level and quiescent current consumption. C3 rolls off the high frequency response of the circuit and aids good stability.

The output from Q2 is coupled

to a third common emitter stage by Q3, and is biased by R6 and R7 to a point where Q3 is virtually cut off. There is thus very little voltage developed across load resistor R8, and the input voltage fed to Q4 via D1 is insufficient to switch on this device and activate the relay which forms its collector load. However, when sounds are received by the microphone, a strong signal is received at Q3's base, causing it to conduct heavily on positive going input half cycles. This produces a series of strong negative pulses across C4, charging up this component to an adequate level to switch on Q4 and the relay. A pair

of relay contacts are used to control the supply to the slave equipment.

C4 charges via the fairly low impedance of Q3 and R9, giving the circuit a fairly fast attack time. C4's discharge path is through the relatively high impedance of Q4's base emitter junction giving a decay time of a second or two. Thus the circuit responds rapidly when a signal is initially received, but the relay does not cut out during the brief pauses that occur during normal speech.

The quiescent current consumption of the circuit is only about 250 μ A, but this rises to about 35 mA when the relay is activated.

TRANSISTOR TESTER

This very simple transistor tester measures DC current gain in three ranges, with full scale values of 10, 100 and 1,000. It will also show whether or not the device under test has a high leakage current.

The basic tests for a transistor are very simple and in order to test for high leakage, it is merely necessary to connect a voltage across the emitter and collector terminals of the test device, and then measure the current flow. In this circuit BY1 is the voltage source, and ME1 registers the current flow. R4 is a current limiting resistor which protects ME1 and the test device from passing an excessive current.

Silicon devices have extremely low leakage currents, and if there is any deflection of ME1 when testing a silicon transistor it certainly means that device is not functional (or is connected incorrectly). Germanium devices have somewhat higher leakage currents, and a very small deflection of ME1 is acceptable when testing this type of transistor.

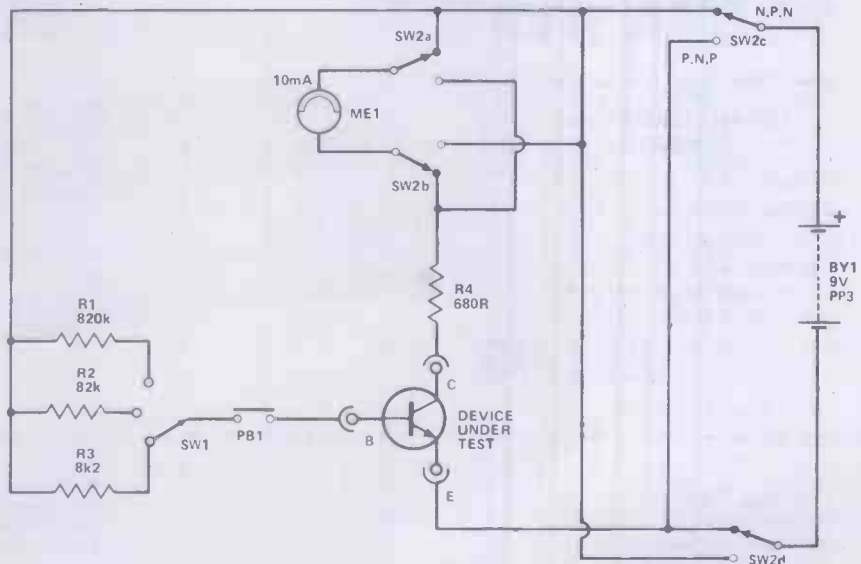
The test for DC current gain (Hfe) is basically the same as for leakage testing, except that a cur-

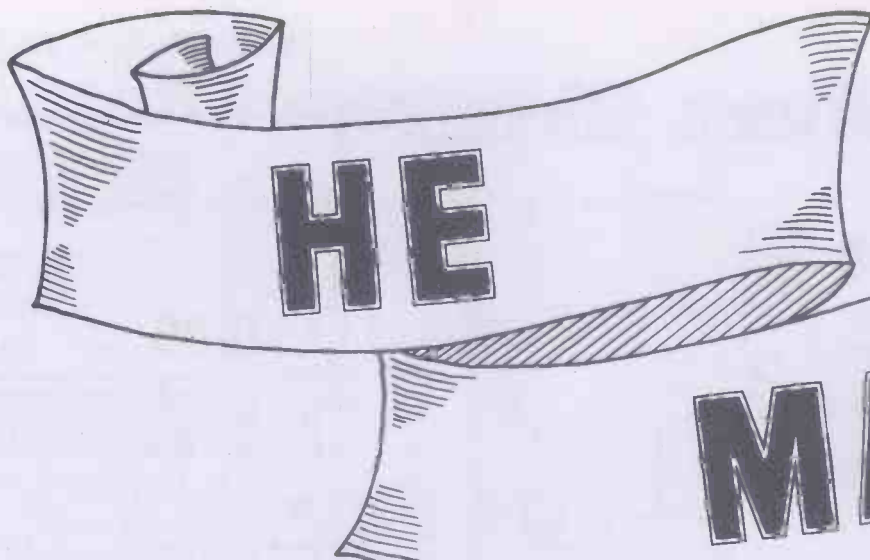
rent is fed into the base terminal of the test device. This causes a larger current to flow in the collector circuit of the transistor, and the current gain is equal to the collector current divided by the base current. If SW2 is depressed, a base current will be provided to the test device by whichever resistor (R1 to R3) is selected by SW1.

With SW1 in the "10" position, a nominal base current of 1 mA is fed to the test device, and it must have a current gain of 10 in order to produce a collector current of 10 mA and give full scale deflection of ME1. Lower levels of current gain give a proportionately lower meter reading. With SW1 in the "100" and "1,000" positions, the base

current is reduced to 100 μ A and 10 μ A respectively, giving the correspondingly higher full scale gain values.

PNP and NPN transistors require opposite supply polarities, and SW3 is used to switch the supply polarity to suit the type being tested and to connect ME1 with the correct polarity.





LCD CHRONO



We feel we've got to tell you carefully about this offer. Why? Because our price is so enormously lower than anywhere else you may suspect the quality.

The display is LCD and shows the seconds as well as the hours — and minutes — press a button and you'll get the date and the day of the week.

Press another button for a couple of seconds and you have a highly accurate stopwatch and hundredths of a second displayed and giving the time up to an hour. There is a lap time facility as well — and of course a back light.

Our Chrono comes complete with a high grade adjustable metal strap and is fully guaranteed.

£11.95

ALARM-CHRONO LCD



This new addition to our unbeatable selection of bargains is no ordinary LCD watch. It's a slim, multi-function, dual time chronograph alarm watch, no less.

This model will show hours, minutes, seconds, date, day of the week, stop watch, split time, alarm and alternate dual time zone — not all at once, of course. There is also a night light.

Hours, minutes, seconds and day of the week are displayed continuously, while the date will appear at the touch of a button. The day of the week is indicated by a flag. When used as a stopwatch, the maximum count is 0.1 secs. short of thirteen hours.

£19.95

To:
LCD Watch Offer
HE Magazine
145 Charing Cross Road
London WC2H 0EE

Please find enclosed my cheque / PO for £11.95 (payable to HE Magazine) for my LCD Chronograph.

Name

Address

.....

.....

To:
ALARM/CHRONO LCD WATCH Offer
HE Magazine
145 Charing Cross Road
London WC2H 0EE

Please find enclosed my cheque / PO for £19.95 (payable to HE Magazine) for my Alarm/Chrono LCD watch.

Name

Address

.....

.....

Please allow 28 days for delivery

PLACE

DIGITAL ALARM



THIS IS THE THIRD digital alarm clock that we are offering (we regret the earlier versions are no longer available). We have sold thousands and thousands of these and our buying power enables us to offer a first rate branded product at a really excellent price.

The Hanimex HC-1100 is designed for mains operation only (240V/50Hz) with a 12 hour display, AM/PM and Alarm Set indicators incorporated in the large display. A switch on the top controls a Dim-Bright display function.

Setting up both the time and alarm is simplicity itself as buttons are provided for both fast and slow setting and there's no problem about knocking these accidentally as a 'locking' switch is provided under the clock. A 9-minute 'snooze' switch is located at the top.

An example of this clock can be seen and examined at our Charing Cross Road offices.

£10.60

CLOCK RADIO



You probably won't believe us as we're selling the goods but we're going to tell you anyway! We have *rejected* eight clock radios for Marketplace, they were all cheap enough but the quality was so poor that we couldn't have lent our name to them. However, we are now able to offer another portable LCD Clock Radio to you which meets our standards.

The clock is a 12-hour one with AM/PM indicated and a back light. The radio is Medium Wave with very nice quality for a small speaker. The alarm can be either a beep-beep type or the radio, there's also a snooze facility.

The cylindrical construction is in keeping with the very modern styling. The tuning dial is actually incorporated into one of the end caps!

We won't even mention the RRP — but just check on comparable prices — you'll find ours a bargain.

An example of this Clock Radio can be seen and examined at our Charing Cross Road offices.

£17.95

To: Hanimex Alarm Offer
HE Magazine
145 Charing Cross Road
London WC2H 0EE

Please find enclosed my cheque/PO for £10.60 (payable to HE Magazine) for a Hanimex Digital Alarm Clock.

Name

Address

To: CLOCK RADIO Offer
HE Magazine
145 Charing Cross Road
London WC2H 0EE

Please find enclosed my cheque/PO for £17.95 (payable to HE Magazine) for my Clock Radio.

Name

Address

All offers inclusive of 15% VAT and Postage

Car Audio

Manual MW/LW



Full medium and long wave tuning. Complete with speaker and mountings. Suitable for positive or negative chassis. Latest model.

£10.25 + £1.00 Post

Push-Button MW/LW



One LW, four MW buttons plus manual tuning. Complete with speaker and mountings. Latest model, negative chassis only.

£15.95 + £1.00 Post

Stereo FM/Cassette + MW



Standard cassettes and FM in stereo plus medium wave. Tone and balance controls. Fast forward facility on tape. Adjustable shafts. Suitable for 4 or 8 ohm speakers (not supplied). This model is discounted elsewhere at £50 up.

£40.95 + £1.00 Post

Stereo Speaker Set



Suitable for above stereo unit. Good quality in surface mounted casing, 5W nominal, 8W peak.

£4.00 (pair) + 70p Post

Telescopic Car Antenna

Multi-section standard type, suitable for angled mounting with locking key.

£1.60 + 30p Post

Metal Detector



★ Induction Balance Model

Built with sensitivity up to 10in on single coin; fitted with speaker and meter; PP3 battery; 7in dia. search head. Telescopic stem. Excellent pin-pointing, positive reaction to non-ferrous, negative reaction to iron. This model's normal price is £39.95!

£24.50 + £1.00 Post

All goods guaranteed one year. 10-day money-back offer. Goods ex-stock at time of going to press. Callers by appointment only please. Send s.a.e. for illustrated leaflet.

Minikits Electronics Ltd.
88H Hainault Road
Leytonstone
London, E.11

Books from the HE Book Service

28 Tested Transistor Project £1.55
Richard Torrens. The projects can be split down into simple building blocks which can be recombined for ideas of your own.

Electronic Projects for Beginners £1.65
F. G. Rayer. Divided into 'No Soldering Projects,' Radio and Audio Frequency, Power Supplies and Miscellaneous.

Practical Electronic Calculations and Formulae £2.55
F. A. Wilson. A valuable reference for the home and laboratory, containing all the most frequently used, and some of the less well known electronic formulae and calculations.

Popular Electronic Projects £1.75
R. A. Penfold. A collection of the most popular types of circuits and projects using modern, inexpensive and freely available components.



Digital IC Equivalents and Pin Connections £2.85
Adrian Michaels. Covers most popular types and gives details of packaging, families, functions, country of origin and manufacturer.

Radio Stations Guide £1.75
B. Babani and M. Jay. An invaluable aid to everyone with a radio receiver helping them to obtain maximum entertainment, value and enjoyment from their set.

Linear IC Equivalents and Pin Connections £3.10
Adrian Michaels. Gives most essential data for popular devices.

Electronic Security Devices £1.75
R. A. Penfold. Full of constructional circuits covering the most basic security systems to the Ultrasonic and Doppler, Shift systems.

How To Build Your Own Solid State Oscilloscope £1.80
F. G. Rayer. The book contains concise practical instructions so that even an inexperienced hobbyist can construct a fairly sophisticated instrument with the minimum of difficulty and expense.

50 FET (Field Effect Transistor) Project £1.55
F. G. Rayer. Contains something of interest for every class of enthusiast. Short Wave Listener, Radio Amateur, Experimenter or audio devotee.

50 Circuits Using 7400 Series ICs £1.65
R. N. Soar. The author has managed to compile no less than 50 interesting and useful circuits using this range of devices, covering many different aspects of electronics.

50 Projects using IC CA3130 £1.25
R. A. Penfold. Describes audio projects, RF project, Test Equipment, Household and miscellaneous circuits.

IC 555 Project £2.05
E. A. Parr. Circuits are given for the car, model railways, alarms and noise makers. Also covers the related devices 556, 558 and 559.

Second Book of CMOS IC Projects £1.80
R. A. Penfold. Following in the success of the original CMOS projects book we present the second volume covering all aspects of CMOS technology from multivibrators to triggering devices.

Essential Theory for the Electronics Hobbyist £1.55
G. T. Rubaroe gives the hobbyist a background knowledge tailored to meet his specific needs.

Beginners Guide to Building Electronic Projects £1.65
R. A. Penfold. Covers component identification, tools, soldering, constructional methods and examples of simple projects are given.

50 Projects using IC CA3130 £1.25
R. A. Penfold. Describes audio projects, RF project, Test Equipment, Household and miscellaneous circuits.

IC 555 Project £2.05
E. A. Parr. Circuits are given for the car, model railways, alarms and noise makers. Also covers the related devices 556, 558 and 559.

Second Book of CMOS IC Projects £1.80
R. A. Penfold. Following in the success of the original CMOS projects book we present the second volume covering all aspects of CMOS technology from multivibrators to triggering devices.

Note that all prices include postage and packing. Please make cheques etc. payable to Hobby Electronics Book Service (in Sterling only please) and send to:

**Hobby Electronics Book Service, P.O. Box 79
Maidenhead, Berks.**

HE Binders



Now that Hobby Electronics is in to its second volume the need for a good strong binder is greater than ever.

In line with our policy of value for money, we will outline some of the alternative uses an HE binder can be put to.

- (1) Blocking cat-flaps to prevent stray cats from entering your kitchen.
- (2) Blocking off car radiators during cold weather.
- (3) Temporary bridges for model train layouts.
- (4) Emergency umbrellas.
- (5) A hat for HEBOT.

Of course, you could use them for keeping those valuable copies of HE in pristine condition, but that's up to you.

To become the proud owner of these blue bound, gold embossed works of art just send us £3.20 without delay.

Send your cheque, postal order, pools win or gold fillings (to the value of £3.20) to:

**Hobby Electronics Binders,
145 Charing Cross Road,
London WC2H 0EE.**

Hobby Electronics

DIGITAL FREQUENCY METER

HE OFM

The most sophisticated piece of test gear to appear in HE so far! Don't let that put you off, our main project next month will be very simple to build and will cost a fraction of a commercially made unit. Once calibrated (that's a doddle too) it will accurately measure frequencies up to 10 MHz in a series of switched ranges. Now you will be able to measure the output of those oscillators, calibrate test gear, even use it to indicate frequency on Long Wave and Medium Wave radios. Why wait any longer? This one is for you.

RADIO CONTROL SPEED CONTROLLER

Don't worry. The radio control system is coming, meanwhile, how about this neat and simple solid-state motor speed controller for existing systems. If you've got an R/C car with electric motor drive this will be just what you're waiting for.

PROJECTS SPECIAL

Next month we hope to bring you news of the Hobby Electronics Projects Special — Volume 1. After months of research we have come up with what we believe will be the last word in specials, and all for just £1.25.

INTERCOM

Until CB gets legalised you will have to content yourself with this really superb intercom. Practise your 10 code, try some slang, we guarantee it will not contravene any Post Office regulations. Seriously though, a really good two-wire design that will not leave you so poor that you can't afford the batteries. It features a calling facility and a massive 2 watt audio output. Perhaps we should have called it a PA system!

SLOW SCAN TV

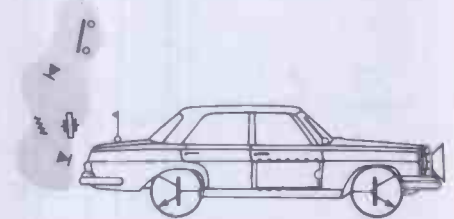


Almost exactly 50 years ago a new invention was demonstrated for the first time. It consisted of an unweildy mixture of bits and pieces that would not have looked out of place in a scrapyard.

This invention was called a 'Televisor' and by now you may have guessed the inventor's name, Logi Baird. His system for transmitting moving pictures unfortunately lost the race for commercial success to the all-electronic system, the forerunner of our present system.

If you thought the Baird system is now little more than a historical curiosity you would be sadly wrong. Unbeknown to most of us development of the Baird system has been plodding along steadily these past fifty years. The improvement in available technology has made further investigation very worthwhile and we're sure you'll find next month's feature on Slow Scan Television very interesting. It is one of the few fields where the amateur can still make an important contribution.

ELECTRONIC IGNITION



After this month's feature on automotive electronics we are following it up with a really professional design for an electronic ignition system. We won't make any extravagant claims for this unit, we don't have to, it will speak for itself.

NEGATIVE IONS

Next month we go into the health business, with a review of a kit that will change your life.

We've had a steady stream of inquiries about negative ion generators in recent months. So, by popular request, before your very eyes, we will review the latest in personal negative ionisers. Called the 'Fusion', the ioniser is available both in kit form and ready built. It's a compact (4½inx2½inx1¼in), battery operated unit complete with a magnetic fixing pad, so you can even use it in your car.

The claims of the effects of negative ions are many and various. Once we've got our soldering iron out of hock and built the box of tricks, we'll see how many of these claims we can verify.

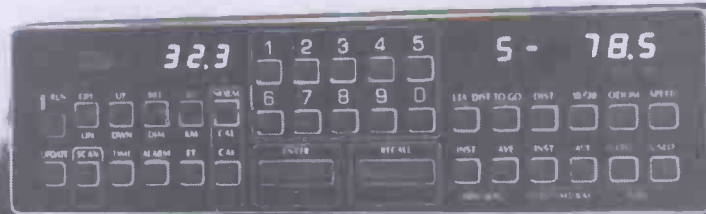
It's well known that increasing the density of negative ions hurtling around your ears can make you feel more awake and alert and dispell the gloom of a smoky atmosphere. They have to be negative, mind you. Positive ions have the opposite effect.

It is also claimed that negative ions can, in some cases, alleviate asthma, allergies and migraine. We have our doubts, but we're going to try it out anyway. By inhibiting the growth of bacteria, they are also supposed to cut down infections caused by air-borne germs. Well, that's a lot to live up to, but watch this space next month (give or take a few pages) for our findings on this new kit.

The April issue will be on sale March 14th

The items mentioned here are those planned but circumstances may affect the actual contents

Electronics On Wheels



The basic concepts of the internal combustion engine have changed very little in the past 80 years. Today, however, electronics are beginning to make considerable inroads into the car industry. Motoring journalist Tom Bentley looks at some of the latest developments.

AS AN INDUSTRY, the world's car manufacturers have always been a pretty conservative bunch. That's not to say that they don't expend a great deal of money and effort on research and development, but the fact is that the nature of their market makes them extremely reluctant to take any risks in terms of putting untried innovations into production. Mud sticks in the automotive business, and a reputation for unreliability due to malfunction of some insufficiently tested piece of equipment would be as easy to acquire as it would be hard to shake off. With very few exceptions, then, the motor industry prefers to tread a safe path and use only technology that has been proven in practice over a long period.

The potential for the utilisation of electronics in motor vehicles is enormous. In all probability, but for the caution and reticence of the major auto makers, many of the possibilities could have been realised in practical use sooner than they have been. Both specialist electronics companies and 'in-house' research departments of the car firms have devised numerous auto-related applications for microprocessors and other types of electronic components, in some instances replacing conventional systems but in others creating entirely new functions. Only in the last few years have these ideas filtered through on to the production line, and then mainly due to outside influences.

Taking a broad view, development has been going on in all three of the world's main motor production centres — the USA, Europe and Japan — but local conditions and pressures have tended to concentrate efforts in differing directions. For instance, due to more congested roads and higher fuel prices, European and Japanese

cars have always been designed in a way which makes them much more fuel-efficient than their American counterparts. Oil shortages and ever tightening engine emission controls in the last few years have left the Stateside giants frantically scrabbling for radical alternatives to keep their own products viable in the face of competition from the imports. Along with lighter, smaller, aerodynamically cleaner bodies and advances in mechanical engine design, electronic ignition and fuel control systems offer them salvation. In Japan, even more stringent emissions regulations have preoccupied the local manufacturers. In Europe, by comparison, much less outside pressure has been brought to bear, certainly in terms of governmental legislation, although of course the overall energy situation has been just as prominent in the designers' minds. Consequently, implementation of electronic options has been more selective and deliberate. A further difference between Europe and the US is that few European car companies have extensive in-house electrical and electronics departments, unlike their American counterparts, though major independent electronics firms have divisions specifically given over to automotive work.

HISTORY

The history of electronics in cars goes back to the late Fifties, when the old DC dynamo-type generator began to be replaced by the alternator, which incorporated at least a semiconductor rectifier, if not at first an integral electronic voltage regulator. Alternators caught on in an increasingly big way, but nothing else of note happened until 1967 when the first electronically controlled fuel

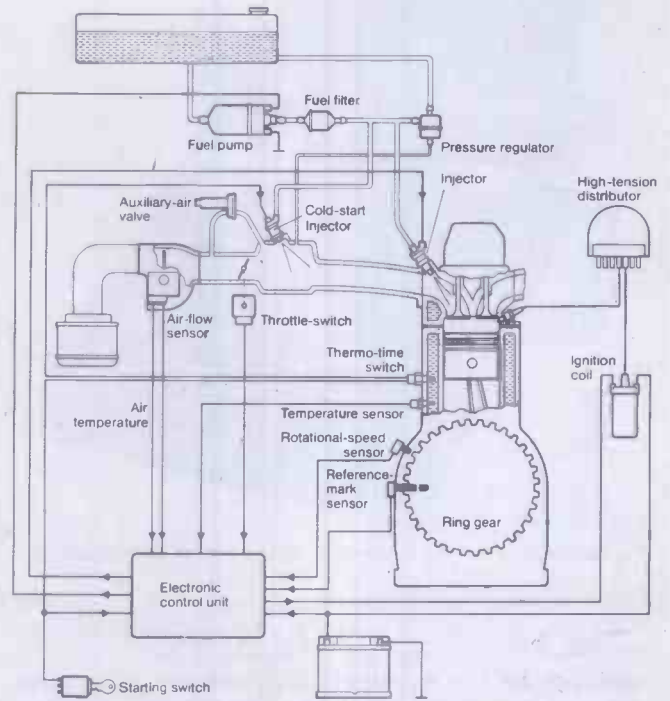
injection system went into mass production. Bendix in America had patented the idea in the mid-Fifties but it was the German company Bosch who put theory into practice.

Electronic ignition was the next major development. Transistor ignition systems using an induction pulse generator had been introduced as early as 1959 but it was the end of the next decade before any entered series production, and then to begin with only 'transistor-assisted' types retaining the mechanical contact-breaker points. Contactless designs came next and many kinds of both inductive and capacitive discharge variants proliferated on the accessory market. As original equipment, contactless transistor ignition became almost universal on the US scene by 1975 but is still only slowly infiltrating the European assembly lines.

Alongside the primary components in the late Sixties and early Seventies came a sprinkling of ancillary devices — electronic turn signal flasher units, wind-screen wiper intermittent switching systems and quartz clocks, for instance — but the widely predicted electronic revolution did not materialise. There was a steady trickle of electronic gadgetry on to the accessory sidelines but, until very recently, no large-scale breakthrough in the OE field.

ENVIRONMENTAL PRESSURE

The last couple of years have brought far-reaching and dramatic changes, particularly on the other side of the Atlantic. Environmentalist pressures, and those of rapidly increasing petrol scarcity and price, have made electronically governed fuel injection systems such as Bosch's several 'Jetronic' variations more and more attractive to designers of spark-ignition engines. Such set-ups enable very precise and effective control of a petrol engine's fuel supply. In conjunction with devices which monitor exhaust gas content, closed-loop feedback can be established so that an engine's fuel/air mixture can continuously be regulated at the optimum

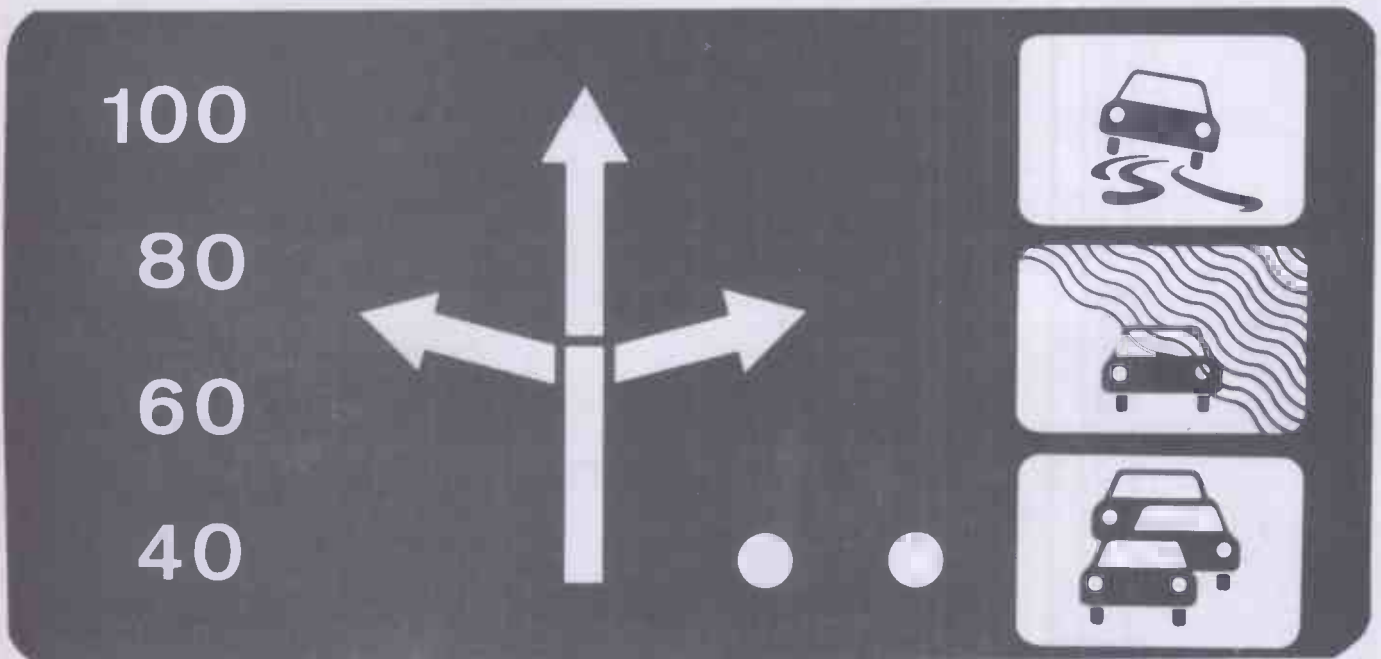


Simplified diagram of the Bosch 'Motronic' system.

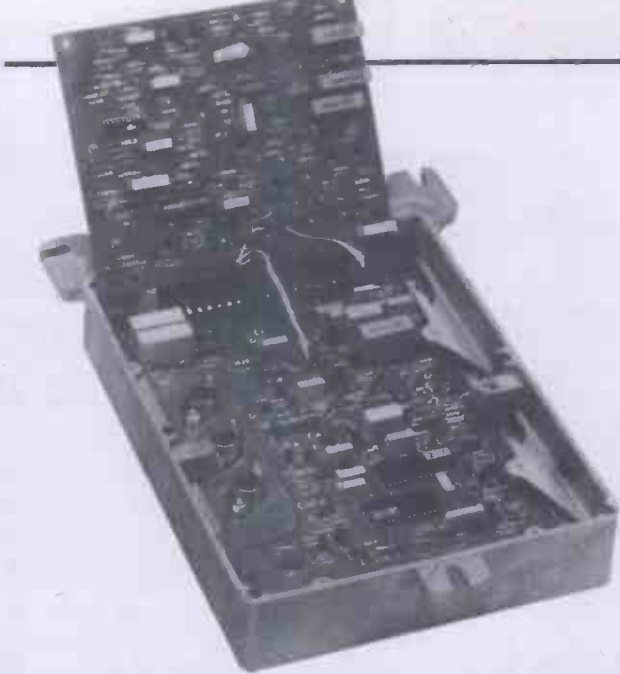
point for emissions and economy. On the ignition front, too, a major transition is in progress — from merely contactless ignition to a much more sophisticated type which, as well as creating and supplying a powerful spark, replaces conventional mechanical timing adjustment by a fully self-governing electronic timing system.

ENGINE MANAGEMENT

Partly thanks to technology derived from the US space programme, there is now a sufficiently strong electronic armoury to deal with the difficulties of in-car service. The



The prototype display for ALI. It shows both directional instructions and pictorial warnings of potential road hazards.



The control box for the Lucas electronic Fuel Injection system.

motor vehicle environment puts relatively tough demands on semiconductors, and perhaps one reason for the delay in introduction of major systems was the former dearth of reasonably-priced and dependable parts. Such components are now available and, together with the perfection of LSI (large-scale integration) circuitry, they have made viable the installation of an on-board microprocessor, so designed as to regulate both the fuel/air and ignition systems simultaneously and in complementary fashion. This is the 'electronic engine management system' or 'integrated engine control', which will be seen on increasing numbers of European cars in the next few years.

If a vehicle has engine management plus other, subsidiary electronic components, the idea of combining all together in a 'central electronic system' is attractive, for reasons of both cost-effectiveness and function. Where a number of information inputs from various points on the engine and running gear of a vehicle are required by different systems, feeding them all into a central electronic processor obviates the need for wasteful duplication of individual sensors and connections. For example, an input for engine speed is required not only for ignition timing but also for fuel injection, as well as automatic transmission if the vehicle is so equipped.

Taking the idea a step further, intermediate information from the electronic data-processing of one sub-system may be utilised as the input for others. Dividing the inlet airflow by the engine speed, for instance, gives data about engine load, which may be usefully employed as an input signal for electronic ignition and an electronically-controlled automatic transmission. The central electronic system will enable many functions to be dealt with in more sophisticated ways than at present. Common use of housings, connectors and even complete functional 'blocks' will yield not only cost reductions but increased reliability.

The possibilities are exciting. A variety of separate functions (e.g. anti-lock braking, cruise control) can be handled by a central system. So too can all the information currently given by conventional instrumentation, plus additional computations outside the scope of normal gauges. Vehicle speed, engine speed, water temperature, oil pressure and temperature, distance travelled and so on can easily be derived and displayed,

and only simple computations are necessary to produce further data such as ETA at a given destination, fuel consumption at any instant or projected quantity of fuel necessary to complete a journey. Additional sensors can add warning capability for things like incorrect level of fuel, oil, coolant, brake fluid, etc, brake lining wear and even tyre pressure; monitoring operation of all bulbs and lamps is equally simple. A check can be fed into a central electronic system of virtually every sub-system and function on the vehicle. To avoid baffling the driver with too much information at once, a single panel display can group the various items of feedback according to relative significance or potential danger and suppress those not wanted for normal driving, only displaying them when a malfunction arises in the relevant area or when requested to do by the driver.

COMPUTER CONTROL

Until recently, the circuitry used in car electronics was largely analogue type. Increasing use will be made of digital circuits, as in modern computer equipment, facilitated by LSI. Currently, two distinct methods of realising the central electronic system concept are being explored, termed a) 'single purpose computer' and b) 'microprocessor' systems. Both consist of MOS (metal oxide semiconductor) based LSI components and so-called 'peripherals' (pick-ups, sensors, etc).

In the single purpose computer system, each individual function has a separate computer circuit, while a central storage element holds only the data for the specific vehicle along with certain fundamental functions which bring about effective interaction of the various individual data processors. The whole system can be built from standardised parts and be expanded without difficulty.

The microprocessor system uses one central computer for all its range of component systems: this holds not just the vehicle data but programmes for each of the individual functions. The main benefit of this type of design is one of economy both of cost and space when a large number of sub-systems are required; it is also highly flexible, as the programme can be altered by a simple change in the central element.

HERE TODAY

There you have an overall view of trends and likely developments. Much has already been achieved, and some of the specific points mentioned deserve a closer look. The name 'Bosch' has already cropped up once or twice, and certainly this firm is in the forefront of the European, if not world, scene. Two of their most interesting projects that have reached production are 'Motronic' and 'ABS'.

Motronic is already in service on the BMW 723i. It is an integrated engine control system consisting of a microprocessor, data and programme memory and input/output circuit. Sensors provide it with information on inlet airflow, engine speed, crankshaft position, and engine and intake air temperatures: it then interprets these data and continually, at minute intervals, regulates the quantity of fuel being injected and the point in the combustion cycle at which ignition is taking place, by reference to predetermined programmes. In other words it provides highly accurate and stable management of the two essential engine processes.

Advantages to the driver stem from Motronic's ability

to distinguish particular engine conditions — idling, cold-running, over-running and accelerating — from 'normal' running, and compensate accordingly. In practice this means instant starting and totally smooth running during warm-up, regardless of changes in load, circumstances or ambient conditions, the engine operates without any 'flat spots' or hesitation immediately it is set in motion, in winter and summer. Advantages to everyone include impressive reductions in fuel consumption and pollution.

The Motronic system is designed to match the life of the engine, and needs no servicing whatsoever. In fact the only maintenance requirement left on the electrical side of the engine is routine renewal of spark plugs. Motronic additionally makes it possible to adapt engine control to deal with possible future requirements, such as use of alternative fuels or compliance with revised exhaust emission standards.

ABS means, if you untangle the German initials, anti-skid braking. Under development since 1970 in conjunction with BMW and Mercedes-Benz, it utilises sensors to measure the speed of wheel revolutions and send signals to an electronic control unit, which distinguishes whether the wheels are tending to lock as the brakes are applied or are still turning. In the light of this information, the appropriate amount of braking force is then applied or removed from the relevant wheels by a hydraulic unit.

On the road, ABS shows to greatest advantage under wet conditions, when stopping distances are often greatly improved. The system is especially useful in compensating for clumsy or unskilled driving, as it helps maintain directional stability even if the brakes are applied whilst cornering. Technically the circuitry is fail-safe: if a fault in the electronics should by some chance occur this is detected before the brakes are applied, a warning light is activated and the brakes revert to full normal operation. Bosch claim that, in safety terms, ABS is 'the most important development since the seat belt'.

ALI

Another Bosch project which is still at the research stage but could rapidly be put into operation if given the nod by government is known as ALI. Don't ask what the initials stand for this time, but the concept is of a driver aid that gives up-to-the-minute traffic reports and information about weather conditions on the roads ahead. The computers this time are not in the car but are linked to series of inductive loops set into the surfaces of major roads. As an ALI-equipped car passes over each of these loops, a bleep from its information receiver alerts the driver and reminds him to check his ALI screen for updated information — it may, for instance, advise him to turn off at the next junction. All the driver has to do to get continual route guidance is, when commencing his trip, to switch on the device and key in numbers corresponding with his destination.

Installation of ALI would, its makers estimate, cost about £30,000 per mile on the current motorway and major road network, or about 1% of the cost of road-building (only a fraction of which would be accounted for by the actual electronic hardware). The on-vehicle equipment should cost between £70-100 on a mass-produced basis, and in view of impressive-sounding estimates of an up to 10% overall fuel saving on a motorway network, plus a reduction in both driver

frustration and accidents, the whole system ought to pay for itself within a few years.

HOME GROWN

The leading British auto-electrical company is, without a doubt, Lucas. They, too, have extensive past experience with electronic ignition and petrol injection systems including a joint project with Bosch, the L-Jetronic fuel injection. Foremost among their own current developments is their latest microprocessor controlled injection system which is based on digital circuitry of the type mentioned earlier, rather than analogue as on previous variants. The control unit incorporates the latest LSI techniques, using just two chips to contain all the main fuelling functions. The digital design, Lucas claim, provides more precise control of the fuel supplied to each engine cylinder than was previously attainable. The new system is already in production for Jaguar XJ12 and XJS models, in which applications it has met with a warm reception from the motoring press, and is also being fitted to SD1 Rovers for the US market.

In the near future Lucas propose their own version of the total 'engine management' package, combining ignition control with the injection on one microprocessor. They point out the comprehensive diagnostic facility this will allow, and make the bold prediction of fuel consumption gains of as much as 25%. They emphasise that to make optimum use of the instantaneous logic available, adjustments based on it must be made as quickly as possible — to this end, they have developed a solenoid with an operation time of well under half a millisecond, which they expect to play a big part in actuating engine control functions in the future.

STILL TO COME

A couple of more mundane applications of electronics are also just around the corner. Lucas are at present working on electronic control of conventional carburetors to bring some of the benefits of the more sophisticated fuel systems to cheaper cars. Vehicle Condition Monitoring ('VCM') will be available for smaller cars within the next year or so; this will provide an illuminated readout for such things as fluid levels and brake lining wear, and give a check on correct operation of bulbs.



Interior shot of the Aston Martin Lagonda instrument panel. Most of the secondary controls are operated by the labelled touch pads on the console.

ASTON MARTIN

Aside from the work being performed by the big auto-electronics specialists, some car firms in Europe have already taken an initiative by buying-in electronic systems from elsewhere. First, and most brave, were Aston Martin Lagonda. Their unique Lagonda — the world's most sporting limousine or most luxurious sports car, depending on which way you look at it — has featured a fully electronic instrumentation system right from the start. (When the car was initially announced it was intended to incorporate a trip information computer too, but problems in those early days with electromagnetic interference caused that idea to be shelved; now, with the available improved technology, it could be reinstated.)

The Lagonda's instrumentation package was designed exclusively for AML by a small firm in the USA. It uses a single PCB mounting all instruments and warning lights: these include speedometer, tachometer, clock, total and trip odometers, along with readouts for battery voltage, fuel level, water temperature, oil pressure, oil temperature, plus both internal and external air temperature. The speedometer and odometer readings may be selected in miles or kilometres per hour at will. Two binoculars house touch-sensitive switchgear.

The display panel is blank when 'switched off', lighting up with red LEDs when in operation. Instead of facing the whole gamut of data all the time, the driver can touch a switch to select 'essential instruments' only, reducing the information in front of him/her to speed, time and fuel tank contents. In this mode, the rest of the display only makes itself visible if a problem arises, in the event of which the relevant readout flashes to attract attention.

AML use Lucas Opus electronic ignition at the moment, and, regarding integrated engine control systems and the like, take the view that they will adopt what their suppliers develop. One thing they do predict is the use of LCDs in instrumentation.

EUROPEAN ELECTRONICS

Talbot (ex-Chrysler Europe) were in a good position while they were still a subsidiary of the American parent Chrysler Corporation to keep tabs on what was going on in the Stateside industry. Their Alpine models were among the first in the popular mass market to feature contactless ignition as standard, and now the SX versions of Horizons and Alpines are equipped with electronic trip computers which, at the touch of a button, give readouts for journey time elapsed, distance covered, fuel consumed, average speed and average rate of fuel consumption.

By contrast, Citroen had no transatlantic connection. The totally electronic completely distributorless ignition system fitted to the downmarket Visa and LN twin-cylinder models was conceived entirely within France, in collaboration with the Thomson company. It consists merely of two proximity detectors, a vacuum sensor, a coil and — the important bit — a computer. This proximity detectors respond to the passing of a metallic 'slug' attached to the engine flywheel, sending a pulse to the microprocessor with each revolution. The vacuum sensor signals the varying state of engine load. The electronic control centre then chooses the appropriate timing, according to engine speed and inlet manifold depression, for the coil to send HT current to the spark

plugs, at the same time ensuring that it (the coil) is fed sufficient primary current to produce the desired secondary voltage. The system is cheap, absolutely maintenance-free, and produces improvements in almost all aspects of engine behaviour: fuel consumption, exhaust pollution, low-speed torque and acceleration, and cold starting (even with a partially discharged battery for it needs to be cranked at only 20rpm to produce a spark). Work is continuing on versions for larger engines.

CRYSTAL CONTROL

Other ideas being muttered about on the European scene at the moment include piezo-electric actuation of the injector valves in fuel injection systems, and replacement of the conventional wiring harness or loom with a single feeder wire, multiplexed signals and a decoder at each 'service' point. For instrument displays, electroluminescence seems likely to be the in-vogue medium, with digital circuitry but analogue-type visual presentation. Talking gauges will surely come — Texas Instruments are already developing them in the States.

As repeatedly hinted at, the Americans are ahead of us at least in implementation of a number of the possibilities. Right now a wide range of electronic add-on toys is available for fitment to their cars. If you happen to live on this side of the big pond but find the lure of accessories such as electronic combined analogue/digital display instruments and trip computers irresistible, don't despair. At least one British concern is importing them: Hatton Enterprises, of Langwood House, Epsom Road, Ashted, Surrey, who handle 'Avatar' instruments and 'Prince On-Board Computers'. Thanks to the conservation-orientated pressures existing in the USA, virtually every car emerging from Detroit in 1980 has (as well as transistor ignition) some kind of electronic fuel metering device, from a basic 'feedback' carburettor system to full analogue or digital electronic fuel injection. Other electronics applications proliferate — electronic level control, electronically tuned radios, electronic speedometers, electronically coded door and boot locks are just a selection of the stock and optional equipment available on vehicles in dealer showrooms this year. Ford give the value of all the electronic components on a 1980 Lincoln Continental Mark VI as around \$1800 or nearly 10% of its retail price.

The trend can only continue upwards. Another authoritative American source estimates that the world automotive industry will use about \$600 million-worth of semiconductor devices in the 1981 model year, rising to \$1 billion-worth per year by 1985 — a compound annual growth rate of close to 30%. European crystal-gazers are hardly more cautious: Volkswagen, for instance, talk in terms of electronics constituting about 7% of the average car's manufacturing cost by 1988, compared to around 2% today.

I started this article by talking about the car industry's early reluctance to accept electronics. I'll finish by saying that today it couldn't do without them. Computers are now extensively used in designing new models. They're even running the assembly lines (you must have seen Fiat's brilliant 'Hand-built by Robots' advertising campaign). If there's any way to solve the automotive problems of the next two or three decades, electronics will be the key.

HE

Electronic Circuit Design

No. 1

Selected Reprints from **electronics today**

Introduction

Since ETI was originally launched in Britain in April 1972 we have published nearly 5000 pages of editorial matter: much of this has been devoted to editorial projects of course. In our history we have republished the best of these projects in Top Projects No 1-No 7, we have also reprinted the Tech-Tips and other circuits in Circuits-It's-Easy is now on its third reprint.

We have not however, until now, brought together the best features dealing with electronic design. Nearly

1500 pages have been devoted to this in recent years and this special is the first of a series of three which will bring together the best 250-300 of these.

Although some features are from quite early issues they have only been included because we feel that 'age has not withered them'.

We hope that the contents help the reader understand at least some of the aspects of electronic design.

Halvor Moorshead
Editorial Director — ETI

Contents

- CMOS
How to use these versatile ICs
- Audio Amplifiers
Tim O'Neil's Over the design principles
- ...lies
...ained
- de to SCR
...eful cir...

Motors	54
	59
	70

**VOL.1
OUT NOW**

**VOL.2
OUT
FEB 1st**

AT YOUR NEWSAGENT
Or order from: Specials,
Modmags Ltd, 145 Charing
Cross Road, London, WC2H
0EE. Send cheque/PO for
£1.25 + 25p (P&P) (per
volume) and please
write your name and
address on the back
of your payment.

Electronic Circuit Design

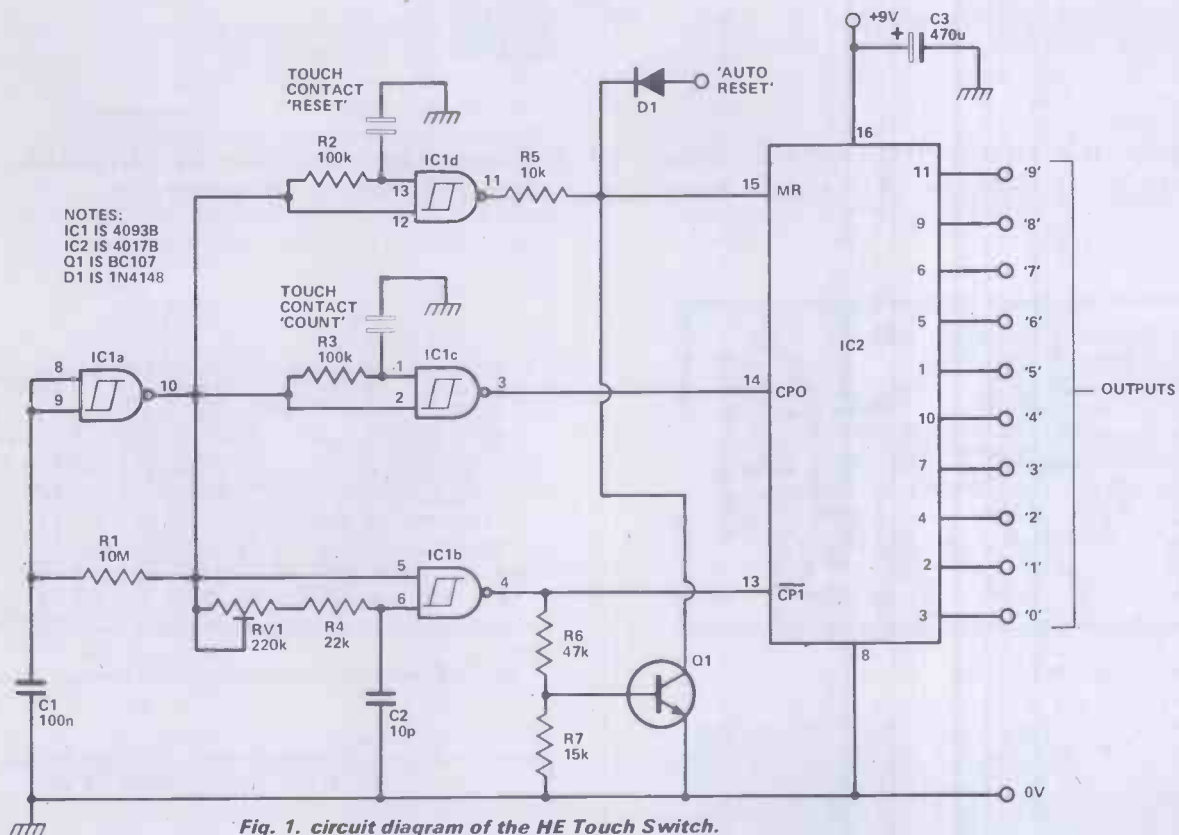
No.1

Selected Reprints from
electronics today

£1.25

**NEW
FROM
ETI!**





How it Works

The circuit operates by using the hand as part of a capacitor in a critical timing circuit. When the detector contacts are touched, the extra capacitance introduced has the effect of delaying the transmission of a clock edge. The circuitry is driven by one single phase clock generated by IC1a whose output consists of a continuous stream of pulses at about one Hertz with a nominal fifty percent duty cycle. A delayed and inverted clock is generated from this signal by IC1b whose output drives one of the clock inputs of decade counter-decoder IC2.

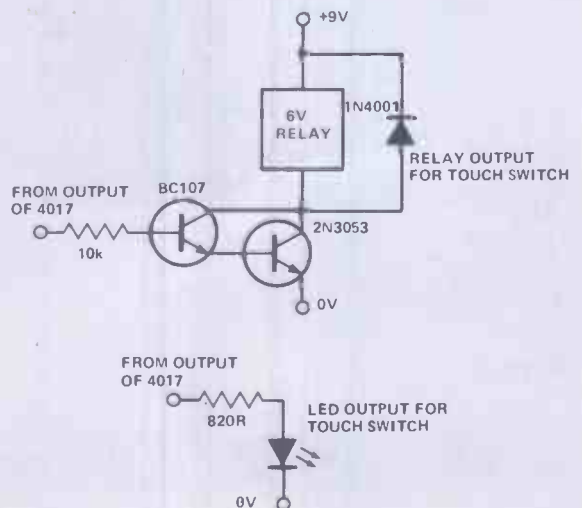
This chip does all the work of decoding the clock signals and provides a reset input which can be controlled from the touch circuitry or driven directly by one of the outputs of the chip. For example, to reset to zero after the 'fifth' count has been reached, just connect output 'six' (pin 5, IC2) to the 'auto reset' input at the anode of D1. If no connection is made to D1 then the circuit will cycle through all ten outputs. By connecting output 'two' (pin 4, IC2) to 'auto reset' and taking an output from 'one' or 'zero' (pins 2, 3 IC2), the circuit will operate as a bistable: one touch turning the output on; another touch resetting the output to off. The 'reset' touch contact may be left disconnected in this case.

A certain delay will always be introduced by IC1c, d owing to stray capacitance from the circuit board and connecting leads. This may be nulled out by adjustment of RV1 which should be set to

minimum resistance consistent with reliable operation.

Two suggested output circuits are shown. The first lights a LED when the appropriate output is selected, the other circuit will drive a small relay whose contacts may be used to switch more power.

The touch 'reset' circuit operates in a similar manner to the 'count' circuit. A glance at the timing diagram should make things clear.



Touch Switch

into two copper lands by scoring or filing a line down the middle breaking the copper, but leaving the insulating board intact. Make sure no copper whiskers remain to bridge the copper lands as these would prevent the circuit from working at all. Sensitivity will depend to an extent on the physical size of the touch contacts and the area covered by, for example, the thumb or palm. Reliable operation was obtained using the prototype with the touch contacts covered by a layer of adhesive

plastic film. Use of a coloured film like the sort used to cover books could make an attractive addition to the project. Use your imagination and do not be afraid to experiment. Finally, a word of caution to anyone thinking of controlling mains powered equipment. This is okay so long as you make sure you use a relay whose contacts are rated for the job and keep all mains wiring away from the rest of the project. Build one now and give your projects a little touch of class!

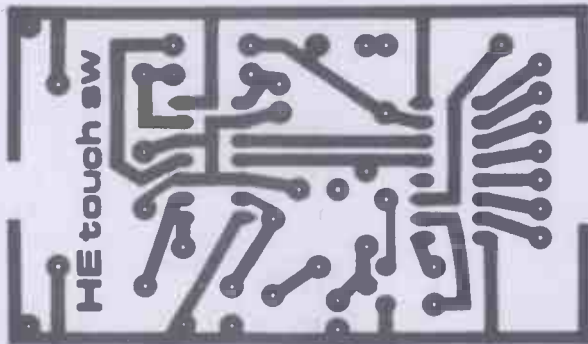


Fig. 2. PCB for the Touch Switch

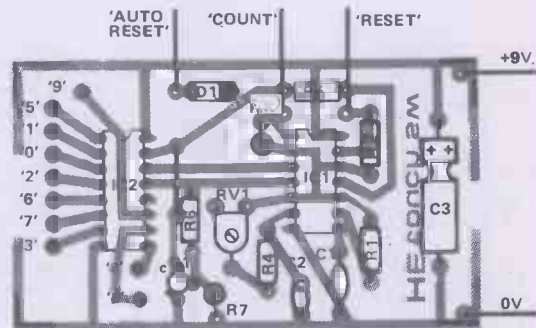
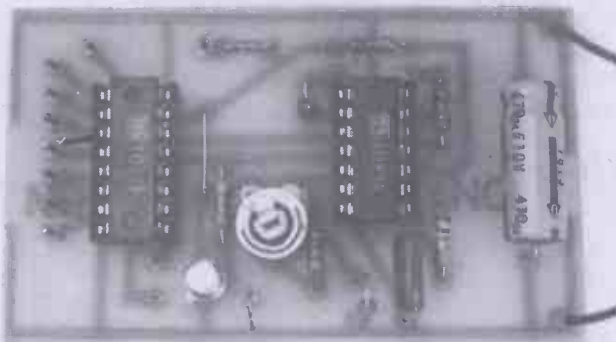


Fig. 3. Overlay diagram for the Touch Switch.



The assembled board, clean and compact



Good soldering pays off. Practice makes perfect



Use of a PCB makes construction a snap!

Parts List

RESISTORS (All 1/4W, 5%)

R1	10M
R2, 3	100k
R4	22k
R5	10k
R6	47k
R7	15k

POTENTIOMETER

RV1	220k submin. horiz. preset
-----	----------------------------

CAPACITORS

C1	100n polyester
C2	10p polystyrene
C3	470 μ electrolytic

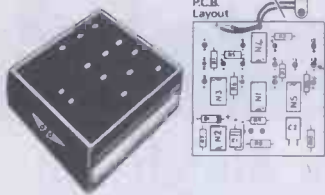
SEMICONDUCTORS

Q1	BC107
IC1	4093B
IC2	4017B

Buylines

All the components for this project should be readily available from the larger mail-order suppliers.

RANDOM ELECTRONIC EASY DICE



Self Assemble £3.95
Ready Built £4.75
Roll Out Model £5.25
INCLUSIVE VAT.

ADD 25p. POSTAGE PER DICE

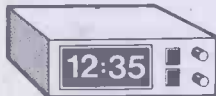
SUPER VALUE!

5 FUNCTION RADIO CONTROLLED CORVETTE FULLY ASSEMBLED



£22.50 + 60p.p+p

CLOCK ALARM KIT FULL INSTRUCTIONS



£12.95 + 25p.p+p

T.V. GAMES B/WHITE
£8.95 + 25p.p+p

24 TUNE ELECTRONIC
DOOR CHIMES

£14.50 + 25p.p+p

CALCHEC EDUCATIONAL
CALCULATOR

£2.25 + 25p.p+p

ORDER FROM

Menorcrest Electronics Ltd.
1 Hatton Court
Ipswich Suffolk
Tel: 0473-210151/2

Hobby Electronics, March 1980

NEW FROM CASIO

MAJOR PRICE BREAKTHROUGH! High quality water resistant watches at unbeatable prices including the first quality alarm chronograph for UNDER £20!

CASIO F-80 Alarm Chronograph
3-year battery 1/10 second stopwatch to 12 hours. Net, lap and 1st and 2nd place times. 24 hour alarm. Hourly chimes. Backlight. Black resin case and strap. Stainless steel front and back. Glass. (£24.95)



£19.95

95QS-36B Chronograph. As above but 1/100 to 7 hours. Dual time. 12 or 24 hours. Full calendar pre-prog. to 2029. 5 year battery. Solid stainless steel case (£24.95)

£19.95

B1QS-35B Alarm Chronograph. As above but with alarm and chimes instead of dual time. Solid S/S case (£34.95)

£29.95

111QS-34B. 8 digits, hrs, mins, secs, date, day. Chrome case. S/S bracelet

£14.95

Details on request SAE or stamp please

CALCULATING ALARM CLOCKS



MQ-6 Micro Card The Big-Digit Midget!

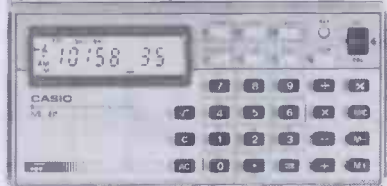
Pocket watch with full auto-calendar 1/10 second stopwatch. Net, lap, 1st and 2nd. 8 digit calculator with % and GT memory. Stylish fob chain, case 3/16 x 1 3/4 x 2 5/8 (£24.95)

£19.95

MQ-12 Time Card (Credit Card size), alarms, 1/10 sec stopwatch and full month calendar display (£24.95)

£19.95

ML-81. 11 note melody maker
Much more musical than the ML-80



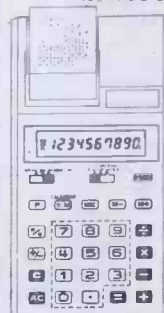
Clock, 200 year auto calendar, musical alarms (2), alarm timer and hourly chimes. 1/10 second stopwatch, net, lap and 1st and 2nd place times to 24 hours. Calculator with full memory, %, √ one year battery. 5/16 x 4 1/2 x 2 1/4 in (£25.95)

£22.95

Probably the world's smallest printer
HR-10 Mini Printer

10 digit LCD display. Electric discharge printing. Decimal mode selector. Prints full month calendars from 1901 to 2099. Full access memory. Sign change, % keys. 3 way power source 1 5/8 x 3 1/2 x 6 5/8 in (£34.95)

ONLY £29.95



MASTER PACKAGE DEAL Programmables. FX-501P + FA1 + Master Pack-software kit (usually £17.95) for only £5

£79.90

FX-502P + FA-1 MP

£99.90

REMEMBER we are never knowingly undersold and will try and beat any advertised price

Our 1980 catalogue of Casio, Seiko etc will be available Feb/March. Price 25p. Price includes VAT, P&P. Send cheques, PO or phone your ACCESS or B'CARD No to:—

TEMPUS

Dept HE Beaumont Centre 164-167 East Rd., Cambridge CB1 1DB Tel: 0223 312866

B.K. ELECTRONICS



AM/FM STEREO TUNER AMPLIFIER CHASSIS

(originally designed for installation into a music centre)
Ready-built and tested tuner/preamp board and power supply and power amp board. Easily wired together.

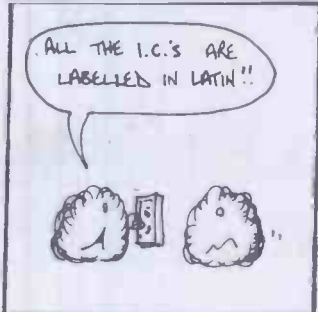
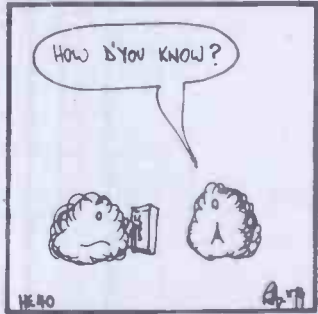
Note: Interconnection wiring diagram supplied.
Rotary Controls: Tuning, on/off volume, balance, treble, bass.
Push-button Controls: Mono, Tape, Disc, A.F.C., F.M. (VHF), LW, MW, SW.
Power Output: 7 watts RMS per channel, at better than 2% THD into 8 ohms. 10 watts speech and music.
Frequency Response: 50Hz-20KHz within ± 3dB.
Tape Sensitivity: Output — typically 150 mv. Input — 300 mv for rated output.
Disc Sensitivity: 100 mv (ceramic cartridge).
Radio: FM (VHF) 87.5MHz-108MHz/Stereo Beacon.
Long Wave 145KHz-265KHz.
Medium Wave 520KHz-1620KHz.
Short Wave 5.8MHz-16MHz.
Size Tuner — 2 1/2 in. x 1 5/8 in. x 7/16 in. Approx. Power Amp — 2 in. x 7/16 in. x 4 1/4 in. approx.
240 volt AC operation. Complete with circuit diagram.
Price — £22.00 + £2.50 P&P.

LOUDSPEAKERS

High quality full range 8 inch loudspeakers, 10 watts RMS, 8Ω. Rolled surround with aluminium centre cones.
£9.50 per pair + £1.50 P&P.

MAIL ORDER ONLY

Dept. HE, BK ELECTRONICS
37 WHITEHOUSE MEADOWS, EASTWOOD
LEIGH-ON-SEA, ESSEX



What to look for in the April issue: on sale March 7th

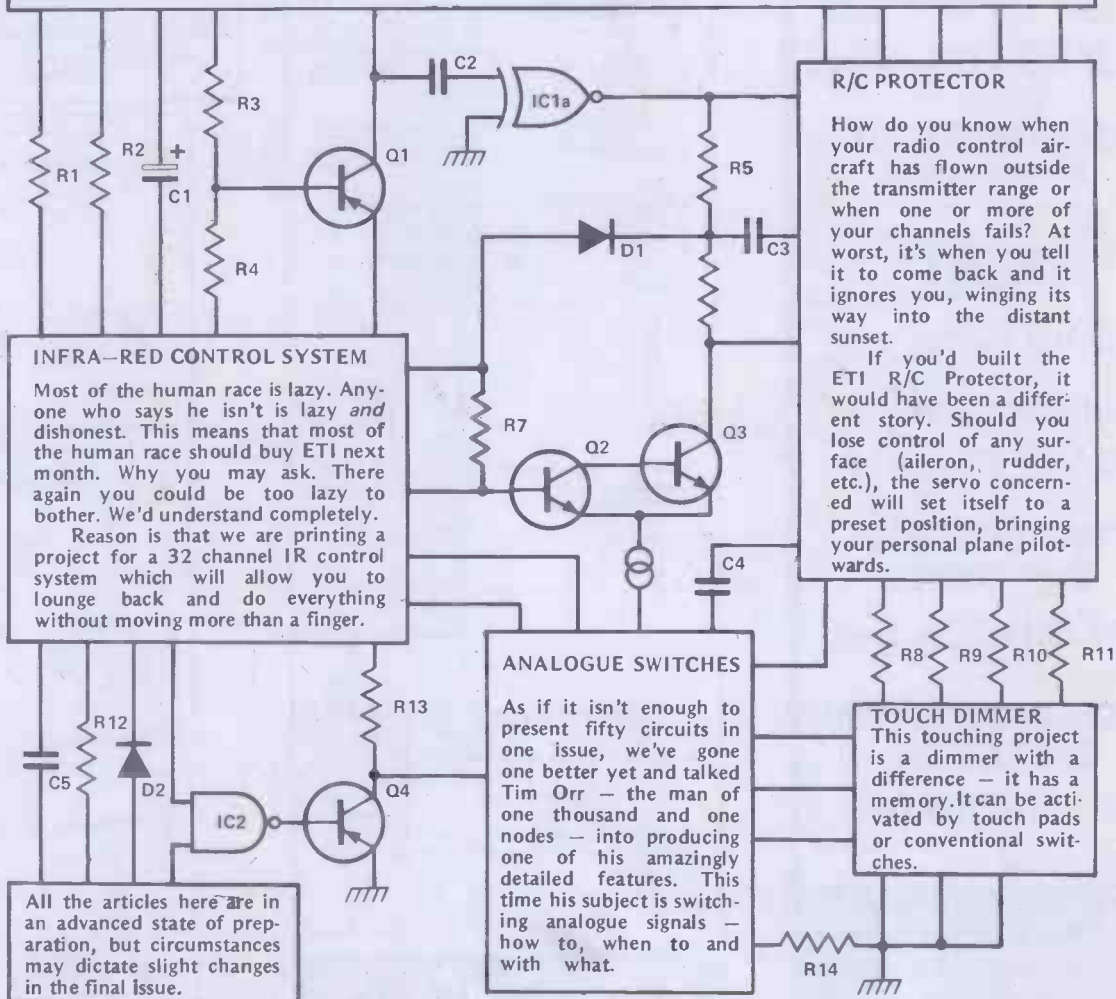
CIRCUIT SUPPLEMENT

Next month's ETI carries something really special — a SIXTEEN PAGE circuit supplement for the experimenter. All the circuits have been tried and tested by us, making this the most reliable reference yet. If there is anything you need a circuit for or any circuits you need something for this is the place to find it. No less than 50 in all. Half a hundred of the best you'll find anywhere.

Well worth keeping for that inevitable future time when you'll NEED ONE or more of the priceless little gems lying amid these pages.

50

TESTED
CIRCUITS
TO BUILD



INFRA-RED CONTROL SYSTEM

Most of the human race is lazy. Anyone who says he isn't is lazy and dishonest. This means that most of the human race should buy ETI next month. Why you may ask. There again you could be too lazy to bother. We'd understand completely.

Reason is that we are printing a project for a 32 channel IR control system which will allow you to lounge back and do everything without moving more than a finger.

R/C PROTECTOR

How do you know when your radio control aircraft has flown outside the transmitter range or when one or more of your channels fails? At worst, it's when you tell it to come back and it ignores you, winging its way into the distant sunset.

If you'd built the ETI R/C Protector, it would have been a different story. Should you lose control of any surface (aileron, rudder, etc.), the servo concerned will set itself to a preset position, bringing your personal plane pilot-wards.

ANALOGUE SWITCHES

As if it isn't enough to present fifty circuits in one issue, we've gone one better yet and talked Tim Orr — the man of one thousand and one nodes — into producing one of his amazingly detailed features. This time his subject is switching analogue signals — how to, when to and with what.

TOUCH DIMMER

This touching project is a dimmer with a difference — it has a memory. It can be activated by touch pads or conventional switches.

All the articles here are in an advanced state of preparation, but circumstances may dictate slight changes in the final issue.

Hobby Chit~Chat

As a follow-up to last month's 'Chit-Chat', we look now at alarm-call generator circuits and methods of connecting them up to self-latching burglar alarms.

IF YOU BUILT or intend to build any of the relay-output burglar alarm circuits described in last month's 'Chit-Chat' feature, you'll need to couple your circuit up to a suitable alarm-call generator (a bell, siren or electronic siren) in order to make a working burglar alarm system. This month's 'Chit-Chat' tells you how to make those connections and describes some practical 'electronic siren' circuits that you can build.

An alarm-call generator may use the same battery supply as the actual burglar alarm (see Fig 1a) or may be powered from its own supply battery (Fig 1b). The rules for deciding which alternative to use are quite simple. First, if the burglar alarm and the generator voltages are not the same, you must obviously use individual supplies for each. Second, if the burglar alarm is NOT self-latching via a pair of relay contacts, you should use separate supplies: the reason for this is that the alarm-call generator impresses a lot of 'noise' on its battery supply and this noise may cause malfunctioning of a non relay-latching burglar alarm that uses the same supply.

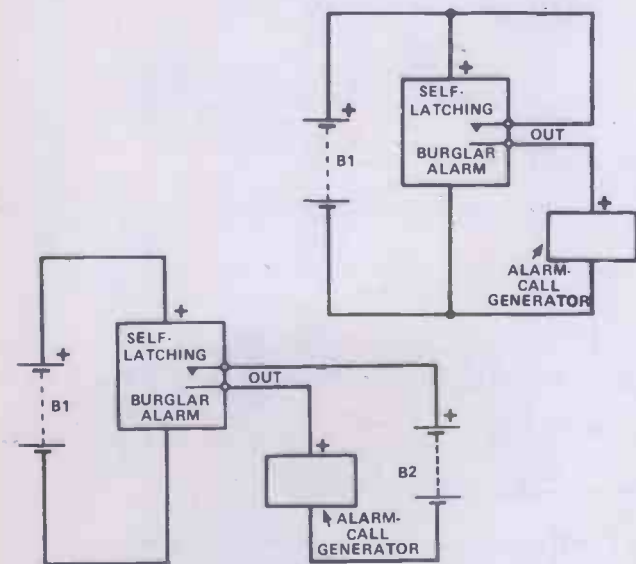


Fig. 1. Interfacing a direct-action alarm call generator (bell, siren etc) to a self-latching burglar alarm using (a) common or (b) individual supply batteries.

Thus, you can safely use a common supply only if the burglar alarm is self-latching via a relay contacts and if it

has the same voltage rating as the alarm-call generator. Four of the burglar alarm circuits described in last month's 'Chit-Chat' were of the self-latching 'relay' type, so from this point on we'll confine the discussion to this type of alarm circuit.

AUTO-TURN-OFF ALARM ACTION.

Once a self-latching alarm has been activated it sounds the generator until the systems batteries run flat if the connections of Fig 1 are used. An alternative action, in which the generator sounds for only a pre-set period (typically 5 to 15 minutes) can be obtained by interposing an auto-turn-off unit between the burglar alarm and the alarm-call generator, as shown in Fig 2. This unit incorporates a relay that closes and completes the generator circuit as soon as the burglar alarm activates, but then automatically turns off and disables the generator after some pre-set period. Fig 2 shows alternative ways of interconnecting the three units when (a) common or (b) dual supply batteries are used.

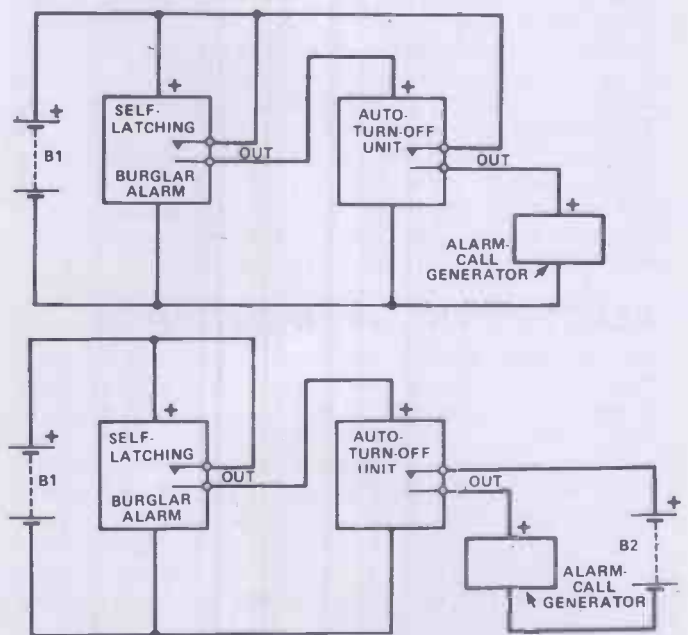


Fig. 2. Interfacing an alarm call generator to a self-latching burglar alarm via an auto-turn-off unit, using (a) common or (b) individual batteries.

Figure 3 shows the practical circuit of an auto-turn-off unit that gives a basic timing period of 8 minutes: the period is proportional to the C1 value and can be doubled (for example) by giving C1 a value of 200n.

The operating principle of the Fig 3 circuit is quite simple. IC1 is a 555 'clock' generator and IC2 is a 14-stage binary counter which changes state on the arrival of each 8192nd clock pulse. When power is first applied to the circuit the output of IC2 is set to the 'low' state via C2. As the output goes low the relay is driven on via Q1 and contacts RLA/1 close and complete the

oscillator on and off. The resulting pulsed tone signal is amplified by Q1 and Q2 and reproduced at a level of several watts in the speaker. The available power output of this circuit is limited by the '18 volts maximum' of the supply line.

The permissible maximum voltage (and thus the available power output) of the above circuit can be increased by modifying the circuit so that the supply to IC1 is limited to 12 volts by a resistor and zener diode, as shown by R4 and ZD1 in Fig 5. This particular circuit generates a 'dee-dah' warble-tone alarm, similar to a

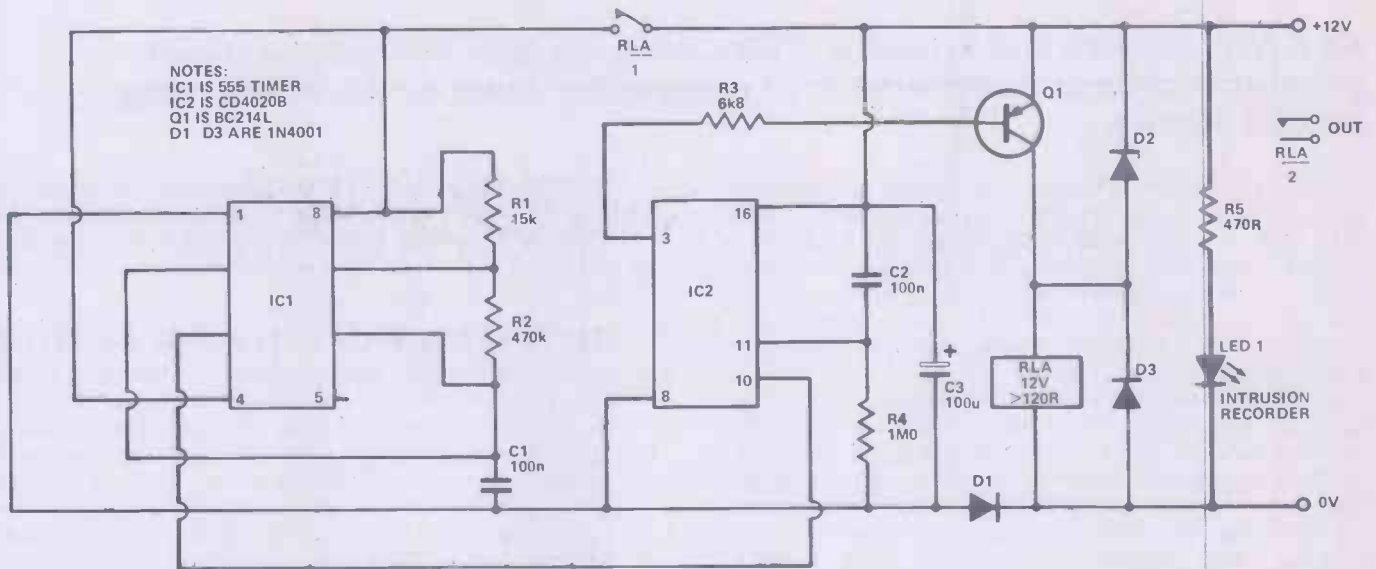


Fig. 3. A practical auto-turn-off unit giving a delay of about 8 minutes. The delay can be increased by using a larger value for C1.

supply connections to the IC1 clock generator, which then starts operating. On the arrival of the 8192nd clock pulse (after roughly 8 minutes with the component values shown) the output of IC2 flips high and turns the relay off via Q1, thereby opening contacts RLA/1 and breaking the supply connections to the clock generator. The operating sequence is then complete.

Note in this circuit that LED1 illuminates so long as a voltage supply is connected to the output of the self-latching burglar alarm. The LED thus acts as a visual 'Intrusion Recorder' which continues to glow even when the alarm-call generator has switched off.

ELECTRONIC SIREN CIRCUITS

An alarm-call generator can take the form of an electro-mechanical bell or siren or of an electronic siren or sound generator. In some cases it may be an advantage to use two types of generator, either operating directly in parallel or operated simultaneously via a multi-contact relay. An electronic siren may, for example, be used to sound inside a house while an alarm bell sounds outside.

Electronic 'sirens' can take a number of different forms and may be designed to generate quite distinctive sounds. Figures 4 to 8 show five useful designs that can easily be built by the electronics hobbyist.

The Fig 4 circuit generates a 'bleep-pause-bleep-pause' pulsed tone signal. IC1a-IC1b form a 1Hz astable multivibrator which alternately gates the IC1c-IC1d 1kHz

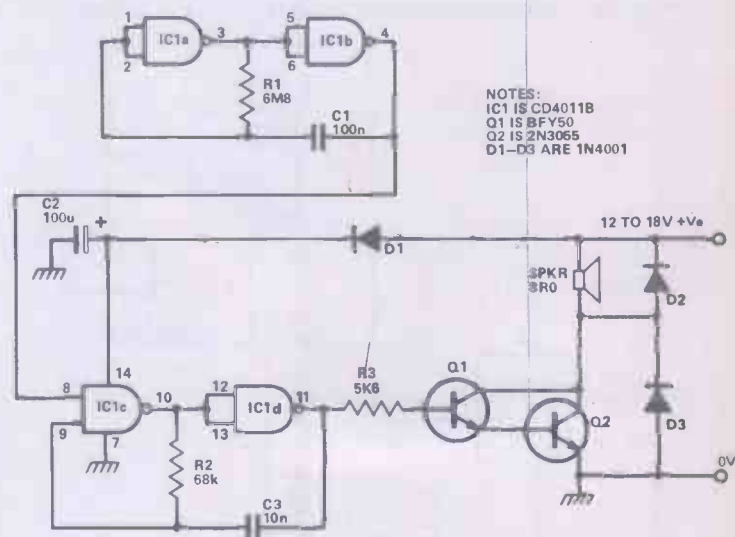


Fig 4. Higher power pulsed-tone alarm call generator.

British police car siren. The circuit is similar to that of Fig 4, except that the 1Hz astable is used to frequency-shift the IC1c-IC1d oscillator.

The frequency-shift 'symmetry' of the circuit

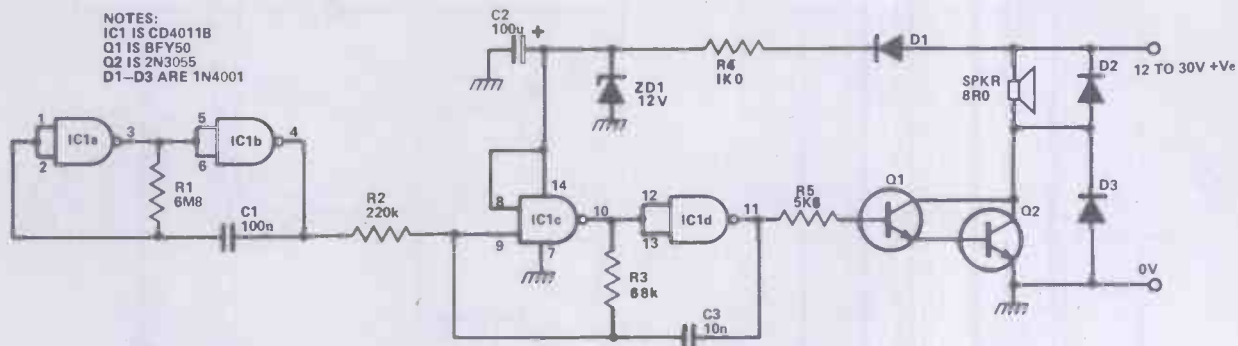


Fig. 5. High-power warble-tone alarm call generator.

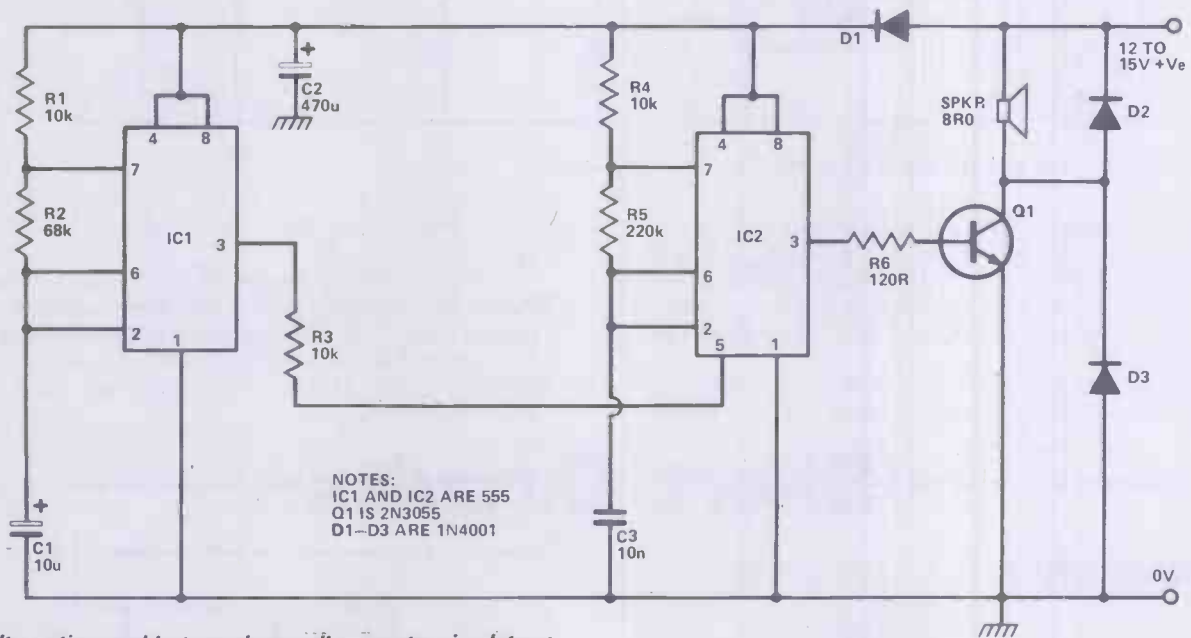


Fig. 6. Alternative warble-tone alarm call generator simulates a British police car siren.

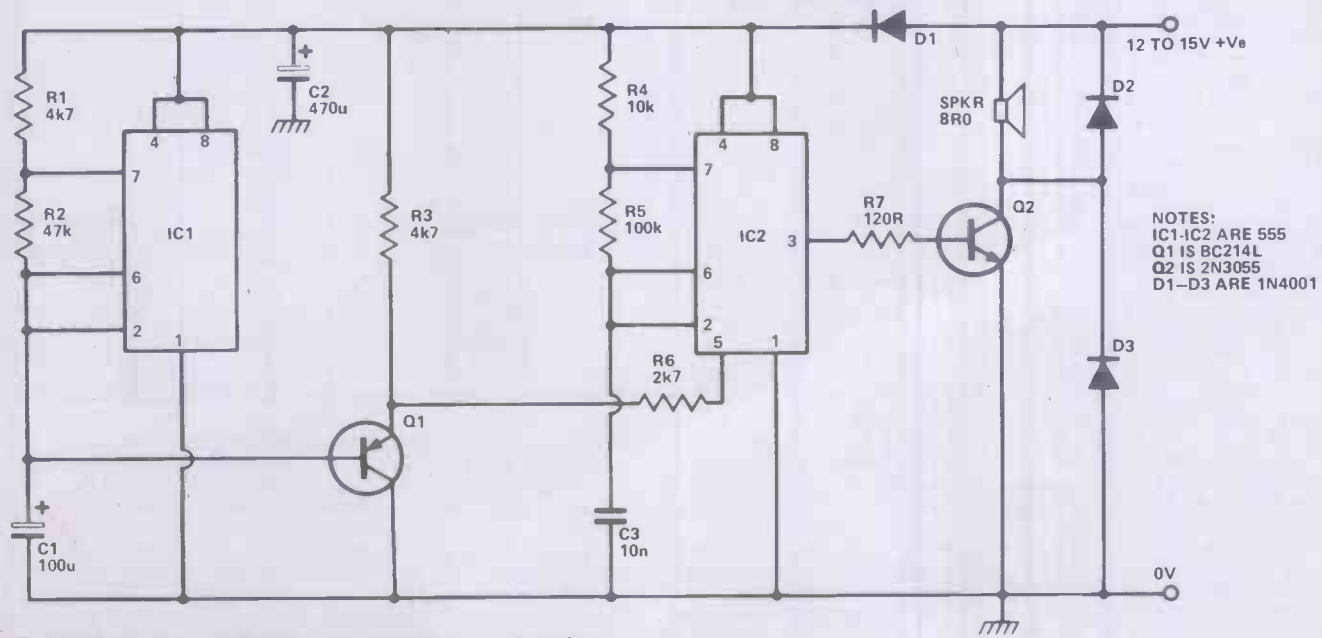


Fig. 7. 'Wailing' alarm call generator simulates an American police siren.

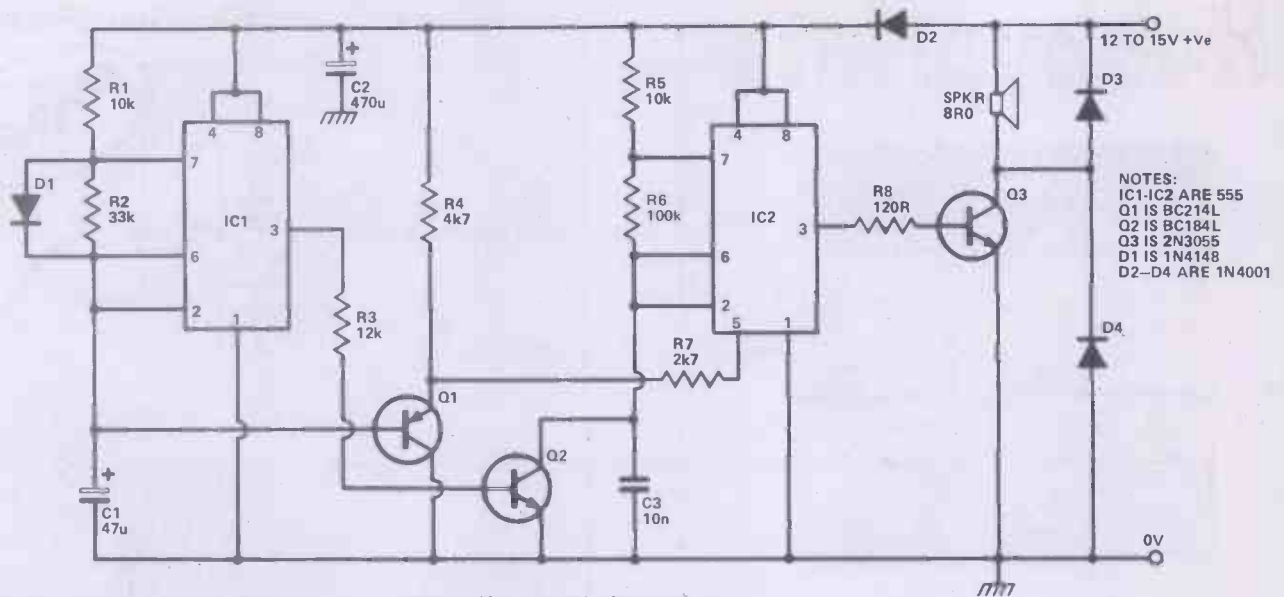


Fig. 8. 'Red-Alert' alarm call generator simulates 'Star Trek' alarm signal.

depends somewhat on the characteristics of the individual chip that is used in the IC1 position. Figure 6 shows an alternative warble-tone generator that does not suffer from this defect. The modulation frequency of this circuit can be varied via R2 and the 'tone' frequency can be varied via R5.

Figure 7 shows a variation of the above circuit. This particular design generates a 'wailing' or alternately

rising and falling tone, similar to that of an American police car siren.

Finally, the Fig 8 circuit generates a 'zeep-zeep' sound that is similar to the 'Red Alert' alarm signal used in the 'Star Trek' programme. The period or interval of this signal can be varied via R2 and the tone can be varied via R6. This circuit is an ideal project for the experimenter. **HE**

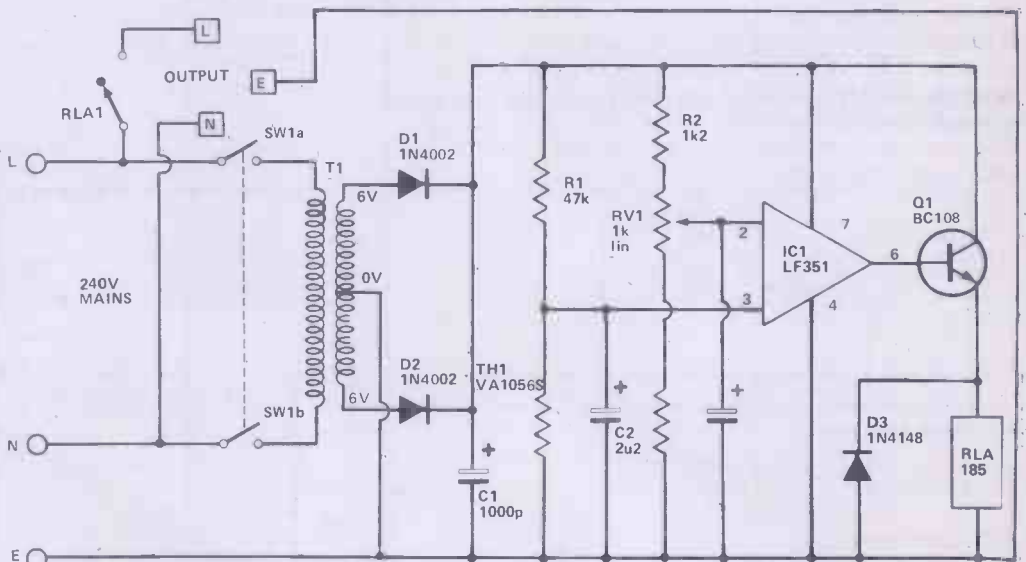
Short Circuits

THERMOSTAT

This simple thermostat will stabilise temperatures to within a fraction of one degree Centigrade. It covers a range which extends from a few degrees C to over 35 degrees C, and is therefore suitable for use as a room thermostat, a thermostat for photographic solutions, etc.

The circuit uses IC operational amplifier IC1 as a voltage comparator. If the voltage at its non-inverting (+) input is higher than that at the inverting (-) input, the output goes to virtually the full positive supply voltage. If the comparative input states are reversed, the output assumes a very low voltage. The inverting input is fed with a reference voltage which is taken from the slider of RV1; the latter acting as the temperature control. The non-inverting input is fed a potential divider which consists of R1 and Th1.

Th1 is a negative temperature coefficient thermistor, and its resistance varies according to its temperature, with increased temperature causing decreased resistance. If the voltage produced by Th1 and R1 is less than that set at RV1's slider, IC1's output will go high,



switching on the relay which is controlled from this output via an emitter follower buffer stage which utilizes Q1. Power is then connected to the heater by RLA1, and the room temperature (or whatever) starts to rise. This causes a reduction in the resistance of Th1, and the voltage fed to IC1's non-inverting input. This voltage soon

falls below that fed to the inverting input, causing IC1's output to go low, the relay to de-energise, and the heater to be switched off. The temperature then falls, causing Th1's resistance to increase, and a higher voltage to be fed to the non-inverting input of IC1. This soon results in IC1's output going high again, and the heater being

switched on. In this way the required temperature stabilisation is obtained.

Make sure that the relay contacts are capable of handling the currents involved (which will probably be quite high). The thermistor must be fitted in a watertight probe if it is to be used in photographic solutions.

Hobbyprints



We're just etching to tell you about HOBBYPRINTS, we know you won't be able to resist them. They're so good we've even patented the idea (1445171 and 1445172). If you're board with all those untidy strip boards or semi-permanent bread boards then read on.

After many months of extensive research we think we've come up with the ideal solution (Ferric Chloride?) to all of those problems people have with making really professional PCBs. (Puns come at no extra charge).

Seriously though, the HOBBYPRINT rub-down transfer, (very similar to the rub-down lettering) is the answer to the project builders prayer. PCBs take up a disproportionate amount of time, using HOBBYPRINTS a typical PCB can be finished in under half an hour. Because HOBBYPRINTS are produced from our original artwork there's no likelihood of making a mistake. They can even be used as photographic masks for ultra-violet PCB production.

Please note that HOBBYPRINT L is £1.20. Print N (Dec HE) is in two parts Part (b) contains the Hebot print and is available for 40p. Print (a) is still 80. The HOBBYPRINTS for Jan 80 are in two parts. (a) has the Cap Counter and PSU, (b) has Digi-Die, Hebot Loop Drive and Crosshatch generator. Each costs 80 pence.

ORDER TODAY

Send cheque or postal order (payable to Hobby Electronics) to:

**HOBBYPRINTS,
HOBBY ELECTRONICS,
145 CHARING CROSS ROAD
LONDON WC2H 0EE.**

80p INCLUSIVE OF VAT AND POSTAGE

Please note that Hobbyprint 'L' is £1.20 including VAT, as it consists of two sheets.

Please mark the letter(s) of the HOBBYPRINTS on the outside of the envelope.

First the EuroBreadBoard Now the EuroSolderBoard



Design on a EuroBreadBoard — Instal on a EuroSolderBoard

First the EuroBreadBoard

Will accept 0.3" and 0.6" pitch DIL IC's, Capacitors, Resistors, LED's, Transistors and components with up to .85mm dia leads. 500 individual connections PLUS 4 integral Power Bus Strips along all edges for minimum inter-connection lengths. All rows and columns numbered or lettered for exact location indexing (ideal for educational projects) Long life, low resistance (<10m ohms) nickel silver contacts £6.20 each or £11.70 for 2 including 1 or 2 EuroSolderBoards FREE

Now the EuroSolderBoard

New 100mm square, 1.6mm thick printed circuit board with pre-tinned tracks identically laid out, numbered and lettered to EuroBreadBoard pattern. Four 2.5mm dia fixing holes. £2.00 for set of three ESB's or FREE with every EuroBreadBoard)

And don't forget the EuroSolderSucker

Ideal for tidying up messy solder joints or freeing multi-pin IC's, this 195mm long, all metal, high suction desoldering tool has replaceable Teflon tip and enables removal of molten solder from all sizes of pcb pads and track. Primed and released by thumb, it costs only £7.25 including VAT & PP



Snip out and post to David George Sales,
Unit 7, Higgs Industrial Estate, 2 Herne Hill Road, London SE24 0AU

David George Sales, HE 3

Unit 7, Higgs Ind. Est., 2 Herne Hill Rd., London SE24 0AU.

Please send me:—

- | | | | |
|--|----------|-----------------------|--------|
| 1 EuroBreadBoard
(plus 1 free EuroSolderBoard) | @ £ 6.20 | <input type="radio"/> | Please |
| or 2 EuroBreadBoards
(plus 2 free EuroSolderBoards) | @ £11.70 | <input type="radio"/> | Tick |
| or 3 EuroSolderBoards | @ £ 2.00 | <input type="radio"/> | |
| or 1 EuroSolderSucker | @ £ 7.25 | <input type="radio"/> | |

All prices are applicable from Jan. 1st 1980 and include VAT & PP but add 15% for overseas orders.

Name

Company

Address

.

Tel. No

Please make cheques/P.O. payable to David George Sales and allow 10 days for cheque clearance and order processing

Miniboards

6 WATT SIREN

A state-of-the-art project to terrify intruders and pussy cats. A police-like "de-dah" alarm that produces a 6-watt output in an 8 ohm speaker when powered from a 12-volt battery supply.

THIS NIFTY LITTLE DESIGN uses the very latest advances in semiconductor technology to implement a very compact, inexpensive, yet exceptionally powerful alarm-sound generator unit that can easily be incorporated into an existing burglar alarm system or similar "security" device. The alarm produces a police-like "dee-dah" signal at levels up to 6-watts in an 8 ohm speaker when powered from a 12-volt battery supply and incorporates a number of unusual features.

The alarm circuit incorporates a basic alarm-signal generator, followed by a power amplifier stage. The alarm-signal section of the unit is designed around an inexpensive CMOS integrated circuit that consumes virtually zero "standby" power. The power amplifier stage is a real state-of-the-art device, a low-cost VMOS power FET which also consumes virtually zero current when in the "standby" mode. Consequently, the unit does not need a separate on/off switch and can be left permanently connected to a 12-volt battery supply. The

alarm can be activated either by closing push-button switch PB1, or by applying +12 volts to the junction of R1 and R2 (the low end of PB1).

CONSTRUCTION AND USE

The unit uses relatively few components and can be built in less than one hour. The components are assembled on a standard 1 inch x 2½ inch strip of Veroboard, as shown in the photos. Start construction by breaking the copper strips as indicated and then solder the nine wire links into place. Next, solder a suitable IC holder into position and then assemble the rest of the components, taking care to observe the polarities of C1, D1, IC1 and Q1.

When construction is complete, double-check all wiring and then connect the unit to a suitable 8Ω speaker and a 12 volt battery supply, connect PB1 in place and give the unit a functional check by closing the switch. The unit should produce an ear-splitting "dee-

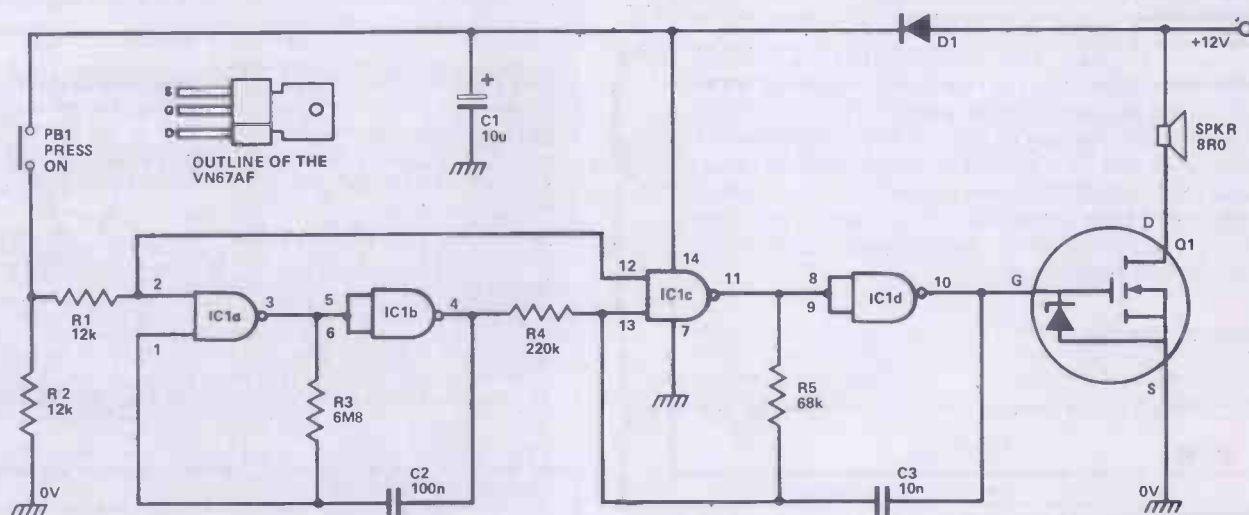


Fig. 1. Circuit diagram of the 6 watt siren.

NOTES:
D1 IS 1N4001
Q1 IS VN67AF
IC1 IS CD4011B

How It Works

IC1a and IC1b are wired as a slow astable multivibrator and IC1c-IC1d are wired as a fast astable. Both these astables are "gated" types, which can be turned on and off via PB1. The output of the ICa-IB1b slow astable is used to modulate the frequency of the IC1c-IC1d fast astable, and the output of the fast astable is fed to the external speaker via the Q1 VMOS power FET amplifier stage.

Normally, with PB1 open, both astables and Q1

are inoperative and the circuit consumes virtually zero standby current. When PB1 is closed both astables operate and the frequency of the fast astable is modulated by the slow astable to produce a "dee-dah" signal, which is passed to the speaker via the Q1 power amplifier stage. D1 and C1 are used to ensure that the astable actions are not adversely influenced by voltage transients induced into the battery supply leads via the speaker.

dah" alarm sound. Note that the speaker used in the system must be an 8RO type with a power rating greater than 6 watts.

If you want to use this unit in conjunction with an existing burglar alarm system, you can either replace

PB1 with a set of relay contacts that are activated via the burglar alarm system, or possibly can use the burglar alarm to activate the generator directly by applying 12 volts to the R1-R2 junction under the "alarm" condition. **HE**

Parts List

MINIBOARD No. 7

RESISTORS (All 1/4w, 5%)

R1, 2 12k
R3 6M8
R4 220K
R5 68K

CAPACITORS

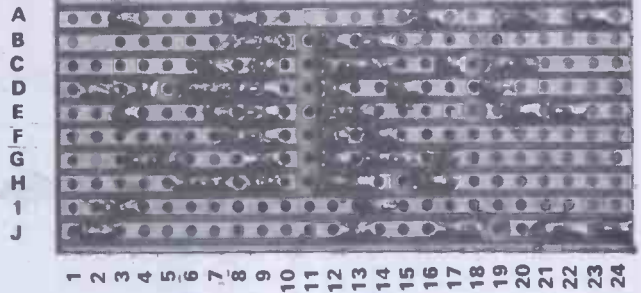
C1 10µ 16V Electrolytic
C2 100n Polyester
C3 10n Polyester

SEMI-CONDUCTORS

D1 1N4001
Q1 VN67AF
IC1 CD4011B.

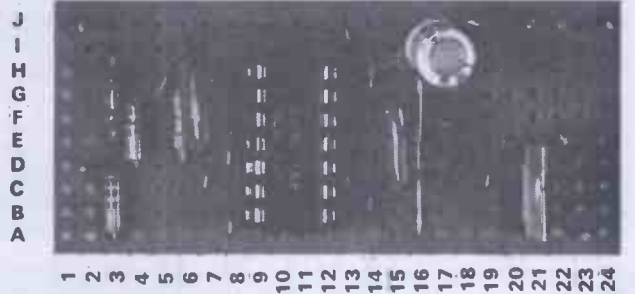
MISCELLANEOUS

SPKR 8RO, 10 watt
PB1 Push button switch



Above. Component insertion layout. Note the orientation of Q1.

Below. Underside of the Miniboard 6 watt siren. Ensure that cuts in the track are made in the correct places.



Buylines

The only component that is difficult to find is Q1, the VN67AF VMOS power FET. It can be obtained from J. W. RIMMER, 367 GREEN LANES, LONDON N4 1DY. For price, phone 01-800 6667.

HAND-HELD GAMES

Elec. Mastermind £12.90
Digits £14.95
Zap £11.95
Amaze-a-Tron £18.95
U.F.O. Master Blaster £24.95
Enterprise 4 in 1 £24.95
Space Alert £15.90
Auto Race £15.90
Soccer £21.50
Atari Touch Me £26.95
Destroyer £16.95
Football (2 player) £24.95

Commodore Watches
LCD Snooze Alarm
£20.95 Our Price £14.90
1-year guarantee

KITS

Pinball Wizard £28.90
Play 7 games on your tv. Box
Set for P.W. £6.50
Mains Adaptor £3.90
C.E.H. 202-1 £18.90
Versatile car alarm
CHROMA-CHIME
24-tune door chimes
Kit £10.50
Built £15.90
FIRE-SMOKE ALARM
£15.90

C.B. - C.B. - C.B. - C.B.
Disguised Aerials. S.W.R.
R.F. Pre-Amp. Connectors.
etc.

CHESS COMPUTERS

Star Chess TV Game £63.35
Chess Champion £54.95
Challenger 7 £99.00
Challenger 10 £160.00
Voice Challenger £230.00
Chessmate (8) £59.95
Bridge Challenger £290.00
Backgammon £90.00
Checkers 4 £90.00
Database
Atari V.C.S. £89.95
£159.00

ZODIAC
Astrology Computer
£34.95

N.I.C.

61 Broad Lane, London, N.15
Day-Tel: 01-808 0377 Evg.: 01-889 9736

OHIO SCIENTIFIC Superboard 2. Assembled 50Hz model £188 + 15% vat. post free.

Special offer: If bought with superboard these items are at the reduced price shown first. Also sold separately at the bracketed prices. Add 15% vat. Modulator and power supply kit £1.00 (£7.98). 4K extra ram £25.74 (£31.95). Cassette recorder £12.13 (£14.74).

SINCLAIR PRODUCTS New 10MHz scope £145. pm200 £81.85, case £3.40, adaptor £4.03, connector kit £11.27. Microvision tv £81, adaptor £6.88, pdm35 £34.23, adaptor £4.03, case £3.40, dm350 £76.70, dm450 £102.17, dm235 £88.85, rechargeable batta £7.89, adaptor £4.03, case £9. Enterprise prog calculator + accessories £19.95. COMPUTER GAMES chess champion £69.99. Chess challenger 7 £84. Phillips G7000 home computer £148. Videopaka £12.85. Atari vidac-computer £147. Cartridges £14.88.

COMPONENTS 1N4148 0.5p. 1N4002 2.5p. 741 18p. bc109, bc182, bc184, bc212, bc214, bc548 8.5p. Resistors 1/4w 5% E12 10R to 10M 1p, 0.5p for 50% of one value. 15V electrolytics. 5, 1, 2, 5, 10, 22mf 5p, 100mf 5p, 1000mf 10p. 1 lb Faci £1.30. dalo pen 84p. 40 sq ins pcb 48p. Polystyrene capacitors E12 83V 10 to 1000pf 3p, 1n2 to 10n 4p. Ceramic capacitors 50V E6 22pf to 47n 2p. Zeners 400mW E24 2v7 to 33V 7p.

TV GAMES AY-3-8500 + kit £7.28. Rifle kit £8.27. AY-3-8600 + kit £17.28. Stunt cycle chip + kit £18.88. AY-3-8603 chip £13.83.

TRANSFORMERS 6-0-6V 115A £2.80. 9-0-9V 75ma 7p. 1A £2.22. 2A £3.84. 12-0-12V 100ma 8p. 1A £2.80.

IC AUDIO AMPS with pcb. JC12 6W £2.08. JC20 10W £3.14.

BATTERY ELIMINATORS 3-way type 8/7 1/2 9V 300ma £3.14. 100ma radio type with press-stud 9V £3.87. 9+9V £4.78. Car converter 12V input, output 4 1/2 6/7 1/2 9V 800ma £2.88.

BATTERY ELIMINATOR KITS 100ma radio types with press-studs 4 1/2 6/7 1/2 9V £1.48, 6V £1.48, 9V £1.48, 4 1/2 + 4 1/2V £1.82, 6+3V £1.82, 9+3V £1.82.

Stabilized 8-way types 3/4 1/2 5/7 1/2 9/12/15/18V 100ma £2.50, 1A £3.30. Stabilized power kits 2-18V 100ma £2.88, 1.30V 1A £6.20, 1-30V 2A £11.24. 12V car converter 6/7 1/2 9V 1A £1.35.

T-DEC AND CBC BREADBOARDS s-dec £3.79, t-dec £4.88, u-dec £4.88, u-dec £7.15, exp-4b £2.64, exp300 £6.81, exp350 £3.82, exp325 £1.84.

BI-PAK AUDIO MODULES s450 £28.08. AL80 £8.08. pa100 £17.33. spm80 £4.74. bmt80 £8.08. Stereo 30 £21.87. AL30A £4.08. pa12 £9.38. pa12 £1.58. ma60 £38.27.

SWANLEY ELECTRONICS Dept. HE, 32 Goldsai Rd., Swanley, Kent

Post 30p extra. Prices include VAT unless stated. Official and overseas orders welcome. Lists 24p. post free. Mail order only.

TEE SHIRTS

We won't guarantee HE Tee-Shirts will make your soldering any better, we won't even claim it will make your projects work first time. What we will say is that it will protect your body from harmful Ultra-Violet radiation from the sun, embarrassing Tomato Ketchup stains on your hairy chest and overweight wallets (if bought as directed in sufficient quantity).

Yes folks, for just £2 all inclusive you can be the first kid on your block to own a brand new HE Tee-Shirt. If you buy more than one your torso need never be left unprotected whilst your other one is in the wash.

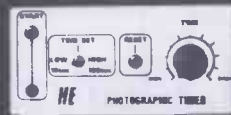
Send your cheque, PO or anything negotiable to: HE TEE SHIRTS, 145 Charing Cross Rd, London WC2H 0EE.



HOBBY ELECTRONICS PROJECT SPECIAL — VOLUME 1

From deep inside the HE specials department comes this once-in-a-lifetime opportunity. You could be one of the first to own a copy of this special re-publication containing 25 of Hobby Electronic's most popular projects. Cover price will be just £1.25. If you missed them first time around then this is your big chance.

More details next month.



HE CANTRUM AMPLIFIER



COMING SOON!

DISPLAY LIGHTING KITS

Each unit has 4 channels (rated at 1kW at 240V per channel) which switch lamps to provide sequencing effects, controlled manually or by an optional opto isolated audio input.

DL 1000K

This kit features a bi-directional sequence, speed of sequence and frequency of direction change being variable by means of potentiometers. Incorporates master dimming control. £14.60

DLZ 1000K

A lower cost version of the above, featuring unidirectional channel sequence with speed variable by means of a preset pot. Outputs switched only at mains zero crossing points to reduce radio interference to minimum. £8.00

Optional Opto Input DLA1 60p



INTEGRATED CIRCUITS



555 Timer	21p
741 Op. Amp	19p
AY-5-1224 Clock	£2.60
AY-5-1230/2 Clock / Timer	£4.20
AY-3-1270 Thermometer	£8.20
ICL7106 DVM (LCD drive)	£7.00
LM377 Dual 2W Amp	£1.45
LM3795 Dual 6W Amp	£3.50
LM380 2W Audio Amp	80p
LM382 Dual low noise pre-amp	£1.00
LM386 250mW low voltage amp	75p
LM1830 Fluid Level Detector	£1.50
LM2807 Inverter	£1.40
LM3909 LED Flasher / Oscillator	55p
LM3911 Thermometer	£1.20
LM3914 Dot / Bar Driver	£2.10
MM57160 (staq) Timer	£5.90
MM74C911 4-digit display controller	£6.50
MM74C915 7-segment-BCD converter	95p
MM74C926 4-digit counter with 7-seg outputs	£4.50
S566B Touchdimmer	£2.60
S9263 Touchswitch 16-way	£4.85
TBA800 5W Audio Amp	85p
TBA810AS 7W Audio Amp	85p
TDA1024 Zero Voltage Switch	£1.00
TDA2020 20W Audio Amp	£2.85
ZN1034E Timer	£1.80

All ICs supplied with data and circuits. Data sheets only 5p.

DIGITAL VOLTMETER / THERMOMETER KIT



Based on the ICL7106. This kit contains a PCB, resistors, pre-sets, capacitors, diodes, IC and 0.5" liquid crystal display. Components are also included to enable the basic DVM kit to be modified to a Digital Thermometer, using a single diode

as the sensor. Requires a 3mA 9V supply (PP3 battery) £20.75

LEDs

0.1" Red	8p
0.1" Green	12p
0.1" Yellow	12p
0.2" Red	9p
0.2" Green	12p
0.2" Yellow	12p
0.2" clips	3p
Rectangular Red	18p
Rectangular Green	20p
Rectangular Yellow	21p



DISPLAYS



DL304 Red 0.3" c.c. pin compatible with DL704	70p
DL307 Red 0.3" c.a. pin comp	70p
DL707	70p
DL847 Red 0.8" (pin comp. DL747) c.c.	£1.80
DL850 Red 0.8" c.c. (pin comp. DL750)	£1.80
DL727 Dual 0.5" c.a. Red	£1.50

MINI TRANSFORMERS



Standard mains primaries 240V a.c. 100mA secondaries

6.0-6V	80p
9.0-9V	85p
12.0-12V	90p

D.I.L. I.C. SOCKETS

8 pin	8p	18 pin	17p
14 pin	12p	28 pin	26p
16 pin	14p	40 pin	36p

Soldercon Pins 50p/100

24 HOUR CLOCK / APPLIANCE TIMER KIT



Switches any appliance up to 1kW on and off at preset times once per day. Kit contains AY-5-1230 IC, 0.5" LED display, mains supply, display drivers, switches, LEDs, triac, PCBs & full instructions. £14.90

CT1000K Basic Kit £14.90
CT1000KB with white box (56 x 131 x 71mm) £17.40
Ready Built £22.50

CAPACITORS

Polyester 250V			
0.01	6p	0.22	12p
0.002	6p	0.33	12p
0.0033	7p	0.47	15p
0.047	7p	0.68	18p
0.068	7p	1.0	24p
0.1	7p	1.5	27p
0.15	11p	2.2	31p

Electrolytics A Axial R Radial

63V	1.0 R	3p	16V	10 R	3p
	2.2 R	3p		22 R	3p
	4.7 R	4p		33 R	3p
	10 R	5p		47 R	4p
	47 R	8p		100 R	5p
25V	22	6p		220 R	6p
	47	6p		470 R	9p
	100 A	6p		1000 R	15p
	110 A	9p	10V	47 A	6p
	470 A	16p		100 A	6p
	1000 A	20p		220 A	6p

Tantalum (bead)					
35V	0.1	7p	10V	22	12p
	0.22	7p	6.3V	33	12p
	0.47	7p		47	14p
	1.0	7p	3V	100	14p
25V	2.2	8p			
	4.7	9p			
	10	12p			

VOLTAGE REGULATORS



Available in 5V, 12V & 15V versions.
78L series 100mA pos. 26p
79L series 100mA neg. 60p
78 series 1A pos. 62p

LM317T adjustable 1.2V-37V 1.5A £1.80

MINI KITS

These KITS form useful subsystems which may be incorporated into larger designs or used alone. Kits include PCB short instructions and all components.

TEMPERATURE CONTROLLER/THERMOSTAT
Uses LM3911 IC to sense temperature (80°C max.) and triac to switch heater. PCB (4 cm sq.) potentiometer, plus all other components included with instructions. 500W £3.20 1KW £3.50

SOLID STATE RELAY
Ideal for switching motors, lights, heaters etc. from logic. Opto isolated with zero voltage switching. Supplied without triac. Select the required triac from our range. £2.60

BAR/DOT DISPLAY
Displays an analogue voltage on a linear 10-element LED display as a bar or single dot. Ideal for thermometers, level indicators etc. May be stacked to obtain 20 to 100 element displays. Requires 5-20V supply. £4.75

BURST FIRE/PROPORTIONAL TEMPERATURE CONTROLLER

Based on the TDA1024 Zero Voltage Switch this kit contains all the components required to make a "burst fire" power controller or a "proportional temperature" controller enabling the temperature of an enclosure to be maintained to within 0.5°C. 1.5KW £5.25 3KW £5.85

BOXES

Moulded in high impact ABS. Supplied with lids and screws. Black or white.



B2 95 x 71 x 35mm 65p
B3 115 x 95 x 37mm 78p

RESISTORS

ZENER DIODES

400mW 3.3V-30V 18p
1.3W 7.5-27V 85p

1/4W 22ohm-10M Pack of 10 (one value) 10p
10 Packs (10 values) 80p

TRIACS



400V Plastic Case (Texas)			
3A	49p	16A	90p
8A	58p	20A	165p
12A	70p	25A	190p
6A with trigger			80p
8A isolated tab			65p
Diac			18p

ALL COMPONENTS ARE BRAND NEW AND TO SPECIFICATION. ADD VAT AT CURRENT RATE TO ABOVE PRICES PLUS 35p P&P. MAIL ORDER — CALLERS WELCOME BY APPOINTMENT.

TK Electronics

(H.E.), 106 STUDLEY GRANGE ROAD LONDON W7 2LX. TEL. 01-579 9794

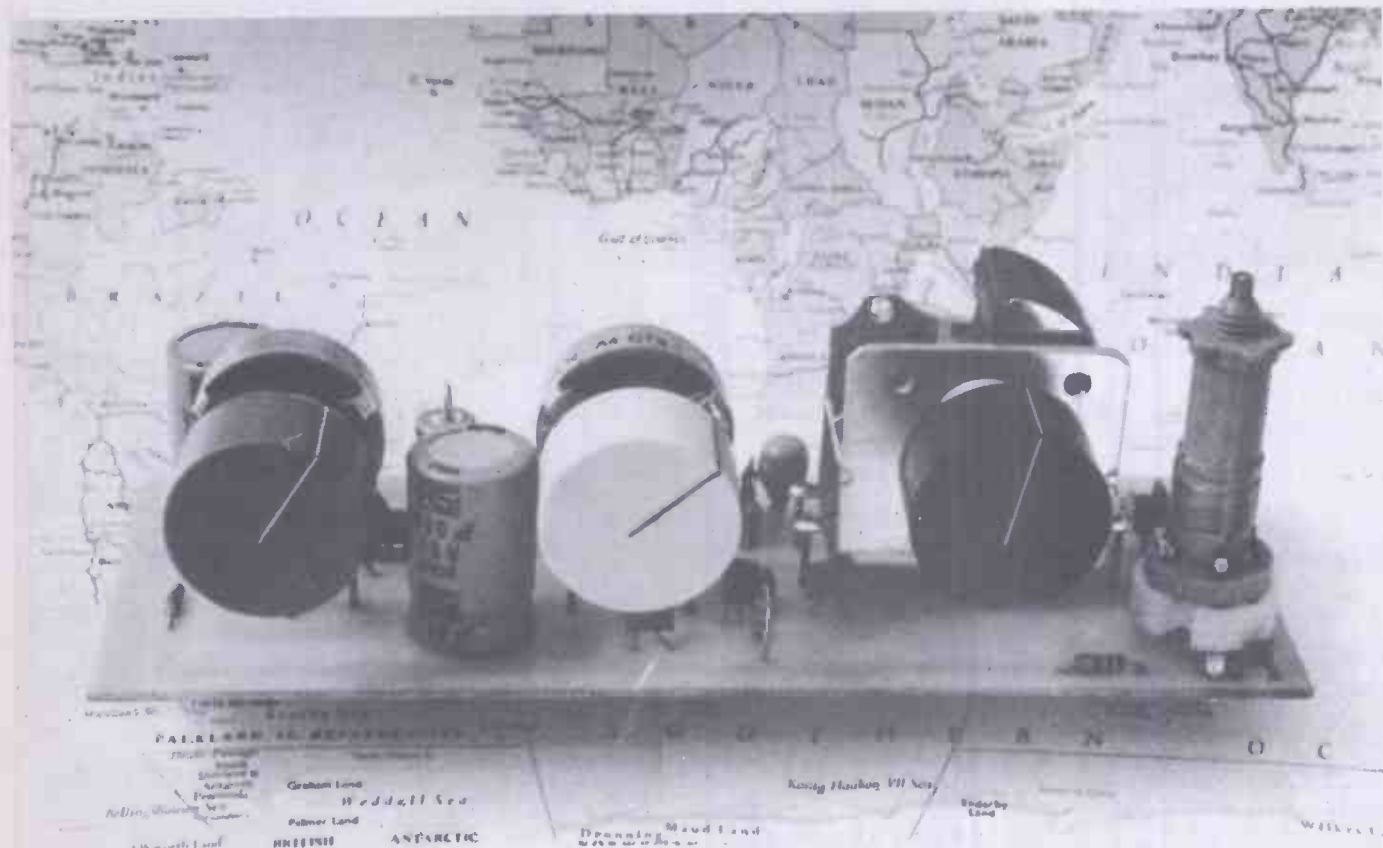


Short Wave Radio

Far away places with strange sounding names . . . Eavesdrop on the ether with this great project. 1 to 30 MHz in three sensitive and selective ranges.

IN THE BAD OLD DAYS OF RADIO, sometime after the appearance of crystal sets but before the superhet became a practical proposition a breed of radio receiver became popular called a TRF. The letters stand for 'Tuned Radio Frequency' and the circuits usually contained several tuned (that is highly selective) stages of radio amplification. As superhet (short for superheterodyne) receivers were developed the humble TRF became less popular. Superhets mix a local oscillator signal generated inside the receiver with the received signal to convert all signals to an arbitrary intermediate frequency before amplifying and detecting them. The advantage of this arrangement is that the IF amplifier can be optimised for one particular frequency giving a narrow 'passband' and good selectivity. The vast majority of

modern radio receivers now use superhet circuits, even the cheap transistor pocket portables. Over the years, the radio spectrum has become increasingly crowded; especially the Short Wave bands and this has led to the development of a number of different modes of transmission. Amplitude modulation (AM) where the carrier wave is modulated in strength by the audio signal, is still used universally by commercial broadcasting stations at frequencies below VHF and very simple receivers, even a crystal set, can detect transmissions in this mode. However, many radio amateurs use continuous wave (CW) for morse code and single sideband (SSB) for speech. These signals are best resolved through the use of special detectors or with a direct conversion receiver. Many commercial short wave



The HE short wave radio spans the world.

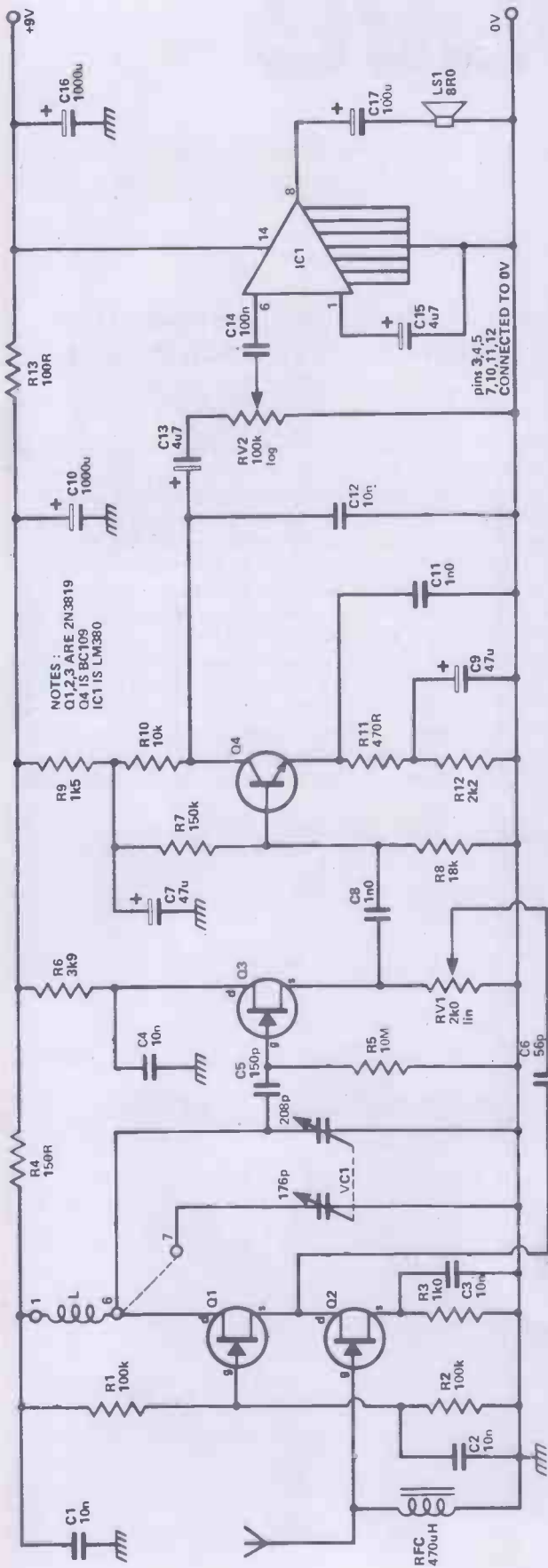


Fig. 1. Circuit diagram for the HE Short Wave Radio. For complete coverage of the SW Band you will need the three range coils (L), see parts list.

How it Works

Q1 and Q2 form a broadband radio-frequency amplifier whose output is tuned by L (the Denco tuning coil) and VC1 (the variable capacitor). The circuit arrangement of Q1, Q2 may be unfamiliar. It is called a 'cascode' amplifier and has the advantage of minimising the effects of junction capacitance in the transistors which can restrict gain at high frequencies and may cause instability owing to unwanted phase shifts. Resistors R1, 2, 3 set the bias for the stage with the RF choke providing a DC return for the gate of Q2. Capacitors C2, 3 provide RF decoupling at appropriate points with R4, C1 decoupling the positive power supply to the whole stage; preventing unwanted signal feedback down the supply line.

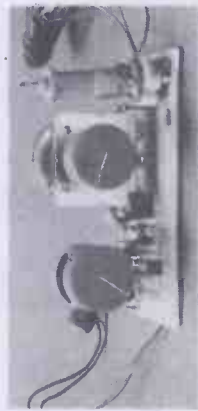
The amplified RF signal 'tuned in' by VC1 is coupled to the gate of source-follower Q3 by C5. R5, 6 and RV1 set the DC conditions for this stage which acts as a buffer between the tuned circuit and the detector stage Q4. Reducing the loading on the coil makes the receiver more selective, especially important on the crowded Short Wave bands. A portion of the signal is tapped off from

RV1 and fed back to the RF amplifier via C6. This technique, called 'regeneration', increases the gain of the stage and further improves the selectivity. The buffered RF signal at the source is coupled to Q4 by C8. Transistor Q4 is connected as a conventional common emitter stage with bias provided by R7, 8. Decoupling at RF is provided by C11, 12 while C9 decouples the stage at audio frequencies. This circuit has the advantage over a simple diode detector of providing some audio amplification. In fact, with a short aerial and a good earth there is sufficient output to drive a crystal earpiece directly. Just connect one wire to the collector of Q4 and the other wire to 0 V. R9 and C7 provide decoupling for the whole stage.

The audio output from Q4 is coupled to RV2 via C13. Potentiometer RV2 acts as the volume control and a portion of the signal across it is coupled to the input of audio amp IC1 via C14. Circuitry inside IC1 is decoupled by C15 and the audio output is coupled to the loudspeaker via C17. Capacitors C10 and C16 provide overall decoupling and help to prevent instability and spurious oscillations.



Use of shielded cable for the loudspeakers avoids instability problems.



No case is necessary, but use of our PCB is really essential.

Parts List

RESISTORS (All 1/4W, 5%)

- R1, 2 100k
- R3 1k0
- R4 150 R
- R5 10M
- R6 3k9
- R7 150k
- R8 18k
- R9 1k5
- R10 10k
- R11 470R
- R12 2k2
- R13 100R

CAPACITORS

- C1, 2, 3, 4, 12 10n Ceramic
- C5 150p Ceramic
- C6 56p Ceramic
- C7, 9 47u Tantalum
- C8, 11 1n Ceramic
- C10, 16 1000u Electrolytic
- C13 4u7 Electrolytic
- C14 100n Ceramic
- C15 4u7 Tantalum
- C17 100u Electrolytic

POTENTIOMETERS

- RV1 2k0 Lin
- RV2 100k Log

VARIABLE CAPACITORS

- Jacksons 00 208/176 SM. Dual ganged
- 208p-176p with slow motion drive.

INDUCTORS

- RFC PCB Mounting miniature 470uH choke
- Denco 'Blue' dual purpose coil. Ranges 3, 4, 5

SEMICONDUCTORS

- Q1, 2, 3 2N3819
- Q4 BC109
- IC1 LM380

MISCELLANEOUS

- B9A PCB mount valveholder. PCB,
- 8R speaker, 9 V battery (PP9 or similar)

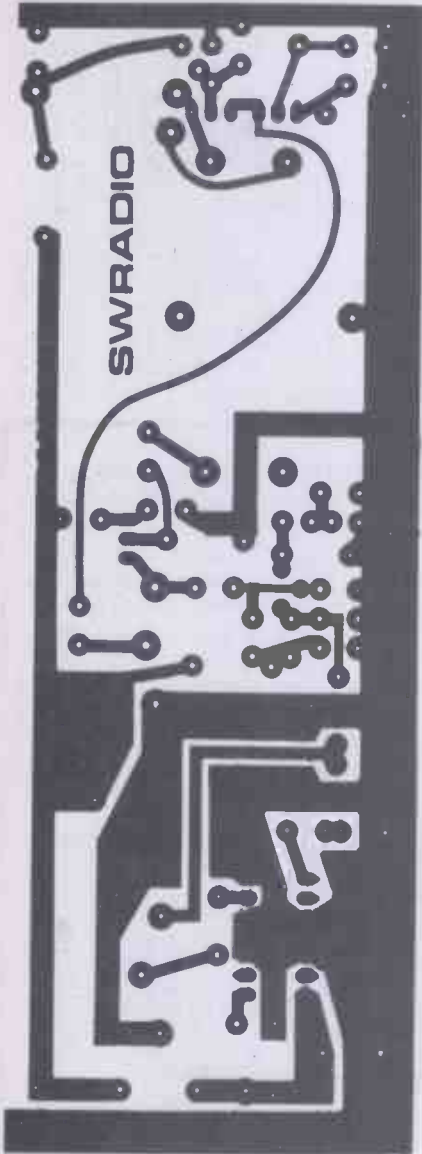


Fig. 2. The PCB foil pattern for the SW Radio. We strongly recommend you use our design.

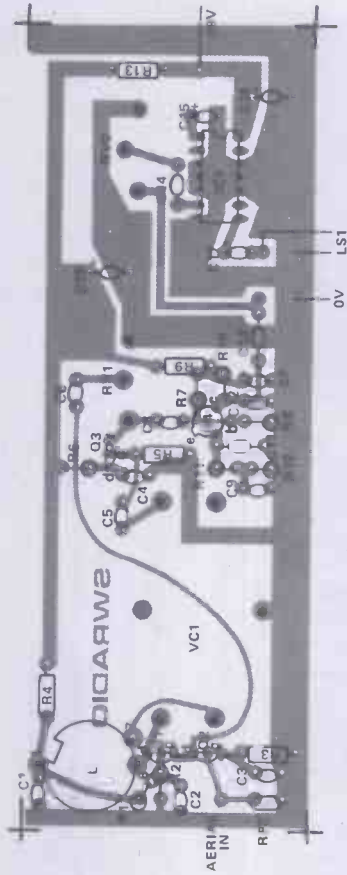
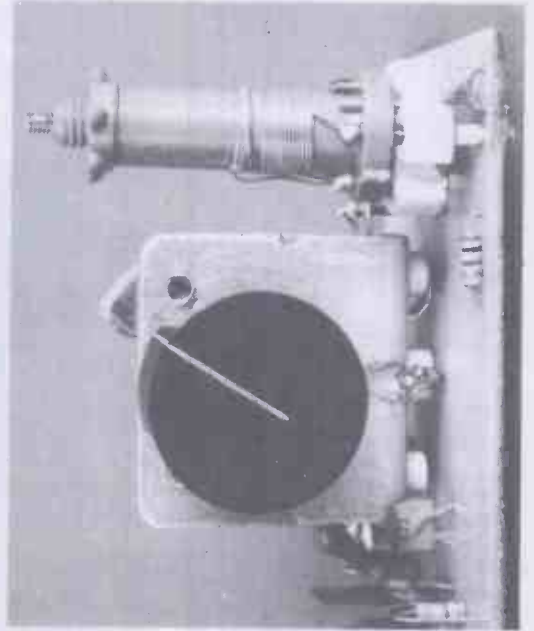


Fig. 3. Overlay diagram for the SW Radio.

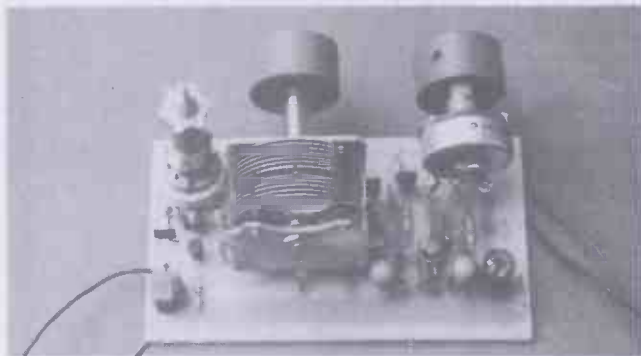
Buylines

The majority of the components used in this project should be readily available from your usual supplier. However, the variable capacitor, choke and tuning coils may be more difficult to obtain. Watford Electronics should be able to supply these components as well as the more common ones.

Use of plug-in coils avoids complicated and expensive switching.



receivers incorporate two or three detection systems and can cope with most modes of transmission. They may also feature a digital frequency readout covering 0.5 to 30MHz. Sounds great doesn't it? Of course, such a receiver might cost several hundred pounds.



This version drives a crystal earphone directly. Even cheaper!

CHEAP AND CHIRPY

By contrast, you can listen to the wonderful world of squawk, crackle and pop (music) with the Hobby short wave radio for about a 'tenner'. If you are happy with earphone reception or have your home Hi-Fi handy it will cost even less! You should be able to tune the whole Short Wave band from about 1.5 to 30 MHz using three plug-in coils. Use of a TRF circuit means that no alignment is needed and though there is only one tuned circuit, the receiver is made quite sensitive and selective by applying variable positive feedback: 'reaction' or 'regeneration'. By increasing the feedback until the circuit is just oscillating, it is possible to resolve CW morse transmissions and with care SSB.

Our chart shows what you are likely to find on the short wavebands and where. Although it looks rather sparse, you will probably find that there is not an empty spot on the dial until about 15 or 20 MHz. By far the most interesting reception is provided by the range 4 coil covering about 5 to 15 MHz. You should be able to receive broadcast transmissions from many foreign stations throughout the range. Using the prototype, we received English language transmissions for Cuba, Israel, Moscow, America, Vatican City, Canada and, of course, the BBC World Service to name but a few. Most stations identify themselves on the hour. Reception will vary during the day and according to the time of year but it is always possible to pick up something and there are numerous beacons and code transmissions scattered around the dial.

CONSTRUCTION

Use of the specified components and our PCB is essential to ensure stability. Radio frequency waves are awkward little things and find their way into everything. Indeed, at very high frequencies they will not even travel down a wire, preferring instead to run along the outside of a conductor.

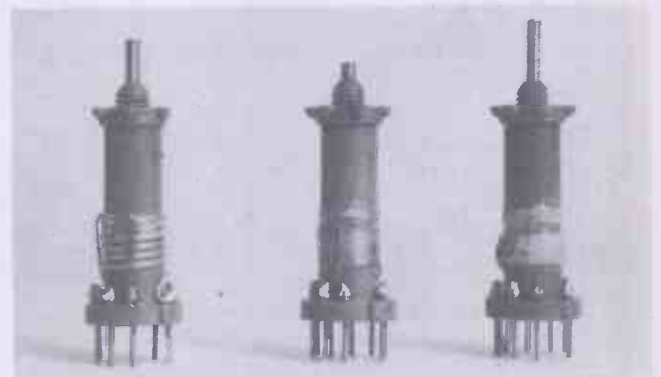


Our chart shows the principal broadcast and 'ham' bands, but there's more out there than you think.

The variable capacitor and two potentiometers are mounted on the PCB supported by stiff pieces of wire. All the other components with the exception of the loudspeaker mount directly on the board, keeping the component legs as short as possible. Our photo's should give you the general idea.

A mixture of capacitor types is specified. They are chosen both for their physical size and electrical characteristics and you should try to obtain the right types. None of the components are very out of the ordinary. Q1, 2, 3 are conventional junction FETs and no special handling precautions are required.

The coils plug into a modified B9A PCB mount valveholder. Simply remove the centre spigot and the connectors for all the pins except 1, 6 and 7. A short wire link can be soldered between pins 6 and 7 on the range 3 (low frequency) coil effectively connecting both sections of VC1 to the coil when range 3 is selected. In this way, a greater tuning range is obtained. Do not worry that there are no connections to pins 8 and 9; this coil is not used. To change range, simply plug in the appropriate coil. VC1 should be the slow motion drive component. Although it costs a little more, it is worth the extra expense and obviates the need for a bandspread control.



Three plug-in coils cover all your favourite bands.

If you do not need the audio amplifier stage, the output from the negative side of C13 will drive an external amplifier or a crystal earpiece directly. The cheaper 8 Ohm magnetic earphones will not work here. Connect the ground or shield of your amplifier input to 0V and the other wire to C13. A hole is provided on the board for this connection.

In use, the regeneration control RV1 should be advanced until just before the circuit begins to oscillate (stations will be received as whistles when the set is oscillating); this is the most sensitive state. The setting of the 'regen' control will vary over the tuning range and according to the coil in use. To receive morse code CW and SSB, advance RV1 just past the point of oscillation. The SSB transmissions sound like Donald Duck voices and considerable care is needed to resolve them.

The Hobby SW radio offers an economical and simple solution to the problem of getting your ears on the world out there. Build it now and happy listening!

WE DID WARN YOU!

Nobody likes to gloat, but nearly six months ago we warned you about our diminishing stocks of backnumbers. The ones shown here are all that are left! Hobbyprints are *still* available.



JUNE 79 (Hobbyprint H)

Projects: GSR Monitor, Envelope Generator, Drill Speed Controller.

Features: Citizen Banned, Display Techniques, Moving Coil Meter, Electronics in Music Pt 2, etc.



JULY 79 (Hobbyprint I)

Projects: Shark, Baby Alarm, Point Controller, Linear Scale Ohmmeter.

Features: Cassette Decks and Tapes, Binary Numbers, Fixed Resistors, Short Circuits Special, etc.



AUGUST 79 (Hobbyprint J)

Projects: Home Security Sound System, LED Tachometer, Injector/Tracer, Constant Volume Amplifier.

Features: Security Installation, Variable Resistors, Tools, Satellite Power etc.



SEPTEMBER 79 (Hobbyprint K)

Projects: Combination lock, Light dimmer, Starburst, Ultrasonic Switch.

Features: Electronic Timekeeping, Thyristors, Radio Control, FET Special.

Shown here are all of the backnumbers still available. They are **£1.00 each** inc. P&P. When ordering please quote the issue number, i.e. Nov. 78 is issue 1 Vol. 1. Next to each issue is the relevant Hobbyprint code letter, please note that Hobbyprints are still available for every issue.

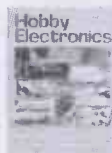
Please send me the following back issues Nos

Cheque/P.O. enclosed £

**Hobby Electronics Backnumbers Dept.
145 Charing Cross Road, London WC2H 0EE**

Name

Address



OCTOBER 79 (Hobbyprint L see Hobbyprint Ad)

Projects: Tantrum, Hobbytune, Analogue Frequency Meter, Multi Siren.

Features: Home Computing, Electronic Games, Microwave Cooking, Breaker One-Four.



DECEMBER 79 (Hobbyprint N)

Projects: Scalextric Controller, Ring Modulator, Bargraph Voltmeter, Hebot II.

Features: TV Receivers, Project Fault Finding, Data Supplement.



JANUARY 80 (Hobbyprint O)

Projects: Hebot III, La/p Counter, Crosshatch Generator, Digi-Die.

Features: Mini TV Survey, CMOS Spread, Spacelab.



FEBRUARY 80 (Hobbyprint P)

Projects: Passionmeter, Infra-Red Control, Win Indicator.

Features: Short Circuit Special, Kezy Does It, Power to the People.

SUBSCRIPTIONS

WHY MISS OUT?

To: Subscriptions
Hobby Electronics
P.O. Box 35
Bridge Street
Hemel Hempstead
Herts

I would like a postal subscription to HE starting with the issue. I enclose payment (£6.50 for UK and Eire, £7.50 elsewhere, £11.50 air mail).

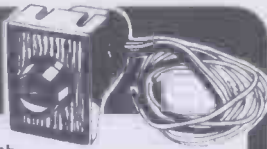
Name

Address

VARI WIPE

WIPER DELAY CONTROL

The Vari Wipe provides intermittent operation of the windscreen wipers with adjustable control to delay each wipe between 3 and 60 seconds. Set the control to suit the conditions to clear light drizzle, fog, snow, sleet or spray. Easily fitted to British, Continental & Japanese cars with 12 volt self park wipers. Complete kit contains all components, including timer chip, PCB, case, mounting panel, wire, etc., with full instructions.



VARI WIPE KIT £6.75 inc. P & P.
ASSEMBLED £9.25 inc. P & P

or send large s.a.e. for details

Spimin

DEVELOPMENTS
Dept HE I

Card Holders Phone
0253 27244

FREEPOST Thornton Cleveleys, Blackpool FY5 2BR

DID YOU HEAR ABOUT THE IRISH
ELECTRONIC CALCULATOR WHO'S
FULLY-FLOATING DECIMAL POINT
DROWNED!!



NEW FROM MAGNUM

DIGITAL INDICATION of RADIO FREQUENCY using a unique combination of FUTABA FLUORESCENT DISPLAY (the 'Green One') and OKI COUNTER/DRIVER.

Combination 1

OKI MSM 5524RS
OLI MSL 2318
FUTABA 6-LT-09
Crystal

Special Price Offer **£21.38**
AM, FM, SW
Pre-Scaler
5 digits + MHz, KHz
3.2768 MHz

Combination 2

OKI MSM 5525RS
OKI MSL 2318
FUTABA 6-LT-06

Special Price Offer **£18.32**
AM, FM
Pre-Scaler
3½ digits + MHz, KHz + AM,
FM
6.5536 MHz

Crystal

Combination 3

OKI MSM 55271
OKI MSL 2318
FUTABA 7-LT-02

Special Price Offer **£24.57**
AM, FM, SW
Pre-Scaler
5 digits + MHz, KHz + AM,
FM
6.5536 MHz

Crystal

Send today for your Combination (suggested circuit details and FREE 1/C Socket are included) and enjoy "spot on" visual tuning.

OUR NEW CATALOGUE IS NOW READY. Send S.A.E.

MAGNUM AUDIO Ltd.

DEPT. E.T.I. 1, 13 HAZELBURY CRESCENT
LUTON, BEDS. LU1 1DF
TEL: 0582 2887

K40

SUPEREX CB
AUVICO CB
TURNER CB
HYGAIN

RETAIL
& TRADE

CB

HAM

INTERNATIONAL CB
H.M.P. & E.A.
ANTENNAS
TELEX CB

K40

ACCESSORIES

SPEECH PROCESSORS

(inc. K40, Telex)

POWER MIKES

MAGIC MIKE

(without cord)

SPEECH COMPRESSORS

VOICE OPERATED MIKES

K40 BASE LOAD

DV27 - all types

DX27 - inc. 'S' type

DK27 - with or without

Splitter Box

ELECTRIC AM/FM/CB

(no loading coil)

DISGUISED ANTENNAS

BASE ANTENNAS

(inc. Beam, Omnidirectional,
Balcony, Loft & Indoor)

ANTENNA ACCESSORIES

(inc. Splitter, Cable, PL259,
Plugs etc.)

SWR METERS

SWR/POWER METERS

SWR/POWER/MODULATION

METERS

SWR/POWER/

MODULATION/

FIELD STRENGTH

METERS

WINTJOY

Ltd.

COMMUNICATIONS EQUIPMENT DISTRIBUTORS

103 High Street,
Shepperton, Middlesex

Tel: Walton-on-Thames 48145

POWER SUPPLIES

LINEAR AMPLIFIERS

(up to 200W)

MOTORCYCLE CB

ACCESSORIES

☆ until Rigs become legal we will be unable to supply them ☆

JRA

Breaker One-Four

Send any news, comments, or information you may have to:
**Breaker One Four,
Hobby Electronics,
145 Charing Cross Road,
London WC2H 0EE.**

**At last, the winners of the Tape Competition and the famous K 40 review.
Plus, some more clubs for your notebook.**

NCLCBB

That stands for the National Committee for the Legalisation of CB. It was set up at the meeting last December as reported in BOF. The committee held its first meeting early in January. The members of the committee have not wasted any time in setting the ball rolling. A demonstration is planned for April the 27 the venue is unclear at the moment but probably around Trafalgar Square London. The next meeting of the committee is planned for Saturday the 9th February. Contact your local club chairman for details.

The demonstration planned for the 26th of January appears to have been a hoax, unfortunately HE goes to press a few days prior to this so we won't know until it's too late. If anyone has got details of CB events please by all means tell us but please no more wind ups.

CHANNEL CONFUSION

Have you ever wondered why this feature is called Breaker One Four? Simple, or least so we thought. Channel 14 has been the English breaker channel for about as long as we can remember, except in areas where 14 is unusable due to local interference. It now transpires that most areas north of Birmingham have been using channel 19. Sorry to all concerned but it's a little too late to change the title.

CLUB NEWS

News of clubs is still trickling in. Just. Remember if you want a mention in BOF just drop us a line giving details of your club and where you meet if possible. On to this month's offerings.

CBA-SW
Chairman D J Bennet
7 Wookey Hole Road,
Wells,
Somerset. Tel. 75306.

Harrow and Wembley Citizens Band Group
Secretary, Bill Ridgeway
7 Sandringham Crescent,
Harrow,

Middlesex. HA2 9BW.

Meeting place: Queens Arms High St Harrow 7.30pm
1st and 3rd Wednesdays each month.

CALIFORNIA TEAMING

After BOFs recent jaunt to the USA last year we were surprised to hear from an American Breaker that we

spoke to in the 'States. As we were using CB quite legally we did not mind giving out details of our address in England. A postcard from the 'States arrived just before Christmas giving details of our chat. This is almost the same as the Ham QSL in fact many European countries do send QSL cards for CB contacts.

This set us thinking, we know HE does get around the world, most countries in Europe can buy HE on the bookstalls. So, if we have any CBers in other countries who would like to send us an example of their QSL card we will reciprocate. As it's not illegal to listen to foreign CB we may get some special HE QSL cards made up so we can reply to any overseas stations. Well, how about it.

TAPE COMPETITION

The entries for the competition were a little disappointing, not from the quality but the number. The answers to the questions are as follows:

- (1) Channel 14 is 27.125 MHz
- (2) SWR stands for Standing Wave Ratio.
- (3) A 'Firestick' is a make of CB antenna.

The suggestions for new slang for (a) a production line car, (b) the police and (c) the Home Office were quite good. Alongside the name of each winner we have printed their best suggestion.

K Bareham, Surrey. The Home Office-Wave Rovers.
Lance Brake-Whitley, Croydon. Production line car-Road Beater.

M D Barson, Whitstable. Home Office-Desk Jockeys.

M. Jay London. Home Office-Gear Grabbers.
T. Jenkins Devon. Car-Breaker Taker
Dave Finch Southampton. Police-Charlie Clore
(Rhyming slang-Law)


E. Peters Dulwich, Home Office-Earwigs

M. Dilton Newcatle. Car-Mouthmobile.

Peter Raines London Police — Blues

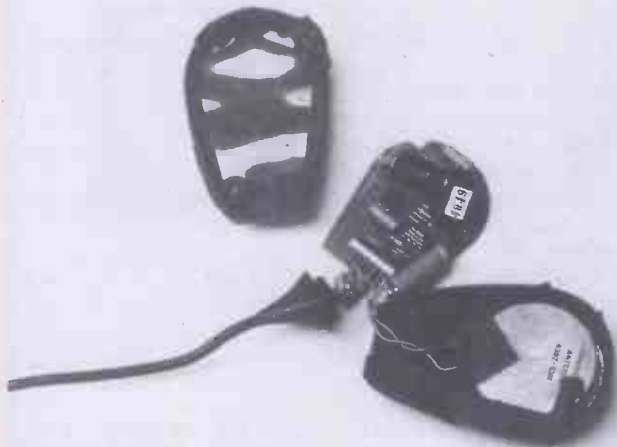
J. Wilson Glasgow. Car-voice box

K 40 REVIEW

Bet you're thinking 'How can they test a CB mike when CBs are illegal.' Well, it just so happens we can, almost. Here at HE we have a licensed radio amateur, he comes complete with a transceiver. Problem solved, a genuine 

'on air' test. We decided to hook up the K 40 to the rig and try it out on the 11 metre amateur band. (27 MHz is around 10 metres so we're pretty close.)

Before we get to the test proper a few words on what is supposed to happen. You may be familiar with power mikes, they usually incorporate an audio amplifier to 'boost' the level of audio to the rig's input and driver stages. This would hopefully increase the level of modulation giving a stronger signal, in theory at least. The trouble arises when these are coupled up to modern rigs that incorporate compression circuits, designed to reduce the level of strong peaks from the microphone. Result, the signal from the power mike often gets severely clipped and distorted making it worse than ever.



The K40 opened up for inspection

The K 40 works on a different principle. Within the mike case lurks a purpose designed op-amp IC. This 'looks' at the output from the microphone and amplifies the portions of the signal that are below a pre-determined level. This increases the amount of signal that reaches the modulator stage resulting in a stronger (though not louder) signal.

The really clever bit of the K 40 design is the FET controlled charging circuit. The K 40 circuitry does not require batteries, instead an electrolytic capacitor is charged from the rigs existing mike leads. When the mike is keyed the IC is powered from the internal capacitor. When the rig is in the receive mode the capacitor re-charges. The current consumption is so low that a two second period of receive will power the mike in the transmit mode for around three minutes.

As an added bonus the K 40 has a 'Hi Lo' switch that increases the treble content (Hi) for operation in crowded cities. The higher frequencies stand a better chance of punching through the mush. Limiter circuits in the mike also maintain a constant input to the rig whether the mike is half an inch or two feet from the mouth. This, is it claimed is especially useful to truckers who have a high level of background noise in their cabs. They just hold the mike as close to the mouth as possible and the background noise is cancelled out.

Finally, the mike has a permanent magnet built into the rear of the case, no hooks or clips needed, just stick it to any metal surface when not in use.

So, does all this fancy stuff live up to the manufacturers claims? In short yes. Our Ham friend reported

excellent 'copies' from as far away as Germany. A comparison test involving the standard mike and the K 40 was favourably reported from the other end. We will continue to review the K 40, this time on a mobile 2 metre rig under noisy conditions. In the meantime we would like to thank Wintjoy for the opportunity to test the K 40 and say that for around 40 quid it's a touch pricey but well worth looking into.

15 PENCE = LEGAL CB?

Our penultimate item this month comes from that well known personality of the Airwaves (Rumour has it he's a licensed amateur) 'Mack The Hack'. He writes to us with a very worthwhile suggestion.

Would you spend 15p to help get CB legalised? I'm sure you are all screaming 10-4 for sure.

In the recent Commons debate on CB. It was stated that 'The Minister (Home Office) has received 3,300 letters on the subject since May. That will be a drop in the ocean compared to the number of letters he will receive during the next few months'.

It has been suggested that all interested persons send post cards, (No not QSL cards), to the Minister.

The one I sent with views and greetings from London had this message. 7th Jan. 1980. 1140am GMT. 10-20 Victoria embankment, in 10-33.

Dear William,

*10-50 (accident) Blackfriars underpass, traffic tailback to your works 10-20 (Parliament Square) wish you'd been there. If **Citizens Band Radio** was legal I would have been forewarned and able to have taken alternative route.*

Yours faithfully, Mack the Hack.

CB4 UK NOW (please).

This postcard cost 7p and the stamp 8p (2nd class) and was sent to Mr William Whitelaw, House of Commons London.

Whenever I see a situation where CB could have helped I think that I'll send the Rt Hon William Whitelaw another postcard.

Now why don't you do the same. It will only cost you 15p and less time to write than it takes you to read this. Mack the Hack.

We can see nothing wrong with that idea. How about sending a postcard. It might just make the difference.

AND FINALLY

Lastly a couple of items from Wintjoy Ltd who seem to be just about the biggest dealers of CB accessories in the UK at the moment. They are compiling a map of Great Britain showing each town with its calling channel. If you would like to drop them a line giving details of your local 10.20 they would be most grateful. (This is not as sinister as it sounds, more about this next month). Finally, they would like to apologise for the breakdown of their phones earlier last month. Phone bill has been paid and they've now got their ears on.

LATE NEWS

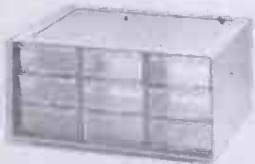
Just managed to get this in, in the nick of time. A major demo is planned for Sunday, February 23rd. Venue should be Hyde Park, Speakers Corner again. The march should commence around 11 am. See you there.

HE

GREENWELD

443F Millbrook Road, Southampton SO1 0HX

All prices include VAT at 15% — Just add 30p post



COMPONENT CABINET IDEAL FOR THE NEWCOMER TO ELECTRONICS

Contains hundreds of brand new resistors, capacitors, transistors, diodes and i.c.s All useful values, carefully chosen to help the new constructor pursue his hobby without finding himself short of some vital parts!

All parts contained in clearly marked bags in a plastic storage cabinet 232 x 121 x 185mm with 9 drawers into which all parts can be neatly located.

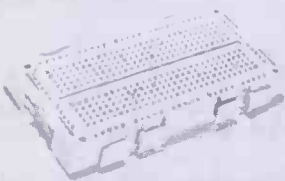
If bought individually parts plus case would cost over £45 but we are offering this for ONLY £31.95 + £1 P&P. Simply send a cheque or PO for £32.95 for immediate despatch.

CONTENTS

- 200 ¼ watt resistors
- 20 Wire wound resistors
- 70 Ceramic Capacitors
- 70 Mylar Capacitors
- 50 Polyester Capacitors
- 56 Electrolytic Capacitors
- 61 Transistors
- 12 I.C.s
- 20 L.E.O.s
- 55 Diodes and rectifiers

Altogether 614 components

Price includes current catalogue and Greenweld pen for reordering supplies. Plus free surprise gift.



VEROBLOC BREADBOARD

New from Vero, this versatile aid for building and testing circuits can accommodate any size of IC. Blocks can be joined together. Bus strips on X & Y axis — total 360 connection points for just £3.70.

3W Amp Module

Ready built and tested, this handy amplifier will prove very useful around the workshop. Just requires 17V ac source (and BR spkr) as bridge rect and smoothing cap are mounted on the PCB. The 4 transistor circuit provides enough sensitivity for most applications. Supplied complete with circuit diagram and wiring details. Only £1.75. Suitable transformer, £2.20.

DISC CERAMIC PACK

Amazing variety of values and voltages from a few pF to 2.2uF1 3V to 3kV 1 200 £1 500 £2.25 1000 £4.00.

DIODE SCOOP!!!

We have been fortunate to obtain a large quantity of untested, mostly unmarked glass silicon diodes. Testing a sample batch revealed about 70% useable devices — signal diodes, high voltage rectifiers and zeners may all be included. These are being offered at the incredibly low price of £1.25/1,000 — or a bag of 2,500 for £2.25. Bag of 10,000 £8. Box of 25,000 £17.50.

AERIALS

- X901 Telescopic 8 section 970mm long extended, 175mm collapsed. Swivel joint, 2BA fixing hole in base. 75p.
- X904 Ferrite rod 140mm x 9mm LW/MW/coupling coils, each independently moveable 64p.
- X905 As above, but LW/coupling coil together on moveable former 65p.

THE NEW 1980 GREENWELD CATALOGUE

FEATURES INCLUDE

- 60p Discount Vouchers
- Quantity prices for bulk buyers
- Bargain List Supplement
- Reply Paid Envelope
- Priority Order Form
- VAT inclusive prices

All for only 40p + 20p post

1000 RESISTORS £2.50!!

New stock just arrived — Carbon Film 2% & 5%, ¼ & ½W, all brand new, but have pre-formed leads, ideal for PC mntg. Enormous range of popular mixed values for just £2.50/1,000; £11/5,000; £50/25,000

INVERTER

Prepare for the Power Cuts! Ready built inverter, 290x55x37mm 24V DC in, will power 6 x 8W fluorescent tubes. Circuit supplied. Only £2.90

SCR PANEL & REED PANELS

Z525 Contains 11 800mA 60V 2N5061 SCR's, 11 6V8 zeners, 11 1N4004 diodes + Rs, Cs etc. Only £1.00.

Z527 2 x 6V reed relays, 6x2S030 or 2S230 6x400V refts, + Rs. Only 50p.

WIRE AND FLEX

Solid core — ideal for breadboards etc 50 x 2m lengths many assorted colours, total 100m for £1.30.

Flex packs — 5 x 5m lengths of multi-strand thin flex, ideal for wiring up circuits. Only 35p.

EX-COMPUTER PANELS

Z528 Pack of boards containing 100s Rs, Cs diodes, including at least 50 transistors. Only £1.20.

Z529 TTL pack — Panels with 74 series on, together with code sheet. From simple gates to complex counters. 20 ICs £1. 100 ICs £4.

VERO OFFCUTS

Packs of 100 sq ins of good size pieces about 4x2in. in the following types:
K541 0.1in. copper clad £1.50
K544 0.1in. plain £1.50
Also pieces 2½x1in. — 10/£1.20 100/£9.
17x3¼in.x0.1in. sheets, 10/£16.50

Large range of Standard Veroboard and boxes/cases in stock. Details in Catalogue.

SCOOP!!! Verobox type 2522, unused but has 3½in. holes in one end and 1½in. hole in the other, so instead of £3.96, we are selling these at £1.85.

BUZZERS, MOTORS & RELAYS

Z401 Powerful 6V DC Buzzer, all metal construction, 50mm dia. x 20mm 70p.

Z402. Miniature type, Buzzer, 6, 9 or 12V, only 22x15x16mm. Very neat. 83p.

Z450 Miniature 6V DC motor, high quality type, 32mm dia x 25mm high, with 12mm spindle. Only £1.

W892 Heavy duty 12V relay, ideal for car use — single 15A make contact. Coil 25R 85p.

W890 01L reed relay SPCO 2.4-10V 200R coil. Only £2.20.

VU METERS

V002 Twin type. 2 metres 40x40mm and driver board, supplied with circuit and connexion data £3.50.

V003 New type, just in. Twin type moulded in one piece, 80x40mm (no driver board but suitable circuit supplied) £2.50.

CLOCK CASE BARGAIN

Z472 Oval format, overall size 130x68x87mm deep, with built in stand. Rear panel drilled to accept 4 switches + alarm 60p.

HEY

YOU GOTTA COPY?

**THE BIG DUMMYS
GUIDE TO
C.B.
RADIO**

Also: for the more technically minded — "THE BEST ON C.B. RADIO" and "GOOD BUDDIES" ... Car sticker. Also: THE C.B. BIBLE — Discusses social aspects of C.B. £3.75 + 70p P&P.

send me ... copies of "BIG DUMMYS GUIDE" at £2.50 each + 45p P. + P.
And/or ... copies of "THE C.B. BIBLE" at £3.75 each + 70p P. & P.
And/or ... copies of "THE BEST BOOK" at £3.95 each + 70p P. + P.
And/or ... car stickers at 75p each + 15p P. + P.

I enclose £..... Cheques or postal orders only.
Name, Mr./Miss/Mrs. _____

Address _____

Wide range of C.B. Accessories available. Send for catalogue.

KONA PUBLICATIONS LTD. CITY RD., LONDON EC1

C. B.
CITY
LTD.

119d PROSPECT ROAD
FARNBOROUGH, HANTS
0252-318141 (EVES & WEEKENDS)

C. B. CITY is dedicated to all present and future Citizen Band Enthusiasts

We stock a full range of everything you are likely to require and more. If not, we can most probably obtain it.

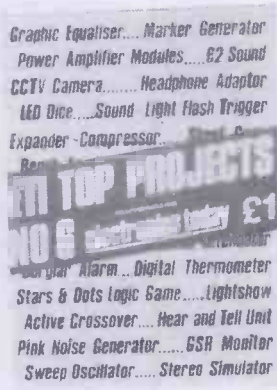
Duff Rig?? Then why not take advantage of our repair service — absolute confidence guaranteed.

Access, Credit Cards accepted

Just send 3 x 10p stamps for our 16-page fully illustrated comprehensive catalogue

REMEMBER!! Until C.B. becomes legal we DO NOT sell rigs

SPECIALS



HOBBY ELECTRONICS PROJECTS SPECIAL

Contains twenty five of the very best projects from Volume 1 of Hobby Electronics. It will be available in about six weeks and should be on your newsagents shelves for just £1.25.

FROM THE

Into Electronics

Construction

Part 2 BY IAN SINCLAIR

The most fundamental device in electronic construction — the transistor. This month Ian Sinclair takes a close look at this and other important components.

YOU ENDED UP LAST MONTH with a working circuit, which flashed a couple of LEDs on and off. What makes this circuit electronic as distinct from just electrical is the fact that there are no moving parts in the circuit to cause the flashing, it's all done by these remarkable transistors along with the capacitors, resistors and LEDs.

This month we're going to spend some time finding out what a transistor does, and learning a bit about how it does what it does. One way of learning would be to read every book about transistors you could lay your hands on — but the HE way is easier, just stay with us. What we'll do is to build a circuit that helps to explain what the transistor is doing in the circuit, then we'll take it from there.

To work then. Take the components off the board, gently pulling the leads out of the Eurobreadboard holes. Don't pull the leads out violently, because we want to be able to use these components over and over again. Providing you don't get the leadout wires too badly kinked at the ends, they should last out this course and still be useful to you for years to come. I find that a pair of tweezers is very useful for taking components off, and also for inserting the leadwires into the holes. Unlike pliers, tweezers can be used in one hand, and they're not so heavy to hold either.

SIMPLE STARTERS

The first circuit is a very simple one. The table of connections is shown in Fig. 2.1, it's just a LED with its cathode connected to the negative (—) lead of the battery — the part of the circuit we usually call earth — and its anode connected to a 1K5 resistor. There's no connection between the other end of the 1K5 and the battery positive (+) lead. Now if you clip the battery on, but leave the + lead free, not plugged anywhere into the board, nothing happens. If you now plug the battery + lead into the board at X1, the LED lights. What does this tell us? The LED lights when an electric current flows through it and current flows only when there is a complete circuit. All familiar stuff, you say? Yes, but we need to bear it in mind when we make the next step.

The next step is to see if enough current will flow through you — yes; you. Touch the lead of the 1K5 resistor which is plugged into X1, and with the other

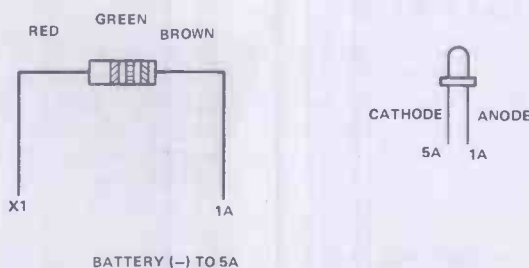


TABLE 1

X1: 1K5 to 1A
1A: LED Anode; 1K5 from 1A
5A: LED Cathode; B (—)

Fig. 2.1 A simple LED and resistor circuit.

hand hold the battery + connection. Does the LED light now?

Why not? It's because your resistance is too high. A 6 V battery simply won't pass enough current through you to light the LED. The voltage of a battery measures how much push it can give to an electric current, and 6 volts isn't much of a push. It's just as well, in fact. If a 6 V battery could push enough current through you to operate the LED, you wouldn't feel very comfortable. To be precise, you would suffer electric shock, which is what happens if you touch a high voltage which *can* pass quite a lot of current through you.

OK, so you have a lot of electrical resistance, and a 6 V battery doesn't pass enough current through you to light an LED. Now set up the circuit which uses the table of connections shown in Fig. 2.2. This time we've used a transistor, the 1K5 resistor, and the LED in the circuit.

TABLE 2

X1: 1K5 to 1A; B (+)
1A: LED Anode; 1K5 from 1A
5A: LED Cathode; Transistor collector
7A: Transistor base
10A: Transistor emitter; B (—)

Fig. 2.2 Using a transistor to control the LED.

The battery + connects to one end of the 1K5 resistor at line XI, and the battery negative connects to the emitter of the transistor at line 10A. At the moment, the base of the transistor isn't connected anywhere, just plugged into line 7A. Now there's an electrical circuit present here. Current could flow from the battery + through the 1K5 resistor, through the LED, through the transistor collector and emitter leads and so back to the battery. Why doesn't it? We know that current can pass through the resistor and the LED, so it must be the transistor which stops the current. The transistor works in this circuit like a large resistance — it won't allow enough current to flow to light the LED.

Watch this now. Plug a piece of wire into line 7A, so that it connects with the base leadout wire of the transistor. Remember you don't have to force both wires into one hole, any hole in line 7A will do. Hold a bit of this bare wire in one hand (don't let it come against any other part of the circuit) and touch the battery + terminal with the other hand. What happens? What's more important, why does it happen?

RESISTANCE

The glowing LED indicates that there is current flowing between the collector and the emitter leads of the transistor. This didn't happen before, and we reckoned then that the transistor must have a high resistance between its collector lead and its emitter lead. Now it looks as if it has a low resistance between these two leads. Stop touching the wires — and the LED goes out again.

It looks as if a connection to the base lead of the transistor can make the difference between a transistor being a high resistance and being a low resistance. We've found already that we have a high resistance between our hands — we can't pass enough current to light an LED. That small amount of current which passes from one hand to the other seems to be enough, however, to make the transistor change over from being a high resistance to being a low resistance. All it has to do is to flow into the base leadout wire.

Try moistening your fingers, then hold them on the wires again. The LED glows a bit more brightly this time. You don't feel any current flowing through you, though, so you can only be passing a very small amount of current, much less than the transistor allows to pass through the LED.

Stop to gather breath and ideas. A circuit which includes connections to a transistor collector and emitter doesn't pass current unless there's a small amount of current flowing into the base terminal from a positive voltage. That's the way these particular transistors work — they're all of a type called NPN which conducts when both the base and the collector are connected to positive voltages. What this little lot has shown is that the transistor acts as a tap for electric current. A small amount of current flowing through you has caused the transistor to pass a much greater current through the LED. You can think of the base lead of a transistor as acting like a tap which controls the flow of current between the collector and the emitter.

TRANSISTOR TAP

There's an important difference, though. The transistor, unlike a tap, is controlled electrically. The amount of current which flows into the base controls the amount of

current which flows between the collector and the emitter. The name 'transistor' comes from the original name 'transfer resistor', because the discoverers of transistor action noticed that the resistance between the collector and the emitter changed when the amount of current flowing into the base changed. The word 'controls' doesn't just mean that the current can be switched on and off, either. Let's look for a moment at an experiment that we can't do (without a lot of expensive equipment) but whose results are important. Fig. 2.3 shows what's involved. A transistor is connected with its collector and emitter in one circuit, complete with a meter to measure the current (a milliammeter) which flows through the transistor from collector to emitter. There's another meter too, a current meter of the type called a microammeter, which can measure very small currents. This meter is connected to the base of the transistor, and to a current regulator which can control the amount of current which passes.

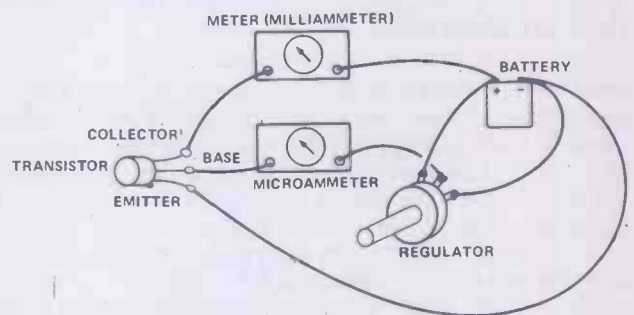


Fig. 2.3 The arrangement which shows how a transistor controls current. You don't need to do this one, but you should know about it.

What happens? Well, as you'd expect, passing some current into the base of the transistor causes current to flow between the collector and the emitter. That much we knew already. What is new is how these currents change when we alter the regulator. We'll find that, for example, doubling the amount of current into the base terminal causes the other current, the current between the collector and the emitter, to double also. In fact, any change we make to the base current causes an exactly proportional change to the collector-emitter current. Mathematically, this is simple proportion, so that the collector-emitter current is directly proportional to the base current. If we drew a graph, plotting collector-emitter current in one direction and base current along the other direction, the graph would be a straight line.

That's very convenient, because it means that the ratio:—

$$\frac{\text{collector-emitter current}}{\text{base current}}$$

is constant. Suppose, for example, that the ratio happens to be 100. A ratio of 100 means that the collector-emitter current is one hundred times the base current — always. If the base current happens to be 10 microamps, for example, then the collector-emitter current is 10×100 microamps, which is 1000 microamps (equal to one milliamp). Can we work this the other way around? Yes, if the collector-emitter current is 10 milliamps, then the base current has to be one hundredth of this,

$$\frac{10}{100} \text{ milliamps, or } 0.1 \text{ mA.}$$

Into Electronics Construction

VARIABLE VOLTAGES

OK so far? The action of the transistor is sometimes called current amplification, because a small amount of current into the base controls a larger current between the collector and the emitter. Notice one very important point — amplification of this sort doesn't mean making current greater — it means using a small current to control a large one, like making a large-scale copy.

So far, we've been working with just one electrical quantity, current, and we've been relying on the voltage of a battery to keep the current flowing. Will the current flow at any voltage, or do we need a certain amount of voltage to keep current flowing through a transistor? Once again, we can discover this by experiment only if we have suitable measuring instruments, so we'll describe what happens.

Suppose we set up voltage measuring instruments, called voltmeters, to measure the voltage between the base and the emitter and also between the collector and the emitter of a transistor, as in Fig. 2.4. We'll keep the current measuring meters in place also, so that we know when there is a current flowing, and we'll regulate the voltages, not the currents. What would we expect to read from these meters?

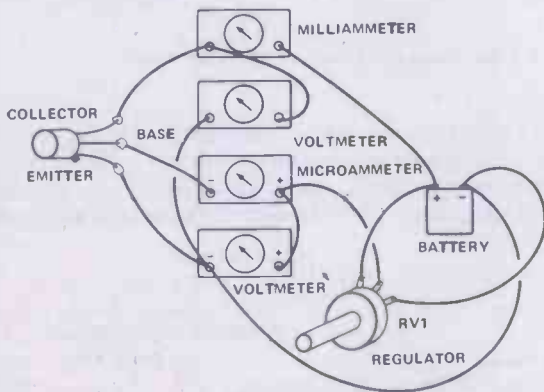


Fig. 2.4 Another one you don't need to do for yourself — it shows how the voltage between the base and the emitter of a transistor controls the current.

Well, the first thing we would notice with this small fortune in measuring instruments is that no current flows at all when the voltage reading at the base is only around a quarter of a volt (0.25 V). The meter is connected between the base and the emitter, so that this is the base-to-emitter voltage. That's one important difference between a transistor and a resistor, because a resistor passes current when any voltage is placed across it. The transistor behaves as if there's some sort of switch inside, preventing current flowing.

If we jack up the voltage, slowly and steadily, we see the current start to flow at somewhere around half a volt, between 0.5 V and 0.55 V. Can't we be more precise? No, we can't, because the voltage at which the transistor starts to conduct varies — it depends on the temperature of the transistor for one thing, and also on the transistor itself. That doesn't just mean what type of transistor, but which individual transistor you use. They're not as alike as peas in a pod as far as this is concerned, and even transistors which were made on the same production line and at the same time from the same materials show these differences. It's just something we have to live with.

CURRENT

When current starts to flow in the base-to-emitter circuit, current will also flow in the collector-to-emitter circuit, just as we have now come to expect. Now for another measurement. Let's suppose that the current which flows into the base is a small quantity, ten microamps (written as $10 \mu\text{A}$), and that we needed a voltage of 0.5 V to make this amount of current flow. How much voltage do we need to make 100 μA , ten times as much, flow? If we were dealing with a resistor, the answer would be simple — ten times as much, 5 V would be needed. How much voltage does the transistor need? Just 0.06 V more, that's all. In our example, that's a rise of voltage from 0.5 V to 0.56 V.

Far from making life difficult, this makes transistor electronics rather simpler. When a small transistor is conducting, its base to emitter voltage will be somewhere between 0.5 and 0.6 V, whether the current is large or small. We've said 'small', because some large power transistors may need a volt or so between the base and the emitter if they are to pass really large currents; we shan't be using that size of transistor in this series.

There's one more trick left up the sleeve. Suppose the measuring circuit is changed to the arrangement shown in Fig. 2.5. The new variable resistor RV2 lets us control the voltage at the collector. Up till now we've left that voltage at 6 V, because the battery supplies 6 V. What happens if we set the transistor conducting, and then start winding this voltage down? The answer, surprisingly, is practically nothing! Once we set the current flowing, using RV2 to regulate the current in the base-emitter circuit, the collector voltage has very little effect, until the voltage drops right down to about 0.2 V.

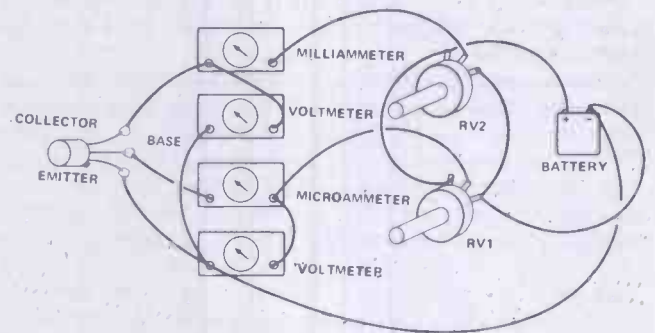


Fig. 2.5 This is the last of 'em! It shows how the voltage between the collector and the emitter of the transistor affects (or doesn't affect) the current.

Only when the voltage drops this low (the figure of 0.2 V is called the saturation voltage) does the current suddenly start to drop. What do we make of the show so far? Let's list what the transistor does.

1. The current that flows between the collector and the emitter is always a fixed amount times the current that flows between base and emitter. This 'fixed amount' varies from transistor to transistor.

2. The voltage between the base and the emitter has to be around 0.5 to 0.6 V to keep the transistor conducting.

3. The amount of current isn't affected much by the voltage at the collector, unless this drops to about 0.2 V or less.

LIGHT LED

Now let's try a circuit. Fig. 2.6 is the table of connections on the Eurobreadboard, which should result in a circuit which lights the LED. The transistor collector is connected to +6 V, and the emitter connects to the 2K2 resistor and then to the LED. When current flows, then, it flows through the transistor, the 2K2 resistor, and the LED, causing the LED to light.

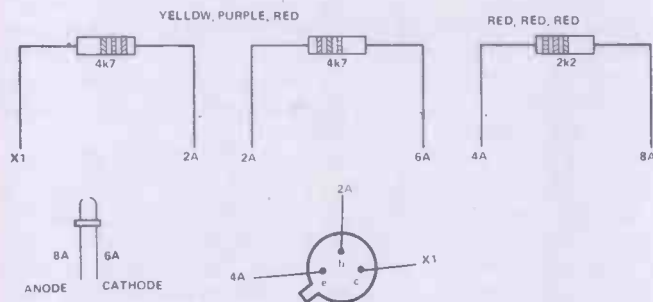


TABLE 6

X1: B(+); 4K7 to 2A; Transistor collector
 2A: Transistor base; 4K7 to 6A; 4K7 from X1
 4A: Transistor emitter; 2K2 to 8A
 6A: B(-); 4K7 from 2A; LED cathode
 8A: 2K2 from 4A: LED Anode

Fig. 2.6 How the components are connected for an "emitter-follower" circuit.

All right? The LED lights when it's connected to the emitter of the transistor. Now change the connections, by taking the end of the 2K2 resistor which was plugged into 4A and now plugging it into 2A. This is the connection to the base of the transistor. Does the LED light here too?

It does, and the experiment shows that the voltage at the base must be about the same as the voltage at the emitter. This is a different type of transistor circuit, called an emitter-follower, in which we connect the collector of the transistor to the + supply voltage, but we don't connect the emitter of the transistor to the negative supply voltage. Instead, the emitter is connected to a 'load', the resistor, LED or whatever it is we're controlling with the transistor. We'll look at these different connections again in the next part when we learn a bit more about circuit diagrams. The emitter-follower circuit makes use of the fact that the voltage between the emitter and the base of a transistor is always low, about 0.5 to 0.6 V.

WET CURRENTS

Now for this month's project circuit, which makes use of all that we've learned about transistors so far. The circuit is for a moisture detector, useful for showing when your plants are well watered, or if the washing-machine is dripping water, unseen, on the floor underneath. The principle is very simple, it makes use of the first experiment you tried out this month. A very small current into the base circuit of a transistor will cause a much greater current to flow between the collector and the emitter of the transistor. Now water doesn't conduct electric current very well, but it conducts a lot better than air or most dry materials. If we have a couple of wires, one

connected to the positive of the battery and the other to the base of a transistor any slight current which passes from the positive terminal to the base will cause a much larger current to flow through the transistor between the collector and the emitter. The 'slight current' can be caused by water touching both wires, so that the wires act as a sensor or detector of water or steam. One useful way of making this more sensitive is to use two of the copper strips in a sheet of Veroboard (Fig. 2.7) with the wires soldered to the strips, and a piece of cotton fastened across the board. Cotton retains moisture, so that current leaks quite happily from one track to another if any water falls on the detector.

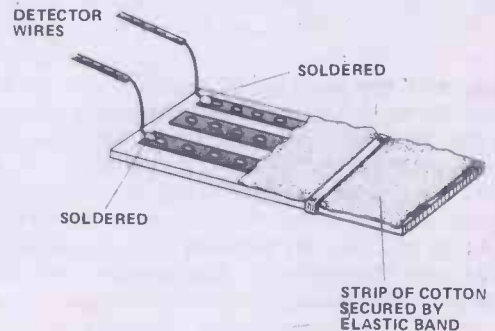


Fig. 2.7 One form of the water detector board.

If you're not too happy with soldering yet (wait until Part 5) then try the scheme shown in Fig. 2.8. This uses a wood or hardboard base with aluminium cooking foil glued to it. The foil is cut with a modeller's knife so that

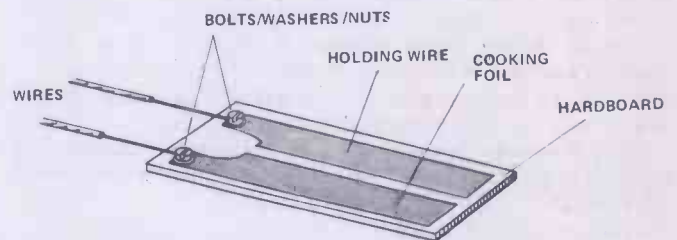


Fig. 2.8 A version of the water-detector board which doesn't need any soldering.

it's in two separate pieces, with a thin wooden track between them. Electrical connections are made from the aluminium foil into our circuit by bolting the connecting wires to the foil, using small-gauge nuts and bolts and large diameter washers. Remember that only single-coil wire should be plugged into the Eurobreadboard.

That settles the detecting part of it, which can be a long distance from the rest of the circuit if you like. The electronics part of it all consists of two transistors, three fixed-value resistors, an LED, a silicon diode and a component you haven't met before — a 10K potentiometer. The potentiometer, usually referred to as a pot is a type of resistor with an extra contact whose position can be varied. The one we've used is called a 10K pot because there's a resistance of 10K (more about these units later) between the two end connections, and this value of resistance is fixed. There's another connection, though, to a contact which can slide over the resistor

Into Electronics Construction

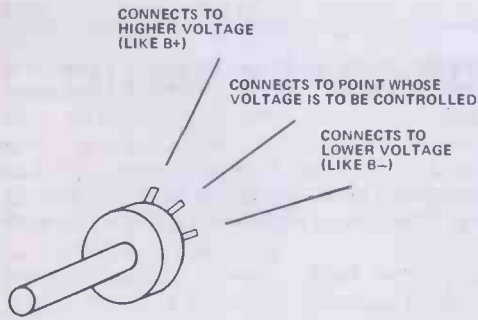


Fig. 2.9 The potentiometer.

materials, and the position of this contact can be set anywhere between one fixed contact and the other by turning the shaft of the pot. Suppose, for example, we connect this pot to +6 V at one end and to zero at the other. We can move the sliding contact to the zero end, making the voltage at the middle contact equal to zero. We could set the contact to the +6 V end, making the voltage at the middle contact equal to +6 V. We can also set the contact half-way, which makes the voltage of the middle terminal equal to +3 V, and we can set the contact so that the voltage of the middle terminal can be any value between 0 and +6 V.

CONNECTIONS

It's a very useful device, and we'll be using it again later in the series. The connections are always the same on these rotary potentiometers. They are set in a row, and when you're looking from the front, looking down the shaft of the potentiometer, then the end which connects to the higher voltage is on your left and the end which connects to the lower voltage is on your right. The moving contact is between them in the middle. That's the way it's going to be connected in this circuit, and that's the way it's connected in most circuits.

The connections can be made by stripping the insulation from an inch or so of single-core wire, and wrapping this bare end several times tightly round one of the potentiometer terminals. This doesn't give as good a connection as soldering, but it'll do for experimenting with provided you don't allow it to loosen too much by moving the whole potentiometer around too much. Fig. 2.10 shows these leads labelled, so that you can see where they plug into the board.

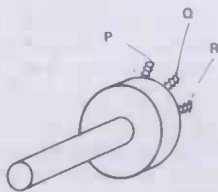


Fig. 2.10 Making the connections to the potentiometer for the water-detector circuit.

The rest of the connections are shown in the table of Fig. 2.11. Remember that the transistors must be connected the right way round — you should know by now how to identify the emitter lead of this type of transistor by its metal tab. The LED also has to be the

right way round — though the circuit will still work with the LED connected the wrong way round, there's a chance of damaging the LED. The diode also has to be connected the right way round, otherwise the LED will never light and may possibly be damaged.

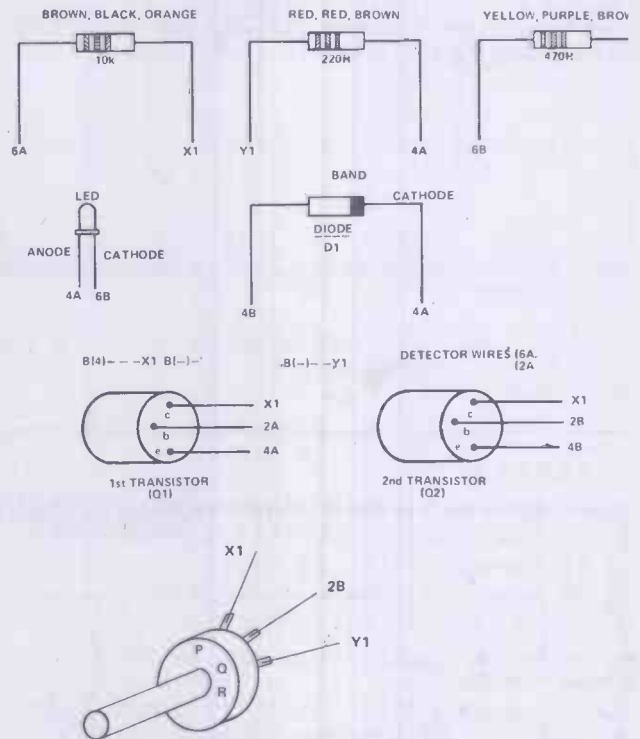


TABLE 11

X1:	10K to 6A; Collector Q, Collector Q; Potentiometer P; B (+)
2A:	Base of Q; Detector wire 1
4A:	Emitter of Q; Anode of LED; Cathode of D1; 220R to Y1
6A:	10K from X1; detection wire 2
Y1:	220R from 4A; Potentiometer R; B (-)
6B:	Cathode of LED; 470R to 4B
4B:	470R from 6B; Anode of D1; Emitter of Q
2B:	Base of Q; Potentiometer Q

Fig. 2.11 The connections for the water-detector circuit.

SETTING UP

How do we use it? The pot adjusts the sensitivity of the circuit for detecting water. You can, for example, place the detector where you want to detect water and turn the potentiometer shaft fully clockwise. If you've connected it the right way round, the circuit should now be at its maximum sensitivity, and a drop of water on the detector plate bridging across the contacts should cause the LED to glow.

Sometimes you don't need so much sensitivity. You can use two bare wire leads in a plant pot, for example, and adjust the potentiometer so that the LED just switches off when the soil is damp enough. Now if you add too much water, the LED glows to warn you!

Suppose you want to use the unit to warn of dryness? It's easy, you just reverse the LED and the diode

Into Electronics Construction

connections as shown in Fig. 2.12. Now you set the potentiometer so that the LED just switches off when the moisture around the detector is getting a bit low, and the LED will shine a warning to you when things are too dry. It would never light in my local!

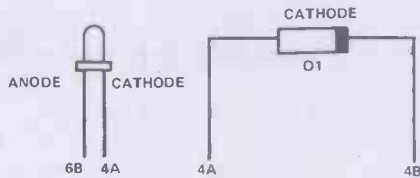


Fig. 2.12 How to plug in the LED and the diode so that the unit warns of dryness.

Next month — circuit diagrams, and a big step forward in circuit construction.

ADDITIONAL SHOPPING LIST

Part 2

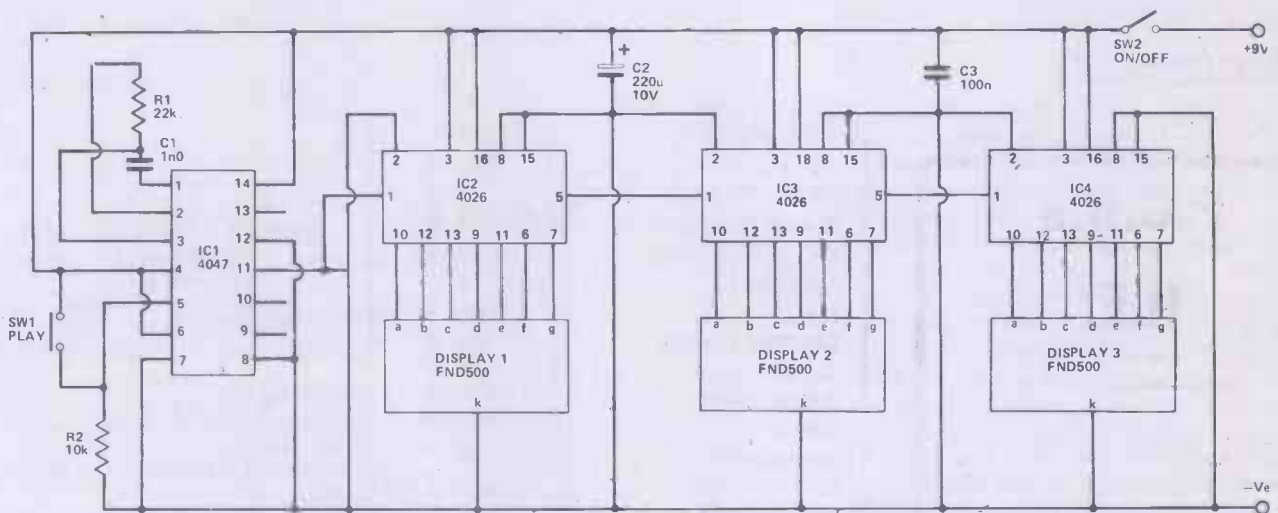
These are the extra components which you'll need to add to last month's list for the new work this month.

Resistors:
 1 × 220R
 1 × 470R
 1 × 2K2
 2 × 4K7
 1 × 10K

Potentiometer: 10K miniature type
 Hardware: small strip of Veroboard or hardboard (see details in text).

HE

Short Circuit



ONE ARMED BANDIT

This circuit is designed to give an approximate simulation of a one armed bandit fruit machine, and is only intended for home-entertainment purposes. The unit has three seven segment LED displays, and when a pushbutton is depressed, all display segments appear to light up. When the button is released, a random number is displayed. The idea of the game is to obtain a row of three identical numbers in the display, with (say) 1 point being scored for "000", two points for "111", etc., up to 10 points for "999". The object of the

game is to score as many points as possible in an agreed number of attempts, say 25 or 30.

The circuit consists basically of a clock oscillator using IC1 and a three stage counter which uses IC2 to IC4. The 4047 CMOS device used in the IC1 position is a monostable/astable device which is used here in the true gating astable mode. Under quiescent conditions R2 takes the gating input (pin 5) low, and prevents the circuit from oscillating. Depressing SW1 takes the gating input high, and starts the circuit oscillating at a frequency which is controlled by R1 and C1. The specified values give an operating frequency of about 10kHz, although the exact frequency is unimportant, it just

needs to be reasonably high.

The display section uses three CMOS 4026 decade counter/ seven segment decoders, which can be used to directly drive high efficiency common cathode displays such as the FND500, DL704, etc. The three display circuits are connected in series, in the normal way, so that one thousand clock pulses take the display through every number from "000" to "999", and then back to "000" again.

Thus, when SW1 is operated the display cycles through every number about ten times per second, with all the display segments appearing to switch on continuously as the action of the display is too fast for a human

observer to perceive. When SW1 is released, the display is "frozen" at whatever number it happened to be displaying when IC1 ceased oscillation. There is, of course, no way of operating SW1 to definitely obtain one of the winning numbers, and it is purely a matter of chance whether or not one of these is displayed, as is the case with a real one armed bandit machine.

IC1 to IC4 are all CMOS devices, and normal CMOS handling precautions should be observed when dealing with these. The current consumption of the unit can be over 50 mA when certain numbers are displayed, and a large battery such as a PP9 should be used as a power source.

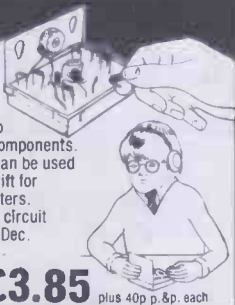
LEARN ELECTRONICS WITHOUT SOLDER

Build electronic circuits without solder on a Roden S-Dec.

This has built-in contacts and holes into which you plug your components. Suitable for all ages. Can be used time after time. Ideal gift for students or experimenters. Full instructions and 2 circuit diagrams with each S-Dec.

Send cheque or P.O. to:
Roden Products, Dep HE
High March, Daventry,
Northants. NN11 4QE.

£3.85 plus 40p p.&p. each



QUALITY ELECTRONIC COMPONENTS AT LOW PRICES

Write or telephone for free pamphlet to:

HARRISON BROS.

Dept. E.T.I., P.O. Box 55
Westcliff-on-Sea, Essex SS0 7LQ
Telephone: Southend-on-Sea 32338

Small reed switches 10p. Magnets 7p.
Postage 18p. **GRIMSBY ELECTRONICS**,
Lambert Road, Grimsby, Humberside. 100s
of bargains at shop. Components, Vero,
surplus etc. List 12p.

ETI BACK ISSUE REQUIRED. February
'79. Good price and P&P paid. Please contact:
G. P. Church, 16 Brocklehurst Drive,
Prestbury, Cheshire SK10 4JD.

Stereo Slide Controls. 100 K Ohm Linear
Pots. 60mm. stroke. 80mm Fixing. 10 for £4
post paid. — **CASS**, 110 Blackmoor Drive,
Liverpool, L12 8RA.

P.C.B.s FOR H.E. PROJECTS

Nov.		
	Hebot (Board A)	3.00
	R2D2 Radio	.30
	Guitar Tuner	.50
Dec.		
	Hebot (Board B)	3.00
	Ring Modulator	.90
	Speed Controller	2.50
	Bargraph car Voltmeter	.60
Jan.		
	Hebot Loop Drive	1.30
	Digi Die	1.50
Feb.		
	Passionmeter	1.20
	I.R. Control (Set of 4 boards)	4.00
	Win Indicator	1.50
Mar.		

Prices available on request
Please send S.A.E.

Prices include VAT P&P
Mail Order Only
Cash with order

To:
S & G SERVICES (HULL)

43 Wheeler Street, Hull
North Humberside

CLASSIFIED INFORMATION

Semi-Display:

1-3 insertions — £4.00 per single column centimetre
4-11 insertions — £3.50 per s.c.c.
12 insertions — £3.00 per s.c.c.

Classified:

15 pence per word (minimum 25 words)
Box number £1.00 extra.

ALL ADVERTISEMENTS IN THIS SECTION MUST BE PRE-PAID

Closing date: 2nd Friday in month preceding publication.

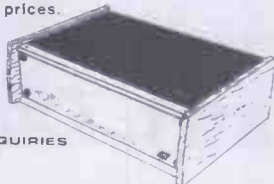
Advertisements are accepted subject to the terms and conditions printed on the advertisement rate card (available on request).

Cheques and postal orders should be crossed and made payable to "Hobby Electronics".

CLASSIFIED ADS, HOBBY ELECTRONICS
145 Charing Cross Road, London WC2H 0EE
(Telephone: 01-437 1002)

If it's a case of making your project look good, then use one of ours.

Simply send a S.A.E. for
Details and prices.



TRADE ENQUIRIES
INVITED.

H. M. ELECTRONICS

271a/275a Fulwood Road.
Broomhill
Sheffield S10 3BD

AD. INDEX

AMBIT INTERNATIONAL	2
BI-PAK SEMICONDUCTORS	15
B.K. ELECTRONICS	47
CALSCOPE	16
C.B. CITY	65
CHROMASONICS	28
C.S.C.	10, 16 & 31
DAVID GEORGE SALES	53
E.D.A.	18
GREENWELD	65
I.L.P.	4 & 5
INTEGREX LTD.	32
KONA PUBLICATIONS	65
MAGNUM AUDIO	62
MAPLIN	76
A. MARSHALL & SON	32
MENORCREST	47
METAC	74 & 75
MINIKITS	35
NIC MODELS	55
R.T.V.C.	28
S. & G. SERVICES	73
SPIMIN DEVELOPMENTS	62
C. N. STEVENSON	9
SWANLEY ELECTRONICS	55
TECHNOMATIC	21
TEMPUS	47
T.K. ELECTRONICS	56
VERO ELECTRONICS	10
WATFORD ELECTRONICS	7
WINTJOY LTD.	62

PRINTED CIRCUITS and HARDWARE

Comprehensive range Constructors Hardware and accessories

Selected range of popular components
Full range of HE printed circuit boards normally ex-stock, same day despatch at competitive prices
P.C. Boards to individual designs
Resist-coated epoxy glass laminate for the diy man with full processing instructions (no unusual chemicals required)

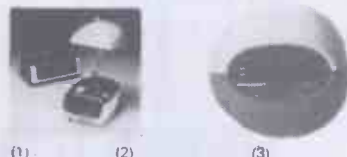
Alfarc range of etch resist transfers and other drawing materials for p.c. boards.

Send 15p for catalogue.

RAMAR CONSTRUCTOR SERVICES
MASON ROAD
STRATFORD-ON-AVON
WARWICKS, Tel. 4879

100 MIXED components £2.50. 100 mixed diodes 85p. Leds, 10 mixed colours/sizes, £1.15. Lists 15p. Sole Electronics, H/E 37 Stanley Street, Ormskirk, Lancs L39 2DH.

BARGAINS FOR THE ELECTRONIC HANDYMAN BRANDED LED DIGITAL ALARM CLOCKS



Returned to Service Department within guarantee period.

- (1) With alarm repeat — S.R.S.P. of £17.00 offered at £3.95 inc. VAT.
- (2) With luxury lamp and repeat alarm as featured in most major U.K. Mail Order catalogues, S.R.S.P. £31.00—offered at £7.95 inc. V.A.T.
- (3) With integral luxury light and repeat alarm also as featured in most major U.K. Mail Order catalogues, S.R.S.P. of £32.00—offered at £7.45 inc. V.A.T.

These will be sold as received from our customers with the existing fault(s) and without guarantee.

Discounts available on large bulk purchases

PRESCOTT CLOCK AND WATCH COMPANY LIMITED
Prescott House, Humber Road, London NW2 6ER

Metac ELECTRONICS & TIME CENTRES

QUARTZ LCD 11 Function

Slim chronograph

12:30^{pm}
Hours mins secs

8 14TH
Month date day

0:00⁰⁰
Min secs 1/10 1/100

6 digit, 11 functions.
Hours, mins., secs., day, date, day of week.
1/100th, 1/10th, secs., 10X secs. mins., Split and lap modes.
Back-light, auto calendar.
Only 8mm thick.
Stainless steel bracelet and back.
Adjustable bracelet.

Same day despatch



Price only
£9.95

Also available
**SOLAR
CHRONOGRAPH
M9 — Price £11.95**

M3 Price includes POST & PACKING

QUARTZ LCD ALARM

With snooze alarm

12:30^{pm}
Hours mins secs

8 14TH
Month date day

7:30^A
Alarm

6 Functions plus Alarm:
Conference signal.
5 minute snooze alarm.
Conference signal sounds 4 secs., before main alarm to give advance warning and an option to cancel.
Snooze sounds 5 mins. after main alarm and is always preceded by the conference signal.

Same day despatch



Price only
£9.95

M4 Price includes POST & PACKING

QUARTZ LCD ALARM CHRONOGRAPH

With 12/24 display

12:30^{pm}
Hours mins secs

8 14TH
Month date day

0:00⁰
Min sec 1/10th

7:30^A
Alarm
Hours, mins, secs, day of week, Month, date, day of week, alarm, hour, mins, a.m./p.m. 24 or 12 hour display mode. Alarm test. Chronograph, lap time, stop watch 1/10th secs.



Price only
£13.95

Same day despatch

Also available
**SOLAR ALARM CHRONO
M7 — Price £17.95**

M16 Price includes POST & PACKING

QUARTZ LCD Lady's Day Watch

Hours, mins, secs, day, date, back light, auto calendar.

12:30
Hours mins

8 14
Month date

:45
Secs

Fully adjustable bracelet only 25x20mm and 6mm thick. Silver or gold.



Price only
£7.95 P&P included

M15 Same day despatch

QUARTZ LCD Lady's Cocktail Watch

Beautifully designed with a very thin bracelet

12:30
Hours mins

8 14
Month date

:45
Secs

Hours, mins, secs, day, date, backlight and autocalendar. Bracelet fully adjustable to suit all wrists.

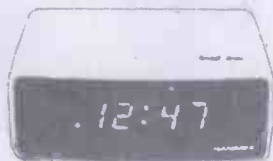
State gold or silver finish. Only 25x20x6mm

M18 Same day despatch

Price only
£14.95 P&P included



HANIMEX Electronic LED Alarm Clock



Features and Specification:
Hour minute display. Large LED display with p.m. and alarm on indicator, 24 Hours alarm with on/off control. Display flashing for power loss indication. Repeatable 9-minute snooze. Display bright dim modes control. Size: 5.15" x 3.93" x 2.36" (131mm x 11mm x 60mm). Weight: 1.43lbs (0.65 kg).

M13 **£10.20** Thousands sold
Mains operated. POST & PACKING incl.
Same day despatch.

QUARTZ LCD 5 Function

Hours, mins, secs., month, date, auto calendar, back light, quality metal bracelet. 6mm thick

12:30
Hours mins

8 14
Month date

:45
Secs

Price only
£6.95
POST & PACK incl.

M1 Same day despatch



Metac Guarantee All Metac products carry 12 months guarantee and we also refund your money if not satisfied with our goods or service in the first 10 days. Metac's well-equipped service centre minimises service delays. Please note we do not delay your order to clear cheques.

Telephone your order using
Barclaycard/Access

Number on



03272-76545

24-hour answering service

OR COMPLETE THE
COUPON

WHOLESALE MAIL ORDER

Send for our trade price list and minimum order details. Sell our products to your friends and earn £££s for yourself.

NEW 24 HOUR DESPATCH SERVICE: METAC have opened a new even faster mail order and service centre at **DAVENTRY**. Orders received before 3.30pm will be despatched same day.

VISIT OUR ELECTRONIC TIME CENTRES AND SEE ONE OF THE MOST IMPRESSIVE QUARTZ WATCH RANGES IN BRITAIN

LONDON
327 Edgware Rd,
London W.2
Telephone: 01-723 4753

DAVENTRY
67 High Street
Daventry, N'hants
Telephone: 03272 76545/77659

NORTHAMPTON
St Giles Square,
Northampton
(Open 1st Feb. 1980)

QUARTZ MELODY

Alarm Chronograph (incredible watch)



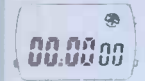
Count-down Timer



Alarm



Time Zone



Chronograph

5 independent working modes, day of week in English, French or German (just select the one you like). Hours, mins, secs, day, date, countdown alarm, dual time zone, 1/100th sec. stopwatch. Lap/split time, 1st and 2nd place times. Melody test function.
34 Functions



Price only £19.95

Same day despatch
Price includes POST & PACKING

M30

CASIO CHRONO 95QS-32B

Stainless steel case, water resistant to 66 feet. Hours, mins, secs, am/pm, year, month, date, day. Auto-calendar pre-programmed until the year 2029. 12/24 hour. Stopwatch function. Range 7 hours. 1/100 sec. (Mode) Net time/lap-time/1st-2nd place times. Dual time function. Accuracy 15 secs per month. Battery life approx 4 years.



Same day despatch
Price only £23.95
including POST & PACKING

M22

CASIO ALARM CHRONO 81CS-36B

Hours, mins, secs, day, and also day, month and year perpetual automatic calendar. 100th sec chronograph to 7 hours. Net time/lap/time/1st and 2nd place times. User optional 12/24 hr display. 24 hourly chime. Alarm. User optional. Backlight, mineral glass, stainless steel. Water resistant to 100ft. Battery life approx 4 years.



Same day despatch
Price only £35.95
including POST & PACKING

M25

CASIO F-200 Sports Chrono

Attractive Man's watch in black resin with mineral glass. Hours, mins, secs, am/pm. Month, date, alpha-numeric day. Auto-calendar set 28th Feb. Stopwatch working range 1 hour, units 1/100 sec. Mode. Net Time/lap/time/1st-2nd place times. Accuracy approx 15 secs per month. Battery 12 months.



Same day despatch
Price only £15.95

Same day despatch
including POST & PACKING

M24

CASIO F-8C 3 Year Battery Life

Hours, mins, secs, am/pm, date, day. Auto calendar set 28th Feb. Accuracy 15 secs per month. Battery life approx 3 years.



Same day despatch

Same day despatch
Price only £10.95

including POST & PACKING

M36

SEIKO CHRONOGRAPH NEW STYLE

Hours, mins, secs and day of the week. Month date and day of the week. Stopwatch display — Hours, mins, secs up to 12 hours (mins, secs, 1/100'secs up to 20 minutes). Lap timing. Continuous time measurement of two competitors. Stainless steel, mineral glass.



Same day despatch
Price only £39.95
including POST & PACKING

M33

SEIKO Alarm Chronograph

With WEEKLY Alarm. Hours, mins, secs, month, date, day, am/pm. Weekly alarm — can be set for every day at designated time e.g. 6.30 am on Mon, Wed and Friday. Alarm set time displayed above time of day. Full stopwatch functions, laptime, split etc.



Same day despatch
Price only £79.95
including POST & PACKING

M10

SEIKO DIGI-ANA CHRONOGRAPH

Time and Calendar function. Analog part display; hr, min, sec. Digital part display; hr, min, sec, date, day and colon. Calendar-month, date, day. Stopwatch — hr, min, sec, 1/100 sec. Lap/stop and stop marks. Counter function. Time and calendar setting function.



Same day despatch
Price only £79.95

Same day despatch
including POST & PACKING

M62

POST COUPON TO: METAC (24-hour despatch centre) FREEPOST (No stamp required), 47a High Street, Daventry, Northants

Please complete both coupons

Please send me
I enclose PO/Cheque value
Barclaycard/Access No.
Name
Address

**From: METAC Electronics & Time Centre, (ETI)
47a High Street, Daventry, Northants.**

Name
Address

POST, PACKING AND VAT included in price

MAPLIN



This superb organ – build the first working section for just over £100. Full specification in our catalogue.



Touch operated rhythm generator, the 'Drumsette'. Construction details 25p. (Leaflet MES49). Specification in our catalogue.



Multimeters, analogue and digital, frequency counter, oscilloscopes, and lots, lots more at excellent prices. See cat. pages 106 and 183 to 188 for details.



61-note touch-sensitive piano to build yourself. Full specification in our catalogue.



Our bi-monthly newsletter contains guaranteed prices, special offers and all the latest news from Maplin.

A massive new catalogue from Maplin that's even bigger and better than before. If you ever buy electronic components, this is the one catalogue you must not be without. Over 280 pages – some in full colour – it's a comprehensive guide to electronic components with hundreds of photographs and illustrations and page after page of invaluable data.



A range of highly attractive knobs is described in our catalogue. Our prices are very attractive too!



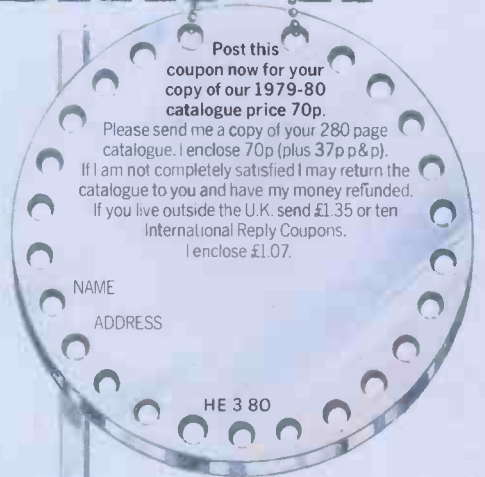
The 3800 synthesiser build it yourself at a fraction of the cost of one ready-made with this specification. Full details in our catalogue.



A pulse width train controller for smooth slow running plus inertia braking and acceleration. Full construction details in our catalogue.



Speakers from 1½ inch to 15 inch; megaphone. PA horns, crossovers etc. They're all in our catalogue. Send the coupon now!



Post this coupon now for your copy of our 1979-80 catalogue price 70p.

Please send me a copy of your 280 page catalogue. I enclose 70p (plus 37p p & p). If I am not completely satisfied I may return the catalogue to you and have my money refunded. If you live outside the U.K. send £1.35 or ten International Reply Coupons. I enclose £1.07.

NAME

ADDRESS

HE 3 80



A wide range of disco accessories at marvellous prices. Our catalogue has all the details.



A very high quality 40W per channel stereo amplifier with a superb specification and lots of extras. Full construction details in our catalogue.



A genuine 150W per channel stereo disco to build yourself. Full specification in our catalogue.

MAPLIN

ELECTRONIC SUPPLIES LTD

All mail to:–

P.O. Box 3, Rayleigh, Essex SS6 8LR.

Telephone: Southend (0702) 554155.

Shop: 284 London Road, Westcliff-on-Sea, Essex. (Closed on Monday).

Telephone: Southend (0702) 554000.