

# electronics today

ISSN 0143-7229

MARCH 1980

60p

## DISCRIMINATING METAL LOCATOR

Be choosy with this VLF design



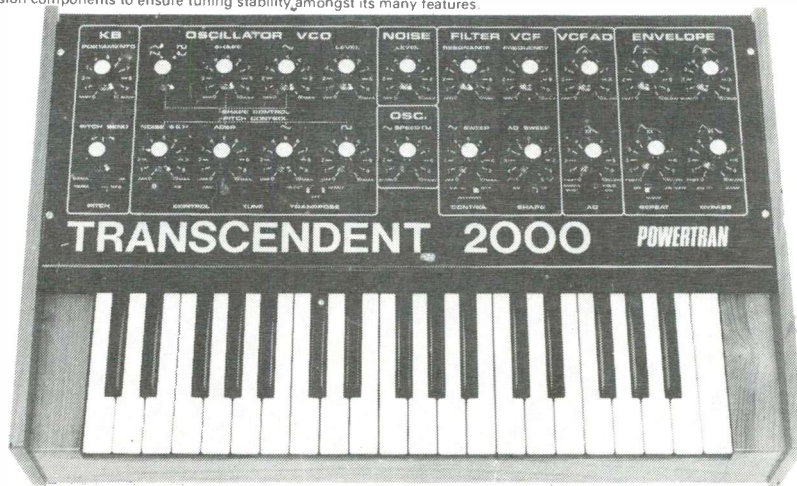
**BLACK HOLES**  
The Whole Truth!

**VOLTAGE  
CONTROLLED MIXER  
1537 VCA CIRCUITS  
EXTRACTING TV HI-FI**

# TRANSCENDENT 2000 SINGLE BOARD SYNTHESIZER

LIVE PERFORMANCE SYNTHESIZER DESIGNED BY CONSULTANT TIM ORR (FORMERLY SYNTHESIZER DESIGNER FOR EMS LIMITED) AND FEATURED AS A CONSTRUCTIONAL ARTICLE IN ELECTRONICS TODAY INTERNATIONAL.

The TRANSCENDENT 2000 is a 3 octave instrument transposable 2 octaves up or down giving an affective 7 octave range. There is portamento, pitch bending, a VCO with shape and pitch modulation, a VCF with both low and high pass outputs and a separate dynamic sweep control, a noise generator and an ADSR envelope shaper. There is also a slow oscillator, a new pitch detector, ADSR repeat, sample and hold, and special circuitry with precision components to ensure tuning stability amongst its many features. The kit includes fully finished metalwork, fully assembled solid teak cabinet, filter sweep pedal, professional quality components (all resistors either 2% metal oxide or ½% metal trim!) and it really is complete — right down to the last nut and bolt and last piece of wire! There is even a 13A plug in the kit — you need buy absolutely no more parts before plugging in and making great music! Virtually all the components are on the one professional quality fibreglass PCB printed with component locations. All the controls mount directly on the main board, all connections to the board are made with connector plugs and construction is so simple it can be built easily in a few evenings by almost anyone capable of neat soldering! When finished you will possess a synthesizer comparable in performance and quality with ready-built units selling for between £500 and £700!



Cabinet size 24.6" x 15.7" x 4.8" (rear) 3.4" (front)

**COMPLETE KIT  
ONLY  
£168.50 + VAT!**

Comprehensive handbook supplied with all complete kits! This fully describes construction and tells you how to set up your synthesizer with nothing more elaborate than a multi-meter and a pair of ears!

**WE'VE MOVED!  
NEW FACTORY UP!  
PRICES DOWN!**

**INCREASED CAPACITY AT OUR BIG NEW FACTORY  
MEANS MANY PRICES DOWN! ALL OTHERS FROZEN!**

## TRANSCENDENT DPX

**DIGITALLY CONTROLLED, TOUCH SENSITIVE, POLYPHONIC, MULTI-VOICE SYNTHESIZER**

The Transcendent DPX is a really versatile new 5 octave keyboard instrument. There are two audio outputs which can be used simultaneously. On the first there is a beautiful harpsichord or reed sound — fully polyphonic i.e. you can play chords with as many notes as you like. On the second output there is a wide range of different voices, still fully polyphonic. It can be a straightforward piano or a honky tonk piano or even a mixture of the two! Alternatively you can play strings over the whole range of the keyboard or brass over the whole range of the keyboard or should you prefer — strings on the top of the keyboard and brass at the lower end (the keyboard is electronically split after the first two octaves) or vice versa or even a combination of strings and brass sounds simultaneously. And on all voices you can switch in circuitry to make the keyboard touch sensitive! The harder you press down a key the louder it sounds — just like an acoustic piano. The digitally controlled multiplexed system makes practical touch sensitivity with the complex dynamics law necessary for a high degree of realism. There is a master volume and tone control, a separate control for the brass sounds and also a vibrato circuit with variable depth control together with a variable delay control so that the vibrato comes in only after waiting a short time after the note is struck for even more realistic string sounds.



Cabinet size 36.3" x 15.0" x 5.0" (rear) 3.3" (front)

**COMPLETE KIT ONLY £299.00 + VAT!**

To add interest to the sounds and make them more natural there is a chorus/ensemble unit which is a complex phasing system using CCD (charge coupled device) analogue delay lines. The overall effect of this is similar to that of several acoustic instruments playing the same piece of music. The ensemble circuitry can be switched in with either strong or mild effects.

As the system is based on digital circuitry digital data can be easily taken to and from a computer (for storing and playing back accompaniments with or without pitch or key change, computer composing etc. etc.) and an interface socket (25 way D type) is provided for this purpose.

Although the DPX is an advanced design using a very large amount of circuitry, much of it very sophisticated, the kit is mechanically extremely simple with excellent access to all the circuit boards which interconnect with multiway connectors, just four of which are removed to separate the keyboard circuitry and the panel circuitry from the main circuitry in the cabinet.

The kit includes fully finished metalwork, solid teak cabinet, professional quality components (all resistors 2% metal oxide), nuts, bolts, etc., even a 13A plug — you need buy absolutely no more parts before plugging in and making great music! When finished you will possess an instrument comparable in performance and quality with ready-built units selling for over £1,200!

**POWERTRAN**

**ORDERING INFORMATION  
AND MORE KITS ON PAGE 8**

All kits also available as separate packs (e.g. P.C.B., component sets, hardware sets, etc.). Prices in FREE CATALOGUE.



hole truth p20



start digging here p.78



guess what p.51

# electronics today

MARCH 1980 Vol 9, No 3

INTERNATIONAL

## FEATURES

- |                    |    |                                  |
|--------------------|----|----------------------------------|
| DIGEST             | 9  | ... and now the good news        |
| BLACK HOLES        | 20 | Bottomless pits                  |
| 1537               | 31 | A new chip explained             |
| DESIGNERS NOTEBOOK | 41 | Walking rings and other miracles |
| RAVEN ON           | 46 | Inside information               |
| AUDIOPHILE         | 51 | The latest in sound news         |
| TV SOUND           | 72 | A few hints for the courageous   |
| TRANSLATOR         | 84 | A new words box                  |
| TECH TIPS          | 93 | Readers ideas                    |

## PROJECTS

- |                          |    |                          |
|--------------------------|----|--------------------------|
| SIGNAL TRACER            | 26 | Better late than never   |
| MUSCLE METER             | 56 | Read any good biceps?    |
| HEATER CONTROL           | 67 | A posh thermostat        |
| METAL LOCATOR            | 78 | A discriminating locator |
| VOLTAGE CONTROLLED MIXER | 87 | Project 80 VCM           |

## INFORMATION

- |                |    |                          |
|----------------|----|--------------------------|
| SPECIALS       | 17 | The best of ETI          |
| ETI APRIL      | 29 | Crystal ball time        |
| MARKETPLACE    | 39 | Shopping with ease       |
| HE APRIL       | 49 | The hobby's future       |
| BE AN ETI MAN! | 53 | Time to come and join us |
| ETIPRINT       | 75 | Lay it all down          |
| BOOKS          | 77 | Words of wisdom          |

### INTERNATIONAL EDITIONS

- |           |   |
|-----------|---|
| AUSTRALIA | Collyn Rivers<br>Publisher<br>Roger Harrison<br>Acting Editor |
| HOLLAND   | Anton Kriegsman<br>Editor-in-Chief                            |
| CANADA    | Graham Wideman<br>Editor                                      |
| GERMANY   | Udo Wittig<br>Editor  |



EDITORIAL AND ADVERTISEMENT OFFICE  
145 Charing Cross Road, London WC2H 8DEE. Telephone 01-437 1002/3/4/5

- |                                 |                        |
|---------------------------------|------------------------|
| Ron Harris, B.Sc                | Editor                 |
| Ian Graham B.Sc                 | Assistant Editor       |
| Diego M. Rincon                 | Art Director           |
| Dee Camilleri                   | Production             |
| Paul Edwards, Tony Strakas      | Technical Illustrators |
| Joanne Barseghian               |                        |
| Ray Marston                     | Project Editor         |
| Keith Brindley, John Fitzgerald | Project Engineer       |
| Steve Ramsahadeo                | Project Development    |
| Margaret Hewitt                 | Administration         |
| Lorraine Stout                  | Editorial Secretary    |
| Christopher Surgenor (Manager)  | Advertising            |
| Sandie Neville                  | Ad. Production         |
| Steve Rowe                      | Ad. Representative     |
| Halvor Moorshead                | Editorial Director     |

PUBLISHED BY  
DISTRIBUTED BY

PRINTED BY

Modmags Ltd., 145 Charing Cross Road  
Argus Distribution Ltd. (British Isles)  
Gordon & Gotch Ltd. (Overseas)  
QB Limited, Colchester

Electronics Today International is normally published on the first Friday of the month prior to the cover date

COPYRIGHT: All material is subject to world wide Copyright protection. All reasonable care is taken in the preparation of the magazine to ensure accuracy but ETI cannot be held responsible for it legally. Where errors do occur a correction will be published as soon as possible afterwards.

# Britain's first comp

**A complete personal computer for a third of the price of a bare board.**

**Also available ready assembled for £99<sup>95</sup>**

## The Sinclair ZX80.

Until now, building your own computer could easily cost around £300 – and still leave you with only a bare board for your trouble.

The Sinclair ZX80 changes all that. For just £79.95 you get *everything* you need to build a personal computer at home... PCB, with IC sockets for all ICs; case; leads for direct connection to your own cassette recorder and television; everything!

And yet the ZX80 really is a complete, powerful, full-facility computer, matching or surpassing other personal computers on the market at several times the price. The ZX80 is programmed in BASIC, and you could use it to do quite literally anything from playing chess to running a power station.

The ZX80 is pleasantly straightforward to assemble, using a fine-tipped soldering iron. Once assembled, it immediately proves what a good job you've done. Connect it to your TV set... link it to an appropriate power source\*... and you're ready to go.

### Your ZX80 kit contains...

- Printed circuit board, with IC sockets for all ICs.
- Complete components set, including all ICs – all manufactured by selected world-leading suppliers.
- New rugged Sinclair keyboard, touch-sensitive, wipe-clean.
- Ready-moulded case.
- Leads and plugs for connection to any portable cassette recorder (to store programs) and domestic TV (to act as VDU).
- FREE course in BASIC programming and user manual.

### Optional extras

- Mains adaptor of 600 mA at 9 V DC nominal unregulated (available separately – see coupon).
- Additional memory expansion board plugs in to take up to 3K bytes extra RAM chips. (Chips also available – see coupon.)

\*Use a 600 mA at 9 V DC nominal unregulated mains adaptor. Available from Sinclair if desired (see coupon).

### Two unique and valuable components of the Sinclair ZX80.

The Sinclair ZX80 is not just another personal computer. Quite apart from its exceptionally low price, the ZX80 has two uniquely advanced components: the Sinclair BASIC interpreter; and the Sinclair teach-yourself BASIC manual.

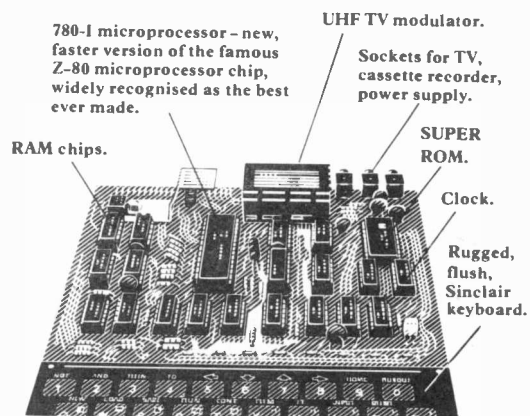
**The unique Sinclair BASIC interpreter**... offers remarkable programming advantages:

- Unique 'one-touch' key word entry: the ZX80 eliminates a great deal of tiresome typing. Key words (RUN, PRINT, LIST, etc.) have their own single-key entry.
- Unique syntax check. Only lines with correct syntax are accepted into programs. A cursor identifies errors immediately. This prevents entry of long and complicated programs with faults only discovered when you try to run them.
- Excellent string-handling capability – takes up to 26 string variables of any length. All strings can undergo all relational tests (e.g. comparison). The ZX80 also has string input-to request a line of text when necessary. Strings do *not* need to be dimensioned.
- Up to 26 single dimension arrays.
- FOR/NEXT loops nested up to 26.
- Variable names of any length.
- BASIC language also handles full Boolean arithmetic, conditional expressions, etc.
- Exceptionally powerful edit facilities, allows modification of existing program lines.
- Randomise function, useful for games and secret codes, as well as more serious applications.
- Timer under program control.
- PEEK and POKE enable entry of machine code instructions.USR causes jump to a user's machine language sub-routine.

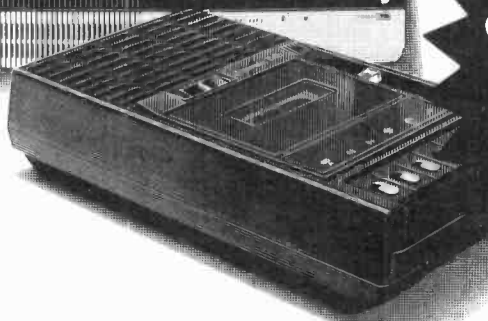
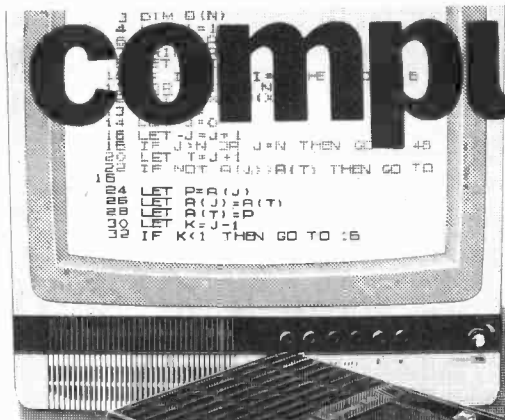
- High-resolution graphics with 22 standard graphic symbols.
- All characters printable in reverse under program control.
- Lines of unlimited length.

... and the Sinclair teach-yourself BASIC manual.

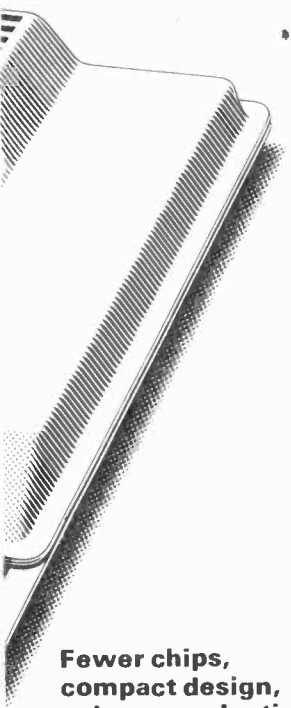
If the features of the Sinclair interpreter listed alongside mean little to you – don't worry. They're all explained in the specially-written 96-page book *free* with every kit! The book makes learning easy, exciting and enjoyable, and represents a complete course in BASIC programming – from first principles to complex programs. (Available separately – purchase price refunded if you buy a ZX80 later.)



# Complete computer kit.



**£79<sup>95</sup>**  
 Including VAT.  
 Including post and packing.  
 Including all leads and components



**Fewer chips, compact design, volume production – more power per pound!**

The ZX80 owes its remarkable low price to its remarkable design: the whole system is packed onto fewer, newer, more powerful and advanced LSI chips. A single SUPER ROM, for instance, contains the BASIC interpreter, the character set, operating system, and monitor. And the ZX80's 1K byte RAM is roughly equivalent to 4K bytes in a conventional computer, because the ZX80's brilliant design packs the RAM so much more tightly. (Key words, for instance, occupy just a single byte.)

To all that, add volume production – and you've that rare thing: a price breakthrough that really is a breakthrough.

**The Sinclair ZX80. Kit: £79.95. Assembled: £99.95. Complete!**

The ZX80 kit costs a mere £79.95. Can't wait to have a ZX80 up and running? No problem! It's also available, ready assembled, for only £99.95.

Whether you choose the kit or the ready-made, you can be sure of world-famous Sinclair technology – and years of satisfying use. (Science of Cambridge Ltd is one of the Sinclair companies owned and run by Clive Sinclair.)

To order, complete the coupon, and post to Science of Cambridge for delivery within 28 days. Return as received within 14 days for full money refund if not completely satisfied.

**sinclair ZX80**  
**Science of Cambridge Ltd**  
 6 Kings Parade, Cambridge, Cambs., CB2 1SN.  
 Tel: 0223 311488.

## Order Form

To: Science of Cambridge Ltd, 6 Kings Parade, Cambridge, Cambs., CB2 1SN.  
 Remember: all prices shown include VAT, postage and packing. No hidden extras.

Please send me:

| Quantity | Item  | Item price   | Total |
|----------|---|--------------|-------|
|          | Sinclair ZX80 Personal Computer kit(s). Price includes ZX80 BASIC manual, excludes mains adaptor.             | 79.95        |       |
|          | Ready-assembled Sinclair ZX80 Personal Computer(s). Price includes ZX80 BASIC manual, excludes mains adaptor. | 99.95        |       |
|          | Mains Adaptor(s) (600 mA at 9 V DC nominal unregulated).  | 8.95         |       |
|          | Memory Expansion Board(s) (takes up to 3K bytes).   | 12.00        |       |
|          | RAM Memory chips – standard 1K bytes capacity.  | 16.00        |       |
|          | Sinclair ZX80 Manual(s) (manual free with every ZX80 kit or ready-made computer).                             | 5.00         |       |
|          |   | <b>TOTAL</b> | £     |

NB. Your Sinclair ZX80 may qualify as a business expense.

I enclose a cheque/postal order payable to Science of Cambridge Ltd for £

Please print Name: Mr/Mrs/Miss \_\_\_\_\_

Address \_\_\_\_\_

ET1/3/80

# ELECTROVALUE CATALOGUE 10

HAD YOURS YET?

Our computer has already selected thousands of our customers to whom our new catalogue has automatically been sent. If you would like a copy too, simply send us your name and address. It's

## FREE

(You don't even have to pay postage in the U.K.)

IT'S A GOOD DEAL BETTER FROM ELECTROVALUE

- We give discounts on C.W.O. orders, except for a few items market Net or N in our price lists.
  - 5% on orders list value £10 or more
  - 10% on orders list value £25 or more.

Not applicable on Access or Barclaycard purchase orders.
- We pay postage in U.K. on C.W.O. orders list value £5 or over. If under, add 30p handling charge.
- We stabilise prices. by keeping to our printed price lists which appear but three or four times a year.
- We guarantee all products brand new, clean and maker's spec. No seconds, no surplus.
- Appointed distributors for SIEMENS, VERO, ISKRA, NASCOM and many others.

### OUR NEW CATALOGUE No 10

Full 128 pages. Thousands of items. Improved classification for easier selection. Valuable working information. Illustrations. Separate quick-ref price list.

## ELECTROVALUE LTD

#### HEAD OFFICE (Mail Orders)

28(D) St. Judes Road, Englefield Green, Egham, Surrey  
TW20 0HB. Phone: 33603 (London prefix 87. STD 0784)  
Telex 264475.

#### NORTHERN BRANCH (Personal Shoppers Only)

680 Burnage Lane, Burnage, Manchester M19 1NA  
Phone: (061) 432 4945.

## AUDIO AND TEST EQUIPMENT CENTRE

RETAIL  
MAIL ORDER  
EXPORT  
ALL PRICES  
INCLUDE VAT

Telephone your order with Access and Barclaycards  
or send cheque with order.



LONDON'S TEST GEAR CENTRE  
OPEN 6 DAYS A WEEK 9 am-6 pm

SCOPES — (UK P/P £1.50 ea.)

|  |        |
|--|--------|
| HAMEG HM 307-3 10MHz single beam with Component Tester     | 170.00 |
| HM 312-8 20MHz dual trace                                  | 287.50 |
| HM 412-4 20MHz sweep delay                                 | 242.50 |
| Super 10 10MHz dual trace                                  | 239.00 |
| 4D25 Scope x 25MHz dual trace                              | 414.00 |
| SINCLAIR 10MHz Miniscope. P/S 4.00, Nicads 7.95, Case 8.80 |        |
|  | 152.50 |

PROBES 15.40. x 10 10.50 x 1 8.50

### DIGITAL MULTIMETERS

|   |        |
|---|--------|
| DM235 Sinclair portable 3½ digit LED                            | 66.50  |
| DM335 Sinclair Pocket 3½ digit LED                              | 36.50  |
| DM350 New Sinclair 3½ digit                                     | 78.50  |
| DM450 New Sinclair 4½ digit with 10 amp range                   | 107.95 |
| (30Kv Probes 18.00. P/S 4.00. DM Nicads 7.95. Cases 8.80)       |        |
| M1200 Bench Portable 3½ digit LED. Resolution 1µA/0.1mv/0.01ohm | 67.50  |
| 935 Data Precision 3½ digit hand-held LCD (2 amp AC/DC)         | 89.95  |
| 108. Low cost 3½ digit general purpose LCD                      | 49.95  |
| 107. Pocket Low cost 3½ digit LCD                               | 39.95  |

### FREQUENCY COUNTERS

|  |        |
|--|--------|
| OPTO 7010 9 digit, 600MHz                      |        |
| Portable. 0.1Hz Resolution with NICADS         | 113.95 |
| MAX 50 50MHz 6 digit pocket counter            | 61.00  |
| MAX 100 100MHz 8 digit portable counter        | 85.75  |
| MAX 850 550MHz 6 digit pocket counter          | 106.00 |
| 500 MHz Prescaler for max 50 or max 100        | 40.00  |
| PFM 200 Sinclair 200MHz Pocket Counter 8 digit | 54.50  |
| OPTIONAL P/S 4.00. Connector Pack              | 9.95   |

### MULTI-METERS — GENERAL PURPOSE & ELECTRONIC

Multi-Range Instruments featuring AC/DC volts, DC current, Resistance Ranges all with mirror scales except T1/T1-2/T12/TM3A/TM3 AC volts only, some with AC current, etc.

|   |        |
|---|--------|
| TM11 incredible 120 Range Electronic Multi-meter      | 158.00 |
| TM35 AC Micro voltmeter 3MHz > 4 Megohm (large scale) | 151.75 |
| TM3A AC Micro voltmeter 3MHz > 4 Megohm               | 139.50 |
| 300TR 100k/volt                                       | 34.95  |
| 7080 20k/volt   | 26.95  |
| 7081 50k/volt   | 19.95  |
| 7200 20k/volt   | 17.95  |
| NH55 20k/volt   | 10.95  |
| LT101 1k/volt   | 8.95   |
| YN360TR 20k/volt                                      | 13.95  |
| AT205 50k/volt  | 24.95  |
| NH55/110 2k/volt                                      | 6.95   |
| TMK500 30/volt  | 22.95  |
| AT1020/TR202 20/volt                                  | 16.95  |
| AT210 100k/volt                                       | 29.95  |

AVO 5a and a large range of replacement tests leads in stock

### GENERAL EQUIPMENT

|   |       |
|---|-------|
| SE250 Signal Injector                                       | 4.95  |
| TE7 Signal Tracer AF/RF                                     | 9.95  |
| SWR50 SWR/Power Meter                                       | 13.95 |
| DR510 36 Value Resis. Box                                   | 3.95  |
| RP124 0/24V 0/1 amp P/S Stabilised                          | 42.00 |
| RP328 3 amp version   | 54.00 |
| RP230M 0/30V 0/1 amp. P/S Twin Meters                       | 85.00 |
| TR1000 Transistor checker in/out circuit                    | 11.95 |
| MOD63 Signal Injector                                       | 8.95  |
| C3022 Transistor/Diode Checker                              | 19.95 |
| 3101 Clamp Meter 0/1 Kohm. 0/150/300/600 AC volts 0/300 amp | 32.95 |
| SWR40/9 SWR & FS Meter                                      | 10.50 |
| SWR10 SWR Meter   | 10.95 |
| MS319 2x100 Watt Audio Watt Meter                           | 13.95 |
| 500V Megohmmeter 500 Megohms                                | 51.00 |
| 2½ Amp Variable transformer                                 | 21.95 |

### GENERATORS

|  |        |
|--|--------|
| TG152 Series 3Hz 300kHz 5 Ranges                                   |        |
| TG152D   | 86.25  |
| TG152Dm (with meter)   | 107.50 |
| TG200 Series RC Oscillators Sine/Square output. 1Hz-1MHz 12 Ranges |        |
| TG200D   | 113.95 |
| TG200Dm (with meter)   | 139.50 |
| TG200Dmp (meter & fine control)                                    | 148.90 |
| 4001 Digital Pulse Generator 0.5Hz-5MHz                            | 105.00 |
| 2001 Function Generator-Sine/Square/Triangle/TTL                   | 85.00  |
| SG2030 (RF) 6 bands 250kHz-300MHz                                  | 48.95  |
| AG781 (Audio) sine 19Hz-220Hz square 19Hz-100kHz                   | 61.00  |
| ARF30 (RF-Audio) 18Hz-200MHz                                       | 78.50  |

PROTO BOARD IN STOCK  
KITS PR 6.90, PR 100 11.60.  
SEPARATES EXP300 5.95, EXP600 8.50, EXP350 3.45, EXP650 3.95

### LOGIC PROBES AND MONITORS

|                             |       |
|-----------------------------|-------|
| LT2000 Economy Probe, 10MHz | 8.95  |
| LM1 Monitor circuit powered | 33.00 |
| LP1 Probe 10MHz             | 35.50 |
| LP2 1.5MHz                  | 20.50 |
| 16 Pin IC test clip         | 1.95  |

### PIEZO HORN TWEETERS

|  |            |
|--|------------|
| Up to 100 watts each. No x-over reqd. Only | 4.95 each. |
| Flared Horns                               | 6.50       |
| Midrange Flared Horns                      | 9.50       |
| (P/P 20p per 1 or 2. 30p per 3 to 5)       |            |

### TV SOUND

High quality TV sound from your Hi-Fi. Simply plug into aerial socket of your FM tuner. 6.50 (UK P&P 50p)  
As reviewed by 'Popular Hi-Fi', July '79



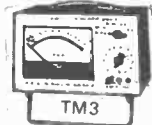
TM11



TMK500

NEW BULK PURCHASE  
GEC 10+10 watt  
Tuner/Amplifier.  
MW/LW/SW/Stereo FM. Supplied  
as two easy to connect units.  
£21.95 P&P £1.50

WE SELL  
Kef. Seas. Audax. Fane.  
Goodmans. Motorola  
Peerless  
Speakers/Kits etc  
Also PA Equipment, etc



TM3

CALL IN AND SEE FOR YOURSELF

## AUDIO ELECTRONICS

301 EDGWARE RD., LONDON W2 1BN  
01-724 3564. OPEN 9-6, MON-SAT.

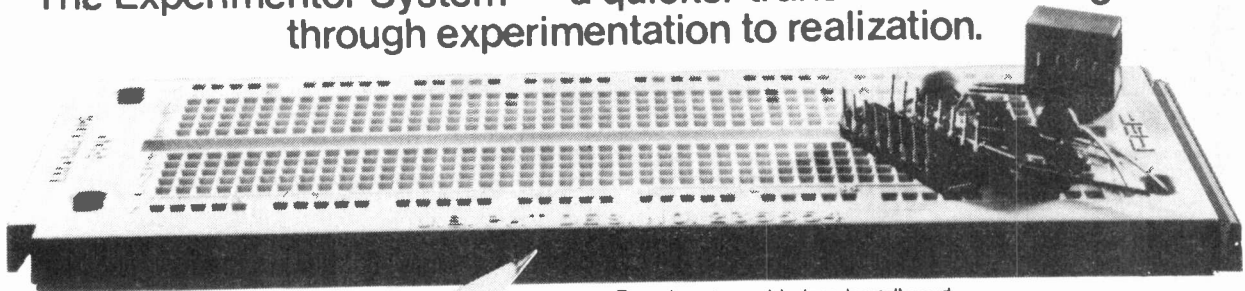
ALSO AT 248 TOTTENHAM COURT ROAD, W 1

## FREE CATALOGUE

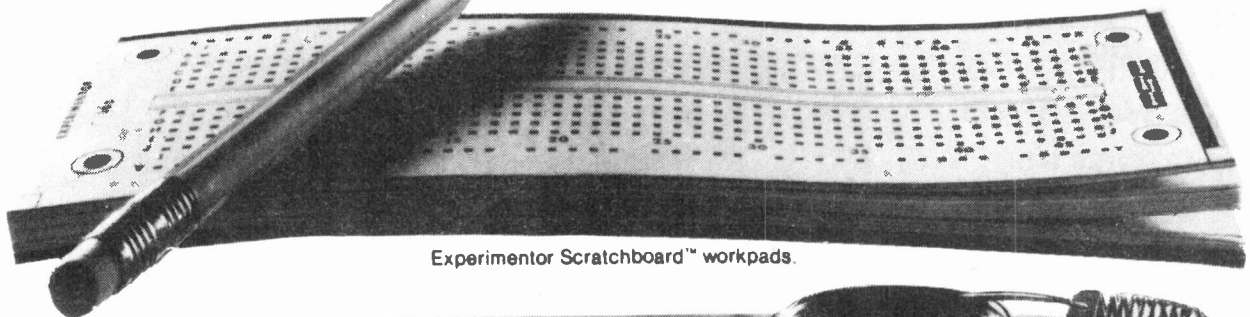
SEND STAMPED  
33 (5p UK)  
ADDRESSED ENVELOPE  
(MIN 9½ x 6½)  
FOR YOUR COPY NOW

# You can't beat The System.

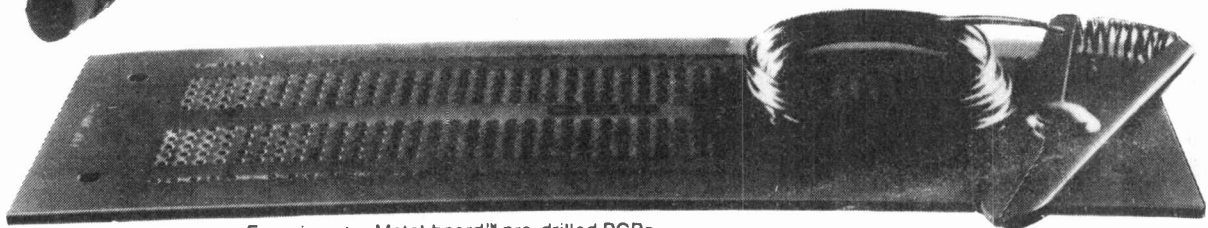
The Experimentor System™ — a quicker transition from imagination through experimentation to realization.



Experimentor solderless breadboard.



Experimentor Scratchboard™ workpads.



Experimentor Matchboard™ pre-drilled PCBs.

When you have a circuit idea that you want to make happen, we have a system to make it happen quicker and easier than ever before: The Experimentor System.

You already know how big a help our Experimentor solderless breadboards can be. Now we've taken our good idea two steps further.

We've added Experimentor Scratchboard workpads, with our breadboard hole-and-connection pattern printed in light blue ink. To let you sketch up a layout you already have working so you can reproduce it later.

With Experimentor Matchboard you can go from breadboard to the finished product nonstop! We've matched our breadboard pattern again, this time on a printed circuit board, finished and ready to build on. All for about £1.32.

There's even a letter-and-number index for each hole, so you can move from breadboard (where they're moulded) to Scratchboard™ (where they're printed) to Matchboard™ (where they're silkscreened onto the component side) and always know where you are.

When you want to save time and energy, you can't beat The Experimentor System.

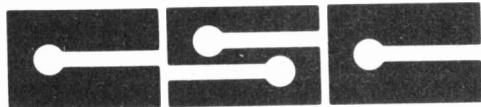
1. EXP-300PC, which includes one item  
A Matchboard pre-drilled PCB  
**£1.32**

2. EXP-302, which includes three items  
Three 50-sheet Scratchboard workpads  
**£1.68**

3. EXP-303, which includes three items  
Two Matchboards and an EXP-300  
solderless breadboard  
**£8.60**

4. EXP-304, which includes four items  
Two Matchboards, an EXP-300  
breadboard and a Scratchboard workpad  
**£9.30**

CONTINENTAL SPECIALTIES CORPORATION



C.S.C. (UK) Limited,  
Dept.9W Unit 1, Shire Hill Industrial Estate,  
Saffron Walden, Essex. CB11 3AQ.  
Telephone: Saffron Walden (0799) 21682  
Telex: 817477.

CONTINENTAL SPECIALTIES CORPORATION, DEPT. 9W  
Unit 1, Shire Hill Industrial Estate, Saffron Walden, Essex.

Name \_\_\_\_\_

Address \_\_\_\_\_

Inc P&P and 15% VAT

|                              |            |                             |            |
|------------------------------|------------|-----------------------------|------------|
| 1. EXP 300PC<br><b>£2.38</b> | Qty. Reqd. | 2. EXP 302<br><b>£2.79</b>  | Qty. Reqd. |
| 3. EXP 303<br><b>£11.04</b>  | Qty. Reqd. | 4. EXP 304<br><b>£11.85</b> | Qty. Reqd. |

FREE Catalogue tick box

I enclose cheque/ PO for

£ \_\_\_\_\_

Phone your order with Access, Barclaycard or American Express

Card No. \_\_\_\_\_ Expiry date \_\_\_\_\_

# CHROMATHEQUE 5000

# POWERTRAN

## 5 CHANNEL LIGHTING EFFECTS SYSTEM

COMPLETE KIT

ONLY

£49.50 + VAT!



Panel size 19.0" x 3.5". Depth 7.3"

This versatile system featured as a constructional article in *ELECTRONICS TODAY INTERNATIONAL* has 5 frequency channels with individual level controls on each channel. Control of the lights is comprehensive to say the least. You can run the unit as a straightforward sound-to-light or have it strobe all the lights at a speed dependent upon music level or front panel control or use the internal digital circuitry which produces some superb random and sequencing effects. Each channel handles up to 500W and as the kit is a single board design wiring is minimal and construction very straightforward.

Kit includes fully finished metalwork, fibreglass PCB controls, wire, etc. — Complete right down to the last nut and bolt!

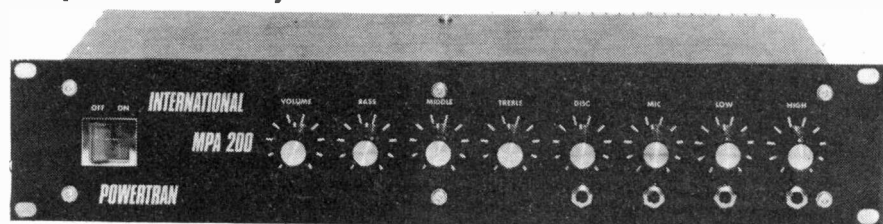
## MPA 200 100 WATT (rms into 8Ω) MIXER/AMPLIFIER

COMPLETE KIT

ONLY

£49.90 + VAT!

MATCHES THE  
CHROMATHEQUE 5000  
PERFECTLY!



Panel size 19.0" x 3.5". Depth 7.3"

Featured as a constructional article in *ETI*, the MPA 200 is an exceptionally low priced — but professionally finished — general purpose high power amplifier. It features adaptable input itself with minimal wiring needed making construction very straightforward.

The kit includes fully finished metalwork, fibreglass PCBs, controls, wire, etc. — complete down to the last nut and bolt.

## DE LUXE EASY TO BUILD LINSLEY HOOD 75W STEREO AMPLIFIER £99.30 + VAT

This easy to build version of our world-wide acclaimed 75W amplifier kit based upon circuit boards interconnected with gold plated contacts resulting in minimal wiring and construction delightfully straightforward. The design was published in *H-Fi News and Record Review* and features include rumble filter, variable scratch filter, versatile tone controls and tape monitoring whilst distortion is less than 0.01%.

## WIRELESS WORLD FM TUNER £70.20 + VAT

A pre-aligned front-end module makes this Wireless World published design very simple to construct and adjust without special instruments. Features include an excellent a.m. rejection push-button station selection as well as infinitely variable tuning and a phase locked loop stereo decoder, incorporating active filters for "birdy" suppression.

## LINSLEY-HOOD CASSETTE DECK £79.60 + VAT

This design, published in *Wireless World*, although straightforward and relatively low cost provides a very high standard of performance. There are separate record and replay amplifiers and switchable equalisation together with a choice of bias levels are also provided. The mechanism is the Goldring-Lenco CRV with electronic speed control.



## T20+20 20W STEREO AMPLIFIER £33.10 + VAT

This kit, based upon a design published in *Practical Wireless*, uses a single printed circuit board and offers at very low cost, ease of construction and all the normal facilities found on quality amplifiers. A 30 watt version of this kit (T30 + 30) is also available for £38.40 + VAT.

**MATCHING TUNERS** — SEE OUR FREE CATALOGUE!

**COMPLETE KITS:** Our complete kits really are complete. All of the projects shown on this page are supplied with fully finished metalwork, ready assembled high quality teak veneer cabinet (last 4 kits on this page), or professional quality rack mounting cabinet (first 2 kits on this page), cables, nuts, bolts, etc., and full instructions — in fact everything!

All of the kits shown on this page are available as separate packs for those customers who wish to spread their purchase or perhaps make their own cabinets or metalwork. Prices are given in our FREE CATALOGUE.

**PRICE STABILITY:** Order with confidence. Irrespective of any price changes we will honour all prices in this advertisement until April 30th, 1980, if this month's advertisement is mentioned with your order. Errors and VAT rate changes excluded.

**EXPORT ORDERS:** No VAT Postage charged at actual cost plus 50p handling and documentation.

**U.K. ORDERS:** Subject to 15% surcharge for VAT No charge is made for carriage, or at current rate if changed.

**SECURICOR DELIVERY:** For this optional service (U.K. mainland only) add £2.50 (VAT inclusive) per kit.

**SALES COUNTER:** If you prefer to collect kit from the factory, call at Sales Counter. Open 9 a.m.-4.30 p.m. Monday-Thursday.

NEW FACTORY ON SAME INDUSTRIAL ESTATE  
ADDRESS AND PHONE NUMBER UNCHANGED

OUR CATALOGUE IS FREE! WRITE OR PHONE NOW!

# POWERTRAN ELECTRONICS

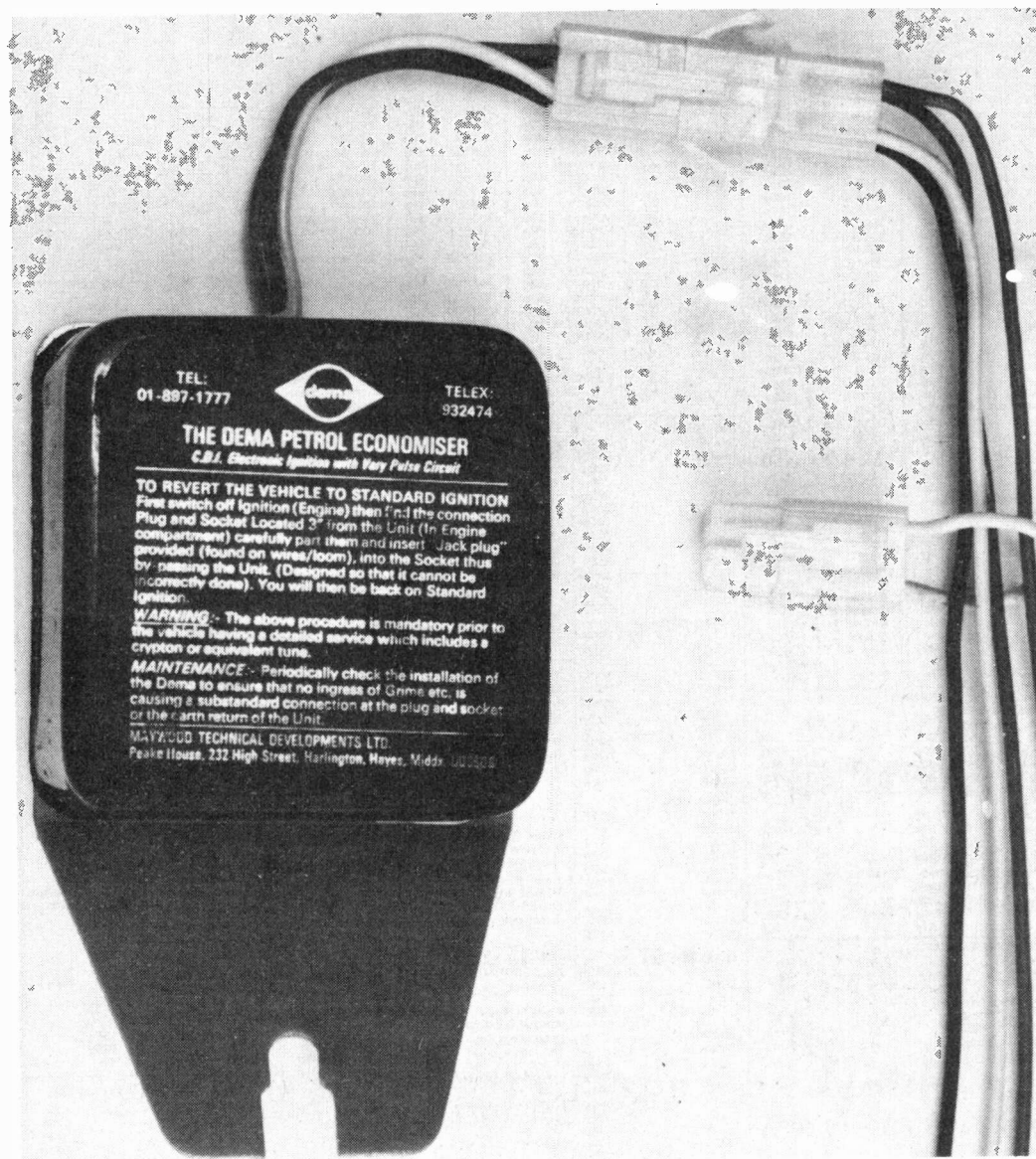
PORTWAY INDUSTRIAL ESTATE  
ANDOVER, HANTS SP10 3NM

ANDOVER  
(STD 0264) 64455





# DIGEST



## For Starters

The Dema System is a compact electronic ignition unit introduced by Maywood Technical Developments. Priced at £49.50 including VAT and postage, the unit is aimed at both the private motorist and the fleet operator.

The system incorporates a variable pulse width circuit to determine when the voltage stored on capacitors should be switched by thyristor to the HT coil and spark plugs. It monitors the revs and varies the duration of the spark to achieve as near as possible complete initiation of combustion.

The system can be installed by unskilled staff in about half an hour without having to make any alterations to the vehicle.

The Dema System is available from Maywood Technical Developments Ltd, Peake House 232 High Street, Harlington, Hayes, Middlesex UB3 5DS.

## Tantless

It seems that there isn't a lot of tantalum ore about these days. Although it hasn't exactly been the first item on News at Ten, it means there's a shortage of tantalum powder, from which the capacitors are made. Supply and demand just isn't working in our favour. As demand keeps on rising, the known reserves are being exhausted. That inevitably means that tantalum capacitors are bound to increase in price rapidly over the next year or two.

## Red Hot Radar

Under Chairman Brezhnev Soviet defence spending has increased from half to almost double that of America.

A Senate Subcommittee heard recently that the latest Soviet airborne tactical look-down/shoot-down radars are believed to be superior to any system now used by American forces.

Russian missile guidance systems can now match their American counterparts. Russia is also annually devoting several times America's spending on research into high energy laser research.

## Radiation Hazard

Have you any old ex-government equipment with luminous dials or pointers? (They may not now be luminous because of phosphor degeneration).

Mr. Manning of Birmingham University has informed us of a radiation hazard that may exist from some ex-government equipment.

He was moved to write to us after examining a revolution counter, containing two large moving coil meters with edge-wise scales about 100 mm long,

scaled 6-14-18-22-26-30 and marked 'Engine Speed Hundreds of RPM'.

The graduations and numbers are filled with radium activated luminous paint, applied very thickly. At 10 cms from the scales a Geiger counter registered 1000 counts per second. With alpha and beta radiation blocked, the count rate was still 100 cps. As Geiger counters are only one or two per cent efficient for gamma rays, the true rate may be

several thousand per second. In that event the radioactive paint used is such a strong source (several millicuries) that one would require a licence to use it for teaching purposes.

If you have any ex-government equipment with luminous dials or pointers — better safe than sorry, have it properly disposed of if you think it may be a radiation hazard. Warning — don't burn the equipment; that will simply spread the radium through the air.

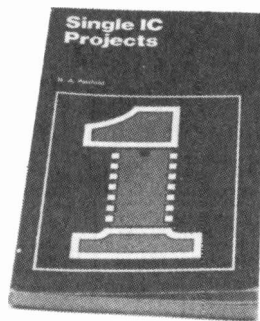


## New Babanis

Amaze your friends with the number of uses to which you can put a single IC. You won't be short of ideas with 'Single IC Projects' by R. A. Penfold. This 127 page volume from Bernard Babani is divided into five sections, covering low level audio circuits, audio power amplifiers, timers, operational amplifiers and miscellaneous circuits.

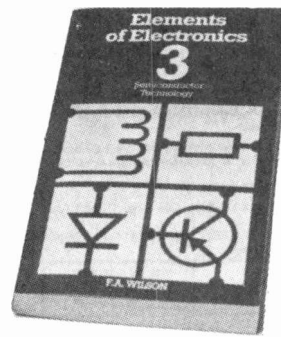
Each circuit suggestion begins with a brief description of the chip used, together with a table of its chief characteristics. In each case a circuit diagram, practical layout, constructional details and parts list is given. These twenty simple projects could be yours for £1.50.

Also from Babani is Book 3 in their Elements of Electronics series. Book 3 continues this introduction to electronics with sections on semiconductor physics and characteristics. Basic semiconductor applications are described, including



rectifiers, amplifiers, oscillators and switches. Book 3 of Elements of Electronics by F. A. Wilson (204 pages) is priced at £2.25.

If you have trouble getting these books they are available direct from the publisher, Bernard Babani (Publishing) Ltd,



The Grampians, Shepherds Bush Road, London W6 7NF. A complete catalogue of Radio and Electronics Books is also available from this address. Please send a stamped, addressed envelope. When ordering books, please send enough to cover postage.

## Anti-Gravity Meter

You won't have a smashing time with this meter. The 3012 from Dorman Smith Instrumentation is a drop proof pocket tester giving DC volts (0V3 to 1000V), DC current (50 uA to 300 mA), AC volts (10V to 1000V) and resistance (10k to 1M ranges).

The meter will withstand being dropped from one metre — the height of the average workbench or jacket pocket. It incorporates a taut band movement and fuse protection. Power is from a size AA 1V5 battery.

The 3012 pocket test is available for £27 plus VAT including batteries, test leads, soft case and strap from Dorman Smith Instrumentation, Blackpool Road, Preston PR2 2DQ.

## Tick Talk

If you have about a hundred dollars to spare you can invest it in the latest in alarm watches. The communicator, from Windert, uses a 64 kilobyte memory chip to carry its computer voice. It 'tells' you the time, talks you awake in the morning and nags you if you don't get up (makes the wife redundant).

The time, alarm and snooze messages are to be available in English, French, German and Spanish. In the not-so-distant future Windert have prophesied the development of programmable voice command watches and even the sci-fi cliché — watches with built-in TV screens and transmitters.

## See-Thru Tops

Boss Industrial Mouldings have extended their BIM 2000 range of Bimboxes to include a new two part, deep profile version. Base and lid are available in black, grey, orange or blue, with the additional option of a clear lid. As with the rest of the Bimbox range, the new versions have 5.08 mm (0.2in) spaced slots on all sides of the base to support 1.5 mm PCBs.

The clear lid version is ideal for applications where viewing of, but not necessarily access to, internal components is required. The new Bimboxes, each 80.2 x 150.4 x 76 mm, are available from Boss Industrial Mouldings Ltd, 2 Herne Hill Road, London SE24 0AU.

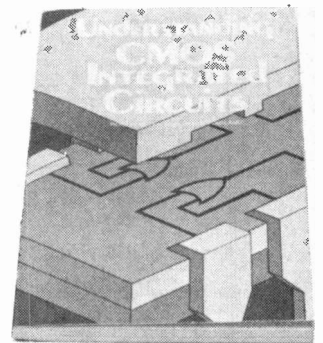
## Sat 54 Where Are You?

Well, it was Satcom 3 actually, but the plot is reminiscent of that old, old American telly series. The Car 54 in this case, however, was an RCA communications satellite, last heard of in December, 22,000 miles above mother Earth.

If anyone finds a communications satellite answering to the name of Satcom 3, send it to RCA, nto us. Mind you, if it has gone up in a puff of smoke, it has probably burned up on its way back to Earth. NASA quick to assure us that it won't cause another Skylab incident. So, you needn't dust off your anti-Skylab umbrella, yet.

## CMOS Class

Having trouble getting to grips with your CMOS? Understanding CMOS Integrated Circuits by Roger Melen and Harry Garland is an introduction to CMOS, covering everything from how the chips are made to a few simple practical CMOS circuits.



Almost half of the book is devoted to a summary of types of logic gates, semiconductor physics and CMOS fabrication techniques. The remainder gets down to the nitty gritty — CMOS circuit design, including waveform generators and information-processing circuits.

This 144 page American paperback is available in the UK from Prentice/Hall International, 66 Wood Lane End, Hemel Hempstead, Herts, HP2 4RG for £3.60.

## Key Box

If you have a QWERTY keyboard, we can now tell you where to put it. Vero have introduced an attractive two-tone brown 17in. wide modular keyboard enclosure designed to house most universal layout QWERTY keyboards.

The front panel can be slid off for service or programming by removing the base screws and the end moulding, so there are no visible fixing screws on the front panel.

The enclosure can be supplied in non-standard lengths to allow the addition of extra key-pads, etc.

The modular keyboard enclosure is available from Vero Electronics Ltd, Industrial Estate, Chandler's Ford, Eastleigh, Hampshire SO5 3ZR.









# CALCULATORS

## SCIENTIFIC

**\*SPECIAL OFFER**  
TEXAS T159 together with PC100C  
(Complete as manufacturer's specifications)  
**£285.00**

TEXAS/HP Accessories available

|  |                |
|--|----------------|
| *TEXAS T159 (Card prog 960 prog steps of 100 mem)            | <b>£156.50</b> |
| *TEXAS T158 (Key prog 480 steps of 60 mem)                   | <b>£60.00</b>  |
| *TEXAS PC100C (Printing Unit for T158/159)                   | <b>£140.00</b> |
| *TEXAS T157 (Key Prog 8 mem. 150 Keystrokes / 50 Prog Steps) | <b>£25.00</b>  |

For your Texas T158/59 Calculator  
**ELECTRICAL ENG MODULE**

Ideal for design/systems and engineering technical assistants.  
Module now available. POA.

|  |               |
|--|---------------|
| *TEXAS T145 (New updated version of the Texas T140)                    | <b>£19.00</b> |
| *TEXAS TI PROGRAMMER (Hexadecimal Oct)                                 | <b>£46.50</b> |
| *TEXAS T151/iii (10 mem 32 Prog Steps Stat/Sci)                        | <b>£26.30</b> |
| TEXAS T150 LCD (Sci/Stat. 2 Con Mem)                                   | <b>£23.00</b> |
| TEXAS T125 LCD (Sci/Stats)   | <b>£18.50</b> |
| TEXAS T53 (Sci. 32 Prog Steps-Coa Mem +80 Prog List Applications book) | <b>£25.00</b> |

**Make more of your**  
Texas T158/59 Calculator  
**MATH/UTILITIES MODULE**

If you write your own programs this library is for you! Most programs in this library are designed to be used either on their own or as subroutines of your programs. Applications range from utility programs such as printer formatting and large-scale plotting to advanced mathematical routines.

Module includes:  
**Prompter. Alpha Messages. Printer Formatting. Superplotter. Sorting. Data Arrays. Data Packing. Prime Factors. Hyperbolic Functions. Gamma / Factorial. Random Numbers. Normal Distribution. Interpolation. Roots of a Function. Minimax. Romberg Integration. Differential Equations. Discrete Fourier Series. Calculator Status. Variable Arithmetic. Module Check.**

|  |                |
|--|----------------|
| *TEXAS T158 with Maths/Utilities             | <b>£90.00</b>  |
| *TEXAS T159 with Maths/Utilities             | <b>£186.50</b> |
| *TEXAS T158 with Applied Statistics          | <b>£80.00</b>  |
| *TEXAS T159 with PC100C & Applied Statistics | <b>£305.00</b> |

### WINTER SALE

\*TEXAS T159 Calculator (complete as manufacturer's spec. master module, charger, etc.). PLUS statistics module and extra set of 40 Blank Prog. Cards with wallet, etc.  
**ONLY £180**

### NEW TEXAS T158C\*

|  |                |
|--|----------------|
| *Continuous program facility on all 480 Program steps/60 mem even when calculator switched off | <b>£79.50</b>  |
| *TEXAS T158C (complete plus Applied Stats. Module)   | <b>£99.00</b>  |
| *TEXAS T158C + PC100C  | <b>£208.00</b> |

|  |                |
|--|----------------|
| *CBM9190R (9 mem Sci./Stat)  | <b>£27.50</b>  |
| *CBM Pro 100 (72 Step Prog)  | <b>£29.50</b>  |
| *HP33E (8 mem. Pro Sci/Stat)   | <b>£49.00</b>  |
| *HP22E (Advanced Sci with Statistics)  | <b>£37.50</b>  |
| *HP31E (New Sci replaces HP21)   | <b>£25.50</b>  |
| *HP67A (C Prog 224 Steps 26 Mem)   | <b>£188.70</b> |
| *HP97A (Fully prog with Printer)   | <b>£384.35</b> |
| HP41C (the newest calculator from HP)  | <b>POA</b>     |
| CASIO AQ2000 Cal. (3-Way Stopwatch/Alarm plus Date Calendar)   | <b>£23.00</b>  |
| CASIO FX510 (10dig Sci/Stat)   | <b>£20.00</b>  |
| CASIO FX8000 (as above + Stop Watch/Alarm)   | <b>£27.73</b>  |
| CASIO FX501P (Sci. LCD Prog. 128 Steps. 11 Mem)  | <b>£47.50</b>  |
| CASIO FX502P (Sci LCD Prog 256 Steps. 22 Mem)  | <b>£65.00</b>  |
| CASIO Prog Adaptor — permits Progs to be recorded on to standard cassette recorders for replay on Casio FX501P/Ex502P at later stage | <b>POA</b>     |

### LIXICON LANGUAGE TRANSLATOR

(With 6 Lang. Module — French / Italian / German / Spanish etc) **£128.70**

**OHIO SCIENTIFIC'S SUPERBOARD II** **£188.00**

**BORRIS** the most advanced chess computer yet. Borris is ideal for the learning and improving your chess game from beginner to master. Borris can play against himself, has Alpha-Numeric prompting to help improve play and by simple switching you have facility to follow Borris's thinking while he analyses position before making a move. Walnut case, wooden chessmen, board mains, adaptor, etc

|  |                |
|--|----------------|
| <b>CHESS CHALLENGER "10"</b> (10 Levels of beginner to master)   | <b>£147.75</b> |
| <b>CHESS CHALLENGER "7"</b> (7 Levels of game)   | <b>£118.00</b> |
| <b>CHESS CHALLENGER "VOICE"</b> (10 Levels — beginner to Master Plus) The strongest Prog yet in this series — twice as fast as the other challengers. A microprocessor with 128,000 to 160,000 bits of read only Mem. Over 8000 bits of Random Access Mem. Teaches opening & end game solutions. Plays against itself. Solves book problems etc — and in addition IT SPEAKS. Complete with Deluxe playboard, hand carved man with magnetised base plus Deluxe carry case | <b>POA</b>     |
| <b>COMMODORE "CHESSMATE"</b> (8 levels — 32 International openings — ideal game for learning)  | <b>£50.00</b>  |

**CHALLENGER "BRIDGE"** (Advanced double computer — teacher / beginner to Master)  
Can play 1/2/3 or even 4 hands — rejects illegal bids etc.  
Deluxe hardwood housing / Deluxe carry-case **£239.00**

\*FREE — mains / Charger included\*

GOODS FULLY GUARANTEED PRICES EXCLUDE VAT  
(ADD 15%) BUT INC. P&P CHEQUE WITH ORDER

Company / Hospital and Government orders accepted by phone

Barclaycard / Visa / Access accepted by phone

**TEL. 01-455 9823**

EXPORT ORDERS WELCOMED

Air Freight / Air Post Delivery  
Quotations on request

**MOUNTAINDENE**

**22 Cowper St., London, EC2**

## Greenweld 1980

We've just received our copy of Greenweld's 1980 component and equipment catalogue.

Every catalogue is sent out complete with a first class reply paid envelope (worth a small fortune these days) and five 12p discount vouchers to offset the cost of the catalogue.

Why should you buy the latest edition, if you have last year's? Well, if you don't send off for the 1980 edition, you'll miss out on all the new lines appearing in the catalogue AND somehow Greenweld have managed to reduce some of their prices. You'll also miss out on a copy of the latest bargain list (sent with every catalogue). As soon as the new Vero catalogue is available, that will be included too.

You can get all this for 40p plus 20p postage from Greenweld Electronics, 443 Millbrook Road, Southampton SO10HX.

## Sci-Fi Easter

If you're into sci-fi, don't make any plans for Easter. Write 100 times in your gold embossed, leather-bound, page-a-day desk diary (or the nearest cigarette packet) — Albacon 80, the 31st UK Science Fiction Convention will be held in Glasgow over the Easter weekend.

From 4-7 April 1980 at the Albany Hotel, Glasgow, you can drift off into another world of sci-fi movies, lectures, discussions, a banquet and even a fancy dress do. You can join Albacon by sending off your £7 to the membership secretary Gerry Gillin, 9 Dunnottar Street Ruchazie, Glasgow G33.

## Synthesiser (Feb)

There were a couple of minor errors in the Synthesiser project last month. The circuit diagram of the Power Supply on page 65 of the February issue shows C3 and C8 as 2n2. The correct value is, as shown in the Parts List, 2u2 25V tantalum. Now have a look at Fig 4 on page 69. C1-4 should go to ground. Also, PR3 should go to ground.

Now the bad news for anyone who uses the foil patterns published in ETI. The synthesiser foil patterns somehow got turned round the wrong way.

## Audiophile AMP (Oct)

Some readers have experienced problems with RF oscillation in the power amp modules. If you're having trouble with this, place a 1000 p capacitor across each output transistors base/collector leads.

## Super Index

In January we published an index to our 1979 projects and features. Thank goodness indexing only comes round once a year. We recently received a copy of a monster catalogue, listing projects published during 1978 in sixteen popular electronics and hi-fi magazines, including ETI, Hobby Electronics and Computing Today.

The projects are listed under 36 subject headings, from aerials to time-keeping. Also included are dates of publication of alterations and amendments to projects published up to August 1979, together with additions to the 1972-77 index. Unlike our own index this one includes ETI Tech Tips features.

The 1978 volume of the Electronics Projects Index is available for £1.30, including post and packing, from its compiler (obviously a very patient man) Mr M L Scaife, Central Library, Northumberland Square, North Shields, Tyne & Wear, NE30 1QU.

## Vero Cat

Last month, we gave you details of the new Vero packaging catalogue. Vero Electronics have asked us to point out that this catalogue is only available to the electronics trade. Their press release was sent to us in error. However, the good news is that Vero's new catalogue for the hobbyist will be available at the beginning of March.

## Pet Chip

This should appeal to those of you who spent your hard-earned pennies on a 'pet rock,' when they were all the rage.

We recently received a letter from an anonymous dad who made an apparently trivial Christmas present for his daughter. However, since then he has been inundated with orders.

Mr A. Nonymous painted a face on one end of an IC (pet IC, you see) and made a matchstick cage for it complete with watch battery feeding bowl.

The chip should quickly LATCH on to its new OHM. As for feeding, a few BITS of CURRENTS a day should be AMPle. Just let it NOR away to its heart's content. You can teach it tricks. In time it will learn to CHARGE and FLIP-FLOP, or even VOLT small objects.

Ta, Mr Nonymous. We haven't had a good groan in ages.

# Electronic Circuit Design

## No. 1

Selected Reprints from **electronics today**

### Introduction

Since ETI was originally launched in Britain in April 1972 we have published nearly 5000 pages of editorial matter, much of this has been devoted to electronic projects of course. In our history we have republished the best of these projects in Top Projects No 1-No 7, we have also reprinted the Tech-Tips and other circuits in Circuits Book No 1 and No 2 and our beginners series Electronics-It's-Easy is now on its third reprint.

We have not however, until now, brought together the best features dealing with electronic design. Nearly

1500 pages have been devoted to this in recent years and this special is the first of a series of three which will bring together the best 250-300 of these.

Although some features are from quite early issues they have only been included because we feel that age has not withered them.

We hope that the contents help the reader understand at least some of the aspects of electronic circuit design.

Halvor Moorshead  
Editorial Director — ETI

### Contents

- CMOS ..... 54  
How to use these versatile ICs
- Audio Amplifiers ..... 59  
Tim Coe gives over the design principles
- ..... 70  
lies gained
- de to SCR ..... 71  
setful cir

**VOL.1  
OUT NOW**

**VOL.2  
OUT  
FEB 1st**

AT YOUR NEWSAGENT  
Or order from: Specials,  
Modmags Ltd, 145 Charing  
Cross Road, London, WC2H  
0EE. Send cheque/PO for  
£1.25 + 25p (P&P) (per  
volume) and please  
write your name and  
address on the back  
of your payment.

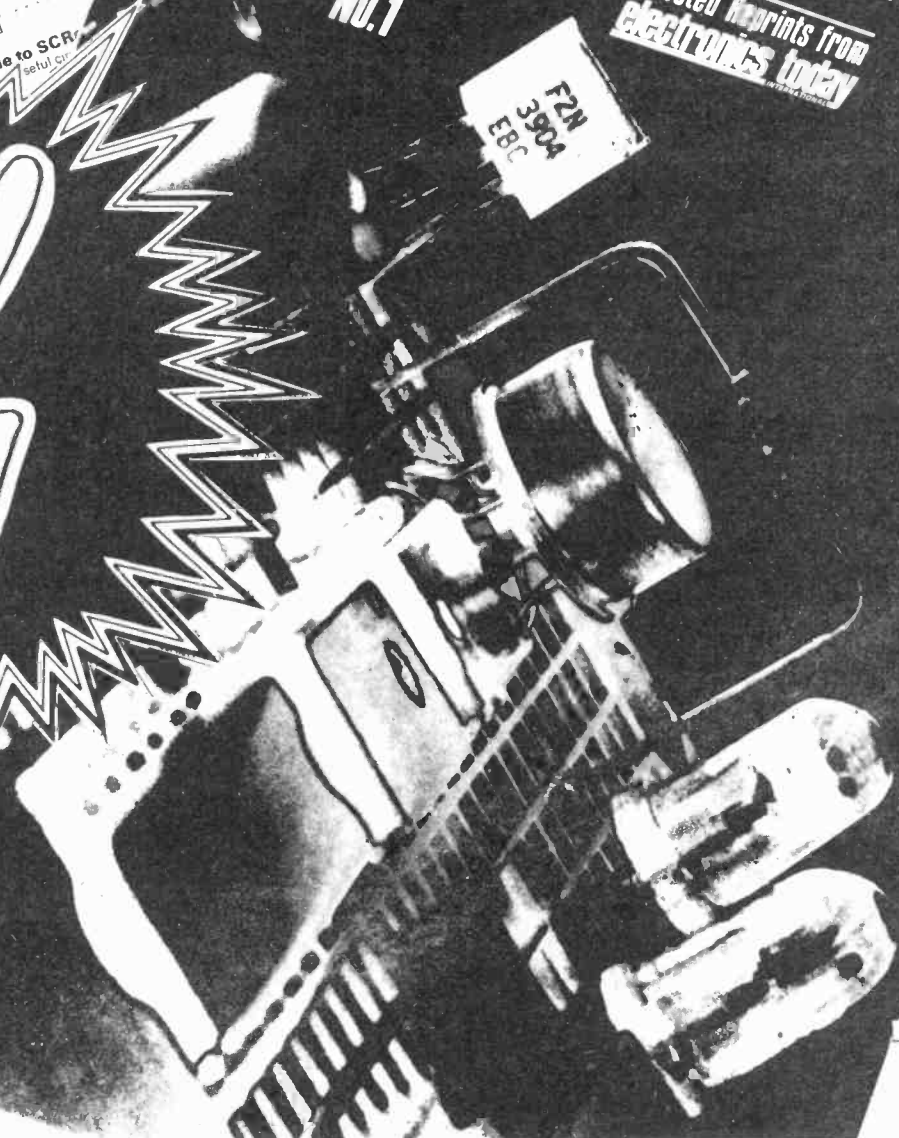
# Electronic Circuit Design

## No.1

Selected Reprints from **electronics today**

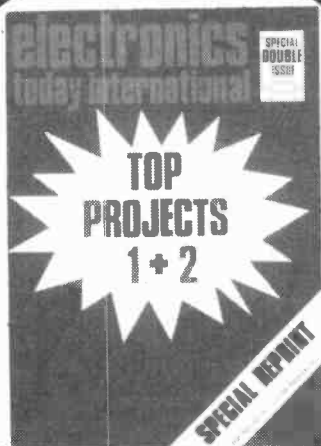
**£1.25**

**NEW  
FROM  
ETI!**





# SPECIALS



## TOP PROJECTS

**Book 1+2: £2.50 + 25p P&P**

Master mixer, 100W guitar amp., low power laser, printmeter, transistor tester, mixer preamp., logic probe, Ni-Cad charger, loudhailer, 'scope calibrator, electronic ignition, car theft alarm, turn indicator canceller, brake light warning, LM3800 circuits, temperature alarm, aerial matcher, UHF-TV preamp., metal locator, four input mixer, IC power supply, rumble filter, IC tester, ignition timing light, 50W stereo amp, and many more.

**Book 5: £1.00 + 25p P&P**

5W stereo amp., stage mixer, disco mixer, touch organ, audio limiter, infra-red intruder alarm, model train controller, reaction tester, headphone radio, STD timer, double dice . . .

**Book 6: £1.00 + 25p P&P**

Graphic equaliser, 50/100W amp, modules, active crossover, flash trigger, 'Star and Dot' game, burglar alarm, pink noise generator, sweep oscillator, marker generator, audio-visual metronome, LED dice, skeet game, lie detector, disco light show . . .

**ETI CIRCUITS Books 1 & 2**

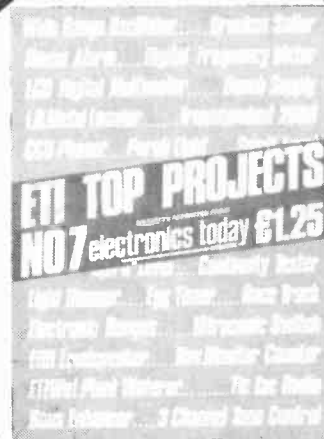
Each volume contains over 150 circuits, mainly drawn from the best of our Tech-Tips. The circuits are indexed for rapid selection and an additional section is included which gives transistor specs, and plenty of other useful data.

Sales of this publication have been phenomenal — hardly surprising when the circuits cost under 1p each!  
**£1.50 + 25p P&P.**

FROM THE PUBLISHERS OF  
ELECTRONICS TODAY INTERNATIONAL

## ETI CIRCUITS No 2

£1.50



## TOP PROJECTS

**Book 7: £1.25 + 25p P&P**

ER II loudspeaker, CCD phaser, 3-channel tone control, bass enhancer, continuity tester, bench supply, LCD digital multimeter, digital frequency meter, wide range oscillator, ETI wet, egg timer, house alarm, porch light, torch finder, light dimmer, 1B metal locator, electronic bongos, puzzle of the drunken sailor, race track, ultrasonic switch, tic-tac radio, rev counter, Transcendent 2000, spirit level.

## ELECTRONICS TOMORROW

Comprised entirely of new material, the edition covers such diverse topics as Star Wars and Hi-Fi! The magazine contains projects for everyone — none of which have appeared in ETI — and a look at the future of MPUs, audio, calculators and video. How can you not read it?

**75p + 25p P&P.**

## electronics tomorrow 75p

A SPECIAL EDITION FROM  
electronics today

WHAT'S  
HAPPENING IN:  
Projects, Hi-Fi,  
Hi-Fi, Cars, Computers,  
Video, Audio...

Witness the screen  
of STAR WARS

## ORDER FROM

**Specials Modmags Ltd, 145 Charing Cross  
Road, London WC2H 0EE**

Postage and packing also refers to overseas. Send remittance in Sterling only. Please mark the back of your cheque or PO with your name and address.

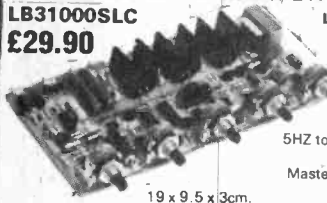
# FROM ETI

# LIGHTING & AMPLIFIER MODULES FROM L & B

01-689 4138

YOU'VE ALL HEARD OF OUR SUPERB MODULES, AND IF YOU HAVEN'T, IT'S TIME YOU DID, SO READ ON! SHOWN HERE ARE A RANGE OF THE MOST RELIABLE SYSTEMS ON THE MARKET.

**LB31000SLC**  
**£29.90**



**LB31000SLC SOUND TO LIGHT/CHASER.**  
THE MOST ADVANCED SOUND TO LIGHT MODULE AVAILABLE, WITH AUTOMATIC SWITCHING TO CHASE UPON ABSENCE OF A MUSIC INPUT.

3 Channels, 1000w each. Fully fused. Very high input impedance. Electronic filters. 5HZ to 70KHZ bandwidth. Operates from 1/4 to 300w sound input. Triac zero voltage triggering. Master Vol/Bass/Mid/Treble/Chase speed controls.

19 x 9.5 x 3cm.

**LB31000SL SOUND TO LIGHT. A SUPERB PERFORMING SYSTEM AT AN INCREDIBLY LOW PRICE.**

3 channels, 1000w each. Fully fused. Very high input impedance. Operates from 1/4 to 300w sound input. Third order filters. Zero voltage fired. Master/Vol/Bass/Mid/Treble controls.

**LB31000SL £21.40**



20 x 9.7 x 3.5cm.

**LB81000LC CHASER**  
A FULLY DIGITAL 8 CHANNEL CHASER, ALLOWING VARIATION OF CHASE SPEED AND CHASE RETURN DELAY.

1000w per channel. CMOS circuitry. Zero voltage fired. Can be footswitch triggered. Additional modules can be cascaded to form 16, 24, 32 chan. ect.

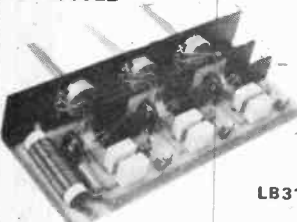
**£26.50**

**LB81000LC**  
19 x 9.5 x 3cm.

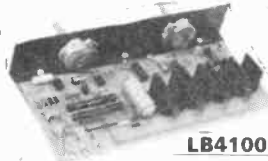
**LB41000LS SEQUENCER**  
LOGIC RANDOM SEQUENCER, WITH TWO SPEED CONTROLS OFFERING A WIDE RANGE OF EFFECTS.

4 channels, 1000w each. CMOS circuitry. Zero voltage fired.

**LB31000LD**



20 x 7.8 x 3.5



**LB41000LS**  
**£17.50**

20 x 9.2 x 3.6 cm

**LB31000LD and 11000LD DIMMERS.**  
FULL POWER 3 & SINGLE CHANNEL LIGHTING DIMMERS FOR USE IN CLUBS/PUBS/THEATRES/SCHOOLS, ETC.

1000w per channel. Fully fused phase controlled. Full input and individual Triac filters.

**LB31000LD £14.70 LB11000LD £6.70**

**POWER AMPS, 250, 100 & 25W RMS.**  
RUGGED TOUGH DEALING POWER AMP MODULES.

**LB250**  
10HZ TO 25KHZ  
S/N 110DB  
THD 0.3%

**LB100**  
10HZ TO 30KHZ  
S/N 80DB  
THD 0.4%

**LB25**  
25HZ TO 50K  
S/N 90DB  
THD 0.07%

**£39.50**

**£18.20**

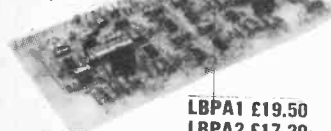
**£11.20**

## PREAMPS

**LBPA3.** Complete stereo disco preamp system. Comprising of L&R deck mixers, mic mixer, deck and mic tone stages, mic auto fade over decks, PFL, output drivers and its own regulators.

**LBPA2.** General purpose 4 chan. mixer/ tone stage.

**LBPA1.** Stereo Hi-Fi System



**LBPA1 £19.50**

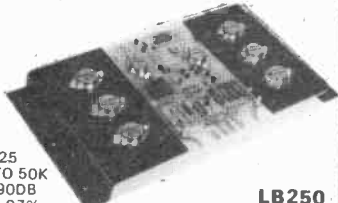
**LBPA2 £17.20**

**LBPA3-M (magnetic deck inputs) £30.70**

**LBPA3-C (ceramic deck inputs) £30.70**

**LBPA3-M**

20.4 x 9.5cm



**LB250**  
31 x 15 x 3.5cm

## POWER SUPPLIES

Three types of powerful supply units for our power amps. Consisting of a vafnish-impregnated mains transformer and rectifier board (fuse protected).

**LB250PS £24.50**

**LB100PS £14.70**

**LB25PS £11.20**

**LB250PS**

YOU REQUIRE A BOARD THAT'S MIGHTY COMPETITIVE, RELIABLE, PERFORMANCE, TESTED AND INSPECTED, SUPPLIED WITH CONNECTION AND C&T, DGM AND GUARANTEED. IN TWO LETTERS YOU REQUIRE L & B.

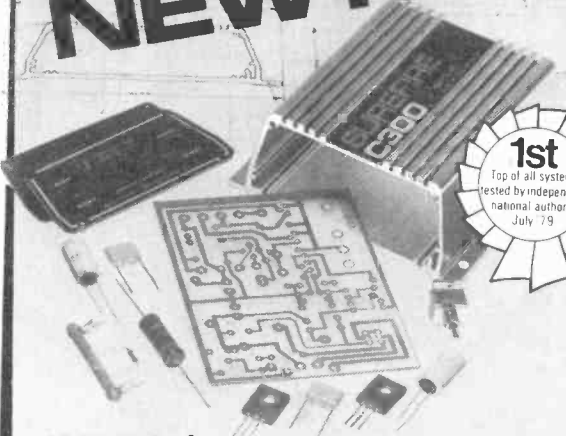
All prices shown are inclusive of VAT. For further information, s.a.e. to Trade and Overseas inquiries welcome. P/Packing FREE in the UK except power supplies (£1.00).

**L & B**

45 WORTLEY ROAD  
WEST CROYDON  
SURREY CRO 3EB  
TEL. 01-689 4138

# 2 SUPERB NEW KITS!

!!LOOK!!



## C300/ES200

high performance electronic ignition, to add power, economy, reliability, sustained smooth peak performance, instant all weather starting, to your car.

Surefire has sold in its thousands in ready made form from big name accessory firms, but it is now available in quality kit form to fit all vehicles with coil ignition up to 8 cylinders.

**ES200.** A high performance inductive discharge ignition incorporating a power integrated circuit (special selection): electronic variable dwell circuit (maximises spark energy at all speeds): pulse processor (overcomes contact breaker problems). Coil governor (protects coil). Long burn output. Negative earth only. Compatible with all rev. counters.

**C300.** In it's ready built form (C3000) it came top of all systems tested by an independent national authority July '79. A high energy capacitive discharge ignition incorporating a high output short circuit proof inverter, top grade Swedish output capacitor, pulse processor circuit, transient overload protection. Fast rise bidirectional output ideal for fuel injection, sports carburation, oily engines. Compatible with most rev. counters. (Low cost adaptors available for rare cases. Application list enclosed with each kit. Note: Vehicles with Smiths/Jaeger rev. counters code RVI on dial will require adaptor type TCI).

**What's in the kits.** Surefire's own precision anodised aluminium extruded case. P.C. mounted security changeover switch, static timing light. Special selection Motorola semi-conductors. Capacitors, resistors etc. selected after 5 years experience. Glass fibre pcb. solder, complete down to last washer.

Fully illustrated comprehensive instructions and full technical back up service.

# SUREFIRE ELECTRONIC IGNITION

Suretron Systems (UK) Ltd.

Piccadilly Place, London Rd., Bath BA1 6PW. Tel: Bath (0225) 23194

Dept. ET14

Name \_\_\_\_\_

Address \_\_\_\_\_

\*Phone order with Access/Barclaycard VAT and P & P inc.

Quantity required

|                  |        |
|------------------|--------|
| ES200: Neg       | £13.95 |
| C300: Pos        | £17.95 |
| C300: Neg        | £17.95 |
| Tacho Adapt. TCI | £3.90  |

I enclose chq/PO's  
£  
Chq No.

# MAPLIN

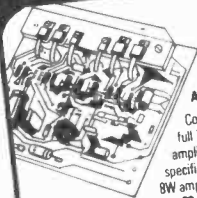
## ELECTRONIC SUPPLIES



**PRINTED CIRCUIT DRILLS**  
Miniature 12V DC drills designed for drilling pcb's.  
Small drill: Order as BW03D Price £6.75  
Large drill: Order as BW02C Price £10.63



**ANTI-STATIC MAT & GUN**  
Turntable mat removes static from discs while they are playing.  
Order as LX10L Price £3.19  
Gun removes static charge from discs. After use dust no longer clings and may be easily brushed off.  
Order as LX04E Price £6.90



**AMP KITS**  
Complete kits of parts with full instructions to make hi-fi amplifiers with excellent specifications.  
8W amp kit: Order as LW36P Price £3.83  
50W amp kit: Order as LW350 Price £13.73  
150W amp kit: Order as LW32K Price £14.89



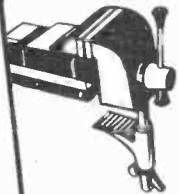
**HEADPHONES**  
High quality stereo headphone with large padded headband and slider volume controls.  
Order as WF14Q Price £8.17



**CONDUCTIVE PAINT**  
Repair pcb's, car demisters, etc., with this silver paint. Phial contains 30ml.  
Order as FY72P Price £2.12



**McKENZIE POWER SPEAKERS**  
High quality, high power speakers.  
12in. 50W 8Ω: Order as X079L Price £18.20  
12in. 50W 16Ω: Order as X080B Price £18.20  
12in. 80W 8Ω: Order as X081C Price £26.92  
12in. 80W 16Ω: Order as X082D Price £26.92  
15in. 150W 8Ω: Order as X083E Price £56.00  
15in. 150W 16Ω: Order as X084F Price £56.00



**MINIATURE VICE**  
Small modellers vice in tough plastic with metal faced jaws. Clamps to bench. Jaws width 41mm, maximum opening 30mm.  
Order as FY53H Price £2.45



**20,000 OHM/VOLT MULTIMETER**  
A 20,000 ohms per volt multimeter at an incredibly low price. DC volts 5, 25, 125, 500, 2,500; AC volts 10, 50, 250, 1,000; DC amps 0 to 0.05mA, 0 to 250mA; Resistance 0 to 50k, 0 to 5M ohms; Decibels -20 to +22dB. Complete with test leads, battery and instruction leaflet.  
Order as YB83E Price £14.88



**ELECTRET MICROPHONES**  
Super quality genuine electret microphones operating on 1.5V battery (HP7-type) supplied.  
Cassette type with miniature jack plugs.  
Order as YB33L Price £3.84  
Omnidirectional low cost with standard jack plug.  
Order as YB34M Price £3.54  
Unidirectional 600Ω with standard jack plug.  
Order as YB35Q Price £9.45  
Unidirectional 600Ω/150kΩ dual with standard jack plug (pictured).  
Order as WF34M Price £16.77



**WIRING TOOLS**  
Miniature box-jointed wiring pliers with insulated handles and return spring.  
Order as BR68A Price £4.52  
Miniature box-jointed side cutters with insulated handles, return spring and precision cutting edges.  
Order as BR70M Price £4.45  
End action wire strippers, fully adjustable, insulated handles.  
Order as BR76H Price £5.85



**CLOCK MODULE**  
Module requires only transformer and two push switches to operate 4-digit, 0.7in red LED display. Alarm and radio outputs. Battery back up when mains fail. Sleep and snooze timer. Seconds display. Just add speaker for alarm tone. Full details on page 267 of our catalogue.  
Order as XL14Q Price £8.41



**MEGAPHONE**  
High quality megaphone with differential microphone. Requires eight HP11 batteries (not supplied). Shoulder strap for portable operation.  
Order as X072P Price £49.50



**DEMAGNETISER**  
Tape head demagnetiser with curved probe ideal for cassette tape heads. Cures hiss due to permanently magnetised heads. Amazing low price.  
Order as F062S Price £4.15



**CAR AERIAL BOOSTER**  
High gain car aerial booster for long, medium, short and VHF bands. Negative earth cars only. Very easy to fit - just plugs in plus one wire to +12V. We have measured gains of 20dB at 30MHz!  
Order as XX37S Price £5.49



**TEACH YOURSELF ELECTRONICS**  
There is no better way of learning basic electronics than by practical experience and this set of books is undoubtedly the very best basic course for doing just that. Set of five Basic Electronics books.  
Order as XX10L Price £8.30



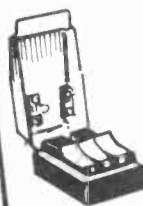
**MULTIMETER & TRANSISTOR TESTER**  
Superb high sensitivity multimeter and transistor tester in one. Sensitivity 100,000 ohms per volt DC. Ranges DC volts 0.5, 2.5, 10, 50, 250, 1,000; AC volts 5, 10, 50, 250, 1,000; DC current 0.01, 0.025, 0.5, 5, 50, 500mA, 10A; AC current 10A; Resistance 5k, 50k, 5M, 50M ohms; Decibels -10dB to +62dB. Complete with test leads, three leads for transistor tester batteries and instruction leaflet.  
Order as YB87U Price £39.30



**TURNTABLES**  
Autochanger complete with stereo ceramic cartridge and circuit to make a complete low cost record player ideal for the young pop fan.  
Order as X000A Price £18.48  
Single play rim drive turntable with stereo ceramic cartridge.  
Order as XB23A Price £23.49  
Single play belt drive turntable 'S' shaped tone arm.  
Order as XB25C Price £30.63



**TRANSISTOR TESTER**  
Accurate transistor tester measures dynamic gain, identifies unknown transistors, also ideal for matching transistors into pairs.  
Order as LM05F Price £11.86



**QUICKTEST**  
A safe and quick way to connect to the mains. Just snap the wires under the sprung keys and close the lid. Completely safe both open and closed.  
Order as YB21X Price £8.54

All prices include VAT and postage and packing, but if total under £4 please add 30p handling charge. Prices guaranteed until May 8th 1980. Export customers deduct 13% and export postage will be charged extra at cost.  
Please use order code.  
All items in stock at time of going to press.

FOR FULL CATALOGUE DETAILS SEE BACK COVER



**ELECTRONIC SUPPLIES LIMITED**

All mail to (ET1380), PO Box 3, Rayleigh, Essex SS6 8LR. Telephone: Southend (0702) 554155. Shop: 284 London Road, Westcliff-on-Sea, Essex (closed on Monday). Telephone: Southend (0702) 554000



# BLACK HOLE THEORY

You've read the book and seen the film, now hear the gospel on Black Holes according to Ian Graham

To understand what a black hole is and how it is formed, let's first have a look at the life of a star. For

under the right conditions, the death of a star may herald the birth of a black hole. The birthplace of stars is within the clouds of material between the stars. These clouds collapse under their own gravitational fields. Local regions of increased density form condensation nuclei whose gravitational fields grow gradually stronger as more embryonic stars (protostars) continue to contract. Their temperature begins to rise, producing internal heating and emitting radiation into the surrounding space. When the temperature is high enough for hydrogen fusion to begin, contraction ceases.

The greater part of the star's life-time is then occupied with burning its hydrogen fuel, forming helium, which sinks deep into the core. Eventually, when the hydrogen is almost exhausted, the star's temperature begins to fall and the core begins to contract. We must now look at the star, not as a homogeneous ball of burning gas, but as a relatively heavy core surrounded by a lighter envelope. There is a constant battle between thermal forces, trying to blow the star apart and gravitational forces trying to crush it. Contraction of the core causes a rise in temperature, temporarily halting contraction and causing an expansion of the envelope. The remaining hydrogen is burnt off in the outer layers, sending more helium to the core. Eventually the core collapses under the immense pressure of the upper layers and this is accompanied by an enormous expansion of the envelope, forming a red giant.

## Great Balls Of Fire

The final episode in the star's life depends on its mass. Let's take the route that will take us to a black hole. The core continues contracting; helium fusing to form carbon and successively heavier elements. Eventually it collapses rapidly, blowing off the envelope in a supernova explosion during which the single star may outshine an entire galaxy.

The explosion may destroy the core completely or it may leave a small core. However, if the star was more than two or three times as massive as our own Sun, the core surviving a supernova will rapidly collapse. Theorists predict that the collapse will continue until the core radius reaches zero. This hugely massive, but dimensionless point in space is called a singularity.

## No Escape

The singularity has such a strong gravitational field that light itself cannot escape ie the escape velocity of the body is greater than the speed of light. The further we are from the black hole, the lower is the escape velocity (the gravitational force decreases with the square of our distance from the body). At a particular distance from the singularity, the Schwarzschild radius, the escape velocity equals the speed of light. Within this event horizon, nothing escapes.

For a body of mass (M), the Schwarzschild radius ( $R_s$ ) is given by:

$$R_s = \frac{2GM}{C^2}$$

(G is Newton's gravitational constant and c is the speed of light).

If we let M be the mass of our own Sun,  $R_s$  turns out to be 3 kms. So, why isn't the Sun a black hole? Its radius is much larger than 3 kms, so beyond this event horizon the Sun's hydrogen fusion reactor can radiate its energy out into space, but if the Sun's mass was to be compressed to a diameter of less than 3 kms, it would become a black hole.

If we look at our own Earth and the bodies around us in the solar system and even the Milky Way galaxy as a whole, we find that they all rotate ie they all have angular momentum.

The angular momentum (L) of a rotating body of mass (m), radius (r) at an angular velocity of  $\omega$  is given by:

$$L = m\omega r$$

If a rotating body such as the remnant of an exploded star, begins to contract ie r gets smaller, the angular velocity ( $\omega$ ) must increase in order that angular momentum may be conserved. Depending on its mass a black hole may rotate at about 1000 times a second. A black hole is such a dense body that one the size of a proton would weigh in at about ten thousand million tonnes!

Just as the Earth bulges slightly at the equator and is flattened at the poles due to centrifugal force, the much greater rotation of a black hole results in a much more severe deformation. The equations predict that a black hole is not a sphere at all. It may be similar in profile to a spiral galaxy (like the Milky Way) ie a disc with a bulge at its centre.

All this speculation on the formation and structure of a black hole may seem to be purely academic. After all, how do you go about finding a black hole to prove that it exists and verify its structure and behaviour? Even if you knew where to look, how would you observe something from which no light can escape?

## Stellar Striptease

You may not be able to see the black hole itself, but it should be possible to observe what it does to any matter near it. The best candidate for detection would be a black hole and a star orbiting each other — a binary system. Material should be stripped from the star and wind its way round the black hole, forming a disc, finally disappearing beyond the Schwarzschild radius like water funnelling down your bath plug-hole. As the matter crowds together for its last dive to oblivion, its temperature rises until it is hot enough to radiate at X-ray wavelengths.

The search for X-ray sources could not begin until the space age because radiation in the X-ray region of the spectrum cannot penetrate the Earth's atmosphere. One of the earliest X-ray sources discovered by orbiting telescopes was Cygnus X-1, in the constellation of Cygnus. The X-ray source accompanies a visible blue giant star. The visible star's speed was found to be varying along a sine wave, so it must have an invisible companion around which it is orbiting.

Most of the light emitted by the system appears to arise, not from the visible blue star, but from helium gas sucked from it and circulating around its invisible companion. The companion's mass has been calculated as more than the critical three solar masses, so it is likely to be a black hole.

Another system likely to become a household name among black hole hunters is V861 Scorpii (the V indicates that its brightness appears to vary). This variation over a period of about eight days is due to a dark body orbiting

(and eclipsing) a blue supergiant. Like Cygnus X-1, V861 Scorpii is a binary system.

## Dark Star

In both these cases, the dark star could be either a black hole or a neutron star. A neutron star is a body where the matter from a collapsed star core is compressed so tightly that electrons and protons are pushed together to form neutrons. Again, mass is the determining factor. If the mass is less than about three Suns, the body will be a neutron star. If it is above the critical mass, it should be a black hole.

## Shaking The Edifice

Life was much simpler for scientists in Victorian times. Through classical Newtonian physics, everything under the Sun (and beyond it) seemed describable and predictable. It was just a matter of time before the scientists achieved a comprehensive understanding of the universe and determined the physical laws to describe all the processes therein, from the subatomic level upwards. Then along came trouble-makers like Planck and Einstein, who showed that an electromagnetic wave could behave like a stream of particles. In classical physics a wave is not the same as a particle and never the twain shall meet. Not content with shaking the foundations of prevailing physics, Einstein (leader of the popular front for the liberation of physics) went on to predict the effects of very dense bodies on time itself.

Space and time are inextricably intertwined. Close to a black hole space is curved so severely that time itself loses its meaning. Stephen Hawking and Roger Penrose working at Cambridge saw the possibility that any object (including a spacecraft) falling towards a rotating black hole may not fall into the murderous singularity, but may miss it, to reappear elsewhere in our universe (or another universe) an instant later. Einstein's theories predicted the possibility of bridges between the warped planes of space. However, black holes were then believed to be non-rotating bodies, so that any matter falling over the event horizon could not help but hit the singularity.

## Instant Travel

If only a small fraction of the matter falling into a rotating black hole misses the singularity, what becomes of it? It must reappear at the other end of the tunnel an instant later, maybe light years away from where it disappears. So, there must be points in space where matter appears to be spewing forth from nowhere — white holes. Now, if black holes are almost undetectable because of their blackness,

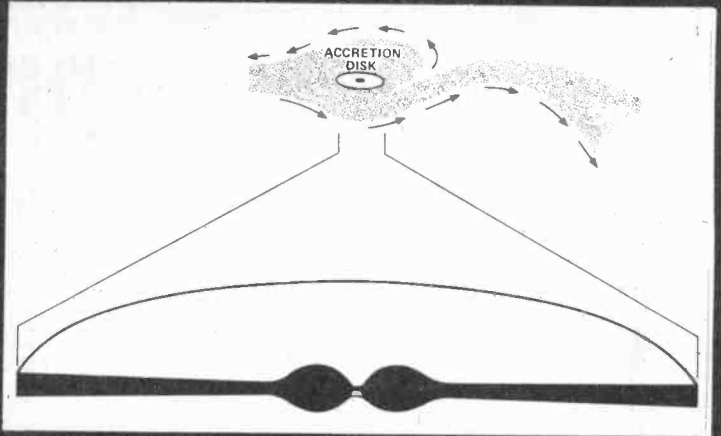


Fig. 2. As matter is sucked from the giant star towards the black hole, it builds up an accretion disc around the event horizon.

the detection of white holes should be simplicity itself. Indeed there are galaxies, known as Seyferts (after the man who identified them in 1943) which resemble galaxies like the Milky Way, but for one characteristic. The centre of a Seyfert is very bright and smaller than usual, and it emits radiation at frequencies which the Milky Way absorbs. The galactic nucleus seems to be an exploding ball of matter and energy — possibly a white hole.

## Sci-Fi

The black hole may seem to be a futuristic concept. In fact, Laplace realised that if a body was massive enough, its escape velocity would exceed that of light, as far back as 1798. That black holes might make possible travel across light years of space in an instant (or even time travel) sounds more like science fiction.

Before we can verify the theories and check out the equations we will have to get the hang of interstellar travel, or find a black hole in the solar system. Cygnus X-1 is about 600 light years away. As for black holes in the solar system — it's not as crazy as you might at first imagine. The Big Bang, from which the universe is believed to have begun, would have produced the magnitude of pressures necessary to produce black holes in their millions. Our galaxy could be sprinkled with these tiny Big Bang black holes. When a study of the Sun, looking for neutrinos produced in nuclear reactions at its centre, found none, one researcher suggested that a small black hole in the Sun itself may satisfy the findings.

It may sound like science fiction . . . but for how much longer?

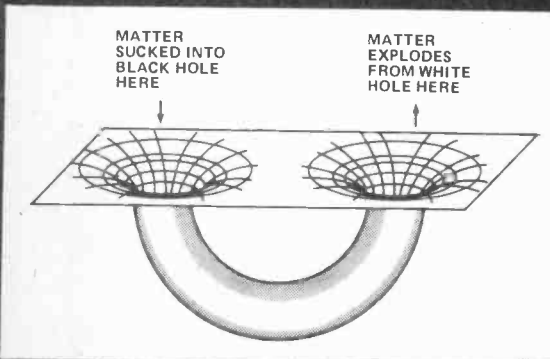


Fig. 1. If all the matter disappears into a black hole, it must appear somewhere else at a White Hole.

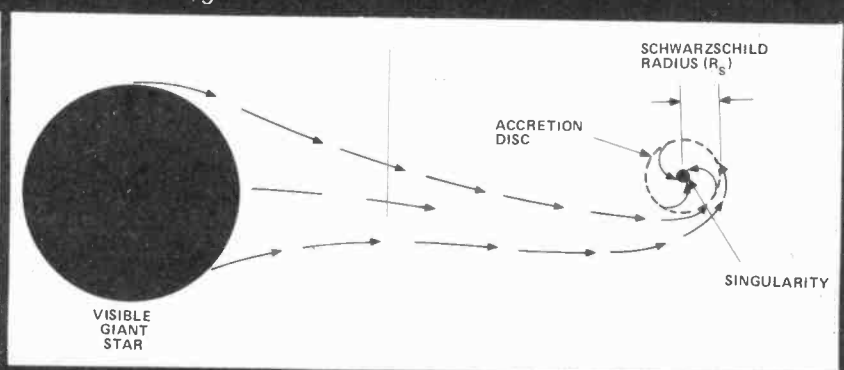


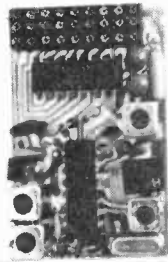
Fig. 3. The black hole and its giant companion star orbit one another, as the hole strips material from the star.

# IT'S HAPPENED AGAIN !

## THE PART THREE CATALOGUE IS PUBLISHED & WE HAVE MOVED TO BIGGER PREMISES.

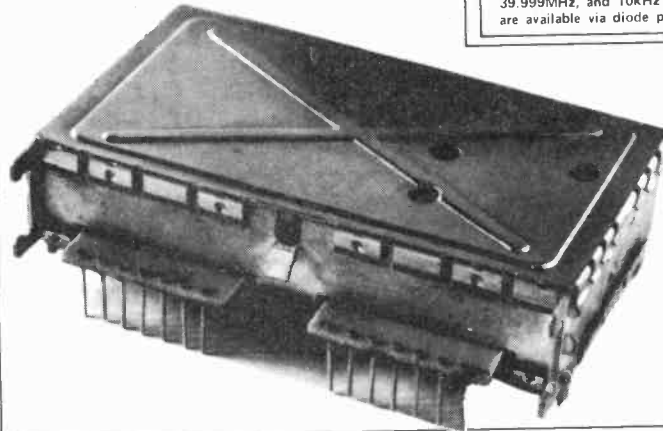
Yes, it's here at last - the all new Part Three Catalogue. Fun for all the family, and the usual update on all that is new, worthwhile and exciting in the world of Radio and Communications. A big section on frequency synthesis techniques covering broadcast tuners, to communication quality transmitter systems. More new products than ever - **RADIO CONTROL** parts, crystal filters, ceramic filters for 455kHz and the new range of **TOKO CFSH** low temperature coefficient types for 10.7MHz. Details on new radio ICs, including the new HA11225, the CA3189E lookalike with 84dB signal to noise, and adjustable muting threshold. Radio control ICs - and an updated version of the RCM&E 8 channel FM receiver - now with an Ambit designed screened front end, with 27MHz ceramic bandpass filter. **LCD panel clock/timer modules** - the nearest and best LCD panel DVM yet (only £19.45 each + VAT), the new 5 decade resolution DFM3 for LW/HF/VHF with LCD readout. The DFM6 with fluorescent display to 10kHz resolution on VHF, 1kHz on SW. **A 1kHz HF synthesiser with five ICs** - the list is endless. Get your copy of the catalogue now. Post publication price is 60p (inc PP etc). The previous two sections are also required for a complete picture: Parts 1 & 2 £1 the pair, All 3 £1.50. And don't miss our spot the gibbon contest, together with a quiz to see if you can spot the differences between a neolithic cave drawing and a circuit diagram of one of our competitor's tuners.

### Updated RCM&E FM radio control RX kit



- 8 Channel RC receiver (FM)
- Single IC RF/IF/Detector
- Single IC decoder
- 27MHz ceramic filter input
- FET RF stage with double tuned bandpass filter
- Dual ceramic filter IF
- Based on RCM&E FM system
- Best quality SLM servo connector block
- ONLY £16.10 inc VAT (kit) (includes new SLM case)

### New series of radio modules in fully screened cans:



There is a danger - when advertizing in some magazines - that because we do not find space to list everything we sell in every ad., that some readers forget about half the ranges we stock. So to summarize the general ranges:

**TOKO**  
Chokes, coils for AM/FM/SW/MPX, Audio filters etc  
Filters: Ceramic for AM/FM, LC for FM, MPX etc.  
Polyvaricons  
ICs for radio, clock LSI, radio control MPX decoders etc

**Micrometals**  
Dust iron cores for toroids for resonant and EMI filters  
Toroid mounts

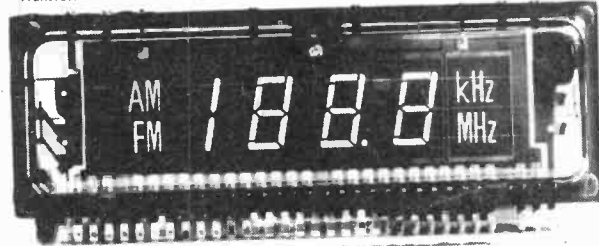
**Hitachi**  
Radio/audio/mpx linear ICs  
100W MOSFETs, small signal FETs, MOSFETs and bipolar

And the following groups of products from a broad range of sources:

**Semiconductors** - specializing in radio devices, Plessey SL1600, EUROPE's best selection of AM/FM and communications devices. Power MOSFETs, WORLD'S LOWEST NOISE AUDIO small signal transistors, BAR graph LED drivers for linear and log.  
CD4000 series CMOS, TTL/LPSNTTL, standard linears (741, 301, 3080 etc). MPUs, memories. Small signal transistors from AEG BC237/8/9 families etc. (1000 off BC239C : 5.2p ea)  
LEDs: AEG 3mm/5mm round, 2.5x5mm flat, red, green, orange, yellow. The best prices you will find for quality products.  
**MOSFETs for RF signal processing**, including the BF960 UHF device, and 3SK51 for VHF. Varicap diodes for 17:1 capacity ratio tuning

### DOES YOUR ONE GLOW GREEN IN THE DARK ??

Our DFM4 does, since it uses a vacuum fluorescent display for direct readout of MW/LW/FM. Basically the same as the DFM2, (LCD Version). £24.45 kit (inc VAT) Transformer with all necessary windings for DFM4 - £2.50 inc VAT.



Not illustrated here - but also now available is the DFM6. This is a vacuum fluorescent display version of our immensely popular DFM3 (LCD). Resolution is 100Hz to 3.9999MHz, 1kHz to 39.999MHz, and 10kHz to 200.00MHz; all standard IF offsets (inc. 10.7MHz on shortwave) are available via diode programming.

### UM1181 VHF band 2 VARICAP TUNERHEAD

5 tuned circuit, with image/spurii better than -80dB, buffered LO output, MOSFET RF stage, FET IF preamp, tunes with only 1% to 8v, -9dBm 3rd order intercept. Toff price £12.00 inc VAT. (100off/ OAI)

**911225 FM IF strip with all mod cons for the HiFi tuner:**  
All types use 80-dB S/N Hitachi IC, with muting, AFC, AGC, meter outputs for signal level and centre zero. IF preamp stage.

'A' - Dual linear phase ceramic filters, with MOSFET (AGC'd) IF preamp and a 3rd narrow filter with OC filter selection. Dual tuned FM detector stage. £23.95 inc VAT (built)  
'B' - Dual ceramic filters, single tuned detector stage £14.95 inc VAT (All 'A' series units are set up with a spectrum analyzer for best THD)

**91072 AM RADIO TUNER MODULES - DC TUNED and DC SWITCHED Available February '80**  
All include buffered LO output, mechanical IF filter (TOKO CFM) 1-10v tuning bias, switching by a single pole to earth  
A MW/LW (150 to 350kHz LW range) with ferrite rod antenna  
B As 'A' but also including SW1 or SW2 (specify.)  
SW1 = 1.8 to 4MHz SW2 = 5 to 10MHz  
C With both SW ranges  
Prices one off INC VAT  
'A' £14.43 'B' £15.90 'C' £17.50 (Custom types OAI)

### FREQUENCY READOUT LSI from OKL with a one-chip answer to most digital frequency display needs (and various modules).

**Crystal and ceramic ladder filters** from leading manufacturers, ferrite rods, various ferrite beads and a range of crystals for 'standard' frequencies and both AM and FM radio control at 27MHz. Trimmer capacitors.  
**METERS** - a new range of linear movement types, plus many 'indicator' types for VU, all types of tuning indicators etc.  
**SOCKETS** - a new range that are better quality than Texas low profile, yet better priced.  
**Modules for AM/FM/STEREO**, complete kits for tuners, audio amplifiers from Larsholt.  
**SWITCHES** - complete low cost DIY systems for push button arrays, keyboard switches.  
**DOUBLE BALANCED MIXERS** - MCL SBL1, replacement for MD108 etc. And cheaper.

OUR LATEST MOVING EXPERIENCE : At last, we have moved to the address below. There is car parking for customers approaching via North Service Road (an extension of North Road Avenue, entrance opposite the Brentwood Fire Station.) Pedestrian access from the High Street (alongside 117 High Street). The new building is six times bigger than our Gresham Road offices, and we will be installing a much expanded sales counter in the fullness of time. NEW TELEPHONE NUMBER (0277) 230909, TELEX NUMBER (as before) 995194 AMBIT G. See you there !

## 200 North Service Road, Brentwood, Essex.



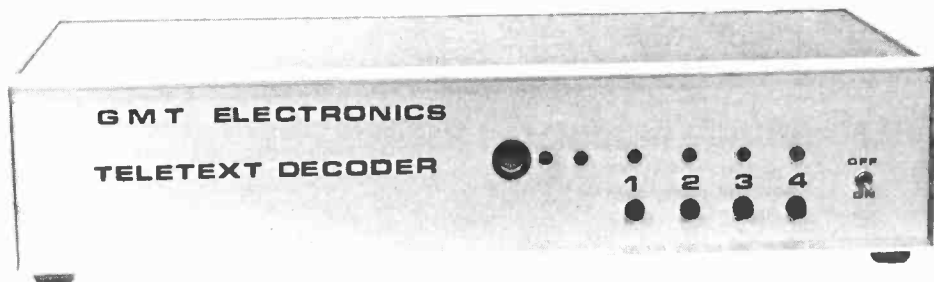


**GMT**  
ELECTRONICS

**Freepost  
Birmingham  
B19 1BR  
021-233-2400**

- ACCESS
- VISA
- CASH
- CHEQUE

## FULL SPEC KIT TELETEXT DECODER



- STATE OF THE ART L.S.I. CIRCUITS
- DOUBLE HEIGHT CHARACTER SELECTABLE FOR LEGIBILITY
- CHARACTER ROUNDING - EFFECTIVELY DOUBLES DEFINITION
- ULTRASONIC REMOTE CONTROL
- HIGH QUALITY THROUGH PLATED P.C.B.
- ALL I.C. MOUNTED ON SOCKETS
- PREALIGNED UHF/IF MODULES
- NEEDS NO INTERNAL CONNECTION TO THE TELEVISION SET
- SIZE 430mm x 90mm x 220mm
- SUPPLY 240v 50Hz 35w
- *NEW \*TOUCH CONTROL KEYPAD\* NEW*

INCLUDES TUNER, P.S.U., DECODER, REMOTE KEYBOARD, P.A.L. ENCODER, U.H.F. MODULATOR CASE WITH SCREENED AND PUNCHED FRONT PANEL.

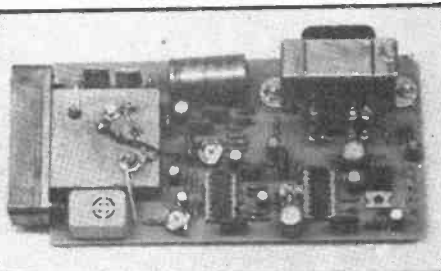
— £189.90 inc VAT. P & P £3.00.

FULL TELETEXT MANUAL IF BOUGHT SEPARATELY — £2.50 P & P £0.50.

P.C.B.'S AND L.S.I. I.C.'S NOT SOLD SEPARATE FROM KITS.

P & P INCLUDES CARRIAGE, PACKING AND INSURANCE

### DOPPLER RADAR ALARM

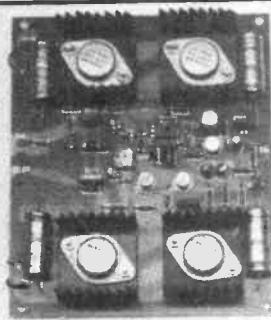


Do your goodies need protecting? No need to run miles of wire, and hack window and door frames to pieces. Just build a Doppler Radar Alarm kit. It can be mains or battery operated (external battery required), and is triggered by any movement in its detection area. It incorporates an arming delay - to enable you to leave its detection field safely, and a trigger delay (0 to 45 seconds), so you can catch the thief red handed without a prior warning having been given.

The unit provides a 12 volt output, normally high (low on alarm), to supply an external remote relay, which is not supplied. The unit has an integral buzzer to give an indication when the unit is being armed, and when triggering is complete. The unit comes complete with a suitable case.

DOPPLER RADAR ALARM £39.50

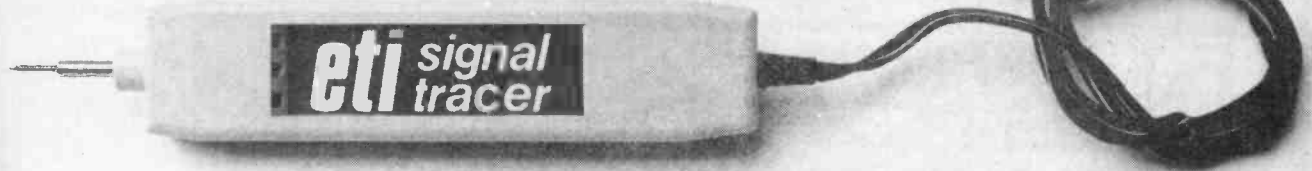
### F.E.T. POWER AMPLIFIER



Bring your HI-FI up to date. Available now is a 100 watt audio amplifier using POWER MOSFETS. The POWER MOSFET has several advantages over bipolar transistors. It has good frequency response, no carrier storage delay, thermal stability, no secondary breakdown, and high input impedance. The MOSFET Amplifier has been designed to deliver a continuous power output of 100 watts with full heatsinking into 8 ohms from 5 Hz to 100 kHz with no more than 0.01% total harmonic distortion, which is about a tenfold improvement on ordinary bipolar techniques. The high output impedance and thermal stability of the MOSFET reduces the size of the total circuit by about 30%. The kit does not include a case.

reduction  
POWER MOSFET AMPLIFIER MODULE £27.50

# SIGNAL TRACER



**10M 10pF signal probe detects audio, mains fields and amplitude modulated RF.**

## HOW IT WORKS

It has been said that a signal tracer is just an amplifier with a diode at the front. In fact, for many applications, just such an arrangement is all that is required. This design fulfills the above description and then some!

Boasting a high input impedance and good sensitivity, the unit drives a small loudspeaker or personal earphone with good volume. Power may be derived from the equipment under test or a separate nine volt supply may be used. Use of the specified case ensures a neat and attractive project. The case is identical to that used in the CSC logic probe kit and comes complete with detachable probe, power supply leads and a small piece of perforated board (not needed here). Its place is taken by the PCB. The case comes complete with cut-outs for three indicator LEDs. Only one is used in this design to accommodate the power indicator LED and the other two may be blanked off or simply left vacant.

## Construction

Use of the PCB is really essential. Quite apart from the problem of fitting all the bits in the case, layout is critical to avoid stray feedback and spurious oscillation. Owing to the limited space available in the case, the physical size of the components is important and the smallest available components should be used. Note that C3 lies over R3, 4 and capacitors C5, 9 need to lie on their sides. A flying lead link should be taken from R2 (Q1 drain) to C2. This may be done on the underside of the board and should be as short and direct as possible. LED 1 is mounted on the board and is self-supporting.

In use, the unit should be connected to a nine volt supply and a loudspeaker plugged into SK1; use screened cable to avoid stray feedback. As a simple test, hold the probe within a couple of centi-

## PARTS LIST

### Resistors

|       |      |
|-------|------|
| R1    | 10M  |
| R2,12 | 1k0  |
| R3,10 | 1k5  |
| R4    | 2k7  |
| R5    | 150k |
| R6    | 18k  |
| R7    | 10k  |
| R8    | 470R |
| R9    | 2k2  |
| R11   | 10R  |

### Capacitors

|        |                   |
|--------|-------------------|
| C1     | 10p ceramic       |
| C2,4,6 | 10n ceramic       |
| C3     | 6u8 tantalum      |
| C5,9   | 47u tantalum      |
| C7     | 220u electrolytic |
| C8     | 2u2 tantalum      |
| C10    | 47n ceramic       |
| C11    | 100u tantalum     |

### Semiconductors

|       |                |
|-------|----------------|
| IC1   | LM386          |
| Q1    | 2N3819         |
| Q2    | BC109          |
| LED 1 | any 0.125" LED |
| D1    | 1N4004         |

### Miscellaneous

case, socket, 8 ohm earphone or loudspeaker.

To provide high input impedance with good sensitivity a FET input stage is used. Q1 is connected as a common source amplifier, decoupled to AC by C3, with the output taken across R2. This stage is coupled to Q2 by C2. Q2 operates as an AM detector and audio amplifier. The output is taken across R7 and is decoupled to RF by C6. The power supply to this section of the circuit is provided via R10 smoothed by C7. A small integrated audio amplifier forms the output stage. IC1 provides its own input bias and the output automatically centres at half the supply voltage. C10 and R11 prevent instability. The output is coupled via C11 to an eight ohm personal earphone or loudspeaker. Shielded cable should be used to prevent stray feedback to the input stage. Overall power is supplied via D1 which protects against accidental reversal of the supply leads. Power is indicated by LED 1. As this component is sited near the input stage its power supply is decoupled by C9 to prevent instability due to stray feedback. When used with 9 volt battery equipment, power may be derived from the circuit under test. When a separate supply is used to power the probe. A connection should be made from 0 V to the earth of the equipment under test. Bear in mind the voltage rating of C1. For a small ceramic capacitor, this may be only fifty volts or so.

## BUYLINES

The LM386 is available from Watford Electronics. The remaining components are unexceptional and should be readily available. The case is manufactured by Continental Specialties Corporation, type CTP-1, Continental Specialties Corporation, Shire Hill Industrial Estate, Saffron Walden, Essex CB11 3AQ.

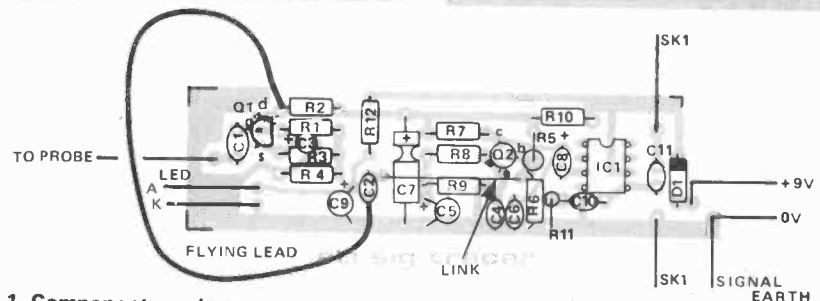
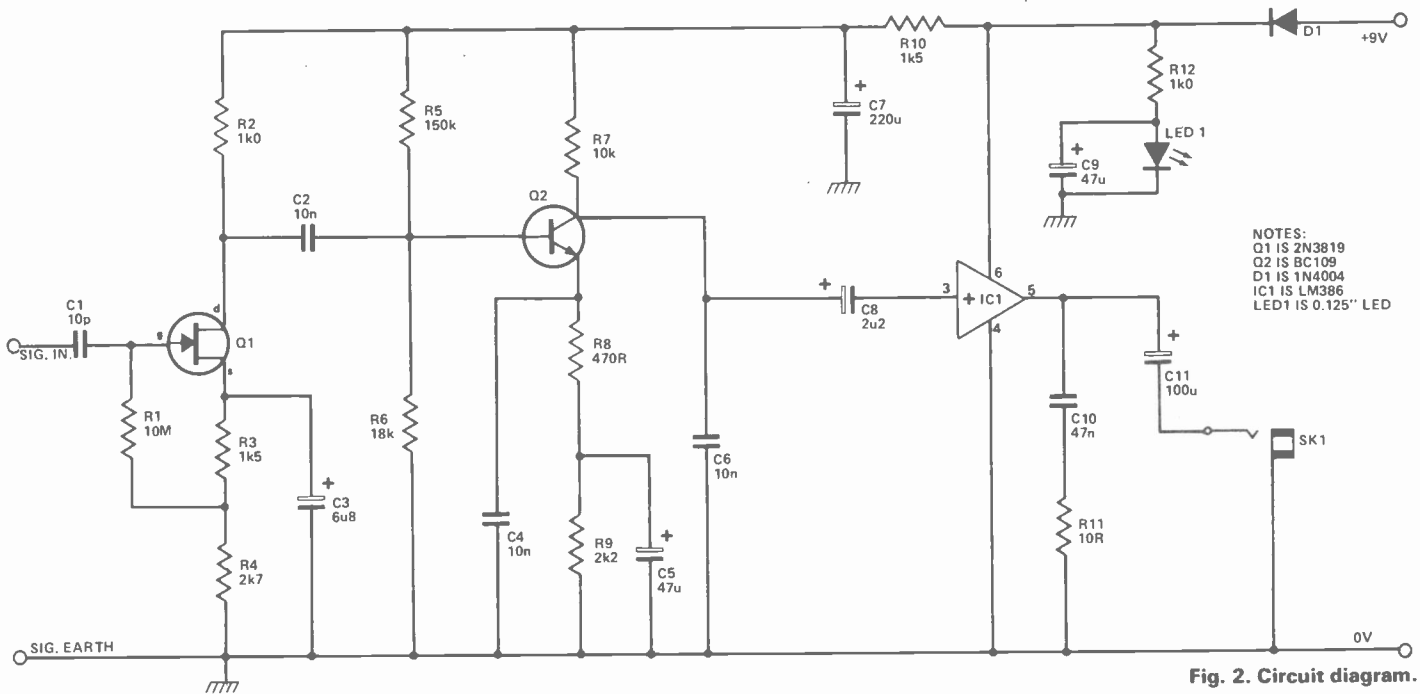


Fig. 1. Component overlay.



NOTES:  
 Q1 IS 2N3819  
 Q2 IS BC109  
 D1 IS 1N4004  
 IC1 IS LM386  
 LED1 IS 0.125" LED

metres of a live mains lead. A loud hum or buzz should be heard. When using the tracer with a separate power supply from the equipment under test a wire should be taken from 0 V to the equipment's earth to provide a signal return

path. Remember that the input capacitor C1 may only be rated at about fifty volts if you are thinking of working with high voltage equipment. As well as detecting low level audio, the probe may also be used to detect radio-

frequency signals at frequencies up to and above 10 MHz. Sensitivity is quite adequate to make the unit useful with TRF receivers and signals are easily detected in conventional medium-long wave superhets.

ETI



## IT'S A DOGS LIFE!

### Mighty mongrel strikes again!

Stop your powerful pooch carving up your carefully collected ETIs with his canine choppers and live in hardback harmony with a profusion of precious project books by armour-plating your archives.

Invest in an ETI binder. You know it makes sense.

You can have any colour you like as long as it's black.

Send a mere £3.20 to:  
 ETI Binder  
 145 Charing Cross Road  
 London WC2H 0EE



# electronics today

international

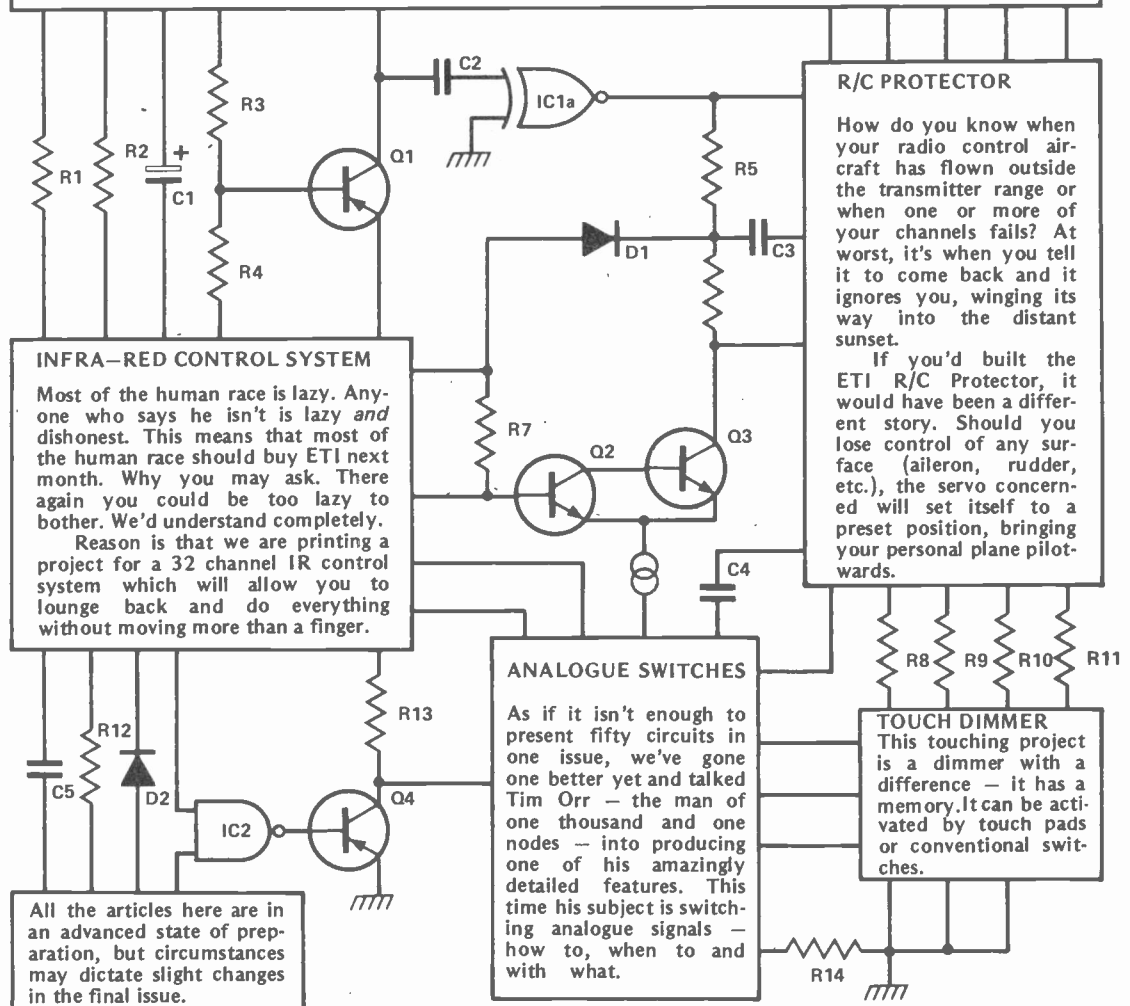
What to look for in the April issue: on sale March 7th

## CIRCUIT SUPPLEMENT

Next month's ETI carries something really special — a SIXTEEN PAGE circuit supplement for the experimenter. All the circuits have been tried and tested by us, making this the most reliable reference yet. If there is anything you need a circuit for or any circuits you need something for this is the place to find it. No less than 50 in all. Half a hundred of the best you'll find anywhere.

Well worth keeping for that inevitable future time when you'll NEED ONE or more of the priceless little gems lying amid these pages.

**50** TESTED  
CIRCUITS  
TO BUILD



# THE 1537 VCA

Keith Brindley brings you up to date with the latest offspring of the silicon chip family - complete with practical applications.

There is always a great deal of excitement generated in electronics on the arrival or introduction of a new circuit, concept or chip, particularly if the system is potentially a field leader. The 1537A chip is just that! The specifications which the device can offer in situ are well above those of any similar preceding systems. Table 1 gives a listing of specifications, which can be obtained in the correct applications.

| Parameter                | Specification                               |
|--------------------------|---|
| Bandwidth                | DC-200kHz                                   |
| T.H.D., 20Hz-20kHz       | 0.004%                                      |
| I.M.D. (SMPTE TEST)      | 0.03%                                       |
| Noise                    | -90dBv, $\pm 1$ dB (worst case, unity gain) |
| Overshoot and Ringing    | None  |
| Slew Rate                | > 10v/usec, symmetrical & constant          |
| Input Impedance          | 20K $\Omega$                                |
| Maximum Input Level      | +20dBv                                      |
| Gain                     | 0dB (Unity)                                 |
| Maximum Attenuation      | >94dB                                       |
| Control Voltage          | 0 to +10V                                   |
| DC shift vs. Attenuation | $\leq 5$ mV                                 |
| Power Requirements       | Regulated $\pm 15$ V at +25, -33mA          |

Table 1. The maximum possible specifications available from a 1537A system.

With harmonic distortion of 0.004% and a signal / noise ratio of over 90 dB the system is of course well suited to studio applications, although use in this environment is by no means its only area of involvement. The IC itself seems at first glance, somewhat highly priced at around £6, but nevertheless, it requires few extra components to produce a VCA system of the superb quality (suggested in the specifications of Table 1) and overall represents good value for money to the amateur and professional engineer alike.

## Amplifier Or Attenuator

The term VCA is normally used as an abbreviation of the phrase Voltage Controlled Amplifier, but in its simpler modes the 1537A is, strictly speaking, a voltage controlled attenuator ie with a maximum gain of unity. The inventors, do, however, stress that connection of the 1537A into the feedback loop of an amplifier (such as an op amp) produces a voltage controlled amplifier. The applications section of this article show how this can be achieved.

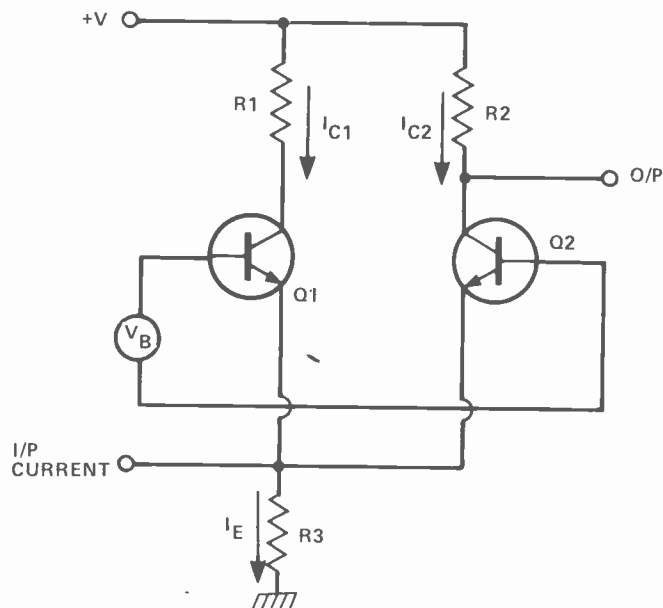


Fig. 1. A differential pair of transistors — the basis of a VCA.

The operation of the 1537A VCA depends upon the gain control function of a differential pair of transistors as in Fig. 1. The transistors in Fig. 1 are connected at their emitters. The current through R3 ( $I_E$ ) is, therefore, approximately equal to the sum of their two collector currents  $I_{C1}$  and  $I_{C2}$  through R1 and R2 respectively. The relative bias voltage,  $V_B$ , between the two bases determines the relative collector currents. If we now apply an input signal current to the joined emitters we obtain output signal currents through R1 and R2, the sizes of which are determined by the bias voltages. In other words, by altering this bias voltage we alter the size of the output signals.

Figure 2 shows a simplified internal circuit of the 1537A chip giving pin numbers and external load and emitter resistors necessary for operation. There are two basic gain control circuits within the chip, similar to that in Fig. 1 (built around Q1, 2 and Q5, 6) except for three main differences: — the diode connection of the transistor pair not used for signal output ie Q1 and Q6, which reduces the distortion due to transistor gain differences. — the addition of buffers around Q4 and Q8 to reduce loading of the output collectors of the gain transistors, in turn allowing idealised characteristics over the full gain range. — the use of transistors Q3 and Q7 as voltage to current converters enabling the input to be applied as a voltage rather than as a current.

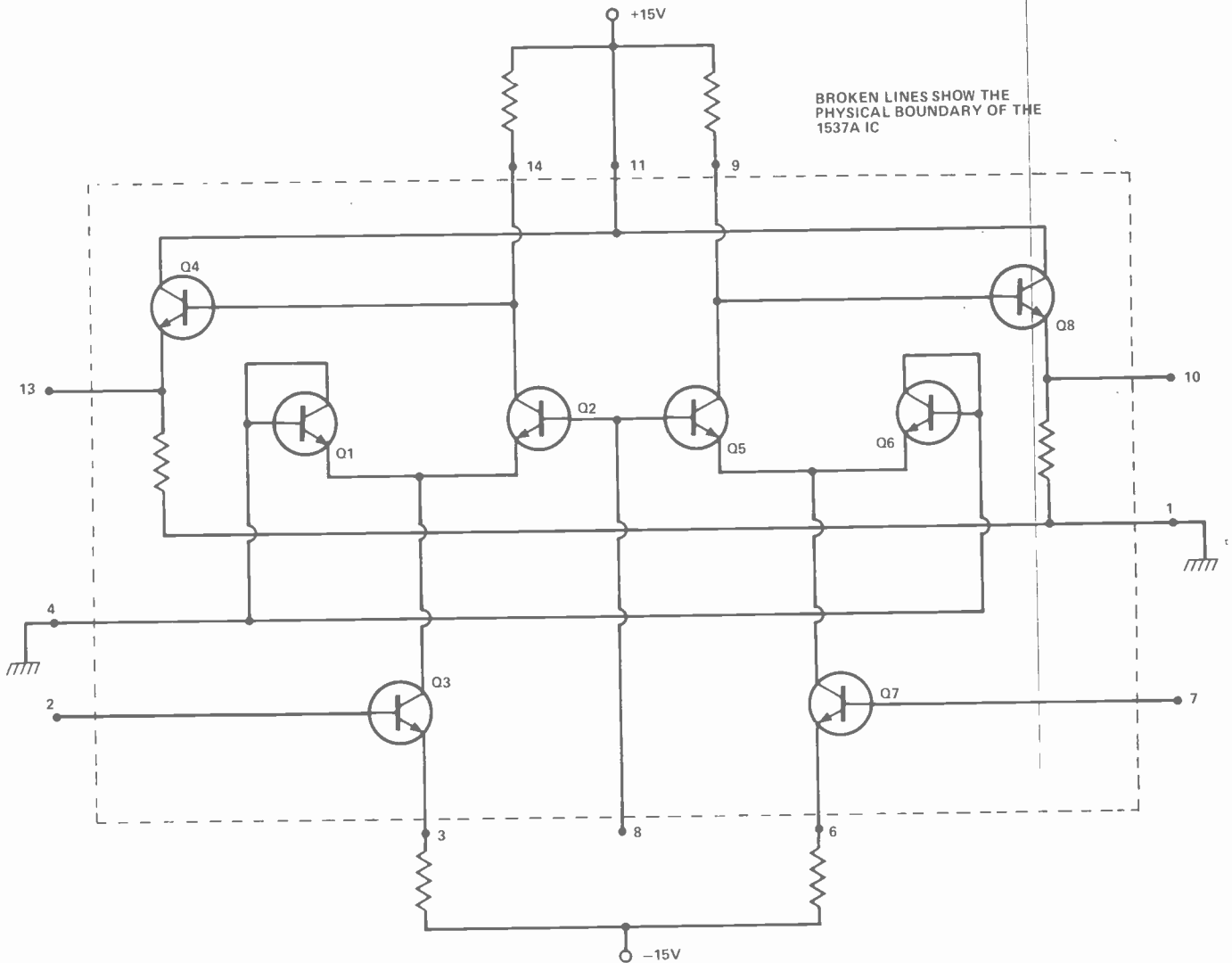


Fig. 2. A much simplified internal circuit of the 1537A IC, showing external load and emitter resistors.

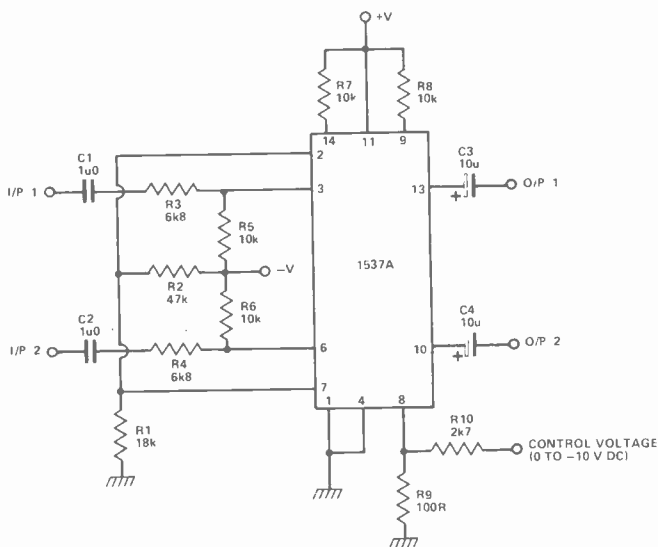


Fig. 3. The simplest mode of operation of the 1537A — a low input impedance stereo VCA with a negative going control voltage.

There is, however, a much more subtle difference, on top of this and that is the use of large geometry transistors. The effect of larger geometry transistors can improve second order intermodulation by as much as ten times for a tenfold increase in transistor size. Noise can also be reduced by about 10 dB for a similar increase in geometry.

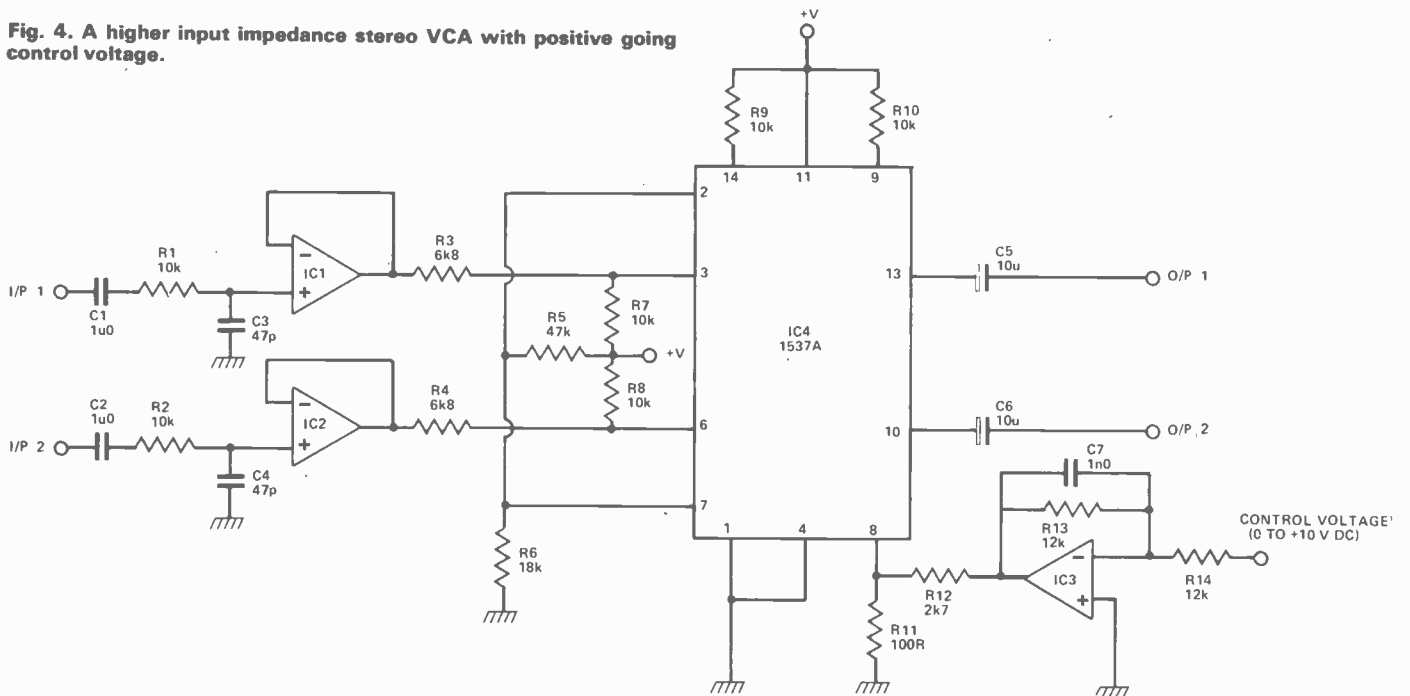
This leads us now to the simplest mode of operation of the 1537A using each gain control circuit individually, although the control voltage affects the gain of each circuit simultaneously (Fig. 3).

The ratio of R9 and R10 is calculated to allow a control voltage range of 10 volts (ie 0 to minus 10 V), altering the gain of the system from 0 dB to about -90 dB. The input impedance of the circuit to applied signal is low and ideally buffers should be placed before this circuit. Although this circuit does not give studio quality specifications it will, however, still produce results in the "high fidelity" range, providing impedance matches are considered.

Figure 4 shows a circuit application which gives a higher impedance input. Also included is an inverting stage in the control voltage link which allows a voltage of 0 to + 10 volts to be used for controlling attenuation.

Although any operational amplifier could be used for ICs 1, 2 and 3 in the previous circuit, it should be fairly

**Fig. 4. A higher input impedance stereo VCA with positive going control voltage.**



apparent that the noise, distortion and bandwidth specs of the circuit are limited to those of the op amps used.

Either of the two circuits of Figs. 1 and 2 can be adopted as the voltage controlled gain heart of a stereo system. Their outputs are about 10 dB down on the inputs so necessary amplification should be given before or after the attenuator.

## Coming Up To Scratch

Now, three more developments to the circuitry can be undertaken to improve the specifications to those of Table 1. Figure 5 shows the circuit of the ideal system capable of these high specs.

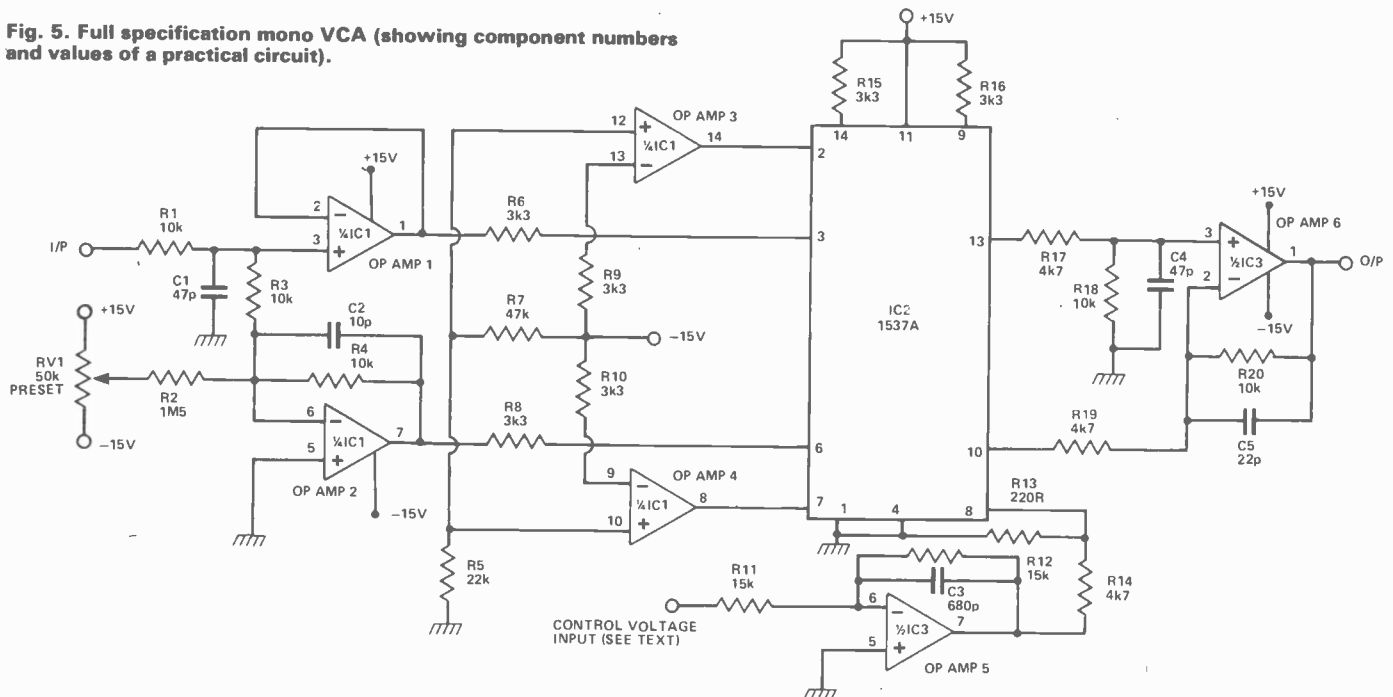
Firstly, actively linearised voltage to current sources (op amp 3 and 4 in Fig 5) improve distortion figures when

using a wide range of input signal voltages.

Secondly, parallelling of the two individual gain control circuits (ie the same input signal is fed to both devices at their inputs and mixed at their outputs) gives a 3 dB improvement in S/N ratio.

Finally, a technique is utilised which is complementary to the previous development of parallel devices, whereby the same input is applied to both gain control devices but 180 degrees out of phase. The two outputs are combined in a differential amplifier to give a single ended output. The differential amp is formed around op amp 6. This technique has the effect of reducing DC shift caused by bias and control voltages and with careful adjustment of RV1, the minimal DC shift now left at the output can be reduced even.

**Fig. 5. Full specification mono VCA (showing component numbers and values of a practical circuit).**





further to near (if not actually) zero. The prototype circuit shown, upon testing, actually gave no DC shift at all (or at least none measureable on our test equipment).

The complete circuit can be used as an exceptionally high quality VCA whose signal input can be anything from a few millivolts through to about 20 volts pk to pk without distortion. The lack of DC blocking capacitors at the input and output means that the system can be used to control a DC voltage applied to the input. AC signals up to well over 200 kHz are easily catered for, due to the system's wide bandwidth.

The overlay in figure 6 shows the component layout on printed circuit board of the circuit. The PC design is given in the Foil Pattern section of this issue and will enable interested readers to build the system and get first hand experience of it. As far as we know this article is the first of its kind to present a circuit in a form where "experimenters" can benefit easily and directly from the written text whilst simultaneously using the device in a tried and tested form.

## Construction

If the circuit board layout is followed then there should

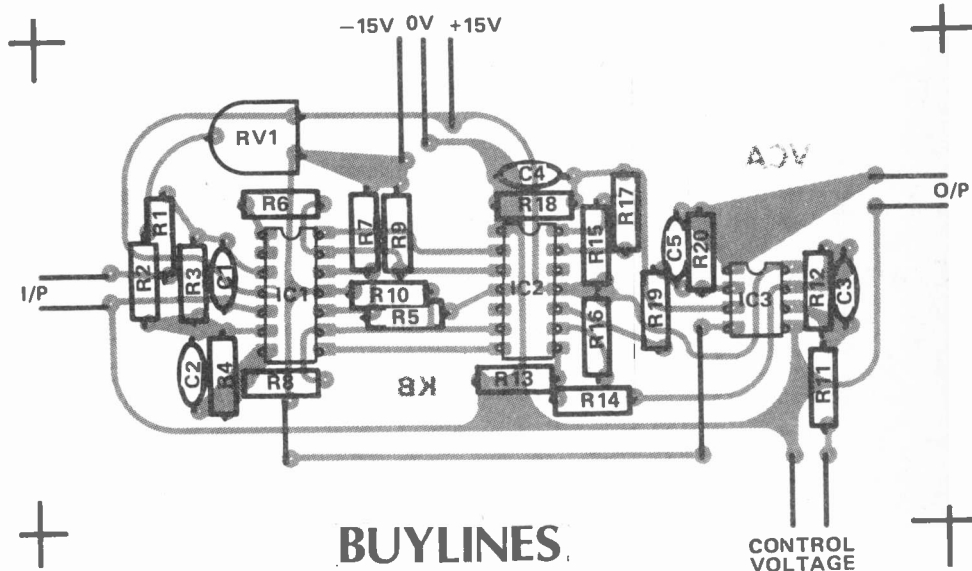
be no problems. IC holders are advisable though by no means necessary. RV1 should be a good quality type (cermet), to assist in setting up the output offset shift to zero, cheaper quality presets can sometimes be tricky to adjust in low voltage DC applications of this nature. Op amps 1 to 4 in the circuit are combined in IC1 and can be of a wide range of types from a quad 741 type (3403) upwards. Obviously, if you wish to obtain the best specs the quality of the op amps are critical. LF 347 or TL 074 will give the best results.

Similarly op amps 5 and 6 are included in IC3 and LF 353 or TL 072 are of optimal quality.

## Setting Up

The system should work without any adjustment for an AC signal and varying the control voltage from 0 to 10 volts should give total control over the output amplitude. Some setting up will be required if the input is to be DC, though. This is best achieved by earthing the input. Measure the output voltage using a high impedance voltmeter (it should only be the order of a few millivolts). Adjust RV1 until a complete sweep of control voltage ie from 0 to 10 volts produces only minimal change in DC output voltage. The ▶

Fig. 6. Overlay of PCB of the 1537A VCA module.



## PARTS LIST

### RESISTORS All 1/4W, 5%

|            |      |
|------------|------|
| R1,3,4,18, | 10k  |
| 20         |      |
| R2         | 1M5  |
| R5         | 22k  |
| R6,8,9,10, | 3k3  |
| 15,16      |      |
| R7         | 47k  |
| R11,12     | 15k  |
| R13        | 220R |
| R14,17,19  | 4k7  |

### PRESET

|     |                      |
|-----|----------------------|
| RV1 | 50k min horiz cermet |
|-----|----------------------|

### CAPACITORS

|      |                  |
|------|------------------|
| C1,4 | 47p polystyrene  |
| C2   | 10p polystyrene  |
| C3   | 680p polystyrene |
| C5   | 22p polystyrene  |

### SEMICONDUCTORS

|     |                   |
|-----|-------------------|
| IC1 | TL074, LF347 etc. |
| IC2 | 1537A             |
| IC3 | TL072, LF353 etc. |

### MISCELLANEOUS

|            |  |
|------------|--|
| IC Holders |  |
| PCB        |  |

## BUYLINES

Most of the larger mail order companies will be able to help with the quad and dual op amps if you experience any difficulty in obtaining them.

The 1537, however, is presently obtainable only from Apex Audio Systems Ltd. Their address is 35 Britannia Row, London N1 8QH. They have kindly agreed to offer the IC to ETI readers at the reduced rate of £5.85 each including VAT, which is 15% off the normal price. However, this is dependent on small quantity CWO orders and the special code 'ETI APHEX 101' must be quoted with your order.

All other components should be easily obtainable.

circuit is now completely set up to accept an input signal in the frequency range DC to 200 kHz. At minimum attenuation the system operates as a unity-gain wide range, high quality buffer, with a reasonably high input impedance and low output impedance. Variation of the DC control voltage over the range 0 to 10 volts will produce over 90 dB of attenuation of the output signal.

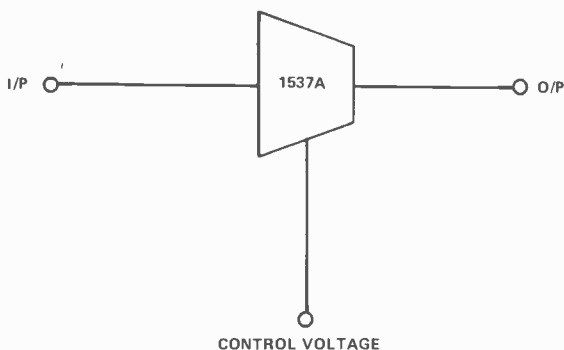
If an overall gain is required in the circuit, resistors R18 and R20 can be changed as in Table 2.

| GAIN | R18 & R20 |
|------|-----------|
| 0dB  | 10k       |
| 6dB  | 22k       |
| 10dB | 33k       |
| 15dB | 56k       |

**Table 2.** The values of R18 and R20 to give the required overall gain in the VCA system of Fig. 5.

The control voltage range of 10 volts can be altered as required simply by changing the ratio of resistors R13 and R14 to suit.

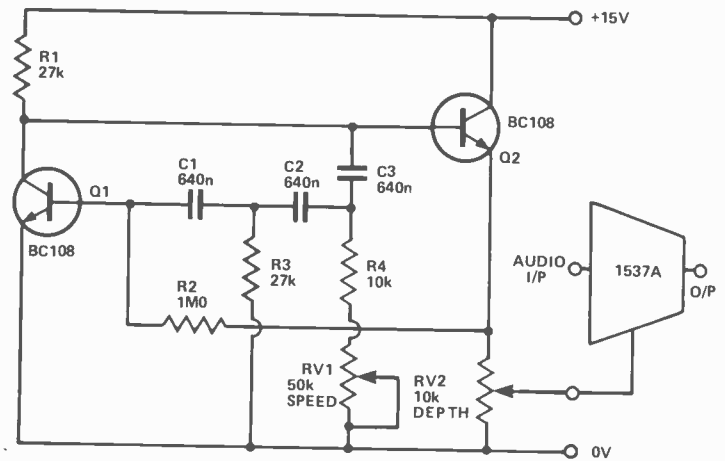
To our knowledge, there is no officially recognised standard symbol for a VCA and rather than redraw the whole circuit of figure 5 upon every reference to the circuit we thought it better to invent a symbol for the purposes of this article. A horizontal trapezoid shape appeared to be the ideal symbol, as shown in Fig. 7. It symbolizes the system as a modular buffer amplifier, whose output (symbolized by the top line), decreases as the control voltage (the bottom line) increases. We shall use the modular symbol of a VCA whenever reference is made to the circuit of Fig. 5, although any VCA module of another design should function in the applications which we give.



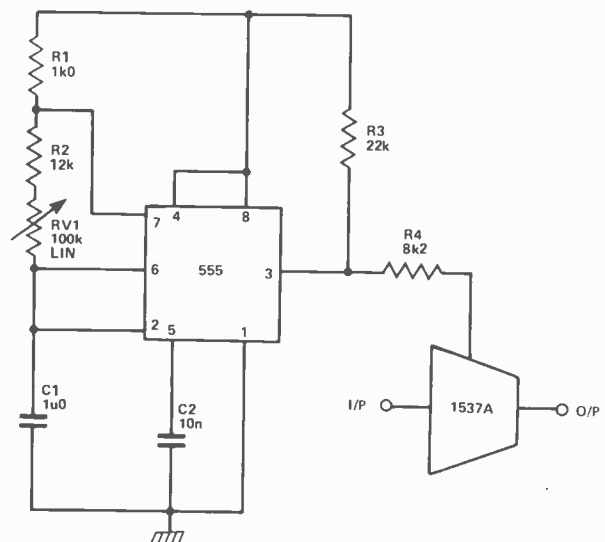
**Fig. 7.** The ETI symbol of a VCA module.

Use of the 1537A system module as a DC controlled analogue gate can produce many effects. Amplitude modulation of the signal occurs and the usual associated effects are observed. For instance, in Fig. 8 we can see a simple but high quality tremelo unit. Transistors Q1 and Q2 are connected as a phase shift oscillator and buffer, with speed and depth controls whose varying DC output is connected directly to the control port of the 1537A module. The frequency range of the oscillator is approximately 2 to 5 Hz. Altering the values of all three capacitors will change the main frequency, though that stated will give the best results.

The control voltage in the last application was varied as a sine wave of course, but there is no reason why other waveforms eg square, could not be used for control purposes. Figure 9 shows a 555 operating in the astable



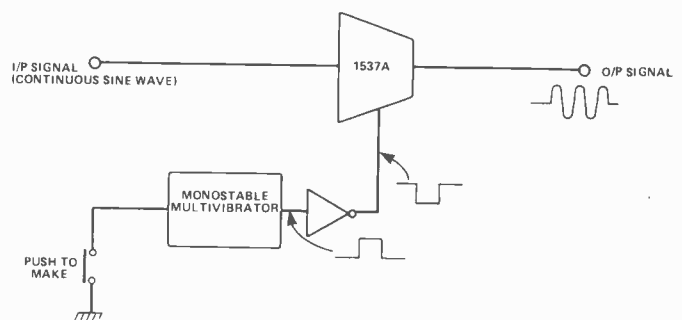
**Fig. 8.** A simple tremolo circuit.



**Fig. 9.** A Dalek type sound generator.

mode with a frequency range of approximately 5-50 Hz. The output signal will be modulated with the square wave and the overall product is a Dalek type sound if a vocal signal is applied to the 1537A module.

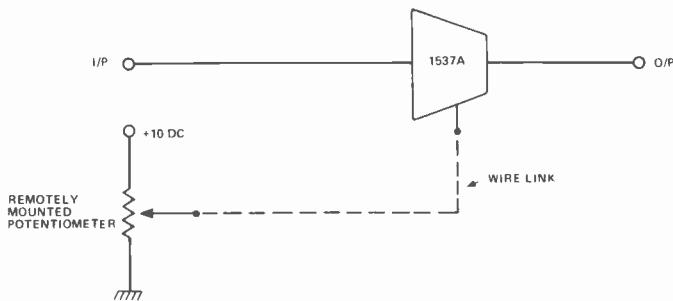
This square wave control can be taken one stage further if the control voltage is the output from a monostable as in Fig. 10. A tone burst generator can be very easily constructed with this mode of operation. In a tone burst



**Fig. 10.** A simple system enabling the construction of a tone burst generator.

generator, a rectangular envelope 50-500  $\mu$ s long is formed around a single sine wave frequency of normally 1 kHz. Tone burst generators are useful for testing the transient response of speakers. A push to make switch is used to provide the trigger to fire the multivibrator, producing the correct length pulse which in turn is inverted to form the control voltage pulse, applied to the control port of the 1537A.

The previous applications have all used automatic waveform control of the applied signal to produce the required attenuation characteristics, but this is not a necessary trait. The control voltage can be simply tapped off a variable resistor having the maximum control voltage range (ie 10 volts) across it. In this way, altering the position of the wiper alters the attenuation of the applied signal. The pot acts quite simply as a volume or level control. Ordinary non-DC volume controls can suffer from pick-up problems because the signal itself is being rotated through the pot. As only DC is applied to the pot in this application no pick-up can occur and the control can be remotely mounted from the module with no screened cable being necessary. Figure 11 shows such a volume control.



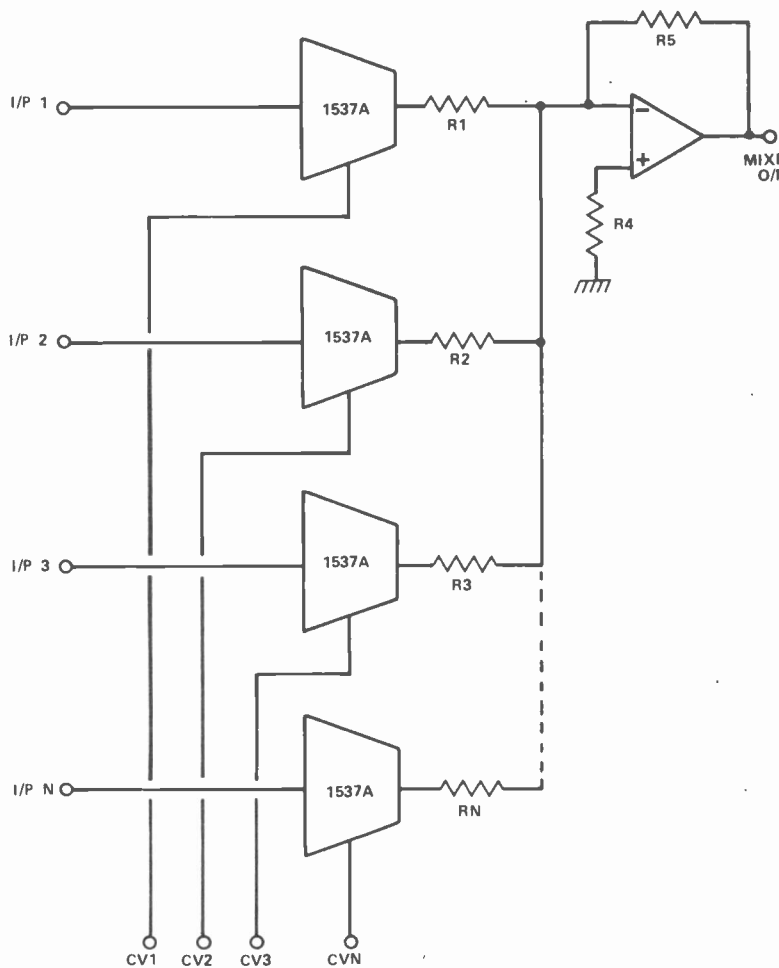
**Fig. 11. Remotely (wire-linked) controlled volume control.**

This remote control facility can be utilised in an audio mixer which includes remote faders for each channel. Figure 12 shows the general idea of such a circuit. An op amp is used as a summing amplifier into which the output of each channel's VCA is fed and mixed. The mix is relative to the control voltage applied from the remote faders to each VCA. The circuit allows for up to N inputs, where N to practical limits will probably be a maximum of about 12, but with careful layout techniques, there is no reason why this cannot be increased further.

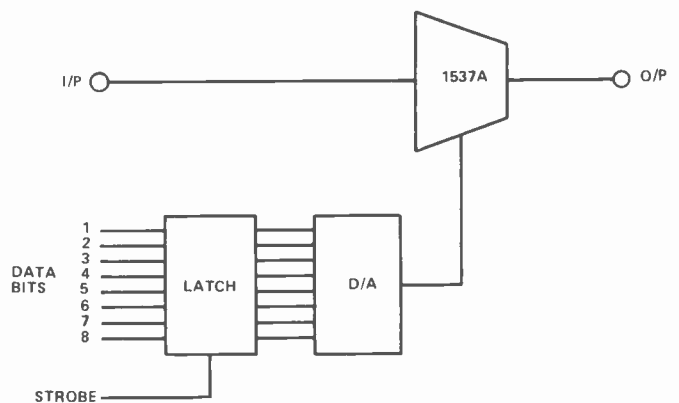
Figure 13, shows an interesting outline to enable digital control of the VCA, say from a computer link. In order that the computer can operate in real-time, ie control of the VCA is not just its only job, it is necessary for the interface to provide a latch for the digital word. The output of this latch is changed to a linear DC voltage by the D/A (digital to analogue) convertor whose output is taken to the control port of the VCA.

The digital latch, once set by a strobe pulse, provides the facility that after the volume required has been found, the computer is free to perform other tasks. When the volume is to be altered, the latch is reset to the new digital input.

The last six applications of the 1537A VCA system have simply shown methods of providing a control voltage (automatically, manually or digitally) to control the module in its function as an analogue gate. The following section begins with the assumption that the control voltage is already present, perhaps by one of the previous methods.



**Fig. 12. High quality, remote fader controlled mixer.**



**Fig. 13. Main components of a digitally controlled attenuator.**

## Applications

Consequently the next few circuits show the system in a much more versatile role — not just as an analogue gate, but one in which the system itself becomes part of a larger system. Figures 14 and 15 give details of circuit in which the 1537A module is used in the feedback loop of conventional operational amplifiers to allow voltage controlled ►

amplifiers to be constructed. The resistance values used give gains of approximately 1 to 100 over the VCA control voltage range and an inverting VCamp and a non-inverting VCamp can be easily built as shown.

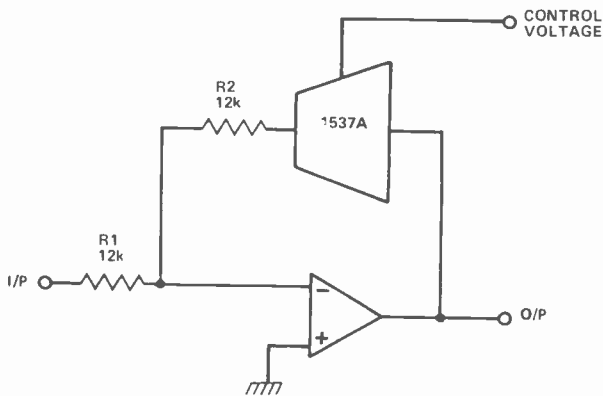


Fig. 14. A non-inverting controlled attenuator.

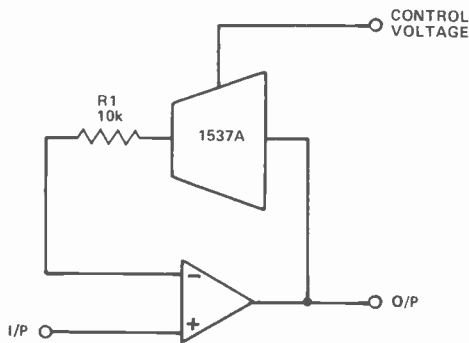


Fig. 15. An inverting voltage controlled amplifier.

A voltage controlled resistor is shown in the application of figure 16. The apparent resistance,  $R^1$ , is given approximately by the formula

$$\frac{R^1}{1 - A}$$

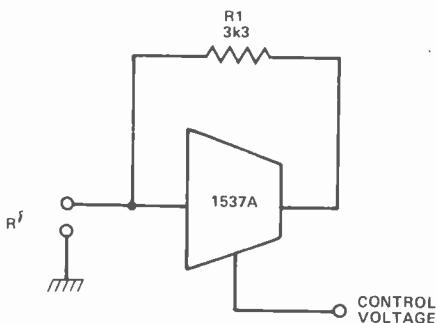


Fig. 16. A voltage controlled variable resistor.

where  $A$  is the gain of the VCA module (remembering that it has a maximum gain of unity). The value of  $R1$  shown gives an apparent voltage controlled resistance of 7 k to 100 k over the ten volt control voltage range.

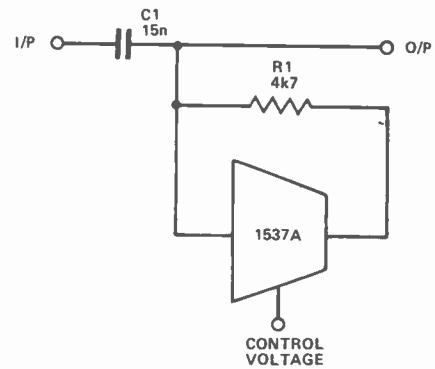


Fig. 17. A voltage controlled High Pass Filter.

The effect of a VCR (voltage controlled resistor) is used in the final two applications as the control element in filter circuits. Figure 17 shows a simple voltage controlled high pass filter. The component values shown filter out all frequencies below the variable limit of 1-2 kHz. Adjustment of the control voltage alters the lower cutoff point.

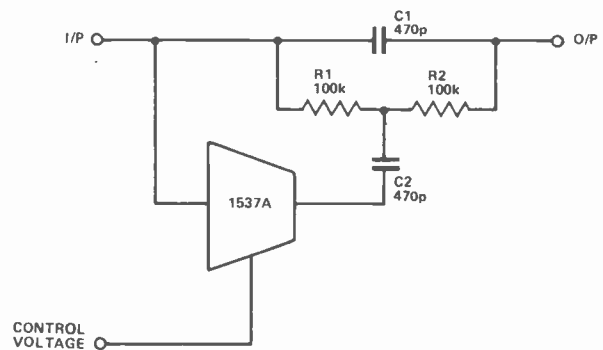


Fig. 18. A voltage controlled Band Reject (Notch) Filter.

Figure 18 consists of the circuit of a voltage controlled band reject or notch filter whose depth of notch is adjusted by the control voltage. The component values shown set the frequency at about 300 Hz and depth of notch is variable from 0 dB to about -15 dB.

## Conclusions

The applications given in this article show the 1537A chip to be a very versatile device. It is remarkably easy to work with, a fact which is borne out by the quality (in technical terms) of the circuitry in the breadboarded fashion of our experimental design work, let alone in the modular fashion allowed by the use of our PCB layout. We can foresee many more applications of this device to come in the future. Thanks go to Aphex Audio Systems UK Ltd for their help in obtaining data on the 1537A. They are at present the only suppliers of the chip in this country and have kindly offered a 15% reduction in price to ETI readers quoting the code given in Buylines.

ETI





# ETI MARKET PLACE



## 1 CLOCK RADIO

How about a round clock radio which can double as a very smart desk clock — as we can testify!

To time, rotate one end of the cylinder to display the frequency selected. Most of the functions are controlled by a push-button panel and the display is a large, clear LCD affair.

Made by Hanimex, the battery clock radio comes in white, white or white. It will lull you to sleep and then turn itself off an hour later and waken you to the sound of Radio 1, or music if you prefer.

**£17.95**

To **CLOCK RADIO** offer  
ETI Magazine, 145 Charing Cross Road  
London, WC2

Name .....

Address .....

## 2 DIGITAL ALARM

This mains-only Hanimex alarm has a large 12-hour display incorporating AM/PM and alarm set indicators. You can have a dim or bright display at the touch of a switch. Fast and slow setting buttons make time setting simplicity itself. You can forget about knocking these accidentally in the morning scramble to turn off the alarm, as a locking switch is fitted under the clock. A 9-minute snooze switch completes the list of all mod. clock cons.

**£10.60**

To: **DIGITAL ALARM** offer  
ETI Magazine, 145 Charing Cross Road  
London, WC2

Name .....

Address .....

## 3 LCD CHRONO

Our Chrono comes complete with a high grade adjustable metal strap and is fully guaranteed.

The LCD display shows seconds as well as hours and minutes. Press a button and you get the date and day of the week.

Press another button and you have an accurate stopwatch with hundredths of seconds displayed, giving the time up to an hour. There's a lap time facility, too — and of course a back light.

**£11.95**

To: **LCD WATCH** offer  
ETI Magazine, 145 Charing Cross Road  
London, WC2

Name .....

Address .....

## 4 LCD ALARM CHRONO

This is no ordinary watch. It's a slim, multi-function, dual time LCD alarm chronograph.

This model will show hours, minutes, seconds, date, day of the week, stopwatch, split time, alarm and alternate dual time zone — not all at once of course. There's a night light, too.

Hours, minutes, seconds and day of the week are displayed continuously, while the date will appear at the touch of a button. The alarm is beefy enough to wake you up in the morning and get you to work on time (or wake you up when it's time to go home).

**£16.95**

To: **ALARM/CHRONO LCD WATCH** offer  
ETI Magazine, 145 Charing Cross Road  
London, WC2

Name .....

Address .....

All prices include 15% VAT and postage

Examples of Marketplace offers can be seen at our Charing Cross Road offices.

Please mark your envelope with the offer that you want and order separately from offers shown elsewhere in ETI.







# DESIGNER'S NOTEBOOK

ETI's chief design engineer, Ray Marston, discusses the use of CMOS counter/divider ICs.

A common task facing the electronics design engineer is that of producing simple digital counter/divider networks, which produce an output frequency or count rate that is some fixed fraction of the original input frequency or count rate. This month's "Notebook" discusses the use of CMOS ICs in such applications.

## 4013 and 4027 Flip Flops.

The two most basic counter/divider ICs in the CMOS range are the 4013 dual D-type flip-flop and the 4027 dual J-K flip-flop. Figure 1 shows the outlines and pin notations of these two devices, which each contain two independent flip-flop stages sharing common supply connections. Each of these packages can be used to give division ratios of 2, 3 or 4.



Fig. 1. Outlines and pin notations of the 4013 dual D and the 4027 dual J-K CMOS flip-flops.

A single 4013 'D' stage can be made to act as a divide-by-two counter by grounding its SET and RESET pins and coupling its DATA pin to its Q output, as shown in Fig. 2a. A single 4027 J-K stage can be made to act as a divide-by-two counter by grounding its SET and RESET pins and connecting its J and K pins to the positive supply rail, as shown in Fig. 2b. Both of these circuits change state on the positive-going transition of the input clock signal, which must have rise and fall times of less than 5 uS. The 4013 is very fussy about the shape of its input clock signals and tends to be rather temperamental in operation. The 4027 is not too fussy about its clock signals and is very easy to work with.

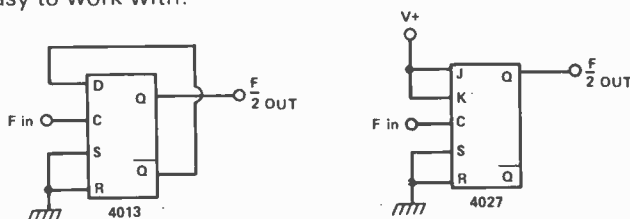


Fig. 2. Divide-by-two counters made from D-type (left) and J-K (right) flip-flop stages.

## Ripple Counters

Figure 3 shows how two divide-by-two 'D' or J-K flip-flop stages can be wired in series to give an overall division ratio of four (2<sup>2</sup>). Fig. 4 shows how three such stages can be

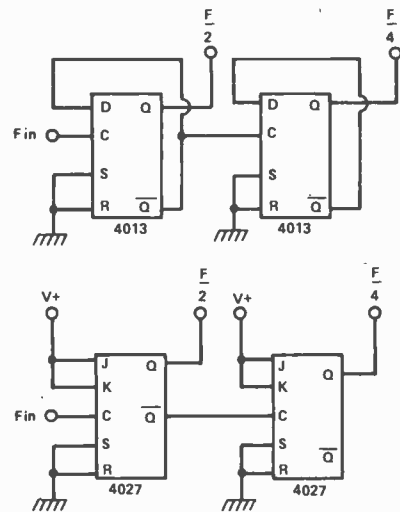


Fig. 3. D and J-K versions of divide-by-four ripple counters.

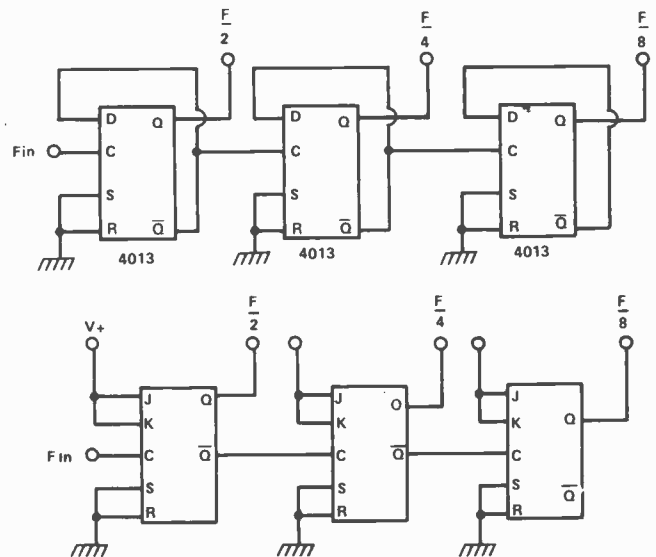


Fig. 4. D and J-K versions of divide by eight ripple counters. ▶

wired in series to give a division ratio of eight ( $2^3$ ). Note that each counter stage is clocked at precisely half the rate of (an octave below) the preceding stage, so that the clock signal seems to 'ripple' through the counter chain. Also note that, as is made clear in Fig. 5, the final division ratio is equal to  $2^n$ , where 'N' is the number of counter stages. Thus, four stages give a ratio of  $2^4=16$ , five stages give  $2^5=32$ , six give  $2^6=64$ , seven = 128 and so on.

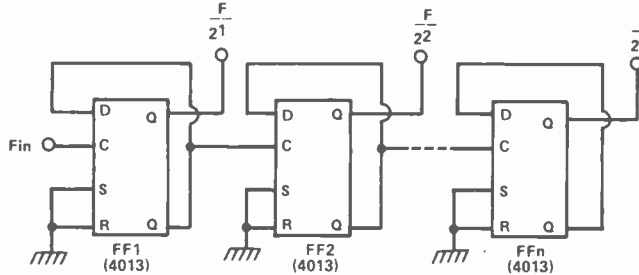


Fig. 5. D version of divide-by- $2^n$  ripple counter.

A detail not made clear in the above diagram is that, since the counters of a 'ripple' circuit are effectively wired in series, the propagation delays of the individual stages in the counting chain add together to give a fairly long total delay at the end of the chain. If each stage has a delay of 100 nS and there are ten stages, the total propagation delay is 1  $\mu$ S. Consequently, the final output signal will not change state until 1  $\mu$ S after the arrival of the original input clock signal that initiates that change of state. The counter states of the 'ripple' type of counter are thus not in perfect synchrony with the original clock signal and this type of circuit is consequently known as an asynchronous counter.

4013 and 4027 counters can be cascaded to give any desired number of ripple stages. When more than two stages are required it is usually economic, however, to use a special-purpose MSI ripple-carry binary counter/divider IC. Figure 6 shows the outlines and functional diagrams of three popular ICs of this type.

The 4024 is a seven-stage ripple unit with all seven outputs externally accessible: it gives a maximum division ratio of 128. The 4040 is a twelve-stage unit with all twelve outputs accessible: it gives a maximum division ratio of

4096. The 4020 is a fourteen-stage unit with all outputs except 2 and 3 externally accessible: it gives a maximum division ratio of 16 384.

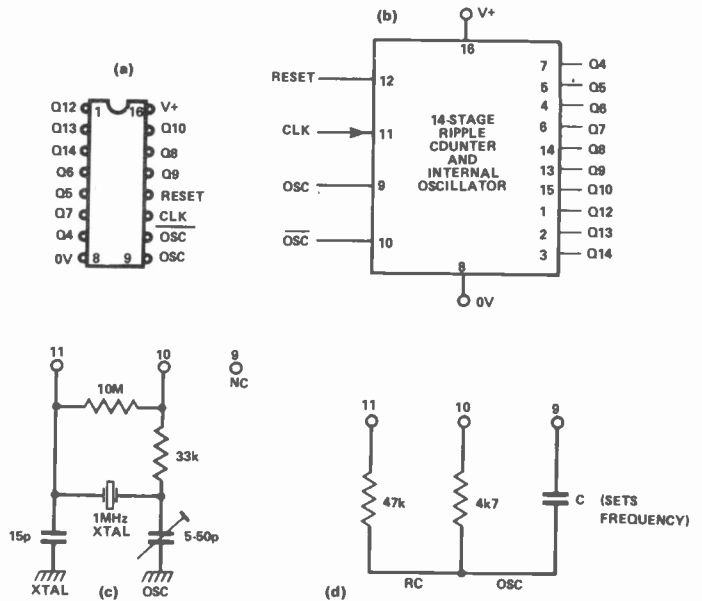


Fig. 7. Outline (a), functional diagram (b), and alternative oscillator connections (c and d) of the 4060 fourteen-stage ripple counter.

Fig. 7 shows the outline and functional diagram of a special-purpose ripple-carry unit, the 4060. This is another fourteen-stage unit, but does not have outputs 1, 2, 3 or 11 externally accessible. The special feature of the 4060 is that it incorporates a built-in clock oscillator circuit. The diagram shows the connections for using the internal circuit as either a crystal or an RC oscillator.

The 4020, 4024, 4040 and 4060 ICs are all provided with Schmitt trigger action on their input terminals and trigger on the negative transition of each input pulse. All counters can be set to zero by applying a high level on the RESET line.

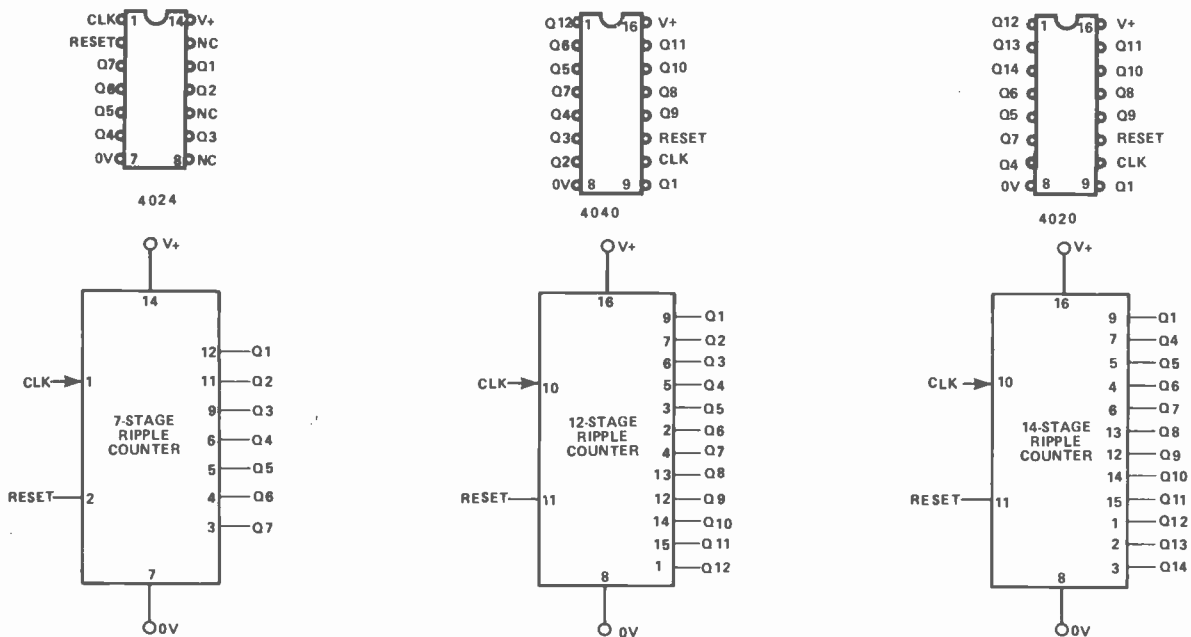


Fig. 6. Outlines (above) and functional diagrams (below) of three popular CMOS multi-stage ripple counters.

## 'Walking Ring' or 'Johnson' Counters

An alternative to the ripple type of counter is the so-called 'walking ring' or 'Johnson' counter. In these counters, all counter stages are clocked in parallel and the stages are cross-coupled so that the response of one stage to a clock pulse depends on the states of the other stages. Fig. 8 shows the connections for making a divide-by-three counter from two J-K stages and Fig. 9 shows the connections for making a divide-by-five counter.

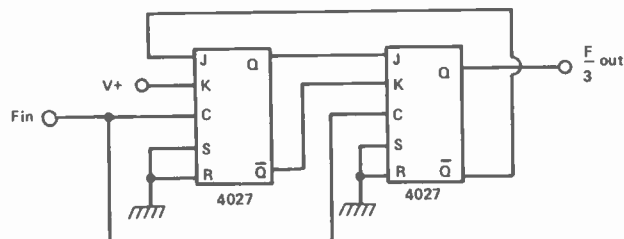


Fig. 8. J-K version of a divide-by-three 'walking ring' or 'Johnson' counter.

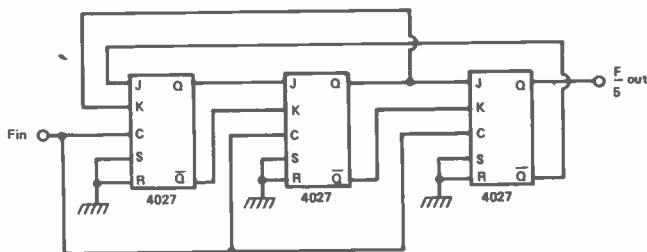


Fig. 9. J-K version of a divide-by-five 'walking ring' or 'Johnson' counter.

A major advantage of the 'walking ring' or 'Johnson' counter is that, since all stages are clocked in parallel, the outputs of the completed counter are subjected to only a single stage of propagation delay. Consequently, the system gives synchronous operation and outputs give glitch-free decoding.

## 4018 Divide-by-N Counter

When count numbers greater than four are required, it is economic to use MSI ICs such as the 4018, rather than the 4013 or 4027. The 4018 is a five-stage 'Johnson' counter that can be made to divide by 2, 3, 4, 5, 6, 7, 8, 9 or 10 by merely cross-coupling its terminals in suitable ways. The IC features a Schmitt trigger on its clock input line and clocks on the positive transition of the input signal.

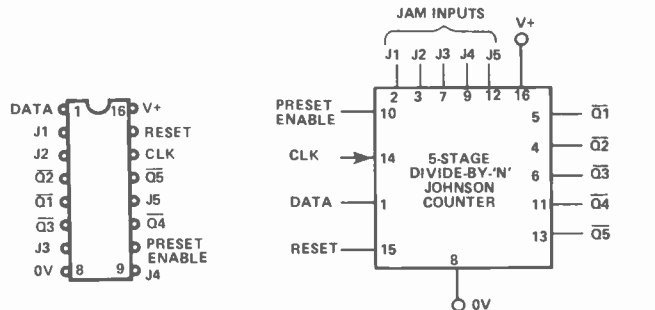
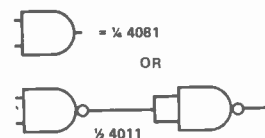
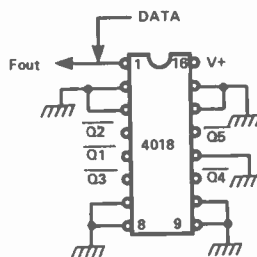
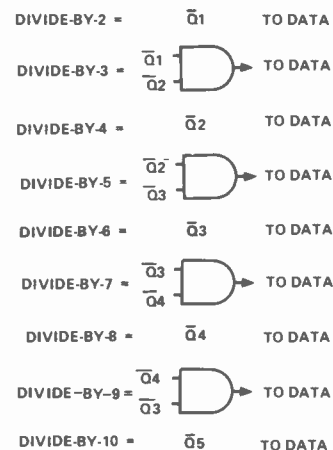


Fig. 10. Outline and functional diagram of the 4018 presettable divide-by-N counter.

Figure 10 shows the outline and functional diagram of the 4018. Fig. 11 gives methods of cross-coupling the IC to give division ratios from two to ten. On even division

ratios, no additional components are needed. On odd ratios, a two-input AND gate is required in the feedback network. This gate can be a single 4081 AND stage, or can be made from two 4011 NAND stages.



CONNECTIONS FOR DIVIDE-BY-N OPERATION

Fig. 11. Methods of connecting the 4018 for divide-by-two to divide-by-ten operation.

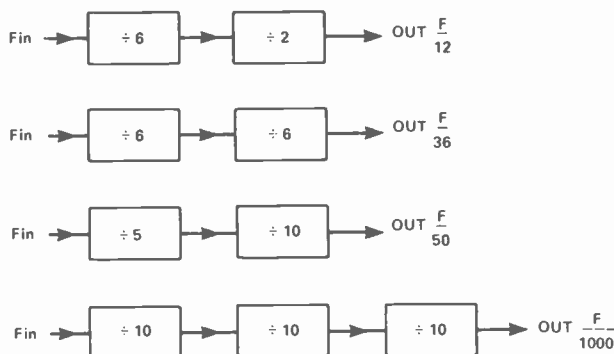


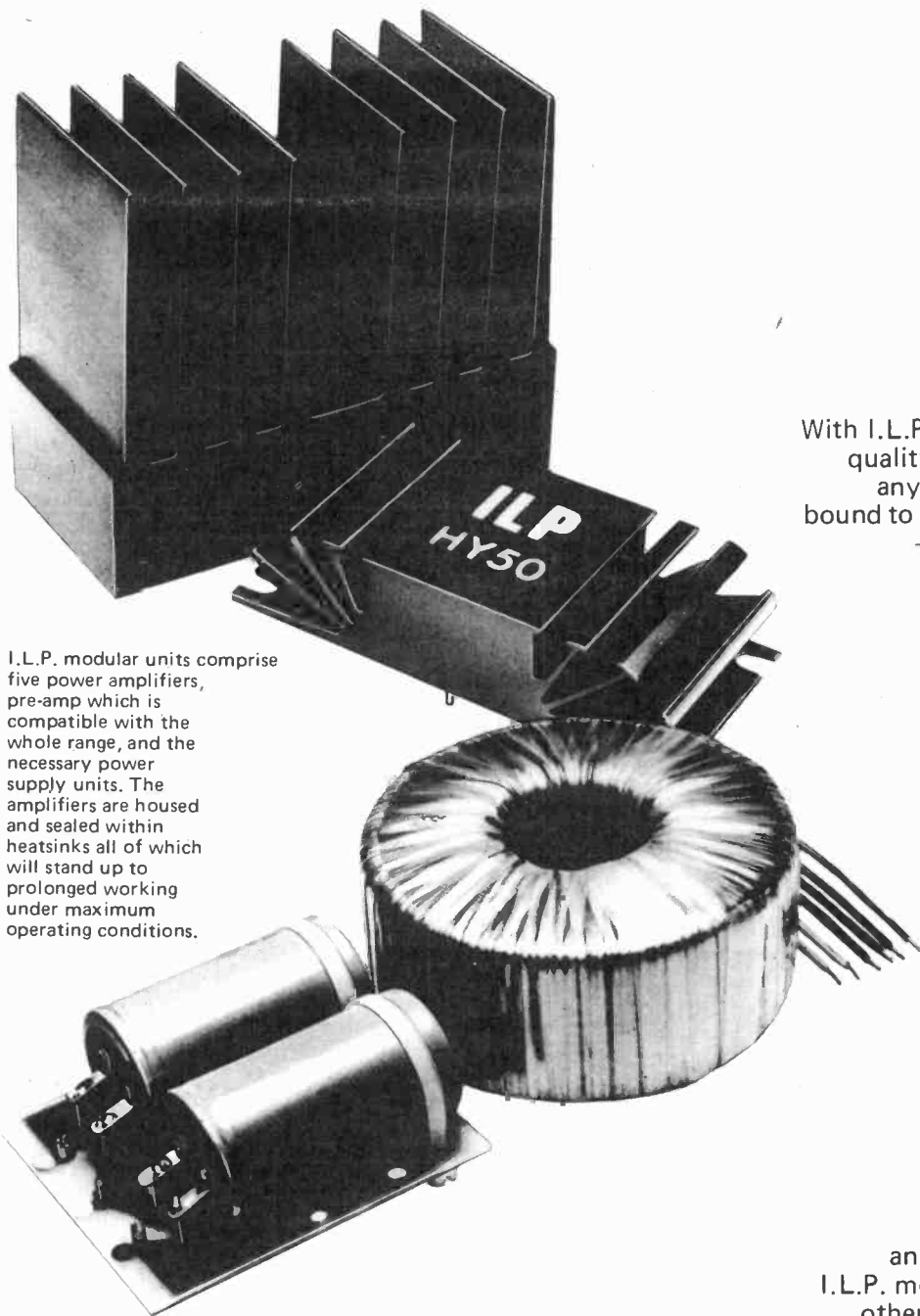
Fig. 12. Typical examples of division by numbers greater than ten.

## Greater-Than-Ten Division

Even division ratios greater than ten can usually be obtained by simply cascading suitably scaled counter stages, as show in Fig. 12. Thus, a divide-by-two and a divide-by-six stage give a ratio of twelve, a divide-by-six and a divide-by-six give a ratio of 36 and so on. Non-standard and uneven division ratios can be obtained by using standard counters such as the 4018 and decoding their outputs to generate suitable counter-reset pulses on completion of the desired count.

# Simply ahead . . .

## ILP'S NEW GENERATION OF HIGH



I.L.P. modular units comprise five power amplifiers, pre-amp which is compatible with the whole range, and the necessary power supply units. The amplifiers are housed and sealed within heatsinks all of which will stand up to prolonged working under maximum operating conditions.

With I.L.P. performance standards and quality already so well established, any advances in I.L.P. design are bound to be of outstanding importance — and this is exactly what we have achieved in our new generation of modular units. I.L.P. professional design principles remain — the completely adequate heatsinks, protected sealed circuitry, rugged construction and excellent performance. These have stood the test of time far longer than normally expected from ordinary commercial modules. So we have concentrated on improvements whereby our products will meet even more stringent demands such, for example, as those revealed by vastly improved pick-ups, tuners, loudspeakers, etc., all of which can prove merciless to an indifferent amplifier system. I.L.P. modules are for laboratory and other specialised applications too.

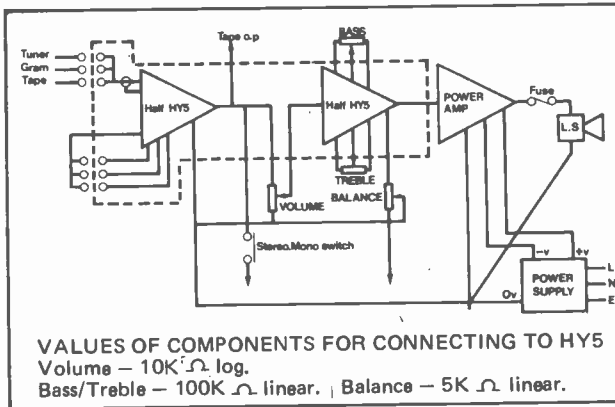
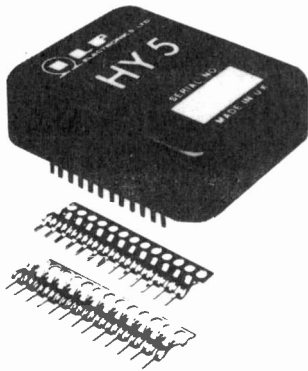
**PRODUCTS OF THE WORLD'S FOREMOST SPECIALISTS  
IN ELECTRONIC MODULAR DESIGN**

*ALSO AVAILABLE FROM A NUMBER OF SELECTED APPOINTED STOCKISTS*

# and staying there

## PERFORMANCE MODULAR UNITS

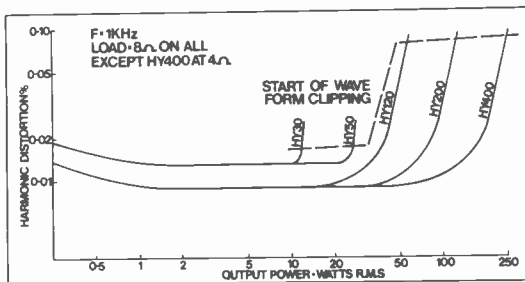
### HY5 PRE-AMPLIFIER



The HY5 pre-amp is compatible with all I.L.P. amplifiers and P.S.U.'s. It is contained within a single pack 50 x 40 x 15 mm. and provides multi-function equalisation for Magnetic/Ceramic/Tuner/Mic and Aux (Tape) inputs, all with high overload margins. Active tone control circuits; 500 mV out. Distortion at 1KHz—0.01%. Special strips are provided for connecting external pots and switching systems as required. Two HY5's connect easily in stereo. With easy to follow instructions.

£4.64 + 74p VAT

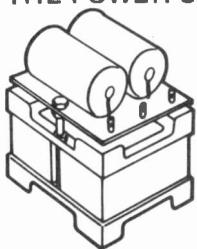
### THE POWER AMPLIFIERS



| Model | Output Power R.M.S. into $8\ \Omega$ | Distortion Typical at 1KHz | Minimum Signal/Noise Ratio | Power Supply Voltage | Size in mm | Weight in gms | Price + V.A.T. |
|-------|--------------------------------------|----------------------------|----------------------------|----------------------|------------|---------------|----------------|
| HY30  | 15 W                                 | 0.02%                      | 80dB                       | -20 -0- +20          | 105x50x25  | 155           | £6.34 + 95p    |
| HY50  | 30 W                                 | 0.02%                      | 90dB                       | -25 -0- +25          | 105x50x25  | 155           | £7.24 + £1.09  |
| HY120 | 60 W                                 | 0.01%                      | 100dB                      | -35 -0- +35          | 114x50x85  | 575           | £15.20 + £2.28 |
| HY200 | 120 W                                | 0.01%                      | 100dB                      | -45 -0- +45          | 114x50x85  | 575           | £18.44 + £2.77 |
| HY400 | 240 W                                | 0.01%                      | 100dB                      | -45 -0- +45          | 114x100x85 | 1.15Kg        | £27.68 + £4.15 |

Load impedance — all models  $4 - 16\ \Omega$   
 Input sensitivity — all models 500 mV  
 Input impedance — all models  $100K\ \Omega$   
 Frequency response — all models 10Hz - 45Hz - 3dB

### THE POWER SUPPLY UNITS



I.L.P. Power Supply Units are designed specifically for use with our power amplifiers and are in two basic forms — one with circuit panel mounted on conventionally styled transformer, the other with toroidal transformer, having half the weight and height of conventional laminated types.

|        |   |                    |
|--------|---|--------------------|
| PSU 30 | $\pm 15V$ at 100ma to drive up to five HY5 pre-amps | £4.50 + £0.68 VAT  |
| PSU 36 | for 1 or 2 HY30's                                   | £8.10 + £1.22 VAT  |
| PSU 50 | for 1 or 2 HY50's                                   | £8.10 + £1.22 VAT  |
| PSU 70 | with toroidal transformer for 1 or 2 HY120's        | £13.61 + £2.04 VAT |
| PSU 90 | with toroidal transformer for 1 HY200               | £13.61 + £2.04 VAT |
| PSU180 | with toroidal transformer for 1 HY400 or 2 x HY200  | £23.02 + £3.45 VAT |

**NO QUIBBLE  
 5 YEAR GUARANTEE  
 7-DAY DESPATCH ON  
 ALL ORDERS  
 INTEGRAL  
 HEATSINKS  
 BRITISH DESIGN AND  
 MANUFACTURE  
 FREEPOST SERVICE  
 —see below**

### ★ ALL U.K. ORDERS DESPATCHED POST PAID HOW TO ORDER, USING FREEPOST SYSTEM

Simply fill in order coupon with payment or credit card instructions. Post to address as below but do not stamp envelope — we pay postage on all letters sent to us by readers of this journal.

**I.L.P.**  
**ELECTRONICS LTD.**  
 FREEPOST 4 Graham Bell House, Roper Close,  
 Canterbury, Kent CT2 7EP.  
 Telephone (0227) 54778 Telex 965780

Please supply .....

..... Total purchase price £.....

I enclose Cheque  Postal Orders  International Money Order

Please debit my Account/Barclaycard Account No. ....

NAME .....

ADDRESS .....

Signature .....



# RAVEN ON...

## Dave Raven looks at the High Street discount war and suggests how you can spend £2500

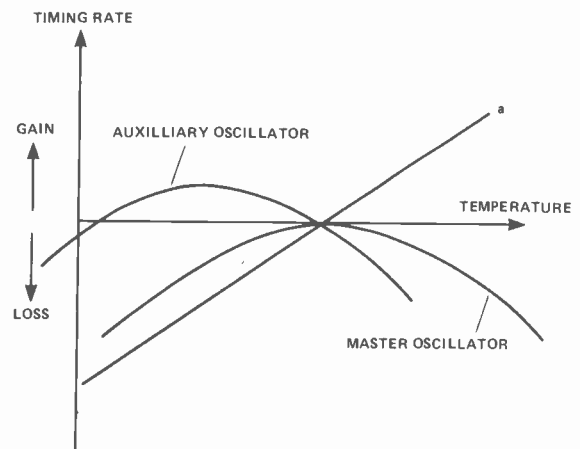
**H**igh street discounting is not a topic we normally discuss in the annals of a high technology magazine.

However, it does have a special relevance to ETI, since we are not against a bit of discount, but more important, the discounting of electronic goods is directly related to the subject of high technology. With 17% inflation, in what other field can you predict with confidence that prices of certain manufactured goods will fall. This ironic contradiction of market forces is brought about by the rapid development of micro-chip technology. Products which contained two components are quickly reduced to one, assembly operations are halved producing double the output, which effectively reduces the price.

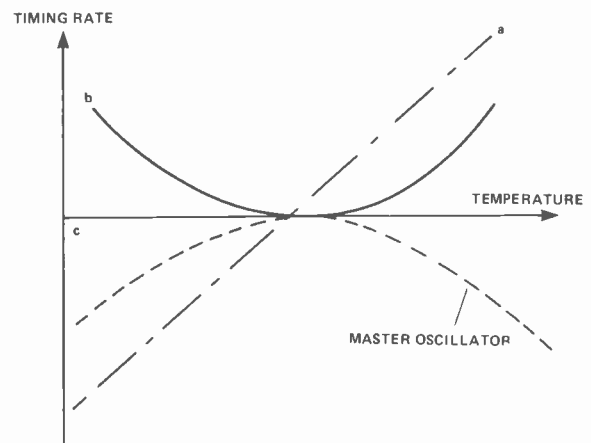
This is clearly very confusing to consumers of these goods, but conserve your energy worrying about it, since the customer is on a winner. The man to spare a thought for is your local High Street retailer of electrical goods and, of course, the local jeweller. Cast your mind back to 1964 before the end of retail price maintenance. For years it was simple to place an order with a firm of reputable wholesalers who promptly deliver a mixed variety of stock items which are marked up with the usual standard profit margin and proudly displayed in the window, end of selling job. Customers came streaming in, picked up the goods and paid him his profit, thank you kindly. No point in the customer shopping around, since everything costs the same in all the shops.

Then, at a stroke, Mr Heath removed retail price maintenance, making it illegal for a manufacturer to dictate at what price his goods must be sold. In addition, our membership of the common market introduced further legislation forbidding any form of price rigging by a manufacturer. This resulted in one recent case where a company was fined nearly £200,000 by the EEC for its part in a breach of these regulations.

The effect of discounting on small traders was severe. However, they were afforded some protection by manufacturers who have blatantly broken the laws, but now, in addition to the normal type of discounting which usually works by operating on a smaller profit margin, cutting out the wholesale operation and going for a high turnover, we have the introduction of a fast moving technology which causes discounting of a new kind. This threat protects no one including the large multiple suppliers, as it takes them so long to select a product and



**Fig. 1.** The difference in oscillating frequency between the master oscillator and auxiliary oscillator is computed line (a).



**Fig. 2.** The straight line (a) obtained by computation is squared and compensated for through a microprocessor in the circuit curve (b). The sum of curve (b) and the characteristic curve for the master oscillator is computed to form a straight line, which is not affected by temperature change.

promote it. Also, their buyers are not up to date with the technological changes. We now have a situation whereby the large chain stores who have grown to fame on the bulk purchase of items which are then distributed throughout their retail outlets, suddenly find that the electronic clock, watch, TV game, etc. selected for promotion in May or June is out of date and over priced by Christmas.

The effect of this during Christmas 1979 was clear to see. Apart from brand leaders such as Casio in the watch field there was little choice in the multiple stores. The shops that I did see selling unknown brands of electronic watches were grossly over priced and the product was out of date. It is obvious that buyers have been very cautious in their purchases of electronic products, probably hoping that soon there will be some sort of price stability.

The future for the small retailer in all of this looks very bleak. First he suffers a loss of trade due to discounting and now he suffers further losses because his wholesaler supplies him with out of date products at too high a price. The only way around this one, I am afraid, is for him to get his jacket off and run round to the wholesaler/importer and see what is going on. Probably he should travel wider for his purchases (even to Hong Kong if necessary).

For the big retail chain more misery is on the horizon, since the price rigging and cartel type operations which have been in existence are soon to crumble. The relevant government department has already invited companies which practice discounting such as Argos, Comet and Tesco to submit evidence of manufacturers that are refusing to supply them, because they discount. With an impending retail trade depression it seems certain that big battles lie ahead in the High Street and of course Mr. Consumer is smiling all the way to the Bank.

The loss of small local dealers for consumer electronic goods is obviously not to be welcomed, since their small size and flexibility usually provides an efficient after-sales service. In the case of jewellers selling quartz watches I think they have already shown that these are not suitable places from which to buy. Their profit margins are much too high for a product which thrives on low profit margin and a fast turnover. The servicing is minimum and a central service centre can service a large group of stores very efficiently and batteries, etc. can always be fitted at local level.

To try and forecast the future for the retail trade in consumer electronics is not easy, but it looks certain that the large multiple stores will have to look closely at their buying methods and probably work closer with the very companies that are setting the price structure for micro-chip goods in the UK.

One company I know, whose name I would not divulge even if you inserted hot watch batteries up my nails, has increased its turnover by 20 times in three years and is all set to start discounting on the discount, so watch out Woolies.

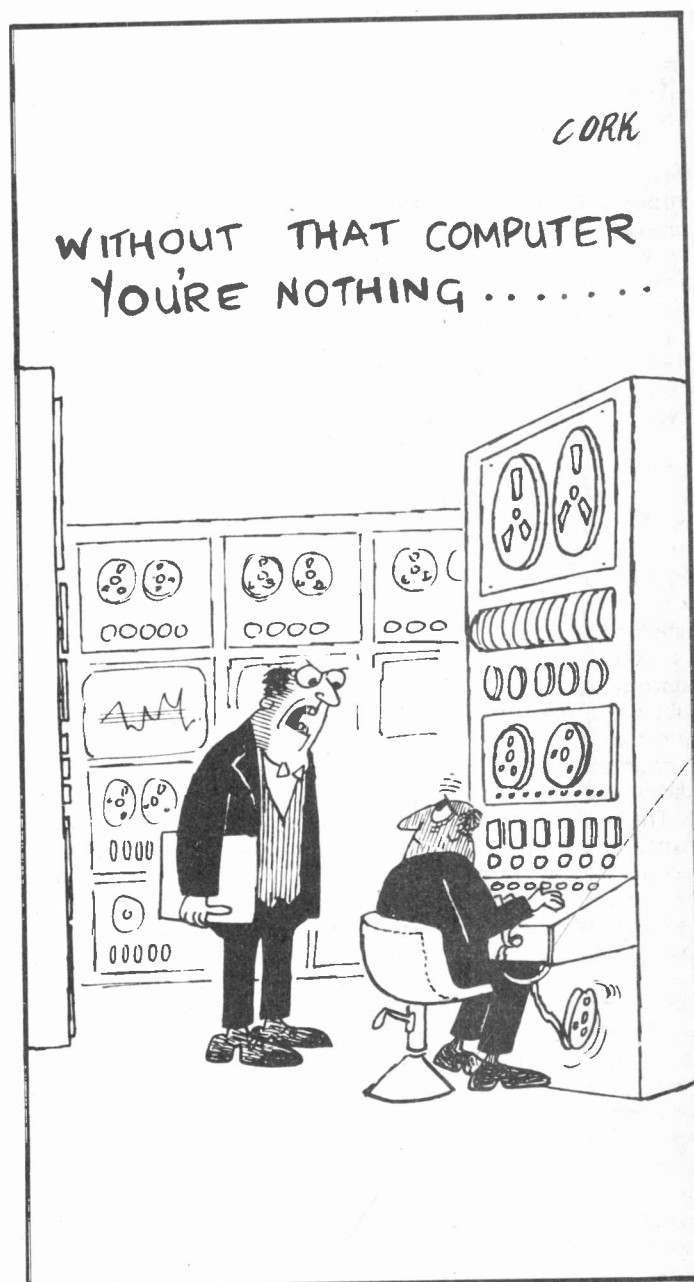
## Slimming Time

If you are not worried by the news that the Japanese are predicted to be big in making aero engines then you should be, since that is about the last major piece of technology we are still any good at. In addition to this, the sight of the latest Seiko version of an electronic watch is enough to make you give up and go home if you happen to be a watch designer. Styled in their usual superb way, these latest slimline models are as thin as some watch bracelets, which makes them look almost tasty enough to eat, let alone wear

on your wrist. The 18 carat gold digital man's watch measures a total of 1.79mm in thickness overall. The watch module is a mere 1.38mm thick including battery.

The analogue version is 18 carat gold and also only 1.79mm thick overall. The price for both models is slightly thicker than average, a real snip at £2500 each. Accuracy of Seiko watches has been improved using a traditional electronic technique of twin quartz oscillators for a temperature compensating circuit. The pair of crystal oscillators have different temperature characteristics and each of the crystal oscillators are oscillating independently. The temperature change is detected and this is then compensated for using a microprocessor which in turn corrects the watch accuracy, thus achieving an approximate accuracy of plus or minus 10 seconds a year.

ETI



## HAND HELD GAMES

|                                |        |
|--------------------------------|--------|
| Mattel Space Alert             | £15.90 |
| Mattel Auto Race               | £15.90 |
| Mattel Soccer                  | £21.50 |
| ENTERPRISE 4 in 1              | £24.95 |
| 3 Games and calculator in one  |        |
| Electronic Mastermind          | £12.90 |
| U.F.O. Master Blaster          | £24.95 |
| Amaze-A-Tron maze game         | £18.95 |
| Touch Me by ATARI (like Simon) | £26.95 |
| Football (two players)         | £24.95 |
| ZAP missile game               | £11.95 |
| DIGITS (like Mastermind)       | £14.95 |
| DESTROYER                      | £16.95 |

**ALL GAMES HAVE SOUND EFFECTS EXCEPT MATERMIND AND DIGITS**

## The latest from the U.S.A. PINBALL WIZARD

★ Still available ★  
Featured in Nov. issue of E.T.I.  
Home TV Game — B/W Kit

Basic Kit **£28.90**  
Contains everything except box and controls

Box & Controls — **£6.50**, Mains Adaptor — **£3.90**

Play 7 games with 4 options on each game

4-Pinball games 2-Basket, 1-Breakout

Versatile car alarm kit **£18.90**

See review in Hobby Electronics November

CHROMA CHIME 24 tune door chimes kit **£10.50** Built **£15.95**

C.B. Aerials and Accessories

## CHESS COMPUTERS ETC.

|                           |                    |
|---------------------------|--------------------|
| STAR CHESS T/V Game       | £63.35             |
| DATABASE Prog. T/V Game   |                    |
|                           | <b>NEW £89.95</b>  |
| CHESS CHAMPION 6 Level    | £54.95             |
| CHESSMATE 8 Level         | <b>NEW £59.95</b>  |
| CHESS CHALLENGER 7        | £99.00             |
| CHESS CHALLENGER 10       | £160.00            |
| VOICE CHALLENGER          | <b>NEW £230.00</b> |
| BRIDGE CHALLENGER         | <b>NEW £290.00</b> |
| CHECKER CHALLENGER 2      | £54.00             |
| CHECKER CHALLENGER 4      | £90.00             |
| ATARI Video Computer      | £159.00            |
| ZODIAC Astrology Computer |                    |
|                           | <b>NEW £34.95</b>  |

Selection of Commodore Watches & Calculators

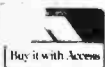
## COMPUTERS — Home, Business etc.

|                      |         |
|----------------------|---------|
| PET 8K               | £632.00 |
| PET 16K New Keyboard | £776.00 |
| SORCERER 8K          | £747.50 |
| SORCERER 16K         | £874.00 |
| SORCERER 32K         | £987.75 |
| SUPERBOARD II 4K     | £216.20 |
| UK101 Kit 4K         | £228.85 |
| Built 4K             | £286.35 |
| NASCOM 1 Kit         | £189.75 |
| 1 Built              | £247.25 |
| NASCOM 2 Kit         | £339.25 |
| 2 Built              | £396.75 |
| HEATH WH89           | £P.O.A. |

Keyboard, VDU, Floppy Disc, 16K all in one

PRINTERS: FLOPPY DISC: BOOKS

S.a.e. Enquiries. Please allow up to 21 days for delivery



# N.I.C

61 BROAD LANE, LONDON N.15 4DJ  
Day 01-808 0377; Eve 01-889 9736



## BUILD YOUR OWN METAL DETECTOR

VLF/TR VCO/TR IB/TR BFO...

Pre-aligned search heads — test equipment not required. Literature available in return for SAE. Manuals and parts sold separately: write or phone for price. Export welcome: write for quote.



**Shadow VLF/TR.** The worlds most advanced metal detector in kit form. Full discrimination; rejects nails, bottle caps, Aluminium foil and ring pull tabs! Full ground effect exclusion over normal or high permeability soils. 4 modes — deepseeking VLF plus 3 TR discriminating ranges! Instant tuning recall via push button memory circuit. Variable sensitivity and volume controls. Built-in speaker, headset jack, and meter for discrimination and battery check functions. Long life from inexpensive batteries. Fully adjustable shaft, length and head angle. Waterproof head, capacitive and thermally shielded. Complete kit as described in ETI. **Only £85 + VAT** (post & pkg. £1.50).

**Shadow TR/1B**

Hardware only. Shell, S/Head, PCB, Case **£44 + VAT** (post & pkg. £1.50)

**FREE FOR PURCHASERS OF COMPLETE KIT:** Details and parts for extra switched function which sounds the tone for good & bad or just good finds when in discriminating mode!

**Shadow TR/1B** (illustrated). A true transmit receive/induction balance detector at a budget price for anyone who doesn't need discrimination. Waterproof and thermally insulated search head. Good sensitivity. Built-in speaker and headset jack. **Complete kit £25 + VAT** (post & Pkg. £1.50).

**Shadow TR/VCO.** An advanced version of the TR/1B. Use as a sensitive IB machine or switch to VCO mode when the sound changes to a varying pitch, allowing easier use over mineralised ground and enabling detection of negative, high permeability anomalies. **Kit price £29 + VAT** (post £1.50).

**Matching stereo headphones for all Shadow models £4.90 + VAT** (post paid).

**Beginners BFO model.** A very detailed assembly manual and pre-wound coils make this an ideal first project. Simple high efficiency circuit. Full size (Not a toy) but weighs only 300gms (10.5oz) with battery! **FREE STETHOSCOPE HEADSET** with every order. **ALT3 kit: £12 + VAT** (post £1.50) Padded high Z headphones **£4.50 + VAT** (post paid).

**Shell Kit.** Consists of the (hard to find) hardware items, for detectors of your own design. Fully adjustable shaft with handle, search head mouldings (int. diam. 185mm) with hinge assembly, special clips to mount your own control housing (any box is suitable). Completely non-metallic and undrilled. With assembly instructions **£8.25 + VAT** (post £1.50).

# ALTEK

(ETI), 1 Green Lane  
Watton-on-Thames Surrey

Order by post or phone (24 hours). Access & Visa Cards quote number. Callers by appointment only please. **Phone (093 22) 44110** anytime!

# The NEW Marshall's 79/80 catalogue is just full of components

and that's not all...

... our new catalogue is bigger and better than ever. Within its 60 pages are details and prices of the complete range of components and accessories available from Marshall's.

These include Audio Amps, Connectors, Boxes, Cases, Bridge Rectifiers, Cables, Capacitors, Crystals, Diacs, Diodes, Displays, Heatsinks, ICs, Knobs, LEDs, Multimeters, Plugs, Sockets, Pots, Publications, Relays, Resistors, Soldering Equipment, Thyristors, Transistors, Transformers, Voltage Regulators, etc., etc.

Plus details of the NEW Marshall's 'budget' Credit Card. We are the first UK component retailer to offer our customers our own credit card facility.

Plus — Twin postage paid order forms to facilitate speedy ordering.

Plus — Many new products and data.

Plus 100's of prices cut on our popular lines including ICs, Transistors, Resistors and many more.

If you need components you need the new Marshall's Catalogue.

Available by post 65p post paid from **Marshall's, Kingsgate House, Kingsgate Place, London NW6 4TA**. Also available from any branch to callers 50p.



Retail Sales: London: 40 Cricklawood Broadway, NW2 3ET. Tel: 01-452 0161/2. Also 325 Edgware Road, W2. Tel: 01-723 4242. Glasgow: 85 West Regent Street, G2 2QD. Tel: 041-332 4133. And Bristol: 108A Stokes Croft, Bristol. Tel: 0272 426801/2.



**Next  
Month**

# Hobby Electronics

## MOBILE MICROELECTRONICS



We have managed to "persuade" one of the country's leading motoring journalists into writing a feature for us. He will be taking a look at the impact electronics has been making on the world of automotive engineering and some of the advances we can expect in the next few years.

Already we have cars (if you can afford them) like the Aston Martin Lagonda that are almost completely computer controlled, is this the shape of cars to come? We think so, find out all about it next month.

## SHORT WAVE RADIO

Have you ever wondered why there are so few designs around for really simple SW radios? We think it's because most designers are a bit afraid of RF circuitry. After all digital equipment is so easy to design, most of the hard work has already been done by the IC designer.

So, we at HE have girded the loins, put our noses to the grindstone and come up with a really first-class design for a SW radio. We won't promise it'll cover 27 MHz (after all, there's not much to listen to, is there?) on the other hand it just might. Miss next month's copy and you will never know.

## PETTING IT TOGETHER



Rick Maybury's latest report from the west coast of America comes from the Commodore factory in Silicon Valley California where the famous PET computer is assembled. The PET is probably the best known of all the minicomputer systems and Commodore have lost no time in carving out for themselves a very large slice of the market, find out why next month.

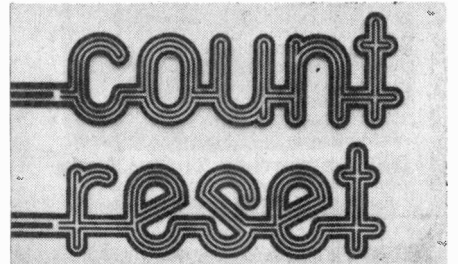
## 25 WATT MODULE

Here we have Keith Brindley putting the finishing touches to the prototype of the 25 Watt modular Amplifier for next month's HE. The final design will be built on a PCB and should set a new standard in medium power amplifiers. This project should be ideal for use in a home-built stereo system. Although we haven't published a purpose-built pre-amp it will happily work alongside the Tantrum pre-amp and virtually any other design, depending of course how far you want to go.

By using readily available components it should cost appreciably less than the commercial modules on the market.

To save you the trouble of finding a suitable PSU design we are publishing one designed for the job.

## TOUCH SWITCH

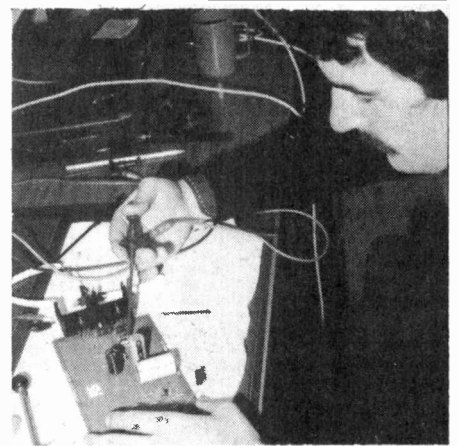


How would the world of amateur electronics exist without the ubiquitous touch switch? How have we got the nerve to publish another? Simple, they are easy to build and are a really great introduction to electronics.

Add a touch of class to your projects with next month's super design. Featuring novel circuitry and using only two inexpensive ICs with genuine capacitive operation we feel sure this one is going to be a winner. Ten channels are available and any one may be selected under fingertip control. Full constructional details next month. We know that you won't want to miss it.

## PSU MODULE

To complement the 25 watt power amplifier module we have designed a purpose-built PSU. The power supply to be described next month will happily drive two 25 watt modules (with some to spare) and will still be relatively cheap and easy to build.



# The March issue will be on sale February 8th

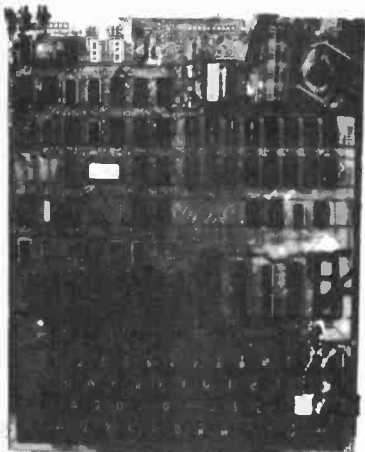
The items mentioned here are those planned but circumstances may affect the actual contents

# CHROMASONIC electronics

56 FORTIS GREEN ROAD MUSWELL HILL LONDON N10 3HN  
TELEPHONE 01-883 3705 01-883 2289

*your soundest connection in the world of components*

**EXTRA  
4K MEMORY  
8 x 2114  
ONLY  
£35 + VAT**



**Demonstration At Our Shop  
(enter through stationers)**

**NOW AVAILABLE  
Low cost computer in kit form**

## UK101

**NO EXTRAS NEEDED  
SIMPLY HIT  
'RETURN' AND GO**

As seen in  
P.E.

August to November '79

Kit price  
only **£199 + VAT**

**AVAILABLE SOON  
COLOUR ADD-ON CARD**

Enables you to choose your foreground, the background colour anywhere on the screen. Flash any character on the screen at will. Full documentation and parts in kit form. Phone for details.

### STOP PRESS

The latest edition of our 'STOP PRESS' is now available, and contains an up-to-date price list showing all the items that we stock. Just send an S.A.E. or phone for your FREE copy. Our catalogue is still available and if you're one of the few who haven't got a copy, order your FREE copy today.

| Dynamic RAMS           |        | Interface                   |      | PLUS Superboard II only £188 + VAT |      | LS series |       | 74LS125 |      | 74LS279 |      |         |      |
|------------------------|--------|-----------------------------|------|------------------------------------|------|-----------|-------|---------|------|---------|------|---------|------|
| 4027                   | £ 3.01 | B205                        | 3.00 | LM3065N                            | 1.50 | SN76680N  | 0.75  | 74LS00  | 0.12 | 74LS126 | 0.36 | 74LS283 | 1.09 |
| 4050 (200ns)           | 2.80   | B212                        | 2.00 | LM3900N                            | 0.80 | SN76666N  | 0.75  | 74LS01  | 0.12 | 74LS132 | 0.60 | 74LS289 | 4.50 |
| 4050 (350ns)           | 2.35   | B216                        | 2.08 | LM3905N                            | 1.00 | TAA263    | 2.20  | 74LS02  | 0.14 | 74LS133 | 0.39 | 74LS290 | 0.91 |
| 4060 (300ns)           | 2.39   | B224                        | 2.77 | LM3909N                            | 0.88 | TAA320A   | 0.50  | 74LS03  | 0.14 | 74LS136 | 0.36 | 74LS293 | 0.91 |
| 4116                   | 6.74   | B228                        | 4.13 | LM3911N                            | 1.10 | TBA120S   | 0.70  | 74LS04  | 0.16 | 74LS138 | 0.58 | 74LS296 | 1.30 |
| <b>Static RAMS</b>     |        | B251                        | 5.00 | MC1312P                            | 1.85 | TBA540Q   | 1.80  | 74LS05  | 0.19 | 74LS139 | 0.58 | 74LS298 | 1.16 |
| 2102A                  | 1.18   | B253                        | 6.93 | MC1314P                            | 3.35 | TBA560Q   | 1.80  | 74LS08  | 0.18 | 74LS145 | 0.87 | 74LS348 | 1.39 |
| 2102A-2                | 1.18   | B255                        | 5.08 | MC1315P                            | 5.80 | TBA560Q   | 3.75  | 74LS09  | 0.18 | 74LS161 | 0.81 | 74LS352 | 1.04 |
| 2111A-1                | 1.70   | <b>Baud Rate Generators</b> |      | MC1327P                            | 0.95 | TBA651    | 1.80  | 74LS09  | 0.18 | 74LS163 | 0.52 | 74LS363 | 0.92 |
| 2112A-2                | 1.83   | MC14411                     | 5.87 | MC1330P                            | 1.00 | TBA750Q   | 2.84  | 74LS10  | 0.18 | 74LS154 | 1.30 | 74LS362 | 4.21 |
| 2112A-2                | 1.83   | MM5307                      | 9.38 | MC1350P                            | 1.20 | TBA800    | 0.83  | 74LS12  | 0.18 | 74LS156 | 0.72 | 74LS365 | 0.47 |
| 21L02                  | 1.16   | <b>UARTS</b>                |      | MC1351P                            | 1.20 | TBA810S   | 1.10  | 74LS13  | 0.37 | 74LS166 | 0.72 | 74LS366 | 0.47 |
| 2114                   | 5.17   | AY-5-1013                   | 3.65 | MC1352P                            | 1.35 | TBA810AS  | 0.80  | 74LS14  | 0.85 | 74LS167 | 0.57 | 74LS367 | 0.47 |
| 4035 (1000ns)          | 1.07   | MM5303                      | 5.04 | MC1375P                            | 1.73 | TBA820    | 0.70  | 74LS15  | 0.18 | 74LS158 | 0.57 | 74LS368 | 0.47 |
| 4045 (260ns)           | 6.15   | TMS6011NC                   | 4.30 | MC1445L                            | 2.95 | TBA920Q   | 1.75  | 74LS16  | 0.18 | 74LS159 | 1.09 | 74LS373 | 0.78 |
| 5257 (TMS4044)         | 8.93   |                             |      | MC1456CG                           | 1.75 | TBA990Q   | 1.50  | 74LS18  | 0.18 | 74LS160 | 1.09 | 74LS376 | 0.36 |
| 6810                   | 3.03   |                             |      | MC1458CP1                          | 0.48 | TCA270Q   | 1.00  | 74LS20  | 0.18 | 74LS162 | 1.16 | 74LS393 | 0.84 |
| <b>ROMS</b>            |        |                             |      | MC1495L                            | 5.98 | TCA730    | 3.97  | 74LS22  | 0.18 | 74LS163 | 0.89 | 74LS668 | 1.17 |
| 2513 (U.C.)            | 6.25   |                             |      | MC1498P                            | 0.75 | TCA740    | 3.97  | 74LS27  | 0.18 | 74LS164 | 1.06 | 74LS670 | 1.71 |
| 2513 (L.C.)            | 6.25   |                             |      | MC1302P                            | 0.85 | TCA940    | 1.60  | 74LS28  | 0.18 | 74LS166 | 0.72 |         |      |
| MM5230                 | 4.62   |                             |      | MC3340P                            | 1.20 | TDA1054   | 1.20  | 74LS29  | 0.18 | 74LS168 | 1.65 |         |      |
| <b>CPU</b>             |        |                             |      | MEM780                             | 2.48 | TDA1327   | 0.95  | 74LS30  | 0.26 | 74LS169 | 1.71 |         |      |
| 6800                   | 6.01   |                             |      | NE531N                             | 1.00 | TDA1352   | 1.35  | 74LS32  | 0.26 | 74LS170 | 1.72 |         |      |
| 8080                   | 5.08   |                             |      | NE540L                             | 2.97 | TDA2020   | 3.20  | 74LS33  | 0.23 | 74LS173 | 0.81 |         |      |
| 9900                   | 28.05  |                             |      | NE563N                             | 0.22 | TLO72CP   | 0.95  | 74LS37  | 0.23 | 74LS174 | 0.97 |         |      |
| Z80                    | 9.00   |                             |      | NE566N                             | 0.80 | TLO74CN   | 1.50  | 74LS38  | 0.23 | 74LS175 | 0.97 |         |      |
| 6502                   | 9.50   |                             |      | NE568N                             | 3.25 | TLO81CP   | 0.45  | 74LS39  | 0.18 | 74LS176 | 0.88 |         |      |
| <b>E-PROMS</b>         |        |                             |      | NE568N                             | 3.95 | TLO82CP   | 0.95  | 74LS40  | 0.18 | 74LS177 | 0.97 |         |      |
| 1702AQ                 | 5.16   |                             |      | NE568N                             | 1.10 | TLO83CP   | 1.05  | 74LS42  | 0.18 | 74LS178 | 0.88 |         |      |
| 2708                   | 6.25   |                             |      | NE568N                             | 1.20 | TLO84CN   | 1.15  | 74LS44  | 0.18 | 74LS179 | 0.88 |         |      |
| 2716                   | 24.00  |                             |      | NE568N                             | 1.35 | TLO84CN   | 1.15  | 74LS47  | 0.81 | 74LS181 | 2.77 |         |      |
| <b>T.V. Controller</b> |        |                             |      | NE568N                             | 1.20 | UAA170    | 1.98  | 74LS48  | 0.81 | 74LS182 | 1.04 |         |      |
| SFF98364               | 14.59  |                             |      | NE568N                             | 1.35 | UAA180    | 1.98  | 74LS49  | 0.81 | 74LS183 | 0.44 |         |      |
| <b>Buffers</b>         |        |                             |      | NE568N                             | 3.40 | ZN404     | 0.80  | 74LS99  | 0.81 | 74LS188 | 0.44 |         |      |
| 74365                  | 0.52   |                             |      | NE568N                             | 4.65 | ZN414     | 0.80  | 74LS99  | 0.81 | 74LS189 | 2.08 |         |      |
| 74366                  | 0.52   |                             |      | NE568N                             | 1.90 | ZN417E    | 1.90  | 74LS99  | 0.81 | 74LS190 | 0.88 |         |      |
| 74367                  | 0.52   |                             |      | NE568N                             | 2.90 | ZN423T    | 1.05  | 74LS99  | 0.81 | 74LS191 | 0.88 |         |      |
| 74368                  | 0.52   |                             |      | NE568N                             | 2.98 | ZN424E    | 1.15  | 74LS99  | 0.81 | 74LS192 | 1.04 |         |      |
| 81LS95                 | 0.86   |                             |      | NE568N                             | 0.75 | ZN424P    | 0.80  | 74LS99  | 0.81 | 74LS193 | 1.04 |         |      |
| 81LS96                 | 0.70   |                             |      | NE568N                             | 0.85 | ZN425E    | 3.75  | 74LS99  | 0.81 | 74LS194 | 0.86 |         |      |
| 81LS97                 | 0.88   |                             |      | NE568N                             | 0.95 | ZN458A    | 1.35  | 74LS99  | 0.81 | 74LS195 | 0.97 |         |      |
| 81LS98                 | 0.70   |                             |      | NE568N                             | 1.98 | ZN459CP   | 2.73  | 74LS99  | 0.81 | 74LS196 | 0.97 |         |      |
| 8T26                   | 1.90   |                             |      | NE568N                             | 1.40 | ZN1034E   | 1.90  | 74LS107 | 0.32 | 74LS197 | 0.97 |         |      |
| 8T28                   | 1.90   |                             |      | NE568N                             | 1.40 | ZN1040E   | 6.85  | 74LS109 | 0.32 | 74LS198 | 0.97 |         |      |
| 8T95                   | 1.57   |                             |      | NE568N                             | 1.30 | ZN1068E   | 5.85  | 74LS112 | 0.32 | 74LS221 | 0.92 |         |      |
| 8T96                   | 1.57   |                             |      | NE568N                             | 1.80 | ZNA116E   | 4.95  | 74LS113 | 0.32 | 74LS242 | 2.08 |         |      |
| 8T97                   | 1.57   |                             |      | NE568N                             | 2.00 | ZNA134J   | 26.95 | 74LS114 | 0.32 | 74LS243 | 2.08 |         |      |
| 8T98                   | 1.57   |                             |      | NE568N                             | 1.85 |           |       | 74LS122 | 0.69 | 74LS246 | 2.80 |         |      |
|                        |        |                             |      | NE568N                             | 1.25 |           |       | 74LS123 | 0.72 | 74LS247 | 2.08 |         |      |
|                        |        |                             |      |                                    |      |           |       | 74LS124 | 1.39 | 74LS248 | 1.09 |         |      |
|                        |        |                             |      |                                    |      |           |       |         |      | 74LS249 | 1.09 |         |      |
|                        |        |                             |      |                                    |      |           |       |         |      | 74LS253 | 0.92 |         |      |
|                        |        |                             |      |                                    |      |           |       |         |      | 74LS257 | 0.92 |         |      |
|                        |        |                             |      |                                    |      |           |       |         |      | 74LS258 | 0.92 |         |      |
|                        |        |                             |      |                                    |      |           |       |         |      | 74LS261 | 1.39 |         |      |
|                        |        |                             |      |                                    |      |           |       |         |      | 74LS266 | 4.50 |         |      |
|                        |        |                             |      |                                    |      |           |       |         |      | 74LS268 | 0.37 |         |      |
|                        |        |                             |      |                                    |      |           |       |         |      | 74LS273 | 1.70 |         |      |

**8 x 4116**  
only  
**£49.50**  
+ VAT

**21L02**  
**8 for**  
**£8.50**

**16 for**  
**£14.50**

**32 for**  
**£26.50**

**64 for**  
**£49.50**  
All excluding VAT

All prices are EXCLUSIVE OF VAT. Postage and packing 30p (computers charged at cost). CALLERS WELCOME. Hours 9.00 am-6.00 pm (enter through stationers). TRADE and EXPORT inquiries welcome. Phone your orders through our ORDER-RING line quoting your Access or Barclaycard number (Min. tel order £5).



# AUDIOPHILE

## Ron Harris brandishes his safety raiser at a dust bug and has news for Audiophile Amp fiddlers

**T**is a strange thing but the higher quality record deck you have, the more attention needs to be lavished upon it to keep it happy and operating. Not for the *real* hi-fi enthusiast the arm that raises itself from the groove after a hard side's tracking, thus liberating the ear from the repetitive click with which all composers, modern or baroque, somehow seemed to end every recorded piece. Oh no, it's not that easy.

It is only, apparently, upon the semi or totally automatic machines which populate the foothills surrounding peak-fi that such cantilever bending mechanisms are to be found. To be sure in the past couple of years' operation has moved ever more toward a gentleness suitable for the most compliant of stylus carriers.

Alas, though, noses still head rapidly skyward at a sniff of automation.

Not that there have not been devices marketed to add a refined touch of convenience to the first division decks before. There have. Never successfully enough, though. Anyway, wanting both my cake and digestion of it, I purchased myself the latest of this line, the Audio Technica "Safety Raiser".

Before we go ANY further, I absolutely refuse to make so much as a single pun around that name. Whatever blade at AT thought it up can keep his giggles to himself! I will simply applaud the sharp edge of his wit.

With anything resembling justice this beautifully engineered little device would sell a million. It looks superb and the action is so smooth and gentle that even the most hidebound purist must begin to question the value of listening to the run-out groove.

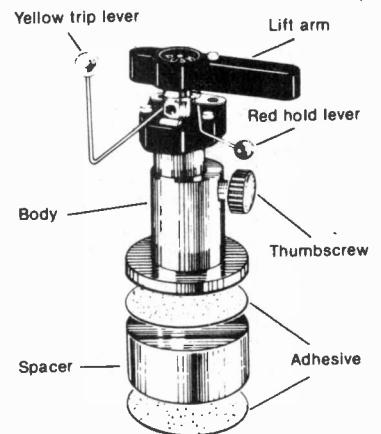
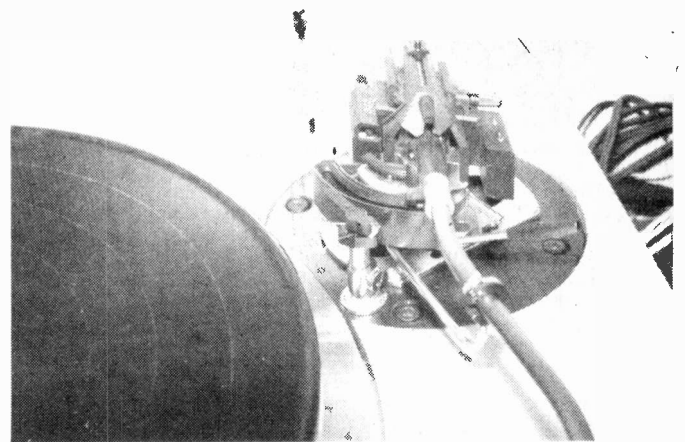
### Lift-off

The trip lever is positioned so that it lies in the path of the pickup arm as it swings across at the end of the side. Once touched it leaps back out of the way, magnetically releasing the damped action platform to rise up and take the stylus away from all this, so to speak.

The required force on the trip lever to achieve this is so minute that it could not possibly be said to interfere with the arm anymore than would a passing butterfly breathing on it. Before fitting it I spent a good half-hour with the thing in the middle of my desk trying to touch the trip lever, without triggering the arm lift.

One thing's for sure — I ain't no butterfly, passing or otherwise. A big kid maybe, but butterfly no. Ah well, mine is not to do and fly . . .

In use the Raiser is a delight, although positioning it could prove a problem in some cases. I had a devil of a time persuading it to sit under an SME I I I such that it avoided the edge of the turntable, but reached the arm when it went for it.

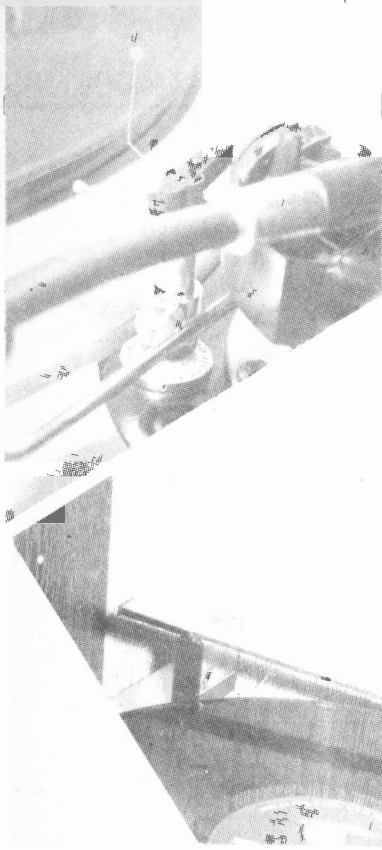


The little safety raiser in situ, i.e. stuck under the SME III, and what all the bits are for! The yellow lever is the one which the arm contacts on its way across the LP, thus triggering the action.

The height adjustment must be tightened up solidly, since you have to push the platform down after every operation and if you haven't tightened the screw enough . . .

Anyway, it's not often you can spend as little (circa £11) on the hi-fi and get such a welcome return. After all — admit it, oh ye followers of the holy musicality, there are times when you simply *cannot* get to the deck at once — aren't there?

No? Hmm . . . you're more dedicated to this hobby than I thought. Didn't Daddy ever take you aside for a little talk . . . ? ▶



Left: the Raiser awaiting its prey!

Right: circuit diagram of the low impedance driver circuit for the Audiophile Amp.

Above: the Decca record brush in action. Note the earthing wire snaking away in the background.

## Brush Up On Carbon

While I was meandering around the local audio emporium in search of the Raiser, I promised myself I'd finally replace my ageing Dust Bug — which is now so old it has a good claim to have kept the Magna Carta records clean.

After a deal of bewilderment in the face of the veritable horde of appliances vended to trail a brush across an LP, I settled on the Decca version as potentially the most useful.

Despite the varying claims for all these contraptions, their aim is usually identical. The purpose *should* be to sweep the grooves just ahead of the stylus, picking out any debris lurking therein to prevent it gathering around the diamond and suffocating its tracking ability.

Decca claim a static removal ability too, as do droves of the others. The bristles of the brush are conductive carbon fibre and an earth return lead is provided to attach to the deck earth. The scheme is that any local static charge will be grounded by the passage of the brush before the pickup reaches it.

Besides all this I simply thought the Decca was a nice looking little device and a bit more individual than most.

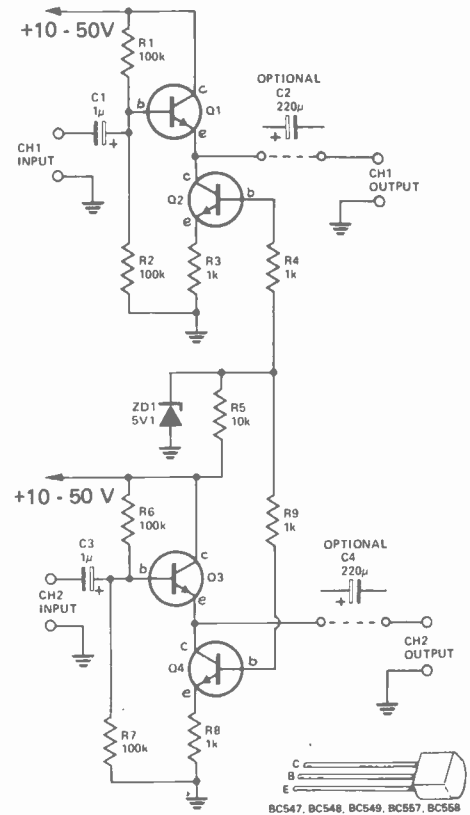
Since I've been using it I can report a definite drop in perceived surface noise, quite dramatic at times in fact. It seems that earth path *does* lead somewhere after all.

The device has been around a while I know, but has probably been buried under a mound of similar offerings from beyond the edge of the Empire in a lot of shops.

It deserves better! It works very well indeed — at least give it a look over next time you're browsing around, the brush-off would be un-just!

## Audiophile Amp

Amongst the many bits of paper with stamps on that that funny little man with the flat cap (and head?) keeps dropping all over our floor every morning has been some correspondence on the Audiophile amp.



## PARTS LIST

### Resistors — All ½W, 5%

R1,2,6,7 100k  
R3,4,8,9 1k0  
R5 10k

### Capacitors

C1,3 1u0 35V tantalum  
C2,4 200u 35V electrolytic

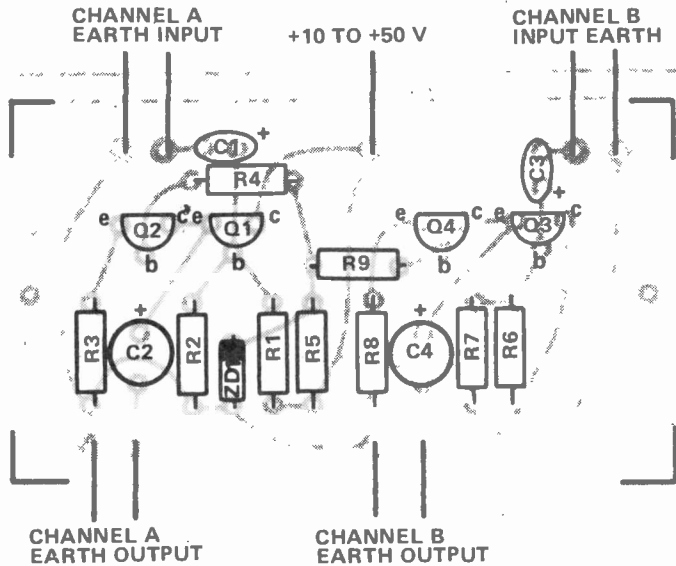
### Semiconductors

ZD1 5V1 400mW zener  
Q1-Q4 BC547, BC107 etc.

It seems that some fickle fiddlers out there are using the power amps of this superb design, but not the pre-amp. Tsk, Tsk terrible people. Anyhow this may just cause problems. Our pre-amp was designed as a low impedance driving source for the power amps, the input impedance of which varies with frequency from a few kilo-ohms at extreme LF to hundreds of ohms at the top end.

If you go driving this with a high impedance output, the amplifier will load down the driving current at HF, causing distortion. With a low output impedance pre-amp (50R) no symptoms need be expected. However it is for the rest I speak these words of doom.

As there is no chance of anyone out there abandoning the idea of separating the Audiophile system, it falls to us to do the decent thing and provide a low impedance driver which will allow greater compatibility with the universe in general. The circuit given here will do just that.



Above: component overlay for the low impedance driver circuit. The PCB is to be found hiding with the rest of its kind.

It consists of two emitter followers, Q1 and Q3 with constant current generators in their emitters. Both the latter share a common reference, ZD1, which feeds the bases of Q2 and Q4, setting their emitter voltages at 4V4.

These transistors will always pass the exact amount of current required to maintain that emitter voltage, regardless of supply voltage. The constant current generators are to limit supply current and dissipation of the emitter followers when used with a high supply rail. It also lowers output resistance.

Output is derived via the optional blocking capacitors C2 and C4, which can be omitted if our modules are ALL you're driving with this buffer, but as we don't trust you . . . . Fit them if any other equipment at all is to be linked to the circuit. Replace the C1 capacitor in the power amp with a 220u (35V), with positive lead towards the input, if you leave out the blockers.

We've provided a PCB layout which we would advise using, and be careful with earthing arrangements — use the signal earths wherever possible.

## Trailing Trailers

Next month I'm taking a look at some of the best of budget hi-fi. A heated conversation arose here some little while ago about just what level of fidelity could be obtained for £300 or less.

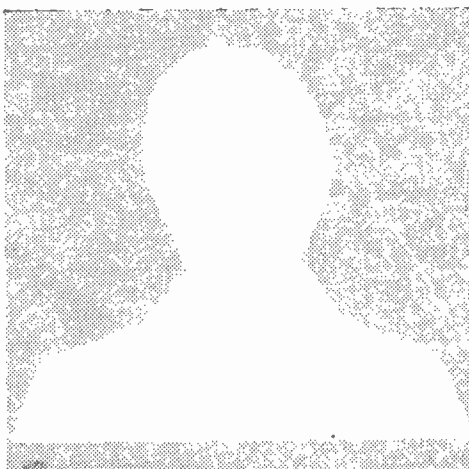
Everyone had their own ideas and tastes. Trouble is some of the combatants showed a deplorable *lack* of taste — would you believe not all of them had the sense to see that Felicity Kendal is the most beautiful woman in creation. Given that obvious blind spot in their make-up how can one possibly listen further?

I went ahead and assembled *my* £300 system despite the heathen howling hereabouts, and am presenting the results next issue.

I must confess there is one component I am not entirely happy about, but the amp and cartridge are real gems and together barely cost £100.

ETI

# ETI NEEDS YOU!



ETI is seeking to expand its staff once more and we are looking for a Project Engineer to join our ranks. In order to complement existing staff skills within our organisation we expect that the successful candidate will have had some experience with MPU based designs. He need not have been a specialist.

Our Engineer will be designing and testing projects for the magazine — and writing them up! This is the easiest part of the job and has caused no-one any problems yet, even though none of our existing staff were journalists prior to joining us.

We are flexible as to age and salary, but imagine that the successful applicant will be paid around £5000 p.a. — more for someone exceptionally qualified for the job.

Applications, including a C.V., should be addressed to :

The Editor,  
ETI Magazine,  
145 Charing Cross Road,  
London WC2H 0EE.

Please mark your envelop "Project Engineer".

# Metac ELECTRONICS & TIME CENTRES

## QUARTZ LCD 11 Function

Slim chronograph

12:30<sup>pm</sup>  
Hours mins secs

8 14<sup>TH</sup>  
Month date day

0:00<sup>00</sup>  
Min secs 1/10 1/100

6 digit, 11 functions.  
Hours, mins., secs., day, date, day of week.  
1/100th, 1/10th, secs., 10X secs, mins., Split and lap modes.  
Back-light, auto calendar. Only 8mm thick.  
Stainless steel bracelet and back.  
Adjustable bracelet.

Same day despatch



Price only  
**£9.95**

Also available  
**SOLAR  
CHRONOGRAPH  
M9 - Price £11.95**

## QUARTZ LCD ALARM

With snooze alarm

12:30<sup>pm</sup>  
Hours mins secs

8 14<sup>TH</sup>  
Month date day

7:30<sup>A</sup>  
Alarm

6 Functions plus Alarm:  
Conference signal,  
5 minute snooze alarm,  
Conference signal sounds  
4 secs., before main alarm  
to give advance warning  
and an option to cancel.  
Snooze sounds 5 mins.,  
after main alarm and is  
always preceded by the  
conference signal.

Same day despatch



Price only  
**£9.95**

## QUARTZ LCD ALARM CHRONOGRAPH

With 12/24 display

12:30<sup>pm</sup>  
Hours mins secs

8 14<sup>TH</sup>  
Month date day

0:00<sup>0</sup>  
Min sec 1/10th

7:30<sup>A</sup>  
Alarm

Hours, mins, secs, day of week, Month, date, day of week, alarm, hour, mins, a.m./p.m. 24 or 12 hour display mode. Alarm test. Chronograph, lap time, stop watch 1/10th secs.



Price only  
**£13.95**

Same day despatch

Also available  
**SOLAR ALARM CHRONO  
M7 - Price £17.95**

**M3** Price includes POST & PACKING

**M4** Price includes POST & PACKING

**M16** Price includes POST & PACKING

## QUARTZ LCD Lady's Day Watch

Hours, mins, secs, day, date,  
back light, auto calendar.

12:30  
Hours mins

8 14  
Month date

:45  
Secs

Fully adjustable bracelet only  
25x20mm and 6mm thick.  
Silver or gold.

**M15** Same day despatch



Price only

**£7.95** P&P included

## QUARTZ LCD Lady's Cocktail Watch

Beautifully designed  
with a very thin bracelet

12:30  
Hours mins

8 14  
Month date

:45  
Secs

Hours, mins, secs, day, date,  
backlight and autocalendar.  
Bracelet fully adjustable to suit  
all wrists.  
State gold or silver finish.  
Only 25x20x6mm

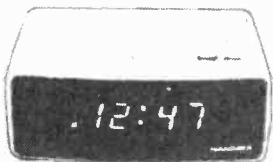
**M18** Same day despatch



Price only

**£14.95** P&P included

## HANIMEX Electronic LED Alarm Clock



Features and Specification:  
Hour minute display. Large LED display with p.m. and alarm on indicator, 24 Hours alarm with on/off control. Display flashing for power loss indication. Repeatable 9-minute snooze. Display bright dim modes control. Size: 5.15" x 3.93" x 2.36" (131mm x 11mm x 60mm). Weight: 1.43lbs (0.65 kg).

**M13** **£10.20** Thousands sold!  
Mains operated. POST & PACKING incl.  
Same day despatch.

## QUARTZ LCD 5 Function

Hours, mins, secs., month,  
date, auto calendar, back  
light, quality metal  
bracelet. 6mm thick

12:30  
Hours mins

8 14  
Month date

:45  
Secs

Price only  
**£6.95**

POST & PACK incl.

**M1** Same day despatch



**Metac Guarantee** All Metac products carry 12 months guarantee and we also refund your money if not satisfied with our goods or service in the first 10 days. Metac's well-equipped service centre minimises service delays. Please note we do not delay your order to clear cheques.

Telephone your order using

Barclaycard/Access

Number on



**03272-76545**

24-hour answering service

OR COMPLETE THE  
COUPON

## WHOLESALE MAIL ORDER

Send for our trade price list and minimum order details. Sell our products to your friends and earn £££s for yourself.

**NEW 24 HOUR DESPATCH SERVICE: METAC** have opened a new even faster mail order and service centre at **DAVENTRY**. Orders received before 3.30pm will be despatched same day.

**VISIT OUR ELECTRONIC TIME CENTRES  
AND SEE ONE OF THE MOST IMPRESSIVE QUARTZ WATCH RANGES IN BRITAIN**

**LONDON**  
327 Edgware Rd,  
London W.2  
Telephone: 01-723 4753

**DAVENTRY**  
67 High Street  
Daventry, N'hants  
Telephone: 03272 76545/77659

**NORTHAMPTON**  
St Giles Square,  
Northampton  
(Open 1st Feb. 1980)

**QUARTZ MELODY**

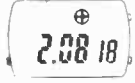
Alarm Chronograph  
(incredible watch)



Count-down Timer



Alarm



Time Zone



Chronograph

5 independent working modes, day of week in English, French or German (just select the one you like). Hours, mins, secs, day, date, countdown alarm, dual time zone, 1/100th sec. stopwatch. Lap/split time, 1st and 2nd place times. Melody test function.  
**34 Functions**



**Price only**  
**£19.95**  
Same day despatch  
Price includes  
POST & PACKING

**M30**

**CASIO CHRONO**

95QS-32B

Stainless steel case, water resistant to 66 feet. Hours, mins, secs, am/pm, year, month, date, day. Auto-calendar pre-programmed until the year 2029. 12/24 hour. Stopwatch function. Range 7 hours, 1/100 sec. (Mode) Net time/lap-time/1st-2nd place times. Dual time function. Accuracy 15 secs per month. Battery life approx 4 years.



Same day despatch  
**Price only**  
**£23.95**  
including POST & PACKING

**M22**

**CASIO ALARM CHRONO**

81CS-36B

Hours, mins, secs, day, and also day, month and year perpetual automatic calendar. 100th sec chronograph to 7 hours. Net time/lap/time/1st and 2nd place times. User optional 12/24 hr display. 24 hourly chime. Backlight, mineral glass, stainless steel. Water resistant to 100ft. Battery life approx 4 years.



Same day despatch  
**Price only**  
**£35.95**  
including POST & PACKING

**M25**

**CASIO F-200 Sports Chrono**

Attractive Man's watch in black resin with mineral glass. Hours, mins, secs, am/pm. Month, date, alpha-numeric day. Auto-calendar set 28th Feb. Stopwatch working range 1 hour, units 1/100 sec. Mode. Net Time/lap/time/1st-2nd place times. Accuracy approx 15 secs per month. Battery 12 months.



**Price only**  
**£15.95**

Same day despatch

**M24**

**CASIO F-8C 3 Year Battery Life**

Hours, mins, secs, am/pm, date, day. Auto calendar set 28th Feb. Accuracy 15 secs per month. Battery life approx 3 years.



Same day despatch

**Price only**  
**£10.95**

including POST & PACKING

**M36**

**SEIKO CHRONOGRAPH NEW STYLE**

Hours, mins, secs and day of the week. Month date and day of the week. Stopwatch display — Hours, mins, secs up to 12 hours (mins, secs, 1/100 secs up to 20 minutes). Lap timing. Continuous time measurement of two competitors. Stainless steel, mineral glass.



Same day despatch  
**Price only**  
**£39.95**  
including POST & PACKING

**M33**

**SEIKO Alarm Chronograph**

With WEEKLY Alarm. Hours, mins, secs, month, date, day, am/pm. Weekly alarm — can be set for every day at designated time e.g. 6.30 am on Mon, Wed and Friday. Alarm set time displayed above time of day. Full stopwatch functions, laptime, split etc.



Same day despatch

**Price only**  
**£79.95**

including POST & PACKING

**M10**

**SEIKO DIGI-ANA CHRONOGRAPH**

Time and Calendar function. Analog part display; hr, min, sec. Digital part display; hr, min, sec, date, day and colon. Calendar-month, date, day. Stopwatch — hr, min, sec. 1/100 sec. Lap/stop and stop marks. Counter function. Time and calendar setting function.



**Price only**  
**£79.95**

Same day despatch  
including POST & PACKING

**M62**

**POST COUPON TO: METAC (24-hour despatch centre) FREEPOST (No stamp required), 47a High Street, Daventry, Northants**

Please complete both coupons

Please send me .....  
I enclose PO/Cheque value .....  
Barclaycard/Access No. ....  
Name .....  
Address .....

**From: METAC Electronics & Time Centre, (ETI)  
47a High Street, Daventry, Northants.**

Name .....  
Address .....

POST, PACKING AND VAT included in price

# ELECTROMYOGRAM

**ETI's latest biofeedback box converts the electrical impulses associated with moving a muscle - any muscle - into observable outputs. Either audio output or a meter reading can be obtained and if you can't relax with this, try reading ETI again!**

The design and construction of an electromyogram presents some unique problems. The object is to detect the minute electrical signals produced by the 'firing' of muscle fibres in a particular muscle. For our purpose metal electrodes of some sort are attached to the skin over the muscle(s) of interest. For a relaxed muscle, these signals are fractions of a microvolt in amplitude. That's a small enough signal to detect on its own without having to find it amongst *vo/ts* of 50 Hz hum that will be present in the body - induced from power and light wiring.

When the body is grounded, this hum will drop to typically one volt peak-to-peak, but trying to see one microvolt in one volt of unwanted noise (50 Hz hum here) isn't easy.

The overall block diagram of the unit is shown in the drawing.

Battery operation is essential as, with any device connected directly to the body, the possibility of accidental contact with mains potential from a mains-operated unit is very real - with lethal results.

The instrument is called upon to detect quite small signals in the presence of large amounts of noise. It should have variable gain control - adjustable by the user, a threshold control so that small variations of a large signal may be readily detected, a visual indication (a meter) and an audible output that follows the convention of rising pitch or pulse rate for increasing muscle activity, and vice versa. Also some form of band-pass filtering to sort out the predominant muscle signal which is in the 100 Hz to 500 Hz range, and selectable integration of the feedback response was considered desirable.

Biasing the differential input stage is important and this is discussed in the "How it Works" section. One trimpot is used to set up the input stage for correct operation. Once set up, any of the component values may be varied by  $\pm 10\%$  without affecting the CMRR.

The choice of this type of first stage has resulted in a very low noise figure. The prototypes (we built two) had measured noise figures close to 150 nV at the input. This equals the performance of the best commercial units we have seen.

To provide some integration of the muscle activity level, so that the meter and audible responses are not too rapid (as researchers have found undesirable in some instances), switched capacitors are provided to provide integration times of about 0.5 second and 4 seconds - selected by a front panel switch. ▶





# PARTS LIST

Resistors All 1/4W, 5%

- R1,2,18, 220k
- 31
- R3,7,9 4k7
- R4,25,26 100R
- R5,6 2M2
- R8,10,11, 1M0
- 22,23,40,41
- R12,45 1k0
- R13 8k2
- R14-17, 47k
- 27-30
- R19,32 270k
- R20,24,33, 10k
- 38,39,42,47
- R34 330k
- R35 560k
- R36 5M6
- R37 3M3
- R43 390k
- R44 470k
- R46 680R
- R48 2k7
- R49 18k
- R50 27R

Potentiometers

- RV1 1M0 linear
- RV2 5k0 linear
- RV3 1k0 linear
- RV4 1k0 trimmer

Capacitors

- C1-C6 1u0 polyester
- C7,8,29,30 1n0 polyester
- C9,10,12, 33u 16V tantalum
- 19,20,23,35, 41
- C13,31,34, 100n polyester
- 21
- C14-17, 68n polyester
- 24-17
- C11,36 100u 25V
- C18 22n polyester
- C22,39,40 1000u 25V
- C28 47n polyester
- C32 220n polyester
- C33 150n polyester
- C37 470u 25V
- C38 47u 25V

Semiconductors

- D1,2 1N914
- D3,4 1N4004
- Q1,2 BC559
- Q3,4 BD140
- Q5-7 BC549
- IC1 LM3900
- IC2,3 741
- IC4 555

Switches

- SW1,2 SPST
- SW3,4 DPDT

H - TO MONITOR OUTPUT  
RCA SOCKET ON BACK PANEL

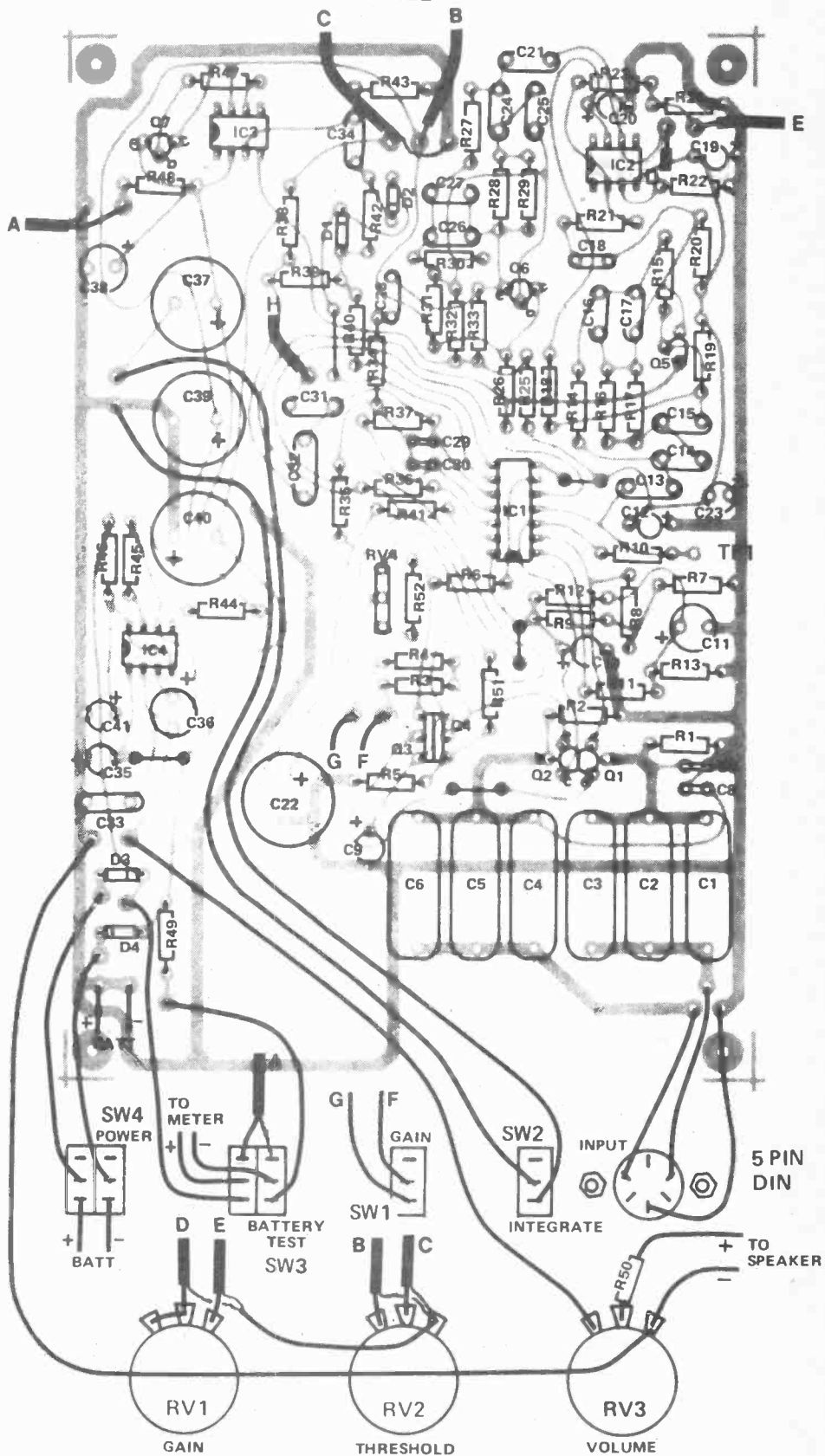


Fig.1. (Above) Component overlay for the electromyogram board.

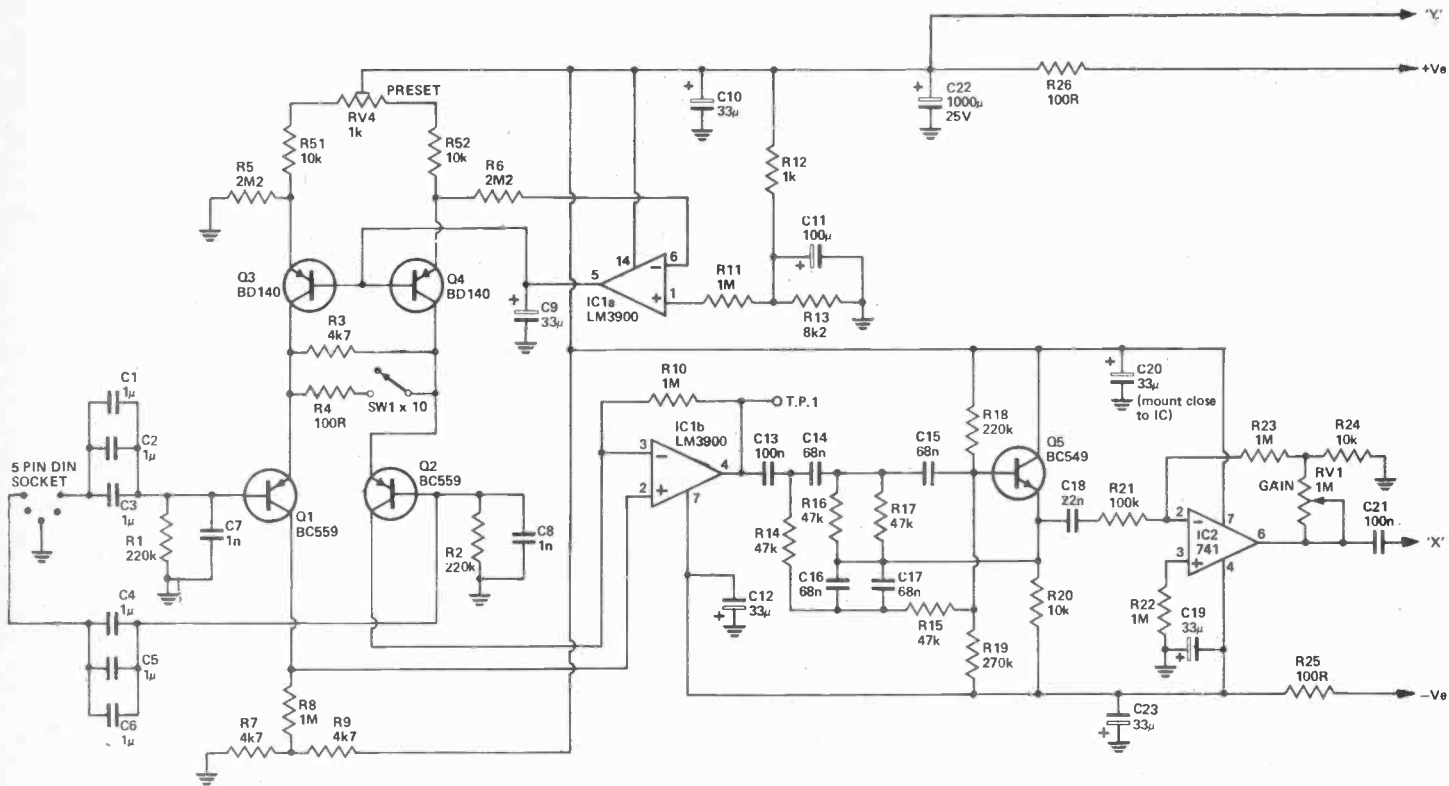


Fig.2. (Above) Circuit diagram of the unit. Note the battery connections carefully.

Since the circuit is fairly complex, a detailed analysis of its operation is best tackled by looking at the individual stages in turn, from input to output.

Input signals from sensors on the body drive Q2 and Q1 which are arranged as a differential pair. Emitter current, and thus collector current, for Q1 and Q2 is derived from a precision constant-current source comprised of Q3, Q4 and IC1a. Transistors Q1 and Q2 share the current supplied by the constant-current source. If Q1 (for example) is driven harder, by an input signal, than Q2 then, while the collector current of Q1 increases, there will be a corresponding decrease in the collector current of Q2.

Now, the collectors of Q1 and Q2 are each connected to the input of IC1b, one amplifier in an LM3900 (a quad op-amp package). The amplifiers in the LM3900 package have the special feature that they amplify current differences applied to the inputs.

To ensure a high common-mode rejection ratio, the quiescent (no signal) collector currents of Q1 and Q2 must be held very close to a fixed amount. Hence, the precision constant-current source.

To derive this constant current source for Q1 and Q2 the two bases of Q3 and Q4 are driven by the output of IC1a. The non-inverting input (marked +) of IC1a is driven by a fixed voltage derived from a voltage divider (R12, R13) from the positive supply rail. C11 is a bypass capacitor to prevent supply rail variations modulating this reference voltage.

The inverting input (-) of IC1a is coupled to the emitter of Q4 placing this transistor in the feedback loop of IC1. The

op-amp (IC1a) will attempt to maintain the current flowing through its inputs at a constant level, thus maintaining the base-emitter current through Q4, and therefore the collector current, constant at nominally, 100 mA. Assuming Q3 has similar gain to Q4, its collector current will be the same. The 1k preset, RV4, allows adjustment of the two collector currents to offset any slight differences in gain.

The input stage gain is determined by the value of the resistance between the emitters of Q1 and Q2. The lower this resistance, the higher the gain. The 'x 10' switch simply connects a 100 ohm resistor in parallel with R3, increasing the gain.

Capacitors C7 and C8 ensure high frequency stability through bypassing the bases of Q1 and Q2 at frequencies above the range of interest.

To ensure good common-mode rejection ratio, it is essential that the bases of Q1 and Q2 each receive the same level of input signal. As the input is AC-coupled the characteristics of the input coupling capacitors must closely match each other. If stranded 10% capacitors are used the slightly different impedances of each will limit the common mode rejection. The solution we adopted was to use several capacitors in parallel so that the slight capacitance variations, and corresponding impedance variations, average out. It is important therefore that these six capacitors, C1-C6, are all the same type.

Supply rail decoupling for the input stages is provided by R25, R26 and C22, C23.

Two 50 Hz hum filters are employed, as can be seen in the block diagram, one

immediately following the differential input stage, the other between the variable gain stage and the band-pass filter.

Both 50 Hz filters employ a 'twin-T' circuit - as used in our Hum Filter project, ETI 451.

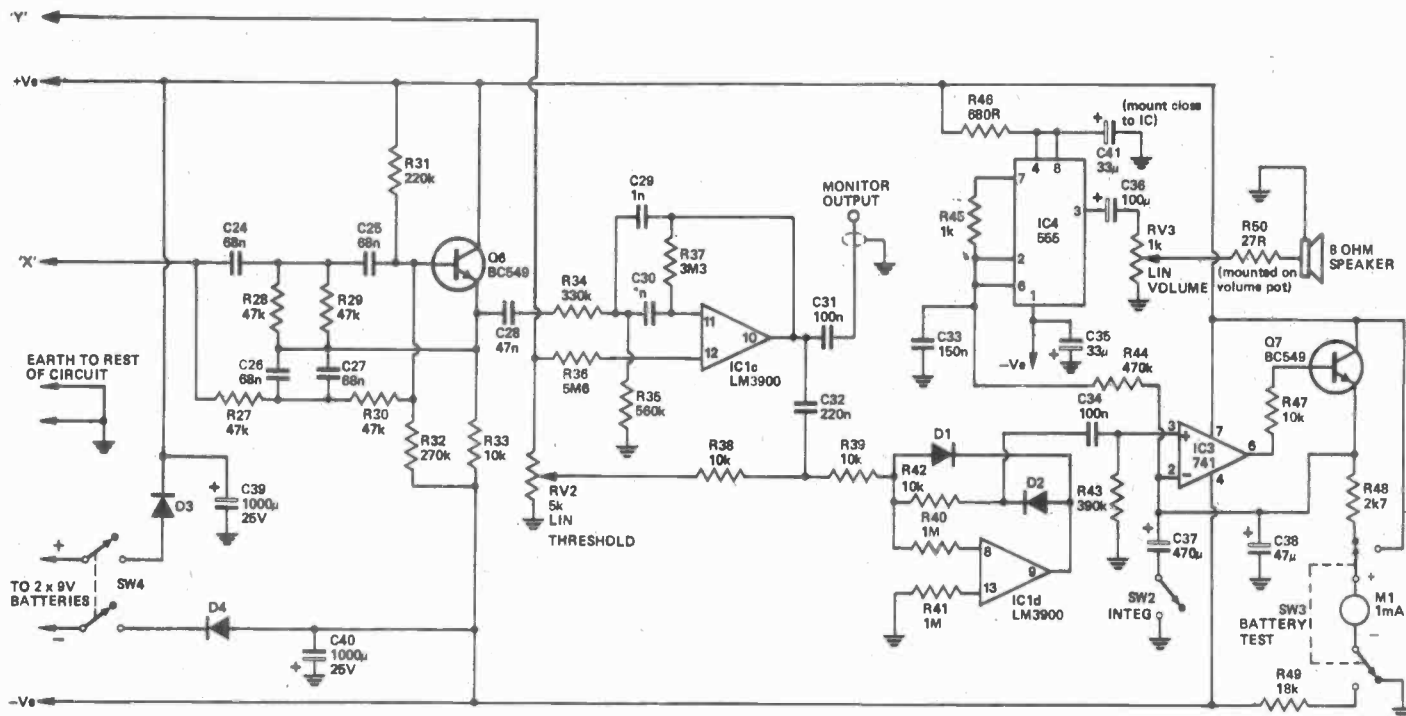
In the first hum filter, Q5 is connected as an emitter follower, the twin-T components connected to provide feedback at 50 Hz. In order to obtain a high circuit Q and thus good rejection at 50 Hz, the value of the resistance formed by R16 and R17 (paralleled) must be as close as possible to half the value of R14 and R15. As the latter are 47k resistors, the best way to obtain a value of half that is to connect two 47k resistors in parallel.

Similarly, for the second hum filter, Q6 is the active component and the filter consists of C24, 25, 26, 27 and R27, 28, 29 and 30. Resistors R28 and 29 form a resistance half that of R27 and 30 to provide good rejection at the notch frequency.

These stages provide a total of 20 dB rejection at 50 Hz.

Following the first hum filter is a variable gain stage employing a 741 op-amp. This is quite a conventional amplifier, gain variation being provided by RV1, a 1M potentiometer connected in the feedback path of the 741. RV1 is a front panel control. Gain is variable between 10 and 1000.

To avoid problems arising from large output offset voltages and unstable gain settings, the feedback for the 741 has been arranged via a voltage divider consisting of R23 and R24, the gain potentiometer being connected between the op-amp output and the junction of these two resistors.



## HOW IT WORKS

The gain of the circuits is given by the equation:

$$\text{GAIN} = R_{23} + \frac{R_{23} RV1}{R_{24}} + RV1$$

$$\frac{R_{21}}{R_{21}}$$

Signal levels at the output of the variable gain stage are around 1 V. Any hum exceeding this level could easily cause clipping in succeeding stages and the purpose of the second hum filter is to prevent this.

The bandpass filter employs one op-amp from the LM3900 package, IC1c. A filter network, consisting of R34, R35 and R37 and C29 and C30, is connected around a feedback path between the op-amp output and its inverting input. This provides a bandpass extending from 100 Hz to 500 Hz which encompasses the range of interest for the muscle fibre signals. At midband (250 Hz), the gain of this stage is roughly four.

A monitor output is taken from the output of IC1c so that the muscle activity waveforms (filtered) may be viewed on an oscilloscope if desired.

This consists of a precision rectifier that passes only the positive peaks of the signal that are greater than a preset DC voltage — determined by potentiometer, the threshold control on the front panel.

The output of the bandpass filter is mixed with a DC voltage derived via the positive supply rail by the potentiometer RV2. The resultant signal — the AC muscle activity signal superimposed on a DC voltage

— is then applied to the input of the precision rectifier. This involves IC1d, D1 and D2 and resistors R39, 40, 41 and R42. The latter two resistors convert the current-differencing input of the LM3900 into a conventional voltage-input op-amp.

Positive-going signals of less than 0.6 V above the voltage present on the junction of R39 and R40 will be amplified by the full open-loop gain of IC1d. The output of this stage increases rapidly until D2 conducts, the stage then has only unity gain (x 1), determined by the ratio of R42 and R39.

Output from the precision rectifier is taken from the cathode of D2 and will consist of the amplified, positive-going part of the muscle fibre signals that are above the positive voltage set by the threshold potentiometer, RV2.

Diode D1 ensures that the gain of the stage remains at unity gain for the negative-going portions of the muscle fibre signals from the output of IC1c.

This consists of an op-amp (IC3) with an emitter-follower stage (Q7) connected in the negative feedback path. The emitter of Q7 drives the meter.

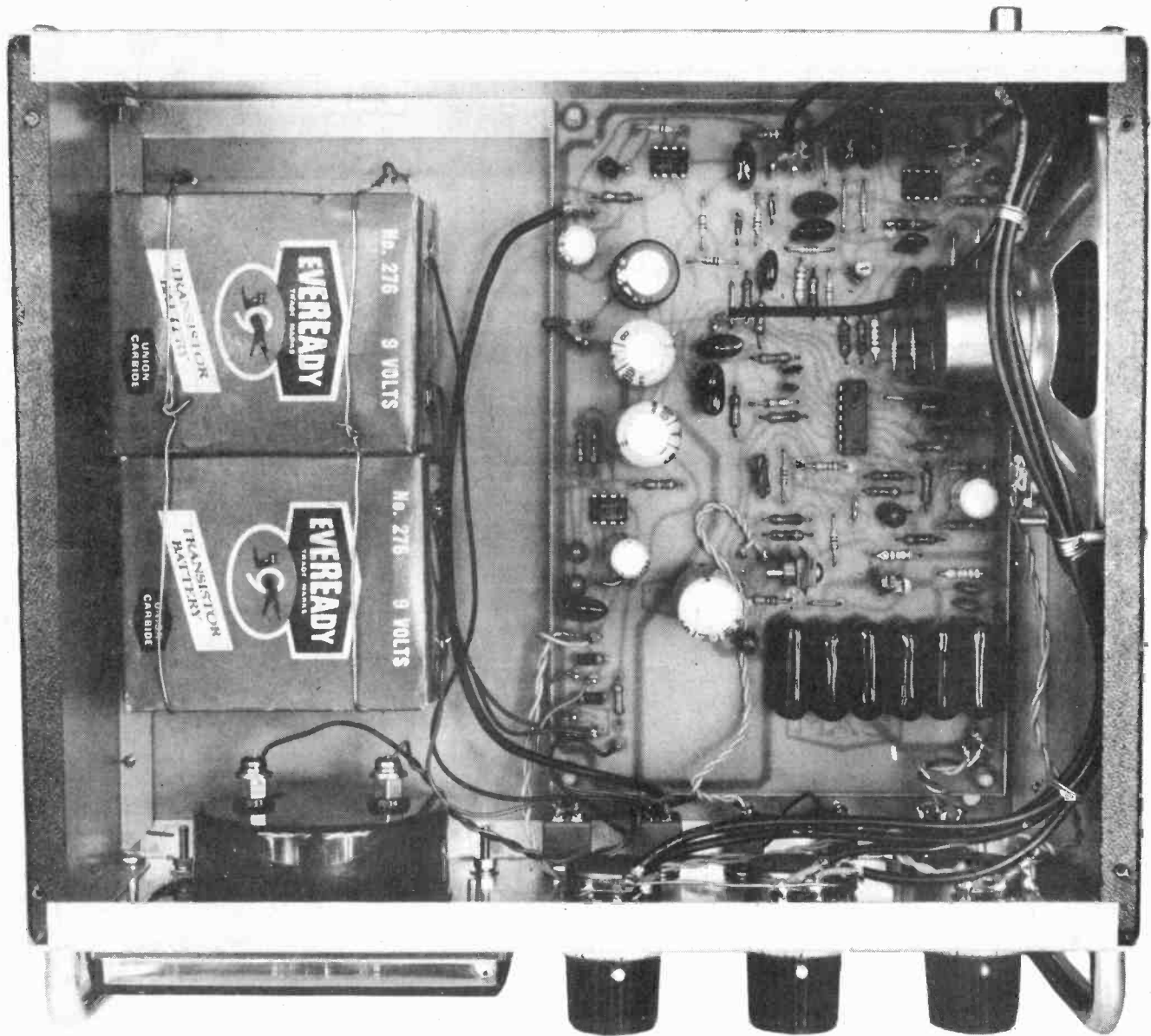
The threshold stage output is coupled to the input of IC3, a 741, via a 100nF capacitor, C34. Resistor R47 limits the base current of Q7 to a safe value as the 741 will provide much more current than the transistor will stand! A signal from the output of the threshold circuit will be amplified by IC3, causing Q7 to turn on, charging C38.

The meter is connected to 'read' the charge on C38, via R48. The more signal that appears above the threshold, the longer Q7 will be turned on, increasing the charge in C38, thus increasing the meter reading. The circuit will respond quickly to increasing input signals, showing a corresponding increase in the meter reading. As the signal decreases, with decreasing muscle activity, the meter reading decays at a rate depending on the capacitance between the emitter of Q7 and ground. This provides for some integration of the signal level variations.

The integrate switch, SW2, connects a 470 uF capacitor (C37) in parallel with C38 (47 uF). With this in circuit (integrate switch 'on'), the meter takes some four seconds to drop from full scale to zero.

This provides an audio output, consisting of a series of pulses, the repetition rate being an indication of muscle activity.

The emitter of Q7 is coupled to IC4, a 555 timer, via R44. Current through this resistor charges C33 until the voltage on pin 6 of IC4 reaches 2/3 of the voltage on pins 4 and 8. At this point, pin 7 of the 555, previously appearing as an open circuit, will conduct discharging C33 via R45. Once the voltage on pin 2 drops below 1/3 of that on pins 4 and 8, pin 7 returns to an open circuit condition, allowing C33 to charge again. In this manner, the 555 oscillates providing pulses on pin 3 to the speaker, via RV1 which serve as a volume control. As the voltage at the emitter of Q7 varies according to the variation in muscle activity signals, the rate at which C33 charges will vary. This varies the pulse repetition rate of the 555 oscillator in sympathy with the variations in muscle activity.



The case will hold the PCB, batteries and the loudspeaker. Note the positions of the front panel controls.

The audible output is derived from the meter drive so that it corresponds with the visual feedback response provided by the meter. This consists of a voltage-controlled oscillator (VCO) that provides a series of pulses to drive a speaker. The VCO employs a 555 timer IC.

Originally, it was intended to use a tone for the audio output. However, battery consumption on the prototype was almost 150 mA — at best! Battery life would be very limited at this consumption. A class A audio output stage is necessary to provide a tone output, and these are quite inefficient. Using a pulse output enables us to reduce the total current consumption to 20 mA.

## Muscle Building

Construction is best commenced with the board. This method of construction is recommended as layout of the various stages is critical to avoid feedback or interaction between stages as one LM3900 package does sterling service in several parts of the circuit!

Assembly of the board should start with the resistors and capacitors. We found it easier to leave the six 1 $\mu$ F input capacitors until the input transistors (Q1-Q4) were mounted. Be sure to check the polarity of the electrolytic and tantalum capacitors.

Finish loading the board by inserting the diodes, transistors and ICs. The input transistor pair, Q1 and Q2, must be mounted so that their flat faces are touching to provide thermal coupling. The best way to do this, to avoid straining anything, is to solder only the collectors and emitters of Q1 and Q2 at first. Smear some thermal paste on the two flats and then tie the two transistors together using a link of enamelled (coil) wire — this prevents the possibility of shorts to the transistor leads should the loop slip off at some time. Tighten the loop by taking the ends in a pair of pliers and twisting until the transistors are held tightly together. Once this is done, solder the base leads.

The two BD140s, Q3 and Q4, also need to be mounted together. As they are in TO-126 packages they may be bolted together. It is necessary to use an insulating washer between them to prevent the collector contacts touching. Use thermal paste to improve the thermal coupling.

Once these devices are mounted, six 1u input capacitors may be soldered into place.

If you use board pins, the external connections to the board may be made after it is mounted in the case, otherwise, now is the time to attach all the leads going to the externally-mounted components.

## Pinned Down

As high gain stages are used in several places, the circuit is sensitive to noise or signals radiated from other parts of the board. The 555 VCO output can be especially troublesome, so use shielded cable to connect the output of the 555 to the volume control. The only resistor not mounted on the board (R50) is mounted between the wiper terminal of the volume control and one of the loud-speaker terminals.

There are a number of other connections that should be made with shielded cable and these are shown in the wiring diagram.

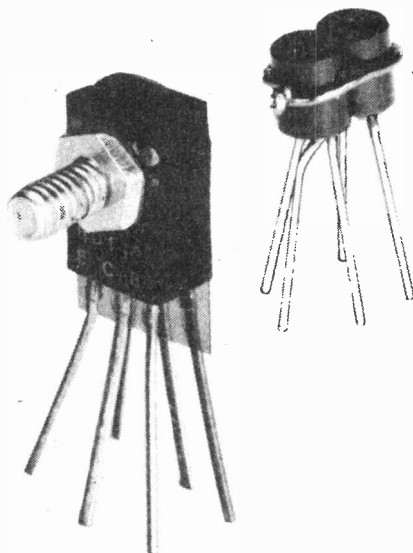
There is sufficient room inside the cabinet to accommodate a variety of 9 V batteries. The type of connection to the battery will depend on the particular style of battery used.

The speaker is mounted on one side of the cabinet and the monitor output (and RCA coax socket) is mounted on the back.

On the front panel, the switches should be mounted first, followed by the pots and the meter.

Although the common mode rejection of the input is better than 100 dB this will be degraded drastically if the contact to the skin is not good enough. To enable the input stage CMRR to effectively reduce 50 Hz hum it is necessary to ensure that the hum is exactly the same level on both inputs. For this reason the construction of the electrodes is very important.

The two input leads are made by soldering the centre conductor of the shielded cable to small metal discs about the size of 5p pieces. Cut the earth braid back enough so that it cannot touch the electrode. The braids of the two input cables are connected to pin 2 of the five-pin DIN plug (the grounded pin). This pin is also connected to the shield



Thermal stabilisation is achieved by mounting the input transistors together as shown and described in the text. Note the insulating piece between the BD140s.

## BUYLINES

The design uses no unusual components, despite its complexity. The electrodes can be made at home easily enough, although commercial units, we believe, are available. Any of the bio-feedback firms, Aleph One etc will be able to supply.

of the third cable which becomes the ground electrode. The centre conductor of this cable is not used and the other end of the braid is soldered to another metal disc. Use a slightly larger disc (about the size of a 10p piece) as this helps to ensure a good ground connection to the body.

Before powering up, check the board. Check the orientation of all the polarised components — electrolytic and tantalum capacitors, transistors, ICs and diodes. If everything is all right, switch the unit on with the battery switch in the test position. With 9 V batteries the meter should read about 9. If the battery switch is now switched off the meter should immediately fall to zero provided the gain control is turned fully down. If the volume control is turned to full on a slow clicking should be heard.

Now, measure the voltage (with respect to earth) at the test point (TP1) at the output IC1a (pin 4). With the x10 switch in the x1 position adjust the preset pot to obtain zero volts.

If the gain control is now increased, the meter reading will move along with the frequency of the clicks.

## Threshold Advances

Now, advance the threshold control and the meter reading and click frequency should decrease. This threshold control works by varying the minimum signal required to cause a meter response. The higher the threshold control is set, the higher the input signal must be to cause a meter response. The threshold can be set just above the noise level so that even a very small input signal can be detected.

The electrodes can now be connected to the body and plugged in. The ideal way to secure the electrodes to your skin is to use a band of Velco tape, although we found Band-aids okay. If all three electrodes are placed reasonably close to each other along the inside of the arm (earth between the others) they can be secured in place all at once with a single wide band of Velco wrapped right around the arm. Some electrode paste may be used between the electrodes and the skin to improve the contact. This is available from some distributing chemists and medical suppliers, although it is relatively expensive. We found moistening the electrode to be a good alternative.

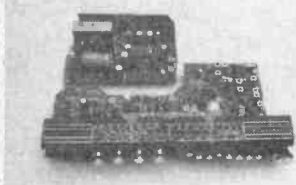
Once the electrodes are attached to the arm and plugged into the EMG monitor a reading should be easily obtained. Start with the gain and threshold controls set fully anti-clockwise, the gain switch in the X1 position and the integrate switch off.

If the arm is tensed the meter should indicate muscle activity readily. With these settings the EMG is really acting as a strength meter. Relaxing the arm, the gain switch can be switched to the x10 position and the gain control slowly increased. With each gain increase, the threshold can be increased slightly to cancel any increase in noise that may have occurred, although don't overdo the use of the threshold control until you are familiar with the unit as it is easy to cover up muscle activity as well as noise.

Eventually you should reach a stage such that the gain control can be set at maximum but with muscle activity held so low that the meter reads about 2 to 3. This isn't easy!

Some experimentation with electrode placement will indicate how to get good results on particular muscles.

# B.K. ELECTRONICS



**AM/FM Stereo Tuner Amplifier chassis** (originally designed for installation into a music centre) Ready built, comprising of a tuner/pre-amp. board, and separate power supply/power amp. board. Note: Interconnection wiring diagram supplied.

**Rotary Controls:** Tuning, on/off volume, balance, treble, bass.  
**Push-button Controls:** Mono, Tape, Disc, A.F.C., F.M. (VHF), LW, MW, SW.  
**Power Output:** 7 watts RMS per channel, at better than 2% THD into 8 ohms. 10 watts speech and music.  
**Frequency Response:** 60Hz-20KHz within  $\pm 3$ dB.  
**Tape Sensitivity:** Output - typically 150 mv. Input - 300 mv for rated output.  
**Disc Sensitivity:** 100 mv (ceramic cartridge)  
**Radio:** FM (VHF) 87.5MHz-108MHz. Stereo beacon lamp. Long Wave 145KHz-265KHz. Medium Wave 520KHz-1620KHz. Short Wave 5.8MHz-16MHz.  
**Size:** Tuner - 2 1/4in. x 1 1/2in. x 7 1/2in. Approx. Power Amp - 2in. x 7 1/2in. x 4 1/2in. Approx. 240 volt AC operation. Complete with circuit diagram. Price - £22.00 + £2.50 P&P.

**LOUDSPEAKER.** High quality 8" loudspeaker, 10 watts RMS 8 ohm. Rolled surround with aluminium centre cone. £5.00 + £1.00 P&P.

**STEREO MAGNETIC CARTRIDGE BARGAIN.** Acos M6EX stereo magnetic cartridge with tapered bi-radial diamond styli. Recommended tracking weight between 1 and 2 grms. Output 2.8 MV into 47 Kohms. 12.5mm (1/2 inch) fixings with a recommended retail price of £27.00. This is offered at a very special price of £9.00 (Post Free).

**LOUDSPEAKERS.** Genuine walnut veneered cabinets with fabric fronts - size 1 1/2" x 9 3/4" x 5". Fitted with 8" x 5" units rated at 6w RMS, 8 ohms. £9.75 per pair + P&P £2.50.

**ELECTROLYTIC CAPACITORS (CAN TYPE).** 3300  $\mu$ f 25v working. 40p + 30p P&P. 2500-2500  $\mu$ f (dual type) 63wv. 70p + 30p P&P.

**TRANSFORMERS** (0-240v primaries). 16v-0-16v @ 2 amps £2.50 + £1.00 P&P. Dual voltage 0-12v, 0-35v @ 4 amps or 1.5 amps respectively £2.50 + £1.00 P&P.

MAIL ORDER ONLY (DISCOUNT FOR QUANTITY)  
 Cheque/Postal Orders with Order Please

## B.K. ELECTRONICS

37 Whitehouse Meadows, Eastwood, Leigh-on-Sea, Essex

# Great new Crofton double!



Self contained  
**MONITOR PCB**



self contained 10"  
**MONITOR**

- Compact size, 5" x 7"
- Complete with power and video plugs, plus leads
- Scan coil assembly as standard supplied
- Transformers, tubes, and surrounds available
- 15v Mains or 12v DC power
- Ideal for D.E.M. use
- Totally enclosed
- All transistorised
- Suitable for analogue signals or alphanumeric
- Operable on 220v Mains or 12v DC power
- Comparable to wire frame monitors

ONLY **£35.50** ONLY **£85.00**  
 EX VAT AND P&P

**OHIO SUPERBOARD II**  
**£188 + V.A.T.**

# Crofton Electronics

Crofton Electronics Limited, 35 Grosvenor Road, Twickenham, Middlesex. Tel.: 01 891 1923

**10 + 10 AMPLIFIER KIT**  
 An opportunity to buy a 10 watts per channel stereo amplifier kit which is suitable for use with a ceramic cartridge. The amplifier utilises proven Mullard modules and is available at a very competitive price. The amplifier kit comes complete with instructions and includes a Mullard LP1183 stereo preamplifier module, two LP1173 power amplifiers with integral heatsinks, a power supply, Zobel networks, front and back mounting panels, a finished fascia panel, all control potentiometers (bass, treble, volume and balance) switches, input, output and headphone sockets, wire, and an easily assembled wrap around cabinet to house the finished unit.  
 Size approximately 9" x 8" x 4"  
 p&p £2.25 **£12.25**

**50 WATT MONO DISCO AMP**  
**£30.60**  
 p&p £2.70  
 Size approx 13 3/4" x 5 1/4" x 6 3/4"  
 50 watts rms. 100 watts peak output. Big features include 2 disc inputs, both for ceramic cartridges, tape input and microphone input. Level mixing controls fitted with integral push-pull switches. Independent bass and treble controls and master volume.

**20 x 20 WATT STEREO AMPLIFIER**  
 Viscount IV unit in teak simulate cabinet. Silver finish rotary controls and pushbuttons with matching fascia, red mains indicator and stereo jack socket. Functions switch for mic/magnetic and crystal pickups, tape tuner and auxiliary. Rear panel features fuse holder, DIN speaker and input sockets. 20 x 20 watts RMS. 40 x 40 watts peak for use with 8 to 15 ohm speakers.  
 Size 14" x 3" x 10" approx. **NEW** feature - units now includes a built in four channel stereo sound facility.  
**£31.90**  
 £3.00 p&p

## Mullard

**AUDIO MODULES IN BARGAIN PACKS**

**CURRENT CATALOGUE PRICE AT OVER**  
**£25 PER PACK** SEE OUR PRICES

**1** PACK 1 - 2 x LP1173 10w RMS output power audio amp modules, + 1 LP1184/2 Stereo pre amp for magnetic and auxiliary input  
 OUR PRICE **£5.00**  
 p+p £1.00

**2** PACK 2 - 2 x LP1173 10w RMS output power audio amp modules + 1 LP1184/2 Stereo pre amp for magnetic, ceramic and auxiliary inputs  
 illus. OUR PRICE **£7.65** p+p £1.00

**ACCESSORIES** Suitable mains power supply parts, consisting of mains transformer, bridge rectifier, smoothing capacitor and set of rotary stereo controls for treble, bass, volume and balance.  
**£3.00** plus £1.50 p&p

**Two Way Speaker Kit** Comprising of two 8" x 5" approx. 4 ohm bass and two 3 1/2" 15 ohm mid-range tweeter with two cross-over capacitors.  
 AVAILABLE ALSO TO PURCHASERS OF THE 10 + 10 AMPLIFIER KIT  
 Per stereo pair plus £1.55 p&p **£4.05**

**30x30 WATT AMPLIFIER IN KIT FORM**  
 For the experienced constructor complete in every detail, same facilities as Viscount IV, but with 30x30 output 60x60 watts peak. For use with 4 to 15 ohms speakers  
**£31.50** p&p £3.00

**EMI SPEAKER BARGAIN**  
 Stereo pair 350 kit. System consists of 13" x 8" approx. woofer with rolled surround, 2 1/2" approx. Audax tweeter, crossover components and circuit diagram. Frequency response 20 Hz to 20 KHz. Power handling 15 watts RMS. 20 watts max. 8 ohm impedance.  
**£18.25**  
 Per stereo pair **£3.65** p&p

**BSR P200** **£25.50**  
 Belt drive chassis turntable unit semi-automatic, cueing device. p&p £2.60  
 Shure M75 B Magnetic Cartridge to suit. **£7.95**

**BSR** Manual single play record deck with auto return and cueing lever. fitted with stereo ceramic cartridge 2 speeds with 45 r.p.m. spindle adaptor ideally suited for home or disco use.  
**£12.25** p&p £2.75



323 EDGWARE ROAD, LONDON, W2  
 2H HIGH STREET, ACTON W3 6NG

ACTON: Mail Order only. No callers  
**ALL PRICES INCLUDE VAT AT 15%**  
 All items subject to availability. Price correct at time of order and subject to change without notice.  
 All enquires Stamped Addressed Envelope.  
 NOTE: Persons under 16 years not served without parent's authorisation.

**BARGAIN OFFER**  
 Ariston pick-up arm manufactured in Japan.  
**OUR PRICE**  
**£11.95**  
 Complete with headshell. Listed price over £30.00.  
**p+p £2.50**

Personal Shoppers EDGWARE ROAD LONDON W2 Tel: 01-723 8432. 9.30am-5.30pm. Closed all day Thursday ACTON: Mail Order only. No callers. GOODS DESPATCHED TO MAINLAND AND N. IRELAND ONLY

## NEW FROM CASIO FOR 1980

A new range of high quality water-resistant watches at unbeatable prices

**111QS-34B** 8 digit display of hours, minutes, seconds and date. Lithium battery. Similar to F-8C but with chromed metal case, s/s bracelet (£17.95) **£14.95**

**F-80** A major price breakthrough for a quality alarm chronograph. Lithium battery. Black resin case with stainless steel trim. Real value for only **£19.95**

**95QS-36B** Chronograph. 1/100 second timing to 7 hours. Net, lap and 1st & 2nd place. Dual time. 12 or 24 hour display. Day, date, month and year calendar pre-programmed to 2029. Lithium battery. Stainless steel case (£24.95) **£19.95**

**81QS-35B** Alarm chronograph. Similar to above with alarm and hourly chime facility instead of dual time. Lithium battery. Stainless steel (£34.95) **£29.95**

Full details and illustrations on request. S.A.E. or stamp, please

### CASIO HR-10

Probably the world's smallest print and display calculator

10 digit LCD display. Electric discharge printing system. Decimal mode selector. Prints full-month calendar for any month from 1901 to 2099. 3 key full access memory. Sign change and percentage keys. 3 way power source. Dry batteries/rechargeable batteries/AC mains adaptor. 1½x3½x6½ inches. 40.5 x 88 x 168 mm.)£34.95£

**ONLY £29.95**

### CALCULATOR ALARM CLOCKS

**MELODY 81** A more melodic version of the ML-80 at a lower price! With

alarms, alarm timer and 1/10 second stopwatch (£27.95) **£22.95**

**ML-71** Similar to above but credit card size (£27.95) **£22.95**

**MQ-12** Credit card size with alarm, 1/10 second stopwatch and full-month calendar display (£24.95) **£19.95**

Full details and illustrations on request. S.A.E. or stamps, please

### MASTER PACKAGE DEAL CASIO FX-501P and FX-502P Programmable calculators

SEE LAST MONTH'S ETI FOR A GLOWING REVIEW OF THE FX-502P "The best thing since sliced bread"

**FX-501P** (£64.95 Usual price) **£54.95**

**FX-502P** (£84.95 Usual price) **£74.95**

**FA-1** (£24.95 Usual price) **£19.95**

**Master Pack** (Premier publications) **£17.95**

**We will supply the Master Pack for ONLY £5**

When you buy the 501P/502P and FA-1

**FX-501P + FA-1 + MP ONLY**

**£79.90**

**FX-502P + FA-1 + MP ONLY**

**£99.90**

Master Pack comprises CASSETTE with over 150 ready-to-run programmes and USER MANUAL.

Full details on request. Large S.A.E. or stamp please

**DON'T FORGET.** We are never knowingly undersold and will try to match or beat any advertised price providing the advertiser has stocks

Price includes VAT and P&P. Send cheques, P.O. or phone your ACCESS or BARCLAYCARD number to:

**TEMPUS** Dept. ET1, Beaumont Centre, 164-167 East Road  
Cambridge CB1 1DB. Telephone 0223 312866

# All these advantages...

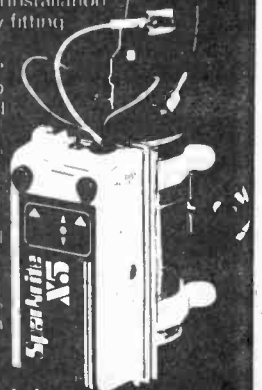
- Instant all-weather starting
- Smoother running
- Continual peak performance
- Longer battery & plug life
- Improved fuel consumption
- Improved acceleration/top speed
- Extended energy storage

## ..in kit form

SPARKRITE X5 is a high performance, top quality inductive discharge electronic ignition system designed for the electronics D.I.Y. world. It has been tried, tested and proven to be utterly reliable. Assembly only takes 1-2 hours and installation even less due to the patented 'clip on' easy fitting.

The superb technical design of the Sparkrite circuit eliminates problems of the contact breaker. There is no misfire due to contact breaker bounce which is eliminated electronically by a pulse suppression circuit which prevents the unit firing if the points bounce open at high R.P.M. Contact breaker burn is eliminated by reducing the current by 95% of the normal.

There is also a unique extended dwell circuit which allows the coil a longer period of time to store its energy before discharging to the plugs. The unit includes built in static timing light, systems function light, and security changeover switch. Will work all rev. counters.



**Fits all 12v negative-earth vehicles with coil/distributor ignition up to 8 cylinders.**

THE KIT COMPRISES EVERYTHING NEEDED. Die pressed case. Ready drilled aluminium extruded base and heat sink, coil mounting clips and accessories. All kit components are guaranteed for a period of 2 years from date of purchase. Fully illustrated assembly and installation instructions are included.



Roger Clark the world famous rally driver says "Sparkrite electronic ignition systems are the best you can buy."

# Sparkrite

HIGH PERFORMANCE  
ELECTRONIC IGNITION

Electronics Design Associates, Dept. ET1/3  
82 Bath Street, Walsall, WS1 3DE. Phone: (0922) 614791

Name \_\_\_\_\_

Address \_\_\_\_\_

Phone your order with Access or Barclaycard

I enclose cheque/PO's for

Inc. V.A.T. and P.P.

QUANTITY REQ'D.

**X5 KIT £16.95**

£

Cheque No. \_\_\_\_\_

ACCESS OR BARCLAY CARD No. \_\_\_\_\_

Send SAE if brochure only required.

# ELECTRONIC TRANSLATOR

Ian Graham reports on his adventures with the Brainbank electronic information centre.

**W**hilst phrase books are valuable little tomes for those of us with the 'why can't foreigners speak English?' syndrome, it can be infuriating to have to thumb through the food, health and shopping sections to find out how to ask an impatient Parisian police person where their copy of Blackpool Tower is.

As I see it you have two alternatives. You could follow Jonathan Miller's observation of the British abroad. If you speak to a foreigner loud enough and sufficiently slowly, clearly enunciating every word, he's bound to understand you . . . eventually. The assumption is that all foreigners can speak English perfectly well, but are too bloody-minded to use it.

However, if you don't suffer from galloping xenophobia, you will accept that some of the onus of being understood abroad lies with you. Wouldn't it be simpler if you could select the word you want from hundreds of others without going through the others first? The Ami Memory System allows you to do that *and* a lot more.

## Multi-Access

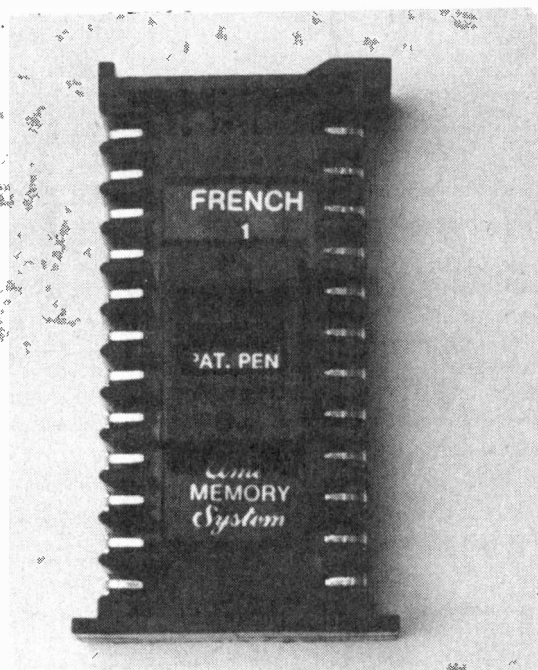
Although it can be used as a calculator and a desk diary, its chief use (and the reason why it's likely to be bought) is as an electronic translator. It can cope with single words and short phrases. You can also get at the words in a number of ways.

Four stores are accessible through the keyboard. Buttons L1, L2 and L3 permit access to plug-in memory cells. L4 is a general-purpose on-board memory. It contains common imperial/metric conversions, gallons to litres, etc and over twenty common words and phrases, available in French, Spanish and German.

## Button-Pushing

On receiving the 'Brainbank', the first thing you must do is turn it upside down. Some of its capabilities are inscribed on its botty.

If you know the word you want to translate, you can punch in the English word. On the model I had, L1 was in English, L2 French and L3 German. So, to translate your word into French, just press L2, the screen blanks for a moment, then up comes your translation. It couldn't be simpler.



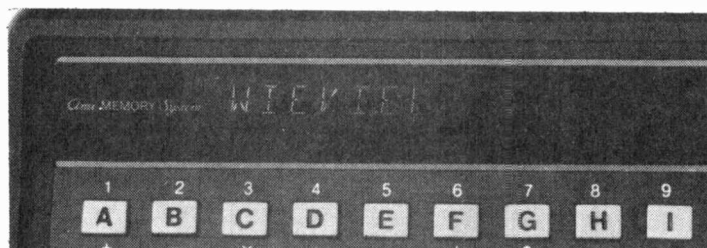
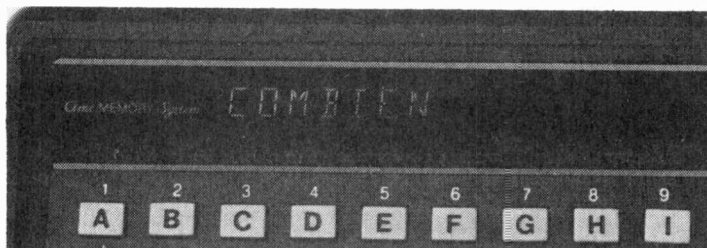
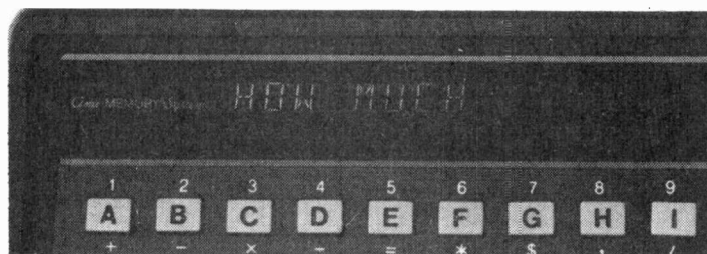
Schooldays might be a bit more fun, if you could plug in one of these to learn French. It's one of Brainbank's memory cells.

## Re-Search

But what happens if the Box of tricks doesn't know your word? Let's take an example. Translate ABILITY into German. When you punch in ABILITY and press L3 for German, each letter is miraculously transformed into a dotless question mark. The Brainbank doesn't understand you. You can now press the SCH (search) key. The machine will then start taking letters off the end of your word until it recognises what is left and can compare it with words it knows. ABILITY is cut down to AB. Brainbank (or BB to its friends) will then go through its store of English words beginning AB. The first one is ABLE. So, you can now have a bash at forming your sentence a slightly different way.

If you're not a superb speller of the Queen's lingo, the search facility eliminates any difficulties arising from your own bad spelling. You can see the memory cycling through all the possible words on the display.





At the touch of a button you can translate straight from English to French or German and vice versa.

Although L1 is programmed in English, you don't have to swap the chips round in order to translate, say, from French into English. As you're strolling down the rue and you see an arrow directing you to the gare, switch BB on, press L2 (for French), punch in GARE and press L1 (for English) — Up flashes TRAIN STATION.

### Phrases

If you want a well known phrase, the chances are that you won't have to enter the whole thing, letter by letter. Have a look at BB's botty again. You can press PHR (phrase) plus any one of 26 letters, each of which represents a word or a complete phrase. For instance, pressing PHR plus V will enter 'Do you change traveller's cheques?' Pressing PHR twice plus a letter will enter partial phrases eg PHR PHR D

will flash 'I am looking for . . .' on the display.

You can also access words by category eg pressing HOTEL plus LRN will make BB cycle through words relating to hotels. Pressing LRN again stops the cycling process and you can translate the word you want.

### Summing Up

BB can also be used as a calculator, albeit a rather slow one. The calculation of two times four takes around three seconds, so BB is unlikely to be bought as a pocket calculator alone. However, it is convenient to have the simple four function calculation facility built in. It saves carrying an extra box around.

### Extras

BB has one or two luxury extras. If you would prefer to see the words moving from right to left across the display instead of flashing up at the same end everytime, you can do just that with the ROT (rotate) key.

If you can soak up the words faster than BB's standard rate you can speed things up with the F/S key.

### Hardware

Six plug-in language cells were available when we first heard about BB (English, French, German, Spanish, Italian and Portuguese) with Japanese and Arabic due in the following weeks. Each cell holds 1200 of the most common words, together with 25 complete and 25 partial phrases. Uprated cells containing 9,600 words should soon be available. That's good news, as even 1200 words is rather restricted.

Cells covering pronunciation, diet and nutrition, first aid, taxation and a thesaurus are already complete. A cocktail mixer guide, a spelling guide and word games and puzzles are on the way. Blank cells which the user can program through the keyboard are also imminent.

The Brainbank is powered by four HP7-size cells (giving ten hours of continuous operation) or by rechargeable nickel cadmium batteries.

Your cheque for £150 or thereabouts will buy you one Brainbank, complete with mains adaptor, battery charger and one free cell. Extra cells will cost less than £20. Brainbank is marketed in the UK by Ring Electric.

If you want to see Brainbank 'in the flesh', it is on display at the 'Challenge of the Chip' exhibition at the Science Museum in London until June.

ETI



One criticism of Brainbank is the keyboard layout. A QWERTY board would be much quicker to operate. You can use the superior symbols and numerals by using the shift button just as on a normal typewriter OR by pressing the EXT button, you can use Brainbank as a calculator until the next time you press the CLR button.



# HEATER CONTROL

**A hyper-efficient circuit that can be used to give automatic precision control of any electric heater unit with a power rating not exceeding 3 kW. The unit can maintain room temperatures to within 0.5 C of a pre-set value**

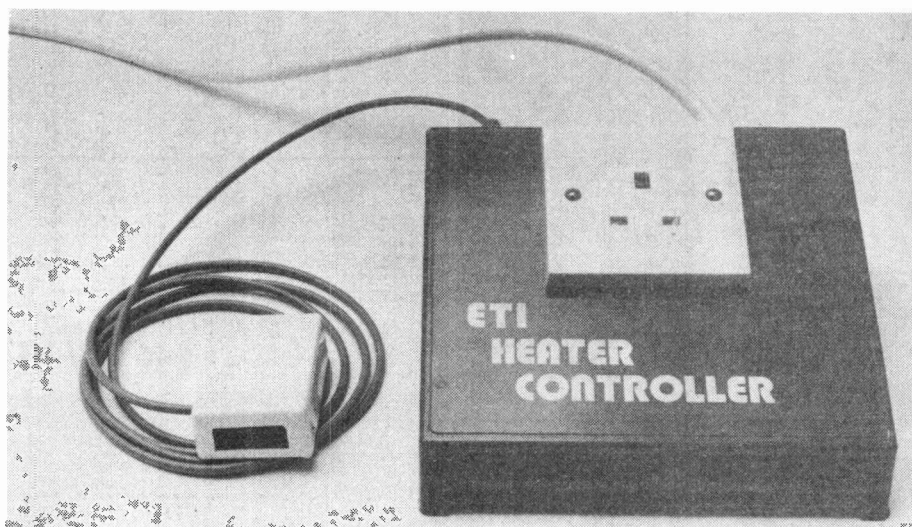
This unusual project is designed to impart automatic precision electronic control or regulation to virtually any electric convector or radiant bar heater with a power rating not exceeding 3kW. The heater is simply plugged into the electronic controller, which uses a remotely-mounted sensor/control unit to sense room temperature. The circuit can maintain the room temperature within 0.5° C of a pre-set value. Desired temperatures can be pre-set via the sensor/control unit.

The action of the ETI controller is such that, when first activated, it turns the heater on at full power until the room temperature rises to within a degree or two of the desired temperature and then progressively reduces the heater power output until the precise desired temperature is attained. From that point on, the controller maintains the room temperature within 0.5°C or so of the desired value and automatically adjusts the heater power output so that it exactly balances the thermal losses of the room: if an additional person enters the room, the controller reduces the heater output by an amount equal to that person's radiant body heat, thereby maintaining a thermal balance.

## Zero RFI

Conventional thermostat-controlled electric heaters suffer from two major defects. First, their crude on/off electro-mechanical switching action gives poor thermal regulation and causes room temperatures to vary in a repeating series of thermal overshoots and under-shoots. Secondly, because the thermostat switching action is not synchronised to the mains frequency, the thermostat causes high switch-surge currents to be generated and generates a high level of RFI (radio-frequency interference).

The ETI controller, by contrast, uses a solid-state mains-synchronised triac to switch up to 2kW of mains



power to the heater. The switching action is synchronised to the 'zero crossover' points of the mains cycles and consequently causes virtually zero RFI generation. The triac is controlled via a thermistor proportional or 'burst fire' control circuit which enables the mean power output of the heater to be infinitely varied between zero and maximum and thereby enables the temperature to be regulated with negligible over-shoot or under-shoot.

The complete control unit uses only a handful of components, including two ICs and the triac. It can be built in an evening, at a total cost of about £15, including the case and 13A output socket.

## Construction

Construction should present few problems. The unit uses two PCBs. The small board holds the remotely-located RV1-TH1 sensor/control components. All remaining components are mounted on the larger board, which is housed in the main units case. The 2N5574 triac is fixed to a large (64mm x 100mm) heat sink which is bolted directly to the PCB. The two ICs are mounted in suitable holders. The completed PCB is bolted

to the case base-plate via stand-off insulators.

The remotely-located sensor/control board is mounted in a small (25mm x 50mm x 72mm) plastic Vero 'potting' box, which can be fixed in a suitable location via sticky-pads. The lower end of the box must be cut away to allow air to reach the temperature-sensing thermistor. A small hole should be drilled in the front of the case to allow screwdriver access to the RV1 'set temperature' pot.

On our prototype, we used a 3-pin DIN socket to connect the sensor unit to the main unit. You can use direct wiring if you prefer. When you complete the interwiring of the unit, remember to use adequately rated cables and plugs and sockets: the unit is intended to carry up to 13 amps of mains current!

Note that there is no need to fit the unit with fuses or on/off switches, as these should already be provided via your mains plug and socket. If the triac does short-circuit, the heater will simply lock on and no significant damage will be done.

## Using the Unit

When construction is complete, plug ►

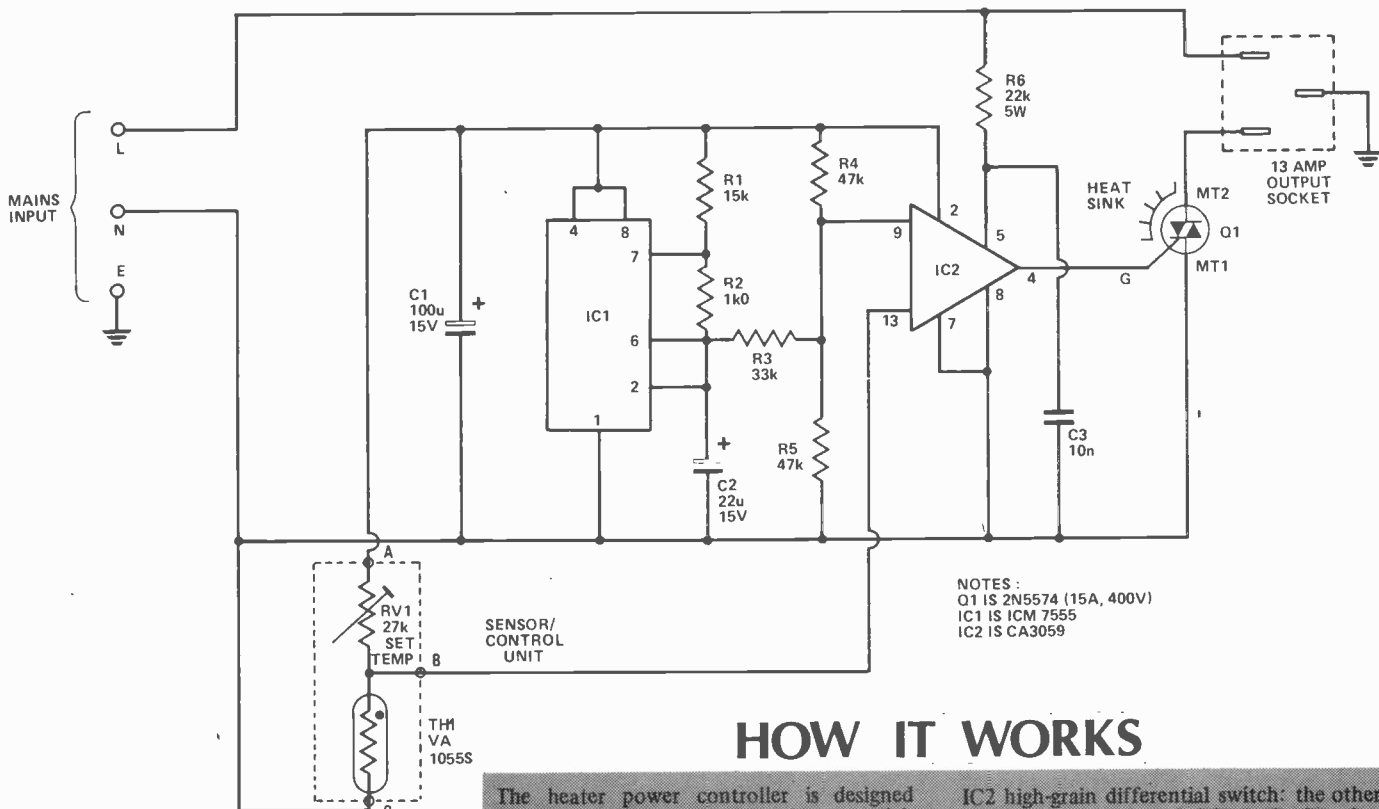


Fig. 1. Circuit diagram of the heater controller and remote sensor unit.

a heater into the unit, plug the unit into the mains and give the unit a functional check: if possible, temporarily wire a lamp in parallel with the heater, as this will give you a visual indication of the functional operation. Adjust RV1 and check that the heater/lamp load can be turned on and off via the preset pot. When RV1 is set to a value corresponding with the prevailing ambient temperature, power should pulse to the load at the timebase rate and the heater output should set to some value below maximum. If this action is obtained, the circuit is functioning correctly and you can complete the installation of the system.

When you install the system, be sure to fit the sensor/control unit in a position away from draughts and local sources of heat. Set RV1 by trial and error so that the heater produces a reduced output at the desired room temperature. If your heater is provided with its own thermostat, set the thermostat to maximum.

If your heater is fitted with a built-in lamp, you'll find that an annoying 'pulsing' action occurs as the heater power is regulated. You can overcome this problem by either disconnecting

The heater power controller is designed around a high power triac, plus a special-purpose IC known as a 'zero-voltage switch' and a CMOS version of the well known 555 timer IC.

The electric heater is wired in series with a high power triac, which acts as a solid-state high-speed bidirectional power switch which can be turned on via its gate terminal: the triac turns off automatically at the end of each mains half-cycle. When the triac is turned on it self-latches for the remaining duration of the half cycle: the triac can thus be turned on via a very brief gate pulse. In our circuit, the triac is either not turned on at all or is turned on only at the very beginning of a mains half cycle (when the instantaneous mains current is near-zero), thus ensuring that very low switching (transient) currents are drawn from the mains, with consequently negligible switching RF1.

This switching action is obtained via IC2, which incorporates a mains zero-crossing detector which drives the triac via a 2-input AND gate/driver network which ensures that the triac is gated on only when the instantaneous mains voltage is close to zero and a GO signal is present on the other terminal of the AND gate. The GO signal is derived from a high-gain differential switch, which is also built into IC2. This IC also contains a DC voltage regulator that draws power from the mains and generates a stable 6 volt DC output that can be used to power internal and external circuitry.

We use the 6 volt DC supply of IC2 to power a ramp (timebase) generator, designed around a CMOS 555 timer (IC1), which has its output fed to one side of the

IC2 high-grain differential switch: the other side of the switch is fed from the junction of potential divider RV1-TH1. TH1 is a carbon rod thermistor and is used to sense the room temperature.

When the room temperature is more than a degree or so below the pre-set value, the DC bias level (level 1) from RV1-TH1 is permanently above the ramp level. Under this condition the output of the differential switch is permanently high and a gate signal is fed to the triac at the start of each mains half cycle, thus causing the triac and heater to be switched on for the duration of each ramp or timebase cycle.

As the room temperature rises, the DC bias level from RV1-TH1 interrupts the ramp waveform and the differential switch output goes low and cuts off the triac for part of each timebase cycle. Since the timebase period is short (a few hundred milliseconds) compared to the thermal time constant of the heater (several seconds), this action causes the mean output power (integrated over several seconds) of the heater to decrease linearly as the room temperature rises. In practice, a thermal negative feedback loop is set up by the circuit and eventually causes the heater output to adjust to a level that exactly balances the thermal losses of the room, thereby maintaining the room temperature within a typical accuracy of 0.5°C.

If the room temperature does rise above the pre-set level, the DC bias level falls permanently below the ramp level and under this condition the triac and heater are cut off for the full duration of each timebase cycle.

## HOW IT WORKS

the lamp or providing it with an independent connection to the mains input terminal of the controller unit. **ETI**

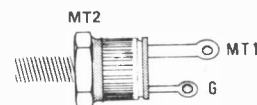


Fig. 2. Q1 outline

## PARTS LIST

### Resistors

|      |        |
|------|--------|
| R1   | 15k    |
| R2   | 1k0    |
| R3   | 33k    |
| R4,5 | 47k    |
| R6   | 22k 5W |

### Potentiometers

|     |                             |
|-----|-----------------------------|
| RV1 | 22k 0.25W horizontal preset |
| TH1 | VA1055s                     |

### Capacitors

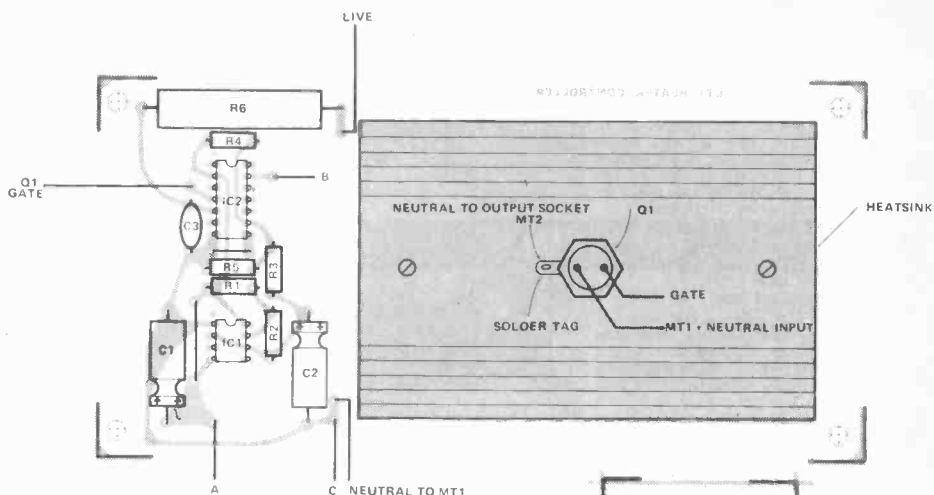
|    |                       |
|----|-----------------------|
| C1 | 100u 25V electrolytic |
| C2 | 22u 25V electrolytic  |
| C3 | 10n polyester C280    |

### Semiconductors

|     |                   |
|-----|-------------------|
| IC1 | ICM7555           |
| IC2 | CA3059            |
| Q1  | 2N5574 (15A 400V) |

### Miscellaneous

13A MK socket, 3pin plug + socket, 1/2" grommet, 1/4" grommet, Vero potting box order code 202-21025K heatsink 100mm x 65mm.



## BUYLINES

The case chosen for the Heater Power Controller was obtained from CSC Ltd (see below for address), order as DMC-1.

The CA3059 IC can be purchased from Marshall's, all other components used are readily available from major stockists that advertise in this issue.

CSC (UK) Limited,  
Shire Hill Industrial Estate,  
Saffron Walden, Essex CB11 3AQ  
Phone (0799) 21682.

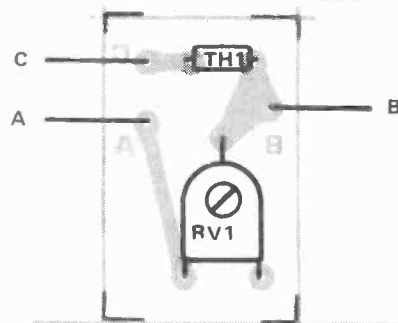


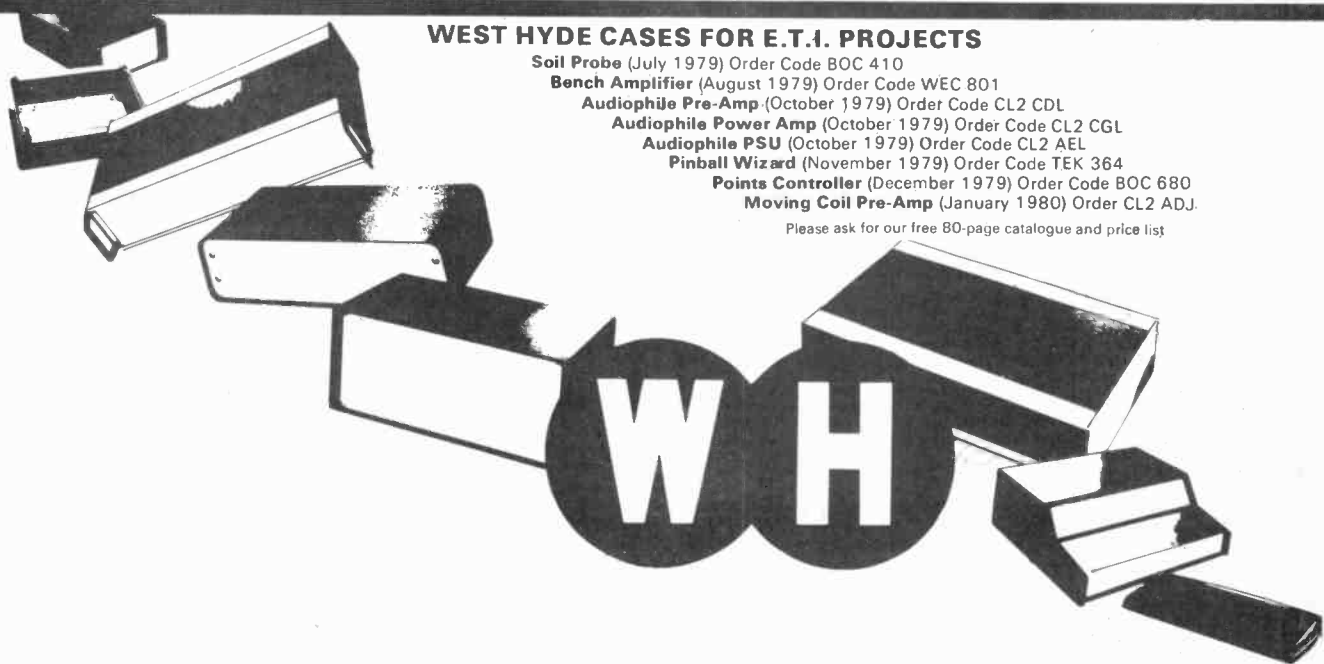
Fig. 3a (top) Component overlay of main control unit.

Fig. 3b (above) Component overlay of remote sensor.

## WEST HYDE CASES FOR E.T.I. PROJECTS

- Soil Probe (July 1979) Order Code BOC 410
- Bench Amplifier (August 1979) Order Code WEC 801
- Audiophile Pre-Amp (October 1979) Order Code CL2 CDL
- Audiophile Power Amp (October 1979) Order Code CL2 CGL
- Audiophile PSU (October 1979) Order Code CL2 AEL
- Pinball Wizard (November 1979) Order Code TEK 364
- Points Controller (December 1979) Order Code BOC 680
- Moving Coil Pre-Amp (January 1980) Order CL2 ADJ.

Please ask for our free 80-page catalogue and price list



THE BIGGEST SELECTION OF CASES IN EUROPE

# WEST HYDE

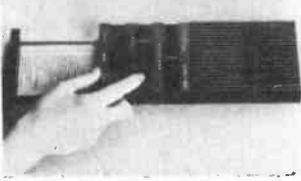


WEST HYDE DEVELOPMENTS LIMITED, UNIT 9, PARK STREET INDUSTRIAL ESTATE, AYLESBURY, BUCKS. TEL: 0296 20441

## 24 TUNE DOOR CHIMES

### DOOR TUNES £17.15 + VAT

Waddington's Videomaster announce a doorbell that doesn't go Brrringgg, Ding-Dong or Bzzzzz. Instead it plays 24 different classical and popular tunes. It will play the tune you select for your mood, the season or the visitor you are expecting to call. Door tunes is not only great fun and a wonderful ice breaker, but is also very functionally and beautifully designed to enhance your home. There is something for Christmas, something for your continental visitors or your relations from the states, and even something for the Queen. Door tunes is easy to install and has separate controls for volume, tone and tempo.



## T.V. GAMES

### PROGRAMMABLE £29.50 + VAT. COLOUR CARTRIDGE T.V. GAME.

The TV game can be compared to an audio cassette deck and is programmed to play a multitude of different games in COLOUR, using various plug-in cartridges. At long last a TV game is available which will keep pace with improving technology by allowing you to extend your library of games with the purchase of additional cartridges as new games are developed. Each cartridge contains up to ten different action games and the first cartridge containing ten sports games is included free with the console. Other cartridges are currently available to enable you to play such games as Grand Prix Motor Racing, Super Wipeout and Stunt Rider. Further cartridges are to be released later this year, including Tank Battle, Hunt the Sub and Target. The console comes complete with two removable joystick player controls to enable you to move in all four directions (up/down/right/left) and built into these joystick controls are ball serve and target fire buttons. Other features include several difficulty option switches, automatic on screen digital scoring and colour coding on scores and balls. Lifelike sounds are transmitted through the TV's speaker, simulating the actual game being played.



#### EXTRA CARTRIDGES:

**ROAD RACE - £8.97 + VAT.**  
Grand Prix motor racing with gear changes, crash noises  
**SUPER WIPEOUT - £9.17 + VAT.**  
10 different games of blasting obstacles off the screen.  
**STUNT RIDER - £12.16 + VAT.**  
Motorcycle speed trials, jumping obstacles, leaping various rows of up to 24 buses etc.

#### NON-PROGRAMMABLE TV GAMES

**6 Game - COLOURSCORE II - £13.50 + VAT.**  
**10 Game COLOUR SPORTSWORLD £22.50 + VAT.**

## CHESS COMPUTERS

### STAR CHESS - £56.09 + VAT. PLAY CHESS AGAINST YOUR PARTNER.

using your own TV to display the board and pieces. Star Chess is a new absorbing game for two players, which will interest and excite all ages. The unit plugs into the aerial socket of your TV set and displays the board and pieces in full colour for black and white on your TV screen. Based on the moves of chess it adds even more excitement and interest to the game. For those who have never played, Star Chess is a novel introduction to the classic game of chess. For the experienced chess player, there are whole new dimensions of unpredictability and chance added to the strategy of the game. Not only can pieces be taken in conventional chess type moves, but each piece can also exchange rocker fire with its opponents. The unit comes complete with a free 18V mains adaptor, full instructions and twelve months guarantee.



### CHESS CHALLENGER - £86.65 + VAT. PLAY CHESS AGAINST THE COMPUTER.

The stylish, compact, portable console can be set to play at seven different levels of ability from beginner to expert including "Mate in two" and "Chess by mail". The computer will only make responses which obey international chess rules. Castling, on passant, and promoting a pawn are all included as part of the computer's programme. It is possible to enter any given problem from magazines or newspapers or alternatively establish your own board position and watch the computer react. The positions of all pieces can be verified by using the computer memory recall button.



#### ELECTRONIC CHESS BOARD TUTOR

**£17.17 + VAT**  
A special bulk purchase of these amazing chess teaching machines enables us to offer them at only £19.75 less than half recommended retail price. The electronic chess tutor is a simple battery operated machine that can actually teach anyone to play chess and improve their game right up to championship level. This machine is not only for total beginners but also for established players wanting to play better chess. Unit contains the electronic chessboard with 32 chess pieces, a 64 page explanatory booklet and a set of 32 progressive programme cards including 6 beginners cards, 16 check mate positions, 9 miniature games, 5 openings, 3 end games, 28 chess problems and 2 master games.

Price includes unit with wood grained housing, and Staunton design chess pieces. Computer plays black or white and against itself and comes complete with a mains adaptor and 12 months guarantee.

#### OTHER CHESS COMPUTERS IN OUR RANGE INCLUDE:

**CHESS CHAMPION - 6 LEVELS £47.39 + VAT.**

**CHESS CHALLENGER - 10 LEVELS - £138.70 + VAT.**

**BORIS - MULTI-LEVEL TALKING DISPLAY**

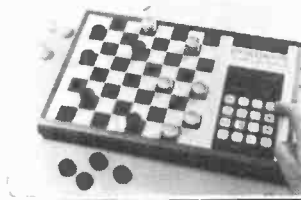
**£163.04 + VAT.**

## DRAUGHTS COMPUTERS

### CHECKER CHALLENGER 2 LEVELS £43.00 + VAT 4 LEVELS £78.00 + VAT

The draughts computer enables you to sharpen your skills, improve your game, and play whenever you want. The computer incorporates a sophisticated, reliable, decision-making microprocessor as its brain. Its high level of thinking ability enables it to respond with its best counter moves like a skilled human opponent. You can select offence or defence and change playing difficulty levels at any time. Positions can be verified by computer memory recall. Machine does not permit illegal moves and can solve set problems. Computer comes complete with instructions, mains adaptor and twelve months guarantee.

#### PLAY DRAUGHTS/CHECKERS AGAINST THE COMPUTER



## FOR FREE BROCHURES - SEND S.A.E

For FREE illustrated brochures and reviews on TV and chess games please send a stamped addressed envelope, and state which particular games you require information on.

Callers welcome at our shop in Welling - demonstrations daily - open from 9am-5.30pm Mon Sat (9am-1pm Wed).

To order by telephone please quote your name, address and Access/Barclaycard number.

Postage and Packing FREE.

**AJD DIRECT SUPPLIES LIMITED, Dept. ET3 102 Bellegrave Road, Welling, Kent DA16 3QD. Tel: 01-303 9145 (Day) 01-850 8652 (Evenings)**

## Microcomputers are coming - ride the wave! Learn to program

Millions of jobs are threatened, but millions more will be created through the microcomputer revolution. Will YOU sink or swim? Be one of the people who welcomes computers and the end of boring jobs.

Learn BASIC - the language of the small computer and the most easy-to-learn computer language in widespread use. Teach yourself with a course which takes you from complete ignorance step-by-step to real proficiency - all you need to start with is a knowledge of simple arithmetic and the use of decimals. And you don't need a computer.

This unique course comes as four A4 books, written by three authors well-known in the fields of microcomputing, self-instruction and writing clear English. In 60 straightforward lessons you learn the five essentials: problem definition, flowcharting, coding the program, debugging, and preparing clear documentation.

Every lesson has thought-provoking questions and we never ask for mindless drudgery. You will know that you are mastering the material and feel a rare satisfaction. Harder problems are provided with a series of graded hints, a unique and really helpful approach. So you never sit glassy-eyed with your mind a blank. First time through, you may need to read most of the hints, but you will soon learn to tackle tough programming tasks such as writing programs for computer games, preparing graphs on an output printer, calculating compound interest tables and estimating costs.

## COMPUTER PROGRAMMING IN BASIC £7.50

**Book 1** Computers and what they do well; READ, DATA, PRINT; powers, brackets, variable names; LET; errors; coding simple programs.

**Book 2** High and low level languages; flowcharting; functions; REM and documentation; INPUT, IF...THEN, GO TO; limitations of computers, problem definition.

**Book 3** Compilers and interpreters; loops, FOR...NEXT; RESTORE; debugging; arrays; bubble sorting; TAB.

**Book 4** Advanced BASIC; subroutines; string variables; files; complex programming; examples; glossary.

## THE BASIC HANDBOOK £11.50

This best-selling American title usefully supplements our BASIC course with an alphabetical guide to the many variations that occur in BASIC terminology. The dozens of BASIC 'dialects' in use today mean programmers often need to translate instructions so that they can be RUN on their system. The BASIC Handbook is clear, easy to use and should save hours of your time and computer time. A must for all users of BASIC throughout the world.

## FORTRAN COLORING BOOK £5.40

"If you have to learn Fortran (and no one actually wants to assimilate it for the good of the soul) buy this book. Forget the others - this one is so good it will even help you understand the standard, dense, boring, unintelligible texts." *New Scientist*.

## A.N.S. COBOL £4.40

Covers the most widely used computer language in business today. It teaches how to write a COBOL program and compile it effectively, paying proper attention to spelling, punctuation, and format.

## THE ALGORITHM WRITER'S GUIDE £3.75

FLOW CHARTS & ALGORITHMS help you present: safety procedures, government legislation, office procedures, teaching materials and computer programs by means of YES and NO answers to questions.

**The Algorithm Writer's Guide** explains how to: define the questions, put them in the best order and draw the flow chart, with numerous examples shown. All that students require is an aptitude for logical thought. Size: A5, 130 pages. This book is a MUST for those with things to say.



# Cambridge Learning Enterprises

## Understand Digital Electronics

In the years ahead the products of digital electronics technology will play an important part in your life. Calculators and digital watches are already commonplace. Tomorrow a digital display could show your vehicle speed and fuel consumption; you could be phoning people by entering their name into a telephone which would automatically look up their number and dial it for you.

These courses were written by experts in electronics and learning systems so that you could teach yourself the theory and application of digital logic. Learning by self-instruction has the advantages of being faster and more thorough than classroom learning. You work at your own pace and must respond by answering questions on each new piece of information before proceeding.

After completing these courses you will have broadened your career prospects and increased your fundamental understanding of the rapidly changing technological world around you.

## DIGITAL COMPUTER LOGIC AND ELECTRONICS £7.00

Digital Computer Logic and Electronics is designed for the beginner. No mathematical knowledge other than simple arithmetic is assumed, though the student should have an aptitude for logical thought. It consists of four volumes - each A4 size - and serves as an introduction to the subject of digital electronics. Everyone can learn from it - designer, executive, scientist, student, engineer.

- Book 1 Binary, octal and decimal number systems; conversion between number systems.
- Book 2 AND, OR, NOR and NAND gates and inverters; Boolean algebra and truth tables.
- Book 3 Positive ECL; De Morgans Laws; designing logic circuits using NOR gates.
- Book 4 R-S and J-K flip flops; binary counters, shift registers and half adders.

## DESIGN OF DIGITAL SYSTEMS £11.50

Design of Digital Systems is written for the engineer seeking to learn more about digital electronics. Its six volumes - each A4 size are packed with information, diagrams and questions designed to lead you step-by-step through number systems and Boolean algebra to memories, counters and simple arithmetic circuits, and finally to a complete understanding of the design and operation of calculators and computers. Contents include:

- Book 1 Octal, hexadecimal and binary number systems; conversion between number systems; representation of negative numbers; complementary systems; binary multiplication and division.
- Book 2 OR and AND functions; logic gates; NOT, exclusive-OR NAND, NOR and exclusive-NOR functions; multiple input gates; truth tables; De Morgans Laws; canonical forms; logic conventions; Karnaugh mapping; three-state and wired logic.
- Book 3 Half adders and full adders; subtractors; serial and parallel adders; processors and arithmetic logic units (ALUs); multiplication and division systems.
- Book 4 Flip flops; shift registers; asynchronous and synchronous counters; ring, Johnson and exclusive-OR feedback counters; random access memories (RAMs) and read only memories (ROMs).
- Book 5 Structure of calculators; keyboard encoding; decoding display data; register systems; control unit; program ROM; address decoding; instruction sets; instruction decoding; control programme structure.
- Book 6 Central processing unit (CPU); memory organization; character representation; program storage; address modes; input/output systems; program interrupts; interrupt priorities; programming; assemblers; computers; executive programs; operating systems and time sharing.

## O-LEVEL ENGLISH LANGUAGE £7.00

More and more jobs require a C-GRADE PASS, and over 250,000 people fail to get this every year. Will one of them be in your family? This new course, written by experts in a style that's serious yet fun to read, shows you how to mark your own work and compare it with the work of other people in their exam year. Set your own pace and assess your results immediately with no postal delays: watch your speed and standards improve. In Book 1 learn how you will be marked on COMPREHENSION, Book 2 covers SUMMARY, PUNCTUATION & SPELLING, and Book 3 coaches you in the principles of COMPOSITION. Size: 3 A4 volumes totalling 250 pages.

## SELF-INSTRUCTION COURSES



**CAMBRIDGE LEARNING ENTERPRISES**, UNIT 18 RIVERMILL SITE, FREEPOST, ST. IVES, HUNTINGDON, CAMBS PE17 4BR, ENGLAND.  
TELEPHONE: ST. IVES (0480) 67446

All prices include worldwide postage (airmail extra)  
If order comes to £15 or more, deduct £2  
Please allow 21 days for delivery

**GUARANTEE** No risk to you.  
If you are not completely satisfied your money will be refunded when books are returned in good order.

Please send me the following books:

- ..... **Computer Programming in BASIC (4 books) at £7.50**
- ..... **The BASIC Handbook at £11.50**
- ..... **FORTRAN Coloring Book at £5.40**
- ..... **A.N.S. COBOL at £4.40**
- ..... **Algorithm Writer's Guide at £3.75**
- ..... **Digital Computer Logic & Electronics (4 books) at £7.00**
- ..... **Design of Digital Systems (6 books) at £11.50**
- ..... **O-Level English Language (3 books) at £7.00**

I enclose a cheque/PO payable to Cambridge Learning Enterprises for £.....

Please charge my \*Diner's Club/Access/Barclaycard/Visa/Eurocard/Mastercharge/Trustcard Account No. ....  
..... (\*delete where applicable)

Signature.....

Telephone orders from credit card holders accepted on 0480-67446 (Ansafone). Overseas customers (inc. Eire) should send a bank draft in sterling drawn on a London Bank, or quote credit card number.

Name .....

Address .....

Cambridge Learning Enterprises, Unit 18, Rivermill Site, FREEPOST, St. Ives, Huntingdon, Cambs PE17 4BR, England.

# TELEVISION SOUND

Rick Maybury takes the back off his telly (and his life in his hands)

for ETI to give a few hints on improving TV sound

There was a rumour some years ago that one of America's top Hi-Fi manufacturers was using old television loudspeakers instead of fancy new ones in their systems. That actually makes some sense when you consider the amount of use the average telly speaker gets. The cone tends to lose its stiffness and enables it to cover a greater range of frequencies. Whether you believe this or not, one fact is beyond dispute. The TV speaker is probably the most 'used' speaker in any piece of household audio.

It is, therefore, surprising to consider that the circuitry devoted to handling audio frequencies within a TV set and the speaker that produces the sound was up to only a few years ago (and still is with some manufacturers) actually considered a nuisance. In the ideal world of the TV set designer there would be no sound. This is perhaps best illustrated by the speakers used. They are deliberately shaped to take up the minimum space. Elliptical speakers on their own may not seem too bad but just consider where they are sited. One manufacturer (who shall remain nameless) actually put it at the back, unable to find anywhere it could be usefully placed. Side facing speakers are not uncommon (even one on the bottom of the cabinet). Within the last five years something of a revolution has been taking place. Tone controls have been spotted on some sets. The growing awareness of the set-maker to the interest in audio have stirred the advertising men, looking for new features to sell their boxes. This has led to some rather dubious claims for quality, so it is perhaps a good time to look at the transmitted signal which, unless someone has managed to do without it, remains the be-all and end-all of the sound that emanates from your telly.

Fig. 1. Twiddling points within the sound signal path. (a) 6 MHz intercarrier sound trap coil, L1. (b) Balance circuitry for setting up coincidence detector demodulator now widely found on sets using TBA120 sound and IF detector ICs. (c) Ceramic filter sometimes

The quality of the transmitted sound is relatively high. The main factor from the broadcaster's point of view is source. The video tape recorder is probably the worst in that respect. The tape used for VTRs is designed for just that. The oxide particles that make up the catering are aligned to optimise the helical scanning of the VTRs recording/playback head. The audio track is usually arranged on the bottom edge of the tape and nearly always recorded in a linear fashion. Because of this the best bandwidth that can be expected will be around 10 kHz.

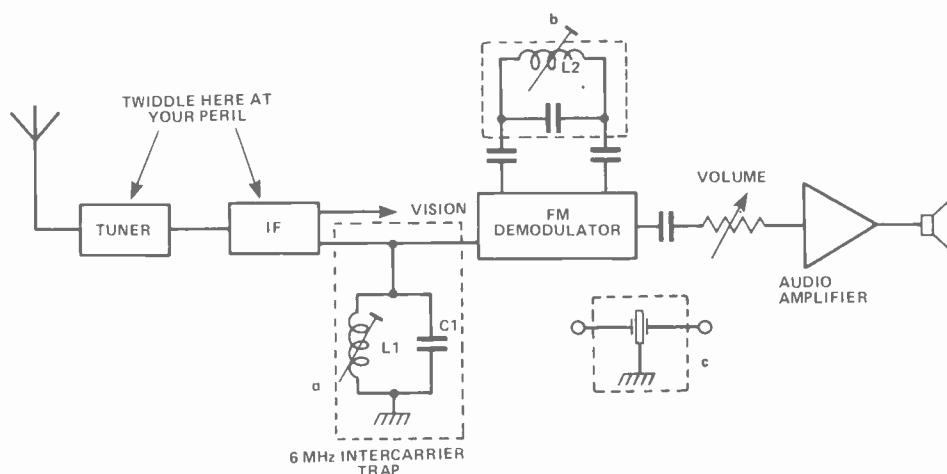
Live broadcasts and telecine material will do a little better, provided that the audio material is carefully handled something like 12 kHz can be expected.

The best quality undoubtedly comes from the 'simulcast' and separate synchronised audio recording. The audio material is recorded quite apart from the video on high quality studio tape recorders. At no time is this material ever allowed to come in contact with lesser machines and in theory at least, will have a bandwidth of something like 18 kHz. What it will be like by the time it comes out of your loudspeaker is another story.

At present there are two methods of transmitting a composite sound and vision signal used in the UK TV system.

The first and most obvious is to send the audio on a slightly different frequency or carrier to that of the video signal. This is the method used for domestic TV broadcasting at the moment. It has the rather glamorous sounding title of Intercarrier Sound. It involves transmitting the FM encoded audio on a carrier 6 MHz above the vision carrier. For instance, channel 21 on band IV — the video is

used in place of circuitry around trap L1, C1 — no twiddling possible! Please DO NOT attempt to twiddle anything before the intercarrier trap you will only regret it and that's a promise.

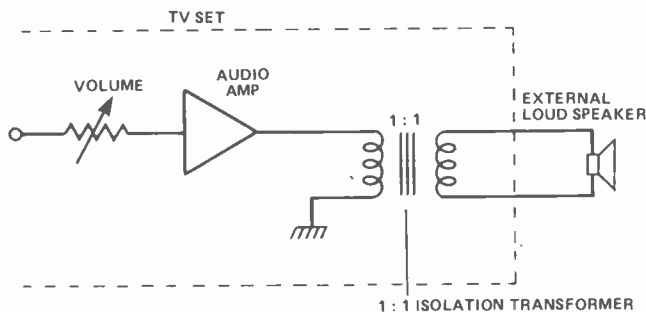




transmitted on a frequency of 471.25 MHz whilst the accompanying audio is to be found on 477.25 MHz. We will deal with Intercarrier Sound demodulation in more detail later on.

The second, less obvious method rejoices under the name of Sound in Sync or SIS. This is not used for normal broadcast transmissions but for transmission of audio between studio and transmitter or relay stations. This is a rather cunning technique utilising the space 'inside' the line synchronisation pulse that occurs at the beginning of every TV line. This pulse is sited at a point on the TV waveform 'below black level'. This means it occurs below a pre-determined voltage at which the TV receiver will recognise it as picture information. The sync pulse lasts for approximately 4.7 microseconds and occurs at a repetition rate of 15.625 kHz (line timebase frequency).

Because SIS occurs in a synchronisation pulse it has to be removed if the signal is to be displayed. Within the studio environment a filter is used to remove SIS for insertion in studio monitors. It is removed at the transmitter prior to encoding into intercarrier sound for normal broadcast.



**Fig. 2. Connecting an external speaker to a set with a live chassis (see fig. 4). Of course, if the set has an isolated chassis, the transformer is unnecessary and a direct connection may be made. Ensure the replacement speaker matches the impedance and power handling of the original.**

## Inter Sound

The broadcast sound is FM modulated onto a carrier with an impressive 8 MHz bandwidth. The peak FM deviation, ie the amount by which the signal deviates around the centre frequencies, is 50 kHz. This compares with a 75 kHz deviation on FM sound radio. The sound and vision signals make uneasy bedfellows, even being 6 MHz apart. A variety of problems can arise with these two signals, sharing as they do a great deal of common circuitry within the TV receiver — not the least being intermodulation resulting in a loud irritating buzz, aptly called Intercarrier Buzz.

Those are the bare bones of TV sound. From a critical standpoint the signal that leaves the TV transmitter is rarely the same one as the one coming from the set's loud-speaker.

If it is your wish to improve upon what greets your ears every night you have a problem. Basically you are limited by the original design. You have two courses of action open to you. Firstly you can take it upon yourself to build a

complete tuner/IF/demodulator. This is not recommended for the faint of heart. To get round this a couple of enterprising manufacturers have got TV sound tuners on the market. You would be hard pressed to improve upon them, let alone do it as cheaply.

The second, more practical route is to make the best of a bad job and improve upon what you already have.

The first and most obvious problem is perhaps the hardest to cure. That is the initial design. Modern receivers of the last few years have at least made some attempt to demodulate the sound responsibly. If your set is more than five years old — forget it. Proceed to step 2.

Step one. The aerial, the first link between the speaker and the incoming signal must be OK. As a general rule of thumb if the picture looks OK the sound will be. The colour TV is a very good indicator of signal quality being far less forgiving than a monochrome set. Look for noise or snow on the picture. If there is any, get a better aerial/move to an area with better reception/give up and proceed to step two.

The second principle of step one (confusing isn't it?) comes under the heading of alignment. Two symptoms to look for. Number one is intercarrier buzz. No big prizes for guessing how to recognise it. The second symptom of the second principle of step one (Prize for understanding that bit now available from the ETI offices) is called sound on vision. This is not necessarily detrimental to the sound quality but you might as well sort it out whilst you're at it.

Both these maladies point to one thing; poor alignment. The obvious remedy consists of whipping the back off your telly and twiddling the appropriate components. But hold on, which one. Most tellys have forty or fifty presets, coils, trimmers, etc just waiting for the eager, would-be twiddler. The answer here is arm yourself with a manufacturers' service sheet. You will be able to locate the audio section on the diagram quite easily. Just look for the loud speaker, amplifier section and decoder. On a modern colour TV just before the demodulator there will be a trap circuit. This usually consists of an LC network or a ceramic filter. For the sake of sanity DO NOT twiddle anything before this section. You will be entering the realms of IF alignment where only bold men tread, especially if you haven't got a wobulator. If you have, then you have our deepest sympathy (and why are you reading this anyway because your set should be perfectly aligned?)

Now having located the demodulator/audio section take a deep breath. **First thing to do is check up on your life insurance. Many thousands of volts run around the innards of tellys. Let them run up an errant finger and down your other arm, (the one clutching the gas pipe) and it won't really matter how bad your sound is on your TV set. The only noises you'll be hearing will be the strumming of heavenly harps (If you're lucky).**

Start again, are you sound of wind, limb and brain. Yes? Then look for the vision signal trap. Does it consist of a LC network. If it does, mark the position of the slug relative to the coil, with one eye on a reflected image of the screen (use a mirror in front of the set) and the other on your shaking hand. Twiddle, no more than half a turn either way. Look for any striation on the screen (that's wavy lines). If they disappear back off and try the other way. If on the other hand the picture contorts with the sound coming from the set then go back to the starting point.

To make matters clear, if there is sound on vision this may cure it, it may also cure intercarrier buzz. If nothing changes or gets worse then return the slug to its original position.

Our next twiddle, or first, if you didn't have the first, ▶

should be found around the demodulator circuit. As the sound is FM modulated you may be lucky and have a ratio-detector type decoder. If you have, chances are that there is another twiddle in store.

This time we will be setting up the decoder by ear. There is no practical way round it. Just twiddle and listen, keep looking at the screen, though nothing really terrible should happen. As always, make sure you know the starting point and NEVER twiddle more than half a turn either way. That way at least you should be able to get back to where you started without too much bother.

If neither of these exercises did anything for you, now is the chance for you to proceed to step two. It must be said however that if the sound is still really dreadful your IF stage is probably in need of attention. The only really capable people are the manufacturers themselves. Have a word with your local (friendly) TV serviceman about doing a swap. Most sets in the last few years use modular construction so the IF strip and /or tuner might just unplug and easily substitute for another.

tions I am about to make blow my set /house /self /cat up. If you can hold your hand on your heart and still pick up that soldering iron with an easy conscience, then proceed.

As we said earlier, the loudspeakers used in TVs can be particularly nasty items. Why not replace your one with a nice big 12in woofer? It won't fit in the case. Solution, disconnect the existing speaker making notes of impedance, power rating, etc and replace. Problem number one is likely to be the high voltages running around the speaker. Most modern colour sets have a metal chassis at around half mains potential. This is because of the types of power supply used do not employ mains transformers, or, if they do, they are of the auto type with no separate primary and secondary. You have been warned. Let not your fingers touch these wires or you will know all about it. Problem number two with this procedure is called visual/audio image separation. Be sure not to site the speaker too far away from the screen. You will have the disturbing effect of seeing the picture in front of you and the sound coming from one side or another. This is especially irritating when watching Crossroads, as it can appear that Meg Richardson is at the same time on telly and somewhere in your living room. To be avoided at all costs.

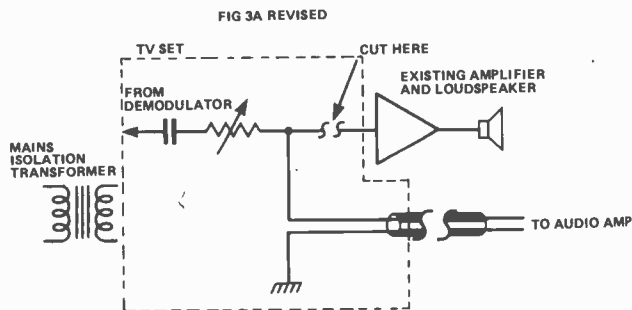


Fig. 3a. By isolating the set with a 1:1 mains isolation transformer, connections to the outside world should be safe. If your set has an isolated chassis, you should be OK.

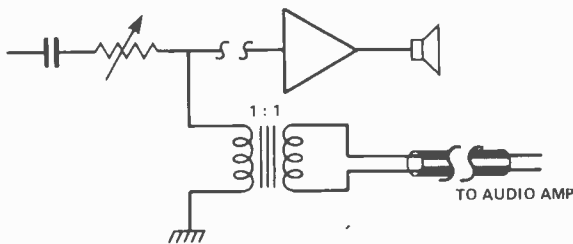


Fig. 3b. Using a 1:1 isolation transformer to prevent nasty shocks. The isolation transformer shown in fig. 4 is, however, the best solution for safe connection.

## The Famous Step Two

Step two exists for those of you who are either scared of rooting about in the back of 'live' TV sets or have tried step one without success.

This involves modifications to your set. Two things must be ascertained before you pick up that soldering iron. Firstly, the set must be your own. It's no good trying to tell the man from Radio Rentals that you were trying to improve his set. Be assured something nasty will happen if you do. The second thing to consider is, will I mind if the modifica-

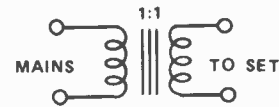


Fig. 4. Recommended method of isolating a TV set with a live chassis. Please note that the transformer should be rated at a minimum of 500 watts for a colour set.

## The Step Three Bit

Step three is for the intrepid only. Going back to your trusty manufacturers' diagram, try to locate the point of entry of the audio signal into the audio output stage. Most manufacturers do this around the volume control area. The trick we are about to play here is to take this point, sever the connection between the volume control and the audio stage and introduce it to your expensive hi-fi equipment. The proviso in step two still holds good, but this time add expensive Hi-Fi to the list of things that could be blown up.

Because we still have the live chassis situation, you must first rid the wires coming from your set of any high voltages. A 1:1 mains isolation transformer is the only practical answer. Now you have to determine the impedance and level of the signal coming out of the demodulator. There is only one reliable way to do this. Measure the level on a 'scope. Use your judgement for the impedance. Safest bet (though don't blame us if it's not) is to assume it will be a fairly hefty signal and treat accordingly. All being well and nothing nasty happening, place your speakers either side of the telly and switch to Mono. You may be rewarded with a really rich sound, complete with a full set of tone controls. On the other hand you may be left with a smouldering mass of high technology that was the telly and the Hi-Fi. Seriously though, any of these methods outlined here should only be attempted if you have a very good grounding in electronics. **Do not on any account muck around with your set unless you know what you are doing.** If you don't then save up and buy yourself a TV sound tuner and you'll live to read all the complaints about this article next month from irate TV manufacturers. **ETI**

# ETIPRINTS

ETIPRINTS are a fast new aid for producing high quality printed circuit boards. Each ETIPRINTS sheet contains a set of etch resistant rub down transfers of the printed circuit board designs for several of our projects.

ETIPRINTS are made from our original artwork ensuring a neat and accurate board. We thought ETIPRINTS were such a good idea that we have patented the system (patent numbers 1445171 and 1445172).

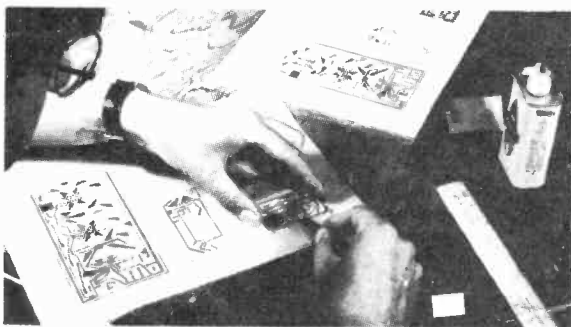
## PARTS LIST

Shown below is the listing for the last year's ETIPRINTS.

Earlier sheets are available, ring Tim Salmon for details.

|   |                          |   |        |   |        |
|---|--------------------------|---|--------|---|--------|
| <b>026</b> Motor Speed Controller<br>(2 Boards For Controller)<br>Battery Indicator                 | July 79                  | <b>033</b> LED Audio Display (2 boards)<br>(topside pattern)<br>Bench Amp<br>NICD Charger   | Aug 79 | <b>036D</b> Power Switch<br>Selector<br>(double sided)  | Nov 79 |
| <b>027</b> CCD Phaser<br>Rev. Monitor   | Project<br>Book<br>Seven | <b>034</b> Cable Tester<br>Reaction Tester<br>Speech Compressor<br>Preamp Power Supply<br>Rectifier & De-Thump<br>Board<br>Power Amp (2)<br>(price £1.60) | Nov 79 | <b>037A</b> Encoder<br>(double sided)   | Dec 79 |
| <b>028</b> Race Track, Spirit Level<br>Egg Timer, Bongos<br>Bench Supply, Oscillator                | Project<br>Book<br>Seven | <b>035</b> Oven Leakage Detector<br>Pinball Wizard  | Nov 79 | <b>037B</b> Decoder (top side)  | Dec 79 |
| <b>029</b> Bass Enhancer<br>Digital Freq. Meter (4 boards)  | Project<br>Book<br>Seven | <b>036A</b> 3 x Display Board<br>Relay Activator<br>Points Controller   | Nov 79 | <b>037C</b> Decoder<br>(bottom side)  | Dec 79 |
| <b>030</b> ETIWET, Continuity Tester<br>Metal Locator, Light Dimmer<br>Ultrasonic Switch (2 boards) | Project<br>Book<br>Seven | <b>036B</b> Data Distributor<br>(double sided)  | Nov 79 | <b>038A</b> Long Period<br>Timer<br>Rain Alarm<br>Touch Switch<br>Flash Trigger<br>Pseudo Random<br>Noise Gen | Dec 79 |
| <b>031</b> Tone Control<br>House Alarm (2 boards)<br>Torch Finder                                   | Project<br>Book<br>Seven | <b>036C</b> Train Speed<br>Controller<br>Track Cleaner &<br>Electronic Pot<br>(double sided)  | Nov 79 | <b>038B</b> Hum Filter<br>Dice<br>Logic Probe   | Dec 79 |
| <b>032</b> LED Audio Display (2 boards)<br>(underside pattern)                                      | Aug 79                   |   |        | <b>038C</b> Function<br>Generator   | Dec 79 |
|   |                          |   |        | <b>039</b> Buffer<br>Moving Coil Preamp<br>Process Controller   | Jan 80 |

## HOW IT WORKS



*Lay down the ETIPRINT and rub over with a soft pencil until the pattern is transferred to the board. Peel off the backing sheet carefully making sure that the resist has transferred. If you've been a bit careless there's even a 'repair kit' on the sheet to correct any breaks!*

## BUY LINES

### ORDER TODAY

Send a cheque or P O (payable to ETI Magazine) to

ETI PRINT, ETI MAGAZINE  
145 Charing Cross Road, London WC2H 0EE

**80p** INC P & P

**LOW POWER SCHOTTKY TTL — EX STOCK**

| Device | Price | Device | Price | Device  | Price |
|--------|-------|--------|-------|---------|-------|
| 74LS00 | 13p   | 74LS85 | 80p   | 74LS174 | 65p   |
| 01     | 13p   | 86     | 36p   | 175     | 65p   |
| 02     | 12p   | 90     | 40p   | 190     | 100p  |
| 03     | 13p   | 93     | 70p   | 191     | 100p  |
| 04     | 14p   | 95     | 85p   | 192     | 100p  |
| 05     | 25p   | 107    | 40p   | 193     | 100p  |
| 08     | 30p   | 109    | 50p   | 196     | 100p  |
| 09     | 20p   | 112    | 50p   | 221     | 100p  |
| 10     | 16p   | 113    | 60p   | 244     | 220p  |
| 11     | 23p   | 114    | 50p   | 245     | 290p  |
| 12     | 25p   | 123    | 80p   | 247     | 100p  |
| 13     | 30p   | 125    | 30p   | 248     | 100p  |
| 14     | 40p   | 126    | 30p   | 249     | 90p   |
| 20     | 17p   | 132    | 50p   | 251     | 90p   |
| 21     | 21p   | 136    | 45p   | 273     | 165p  |
| 26     | 30p   | 138    | 75p   | 279     | 50p   |
| 27     | 15p   | 139    | 80p   | 283     | 100p  |
| 28     | 30p   | 151    | 45p   | 290     | 90p   |
| 30     | 15p   | 153    | 65p   | 293     | 100p  |
| 32     | 17p   | 155    | 90p   | 298     | 93p   |
| 37     | 20p   | 156    | 90p   | 352     | 110p  |
| 38     | 30p   | 157    | 70p   | 353     | 110p  |
| 40     | 17p   | 158    | 70p   | 366     | 50p   |
| 47     | 52p   | 160    | 100p  | 367     | 60p   |
| 49     | 52p   | 161    | 100p  | 368     | 55p   |
| 74     | 33p   | 162    | 100p  | 374     | 180p  |
| 75     | 32p   | 163    | 130p  | 386     | 36p   |
| 76     | 38p   | 164    | 100p  | 670     | 150p  |

**LOW PROFILE DIL SOCKETS BY TEXAS**

|        |     |        |     |        |     |
|--------|-----|--------|-----|--------|-----|
| 8 Pin  | 8p  | 18 Pin | 12p | 24 Pin | 16p |
| 14 Pin | 9p  | 20 Pin | 13p | 28 Pin | 19p |
| 16 Pin | 10p | 22 Pin | 15p | 40 Pin | 30p |

**VERO PRODUCTS**

|                                     |      |
|-------------------------------------|------|
| Vero Wiring Pen (inc. 1 spool wire) | 248p |
| 2 x Spare Spools                    | 85p  |
| Spot Face Cutter                    | 95p  |
| Veroblock Breadboards               | 283p |

**VEROBOARD PCBs**

|              |      |
|--------------|------|
| 2.5" x 5"    | 65p  |
| 2.5" x 3.75" | 54p  |
| 2.5" x 17"   | 198p |
| 3.75" x 5"   | 85p  |
| 3.75" x 17"  | 250p |

**CALCULATORS**

|                 |      |            |      |
|-----------------|------|------------|------|
| Textet 1500     | 375p | Brain Wave | 770p |
| Textet 1800     | 640p | Trader     | 900p |
| Scientific 2001 | 725p | LCD 300    | 940p |

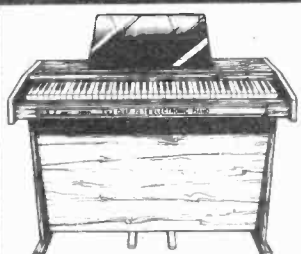
**TERMS**

Please add 35p for P&P plus 15% VAT to all orders. Export orders no VAT but postage at cost. Prompt delivery on all orders. Cheques, POs, Money Orders to be made payable to: —

**ROMANE ELECTRONICS**

64 Newlyn Drive, Sale, Cheshire. M33 3LE  
Tel. 061-962 2606

**— CLEF KITS —**



**NEW — ELECTRONIC ROTOR**

Two-speed organ rotor simulator plus a three-phase chorus generator on a single PCB (8"x5"). Kit includes all components — IC sockets throughout — mains operation and stereo headphone driver PCB. Easily integrated with existing organ. Component kit **£89.00**.

**KEYBOARDS**

We believe that we have located the best manufacturer of square front Keyboards, as used in our Kits, and can also supply Keyswitch hardware including the industry standard soft plated contact springs.

- 49 NOTE CC **£23.80**
- 73 NOTE F-F **£37.00**
- 88 NOTE A-C **£45.00**

All Keyboards are easily cut to provide your required length and compass. Quantity enquiries welcome.

**BUILDING SERVICE**

We are specialists in Electronic Piano Manufacture and can build your Piano for you — see lists.

**INFORMATION**

Please send S.A.E. quoting items of interest. Telephone BARCLAYCARD orders can be accepted, all prices include V.A.T., carriage & Insurance.

**VISITS**

Are welcome by appointment, otherwise Mail Order Only.

**EXPORT**

Enquiries welcome — in Australia please contact JAYCAR (Sydney).

**High Quality Electronic Musical Instruments under the personal supervision of Specialist Designer A. J. BOOTHMAN.**

**JOANNA 72 & 88 PIANOS**

Six and 7 1/4 Octave Electronic Pianos with unique Touch Sensitive Action as used in the P. E. JOANNA, which electronically simulates piano key inertia — a feature not available in any other design. Build this widely acclaimed professional instrument, for either Domestic or Stage use, from our top quality Component kits.

SIX OCTAVES — **£184**

7 1/4 OCTAVES — **£209**

**P.E. STRING ENSEMBLE**

The versatile String Synthesizer with a fantastic sound at an economic price. Split Keyboard facility with a range of impressive voices.

COMPONENT KIT — **£164**

Back up TELEPHONE advice is available from the designer to supplement the clear instructions included with the above Kits.

**P.A.'s — SPEAKERS — CABINETS**

Units can be supplied to add to the Component Kits, including Domestic or Stage Cabinets and portable tubular legs.

**CLEF PRODUCTS (ELECTRONICS) LIMITED** (Dept. E.T.I.)

16 Mayfield Road, Bramhall, Cheshire SK7 1JU. 061 439 3297

**MEN'S QUARTZ LCD**  
15 functions telling hours, mins., secs., month, date, plus back lighting, auto calendar. Accuracy guaranteed by tuning fork quartz at 32768KHZ.  
Only **£6.95** (inc. VAT P&P) Same day despatch

**MUSICAL ALARM/CHRONO WITH 2 TIME ZONE**  
★ 6 digits complex watch with chrono, musical alarm, alternate time zone with backlight  
★ Alphanumeric display of day-of-week in three languages: English, French and German (selected by user)  
★ The chronograph, alarm and time zones can be used simultaneously, the flashing flags remind of all the running modes.  
★ When chronograph counts more than one hour and it is stopped, then the display will show hour, minute, second, hundredth alternatively.  
**£24.95** inc. VAT P&P

**LADY'S 5-FUNCTIONS WATCH**  
Gold/silver colour finish  
★ Hours, mins., secs., month, date, plus back light.  
★ Cocktail style  
★ 12 months' guarantee  
Only **£12.95** (inc. VAT P&P) Same day despatch

**LADY'S 5-FUNCTIONS WATCH**  
★ Hours, mins., secs., month, date, back light  
★ Stainless steel 8mm thick.  
Only **£9.95** (inc. VAT P&P) Same day despatch

**LCD CLOCK**  
— 5 functions LCD car clock with back lighting.  
— 4 digits display for month, date, hour, minute and second.  
— Automatic month update for 4 years' operation.  
— Simple 2 switch display and setting.  
— Less than 1 cm. thick, mounts in, on or under dash in minutes.  
— Can be used as table-clock by lifting the back support.  
— Bright black digits, easy to read.  
**£9.95** including VAT P&P

**MEN'S LCD ALARM with Snooze**  
24hr. "Alarm"  
★ Hrs., mins., sec., date, month, day of week plus back light.  
★ 6 digits, 3 flags, plus continuous display of day and date or seconds.  
★ 12-month guarantee  
Only **£11.95** (inc. VAT P&P) Same day despatch

**MEN'S "ALARM" CHRONO**  
— Hr., min., sec., day, date, month, B/light.  
★ 1/10 chronograph.  
★ Lap time.  
★ 6 digit plus day.  
★ 12/24 hour option.  
★ Month, date/date month  
★ 10mm thick.  
Only **£18.95** (inc. VAT P&P) Same day despatch

**MEN'S CHRONOGRAPH**  
★ 6 functions telling hr., min., sec., month, date., day of week, plus back light.  
★ Auto calendar  
★ 1/100 of seconds counting up to 1 hour.  
★ Time lapping to freeze the time with continuous timing.  
12-month guarantee  
Only **£10.95** (inc. VAT P&P) Same day despatch

**LEYTRONICS LTD**  
12 Little Newport Street London WC2 7JJ Phone 01-437 4910

Payment can be made by sending cheque or postal order. Write your name and address and order details clearly. All products carry one year guarantee and full money back 10-day reassurance. Battery fitting service is available at our shops. All goods are sent by first-class post.

Shop open 7 days per week, 12 noon to 8 p.m.

# ETI BOOK SERVICE

How to order: Make cheques etc payable to ETI Book Service. Payment in sterling only please. Orders should be sent to: ETI Book Service, PO Box 79, Maidenhead, Berks. All prices include P&P.

## BEGINNERS

Beginners Guide to Electronics Squires £3.35  
Beginners Guide to Transistors Reddihough £3.35  
Electronics Self Taught Ashe £4.40  
Beginners Guide to Integrated Circuits Sinclair £3.35  
Understanding Electronic Circuits Sinclair £4.10  
Understanding Electronic Components Sinclair £4.10  
Beginners Guide to Radio King £3.35  
Beginners Guide to Audio Sinclair £3.35

## COOKBOOKS

TV Typewriters Cookbook £7.75  
CMOS Cookbook £8.20  
Active Filters £11.30  
IC Timer Cookbook £7.50  
IC Op-Amp Cookbook £10.00  
Video Cookbook £7.00  
TTL Cookbook £7.55  
The Basic Cook £4.00 inc. p/p  
IC Converter Cookbook £9.50

## APPLICATIONS

Fire and Theft Security Systems B. Weis £2.00  
How To Build Electronic Kits Capel £2.10  
110 Electronic Alarm Projects R. M. Marston £3.95  
110 Semiconductor Projects for the Home Constructor R. M. Marston £3.95  
110 Integrated Circuit Projects for the Home Constructor R. M. Marston £3.95  
110 Thyristor Projects Using SCRs R. M. Marston £3.95  
110 Wave Form Generator Projects R. M. Marston £3.95

## COMPUTING & MICROPROCESSORS

What is a Microprocessor? 2 cassette tapes plus a 72-page book £12.00  
Beginners Guide to Computers and Microprocessors with Projects C. Adams £5.70  
Basic Computer Games Ahl £5.25  
Basic for Home Computers A self teaching guide B. Albrecht £4.95  
Illustrating Basic D. Alcock £2.60  
Intro to Microprocessors Aspinall £6.50  
•Z-80 Microcomputer Handbook W. Barden £7.75  
How to Program Microcomputers W. Barden £7.25  
Introduction to Microcomputers and Microprocessors A. Barna £8.60  
Microprocessors in Instruments and Control R. J. Bibbero £12.60  
Basic Basic J. S. Coan £7.80  
Advanced Basic J. S. Coan £7.30  
Getting Acquainted with Microprocessors L. Frenzel £7.10  
Beginners Guide to Microprocessors C. M. Gilmore £4.85  
Beginners Guide to Home Computers Grossworth £4.50  
Beginning Basic R. E. Gosling £4.75  
Microprocessor Programming for Computer Hobbyists N. Graham £7.10  
Miniprocessors from Calculators to Computers Heiserman £5.00  
Microcomputers, Microprocessors, Hardware, Software and Applications J. L. Hilburn £17.00  
Basic Programming J. G. Kemeny £6.55  
Microprocessor Systems Design E. Klingman £17.00  
Intro to Microprocessors Leventhal £16.70  
Microprocessors — Technology, Architecture & Applications D. R. McGlynn £9.00  
Programming Microprocessors McMurrin £5.50  
Interactive Computing with Basic Monro £3.65  
Basic with Style P. Nagin £4.25  
Software Design for Microcomputers Ogdin £7.00  
•Microcomputer Design Ogdin £7.00  
•Microcomputer Base Design Peatman £7.00  
Hands on Basic with a PET Peckham £8.70  
Basic — A hands on method Peckham £6.95  
6800 Software Gourmet Guide and Cookbook Scelbi £8.00  
8080 Software Gourmet Guide and Cookbook £8.00  
The 8080A Bugbook: Microcomputer Interfacing & Programming P. H. Rony £8.20  
8080/8085 Software Design Titus £7.60  
57 Practical Programs & Games in Basic Tracton £6.60  
Microcomputer Primer M. Waite £6.50  
Your Own Computer Waite £1.50  
Microprocessor/Microprogramming Handbook Ward £6.20

## LOGIC

Logic Design Projects Using Standard ICs J. Wakerly £5.10  
Practical Digital Design Using ICs J. Greenfield £12.70  
Designing With TTL Integrated Circuits Texas Instruments £9.05  
How To Use IC Circuit Logic Elements J. Streater £3.65  
110 COSMOS Digital IC Projects for the Home Constructor R. M. Marston £3.95  
Understanding CMOS Integrated Circuits R. Melen £4.00  
Digital Electronic Circuits and Systems R. M. Morris £3.50  
MOS Digital ICs G. Flynn £5.10

## TEST INSTRUMENTS

The Oscilloscope In Use Sinclair £3.10  
Working with the Oscilloscope A. Saunders £4.10  
Servicing with the Oscilloscope A. King £6.50  
Radio Television and Audio Test Instruments King £6.80

## OP-AMPS

Applications of Operational Amplifiers Graeme (Burr Brown) £8.30  
110 Operational Amplifier Projects for the Home Constructor R. M. Marston £3.95  
Designing With Operational Amplifiers Burr Brown £16.65  
Operational Amplifiers Design and Applications G. Tobery (Burr Brown) £7.40  
Op-Amp Circuit Design & Applications J. Carr £4.00

## COMMUNICATIONS

Communication Systems Intro To Signals & Noise B. Carlson £7.50  
Digital Signal Processing Theory & Applications L. R. Rabiner £23.80  
Electronic Communication Systems G. Kennedy £8.50  
Frequency Synthesis. Theory & Design Mannassewitsch £23.40  
Principles of Communication Systems H. Taub £8.10

## THEORY

Introduction to Digital Filtering Bogner £10.20  
Transistor Circuit Design Texas Instruments £9.35  
Modern Electronic Maths Clifford £6.70  
Foundations of Wireless Electronics M. G. Scroggie £5.00

## REFERENCE

Electronic Engineers Reference Book (Ed. 4) L. W. Turner £34.00  
Electronic Components M. A. Colwell £2.60  
Electronic Diagrams M. A. Colwell £2.60  
International Transistor Selector T. D. Towers New update £8.70  
International FET Selector T. D. Towers £4.35  
International Op-Amp Linear IC Selector Towers £7.50  
Radio Valve and Semiconductor Data A. M. Bell £3.45  
Radio, TV and Audio Technical Reference Amos £24.85

## MISCELLANEOUS

Electronic Fault Diagnosis Sinclair £3.20  
Integrated Electronics J. Milman £7.90  
Practical Solid State DC Supplies T. D. Towers £6.20  
Practical Triac/SCR Projects for the Experimenter R. Fox £2.25  
Printed Circuit Assembly Hughes & Colwell £2.60

Fallen behind recent advances?  
Just starting out?  
Need a decent reference book?  
ETI Book Service provides an easy way of getting your hands on the right title.

# METAL LOCATOR

**For discriminating treasure hunters, we present the Shadow metal locator from Altek, featuring deep-seeking VLF and discriminating operation.**

**T**he design of professional quality metal detectors is a specialist field which up until now the commercial manufacturers have kept very much to themselves. This design incorporates many of the latest techniques in push button VLF discriminators which have hitherto been the subject of well guarded trade secrets. The detector performs as well as commercial models costing over £200.

It uses a ready made search head, as a home-made one would have no hope of giving the results needed for a design of this nature (would you use a home-made speaker with your hi-fi?). The search head from Altek enables depths of over 12" for a single coin to be achieved.

## Construction

The use of sockets for IC1 and IC5 is not recommended due to the increased risk of leakage currents in the push button circuitry. C12 is a very critical component. Its value is not too important but it must be of the highest quality, have low dielectric absorption and high resistance. Polycarbonate types were used, but polystyrene would be equally suitable.

To keep the design as tidy as possible 20 way ribbon cable is used to connect the board to the controls. As each colour appears twice they are differentiated by indicating from which side of the ribbon they come — either white or black (the colour of the wire at the edge of the ribbon). Circuit pins are used at all other connection points so that wires can be attached after the board is installed in the case.

## Setting Up

When construction is complete and the detector appears to function it is necessary to make sure that the Rx



coil has been properly connected. Due to the way the head is aligned it is not possible to check it until this stage.

Hold the head away from all metal and set the controls as follows: MODE and GROUND fully anticlockwise. ALL OTHERS at mid-rotation. Depress the tuning button and hold it in, rotate the TUNE control until the meter needle is approx mid scale. Release the button and bring the head close to a metal object — the meter should be deflected to the right. If it goes left, reverse the wires from the Rx coil (see diagram).

## Use

Using the detector and interpreting the results is very much a matter of experience but the following notes will help.

## Tuning

To adjust, the push button must be depressed. When tuned to your satisfaction release the button. If the tuning point drifts then it can be brought back simply by pushing the button for a second or two. When first switched on the memory retune button will be needed every few seconds but as thermal equilibrium is established it will be needed less often.

## Sensitivity

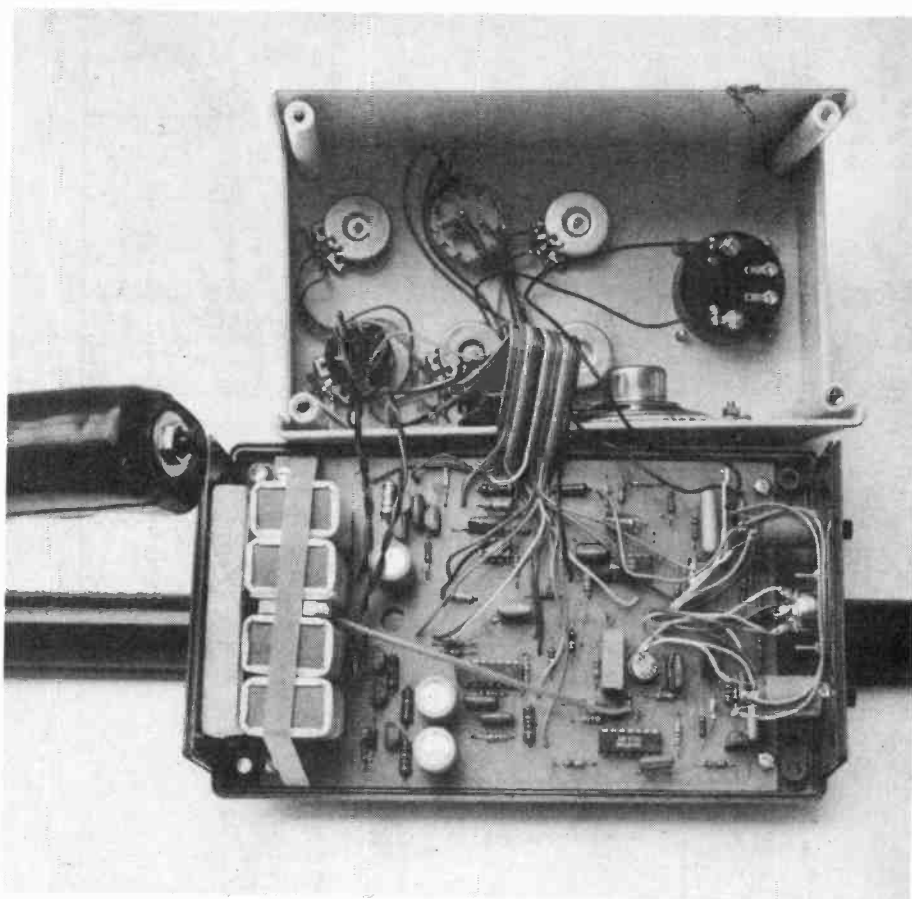
It is not necessary to set the sensitivity to maximum to achieve the greatest depth. Amplification is so great that a maximum setting may bring on instability. Experiment intelligently with it — mid-rotation is about right.

## Ground

This only works in the VLF mode. Its setting is quite critical. First set the tuning with the head away from the ground. Move the head down to the ground and observe the meter. If it swings left — rotate GROUND clockwise, if it swings right — turn anticlockwise. Hold the head away from the ground and depress the button to reset the tuning. Repeat this procedure until the meter does not deviate when the head is lowered. A slight misadjustment is tolerable but if it is turned too far clockwise the detector will work in "reverse". When VLF is selected the detector is in its most sensitive mode.

## Discrimination

It only functions when a TR mode is selected. The degree of discrimination

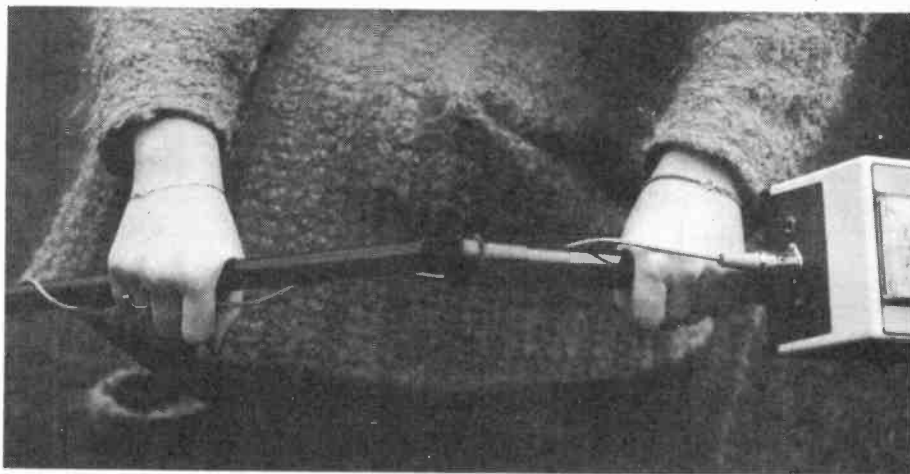


Connections from the PCB are taken to the top panel controls by 20 way ribbon cable.

is controlled jointly by the MODE (coarse setting) and the DISCRIMINATION (fine setting) controls. Together they set the point at which the resistance of the target causes a left or right deflection on the meter. The circuit in this design is very good indeed. It is possible to differentiate between a can ring pull and a gold ring, for example. However, the discrimination control reduces sensitivity slightly. It is best to use a detector of

this type in VLF mode until a target has been found and then use discrimination to determine its likely value!

Finally we ought to point out that in the UK it is necessary to obtain a licence before using a metal detector. This is not necessary elsewhere. Application forms can be obtained from: Home Office, Radio Regulatory Dept., Waterloo Bridge House, London S.E.1.



No, we haven't broken it. The two-piece shaft is telescopic, accommodating varying altitudes of treasure hunter.

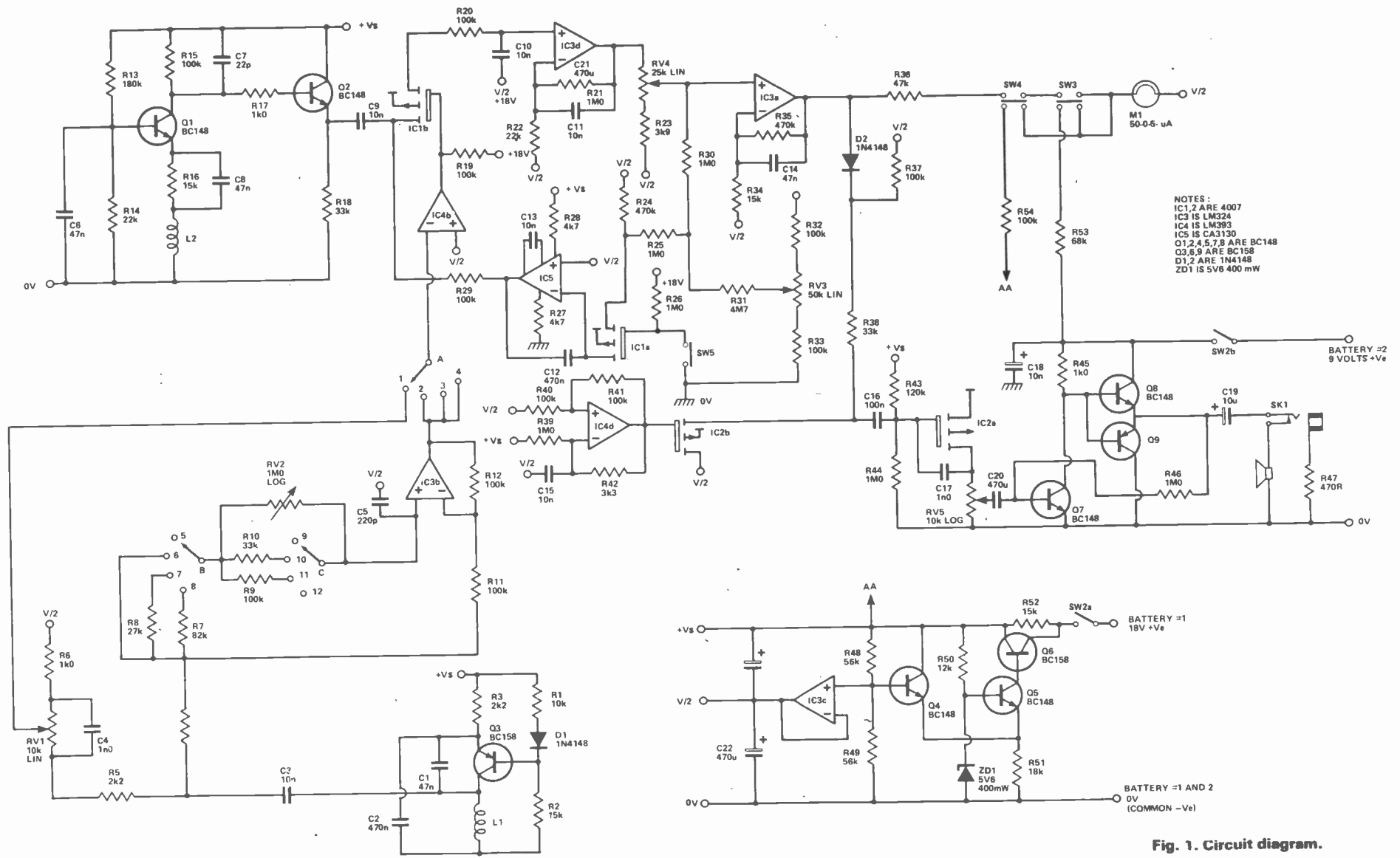


Fig. 1. Circuit diagram.



# HOW IT WORKS

L1 and L2 are the Tx and Rx coils in the search head. The signal to drive L1 is produced by Q3 and associated components which generate a sine wave of approx. 16 kHz. Part of this signal passes via C3 to the phase shift section which produces a reference signal for the phase comparator. When the VLF mode is selected, RV1 (ground control) and C4 provide a variable phase advance of 0 - 180.

The suitably modified signal is squared up by the precision voltage comparator IC4b and applied to the gate of the phase comparator IC1b. Meanwhile, the signal picked up by L2 passes through Q1 and Q2 which amplify, but do not distort or shift the phase, and meet the reference signal at IC1b.

The signal emerging from IC1b is a DC signal upon which is superimposed an AC component corresponding to the phase coincidence of the reference and received signals. This is integrated by IC3d and a portion of the emerging DC signal is tapped off by the sensitivity control RV4. This is further amplified by IC3a and applied to the meter and, via D2, to the audio gate IC2b.

Audio is generated by an astable formed from the remaining half of the voltage comparator IC4a and, after being gated by IC2b, is amplified by IC2a, Q7, Q8 and Q9. RV5 is the volume control.

IC5 and IC1a form the heart of the push button tuning system. Part of the voltage from RV4 is added to a voltage

determined by the position of the slider of RV3 and applied to the source of IC1a. When the tuning button is depressed, the normally high source to drain resistance falls and allows current to flow through the FET and build up as a voltage across C12. IC5 inverts and buffers the voltage to provide a DC bias for the phase comparator. The change of bias at IC1b in turn affects the DC conditions at IC1a (via IC3d and RV4). In other words a negative feedback loop is established whenever the tuning button is pressed. Within a second or two the new DC levels settle down and the button is released. The system is then maintained by the charge held on C12.

The power supply to the audio section is unstabilised, but due to the sensitive nature of the DC levels in the control section, stabilisation is required there. ZD1 provides a voltage reference for the differential amplifier formed by Q4 and Q5, which control the series pass element Q6. R52 allows a small current to Q4 and Q5 at switch on to ensure that Q6 starts conducting. The base of Q4 must always be at 50% of the stabilised supply (R48 = R49). This point is buffered by IC3c used in the voltage follower mode to source the V/2 supply. C21, C22 and C20 are decoupling components. Special attention has been given to cutting down the current consumption. The control section only takes 5.5 mA and the audio section less than 2 mA when silent or when using headphones.

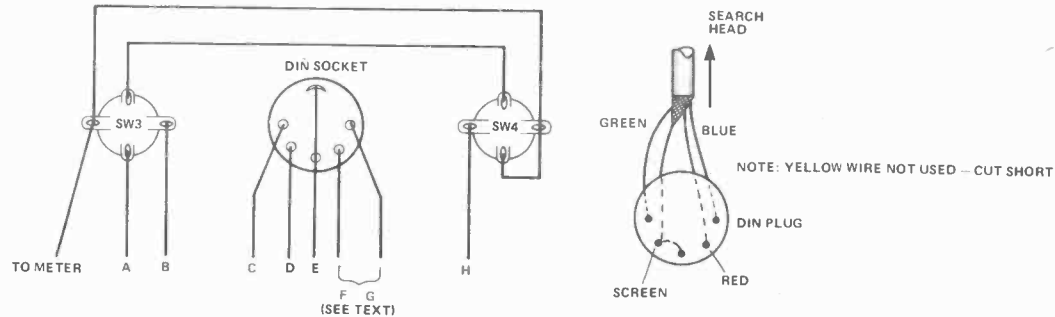
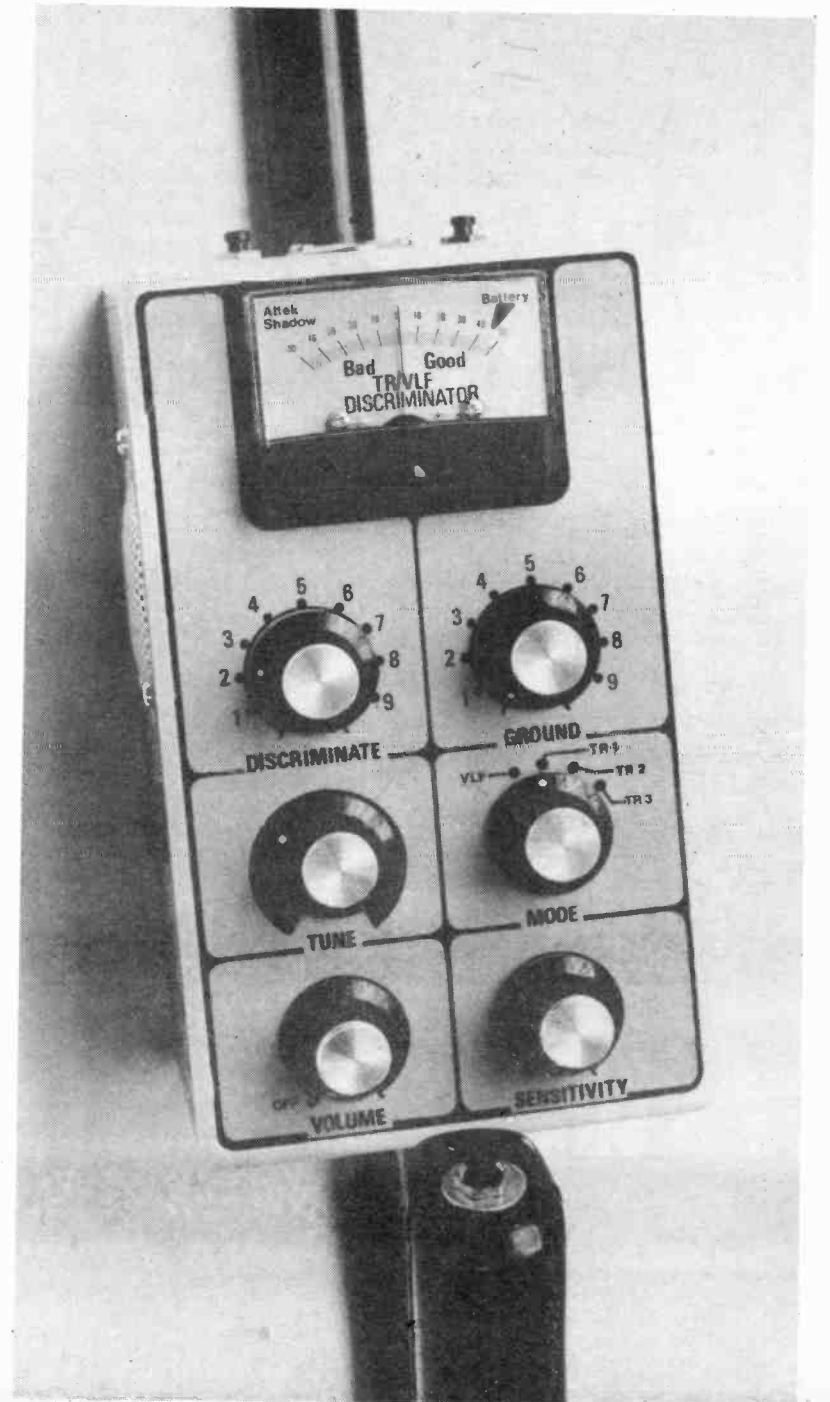


Fig. 2. Connection details for DIN plug and socket and SW3, 4. Note the tag lengths on SW3, 4.

You'll need a driving lesson before you commence twiddling with this control panel.



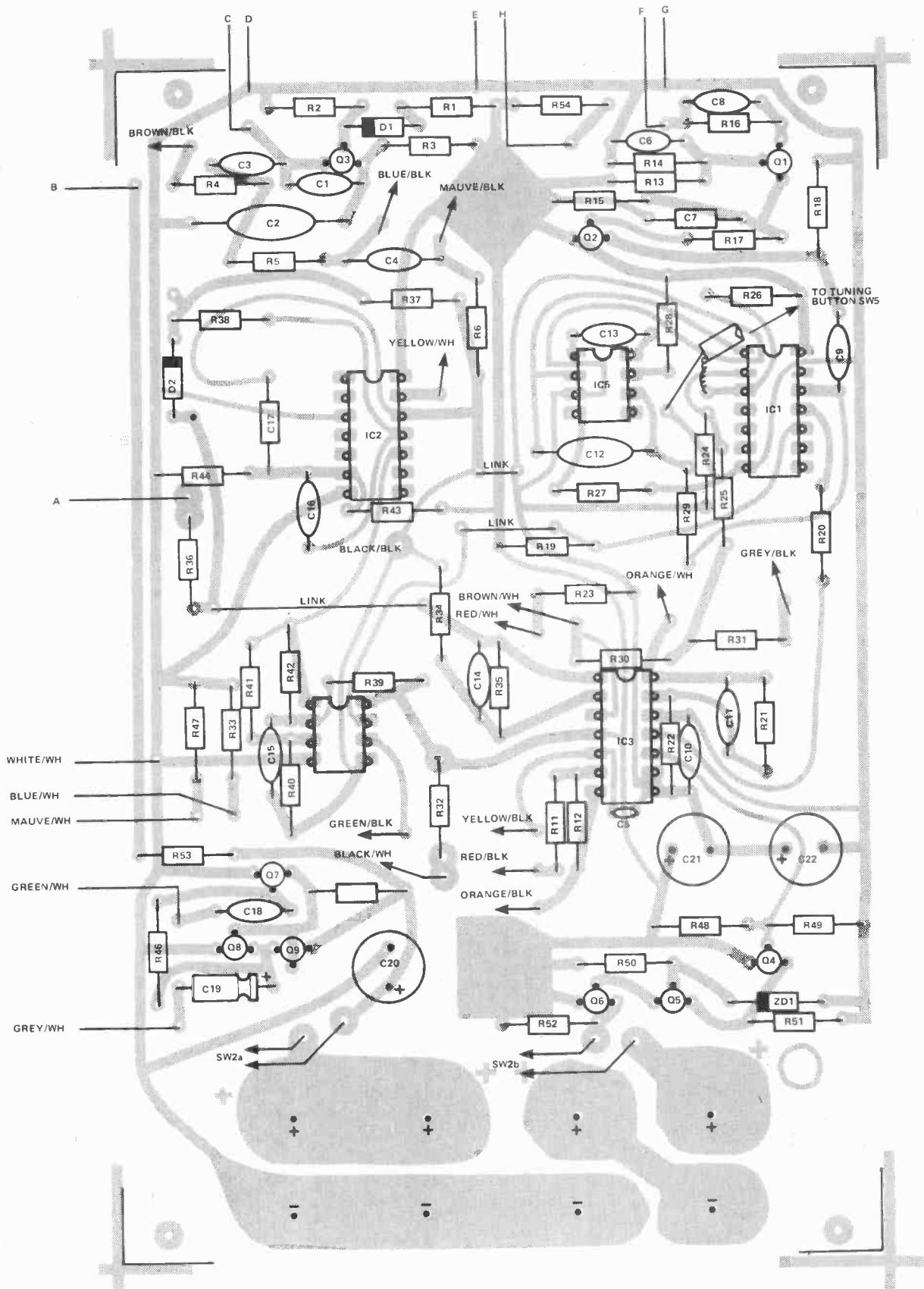
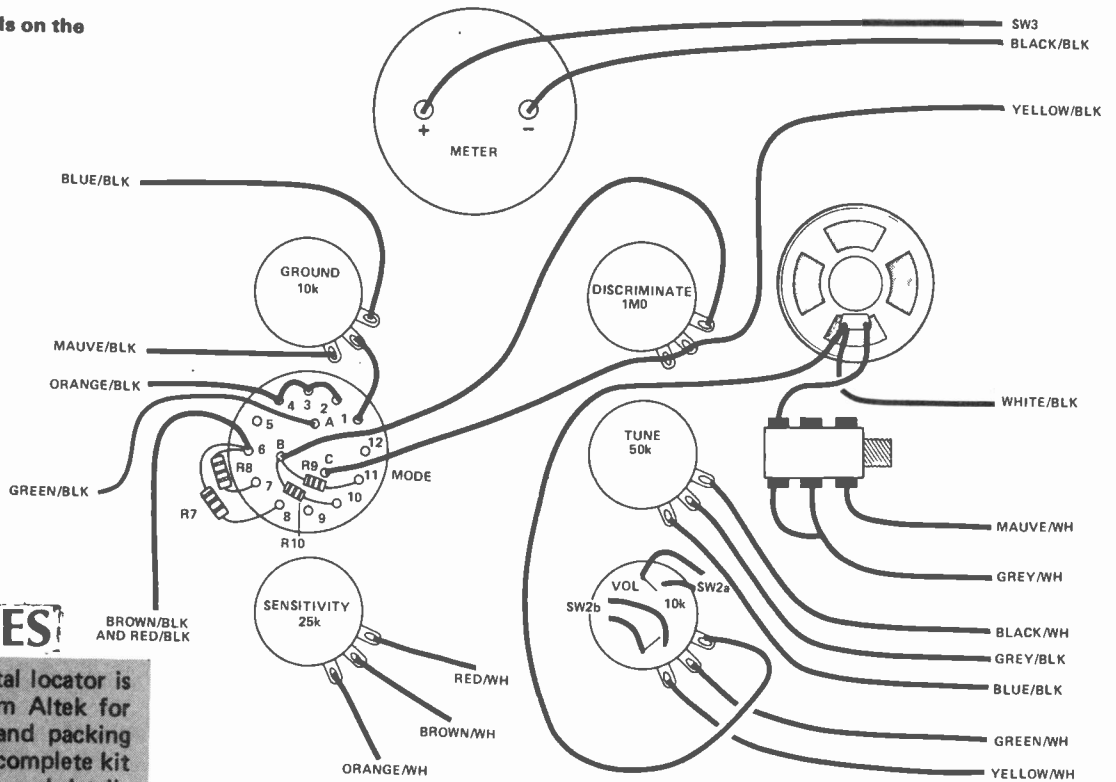


Fig. 3. Component overlay.

Fig. 4. Connections to controls on the front panel.



CONNECTION DETAILS FOR CONTROLS, METER, SPEAKER AND JACK SOCKET

## BUYLINES

The Shadow VLF/TR metal locator is available in kit form from Altek for £85 plus VAT (Postage and packing £1.50). Purchasers of the complete kit will also receive free parts and details of an extra switched function to sound a tone for 'good' and 'bad' or just 'good' finds when in discriminate mode.

A hardware kit is also available. It includes shell, search head, PCB and case and costs £44 plus VAT (P and P £1.50) from Altek. Altek (ETI), 1 Green Lane, Walton-on-Thames, Surrey.

## PARTS LIST

### RESISTORS All ¼W, 5%

|              |      |
|--------------|------|
| R1           | 10k  |
| R2,16,34,    | 15k  |
| 52           |      |
| R3,5         | 2k2  |
| R4,51        | 18k  |
| R6,17,45     | 1k0  |
| R7           | 82k  |
| R8           | 27k  |
| R9,11,12,    | 100k |
| 15,19,20,29, |      |
| 32,33,37,40, |      |
| 41,54        |      |
| R10,18,38    | 33k  |
| R13          | 180k |
| R14,22       | 22k  |
| R21,25,26,   | 1M0  |
| 30,39,44,46  |      |
| R23          | 3k9  |
| R24,35       | 470k |
| R27,28       | 4k7  |
| R31          | 4M7  |
| R36          | 47k  |
| R42          | 3k3  |

|        |      |
|--------|------|
| R43    | 120k |
| R47    | 470R |
| R48,49 | 56k  |
| R50    | 12k  |
| R51    | 18k  |
| R53    | 68k  |

### POTENTIOMETERS

|     |         |
|-----|---------|
| RV1 | 10k lin |
| RV2 | 1M0 log |
| RV3 | 50k lin |
| RV4 | 25k lin |
| RV5 | 10k log |

### CAPACITORS

|             |                    |
|-------------|--------------------|
| C1,6,8,14   | 47n polyester      |
| C2          | 470n polyester     |
| C3,9,10,11, | 10n polyester      |
| 13,15,18    |                    |
| C4,17       | 1n0 polystyrene    |
| C5          | 220p ceramic       |
| C7          | 22p polystyrene    |
| C12         | 470n polycarbonate |
| C16         | 100n polyester     |

|           |                       |
|-----------|-----------------------|
| C19       | 10u 25V electrolytic  |
| C20,21,22 | 470u 16V electrolytic |

### SEMICONDUCTORS

|           |           |
|-----------|-----------|
| IC1,2     | 4007      |
| IC3       | LM324     |
| IC4       | LM393     |
| IC5       | CA3130    |
| Q1,2,4,5, | BC148     |
| 7,8       |           |
| Q3,6,9    | BC158     |
| D1,2      | 1N4148    |
| ZD1       | 5V6 400mW |

### MISCELLANEOUS

50-0-50 uA meter, 8R 2¼" speaker, ¼" stereo jack socket, 6 knobs, 2 double pole c/o push buttons, single pole make push button, 3p 4W rotary switch, 5 way 180° latching DIN plug and socket, PCB, search head, shaft and handle, case to suit, 4 pairs PP3 battery connecting studs, 20 way ribbon cable.

## 24 HOUR CLOCK/ APPLIANCE TIMER KIT



Switches any appliance up to 1KW on and off at preset times once per day. Kit contains AY-5 1230 IC, 0.5" LED display.

Mains supply, display drivers, switches, LEDs, triac, PCBs and full instructions.  
CT1000K Basic Kit £14.90  
CT1000KB with white box (56x131x71mm) Ready-built £22.50  
£17.40

## DVM/THERMOMETER KIT



Based on the ICL 7106. This kit contains a PCB resistors, presets, capacitors, diodes, IC and D.5" liquid crystal display.

Components are also included to enable the basic DV kit to be modified to a Digital Thermometer using a single diode as the sensor. Requires a 3mA 9V Supply (PP3 battery).

£20.75

## LEDs

0.1" Red 9p  
0.1" Green 12p  
0.1" Yellow 12p  
0.2" Red 9p  
0.2" Green 12p  
0.2" Yellow 12p  
0.2" LED Clips 3p

Rectangular Red LED 18p  
Rectangular Green LED 20p  
Rectangular Yellow LED 21p

## DISPLAYS

DL32 Red 0.3"cc (pin compatible with DL34) 70p  
DL37 Red 0.3"cc (pin compatible with DL707) 70p  
DL847 Red 0.8"cc (pin compatible with DL747) 80p  
DL850 Red 0.8"cc (pin compatible with DL750) 80p  
DL727 dual 0.5"cc Red 51.50

## IC SOCKETS

8 pin 5p  
14 pin 12p  
18 pin 17p  
28 pin 24p

40 pin 50p  
Soldercon plus 50p per 100

## RESISTORS

1/4 W 22 ohm - 10M E12 Series  
Pack of 10 (one value) 10p  
10 Packs (10 values) 80p

## TRIACS



400V Plastic Case (Texas)  
3A 49p 16A 90p  
8A 58p 20A 165p  
12A 70p 25A 190p  
8A with trigger 65p  
8A isolated tab 18p

ALL COMPONENTS ARE BRAND NEW AND TO SPECIFICATION. ADD VAT AT CURRENT RATE TO ABOVE PRICES PLUS 30p P&P. MAIL ORDER - CALLERS WELCOME BY APPOINTMENT.

**TK Electronics**

## INTEGRATED CIRCUITS

555 Timer 21p  
741 Op Amp 19p  
AY-5-1224 Clock £2.60  
AY-5-1230/2 Clock/Timer £4.20  
AY-3-1270 Thermometer £8.20  
ICL7106 DVM (LCD drive) £7.00  
LM337 Dual 2W Amp £1.45  
LM339S Dual 6W Amp £3.50  
LM380 2W Audio Amp 80p  
LM382 Dual low noise preamp £1.00  
LM386 250mW low voltage amp 75p  
LM1830 Fluid Level Detector £1.50  
LM2907 1/2 Converter £1.40  
LM3909 LED Flasher/Oscillator 85p  
LM3911 Thermometer £1.20  
LM3914 Dot/Bar Driver £2.10  
MM57160 (stac) Timer £5.90  
MM74C911 4-digit display controller £6.50  
MM74C915 7-segment-BCD converter 96p  
MM74C926 4-digit counter with 7-seg outputs £4.50  
S5668 Touchdimmer £2.50  
S9263 Touchswitch 16-way £4.85  
TBA800 5W Audio Amp 58p  
TBA810AS 7W Audio Amp 85p  
TDA1024 Zero Voltage Switch £1.00  
TDA2020 20W Audio Amp £2.85  
ZN1034E Timer £1.80

All ICs supplied with data and circuits. Data sheets only 5p

## MINI KITS

These KITS form useful subsystems which may be incorporated into larger designs or used alone. Kits include PCB short instructions and all components.

### TEMPERATURE CONTROLLER / THERMOSTAT

Uses LM3911 IC to sense temperature (80°C max) and triac to switch heater. PCB (4cm sq.) potentiometer, plus all other components included with instructions.  
500W £3.20 1KW £3.50

### SOLID STATE RELAY

Ideal for switching motors, lights, heaters, etc from logic. Opto isolated with zero voltage switching. Supplied without triac. Select the required triac from our range. £2.60

### BAR/DOT DISPLAY

Displays an analogue voltage on a linear 10-element LED display as a bar or single dot. Ideal for thermometers, level indicators etc. May be stacked to obtain 20 to 100 element displays. Requires 5 20V supply. £4.75

### BURST FIRE/PROPORTIONAL TEMPERATURE CONTROLLER

Based on the TDA1024 Zero Voltage Switch this kit contains all the components required to make a 'burst fire' power controller or a 'proportional temperature' controller enabling the temperature of an enclosure to be maintained to within 0.5°C.  
1.5KW £5.25 3KW £5.55

(ET) 106 STUDLEY GRANGE ROAD LONDON. W7 2LX. TEL: 01-579 9794

# SOUTH WALES

## FOR TTL, CMOS, LINEARS, DISCRETES, PASSIVES, HARDWARE, TOOLS, CASES, TRANSFORMERS, ETC. CLOCKS, LEKTROKIT, BREADBOARDING AND VERO DEALERS

BOOKS BY NATIONAL, IOR, BABANI

SPECIAL OFFER LIST. ALL BRAND NEW. FULL SPEC.

### DIL SOCKETS—GOLD PLATE

|        |       |           |      |
|--------|-------|-----------|------|
| 8 pin  | 9p    | 28 pin    | 27p  |
| 14 pin | 11p   | 40 pin    | 32p  |
| 16 pin | 12p   | 4013 CMOS | 24p  |
| 18 pin | 15.5p | 7401 TTL  | 7.5p |
| 22 pin | 21p   | 4017 CMOS | 70p  |
| 24 pin | 24p   | 7447 TTL  | 75p  |

THYRISTOR 1A, 200V MADE BY ITT, TYPE CRS1/20AF 30p.

BRIDGE RECTIFIER BY MOTOROLA 1.5a, 50v 28p.

20k LIN-POT BY AB (+1) 20p, (+10) 19p.

100k LIN MOULDED TRACK (+1) 55p, (+10) 50p.

RELAY 4 POLE C/O, 12v COIL. £1.00.

20mm Q/B FUSES 150mA, 500mA, 4a, 5a, 50p for 10.

GLASS ENCAPSULATED REED SWITCHES £1 for 10.

DIGITAL METERS TYPE DM235 SINCLAIR MULTIMETER £58.

PDM 35 SINCLAIR MULTIMETER £34.99.

TFM 200 SINCLAIR FREQUENCY METER £53.

TMK 500 £33 LT22 £15.10

TMK 500 TUB £41 KRT 101 £7

CASE FOR ABOVE £8

ALL PRICES VAT INCLUSIVE - PLEASE ADD 25p PACKAGE AND POST

SEND YOUR ORDERS TO:

**STEVE'S ELECTRONICS**

15/17 THE BALCONY, CASTLE ARCADE

CARDIFF, CF1 2BU TEL: (0222) 41905

OR VISIT US AT THE SHOP—

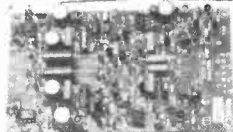
OPEN TUESDAY TO SATURDAY 9-5.30 FRIDAY 12.30-7

Mail and Official Orders Accepted

# TOTAL AMPLIFICATION FROM CRIMSON ELEKTRIK

## WE NOW OFFER THE WIDEST RANGE OF SOUND PRODUCTS

### STEREO PRE-AMPLIFIER POWER AMPLIFIER



**CPR 1 — THE ADVANCED PRE-AMPLIFIER.** The best pre-amplifier in the U.K. The superiority of the CPR 1 is probably the disc stage. The overload margin is a superb 40dB, this together with the high slew rate ensures clean top, even with high output cartridges tracking heavily modulated records. Common-mode distortion is eliminated by an unusual design. R.I.A.A. is accurate to 1dB, signal to noise ratio is 70dB relative to 3.5mV, distortion < 0.05% at 30dB overload 20kHz.

Following this stage is the flat gain/balance stage to bring tape, tuner, etc. up to power amp signal levels. Signal to noise ratio 86dB, slew-rate 3V/µs. T.H.D. 20Hz—20kHz < 0.08% at any level.

F.E.T. muting. No controls are fitted. There is no provision for tone controls. CPR 1 size is 138x80x20mm. Supply to be ± 15 volts.

**MC 1 — PRE-AMPLIFIER.** Suitable for nearly all moving-coil cartridges. Sensitivity 70/170µV switchable on the p.c.b. This module brings signals from the now popular low output moving-coil cartridges up to 3.5mV (typical signal required by most pre-amp disc inputs). Can be powered from a 9V battery or from our REG 1 regulator board.

**XO2:XO3 — ACTIVE CROSSOVERS.** XO2 — two way, XO3 — three way. Slope 24dB/octave. Crossover points set to order within 10%.

**REG 1 — POWER SUPPLY.** The regulator module. REG 1 provides 15.0-15v to power the CPR 1 and MC 1. It can be used with any of our power amp supplies or our small transformer TR 6. The power amp kit will accommodate it.

**POWER AMPLIFIERS.** It would be pointless to list in so small a space the number of recording studios, educational and government establishments, etc. who have been using CRIMSON amps satisfactorily for quite some time. We have a reputation for the highest quality at the lowest prices. The power amp is available in five types, they all have the same specification T.H.D. typically 0.1% any power 1kHz 8 ohms T.I.D. insignificant, slew rate limit 25V/µs, signal to noise ratio 110dB, frequency response 10Hz-35kHz — 3dB stability unconditional, protection drives any load safely; sensitivity 775mV (250mV or 100mV on request), size 120x80x25mm.

**POWER SUPPLIES.** We produce suitable power supplies which use our superb TOROIDAL transformers only 50mm high with a 120-240 primary and single bolt fixing (includes capacitors/bridge rectifier).

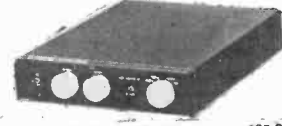
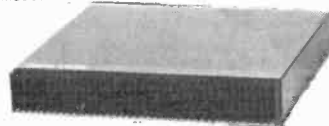
### POWER SUPPLIES

We produce suitable power supplies which use our superb TOROIDAL transformers only 50mm high with a 120-240 primary and single bolt fixing (includes capacitors/bridge rectifier).

### POWER AMPLIFIER KIT

The kit includes all metalwork, heatsinks and hardware to house any two of our power amp modules plus a power supply. It is contemporary styled and its quality is consistent with that of our other products. Comprehensive instructions and full back-up service enables a novice to build it with confidence in a few hours.

**PRE-AMPLIFIER KIT**  
THIS INCLUDES ALL METAL WORK, POTS, KNOBS, ETC — TO MAKE A COMPLETE PRE-AMP WITH CPR 1(S) MODULE AND THE MC(12) IF REQUIRED.



### POWER AMPLIFIER MODULES

|                              |        |
|------------------------------|--------|
| CE 608 60W/8 ohms 35-0.35v   | £19.52 |
| CE 1004 100W/4 ohms 35-0.35v | £23.02 |
| CE 1008 100W/8 ohms 45-0.45v | £25.96 |
| CE 1704 170W/4 ohms 45-0.45v | £31.00 |
| CE 1708 170W/8 ohms 60-0.60v | £33.97 |

### TOROIDAL POWER SUPPLIES

|                                  |        |
|----------------------------------|--------|
| CPS1 for 2xCE 608 or 1xCE 1004   | £16.56 |
| CPS2 for 2xCE 1004 or 2/4xCE 608 | £18.80 |
| CPS3 for 2xCE 1008 or 1xCE 1704  | £18.75 |
| CPS4 for 1xCE 1008               | £17.12 |
| CPS5 1 for 1xCE 1708             | £24.15 |
| CPS6mk 2xCE 1704 or 2xCE 1708    | £25.53 |

### HEATSINKS

|  |        |
|--|--------|
| Light duty, 50mm, 2 C/W                    | £1.44  |
| Medium power, 100mm, 1.4 C/W               | £2.35  |
| Disc/group, 150mm, 1.1 C/W                 | £3.04  |
| Fan, 80mm, static 120 or 240v              | £19.70 |
| Fan mounted on two drilled 100mm heatsinks |        |
| 2x4 C/W, 65 max. with two 170W modules     | £31.05 |
| THERMAL CUT-OFF, 70°C                      | £1.54  |

### DISTRIBUTORS:

Down Hi-Fi and Video Centre  
66 Abbey Street  
Bangor  
N. Ireland

## CRIMSON ELEKTRIK

1A STAMFORD STREET, LEICESTER LE1 6NL. Tel. (0533) 553508  
U.K. — please allow up to 21 days for delivery

Badger Sound Services Ltd., 46 Wood Street, Lytham St. Annes, Lancashire FY8 1QG.

All prices shown are UK only and include VAT and post. COD 90p extra. £100 limit. Export is no problem, please write for specific quote. Send large SAE or 3 International Reply Coupons for detailed information.



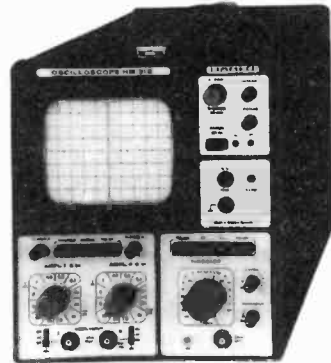
# A Range of Performance from... ...HAMEG



PERFORMANCE AND RELIABILITY  
ARE THE SEALS FIRMLY STAMPED  
ON THE COMPLETE HAMEG RANGE  
AND IT IS A COMPLETE RANGE

| Model | Description  | Price (£) |
|-------|--|-----------|
| HM307 | Single Trace DC-10MHz Plus Built-in Component Tester   | 149       |
| HM312 | Dual Trace DC-20MHz, 5mV/cm, Full X-Y, 30MHz Trigger. Plus TV Trigger  | 250       |
| HM412 | Dual Trace DC-20MHz, 2mV/cm, X-Y, 40MHz Trigger. Plus Sweep Delay  | 350       |
| HM512 | Dual Trace DC-50MHz, 5mV/cm, X-Y, 70MHz Trigger Sweep Delay, Plus Single Shot, Sweep Delay and After Delay Trigger | 580       |
| HM812 | Dual Trace as per HM512. Plus Storage, Automatic Storage and Variable Persistence                                  | 1325      |

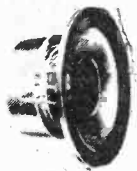
Prices UK List ex VAT



For FULL DETAILS and DISTRIBUTOR LIST Contact

Hameg Ltd.,  
74-78 Collingdon St.,  
Luton,  
Beds.  
LU1 1RX.

Tel: (0582) 413 174



## Wilmslow Audio

**THE firm for speakers!**

Send 30p stamp for the world's best catalogue of Speakers, Drive Units, Kits, Crossovers, etc., and discount price list.

- AUDAX ● BAKER ● BOWERS & WILKINS ●
- CASTLE ● CELESTION ● CHARTWELL ● COLES ●
- DALESFORD ● DECCA ● EMI ● EAGLE ● ELAC ●
- FANE ● GAUSS ● GOODMAN'S ● I.M.F. ●
- ISOPHON ● JR ● JORDAN WATTS ● KEF ● LEAK ●
- LOWTHER ● MCKENZIE ● MONITOR AUDIO ●
- PEERLESS ● RADFORD ● RAM ● RICHARD ALLAN ●
- SEAS ● TANNOY ● VIDEOTONE ●
- WHARFEDALE ● SHACKMAN ● AUDIOMASTER ●
- TANGENT ● STAG ● YAMAHA

### WILMSLOW AUDIO Dept. ETI

SWAN WORKS, BANK SQUARE, WILMSLOW  
CHESHIRE SK9 1HF

Discount HiFi, etc., at:  
5 Swan Street

TEL. WILMSLOW 529599 FOR SPEAKERS  
WILMSLOW 526213 FOR HI-FI

## TRANSFORMERS

Panel Meters, Bridge Rectifiers, Power Supply Units  
Multimeters - Semi Conductors - Timers - Safeloc

### Minimum & Sub Miniature

| Volts            | Milli-amps | Ref. No. | Price £ | P&P  |
|------------------|------------|----------|---------|------|
| 3-0.3            | 200        | 238      | 2.45    | .65  |
| 0.6, 0.6         | 1A 1A      | 212      | 2.85    | .70  |
| 9-0.9            | 100        | 13       | 2.15    | .65  |
| 0.9, 0.9         | 330 330    | 235      | 2.00    | .65  |
| 0.8-9, 0.8-9     | 500 500    | 207      | 2.60    | .70  |
| 0.8-9, 0.8-9     | 1A 1A      | 208      | 3.70    | .70  |
| 0-15, 0-15       | 200 200    | 236      | 2.00    | .65  |
| 0-20, 0-20       | 300 300    | 214      | 2.60    | .85  |
| 20-12.0-12-20    | 700(DC)    | 221      | 3.35    | .85  |
| 0-15-20, 0-15-20 | 1A 1A      | 206      | 4.45    | 1.00 |
| 0-15-27, 0-15-27 | 500 500    | 203      | 3.90    | .85  |
| 0-15-27, 0-15-27 | 1A 1A      | 204      | 5.95    | 1.00 |

### 12 AND/OR 24 VOLT

Pri: 220-240 Volts

| Amps | 24V Ref. | Price £ | P&P        |
|------|----------|---------|------------|
| 12v  |          |         |            |
| 0.5  | 0.25     | 1.11    | 2.15 .70   |
| 1.0  | 0.5      | 2.13    | 2.60 .85   |
| 2    | 1        | 71      | 3.10 .85   |
| 4    | 2        | 18      | 3.90 .85   |
| 6    | 3        | 70      | 5.45 .90   |
| 8    | 4        | 108     | 7.30 1.15  |
| 10   | 5        | 72      | 8.10 1.15  |
| 12   | 6        | 116     | 8.70 1.15  |
| 16   | 8        | 17      | 10.70 1.25 |
| 20   | 10       | 115     | 13.70 1.45 |
| 30   | 15       | 187     | 16.70 1.45 |
| 60   | 30       | 226     | 33.20 1.75 |

### 30 VOLT (Pri: 220-240V)

Sec: 0-12-15-20-24-30V

| Amps | Ref. No. | Price £ | P&P  |
|------|----------|---------|------|
| 0.5  | 112      | 2.70    | .85  |
| 1.0  | 79       | 3.45    | .85  |
| 2.0  | 3        | 5.45    | 1.00 |
| 3.0  | 20       | 6.15    | 1.15 |
| 4.0  | 21       | 6.45    | 1.15 |
| 5.0  | 51       | 9.45    | 1.15 |
| 6.0  | 117      | 10.95   | 1.15 |
| 8.0  | 88       | 14.20   | 1.45 |
| 10.0 | 89       | 16.45   | 1.45 |

### 50 VOLT (Pri: 220-240V)

Sec: 0-19-25-33-40-50V

| Amps | Ref. No. | Price £ | P&P  |
|------|----------|---------|------|
| 0.5  | 102      | 3.45    | .85  |
| 1.0  | 103      | 4.45    | 1.00 |
| 2.0  | 104      | 7.15    | 1.15 |
| 3.0  | 105      | 8.45    | 1.15 |
| 4.0  | 106      | 10.70   | 1.25 |
| 6.0  | 107      | 14.95   | 1.45 |
| 8.0  | 118      | 20.05   | 1.65 |
| 10.0 | 119      | 23.95   | 2.15 |

### 60 VOLT (Pri: 220-240V)

Sec: 0-24-30-40-48-60V

| Amps | Ref. No. | Price £ | P&P  |
|------|----------|---------|------|
| 0.5  | 124      | 3.70    | .85  |
| 1.0  | 126      | 5.45    | 1.00 |
| 2.0  | 127      | 7.40    | 1.15 |
| 3.0  | 125      | 10.95   | 1.25 |
| 4.0  | 123      | 12.20   | 1.45 |
| 5.0  | 40       | 14.00   | 1.55 |
| 6.0  | 120      | 17.45   | 1.55 |

### AUTO TRANSFORMERS

Input/Output Tapped 0-115-210-240V

| VA (Watts) | Ref. No. | Price £ | P&P  |
|------------|----------|---------|------|
| 20         | 113      | 2.50    | .85  |
| 75         | 64       | 3.95    | .85  |
| 150        | 4        | 5.45    | 1.00 |

### Input/Output Tapped

| VA (Watts)         | Ref. No. | Price £ | P&P  |
|--------------------|----------|---------|------|
| 0-115-210-220-240V |          |         |      |
| 300                | 53       | 9.05    | 1.15 |
| 500                | 67       | 10.70   | 1.45 |
| 1000               | 84       | 18.45   | 1.55 |

Also 1500/2000/3000VA

### MAINS ISOLATING (Centre Tapped & Screened)

Pri: 120/240V Sec: 120/240V

| VA (Watts) | Ref. No. | Price £ | P&P  |
|------------|----------|---------|------|
| 60         | 149      | 6.45    | 1.00 |
| 100        | 150      | 7.45    | 1.25 |
| 200        | 151      | 10.95   | 1.25 |
| 250        | 152      | 13.15   | 1.45 |
| 350        | 153      | 16.15   | 1.55 |
| 1000       | 156      | 36.95   | 3.15 |

Please add VAT at 15%  
Barclaycard and Access facilities  
available  
Trade and Education Welcome

**BAYDIS**

7a William Street  
Herne Bay, Kent  
Herne Bay GA586

# VOLTAGE CONTROLLED MIXER —A PROJECT 80 MODULE

This month we continue ETI's Project 80 with constructional details of the Voltage Controlled Mixer and Processor modules

Within a synthesiser there are a variety of sound sources, for example, the waveforms from the voltage controlled oscillators and the outputs from the noise generator. In addition there are treated sounds obtained by filtering, modulation and so on. Incorporating mixers greatly increases the scope for generating complex wave-shapes by additive or subtractive synthesis as well as providing the normal mixer function of proportioning the various inputs. Furthermore, mixing within the synthesiser maintains a compatible signal level and a high signal to noise ratio. The synthesiser this month is a four-channel mixer with pan control of the outputs. The unusual feature is that the input levels and pan have both manual and voltage control facility and some of their applications will be described.

## Voltage Controlled Mixer

The design is based on a custom IC, namely, the CEM 3330 Dual Voltage Controlled Amplifier produced by Curtis Electromusic Specialties. At first sight this may seem an expensive approach, but the device has the essential features required for a good mixer — namely, low distortion, low noise and wide bandwidth. Furthermore, it is directly compatible with the signal and control voltages employed and has a summing node control input. These features eliminate the need for additional op amps for buffering and control purposes. Additionally, the performance of the CEM 3330 is satisfactory for the present application



without employing trimmers and this is particularly useful to constructors having a limited amount of test equipment.

For synthesiser use, proportional (linear) mixing has been found simpler to use since the dial reading or control voltage is directly related to the proportion of each input being mixed. The input signal has been attenuated by a factor of four on each channel and maximum output is obtained with a 10V control signal derived from a rotary potentiometer, or from external sources. A manual master gain control has been provided for attenuating the output when required, or more commonly for maintaining signal level near to the standard 10V P-P. The output may be adjusted by a factor of  $\pm 5$ . A visual peak level indicator has been included. After mixing, the out-

put passes to another dual VCA operated at unity gain and with a pan facility such that a 10V control voltage results in a full swing from left to right outputs. This arrangement gives a constant total voltage output, but its distribution may be varied between two speakers with the aid of a stereo amplifier. If only one output is used then the pan control facility will function as a fade control. Panel space has dictated the number of controls incorporated in the mixer and the pan system is considered to be the most versatile especially if the outputs are being subjected to further treatment.

The design is fairly flexible insofar as component values may be changed to suit other control voltages and so on. Nevertheless it is designed to operate with signal levels commonly found within synthesisers.

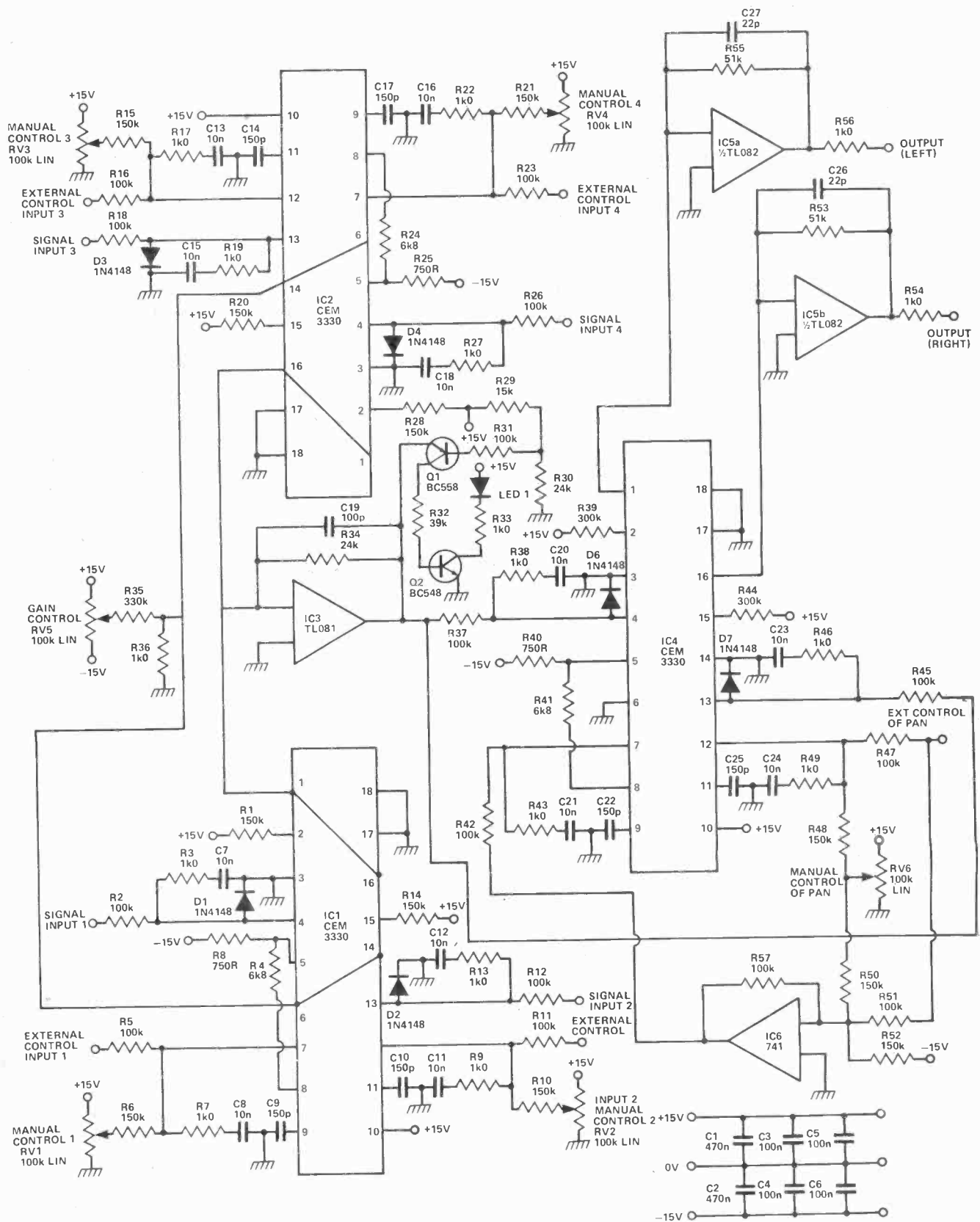


Fig.1. Circuit diagram of the voltage controlled mixer.



## HOW IT WORKS

The CEM 3330, from Curtis Electromusic Specialties, contains two voltage controlled amplifiers each of which consists of a variable gain cell and a log converter. The gain cell is the current-in, current-out type and has simultaneous linear and exponential controls. The log converter generates the logarithm of the linear control input current while transmitting the exponential control input unchanged to its output.

Reference to the circuit diagram and Pins 1 to 9 of IC1 illustrate the basic principle of the design and some of the features of the CEM 3330. The signal input (Pin 4) is a summing node and can, therefore, accept multiple inputs. In this application where we require independent control over each input only one input has been provided and with R2 = 100k the signal level should be kept to ±10V. R3 and C7 are compensation components and the diode, D1, is to prevent latch-up problems. R1 connected to +15V provides a reference current to the gain cell and this current should be limited to 100 uA for best linearity. The design is based on proportional mixing of up to four signals and thus the linear control input is used to independently control the gain of each signal input. Again this is a summing node input at Pin 7 which allows manual control of gain via RV1 and R6 or external control via R5 without additional op amps. By using a 150k resistor for R6 the control pot can make use of the standard +15V supply and provide the same gain as a 10V external control signal applied to the 100k resistor, R5. R7 and C8 compensation network stabilise the log converter. C9 is for compensation of the gain cell. A master gain control is obtained by injecting a small voltage into the exponential control input (Pin 6). This voltage is derived from RV5, R35 and R36 and is common to the four input stages.

The overall gain of the VCA is given by

$$A_V = -\frac{R_F}{R_1} \times \frac{I_{CL}}{I_{REF}} e^{-V_{CE}/V_T}$$

where R<sub>F</sub> is the value of the output resistor (R34); R<sub>1</sub> the signal input resistor (R2); I<sub>CL</sub> the linear control current developed across R5 (or R6); I<sub>REF</sub> the current input to Pin 2 via R1; and V<sub>CE</sub> the exponential control voltage. This equation indicates how the mixer may be altered to suit other signal and control levels.

One of the unique features of the CEM 3330 is that the operating point of the amplifiers may be set anywhere from Class B to Class A according to which parameters are most important in a particular application. The quiescent standby current of the signal-carrying transistors is varied by placing a resistor between the IEE pin (Pin 5) and the idle current adjust pin (Pin 8). In this application the amplifiers are run Class AB with the 6k8 resistor (R4) providing a standby current of about 7 uA.

The four signal input and control stages are identical and their output currents are summed at IC3 and converted to a voltage across R34. This voltage is applied to Q1 which is turned on when the peak output voltage is about 9V5 (normal signal level for the synthesiser), which is set by the voltage divider R29, R30. Q2 is also turned on when this peak voltage is reached and the LED (D5) will then light up. At constant amplitude high frequency the LED will tend to glow dimly but intermittent peak voltages are clearly indicated.

The output voltage from IC3 also goes to both VCAs in IC4 which is configured in a similar manner to ICs 1 and 2 except that the exponential output is grounded. The amplifiers and associated op amps (IC5a) and (IC5b) are set to unity gain when a 10V control voltage is applied to R42 or R47. The panning effect is obtained through IC6 and associated components which provides a 10V output with zero volts at R47, or RV6, and 0V when there is 10V at R47, or when RV6 is fully clockwise. The left and right outputs are obtained by converting the current to a voltage across resistors R55 and R53 respectively. The use of op amp, IC5, provides low impedance outputs.

The CEM 3330 may be trimmed for precision control of gain and for use in high quality audio applications. The arrangement used in this design is entirely satisfactory for its intended use with high signal levels.

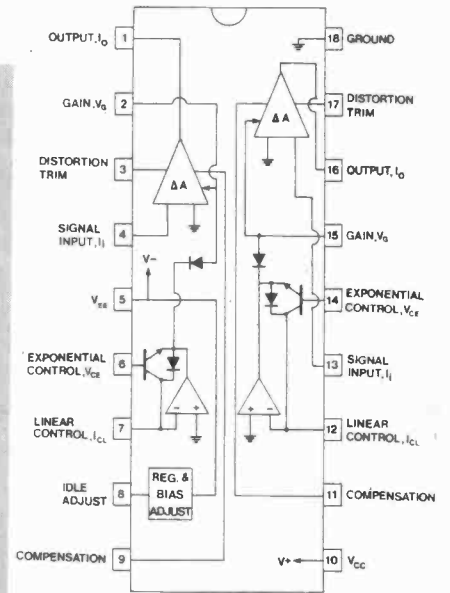


Fig. 2. The internal structure of the CEM 3330 dual VCA.

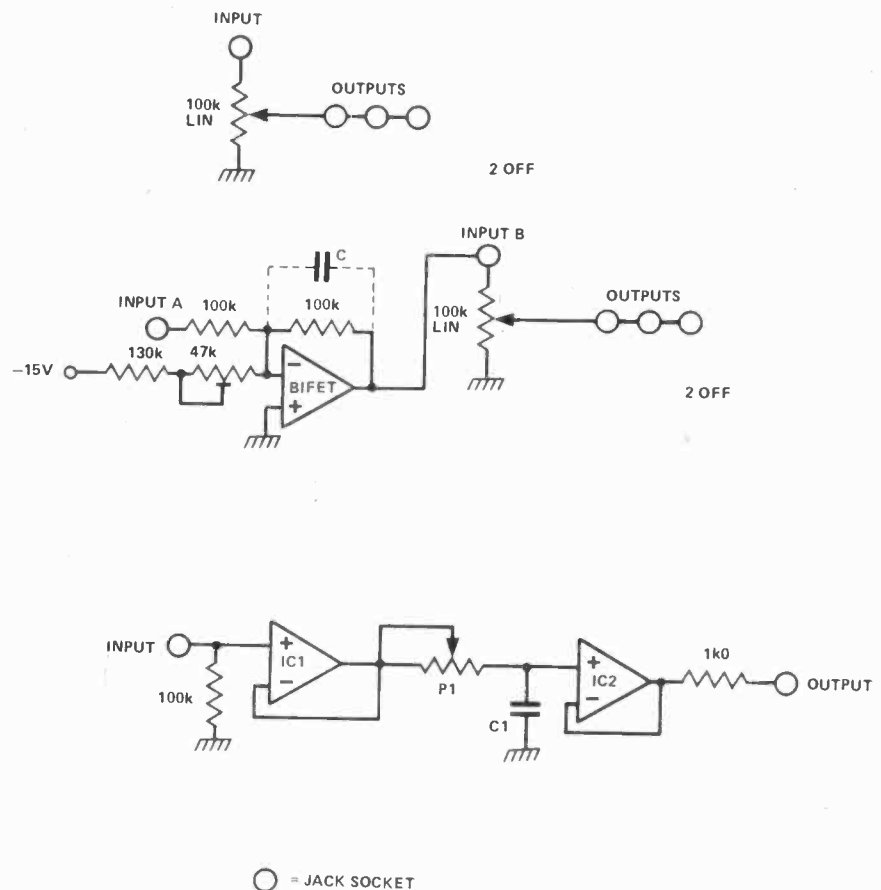
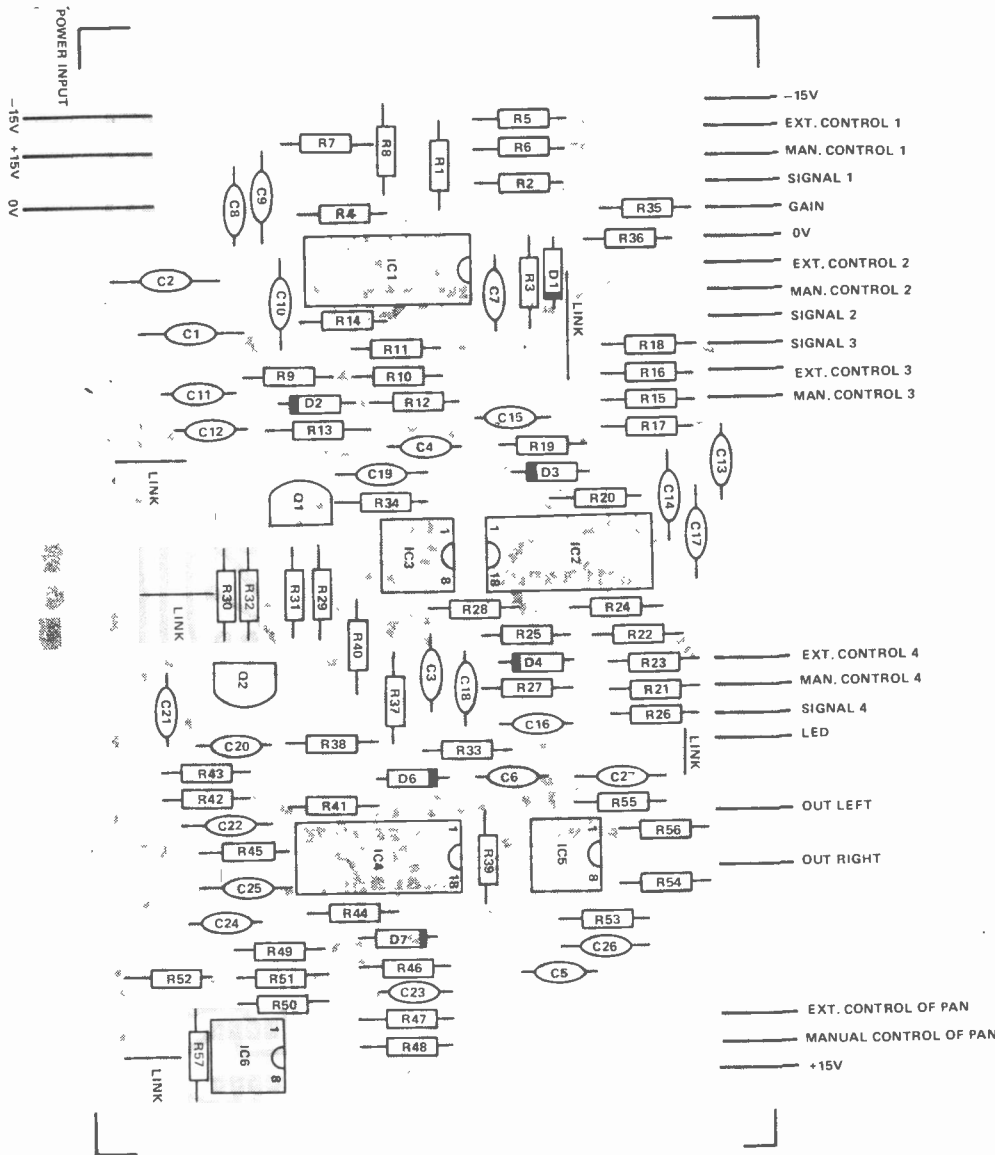


Fig. 3. Circuit diagram of the simple processor.

# PARTS LIST



## RESISTORS

|              |                    |
|--------------|--------------------|
| R1,14,20,    | 150k 1% metal film |
| 28,50,52     |                    |
| R2,5,11,     | 100k               |
| 12,16,18,23, |                    |
| 26,31,37,42, |                    |
| 45,47        |                    |
| R3,7,9,13,   | 1kΩ                |
| 17,19,22,27, |                    |
| 33,36,38,43, |                    |
| 46,49,54,56  |                    |
| R4,24,41     | 6k8                |
| R6,10,15,    | 150k               |
| 21,48        |                    |
| R8,25,40     | 750R               |
| R29          | 15k                |
| R30,34       | 24k                |
| R32          | 39k                |
| R35          | 330k               |
| R39,44       | 300k 1% metal film |
| R51,57       | 100k 1% metal film |
| R53,55       | 51k                |

## POTENTIOMETERS

|       |          |
|-------|----------|
| RV1-6 | 100k lin |
|-------|----------|

## CAPACITORS

|              |                  |
|--------------|------------------|
| C1,2         | 470n polyester   |
| C3,4,5,6     | 100n polyester   |
| C7,8,11,12,  | 10n polyester    |
| 13,15,16,18, |                  |
| 20,21,23,24  |                  |
| C9,10,14,    | 150p polystyrene |
| 17,22,25     |                  |
| C19          | 100p polystyrene |
| C26,27       | 22p polystyrene  |

## SEMICONDUCTORS

|             |                       |
|-------------|-----------------------|
| IC1,2,4     | CEM3330               |
| IC3         | TL081CP or equivalent |
| IC5         | TL082CP or equivalent |
| Q1          | BC558                 |
| Q2          | BC548                 |
| D1,2,3,4,6, | 1N4148 (1N914)        |
| 7           |                       |
| D5          | Red LED               |

# BUYLINES

The voltage controlled mixer PCB and all the components shown on the circuit diagram are available for £24.62 including postage and VAT from Digi-sound Limited, 13 The Brooklands, Wrea Green, Preston, Lancashire PR4 2NQ.

## Using The Mixer

A few guidelines on use are given to demonstrate the versatility achieved by incorporating voltage control.

1. A simplistic view would be to consider the mixer as four voltage controlled amplifiers with a common output. One technique often applied to a VCA is amplitude modulation (tremolo). Usually, however, the VCA is one of the last stages and, if a number of signals have been combined in a conventional mixer prior to the VCA, then the total signal has to be amplitude modulated. Using the voltage controlled mixer only parts of the signal need be modulated and the resultant effect can be more pleasing.

2. One of the early works with a synthesiser was Morton Subotnick's "The Wild Bull," recorded in 1968. In this work extensive use is made of a sawtooth waveform (high harmonic content) which is separated into four octave bands to provide the signals for a four-channel voltage controlled mixer. Each channel was controlled by an ASDR envelope shaper gated from a sequencer. This arrangement allows the separate timbral characteristics of any sound to

Fig.4. Component overlay of the VCM.

be independently treated. Furthermore, by varying the speed of the sequencer the characteristics of the sound can be made to vary widely, for example, as the rate is increased the four bands begin to sound simultaneously. Only a simple digital sequencer is required for the above and the voltage controlled mixer becomes the heart of a useful music making instrument within the body of the synthesiser. This type of approach is particularly useful for those without access to multi-track recording equipment.

3. Adding and subtracting waveforms from two or more oscillators set to different pitches has not been widely used with synthesisers due to the tendency for the voltage controlled oscillators to track at different rates. The latter makes it impossible to maintain the same tone quality over several octaves. With the incorporation of synchronising facilities in modern VCOs this problem is overcome and additive and subtractive synthesis is a worthwhile field of exploration. Of course, subtractive synthesis is already widely employed by filtering techniques but more subtle tones can be obtained by mixing techniques.

4. A major application of the voltage controlled mixer is the ability to alter loudness and harmonic content with pitch. One of the criticisms of 'live' electronic music is the precise nature of its sounds and the initial excitement of a new sound turns to boredom as the brain adversely reacts to its repetitive nature. By applying the keyboard control voltage (or its inverse, or a proportion of either) to one or more of the mixer control inputs then the amplitude or harmonic content (often both) will vary with pitch and so provide a useful means of dynamically altering the timbral characteristics of the sound.

5. Applying a low frequency waveform to the pan control input can produce some interesting spatial and rotational effects, but for greatest impact this technique should be used sparingly.

6. Mention has been made of waveforms, envelope shapers and keyboard voltage for control of the mixer and in common with other voltage controlled modules any variable voltage source may be used. A foot pedal control adapted to provide a 10V output is particularly useful in conjunction with a mixer.

## Processor Module

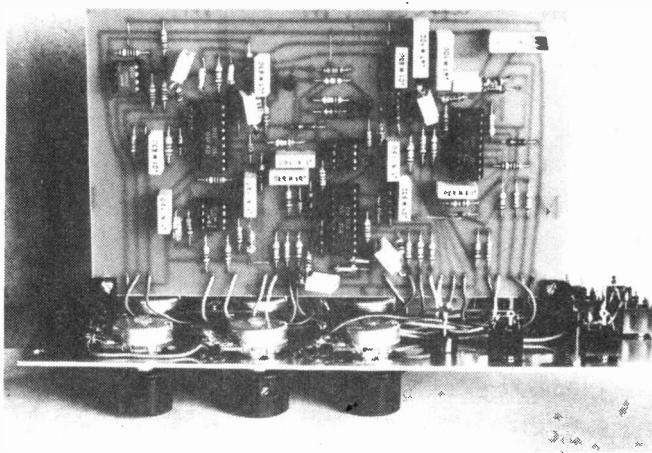
As discussed in Part 1, the low output impedance and high input impedance of the modules allows one output to drive several inputs without overloading or introducing appreciable errors. Thus attenuators should be on inputs rather than outputs so that their level can be independently adjusted. Likewise the modules should ideally have a number of commoned output sockets to facilitate distribution of the signal to other modules.

Additional attenuating potentiometers and jack sockets add to cost and also take up valuable panel space and so for situations where the controls are used infrequently a distribution panel was discussed last month.

A suggested configuration for the module (a 'processor') is two distribution blocks which allow one input to be distributed to three outputs with or without attenuation.

Secondly, there are a further two

The mixer PCB attached to its front panel.



blocks which may be used as above, or the signal may be inverted via an op amp. In this instance inverting means subtracting the input voltage from 10 volts and not turning a positive input voltage into a negative one. This is achieved by adding components R3 and TP1 to a conventional unity gain inverter.

Another addition is the so-called 'lag processor' which is simply a low pass filter and akin to the usual portamento circuit. This is useful for slowing down fast control signals and also for delaying control signals.

## Construction

Because of the simple construction of the circuits no printed circuit board is shown but a few construction hints may be of value. For the inverter a BIFET type op amp (LF 351, TL 081, etc) should be used to prevent distortion of high frequency or fast signals. The main precaution is to keep the signal input resistor close to the inverting pin. A small capacitor (10 or 22p) across the op amp also reduces the likelihood of instability. Furthermore, if you decide to install more than two inverters on a board then 100n decoupling capacitors mounted close to the power supply pins of the IC will prevent the tendency of these devices to talk to one another. The circuit should be wired up so that the inverter stage is disabled when input jack socket 'B' is in use.

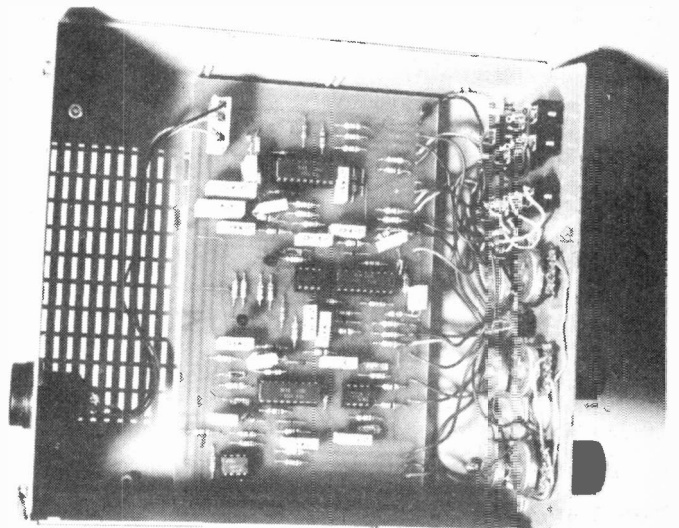
A LM1458 type op amp should be adequate for most applications of the lag processor. RV1 = 2M2 and C1 = 220n will provide sufficient delay and since short delays are the most useful a polyester capacitor may be employed.

ETI

Panel layout of the mixer.



The mixer PCB installed in its case.



# MORE BIG VALUE FROM YOUR TANDY STORE

## 1000 OHMS/VOLTS AC/DC 8 RANGES

Handy multimeter for home and work-shop. Easy-to-read two colour 5cm meter, pin jacks for all 8 ranges. Reads AC and DC volts: 0-15-150-1000 DC current; 0-150 mA. Resistance: 0-100,000 ohms. Accuracy:  $\pm 3\%$  full scale on DC ranges,  $\pm 4\%$  on AC ranges. Complete battery. 22-027. REG. PRICE

**£6.95**



## 6-DIGIT FREQUENCY COUNTER

Counts frequencies from 100 Hz to over 45 MHz with 100 mS gate time. Accuracy is 3 ppm at 25°C or less then  $\pm 30$  Mhz on 10 MHz! Overload-protected 1-meg input. Sensitivity, 30 mV up to 30 MHz. Req. 9V battery. 22-351. REG. PRICE

**£79.95**



## MULTITESTER

Dual FET input for accuracy and minimum loading. 11.5cm mirrored scale. DC volts: 0-1-3-10-30-100-300-1000. DC current 0-100 a. 0-3-30-300 milliamp. Resistance 0-30-300-3k-301C-1 megaohm. 0-100-1k-101C-100K-3 megaohms. Req. 9V battery. 22-209.

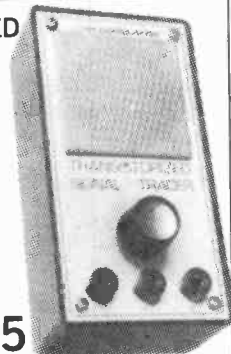
REG. PRICE  
**£29.95**



## TRANSISTORIZED SIGNAL TRACER

Spot circuit troubles and check RF, IF and audio signals from aerial to speaker on all audio equipment. With 9V battery, instructions. 22-010.

REG. PRICE **£9.95**



## DIGITAL IC LOGIC PROBE

Unique circuitry makes it a combined level detector, pulse detector and pulse stretcher. Hi-LED indicates logic "1". Lo-LED is logic "0". Pulse LED displays pulse transitions to 300 nanoseconds, blinks at 3 Hz for high frequency signals (up to 1.5 MHz). Input impedance: 300K ohms. With 36" power cables. 22-300.

REG. PRICE **£19.95**



## SIGNAL INJECTOR

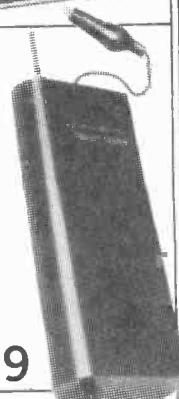
For RF, IF, AF circuits. Maximum accuracy. Easy pushbutton operation. Needs two "AA" batteries. 22-4033.

REG. PRICE **£2.79**

## AC/DC CIRCUIT TESTER

Accuracy in 1-300 volts ranges. Safe in live/dead circuits. Needs two "AA" batteries. 22-4034.

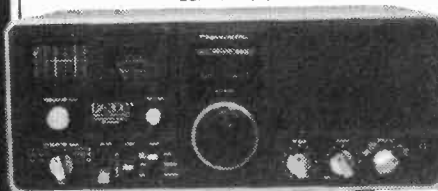
REG. PRICE **£1.99**



## REALISTIC DX 300

General coverage receiver. Quartz-synthesised tuning, digital frequency readout. 3-step RF Attenuator. 6-range preselector with LED indicators. SSB and CW demodulation. Speaker. Code oscillator. Batteries (not included) or 12V DC. 20-204.

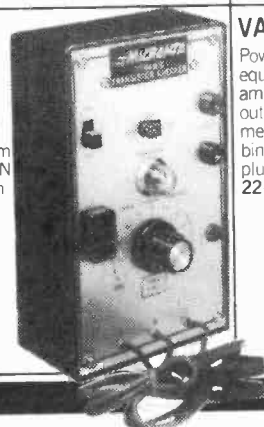
REG. PRICE **£229.95**



## DYNAMIC TRANSISTOR CHECKER

Shows current gain and electrode open and short circuit. Tests low, medium or high power PNP or NPN types. Go/no-Go test from 5-50mA on power types. 22-024.

REG. PRICE  
**£9.95**



## VARIABLE POWER SUPPLY

Power project boards. IC's, other low-voltage DC equipment. Load regulation: less than 450mV at 1 amp at 24V DC. Ripple: less than 25mV. Maximum output current: 1.25 amps. Switchable colour-coded meter reads 0-25V. DC and 0-1.25 amps. Three-way binding posts take wires, banana plugs or dual banana plugs with 0.75" centres. For 220/240V AC. 22-9123

REG. PRICE **£35.95**



You save because we design, manufacture, sell and service. Tandy have over 7,000 stores and dealerships worldwide. Over 2,500 products are made

specifically for or by Tandy at 16 factories around the world. The quality of our products has been achieved by over 60 years of continuous technological advancement.

KNOWN AS RADIO SHACK IN THE U.S.A. MAKERS OF THE WORLD'S BIGGEST SELLING MICROCOMPUTER TRS80

# TANDY

The largest electronics retailer in the world.

Offers subject to availability. Instant credit available in most cases.

OVER 170 STORES AND DEALERSHIPS NATIONWIDE.



## TANDY DEALER

Most items also available at Tandy Dealers. Look for this sign in your area.



Access. Barclaycard and Truicard welcome

Prices may vary at individual stores.



# TECH TIPS

Example game of "Grand-Prix".

Winner is the first player to travel 1000 km. Pre-load store 3 with 0.25.

## Grand Prix

M. R. Harrison

Grand Prix can be played on the following calculators — Casio fx-201p and Casio Profx-1.

The game is played by the calculator explaining the conditions of the road by means of a skill factor. The conditions are as below:

- 1.5+ Excellent conditions and on a straight.
- 1.4+ Very good.
- 1.3+ Good.
- 1.2+ Reasonable road surface but bends in road. Take care.
- 1.1+ Greasy road surface due to water.
- 1.0+ Oil !!!! DANGER.

The player whose turn it is, decides how fast he dare travel without crashing. The faster the speed the further the distance the player's car will travel. The winner is the first person to travel a chosen distance.

The game is played as follows:

1. Press start.
2. Skill factor is shown for player 1.
3. Player 1 enters his required speed.
4. Total distance player 1 has travelled will only be displayed if player 1 did not crash.
5. Skill factor is shown for player 2.
6. Player 2 enters his required speed.
7. Total distance player 2 has travelled will only be displayed if player 2 did not crash.
8. Go to stage 2.

The first part of the program is to obtain a random number between 0 and 1. This is done by multiplying another number between 0 and 1 again by -3.94. To the result, 1 is continually added until the result becomes positive. This result is used in obtaining the next random number in the same way and also in the next stage of the program, which is to obtain a skill factor. The skill factor is found by dividing the random number previously calculated by 2 and then adding on 1.021.

| Player 1     |              |                     | Player 2     |              |                     |
|--------------|--------------|---------------------|--------------|--------------|---------------------|
| Skill Factor | Speed (kmph) | Dist Travelled (km) | Skill Factor | Speed (kmph) | Dist Travelled (km) |
| 1.03         | 10.00        | 0.15                | 1.49         | 100.00       | 80.81               |
| 1.17         | 20.00        | 5.92                | 1.44         | 90.00        | crash!!             |
| 1.35         | 30.00        | 24.46               | 1.21         | 20.00        | 88.14               |
| 1.28         | 23.00        | 35.91               | 1.49         | 110.00       | 177.44              |
| 1.15         | 20.00        | 41.21               | 1.49         | 120.00       | 274.60              |
| 1.16         | 20.00        | 46.78               | 1.46         | 120.00       | crash!!             |
| 1.27         | 30.00        | 61.15               | 1.03         | 15.00        | 275.08              |
| 1.45         | 110.00       | crash!!             | 1.30         | 35.00        | 293.68              |
| 1.41         | 100.00       | crash!!             | 1.46         | 100.00       | crash!!             |
| 1.30         | 35.00        | crash!!             | 1.45         | 80.00        | 354.48              |
| 1.32         | 35.00        | 80.86               | 1.34         | 37.50        | 376.95              |
| 1.25         | 25.00        | 92.16               | 1.09         | 20.00        | crash!!             |
| 1.22         | 23.00        | 101.14              | 1.23         | 25.00        | 387.13              |
| 1.14         | 20.00        | 107.94              | 1.34         | 44.00        | crash!!             |
| 1.27         | 25.00        | 119.92              | 1.04         | 10.00        | 387.43              |
| 1.46         | 90.00        | 189.52              | 1.28         | 33.00        | 403.72              |
| 1.50         | 150.00       | crash!!             | 1.12         | 15.00        | 406.67              |
| 1.13         | 17.50        | 193.55              | 1.08         | 20.00        | crash!!             |
| 1.26         | 25.00        | 204.90              | 1.07         | 12.00        | 407.96              |
| 1.30         | 35.00        | 223.93              | 1.38         | 50.00        | 441.47              |
| 1.07         | 10.00        | 225.01              | 1.31         | 45.00        | crash!!             |
| 1.38         | 52.00        | 259.54              | 1.09         | 15.00        | 443.53              |
| 1.25         | 30.00        | crash!!             | 1.13         | 17.50        | 447.14              |
| 1.11         | 15.00        | 262.25              | 1.16         | 20.00        | 452.72              |
| 1.46         | 90.00        | crash!!             | 1.27         | 30.00        |                     |

ETC

By keeping a record of one's attempts, the player can soon realise how fast he may go with certain skill factors.

For a new game, stores 7 & 8 have to be cleared.

### GRAND-PRIX

Steps:—

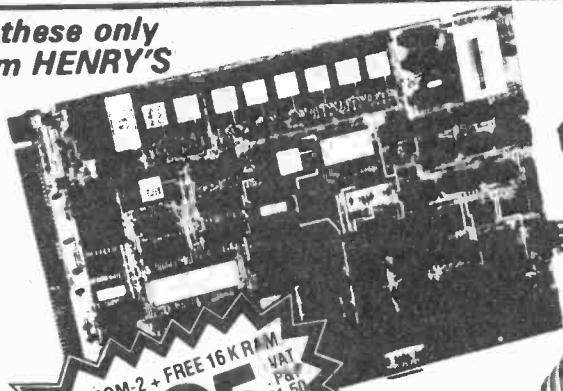
|                               |     |
|-------------------------------|-----|
| ST*0: GOTO9: I=9: GOTO8:      | 13  |
| GOTO9: I=K2: GOTO8: GOTO0:    | 27  |
| SUB*9: 3=3x6:                 | 36  |
| ST*4: 3=3+9:                  | 45  |
| IF3=K0:4:5:5:                 | 57  |
| SUB*8: IM=3÷K2+0:             | 69  |
| ANS IM:                       | 72  |
| 2=9 10 <sup>x</sup> x IM TAN: | 80  |
| I=I3K3:                       | 87  |
| ENT IM:                       | 90  |
| 1=IM: IF IM=2:1:1:3:          | 105 |
| ST*1: I=I+K3:                 | 115 |
| IM=3SINx1+IM:                 | 124 |
| ANS IM:                       | 127 |

Pre-load memory stores as below:—

|  |
|--|
| Store 9 ... .. 1                           |
| Store 6 ... .. -3.94                       |
| Store 0 ... .. 1.021                       |
| Store 3 ... .. any number between 0 and 1. |

Rad-Deg-Grad switch *must* be set on "Radians".  
For a new game, stores 7 & 8 have to be cleared.

All these only from HENRY'S



**IN STOCK**

WITH FREE POWER SUPPLY

## NASCOM-2+FREE 16K RAM

Here's an offer you can't refuse: Because of the lack of availability of MK 4118 RAMs, Nascom Microcomputers is supplying its Nascom 2 without the 8 spare 4118s but with a FREE 16K dynamic RAM board.

**NASCOM-2 with 32K RAM**  
**£345** VAT  
 P&P 1.50

When the 4118s become available, Nascom 2 purchasers can have them at the special price of £80 + VAT for the 8K. So, for £295 plus VAT this is what you get:

- MEMORY**
- 16K RAM board (expandable to 32K).
  - 8K Microsoft BASIC.
  - 2K NAS-SYS 1 monitor.
  - 1K Video RAM.
  - 1K Workspace/Scratchpad RAM.
  - Main board sockets for the 8x4118s or 2708 EPROMS.

**Buy British It's Best!!**

No more slaving over a hot soldering iron - the Nascom 1 is now supplied BUILT! Britain's biggest small system is available fully constructed for you to slot into your own housing for the ridiculously low price of £175 plus VAT (kit price still only £165 plus VAT). **EX-STOCK**

## Nascom-1

12" x 8" PCB carrying 5LSI MOS MOS memory packages. There is on-board unmodulated 16K. The... Less P10 £125

With NAS-SYS user RAM. Standard Z80 which executing 158 bits including all 8080 code.

**SCOOP KIT NOW ONLY FULLY GUARANTEED**

**NASCOM IMP**  
**£325** VAT P&P £2.50

- MEMORIES**
- MK4116 16K £7.00
  - DYNAMIC RAM
  - 8 for £55.00
  - MK 4027 4K £3.80
  - 8 for £27
  - 2708 £8.50
  - 2102 £1.20
  - 2716 £32.00
  - Full List P.O.R.

- MICROPROCESSOR**
- Z80A which will run at 4MHz but is selectable between 1/2/4 MHz.
- HARDWARE**
- Industrial standard 12" x 8" PCB, through hole plated, masked and screen printed. All bus lines are fully buffered on-board.
- INTERFACES**
- Licon 57 key solid state keyboard.
  - Monitor/domestic TV interface.
  - Kansas City cassette interface (300/1200 baud) or RS232/20mA teletype interface.
- The Nascom 2 kit is supplied complete with construction article and extensive software manual for the monitor and BASIC.

**NASCOM-1 BUILT**  
**£140** VAT P&P 1.50

**NEW**

- EXPANSION NASCOM-1**
- \*Expansion buffer board £32.50
  - MEMORY KITS (inclusive all hardware)
  - 8K £85
  - 16K £140
  - 32K £200
  - \*I/O board with decoders and all hardware except ICS will accept up to 3 PIOs, 1 CTV and 1 UART £35
  - NEW. T.4 operating system in (2) 2708 EPROMS UPWARDS £25.00
  - COMPATIBLE FROM T2 and B-BUG £25.00
  - NAS SYS 1. MONITOR £25.00

- Programming Manual £4.50
- \*Power supply for up to 32K expansion Mk II £24.50
- \*8A power supply for larger than 32K expansion £60.00
- \*Expansion card frame £29.50
- EPROM programmer £13.95
- SMART-1 £74.95
- Tiny Basic £25.00
- Super Tiny Basic (with editor and machine utility routines) £35.00
- Zeap assembler editor £32.00
- 8K BASIC ROM £40.00
- Naspen Text Handler £30.00
- Disassembler £9.95

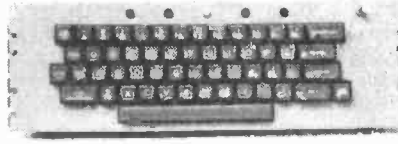
## NASCOM IMP PLAIN PAPER PRINTER

Fully built and housed in a stylish enclosure for just £325 plus 15% VAT. Interfaces with all micro computers. Deliveries Ex-Stock.

- Optional tractor feed.
- Baud rate from 110 to 9600
- External signal for optional synchronisation of baud

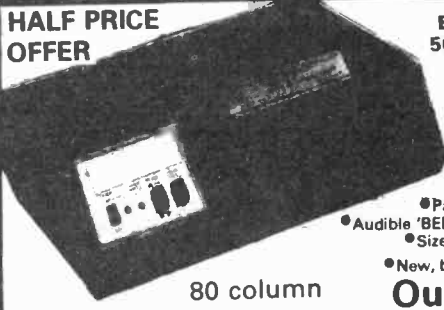
- The Nascom IMP (Impact Matrix Printer) features are:
- 60 lines per minute
  - 80 characters per line.
  - Bi-directional printing
  - 10 line print buffer
  - 96 character ASCII set (includes upper/lower case)
  - Automatic CR/LF.
  - Accepts 8 1/2" paper.

## FERRANTI COMPUTER KEYBOARDS



60 Key ASCII Coded in steel case Latched output complete with Plug & Cable with circuit to convert to T.T.L. levels. In good condition at only **£25** + VAT P/P £2.50

## HALF PRICE OFFER



80 column **CENTRONICS P1 PRINTER**

## EXCLUSIVE TO HENRY'S 50% OFF MAKER'S PRICE

- Software selectable 20, 40 and 80 column using 120mm aluminiumised paper. 1 roll supplied.
  - 150 lines per minute.
  - Centronics parallel data interface for Nascom, Tandy, etc.
  - 240volt mains input.
  - ASCII character set
  - Paper feed, and on/off select switches
  - Audible 'BELL' signal Weight 10lbs
  - Size: 13" x 10 1/2" x 4 1/2" LIST PRICE £400
  - New, boxed and fully guaranteed
- Our Price £195.00** plus VAT post FREE  
 Spare paper £9 for 3 Rolls + VAT

Your London & National Nascom Distributor. Export Orders deduct VAT, but add 5% carriage Official Export & Educational Orders welcome Our Telex 262284 Mono Ref. 1400 Transonics

**COMPUTER SEND BROCHURE FREE** **SEND 15p STAMP**

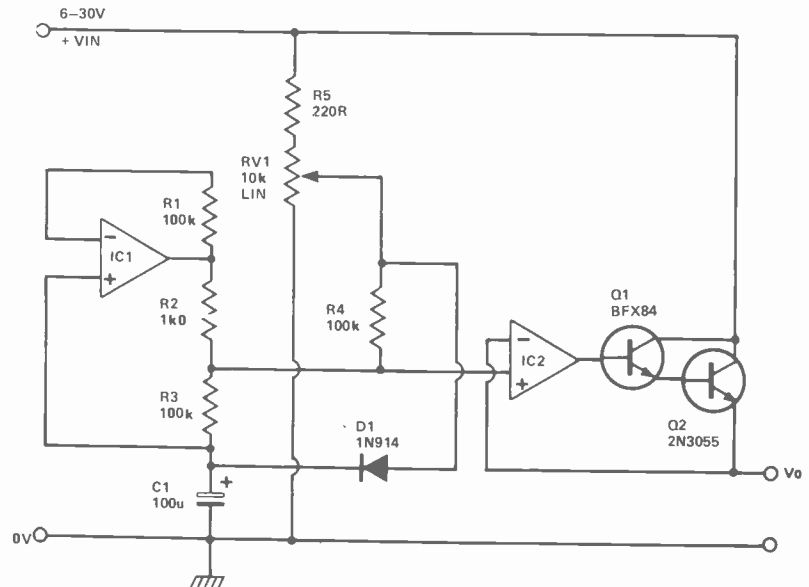
**Henry's**  
 Computer Kit Division  
 404 Edgware Road, London, W2, England  
 01-407 4822

## Gyrator Smoother

J. P. Macaulay

Although this circuit was developed to supply a well smoothed supply to a stereo class A amplifier it is well suited to many other applications. The circuit is based on the dual op amp LM358. A1 is used as an gyrator, C1 being amplified by the ratio of R3 to R4, ie 1000X. The simulated capacitor thus formed between the output of A1 and ground is 100n.

R5 and RV1 set the output voltage whilst R4 in series with the 'capacitor' forms a smoothing network with a time constant of 10,000 seconds! In order to avoid protracted turn on times the diode, D1, rapidly charges C1 to within 0V6 of the nominal output voltage within two seconds. Ripple is not measurable with the prototype when supplying 3A into a load. A2 and the Darlington



output pair Q1 and Q2 form a voltage follower with an output current

capacity in excess of 10A, if Q2 is mounted on a hefty heatsink.

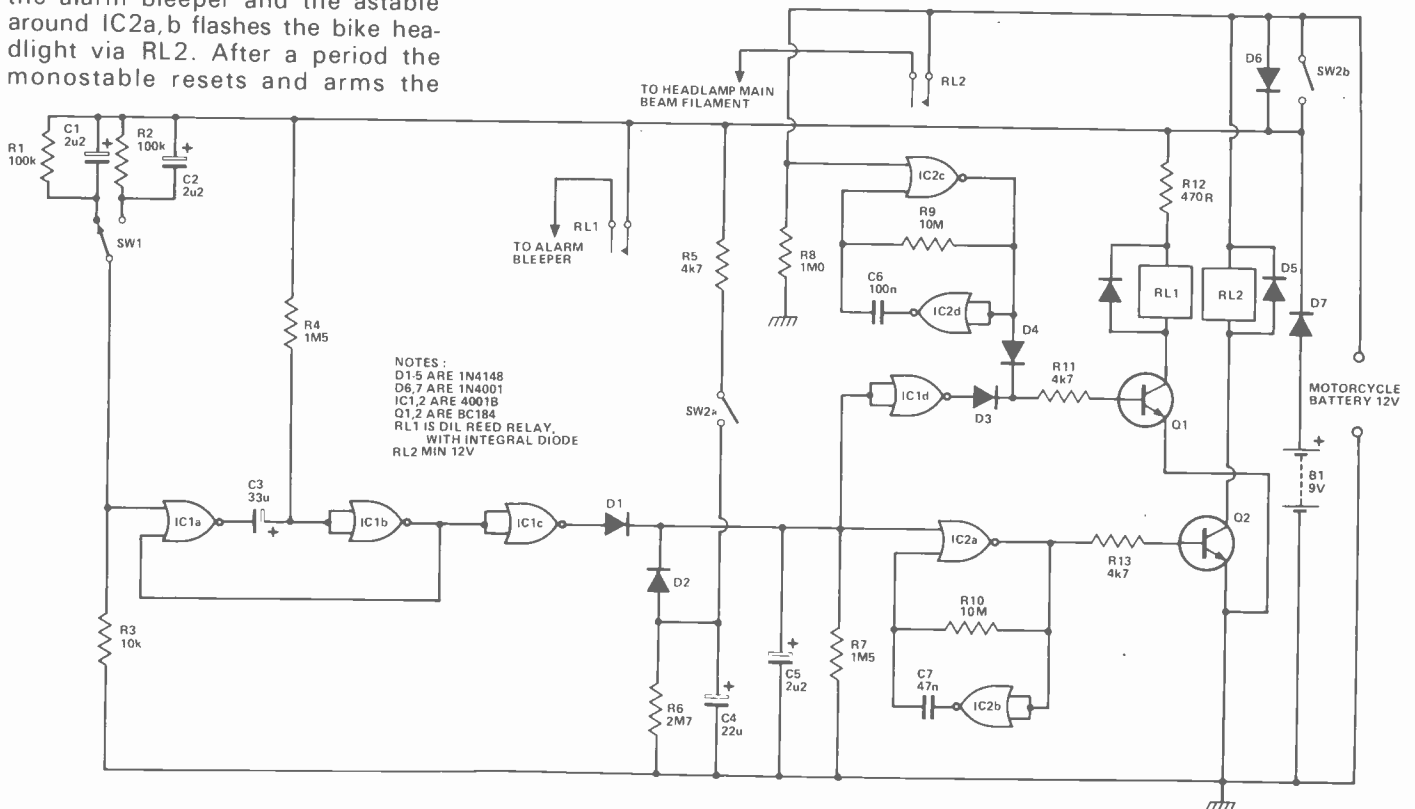
## Motorcycle Anti-Theft Alarm

C. R. Goble

IC1a,b form a monostable triggered by mercury switch S1. IC1c then provides a low output, allowing the charge on C5 to decay over a couple of seconds through R7. After this short delay IC1d allows RL1 to sound the alarm bleeper and the astable around IC2a,b flashes the bike headlight via RL2. After a period the monostable resets and arms the

circuit once more. If the battery leads are cut then another astable around IC2c,d will switch the bleeper on and off continuously, via RL1, until disarmed by lockswitch S2. C4 discharging prevents the alarm from sounding for about 20 seconds after initial arming. RL2 contacts should be suitably rated and, ideally, RL1 should take only a low current to help con-

serve standby power. Current drain when untriggered amounts to that through S1. 6V operation is possible with 6V relays although values may need altering to preserve timing. Mercury switch S1 can be formed either from one double switch or from two single switches, mounted across the 'bike and wired to give a changeover action.



### 8K ON BOARD MEMORY!

5K RAM, 3K ROM or 4K RAM, 4K ROM (link selectable). Kit supplied with 3K RAM, 3K ROM. System expandable for up to 32K memory.

### 2 KEYBOARDS!

56 Key alphanumeric keyboard for entering high level language plus 16 key Hex pad for easy entry of machine code.

### GRAPHICS!

64 character graphics option — includes transistor symbols! Only £18.20 extra!

### MEMORY MAPPED

high resolution VDU circuitry using discrete TTL for extra flexibility. Has its own 2K memory to give 32 lines for 64 characters.

### KANSAS CITY

low error rate tape interface.



### 2 MICROPROCESSORS

Z80 the powerful CPU with 158 instruction, including all 78 of the 8080, controls the MM57109 number cruncher. Functions include +, -, \*, /, squares, roots, logs, exponentials, trig functions, inverses etc. Range 10<sup>99</sup> to 9 x 19<sup>99</sup> to 8 figures plus 2 exponent digits.

### EFFICIENT OPERATION

Why waste valuable memory on sub routines for numeric processing? The number cruncher handles everything internally!

### RESIDENT BASIC

with extended mathematical capability. Only 2K memory used but more powerful than most 8K Basics!

### 1K MONITOR

resident in EPROM.

### SINGLE BOARD DESIGN

Even keyboards and power supply circuitry on the superb quality double sided plated through-hole PCB.

**NEW LOW PRICE!**

**COMPLETE KIT NOW ONLY £249 + VAT**

Cabinet size 19.0" x 15.7" x 3.3". Television by courtesy of Rumblelows Ltd., price £58.62

Kit also available as separate packs: e.g. PCB, Keyboards, Cabinet, etc.

# POWERTRAN

## PSI Comp 80. Z80 Based powerful scientific computer Design as published in Wireless World, April-September, 1979.

The kit for this outstandingly practical design by John Adams published in a series of articles in Wireless World really is complete!

Included in the PSI COMP 80 scientific computer kit is a professionally finished cabinet, fibre-glass double sided, plated-through-hole printed circuit board. 2 keyboards PCB mounted for ease of construction, IC sockets, high reliability metal oxide resistors, power supply using custom designed toroidal transformer. 2K Basic and 1K monitor in EPROMS and, of course, wire, nuts, bolts, etc.

### PSI COMP 80 Memory Expansion System

Expansion up to 32K all inside the computer's own cabinet!

By carefully thought out engineering a mother board with buffers and its own power supply (powered by the computer's transformer) enables up to 3 8K RAM or 8K ROM boards to be fitted neatly inside the computer cabinet. Connections to the mother board from the main board expansion socket is made via a ribbon cable.

|                            |   |
|----------------------------|---|
| <b>Mother board:</b>       | Fibre glass double sided plated through hole P.C.B. 8.7" x 3.0" set of all components including all brackets, fixing parts and ribbon cable with socket to connect to expansion plug<br>£39.90  |
| <b>8K Static RAM board</b> | Fibre glass double sided plated through hole P.C.B. 5.6" x 4.8" £12.50<br>Set of components including IC sockets, plug and socket but excluding RAMs £11.20<br>2114L RAM (16 required) £5.00<br>Complete set of board, components, 16 RAMS £89.50 |
| <b>8K ROM board</b>        | Fibre glass double sided plated through hole P.C.B. 5.6" x 4.8" £12.40<br>Set of components including IC sockets, plug and socket but excluding ROMs £10.70<br>2708 ROM (8 required) £8.00<br>Complete set of board, components, 8 ROMs £78.50    |

Floppy Disk, PROM programmer and printer interface coming shortly!

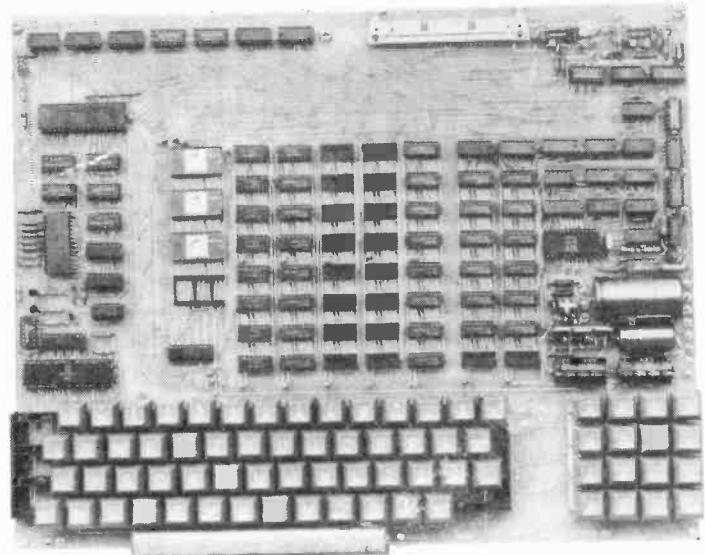
### Value Added Tax not included in prices

**PRICE STABILITY:** Order with confidence. Irrespective of any price changes we will honour all prices in this advertisement until April 30th, 1980, if this month's advertisement is mentioned with your order. Errors and VAT rate changes excluded.

**EXPORT ORDERS:** No VAT. Postage charged at actual cost plus 50p handling and documentation.

**U.K. ORDERS:** Subsequent to 15% surcharge for VAT. No charge is made for carriage. \*Or current rate if changed.

**SECURICOR DELIVERY:** For this optional service (U.K. mainland only) add £2.50 (VAT inclusive) per kit.



UK Carriage FREE

# POWERTRAN COMPUTERS

(a division of POWERTRAN ELECTRONICS)

PORTWAY INDUSTRIAL ESTATE  
ANDOVER HANTS SP10 3NM

ANDOVER  
(0264) 64455



## Solder Sucking

A. D. Hextall

Here is a tip for those wealthy enough to possess a solder sucker. Those so fortunate will appreciate the cost of buying replacement nozzles. Great financial saving can be achieved by sliding a piece of rubber sleeving over the nozzle, extending it by about 4 mm. Not only is the sleeving heat-resistant, but when worn can be replaced at a miserly cost.

## Car Alarm

W. D. Solomon

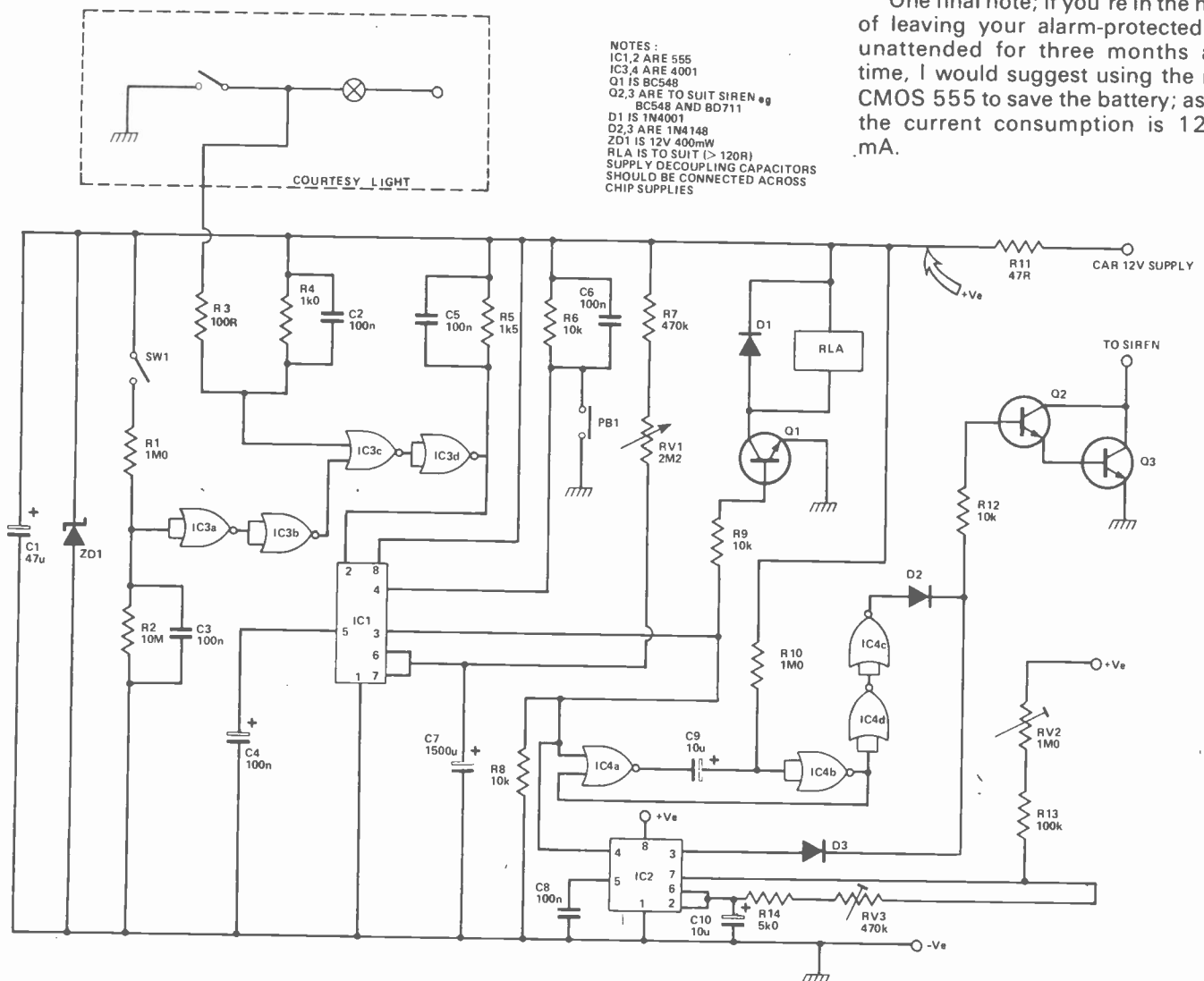
This circuit offers a greater degree of security than many of the designs previously published, in that there is absolutely no way of controlling, or resetting the alarm from inside the car. When triggered, a relay flips over, to be used for immobilising the car by, say, shorting out the points or disconnecting the solenoid. A siren is also turned on, winding up for a few seconds before an astable turns it on and off, thus producing an effective alarm sound. After a pre-selected time the system resets itself, to avoid draining the battery, or annoying the neighbours.

IC3 provides the trigger logic, the gates being arranged so that if the wire to SW1 (the enable/disable switch) is cut or damaged, the system will still be enabled. IC1 is a 555

being used as a basic timer; the time period (before the system resets itself) is controlled by RV1. The output of IC1 turns on Q1 and thus the relay, while triggering the monostable (IC4a & b) and buffer (IC4c & d), which turns on the siren, via the Darlington pair (Q2 & 3). After a few seconds the astable 555 (IC2) takes over, bleeping the siren on and off. RV2, 3 are adjusted when the alarm is installed to vary the on and off times and produce the desired alarm sound. D2, 3 isolate the outputs of IC2, 4.

ZD1, C1 and R11 provide a stabilized 12V supply; C2, 3, 5, 6 and their associated resistors are a desperate attempt to protect the circuit from a noisy ignition! On the prototype, PB1 and RV1 were mounted on the alarm box, which was bolted inside the engine compartment; SW1 was hidden in the boot, although a key-switch could be used in a more prominent position.

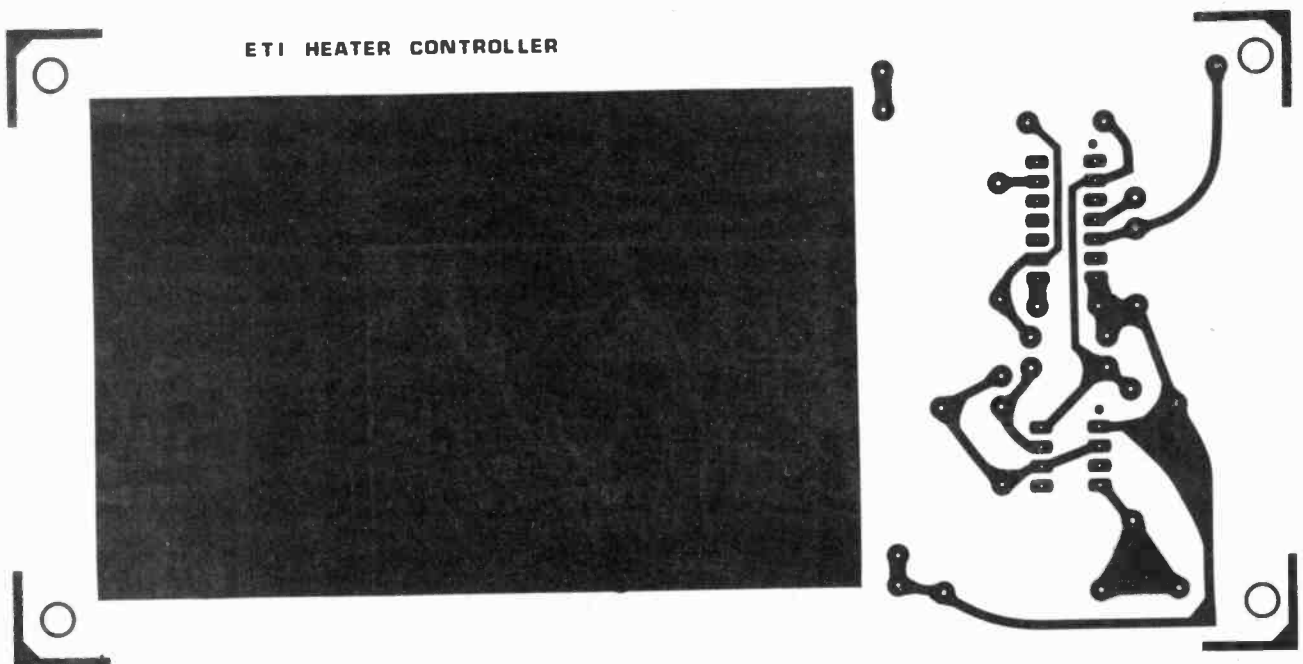
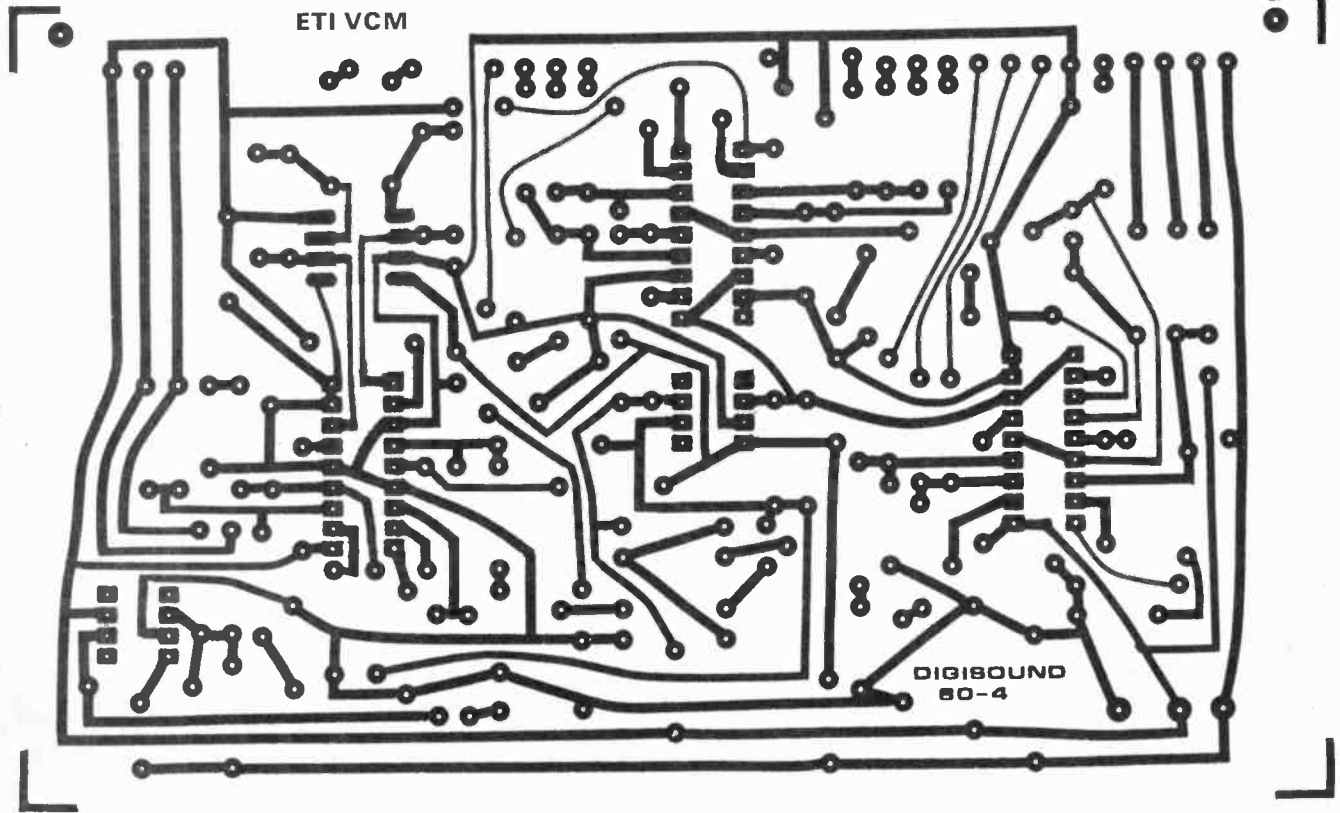
One final note; if you're in the habit of leaving your alarm-protected car unattended for three months at a time, I would suggest using the new CMOS 555 to save the battery; as it is the current consumption is 12-15 mA.

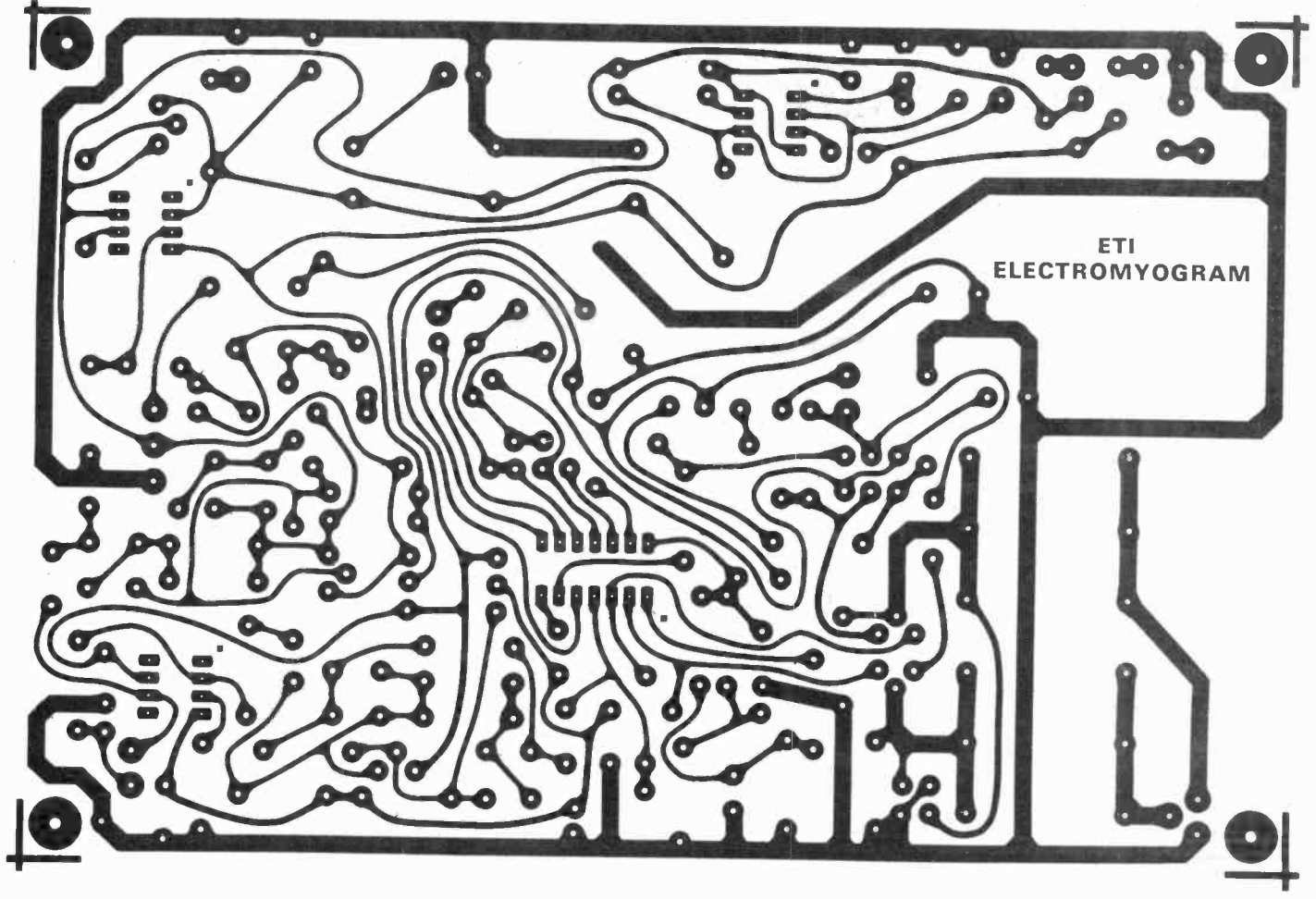
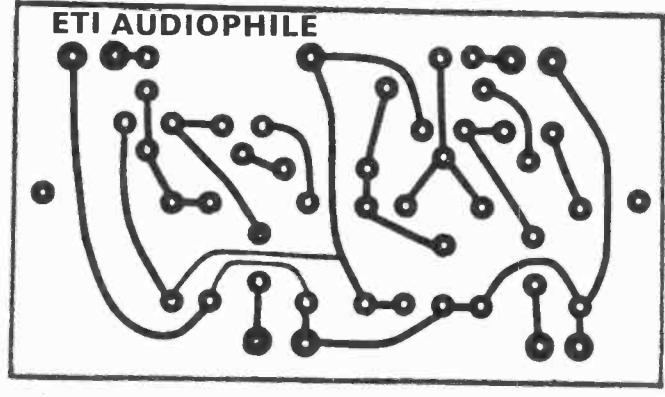
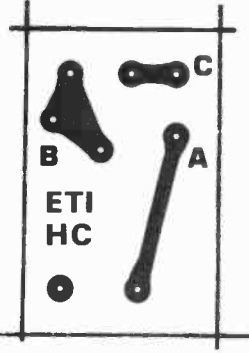
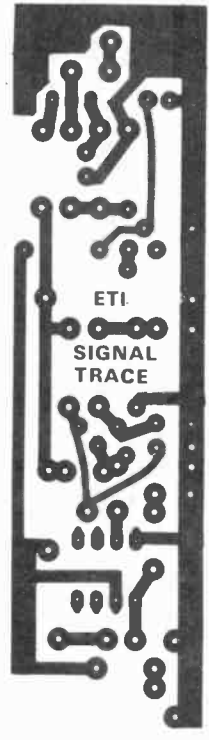
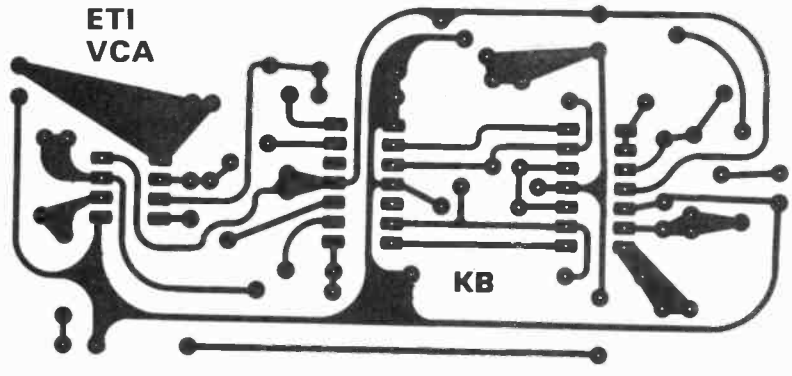




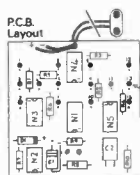


# PCB FOIL PATTERNS





## RANDOM ELECTRONIC EASY DICE



Self Assemble £3.95  
Ready Built £4.75  
Roll Out Model £5.25  
INCLUSIVE VAT.

ADD 25p. POSTAGE PER DICE

**SUPER VALUE!**

## 5 FUNCTION RADIO CONTROLLED CORVETTE FULLY ASSEMBLED



£22.50 + 60p.p+p

## CLOCK ALARM KIT FULL INSTRUCTIONS



£12.95 + 25p.p+p

T.V. GAMES B/WHITE  
£8.95 + 25p.p+p

24 TUNE ELECTRONIC  
DOOR CHIMES  
£14.50 + 25p.p+p

CALCHEC EDUCATIONAL  
CALCULATOR  
£2.25 + 25p.p+p

ORDER FROM

Menorcrest Electronics Ltd.  
1 Hatton Court  
Ipswich Suffolk  
Tel: 0473-210151/2

## ETCH RESIST TRANSFER KIT SIZE 1:1

Complete kit 13 sheets bin x 4 1/2 in  
£2.50 with all symbols for direct  
application to P.C. board. Individual  
sheets 25p each. (1) Mixed Symbols (2)  
Lines 0.05 (3) Pads (4) Fish Plates and  
Connectors (5) 4 Lead and 3 Lead and  
Pads (6) DILS (7) BENDS 90° and 130°  
(8) 8-10-12 T.O.S. Cans (9) Edge  
Connectors 0.15 (10) Edge Connectors  
0.1 (11) Lines 0.02 (12) Bends 0.02 (13)  
Quad in Line.

## FRONT AND REAR PANEL TRANSFER SIGNS

All standard symbols and wording. Over  
250 symbols, signs and words. Also  
available in reverse for perspex, etc.  
Choice of colours, red, blue, black, or  
white. Size of sheet 12 in x 9 in. Price £1.

## GRAPHIC TRANSFERS WITH SPACER ACCESSORIES

Available also in reverse lettering, colours  
red, blue, black or white. Each sheet  
12 in. x 9 in contains capitals, lower case  
and numerals 1/2 in kit or 1/4 in kit. £1  
complete. State size.

All orders dispatched promptly.

All post paid

Shop and Trade enquiries welcome  
Special Transfers made to order

E. R. NICHOLLS  
P.C.B. TRANSFERS

DEPT. ET13

46 LOWFIELD ROAD  
STOCKPORT, CHES. 061-480 2179

## CALCULATORS

SPECIAL LOW PRICE ON PROGRAM-  
MABLES

|                             |         |
|-----------------------------|---------|
| <b>CASIO</b>                |         |
| FX 501P128 step prog        | £47.95  |
| FX 502P 256 step prog       | £65.95  |
| FA1 Adaptor to cassette     | £19.95  |
| <b>TEXAS INSTRUMENTS</b>    |         |
| T142MBA 32 step             | £40.95  |
| T153 32 step                | £24.95  |
| T157 50 step                | £25.95  |
| T158 480 step               | £65.95  |
| T158C with power off memory | £84.95  |
| T159 960 step               | £169.95 |
| PC100C Printer cradle       | £148.95 |
| Maths/Utilities             | £23.95  |
| Electrical engineering      | £23.95  |
| Applied statistics          | £23.95  |
| Business decisions          | £23.95  |
| Marine navigation           | £23.95  |

|                                   |        |
|-----------------------------------|--------|
| <b>TEXAS</b> Full range available |        |
| T125 Students scientific          | £19.95 |
| T135 Sc L.c.d.                    | £20.95 |
| T144 L.c.d. Sci/Stats             | £31.95 |
| T150 L.C.D. Sci/Stats             | £21.95 |
| T150 L.C.D. Sci/Stats             | £18.95 |
| T11760 Datacard                   | £41.95 |
| T1 Programmer                     |        |

|  |         |
|--|---------|
| <b>CASIO</b>   |         |
| MATH PET L.c.d. Learning aid                         | £19.95  |
| CQ82 Multi Alarm Clock                               | £18.95  |
| ML831 Musical Keys "NEW"                             | £13.95  |
| AQ2000 Alarm/Stop/Date                               | £23.95  |
| FX68   | £18.95  |
| FX80   | £14.95  |
| FX310  | £16.95  |
| FX510  | £18.95  |
| FX2600   | £18.95  |
| FX3200   | £20.95  |
| FX5000   | £27.95  |
| FX5000EP Scientific Mains Printer                    | £139.95 |
| Conversion Master! Solve the metric problem with the |         |
| IBICO 067 only                                       | £16.95  |
| Telephone Answering Machines                         | £169.95 |

ALL ADVERTISED GOODS FROM STOCK  
PRICES INCLUDE POST, PACKING, AND V.A.T.

## CALCULATOR SALES & SERVICE

ARROW WORKS, ARROW ROAD  
REDDITCH B98 8NN

TEL: REDDITCH (0527) 43169

Callers by appointment only please.

## Codespeed Electronics

P.O. BOX 23, 34 SEAFIELD ROAD, COPNOR,  
PORTSMOUTH, HANTS. PO3 5BJ

8 DIGIT 0.1" LED DISPLAY multiplexed, common  
cathode 99p each. DIGITAL ALARM CLOCK MODULE  
with 0.7" display. With data £5.99 each. 4 DIGIT  
CLOCK LCD 0.5" digits, supplied with data. £4.99  
each. MM5316 digital alarm clock chip, with data,  
£2.29 each. REJECT CALCULATORS Untested, but  
good value for spares. £2.50 each. LED WRIST-  
WATCH IC Mostek MK5030, with data. 95p each.  
LED WRISTWATCH DISPLAY type DIS501, 0.1" LED  
digits, with data 95p each. SUPER SAVER Purchase  
an MK5030 and a DIS501 for only £1.50 the pair.  
NOTE the MK5030 and DIS501 are housed in a  
"legless flatpack" style package and require some fairly  
fine soldering. 20-KEY KEYBOARDS calculator  
keyboards. 2 for 99p (not for use with NORTEC4204  
calc. chip). 4 DIGIT 0.8" LED DISPLAY common  
cathode, with data £3.75 each. DIGITAL MUL-  
TIMETER CHIP MM5330 IC to build a 4 1/2 digit  
multimeter, with data. £3.49 each. SUPER QUALITY  
JACK SOCKETS 1/4" (6.35mm) jack sockets, mono  
23p each, stereo 25p each. SLIDE POT KNOBS  
please state colour required. 11p each. ROTARY  
VOLUME CONTROL KNOBS nice style. 18mm diam.  
Black with coloured cap, please state colour required.  
18p each. 10 LED DISPLAYS Untested material. 0.1" LED  
digits, common cathode. 95p. 8 DIGIT 0.1" LED  
DISPLAY multiplexed, common cathode. 99p. 555  
TIMER IC with data and applications booklet. 23p.  
POLARIZING FILM max. 19" wide, any length, only  
2p per sq. inch. Any size cut. SLIDER SWITCHES 2  
pole, change over. 15p each. PUSH BUTTON  
SWITCHES spring loaded (momentary) with one n.o.  
contact. 14p each. CALCULATOR CHIP Nortec  
4204, 4 function and constant, with data. 80p. 2102  
MEMORIES Dynamic memories for your micros, with  
data 95p each. MM5314 digital clock chip, with  
data. £1.99 each. WRISTWATCH LCD, supplied  
with polarizers and data sheets. 99p each.

NEW CATALOGUE AVAILABLE FROM  
JANUARY. SEND S.A.E. FOR YOUR FREE COPY.  
POST AND PACKING PLEASE ADD 35p (OVER-  
SEAS ORDERS ADD 90p)

V.A.T. ADD 15% TO THE TOTAL OF GOODS AND  
P&P

FULL SATISFACTION GUARANTEE ON ALL  
ITEMS



## C.B. CITY LTD.

119d PROSPECT ROAD  
FARNBOROUGH, HANTS.  
0252-318141  
(EVES. & WEEKENDS)

C.B. CITY is dedicated to all present  
and future Citizen Band Enthusiasts.

We stock a full range of everything  
you are likely to require and more. If  
not, we can most probably obtain it.

Duff Rig?? Then why not take advan-  
tage of our repair service — absolute  
confidence guaranteed.

Access, Credit Cards accepted.

Just send 3 x 10p stamps for our  
16-page fully illustrated compre-  
hensive catalogue.

**REMEMBER!!** Until C.B. becomes  
legal we **DO NOT** sell rigs.

# CLASSIFIED INFORMATION

## Semi-Display:—

1-3 insertions — £6.00 per single column centimetre  
 4-11 insertions — £5.50 per s.c.c.  
 12 insertions — £5.00 per s.c.c.

## Classified:—

23 pence per word (minimum 25 words)  
 Box number £1.00 extra

## ALL ADVERTISEMENTS IN THIS SECTION MUST BE PRE-PAID

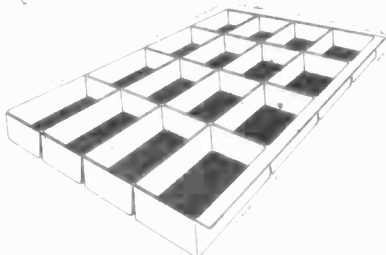
Closing date: 1st Friday in month preceding publication.

Advertisements are accepted subject to the terms and conditions printed on the advertisement rate card (available on request).

Cheques and postal orders should be crossed and made payable to 'Electronics Today International.'

CLASSIFIED ADS, E.T.I., 145 CHARING CROSS ROAD, LONDON WC2H 0EE. (TEL: 01-437 1002).

## ORGANISE YOUR COMPONENTS!



### COMTRAYS

Store resistors, capacitors, IC's, screws, etc. Ideal for organising your project components — saves all that searching around while constructing. Plastic trays with 16 compartments, each compartment 3/4 x 2 1/4 x 1 1/2 ins. deep.

£2.10 each, including p.p. and VAT  
 Four for £7.60 (64 compartments)  
 Eight for £13.80 (128 compartments)

Cheque or P.O. to:

HELIXAR SYSTEMS LTD.  
 150 WESTON ROAD  
 ASTON CLINTON  
 AYLESBURY, BUCKS HP22 5EP  
 Tel. Aylesbury 630364

Nascom 1 plus P.S.U., documentation, spares, software, cased, £220. Also Motorola MEK D2, PSU, documentation and 77/68 V.D.U. PCB. £110. All fully working.—101 Village Road, Bromham, Bedford, MK43 8HU. Tel. Oakley 2867.

For Sale: Olivetti TE300 ASR 10CPS (Paper Tape Punch/Reader included) Terminal for Sale. Full working condition. £300.— Telephone 995 8038 (day) or 749 2750 (evgs.).

TRANSCENDENT 2000 SYNTHESIZER, built from Powertran kit, fully working to ETI Specification, with foot pedal and output lead. Must sell, hence £250. Tel: 01-660 3835 (Croydon).

## INTENSIVE WEEKEND COURSES IN

# BASIC

including hands-on mini computer operation.

This short intensive course is intended to instruct from minimal knowledge to an operational capability of computer programming in BASIC high level language. The course is fully residential from Friday evening to Sunday afternoon. Option of non-residential weekend, weekday evening and weekday courses available if required.

For further details of dates available, fees, etc.:

Phone (0401) 43139, or write to  
 Dept. ETI  
 CLEVELAND BUSINESS SERVICES  
 Cleveland House, ROUTH  
 Beverley, North Humberside

**SOUND EFFECTS.** Factory clear out. Top quality. Flangers, Phasers, Fuzz, Voice boxes, etc. Working units, Non-working units, Boxes only, PCBs. Cheap. Ideal for musician/experimenter. Phone Radrage (024026) 2707 for details.

**10 LEDs** mixed colours — sizes £1.15. 100 mixed diodes **85p**. 50 mixed transistors **95p**. Lists **15p**. Sole Electronics (ETI), 37 Stanley Street, Ormskirk, Lancs. L39 2DH.

**TOP QUALITY 1N4148** specification diodes on bandolier. 500, 1000, 5000 for £3, £5, £20. D. Johnston, 12 Balgillo Road, Dundee DD5 3LU.

| LEDS Red 6ra Yell | Compler It 74 | 55p            | ORP 12 Ldr             | 62p       |
|-------------------|---------------|----------------|------------------------|-----------|
| 125in 10p 16p 18p | LED DISPLAYS  | 707 3u CA      | OC711 Photo Tr         | 40p       |
| 2in 11p 16p 18p   | 747 5m CA     | 90p            | MF125 Photo Tr         | 150p      |
| Ultra Red 6MW     | 1.55          | 170p           | Photo Darling ton      | 50p       |
| AC125/8/7/8       | 18p           | 22p            | V REGS 1A plastic      |           |
| AD151/182         | 30p           | 20p            | 5V 12V 15V 18V 24V     |           |
| AE117             | 27p           | 22p            | pass 45p max 85p       |           |
| AF124/5/6/7       | 35p           | 22p            | 100mA TO92 + va        |           |
| AF139/230         | 40p           | 9p             | Types only             | 34p       |
| AG107/8/9         | 8p            | 2N3053         | Deal adjustable ± 8 to |           |
| AG107/8/9C        | 10p           | 2N3054/3055    | 20V 100mA              | £2        |
| AG147/8/9         | 7p            | 2N3702/3/4     | 723 DIL14              | 44p       |
| AG157/8/9         | 10p           | 2N373          | 709 all                | 28p       |
| AG160C            | 11p           | 2N3805/4/5/6   | 741 8 pin              | 18p       |
| AG169C            | 12p           | 2N2846         | 748 DIL                | 40p       |
| AG177/8/9         | 14p           | T1843UT        | 747 DIL 14             | 36p       |
| AG182/3/4L        | 10p           | BF244          | LM301 TO5              | 25p       |
| AG186/7           | 24p           | MPF102         | LM308 DIL8             | 90p       |
| AG212/3/4L        | 10p           | 2N3619         | LM3900 DIL 14          | 65p       |
| AG270/71/72       | 14p           | 2N3623         | CA 3130                | 90p       |
| AG311/132         | 35p           | 2N5245         | CA 3140                | 22p       |
| AG194/140         | 35p           | 2N5457/8/9     | 555 Timer              | 80p       |
| BF129/5/6/7       | 10p           | 2N6027         | 556 2x555              | 60p       |
| BF139/407         | 27p           | 1N914/A140     | LM380 DIL 14           | 80p       |
| BF179/80          | 27p           | 1N916          | LM381 DIL 14           | 140p      |
| BF150/51          | 15p           | 1N4001/2       | TBA800 QIL             | 70p       |
| BF129/84/85       | 25p           | 1N4003/4       | CA3046 Array           | 75p       |
| BE118/20          | 20p           | 1N4005/6       | NE565                  | 130p      |
| BJE2955           | £1            | 1N4007         | NE566 vcc              | 135p      |
| BJE3055           | 68p           | 3A Plastic 50V | NZ414                  | 85p       |
| MF3A05/06         | 22p           | 100V 14p       | 200V 16p               |           |
| MF3A55/56         | 22p           | 400V 18p       | 600V 24p               |           |
| DC11              | 17p           | 10A/100V       | 22p                    |           |
| TP2M/30A          | 40p           | BA100/156      | 11p                    |           |
| TP31A/32A         | 45p           | BA116          | 8p                     |           |
| TP41A/142A        | 50p           | BY127          | 12p                    |           |
| TP35/38/8         | £2            | Q447/70/0495   | 8p                     |           |
| 2N697             | 12p           | 0A30/91        | 7p                     |           |
| 2N106             | 11p           | 0A78/0A81      | 10p                    |           |
| 2N1711            | 22p           | 0A200/0A202    | 8p                     |           |
| SCRs              | 50V 100V 400V | DIL SOCKETS    | 8pin 10p               | ZENERS    |
| TOS 1A            | 28p 32p 40p   | 14pin 11p      | 16pin 12p              | 2.7 3.3V  |
| TO66 3A           | 32p 36p 48p   | 18pin 18p      | 20pin 20p              | 400mVW 9p |
| STUD 7A           | 54p 68p 70p   | 22pin 22p      | 24pin 28p              | 1.3W 16p  |
| Triac 400V 2A     | 70p 10A 8V    | 28pin 30p      | 40pin 35p              | Diac 20p  |

ISLAND DEVICES, 3 MAPLEFIELD, PARK STREET, ST. ALBANS, HERTS AL2 2BD  
 Prices inclusive Post & Pack 20p

STOP PRESS: Superboard Compatible!  
**UK101 TRS 80**  
**COLOUR YOUR NASCOM!**  
 DAZZLING COLOUR GRAPHICS FOR NASCOM 1  
 Genuine bit-addressable "pixel" system for straightforward programming of pictorial or mathematical functions.  
 8 Colour display plus 8 colour independent background facility. Full documentation with FREE SOFTWARE: powerful sub-routines for vector generation, demonstration program for animated effects. All runs in Nascom 1 without expansion. Complete with UHF Colour Modulator for operation with normal colour TV set. Superior design allows connection to most other micro-processor systems — send us diagrams etc of your b & w video circuitry for free advice. Don't be fooled by the price: this is a top quality product which will transform your computer.  
 NOW AVAILABLE FOR LIMITED PERIOD AT **£45** Inclusive of VAT and postage  
**WILLIAM STUART SYSTEMS Ltd**  
 Dower House, Billericay Road, Herengate, Brentwood, Essex CM13 3SD  
 Telephone: Brentwood (0277) 810244

## BARGAINS FOR THE ELECTRONIC HANDYMAN BRANDED LED DIGITAL ALARM CLOCKS



Returned to Service Department within guarantee period.

- (1) With alarm repeat — S.R.S.P. of £17.00 offered at **£3.95** inc. VAT
- (2) With luxury lamp and repeat alarm as featured in most major U.K. Mail Order catalogues. S.R.S.P. £31.00—offered at **£7.95** inc. V.A.T.
- (3) With integral luxury light and repeat alarm also as featured in most major U.K. Mail Order catalogues. S.R.S.P. of £32.00—offered at **£7.45** inc. V.A.T.

These will be sold as received from our customers with the existing fault(s) and without guarantee.

Discounts available on large bulk purchases

**PRESCOTT CLOCK AND WATCH COMPANY LIMITED**

Prescott House, Humber Road, London NW2 6ER

**CIRCUIT DESIGN.** Prototype construction. Analogue or Digital, Single Circuits or Complete Instruments/Systems. Write A. J. ATTWOOD, C.Eng., MIERE, Heathercote, Heatherton Park, Taunton, Somerset, TA4 1ET or Phone Bradford-on-Tone (082-346) 536.

**Mk. 14.** Replace calculator type display with full size FND 500 displays, PCB, filter and instructions, £2. 25-way keyboard, complete kit, £10. Useful notes on Mk. 14, 50p. Rayner, "Kismet," High Street, Colnbrook, Bucks.

**E.T.I. 4600 SYNTHESIZER.** Maplin cabinet, 4-octave keyboard joystick, patch-board, fully calibrated, ready to play. Only three modules to complete. £410 o.n.o. Phone Harpenden 60958.

**ETI PCB's**  
 Buy it with Access  
 BARCLAYCARD  
 Available for most ETI projects from day one of ETI, phone your order.  
**SPECIAL OFFER—Single sided Pax PCB mat, four off, 4 3/4" x 6 1/2", 99p all up**  
**CROFTON ELECTRONICS LIMITED**  
 35 GROSVENOR ROAD, TWICKENHAM MIDDLESEX TW1 4AD Tel: 01-891 1923

## DIY with the PROFESSIONALS

Construct your own mixer, large or small, from our range of commercial electronic sub units. The same high quality units used to construct our own audio mixers supplied to radio stations, public buildings, government depts. etc. Now available in kit form or assembled and tested. Plus full range of panels, metal frames etc. Postal enquiries to **Dept. D.E.T.**

### PARTRIDGE ELECTRONICS

(A. C. Partridge Ltd)  
56 Fleet Road, Benfleet, Essex  
Telephone (STD 03745) 3256

**WANTED: ELECTRONIC COMPONENTS,** Redundant Stock, Test Equipment, Tools, Machines, Hardware; Factories cleared. Immediate cash decision. Contact: Mr. Quirk, "Q" Services Electronic (Camberley) Ltd., 29 Lawford Crescent, Yateley 871048, Camberley, Surrey.

**Stereo Slide Controls.** 100 K Ohm Linear Pots. 60mm. stroke. 80mm Fixing. 10 for £4 post paid. — CASS, 110 Blackmoor Drive, Liverpool, L12 8RA.

**TGS GAS SENSORS 812 & 813.** Send addressed envelope 6½" x 9" for Tech. Data and Prices. Design service also available. Asti Supplies Ltd., Shannon, Co. Clare, Ireland.

**Programmable Calculators** with 56-page instruction book plus Program Library, new and booked, £12.50 including P/P, insurance. — F. S. Butler, 511 Fulbridge Road, Peterborough, PF4 6SB. Tel: 0733 71958.

**Linsley-Hood Amplifiers** constructed and repaired. Power Amp Modules from £13.75. I. G. Bowman (Dept. ETI), 59 Fowey Avenue, Torquay, S. Devon.

## VIDEO MUSIC



Videograph II links to the aerial socket of your tv and provides a full colour GIANT oscilloscope display. A must for hi-fi, home entertainment, discos, organs etc.

**New** — signal invert control, integral square wave generator. **Plus** — full details for testing your audio system for transient distortion, crosstalk etc.

Complete **£26.95** Luxury cabinet and controls. **£12.95** Kit only

READY BUILT UNIT £49.95 + £1.00 P&P

**WILLIAM STUART SYSTEMS Ltd**

Power House, Billerica Road  
Herongate, Brentwood  
Essex CM13 3SD  
Telephone: Brentwood (0277) 810244

## 50Hz SUPERBOARDS BRITISH MODEL

from **£190** + VAT

Fully built, set up and tested

**AUTHORISED dealer back-up**

Free cursor control backspace, etc. tape

C.T.S., 1 Higher Calderbrook

Littleborough, Lancs.

Tel. Littleborough 79332 any time

## MEDICAL PHYSICS TECHNICIANS

**YOUR EXPERIENCE COULD LEAD TO A HAPPY EXPERIENCE IN HAMPSTEAD** ... working at the, Royal Free Hospital, Britain's newest and largest teaching hospital.

We offer an experienced Technician (Grade IV — Electronics) the chance of working on the design and construction of specialised electronic equipment, which will be used in both research and clinical applications. This is an excellent opportunity for a man or woman who holds a City and Guilds Final Technological Certificate in appropriate subjects and ideally has experience in the use of both analogue and digital circuit techniques.

You will be working with four other Technicians and, apart from your design work, you will be expected to carry out maintenance on a wide range of commercial apparatus within our purpose-built and well-equipped workshop.

In addition to the salary of £4280-£5504 (including all allowances — starting point depending on qualifications and experience), we offer a first-class working environment and a superb choice of facilities which include a good staff restaurant, a social club and a brand new recreation and leisure centre with a large sports hall, swimming pool and bar.

If you would like to find out more, write to the Personnel Department, The Royal Free Hospital, Pond Street, NW3, or telephone 01-794 0500, ext. 4286. Please quote reference 0761.

Camden & Islington Area Health Authority (T).

## SITS-VAC

### H.N.C. IN ELECTRONICS?

Put your well earned qualifications to good use by joining our expanding Medical Engineering Section!

We are responsible for the maintenance of important Life-Saving Medical Equipment and have several opportunities for Technicians with sound knowledge and experience of maintaining any of the following equipment:

Anaesthetic Apparatus, Therapeutic and Diagnostic Physiological Measurement Machinery, Laboratory and Special Electro-Medical equipment.

Salary range £4605-£6918 depending on qualifications.

If you would like to know more about these posts please contact: **Mr. D. L. Hall, District Engineer (021) 554 3801 Ext. 4838**, or obtain an application form from:

**District Works Officer  
Dudley Road Hospital  
Birmingham B18 7QH**

Closing date ten days after publication of this advertisement. Please quote Ref. 619/ET.

## HOLIDAY RELIEF STAFF WEST LONDON

### ASSISTANT FILM RECORDISTS

To undertake the operation of tape, disc and 16mm recording and replay equipment in Sound Transfer areas and Dubbing Theatre Record Rooms. (Ref. 2025/ET).

### ASSISTANT DUBBING MIXERS

To undertake the operation of disc and tape machines, to select and introduce sound effects and music required during the dubbing process and to act as an Assistant to the Dubbing Mixer, as and when required. (Ref. 2024/ET).

A knowledge and experience of film sound transfer and dubbing methods, coupled with an understanding of the use of sound in television film production is essential, also normal hearing.

Salary: £4,185-£4,535 p.a. (Salaries review due in April). Staff will be required on a temporary basis for approximately 3 months, and will be expected to work on a shift basis (not nights) when a shift allowance rate will be paid.

Contact us immediately for application form (quote ref. and enclose s.a.e.): **BBC Appointments, London W1A 1AA. Tel. 01-580 4468, Ext. 4619.**

# BBC tv





# CCTV CAMERA

**£114.99** + P/P £3.45  
Optional extra manual  
£6. Total £124.44.

**BEST OFFER EVER**  
Camera Kit, Lens,  
Vidicon & Modulator

## CROFTON

Tel: 01-891 1923 For full details

### COLOUR MODULATOR

**Kit**  
**£9.95** FOR ALL TV GRAPHICS!  
Red, Green, Blue inputs (can be mixed).  
Available now: Nascom Colour Kit.  
£45.00 inc. Graphics Software.

**WILLIAM STUART SYSTEMS**  
Dower House, Billericay Road, Harongate, Brentwood, Essex.  
CM13 3SD Tel: (0277) 810244  
Barclaycard / Access welcome

### MSF CLOCK

**NOW GET ABSOLUTE TIME.** Always correct, never gains or loses, auto GMT/BST and Leap Year. 8 digits show DATE, HOURS, MINUTES and SECONDS, also parallel BCD output and second-in-a-month STOP CLOCK, receives Rugby time signals, built-in antenna. EXACT TIME for **£48.80**.

**60KHz Rugby Receiver**, as in MSF Clock, 1000KHz range, audio and serial data outputs, **£13.75**.  
**V.L.F.7 EXPLORE 10-150KHz**, Receiver, **£10.70**.

Each fun-to-build kit includes all parts, printed circuit, case, instructions, postage, etc., money back assurance, so **SEND OFF NOW**.

#### CAMBRIDGE KITS

45 (TC), Old School Lane, Milton, Cambridge

### DIGITAL CAPACITANCE METER

1 pF-2 µF in 5 ranges, on-board selector. Precision resistor network and giant displays give direct readout in pF, nF and µF. **ASSEMBLED, ONLY £22.92**  
ALL INC. Overseas add £1.  
Precision Measurements, P.O. Box 70, Giles Lane, Canterbury, Kent CT1 2UU

## PRINTED CIRCUITS and HARDWARE

Comprehensive range Constructors Hardware and accessories

Selected range of popular components  
Full range of HE printed circuit boards normally ex-stock, same day despatch at competitive prices  
P.C. Boards to individual designs  
Resist-coated epoxy glass laminate for the d.i.y. man with full processing instructions (no unusual chemicals required)

Alfac range of etch resist transfers and other drawing materials for p.c. boards

Send 15p for catalogue.

**RAMAR CONSTRUCTOR SERVICES**  
MASON'S ROAD  
STRATFORD-ON-AVON  
WABWICKS, Tel. 4879

**PROCESS PHOTOGRAPHY.** 2:1 reductions of P.C.B. artwork, etc. Prices for positives: 5½ x 7 £3.50, 7 x 11 £4.50, 11 x 14 £6.00. Return of post + 50p or while you wait for afternoon callers. D.J.S. Electronics, Totterdown Centre, 140 Wells Road, Totterdown, Bristol BS4 2AQ, 0272 776289.

**TRANSCENDENT 2000:** Synthesizer. Why wait to build your own. Fully built. Play it for yourself, £200 o.n.o. Kidderminster 0562-741631 (after 6 p.m.).

**E.T.I. back numbers** most issues from 1973. Also TTL, semiconductors, caps, resistors, R.S.E. components (switches, etc.) cheap. S.A.E. please. Chamberlain, 9 Goffs Close, Crawley, Sussex.

### DIGITAL WATCH BATTERY REPLACEMENT KIT



These watches all require battery (power cell) replacement at regular intervals. This kit provides the means. We supply eyeglass, non-magnetic tweezers, watch screwdriver, case knife and screwback case opener, full instructions and battery identification chart. We then supply replacement batteries — you fit them. Begin now. Send **£7.50** for complete kit and get into a fast-growing business. Prompt despatch.

**WATCH BATTERY REPLACEMENT CO. (ET10)**  
11 Percy Avenue, Ashford, Middx., TW15 2PB

### FOR SALE:

Electronics Today International (April 1972 to November 1979)  
Electronics Tomorrow (single issue)  
Hobby Electronics (November 1978 to October 1979)  
Computing Today (March 1979 to September 1979)  
Personal Computing World (May 1978 to May 1979)  
Offers to: N. Pederson, 19 Belgrave Street, Brighton, or phone Brighton 692789.

## ADVERT INDEX

|                                |             |
|--------------------------------|-------------|
| AJO DIRECT SUPPLIES            | 70          |
| ALTEX INSTRUMENTS              | 48          |
| AMBIT INTERNATIONAL            | 23          |
| AUDIO ELECTRONICS              | 8           |
| BARINGLOCK LTD.                | 38          |
| BAYDIS                         | 86          |
| BI PAK SEMICONDUCTORS          | 14          |
| BK ELECTRONICS                 | 62          |
| CALCULATOR SALES & SERVICE     | 102         |
| CAMBRIDGE LEARNING ENTERPRISES | 70 & 71     |
| C. B. CITY LTD                 | 102         |
| CHITHEAD                       | 37          |
| CHROMASONICS                   | 50          |
| CLEF PRODUCTS                  | 76          |
| CODESPEED                      | 106 & 107   |
| COMP. COMP. COMP               | 84          |
| CRIMSON ELEKTRIK               | 62          |
| CROFTON ELECTRONICS            | 7           |
| C.S.C.                         | 28          |
| DELTA TECH & CO                | 28          |
| DIGISOUND LTD                  | 28          |
| E.D.A.                         | 53          |
| ELECTROVALVE                   | 6           |
| GREENBANK                      | 86          |
| GREENWELD                      | 85          |
| GMT ELECTRONICS                | 24 & 25     |
| HAMEG LTD                      | 86          |
| HENRY'S RADIO                  | 38, 35 & 54 |
| L.F.P. ELECTRONICS             | 44 & 45     |
| JPS                            | 85          |
| LB ELECTRONICS                 | 99          |
| L & B ELECTRONICS              | 18          |
| LETTROMICS                     | 15          |
| MAPLIN                         | 19 & 100    |
| MARSHALL                       | 48          |
| MEMORCREST                     | 102         |
| METAC                          | 54 & 55     |
| MINIKITS                       | 103         |
| MOUNTAINDENE                   | 102         |
| E. N. NICHOLS                  | 48          |
| NIC MODELS                     | 96          |
| POWERTRAM COMPUTERS            | 2 & 8       |
| POWERTRAM ELECTRONICS          | 38          |
| PROGRESSIVE RADIO              | 38          |
| PROTON ELECTRONICS             | 38          |
| J. W. RIMMER                   | 38          |
| ROMANE ELECTRONICS             | 76          |
| R.T.C.                         | 62          |
| SCIENCE OF CAMBRIDGE           | 4 & 5       |
| C. N. STEVENSON                | 40          |
| STEVE'S ELECTRONICS            | 84          |
| SURETRON                       | 18          |
| SWANLEY ELECTRONICS            | 28          |
| TANDY                          | 92          |
| TECHNOMATIC                    | 10          |
| TEMPUS                         | 53          |
| TK ELECTRONICS                 | 84          |
| TRANSAM                        | 96          |
| VIDEOTIME PRODUCTS             | 99          |
| WATFORD ELECTRONICS            | 12 & 13     |
| WEST HYDE DEVELOPMENTS         | 69          |
| WILMSLOW AUDIO                 | 28          |

## Car Audio

### Manual MW/LW



Full medium and long wave tuning. Complete with speaker and mountings. Suitable for positive or negative chassis. Latest model.

**£10.25 + £1.00 Post**

### Push-Button MW/LW



One LW, four MW buttons plus manual tuning. Complete with speaker and mountings. Latest model, negative chassis only.

**£15.95 + £1.00 Post**

### Stereo FM/Cassette + MW



Standard cassettes and FM in stereo plus medium wave. Tone and balance controls. Fast forward facility on tape. Adjustable shafts. Suitable for 4 or 8 ohm speakers (not supplied). This model is discounted elsewhere at £50 up.

**£40.95 + £1.00 Post**

### Stereo Speaker Set



Suitable for above stereo unit. Good quality in surface mounted casing, 5W nominal, 8W peak.

**£4.00 (pair)**

**+ 70p Post**

### Telescopic Car Antenna

Multi-section standard type, suitable for angled mounting with locking key.

**£1.60 + 30p Post**

## Metal Detector

### ★ Induction Balance Model

Built with sensitivity up to 10in on single coin; fitted with speaker and meter; PP3 battery; 7in dia. search head. Telescopic stem. Excellent pin-pointing, positive reaction to non-ferrous, negative reaction to iron. This model's normal price is £39.95!

**£24.50 + £1.00 Post**

All goods guaranteed one year. 10-day money-back offer. Goods ex-stock at time of going to press. Callers by appointment only please. Send s.a.e. for illustrated leaflet.

**Minikits Electronics Ltd.**  
88D Hainault Road  
Leytonstone  
London E.11

|  |   |
|--|---|
| 8MHz Super Quality Modulators                        | £4.90   |
| 6MHz Standard Modulators                             | £2.90   |
| C12 Computer Grade Cassettes 10 for                  | £4.00   |
| Super Multi-rail P.S.U. +5 -5 +12v                   | £29.50  |
| Nascom I with Nas-sys Kit                            | <b>Special Price</b><br>£125.00<br>Assembled } Limited quantities £140.00 |
| ETI Breakout Game - Chip and PCB                     |   |
| S100 Expansion Motherboard for Nascom I              | £39.00  |
| Anadex Printer Paper - 2000 sheets                   | £25.00  |
| Floppy Disks 5¼" Hard & Soft Sector                  | £3.50   |
| Floppy Disk Library Case 5¼"                         | £3.50   |
| Lexicon Language Translator                          | £125.00   |
| Modules for Lexicon                                  | £29.00  |
| Eprom Boards   | £63.00  |
| 8K Static Ram Boards - S100                          | £110.00   |
| Grandstand Video Game                                | £59.00  |
| Cartridges for Grandstand                            | £11.99  |
| George Risk Ascii Keyboard                           | £39.00  |
| Cartridges for Atari - Full Range in Stock           | £13.90  |
| Interface PET IEEE - Centronics Parallel Not decoded | £49.00  |
| Decoded  | £77.00  |
| Interface to Centronics parallel for TRS80           | £75.00  |
| Verocases for Nascom 1 & 2 etc.                      | £22.50  |
| Keyboard Cases                                       | £9.90   |
| Electric Pencil for TRS80                            | £29.00  |

only **£399**  
+ VAT



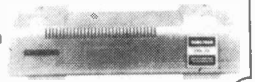
### TRS80 LEVEL 2 16K

Fully converted to UK T.V. Standard. Comes complete with easy to follow manuals. UK Power Supply - Cassette Leads - Sample tapes. Special box to enable you to plug into your own TV. Recommended for first time buyers. Just plug in and go. Full Range of Software Available.

only **£295** + VAT

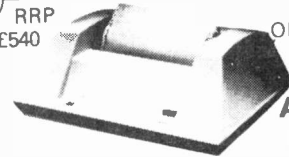
Expand your TRS80 by 32K  
32K Memory on board  
Centronics parallel port  
Disk controller card  
Real time clock  
Requires Level II Basic. Interface for 2 cassette decks complete with power supply

### TRS80 EXPANSION INTERFACE



RRP £540

only **£499**  
- VAT

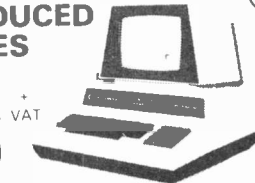


### ANADEx DP8000

Super Quality - Low cost printer. Tractor Feed with full 96 ASCII character set. Accepts RS232C at band rates between 100 and 9600 and Parallel Bit data. Attaches either directly or through interfaces to Pet, Apple, TRS80, Sorcerer, Nascom, Compukit etc.

### NEW REDUCED PRICES

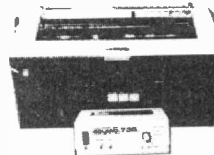
8K **£449**  
16K **£549**  
32K **£649**



RRP £795 for 32K  
**The PEDIGREE PETS**  
Very popular for home & business use. 8K Microsoft Basic in ROM. 8K Pet 32K & 16K with new improved keyboard. All with green screen. Extra cassette deck **£55**. Full range of software available.

RRP £690 only **£590** + VAT

### IBM SELECTRIC GOLFBALL



Refurbished IBM Golfball Printers to new specs. Accepts Centronics parallel data. Friction feed. Prints at 15 cps. Attaches either directly or through interfaces to Pet, Apple, TRS80, Sorcerer, Nascom, Compukit etc.

32K  
**£690**  
+ VAT

### EXIDY SORCERER



48K

**£790**  
+ VAT

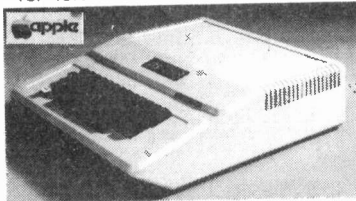
RRP £859 for 32K

For Personal or Business Use. 32K or 48K memory. 8K Microsoft Basic in ROM. Dual Cassette I/O, RS232 I/O, Parallel I/O (Centronics). Expansion available through optional extra S100 Motherboard. 69 Key keyboard including 16 key numeric pad.

### S100 EXPANSION - £199

RRP £975 for 48K

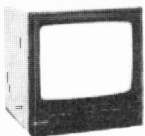
48K - **£690**  
+ VAT



### ITT 2020

Full colour into your own colour T.V. PALSOFT 9 digit floating point Basic in ROM as standard. Low and High resolution graphics. Built in loudspeaker. Compatible with most Apple Hardware add-ons and software.

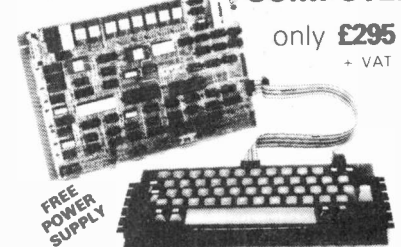
### HITACHI PROFESSIONAL MONITORS



9" - **£129**  
12" - **£199**

- Reliability: Solid state circuitry using an IC and silicon transistors ensures high reliability.
- 500 lines horizontal resolution: Horizontal resolution in excess of 500 lines is achieved in picture center.
- Stable picture: Even played back pictures of VTR can be displayed without jittering.
- Looping video input: Video input can be looped through with built-in termination switch.
- External sync operation: (available as option for U and C types).
- Compact construction: Two monitors are mountable side by side in a standard 19-inch rack.

### NASCOM-2 MICRO-COMPUTER



only **£295**  
+ VAT

Microprocessors Z80A. 8 bit CPU. This will run at 4MHz but is selectable between 1/2/4 MHz. This CPU has now been generally accepted as the most powerful, 8 bit processor on the market.

**INTERFACE**  
Keyboard: New expanded 57 key Licon solid state keyboard especially built for Nascom. Uses standard Nascom, monitor controlled, decoding.  
T.V.: The lv peak to peak video signal can drive a monitor directly and is also fed to the on-board modulator to drive the domestic T.V.

**I.O.** On-board UART (Int.6402) which provides serial handling for the on-board cassette interface or the RS232/20mA teletype interface.  
The cassette interface is Kansas City standard at either 300 or 1200 baud. This is a link option on the NASCOM-2. The RS232 and 20mA loop connector will interface directly into any standard teletype.  
The input and output sides of the UART are independently switchable between any of the options - i.e. it is possible to house input on the cassette and output on the printer.

**PIO** There is also a totally uncommitted Parallel I/O (MK3881) giving 16, programmable, I/O lines. These are addressable as 2 x 8 bit ports with complete handshake controls.

**Documentation** Full construction article is provided for those who buy a kit and an extensive software manual is provided for the monitor and Basic.

**Basic** The Nascom 2 contains a full 8K Microsoft Basic in one ROM chip with additional features like DEEK, DOKE, SET, RESET for simple programming.

With free 16K RAM board

## A PROFESSIONAL WORD PROCESSING SYSTEM AND IT'S A COMPUTER AS WELL.

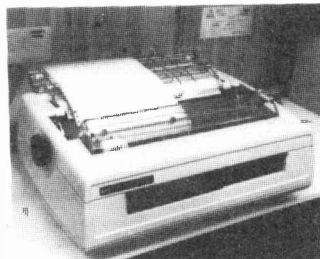
FOR ONLY **£3250** + VAT



**PET 32K** - This is the standard 32K Pet from Commodore. Reverse video and graphics allow the WordPro Package to give simple clear and easy to read displays.

**2040 Disk Drives** Twin disk drives allow large high speed storage for your letters, or paragraphs. Plugs in the back of the PET.

**NEC Spinwriter** NEC's high quality printer uses a print "thimble" that has less diameter and inertia than a daisy wheel,

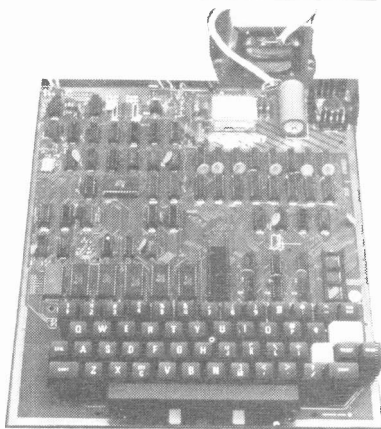


giving a quieter, faster, more reliable printer that can cope with plotting and printing (128 ASCII characters) with up to five copies, friction or tractor fed. The ribbon and thimble can be changed in seconds.  
55 characters per second bidirectional printing - with red/black, bold, subscript, superscript, proportional spacing, tabbing, and much, much more.

**WordPro II** The heart of the system - consists of a ROM and diskette. The ROM is inserted into a space socket inside the Pet. One of the most versatile Word Processing Packages around.

# COMPUKIT UK101

## EUROPE'S FASTEST SELLING ONE BOARD COMPUTER



- ★ 6502 based system — best value for money on the market.
- ★ Powerful 8K Basic — Fastest around
- ★ Full Qwerty Keyboard
- ★ 4K RAM Expandable to 8K on board.
- ★ Power supply and RF Modulator on board.
- ★ No Extras needed — Plug-in and go.
- ★ Kansas City Tape Interface on board.
- ★ Free Sampler Tape including powerful Dissampler and Monitor with each Kit.
- ★ If you want to learn about Micros, but didn't know which machine to buy then **this is the machine for you.**

Build, Understand and Program your own Computer for only a small outlay

KIT ONLY **£199** + VAT  
NO EXTRAS NEEDED

AVAILABLE READY ASSEMBLED & TESTED  
READY TO GO FOR **£249** + VAT

Specially designed case for CompuKit in optional black. With room for accessories **£29.50** + VAT

The **CompuKit UK101** comes in kit form with all the parts necessary to be up and working, supplied. No extras are needed. After plugging in just press the reset keys and the whole world of computing is at your fingertips. Should you wish to work in the machine code of the 6502 then just press the M key and the machine will be ready to execute your commands and programs. By pressing the C key the world of Basic is open to you

This machine is ideal to the computing student or Maths student, ideal to teach your children arithmetic, and is also great fun to use

Because of the enormous volume of users of this kit we are able to offer a **new reduced price of £199** + VAT

Simple Soldering due to clear and concise instructions compiled by **Dr. A.A. Berk, BSc. PhD**

## THE NEW TRS80 SURPRISE — MODEL II

**Fast and expandable!**

Model II operates at twice TRS-80's high speed



In addition to either 32 or 64 thousand characters (bytes) of internal Random Access Memory, one built-in 8" floppy disk stores an additional one-half million bytes, including the Disk Operating System. And you can easily expand up to a four-disk system for up to two-million bytes of storage.

Model II features upper and lower case letters. Its built-in 12" high-resolution video monitor displays 24 lines of 80 normal characters. The professional 76-key keyboard (with "calculator" keypad) includes advanced functions such as Control, Escape, Caps, Hold, Repeat. The keyboard is detachable and moveable for convenient data entry

You get the enhanced Level III version of TRS-80's already-famous Level II BASIC language and "TRS-DOS" operating system, automatically loaded in memory when you "power up." (About 24K of RAM is used by this software)

Each time you power up, Model II thoroughly tests itself to insure proper operation. Your chosen program can appear immediately, without any intermediate steps or questions to answer

### Versatility ... plug-in expandability

Built in input/output capabilities include two RS-232C channels, and one Centronics parallel port. Future expansion is provided for through four plug-in slots for optional PC boards.

32K 1-Disk Model II  
**£1999.00** + VAT

64K 1-Disk Model II  
**£2200.00** + VAT

### 3 DISK EXPANSION

500K per Drive gives total of 1.5M Byte for only **£1399** + VAT

Just Plug In

**WE ARE NOW EX-STOCK**

EXTENDED WARRANTY BY COMPCARE

### Why do people buy more from COMPSHOP than anywhere else?

- ★ **LARGER STOCKS** — we hardly ever run out
- ★ **GOOD SERVICE** — we give extended warranties on all our products.
- ★ **EXCELLENT REPAIR SERVICE** — Through Compcare we repair and maintain most makes of personal computers.

LAST YEAR WE SUPPLIED TO THE PUBLIC — LARGE & SMALL  
16,000 Television Games & 7,000 Computer Systems

COMPCARE

Compcare is a company that has been set up to provide servicing and maintenance for the popular makes of micro-computers i.e. Sorcerer, Pet, Apple, TRS80, Nascom, CompuKit. Our charges are £7 per hour plus parts.

Because of the extensive range of spare parts stocked you can usually expect your micro to be repaired within 10 days for an average charge of £14 labour.

Emergency 24 hour repairs can be handled for a £10 surcharge where possible. CompuKits and Nascoms unsuccessfully constructed will be charged a standard £25.

### THE ATARI VIDEO COMPUTER SYSTEM

**£138** + VAT



Atari's Video Computer System now offers more than 1300 different game variations and options in twenty great Game Program™ cartridges!

Have fun while you sharpen your mental and physical coordination. You can play rousing, challenging, sophisticated video games, the games that made Atari famous.

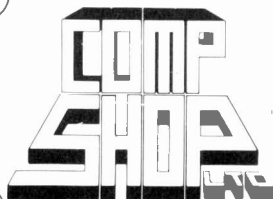
You'll have thrill after thrill; whether you're in the thick of a dogfight, screaming around a racetrack, or dodging asteroids in an alien galaxy. With crisp bright colour (on colour TV) and incredible, true-to-life sound effects. With special circuits to protect your TV.

Cartridges now available All at **£13.90** each + VAT

Basic Maths, Airsea Battle, Black Jack, Breakout, Surround, Spacewar, Video Olympics, Outlaw, Basketball, Hunt & Score\*, Space War, Sky Diver, Air Sea Battle Codebreaker\*, Miniature Golf.

Extra Paddle Controllers  
— **£14.90** + VAT

\*Keyboard Controllers  
— **£16.90** + VAT



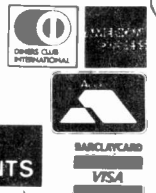
Please add VAT to all prices — Delivery at cost, will be advised at time of purchase. Please make cheques and postal orders payable to COMPSHOP LTD., or phone your order quoting BARCLAYCARD, ACCESS, DINERS CLUB or AMERICAN EXPRESS number. CREDIT FACILITIES ARRANGED — send S.A.E. for application form.

14 Station Road, New Barnet, Hertfordshire, EN5 1QW Telex: 298755 TELCOM G  
Telephone: 01-441 2922 (Sales) 01-449 6596  
OPEN · 10 am · 7 pm — Monday to Saturday

Close to New Barnet BR Station — Moorgate Line.

**COMP** COMPUTER COMPONENTS

(Part of the Compshop Ltd. Group)



# MAPLIN



This superb organ – build the first working section for just over £100. Full specification in our catalogue.



Touch operated rhythm generator, the 'Drumsette'. Construction details 25p. (Leaflet MES49). Specification in our catalogue.



Multimeters, analogue and digital, frequency counter, oscilloscopes, and lots, lots more at excellent prices. See cat. pages 106 and 183 to 188 for details.



61-note touch-sensitive piano to build yourself. Full specification in our catalogue.



Our bi-monthly newsletter contains guaranteed price... special offers and all the latest news from Maplin

A massive new catalogue from Maplin that's even bigger and better than before. If you ever buy electronic components, this is the one catalogue you must not be without. Over 280 pages – some in full colour – it's a comprehensive guide to electronic components with hundreds of photographs and illustrations and page after page of invaluable data



A range of highly attractive knobs is described in our catalogue. Our prices are very attractive too!



The 3800 synthesiser build it yourself at a fraction of the cost of one ready-made with this specification. Full details in our catalogue.



A pulse width train controller for smooth slow running plus inertia braking and acceleration. Full construction details in our catalogue.



Speakers from 1½ inch to 15 inch; megaphone, PA horns, crossovers etc. They're all in our catalogue. Send the coupon now!

Post this coupon now for your copy of our 1979-80 catalogue price 70p.

Please send me a copy of your 280 page catalogue. I enclose 70p (plus 37p p&p). If I am not completely satisfied I may return the catalogue to you and have my money refunded. If you live outside the U.K. send £1.35 or ten International Reply Coupons. I enclose £1.07.

NAME \_\_\_\_\_

ADDRESS \_\_\_\_\_

ETI 3 / 80



A wide range of disco accessories at marvellous prices. Our catalogue has all the details.



A very high quality 40W per channel stereo amplifier with a superb specification and lots of extras. Full construction details in our catalogue.



A genuine 150W per channel stereo disco to build yourself. Full specification in our catalogue.

# MAPLIN

ELECTRONIC SUPPLIES LTD

All mail to:—  
 P.O. Box 3, Rayleigh, Essex SS6 8LR.  
 Telephone: Southend (0702) 554155.  
 Shop: 284 London Road, Westcliff-on-Sea, Essex.  
 (Closed on Monday).  
 Telephone: Southend (0702) 554000.