

# *electronics today*

JUNE 1979

INTERNATIONAL

50p



**ELECTRONIC WARFARE**  
**Mains Seeker**  
**Accentuated Metronome**  
**Triton 8K Extension**

# CHROMATHEQUE 5000

## 5 CHANNEL LIGHTING EFFECTS SYSTEM

All kits also available as stereo decks (e.g. P.C.B. component sets, breadboard sets etc.)  
Prices in FREE CATALOGUE



**COMPLETE KIT**

**ONLY**

**£49.50 + VAT!**

This versatile system featured as a construction kit in **ELECTRONICS TODAY INTERNATIONAL** has 5 frequency channels with individual level controls on each channel. Control of the lights is completely automatic or you may take control or use the internal sequencer circuitry which produces some superb random and sequenced effects. Each channel handles up to 500W and as the kit is a single board design wiring and construction is very straightforward. Kit includes fully finished metalwork, fibreglass PCB, controls, wiring, etc. Complete right down to the last nut and bolt.

# MPA 200 100 WATT (runs into 4Ω) MIXER / AMPLIFIER



**COMPLETE KIT**

**ONLY**

**£49.90 + VAT!**

Featured as a construction kit in **Electronics Today International** the MPA 200 is an exceptional value price professionally finished general purpose rugged high power amplifier with adaptable inputs in a mixer which takes a wide range of inputs such as disc microphone, guitar etc. There are a wide range of controls and a master volume control. Mechanically the design is simple to the extreme with minimal wiring making construction very straightforward.

Kit includes fully finished metalwork, fibreglass PCB's, controls, wiring, etc. Complete right down to the last nut and bolt.

Parts for power supply only (caps, rects., fuses, F holders) **£3.40 + VAT**

# TRANSCENDENT 2000

## SINGLE BOARD SYNTHESIZER

**LIVE PERFORMANCE SYNTHESIZER DESIGNED BY CONSULTANT TIM ORR (FORMERLY SYNTHESIZER DESIGNER FOR EMS LIMITED) AND FEATURED AS A CONSTRUCTIONAL ARTICLE IN ELECTRONICS TODAY INTERNATIONAL.**

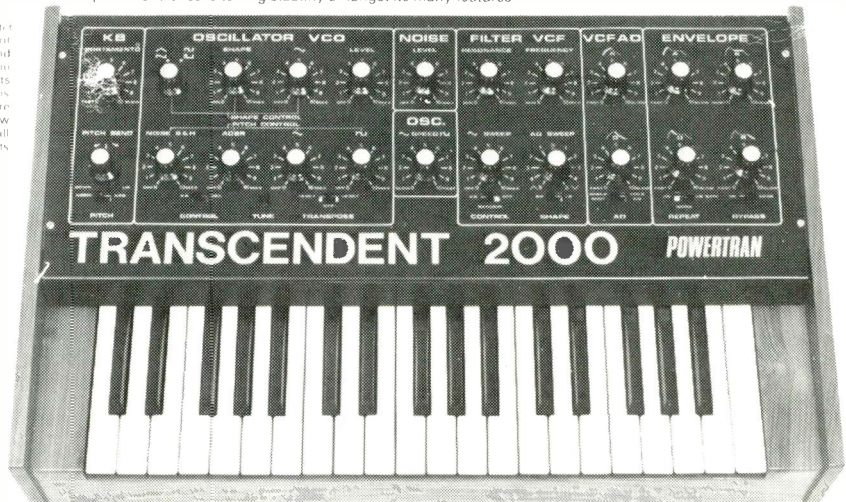
The TRANSCENDENT 2000 is a 3 octave instrument transposable 2 octaves up or down giving an effective 7 octave range. There is portamento, pitch bending, a VCO with shape and pitch modulation, a VCF with low and high pass outputs and a separate dynamic sweep control, a noise generator and an ADSR envelope shaper. There is also a slow oscillator, a new pitch detector, ADSR repeat, sample and hold, and special circuitry with precision components to ensure tuning stability amongst its many features.

Kit includes fully finished metalwork, fully assembled slider mechanism, fully wired pre-panel, professional quality components (all resistors under 2000 ohms are metal oxide or metal film) and it really is complete - right down to the last nut and bolt and last piece of wire. There is even a 1.5A plug in the kit - you need buy absolutely no more parts before plugging it and making great music - virtually all the components are on the one professional quality fibreglass PCB printed with a permanent circuit diagram. All the controls mount directly on the main board, all connections on a board are made with on-board plugs and contact to make so simple it can be built easily in a few evenings by almost anyone capable of neat soldering! When finished you will possess a synthesizer comparable in performance and quality with nearly built units selling for between £500 and £700!

**COMPLETE KIT  
ONLY  
£172.00 + VAT!**

Comprehensive handbook supplied with all complete kits! This fully describes construction and tells you how to set up your synthesizer with nothing more elaborate than a multi meter and a pair of ears!

# POWERTRAN



Cabinet size 24.6" x 15.7" x 4.8" (rear) 3.4" (front)

**ORDERING INFORMATION  
AND MORE KITS ON PAGE 8**



**ELECTRONIC WARFARE**  
Mains Seeker  
Accentuated Metronome  
Triton 8K Extension

More power to your elbow with our tuner amp, p. 30. ETI delves into electronic warfare, p.62



A calculator to wake you up p.97



What to do with your R/C p.87

## FEATURES

- NEWS DIGEST **4** If it's worth knowing, it's here.
- TRANSISTOR OPERATING POINT **25** Take the guesswork out of amp. design.
- DESIGNERS NOTEBOOK **41** The Project Editor's private jottings.
- AUDIOPHILE **52** Eating can be fun for your ears.
- READERS DESIGNS **55** A dimmer with a difference.
- ELECTRONIC WARFARE **62** A sinister affair.
- CAPACITORS **80** A satellite system explained.
- DATA SHEET **82** A chip that remembers.
- MICROFILE **95** Gary Evans shops around.
- TECH TIPS **101** Another selection of readers circuits.

## PROJECTS

- METRONOME **21** A gadget to keep you in time.
- TUNER/AMPLIFIER **30** A powerful babe that's music to your ear.
- MAINS SEEKER **46** Seek out those live wires.
- TRITON 8K EPROM **73** Thanks for the memories.
- RADIO CONTROL **87** Part 2 of a remote subject.

## INFORMATION

- SUBSCRIPTIONS **19** ETI every month
- BOOK SERVICE **27** Some light reading.
- ETI NEXT MONTH **45** What we have planned for you.
- MARKETPLACE **50** More unbeatable bargains.
- TRANSFERS **61** Pro panels from ETI.
- ETI PRINTS **71** Rub down a quick PCB pattern.
- SPECIAL OFFER **97** Your own clock calculator.
- SPECIALS **107** Our special books for you.
- PCB FOIL PATTERNS **116** Make your own PCBs.
- BINDERS **118** ETI in hardback.

### EDITORIAL AND ADVERTISEMENT OFFICE

25-27 Oxford Street, London W1R 1RF. Telephone 01-434 1781/2. Telex 8811896

#### INTERNATIONAL EDITIONS

- AUSTRALIA** Collyn Rivers  
Publisher  
Les Bell  
Acting Editor
- HOLLAND** Anton Kriegsman  
Editor-in-Chief
- CANADA** Steve Braidwood  
Editor  
Graham Wideman  
Assistant Editor
- GERMANY** Udo Wittig  
Editor

- Ron Harris, B.Sc. Editor
- Ian Graham B.Sc. Editorial Assistant
- Diego M. Rincon Art Director
- Pete Howells Production Editor
- Paul Edwards, Tony Strakas Technical Illustrators
- Ray Marston Project Editor
- John Fitzgerald Project Engineer
- Steve Ramsahadeo Project Development
- Margaret Hewitt Administration
- Alan Carlton (Manager), Kim Hamlin, Neville Mac-Donald Reader Services
- Halina Di-Lallo, Bren Goodwin, Tim Salmon Advertising
- Christopher Surgenor (Manager), David Sinfield, Joy Cheshire, Sandie Neville Editorial Director
- Halvor Moorshead



ABC

PUBLISHED BY  
DISTRIBUTED BY

Modmags Ltd., 25-27 Oxford Street,  
Argus Distribution Ltd. (British Isles)  
Gordon & Gotch Ltd. (Overseas)  
QB Limited, Colchester

PRINTED BY

Electronics Today International is normally published on the first Friday of the month prior to the cover date

COPYRIGHT: All material is subject to world wide Copyright protection. All reasonable care is taken in the preparation of the magazine to ensure accuracy but ETI cannot be held responsible for it legally. Where errors do occur a correction will be published as soon as possible afterwards.

# Quality audio modules and accessories for

## S450

**STEREO FM TUNER**  
Fitted with phase lock-loop



£23.24  
+ 40p p&p  
+ 12% VAT

The 450 Tuner provides instant programme selection at the touch of a button ensuring accurate tuning of 4 pre-selected stations, any of which may be altered as often as you choose, simply by changing the settings of the pre-set controls. Features include FET input stage, Vari-Cap diode tuning, Switched AFC LED Stereo Indicator

FREQUENCY RANGE	88-108 Mhz
SENSITIVITY	30 µV
BANDWIDTH	250 kHz
SPURIOUS REJECTION	50 dB
SELECTIVITY ± 400 kHz	55 dB
AUDIO OUTPUT (22.5 kHz deviation)	100 mV
STEREO SEPARATION	30 dB
SUPPLY REQUIREMENTS	20 to 30V (90mA max)
AERIAL IMPEDANCE	75 ohms
DIMENSIONS	240mm · 110mm · 32mm

## Stereo 30

**COMPLETE AUDIO CHASSIS**



£19.18  
+ 66p p&p  
+ 12% VAT

7 + 7w R.M.S.

The Stereo 30 comprises a complete stereo pre-amplifier, power amplifiers and power supply. This, with only the addition of a transformer or overwind will produce a high quality audio unit suitable for use with a wide range of inputs i.e. high quality ceramic pick-up, stereo tuner, stereo tape deck etc. Simple to install, capable of producing really first class results, this unit is supplied with full instructions, black front panel, knobs, main switch, fuse and fuse holder and universal mounting brackets.

OUTPUT POWER	7 Watts RMS
LOAD IMPEDANCE	8 ohms
TOTAL HARMONIC DISTORTION	Less than 5% (Typically 3%)
FREQUENCY RESPONSE	50 Hz to 20 kHz ± 3dBs
tone control range	± 12 dBs at 100Hz and 10kHz
SENSITIVITY	190 mV for full output
INPUT IMPEDANCE	1 M ohms
TRANSFORMER REQUIREMENTS	22 V A.C. rated at 1A
DIMENSIONS (Less controls and panel)	200mm · 130mm · 33mm

## AL60

**AUDIO AMPLIFIER MODULE**  
25 Watts RMS



25w R.M.S.

£4.69 + 35p p&p  
+ 12% VAT

This high quality audio amplifier module is for use in audio equipment and stereo amplifiers and provides output powers up to 25 RMS with distortion levels below 0.1%

OUTPUT POWER	25 Watts RMS
SUPPLY	30-50 V
LOAD IMPEDANCE	8-16 ohms
TOTAL HARMONIC DISTORTION	Less than 1% (Typically 0.6%)
FREQUENCY RESPONSE	20 Hz to 30 kHz ± 2 dBs
SENSITIVITY	280 mV for full output
MAX HEAT SINK TEMPERATURE	90°C
DIMENSIONS	103mm · 64mm · 15mm

## AL80

**AUDIO AMPLIFIER MODULE**



35w R.M.S.

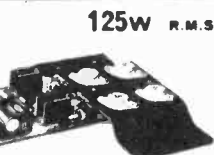
£7.34\*  
+ 35p p&p  
+ 8% VAT

The AL80 is similar in design to the AL60 above and is of the same high quality but provides output powers up to 35W with distortion levels below 0.1%

OUTPUT POWER	35 Watts RMS
SUPPLY	40-60 V
LOAD IMPEDANCE	8-16 ohms
TOTAL HARMONIC DISTORTION	Less than 1% (Typically 0.6%)
FREQUENCY RESPONSE	20 Hz to 30 kHz ± 2 dBs
SENSITIVITY	280 mV for full output
MAX HEAT SINK TEMPERATURE	90°C
DIMENSIONS	103mm · 64mm · 15mm

## AL250

**POWER AMPLIFIER**



125w R.M.S.

£17.82\*  
+ 66p p&p  
+ 8% VAT

This unit, designated AL250, is a power amplifier providing an output of up to 125W RMS, into a 4 ohm load

OUTPUT POWER	125 Watts RMS continuous
OPERATING VOLTAGE	50-80 V
LOADS	4-16 ohms
FREQUENCY RESPONSE	25 Hz to 20 kHz measured at 100 Watts
SENSITIVITY FOR 100 WATTS	
O/P AT 1 kHz	450 mV
INPUT IMPEDANCE	33 K ohms
TOTAL HARMONIC DISTORTION	
50 WATTS into 4 ohms	0.1%
50 WATTS into 8 ohms	0.06%

## AL30A

**AUDIO AMPLIFIER MODULES**



10w R.M.S.

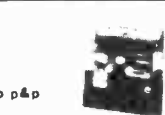
£3.79 + 35p p&p  
+ 12% VAT

These low cost 10 watt modules offer the utmost in reliability and performance, whilst being compact in size.

MAXIMUM SUPPLY VOLTAGE	30 V
POWER OUTPUT for 2% THD	10 Watts RMS
TOTAL HARMONIC DISTORTION	Less than 25%
LOAD IMPEDANCE	8-16 ohms
INPUT IMPEDANCE	100 K ohms
FREQUENCY RESPONSE	50 Hz-25 kHz ± 3 dBs
SENSITIVITY	75 mV for full output
DIMENSIONS	74mm · 63mm · 28mm

## SPM80

**STABILISED POWER SUPPLY**



£4.40 + 35p p&p  
+ 12% VAT

Designed to power two AL60s at 15 Watts per channel simultaneously. Circuit Techniques include full short circuit protection.

INPUT A.C. VOLTAGE	33-40V
OUTPUT D.C. VOLTAGE	33 V nominal
OUTPUT CURRENT	10 mA-1.5 amps
OVERLOAD CURRENT	1.7 amps approx.
DIMENSIONS	105mm · 63mm · 30mm

## PA100

**STEREO PRE-AMPLIFIER**



£16.05  
+ 40p p&p  
+ 12% VAT

A top quality stereo pre-amplifier and tone control unit, the PA100 provides a comprehensive solution to the front end requirements of stereo amplifiers or audio units. The six push button selector switch gives a choice of inputs together with two filters for high and low frequencies

FREQUENCY RESPONSE	20 Hz to 20 kHz - 1 dB
TOTAL HARMONIC DISTORTION	Less than 1% (Typically 0.7%)
SENSITIVITY	1 TAPE 100 mV/100 K ohms 2 RADIO TUNER 100 mV/100 K ohms 3 MAGNETIC P.U. 3.5 mV/50 K ohms 250 mV
EQUALISATION	Within ± 1 dB from 20 Hz to 20 kHz
BASS CONTROL RANGE	± 15 dBs at 75 Hz
TREBLE CONTROL RANGE	+ 10-20 dBs at 15 kHz
SIGNAL/NOISE RATIO	Better than 65 dBs (All inputs)
INPUT OVERLOAD	Better than 26 dBs (All inputs)
SUPPLY	20 to 40 V
DIMENSIONS	300 · 90 · 33mm (less controls)

## MPA30

**STEREO MAGNETIC CARTRIDGE PRE-AMPLIFIER**



£2.98

+ 35p p&p  
+ 12% VAT

Enjoy the quality of a magnetic cartridge with your existing ceramic equipment using the MPA 30 which is a high quality pre-amplifier enabling magnetic cartridges to be used where facilities exist for the use of ceramic cartridges only.

SENSITIVITY	3.5 mV for 100 mV output
EQUALISATION	Within ± 1 dB from 20 Hz to 20 kHz
INPUT IMPEDANCE	50 K ohms
SUPPLY	18 to 30 V-re earth
DIMENSIONS	110 · 50 · 25mm (inc DIN socket)

## PA12

**STEREO PRE-AMPLIFIER**



£7.78

+ 35p p&p  
+ 12% VAT

The PA12 Stereo Pre-Amplifier chassis is designed and recommended for use with the AL 20/30 Audio Amplifier Modules, the PS12 power supply and the T538 Transformer. Features include on/off volume, Balance, Bass and Treble controls. Complete with tape output

FREQUENCY RESPONSE	20 Hz-20 kHz (-3dB)
BASS CONTROL	± 12 dB at 60 Hz
TREBLE CONTROL	± 14 dB at 10 kHz
INPUT IMPEDANCE	1 Meg. ohm
INPUT SENSITIVITY	300 mV
CROSSTALK	-60 dB
SIGNAL/NOISE RATIO	-65 dB
OVERLOAD FACTOR	± 20 dB
TAPE OUTPUT IMPEDANCE	25 K ohms
DIMENSIONS	152mm · 84mm · 25mm

## PS12 POWER SUPPLY MODULE

Power supply for AL20A-30A, PA12, S450 etc. Transformer T538.



Input A.C. Voltage 15-20V  
Output D.C. Voltage 22-30V approx. (Dependent upon input.)  
Output Current 800mA maximum  
Dimensions 60 · 43 · 26mm.

£1.90

+ 12% VAT + 35p p&p.

## BP124 SIREN ALARM MODULE

5 WATTS



American Police sreamer powered from any 12 volt supply into 4 or 8 ohm speaker. Ideal for car burglar alarm, freezer break-down, and other security purposes.

**ONLY £3.50**

+ 8% VAT + 35p p&p.

## MA60 HI-FI AMPLIFIER KIT

Build your own top quality amplifier, save yourself pounds. The MA60 kit comprises the following BI-kits modules, 2 · AL60 amps, 1 · PA100 pre-amp, 1 · SPM80 stab. power supply, 1 · BM T80 trans. giving 15 watts RMS per channel STEREO. All modules covered by the BI-PAK satisfaction or money back guarantee. Details of the above modules are in this ad.  
**Price £32.00 + 12% VAT + 62p p&p.**

## TC60 KIT

A beautifully designed genuine TEAK WOOD veneered cabinet to put the professional touches to your home built amplifier. Full set of parts incl. Front & Back Panels, Knobs, Chassis, Fuses, Sockets, Noen, etc. Ideal for the MA60. Size: 425mm · 290mm · 95mm  
**Price £19.95 + 12% VAT + 86p p&p**

## TRANSFORMERS

T538 For use with S 450 AL30A MPA30  
Order No. 2036 Price: £3.28 + 55p p&p + 12% VAT  
T2050 For use with Stereo 30  
Order No. 2050 Price: £3.25 + 55p p&p + 12% VAT  
BM T80 For use with AL60 SPM80  
Order No. 2034 Price: £3.40 + 86p p&p + 12% VAT  
BMT250 For use with AL250  
Order No. 2035 Price: £6.35 + £1.10 p&p + 12% VAT  
2040 For use with AL60  
Order No. 2040 Price £5.20 · 80p p&p · 12% V.A.T.  
2041 For use with AL80, AL120 and AL250  
Order No. 2041. Price £6.80 · 86p p&p · 12% V.A.T.

## CASES

TEAK 30, 32 x 23 x 8cm, designed mainly for use with our stereo 30 Audio System but has proved very helpful to home constructors. Fitted with solid uncut front and back. o/n 139. £5.95 + 12% V.A.T. p&p 70p.

TEAK 60, 42 x 29 x 9cm, for use with AL60/MK60 Audio Kit. Useful for the home constructor requiring an amplifier sleeve - has no front or back panel. o/n 140. £7.00 + 12% V.A.T. p&p 85p.







# POWERTRAN

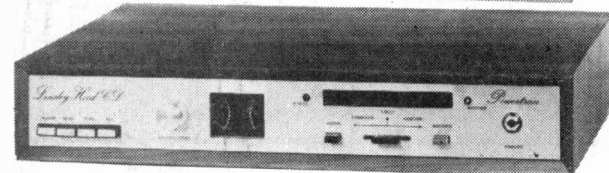
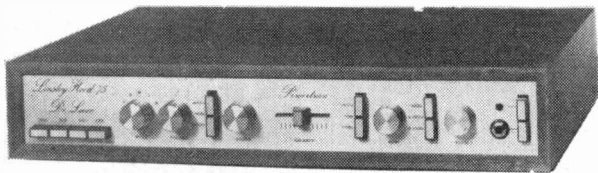
PSI 4002 STUDIO MODEL



cabinet size 17.2" x 17.2" x 6.7"

COMPLETE KIT ONLY £196.90 + VAT

READ THE REVIEW  
IN SOUND INTERNATIONAL DEC. '78!



T20 + 20 20W STEREO AMPLIFIER £33.10 + VAT

This kit, based upon a design published in Practical Wireless, uses a single printed circuit board and offers at very low cost, ease of construction and all the normal facilities found on quality amplifiers. A 30 watt version of this kit (T30 + 30) is also available for £38.40 + VAT.

POWERTRAN SFMT TUNER £35.90 + VAT

This is a simple low cost design which can be constructed easily without special alignment equipment but which still gives a first-class output suitable for feeding any of our very popular amplifiers or any other high quality audio equipment. A phase-locked-loop is used for stereo decoding and controls include switchable afc, switchable muting and push-button channel selection (adjustable by controls on the front panel). This unit matches well with the T20 + 20 and T30 + 30 amplifiers.

WWII TUNER £47.70 + VAT

This cost reduced model of our highly successful Wireless World FM Tuner kit was designed to complement the T20 + 20 and T30 + 30 amplifiers and the cabinet size, front panel format and electrical characteristics make this tuner compatible with either. Facilities included are pre-aligned front-end module, switchable afc, adjustable switchable muting, LED tuning indication and both continuous and push-button channel selection (adjustable by controls on the front panel).

**COMPLETE KITS:** Our complete kits really are complete. All of the projects shown on this page are supplied with fully finished metalwork, ready assembled high quality teak veneer cabinet, cables, nuts, bolts, etc., and full instructions — in fact everything!

All of the kits shown on this page are available as separate packs (except the Powertran SFMT Tuner) for those customers who wish to spread their purchase or perhaps make their own cabinets or metalwork. Prices are given in our FREE CATALOGUE.

**PRICE STABILITY:** Order with confidence. Irrespective of any price changes. We will honour all prices in this advertisement until July 31st, 1979, if the June, 1979 issue is mentioned with your order. Errors and VAT rate changes excluded.

**EXPORT ORDERS:** No VAT. Postage charged at actual cost plus 50p handling and documentation.

**U.K. ORDERS:** Subject to 12½% surcharge for VAT (i.e. add ½ to the price). No charge is made for carriage, or at current rate if changed.

**SECURICOR DELIVERY:** For this optional service (U.K. mainland only) add £2.50 (VAT inclusive) per kit.

**SALES COUNTER:** If you prefer to collect your kit from the factory, call at Sales Counter (at rear of factory). Open 9 a.m.-4.30 p.m. Monday-Thursday.

FOR ELECTRONIC KITS OF DISTINCTION

## 200 + 200 watt AMPLIFIER

As featured in *Electronics Today International*

400W rms continuous — 800W peak!

0.03% THD at FULL power!

PLUS all the following features too!

- ★ Each channel totally independent with its own stabilised power supply driven by custom designed TOROIDAL transformers!
- ★ Inherent reliability — monster heat sinks for cool running at the hottest venues — electronic open and short circuit protection!
- ★ Ultra low feedback (an incredible low 14dB overall!), super high slewing rate (20V/μs), 200W rms continuous to 4 ohm from EACH channel, input sensitivity 0.775V (0dB).
- ★ Professional quality components, sturdy 19" rack mounting chassis complete with sleeve and feet for free standing work too.
- ★ Easy to build — plenty of working space with ready access to all components, minimal wiring, extensive instruction suitable for both experience constructors and newcomers to electronics.
- ★ Value for money — quality and performance comparable with ready-built amplifiers costing over £600!

DE LUXE EASY TO BUILD LINSLEY HOOD  
75W STEREO AMPLIFIER £99.30 + VAT

This easy to build version of our world-wide acclaimed 75W amplifier kit based upon circuit boards interconnected with gold plated contacts resulting in minimal wiring and construction delightfully straightforward. The design was published in *Hi-Fi News and Record Review* and features include rumble filter, variable scratch filter, versatile tone controls and tape monitoring whilst distortion is less than 0.01%.

WIRELESS WORLD FM TUNER £70.20 + VAT

A pre-aligned front-end module makes this Wireless World published design very simple to construct and adjust without special instruments. Features include an excellent a.m. rejection, push-button station selection as well as infinitely variable tuning and a phase locked loop stereo decoder incorporating active filters for "birdy" suppression.

LINSLEY-HOOD CASSETTE DECK £79.60 + VAT

This design, published in *Wireless World*, although straightforward and relatively low cost provides a very high standard of performance. There are separate record and replay amplifiers and switchable equalisation together with a choice of bias levels are also provided. The mechanism is the Goldring-Lenco CRV with electronic speed control.



OUR CATALOGUE IS FREE! WRITE OR PHONE NOW!

## POWERTRAN ELECTRONICS

PORTWAY INDUSTRIAL ESTATE  
ANDOVER, HANTS SP10 3NM

ANDOVER  
(STD 0264) 64455



# news digest.....

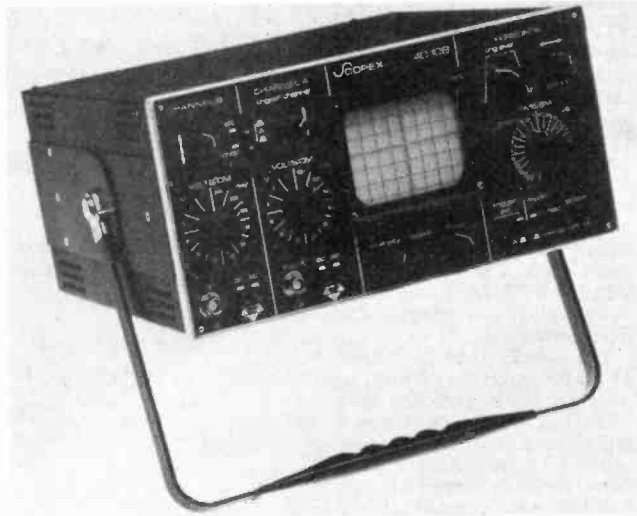
## XY AND Z SCOPE

Succeeding the earlier Scopex 4D10A range, the 4D10B boasts full XY operation and Z modulation.

The 4D10B retains the high accuracy ( $\pm 3\%$ ) and 10MHz bandwidth of the previous range. New features are made possible by the latest CMOS integrated circuit technology.

In the XY mode channel A is switched into the horizontal deflection system giving fully matched sensitivities for both X and Y axes over the entire 10mV to 50 V per cm range. When used in the conventional YT mode, the vertical amplifiers are complemented by a fully triggered 16 range timebase of 1 $\mu$ S to 100mS per cm.

The Scopex single trigger control is retained. The XY mode is easily selected on just



one position of the timebase switch.  
The 4D10B is about £188 +

VAT from Scopex Sales, Pixmore Avenue, Letchworth, Hertfordshire SG6 1JJ.

## OOPS

We have to admit that the component numbering on the overlay for the Guitar Effects Unit (April ETI) was less than perfect. R7 should read R8, R8 should read R9, and so on up to R14, which should read R7. The PCB foil pattern on page 111 has been printed reversed.

In the May edition Double Die project, you may have noticed that the circuit diagram does not correspond with the component overlay. In fact, both the circuit diagram and the PCB layout given work. We mixed up two versions of the same circuit and printed the circuit diagram of one and the component overlay of the other. Sorry for any inconvenience caused.



## BATTLESTAR GALACTICA

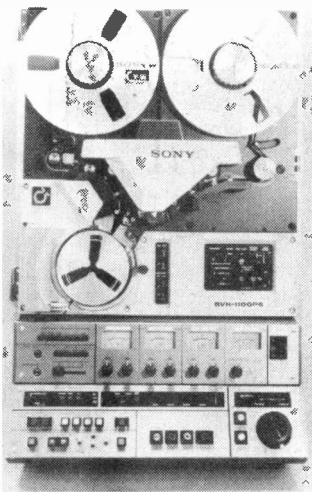
Cylons, daggits, tylum and Ovions — these are the things of which Battlestar Galactica is made. You want a translation? Referring to my interstellar dictionary — well, basically the Cylons are the sub-human bad-dies; tin men who take their orders from a lizard in a high chair. A daggit is a dog-like creature which is the cause of the boy meets girl bit of the action (every film should have one). Tylum is mined on the planet Carillon by insect-like creatures called Ovions, which are slightly more sinister than they seem. The Battlestar Galactica itself is an enormous star ship that makes the USS

Enterprise look like a Sputnik. The film opens amidst the closing stages of peace treaty negotiations between the twelve colonies of mankind and the Cylons. However, it isn't long before war is back in style again.

It's impossible to review this sort of film without making comparisons with Star Wars. Battlestar Galactica's special effects don't quite come up to the immaculate standard of Star Wars, but Sensurround can make up for a lot. The rather weak storyline ends in the middle, leaving the way clear for a sequel. However, it's worth seeing, if only as an exercise in special effects miracles.



# .....news digest.....



## VTR PALs

The new Sony BVH-1100PS VTR which operates on both PAL and SECAM, has been developed from the BVH-1000 production recorder. The new

VTR features optional dynamic tracking, giving broadcast quality replay over a speed range of one fifth normal speed in reverse through still frame, to twice play speed forward. Also featured are insert and assemble editing between two recorders with edit point trimming and memory, confidence video replay and an optional fourth audio track. The portable version, the BVH-500PS, has a new colour playback adaptor for field monitoring.

The new BVU-50 high-band U-matic recorder, weighing only 5.6 kg, is a record only VTR, but with a confidence replay head checking the presence of a recording on the tape. Available in PAL and SECAM versions, the BVU-50 is compatible with other Sony Broadcast high-band U-matics, the recording format offering two programme audio tracks plus a time code track. Important operating parameters are monitored by an alarm system, with operator visual and aud-



ible alarms. The recorder incorporates back space editing, with editing transitions occurring in the vertical interval. Further details of these new VTRs, which will be shown at

the eleventh television symposium in Montreux, Switzerland (27 May to 1 June), from Sony Broadcast Ltd, City Wall House, Basing View, Basingstoke, Hampshire RG21 2LA.

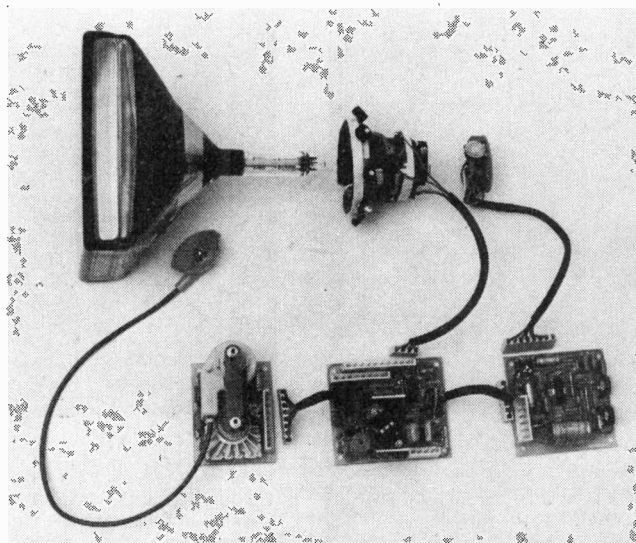
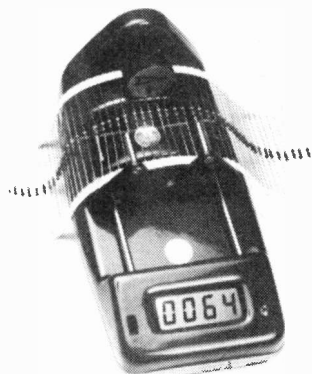
## COUNTED OUT

Semtor Electronics are introducing a new counter for banded components.

The machine, which has a forward and reverse counting facility, has an LCD readout. Bandler widths from 45 to 115mm can be accommodated, and the battery/mains machine comes complete with a mains adaptor and battery charger unit.

The unit counts by detecting component leads. Almost any type of banded components may be used e.g. resistors, capacitors, rectifiers, etc.

Technical data and details of demonstrations are available from Semtor Electronics Ltd., Miton House, 6 High Street, Yiewsley, West Drayton, Middlesex.



## TV BUILDING BRICKS

A series of kits from Digivision represent a totally new modular CRT electronic system. The five plug-in modules enable a designer with little experience of TV circuitry to produce a design for a data display system.

Visionpak comprises the main interface unit, the horizontal scanning module, connected to the line output transformer module, which produces the auxiliary voltages

required by the system. This module is connected to the vertical time base module.

A video amplifier module is mounted with the CRT base connector on a small PCB, while the scanning yoke assembly is fitted to the neck of the CRT. The scanning yoke assembly will fit most 20mm CRTs in the 7 to 14 inch size range. For further details of Visionpak contact Digivision Ltd, 82 Cannock Road, Leicester LE4 7HR.

## SITTING COMFORTABLY

Is the seat in your motor a bit lumpy, or a bit too high. Maybe the seat back isn't quite right. Your troubles could be over, with the new experimental, computerised, push-button seat adjustment system from National Semiconductors and RECARO, the custom seat specialists.

The system uses National Semiconductor's low power COP410L four bit microcontroller chip, containing all system timing, internal logic, 4096 bits of ROM for program storage, 128 bits of RAM for user programmable data storage and 19 lines to incoming and outgoing information.

The system will be fitted to the RECARO 'C' seat, the ultimate in car seat design, adaptable to the particular physique of each driver. The driver can adjust the seat for eight different positions — up/down, forward/backward tilt, seat forward/backward and seatback tilt. As if that wasn't enough two additional memory keys are provided on the keyboard to allow the positions of two different drivers to be stored.

The system is jointly developed by RECARO and National Semiconductor (UK) Ltd, 301 Harpur Centre, Horne Lane, Bedford.

# Measure Resistance to 0.01Ω ... At a Price that has no resistance at all

New **ELENCO PRECISION** Digital Multimeter M1200B  
USA

**ONLY £55** (+£3 p&p + VAT £4.64 = £62.64)

**\*FULLY GUARANTEED  
FOR 2 YEARS**

**\*METAL CASE**

**\*EX STOCK DELIVERY** (Subject to availability)



THE ULTIMATE IN PERFORMANCE - MEASURES RESISTANCE TO 0.01 OHMS, VOLTAGE TO 100 MICROVOLTS, CURRENT TO 1 MICROAMPS AT LOWEST EVER PRICE!

## FEATURES

- 3½ digits 0.56" high LED for easy reading
- 100μV, 1μA, 0.01Ω resolution
- High input impedance 10 Megohm
- High accuracy achieved with precision resistors, not unstable trim pots
- Input overload protected to 1000V (except 200mV scale to 600V)
- Auto zeroing, autopolarity
- Mains (with adaptors not supplied) or battery operation-built-in charging circuitry for NiCads
- Overrange indication
- Hi Low power ohms, Lo for resistors in circuit, Hi for diodes

## SPECIFICATIONS:

DC Volts	Range 200mV, 2V, 20V, 200V, 1000V Accuracy 1% ± 1 digit, Resolution .1mV Overload protection 1,000 volts max
AC Volts	Range 200mV, 2V, 20V, 200V, 1000V (Response 45Hz to 5KHz) Accuracy 1.5% ± 2 digits, Resolution .1mV Overload protection 1000V max, 200mV scale 600V
DC Current	Range 2mA, 20mA, 200mA, 2amp. Accuracy 1% ± 1 digit, Resolution 1 Microamp Overload protection -- 2 amp fuse and diodes
AC Current	Range 2mA, 20mA, 200mA, 2 amp Accuracy 1.5% ± 2 digits, Resolution 1 Microamp Overload protection -- 2 amp fuse and diodes
Resistance	Range 20, 200, 2K, 200K, 2 Meg. 20 Meg. Accuracy 1% ± 1 digit, Resolution .01 ohms
Environmental	Temp coefficient 0° to 30° C ± .025%°C Operating Temp 0° to 50° C Storage - 20° to 60° C
General	Mains adaptor: 6 - 9 Volts @ 200mA (not supplied) 4C size batteries (not supplied) Size 8¼ x 5¼ x 2¼ Weight 2½ lbs.

At £55, M1200B is the best buy among DMM's currently available. Its 0.01 ohms resolution allows you to detect shorted windings in coils, transformers or motors. It is also useful in checking low contact resistance in switches, relays or connectors. Poor solder connections can also be spotted. The low power ohms function permits accurate measurements of in circuit resistance without forward biasing semiconductor junctions.

You have been waiting a long time for a digital multimeter with all these features at a price like this. Now its yours.

Also available from retail shops:

Audio Electronics, 301 Edgware Rd, London W2  
Z & I Aero Services, 85 Tottenham Court Road  
London W.1

\*AGENTS WANTED

**ELENCO PRECISION** Sole UK Distributor

**ME**

Maclin-Zand Electronics Ltd  
38 Mount Pleasant, London WC1XOAP  
Tel. 01-837 1165 or Hemel Hempstead  
(0442) 832 966  
Telex. 8953684 MACLIN G

To: Maclin-Zand Electronics Ltd  
1st Floor, Unit 10, East Block  
38 Mount Pleasant, London WC1X OAP

Please send me \_\_\_\_\_ DMM M1200B  
@ £62.64 inc. p & p + VAT (overseas £60).

I enclose cheque/P.O./Bank Draft for £ \_\_\_\_\_

Name \_\_\_\_\_ (BLOCK

Address \_\_\_\_\_ LETTERS

PLEASE)

© N Zand

ELECTRONICS TODAY INTERNATIONAL — JUNE 1979



**AMP MODULES 15-240 WATTS**

We are now stockists for these world famous fully guaranteed (2 years guarantee on all modules) Pre amps, Amplifiers & Power Supplies.

- HY5** Pre-amplifier. Input, magnetic pickup 3mV, ceramic 30mV. Output: Mains 500mV RMS, Distortion 0.1% at 1KHz. **Price: £6.27**
- HY30** Amplifier Kit. 15 Watts into 8Ω, extremely easy to construct. Output 15W RMS, Distortion 0.1% at 15W Freq. 10Hz-16KHz. Supply ± 18V. **Price £6.27**
- HY50** Hi-Fi Amplifier Module. 25 Watts 8Ω. Input Sensitivity 500mV. Output 25W RMS. Distortion 0.04% at 25W. Freq. 10Hz-45KHz. Supply ± 25V. **Price: £8.18**
- HY120** Amplifier Module — 60 Watts 8Ω. Input sens. 500mV. Output 60W RMS. Distortion 0.04%. Freq. 10Hz-45KHz. Power Supply ± 35V. **Price: £18.98\***
- HY200** Hi-Fi/Disco Amplifier Module — 120 Watts 8Ω. Input sens. 500mV 120W RMS. Freq. 10Hz-45KHz. Power Supply ± 45V. Size 114 x 100 x 85mm. **Price: £27.99\***
- HY400** (Big Daddy) Amplifier Module — 240 Watts 4Ω. Ideal for High Power Disco or P.A. Output 240 Watts RMS 4Ω 114 x 100 x 85mm. Distortion 0.1%. **Price: £38.60\***



- POWER SUPPLIES**
- PSU36 — Drives 2 x HY30s ..... **£6.44**
  - PSU50 — Drives 2 x HY50s ..... **£8.18**
  - PSU70 — Drives 2 x HY120s ..... **£14.58\***
  - PSU90 one HY200 ..... **£15.10\***
  - PSU180 2 x HY200 or one HY400 ..... **£25.42\***

JACK PLUGS		SOCKETS			SWITCHES*	SLIDE 250V:
Screened chrome	Plastic body	open metal	moulded with brass contacts	in line couplers		
2.5mm 13p	10p	8p	20p	TOGGLE 2A, 250V 28p	1A DPDT 14p	
3.5mm 15p	10p	8p	20p	SPST 34p	1A DPDT c/over 15p	
MONO 25p	14p	13p	24p	DPST 38p	1/2A DPDT 14p	
STEREO 32p	17p	15p	24p	DPDT 4 pole on/off 54p	4 pole 2 way 24p	
<b>DIN</b>	<b>PLUGS</b>	<b>SOCKETS</b>	<b>In Line</b>	<b>SUB-MIN TOGGLE</b>	<b>PUSH BUTTON</b>	<b>MINIATURE</b>
2 PIN Loudspeaker 10p	10p	7p	20p	SP changeover 55p	Spring loaded SPST on/off 60p	Non Locking Push to Make Push Break 15p 25p
3, 4, 5 Audio 15p	15p	10p	20p	SPST on/off 54p	SPST c/over 65p	
				SPST based 85p	DPDT 6 Tag 85p	
<b>CO-AXIAL (TV)</b>	14p	14p	14p	DPDT 6 tags 70p		
				DPDT centre off 79p		
<b>PHONO</b>				DPDT Biased 115p		
assorted colours 10p		8p single 12p	12p			
Metal screened 15p		8p double 15p 4-way	20p			
<b>BANANA</b>						
4mm 11p		12p	12p			
2mm 10p		10p	10p			
1mm 6p		6p	6p			
<b>WANDER</b>						
3mm 8p		8p	8p			
DC Type 15p		20p	20p			
AC 2-pin American 15p		15p	15p			

DM900	TRANSFORMERS*	ALUM. BOXES*	PANEL METERS*
3 1/2 DIGIT LCD Multimeter Capacitance meter (ETI Aug. 78) Complete Kit <b>£54.50</b> only (p&p 80p)	Mains Prim. 220 240V 5D-6V, 9-0-9V, 12-0-12V 100mA <b>95p</b> 8VA: 6V-5A, 6V-5A, 9V-4A, 9V-4A, 12V-3A, 12V-3A, 15V-2.5A 15V-2.5A <b>195p</b> 12V: 4.5V-1.3A 4.5V-1.3A, 6V-1.2A 6V-1.2A, 12V-5A 12V-5A, 15V-4A 15V-4A, 20V-3A 20V-3A <b>220p</b> (20p p&p) 24VA: 6V-1.5A 6V-1.5A, 9V-1.3A 9V-1.3A, 12V-1A 12V-1A, 15V-8A 15V-8A, 20V-6A 20V-6A <b>290p</b> (45p p&p) 50VA: 6V-4A 6V-4A, 9V-2.5A 9V-2.5A, 12V-2A 12V-2A, 15V-1.5A 15V-1.5A, 20V-1.2A 20V-1.2A, 25V-1A 25V-1A, 30V-8A 30V-8A <b>350p</b> (50p p&p) 100VA: 12V-4A 12V-4A, 15V-3A 15V-3A, 20V-2.5A 20V-2.5A, 30V-4.5A 30V-4.5A, 40V-1.25A 40V-1.25A, 50V-1A 50V-1A <b>650p</b> (60p p&p). (N.B. p&p charge to be added above our normal postal charge.)	3x2 1/2" <b>45</b> 2 1/4x5 1/4x1 1/2" <b>68</b> 4x4 1 1/2" <b>68</b> 4x2 1/4x1 1/2" <b>70</b> 4x5 1/4x1 1/2" <b>84</b> 4x2 1/2x2" <b>84</b> 5x4x2" <b>84</b> 6x4x2" <b>85</b> 7x5x2 1/2" <b>114</b> 8x6x3" <b>148</b> 10x7x3" <b>172</b> 10x4 1/4x3" <b>142</b> 12x5x3" <b>185</b> 12x8x3" <b>210</b>	FSD 60x46x35mm 0-50µA 0-100µA 0-500µA 0-1mA 0-5mA 0-10mA 0-50mA 0-100mA 0-500mA 0-1A 0-2A 0-25V 0-50V AC 0-300V AC 5" VU: <b>475p</b> each 4 1/4x3 1/4x1 1/2" 0-50µA 0-100µA 0-500µA <b>595p</b> each
<b>CRYSTALS*</b> 100KHz <b>385</b> 455KHz <b>385</b> 1MHz <b>323</b> 1.0008MHz <b>396</b> 3.2768MHz <b>323</b> 4.032MHz <b>323</b> 4.433619MHz <b>135</b> 5.0MHz <b>365</b> 8.08333MHz <b>275</b> 10.0MHz <b>323</b> 10.7MHz <b>323</b> 18.432MHz <b>323</b> 20.0MHz <b>323</b> 27.648MHz <b>323</b> 48.0MHz <b>323</b>	<b>VOLTAGE REGULATORS*</b> 1A TO3 +ve -ve 5V 7805 <b>145p</b> 7905 <b>220p</b> 12V 7812 <b>145p</b> 7912 <b>220p</b> 15V 7815 <b>145p</b> — 18V 7818 <b>145p</b> — 1A TO220 Plastic Casing 5V 7805 <b>80p</b> 7912 <b>90p</b> 12V 7812 <b>80p</b> 7915 <b>90p</b> 15V 7815 <b>80p</b> 7818 <b>90p</b> 18V 7818 <b>85p</b> 7924 <b>90p</b> 100mA TO92 Plastic Casing 5V 78L05 <b>30p</b> 79L05 <b>65p</b> 6V 78L62 <b>30p</b> — 9V 78L82 <b>30p</b> —	<b>COMPUTER HARDWARE*</b> 2112-2 <b>175</b> 2102 <b>100</b> 2111 <b>175</b> 2114 <b>185</b> 2513 <b>650</b> 2516 <b>£29.50</b> 2708 <b>775</b> 27L08 <b>1095</b> 2716 <b>1850</b> 3064 <b>T84</b> 4027 <b>325</b> 4047 <b>750</b> 74S188 <b>185</b> 74S262 <b>895</b> 74S287 <b>325</b> 0 <b>325</b> 5 <b>825</b> 6 <b>99</b> 7 <b>99</b> 8 <b>125</b> 9 <b>£35</b> 1195 <b>325</b>	<b>OHIO SCIENTIFIC Superboard II</b> <b>£283.84*</b> <b>TEXAS University Board Micro-Computer</b> <b>£259.50*</b>

**ETI Projects:**  
Parts available for:  
Click Eliminator  
Ambush, Guitar Effect Unit. Send

**VDU Chip and MODULE for TV**

Convert your TV into a VDU by using the new Thompson-CSF TV-CRT controller chip SF F96364. 16 line by 64 characters text refreshment. Cursor management. Cursor management on screen. Line erasing. Compatible with any computing system.

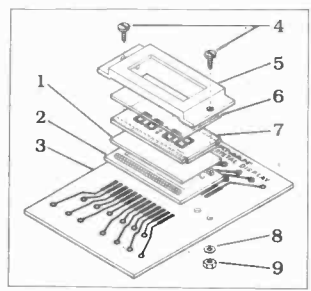
- SF F96364E **£11.75\***
- AY-3-1015 **£5.60\***
- AY-5-1013UART **£4.50\***
- 71301 ROM **£8.20\***
- SFS80102 RAM **£2.05\***
- 74LS163 **£1.18\***
- SN75450 **£1.20\***
- SN75451 **70p\***
- SN75452 **70p\***
- SN75454 **£2.25\***
- UHF Modulator **£2.50\***
- Complete Module **£136.50\*** (Send 30p stamps for full technical data)

# .....news digest.....

**DIY**

Beckman Instruments have introduced an LCD designer's kit for constructors who want to experiment with large area liquid crystal displays.

The kit includes a Beckman



1 rear polarizer and reflector 2 connector 3 pc board 4 screws 5 bezel 6 front polarizer 7 model 739-0432-0 LCD 8 washer 9 nut

half inch, four digit liquid crystal display, an easy to mount connector/bezel assembly, PCB, full spec and applications information. Also included is a list of manufacturers who provide integrated circuits with LCD interfaces.

The LCD kit is available for £10 from Beckman Instruments Ltd, Queensway, Glenrothes, Fife KY7 5PU.

**MIGHTY MINI RELAY**

Despite a body size of only 28.1mm by 7.5mm the Erg AXM1 high reliability reed relay can switch inductive loads of up to 20W.

Two versions of this axial leaded, miniature component are available — type A, SPST (normally open) and type C, SPDT (changeover). Operatio-

nal life at full inductive load switching rating is over one million operations.

A 10W version offers coils of 5, 12 or 24V DC. Type A can switch 200V DC or AC peak at 0.5A (resistive load).

Optional extras include external magnetic shielding. Prices are from £1.08 (100 rate), from Erg Components, Luton Road, Dunstable, Beds. LU5 4LJ.



**LOW FREQUENCY JACKPOT**

Judge Browne, sitting as Trial Judge in the Trial Division of the United States Court of Claims, has recommended to the Court of Claims a finding that Decca Limited is entitled to judgment against the United States in the amount of US \$39,355,715 up to March 31st 1979, plus additional delay compensation at the rate of US \$5,436 per day for each day from April 1st 1979 to the date of payment.

This recommendation, which both parties are entitled to oppose arose out of an action brought by Decca as a result of the US Government's deployment of transmitting stations for the "Omega" System of radio navigation. Such stations transmit very low frequency signals to provide navigational aids to ships and aircraft throughout the world.

Judge Browne's recommendation follows earlier findings of validity and infringement in Decca's favour by the Court of Claims in 1976.

# Come to the Great British Electronics Bazaar

**"FULLY PALLY"  
Thursday-Saturday  
28th-30th June.**

# FREE!

(AND WAIT TILL YOU SEE OUR SEMINAR PROGRAMME)

## The Great Big 'Bazaar' for the hobbyist, amateur, and small buyer.

There's never been an event like this before.

First, the very scale of the exhibition is huge. Virtually all the companies you're used to hearing about (and buying from) will be there. Companies like Fluke and Gould showing off their low cost multimeters; smaller but important manufacturers like Lektrokit and Chromasonics; and even the R.S.G.B. who will have a station 'on the air' throughout the 'Bazaar.'

Then there are the suppliers of low-cost components and equipment. Plus almost all the journals in the business. Plus, oh, so many more interesting people catering for your needs (including computer kits!).

And you get in FREE if you send an s.a.e. (see alongside).

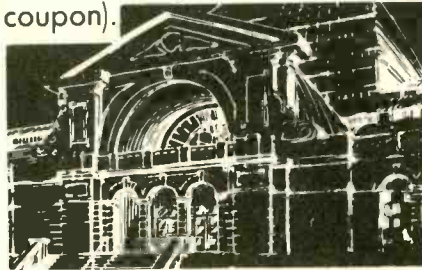
Our Symbol.  
We think it tells  
you just what the  
Bazaar is all about.



## The Seminars

If you would like to hear just what the experts have to tell you, a *season ticket* for three whole days can be yours for only £1.50.

Send an s.a.e. and we'll give you all the information (just use the coupon).



Our home for three days - Alexandra Palace, where it all began. (Our seminars are sited alongside the organ - for those who know this unique hall.)

## SEMINAR TICKETS

£1.50.

I'd like to sit in at your seminars. (And like a free ticket to the exhibition.) Send me full details, please, and I enclose a large-ish s.a.e.

Name: .....

Address: .....

Post to: 'The Bazaar,' 34/36 High Street, Saffron Walden, Essex.

## When?

Between Thursday to Saturday 28th-30th June.

You'll be in very good company; some ten thousand enthusiasts - and over a hundred stands displaying all that you want to see.

## You'll come?

Eyes down for the appropriate coupon.

## Clef Kits



Designer approved quality kits for **Electronic Musical Instrument Construction.**

**JOANNA 72 & 88 PIANOS**  
Six and 7 1/4 Octave Electronic Pianos with unique Touch Sensitive Action, as used in the **P.E. JOANNA**, which electronically simulates piano key inertia — a feature not available in any other design.

**P.E. STRING ENSEMBLE**  
The only kit available to the proven **A. J. Boothman Design** for this versatile String Machine.

Send S.A.E. to:

**Clef Products (Dept E.T.I.)**  
16 Mayfield Road, Bramhall, Cheshire SK7 1JU.

# .....news digest.....

## SOLDER TOOLS

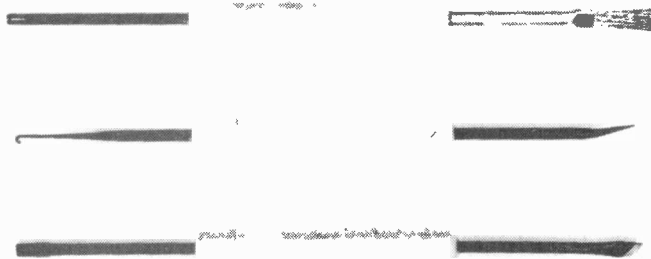
Adcola have come to the aid of solderers all over the country with the introduction of three double-ended soldering tools.

The knife-scraper, spike/hook and brush/fork are made of non-tinning steel with white plastic hexagonal handles.

How do you use them? The fork/brush tool can be used for

wire twisting, unwinding and cleaning components and PCBs, prior to soldering. The hook/spike tool can be used to clean out holes and for chassis marking. The knife/scrapper is useful for general repairs and removing surplus solder.

The solder aid tool set is available at £2.50 from Adcola Products Ltd., Adcola House, Gauden Road, London SW4 6LH.





**MECHANISM WITH ALARM**



Assemble it in an evening!  
**MECHANISM & CASE**  
Inc. assembly instructions

**DIGITAL**  
24 HOUR  
**CLOCK**

- SILENT RUNNING
- LARGE ILLUMINATED NUMERALS

**£5.00**

**£6.99**

AS USED IN **BRAUN**  
DIGITAL CLOCKS

THREE FOR £13.50

MECHANISMS 10 FOR £39. 100 FOR £300

- AC MAINS
- SIZE 6 3/8 x 2 3/8 x 2 3/4

Your receipt is a 2-year guarantee

**HALF PRICE OFFER**

**HENRY'S**  
Radio

**HENRY'S RADIO**  
404 EDGWARE ROAD,  
LONDON W2 1ED 01-723 1008

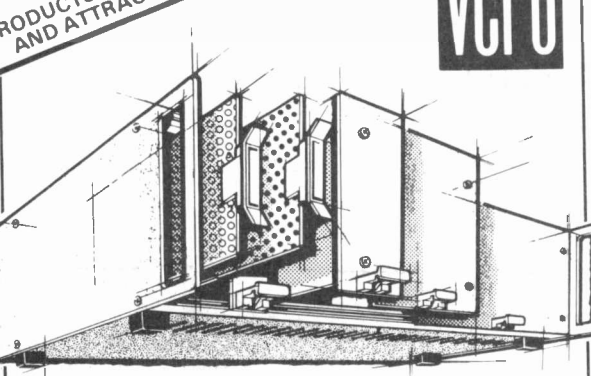
EXPORT ENQUIRIES INVITED

BARCLAYCARD  
to it with Access

**DELIVERY FROM STOCK**

vero

OUR RANGE OF PRODUCTS ARE NOW INDIVIDUALLY AND ATTRACTIVELY PACKAGED



Our new catalogue lists a card frame system that's ideal for all your module projects — they used it in the ETI System 68 Computer. And we've got circuit boards, accessories, cases and boxes — everything you need to give your equipment the quality you demand. Send 25p to cover post and packing and the catalogue's yours.

**VERO ELECTRONICS LTD. RETAIL DEPT.**  
Industrial Estate, Chandlers Ford, Hants. SO5 3ZR  
Telephone Chandlers Ford (04215) 2956



**WINTER TIMER**

The Lake Placid Olympic Organizing Committee have chosen two new versions of the Heuer Microsplit LCD stopwatch as the official stopwatches of the 1980 Olympic Winter Games.

Both provide 1/100sec read-out with split function and measure time up to 59 minutes, 59.9 secs. with split memory. Accuracy is 0.001% at room temperature. Further information from Heuer-Leonidas S.A., Veresiusstrasse 18, CH-2501, Biel/Bienne, Switzerland.

**WIRE TRAPPERS**

West Hyde Developments are introducing a new range of Kaffka PCB connectors. Consisting of six types, made in 5mm or 10mm spacing, they dovetail together to form a connector of any desired configuration.

The body is made of zinc-plated brass with leaf springs to avoid conductor damage from the clamping screws. Behind each screw there is a hole for a 2mm test prod. The 13 amp connectors will accept cables to 2 1/2mm<sup>2</sup>, with temperature range from -30°C to +120°C. Further details from West Hyde Developments Ltd, Unit 9, Park Street Industrial Estate, Aylesbury, Bucks HP20 1ET.







## T.V. GAMES

### PROGRAMMABLE - £31.86. COLOUR CARTRIDGE TV GAME

The TV Games can be compared to an audio cassette deck and is programmed to play a multitude of different games in COLOUR, using various plug in cartridges. At long last a TV game is available which will keep pace with improving technology by allowing you to extend your library of games with the purchase of additional cartridges as new games are developed. Each cartridge contains up to ten different action games and the first cartridge containing ten sports games is included free with the console. Other cartridges are currently available to enable you to play such games as Grand Prix Motor Racing, Super Wipeout and Stunt Rider. Further cartridges are to be released later this year, including Tank Battle, Hunt The Sub, and Target. The console comes complete with two removable joystick player controls to enable you to move in all four directions (up/down/right/left) and built into these joystick controls are ball serve and target fire buttons. Other features include several difficulty option switches, automatic on screen digital scoring and colour coding on scores, bats and balls. Lifelike sounds transmitted through the TV's speaker, simulating the actual game being played.

Manufactured by Waddingtons Videomaster and guaranteed for 1 year.

### 6 GAME - COLOURSCORE II - £14.59 inc. VAT

This non-programmable console offers four exciting COLOUR games. Tennis, Football, Squash and Solo as well as an auxiliary socket for connection to "Shooting Star", an electronic rifle, to add two additional Moving Target Shooting Games. Features of the Colourscore II include removable hand controls for movement both up and down the screen, handicapping switch, ball speed switch, automatic on screen digital scoring and colour coding.

### 10 GAME - COLOUR SPORTSWORLD £24.30 inc. VAT

This non-programmable console offers ten exciting COLOUR games: Tennis, Squash, Hockey, Solo 1, Football, Basketball, Gridball, Solo 2 and two unique built-in target shooting games. Features include two removable joystick player controls to enable you to move in all four directions (up/down/right/left) and built into these joystick controls are ball serve and target fire buttons. Other features include handicapping switch, ball speed switch, automatic on screen digital scoring and colour coding. Realistic hit sounds are transmitted through the TV's speaker. (Manufactured by Waddington Videomaster and guaranteed for 1 year.)



### EXTRA CARTRIDGES:

ROAD RACE - £9.58 inc. VAT.  
Grand Prix motor racing with gear changes, crash noises, etc.  
SUPER WIPEOUT - £9.90 inc. VAT  
10 different games of blasting obstacles off the screen.  
STUNT RIDER - £13.13 inc. VAT.  
Motorcycle speed trials, jumping obstacles, leaping various rows of up to 24 buses, etc.



## CHESS COMPUTERS

### THE WADDINGTONS VIDEOMASTER STAR CHESS - £59.50 inc. VAT

#### PLAY CHESS AGAINST YOUR PARTNER using your own TV to display the board and pieces

Star Chess is a new absorbing TV game for two players, which will interest and excite all ages. The unit plugs into the serial socket of your TV set and displays the board and pieces in full colour (for black and white) on your TV screen. Based on the moves of chess, it adds even more excitement and interest to the game. For those who have never played, Star Chess is a novel introduction to the classic game of chess. For the experienced chess player, there is a whole new dimension of unpredictability and chance added in the strategy of the game. Not only can pieces be taken in conventional chess type moves, but each piece can also exchange rocket fire with its opponents. The unit comes complete with a free 18V mains adaptor, full instructions and twelve month guarantee.

### CHESS CHAMPION 6 - £89.50 PLAY CHESS AGAINST THE COMPUTER - 6 LEVELS

Chess Champion is a newly developed electronic microcomputer, manufactured by WADDINGTONS VIDEOMASTER. The stylish, compact, portable console can be set to play at six different levels of ability from beginner to expert including "Mate in two" and "Chess by Mail". The computer will only make responses which obey international chess rules. Casting, on passant and promoting a pawn are all included as part of the computer's programme. It is possible to enter any given problem from magazine or newspaper or alternatively establish your own board position and watch the computer react. The positions of all pieces can be verified by using the computer memory recall button. Chess Champion comes complete with a free 9V mains adaptor, full instructions and a twelve month guarantee.

World chess champion ANATOLY KARPOV says:  
"This chess computer is a new and interesting partner with remarkable game variations."

### CHESS CHALLENGER 7-£92.50 inc. VAT

Play chess against the computer at 7 different levels. (Similar to Chess Challenger 10 but unit has only 7 levels of play). Price includes unit with wood grained housing, and Stainton design chess pieces. Computer plays black or white and against itself and comes complete with a mains adaptor and 12 months' guarantee.

### CHESS CHALLENGER 10-£154.50 inc. VAT

NEW IMPROVED PROGRAMME - MK 2, APRIL, 1979  
Play chess against the computer at 10 different levels. Price includes unit with solid walnut case, deluxe simulated leather & brushed gold foil playing surface & Stainton designed magnetised chess pieces. Comes complete with a mains adaptor and 12 months guarantee.

(Chess Challenger 10 illustrated above)

### BORIS - £178.50 inc. VAT

Boris is an advanced chess computer that's programmed for all classic chess moves. He will play Black or White, even himself. He'll even teach you how to play chess and suggests the moves for you when you're unsure of what to do next. Boris can talk to his opponent through his alphanumeric display and will flash different messages during each game to keep you on your toes. Boris will not allow illegal moves, and will allow you to enter problems or set up your own board positions. Boris comes in hand crafted, solid walnut case with chess pieces and board. Comes complete with a mains adaptor and 12 months guarantee.



### FOR FREE BROCHURES - SEND S.A.E.

For free illustrated brochures and reviews on T.V. and chess games please send a stamped, addressed envelope and state which particular games you require information on.  
Callers welcome at our shop in Welling - demonstrations daily - Open from 9am-5.30pm Mon-Sat. (9am-1pm Wed.)  
To order by telephone please quote your name, address and Access/B Barclaycard number VAT is included in all prices above -  
Postage & Packing FREE

AJD DIRECT SUPPLIES LIMITED. Dept. ET3

102 Bellegrave Road, Welling, Kent DA16 3QD

Telephone: 01-303 9145 (Day), 01-850 8652 (Evenings)

# ..... news digest.....



### THREE IN ONE SCOPE

Gould's Biomation DTO-1 is a completely new type of microprocessor-based instrument for production testing and troubleshooting of complete electronic systems. The DTO-1 combines normal oscilloscope functions with those of comparison tester and a time-domain logic analyser to automate the testing of digital equipment.

This digital testing

oscilloscope handles digital circuitry like a logic analyser, analogue circuitry like an oscilloscope and automates go/no go testing procedures with its built-in comparison tester functions.

No special software is required for programming, since the DTO-1 stores reference logic signals in an integral miniature magnetic tape cartridge unit.

Firmware includes 14K of ROM with RAM provided for recording digital signals and transcribing test records and sequences.

The storage facility allows complete catalogues of test sequences to be maintained and updated. Users will be able to do without other test equipment such as oscilloscopes or frequency counters because many of these functions are built into the DTO-1.

Further details of the DTO-1 from Gould Instruments Division, Roebuck Road, Hainault, Essex.

### DOMINUS DISC AMP

Stereo Disc Amplifier 3 from Dominus is a self-contained mains powered unit intended for disc playback and tape transfer of the highest quality.

It produces equalised outputs from magnetic cartridges suitable for driving unbalanced line and DIN level inputs of control centres and mixers.

The unit is based on the Surrey Electronics Stereo Disc Amplifier 2, which is widely used in broadcasting, and offers selectable cartridge load capacitance and resistance. Ex-

ternally adjustable presents enable a wide range of cartridges to be matched to any system. High clipping point and low circuit noise combine to maximise dynamic range.

Further details of Stereo Disc Amplifier 3 are available from Dominus, PO Box 1, Cranleigh, Surrey.



### REED THIS ONE

Hamlin Electronics are offering a new range of open-frame reed relays offering a wide range of switching configurations and packaging and mounting options.

The HE400 Series is designed for printed circuit mounting on 0.1 in. matrix, and is available with a selection of metal or plastic covers, which can be potted, if required, for added protection.

Switching combinations range from single pole to 5 pole. The reed switches from the Hamlin range include dry (HE420), high voltage (HE450), high power (HE460) and mercury-wetted (HE430 and HE440 types). Standard coil voltages are 5, 12, 24, 48 volts. Non-standard voltages can be supplied to customer requirements on request.

Further details of the HE400 Series are available from Hamlin Electronics Europe Ltd., Diss, Norfolk IP22 3AY.



# BUILD THE 12,000 ALREADY SOLD NASCOM I COMPUTER



**NEW LOW PRICE**  
**£165** + 8% VAT  
POST FREE

WE ARE THE SOLE APPROVED LONDON  
STOCKIST & NATIONAL DISTRIBUTOR

**KITS IN STOCK:**

● BRITISH DESIGN ● U.K. BEST SELLING KIT

FULL AFTER SALES SERVICE & GUARANTEE

**FEATURES:**

- \* Free B-Bug and Modulator
- \* Supplied in kit form for self-assembly.
- \* Full documentation supplied.
- \* Fully screened double-sided plated through hole printed circuit board.
- \* Full 48 key keyboard included.
- \* 2K x 8 Ram.
- \* 1K x 8 monitor program providing
- \* Powerful Mostek Z80 CPU
- \* 16 x 48 character display interface to std un-modified T.V.
- \* T.V. display memory mapped for high speed access.
- \* On board expansion to 2K x 8 Eprom.
- \* On board expansion for additional 161/0 lines.
- \* Memory may be expanded to full 60K.



**SOFTWARE**

- \* 1K x 8 monitor program providing
- \* 8 operating commands, supporting Mem examine/modify, tabulate, copy, break, single step execute tape, load, tape dump.
- \* Reflective monitor addressing for flexible monitor expansion through user programs.
- \* Monitor sub-routines include — delay ASCII coding, binary to hex conversion, clr screen, scroll up, string print, cursor shift and many others.

**EXPANSION**

* Expansion buffer board	<b>£32.50</b>
MEMORY KITS (inclusive all hardware)	
BK	<b>£85.00</b>
16K	<b>£140.00</b>
32K	<b>£200.00</b>
* I/O board with decoders and all hardware except ICS	<b>£35.00</b>
Will accept up to 3 PIOs, 1 CTC and 1 UART.	

**OTHER HARDWARE**

* 3A power supply for up to 4K expansion	<b>£19.90</b>
* 3A power supply for up to 4K expansion MKII	<b>£24.50</b>
* 8A power supply for larger than 32K expansion	<b>£60.00</b>
* Expansion card frame	<b>£29.50</b>
* E Prom Programmer	<b>£40.00</b>
* E from Eraser	<b>£25.00</b>
* keyboard Cabinet	<b>£3.50</b>
* Programming Manual	<b>£4.00</b>

NEW T-4 Operating System in (2) 2708 EPROMS upwards compatible from T2 & B-Bug **£25.00**  
TINY BASIC **£25.00**  
SUPER TINY BASIC (with Editor & Machine Utility routines) **£35.00**  
ZEAP ASSEMBLER EDITOR **£32.00**

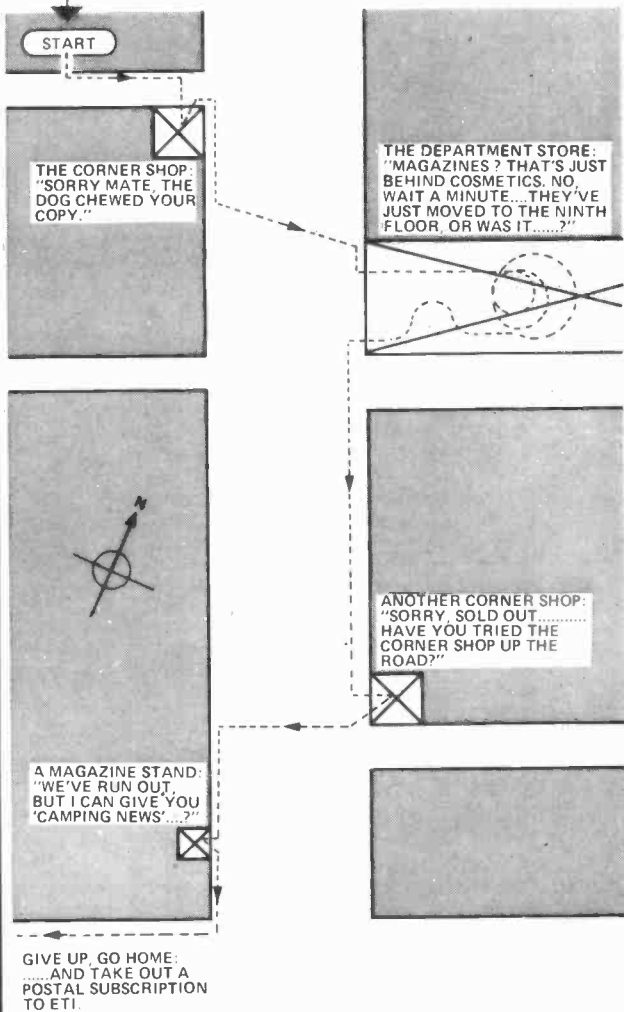
● VAT 8% all items except books ● Demonstrations continuous daily. We welcome export — Educational and Industrial Enquiries.  
**FREE BROCHURE — SEND S.A.E. 9 1/2 x 6 1/2 STAMP 12 1/2p.**

**Henry's**  
Phone (01) 723 1008

All mail to:  
**Henry's Radio**  
404 Edgware Road  
London W2



# NON-SUBSCRIBERS START HERE



It can be a nuisance can't it, going from newsagent to newsagent? "Sorry squire, don't have it — next one should be out soon."

Although ETI is monthly, it's very rare to find it available after the first week. If it is available, the newsagent's going to be sure to cut his order for the next issue — but we're glad to say it doesn't happen very often.

Do yourself, your newsagent and us a favour. Place a regular order for ETI; your newsagent will almost certainly be delighted. If not, you can take out a postal subscription so there's nothing for you to remember — we'll do it for you.

For a subscription, send us £7.00 (£8.00 overseas) and tell us which issue you want to start with. Please make your payment (in sterling please for overseas readers) to ETI Subscriptions and keep it separate from any other services you want at the same time.

**ETI Subscriptions**  
Map Publications  
PO Box 35  
Bridge Street  
Hemel Hempstead  
Herts

## ELECTRONICS TODAY INTERNATIONAL

and  
**HOBBY ELECTRONICS**

require an

## ADVERTISEMENT SALES REPRESENTATIVE

to assist in the rapid development of these two successful and fast-growing magazines.

A background of advertising sales is desirable and a knowledge of electronics would be an advantage but all applicants will be considered.

We are a young company with strong ambitions and we need someone who wants to fit into this environment.

For the right person we are prepared to pay a generous salary and, as a degree of travelling is involved, a company car will be provided.

Applications will be treated in strictest confidence and should be made, in writing, to:

**CHRISTOPHER SURGENOR**  
ADVERTISEMENT MANAGER  
MODMAGS LIMITED  
25-27 OXFORD STREET  
LONDON W1R 1RF



# METRONOME



For any up and coming musicians a sense of timing is of great importance (something not easily acquired by most of us). The ETI Metronome will at least keep you in strict tempo and save the physical efforts of tapping your feet to keep in time.

THE TEMPO RANGE of the instrument is variable over the 10:1 range of approximately 300 to 30 beats per minute via RV1, and thus fully spans the musical tempo range of Largo (40 beats per minute) to Presto (208 beats per minute). The tempo range can be adjusted, if required, by changing the value of C1. Increasing the C1 value lowers the whole range, and decreasing C1 raises the range.

## Music To Your Ears

RV1 can be calibrated in terms of conventional musical tempo names by using a watch with a second hand to compare the number of metronome beats per minute against the information in the following table:

Tempo Name	Tempo Span Beats / Min	Mid range Tempo Beats / Min
Largo	40-60	50
Larghetto	60-66	63
Adagio	66-76	71
Andante	76-108	92
Moderato	108-120	114
Allegro	120-168	144
Presto	168-208	188

The instrument can be used as either a normal metronome, or as an accented beat metronome. Our design allows for four basic rhythmic patterns in the time signatures of 2-4, 3-4, 4-4, and 6-8.

The tone of the non-accentuated beats is variable via RV4, that of the accented beat via RV3, and the beat length via RV2.

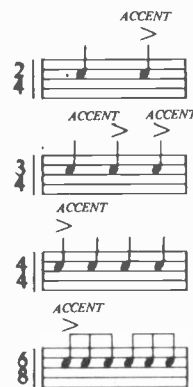


Fig. 1. The accented beat of the bar.

## Construction

Construction of the metronome should not pose any special problems providing the overlay is followed carefully and correct orientation of all electrolytic capacitors and diodes is observed.

The type of switch used is a matter of personal choice; either a bank of interlocking push button switches, as used on our prototype, or a rotary switch may be employed, this being the cheaper.

The switch assembly is mounted directly onto the front panel with stand off pillars to give the correct recessed depth, all interwiring to each switch is taken via a six-way wafercon socket.

After checking that all is well the setting up procedure may now be carried out.

## Calibration

Setting up the metronome is quite straightforward. Rotate RV2 (located on the rear panel) fully anti-clockwise, then select the normal mode of operation. Switch on the

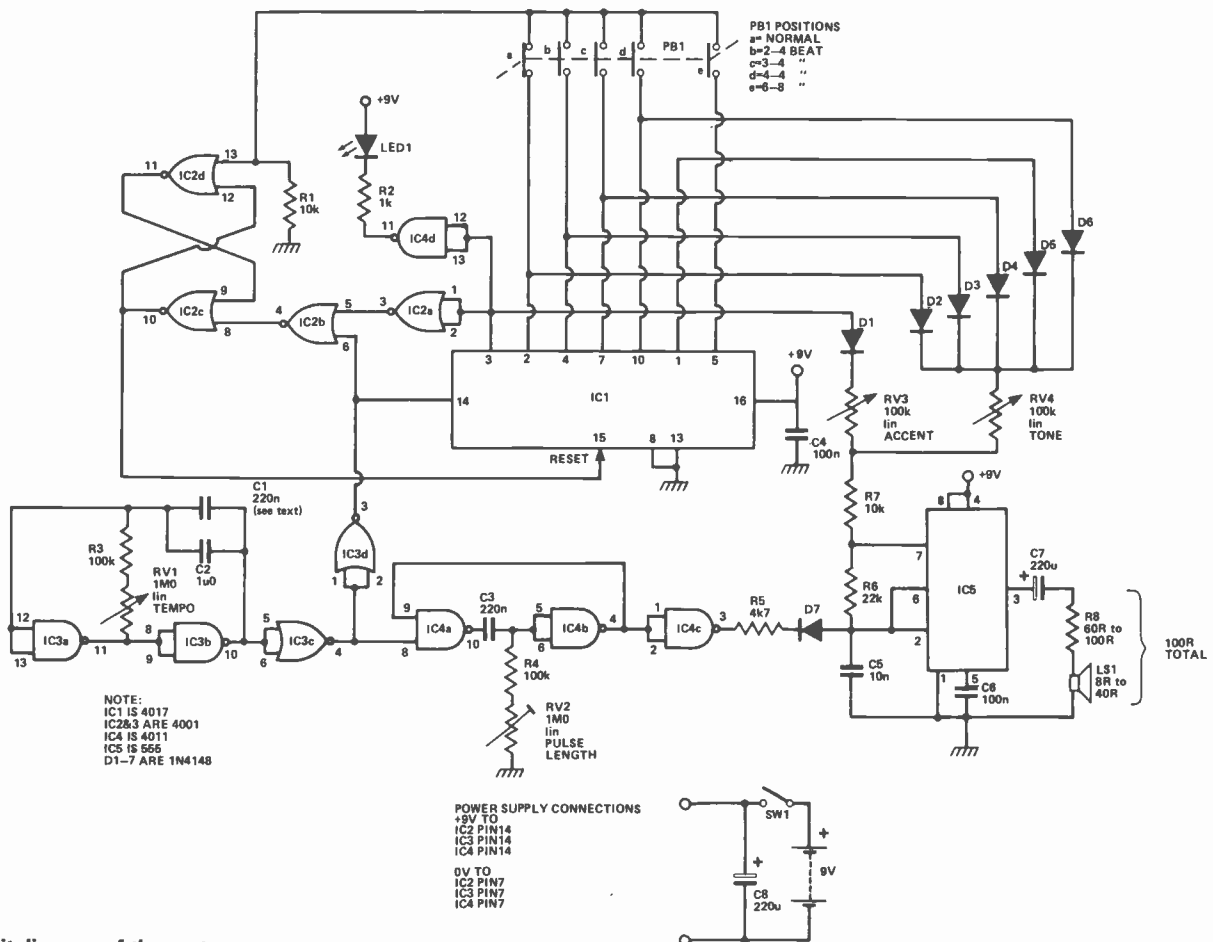


Fig. 2. Circuit diagram of the metronome.

## HOW IT WORKS

IC3a and IC3b form the Tempo generator, and are wired as a free-running astable multivibrator with its operating frequency variable over the approximate range 30 to 3000 cycles per minute via RV1: the range of the generator can be adjusted to cover this precise range, if required, by adjusting the value of C1.

The output of the Tempo generator is used to clock counter IC1 via buffer gates IC3c and IC3d, and simultaneously to trigger a monostable multivibrator or pulse generator that is formed from IC4a and IC4b. The output of this monostable is used to gate on the circuit's tone generator, which is built around IC5, via inverting buffer stage IC4c and via R5 and D7.

The frequency of the IC5 tone generator is controlled by either RV3 or RV4, which are selected via gate diodes D1 to D6 from the output of the IC1 counter. When the unit is used as a normal metronome the tone is controlled by RV3 only, and the circuit generates a brief 'tick' or 'tock' tone (depending on the setting of RV3) each time the tempo generator completes an operating cycle. The duration of this tone is variable via RV2.

IC1 is a 4017 decade counter with ten decoded outputs. Output '0' is used to control

the ACCENT of the IC5 tone generator via D1 and RV3, and also to activate beat-indicating LED via IC4d, and outputs '1' to '5' are used to control the TONE via D2-D6 and RV4. Outputs '1', '2', '3', '4', or '6', are used to control the counting model of IC1 via SW1 and a logic network designed around IC2. This network causes the counter to reset after each clock cycle which the unit is used in the normal metronome mode, or after every third cycle in the 2-4 beat mode, or after every fourth cycle in the 3-4 mode, or after every sixth cycle in the 4-4 mode, or after every eighth cycle in the 6-8 mode.

Readers should not that, when the instrument is used in the accentuated beat mode, the apparent or illusory position of the accented note can be shifted to the start or end of a beat sequence by merely altering the relationships of the Tone and Accent frequencies. The sound 'dee-dah-dah' (accent at the start of the beat) is clinically identical with 'dah-dah-dee' (accent at the end of the bat) in a continuously repeating time sequence, although the change of accent position is not necessarily noticeable to the human ear: when frequencies are transposed, however, the latter sound becomes 'dee-dee-dah', and the accent clearly appears to be at the end of the beat.

## PARTS LIST

### RESISTORS

R1, R7	10k
R2	1k
R3, R4	100k
R5	4k7
R6	22k

### POTS

RV1	1MO Lin
RV2	1MO preset (knob operation)
RV3, RV4	100k Lin

### CAPACITORS

C1, C3	220n polyester
C2	1u0 polyester
C4, C6	100n polyester
C5	10n polyester
C7, C8	220u elect

### SEMICONDUCTORS

IC1	4017
IC2, IC3	4001
IC4	4011
IC5	NE555
LED 1, 0.2in dia	D1-D7, 1N 4148

### MISCELLANEOUS

PB1 — 5 off change over push button, (interlocking action). Rotary switch may be used instead.  
 4OR Loudspeaker 2½in dia.  
 SPST miniature toggle.

unit — the down beat LED should be permanently on and a steady pulse heard from the loudspeaker.

For the accentuated beat to fall on the correct note of each bar, an approximate setting for the accent and tone controls should be adjusted as follows:  
(set tempo according to time signature used)

Beat	Accent	Tone
2/4	Fully clockwise	Fully anti-clockwise
3/4	Fully anti-clockwise	Fully clockwise
4/4	Fully clockwise	Fully anti-clockwise
6/8	Midway	Fully anti-clockwise

That just about completes the construction and calibration for the unit.

Hopefully our metronome will serve its purpose as you acquire your sense of rhythm, even to the more complex arrangements that will follow.

**ETI**

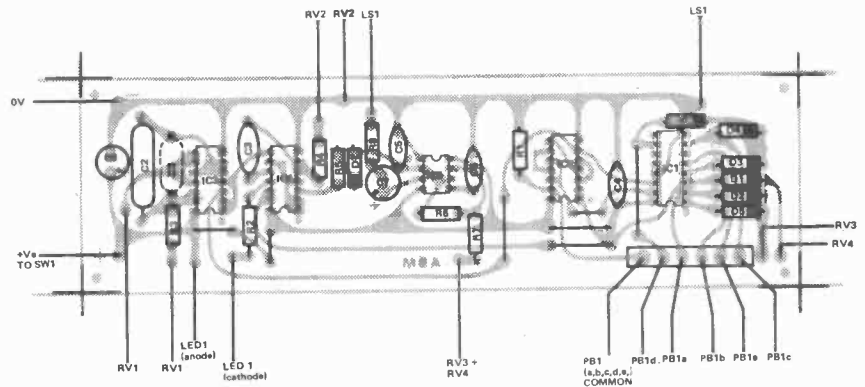
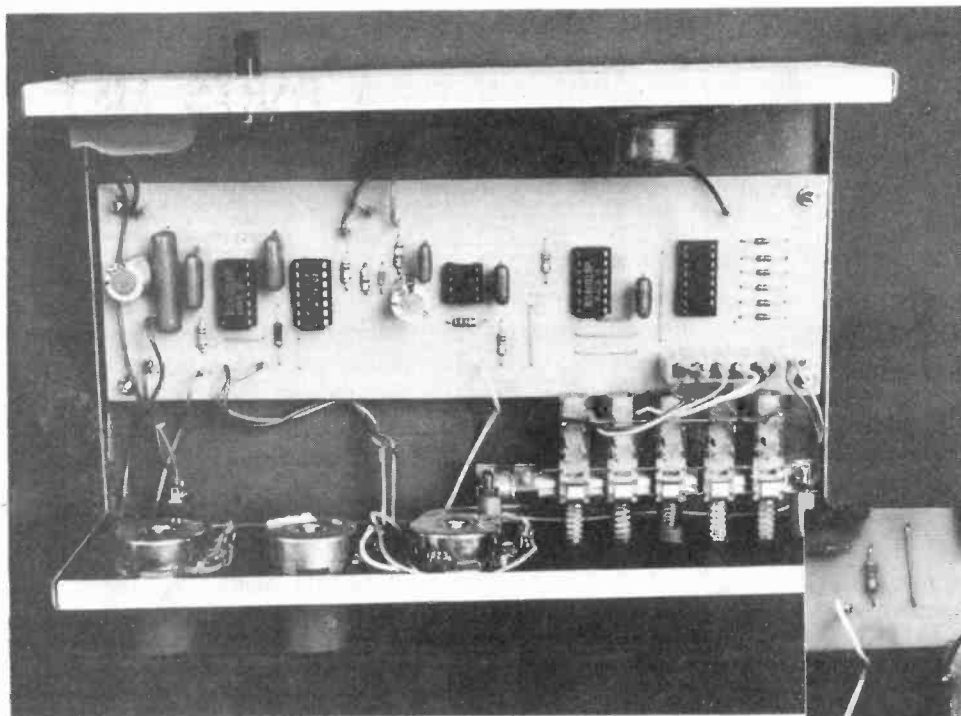


Fig. 3. Component overlay.



Internal view of metronome showing PCB layout and connections to the front panel.

Connections to the front panel switch assembly.

## BUYLINES

All components for the metronome should be readily available from most component shops.

# TAMTRONIK LTD. (DEPT. ETI)

217 TOLL END ROAD, TIPTON  
WEST MIDLANDS DY4 OHW

TEL. 021-557 9144

# PRINTED CIRCUIT BOARDS and KITS FOR ETI PROJECTS

## ADDITIONAL PRINTED CIRCUIT BOARDS

Pcbs are available for all projects from September 1976 (except where copyright restrictions exist).

Year	Project	Kit. Ref.	P.C.B.	Kit.	Kit. contents (see key)
1976	Audio Level Meter	601	2.50	23.75	BFGH
Mar	Audio Exp/Compressor	602	3.90	2.50	BFG
May	560 ABC VDU (Set 3)	604	1.20	21.95	BEGHL
Sep	710 2m Power Amp	605	1.10	7.45	BEH
Oct	241 Double Dice	606	4.00	41.95	BFGHL
Oct	252 1-2 Hour Timer	607	1.05	6.95	BEGHL
Dec	152AB TV Pattern Gen (Set 2)	608	.85	8.45	BFHL
Nov	543AB STD Timer (Set 2)	609	1.00	4.85	BEG
Nov	544 Heart Rate Monitor (Set 2)	610	1.10	19.75	BEGHL
Dec	447 Audio Phaser	611	1.10	10.85	BEGH
Dec	446 Audio Limiter	615	1.15	13.20	BEGHL
Nov	Rev. Monitor	617	2.55	27.35	BEGHL
Nov	CMOS Switched Pre Amp (Set 2)	618	2.10	9.75	BE
Elect	549 Metal Locator 125 Patch Detector	619	2.10	12.80	BE
570 Reaction Tester	620	1.10	9.70	BEJ	
549 Metal Locator 125 Patch Detector	621	1.70	21.85	BFGHL	
Heads or Tails	622	.90	7.10	BEGHL	
448A Headphone Amp	625	3.30	15.30	BFGHL	
449 Balanced Pre-Amp	626	1.20	8.40	BEGHL	
449A VU Meter	627	2.55	21.90	BFGHL	
Door Bell	628	1.10	6.25	BEGJ	
155 ABCD Digital Voltmeter (Set 4)	629	4.25	25.95	BEGJ	
Drill Controller	630	1.05	4.30	BEL	
Function Generator	631	1.35	18.85	BEHL	
Temperature Alarm (Set 2)	632	3.10	26.95	BEGK	
Fuzz	633	2.35	19.40	BEJ	
630 Hex Display	634	3.30	16.75	BE	
P.S.U.	635	1.50	5.50	BEHM	
804 TV Game	636	1.60	22.60	BE	
Metronome (Simple)	637	1.10	5.95	BEHL	
Inject Tracer	638	2.50	24.95	BE	
1977	570 Reaction Tester	639	1.80	27.95	BEG
Jan	449 Balanced Pre-Amp	640	1.10	8.60	BEGJ
Feb	448A Headphone Amp	641	1.40	15.95	BEHL
449 VU Meter	642	1.55	9.80	BFH	
Door Bell	643	3.00	T.B.A.	BEHL	
155 ABCD Digital Voltmeter (Set 4)	644	1.30	76.95	CEHM	
Drill Controller	645	1.45	17.20	BEHL	
Function Generator	646	.75	2.40	BEH	
Temperature Alarm (Set 2)	647	1.60	27.70	BEG	
Fuzz	648	1.30	6.10	BEH	
630 Hex Display	649	2.10	14.95	BEGHL	
P.S.U.	650	3.00	27.45	BEJL	
804 TV Game	651	1.55	9.80	BEHL	
Metronome (Simple)	652	3.95	25.75	BEH	
Inject Tracer	653	1.60	15.30	BEHL	
1978	570 Reaction Tester	654	1.25	11.40	BEHL
Jan	449 Balanced Pre-Amp	655	2.30	15.35	BEGH
Feb	448A Headphone Amp	656	1.00	10.75	BEH
449 VU Meter	657	.90	5.85	BEH	
Door Bell	658	2.70	14.95	BEH	
155 ABCD Digital Voltmeter (Set 4)	659	4.60	39.95	BEHL	
Drill Controller	660	2.50	6.95	BEJ	
Function Generator	661	1.30	—	BEHL	
Temperature Alarm (Set 2)	662	1.20	10.95	BEH	
Fuzz	663	2.65	23.35	BEH	
630 Hex Display	664	1.70	6.25	BE	
P.S.U.	665	2.50	12.20	BF	
804 TV Game	666	2.55	21.55	BE	
Metronome (Simple)	667	1.40	8.90	BE	
Inject Tracer	668	3.60	26.75	BE	
1979	570 Reaction Tester	669	2.30	20.95	BEHL
Jan	449 Balanced Pre-Amp	670	.80	3.25	BEHL
Feb	448A Headphone Amp	671	2.50	17.20	BEH
449 VU Meter	672	.75	6.75	BEHL	
Door Bell	673	2.70	18.95	BEH	
155 ABCD Digital Voltmeter (Set 4)	674	2.95	47.95	TBA	
Drill Controller	675	6.30	TBA	—	
Function Generator	676	6.30	TBA	—	
Temperature Alarm (Set 2)	677	3.45	72.45	BEH	
Fuzz	678	4.55	TBA	—	
630 Hex Display	679	3.40	TBA	—	
P.S.U.	680	1.20	TBA	—	
804 TV Game	681	1.65	TBA	—	
Metronome (Simple)	682	2.75	TBA	—	
Inject Tracer	683	1.20	TBA	—	
1976	570 Reaction Tester	684	8.65	TBA	—

## KITS WITH A PROFESSIONAL FINISH

### SYSTEM 68

631	Mainframe PSU	3.35
	VDU A	1.45
	VDU B	4.50
	CPU	4.30
	TTY	3.80
	Cuts & 4K Ram	3.80

### SPECTRUM ANALYSER

June '78 Ref. T015  
Includes: 2 x Pcb's with component screened layout. Components, switches, Electret Microphone, etc.  
Screen printed End Plate. Screen printed Case.  
Price includes VAT & P&P £76.95

### HOUSE ALARM

Jan. '78 Ref. T005/6  
Control Console for complete house protection.  
Kit includes Vero 'G' range brushed aluminium instrument case with black front panel screen printed.  
Price includes VAT & P&P £36

## KEY TO KIT CONTENTS

- A. Vero-board(s).
- B. Printed Circuit Board(s).
- C. With Screen printed component layout.
- D. Tag strip.
- E. All Resistors, potentiometers, capacitors, semi-conductors.
- F. As E but with exclusions. Please ask for details.
- G. Dil and/or transistor sockets and/or soldercon pins.
- H. Hardware includes switches, knobs, lamps and holders, fuses and holders, plugs and sockets, microphones, transformers, speakers, meters, relays, terminal blocks, battery connectors, etc. BUT excludes nuts, bolts, washers, connecting wire, batteries and special miscellaneous items.
- J. As H but with exclusions. Please ask for details.
- K. As H but including connecting wire.
- L. Suitable case(s).
- M. Suitable case with screen printed facia.
- N. Full kit to magazine specified standards.
- P. Kit with professional finish — incorporating all prime features including screen printed pcb and case where appropriate.

## SPECIAL OFFERS

Plug-in mains PSU 3v/6v/9v/12v DC 300mA.  
Suitable for calculators, TV Games, etc. £2.99  
100 x 1/4W 1k resistors 30p  
4 x NE 555 £1.00

Pcbs and kits available from TAMTRONIK LTD. for projects from HOBBY ELECTRONICS AND EVERYDAY ELECTRONICS. Send sae for free catalogue. Please quote project and kit reference number when details of a specific kit are required, sae.

Tamtronik Ltd. reserves the right to change kit content without notice to incorporate current modifications or to make valid substitutions for temporarily unavailable components.  
The majority of kits advertised can be supplied from stock, however please allow 21 days delivery since demand on any kit is unpredictable.

Kits can be supplied excluding pcb and/or case. Send sae for details naming kit and kit reference and free catalogue.

Trade and Educational enquiries welcome

Minimum order £3 please  
Prices include VAT & P&P

Visit our shop at  
32 Market Place  
Great Bridge, Tipton  
West Midlands

Telephone or Letter



# a digitizer adds another dimension

The Bit Pad computer digitizer converts graphic information into digital form for direct entry into a computer. By touching a pen like stylus or a cursor, to any position on a drawing, diagram, photograph, or other graphic presentation, the position co-ordinates are converted to digital equivalents.

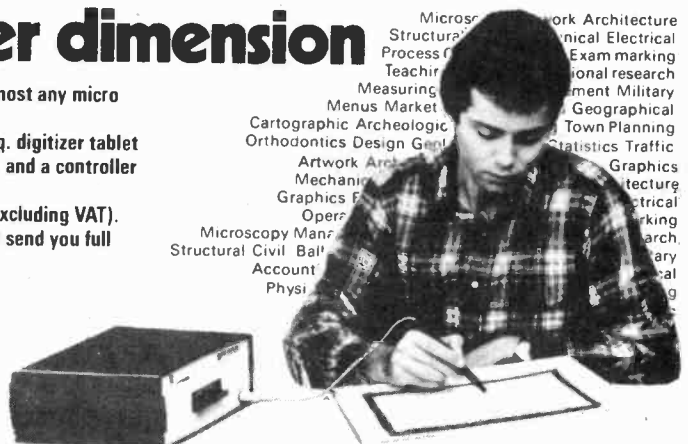
- Bit Pad interfaces with almost any micro computer.
- Bit Pad consists of a 15" sq. digitizer tablet (11" sq. active area), a stylus, and a controller cabinet.
- Bit Pad costs only £450 (excluding VAT). Fill in the coupon and we will send you full information and details.

Terminal Display Systems Ltd., Hillside, Whitebirk Industrial Estate Blackburn BB1 5SM, Lancs, England

Send to: Department CP ET, Terminal Display Systems Ltd., Hillside, Whitebirk Industrial Estate Blackburn BB1 5SM, Lancs, England

Name .....

Address .....





# TRANSISTOR OPERATING POINT

**Designing a transistor amplifier? Take the guessing out of finding the correct DC or static operating point of a transistor with this simple approach by W. R. Masefield.**

IN THE DESIGN of transistor amplifiers, one of the first considerations is to establish the correct DC or static operating point for the transistor. Probably the most common method used by the amateur is that of having a guess, followed by trial and error juggling with components on the breadboard.

There is no need for that; there *is* a way of predicting the operating point and finding some of the circuit component values to be optimised before leaving the drawing-board. Nor is any advanced mathematics used, but it is as well to have a calculator with logs to base facility.

### Common Law

Whatever circuit configuration is used, common emitter, common base, common collector (emitter follower), the fact does not alter that there is a certain relationship between the base-emitter voltage  $V_{BE}$  and the emitter current  $I_E$ . This relationship is exponential, and, because of this, a plot of  $\ln I_E$  against  $V_{BE}$  is a straight line as in fig. 1.

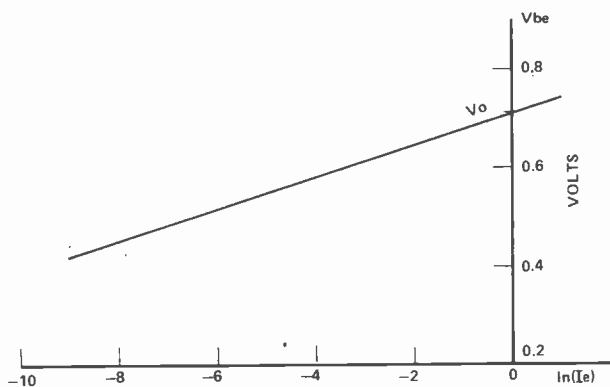


Fig. 1. As the  $I_E, v_{be}$  relationship is exponential, and graph of  $\ln I_E$  against  $V_{BE}$  is a straight line.

It is a simple matter to verify this, using the circuit of fig. 2. The voltmeter must have a high impedance, otherwise the value of  $I_E$  will be incorrect.

As the graph is a straight line, it can be described by the linear equation:

$$V_{BE} = m(\ln I_E) + V_0 \quad \dots \dots \dots (1)$$

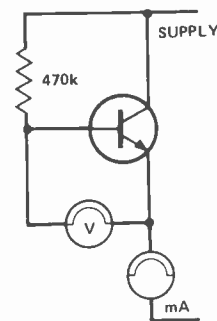


Fig. 2. The circuit used to verify the relationship between  $I_E$  and  $V_{BE}$ .

This equation is extremely useful, and it is worthwhile determining the slope,  $m$ , and the intercept,  $V_0$  for any transistor to be used in the circuit under development.

As the graph is a straight line, only two points are needed to determine it. One point is given by the intercept on the  $V_{BE}$  axis. This is  $V_0$  and is the base-emitter voltage when the  $\log_e$  of the emitter current is zero, i.e. when  $I_E = 1$  mA.

If the emitter current is now changed to  $I_E$ , and the corresponding base-emitter voltage is  $V_{BE}$ , then the slope,  $m$ , is given by

$$m = \frac{V_0 - V_{BE}}{\ln 1 - \ln I_E} \quad \dots \dots \dots (2)$$

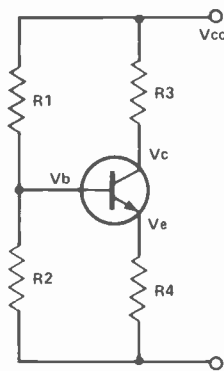
This turns out to be of the order of  $30 \times 10^{-3}$  when  $V_{BE}$  is in volts and  $I_E$  is in mA.

The only other parameter required is  $h_{FE}$ . Note that this is *not*  $h_{fe}$  which is the dynamic forward current transfer.  $h_{FE}$  is the static forward current transfer, and can be determined by measuring  $I_c$  and  $I_b$ . Then:

$$h_{FE} = \frac{I_c}{I_b} \quad \dots \dots \dots (3)$$

Armed with these three parameters,  $m$ ,  $V_0$  and  $h_{FE}$ , the operating conditions in any circuit can be found. These are summarised below. The resistor suffixes have been so chosen to make things easier when writing a calculator program for speeding up the calculations. ▶

**Fig. 3 Common Emitter Mode with base potential bias**



The given conditions will be supply rail voltage,  $V_{cc}$ , the desired collector voltage  $V_c$ , generally half rail voltage, the collector load,  $R_3$ , to give a suitably low output resistance and economical  $I_c$ , and the potential divider  $R_1$ ,  $R_2$  to take a current that is likely to swamp the base current and so give a fixed reference voltage, usually about 2V at the base. Then:

$$V_B = \frac{V_{cc} \cdot R_2}{R_1 + R_2} \dots \dots \dots (4)$$

$$I_c = \frac{V_{cc} - V_c}{R_3} \dots \dots \dots (5)$$

$$I_E = I_c \left(1 + \frac{1}{h_{FE}}\right) \dots \dots \dots (6)$$

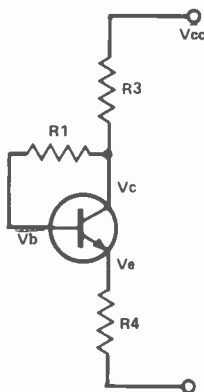
$$V_{BE} = m(\ln I_E) + V_0 \dots \dots \dots (7)$$

$$V_E = V_B - V_{BE} \dots \dots \dots (8)$$

$$R_4 = \frac{V_E}{I_E} \dots \dots \dots (9)$$

This sequence therefore enables the critical resistor  $R_4$  to be determined accurately.

**Fig. 4 Common Emitter with Base-Collector Resistor Bias**



Given the supply rail voltage,  $V_{cc}$ , the collector voltage  $V_c$  about half  $V_{cc}$ , and the emitter voltage,  $V_E$  generally 1 volt, the load  $R_3$  is again chosen as a compromise between low output resistance and low collector current, then:

$$I_E = I_c = \frac{V_{cc} - V_c}{R_3} \dots \dots \dots (10)$$

$$R_4 = \frac{V_E}{I_E} \dots \dots \dots (11)$$

$$I_B = \frac{I_E}{1 + h_{FE}} \dots \dots \dots (12)$$

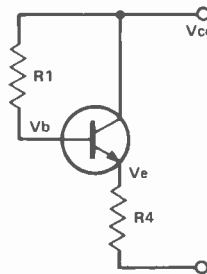
$$V_{BE} = m(\ln I_E) + V_0 \dots \dots \dots (13)$$

$$V_{R1} = V_c - V_{BE} - V_E \dots \dots \dots (14)$$

$$R_1 = \frac{V_{R1}}{I_B} \dots \dots \dots (15)$$

This sequence enables both  $R_1$  and  $R_4$  to be determined accurately.

**Fig. 5 Common Collector (Emitter Follower)**



Given the supply rail voltage,  $V_{cc}$ , the emitter voltage,  $V_E$ , usually half the rail voltage, and the emitter load,  $R_4$  is chosen to give a compromise between low output resistance and economical emitter current, then:

$$I_E = \frac{V_E}{R_4} \dots \dots \dots (16)$$

$$V_{BE} = m(\ln I_E) + V_0 \dots \dots \dots (17)$$

$$V_B = V_E + V_{BE} \dots \dots \dots (18)$$

$$I_B = \frac{I_E}{1 + h_{FE}} \dots \dots \dots (19)$$

$$R_1 = \frac{V_{cc} - V_B}{I_B} \dots \dots \dots (20)$$

This sequence allows  $R_1$  to be found accurately.

Although on paper the above sequences look laborious, if a programmable calculator is available, it is possible to put all of them into program memory, and all data in the data registers, then try different values of resistors until optimum values are found. At this stage the breadboard may be prepared, in the knowledge that the values obtained will be close to those actually needed.

# ETI BOOK SERVICE

How to order: Make cheques etc payable to ETI Book Service. Payment in sterling only please. Orders should be sent to: ETI Book Service, PO Box 79, Maidenhead, Berks. All prices include P&P.

## BEGINNERS

Beginners Guide to **Electronics** Squires £2.65  
Beginners Guide to **Transistors** Reddihough £2.65  
**Electronic Measurement Simplified** C. Hallmark £2.20  
**Electronics Self Taught** Ashe £4.40  
Beginners Guide to **Integrated Circuits** Sinclair £3.15  
**Principles of Transistor Circuits** S. Amos £4.75  
**Understanding Electronic Circuits** Sinclair £4.10  
**Understanding Electronic Components** Sinclair £4.10  
Beginners Guide to **Radio** King £3.15  
Beginners Guide to **Audio** Sinclair £3.10

## COOKBOOKS

**TV Typewriters Cookbook** £7.75  
**CMOS Cookbook** £8.20  
**Active Filters** £11.30  
**IC Timer Cookbook** £7.50  
**IC Op-Amp Cookbook** £10.00  
**Video Cookbook** £7.00  
**TTL Cookbook** £7.55

## APPLICATIONS

**Advanced Applications for Pocket Calculators** J. Gilbert £4.20  
**Build Your Own Working Robot** D. Heisman £3.70  
**Electronics and Photography** R. Brown £2.30  
**Fire and Theft Security Systems** B. Weis £2.00  
**How To Build Proximity Detectors and Metal Locators** J. Shields £3.90  
**How To Build Electronic Kits** Capel £2.10  
**Linear Integrated Circuit Applications** G. Clayton £5.40  
**Function Circuits Design & Applications** Burr Brown £15.95  
**110 Electronic Alarm Projects** R. M. Marston £3.45  
**110 Semiconductor Projects for the Home Constructor** R. M. Marston £3.25  
**110 Integrated Circuit Projects for the Home Constructor** R. M. Marston £3.25  
**110 Thyristor Projects Using SCRs** R. M. Marston £2.95  
**Handbook of IC Circuit Projects** Ashe £2.30  
**Practical Electronic Project Building** Ainslie and Colwell £2.45

## TV AND HI-FI

**Audio Handbook** G. King £6.50  
**Cassette Tape Recorders** J. Earl £5.25  
**Solid State Colour TV Circuits** G. R. Wilding £6.35  
**Hi-Fi Loudspeakers and Enclosures** Cohen £8.20  
**How To Build Speaker Enclosures** Badmateff £3.90  
**Master Hi-Fi Installation** King £2.80

## LOGIC

**Logic Design Projects Using Standard ICs** J. Wakerly £5.10  
**Practical Digital Design Using ICs** J. Greenfield £12.50  
**Designing With TTL Integrated Circuits** Texas Instruments £9.05  
**How To Use IC Circuit Logic Elements** J. Streater £3.65  
**110 COSMOS Digital IC Projects for the Home Constructor** R. M. Marston £3.20  
**Understanding CMOS Integrated Circuits** R. Melen £4.00  
**Digital Electronic Circuits and Systems** R. M. Morris £3.50  
**MOS Digital ICs** G. Flynn £5.10

## COMPUTING

**Microprocessors and Microcomputers** B. Soucek £18.80  
**Microprocessors** D. C. McGlynn £8.40  
**Introduction to Microprocessors** Aspinall £6.40  
**Beginners Guide to Microprocessors** £4.70  
**Beginners Basic** Gosling £3.35

## OP-AMPS

**Applications of Operational Amplifiers** Graeme (Burr Brown) £8.30  
**110 Operational Amplifier Projects for the Home Constructor** R. M. Marston £2.95  
**Experiments With Operational Amplifiers** Clayton £3.40  
**Designing With Operational Amplifiers** Burr Brown £16.65  
**Operational Amplifiers Design and Applications** G. Tobery (Burr Brown) £7.40  
**Op-Amp Circuit Design & Applications** J. Carr £4.00

## TEST INSTRUMENTS

**The Oscilloscope In Use** Sinclair £3.10  
**Test Instruments for Electronics** M. Clifford £2.40  
**Working With the Oscilloscope** A. Saunders £1.95  
**Servicing With the Oscilloscope** G. King £5.60  
**Radio Television and Audio Test Instruments** King £5.90

## SERVICING

**Electronic Fault Diagnosis** Sinclair £3.20  
**Rapid Servicing of Transistor Equipment** G. King £2.95  
**Tape Recorder Servicing Manual** Gardner Vol. 1: 1968-70 £8.50  
Vol. 2: 1971-74 £8.50  
**FM Radio Servicing Handbook** King £4.80

## COMMUNICATIONS

**Communication Systems Intro To Signals & Noise** B. Carlson £7.50  
**Digital Signal Processing Theory & Applications** L. R. Rabiner £23.80  
**Electronic Communication Systems** G. Kennedy £8.50  
**Frequency Synthesis. Theory & Design** Mannassewitsch £23.40  
**Principles of Communication Systems** H. Taub £8.10

## THEORY

**Introduction to Digital Filtering** Bogner £10.20  
**Transistor Circuit Design** Texas Instruments £9.35  
**Essential Formulae for Electrical and Electronic Engineers** N. M. Morris £1.65  
**Modern Electronic Maths** Clifford £6.70  
**Semiconductor Circuit Elements** T. D. Towers £6.40  
**Foundations of Wireless Electronics** M. G. Scroggie £4.45  
**Colour Television Theory** Hudson £6.20

## REFERENCE

**Transistor Tabelle (Includes physical dimensions)** £4.10  
**Electronic Engineers Reference Book (Ed. 4)** L. W. Turner £27.70  
**Solid State Circuit Guide Book** B. Ward £2.25  
**Electronic Components** M. A. Colwell £2.45  
**Electronic Diagrams** M. A. Colwell £2.45  
**Indexed Guide to Modern Electronic Circuits** Goodman £2.30  
**International Transistor Selector** T. D. Towers £6.00  
**International FET Selector** T. D. Towers £4.35  
**Popular Valve/Transistor Substitution Guide** £2.25  
**Radio Valve and Semiconductor Data** A. M. Bell £2.60  
**Master Transistor/Integrated Circuit Substitution Handbook** £5.60  
**World Radio TV Handbook 1978 (Station Directory)** £8.00  
**Radio, TV and Audio Technical Reference** Amos £24.85  
**TV Technicians Bench Manual (New Ed.)** Wilding £5.10

## MISCELLANEOUS

**Integrated Electronics** J. Milman £7.90  
**Microelectronics** Hallmark £3.90  
**Practical Solid State DC Supplies** T. D. Towers £6.20  
**Practical Triac/SCR Projects for the Experimenter** R. Fox £2.25  
**Printed Circuit Assembly** Hughes & Colwell £2.45

Fallen behind recent advances?  
Just starting out?  
Need a decent reference book?  
**ETI Book Service** provides an easy  
way of getting your hands  
on the right title.

**QUARTZ LCD  
5 Function**

Hours, mins., secs., month, date, auto calendar, back-light, quality metal bracelet.

**£6.65**

Guaranteed same day despatch. Very slim, only 6mm thick.



M1

**QUARTZ LCD  
7 Function**

Hours, mins., secs., month, date, auto calendar, back-light, seconds STOP WATCH.

**£9.65**

Guaranteed same day despatch. Very slim, only 6mm thick.



M2

**QUARTZ LCD  
11 Function SLIM CHRONO**

6 digit, 11 functions. Hours, mins., secs., day, date, day of week. 1/100th, 1/10th, secs., 10X secs., mins. Split and lap modes. Back-light, auto calendar. Only 8mm thick. Stainless steel bracelet and back. Adjustable bracelet. Metac Price

**£12.65** Thousands sold!

Guaranteed same day despatch.



M3

**QUARTZ LCD  
ALARM 6 Function**

Hours, mins., secs., month, date, back-light, 24 hour ALARM. Adjustable stainless steel bracelet. Only 9mm thick.

**£12.65**

Guaranteed same day despatch.



M4

**QUARTZ LCD  
ALARM 7 Function**

Hours, mins., secs., day, date, alpha day, back-light, auto calendar. Adjustable stainless steel bracelet. Only 9mm thick.

**£18.65**

Guaranteed same day despatch.



M5

**QUARTZ LCD Alarm  
Chronograph with Dual  
Time Zone Facility**

Constant LCD display of hours and minutes, plus optional seconds or date display, plus day of the week and am/pm indication. Perpetual calendar, day, date, month and year. 24 hour alarm with on/off indication. 1/10 second chronograph measuring net, lap and first and second place times. Dual time zone facility night light. Only 9mm thick.

**£24.65**



M6

**SOLAR QUARTZ LCD  
Chronograph with Alarm  
Time Zone Facility**

Constant LCD display of hours and minutes, plus optional seconds or date display, plus day of the week and am/pm indication. Perpetual calendar, day, date, month and year. 24 hour alarm with on/off indication. 1/10 second chronograph measuring net, lap and first and second place times. Dual time zone facility night light. Only 9mm thick.

**£27.65**



M7

**QUARTZ LCD  
Alarm Chrono**

22 function, 6 digit. Hours, mins., secs., date, day of week, stopwatch, split time, alarm, second watch (dual time), back-light. FRONT BUTTON OPERATION.

**£22.65**

Guaranteed same day despatch.

METAC PRICE



M8

**SOLAR QUARTZ LCD  
Chronograph**

6 digit, 11 function. Hours, mins., secs. 1/100, 1/10 secs., mins. Split and lap modules. Auto calendar and back light. Powered from solar panel with battery back-up.

**£13.65**



M9

**SEIKO Alarm Chrono**

LCD, hours, mins., secs., day of week, month, day and date, 24 hour Alarm, 12 hour chronograph, 1/10th secs., and lap time. Back light, stainless steel, HARDLEX glass.

List Price £130.00  
METAC PRICE

**£105.00**



M10

**SEIKO Chronograph**

LCD, hours, mins., secs., day of week, month, day, date, 12 hour chronograph, 1/10th secs. and lap-time. Back light, stainless steel water resistant, HARDLEX glass.

List Price £85.00

METAC PRICE

**£68.00**



M11

**SOLAR QUARTZ LCD  
5 Function**

Genuine Solar. Solar panel with battery back-up. Back light and auto calendar. Hours, mins., secs., day, date. Quality metal bracelet.

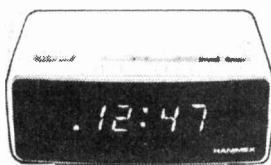
**£ 9.95**

Guaranteed same day despatch.



M12

**HANIMEX  
Electronic  
LED Alarm Clock**



Features and Specification: Hour/minute display. Large LED display with p.m. and alarm on indicator. 24 Hours alarm with on/off control. Display flashing for power loss indication. Repeatable 9-minute snooze. Display bright/dim modes control. Size: 5.15" x 3.93" x 2.36" (131mm x 111mm x 60mm). Weight: 1.43 lbs (0.65 kg).

**£8.65** Thousands sold!

Guaranteed same day despatch.

M13

**QUARTZ LCD  
Ladies Slim Bracelet**

5 function. Hours, mins., secs., day, date and back light and auto calendar. Elegant metal bracelet in silver or gold.

State preference.

**£15.95**

Guaranteed same day despatch.



M14

**QUARTZ LCD  
Ladies 5 Function**

Only 25 x 20mm and 6mm thick. 5 function. Hours, mins., secs., day, date and back light and auto calendar.

Elegant metal bracelet in silver or gold.

State preference.

**£9.95**

Guaranteed same day despatch.



M15

**DIGITAL  
LED CLOCK**



Automatic brightness control. Weekend alarm cancel.

Features and Specification: Hour/minute display. Large LED display with p.m. and alarm on indicator. 24 Hours alarm with on-off control. Display flashing for power loss indicator. Repeatable 9-minute snooze. Automatic brightness control. Weekend alarm cancel.

**£10.95**

Guaranteed same day despatch.

M16

**HOW TO ORDER**

Payment can be made by sending cheque, postal order, Barclay, Access or American Express card numbers. Write your name, address and the order details clearly, enclose 30p for post and packing or the amount stated. We do not wait to clear your cheque before sending the goods so this will not delay delivery. All products carry 1 year guarantee and full money back 10 day reassurance. Battery fitting service is available at our shops. All prices include VAT.

Trade enquiries: Send for a complete list of trade prices - minimum order value £100. Telephone Orders: Credit card customers can telephone orders direct to Daventry or Edgware Rd., 24 hour phone service at both shops: 01-723 4753 03272-76545.

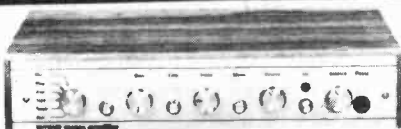


CALLERS WELCOME  
Shops open 9.30 - 6.00.

**Metac** ELECTRONICS & TIME CENTRES

North & Midlands  
67 High Street, DAVENTRY  
Northamptonshire  
Telephone: 03272 76545

South of England  
327 Edgware Road  
LONDON W.2  
Telephone: (01) 723 4753



### 20 x 20 WATT STEREO AMPLIFIER

Viscount IV unit in teak simulate cabinet. Silver finish rotary controls and push buttons with matching fascia, red mains indicator and stereo jack socket. Functions switch for mic, magnetic and crystal pickups, tape tuner and auxiliary. Rear panel features two mains outlets DIN speaker and input sockets plus fuse. 20x20 watts RMS 40x40 watts peak. For use with 8 to 15 ohm speakers.

£29.90  
£2.50 p&p

### 30x30 WATT AMPLIFIER IN KIT FORM

For the experienced constructor complete in every detail, same facilities as Viscount IV, but with 30x30 output 60x60 watts peak. For use with 4.15 ohms speakers.

£29.00 + p&p £2.50

### SPECIAL OFFER

**30 x 30 WATT AMPLIFIER KIT** with BSR P200 belt drive deck and Shure M75 cartridge.

£55.00 + p&p £5.00

### EMI SPEAKER BARGAIN

Stereo pair 350 kit. System consists of 13" x 8" approx. woofer with rolled surround, 2 1/2" approx. Audax tweeter, crossover components and circuit diagram. Frequency response 20 Hz to 20 KHz. Power handling 15 watts RMS. 20 watts max. 8 ohm impedance.

£14.95

Per stereo pair + £3.40 p&p

### BSR P200

Belt drive chassis turntable unit semi-automatic, cueing device.

£24.95 p&p £2.55

A.D.C. QLM 30 Mk III Magnetic Cartridge to suit.

£7.75



### BSR

Manual single play record deck with auto return and cueing lever. Fitted with stereo ceramic cartridge 2 speeds with 45 r.p.m. spindle adaptor ideally suited for home or disco use.

OUR PRICE £10.95 p&p £2.55

### GARRARD DECK MODEL CC 10A

Record changer with cueing device fitted with stereo ceramic cartridge ready to fit into your own plinth.

£7.95 p&p £2.00 Size 12" x 8 1/2"

SANYO Nic/cad. battery, with mains charger equivalent in size and replaces 4 SP11 type. Size 3 1/4" x 1 1/4" x 2" approx.

£7.50 p&p £1.50p

### BARGAIN FOR PERSONAL SHOPPERS ONLY Altone UA4 Stereo System

Features 8 watt total output. Full size BSR manual turntable with cueing and auto return. Socket for tape in and out and stereo headphones.

complete with speakers. £34.95

### Micro Cassette Recorder

Pocket size—home or office use or when travelling.

£13.95

### Battery operated fluorescent camping lamp.

Runs off 8 U2 batteries.

£4.50

# Mullard

## AUDIO MODULES IN BARGAIN PACKS

CURRENT CATALOGUE PRICE & AT OVER **25** PER PACK

### SEE OUR PRICES

**1** PACK 1 2 x LP1173 10w. RMS output power audio amp modules, + 1 LP1182/2 Stereo pre amp for ceramic and auxiliary input. OUR PRICE £4.95 p-p £1.00

**2** PACK 2 2 x LP1173 10w. RMS output power audio amp modules + 1 LP1184/2 Stereo pre amp for magnetic, ceramic and auxiliary inputs. OUR PRICE £7.45 p-p £1.00

illus. plus £1.50 p&p

AVAILABLE ALSO TO PURCHASERS OF THE 10 + 10 AMPLIFIER KIT

### 10 + 10 AMPLIFIER KIT

An opportunity to buy a 10 watts per channel stereo amplifier kit which is suitable for use with a ceramic cartridge. The amplifier utilises proven Mullard modules and is available at a very competitive price. The amplifier kit comes complete with instructions and includes: a Mullard LP1183 stereo preamplifier module, two LP1173 power amplifiers with integral heatsinks, a power supply, Zobel networks, front and back mounting panels, a finished fascia panel, all control potentiometers (bass, treble, volume and balance), switches, input, output and headphone sockets, wire, and an easily assembled wrap around cabinet to house the finished unit. Size approximately 9 1/4" x 8 1/4" x 4". p&p £2.05

£11.95

### BARGAINS FOR PERSONAL SHOPPERS

LED 5 function men's digital watch

stainless steel finish

£5.95

LCD 5 function men's digital watch

stainless steel finish

£6.95

LCD 8 Function CHRONOGRAPH men's digital watch, stainless steel finish

£12.95

POCKET CALCULATOR, With LED display memory and percentage key

£2.95

AM/FM DIGITAL CLOCK

RADIO Accurate 4 Digit Electronic Clock with 1/2" LED display. Buzzer and snooze timer

£11.95

125 Watt Power Amp Module

£13.95

Mains power supply for above unit

£3.50

MULLARD Built power supply

£1.50

DECCA 20w Stereo speaker kit comprising 2 8" approx. bass units + 2 3 1/2" approx. tweeter inc. crossovers

£20.00

VIDEOMASTER Super Store TV Game with pistol mains operation

£14.95

PORTABLE RADIO/CASSETTE RECORDER, AM/FM with clock

LW, MW, SW, VHF mains/battery operation

£41.95

VIDEOMASTER COLOUR SHOT TV GAME

Choice of three games—Football, Tennis and Squash. Ready to play—one or two players. MAINS OPERATED

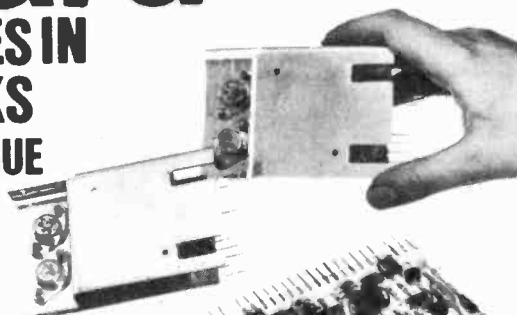
OPPORTUNITY AT £9.95 ONLY



325 EDGWARE ROAD, LONDON W2 21E HIGH STREET, ACTON W3 6NG

ACTON: Mail Order only. No callers. ALL PRICES INCLUDE VAT AT 12 1/2%. All items subject to availability. Price correct at 4/4/79 and subject to change without notice.

ACCESSORIES ARE ONLY AVAILABLE TO THOSE CUSTOMERS WHEN BUYING OUR BARGAIN PACKS.

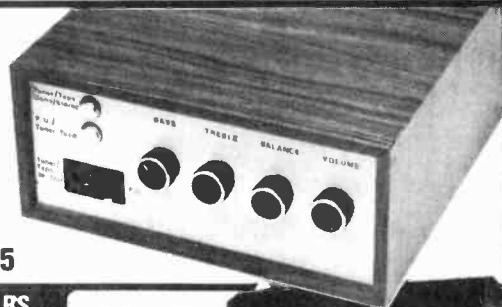


### ACCESSORIES

Suitable mains power supply parts, consisting of mains transformer, bridge rectifier, smoothing capacitor and set of rotary stereo controls for treble, bass, volume and balance. £2.90 plus £1.50 p&p

### Two Way Speaker Kit

Comprising of two 8" x 5" approx. 4 ohm bass and two 3 1/2" 15 ohm mid-range tweeter with two cross-over capacitors. £3.95 per stereo pair plus £1.50 p&p



### 50 WATT MONO DISCO AMP

£29.95

Size approx. 13 1/2" x 5 1/4" x 6 1/4"

50 watts rms, 100 watts peak output. Big features include two disc inputs, both for ceramic cartridges, tape input and microphone input. Level mixing controls fitted with integral push-pull switches. Independent bass and treble controls and master volume.

### 70 & 100 WATT MONO DISCO AMP

Size approx. 14" x 4" x 10 1/4"

Brushed aluminium fascia and rotary controls.

Five vertical slide controls, master volume, tape level, mic level, deck level. PLUS INTER DECK FADER

for perfect graduated change from record deck No. 1 to No. 2, or vice versa. Pre fade level control (PFL) lets YOU hear next disc before fading it in. VU meter monitors output level.

Output 100 watts RMS 200 watts peak

70 watt £57

140 watt peak p&p £4.00

100 watt £65

For personal shoppers only

### DUO II SPEAKERS

Attractive teak finish, modern design, incorporating 2 speaker units—8" approx. woofer and 2 1/2" approx. tweeter 45 to 1800 Hz. Impedance 8 ohms. Power 15 watts RMS. 20 watts max. Per stereo pair

£17.00

### FOR PERSONAL SHOPPERS ONLY

### STEREO RADIOGRAM CABINET

Finished in a natural teak veneer with opening top. Easily modified to accommodate stereo equipment of your choice. Price £10.95

Size approximately 47" x 15 1/2" x 15"

Personal Shoppers EDGWARE ROAD LONDON W2 Tel: 01-723 8432. 9.30am-5.30pm. Closed all day Thursday ACTON: Mail Order only. No callers. GOODS NOT DESPATCHED OUTSIDE UK

# TUNER ~ AMPLIFIER



**This Hi-Fi DIY project brings you 70 watts per channel of your favourite jingles from a high quality tuner-amplifier designed to ETI's stringent specifications. VFET power amp and digital tuner put this unit in the top bracket of today's listening.**

SYSTEM 8000 was designed in an attempt to answer the problems of two groups of people. Those desiring the highest quality of music reproduction without all the unnecessary expense of unwanted 'frills' and those people wanting to build their own hi-fi to the highest standards available.

The tuner-amplifier, or receiver, has made a good market for itself since changes in the tax laws some years ago began to make it more economic. Putting everything in one box is an attractive cosmetic proposition too as interwiring can be eliminated entirely. Flexibility need not be sacrificed.

An important part of the design brief for this unit was to include — where relevant to improvement in quality — the latest advances in the field. Accordingly a FET power amp, various tuning and digital frequency read-out can all be found behind the fascia. In addition the design is 'remote-control ready' but more of that later.

## Ins And Outs

The final preamplifier design was decided upon only after much heated

discussion. The case for good filters has been iterated many times, and need not be stated again here.

Those included here, of 12dB, are designed for minimum phase error and are in fact never out of circuit — their turnover is simply shifted beyond the audio range. This means that the rumble filter blocks sub-sonic signals which would otherwise cause undesirable effects at the speakers.

A mono control is included — mainly for FM listening in difficult conditions.

The tone controls are the active Baxandall type, giving 12db of cut and boost at 50 Hz and 10 kHz. Careful attention was paid to ensure that this stage would not be overlooked by sudden musical peaks, and the gain has been distributed in such a way as to avoid this. The position of the volume control before the tone controls also helps.

The balance control is incorporated into the final gain stage, giving a high degree of positional adjustment.

## Getting Taped

Of particular importance are the tape-recorder facilities, reflecting the

growing usage of the tape-recorder as a hi-fi medium. Two inputs are provided, with comprehensive switching between them. Each input/output has its own preamp, with adjustable level controls, enabling virtually any tape-recorder to be used with the System 8000. Use of the dubbing switch permits information to be transferred from tape-to-tape whilst listening to another input — and use of this switch, and its associated socket, breaks the connection between inputs, and tone controls. Thus a quadraphonic unit, or graphic equaliser, may be introduced here.

The auxiliary input feeds direct to the rumble filter.

The magnetic input is an example of where discrete devices surpass ICs. The vital design criterion for a magnetic preamplifier are accurate equalisation, large overload margin, a high signal-to-noise ratio, and low distortion. The qualities of the particular design employed should satisfy the most critical of listeners.

The tuner reflects as much as possible of current thinking. However, there are constraints for a kit-based project, not least being able

to ensure supply of the devices employed.

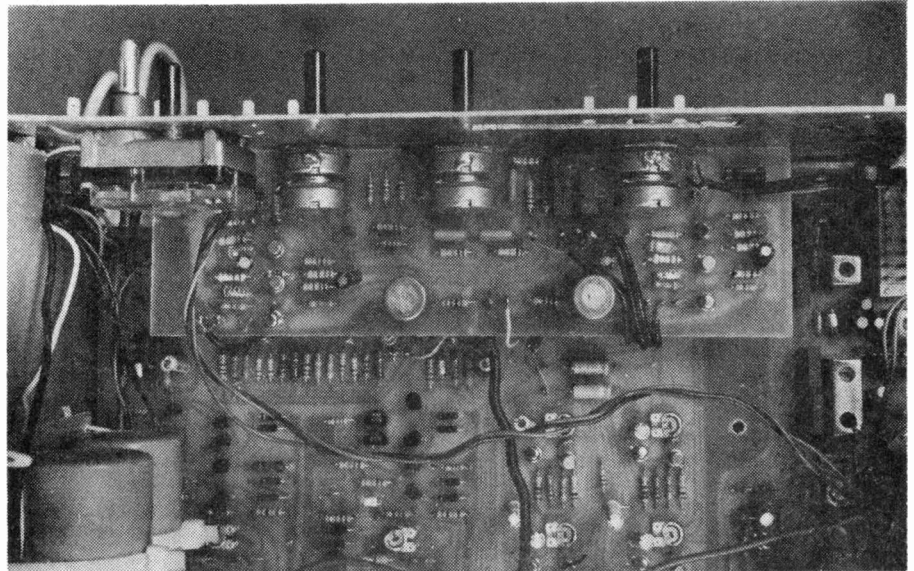
The prototype has been revamped twice following the sudden non-availability of certain devices (—one more argument for using discrete transistors wherever possible).

Another constraint is difficulties with alignment, making the use of a pre-aligned tuner head essential. For reasons of flexibility, varicaps are used to tune both FM and AM.

### Head Start

The FM tuner head is a dual MOSFET design with three-tuned stages. Sensitivity is good, image rejection adequate, and strong signal handling excellent. The use of varicaps has permitted the introduction of an interesting option — a tuneable preamplifier, to be fixed to the aerial, and deriving tuning volts and AGC volts from the System 8000. The design uses a further five MOSFETS and tuned stages, raising the tuner-head performance from the good to the superb.

Details of this innovation will be published at a later date, and



An internal view showing the PCB layout, showing the positions of the front panel controls.

operation of the System 8000 is not preamp dependant in the meanwhile.

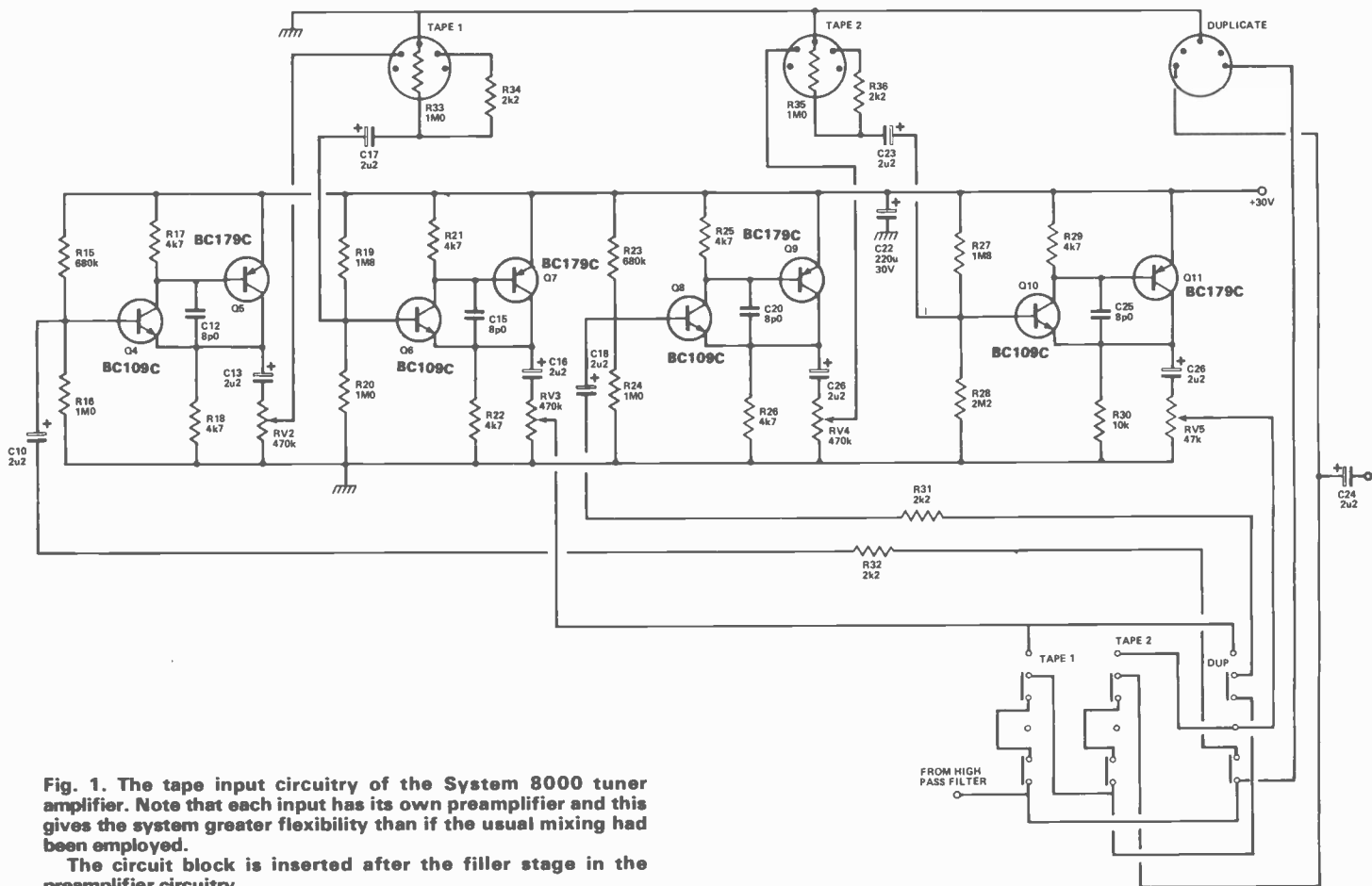
The output from the tuner head is fed to a complex filter and preamp stage, and then to the FM IF IC, the

CA3189. This device is a significant improvement over the earlier CA3089.

A double-tuned detector is used for minimum distortion, and the AFC

## SPECIFICATION

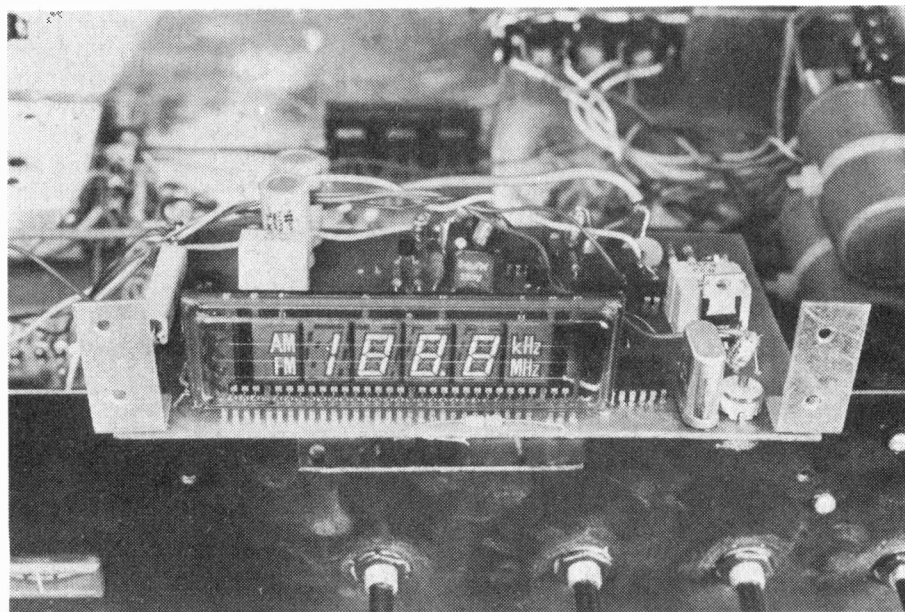
POWER OUTPUT	— 70 watts RMS per channel into 8 ohm (higher output is possible from a larger transformer)	DISTORTION	— 0.05% or better at all frequencies
THD & TID	— 0.01% at all frequencies, and all levels	19kHz REJECTION	— 65db
FREQUENCY RESPONSE	— $\pm 1$ kb 20HZ-25kHz	38kHz REJECTION	— 80db
S/N RATIO	— Better than 70db, all inputs	IMAGE REJECTION	— 50db
INPUT SENSITIVITY	— 100mv Aux, and phono 3 mV tape variable	SENSITIVITY	— 10V for a 30db S/N ratio
TREBLE CONTROL	— $\pm 12$ db at 10kHz	<b>when using aerial preamp:</b>	
BASS CONTROL	— $\pm 12$ db at 50 HZ	IMAGE REJECTION	— 100db
HI FILTER	— 12db, turnover at 10kHz	IF REJECTION	— 100db
LO FILTER	— 12db turnover at 40 HZ	AM REJECTION	— 100db
OVERLOAD MARGIN	— better than 30db all inputs	SENSITIVITY	— 0.5 $\mu$ V for a 30db SN ratio
<b>FM</b>		<b>AM</b>	
FREQUENCY RESPONSE	— 20 HZ-15kHz. $\pm 1$ db	MW	— 550-1640kHz
SEPARATION	— 45db at 1kHz	LW	— 180-250kHz
		IF	— 470kHz
		SENSITIVITY	— 5UV for a 20 db signal to noise ratio
		AGC RANGE	— 70 db for a 10 db audio change



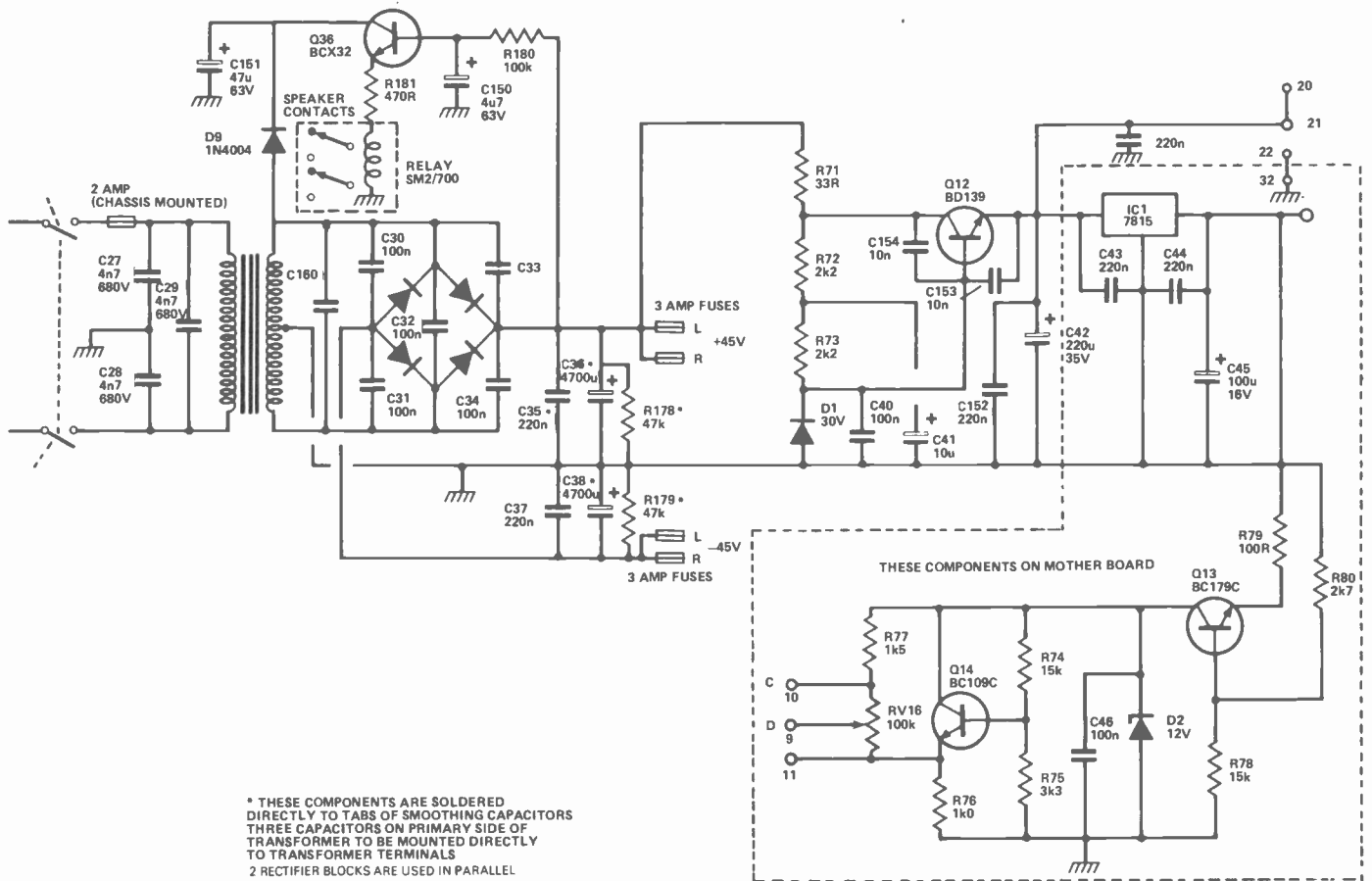
**Fig. 1.** The tape input circuitry of the System 8000 tuner amplifier. Note that each input has its own preamplifier and this gives the system greater flexibility than if the usual mixing had been employed.

The circuit block is inserted after the filler stage in the preamplifier circuitry.

A view of the front panel, showing the mounting of the digital frequency read-out, which serves both AM and FM. This circuit block is to be featured in much greater detail in next month's final part of the System 8000 article. An LCD display was rejected early in the design, due to its much lower visibility.

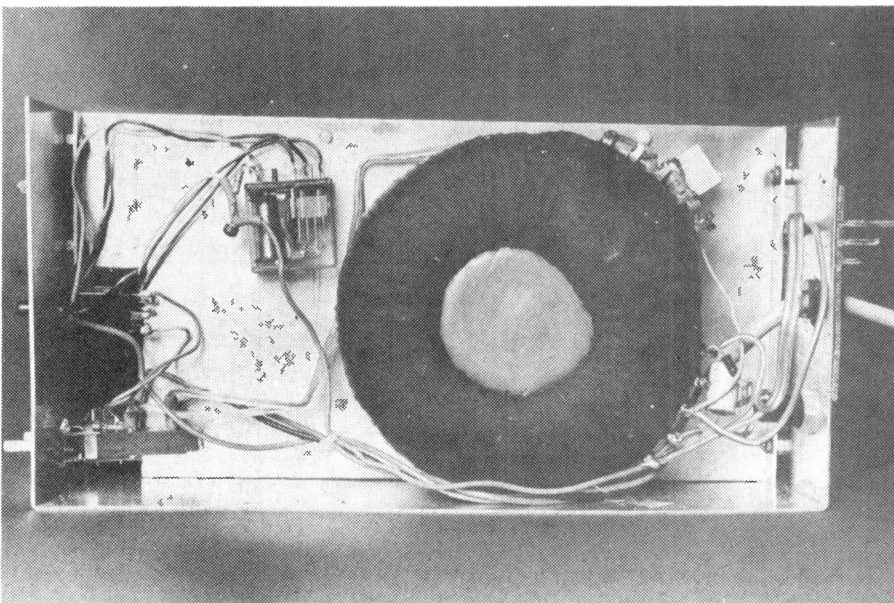






**Fig 2. (Above) the power supply and speaker protection components and associated circuitry. Note that some components mount directly onto the main PCB and not onto the separate PSU board.**

**Below: the power supply section, showing the screening and the special transformer for the design.**



voltage is used to alter the varicap line rather than pull the oscillator.

The audio signal derived from the FM IF passes through a low-pass filter and then to the latest in stereo-decoder IC's, a phase-lock loop device based on the popular MC1310. This new IC has increased separation, very much lower distortion and a high degree of pilot tone suppression. Following this stage with a multiplex filter block also removes the 38 kHz tone.

## The Long And the Medium

The AM section has five wavebands, medium and long.

Three stage tuning is used for improved selectivity, and the use of the CA3123 IC gives good sensitivity and excellent AGC characteristics. A discrete stage has been added to ▶

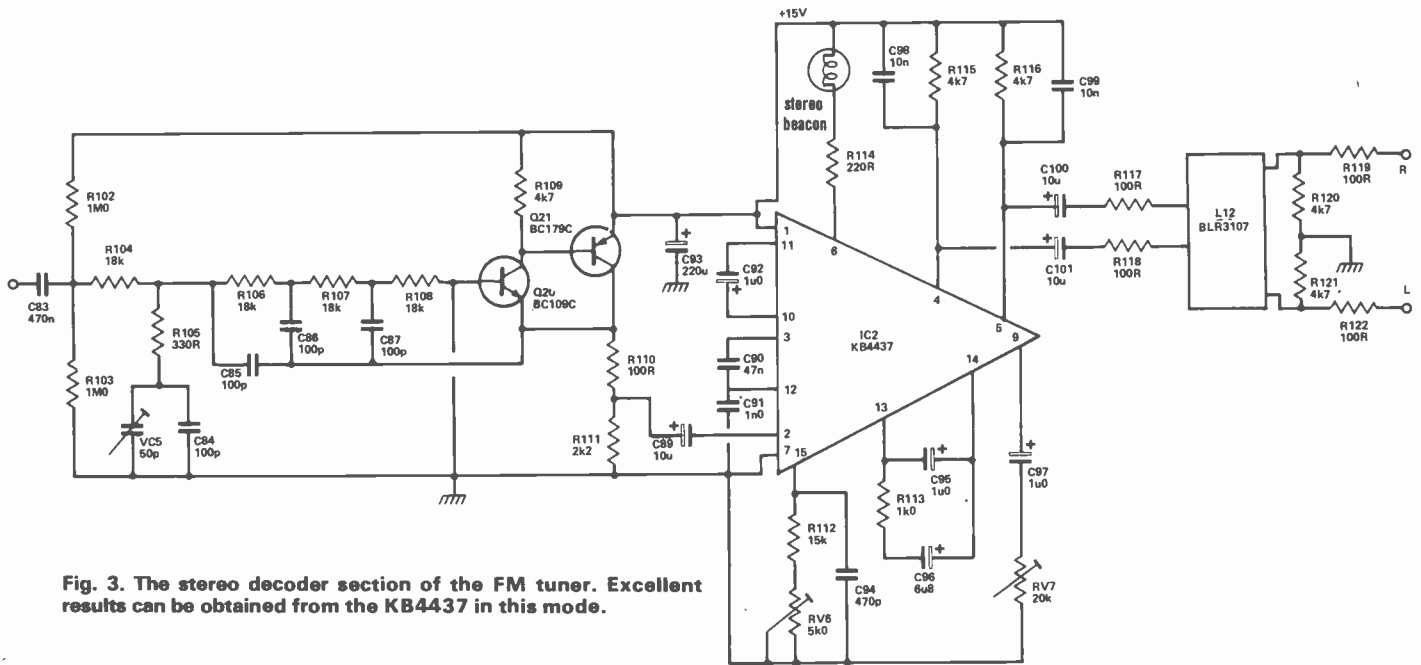
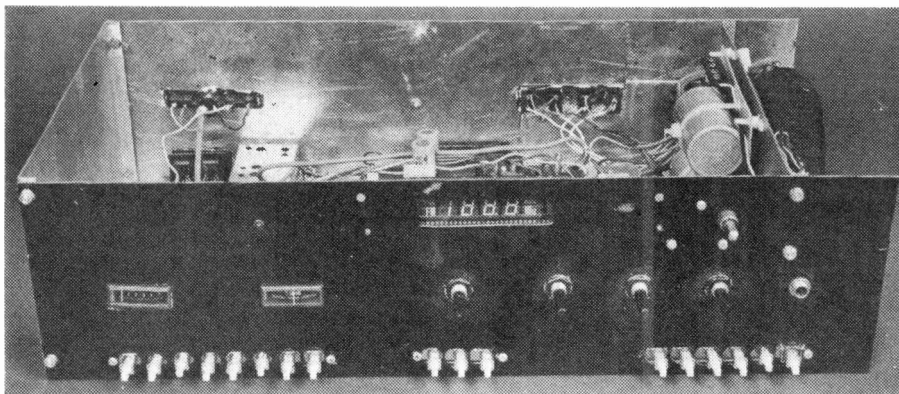


Fig. 3. The stereo decoder section of the FM tuner. Excellent results can be obtained from the KB4437 in this mode.



A front view of the tuner amp chassis with the digital frequency meter and panel controls in position, before mounting the fascia in place.

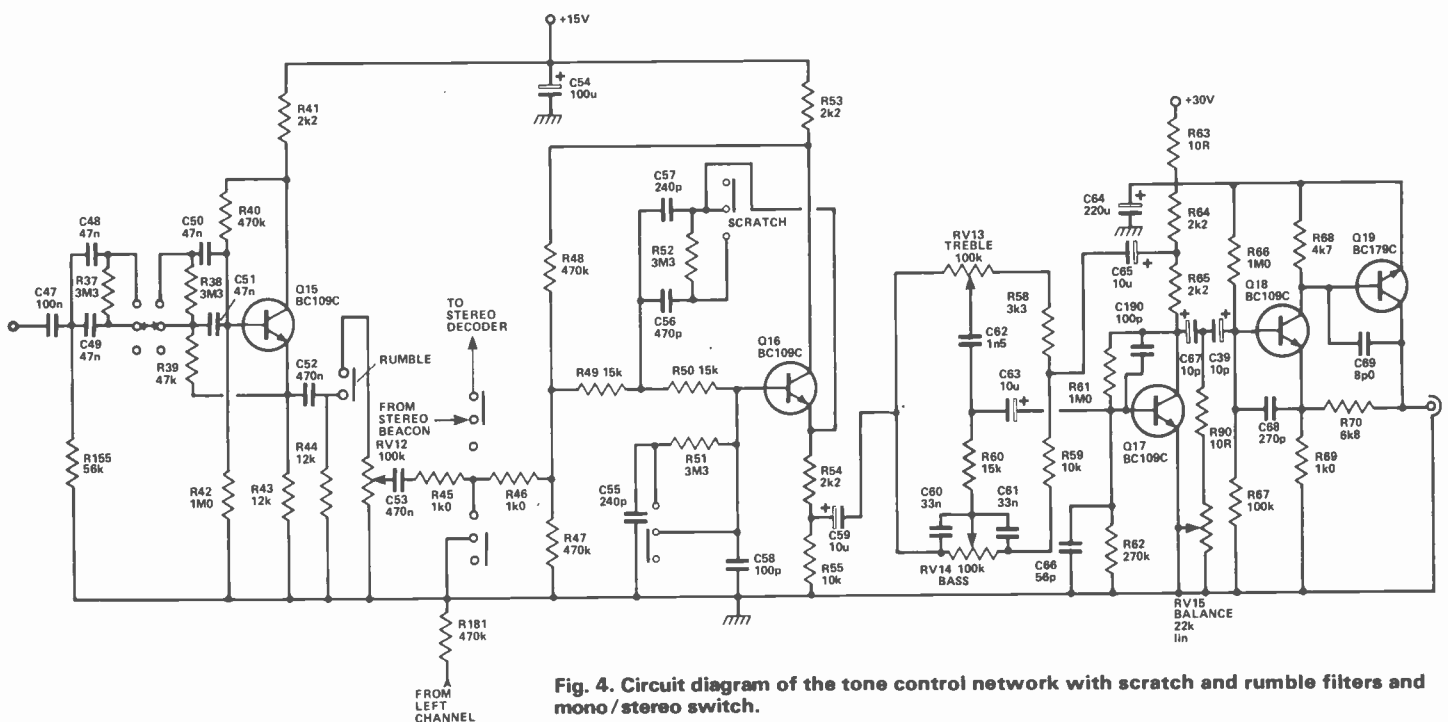


Fig. 4. Circuit diagram of the tone control network with scratch and rumble filters and mono/stereo switch.

## PARTS LIST

### RESISTORS (all 1/4W 5% unless marked)

R1, 155  
 R2, 89, 101  
 R3  
 R4, 40, 47, 48  
 R5, 67, 152, 160, 180  
 R6, 17, 18, 21, 25, 26, 29, 68, 109, 115, 116, 120, 121, 148, 149, 154, 171  
 R7  
 R8, 49, 50, 60, 74, 112, 147, 164, 162  
 R9  
 R10, 83, 85, 88, 92, 146  
 R11, 170  
 R12, 79, 110, 117, 118, 119, 122, 169, 173  
 R13, 144  
 R14, 137, 141, 151, 168  
 R15, 23, 175  
 R16, 24, 33, 35, 42, 61, 66, 82, 102, 103, 177  
 R19, 27  
 R20, 28  
 R22, 30, 55, 57, 59, 124, 128, 133, 135, 142, 156  
 R31, 32, 34, 36, 41, 53, 54, 64, 72, 73, 111  
 R37, 38, 51, 52  
 R39, 178, 179  
 R43, 44, 129, 130, 176  
 R45, 46, 69, 76, 81, 113, 127, 132, 158, 165  
 R56, 58, 75, 86, 87, 100, 157, 159, 172, 174  
 R62  
 R63, 90, 99  
 R65, 80, 143, 153  
 R70  
 R71  
 R77, 84, 140, 150  
 R91  
 R93, 131, 134, 139  
 R94, 114  
 R95, 96, 145, 181  
 R97  
 R98 (1 watt)  
 R104, 106-8  
 R105, 123, 126, 136, 138, 161, 163, 166, 167

### POTENTIOMETERS

RV1  
 RV2, 4, 11  
 RV3, 5, 10  
 RV6  
 RV7  
 RV8  
 RV9

### CAPACITORS

C1  
 C2, 56, 94  
 C3  
 C4  
 C5  
 C6  
 C7, 98, 99  
 C8, 81  
 C9  
 C11, 39, 65, 59, 63, 67, 89, 100, 101, 121, 132, 133, 138, 143, 144  
 C10, 13, 16-18, 21, 23, 26, 6, 116, 118, 123  
 C12, 15, 20, 25, 69, 72, 79, 80, 161  
 C22, 42, 64, 93  
 C27-29  
 C30-34  
 C35, 37, 43, 44, 77, 75, 124, 128, 131, 152  
 C36, 38  
 C40, 46, 160  
 C41  
 C45, 54

C47, 105, 139, 140  
 C48-51, 60, 61  
 C52, 53, 83  
 C55, 57, 137  
 C58, 78, 84-87, 142, 190  
 C62  
 C66, 141  
 C68, 71, 122, 126, 136  
 C70, 74, 76  
 C73  
 C82, 90  
 C88  
 C91  
 C92, 95, 97  
 C96  
 C102-104, 106-111, 119, 120, 129, 130, 134, 146-9, 153, 154  
 C112-114  
 C125  
 C127  
 C145  
 C150  
 C151

### SEMICONDUCTORS

Q1, 5, 7, 9, 11, 13, 19, 21, 25  
 Q2  
 Q3, 4, 6, 8, 10, 14-18, 20, 26, 29  
 Q12  
 Q22-24  
 Q27, 28  
 Q30-32  
 Q33  
 Q34, 35, 36  
 Q37  
 Q38  
 D1  
 D2  
 D4-8  
 VCD1  
 IC4  
 IC5  
 IC2  
 IC1

### INDUCTORS

L1  
 L2  
 L3  
 L4  
 L5, 7  
 L6, 8  
 L9  
 L10  
 L11  
 L12, 13  
 L14  
 L15

### VARIABLE CAPACITORS

CV1, 2, 4  
 CV3, 5

### CERAMIC FILTERS

F1-3

MISCELLANEOUS Tuner Head VT02/3, 36-0-36 secondary transformer, metalwork to suit, 3A fuses with clips (4) relay ( ).

100n mylar  
 33n mylar  
 470n mylar  
 140p polystyrene  
 100p polystyrene  
 1n5 mylar  
 56p polystyrene  
 270p polystyrene  
 4u0 63V electrolytic  
 100u 6V electrolytic  
 47n mylar  
 50p polystyrene  
 1n0 mylar  
 1u0 16V electrolytic  
 6u8 16V electrolytic

10n ceramic  
 22n ceramic  
 1n0 ceramic  
 10p polystyrene  
 50n ceramic  
 4u7 63V electrolytic  
 47u 63V electrolytic

BC179C  
 MPSA12  
 BC109C  
 BD139  
 BF395  
 BF256  
 BC556A  
 BFR79  
 BCX32  
 25K134  
 25J49  
 C30V 400mW  
 C12V 400mW  
 1N914  
 KV1210  
 CA3189E  
 CA3123E  
 KB4437  
 7815

25p  
 50p

CFSE10.7

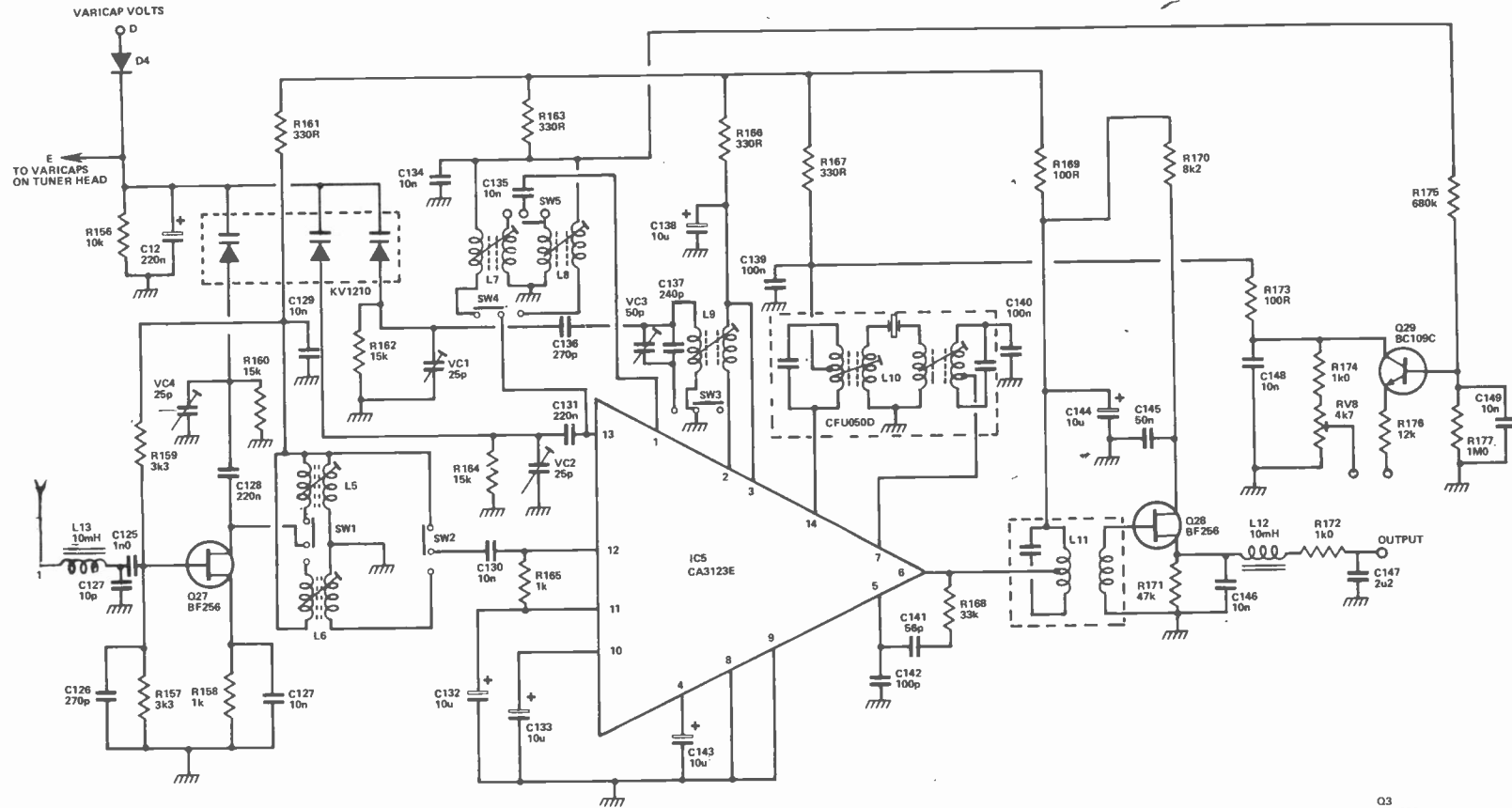


Fig. 5. (above) circuit diagram of the AM tuner, based on the CA3123 chip with its own internal RF amplifier.

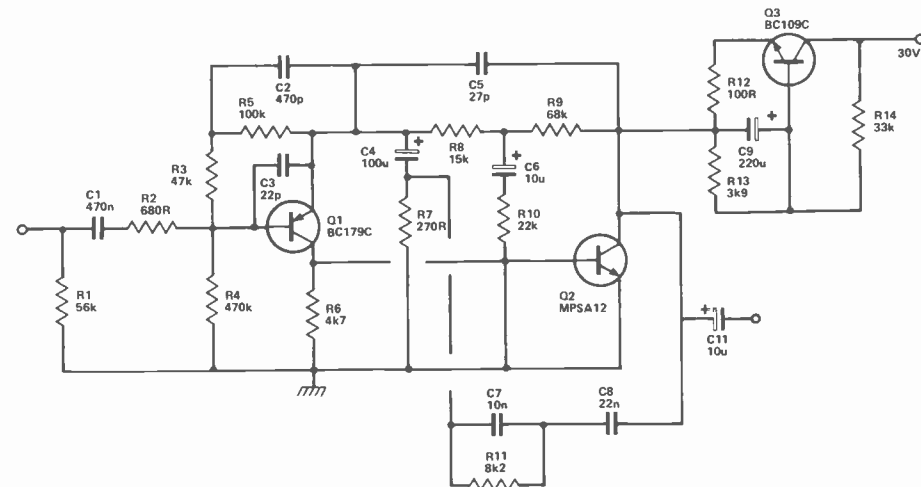


Fig. 6 (right). Circuit diagram of the preamp section for the magnetic cartridge input used in this design. The use of discrete components gives better quality here than a corresponding IC circuit.

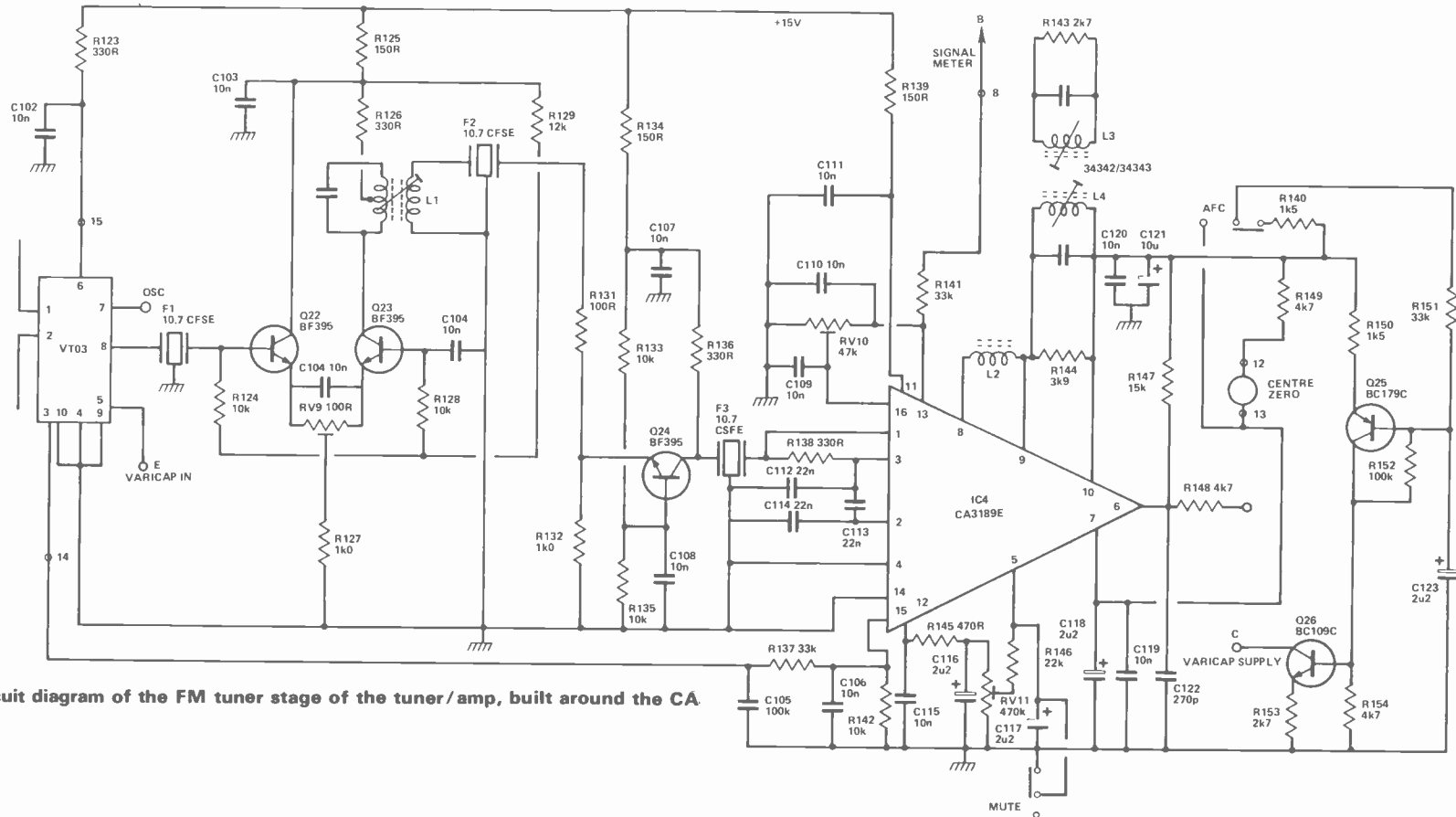
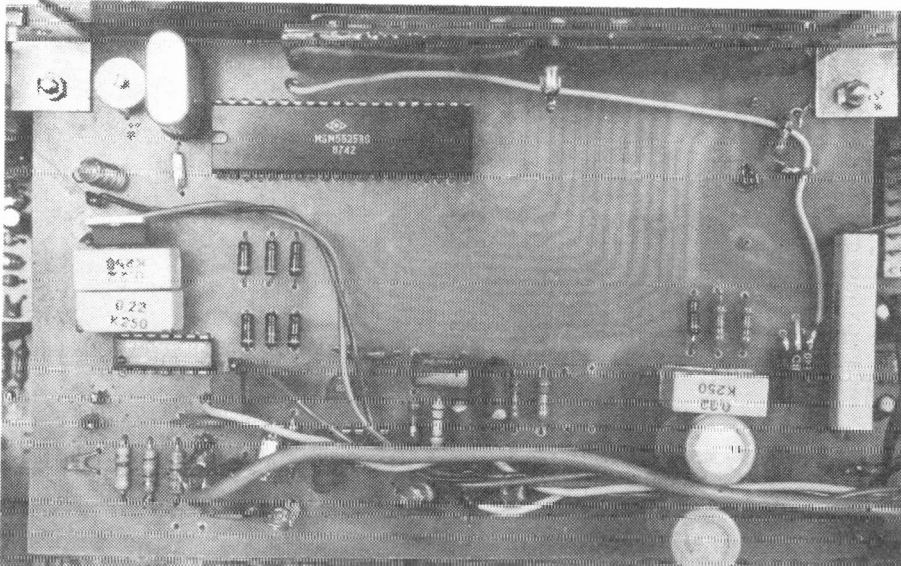
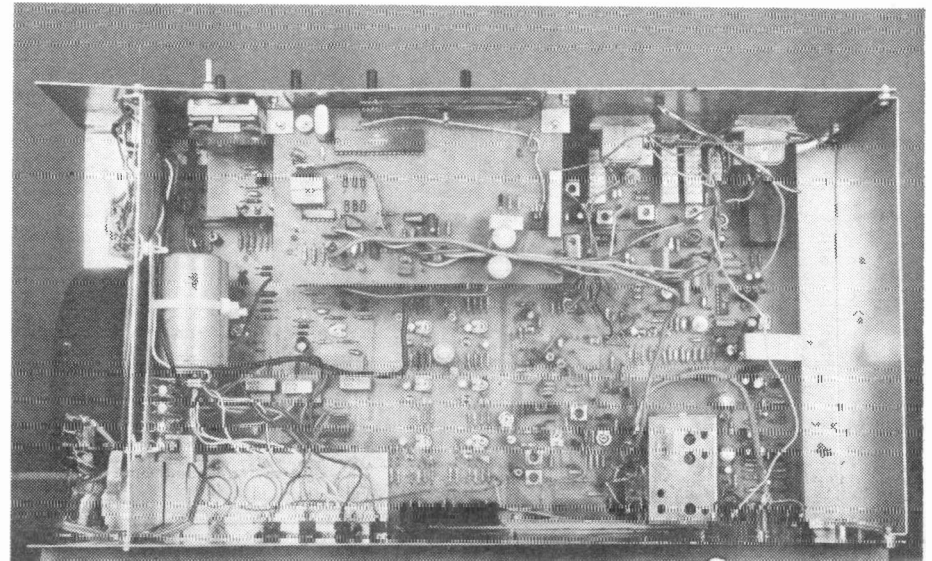


Fig. 7. Circuit diagram of the FM tuner stage of the tuner/amp, built around the CA 3189E IC.

(Below) The digital frequency meter display and driver board.



(Below). We suggest you lock yourself away for a fortnight to build this one.



enable a signal-strength meter to be used, also shared by the FM. An infinite impedance detector gives superior audio characteristics, and a length of wire is used as an aerial, to avoid all the adjustment problems associated with ferrite-rods. The IF uses a double-tuned ceramic filter for good selectivity.

Use of a digital frequency readout complements the advanced tuner design, far more accurate than mechanically strong scales. It eliminates once and for all backlash!

There is one further switch, a remote/local button. At some future date it is intended that a remote control facility is introduced, and details will be published as soon as the right method becomes available.

### Quite a Switch

All input switches takes unused signals to earth, avoiding stray pickup. The whole system is largely built on one PCB to avoid the bulk of wiring normally associated with this kind of project. However, for cosmetic reasons, and anticipating remote control, the tone controls, volume and balance are an additional board, and the digital readout another. The power-supply components are also on a separate PCB — supply wiring to power amplifiers does not allow for compromise!

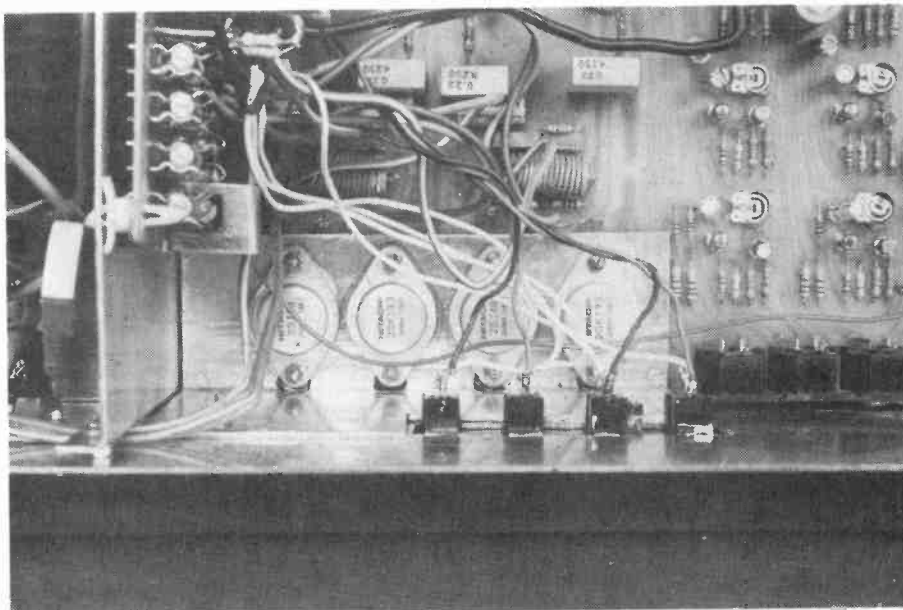
### Construction

Because of the complexity of a project like this, we cannot recommend it as a beginners enterprise. Although only three PCBs are employed, the sheer size of the main one caused it to be held over until next month. Accordingly we are presenting the System 8000 in two parts. Next month will conclude the

project with the component overlays, alignment details, and, of course, constructional notes.

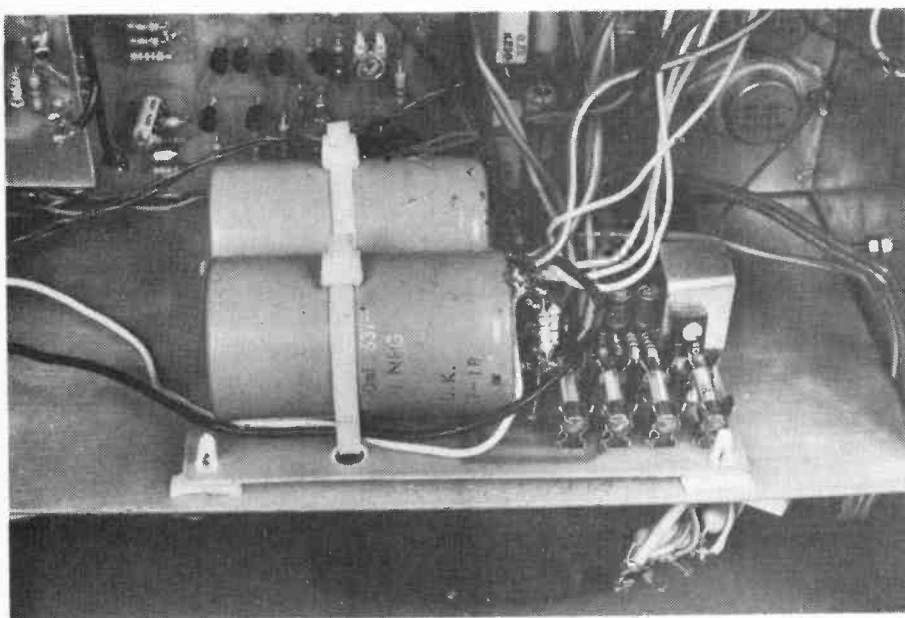
The circuit details here are complete, and if you don't intend to use our boards you may as well get started — good luck and don't call us, we'll call you! A complete kit of parts is being marketed for this design — see Buylines for details.

ETI



Close up of the Hitachi power FETs on their heatsinks. Their presence lends something special to the power amplifier.

A battery of fuses to protect your interests, and some healthy reservoir capacitors to keep things smooth!



## BUYLINES

All the parts for this project will be available from UNI Electric Ltd, 182-184 Addington Road, South Croydon, Surrey.

A complete kit of parts is available for £175 aligned (or £165 unaligned) including VAT and postage. A metalwork kit is available at £35 plus £2 postage and a set of PCBs will cost you £14.50 including postage.

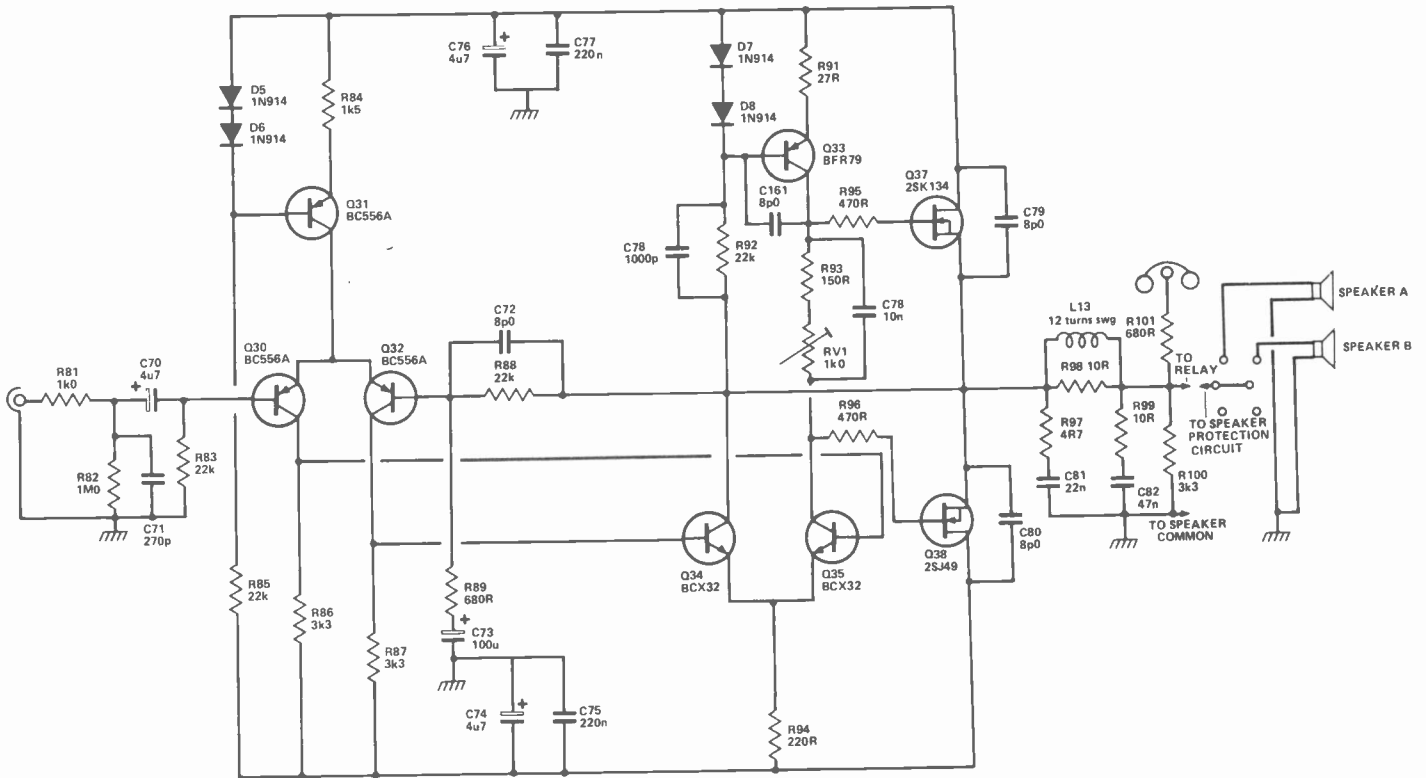


Fig. 8. The power amplifier stages of the system 8000 receiver. That strange little symbol in the output stages is a power FET!

## HOW IT WORKS

### Magnetic Cartridge

Q1 feeds a super Darlington, Q2, giving low noise, and high overload threshold. Q3 is a constant current source with high AC rejection, and it is this which gives the low distortion characteristics.

### Auxiliary

No circuitry associated with this, feeds straight through to the rumble filter.

### FM Tuner

VTO3 is a prealigned twin head with a 10.7 MHz output. Q22 and Q23 form a limiting stage, fed by a ceramic filter and feeding a ceramic filter. L1 enables the precise tuning of the passband so that the 3 ceramic filters used can be 'tuned' for minimum distortion. Q24 is a common base configuration, in order that the source input and output impedances better match the third ceramic filter to the CA3189. L3 and L4 form a quadrature detector, the double tuning being necessary for low distortion. AGC is obtained from pin 15 and fed to the tuner head (so that the mixer is not overloaded). RV10 decides when AGC action starts. RV11 sets the mute, which can be switched out. AFC is derived within the IC, and is used to adjust the varicap volts, rather than pull the FM oscillator — an output on the tuner head feeds the digital frequency display.

The audio output is fed to the active, low pass filter stage, with 18 dB per octave

cut to remove 'birdies'. The output of this is fed to the stereo decoder KB4437. RV6 is set for stereo, RV7 for the maximum 19kHz rejection. The output is fed through a 19kHz and a 38kHz filter block, to remove all unwanted signal.

### AM Tuner

Signals are obtained from a wire antenna, and fed to an active stage formed around L5/L6, and Q27. This is fed to the internal RF amp of the CA3123, which is tuned by L7/L8. KV1210 is a triple varicap block, two being used in the RF stages, and the third tuning the oscillator coil L9.

The output of the internal counter is fed by the double tuner coil to the IF amp within the IC. The output is tuned to the 470kHz by the L11, and an infinite impedance detector informed around Q28. AGC is derived from the IF output, and is used to control the RF amp.

No signal level facilities are included in the IC, so the current drawn by the RF amp is detected and amplified by Q29, and fed to a signal strength meter. This is shared with the FM signal strength output, RV8 giving some adjustment. MW/LW switching changes RF coil, and puts the padding capacitor across the oscillator coil L9. CV3 may be used to adjust the oscillator for correct positioning of the LW band.

When the input is selected, all other inputs are switched to earth. Selecting FM/MW/LW switches the 15V power-

line, and hence the FM/AM on the digital frequency display.

The output of these stages is fed to a rumble filter (12dB per octave) formed around Q15 — the output of which feeds the tape switching network. Each tape input/output has a unity gain (adjustable) stage, consisting of a super NPN transistor. The output/input suit standard impedance DIN.

After the switching is situated the volume control. The output of the pot feeds the mono switch which removes power from the stereo LED, and combines the L and R audio channels. This feeds a 12dB active scratch filter — note that both the scratch and rumble filters are always in the circuit, the turnover point being shifted by adding capacitors. The 3M3 resistors ensure the same DC levels across these capacitors, so that the switching produces no shifts.

The tone control stage features an active network placed around Q17. The split collector load gives this a gain of two (the position of the volume pot ensures that this stage cannot be overloaded). The output of Q17 feeds a 22k pot, dual ganged and connected for adjustment of balance.

Q18 and Q19 form a variation on the super NPN transistor, with a gain of six. Thus the tone control board has a gain of 12, with distortion below 0.1%. The output of this stage feeds direct to the power amp.

# Your Own Complete

## PERSONAL MICRO COMPUTER

for only **£305.00** (VAT £24 extra 8%)

### THESE ARE THE FEATURES

- Standard Keyboard (ASCII Encoded)
- Ready Built 12" VDU Monitor (uncased)
- Complete Kit of Parts to construct a powerful Microcomputer
- Full Documentation
- On Board PROM Programmer
- Tiny Basic Interpreter
- Programmable in Machine Code or Basic
- Powerful Motorola Software Available
- Additional options available as standard without obsoleting any previous purchases

Such as: More Memory both ROM and RAM, Hard Copy Printer, Floppy Discs, I/O User Ports and Software for the above, i.e. Disc Operating System and Disc Interactive Extended Basic.

**ORDER NOW!!** We take plastic or real money!!

**CROFTON**  
**Electronics Limited**  
 35 Grosvenor Road, Twickenham  
 Middlesex • Tel: 01-891 1923

# Codespeed

PO Box 23, 34 Seafield Road, Copnor, Portsmouth PO3 5BJ  
 ELECTRONIC MAIL ORDER SPECIALISTS

New, Full Spec. Devices

- 4 DIGIT LIQUID CRYSTAL DISPLAY.** A super, high contrast 4 digit non-multiplexed display. Digit height is 0.5" and the display is supplied with data and a special, easy to solder, edge connector. **£6.95.** Cat. number 206
- 9 DIGIT DISPLAY.** A 9 digit, 7 segment gas discharge display. Super, bright 0.25" high digits. With data, only **75p.** Cat. number 310
- POLARISING FILTER MATERIAL.** A lightly tinted polarising filter material, manufactured by "Polaroid," in 0.008" plastic film. Any size cut, from 1 sq. inch to a maximum size of 19" by 250 feet. Our price — only **2p** per square inch. Catalogue number 701
- DIGITAL ALARM CLOCK MODULE.** A digital alarm clock module, complete with 0.5" LED display. Just add mini transformer and time setting switches for fully functional clock. With data and instructions, only **£6.50.** Catalogue number 205
- CALCULATOR KEYBOARDS.** Two multifunction calculator keyboards. Excellent key action. Only **£1.00** the pair. Cat. number 101
- MM514 CLOCK CHIP SNIP.** A bulk purchase allows us to offer these digital clock chips at the unbelievable price of only **£1.99** each. With data. Cat. number 207
- 2102 MEMORIES.** Now at a new low price. These MM2102, 1024 bit static RAM's are offered for only **80p.** Supplied with data sheet. Cat. number 102
- 28 MINIATURE DIODES.** 25 miniature 1N3470 germanium diodes (600mA, 35v). All brand new. What a bargain (at just 2p each)!! 25 diodes for **50p.** Catalogue number 401
- P.U.T's.** Four MEU21 Programmable Unijunction Transistors (electrically similar to 2N6027). Lots of uses, long delay timers, oscillators, phase controllers and many more. With data and usage sheet. 4 for **50p.** Cat. number 402
- HIGH SPEED SWITCHING DIODES.** 10 x 1N4151 high speed diodes. Same as 1N4148 but has higher P.I.V., 10 diodes for **30p.** Cat. number 403
- 8 DIGIT LIQUID CRYSTAL DISPLAY.** This calculator style L.C.D. has 0.33" high digits with R.H. decimal points and overflow indicator. White digits on clear glass. With data **£2.95.** Catalogue number 302
- 6 DIGIT L.E.D. DISPLAY.** A common cathode 6 digit, 7 segment L.E.O. display from Texas Instruments. Multiplexed with built in bubble magnifiers. Digit height 0.1". Cat. number 306
- CALCULATOR CHIP.** An MM5725 calculator chip, offered for only **£1** (not compatible with calculator keyboards offered as cat. no. 101). Order cat. number 103
- HEAT SINKS.** Two types available. Ex-equipment but in excellent condition. Most still contain a power transistor (condition unknown). "Xmas tree" type (92x66x35mm), catalogue number 705, **20p** each. Rectangular type (130x63x32mm), catalogue number 706, **30p** each. Due to the weight of these items, please ADD EXTRA 25p PER HEAT SINK for post and packing.
- 10 HYBRID CIRCUITS.** Now miniature your home produced PCB's with these 10 hybrid circuits, each containing 8 resistors and 8 capacitors. Useful values. 10 hybrids for **50p** Cat. number 801
- LED CLOCK DISPLAY.** A superb 24 hour LED clock display with 0.8" high digits. Display panel is common cathode and non-multiplexed. A snip at only **£3.95.** Cat. number 204.

Postage and Packing please add 25p  
 (Overseas orders add 60p)

Your satisfaction guaranteed on all items.  
 New spring catalogue now available. Send medium sized s.a.e. for your free copy

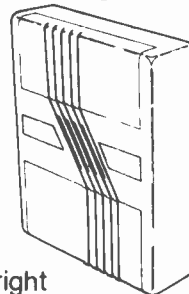
# MICRO CHIMES

FROM THE INVENTORS  
 OF MICROPROCESSOR  
 MUSICAL CHIMES

New price for the  
 original

## CHROMA- CHIME KIT

24 tune model!



Due to the fantastic  
 success of this product, right  
 across the World we are able to offer it at

only **£9.95 + 75p p&p**

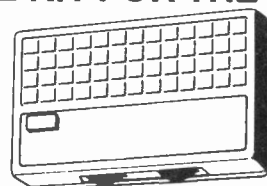
Comes complete with:

- \* TMS1000 Micro
- \* Superb cabinet
- \* All R's & C's
- \* Switches & pots
- \* Fully prepared PCB
- \* All semiconductors
- \* Loudspeaker
- \* Socket & Hardware

**TMS 1000N** - MP0027A Micro-computer chip available separately if required. Full 24 tune spec device supplied with data sheet and fully guaranteed.

New low price only **£4.95** inc. p&p  
 (Only present 24 tune repertoire currently available.)

## A COMPLETE KIT FOR THE NEW MICRO CHIME



This easy to  
 build kit includes:

- \* TMS1000 Custom MPU Chip
- \* Special purpose designed case
- \* Fully drilled and legended PCB
- \* All transistors, Resistors and Capacitors
- \* Full set of mechanical parts
- \* Smart fascia labels
- \* IC Socket and Loudspeaker
- \* Really Low Price!

only **£8.95 + 55p p&p**

ALL CHROMATRONICS PRODUCTS  
 SUPPLIED WITH MONEY BACK GUARANTEE  
 PLEASE ALLOW 7-21 DAYS FOR DELIVERY

Please send me:

TO: CHROMATRONICS, RIVER WAY, HARLOW, ESSEX, UK.

NAME \_\_\_\_\_

ADDRESS \_\_\_\_\_

I enclose cheque/PO value £ \_\_\_\_\_  
 or debit my ACCESS/BARCLAYCARD account no. \_\_\_\_\_

Signature \_\_\_\_\_

ET 13

# CHROMATRONICS



# DESIGNER'S NOTEBOOK

A monthly look at the notebook of ETI's chief design engineer, project editor Ray Marston.

THE ETI PROJECT TEAM turns out an average of seven or eight new designs each month. These range from simple circuits such as 555 timer projects, which appear in our sister journal *Hobby Electronics*, to fairly advanced designs such as the Click Eliminator and the Ambush game that appeared in recent issues of ETI. No matter how simple or complex a project is, its actual circuit design invariably evolves in the following sequence of four major steps.

1. The project is presented to one of the team's design engineers in the form of a precisely defined design problem.
2. The designer postulates a solution to the design problem.
3. The designer implements his solution in the form of a practical wire-up.
4. The designer debugs the bits of his circuit that are not working correctly, and then completes his final circuit design diagram.

## First Steps

The debugging stage of the design sequence is the most interesting of all, because it is the stage in which the designer really learns valuable lessons about practical electronics. On the one hand, he learns about the weaknesses of those circuits that did not work quite as well as expected, and on the other hand he learns about alternative circuits that give a better performance than his original design. A good designer always jots these hard-learned lessons down in a mental or physical notebook, but then, regrettably, often keeps his notebook locked away, for no one else to see.

Here at ETI we've decided to open up my personal design notebook each month, and show you some of the lessons that were learned during the development of various projects. We'll tell you about the strengths and weaknesses of some of our published and unpublished designs, and try to keep you up to date with new designs that we are developing. We are sure that all aspiring designers amongst you will find the notebook worth reading.

## Precision Gating Of a 555 Astable Circuit

This month's first design problem came up during the design of that Metronome. I was using a 555 chip in the astable mode, as a tone generator, and needed to gate the circuit on and off periodically via a narrow control pulse. One standard way of doing this is to feed the control signal to the pin-2 'trigger' terminal of the IC, but I found that this method did not give the fast switching action that I required.

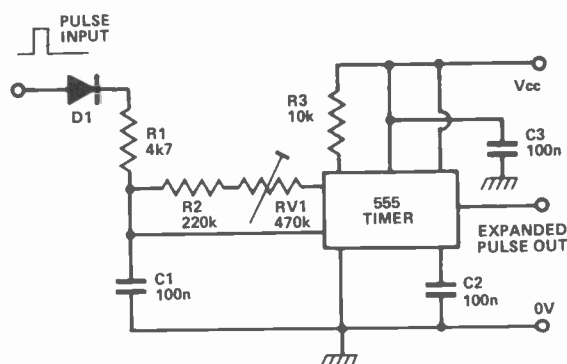


Fig. 1. Using a 555 chip as a tone generator. The control signal is applied directly to the 555's timing capacitor.

The answer to the problem was to use the circuit of figure 1, in which the control signal is applied directly to the 555's timing capacitor. When the control signal is at logic level 0, the timing capacitor is discharged via D1 and R3, and the astable is inoperative. When the control signal is at logic level 1, D1 is reverse biased and the astable functions in the normal way. This control system gives a very fast response, providing that R3 has a value that is low relative to R1.

## CMOS 555 Monstable Circuits

One of the jobs that I tackled this month was the design of an R/C motor speed controller. In this circuit we generate a fixed 1.5 ms pulse, compare it's width with that of an

incoming 1-2mS pulse, take the difference between the two signals, and then feed the resulting narrow pulse, which has a width that is variable between 0 and 0.5 mS, to a times-40 pulse-expander circuit. The resulting pulse is then used to switch power to an electric motor.

My first reaction to this project was to use the CMOS circuit of fig 2 as the fixed 1.5 mS pulse generator, but I rapidly learned that its pulse width versus supply voltage characteristics made it totally unsuitable for this particular application. The circuit was intended to operate over the

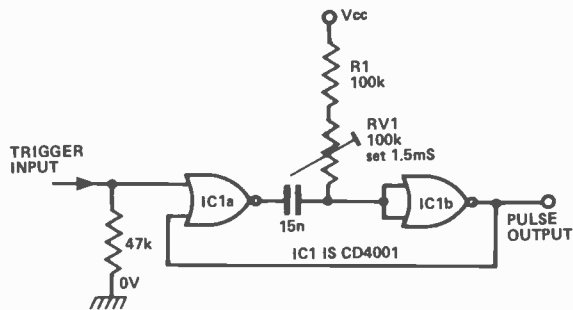


Fig. 2. A CMOS pulse expander circuit — not suitable for this application.

supply voltage range 4 V to 6 V. When I tested the circuit, I found that its pulse width varied from +4% to -6% of a normalised 5 V value over this voltage range, as shown in the graph of fig 3.

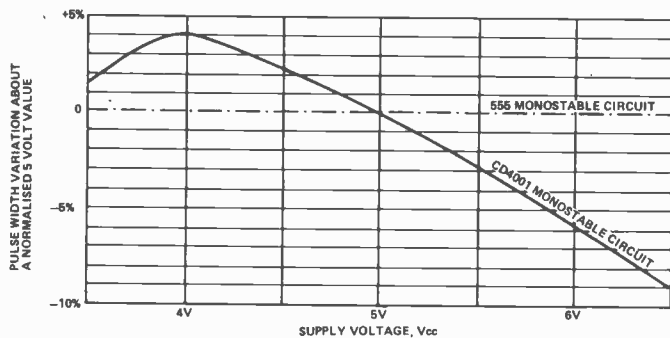


Fig. 3. Variation in pulse width against supply voltage for the CMOS pulse expander.

I then tested the 555 monostable circuit of fig 4 to see how well it performed at different supply voltages. I was unable to detect any variation in its pulse width over the specified supply voltage range, as also shown in the graph of fig. 3, so used this circuit as the 1.5 mS pulse generator in the final version of the R/C motor speed controller.

### Digital and Analogue Pulse-Expander Circuits

I developed both digital and analogue pulse-expander circuits when designing the R/C motor speed controller. The digital version of the expander is shown in fig. 5. Here, IC1 is a 555 astable, and IC2 is a CD4029 up/down counter that is used in its binary mode and is thus capable of counting in 16 steps. The output of the counter is taken from the 'carry

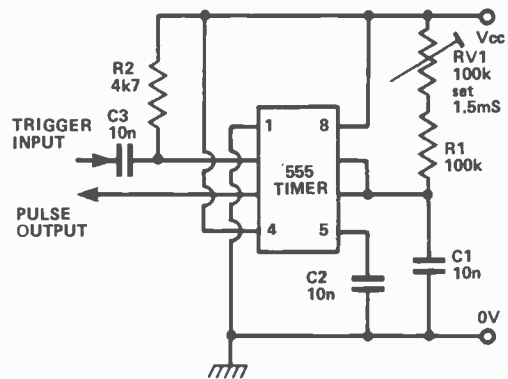


Fig. 4. A 555 monostable circuit — constant pulse width over supplies of 4V to 6V.

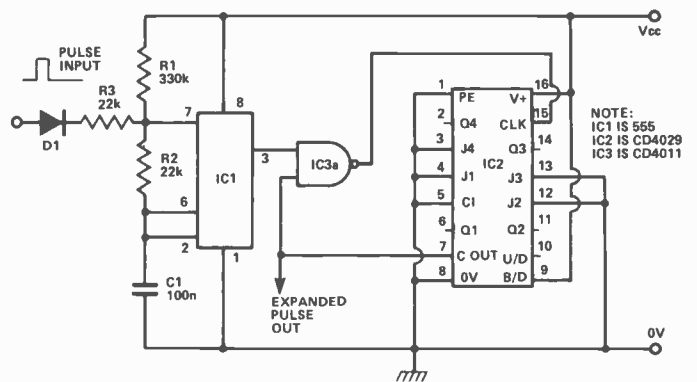


Fig. 5. A digital version of the pulse expander circuit.

out' terminal, which is normally at the logic 1 state but goes to logic 0 when the counter reaches its maximum count in the 'up' mode or its minimum count in the 'down' mode. This carry out signal is also used to gate the clock signal via IC3, and so prevent the counter from overspilling.

To understand the circuit operation, assume that the counter has reached the empty state in the 'down' mode, so that the carry out signal is at logic 0. When the input pulse arrives at the circuit it sets the counter to the 'up' mode, causing the 'carry out' pin to go high and enable the clock gate: simultaneously, the 555 astable is set to a fast clock rate via D1 and R3, so the counter clocks up rapidly for the duration of the input pulse. If the component values are right, the counter will be slightly short of its 'full' state when the input pulse terminates.

### Terminal Count

When the input pulse terminates, it automatically sets the counter to the 'down' mode, and enables the 555 astable to clock at its normal slow rate via R1-R2 and C1, so the counter then clocks slowly downwards until it eventually reaches the 'empty' state, at which point its carry out terminal goes to logic 0 and completes the operating sequence.

The output of the counter is thus an expanded version of

the input pulse, but expands in a maximum of sixteen discrete steps. The expansion ratio is proportional to the 'fast' and 'slow' speed ratios of the 555 clock generator.

component values are right, C1 will be short of the Vcc value when the input pulse terminates.

When the input pulse terminates, C1 starts to discharge via R2-RV1 and Q1. Eventually, when the C1 voltage falls just below Vcc/3, the op-amp turns Q1 off via the flip-flop, and the output of the circuit switches low. The operating sequence is then complete.

The output of this circuit is thus an expanded version of the input pulse, and the circuit has an expansion ratio that is roughly proportional to the ratios of R1 and R2-RV1. Fig. 7 shows the practical implementation of this circuit, using a 555 timer chip. This is the circuit that was used in the final version of the R/C motor speed controller. The fig. 5 digital circuit was rejected purely on grounds of costs for this project. Other designers may, however, find the circuit useful in some applications.

**EN**

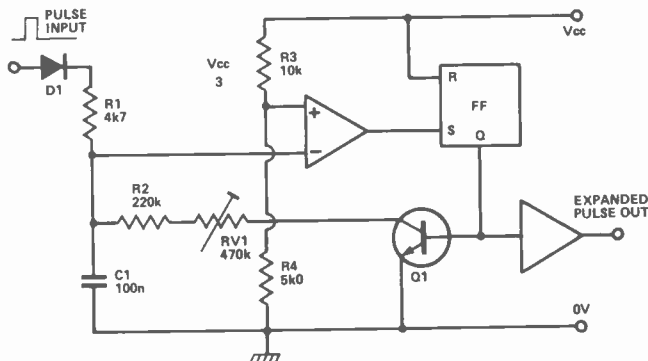


Fig. 6. An analogue version of the pulse expander circuit.

The basic circuit of the analogue pulse expander is shown in fig. 6. Assume at the outset of operations that Q1 is off, C1 is discharged, and the circuit output is low. When the input pulse arrives it starts to charge C1 rapidly via D1 and R1. As the C1 voltage rises above Vcc/3 the output of the circuit is driven high via the op-amp, the flip-flop, and the non-inverting amplifier: simultaneously, Q1 is driven on, but has little effect on C1, since the values of R2 and RV1 are large compared with R1, so C1 continues to charge via R1. If the

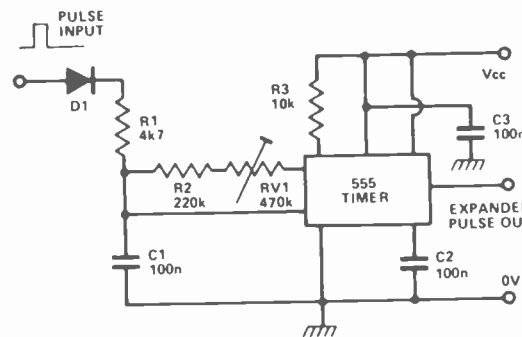


Fig. 7. The circuit finally chosen for use in the radio control motor speed controller.

7400N AND 74LS00N SERIES TTL				Memory										ELECTROLYTICS																																																																																																																																																																																																																																																																																																																																																																																																																																																									
74N 74LSN				74N 74LSN				74N 74LSN				2102		120		4013		.14		4160		.95		8C107		.09		85Y25		.25		2T3314		.22		2K3709		.08		ELECTROLYTICS																																																																																																																																																																																																																																																																																																																																																																																																																															
7400	.10	.19	7490	.34	.60	74176	.60	74177	.60	74178	3.00	74179	1.20	74180	.90	74181	1.40	74182	.60	74183	.90	74184	1.50	74185	2.30	74186	1.50	74187	.90	74188	1.50	74189	2.30	74190	1.50	74191	.72	74192	.92	74193	.70	74194	.80	74195	.62	74196	.65	74197	1.05	74198	1.10	74199	1.10	74200	1.10	74201	1.10	74202	1.10	74203	1.10	74204	1.10	74205	1.10	74206	1.10	74207	1.10	74208	1.10	74209	1.10	74210	1.10	74211	1.10	74212	1.10	74213	1.10	74214	1.10	74215	1.10	74216	1.10	74217	1.10	74218	1.10	74219	1.10	74220	1.10	74221	1.10	74222	1.10	74223	1.10	74224	1.10	74225	1.10	74226	1.10	74227	1.10	74228	1.10	74229	1.10	74230	1.10	74231	1.10	74232	1.10	74233	1.10	74234	1.10	74235	1.10	74236	1.10	74237	1.10	74238	1.10	74239	1.10	74240	1.10	74241	1.10	74242	1.10	74243	1.10	74244	1.10	74245	1.10	74246	1.10	74247	1.10	74248	1.10	74249	1.10	74250	1.10	74251	1.10	74252	1.10	74253	1.10	74254	1.10	74255	1.10	74256	1.10	74257	1.10	74258	1.10	74259	1.10	74260	1.10	74261	1.10	74262	1.10	74263	1.10	74264	1.10	74265	1.10	74266	1.10	74267	1.10	74268	1.10	74269	1.10	74270	1.10	74271	1.10	74272	1.10	74273	1.10	74274	1.10	74275	1.10	74276	1.10	74277	1.10	74278	1.10	74279	1.10	74280	1.10	74281	1.10	74282	1.10	74283	1.10	74284	1.10	74285	1.10	74286	1.10	74287	1.10	74288	1.10	74289	1.10	74290	1.10	74291	1.10	74292	1.10	74293	1.10	74294	1.10	74295	1.10	74296	1.10	74297	1.10	74298	1.10	74299	1.10	74300	1.10	74301	1.10	74302	1.10	74303	1.10	74304	1.10	74305	1.10	74306	1.10	74307	1.10	74308	1.10	74309	1.10	74310	1.10	74311	1.10	74312	1.10	74313	1.10	74314	1.10	74315	1.10	74316	1.10	74317	1.10	74318	1.10	74319	1.10	74320	1.10	74321	1.10	74322	1.10	74323	1.10	74324	1.10	74325	1.10	74326	1.10	74327	1.10	74328	1.10	74329	1.10	74330	1.10	74331	1.10	74332	1.10	74333	1.10	74334	1.10	74335	1.10	74336	1.10	74337	1.10	74338	1.10	74339	1.10	74340	1.10	74341	1.10	74342	1.10	74343	1.10	74344	1.10	74345	1.10	74346	1.10	74347	1.10	74348	1.10	74349	1.10	74350	1.10	74351	1.10	74352	1.10	74353	1.10	74354	1.10	74355	1.10	74356	1.10	74357	1.10	74358	1.10	74359	1.10	74360	1.10	74361	1.10	74362	1.10	74363	1.10	74364	1.10	74365	1.10	74366	1.10	74367	1.10	74368	1.10	74369	1.10	74370	1.10	74371	1.10	74372	1.10	74373	1.10	74374	1.10	74375	1.10	74376	1.10	74377	1.10	74378	1.10	74379	1.10	74380	1.10	74381	1.10	74382	1.10	74383	1.10	74384	1.10	74385	1.10	74386	1.10	74387	1.10	74388	1.10	74389	1.10	74390	1.10	74391	1.10	74392	1.10	74393	1.10	74394	1.10	74395	1.10	74396	1.10	74397	1.10	74398	1.10	74399	1.10	74400	1.10



# electronics today

international

What to look for in the July issue: On sale June 1st



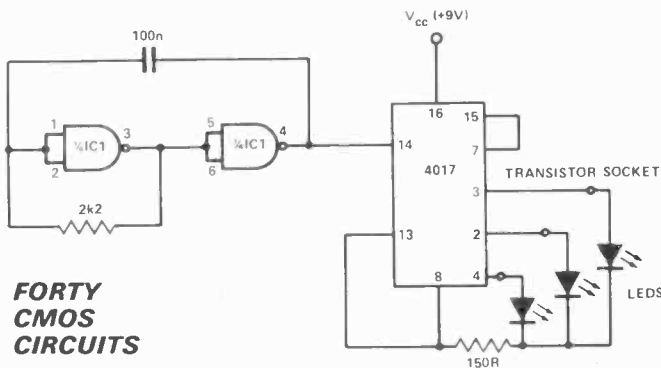
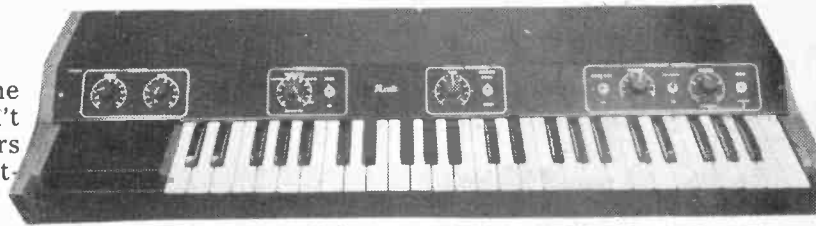
## TELETEXT BOX

ETI goes Teletext next month. A full spec design including full colour and double height characters. Remote control is by ultrasonics, so there is no need to move from your armchair to change the page. The circuit is based upon the Mullard chip set — long awaited that is.

Emphasis has been placed upon ease of construction — the PCBs are plated through and silk screened and everything mounts to the board. With all this offer and with commercial units running at £200 plus you'd expect this kit to cost the earth would you not? Well it will set you back under £160 complete and we don't think that's bad! Don't miss this.

## POLYPHONIC KEYBOARD CONTROLLER

We've struck the right chord here. Give up those one note wonders and take up polyphonics — you can't get arrested for it and it'll make your oscillators warble for joy. Play away up to 8 times simultaneously and don't feel guilty about it!



### FORTY CMOS CIRCUITS

Another family size, bumper bundle of goodies from our bionic project editor, Ray Marston. In past issues he's covered 555s and 741s. This time it's the turn of CMOS circuits. He's got forty, yes forty, of the little beauties for you. You can't afford to miss them.

## SOIL MOISTURE INDICATOR

Don't drown your Dahlias. The most common cause of premature plant death (murder) in the home is over-watering. If you don't want the Sweeney hammering on your door in the middle of the night, we strongly suggest that you build this moisture indicator. Think of it as a happiness guide for your busy Lizzie.



# MAINS SEEKER

**ETI's latest offering to the DIY person: a mains seeker that will find wires that other seekers can not trace.**

IF YOU HAVE EVER done a complete or partial rewire of a house, or have found yourself lumbered with jobs like drilling holes or knocking masonry nails into interior walls, you'll appreciate just how useful and reassuring it can be to know exactly where live mains wiring is hidden beneath the wall plaster. ETI's mains seeker is designed to help give you that reassurance and will help you trace those hidden wires that most other 'seekers' can not find. No licence is needed to operate the device.

## **BFO Mains Seekers**

There are two basic types of mains-seeking device. The most common of these is the BFO metal-detecting type of unit. Fig. 1 shows the circuit diagram of one simple version of this type of device, which in this case is supposed to be used in conjunction with a hand-held pocket radio. The fig. 1 circuit is a simple L-C oscillator, tuned to about: 120 kHz. Coil L1 is a long-wave aerial coil, wound on a ferrite rod.

In use, the fig. 1 circuit and the radio are both turned on and held close together. Their controls are then adjusted to obtain a beat note from the receiver. When any kind of metal comes near the end of the L1 ferrite rod it causes the inductance of the coil, and thus the frequency of the oscillator and the tone of the beat note, to change. Metal that is buried beneath plaster can thus be located by simply moving the above ferrite rod and radio slowly across the 'search' area of the plaster.

The BFO type of mains seeker is very good at locating old-style wiring that is shrouded in metal conduit, and old style metal plumbing, but is not very good at locating unshrouded



cables or cables that are shrouded in modern plastic conduit. The wise handyman is never the less advised to build one of these simple units, but to build the new ETI mains seeker as well.

## **The ETI Mains Seeker**

The theory behind the ETI mains seeker is quite elementary. All current-carrying wire generates a magnetic field about itself. Wiring

that is carrying mains current generates a magnetic field at mains frequency and the intensity of the field is proportional to the magnitude of the current being carried. Mains currents above a hundred milliamps or so generate quite significant magnetic fields, so live mains wiring can easily be traced by applying it to a load (switching on the lights, etc), and then using a field-detecting and indicating instrument to trace the

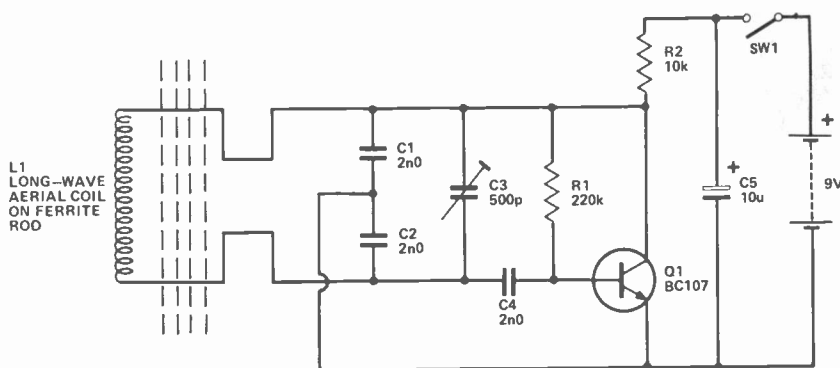


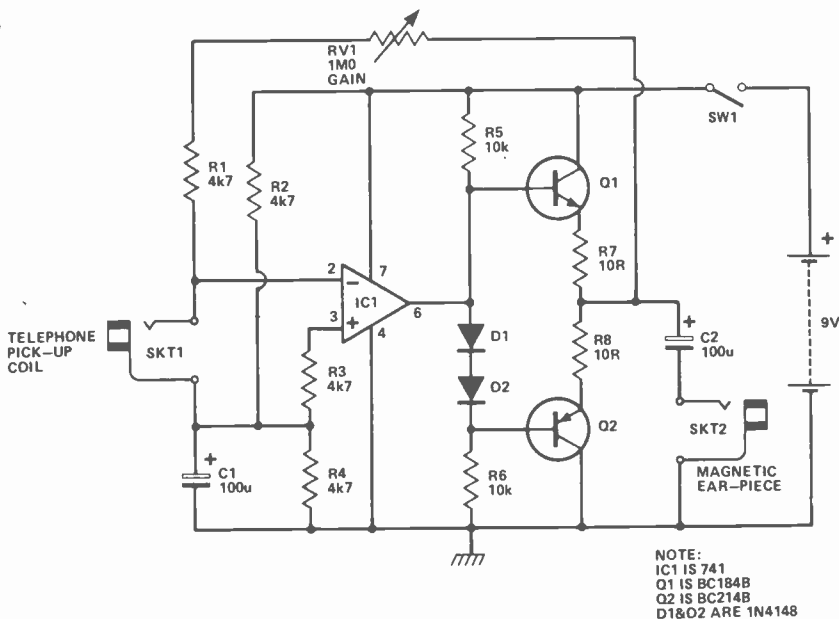
Fig. 1. Circuit diagram of one simple version of a BFO metal detector.

## HOW IT WORKS

THE ETI MAINS SEEKER works by detecting the weak magnetic field of any current-carrying mains wiring and amplifying this signal up to a level that is adequate for driving a magnetic earpiece. The unit uses a telephone pick-up coil to detect the magnetic field.

IC1 is a type-741 op-amp, biased for linear operation from a single-ended supply via potential divider R2-R4, which has its junction decoupled to AC via C1. The op-amp is configured as a variable-gain inverting amplifier, and directly drives the Q1-Q2 complementary emitter follower output stage which is used to drive a magnetic earpiece via limiting resistors R7 and R8 and via C2. Components R5, D1, D2 and R6 are used to bias Q1 and Q2 into the linear mode. Note that the Q1, 2 stage is incorporated in the negative feedback loop of the op-amp.

The input to pin 2 of the op-amp is derived from a telephone pick-up coil, which is highly sensitive to magnetic fields and typically has an impedance in the order of 1k to 5k. The overall voltage gain of the circuit is approximately equal to the ratio of this impedance to that of the R1-RV1 negative feedback network and typically can be varied from near unity to about 50 dB via RV1. This degree of gain is sufficient to produce strong audible signals in the earpiece even from quite weak magnetic fields in the vicinity of the pick-up coil.



NOTE:  
IC1 IS 741  
Q1 IS BC184B  
Q2 IS BC214B  
D1&D2 ARE 1N4148

Fig. 2. Circuit diagram of the ETI Mains Seeker.

## PARTS LIST

RESISTORS	
R1, 2, 3, 4	4k7
R5, 6	10k
R7, 8	10R
CAPACITORS	
C1, 2	100p
POTENTIOMETERS	
RV1	1M0 lin
SEMICONDUCTORS	
Q1	BC184B
Q2	BC214B
IC1	741
D1, 2	1N4148
MISCELLANEOUS	
SW1	SPST
2	3.5mm jack sockets
PP3	
Case to suit	
telephone pick-up coil	
personal earphone 8Ω	

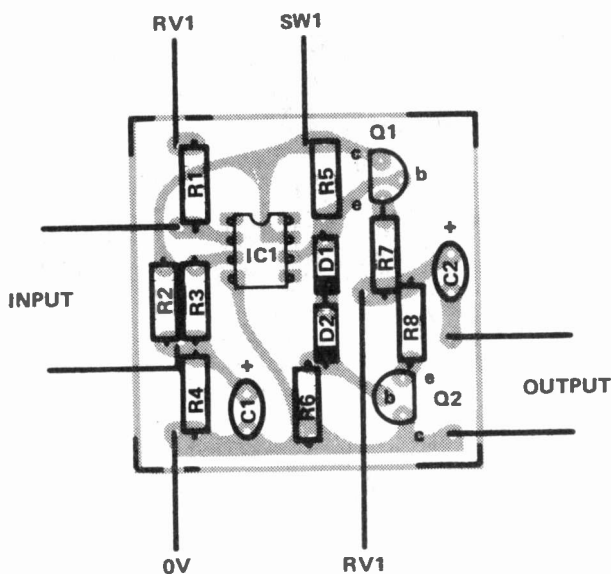
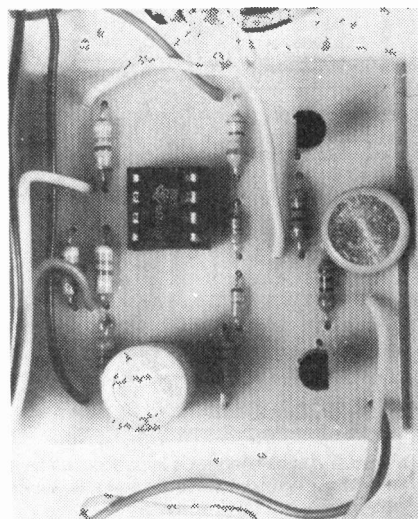


Fig. 3. Component overlay.

wiring route.

In the ETI mains seeker we use a standard telephone pick-up coil (as used with tape recorders) to detect the mains-frequency signal, which is then amplified and fed to a magnetic earpiece via a variable high-gain op-amp and transistor stage. The resulting instrument easily traces buried cables that are either unshrouded or are buried in plastic or non-ferrous conduit, or are hidden in non-ferrous metal channelling, but is not so good at tracing cables that are shrouded in old-style ferrous conduit. Circuits of the fig. 1 type are more suitable for the latter application.

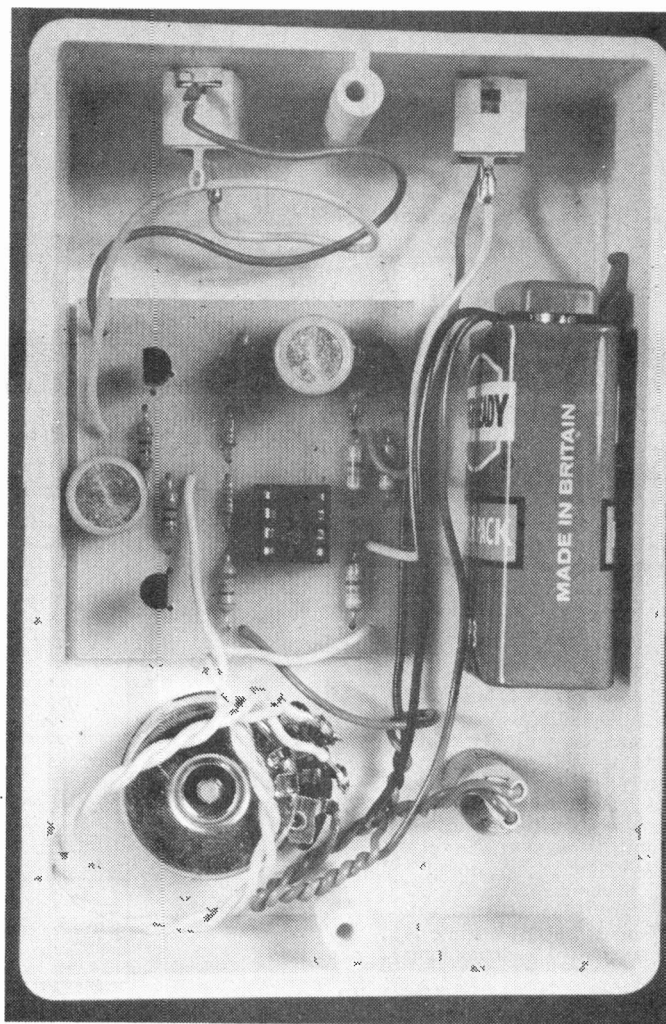
## Construction

Construction should present no problems at all, since the circuit uses relatively few components, most of which are mounted on the PCB.

We housed our prototype unit in a plastic Verocase with outside dimensions of approximately 3 × 4½ × 1½ inches, but any roughly similar case is suitable. The pick-up coil and the earpiece are connected to the unit via jack sockets.

## BUYLINES

There should be few problems in buying the parts for this project. The earpiece can be any magnetic type. Earpieces and pick-up coils are available from Maplin Electronic Supplies Ltd.



George figures he can make his new video recorder pay for itself in a few weeks.



We're in luck, Fred; It's a warning that the place is protected by a burglar alarm, which means the owner was too cheap to buy a burglar alarm, so he bought a warning sticker instead.



# More second user bargains from Carston

Top Quality Test Equipment at the keenest prices

	Prices from £		Prices from £		Prices from £
<b>Acoustic</b>		<b>Oscilloscopes</b>		<b>Recorders &amp; Signal Conditioning Equipment</b>	
BRUEL & KJAER		HEWLETT PACKARD		SE LABS	
2203 Precision sound level meter	400	184A + 1801A + 1822A DC-50 MHz system, T. B. and amplifier included, storage facility (storage de-rated please ask for details)	650	3006DLT 12 channels UV 6 inch chart	450
2204 Precision sound level meter	475	PHILIPS		A1000 Galvo 600 Hz 0.34 mA/cm	30
1613 Octave filter set couples directly to 2203 & 2204	250	PM3232 DC-10 MHz dual trace	375	MICROMOVEMENTS	
CEL		TEKTRONIX		M100 Galvo 60 Hz 2.5 µA/cm	25
112 LEQ meter-digital readout	575	453A DC-60 MHz dual trace	750	M400 Galvo 300 Hz 50 µA/cm	25
<b>Bridges</b>		5103N/D15 + 5A18N + 5B12N Storage system 800 div/ms DC-2 MHz	595	M1000 Galvo 600 Hz 0.34 mA/cm	25
CAMBRIDGE		7A13 DC-100 MHz differential comparator	350	M1600 Galvo 1000 Hz 0.4 mA/cm	25
43379 Decade resistance bridge	75	7B70 Dual time base with 7B71 delayed sweep (for 7000 series)	275	M8000 Galvo 5 kHz 15.5 mA/cm	25
MUIRHEAD		TELEQUIPMENT		SIEMENS	
D30A Wheatstone bridge test set	175	D54 DC-10 MHz dual trace	275	Oscillostore 4 channel digital storage system with UV recorder	3300
SULLIVAN		Oscilloscope Probes - Current		KOMP III 2 pen potentiometric roll chart	575
T1098 Decade resistance bridge	190	HEWLETT PACKARD		<b>Signal Sources &amp; Generators</b>	
WAYNE KERR		P6021 AC current probe to 20 MHz	220	HEWLETT PACKARD	
B221 Universal bridge	180	TEKTRONIX		200CD 5 Hz-600 kHz O/P 10 V RMS	75
B601Z RF bridge to 5 MHz	475	P6021 AC current probe to 20 MHz	220	608E 10 MHz-480 MHz AM	410
SR268 Source for B601Z		Oscilloscope Probes - Voltage		0.1 µV-1 V O/P	
<b>Cable Test Equipment</b>		HEWLETT PACKARD		8693/100 3 7-8.3 GHz 5 mW. sweeper plug-in	525
MARCONI		1121A 500 MHz	90	LEVELL	
TF2091A/TF2092A White noise generator/receiver 300 channel system complete	550	TEKTRONIX		TG150DM 1 5 Hz-150 kHz 2.5 V	45
STC		P6032 Sampling probe kit	15	TEXSCAN	
74226B Telephone cable test set	350	P6046 Differential probe DC-100 MHz	250	VS40 1-300 MHz sweeper	450
<b>Counter Timers</b>		Oscilloscope Cameras		VS80A 1-1000 MHz sweeper	650
HEWLETT PACKARD		HEWLETT PACKARD			
5253B Converter plug-in to 512 MHz	380	195A Pack film polaroid	285		
5263A Time interval plug-in	60	198A Pack film polaroid	145		
MARCONI		TEKTRONIX			
TF2414A DC-40 MHz 7 digits	170	C30AR Roll film polaroid	130		
TF2422 Frequency divider to 300 MHz	50	C31A Roll film polaroid	135		
RACAL		<b>Power Meters</b>			
9024 10 Hz-600 MHz 7 + 1 digits	325	HEWLETT PACKARD			
9059 DC-560 MHz with battery pack	300	432A/478A 10 MHz-10 GHz wideband with bolometer	350		
9835 DC-15 MHz 6 digits	175	<b>Power Supplies</b>			
9837 DC-80 MHz 6 digits	245	DANA			
<b>Function Generators</b>		Battery Pack for use with 3800 series	5		
HEWLETT PACKARD		HEWLETT PACKARD			
3300A 0.01 Hz-100 kHz sine, square triangular	150	6265B DC stab variable 40 V/3 A	195		
3301 Auxiliary plug-in		6269B DC stab variable 40 V/50 A	350		
<b>Insulation Testers</b>		SYSTRON DONNER			
EDGCUMBE		LNG 16-1016 V/10 A variable	95		
Metrohm Hi resistance test set	50	<b>Pressure &amp; Displacement Transducers</b>			
<b>Logic Analysers</b>		ELECTRO MECHANISMS			
HEWLETT PACKARD		LVDT DC linear variable ±0.50 inches	25		
1601L Logic state analyser 12 channel display	1060	<b>Pulse Generators</b>			
SPECTRUM DYNAMICS		E. H. RESEARCH			
550 Universal programmer/verifier for ROMs	1550	G710 5 V/50 Ω 30 Hz-50 MHz RT 5 ns	100		
<b>Mains Monitors</b>		132AL 50 V/50 Ω 5 Hz-3 MHz RT 12 ns	175		
AMPROBE		LYONS INSTRUMENTS			
LAV2X Mains voltage recorder	45	PG2E 10 V/50 Ω 1 Hz-16 MHz RT 10 ns	130		
LAV3X Mains voltage recorder	45	PG23 10 V/50 Ω 1 Hz-10 MHz RT 5 ns	135		
LAV4X As LAV3X with suppressed zero	50	SYSTRON DONNER			
GEC		101 10 V/50 Ω 10 Hz-10 MHz RT 5 ns	95		
FB31A Surge monitor records mains spikes + filter	85	110B 10 V/50 Ω 5 Hz-50 MHz RT 4 ns	195		
RUSTRAK		<b>Recorders &amp; Signal Conditioning Equipment</b>			
288 + CT Clamp-on AC recording ammeter	110	BRUNO WOELKE			
<b>Microwave</b>		ME102B Wow and flutter meter	120		
HEWLETT PACKARD		ME102C Wow and flutter meter	150		
423A Crystal detector	65	BRUEL & KJAER			
X382A Attenuator 'X' band	220	2305B Stylus Recorder includes 50 db pot	650		
788C Directional detector	145	HEWLETT PACKARD			
<b>Modulation Meters</b>		17502A Plug-in for 7100 series recorder temperature module	75		
RADIOMETERS					
AFM1 AM/FM modulation meter	205				
<b>Oscilloscopes</b>					
ADVANCE					
OS1000 DC-15 MHz dual trace	265				

	Prices from £
<b>T.V. Test Equipment</b>	
MARCONI	
TF2909 Gray scale generator	350
<b>Temperature &amp; Humidity</b>	
AMPROBE	
T8650 Recording thermometer 12"/hr chart speed	50
COMARK	
1604BLU Analogue thermometer 0-100°C	55
LEE-DICKENS	
HP5 Humidity probe	130
HUMIGUN Temp/humidity probe with meter	215
RAYTEK	
T1000 Infra-red thermoprobe	275
<b>Voltmeters - Analogue</b>	
BRADLEY	
CT471C AC/DC/Ω current multimeter	350
HEWLETT PACKARD	
427A AC/DC/Ω multimeter	295
3406A 10 kHz-1.2 GHz	395
KEITHLEY	
610B Electrometer recorder O/P	330
LINSTEAD	
M2B DC/AC 10 Hz-500 kHz	50
MARCONI	
TF2603 AC voltmeter to 1.5 GHz	375
NORMA	
U-Function Dual channel peak/RMS meter	495
PHILIPS	
PN2454B AC voltmeter to 12 MHz	300
<b>Voltmeters - Digital</b>	
ADVANCE	
DMM3 1999 FSD AC/DC/Ω current	85
DANA	
5230 119999 FSD AC/DC	175
BOONTON	
93A 20 Hz-20 MHz true RMS	285
FLUKE	
8300A 119999 FSD DC only	150
8300A OP1 119999 AC/DC	185
HEWLETT PACKARD	
3474/2 9999 FSD AC/DC/Ω	215
SOLARTRON	
A200 19999 FSD DC only	200
A205 19999 FSD AC/DC/Ω	300
A215 199999 FSD AC/DC/Ω	475
LM1867 101999 FSD DC only	175
<b>Wave Analysers</b>	
HEWLETT PACKARD	
302A 20 Hz-50 kHz 75 db range	550
<b>Redundant Test Equipment</b>	
Why not turn your under-utilized test equipment into cash? Ring us and we'll make you an offer.	

**Just Available**

**Acoustic**  
BRUEL & KJAER  
1402 Random Noise Generator £375  
4216 Artificial Mouth £40

**Power Supplies**  
FARNELL  
L30B 30V/1A Var. Power Supply £60

**Scopes**  
DYNAMCO  
7200/02/12 DC-15 MHz £295  
HEWLETT PACKARD  
1707B/20 DC-75 MHz £780

TEKTRONIX  
551 True Dual Beam with 2 x CA Units and Trolley £525

TELEQUIPMENT  
D83/V4/S2A DC-50 MHz £575  
D75/V4/S2A DC-50 MHz Portable Style £550

Contact David Kennedy or Kathy Goodman

**01-267 4257**

Carston Electronics Limited,  
Shirley House, 27 Camden Road,  
London NW1 9NR. Telex: 23920

More  
people in  
Britain  
buy

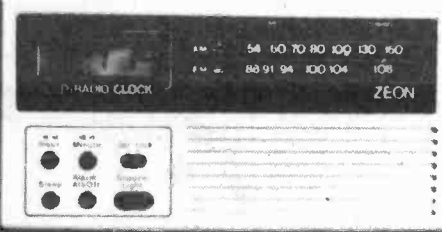


than  
any  
other  
electronics  
magazine.  
Why?

Most magazines have their circulations independently audited according to very strict rules and ETI has just taken over as the largest selling magazine in the field in Britain. Starting as a small "also-ran", ETI has now overtaken mags originally selling four times the number of copies.

Find out why ETI is No. 1 for yourself. Could it be something to do that it's better than the competition?

## CLOCK RADIO



You probably won't believe us as we're selling the goods but we're going to tell you anyway! We have *rejected* eight clock radios for Marketplace, they were all cheap enough but the quality was so poor that we couldn't have lent our name to them. However, we are now able to offer a portable LCD Clock Radio to you which meets our standards.

The clock is a 12-hour one with AM/PM indicated and a back light. The radio is Medium Wave and FM with very nice quality for a small speaker — for FM there's a telescopic aerial. The alarm can be either a 'beep-beep' type or the radio, there's also a snooze facility.

The case is sensibly rugged and is printed on the back with a World Time Zones map, a bit of a cheek really, especially as the time is relative to Japan!

We won't even mention the RRP — but just check on comparable prices — you'll find ours a bargain.

An example of this Clock Radio can be seen and examined at our Oxford Street offices.

**£20.50**

(Inclusive of VAT and Postage),

To:  
**CLOCK RADIO Offer,**  
ETI Magazine,  
25-27 Oxford Street, London W1R 1RF.

Please find enclosed my cheque/PO for £20.50 (payable to ETI Magazine) for my Clock Radio.

Name .....

Address .....

Please allow 28 days for delivery.

# ETI MA

## DIGITAL ALARM



THIS IS THE THIRD digital alarm clock that we are offering (we regret the earlier versions are no longer available). We have sold thousands and thousands of these and our buying power enables us to offer a first rate branded product at a really excellent price.

The Hanimex HC-1100 is designed for mains operation only (240V/50Hz) with a 12 hour display, AM/PM and Alarm Set indicators incorporated in the large display. A switch on the top controls a Dim/Bright display function.

Setting up both the time and alarm is simplicity itself as buttons are provided for both fast and slow setting and there's no problem about knocking these accidentally as a 'locking' switch is provided under the clock. A 9-minute 'snooze' switch is located at the top.

An example of this clock can be seen and examined at our Oxford Street offices.

**£8.95**

(Inclusive of VAT and Postage)

To:  
**Hanimex Alarm Offer**  
ETI Magazine  
25-27 Oxford Street  
London W1R 1RF

Please find enclosed my cheque PO for £8.95 (payable to ETI Magazine) for a Hanimex Digital Alarm Clock.

Name .....

Address .....

Please allow 28 days for delivery.

# MARKET PLACE

## LCD CHRONO



We feel we've got to tell you carefully about this offer which we're introducing for the first time. Why? Because our price is so enormously lower than anywhere else you may suspect the quality.

The exact same watch is currently being offered by another magazine as a special at £24.95 — some of the discounters are selling it at £29.95, the price to ETI readers for exactly the same watch is £12.95.

The display is LCD and shows the seconds as well as the hours — and minutes — press a button and you'll get the date and the day of the week.

Press another button for a couple of seconds and you have a highly accurate stopwatch with hundredths of a second displayed and giving the time up to an hour. There is a lap time facility as well — and of course a back light.

Our Chrono comes complete with a high grade adjustable metal strap and is fully guaranteed.

A sample of this watch can be seen and examined at our Oxford Street offices.

### £12.95

(Inclusive of VAT and Postage)

To:  
LCD Watch Offer  
ETI Magazine  
25-27 Oxford Street  
London W1R 1RF

Please find enclosed my cheque/PO for £12.95 (payable to ETI) for my LCD Chrono-graph.

Name .....

Address .....

.....

.....

Please allow 28 days for delivery.

## DIGITAL ALARM MK2



Both ETI and Hobby Electronics have sold a lot of digital alarm clocks — over 10,000 in fact — maybe that's something to do with the fact that we sell at real bargain prices. Now we can offer you a truly modern, space age model.

It includes all the facilities expected in a good design — fast, slow setting, snooze facility, etc plus two unusual features — automatic brightness control and a weekend alarm cancel.

An example of this clock can be seen and examined at our Oxford Street offices.

### £10.50

(Inclusive of VAT and Postage)

To:  
DIGITAL ALARM CLOCK MK2 Offer,  
ETI Magazine,  
25-27 Oxford Street,  
London W1R 1RF.

Please find enclosed my cheque/PO for £10.50 (payable to ETI Magazine) for my digital alarm clock.

Name .....

Address .....

.....

.....

Please allow up to 28 days for delivery.

## ALARM-CHRONO LCD



This new addition to our unbeatable selection of bargains is no ordinary LCD watch. It's a slim, multi-function, dual time chronograph alarm watch, no less.

This model will show hours, minutes, seconds, date, day of the week, stop watch, split time, alarm and alternate dual time zone — not all at once, of course. There is also a night light.

Hours, minutes, seconds and day of the week are displayed continuously, while the date will appear at the touch of a button. The day of the week is indicated by a flag. When used as a stopwatch, the maximum count is 0.1secs. short of thirteen hours.

An example of this watch can be seen and examined at our Oxford Street offices.

### £22.95

(Inclusive of VAT and Postage)

To:  
ALARM/CHRONO LCD WATCH Offer,  
ETI Magazine,  
25-27 Oxford Street,  
London W1R 1RF.

Please find enclosed my cheque/PO for £22.95 (payable to ETI Magazine) for my Alarm/Chrono LCD watch.

Name .....

Address .....

.....

.....

Please allow up to 28 days for delivery.

# audiophile.....

**From pizza to words via cassettes. A place to eat where your ears can join in, a book to avoid and two nice new decks from Hitachi. Ron Harris joins them all together in the name of Audiophile!**

LET US BEGIN with the nice bits. A piece of paper floating across my besieged desk attracted attention to itself by bearing the words 'pizza', 'Wharfedale' and 'Crimson Elektrik' all on one page.

Apparently there is a new restaurant, at Hanover Square London, which has fitted itself out with a high hi-fi system as a reaction to musak. They have employed large numbers of Wharfedale E50s, eighteen in fact, and five bass bins — operable below 150 Hz — to set up areas of stereo sound no larger than a living room.

Adjacent stereo pairs are arranged in reverse configuration so that the imagery is not confused anywhere and there is no less than 1200 M of speaker cable.

## Ample Fare

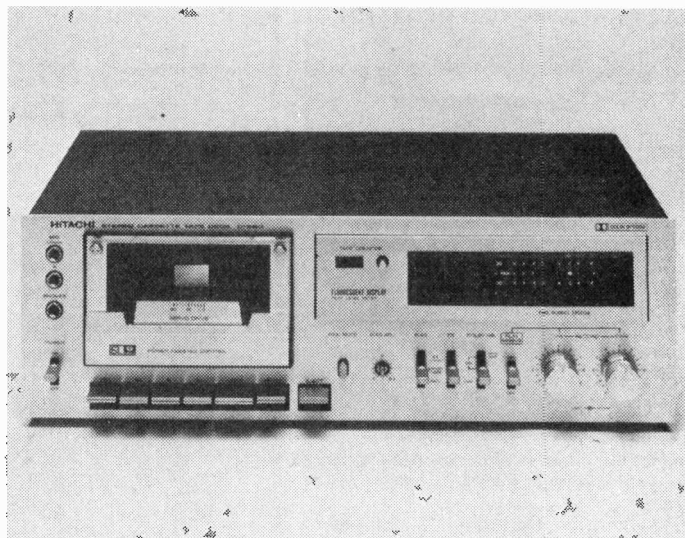
Amplification comes from two GAS units down to 150Hz, and five Crimson 170W modules below that. The pre-amp is also Crimson. Sound source (sauce?) is either a pair of Dual C939 cassette decks or a Dual 721/V15 IV record playing system. In order to avoid playing 'Dark Side' 1000 times a day no doubt, and to preserve the American atmosphere, the output from Chicago's WBBMFm Dolby radio station is 'creamed' the previous week and recorded for use as material.

That makes more sense when you hear that the restaurant is called the Chicago Pizza Pie Factory, and as soon as I can find my 'A to Z London' I'll be out to report on the frequency response of their pizzas . . .

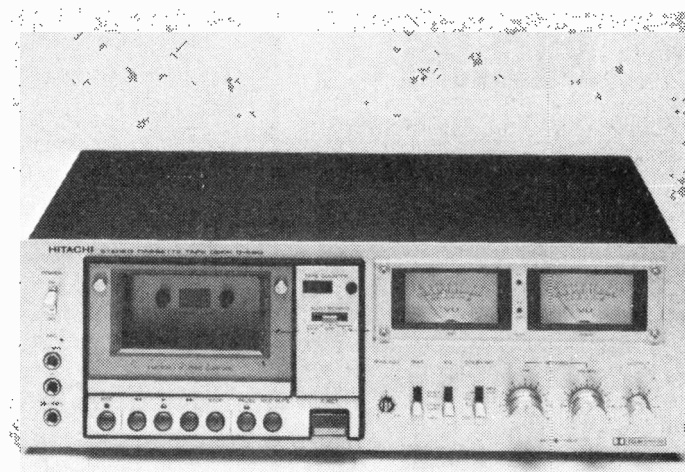
## Decked Out

First news in a long time from Hitachi. Rumours were they'd all died. These two new decks look very interesting indeed technically — no chance of a listen yet. The D560 has a fluorescent display (à la Sony) instead of VU meters. Somewhat unusual in a deck of this price range are the excellent mixing facilities and a fine bias control. Specifications include a frequency response up to 15,000 Hz using normal tape, and a wow and flutter of 0.06% WRMS. Signal to noise ratio is 63dB and the whole lot costs £179 all inc.

The D580 is somewhat more expensive at £219, but can offer a lower wow and flutter and logic control of the drive system, which is two motor, for the money. An auto rewind facility is fitted, which will allow you to go back and play a particular track again . . . . . and again . . . . . and again . . . . . and again . . . . . and again . . . . . and again . . . . . and again . . . . . and again . . . . . and again . . . . .



**Above: the Hitachi D560 cassette deck. The fluorescent display is interesting, as is the fine bias control.**



**Above: the D580 from those same Hitachi type people. This one has a built-in elephant so that it never forgets where you started recording, and will rewind these upon demand.**

## Book Your Enclosures

There are flocks — word carefully chosen, of books about audio-explaining, expounding, extending and generally varying the theme. Spring is lambing time anywhere you go, and we get quite a few woolly efforts appearing on the bookstands at this time of year.

One such offering — "Master Hi-Fi Loudspeakers and Enclosures" by D. Berriman — came to light this week. It is difficult to see what market the book is aimed at. For the complete tyro, a fourteen page romp from zero to complete mastery of Sound Hearing and Measurement (Chapter 1) is hardly sufficient. For the more cogniscent the statement that "Applying goo to the cone will help damp out these break-up resonances but too much goo will add mass thus resulting in a lowered efficiency . . ." (p.49) will hardly kindle the fires of technical enlightenment.

I know that quoting out of context is always unfair, but how else to convey the tone of the text? It is basically well written but fatally unsure of whom it is written for, and in consequence oscillates between over simplification and unnecessary complication.

Mr Berriman's *next* book will undoubtedly be a volume well worth the perusal and I look forward to reading it.

Sorry David Berriman, but I didn't like this one at all.

## Ear Say

Interesting incident.

Great credence is placed in panel listening tests these days, and indeed the technique does seem to be the best way we have of conveying subjective impressions, but how does the collective mind function? Certainly not as the sum of the parts. Witness this—

Some time ago I ran a series of cartridge tests with five different top flight units, and a Sony EL7 Elcaset machine. The original scheme was to run a 'standard' sort of affair to place the cartridges in order of merit. However, it became more interesting due to a foul-up on the monitor switch!

## Finish Tape

Throughout the test the members of the panel had, between them, identified the tape machine about 80% of the time upon direct comparison. (That figure is beguiling in itself is it not?) Inserting a taped version of one of the cartridges into the list as a 'sixth unit,' however, led to its being identified as the cartridge which had been recorded IN EVERY CASE.

Not one member of the group realised it was hearing a recording. Mind you not one of them would admit it later — typical of the kind of people I have to deal with!

These were all folk involved in the audio field and as such could be considered 'professionals'.

The final touch however was added when discussing this later with one of the panel concerned. The faithful EL7 was quietly playing away — a recording of Thelma Houston's direct cut disc — and to prove his point the gentleman made a reference to the cartridge then in use.

You see the arm was over the deck (raised I hasten to add) and the front of the EL7 is not visible from where he sat. The assumption was easy to make. Wrong, but easy to make. One to the tape machine.

## Rest Easy

Since then I have repeated the, initially unintended, deception on every member of that panel. Moreover, upon direct comparison — individually — the identification of tape against source went down to barely 60%.

The EL7 is a very high quality tape reader, and the results it produces can be as good as any. However, the point would seem to me the variation present in those figures. As a group 80%, one by one 59%.

Small variations in audio signals would seem to be detected somewhat unreliably on the whole. If a panel of 'experts' can come up between them with one set of results, and individually with a totally *different* set — what price the conclusions?

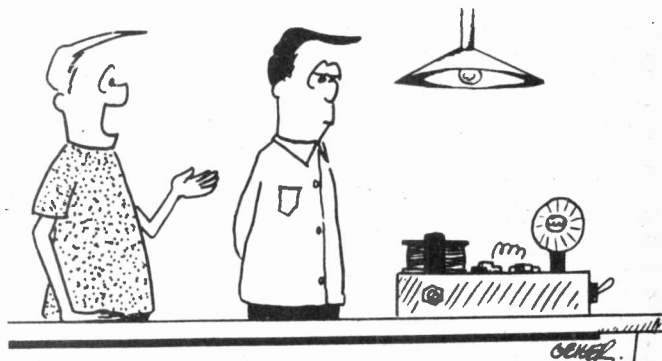
Operating in a group always leads to collaboration — let us call it discussion — in which the strongest personalities will triumph. I would suggest therefore that there is a strong possibility that a group result will depend for more heavily upon the (pre-formed?) opinions of the strongest rather than the collective impression of the whole.

Opinions please.

ETI



Benjamin Franklin flies a kite in a thunderstorm and discovers electricity — I fly a kite in a thunderstorm and discover that it's stupid to fly a kite in a thunderstorm.



... it emits a bright flash of light every 5 seconds — I'm thinking of marketing it as a hazard warning light or a strobe for a senior citizens' disco.

7400	10p	7460	12p	74137	90p	74195	50p	4055	130p	CA 3140	60p	LM 3909 N	65p	TBA 480 Q	200p				
7401	10p	7470	25p	74138	100p	74196	50p	4056	120p	LF 356	80p	MC 1310 P	140p	TBA 520 Q	200p				
7402	10p	7472	20p	74141	50p	74197	50p	4060	100p	LF 357	80p	MC 1312 P	150p	TBA 530 Q	200p				
7403	10p	7473	25p	74142	180p	74198	100p	4066	35p	LM 211 H	250p	MC 1314 P	190p	TBA 540	200p				
7404	12p	7474	25p	74143	270p	74199	100p	4069	12p	LM 300 TR5	170p	MC 1315 P	230p	TBA 550 Q	250p				
7405	12p	7475	25p	74144	270p	74293	90p	4070	12p	LM 301 AN	30p	MK 50398	650p	TBA 560 C	250p				
7406	25p	7476	25p	74145	55p	74L500	18p	4071	12p	LM 304	200p	MM 5314	380p	TBA 641 A12	250p				
7407	25p	7480	40p	74147	100p	745112	80p	4072	12p	LM 307N	65p	MM 5316	480p	TBA 700	180p				
7408	12p	7481	85p	74148	90p	<b>CMOS</b>			4081	12p	LM 308 TO5	100p	NE 529 K	150p	TBA 720 Q	225p			
7409	12p	7482	75p	74150	65p	4000	12p	4082	12p	LM 308 DIL	100p	NE 555	25p	TBA 750 Q	200p				
7410	12p	7483	75p	74151	45p	4001	12p	4093	70p	LM 309 K	100p	NE 556	90p	TBA 800	80p				
7411	15p	7484	70p	74153	45p	4002	12p	4510	60p	LM 310 TO5	150p	NE 562 B	400p	TBA 810	100p				
7412	15p	7485	60p	74154	70p	4006	80p	4511	70p	LM 311 TO5	150p	SAD 1024	1500p	TBA 820	100p				
7413	25p	7486	25p	74155	45p	4007	14p	4516	65p	LM 317 K	325p	SL 917 B	650p	TBA 920 Q	280p				
7414	45p	7489	130p	74156	45p	4009	30p	4518	65p	LM 324	70p	SN 76003 N	150p	TCA 270 Q	220p				
7416	25p	7490	25p	74157	45p	4011	12p	4520	65p	LM 339	60p	SN 76013 N	110p	TCA 270 S	220p				
7417	25p	7491	40p	74160	55p	4012	12p	4528	80p	LM 348 N	90p	SN 76013 ND	125p	TCA 760	300p				
7420	12p	7492	35p	74161	55p	4013	30p	4583	70p	LM 380	60p	SN 76023 N	110p	TCA 4500 A	450p				
7421	20p	7493	30p	74162	55p	4015	50p	<b>LINEAR</b>			LM 381 N	90p	SN 76023 ND	125p	TDA 1008	350p			
7422	15p	7494	70p	74163	55p	4016	30p	AY3 8500	450p	LM 382	90p	SN 76033 N	150p	TDA 1034	450p				
7423	20p	7495	45p	74164	60p	4017	50p	CA 3039	70p	LM 391	180p	SN 7627 N	160p	TDA 2002	300p				
7425	20p	7496	45p	74165	60p	4018	55p	CA 3046	60p	LM 555	25p	SN 76228 N	180p	TDA 2020	300p				
7426	22p	7497	120p	74166	75p	4019	40p	CA 3060	225p	LM 709 C	40p	SN 76660 N	75p	TL 084	120p				
7427	22p	74100	80p	74167	160p	4020	50p	CA 3065	200p	LM 710 TO5	60p	TAA 300	100p	XR 320	250p				
7428	25p	74104	40p	74170	100p	4022	50p	CA 3076	250p	LM 710 DIL	65p	TAA 350	190p	XR 2206	450p				
7430	12p	74105	40p	74173	80p	4023	12p	CA 3080	75p	LM 723 TO5	40p	TAA 550	35p	XR 2207	450p				
7432	20p	74107	25p	74174	60p	4024	40p	CA 3084	250p	LM 723 DIL	40p	TAA 570	220p	XR 2208	600p				
7433	28p	74108	100p	74175	60p	4025	12p	CA 3085	85p	LM 733	120p	TAA 661B	140p	XR 2216	650p				
7437	20p	74166	75p	74176	50p	4026	80p	CA 3086	60p	LM 741	20p	TAA 700	350p	XR 2567	250p				
7438	20p	74109	25p	74177	50p	4027	30p	CA 3088	190p	LM 748	40p	TAA 790	350p	XR 4136	150p				
7440	12p	74118	75p	74178	75p	4028	45p	CA 3089	160p	LM 1303 N	100p	TAD 100	150p	XR 4202	150p				
7441	45p	74120	80p	74179	120p	4029	50p	CA 3090	360p	LM 1458	100p	TAD 110	130p	XR 4212	150p				
7442	40p	74121	25p	74180	90p	4030	30p	CA 3123 E	130p	LM 3080	75p	TBA 120 S	60p	XR 4739	150p				
7443	60p	74122	35p	74181	130p	4032	80p	CA 3130	100p	LM 3900	55p	TBA 120 T	85p	ZN 414	100p				
7444	60p	74123	40p	74182	50p	4033	100p												
7445	65p	74125	35p	74184	120p	4040	60p												
7446	50p	74126	35p	74185	100p	4043	60p												
7447	50p	74128	60p	74188	320p	4046	90p												
7448	50p	74130	120p	74190	70p	4047	80p												
7450	12p	74131	90p	74191	70p	4048	50p												
7451	12p	74132	45p	74192	60p	4049	25p												
7453	12p	74135	90p	74193	60p	4050	25p												
7454	12p	74136	80p	74194	55p	4054	100p												

IN 4148 Diodes by ITT/Texas, 100 for £1.50  
 Static Ram 2102 1024x1 bit 450 nano sec, £1.00 each  
 2112 256x4 bit 450 nano sec, £2.50  
 Murata Ultrasonic Transducers 40kHz, £2.00 each; £3.50 pair  
 All prices include post and VAT

**T. POWELL**

306 ST. PAULS ROAD, HIGHBURY CORNER, LONDON, N.1. TEL. 01-226 1489  
 Barclay/Access credit cards accepted

# PETALECT

ELECTRONIC SERVICING LTD.

## PET 2001/8 micro-computer

£550 + V.A.T.

**WHY BUY A MICRO COMPUTER FROM US?  
 BECAUSE:**

- 1) Established Company trading since 1971.
- 2) Electronic servicing is our speciality.
- 3) We have in house programmers / systems analysts.
- 4) We have our own service engineers.
- 5) We will demonstrate the PET at your premises.
- 6) We can customise the PET to your requirements.
- 7) We can arrange finance.
- 8) We offer, after the three month warranty, an annual service contract from £69.50.
- 9) You benefit from our experience of having sold over 150 Micro Computers to industrial, educational and business, personal users.

**VISIT OUR SHOWROOM AT:  
 34 Chertsey Road, Woking, Surrey**

We supply the full range of C.B.M. PET Micro-computers. We also supply:

Dual Floppy Disks **£840**  
 24K Memory Boards **£320**  
 All types of Printers **from £450**

All types of Printer Interfaces, Electronic balance Interfaces, Programs from C.B.M., Petsoft, Gemsoft. We also offer a full consultancy and programming service.

We are developing a number of our own business packages for all applications.

Books on Basic, Programming, Interfacing, etc.

Full range of KIMs available.

Tandy and ITT 2020 available.

Maintenance, Hire Purchase facilities as well as ACCESS and BARCLAYCARD available.

**Factory: Telephone WOKING 69032 / 68497 / 20727. Shop: Telephone: WOKING 23637.**

## ULTRASONIC REMOTE CONTROL DIMMER

EVER WANTED TO turn the lights down from the comfort of your armchair? With this dimmer you can do just that. Press a button and up goes the light. Press another button and down it goes again.

Control of the unit is afforded by the two front panel push buttons. External buttons (as many as you like) may be connected in parallel. There is no danger of getting a shock, because the control electronics are isolated from the mains. It is also possible to alter the rate at which the light dims.

### Controlling It

It was decided that the hand control (transmitter) should be as simple as possible and the receiver should be very safe. Also, all components should be readily available and cheap, and the circuits should be uncritical and reliable.

As only one channel is required, a carrier modulated by a tone fits the bill. The next step is to decide on the data link. To keep the GPO happy, one is limited to either infra-red or ultrasonic transmission. The author decided to use ultrasonics.

The means of communication is a 40 kHz carrier plus a carrier modulated at 400 kHz. This makes the transmitter very simple as can be seen from the circuit diagram.

Now for the dimmer. When you don't have a pot in the circuit acting as a memory, you need some form of electronic memory. The charge on a capacitor is one way of doing it. However, you need a very high Z sample and hold circuit and lots of guard tracks on your PCB, and you have to keep it dry. The smallest amount of moisture in the air and you're leaking all over the place. Even then, the charge isn't going to stay there all day. The alternative is a digital memory or rather a four bit up/down counter. This gives you 16 different levels — enough for domestic light control. With half a dozen resistors we then get a voltage out.

How do we control the triac? Zero crossing isn't possible for an incandescent lamp. Therefore, we have to use phase control. The standard circuit using a PUT with a transistor in the charging circuit was tried. It worked, but it was non-linear and difficult to get a reasonable range on the control voltage into it.

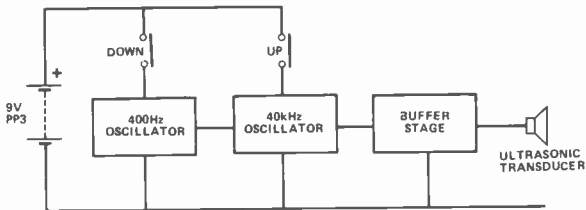


Fig. 1a Block diagram of the transmitter.

### Three Into One

To gain phase control of a mains load, a voltage controlled monostable synchronous with the AC mains should do the trick. In its basic form it consists of three

Submitted by Jonna Kats of London



cheap transistors and one 741 op amp, together with their resistors, capacitors, etc. — less than £1.

Fig. 1a shows a block diagram of the transmitter and fig. 1b the receiver/control.

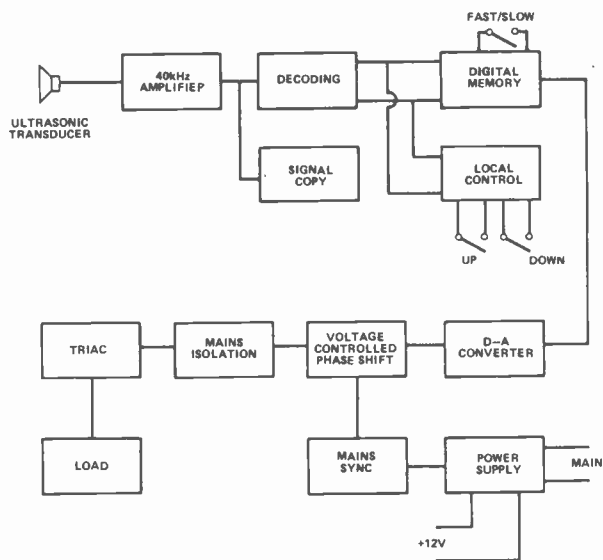


Fig. 1b Block diagram of the receiver/control circuit.

### Getting It Together

The prototype was built on Veroboard. With safety in mind components that have mains across them are connected so that live and neutral or any other potential

## HOW IT WORKS—THE TRANSMITTER

As can be seen from Fig. 2a the simple transmitter consists of only one IC — a hex inverter 4069. Inverters a and b form a low frequency oscillator which gates the 40 kHz oscillator formed by inverters c and d. Inverters e and f form a buffer driver for the ultrasonic transducer. Because the transducer is driven by an out of phase signal twice the supply voltage appears across it. When SW2 is pressed, supply goes straight to IC1 and D1 is reverse biased so that a and

b oscillate and, via D3, gate the 40 kHz. If SW1 is pressed D1 conducts supply to IC1 and D2 holds the input to inverter a high. This means that the output of b is high and D3 is reverse biased. Therefore, it has no effect on the 40 kHz oscillator, so carrier is produced. The alternative circuit for the transmitter uses slightly more space because it contains two 4011 packages (which are cheaper than one 4069) and has the advantage that, with the inverters, D3 is

required to gate the oscillator on and off. Unfortunately, when it is reverse biased it still has a slight effect and so the 40 kHz oscillator doesn't quite run at 40 kHz, which means that maximum power is not produced by the transducer. This doesn't happen with the NAND gates. D2 stops the signal from being higher than the supply i.e. OV6.

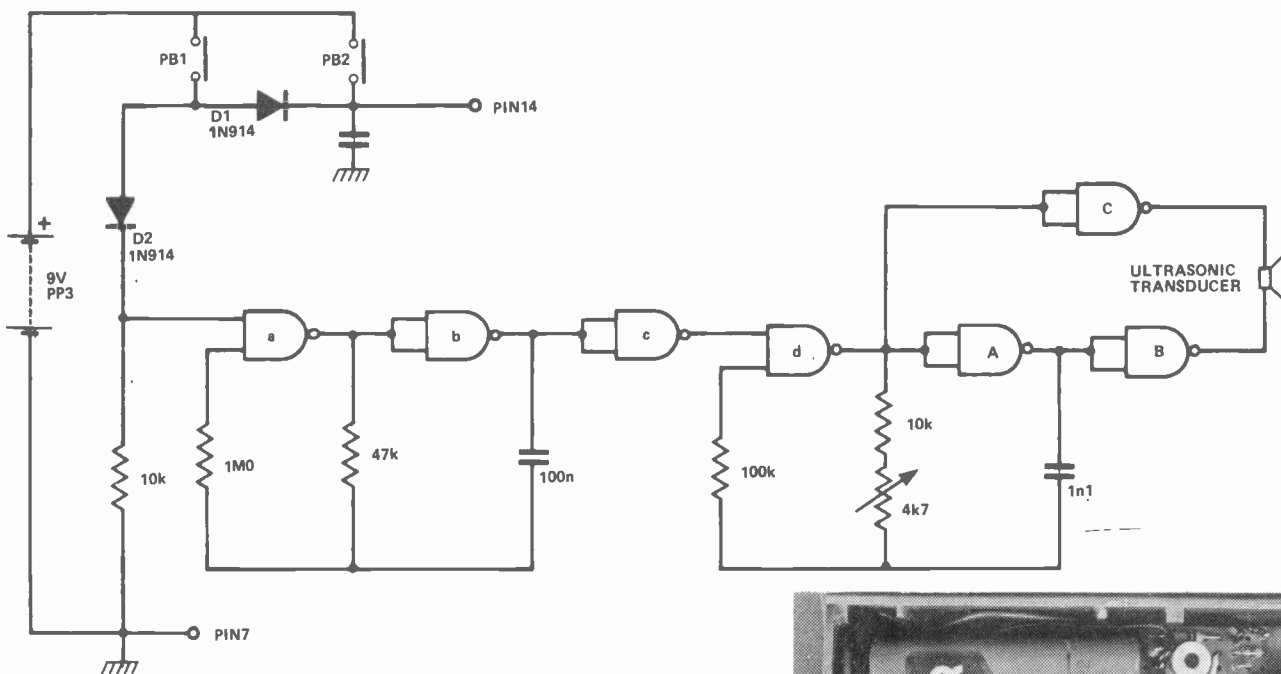
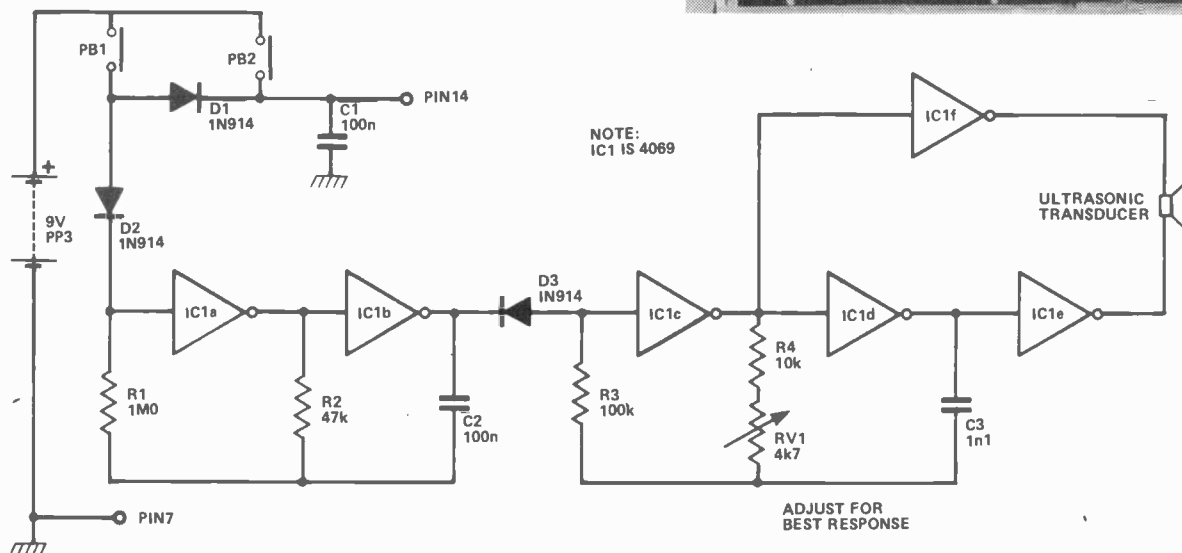
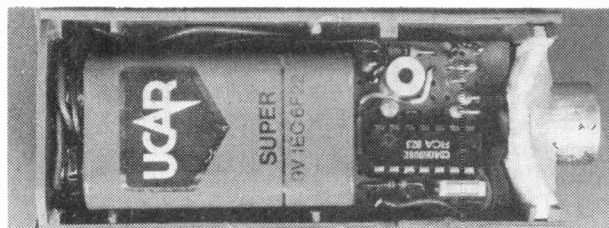


Fig. 2a Circuit diagram of the transmitter.





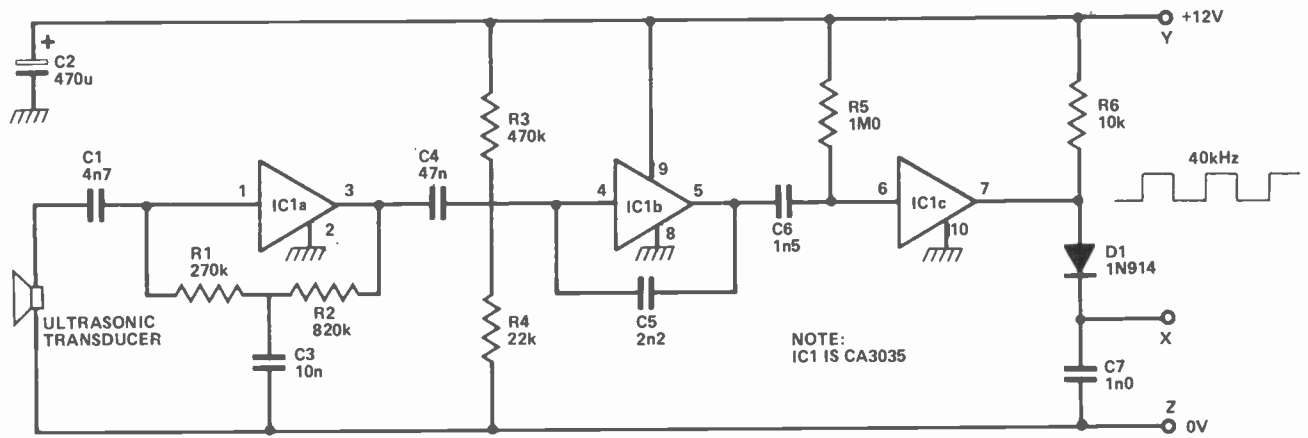
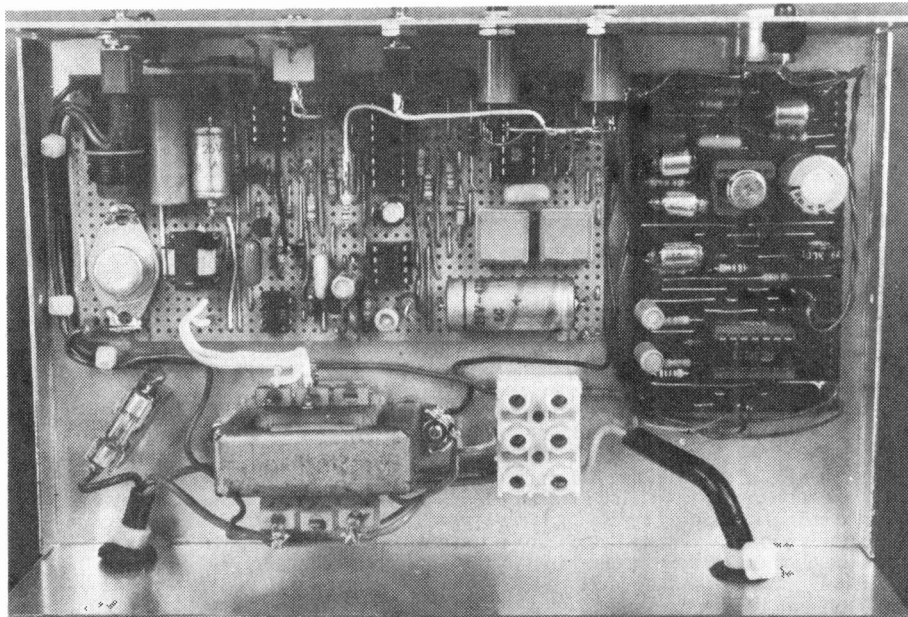


Fig. 3 Circuit diagram of the receiver.

Below: internal view of the prototype



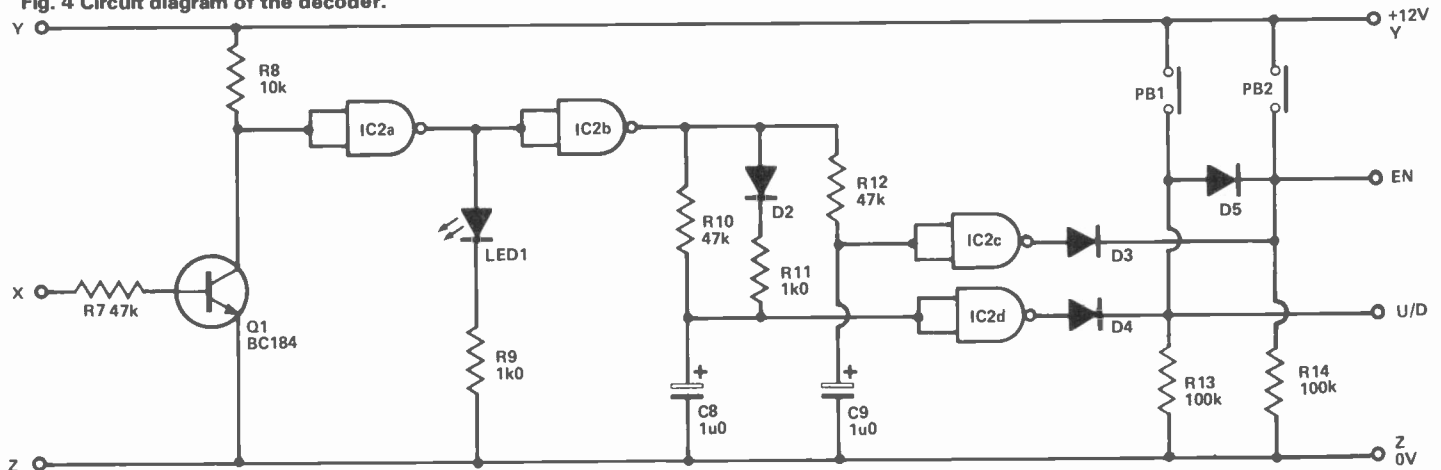
Left: the hand hold transmitter exposed!

## HOW IT WORKS — THE RECEIVER AND DECODER

The signal is picked up by the ultrasonic transducer and is AC coupled to the input of the first amplifier in the CA3035 array. R1,2,3,4,5,6, bias the internal stages for maximum gain. C3 decouples low frequency signals and is all the timing that is required, as the transducer itself is only sensitive to signals in a narrow band. C5 prevents oscillation. When a signal is present C7 charges up via D1 with the result that Q1 switches on, providing a little more gain in the system.

Thus, when a signal is received, the output of IC2b which is normally high, either goes low for the duration of the signal, or, if the carrier is intermittent, a square wave appears for the duration. LED1 driven by inverter IC2a, lights to indicate that a signal of sufficient strength is available. C8,9, which are charged up, start to discharge via R10,12. For a continuous signal they both discharge so that the outputs of inverters IC2c, d both go high, D3,4 conduct so that the outputs EN (enable) and U/D (up/down) go high. The same result is achieved by pressing SW1. (D3,4 are required to prevent the outputs of inverters IC2c,d being shorted to supply by SW1,2). If a square wave appears at the output of IC2b then C9 discharges to a point that will make IC2c go high, but, because of D2 and the low value of R11, C8 is continually being charged up faster than it is being discharged, so inverter IC2d remains low and only an enable signal is produced. The U/D line remains low.<sup>4</sup>

Fig. 4 Circuit diagram of the decoder.



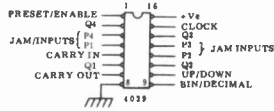
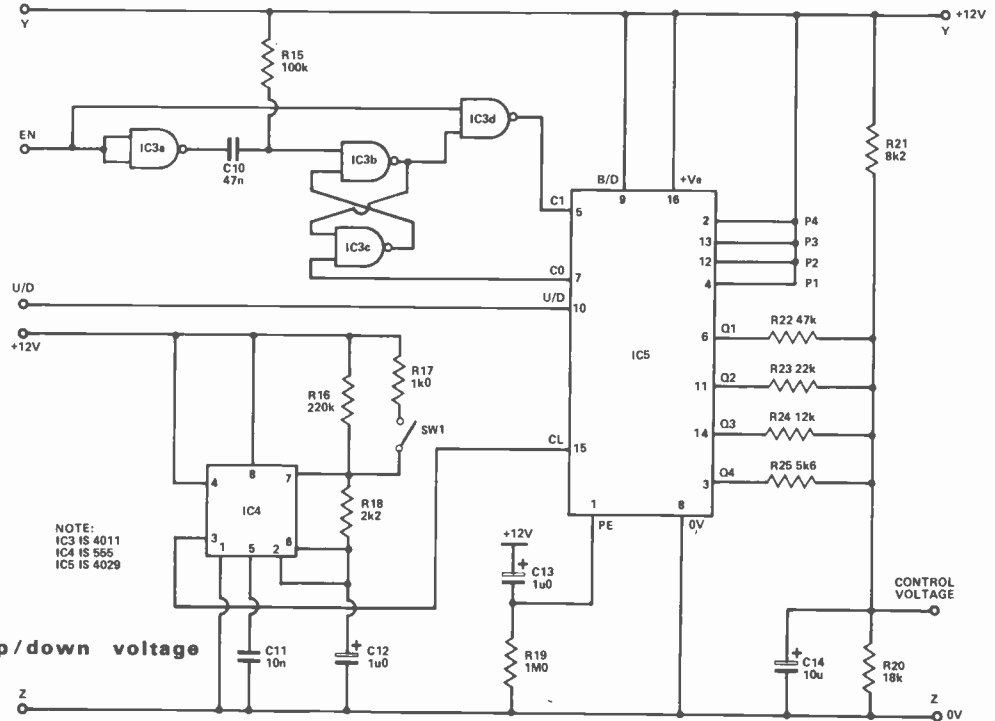


Fig. 5b Top view of the 4029 pin out arrangement.



NOTE:  
IC3 IS 4011  
IC4 IS 555  
IC5 IS 4029

Fig. 5a Circuit diagram of the up/down voltage generator/memory.

## HOW IT WORKS

### THE UP/DOWN VOLTAGE GENERATOR/MEMORY

From the previous stage we now have three signals i.e.

FUNCTION	EN	U/D
Do nothing	0	0
Go down	1	0
Go up	1	1

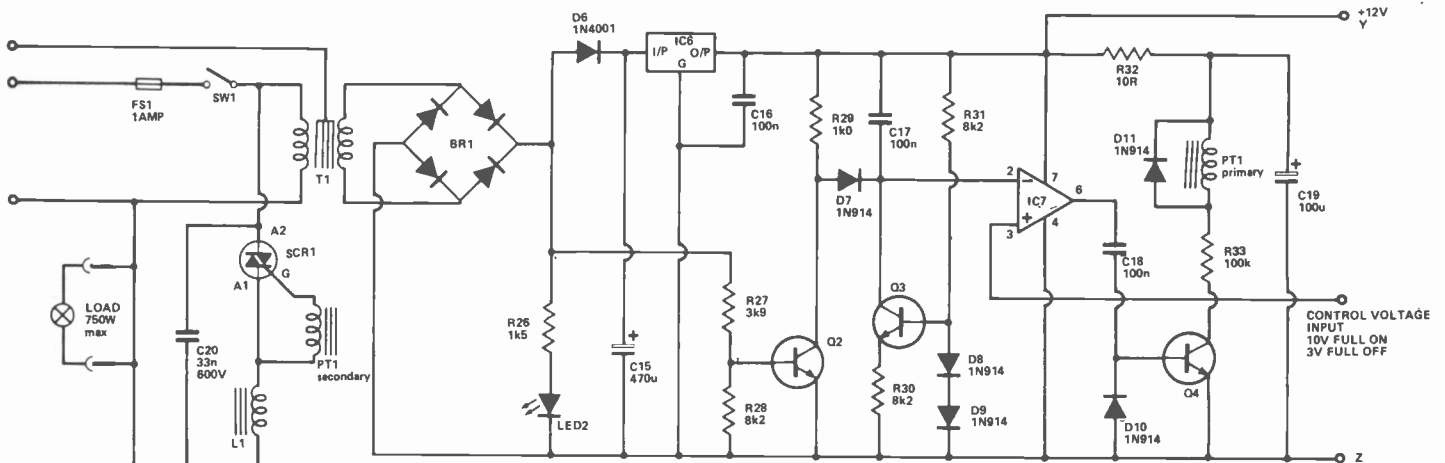
The up/down line goes straight to the up/down pin of the 4029 four bit counter. However, the enable signal has to be combined with the Carry Out signal from the counter, so that when it gets to either the bottom or top of its count it stops. Otherwise, when the light was at full brightness,

it would go off and start going up again.

The basic function is that of a NAND, but because the Carry Out signal is only available when the Carry In (used as an enable) is present, if a single NAND gate were used, the instant the Carry Out signal appeared the Carry In would disappear and, therefore, so would the Carry Out. (Yes, you've guessed it — a strong candidate for oscillation). Therefore, we have to latch the Carry Out and NAND it with the enable signal in IC3d. IC4 is a 555 working as a clock. SW1 gives the choice of a slow or fast ramp of IC5. R16,17 and SW1 could be replaced by a pot of around 250k or more, but 220k is a good compromise for speed.

C13 and R19 form a power on preset that sets the outputs Q1-4 to the state set on inputs P1-4 i.e. all high, so that the light always comes on full brightness, but if you want it to come on at half brightness take P1,2,3 to ground instead.

The outputs from the counter are resistively summed by R22-25 to produce a staircase ramp, which is smoothed by C14. Because the 4029 will sink and source equal currents, the summing point can be taken to a potential divider R20,21 to tailor the range of the output voltage to suit the requirements of the next stage without losing linearity.



NOTE:  
Q1,2&3 ARE BC184  
IC6 IS 7812  
IC7 IS 741  
BR1 IS 1A 100V  
T1 IS 12V 100mA  
L1 40 turns 265wg 1"x4"  
PT1 10 TURNS  
primary/secondary

Fig. 6 Circuit diagram of the voltage controlled dimmer.

## HOW IT WORKS VOLTAGE CONTROLLED DIMMER

The power supply is slightly different from the standard circuit in that D6 is introduced to isolate C10 and all the other supply smoothing. This means that the output of the bridge, if loaded, will fall to 0 V every 10 mS (100 Hz) i.e. at every zero crossing of the mains. This switches Q2 off. When this happens R18 discharges C12 via D7 to the positive rail. This takes about 500  $\mu$ S. When Q2 switches on again its collector goes down to saturation level and D7 is reverse biased. Q3, R19, 20 and D8,9 form a "reasonably" constant current sink of about 0.1 mA so that, at the inverting input to the 741, there is a negative ramp waveform synchronous with the mains. If we now put a DC voltage on the non-inverting input, the output of the 741 will be a square wave, the mark space of which will depend on the DC voltage as it is varied from 10 V to 3 V.

The rising and falling edge of this square wave is coupled to Q4 so that a fast pulse appears in the primary of pulse transformer PT1. R32 limits the current of this pulse. For a higher output current the triac will require a harder gate drive so this resistor

can be adjusted. D10 protects Q4 from reverse base-emitter breakdown and D11 protects it from the inductive back emf from the pulse transformer. R21 and C14 decouple the rest of the supply from the high current spikes. The 7812 regulator could be replaced by a 12 V zener and a resistor as not much current is drawn by the whole circuit.

The secondary of the pulse transformer is mounted across the gate and A1 terminals of the triac. C15 and L1 help to reduce the RF interference produced by the triac switching. C2,10 provide the smoothing after D6. Rather than using one 1000  $\mu$  capacitor it is sometimes better to use more, small values where they'll do the most good.

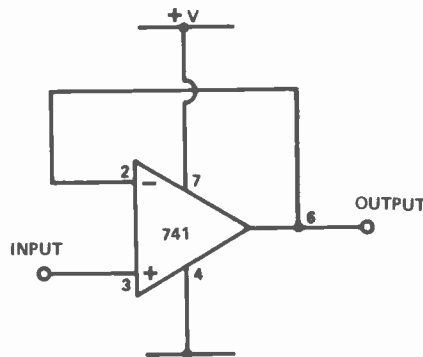


Fig. 8 The output buffer for the ramp waveform.

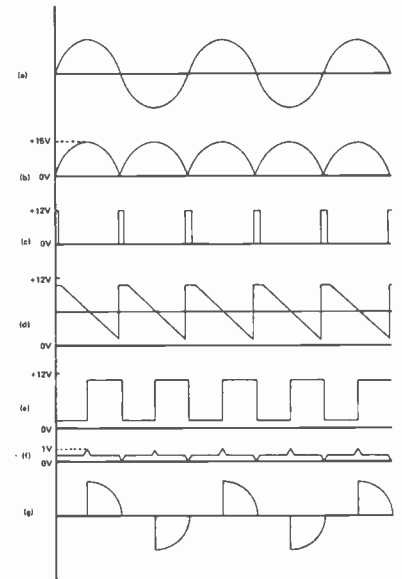


Fig. 7. Waveforms associated with the voltage controlled dimmer.

(a) OUTPUT OF MAINS TRANSFORMER  
(b) OUTPUT OF BRIDGE RECTIFIER BEFORE D6  
(c) COLLECTOR OF Q2  
(d) RAMP WAVEFORM ON INVERTING INPUT OF 741 AND DC VOLTAGE ON NONINVERTING INPUT OF 741  
(e) OUTPUT OF 741  
(f) VOLTAGE AT BASE OF Q4  
(g) VOLTAGE ACROSS LOAD DUE TO SWITCHING ACTION OF TRIAC

do not lie adjacent to each other and the tracks in between should be removed. The pulse transformer which divides the low and high tension is the only component which is mounted so as to bridge the gaps in the track. Care should be taken in the layout of the 40 kHz amplifier around the CA3035 as this has a high gain and can oscillate if the output is brought near the input.

### Killing The Bugs

The only problem likely to be encountered with the receiver is oscillation. This shows itself as a continuous output and is most likely to be caused by bad layout. Keep the output away from the input i.e. cut any vero tracks that are not used. Adjustment of R10,12 in the decoder will ensure that the threshold level of the CMOS is crossed. A meter can be used to follow the action of this block. In the up/down voltage generator/memory, the differentiator into the latch formed by IC3b/c ensures that the input stays low longer than any glitch that might appear from Carry Out, so C10 can be made larger if trouble is encountered here. If the lamp will not dim from very nearly off to on then the tolerance C12 could be the snag. Adjusting R19, will help. Also, a meter on the function of R20,21 will show if the 4029 counter is going up and down properly. ▶



# readers designs

## PARTS LIST

### RECEIVER/DIMMER UNIT

RESISTORS all 1/4W 5%  
 R1 270k  
 R2 820k  
 R3 470k  
 R4, 23 22k  
 R5, 19 1M  
 R6, 8, 32 10k  
 R7, 10, 12, 22 47k  
 R9, 11, 17, 29 1k  
 R13, 14, 15, 33 100k  
 R16 220k  
 R18 2k2  
 R20 18k  
 R21, 28, 30, 31 8k2  
 R24 12k  
 R25 5k6  
 R26 1k5  
 R27 3k9

### CAPACITORS

C1 4n7 polyester  
 C2 470u16V electrolytic  
 C3, 11 10n polyester  
 C4, 10 47n polyester  
 C5 2n2 polyester  
 C6 1n5 polyester  
 C7 1n  
 C8, 9, 12, 13 1u16V electrolytic  
 C14 10u 16V electrolytic

C15 470u 25V electrolytic  
 C16, 17, 18 100n polyester  
 C19 33n 600V

### SEMICONDUCTORS

LED 1, 2 TL102, etc  
 D1-5 1N914  
 D6 1N4001  
 D7-11 1N914  
 Q1-4 BC184  
 IC1 CA3035  
 IC2, 3 4011  
 IC4 555  
 IC5 4029  
 IC6 7812 Reg. 100mA  
 IC7 741  
 SCR1 6A 400V  
 BR1 1A 100V

### MISCELLANEOUS

L1 40 turns 26 swg on a 1in x 1/2in ferrite core  
 Pulse Transformer primary and secondary  
 10 turns 26 swg on a 1in x 1/2in ferrite core  
 T1 12V 100mA sec  
 2 Ultrasonic Transducers, switches, etc

## PARTS LIST

### TRANSMITTER

RESISTORS all 1/4W 5%  
 R1 1M  
 R2 47k  
 R3 100k  
 R4 10k

### POTENTIOMETER

RV1 4k7

### CAPACITORS

C1, 2 100n  
 C3 1n1

### SEMICONDUCTORS

IC1 4069  
 D1, 2, 3 1N914

### MISCELLANEOUS

SW1, 2 Single pole, push to make  
 Ultrasonic Transducer  
 Case, Ever-Ready Trimlight 6060

<p><b>MOTORS</b> 1.5 to 240v. Model Motors. 20p. Sub. Min. "Big Inch" Motors. 115v. 3rpm 30p. 12vdc 5 pole model motors 35p. 8 track 12vdc motor £1.25. Cassette motor vdc as equip. 65p. Crouzet geared motor. 115vac 4rpm 95p. Smiths clock motor. sync. 240vac 1 rev. per hour. 95p.</p>	<p><b>SEMICONDUCTORS.</b> All full spec. devices. 741 8 pin DIL 6 for £1.00. No 555 Timers 25p. TBA800 audio IC's 50p. 741S (wide bandwidth) 35p. LM380 80p. ZM44 radio IC's 75p. Mullard ONP1 30p. TL305 Alpha numerical display £2.50. Miniature LD85 (same spec. as OP12) 30p.</p>	<p><b>TOSHIBA LEDS.</b> 0.2" green 13p. 0.2" green diffused 14p. 0.2" green flat top 14p. 0.2" Clear 17p.</p>	<p><b>MULTIMETERS</b> big price reductions on pocket size meters. Model KRT100 1,000 ohms per volt, mirror scale, range selector switch, 1,000V AC/DC, 100kVas, 150ma DC current £4.85. Model KRT101 same spec. as the KRT100 but range selection is via grad insertion. £3.75. CONTINUITY TESTER. Tubular unit with probe and croc. 1ly lead. £1.35 with batt.</p>	<p><b>TRANSFORMERS.</b> All 240vac primary (postage per transformer is shown in brackets after price. <b>MINIATURE RANGE</b> 6-0-6v 100ma, 9-0-9v 75ma, 12-0-12 50ma all 75p each (115p). 12-0-12 100ma 95p (115p). 0-6-0 6v 280ma £1.10 (20p). 0-4-6-0v 200ma these have no fixing bracket 65p (15p). 12v 500ma 95p (22p) 12v2A £2.25 (45p) 12v4A £2.75 (45p) 15-0-15v 1A £2.10 (45p). 30-0-30V Ia £2.75 (54p). 20-0-20v 2A £3.50 (54p). 0-12-15-20-24-30v 2 amp £4.50 (54p) 20v 2.5a £2.20 (54p).</p>	<p><b>TRIAC XENON PULSE TRANSFORMERS.</b> 11 (6P) style 30p. 15p (1.5a). min. pcb mounting 60p.</p>
<p><b>BUZZERS.</b> Miniature solid state buzzers. 33 x 17 x 15mm white plastic case, output at 3 feet 70db (approx low consumption only 15ma., 4 voltages available 6-9-12 or 24 vdc 75p each. Loud 12v Buzzer. Cream plastic case, 50mm diam x 30mm high, 60p. GPO open type buzzer, adjustable, works 6-12vdc 25p. Silver tone horn, 12v D.C., horn type, 125mm diameter, emits high pitched wailing note of varying frequency, £7.95.</p>	<p><b>TOOLS. SOLDER SUCKER.</b> Plunger type, high section, teflon nozzle, £4.75, spare nozzles 65p each. Good quality side cutters, insulated handles 5" £1.35. Good quality snub nosed pliers, insulated handles, 5" £1.35p. Antex Model C15 watt soldering irons 240vac £3.60. Antex Model CX 17 watt soldering irons, 240vac £3.60. Antex X25 25 watt soldering irons 240vac £3.60. Antex ST3 stands (suits all above models) £1.40. Antex heat shunts 12p each. Servisol Solder Mop 45p each. Neon tester screwdrivers 8" long 40p. Miyama IC test clip, 16 pin £1.75.</p>	<p><b>16-PIECE PRECISION TOOL KIT.</b> In plastic hinged case, consists of 5 spanners, 4x2/7mm, 5 nut drivers 3x5mm, 3 small screwdrivers, 2 Phillips drivers, 1 swt. 3 Allen Keys £3.20.</p>	<p><b>TAPE HEADS.</b> Mono cassette £1.30. Stereo Cassette £3. Standard 8 track stereo £1.75. BSR MH130 1/2 track 50p. BSR SRP90 1/4 track £1.95. TD10 dual head assembly 2 heads both, 1 track R/P with built in erase £1.20.</p>	<p><b>MICRO SWITCHES.</b> Standard button operated 28x25x8mm make or break new 15p each, roller operated version of the latter, new 19p. Light action micro switch, 3 amp make or break 35x20x7mm 12p each. Cherry plunger operated micro switch, 2 norm. open and 2 norm. closed, plunger 20mm long (40x30x18mm) 25p each.</p>	<p><b>PROJECT BOXES.</b> Sterdy ABS black plastic boxes with brass inserts and lid, 75x55x35mm 43p 95x7x35mm 50p 115x63x7mm 58p.</p>
<p><b>SPECIAL OFFER SEMICONDUCTORS.</b> Plastic voltage regulators, 1 amp new reduced in price 7805, 7812, 7815, 7824 all at 75p each, 7905, 7912, 7915, 7924 all 99p each, 3 types at give away prices: LM309K to each, LM309 6-pin 1 amp reg. 40p each, 723 14-pin 8v. reg. 30p each.</p>	<p><b>MICROPHONES</b> ECM105, condenser, omni directional, 600 ohms, on/off switch £2.95. EM506 Condenser, cardioid, uni directional, 600ohms or 50k, heavy chromed copper case £12.95. Dynamic stick Mike, 5,000 ohms, on/off switch, fitted with standard jac £2.95. EM104 Sub. mix. 16 pin microphones, condenser, 1,000 ohms imp., 50-16khz uses dead aid battery (supplied) £5.25. STANDARD cassette mikes 200 ohm impad. fitted with 2.5/3.5mm jacks, on/off switch, £1.25. DYNAMIC P.A. Microphone, suitable for mobile use, hand held with thumb switch, curly lead, 50k imp. £3.40. CRYSTAL INSERTS 35x10mm 45p each</p>	<p><b>SWITCHES.</b> Sub. Min. Toggle. SPST (8x5x7mm) 45p. DPDT (8x7x7) 50p DPDT Centre off (12x11x9mm) 75p.</p>	<p><b>RELAYS.</b> Clare Elliot sub. min. relay 10x10mm 2 pole c/o, 1.250 coil new 75p. Miniature encapsulated reed relay, 0.1 matrix mounting, single make operated on 12vdc 50p. Continental series, sealed plastic case type, 24vdc, 3 pole c/o 5 amp contacts, new 5p. 12vdc (130ohm) c/o, 3 make and 1 break contacts new 65p each. Metal Casad reed relay 50x45x17mm, has 4 heavy duty make reed inserts, operates on 12vdc 35p each.</p>	<p><b>VERO POTTING BOXES</b> 49x71x24mm in black or white with lid and screws 39p each.</p>	<p><b>VERO HAND HELD BOX</b> White ABS, 2.4"x3.7" tapered, with screws 65p each.</p>
<p><b>SURPLUS BOARDS.</b> No 1 This has 14 encapsulated reed relays, (12V) easily removable, £1.95. No 2 This has at least 11 C106 (50v, 5u) SCRS, one relay a UJT and tantalum capacitors £1.95. No 3 I.F. Boards, these are complete I.F. boards made for car radios, 465KHz, full set of IFS and Osc. coils (TOKO) 40p each. No. 4 Lamp flasher board, suitable for low load 240vac applications approx. 1 flash per second but can be varied via a preset pot 30p.</p>	<p><b>ELECTRICAL ITEMS.</b> 13 amp rubber extension sockets, white 30p each. 13 amp plastic fused plugs (for sign) 25p each.</p>	<p><b>SLIDE SWITCHES</b> all DPDT 15x8x12mm 12p, 16x11x9mm 12p, 22x13x8mm 12p, 22x13x8 centre off 13p. Multipole slider, double action (12 tags) 29x9x11mm 24p.</p>	<p><b>STOP PRESS.</b> New arrivals, 12 volt car stereo motors with pulley only 55p each, 6 track stereo playback heads only 75p each. Car radio boards, complete chassis with 6 transistors IFS chokes, etc., new but no info, 75p each. Car radio RF/IF and audio preamp boards, 2 transistors, LM382 IC, trimmers, IF's etc., new but no info, 65p each.</p>	<p><b>VERO HAND HELD BOX</b> White ABS, 2.4"x3.7" tapered, with screws 65p each.</p>	<p><b>MOUSE KEYS.</b> Beginners practice key 95p. All-metal type, fully adjustable £2.45.</p>
<p>Terms. Cash with order (official orders delivered from colleges etc) 30p. postage please unless otherwise shown. VAT inclusive prices. S.A.E. for new illustrated lists.</p>		<p><b>PROGRESSIVE RADIO</b>              31 CHEAPSIDE, LIVERPOOL L2 2JD</p>			

## BUILD YOUR OWN METAL DETECTOR TR/IB TR/VCO BFO . . .



**Shadow TR/IB** (illustrated). A true transmit receive/induction balance metal detector — uses the latest circuitry for maximum range and sensitivity. Speaker or phones. Pre-assembled search head with lightweight closed cell foam encapsulated coils for thermal insulation and water resistance. A very powerful machine!

**Shadow TR/VCO.** An advanced version of the above detector, use it as a sensitive TR/IB machine or switch to VCO mode when the depths achieved approach the maximum "in air" range. Low power requirement: runs on standard 9 volt batteries. The most sophisticated detector available as a kit.

Shadow TR/IB kit **£22.50** (£29.95 assembled). Shadow TR/VCO kit **£27.50** (£36.95 assembled).

Padded stereo headphones suitable for 'Shadow' detectors **£5.50**.

**Designing your own detector?** Then we can supply the (hard to obtain) hardware "shell" including fully adjustable shaft with handle, search head moulding with hinge assembly, special clips to mount your own control housing (any box is suitable), completely non-metallic: suitable for any type of detector (TR-PI-VLF-BFO etc.). Supplied undrilled as a kit with full instructions (as used on our Shadow range). Detector Shell kit **£8.50**.

**Low cost BFO detector.** 200mm (8") annular search head gives wide scan with easy pinpointing. Simple high efficiency circuit draws <3mA. Extra lightweight 300gms (10.5ozs) **with battery**. Very detailed construction manual: ideal as a first project. Absolutely everything supplied including pre-assembled search head, tuning coil and earpiece. ALT3 detector (kit) — **£9.95** (assembled £12.95) + £1 post and package. Padded high Z headphones for ALT3: **£4.90**.

Order by post or phone (24 hours) — for quickest delivery quote credit card number. Callers by appointment only please!

# ALTEK

Dept. ETC, 1 Green Lane  
Walton-on-Thames, Surrey  
Phone (093 22) 44110

# S. & R. BREWSTER

LIMITED

## WHY PAY MORE?

### for Miniature Soldering Irons & Accessories

	PRICE EACH	P & P Extra EACH
18 watt Soldering Iron available in 12, 110 & 240Volts, fitted with No. 20 bit	£3.78	+ 22p
<b>SPARE BITS</b> . . . . . No. 19 size 1.5mm or No. 20 size 3 mm or No. 21 size 4.5 mm or No. 22 size 6 mm	44p	—
No. 78 I.C. Desoldering Bit	88p	+ 9p
No. 1920L Long Life Bit	95p	—
<b>SAFETY STAND</b> . . . . .	£3.25	+ 65p
<b>SOLDER</b> . . . . . Savbit 20'	52p	+ 9p
Savbit 10'	26p	+ 4p
Lowmelt 10'	65p	+ 9p

INDUSTRIAL/RETAIL ENQUIRIES WELCOME FOR THE ABOVE

## We also Offer & Recommend for Mail Order & Personal Callers Only

	PRICES EACH including V.A.T. and P & P
Gryx 50 Temperature Controlled Soldering Iron	£10.50
Spare tips for above	£1.10
Isotip quick charge rechargeable Soldering Iron	£20.40
Spare tips for above	£2.60
Cable 7/0.2 11 Colours 100 meter reel	£2.25
0.1 Veroboard 3 1/2" X 11 1/2"	£1.90
0.1 Veroboard 4 1/2" X 18"	£4.25
Copper Clad board single sided	70p
Watchmakers Side Cutters	£4.75
Watchmakers Pliers	£4.25
Transformer 100VA 2 X 12V 4.1A	£10.50

OTHER ITEMS ALSO AVAILABLE ASK FOR LIST S.A.E.

MAIL ORDER DEPT.  
86-88 Union Street, Plymouth  
PL1 3HG Tel: (0752) 65011



Please Quote your Number when ordering



# WE'RE OUT TO FINISH

# YOU OFF!

Rapitape #

## eti PANEL TRANSFERS

MOD MAGS 1977 no 1

## GOOD AND PROPER!

... or at least your projects. If there is one thing which is impossible to do at home is lettering front panels to professional standards. At least until now. If you cast your eyes right a while you'll see our new panel transfers sheet, which has been carefully designed to allow you to do exactly that.

The transfers are easily rubbed down, and the two sheet set contains a mass of lettering and —uniquely—control scales for both rotary and slider puts.

Each sheet measures 180mm X 240mm and comes packed flat in a stiff cardboard envelope for protection. There should be enough for dozens of projects here - and the longer you wait the worse they'll look!

Send **£1.75** (includes VAT and postage) for the two-sheet set to:  
**Panel Markings**  
**ETI Magazine,**  
**25-27 Oxford Street,**  
**London W1R 1RF.**

---

---

# ELECTRONIC WARFARE



ELECTRONIC WARFARE had its beginnings in the Second World War, with the development of radar, electronic navigation aids and early means of disrupting the enemy.

However, after the war, interest waned as Chiefs of Staff were more interested in hard weapons such as aircraft and tanks rather than somewhat 'ethereal' electronic weapons. In fact the importance of radar was not forgotten, and radar development continued apace, but the capability to deceive or deny the use of that radar was, in the West at least, given low priority.

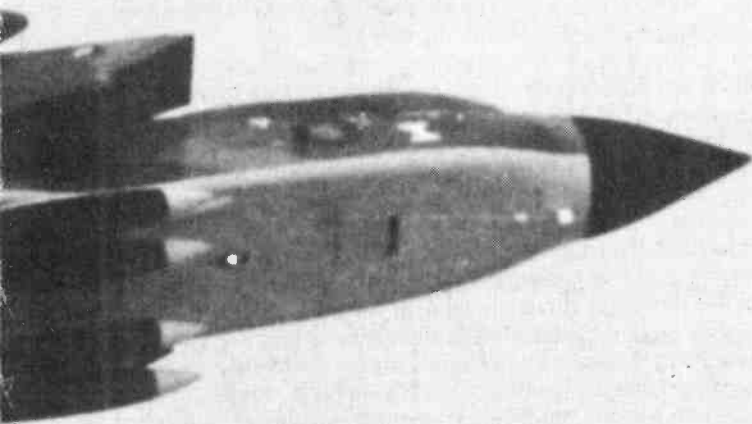
This mode of thinking has been radically altered in the last 15 years and development of the military aspects of electronics is rapidly increasing, taking up a larger and larger proportion of military budgets each year.

The reason for this sudden surge in interest stems from experience; in peace time electronic aids and counter

measures may seem a luxury, in any military action they have been shown to prove their worth. Three areas of conflict produced developments which finally shocked the West's military planners into action. The first was the U.S. experience in Vietnam, particularly with the B-52 raids on North Vietnam known as the 'Linebacker' raids. In the second series of raids, highly trained and experienced defensive forces fired over 800 surface-to-air missiles at 714 strike sorties, yet only 15 planes were lost, indicating that the electronic counter measures (ECM) were highly successful.

The next indication of the importance of an electronic capability was the Soviet invasion of Czechoslovakia, when NATO early warning devices were totally blinded by Soviet ECM. Czechoslovakia was already occupied by the time the West knew of the invasion.

**The largest growth area in electronics is military hardware. Modern warfare is increasingly becoming a battle of software rather than armour. Any future combat force will have to include elements with ECM capability, as David Chivers explains . . .**



**The MRCA Tornado. As a low level strike aircraft it excels and is usually equipped with an external ECM pod in this role. Here the wings are swept back and the plane is carrying a full load of weaponry and stores.**

### ECM For Desert?

The Middle East War of 1973 provided more evidence. Before this it had been assumed that when it came to electronics the USSR would always be one step behind, but in fact the Arabs were armed with weapons to which Israel had no immediate answer: Surface-to-Air missiles and anti-aircraft guns guided by radar.

The type of radar employed 'Continuous Wave' or CW radar. This is a radar which instead of sending a series of pulses to be reflected from the target, illuminates constantly with a transmitted signal. The protection equipment carried by Israeli — and indeed all Western aircraft — was orientated to a Pulse-radar threat and was incapable of detecting — let alone jamming — the CW radar.

However, despite an initial high loss rate, Israeli losses fell rapidly with the introduction of new tactics and extensive use of ECM both in aircraft and 'dedicated' ECM helicopters.

EW is concerned with measures taken by either side to give them a combat effectiveness over their enemy by competitive use of the electromagnetic spectrum. There are three categories: Electronic Counter Measures (ECM); Electronic Warfare Support Measures (ESM); and Electronic Counter Counter Measures (ECCM); and we shall consider each in turn.

### A Word About Air

To defend its airspace, a country must use radar first to detect an intruder and secondly to determine its position and course, guiding either an aircraft or missile to intercept. In either case at long range the only way to home in on an intruder is by radar. At close range low light television (LLTV) or heat seeking equipment (infra-red) guidance is used.

This 'radar threat' to an attacking aircraft is very real and tactics have naturally been devised to escape detection.

Due to the inability of land based radar to cover low altitudes at anything other than very short range, the accepted way for strike aircraft to penetrate enemy air space is by flying in at very low altitude. In this way an aircraft can fly undetected below the radar horizon, and this is the standard strike tactic of the Royal Air Force, and one at which the Tornado excels.

However, the introduction of airborne radars in AWACS (Airborne Warning And Control Systems) aircraft challenges aircraft to intrude unnoticed, since their 'lookdown' capability enables them to spot low flying aircraft and direct an attack on the intruder concerned. With the opportunity to make an undetected attack strongly diminished, it is increasingly important to be able to counter the enemy's radar.

Once a missile has been fired at an intruder, it must evade an enemy which is faster and at best only *slightly* less agile than itself; if the missile is heat-seeking or LLTV guided, then flares and manoeuvres may be effective.

## Electronic Counter Measures

These seek to deny the enemy the use of the electromagnetic spectrum. This may take the form of 'jamming' enemy radar or communications by selective use of radiated energy, or by deceiving the radar operator — or computer — into believing that a number of targets are present when in fact only one exists, or that the target is in a different position.

ECM may be divided into two techniques: denial, where the enemy's electronic equipment is made ineffective by jamming communications or radar — and deception as described above. Both denial and deception may be either 'active' or 'passive'; that is, involve the use of radiated energy — or not. The simplest and most common form of active denial is that of noise-jamming.

Various techniques are used, but white noise, if transmitted at a high enough power, into the enemy's receiver will usually be effective in rendering it inoperative. If the jammer's noise energy is concentrated on a small bandwidth covering only the input frequency range of the enemy receiver then it is known as a 'spot jammer' while a jammer radiating noise over a much broader part of the frequency spectrum is a 'barrage jammer'. The former has the advantage of design simplicity, and greater effectiveness, while the latter can counter a number of receivers operating on different frequencies at the same time.

Active deception of radar can be accomplished by repeater jamming, i.e. creating a false echo of the radar signal by re-transmitting a noise signal at a set time after a receiver picks up an enemy radar pulse. An additional refinement is to use either a pre-recorded replica of the incoming signal or a transponded pulse to confuse the radar operator into believing that one or more false targets exist.

Tracking radar can be forced to 'lose track' by electronic means, and this is done by shifting the image of the target from its true position, so that the system follows the image.

In radars which have two modes — scan and track, once the tracking system has lost the target, the repeater may be silenced leaving the radar to return to its scan mode against which other jamming forms may now be used. However, new radars now employ 'track while scan' mode which is slightly more resistant to this kind of deception. Even so modern ECM equipment may deceive the radar in terms of range, altitude, position or speed and as such provides a very useful means of increasing the survivability of an aircraft in a hostile radar environment.

## Passive resistance

Passive ECM is concerned with chaff, decoys and the radar 'cross section' of a potential target.

Chaff was the earliest countermeasure against radar and is still effective today, it consists of thin strips of aluminium foil, released in a cloud which is highly reflective to radar. Spot chaff dropped as an individual bundle may appear as another aircraft on a radar screen or its larger reflected signal may steal a tracking radar from the faster moving true target. Corridor chaff, released in a long cloud is a confusion measure which enables a series of aircraft to fly undetected behind a 'smoke screen.'

Chaff has proved particularly useful as a defence against radar-homing surface-to-air missiles, which, with their small radar window can be totally blinded at close range.

## Plane to see

The cross section of a plane as it appears to radar may be reduced by careful design and the avoidance of sharp corners for example will help to keep the radar reflectivity low, as will the use of 'doubly' curved surfaces.

Flat, cylindrical, or conical surfaces not possessing double curvature are highly reflective if caught at right-angles to the incident wave. The US mothballed super-bomber the B1 is a good example of careful design, and despite its large size, it exhibits a far smaller radar cross section than many much smaller aircraft with the consequent result of increased survivability.

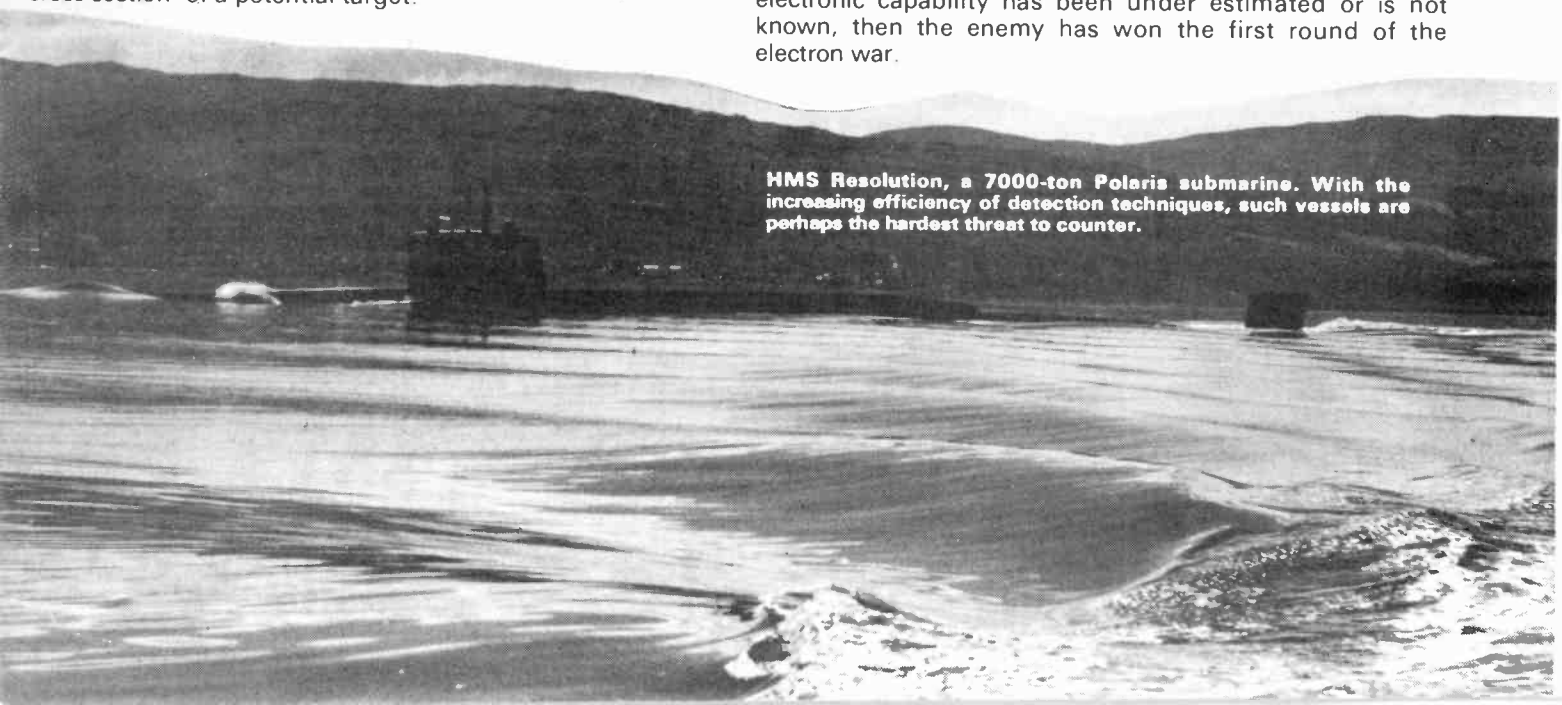
Radar absorbent materials may be used to reduce the reflectivity of the target, again reducing the ability of radar to detect the target, particularly at long range.

A decoy is a small aircraft-like device which can, by means of electronic and structural design, appear as a real aircraft to a radar set. Thus a number of attack aircraft, each carrying perhaps two decoys, could by tripling the number of targets present saturate the enemy defences. To add to the illusion of a full scale aircraft, the decoy may even carry a small jammer, to duplicate as accurately as possible the image of its mother aircraft.

## Support Measures

Warfare support concerns the collection of data from the reception of enemy radar, communications or counter measures. This data is then processed and may be used either immediately to warn of the nature of an impending threat or as ELINT (Electronically gathered INTelligence) from which a picture of enemy operations in the electromagnetic spectrum may be built up and equipment or tactics altered accordingly.

Whereas electronic warfare is for the most part actively deployed during time of war, ESM is at its height during peacetime. Indeed once hostilities have broken out, if enemy electronic capability has been underestimated or is not known, then the enemy has won the first round of the electron war.



**HMS Resolution, a 7000-ton Polaris submarine. With the increasing efficiency of detection techniques, such vessels are perhaps the hardest threat to counter.**



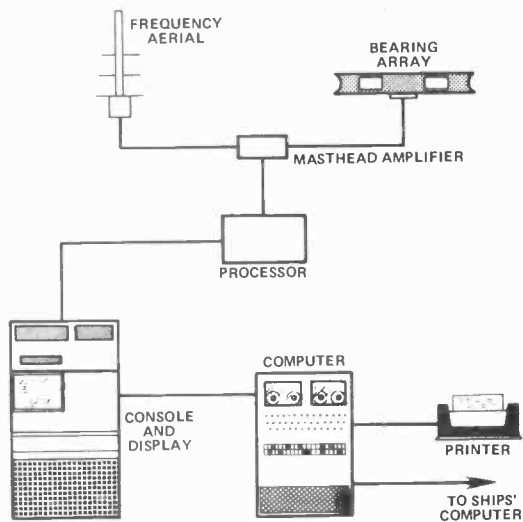


**Above left:** the ZB298 is a mobile ground surveillance radar for the detection and location of moving targets.

**Above right:** one of the early warning radars of the 16th Light Air Defence Regiment. Such units alert interceptor forces to tackle intruding strike aircraft.

**Below left:** representation of modular ESM equipment (shipboard). Such a system can be reduced according to vessel size down to simply console and bearing array.

**Below right:** EMI Searchwater. Probably the best airborne surveillance radar there is. Used from Nimrod aircraft it can identify ships and submarines by their radar profiles.



Both the Warsaw Pact and NATO indulge in ESM during detente especially during the other side's manoeuvres and exercises trying to gain information on the effectiveness of each other's EW capability. Soviet Spy trawlers have caught the news as they shadow NATO fleets, and Soviet Bear aircraft, studded with ELINT gathering devices, are regularly turned away from UK airspace as they probe the capabilities of the West's air defence. No doubt NATO aircraft are involved in similar activities in the opposite direction.

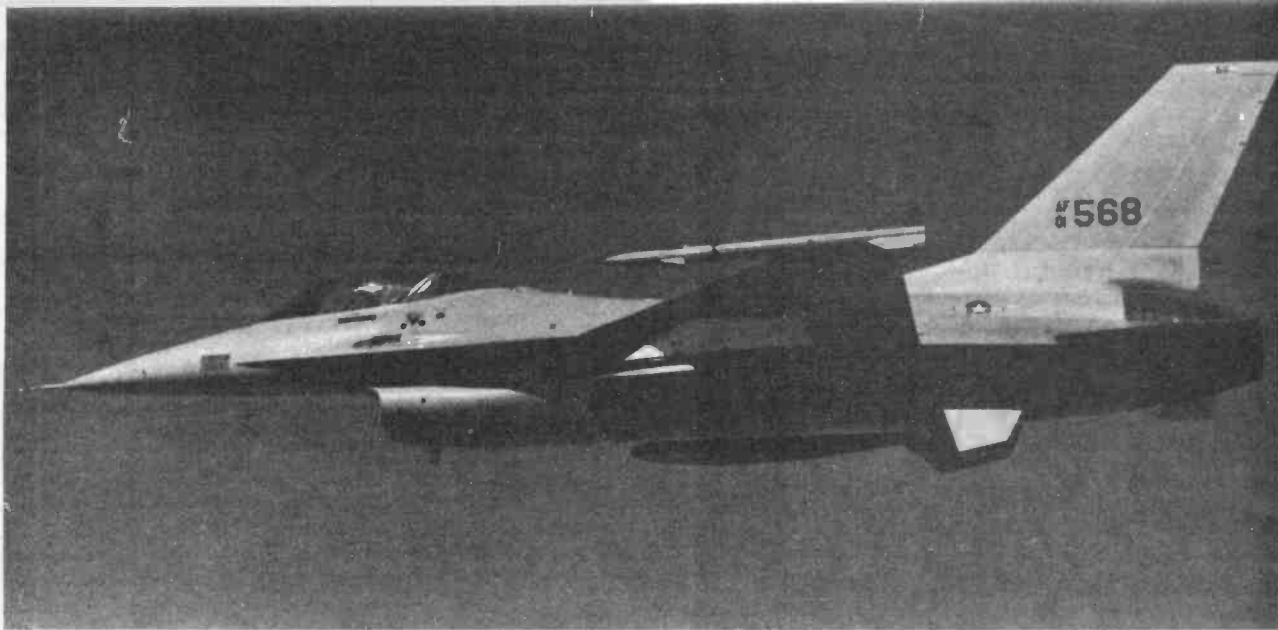
## Staged System

The first stage of an ESM system is the receiver and processing stage and on its own this makes a useful instru-

ment. This is known as a Radar Warning Receiver (RWR) and is a cheap but effective preliminary protection against radar threat. (Similar warning devices are available for other threats; including sonar warning on submarines, and new Laser warning receivers for protection against guided weapons).

For helicopters and smaller aircraft where space is at a premium and additional weight results in lower performance, simple devices may be used such as the US army's new series of RWRs. These weigh only 3.5kg yet indicate on a CRT the bearing and nature of any radar, while identifying any particular threats associated with known anti-aircraft weapons systems.

Decca manufacture a similar unit which is hand held.



Identification of a radar is of particular importance especially in an environment where both sides are actively involved in EW and where there is such a diversity of radar types and threats. Friendly radar cannot be treated in the same way as hostile radar and must therefore be positively identified. Shipborne ESM systems are far more useful in this respect and can employ sizeable computers to aid identification and response. Such a system is made by Decca, whose Cutlass ESM system can hold a library of up to 2,000 radar signatures. The device can give radar type, frequency and bearing as well as all the relevant information available on that radar. MEL have a similar modular system — Susie — which can be tailored to suit the type of vessel it is to be employed upon from small Patrol Boats up to large Cruisers.

Such systems can be used in conjunction with jamming equipment to provide a very potent ECM capability. All the operator has to do is to decide whether or not to jam a particular threat radar. If he decides 'yes' the computer will decide on the most appropriate counter measures to take and then apply them.

### Information Received

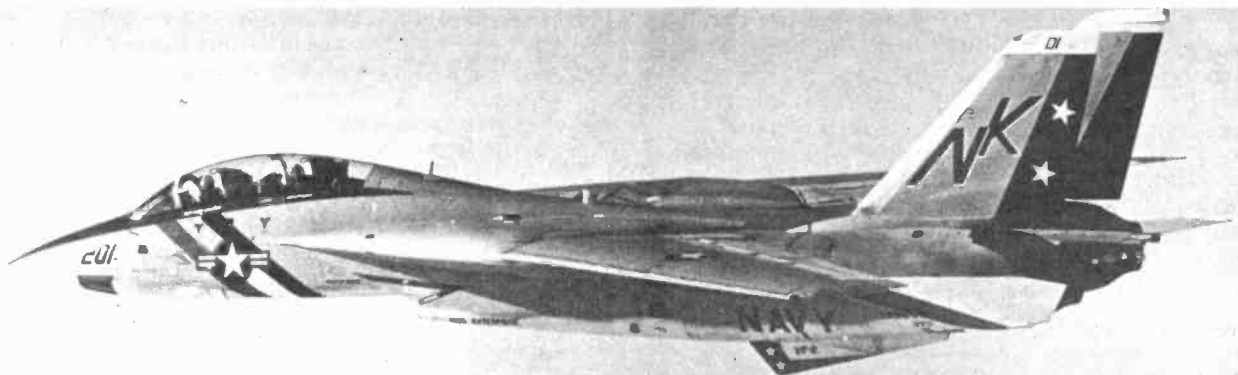
In any case ESM carried out by a Radar Warning System is only secondary; the most important ESM being the incorporation of the 'potential threat' into the computer library, or in a RWR. This depends on good intelligence, anticipation of possible developments and the speed with which the system can be altered to meet any new threat.

Thus the effectiveness of any counter measure or counter counter measure depends on the accuracy of information received, the speed with which it is processed and the flexibility of the response. Current RWR trends are the use of broadband receivers — often with a crystal video front end — and detection circuits enabling a computer or microprocessor-based comparison with known parameters to be made. Also important is the incorporation of a simple

**Above, the F-16 fighter. The craft uses a computer stabilisation system to provide a stable weapons platform without the pilot having to worry about it. As a ground strike craft an external ECM pod can be fitted, as can 'chaff' missiles to help shield the craft from interrogating radar.**

**Opposite, a Polaris missile fired from HMS Resolution. The range of Polaris is about 2,500 nautical miles, and being fired from an undersea platform it makes them difficult to stop. Satellite mounted weapons will undoubtedly be a front line defence for both powers against ICBMs within a few years.**

**Below, the F-14 combat aircraft. It has a fire control system which can attack six targets simultaneously at 200km range, while tracking 18 others, deciding for itself which pose the greatest threats and facing them in that order! In addition the wings are automatically swept back to the optimum position by MPU control.**





display, which enables the user to assess any threat at a glance essential to the pilot or helicopter crew in a combat situation where a few seconds may be the difference between survival or destruction. Hence the use of automatic response systems, which may for example dispense chaff as soon as a threat is identified.

Naturally the task of the RWR designer is made more difficult the more diverse the types and frequencies of radar employed. However, if designated for a particular use, the number of threats it is likely to encounter may be reduced. An air superiority fighter such as the USAF Eagle need only provide light ECM and ESM defence against ground based threats — its adversaries will be airborne weapons systems of which there are fewer types. The RAF's Tornado on the other hand is required to penetrate deep into enemy air space where the threat will be from both ground and air, hence its much more complex ECM and ESM equipment. The difficulty of designing equipment to face a varied assortment of threats must surely be seen as a very effective argument against too much standardisation of military electronics.

## Counter Counter Measures

This will be more difficult from an aircraft or missile in which case the radar set as well as a target will be moving in relation to both the target and the chaff, where the chaff is very likely to have the higher relative speed.

To counter repeater tactics employed by the enemy as ECM, the waveforms of the transmitted pulses may become more complex, with subsequent recognition circuitry in the radar receiver. In addition, as a counter to various types of jamming and other ECM, radar should possess a good frequency range and if possible frequency agility — the ability to change frequencies from one pulse to the next.

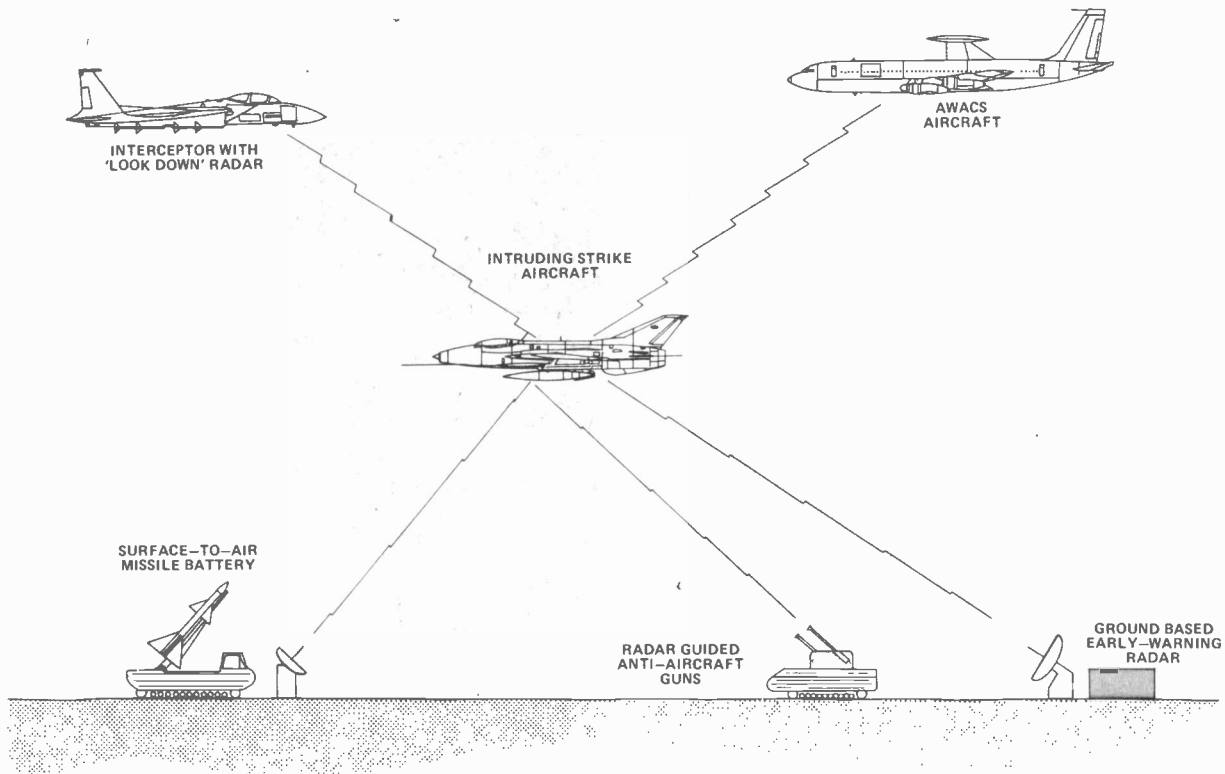
A useful ECCM is that of a Constant False Alarm Receiver (CFAR). This works by setting the receiver to 'expect' a certain number of false alarms, or rather spurious signals above a level which trips the receiver's processing circuitry and causes the radar to treat it as a target, giving a false signal on the radar screen. Assuming that such signals are caused by random noise in the atmosphere and receiver circuitry, then false alarms may be expected to occur in a poisson distribution from which a mean rate can be calculated and the receiver set accordingly. Noise jamming will therefore appear as noise above the expected rate, and the receiver will reduce its gain accordingly, though if the jamming is effective and persistent this may amount to shutting down the receiver.

Nevertheless CFAR technique is a valuable counter to noise jamming and is even more effective when used in conjunction with other ECCM.

## Radiate Confidence

It should not discourage the aspiring ECCM designer to realise that all radiating electronics can be jammed. While the enemy might find this possible, there are two restrictions on his ECM activity, in particular on active ECM. The first is the cost of any jamming measures and especially the cost of providing comprehensive protection in a confined space and at limited weight. The second is the fact that the enemy needs to use the electromagnetic spectrum as well, and must ensure that at least his sections of the frequency spectrum are as clear as possible for his own use.

To ensure that one's own transmissions are not likely to be adversely affected by friendly jamming activity, Electro-Magnetic Compatibility (EMC) is necessary. This may be



Above, intruding strike aircraft have to face a multitude of threats. Low flying is the usual way of avoiding being spotted. However 'look-down' capability is now fitted to most interceptors, and the AWACS system protects NATO airspace to some extent.

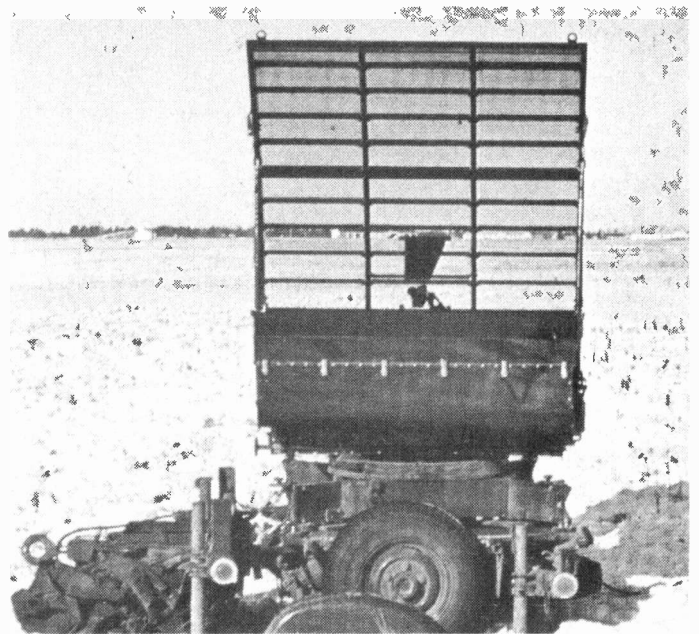
Below, EMI's Cymbaline mortar location system. It uses radar beams to reference a projectile's flightpath to a map to give accurate prediction of launch and impact points.

particularly difficult in a large defence force such as NATO where most member countries have their own electronics industries and where a subsequent diversity of standards and techniques are found in electronic equipment of all kinds. Thus compatibility of equipment is a very important ECCM, though the versatility achieved through diversification is an obvious and useful ECCM in itself and should not be forgotten in the current race for standardisation.

### Train Thoughts

An additional advantage of the increasing use of electronics in warfare is that it is increasingly simple and much cheaper to train personnel and simulate 'live' action. For example the British Army's 'Striker' anti-tank vehicle comes complete with a computer based simulation system as standard, for training soldiers in the use of its missiles. Since each anti-tank missile costs upwards of £5,000 it is extremely expensive to use live rounds for practice firings. However because the control systems for the missile firing are contained in digital logic, it is a simple matter to provide a simulation facility in which the operator experiences exactly the same situation as under real action.

In conjunction with laser gun sights and computer references, this makes the expensive business of 'war gaming' cheap yet more realistic since combatants can actually 'fire' at each other much as in a TV 'tank battle' game. The use of simulators is also of great importance in training pilots, and though a simulator may cost more than a real aircraft, the fact that it requires no fuel, no expensive maintenance and cannot be grounded due to poor weather makes such equipment very worthwhile.



### Summary

Whatever happens in the future, one thing is certain — without EW capability any armed force engaging in combat will be at a severe disability when faced by an EW equipped enemy. Its communications will be blinded, its radar jammed its planes downed and its hardware detected and neutralised. Not a comforting picture.

Let us hope it doesn't happen to us.

ETI

# Here's why you should buy an I.C.E. instead of just any multimeter

- \* Best Value for money.
- \* Used by professional engineers, D.I.Y. enthusiasts, hobbyists, service engineers.
- \* World-wide proven reliability.
- \* Low servicing costs.
- \* 20K/volt sensitivity and high accuracy.
- \* Large mirror scale meter.
- \* Fully protected against overload.
- \* Large range of inexpensive accessories.
- \* 12 month warranty, backed by a full after sales service at E.B. Sole U.K. Distributors.

Prices from £16.60 —  
£32.00 + VAT



## I.C.E.



**ELECTRONIC BROKERS LIMITED**  
49-53 Pancras Road, London NW1 2QB.  
Tel: 01-837 7781. Telex: 298694.

Please send me full colour leaflet and prices on whole ICE range including accessories.

Name .....

Address .....

ET15

## Two Bytes Are Better Than One



THE FULL POWER OF THE 16-BIT TMS 9900 MICROPROCESSOR IS NOW AVAILABLE WITH THE UNIQUE COMBINATION OF RELIABLE HARDWARE AND FAST EASY TO USE SOFTWARE IN THE TECHNICO SS-16. WITH MINICOMPUTER PERFORMANCE THE TECHNICO 16-BIT MICROCOMPUTERS ARE AVAILABLE FROM THE SINGLE BOARD SUPER STARTER SYSTEM AT UNDER £350 TO THE FULL SS-16 WITH UP TO 65K BYTES OF MEMORY, FULL FLOPPY DISKS, 64 COLOR VIDEO BOARD OPTION, \*RS232 AND 20MA CURRENT LOOP ALL COMBINED WITH ONE OF THE INDUSTRY'S FASTEST BASIC'S AND A FULL ASSEMBLER EDITOR LINKING LOADER PACKAGE AT £4700. SYSTEMS ARE AVAILABLE COMPLETELY ASSEMBLED AND TESTED OR IN UNASSEMBLED TEC-KIT FORM EXPLICIT MANUAL INCLUDED OR AVAILABLE SEPARATELY AT £20. TO LEARN MORE CALL PICO DYTE LTD. 021 440 5631 or 056 45 77019

**PICO DYTE** production in collaboration with **PICO DYTE** 65 VICEROY CLOSE BRISTOL EDGBASTON BIRMINGHAM B5 7UT

## T.C. "BIAS" STABILISED POWER SUPPLIES

- BIAS 1:**  
An ideal microcomputer supply  
Suitable for Nascom 1, Elf II, Superboard III and others. Sufficient power for expansion to 54K, static RAM.  
+5V @ 10A, -5V @ 1A, ± 12V @ 2A. £37.04
- BIAS 2:**  
For all audio and analogue applications.  
± 12 to 25V @ 3.5A. £32.41
- BIAS 3:**  
Specifically designed for S100 systems.  
± 18V @ 5A, +8V @ 10A. £35.19.
- Units supplied in kit form with drilled PCB and all the necessary components, heatsinks, etc.  
All outputs current limited.  
240V a.c. input.  
Cased, assembled and guaranteed, add £22.  
Suitable pre-drilled case, 8" x 6" x 5", includes switches, indicators, connectors, etc., add £12.  
Overvoltage protection on all rails, available for kits or assembled units.
- BIAS 1: add £12, BIAS 2: add £7, BIAS 3: add £9.
- Tooting Computing**  
157 Robinson Road  
London, SW17  
Tel. 01-543 1398  
also evenings
- P&P £2.50**  
Please add VAT @ 8%  
Mail Order only



# ETIPRINTS

ETIPRINTS are a fast new aid for producing high quality printed circuit boards. Each ETIPRINTS sheet contains a set of etch resistant rub down transfers of the printed circuit board designs for several of our projects.

ETIPRINTS are made from our original artwork ensuring a neat and accurate board. We thought ETIPRINTS were such a good idea that we have patented the system (patent numbers 1445171 and 1445172).

## PARTS LIST

Shown below is the listing for the last year's ETIPRINTS.

Earlier sheets are available, ring Tim Salmon for details.

<b>003</b>	Race Track Game Hammer Throw Freezer Alarm	Jan 78 Jan 78 Dec 77	<b>010</b>	Bench Amplifier Freezer Alarm Marker Generator LED Dice Watchdog (2 PCBs) Stars & Dots PSU	Project Book Six	<b>016</b>	Stac Timer Xhatch Gen Wheel of Fortune.	Sept 78
<b>004</b>	Metal Locator Mk II Ultrasonic Tx/Rx 5 Watt Stereo Amp (modified) Metronome Shutter Time	Feb 78 Feb 78 Jan 77 Feb 78 Feb 78	<b>011</b>	Noise Generator General Preamp Flash Trigger Componder Active Crossover (2 PCBs)	Project Book Six	<b>017</b>	Complex Sound Gen Tele Bell Extender Power Bulge	Oct 78
<b>005</b>	Op-Amp Supply Frequency Shifter LCD Panelmeter Light Dimmer (3 times)	Mar 78	<b>012</b>	Disco Lightshow Stereo Simulator Digital Thermometer	Project Book Six	<b>018</b>	RF Power Meter Proximity Switch Audio Oscillator (2)	Oct 78 Oct 78 Nov 78
<b>006</b>	CMOS Switched Preamp From Experimenters P.S.U. 555 Boards (twice)	"Electronics Tomorrow"	<b>013</b>	Amplifier Module Amplifier PSU Equaliser Equaliser PSU	Book Six	<b>019</b>	Car Alarm (2) Wine Temp (2) Curve Tracer	Dec 78 Dec 78 Dec 78
<b>007</b>	Star Trek Radio CD Ignition CCD Phaser White Line Follower	May 78 May 78 May 78 April 78	<b>014</b>	Skeet Game Sweep Oscillator Burglar Alarm GSR Monitor	Project Book Six	<b>020</b>	Digital Tacho Module Digital Dial	Jan 79 Jan 79 Jan 79
<b>008</b>	Tank Battle Helping Hand	May 78	<b>015</b>	UFO Detector Torch Finder (twice) Etiwet (twice)	July 78 July 78 Aug 78	<b>021</b>	Tape Slide Synch Tape Noise Limiter Light Tacho	Feb 79
<b>009</b>	AM/FM Radio Bridge Oscillator CMOS Stars & Dots	June 78				<b>022</b>	Logic Trigger Power Meter Headlight Delay (x2)	Mar 79

## HOW IT WORKS



*Lay down the ETIPRINT and rub over with a soft pencil until the pattern is transferred to the board. Peel off the backing sheet carefully making sure that the resist has transferred. If you've been a bit careless there's even a 'repair kit' on the sheet to correct any breaks!*

## BUY LINES

### ORDER TODAY

Send a cheque or P.O. (payable to ETI Magazine) to:  
ETI PRINT, ETI MAGAZINE  
25/27 OXFORD STREET, LONDON W1R 1RF

**75p** INC P & P





# TRITON 8K EPROM CARD

The Triton one board home computer has proved to be a very popular design. In this article Mike Hughes, the designer of Triton, describes how you can make an 8K EPROM card, the latest addition to the Triton hardware.

SINCE THE ORIGINAL launch of Triton in the November issue of ETI, many people have constructed the computer and are well under way with extensions to the system. We thought that, before we begin to describe the latest addition to the Triton hardware, this would be a good time to look back and review the current state of the project and try to put into perspective what has gone before and how planned expansion possibilities fit into the overall view of the Triton system.

The original article on Triton carried a brief outline of the basic design criteria. These were:

- 1 A single board design,
- 2 Easy to construct,
- 3 Programmable in machine code and BASIC,
- 4 Graphics and alphanumeric characters,
- 5 Cassette tape interface,

- 6 Full 56 key keyboard,
- 7 BASIC in EPROM,
- 8 Full power supply,
- 9 The whole kit to cost less than £300 and be housed in a suitable case for ease of transportation,
- 10 An interface to domestic TV set or video monitor.

## Expansion

The original article carried detailed circuit and firmware descriptions, but at the time of publication only touched briefly on Triton's expansion possibilities.

The expansion of the basic machine falls into two distinct categories. The first is hardware extensions, such as memory expansion, etc. The second is firmware expansion such as extended monitors and extended BASICS.

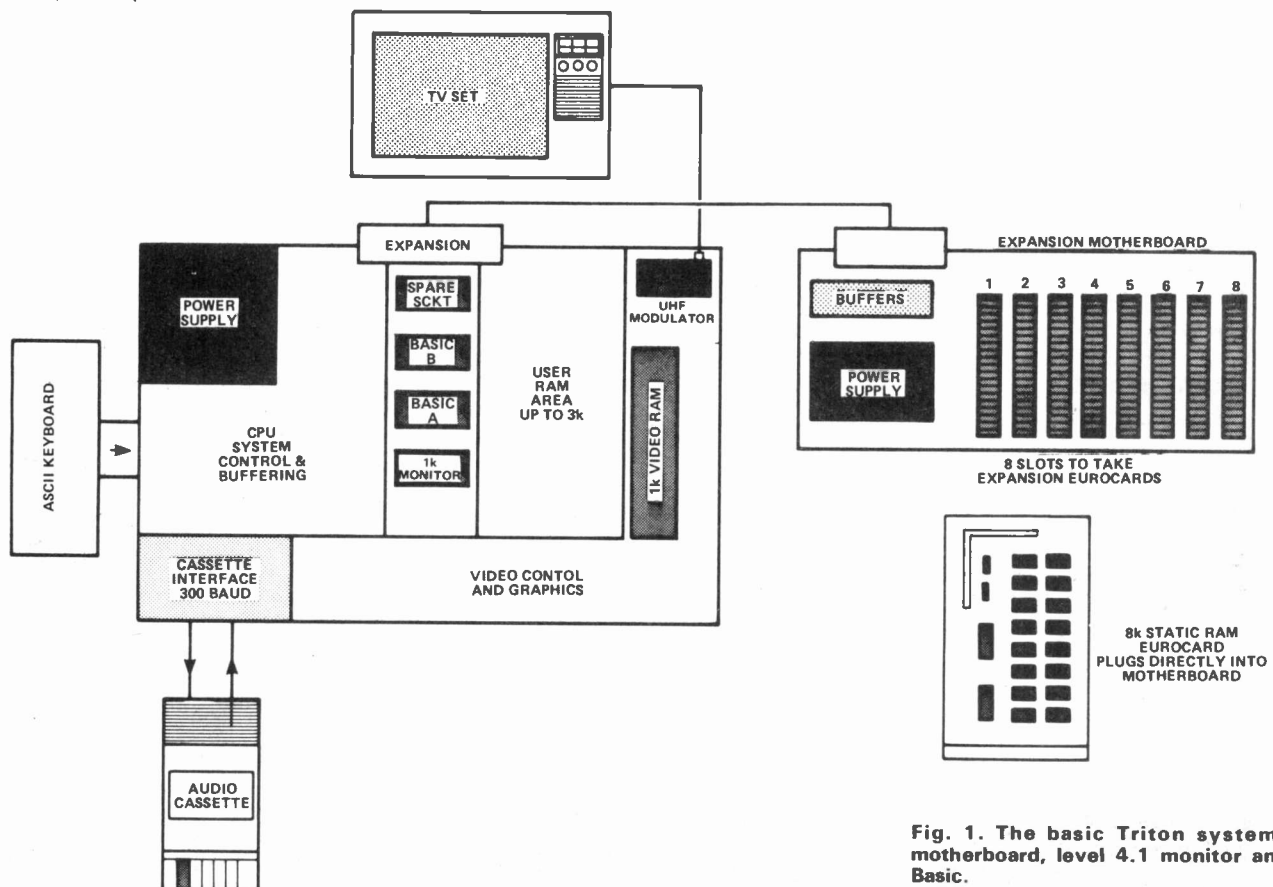
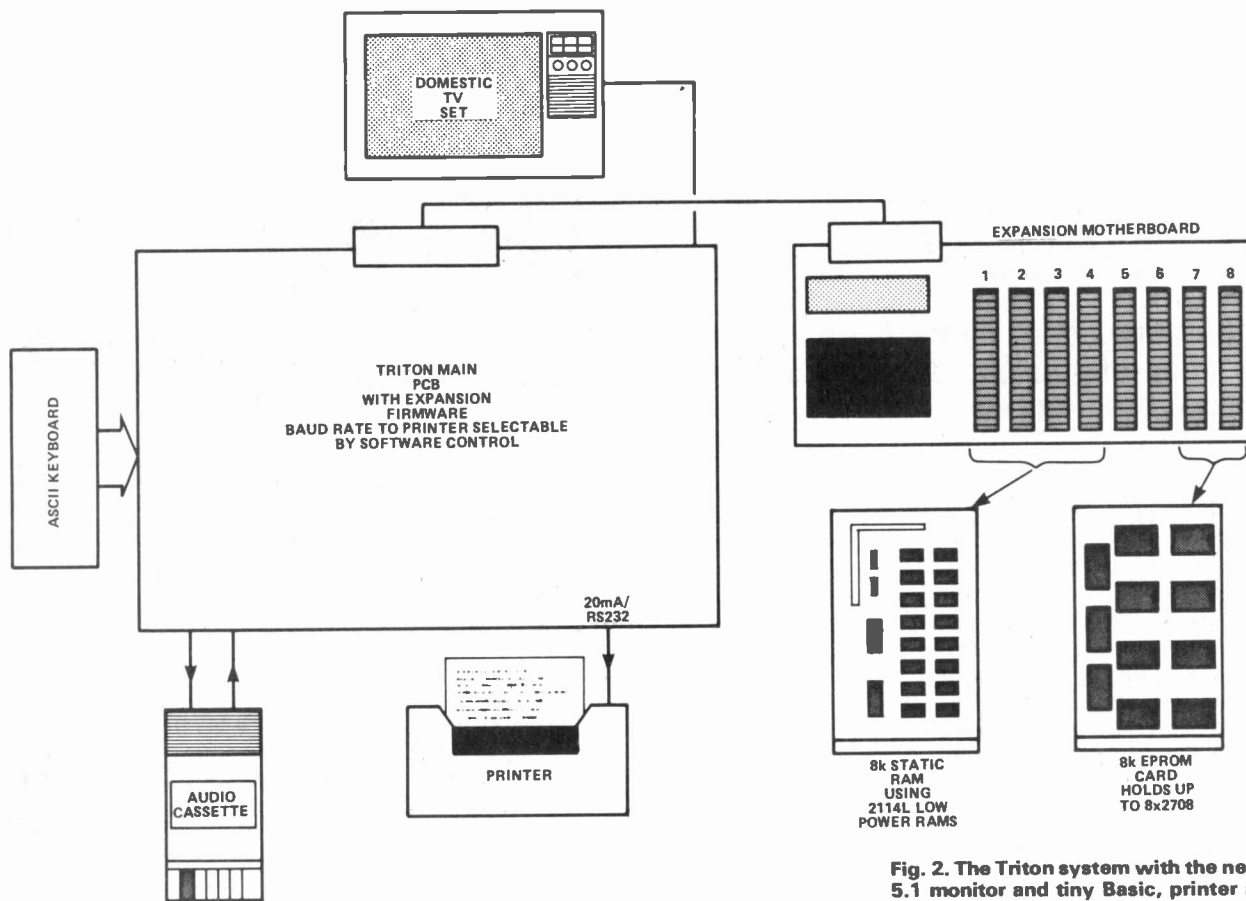


Fig. 1. The basic Triton system with motherboard, level 4.1 monitor and tiny Basic.



**Fig. 2. The Triton system with the new level 5.1 monitor and tiny Basic, printer and 8K RAM and EPROM cards.**

The Triton PCB, as originally designed, holds up to 8K of on board memory, up to 4K of EPROM and 4K of static RAM. 1K of RAM is, however, reserved for the VDU RAM and is not available for user programs.

Fig. 2 shows the Triton system overview, with the new 5.1 monitor and tiny BASIC, printer and 8K RAM and EPROM cards. Any firmware resident in EPROM can now be called by BASIC directly.

The top 8K of memory (56-64K), is reserved by Transam for their 8K Basic, so if you intend to take the system that far, use the 8K block below this for your own resident EPROM firmware.

### Not Only, But Also

Most people will want more than just RAM and ROM for their system and as we have more sockets available on the motherboard we will be publishing other useful designs as they become available. We already have a number cruncher card in the pipeline which is a useful interface to the National Semiconductors MM57109 chip, one of their COPS series of calculator oriented microprocessors.

You will see from Fig. 1 that:

- (a) No printer interface was originally provided.
- (b) The monitor and tiny Basic only take up 3 out of the 4K EPROM. We could, therefore, put this spare EPROM socket to good use by developing a new resident firmware package to occupy the whole of the 4K memory space available on the original Triton board.

Transam Components Ltd, suppliers of Triton, have, in fact, developed this extension to the resident firmware and we shall be describing its advantages in a future

article, but, briefly, it gives increased monitor functions over and above those present on the standard machine, including a 20 mA or RS232 printer interface, Hex dumps, register dumps, break points, ASCII string input and display, improved tape file search and an Extended Tiny BASIC.

### Extra Commands

The BASIC has now been extended to include extra commands like READ, WRITE, PEEK, POKE, CALL and EDIT. Machine code subroutines can now be called from BASIC and data can be read in or written out to any port in real time. There is also a very useful extension to the BASIC look up table, out into RAM, so that the user can write his own extensions to BASIC. The new Level 5.1 monitor and BASIC will give the user that extra flexibility over the earlier version, but this will form the basis of a future article.

In order to expand resident firmware any further, it is necessary to have more ROM or EPROM space available. This is now possible using the new 8K EPROM card described in this issue. Designed to hold eight 2708 EPROMS, the card plugs directly into the Triton motherboard and, like the RAM card, its position in memory is selectable by means of a DIL switch or jumper lead. This means that a program can be run in RAM and then burnt into EPROM by selecting both boards to sit at the same address in memory, testing the program in RAM before you burn in your EPROMS and then replacing the RAM card by the EPROM card . . . all very simple.

The long term plans for the 8K extra EPROM cards

include a full BASIC and also an assembler, which we understand Transam are working on as their next addition to the system.

## RAMifications

Expansion of RAM soon became an important consideration as more and more people wanted to write larger and more complex programs. The Triton main PCB has an expansion connector and, as some of you will be aware, via this 64 way connector it is now possible to connect to the Triton motherboard. This board is a means to an end, and opens up a whole new area for Triton.

The design of the motherboard was published in our sister magazine "Computing Today" along with the first of the main expansion boards, the 8K RAM board. It is now possible to extend the user RAM area of Triton by simply plugging as much RAM as required into the motherboard, which is fully buffered for up to 64K.

However, the motherboard is not only designed to take RAM, it is capable of being used in many ways to interface between the main computer and any peripheral capable of being connected to a micro.

Fig. 1 shows an overview of the basic Triton with motherboard and level 4.1 monitor and tiny Basic. This is the original 1K monitor and 2K tiny BASIC resident in 3K of EPROM as described in the original article in November.

## Floppy Facility

For those of you with mass storage in mind, work is just commencing on Floppy Disc Controller Card for Triton. This will enable those who so wish to add one of the most useful peripherals a home computer could have.

## 8K EPROM CARD CONSTRUCTION

A prime design criterion for the whole of our TRITON project has been ease of construction. This EPROM extender card is no exception and needs very few words to help you on your way.

It is wise to start by soldering in all the integrated circuit sockets — ONE AT A TIME — checking all soldered connections as you go. Start, as usual, with the larger sockets and work downwards in size; this will prevent you putting a small socket in where it should have been a large one!

When soldering hold the iron in place slightly longer than for a single sided PCB. This will allow the solder to flow through the hole reinforcing the plating through. Do not, however, overdo this and certainly do not hold the iron in place for more than 3 seconds. Apply the minimum amount of solder that will make a clean wet joint. Remember to insert a sixteen pin DIL socket where the board select jumper is located. Go on to solder in the 64 pin Eurosocket which should be inserted from the component side of the board. Its fixing holes might need opening up with a suitable drill and then it should be firmly bolted to the board.

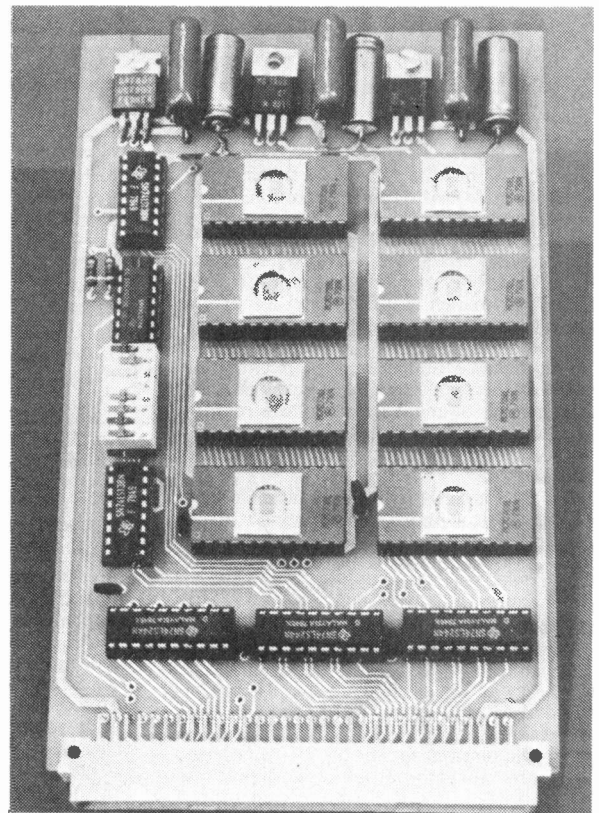


Above: the complete Triton PCB

The design is already underway to interface a Shugart SA400 mini disk drive unit to Triton using the 1771 floppy disk controller chip. The system will eventually be configured for CP/M, the standard Disk Operating System, which, if all goes well, will be available in the not too distant future. The use of CP/M will enable users to run CP/M compatible software on Triton and, hence, will greatly enhance the potential of the computer in applications which require a reliable means of mass data storage and transfer. The CP/M user group library of software is extensive and, as well as programs, other programming languages are also available on disk.

We will bring you more news of these and other developments for Triton as they become available, but first things first, the 8K EPROM card, as described in this issue, makes an interesting addition to the system. ▶

Below: the 8K extension card



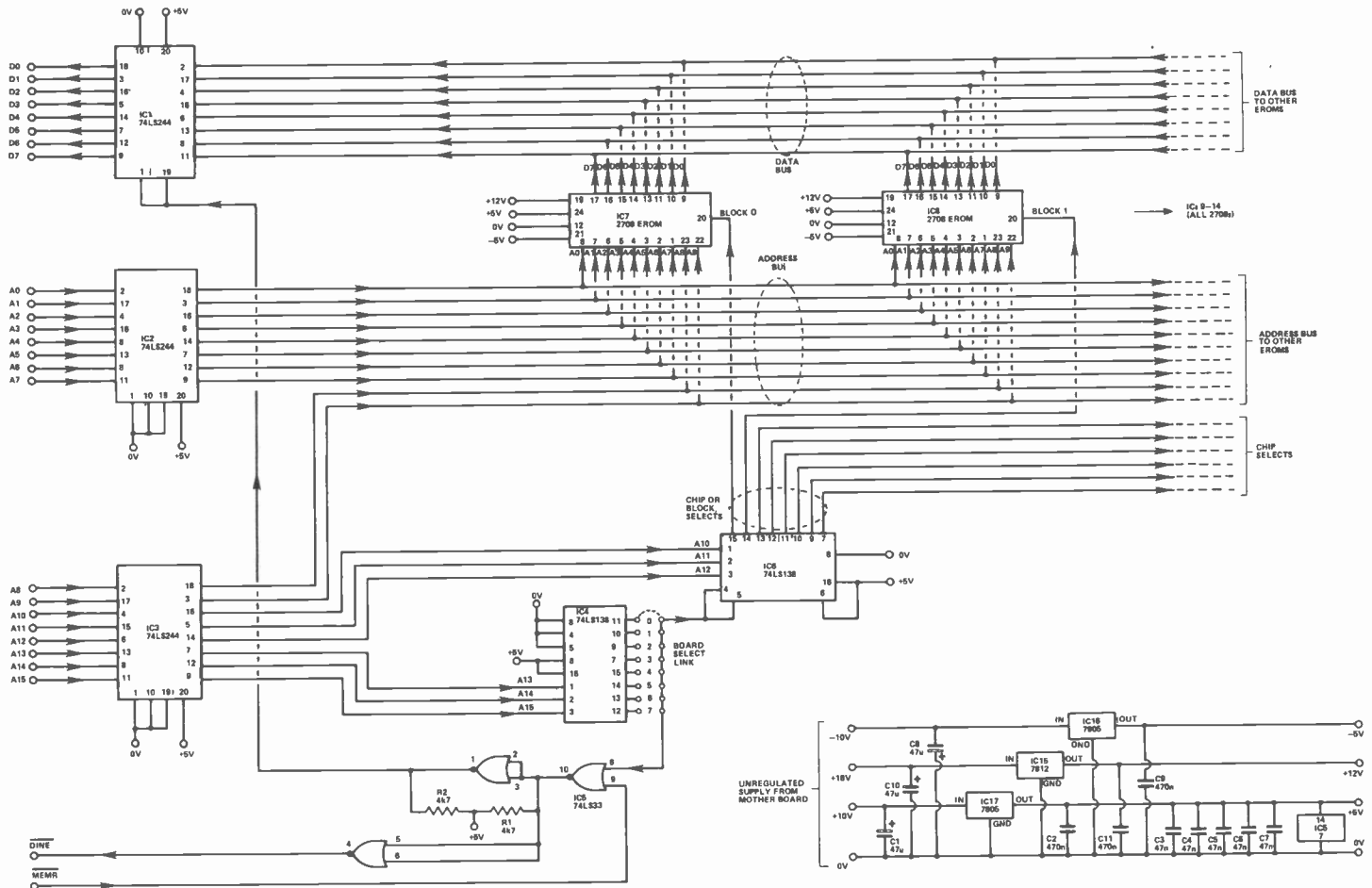


Fig. 3. Circuit diagram of the Triton 8K EPROM extension card.

## HOW IT WORKS

The object of this board is to provide facility for the Triton to carry a much larger degree of resident firmware than is catered for on the main board. This extension card will provide space for a full 8K of ultra-violet erasable read only memory (using 2708 chips) which could be used to carry a much larger BASIC Interpreter or, maybe, an Assembler.

The board's position within the 64K memory map of Triton can be selected with a board select link to be any 8K region. Memory organisation on the board is in 1K blocks — each block contained in a single 2708 EPROM.

It circuit is designed to interface directly with the Triton motherboard busbar from which it draws power to provide the three regulated voltage rails (+12V, +5V and -5V). The board also generates the correct DINE signal to control the enabling of the motherboard data bus buffer.

If you have already made the 8K RAM extension card you will notice a close similarity in this circuit. ICs 2 and 3 buffer the address bus on to the board and the address lines used exactly match the data sheet designations for the 2708 — there are, therefore, no ambiguities in address line nomenclature. IC1 is a similar 8 bit buffer

which carries data coming from the EPROMs and applies this to the motherboard busbar when it is enabled. As this card contains only ROM this latter buffer need only be unidirectional. Its output is enabled when the board select decoder recognises that its address is being interogated by the computer.

IC4 decodes the 8 memory regions of the 64K memory map and provides eight options for the board's starting address. These are user selectable by means of a jumper lead. When this board select signal is gated with MEMR it carries out three functions: (a) enables the output of the data bus buffer, (b) provides the DINE signal and (c) enables IC6 which decodes which block of 1K is being selected on the board.

Although the board will carry eight 2708 chips it is not necessary to have a full complement on board to start with. Care should be taken to ensure that the right EPROM is plugged into its correct designation block number otherwise major computer brainstorms will ensue! IC7 corresponds to block "0" which is the lowest order address position on the board; IC8 is the next higher and so on.

Although you can position this board

within any 8K region in Triton's memory architecture you must avoid region "0" which is completely spoken for by the main board. You must, also, make sure that you do not use a region that is already allocated to one or more RAM cards. We would suggest that any large scale firmware should occupy the top end of memory to prevent it interfering with the continuity of the RAM but this is for the individual user to choose.

## BUYLINES

A complete kit of parts for this project is being offered by Transam Components Ltd of Church Road. See their advertisement on page 106 of this issue for details of prices etc.

Transam also market the whole Triton computer as a kit.

## PARTS LIST

**RESISTORS** (all 1/4W 5%)  
R1, 2 4k7

**CAPACITORS**  
C1, 8, 10 47u 25V electrolytic  
C2, 9, 11 470n polyester  
C3-7 47n ceramic

**SEMICONDUCTORS**  
IC1, 2, 3 74LS244  
IC4, 6 74LS138  
IC5 74LS33  
IC7-14 2708 EROMs suitably programmed  
IC15 +12V 1A regulator  
IC16 -5V 1A regulator  
IC17 +5V 1A regulator

**MISCELLANEOUS**

PCB (Transam Components Ltd.)  
64 pin Eurosocket (right angled pins)  
heatsink  
3 off 20 pin DIL sockets  
3 off 16 pin DIL sockets  
1 off 14 pin DIL sockets  
8 off 24 pin DIL sockets  
1 off 16 pin DIL header

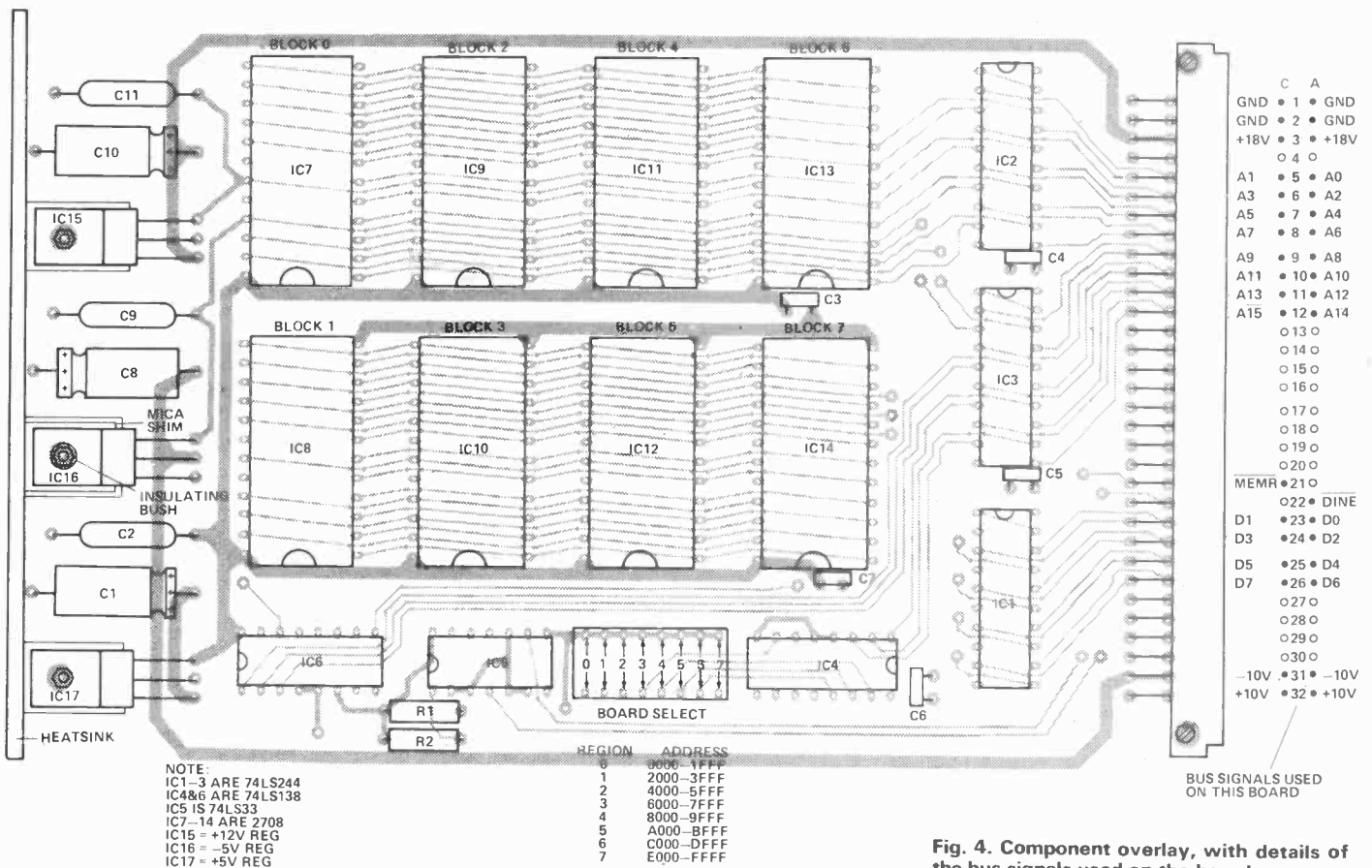
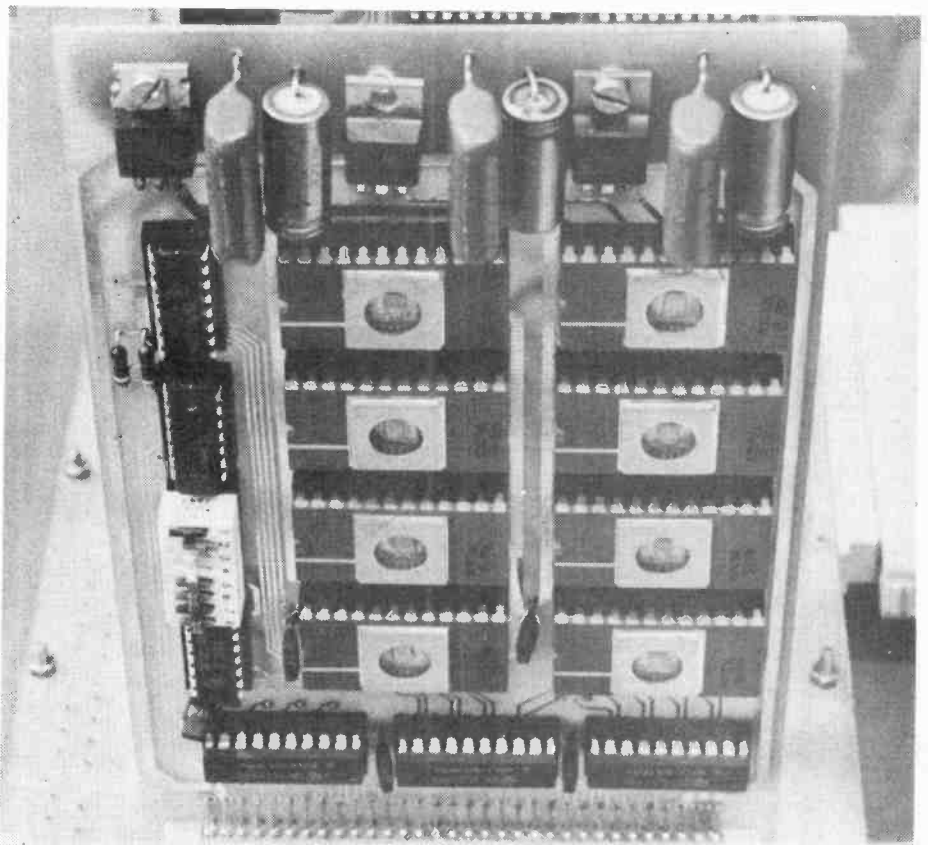
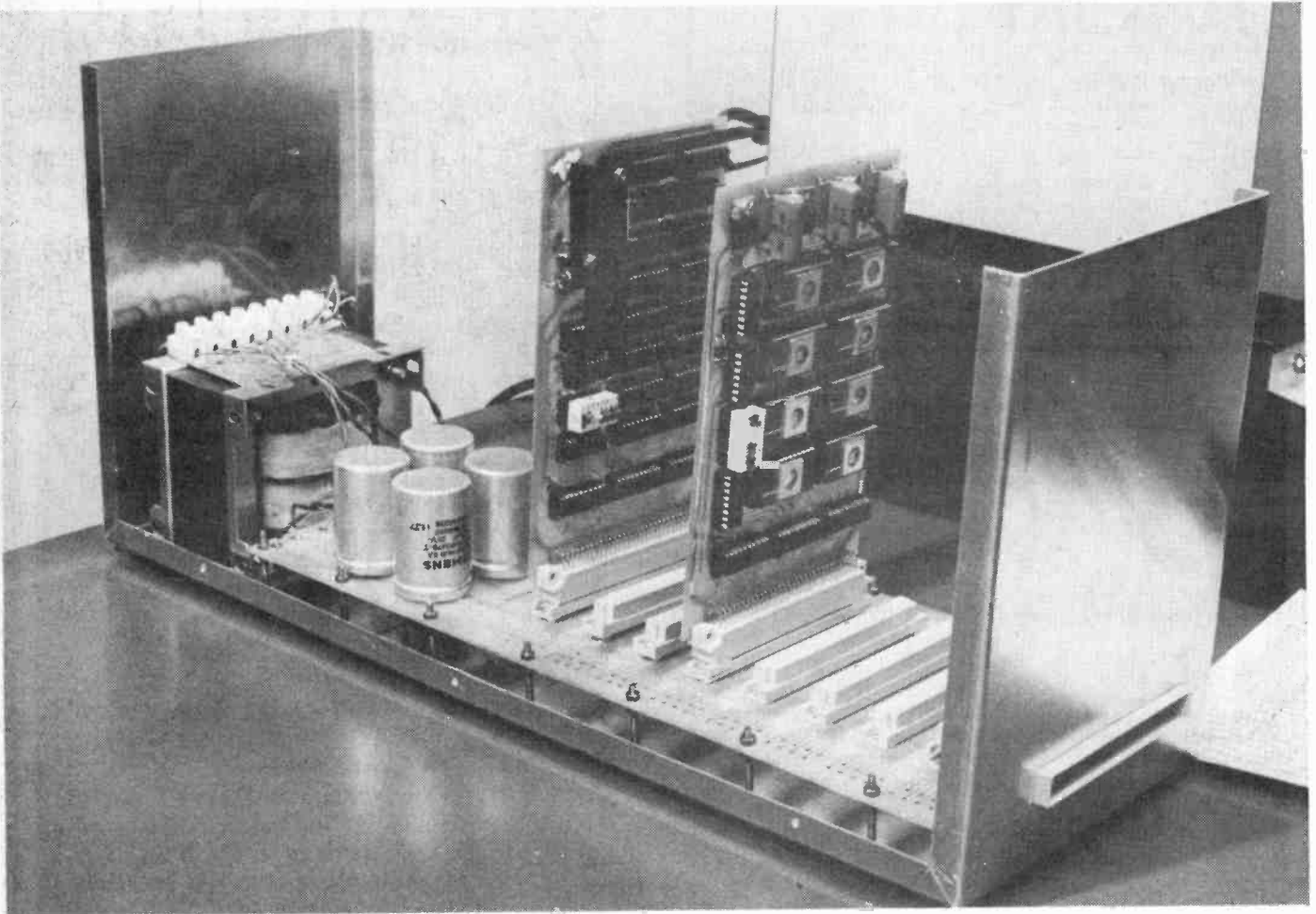


Fig. 4. Component overlay, with details of the bus signals used on the board.



Insert all resistors and capacitors giving particular note to the orientation of C1, C8 and C10 — C8 is a different way round from the other two! Be careful, also, that you insert C7 into the correct pair of holes (the pair nearest the board's socket).

For obvious reasons do not mix up the three voltage regulators (ICs 15 to 17). Hold them so that their fixing holes line up with the large hole in the PCB and then put a right angled form on their leads so that they will neatly pass through their respective connection holes. Allow about  $1/16$ " gap between their backs and the PCB to allow space for the heat sink tabs to be sandwiched between them and the board. When soldering them into place make sure that the leads do not touch the power distribution tracks which they bridge over. Note that a mica shim and insulating bush is needed for IC16.

The heatsink should be cut and bent from 14 gauge aluminium. Before drilling holes in it slide it into place and mark drilling centres through the regulators' fixing tabs. Doing it this way will ensure a perfect matching.

Finally solder a link across the selected pair of contacts on a 16 pin DIL header and insert this into the board select socket and then insert all the integrated circuits taking note of the orientation of each one.

At the time of testing you might not have any firmware available to run on this board. None-the-less you can still test the board through Triton's Monitor. All you need is a 2708 EROM with some known program written into it. Every Triton user has such an

EROM that can be used for this purpose in the shape of one of the BASIC chips on the main board. Firstly use the LIST function of the Monitor and write down the contents of the first dozen or so locations of BASIC "A" (to do this LIST from location 0400). Power the Triton off and remove the BASIC "A" EROM and insert it into the EROM extender card in the location for IC7 (that is Block 0).

With the EROM card plugged into the motherboard apply power to it and then switch Triton on. Press L for LIST and then enter the starting address of the Region that you have selected for the EROM card (e.g. for Region 2 you should enter 4000 and for Region 7 the start address would be E000). When you initiate LIST you should see the same data that you had originally noted. By carefully calculating the starting address of each block on the EROM card you can use BASIC "A" to test out each EROM socket in this manner.

When you have finished your tests do not forget to replace BASIC "A" back into its correct socket and give it a quick run to check that all is well.

At the time of writing we understand that Transam Components Ltd. will be offering a much larger and more versatile BASIC which could be housed on this board. This board, together with the 8K RAM card make Triton an extremely powerful machine and there is no reason (apart from financial!) why you should limit yourself to a single EROM card. Provided you use unallocated Regions you can add as many as you like.

ETI

# GREENWELD

443A Millbrook Road, Southampton  
SO1 0HX Tel: (0703) 772501

All prices quoted include VAT. Add 25p UK, BFPO Postage. Most orders despatched on day of receipt. SAE with enquiries please. MINIMUM ORDER VALUE £1. Official orders accepted from schools, etc. (Minimum invoice charge £5). Export/Wholesale enquiries welcome. Wholesale list now available for bona-fide traders. Surplus components always wanted. Prices in this advertisement valid until 30/8/79; 100+ prices are per value and may not be mixed.

## RESISTORS

¼W 5% Carbon film 1R-10M E24 series. 1-99 1½p; 100-99 1p; 1000+ 0.7p.

½W 2% Metal Oxide 10R-1M E24 series. 1-99 6p; 100+ 4p. ¼W 1% Metal Glaze 1R-1M E24 series. 1-99 10p; 100+ 7½p. (add 20% for values under 10R and over 510k). 1W 5% Carbon Film 4R7-10M E12 series. 1-99 3p; 100+ 2½p.

## WIREWOUND

Watts	Range	1-99	100+
1	OR22-1k8	7p	4½p
2½	OR22-15k	9p	6p
5	OR47-33k	12p	9p
7/8	2R-22k	14p	10½p
9/10	OR4-60k	16p	12½p
15	1R-75k	18p	14½p

(Full list of values in cat)

## POTENTIOMETERS

Lin or Log less switch 1k-2M2 26p each. Dual 1in or log less switch 4k7-2M2 79p each. Log + DPSW 4k7-2M2 57p each. Spkr Vol controls. 3W w/w, splined shaft: 20R 50R 100R or 200R 37p each 100+ 26p.

## CAPACITORS

50V min ceramic, 5% up to 1000pF  
Value 1-99 100+  
1.5-1000pF 3p 2.25p  
1500-.047 4p 2.8p

## 100V MYLAR, E12 series

Value	1-99	100+
.001-.0082µ	4p	3p
.01-.1µ	5p	3.6p
.15	7p	4.8p
.22µ	9p	6.2p
.33µ	10p	7.4p
.47µ	14p	10.6p

## 250V polyester

Value	1-99	100+
.01-.068	4p	2.8p
.1-.22	5p	3.8p
.33	8p	5.6p
.47	12p	7.3p
.68	15p	9.6p
1.0	20p	13.4p
1.5	26p	18p
2.2	32p	22p
3.3	39p	26p
4.7	49p	32p
6.8	63p	39p

## ELECTROLYTICS

25V: 0.47 1 2.2. 3.3. 4.7. 10. 15. 22. 23. 47µ 7p; 100µ 8p; 150µ 10p; 220µ 12p; 330µ 15p; 470µ 19p; 1000µ 26p; 1500µ 31p; 2200µ 38p; 3300µ 51p; 4700µ 60p; 10000µ can 87p; 40V: 47 1µ 7p; 2.2. 4.7. 10. 15. 22µ 8p; 47µ 9p; 100µ 11p; 150µ 13p; 220µ 15p; 330µ 20p; 470µ 24p; 1000µ 34p; 1500µ 45p; 2200µ 60p; 4700µ 72p. 63V: 1. 2.2µ 8p; 4.7µ 9p; 10µ 10p; 22µ 11p; 47µ 12p; 100µ 13p; 220µ 18p; 470µ 26p; 1000µ 51p; 2200µ 78p; 4700µ can 220p.

100+ of any one type, less 25%

## TANT BEAD CAPS

Value	volts	1-99	100+
0.1-1µ	35	12p	7p
1.5µ	35	12p	7½p
2.2µ	35	12p	8p
3.3µ	35	12p	8½p
4.7µ	35	14p	9½p
6.8µ	35	14p	10½p
10.0µ	35	14p	11½p
15µ	20	14p	11½p
22µ	16	14p	11½p
33µ	10	14p	11½p
47µ	6	14p	11½p
68µ	3	14p	11½p
100µ	3	14p	11½p

## PRESETS

Min 0.1W vert or horiz mntg 100R-4M7. 1-99 7p; 100+ 4½p. Std 0.3W vert or horiz mntg 100R-4M7. 1-99 9p; 100+ 6p.

## POPULAR SEMICONDUCTORS

Type	1-99	100+
741	18p	14½p
555	25p	19½p
556	55p	49p
BC107	9p	7p
BC108	8p	6½p
BC109	9p	7p
.125 Red LED	11p	8½p
.2 Red LED	14p	10p
76003N	160p	100p
76013N	130p	85p
76023N	130p	85p
76033N	160p	100p
1N4148	2p	1.3p
1N4003	4p	2.9p
1N4007	7p	4.9p

## 1979 CATALOGUE 64 BIG PAGES!!

### FEATURES INCLUDE:

- ★ 50p Discount Vouchers
- ★ Quantity prices for bulk buyers
- ★ Bargain List Supplement
- ★ Reply Paid Envelope
- ★ Priority Order Form
- ★ VAT inclusive prices

ONLY  
**30p**  
+ 15p post

## ELECTRONIC AIR FRESHENER KIT



- Battery operated
  - Replaceable fragrance
  - Continuous airfreshening
  - Robust construction
  - Simple to service
- Modular construction allows fast easy replacement of batteries and fragrances

This novel kit contains everything you need to make one of the most advanced air fresheners of its kind. Styled to take its place in any room in your home and do its job quietly and unobtrusively. The automatic timing circuit switches on a fan for a few seconds at regular intervals to send an odour neutralising fragrance into every corner of your room. The kit includes components for a 4-minute timing circuit, miniature D.C. motor and moulded parts in high impact styrene to provide an easily maintained, elegant appearance. Initial Gel Freshener provided FREE — further fresheners 48p each

# The latest kit innovation!

from **Sparkrite**



the quickest fitting  
**CLIP ON**  
capacitive discharge  
electronic ignition  
in KIT FORM

- Smoother running
- Instant all-weather starting
- Continual peak performance
- Longer coil/battery/plug life
- Improved acceleration/top speeds
- Optimum fuel consumption

Sparkrite X4 is a high performance, high quality capacitive discharge, electronic ignition system in kit form. Tried, tested, proven, reliable and complete. It can be assembled in two or three hours and fitted in 1/3 mins. Because of the superb design of the Sparkrite circuit it completely eliminates problems of the contact breaker. There is no misfire due to contact breaker bounce which is eliminated electronically by a pulse suppression circuit which prevents the unit firing if the points bounce open at high R.P.M. Contact breaker burn is eliminated by reducing the current to about 1/50th of the norm. It will perform equally well with new, old, or even badly pitted points and is not dependent upon the dwell time of the contact breakers for recharging the system. Sparkrite incorporates a short circuit protected inverter which eliminates the problems of SCR lock on and, therefore, eliminates the possibility of blowing the transistors or the SCR. (Most capacitive discharge ignitions are not completely foolproof in this respect). The circuit incorporates a voltage regulated output for greatly improved cold starting. The circuit includes built in static timing light, systems function light, and security changeover switch. All kits fit vehicles with coil/distributor ignition up to 8 cylinders.

### THE KIT COMPRISES EVERYTHING NEEDED

Die pressed epoxy coated case. Ready drilled, aluminium extruded base and heat sink, coil mounting clips, and accessories. Top quality 5 year guaranteed transformer and components, cables, connectors, P.C.B., nuts, bolts and silicon grease. Full instructions to assemble kit neg. or pos. earth and fully illustrated installation instructions.

NOTE — Vehicles with current impulse tachometers (Smiths code on dial RV1) will require a tachometer pulse slave unit. Price £3.85 inc. VAT, post & packing.

Electronics Design Associates, Dept. ET1 6  
82 Bath Street, Walsall WS1 3DE. Phone (0922) 614791

Name \_\_\_\_\_  
Address \_\_\_\_\_

Phone your order with Access or Barclaycard  
including postage and packing UK only QUANTITY REQ'D. Send SAE if brochure only required.

X4 KIT £16.65 inc. VAT	
TACHO PULSE SLAVE UNIT £3.85 inc. VAT	

I enclose cheque/PO's for  
£ \_\_\_\_\_  
Cheque No. \_\_\_\_\_

Access or Barclaycard No. \_\_\_\_\_

# CAPACITORS

**Ever wondered what's inside those small tubes with a wire at each end? Well if it's not a resistor or diode it's a fair bet it's a capacitor. Ian Sinclair leads the way into the jungle.**

WHEN YOU THINK ABOUT IT (and who doesn't!) capacitors have quite a lot of uses in electronic circuits. They are used to store electric charge, when we use them as reservoirs in power supply units or as timing capacitors in multivibrator circuits. They are used to pass AC and block DC when we make use of them in coupling, decoupling and filtering circuits. Thirdly, of course, the capacitor connected to an inductor forms the familiar resonant circuit which tunes nearly every radio receiver or transmitter.

Now there's a bewildering variety of capacitor types, which is a bit confusing unless you know something about capacitors and how they are constructed. Let's start right at the beginning.

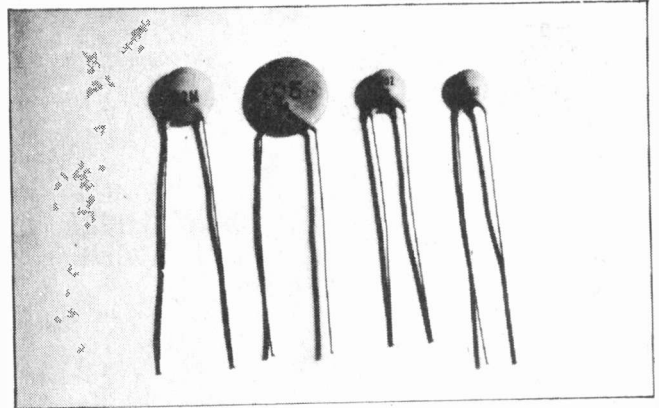
## Capacitor Types

In a class by itself is the variable capacitor, using one set of fixed plates set in a frame and another set of moving vanes mounted on a shaft. Rotating the shaft meshes the moving vanes between the fixed vanes, and because all the moving vanes are connected together, the total area can be quite large, though the spacing between the fixed and the moving vanes can never be small because of the risk of shorting caused by vibration. The odd shapes of the plates, incidentally, are due to the desire to have a linear response — meaning that the amount of capacitance change for each degree of rotation should be pretty much the same for all the range of movement. At one time, radio tuning capacitors were always 500p, but 375p is more common now, and miniature versions use thin sheets of dielectric between the fixed and the moving vanes, a type of construction which also allows the sets of plates to be moved closer together. Radio tuning capacitors are seldom single units; ganged units of two or three capacitors are much more common. Ganging simply means that all the moving vanes move together, so that several lots of capacitors are varied in step.

Most of the capacitors that we use are fixed, however, and they can have capacitance values as low as a few picofarads or as high as several thousand microfarads. As you might expect, we don't use the same sort of construction for all of them.

### Tiddlers:

The smallest capacitor sizes are either flat parallel plates of mica or ceramic, or ceramic tubes which have been silvered inside and outside. Values range from 2p2 upwards, with mica capacitors of 10n (10,000 p) available. Silver mica capacitors, made by coating high-



Four tiddlers — ceramic capacitors.

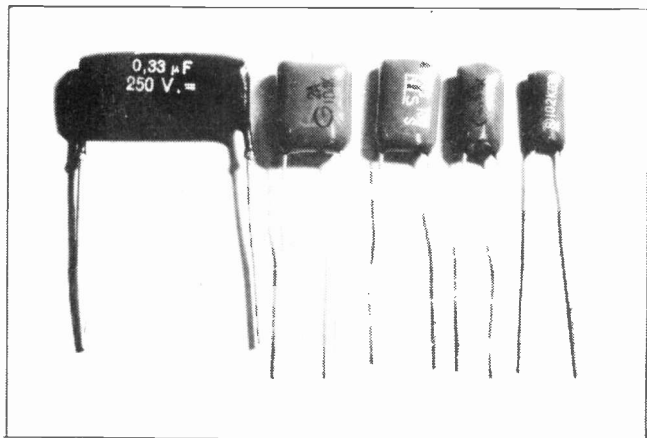
grade mica sheets with silver on each side, are greatly esteemed for use in tuned circuits because of their stability. They have surprisingly high working voltage ratings, and positive temperature coefficient of around 40 ppm/°C. The insulation resistance is very high, greater than 50,000 M. Ceramic plate types can also be obtained in the smaller sizes (2p2 to 220p, typically), and, except in the smallest sizes, have negative temperature coefficients. A combination of mica and ceramic plate capacitors can therefore be used in a tuned circuit to ensure that there is practically no change of total capacitance when the temperature is changed. The tubular ceramics are generally similar in characteristics, though of different construction.

### Middle Sixes:

In this range, from a nanofarad up to a microfarad or so, there is a wide range of types. Ceramic disc capacitors appear in this group due to the use of 'high — K' ceramic material. This type of ceramic has a very large value of permittivity, often greater than 1000, so that small capacitors can have comparatively large capacitance values. There's one snag, though — 'high — K' ceramic capacitors must never be used for tuned circuits because these capacitors dissipate energy. An oscillator circuit with a 'high — K' capacitor in its tuned circuit won't oscillate, for example. Keep them for decoupling, and they'll serve you well. The other important type of construction which comes into its own in this range of values is the rolled type. A rolled capacitor consists of long ribbons of insulator coated with metal (usually aluminium) on each side, and rolled up with a



ribbon of plain insulator (to prevent shorting) so as to form a large total plate area in a small space. Insulators which can be used include paper (the original insulator used in this way) and several modern plastics such as polystyrene (no, not *her*), polyester (the stuff which is also called terylene and is made into clothes), polycarbonate, polypropylene, and mixtures of paper and plastics. In fact, paper is seldom used nowadays by itself. Polystyrene capacitors have very large insulation resistance (more than a million M) with fairly high negative temperature coefficients of around  $-150 \text{ ppm}/^\circ\text{C}$ . Values as low as 10 p can be made, with upper limits of around 10 n.



**Polyester capacitors — high insulation resistance and large positive temperature coefficient.**

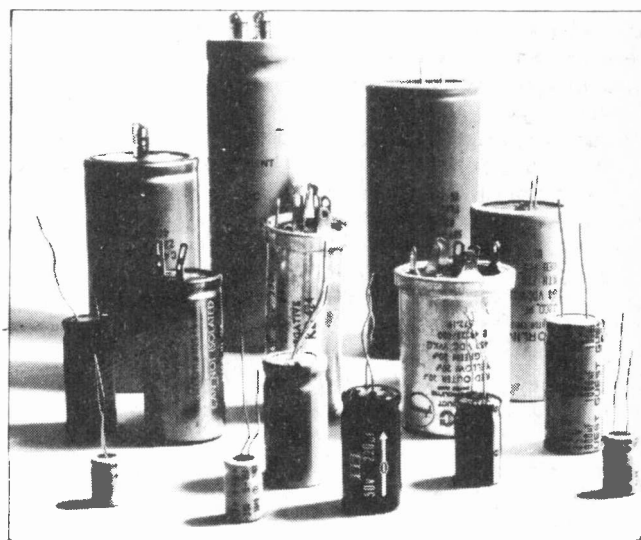
Polyester capacitors are useful for the larger capacitance sizes, 1 n to 2u2, with high insulation resistance (100000M) and large positive temperature coefficients. A remarkable feature is that some varieties can recover from breakdown after having been overloaded or overheated. Polycarbonate types have better insulation resistance in the larger capacitance sizes (1u upwards) and lower temperature coefficients ( $50 \text{ ppm}/^\circ\text{C}$ ) — but at a price! Polypropylene capacitors are particularly suited for high voltage AC or pulse circuits; they have negative temperature coefficients of around  $-60 \text{ ppm}/^\circ\text{C}$ . Mixed dielectric types are generally used for high voltage circuits, with ratings of 600-1000 V. They are physically larger than the single-plastic dielectric types and are used in mains voltage circuits and in timebase generators. All of these medium range capacitors can be used equally well for coupling, decoupling, charge storage, or resonant circuits. The polyester type is the one which would normally be specified except for special purposes.

### The Big, Big Ones:

Electrolytic capacitors are used wherever we need large capacitance values for power supply reservoirs and smoothing, for decoupling and coupling in low frequency circuits. The construction is very different from that of other types, consisting of one large aluminium foil 'plate', usually dimpled to provide extra area, in contact with a jelly which is slightly acid and conducting. The aluminium foil forms one plate, and the jelly in contact with it forms the other conducting plate. The insulator is a thin film of hydrogen gas which forms

on the aluminium when the foil is connected to a negative supply and the case of the capacitor, in contact with the jelly, to a positive voltage.

During this initial 'forming' operation, the current flow through the capacitor has to be controlled, but it soon reduces to a very low leakage value. Reversing the voltage will cause the film to vanish, so that the leakage current increases enormously. This can cause rapid overheating, leading to the jelly boiling, the can bursting, and a nasty mess everywhere. The polarity of an electrolytic must always be observed, and two used back to back if there is any chance of reverse voltage in a circuit. Tantalum foil capacitors can be obtained which are unpolarised or which will withstand some reverse voltage. Since these also have much lower leakage currents, they are frequently used in high quality tape amplifiers for coupling the tape head to the replay amplifier. Electrolytics have wide tolerances ( $-25\%$  to  $+100\%$ ), a lot of leakage and the disadvantage of being polarised, but there is little choice when values of 10 u or more are needed. Even for the 1 u-10 u range, the small size of the electrolytic makes it the natural choice for many applications. Most suppliers now quote the maximum ripple current in mA which the capacitor can safely handle in power supply smoothing application. If an electrolytic which is correctly polarised is found to be running hot, a higher ripple current type should be substituted. Ripple currents of up to 15 A can be specified for the larger capacitance values (22000 u or so).



**Electrolytic capacitors — getting the polarity wrong means a nasty mess on the carpet.**

Electrolytics used for critical decoupling or coupling applications should always be bypassed by rolled dielectric capacitors and also, if needed, by micas. This is because electrolytics have rather a high impedance to high frequency currents, and so need bypassing. This applies even at high audio frequencies incidentally, so that there is some advantage to be gained from wiring a 10 u polyester capacitor in parallel with the output capacitor of a hi-fi amplifier.

ETI

# The Sinclair PFM200 digital frequency meter.

## 20 Hz-200 MHz... 8 digits

## ..under £50.



The Sinclair PFM200 brings digital frequency measurement within the reach of every engineer. It has a performance comparable with the very best bench-top instruments, but it's packaged in a compact case which is rugged but light, ready for use anywhere.

The PFM200 out-performs many much more expensive instruments. Its 8-digit display and variable gate time give high-resolution coverage of frequencies from 20 Hz to over 200 MHz. It gives you exceptional sensitivity and simplicity, at a fraction of the price of meters with similar specifications!

The PFM200 is ideal for use with audio, video and radio systems, and all electronic and digital circuitry. Now every development engineer, service technician, student and hobbyist can afford to have a personal digital frequency meter.

The PFM200 embodies Sinclair Radionics' seven-year experience in digital test equipment design and production.

### PFM200: features

- 20 Hz-200 MHz guaranteed range (typically better)
- Frequency resolution down to 0.1 Hz
- High sensitivity (10 mV typical)
- High-accuracy crystal timebase
- Full 8-digit capacity
- Sharp, bright, easily-read LED display
- Built-in attenuator
- Variable sampling rate
- Low-battery indication
- Truly portable

### Where to use the new PFM200

The PFM200 is useful in every field of electronics, providing the ultra-precise frequency information that an oscilloscope can't give...

**Transmitter checks:** mobiles, ham, radio control - check frequency and stability on Low and High band VHF, etc, up to 200 MHz AM and FM. In most applications, the PFM200's optional telescopic aerial avoids the need for direct connections.

**Audio testing and design:** check oscillator frequencies, bandwidth limits, crossover frequencies, resonances, etc, with resolution down to 0.1 Hz.

**Digital testing:** check computer clock frequencies, divider ratios and other digital circuitry.

**RF circuit checks:** test local oscillators, BFOs, test IF and detector performance.

**Video equipment:** check synchronised circuits, scanning frequencies, video bandwidths, etc.



**Built, tested, ready to go**

The Sinclair PFM200 comes to you fully built, tested, calibrated and guaranteed. It comes complete with leads and test prods, operating instructions and a carrying wallet. And getting one couldn't be easier. Just fill in the order form below, enclose a cheque/PO for the right amount (usual 14-day money-back undertaking, of course), and send it to us.

Sinclair Radionics Ltd, London Rd, St Ives, Huntingdon, Cambs., PE17 4HJ, England. Regd. No. 699483.

### Technical specifications

- Frequency range:** 20 Hz to 200 MHz
- Display resolution:** up to 8 digits
- Lowest frequency resolution:** 0.1 Hz
- Gate time:** decade adjustable from 0.01 secs to 10 secs
- Sampling rate:** varies with gate time up to 5 per second
- Display format:** 8 LEDs, direct reading in kHz.
- Attenuator:** -20 db
- Input impedance:** 1M in parallel with 50 pF
- Timebase accuracy:** 0.3 ppm/°C, 10 ppm/year
- Dimensions:** 6.2 in x 3 in x 1.25 in
- Weight:** 6 oz
- Power requirement:** 9V DC or AC adaptor
- Sockets:** standard 4 mm for resilient plugs
- Standard accessories:** test leads and prods, carrying wallet, owner's instruction manual
- Optional equipment:** AC adaptor for 240 V 50 Hz power; deluxe padded carrying case; connector kit comprising BNC, co-ax, DIN and phono adaptors, plus telescopic aerial for off-air transmitter measurements

### PFM200 Order Form

Please send me.....(qty)  
 PFM200s at £53.78  
 (inc 8% VAT) each £ \_\_\_\_\_

.....(qty) De-luxe  
 carrying cases at £3.24  
 (inc 8% VAT) each £ \_\_\_\_\_

.....(qty) AC adaptors  
 for 240V power at £3.24  
 (inc 8% VAT) each £ \_\_\_\_\_

.....(qty) connector kits  
 at £10.58 (inc 8% VAT) each £ \_\_\_\_\_

Post & packing (please add) £0.65

I enclose cheque/PO made payable to Sinclair Radionics Ltd for (indicate total amount) £ \_\_\_\_\_

I understand that if I am not completely satisfied with my PFM200, I may return it within 14 days for a full cash refund.

Name.....

Address.....

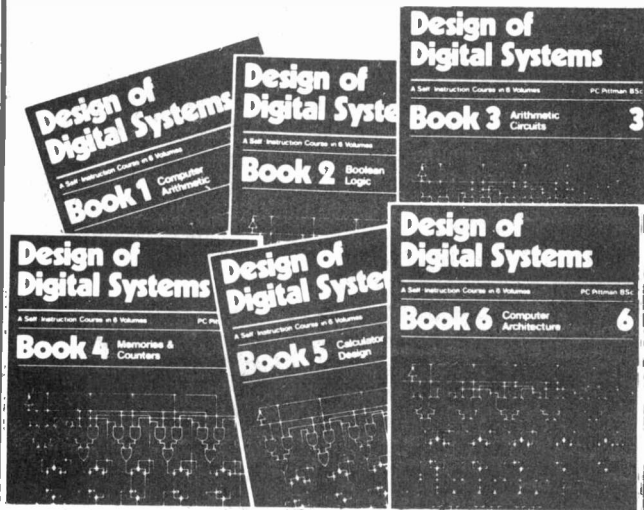
.....

ETI/6

 **sinclair**  
 World leaders in fingertip electronics.

# Understanding Digital Electronics

## New teach-yourself courses



In the years ahead the products of digital electronics technology will play an important part in your life. Calculators and digital watches are already commonplace. Tomorrow a digital display could show your vehicle speed and petrol consumption; you could be calling people by entering their name into a telephone which would automatically look up their number and dial it for you.

These courses were written by experts in electronics and learning systems so that you could teach yourself the theory and application of digital logic. Learning by self-instruction has the advantages of being faster and more thorough than classroom learning. You work at your own pace and must respond by answering questions on each new piece of information before proceeding.

After completing these courses you will have broadened your career prospects and increased your fundamental understanding of the rapidly changing technological world around you.

The six volumes of **Design of Digital Systems** cost only: **£8.10** } + 90p. post & packing  
 And the four volumes of **Digital Computer Logic and Electronics** cost only: **£4.60** }  
 But if you buy both courses, **the total cost is only: £12.00** - + £1 post & packing

**Design of digital Systems** is written for the engineer seeking to learn more about digital electronics. Its six volumes — each A4 size — are packed with information, diagrams and questions designed to lead you step-by-step through number systems and Boolean algebra to memories, counters and simple arithmetic circuits, and finally to a complete understanding of the design and operation of calculators and computers.

### The contents of Design of Digital Systems include:

- Book 1** Octal, hexadecimal and binary number systems; conversion between number systems; representation of negative numbers; complementary systems; binary multiplication and division.
- Book 2** OR and AND functions; logic gates. NOT, exclusive OR, NAND, NOR and exclusive-NOR functions; multiple input gates; truth tables; De Morgans Laws; canonical forms; logic conventions; Karnaugh mapping; three-state and wired logic.
- Book 3** Half adders and full adders; subtractors; serial and parallel adders; processors and arithmetic logic units (ALUs); multiplication and division systems.
- Book 4** Flip flops; shift registers; asynchronous and synchronous counters; ring, Johnson and exclusive-OR feedback counters; random access memories (RAMs) and read only memories (ROMs).
- Book 5** Structure of calculators; keyboard encoding; decoding display data; register systems; control unit; program ROM; address decoding; instruction sets; instruction decoding; control program structure.
- Book 6** Central processing unit (CPU); memory organisation; character representation; program storage; address modes; input/output systems; program interrupts; interrupt priorities; programming; assemblers; computers; executive programs; operating systems and time sharing.



**Digital Computer Logic and Electronics** is designed for the beginner. No mathematical knowledge other than simple arithmetic is assumed, though the student should have an aptitude for logical thought. It consists of four volumes — each A4 size — and serves as an introduction to the subject of digital electronics. Everyone can learn from it — designer, executive, scientist, student, engineer.

Contents include: Binary, octal and decimal number systems, conversion between number systems; AND, OR, NOR and NAND gates and inverters; Boolean algebra and truth tables; De Morgans Laws; design of logic circuits using NOR gates; R-S and J-K flip flops; binary counters, shift registers and half adders.

**CAMBRIDGE LEARNING ENTERPRISES, UNIT 19, RIVERMILL SITE  
 FREEPOST, ST. IVES, HUNTINGDON, CAMBS. PE17 4BR, ENGLAND  
 TELEPHONE: ST. IVES (0480) 67446  
 PROPRIETORS: DRAYRIDGE LTD. REG. OFFICE RIVERMILL  
 LODGE, ST. IVES REGD. IN ENGLAND No. 1328762.**

Price includes surface mail anywhere in the world — Airmail extra.

## Flow Charts & Algorithms

HELP YOU PRESENT safety procedures, government legislation, office procedures, teaching materials and computer programs by means of YES and NO answers to questions.

**THE ALGORITHM WRITER'S GUIDE** explains how to define the questions, put them in the best order and draw the flow chart, with numerous examples shown. All that students require is an aptitude for logical thought. Size: A5, 130 pages. This book is a MUST for those with things to say.

**£2.95** + 45p post & packing by surface mail anywhere in the world. Airmail extra.

**GUARANTEE.** Please allow 21 days for delivery. If you are not entirely satisfied your money will be refunded.

Cambridge Learning Enterprises, Unit 19, Rivermill Site  
 Freepost, St. Ives, Huntingdon, Cambs. PE17 4BR  
 England.

Please send me the following books  
 . . . . . sets Digital Computer Logic & Electronics @ £5.50, p & p included  
 . . . . . sets Design of Digital Systems @ £9.00, p & p. included  
 . . . . . Combined sets @ £13.00, p & p included  
 . . . . . The Algorithm Writer's guide @ £3.40, p & p included

Name . . . . .  
 Address . . . . .  
 . . . . .  
 . . . . .

I enclose a cheque/PO payable to Cambridge Learning Enterprises for £ . . . . .  
 Please charge my Access/Barclaycard/Visa/Eurocard/Mastercharge/Interbank account number . . . . .

Signature . . . . . deleted as appropriate  
 Telephone orders from credit card holders accepted on 0480-67446 (ansafone) Overseas customers should send a bank draft in sterling drawn on a London Bank.

ETI 19

# data sheet.....

The MCM6810A is a byte-organized memory designed for use in bus-organized systems. It is fabricated with N-channel silicon-gate technology. For ease of use, the device operates from a single power supply, has compatibility with TTL and DTL, and needs no clocks or refreshing because of

static operation.

The memory is compatible with the M6800 Microcomputer Family, providing random storage in byte increments. Memory expansion is provided through multiple Chip Select inputs.

- Organized as 128 Bytes of 8 Bits
- Static Operation
- Bi-Directional Three-State Data Input/ Output
- Six Chip Select Inputs (Four Active Low, Two Active High)
- Single 5-Volt Power Supply
- TTL Compatible
- Maximum Access Time = 350nS — MCM6810AL  
450 nS — MCM6810AL

**The MCM 6810A Static RAM is freely available at the moment. Maplin Electronics (PO Box 3, Rayleigh, Essex SS6 8LR) stock the device for £4.27 including VAT. Complete address decoding is performed on-chip and there are six chip-enable inputs (four are active-low and two are active-high) for absolute ease of memory expansion.**

## ABSOLUTE MAXIMUM RATINGS (See Note 1)

Rating	Symbol	Value	Unit
Supply Voltage	V <sub>CC</sub>	-0.3 to +7.0	V DC
Input Voltage	V <sub>in</sub>	-0.3 to +7.0	V DC
Operating Temperature Range	T <sub>A</sub>	0 to +70	°C
Storage Temperature Range	T <sub>stg</sub>	-65 to +150	°C

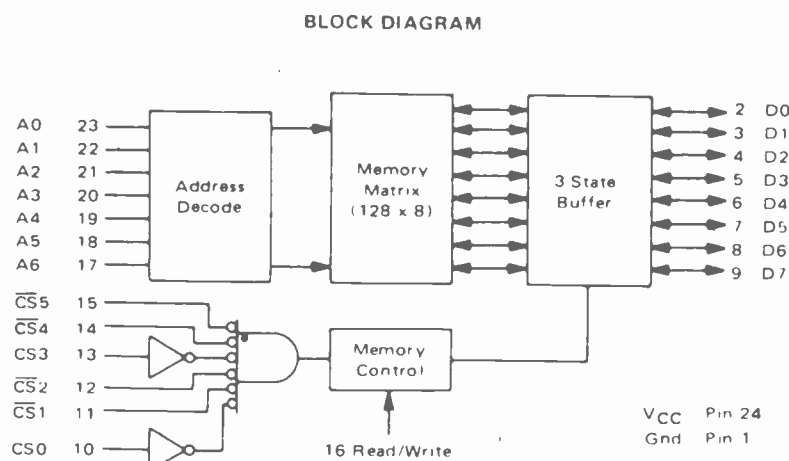
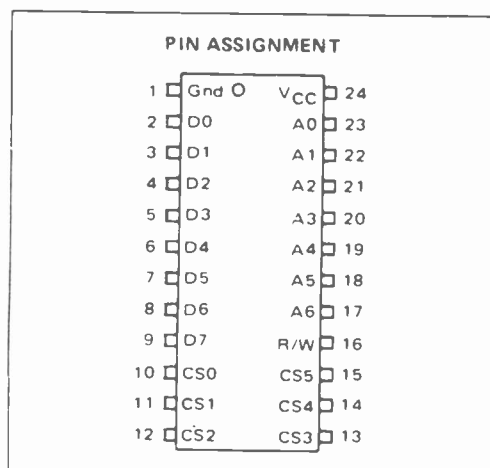
NOTE 1: Permanent device damage may occur if ABSOLUTE MAXIMUM RATINGS are exceeded. Functional operation should be restricted to RECOMMENDED OPERATION CONDITIONS. Exposure to higher than recommended voltages for extended periods of time could affect device reliability.

## RECOMMENDED DC OPERATING CONDITIONS

Parameter	Symbol	Min	Nom	Max	Unit
Supply Voltage	V <sub>CC</sub>	4.75	5.0	5.25	VDC
Input High Voltage	V <sub>IH</sub>	2.0	—	5.25	VDC
Input Low Voltage	V <sub>IL</sub>	-0.3	—	0.8	VDC

## DC CHARACTERISTICS

Characteristic	Symbol	Min	Typ	Max	Unit
Input Current (A <sub>n</sub> , R/W, CS <sub>n</sub> , $\overline{CS}_n$ ) (V <sub>in</sub> = 0 to 5.25 V)	I <sub>in</sub>	—	—	2.5	µA DC
Output High Voltage (I <sub>OH</sub> = -205 µA)	V <sub>OH</sub>	2.4	—	—	V DC
Output Low Voltage (I <sub>OL</sub> = 1.6 mA)	V <sub>OL</sub>	—	—	0.4	V DC
Output Leakage Current (Three-State) (CS = 0.8 V or $\overline{CS}$ = 2.0 V, V <sub>out</sub> = 0.4 V to 2.4 V)	I <sub>LO</sub>	—	—	10	µA DC
Supply Current (V <sub>CC</sub> = 5.25 V, all other pins grounded, T <sub>A</sub> = 0°C)	I <sub>CC</sub>	—	—	70	mA DC
		—	—	80	
					MCM6810AL MCM6810AL1



CAPACITANCE (f = 1.0 MHz, T<sub>A</sub> = 25°C, periodically sampled rather than 100% tested.)

Characteristic	Symbol	Max	Unit
Input Capacitance	C <sub>in</sub>	7.5	pF
Output Capacitance	C <sub>out</sub>	12.5	pF

This device contains circuitry to protect the inputs against damage due to static voltages or electric fields; however, it is advisable that normal precautions be taken to avoid application of any voltage higher than maximum rated voltages to this high-impedance circuit.

READ CYCLE

Characteristic	Symbol	MCM6810AL		MCM6810AL1		Unit
		Min	Max	Min	Max	
Read Cycle Time	t <sub>cyc(R)</sub>	450	—	350	—	nS
Access Time	t <sub>acc</sub>	—	450	—	350	nS
Address Setup Time	t <sub>AS</sub>	20	—	20	—	nS
Address Hold Time	t <sub>AH</sub>	0	—	0	—	nS
Data Delay Time (Read)	t <sub>DDR</sub>	—	230	—	180	nS
Read to Select Delay Time	t <sub>RCS</sub>	0	—	0	—	nS
Data Hold from Address	t <sub>DHA</sub>	10	—	10	—	nS
Output Hold Time	t <sub>H</sub>	10	—	10	—	nS
Data Hold from Write	t <sub>DHW</sub>	10	80	10	60	nS

WRITE CYCLE

Characteristic	Symbol	MCM6810AL		MCM6810AL1		Unit
		Min	Max	Min	Max	
Write Cycle Time	t <sub>cyc(W)</sub>	450	—	350	—	nS
Address Setup Time	t <sub>AS</sub>	20	—	20	—	nS
Address Hold Time	t <sub>AH</sub>	0	—	0	—	nS
Chip Select Pulse Width	t <sub>CS</sub>	300	—	250	—	nS
Write to Chip Select Delay Time	t <sub>WCS</sub>	0	—	0	—	Ns
Data Setup Time (Write)	t <sub>DSW</sub>	190	—	150	—	nS
Input Hold Time	t <sub>H</sub>	10	—	10	—	nS

**1 RF 040**

MW/LW/FM/MPX varicap tune RF board as per 78 Nov/Dec PW Dual gate MOSFET front end. 2xF gain stages 3189 deviation mute, interstation ratio, MPX filters, STab PSU 1µV sensitivity and 75dB S/N rate. AM Section also varicap tuned HA1197 excellent performance. Special price **£28.95**

**2 Surplus RF Board 020**

Complete MW/LW/FM/MPX Tuner uses 3 stage FET front end 2 ceramic filters 3089E-1310 Decoder. AM section built around 3132E, 2 stage tuning comes complete with 4 way switch — ferrite rod aerial **£9.99**

**3 IF15**

Matching IF Strip double conversion 10.7MHz/470kHz AM/NB FM excellent performance **£12.95**

**4 IF20 Multimode IF Strip**

Switched AM/NB FM/SSB/CW. 10.7MHz input gain 90dB. Typical sensitivity 10µV. Dual Conversion, will form the basis of a good communications receiver. Selectivity provided by filters at 10.7MHz and 455kHz **£21.95**

**5 V.T05. — Medium Wave DX Front End Converter**

Uses Up Conversion Principle to eliminate images. Comprising of an ultra low drift oscillator and Mosfet Front End for wide dynamic range. Freq. range 580kHz-1600kHz; Triple Tuning; A.G.C. Range 50dB; gain 30dB; Output 10.7MHz; when used with an IF15 or IF20, high gain IF strip a sensitivity of 1.0uV for 15dB S/N can be achieved. **£13.25**

**6 VT06 25-30MHz Front End Converter**

Tunable over whole range uses Dual gate Mosfets. Covers European/American CB frequencies and Amateur 10 metre band can be used as a tuneable IF for many 2 metre converters. Low noise, high performance. Especially designed to go with IF15 and IF20 but compatible with any receiver covering 10.7MHz. **£13.25**

**7 VT07**

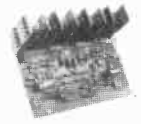
Tunable 2 metre front end converter. Covers 144-146MHz. Three stage tuning uses bipolar devices for low current consumption can be battered powered for 2 metre direction finding or portable use. Ideal basis for 2 metre monitor. Receiver can be uses with IF 15, IF20 or comm. rx. Output 10.7MHz. **£9.95.**

**8 VT01**

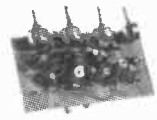
108-150MHz MOSFET front end 26dB gain 10.7MHz 1F output. Covers 2 metres. Varicap tuned. Amateurs. Aircraft, etc. **£11.99.**

**9 AMP 020**

Stereo power amp 30W RMS per channel. Class AB TIP34AxTIP33A. 16 Transistor circuit Fre resp 15Hz-18kHz — 1dB. **£7.99**

**10 Matching HiFi Preamplifier**

Four rotary controls — Vol. Bal. Treb, Bass, Treble± —14B. Bass+ ± 14B facility for loudness control. **£6.99**



App prices include VAT, P&P £1 per item. Max £2 for combined order.  
All models supplied with full data. **3 YEAR GUARANTEE. 7 day delivery**  
**E.S.E., RAILWAY HOUSE, HARDHAM CROSSING, PULBOROUGH, SUSSEX**

# QUALITY STUFF AT KNOCK-DOWN PRICES

<b>ZENER DIODES (400mW)</b> 2.7V to 33V 8p	<b>BRIDGE RECTIFIERS</b> 1A/50V 22p 1A/100V 24p 1A/200V 27p 1A/400V 32p 2A/50V 34p 2A/100V 38p 2A/200V 44p 2A/400V 48p	CA3054 110p CA3080 70p CA3140E 51p LM301AN 28p LM308N 64p LM380N 61p LM381N 120p NE555 25p NE556 60p TBA841-B1 200p TBA800 70p TBA810 100p	7454 12p 7460 14p 7470 24p 7472 24p 7473 25p 7474 22p 7475 25p 7476 25p 7480 35p 7485 60p 7486 24p 7490 25p 7491 40p 7492 26p 7493 25p 7494 45p 7495 44p 7496 40p 7497 120p 74100 80p 74105 40p 74107 25p 74109 30p 74110 46p 74118 75p 74121 25p 74122 33p 7412 35p 7411 15p 7412 15p 7413 25p 7414 45p 7416 24p 7417 24p 7420 12p 7421 20p 7422 15p 7427 18p 7428 25p 7430 12p 7432 20p 7433 24p 7437 20p 7438 17p 7440 12p 7441 46p 7442 40p 7443 40p 7444 60p 7445 64p 7446 50p 7447 50p 7448 50p 7450 12p 7451 12p 7453 12p	74181 100p 74182 45p 74190 70p 74191 70p 74192 45p 74193 60p 74194 55p 74195 50p 74196 50p 74197 50p 74198 100p 74199 90p	4072 12p 4073 16p 4081 14p 4082 14p 4086 60p 4510 60p 4511 70p 4516 64p 4518 65p 4520 65p 4528 55p	8C170 8p 8C171 8p 8C172 8p 8C173 8p 8C182 8p 8C183 8p 8C184 9p 8C186 19p 8C187 9p 8C207 8p 8C212 10p 8C213 10p 8C214 10p 8C237 15p 8C238 15p 8C301 25p 8C303 25p 8C328 16p 8C338 16p 8C547 11p 8C548 11p 8C549 11p 8C557 11p 8C730 60p 8C734 66p 8C759 16p 8C771 14p 8C711 30p 8C123 60p 8C124 77p 8C131 35p 8C132 35p 8C135 30p 8C136 30p 8C137 30p 8C138 30p 8C139 30p 8C140 30p 8C149 8p 8C117 10p 8C113 12p 8C119 25p 8C140 27p 8C142 20p 8C143 20p	8F180 20p 8F181 16p 8F182 20p 8F183 20p 8F184 20p 8F185 20p 8F194 8p 8F196 8p 8F197 8p 8F198 8p 8F200 33p 8F224 18p 8F257 14p 8F258 28p 8F259 22p 8FR39 18p 8FR40 18p 8FR79 18p 8FR80 22p 8FX29 20p 8FX80 20p 8FX85 20p 8FX86 27p 8FX87 20p 8FY50 15p 8FY51 15p 8FY53 17p 8SX19 20p 8SX20 18p 8U205 130p 8U208 150p 8U225 76p 8C28 86p 8C35 86p 8C71 16p 8C72 32p 8C84 42p 8C129 40p 8C130 35p 8C131 35p 8C132 45p 8C133 45p 8C134 80p 8C135 80p 8C136 80p	TIP41A 60p TIP42A 60p TIP2955 65p TIP3055 55p ZTX108 12p ZTX109 12p ZTX300 14p ZTX500 16p 2N706 18p 2N1131 23p 2N1132 24p 2N1302 34p 2N1304 50p 2N1305 40p 2N1306 38p 2N1308 50p 2N1613 18p 2N1711 20p 2N1993 25p 2N2217 21p 2N2219 21p 2N2369 15p 2N2484 18p 2N2905 22p 2N2906 19p 2N2907 20p 2N2926 10p 2N3053 15p 2N3054 50p 2N3055 50p 2N3702 8p 2N3703 8p 2N3704 8p 2N3706 8p 2N3707 8p 2N3710 8p 2N3711 8p 2N3772 172p 2N3773 280p 2N3866 54p 2N3904 8p 2N4061 12p
<b>VERO BOARDS (0.1" Copper)</b> 2.5" x 5" 3.75" x 5" 51p 60p	<b>POTENTIOMETERS (carbon)</b> 1 Kohm to 2 Mohms log/linear 5 Kohm to 1 Mohm log with switch 22p 50p	<b>POLYESTER CAP (250V)</b> .01 .015 .022 .033 .047 .068 .1 uf 15 .22 .33 uf 47 .68 uf 1 uf 1 uf 2.2 uf	<b>ELECTROLYTIC CAP (25V)</b> 1 uf to 47 uf 68 uf, 100 uf 150 uf 220 uf 330 uf 470 uf 1000 uf	<b>OIL SOCKETS</b> 8 pin 14 pin 16 pin 18 pin 24 pin 28 pin 40 pin	<b>OPTO/DISPLAY</b> 2N5777 50p OC711 70p ORP12 70p DL704 100p DL707 100p	<b>1.25" &amp; 2" LEDs</b> Red 9p Green 13p Yellow 13p .125" Clip 3p 2" Clip 4p		
<b>VOLTAGE REGULATORS</b> 320N-05 40p 320N-24 40p 7805 60p 7812 60p 7815 60p 7818 60p 7824 60p 7905 80p 7912 80p 7915 80p 7918 80p 7924 80p		<b>LINEARS</b> 710CN 30p 741-B 22p 747C-14 45p 748C-8 35p CA3011 80p CA3018 80p CA3028A 85p CA3036 120p CA3046 75p	<b>CMOS</b> 4000 12p 4001 12p 4002 12p 4006 68p 4007 14p 4008 64p 4009 25p 4010 35p 4011 12p 4012 12p 4013 30p 4014 60p 4015 50p 4016 30p 4017 50p 4018 55p 4019 40p 4020 50p 4021 60p 4022 50p 4023 12p 4024 45p 4025 12p 4027 30p 4028 45p 4029 50p 4030 30p 4035 60p 4041 57p 4042 54p 4043 54p 4044 50p 4047 80p 4048 50p 4049 25p 4050 25p 4066 35p 4069 12p 4070 12p 4071 12p	<b>TRANSISTORS</b> AC126 17p AC127 17p AC128 17p 12B/17E MP AC141 42p AC142 18p AC151 22p AC153 22p AC176 16p AC187 23p AC188 20p AD149 65p AD161 35p AD162 35p AF114 23p AF118 30p AF125 22p AF126 22p AF127 22p AF139 32p AF186 54p AF239 40p ASV53 33p ASV54 33p ASV55 33p 8C107 8p 8C108 8p 8C109 8p 8C117 10p 8C113 12p 8C119 25p 8C140 27p 8C142 20p 8C143 20p				

Please add 25p for p&p.

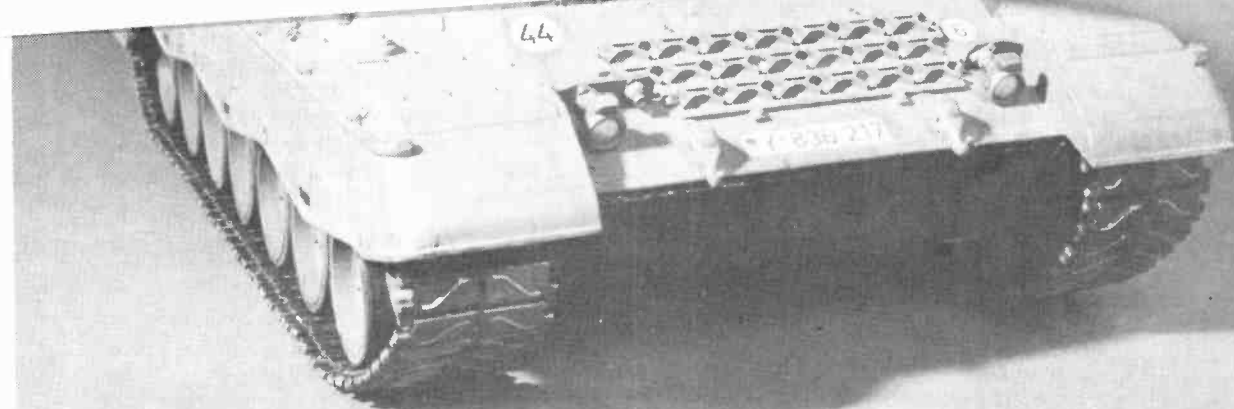
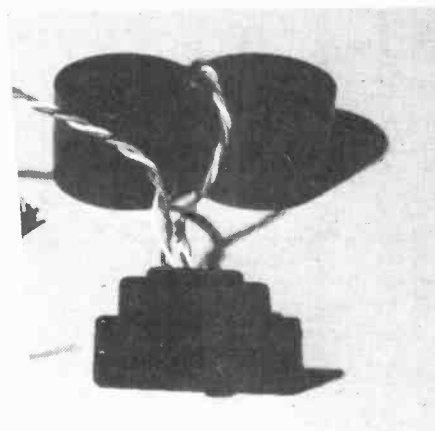
## DELTA TECH & CO.

62 NAYLOR ROAD, LONDON, N20 0HN

# RADIO CONTROL SYSTEM

**PART TWO: RECEIVER.** In this concluding part of the article, we cover the receiver and its associated circuitry and give some ideas on installing the system into the model

Handwritten notes on a piece of paper, including "R.C. Transmitter" and "22550 - 477".



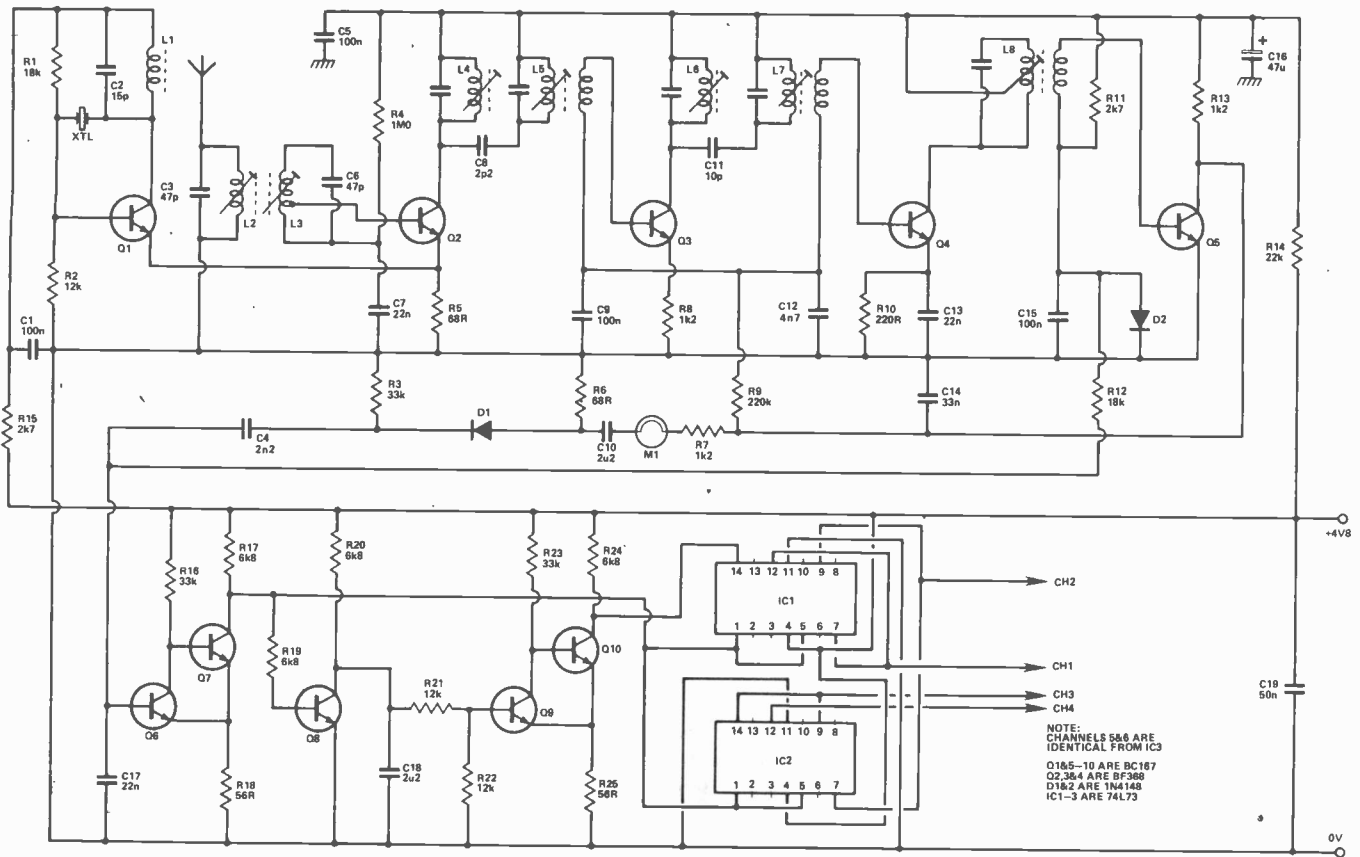


Fig 1 (Above) The full circuit diagram of the receiver unit. Note that power is best obtained from a rechargeable cell. M1 is a normally bridged test point.

## HOW IT WORKS

The RF section is of single conversion superhet design, Q1 is a crystal controlled local oscillator, using a third overtone circuit, it has emitter injection to the mixer Q2. The aerial circuit has L2, C3 as a preselector which is inductively loose coupled to L3, C6 and provides a useful amount of image rejection. The base of Q2 is apped in near the earth end of L3 to provide impedance matthing.

A similar arrangement is used for the first LF stage, Q3. The second IF stage, Q4, uses a conventional single tuned transformer to couple it to the detector D2 and AGC amplifier Q5. D2 and R11 provide temperature compensated bias for the working point of Q5 and Q6. Amplified AGC is taken to the two IF stages from Q5 collector, via R9. The somewhat unusual IF amplifier, detector and AGC arrangement provides better than average selectivity at 455 kHz, together with a good AGC dynamic range. In addition to an AGC amplifier, Q5 has another role to play. It is also a pulse amplifier for the demodulated pulse train. After passing the test point m, the DC component of the pulse train is lost in C10, R6. The forward drop of D1 allows only signals in excess of about 0.6V to be

doing improve the receiver's noise rejection capabilities. Q6 is turned on by the incoming +ve going pulses, and the regenerative action of Q7 ensures that clean rectangular pulses appear at the junction of R17 and R19. The nicely reconstituted pulse train is now fed to a shift register comprising IC1, 2 (and 3 if fitted). The channel outputs of the latter sequentially go from logic 0 to 1 in response to the clocking action of the incoming pulses. Now the pulse train from the collector Q7 is passed via R19 to the base of Q8, the pulse omission detector. With no input pulses, this stage is cut off, allowing C18 to charge positively through R20. Under this condition Q9 conducts, cutting off Q10. When the pulse train is present at Q7 collector, C18 is discharged repetitively, maintaining a voltage across it which is lower than the threshold level for Q9. Then the collector of Q10 remains at logic 0. However, after the last pulse in the train there is a minimum pause of 8mS the reset time. This is long enough for C18 to charge to a potential which triggers Q9, Q10, causing a logic 1 to be produced at the collector of Q10. This effectively resets the shift register, ready for the next frame of data. Individual pulse outputs to the servos are taken from the shift register.

get. The Strato system is primarily a utility system, and as such must be suited to both vehicles and aero-models.

### A Case For It

If you're building up the system using the kit, your coils have arrived ready wound on the PCB. For you more fortunate souls the next few paragraphs hold no interest. Pass on quickly, despairing of those who must tread the path of weird windings.

L2 and L3 are wound on 6mm x 15mm formers using 0.4mm wire. Wind L3 first, and mount the former on the PCB before you start. Insert one end of the wire into the pad at the junction of C7 and R4 and solder it there. The other end goes around the core approx. 2½ turns and is soldered to the pad at the base of Q2. The second winding on this core



consists of approx.  $6\frac{1}{2}$  turns between the base of Q2 and the connection at C6.

Next to L2. Glue on the former, and start with one end of the wire soldered to the connection at C3. Add on about  $8\frac{1}{2}$  turns which should take you to the other end of C3 and solder off there. Insert the slugs in both L2 and L3 and screw in until they just enter the windings.

Refer to the overlay throughout these machinations.

## IF You Can

The IF transformers are colour coded, L4 is yellow (so is L6), L5 is white (so is L7) and L8 is black. Fit these to the PCB, but do not solder the centre pin of the group of three you will find on one side of the base. Make sure also that this rouge pin does not make contact with the board. If thine pin offends thee, cut it off.

L8, the black coil, is to be treated normally and all pins soldered.

The rest of the board should be assembled normally, but take the usual care with IC orientation and polarised components. Putting on the plugs and sockets should be easy — remember that the only plug fits at the bottom LH corner of the PCB, and the rest are sockets.

From this sole line of pins comes the aerial and goes the receiver power.

## Xtal Clear

Changing the crystal changes the frequency of operation of the receiver, and so having the Xtal mounted in a socket makes for easy switching around. These sockets are, however, expensive, but worth it for their usefulness. Pin money well spent.

It is probably worth noting that most components fit the board vertically and that at this frequency there is no room for overlong leads. Keep them as short as possible and watch the soldering iron does not burn its bridges!

Fit all the resistors and capacitors, leaving L1 until all are nestled nicely with solder around their ends. The semiconductors too should be sat sitting there looking at you before L1 joins them. As sockets are not to be used watch the orientation of the semiconductors.

## Play A Tune

Once you've checked the PCB and are satisfied it is correct, check that it

fits the case and that no solder clogs up the runners. Now the receiver needs tuning. Make up a power lead, connecting the battery and (39") aerial to the only socket on the board.

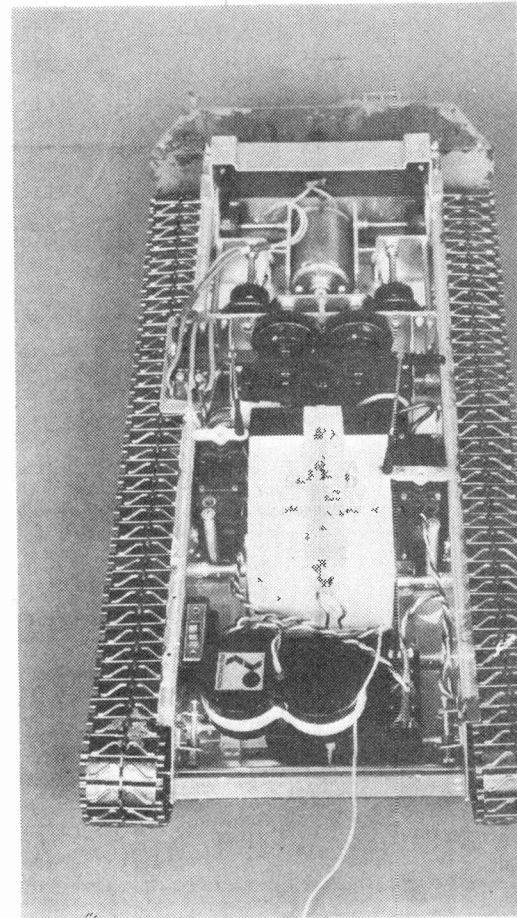
Connect a voltmeter with FSD around 5V between negative rail and the positive side of R7. The reading should be around 3V. Place the transmitter next to the receiver and switch it on. The meter should go down to about 1V. Remove the Tx aerial, and move it away until you get a reading of between 2V-2V5.

## Core Wot A Job

Using a non-metallic tuning tool — even a piece of wood will do — screw in the core of L2 until you get a minimum reading on the meter. Go to L3—do not pass go or collect 200V — and tune that in to a minimum too. Work your way along all seven coils in this manner, tuning each in turn to get that minimum reading.

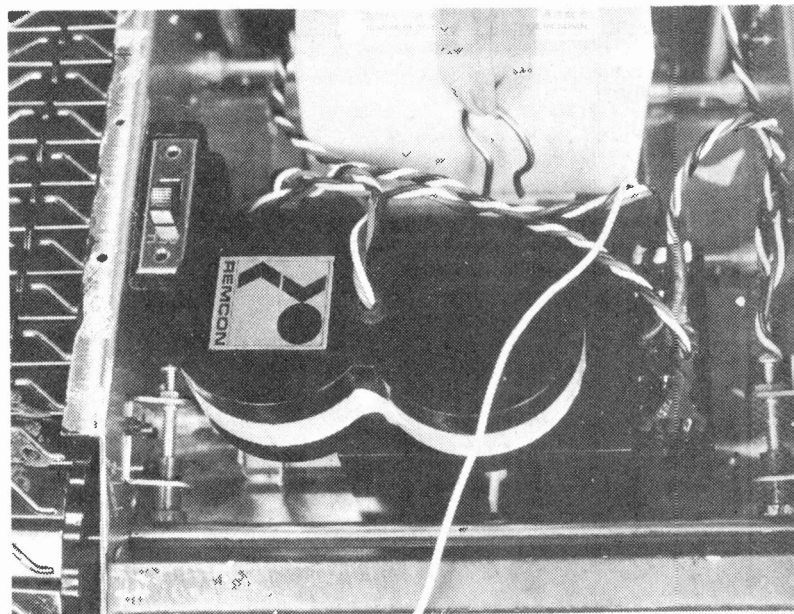
There may be some interaction so it is probably worth going through the whole thing a couple of times to make sure you've got it right. Once you're satisfied — that's it.

All this takes longer to read than it does to do, and the whole operation shouldn't take more than ten minutes. ▶



**Above: The Tamiya Leopard laid bare to the world. The receiver is mounted right at the front and sits beneath the DEAC. Note the clutch steering mechanism about 2/3 down the chassis. The servo to operate this is on the right of the battery.**

**Below: The receiver mounting in more detail.**



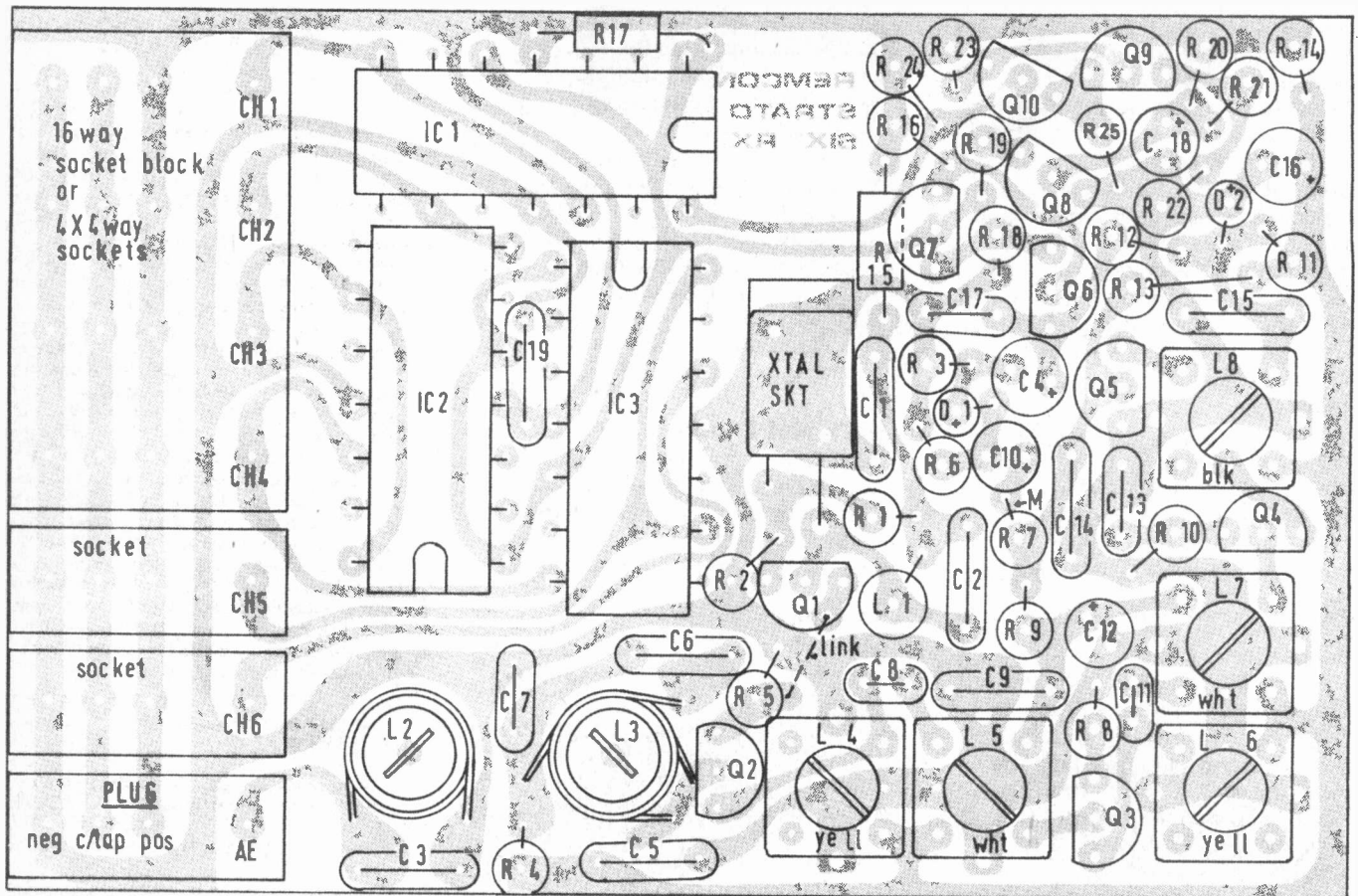


Fig 2. (Above) Component overlay for the radio control receiver board. In contrast to our usual style this is shown twice size to make construction easier. Since no sockets are employed take care with the ICs.

Fit the board into its case and the receiver is now completed. However it's not all over yet. You still need to make up a charging lead to run from the Tx, if you're using the internal charger, or whatever source of power takes supplies the electrons. Last month's article gives the plug configurations to enable you to avoid two dimensional batteries.

## PARTS LIST

### RESISTORS ALL 5%

R1, R12	18k
R2, R21, R22	12k
R3, R16, R23	33k
R4	1M0
R5, R6	68R
R7, R8, R13	1k2
Rg	220k
R10	220R
R11, R15	2k7
R14	22k
R17, R19, R20, R24	6k8
R18, R25	56R

### CAPACITORS

C1, C5, C9, C15	100n polyester
C2	15p ceramic
C3, C6	47p ceramic
C4	2n2 polyester
C7, C13, C17	22n polyester
C8	2p2 ceramic

C10, C18	2u2 polyester
C11	10p ceramic
C12	4n7 polyester
C14	33n polyester
C16	47u electrolytic

### INDUCTORS

L1-8 1F coils (see text)

### SEMICONDUCTORS

Q1, 5-10	BC167
Q2-4	BF368
D1, D2	IN4148
ICI-3	74L73

### MISCELLANEOUS

4 V 8 battery, case, PCB.  
Servos to suit application  
Switch to fit model

## Your Servo

We have not given details of home build servos because the commercial market makes the exercise a singularly uneconomic and unattractive one. There are a very large number of servos available, both kit and complete, IC and discrete, and most of these will work with our system perfectly well.

The words which, upon incantation inside a shrine of servo supply, will conjure forth a compatible unit are: 4V8 supply, positive going signal, pulse width swing 1-2mS (1.5mS centre) and commutation rate 50 Hz.

With our system a tolerance of 20% surrounds the ideal. In order to set up the drive accurately, it is best to buy at least one ready built (and set up to 1.5 mS centre) servo. This

can then be plugged in and used to set the output pulse widths of the transmitter, using the on board presets, to align with servo centre.

## Having A Fit

Installation of the system is totally dependent on where you intend to put it! If the unit is to spend its days running down pigeons in the smog above this green and pleasant land of ours, then your servos need to be smaller than average, and will generally cost more the smaller you want them.

For several reasons — probably all to do with delusions of being Guerdan reincarnate — our prototype went into a tank model — Tamiyas Leopard A4. Such a siting is

probably atypical, but as you can see from the photographs it allows more flexibility of illustration. One thing did become clear after only a couple of runs though, the need for some kind of speed control.

This kit is capable of about 3 MPH absolute (about 50 MPH scale) and just try driving a very heavy, metal-tracked stubborn mass around at flat-out walking speed sometime, when the only speeds available are fatal and off.

Our illustrious Project Editor has developed a 'pulse stretcher' electronic speed control which would seem to be applicable to any sort of Radio control vehicle and we'll be publishing this as a separate project next month as it is not part of the basic system presented here. **ETI**

## BUYLINES

With a project of this type the metalwork is more important than for our usual endeavours. For the transmitter in particular, with the joysticks and aerial to be mounted, we cannot imagine anybody enjoying filing away for hours. In consequence we strongly recommend use of the hardware packs offered by the designers, Remcon. Our photographs and text employ these.

Ambit are marketing the components for this project, so between the two a complete kit is to be had. We estimate that, including four servos, the project will cost about £130 in total, which is approximately £60 less than a commercial set-up of approximately equal performance would cost.

The model we decided to base our installation on is the Tamiya Leopard A4 in 1/16th scale, which is designed for radio control. The kit is superb in all respects, both as a model and as a vehicle for radio control, and cannot be recommended highly enough. Beattie's chain of stores stock the kit and it will cost around £90 including the gearbox/clutch/motor assembly for direction control.

Component details:  
From Remcon.

Manual for system (worthwhile step-by-step constructional details) £2.75

£1.00 refundable against purchase of packs over £25

Transmitter hardware pack (everything except components and batteries):

4 channel £39.95  
6 channel £45.00

All components available separately. SAE to Remcon for details.

Receiver hardware pack complete (six channels) £18.50

All components available separately.

From Ambit —

Transmitter components £10.95  
Two PCB DIN plugs and charging resistors £1.60  
Matched crystals (2) and DIN plug £4.00

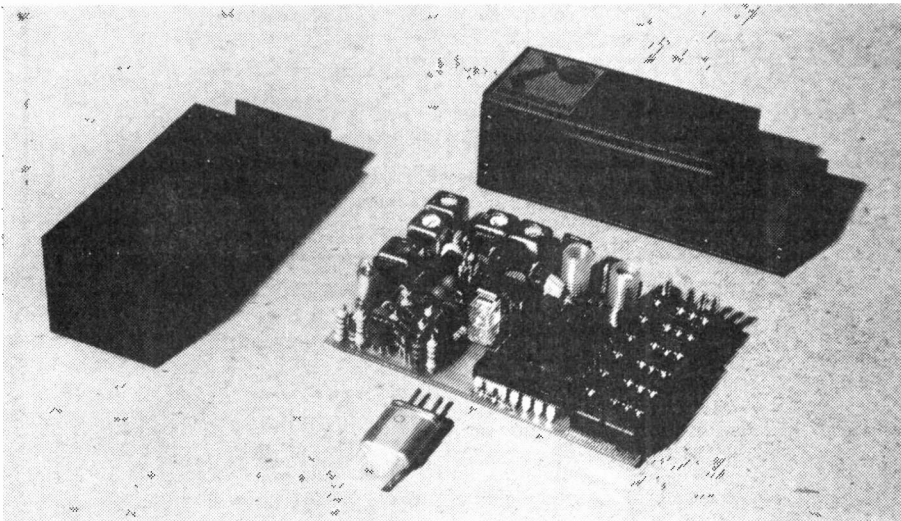
Five-pin plug DIN (options) £0.75  
Receiver components (complete) £8.95

All components available separately. Rechargeable batteries also available. SAE for details.

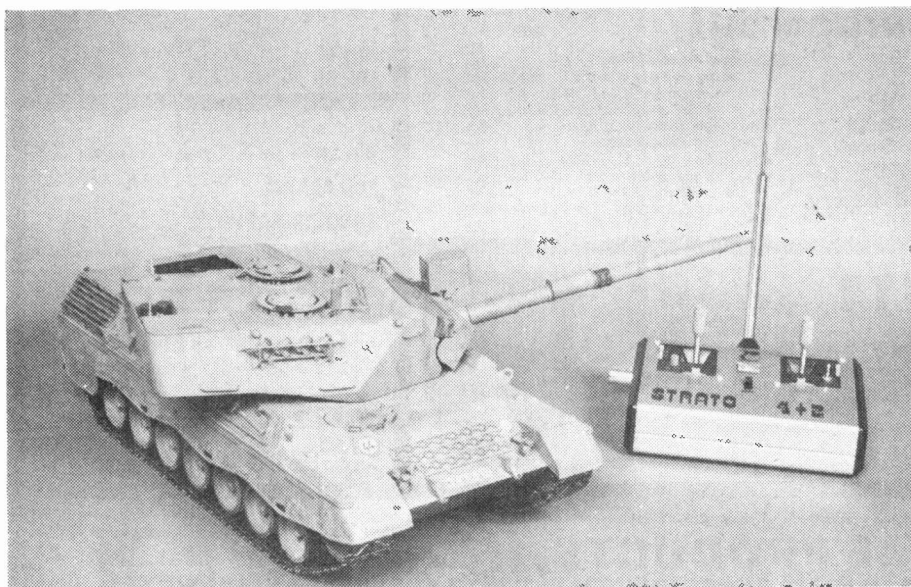
After considering the market availability of servos, we found that World Engines of 97 Tudor Avenue, Watford, Herts, have at least a dozen types to offer in both kit and assembled form — mostly American.

Fleet Electronics of 47 Fleet Road, Fleet, Hants can offer a design perfectly suited to our system in both kit and built form. There are undoubtedly many many more. Prices run from about £10 to about £15-£20 depending upon whether you intend to assemble it yourself.

Below: the receiver removed from its case. Note the crystal.



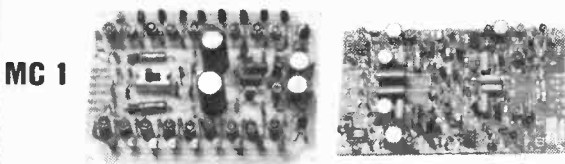
Below: all you gotta do now is find something to shoot at.



# TOTAL AMPLIFICATION FROM CRIMSON ELEKTRIK

WE NOW OFFER THE WIDEST RANGE OF SOUND PRODUCTS

## STEREO PRE-AMPLIFIERS



### CPR 1—THE ADVANCED PRE-AMPLIFIER

The best pre-amplifier in the U.K. The superiority of the CPR 1 is probably in the disc stage. The overload margin is a superb 40dB, this together with the high slewing rate ensures clean top, even with high output cartridges tracking heavily modulated records. Common-mode distortion is eliminated by an unusual design. R.I.A.A. is accurate to 1dB; signal to noise ratio is 70dB relative to 3.5mV; distortion < .005% at 30dB overload 20kHz. Following this stage is the flat gain/balance stage to bring tape, tuner, etc., up to power amp. signal levels. Signal to noise ratio 86dB; slew-rate 3V/μs; T.H.D. 20Hz — 20kHz < .008% at any level. F.E.T. muting. No controls are fitted. There is no provision for tone controls. CPR 1 size is 138 x 80 x 20mm. Supply to be ± 15 volts.

### MC 1 PRE-AMPLIFIER

Suitable for nearly all moving-coil cartridges. Sensitivity 70/170μV switchable on the p.c.b. This module brings signals from the now popular low output moving-coil cartridges up to 3.5mV (typical signal required by most pre-amp disc inputs). Can be powered from a 9V battery or from our REG 1 regulator board.

### XO2 : XO3 — ACTIVE CROSSOVERS

XO2 — two way XO3 — three way Slope 24dB/octave Crossover points set to order within 10%

### REG 1 — POWER SUPPLY

The regulator module, REG 1 provides 15.0-15v to power the CPR 1 and MC 1. It can be used with any of our power amp supplies or our small transformer TR 6. The power amp kit will accommodate it.

## POWER AMPLIFIERS

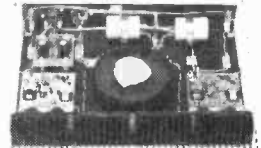
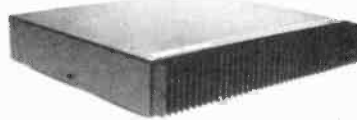
It would be pointless to list in so small a space the number of recording studios, educational and government establishments, etc., who have been using CRIMSON amps satisfactorily for quite some time. We have a reputation for the highest quality at the lowest prices. The power amp is available in five types, they all have the same specification: T.H.D. typically .01% any power 1kHz 8 ohms; T.I.D. insignificant; slew rate limit 25V/μs; signal to noise ratio 110dB; frequency response 10Hz-35kHz; —3dB, stability unconditional; protection drives any load safely; sensitivity 775mV (250mV or 100mV on request); size 120 x 80 x 25mm.

## POWER SUPPLIES

We produce suitable power supplies which use our superb TOROIDAL transformers only 50mm high with a 120-240 primary and single bolt fixing (includes capacitors/bridge rectifier).

## POWER AMPLIFIER KIT

The kit includes all metalwork, heatsinks and hardware to house any two of our power amp modules plus a power supply. It is contemporarily styled and its quality is consistent with that of our other products. Comprehensive instructions and full back-up service enables a novice to build it with confidence in a few hours.



### POWER AMPLIFIER MODULES

CE 608 60W/8 ohms 35.0-35v	£16.30
CE 1004 100W/4 ohms 35.0-35v	£19.22
CE 1008 100W/8 ohms 45.0-45v	£23.22
CE 1704 170W/4 ohms 45.0-45v	£29.12
CE 1708 170W/8 ohms 60.0-60v	£31.90

### TOROIDAL POWER SUPPLIES

CP51 for 2 x CE 608 or 1 x CE 1004	£14.47
CP52 for 2 x CE 1004 or 2/4 x CE 608	£16.82
CP53 for 2 x CE 1008 or 1 x CE 1704	£17.66
CP54 for 1 x CE 1008	£15.31
CP55 for 1 x CE 1708	£22.68
CP56 for 2 x CE 1704 or 2 x CE 1708	£23.98

### HEATSINKS

Light duty, 50mm, 2 C/W	£1.30
Medium power, 100mm, 1.4 C/W	£2.20
Disco/group, 150mm, 1.1 C/W	£2.85
Fan, 80mm, state 120 or 240v	£18.50
Fan mounted on two drilled 100mm heatsinks, 2 x 4 C/W, 65 C max. with two 170W modules	£29.16

### THERMAL CUT-OUT, 70 C

	£1.38
--	-------

### POWER AMP KIT

	£32.40
--	--------

### PRE-AMPS

These are available in two versions — one uses standard components, and the other (the S) uses MO resistors where necessary and tantalum capacitors.

CPRI	£29.49	CPRI S	£39.98
MCI	£18.50	MCI S	£29.49

### ACTIVE CROSSOVERS

XO2	£14.83	XO3	£23.06
-----	--------	-----	--------

### POWER SUPPLY:

REG1	£7.75	TR6	£1.75
------	-------	-----	-------

### BRIDGE DRIVER, BDI

Obtain up to 340W using 2 x 170W amps and this module. BDI

## CRIMSON ELEKTRIK

1A STAMFORD STREET, LEICESTER LE1 6NL. Tel. (0533) 537722

U.K. Please allow up to 21 days for delivery

All prices shown are UK only and include VAT and post. COD 90p extra, £100 limit. Export is no problem, please write for specific quote. Send large SAE or 3 International Reply Coupons for detailed information.



### SOLAR LCD CHRONOGRAPH

6 digit, 11 functions. Hours, mins., secs., day, date, day of week. 1/100th, 1/10th, secs. Split and lap modes. Back-light, auto calendar. Stainless steel bracelet and back. Adjustable bracelet. 12-month guarantee

VT04

ONLY £13.95 (inc. VAT P&P)



### ATARI VIDEO COMPUTER SYSTEM with COMBAT

£138.85 + VAT

full range of cartridges plus more on the way  
free colour brochure available

Ohio Scientifics

### Superboard II

Full 8k basic and 4k RAM built & tested

#### Standard Features

- Uses the ultra powerful 6502 microprocessor
- 8K Microsoft BASIC-in-ROM
- Full feature BASIC runs faster than currently available personal computers and all 8080-based business computers.
- 4K static RAM on board expandable to 8K
- Full 53-key keyboard with upper-lower case and user programmability
- Kansas City standard audio cassette interface for high reliability

At last it's here! — full details on request  
£263 + VAT

### SOFTY

£79.50 + VAT (Kit)

#### DEVELOPMENT AND TRAINING AID

- ★ Copies & Burns Eproms
- ★ Develops firmware on TV
- ★ Learning aid — Write Software and see what the micro does on screen.

Full details on request



### LCD ALARM CHRONOGRAPH

All usual features. Perpetual calendar, day, date, month and year. 24-hr. alarm with on/off indication. 1/10 second chronograph measuring net, lap and first and second place times. Dual time zone facility night light. 12-month guarantee



VT06

ONLY £22.95 (inc. VAT P&P)

SOLAR LCD ALARM CHRONOGRAPH as for VT06 and with Solar assisted panel

12-month guarantee

ONLY £27.95 (inc. VAT P&P)



VT12



### LCD ALARM

24-hr. alarm. Hours, mins., secs., date, month, back-light, auto calendar. Adjustable stainless steel bracelet. 12-month guarantee

VT10

ONLY £12.95 £13.95 (inc. VAT & P&P)

Full details on request — prices included VAT unless stated, cheques or P.O.s or telephone Card No. to

**VIDEOTIME PRODUCTS, 56 QUEENS RD**  
BASINGSTOKE, HANTS RG21 1REA. Tel: (0256) 56417 TLX: 858747

MONEY BACK GUARANTEE



# 15 — 240 Watts!

## HY5 Preamplifier

The HY5 is a mono hybrid amplifier ideally suited for all applications. All common input functions, (mag Cartridge, tuner, etc.), are catered for internally, the desired function is achieved either by a multi-way switch or direct connection to the appropriate pins. The internal volume and tone circuits merely require connecting to external potentiometers (not included). The HY5 is compatible with all I.L.P. power amplifiers and power supplies. To ease construction and mounting a P.C connector is supplied with each pre-amplifier.

**FEATURES:** Complete pre-amplifier in single pack — Multi-function equalization — Low noise — Low distortion — High overload — two simply combined for stereo.

**APPLICATIONS:** Hi-Fi — Mixers — Disco — Guitar and Organ — Public address.

**SPECIFICATIONS:**

INPUTS: Magnetic Pick-up 3mV; Ceramic Pick-up 30mV; Tuner: 100mV; Microphone: 10mV; Auxiliary 3-100mV, input impedance 47k $\Omega$  at 1kHz.

OUTPUTS: Tape 100mV; Main output 500mV R.M.S.

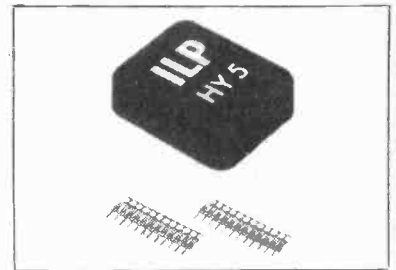
ACTIVE TONE CONTROLS: Treble  $\pm$  12dB at 10kHz; Bass  $\pm$  at 100Hz

DISTORTION: 0.1% at 1kHz; Signal/Noise Ratio 68dB

OVERLOAD: 38dB on Magnetic Pick-up; SUPPLY VOLTAGE  $\pm$  16.5V

Price **£6.27 + 78p VAT. P&P free.**

HY5 mounting board B1 48p + 6p VAT P&P free.



## HY30 15 Watts into 8 $\Omega$

The HY30 is an exciting New kit from I.L.P. It features a virtually indestructible I.C. with short circuit and thermal protection. The kit consists of I.C., heatsink, P.C board, 4 resistors, 6 capacitors, mounting kit, together with easy to follow construction and operating instructions. This amplifier is ideally suited to the beginner in audio who wishes to use the most up-to-date technology available.

**FEATURES:** Complete kit — Low Distortion — Short, Open and Thermal Protection — Easy to Build.

**APPLICATIONS:** Updating audio equipment — Guitar practice amplifier — Test amplifier — Audio oscillator.

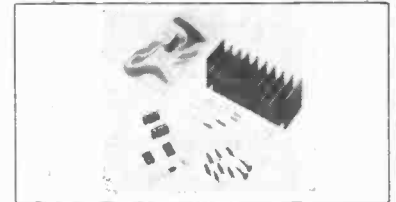
**SPECIFICATIONS:**

OUTPUT POWER 15W R.M.S. into 8 $\Omega$ ; DISTORTION 0.1% at 15W

INPUT SENSITIVITY 500mV; FREQUENCY RESPONSE 10Hz-16kHz — 3dB

SUPPLY VOLTAGE  $\pm$  18V.

Price **£6.27 + 78p VAT. P&P free.**



## HY50 25 Watts into 8 $\Omega$

The HY50 leads I.L.P.'s total integration approach to power amplifier design. The amplifier features an integral heatsink together with the simplicity of no external components. During the past three years the amplifier has been refined to the extent that it must be one of the most reliable and robust High Fidelity modules in the World.

**FEATURES:** Low Distortion — Integral Heatsink — Only five connections — 7 Amp output transistors — No external components.

**APPLICATIONS:** Medium Power Hi-Fi systems — Low power disco — Guitar amplifier.

**SPECIFICATIONS:** INPUT SENSITIVITY 500mV

OUTPUT POWER 25W RMS in 8 $\Omega$  LOAD IMPEDANCE 4-16 $\Omega$ ; DISTORTION 0.04% at 25W at 1kHz

SIGNAL/NOISE RATIO 75dB; FREQUENCY RESPONSE 10Hz-45kHz — 3dB

SUPPLY VOLTAGE  $\pm$  25V; SIZE 105.50 x 25mm.

Price **£8.18 + £1.02 VAT. P&P free.**



## HY120 60 Watts into 8 $\Omega$

The HY120 is the baby of I.L.P.'s new high power range designed to meet the most exacting requirements including load line and thermal protection, this amplifier sets a new standard in modular design.

**FEATURES:** Very low distortion — Integral Heatsink — Load line protection — Thermal protection — Five connections — No external components.

**APPLICATIONS:** Hi-Fi — High quality disco — Public address — Monitor amplifier — Guitar and organ.

**SPECIFICATIONS:**

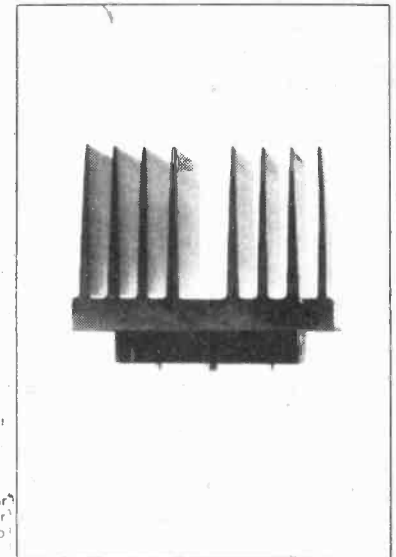
INPUT SENSITIVITY 500mV

OUTPUT POWER 60W RMS into 8 $\Omega$ ; LOAD IMPEDANCE 4-16 $\Omega$ ; DISTORTION 0.04% at 60W at 1 kHz

SIGNAL/NOISE RATIO 90dB; FREQUENCY RESPONSE 10Hz-45kHz — 3dB; SUPPLY VOLTAGE  $\pm$  35V

Size: 114 x 50 x 85mm.

Price **£19.01 + £1.52 VAT. P&P free.**



## HY200 120 Watts into 8 $\Omega$

The HY200, now improved to give an output of 120 Watts, has been designed to stand the most rugged conditions, such as disco or group while still retaining true Hi-Fi performance.

**FEATURES:** Thermal shutdown — Very low distortion — Load line protection — Integral Heatsink — No external components.

**APPLICATIONS:** Hi-Fi — Disco — Monitor — Power Slave — Industrial — Public address.

**SPECIFICATIONS:**

INPUT SENSITIVITY 500mV

OUTPUT POWER 120W RMS into 8 $\Omega$ ; LOAD IMPEDANCE 4-16 $\Omega$ ; DISTORTION 0.05% at 100W at 1kHz

SIGNAL/NOISE RATIO 96dB; FREQUENCY RESPONSE 10Hz-45kHz — 3dB; SUPPLY VOLTAGE  $\pm$  45V

SIZE 114 x 50 x 85mm.

Price **£27.99 + £2.24 VAT. P&P free.**

## HY400 240 Watts into 4 $\Omega$

The HY400 is I.L.P.'s "Big Daddy" of the range producing 240W into 4 $\Omega$ ! It has been designed for high power disco or public address applications. If the amplifier is to be used at continuous high power levels a cooling fan is recommended. The amplifier includes all the qualities of the rest of the family to lead the market as a true high power hi-fidelity power module.

**FEATURES:** Thermal shutdown — Very low distortion — Load line protection — No external components.

**APPLICATIONS:** Public address — Disco — Power slave — Industrial.

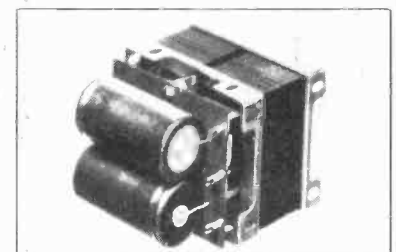
**SPECIFICATIONS:**

OUTPUT POWER 240W RMS into 4 $\Omega$ ; LOAD IMPEDANCE 4-16 $\Omega$ ; DISTORTION 0.1% at 240W at 1 kHz

SIGNAL/NOISE RATIO 94dB; FREQUENCY RESPONSE 10Hz-45kHz — 3dB; SUPPLY VOLTAGE  $\pm$  45V

INPUT SENSITIVITY 500mV; SIZE 114 x 100 x 85mm

Price **£38.61 + £3.09 VAT. P&P free.**



## POWER SUPPLIES

PSU36 suitable for two HY30's **£6.44 + 81p VAT**

PSU50 suitable for two HY50's **£8.18 + £1.02 VAT**

PSU70 suitable for two HY120's **£14.58 + £1.17 VAT**

PSU90 suitable for one HY200 **£15.19 + £1.21 VAT**

PSU180 suitable for two HY2000's or one HY400 **£25.42 + £2.03 VAT**

*TWO YEARS' GUARANTEE ON ALL OF OUR PRODUCTS*

**I.L.P. Electronics Ltd.**

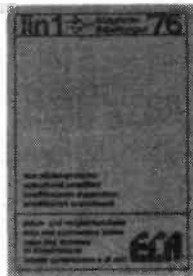
**Graham Bell House  
Roper Close  
Canterbury  
Kent CT2 7EP  
Tel (0227) 54778**

Please Supply \_\_\_\_\_  
Total Purchase Price \_\_\_\_\_  
I Enclose Cheque  Postal Orders  Money Order   
Please debit my Access account  Barclaycard account   
Account number \_\_\_\_\_  
Name & Address \_\_\_\_\_  
Signature \_\_\_\_\_

# Semiconductor Guides.



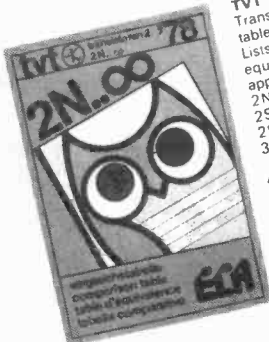
**TVT '78 Vol. 1: A...Z**  
Transistor comparison table.  
Lists more than 25,000 equivalent types for approx. 5,000 transistors. 9th edition. 292 pages, 111 illustrations, 137 connection drawings. In handy compact format DIN A6 wipe-clean cover.  
Order No. 30  
ISBN 3-88109-010-X



**IC-lin 1**  
Linear operational amplifiers.  
Data and comparison table for integrated op amps and comparators. 2nd edition, DIN A6 compact format. 288 pages, types, functions, applicational examples. 152 connection drawings, 48 case drawings.  
Order No. 11  
ISBN 3-88109-008-8



**THT '77**  
Data and comparison table for thyristors, tetrodes, trigger diodes, triacs, unijunction transistors (JTs) and programmable UJTs (PUTs).  
2nd edition, 430 pages listing 1,440 types and approx. 250,000 entries.  
Order No. 20  
ISBN 3-88109-009-6



**TVT '78 Vol. 2: 2N...∞**  
Transistor comparison table.  
Lists more than 35,000 equivalent types for approx. 7,000 transistors.  
2N — 2SA  
2SB — 2SC  
2SD — 2SK  
3N — ∞  
408 pages, 111 illustrations, 141 connection drawings. In handy compact format DIN A6 wipe-clean cover.  
Order No. 31  
ISBN 3-88109-011-8

**new!**

To **Technical Book Services**  
P.O. Box 79  
Maidenhead, Berks SL6 2EG

ORDER FORM

Name  
(Print Please)  
Address

Registered office: 21 Mincing Lane, London, EC1 Registered No. 12225

TYPE	PRICE	£	p
TVT78 A-Z	£4.00		
TVT782N	£4.00		
THT77	£4.00		
LIN 1	£3.60		

**ALSO AVAILABLE**

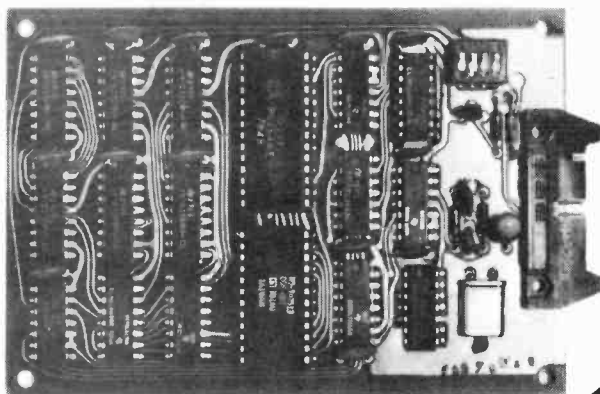
DTE1	Data book European Transistors	£2.30	
DTJ5	Data books, Japanese Transistors	£2.30	
DVT	Diode Equivalent Book	£2.30	
DTE2	Diode Data Book	£2.30	
DIG1	Digital I.C. Equivalent Book	£5.50	

I enclose £..... p..... for the books as marked X Prices Inc. P&P

## THOMSON-CSF

Available now - the most economical  
VDU board yet using the SFF 96364

SFKEX 68364-1-1



One-off price only **£69** plus VAT

Don't let the low price fool you! This is not a kit, but a fully assembled and tested board. The Thomson-CSF CRT Processor Chip is the secret behind it. Character entry and Cursor control functions are performed automatically. All normal Cursor commands as well as more sophisticated functions such as Erase page, Erase to end of line, etc., can be executed. Text automatically scrolls when Cursor reaches bottom of page. Display format is fixed at 16 lines of 64 characters for optimum efficiency.



**THOMSON-CSF**

Thomson-CSF Components and Materials Ltd., Ringway House, Bell Road, Daneshill, Basingstoke RG24 0QG Telephone: 0256 29155

Available from these Thomson-CSF distributors: Barlec Ltd., 219 London Road, East Grinstead, Sussex. (0342 24383). Lock Distribution, Neville Street, Middleton Road, Oldham, Lancs OL9 6LP. (061 652 0431). A. Marshall (London) Ltd., 42 Cricklewood Broadway, London NW2. (01-452 0161). Omni Components Ltd., 59 Vastern Road, Reading, Berks. (0734 594834). Phoenix Electronics (Portsmouth) Ltd., 139-141 Havant Road, Drayton, Portsmouth, Hants. (070 18 73441). Semiconductor Specialists (UK) Ltd., Premier House, Fairfield Road, Yewlsley, West Drayton, Middx (08954 46415). Spenco Electronics (Phoenix) Ltd., Kelvin Industrial Estate, East Kilbride, Scotland (035 52 36311). Woolley Components Ltd., Tudor Road, Broadheath, Aittrincham, Cheshire (061 941 1911).

# microfile.....

**After a month off from the mortifying task of writing Microfile, Gary Evans returns to talk over two stories — one straight applications tale, and a little oddity to astound and amuse!**

WHILE I'd like to think that the hundreds of PETS, TRS-80s et al being sold each month are going into the homes of the likes of us to bring a bit more joy into our lives by thrusting us into the world of intergalactic warfare it's an educated guess that this is not so. Most small computers will be expected to work rather than play for their living.

## Special Breed

Now most magazines that carry stories about "computing" things, ourselves included, have described that special breed of man — is it a bird? Is it a plane — no it's a small businessman (whatever happened to the tall businessman?) who realises the potential of a computer in his activities AND has the programming skills to write his own software or to modify a standard package to meet his exact specification.

If he is unable to do much because until now there has not been much activity in the area of software houses to provide a comprehensive, and cost effective package, it would be difficult to convince our man that after paying £700 for a computer he should pay £5000 to get it to do anything.

## Do Anthing

You may have gathered that I'm about to brighten up the gloomy picture painted above. I happened to be at the premises of a component supplier well known to readers of ETI when poking my head around a door (nosey if you like but I prefer to call it a strong journalistic instinct) what greeted my eyes was a system that would be most people's dream.

Now I can never figure out my bank statement and am continually running out of sugar — what I'm trying to say is that my knowledge of financial control systems and stock control techniques, is nil.

To my uneducated eye the package (PET based incidently) was a very impressive beast. As goods were dispatched, invoices would be prepared and stock levels adjusted — that seems good to me. Also provided was a word processor package which many people are starting to see as an essential part of an organisation with a large outgoing mail of primarily standard letters.

The guy responsible for this feast was a Mr Grant. I went to see Mr Grant as soon as I could.

The thing that struck me during the conversation, apart from a tail — Mr Grant has a dog, was that Mr Grant is a very

skillful business man. He built up a photographic processing house from nothing to a very sizeable company when he went into the laundrette line. Photography to washing.

Well our Mr Grant likes a challenge and he saw that after a boom in the 60's laundrettes were a declining business. A challenge.

He took over shops in the red and tried to put them in the black. In nearly all cases he was successful.

He also has a knowledge of programming, machine/assembly language on an old singer.

He first came across personal computer last November at a show. He thought not much more of it until over dinner one night a friend in market research described an agency system he used to process his data — do you like coffee A etc.

The cost and the frequent delays were lamented by the friend. A challenge. Mr Grant calmly offered to devise a package for a total capital outlay of less than about £3000.

He did, his friend is happy and Mr Grant has decided to offer his services to others.

He is opening a shop which will provide an initial feasibility study and estimate. Then, if all parties agree, installation, software modifications and continued support. If you employ more than about ten and don't like spending most nights "doing the books" see Mr Grant.

To end this tale on a cautionary note I have been told of one MD who was keen on installing a computer and doing it himself. He was so taken up with programming that he neglected other affairs. When he had a system he had no company.

## The Odd One

I'd like estimates as to when you the readers think Texas are to launch their long-awaited small system. No sign of it at the WES in America this year. Send me, please, a date and the odds you feel should be offered. I'll report on your consensus and if anybody gets it right — you'll be really chuffed.

## Four In A Row

Oxford won the boat race this year — not much to do with MPUs this — and the newscaster giving the result, with a totally straight face, said this is Oxford's fourth win in a row — well I suppose they play football against each other.

ETI

# Put Fluke to the Test

## A Digital Multimeter on 14 days approval

If you've ever wanted to challenge the claim of a leading instrument manufacturer then here is your chance.

Fluke are so confident that you will appreciate the fine qualities of their multimeters that we would invite you to put them through their paces.

Simply select either the handheld or bench models at the special low price, complete and clip the coupon. We then pay the VAT,

postage & packing and despatch the instrument on 14 days approval.

If during the 14 day period you're not completely satisfied with its performance, return it to us and your money will be refunded.

Are you going to put us to the test?



**£112**



**£159**

### 8010A/8012A

Both models include: ■ 3½ digit LCD readout ■ True RMS measurements ■ 0.1% Accuracy + 1 digit ■ Current ranges from 200µA to 2A (8012A) or 10A (8010A) ■ Diode test facility ■ 100µV resolution ■ 3 conductance ranges for leakage test ■ Fully overload and transient protected.

■ 2 year warranty on parts and labour



### FLUKE 8020A HANDY METER

- Large easy to read 3½ digit LCD display.
- 26 measurement ranges for AC/DC volts, amps, ohms and conductance.
- 0.25% VDC accuracy over 1 year.
- High power and low power ohms capability.
- Measures to 10,000 MΩ using two conductance ranges.
- Fully protected to 250V on all ranges.
- Protected against transients up to 6KV for 10 µsecs.

To: Fluke International Corporation, Colonial Way, Watford, Herts WD2 4TT. B

Please send me:  8020A DMM(s) at £112.00  8012A DMM(s) at £199.00  
 8010A DMM(s) at £159.00  Short Form Catalogue—FREE  
 All prices are fully inclusive.

I enclose my cheque/postal order for £ \_\_\_\_\_ or please debit my Access/Barclaycard

No \_\_\_\_\_ Signature \_\_\_\_\_

Name \_\_\_\_\_ (BLOCK LETTERS PLEASE)

Address \_\_\_\_\_

THIS OFFER MUST CLOSE 30th SEPTEMBER 1979. ALLOW 2 WEEKS FOR DELIVERY

Offer applies to U.K. Mainland and Channel Isles. For Northern Ireland & Eire contact EURO ELECTRONIC INSTRUMENTS, 32 Brews Hill, Navan, County Meith, EIRE. \*Official company orders, duly authorised, will be accepted with corresponding credit arrangements if required.



Fluke International Corporation  
 Colonial Way, Watford, Herts. WD2 4TT  
 Telephone: (0923) 40511 Telex: 934583



# TIME CALCULATOR OFFER ONLY £16.95



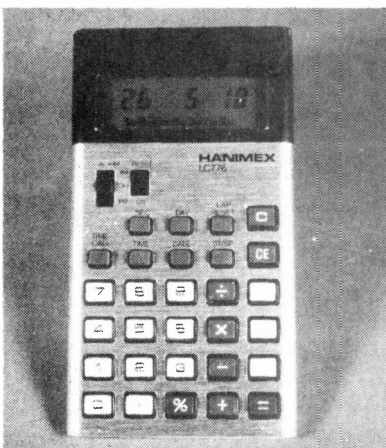
This, the latest in a long line of our calculator offers, is rather different from the others. This all singing and dancing calculator also has day, date, alarm and stopwatch functions!

The date, time and day of the week are permanently stored and shown on the clear LCD display. There is also a 24 hour alarm with 12 hour format. Used as a stop-watch with lap and split time modes, this little beauty will

count up to nine hours 59 minutes 59.9 seconds in 1/10 second steps.

The eight digit calculator has the usual four functions plus per cent, three-key memory and constant.

The Hanimex LC776's batteries will let you punch away happily at the keys for a year continuously.



To: Time Calculator Offer  
ETI Magazine  
25-27 Oxford Street  
London W1R 1RF

Please find enclosed my payment of £16.95 for a Time Calculator

Name .....

Address .....

Offer closes June 31st, 1979. Please allow 28 days for delivery.

# LIGHTING & AMPLIFIER MODULES FROM L&B

JUST LOOK AT THESE PRICES!

Superior high quality lighting control modules. No additional power supply, just ready to go!

## — LB31000SL —

Sound-light, 3 channel x 1000W. Zero mains voltage switching, high sensitivity, high input impedance, excellent separation. **£15.70**

## — LB41000LS —

Light sequencer, 4 chan. x 1000W. Suedo-random, zero switching. **£12.70**

Two-speed controls, excellent for stage lighting.

## — LB31000LD —

Light dimmer, 3 chan. x 1000W. Stage lighting from full off to full on. **£11.20**

## — LB250 —

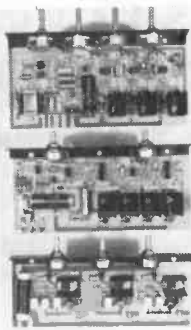
250W R.M.S. 4Ω  
10Hz-20KHz  
T.H.D. 0.3% 110dB  
S/N

**£25.70**

## — LB100 —

100w R.M.S. 4Ω  
10Hz-25KHz  
T.H.D. 0.4% 80dB S/N

**£13.40**



Massive audio power at your fingertips! For use in many applications.

## — LB25 —

25W RMS 4Ω  
10Hz-50KHz  
T.H.D. 0.1% 90dB S/N

**£6.70**

### PREAMPLIFIERS

**LBPA1.** Stereo disc / tape

**LBPA2.** 4 channel gen. purpose mixer.

**LBPA3.** Stereo disco with mic

Preamp prices to be announced



**COMPONENTS**  
RES/CAPS  
SEMICONDUCTORS  
TRANSFORMERS  
Send for list

**POWER SUPPLIES**  
LB25PS ... £8.70  
LB100PS ... £10.40  
LB250PS ... £18.00

All above prices include VAT. Please add 50p p/packing. Quantity/trade discounts, up to 33% available! SAE for further info.

**L&B ELECTRONICS** 45 WORTLEY ROAD, W. CROYDON SURREY CR0 3EB. TEL: 01-689 4138

# QUESTION?

1. Is your hobby home computing or electronics?
2. Do you understand the application of IC's, Transistors, Diodes, etc?
3. Have you used or applied analogue or digital techniques?
4. Are you applying TTL Logic to your home computer?
5. Are you programming your home computer using simple software techniques?

If the answer is YES to any of these questions then why not consider turning your hobby into a career — applying your knowledge to servicing electronic equipment ranging from basic terminals and data processing machines through to advanced micro-processor systems.

We will train you through to advanced technology at the company training school, fitting the individual in at their own level.

We have vacancies over the whole of the U.K. with the successful applicants working from home, usually in a radius of no more than 60-70 miles.

We supply all tools and test equipment, plus a company car which is available for private use.

If you are interested, then why not contact **Mr. C. Marklew** or **Mr. D. Simmonds** on **0249 813771** to discuss your own career opportunities in confidence, or write to:

# KODE SERVICES LIMITED

Station Road, Calne, Wiltshire

## LINES FROM OUR VAST STOCKS—IMMEDIATE DELIVERY

All below manufacturers' prices — all new stocks. Quantity discounts — export enquiries invited. Postage & packing 35p per order

**CALCULATOR CHIPS** General instrument GIMT4 on anti-static foam 24 pin D.I.L. socket for use with Bowmar display **£1.50** ea. Pack of 25 chips **£25.100** for **£80.500** for **£350.**

**BOWMAR 9 DIGIT CALCULATOR DISPLAY** with PC connector 0.2 digits. Common cathode with red bezel **£1.25** ea. 10 for **£10.100** for **£85.**

**TEXAS** 19 gold-plated snap key contact on gold-plated P.C. board. Size 70x80x2mm **78p** ea.

**ORP12** light dependent resistance (Eq = RP30) 2 for **£1.10** for **£4.100** for **£35.1,000** for **£300.**

**FAIRCHILD FND10** 0.15" 7 segment display. C cathode **50p**, 10 for **£4.50**, 100 for **£40.**

**TBA 120A** TV I.C. amplifier Siemens **75p**, 10 for **£6.100** for **£50.1,000** for **£350.**

**BECKMAN 500** kca Triggerable clocking oscillator for use with calculator chips 5v supply with circuit **£1.10** for **£8.100** for **£65.**

**BURROUGHS 9 DIGIT** Panalex calculator display 7 segment 0.25" digits. Neon type with red bezel socket and data **£1.95** ea. 10 for **£17.**

**SMITHS INDUSTRIES** Audible warning devices 6-12 volts. 2 transistors 30x10mm encapsulated **50p** ea. 10 for **£4.100** for **£35.1,000** for **£300.**

**HONEYWELL PROXIMITY DETECTOR** integral amplifier 8v C **£2.50** ea. 10 for **£20.**

**OSMOR CHANGE OVER REED RELAY** 12v coil 20mA operating current 59x17x13mm **75p** ea. 10 for **£5.100** for **£45.1,000** for **£400.**

**TV TUNERS** by Mullard U.H.F. 38 mcs size 3x4x2 1/4" **£2.50** ea. 10 for **£20.100** for **£175.500** for **£750.1,000** for **£1,250.**

**TV SOUND TUNER KIT.** Through your F.M. tuner. Kit of parts with instructions **£5.50.** Ready-built, tested, **£7.00.**

**JOYSTICK CONTROLS.** Ideal for TV Games model control) sturdily constructed compact giving full 360° movement and control. Each unit fitted 4-off 100K linear. controls. Pair **£4.00.**

**MULLARD TUNER MODULES** with data. LP1171 combined AM/FM IF strip — **£3.50** \* LP1179 FM front end with AM tuning gear, used with LP1171 — **£3.50** \* LP1171 and 79 pair — **£5.75**, 10 pairs for **£50.100** pairs for **£400.**

**MULLARD LP1157** AM tuner module with data **£2.50** ea. 10 for **£20.100** for **£175.**

**2N3055A TO3 POWER 80 VOLT VERSION.** 10 for **£2.50.100** for **£22.00.1,000** for **£200.**

**LUSTRAPHONE RIBBON MIKE** with pre amp on chassis 3x2x1in. **£1.50.10** for **£12.50.**

**5 WATT GOULD-ADVANCE AMPLIFIER** (built) 500 MV into 2k input 4-8 ohms with data **£3** ea. 11 5x6x3cm Power supply kit **£2.50.**

**AVO-8 METER MOVEMENTS** for military version Precision 37.5 micro-amp (50µa with integral shunt) movement **£12.50.**

**MINIATURE MAINS TX 240V** primary 12V 100mA amp. Size 60x40x42mm. **95p** ea. 10 for **£8.100** for **£65.**

**CA3085 RCA POSITIVE VARIABLE VOLTAGE REGULATOR.** 5V 100mA/a variable 1.8-24V. **55p** ea. 10 for **£5.100** for **£35.1,000** for **£300.**

**PHOTO CONDUCTIVE CELL** **£1.25** High power cds cell 600 mw for control circuits. Resistance 800 ohm to 4K. Max volts 240. Size 1 1/2 x 1/2 in. 10 for **£11.100** for **£100.**

**DYNAMIC MICROPHONE.** Low imp. Foster 1/2 in round. **£1.45.10** for **£12.50.100** for **£110.**

**UHF TUNER BY GEC.** 38mcs with slow motion tuning. Size 5x3x2in. **£3** ea. 10 for **£25.100** for **£220.500** for **£1,000.**

**TWO GANG MINIATURE VARCAP TUNER** 500pF with tuning knob size 3x1 1/2 x 1 1/2 in. **£1.25** ea. 10 for **£10.100** for **£85.**

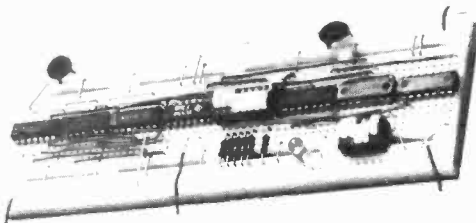
## TRANSISTORS BY MULLARD, TEXAS, Quantity prices

Price ea per	10	100	500	1,000
AC128	0.230	0.200	0.180	0.150
AD149	0.760	0.650	0.550	0.490
BC107	0.100	0.085	0.075	0.065
BC109	0.110	0.095	0.080	0.070
BC114	0.080	0.065	0.050	0.040
BC132	0.080	0.065	0.050	0.040
BC153	0.085	0.070	0.055	0.045
BC172	0.075	0.060	0.050	0.040
BC178	0.075	0.060	0.050	0.040
BC205	0.070	0.055	0.040	0.035
BF181	0.240	0.200	0.185	0.160
BFY50	0.180	0.160	0.140	0.125
BFY51	0.180	0.160	0.140	0.125
BFY64	0.220	0.195	0.175	0.150
BFY90	0.750	0.690	0.630	0.550
BW205	1.000	0.900	0.800	0.750
BW208	1.250	1.100	1.000	0.950
LM311H	0.700	0.600	0.550	0.500
TBA625BX5	0.680	0.600	0.550	0.500

LOW PRICES EX-STOCK

# SUPER-STRIP

## THE UNIVERSAL BREADBOARD



### Lektrokit Super Strip SS2

Super Strip accepts all DIP's—as many as nine 14-pin at a time—and/or TO-5's and discrete components. With interconnections of any solid wire up to 20 AWG. And no soldering. Super Strip has 840 contact points, combining a power/signal distribution system with a matrix of 640 contacts in groups of 5. Distribution system has 8 bus-bars, each with 25 contact points.

Lektrokit's policy is the right product, whatever the project, at the right price. And it's backed by a nationwide network of retailers.

Send for the name of the dealer nearest you—plus a FREE full-colour catalogue

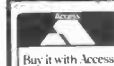
Write to:



## LEKTROKIT LTD

SUTTON INDUSTRIAL PARK, LONDON ROAD  
FARLEY, READING, BERKS RG6 1AZ  
TEL (0734) 669116 7 TELEX 847687

Order Price  
**£11.05**  
Inc VAT and P & P



**Henry's**  
Phone (01) 723 1008

All mail to:  
**Henry's Radio**  
404 Edgware Rd  
London W2



# Hobby Electronics

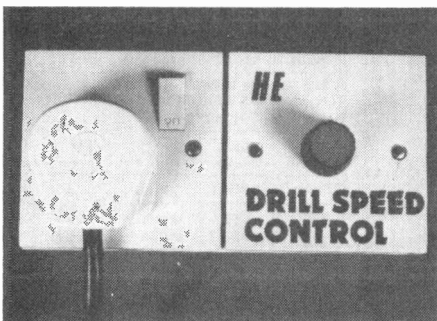
Next  
Month

## CB



Open almost any American magazine and you'll see adverts for Citizen's Band (CB) transceivers. Although we don't have CB in Britain (yet) we thought you'd like to know more about it. In the States it has a language all its own, but if you want it in plain English, look out for CB next month.

## Drill Speed Controller



This unit regulates the speed of your trusty single-speed machine for those jobs, like masonry, when it's simply too fast.

## Meters and Multimeters



We published an introduction to test gear in the March issue. Next month Ray Marston explores the subject of meters and multimeters. He explains what is important in the spec., how they work and looks at the circuit of a current (no pun intended) design.

## Ino Electronics

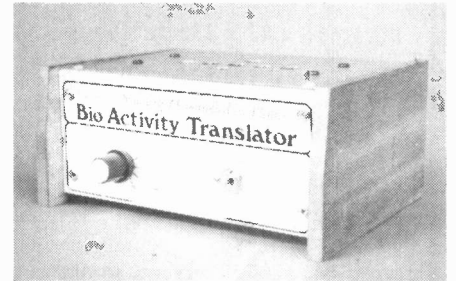
We conclude this very popular series with goggle boxes, fighter finders and number crunchers. Ian Sinclair goes into TV, radar and computers.

## GSR Monitor



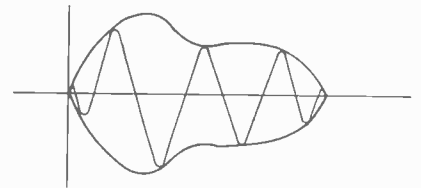
When you're under stress you sweat. When you sweat your skin resistance changes. Our GSR Monitor shows you (and everyone else) how you're feeling. Build it for fun or for more serious biofeedback experiments.

## Kit Review



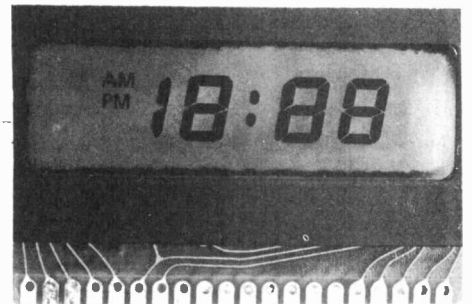
Would you like to hear your plants sing? Yes, sing. This kit combines a biological amplifier, to give more oomph to natural potentials produced by the plant, and a music synthesizer, controlled by the boosted plant power.

## Envelope Generator



Built around the Motorola MC3340P attenuator chip, this unit gives you full Attack, Decay, Sustain and Release (ADSR) control.

## Display Techniques



In this article Tim Orr looks at a variety of displays, including the familiar LED and LCD types. He explains how they work and what they're used for.

The June issue will be on sale on May 11th

The items mentioned here are those planned but circumstances may affect the actual contents.

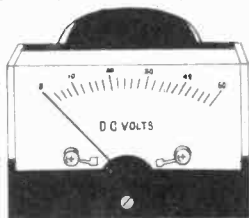


# TARGET ELECTRONICS

16 Cherry Lane  
Bristol BS1 3NG

Telephone:  
0272-421196

Official orders welcomed Govt / Educational Depts. etc.



ME1 - ME22

Dims:- 50 x 45 x 33mm. Requires 38mm dia. cut-out

ref. cat. F.S.D.

ME29	MU50	0 - 50 UA
ME30	MU100	0 - 100 UA
ME31	MU1	0 - 1 MA
ME32	MUVU	"VU"

£3.80 each + 8%  
P&P 25p  
10 Plus  
10% discount

Dims:- 60 x 47 x 33mm. Require 38mm dia. cut-out

ME1	T21	0 - 50 UA
ME2	T22	0 - 100 UA
ME3	T23	0 - 500 UA
ME4	T24	0 - 1 MA
ME5	T25	0 - 5 MA
ME6	T26	0 - 10 MA
ME7	T27	0 - 50 MA
ME8	T28	0 - 100 MA
ME9	T29	0 - 500 MA
ME10	T30	0 - 1 AMP
ME10A	T31	0 - 2 AMP
ME10B	T32	0 - 25 Volts
ME11	T33	0 - 50v AC
ME12	T34	0 - 300v AC
ME13	T35	"S"
ME14	T36	"VU"
ME15	T40	50 - 0 - 50 UA
ME16	T41	100 - 0 - 100 UA
ME17	T42	500 - 0 - 500 UA
ME17A	T43	0 - 30v DC

£5.10 each + 8%  
P&P 25p  
10 Plus  
10% discount

Dims:- 110 x 82 x 35mm. Require 58mm dia. cut-out

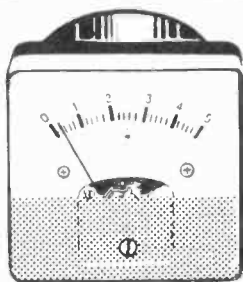
ME18	043	0 - 30 UA
ME19	045	0 - 50 UA
ME20	0410	0 - 100 UA
ME21	0420	0 - 200 UA
ME22	0450	0 - 500 UA

£6.00 each + 8%  
P&P 25p  
10 Plus  
10% discount

Illuminating kit for meters ME1 - ME22 only

ME28	1K2	
------	-----	--

70p + VAT



Dims:- 52 x 52 x 33mm. Require 45mm dia. cut-out

ref. cat. F.S.D.

ME23	MS50	0 - 50 UA
ME34	MS100	0 - 100 UA
ME35	MS1	0 - 1 MA
ME36	MSVU	"VU"

£3.80 each + 8%  
P&P 25p  
10 Plus  
10% discount



## NASCOM 1 DISTRIBUTOR



Please add 12 1/2% VAT Remainder 8% VAT  
Large selection of aluminium boxes & Instrument Cases  
Phone in your Access or Barclaycard order Catalogue 25p post paid

# Redundant Test Equipment?

Why not turn it into capital?

We Urgently Require

Oscilloscopes, spectrum analysers, DVM's, signal generators, power supplies. In fact we are interested in buying all types of electronic test equipment, give us a ring and we will give you a price.

Call David Kennedy or Kathy Goodman

## Carston Electronics Limited

### 01-267 4257

Carston Electronics Limited  
Shirley House, 27 Camden Road  
London NW1 9NR. Telex 23920.

# FLADAR DUAL VOLTAGE TRANSFORMERS

Primary 220-240W 50Hz  
alternative secondary voltage  
and current available by series  
or parallel connection

06FE06	6+6	0.5a each	1.58	50p	12FE24	24+24	0.2A each	2.10	60p
08FE06	6+6	0.6A each	1.90	50p	20FE24	24+24	0.4A each	2.74	70p
12FE06	6+6	1A each	2.10	60p	50FE24	24+24	0.8A each	3.25	70p
20FE06	6+6	1.6A each	2.74	70p	60FE24	24+24	1.2A each	3.98	85p
50FE06	6+6	3A each	3.25	70p	80FE24	24+24	1.5A each	4.72	1.00
60FE06		4A each	3.98	85p	50FE28	28+28	0.75A each	3.25	70p
06FE09	9+9	0.3A each	1.58	50p	60FE28	28+28	1.1A each	3.98	85p
08FE09	9+9	0.5A each	1.90	50p	80FE28	28+28	1.4A each	4.72	1.00
12FE09	9+9	0.75A each	2.10	60p	60FE30	30+30	0.35A each	2.74	70p
20FE09	9+9	1A each	2.74	70p	50FE30	30+30	0.75A each	3.25	70p
50FE09	9+9	2.5A each	3.25	70p	60FE30	30+30	0.1A each	3.98	85p
60FE09	9+9	3A each	3.98	85p	80FE30	30+30	1.2A each	4.72	1.00
06FE12	12+12	0.25A each	1.58	50p					
08FE12	12+12	0.3A each	1.90	50p					
12FE12	12+12	0.5A each	2.10	60p					
20FE12	12+12	0.8A each	2.74	70p					
50FE12	12+12	2A each	3.25	70p					
60FE12	12+12	2.5A each	3.98	85p					
80FE12	12+12	3A each	4.72	1.00					
06FE15	15+15	0.2A each	1.58	50p					
08FE15	15+15	0.25A each	1.90	50p					
12FE15	15+15	0.4A each	2.10	60p					
20FE15	15+15	0.6A each	2.74	70p					
50FE15	15+15	1.5A each	3.25	70p					
60FE15	15+15	2A each	3.98	85p					
80FE15	15+15	3A each	4.72	1.00					
08FE20	20+20	0.15A each	1.58	50p					
12FE20	20+20	0.25A each	2.10	60p					
20FE20	20+20	0.5A each	2.74	70p					
50FE20	20+20	1.2A each	3.25	70p					
60FE20	20+20	1.5A each	3.98	85p					
80FE20	20+20	2.5A each	4.72	1.00					
48FE12	0-6-12	4A	3.25	70p					
66FE12	0-6-12	5A	4.00	85p					
70FE12	0-6-12	6A	5.10	1.00					

Multi-Tap Range Voltage  
Available 3, 4, 5, 6, 8, 9, 10, 12, 15, 18,  
12-0-12 OR 5.0-15 0-12-15

30FE30 24+30 1A 3.55 70-  
60FE36 24+30 2A 4.78 85-

Centre Tap Secondary

FE06	6-0-6	1A each	2.10	60p
FE09	9-0-9	1A each	2.74	70p
FE12	12-0-12	1A each	2.80	70p
FE15	15-0-15	1A each	3.25	70p
FE20	20-0-20	1A each	3.25	70p
60FE52	26-0-26	1A each	3.98	1.00
60FE28	28-0-29	1A each	3.98	1.00
60FE60	30-0-30	1A each	3.98	1.00
100FE26	26-0-26	2A each	5.15	1.15
100FE30	30-0-30	2A each	5.15	1.15
100FE36	36-0-36	2A each	5.15	1.15

FLADAR ELECTRIC  
PO BOX 19  
WESTCLIFF-ON-SEA  
ESSEX  
Tel No 0702-613314

TRADE EN-  
QUIRIES  
WELCOME  
PLEASE ENQUIRE  
FOR OTHER  
TYPES  
NOT SHOWN

Payment terms  
C.W.O. cheque  
postal order  
Please add 8%  
V.A.T. after  
post & packing

### Porch Light Controller

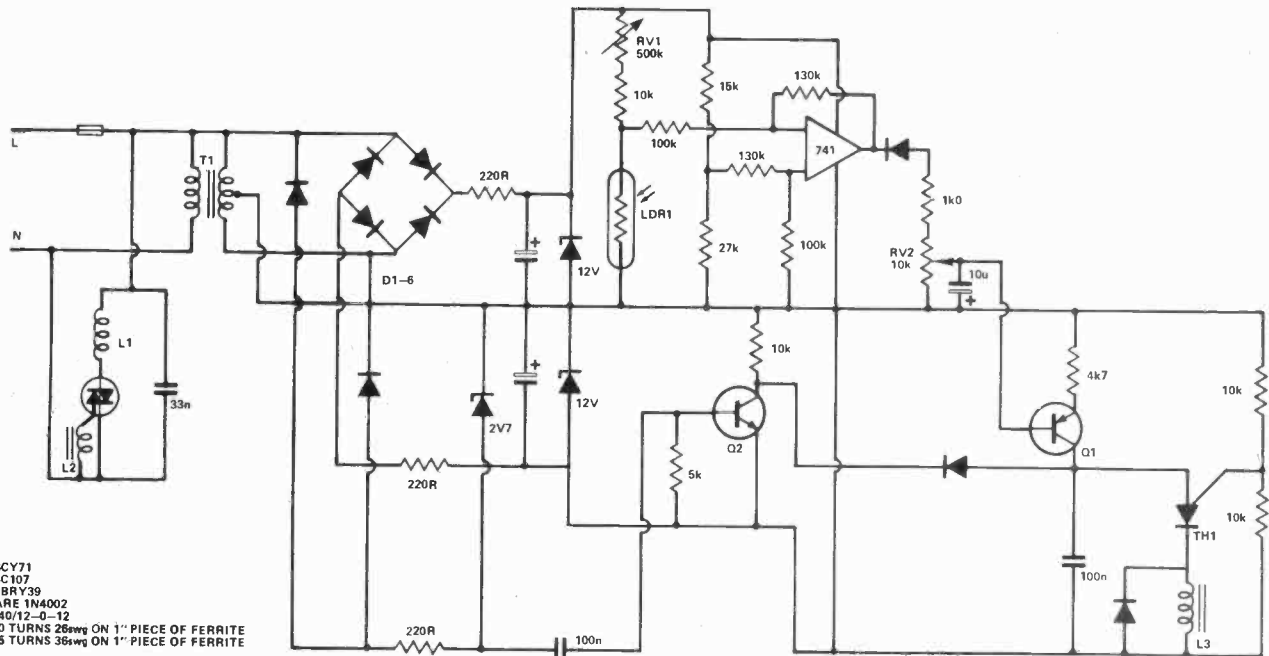
R. Johnson

This circuit controls a light bulb, so that its brightness is approximately inversely proportional to the surrounding lighting conditions. This may be useful for a porch light, which would begin to switch on at dusk, reaching full brightness late in the evening. In

the morning it would switch off again.

The dimmer consists of Q1, TH1 and their associated components. Q2 provides synchronisation pulses. RV1 effectively alters the time of day at which the light switches on and RV2 alters the maximum brightness of the bulb.

The LDR is connected to a differential amplifier whose output voltage rises when the resistance of the LDR is above about 600 kilohms (corresponding to dusk) and reaches a maximum when the resistance is about six megohms (corresponding to complete darkness).



NOTE:  
Q1 IS BCY71  
Q2 IS BC107  
TH1 IS BR Y39  
D1-6 ARE 1N4002  
T1 IS 240/12-0-12  
L1 IS 30 TURNS 26SWG ON 1" PIECE OF FERRITE  
L2 IS 16 TURNS 36SWG ON 1" PIECE OF FERRITE

### Variable Notch Filter

P. McChesney

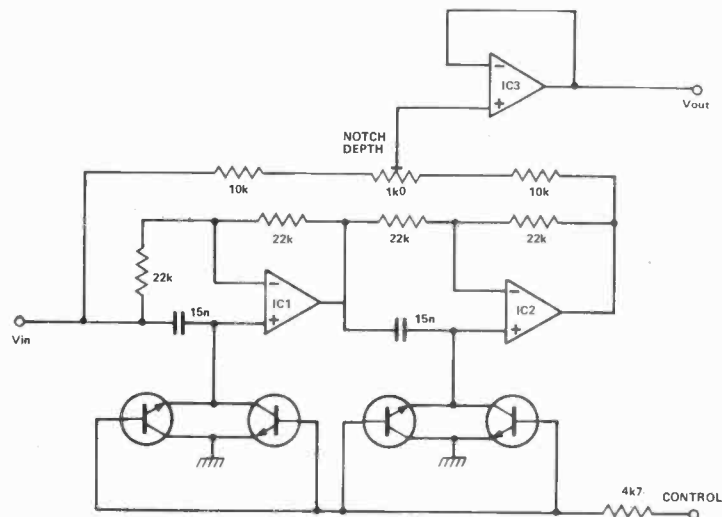
In electronic music circuits there is need for an all-pass notch filter possessing a movable notch frequency. The circuit shown is capable of moving the reject frequency over a 10 kHz range throughout the full range of audio frequencies, the position of the notch being dependent on the voltage applied to the control input.

IC1 and IC2 are both all-pass filters possessing a flat frequency response well beyond the audio range, but having a phase difference between input and output signals of  $0.5/CR$ . This phase difference becomes 180 degrees, so that if the output and input are mixed, signal cancellation occurs i.e. the circuit is now working

as an all-pass notch filter, letting through all frequencies except at  $0.5/CR$ .

The two transistor networks Q1, 2

and Q3, 4 act as voltage controlled resistors which allow the notch frequency to be moved when the control voltage is changed.



Tech-Tips is an ideas forum and is not aimed at the beginner. We regret we cannot answer queries on these items.

ETI is prepared to consider circuits or ideas submitted by readers for this page. All items used will be paid for. Drawings should be as clear as possible and the text should preferably be typed. Circuits must not be subject to copyright. Items for consideration should be sent to ETI TECH-TIPS, Electronics Today International, 25-27 Oxford St., London W1R 1RF.

Largest range of quality components in the U.K. — over 8,000 types stocked



Head office and mail order to DEPT ETI
A. Marshall (London) Ltd.
Kingsgate House, Kingsgate Place, London NW6 4TA
Tel: 01-624 0805 Telex 21492

Retail sales: London: 40 Cricklewood Broadway, NW2 3ET. Tel: 01-452 0161/2 also 325 Edgware Road, W.2. Tel: 01-723 4242.
Glasgow: 85 West Regent Street, G2 2QD. Tel: 041-332 4133 and Bristol: 108A Stokes Croft, Bristol. Tel: 0272 654201.

POLYESTER CAPACITORS (full range in cart.)

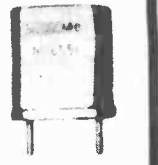
Table with columns for Value, Price, and dimensions (100V, 100V, 7mm, 400V, 100V). Includes a small image of a capacitor.

CAPACITORS — TANTALUM BEAD

Table with columns for Price and capacitance values (3N, 6.3N, 10V, 18V, 25V, 35V).

QUARTZ CRYSTALS

Table with columns for Price and frequency values (32.768 kHz, 100 kHz, 200 kHz, 1MHz, 1.0000 MHz, 2 MHz, 2.09752 MHz, 4MHz, 4.194394 MHz, 4.433619 MHz, 5.00 MHz, 6.00 MHz, 10 MHz, 10.7 MHz, 18 MHz, 48 MHz, 100 MHz).



NATIONAL VOLTAGE REGULATORS

Table with columns for Price and output voltage values (5V POSITIVE, 10V POSITIVE, 12V POSITIVE, 5V NEGATIVE, 12V NEGATIVE).

PUNCHES from Q-Max

Advertisement for punches from Q-Max, including an image of a punch tool and descriptive text.

CMOS (see catalogue for full range)

Table listing various CMOS components with part numbers and prices.

TTL (see catalogue for full range)

Table listing various TTL components with part numbers and prices.

1979 CATALOGUE

48 page catalogue — new enlarged micro section — largest range of quality components from franchised suppliers available in UK. All VAT inclusive prices. Over 8,000 line items plus lots more 50p post paid or 40p to callers at any of our four branches.

LINEAR (See catalogue for full range)

Table listing various linear components with part numbers and prices.

NEW TELETEXT CHIPS

From Mullard — available now from Marshall's — Sole UK distributor to the hobbyist market. SAA Series, for the reception, display and control of television based text display systems. Suitable for 'CEEFAX' and 'ORACLE' Remote Control.

MAIL ORDER

Please add 40p for p/p to all orders. Telephone orders on credit cards £10.00 minimum.

TRANSISTORS (See catalogue for full range)

Table listing various transistor components with part numbers and prices.

TRANSISTORS (continued)

Table listing various transistor components with part numbers and prices.

NEW LOW PRICE "KIM" The Ready to Use Microprocessor System



Not a kit but supplied fully tested, wired and guaranteed. Expandable Memory that grows with your system. Not just an evaluation kit. Starting with KIM 1 at £107.95 VAT inclusive you get immediate capability which can be expanded to a complete system capable of addressing up to 65K BYTES of Memory. KIM IS EXPANDABLE. Expand as you learn up to 65K. KIM 1 — Basic board with above features assembled £107.95. KIM 3 — 8K static RAM card plugs into motherboard £140.35. KIM 4 — Motherboard (takes BxM 3) + power supply £75.55.

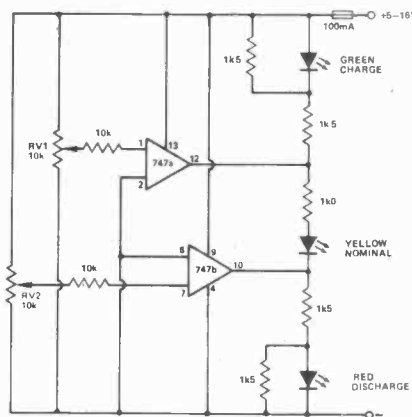
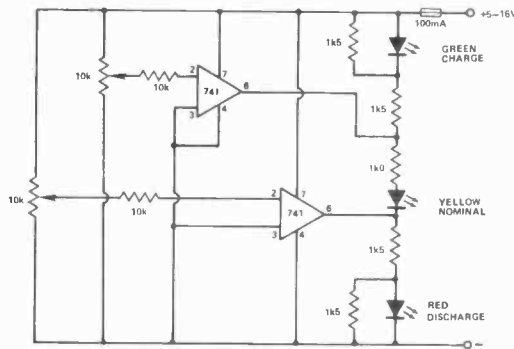
### Battery Charge/Discharge Indicator

A. A. C. McInnes

This circuit is intended to monitor car battery voltage. It differs from other circuits in that it provides indication of the nominal supply voltage as well as low or high voltage. This makes it particularly useful for indicating deviation of the supply voltage from the nominal.

Three LEDs are used — red, yellow and green. Yellow indicates the nominal voltage and red and green indicate low and high values respectively. RV1 and RV2 adjust the point at which the red/yellow and yellow/green LEDs are on or off. Therefore, a wide supply voltage may be monitored.

The prototype has been installed in a car and set so that the red LED comes on at 11V.7 and the green LED at 12V.8. The yellow LED is on between these values.



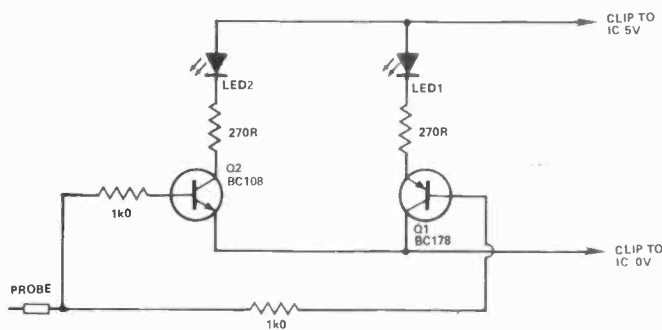
### Crosshatch Generator Update

D. M. Lauder B.Sc.

Re the ETI Crosshatch Generator — it is rather difficult to make a 555 timer work at 249.6 kHz. The author tried three different devices, but none could quite manage it, even with the timing capacitor reduced to 100 p. Reducing R1 to 220 ohms helped, but greatly increased the power consumption. The final solution was to connect a 1N4148 diode between pins 3 and 7, with the cathode connected to pin 7. This turns the discharge transistor off more quickly by pulling it up with the output. It is then necessary to increase the timing capacitor to 270 p, as the internal propagation delays of the 555 have been reduced.

### Simple Logic Probe

David Boreham



This simple piece of test equipment can be built using widely available components for little more than £1.

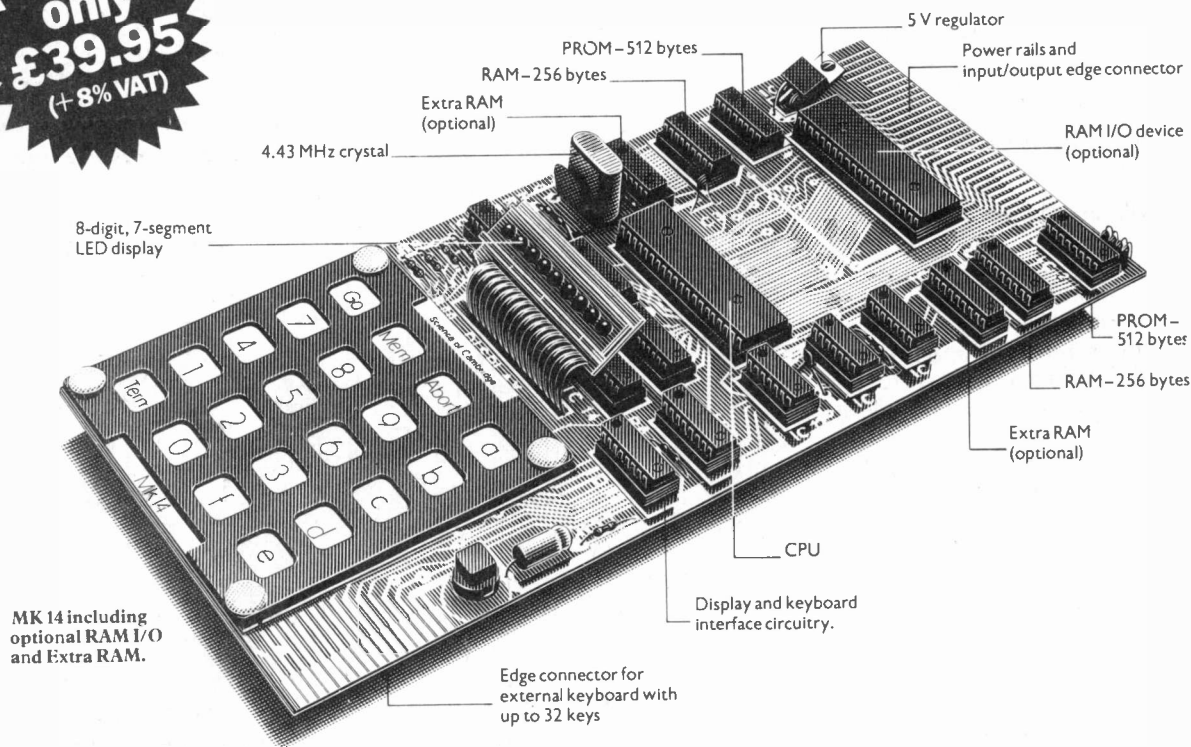
If the probe is connected to an IC pin which is at logic 0, Q1 will be turned on, lighting D1. If, however, the pin is at logic 1, Q2 will be turned

on, lighting D2. In the case of a damaged IC there may be no connection to the pin. If this is so, both D1 and D2 will light together.

The author used a BC178 and BC108 for Q1 and Q2 respectively, but any NPN or PNP transistors will do. Similarly, D1, 2 can be any LEDs.

# From Science of Cambridge: the new MK 14. Simplest, most advanced, most flexible microcomputer – in kit form.

**only  
£39.95  
(+8% VAT)**



**MK 14 including optional RAM I/O and Extra RAM.**

The MK 14 is a complete microcomputer with a keyboard, a display, 8 x 512-byte pre-programmed PROMs, and a 256-byte RAM programmable through the keyboard.

As such the MK 14 can handle dozens of user-written programs through the hexadecimal keyboard.

Yet in kit form, the MK 14 costs only £39.95 (+£3.20 VAT, and p&p).

### More memory – and peripherals!

Optional extras include:

1. Extra RAM – 256 bytes.
2. 16-line RAM I/O device (allowed for on the PCB giving further 128 bytes of RAM).
3. Low-cost cassette interface module – which means you can use ordinary tape cassettes/recorder for storage of data and programs.
4. Revised monitor, to get the most from the cassette interface module. It consists of 2 replacement PROMs, pre-programmed with sub-routines for the interface, offset calculations and single step, and single-operation data entry.
5. PROM programmer and blank PROMs to set up your own pre-programmed dedicated applications.

All are available now to owners of MK 14.

### A valuable tool – and a training aid

As a computer, it handles operations of all types – from complex games to digital alarm clock functioning, from basic maths to a pulse delay chain. Programs are in the Manual, together with instructions for creating your own genuinely valuable programs. And, of course, it's a superb education and training aid – providing an ideal introduction to computer technology.

### SPECIFICATIONS

● Hexadecimal keyboard ● 8-digit, 7-segment LED display ● 8 x 512 PROM, containing monitor program and interface instructions ● 256 bytes of RAM ● 4 MHz crystal ● 5 V regulator ● Single 8 V power supply ● Space available for extra 256-byte RAM and 16 port I/O ● Edge connector access to all data lines and I/O ports

### Free Manual

Every MK 14 kit includes a Manual which deals with procedures from soldering techniques to interfacing with complex external equipment. It includes 20 sample programs including math routines (square root, etc), digital alarm clock, single-step, music box, mastermind and moon landing games, self-replication, general purpose sequencing, etc.

### Designed for fast, easy assembly

The MK 14 can be assembled by anyone with a fine-tip soldering iron and a few hours' spare time, using the illustrated step-by-step instructions provided.

### How to get your MK 14

Getting your MK 14 kit is easy. Just fill in the coupon below, and post it to us today, with a cheque or PO made payable to Science of Cambridge. And, of course, it comes to you with a comprehensive guarantee. If for any reason, you're not completely satisfied with your MK 14, return it to us within 14 days for a full cash refund.

Science of Cambridge Ltd,  
6 Kings Parade, Cambridge, Cambs., CB2 1SN.  
Telephone: Cambridge (0223) 311488

To: Science of Cambridge Ltd, 6 Kings Parade, Cambridge, Cambs., CB2 1SN.

Please send me the following, plus details of other peripherals:

MK 14 Standard Microcomputer Kit " £43.55 (inc 40p p&p.)

Extra RAM " £3.88 (inc p&p.)

RAM I/O device " £8.42 (inc p&p.)

I enclose cheque/money order/PO for £\_\_\_\_\_ (indicate total amount.)

Name \_\_\_\_\_

Address (please print) \_\_\_\_\_

\_\_\_\_\_

\_\_\_\_\_

\_\_\_\_\_

Allow 21 days for delivery

# Science of Cambridge



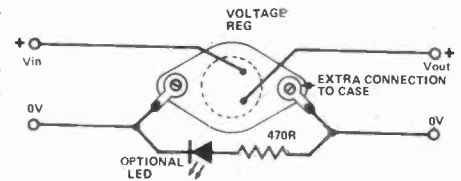
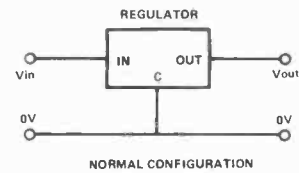
### Fail-safe For IC Voltage Regulators

Andrew Bain

One of the problems with using power supplies based on IC voltage regulators is the chance that the common (case) connection could come off, allowing the output to rise to the full input voltage. If the regulator was driving TTL there could be disastrous consequences.

By using the regulator as shown and taking the output from another connection to the metal case, the output will drop to zero if a lead becomes disconnected.

An LED can be connected as shown, if required, to provide an indication of a fault.



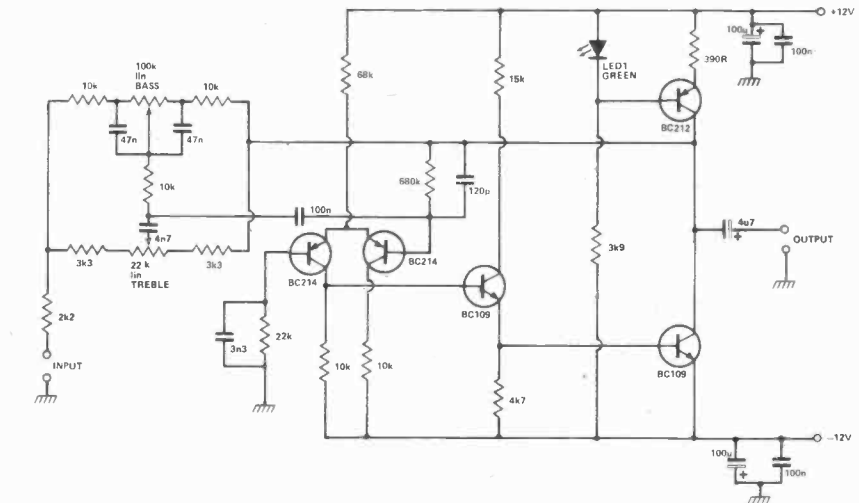
### High Quality Tone Control

P. Mills

When designing a high quality pre-amp, the author was faced with the problem of designing a suitable tone control stage. Op amps such as the 741 are commonly used, but in general have a poor slew rate, fairly high distortion and high noise when used in this application.

The circuit shown is based on an inverting op amp using discrete transistors to overcome the above problems. The output stage is driven by a constant current source, biased by a green LED to provide temperature compensation.

With the controls flat the unit provides unity gain, so the stage can be switched in or out.



The design is suitable for inputs between 100 mV and 1V, and provides a good overload margin at low distortion for the accurate reproduc-

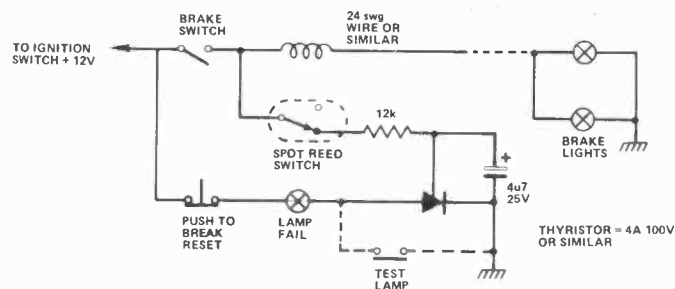
tion of transients. The usual screening precautions against hum should be carried out.

### Car Lamp Failure Warning

A. Taylor

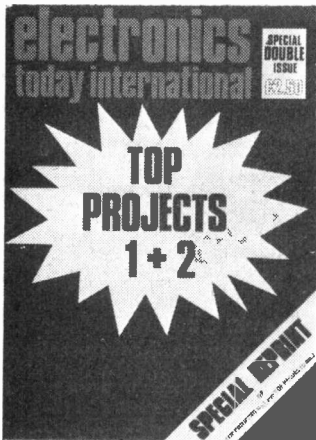
Many lamp failure warning circuits indicate only when both bulbs are working or only when the lamps are on. The circuit shown solves this and has the added effect of not dimming the lamps as some failure circuits do.

A suitable gauge enamelled copper wire is wound around an SPDT reed switch until a certain number of turns is found that will only open the contacts when both lamps are working. If either or both of the lamps should fail, the contacts remain closed and the thyristor is triggered, illuminating the lamp failure indicator until the ignition switch is turned off or the circuit is reset.





# SPECIALS



## TOP PROJECTS

Book 1 + 2: £2.50 + 25p P&P.

Master mixer, 100W guitar amp, low power laser, printmeter, transistor tester, mixer preamp, logic probe, Ni-Cad charger, loudhailer, scope calibrator, electronic ignition, car theft alarm, turn indicator canceller, brake light warning, LM3800 circuits, temperature alarm, aerial matcher, UHF-TV preamp, metal locator, four input mixer, IC power supply, rumble filter, IC tester, ignition timing light, 50W stereo amp. and many more.

Book 3: SOLD OUT!

Book 4: £1.00 + 25p P&P.

Sweet sixteen stereo amp, waa-waa, audio level meter, expander/compressor, car theft alarm, headlamp reminder, dual-tracking power supply, audio millivoltmeter, temperature meter, intruder alarm, touch switch, push-button dimmer, exposure meter, photo timer, electronic dice, high-power beacon, electronic one-armed bandit...

Book 5: £1.00 + 25p P&P.

5W stereo amp, stage mixer, disco mixer, touch organ, audio limiter, infra-red intruder alarm, model train controller, reaction tester, headphone radio, STD timer, double dice, general purpose power supply, logic tester, power meter, digital voltmeter, universal timer, breakdown beacon, heart rate monitor, IB metal locator, temperature meter...

Book 6: £1.00 + 25p P&P.

Graphic equaliser, 50/100W amp. modules, active crossover, flash trigger, "Star and Dot" game, burglar alarm, pink noise generator, sweep oscillator, marker generator, audio-visual metronome, LED dice, skeet game, lie detector, disco light show...

Graphic Equaliser... Marker Generator  
Power Amplifier Modules... £2 Sound  
CCTV Camera... Headphone Adaptor  
LED Dice... Sound-Light Flash Trigger

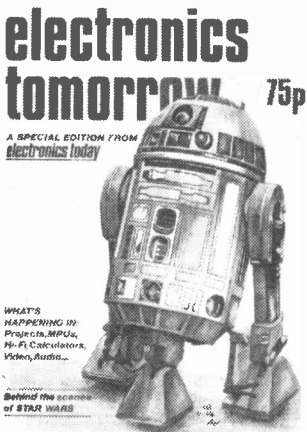
Expander-Compressor... Skeet Game  
Rench...

ETI TOP PROJECTS  
NO 6 electronics today £1

Burglar Alarm... Digital Thermometer  
Stars & Dots Logic Game... Lightshow

Active Crossover... Hear and Tell Unit  
Pink Noise Generator... CSR Monitor

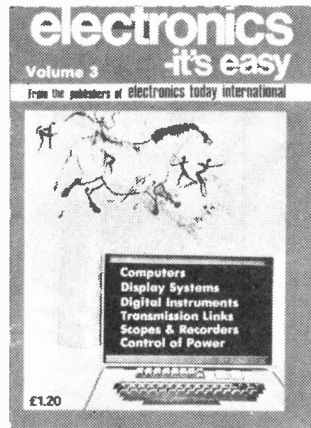
Sweep Oscillator... Stereo Simulator



## ELECTRONICS TOMORROW

Comprised entirely of new material, the edition covers such diverse topics as Star Wars and Hi-Fi! The magazine contains projects for everyone — none of which have appeared in ETI — and a look at the future of MPUs, audio, calculators and video. How can you not read it?

75p + 25p P&P.



## ELECTRONICS — IT'S EASY

Books 1, 2 & 3.

Our successful beginners series came to an end some time ago now, and the whole series is available from us in reprint form. The three books between them contain all the information presented in the series (sometimes in more detail!) and together form an excellent starting point for anyone interested in learning the art of electronics.

£1.20 + 25p P&P each.

FROM THE PUBLISHERS OF  
ELECTRONICS TODAY INTERNATIONAL

## ETI CIRCUITS No 2

£1.50

## ETI CIRCUITS

Books 1 & 2.

Each volume contains over 150 circuits, mainly drawn from the best of our Tech-Tips. The circuits are indexed for rapid selection and an additional section is included which gives transistor specs, and plenty of other useful data. Sales of this publication have been phenomenal — hardly surprising when the circuits cost under 1p each!

£1.50 + 25p P&P each.

## ORDER FROM

Specials Modmags Ltd 25-27 Oxford Street London W1R 1RF

Postage and packing also refers to overseas. Send remittance in Sterling only.

Please mark the back of your cheque or PO with your name and address.

# from ETI

# The world's smallest programmables can be music to your ears

# CASIO



Pocket-sized programmable calculators that convert to musical synthesizers.

- World's first LCD pocket-sized complete scientific programmables.
- Both use ALGEBRAIC operating system
- The FX 501P offers 128 steps and 11 memories.
- The FX 502P offers 256 steps with 22 memories.
- Both have Automatic Power Off after approximately 14 minutes non-use, with the programme stored in the 11 or 22 non-volatile registers.
- Dimensions of both are:  
9.6mm H x 71mm W x 141.2mm D  
( $\frac{3}{8}$ " H x  $2\frac{3}{4}$ " W x  $5\frac{1}{2}$ " D)
- Optional FA-1 Program Adaptor available for either model — permits programs to be recorded on standard tape cassette recorder and stored for re-entry later.
- Optional FA-1 Program Adaptor also contains a music switch which converts both calculators into musical synthesizers — keys 1 through 8 contain pre-programming for a full musical octave.

Model	RRP	Our Price
FX-501P	£59.95	<b>£49.95</b>
FX-502P	£79.95	<b>£69.95</b>
FA-1	£24.95	<b>£19.95</b>

Prices are inclusive of VAT and Post and Packaging

Send 25p for illustrated brochures on quality CASIO calculators, priced from £8.95 or the superb range of multi-function watches from £19.95.

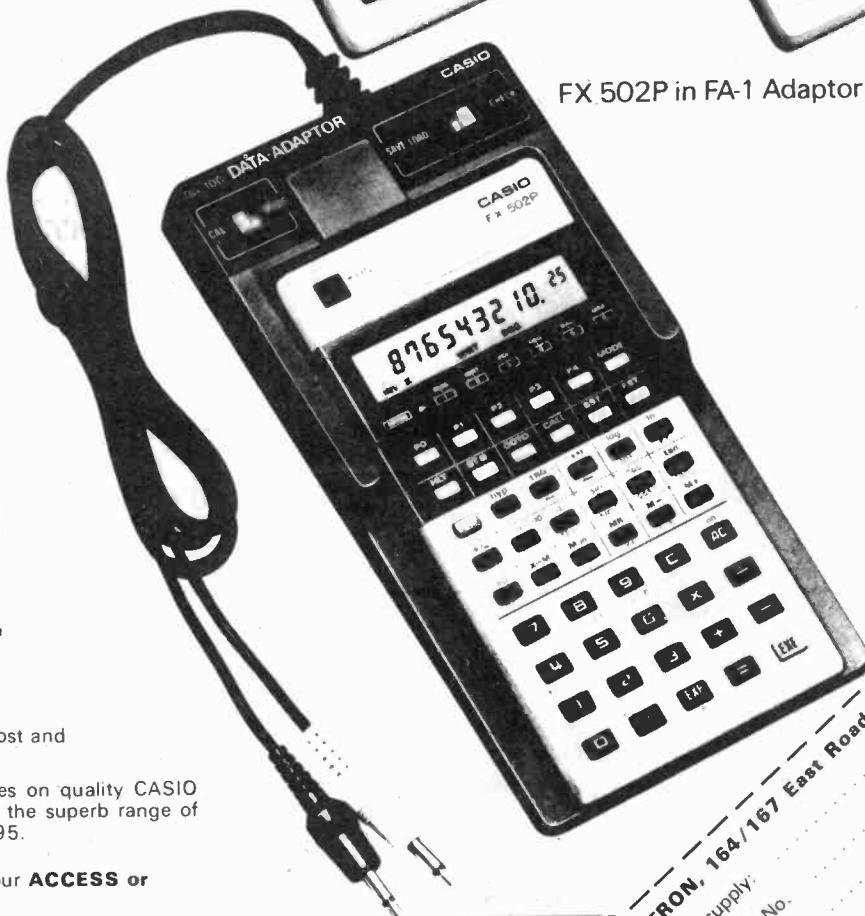
Send cheques, P.O., or phone your **ACCESS** or **BARCLAYCARD** number to:

## TIMETRON

Callers welcome by appointment

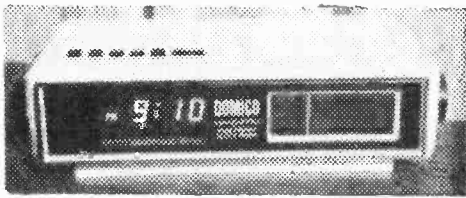
Dept. ET1, Beamont Suite  
164-167 East Road  
Cambridge CB1 1DB  
Telephone 0223 67503

FX 502P in FA-1 Adaptor



To: **TIMETRON**, 164/167 East Road, Cambridge CB1 1DB

Please supply:  
Credit Card No.  
Name  
Address  
Remittance  
£

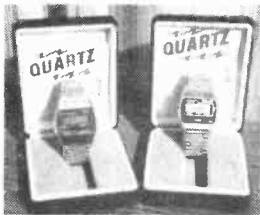


### DIGITAL CLOCK RADIO

AM/FM/LW Radio. Soft green fluorescent display, snooze and sleep time facilities, variable display dimmer. Facility for alarm buzzer instead of radio. 240v mains operation. **£19.95 INC.**

### LCD CHRONOGRAPH

6-digit display-time, perpetual calendar, stopwatch with 1/100th sec. readout, measuring net, lap, first and second place times. **£12.50 INC.**



### LCD SOLAR ALARM CHRONO

Latest model with 6 digit display showing hours, mins., seconds or date and day of week. Dual time zone. 1/10 sec. stopwatch with lap timer. 24 HOUR ALARM. SOLAR PANEL with battery backup. **£27.50 INC.**

### LCD ALARM GENTS

Continuous 6 digit display of hours, min., seconds or date. 24 HOUR ALARM facility. **£12.50 INC.**

All models have backlight for night use and fully adjustable stainless steel strap. Gift box if required 50p extra.

Send cheque/PO for fast postal service. Prices are inclusive of VAT and Postage. All items carry a 12 month warranty and 7 day money back guarantee.

S.A.E. for details of our wide range of products

## SPARKS DEVELOPMENTS

PO BOX 80  
DERBY

## E.T.I. RADIO CONTROL S.A.E. FOR DETAILS

### NEW CHESS CHAMPION - 6 LEVELS



GUARANTEED FOR 1 YEAR

**£89.50**

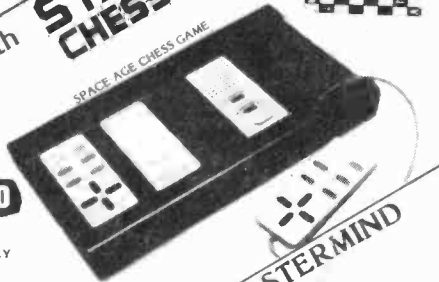
COMPLETE WITH POWER SUPPLY

NEW TV GAME IN COLOUR

- All international chess rules apply
- Both Newspaper and Magazine problems can be entered
- Level of play can be changed during a game

BE FIRST with

### STAR CHESS



GUARANTEED FOR 1 YEAR

**£59.50**

COMPLETE WITH POWER SUPPLY

### WITH SOUND EFFECTS

TAKE YOUR OPPONENT - FIRE AT YOUR OPPONENT OR WARP OUT OF THE SCREEN TO RETURN AT A RANDOM TIME AND PLACE

POCKET SIZE WITH PEN AND WALLET

Select 1, 2, or 3 digits or your own number. Tells how many tries you took. Fail button if you want to give up.

PLUS ALL OUR NORMAL RANGE OF GOODS. S.A.E. FOR LIST.

**£14.90**

FREE - MINI MASTERMIND WITH EVERY ELECTRONIC MASTERMIND

All prices inclusive - P & P free

### N.I.C. MODELS

27 Sidney Road, London N22 4LT  
01-839-9736

Please allow up to 21 days for delivery



The twin mini floppy disc system provides off line storage of programs and data accessible more than 100 times faster than tape storage. Each 5 1/4" DISKETTE can store up to 81,920 bytes of program or data. Random average seek time may well be as low as 370 microseconds.

The twin drives and controller are housed in a metal saddle maintaining an integrated configuration, one of the major features of the PET. Connection is via the PET memory expansion port and the system comes complete with a PROM which boots the disc resident P-DOS into RAM. Control of the disc system is via PET BASIC USR instruction with simple commands from either the keyboard or under program control.

### IBM 3740 compatible disc system.

The following disc system commands are available LOAD, SAVE, CREATE, DELETE and CATALOGUE. The file management system provides for up to 8 files to be opened concurrently. Files can be opened in READ, WRITE, UPDATE and APPEND mode. The user may write his own disc system modules to expand the facilities of the disc resident system.

**£950.00 excluding VAT.**



## PICO BYTE

## Now, complete your system!

### Citronic MM313 Mixer

Ideal for the DIY enthusiast building up a complete disco system 4/6 ch mono. inc. LED indicators, connections via phono sockets at rear. Bargain price, including PSU £84.24.

### The ultimate range of speakers

We carry a good selection of high quality chassis for the DIY speaker constructor: 12" or 15" Bass speakers and Dual Concentrics. Exponential horns from £13.77 or our fabulous Piezo Horns which handle a 5K-20K frequency range in any PA system up to 100W. (No X over required) and cost only £6.18 each.

### Projectors

Come and see our specially selected projectors from £42.12 (Squire Multi-flect 150) to £94.50 (Tutor 11E) plus the widest array of projector attachment and effects that you'll ever see on continuous demonstration.

### Ropelights

Great effect at discos. 7 metres long. Multiway connectors. 4 channel. £43.20 (inc. pack of spare bulbs)

### Turntables

Our unsurpassed Disco experience has enabled us to select the best turntables for your requirements. For example the new BSR P200 belt drive. ONLY £28.12

### Bulgian Octal plugs and sockets

There's always hundreds of Bulgian Octal multiway plugs and sockets in stock at Roger Squire's. Each pin rated 6A. Perfect for your Sound to Light System P552 SOCKET £0.65 P551 PLUG £1.94

### Many disco accessories

All Roger Squire's shops have a service department which carries large stocks of DISCO SPARES & ACCESSORIES

# Roger Squire's

## DISCO CENTRES

PERSONAL CALLERS ONLY

ALL SHOPS OPEN TUE SAT LATE NIGHT WED (UP TO 8 PM)

LONDON 176 Junction Road, N19 50Yds Turnpike Tube Station Tel: 01 272 7474

BRISTOL 125 Church Road, Bradford (Near St. George) 1 mile from end of M32 Tel: 0272 550550

MANCHESTER 251 Deargate 2, 15 mins from City Centre Tel: 061 831 7676

GLASGOW 1 Queen Margaret Road (off Green Margaret Drive) Kelvinhall 20, just behind the BBC Tel: 041 946 3303

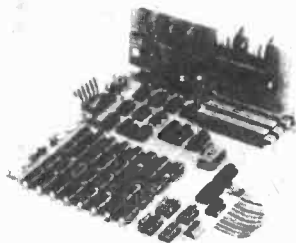
# INTRODUCING DUAL DRIVE MINIFLOPPY FOR PET!



\*DUAL MINI FLOPPY DRIVE WITH 100K PER DISK SIDE FOR TOTAL 200K ON LINE. **£833 + VAT.**  
 \*DESIGNED FOR COMMERCIAL SPEED REQUIREMENTS  
 \*FAST LOADING SPEED

\*DISKMON™ (DOS) AUTOMATICALLY REORGANIZES FREE DISK SPACE AFTER SAVE OR ERASE  
 \*DISKMON IS RESIDENT IN ROM VIA DISK CONTROLLER BOARD PLUGGED INTO EXPANDAPET™  
 \*DISKMON ADDS 14 COMMANDS TO BASIC INCLUDING DISK DATA FILES  
 \*DISKMON COMMANDS SUPPORT COMMERCIAL PRINTER OFF PARALLEL PORT SUCH AS CENTRONICS 779  
 \*FULL DISK SOFTWARE SUPPORT  
 \*FORTRAN & PLM COMPILERS THIS JANUARY  
 \*90 DAY MANUFACTURER'S WARRANTY ON HARDWARE  
 \*READY TO USE ON DELIVERY, WITH FULL INSTRUCTIONS AND UTILITY DISKETTE  
 \*CALL OR WRITE FOR ADDITIONAL INFORMATION  
 \*INITIAL QUANTITIES LIMITED  
 \*THIS SYSTEM IS FULLY SUPPORTED BY SOFTWARE FROM THE MANUFACTURER  
 \*DELIVERY NOW  
**DKH641—DUAL DRIVE SYSTEM, COMPLETE WITH DISKMON £833 + VAT**  
**DKL067—DISKMON ASSEMBLER LISTING/DOS £19.95**  
**ASM789T—PET-ASSEMBLER ON CASSETTE £19.95**  
**ASM789D—PET ASSEMBLER ON DISKETTE (5.5 inch) £39.95**  
**LNK456—AUTOLINK LINKING LOADER ON DISKETTE £39.95**  
**FOR300—FORTRAN COMPILER ON DISKETTE £59.95**  
**PLM400—PLM COMPILER ON DISKETTE £39.95**  
 ★ BUSINESS PACKAGES STARTING IN 1st QUARTER 1979 ★  
 \*THIS SYSTEM REQUIRES EXPANDAPET MEMORY (MINIMUM 16K—SEE BELOW)

## INTERNAL MEMORY EXPANSION FOR PET! EXPANDAPET™



**INTERNAL MEMORY EXPANSION UNIT**  
 •MOUNTS EASILY INSIDE YOUR PET  
 •EASY TO INSTALL (15 MINUTES)  
 •USES LOW POWER DYNAMIC RAMS  
 •90 DAY PART & LABOUR 1 YR-RAMS  
 •MOUNTING SLOTS FOR 4 BOARDS  
 •CALL/WRITE FOR ADDITIONAL INFO  
 •DEALER INQUIRIES INVITED

32K UNIT ALLOWS 8K OF ASSEMBLY LANGUAGE SUBROUTINES ACCESSED VIA THE USR COMMAND  
 OPTIONAL PLUG-IN BOARDS  
 SERIAL I/O BOARD P.O.A.  
 S-100 I/O BOARD P.O.A.  
 4K EPROM BOARD P.O.A.

**EXPANDAPET PRICES**  
 16K (+ 8K PET = 24K) £261 + VAT  
 24K (+ 8K PET = 32K) £320 + VAT  
 32K (+ 8K PET = 40K) £374 + VAT

### MUSIC BOX

Turns your PET into a programmable musical instrument. You can record and ply up to 90 pages, 16 notes per page, change tempo, key, etc.

**£37.50 inc. VAT & P&P**

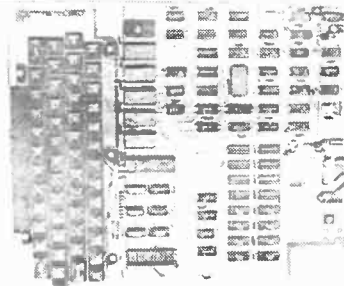
### T.I.S. WORKBOOKS

A set of 5 workbooks to give you a full understanding of all the ins and outs of your PET more fully than any previous manuals.

**£15.95 per set, inc. P&P**

Lots of software and other goodies.  
 Send large SAE

## OHIO SCIENTIFIC SUPERBOARD II



**£263 plus VAT**

### Standard Features

- Uses the ultra powerful 6502 microprocessor
- 8K Microsoft BASIC-in-ROM
- Full feature BASIC runs faster than currently available personal computers and all 8080-based business computers
- 4K static RAM on board expandable to 8K
- Full 53-key keyboard with upper-lower case and user programmability
- Kansas City standard audio cassette interface for high reliability
- Full machine code monitor and I/O utilities in ROM
- Direct access video display has 1K of dedicated memory (besides 4K user memory), features upper case, lower case, graphics and gaming characters for an effective screen resolution of up to 256 by 256 points. Normal TV's with overscan display about 24 rows of 24 characters, without overscan up to 30 x 30 characters.

### Extras

- Available expander board features 24K static RAM (additional mini-floppy interface, port adapter for printer and modem and OSI 48 line expansion interface).
- Assembler editor and extended machine code monitor available.

Fully built and tested. Requires only 5V at 3 amps and a videomonitor or TV and RF converter to be up and running.

**DELIVERY 3-4 WEEKS**

**LOTUS SOUND, 4 MORGAN ST., LONDON E3 5AB**

Tel: 01-981-3993

Telex: 261426 Attn: Lotus Sound

## POWER AMPLIFIER CP2-15/20



Each CP2-15/20 contains two identical amplifiers, each of which can give 20 Watts rms into 4 Ohms (15W into 8 Ohms). Alternatively the module may be connected to give 40 Watts into 8 Ohms. Protection is provided against short and open circuit loads, reverse supply connection (as all Magnum Modules) and thermal overload. Transient performance is virtually unaffected by loading and free from overshoot and TIM distortion. THD is typically 0.03% at 1kHz. All this adds up to a versatile and robust amplifier of extremely 'clean' and 'musical' performance.

**CP2-15/20 £14.46 incl. (U.K.)  
£16.46 incl. (export)**

**Also available:** Pre-Amplifiers, Peak Programme Monitors, Filters, Stereo Image Width Control, Compressor/Expander, Active Crossovers, Power Supplies, Interconnection PCBs, plus all pots, switches, etc.

### MAGNUM AUDIO Ltd.

DEPT. ET6, 13 HAZELBURY CRESCENT  
LUTON, BEDS. LU1 1DF  
TEL: 0582 28887

SEND LARGE S.A.E. FOR DETAILS

#### SINCLAIR PRODUCTS\*

Microvision TV world model £147.95, UK model £59.95, mains adaptor £6.73, PDM35 £23.95, mains adaptor £3.19, 30kv probe £18.90, DM350 £68.95, DM450 £97.95, DM235 £49.45. Rechargeable batteries £7.50. Mains adaptor/charger £3.70. Case £3.45. 30kv probe £18.90. Enterprise prog calculator with accessories £22.95. Cambridge prog calculator £12.13. Prog library £4.45. Mains adaptor £3.20.

#### CALSCOPE OSCILLOSCOPES\*

Send see for details or see the Calscope advert in this magazine. Super 6: 6MHz single beam 60ns rise time £174. Super 10: 10MHz dual trace 35ns rise time £236.

#### COMPUTER GAMES\*

Chess challenger 10 £167. Chess challenger 7 £79. Checker challenger 4 £84. Checker challenger 2 £50. Atari videocomputer £138. Cartridges £13.45.

#### CONTINENTAL SPECIALITIES PRODUCTS\*

EXP300 £6.21. EXP350 £3.40. EXP325 £1.73. EXP600 £6.80. EXP650 £3.89. EXP48 £2.48. P86 £9.94. P8100 £12.74. LM1 £30.99. LP1 £33.48. LP2 £19.44. MAX 100 £75.40.

#### TV GAMES

Send see for data. Tank battles kit £4.50. AY-3-8500 chip £4.95, kit £4. Stunt cycle AY-3-8765 chip £11.70, kit £4. 10 game paddle 2 AY-3-8610 chip £5.90, kit £6.60. Racing car AY-3-8603 chip + kit £17.90. Modified shoot kit £4.96. Rifle kit £4.95. Colour generator kit £5.70. Joystick 220K £1.69.

#### MAINS TRANSFORMERS

8-0-8V 100ma 74p, 1 1/2 £2.35. 6.3V 1 1/2 £1.89. 9-0-9V 75ma 74p, 1a £1.99, 2a £2.60. 12-0-12V 50ma 74p, 100mc 50p, 1a £2.49. 13V 1/2a 95p 15-0-15V 1c £2.79. 30-0-30V 1a £3.59.

#### JC12 AND JC20 AMPLIFIERS

Integrated circuit audio amplifier chips supplied with free data and printed circuits. JC12 6 Watts £1.60. JC20 10 Watts £2.95. Send see for free data on our range of matching power and preamp kits.

#### FERRANTI ZN416

ic radio chip £1.05. Extra parts and pcb for radio £3.85. Case £1. Send see for free data.

#### PRINTED CIRCUIT MATERIALS

PC etching kits: Economy £1.85, standard £3.99. 60 sq ins pcb 55p. 1lb FeCl £1.05. Etch resist pens. Economy 45p, dalo 79p. Small drill bits 1/32ins or 1mm 20p each. Etching dish 68p. Laminate cutter 75p.

#### S-DECS AND T-DECS\*

T-Dec £4.02. u-DecA 40p. u-DecB £6.73.

#### BATTERY ELIMINATORS

3-way types with switched output and 4-way multi-jack. 3/4 1/2/6v 100ma £2.71. 6/7 1/2/9v 300ma £2.95. 100ma radio types with press-stud connectors 9v £3.35, 6v £3.35, 4 1/2v £3.35, 9+9v £4.50, 6+6v £4.50, 4 1/2+4 1/2v £4.50. Cassette recorder mains unit 7 1/2v 100ma with 5 pin din plug £3.35. Fully stabilised type 3/6 7/7 1/2/9v 400ma £5.30. Car converters 12v dc input, output 9v 300ma £1.50, output 7 1/2v 300ma £1.50. Output 3/4 1/2/6/7 1/2/9/12v 800ma £2.50.

#### BATTERY ELIMINATOR KITS

Send see for data. 100ma radio types with press-stud connectors 4 1/2v £1.40, 6v £1.40, 9v £1.40. 4 1/2+4 1/2v £1.80, 6+6v £1.80, 9+9v £1.80. Cassette type 7 1/2v 100ma with din plug £1.40. Heavy duty 13-way types 4 1/2/6/7 1/2/8 1/2/11/13/14/17/21/25/28/34/42v 1A £4.65, 2A £7.25. Transistor stabilised 8-way types for low hum 3/4 1/2/6/7 1/2/9/12/15/18v 100ma £2.80. 1Amp £6.40. Variable voltage stabilised models 2-18v 100ma £3.60, 2-30v 1A £5.95, 2-30v 2A £10.95. Car converter 12v dc input. Output 9/7 1/2/6v 1A stabilised £1.35.

#### SI-PAK AUDIO MODULES

Send see for data. AL30 £3.95. PA12 £7.60. PS12 £1.39. T538 £2.65. S450 £23.51. AL60 £4.86. PA100 £16.95. SPM80 £4.47. BMT80 £5.95. Stereo 30 £20.12. MA60 £35.44.

#### COMPONENTS

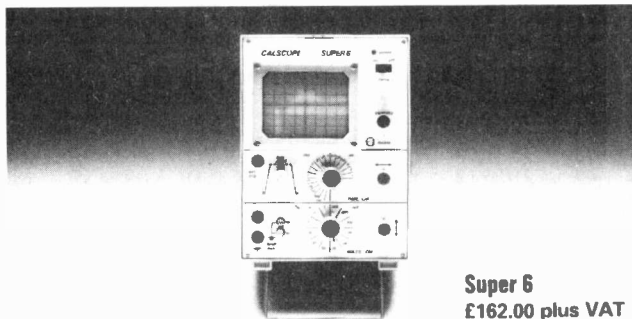
1N4148 1.4p. IN4002 2.9p. 741 8 di 15p. 723 14 di 2.9p. NE555 8 di 23p. bc182b, b183b, bc184b, bc212b, bc213b, bc214c, bc547, bc548, bc549, bc550 4.5p. tip31c, tip32c 3.4p. tip41c, tip42c 4.5p. bd31, bd32 3.1p. Plastic equiv bc107 4.8p. Fuses 20mm x 5mm cartridge 15, 25, 5, 1, 2, 3, 5Amp quick-blow 1p, anti-surge 3.4p. Resistors 5% 1/4W £12 10R to 10M 1p, 0.8p for 50+ of one value. Polyester capacitors 250v .015, .068, .1mf 1.5p, .01, .033, .33mf 2.7p, .022, .047mf 3.2p, .22, .47mf 4.8p. Polystyrene capacitors £12 63v 10 to 10000pf 3p. Ceramic capacitors 50v £12 22 to 1000pf 1.7p, E6 1n5 to 47n 2p. Electrolytic capacitors 50v, 5, 1, 2mf 5p, 25v 5, 10 5p, 16v 22, 33, 47, 68mf 5p, 100mf 6p, 220mf 7.5p, 330, 470mf 9p, 1000mf 10p. Zeners 400mW E24 2v7 to 33v 7p. Preset pots subminiature 0.1W horiz or vert 100 to 4M7 6.8p. Potentiometers 1/4W 4K7 to 2M2 log or lin single 26p, dual 76p.

### SWANLEY ELECTRONICS

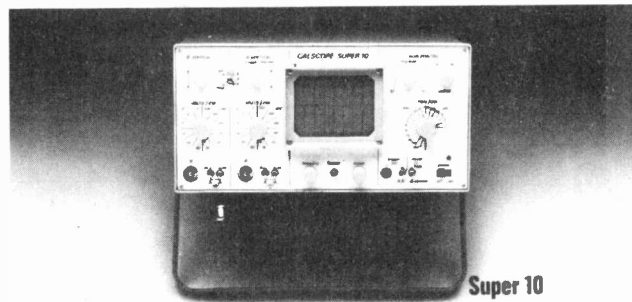
DEPT. ET1, 32 GOLDSSEL ROAD, SWANLEY, KENT BR8 8EZ

Mail order only. Please add 30p to the total cost of order for postage. Prices include VAT. Overseas customers deduct 7% on items marked \* and 11% on others. Official credit orders welcome.

# The professional scopes you've always needed.



Super 6  
£162.00 plus VAT



Super 10  
£219.00 plus VAT

When it comes to oscilloscopes, you'll have to go a long way to equal the reliability and performance of Calscope.

Calscope set new standards in their products, as you'll discover when you compare specification and price against the competition.

The Calscope Super 10, dual trace 10 MHz has probably the highest standard anywhere for a low cost general purpose oscilloscope. A 3% accuracy is obtained by the use of stabilised power supplies which cope with mains fluctuations.

The price £219 plus VAT.

The Super 6 is a portable 6MHz single beam model with easy-to-use controls and has a time base range of 1µs to 100ms/cm with 10mV sensitivity. Price £162 plus VAT.

Prices correct at time of going to Press

#### CALSCOPE DISTRIBUTED BY

Marshall's Electronic Components,  
Kingsgate House,  
Kingsgate Place,  
London, N.W.6.

Audio Electronics,  
301 Edgware Road, London W.2.  
Tel: 01-724 3564  
Access and Barclay card facilities  
(Personal Shoppers)

Watford Electronics,  
33-35 Cardiff Road,  
Watford, Herts.  
Tel: 0923 40588

Maplin Electronics Supplies Ltd.  
P.O. Box 3  
Rayleigh, Essex.  
Tel: 0702 715 155  
Mail Order

# CALSCOPE





# ambit international <sup>®</sup>

The PW Sandbanks Metal Locator: a kit based on this recently published design for this uniquely effective type of metal locator is available for only £35.00 + 8% VAT. The kit closely resembles the appearance as published, except that a close fitting injection molded housing replaces the vacuum molded electronics box - to improve the environmental suitability of the construction. Carriage for complete kits £1.

The New Catalogue - "Tecknowledgey Part 2"

Part 2 of the catalogue: by the time this advert reaches the press, part 2 should be on sale. Sorry it's late, but it contains so many new and interesting things that we felt we had to hold up production to include them. Part three by the autumn - and already there are many new items to go in! Part one 45p, part 2 50p. (inc PP etc).

<b>Radio ICs</b>		<b>Discrete devices: more than ever:</b>			
TDA1062	HF/VHF tunerhead	1.95	BF960	800MHz/2.8dB nf	1.60*
TDA1083	One chip AM/FM rx	1.95	BF961	200MHz/2.0dB nf	0.80*
TDA1090	One chip HiFi am/fm	3.35	40822	FM RF amp	0.43*
TDA1220	One chip am/fm rx	1.75	40823	FM mixer	0.51*
HA1197W	HiFi AM tuner IC	1.40	40673	Famous MOSFET	0.55*
CA3123E	AM tuner IC	1.40	2SJA9/2sK133	120v/100W MOSPOWER	10.50*
TBA651	AM tuner IC	1.81			
CA3089E	Famous FM IF system	1.94			
CA3189E	As 3089+ deviation mute				
	AF preamp, adj, agc	2.75			
HA1137W	Improved S/N 3089	2.20			
TBA120S	limiting amp+detector	0.75			
MC1350P	high gain	1.00			
MC1300P	agc'd IF preamp	1.20			
MC1330P	synch AM/video detector	1.35			
KB4406	Cascade IF preamp	0.65			
uA753	limiting FM preamp	1.95			
<b>Communications circuits</b>		<b>LEDs: the best value today</b>			
SD6000	DMOS RF/Mixer pair	3.75	3mm	5mm	2.5x5mm
KB4412	Bal mixers, IF+agc	2.55	Red	0.14	0.17
KB4413	AM/SSB det. squelch, agc	2.75	Green	0.18	0.16
KB4417	mic processor	2.55	Yellow	0.18	0.15
MC3357	best thing in NBFM yet	3.12	Orange	0.22	0.29
MC1496P	popular double bal mixer	1.25			
<b>Multiplex decoders + noise blanker</b>		<b>Misc. ICs for radio/audio applications</b>			
MC1310P	popular PLL decoder	2.20	U237B	5 LED bargraph driver	0.80*
uA758	buffered 1310	2.20	SAS6610	4 station touch tune IC	1.48*
CA3090AO	RCA PLL decoder	3.25	SAS6710	adds 4 stations to 6610	1.48
HA1196	improved PLL decoder with stereo preamps	3.95	MSM5523/4	LW, MW, SW and FM digital frequency readout plus clock, timers, stopwatch	£14*
HA11223	19kHz pilot cancel, low distortion, high S/N	4.35	MSM5526	LW/MW/FM DFM with direct drive for LCD	£11*
KB4437	as HA11223 with remote VCO kill facility	4.55	TCA730	DC volume control	3.50
KB4438	stereo MUTING preamp for post decoder mute	2.22	TCA740	DC tone control	3.50
KB4423	impulse noise blanker	2.53	TDA1028	DC input switch	3.50
			TDA1029	DC mode switch	3.50

We cannot really list all the details we would like to here - but with advent of the new mark 3 tuner system, the Dorchester and matching AF units, Ambit offers you the widest choice ever, plus hardware and styling that matches the very high standards we have set in this new range.

TERMS etc: CWO please, VAT on Ambit items is generally 12%, except where marked (\*). Catalogue part 1:45p, part 2 50p all inclusive. Postage 25p per order, carriage on tuner kits £3. Phone Brentwood (0277) 216029/227050 9am-7pm. Callers welcome inc. Saturdays.

## At last, DIY HiFi which looks as if it isn't.

That's not to say it doesn't look like HiFi - just that it doesn't look like the usual sort of thing you have come to associate with DIY HiFi. The Mk3 outstrips and outperforms all British made HiFi tuners, and most imported ones too. Certainly at the price, there isn't one near it. But more than that, it looks superb. A small pic here would be an insult, so send an SAE for details on the kit that looks as if it isn't. It's something else.....

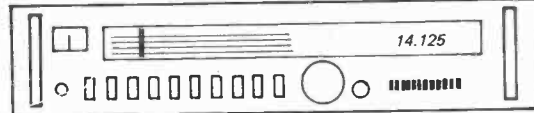
- \* Exceptionally high performance - exceptionally straightforward assembly
- \* Baseboard and plug-in construction. Future circuit developments will readily plug in, to keep the MkIII at the forefront of technical achievement
- \* Various options and module line-ups possible to enable an installment approach to the system

and now previewing the matching 60W/channel VMOS amplifier:

- \* Matching both the style and design concepts of the MkIII HiFi FM tuner
- \* Hitachi VMOS power fets - characterized especially for HiFi applications
- \* Power output readily multiplied by the addition of further MOSFETs
- \* VU meters on the preamp - not simply dancing according to vol level
- \* Backed with the usual Ambit expertise and technical capacity in audio

## The PW Dorchester - LW, MW, SW, & FM stereo tuner

THE DIGITAL DORCHESTER ALL BAND TUNER



With styling and dimensions to fit in with the rest of AMBIT's new range of tuner & audio equipment.

When the new range of OKI digital frequency display ICs was announced, the original prototype of the Dorchester had been made - but since so many of you wanted to use the OKI frequency counterdisplay system with the Dorchester, we quickly designed a unit to incorporate the necessary facilities. The Digital Dorchester is designed in 19 inch form, and forms a perfect match for the other units in the range. If you don't want to go to the expense of the full Ambit DFM1 module, with AM/FM/Time/Timers, then the MA1023 clock module can be used instead.

The Dorchester has been described in PW Dec., Jan. and Feb. issues - but for those of you who may have missed it - it is an All Band broadcast tuner, covering LW/MW/SW and FM stereo in 6 switched ranges. Construction is very straightforward, with all the switching being PCB mounted - and the revolutionary TDA1090 IC used for AM/FM.

The electronics for the radio section of the Dorchester remain unchanged at £33.00, with 12.5% VAT. The hardware package, of case, meter, PSU now costs £33.00 + 8% with the MA1023 available for an extra £5 only. For the fully digital version, with Ambit DEM1, the price is £56.50 + 8% VAT.

**2 Gresham Road, Brentwood, Essex.**

## ALL OUR MAIN STOCKS HAVE NOW BEEN SOLD

Stock not stored at our previous address or purchases during or since the closure order was given could not be sold from that address. **We now offer the remainder of our stock of oscilloscopes, components, general test gear, etc.** to the public and dealers. Send for lists. 9p stamp please.

Or Call and See our DISPLAY of Equipment and Components at VERY ATTRACTIVE PRICES.

**TEKTRONIX 545A with CA**  
**HEWLETT PACKARD 175A**  
**SOLARTRON CD1400**  
**TELEQUIPMENT D33R**

**from £150 each**  
**from £150 each**  
**at £100 each**  
**at £80 each**

Carriage and VAT not included in prices.

A large range of Signal Generators, X-Y Plotters, Components, DVM's etc also available.

CALLERS ARE VERY WELCOME strictly between the hours 9am to 1pm and 2pm to 5pm Monday to Saturday incl.

BARCLAYCARD (VISA) AND ACCESS WELCOME.

**ALL INVOICES, ENQUIRIES, ETC., TO OUR TEMPORARY ADDRESS OF**

# CHILTMHEAD LTD

**NORWOOD ROAD, READING**

(2nd turning left passed Reading Technical College in Kings Road then first right - look for 'Spoked Wheel' on right)

**TELEPHONE NO. READING 669656**

### 8K ON BOARD MEMORY!

5K RAM, 3K ROM or 4K RAM, 4K ROM (link selectable). Kit supplied with 3K RAM, 3K ROM. System expandable for up to 32K memory.

### 2 KEYBOARDS!

56 Key alphanumeric keyboard for entering high level language plus 16 key Hex pad for easy entry of machine code.

### GRAPHICS!

64 character graphics option — includes transistor symbols! Only £18.20 extra!

### MEMORY MAPPED

high resolution VDU circuitry using discrete TTL for extra flexibility. Has its own 2K memory to give 32 lines for 64 characters.

### KANSAS CITY

low error rate tape interface.



### 2 MICROPROCESSORS

Z80 the powerful CPU with 158 instruction, including all 78 of the 8080, controls the MM57109 number cruncher. Functions include +, -, \*, /, squares, roots, logs, exponentials, trig functions, inverses etc. Range  $10^{-99}$  to  $9 \times 19^{99}$  to 8 figures plus 2 exponent digits.

### EFFICIENT OPERATION

Why waste valuable memory on sub routines for numeric processing? The number cruncher handles everything internally!

### RESIDENT BASIC

with extended mathematical capability. Only 2K memory used but more powerful than most 8K Basics!

### 1K MONITOR

resident in EPROM.

### SINGLE BOARD DESIGN

Even keyboards and power supply circuitry on the superb quality double sided plated through-hole PCB.

**COMPLETE  
KIT**

**ONLY  
£275.00  
+VAT**

Cabinet size 19.0" x 15.7" x 3.3". Television by courtesy of Rumblelows Ltd., price £58.62

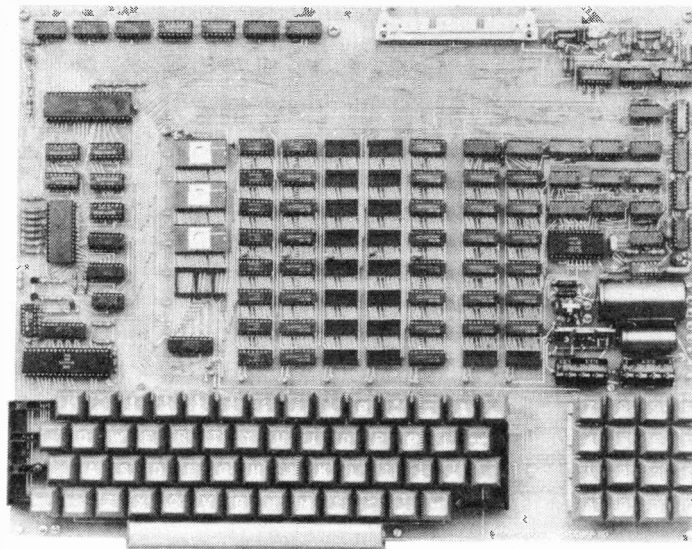
# POWERTRAN

**PS1 Comp 80. Z80 Based powerful scientific computer  
Design being published in Wireless World — NOW!**

The kit for this outstandingly practical design by John Adams being published in a series of articles in Wireless World really is complete!

Included in the PS1 COMP 80 scientific computer kit is a professionally finished cabinet, fibre-glass double sided, plated-through-hole printed circuit board. 2 keyboards PCB mounted for ease of construction, IC sockets, high reliability metal oxide resistors, power supply using custom designed toroidal transformer. 2K Basic and 1K monitor in EPROMS and, of course, wire, nuts, bolts, etc.

**SYSTEM  
EXPANSION  
COMING  
SHORTLY!**



Kit also available as separate packs: e.g. PCB. Keyboards, Cabinet, etc.

PCB size 16.0"x12.5"

### Value Added Tax not included in prices

**PRICE STABILITY:** Order with confidence Irrespective of any price changes we will honour all prices in this advertisement until July 31, 1979, if this month's advertisement is mentioned with your order. Errors and VAT rate changes excluded.

**EXPORT ORDERS:** No VAT. Postage charged at actual cost plus 50p handling and documentation.

**U.K. ORDERS:** Subsequent to 8% surcharge for VAT\*. NO charge is made for carriage\*. Or current rate if charged.

**SECURICOR DELIVERY:** For this optional service (U.K. mainland only) add £2.50 (VAT inclusive) per kit.

**UK Carriage FREE**

## POWERTRAN COMPUTERS

(a division of POWERTRAN ELECTRONICS)

PORTWAY INDUSTRIAL ESTATE

ANDOVER HANTS SP10 3NM

ANDOVER

(0264) 64455

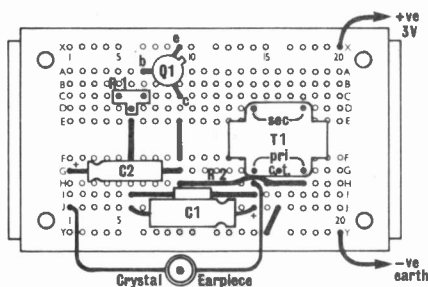
# BUILD TWO FREE PROJECTS ON CSC

ELECTRONICS BY NUMBERS  
FREE PROJECTS NO 1 & NO 2

## ELECTRONICS BY NUMBERS FISH'N'CLIKS

Now using **EXPERIMENTOR BREADBOARDS** and following the instructions in "Electronics by Numbers" ANYBODY can build electronic projects. Look at the diagram, this has the same letter/number system as all EXP BOARDS. Look at the "YOU WILL NEED" list and select Q1 this is PNP transistor type HEP-230. This plugs into hole X9, A7 and C9. NOW take C1, a 50 uF capacitor, and put into holes J6 and J14 and do the same with all the components.

NOW YOU HAVE FISH'N'CLIKS



### YOU WILL NEED

- B1, B2 - 2x1.5V AAA batteries
- C1, C2 - 50 uF, 12-VDC electrolytic capacitor
- E1 - Crystal earphone
- Q1 - Motorola HEP-230 pnp transistor
- R1 - 5000-ohm pot
- R2 - 27000-ohm, 1/4 watt resistor
- S1 - Spst switch part of R1
- T1 - Mini transistor output transformer; 500-ohm center tapped primary to 8-ohm secondary
- EXP - ANY EXP. BREADBOARD.

The anglers dream come true. This electronic marvel emits a CLIK-CLIK sound that makes fish really hungry. Shove the whole works in a watertight container lower it over the side and wait for the fish to grab the hook.

FILL IN THE COUPON AND WE WILL SEND YOU FREE OF CHARGE A COPY OF THE FULL PROJECT FISH'N'CLIKS, AND A COPY OF PROJECT No 1 "TWO TRANSISTOR RADIO".

### PROTO-CLIP TEST CLIPS.

Brings IC leads up from crowded PC boards. Available plain or with cable with clips at one or both ends.



- PC - 16 pin. £2.75.
- PC - 16 pin with cable. £6.00.
- PC - 16 with cable and 16 pin clips at both ends. £10.25.



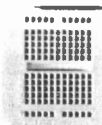
Europe, Africa, Mid-East: CSC UK LTD.  
Dept. 9P, Shire Hill Industrial Estate  
Saffron Walden, Essex CB11 3AQ  
Telephone: SAFFRON WALDEN 21682  
Telex: 817477

## EXPERIMENTOR BREADBOARDS.

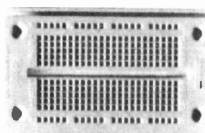
No soldering modular breadboards, simply plug components in and out of letter number identified nickel-silver contact holes. Start small and simply snap-lock boards together to build breadboard of any size.

All EXP Breadboards have two bus-bars as an integral part of the board, if you need more than 2 buses simply snap on 4 more bus-bars with the aid of an EXP.4B.

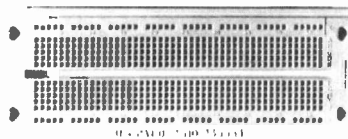
**EXP.325.** The ideal breadboard for 1 chip circuits. Accepts 8,14,16 and up to 22 pin IC's. **ONLY £1.60.**



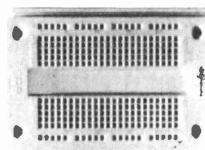
**EXP.350.** £3.15. 270 contact points with two 20-point bus-bars.



**EXP. 300.** 550 contacts with two 40-point bus-bars. **£5.75.**



**EXP. 650** for Micro-processors. **£3.60.**



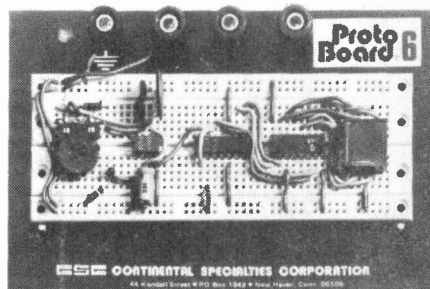
**EXP 4B.** More bus-bars. **£2.30.**



ALL EXP.300 Breadboards mix and match with 600 series.

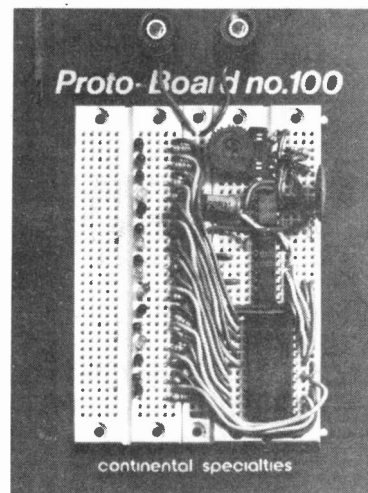
## PROTO-BOARDS.

THE ULTIMATE IN BREADBOARDS FOR THE MINIMUM COST. TWO EASILY ASSEMBLED KITS.



PB.6 Kit, 630 contacts, four 5-way binding posts accepts up to six 14-pin Dips.

**PROTO-BOARD 6 KIT. £9.20.**



PB.100 Kit complete with 760 contacts accepts up to ten 14-pin Dips, with two binding posts and sturdy base. Large capacity with Kit economy.

**PROTO-BOARD 100 KIT £11.80.**

### HOW TO ORDER AND RECEIVE FREE COPY OF FISH'N'CLIKS PROJECT WITH BONUS OF FREE TWO TRANSISTOR RADIO PROJECT.

CSC UK LTD. Unit 1, Shire Hill Industrial Estate, Saffron Walden, Essex CB11 3AQ.

It's easy. Give us your name and full postal address, in block capitals. Enclose cheque, postal order or credit card number and expiry date. OR telephone 0799 21682 and give us your Access, American Express or Barclaycard number and your order will be in the post that night.

EXPERIMENTOR BREADBOARDS.	CONTACT HOLES.	IC CAPACITY 14 PIN,DIP.	UNIT PRICE INCLUDING POSTAGE AND V.A.T.
EXP. 325	130	1	£ 2.53
EXP. 350	270	3	£ 4.21
EXP. 300	550	6	£ 7.29
EXP. 650	270	use with 0.6 pitch Dip's Bus-Bar Strip	£ 4.69
EXP. 4B.	Four 40 Point Bus-Bars		£ 3.29
TEST CLIPS			
PC. 16.			£ 3.78
PC.16-18.			£ 7.56
PC. 16-18 Dual Clip.			£12.15
PROTO-BOARDS.			
PB. 6.	630	6	£11.01
PB 100.	760	10	£13.82

NAME .....

ADDRESS .....

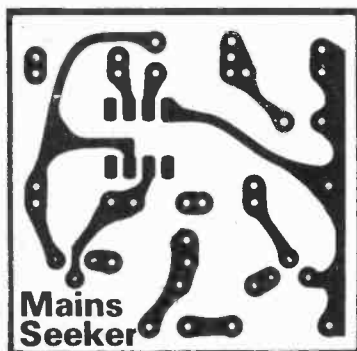
FILL IN COUPON & RECEIVE FREE COPY OF ELECTRONICS BY NUMBERS PROJECTS No 1 AND No 2

# PCB FOIL PATTERNS

**GATHERED HERE** are all the PCBs for this month's projects. From now on the boards will be grouped together like this in order to facilitate their use by those readers wishing to produce their own PCBs from these patterns.

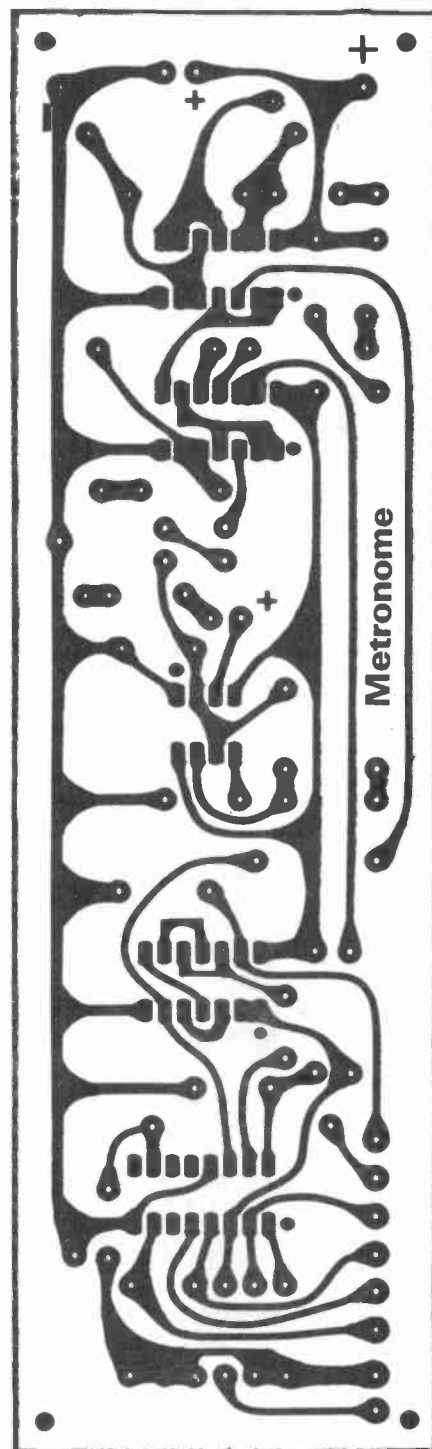
All are shown foil side up, and full size. Companies wishing to produce these for sale as ready made PCBs should note that where the board carries a copyright symbol, the designer retains that copyright to himself, so his company, and that particular board may not be produced on a commercial basis.

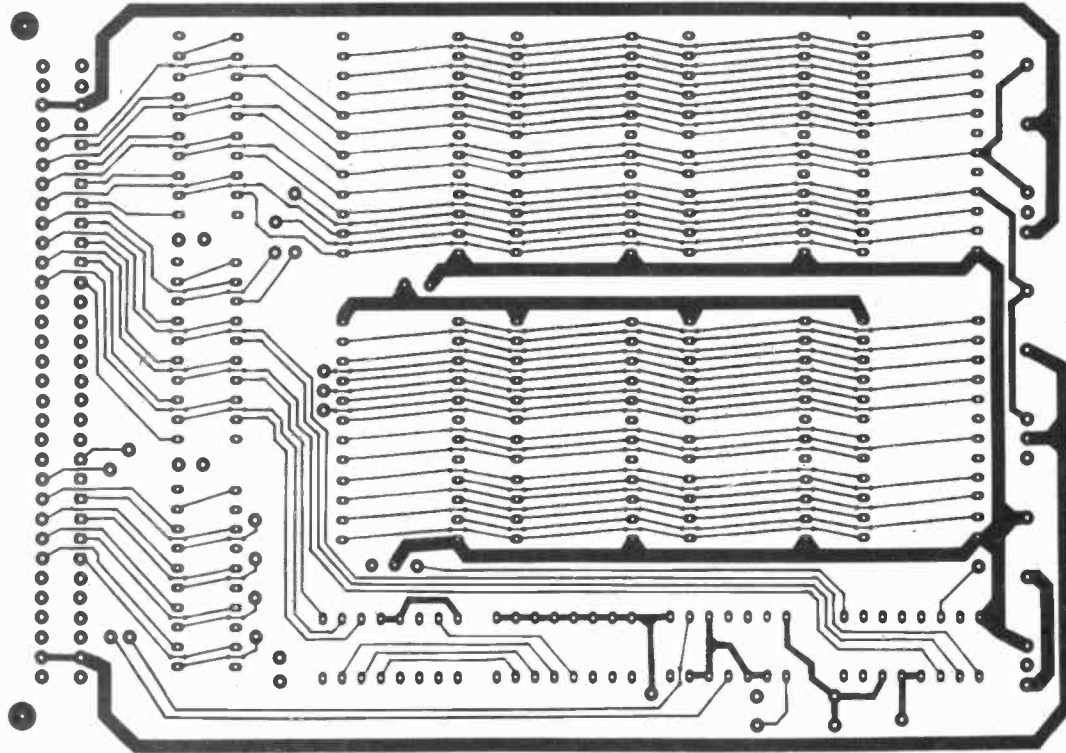
These pages form the basis of our ETIPRINT sheets, which are etch resistant transfers of the foil patterns, designed to simplify one-off PCB production. See the ad on page 71 for further details.



Left: the Mains Seeker foil pattern.

Right: the accentuated beat metronome board





Triton 8k Eprom Card



# Wilmslow Audio

*THE firm for speakers!*

Send 15p stamp for the world's best catalogue of Speakers, Drive Units, Kits, Crossovers, etc., and discount price list.

- AUDAX ● BAKER ● BOWERS & WILKINS ●
- CASTLE ● CELESTION ● CHARTWELL ● COLES ●
- DALESFORD ● DECCA ● EMI ● EAGLE ● ELAC ●
- FANE ● GAUSS ● GOODMAN'S ● I.M.F. ●
- ISOPHON ● JR ● JORDAN WATTS ● KEF ● LEAK ●
- LOWTHER ● MCKENZIE ● MONITOR AUDIO ●
- PEERLESS ● RADFORD ● RAM ● RICHARD ALLAN ●
- SEAS ● TANNOY ● VIDEOTONE ●
- WHARFEDALE ● SHACKMAN ● AUDIOMASTER ●
- TANGENT ● STAG ● YAMAHA

## WILMSLOW AUDIO Dept. ETI

SWAN WORKS, BANK SQUARE, WILMSLOW  
CHESHIRE SK9 1HF

Discount HiFi, etc., at:

5 Swan Street and 10 Swan Street

TEL. WILMSLOW 529599 FOR SPEAKERS  
WILMSLOW 526213 FOR HI-FI

# SINTEL

## KITS OR ASSEMBLED LATCHED COUNTER MODULES

Our range of Industrial Latched Counter Module Kits is now available ready-built. These counters use both CMOS and TTL ICs and will save you considerable design, purchasing, building and de-bugging time. Each module uses a set of red LED displays, and features a single in-line plug and socket. Instructions are provided. For full details please send for Catalogue.

	TTL				CMOS			
	Part No.	Built	Part No.	Kit	Part No.	Built	Part No.	Kit
2 digit	401-404	£13.22	526-412	£10.52	985-988	£13.02	548-470	£10.42
4 digit	715-484	£23.38	957-412	£17.90	512-568	£22.63	899-470	£18.11
6 digit	283-484	£33.78	721-412	£28.06	393-568	£32.31	191-470	£25.85

### NEW PRICES AND SOME NEW CMOS ADDITIONS

If you need your CMOS by return — buy it from SINTEL

CD4000	0.15	CD4027	0.44	CD4051	0.82	CD4086	0.64	CD40182	1.40
CD4001	0.17	CD4028	0.77	CD4052	0.82	CD4089	1.39	CD40192	1.40
CD4002	0.17	CD4029	1.03	CD4053	0.82	CD4093	0.80	CD40193	1.40
CD4006	1.04	CD4030	0.50	CD4054	1.04	CD4094	1.69	CD40194	1.19
CD4007	0.18	CD4031	2.00	CD4055	1.18	CD4095	0.94	CD40257	1.48
CD4008	0.87	CD4032	0.89	CD4056	1.18	CD4096	0.94	CD4502	0.81
CD4009	0.50	CD4033	1.25	CD4059	4.28	CD4097	3.35	CD4510	1.01
CD4010	0.50	CD4034	1.71	CD4060	1.00	CD4098	0.98	CD4511	1.25
CD4011	0.18	CD4035	1.06	CD4063	0.98	CD4099	1.65	CD4514	2.47
CD4012	0.20	CD4036	2.86	CD4066	0.55	CD4100	2.50	CD4515	2.82
CD4013	0.43	CD4037	0.85	CD4067	3.35	CD4101	1.61	CD4516	1.01
CD4014	0.83	CD4038	0.96	CD4068	0.20	CD4102	2.13	CD4518	0.97
CD4015	0.83	CD4039	2.78	CD4069	0.20	CD4103	2.13	CD4520	1.04
CD4016	0.48	CD4040	0.97	CD4070	0.46	CD4104	1.10	CD4522	1.43
CD4017	0.79	CD4041	0.75	CD4071	0.20	CD4105	1.06	CD4523	1.21
CD4018	0.83	CD4042	0.89	CD4072	0.20	CD4106	0.82	CD4555	0.78
CD4019	0.50	CD4043	0.88	CD4073	0.20	CD4107	0.89	CD4556	0.78
CD4020	1.11	CD4044	0.84	CD4075	0.20	CD4108	5.36	MC14528	0.93
CD4021	0.90	CD4045	1.26	CD4076	1.17	CD4109	1.03	MC14553	4.43
CD4022	0.82	CD4046	1.20	CD4077	0.39	CD4160	1.19	IM6508	8.05
CD4023	0.18	CD4047	0.89	CD4078	0.20	CD4161	1.19		
CD4024	0.70	CD4048	0.80	CD4081	0.20	CD4162	1.19		
CD4025	0.20	CD4049	0.50	CD4082	0.20	CD4163	1.19		
CD4026	1.55	CD4050	0.43	CD4085	0.64	CD4181	3.40		

Our offices are at Chapel Street, Oxford, but please do not use this as a postal address. PRICES VALID UNTIL 30th JUNE, 1979. For full range of components send for Free Catalogue

OFFICIAL ORDERS ARE WELCOME from Companies, Govt. Depts, Natn. Inds., Univs. Polys.  
ORDERS: C.W.O. add VAT @ 8%+ 35p p&p. TELEPHONE and CREDIT (Invoices) ORDERS add VAT @ 8% + 60p p&p minimum charge (the balance will be charged at cost). Please see FAST SERVICE EXPORT ORDERS welcome, no VAT but add 10% (Europe), 15% (Overseas) for Air Mail p&p. For Export postage rates on heavy items — contact us first.

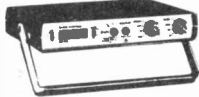
ORDERS TO: SINTEL, PO BOX 75A, OXFORD  
Tel: 0865 49791

FAST SERVICE: We guarantee that Telephone Orders for goods in stock, received by 4.15 p.m. (Mon.-Fri.) will be despatched on the same day by 1st Class Post (some heavy items by parcel post) and our stocking is good. Private customers should telephone and pay by giving their Access or Barclaycard number, with a minimum order value of £5. Official orders, no minimum.

**SINTEL**

# AUDIO AND TEST EQUIPMENT CENTRE

Telephone your order with Access and Barclaycards or send cheque with order.



RETAIL  
MAIL ORDER  
EXPORT

ALL PRICES  
INCLUDE VAT



LONDON'S TEST GEAR CENTRE  
OPEN 6 DAYS A WEEK 9 am-6 pm

## SCOPES — IN STOCK (UK P/P £1.50 ea.)

3" 5MHz single beam	97.00
4" 8MHz Single beam	124.20
5" 12 MHz Single Beam	189.00
Super 6 6MHz single beam	£149.00
Super 10 10MHz Dual trace	225.00
4D25 Scope x 25MHz Dual trace	339.00
PROBES x1 x 10 14.50, x 10 9.85, x 1 7.95. Scope leads	2.95

### SINCLAIR

10MHz

MINISCOPE

Available soon

Price to be announced

## DIGITAL MULTIMETERS

DM235 Sinclair portable 3 1/2 digit LED	49.95
DM335 Sinclair Pocket 3 1/2 digit LED	29.95
DM350 New Sinclair 3 1/2 Digit with 10 amp range	99.95
DM450 New Sinclair 4 1/2 Digit	99.95
DM1200 Bench Portable 3 1/2 digit LED (30kV Probes 18.25, Mains adaptors 3.75, DM carrycase 8.95)	59.40

### FREQUENCY COUNTERS

MAX100 100 MHz 8 digit built operated counter	43.75
MAX 350	21.95
350 MHz Pocket Frequency Counter	89.50
MAX 50	21.95
50 MHz Pocket Counter	£57.50
500 MHz Prescaler for MAX 100 or 50	£37.80

## NEW SINCLAIR 200MHZ POCKET FREQUENCY COUNTER PFM200 OPTO 7000 600MHZ c/w Nicads/Charger (was £168. Price Now £128.50)

## MULTI-METERS — GENERAL PURPOSE & ELECTRONIC

Multi-Range Instruments featuring AC/DC volts DC current Resistance Ranges all with mirror scales except T1/T11-2/T12/TM3A (TM3 AC volts only), some with AC current etc

TM11 incredible 120 Range Electronic Multi-meter	148.50
TM3B AC Micro voltmeter 3MHz >4 Megohm	142.50
360TR 100k volt 23 Range (plus transistor checker) Large scale	36.95
PROE 20k/volt 26 Range Large scale	29.95
7081 50k/volt 36 Range Multi-meter	21.95
TMK500 30k/volt 22 Range Multi-meter (plus Continuity Buzzer)	34.50
880R 20k/volt 52 Range Pocket Multi-meter	21.95
7200 20k/volt 22 Range Double Multi-meter	17.95
Micro80 20k/volt 26 Range Pocket Multi-meter	17.90
IT1-2 20k/volt 16 Range Popular Multi-meter	11.95
LT22 20k/volt 19 Range Pocket Multi-meter with carry case	14.50
T12 5k/volt 13 Range Pocket Multi-meter	8.50
LT101 1k/volt 12 Range Pocket Multi-meter	6.95
AT205 50k/volt 21 range multi meter	25.95
K200 FET VOM 38 Ranges	77.00
GT101, 20K/Volt 23 Ranges/Transistor Checker/Continuity Checker	£19.95

AVO 8s and a large range of replacement test leads in stock

## GENERAL EQUIPMENT

SE250 Signal injector	4.95
TE7 Signal Tracer AF/RF	8.95
SWR50 SWR/Power Meter	19.50
LP30 30MHz Low Pass Filter	4.95
CX3A 150watt 3-way AE Switch	7.50
DC25kV 100 Meg HV Probe	11.95
DRS10 36 Value Resis. Box	3.95
RP124 0/24v 0/1 Amp P/S Stabilised Single Meter	39.70
RP230N 0/30v 0/1 Amp P/S Twin Meters	79.00
TR1000 Transistor checker in/out circuit	11.95
MOD83 Signal injector	7.50
LB1 Transistor Diode Checker	21.50
3101 Clamp Meter 0/1 K ohm 0/150/300/600 AC Volts 0/300 Amp	36.95
C3042 SWR & FS Meter	9.95
SWR10 SWR Meter	12.50
WB319 2x100 Watt Audio Watt Meter	11.95
*500V Megohmmeter 500 Megohms	48.00
*2 1/2 Amp Variable Transformer	19.95

## GENERATORS

TG152 Series 3Hz 300kHz 5 Ranges	
TG125D	81.00
TG125Dm (with meter)	101.00
TG200 Series RC Oscillators Sine/Square Output 1Hz - 1MHz 12 Ranges	
TG2000	107.00
TG200D (with meter)	125.00
TG200Dmp (meter and fine control)	137.00
TE22D (Audio) 4 Bands sine 20-200kHz square 20-150kHz	85.00
4001 Digital Pulse Generator 0.5Hz - 5 MHz	99.50
2001 Function Generator-Sine/Square/Triangle/TTL Square 1Hz - 100kHz	81.00

### PROTO BOARD IN STOCK

KITS PR 6 EXP20, PR100	£11.80
SEPARATES EXP300	£5.75, EXP600
QT47B	£1.30, EXP4B
	£2.30.

## LOGIC PROBES AND MONITORS

LT2000 Economy Probe 10MHz	11.95
LM1 Monitor	31.00
LP1 Probe 10MHz	33.48
LP2 1 5MHz	19.44
16 Pin IC test clip	1.95

## PIEZO HORN TWEETERS

Up to 100 watts each No x-over reqd. Only	4.95 each
Flared Horns	6.50
Midrange Flared Horns	11.75
(P/P 20p per 1 or 2, 30p per 3 to 5)	

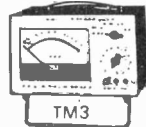
## MICROPHONES, SPEAKERS AND COMPONENTS LARGE RANGE IN STOCK

### DRILLS AND DRILL KITS

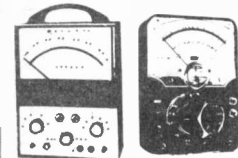
9 to 12 volt Operated 1/4" max SMALL DRILL with 3 collets	6.85
MEDIUM DRILL with 3 collets	9.90
SMALL DRILL with 20 drills, etc	16.95
SMALL DRILL with 6 P/C drills	12.95
MEDIUM DRILL with 20 drills, etc	16.95
MAINS Eliminators	9.95
VARIABLE Speed Eliminator	13.95
12 volt 1/4" Heavy Duty Drill	12.50

**SPECIAL OFFER**  
Stereo Cassette Deck with Record/Play, Preamps, Auto Stop, Twin-level Meters, Piano Key Operation. Ready to use  
£21.50 p/p £1.50 (limited number at this price)

**WE SELL**  
Kef, Sans, Audix, Fane, Goodmans, Motorola, Peerless Speakers/Kits, etc. Also Irons, Tools, etc



TM3



TM11 TMK500

CALL IN AND SEE FOR YOURSELF

PRICES CORRECT AT APRIL 4th, 1979.

# AUDIO ELECTRONICS

301 EDGWARE RD., LONDON W2 1BN  
01-724-3564. OPEN 9-6, MON-SAT.

ALSO AT 248 TOTTENHAM COURT ROAD, W 1

## FREE CATALOGUE

SEND STAMPED (12" x 6" U.K.)  
ADDRESSED ENVELOPE (MIN 9" x 6")  
FOR YOUR COPY NOW

electronics today  
MAY 1978  
45p  
ROBOTS  
reality?  
ELECTRONIC  
PROJECTS  
STAR TREK  
RADIO  
CCD LASER  
MULTIPLE  
OFFERS INSIDE

- KEY:
- 1: The bit of chocolate you thought you'd leave for later.
  - 2: Coffee stains (instant).
  - 3: A useful-sized bit of stiff paper to stop the window from rattling.
  - 4: Rough calculations for your new combined egg timer/laser cannon project.
  - 5: ETI makes a fair soldering iron stand.
  - 6: The dog insisted on carrying your copy to you along with your slippers.

## WHAT A BIND!

Half our orders for binders are repeats: we think that says a lot for their quality. At £3.00 all inc. you get a great deal of peace of mind too!

ETI Binders  
25-27 Oxford Street,  
London W1R 1RF.

# MINI-ADS & CLASSIFIED

## ETCH RESIST TRANSFER KIT SIZE 1:1

Complete kit 13 sheets 6in x 4½in. £2.50 with all symbols for direct application to P.C. board. Individual sheets 25p each. (1) Mixed Symbols (2) Lines 0.05 (3) Pads (4) Fish Plates and Connectors (5) 4 Lead and 3 Lead and Pads (6) DILS (7) BENDS 90° and 130° (8) 8-10-12 T.O.S. Cans (9) Edge Connectors 0.15 (10) Edge Connectors 0.1 (11) Lines 0.02 (12) Bends 0.02 (13) Quad in Line.

## FRONT AND REAR PANEL TRANSFER SIGNS

All standard symbols and wording. Over 250 symbols, signs and words. Also available in reverse for perspex, etc. Choice of colours, red, blue, black, or white. Size of sheet 12in x 9in. Price £1.

## GRAPHIC TRANSFERS WITH SPACER ACCESSORIES

Available also in reverse lettering, colours red, blue, black or white. Each sheet 12in. x 9in contains capitals, lower case and numerals ½in kit or ¼in kit. £1 complete. State size.

All orders dispatched promptly.

All post paid

Ex U.K. add 50p for air mail

Shop and Trade enquiries welcome  
Special Transfers made to order

**E. R. NICHOLLS  
P.C.B. TRANSFERS**

DEPT. ETI 6

46 LOWFIELD ROAD  
STOCKPORT, CHES. 061-480 2179

## SECURITY PRODUCTS

Designed for the Do-It-Yourself market. Easily installed. Full instructions supplied. As supplied to the trade.

Magnet and Reed Switch	Flush	85p
	Surface	85p
Pressure Mats	Large	£2.10
	Stair	£1.35
6" Heavy Duty Bells		£10.50
Sirens 12v 84dB @ 10'		£7.05
Bell Covers		£8.05
Window Foil Self-Adhesive		£3.20
Foil Blocks		20p
Door Loops, complete		£1.10
Key Switches, top grade		£4.00
Control Panels from		£29.50

Radar, Infra-Red, and many other items available. Price list supplied free

Please note that our prices now INCLUDE VAT at 12½% + P&P

## SECURITY CATALOGUE

Giving details of current professional alarm techniques — £1 (refundable on orders over £10)

Access and Barclaycard Sales welcome  
We also sell Nascom 1

## STRATHAND SECURITY

44 St. Andrew's Sq., Glasgow G1 5PL  
041-552 6731 or 2

## Talk To Your Local M.P.



**£10.25** inc. pp

Hexadecimal keyboards in kit form, easily wired to any format — up to 25 low bounce keys + P.C.B. + ribbon + cable connector, all included ★★★

## KITSWITCH

185 Musley Hill, Ware, Herts  
Tel. Ware (0920) 61944

## BREAKING FOR SPARES

Printed boards containing at least:

- 12 TRIACS 200V 1.5A
- 3 TRIACS 400V 8A
- 12 TRANSISTOR BC337
- 8 ZENER Diodes 16V
- 6 CD (@) £) CMOS Buffers
- 8 BICC Burndy Connectors

And numerous other discrete components are being offered for sale at the incredible low price of:

**£10. ONLY + 20p P&P**

These boards will be ideal for A.C. control applications, such as motor control, solenoid control, lamp control, etc.

Please send cheque or postal order to:

**Race Electronics Limited**  
Department ET, WW  
56/64 Morfa Road  
Strand, Swansea

## LOST THE TIME?

**MSF 60KHz TIME RECEIVER**, data output, £13.70.

Right time ALWAYS. Sequential year, month, date, day, hours, minutes, seconds display parts (no case or pcb, Veroboard ideal) for receiver £10.70.

**RADIO 4 GONE?** 200KHz to Medium Wave Converter, coax and inductive outputs, £9.70.

**V.L.F.?** 10-150KHz Receiver, explore, £10.70.

**SIG. GEN.**, 10Hz-200KHz, logic and variable sine or square wave outputs, £10.80.

Giro 21-923-4000. Each easy-assembly kit includes all parts, printed circuit, case, postage, etc., money-back assurance so SEND off NOW.

## CAMBRIDGE KITS

45 (TT), Old School Lane, Milton, Cambridge

## VMOS POWERFETS

(with free data and ideas sheet)

VN67AF (80v, 2A, 15W, TO202) ..... 85p

VN10KM (80v, ½A, 1W, TO92 tab) ..... 60p

Design catalog (80 pages, data and ideas) ..... 30p

VMOS POWERFETS are high input impedance, high current and power gain, fast switching (2-5nS), thermally stable, secondary breakdown free, odd harmonic free, easily paralleled, zener protected devices suitable for small signal/power/AF/RF amplification, display/solenoid/motor/bus and line driving, low impedance analogue switching, PWM amps and power supplies, hi-fi amps, etc., etc.

## BIFET OPAMPS

(free data ideas sheet)

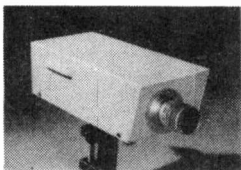
TLO81CP (8 pin) ..... 29p

TLO74CN (14 pin) ..... 120p

(BIFET opamps, superior to bipolar types, even have a few advantages over BIMOS types. Most obvious is their lower cost. Less obvious is the lower noise and greater stability of their input stages.) The TLO74CN (incidentally) is a quad BIFET with particularly low noise and distortion suitable for hi-fi applications.

P&P 20p. Mail Order only

**J. W. RIMMER**  
367 Green Lanes, London N41DY



**CCTV  
CAMERA**

**£99.99** Total £110.64  
inc. pp & VAT

**BEST OFFER EVER**

**Camera Kit, Lens,  
Vidicon & Modulator**

**CROFTON**

Tel: 01-891 1923 For full details

## THIS SECTION IS A PRE-PAYMENT SERVICE ONLY

**MINI-ADS: 31/4" x 21/8", 1-3 £38, 4-11 £36, 12 or more £34 per insertion. CLASSIFIED DISPLAY: 19p per word. Minimum 25 words. Boxed classifieds are £6.33 per col. centimetre. No P.O. Box Numbers can be accepted without full address.**

Enquiries to: Advertising Department, 01-437 5982. 25-27 Oxford Street, London W1R 1RF

### VIDEO MUSIC



Videograph II links to the aerial socket of your tv and provides a full colour GIANT oscilloscope display. A must for hi-fi, home entertainment, discos, organs etc.

**New** — signal invert control, integral square wave generator. **Plus** — full details for testing your audio system for transient distortion, crosstalk etc.

**Complete Kit only £19.95** Luxury cabinet and controls. **£9.95**

READY BUILT UNIT £39.95 + £1.00 P&P

**WILLIAM STUART SYSTEMS LTD**  
 Dower House, Billericay Road, Herongate, Brentwood, Essex CM13 3SD  
 Telephone: Brentwood (0277) 810244

## FOR NASCOM 1 IN SCOTLAND SEE STRATHAND

**In stock now:**  
**Nascom 1 Buffer Boards**  
**8, 16, 32K Ram Boards**  
**Super Tiny Basic**  
**Zeap on tape**

Please note it is not our policy to advertise Nascom products which are not currently available.

### STRATHAND

**44 St. Andrew's Sq.**  
**Glasgow G1 5PL**  
**041-552 6731 or 2**

Access and Barclaycard sales welcome  
 Callers welcome 9-5 Monday to Friday

## Road Runner

### ROADRUNNER WIRE THREADING SYSTEM

Introkrit £8.50, Wiring Pencil with full Bobbin £2.35, Distribution Strips glue fix 20/pkt. 6" long £2.65 pkt., press fix 50/pkt. 2" long fit Vero/RS Bds. £2.25 pkt., Bobbins of "Q.S.E." wire 4 of 1 col. /pkt. green, blue, copper, pink £1.95 pkt.

**SPECIAL OFFER:** Oryx 50 temp. cont. iron & stand £12.50 (rec. price £13.25), Microshear Cutters £3.15 pair, Conductive Paint £2.35, DIL Breadboards + & Gnd. Bus, 20 Ic Posns, Decouplers, C-Fingers £1.50 ea.

Prices include P&P. Please add 8% VAT.

**T. J. Brine Associates**  
**Blackdown Rural Inds.**  
**Haste Hill**  
**Haslemere, Surrey**

**RADAR INTRUDER ALARMS** complete unit in plastic box size approx. 6in. x 3in. x 3in. Professional secondhand unit tested before dispatch, range up to 30ft. Our all in price £25, with suitable 12 volt bell — 6in. diameter £32. "Q" Services Electronic (Camberley) Ltd., 29 Lawford Crescent, Yateley 871048, Camberley, Surrey.

**VHF/FM TRANSMITTER KIT**, new silicon chip design means low price and better performance. Very small — ideal but etc. Range 100 yds. Introductory offer £2.95 P&P 30p (unlicensable). P. Faherty, 4 Angus Drive, S. Ruislip, Middlesex.

## BRITISH MOTOROLA 6800 SYSTEMS

6800S: 16K Dynamic RAM, 1K Mikbug compatible monitor, room for 8K BASIC in ROM, VDU with u/I case and graphics, CUTS and Hi Speed tape interfaces, Single pcb with power supply components. Price of kit from £275 without kbd or £299 with keyboard.

Mini 6800 Mk. 2 1K monitor, 1K user RAM, CUTS, VDU. Kit without keyboard from £127.50, with keyboard from £152.50.

NCU Board. This number cruncher using the MM57109 is supplied with our own Basic style program on tape (3K bytes) that will outperform any of the 8K Basics as a programmable calculator. Suitable for any 6800 system with Mikbug. Kit price £32.

8K RAM (2114) and 5 or 10K PROM board. This pcb is bus compatible with the above systems and has all the buffering and decoding that you need. PCB only, £13.

all prices without VAT and post  
 PLEASE SEND SAE FOR LEAFLETS

**HEWART MICROELECTRONICS**  
**95 BLAKELOW ROAD**  
**MACCLESFIELD, CHESHIRE**

**HI-FI DUSTCOVERS.** Amp Fronts, Machine Guards, Project Boxes. Fabricated to any size and shape in (tinted or clear) perspex. One of orders and trade inquiries welcomed. Please send SAE with your requirements to: D. Somerville, 16 Neville Avenue, Portchester, Hampshire PO16 9NX.

Linsley-Wood 75 watt Amplifiers constructed and repaired. Power amp modules from £11.75. Good range of spares in stock. I. G. Bowman (Dept. ETI), 59 Fowey Avenue, Torquay, S. Devon.

**NEW QUALITY STEREO AMP CHASSIS.** 60w (RMS) Silicon Power Modular System. Protected 3Q min. 0.03% Thd. 12/30v. W/kg. din socks, controls select v/c, etc., Boxed, data £9.95 (inc.). Available with P.s.u. £12.50.

K. Lawrence, 1 Regent Road, Ilkley, W. Yorks.

**CIRCUIT DESIGN,** Prototype construction, Analogue or Digital, Single Circuits or Complete Instruments/Systems. Write A. J. ATTWOOD, C.Eng., MIERE, Heathercote, Heatherton Park, Taunton, Somerset, TA4 1ET or Phone Bradford-on-Tone (082-346) 536.

**TRITON FOR SALE.** Assembled but no case, 1 3/4K ram, £200. Ring 0484 44176, evenings, 6-8.30. Mike Gill, 53 Long Grove Avenue, Dalton, Huddersfield.

### COLOUR MODULATOR

**FOR ALL TV GRAPHICS!**

**£6.95** inc. UHF Modulator

Red, Green, Blue inputs (can be mixed)  
 SUPER EXPLOSION FLASH EFFECT FOR TANK BATTLE. FREE INTERFACE DETAILS.

**WILLIAM STUART SYSTEMS**  
 Dower House, Billericay Road, Herongate, Brentwood, Essex  
 CM13 3SD Tel: (0277) 810244  
 Barclaycard/Access welcome

**For Sale Set of Printed Circuit Boards** for Z80 Microcomputer (as advertised by Greenbank Electronics). Cost £60 accept £30 or over. (Full software support from Greenbank Electronics.) 01-741 1132.

**AF/RF SIGNAL INJECTOR** £3.50. AF/RF Signal Tracer £3.75. Also Transistor Tester, uses your meter, £5.50. Send SAE for leaflets. G. Bobker, 29 Chadderton Drive, Unsworth, Bury, Lancs.

**TIRRO's** new mail order price list of electronic components now available on receipt of SAE. TIRRO Electronics, Grenfell Place, Maidenhead, Berks.

## ETI PCB's

Buy it with Access

BARCLAYCARD

Available for all ETI projects from day one of ETI, phone your order

SPECIAL OFFER—Single sided Pax PCB mat, four off, 4 1/2" x 6 1/2", 99p all up

## CROFTON ELECTRONICS LIMITED

35 GROSVENOR ROAD, TWICKENHAM  
 MIDDLESEX TW1 4AD · Tel: 01-891 1923



## PRINTED CIRCUITS and HARDWARE

Comprehensive range Constructors Hardware and accessories

Selected range of popular components

Full range of HE printed circuit boards normally ex-stock, same day despatch at competitive prices

P.C. Boards to individual designs

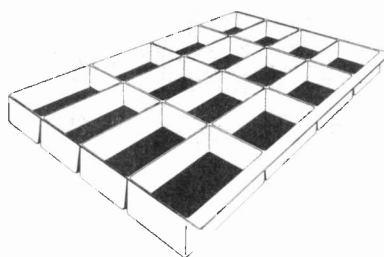
Resist-coated epoxy glass laminate for the d.i.y. man with full processing instructions (no unusual chemicals required)

A large range of etch resist transfers and other drawing materials for p.c. boards

Send 15p for catalogue.

**RAMAR CONSTRUCTOR  
SERVICES  
MASON'S ROAD  
STRATFORD-ON-AVON  
WARWICKS. Tel. 4879**

THE LOW-COST WAY TO  
ORGANISE YOUR COMPONENTS



### COMTRAYS

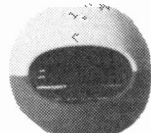
Store resistors, capacitors, IC's, screws, etc. Ideal for organising your project components — saves all that searching around while constructing. Plastic trays with 16 compartments, each compartment 3/4 x 2 x 1 1/2 ins. deep.

£1.60 each, including p.p. and VAT  
Four for £5.90 (64 compartments)  
Eight for £10.90 (128 compartments)

Cheque or P.O. to:  
**HELISTAR SYSTEMS LTD.  
150 WESTON ROAD  
ASTON CLINTON  
AYLESBURY, BUCKS HP22 5EP  
Tel. Aylesbury 630364**

PLEASE  
MENTION  
ETI  
WHEN  
REPLYING  
TO  
ADVERTS

## BARGAINS FOR THE ELECTRONIC HANDYMAN BRANDED LED DIGITAL ALARM CLOCKS



(1)

(2)

(3)

Returned to Service Department within guarantee period.

(1) With alarm repeat — S.R.S.P. of £17.00 offered at £3.95 inc. VAT.

(2) With luxury lamp and repeat alarm as featured in most major U.K. Mail Order catalogues, S.R.S.P. £31.00 — offered at £6.95 inc. VAT.

(3) With integral luxury light and repeat alarm also as featured in most major U.K. Mail Order catalogues, S.R.S.P. of £32.00 — offered at £6.95 inc. VAT.

These will be sold as received from our customers with the existing fault(s) and without guarantee.

Discounts available on large bulk purchases

**PRESCOTT CLOCK AND  
WATCH COMPANY LIMITED  
Prescott House, Humber Road, London NW2 8ER**

## NASCOM 1 USERS HARDWARE

Keyboard Repeat (variable speed) £3.50

NoiseBox (make music) £3.50

### SOFTWARE

Programmes for the NASCOM (can you earn money?)

S.A.E. for further details.

READY-BUILT

NASCOMs £190

### TWELECTRONICS

15 Damside St.  
**LANCASTER  
LA1 0PD  
Phone 0524-33596**

# ADVERTISEMENT INDEX

A.J.D. Direct Supplies . . .	17	Lektrokit . . . . .	98
Atek . . . . .	61	Lotus Sound . . . . .	110
Ambit . . . . .	112 & 113	Maclin-Zand . . . . .	11
Astra-Pak . . . . .	43	Magnum Audio . . . . .	111
A&M Electronics . . . . .	112	Maplin . . . . .	124
Audio Electronics . . . . .	118	Marshall's . . . . .	102
Bi-Pak . . . . .	4 & 5	Metac . . . . .	28
Brewster . . . . .	61	Minikits . . . . .	70
Cambridge Learning . . . . .	83	Mountaineire . . . . .	72
Carston Electronics . . . . .	49 & 100	Nicholls . . . . .	119
Chiltmead . . . . .	113	NIC Models . . . . .	109
Chromasonics . . . . .	44	Petalect . . . . .	54
Chromatronics . . . . .	40	Picodyte . . . . .	69 & 109
Clef Products . . . . .	15	Powell . . . . .	54
Codespeed . . . . .	40	Powertran . . . . .	2, 8 & 114
Comp, Comp, Comp . . . . .	122 & 123	Progressive Radio . . . . .	60
Cougar . . . . .	44	Race Electronics . . . . .	119
Crimson Elektrik . . . . .	96	Roger Squires . . . . .	109
Crofton . . . . .	40	RTVC . . . . .	29
C.S.C. . . . .	115	Science of Cambridge . . . . .	104
Delta Tech . . . . .	86	Scopex . . . . .	111
E.D.A. . . . .	79	Sinclair . . . . .	82
Electronic Brokers . . . . .	69	Sintel . . . . .	92
Electrovalue . . . . .	44	Sparks Development . . . . .	109
E.S.E. . . . .	86	Stevenson . . . . .	16
Fladar . . . . .	100	Swanley . . . . .	111
Fluke International . . . . .	39	Tamtronik . . . . .	24
Greenbank . . . . .	70	Target Electronics . . . . .	100
Greenweld . . . . .	79	Technomatic . . . . .	14
GMT Electronics . . . . .	6 & 7	Technical Book Service . . . . .	94
Gt. British Electronics		Terminal Display Systems . . . . .	24
Bazaar . . . . .	18	Thomson's . . . . .	94
Henry's . . . . .	15, 19 & 98	Timetron . . . . .	108
ILP . . . . .	93	Transam . . . . .	106
Integrated Circuits . . . . .	20	Tooting Computing . . . . .	69
Kode Services . . . . .	98	Vero . . . . .	15
Kramer . . . . .	72	Videotime . . . . .	92
L&B Electronics . . . . .	98	Watford . . . . .	12 & 13
LB Electronics . . . . .	72	Wilmslow . . . . .	92

# INTERESTED IN HOME COMPUTING?

Start now and don't get left behind **THE NASCOM 1** is here Ex-stock with full technical services

Plus the opportunity to join the fastest moving club of personal computer users enabling you to get the most out of your computer. You can OBTAIN and EXCHANGE programs and other software — many now available.

The Powerful Z80  
Microprocessor  
Professional Keyboard  
1 Kbyte Monitor in EPROM  
2 Kbyte RAM (expandable)  
Audio Cassette interface  
Plugs into your domestic TV  
Easy construction from  
straightforward instructions  
— no drilling or special tools  
— Just neat soldering  
required.



**SAVE  
£60**

Only ~~£197.50~~ + 8% VAT (includes p & p + insurance)

Manuals separately 2.95  
Z80 programming Manual 6.90  
Z80 Technical Manual 2.95  
PIO Technical Manual 2.95

**NEW LOW PRICE  
£165 + VAT**

(All prices add 8% VAT)

Power supply suitable for  
NASCOM 19.90

**NASCOM AD ONS** — Nascom improved monitor B Bug (2K) featuring — \*Four times tape speed \*Direct text entry without ASCII \*Extended keyboard facility \*Additional useful subroutines **£23.00**

Nascom Vero Case £22.50  
Nascom Joy Stick Kit £14.90  
Nascom Music Box Kit £9.90  
*(write your own tunes and play them on your Nascom. Complete with full documentation).*

**GRAPHICS ADD ON BOARD £9.90**  
Complete kit to upgrade your NASCOM for graphics capability includes full documentation and demonstration program.

## NASCOM IMMEDIATE EXPANSION S100 from COMP — strongly recommended

The only available S100 motherboard kit (fully buffered) that plugs directly into your Nascom. Designed for the insertion of S100 boards (e.g. Static RAM, EPROM and discs etc.).

S100 Motherboard/Buffer £47.50 } Motherboard comes complete with 2K Tiny Basic on cassette.  
(Complete kit + documentation)  
Suitable 8K Static RAM Memory £125 £110 (fully assembled tested and guaranteed)

## NASCOM LOW COST EXPANSION

Uses dynamic RAM and NASBUS (please note this expansion does not support S100 memory)

Tiny Basic in EPROM £25.00 } All plus VAT  
8K Dynamic RAM board (in kit only) £85.00  
Motherboard (in kit only) £12.50  
Buffer board (in kit only) £25.00

## SHORT C12 CASSETTES 10 for £4.00 FOR COMPUTER PROGRAMMES

## SPECIAL DYNAMIC MEMORY OFFER **£69** + VAT

8 x 4116 □ 150ns access time, 320ns cycle

**FREE B BUG**  
valued at £23.00  
plus 10 x C12 cassettes  
valued at £4.00  
plus Standard Modulator  
valued at £2.25  
**WITH EVERY NASCOM**

## COMPUKIT UK101 — ON DEMO

All specifications of Superboard with many improvements and in kit form including power supply and modulator on board. Improved video display with 48 chars x 16 lines, English TV Standard.

**£219**  
+ VAT

RELEASED END OF  
JUNE 1979.

**SEND £10 DEPOSIT TO RESERVE**

## OHIO SUPERBOARD II NEW — ON DEMO

For electronic buffs. Fully assembled and tested. Requires +5V at 3 Amps and a video monitor or TV with RF converter to be up and running.



### STANDARD FEATURES

Uses the ultra powerful 6502 microprocessor  
8K Microsoft BASIC-in-ROM  
Full feature BASIC runs faster than currently available personal computers and all 8080-based business computers  
4K static RAM on board expandable to 8K  
Full 53-keyboard with upper/lower case and user programmability  
Kansas City standard audio cassette interface for high reliability  
Full machine code monitor and I/O utilities in ROM

Direct access video display has 1K of dedicated memory (besides 4K user memory), features upper case, lower case, graphics and gaming characters for an effective screen resolution of up to 256 by 256 points. Normal TV's with overscan display about 24 rows of 24 characters; without overscan up to 30 x 30 characters.

**EX-STOCK — £263 + VAT**

Please phone to check availability or send £10 to reserve one and pay the balance on delivery

## MODULATORS UHF Channel 36

Standard 6 meg band width £2.25  
High Quality 8 meg band width £4.90

## INDUSTRIAL POWER SUPPLY

+5v 10 amps — £63.25 +5v 5 amps +12v-12v-5v £89.00  
DC switched Both housed and fully guaranteed. Lightweight

**TRS 80 SOFTWARE**  
100 MIXED PROGRAMMES  
on cassette

**NEW**  
**£39.00**  
(inc.VAT)

## HITACHI 9" & 12" PROFESSIONAL MONITORS

**SUPERB DEFINITION**

9" — **£132** } + VAT  
12" — **£210** }



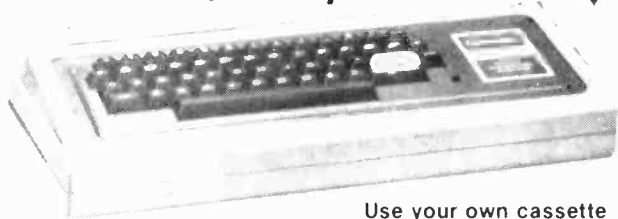
Delivery charged at cost — Red Star — Securicor — Post etc., Your Choice. Please make cheques and postal orders payable to COMP, or phone your order quoting BARCLAYCARD or ACCESS number.

**OPEN — 10am to 7pm — Monday to Saturday**  
**CONTINUOUS DEMONSTRATIONS**



# JUST COMPARE OUR CASH AND CARRY PRICES!

## THE TRS-80 (SPECIAL SCOOP) Low Priced, Ready to Go!



Use your own cassette

**Level-II with 4K RAM**  
Improved graphics, print formatting, and a faster cassette transfer rate are features of Level-II BASIC.

**£399** + VAT

PLUGS INTO  
YOUR OWN TV

**Level-II with 16K RAM**  
A combination of 16K RAM and the powerful Level-II BASIC produces a system capable of handling most demands.

**£499** + VAT

FREE 100 PROGRAMS

**KEY BOARD ONLY**

**COMPLETE WITH  
UHF MODULATOR**

UK POWER SUPPLY — **£9.90** + VAT

## ATTENTION! SAVE £90 TRS 80 & APPLE II USERS

Simple to fit -  
only a screw  
driver is  
required

**16K UP  
GRADE KIT** HALF NORMAL PRICE **£99** + VAT

LIFETIME  
GUARANTEE

## NEW Standard QWERTY Keyboard with 16K Memory



only  
**£625**  
+ VAT

The No. 1  
in the U.K.  
Affordable

8K PET still at  
unbeatable price of **£499** + VAT

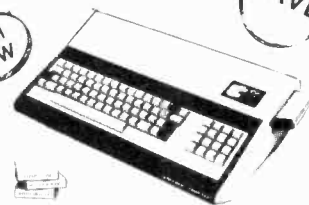
## THE EXIDY SORCERER.

SAVE

### SORCERER COMPUTER SYSTEM

The Sorcerer Computer is a completely assembled and tested computer system. Standard configuration includes 63 key typewriter style keyboard and 16 key numeric pad, Z80 processor, dual cassette I/O with remote computer control at 300 and 1200 baud, data rates, RS232 serial I/O for communications, parallel port for direct Centronics printer attachment, 4K ROM operating system, 8K ROM Microsoft BASIC in Rom Pac™ cartridge, composite video of 64 char. line 30 line screen, 128 upper/lower case ASCII set and 128 user defined graphic symbols, operation manual, BASIC programming manual and cassette - allen cables, connection for S-100 bus expansion.

CPM  
NOW



LOOK!

\*32K RAM on board  
\*RS232 interface \*8K BASIC ROM  
\*CUTS interface \*4K MONITOR  
\*KANSAS CITY interface \*S100 BUS  
\*User defined graphic symbols \*Z80 cpu

EXIDY SORCERER 32 RAM COMPUTER **£790** + VAT

## BOOK SHELF

LOW PRICES - FAST SERVICE!

Vol 0 The Beginner's Book	£5.40
Vol 1 Basic Concepts +	£5.90
Vol 2 Some Real Products (June 1977)	£9.90
Microprocessor series by Rodney Zaks C201 From Chips to Systems	£7.50
C207 Interfacing Techniques	£7.50
Microprocessor Systems Design by Edwin Klingman ISBN 0 135 81413 8 (1977) 480 pages hard cover	16.40
CMOS Cookbook by Don Lancaster 6800 Assembly Language Programming	£6.90
6800 Software Guide & Cookbook from Scelbi	£6.50
8080 Software Guide & Cookbook from Scelbi	£7.90
8080 A/8085 Assembly Language Programming	£7.90
	£6.50

8080A Bugbook Interfacing & Programming by Rony Larsen & Titus (1977) 416 pages	£6.90
Z80 Programming for Logic Design by Adam Osborne	£5.90
Z80 Microcomputer Handbook by William Barden	£7.20
Structured Programming & Problem Solving with Pascal ISBN 0 138 54869 2 (1978) 365 pages by Kieburtz. When will your microcomputer speak Pascal	£9.50
BASIC Computer Games - Microcomputer edition	£5.40
Best of BYTE Vol 1 (1977) 376 pages	£8.90
Best of CREATIVE COMPUTING Vol 1 (1977) 326 pages	£6.90
Vol 2 (1977) 323 pages	£6.90
MOI OHELLO Game for 2 players on NASCOM 1 cassette	£2.00
MOI MINO PILOT powerful text editor and interpreter in 1KB	£5.00

SEND FOR OUR SPRING '79 CATALOGUE - 0-60p



**£827**  
+ VAT

## NEW! THE ITT APPLE (2020)

EX STOCK 4K

LOW PRICE MEMORY UPGRADE  
PURCHASED AT TIME OF ORDER

16K  
**£49**  
+ VAT

\* Full colour - UHF output \* Audio cassette tape interface \* Up to 48K RAM on board \* BASIC in ROM (graphics commands include COLOUR = VLIN, HLIN, PLOT and SCRN) \* Built in Loudspeaker \* Buckets of software already available \* disk system (110 K byte per drive — includes controller) only £425 + VAT

**COMP** COMPUTER COMPONENTS

(PART OF THE COMPSHOP LTD. GROUP)

For technical and sales literature send SAE to:  
COMP COMPUTER COMPONENTS (Exidy UK Sales),  
Freepost, 14 Station Road, New Barnet, Herts.

Tel: 01-441 2922 (Sales) 01-449 6596 Telex: 298755

TAKE ADVANTAGE OF OUR  
SHORT DELIVERY TIME.

All prices exclusive of VAT



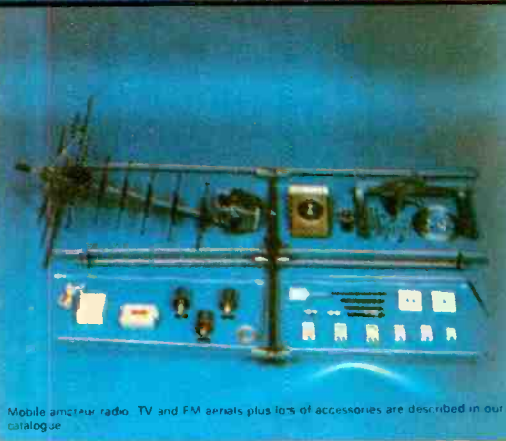
A quality range of British made electrical accessories plus a 'How to' book. Do your own home electrical work with complete confidence. See cat. pages 129 to 134



This superb organ — build the first working section for just over 100. Full specification in our catalogue



A range of highly attractive knobs is described in our catalogue. Our pieces are very attractive too!



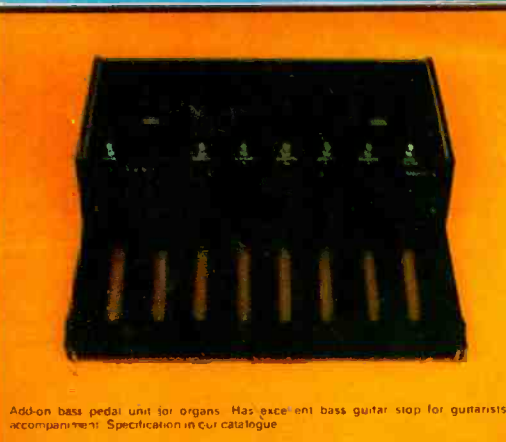
Mobile amateur radio, TV and FM aerials plus lots of accessories are described in our catalogue



A pulse-width train controller for smooth slow running plus inertia braking and acceleration. Full construction details in our catalogue



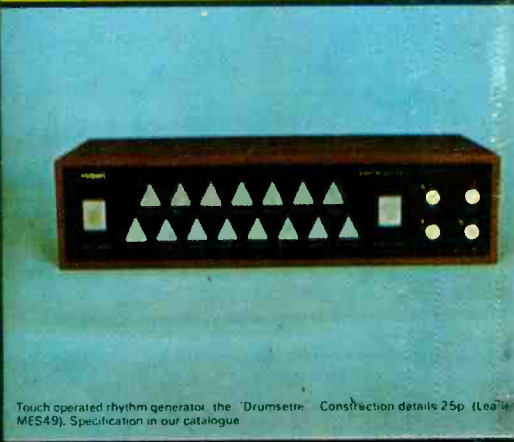
A wide range of disco accessories at marvellous prices. Our catalogue has all the details



Add-on bass pedal unit for organs. Has excellent bass guitar stop for guitarists accompanying. Specification in our catalogue



The 3800 synthesiser — build it yourself at a fraction of the cost of one ready-made with this specification. Full details in our catalogue



Touch operated rhythm generator — the 'Drumset'. Construction details 25p. (Leaflet MES49). Specification in our catalogue

# MAPLIN

## ELECTRONIC SUPPLIES LTD

All mail to:—  
 P.O. Box 3, Rayleigh, Essex SS6 8LR.  
 Telephone: Southend (0702) 554155.  
 Shop: 284 London Road,  
 Westcliff-on-Sea, Essex.  
 (Closed on Monday).  
 Telephone: Southend (0702) 554155.



A superb technical bookshop in your home! All you need is our catalogue. Post the coupon now!



An attractive multi-alarm clock with radio switching function and battery back up. Complete kit with case only £13.88 (incl. VAT & p&p) M/A1023 module only £8.42 (incl. VAT)



A massive new catalogue from Maplin that's even bigger and better than before. If you ever buy electronic components this is the one catalogue you must not be without. Over 280 pages — some in full colour — it's a comprehensive guide to electronic components with hundreds of photographs and illustrations and page after page of invaluable data.

Our bi-monthly newsletter contains guaranteed prices, special offers and all the latest news from Maplin.



A 43-key ASCII keyboard with 625-line TV interface. 4 page memory and microprocessor interface. Details in our catalogue

**Post this coupon now for your copy of our 1979-80 catalogue price 75p.**  
 Please send me a copy of your 280 page catalogue as soon as it is published (8th Jan. 1979). I enclose 75p but understand that if I am not completely satisfied I may return the catalogue to you within 14 days and have my 75p refunded immediately. If you live outside U.K. send £1 or ten International Reply Coupons.

NAME \_\_\_\_\_

ADDRESS \_\_\_\_\_

\_\_\_\_\_