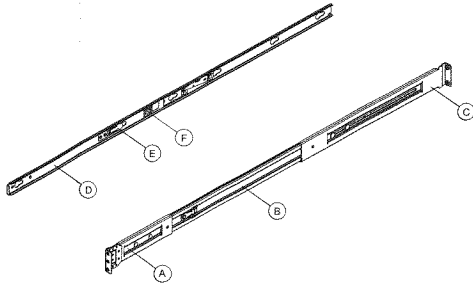


1

## RACK INSTALLATION – REMOVE INNER MEMBER FROM SLIDES

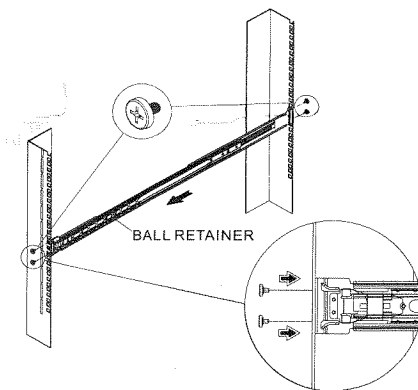


Slide components:  
A - front bracket; B - outer member;  
C - rear bracket; D - inner member;  
E - safety locking pin; F - release button

Pull the release button to remove the inner member from the slides.

2

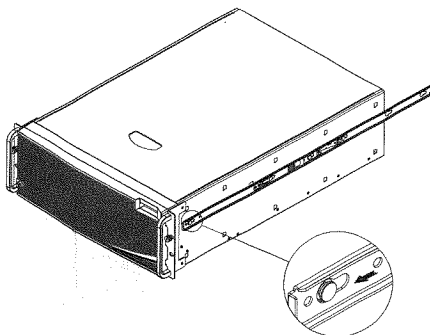
## RACK INSTALLATION – INSTALL SLIDES TO RACK



Align brackets to the desired vertical position on the rack and insert the fasteners. Move the ball retainer to the front of the slides.

3

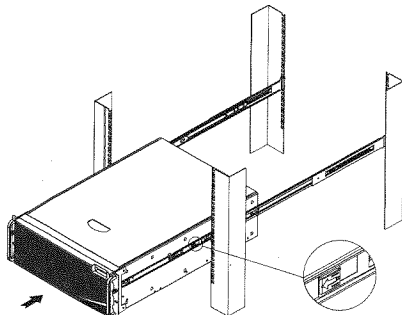
## CHASSIS INSTALLATION – INSTALL INNER MEMBER TO CHASSIS



Align inner member key holes to standoffs on chassis; move the inner member in the direction shown here.

4

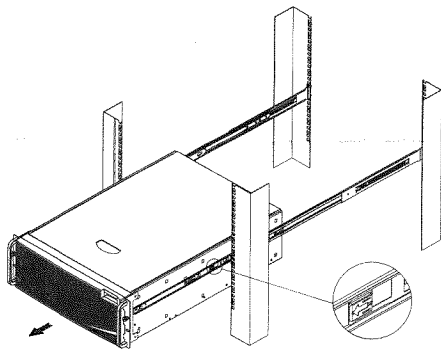
## CHASSIS INSTALLATION – INSTALL CHASSIS TO FIXED SLIDES



Pull the release button in the inner member to release the lock and allow the chassis to close.

5

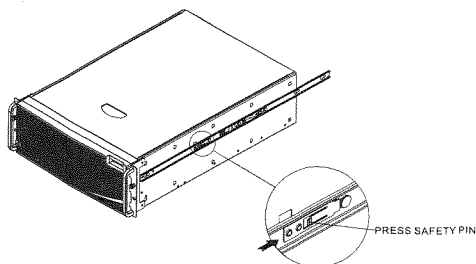
## CHASSIS REMOVAL – EXTEND SLIDES



Fully extend the slides until it is in the locked position; pull the release button to release the lock and disconnect the inner member from the slides.

6

## CHASSIS REMOVAL – REMOVE INNER MEMBER FROM CHASSIS



Press the safety locking pin to release the inner member from the chassis.

**CAUTION:** THE MAXIMUM RECOMMENDED SERVER WEIGHT FOR THE RACK RAILS CAN BE FOUND at <http://www.intel.com/support/motherboards/server/sb/CS-033655.htm>. EXCEEDING THE MAXIMUM RECOMMENDED WEIGHT OR MISALIGNMENT OF THE SERVER MAY RESULT IN FAILURE OF THE RACK RAILS HOLDING THE SERVER. Use of a mechanical assist to install and align server into the rack rails is recommended.